


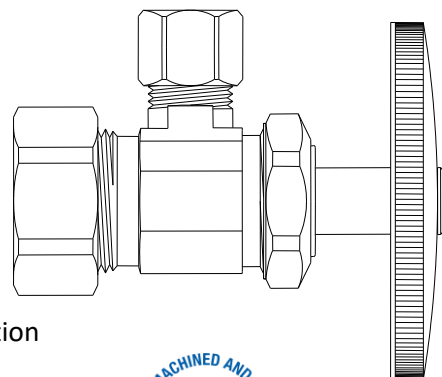
Job Name		Engineer / Architect	
Job Location		Wholesaler	
Submittal Date		Contractor	

OCR1B/3B/09/19/19/29/39/49X Multi-Turn Angle Stop – Compression x Compression

Use: For use in potable water distribution systems in accessible locations only. Not intended for recirculation systems/continuous use of temperatures above 115°F. For those applications, use our KT™ series ball stop.

Design Features:

- **Machined one-piece brass body** provides strength, durability, and long-lasting performance
- **Oval knurled handle** provides a secure grip and smooth on/off operation
- **Easy-to-remove handle** with screw attachment helps protect against accidental stop operation during rough-ins
- **For use with** ASTM F876 PEX tubing, in ASTM F877 water distribution systems (parts containing PXX only)
- 



Operating Specifications:

Temperature: 40° - 140° F
Pressure: 125 PSI maximum

STOP MATERIAL SPECIFICATIONS	
Body	Brass, plated
Stem	POM or brass, plated
Bib & Packing Washer	Rubber
Packing Nut	Brass, plated
Handle	Zinc, die cast plated; ABS, plated; or polycarbonate
Handle Screw	Zinc-plated steel
Compression Nut	Brass, plated
Compression Sleeve	Brass
PEX Insert	Stainless steel

This specification and all information contained herein is the confidential and exclusive property of Brasscraft Manufacturing Company and shall not be disclosed to others without the written consent of Brasscraft Mfg. Co. This specification must be returned to Brasscraft Mfg. Co. if requested.

BrassCraft®

OCR1B/3B/09/19/19/29/39/49X Multi-Turn Angle Stop – Compression x Compression

Part Listing:

<input type="checkbox"/>	OCR1BX C	3/8" nom compression x 3/8" OD compression, chrome plated
<input type="checkbox"/>	OCR1BX C1	3/8" nom compression x 3/8" OD compression, chrome plated, window box
<input type="checkbox"/>	OCR3BX C	3/8" nom compression x 1/2" OD compression, chrome plated
<input type="checkbox"/>	OCR09X C	1/2" nom compression x 1/4" OD compression, chrome plated
<input type="checkbox"/>	OCR09X C1	1/2" nom compression x 1/4" OD compression, chrome plated, window box
<input type="checkbox"/>	OCR09X CBT	1/2" nom compression x 1/4" OD compression, chrome plated, bulk
<input type="checkbox"/>	OCR09X R	1/2" nom compression x 1/4" OD compression, rough brass
<input type="checkbox"/>	OCR09ZX C	1/2" nom compression x 1/4" OD compression, brass stem, chrome plated
<input type="checkbox"/>	OCR19X C	1/2" nom compression x 3/8" OD compression, chrome plated
<input type="checkbox"/>	OCR19X C1	1/2" nom compression x 3/8" OD compression, chrome plated, window box
<input type="checkbox"/>	OCR19X R	1/2" nom compression x 3/8" OD compression, rough brass
<input type="checkbox"/>	OCR19X R1	1/2" nom compression x 3/8" OD compression, rough brass, window box
<input type="checkbox"/>	OCR19X BZ	1/2" nom compression x 3/8" OD compression, oil rubbed bronze
<input type="checkbox"/>	OCR19X NP	1/2" nom compression x 3/8" OD compression, polished nickel
<input type="checkbox"/>	OCR19X NS	1/2" nom compression x 3/8" OD compression, satin nickel
<input type="checkbox"/>	OCR19X P	1/2" nom compression x 3/8" OD compression, polished brass
<input type="checkbox"/>	OCR19KL1X CB	1/2" nom compression x 3/8" OD compression, less outlet nut, plastic handle, chrome plated, bulk
<input type="checkbox"/>	OCR19L1X CB	1/2" nom compression x 3/8" OD compression, less outlet nut, chrome plated, bulk
<input type="checkbox"/>	OCR19L1X RB	1/2" nom compression x 3/8" OD compression, less outlet nut, rough brass, bulk
<input type="checkbox"/>	OCR19L4X C100T	1/2" nom compression x 3/8" OD compression, less inlet nut, chrome plated, 100 per case
<input type="checkbox"/>	OCR19PXX C	1/2" nom compression x 3/8" OD compression, PEX stainless steel insert, chrome plated
<input type="checkbox"/>	OCR19PXX R	1/2" nom compression x 3/8" OD compression, PEX stainless steel insert, rough brass
<input type="checkbox"/>	OCR19TZX CB	1/2" nom compression x 3/8" OD compression, chrome plated, no tray, bulk
<input type="checkbox"/>	OCR19TX CB	1/2" nom compression x 3/8" OD compression, chrome plated, no tray, bulk
<input type="checkbox"/>	OCR19ZX C	1/2" nom compression x 3/8" OD compression, brass stem, chrome plated
<input type="checkbox"/>	OCR19ZX R	1/2" nom compression x 3/8" OD compression, brass stem, rough brass
<input type="checkbox"/>	OCR29X C	1/2" nom compression x 7/16" OD compression, chrome plated
<input type="checkbox"/>	OCR29X C1	1/2" nom compression x 7/16" OD compression, chrome plated, window box
<input type="checkbox"/>	OCR29X R	1/2" nom compression x 7/16" OD compression, rough brass
<input type="checkbox"/>	OCR39X C	1/2" nom compression x 1/2" OD compression, chrome plated
<input type="checkbox"/>	OCR39X CBT	1/2" nom compression x 1/2" OD compression, chrome plated, bulk
<input type="checkbox"/>	OCR39X C1	1/2" nom compression x 1/2" OD compression, chrome plated, window box
<input type="checkbox"/>	OCR39X R	1/2" nom compression x 1/2" OD compression, rough brass
<input type="checkbox"/>	OCR49X C	1/2" nom compression x 5/8" OD compression, chrome plated
<input type="checkbox"/>	XCR19X C	1/2" nom compression x 3/8" OD compression, cross handle, chrome plated

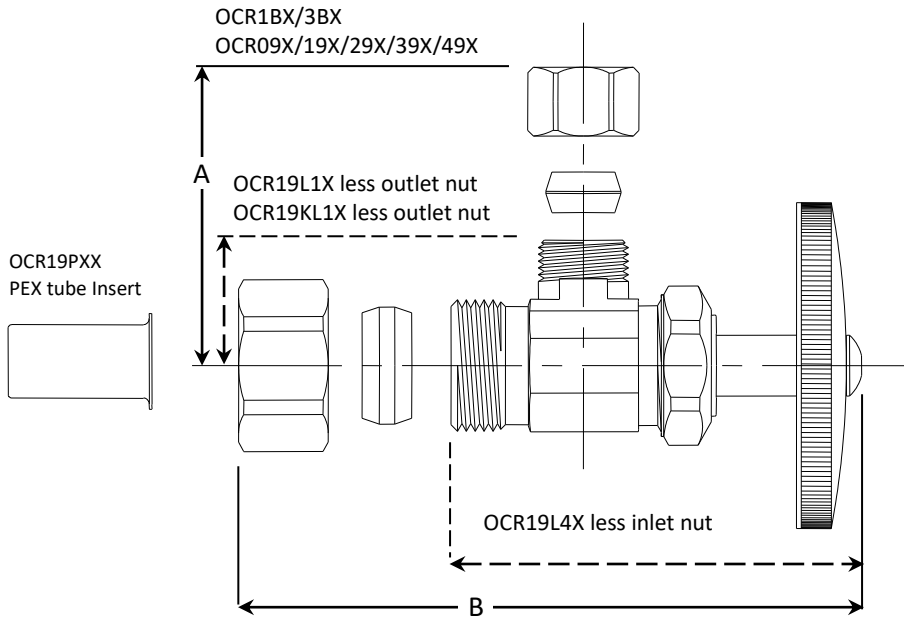
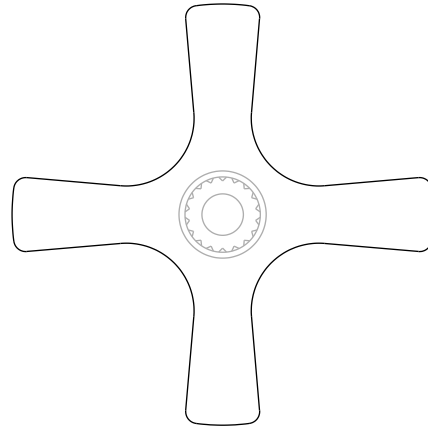
This specification and all information contained herein is the confidential and exclusive property of Brasscraft Manufacturing Company and shall not be disclosed to others without the written consent of Brasscraft Mfg. Co. This specification must be returned to Brasscraft Mfg. Co. if requested.

BrassCraft®

OCR1B/3B/09/19/19/29/39/49X Multi-Turn Angle Stop – Compression x Compression

PART DIMENSIONS (Inches)		
Model	DIM A	DIM B
OCR1BX	1.02	2.75
OCR3BX	1.11	2.75
OCR09X	1.02	2.75
OCR19X	1.02	2.75
OCR19KL1X	1.02	2.75
OCR19L1X	0.74	2.75
OCR19L4X	1.02	2.41
OCR19PXX	1.02	2.41
OCR29X	1.18	2.85
OCR39X	1.11	2.85
OCR49X	1.18	2.97
XCR19X	1.02	2.75

OPTIONAL "CROSS HANDLE"
2.11" DIAMETER HANDLE



Listings & Certifications:

- IAPMO listed to ASME A112.18.1 / CSA B125.1 (includes NSF/ANSI372 & NSF61)



This specification and all information contained herein is the confidential and exclusive property of Brasscraft Manufacturing Company and shall not be disclosed to others without the written consent of Brasscraft Mfg. Co. This specification must be returned to Brasscraft Mfg. Co. if requested.

