

A person is kayaking on the ocean during a vibrant sunset. The sky is filled with golden light and scattered clouds, with the sun partially obscured by a large cloud. The person is wearing a light-colored shirt and a cap, and has several fishing rods mounted vertically on the kayak. The water is dark blue with small waves.

Hobie®

KAYAK AND ECLIPSE PARTS & ACCESSORIES



**SCAN TO GO TO
HOBIE SUPPORT PAGES**



**SCAN TO GO TO
HOBIE PARTS LOOKUP**





CONTENTS

ITEM	PAGE
LIFE VESTS / PFD	2-3
MIRAGEDRIVE® ACCESSORIES	4-5
SAIL KITS / GLOVES	6-7
BIMINI / SIDEKICK / DODGERS / MISC	8-9
ISLAND SPINNAKER / TRAMPOLINES	10-11
HATCH LINERS / HATCHES / BAGS	12-13
<hr/>	
KAYAK CARTS	14-15
KAYAK DOLLIES / TRAILERS	16-17
RACK PADS / STRAPS	18
LOAD ACCESSORIES	19
COVERS / BAGS / ACCESSORIES	20-21
<hr/>	
EVOLVE / TROLLING MOTORS	22-23
LIVEWELLS	24-25
H-BAR / H-CRATE / H-RAIL KITS	26-27
H-RAIL ACCESSORIES & HOBIE ROD HOLDERS	28-29
RAM ROD HOLDERS / MOUNTS	30-33
RAILBLAZA MOUNTS / ACCESSORIES	34-35
SCOTTY ROD HOLDERS / MOUNTS / HUNTING	36-37
STAKE OUT POLE / DRIFT CHUTE / ANCHOR KIT	38
POWER-POLE	39
FISHFINDERS / MOUNTS / INSTALL KITS	40-41
ACCESSORIES / DECK PAD KITS	42-43
ECLIPSE ACCESSORIES / SUP PADDLES	44-45
SAFETY / ACCESSORIES / PET PFD	46-47
<hr/>	
MAINTENANCE / MISC ACCESSORIES	48-49
HARDWARE / LINE / TOOLS	50-51
HOBIE SUNGLASSES / APPAREL HOBIE.COM	52-57
<hr/>	
PARTS DIAGRAMS / SUPPORT	58-74
LIVEWELL PARTS	75
NUMERICAL PARTS LIST	75-77

Note: Freight to dealers is not included in pricing.
 No portion of this catalog may be reproduced without the express permission of the Hobie Cat Company.
 All rights reserved. ©2020 Hobie Cat Company, Oceanside, CA 92056
 Pricing subject to change. Printed in USA

LIFE VESTS & PFDs



S6103xx (xx = size)
MEN'S SUN

HOBIE THIN-BACK by Stohlquist

Features a thin foam back design ... perfect for use with Hobie Vantage seats. This thinner back profile provides more mobility and comfort, while reducing interference with taller seat backs.

- THIN-BACK S6103-6
- THIN-BACK FISH S6107

FEATURES:

Thin back design works with all seat styles; Graded Sizing provides the best possible fit; Open sides for ventilation; Cross-chest cinch harness for zero ride-up; Mesh shoulders & interior panels for maximum ventilation; Adjustable shoulders, and dual forward pulls for a custom fit; Zippered front pockets offer organization; Built-in beverage holder and neoprene sunglasses sleeve; Entry grip tab at zipper base; #10 YKK zipper with non-corroding slider; Lightweight PE Foam; Type III PFD with sea level buoyancy: SM: 16 lbs, 8oz / LXL: 17 lbs / XXL: 17 lbs, 8oz

CONSTRUCTION:

- Mini Ripstop nylon outer shell
- 200 denier oxford liner
- USCG approved

SIZING:

MEN'S		WOMEN'S	
SIZE	CHEST	SIZE	CHEST
SM	30" - 40"	XSS	28" - 34"
LXL	40" - 46"	ML	34" - 40"
XXL	46" - 52"	PL	40" - 46"



S6104xx (xx = size)
MEN'S SLATE



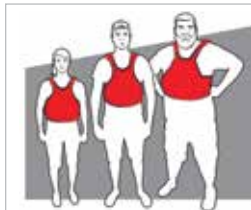
S6107xx (xx = size)
MEN'S FISH SLATE GREEN



S6105xx (xx = size)
WOMEN'S SUN



S6106xx (xx = size)
WOMEN'S SLATE



GRADED PFD SIZING

Fine tuned for each individual size, and sculpted foam footprint and foam thickness to provide a better fitting, and more comfortable PFD for people of all sizes.



HOBIE MIRAGE PFD

This PFD was designed for Vantage high back seats on Hobie Mirage Kayaks. The flotation in the back is thin for more comfort while seated and helps to prevent the vest from riding up as you pedal. A vent along the spine adds to the comfort. Front zip entry for easy on and off. Large pockets on the front for easy storage and access of small items. High waistline cut so the vest does not ride-up while pedaling. Huge arm cutouts and the short waist allow excellent freedom of movement. Adjustable side straps offer enough size variation for many layers underneath or none! Reflective tapes for visibility during low light conditions. Back logos vary between "H" and Penguin Logo. (xxx = SMD - MLG) (UL - Approved) for use in USA Only **S6800xxx** PFD MIRAGE GRAY

SIZING

SIZE	CHEST
SM	33" - 39"
LXL	40" - 46"
XXL	48" - 54"



HOBIE EDGE by Stohlquist

An innovative, high mobility, low profile boating vest for kayaking, SUP, and wetsailing.

S6108xxx (xxx = size)

FEATURES:

Ergonomic WRAPTURE™ shaped torso; Adjustable shoulders, 4 side pulls, and front waist buckle closure; Low cut, offset front-zip entry; Large arm openings for unrestricted whitewater and SUP paddling; Contoured padded shoulder straps; High visibility 3M™ reflective accents; Roomy, top loading front pocket for secure storage and easy accessibility; Mesh sides for maximum ventilation; Mini-Ripstop nylon shell & 200 denier oxford liner; Type III PFD with sea level buoyancy listed: SM: 15 lbs, 8oz / LXL: 16 lbs, 8oz / XXL: 17 lbs, 8oz

CONSTRUCTION:

- Mini Ripstop nylon outer shell
- 200 denier oxford liner
- USCG approved

! SAFETY TIP

LIFE VESTS: Get a good, comfortable life vest and WEAR IT! A life vest does you little good stored on your boat, especially if you get tossed into the water and away from your boat. Accidents happen and by their nature, they happen when you are not prepared. A life vest can keep you afloat until you can rescue yourself or you can be rescued by others. In the worst cases when injuries or cold water are involved, your life vest can make all the difference! Be sure everyone onboard your boat wears a life vest too! Pass the word! Federal law now requires that all persons below the age of 13 must wear a life jacket while aboard a boat.



HOBIE INFLATABLE PFDs

Light weight and comfortable. Ready when you need it, manual CO2 inflation or by mouth inflator allows for swimming, wading and intentional immersion. **NOTE: AIR SHIPPING RESTRICTIONS CO2 / DANGEROUS GOODS**

Coast Guard Approved Type III Nearly twice the buoyancy of USCG foam PFD Shortened slim fit shell for improved comfort when pedaling a Mirage kayak Mesh Yoke Back Strap for breathability and preventing ride-up Large Easy Access Storage pocket for increased storage capacity Inflates manually for flotation only when it's desired D-ring for accessory attachment Accessory attachment straps Interior pocket for holding spare CO2 inflation cylinder Fits 30-52" chests and users 16+ years Included 24g CO2 cylinder provides 26 lbs. of flotation

- S6782BL** PFD INFLATABLE BLUE - 24g
- S6782GR** PFD INFLATABLE GREEN - 24g
- S6782RD** PFD INFLATABLE RED - 24g
- S6782TN** PFD INFLATABLE TAN - 24g
- S6779R** PFD INFLATABLE REARM KIT 24g



HOBIE INFLATABLE BELT PACK PFDs

Belt carried PFD designs are cooler and more comfortable than typical PFDs. Functional design for multiple types of water sports from fishing, kayaking, sailing to stand up paddling (SUP). USCG Approved Type III PFD, approved for use by persons 80 lbs and 16 years of age or older. Size: Universal Adult Size. Durable ripstop nylon pack. 2" wide, adjustable, nylon waist belt. Includes (1) CO2 Cylinder and instructions. 16g offers Buoyancy 16.5 Pounds. Slim fit. **NOTE: AIR SHIPPING RESTRICTIONS CO2 / DANGEROUS GOODS**

16g offers Buoyancy 16.5 Pounds. Slim fit. **NOTE: AIR SHIPPING RESTRICTIONS CO2 / DANGEROUS GOODS**

- S6783BL** PFD BELT PACK BLUE 16g
- S6783YL** PFD BELT PACK YELLOW 16g
- S6780R** PFD INFLATABLE REARM KIT 16g

HOBIE INFANT/CHILD/YOUTH VESTS

These are easy to adjust for different small sized crews.

- (Lime Green)
- S6771CLG** LIME 30-50#
- S6771ILG** LIME <30#

- S6771YLG** LIME 50-90#



MIRAGEDRIVE



Hobie
MirageDrive 180



HOBIE MIRAGEDRIVE *Note: "ST" = SQUARE TOP*

- 81189001 MIRAGEDRIVE 180 SQ CRANK - ST FINS
- 81189101 MIRAGEDRIVE 180i SQ CRANK - ST FINS iSeries
- 81188001 MIRAGEDRIVE 180 SQ CRANK - ST TURBO FINS

- 81183 MIRAGEDRIVE 180 ARC CRANK - ST FINS
- 81185 MIRAGEDRIVE 180i ARC CRANK - ST FINS iSeries
- 81184 MIRAGEDRIVE 180 ARC CRANK - ST TURBO FINS

- 80010501 MIRAGE DRIVE GT - ST FINS
- 80013501 MIRAGE DRIVE GTi - ST FINS iSeries
- 80012501 MIRAGE DRIVE GTT - ST TURBO FINS

PERFORMANCE FINS - ST TURBO!

Increase your performance or increase your fitness routine, you choose the fin that is right for you: Standard or Turbo... low or a higher gear! This is very evident when using a sailing kit. The added power and speed of the sail often outpaces the standard fins (similar to pedaling a bike down hill in first gear).

Want to go really fast? Add TURBOS. Hobie Mirage kayak users report as much as 10% increase in speed and more using TURBO Fins. But its not all about speed, you can get top end speed and a slower cadence for cruising (Less pedals per mile). All achieved with these larger and more efficient fin designs. These longer fins can also increase lateral resistance for sailing upwind.

ST TURBO FIN KITS

Kits come with 2 fins & 2 longer masts

- 72067032 MD180/GT ST TURBO FIN KIT **NEW!! KU VERSION** - GRY/BLK
(Only for MD180/GT KU DRIVE)

- 72067002 MD180 ST TURBO FIN KIT V2/GT - GRY/BLK

- 72066001 ST TURBO FIN KIT V2/GT - GRY/BLK (Threaded Sprocket)
- 72066021 ST TURBO FIN KIT V2/GT - RED/BLK (Threaded Sprocket)
- 72066031 ST TURBO FIN KIT V2/GT - BLU/BLK (Threaded Sprocket)

- 72065 ST TURBO Fin Kit (Older SS & Set-screw Sprocket)



ST TURBO
V2/GT RED FIN KIT

MD180 ST TURBO FIN KIT
72067002

MIRAGEDRIVE SPARE PARTS KITS GT & MD180

Spare parts kits include a fin, mast, sprocket (For GT Version), chain and appropriate parts for the drive version. Threaded sprockets and masts. All in a handy zippered pouch. Available for ST or ST Turbo fin drives.

- 80010401 GT ST BLUE FIN PARTS KIT
- 80013401 GT TURBO BLUE FIN PARTS KIT
- 81527021 MD180 ST PARTS KIT
- 81527022 MD180 ST TURBO PARTS KIT



80010401 SHOWN



LEASH KIT - MIRAGEDRIVE

Protect your investment from an accidental drop overboard. Includes hardware for attachment to the hull.

74052101 LEASH KIT - MIRAGEDRIVE

HOBIE MULTI-LUBE

A planet-safe lubricant recommended for lubricating MirageDrives and many other uses. Environmentally friendly for in-the-water applications. Hobie Multi-Lube offers excellent lubrication, is an anti corrosive coating, great for cleaning and many other uses... use on nearly anything that squeaks, rusts, corrodes or binds up; MirageDrives, rudder drums, cams, fishing reels and more. The 1 oz size is perfect for getting the lubricant into tight spaces by using the needle applicator. The 4 oz size has a spray applicator for coating chains and larger surfaces, shafts and bulky parts. Every Hobie owner should have Hobie Multi-Lube. Be nice to our planet, keep MirageDrives and other components running smoothly and lasting longer without polluting our waterways. Use it for all shop, home and sport lubrication needs.



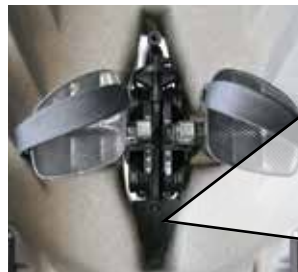
- 5120 HOBIE MULTI LUBE 1 OZ
- 5121 HOBIE MULTI LUBE 4 OZ



PEDAL PAD KIT

Softer on your feet! Neoprene pads are self adhesive and stick right to your pedals. Stock on Drives built in 2010+

72020034 PEDAL PAD KIT BLACK (PAIR)



DRIVE WELL SEAL

For older version MirageDrives (pre-2013). Keeps the seat area drier. Kit includes one seal and two attachment "zip ties".

- 81037001 WELL SEAL
- 81038001 i - WELL SEAL



SCAN TO GO TO
HOBIE SUPPORT PAGES



SCAN TO GO TO
HOBIE PARTS LOOKUP

MIRAGE SAIL KIT

ADD SAILING TO YOUR HOBIE
MIRAGE KAYAK EXPERIENCE!



MIRAGE KAYAK SAIL KIT

Add sail power to Hobie Mirage Kayaks! (Fits all current models of Hobie Mirage Kayaks). Sail with ease maintaining excellent speed with or without pedaling while sailing. Easily pedal out to sail or pedal home when the wind is too light. Add a SideKick ama kit for additional stability if desired. The MirageDrive pedal system's fins act as a keel or centerboard when in the down position offering the lateral resistance needed for upwind sailing.

SAIL KIT INCLUDES:

Mast*, sail (20.25 sq ft.), lines, fittings and storage bag.
(*2 Piece mast standard / 4 Piece mast for i-Series)

Add the large rudder #81397001 for more responsive rudder control. Adventure / Revolution 16 models can add the dagger board for enhanced upwind performance.

- 84512002 SAIL KIT RED/SILVER
- 84514002 SAIL KIT PAPAYA/ORANGE
- 84513002 SAIL KIT CHARTREUSE/SILVER
- 84515002 SAIL KIT AQUA/CHARTREUSE

84516002 i-SAIL KIT WHITE/PAPAYA
(Not available for i11s)



HOBIE GLOVES

Protect your hands while increasing your grip strength. Gloves add grip strength on lines which can ease up on the amount of force you need to exert. Available in small, medium, large & extra-large. (xx = size)
3188xx HOBIE GLOVE

RONSTAN GLOVES

Double thickness palm and fingers for protection and grip. Mesh panels for flexibility, comfort and quick drying. Low cut neoprene wrist band. Sticky gloves reduce fatigue by minimizing the physical effort required to hold ropes.
(xx = size XS/SM/MD/LG/XL)



RF4851xx Three Finger Glove



RF4850xx Short Finger Glove

SAIL KIT SPARE PARTS

- 84503 REPLACEMENT 2-PIECE MAST
- 79052251 REPLACE 4-PIECE (i-SERIES) MAST
- 84511 REPLACEMENT SAIL BATTEN W/CAP
- 84509001 REPLACEMENT BATTEN CAP
- RH112WHT BATTEN TIE LINE (PER FOOT)



ROLLER FURLING KIT

This is the ultimate for easy operation of a Hobie Mirage sail kit. Start with the sail rolled around the mast. When you are ready... un-furl to expose the sail or leave a little rolled on the mast to test the wind! By partially unrolling the sail, you are "reefing" some of the sail for better control and stability. If you are ready for full power... roll it all out! Heading back to the beach? Roll the sail up tight on the mast and beach or dock the kayak with ease. Fits any Hobie Mirage sail kit (not for i-Series kayaks due to their stayed rig). The rolled sail will fit in current full-length sail bags. Hardware is easy to install and removal of the sail and control lines is simple for storage.

84517001 ROLLER FURLING KIT



AIR-FLOW TELS

Trim your sails for optimum performance. Attached air flow over sails is critical. Air flow directions are indicated by these tell tails. Made of light weight rip stop nylon (Red / Green). Attaches to sails with waterproof adhesive disks.

334 SET OF 14

LARGE TWIST AND STOW "SAILING" RUDDERS



81397001

81397101 for use on i-Series, Quest

ADVENTURE / REVO 16 DAGGERBOARD

RUDDERS

81397001 LG RUDDER BLADE

81397101 LG RUDDER BLADE/QUEST i-Series

79502001 DAGGERBOARD

SAILING TIP!

SAIL POWER: Watch the sail, pay close attention to the trim or adjustment of the sail. When the front of the sail, just behind the mast, luffs or flutters in the breeze, you lose power. To start moving, pull the sail in just enough to stop the sail from luffing or turn the boat away from the direction the wind is coming from. There are also short ribbons hanging on either side of the sail called "tell tails". The tell tails react to air flowing over the sail and will help you see that the sail is pulled in too tight or too loosely. If you pull the sail too tight you will stall the sail power. The tell tail on the back side of the sail will drop or do circles. Ease the sail out until it luffs, then pull it in just a little until it stops luffing. You will adjust the trim whenever the wind changes direction or you change course.



BIMINI



Relax all day under the cool shade of our all new kayak Bimini. UPF 50+ fabric and sophisticated articulation feature provide sun and rain protection no matter the time of day. Customize your setup, multiple color options help create your unique look. The Hobie Bimini offers unprecedented comfort and sun relief to let you enjoy and extend your time on the water. Integrates with the Hobie accessory mount base for simple, no-drill installation to get you on the water in no time. The Aircraft grade aluminum mast provides a sturdy and stable base. Over-center, support beam adds extra rigidity and structure. A slight push retracts the beam, quickly collapsing for disassembly on the water should an unexpected squall pass through. Rear hooks easily fasten to pre-installed cargo padeyes and Bungees® for secure attachment and use on the water. **UPF 50+** fabric provides protection from the sun's powerful rays all day long, creating the space for longer and cooler days on the water. **Water-Resistant** Water-resistant coating guards against unexpected showers or ocean spray keeping you safe and dry from the elements. **Durable** The Hobie Bimini is designed to effectively withstand all of the action from your water adventures. The lightweight ripstop nylon is rugged and durable.

Note: Not for i-Series Inflatable kayaks.

For detailed information, more images and setup video: hobie.com/accessories/bimini

72020520 HOBIE BIMINI POSEIDON BLUE

72020521 HOBIE BIMINI MARINE GRAY

72020522 HOBIE BIMINI SUN YELLOW



SIDEKICK AMA KIT

Great added stability for use when sailing, fishing, standing when sight fishing, diving or shooting photos! SideKick ama kit is simple, light weight and effective! Floats are inflatable.

The SideKick's cross arms adjust the float height with a simple "click-twist-click". Just like a paddle shaft adjustment. Three positions offer you high - medium - low positions. Set the floats high for cruising (less drag) or secondary stability. Use the medium or low settings for primary stability (less initial roll). Fine adjustments for float height are done by twisting the main crossbar within its mounts and tensioning with the fastening hardware.

Set up and use right off the beach or disassemble and deflate to store inside the hull. Then assemble and inflate when you get to your dive or fishing spot. Inflation is simple. Just blow a few breaths into each float through their one-way valves. Valve cap unscrews for rapid deflation. Installs with 4 bolts using expanding nuts. Not for use on Pro Angler models.

72062101 SIDEKICK AMA COMPLETE KIT - Light Gray

72062061 SIDEKICK +07 ADVENTURE MOUNTING ADAP PLATE SET
(Adapts Island crossbar attachment point to SideKick mount spacing)

72062062 SIDEKICK - MOUNT KIT W/CENTER BAR
(For second hull installation. Crossbar and mount hardware only)



DODGER



HOBIE DODGER

The Hobie Dodger is a spray, cool breeze and sun shade for your lower body. Deflect bow spray, block cool breezes and stay warmer in cold conditions.

Works like a small pop-up tent. Loops of bungee connect to the boat via small fittings installed along the rails. The entire dodger folds forward to enter or exit the kayak, to make pedal adjustments or reach items in the cockpit. An access panel is built-in for using the sailing rig. A great combination when there is wind and spray!

Great for hunters, animal and bird watchers as the Dodger conceals your legs movement. The Hobie Dodger makes your kayak a sit-inside sit-on-top!

Installs in minutes initially, but installs in moments once the fasteners are in place. Packs away into a small stow bag 5" round by 24" long (1.8 lbs).

Mirage Dodger Fits the Hobie Mirage Outback, Sport, Adventure and Revolution, Island kayaks (May fit other models with some modification to hardware placement). Includes an opening for a sail kit or Bimini mast. Island versions include a larger opening for the Island mast.

HOBIE MIRAGE DODGER

72721001 DODGER SILVER

72722001 DODGER RED

HOBIE ISLAND DODGER

72730002 ISLAND DODGER SILVER

72730004 ISLAND DODGER RED

Tandem Island: Island Dodger forward / Mirage Dodger aft



HOBIE ISLAND MAST HEAD WIND DIRECTION VANE

The mast head wind vane will help you keep your Island on the best angle to the wind for better sailing. Helps you understand shifts in wind direction so you can adjust course or sail settings. Achieve the most performance and optimal course. Up on the mast head is the least disturbed wind flow, so the optimal location for a wind direction vane. As you sail, wind directions are not typically constant. As the wind changes direction or oscillates, you need to adjust heading and or sail trim for best performance. Use the vane for rough adjustments and the wind tell tails on the sail for fine adjustments. This wind vane is designed for all Hobie Islands when not using a spinnaker kit. Simply slips over the mast head and tightens in place with a thumb screw.

72020356 MAST HEAD VANE

HOBIE ISLAND SPINNAKER/REACHER KIT

Add performance when reaching or running to your Hobie Island. Off-the-wind sailing is typically the slowest point of sail, add a spinnaker and the Island comes alive! The Hobie spinnaker kit includes a snuffer launching and retrieving bag which makes handling the spinnaker as easy as can be. Simply pull on the halyard line to launch, set the sheet and off you go! To lower, ease off the halyard and pull on the retrieval line. The spinnaker drops and stows directly into the snuffer system. The kit includes a mast head wind direction vane for use while rigged for the spinnaker. The mast head wind direction vane will help you keep the Island on course for spinnaker sailing. Spinnakers are for broad reaching across the wind to directly sailing down wind. They are not for sailing higher angles than a reach across the wind. *May require sail head modification by a sailmaker in older model Islands. Requires several inches of mast above sail head to fit into mast head fitting.

Note: Spinnaker sailing can be challenging and may not be for the novice sailor. We strongly suggest learning to sail your spinnaker in light winds. Once you learn how to handle a spinnaker... You are going to LOVE IT! Spinnakers add a whole new dimension to your sailing experience.

72020350 SPINNAKER KIT ADVENTURE ISLAND (57 sq ft / 5.30 m2)

72020351 SPINNAKER KIT TANDEM ISLAND (73 sq ft / 6.78 m2)

72020358 WIND VANE REPLACEMENT (WIRE AND VANE)





HOBIE MIRAGE ISLAND TRAMPOLINES

Added space for carrying gear, allows you to move weight outboard for better performance in windy conditions, comfortable sitting or laying down position, carry additional crew / kids / pets (does not increase basic weight capacity), reduce spray in cockpit. The trampolines are made from mesh vinyl as used on our catamaran product. Available in Gray or Black. Easy installation. Fast (side-release) buckles across aft aka make folding akas quick. Adjustable webbing straps for a tight fit. Rolls down and straps to forward aka for storage or easily slips off the aka. Paddle storage, gear pockets and lanyard grommets included. (200 Lb Capacity)

88527001 TRAMP SET AI / TI* - BLACK

88527011 TRAMP SET AI / TI* - GRAY

**Fits all TI and 2015+ AI (54 3/4" Length)*

79527001 TRAMP SET 2014-OLDER AI - BLACK

79527011 TRAMP SET 2014-OLDER AI - GRAY

Fits older AI (57 1/4" Length)

HALF TRAMPS AND PARTS

88527201 TRAMP LEFT SIDE AI / TI* - BLACK

88527301 TRAMP RIGHT SIDE AI / TI* - BLACK

79527101 LACING ROD

79527201 WEB/BUCKLE ASSY

91050020 SEW ON HOOK BLK



ISLAND HIKING STICK

Extend your reach to your steering. Allows you to move your weight (hiking) outboard onto tramps or hakas for better stability, speed and comfort. Fits 2011+ Mirage model steering handles and all Tandem Islands.

72020063 HIKING STICK - AI/TI



OUTBACK



3 PACK

HOBIE GEAR BUCKET

Add a drop-in "tackle box" to your 8" Hobie Twist and Seal hatch. The Gear Bucket containers are 2 1/2" deep and hang on the hatch lip or can be slipped down into the hull so you can carry several. Keep one on the hatch lip for easy access. Easily size-adjustable storage segments. Get the three pack with handy storage bag and pre-pack your fishing tackle for fishing different species.

- 71704001 HOBIE GEAR BUCKET
- 71706001 3 PACK WITH BAG (8" Hobie Gear Bucket)
- 71705001 BAG FOR 3 HOBIE GEAR BUCKETS



REVOLUTION

HOBIE HATCH LINERS

For Hobie Mirage Outback, Revolution and Quest. The forward hatch liner is a space to store gear or fish just inside the forward hatch lid. Keeps items from sliding forward or back inside the hull and keeps them up off the bilge. Now available for the Hobie Outback, Revolution 11 / 13 and Quest 11 / 13 (2014+).

HOBIE HATCH LINERS

- 72020041 OUTBACK <=2018
- 72020109 OUTBACK 2019+
- 72020042 REVOLUTION 13 / 2014+ QUEST 13
- 72020044 REVOLUTION 11 / QUEST 11



HOBIE GEAR BUCKET - DEEP

Add a drop-in "storage box" to your 8" Hobie Twist and Seal hatch. 5" deep bucket without dividers.

Note: Does not fit Pro Angler Aft Hatch

- 71704021 HOBIE GEAR BUCKET - DEEP



PLANO TACKLE BOX

TACKLE BOX SMALL - 10
adjustable dividers create 5-15 compartments.
Clear/Yellow 9.13" x 5" x 1.25"
72020311 TACKLE BOX SMALL

TACKLE BOX MEDIUM - 15 adjustable dividers create 5-20 compartments.
Clear/Blue 11" x 7.25" x 1.75"
72020321 TACKLE BOX MEDIUM

TACKLE BOX LARGE - 25 dividers create 3-28 compartments. Perfect box for extra long bulk storage. Clear/Red 14" x 9.13" x 2"
72020331 TACKLE BOX LARGE



HOBIE TWIST AND SEAL HATCHES

Lids hinge open, so you never lose the lid. A simple twist of the handle opens or closes the hatch. The hatch does not have to be held down against a flat surface to seal. This allows the hatch to seal even if the lid is partially open or tipped. Available in 6" and 8" diameters. * Kits include gaskets and screws (8031131).

- 71701001 6" TWIST AND SEAL KIT *
- 71701011 6" TWIST AND SEAL HATCH
- 71321001 6" MOUNT GASKET
- 71701021 6" TWIST AND SEAL O RING
- 71702001 8" TWIST AND SEAL KIT *
- 71702011 8" TWIST AND SEAL HATCH
- 71331001 8" MOUNT GASKET
- 71702021 8" TWIST AND SEAL O RING



VANTAGE SEAT ACCESSORY BAG

The Vantage Seat Accessory Bag is the perfect addition to your MirageDrive® kayak. Ideal for storing extra tackle, keys and wallet, lunch, a foul weather jacket, birding glasses, safety gear and more.

Vantage Seat Accessory Bag Features:

- 4 easy Velcro straps for attachment to the Vantage seat back
- Water resistant construction for keeping things dry
- Key tether with YKK snap swivel for extra security
- Interior zipper pouch for organizing smaller items
- Drainage hole in the bottom of the bag to rid water and allow the interior of the bag to dry completely
- Clear visibility window in the top of the bag so you know exactly what you're reaching for
- Dimensions: approx. 8" Tall x 8" Wide x 3" Deep

72020117 VANTAGE SEAT ACCESSORY BAG



HOBIE RECTANGULAR TWIST AND SEAL HATCH KIT

The Horizontal hatch is stiff and strong as designed for standing-on. Unique Hobie designed seal and flange lip drainage keeps water out. Add the optional tackle management tray that deploys two tackle boxes as you open the hatch or the drop-in hatch bucket for versatile small parts storage (both shown below). Includes backing ring. The kit includes the Hatch, gasket, backing ring, screws and instructions.

- 71707003 HOBIE RECTANGULAR HATCH KIT**
- 77701801 HOBIE VERTICAL RECTAN HATCH KIT**



HOBIE RECTANGULAR HATCH ACCESSORIES

Add a drop-in "storage box" to your Hobie rectangular hatch or tackle management tray that deploys two tackle boxes as you open the hatch.

- 71709002 HOBIE RECTANGULAR BUCKET**
- 71708001 HOBIE TACKLE MANAGEMENT**

Some hatch locations may not allow bucket use due to hull depth



GUSSETED STOW BAG

6" by 12" gusseted bag has hooks on both ends to clip to your boat. Also available in 8" x 15" size. Securely stow tools, gloves or small parts for easy access.

- 72000B 6"x12" GUSSETED STOW BAG**
- 72005B 8"x15" GUSSETED STOW BAG**



HOBIE SOFT COOLER/FISH BAG

Keep your food or catch cold all day, even in very hot conditions. High quality construction includes half-inch closed cell foam that insulates, vinyl coated polyester that's durable and YKK zippers that are strong. Has handles for carrying and d-rings on the sides for attaching to the kayak.

Large size Bag is approximately 70 qt. The top has an adjustable bungee cord for storing additional gear. Dimensions: 36 inches long, 8 inches tall, bag tapers from 10 inches wide in the front to 20 inches wide in the back. **XL size Bag** is approximately 120 qt. Dimensions: 48" long x 10" tall x tapered from 12" (top) to 30" wide (bottom) **Medium size Bag** is approximately 26 qt. Easy access zipper on top and drain plug on bottom. Fits inside front hatch of many Hobie kayaks. Dimensions: 24 inches long, 7 inches tall, bag tapers from 7 inches wide in the front to 16 inches wide in the back. **Compass Bag** is made specifically to fit the bow recess of the Mirage Compass.

- 72020114 SOFT COOLER / FISH BAG - COMPASS**
- 72020113 SOFT COOLER / FISH BAG - MEDIUM**
- 72020111 SOFT COOLER / FISH BAG - LARGE**
- 72020118 SOFT COOLER / FISH BAG - XL**

PA BUCKET/ALL CARGO COOLER

This cooler is designed to fit within a Pro Angler forward hatch liner. It will also fit nicely in all other Mirage aft cargo areas. Bring along your favorite cool beverages and foods or use as a catch bag. Includes several mesh pockets, shoulder strap, carry handles, tiedown rings.

72020087 COOLER - PA BUCKET / ALL CARGO



HOBIE SMALL ROLL TOP DRY BAG

8" diameter x 14". This dry bag is built of tough materials. Seals tight to keep your stuff dry.

71703001 8" HOBIE DRY BAG



VIEW DRY BAG

Transparent 13 oz. vinyl bags make quick work of locating things. Its cylindrical shape will hold various shapes such as clothing, cameras, binoculars, lunches, etc. without distortion of bag and resultant potential leakage. Air purge vent.

72210L VIEW VENTED (10L)

72230L VIEW VENTED (30L)

CARTS

Carts are a must for easily transporting your kayak to water's edge. "Plug-in" carts do just that...they plug right into the bottom of your kayak. Choose Standard or Fold-and-Stow for lighter duty and solid surfaces, Heavy Duty for heavy loads and rough terrain or the "all-terrain" Hobie Trax 2 or Trax 2-30 which are the best over soft sand.

KAYAK CART "PLUG-IN" STANDARD

Light weight with durable 26 cm tires and strong spoked wheels. Stainless steel frame. Wheels are easily removable for storage. Also includes cart keeper feature and cart clamps. This cart has the medium capacity. (150 lb Capacity). Great for transport over solid surfaces.

80045001 STANDARD CART

**Note Tandem Island use issue*

KAYAK CART - "PLUG-IN" HEAVY DUTY

Highest capacity cart with very durable knobby (Solid Foam) 26 cm wheels. Welded Stainless steel frame. Wheels are easily removable for storage. Also includes cart keeper feature and cart clamps. This cart has the highest capacity. (225 lb Capacity) Suitable for Pro Angler and Tandem Island. Best for transport over solid surfaces.

80046001 HEAVY DUTY CART

**Note Tandem Island use issue*



KAYAK CART "PLUG-IN" HOBIE TRAX "2"

The Trax "2" Cart has 24 cm (blow-molded polyurethane) pneumatic tires. These tires have a high capacity and are very durable! Welded Stainless steel frame. Wheels are easily removable for storage. (176 lb Capacity) This is an all around cart for soft sand and uneven terrain. The tires are wide and can be deflated for better performance over softer sand and soil.

80044101 TRAX "2" CART

**Note Tandem Island use issue*

KAYAK CART "PLUG-IN" HOBIE TRAX "2-30"

All of the great features of a Trax 2 cart with **higher capacity!** The Trax "2-30" cart has 30 cm tires, bringing the capacity up to 242 lbs. Even with a lighter load, the Trax 2-30 will be the best plug-in cart for sand.

80043001 TRAX "2-30" CART

**Note Tandem Island use issue*

80044202 CRADLE / PLUG-IN CART

80046021 PIN, QUICK CLIP

Wheel retainer pin replacement kit.



- Quick release wheels
- Collapsible frame
- Stows in most hulls
- Ball lock cart retainer
- Carrying bag included



KAYAK CART “PLUG-IN” FOLD AND STOW

All new Plug-In Cart! Hobie Fold and Stow! Easily assemble for use or disassemble (<30 seconds) and stow on / in your boat. Disassembled parts fit inside most kayak hulls that have larger hatches. Stow bag included. New cart keeper feature is simple to use. Rotate the ball to the side to lock the cart in place. Pull on the cart to disengage and the ball pops back on top of the post. Aluminum frame (175 lb Capacity) No tools required.

80047001 CART FOLD AND STOW

**Note Tandem Island use issue*



! CAUTIONS

Be certain that the cart inserts clear through the kayak and protrudes into the cockpit / cargo area surface. Kayaks should never be left on carts for prolonged periods of time.

**Note Tandem Island use issue. Plug in carts are not recommended for the Tandem Island due to weight. Using a plug in cart can damage the scuppers or deck area in the hull.*



KAYAK CART C-TUG

Carries up to 80kg (170lbs), dismantles for easy stowing, won't rust. Requires no tools and assembles in seconds. Dismantles in seconds, allowing you to stow it in your kayak hatch. Made of non-corroding engineering polymers, with stainless steel reinforced axles, this cart is designed for harder terrains.

80047201 C-TUG CART

KAYAK CARTS FOR I-SERIES KAYAKS AND ECLIPSE

Plugs into the bottom of the Eclipse or inflatable series kayak's MirageDrive well. Stainless steel frame. Wheels are easily removable for storage. Standard is Light weight with durable 26 cm tires and strong spoked wheels. This cart has the medium capacity. (150 lb Capacity). Great for transport over solid surfaces. Trax is designed for soft surfaces such as sand or pebbles.



80045101 i/E STANDARD CART
Fits Eclipse and i-Series Kayaks (150 lb Capacity).



80045201 i/E TRAX CART
Fits Eclipse and i-Series Kayaks Pneumatic tires are great for soft sand and rough surfaces. (176 lb Capacity)

HOBIE KAYAK DOLLIES

Full size dollies for the Adventure / Tandem Island or Pro Angler / Universal includes a hull / ama cradle, and a pull handle. Much stronger and easier to load and use than plug-in carts for larger, heavier models. Two different wheel styles allow for optimum performance on hard pack surfaces – or soft sand beaches. Choose beach wheels for use over soft sand or other surfaces. Choose the tuff tire if your launch surfaces are solid. The handle makes it easier to insert or remove the cart under the boat or pull along when un-loaded. The handle also acts as a “kick-stand” to keep the cradle upright during loading. The handle and wheels are easily removable for storage. The Pro Angler / Universal dolly will fit a wide variety of Hobie Kayaks including Pro Anglers, Outback and Oasis. Recommended maximum load equal to one Tandem Island without excess personal gear.



80046200 AI/TI DOLLY DOLLY
W/ 42 cm BEACH WHEELS

- 80046200** AI/TI DOLLY - WITH BEACH WHEELS
- 80046201** PA/UNI - WITH BEACH WHEELS
- 80046202** PA17 - WITH BEACH WHEELS

(72061001 Replacement wheel retainer pin)



80046100 AI/TI DOLLY
W/ 38 cm TUFF TIRES

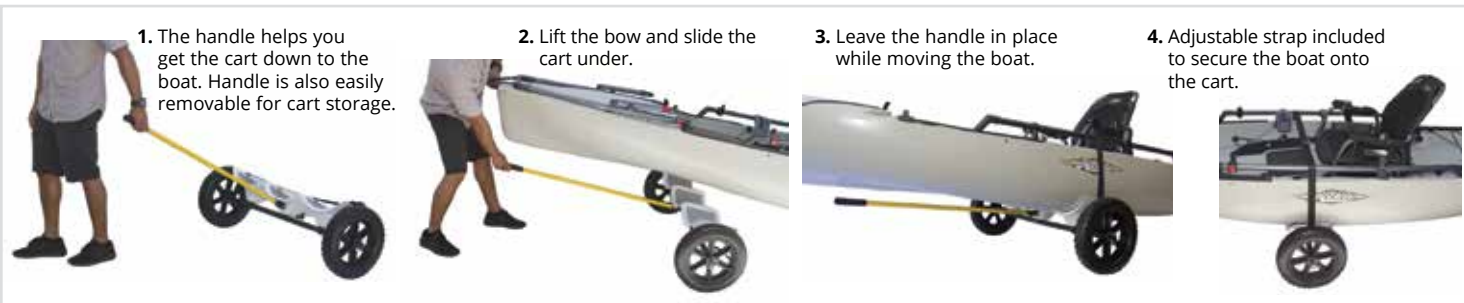
- 80046100** AI/TI DOLLY - WITH TUFF TIRES
- 80046101** PA/UNI - WITH TUFF TIRES
- 80046102** PA17 - WITH TUFF TIRES

(72061001 Replacement wheel retainer pin)

⚠️ WARNINGS

Cart and Dolly: Do not over-load. Not for towing or for speeds faster than average walking pace. Not for long hauls or stairs. Check cart fit carefully to be sure tires do not rub hull, on scupper versions that the posts fit clear through to the cockpit. Heavier model kayaks may require sleeves below cart clamps to keep hulls from contacting wheels. Not for prolonged use / storage. Incorrect use can damage or distort hulls.

LOADING



1. The handle helps you get the cart down to the boat. Handle is also easily removable for cart storage.

2. Lift the bow and slide the cart under.

3. Leave the handle in place while moving the boat.

4. Adjustable strap included to secure the boat onto the cart.





38652202 TRAILEX TRAILER - PA17T
Shown with optional cradles, dolly and dolly hanger kit installed

KAYAK TRAILERS

Trailers ride on 8" wheels and use a 1 7/8" coupler. Trailex trailers are certified to USA DOT standards for use on USA roads. Carry one or more kayaks inverted on the crossbars (crossbar padding / cradles shown are not included with trailers). For the Adventure Island, Tandem Island or Pro Angler, add the custom designed hull cradle sets (Adventure Island V1 cradles shown to right on double trailer). These are form fitted and padding covered. For two Adventure Islands, order the double trailer (Double-Double for two Tandem Islands) add two cradle sets. The optional center Tower System adds storage possibilities. The Tower includes mast / sail hangers and is also designed to mount an equipment box on top. Easily mount the Hobie Toy Box on top of the Tower.

38652010 TRAILEX TRAILER - SINGLE AI / PRO A 12,14
Shown right. Order cradles separately.
(Crossbars 42" / 15' 2" assembled length / 220 lb Capacity).

38652011 TRAILEX TRAILER - SINGLE TI
Order cradles separately.
(52" Crossbars / 15' 6" assembled length / 350 lb Capacity).

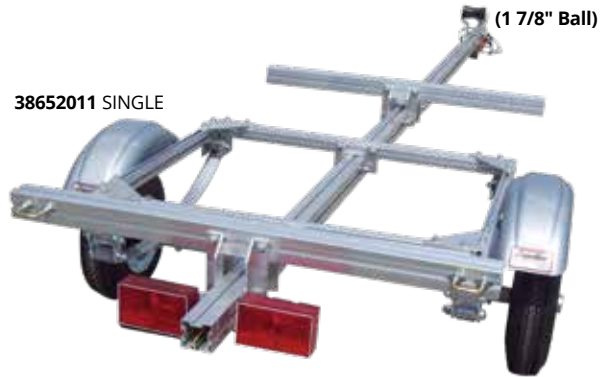
38652200 TRAILEX TRAILER - DOUBLE
Shown above (Right) with AI and cradle set option and (#38652210) tower system.
(84" Crossbars / 16' 1" assembled length / 550 lb Capacity). Order cradles separately.

38652201 TRAILEX TRAILER - DOUBLE / DOUBLE
Not shown. Required to carry 2 Tandem Islands or one TI and AI side-by-side.
(96" Crossbars / 16' 1" assembled length / 550 lb Capacity). Order cradles separately.

38652212 TRAILEX TRAILER - PA17T
72020404 CRADLE SET - PA17 TRAILER
72020405 DOLLY HANGER KIT- PA17 TRAILER

38652210 TOWER
Add the optional tower for equipment box mounting on a double trailer, multi kayak transport (Up to 4 kayaks leaned against tower). Also includes two mast carriers for 2x AI/TI configuration.

Trailer prices DO NOT include freight to dealer or assembly costs.



38652011 SINGLE



38652200 DOUBLE

*Trailer shown with Adventure Island cradles option

NOTE: Loads may require a red warning flag if over hanging lights by over 4 feet.

CRADLES



72020406 AI V2 CRADLES



72020402 TI CRADLES



72020401 PRO A 12/14 CRADLES

* Refer to cradle instructions for proper spacing or 6" on all others

- 72020401** CRADLE SET (1 boat) - PRO ANGLER 12 / 14
- 72020404** CRADLE SET (1 boat) - PRO ANGLER 17
- 72020428** CRADLE SET (1 boat) - COMPASS & DUO
- 72020407** CRADLE SET (1 boat) - OUTBACK <=2018
- 72020427** CRADLE SET (1 boat) - OUTBACK 2019+
- 72020406** CRADLE SET (1 boat) - ADVENTURE ISLAND 2015
- 72020400** CRADLE SET (1 boat) - ADVENTURE ISLAND V2 (2011-2014 MODEL YR)
- 72020402** CRADLE SET (1 boat) - TANDEM ISLAND
(No fasteners included)



STORAGE BOX “TOY BOX”

Roto-molded seamless. Big enough to hold paddles, MirageDrives, Seat backs, Life Vests and wet wear and have room left for odds and ends. The bottom is ribbed to allow wet things to drain. There is full access from front and back. Mounting hardware is not included. Length 10' 4", Width (rear) 21", Depth (rear) 13", Width (front) 19 1/2", Depth (front) 10", Weight 55 lb.

1825WHT TOY BOX

Prices DO NOT include freight to dealer. Additional freight charges may apply.



ROOF RACK PAD

Beefy car roof rack pads, made from durable black polyester with Hobie logo. Easy-on split bottom with Velcro™ closure.

72045 24" ROOF RACK PAD (Pair)

72046 36" ROOF RACK PAD (Pair)

72044 24" AERO RACK PAD (Pair)

72049 36" AERO RACK PAD (Pair)



HOBIE TIE DOWN STRAPS

Rack tie-down straps, made of durable black polypropylene webbing. Diagonal cut and ironed ends make threading ends into buckles easier.

72042001 TIE DOWNS 12' (Pair)

72043001 TIE DOWNS 15' (Pair)



MK0046 HOBIE CAUTION FLAG



QUICK STRAP SPORTRACK

Easily installs on any vehicle with front and rear doors or opening windows. The straps secure inside the car, no gutter hooks are required. Packed in mesh storage bag (#72040 with bow and stern tie downs).

72040 QUICK STRAP SPORTRACK (30" Pair)

72035 QUICK STRAP SPORTRACK (24" Pair / No Lines)

COMPASS LOADER



COMPASS LOADER

Molded to fit snugly on the transom of the Hobie Mirage Compass and Compass DUO. The Compass loader is a load-assist tool. It incorporates rubber skids and handles to make car top loading of the kayak easier and helps prevent damage to the kayak during loading.

View the Compass Loader video by scanning the QR code to the right. Most smartphones will direct you to a linked file by simply focusing the phone's camera on the QR Code. You can also Google "Hobie Compass Loader Video"

81711000 COMPASS LOADER



Compass Loader
Video

RHINO LOADING ACCESSORIES

Load a kayak on to your vehicle without having to lift the full weight. Perfect for loading up solo or for car topping heavier boats.



UNIVERSAL SIDE LOADER

The Rhino-Rack Universal Side Loader assists you in loading your kayak, ladder, camping gear or other longer heavy items, onto your roof rack crossbars. Simply lift one end of your load onto the Rhino Universal Side Loader, then pivot your load onto your crossbars.

Be sure to tie down your load once it is safely on the crossbars using load rated fastening straps.

FEATURES INCLUDE:

Push button for quick release and easy storage; Crossbar clamps to suit all popular roof racks; Heavy duty storage bag; Support pole for loads greater than 44lbs (up to 132lbs); Integrated load stop prevents load from sliding off bar; foam padding for protection of your gear; Padding on the underside of clamps to protect vehicle roof; Fits all Rhino Aero, HD/Euro, all Thule Square, Aero bar & Wingbar, Rola, Prorack and Whipbar

72040011 RHINO UNIVERSAL SIDE LOADER

NAUTIC KAYAK LIFTER

Is a complete system for easily loading and unloading sit on top kayaks. 80kg (176 lb) load capacity, does not require any heavy lifting and a single person can operate it using the included winch.

The unit is designed to be neatly stored on the roof of your vehicle beside your kayak when not in operation.

Important Note: Designed to fit Rhino roof rack systems with bar overhang with at least 100mm. Contact Rhino for other rack Mfg compatibility.

72040012 RHINO NAUTIC KAYAK LIFTER

T-LOAD HITCH MOUNT

The Rhino-Rack T-Load Mount is the perfect load carrying solution for long loads. Built tough from E coated Steel, the T-Load allows you to effortlessly load and transport your kayak. Mounting to a 2" hitch receiver the T-Load features an adjustable tilt position.

A fitting kit is provided to attach your Rhino-Rack crossbars directly to the top of the T-Load and because we're top blokes we've also thrown in a non-slip mat to stop slippage when loading.

FEATURES INCLUDE:

Single person use; Adjustable height & tilt position: Minimum height 950mm; Maximum height 1540mm; 1 x Rhino-Rack Aero crossbar; Rhino-Rack crossbar fitting; 1 x RTLK (Rhino-Rack T-Load Sling Kit); Non slip mat; 3 year warranty

72040013 RHINO 2" RECEIVER T-LOADER





KAYAK COVERS

Easy to install or remove, fits over the hull (like a fitted sheet on a mattress). Straps and pull string adjust for a tighter fit. Cross straps secure the cover on your hull for windy conditions. Heavy duty UV resistant canvas material in a neutral color for better aging. Universal covers fit over the hull when upright or upside down. To help prevent distortions to the hull bottom shape, Hobie recommends that our kayak hulls be stored upside down resting on the cockpit rails. This is also best for deflecting rainwater and prevents water pooling in the cockpit or on the cover. When planning to store a hull upright, be sure to properly support the hull bottom to prevent hull distortions. Universal fit covers may not entirely cover some hulls, especially with accessories installed.



DRAW STRING



CINCH STRAPS



72055 Kayak Cover PA14 Custom

72056 Kayak Cover PA12 Custom

UNIVERSAL FIT COVERS:

72050 Kayak Cover / 9'-12' 6" x 49"
(Lanai, Maui, Sport, Revolution 11, Compass, Outback <=2018, Kona-Tight, Quest 11)

72051 Kayak Cover / 12'-15' x 49"
(Kona [Loose], Pursuit, Mirage Classic, Tandem, Oasis, Outfitter, Compass Duo, Quest 13, All Outback, Revolution 13)

72052 Kayak Cover / 14'-16' x 55"
(Adventure, Revolution 16, Tandem, Oasis, Odyssey)

OUTBACK 19+ CUSTOM FIT COVER:

72063 Kayak Cover Outback 19+ Custom

PRO ANGLER CUSTOM FIT COVERS:

72056 Kayak Cover PA12 Custom

72055 Kayak Cover PA14 Custom

72057 Kayak Cover PA17 Custom

ISLAND CUSTOM FIT COVERS:

72058 Kayak Cover AI Custom 2015+

72059 Kayak Cover TI Custom 2015+

RUDDER COVER ISLAND / TI

Rudder protection for 2011+' AI and all Tandem Island Rudders.

82420001 RUDDER COVER ISLAND / TI



MULTI STRAP SYSTEM

Hang your kayak for storage, use as bow and stern lines or use them as carrying handles. Multi purpose straps can be attached to the boat and adjusted for many uses. Made from durable black polypropylene webbing.

72041 MULTI STRAP (Pair)



MIRAGEDRIVE STOW BAG

This heavy duty Cordura and mesh bag fits the complete MirageDrive with standard fins or the ST Turbo length. There is extra space in the bag for things like a life vest or drive well plug. Also includes "D" ring fittings to allow attachment to inflatable rolling bags. Large enough to store your Inflatable's drive, pump and 4 piece paddle.

80024 MIRAGEDRIVE BAG

ECLIPSE BOARD BAG

These heavy duty padded travel bags fit the ECLIPSE 10.5 or 12.0. There is extra space in the bag for the handlebar assembly.

72050002 ECLIPSE 10.5 BAG
72050001 ECLIPSE 12.0 BAG



Cart Access Slots. Use the plug-in Cart while the board is covered.



HOBIE ECLIPSE MIRAGEDRIVE STOW BAG

This heavy duty Cordura and mesh bag fits the complete MirageDrive with Flow Fins. There is extra space in the bag for things like a life vest or drive well plug.

72050011 ECLIPSE MIRAGEDRIVE BAG

ONE WRAP VELCRO®

Cut this double faced Velcro® product to length and wrap it around items, line or whatever you need to secure. One side is hook and the other a loop, so a single piece is all you need.

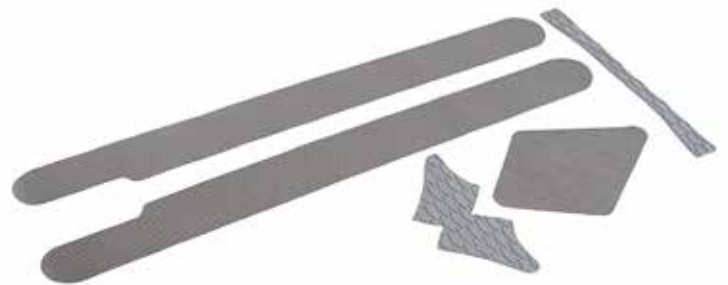
7904 ONE WRAP, PER FOOT



SHOCKCORD BALL TIES

Lashing equipment to your boat is quick and easy with this handy tie-down. Dozens of uses.

370 SHOCK CORD BALL TIES EA



HOBIE NOSE-RAIL PROTECTION KIT

Protect your Eclipse nose, rails and deck surfaces with EVA stick-on coverings. Kit includes sections to protect nose, rails and decks. Protects from scuffs and scratches.

72050013 NOSE-RAIL GUARD KIT

HOBIE ECLIPSE PROTECTION KIT

Protect your Eclipse rails and surfaces with clear plastic stick-on coverings. Kit includes sections to protect rails and decks. Protects from scuffs and scratches.

72050005 RAIL PROTECTION KIT

HOBIE evolve POWERED BY TORQEEDO

This quiet and efficient electric motor will dramatically expand your horizons. With the Hobie evolve, you can either maintain steady cruising speeds of two knots (motor only) for hours, or you can open the throttle for short sprints. Best yet, depending on your set-up, you can use the evolve to augment your boat speed while also using your MirageDrive. And thanks to its cockpit-mounted Remote Throttle, you always know how much juice you have left in the system's 320 Wh Lithium-Manganese battery. Runtime estimated as 8 hr 20 min at 2.6 mph / 48 min full throttle.

The evolve offers increased battery capacity, longer range and solar charge / run capability. Includes well mounted drive for all Mirage Kayaks and optional Twist and Stow rudder attachment for (most) non-inflatable models.

72022030 HOBIE evolve v2 MOTOR KIT - Kayak

72022040 HOBIE evolve v2 MOTOR KIT - i Series

KIT INCLUDES:

Ready-to-go Mirage well-mounted Hobie evolve v2; All cables for the motor and throttle units; All mounting hardware; Assembly that integrates the motor with a Twist and Stow rudder*; Sealed/Waterproof Lithium-Manganese high-performance battery; 320 Wh (charger included); Remote throttle system displays speed and distance information generated by an onboard GPS unit; Magnetic safety key; Waterproof fittings and cable connectors; Solar charging port; Corrosion-resistant materials ensure durability and performance; Lightweight power: Total weight of installed kit is 18 lbs (8.16 kg) or less, depending on the configuration.

72022032 evolve MOTOR KIT - Kayak / NO Battery



REMOTE THROTTLE

Remote Throttle, which attaches via a RAM mounting unit (included) to provide throttle control from your favorite seating position. The LCD screen displays all the trip info you need (such as speed and range) while you're underway. For safety, the unit features a magnetic key-to-throttle connection; break this magnetic connection and the motor immediately stops.



MIRAGE WELL MOUNT

Mirage-mounted evolve weighs a scant 6.4 pounds—that's 0.2 pounds less than the MirageDrive.

2 for 1 BOTH MOUNTS INCLUDED

* Rudder Mount for all Mirage Series Kayaks with Twist and Stow Rudder Systems. Not Compatible with Inflatable Kayaks, Island Series or Pro Angler

LITHIUM BATTERY V2

6.6-pound, 320 Wh Lithium-Manganese battery (11Ah at 29.6V) The battery is buoyant and completely waterproof. Its built-in GPS unit generates pertinent information such as speed and range. Solar charge / run port.



RUDDER MOUNT

A lightweight assembly to easily integrate the evolve motor with a Twist and Stow rudder. Pedal and motor; motor, or simply pedal. When off, the engine becomes your rudder or it can be brought on deck via the Twist and Stow controls. *(The rudder mount option is not compatible with inflatable series, Island series or Pro Anglers)*

Note: Torqeedo Warranty is handled directly by Torqeedo. Refer to documentation included with these products.

SPARE BATTERIES

72022126 V2 BATTERY 320 wh

72022141 BATTERY 915 wh (Large Case)



TORQ TRAC

The dashboard for electric motors on your smartphone. Bluetooth accessory plugs in-line on the throttle cable and transmits a variety of great information to a smartphone. The App can be downloaded for free from the App store on your device.

FEATURES

Everything easily readable, even at night; Know how far you can still go: remaining range is shown on a map in real time; Uses waypoints for navigation and estimated time of arrival; GPS information; Trip logging and eco logging: see exactly how you're doing; Warning messages in plain language Individually adjustable

72022010 TORQ TRAC ACCESSORY

#1 CHOOSE A TROLLING MOTOR...



72020120
TROLLING MOTOR
Xi5
50"
FRESH
12v
55FW
GPS and Sonar

We chose a 50" shaft specifically for Hobie Pro Angler 17T. See the motor head for directional control when seated while keeping the motor depth optimal. Longer shafts can either catch on over hanging trees or be too deep in the water. Too short and the motor head is not visible over your PA17 crew.

INCLUDES WIRELESS CONTROL RIGHT OUT OF THE BOX, DURABLE AND RELIABLE, PRECISE STEERING AND CONTROL, AND VERY QUIET ON THE WATER.

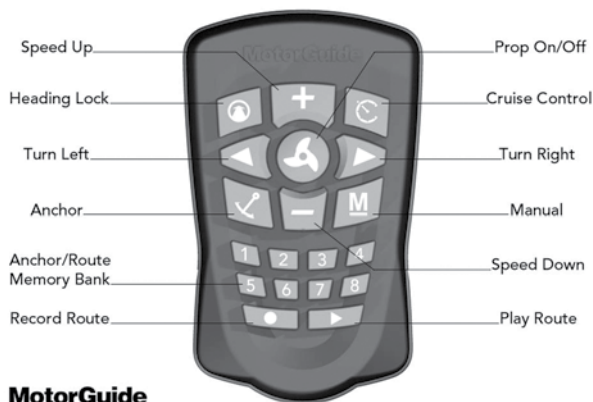
Key Features:

- **Anchor Hold**
 - Hold position with a touch of a button, no matter how deep
 - "Jog" in precise increments from an anchor point using directional arrows
 - Save/recall 8 locations
- **Heading Lock**
 - Maintains compass heading navigation
- **Routes**
 - Record/recall 8 routes of up to 4 miles each
 - Virtually unlimited route record/recall when connected to certain Lowrance fishfinders
- **Cruise Control**
 - Maintain a GPS speed while navigating

MOTORGUIDE® Xi5 TROLLING MOTOR
12V 55FW CUSTOM-HOBIE 50" SHAFT AND PINPOINT GPS

72020120 TROLLING MOTOR Xi5 50" FRESH

Anglers can command precise motor and steering control while seated or standing with the wireless remote. Engage the motor's Pinpoint GPS functions, including anchor and jog, route record and playback, heading lock, and cruise control, to optimize kayak/boat control in all angling locations and conditions. A built-in 83/200 kHz transducer is standard with the freshwater model. Motors provide a quiet and smooth ride that will assist anglers in getting to the fish without disturbing them. Requires MotorGuide QR bracket (72020100) and Hobie trolling motor mount (72020090) to mount on the Pro Angler 17T.



Note: MotorGuide Warranty is handled directly by MotorGuide. Refer to documentation included with these products.

#2 ORDER MOUNTS...



HOBIE PA17 TROLLING MOTOR MOUNT

Easily mount a trolling motor to your Pro Angler 17 Tandem using the Hobie trolling motor mount. Designed specifically for the PA17 the mount allows easy removal of the motor for storage. Fits standard width motors. MotorGuide models listed here require a wider mount so add the 72020100 Quick release bracket.
72020090 TROLLING MOTOR MOUNT / PA17
72020100 MOTORGUIDE QR BRACKET

#3 ORDER WIRING KIT...

This kit simplifies the installation process of the MotorGuide Xi5 on your Pro Angler 17T, and includes all the marine grade components necessary. The Trolling Motor Wiring Kit allows you to run all your wiring in-hull and facilitates easy removal of the motor for trailering the PA 17T. *Deep cycle battery not included.



72021090 WIRING KIT, PA17 TROLLING MOTOR

#4 ALL THAT IS LEFT IS TO GET A 12V DEEP CYCLE BATTERY FROM A LOCAL SUPPLIER!..

PARTS

- 72020123** BATTERY CHARGER 12 / 6 VOLT
- 72020124** PROP WEEDLESS 2 BLADE 3.5"
- 72020125** PROPNUT / WRENCH / PINS
- 72020126** PINPOINT GPS GATEWAY KIT
- 72020127** NMEA2000 STARTER KIT
- 72020128** 6-PIN LOWRANCE TOUR ADAP



LIVEWELL

Live up your day on the water with the Hobie Livewell!

HOBIE LIVEWELL V2

The newly redesigned Hobie Livewell sports a fresh color scheme, modern lines and more built-in features than ever before. This livewell is plug-and-play with most Hobie kayaks and includes: (1) 6V sealed gel cell battery + charger for powering the pump, an adjustable downspout for filling the tank half way, a corrosion resistant power switch, 3 integrated rod holders, a threaded drain plug, easily removable tank partitions for keeping bait healthy, an 8" Twist and Seal hatch for access and bait concealment, heavy-duty straps for attaching it to the kayak and a carrying handle for easy transport.



Weight: 12.7 lbs / 5.76 kg

6V SEALED GEL CELL BATTERY

- 72020077** HOBIE LIVEWELL V2 BAIT TANK
- 72020015** ROD HOLDER - LIVEWELL
- (Additional rod holders include the required fasteners)*



FEATURES

High output pump circulates aerated water to keep bait alive, Battery and Charger included, Sealed Marine Switch for ON/OFF control, Adjustable downspout for water level control and drainage, Holds up to 8 gallons of water, Removable tank partition provides a rounded surface for keeping bait healthy, 3 vertical rod holders included, with pre-marked locations for adding more, 8" Twist and Seal lid for tank access & bait concealment, Carrying handle for easy transport, Heavy Duty straps secure livewell to cargo area, Pump cap for filling the tank with non-circulating water, Threaded drain plug keeps tank interior dry between uses



HOBIE LIVEWELL XL

Larger capacity, fits all Pro Angler models. 6 gal/22.71 L and 11 gal/41.64 L

72020072 HOBIE LIVEWELL XL BAIT TANK

72020015 ROD HOLDER - LIVEWELL

(Additional rod holders include the required fasteners)

The Livewell XL comes standard with two additional rod holders for a total of four rod holders.

TANK WATER LEVEL CONTROL

Adjust the Livewell XL tank water level using the included "C-clip" or drain the tank with the simple twist of a knob.



Weight: 15.4 lbs / 6.98 kg

6V SEALED GEL CELL BATTERY



REMOVABLE TANK PARTITION

The removable tank partition keeps debris and critters from clogging internal pumps and drains or hiding in hard to reach areas. The partition also provides a rounded surface so baitfish stay healthy and happy.

CORROSION RESISTANT POWER SWITCH

Wire connections are housed inside a magnetic (reed) switch, ensuring maximum durability and corrosion resistance.



H-BAR



ADJUSTABLE H-BARS

Standing support for Kayaks! The adjustable H-Bar will integrate with all H-Rail accessories for easy customization. It folds up when you need it and away when you don't. The aluminum extrusion is strong and lightweight for leaning against or holding on to while entering/exiting the boat or pulling yourself up from a seated to a standing position. The Outback Universal kit is fully adjustable to fit a wide variety of kayaks. The PA17 requires an adapter kit (extra set of H-Rail clamps and a longer center bar) when used in the middle and aft seat positions.

- Lean against to stabilize
- Pull yourself up from a seated position
- Grab ahold to assist when entering the kayak
- Variable height settings
- Folds out of the way

- 84500116** HOBIE H-BAR PRO ANGLER
- 84500115** PA17 H-RAIL ADAPTER KIT
- 84500117** HOBIE H-BAR COMPASS
- 84500119** HOBIE H-BAR OUTBACK / UNI
- 84500120** HOBIE H-BAR OUTBACK 2019+
- 84500121** HOBIE H-BAR PASSPORT 12

H-RAIL EXTRUSION

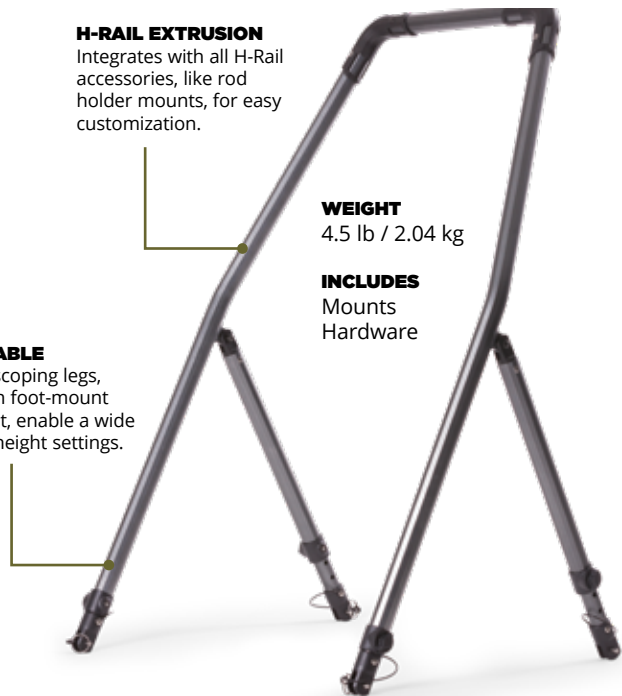
Integrates with all H-Rail accessories, like rod holder mounts, for easy customization.

WEIGHT
4.5 lb / 2.04 kg

INCLUDES
Mounts
Hardware

ADJUSTABLE

Four telescoping legs, along with foot-mount placement, enable a wide range of height settings.



H-CRATE STORAGE SYSTEMS

- 72020088** HOBIE H-CRATE
- 72020298** HOBIE H-CRATE JR

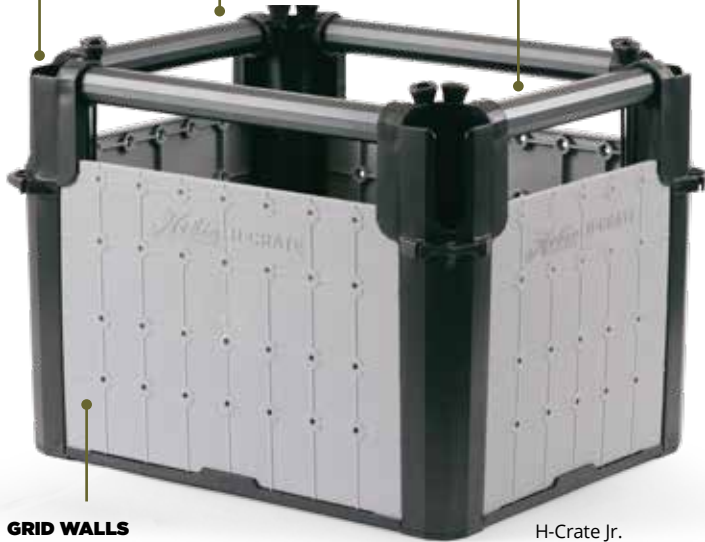
- Fits on the back of a fishing kayak or SUP
- Keeps tackle, fishing rods and gear organized
- Lightweight & durable
- Can Be Disassembled to Store/Travel Flat

Weight: H-Crate 5.8 lbs / 2.63kg
Weight: H-Crate Jr. 5.05 lbs / 2.29kg
Includes: 4 Heavy duty straps
 (Replacement 72020284)

ROD HOLDERS
 Four rod holders with shock cord rod retainers.

H-RAIL MOUNTING PLATFORM
 Carrying Handles Provides structural strength and is great for mounting H-Rail accessories.

STORAGE
 Keeps your valuables organized in one easy-to-transport bin.



GRID WALLS
 Attach additional accessories using the molded hole pattern (72020015 Rod Holders).

H-Crate Jr.
 Uses 4 short walls

H-CRATE SOFT COVERS

Vinyl cover with a zipper opening. Keeps gear drier and out of UV. Keeps gear in the crate from falling out in a capsize. Tested to extremes... the cover holds in place under heavy load even if inverted or tumbled. Easy to install using provided panel rivets. Double zipper is nylon, not corrosive and functions very smoothly.

- 72020097** SOFT COVER
- 72020297** JR SOFT COVER



MOUNT ADDITIONAL ROD HOLDERS TO H-CRATE

You can mount many additional rod holders to the grid walls.

- 72020015** ROD HOLDER - LIVEWELL / H-CREATE

(Additional rod holders include the required fasteners)



PADEYE XL

Replace existing smaller padeyes to enable attachment of multiple straps or rod leashes on the same eye.

- 71125001** PADEYE XL



H-RAIL UPGRADE / ADD-ON KITS

H-Rail is a durable, lightweight, patent pending mounting system for quickly securing a complete line of H-Rail accessories. Easily attach, move or remove mounts and accessories quickly. The 12-Sided rails allow rotation at 30 degree increments and will hold when your H-Rail accessory is clamped in place. Get your FishFinder, Rod Holders, Tackle Buckets and more... right where you want them... then easily slide them out of the way!

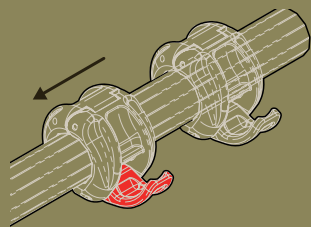
Update older model Pro Angler 12 and 14s to the H-Rail system. Fits 2014 and some 2013 Pro Anglers. Other models may require some modification to steering crank (Note four screws in deck area near left steering handle indicates need for modifications). Kits include everything needed: Rails, mounts, attachment hardware and instructions. Instructional video also online.

- 84626104** OUTBACK H-RAIL UPGRADE KIT
- 84625312** PA 12 H-RAIL UPGRADE KIT
- 84625314** PA 14 H-RAIL UPGRADE KIT

For other kayaks or for just about any application add 9" and 21" straight H-Rails anywhere you like! Kits come with H-Rail tubes, end fittings and attachment hardware.

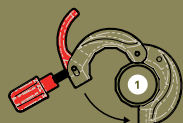
- 84626001** H-RAIL BOLT ON RAIL KIT 9"
- 84626101** H-RAIL BOLT ON RAIL KIT 21"

HOBIE H-RAIL SYSTEM

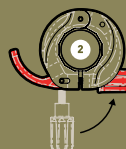


ADJUSTABILITY IS ELEMENTARY.

Attaching, removing and adjusting H-Rail accessories is literally as easy as one, two, three.



1. Wrap clamp around rail.



2. Latch gate and tighten.



3. Close locking lever.

H-RAIL RB STARPORT HD

Comes with the popular RAILBLAZA Starport HD with locking slide. Mounts to the 12-sided H-Rail without any drilling or tools needed.

84620204 H-RAIL STARPORT HD



H-RAIL RB MINIPOINT

The Hobie H-Rail MiniPort allows users to fit and re-task the full range of RAILBLAZA accessories to Hobie H-Rails. It clamps to the 12-sided H-Rail without any drilling or tools needed.

84620202 H-RAIL MINIPOINT



H-RAIL SCOTTY DECK/SIDE

We adapted this popular Scotty mount to fit our 12-sided H-Rail without any drilling or tools needed.

84620154 H-RAIL SCOTTY MOUNT



H-RAIL SCOTTY GEAR HEAD

H-Rail Gear-Head quickly slides into place and locks down your post mounted Scotty rod holders and accessories. This system allows you to quickly change rod holder positions with a simple "twist".

84620152 H-RAIL GEAR HEAD



H-RAIL MINI TACKLE BIN

The H-Rail Mini Bin packs serious utility! It's slim and rugged design features a built-in 42" retractable gear tether, a tool holder for pliers or fish grips, four clip points for leashing down gear and raised drain channels in the floor so your gear won't ever sit in water. Four mounting locations for its integrated H-Rail clamp allows for a variety of orientations, giving you the flexibility to mount the bin just about anywhere you've got an open section of H-Rail. Perfect for holding the tools you need close to hand including your VHF radio, cell phone, packs of soft plastics or a digital camera for those fishing CPR tournaments. Overall dimensions: 9" L x 3" W x 4" T; bin dimensions: 5" L x 3" W x 4" T.

84623004 MINI TACKLE BIN / H-RAIL



H-RAIL TACKLE BIN

Add more storage or hold more gear. Designed to hold fishing tackle boxes, the tackle bin also includes a removable tray, Bungee® retainers, and plenty of places to clip things to. Store tools and use it as a place to collect odds and ends that usually clutter your fishing area.

84623001 TACKLE BIN / H-RAIL

84624011 REPLACEMENT TRAY



H-RAIL CUP HOLDER

Always have your favorite beverage conveniently located and secure.

84621001 CUP HOLDER / H-RAIL



H-RAIL MOUNTING PLATE

Mount almost any accessory to the H-Rail using this universal mounting plate. It's durable, easy to drill through and flat on the top and bottom, allowing bolts, nuts and washers to fit snugly.

84622001 MOUNTING PLATE / H-RAIL



H-RAIL G-HOLD

Secure paddles, push poles, nets, gaffs or anything of moderate size up to 2 inches in diameter. The flexible quick-release strap has two securing points for security of minimum and maximum diameters, providing strong retention. It clamps to the 12-sided H-Rail without any drilling or tools needed.

84620200 H-RAIL G-HOLD



H-RAIL MIGHTY MOUNT

Use it to attach your track mounted accessories. Use it as a standalone mount to secure your VISICarbon Pro™. Use it with the brand new Screwball™ or the Panfish™ camera pole.

84620153 H-RAIL MIGHTY MOUNT



H-RAIL RAM® MOUNTS

Add your favorite accessories to RAM Mounts on the H-Rail using the 1" or 1.5" ball.

84620101 MOUNT 1" RAM BALL / H-RAIL

84620151 MOUNT 1-1/2" RAM BALL / H-RAIL



H-RAIL ROD RACKS

Designed for horizontal rod storage. Padding on the interior protects your investment, plus rod retainers secure your rods in position for easy access, surf landings or transport. When rotated, the Rod Rack can be used for storing other accessories like a paddle, sail or stakeout pole.

84625001 ROD RACK / H-RAIL



H-RAIL ROD HOLDER

The H-Rail Rod Holder clamps to Hobie's H-Rail making it easily adjustable along the H-Rail or rotated to a desired angle inboard or outboard. A second lever allows the rod tube to be rotated at angles forward to aft. The rod holder can be clamped facing inboard or outboard depending on the desired use. It's a tube design with a removable gimbal pin and a reel holder that can be rotated to orient baitcasting or spinning rods into the perfect position. The two oversized padeyes can be used for rod leashes or to secure the rod holder to the boat and prevent it from slipping under high loads. Hobie always recommends using a rod leash and suggests the 72020099 Strap Kit to secure the rod holder in position for big game trolling.

72020098 ROD HOLDER / H-RAIL

72020099 HD STRAP KIT



DLX MOUNTING BOARD KIT - PRO ANGLER

2018 Pro Angler Deluxe Mounting Boards feature a built-in, center loading accessory track, knife holder, pliers holder and clip points for leashing gear. We've also given the topside a textured finish to increase friction with track mounted accessories. Installs simply and securely to pre-2018 model year Pro Anglers using included hardware.

84502121 DLX MOUNTING BRD KIT - PRO A



HOBIE HORIZONTAL ROD HOLDER KIT

Keep your fishing rod secure and protected along the side of your kayak. Insert the rod tip into the tip protector and lock the rod handle into the clasp. Easy to install using the provided hardware. Choose either through-bolts or sheet metal screws. Fits any kayak. Patent Pending.

72021060 HORIZONTAL ROD HOLDER KIT

ADJUSTABLE ROD HOLDER

Fits into Hobie's molded-in rod holders and fastens to the boat using 2 straps and padeyes (included). Release the lever to adjust the angle of the rod holder. Allows you to adjust the angle of their rod so it is best suited for the fishing situation. It is a tube design with a removable gimbal pin and a reel holder that can be rotated to orient baitcasting or spinning rods into the perfect position. The two oversized padeyes can be used for rod leashes. Extremely popular with anglers who like to troll. Hobie recommends using a rod leash to tether your rod to the kayak when fishing for big game.

72020074 ADJUSTABLE ROD HOLDER



HOBIE ROD HOLDER EXTENSIONS

These fit right into the molded-in rod holders and offer a larger diameter sleeve that is deeper. Keep your fishing rods secure and reels higher out of the water. Leash the holder extension to the boat and the rod to the holder using the molded eyes.

72020014 ROD HOLDER EXTENSION



HOBIE ROD LEASH

Secure the rod leash to boat and rod. Quick snap connection feature allows easy detachment when needed. Webbing construction with quick connect hook.

74052001 ROD LEASH - WEBBING

HOBIE GEAR KEEPER

Keep your equipment onboard with Hobie Gear Keepers. These low force retractor tools are ideal for gear such as pliers, dykes, lipper tools etc.

72020000 SMALL HOBIE GEAR KEEPER

Features: 36" 50lbs Breaking Strength Spectra Nylon Line, Plastic Snap Clip, 3/8" Quick Connect Split Ring.

72020001 LARGE HOBIE GEAR KEEPER

Features: 36" 60 lbs. Breaking Strength Nylon Coated Stainless Steel Cable, Stainless Steel Spring and Hardware, Plastic Snap Clip.





RAM® MOUNTS MADE IN USA

There are countless ways to customize your kayak using RAM® Mounts, making it the choice of kayak anglers and enthusiasts around the world. Secure action cameras, fishfinders, phones, rod holders, transducers and more using your choice of ball and track bases. Explore the full line of RAM® kayak mounts below.

FISHING ROD HOLDERS & BASES

RAM® Mounts offers an extensive line of rod holders that are best suited to your kayak fishing needs. Whether you're using a spinning, bait casting or trolling rod, RAM® Mounts has you covered. Select a complete kit or mix and match to find your ideal rod holder and mounting base.

Compatible with RAM® Ball Adapter for GoPro®



72023073
RAM ROD® HD Rod Holder with 6" Spline Post

72023076
RAM ROD® Rod Holder with 6" Spline Post

72023077
RAM® Tube Jr.™ Rod Holder with 6" Spline Post

Compatible with RAM® Ball Adapter for GoPro®



72023074
RAM ROD® Jr. Rod Holder with 4" Spline Post



72023075
RAM® Adapt-A-Post™ with Adjustable 13.5" Extension Arm



72023089
RAM ROD® 8" Post Extension Arm

72023072
RAM® Tough-Tube™ Rod Holder with 3" Ratchet Spline Post Arm



AVAILABLE SUMMER 2020
72023097 RAM® Adapt-A-Post™ Universal Flat Surface Drill-Down Base for Spline Posts

72023072

RAM® Tough-Tube™ Rod Holder with 3" Ratchet Spline Post Arm



72023050
RAM ROD® Rod Holder with 1.5" C Size Revolution Socket Arm



72023049
RAM® Tube Jr.™ Rod Holder with 1.5" C Size Revolution Socket Arm



72023079
RAM ROD® Jr. Rod Holder with 1.5" C Size Revolution Socket Arm



72023048
RAM ROD® Fly Rod Holder with 1.5" C Size Single Socket Arm



72023051
RAM® Tube™ Rod Holder with 1.5" C Size Single Socket Arm

H-RAIL RAM® BALL ADAPTER

84620101 Hobie H-Rail Mount with 1" B Size RAM® Ball
84620151 Hobie H-Rail Mount with 1.5" C Size RAM® Ball

AVAILABLE SUMMER 2020

72023092 RAM® Adapt-A-Post™ Universal Post & Spline H-Rail Base

RAM® TRACK BALL™

Use this T-bolt ball adapter for most third-party tracks including Hobie H-Track and RAM® Tough-Track™.

72023058 1" B Size RAM® Track Ball™
72023059 1.5" C Size RAM® Track Ball™



RAM® TOUGH-TRACK™ & TRACK BASES

The RAM® Tough-Track™ takes innovation to the next level by offering a center access point for your track components and multiple track lengths to accommodate your desired mounting surface.



72023082
RAM® Tough-Track™
Top-Loading Composite
9" Track

72023081
RAM® Tough-Track™
Top-Loading Composite
5" Track

72023080
RAM® Tough-Track™
Top-Loading Composite
2.43" Track



72023096
RAM® Tough-Track™
Black Modular Aluminum 9" Track

72023095
RAM® Tough-Track™
Black Modular Aluminum 5" Track

72023094
RAM® Tough-Track™
Black Modular Aluminum 3" Track

72023098
RAM® Center Connector for
Black Modular Aluminum RAM®
Tough-Track™



72023086
RAM® Roller-Ball™ 2-Pack
Paddle & Accessory Holder



72023087
RAM® Vertical Tie Down
2-Pack Track Accessory



AVAILABLE SUMMER 2020
72023090 RAM® Adapt-A-Post™
Universal Post & Spline Track base
*Compatible with Post & Spline systems
for RAM® Mounts, Scotty, Fish-On,
Railblaza, Brocraft, Cannon,
Cabela's and Bass Pro Shops.*



72023042
RAM® Bond-A-Base™ Adhesive Base
*Shown with RAM® Tough-Track™ Top-Loading
Composite 5" Track*



AVAILABLE SUMMER 2020
72023091 RAM® Adapt-A-Post™ Dual
T-Bolt Universal Track Base for
Spline Posts

72023093 RAM® Adapt-A-Post™
Universal 2-Hole Drill-Down
Base for Spline Posts
*Compatible with Post &
Spline systems for RAM®
Mounts, Scotty, Fish-On,
Railblaza, Brocraft,
Cannon, Cabela's
and Bass Pro
Shops.*

ACTION CAMERA MOUNTS WITH THE RAM® TOUGH-POLE™

Get the perfect shot when you're out on the water with the RAM® Tough-Pole™ for action cameras. Available in various lengths and kits with a wide range of mounting base options, the RAM® Tough-Pole™ is completely customizable to ensure the perfect fit for your setup.



72023070
1" B Size RAM® Ball
Adapter for GoPro®



72023034
1" B Size RAM® Action
Camera Ball Adapter



72023083
RAM® Tough-Pole™ 18" Single
Pipe Mount with RAM®
Track-Node™ Base



72023032
RAM® 18" PVC Pipe
Extension Pair with B Size
& C Size Socket Arms



72023084
RAM® Tough-
Pole™ 48"
Double Pipe
Mount with
Spline Post
Base



72023085
RAM® Tough-Pole™ 48"
Double Pipe Mount with
RAM® Track-Node™ Base

RAM® MOUNTS ROD HOLDERS / BASES / ACCESSORIES

ACCESSORIES & MORE BASES

Kayak fishing is all about adaptability. That's why RAM® Mounts offers a variety of accessories. These solutions are compatible with a wide range of RAM® mounting bases, allowing you to customize your kayak setup to best fit your needs.



72023035
RAM® Transducer Mount with 18" Aluminum Rod & Socket Arm

72023019 1" B Size Medium RAM® Double Socket Arm

72023047 1.5" C Size Medium RAM® Double Socket Arm



72023056
RAM® X-Grip® Phone Holder with 1" B Size Medium Composite Double Socket Arm



72023016 1" B Size RAM® Wedge Ball Adapter for Scotty and Hobie Sail Port Base

72023015 1.5" C Size RAM® Wedge Ball Adapter for Scotty and Hobie Sail Port Base



72023088
RAM® Twist-Lock™ Composite Suction Cup Base with 1" B Size Ball



72023065
1.5" C Size RAM® Tough-Claw™ Small Clamping range .625" to 1.5"



72023067
1.5" C Size RAM® Tough-Claw™ Large Clamping range 1" to 1.875"



72023046
1" B Size RAM® Composite Ball Base 1.5" x 2"



72023044
1" B Size RAM® Composite Diamond Ball Base

72023015	RAM MAST-TUBE WEDGE MOUNT 1.5"
72023016	RAM MAST-TUBE WEDGE MOUNT 1"
72023017	RAM U-BOLT RAIL BASE w/ 1" BAL
72023019	RAM DBL 1" BALL SOCKET ASSEMBL
72023025	RAM U-BOLT BASE w/1.5" BALL
72023029	RAM V-BASE (STRAP 1"- 2.1") 1"
72023034	RAM GOPRO MOUNTING BASE 1"
72023035	RAM 18" TRANSDUCER MNT
72023042	RAM BOND A BASE - INFLAT/WHITE
72023044	RAM BASE 1" DIAMOND 2 7/16" X
72023046	RAM BASE 1.5" BALL 2" X 2.5"
72023047	RAM DBL BALL SOCKET ARM 1.5" P
72023048	RAM ROD 2007 JR. FLY ROD HOLDE
72023049	RAM TUBE JR HOLDER
72023050	RAM ROD 2000 ROD HOLDER
72023051	RAM TUBE 2008 ROD HOLDER
72023052	RAM FISH FINDER BASE W/ 1" ARM
72023053	RAM LOWRANCE BASE W/ 1" ARM
72023054	RAM LOWRANCE BASE W/ 1.5" ARM
72023055	RAM LOWRANCE BASE W/ 1.5" ARM
72023056	RAM X-GRIP UNIVERSAL HOLDER W/
72023057	MOUNT, i-SERIES FISHFINDER
72023058	RAM 1" TRACK BALL
72023059	RAM 1.5" TRACK BALL
72023060	RAM MOUNT 1" BALL & ARM HOOK2
72023061	RAM MOUNT 1.5" BALL & ARM HOOK
72023065	RAM SM TOUGH CLAW w/1.5" BALL
72023067	RAM LG TOUGH CLAW w/1.5" BALL
72023070	RAM BALL ADAPTER FOR GOPRO MOU
72023071	RAM ROD BULKHEAD/FLAT SURFACE
72023072	RAM TOUGH-TUBE ROD HOLDER WITH
72023073	RAM ROD JR FISHING ROD HOLDER
72023074	RAM ROD JR FISHING ROD HOLDER
72023075	RAM ADAPT-A-POST™ WITH ADJUSTA
72023076	RAM ROD FISHING ROD HOLDER WIT
72023077	RAM TUBE JR.™ ROD HOLDER WITH
72023078	RAM DUAL T-BOLT TRACK BASE FOR
72023079	RAM ROD JR FISHING ROD HOLDER
72023080	RAM TOUGH TRACK 2.43" COMPOSITE
72023081	RAM TOUGH TRACK 5" COMPOSITE
72023082	RAM TOUGH TRACK 9" COMPOSITE
72023083	RAM TOUGH-POLE CAMERA MOUNT WI
72023084	RAM TOUGH-POLE 48" CAMERA MOUN
72023085	RAM TOUGH-POLE 36" ACTION CAME
72023086	RAM ROLLER-BALL 2-PACK PADDLE
72023087	RAM 2-PACK VERTICAL TIE DOWN T
72023088	RAM TWIST-LOCK COMPOSITE SUCTI
72023089	RAM ROD 8" POST EXTENSION ARM
72023094	RAM TOUGH-TRACK 3" ALUMINUM
72023095	RAM TOUGH-TRACK 5" ALUMINUM
72023096	RAM TOUGH-TRACK 9" ALUMINUM
72023098	RAM TOUGH-TRACK CONNECTOR
84620101	1" RAM BALL / H-RAIL
84620151	1-1/2" RAM BALL / H-RAIL



RAILBLAZA

Diverse, flexible and user-friendly mounting systems and accessories. Your StarPort™ can be mounted just about anywhere! Then add the desired accessories to mount onto the starport

STARPORT

The StarPort allows users to fit and re-task the full range of RAILBLAZA accessories. The StarPort can be used as either a deck mount or flush mount base. This base not only comes with a gasket and cap, but also features a slide locking mechanism to confidently lock the RAILBLAZA accessory in place. Stainless Steel mounting hardware included.

72026207 RB STARPORT BLACK



FIXED EXTENDER

The Fixed Extender gives you 5 inches of clearance from the StarPort – an optimum distance for freeing up the cockpit and creating additional leg room on kayaks.

72026211 RB 5" FIXED EXTENDER



AKA STARPORT MOUNT

AKA StarPort Mounts allow the easy attachment of a RAILBLAZA StarPort to your Hobie AKA (V2). The StarPort Mount is designed to fit securely on the AKA of an Island or Tandem Island without twisting.

72026210 RB RAILMNT AKA STARPORT COMB



STARPORT HD

The base combines the strength of a deck mount with the cosmetic appeal and practicality of a flush mount. The StarPort HD can also be mounted on many popular track systems. Versatility of tool-free adjustment. Stainless Steel mounting hardware included. Want a tool-free and centrally mounted lockable mount on your kayak track? The StarPort HD can achieve this with the addition of the StarPort HD TracMount Kit 72026212.

72026208 RB STARPORT HD BLACK



H-RAIL READY!

H-RAIL STARPORT HD

Mount the Hobie H-Rail StarPort HD on the 12-sided H-Rail without any drilling or tools needed.

84620204 H-RAIL STARPORT HD



H-RAIL MINIPOINT

Mount the Hobie H-Rail MiniPort on the 12-sided H-Rail without any drilling or tools needed.

84620202 H-RAIL MINIPOINT

H-RAIL G-HOLD

Secure paddles, push poles, nets, gaffs or anything of moderate size up to 2 inches in diameter. The flexible quick-release strap has two securing points for security of minimum and maximum diameters, providing strong retention. It clamps to the 12-sided H-Rail without any drilling or tools needed.

84620200 H-RAIL G-HOLD



ROD HOLDER II

Hold a bait caster, spinning rod, trolling rod, or fly rod. The rotating collar secures rod in place and the rear gimbal lock reduces rod rotation for compatible rods. Also offered with the StarPort HD mount (Stainless Steel mounting hardware included with 72026209 Rod Holder II / StarPort HD).

- 72026200 RB ROD HOLDER II ONLY BLACK
- 72026209 RB ROD HOLDER II WITH STARPORT HD



G-HOLD 50

The G-Hold 50 is recommended to secure paddles, boga grips and anything of moderate size up to 2 inches around. The flexible quick-release strap has two securing points for security of minimum and maximum diameters, providing strong retention. G-Holds install in any RAILBLAZA base.

- 72026202 RB G-HOLD 50MM(2") SINGLE BLK



GUNHOLD

The RAILBLAZA GunHold allows you to safely stow and transport your rifle or shotgun. The flexible rubber fingers shape to fit different gun butts and the strap secures the shotgun/rifle against vibration and damage. The GunHold is compatible with all RAILBLAZA Bases and can be used on ATVs, kayaks, boats, SUPs, and all other hunting vessels.

- 72026203 RB GUNHOLD (EA)



CAMERA MOUNT KIT

With the RAILBLAZA Camera Mount Kit, you can securely mount your camera on your kayak, paddleboard, or many other surfaces by simply making it StarPort compatible. The kit is compatible with any camera featuring a 1/4-20 thread insert while also including a GoPro tripod adaptor to make the kit compatible with all GoPro cameras.

- 72026205 RB CAMERA MOUNT KIT



RAILBLAZA ROD HOLDERS / MOUNTS

- 72026200 RB ROD HOLDER II ONLY BLACK
- 72026201 RB ROTATING PLATFORM 102MM(4")
- 72026202 RB G-HOLD 50MM(2") SINGLE BLK
- 72026203 RB GUNHOLD (1)
- 72026204 RB CAMERABOOM 600 PRO SERIES
- 72026205 RB CAMERA MOUNT KIT
- 72026206 RB BLACK RIBPORT / STARPORT W/
- 72026207 RB STARPORT BLACK
- 72026208 RB STARPORT HD BLACK
- 72026209 RB ROD HOLDER II STARPORT HD K
- 72026210 RB RAILMNT AKA STARPORT COMB B
- 72026211 RB 5" FIXED EXTENDER
- 72026214 RB VISIBILITY KIT II
- 84620200 H-RAIL G-HOLD
- 84620202 H-RAIL MINIPORT
- 84620204 H-RAIL STARPORT HD



VISIBILITY KIT II

The RAILBLAZA Visibility Kit II is a must-have safety item for any kayak angler or recreational paddler. The Visibility Kit II meets US Coast Guard 2 Nautical Mile regulations, and disassembles when you're finished to be stored just about anywhere. The i360 light portion can be fitted to any RAILBLAZA StarPort around the kayak. The Extenda Pole 1000 portion can be used to display a flag, or combine with RAILBLAZA camera mounts as a camera pole.

- 72026214 RB VISIBILITY KIT II



CAMERA BOOM 600

The Camera Boom 600 is the perfect way to hold the camera and capture the action. Capturing your adventure from the perfect angle is now made easy. Over 30 inches long and fully adjustable with 4 moving joints, capturing any angle is possible. This camera mount will fit into any RAILBLAZA StarPort.

- 72026204 RB CAMERABOOM 600 PRO SERIES



ROTATING PLATFORM

The Rotating Platform allows for 360 degrees of rotation, easily clips in and out of your StarPort. Perfect for mounting fish finders, cameras, or other electronics.

- 72026201 RB ROTATING PLATFORM 102MM

I-SERIES BASE

Expand the rigging capabilities of inflatables, stand up paddleboards or coolers (without drilling). The i-Series Base allows the addition of useful StarPort attachments. The 6x4-1/2 inch base is easily applied to any flat surface with the included 3M backing adhesive.

- 72026206 RB BLACK RIBPORT / STARPORT



FOR ALL ITEMS WITH POLYCARBONATE LOCKING SLIDE; IMPORTANT: Use of petroleum based lubricants on the StarPort slide will cause failure. Silicone based products are best suited (please check contents of lubricant before using).



SCOTTY

Innovative designs and many versatile mounting options, we're sure you'll find the exact combination you're looking for. Scotty Rod holders were designed with one major purpose in mind: Fight the fish, not the fishing gear!



BAIT CASTER

Holds a bait caster reel in a cushioned cradle. A slot in the front of the rod holder allows for a spinning reel to be securely held in position. The rod holder design has a side mounted flange, which leaves the bottom open. This allows for the rod holder to accommodate trigger grips. Pistol grip rod butts easily clear the sides of the rod holder for quick rod retrieval. Rod can be secured in holder with a soft latching strap which snaps over the top. Mount not included.

80048011 BAIT CASTER ROD HOLDER

ROCKET LAUNCHER

Fully Adjustable rod holder, composite construction, accommodating all rods. Mount not included.

80048015 ROD HOLDER ROCKET LAUNCHER



RODMASTER II

Fibre reinforced engineering nylon offers strength, resilience and reliability. Also comes with a removable gimbal pin. Mount not included.

80048014 ROD HOLDER RODMASTER II

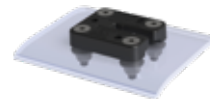
FLY ROD HOLDER

Allows hands free trolling with a fly rod. Fully adjustable and includes a safety strap. Fly Rod Holder Interior Diameter: 1.16" Mount not included.

80055011 FLY ROD HOLDER



72020051



72020052

MIGHTYMOUNT™

Use it to attach your track mounted accessories. Use it as a standalone mount to secure your VISICarbon Pro™. Use it with the brand new Screwball™ or the Panfish™ camera pole.

72020051 W/ MOUNT HDWR

72020052 SCOTTY KIT W/HDWR

FLUSH MOUNT

Sealed base for watertight applications (such as kayak decks). For all Scotty post mount rod holders. Dimensions: 4" x 2" x 2", Bolting Dimensions: 1 5/16" x 3 3/16"
80049011 FLUSH MOUNT W/HDWR



DECK / SIDE MOUNT

1.16", Mount Dimensions: 4" x 2" x 2", Bolting Dimensions: 1 5/16" x 3 3/16"
80052011 DECK / SIDE MOUNT W/HDWR



H-RAIL SCOTTY DECK/SIDE

We adapted this popular Scotty mount to fit our 12-sided H-Rail without any drilling or tools needed.
84620154 H-RAIL SCOTTY MOUNT



ADJUSTABLE EXTENDER 6.5"

Easier access to your rod and reel. Extends the height of the rod holder by 6 1/2", allowing for faster access when that fish strikes. Allows angle adjustments. Made from super tough re-enforced nylon. Works with Scotty post mount rod holders
80048010 ROD HOLDER HEIGHT EXTENDER 6.5"



CAMERA MOUNT

The Scotty Portable Camera Mount is fully twistable, turnable, rotatable, and best of all, instantly portable. Locks down a standard camera or sports cam without needing a special adaptor.
80048020 CAMERA MOUNT POST - SCOTTY



H-RAIL GEAR HEAD

H-Rail Gear-Head quickly slides into place and locks down your post mounted Scotty rod holders and accessories. This system allows you to quickly change rod holder positions with a simple "twist".
84620152 H-RAIL GEAR HEAD



GEAR HEAD MOUNT Quick and Easy, Drop and Lock System. Allows you to secure and re-position your rod holder with just a twist. Use in conjunction with an extender to bring your rod closer to you.
80048006 GEAR HEAD MOUNT



SCOTTY ROD HOLDERS / MOUNTS

- 80048006** GEAR HEAD MOUNT
- 80048009** BACKING PLATE w/FASTENERS
- 80048010** EXTENDER ADJUSTABLE 6.5"
- 80048011** ROD HOLDER - BAIT CASTER ONLY
- 80048014** ROD HOLDER - RODMASTER II ONLY
- 80048015** ROD HOLDER - ROCKET LAUNCHER O
- 80048020** CAMERA MOUNT POST - SCOTTY
- 80049011** FLUSH DECK MOUNT W/HARDWARE
- 80052011** DECK / SIDE MOUNT W/HARDWARE
- 80055011** ROD HOLDER - FLY ONLY

HUNTING

GUN MOUNT for your kayak. Mounts to kayak rail for easy access.
72020013 GUN MOUNT



GUNHOLD

The RAILBLAZA GunHold allows you to safely stow and transport your rifle or shotgun. The flexible rubber fingers shape to fit different gun butts and the strap secures the shotgun/rifle against vibration and damage. The GunHold is compatible with all RAILBLAZA Bases and can be used on ATVs, kayaks, boats, SUPs, and all other hunting vessels.



72026203 RB GUNHOLD (EA)
 Choose an appropriate RailBlaza base Page 32-33





HOBIE STAKE-OUT POLE

Hold position in shallow water by inserting the Hobie Stake-Out Pole into sand or mud. Fiberglass pole with metal tip, rubber grip handle and attachment line system.

(Connect to the Hobie Anchor Trolley System for best results)

72076001 STAKE-OUT POLE

HOBIE ANCHOR TROLLEY KIT

Easily deploy your anchor, drift chute or stake out pole over the side of the cockpit area, then move the attachment position forward or aft to hold your boat in the position desired. Easily sit facing down stream / wind at anchor. Simple pulley system and cleat allows adjustment all along one side of your boat anywhere from bow to stern. PA 12 and 2013+ PA 14s are "Trolley Ready" with molded-in fittings to mount the turning blocks.

72020073 TROLLEY KIT - TROLLEY READY or THROUGH BOLT

72020273 TROLLEY KIT - WELLNUT / COMPASS/DUO/OUT19/PASSPORT



PARKPOLE LINK, 3 PIECE 12' STAKEOUT / PUSH POLE

A floating stakeout / push pole with lots of great features. Lightweight and incredibly durable. Simply remove the middle section and go from a 12' push pole to an 8' stakeout pole, or break down for easy transport to and from the water.

72020131 PARKPOLE LINK 3PC 12'



ANCHOR KIT

3.5 pound folding anchor, bag and 60 feet of line. (Connect to the Hobie Anchor Trolley System for best results)

80035A ANCHOR



HOBIE DRIFT CHUTE

Large cone shaped "para" chute deployed in the water slows your drift in windy conditions when anchoring is not possible or desired. Design keeps chute just under the surface and fully inflated. Anchor line not included. (Connect to the Hobie Anchor Trolley System for best results)

72020009 DRIFT CHUTE



POWER-POLE

Fast and secure anchoring for Hobie Pro Angler, Outback and Compass; Power-pole, mount and power supply! Easy as... 1 - 2 - 3!

1 - POWER-POLE MICRO AND SPIKE

Includes Micro Driver Unit and 8ft UL Spike. This all-electric unit is extremely quiet and easy to use. It works with a 3/4" spike to stop and anchor your kayak at the push of a button. It functions as a conventional stakeout pole or shallow water anchor without having to manually deploy it yourself. When the wind and water are moving, you won't be. With Power-Pole's signature strong hold, the Micro gives you a smooth stop on the spot in seconds. Whether you're anchored in sand, rock or mud - it's swift, silent, and secure.

72020083 POWER-POLE MICRO AND SPIKE

(Mounting requires Hobie mounting kits to properly distribute loads. Not approved for use on other Hobie models at this time)



2 - MOUNT KIT

Attach a Power-Pole Micro to the stern of your Hobie using the hardware and mounting plate that comes in this kit.

72020176 Pro Angler

72020138 Outback 2019

72020175 Compass



2 - OUTBACK MOUNT KIT

This Yakattack adaptor plate is specifically designed to stern mount a Power-Pole Micro to a <=2018 Hobie Outback. The offset mount allows for use with the rudder. Hardware included.

72020132 OUTBACK MOUNT KIT

or ...



3 - LITHIUM BATTERY PACK

The Micro Battery Pak is not just any battery pack; it utilizes advanced Lithium-Ion technology to ensure the longest performance while maintaining the highest built-in safety standards. Delivering a minimum of 100 cycles per charge, it can easily handle a full day of excitement on the water. The Micro Battery Pak includes battery pack, mounting harness, AC wall adapter, and charger.

72020185

3 - HOBIE POWER KIT

Power up your Power-Pole Micro using this Hobie kit. Kit includes 12V battery, charger, battery holder, and all of the wire plugs, adapters and connectors.

72020076

INDIVIDUAL PARTS / SPARES:

POWER-POLE MICRO ANCHOR MOTOR Micro Driver Unit includes wireless remote control, advanced wireless dash switch, mounting hardware, fully adjustable mounting bracket, electrical cord/plug/ battery terminals, quick release cord, free app (Android), USB Connector, and Bluetooth
72020084 POWER-POLE MICRO ANCHOR MOTOR

72020085 8 ft SPIKE - POWER-POLE MICRO

72020079 6 ft SPIKE - POWER-POLE MICRO

MOUNT PLATE For Pro Angler 12/14/17T
72020177 POWER-POLE MOUNT PLATE ONLY



- 1 - CHOOSE A FISHFINDER...
- 2 - CHOOSE A MOUNT... CHOOSE A BASE...
- 3 - CHOOSE AN INSTALLATION KIT

FISHFINDER HOOK2 4X GPS

Great for kayaks, the compact HOOK2 4x GPS features proven Broadband Sounder™ and a basic GPS plotter. If basic navigation is all you need, the simple and accurate GPS plotter of the HOOK2 'x' models let you add waypoints, follow trails and navigate to your favorite fishing spots. (*'x' models do not support add-on mapping such as C-Map). Compatible FF Mount 72023060 RAM 1" paired with equal size RAM ball of choice.

72020208 HOOK2 4x GPS



HOOK REVEAL 5 SPLITSHOT

Hook Reveal 5 SplitShot features High CHIRP sonar and DownScan Imaging™ with FishReveal™, plus single frequency broadband sonar. This all-new unit also features pre-loaded C-Map US Inland mapping and Genesis Live, allowing you to map uncharted water in real-time. A microSD card slot accepts a C-Map Insight Pro card (pn 72020221), giving you coverage of the entire US Inland and Coastal waters on a single SD card without any download required. SolarMAX™ Display, new color palettes and one-touch access to key features makes for a high-end experience at an affordable price. Compatible mount: 72023061 RAM MOUNT 1.5" HOOK or 72023060 RAM Mount 1" Hook paired with equal size RAM ball of choice.

72020229 Hook Reveal 5 SplitShot



HOOK REVEAL 7 SPLITSHOT

Hook Reveal 7 SplitShot features all the same capabilities as the smaller Hook Reveal 5 SplitShot, just with a larger screen and better target separation. High CHIRP sonar and DownScan Imaging™ with FishReveal™, plus single frequency broadband sonar makes finding fish easier than ever. This all-new unit also features pre-loaded C-Map US Inland mapping and Genesis Live, allowing you to map uncharted water in real-time. A microSD card slot accepts a C-Map Insight Pro card (pn 72020221), giving you coverage of the entire US Inland and Coastal waters on a single SD card without any download required. SolarMAX™ Display, new color palettes and one-touch access to key features makes for a high-end experience at an affordable price. Compatible mount: 72023055 RAM MOUNT 1.5" paired with 1.5" RAM ball of choice.

72020230 Hook Reveal 7 SplitShot



HOOK REVEAL 7 TRIPLESHOT

Hook Reveal 7 TripleShot features High CHIRP sonar, SideScan and DownScan Imaging™ with FishReveal™, plus single frequency broadband sonar, allowing you to identify structure and fish in every direction! This all-new unit also features pre-loaded C-Map US Inland mapping and Genesis Live, allowing you to map uncharted water in real-time. A microSD card slot accepts a C-Map Insight Pro card (pn 72020221), giving you coverage of the entire US Inland and Coastal waters on a single SD card without any download required. SolarMAX™ Display, new color palettes and one-touch access to key features makes for a high-end experience at an affordable price. Compatible mount: 72023055 RAM MOUNT 1.5" paired with 1.5" RAM ball of choice.

72020231 Hook Reveal 7 TripleShot



HOOK REVEAL 9 TRIPLESHOT

Hook Reveal 9 TripleShot features the largest screen and best target separation in our line of Hook Reveal offerings. High CHIRP sonar, SideScan and DownScan Imaging™ with FishReveal™, plus single frequency broadband sonar allows you to identify structure and fish in every direction! This all-new unit also features pre-loaded C-Map US Inland mapping and Genesis Live, allowing you to map uncharted water in real-time. A microSD card slot accepts a C-Map Insight Pro card (pn 72020221), giving you coverage of the entire US Inland and Coastal waters on a single SD card without any download required. SolarMAX™ Display, new color palettes and one-touch access to key features makes for a high-end experience at an affordable price. Compatible mount: 72023055 RAM MOUNT 1.5" paired with 1.5" RAM ball of choice.

72020233 HOOK Reveal 9 TripleShot



ELITE 7Ti2

Featuring support for Active Imaging™, FishReveal™ and built-in US Inland charts and Genesis Live onscreen mapping, the Elite-7 Ti2 fishfinder/chartplotter is a small enough footprint to be a perfect fit for kayaks. Elite Ti2 packs Active Imaging™, our highest quality sonar ever, FishReveal™, built-in Genesis Live real-time mapping and enhanced screen clarity and target separation. Plus, with features that make your life easier on the water, like an easy-to-use touchscreen, wireless networking, smartphone notifications and trolling motor/Power Pole® integration – Elite Ti2 was designed to help you have an easier time finding fish.

Compatible mount: 72023055 RAM MOUNT 1.5" paired with 1.5" RAM ball of choice.

72020218 ELITE 7 Ti2



ELITE 9Ti2

A larger screen than the 7" version gives you even greater target separation and image clarity. Featuring support for Active Imaging™, FishReveal™ and built-in US Inland charts and Genesis Live onscreen mapping, the Elite-9 Ti2 fishfinder/chartplotter is a small enough footprint to be a perfect fit for kayaks. Elite Ti2 packs Active Imaging™, our highest quality sonar ever, FishReveal™, built-in Genesis Live real-time mapping and enhanced screen clarity and target separation. Plus, with features that make your life easier on the water, like an easy-to-use touchscreen, wireless networking, smartphone notifications and trolling motor/Power Pole® integration – Elite Ti2 was designed to help you have an easier time finding fish. Compatible mount: 72023055 RAM MOUNT 1.5" paired with 1.5" RAM ball of choice

72020219 ELITE-9 Ti2 TotalScan



72020221 C-MAP INSIGHT PRO

Coverage of the entire US Inland and Coastal on a single SD card without any download required.

72020222 POINT-1 GPS ANTENNA

The ideal position and heading device. The Point-1 provides extremely accurate and rapid boat position and speed updates.

72020127 NMEA2000 STARTER KIT

Warranty on Lowrance product is handled by Lowrance: <https://www.lowrance.com/help-and-support/warranty-information/>

2 - FISHFINDER MOUNTS BY RAM



72023052



72023053
72023054



72023060
72023061



72023055
FITS HDS

72023052 RAM FISH FINDER BASE W/ 1" ARM
72023053 RAM LOWRANCE BASE W/ 1" ARM
72023054 RAM LOWRANCE BASE W/ 1.5" ARM

72023055 RAM LOWRANCE BASE W/ 1.5" ARM
72023060 RAM LOWRANCE BASE W/ 1" ARM
72023061 RAM LOWRANCE BASE W/ 1.5" ARM

...THEN CHOOSE RAM BASE (PAGE 31)

3 - FISHFINDER INSTALLATION KITS

FISHFINDER INSTALLATION KIT FOR LOWRANCE READY/GUARDIAN

This kit includes everything you need for wiring up your fishfinder to any Hobie kayak with the "Lowrance Ready" feature. Kit Includes: (Shown with 12V 9AH waterproof gel cell battery and charger or NOCQUA Lithium battery system, wiring hardware, and battery holder which mounts to the sail / accessory post or in the lip of an 8" twist and seal hatch. (For Passport 12 requires 72026217 Fit Kit).

72020070 KIT WITH GEL CELL (SHOWN)



72020145 KIT WITH LITHIUM PRO POWER

FISHFINDER I-SERIES INSTALLATION KIT

Hobie's plug-and-play option for outfitting your inflatable kayak with a fish finder. This kit includes everything you need to install and power a fish finder on your Hobie iSeries kayak. We've incorporated our Rudder Ready* transducer mounting kit, a custom RAM fishfinder mount extension that attaches to your Vantage seat, a lightweight PRO POWER 12V, 10 amp hour lithium battery, charger and wiring components. Simplifies transducer mounting on inflatable kayaks with wires run externally. *Not suitable for retractable Pro Angler style rudders.

72020143 i-SERIES KIT



FISHFINDER RUDDER READY INSTALLATION KIT

Hobie's Rudder Ready fish finder installation kit provides everything you need for wiring up and powering a fishfinder on your rigid kayak without the Lowrance Ready feature. Kit includes Hobie's Rudder Ready* transducer mount, thru-hull plugs, 12V gel cell battery and charger, battery holder, wiring components and zip ties for tidying everything up. *Not suitable for retractable Pro Angler style rudders.

72020144 RUDDER READY KIT



PASSPORT FISHFINDER FIT KIT

72026217 FIT KIT

PASSPORT SIDESCAN FF PLATE KIT

77800048 SIDESCAN FF PLATE PASSPORT KIT

HOBIE - LOWRANCE READY HUMMINBIRD ADAPTER

84505901 ADAPTER KIT, HUMMINBIRD FF

HOBIE RUDDER READY KIT

Hobie's answer for outfitting your inflatable kayak with a fish finder. The Rudder Ready* kit allows you to securely mount a transducer to any kayak with a Twist and Stow style rudder system. Eliminates the need for over-the-side mounting arms, and simplifies transducer mounting on kayaks without the Lowrance Ready feature. *Not suitable for retractable Pro Angler style rudders.

79050306 RUDDER READY KIT



LOWRANCE® READY TOTALSCAN® PLATE

The Lowrance Ready TotalScan transducer plate mounts in the same location as the standard Lowrance Ready transducer plate found on your Hobie fishing kayak. This mounting plate leaves the TotalScan transducer free of obstruction, allowing the side imaging technology to function with optimal performance. A protective dome on the front end offers protection against head-on collision damage. *Transducer mounting hardware included.

72020207 LOWRANCE READY TOTALSCAN PLATE



72020220 TRIPLE SHOT KIT WITH PLATEZ

LITHIUM PRO POWER KIT

The perfect lithium ion power source for running your fish finder, GPS and other electronics! Nocqua's 12V, 10Ah Pro Power Kit is lightweight and compact, weighing in at just over 20 oz. It's safe, durable and water resistant and comes with all the components necessary for rigging up an individual device. Kit includes: 12V Lithium ion battery, 110V Charger, 12" connector with open leads, 6" heat shrink tubing and 2 heat shrink butt connectors.



72025010 LITHIUM PRO POWER KIT

HOBIE 12V BATTERY

Waterproof 9AH gel cell 12-volt battery with attached waterproof wiring and connectors, 12-volt battery charger.

72025001 HOBIE 12v BATTERY 9AH

72025002 CHARGER - HOBIE 12v BATTERY



HOBIE 12V BATTERY HOLDER

Hobie's battery holder is versatile! Hang inside an 8" Twist and Seal hatch or mount to the mast / accessory receiver inside the hull.

72025007 HOBIE 12v BATTERY HOLDER



HOBIE THRU HULL WIRING KIT

Hobie thru hull fittings for routing wiring through cockpit area for FishFinders, GPS and more. Includes two through hull fittings with backing nuts, o-rings and one "tree" of adapters for different wire diameters. 3-Way version does not require backing ring for easier installation and allows larger cable end fittings to fit through a larger hole. Has 3 possible cable pass-through points.

86505621 HOBIE THRU HULL WIRING KIT

86505613 HOBIE 3 WAY THRU HULL KIT

ELEC CONNECTOR SET

Set of male / female waterproof plugs with wires and 4 waterproof (silicone filled wire nut) connectors.

72021027 ELEC CONNECTOR SET

72025005 (1) SILICONE FILLED WIRE NUT



HOBIE MIRAGE KAYAK RIGGING STAND

Place your kayak at a comfortable height for preparation of gear or while mounting hardware. Move the rack and boat around easily using a set of plug-in wheels as shown (not included). Multiple options for wheel use depending on your needs. The rack easily disassembles for flat storage. Not recommended for long term storage.

87363222 FLOOR STAND, MIRAGE RIGGING



FLAT MOUNT TRACK KIT

Hobie's Flat Mount track kit provides 12" of track mounting real estate. These tracks are intentionally designed with a slight curvature to match the outline of most Hobie kayaks, allowing them to fit areas where many other gear tracks don't. A great choice for alongside the bow hatch or near the stern. High grade stainless steel thru-bolt hardware is included so you can be confident the track won't budge under load. Dimensions: 14" x 1 5/8".

72026218 FLAT MOUNT TRACK KIT



HOBIE H-RAIL WITH INTEGRATED PATENTED RAM® HAND-TRACK™

Swap out the bungee in the rear H-Track DLX assembly with a second set of H-Rail + Integrated Track! This kit is a breeze to install, and increases no-drill mounting options behind the seat of any 2019 Outback.

H-Rail with integrated track yields a 17.5" multi-purpose mounting system for light AND heavy-duty applications. Clamp H-Rail rod holders to the rail for heavy-duty trolling, or use the track feature for lighter-duty accessory installations!

72020153 H-RAIL UPGRADE FOR OUTBACK



COMPASS FOOT BRACE KIT

The Mirage Compass is also such a great paddle kayak that Hobie decided to make it "foot brace ready". Foot braces improve the user experience by offering more comfort and power while paddling from a seated position. Current model year Compass and Compass Duo kayaks are outfitted the with a brass insert on each side of the cockpit for easy foot brace installation.

The forward end of the Compass/Duo foot braces install to the brass inserts on either side of the cockpit, while the rear end thru-bolts using the included hardware and easy access through the 8" round hatch in front of the seat. The foot pads are easily adjustable to fit riders of various heights, and a trigger lock keeps the foot pad firmly in place while kayaking.

72020150 FOOTBRACE KIT COMPASS/DUO

COOL AND QUIET! HOBIE EVA DECK PAD KITS

These are custom fit to every curve of your Hobie kayak and deliver supreme comfort, traction and sound dampening qualities. The double layered, closed cell foam construction features a brushed finish and is mold, mildew and stain resistant. Applies using a strong peel-and-stick adhesive backing. UV stable in harsh climates. Choose complete coverage from bow to stern or the interior kits that cover just the cockpit and cargo areas.



PA12
AEGEAN/BLUE

NEW!
360 KITS



PA14
GREEN/ESPRESSO



COMPASS
GREY/CHARCOAL

PRO ANGLER 14 COMPLETE
72020250 GREEN/ESPRESSO
72020251 AEGEAN/BLUE
72020252 GREY/CHARCOAL
72020242 GREY/BLACK 360
72020243 BLACK/GREY 360

PRO ANGLER 14 INTERIOR
72020244 GREEN/ESPRESSO
72020245 AEGEAN/BLUE
72020246 GREY/CHARCOAL

PRO ANGLER 12 COMPLETE
72020253 GREEN/ESPRESSO
72020254 AEGEAN/BLUE
72020255 GREY/CHARCOAL
72020240 GREY/BLACK 360
72020241 BLACK/GREY 360

PRO ANGLER 12 INTERIOR
72020247 GREEN/ESPRESSO
72020248 AEGEAN/BLUE
72020249 GREY/CHARCOAL

OUTBACK 2019+ COMPLETE
72020264 GREEN/ESPRESSO
72020261 AEGEAN/BLUE
72020267 GREY/CHARCOAL

OUTBACK 2019+ INTERIOR
72020263 GREEN/ESPRESSO
72020260 AEGEAN/BLUE
72020266 GREY/CHARCOAL

OUTBACK <=2018 COMPLETE
72020256 GREEN/ESPRESSO
72020257 AEGEAN/BLUE
72020258 GREY/CHARCOAL

COMPASS COMPLETE
72020259 GREY/CHARCOAL



MIRAGE ECLIPSE ACCESSORY BAG

The Mirage Eclipse experience just got even better! Now you can take your essentials along with you by packing them away in this convenient Eclipse Accessory Bag.

Eclipse Accessory Bag Features:

- 3 easy Velcro straps for attachment to the Eclipse handle bar
- Water resistant construction for keeping things dry
- Key tether with YKK snap swivel for extra security
- Interior zipper pouch for organizing smaller items
- Drainage hole in the bottom of the bag to rid water and keep the interior of the bag dry
- Clear visibility window in the top of the bag so you know exactly what you're reaching for
- Dimensions: approx. 8" Tall x 8" Wide x 3" Deep

72020116 ACCESSORY BAG



UNIVERSAL MOUNT & CAGE

Stay hydrated! This awesome mount with water bottle cage allows you to carry a water bottle on the Eclipse handlebar tubing. Adjustable for upper or lower tube size. Quick attachment and removal.

72020504 MOUNT W/BOTTLE CAGE



QUAD LOCK UNIVERSAL PHONE MOUNT

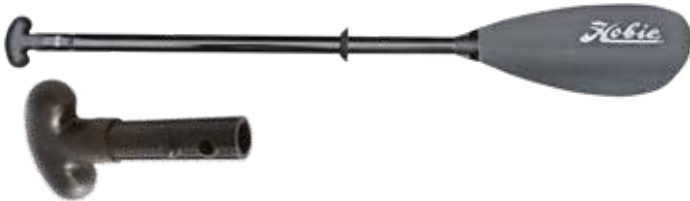
The Quad Lock adapter allows you to mount a phone or small device to Handlebars, H-Rail, H-Bar tubing. Designed for biking, but great for Hobie rail attachment too! Quick 45 degree twist to attach and lock. Release spring lever and turn 45 degrees to remove the device from the mount. Attaches to rails with rubber rings or zip ties that are included in the kit. 3M adhesive adapter attaches securely to your device (water proof cases recommended of course).

72020511 QUAD LOCK



HOBIE SUP / MSUP LEASH

Safety leash worn above your calf leashes you to your board in case you fall off. 8' Coil.
470145-10 HOBIE SUP / MSUP LEASH



PADDLE "T" HANDLE

Convert your kayak paddle to a canoe style paddle. Easier to store on many models of Hobie Mirage kayaks where paddle use is unnecessary while using the MirageDrive. Plugs into the female half of the kayak paddle.

74049001 PADDLE "T" HANDLE
74048 2019 "T" HANDLE



TELESCOPING PADDLE

Measures just 20" in closed position (45" when fully extended). Lightweight, anodized aluminum shaft corrosion resistant design. Floats too! 6 1/2" wide blade will fit into an 8" hatch opening.

3091 TELESCOPING PADDLE



3 PC FIBERGLASS PADDLE

Carry as a spare or emergency paddle. 3 piece easily assembles when needed. Includes carry bag.
P23074075-10 3 PC PADDLE



PADDLE LEASH

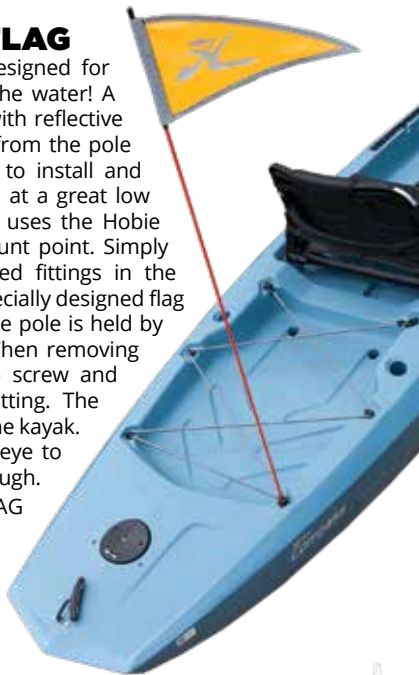
Secure a paddle to your boats bow eye. Keep the paddle with the boat after a capsize. By holding the paddle after a capsize you can also be sure that the boat stays with you and cannot drift away. Web paddle leash is made from hollow webbing and an internal shock cord. Coil leash is elastic plastic coil.

74050001 PADDLE LEASH - WEB 4.5'
74051001 PADDLE LEASH - COIL

HOBIE SAFETY FLAG

New safety flag specially designed for Hobie kayaks. Be seen on the water! A triangle safety orange flag with reflective piping. The flag stands out from the pole without wind. Simple, easy to install and remove from the kayak and at a great low price! This new flag system uses the Hobie threaded fittings as the mount point. Simply remove one of the threaded fittings in the cargo area and install the specially designed flag holder fitting in it's place. The pole is held by a clamping thumb screw. When removing the flag, loosen the thumb screw and pull the pole out of the fitting. The threaded fitting remains in the kayak. The fitting also includes an eye to route the cargo bungee through.

72020108 HOBIE SAFETY FLAG



THE VISICARBON PRO™

The VisiCarbon Pro combines a high visibility light and safety flag with a light weight, low drag, and portable style. Insert foam base into molded-in or Live Well rod holders or flag attachment system provides a secure attachment that allows the flag to be removed in seconds. The 48" long VISICarbon Pro™ breaks down to 14" long in seconds. The folded unit can be stored inside the nylon flag which doubles as carry bag. (INCLUDES A "T" BOLT FOR TRACK MOUNTING OR ADD 72020051 MightyMount)

72020040 SAFETY FLAG/LIGHT COMBO



BILGE - HAND PUMP

This light weight bilge pump is extra security for long trips on the water. Features super-comfortable, easy-grip rubber over-molded handle and a high-visibility neon yellow stock for extra safety.

72020032 BILGE - HAND PUMP



SAFETY PACKAGE

72020029 DELUXE KAYAK SAFETY PACKAGE

- 1 **72020010** Hobie Safety Kit
- 1 **72020040** VisiCarbon Safety Flag / Light
- 1 **72020032** Bilge Pump

HOBIE SAFETY KIT

This kit has many useful items for added safety when boating. Hobie Gear Bucket with Orange safety lid. Ready access is assured by hanging the safety kit on the inside lip of an 8" Hobie Twist and Seal hatch. Includes a 33 piece first aid kit, water proof flash light, signal mirror, space blanket, whistle, utility tool, waterproof matches, duct tape, gauze bandage, gauze pads, cloth tape (specific items subject to change).

72020010 HOBIE SAFETY KIT



HOBIE FIRST AID KIT

Waterproof 3600 Plano box with essential first aid items. Fits tackle management rack.

72020078 HOBIE FIRST AID KIT



HYDROSTAR - SOS DELUXE

Everything you need for lighting in one compact waterproof package.

72020003 HYDRO STAR SOS LIGHT

FEATURES:

5 light settings; Magnetic base; Suction cup base; Lanyard clip; Integrated safety whistle; Submersible to 50ft

SPECS / FUNCTION:

- Dimensions: 6in H x 1.25in DIA
- 1 CLICK : 3 LED Light (10LM)
- 2 CLICKS : 3 LED Strobe (15LM)
- 3 CLICKS : 360° Deck Light (Red:6LM/Green 2LM)
- 4 CLICKS : Emergency 1 Watt LED Strobe (65LM)
- 5 SECOND HOLD : SOS Signal (65LM)"



SAFETY WHISTLE

A whistle can save your life! Keep one attached to your PFD in case of overboard emergency. Alert approaching vessels. Alert other boaters or people ashore that you need help.

MK0053 SAFETY WHISTLE



RESCUE STEP

"How do I get back in if I fall out?" The RescueStep features quick and easy installation and operation for vessel re-entry assistance, righting an overturned kayak and can also be used to tow or portage your kayak. Its compact size makes it easy to bring along anywhere you need it.

72020092 RESCUE STEP KAYAK

1266 RESCUE STEP BOAT



HOBIE PET PFDS

You can now take your best friend with you safely and in Hobie Style! Added flotation as a swim assist and grab handles, so you can help them back aboard more easily. Adjustable fit, leash attachment, side pockets, grab handles and soft foam undercarriage support. Happy days for dogs!

FEATURES:

Tri segmented soft foam design; Foam supported Ripstop-nylon collar; Dual cargo pockets (S, M, L, XL); Dual integrated grab handle design (M, L, XL); Soft foam undercarriage support chasis; Integrated leash attachment

SIZING:

SIZE	WEIGHT	COLLAR	BODY GIRTH
XS	12 lbs.	8" - 12"	13" - 17"
S	12 - 24 lbs.	10" - 14"	15" - 21"
M	24 - 60 lbs.	13" - 19"	18" - 30"
L	60 - 90 lbs.	18" - 26"	24" - 36"
XL	90 - 120 lbs.	22" - 30"	30" - 42"

- S9000XS** PET PFD XS MANGO <12#
S9000SM PET PFD SM MANGO 12-24#
S9000MD PET PFD MD MANGO 24-60#
S9000LG PET PFD LG MANGO 60-90#
S9000XL PET PFD XL MANGO >90#



TRACK MOUNTED CUP HOLDER

Flexible tab design allows larger and smaller diameter cans, cups or mugs to hold securely. Slides into all popular tracks and threads down for a tight locking fit.
72020601 CUP HOLDER, TRACK MOUNTED



HOOKLESS MAP POCKET

Molded material resists hooking. Replaces standard mesh pockets. Frame and fasteners included.

- 78565001** MAP POCKET HOOKLESS w/FRAME
78561001 HOOKLESS POCKET ONLY

MIRAGE SEAT PAD INFLATABLE "I-COMFORT"

Replaces the older style standard foam seat pad for the Hobie Mirage. Adjust the cushion by adding or releasing air pressure. Not designed for use on Hobie Mirage Inflatable kayaks. Can be used in combination (stacked) on a seat cushion.

- 72020028** MIRAGE SEAT PAD - INFLATABLE "i-Comfort"



Includes knob, attachment bolt and cap



STEERING KNOB ASSY

More comfortable hand position - better leverage. Fits all 2011+ Mirage model steering handles and all Tandem Islands. Kit includes attachment screw, knob and cap.

- 88991355** KNOB ASSY



72020024 MIRAGE PERFORMANCE PACKAGE

- 1 72066001** V2 ST TURBO FIN KIT
1 81397001 LARGE TWIST AND STOW RUDDER



HOBIE SNIPS

Retractable line cutters.
72020103 SNIPS



FISH GRIP

Handy fish grip in a glow-in-the-dark plastic material.
72020019 FISH GRIP



HOBIE FISHING HAWG TROUGH

Holds the big ones safely for measuring and photos before release. (30in / 76cm)

- 72020067** HAWG TROUGH IMPERIAL
72020167 HAWG TROUGH METRIC

ACCESSORY PACKAGES

72020029 DELUXE KAYAK SAFETY PACKAGE

- 1 72020010** HOBIE SAFETY KIT
1 72020040 VISICARBON SAFETY FLAG / LIGHT
1 72020032 BILGE PUMP



CLEAN AND PROTECT!

HOBIE MULTI-LUBE

A planet-safe lubricant recommended for lubricating MirageDrives and many other uses. Environmentally friendly for in-the-water applications. Hobie Multi-Lube offers excellent lubrication, is an anti corrosive coating, great for cleaning and many other uses... use on nearly anything that squeaks, rusts, corrodes or binds up; MirageDrives, rudder drums, cams, fishing reels and more. The 1 oz size is perfect for getting the lubricant into tight spaces by using the needle applicator. The 4 oz size has a spray applicator for coating chains and larger surfaces, shafts and bulky parts. Every Hobie owner should have Hobie Multi-Lube. Be nice to our planet, keep MirageDrives and other components running smoothly and lasting longer without polluting our waterways. Use it for all shop, home and sport lubrication needs.



- 5120 HOBIE MULTI LUBE 1 OZ
- 5121 HOBIE MULTI LUBE 4 OZ

SILICONE SPRAY

Dry silicone spray for cleats, hatch O-rings. (Image above may not represent current packaging or volume)

- 5107 SILICONE 7oz.



HOBIE UV PROTECTANT

Protect and rejuvenate fiberglass, polyethylene, vinyl and PVC materials. Wipe on, the protectant absorbs into the material and leaves a UV protective layer. Reduce the loss of essential oils and deflect the sun's harmful UV rays. 12 oz.

- 70060001 HOBIE UV PROTECTANT



MAGICA RUST REMOVER

Easily clean rust stains from fiberglass, plastic surfaces, metal parts or fabrics. Although metal parts are made from high quality stainless steel, machining tools often leave carbon particles imbedded in the metal surfaces. This material can bleed a rust stain onto other surfaces. Magica simply dissolves the rust away.

- 1603 MAGICA GEL 8oz. BOTTLE



TEAR-AID

Each TEAR-AID® repair patch is made from an exceptionally tough, matte finish, abrasion resistant, elastomer that resists puncture and tearing. It is combined with an aggressive adhesive formulated for high bond strength to a variety of surfaces such as canvas, leather, rubber, nylon, most plastics, paints, aluminum, stainless steel, fiberglass, polyurethane, polyethylene, polypropylene, vinyl and vinyl coated. TEAR-AID® Type A and TEAR-AID® Type B provide a simple and easy method of patching holes and tears, as well as an excellent protective film solution.

- 72020030 TEAR-AID / TYPE A (POLY)
- 72020031 TEAR-AID / TYPE B (VINYL)



EACH PATCH KIT CONTAINS:

(1) 3" x 12" TEAR-AID® Patch that cuts with scissors to any size, (1) 7/8" x 7/8" Patch, (1) 1 3/8" x 1 3/8" Patch, (1) 12" Reinforcement Filament for repairing tears at edges, (2) Alcohol Prep Pads, (1) Illustrated Instructions and a Product Repair List.

SAIL REPAIR TAPE

Don't get caught with your sails down! Extra strong, Rip Stop white tape for temporary on-the-spot repairs to torn sails, canvas, even foul weather gear. Keep a roll in your toolbox for emergencies.

- 1662 2" x 25' Roll



CLEAR SILICONE SEALER

Make sure your hulls are watertight! Clear Silicone seals leaks around all thru-hull fittings.

- 376 1.5oz. TUBE



AQUASEAL MIRAZYME ODOR ELIMINATOR

There's nothing quite like the odor of damp gear left in your car trunk for a couple of days. With one application eliminate those odors from booties, wet-suits, dry-suits and the rest of your gear. A 100% biodegradable product made from a blend of 10 highly specialized, light activated microbial elements. Works by penetrating into pores of fabric, rubber and even hard surfaces to eliminate odor naturally. (Packaging may vary)

- 7003 8oz.



**BARNACLE PLUS
BLUETOOTH SPEAKER**

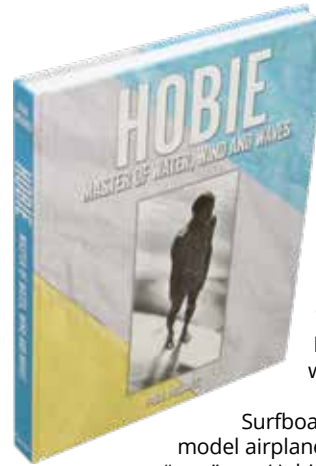
Features:

- Waterproof
- Floats
- Stores up to 1,000 songs / 4 GB internal memory
- Industrial suction cup base
- Sand / Dust proof
- Water pressure proof charging port
- Built-in mic & caller ID



Hobie® and Speaqua have partnered up to bring a portable, waterproof speaker into the accessories lineup! This floating, tennis ball sized speaker is both convenient and functional with Bluetooth connectivity, call-taking capability and built-in 4 GB memory for holding up to 1,000 songs. It mounts to any smooth surface using an industrial suction cup base, and is perfect for the kayak, SUP or Eclipse.

72026103 SPEAKER BLUE TOOTH AND 4GB



HOBIE-MASTER OF WATER, WIND, AND WAVES

The man, Hobie, known by just one name worldwide, has an epic life story. This 12" x 9" hardcover book shows how it all came to be, and more, in 17 chapters with 300 pages, 120,000 words of text and 585 photographs and illustrations. The book is available through Hobie Cat and Hobie Kayak dealers worldwide.

Surfboards, catamarans and boats, RC model airplanes (the Hobie Hawk), and a whole lot more "toys"—as Hobie himself describes his amazing life's work— will all be celebrated in the biography of the man who defined a lifestyle in surfing and sailing.

87369116 BOOK, HOBIE-MASTER OF WATER, WIND, AND WAVES



**LICENSE FRAMES
"HOBIE" OR "HOBIE FISHING"**

- 3043** Chrome Hobie
- 3045** Hobie Fishing

BOOK - FROM PENGUIN WINGS TO BOAT FLIPPERS

Great book about taking ideas from nature to use in products. All about the Hobie Mirage pedal system. Written by Toney Allman from the series "Imitating Nature".

615 Each



STAINLESS WATER BOTTLE

71995001 20oz



HOBIE KEY FLOAT

Don't lose those keys! Keep a few bucks dry, inside the small compartment, while on the water.

72010 Each



HOBIE CROAKIES

Keep your glasses in place! Made from wetsuit fabric that will not stretch or lose shape when wet. Remains secure whether worn normally, raised or lowered around your neck.

1553CR Each

STICKERS See Parts List for Pricing



12451050 / 12451051 24"



36601000 6"
36601011 6"
13001001 12 5/8"



12453023 CHROME BLACK



12453024 12" BLACK
12453025 12" WHITE



12453021 4 1/2"



12453011 4 1/2"



12453031 4 1/2"



79545001 2 3/4"

BOW SHACKLE - THREADED PIN

Part #	Pin Dia.	Width	Length	Max Ld#
SP150061	1/4"	9/16"	15/16"	4400



"D" SHACKLES - THREADED PIN

Part #	Pin Dia.	Width	Length	Max Ld#
SP150041	5/32"	3/8"	5/8"	1100
SP150051	3/16"	1/2"	11/16"	2640
SP150052	3/16"	5/8"	15/16"	2640



SAFETY SHACKLE WITH 1/2 TURN CAPTIVE PIN

Part #	Pin Dia.	Width	Length	Max Ld#
SP185205	3/16"	1/2"	1"	2640
SP180005	3/16"	5/8"	1 7/16"	2640
SP180006	1/4"	7/8"	1 5/8"	4400



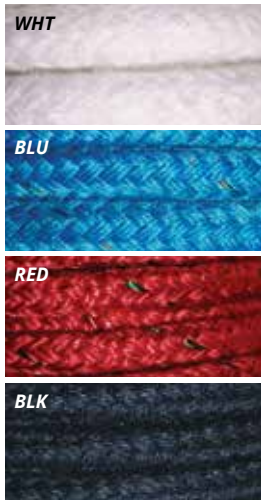
FAST SHACKLE

Avibank ball lock pin permanently wired to the shackle so it won't drop in the drink when released.
3062 EACH



LOW STRETCH LINE

Pre-stretched line with superior fatigue and abrasion resistance. Sold per foot.
RH112WHT 1/12" WHITE
RH018WHT 1/8" WHITE
RH316WHT 3/16" WHITE
RH014WHT 1/4" WHITE
RH516WHT 5/16" WHITE
RH038WHT 3/8" WHITE



SPUN DACRON

Soft matte finish rope. Runs well thru blocks and fairleads, has good abrasion resistance, is spliceable and easy to hold with wet hands. Available in white, black, red, blue. This rope is not designed for winching. Sold per foot. Specify color choice. (White, Blue, Red or Black xxx = color)
RM014WHT 1/4" WHITE
RM014XXX 1/4" COLOR
RM516WHT 5/16" WHITE
RM516XXX 5/16" COLOR
RM038WHT 3/8" WHITE
RM038XXX 3/8" COLOR
RM716WHT 7/16" WHITE
RM716XXX 7/16" COLOR

SPECTRA

Rudder Steering and Up / Down control line .
81023001 SPECTRA 1.75 mm

SHOCKCORD SNAP HOOKS

Easy to install shockcord snap hook. No tools required. Reusable!
2101 HOOK-1/4"
2102 HOOK-5/16"



HARKEN BULLET BLOCKS

Medium size blocks that work well for control lines. Accepts up to 5/16" line, 2000 pound load, 1 1/8" diameter sheave.
H082 SINGLE
H092 CHEEK
H166 SINGLE w/ SWIVEL
H167 SINGLE w/ SWIVEL & BECKET



HARKEN MICRO BLOCKS

Small blocks with high load capabilities, but light weight. Accepts up to 1/4" line, 1200 pound load, 7/8" diameter sheave.
H224 SINGLE
H225 SINGLE w/ BECKET
H233 CHEEK

REMOVABLE SHEAVE BLOCK

Simply remove the clevis pin that acts as the sheave axle, slide the sheave out of the frame, place the frame through the fitting and reinstall the sheave.
3103 EACH



SUPER STRETCH SHOCKCORD

This midnight-black shockcord has double the stretch of ordinary cord. If you've been getting your shockcord from the hardware store, you're in for a treat. The durable black cover is woven around an extra-flexible rubber core.
RS018BLK 1/8"
RS316BLK 3/16"
RS014BLK 1/4"
RS516BLK 5/16"
RS038BLK 3/8"
RS716BLK 7/16"

53180011 3/8" HOG RING
21180000 1/2" HOG RING



CLEATS

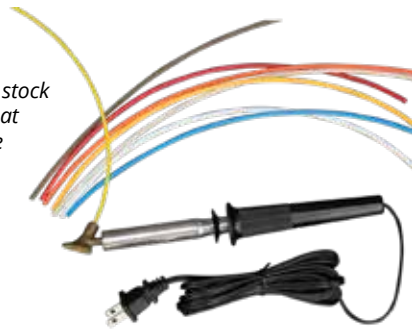
HARKEN CAMMATIC CLEAT

Rounded jaws assure quick cleating/release action and smoother teeth mean longer life for your lines.

H471 MICRO CLEAT, CARBO JAW1/8" TO 1/4" LINE



Extra rod stock available at no charge



KC WELDER PRO WITH HOBBIE COLOR ROD STOCK

200 Watt element, flat tip and a 3/16" hole in tip for rod insertion. Includes a selection of Hobie color welding rod. Fix holes and cracks or customize polyethylene products. Insert the rod into the tip and place against the product to be welded. The tip heats the plastic surface and the rod. As the materials melt, move the tip along the repair area while pushing the rod into the tip to fill the repair area with new plastic material. Plug small holes after moving accessories. Rebuild keels after excessive wear from dragging.

72097001 KC WELDER PRO



HARKEN WEDGES

Fairleads and eyestraps designed specifically for each Cammatic, the wedges put the Cammatic on a 15 degree angle for ease of cleating or releasing. The fairleads are molded into a replacement base. The eyestraps are designed to be held in place over the cam by the mounting screws.

H297 WEDGE KIT
H284 WIRE FAIRLEAD
H281 EYE STRAP

GERBER NEEDLENOSE MULTI-PLIER

Needlenose pliers, wire cutter, crimper, standard/ metric scale, lanyard ring, cross head screwdriver, bottle/can opener, serrated sheeps foot blade, large, medium, and small flathead screwdrivers, file, drop point blade. Stainless steel construction with a limited lifetime warranty!

83102 GERBER TOOL



STAINLESS STEEL POCKET KNIFE

DELUXE - Marlin spike, knife blade, shackle tool, and screwdriver. 4.0 oz.

1551 DELUXE



HOG RING PLIERS

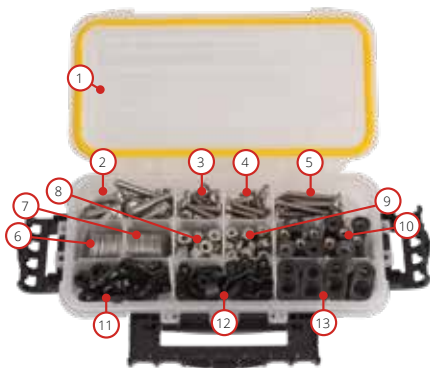
Cinch rings, hog rings, upholsterers clamp. They are all the same and these are the pliers to crimp them with. Use them on shockcord.

83104 EACH



TECH TIP!

"WELL NUT" FASTENERS are tubular rubber fittings with an imbedded brass nut in the base. These are similar to a molly screw commonly used in sheet rock. They expand within the structure and give you a virtual backing nut and washer in an area that is inaccessible. Well nuts can be used for mounting many accessories to kayaks. Simply drill a hole as a net-fit dimension for the well nut. Insert the nut and position the hardware to be fastened. Insert and thread in the screw. Tighten until very snug. The brass nut is drawn up against the inside surface of the kayak which expands the rubber to a dimension that is too large to pull through the hole.



KAYAK RIGGING KIT - HARDWARE

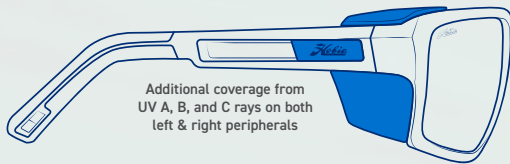
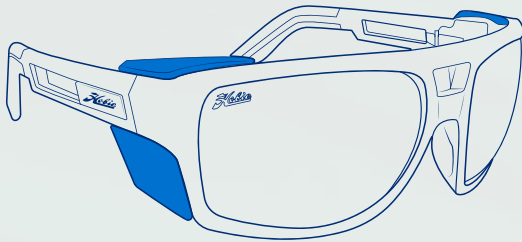
Set of fasteners for rigging a kayak for fishing accessories. Includes stainless bolts, nuts, washers, well nuts and more. All packed in a handy Plano box. You can purchase any of the items separately. Purchase the kit and have it all, or pick and choose your own based on your individual needs. All included parts are listed below as well as many more in the numerical section of our catalog.

72020300 KAYAK RIGGING KIT

Item	Qty	Part	Item
1	1	72020311	PLANO BOX - KAYAK RIG KIT
2	12	8031191	SCREW 1/4-20 X 1-1/4 PHMS
3	12	8030111	SCREW 10-32 X 1 PHMS-P SS
4	12	8030251	SCREW 10-32 X 1" FHMS
5	12	8030161	SCREW 10-32x1 1/2 RHMS-P SS
6	18	8080701	WASHER 1/4 X 1 SS HP
7	24	8080731	WASHER #10 FNDR SS
8	12	8050111	NUT 1/4-20 HX NYLOCK
9	24	8050201	NUT 10-32 NYLOCK LOPRO
10	12	8050221	NUT (WELL NUT) 10-32 x1
11	8	71110001	PAD EYE-BLK NYLON-3/8"
12	18	81029	LINE HANGER
13	8	78510001	BUNGEE HOOK

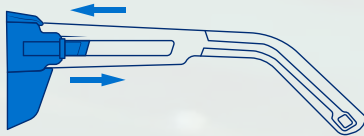


SLIDE YOUR SIDES



Additional coverage from UV A, B, and C rays on both left & right peripherals

SunShields slide along temple track to open when wearing, and close for easy storage.



Fully integrated coverage for EVERY adventure. Protective SunShields glide into place when temples arms are extended. Co-molded rubber pads the arms and nose for extra comfort and zero slippage. Perfect for all day kayak excursions and bright days patrolling the southern California coast.

EL MATADOR **NEW**

L FIT 61-15-130 | HYDRO 360° POLARIZED LENSES | TR-90 FRAME | CO-MOLDED MEGOL RUBBER
INTEGRATED HINGES | RETRACTING SIDE SHIELDS | 8 BASE POLYCARBONATE LENSES | RX FRIENDLY



SATIN BROWN TORTOISE | SIGHTMASTER+
ELMATADOR-978138



SATIN BLACK | GREY
ELMATADOR-0100108

EVERGLADES **NEW**

L FIT 63-18-129 | HYDRO 360° POLARIZED LENSES | TR-90 FRAME
CO-MOLDED MEGOL RUBBER | INTEGRATED HINGES
8 BASE POLYCARBONATE LENSES | RX FRIENDLY



SATIN BLACK | COPPER w. SEA GREEN MIRROR
EVGLADE-010126

SATIN BLACK | SIGHTMASTER+
EVGLADE-010138

SNOOK **NEW**

M FIT 60-17-132 | HYDRO 360° POLARIZED LENSES | TR-90 FRAME CO-MOLDED
MEGOL RUBBER | INTEGRATED HINGES | 8 BASE POLYCARBONATE LENSES
RX FRIENDLY



SATIN BLACK | COPPER w. SEA GREEN MIRROR
SNOOK-010126

SATIN BLACK w. SIGHTMASTER+
SNOOK-010138

LIFETIME WARRANTY

NO-HASSLE, FRIENDLY, LIFETIME WARRANTY FOR RETAILERS AND CONSUMERS

Hobie Polarized sunglasses are warranted to the original registered purchaser against defects in materials and workmanship for the LIFETIME of the sunglass. Take advantage of servicing your customer directly or sending them to Hobie Polarized for warranty services. Either way you will receive great, fast and friendly service. For instances where a manufacturer defect has not occurred, Hobie Polarized may choose to replace sunglasses under its discretion.

To learn more, visit www.hobiepolarized.com/warranty.

See *Life* Easy

BAJA

XL FIT 64-18-123 | HYDRO 360° POLARIZED LENSES | CO-MOLDED MEGOL RUBBER ANTI-FOG GASKET | TR-90 FRAME | PRECISION FLEX HINGES | 8 BASE POLYCARBONATE LENSES | RX FRIENDLY



SATIN BLACK | GREY w. COBALT MIRROR
BAJA-010168



SATIN BLACK | COPPER w. SEA GREEN MIRROR
BAJA-010139

BAYSIDE

XL FIT 65-17-125 | HYDRO 360° POLARIZED LENSES | MEGOL RUBBER NOSE PADS TR-90 FRAME | PRECISION FLEX HINGES | 8 BASE POLYCARBONATE LENSES | RX FRIENDLY



SATIN BLACK | GREY
BAYSIDE-010108

CABO

M FIT 60-16-125 | HYDRO 360° POLARIZED LENSES | TR-90 FRAME | PRECISION FLEX HINGES 8 BASE POLYCARBONATE LENSES | RX FRIENDLY



SATIN BLACK | GREY
CABO-48PGY



SHINY BLACK | GREY
CABO-50PGY



SHINY BROWN WOOD GRAIN | COPPER
CABO-58PCP

HUNTINGTON **NEW** RAPID INTERCHANGE SYSTEM

BUILD YOUR OWN

M/L FIT 65-18-132 | HYDRO 360° POLARIZED LENSES | TR-90 FRAME | CO-MOLDED MEGOL RUBBER | INTEGRATED HINGES | 6 BASE LENSES

ONE FRAME



HUNTING-010199
SATIN BLACK FRAME



CATCH & RELEASE

Unique frame and lens design allows lenses to securely click into frame for all day wear. Detach from frame by pushing dual triggers located on both temples.

LENS OPTIONS

FULL RIM



SATIN BLACK | GREY
NEW HUNTING-L0108

FULL RIM



SATIN BLACK | COPPER
NEW HUNTING-L0128

RIMLESS



SATIN BLACK
GREY w. COBALT MIRROR
NEW HUNTING-L9968

RIMLESS



SATIN BLACK
COPPER w. SEA GREEN MIRROR
NEW HUNTING-L9926

Hobie

POLARIZED

COASTAL **NEW FLOATING**

M/L FIT 54-18-138 | HYDRO 360° POLARIZED LENSES | TRFE FLOATING FRAME
INTEGRATED HINGES | 6 BASE POLYCARBONATE LENSES | RX FRIENDLY



SATIN BLACK | GREY w. COBALT MIRROR
COASTAL-B010168

SATIN BLACK | COPPER w. SEA GREEN MIRROR
COASTAL-B010126

MOJO **FLOATING**

XL FIT 67-18-120 | HYDRO 360° POLARIZED LENSES | TPX FRAME | TR-90 FRAME
TR-90 TEMPLES | INTEGRATED HINGES | 8 BASE POLYCARBONATE LENSES



SATIN BLACK | COPPER w. SEA GREEN MIRROR
MOJO-B010188

SHINY BROWN WOOD GRAIN | COPPER
MOJO-B292928

MAVERICKS **NEW MEMORY METAL**

L FIT 58-16-135 | HYDROCLEAN™ POLARIZED LENSES | STAINLESS STEEL FRAME
INTEGRATED HINGES | MEMORY METAL NOSE BRIDGE | ADJUSTABLE NOSE PADS
6 BASE POLYCARBONATE LENS | RX FRIENDLY



SHINY SILVER | GREY
MAVERIC-920008

SHINY GOLD | COPPER GRADIENT MIRROR
MAVERIC-940027

BROAD

M/L FIT 59-13-137 | HYDROCLEAN™ POLARIZED LENSES | STAINLESS STEEL FRAME
INTEGRATED HINGES | ADJUSTABLE SILICONE NOSE PADS | 6 BASE POLYCARBONATE
LENSES | RX FRIENDLY



SHINY GOLD | GREY w. COBALT MIRROR
BROAD-949468

TRESTLES

M/L FIT 58-16-134 | HYDROCLEAN™ POLARIZED LENSES | MEGOL RUBBER NOSE PADS
TR-90 FRAME | INTEGRATED HINGES | 6 BASE POLYCARBONATE LENSES | RX FRIENDLY



SATIN BLACK | COPPER w. SEA GREEN MIRROR
TRESTLES-010139

SANDCUT

L FIT 56-18-146 | HYDROCLEAN™ POLARIZED LENSES | TR-90 FRAME
INTEGRATED HINGES | 6 BASE POLYCARBONATE LENSES | RX FRIENDLY



SATIN BLACK | GREY w. COBALT MIRROR
SANDCUT-010168

See Life Easy

WOODY

M/L FIT 58-19-130 | HYDROCLEAN™ POLARIZED LENSES | TR-90 FRAME
INTEGRATED HINGES | 6 BASE POLYCARBONATE LENSES | RX FRIENDLY



SHINY BLACK | GREY
WOODY-50PGY



SHINY TORTOISE | COPPER
WOODY-94PCP

WRIGHTS

S FIT 48-22-146 | HYDROCLEAN™ POLARIZED LENSES | TR-90 FRAME
INTEGRATED HINGES | 4 BASE POLYCARBONATE LENSES | RX FRIENDLY



SHINY BROWN TORTOISE | COPPER
WRIGHTS-949428



SHINY CRYSTAL OLIVE | COPPER
WRIGHTS-323228

DANA **NEW** WOMENS

L FIT 58-17-137 | HYDROCLEAN™ POLARIZED LENSES | TR-90 FRAME | INTEGRATED
HINGES | 6 BASE POLYCARBONATE LENSES | RX FRIENDLY



SHINY BLACK | GREY
DANA-000008



SHINY CRYSTAL BROWN | COPPER
DANA-222228



MONICA **WOMENS**

M FIT 56-17-145 | HYDROCLEAN™ POLARIZED LENSES | CX FRONT FRAME & ACETATE
TEMPLES | INTEGRATED HINGES | 6 BASE POLYCARBONATE LENSES | RX FRIENDLY



SATIN BLACK | GREY
MONICA-010108



SATIN AQUA | GREY
MONICA-444408

KAYLEE **NEW** WOMENS

L FIT 62-16-127 | HYDROCLEAN™ POLARIZED LENSES | TR-90 FRAME
INTEGRATED HINGES | 8 BASE POLYCARBONATE LENSES | RX FRIENDLY



SHINY BLACK | GREY
KAYLEE-000008



SHINY BROWN TORTOISE | COPPER
KAYLEE-282828

IMPERIAL **NEW** BI-FOCAL READER

M FIT 55-17-136 | HYDROCLEAN™ POLARIZED LENSES | TR-90 FRAME | INTEGRATED
HINGES | MEGOL RUBBER NOSE PADS | FOLDING FRAME | 6 BASE POLYCARBONATE
READER LENS | RX FRIENDLY



SHINY BLACK | COPPER
+1.5 | +2.0 | +2.5 | POLARIZED
IMPE150-000128 | IMPE200-000128 | IMPE250-000128

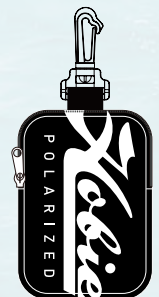


Always be ready to read with this sunglass and bi-focal reader in one! Imperial features our 100% polarized lenses with reader magnifications at the bottom.



FOLD UP!

Fully polarized and fully portable. Each pair is accompanied with a compact neoprene carrying case.





6507X
Men's Grey L/S
T-Shirt
Hobie Script



6506X
Men's Black T-Shirt
Classic Diamond



6519X
Fishing Char/
Lime S/S

6502X
Men's Cream T-Shirt
Hobie California Logo

OFFICIAL GEAR
FOR LIFE ON THE WATER hobie.com

Apparel, Eyewear & Accessories For Men & Women



5059
Water
Hat, Tan



5033LXL
Patch,
Fitted



5042
Lifeguard,
Straw



5046
Red
Redfish,
Snap



5047
Bass, Snap



6523X
Baja Stripe Charcoal
PO Hoodie



6521X
Unisex Sky Blu
PO Hoodie
Script Logo



6514X
Unisex Burnt Orange Zip Hoodie
California Logo



6000
Beach Towel,
Orange

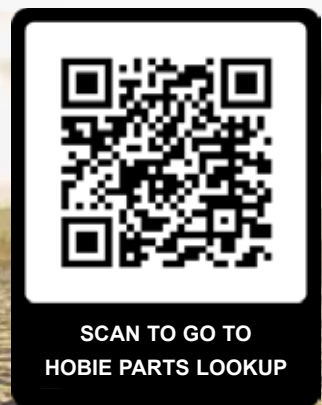
6001
Beach Towel,
Lime

6002
Beach Towel,
Yellow

6003
Beach Towel,
Aqua



72026103
Speaqua Bluetooth
Speake



View the complete selection of Apparel, Eyewear and Accessories on hobie.com

HOBIE SUPPORT / ONLINE SUPPORT - FAQs - FORUMS

For technical help, contact your dealer, see the Hobie website support area or visit our Hobie user forums.

Our on-line support area and forums include FAQs with many technical and user topics.

Hobie Cat Company HOBIE.COM / Hobie Australasia HOBIE.COM.au / Hobie Kayak Europe hobie-kayak.com



SCAN TO GO TO
HOBIE SUPPORT PAGES

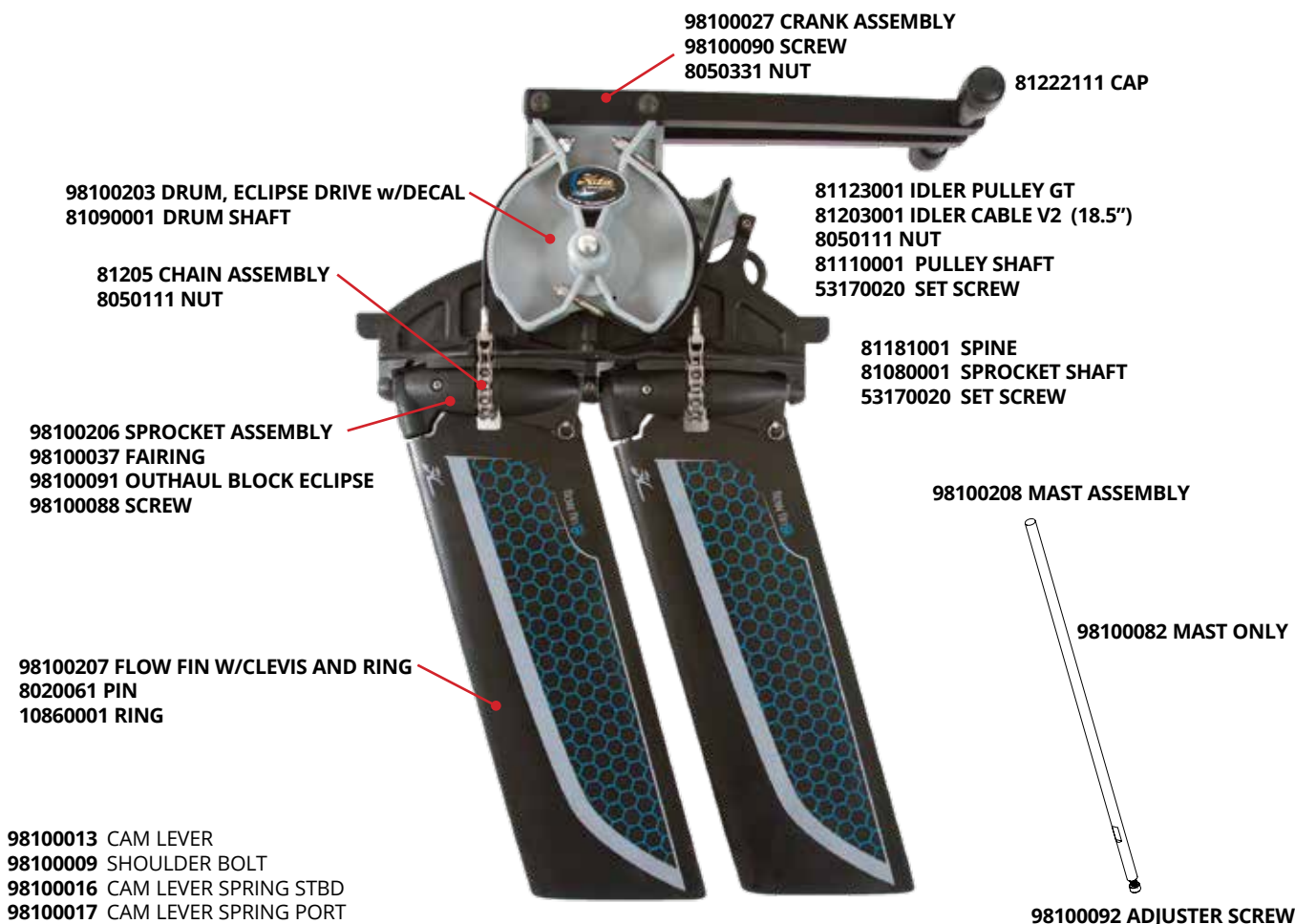
**ONLINE SUPPORT AREA HAS PARTS
DIAGRAMS, MANUALS AND RELATED
INSTRUCTIONS FOR ALL CURRENT
AND DISCONTINUED MODELS**

**ONLINE PARTS SEARCH TOOL WILL
WORK WITH A PART NUMBER,
PARTIAL NUMBER OR TEXT TO FIND
WHAT YOU ARE LOOKING FOR.
RESULTS INCLUDE ALL RELATED
ITEMS, DESCRIPTIONS AND AN IMAGE**

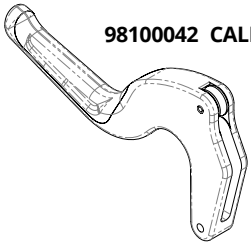


SCAN TO GO TO
HOBIE PARTS LOOKUP

98100010 HOBIE ECLIPSE MIRAGEDRIVE



98100039 DURA GRIP/CABLE
REPL KIT - PAIR



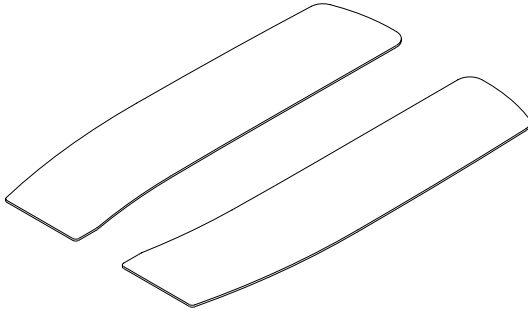
98100042 CALIPER HANDLE

98100040 HANDLE / HOUSING

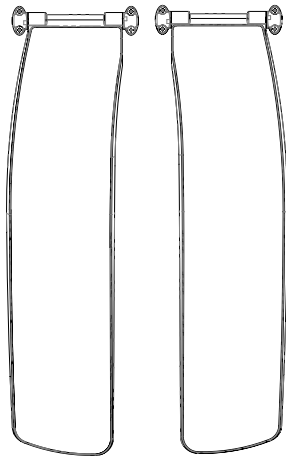


98100045 CALIPER SPRING

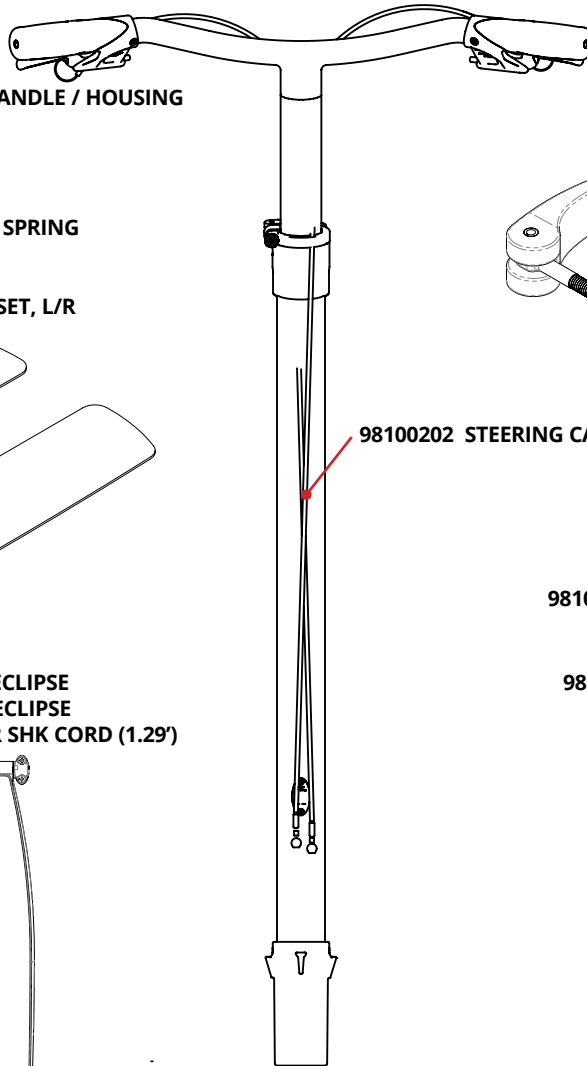
98100209 PEDAL PAD SET, L/R



98100213 PEDAL ASSY (L) ECLIPSE
98100212 PEDAL ASSY (R) ECLIPSE
RS316BLK PEDAL RETAINER SHK CORD (1.29')

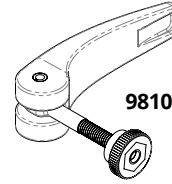


98100020 HANDLEBAR ASSEMBLY
98100021 HANDLEBAR ASSY DURA



98100214 PAD, HANDLEBAR 10.5
98100216 DECK PAD ECLIPSE 10.5 SET
98100215 PAD, HANDLEBAR 12.0
98100217 DECK PAD ECLIPSE 12.0 SET

RS316BLK CARGO SHOCK CORD
8.33' 12.0 ECLIPSE
6.45' 10.5 ECLIPSE



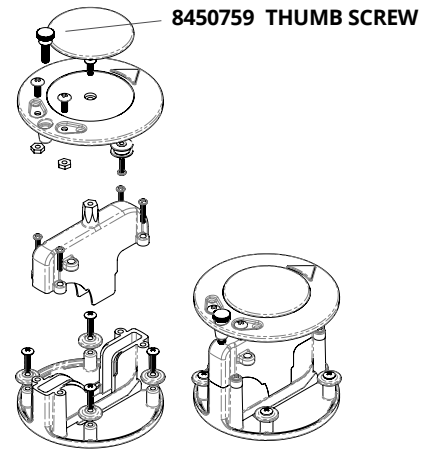
98100204 HANDLE, QR ASSEMBLY

98100202 STEERING CABLE SET (L/R)

IN THE BOARD

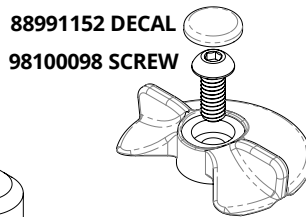
98100210 CONTROL LINE w/KNOT COVER

98100200 RUDDER HOUSING ASSEMBLY



8450759 THUMB SCREW

98100205 CAM LOCK ASSEMBLY

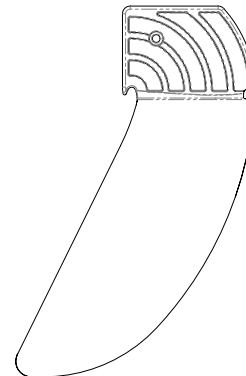


88991152 DECAL
98100098 SCREW

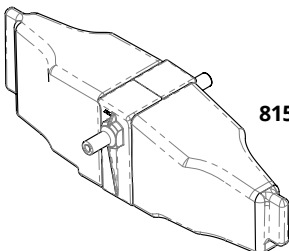
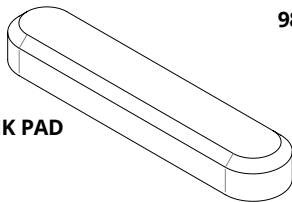
98100063 LOCK

98100211 BUNGEE ASSY ECLIPSE RUDDER WELL

98100031 RUDDER - ECLIPSE



98100057 CRANK PAD



81538 CASSETTE PLUG - ECLIPSE

98100002 REAR HANDLE - ECLIPSE
98100003 SCREW
8080561 WASHER

HOBBIE MIRAGEDRIVE "GLIDE TECHNOLOGY"

- 80010501 MIRAGE DRIVE GT - ST FINS
- 80013501 MIRAGE DRIVE GTi - ST FINS iSeries
- 80012501 MIRAGE DRIVE GTT - ST TURBO FINS
- 80012101 MIRAGE DRIVE GTT PA17 - ST TURBO FINS

TECH TIP!

WHAT MAKES A GT DRIVE? V2 Drums, V2 Chains, GT Idler Pulley, V2 Idler Cable, GT sprockets and V2 (Threaded) masts

Hobie
MirageDrive GT
shown



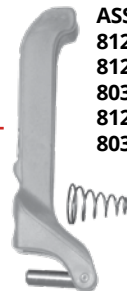
81172001 PEDAL
ADJUSTMENT DECAL



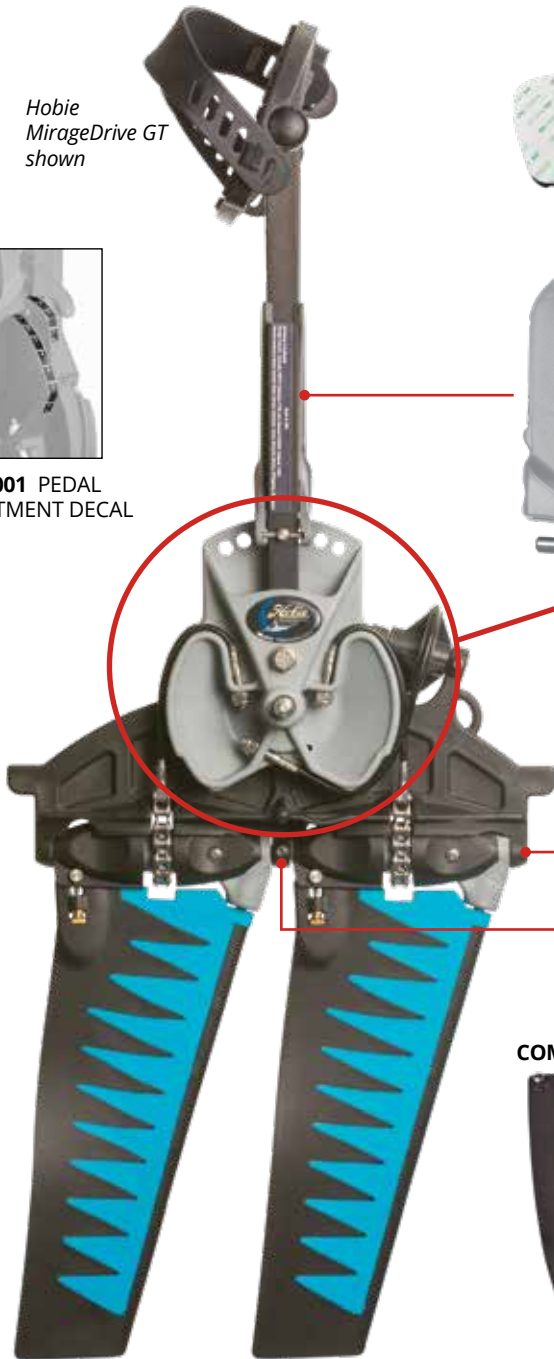
72020034 PEDAL PAD KIT

**81236002 PEDAL ADJ GRAY
ASSY INCLUDES:**

- 81240 PLASTIC HANDLE GRAY
- 81230001 PIN
- 8031201 SCREW
- 81242001 SPRING
- 8034071 ALLEN WRENCH



- 81224001 PEDAL/CRANK ASSY. GRY (R)
- 81223001 PEDAL/CRANK ASSY. GRY (L)
- 81222011 PEDAL ONLY (R)
- 81221011 PEDAL ONLY (L)
- 81226001 PEDAL STRAP (R)
- 81227001 PEDAL STRAP (L)
- 81222101 CAP - PEDAL CRANK
- 81222111 CAP - PEDAL
- 8050111 NUT
- 8080541 WASHER



81181001 SPINE
NEW 2013

81080001 SPROCKET SHAFT

53170020 SET SCREW



81055001 SPROCKET GUARD FWD
8031451 SCREW



81050001 OUTHAUL BLOCK
8020041 CLEVIS PIN
10860001 LOCK RING

81127001 SPROCKET GT THREADED (W/ BEARINGS
AND FWD GUARD)
81156301 SPROCKET BEARINGS (12)

COMFORT FIN ST FIN ST TURBO FIN



81190001

81193001
(GRY/BLK)

81193021
(RED/BLK)

81193031
(BLU/BLK)

81192001
(GRY/BLK)

81192021
(RED/BLK)

81192031
(BLU/BLK)

81163001 MAST V2 THREADED
81198101 MAST / ST TURBO V2 THREADED
8000341 LOC-TITE .5ML

UPDATE KIT - GT SPROCKET
(2 GT SPROCKETS AND 2 V2 MASTS)
81129023 GT STANDARD MAST KIT
81129123 GTT TURBO MAST KIT

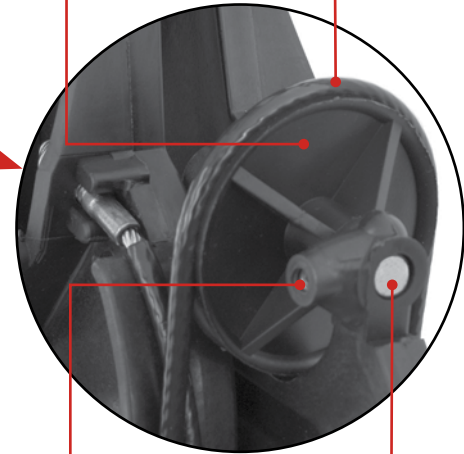
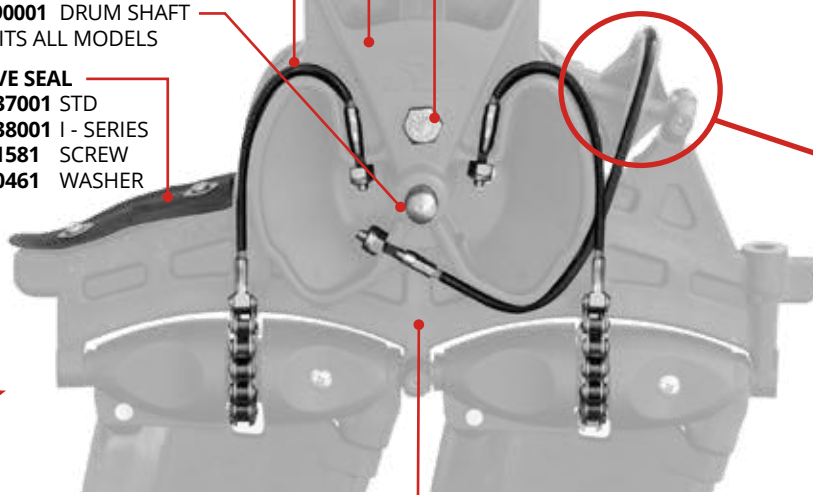
UPDATE KIT - V1 DRUMS/CABLES TO GT
(2 GT DRUMS, V2 CHAINS, GT IDLER
PULLEY, V2 IDLER CABLE AND NUTS)
81171002 DRUM UPDATE KIT V1 TO GT



- 81175001 DRUM GT W/ BEARINGS
- 81156401 DRUM BEARINGS (15)
- 81202001 CHAIN ASSY V2
- 8050111 NUT
- 81090001 DRUM SHAFT V2 FITS ALL MODELS
- DRIVE SEAL**
- 81037001 STD
- 81038001 I - SERIES
- 8031581 SCREW
- 8080461 WASHER
- 81155001 BOLT

HOBIE MIRAGEDRIVE "V2" / "GT"

- 81123001 IDLER PULLEY GT W/ BEARINGS
- 81156201 IDLER BEARINGS (12)
- 81203001 IDLER CABLE V2 (17.2")
- 8050111 NUT



81095001 DRIVE ALIGNMENT PIN 2012+

53170020 SET SCREW

81110001 PULLEY SHAFT

HOBIE MIRAGEDRIVE 180

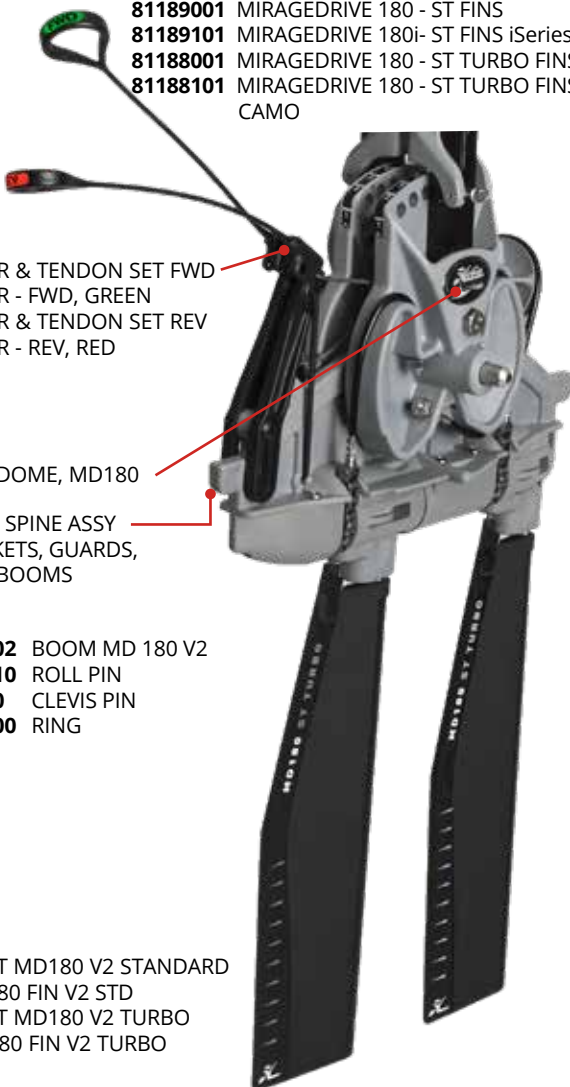
- 81189001 MIRAGEDRIVE 180 - ST FINS
- 81189101 MIRAGEDRIVE 180i- ST FINS iSeries
- 81188001 MIRAGEDRIVE 180 - ST TURBO FINS
- 81188101 MIRAGEDRIVE 180 - ST TURBO FINS CAMO

- 81486021 SHIFTER & TENDON SET FWD
- 81000801 STICKER - FWD, GREEN
- 81491021 SHIFTER & TENDON SET REV
- 81000901 STICKER - REV, RED
- 8031190 SCREW

- 72545001 DECAL DOME, MD180

- 81527002 MD 180 SPINE ASSY INCLUDES SPROCKETS, GUARDS, SHIFTERS AND V2 BOOMS

- 81503002 BOOM MD 180 V2
- 96610010 ROLL PIN
- 8020030 CLEVIS PIN
- 81503100 RING



- 81528002 MAST MD180 V2 STANDARD
- 81500002 MD180 FIN V2 STD
- 81529002 MAST MD180 V2 TURBO
- 81501002 MD180 FIN V2 TURBO

TECH TIP!

MAINTENANCE AND TUNING - Maintenance and tuning information for MirageDrives is available on the Hobie Cat website support area. Click the kayak model name then see Care and Maintenance.

Direct link to the support pages for kayaks is here: <http://www.hobie.com/support/>

HOBIE MIRAGEDRIVE — OLDER —

Original drive with aluminum spine, stainless sprocket / mast connection is cotter key. Limited parts available.




- 81130001 SPROCKET (STAINLESS)
- 81340001 SPROCKET BUSHING (SS SPKT)
- 8060111 COTTER KEY (MAST / SS SPKT)
- 8020061 CLEVIS PIN
- 10860001 LOCK RING
- 81211001 IDLER CABLE 14 3/4" (SOLID PULLEY)
- 81150001 DRUM BUSHING (ALUM DRUM)
- 81105001 CRANK ARM RIGHT, THREADED

MIRAGEDRIVE SPARE PARTS KITS

Spare parts kits include a fin, mast, sprocket, chain and appropriate parts for the drive version. Older drives have sprockets and masts that use a set screw connection. V2 drives use threaded sprockets and masts. All in a handy zippered pouch. Don't waste a day on the water when your MirageDrive could be easily repaired. Available for the standard fin drive or a drive with the ST Turbo fins. Standard kit shown.

MIRAGEDRIVE GT (THREADED MAST)

- 80010401 GT ST (Bearing Sprocket)
- 80013401 GT TURBO (Bearing Sprocket)

-  **71301001** HATCH SEAL "TRIM-LOC" (TOP MOLDED) 5' REQ
-  **71305001** HATCH SEAL LG BULB "TRIM-LOC" (TOP MOLDED) OUTBACK 5'
-  **71302001** HULL FLANGE SEAL (PRE 2012 ADV) "TRIM-LOC" (SIDE GLUED) 5' REQ

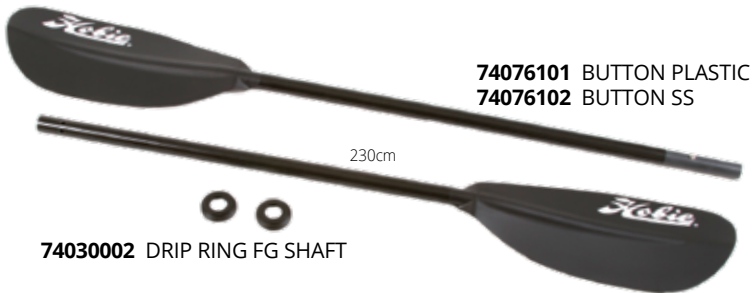


76050001 BOW/ STERN HANDLE



72542001 DOME STICKER 1.75"

- 74043** PADDLE 2-PIECE FIBER SHAFT 230 CM
- 74044** PADDLE 2-PIECE FIBER SHAFT 260 CM
(Only sold as matched set)

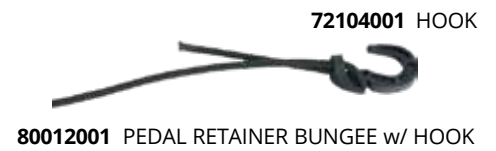


74076101 BUTTON PLASTIC
74076102 BUTTON SS

- 74049001** PADDLE "T" HANDLE
- 74048** PADDLE "T" HANDLE =>2019



74010001 REPLACEMENT BLADE RIGHT
74011001 REPLACEMENT BLADE LEFT



84550001 MAST RECEIVER

81450001 HOBIE CHEEK BLOCK

SEE MIRAGEDRIVE PAGE FOR DRIVE DETAILS

38120031 PUSH-IN CAP (White)
(Underside Of Hull)



10730000 CLEAT
8030111 SCREW



72103001 SHOCKCORD END
8031130 SCREW



81535001 MIRAGE CASSETTE PLUG



78560001 MESH STOWAGE POCKET W/FRAME
8031501 SCREW



78561001 HOOKLESS STOWAGE POCKET
78565001 HOOKLESS POCKET W/FRAME
8031501 SCREW



8031570 SCREW / PADDLE KEEPER BUNGEE
79538201 WEB PULL TAB



81611201 (R)

81611101 CLICK AND GO ASSY (L)
81611201 CLICK AND GO ASSY (R)

8030791 SCREW
(REQUIRES 3/16" allen "BALL-END" wrench)

81602101 SPRING CLICK AND GO LEFT
81602201 SPRING CLICK AND GO RIGHT



2008 AND OLDER
81410001 CAM LOCK KNOB
BOLTS VARY BY MODEL

RUDDER - UP / DOWN

- 8004531** LINE (BLK)
- 81450001** HOBIE CHEEK BLOCK
- 8031065** 10-32 x 7/8 SCREW
- 8031069** 10-32 X 1-1/4 SCREW (AI)
- 8050211** NUT



81408101 HANDLE
81406101 HANDLE CAP - UP
81407101 HANDLE - DOWN



81408001 OLDER HANDLE
81407001 OLDER DECAL - DOWN



10730031 "PORT" SHOWN

10730021 CLEAT STBD
10730031 CLEAT PORT
8031541 SCREW

OLDER UP / DOWN



- 81392001** TWIST AND STOW CONTROL ARM UP/DOWN
- 81380001** OLDER - CONTROL ARM UP/DOWN
- 81375001** SPRING
- 8080691** NYLON WASHER
- 81035011** BOLTED HANDLE AND CONTROL ARM KIT



81035001 UP / DOWN HANDLE W/ SET-SCREW

RUDDER - STEERING

STEERING CRANKS

- 81014001** SPORT/REV 11
- 81016001** REV 13
- 81017001** OUTFIT / OB / OASIS
- 88991281** AI 2011+/TI
- 810175** 2015+ OASIS
- 88991402** 2015+ AI



CRANKS MAY REQUIRE SIMPLE BEND MODIFICATION FOR USE. MODELS VARY.

STEERING

- 81013001** STEERING HANDLE
- 8030126** SCREW
- 88991152** STICKER
- 81385001** WASHER
- 88991235** PIN
- H071** SPRING



88991355 KNOB ASSY
(Handle not included)

OLDER STEERING



81015001 STEERING HANDLE W/ SET-SCREW



81372001 CRANK OLDER AI-OUTFIT
H071 SPRING
8080691 NYLON WASHER

OLDER MIRAGE SERIES SEAT

2015 MODEL SEATS SHOWN ON PAGE 66

81269001 MIRAGE BACKREST - TWIST LOCK

81268001 MIRAGE BACKREST - EXPAND PEG

81259001 SEAT STRAP w/ HOOK



71190001 WEBBING LIFT HANDLE (PLASTIC END)
71190000 WEBBING LIFT HANDLE (WEB WITH HOLE)
8032011 SCREW
8080571 WASHER



76055001 MIDSHIP HANDLE
8032011 SCREW



88991061 MIDSHIP HANDLE
8032011 SCREW



71190031 HANDLE - SIDE CARRY KIT. Designed for compass but can be used anywhere you have internal hull access for hardware installation. Pair of handles and hardware.



81277001 HANDLE
81245001 ROLL PIN
81276001 TWIST-LOC

81276201 TWIST-LOC SEAT KIT (PAIR)
(Fit Older Seat Into Twist Loc Hull)

81275001 TWIST-LOC RECEIVER* (IN HULL)
* REPLACEMENT PART ONLY - NOT RECOMMENDED AS AN UPGRADE



OLDER SEAT PEGS



81265101 SEATBACK ADJUSTABLE PLUG KIT (PR)



81265001 SEATBACK PLUG
8031131 SCREW
8080541 WASHER

PADDLE SERIES SEAT



72402001 SEATBACK / PADDLE MODELS 2010
72409001 SEAT STRAP W/HOOK



10092030 PLUG
(Seat area of Adventure, Kona, Outfitter, Revolution)



72009001 Scupper plug
(Pursuit/ Maui/ Lanai)



72010 Scupper plug
(Odyssey)

LOWER SPEED DRAIN ASSEMBLY
FAIRING, O-RING, SHOCK CORD
71114001 OUTFITTER-FRT
71114002 SPORT-OASIS-TI
71114003 REVO 11 FRONT
71114004 REVO 13 FRONT
71114005 REVO 16
71114006 OASIS FRONT

71113001 DRAIN PLUG
8004531 BLK LINE (2')
71122001 CLEAT - SCREW IN
81408101 HANDLE
81401401 HANDLE CAP "DRAIN"
8030232 SCREW



41220001 EYELET POST
8031131 SCREW
8011231 RIVET



53180011 3/8" HOG RING
21180000 1/2" HOG RING



78520001 EYELET HOLD DOWN
8032121 SCREW



RS018BLK 1/8" SHOCKCORD
RS316BLK 3/16" SHOCKCORD
RS014BLK 1/4" SHOCKCORD
79538201 WEB PULL TAB



71110001 PADEYE
8030031 SCREW
8012001 RIVET



71120001 LASHING HOOK
8030031 SCREW



78510001 BUNGEE HOOK
8031961 SCREW



2101 SHOCKCORD FASTENER, 1/4"



HATCHES



71701011 HATCH 6" TWIST AND SEAL
71701001 HATCH 6" TWIST AND SEAL RETRO KIT
71321001 FLANGE GASKET
71701021 LID O-RING
8031131 SCREW



71702011 HATCH 8" TWIST AND SEAL
71702001 HATCH 8" TWIST AND SEAL RETRO KIT
71331001 FLANGE GASKET
71702021 LID O-RING
8031131 SCREW



71230001 ROD HOLDER COVER
8031131 SCREW



72012001 SCUPPER PLUG
 (QUEST / KONA / OUTBACK)

💡 TECH TIP!

DECK FASTENERS - Customize your boat with the fasteners of your choice... where you want them. The Hobie screw-in fittings can be easily removed and replaced. Add an extra eye where we placed a hook, a cleat hook where a shockcord end is placed... You choose what works best for you. Use tool #71115101

SCREW-IN FITTINGS



71116001
PADEYE



71125001
PADEYE XL



71117001
CLEAT



71115001
SHOCKCORD END



71124001
PLUG SOLID



71115101
TOOL SCREW IN FITTINGS

! TECH TIP!

MAINTENANCE AND TUNING - Maintenance and tuning information for Twist and Stow rudder systems is available on the Hobie Cat website support area.
<http://www.HOBIE.COM/support/history/>

Direct link to the support pages for kayaks is here:
<http://www.HOBIE.COM/support/products/kayaks/>

- 10091000 DRAIN PLUG W/ O-RING
- 10092025 O-RING
- 79050211 DRAIN PLUG W/ O-RING
- 79050212 O-Ring



81394001 RUDDER PIN

81394021 RUDDER PIN 2011 CENTERLINE
 STYLE REQUIRES MODIFIED HOUSING

81391011 GUDGEON
 8030214 SCREW (2)

71280001 KEEL GUARD LANAI, KONA, QUEST, ODYSSEY
 8030231 SCREW (2)

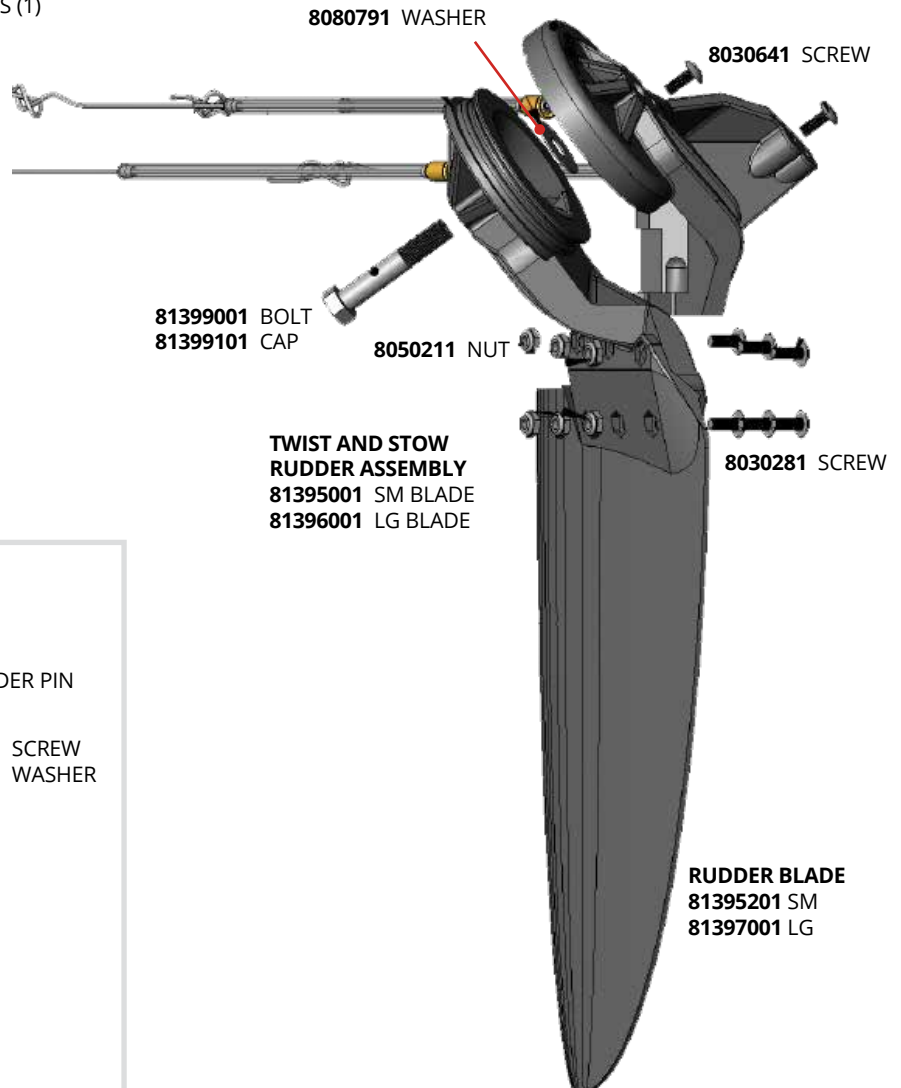
LINE AND TUBE ASSEMBLY

- 80025001 LINE CONTROL ASSY. LINE IN TUBE WITH END CAPS (1)
- 80020001 UNIVERSAL LINE REPLACEMENT KIT
 (SET OF 4 AND ADDITIONAL LINE)



- 81023001 SPECTRA CONTROL LINE
- 8063001 SWEDGE
- 81400001 TUBING
- 81405001 TUBE HOLDER
- 81405101 END CAP
- 81403 "O" RING

TWIST AND STOW RUDDER



EARLY RUDDER PARTS



NYLON RUDDER PIN

- 81361001 CLASSIC
- 81362001 OLDER OUTBACK
- 81362001 OLDER SPORT
- 81362001 OLDER TANDEM
- 20860000 LOCK RING

81360001 S.S. RUDDER PIN

8030171 SCREW
 8080541 WASHER

81350001
 RUDDER MOUNT

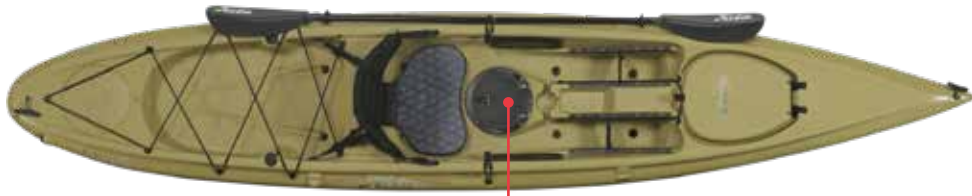
81390001 RUDDER BLADE

RUDDER BLADE
 81395201 SM
 81397001 LG

QUEST

QUEST TWIST AND STOW RUDDER KIT

78501 QUEST 13
78502 QUEST 11



37380001 CLAM CLEAT



61070000 CLEAT
8031131 SCREW

8" HATCH

78540001 TRACK / FOOT BRACE
78535001 FOOT BRACE / LEFT
78536001 FOOT BRACE / RIGHT

MIRAGE CLASSIC



MIRAGE CLASSIC & PURSUIT

71301001 LOC SEAL, 6.5FT

91281000 DRAIN SCREW

HOBIE MIRAGE i-SERIES

79050214 SCUPPER PLUG
79052007 SEATBACK / I-SERIES

79052017 VALVE ASSY

81394001 RUDDER PIN
81395201 SMALL RUDDER BLADE
81395001 RUDDER ASSY. W/ SM. BLADE



79052019 PADDLE HOLDER 74077001 PADDLE 4 PC ALUMINUM SHAFT
79050061 I-SERIES CASSETTE PLUG

79050021 CLICK AND GO SPRING OLDER
79050011 CLICK AND GO LEVER OLDER
98100013 CAM LEVER NEWER
98100009 SHOULDER BOLT
98100016 CAM LEVER SPRING STBD
98100017 CAM LEVER SPRING PORT

71702011 HATCH 8" TWIST AND SEAL
71331001 FLANGE GASKET
71702021 LID O-RING
8031130 SCREW

76050001 BOW / STERN HANDLE

79050211 DRAIN PLUG W/ O-RING

80012001 PEDAL RETAINER BUNGEE W/ HOOK

87400021 STEERING HANDLE UPGRADE KIT (CT)



72023042



79052001



79052015 and 16



79052009

72023042 RAM BOND-A-BASE

For attachment of 1" Ball accessories to Hobie Mirage inflatable kayaks. Includes fasteners and glue.

79052006 i - HARDWARE ACCESSORY KIT

Includes padeyes, spare cleats and glue. Customize your Hobie inflatable.

79052001 i - CUP HOLDER KIT

Includes 2 flexible can / cup holders and glue.

84507703 i - CUP HOLDER VANTAGE SEAT

80045101 i - KAYAK CART "PLUG-IN"

79052015 i - TRI RING KIT / SAGE

79052016 i - TRI RING KIT / SUNDANCE

Includes 2 "Tri" rings mounted on round patches ready for installation. Customize your Hobie inflatable.

79052009 i - HULL REPAIR KIT

Includes 2 colors of repair vinyl and glue, valve tool and instructions. Repair or customize a Hobie Mirage Inflatable kayak.

79052005 i - ELECTRIC INFLATION PUMP

Electric pump connects to car 12v outlet. Quickly and easily fill your Hobie inflatable. This is a high volume / low pressure pump. Use the standard pump to bring chambers to full pressure.

79052003 i - STANDARD INFLATION PUMP

Standard hand pump for Hobie inflatable.

79052004 PUMP W/GUAGE

79052010 i - 12 TRAVEL BAG

79052011 i - 14 TRAVEL BAG

79052012 i - 9 TRAVEL BAG

SEE PREVIOUS PAGES FOR THE PARTS
IN COMMON WITH MIRAGE KAYAKS



79510201 MAST / SAIL BAG -2014
79510221 MAST / SAIL BAG 2015+

AMA 2007-2014

99304101 AMA NEW RED
99305001 AMA DUNE

AMA 2015+

99304501 AMA HIBISCUS
99305501 AMA DUNE

V2 UPDATES

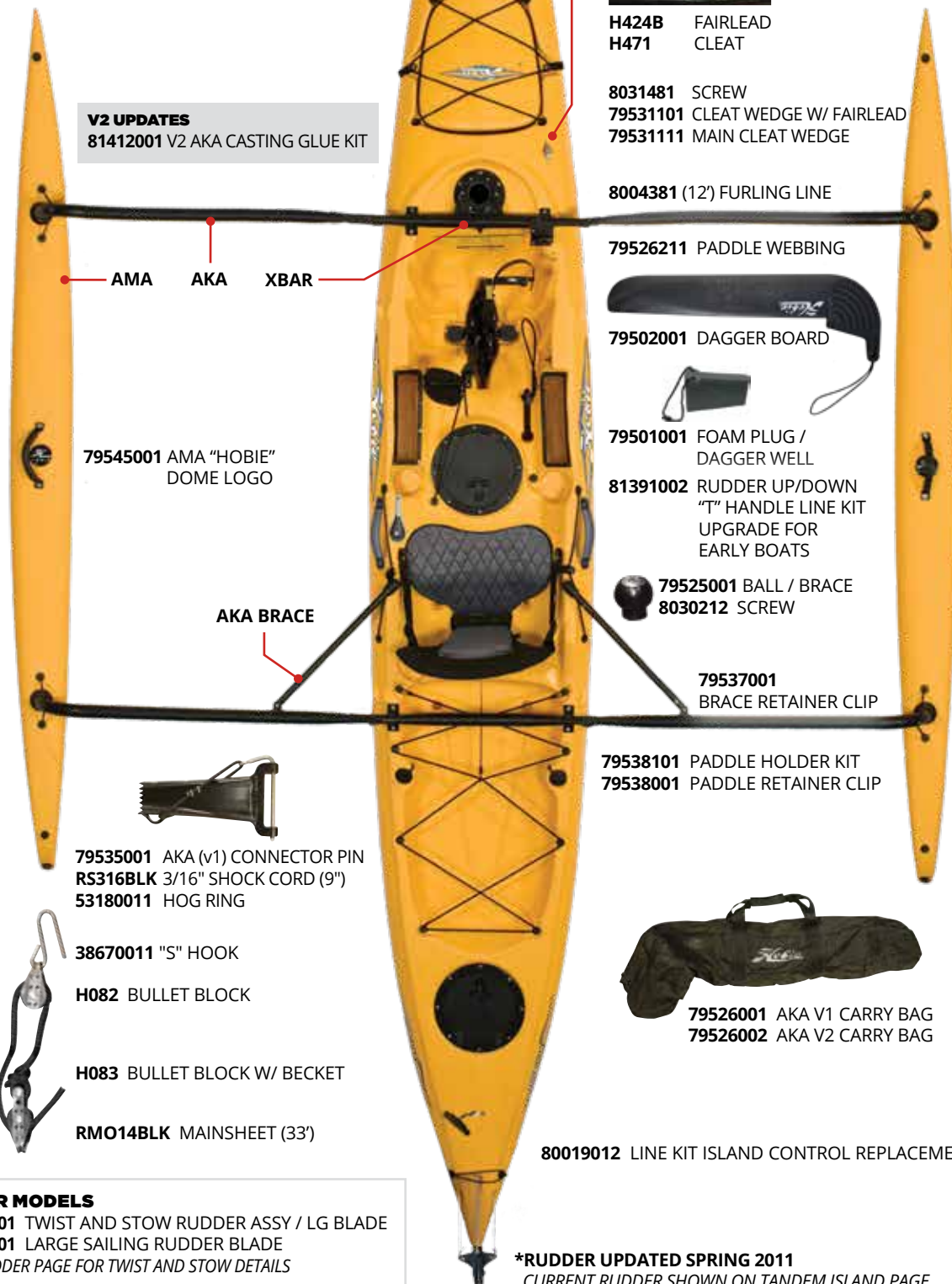
81412001 V2 AKA CASTING GLUE KIT



79520301 AKA END CAP



79520201 AKA COLLAR
8010181 RIVET



H233 CHEEK BLOCK
8030151 SCREW
8080500 WASHER
8050211 NYLOCK NUT



H424B FAIRLEAD
H471 CLEAT

8031481 SCREW
79531101 CLEAT WEDGE W/ FAIRLEAD
79531111 MAIN CLEAT WEDGE

8004381 (12') FURLING LINE

79526211 PADDLE WEBBING



79502001 DAGGER BOARD

79501001 FOAM PLUG /
DAGGER WELL

81391002 RUDDER UP/DOWN
"T" HANDLE LINE KIT
UPGRADE FOR
EARLY BOATS

79525001 BALL / BRACE
8030212 SCREW

79537001
BRACE RETAINER CLIP

79538101 PADDLE HOLDER KIT
79538001 PADDLE RETAINER CLIP



79526001 AKA V1 CARRY BAG
79526002 AKA V2 CARRY BAG

80019012 LINE KIT ISLAND CONTROL REPLACEMENT

OLDER MODELS
81396001 TWIST AND STOW RUDDER ASSY / LG BLADE
81397001 LARGE SAILING RUDDER BLADE
SEE RUDDER PAGE FOR TWIST AND STOW DETAILS

*RUDDER UPDATED SPRING 2011
CURRENT RUDDER SHOWN ON TANDEM ISLAND PAGE

**V1 AKAS & CROSSBARS SHOWN
2011 MODEL YEAR+ = V2**

CROSSBAR / AKA / AKA BRACE

AI V1 2007-2010

8030781 SOC CAP SCREW

79523101 BRACE ASSY AKA AI V1 -22"

AI V2 2011-2014

79512601 XBAR AI V2 - FWD 2011-2014

79512701 XBAR AI V2 - REAR 2011-2014

79512301 AKA AI V2 - LT FWD 2011-2014

79512201 AKA AI V2 - RT FWD 2011-2014

79512401 AKA AI V2 - LT REAR 2011-2014

79512501 AKA AI V2 - RT REAR 2011-2014

79523201 BRACE ASSY AKA AI V2 -23"

AI V2 2015-

79104201 XBAR AI V2 - FWD 2015-

79104101 XBAR AI V2 - REAR 2015-

79503901 AKA AI V2 - LT FWD 2015-

79503801 AKA AI V2 - RT FWD 2015-

79503701 AKA AI V2 - LT REAR 2015-

79503601 AKA AI V2 - RT REAR 2015-

79523301 BRACE ASSY AKA AI V2 2015-21"

AI V2 CROSSBAR PARTS

79510721 V2 XBAR CLAMP TOP

79510731 V2 XBAR CLAMP BOTTOM

8032088 SCREW

8080561 WASHER

79532201 EDGE GUARD

8030335 SCREW (MAST RECEIVER ATTACH)

8050111 NUT (MAST RECEIVER ATTACH)

8090900 CAPPLUG

88991311 MAST CAP
79511021 MAST CAP (OLDER SWIVEL)

79510011 '08-14 MAST ISLAND (2 PC)
79510015 '15+ MAST ISLAND (2 PC)

2007-2014 SAILS

79516001 SAIL PAPAYA/TURQ/WHT - BREEZE

79515001 SAIL RED/GRAY/WHT - SMOKE

79546001 SAIL ADV WHT/GRAY/TURQ - AZUL

2015- SAILS

795465 SAIL ADV WHT/GRAY/TURQ - AZUL

795475 SAIL RED/GRAY/WHT - SMOKE

795485 SAIL PAPAYA/TURQ/WHT - BREEZE

2017-2018 SAILS

79547701 SAIL ADV V2 ARUBA

79546701 SAIL ADV ISL V2 BAHAMA



91011001 BATTEN CAP 3/16"
88999519 BATTEN CAP 3/8"
RH112WHT BATTEN TIE LINE (REQ 18" PER)

2007-2014 (3/16")

91051011 BATTEN 9' 2"

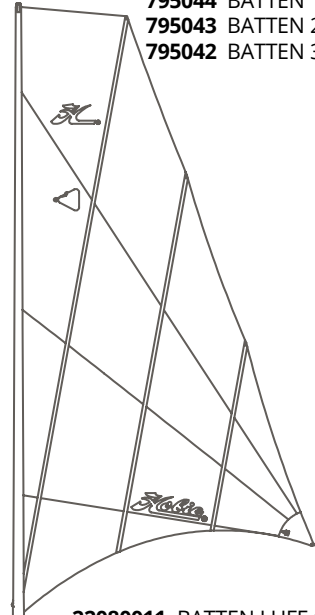
91041011 BATTEN 7' 8.5"

2015- (1&2 3/16" 3 3/8")

795044 BATTEN 1 - 14'

795043 BATTEN 2 - 9' 7 1/4"

795042 BATTEN 3 - 4' 10 5/8"



22080011 BATTEN LUFF CAP SET

79512001 FURLER DRUM AI -2014

79512002 FURLER DRUM AI 2015+

79511101 MAST BASE / HOLE TYPE



'07 BASE

COLLAR KIT

79511001 MAST BASE / '07 PIN TYPE
79510101 MAST BASE COLLAR KIT



79533001 MAST BEARING PLATE (REQ 2)
8031231 SCREW
8050801 NUT
90610111 BEARINGS (EA / REQ 24)
90610112 BEARINGS SET OF 12

79532001 V1 MAST RETAINER SPRING

79514101 MAST RECEIVER
8030261 MOUNTING SCREW (6)
8080211 WASHER (6)
71320001 GASKET
79513001 BACKUP RING
79551001 LEVER / LATCH
8031151 SCREW
79555001 SPRING



79552001 MAST STEP PIN PLATE
8032011 MAST STEP PLATE SCREW

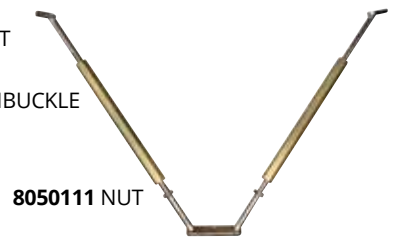
BRACE ASSY PART # SEE CHART ABOVE



79524001 CAP / AKA BRACE LOCK
79523001 SOCKET / AKA BRACE LOCK
81242001 SPRING / AKA BRACE LOCK
8030781 SOC CAP SCREW
8032081 SHEAR BOLT (DRILLED)
8052081 NUT
20860000 RING
88991221 BRACE CONNECTOR
8020381 CLEVIS PIN
20860000 SPLIT RING
37661091 LANYARD

79517001 V-FRAME STRUT

79519001 V-FRAME TURNBUCKLE



8050111 NUT

79518001 V-FRAME BASE
88991215 SET SCREW 1/4-20
88991216 SET SCREW 5/16-18

RUDDER PARTS

88991094 GUDGEON (3 HOLE)

CURRENT

8030214 1/4-20 SCREW (2)

8030355 5/16-24 SCREW (1) LOWER

OLDER (2 HOLE GUDGEON)

8030214 1/4-20 SCREW (1) (OR 2*)

8030346 1/4-20 STUD-NUT HEAD PH17-4 (1) LOWER

**OLDEST, LOWER LATER REPLACED BY*

8030346 STUD (STRONGER FOR 2 HOLE)

88991101 RUDDER PIN

20860000 RING

88991092 RUDDER HOUSING

88991093 PULLEY

88991091 BLADE

88991099 RUDDER UP STRAP ASSY

82420001 RUDDER COVER AI / TI



RUDDER REPLACEMENT SPRING 2011 (88991098)
CONTACT DEALER FOR REPLACEMENT RUDDER DETAILS
IF YOU ARE USING TWIST AND STOW SYSTEM

81051001 1,000 LB UP CONTROL LINE

MAINSHEET SYSTEM

38670011 "S" HOOK

H083 BLOCK-BULLET w/ BECKET

RM014BLK LINE (57')

H2655 BLOCK, 40mm CARBO FIDDLE

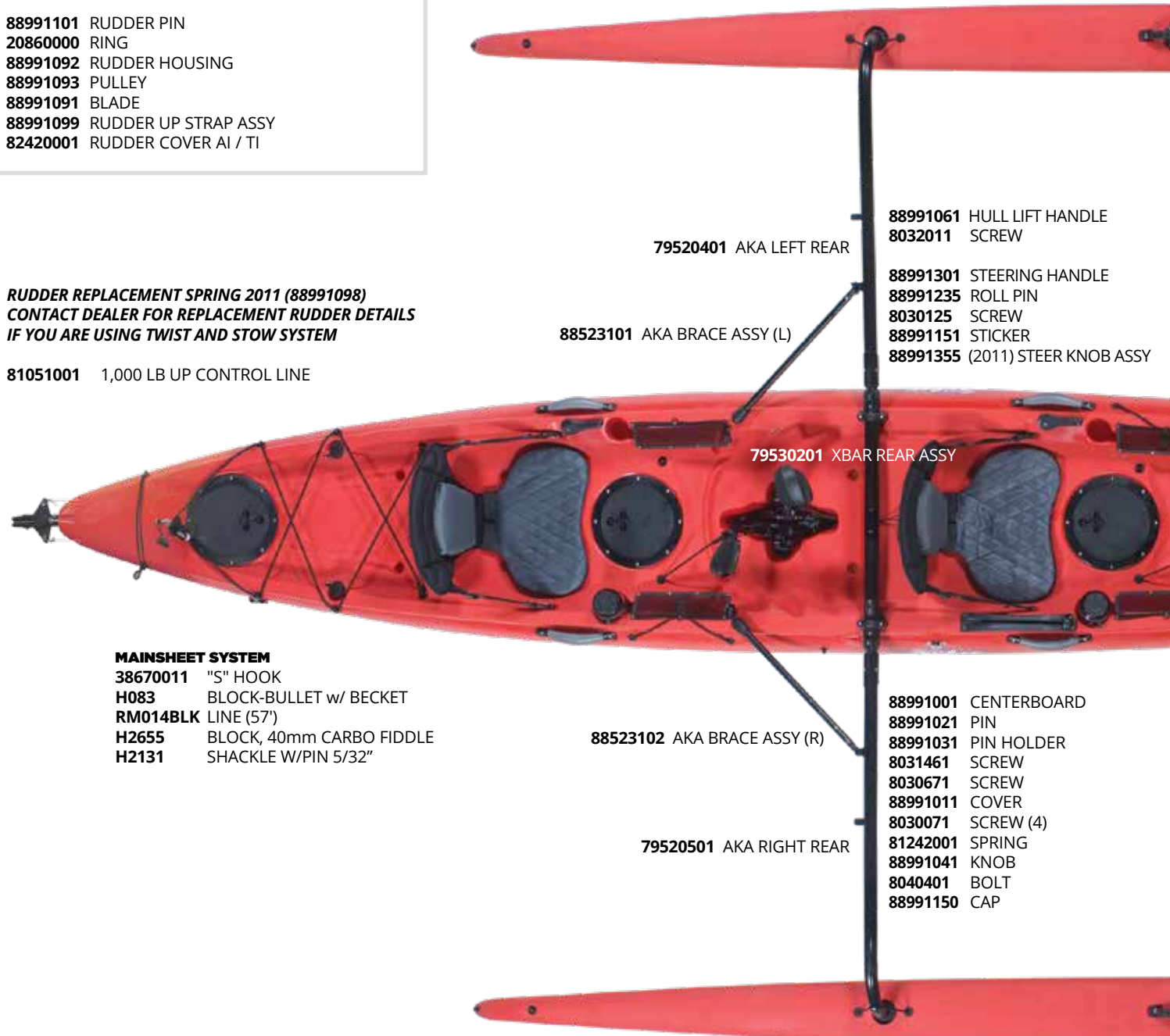
H2131 SHACKLE W/PIN 5/32"

88991303 AMA PAPAYA

88991314 AMA NEW RED

88991305 AMA DUNE

AMAS AVAILABLE WITH 2015+
 BOW SHAPE ONLY



79520401 AKA LEFT REAR

88523101 AKA BRACE ASSY (L)

79530201 XBAR REAR ASSY

88523102 AKA BRACE ASSY (R)

79520501 AKA RIGHT REAR

88991061 HULL LIFT HANDLE
 8032011 SCREW

88991301 STEERING HANDLE

88991235 ROLL PIN

8030125 SCREW

88991151 STICKER

88991355 (2011) STEER KNOB ASSY

88991001 CENTERBOARD

88991021 PIN

88991031 PIN HOLDER

8031461 SCREW

8030671 SCREW

88991011 COVER

8030071 SCREW (4)

81242001 SPRING

88991041 KNOB

8040401 BOLT

88991150 CAP



79510202 MAST / SAIL BAG



79520311 AKA FWD (L/R)

- 79520604 SPRING HOOK AKA LOCK KIT (4)
- 79520602 AKA SPRING HOOK
- 79522202 AKA LOCK BEARING
- 8031401 SCREW

- 79510721 XBAR CLAMP TOP
- 79510731 XBAR CLAMP BOTTOM
- 8032088 SCREW
- 8080561 WASHER

- 79531201 XBAR FWD ASSY
- 79532201 EDGE GUARD
- 8030034 SCREW
- 88991271 SPACER BLOCK
- 8030451 SCREW (CUP ATTACH)
- 8050111 NUT (CUP ATTACH)

79520311 AKA FWD (L/R)

71125501 AKA DOUBLE SHOCK CORD ASSY

88991311 MAST CAP

88991121 MAST TANDEM ISLAND (2 PC)

- 88995511 SAIL DUNE
- 88995512 SAIL SMOKE
- 88995513 SAIL BREEZE
- 88998507 SAIL BAHAMA
- 88998527 SAIL ARUBA

- 88998521 BATTEN #1 (3/8" 186" W/ CAP)
- 88999519 BATTEN CAP 3/8"
- 88998522 BATTEN #2 (3/16" 42 1/2" W/ CAP)
- 88998523 BATTEN #3 (3/16" 39 1/2" W/ CAP)
- 91011001 BATTEN CAP 3/16"



BATTEN LEECH CAP

RH112WHT BATTEN TIE LINE (REQ 18" PER)

22080011 BATTEN LUFF PROTECTOR CAP SET

88991071 FURLER DRUM TI



- 79533001 MAST BEARING PLATE (REQ 2)
- 8031231 SCREW
- 8050801 NUT
- 90610111 BEARINGS (EA / REQ 24)
- 90610112 BEARINGS SET OF 12

8004381 (12') FURLING LINE

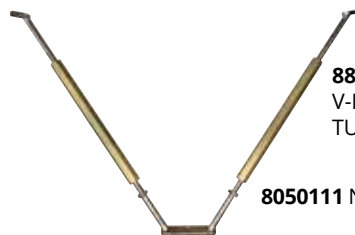
79511101 MAST BASE

- 79514101 MAST RECEIVER
- 8030261 MOUNTING SCREW (6)
- 8080211 WASHER (6)
- 71320001 GASKET
- 79513001 BACKUP RING
- 79551001 LEVER / LATCH
- 8031151 SCREW
- 79555001 SPRING



- 79552001 MAST STEP PIN PLATE
- 8032011 MAST STEP PLATE SCREW

88991191 V-FRAME STRUT



88991211 V-FRAME TURNBUCKLE

8050111 NUT

88991201 V-FRAME BASE

88991215 SET SCREW

ROD HOLDER STORAGE

- 84500911 3 ROD HOLDER ASSY LEFT
- 84500921 3 ROD HOLDER ASSY RIGHT

- 84502001 MOUNTING BOARD, RT
- 84502101 MOUNTING BOARD, LT
- 8030341 SCREW
- 8032085 SCREW
- 8050111 NUT

- 84502401 FLOOR MAT RT
- 84502501 FLOOR MAT LT-BLK

- 81536001 CASSETTE WELL PLUG - PA/OUTBACK

- 74090001 PADDLE 260 CM

- 84500601 COVER PLT, RDR SYSTEM
- 8030151 SCREW (4)
- 84500801 TUBE RESTRICTOR (2)

- 84500501 STEERING DRUM (PIN TYPE OLDER)
- 8060141 COTTER KEY (REPL ROLL PIN)

- 84500502 STEERING DRUM (SCREW TYPE)
- 8030126 SCREW
- 88991235 PIN
- 8030231 SCREW (LINE ADJUST)
- 8050201 NUT (LINE ADJUST)

- 84500402 RDR MOUNT, UNDER HULL (SCREW TYPE)

- 84500201 RUDDER HOUSING, UNDER HULL

- 84502301 SISTER SCREW, PRO RDR ASSY
- 8031490 SCREW SCREW 8-32 X 1/2 FHMS-P

- 84504001 TORSION SPRING, RUDDER

- 84500101 RUDDER BLADE, PRO A
- 84612001 RUDDER BLADE, LARGE PRO A

- 84504501 HANDLE - BOW
- 8030361 SCREW SOC CAP
- 79545001 "HOBIE" DOME LOGO

- 71305001 HATCH SEAL
LARGE BULB (7.25')



84501901 HATCH LINER FWD - PRO ANGLER

- 72020311 PLANO BOX - SMALL YELLOW
- 72020321 PLANO BOX - MEDIUM BLUE
- 72020331 PLANO BOX - LARGE RED



- 84505001 STORAGE BUCKET ASSY
(INCLUDES COMPARTMENT WITH DIVIDERS)
- 84505101 STORAGE BUCKET COMPARTMENT
- 84505201 REPLACEMENT COMPARTMENT DIVIDERS
(SET OF 7)
- 71301001 TRIM LOC TOP MOLDED 3.5'

- 8004531 CONTROL LINE (9')
- 81408101 HANDLE
- 81406101 INSERT - UP
- 84502201 CUTTING BRD, CNTR, BLACK
- 8030071 SCREW
- 8050111 NUT
- 84502211 BUNGEE AND FITTING ASSY

- 84500001 SEAT ASSEMBLY - PRO ANGLER
- 84500011 LUMBAR SUPPORT PAD
- 84502901 KNOB, SEAT FRAME FRONT
- 8031811 STUD (FWD)
- 8042151 BOLT SHOULDER (REAR)
- 84500021 SEAT STRAP ASSY (ONE SIDE)
- 8011231 RIVET
- 84500031 STAINLESS REPLACEMENT BUCKLE

- 84504101 UNIVERSAL SIDE HANDLE ASSY
- 84504401 HANDLE END FITTING
- 8031781 SCREW SOC CAP
- 84504301 DECAL, RULER

- 71996001 BOTTLE/CAN HOLDER
- 74035001 FOLDING PADDLE CLIP

- 71702011 HATCH 8" TWIST AND SEAL

- 84504201 TUBE, STERN HANDLE
- 84504401 HANDLE END FITTING
- 8031781 SCREW SOC CAP

- 72013001 SKID GUARD, PRO
- 8030641 SCREW
- 10091000 DRAIN PLUG

- 80019011 LINE KIT PRO ANGLER
CONTROL REPLACEMENT



- 84501211** 2 ROD HOLDER ASSY PA12 LT
- 84501221** 2 ROD HOLDER ASSY PA12 RT

- 84502001** MOUNTING BOARD RT
- 84502101** MOUNTING BOARD LT
- 84502011** MOUNT BOARD, 2015+, LT BLK
- 84502111** MOUNT BOARD, 2015+, RT BLK
- 84502121** DELUXE BOARD KIT 2018
- 8030341** MOUNTING BOARD SCREWS

- 86506601** FLOOR MAT PA12/14 LT
- 86506701** FLOOR MAT PA12/14 RT
- 810007** SEAT MAT PA12/14 CAMO
- 810006** FLOOR MAT PA12/14 CAMO RT
- 810005** FLOOR MAT PA12/14 CAMO LT

H-RAIL PARTS

- 84615** STEERING HANDLE MOUNT CAP
- 84616** MOUNT CAP
- 84617** TUBE MOUNT
- 846143** SIDE TUBE, H-RAIL PA12/14
- 84610** TUBE, REAR HANDLE PA12/14
- 84611001** TUBE, REAR HANDLE PA17
- 84504401** HANDLE END FITTING

- 88991301** STEERING HANDLE
- 86505401** SECONDARY STEERING HANDLE
- 88991235** ROLL PIN
- 8030125** SCREW
- 88991151** STICKER
- 84619001** STEERING RISER
- 8032211** SCREW, STEERING RISER
- 84506021** DUAL STEERING RISER KIT - PA
- 86505001** STEERING CRANK
- 86505101** STEERING CRANK SUPPORT
- 8031065** SCREWS
- 8050211** NUTS
- 81244001** STEERING SPRING
- 86505121** DUAL STEERING LINE ASSEMBLY
- 80019011** LINE REPLACEMENT KIT
- 84507881** BOA RUDDER TENSION REPL

- 84507601** CHAIR FOOT MOUNT
- CHAIR FOOT MOUNT SCREWS

- 84508001** VANTAGE KICKSTAND ASSEMBLY
- 8032241** KICKSTAND MOUNTING SCREW
- 84500821** KICKSTAND WEBBING ASSEMBLY
- 8030151** WEBBING SCREWS
- 72020216** GUARDIAN REPLACEMENT PARTS KIT
- 86505601** LOWRANCE READY COVER PLATE
- 8030501** COVER PLATE SCREWS (2017 8030232)
- 86506001** LOWRANCE ADAPTER
- 86506101** LOWRANCE STAR MOUNT ADAPTER
- 84505901** HUMMINBIRD ADAP KIT
- 86506201** TRANSDUCER SUPPORT CLIP
- 86509501** SCREW
- 8050211** NUT

- 86505611** THRU HULL PLUG
(INCLUDES PLUG, NUT AND O-RING)
- 86505701** RUBBER ADAPTER PLUGS

- 86505621** THRU HULL WIRING KIT
(INCLUDES 2 PLUG, ADAP TREE)



- 86505613** 3 WAY PLUG THRU HULL KIT
(NOT SHOWN)

- 84504501** HANDLE BOW
- 8030361** SCREW SOC CAP

- 79545001** "HOBIE" DOME LOGO

- 84507771** ANCHOR TROLLEY INSERT CAPS

- 41220001** EYELET POST
- 8010131** RIVET

- 84501201** HATCH LINER, PA12
- 71707004** PRO A HATCH LID SEAL KIT
- 71305001** HATCH SEAL LARGE BULB
PA12 - 5.16' / PA14 - 7.25'

- 71707001** RECTANGULAR HATCH TWIST AND SEAL
- 71707002** FLANGE GASKET
- 8032121** SCREWS (14)
- 71708001** TACKLE MANAGEMENT RACK
- 8004531** TACKLE MANAGEMENT LINE (14")
- 72020321** PLANO BOX - MEDIUM BLUE
- 72020331** PLANO BOX- LARGE RED
- 71709001** BUCKET, HOBIE RECTANG HATCH



- 81408101** HANDLE
- 81401101** CAP, RUDDER
- 81401001** CAP, SEAT
- 81401201** CAP, SKEG
- 81401401** CAP, DRAIN
- 8004531** CONTROL LINE (9')
- 84501541** CLEAT REPLACEMENT KIT

- 84507721** UNDER SEAT PAD
- 84501231** UNDER SEAT TACKLE BOX WEBBING ASSY
- 8030151** SCREWS

- 84504601** PA12 SIDE CARRY HANDLE
- 84504901** DECAL RULER PA12
- 71996001** BOTTLE/ CAN HOLDER



- 71119001** PADDLE CLIP PA12
- 71702011** HATCH 8" TWIST AND SEAL

- 72013001** SKID GUARD, PRO
- 8030641** SCREW
- 10091000** DRAIN PLUG

- 84504801** TUBE STERN HANDLE, BLUE GREY
- 84504401** HANDLE END FITTING
- 8031781** SCREW SOC CAP

84507501 VANTAGE ST (PA12 & 14)

84507501 VANTAGE SEAT

84507521 BACK FRAME ASSEMBLY

84507801 REPLACEMENT FABRIC KIT

84507581 BOA LINE ASSEMBLY

84507611 TRIANGLE RING

84507531 BOTTOM FRAME ASSEMBLY

84507541 ARMREST FRAME ASSEMBLY

84508201 PIVOT BOLT

80503701 ACORN NUT

84507761 INNER SPACER

84507791 OUTER SPACER

40590001 LOCKING KEY

RS316BLK BUNGEE 6" CL

84507861 FABRIC PROTECTOR COVER WITH PADEYE

84507851 FABRIC PROTECTOR COVER

8030671 SCREWS FOR FABRIC PROTECTOR

84507551 BACK CONTROL LINE

84507561 BOTTOM CONTROL LINE

84507711 ARM REST PAD PACK

84507571 CHAIR FEET

8010181 RIVETS



86507501 VANTAGE XT (PA17)

For Vantage XT support issues, parts diagrams, videos on function, see HOBIE.COM/support



84507402 COMPASS SEAT

84507825 VANTAGE CTW (2019 OUTBACK)

84507821 VANTAGE CT (2015 MIRAGE MODELS)

84507701 VANTAGE CT (ISERIES MODELS)

For Vantage CT support issues, parts diagrams, videos on function, see HOBIE.COM/support

865092 MESH SEAT BACK

865126 MESH SEAT BOTTOM

845081 BOA ADJUSTER

865140 SCREW

8032089 CTW SCREW

865102 WEB HANDLE

865118 GEAR ASSY FRONT UP/DOWN

777008 CTW GEAR ASSY FRONT UP/DOWN

84507822 VANTAGE CT SEAT CLIP UPGRADE





SCAN TO GO TO
HOBIE PARTS LOOKUP

LIVWELL PARTS

72021001	BATTERY	72021009	DOWNSPOUT FITTING W/BK RING
72021002	BATTERY CHARGER	72021010	INTAKE 90 DEGREE
72021003	SWITCH	72020015	ROD HOLDER - LIVWELL
72021004	INTAKE TUBE ASSY	72021020	DOWNSPOUT TUBE
72021051	XL INTAKE TUBE ASSY	72021021	TERMINAL COVER
72021005	STRAP SET	72021022	ATTWOOD PUMP
72021006	BATTERY LID	72021023	7" INTAKE TUBE (PRO A)
72021007	PUMP CONNECTOR FEMALE	72021025	ELEC CONNECTOR REPL SET
72021008	PUMP CONNECTOR MALE	79050211	DRAIN PLUG

OS-OVER SIZED, HZ-HAZMAT, OST-TRUCK = Additional handling charges apply

Part	Description	OS	Part	Description	OS
334	AIR FLOW TELS, RED / GREEN	-	65144	CALIF BUORH ZIP HOODIE XL	-
370	SHOCK CORD BALL TIES	-	65145	CALIF BUORH ZIP HOODIE XXL	-
376	SILICON RTV 100% 3 OZ.	-	65151	CALIF OATH ZIP HOODIE S	-
615	BOOK, PENGUIN BOAT FLIPPERS	-	65152	CALIF OATH ZIP HOODIE M	-
1266	RESCUE STEP - BOAT	-	65153	CALIF OATH ZIP HOODIE L	-
1551	KNIFE, DLX STAINLESS	-	65154	CALIF OATH ZIP HOODIE XL	-
1603	MAGICA RUST REMOVER GEL 8 OZ B	-	65155	CALIF OATH ZIP HOODIE XXL	-
1662	TAPE, SAIL REPAIR 2"X 25' ROLL	-	65192	FISHING CHAR/LIME S/S M	-
1665	REPAIR KIT, SAIL	-	65193	FISHING CHAR/LIME S/S L	-
2082	SCALE - DOWN HAUL / FISH	-	65194	FISHING CHAR/LIME S/S XL	-
2101	SHOCK CORD HOOK 1/4" - HOBIE	-	65195	FISHING CHAR/LIME S/S XXL	-
2102	SHOCK CORD FASTENER (SCH) 5/16	-	65211	UNISEX SKY BLU PO HOODIE S	-
3043	LICENSE FRAME - CHROME "HOBIE"	-	65212	UNISEX SKY BLU PO HOODIE M	-
3045	LICENSE FRAME - HOBIE FISHING	-	65213	UNISEX SKY BLU PO HOODIE L	-
3062	SHACKLE, FAST	-	65214	UNISEX SKY BLU PO HOODIE XL	-
3091	PADDLE, TELESCOPING 20"-3'9"	-	65215	UNISEX SKY BLU PO HOODIE XXL	-
3103	BLOCK, MINI W/AXLE	-	65231	BAJA STRIPE CHAR PO HOODIE S	-
5040	HAT, HOBIE CLASSIC SURF NAVY	-	65232	BAJA STRIPE CHAR PO HOODIE M	-
5041	HAT, HOBIE CLASSIC DIAMOND NAV	-	65233	BAJA STRIPE CHAR PO HOODIE L	-
5042	HAT, HOBIE LIFEGUARD	-	65234	BAJA STRIPE CHAR PO HOODIE XL	-
5045	HAT, HOBIE CAMO RED/FISH	-	65235	BAJA STRIPE CHAR PO HOODIE XXL	-
5057	BEANIE/HAT, HOBIE GREY	-	72010	KEY FLOAT/SCUPPER PLUG	-
5059	HAT, HOBIE WATER-TAN	-	72035	QUICK STRAP SOFT RACK-24.0"	-
5071	HOBIE CORAL DISCOVER HAT	-	72040	QUICK STRAP RACK W/TIE DN	-
5107	SILICONE SPRAY 7oz	-	72041	MULTI STRAP SYSTEM	-
5120	HOBIE MULTI LUBE 1 OZ	-	72044	PADS AERO BAR - 24"	-
5121	HOBIE MULTI LUBE 4 OZ	-	72045	PADS ROOF RACK - 24"	-
6000	HOBIE BEACH TOWEL-ORANGE 35x60	-	72046	PADS ROOF RACK - 36"	-
6001	HOBIE BEACH TOWEL-LIME 35x60	-	72049	PADS AERO BAR - 36"	-
6002	HOBIE BEACH TOWEL-YELLOW 35x60	-	72050	KAYAK COVER / 9-12' 6"	-
6003	HOBIE BEACH TOWEL-AQUA 35x60	-	72051	KAYAK COVER / 12-15'	-
7003	MIRA ZYME 10 oz ODOR ELIMINATO	-	72052	KAYAK COVER / 14-16'	-
7904	VELCRO ONE WRAP 1" BLACK	-	72055	KAYAK COVER / PA 14 CUSTOM	-
20501	HAIRPIN COTTER 5/16" 302 SS	-	72056	KAYAK COVER / PA 12 CUSTOM	-
65012	CALIF BLK MENS S/S T M	-	72057	KAYAK COVER / PA 17 CUSTOM	-
65013	CALIF BLK MENS S/S T L	-	72058	KAYAK COVER / AI CUSTOM 2015+	-
65014	CALIF BLK MENS S/S T XL	-	72059	KAYAK COVER / TI CUSTOM 2015+	-
65015	CALIF BLK MENS S/S T XXL	-	72063	KAYAK COVER/OUTBACK CUSTOM 19	-
65022	CALIF CRM MENS S/S T M	-	72065	ST-TURBO FIN KIT - GRAY/BLACK	-
65023	CALIF CRM MENS S/S T L	-	74043	PADDLE ASSY 230 CM	-
65024	CALIF CRM MENS S/S T XL	-	74044	PADDLE ASSY 260 CM	OS
65025	CALIF CRM MENS S/S T XXL	-	74048	T-HANDLE PADDLE - 2019+	-
65031	DIAMOND WHT MENS S/S T S	-	78501	QUEST 13 RUDDER KIT/TWIST N ST	-
65032	DIAMOND WHT MENS S/S T M	-	78502	QUEST 11 RUDDER KIT/TWIST N ST	-
65033	DIAMOND WHT MENS S/S T L	-	80024	BAG, MIRAGEDRIVE CARRY	-
65034	DIAMOND WHT MENS S/S T XL	-	81024	LINE 5/32" NYLON BRAID-BLACK	-
65035	DIAMOND WHT MENS S/S T XXL	-	81029	LOOP STRAP, 1/4" OD, NYLON	-
65036	DIAMOND WHT MENS S/S T XXXL	-	81111	DECAL DOME M-DRIVE GT	-
65041	CLASSIC WHT MENS S/S T S	-	81183	MIRAGEDRIVE 180 ARC STD	-
65042	CLASSIC WHT MENS S/S T M	-	81184	MIRAGEDRIVE 180 ARC TURBO	-
65043	CLASSIC WHT MENS S/S T L	-	81185	MIRAGEDRIVE 180 ARC STD-INFL	-
65044	CLASSIC WHT MENS S/S T XL	-	81205	CHAIN ASSY, ECLIPSE DRIVE	-
65045	CLASSIC WHT MENS S/S T XXL	-	81380	CONTROL ARM - UP/DOWN	-
65051	CLASSIC BLK MENS S/S T S	-	81538	CASSETTE PLUG, ECLIPSE/PASSPOR	-
65052	CLASSIC BLK MENS S/S T M	-	83102	TOOL GERBER MULTI-PLIER 600	-
65053	CLASSIC BLK MENS S/S T L	-	83104	TOOL, HOG RING PLIERS	-
65054	CLASSIC BLK MENS S/S T XL	-	84503	SAIL KAYAK MAST 2-PC	-
65055	CLASSIC BLK MENS S/S T XXL	-	84511	BATTEN KAYAK SAIL (55") W/CAP	OS
65056	CLASSIC BLK MENS S/S T XXXL	-	84630	CRANK ASSY TPA REVERSIBLE PEDA	-
65061	DIAMOND BLK MENS S/S T S	-	84631	PAD, UNI-DIR PEDAL	-
65062	DIAMOND BLK MENS S/S T M	-	84950	BAG - KAYAK SAIL 128.0"	-
65063	DIAMOND BLK MENS S/S T L	-	720621	FLOAT - SIDEKICK AMA-LT GRAY W	-
65064	DIAMOND BLK MENS S/S T XL	-	777001	LOWRANCE READY PLATE ASSY, V2	-
65065	DIAMOND BLK MENS S/S T XXL	-	777010	LOADER ASSY, 2019 OUTBACK	-
65072	SCRIPT AHGRY MENS L/S T M	-	795465	SAIL ADV V2 WHT/GRAY/TURQ (AZU	OS
65073	SCRIPT AHGRY MENS L/S T L	-	795475	SAIL ADV V2 RED/GRAY/WHT (SMOK	OS
65074	SCRIPT AHGRY MENS L/S T XL	-	795485	SAIL ADV V2 TURQ/PAPAYA/WHT (B	OS
65075	SCRIPT AHGRY MENS L/S T XXL	-	865140	SCREW 1/4-20 X 1-1/2 PAN HD PH	-
65082	SCRIPT CHAR MENS L/S T M	-	8000341	LOCTITE BLUE .5 ML CAPSULE	-
65083	SCRIPT CHAR MENS L/S T L	-	8004381	LINE 5 MM, DK GRAY W/MANGO TRA	-
65085	SCRIPT CHAR MENS L/S T XXL	-	8004531	LINE 1/8 NYLON BRAID BLK	-
65111	SCRIPT OATH PO HOODIE S	-	8004811	SHOCKCORD, 1/4" SILVER	-
65112	SCRIPT OATH PO HOODIE M	-	8004831	SHOCKCORD, 3/16" SILVER	-
65113	SCRIPT OATH PO HOODIE L	-	8010131	RIVET POP 3/16x3/8 PH-SS	-
65114	SCRIPT OATH PO HOODIE XL	-	8010181	RIVET POP 3/16x1/4 PH	-
65115	SCRIPT OATH PO HOODIE XXL	-	8011231	RIVET POP 3/16x1/2 PH	-
65121	SCRIPT BUORH PO HOODIE S	-	8012001	RIVET 6-9 BULB TYPE-KAYAK	-
65122	SCRIPT BUORH PO HOODIE M	-	8020030	CLEVIS PIN 3/16 X 7/8 GRIP	-
65123	SCRIPT BUORH PO HOODIE L	-	8020041	CLEVIS PIN 3/16x.570 GRIP	-
65124	SCRIPT BUORH PO HOODIE XL	-	8020061	CLEVIS PIN 3/16x.753 GRIP	-
65125	SCRIPT BUORH PO HOODIE XXL	-	8020381	CLEVIS PIN 1/4x.578 GRIP	-
65141	CALIF BUORH ZIP HOODIE S	-	8020461	DETENT RING PIN 1/4" X 1-1/8"	-
65142	CALIF BUORH ZIP HOODIE M	-	8030027	SCREW 10-32 X .5 SKT HD CAP NY	-
65143	CALIF BUORH ZIP HOODIE L	-	8030029	SCREW #10 X 1/2" PLASTITIE BLK	-

Part	Description	OS	Part	Description	OS
8030031	SCREW #10x3/4 OHSMS-P	-	10860100	LOCK RING 3/16" - 100 PACK	-
8030037	SCREW #6-32 x 3/4 PHMS	-	10870000	SHACKLE "BOW" 4.7 MM	-
8030071	SCREW 10-32 X 1/2 FHMS	-	11220000	SHACKLE STND "D" 4.7 MM	-
8030111	SCREW 10-32 X 1 PHMS-P SS	-	12451031	DECAL "HOBIE" DIAMOND-TURQ/SLV	-
8030125	SCREW 10-32 x 1/2 BTN HD SCKT	-	12451050	DECAL "HOBIE" SCRIPT BLACK	-
8030126	SCREW 10-32 x 3/8 FLNG BTN HX	-	12451051	DECAL "HOBIE" SCRIPT WHT	-
8030151	SCREW 10-32 x 1/2 PHMS-P SS	-	12453011	DECAL - HOBIE KAYAKS	-
8030161	SCREW 10-32 X 1-1/2 PHMS-P SS	-	12453021	DECAL - HOBIE KAYAK FISHING	-
8030162	SCREW 10-32 x 1-3/4 FHMS SS	-	12453023	DECAL, HOBIE SCRIPT CHROME/BLK	-
8030171	SCREW 12-24 X 3/4 RHMS-P SS* (-	12453024	DECAL, 12" HOBIE FISHING BLACK	-
8030212	SCREW 1/4-20 X 1" OHMS-PH SS	-	12453025	DECAL, 12" HOBIE FISHING WHITE	-
8030214	SCREW 1/4-20 x 1" BTN HD	-	12453031	DECAL - HOBIE CAT TEQ	-
8030231	SCREW 10-32 x 3/8 P-THMS	-	13001001	DECAL BOW - FLYING "H" BLK	-
8030251	SCREW 10-32 X 1" FHMS	-	20860000	LARGE CLEVIS RING	-
8030261	SCREW #10 X 1-1/4 PHMS-P	-	20860100	LARGE CLEVIS RING / 100 PACK	-
8030281	SCREW 10-32 X 3/4" RHMS-P SS	-	21180000	HOG RING 1/2" S/S, BLUNT, 14 G	-
8030285	SCREW 10-32 X 5/8" FLMS-P	-	22080011	JIB BATTEN PKT PROT W/SCREWS	-
8030335	SCREW 1/4-20 x 3/4 HX SCKT CAP	-	36601000	DECAL FLYING "H" SMALL BLK	-
8030346	SCREW W/NUT ISLAND GUDGEON	-	36601011	DECAL FLYING "H" SMALL WHT	-
8030355	SCREW 5/16-24 x 3/4 BTN HD SCK	-	37380001	CLAMCLEAT MINI CL204	-
8030361	SCREW 5/16-18 X 1-1/4 SOC HD	-	37661091	LANYARD GTWY WING LEG	-
8030382	SCREW, 1/4-20 x 7/8" BUTTON HE	-	38120031	NYLON PUSH-IN PANEL RIVET	-
8030422	SCREW 1/4-20x1 PH-LONG LOK*	-	38652010	TRAILER HOBIE ALUM KAYAK SINGLE	OS
8030451	SCREW 1/4-20 X 1-3/4 SCKT HD	-	38652011	TRAILER HOBIE ALUM KAYAK TI SI	OS
8030502	SCREW 8-32 X 3/8 PHMS	-	38652200	TRAILER HOBIE ALUM KAYAK DOUBLE	OS
8030551	SCREW 8-18x1/2 FLT HD DRL BLK	-	38652201	TRAILER ALUM KAYAK DOUBLE DOUBLE	OS
8030591	SCREW 1/4-20 x 1-5/8 P-OHMS w/	-	38652210	TOWER - TRAILER HOBIE ALUM DOU	OS
8030641	SCREW 10-32 X 1/2 THMS-P SS	-	38652212	TRAILER HOBIE ALUM KAYAK PA17	OS
8030671	SCREW 8-32 X 5/8 PHMS-P	-	38653300	TRAILER PAD KIT - KAYAKS	-
8030781	SCREW 1/4-20 X 1/2" SOC CAP	-	38670011	"S" HOOK,WAVE HALYD DWNHL	-
8030791	SCREW 1/4-20 X 5/8 SOC CAP	-	40590001	TILLER CONNECTOR RETAINER	-
8030981	SCREW 10-32 x 3/4 PHMS	-	41220001	EYELET POST	-
8031032	SCREW, 10-16x1" SELF-TAP S.S.	-	41370001	HATCH SCREW-IN - WHITE 5"	-
8031033	SCREW, 10-16x1 1/2" SELF-TAP S	-	53170020	SCREW 1/4-20 X 1/2 SKTST (ABA)	-
8031065	SCREW 10-32 x 7/8" THMS-P	-	53180011	HOG RING 3/8" S/S FOR 3/16" BU	-
8031069	SCREW 10-32x 1-1/4 THMS-P	-	61070000	CLAMCLEAT JUNIOR CL203	-
8031071	SCREW 10-32 X 1-1/4 PHMSP	-	70060001	HOBIE UV PROTECTANT-12oz	-
8031081	SCREW 10-32 x1 3/4 PHMS-S SS	-	71110001	PAD EYE-BLK NYLON-3/8"	-
8031111	SCREW 1/4-20x1 PHMS - P	-	71113001	DRAIN PLUG	-
8031131	SCREW #10x 3/4 PHSM-PH SS(ABA	-	71114001	DRAIN ASSY. OUTFITTER-FRONT	-
8031151	SCREW #10 X 1/2 PHMS-P	-	71114002	DRAIN ASSY. SPORT-OASIS-TI	-
8031191	SCREW 1/4-20 X 1-1/4"PHMS	-	71114003	DRAIN ASSY. REVO 11 FRONT	-
8031201	SCREW 8-32 X 1-1/4 SOC SET CUP	-	71114004	DRAIN ASSY. REVO 13 FRONT	-
8031231	SCREW 8-32 X 7/8" FHMS	-	71114005	DRAIN ASSY. REVO 16	-
8031401	SCREW 6-32x1/2, FHMS-P SS	-	71114006	DRAIN ASSY. OASIS FRONT	-
8031451	SCREW #8-32 x 5/16 P-THMS SS	-	71115001	SHOCK CORD END - SCREW-IN	-
8031461	SCREW 8-32 x 1" PHMS	-	71115101	TOOL - SCREW IN FITTINGS	-
8031481	SCREW 8-32 X 1-1/4 PHMS-P	-	71116001	PADEYE - SCREW-IN	-
8031490	SCREW 8-32 X 1/2 FHMS-P	-	71117001	CLEAT - SCREW-IN	-
8031501	SCREW 8 X 3/4" FHMS-P SS	-	71119001	PA PADDLE CLIP ASSY	-
8031581	SCREW #8 X 5/8" PHMS-PH SS	-	71120001	LASHING HOOK-BLACK	-
8031611	SCREW #8 x 3/8 PHMS PH 316 SS	-	71122001	JAM CLEAT - SCREW-IN	-
8031612	SCREW M4 x 10mm P-PAN M/S S/S	-	71123001	SHOCK CORD - SCREW-IN LARGE	-
8031781	SCREW 5/16-18 X 1 E/S SOC	-	71124001	PLUG, SCREW-IN	-
8031811	STUD 5/16-18 X 1-1/4" 18-8 SS	-	71125001	PAD EYE, SCREW-IN, XL	-
8031961	SCREW 12-24 x 1-1/4 P-OHMS SS	-	71125501	AMA / AKA DBL SHOCK CORD ASSY	-
8032011	SCREW 1/4-20x1/2 RHMS-P SS	-	71126001	HOOK, GATED, W/LADDER LOCK	-
8032061	SCREW 1/4-20x1 1/4 PHMSP	-	71175001	HATCH BAG 6.0 DIA.-RED	-
8032081	SCREW 1/4-20 X 1-1/4 CAP SCREW	-	71190000	HANDLE - LIFTING (WEB W/HOLE-	-
8032085	SCREW 1/4-20 X 1-1/4 FHMS-P	-	71190001	HANDLE - LIFTING (WEB W/CAP -	-
8032088	SCREW 1/4-20 x 2-1/4 HX CAP	-	71190031	HANDLE - SIDE CARRY KIT	-
8032121	SCREW #10 x 1 PHMS-P TF-12	-	71220001	PAD EYE - CHROME	-
8032211	SCREW 10-32 X 2-1/2 PHMS	-	71230001	COVER, ROD HOLDER	-
8032231	SCREW 1/4-20 X 1-1/4 BTN HD	-	71251001	SHOCK CORD ASSY, PDL HOLDER	-
8032241	SCREW 1/4-20 X 3/4 BTN HD	-	71280001	KEEL GUARD, PADDLE MODELS	-
8034061	ALLEN WRENCH 1/8"	-	71300701	TRIM LOK SEAL HATCH LID	-
8034071	ALLEN WRENCH 5/64"	-	71301001	TRIM LOK SEAL (TOP MOLDED)	-
8040131	BOLT 1/4-20 X 3 1/2	-	71302001	TRIM LOK SEAL (SIDE GLUED)	-
8040132	T-BOLT, 1/4-20 x3/4"	-	71305001	TRIM LOK SEAL (LG TOP-MOLDED)	-
8040401	BOLT 5/16-18x3" HX HD 18-8 SS	-	71320001	GASKET SET 5.5, 7.125, 9.250	-
8040531	BOLT 3/8-16 X 1-1/2 HEX CAP-S	-	71321001	GASKET KAYAK HATCH 6"	-
8050111	NUT 1/4-20 HX NYLOCK	-	71331001	GASKET KAYAK HATCH 8"	-
8050122	NUT 1/4-20 THUMB	-	71552001	SHOCK CORD ASSY, ADV FWD HATCH	-
8050201	NUT 10-32 HEX NYLOCK	-	71701001	HATCH 6" TWIST-N-SEAL KIT	-
8050211	NUT 10-32 NYLOCK LOPRO	-	71701011	HATCH 6" TWIST-N-SEAL	-
8050221	NUT (WELL NUT) 10-32 x1	-	71701021	O RING 6" TWIST-N-SEAL	-
8050331	NUT 5/16-18 HX NYLOCK LP	-	71702001	HATCH 8" TWIST-N-SEAL KIT	-
8050540	NUT 3/8-16 HX NYLOCK-LP	-	71702011	HATCH 8" TWIST-N-SEAL	-
8050801	NUT 8-32 MACH/SCREW SS	-	71702021	O RING 8" TWIST-N-SEAL	-
8052081	NUT 1/4-20 NYLON BLK	-	71703001	HOBIE DRY BAG 8.0"	-
8060111	COTTER PIN 3/32 X 3/4 SS	-	71704001	GEAR BUCKET	-
8060141	COTTER PIN 1/8" X 2" SS	-	71704021	GEAR BUCKET - DEEP	-
8063001	SLEEVE NICROPRESS 1/16"	-	71705001	GEAR BUCKET BAG	-
8080211	WASHER #12 FLAT	-	71706001	GEAR BUCKET 3 PAK W/BAG	-
8080461	WASHER #10 FLAT-.25 OD X .56 I	-	71707001	RECTANGULAR HATCH BLACK	-
8080500	WASHER #10 FINISH	-	71707002	GASKET - RECTANGULAR HATCH	-
8080541	WASHER 1/4 X 5/8 FLAT SS	-	71707003	RECTANGULAR HATCH KIT, HORIZON	-
8080551	WASHER-FLAT .227 X .453 SS	-	71707004	FRONT HATCH SEAL, PA12/14/17T	-
8080561	WASHER 1/4 X 1/2 X .032 SS	-	71708001	TACKLE MANAGEMENT RACK KIT	-
8080571	WASHER FLAT 1/4x3/4x.063 SS	-	71709002	BUCKET, HOBIE RECTANG HATCH V2	-
8080612	WASHER M4 LOCK SPLIT S/S	-	71710001	RECTANGULAR HATCH ASSY WHITE	-
8080671	WASHER 5/16 X 3/4 FLAT SS	-	71995001	WATER BOTTLE - STAINLESS	-
8080691	WASHER 3/8 X 3/4 NYLON-FLAT	-	71996001	BOTTLE/CAN HOLDER	-
8080701	WASHER 1/4 X 1 SS HP	-	72009001	SCUPPER PLUG-PSUI/MAUI/LANAI	-
8080731	WASHER #10 FNDR SS	-	72012001	SCUPPER PLUG KONA/QUEST	-
8450759	THUMB SCREW 1/4-20 X 3/4 BLK N	-	72013001	SKID GUARD, PRO	-
10091000	DRAIN PLUG W/GASKET	-	72020000	HOBIE GEAR KEEPER SMALL 36"	-
10092025	GASKET-BLACK RUBBER	-	72020001	HOBIE GEAR KEEPER LARGE 36"	-
10092030	DRAIN PLUG w/GASKET- SEAT: KON	-	72020003	HYDRO STAR SOS DLX LIGHT	-
10730000	CLEAT-MAST	-	72020009	HOBIE DRIFT CHUTE	-
10730021	CLAMCLEAT STBD BLACK	-	72020010	HOBIE SAFETY KIT	-
10730031	CLAMCLEAT PORT BLACK	-	72020013	KAYAK GUN MOUNT (PAIR)	-
10860001	LOCK RING 3/16"	-	72020014	ROD HOLDER EXTENSION	-

Part	Description	OS	Part	Description	OS
72020015	ROD HOLDER - LIVEWELL w/FASTEN	-	72020270	UNDSEAT PADS AI/BL PA12/14 '19	-
72020019	FISH GRIP	-	72020273	TROLLEY KIT - WELLNUT COMPASS/	-
72020028	MIRAGE SEAT PAD - INFLATABLE	-	72020284	H-CRATE TIE DOWN STRAP ASSY	-
72020029	HOBBIE SAFETY PACKAGE-DELUXE	-	72020297	H-CRATE JR SOFT COVER	-
72020030	TEAR-AID / TYPE A (POLY)	-	72020298	HOBBIE H-CRATE JR	-
72020031	TEAR-AID / TYPE B (VINYL)	-	72020299	LOWRANCE READY SMALL PARTS KIT	-
72020032	BILGE - HAND PUMP	-	72020300	KAYAK RIGGING KIT - HARDWARE	-
72020034	PEDAL PAD KIT BLACK (PAIR)	-	72020301	HARDWARE KIT 1.25 (4 PACK)	-
72020040	SAFETY FLAG/LIGHT COMBO	-	72020311	TACKLE BOX - SMALL YELLOW	-
72020041	HATCH LINER - OUTBACK <=2018	-	72020321	TACKLE BOX - MEDIUM BLUE	-
72020042	HATCH LINER - REVO 13 / 2013+	-	72020331	TACKLE BOX - LARGE RED	-
72020044	HATCH LINER - REVO 11/QUEST 11	-	72020350	SPINNAKER KIT ADVENTURE ISLAND	-
72020051	MIGHTYMOUNT W/ MOUNT HDWR	-	72020351	SPINNAKER KIT TANDEM ISLAND	-
72020063	HIKING STICK - AI/TI	-	72020352	SPINNAKER ADVENTURE ISLAND	-
72020067	HOBBIE FISH HAWG TROUGH - IMPER	-	72020353	SPINNAKER TANDEM ISLAND	-
72020070	FISHFINDER POWER KIT	-	72020354	ISLAND SPINNAKER HOOP	-
72020072	HOBBIE LIVEWELL XL	-	72020355	ISLAND SPINNAKER SOCK / BAG	-
72020073	TROLLEY KIT - TROLLEY READY OR	-	72020356	MAST HEAD VANE, ISLAND	-
72020074	ROD HOLDER EXTENSION / ADJ	-	72020400	CRADLE SET - ADV ISL <=2014 TR	-
72020076	POWER-POLE / POWER KIT	-	72020401	CRADLE SET - PRO ANGLER TRAILER	-
72020077	HOBBIE LIVEWELL V2	-	72020402	CRADLE SET - TDM ISL TRAILER	OS
72020078	HOBBIE FIRST AID KIT	-	72020404	CRADLE SET - PA17 TRAILER	-
72020079	SPIKE - POWER POLE MICRO 6'	OS	72020405	DOLLY HANGER KIT- PA17 TRAILER	-
72020083	POWERPOLE MICRO AND SPIKE	OS	72020406	CRADLE SET - ADV ISLD 2015+ TR	-
72020084	POWERPOLE MICRO MOTOR ONLY	-	72020407	CRADLE SET - OUTBACK <=2018	-
72020085	SPIKE - POWER POLE MICRO 8'	OS	72020427	CRADLE SET - OUTBACK 2019+	-
72020087	COOLER - PA BUCKET / ALL CARGO	-	72020428	CRADLE SET - COMPASS & DUO	-
72020088	HOBBIE H-CRATE	-	72020503	UNIVERSAL MOUNT / ECLIPSE	-
72020090	TROLLING MOTOR MOUNT / PA17	-	72020504	WATER BOTTLE HOLDER KIT ECLIPS	-
72020092	RESCUE STEP - KAYAK	-	72020510	WATER BOTTLE CAGE	-
72020097	H-CRATE SOFT COVER	-	72020511	QUAD LOCK UNI PHONE MOUNT	-
72020098	ROD HOLDER ASSEMBLY / H-RAIL	-	72020520	HOBBIE BIMINI BLUE	-
72020099	HD STRAP KIT	-	72020521	HOBBIE BIMINI GRAY	-
72020100	MOTORGUIDE QR BRACKET	-	72020522	HOBBIE BIMINI SUN YELLOW	-
72020103	BOOMERANG SNIPS	-	72020601	CUP HOLDER, TRACK MOUNTED	-
72020108	SAFETY FLAG ASSEMBLY	OS	72021001	BATTERY - LIVEWELL	-
72020109	HATCH LINER - OUTBACK 2019+	-	72021002	BATTERY CHARGER - LIVEWELL	-
72020111	FISH BAG/COOLER LARGE	-	72021003	SWITCH - LIVEWELL V1	-
72020113	FISH BAG/COOLER MEDIUM	-	72021004	INTAKE TUBE ASSY - LIVEWELL	-
72020114	FISH BAG/COOLER COMPASS	-	72021005	STRAP SET - LIVEWELL	-
72020116	ECLIPSE ACCESSORY BAG	-	72021007	PUMP CONNECTOR FEMALE - LIVEWE	-
72020117	VANTAGE SEAT ACCESSORY BAG	-	72021008	PUMP CONNECTOR MALE - LIVEWELL	-
72020118	FISH BAG/COOLER XL	-	72021009	DOWNSPOUT FITTING - LIVEWELL	-
72020120	TROLLING MOTOR X15 50" FRESH	OS	72021010	INTAKE 90 DEGREE - LIVEWELL	-
72020123	BATTERY CHARGER 12 / 6 VOLT	-	72021015	MARINE GOOP 3.7oz CLEAR	-
72020124	PROP WEEDLESS 2 BLADE 3.5"	-	72021020	DOWNSPOUT TUBE - LIVEWELL	-
72020125	PROPNUIT / WRENCH / PINS	-	72021021	TERMINAL COVER - BATTERY LIVEW	-
72020127	NMEA2000 STARTER KIT	-	72021022	PUMP ATTWOOD - LIVEWELL	-
72020130	CELLBLOK BATTERY HOLDER	-	72021023	INTAKE TUBE 7" ONLY - LIVEWEL	-
72020131	PARKNPOLE LINK 3PC 12' STAKEOU	-	72021027	ELEC CONNECTOR SET	-
72020132	OUTBACK POWER-POLE MOUNT <=201	-	72021037	PLUG - LIVEWELL PUMP	-
72020138	POWERPOLE HDWR KIT 19 OUTBACK	-	72021054	C CLIP - DRAIN TUBE LEVEL	-
72020143	FISHFINDER ISERIES INSTALL KIT	-	72021060	HORIZONTAL ROD HOLDER KIT	-
72020144	FISHFINDER RUDDER INSTALL KIT	-	72021066	BATTERY LARGE LID - LIVEWELLV1	-
72020145	FISHFINDER LITHIUM POWER KIT	-	72021071	DIVIDER, REVERSIBLE LIVEWELL V	-
72020150	FOOTBRACE KIT COMPASS/DUO	-	72021074	KNOB, ADJUSTABLE ROD HOLDER	-
72020153	H-RAIL UPGRADE FOR OUTBACK	-	72021090	WIRING KIT, PA17 TROLLING MOTO	-
72020167	HOBBIE FISH HAWG TROUGH - METRI	-	72021108	PROP, HOBBIE DESIGN, TORQ MOTOR	-
72020175	POWERPOLE - MOUNT KIT COMPASS	-	72021113	THRU HULL FITTING, PWR PLUG, V	-
72020176	POWERPOLE - MOUNT KIT PRO A	-	72021114	BACKING RING, PWR PLG THRU HUL	-
72020177	POWERPOLE - MOUNT PLATE ONLY	-	72021115	MNTG PLT, M12 CABLE GLAND	-
72020185	MICRO BATTERY PAK - LITHIUM BA	-	72021116	BACKING RING, MNTG PLT, M12 CA	-
72020207	PLATE KIT, LOWRANCE READY TOTA	-	72021119	GASKET PACK, CABLE MOUNTS	-
72020208	FISHFINDER HOOK2 4x GPS	-	72021120	CAP, PWR PLUG, FEMALE v1	-
72020216	GUARDIAN REPLACEMENT PARTS KIT	-	72021122	LANYARD, TYCO CNCTR CAP V1	-
72020218	FISHFINDER ELITE 7TI2, 4,000 U	-	72021123	CAP, M12 CNCTR, PLUG	-
72020219	FISHFINDER ELITE 9TI2, 4,000 U	-	72021124	CAP, M12 CNCTR, CAP	-
72020220	MOUNT KIT, TRIPLESHOT TRANSDUC	-	72021128	CAP ASSY POWER PLUG MALE	-
72020221	C-MAP INSIGHT PRO	-	72021129	FIN KIT - EVOLVE	-
72020222	POINT-1 GPS ANTENNA	-	72021132	EVOLVE v1 - BATTERY CHARGER	-
72020229	FISHFINDER HOOK REVEAL 5 SPLIT	-	72021133	REMOTE THROTTLE, TORQEEDO	-
72020230	FISHFINDER HOOK REVEAL 7 SPLIT	-	72021134	CABLE, POWER EXTENSION, 170"	-
72020231	FISHFINDER HOOK REVEAL 7 TRIPL	-	72021135	CABLE, M12, THROTTLE BOX CONEC	-
72020233	FISHFINDER HOOK REVEAL 9 TRIPL	-	72021136	CABLE, M12, THROTTLE CONTROL	-
72020239	MAT KIT, PASSPORT 12 GREY/CHAR	-	72021137	KEY W/LANYARD AND CLIP	-
72020240	MAT KIT, PA12 GREY/BLACK 360	-	72021148	PROP ALIGNMENT TOOL - EVOLVE	-
72020241	MAT KIT, PA12 BLACK/GREY 360	-	72022010	TORQ TRAC SMARTPHONE ACCESSORY	-
72020242	MAT KIT, PA14 GREY/BLACK 360	-	72022030	EVOLVE v2 MOTOR KIT - K	HAZ
72020243	MAT KIT, PA14 BLACK/GREY 360	-	72022031	EVOLVE v2 CABLE KIT (2ND HULL)	-
72020244	MAT, PA14 GREEN/ESPRESSO INTER	-	72022032	EVOLVE v2 MOTOR KIT - K NO BAT	-
72020245	MAT, PA14 TITANIUM/BLUE INTER	-	72022040	EVOLVE v2 MOTOR KIT - i	HAZ
72020246	MAT, PA14 GREY/CHARCOAL INTER	-	72022123	EVOLVE V2 MOTOR REPLACEMENT	-
72020247	MAT, PA12 GREEN/ESPRESSO INTER	-	72022124	EVOLVE FG SPRING, STD LENGTH	-
72020248	MAT, PA12 TITANIUM/BLUE INTER	-	72022125	EVOLVE FG SPRING, i-SERIES LEN	-
72020249	MAT, PA12 GREY/CHARCOAL INTER	-	72022126	EVOLVE V2 BATTERY W/HANDLE	HAZ
72020250	MAT KIT, PA14 GREEN/ESPRESSO	-	72022132	EVOLVE v2 - BATTERY CHARGER	-
72020251	MAT KIT, PA14 TITANIUM/BLUE	-	72022134	EVOLVE v2 CABLE, PWR EXT, 170"	-
72020252	MAT KIT, PA14 GREY/CHARCOAL	-	72022139	CARRY STRAP - EVOLVE BATTERY	-
72020253	MAT KIT, PA12 GREEN/ESPRESSO	-	72022141	EVOLVE BATTERY 915 Wh	HAZ
72020254	MAT KIT, PA12 TITANIUM/BLUE	-	72022142	EVOLVE CHARGER - 915wh BATTERY	-
72020255	MAT KIT, PA12 GREY/CHARCOAL	-	72023015	RAM MAST-TUBE WEDGE MOUNT 1.5"	-
72020256	MAT KIT, OUTBACK GREEN/ESPRESS	-	72023016	RAM MAST-TUBE WEDGE MOUNT 1"	-
72020257	MAT KIT, OUTBACK TITANIUM/BLUE	-	72023017	RAM U-BOLT RAIL BASE w/ 1" BAL	-
72020258	MAT KIT, OUTBACK GREY/CHARCOAL	-	72023019	RAM DBL 1" BALL SOCKET ASSEMBL	-
72020259	MAT KIT, COMPASS GREY/CHARCOAL	-	72023025	RAM U-BOLT BASE w/1.5" BALL	-
72020260	MAT KIT, OUT 19 TI/AEG BL INTR	-	72023029	RAM V-BASE (STRAP 1"- 2.1") 1"	-
72020261	MAT KIT, OUT 19 TI/AEG BL COMP	-	72023034	RAM GOPRO MOUNTING BASE 1"	-
72020263	MAT KIT, OUT 19 GRN/ESPR INTR	-	72023035	RAM 18" TRANSDUCER MNT	-
72020264	MAT KIT, OUT 19 GRN/ESPR COMP	-	72023042	RAM BOND A BASE - INFLAT/WHITE	-
72020266	MAT KIT, OUT 19 GRY/CHAR INTR	-	72023044	RAM BASE 1" DIAMOND 2 7/16" X	-
72020267	MAT KIT, OUT 19 GRY/CHAR COMP	-	72023046	RAM BASE 1.5" BALL 2" X 2.5"	-
72020268	UNDSEAT PADS GR/CH PA12/14 '19	-	72023047	RAM DBL BALL SOCKET ARM 1.5" P	-
72020269	UNDSEAT PADS GN/ES PA12/14 '19	-	72023048	RAM ROD 2007 JR. FLY ROD HOLDE	-

INDEX

Part	Description	OS	Part	Description	OS
72023049	RAM TUBE JR HOLDER	-	74049001	T- HANDLE, PADDLE	-
72023050	RAM ROD 2000 ROD HOLDER	-	74050001	PADDLE LEASH-WEB/ELASTIC	-
72023051	RAM TUBE 2008 ROD HOLDER	-	74051001	PADDLE LEASH-COIL	-
72023052	RAM FISH FINDER BASE W/ 1" ARM	-	74052001	HOBBIE FISH ROD LEASH- WEBBING	-
72023053	RAM LOWRANCE BASE W/ 1" ARM	-	74052101	LEASH KIT - MIRAGEDRIVE	-
72023054	RAM LOWRANCE BASE W/ 1.5" ARM	-	74070001	PADDLE CLIP PA12	-
72023055	RAM LOWRANCE BASE W/ 1.5" ARM	-	74076101	BUTTON ASSY - PADDLE FERRULE	-
72023056	RAM X-GRIP UNIVERSAL HOLDER W/	-	74076102	SPRING BUTTON, PADDLE SHAFT	-
72023057	MOUNT, i-SERIES FISHFINDER	-	74077001	i - PADDLE, 4 PIECE	-
72023058	RAM 1" TRACK BALL	-	76050001	HANDLE KAYAK (MOLDED)	-
72023059	RAM 1.5" TRACK BALL	-	76055001	HANDLE, MIDSHIP	-
72023060	RAM MOUNT 1" BALL & ARM HOOK2	-	77701801	RECTANGULAR HATCH KIT, VERTICA	-
72023061	RAM MOUNT 1.5" BALL & ARM HOOK	-	78510001	BUNGEE HOOK	-
72023065	RAM SM TOUGH CLAW w/1.5" BALL	-	78520001	EYELET HOLD DOWN	-
72023067	RAM LG TOUGH CLAW w/1.5" BALL	-	78535001	FOOT BRACE ASSY-LT	-
72023070	RAM BALL ADAPTER FOR GOPRO MOU	-	78536001	FOOT BRACE ASSY-RT	-
72023071	RAM ROD BULKHEAD/FLAT SURFACE	-	78540001	TRACK ADJ - BRACE/QUEST	-
72023072	RAM TOUGH-TUBE ROD HOLDER WITH	-	78552001	GUDGEON - QUEST 13 T-N-S NEWER	-
72023073	RAM ROD JR FISHING ROD HOLDER	-	78560001	MAP POCKET FRAME w/MESH	-
72023074	RAM ROD JR FISHING ROD HOLDER	-	78561001	MAP POCKET MESH MOLDED HOOKLES	-
72023075	RAM ADAPT-A-POST™ WITH ADJUSTA	-	78565001	MAP POCKET MOLDED MESH W/FRAME	-
72023076	RAM ROD FISHING ROD HOLDER WIT	-	79050011	CAM LEVER / CLICK-N-GO WELL	-
72023077	RAM TUBE JR.™ ROD HOLDER WITH	-	79050021	SPRING / i - CLICK-N-GO WELL	-
72023078	RAM DUAL T-BOLT TRACK BASE FOR	-	79050061	CASSETTE PLUG/i - SERIES	-
72023079	RAM ROD JR FISHING ROD HOLDER	-	79050211	DRAIN PLUG - 3/8" W O-RING&KEE	-
72023080	RAM TOUGH TRACK 2.43" COMPOSITE	-	79050212	O-Ring .299ID x .505OD Neopren	-
72023081	RAM TOUGH TRACK 5" COMPOSITE	-	79050214	SCUPPER PLUG / i-SERIES	-
72023082	RAM TOUGH TRACK 9" COMPOSITE	-	79050306	RUDDER READY KIT w/HARDWARE	-
72023083	RAM TOUGH-POLE CAMERA MOUNT WI	-	79050400	i - WRENCH-MIRAGEDRIVE SS	-
72023084	RAM TOUGH-POLE 48" CAMERA MOUN	-	79052001	i - CUP HOLDER KIT	-
72023085	RAM TOUGH-POLE 36" ACTION CAME	-	79052003	i - INFLATION PUMP / STANDARD	-
72023086	RAM ROLLER-BALL 2-PACK PADDLE	-	79052004	INFLATION PUMP w/GAUGE	-
72023087	RAM 2-PACK VERTICAL TIE DOWN T	-	79052005	i - INFLATION PUMP / ELECTRIC	-
72023088	RAM TWIST-LOCK COMPOSITE SUCTI	-	79052006	i - HARDWARE ACCESSORY KIT	-
72023089	RAM ROD 8" POST EXTENSION ARM	-	79052007	i - SEATBACK	-
72023094	RAM TOUGH-TRACK 3" ALUMINUM	-	79052009	i - HULL REPAIR KIT (MANGO/SLA	-
72023095	RAM TOUGH-TRACK 5" ALUMINUM	-	79052010	ROLLING TRAVEL BAG i12S	-
72023096	RAM TOUGH-TRACK 9" ALUMINUM	-	79052011	ROLLING TRAVEL BAG i14T	-
72023098	RAM TOUGH-TRACK CONNECTOR	-	79052012	ROLLING TRAVEL BAG i9S	-
72025001	BATTERY - 12v FISHFINDER	-	79052013	i - O RING LG - INFLATION PUM	-
72025002	CHARGER - 12v BATTERY FISH F	-	79052015	i - TRI RING KIT / SAGE	-
72025005	WATER PROOF WIRE CONNECTOR LG	-	79052016	i - TRI RING KIT / SUNDANCE	-
72025007	HOLDER, 12v FF BATTERY	-	79052017	i - VALVE ASSEMBLY	-
72025009	PIGTAIL WIRE/ 12ft FOR 12v BAT	-	79052018	i - GLUE 30g TUBE	-
72025010	LITHIUM PRO POWER KIT 12V 10AH	-	79052019	i - PADDLE HOLDER	-
72026103	SPEAKER BLUE TOOTH AND 4GB	-	79052023	i - HULL REPAIR KIT (MOSS/SMOK	-
72026200	RB ROD HOLDER II ONLY BLACK	-	79052251	SAIL KAYAK MAST 4-PC	-
72026201	RB ROTATING PLATFORM 102MM(4")	-	79104101	XBAR AI V2 - REAR 2015-	-
72026202	RB G-HOLD 50MM(2") SINGLE BLK	-	79104201	XBAR AI V2 - FWD 2015-	-
72026203	RB GUNHOLD (1)	-	79501001	DAGGERBOARD WELL PLUG - ADV	-
72026204	RB CAMERABOOM 600 PRO SERIES	-	79502001	DAGGERBOARD / ADV - REV 16	-
72026205	RB CAMERA MOUNT KIT	-	79503001	CLEAT MOUNT, ISLAND SPINNAKER	-
72026206	RB BLACK RIBPORT / STARPORT W/	-	79503601	AKA AI V2 - RT REAR 2015-	-
72026207	RB STARPORT BLACK	-	79503701	AKA AI V2 - LT REAR 2015-	-
72026208	RB STARPORT HD BLACK	-	79503801	AKA AI V2 - RT FWD 2015-	-
72026209	RB ROD HOLDER II STARPORT HD K	-	79503901	AKA AI V2 - LT FWD 2015-	-
72026210	RB RAILMNT AKA STARPORT COMB B	-	79510011	MAST - ADV ISLAND (08 / FEMA	OS
72026211	RB 5" FIXED EXTENDER	-	79510015	MAST - ADV ISLAND 2015+	OS
72026214	RB VISIBILITY KIT II	-	79510201	BAG-ADV ISLAND MAST/SAIL -2014	-
72026217	FISHFINDER FIT KIT PASSPORT 12	-	79510202	BAG - TANDEM ISLAND MAST/SAIL	-
72026218	FLAT MOUNT TRACK KIT	-	79510221	BAG-ADV ISLAND MAST/SAIL 2015+	-
72040011	RHINO UNIVERSAL SIDE LOADER	-	79510721	MOUNT XBAR V2 - TOP	-
72040012	RHINO NAUTIC KAYAK LIFTER	OS	79510731	MOUNT XBAR V2 - BOTTOM	-
72040013	RHINO 2" RECEIVER T-LOADER	OS	79511001	BASE / PIN - ISLAND MAST	-
72042001	TIE DOWN STRAPS HOBIE- 12 FOOT	-	79511021	MAST CAP - AI (SWIVEL TIP)	-
72043001	TIE DOWN STRAPS HOBIE- 15 FOOT	-	79511101	BASE / HOLE - '08+ ISLAND MAST	-
72050001	BOARD COVER - ECLIPSE 12.0	-	79511991	SAIL ADV ISL CUSTOM COLOR	OS
72050002	BOARD COVER - ECLIPSE 10.5	-	79512001	DRUM - ISLAND MAST FURLE -2014	-
72050005	RAIL PROTECTION KIT, ECLIPSE	-	79512002	DRUM - ISLAND MAST FURLE 2015+	-
72050011	COVER - ECLIPSE DRIVE	-	79512201	AKA AI V2 - RT FWD 2011-2014	-
72050012	BOW HANDLE KIT, ECLIPSE	-	79512301	AKA AI V2 - LT FWD 2011-2014	-
72050013	ECLIPSE NOSE-RAIL GUARD KIT	-	79512401	AKA AI V2 - LT REAR 2011-2014	-
72061001	PIN, LOCK SINGLE - KAYAK DOLLY	-	79512501	AKA AI V2 - RT REAR 2011-2014	-
72062001	SIDEKICK - LOCK PIN SINGLE	-	79512601	XBAR AI V2 - FWD 2011-2014	-
72062011	SIDEKICK - MOUNT BRACKET BOTTO	-	79512701	XBAR AI V2 - REAR 2011-2014	-
72062021	SIDEKICK - MOUNT BRACKET TOP	-	79513001	BACKING RING, AI MAST RECEIVER	-
72062041	SIDEKICK - XBAR MIDDLE	-	79514101	MAST RECEIVER CUP ASSY AI '08+	-
72062061	SIDEKICK - ADP PLATES +07 ADVE	-	79515001	SAIL ADV ISL RED/GRAY/WHT	OS
72062062	SIDEKICK - MOUNT KIT W/CTR BAR	-	79516001	SAIL ADV ISL TURQ/PAPAYA/WHT	OS
72062063	VENT CAP - SIDEKICK AMA FLOAT	-	79517001	V-FRAME, STRUT	-
72062101	SIDEKICK AMA KIT - LT GRAY	-	79518001	V-FRAME, BASE	-
72062201	SIDEKICK - BENT ARM	-	79519001	V-FRAME, TURNBUCKLE-BRASS	-
72066001	ST-TURBO FIN KIT V2/GT - GRAY/	-	79520201	COLLAR - AKA	-
72066021	ST-TURBO FIN KIT V2/GT - RED/B	-	79520301	END CAP - AKA	-
72066031	ST-TURBO FIN KIT V2/GT - BLU/B	-	79520311	AKA, FWD - TI	-
72067002	ST-TURBO V2 FIN KIT MD180 BK/G	-	79520401	AKA, LT REAR - TI	-
72067032	TURBO FIN KIT - KICK UP	-	79520501	AKA, RT REAR - TI	-
72076001	STAKEOUT POLE - KAYAK FISHING	OS	79520604	AKA LOCK KIT HINGED HOOK	-
72097001	KC WELDER PRO WITH ROD STOCK	-	79522202	LOCK BEARING/SPRING TYPE- AKA	-
72103001	MOUNT, SHOCK CORD	-	79523001	SOCKET - AKA BRACE LOCK	-
72104001	ADJ SHOCK CORD HOOK 3/8"	-	79523101	BRACE ASSY AKA AI V1 -22"	-
72402001	KAYAK SEAT - PADDLE	-	79523201	BRACE ASSY AKA AI V2 -23"	-
72409001	STRAP W/HOOK - PADDLE SERIES	-	79523301	BRACE ASSY AKA AI V2 2015 -21"	-
72542001	DECAL DOME, HCWW GOLD 1.75"	-	79524001	CAP - AKA BRACE LOCK	-
72545001	DECAL DOME, MD180	-	79525001	BALL - AKA BRACE	-
72721001	KAYAK DODGER / SILVER	-	79526001	BAG - AKA CARRY - AI V1	-
72722001	KAYAK DODGER / RED	-	79526002	BAG - AKA CARRY - V2 ALL	-
72730002	DODGER - ISLAND / SILVER	-	79526201	ISLAND PADDLE / AKA BRACE KIT	-
72730004	DODGER - ISLAND / RED	-	79526211	PADDLE STORAGE WEB ASSY ISLAND	-
74010001	PADDLE BLADE RIGHT	-	79527001	TRAMP SET AI (- 2014) - BLACK	-
74011001	PADDLE BLADE LEFT	-	79527011	TRAMP SET AI (- 2014) - GRAY	-
74030002	PADDLE DRIP RING FG/ALU SHAFT	-	79527101	LACING ROD - AI TRAMP	-
74035001	FOLDING PADDLE CLIP, 1-1/8"	-	79527201	TRAMP AI/TI - WEB/BUCKLE ASSY	-

Part	Description	OS	Part	Description	OS
79530201	XBAR, REAR - TI	-	81129023	GT SPROCKET / MAST KIT STD	-
79531101	CLEAT SUPPORT WEDGE w/FAIRLEAD	-	81129123	GTT SPROCKET / MAST KIT TURBO	-
79531111	CLEAT SUPPORT WEDGE	-	81155001	BOLT DRUM/CRANK	-
79531201	XBAR, FWD - TI	-	81156201	ROLLER BEARING, IDLER PULLEY	-
79532001	SPRING ASSEMBLY, ISLAND ADV	-	81156301	ROLLER BEARING, SPROCKET	-
79532201	EDGE GUARD - ISL XBAR	-	81156401	ROLLER BEARING, DRUM (REQ 15)	-
79533001	BEARING PLATE, MAST FURLER	-	81163001	MAST - V2 STANDARD - THREADED	-
79535001	CONNECTION PIN, AKA/XBAR	-	81171002	DRUM UPDATE KIT V1 TO GT	-
79537001	CLIP, ISLAND AKA BRACE	-	81172001	DECAL, PEDAL ADJUSTMENT	-
79538001	PADDLE CLIP, ISLAND XBAR	-	81175001	DRUM - GT WITH BEARINGS	-
79538101	ISLAND PADDLE HOLDER KIT	-	81181001	SPINE MIRAGEDRIVE - PLASTIC	-
79538201	PULL TAB - WEBBING LOOP	-	81188001	MIRAGEDRIVE 180 TURBO SQ CRANK	-
79545001	DECAL, HOBIE DOME, GOLD 2.75"	-	81188101	MIRAGEDRIVE 180 TURBO CAMO SQ	-
79546001	SAIL ADV ISL WHT/GRAY/TURQ	OS	81189001	MIRAGEDRIVE 180 STD SQ CRANK	-
79546701	SAIL ADV ISL V2 BAHAMA	-	81189101	MIRAGEDRIVE 180 STD i-SERIES S	-
79547701	SAIL ADV ISL V2 ARUBA	-	81190001	FIN - MIRAGEDRIVE / COMFORT	-
79551001	LOCKING LEVER, MAST RECEIVER	-	81192001	MIRAGE ST TURBO FIN - GRAY/BLK	-
79552001	STEP PIN PLATE / ISLANDS	-	81192021	MIRAGE ST TURBO FIN - RED/BLK	-
79555001	LEAF SPRING, MAST RECEIVER	-	81192031	MIRAGE ST TURBO FIN - BLU/BLK	-
80010401	MIRAGE GT SPARE PARTS KIT	-	81193001	MIRAGE ST FIN - GRAY/BLACK	-
80010501	MIRAGEDRIVE GT - ST BLUEFINS	-	81193021	MIRAGE ST FIN - RED/BLACK	-
80012001	PEDAL RETAINER BUNJEE ASSY	-	81193031	MIRAGE ST FIN - BLU/BLACK	-
80012101	MIRAGEDRIVE PA17 GTT - TURBO B	-	81198001	MAST - ST TURBO FIN/UNIVERSAL	-
80012102	MIRAGEDRIVE PA17 GTT - TURBO G	-	81198101	MAST - V2 ST TURBO - THREADED	-
80012501	MIRAGEDRIVE GTT - TURBO BLUEFI	-	81202001	CHAIN ASSY, MIRAGEDRIVE V2	-
80013401	MIRAGE GTT SPARE PARTS KIT	-	81203001	IDLER CABLE, MIRAGEDRIVE V2	-
80013501	MIRAGEDRIVE GTI - ST BLUEFINS	-	81211001	IDLER CABLE ASSY (14 3/4) MIRA	-
80019011	LINE KIT PRO ANGLER CONTROL RE	-	81221011	PEDAL REPLACEMENT LEFT	-
80019012	LINE KIT AI / TI CONTROL REPLA	-	81221101	PEDAL ASSY LEFT/ NO PAD MD180	-
80020001	LINE KIT MIRAGE RUDDER / UNIVE	-	81222011	PEDAL REPLACEMENT RIGHT	-
80025001	LINE CONTROL ASSY - (1) LINE A	-	81222101	CAP - PEDAL CRANK	-
80043000	HOBIE TRAX "2-30" FRAME ONLY	-	81222201	PEDAL ASSY RIGHT/ NO PAD MD180	-
80043001	HOBIE TRAX "2-30" CART PLUG-IN	-	81223001	PEDAL / CRANK ASSY LEFT GRAY	-
80043012	HOBIE TRAX"2-30" WHEEL REPL V2	-	81224001	PEDAL / CRANK ASSY RIGHT GRAY	-
80044021	HOBIE-TRAX 2 CART FRAME V2	-	81226001	PEDAL STRAP REPLACEMENT RIGHT	-
80044031	HOBIE PLUG-IN CART PAD	-	81227001	PEDAL STRAP REPLACEMENT LEFT	-
80044051	HOBIE-TRAX HUB LOCK KNOB	-	81230001	PEDAL ADJUSTMENT PIN	-
80044101	HOBIE TRAX "2" CART PLUG-IN	-	81236002	PEDAL ADJUST HANDLE ASSY GRAY	-
80044112	HOBIE TRAX "2" WHEEL REPL V2	-	81242001	SPRING COMPRESSION 1-1/4" LNG	-
80044151	PIN W/SHOCK CORD - CART KEEPER	-	81244001	STEERING SPRING	-
80044201	CART POST COLLAR/CLAMP KIT	-	81245001	PIN, ROLL 1/8 x 1-1/4 (420 SS)	-
80044202	CRADLE / PLUG-IN CART	-	81259001	SEAT STRAP w/HOOK	-
80045000	CAP - HOBIE CART DOME	-	81265001	PLUG-IN SEAT PEG (OLDER)	-
80045001	HOBIE STANDARD PLUG-IN CART	-	81265101	PLUG-IN SEAT CONNECTOR KIT ADJ	-
80045041	HOBIE STANDARD CART - WHEEL	-	81267001	HOOK, KAYAK SEAT	-
80045101	i-SERIES / ECLIPSE PLUG-IN CAR	-	81268001	MIRAGE BACKREST - EXPAND PEG	-
80045111	FRAME STD i-SERIES/ECLIPSE CAR	-	81269001	MIRAGE BACKREST - TWIST LOCK	-
80045200	FRAME i-TRAX CART	-	81276201	TWIST LOCK SEAT ADAPTER KIT	-
80045201	i-SERIES / ECLIPSE TRAX PLUG-I	-	81350001	RUDDER MOUNT-MIR	-
80046001	HOBIE HEAVY DUTY PLUG-IN CART	-	81360001	RUDDER PIN MIRAGE S.S.	-
80046021	PIN, QUICK CLIP KAYAK CART	-	81361001	RUDDER MOUNT PIN MIR 4-1/2"	-
80046041	HVY DUTY CART - WHEEL REPL.	-	81362001	RUDDER MOUNT PIN TDM/OUT/SPT	-
80046100	HOBIE DOLLY, AI/TI TUFF-TIRE	OS	81372001	STEERING CRANK ADV/OUTFITTER	-
80046101	HOBIE DOLLY, PA-UNI TUFF-TIRE	OS	81375001	COMPRESSION SPRING (1)	-
80046102	HOBIE DOLLY, PA17 TUFF-TIRE	OS	81380001	CONTROL ARM - UP/DOWN	-
80046120	HANDLE REPLACE- KAYAK DOLLY	OS	81385001	WASHER 13/16 EDPM RUBBER	-
80046123	STRAP REPLACEMENT - PA17 DOLLY	-	81390001	RUDDER MIRAGE - ORIGINAL STYLE	-
80046124	CRADLE REPLACEMENT PA17 DOLLY	-	81391002	RUDDER UP/DOWN LINE SYSTEM	-
80046141	WHEEL, DOLLY TUFF-TIRE	-	81391011	GUDGEON, T-N-S RDR	-
80046200	HOBIE DOLLY, AI/TI BEACH-TIRE	OS	81392001	CONTROL ARM, TWIST-N-STOW RDR	-
80046201	HOBIE DOLLY, PA-UNI BEACH-TIRE	OS	81394001	RUDDER PIN, TWIST N' STOW RDR	-
80046202	HOBIE DOLLY, PA17 BEACH-TIRE	OS	81394021	RUDDER PIN, TWIST N' STOW 2011	-
80046241	WHEEL, DOLLY BEACH 42cm	-	81395001	RUDDER ASSY W/SM BLADE - TWIST	-
80047001	HOBIE CART - FOLD AND STOW	-	81395201	RUDDER BLADE - SMALL / TWIST-N	-
80047014	SPARE PARTS KIT, FOLDING KAYAK	-	81396001	RUDDER ASSY W/LRG BLADE - TWIS	-
80047021	WHEEL - HOBIE FOLD AND STOW	-	81397001	RUDDER BLADE - LARGE / TWIST-N	-
80047201	CART C-TUG KAYAK CART	-	81397101	i / QUEST - RUDDER BLADE - LAR	-
80048006	GEAR HEAD MOUNT	-	81399001	BOLT TWIST-N-STOW DRUM	-
80048009	BACKING PLATE w/FASTENERS	-	81400001	TUBING HI-DENSITY PE	-
80048010	EXTENDER ADJUSTABLE 6.5"	-	81401001	HANDLE CAP - SEAT	-
80048011	ROD HOLDER - BAIT CASTER ONLY	-	81401101	HANDLE CAP - RUDDER	-
80048014	ROD HOLDER - RODMASTER II ONLY	-	81401201	HANDLE CAP - SKEG	-
80048015	ROD HOLDER - ROCKET LAUNCHER O	-	81401301	HANDLE CAP - KICKSTAND	-
80048020	CAMERA MOUNT POST - SCOTTY	-	81401401	HANDLE CAP - DRAIN	-
80049011	FLUSH DECK MOUNT W/HARDWARE	-	81405001	STEERING TUBE HOLDER	-
80052011	DECK / SIDE MOUNT W/HARDWARE	-	81405101	CAP - STEERING TUBE "O" RETAIN	-
80055011	ROD HOLDER - FLY ONLY	-	81406101	CAP, UP INSERT	-
80503701	ACORN NUT - VANTAGE	-	81407001	HANDLE DECAL - DOWN	-
81000101	PEDAL PAD, LT CAMO MD180	-	81407101	HANDLE CAP - DOWN	-
81000201	PEDAL PAD, RT CAMO MD180	-	81408001	HANDLE - DECAL TYPE	-
81000301	PEDAL PAD, LT MD180	-	81408101	HANDLE - CAP TYPE	-
81000401	PEDAL PAD, RT MD180	-	81410001	CAM LOCK KNOB	-
81000901	STICKER - REV, RED	-	81412001	AKA CASTING GLUE KIT - V2 AKAS	-
81013001	STEERING HANDLE 2011 STD LENGT	-	81450001	CHEEK BLOCK - HOBIE	-
81014001	STEERING CRANK SPORT/REV 11	-	81486021	SHIFTER SET LEFT/FORWARD "V2"	-
81015001	STEERING HANDLE ASSY MIRAGE	-	81491021	SHIFTER SET RIGHT/REVERSE "V2"	-
81016001	STEERING CRANK REV 13/OUTBK	-	81500002	FIN V2 MD180 STD	-
81017001	STEERING CRANK, OUTFTR/OASIS	-	81501002	FIN V2 MD180 TURBO	-
81023001	LINE-CONTROL 700 LB GRAY	-	81501111	MD180 V2 BOOM-MAST-STD FIN KIT	-
81035001	RUDDER UP/DOWN HANDLE W/SCREW	-	81501112	MD180 V2 BOOM-MAST-TBO FIN KIT	-
81035011	HANDLE - UP/DOWN RETRO KIT	-	81503002	BOOM V2 MD180 DRIVE	-
81037001	DRIVE SEAL / MIRAGEDRIVE	-	81503100	SPLIT RING 3/8" 304 SS	-
81038001	DRIVE SEAL / i - MIRAGEDRIVE	-	81527002	SPINE ASSY V2 MD180	-
81042001	PADDLE VELCRO TIE	-	81527021	MD180 ST PARTS KIT	-
81050001	OUTHAUL BLOCK (INJ/MOLD)	-	81527022	MD180 ST TURBO PARTS KIT	-
81051001	LINE-CONTROL 1,000 lb, BEIGE	-	81528002	MAST V2 MD180 STD (ADJ)	-
81055001	SPROCKET GUARD FWD (INJ/MLD)	-	81529002	MAST V2 MD180 TURBO (ADJ)	-
81080001	SPROCKET SHAFT MIRAGE	-	81535001	CASSETTE PLUG-BLK & GRAY	-
81090001	DRUM SHAFT MIRAGE	-	81536001	CASSETTE PLUG TALL - PRO / OUT	-
81095001	ALIGNMENT PIN - MIRAGEDRIVE	-	81600001	COVER, CLICK-N-GO, LEFT	-
81110001	SHAFT #5 MIRAGE	-	81600101	COVER, CLICK-N-GO, RIGHT	-
81123001	IDLER PULLEY - GT W/BEARINGS	-	81600201	COVER - LEVER, CNG LT - INSIDE	-
81127001	SPROCKET GT - W/ BEARINGS AND	-	81600301	COVER - LEVER, CNG RT - INSIDE	-

INDEX

Part	Description	OS	Part	Description	OS
81600401	COVER - LEVER, CNG LT -OUTSIDE	-	84517051	DOWNHAUL CLIP	-
81600501	COVER - LEVER, CNG RT -OUTSIDE	-	84518001	FAIRLEAD DOUBLE KAYAK FURLER	-
81602101	SPRING CLICK-N-GO LEFT	-	84550001	MAST RECEIVER - MIRAGE KAYAK S	-
81602201	SPRING CLICK-N-GO RIGHT	-	84560001	CAP, PLASTIC MAST RECEIVER	-
81611101	CLICK-N-GO ASSY LEFT/PORT	-	84612001	RUDDER BLADE, LARGE PRO A	-
81611201	CLICK-N-GO ASSY RIGHT/STBD	-	84619001	STEERING RISER	-
81701000	RUDDER BLADE OUTBACK/COMP/DUO	-	84620101	1" RAM BALL / H-RAIL	-
81711000	COMPASS LOADER	-	84620111	KNOB, REPLACEMENT H-RAIL CLAMP	-
82420001	COVER, RUDDER TI/2011+ AI	-	84620151	1-1/2" RAM BALL / H-RAIL	-
84500011	LUMBAR PAD PRO ANGLER	-	84620152	GEAR HEAD / H-RAIL	-
84500021	SEAT STRAP ASSY - PRO A	-	84620153	MIGHTY MOUNT / H-RAIL	-
84500031	SEAT STRAP BUCKLE SS - PRO A	-	84620154	SCOTTY DECK-SIDE MOUNT / H-RAI	-
84500101	RUDDER BLADE, PRO A	-	84620200	G-HOLD / H-RAIL	-
84500103	STRUT TUBE, PRO ANGLER H-BAR	-	84620202	MINIPORT / H-RAIL	-
84500104	FORK, PRO ANGLER H-BAR	-	84620204	STARPORT HD / H-RAIL	-
84500105	FOOT MOUNT, ANGLED / H-BAR	-	84621001	CUP HOLDER / H-RAIL	-
84500106	PAD H-BAR	-	84622001	MOUNTING PLATE / H-RAIL	-
84500108	CLIP, PRO ANGLER H-BAR	-	84623001	TACKLE BIN / H-RAIL	-
84500109	STRUT TUBE-SHORT, PRO A H-BAR	-	84623004	MINI BIN ASSY, H-RAIL	-
84500110	FOOT MOUNT, STRAIGHT / H-BAR	-	84624011	TRAY, H-RAIL TACKLE BIN	-
84500115	PA17 H-BAR H-RAIL ADAPTER KIT	-	84625001	ROD RACK / H-RAIL (ONE)	-
84500116	HOBIE H-BAR / PRO ANGLER	-	84625312	PA H-RAIL UPGRADE KIT PA12	OS
84500117	HOBIE H-BAR / COMPASS	-	84625314	PA H-RAIL UPGRADE KIT PA14	OS
84500119	HOBIE H-BAR, OUTBACK / UNI	-	84626001	H-RAIL BOLT ON RAIL KIT 9"	-
84500120	HOBIE H-BAR, OUTBACK 2019+	-	84626101	H-RAIL BOLT ON RAIL KIT 21"	-
84500121	HOBIE H-BAR PASSPORT 12	-	84626104	H-RAIL BOLT ON KIT, OUTBACK	-
84500201	RUDDER HOUSING, UNDER HULL	-	86505001	STEERING CRANK PA12	-
84500402	RDR MOUNT, UNDER HULL (SCREW)	-	86505121	DUAL STEERING LINE ASSEMBLY	-
84500411	RUDDER MOUNT PA17	-	86505401	SECONDARY STEERING HANDLE	-
84500501	RDR STEERING DRUM (PIN TYPE)	-	86505601	LOWRANCE READY COVER PLATE	-
84500502	RDR STEERING DRUM (SCREW TYPE)	-	86505611	THRU HULL PLUG	-
84500601	COVER PLT, RDR SYSTEM	-	86505613	THRU HULL 3 WAY PLUG KIT	-
84500811	BUNGEE LOOP TAB	-	86505621	HOBIE THRU HULL WIRING KIT	-
84500821	KICKSTAND WEBBING ASSEMBLY	-	86505701	RUBBER ADAPTER PLUGS (TREE)	-
84500911	ROD HOLDER ASSY (L) - PRO A	-	86506001	LOWRANCE ADAPTER	-
84500921	ROD HOLDER ASSY (R) - PRO A	-	86506101	LOWRANCE STAR MOUNT ADAPTER	-
84501101	GASKET, ROD HOLDER PLT	-	86506201	TRANSDUCER SUPPORT CLIP	-
84501113	MOUNT ASSEMBLY / H-RAIL	-	86506601	FLOOR MAT PA12 LT	-
84501201	HATCH LINER - PRO ANGLER 12	-	86506701	FLOOR MAT PA12 RT	-
84501211	ROD HOLDER ASSY PA12 LT	-	86507501	VANTAGE XT CHAIR - COMPLETE	-
84501221	ROD HOLDER ASSY PA12 RT	-	86509501	SCREW 10-32 X 1-3/4 PHMS SS	-
84501222	GASKET - PA12 ROD HOLDER	-	87363222	FLOOR STAND, MIRAGE RIGGING	-
84501231	UNDER SEAT TACKLE BOX WEBBING	-	87369116	BOOK, HOBIE-MASTER OF WATER,	-
84501521	WASHER, 3/16x 1/2 OD, RUBBER	-	88523101	BRACE ASSY (L) AKA TI -22"	-
84501701	HATCH LINER - PRO ANGLER 17	-	88523102	BRACE ASSY (R) AKA TI -22"	-
84501901	HATCH LINER - PRO ANGLER 14	-	88527001	TRAMP SET TI / 2015+ AI - BLAC	-
84501921	HATCH LATCH KIT - ADJUSTABLE	-	88527011	TRAMP SET TI / 2015+ AI - GRAY	-
84502001	MOUNTING BOARD, RT, BLK	-	88527201	TRAMP LEFT SIDE TI / 2015+ AI	-
84502011	MOUNT BOARD, 2015+, LT BLK	-	88527301	TRAMP RIGHT SIDE TI / 2015+ AI	-
84502101	MOUNTING BOARD, LT, BLK	-	88991001	CENTERBOARD TDM ISLAND	-
84502111	MOUNT BOARD, 2015+, RT	-	88991011	CENTERBOARD TOP CVR-TDM ISLAND	-
84502121	DLX MOUNTING BRD KIT - PRO A	-	88991021	CENTERBOARD PIN-TDM ISLAND	-
84502201	CUTTING BRD, CNTR, BLACK	-	88991031	PIN HOLDER-TDM ISLAND	-
84502301	SISTER SCREW, PRO RDR ASSY	-	88991041	KNOB-TDM ISLAND	-
84502401	FLOOR MAT RT-BLK	-	88991061	SIDE CARRY HANDLE	-
84502501	FLOOR MAT LT-BLK	-	88991071	FURLER DRUM - TDM ISLAND	-
84502901	KNOB, SEAT FRONT	-	88991091	RUDDER BLADE, ISLAND	-
84504001	TORSION SPRING, RUDDER	-	88991092	RUDDER HOUSING, ISLAND	-
84504101	SIDE HANDLE ASSY - UNIVERSAL	-	88991094	GUDGEON, AI/TI	-
84504201	TUBE, STERN HANDLE	-	88991098	RUDDER REPLACEMENT KIT TI/AI	-
84504301	DECAL, RULER	-	88991099	RUDDER-UP STRAP ASSY	-
84504401	HANDLE END FITTING	-	88991101	RUDDER PIN-TDM ISL / 2011+ AI	-
84504501	HANDLE BOW - PRO ANGLER	-	88991121	MAST-TDM ISLAND ASSY (550 CM)	OS
84504601	PA12 SIDE CARRY HANDLE	-	88991151	DOME DECAL LG HANDLE, H LOGO	-
84504801	TUBE STERN HANDLE, BLUE GRAY	-	88991152	DOME DECAL SM HANDLE - H LOGO	-
84504901	DECAL RULER PA12	-	88991191	V-FRAME STRUT 3/8-TDM ISLAND	-
84505201	STORAGE BUCKET DIVIDER SET OF	-	88991201	V-FRAME BASE 3/8-TDM ISLAND	-
84505901	ADAPTER KIT, HUMMINBIRD FF	-	88991211	V-FRAME TURNBUCKLE 3/8-TDM ISL	-
84506021	DUAL STEERING RISER KIT - PA	-	88991215	SET SCREW, TI MAST V BRACE	-
84507501	VANTAGE ST CHAIR - COMPLETE	-	88991221	CONNECTOR END, AKA BRACE	-
84507521	BACK FRAME ASSEMBLY - VANTAGE	-	88991235	DOWEL PIN 3/16 x 1-1/2"	-
84507531	BOTTOM FRAME ASSEMBLY - VANTAG	-	88991271	SPACER BLOCK - MAST CUP -TDM I	-
84507541	ARMREST FRAME ASSEMBLY - VANTA	-	88991281	STEERING CRANK, AI/TI (2011)	-
84507551	BACK CONTROL LINE - VANTAGE	-	88991301	STEERING HANDLE-TDM ISLAND	-
84507561	BOTTOM CONTROL LINE - VANTAGE	-	88991303	AMA - TDM ISLAND PAPAYA *	OST
84507571	CHAIR FEET - VANTAGE	-	88991305	AMA - TDM ISLAND DUNE *	OST
84507581	BOA LINE ASSEMBLY - VANTAGE	-	88991311	MAST CAP AI/TI	-
84507601	CHAIR FOOT MOUNT	-	88991314	AMA - TDM ISLAND HIBISCUS BR *	OST
84507611	TRIANGLE RING - VANTAGE	-	88991351	KNOB - STEERING HANDLE	-
84507701	VANTAGE CT SEAT - ISERIES	-	88991352	KNOB CAP	-
84507703	CUP HOLDER ASSY. I VANTAGE SEA	-	88991355	KNOB ASSY. STEERING HANDLE	-
84507711	ARM REST PAD PACK - VANTAGE	-	88995511	SAIL-TDM ISLAND DUNE	OS
84507721	PAD UNDER SEAT PA12	-	88995512	SAIL-TDM ISLAND SMOKE	OS
84507761	INNER SPACER - VANTAGE	-	88995513	SAIL-TDM ISLAND BREEZE	OS
84507771	ANCHOR TROLLEY INSERT CAPS	-	88998507	SAIL-TDM ISLAND V2 BAHAMA	OS
84507791	OUTER SPACER - VANTAGE	-	88998521	BATTEN TI #1 3/8" x 186" W/CAP	-
84507801	REPLACEMENT FABRIC KIT VANTAGE	-	88998522	BATTEN TI #2 3/16"x42.5" W/CAP	-
84507821	VANTAGE CT SEAT	-	88998523	BATTEN TI#3 3/16"x 39.5" W/CAP	-
84507822	VANTAGE CT SEAT CLIP UPGRADE K	-	88998527	SAIL-TDM ISLAND V2 ARUBA	OS
84507851	FABRIC COVER - VANTAGE	-	88998531	BATTEN CAP 1/4 DIA	-
84507861	FABRIC COVER WITH PADEYE - VAN	-	88999519	BATTEN CAP 3/8 DIA (JAI)	-
84507881	BOA STEERING LINE TENSION REPL	-	90610111	DELTRIN BALL 3/8 DIA - FURLERS	-
84508001	VANTAGE KICKSTAND ASSEMBLY	-	90610112	DELTRIN BALL 3/8 DIA (PKG OF 12	-
84508201	PIVOT BOLT - VANTAGE	-	91011001	BATTEN CAP 3/16 DIA	-
84509001	BATTEN CAP 1/8 DIA - KAYAK SAI	-	91041011	BATTEN 3/16 FG ROD, 7' 8-1/2"	-
84512002	SAIL KIT KAYAK RED/SILVER	OS	91050010	HOOK WHT NYLON SEW-ON	-
84513002	SAIL KIT KAYAK CHARTREUSE/SILV	OS	91050020	HOOK BLK NYLON SEW-ON	-
84514002	SAIL KIT KAYAK PAPAYA/ORANGE	OS	91051011	BATTEN 3/16 FG ROD, 9' 2"	-
84515002	SAIL KIT KAYAK AQUA/CHARTREUSE	OS	98100002	HANDLE / ECLIPSE	-
84516002	i - SAIL KIT KAYAK WHITE/PAPAY	OS	98100003	SCREW TH-STL M6x25	-
84517001	FURLER KIT-KAYAK SAIL	-	98100004	SIDE CARRY HANDLE KIT ECLIPSE	-
84517002	RING 3/16 x 3/4" ID S.S.	-	98100009	SHOULDER BOLT 1/4-28 X 1/2	-

Part	Description	OS	Part	Description	OS
98100010	MIRAGEDRIVE ECLIPSE	-	KAYLEE-000008	SHINY BLACK / GREY	-
98100013	CAM ASSY ECLIPSE	-	KAYLEE-282828	SHINY BROWN TORT / COPPER	-
98100016	SPRING ECLIPSE CAM MIR WELL ST	-	MAVERIC-920008	SHINY SILVER / BLACK / GRE	-
98100017	SPRING ECLIPSE CAM MIR WELL PO	-	MAVERIC-940027	SHINY GOLD / BLACK / COP GRAD	-
98100020	HANDLEBAR ASSY - ECLIPSE ADJUS	-	MK0046	HOBBIE CAUTION FLAG	-
98100021	HANDLEBAR ASSY, NON-ADJ DURA	-	MK0053	SAFTEY WHISTLES	-
98100027	CRANK ASSY ECLIPSE	-	MOJO-B010168	SATIN BLK/GREY/COBALT MIRROR	-
98100031	RUDDER ECLIPSE	-	MOJO-B010188	SATIN BLK/BRN/GREEN MIRROR	-
98100037	FAIRING MIRAGE DRIVE V2	-	P23074075-10	PADDLE, BLK INFLATABLE SUP EXP	-
98100040	CALIPER HOUSING OVERMOLDED	-	RF4850LG	GLOVES-FINGERLESS LG STICKY	-
98100042	CALIPER HANDLE OVERMOLDED	-	RF4850MD	GLOVES-FINGERLESS MD STICKY	-
98100045	CALIPER SPRING	-	RF4850SM	GLOVES-FINGERLESS SM STICKY	-
98100057	CRANK PAD ECLIPSE	-	RF4850XL	GLOVES-FINGERLESS XL STICKY	-
98100063	CAM, HANDLEBAR LOCK	-	RF4850XS	GLOVES-FINGERLESS XS STICKY	-
98100088	SCREW 8-32 X 1/4 PHMS SS	-	RF4851LG	GLOVES-3 FINGER LG STICKY	-
98100090	SCREW 5/16-18 X 1.375 BHCS BLK	-	RF4851MD	GLOVES-3 FINGER MD STICKY	-
98100091	OUTHHAUL BLOCK ECLIPSE	-	RF4851SM	GLOVES-3 FINGER SM STICKY	-
98100098	SCREW 1/4-20 X 5/8 BHCS	-	RF4851XL	GLOVES-3 FINGER XL STICKY	-
98100200	RUDDER HOUS ASSEMBLY ECLIPSE	-	RF4851XS	GLOVES-3 FINGER XS STICKY	-
98100202	WIRE STEERING SET ECLIPSE (L/R	-	RH014WHT	LINE 1/4" STRAIT-CORE POLY	-
98100203	DRUM, ECLIPSE DRIVE W/DECAL	-	RH018WHT	LINE 1/8" NYLON BRAID WHITE	-
98100204	HANDLE, QR ASSEMBLY ECLIPSE	-	RH038WHT	LINE 3/8" STRAIT-CORE POLY	-
98100205	CAM LOCK ASSEMBLY ECLIPSE	-	RH112WHT	LINE 1/12" BRAID WHITE	-
98100206	SPROCKET ASSEMBLY ECLIPSE	-	RH316WHT	LINE 3/16" STRAIT-CORE POLY	-
98100207	FLOW FIN ASSEMBLY	-	RH516WHT	LINE 5/16" STRAIT-CORE POLY	-
98100208	MAST ASSEMBLY ECLIPSE	-	RM014BLK	LINE 1/4" SPUN DACRON - BLACK	-
98100209	PEDAL PAD SET, ECLIPSE R/L	-	RM014BLU	LINE 1/4" SPUN DACRON - BLUE	-
98100210	CONTROL LINE, SUM W/KNOT COVER	-	RM014RED	LINE 1/4" SPUN DACRON - RED	-
98100211	BUNGEE ECLIPSE RUDDER WELL	-	RM014WHT	LINE 1/4" SPUN DBL BRD - WHITE	-
98100212	PEDAL ASSY (R) ECLIPSE	-	RM038BLK	LINE 3/8" SPUN DACRON - BLACK	-
98100213	PEDAL ASSY (L) ECLIPSE	-	RM038BLU	LINE 3/8" SPUN DACRON - BLUE	-
98100214	PAD, HANDLEBAR 10.5	-	RM038RED	LINE 3/8" SPUN DACRON - RED	-
98100215	PAD, HANDLEBAR 12.0	-	RM038WHT	LINE 3/8" SPUN DBL BRD - WHITE	-
98100216	DECK PAD ECLIPSE 10.5 REPLACEM	-	RM516BLK	LINE 5/16" SPUN DACRON - BLK	-
98100217	DECK PAD ECLIPSE 12.0 REPLACEM	-	RM516BLU	LINE 5/16" SPUN DACRON - BLUE	-
98100218	ECLIPSE STEERING CBL SET-CMPLT	-	RM516RED	LINE 5/16" SPUN DACRON - RED	-
98100219	BOW PAD, ACX ECLIPSE 10.5	-	RM716BLK	LINE 7/16" SPUN DACRON - BLACK	-
98100220	BOW PAD, ACX ECLIPSE 12.0	-	RM716BLU	LINE 7/16" SPUN DACRON - BLUE	-
99304101	ISLAND AMA V1 REPL-NEW HIBISCU	OS	RM716RED	LINE 7/16" SPUN DACRON - RED	-
99304501	AI AMA V2-HIBISCUS	OST	RM716WHT	LINE 7/16" SPUN DACRON - WHITE	-
99305001	ISLAND AMA V1 REPL-DUNE	OS	RS014BLK	SHOCKCORD 1/4" BLACK	-
99305501	AI AMA V2-DUNE	OST	RS018BLK	SHOCKCORD 1/8" BLACK	-
1552CR	CROAKIES "HOBIE" BLACK	-	RS038BLK	SHOCKCORD 3/8" BLACK	-
1553CR	CROAKIES "HOBIE" BLUE	-	RS316BLK	SHOCKCORD 3/16" BLACK	-
1553L	LID LATCH MULTI-COLOR	-	RS516BLK	SHOCKCORD 5/16" BLACK	-
1554CR	CROAKIES "FISHING" BLACK	-	RS716BLK	SHOCKCORD 7/16" BLACK	-
1555CR	CROAKIES "FISHING" BLUE	-	S6103LXL	PFD THINBACK MEN SUN L/XL	-
1825WHT	TOYBOX	OST	S6103SM	PFD THINBACK MEN SUN S/M	-
3188LG	GLOVES HOBIE LARGE	-	S6103XXL	PFD THINBACK MEN SUN XXL	-
3188MD	GLOVES HOBIE MEDIUM	-	S6104LXL	PFD THINBACK MEN SLATE L/XL	-
3188SM	GLOVES HOBIE SMALL	-	S6104SM	PFD THINBACK MEN SLATE S/M	-
3188XL	GLOVES HOBIE X LARGE	-	S6104XXL	PFD THINBACK MEN SLATE XXL	-
470145-10	HOBIE SUP LEASH COIL 8'	-	S6105ML	PFD THINBACK WMN SUN M/L	-
494526-00	PUMP - BRAVO ELEC w/BATTERY	-	S6105PL	PFD THINBACK WMN SUN PLUS	-
72000B	POUCH GUSSETED 6x12	-	S6105XS	PFD THINBACK WMN SUN XS/S	-
72005B	POUCH SUPER GUSSETED 8x15	-	S6106ML	PFD THINBACK WMN SLATE M/L	-
72210L	VIEW DRY BAG VENTED 10L	-	S6106PL	PFD THINBACK WMN SLATE PLUS	-
72230L	VIEW DRY BAG VENTED 30L	-	S6106XS	PFD THINBACK WMN SLATE XS/S	-
80000R	ROLLING DUFFLE/GEAR BAG	-	S6107LXL	PFD FISH THINBACK STGRN L/XL	-
80035A	ANCHOR w/BAG & LINE (3.5 LB)	-	S6107SM	PFD FISH THINBACK STGRN S/M	-
BAJA-010108	SATIN BLK/GREY PC	-	S6107XXL	PFD FISH THINBACK STGRN XXL	-
BAJA-010139	SATIN BLACK CPR / SEA GRN MIR	-	S6108LXL	PFD EDGE BLKGRY L/XL	-
BAJA-010168	SATIN BLK/GREY/COBALT MIR PC	-	S6108SM	PFD EDGE BLKGRY S/M	-
BAYSIDE-010108	SATIN BLK/GREY PC	-	S6108XXL	PFD EDGE BLKGRY XXL	-
BROAD-909008	SHINY GUNMETAL/GREY PC	-	S6771CLG	PFD CHILD LIME GREEN 30-50#	-
BROAD-949468	SHINY GOLD/GREY/COBALT MIR PC	-	S6771ILG	PFD INFANT LIME GREEN <30#	-
CABO-48PGY	SATIN BLK/GREY PC	-	S6771YLG	PFD YOUTH LIME GREEN 50-90#	-
CABO-50PGY	SHINY BLK/GREY PC	-	S6779R	PFD INFLATABLE REARM KIT 24g	-
CABO-58PCP	SHINY BRN WD GRAIN/COPPER PC	-	S6780R	PFD INFLATABLE REARM KIT 16g	-
COASTAL-B010126	SATIN BLACK COPPER / SEA GREEN	-	S6782BL	PFD INFLATABLE BLUE - 24g	-
COASTAL-B010168	SATIN BLACK GREY / COBALT	-	S6782GR	PFD INFLATABLE GREEN - 24g	-
CRUZ-010168	SATIN BLK/GREY/COBALT MIR PC	-	S6782RD	PFD INFLATABLE RED - 24g	-
DANA-000008	SHINY BLACK / GREY	-	S6782TN	PFD INFLATABLE TAN - 24g	-
DANA-222228	SHINY CRYSTAL BROWN / COPPER	-	S6783BL	PFD BELT PACK INFLATABLE BLUE	-
ELMATADOR-01010	SATIN BLACK / GREY PC	-	S6783YL	PFD BELT PACK INFLATABLE YELLO	-
ELMATADOR-97813	SATIN BROWN TORT / SGTMSTR PC	-	S6800MLG	PFD MIRAGE GRAY - MEDIUM/LG	-
EVGLADE-010126	SATIN BLACK / COP W/ SEA GRN	-	S6800SMD	PFD MIRAGE GRAY - SMALL/MED	-
EVGLADE-010138	SATIN BLACK / SIGHTMASTER	-	S9000LG	PET PFD LG MANGO 60-90#	-
H071	SPRING-STANDUP	-	S9000MD	PET PFD MD MANGO 24-60#	-
H082	BLOCK-SINGLE BULLET	-	S9000SM	PET PFD SM MANGO 12-24#	-
H083	BLOCK-BULLET W/BECKET	-	S9000XL	PET PFD XL MANGO >90#	-
H092	BLOCK-BULLET CHEEK	-	S9000XS	PET PFD XS MANGO <12#	-
H093	SPRING, MICRO CAM CLEAT MS-093	-	SANDCUT-000008	SHINY BLK/GREY PC	-
H166	BLOCK-BULLET SWIVEL	-	SNOOK-010126	SATIN BLACK / COP W/ SEA GRN	-
H167	BLOCK-BULLET SWIVEL W/BECKET	-	SNOOK-010138	SATIN BLACK / SIGHTMASTER	-
H2131	SHACKLE 4 MM BOW W/5/32" PIN	-	SP150041	SHACKLE 5/32 - 3/8 X 5/8	-
H224	BLOCK-MICRO SINGLE	-	SP150051	SHACKLE 3/16 - 1/2 x 11/16	-
H225	BLOCK-MICRO W/BECKET	-	SP150052	SHACKLE 3/16 - 5/8 x 1"	-
H233	BLOCK-MICRO CHEEK	-	SP150061	SHACKLE 1/4 - 9/16 x 1"	-
H2655	BLOCK, 40mm CARBO FIDDLE	-	SP180005	SHACKLE W/SAFETY KEY PIN 3/16"	-
H281	EYESTRAP-MICRO SS	-	SP180006	SHACKLE W/SAFETY KEY PIN 1/4"	-
H284	KIT-MICRO WIRE FAIRLEAD	-	SP185205	SHACKLE W/ SAFETY KEY PIN 3/16	-
H297	WEDGE KIT-MICRO CAM	-	WOODY-010108	SATIN BLK/GREY PC	-
H424B	FAIRLEAD MICRO CAM - BLK	-	WOODY-282808	SHINY LEOPARD TORTOISE/GRY PC	-
H471	CAM CLEAT-MICRO CARBO	-	WOODY-94PCP	SHINY TORTOISE/COPPER PC	-
HUNTING-L0108	SATIN BLACK ENTRAPPED / GREY	-	WRIGHTS-000008	SHINY BLK/GREY PC	-
HUNTING-L0128	SATIN BLACK ENTRAPPED / COP	-	WRIGHTS-949428	SHINY BRN TORTOISE/COPPER PC	-
HUNTING-L9926	UNENTRAPPED COPPER / SEA GRN	-			-
HUNTING-L9968	UNENTRAPPED GREY / COBALT	-			-
IMPE200-000128	SHINY BLACK / COPPER +2.0	-			-

Hobie

HOBIE CAT COMPANY

Holding Company
Oceanside, CA, U.S.A.
1-800-HOBIE-49
hobie.com

HOBIE CAT AUSTRALASIA

Subsidiary
Huskisson, NSW, Australia
1-800-4-HOBIE
hobie.com

HOBIE CAT EUROPE

Subsidiary
Toulon, France
+33 (0) 494 08 78 78
hobie.com

HOBIE KAYAK EUROPE

Independent Distributor
Stellendam, The Netherlands
+31 (0) 187 499 440
hobie.com

HOBIE CAT BRASIL

Independent Distributor
Porto Belo, Santa Catarina, Brasil
+55 (47) 9746-9735
hobie.com



KAYAKING AND ECLIPSE PARTS & ACCESSORIES

INTERNATIONAL 87367057