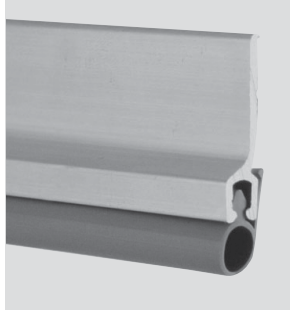
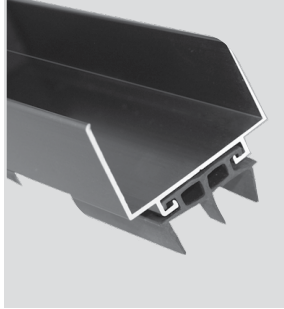


# Architectural Door Accessories

**ASSA ABLOY**  
Opening Solutions

Experience a safer  
and more open world



## Markar and Pemko Catalog

### General Information

About the Pemko Product Line	8
General Information & Terms	9
Materials & Finishes Information	11
Product Testing / Classification Symbols	12
Barrier-Free Systems	14
ANSI/BHMA Standards	15

### Markar Continuous Pin and Barrel Hinges

General Information	18
Hinge Finishes	20
Hinge Numbering System and Standard Lengths	21
Continuous Hinge Modifications	22
3500 Series Stainless Steel Pin and Barrel Security Hinges	25
600 Series Stainless Steel Pin and Barrel Hinges	29
300 Series Stainless Steel Pin and Barrel Hinges	30
300 Series Stainless Steel Edge Guards	52
200 Series Carbon Steel Pin and Barrel Hinges	55
100 Series Aluminum Pin and Barrel Continuous Hinges	60
1000 Series Aluminum Double Swing Hinge	66
900 Series Toilet Partition Hinges	67
400 Series Toilet Partition Hinges	69
Pivots	71
Flat Astragals	72
Fasteners and Fastener Packs	73
Tools, Parts, and Accessories	78
Custom Lengths	79

### PemkoHinge® Geared Continuous Hinges:

What is PemkoHinge®?	82
Ordering Chart	82
BHMA Certification Program	83
Hospital Tip	83
Cycle Requirements and Weight Bearing	83
UL Fire Labeling	83
Options for Electrically Modified Continuous Geared Hinges	84
X-Series PemkoHinge®	85
Offset Hinges	86
Full Mortise Hinges	87
Special Full Mortise Hinges	88
Kawneer Full Mortise Hinges	89
Raised Gear Hinge	89
Full Mortise Safety Hinges	90
Wide Throw Full Mortise Hinges	91
Wide Throw Half Surface Hinges	91
Half Surface Hinges	92
Half Mortise Hinges	92
Full Surface Hinges	93
Full Surface Center Pivot Hinges	93
Full Surface Balanced Pivot Hinge	93
Full Mortise Residential Hinges	94
Firepins™	95
Double Swing Hinge	96
Emergency Release Stop	96
Power Transfer Units	97

### Commercial Thresholds:

Saddle Thresholds	100
Half Saddle Thresholds	106
Offset Saddles	110
Stainless Steel Saddles	111
Stainless Steel Half Saddles and Offset Saddles	111
Thermal Break Saddles	112
Stainless Steel Thermal Break Threshold	115
Latching Panic Exit Saddles	116
Latching Panic Exit Saddles - Thermal Break	120
Acoustic Thresholds	123
Threshold with Flexible Joint	123

Eco-V™ Thresholds	124
Adjustable-Width Eco-V™ Threshold	125
Heavy Duty Latching Panic Exit Saddle Threshold	126
Heavy Duty Thresholds	126
Modular Heavy Duty Thresholds	127
Floor Plates/Safety Treads	128
Aluminum Plates	129
Carpet Separators	130
Floor Plate Supports/Accessories and Elevators	131
Threshold Stop Strips	132
Floor Closer Thresholds/Cover Plate Assemblies	133
ANSI/BHMA A156.21 Thresholds - Cross Reference	134

### Modular Ramps:

Ramp Ordering Information	138
Modular Ramp Threshold Assemblies - Flush Applications	140
Modular Ramp Threshold Assemblies - Offset (7" Top Plate)	141
Modular Ramp Threshold Assemblies - Offset (3½" Top Plate)	142
Modular Ramp Threshold Components	143
Modular Ramp Threshold Assemblies - Variables	144
Risers for Modular Ramps	144
Miter Returns For All Modular Ramp Thresholds	145
Barrier-Free Ramp Thresholds	146
Fire Retardant and Styrene Butadiene Rubber Ramp Thresholds	147
Rubber Ramp Miter Returns	148
Recycled Rubber Ramp Assembly	148

### Door Bottoms:

Automatic Door Bottoms	150
Security Door Bottoms	155
Residential Automatic Door Bottoms	155
End Plates for Automatic Door Bottoms	156
Specialty Door Bottoms	157
Eco-V™ Door Shoes	157
Door Shoes	158
Thermally Broken Door Shoe	160
Door Sweeps for Hollow Metal Doors	161
Fabrication Options for Door Shoes	161
Door Bottom Sweeps	162
Stainless Steel Door Bottom Sweeps	165
Door Top Weatherstrip	166
Heavy Duty Door Bumper	166

### Astragals & Meeting Stiles

Astragal and Meeting Stile Gasketing - Split Astragals	168
Split Astragals with Snap Covers – Concealed Fasteners	170
Meeting Stile Gasketing	170
Adhesive Astragal/Meeting Stile Seals	172
Adjustable Astragals	172
"T" and Overlapping Astragals	173
Adhesive-Backed Mullion Gasketing	174
Adhesive Astragal Seal	174
Offset Security Bar and Security Astragal	174
Locking Astragals	175
Locking Wood Astragals	177
Outswing Locking Astragals	178

### Brush Gasketing:

180° Aluminum Retainers	180
180° Concealed Fastener Retainers	181
90° Aluminum Retainers	182
45° Concealed Fastener Retainers	182
35° Aluminum Retainers	184
Mortise Retainers	184
Aluminum Retainer with Rain Drip	184
Oak Retainers	184
Meeting Stiles	185
Automatic Door Bottoms	186

**ASSA ABLOY**  
Opening Solutions

Experience a safer  
and more open world

800-824-3018 | [www.assaabloydooraccessories.us](http://www.assaabloydooraccessories.us)

Check the web site for the up-to-date catalog

Copyright © 2015-2020, ASSA ABLOY Accessories and Door Controls Group, Inc., an ASSA ABLOY Group company. All rights reserved. Reproduction in whole or in part without the express written permission of ASSA ABLOY Accessories and Door Controls Group, Inc. is prohibited.



**Perimeter Gasketing:**

Standard Perimeter Gasketing	188
Stainless Steel Perimeter Gasketing	192
Adjustable Jamb Gasketing	193
Heavy Duty Interlock Perimeter Gasketing	193
Heavy Duty Perimeter Gasketing - Head Section	194
Heavy Duty Perimeter Gasketing - Standard Jamb	195
Snap Cover Perimeter Gasketing With Concealed Fasteners	196
Kerf-In Weatherstrip - Foam, Silicone	197
Kerf-In Weatherstrip - Thermoplastic, Magnetic	198
Adhesive Perimeter Gasketing	198
MicroShield® Antimicrobial Adhesive Gasketing	199
Interlock Weatherstrip For Wood Doors and Wood Windows	200
Cushion/Spring Weatherstrip	201
Fasteners for Cushion, Spring and Interlock Weatherstrip	201

**Adhesive Gasketing:**

SiliconSeal Adhesive-Backed Fire/Smoke Gasketing	204
PemkoPrene® Adhesive-Backed Fire/Smoke Gasketing	205
SiliconSeal Adhesive-Backed Meeting Stile Gasketing	205
MicroShield® Antimicrobial Gasketing	206
Hot Smoke Seal/SiliconSeal Combination Fire/Smoke Sealing	206

**Hospitality Products:**

Privacy Door Latch, Bracket and Decals	208
SiliconSeal Adhesive Gasketing	209
Automatic Door Bottoms: PDB Series	210
Door Shoes	210
Automatic Door Bottoms	211
Eco-V™ Thresholds	212
Adjustable-Width Eco-V™ Threshold	213
Carpet Separators	214
Acoustic Adhesive Corner Pads	214
Stainless Steel Sliding Track Hardware System	215
Simultaneous Acting Sliding Door System	216
SHS80 System	217
Bypass Track Series	218

**Acoustic Products:**

Basic Acoustics	220
Sound and STC Ratings	221
Acoustic Seal Sets	222
Acoustic Thresholds	223
Saddle Thresholds	224
Automatic Door Bottoms: PDB Series	225
Door Shoes	225
Acoustic Adhesive Corner Pads	225
Standard Perimeter Gasketing	226
SiliconSeal Adhesive-Backed Gasketing	226

**Pemko Sliding & Folding Hardware:**

H180A Series	228
SHS80 Series	229
Sliding 200 Series	230
Side Wall Track (SWT) System	231
Bypass Track Series	234
SIM200A Series	235
LP200 Series	236
Sirocco Series	237
H300S-OH Series	238
H300S-SW Series	239
H440A-OH Series	240
H440A-SW Series	241
H600S-OH Series	242
H600S-SW Series	243
H800S-OH Series	244
H800S-SW Series	245

H1100A-OH Series	246
H1100A-SW Series	247
Husky Sliding Glass Series	248
Pocket Frame Kit	249
Folding 100 Series	250
Pacer Interior End Fold Series	251
Flexirol Interior End Fold Series	252
Stainless Steel Sliding Track Hardware System for Wood Doors	253
Stainless Steel Sliding Track Hardware System for Glass Doors	262
Builders Series Flat Track for Wood Doors	265
Designer Series Flat Track for Wood Doors	267
SIM 150 - 2 Door	271
SIM 150 - 3 Door	272
Cascading Door with Sample Configurations	273
SDL Privacy Barn Door Lock	274
Options, Accessories & Soft Close	275

**Residential Thresholds**

Interlocking Thresholds	280
Interlocking Thresholds - Water Return	281
Residential Thresholds - Water Return	282
Adjustable Eco-V™ Top Thresholds	282
Eco-V™ Top Thresholds	283
Residential Saddles	283
Bumper Thresholds for Outswing Doors	284
Squareback Thresholds	285
Oak Thresholds and Sill Nosings	285
Adjustable Aluminum Top Sills	287
Adjustable Oak Top Sills	288
Outswing Adjustable Oak Top Sills	289
Residential All-Aluminum Adjustable Sills	289
Fixed Eco-V™ Top Residential Sills	290
Residential All-Aluminum Fixed Sills	290
Outswing Fixed Bumper Sills	291
Extenders For All Residential Sills	291
Bumper Thresho-Sills For Outswing Doors	292
Thresho-Sills	293
Fabrication Options For Thresho-Sills	294

**Floor Molding, Trim, & Handyshapes™**

Carpet Bar - Standard	296
Seam Binding	296
Stair Nosing and Edging	296
Oak Seam Binding, Floor Edging, and Carpet Trim	297

**Weatherization Products**

Foam Tape	300
Neoprene Tape	301
Miscellaneous Tape	301
Garage Door Weatherstrip	302
Spring Bronze Weatherstrip	302
Replacement Eco-V™	302

**Fire Glazing Tape**

Fire Glazing Tape	304
Fire Glazing Tape Applications	305

**Door & Frame Accessories**

Glazing Bead/Spreader Bar	312
Reinforcements - Fillers	312
Reinforcements - Misc.	313
Reinforcements - Tabs	313

Product	Index	Product	Index	Product	Index	Product	Index	Product	Index
10	202	170	106	228	132	307	164	411	154, 188, 213
12	258	171	108	229	113	308	164	412	155
22	260	172	108	230	134	309	164, 193	420	154
30	202	173	104	231	271	310	171	430	155
32	259	174	134, 216	233	271	312	192, 228	434	154, 188
42	261	175	107, 226	234	159	313	158, 172	1076	230
43	202	176	108, 137	236	134, 216	314	158, 172	1546	107, 226
52	262	177	122	246	134	315	163, 192, 228	1547	107, 226
56	164	179	121	249	270	316	171, 190	1571	114
57	164	181	122	250	270	317	158	1665	106
61	269	182	114	252	111	318	158, 171	1700	106
62	253	183	135	253	111	319	191	1710	107
66	269	184	136	254	111	321	163	1715	130
67	269	185	123	255	112	322	195	1716	131
68	167	188	135	256	112	324	274	1717	131
71	203	189	135	257	148	326	274	1718	131
72	254	190	132	259	148	327	274	1719	131
73	203	191	132	270	104, 156	329	170, 191	1842	136
74	203	192	132	271	104	330	192	1855	122
75	203	193	132	272	104	331	202	1875	113
82	255	194	135	273	110	332	191	1877	113
92	256	195	135	274	110	335	195	1951	134
101	268	196	135, 156, 167	276	105, 137	336	195	2001	120
107	268	198	109	277	121	343	167	2002	120
108	268	200	135	278	110	344	167	2005	120
111	257	205	272	279	110	345	164-165, 186	2006	120, 225
114	268	206	271	280	231-232, 235-236, 248, 250	346	167	2007	121, 225
120	268	207	271	281	231-232, 235-236, 248, 250, 265	347	167	2008	127, 225
136	269	208	271	282	135	350	195	2009	121, 225
142	269	209	159	283	135	351	174	2010	121
145	269	210	159	283	250	352	175	2051	272
146	269	211	159	284	232-235	354	174	2052	273
147	269	212	271	285	192	355	175	2053	273
149	272	213	270	286	232-234, 265	356	175	2054	273
151	104, 226	214	271	290	136, 197	357	175	2055	273
153	280	215	159	290	238-239	358	172	2113	160, 212
154	107, 226	216	159	294	193	359	175	2120	284
156	110	217	159	296	192	368	163	2131	284
157	114	218	271	297	170, 190	369	173	2132	284
158	113	219	271	300	173	371	173	2134	284
159	122	220	159	301	242-245	372	173	2163	160, 212
165	280	221	161	303	170, 190, 228	375	175, 193	2170	158
166	106	222	162	305	170, 191	377	167	2173	160, 212
167	281	223	160	306	193	378	176	2203	160
168	111	225	161			379	195	2211	161
169	106	227	113			405	156	2212	161, 212, 227

**ASSA ABLOY**  
Opening Solutions

Experience a safer  
and more open world

800-824-3018 | [www.assaabloydooraccessories.us](http://www.assaabloydooraccessories.us)  
Check the web site for the up-to-date catalog

Copyright © 2015-2020, ASSA ABLOY Accessories and Door Controls Group, Inc., an ASSA ABLOY Group company. All rights reserved.  
Reproduction in whole or in part without the express written permission of ASSA ABLOY Accessories and Door Controls Group, Inc. is prohibited.

Product	Index	Product	Index	Product	Index	Product	Index	Product	Index
2218	284	3497	178	45250	185	1AX/290	239	254x4x170	137
2219	284	3498	178	45400	185	1AX/301	234, 245	254x4x171	137
2221	161	3572	176	74518	277	1B	241	254x5_FG	118
2251	161	3692	160, 212, 227	75518	277	1BX	241	255x226	123
2266	132	4131	153, 188, 213	84514	278	2006STC	225	255x226_FG	124
2286	133	4301	153, 188	85514	278	2007STC	225	255x5	109
2343	160, 212	5025	186	90041	184	2008_PK	225	255x5_FG	117
2364	134, 216	5041	186	90062	165, 184	2009_PK	225	256x6	109
2366	134, 216	5061	186	90100	165, 184	21/550/P	252	256x6_FG	116
2464	134	5100	186	90137	184	2132W	285	257x259	137, 148
2548	108, 137	5110	176	93518	276	2133W	285	2604W	285
2549	109	8451	279	94518	275	216_FG	162	2727SS	115
2550	109	8452	279	95518	275	2175W	285	273x224_FG	125
2555	112	18041	171, 183, 187	293100	163, 165, 183	218OAK	274	273x292_FGPK	126
2565	112	18050	183	102N	230-236,	219OAK	274	273x3_FG	116
2604	284	18061	165, 171,	238-245, 253-257, 265		21B/P	251	273x4_FG	116
2705	130		183, 187	102WA	230-233, 235,	21BO/4	251	2746x292_FGPK	126
2715	130	18062	183	239, 241, 245, 265		21N/94	251	2746x6	105
2716	130	18100	165, 183	102WN	230-233, 235,	21R/94	252	2746x6_FG	116
2727	114	18137	165, 182	239, 241, 243, 245		2219W	285	2748x270	137
2746	111	18175	182	106HF/94	250	2300W	285	2748x271	137
2748	105	18250	182	106N/94	265	2350W	285	274x224_FG	125
2749	105	18400	182	106R/94	230-236,	2500W	274, 285	274x292_FGPK	126
2750	105	18950	182	238-247, 253-257, 265		252SS	115	274x4	105, 137
2802	234, 263	19125	133	1075C	230	252x2_FG	117	274x4_FG	116
2803	264	19325	133	14/1	133	252x226	123	274x4x270	137
2812	234, 265	28945	196	140_M	281	252x226_FG	124	274x4x271	137
2813	270	29045	197	1545S	114	252x255FG	118	276x270	137
2891	196	29310	172, 198	1585S	115	252x3_FG	117	276x271	137
2892	196	29313	198	160_M	280	252x355FG	119	278x224_FGT	125
2893	196	29321	198	161_M	281	252x45S	119	278X292_FGPK	126
2902	197	29324	172, 183, 187	163_M	281	253SS	115	279x224_FGT	125
2903	197	29326	163, 172,	164_M	281	253x226_FG	124	279x292_FGPK	126
3151	163, 192		183, 187, 198	1755S	115	253x3_FG	117	280_-SWF	233
3185	158	29344	184, 198	176x170	137	253x35S	119	280_-SWT	233
3261	274	29346	184, 198	176x171	137	253x4_FG	117	280_-SWTKIT	233
3443	180	34831	179	18/1	133	253x45S	119	2802BT	234, 265
3444	180	35041	186	18062W	186	2548x170	137	2815_M	200
3452	164-165	35061	186	18100W	186	2548x171	137	282HD	250
3481	179	45041	185	193x2/195	137	2545S	115	284D	248
3483	179	45061	185	1A/290	239	254x226	123	287HD	230, 232,
3493	177	45062	185	1A/290/EC	238-239	254x226_FG	124		234, 265
3494	177	45100	185	1A/301	234, 245	254x4	108, 137	289B	250
3495	178	45137	185	1A/301/EC	242-245	254x4_FG	118	289T	250
3496	178	45175	185	1A/550	247	254x455FG	119	2P	202

Product	Index	Product	Index	Product	Index	Product	Index	Product	Index
305SS.....	170, 194	AM88.....	201, 208	FG3000590..	301,305,306	GS2-20PK.....	311	HS303.....	34
311CIN.....	171	B1921.....	71	FIF2/275A.....	252	GS3-20PK.....	311	HSS1000.....	208
3151SS.....	166	B1923.....	71	FIR349.....	177	GS4-20PK.....	311	HSS2000.....	208, 306
315SS.....	169, 196	BAR.....	253-262	FM.....	87	H100/200PACK.....		HSS2000x544.....	208
319SS.....	194	BRACKET2.....	253-262	FM/SC325.....	45	232-234, 265		HSS2000xS88.....	208
321SS.....	166	CB1-50PK.....	312	FM_RG.....	89	H1100A-OH.....	246	K_FM.....	89
3452 BR-6.....	186	CR2-5PK.....	315	FM_SF.....	90	H1100A-SW.....	247	K1077_-SWEP.....	230, 232
3A/290.....	238	DELLH.....	237	FM_SLF.....	87	H180A.....	230	K134DEP.....	231, 235
3A/301.....	242, 244	DELRH.....	237	FM_SLF138.....	90	H200.....	232	K134EP..231-232,235,265	
3AX/290.....	238	DSH.....	96	FM_SLI.....	87	H222-45.....	230-231, 249	K28_-SWEP.....	233
3AX/301.....	242, 244	DSH1000.....	67	FM_SLISF.....	90	H300S-OH.....	238	K411.....	157
403/2.....	251-252	E197.....	132	FM100.....	60	H300S-SW.....	239	K412.....	157
41M.....	202	E199.....	167	FM200.....	55	H440A-OH.....	240	K4133.....	157
4C.....	202	EG308.....	51	FM300.....	29	H440A-SW.....	241	K420.....	157
4P.....	202	EGC308.....	52	FM300WT.....	30-31	H600S-OH.....	242	K4301.....	157
550A.....	246-247, 252	EGT308.....	53	FM327.....	47	H600S-SW.....	243	K434.....	157
556/21.....	252	EL-CEPT.....	97	FM338.....	49	H800S-OH.....	244	K435.....	157
556/57.....	246-247	EL-EPT.....	97	FM344.....	50	H800S-SW.....	245	K435-PREM.....	157
57A/N.....	244-245	EL-EPTL.....	97	FM3500.....	25	HBP200A.....	220, 234	K436.....	157
57A/S.....	242-243	EL-EPT-SC.....	97	FM400.....	69	HF2/100.....	250	K436SM.....	157
57B.....	240-241	EPD3..230-232, 234-235,		FM900.....	67	HF2/100 PACK.....	265	K437.....	157
57K/N.....	238-239	253-257, 263-264		FS.....	93	HF3-25PK.....	312	K437SM.....	157
600A.....	240-241, 251	ERS.....	96	FS/SC309.....	38	HF4/100.....	250	LH100.....	236
601H..	231, 235, 248, 265	EV232.....	128, 214	FS_BP.....	93	HG105.....	65	LP200A.....	236
601P.....	240-241	EV2320.....	128, 214	FS_CP.....	93	HG305.....	36	MAG349.....	200
6C.....	202	EV2322.....	128, 214	FS101.....	61	HG306.....	37	N84518.....	278
70C-100.....	203	EV2325.....	128, 214	FS102.....	62	HG310.....	39	N85518.....	278
70D-100.....	203	EV2326.....	128, 214	FS201.....	56	HG311.....	40	NL13516.....	203
70E-100.....	203	EV80.....	158	FS202.....	57	HG315.....	41	NL1634.....	203
70F-100.....	203	EXT2.....	279	FS301.....	32	HG322.....	43	NL1678.....	203
8-12/SN.....	248	EXT3.....	279	FS302.....	33	HG323.....	44	OAK349.....	177
89/2N.....	238-247	EXT3/4.....	279	FS321.....	42	HG326.....	46	OS_FM.....	86
94518_W.....	276	F134..230-232, 234-235,		FS3501.....	26	HG329.....	48	OS_HS.....	86
94A.....	230-236, 238-247,	263-265		FS3502.....	27	HG3505.....	28	OS4301.....	153
	250-257, 265	F160C.....	240	FS402.....	70	HH3/290.....	238-239	OS434.....	153
95518_W.....	276	F160ECP.....	240	FS902.....	68	HH3/301.....	242-247	OS95518.....	277
971A..230-232, 235-236,		F1F4/275A.....	252	FS910.....	68	HM.....	92	P240.....	288
238, 240, 242, 244, 246,		F200C.....	241	FT3-50PK.....	316	HM104.....	64	P241.....	288
250-252, 265		F200ECP.....	241	G100.....	268	HM204.....	59	P241-30.....	288
ACP112.....	216	F234.....	248, 265	G60.....	264	HM304.....	35	P242.....	288
ADJ232V14.....	129, 215	FA68.....	72	G70.....	265	HS.....	92	P243.....	288
ADJ232V8.....	129, 215	FA70.....	72	G80.....	266	HS_SF.....	92	P244.....	288
ADJ232x2325V8..	129, 215	FA80.....	72	G90.....	267	HS103.....	63	P260.....	288
AM44.....	201, 208	FG3000545..	301-304,307	GLASSGUIDE.....	258-262	HS203.....	58	P261.....	288

**ASSA ABLOY**  
Opening Solutions

Experience a safer  
and more open world

800-824-3018 | [www.assaabloydooraccessories.us](http://www.assaabloydooraccessories.us)

Check the web site for the up-to-date catalog

Copyright © 2015-2020, ASSA ABLOY Accessories and Door Controls Group, Inc., an ASSA ABLOY Group company. All rights reserved. Reproduction in whole or in part without the express written permission of ASSA ABLOY Accessories and Door Controls Group, Inc. is prohibited.



Product	Index	Product	Index	Product	Index	Product	Index	Product	Index
P262	288	PFBG-4	249, 265	R1.5F	142	RS138	94	W80	255
P263	288	PFBG-8	249, 265	R1.5FMR	142	RS175	94	W90	256
P264	288	PFBS	249, 265	R1.5OS	143	RVAR1/A	146	WING 10_H	147
P265	288	PFCDKIT	249	R1.5OSMR	143	RVAR1/AK	146	WING 16_H	147
P266	288	PFFC-8	249	R1.5OSS	144	RVARIOSS	146	WING EXT_H	147
P361V16	290	PFHB-1	249	R1.5OSSMR	144	S104	199	WOODGUIDE	253-257
P364R16	290	PFHB-2	249	R1.75F	142	S105	199	WT_FM	91
P365V16	290	PFHS	249	R1.75FMR	142	S109	199	WT_HS	91
P366V16	290	PFKIT-4	249	R1.75OS	143	S1125	176	X25M	87
P380	289	PFKIT-8	249	R1.75OSMR	143	S44	200, 206, 211, 228	XF	87
P381	289	PIF2/165A	251	R1.75OSS	144	S442	201, 206, 211, 228	XI	87
P382	289	PIF4/165A	251	R1.75OSSMR	144	S52	199	XK	87
P384	289	PK33	201, 207	R1F	142	S77	201, 206	XM	87
P385	288	PK52	200	R1FMR	142	S771	174, 207, 211		
P386	288	PK55	201, 207	R1OS	143	S771x6	174, 201, 207, 211		
P387	289	PV15GR36	290	R1OSMR	143	S772	174, 207, 211		
P388	289	PV22BL36	290	R1OSS	144	S773	201, 206, 211, 228		
P390	288	PV22GR36	290	R1OSSMR	144	S776	201, 206, 211		
P391	288	PV64GR36	290	R2.25F	142	S88	200, 206, 211		
P392	288	PV9BL36	290	R2.25FMR	142	SA1	156		
P393	288	PV9GR36	290	R2F	142	SA2	156		
P394	288	Q102	201	R2FMR	142	SA3	156		
P396	288	Q103	201	R2OS	143	SA4	156		
P397	288	Q106	201	R2OSMR	143	SB1-25PK	313		
P398	288	Q107	201	R2OSS	144	SBR.5F	149		
P39C17	289	Q108	178-179, 201	R2OSSMR	144	SBR.5FMR	149		
P480	289	R.5F	142	RAMP 1	145	SBR1F	149		
P484	289	R.5FMR	142	RAMP 11	145	SBR1FMR	149		
P490	289	R.5OS	143	RAMP 12	145	SHS80	219, 231		
P491	289	R.5OSMR	143	RAMP 13	146	SIM100	235		
P493	289	R.5OSS	144	RAMP 14	146	SIM150	218, 263-264		
P497	289	R.5OSSMR	144	RAMP 2	146	SIM150-BOLTKIT	263-264		
P50	200	R.75F	142	RAMP 3	145	SIM150-LOCKKIT	263-264		
P51B17	203	R.75FMR	142	RAMP 4	145	SIM200A	235		
PDLAA	210	R.75OS	143	RAMP 5	145	SIRF/2500	237		
PDLBRKT	210	R.75OSMR	143	RAMP 6	145	SIRLH /SIRRH	237		
PDL-D1	210	R.75OSS	144	RAMP 7	146	SPFM	88		
PDL-D2	210	R.75OSSMR	144	RAMP 8	145-146	SPFM_SLF	88		
PEMKOSTCSET	224	R1.25F	142	RAMP 9	145	SPFM_SLI	88		
PF134 KIT	249	R1.25FMR	142	RAMP10	145	STOP1	259, 265		
PF28200A	249	R1.25OS	143	RR1	149	STOP2	253-262		
PFAS	249	R1.25OSMR	143	RR1.25FMR	150	W100	257		
PFAS100	249	R1.25OSS	144	RR12_H	150	W60	217, 253		
PFAS88	249	R1.25OSSMR	144	RR2	149	W70	254		

## About the Pemko Product Line

Since 1952, the Pemko name has been known as a key manufacturer in weatherstripping products. Over the years, as an ASSA ABLOY Group brand, we have expanded our product line into a full line of architectural door trim products to include thresholds, fire/smoke gaskets, door bottoms, perimeter gasketing, brush seals, astragals, continuous geared and stainless steel hinges, fire and life-safety products, lites and louvers, and sliding door hardware.

The Pemko product line offers offers sound-tested, smoke-labeled, fire-labeled, skid resistant, and ADA-compliant products, and aggressively pursues new product development to create solutions for new applications and requirements.

### Applications

- **Energy Efficiency:** These products make a complete energy efficient door solution – door bottoms, astragals, meeting stiles, brush gasketing, perimeter gasketing, and thermal barrier thresholds.
- **Smoke and Fire Gasketing:** Hot Smoke Seal™ is an intumescent fire life-safety product that meets UBC7-2 (proposed UL10C) positive pressure testing. Pemko S88 and S773 silicone seals are also smoke and fire rated gaskets that meet UBC7-2 positive pressure testing and are Category G gaskets for edge sealing systems for use with Category B doors.
- **Pemko Acoustic Solutions:** As a result of extensive acoustic testing, our gasketing systems are used on openings with STC Ratings from the low-30's and into the mid-50's. Acoustic seal sets have been assembled to better assist with determining an operable rating when a door's sealed-in-place rating is known. See pages 222 to 224 for more info.
- **Electrically Modified Pemko Hinges:** Continuous geared hinges are designed for commercial doors of all traffic levels and offer many benefits for your opening. All of our commercial-grade continuous geared hinges have the added option for electrical modification. Some of these options allow for electrical modifications to be made without removing the door from the opening.
- **ADA-compliant aluminum and rubber ramps** provide wheelchair access in public access doorways.
- **Sustainability:** Products are certified to GREENGUARD GOLD standards for low chemical emissions into indoor air during product usage.

All products in the Pemko line undergo rigorous testing to ensure that they meet or exceed the industry standards. Look for the logos next to the product drawings and see pages 12-13 for more information.



### LEED Certification Contribution

ASSA ABLOY can help to achieve prerequisites and accumulate points in several categories and credit areas for LEED. For further information, please call 1-800-824-3018 or refer to our website to view our prepared LEED statement.



U.S. Green Building Council logo is a trademark owned by the U.S. Green Building Council and is used with permission.

ASSA ABLOY is a member of the USGBC and CaGBC

### Sales & Support

Customer Service Representatives are available from 7am to 7pm Central time at 1-800-824-3018 or visit the website for the current catalogs, sell sheets, and the most up-to-date templates.

There are over 50 items on the Pemko Quick Ship Program that ship within 24 hours. For the most up-to-date list see the Quick Ship flyer posted on [www.assaabloydooraccessories.us](http://www.assaabloydooraccessories.us), in the literature section.

### Need a Sales Rep?

Pemko is largely represented by the ASSA ABLOY Door Security Solutions team (except N CA, N NV) Contact your local ASSA ABLOY Door Security Solution Representative via e-mail by going to [www.assaabloydss.com](http://www.assaabloydss.com) and clicking on "Sales Support" or call 1-800-DSS-EZ4U (800-377-3948).

For representation information in Northern California or Northern Nevada, please visit [www.assaabloydooraccessories.us](http://www.assaabloydooraccessories.us) to locate and view the sales contact for your area or call Pemko Customer Service at 1-800-824-3018.

**Website:** [www.assaabloydooraccessories.us](http://www.assaabloydooraccessories.us)

**Facebook:** [www.facebook.com/ASSAABLOYARCHIT/](https://www.facebook.com/ASSAABLOYARCHIT/)

**Twitter:** @ASSAABLOYARCHIT

ASSA ABLOY has manufacturing and warehouse locations for the Pemko line in Memphis TN and Ventura CA as well as warehouse locations in Toronto ON and Vancouver BC.

**ASSA ABLOY**  
Opening Solutions

Experience a safer  
and more open world

800-824-3018 | [www.assaabloydooraccessories.us](http://www.assaabloydooraccessories.us)

Check the web site for the up-to-date catalog

Copyright © 2015-2020, ASSA ABLOY Accessories and Door Controls Group, Inc., an ASSA ABLOY Group company. All rights reserved. Reproduction in whole or in part without the express written permission of ASSA ABLOY Accessories and Door Controls Group, Inc. is prohibited.

## General Information and Terms

### Terms:

All prices are F.O.B. factory. To customers with satisfactory and / or prior approved credit and account status, terms of 1% 15 days, NET 30 days will be allowed. Please enclose an account application prior to or with your initial order.

### Credit Card Capabilities:

Visa, Mastercard and American Express are accepted (only for established open accounts). Payment terms are NET.

### Freight Terms:

All orders are F.O.B. factory. For NET orders of \$1200.00 or more, freight will be prepaid in the continental U.S. for shipment the most economical way. For shipments to Hawaii on NET orders of \$1500.00 or more, freight will be prepaid the most economical way. A freight allowance of \$13.00 / cwt will apply on shipments to Canada, Alaska, or Puerto Rico for NET orders of \$1300.00 or more. All shipments that exceed 108" in packaged length must be shipped LTL. Add 4" to the length of the product for finish package length. Minimum freight on these orders is \$140.00.

### Oversized/Special Packaging:

\$100.00 NET. This will be added to any order not meeting prepaid freight where: a) the product is over 10' length, b) for welded threshold assemblies, or c) as deemed appropriate to ensure product safety while in transit.

### Minimum Order Level:

A surcharge of \$15.00 NET will be added to NET orders less than \$100.00.

### Returns And Allowances:

No merchandise will be accepted for return or credit unless prior written approval is obtained. Returned merchandise must be of recent sale (12 months), in restockable / resalable quality, size, and condition. S88, S44, S442, S776, S773, S772, S771, S771x6, PK55, and PK33 may only be returned within six (6) months of the date of sale.

Contact Customer Service for rules and Return Goods Authorization paperwork.

### Cancellation Charges:

Cancelled orders for special material, non-stock sizes, or special sizes are subject to cancellation charges, based on factory expense and material used.

### Guarantee:

Our products are guaranteed for (5) years against defects in material or workmanship, except: 1) PemKote abrasive surface for thresholds is guaranteed for ten (10) years. 2) Polyurethane foam tapes are guaranteed for 90 days. 3) Grade 1 PemkoHinges are guaranteed for the life of the opening against defects in material or workmanship. All other grades of PemkoHinge carry a ten (10) year warranty. 4) Electrical modification performance is guaranteed for five (5) years on Heavy Duty Grade 1 (HDI) and 1100 Series hinges. Electrical modification performance is guaranteed for one (1) year on Standard Duty and Heavy Duty Grade 3 (HD3) hinges. 5) PC Henderson products are guaranteed for two (2) years against defects in material workmanship. 6) Powder Coated finishes are warranted for two (2) years; normal wear is not included in coverage.

Markar Continuous Hinges and Pivots are guaranteed to be free from defects in materials and workmanship for a period of 10 years. Hinges with medical bearings are guaranteed for twenty-five (25) years. Markar Edge Guards and Astragals are guaranteed to be free from defects in materials and workmanship for a period of (1) year. Markar electrical modification performance is guaranteed for five (5) years.

ASSA ABLOY will not be liable for defects or damages arising from improper installation, product modification, incorrect application or storage of product. Written notice of damages must occur within the warranty period. Liability shall be limited to the replacement of product or component determined to be defective and shall not include costs arising from removal or reinstallation of product. Cost of replacement shall not exceed original purchase price. No other claims will be allowed. In no event shall liability be extended to include punitive, incidental or consequential damages arising from use of ASSA ABLOY products. This is the sole warranty given by ASSA ABLOY. No other warranty implied or expressed shall be allowed.

### Claims For Shortage Or Damage In Transit:

All claims must be made within ten (10) days of receipt of goods. Consignee assumes the risk of loss or damage in transit.

### Mill Lengths:

Most extrusions are available in mill lengths. Cut lengths over 12 feet are charged as mill lengths.

## General Information and Terms

### Ordering Information:

Please order material by product number, specifying length required per piece and the number of pieces. Most weatherstrips are stocked in standard sizes. If it is not practical to furnish the size ordered, the next larger size will be furnished and charged. Thresholds are maintained in standard sizes with  $\frac{1}{2}$ " extra length on thresholds thru 47" and 1" extra length for thresholds 48" and longer to allow for fitting and field trim, unless exact net cut size is specified. Cut lengths under 24" will be charged as 24".

Thresholds, perimeter gaskets, astragals, and door bottoms are punched or drilled as standard, unless otherwise specified in this catalog. Material can be supplied without holes by stating "No Holes" on the applicable purchase order line.

Thresholds are punched with 12" centers. Thresholds over 8" in width will be punched with a double row. Thresholds are generally supplied with #10 flat head screws. Other fasteners are available on request.

Metal retainers for perimeter gaskets, door bottoms, and astragals are punched with 8" centers.

### Non-Stock Finish Information:

Some items shown in this catalog are not stocked in certain finishes (i.e. BDG, G, PW, and SN). 'Batch charges' may be required on non-stock finishes to achieve our normally fast lead times. Contact Customer Service for a quotation and lead time.

### Option Tables:

The option tables are provided for selection of other than standard or normal finishes, components, fabrication, or fasteners. Since these are other than standard or normal, please allow for extra lead time for option(s) selected.

### Cutting Tolerances:

Elastometric:  $-0 + 2"$  (50.8mm)

Thresholds (up to 48"):  $+ \frac{1}{2}"$  (12.7mm)

Thresholds (48" and up):  $+1"$  (25.4mm)

Net Cut:  $\pm 0.060, \frac{1}{16}"$  (1.5mm)

Hinges:  $\pm 0.032, \frac{1}{32}"$  (0.8mm)

Automatic Door Bottoms:  $\pm 0.060, \frac{1}{16}"$  (1.5mm)

*Orders are subject to acceptance by ASSA ABLOY. All prices and terms are subject to change without notice.*

### How to Order (Product Number Designations):

When placing your order, please specify the product profile number, finish, insert and size/length. Also make sure to clearly state any special fabrication needs, optional fasteners or custom finishes/sizes required.

Throughout the catalog, products are listed with an underscore ( \_ ) where variable finishes are available. More in-depth ordering information for specific lines is available in the individual product sections of the catalog.

### Standard Products:

Example: 2001 A T.36 (Shown as 2001\_T in catalog)

Profile#:	Finish:	Insert:	Size/Length:
2001	A	T = ThermoSeal™	36 = 36"
216	SN	PK = PemkoPrene®	48 = 48"
297	BDG	V = Eco-V™	3684 = 1 piece @ 36" + 2 pieces @ 84"
303	A	S = Silicone	84/2 = 2 pieces @ 84"

### Adhesive Gasketing Products:

Example: S773 D 21 (Shown as S773\_ in catalog)

Profile#:	Finish:	Size/Length:
S773	D	21 = 21' coil
PK55	BL	510 = 510' (bulk packaging)
S88	W	17 = 17' coil

For PemkoHinge® and Modular Ramps, see detailed ordering information in their individual catalog sections.

**ASSA ABLOY**  
Opening Solutions

Experience a safer  
and more open world

800-824-3018 | [www.assaabloydooraccessories.us](http://www.assaabloydooraccessories.us)

Check the web site for the up-to-date catalog

Copyright © 2015-2020, ASSA ABLOY Accessories and Door Controls Group, Inc., an ASSA ABLOY Group company. All rights reserved. Reproduction in whole or in part without the express written permission of ASSA ABLOY Accessories and Door Controls Group, Inc. is prohibited.



## Materials and Finishes Information

### Metals:

Extruded metal products are made from 6063 aluminum alloy or CDA alloy C38500 architectural bronze (brass). Roll-formed metal products are made from stainless steel, high-strength special-purpose zinc alloy, 70-30 yellow brass, or 85-15 red brass. Roll-formed aluminum weatherstripping is produced from various alloys selected for the particular properties required. See finishes information below for all finish designations. If you do not see the option you require, please inquire with our Customer Service Department about the feasibility of a custom finish.

### Finish Designations:

A	- Mill Finish Aluminum	G	- Gold Anodized Aluminum
AK	- Mill Finish Aluminum w/PemKote®	PA	- Mill Finish Aluminum
B	- Mill Finish Extruded Bronze (Brass)	PW	- Painted White Aluminum
BDC	- Bright Dip Clear Anodized Aluminum	S	- Cladded Stainless Steel
BK	- Mill Finish Extruded Bronze (Brass) with PemKote®	SN	- Satin Nickel Anodized Aluminum
BDG	- Bright Dip Gold Anodized Aluminum	SP	- Galvannealed Steel
C	- Clear Anodized Aluminum	SS	- Stainless Steel (see individual part for finish)
CB	- Cladded Brass	Z	- Zinc Metal
D	- Dark Bronze Anodized Aluminum		

### Special Order Finishes:

Champagne	Polished Bronze, Uncoated
Light/Medium Dark Bronze	Satin Brushed Aluminum, Uncoated
Painted Aluminum (any color)	Satin Brushed Bronze, Uncoated
Polished Aluminum, Uncoated	Oxidized and Oil Rubbed Bronze

### Finish Options:

PemKote®	Adhesive Gasketing And Replacement Eco-V™ Finishes:
Anodized ( <i>clear, light/medium dark bronze, black, champagne, gold</i> )	BL - Black
Chrome Plate	C - Clear
Prime Coat	D - Dark Brown
Pewter Finish for Aluminum	GR- Light Gray
Polish/Buf Brass	TAN - Tan
Polish/Buf Aluminum	W - White
Satin Buff Brushed Brass	
Oxidized & Oil Rubbed L-metal (ANSI/BHMA 722)	
Oxidized & Oil Rubbed L-metal (custom finish, 609, 613)	
Oxidized & Oil Rubbed Thresholds (ANSI/BHMA 722)	
Oxidized & Oil Rubbed Thresholds (custom finish, 609, 613)	
Oxidized & Oil Rubbed Weatherstrip (ANSI/BHMA 722)	
Oxidized & Oil Rubbed Weatherstrip (custom finish, 609, 613)	

### Inserts:

ASSA ABLOY manufactures many products with gasket inserts (seals). See insert information below for all insert (seal) designations. Also, the available inserts (seals) for each individual product are shown adjacent to each individual product.

E - EPDM, Solid	PK - PemkoPrene®*	SB - Soft Brush
M - Magnetic	Q - Kerf-in Foam	T - ThermoSeal
N - Neoprene or EPDM	R - Sponge Neoprene or EPDM	TF - Triple Foam
NB - Nylon Brush	S - SiliconSeal or Sponge Silicone (see individual part)	V - Eco-V®
P - Pile		

\*PK: In order to best control our customers' costs some PK (Santoprene™) products may be a silicon based elastomeric material with comparable performance.

**Fabrication Options:**

ASSA ABLOY offers many fabrication options for our Pemko line to fit specific job requirements. Please consult our Customer Service department for details. Custom fabrications are subject to engineering design costs and are quoted on a time and material basis.

Bevel	One Edge	Miter2-1	Double, One End of Threshold
Cut	Thresho-Sill Nosing Flush	Miter2-2	Double, Both Ends of Threshold
Leadline	Leadline of Astragals, Door Bottoms	Half Notch	1/2", Door Shoe, Both Ends, Drip Only
Rip	Width	Half Notch	3/4", Door Shoe, Drip Only, Both Ends
Tack Weld	One Line	Half Notch	5/8", Door Shoe, Drip Only, Both Ends
Tab	Welded Tab & Screw	Half Notch	9/16", Door Shoe, Drip Only, Both Ends
Support Leg	For Elevated Plates 3" Center to Center	Full Notch	1/2", Door Shoe, Both Ends
L-Notch	Both Ends of Threshold	Weep Holes	All Door Shoes
U-Notch	Both Ends of Threshold	Custom Holes	Custom Hole Pattern
Drill	Thresho-Sill (Add "H" to Prod. #)		
Mill & Drill	Thresho-Sill (Add "M" to Prod. #)		
Miter1-1	Single, One End of Threshold		
Miter1-2	Single, Both Ends of Threshold		

*Fabrication Options Important Note: Complicated fabrications are quoted based on time and materials.*

**Drawings:**

Product drawings throughout the catalog may be a reduced representation/not drawn to scale. They are representations of the product size, dimensions, shape, etc. For scale drawings in PDF or AutoCAD (DWG or DXF) format, please visit our website: [www.assaabloydooraccessories.us](http://www.assaabloydooraccessories.us)

**Product Testing/Classification Symbols**

These symbols are shown adjacent to products throughout the catalog so that one can readily identify and select products which meet specification and/or code requirements.

**GREENGUARD GOLD Certification:**

Tested To: UL2818

GREENGUARD GOLD Certified products are certified to GREENGUARD GOLD standards for low chemical emissions into indoor air during product usage. For more information, visit [ul.com/gg](http://ul.com/gg).

**Air Infiltration Tested**

Tested To: ASTM E-283-04 (2012)

Products indicated by this symbol have been air infiltration tested in accordance with the requirements of ASTM E-283 Rate of Air Leakage Through Exterior Windows, Curtain Walls, and Doors.

**Sound Tested**

Tested To: ASTM E 90-2009

Products indicated by this symbol have been acoustically tested in accordance with ASTM E 90-2009. Method for Laboratory Measurement of Airborne Sound Transmission Loss of Building Partitions Tests were conducted by accredited laboratories for acoustic testing. Contact ASSA ABLOY for recommended PEMKOSTCSET kits.

**Barrier-Free**

Meets Requirements of: ADAAG-2010 (Amended) and ICC / ANSI A117.1-2017

Products indicated by this symbol are access compliant by having installed height differences not over 1/2" with allowable edge and slope conditions. All ramp products (found in the Modular Ramp section) have ADA compliant 1:12 slopes: Pemko Modular Ramp Thresholds, Rubber Ramp Thresholds and Recycled Rubber Ramps. Contact ASSA ABLOY or refer to page 14 for recommended Barrier-Free Systems.

**ASSA ABLOY**  
Opening Solutions

Experience a safer  
and more open world

800-824-3018 | [www.assaabloydooraccessories.us](http://www.assaabloydooraccessories.us)

Check the web site for the up-to-date catalog

Copyright © 2015-2020, ASSA ABLOY Accessories and Door Controls Group, Inc., an ASSA ABLOY Group company. All rights reserved. Reproduction in whole or in part without the express written permission of ASSA ABLOY Accessories and Door Controls Group, Inc. is prohibited.

**Non-Skid/PemKote™**

Meets Requirements of: ASTM D 2047, UL 410 & Federal Specifications P-F-430C

PemKote™ is a rugged abrasive finish of nickel-aluminum composite which is fused to the metal surface by an exothermic reaction. This process produces an aesthetically pleasing skid resistant coating with extremely high bond strength and excellent resistance to oxidation. PemKote™ carries a TEN (10) YEAR GUARANTEE, and is available on all Pemko line metal thresholds and metal modular ramps. ASSA ABLOY highly recommends the use of PemKote™ for all Barrier-Free Modular Ramps and as a durable, economical alternative for cast abrasive products.

**Smoke Tested**

Tested To: UL 1784

Meets Requirements of: NFPA 105-2013

Products indicated by this symbol are Listed by WYLE Laboratories as having been tested in accordance with Underwriters Laboratories Inc.®, Standard UL 1784 Air Leakage Tests of Door Assemblies, and meet the performance criteria for allowable air leakage as specified in NFPA 105-2013 Installation of Smoke Control Door Assemblies.

**Fire Rated**

Products indicated by this symbol are fire rated, classified and listed (U.S.A. and Canada) to meet the requirements/standards of UL10B, UL10C, and UL10C (Edge Sealing). For a complete listing of fire rated and UL rated products, please refer to the UL website.

**PemkoHinge® Rating:**

All models designated with these symbols are tested and certified by Underwriters Laboratories Inc.® (U.S.A. and Canada) to standards UL10B and UL10C for up to a 3-Hour Fire Listing for all 4'-0" x 10'-0" and 8'-0" x 10'-0" door and frame assemblies. Fire listing certifications apply to all approved hollow metal and wood door assemblies in drywall or masonry wall construction. Check UL Rating #R14745 on the UL website for a complete and current listing of applicable PemkoHinge® products.

**Builders Hardware Manufacturers Association:**

Products indicated by this symbol have been voluntarily submitted to rigid third party testing and follow-up audits to confirm that they fully and continuously meet or exceed the requirements of their underlying ANSI / BHMA Standards. These products are listed in the BHMA Certified Products Directory, which is, published annually, and is available for purchase from BHMA. They are also posted and frequently updated on the BHMA website at [www.buildershardware.com](http://www.buildershardware.com). ASSA ABLOY products are covered by the following: ANSI / BHMA A156.21-2019 Standard for Thresholds, ANSI / BHMA A156.22-2017 Standard for Door Gasketing Systems, and ANSI / BHMA A156.26-2017 Standard for Continuous Hinges.



UL1S47 - Check UL File #R18375 on the UL website for a complete and current listing of applicable Pemko line edge sealing and fire glazing products (not specifically listed by item in this product catalog).



UL4L10 - Check UL File #R14369 on the UL website for a complete and current listing of applicable Pemko line products (not specifically listed by item in this product catalog).




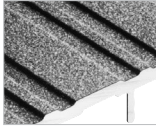











Check Pemko's Category G, Category H and Category J listings on ITS website [www.intertek.com](http://www.intertek.com) for a complete and current listing of applicable Pemko line edge sealing, perimeter gasketing and fire glazing products.

## Barrier-Free Systems



The ASSA ABLOY Pemko line includes many products such as modular ramps, thresholds and floor treads, that help you meet the requirements of the Americans with Disabilities Act (ADA) as outlined in the Americans with Disabilities Act Accessibility Guidelines (ADAAG-2010 amended); ICC /ANSI A117.1-2017 Standard Accessible and Usable Buildings and Facilities; any of the various Uniform Building Codes; or state access codes (e.g. California Building Code, Title 24).

The following table shows which products comply with the ADAAG and ICC /ANSI standard and also notes their respective sections.

ICC / ANSI A117.1 (ADAAG)	Pemko Recommendation
<p>302 (4.5) Floor or Ground Surfaces. 302.1 (4.5.1) General. "shall be slip resistant"</p>  <p>Skid resistant.</p>	<p>"Slip resistant" PemKote™, non-skid surface</p> <ul style="list-style-type: none"> <li>PemKote™ (finish code: "K") is a rugged abrasive finish of nickel-aluminum composite</li> <li>PemKote™ provides safety in environments used by youths and people with disabilities</li> <li>For more information, see the Modular Ramps section</li> </ul>  <p>PemKote™: skid resistant surface.</p>
<p>302.2 (4.5.3) Carpet. "Exposed edges of carpet... shall have trim along the entire length of the exposed edge. Trim shall comply with Section 303"</p>	  <p>Note: See Commercial Thresholds section (page 136) for more options.</p>
<p>303 (4.5) Changes in Level 303.2 (4.5.2) Vertical. "Changes in level of 1/4" (6mm) high maximum shall permitted to be vertical"</p>	 <p>Note: See Commercial Thresholds section (pages 134-135) for more options.</p>
<p>303.3 (4.5.2) Beveled.</p>	  <p>Note: See Commercial Thresholds section (pages 106-129) for more options.</p>
<p>303.4 (4.5.2) Ramped. "Changes in level greater than 1/2" (13mm) shall be by a ramp complying with Section 405 (4.8)"</p>	<ul style="list-style-type: none"> <li>Assemblies accommodate 1/2" to 2 1/4" floor offsets in meeting the 1:12 slope requirements of the "Americans with Disabilities Act"</li> <li>Rubber ramp component assemblies meet the same requirements.</li> <li>Answer the needs of architects, specifiers, building owners, installers, and physically challenged people</li> <li>For use in schools, hospitals, stadiums, offices, restaurants, hotels, airports, and more</li> <li>For complete information, see the Modular Ramps section</li> </ul>
<p>404 (4.13) Doors, Doorways and Gates. 404.2.4 (4.13.8) Thresholds. "...shall be 1/2" high maximum...shall comply with Sections 302 and 303"</p>	  <p>Note: See Commercial Thresholds section (pages 106-129) for more options.</p>
<p>404.2.8 Door and Gate Opening Force</p>	
<p>405 (4.8) Ramps 405.2 (4.8.2) Slope. "Ramp runs shall have a running slope... not steeper than 1:12" <i>(Note: Some exceptions apply to this with respect to existing buildings having space limitations. Consult Pemko for specific applications.)</i></p>	 <p>Note: See Modular Ramp section (pages 142-146) for more options.</p>
<p>504 (4.9) Stairways 504.4 Tread Surface 504.5 (4.9.3) Nosings</p>	  <p>Note: See Floor Treads section (pages 132-133) and Floor Molding, Trim section (page 284) for more options.</p>

**ASSA ABLOY**  
Opening Solutions

Experience a safer  
and more open world

800-824-3018 | [www.assaabloydooraccessories.us](http://www.assaabloydooraccessories.us)  
Check the web site for the up-to-date catalog

Copyright © 2015-2020, ASSA ABLOY Accessories and Door Controls Group, Inc., an ASSA ABLOY Group company. All rights reserved. Reproduction in whole or in part without the express written permission of ASSA ABLOY Accessories and Door Controls Group, Inc. is prohibited.





The following interprets ANSI/BHMA numbers which identify material and type of products. For products that meet ANSI/BHMA Standards, look for the BHMA certified logo next to the product in our catalog. For a complete listing refer to the BHMA Certified Products Directory on line at [www.buildershardware.com](http://www.buildershardware.com).

### American National Standard for Thresholds ANSI/BHMA A156.21 (2019)

1 Product Section "J" Designates Architectural Door Trim, Thresholds				
2 Material	3 Configuration	4 Surface	5 Description	6 Description
1. Architectural Extruded Brass or Bronze 3. Aluminum 5. Stainless Steel 7. Rubber & similar nonmetallic 0. Other (ie: cast iron, safety abrasive, etc.)	1. Compressing top 2. Flat Saddle 3. Half Saddle 4. Interlocking 5. Rabbeted, Latching/Panic with Gasket 7. Plate 8. Ramped 9. Saddle for Floor Closer 0. None designated	1. Fluted 2. Fluted with abrasive 3. Smooth 4. Smooth with abrasive	1. Applied Stop 2. Applied Stop with gasket 3. Barrier Free 4. Carpet Separator 5. Ends Mitered 6. Expansion Assembly 7. Hook Strip Applied to door 8. Offset 9. Thermal Barrier 0. None Designated	1. Applied Stop 2. Applied Stop with gasket 3. Carpet Separator 5. Ends Mitered 6. Expansion Assembly 7. Hook Strip applied to door 8. Offset 9. Thermal Barrier 0. None Designated

Suffix "-HD" designates thresholds meeting Heavy Duty requirements

### American National Standard for Door Gasketing and Edge Seal Systems ANSI/BHMA A156.22 (2017)

1 Product Section "R" Designated Gasketing					
2 Product Material	3 Gasketing Material	4 Product Type	5 Material Application	6 Gasketing Rating	
1. Brass or Bronze 3. Aluminum 5. Stainless Steel 0. Optional material or none used	A. Brush B. Neoprene, solid C. Neoprene, closed cell D. Vinyl/Eco-V™ E. Silicone Rubber F. Pile G. Thermoplastic Elastomer (TPE) H. Thermoplastic Urethane (TPU) J. Thermoplastic Rubber K. Spring Metal L. Magnetic M. Felt N. Rubber Fabric P. Intumescent Q. Intumescent/Brush	R. Intumescent/Neoprene, Solid S. Intumescent/Neoprene Closed Cell T. Intumescent/Vinyl U. Intumescent/Silicone Rubber V. Intumescent/Pile W. Intumescent/Thermoplastic (TPE) X. Intumescent/Thermoplastic Urethane (TPU) Y. Optional material or none used Z. Intumescent/Thermoplastic Rubber	1. Head and Jamb 2. Head and Jamb, Adjustable 3. Automatic Door Bottom 4. Door Sweep or Shoe 5. Door Sweep or Shoe with Drip Cap 6. Astragal Overlapping 7. Astragal Split or Compensating 8. Astragal Adjustable 9. Rain Drip without gasket 0. Other	1. Door Edge 2. Door Edge, Mortise 3. Door Face 4. Door Face, Semi-Mortise 5. Frame Rabbet (surface or mortise) 6. Frame Soffit (H.M.) 7. Frame Face 8. Kerf 9. Stop (H.M.), Stop Face (W.D.) 0. Other	0. Smoke/Energy Performance/Acoustic Rated 1. Smoke/Energy Performance Rated 2. Smoke/Acoustic Rated 3. Energy Performance/Acoustic Rated 4. Smoke Rated 5. Energy Performance Rated 6. Items not Rated 7. Acoustic Rated

### American National Standard for Continuous Hinges ANSI/BHMA A156.26 (2017)

First letter denotes BHMA Product Section (A)					
First Numeral-Product Material	Second Numeral-Type of Product	Third Numeral-Electrical Modifications	Fourth Numeral-Door Weight (lbs)	Fifth Numeral-Grade Classification	Second Letter-Hinge Type
1. Brass, Bronze 3. Aluminum 5. Stainless Steel 8. Steel	1. Edge Mounted Hinges 2. Half Edge Mounted Hinges 3. Full Surface Hinges 4. Half Surface Hinges 5. Swing Clear 6. Raised Barrel 7. Wide Throw 0. Other	0. None 1. Concealed Wire Transfer 2. Monitor 3. Power Transfer 4. Other	1. 150 2. 300 3. 600 4. 1200	1. Grade 1 2. Grade 2 3. Grade 3	B. Barrel G. Geared



# Markar Continuous Pin and Barrel Hinges

## CONTENTS:

General Information.....	18
Hinge Finishes.....	20
Hinge Numbering System and Standard Lengths .....	21
Continuous Hinge Modifications.....	22
3500 Series Stainless Steel Pin and Barrel Security Hinges.....	25
600 Series Stainless Steel Pin and Barrel Hinges.....	29
300 Series Stainless Steel Pin and Barrel Hinges.....	30
300 Series Stainless Steel Edge Guards.....	52
200 Series Carbon Steel Pin and Barrel Hinges .....	55
100 Series Aluminum Pin and Barrel Continuous Hinges .....	60
1000 Series Aluminum Double Swing Hinge.....	66
900 Series Toilet Partition Hinges .....	67
400 Series Toilet Partition Hinges .....	69
Pivots .....	71
Flat Astragals .....	72
Fasteners and Fastener Packs .....	73
Tools, Parts, and Accessories .....	78
Custom Lengths .....	79

## INDEX:

B1921 .....	72	FM400.....	70	HG105 .....	66
B1923 .....	72	FM600.....	29	HG305 .....	37
DSH1000 .....	67	FM900.....	68	HG306 .....	38
EG308 .....	52	FM3500 .....	26	HG310 .....	40
EGC308 .....	53	FS/SC309 .....	39	HG311 .....	41
EGT308 .....	54	FS101 .....	62	HG315 .....	42
FA68.....	73	FS102 .....	63	HG322 .....	44
FA70.....	73	FS201 .....	57	HG323 .....	45
FA80 .....	73	FS202 .....	58	HG326 .....	47
FM/SC325 .....	46	FS301 .....	33	HG329 .....	49
FM100 .....	61	FS302 .....	34	HG3505.....	28
FM200 .....	56	FS321 .....	43	HM104 .....	65
FM300 .....	30	FS3501 .....	26	HM204 .....	60
FM300WT.....	31-32	FS3502 .....	27	HM304 .....	36
FM327 .....	48	FS402 .....	71	HS103 .....	64
FM338.....	50	FS902 .....	69	HS203 .....	59
FM344.....	51	FS910 .....	69	HS303 .....	35

NOTE: Products shown in this section may not be drawn to scale



## Markar Continuous Pin and Barrel Hinges

Markar has been a leader in innovative products for the hardware industry since 1969. In 1983, Markar was the first manufacturer to produce an architectural grade, adjustable continuous pin and barrel hinge line, and that innovation continues today with quality continuous hinges and edge guards.

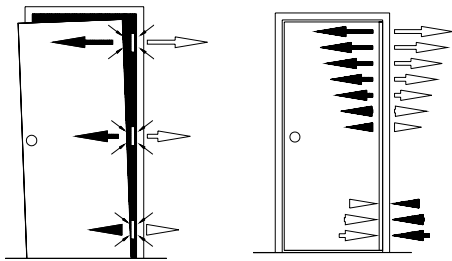
Markar leads the industry in development of fire rated continuous hinges with their flagship 300 Series Stainless Steel, 3500 Series institutional grade, and 200 Series cold rolled steel hinges. Building on customer feedback, Markar has developed over 75 standard continuous hinge models providing products for a wide variety of applications and challenges.

### Custom Designs

Whether the need is for a custom color to match a specific pallet, hospital tips for patient rooms, hardware cutouts, wide throw models, custom hole patterns, security fasteners, current transfers, monitoring switches, or medical bearings, Markar hinge modifications will enhance the fit and function of an opening (See pages 22-24). Markar hinges are available in a wide range of finishes including powder coat, anodized (for aluminum), and architectural finishes.

### Medical Bearings are Standard

Medical Bearings are standard for all Pin and Barrel hinges. You benefit from this standard offering with permanently lubricated hinges with no metal to metal contact, improving the life and overall function of the hinge.



Most door and frame stress is put on the top of conventional hinge systems.

A continuous hinge spreads the stress along the full length of the door and frame.

## Why Continuous Hinges?

Did you know that on a door with traditional butt hinges, 70% of the door weight is on the top hinge? The top hinge also bears the brunt of abuse when doors are opened beyond the stop device, resulting in kickback shock and eventual failure of the hinge and damage to the frame. This is why continuous hinges are recommended for heavy doors and for situations where doors are exposed to misuse.

Continuous hinges reduce the factors leading to hinge failure by distributing weight evenly so wear and tear to the frame and door is reduced significantly. In addition, continuous hinges:

- Increase security and reduce vandalism by preventing insertion of devices between the door and frame
- Ease installation by providing simple alignment of electrical transfers and of monitoring switches
- Reduces air infiltration by creating a complete seal from top to bottom of the door at the hinge jamb

Markar manufactures pin and barrel hinges as well as spring loaded toilet partition pin and barrel models. There are over 75 different models to choose from offering a variety of configurations, options, and materials.

**ASSA ABLOY**  
Opening Solutions

Experience a safer  
and more open world

800-824-3018 | [www.assaabloydooraccessories.us](http://www.assaabloydooraccessories.us)

Check the web site for the up-to-date catalog

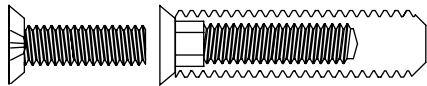
Copyright © 2015-2020, ASSA ABLOY Accessories and Door Controls Group, Inc., an ASSA ABLOY Group company. All rights reserved. Reproduction in whole or in part without the express written permission of ASSA ABLOY Accessories and Door Controls Group, Inc. is prohibited.



## Optional Features

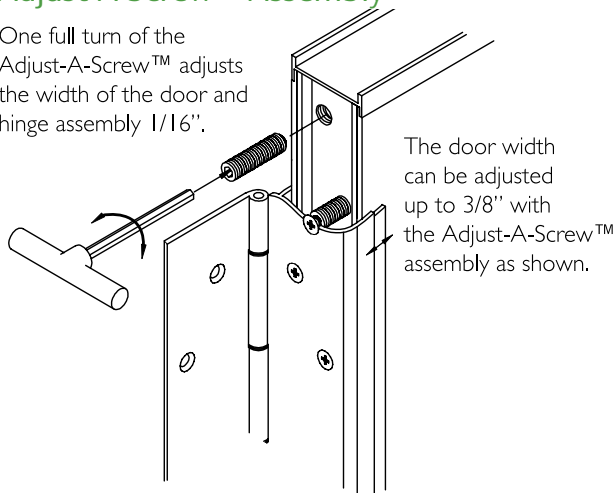
### The Unique Adjust-A-Screw™ Fastener

An optional Markar fastener available on Hinge Guard models permits up to 3/8" width adjustment. Full door length adjustment means doors can be squared accurately and easily in new installations and existing frames can be used in retrofits. Maintenance staff can make future adjustments of the door by re-positioning the Adjust-A-Screw™ Fasteners.



### Adjust-A-Screw™ Assembly

One full turn of the Adjust-A-Screw™ adjusts the width of the door and hinge assembly 1/16".

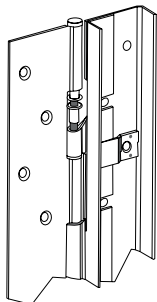


Recommended 14 gauge reinforcements on frame and door. If using an adjustable Hinge Guard with Adjust-A-Screw, use 14 gauge reinforcements on frame and 12 gauge reinforcements on door.

For more information, including technical memos, door clearance guides and templates visit [markar.com](http://markar.com)

## Exclusive Fiber-Reinforced Polymer Bearings

- Uniquely designed to provide clean and quiet hinge operation
- Self lubricating with high resistance to wear
- Exceeds ANSI/BHMA Grade 1 requirements
- 25 year warranty



## Windstorm Rated Hinges

Windstorm/hurricane testing on Markar continuous hinges was completed with UL and has been reviewed and approved to meet the requirements of the Florida Building Code (FBC). These hinges have passed tests for the following: an Impact Test (TAS 201), Static Load/Cyclical Test (TAS 202), and a Water and Leakage Test (TAS 203). Markar excelled in all three categories of testing.

Based on this performance, the FBC approved most Markar hinges in the following series:

(Up to openings of 4'0 x 8'0 singles and 8'0 x 8'0 pairs)

- 100 – 6063-T6 Aluminum
- 200 – 14 ga. Cold Rolled Carbon Steel
- 300 – 14 ga. 304 Stainless Steel
- 600 – 14 ga. 316 Stainless Steel
- 3500 – 12 ga. 304 Stainless Steel (Security Grade)



Tornado



Hurricane



## Fire Rated Continuous Hinges

Markar Stainless Steel hinges (300 Series and 3500 Series) and carbon steel hinges (200 Series) are available with two labeling options: Underwriters Laboratories Inc. or Warnock Hersey Int'l.

- 20 minute labeled wood doors
- One and a half hour labeled hollow metal and composite-core wood fire doors
- Three hour labeled hollow metal doors

Maximum Door Opening:

Single Doors: 4'0" x 10'0"

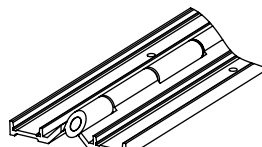
Pair of Doors: 8'0" x 10'0"



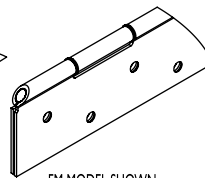
In accordance with UL10C for positive pressure.

## Behavioral Health Hinges

The Markar 200 and 300 Series Continuous Hinges with Hospital Tips are accepted by the New York State Office of Mental Health (OMH) for use in high risk areas.



FS MODEL SHOWN



FM MODEL SHOWN

800-824-3018 | [www.assaabloydooraccessories.us](http://www.assaabloydooraccessories.us)

Check the web site for the up-to-date catalog

Copyright © 2015-2020, ASSA ABLOY Accessories and Door Controls Group, Inc., an ASSA ABLOY Group company. All rights reserved. Reproduction in whole or in part without the express written permission of ASSA ABLOY Accessories and Door Controls Group, Inc. is prohibited.

**ASSA ABLOY**  
Opening Solutions

Experience a safer  
and more open world

## Standard Powder Coat Finishes

### Tough, Durable, Long-Lasting

Designed for general purpose interior and exterior use and applications where maximum chemical and solvent resistance is required.

### Performance Properties

The data below is based on 24 gauge Bonderite 1000 panels with 1.5 mil to 2.0 mil of high gloss formulation.

Adhesion (ASTM D-3359B): There is no lifting of 1/8" squares of coating between scribed lines in crosshatch adhesion testing using pressure sensitive adhesive backed tape.

Pencil Hardness (ASTM D-3363): 2H – 4H

Flexibility (ASTM D-522 modified): The coating withstands a 180° bend over a 1/4" diameter mandrel without cracking or loss of adhesion.

Impact Resistance (ASTM D 2794 modified): The coating withstands 160 inch-pound impacts, both direct and reverse, without cracking or loss of adhesion using the standard Gardner impact tester.

Abrasion Resistance (ASTM D-4060 modified): The weight loss of coating after 1,000 cycles on a Taber abraser equipped with CS-10 wheels and operating under a 1 kilogram loading per wheel is on the order of 35 to 50 milligrams.

Salt Spray Resistance (ASTM B-117): Bonderite 1000 steel panels, in a scribed condition, exhibit no undercutting after 1,000 hours in 5% salt spray testing at 95°F and 95% relative humidity. There was no rusting or blistering on the panel face away from the scribe.

Humidity Resistance (ASTM D-2247): Bonderite 1000 steel panels in an unscribed condition exhibit no effect after 1000 hours exposure to 100% relative humidity at 100°F.

Chemical and Solvent Resistance: After 60 days immersion in the test fluid, the following data was obtained for epoxy powder coatings:

15% Hydraulic Acid	No Effect
Lacquer Thinner	No Effect
Dilute "HTH" Pool Chemical	No Effect
15% Sulfuric Acid	Pinhole Rust
15% Caustic Soda	#8 Blisters
Ammonia Hydroxide	#8 Blisters
Petrochloroethylene	No Effect
15% Acetic Acid	#4 Blisters
Gasoline	No Effect

Verification of resistance properties should be made for each chemical or solvent proposed for use with the coating.

### Closest US Standard & BHMA Finishes

No minimum quantity.

PC-1	Dark Oxidized Satin Bronze	10BE
PC-2	White Suede	714
PC-3	Black Suede (BSP)	693
PC-4	Aluminum	689
PC-5	Sun Gold	706
PC-6	Light Copper	691
PC-7	Polished Brass	605

PC-7 available only on 100 & 300 series hinges

\*NOTE: The PC-7 will have an additional charge for two-step polishing process.

### Special Finishes

Polished Aluminum	US26	672
Polished Stainless	US32	629
Kynar Paint	With Color Approval	

\*NOTE: Additional setup charges will apply.

### Special Anodized Finishes

Gold Anodized	US3	310
Light Bronze Anodized	US9	311
Medium Bronze Anodized		312
Black Anodized	US19	315

### Custom Powder Coat Finishes

All RAL Powder Coat finishes available. Sample color chip must accompany order. Priced at time of order.

### U.S. Standard & B.H.M.A. Finish Codes

US3	310	gold anodized
US9	311	light bronze anodized
	312	medium bronze anodized
US20A	313	dark bronze anodized
US19	315	black anodized
USP	600	primed for paint
US2G	603	zinc plated
US28	628	clear anodized
US32	629	bright Stainless Steel
US32D	630	satin Stainless Steel
US26	672	bright polished aluminum
US28	689	aluminum paint
US20A	690	dark bronze paint
US10	691	light bronze paint
US19	693	black paint
US4	706	gold paint
	714	white paint

## Hinge Numbering System

### Hinge Prefixes

EG	Edge Guard
FM	Edge Mount
FS	Full Surface
HG	Hinge/Guard
HM	Half Mortise
HS	Half Surface
SC	Swing Clear

### Hinge Series

This series number indicates the type of hinge and base material used:

100	Aluminum barrel hinges with stainless pin
200	Carbon steel barrel hinges with stainless pin
300	Stainless steel barrel hinges with stainless pin
400	Spring loaded aluminum toilet partition hinge
600	14 Gauge 316 stainless steel pin and barrel security hinges
900	Spring loaded stainless steel toilet partition hinges
1900	Reinforcing pivots
3500	12 Gauge stainless steel pin and barrel security hinges

### Hinge Models

The last two digits of the model number indicate the application:

00	Edge mount (formerly full mortise)
01	Full surface, 1/8" offset
02	Full surface, flush
03	Half surface, 1/8" offset
04	Half mortise, 1/8" offset
05	Edge mount hinge/guard
06	Half mortise hinge/guard
07	Double hinge/guard
08	Edge guard
09	Full surface, swing clear
10	Swing clear hinge/guard
11	Edge mount, self aligning
15	Edge mount, self aligning flush edge guard
21	Full surface inset, 3/4" offset
22	Edge mount hinge/guard, deep
23	Edge mount hinge/guard, deep, thru bolt
25	Edge mount swing clear
26	Edge mount hinge/guard, swing clear
27	Edge mount, safety hinge
29	Edge mount, self aligning

Other numbers are used for specific applications

### Optional Suffixes

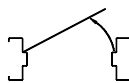
AMS	Adjustable Monitoring Switch
CTP	Current Transfer Preparation
DDP	Dutch Door Prep
EL	ElectroLynx® Wires (Specify 4, 8, or 12)
ETAP	Electrical Transfer Access Prep
EPT	Electric Power Transfer
HT	Hospital Tip
LL	Lead Lined
PC	Powder Coated
RB	Raised Barrel
WT	Wide Throw
PoE	Power over Ethernet

## Hinge Standard Lengths

### Standard Hinge Length Conversion Chart

A 6'8"	door opening	=	actual length	79 <sup>3</sup> / <sub>16</sub> "
A 7'0"	door opening	=	actual length	83 <sup>1</sup> / <sub>8</sub> "
A 7'2"	door opening	=	actual length	85 <sup>1</sup> / <sub>8</sub> "
A 8'0"	door opening	=	actual length	95"
A 10'0"	door opening	=	actual length	118 <sup>3</sup> / <sub>4</sub> "

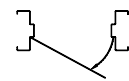
Custom hinge length will be evaluated at the time of request to ensure proper pin to knuckle alignment. Some custom length requests may be adjusted to ensure a proper hinge assembly. Specify handing on all custom hinge lengths.



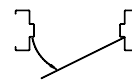
LEFT HAND



RIGHT HAND



LEFT HAND  
REVERSE



RIGHT HAND  
REVERSE

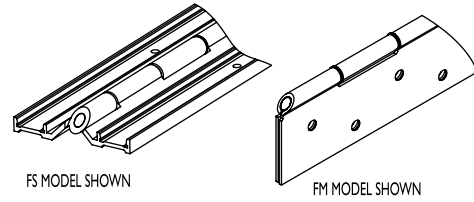
# Continuous Hinge Modifications

## Special Length

Please specify handing on all custom hinge lengths  
 Some custom lengths may require two cuts due to location of screw holes

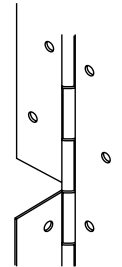
## Hospital Tip

Available on all models except spring-loaded toilet partition hinges, FS321 and FM327  
 Suffix hinge "-HT"  
 Helps provide a safe, clean environment



## Dutch Door Prep

Available on all hinge models  
 Suffix hinge "-DDP"  
 Continuous frame leaf with two-piece door leaf  
 Indicate handing, clearances, door and frame heights, and materials when ordering

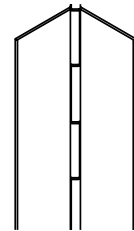


## Wide Throw

Only available on 300 and 3500 series hinges  
 Markar Custom Hinge Information Form must be filled out  
 Reinforcement may be required on extreme wide throw applications  
 These conditions will be determined through a drawing approval process

## Blank

Holes omitted for special applications, such as welded installation  
 Not available on adjustable models



## Welded End Pins

End pins are tack-welded and are non-removeable  
 Not available on aluminum, powder coated hinges and 200 series hinges

## Plug Weld

Plug welding hole prep

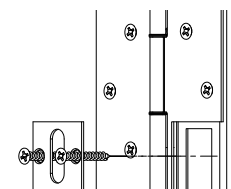
## Automatic Door Bottom Cut

Standard "U" shape cut accepts most automatic door bottoms  
 Make and model are needed

## Removable Auto Door Bottom Prep (RADBP)

Auto door bottom cut out with cover plate

- FMPLATE (FM300, HM304, FM/SC325)
- HGPLATE (HG306, HG311, HG315, HG329)
- HGADJPLATE (HG305, HG310, HG326) FM3500PLATE (FM3500)



**ASSA ABLOY**  
 Opening Solutions

Experience a safer  
 and more open world

800-824-3018 | [www.assaabloydooraccessories.us](http://www.assaabloydooraccessories.us)  
 Check the web site for the up-to-date catalog

Copyright © 2015-2020, ASSA ABLOY Accessories and Door Controls Group, Inc., an ASSA ABLOY Group company. All rights reserved.  
 Reproduction in whole or in part without the express written permission of ASSA ABLOY Accessories and Door Controls Group, Inc. is prohibited.

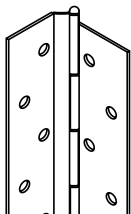
## Continuous Hinge Modifications (Cont.)

### Raised Barrel (Swaged)

Available on all edge mount, half surface, and half mortise models except on aluminum hinges

Suffix hinge "-RB"

For cased open or center pivot doors



### Standard Edge Guard Cut-Outs

The Edge Guard Order form must be filled out to properly locate the hardware cut-outs

4<sup>7</sup>/<sub>8</sub>" ASA strike

161 latch

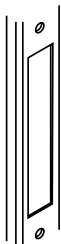
161 strike

86 mortise

Manual flush bolt

Automatic flush bolt

Fire bolt



### Security Studs

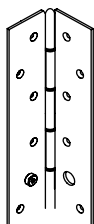
Stainless Steel security studs mounted to the frame leaf

Door leaf is drilled to accommodate studs

Three studs installed on hinges up to 7'2"

Four studs installed on hinges over 7'2"

Door and frame must be specially prepared to accommodate security studs



### Custom Design

The engineering department will assist you in developing custom applications to solve any of your unique door hinging problems. This includes Sheared Leaf or Custom Hole Pattern modifications.

Markar Custom Hinge Information Form must be filled out

### Lead Lined (Standard 4 Lbs./SQ.FT.)

Used for X-ray room doors and other locations where radiation leakage could be a problem

Available on surface mounted hinges and Markar EGT308 edge guard

## Continuous Hinge Modifications (Cont.)

### EL ElectroLynx® Current Transfer

EL4 For 300, 3500, 200, and 100 series edge mount only. 2 wires at 22 gauge and 2 wires at 26 gauge - with ElectroLynx® connectors (4 wire)

EL8 For 300, 3500, 200, and 100 series edge mount only. 2 wires at 22 gauge and 6 wires at 26 gauge - with ElectroLynx® connectors (8 wire)

EL12 For 300, 3500, 200, and 100 series edge mount only. 2 wires at 22 gauge and 10 wires at 26 gauge - with ElectroLynx® connectors (12 wire)

\*We recommend an Electrical Transfer Access Prep (ETAP) with all ElectroLynx® modifications

Replacement wire harness available (EL4-REPLKIT, EL8-REPLKIT & EL12-REPLKIT)

#### ElectroLynx®

*As part of their promise to provide innovative, fast and effective high security solutions to their customers, certain ASSA ABLOY Group brands offer ElectroLynx®, a universal quick-connect system that simplifies the electrification of the door opening.*

*ElectroLynx® is a registered trademark of ASSA ABLOY Inc.*

### PoE (Power over Ethernet) ElectroLynx® Power and Data Transfer

PoE for most 3500, 600, 300, 200 and 100 series edge mount continuous hinges- with ElectroLynx® connectors (9 wire). Electrical Transfer Access Prep (ETAP) included.

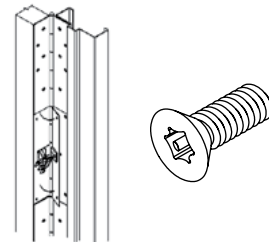
### ETAP Electrical Transfer Access Prep

Cutout prep for the AMS and EL modifications. This allows for easy, one-person access to wiring between the hinge and door

### Security Fasteners

Specify Torx or Torx-Pin security fasteners in lieu of standard fasteners

Contact factory for compatible models



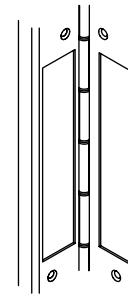
### CTP Current Transfer Prep

Centerline of hinge is standard location

Hinge leaf cutout to accommodate Markar's EPT Electric Power Transfer or other manufacturers' power transfer units

Please provide center line location (from top of hinge) and handing for all prep locations, see CTP Form on Page 79

Order form required, available online.



### EPT Electric Power Transfer Units

EL-EPT Stamped steel, for up to 105° opening

EL-EPTL Stamped steel, long for 180° opening

EL-EPT-SC Stamped steel, for swing clear hinges

EL-CEPTx32D Cast Stainless Steel, satin

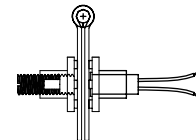
EL-CEPTx10B Cast Stainless Steel, oil rubbed bronze

12-Wire with ElectroLynx® connectors standard on all power transfer units

CTP prep is additional charge

Note: Ordering EPT unit does not constitute CTP prep on hinge

Order form required, available online.



### AMS Adjustable Monitoring Switch

Rigid welded assembly gives you the ability to adjust your monitoring switch to work with all applications 300 and 3500 Series

Rating: 30v AC/DC .25 amps MAX

We recommend an Electrical Transfer Access Prep (ETAP) with this modification.

**ASSA ABLOY**  
Opening Solutions

Experience a safer  
and more open world

800-824-3018 | [www.assaabloydooraccessories.us](http://www.assaabloydooraccessories.us)

Check the web site for the up-to-date catalog

Copyright © 2015-2020, ASSA ABLOY Accessories and Door Controls Group, Inc., an ASSA ABLOY Group company. All rights reserved. Reproduction in whole or in part without the express written permission of ASSA ABLOY Accessories and Door Controls Group, Inc. is prohibited.

## Markar 3500 Series Stainless Steel Pin & Barrel Continuous Hinges

### Short Form Architectural Specification:

Continuous hinges shall be full height piano-type hinge providing full height door support.

- Supports weights up to 900 lbs. 4'0" maximum door width
- Material to be 12 gauge (.105) Stainless Steel
- .187" diameter Stainless Steel pin (rod)
- Each knuckle 2", including nylon bearing at each separation for a quiet, smooth, self-lubricating operation
- Finish: US32D Satin Stainless Steel (630)  
Optional Finish: US32 Bright Stainless Steel (629), Scratch-Resistant Powder Coated Paint.
- All hinges shall be furnished with manufacturer's recommended hardware pack per specific model application
- Must be able to carry UL label for fire rated doors and frames up to 3 hours
- Hinges shall meet ANSI/BHMA Standard A 156.26 Grade 1
- Symmetrically templated hole pattern

Note: 25-Year Warranty on Continuous Pin & Barrel Hinges

Note: Fire label for doors and frames should be placed on the header and top rail of fire rated doors and frames

## Markar FM3500 Edge Mount Security Hinge

### Standard Features

#### Barrel Type Hinge

.187" diameter Stainless Steel pin (rod)

Medical bearings

Stainless Steel end pins

#### Material

Heavy-duty 12 gauge (.105")

Stainless Steel

#### Finishes

US32D Satin Stainless Steel (630)

#### Hospital Tip

Standard

#### Standards

ANSI/BHMA Standard A156.26 Grade 1

#### Hole Pattern

Symmetrically templated

#### Mounting Hardware

Fasteners concealed when door is closed

Custom 12-24 x 7/16" S.S Phillips Flat Head Undercut Machine Screw

#### Capacity

Supports weights up to 900lbs. 4'0" maximum door width

#### Standard Sizes

6'8", 7'0", 7'2", 8'0", 10'0"

#### Handing

Handing not required on standard hinges. Specify handing when ordering a hinge with modification

#### Fire Rating

3 hours- hollow metal doors

90 minutes- hollow metal and composite

20 minutes- wood doors



Classified in accordance with UL10C for positive pressure



Fire-rated label

#### Windstorm

Evaluated in accordance with TAS 201-14, TAS 202-14, TAS 203-14, ASTM E330, ASTM E1886, ASTM E1996 and ANSI A250.13.

### Optional Features

#### Finish

US32 Bright Stainless Steel (629)

Scratch-Resistant Powder Coated Paint

#### Hole Patterns

Plug weld hole pattern

Custom hole pattern

#### Fasteners

Tamper-proof security screws

#### Other Features

Custom lengths - specify in inches

Dutch door hinges - suffix "DDP"

Raised barrel - suffix "RB"

Welded End Pins

Security studs

#### Electrical Modifications

Adjustable Monitoring Switch - suffix "AMS"

Current Transfer Prep - suffix "CTP"

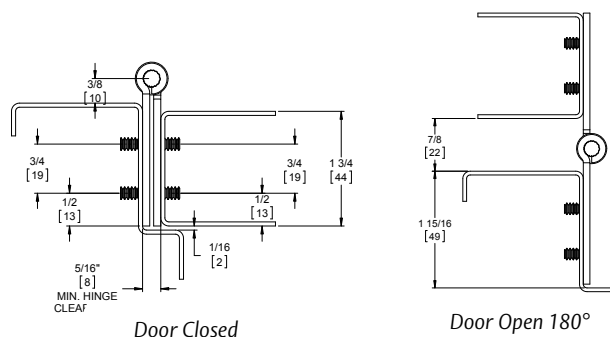
Electrical Transfer Access Prep - "ETAP"

ElectroLynx®

EL4 (4 wire), EL8 (8 wire), EL12 (12 wire)

PoE (9 wire)

This edge mount pin and barrel type hinge is fabricated with extra-heavy duty components for use on high traffic, high abuse doors. The hinge is specially designed and well suited for correctional facilities and other high security locations using up to 2 1/4" thick swing-type doors. Prison doors, gates, extremely tall doors and extra heavy doors are all good candidates for Markar's 3500 Security Hinge.



800-824-3018 | [www.assaabloydooraccessories.us](http://www.assaabloydooraccessories.us)

Check the web site for the up-to-date catalog

Copyright © 2015-2020, ASSA ABLOY Accessories and Door Controls Group, Inc., an ASSA ABLOY Group company. All rights reserved. Reproduction in whole or in part without the express written permission of ASSA ABLOY Accessories and Door Controls Group, Inc. is prohibited.

**ASSA ABLOY**  
Opening Solutions

Experience a safer  
and more open world





# Markar FS3501 1/8" Inset Full Surface Security Hinge

## Standard Features

**Barrel Type Hinge**  
 .187" diameter Stainless Steel pin (rod)  
 Medical bearings  
 Stainless Steel end pins  
**Material**  
 Heavy-duty 12 gauge (.105")  
 Stainless Steel  
**Finishes**  
 US32D Satin Stainless Steel (630)  
 Hospital Tip Standard

**Standards**  
 ANSI/BHMA Standard A156.26  
 Grade 1  
**Mounting Hardware**  
 Custom 12-24 x 7/16" S.S Phillips  
 Flat Head Undercut Machine  
 Screw  
**Capacity**  
 Supports weights up to 900lbs.  
 4'0" maximum door width  
**Standard Sizes**  
 6'8", 7'0", 7'2", 8'0", 10'0"

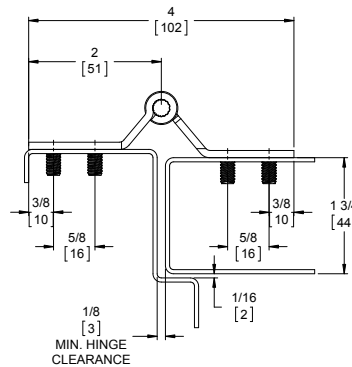
**Hole Pattern**  
 Symmetrically templated  
**Handing**  
 Specify handing  
**Fire Rating**  
 3 hours- hollow metal doors  
 90 minutes- hollow metal and composite  
 20 minutes- wood doors  
 Classified in accordance with UL10C  
 for positive pressure  
 Fire-rated label

## Optional Features

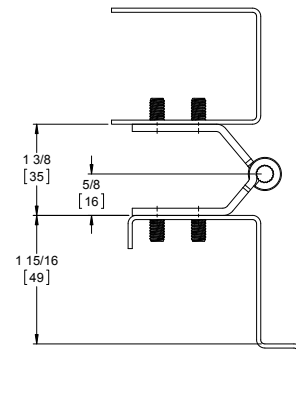
**Finish**  
 US32 Bright Stainless Steel (629)  
 Scratch-Resistant Powder Coated Paint  
**Hole Patterns**  
 Plug weld hole pattern  
 Custom hole pattern

**Fasteners**  
 Tamper-proof security screws  
**Other Features**  
 Custom lengths – specify in inches  
 Dutch door hinges – suffix "DDP"  
 Welded End Pins

For 1/8" inset doors. This hinge allows for perfect alignment for the retrofitting of doors in correctional facilities and other high security locations using 2" thick swing-type doors. Prison doors, gates, extremely tall doors and extra heavy doors are all good candidates for Markar's 3501 Security Hinge.



Door Closed



Door Open 180°

**ASSA ABLOY**  
 Opening Solutions

Experience a safer  
 and more open world

800-824-3018 | [www.assaabloydooraccessories.us](http://www.assaabloydooraccessories.us)  
 Check the web site for the up-to-date catalog



Copyright © 2015-2020, ASSA ABLOY Accessories and Door Controls Group, Inc., an ASSA ABLOY Group company. All rights reserved. Reproduction in whole or in part without the express written permission of ASSA ABLOY Accessories and Door Controls Group, Inc. is prohibited.

# Markar FS3502 Flush Full Surface Security Hinge

## Standard Features

**Barrel Type Hinge**  
 .187" diameter Stainless Steel pin (rod)  
 Stainless Steel end pins  
 Medical bearings  
**Material**  
 Heavy-duty 12 gauge (.105")  
 Stainless Steel  
**Finishes**  
 US32D Satin Stainless Steel (630)  
 Hospital Tip Standard  
**Standards**  
 ANSI/BHMA Standard A156.26 Grade 1

**Mounting Hardware**  
 Custom 12-24 x 7/16" S.S Phillips Flat  
 Head Undercut Machine Screw  
**Capacity**  
 Supports weights up to 900lbs.  
 4'0" maximum door width  
**Standard Sizes**  
 6'8", 7'0", 7'2", 8'0", 10'0"  
**Hole Pattern**  
 Symmetrically templated  
**Handing**  
 Handing not required on standard  
 hinges Specify handing when  
 ordering a hinge with modification

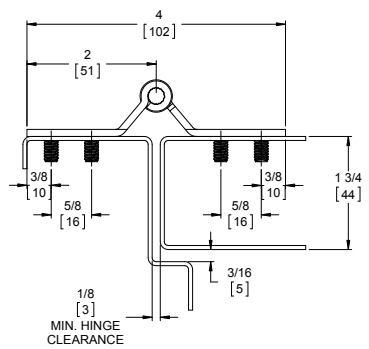
**Fire Rating**  
 3 hours- hollow metal doors 90  
 minutes- hollow metal and composite  
 20 minutes- wood doors  
 Classified in accordance with  
 UL10C for positive pressure  
 Fire-rated label

## Optional Features

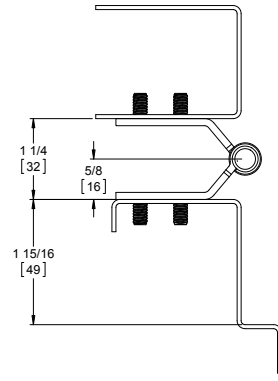
**Finish**  
 US32 Bright Stainless Steel (629)  
 Scratch-Resistant Powder Coated Paint  
**Hole Patterns**  
 Plug weld hole pattern  
 Custom hole pattern

**Fasteners**  
 Tamper-proof security screws  
**Other Features**  
 Custom lengths - specify in inches  
 Dutch door hinges - suffix "DDP"  
 Welded End Pins

This surface-mounted pin and barrel type hinge is fabricated with extra-heavy duty components and designed for solving door sag problems on high traffic, high abuse doors. This hinge is well suited for correctional facilities and other high security locations using 2" thick swing-type doors. Prison doors, gates extremely tall doors and extra heavy doors are all good candidates for Markar's 3502 Security Hinge.



Door Closed




Door Open 180°

# Markar HG3505 Adjustable Hinge Guard

## Standard Features

Barrel Type Hinge  
 .187" diameter Stainless Steel pin (rod)  
 Medical bearings  
 Stainless Steel end pins  
 Material  
 Heavy-duty 12-gauge (.105") Stainless  
 Steel hinge leaves  
 14 gauge Stainless Steel angle on door leaf  
 Finishes  
 US32D Satin Stainless Steel (630)  
 Hospital Tip Standard

Standards  
 ANSI/BHMA Standard A156.26  
 Grade 1  
 Mounting Hardware  
 Custom 12-24 x 7/16" S.S Phillips  
 Flat Head Undercut Machine  
 Screw  
 Capacity  
 Supports weights up to 900lbs.  
 4'0" maximum door width  
 Standard Sizes  
 6'8", 7'0", 7'2", 8'0", 10'0"

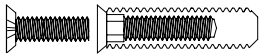
Hole Pattern  
 Symmetrically templated  
 Handing  
 Specify handing  
 Fire Rating  
 3 hours- hollow metal doors  
 90 minutes- hollow metal and  
 composite 20 minutes- wood doors  
 Classified in accordance with UL10C for  
 positive pressure  
 Fire-rated label

## Optional Features

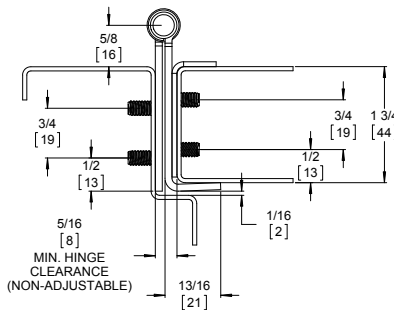
Finish  
 US32 Bright Stainless Steel (629)  
 Scratch-Resistant Powder Coated Paint  
 Mounting Hardware  
 Tamper-proof security screws  
 Adjust-A-Screw™ for correcting alignment  
 problems up to 3/8"

Other Features  
 Custom lengths – specify in  
 inches  
 Custom hole pattern  
 Dutch door hinges – suffix "DDP"  
 Raised barrel - suffix "RB"  
 Welded end pins  
 Security studs

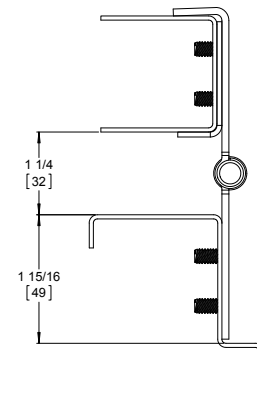
Electrical Modifications  
 Adjustable Monitoring Switch - suffix "AMS"  
 Current Transfer Prep - suffix "CTP"  
 Electronic Transfer Access Prep - suffix "ETAP"  
 ElectroLynx®  
 EL4 (4 wire), EL8 (8 wire), EL12 (12 wire)  
 PoE (9 wire)



The integral hinge guard protects the door from dings and gouges from carts and gurneys while providing clean lines and aesthetic appearance. Our HG products also have fire ratings up to and including 3 hours.



Door Closed



Door Open 180°

**ASSA ABLOY**  
 Opening Solutions

Experience a safer  
 and more open world

800-824-3018 | [www.assaabloydooraccessories.us](http://www.assaabloydooraccessories.us)  
 Check the web site for the up-to-date catalog

Copyright © 2015-2020, ASSA ABLOY Accessories and Door Controls Group, Inc., an ASSA ABLOY Group company. All rights reserved. Reproduction in whole or in part without the express written permission of ASSA ABLOY Accessories and Door Controls Group, Inc. is prohibited.

# Markar 600 Series Stainless Steel Pin & Barrel Continuous Hinges

## Short Form Architectural Specification:

Continuous hinges shall be full height piano-type hinge providing full height door support.

- Supports weights up to 600 lbs. 4' 0" maximum door width
- Material to be 14 gauge 316 Stainless Steel
- .187" diameter Stainless Steel pin (rod)
- Exterior barrel diameter .438" ( $\frac{7}{16}$ " )
- Each knuckle 2", including nylon bearing at each separation for a quiet, smooth, self-lubricating operation
- Finish: US32D Satin Stainless Steel (630)  
Optional Finish: US32 Bright Stainless Steel (629), Scratch-Resistant Powder Coated Paint.
- All hinges shall be furnished with manufacturer's recommended hardware pack per specific model application
- Must be able to carry Warnock Hersey Int. or UL for fire rated doors and frames up to 3 hours
- Hinges shall meet ANSI/BHMA Standard A 156.26 Grade 1
- Symmetrically templated hole pattern

NOTE: 25-Year Warranty on Continuous Pin & Barrel Hinges

NOTE: Fire label for doors and frames should be placed on the header and top rail of fire rated doors and frames

## Markar FM600 316 SS Edge Mount Hinge

### Standard Features

#### Barrel Type Hinge

.187" diameter Stainless Steel pin (rod)

Medical bearings

Stainless Steel end pins

Material

Heavy duty 14 gauge 316 stainless steel

Finishes

US32D Satin Stainless Steel (630)

Standards

ANSI/BHMA Standard A156.26 Grade 1

Hole Pattern

Symmetrically templated

#### Mounting Hardware

Fasteners concealed when door is closed

Custom 12-24 x  $\frac{11}{16}$ " S.S Phillips

Flat Head Undercut TEK Screws

Capacity

Supports weights up to 600 lbs.

4'0" maximum door width

Standard Sizes

6'8", 7'0", 7'2", 8'0", 10'0"

Handing

Handing not required on standard hinges. Specify handing when ordering a hinge with modification.

#### Rating

3 hours- hollow metal doors

90 minutes- hollow metal and

composite core wood fire doors

20 minutes- wood doors



Classified in accordance with UL10C for positive pressure



Fire-rated label

Windstorm

Evaluated in accordance with TAS 201-14, TAS 202-14, TAS 203-14, ASTM E330, ASTM E1886, ASTM E1996 and ANSI A250.13

### Optional Features

Finishes

Scratch-Resistant Powder Coated Paint

Fasteners

Tamper-proof security screws

Other Features

Custom lengths- specify in inches

Custom hole pattern

Dutch door hinges- suffix "DDP"

Hospital tips - suffix "HT"

Raised barrel - suffix "RB"

Welded end pins

Security studs.

Electrical Modifications

Adjustable Monitoring Switch - "AMS"

Current Transfer Prep - suffix "CTP"

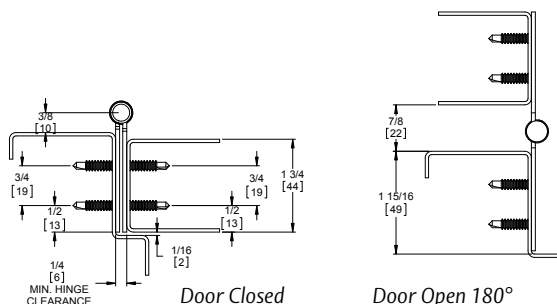
Electrical Transfer Access Prep - suffix "ETAP"

ElectroLynx®

EL4 (4 wire), EL8 (8 wire), EL12 (12 wire)

PoE (9 wire)

This superior corrosion resistant edge mounted pin & barrel hinge is used in high chloride, sodium and sulfurous acid environments. This hinge works well in marine type environments.



800-824-3018 | [www.assaabloydooraccessories.us](http://www.assaabloydooraccessories.us)

Check the web site for the up-to-date catalog

Copyright © 2015-2020, ASSA ABLOY Accessories and Door Controls Group, Inc., an ASSA ABLOY Group company. All rights reserved. Reproduction in whole or in part without the express written permission of ASSA ABLOY Accessories and Door Controls Group, Inc. is prohibited.

**ASSA ABLOY**  
Opening Solutions

Experience a safer  
and more open world

# Markar 300 Series Stainless Steel Pin & Barrel Continuous Hinges

## Short Form Architectural Specification:

Continuous hinges shall be full height piano-type hinge providing full height door support.

- Supports weights up to 600 lbs. 4' 0" maximum door width
- Material to be 14 gauge Stainless Steel
- .187" diameter Stainless Steel pin (rod)
- Exterior barrel diameter .438" ( $7/16$ " )
- Each knuckle 2", including nylon bearing at each separation for a quiet, smooth, self-lubricating operation
- Finish: US32D Satin Stainless Steel (630)  
Optional Finish: US32 Bright Stainless Steel (629), Scratch-Resistant Powder Coated Paint.
- All hinges shall be furnished with manufacturer's recommended hardware pack per specific model application
- Must be able to carry Warnock Hersey Int. or UL for fire rated doors and frames up to 3 hours
- Hinges shall meet ANSI/BHMA Standard A 156.26 Grade 1
- Symmetrically templated hole pattern

NOTE: 25-Year Warranty on Continuous Pin & Barrel Hinges



NOTE: Fire label for doors and frames should be placed on the header and top rail of fire rated doors and frames

## Markar FM300 Edge Mount Hinge

### Standard Features

**Barrel Type Hinge**  
.187" diameter Stainless Steel pin (rod)  
**Medical bearings**  
Stainless Steel end pins  
**Material**  
Heavy-duty 14 gauge Stainless Steel  
**Finishes**  
US32D Satin Stainless Steel (630)  
**Standards**  
ANSI/BHMA Standard A156.26 Grade 1  
**Hole Pattern**  
Symmetrically templated

**Mounting Hardware**  
Fasteners concealed when door is closed  
Custom 12-24 x  $1\frac{1}{16}$ " S.S Phillips Flat Head Undercut TEK Screws  
**Capacity**  
Supports weights up to 600 lbs. 4'0" maximum door width  
**Standard Sizes**  
6'8", 7'0", 7'2", 8'0", 10'0"  
**Handing**  
Handing not required on standard hinges. Specify handing when ordering a hinge with modification.

**Rating**  
3 hours- hollow metal doors  
90 minutes- hollow metal and composite core wood fire doors  
20 minutes- wood doors  
 Classified in accordance with UL10C for positive pressure  
 Fire-rated label  
**Windstorm**  
Evaluated in accordance with TAS 201-94, TAS 202-94, TAS 203-94, ASTM E330, ASTM E1886, ASTM E1996 and ANSI A250.13

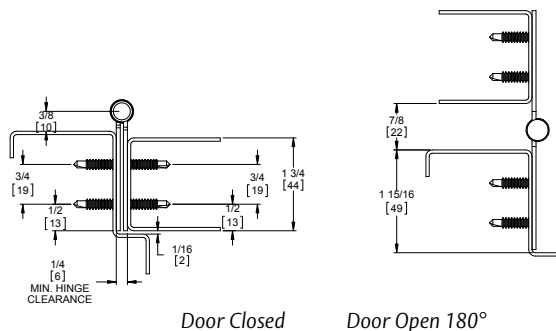
### Optional Features

**Finishes**  
Scratch-Resistant Powder Coated Paint  
**Fasteners**  
Tamper-proof security screws  
**Other Features**  
Custom lengths- specify in inches  
Custom hole pattern

Dutch door hinges- suffix "DDP"  
Hospital tips - suffix "HT"  
Raised barrel - suffix "RB"  
Welded end pins  
Security studs.  
**Electrical Modifications**  
Adjustable Monitoring Switch - "AMS"

Current Transfer Prep - suffix "CTP"  
Electrical Transfer Access Prep - suffix "ETAP"  
ElectroLynx®  
EL4 (4 wire), EL8 (8 wire), EL12 (12 wire)  
PoE (9 wire)

This edge-mounted pin & barrel hinge is used on many of today's high traffic, high abuse doors. The hinge works well in locations that would normally call out for anchor hinges, pivot reinforcement hinges or thrust pivot unit and hinge sets. This hinge saves on special door and frame preparation charges and makes the installer's job easier. It can be used on both fire labeled and non-labeled openings.



**ASSA ABLOY**  
Opening Solutions

Experience a safer  
and more open world

800-824-3018 | [www.assaabloydooraccessories.us](http://www.assaabloydooraccessories.us)  
Check the web site for the up-to-date catalog

Copyright © 2015-2020, ASSA ABLOY Accessories and Door Controls Group, Inc., an ASSA ABLOY Group company. All rights reserved. Reproduction in whole or in part without the express written permission of ASSA ABLOY Accessories and Door Controls Group, Inc. is prohibited.



# Markar FM300WT Wide Throw Edge Mount Hinges

## Standard Features

Barrel Type Hinge  
 .187" diameter Stainless Steel pin (rod)  
 Medical bearings  
 Stainless Steel end pins  
 Material  
 Heavy-duty 14 gauge Stainless Steel  
 Heavy-duty 12 gauge support angles, where applicable  
 Finishes  
 US32D Satin Stainless Steel (630)  
 Standards  
 ANSI/BHMA Standard A156.26 Grade 1

Mounting Hardware  
 Custom 12-24 x 1<sup>1</sup>/<sub>16</sub>" S.S Phillips Flat Head Undercut TEK Screws  
 Capacity  
 Weight: Consult factory  
 4'0" maximum door width  
 Standard Sizes  
 6'8", 7'0", 7'2", 8'0", 10'0"  
 Hole Pattern  
 Symmetrically templated

Handing  
 Handing not required on standard hinges. Specify handing when ordering a hinge with modification  
 Fire Rating  
 3 hours- hollow metal doors  
 90 minutes- hollow metal and composite core wood fire doors  
 20 minutes- wood doors

 Classified in accordance with UL10C for positive pressure  
 Fire-rated label

## Optional Features

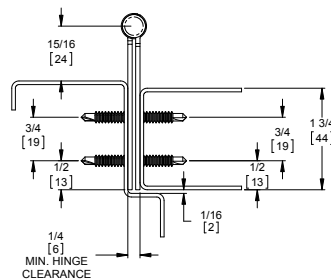
Finishes  
 Scratch-Resistant Powder Coated Paint  
 Fasteners  
 Tamper-proof security screws

Other Features  
 Custom lengths- specify in inches  
 Custom hole pattern  
 Dutch door hinges- suffix "DDP"  
 Hospital tips - suffix "HT"  
 Welded end pins  
 Security studs

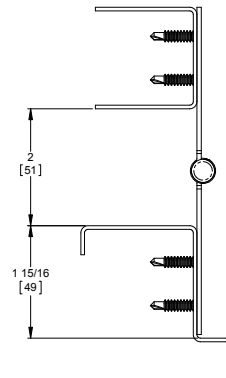
Electrical Modifications  
 Adjustable Monitoring Switch - suffix "AMS"  
 Current Transfer Prep - suffix "CTP"  
 Electrical Transfer Access Prep - suffix "ETAP"  
 ElectroLynx®  
 EL4 (4 wire), EL8 (8 wire), EL12 (12 wire)

This edge-mounted pin & barrel hinge is used on many of today's high traffic, high abuse doors. The hinge works well in locations that would normally call out for anchor hinges, pivot reinforcement hinges or thrust pivot unit and hinge sets. This hinge saves on special door and frame preparation charges and makes the installer's job easier. It can be used on both fire labeled and non-labeled openings.

FM300WT10



Door Closed

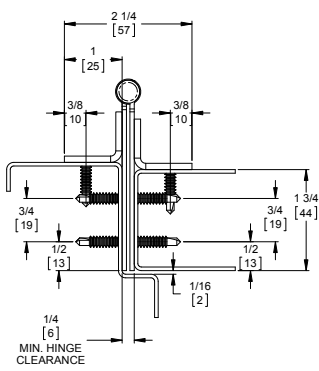


Door Open 180°

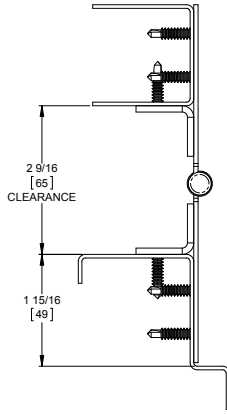
More profiles on next page

# Markar FM300WT Wide Throw Edge Mount Hinges (cont)

FM300WT20

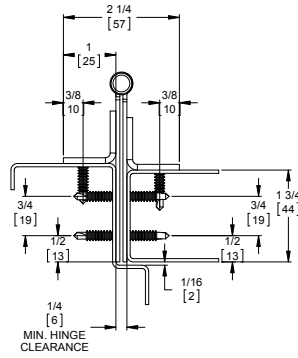


Door Closed

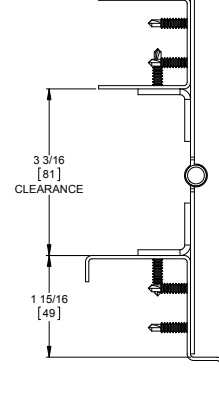


Door Open 180°

FM300WT30

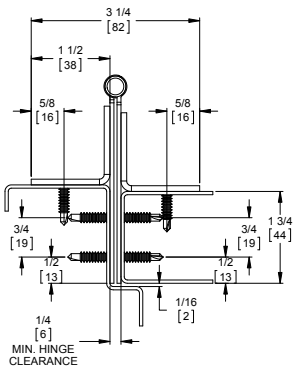


Door Closed

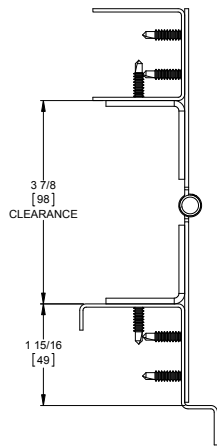


Door Open 180°

FM300WT40

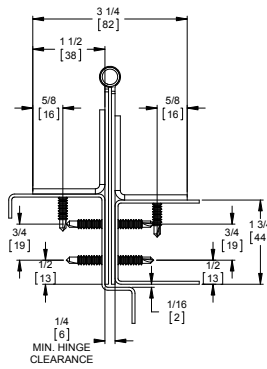


Door Closed

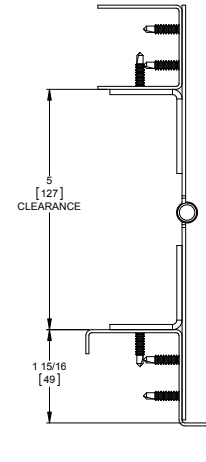


Door Open 180°

FM300WT50



Door Closed



Door Open 180°



# Markar FS301 1/8" Inset Full Surface Hinge

## Standard Features

**Barrel Type Hinge**  
 .187" diameter Stainless Steel pin (rod)  
 Medical bearings  
 Stainless Steel end pins  
**Material**  
 Heavy-duty 14 gauge Stainless Steel  
 Cover - extruded aluminum  
**Finishes**  
 US32D Satin Stainless Steel (630)  
 Cover - brushed aluminum  
**Standards**  
 ANSI/BHMA Standard A156.26 Grade 1

**Mounting Hardware**  
 Fasteners concealed underneath aluminum cover  
 1/4"-14 x 3/4" Security TORX  
 TEK Screws  
**Capacity**  
 Supports weights up to 600 lbs.  
 4'0" maximum door width  
**Standard Sizes**  
 6'8", 7'0", 7'2", 8'0", 10'0"  
**Handing**  
 Not required for standard 7'0", 8'0" or 10'0". Handing required for 6'8" and 7'2" and for most optional features listed

**Fire Rating**  
 3 hours- hollow metal doors  
 90 minutes- hollow metal and composite core wood fire doors  
 20 minutes- wood doors



Classified in accordance with UL10C for positive pressure



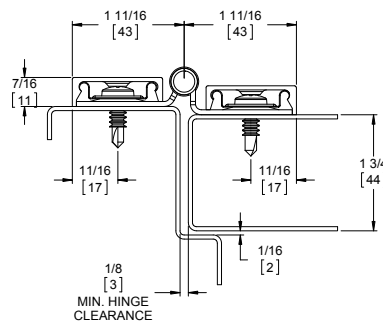
Fire-rated label

## Optional Features

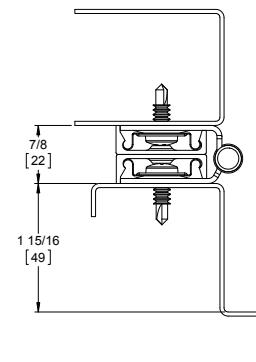
**Finishes**  
 US32 Bright Stainless Steel (629)  
 Scratch-Resistant Powder Coated Paint  
**Fasteners**  
 1 5/8" S.S. sleeve bolts  
 Tamper-proof security screws

**Other Features**  
 Custom lengths- specify in inches  
 Custom hole pattern  
 Dutch door hinges - suffix "DDP"  
 Hospital tips - suffix "HT"  
 Lead lined covers with 4 lbs. lead lining - suffix "LL"  
 Welded end pins

This surface-mounted pin & barrel continuous hinge can be used to repair or replace existing hinges on both fire labeled and non-labeled doors that have very tight clearances. The hinge has a built-in 1/8" offset to assist in weather seal and sound barrier areas.



Door Closed



Door Open 180°



# Markar FS302 Full Surface Flush Mount

## Standard Features

**Barrel Type Hinge**  
 .187" diameter Stainless Steel pin (rod)  
 Medical bearings  
 Stainless Steel end pins  
**Material**  
 Heavy-duty 14 gauge Stainless Steel  
 Cover - extruded aluminum  
**Finishes**  
 US32D Satin Stainless Steel (630)  
 Cover - brushed aluminum  
**Standards**  
 ANSI/BHMA Standard A156.26 Grade 1

**Mounting Hardware**  
 Fasteners concealed underneath aluminum cover  
 1/4" - 14 x 3/4" Security TORX  
 TEK Screws Capacity  
 Supports weights up to 600 lbs.  
 4'0" maximum door width  
**Standard Sizes**  
 6'8", 7'0", 7'2", 8'0", 10'0"  
**Hole Pattern**  
 Symmetrically templated  
**Handing**  
 Handing not required on standard hinges. Specify handing when ordering a hinge with modification

**Fire Rating**  
 3 hours- hollow metal doors  
 90 minutes- hollow metal and composite core wood fire doors  
 20 minutes- wood doors

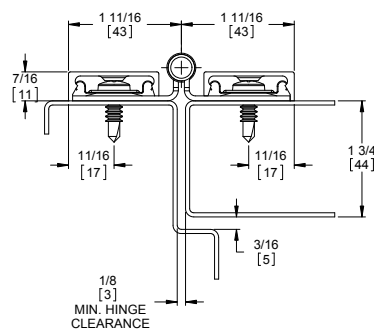
 Classified in accordance with UL10C for positive pressure  
 Fire-rated label

## Optional Features

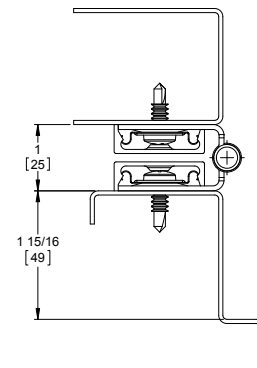
**Finishes**  
 US32 Bright Stainless Steel (629)  
 Scratch-Resistant Powder Coated Paint  
**Fasteners**  
 1 5/8" S.S. sleeve bolts  
 Tamper-proof security screws

**Other Features**  
 Custom lengths- specify in inches  
 Custom hole pattern  
 Dutch door hinges - suffix "DDP"  
 Hospital tips - suffix "HT"  
 Lead lined covers with 4 lbs. lead lining - suffix "LL"  
 Welded end pins

This surface-mounted pin & barrel continuous hinge can be used to replace and repair existing hinges on both fire labeled and non-labeled doors. Designed for retrofit market.



Door Closed



Door Open 180°

**ASSA ABLOY**  
 Opening Solutions

Experience a safer  
 and more open world

800-824-3018 | [www.assaabloydooraccessories.us](http://www.assaabloydooraccessories.us)  
 Check the web site for the up-to-date catalog



Copyright © 2015-2020, ASSA ABLOY Accessories and Door Controls Group, Inc., an ASSA ABLOY Group company. All rights reserved. Reproduction in whole or in part without the express written permission of ASSA ABLOY Accessories and Door Controls Group, Inc. is prohibited.

# Markar HS303 Half Surface Hinge

## Standard Features

**Barrel Type Hinge**  
 .187" diameter Stainless Steel pin (rod)  
 Medical bearings  
 Stainless Steel end pins  
**Material**  
 Heavy-duty 14 gauge Stainless Steel  
 Cover - extruded aluminum  
**Finishes**  
 US32D Satin Stainless Steel (630)  
 Cover - brushed aluminum  
**Standards**  
 ANSI/BHMA Standard A156.26 Grade 1

**Mounting Hardware**  
 Fasteners concealed when door is closed  
 Custom 12-24 x 11/16" S.S Phillips Flat Head Undercut TEK Screws & 1/4"-14 x 3/4" Security TORX TEK Screws  
**Capacity**  
 Supports weights up to 600 lbs.  
 4'0" maximum door width  
**Sizes**  
 6'8", 7'0", 7'2", 8'0", 10'0"  
**Hole Pattern**  
 Symmetrically templated

**Handing**  
 Not required for standard 7'0", 8'0" or 10'0". Handing required for 6'8" and 7'0" and for most optional features listed  
**Fire Rating**  
 3 hours- hollow metal doors  
 90 minutes- hollow metal and composite  
 20 minutes- wood doors  
 Classified in accordance with UL10C for positive pressure  
 Fire-rated label

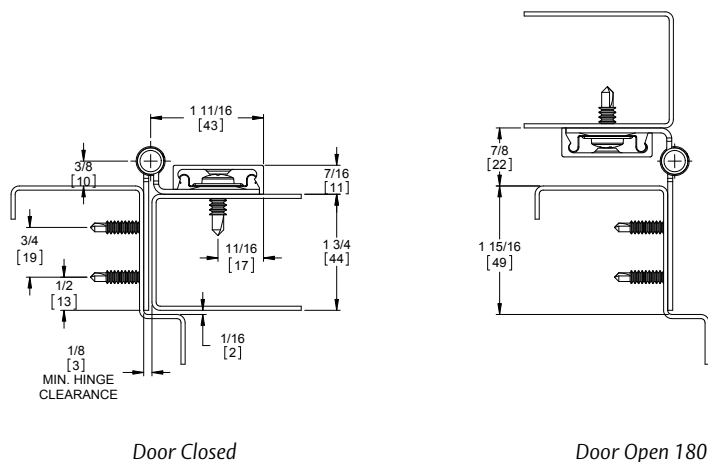
## Optional Features

**Finish**  
 US32 Bright Stainless Steel (629)  
 Scratch-Resistant Powder Coated Paint  
**Fasteners**  
 1 5/8" S.S. sleeve bolts  
 Tamper-proof security screws

**Other Features**  
 Custom lengths - specify in inches  
 Custom hole pattern  
 Dutch door hinges - suffix "DDP"  
 Hospital tips - suffix "HT"  
 Raised barrel - suffix "RB"  
 Welded end pins  
 Lead lined cover with 4 lbs. lead lining - suffix "LL"

**Electrical Modifications**  
 Current Transfer Prep (frame leaf only) - suffix "CTP"

This half-surface pin & barrel continuous hinge can be used to repair or replace existing hinges on both fire labeled openings. The hinge fits into the gap left after standard butt hinges are removed. It can assist in reversing the handing of a door, or to reverse the swing of a door hung in an evenly-rabbetted frame. (Please consult factory for instructions for unevenly-rabbetted frames.)



# Markar HM304 Half Mortise Hinge

## Standard Features

**Barrel Type Hinge**  
 .187" diameter Stainless Steel pin (rod)  
 Medical bearings  
 Stainless Steel end pins  
**Material**  
 Heavy-duty 14 gauge Stainless Steel  
 Cover - extruded aluminum  
**Finishes**  
 US32D Satin Stainless Steel (630)  
 Cover - brushed aluminum  
**Standards**  
 ANSI/BHMA Standard A156.26 Grade 1

**Mounting Hardware**  
 Fasteners concealed when door is closed  
 Custom 12-24 x 11/16" S.S Phillips Flat Head Undercut TEK Screws & 1/4"-14 x 3/4" Security TORX TEK Screws  
**Capacity**  
 Supports weights up to 600 lbs.  
 4'0" maximum door width  
**Standard Sizes**  
 6'8", 7'0", 7'2", 8'0", 10'0"  
**Hole Pattern**  
 Symmetrically templated

**Handing**  
 Not required for standard 7'0", 8'0" or 10'0". Handing required for 6'8" and 7'2" and for most optional features listed  
**Fire Rating**  
 3 hours- hollow metal doors  
 90 minutes- hollow metal and composite  
 20 minutes- wood doors  
 Classified in accordance with UL10C for positive pressure  
 Fire-rated label



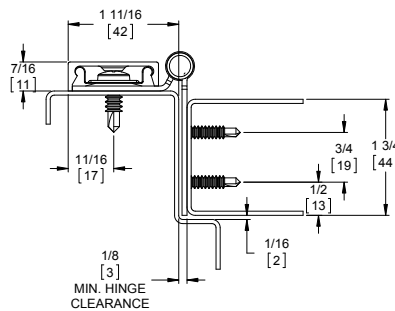
## Optional Features

**Finishes**  
 US32 Bright Stainless Steel (629)  
 Scratch-Resistant Powder Coated Paint  
**Fasteners**  
 Tamper-proof security screws

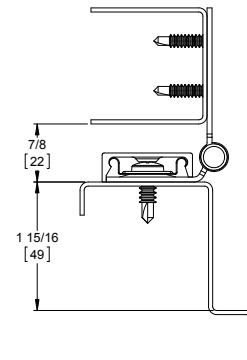
**Other Features**  
 Custom lengths- specify in inches  
 Custom hole pattern  
 Dutch door hinges- suffix "DDP"  
 Hospital tips - suffix "HT"  
 Raised barrel - suffix "RB"  
 Welded end pins

**Electrical Modifications**  
 Current Transfer Prep (door leaf only) - suffix "CTP"

This pin & barrel type hinge is used on wooden doors to hide splits, chips and dents from traffic abuse. The surface mounted frame leaf allows for easy retrofit installation.



Door Closed



Door Open 180°

**ASSA ABLOY**  
 Opening Solutions

Experience a safer  
 and more open world

800-824-3018 | [www.assaabloydooraccessories.us](http://www.assaabloydooraccessories.us)  
 Check the web site for the up-to-date catalog

Copyright © 2015-2020, ASSA ABLOY Accessories and Door Controls Group, Inc., an ASSA ABLOY Group company. All rights reserved. Reproduction in whole or in part without the express written permission of ASSA ABLOY Accessories and Door Controls Group, Inc. is prohibited.

# Markar HG305 Adjustable Hinge Guard

## Standard Features

Barrel Type Hinge  
 .187" diameter Stainless Steel pin (rod)  
 Medical bearings  
 Stainless Steel end pins  
 Material  
 Heavy-duty 14 gauge Stainless Steel  
 Finishes  
 US32D Satin Stainless Steel (630)  
 Standards  
 ANSI/BHMA Standard A156.26 Grade 1  
 Mounting Hardware  
 Fasteners concealed when door is closed  
 Custom 12-24 x <sup>11</sup>/<sub>16</sub>" S.S Phillips Flat Head Undercut TEK Screws

Capacity  
 Supports weights up to 600 lbs.  
 4'0" maximum door width  
 Standard Sizes  
 6'8", 7'0", 7'2", 8'0", 10'0"  
 Hole Pattern  
 Symmetrically templated  
 Handing  
 Not required for standard 7'0", 8'0" or 10'0". Handing required for 6'8" and 7'2" and for most optional features listed

Fire Rating  
 3 hours- hollow metal doors  
 90 minutes- hollow metal and composite  
 20 minutes- wood doors



Classified in accordance with UL10C for positive pressure

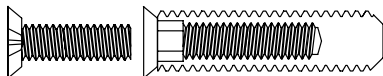


Fire-rated label

Windstorm  
 Products is constructed in accordance with Guidelines FEMA 320 & FEMA 361.

## Optional Features

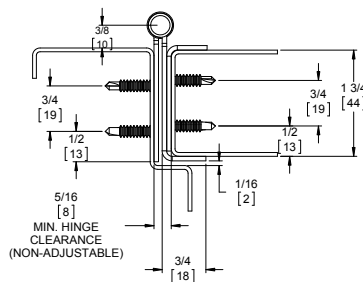
Finish  
 US32 Bright Stainless Steel (629)  
 Scratch-Resistant Powder Coated Paint  
 Fasteners  
 Adjust-A-Screw™ for correcting frame fit problems up to <sup>3</sup>/<sub>8</sub>"



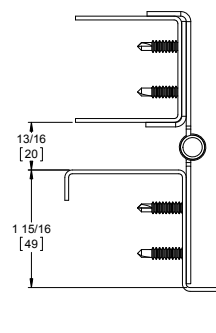
Other Features  
 Custom lengths- specify in inches  
 Custom hole pattern  
 Dutch door hinges- suffix "DDP"  
 Hospital tips – suffix "HT"  
 Raised barrel – suffix "RB"  
 Welded end pins  
 Security studs

Electrical Modifications  
 Adjustable Monitoring Switch - suffix "AMS"  
 Current Transfer Prep - suffix "CTP"  
 Electrical Transfer Access Prep - suffix "ETAP"  
 ElectroLynx®  
 EL4 (4 wire), EL8 (8 wire), EL12 (12 wire)  
 PoE (9 wire)

The integral hinge guard protects the door from dings and gouges from carts and gurneys while providing clean lines and aesthetic appearance. Our HG products also have fire ratings up to and including 3 hours. Not only that, but the wrap-around edge guard protects the door from unsightly dents and gouges and will deflect objects, preventing further damage.



Door Closed



Door Open 180°



# Markar HG306 Hinge Guard

## Standard Features

Barrel Type Hinge  
 .187" diameter Stainless Steel pin (rod)  
 Medical bearings  
 Stainless Steel end pins  
 Material  
 Heavy-duty 14 gauge Stainless Steel  
 Cover - extruded aluminum  
 Finishes  
 US32D Satin Stainless Steel (630)  
 Cover - brushed aluminum  
 Standards  
 ANSI/BHMA Standard A156.26 Grade 1  
 Mounting Hardware  
 Fasteners concealed when door is closed

Custom 12-24 x 11/16" S.S Phillips Flat  
 Head Undercut TEK Screws & 1/4-14 x 3/4"  
 Security TORX TEK Screws  
 Capacity  
 Supports weights up to 600 lbs.  
 4'0" maximum door width  
 Standard Sizes  
 6'8", 7'0", 7'2", 8'0", 10'0"  
 Hole Pattern  
 Symmetrically templated  
 Handing  
 Not required for standard 7'0", 8'0" or  
 10'0". Handing required for 6'8" and 7'2"  
 and for most optional features listed

Fire Rating  
 3 hours- hollow metal doors  
 90 minutes- hollow metal and  
 composite  
 20 minutes- wood doors

 Classified in accordance  
 with UL10C for positive  
 pressure  
 Fire-rated label

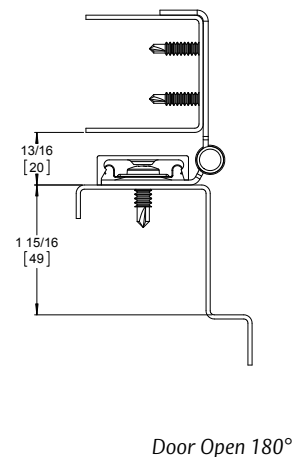
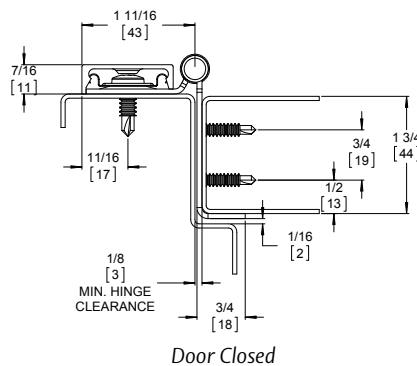
## Optional Features

Finishes  
 US32 Bright Stainless Steel (629)  
 Scratch-Resistant Powder Coated  
 Paint  
 Fasteners  
 Tamper-proof security screws

Other Features  
 Custom lengths- specify in inches  
 Custom hole pattern  
 Dutch door hinges- suffix "DDP"  
 Hospital tips - suffix "HT"  
 Raised barrel - suffix "RB"  
 Welded End Pins

Electrical Modifications  
 Current Transfer Prep (door leaf only) -  
 suffix "CTP"

This hinge is used with hollow metal frames and wood or hollow metal doors. The guard that wraps the door covers up dents, scratches, and splits in the door the door. This product covers the door's edge and wraps the door face to prevent further damage. This hinge can also be used to reverse the swing of a door.



**ASSA ABLOY**  
 Opening Solutions

Experience a safer  
 and more open world

800-824-3018 | [www.assaabloydooraccessories.us](http://www.assaabloydooraccessories.us)  
 Check the web site for the up-to-date catalog

Copyright © 2015-2020, ASSA ABLOY Accessories and Door Controls Group, Inc., an ASSA ABLOY Group company. All rights reserved. Reproduction in whole or in part without the express written permission of ASSA ABLOY Accessories and Door Controls Group, Inc. is prohibited.

# Markar FS/SC309 Full Surface Swing Clear Hinge

## Standard Features

Barrel Type Hinge  
 .187" diameter Stainless Steel pin (rod)  
 Medical bearings  
 Stainless Steel end pins  
 Material  
 Heavy-duty 14 gauge Stainless Steel  
 Cover - extruded aluminum  
 Finishes  
 US32D Satin Stainless Steel (630)  
 Cover - brushed aluminum  
 Standards  
 ANSI/BHMA Standard A156.26 Grade 1  
 Mounting Hardware  
 Fasteners concealed when door is closed  
 Custom 12-24 x 1<sup>1</sup>/<sub>16</sub>" S.S Phillips Flat Head Undercut TEK Screws & 1/4-14 x 3/4" Security TORX TEK Screws

Capacity  
 Supports weights up to 600 lbs.  
 4'0" maximum door width  
 Standard Sizes  
 6'8", 7'0", 7'2", 8'0", 10'0"  
 Hole Pattern  
 Symmetrically templated  
 Handing  
 Not required for standard 7'0", 8'0" or 10'0". Specify handing for 6'8" and 7'2" and for most optional features

Fire Rating  
 3 hours- hollow metal doors  
 90 minutes- hollow metal and composite  
 20 minutes- wood doors



Classified in accordance with UL10C for positive pressure



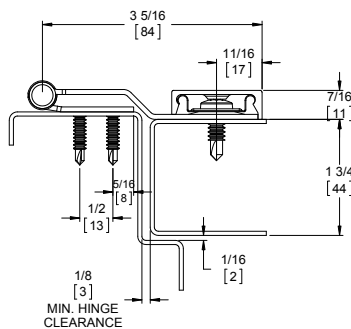
Fire-rated label

## Optional Features

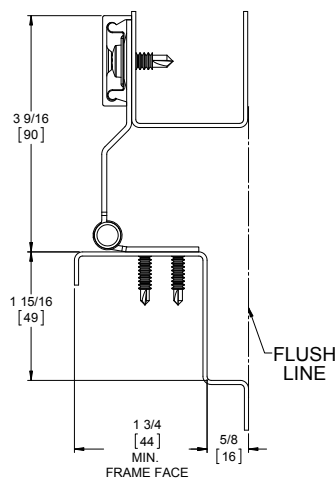
Finish  
 US32 Bright Stainless Steel (629)  
 Scratch-Resistant Powder Coated Paint  
 Fasteners  
 Tamper-proof security screws

Other Features  
 Custom lengths- specify in inches  
 Custom hole pattern  
 1<sup>5</sup>/<sub>8</sub>" S.S. aluminum sleeve bolts  
 Dutch door hinges - suffix "DDP"  
 Hospital tips - suffix "HT"  
 Lead lined cover with 4 lbs. lead lining - suffix "LL"  
 Welded End Pins

This hinge is used to ensure that a door opened to a 90-degree angle is removed from the opening. This hinge will mount on a 1<sup>3</sup>/<sub>4</sub>" face, and is especially useful for ADA upgrade work.



Door Closed



Door Open 90°

800-824-3018 | [www.assaabloydooraccessories.us](http://www.assaabloydooraccessories.us)  
 Check the web site for the up-to-date catalog

Copyright © 2015-2020, ASSA ABLOY Accessories and Door Controls Group, Inc., an ASSA ABLOY Group company. All rights reserved. Reproduction in whole or in part without the express written permission of ASSA ABLOY Accessories and Door Controls Group, Inc. is prohibited.

**ASSA ABLOY**  
 Opening Solutions

Experience a safer  
 and more open world



# Markar HG310 Swing Clear Adjustable Hinge Guard

## Standard Features

**Barrel Type Hinge**  
 .187" diameter Stainless Steel pin (rod)  
 Medical bearings  
 Stainless Steel end pins  
**Material**  
 Heavy-duty 14 gauge Stainless Steel  
**Finishes**  
 US32D Satin Stainless Steel (630)  
**Standards**  
 ANSI/BHMA Standard A156.26 Grade 1  
**Mounting Hardware**  
 Fasteners concealed when door is closed  
 Custom 12-24 x 11/16" S.S Phillips Flat Head Undercut TEK Screws

**Capacity**  
 Supports weights up to 600 lbs.  
 4'0" maximum door width  
**Standard Sizes**  
 6'8", 7'0", 7'2", 8'0", 10'0"  
**Hole Pattern**  
 Symmetrically templated  
**Handing**  
 Not required for standard 7'0", 8'0" or 10'0". Specify handing for 6'8" and 7'2" and for most optional features  
**Door Edge**  
 Square hinge edge  
 Recommend Adjust-A-Screw for beveled hinge edge

**Fire Rating**  
 3 hours- hollow metal doors  
 90 minutes- hollow metal and composite core wood fire doors  
 20 minutes- wood doors



Classified in accordance with UL10C for positive pressure



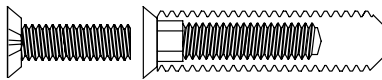
Fire-rated label

## Optional Features

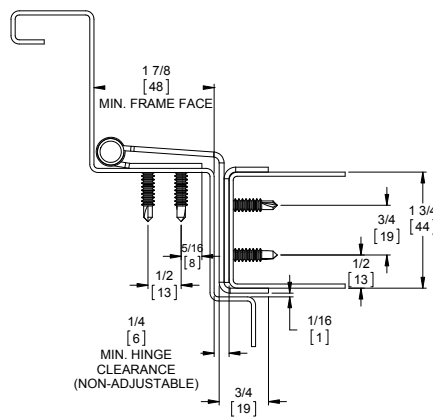
**Finishes**  
 US32 Bright Stainless Steel (629)  
 Scratch-Resistant Powder Coated Paint  
**Fasteners**  
 Tamper-proof security screws  
 Adjust-A-Screws™ for correcting frame fit problems up to 3/8"

**Other Features**  
 Custom lengths- specify in inches  
 Custom hole pattern  
 Dutch door hinges - suffix "DDP"  
 Hospital tips - suffix "HT"  
 Welded End Pins

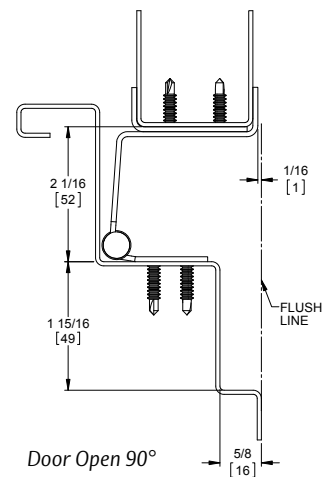
**Electrical Modifications**  
 Current Transfer Prep (door leaf only) - suffix "CTP"  
 (EL-EPT-SC Power Transfer Recommended)



The ADA-compliant hinge is used on operating room doors to swing the door out of the opening when moving equipment in and out. The hinge guard also protects the door in the open position.



Door Closed



Door Open 90°

**ASSA ABLOY**  
 Opening Solutions

Experience a safer  
 and more open world

800-824-3018 | [www.assaabloydooraccessories.us](http://www.assaabloydooraccessories.us)

Check the web site for the up-to-date catalog

Copyright © 2015-2020, ASSA ABLOY Accessories and Door Controls Group, Inc., an ASSA ABLOY company. All rights reserved. Reproduction in whole or in part without the express written permission of ASSA ABLOY Accessories and Door Controls Group, Inc. is prohibited.



# Markar HG311 Swing Clear Hinge Guard

## Standard Features

**Barrel Type Hinge**  
 .187" diameter Stainless Steel pin (rod)  
 Medical bearings  
 Stainless Steel end pins  
**Material**  
 Heavy-duty 14 gauge Stainless Steel  
**Finishes**  
 US32D Satin Stainless Steel (630)  
**Standards**  
 ANSI/BHMA Standard A156.26 Grade 1  
**Mounting Hardware**  
 Fasteners concealed when door is closed  
 Custom 12-24 x 1<sup>1</sup>/<sub>16</sub>" S.S Phillips Flat Head Undercut TEK Screws

**Capacity**  
 Supports weights up to 600 lbs.  
 4'0" maximum door width  
**Standard Sizes**  
 6'8", 7'0", 7'2", 8'0", 10'0"  
**Hole Pattern**  
 Symmetrically templated  
**Handing**  
 Not required for standard 7'0", 8'0" or 10'0". Specify handing for 6'8" and 7'2" and for most optional features  
**Door Edge**  
 Square hinge edge  
 For beveled hinge edge use HG310

**Fire Rating**  
 3 hours- hollow metal door  
 90 minutes- hollow metal and composite core wood fire doors  
 20 minutes- wood doors

 Classified in accordance with UL10C for positive pressure  
 Fire-rated label

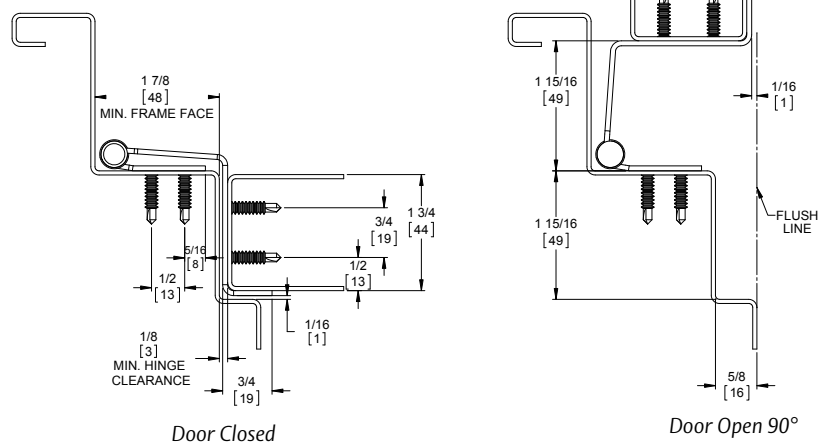
## Optional Features

**Finishes**  
 US32 Bright Stainless Steel (629)  
 Scratch-Resistant Powder Coated Paint  
**Fasteners**  
 Tamper-proof security screws

**Other Features**  
 Custom lengths- specify in inches  
 Custom hole pattern  
 Dutch door hinges - suffix "DDP"  
 Hospital tips - suffix "HT"  
 Welded End Pins

**Electrical Modifications**  
 Current Transfer Prep (door leaf only) - suffix "CTP"  
 (EL-EPT-SC Power Transfer Recommended)

This surface applied swing clear version allows doors to meet ADA requirements. The single wrap protects door edges from cart damage.



800-824-3018 | [www.assaabloydooraccessories.us](http://www.assaabloydooraccessories.us)  
 Check the web site for the up-to-date catalog

Copyright © 2015-2020, ASSA ABLOY Accessories and Door Controls Group, Inc., an ASSA ABLOY Group company. All rights reserved. Reproduction in whole or in part without the express written permission of ASSA ABLOY Accessories and Door Controls Group, Inc. is prohibited.

**ASSA ABLOY**  
 Opening Solutions

Experience a safer  
 and more open world



# Markar HG315 Edge Mount Hinge Guard

## Standard Features

Barrel Type Hinge  
 .187" diameter Stainless Steel pin (rod)  
 Medical bearings  
 Stainless Steel end pins  
 Material  
 Heavy-duty 14 gauge Stainless Steel  
 Finishes  
 US32D Satin Stainless Steel (630)  
 Standards  
 ANSI/BHMA Standard A156.26 Grade 1  
 Mounting Hardware  
 Fasteners concealed when door is closed  
 Custom 12-24 x 1<sup>1</sup>/<sub>16</sub>" S.S Phillips Flat Head Undercut TEK Screws

Capacity  
 Supports weights up to 600 lbs.  
 4'0" maximum door width  
 Standard Sizes  
 6'8", 7'0", 7'2", 8'0", 10'0"  
 Hole Pattern  
 Symmetrically templated  
 Handing  
 Not required for standard 7'0", 8'0" or 10'0". Specify handing for 6'8" and 7'2" and for most optional features

Fire Rating  
 3 hours- hollow metal doors  
 90 minutes- hollow metal and composite core wood fire doors  
 20 minutes- wood doors

 Classified in accordance with UL10C for positive pressure  
 Fire-rated label

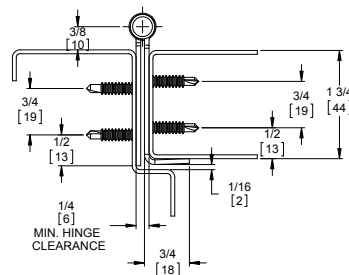
## Optional Features

Finishes  
 US32 Bright Stainless Steel (629)  
 Scratch-Resistant Powder Coated Paint  
 Fasteners  
 Tamper-proof security screws

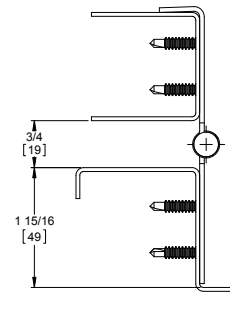
Other Features  
 Custom lengths- specify in inches  
 Custom hole pattern  
 Dutch door hinges- suffix "DDP"  
 Hospital tips - suffix "HT"  
 Raised barrel - suffix "RB"  
 Welded end pins  
 Security studs

Electrical Modifications  
 Adjustable Monitoring Switch - suffix "AMS"  
 Current Transfer Prep - suffix "CTP"  
 Electrical Transfer Access Prep - suffix "ETAP"  
 ElectroLynx®  
 EL4 (4 wire), EL8 (8 wire), EL12 (12 wire)  
 PoE (9 wire)

Featuring our unique edge guard, this economical hinge prevents objects from being placed between the door and frame as well as protects the door's edge while supporting the door's weight along the entire length of the jamb.



Door Closed



Door Open 180°

**ASSA ABLOY**  
 Opening Solutions

Experience a safer  
 and more open world

800-824-3018 | [www.assaabloydooraccessories.us](http://www.assaabloydooraccessories.us)  
 Check the web site for the up-to-date catalog

Copyright © 2015-2020, ASSA ABLOY Accessories and Door Controls Group, Inc., an ASSA ABLOY Group company. All rights reserved. Reproduction in whole or in part without the express written permission of ASSA ABLOY Accessories and Door Controls Group, Inc. is prohibited.



# Markar FS321 Full Surface 3/4" Offset Hinge

## Standard Features

Barrel Type Hinge  
 .187" diameter Stainless Steel pin (rod)  
 Medical bearings  
 Stainless Steel end pins  
 Material  
 Heavy-duty 14 gauge Stainless Steel  
 Cover - extruded aluminum  
 Finishes  
 US32D Satin Stainless Steel (630)  
 Standards  
 ANSI/BHMA Standard A156.26 Grade 1  
 Mounting Hardware  
 Fasteners concealed underneath  
 aluminum cover  
 1/4-14 x 3/4" Security TORX TEK Screws

Capacity  
 Supports weights up to 600 lbs.  
 4'0" maximum door width  
 Standard Sizes  
 6'8", 7'0", 7'2", 8'0", 10'0"  
 brushed aluminum  
 Handing  
 Not required for standard 7'0", 8'0"  
 or 10'0". Specify handing for 6'8" and  
 7'2" and for most optional features

Fire Rating  
 3 hours- hollow metal doors  
 90 minutes- hollow metal and  
 composite core wood fire doors  
 20 minutes- wood doors

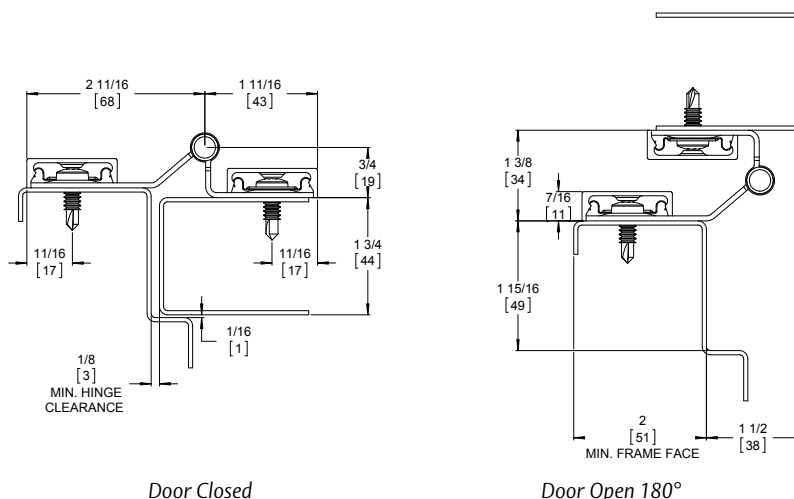
 Classified in accordance  
 with UL10C for positive  
 pressure  
 Fire-rated label

## Optional Features

Finishes  
 US32 Bright Stainless Steel (629)  
 Scratch-Resistant Powder Coated Paint  
 Fasteners  
 Tamper-proof security screws

Other Features  
 Custom lengths- specify in inches  
 Custom hole pattern  
 Dutch door hinges- suffix "DDP"  
 Hospital tips - suffix "HT"  
 Lead lined covers with 4 lbs. lead lining  
 - suffix "LL"  
 Welded end pins

This surface mount pin & barrel model was developed to work in conjunction with existing 3/4" offset floor closers. Where top or intermediate pivots have worn and the floor closer will remain, the FS321 is the solution to extending the life of the opening.



800-824-3018 | [www.assaabloydooraccessories.us](http://www.assaabloydooraccessories.us)  
 Check the web site for the up-to-date catalog

Copyright © 2015-2020, ASSA ABLOY Accessories and Door Controls Group, Inc., an ASSA ABLOY Group company. All rights reserved.  
 Reproduction in whole or in part without the express written permission of ASSA ABLOY Accessories and Door Controls Group, Inc. is prohibited.

**ASSA ABLOY**  
 Opening Solutions

Experience a safer  
 and more open world

# Markar HG322 Adjustable Hinge Guard

## Standard Features

Barrel Type Hinge  
 .187" diameter Stainless Steel pin (rod)  
 Medical bearings  
 Stainless Steel end pins  
 Material  
 Heavy-duty 14 gauge Stainless Steel  
 Finishes  
 US32D Satin Stainless Steel (630)  
 Standards  
 ANSI/BHMA Standard A156.26 Grade 1  
 Mounting Hardware  
 Fasteners concealed when door is closed  
 Custom 12-24 x 11/16" S.S Phillips Flat Head Undercut TEK Screws

Capacity  
 Supports weights up to 600 lbs.  
 4'0" maximum door width  
 Standard Sizes  
 6'8", 7'0", 7'2", 8'0", 10'0"  
 Hole Pattern  
 Symmetrically templated  
 Handing  
 Not required for standard 7'0", 8'0" or 10'0". Specify handing for 6'8" and 7'2" and for most optional features

Fire Rating  
 3 hours- hollow metal doors  
 90 minutes- hollow metal and composite core wood fire doors  
 20 minutes- wood doors



Classified in accordance with UL10C for positive pressure



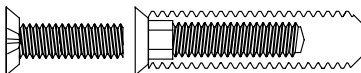
Fire-rated label

## Optional Features

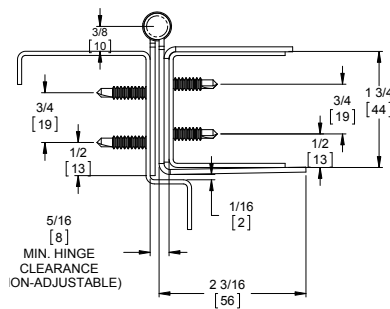
Finishes  
 US32 Bright Stainless Steel (629)  
 Scratch-Resistant Powder Coated Paint  
 Fasteners  
 Tamper-proof security screws  
 Adjust-A-Screw™ for correcting frame fit problems up to 3/8"

Other Features  
 Custom lengths- specify in inches  
 Custom hole pattern  
 Dutch door hinges- suffix "DDP"  
 Hospital tips - suffix "HT"  
 Raised barrel - suffix "RB"  
 Special sheared leaf  
 Welded end pins  
 Security studs

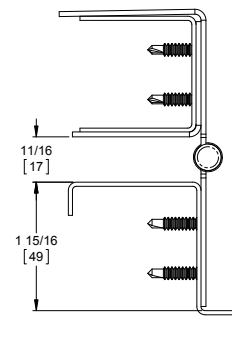
Electrical Modifications  
 Adjustable Monitoring Switch - suffix "AMS"  
 Current Transfer Prep - suffix "CTP"  
 Electrical Transfer Access Prep - suffix "ETAP"  
 ElectroLynx®  
 EL4 (4 wire), EL8 (8 wire), EL12 (12 wire)  
 PoE (9 wire)



Occasionally the need arises for an extended door wrap, and this need is met with the Markar HG322. All the features of the HG305 Hinge/Guard plus 2" extensions.



Door Closed



Door Open 180°

**ASSA ABLOY**  
 Opening Solutions

Experience a safer  
 and more open world

800-824-3018 | [www.assaabloydooraccessories.us](http://www.assaabloydooraccessories.us)  
 Check the web site for the up-to-date catalog

Copyright © 2015-2020, ASSA ABLOY Accessories and Door Controls Group, Inc., an ASSA ABLOY Group company. All rights reserved. Reproduction in whole or in part without the express written permission of ASSA ABLOY Accessories and Door Controls Group, Inc. is prohibited.



# Markar HG323 Edge Mount Hinge Guard

## Standard Features

**Barrel Type Hinge**  
 .187" diameter Stainless Steel pin (rod)  
**Medical bearings**  
 Stainless Steel end pins  
**Material**  
 Heavy-duty 14 gauge Stainless Steel  
**Finishes**  
 US32D Satin Stainless Steel (630)  
**Standards**  
 ANSI/BHMA Standard A156.26 Grade 1  
**Mounting Hardware**  
 Fasteners concealed when door is closed  
 Custom 12-24 x 1<sup>1</sup>/<sub>16</sub>" S.S Phillips Flat Head Undercut TEK Screws & 1/4-20 x 1<sup>5</sup>/<sub>8</sub>" Thru Bolt Stainless Steel

**Capacity**  
 Supports weights up to 600 lbs.  
 4'0" maximum door width  
**Standard Sizes**  
 6'8", 7'0", 7'2", 8'0", 10'0"  
**Hole Pattern**  
 Symmetrically templated  
**Handing**  
 Not required for standard 7'0", 8'0" or 10'0". Specify handing for 6'8" and 7'2" and for most optional features

**Fire Rating**  
 3 hours- hollow metal doors  
 90 minutes- hollow metal and composite core wood fire doors  
 20 minutes- wood doors

 Classified in accordance with UL10C for positive pressure  
 Fire-rated label

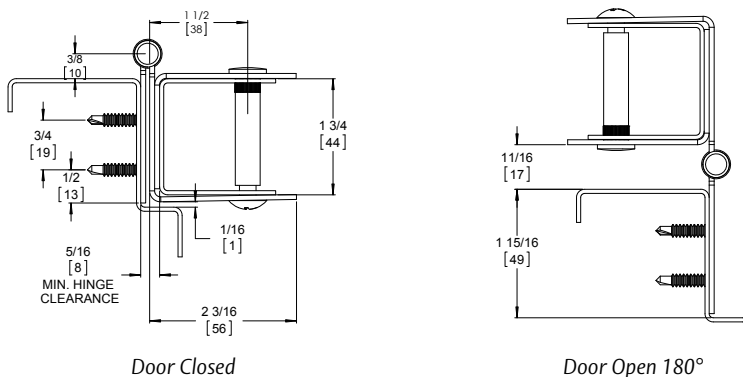
## Optional Features

**Finishes**  
 US32 Bright Stainless Steel (629)  
 Scratch-Resistant Powder Coated Paint  
**Fasteners**  
 Tamper-proof security screws

**Other Features**  
 Custom lengths- specify in inches  
 Custom hole pattern  
 Dutch door hinges - suffix "DDP"  
 Hospital tips - suffix "HT"  
 Raised barrel - suffix "RB"  
 Special sheared leaf

**Electrical Modifications**  
 Adjustable Monitoring Switch – suffix "AMS"  
 Current Transfer Prep – suffix "CTP"  
 Electrical Transfer Access Prep - suffix "ETAP"  
 ElectroLynx®  
 EL4 (4 wire), EL8 (8 wire), EL12 (12 wire)  
 PoE (9 wire)

This extended wrap model allows you to sandwich the door between two leaves of Stainless Steel and through bolt them together. It is ideal where doors have split and you want to save them.





# Markar FM/SC325 Edge Mount Swing Clear Hinge

## Standard Features

Barrel Type Hinge  
 .187" diameter Stainless Steel pin (rod)  
 Medical bearings  
 Stainless Steel end pins  
 Material  
 Heavy-duty 14 gauge Stainless Steel  
 Finishes  
 US32D Satin Stainless Steel (630)  
 Standards  
 ANSI/BHMA Standard A156.26 Grade 1  
 Mounting Hardware  
 Fasteners concealed when door is closed  
 Custom 12-24 x 1<sup>1</sup>/<sub>16</sub>" S.S Phillips  
 Flat Head Undercut TEK Screws

Handing  
 Not required for standard 7'0", 8'0" or 10'0". Specify handing for 6'8" and 7'2" and for most optional features  
 Capacity  
 Supports weights up to 600 lbs.  
 4'0" maximum door width  
 Standard Sizes  
 6'8", 7'0", 7'2", 8'0", 10'0"  
 Hole Pattern  
 Symmetrically templated  
 Door Edge  
 Square hinge edge

Fire Rating  
 3 hours- hollow metal doors  
 90 minutes- hollow metal and composite core wood fire doors  
 20 minutes- wood doors  
 Classified in accordance with UL10C for positive pressure  
 Fire-rated label

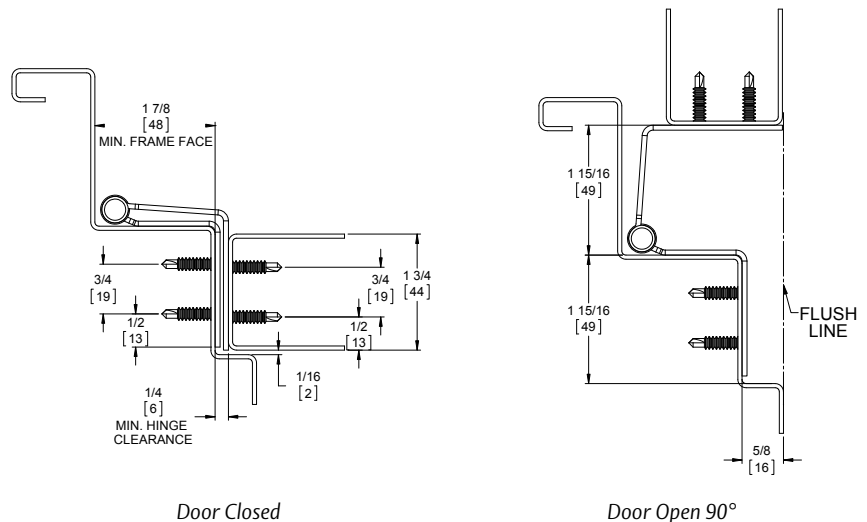
## Optional Features

Finish  
 US32 Bright Stainless Steel (629)  
 Scratch-Resistant Powder Coated Paint

Other Features  
 Custom lengths- specify in inches  
 Custom hole pattern  
 Dutch door hinges - suffix "DDP"  
 Hospital tips - suffix "HT"  
 Welded end pins

Electrical Modifications  
 Adjustable Monitoring Switch - suffix "AMS"  
 Current Transfer Prep - suffix "CTP"  
 (EL-EPT-SC Power Transfer Recommended)

This hinge is used to ensure that a door opened to a 90-degree angle is removed from the opening. This hinge will mount on a 1<sup>7</sup>/<sub>8</sub>" face, and is especially useful for ADA upgrade work.



**ASSA ABLOY**  
 Opening Solutions

Experience a safer  
 and more open world

800-824-3018 | [www.assaabloydooraccessories.us](http://www.assaabloydooraccessories.us)  
 Check the web site for the up-to-date catalog

Copyright © 2015-2020, ASSA ABLOY Accessories and Door Controls Group, Inc., an ASSA ABLOY Group company. All rights reserved. Reproduction in whole or in part without the express written permission of ASSA ABLOY Accessories and Door Controls Group, Inc. is prohibited.



# Markar HG326 Swing Clear Adjustable Hinge Guard

## Standard Features

Barrel Type Hinge  
 .187" diameter Stainless Steel pin (rod)  
 Medical bearings  
 Stainless Steel end pins  
**Material**  
 Heavy-duty 14 gauge Stainless Steel  
**Finishes**  
 US32D Satin Stainless Steel (630)  
**Standards**  
 ANSI/BHMA Standard A156.26 Grade 1  
**Mounting Hardware**  
 Custom 12-24 x 1<sup>1</sup>/<sub>16</sub>" S.S Phillips Flat Head Undercut TEK Screws

**Capacity**  
 Supports weights up to 600 lbs.  
 4'0" maximum door width  
**Standard Sizes**  
 6'8", 7'0", 7'2", 8'0", 10'0"  
**Hole Pattern**  
 Symmetrically templated  
**Door Edge**  
 Square hinge edge  
 Recommend Adjust-A-Screw for beveled hinge edge  
**Handing**  
 Not required for standard 7'0", 8'0" or 10'0". Specify handing for 6'8" and 7'2" and for most optional features

**Fire Rating**  
 3 hours- hollow metal doors  
 90 minutes- hollow metal and composite core wood fire doors  
 20 minutes- wood doors



Classified in accordance with UL10C for positive pressure

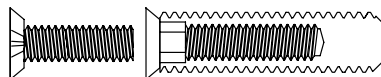


Fire-rated label

## Optional Features

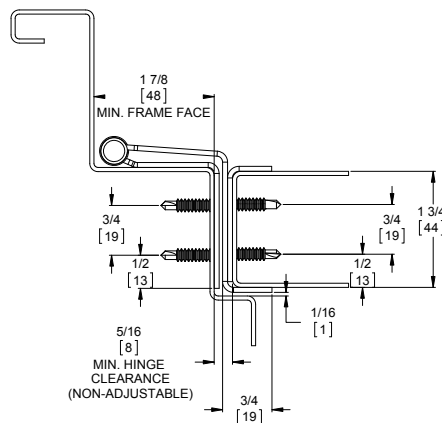
**Finishes**  
 US32 Bright Stainless Steel (629)  
 Scratch-Resistant Powder Coated Paint  
**Other Features**  
 Custom lengths- specify in inches  
 Custom hole pattern  
 Dutch door hinges- suffix "DDP"  
 Hospital tips - suffix "HT"  
 Welded end pins

**Fasteners**  
 Tamper-proof security screws  
 Adjust-A-Screw™ for correcting frame fit problems up to 3/8"

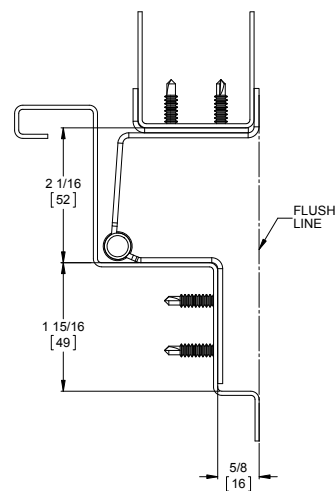


**Electrical Modifications**  
 Current Transfer Prep - suffix "CTP"  
 (EL-EPT-SC Power Transfer Recommended)

The incorporated edge guard protects the door from unsightly dents and gouges while also protecting the hinge from vandalism.



Door Closed



Door Open 90°

800-824-3018 | [www.assaabloydooraccessories.us](http://www.assaabloydooraccessories.us)  
 Check the web site for the up-to-date catalog

Copyright © 2015-2020, ASSA ABLOY Accessories and Door Controls Group, Inc., an ASSA ABLOY Group company. All rights reserved.  
 Reproduction in whole or in part without the express written permission of ASSA ABLOY Accessories and Door Controls Group, Inc. is prohibited.

**ASSA ABLOY**  
 Opening Solutions

Experience a safer  
 and more open world

# Markar FM327 Edge Mount Safety Hinge

## Standard Features

**Barrel Type Hinge**  
 .187" diameter Stainless Steel pin (rod)  
 Medical bearings  
 Stainless Steel end pins  
**Material**  
 Heavy-duty 14 gauge Stainless Steel  
**Finishes**  
 US32D Satin Stainless Steel (630)  
**Standards**  
 ANSI/BHMA Standard A156.26 Grade 1  
**Mounting Hardware**  
 Custom 12-24 x 1<sup>1</sup>/<sub>16</sub>" S.S Phillips Flat Head Undercut TEK Screws

**Capacity**  
 Supports weights up to 600 lbs.  
 4'0" maximum door width  
**Standard Sizes**  
 6'8", 7'0", 7'2", 8'0", 10'0"  
**Hole Pattern**  
 Symmetrically templated  
**Handing**  
 Not required for standard 7'0", 8'0" or 10'0". Specify handing for 6'8" and 7'2" and for most optional features  
**Door Edge**  
 Square hinge edge

**Fire Rating**  
 This hinge is not fire rated

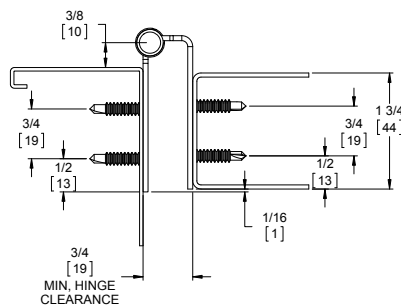
## Optional Features

**Finishes**  
 US32 Bright Stainless Steel (629)  
 Scratch-Resistant Powder Coated Paint

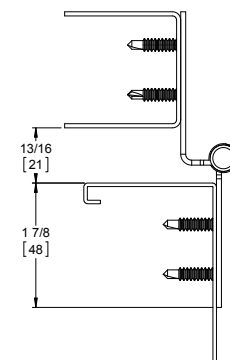
**Other Features**  
 Custom lengths- specify in inches  
 Custom hole pattern  
 Dutch door hinges - suffix "DDP"  
 Welded end pins

**Fasteners**  
 Tamper-proof security screws

This unique design prevents small fingers from getting pinched in the door. It is ideal for elementary schools, day care, childcare, and nursing home facilities. This full-length continuous pin & barrel hinge also provides privacy by blocking sight lines into rooms. The hinge must be used with a cased open type frame.



Door Closed



Door Open 180°

**ASSA ABLOY**  
 Opening Solutions

Experience a safer  
 and more open world

800-824-3018 | [www.assaabloydooraccessories.us](http://www.assaabloydooraccessories.us)  
 Check the web site for the up-to-date catalog

Copyright © 2015-2020, ASSA ABLOY Accessories and Door Controls Group, Inc., an ASSA ABLOY Group company. All rights reserved. Reproduction in whole or in part without the express written permission of ASSA ABLOY Accessories and Door Controls Group, Inc. is prohibited.


# Markar HG329 Swing Clear Hinge Guard for Square Edge Door


## Standard Features

Barrel Type Hinge  
 .187" diameter Stainless Steel pin (rod)  
 Medical bearings  
 Stainless Steel end pins  
 Material  
 Heavy-duty 14 gauge Stainless Steel  
 Finishes  
 US32D Satin Stainless Steel (630)  
 Standards  
 ANSI/BHMA Standard A156.26 Grade 1  
 Mounting Hardware  
 Fasteners concealed when door is closed  
 Custom 12-24 x 11/16" S.S Phillips Flat Head Undercut TEK Screws

Capacity  
 Supports weights up to 600 lbs.  
 4'0" maximum door width  
 Standard Sizes  
 6'8", 7'0", 7'2", 8'0", 10'0"  
 Door Edge  
 Square hinge edge  
 For beveled hinge edge use HG326  
 Hole Pattern  
 Symmetrically templated  
 Specify handing

Fire Rating  
 3 hours- hollow metal doors  
 90 minutes- hollow metal and composite core wood fire doors  
 20 minutes- wood doors

 Classified in accordance with UL10C for positive pressure

 Fire-rated label

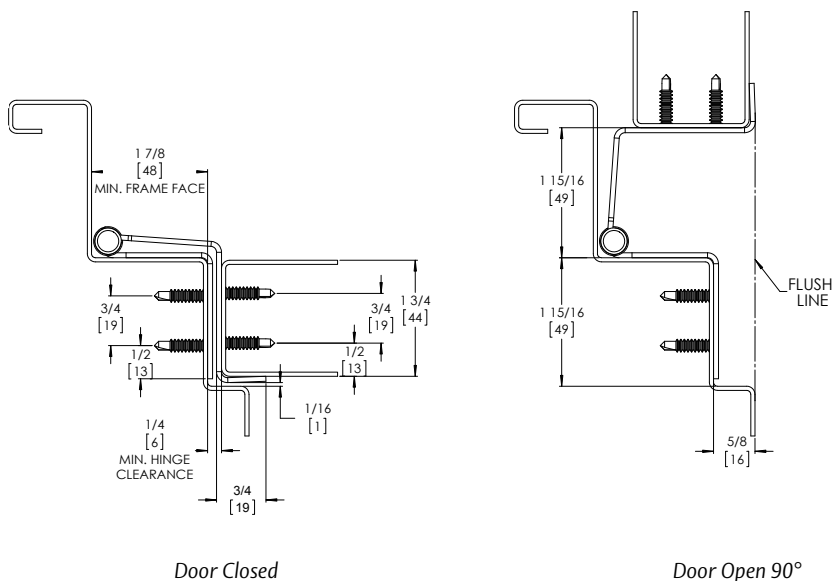
## Optional Features

Finishes  
 US32 Bright Stainless Steel (629)  
 Scratch-Resistant Powder Coated Paint

Other Features  
 Custom lengths- specify in inches  
 Custom hole pattern  
 Dutch door hinges- suffix "DDP"  
 Hospital tips - suffix "HT"  
 Welded end pins  
 Fasteners  
 Tamper-proof security screws

Electrical Modifications  
 Adjustable Monitoring Switch - suffix "AMS"  
 Current Transfer Prep - suffix "CTP"  
 (EL-EPT-SC Power Transfer Recommended)

The incorporated edge guard protects the door from unsightly dents and gouges while also protecting the hinge from vandalism.





# Markar FM338 Edge Mount Hinge (1<sup>3</sup>/<sub>8</sub>" Thick Door)

## Standard Features

**Barrel Type Hinge**  
 .187" diameter Stainless Steel pin (rod)  
**Medical bearings**  
 Stainless Steel end pins  
**Material**  
 Heavy-duty 14 gauge Stainless Steel  
**Finishes**  
 US32D Satin Stainless Steel (630)  
**Standards**  
 ANSI/BHMA Standard A156.26 Grade 1  
**Hole Pattern**  
 Symmetrically templated

**Mounting Hardware**  
 Fasteners concealed when door is closed  
 Custom 12-24 x 1<sup>1</sup>/<sub>16</sub>" S.S Phillips Flat Head Undercut TEK Screws  
**Capacity**  
 Supports weights up to 300 lbs.  
 4'0" maximum door width  
**Standard Sizes**  
 6'8", 7'0", 7'2", 8'0", 10'0"  
**Handing**  
 Handing not required on standard hinges. Specify handing when ordering a hinge with modification

**Fire Rating**  
 3 hours- hollow metal doors  
 90 minutes- hollow metal and composite core wood fire doors  
 20 minutes- wood doors

 Classified in accordance with UL10C for positive pressure  
 Fire-rated label

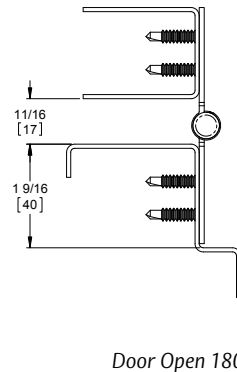
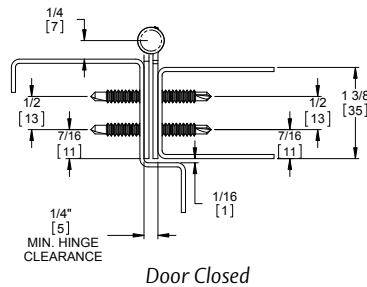
## Optional Features

**Finishes**  
 Scratch-Resistant Powder Coated Paint  
**Fasteners**  
 Tamper-proof security screws

**Other Features**  
 Custom lengths- specify in inches  
 Custom hole pattern  
 Dutch door hinges- suffix "DDP"  
 Hospital tips - suffix "HT"  
 Raised barrel - suffix "RB"  
 Welded end pins  
 Security studs

**Electrical Modifications**  
 Adjustable Monitoring Switch - suffix "AMS"  
 Electrical Transfer Access Prep - suffix "ETAP"  
 ElectroLynx®  
 EL4 (4 wire), EL8 (8 wire), EL12 (12 wire)  
 PoE (9 wire)

This edge-mounted pin & barrel hinge is used on many of today's high traffic, high abuse doors. This hinge is designed to work with 1<sup>3</sup>/<sub>8</sub>" thick doors



**ASSA ABLOY**  
 Opening Solutions

Experience a safer  
 and more open world

800-824-3018 | [www.assaabloydooraccessories.us](http://www.assaabloydooraccessories.us)  
 Check the web site for the up-to-date catalog

Copyright © 2015-2020, ASSA ABLOY Accessories and Door Controls Group, Inc., an ASSA ABLOY Group company. All rights reserved. Reproduction in whole or in part without the express written permission of ASSA ABLOY Accessories and Door Controls Group, Inc. is prohibited.

# Markar FM344 Edge Mount Hinge

## Standard Features

**Barrel Type Hinge**  
 .187" diameter Stainless Steel pin (rod)  
 Medical bearings  
 Stainless Steel end pins  
**Material**  
 Heavy-duty 14 gauge Stainless Steel  
**Finishes**  
 US32D Satin Stainless Steel (630)  
**Standards**  
 ANSI/BHMA Standard A156.26 Grade 1  
**Hole Pattern**  
 Symmetrically templated

**Mounting Hardware**  
 Fasteners concealed when door is closed  
 Custom 12-24 x 1 1/16" S.S Phillips Flat Head Undercut TEK Screws  
**Capacity**  
 Supports weights up to 300 lbs.  
 4'0" maximum door width  
**Standard Sizes**  
 6'8", 7'0", 7'2", 8'0", 10'0"  
**Handing**  
 Handing not required on standard hinges. Specify handing when ordering a hinge with modification

**Fire Rating**  
 3 hours- hollow metal doors  
 90 minutes- hollow metal and composite core wood fire doors  
 20 minutes- wood doors



Classified in accordance with UL10C for positive pressure



Fire-rated label

**Windstorm**  
 Evaluated in accordance with TAS 201-94, TAS 202-94, TAS 203-94, ASTM E330, ASTM E1886, ASTM E1996 and ANSI A250.13

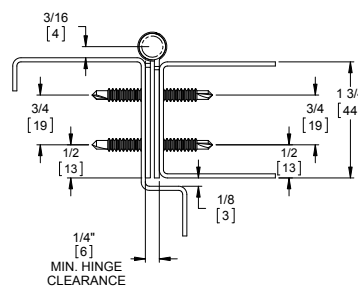
## Optional Features

**Finishes**  
 Scratch-Resistant Powder Coated Paint  
**Fasteners**  
 Tamper-proof security screws

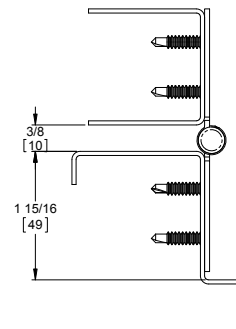
**Other Features**  
 Custom lengths- specify in inches  
 Custom hole pattern  
 Dutch door hinges- suffix "DDP"  
 Hospital tips - suffix "HT"  
 Raised barrel - suffix "RB"  
 Welded end pins  
 Security studs

**Electrical Modifications**  
 Adjustable Monitoring Switch - suffix "AMS"  
 Current Transfer Prep - suffix "CTP"  
 Electrical Transfer Access Prep - suffix "ETAP"  
 ElectroLynx®  
 EL4 (4 wire), EL8 (8 wire), EL12 (12 wire)  
 PoE (9 wire)

This edge-mounted pin & barrel hinge is used on many of today's high traffic, high abuse doors. This hinge is great for 1 3/4" thick door where the hinge barrel is close to the frame and door face



Door Closed



Door Open 180°

# Markar EG308 Adjustable Edge Guard

## Standard Features

**Material**  
Heavy-duty 16 gauge stainless steel

**Finishes**  
US32D Satin Stainless Steel (630)

**Mounting Hardware**  
Fasteners concealed when door is closed

Included fasteners are:

Custom 12-24 x 1<sup>1</sup>/<sub>16</sub>" S.S Phillips Flat Head Undercut TEK Screws  
Custom 12-24 x 1<sup>1</sup>/<sub>2</sub>" S.S. Phillips Flat Head Particle Board Screws  
Order form required, available online.

**Standard Sizes**  
6'8", 7'0", 7'2", 8'0", 10'0"

**Door Edge**  
Specify square or beveled edge when ordering (beveled edge standard)

**Fire Rating**  
3 hours- hollow metal doors  
90 minutes- hollow metal and composite  
20 minutes- wood doors



**Fire-rated label**

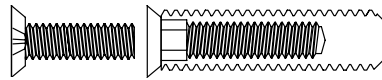
MAY NOT APPLY TO ALL WOOD DOORS. PLEASE CONSULT FACTORY FOR SPECIFIC WOOD DOOR APPLICATIONS.

## Optional Features

**Finish**  
US32 Bright Stainless Steel (629)  
Scratch-Resistant Powder Coated Paint

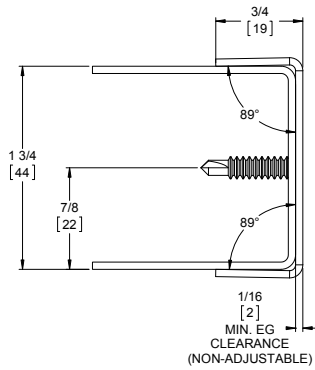
**Hardware Cutouts**  
(Edge Guard order form must be filled out)  
Flush bolts  
ASA strike  
Deadlock strike and latch  
86 edge  
Hospital latch  
161 cutout

**Fasteners**  
Tamper-proof security screws  
Adjust-A-Screw™ for correcting frame fit problems up to 3/8"

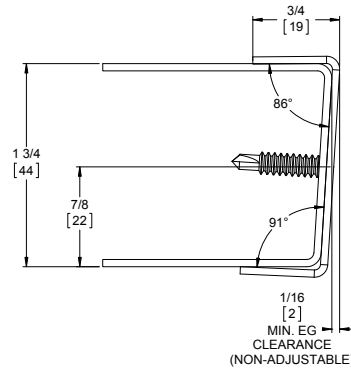


**Other Features**  
Custom lengths - specify in inches  
Staggered hole pattern for lead lined doors  
Custom cutouts  
Dutch door application - suffix "DDP"

This fire-labeled edge guard is used in conjunction with the HG305 Hinge/Guard for a balanced aesthetic look. It also provides protection for the leading edge of the door.



Square edge door



Bevel edge door

**ASSA ABLOY**  
Opening Solutions

Experience a safer  
and more open world

800-824-3018 | [www.assaabloydooraccessories.us](http://www.assaabloydooraccessories.us)  
Check the web site for the up-to-date catalog

Copyright © 2015-2020, ASSA ABLOY Accessories and Door Controls Group, Inc., an ASSA ABLOY Group company. All rights reserved. Reproduction in whole or in part without the express written permission of ASSA ABLOY Accessories and Door Controls Group, Inc. is prohibited.

# Markar EGC308 Single Return Edge Guard

## Standard Features

**Material**  
Heavy-duty 16 gauge stainless steel

**Finishes**  
US32D Satin Stainless Steel (630)

**Mounting Hardware**  
Fasteners concealed when door is closed  
Included fasteners are:  
Custom 12-24 x 1<sup>1</sup>/<sub>16</sub>" S.S Phillips  
Flat Head Undercut TEK Screws  
Custom 12-24 x 1<sup>1</sup>/<sub>2</sub>" S.S. Phillips  
Flat Head Particle Board Screws  
Order form required, available online.

**Standard Sizes**  
6'8", 7'0", 7'2", 8'0", 10'0"

**Door Edge**  
Specify square or beveled edge when ordering (beveled edge standard)

**Fire Rating**  
3 hours- hollow metal doors  
90 minutes- hollow metal and composite  
20 minutes- wood doors



Fire-rated label

MAY NOT APPLY TO ALL WOOD DOORS. PLEASE CONSULT FACTORY FOR SPECIFIC WOOD DOOR APPLICATIONS.

## Optional Features

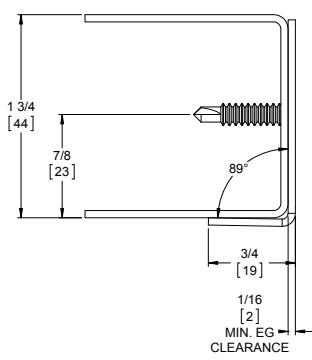
**Finish**  
US32 Bright Stainless Steel (629)  
Scratch-Resistant Powder Coated Paint

**Hardware Cutouts**  
(Edge Guard order form must be filled out)  
Flush bolts  
ASA strike  
Deadlock strike and latch  
86 edge  
Hospital latch  
161 cutout

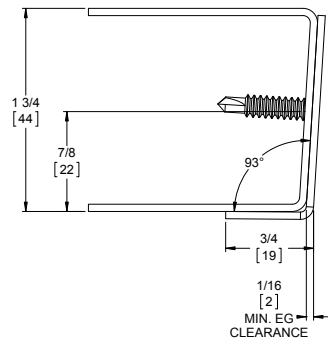
**Fasteners**  
Tamper-proof security screws

**Other Features**  
Custom lengths - specify in inches  
Staggered hole pattern for lead lined doors  
Custom cutouts  
Dutch door application - suffix "DDP"

This fire-labeled edge guard works with the HG315 Hinge/Guard. It provides protection to the leading edge of the door, while maintaining the door's aesthetic appearance in the closed position.



Square edge door



Bevel edge door



# Markar EGT308 Adjustable Edge Guard with Astragal

## Standard Features

**Material**  
Heavy-duty 16 gauge stainless steel

**Finishes**  
US32D Satin Stainless Steel (630)

**Mounting Hardware**  
Fasteners concealed when door is closed  
Included fasteners are:  
Custom 12-24 x 1<sup>1</sup>/<sub>16</sub>" S.S Phillips Flat Head Undercut TEK Screws  
Custom 12-24 x 1<sup>1</sup>/<sub>2</sub>" S.S. Phillips Flat Head Particle Board Screws  
Order form required, available online.

**Standard Sizes**  
6'8", 7'0", 7'2", 8'0", 10'0"

**Door Edge**  
Specify square or beveled edge when ordering (beveled edge standard)

**Fire Rating**  
3 hours- hollow metal doors  
90 minutes- hollow metal and composite  
20 minutes- wood doors



Fire-rated label

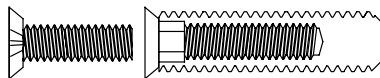
MAY NOT APPLY TO ALL WOOD DOORS. PLEASE CONSULT FACTORY FOR SPECIFIC WOOD DOOR APPLICATIONS.

## Optional Features

**Finish**  
US32 Bright Stainless Steel (629)  
Scratch-Resistant Powder Coated Paint

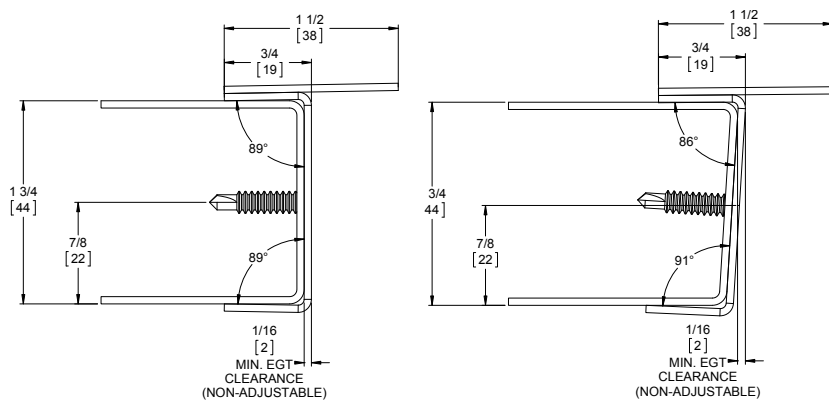
**Hardware Cutouts**  
(Edge Guard order form must be filled out)  
Flush bolts  
ASA strike  
Deadlock strike and latch  
86 edge  
Hospital latch  
161 cutout

**Fasteners**  
Tamper-proof security screws  
Adjust-A-Screw™ for correcting frame fit problems up to 3/8"



**Other Features**  
Custom lengths - specify in inches  
Staggered hole pattern for lead lined doors  
Custom cutouts  
Dutch door application - suffix "DDP"  
Lead lined astragal with 4 lbs. lead lining - suffix "LL"

The integral overlapping astragal of the EGT308 provides additional security by protecting the latch protector. It is ideal for exterior pairs of doors or doors that require added protection from vandalism.



Square edge door

Bevel edge door

**ASSA ABLOY**  
Opening Solutions

Experience a safer  
and more open world

800-824-3018 | [www.assaabloydooraccessories.us](http://www.assaabloydooraccessories.us)  
Check the web site for the up-to-date catalog

Copyright © 2015-2020, ASSA ABLOY Accessories and Door Controls Group, Inc., an ASSA ABLOY Group company. All rights reserved. Reproduction in whole or in part without the express written permission of ASSA ABLOY Accessories and Door Controls Group, Inc. is prohibited.

# Markar 200 Series Carbon Steel Pin & Barrel Continuous Hinges

## Short Form Architectural Specification:

Continuous hinges shall be full height piano-type hinge providing full height door support.

- Supports weights up to 600 lbs. 4'0" maximum door width
- Material to be 14 gauge 1012 carbon steel
- .187" diameter stainless steel pin (rod)
- Each knuckle 2", including nylon bearing at each separation for a quiet, smooth, self-lubricating operation
- Finish: Zinc Plated  
Optional Finish: Scratch-Resistant Powder Coated Paint
- All hinges shall be furnished with manufacturer's recommended hardware pack per specific model application
- Must use undercut head screws
- Must be able to carry Warnock Hersey Int. or UL fire rated doors and frames up to 3 hours
- Hinges shall meet ANSI/BHMA Standard A 156.26 Grade 1
- Symmetrically templated hole pattern

NOTE: 25-Year Warranty on all Continuous Hinges

NOTE: Fire label for doors and frames should be placed on the header and top rail of fire rated doors and frames

## Markar FM200 Edge Mount Hinge

### Standard Features

#### Barrel Type Hinge

.187" diameter stainless steel pin (rod)

Medical bearings

Stainless steel end pins

#### Material

Heavy-duty 14 gauge 1012 carbon steel

#### Finishes

Zinc Plated

#### Standards

ANSI/BHMA Standard A156.26 Grade 1

#### Mounting Hardware

No exposed mounting fasteners

Custom 12-24 x 1<sup>1</sup>/<sub>16</sub>" S.S Phillips

Flat Head Undercut TEK Screws

#### Capacity

Supports weights up to 600lbs.

4'0" maximum door width

#### Standard Sizes

6'8", 7'0", 7'2", 8'0", 10'0"

#### Handing

Handing not required on standard hinges. Specify handing when ordering a hinge with modification

#### Fire Rating

3 hours- hollow metal doors

90 minutes- hollow metal and

composite core wood fire doors

20 minutes- wood doors



Classified in accordance with UL10C for positive pressure



Fire-rated label

#### Windstorm

Evaluated in accordance with TAS 201-14, TAS 202-14, TAS 203-14, ASTM E330, ASTM E1886, ASTM E1996 and ANSI A250.13

### Optional Features

#### Finish

Scratch-Resistant Powder Coated Paint

#### Fasteners

Tamper-proof security screws

#### Other Features

Custom lengths - specify in inches

Custom hole pattern

Dutch door hinges - suffix "DDP"

Hospital tips - suffix "HT"

Raised barrel - suffix "RB"

#### Electrical Modifications

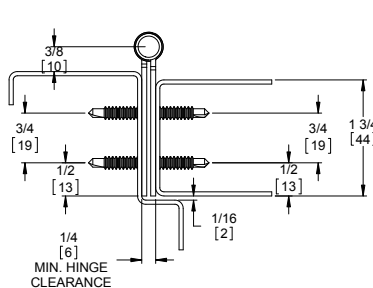
Current Transfer Prep (frame leaf only) - suffix "CTP"

ElectroLynx®

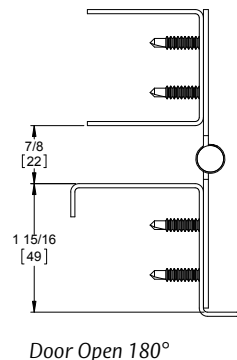
EL4 (4 wire), EL8 (8 wire), EL12 (12 wire)

PoE (9 wire)

This edge-mounted pin & barrel hinge is used on many traffic, high abuse interior doors. The hinge works well in locations that used anchor hinges, pivot reinforced hinges, or thrust pivot unit and hinge sets. This hinge saves on special door and frame preparation charges. It can be used on both fire labeled and non-labeled openings.



Door Closed



Door Open 180°

800-824-3018 | [www.assaabloydooraccessories.us](http://www.assaabloydooraccessories.us)

Check the web site for the up-to-date catalog

Copyright © 2015-2020, ASSA ABLOY Accessories and Door Controls Group, Inc., an ASSA ABLOY Group company. All rights reserved. Reproduction in whole or in part without the express written permission of ASSA ABLOY Accessories and Door Controls Group, Inc. is prohibited.

**ASSA ABLOY**  
Opening Solutions

Experience a safer  
and more open world



# Markar FS201 1/8" Inset Full Surface Hinge

## Standard Features

**Barrel Type Hinge**  
 .187" diameter stainless steel pin (rod)  
 Medical bearing  
 Stainless steel end pins  
**Material**  
 Heavy-duty 14 gauge 1012 carbon steel  
**Finishes**  
 Zinc Plated  
**Standards**  
 ANSI/BHMA Standard A156.26 Grade 1  
**Mounting Hardware**  
 No exposed mounting fasteners  
 1/4-14 x 3/4 Security TORX TEK Screws

**Capacity**  
 Supports weights up to 600lbs.  
 4'0" maximum door width  
**Standard Sizes**  
 6'8", 7'0", 7'2", 8'0", 10'0"  
**Handing**  
 Not required for standard 7'0",  
 8'0" or 10'0". Specify handing  
 for 6'8" and 7'2" and for most  
 optional features

**Fire Rating**  
 3 hours- hollow metal doors  
 90 minutes- hollow metal and  
 composite core wood fire doors  
 20 minutes- wood doors

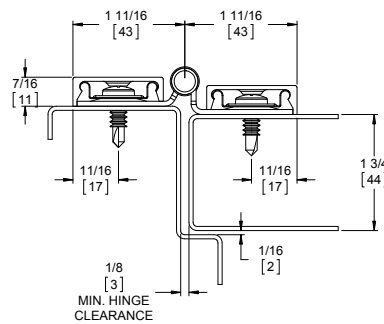
 Classified in accordance  
 with UL10C for positive  
 pressure  
 Fire-rated label

## Optional Features

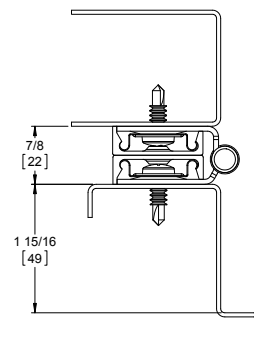
**Finish**  
 Scratch-Resistant Powder Coated Paint  
**Fasteners**  
 1 5/8" S.S. sleeve bolts  
 Tamper-proof security screws

**Other Features**  
 Custom lengths - specify in inches  
 Custom hole pattern  
 Dutch door hinges - suffix "DDP"  
 Hospital tips - suffix "HT"  
 Lead-lined cover with 4 lbs. lead  
 lining - suffix "LL"

This surface-mounted pin & barrel continuous hinge can be used to repair and replace existing hinges on both fire-labeled and non-labeled doors that have very tight clearances. The hinge has a built-in 1/8" inset to assist in weather seal and sound barrier areas.



Door Closed



Door Open 180°

**ASSA ABLOY**  
 Opening Solutions

Experience a safer  
 and more open world

800-824-3018 | [www.assaabloydooraccessories.us](http://www.assaabloydooraccessories.us)  
 Check the web site for the up-to-date catalog

Copyright © 2015-2020, ASSA ABLOY Accessories and Door Controls Group, Inc., an ASSA ABLOY Group company. All rights reserved. Reproduction in whole or in part without the express written permission of ASSA ABLOY Accessories and Door Controls Group, Inc. is prohibited.

# Markar FS202 Full Surface Flush Mount Hinge

## Standard Features

**Barrel Type Hinge**  
 .187" diameter stainless steel pin (rod)  
 Medical bearing  
 Stainless steel end pins  
**Material**  
 Heavy-duty 14 gauge 1012 carbon steel  
**Finishes**  
 Zinc Plated  
**Standards**  
 ANSI/BHMA Standard A156.26 Grade 1  
**Mounting Hardware**  
 No exposed mounting fasteners  
 1/4-14 x 3/4 Security TORX  
 TEK Screws

**Capacity**  
 Supports weights up to 600lbs.  
 4'0" maximum door width  
**Standard Sizes**  
 6'8", 7'0", 7'2", 8'0", 10'0"  
**Decorative Fastener Covers**  
 Aluminum  
**Handing**  
 Not required for standard 7'0",  
 8'0" or 10'0". Specify handing  
 for 6'8" and 7'2" and for most  
 optional features

**Fire Rating**  
 3 hours- hollow metal doors  
 90 minutes- hollow metal and  
 composite core wood fire doors  
 20 minutes- wood doors



Classified in accordance  
 with UL10C for positive  
 pressure

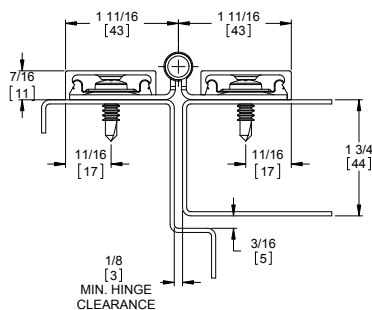
Fire-rated label

## Optional Features

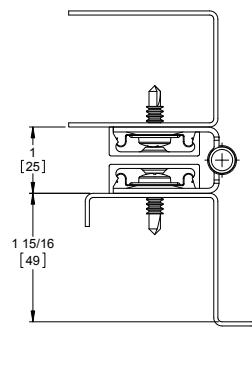
**Finish**  
 Scratch-Resistant Powder Coated Paint  
**Fasteners**  
 1 5/8" S.S. sleeve bolts  
 Tamper-proof security screws

**Other Features**  
 Custom lengths - specify in inches  
 Custom hole pattern  
 Dutch door hinges - suffix "DDP"  
 Hospital tips - suffix "HT"  
 Lead-lined cover with 4 lbs. lead  
 lining - suffix "LL"

For flush doors. This surface-mounted pin & barrel continuous hinge can be used to repair and replace existing hinges on both fire-labeled and non-labeled doors that have very tight clearances.



Door Closed





Door Open 180°

# Markar HS203 Half Surface

## Standard Features

**Barrel Type Hinge**  
 .187" diameter stainless steel pin (rod)  
 Medical bearings  
 Stainless steel end pins  
**Material**  
 Heavy-duty 14 gauge 1012 carbon steel  
 Cover - extruded aluminum  
**Finishes**  
 Zinc Plated  
 Cover - Mill Finish  
**Standards**  
 ANSI/BHMA Standard A156.26 Grade 1  
**Mounting Hardware**  
 No exposed mounting fasteners  
 Custom 12-24 x 11/16" S.S Phillips Flat Head  
 Undercut TEK Screws  
 1/4-14 x 3/4 Security TORX TEK Screws

**Capacity**  
 Supports weights up to 600lbs.  
 4'0" maximum door width  
**Standard Sizes**  
 6'8", 7'0", 7'2", 8'0", 10'0"  
**Hole Pattern**  
 Symmetrically templated  
**Handing**  
 Not required for standard 7'0",  
 8'0" or 10'0". Specify handing  
 for 6'8" and 7'2" and for most  
 optional features

**Fire Rating**  
 3 hours- hollow metal doors  
 90 minutes- hollow metal and  
 composite  
 20 minutes- wood doors  
 Classified in accordance  
 with UL10C for positive  
 pressure  
 Fire-rated label

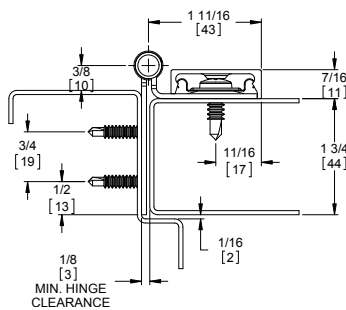
## Optional Features

**Finishes**  
 Scratch-Resistant Powder Coated Paint  
**Fasteners**  
 1 5/8" steel sleeve bolts  
 Tamper-proof security screws

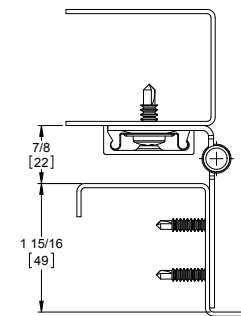
**Other Features**  
 Custom lengths - specify in inches  
 Custom hole pattern  
 Dutch door hinges - suffix "DDP"  
 Hospital tips - suffix "HT"  
 Raised barrel - suffix "RB"  
 Lead-lined cover with 4 lbs. lead  
 lining - suffix "LL"

**Electrical Modifications**  
 Current Transfer Prep (frame leaf only)  
 - suffix "CTP"

This half-surface pin & barrel continuous hinge can be used to repair and replace existing hinges on both fire-labeled and non-labeled openings. The hinge fits into the gap left after standard butt hinges are removed. It can assist in reversing the handing of a door, or to reverse the swing of a door hung in an evenly-rabbetted frame. (Please contact the factory for instructions for unevenly-rabbetted frames.)



Door Closed



Door Open 180°

**ASSA ABLOY**  
Opening Solutions

Experience a safer  
and more open world

800-824-3018 | [www.assaabloydooraccessories.us](http://www.assaabloydooraccessories.us)  
Check the web site for the up-to-date catalog

Copyright © 2015-2020, ASSA ABLOY Accessories and Door Controls Group, Inc., an ASSA ABLOY Group company. All rights reserved. Reproduction in whole or in part without the express written permission of ASSA ABLOY Accessories and Door Controls Group, Inc. is prohibited.

# Markar HM204 Half Mortise Hinge



## Standard Features

Barrel Type Hinge  
 .187" diameter stainless steel pin (rod)  
 Medical bearings  
 Stainless steel end pins  
 Material  
 Heavy-duty 14 gauge 1012 carbon steel  
 Cover - extruded aluminum  
 Finishes  
 Zinc Plated  
 Cover - Mill Finish  
 Standards  
 ANSI/BHMA Standard A156.26 Grade 1

Mounting Hardware  
 Fasteners concealed when door is closed  
 Custom 12-24 x 11/16" S.S Phillips Flat Head Undercut TEK Screws  
 1/4"-14 x 3/4 Security TORX TEK Screws  
 Capacity  
 Supports weights up to 600lbs.  
 4'0" maximum door width  
 Standard Sizes  
 6'8", 7'0", 7'2", 8'0", 10'0"  
 Hole Pattern  
 Symmetrically templated

Handing  
 Not required for standard 7'0", 8'0" or 10'0". Handing required for 6'8" and 7'2" and for most optional features listed

Fire Rating  
 3 hours- hollow metal doors  
 90 minutes- hollow metal and composite  
 20 minutes- wood doors

 Classified in accordance with UL10C for positive pressure  
 Fire-rated label

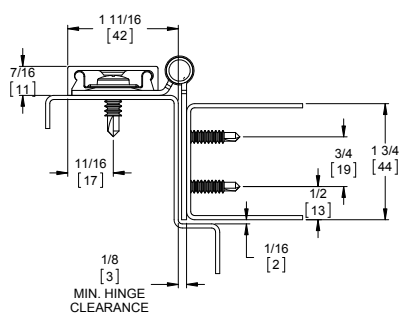
## Optional Features

Finishes  
 Scratch-Resistant Powder Coated Paint  
 Fasteners  
 Tamper-proof security screws

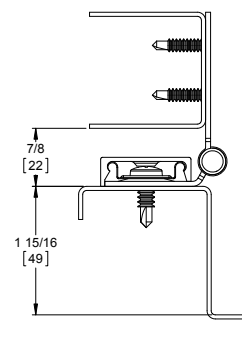
Other Features  
 Custom lengths- specify in inches  
 Custom hole pattern  
 Dutch door hinges- suffix "DDP"  
 Hospital tips - suffix "HT"  
 Raised barrel - suffix "RB"  
 Welded end pins

Electrical Modifications  
 Current Transfer Prep (door leaf only)  
 - suffix "CTP"

This pin & barrel type hinge is used on wooden doors to hide splits, chips and dents from traffic abuse. The surface mounted frame leaf allows for easy retrofit installation.



Door Closed



Door Open 180°

# Markar 100 Series Aluminum Pin & Barrel Continuous Hinges

## Short Form Architectural Specification:

Continuous hinges shall be full height piano-type hinge providing full height door support.

- Supports weights up to 600 lbs. 4'0" maximum door width
- Material to be extruded aluminum 6063-T6 alloy
- .187" diameter stainless pin (rod)
- Each knuckle 2", including nylon bearing at each separation for a quiet, smooth, self-lubricating operation
- Finish: Clear Anodized (628), Dark Bronze Anodized (313)  
Optional Finish: Light Bronze Anodized (311), Black Anodized (315), Scratch-Resistant Powder Coated Paint. Other finishes available upon request.
- All hinges shall be furnished with manufacturer's recommended hardware pack per specific model application
- Exterior barrel diameter .515" (1/2")
- Material thickness less than .125"
- Material weight will be no less than 1.5 lbs. per foot
- Hinges shall meet ANSI/BHMA Standard A 156.26 Grade 2
- Symmetrically templated hole pattern

NOTE: 25-Year Warranty on all Continuous Pin & Barrel Hinges

## Markar FM100 Edge Mount Hinge

### Standard Features

**Barrel Type Hinge**  
.187" diameter stainless steel pin (rod)  
**Medical bearings**  
Aluminum end pins  
**Material**  
6063-T6 aluminum alloy  
**Finishes**  
Clear Anodized (628)  
Dark Bronze Anodized (313)

**Standards**  
ANSI/BHMA Standard A156.26  
Grade 2  
**Mounting Hardware**  
Fasteners concealed when door is closed  
Custom 12-24 x 1 1/16" S.S Phillips Flat Head Undercut TEK Screws  
**Capacity**  
Supports weights up to 600lbs.  
4'0" maximum door width

**Standard Sizes**  
6'8", 7'0", 7'2", 8'0"  
**Hole Pattern**  
Symmetrically templated  
**Handing**  
Handing not required on standard hinges. Specify handing when ordering a hinge with modification  
**Windstorm**  
Evaluated in accordance with TAS 201-14, TAS 202-14, TAS 203-14, ASTM E330, ASTM E1886, ASTM E1996 and ANSI A250.13.

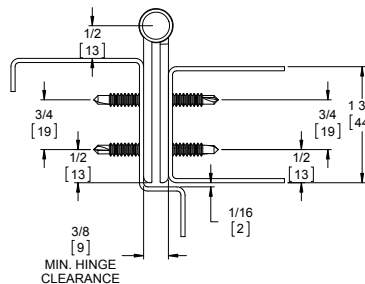
### Optional Features

**Finishes**  
Light Bronze Anodized (311)  
Black Anodized (315)  
Scratch-Resistant Powder Coated Paint

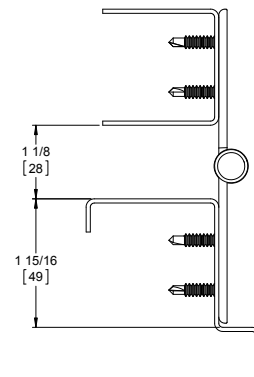
**Other Features**  
Custom lengths - specify in inches  
Custom hole pattern  
Dutch door hinges - suffix "DDP"  
Hospital tips - suffix "HT"

**Electrical Modifications**  
Current Transfer Prep - suffix "CTP"  
Electrical Transfer Access Prep - suffix "ETAP"  
ElectroLynx®  
EL4 (4 wire), EL8 (8 wire), EL12 (12 wire)  
PoE (9 wire)

This door-edge mounted aluminum pin & barrel type hinge is extruded using 30% more aluminum than most geared hinges, giving it exceptional strength and durability. This product is specified in lieu of pivots or butt hinges due to its unique design which distributes the weight of the door down the entire length of the hinge.



Door Closed



Door Open 180°

**ASSA ABLOY**  
Opening Solutions

Experience a safer  
and more open world

800-824-3018 | [www.assaabloydooraccessories.us](http://www.assaabloydooraccessories.us)  
Check the web site for the up-to-date catalog

Copyright © 2015-2020, ASSA ABLOY Accessories and Door Controls Group, Inc., an ASSA ABLOY Group company. All rights reserved. Reproduction in whole or in part without the express written permission of ASSA ABLOY Accessories and Door Controls Group, Inc. is prohibited.

# Markar FS101 1/8" Inset Full Surface Hinge

## Standard Features

Barrel Type Hinge  
 .187" diameter stainless steel pin (rod)  
 Medical bearings  
 Aluminum end pins  
 Material  
 6063-T6 aluminum alloy  
 Finishes  
 Clear Anodized (628)  
 Dark Bronze Anodized (313)

Standards  
 ANSI/BHMA Standard A156.26 Grade 2  
 Mounting Hardware  
 No exposed mounting fasteners  
 1/4"-14 x 3/4" Security TORX TEK Screws  
 Capacity  
 Supports weights up to 600lbs.  
 4'0" maximum door width  
 Standard Sizes  
 6'8", 7'0", 7'2", 8'0"

Locking Security Covers  
 Brushed aluminum finish  
 Handing  
 Not required for standard 7'0" and 8'0". Handing required for 6'8" and 7'2" and for most optional features listed

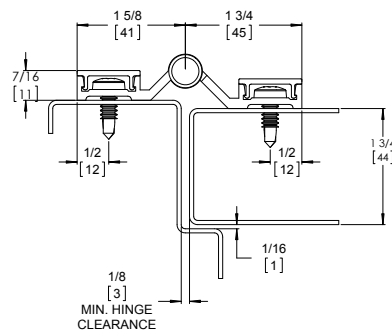
## Optional Features

Finishes  
 Light Bronze Anodized (311)  
 Black Anodized (315)  
 Scratch-Resistant Powder Coated Paint  
 Fasteners  
 1 5/8" aluminum sleeve bolts  
 Tamper-proof security screws

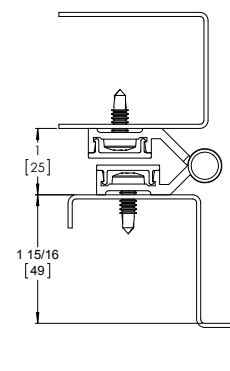
Other Features  
 Custom lengths - specify in inches  
 Custom hole pattern  
 Dutch door hinges - suffix "DDP"  
 Hospital tips - suffix "HT"  
 Lead lined cover with 4 lbs. lead lining - suffix "LL"

Electrical Modifications  
 Electrical Transfer Access Prep - suffix ETAP  
 ElectroLynx®  
 EL4 (4 wire), EL8 (8 wire), EL12 (12 wire)  
 PoE (9 wire)

This surface-mounted pin & barrel type continuous hinge is the correct hinge to solve door sag problems. The 1/8" inset allows perfect alignment for retrofitting hollow metal, wood or aluminum doors within the existing conditions - no need to readjust your weather-stripping!



Door Closed



Door Open 180°



# Markar FS102 Full Surface Flush Mount Hinge

## Standard Features

Barrel Type Hinge  
 .187" diameter stainless steel pin (rod)  
 Medical bearings  
 Aluminum end pins  
 Material  
 6063-T6 aluminum alloy  
 Finishes  
 Clear Anodized (628)  
 Dark Bronze Anodized (313)

Standards  
 ANSI/BHMA Standard A156.26 Grade 2  
 Mounting Hardware  
 Fasteners concealed when door is closed  
 Capacity  
 1/4-14 x 3/4" Security TORX TEK Screws  
 Capacity  
 Supports weights up to 600lbs.  
 4'0" maximum door width

Standard Sizes  
 6'8", 7'0", 7'2", 8'0"  
 Locking Security Covers  
 Brushed aluminum finish  
 Handing  
 Not required for standard 7'0" or 8'0".  
 Handing required for 6'8" and 7'0" and for most optional features listed

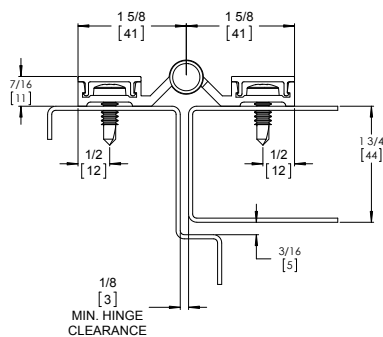
## Optional Features

Finish  
 Light Bronze Anodized (311)  
 Black Anodized (315)  
 Scratch-Resistant Powder Coated Paint  
 Fasteners  
 1 5/8" aluminum sleeve bolts  
 Tamper-proof security screws

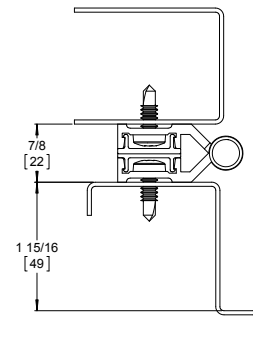
Other Features  
 Custom lengths - specify in inches  
 Custom hole pattern  
 Dutch door hinges - suffix "DDP"  
 Hospital tips - suffix "HT"  
 Lead lined cover with 4 lbs. lead lining  
 - suffix "LL"

Electrical Modifications  
 Electrical Transfer Access Prep - suffix ETAP  
 ElectroLynx®  
 EL4 (4 wire), EL8 (8 wire), EL12 (12 wire)  
 PoE (9 wire)

For flush-mounted doors. This surface-mounted pin & barrel type continuous hinge is for flush-mounted doors for solving your door sag problems. This unit works well on all types of aluminum, wood and hollow metal door applications. The hinge also features tamper-resistant cover caps to prevent vandalism or break-ins.



Door Closed



Door Open 180°

**ASSA ABLOY**  
 Opening Solutions

Experience a safer  
 and more open world

800-824-3018 | [www.assaabloydooraccessories.us](http://www.assaabloydooraccessories.us)  
 Check the web site for the up-to-date catalog

Copyright © 2015-2020, ASSA ABLOY Accessories and Door Controls Group, Inc., an ASSA ABLOY Group company. All rights reserved. Reproduction in whole or in part without the express written permission of ASSA ABLOY Accessories and Door Controls Group, Inc. is prohibited.

# Markar HS103 Half Surface Hinge

## Standard Features

Barrel Type Hinge  
 .187" diameter stainless steel pin (rod)  
 Medical bearings  
 Aluminum end pins  
 Material  
 6063-T6 aluminum alloy  
 Finishes  
 Clear Anodized (628)  
 Dark Bronze Anodized (313)  
 Standards  
 ANSI/BHMA Standard A156.26 Grade 2

Mounting Hardware  
 Fasteners concealed when door is closed  
 Custom 12-24 x 11/16" S.S Phillips Flat Head Undercut TEK Screws & 1/4-14 x 3/4" Security TORX TEK Screws  
 Capacity  
 Supports weights up to 600lbs.  
 4'0" maximum door width  
 Standard Sizes  
 6'8", 7'0", 7'2", 8'0"

Locking Security Covers  
 Brushed aluminum finish  
 Handing  
 Not required for standard 7'0" or 8'0". Specify handing for 6'8" and 7'2" and for most optional features

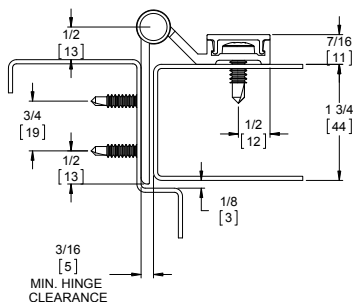
## Optional Features

Finish  
 Light Bronze Anodized (311)  
 Black Anodized (315)  
 Scratch-Resistant Powder Coated Paint  
 Fasteners  
 1 5/8" aluminum sleeve bolts  
 Tamper-proof security screws

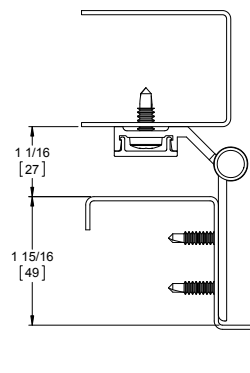
Other Features  
 Custom lengths- specify in inches  
 Custom hole pattern  
 Dutch door hinges- suffix "DDP"  
 Hospital tips – suffix "HT"  
 Lead lined cover with 1/16" lead lining - suffix "LL"

Electrical Modifications  
 Current Transfer Prep (frame leaf only) - suffix "CTP"  
 Electrical Transfer Access Prep - suffix ETAP  
 ElectroLynx®  
 EL4 (4 wire), EL8 (8 wire), EL12 (12 wire)  
 PoE (9 wire)

This half-surface aluminum pin & barrel hinge can be used to repair doors that need the frame reinforced. This hinge can also be used on openings that have too large a gap between the door and frame. The hinge is edge mounted on the frame and surface mounted on the door.



Door Closed



Door Open 180°

# Markar HM104 Half Mortise Hinge

## Standard Features

**Barrel Type Hinge**  
 .187" diameter stainless steel pin (rod)  
 Medical bearings  
 Aluminum pins  
**Material**  
 6063-T6 aluminum alloy  
**Finishes**  
 Clear Anodized (628)  
 Dark Bronze Anodized (313)  
**Standards**  
 ANSI/BHMA Standard A156.26 Grade 2

**Mounting Hardware**  
 Fasteners concealed when door is closed  
 Custom 12-24 x 1<sup>1</sup>/<sub>16</sub>" S.S Phillips Flat Head Undercut TEK Screws & 1<sup>1</sup>/<sub>4</sub>-14 x 3<sup>3</sup>/<sub>4</sub>" Security TORX TEK Screws  
**Capacity**  
 Supports weights up to 600lbs.  
 4'0" maximum door width  
**Standard Sizes**  
 6'8", 7'0", 7'2", 8'0"

**Locking Security Covers**  
 Brushed aluminum finish  
**Handing**  
 Not required for standard 7'0" or 8'0".  
 Specify handing for 6'8" and 7'2" and for most optional features

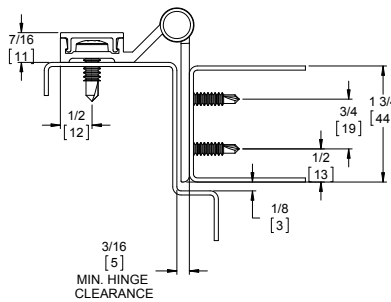
## Optional Features

**Finish**  
 Light Bronze Anodized (311)  
 Black Anodized (315)  
 Scratch-Resistant Powder Coated Paint  
**Fasteners**  
 1<sup>5</sup>/<sub>8</sub>" aluminum sleeve bolts  
 Tamper-proof security screws

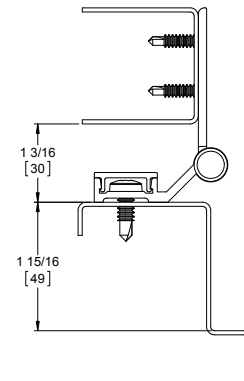
**Other Features**  
 Custom lengths - specify in inches  
 Custom hole pattern  
 Dutch door hinges - suffix "DDP"  
 Hospital tips - suffix "HT"

**Electrical Modifications**  
 Current Transfer Prep (door leaf only) - suffix "CTP"  
 Electrical Transfer Access Prep - suffix ETAP  
 ElectroLynx®  
 EL4 (4 wire), EL8 (8 wire), EL12 (12 wire)  
 PoE (9 wire)

This pin & barrel type hinge is used on wooden doors to hid splits, chips and dents from traffic abuse. The surface mounted frame leaf allows for easy installation.



Door Closed



Door Open 180°

**ASSA ABLOY**  
 Opening Solutions

Experience a safer  
 and more open world

800-824-3018 | [www.assaabloydooraccessories.us](http://www.assaabloydooraccessories.us)  
 Check the web site for the up-to-date catalog

Copyright © 2015-2020, ASSA ABLOY Accessories and Door Controls Group, Inc., an ASSA ABLOY Group company. All rights reserved. Reproduction in whole or in part without the express written permission of ASSA ABLOY Accessories and Door Controls Group, Inc. is prohibited.

# Markar HG105 Adjustable Hinge Guard

## Standard Features

Barrel Type Hinge  
 .187" diameter stainless steel pin (rod)  
 Medical bearings  
 Aluminum end pins  
 Material  
 6063-T6 aluminum alloy  
 Finishes  
 Clear Anodized (628)  
 Dark Bronze Anodized (313)  
 Standards  
 ANSI/BHMA Standard A156.26 Grade 2

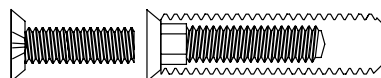
Mounting Hardware  
 No exposed mounting fasteners when door is closed  
 Custom 12-24 x 1 1/16" S.S Phillips Flat Head Undercut TEK Screws  
 Capacity  
 Supports weights up to 600lbs.  
 4'0" maximum door width  
 Standard Sizes  
 6'8", 7'0", 7'2", 8'0"

Hole Pattern  
 Symmetrically templated  
 Handing  
 Not required for standard 7'0" or 8'0".  
 Handing required for 6'8" and 7'2" and for most optional features listed

## Optional Features

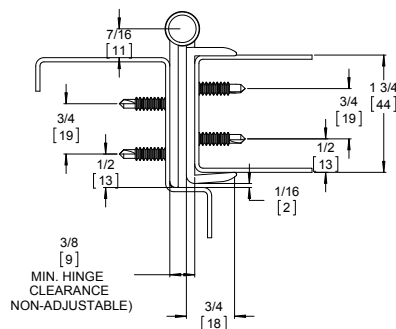
Finishes  
 Light Bronze Anodized (311)  
 Black Anodized (315)  
 Scratch-Resistant Powder Coated Paint  
 Other Features  
 Custom lengths - specify in inches  
 Custom hole pattern  
 Dutch door hinges - suffix "DDP"  
 Hospital tips - suffix "HT"

Fasteners  
 Tamper-proof security screws  
 Adjust-A-Screw™ for correcting frame fit problems up to 3/8"

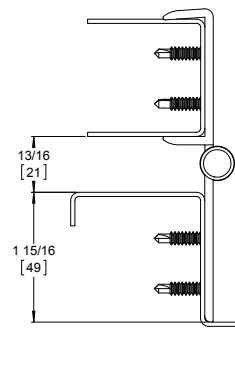


Electrical Modifications  
 Current Transfer Prep - suffix "CTP"  
 ElectroLynx®  
 EL4 (4 wire), EL8 (8 wire), EL12 (12 wire)  
 PoE (9 wire)

This pin & barrel edge-mounted hinge can be used in conjunction with automatically operated aluminum doors that have heavy cart traffic. Ideal for both commercial and institutional doors, shipping and receiving doors, as well as storefronts where door edge protection is critical.



Door Closed



Door Open 180°

# Markar 1000 Series Aluminum Pin & Barrel Continuous Hinges

## Short Form Architectural Specification:

Continuous hinges shall be full height piano-type hinge providing full height door support.

- Supports weights up to 600 lbs. 4'0" maximum door width
- Material to be extruded aluminum 6063-T6 alloy
- .250" diameter stainless pin (rod)
- Each knuckle 4", including nylon bearing at each separation for a quiet, smooth, self-lubricating operation
- Finish: Clear Anodized (628)  
Optional Finish: Light Bronze Anodized (311), Dark Bronze Anodized (313) Black Anodized (315), Scratch-Resistant Powder Coated Paint. Other finishes available upon request.
- All hinges shall be furnished with manufacturer's recommended hardware pack per specific model application
- Exterior barrel diameter .750" (3/4")
- Hinges certified ANSI/BHMA Standard A 156.26 Grade 1
- Symmetrically templated hole pattern

NOTE: 25-Year Warranty on all Continuous Pin & Barrel Hinges

## Markar DSH1000 Double Swing Hinge

### Standard Features

**Barrel Type Hinge**  
.250" diameter stainless steel pin (rod)  
**Medical bearings**  
**Material**  
6063-T6 aluminum alloy  
**Finishes**  
Clear Anodized (628)  
Order form required, available online.

**Standards**  
ANSI/BHMA Standard A156.26  
Grade 1  
**Mounting Hardware**  
12-24 x 1 1/16" Torx Flat  
Head Undercut TEK Screws  
#12-8 Torx Flat Head Particle  
Board Screw  
**Capacity**  
Supports weights up to 600lbs.  
4'0" maximum door width

**Standard Sizes**  
7'0", 8'0"  
**Hole Pattern**  
Symmetrically templated  
**Handing**  
Handing not required  
**CMS Compliant**  
Eliminating additional ligature points  
ensures compliance for reimbursement  
through CMS (Centers for Medicare and  
Medicaid Services)

### Optional Features

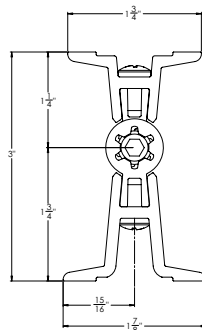
**Finishes**  
Light Bronze Anodized (311)  
Dark Bronze Anodize (313)  
Black Anodized (315)  
Scratch-Resistant Powder Coated  
Paint

**Other Features**  
Custom lengths - specify in inches  
Custom hole pattern

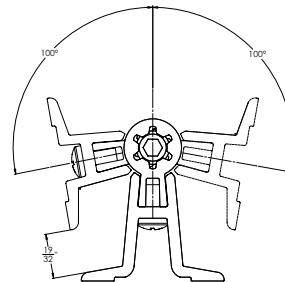
**Electrical Modifications**  
ElectroLynx®  
SER4 (4 wire), SER8 (8 wire), SER12 (12 wire)

This door edge mounted aluminum pin & barrel type hinge has a unique feature that allows the door to swing in either direction up to 100°. When used in conjunction with Pemko Emergency Release Stop (ERS) provides an anti-barricade system

*The Double Swing Hinge and Emergency Release Stop are accepted by the **New York State Office of Mental Health (OMH)** for use in high risk areas.*



Door Closed



Door Open 100° Either Direction

**ASSA ABLOY**  
Opening Solutions

Experience a safer  
and more open world

800-824-3018 | [www.assaabloydooraccessories.us](http://www.assaabloydooraccessories.us)  
Check the web site for the up-to-date catalog

Copyright © 2015-2020, ASSA ABLOY Accessories and Door Controls Group, Inc., an ASSA ABLOY Group company. All rights reserved. Reproduction in whole or in part without the express written permission of ASSA ABLOY Accessories and Door Controls Group, Inc. is prohibited.

# Markar 900 Series Spring Loaded Pin & Barrel Type Continuous Stainless Steel Hinges

## Short Form Architectural Specification:

Continuous hinges shall be full height piano-type hinge providing full height door support.

- Supports weights up to 80 lbs. 3'0" maximum door width
- Material to be 14 gauge stainless steel
- Patented .25" diameter 303 stainless steel self closing pin assembly
- Exterior barrel diameter .438" (7/16")
- Adjustable, tamper resistant Torx Head end caps
- Each knuckle 2", including split nylon bearing at each separation for a quiet, smooth, self-lubricating operation
- Finish: US32D Satin Stainless Steel (630)  
Optional Finish: US32 Bright Stainless Steel (629)
- Non-Handed
- All hinges shall be furnished with manufacturer's recommended hardware pack per specific model application
- Removable roll pin for spring loaded adjustment
- Symmetrically templated hole pattern

NOTE: 10-Year Warranty

## Markar FM900 Edge Mount

### Standard Features

Spring-Loaded Barrel Type Hinge  
 .25" diameter stainless steel pin with stainless steel spring mechanism  
 Torx tip cap to adjust spring tension  
 Split nylon bearings  
 Material  
 Heavy-duty 14 gauge stainless steel  
 Finishes  
 US32D Satin Stainless Steel (630)

Torx Adjusting Screw  
 Adjust tension on door to close tightly for out-swinging ADA compliance  
 Mounting Hardware  
 Custom 12-24 x 11/16" S.S Phillips Flat Head Undercut TEK Screws  
 Capacity  
 Close door weighing up to 80 lbs.

Sizes  
 54", 57"  
 Non-Handed  
 Use the same hinge for right- or left-handed doors  
 For Doors over 3'0" consult factory  
 USA patent no. 4823437  
 Canadian patent no. 1303804

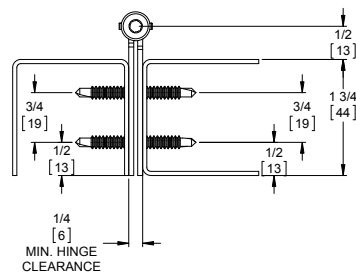
### Optional Features

Finishes  
 US32 Bright Stainless Steel (629)  
 Scratch-Resistant Powder Coated Paint

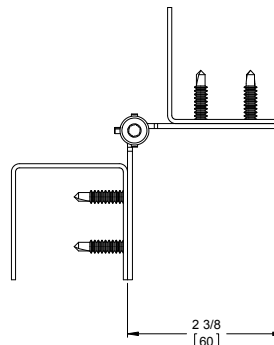
Fasteners  
 Tamper-proof security screws

Other Features  
 Custom lengths -Custom sizes 24" to 72" available  
 Custom hole pattern

Ideal for damp or corrosive environments, Markar's stainless steel toilet partition hinge adds years of life to your high-quality partition.



Door Closed



Door Open 90°

800-824-3018 | [www.assaabloydooraccessories.us](http://www.assaabloydooraccessories.us)  
 Check the web site for the up-to-date catalog

Copyright © 2015-2020, ASSA ABLOY Accessories and Door Controls Group, Inc., an ASSA ABLOY Group company. All rights reserved.  
 Reproduction in whole or in part without the express written permission of ASSA ABLOY Accessories and Door Controls Group, Inc. is prohibited.

**ASSA ABLOY**  
 Opening Solutions

Experience a safer  
 and more open world

## Markar FS902 Flush Full Surface Hinge

### Standard Features

Spring-Loaded Barrel Type Hinge  
 .25" diameter stainless steel pin with stainless steel spring mechanism  
 Torx tip cap to adjust spring tension  
 Split nylon bearings  
**Material**  
 Heavy-duty 14 gauge stainless steel  
 Covers - extruded aluminum

**Finishes**  
 US32D Satin Stainless Steel (630)  
 Covers - Brushed Aluminum  
**Torx Adjusting Screw**  
 Adjust tension on door to close tightly for out-swinging ADA compliance  
**Mounting Hardware**  
 1/4" x 20 pan head machine screws  
 Concealed by cover caps

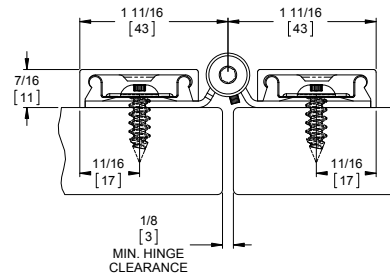
**Capacity**  
 Close door weighing up to 80 lbs.  
**Sizes**  
 54", 57"  
**Non-Handed**  
 Use the same hinge for right- or left-handed doors  
 For Doors over 3'0" consult factory  
 USA patent no. 4823437  
 Canadian patent no. 1303804

### Optional Features

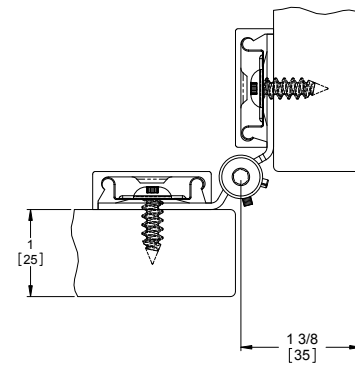
**Finishes**  
 US32 Bright Stainless Steel (629)  
 Scratch-Resistant Powder Coated Paint  
**Fasteners**  
 Tamper-proof security screws

**Other Features**  
 Custom lengths - Custom sizes  
 24" to 72" available  
 Custom hole pattern

Ideal for damp or corrosive environments, Markar's stainless steel toilet partition hinge adds years of life to your high-quality partition.



Door Closed



Door Open 90°

## Markar FS910 Flush Full Surface Hinge

### Standard Features

Spring-Loaded Barrel Type Hinge  
 .25" diameter stainless steel pin with stainless steel spring mechanism  
 Torx tip cap to adjust spring tension  
 Split nylon bearings  
**Material**  
 Heavy-duty 14 gauge stainless steel  
**Finishes**  
 US32D Satin Stainless Steel (630)

**Torx Adjusting Screw**  
 Adjust tension on door to close tightly for out-swinging ADA compliance  
**Mounting Hardware**  
 Custom 12-24 x 11/16" S.S Phillips Flat Head Undercut TEK Screws  
**Capacity**  
 Close door weighing up to 80 lbs.

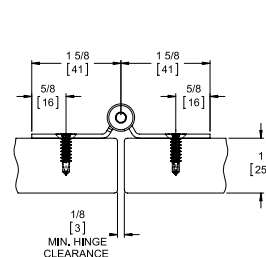
**Sizes**  
 54", 57"  
**Non-Handed**  
 Use the same hinge for right- or left-handed doors  
 For Doors over 3'0" consult factory  
 USA patent no. 4823437  
 Canadian patent no. 1303804

### Optional Features

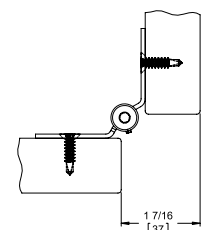
**Finishes**  
 US32 Bright Stainless Steel (629) Scratch-Resistant Powder Coated Paint  
**Fasteners**  
 Tamper-proof security screws

**Other Features**  
 Custom lengths - Custom sizes  
 24" to 72" available Custom hole pattern

Ideal for damp or corrosive environments, Markar's stainless steel toilet partition hinge adds years of life to your high-quality partition.



Door Open



Door Open

**ASSA ABLOY**  
 Opening Solutions

Experience a safer  
 and more open world

800-824-3018 | [www.assaabloydooraccessories.us](http://www.assaabloydooraccessories.us)  
 Check the web site for the up-to-date catalog

Copyright © 2015-2020, ASSA ABLOY Accessories and Door Controls Group, Inc., an ASSA ABLOY Group company. All rights reserved. Reproduction in whole or in part without the express written permission of ASSA ABLOY Accessories and Door Controls Group, Inc. is prohibited.

# Markar 400 Series Spring Loaded Pin & Barrel Type Continuous Aluminum Hinges

## Short Form Architectural Specification:

Continuous hinges shall be full height piano-type hinge providing full height door support.

- Supports weights up to 80 lbs. 3'0" maximum width
- Material to be extruded aluminum 6063-T6 alloy
- Patented .25" diameter 303 stainless steel self closing pin assembly
- Each knuckle 2", including split nylon bearing at each separation for a quiet, smooth, self-lubricating operation
- Finish: Clear Anodized (628). Other finishes available upon request.
- Adjustable, tamper resistant Torx Head end caps
- Non-handed
- Exterior barrel diameter .515" (1/2")
- Material thickness less than .125"
- Removable roll pin for spring loaded adjustment
- Symmetrically templated hole pattern

NOTE: 10-Year Warranty

## Markar FM400 Edge Mount Hinge

### Standard Features

Spring-Loaded Barrel Type Hinge  
 .25" diameter stainless steel pin with stainless steel spring mechanism  
 Torx tip cap to adjust spring tension  
 Split nylon bearings  
 Material  
 6063-T6 aluminum alloy  
 Finishes  
 Clear Anodized (628)

Torx Adjusting Screw  
 Adjust tension on door to close tightly for out-swinging ADA compliance  
 Mounting Hardware  
 Custom 12-24 x 1 1/16" S.S Phillips Flat Head Undercut TEK Screws  
 Capacity  
 Close door weighing up to 80 lbs.

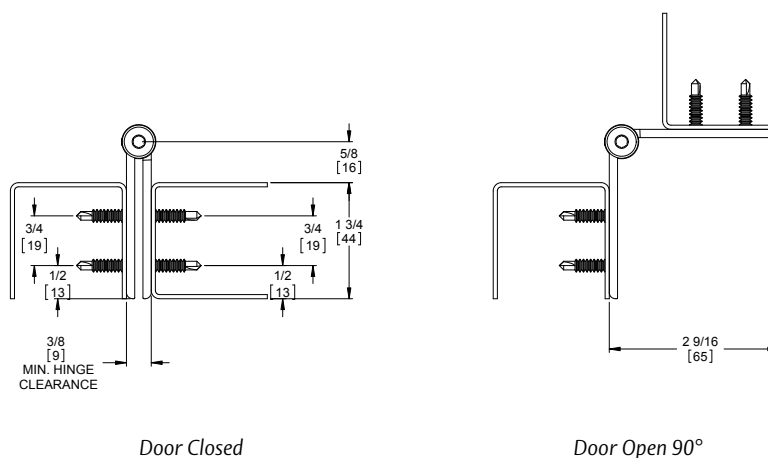
Sizes  
 54", 57"  
 Non-Handed  
 Use the same hinge for right- or left-handed doors  
 For Doors over 3'0" consult factory  
 USA patent no. 4823437  
 Canadian patent no. 1303804

### Optional Features

Fasteners  
 Tamper-proof security screws  
 Finishes  
 Scratch-Resistant Powder Coated Paint  
 Light Bronze Anodized (311)  
 Black Anodized (315)

Other Features  
 Custom lengths - Custom sizes  
 24" to 72" available  
 Custom hole pattern  
 Lift-up safety feature

Specify Markar to create the total finished look that your high-quality toilet partition deserves. The Markar continuous spring hinge gives a clean, finished look while virtually eliminating the "sight line" that multi-part systems cause. Continuous hinges also give complete support along the entire length of the partition door.





# Markar FS402 Flush Full Surface Hinge

## Standard Features

Spring-Loaded Barrel Type Hinge  
 .25" diameter stainless steel pin with stainless steel spring mechanism  
 Torx tip cap to adjust spring tension  
 Split nylon bearings

Material  
 6063-T6 aluminum alloy  
 Covers - extruded aluminum

Finishes  
 Clear Anodized (628)  
 Torx Adjusting Screw  
 Adjust tension on door to close tightly for out-swinging ADA compliance

Mounting Hardware  
 1/4" x 20 pan head pan head machine screws  
 Concealed by cover caps

Capacity  
 Close door weighing up to 80 lbs.

Sizes  
 54", 57"

Non-Handed  
 Use the same hinge for right- or left-handed doors  
 For Doors over 3'0" consult factory  
 USA patent no. 4823437  
 Canadian patent no. 1303804

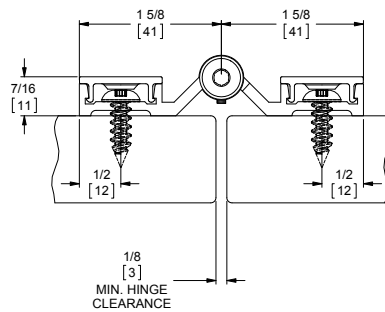
## Optional Features

Fasteners  
 Tamper-proof security screws

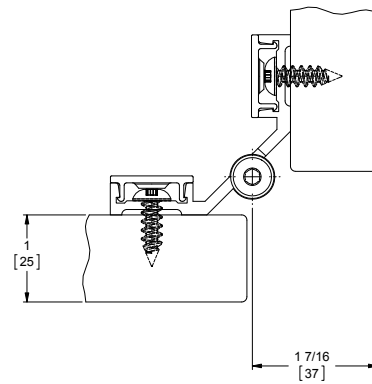
Finishes  
 Scratch-Resistant Powder Coated Paint  
 Light Bronze Anodized (311)  
 Black Anodized (315)

Other Features  
 Custom lengths - Custom sizes  
 24" to 72" available  
 Custom hole pattern  
 Lift-up safety feature

Specify Markar to create the total finished look that your high-quality toilet partition deserves. The Markar continuous spring hinge gives a clean, finished look while virtually eliminating the "sight line" that multi-part systems cause. Continuous hinges also give complete support along the entire length of the partition door.



Door Closed



Door Open 90°

**ASSA ABLOY**  
 Opening Solutions

Experience a safer  
 and more open world

800-824-3018 | [www.assaabloydooraccessories.us](http://www.assaabloydooraccessories.us)  
 Check the web site for the up-to-date catalog

Copyright © 2015-2020, ASSA ABLOY Accessories and Door Controls Group, Inc., an ASSA ABLOY Group company. All rights reserved. Reproduction in whole or in part without the express written permission of ASSA ABLOY Accessories and Door Controls Group, Inc. is prohibited.

## Markar B1921 & B1923 Full Surface Reinforcing Pivots

This full-surface reinforcing pivot adds years of life to openings where the hinges or hinge reinforcements have failed. An economical way to solve door sag problems, reinforcing pivots take the load off the top hinge and transfer it to screws that will not pull out.

### Material:

Heavy Duty  $\frac{3}{16}$ " (.187) Cold-Rolled Steel

### Finish:

Zinc Plated (US2G)

### Mounting:

8 ea.  $\frac{1}{4}$ -20 x  $\frac{3}{4}$ " Phillips flat head machine screws

8 ea. #14 x  $1\frac{1}{4}$ " Phillips flat head sheet metal screws

2 ea.  $\frac{1}{4}$ -20 x  $1\frac{3}{4}$ " Sleeve bolts

### Capacity:

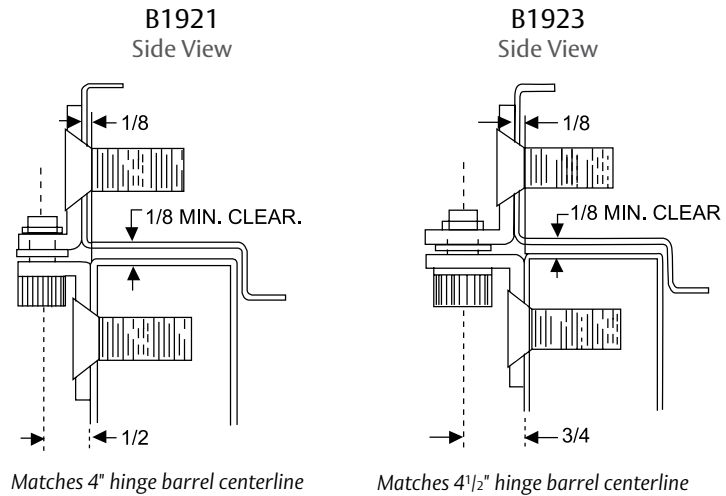
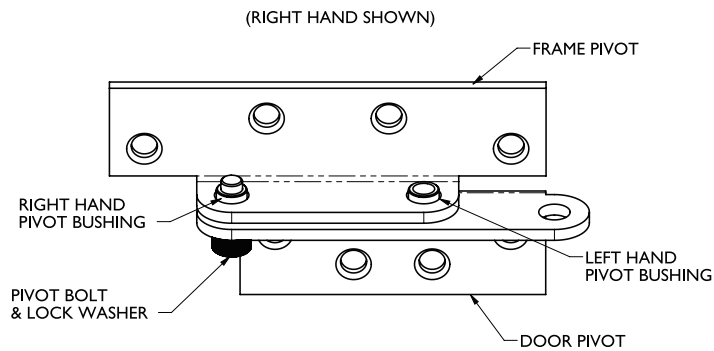
Supports Weights up to 300 lbs.

### Hole Pattern:

Symmetrically

### Handing:

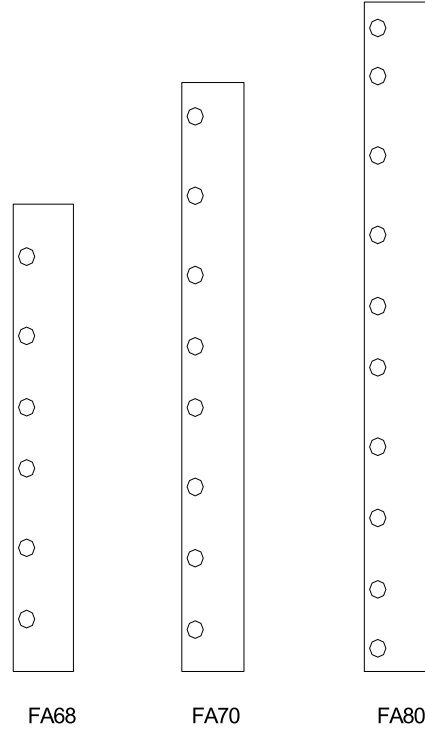
Non-handed



B1921	The B1921 pivot is designed with a $\frac{1}{2}$ " offset to match the pivot point of a 4" wide butt hinge.
B1923	The B1923 pivot is designed with a $\frac{3}{4}$ " offset to match the pivot point of a 4 1/2" wide butt hinge.

## Markar Flat Astragals

- For 6'8", 7'0", and 8'0" doors
- Holes are countersunk and equally spaced
- 1/8" x 2" galvanized steel
- 1-pkg. # 6 x 1" F.H.S.M. screws
- Finish – galvanized steel
- Available with thru-bolt option– nine-pack (ZTB-KIT9) or eleven-pack (ZTB-KIT11)



## Markkar Universal Screw Packs – Edge Mount Hinges

### For hinge models FM100

Screw type	Aluminum	Bronze	6'8"-7'0"-7'2"	8'0"	10'0"
12-24 x 1 <sup>1</sup> / <sub>16</sub> " Phillips flat head undercut self-drilling Tek screw	TKS1267SP10SS	TKS1267SP10BLR	42	46	54

### For hinge models FM200, FM300, HG311, HG315, FM/SC325, FM327, HG329, FM338, FM344, FM600

Screw type	Stainless Steel	6'8"-7'0"-7'2"	8'0"	10'0"
12-24 x 1 <sup>1</sup> / <sub>16</sub> " Phillips flat head undercut self-drilling Tek screw	TKS1267SP10SS	42	46	54

### For hinge/guard model HG105

Screw type	Aluminum	Bronze	6'8"-7'0"-7'2"	8'0"	10'0"
12-24 x 1 <sup>1</sup> / <sub>16</sub> " Phillips flat head undercut self-drilling Tek screw	TKS1267SP10SS	TKS1267SP10BLR	42	46	54
Adjust-A-Screw™ option	Aluminum	Bronze	6'8"-7'0"-7'2"	8'0"	10'0"
10-32 x 3/4" Phillips flat head undercut machine screw	MS10075SS	MS10075SS	21	23	27
1 <sup>3</sup> / <sub>8</sub> " Adjust-A-Screw™ with 10-32 internal thread	M26-0031-01	M26-0031-01	21	23	27

### For hinge/guard models HG305, HG310, HG322, HG326,

Screw type	Stainless Steel	6'8"-7'0"-7'2"	8'0"	10'0"
12-24 x 1 <sup>1</sup> / <sub>16</sub> " Phillips flat head undercut self-drilling Tek screw	TKS1267SP10SS	42	46	54
Adjust-A-Screw™ option	Stainless Steel	6'8"-7'0"-7'2"	8'0"	10'0"
10-32 x 3/4" Phillips flat head undercut machine screw	MS10075SS	21	23	27
1 <sup>3</sup> / <sub>8</sub> " Adjust-A-Screw™ with 10-32 internal thread	M26-0031-01	21	23	27

### For hinge/guard model HG323

Screw type	Stainless Steel	6'8"-7'0"-7'2"	8'0"	10'0"
12-24 x 1 <sup>1</sup> / <sub>16</sub> " Phillips flat head undercut self-drilling Tek screw	TKS1267SP10SS	21	23	27
1/4-20 X 3/4" Truss Head Phillips machine screw	MS14075TSS	9	9	11
1/4-20 x 1 <sup>5</sup> / <sub>8</sub> " sleeve bolt	TB1420SS	9	9	11

### For edge/guard models EG308, EGC308, & EGT308

Screw type	Stainless Steel	6'8"-7'0"-7'2"	8'0"	10'0"
#12 x 1 <sup>1</sup> / <sub>2</sub> " Phillips flat head undercut sheet metal screw	PBS12150SP10SS	8	10	12
#12-24 x 1 <sup>1</sup> / <sub>16</sub> " Phillips flat head undercut self-drilling Tek Screw	TKS1267SP10SS	8	10	12

### For security hinge models FM3500, FS3501, & FS3502

Screw type	Stainless Steel	6'8"-7'0"-7'2"	8'0"	10'0"
12-24 x 7/16" flat head undercut machine screw	MS1244SP10SS	42	46	54

## Markar Universal Screw Packs – Full Surface Hinges

### For models FS101, FS102

Screw type	Aluminum	Bronze	6'8"-7'0"-7'2"	8'0"	10'0"
1/4-14 x 3/4" Torx pan head self-drilling Tek screw	TORX-TKS14075R	TORX-TKS14075R	32	36	40
#8 x 3/4" Phillips flat head Tek screw	TKS8075Z	S323-08R12-663	4	4	4

### For models FS201, FS202, FS301, FS302, FS321

Screw type	Stainless Steel	6'8"-7'0"-7'2"	8'0"	10'0"
1/4-14 x 3/4" Torx pan head self-drilling Tek screw	TORX-TKS14075R	32	36	40
606 Cover clips	M22-0130-01	10	12	16
#8 x 3/4" Phillips flat head Tek screw	TKS8075Z	4	4	4

### For swing clear model FS/SC309

Screw type	Stainless Steel	6'8"-7'0"-7'2"	8'0"	10'0"
12-24 x 11/16" Phillips flat head undercut self-drilling Tek screw	TKS1267SP10SS	22	24	28
1/4-14 x 3/4" Torx Phillips pan head self-drilling Tek screw	TORX-TKS14075R	16	18	20
606 Cover clips	M22-0130-01	5	6	8
#8 x 3/4" Phillips flat head Tek screw	TKS8075Z	2	2	2

## Universal Screw Packs – Half Surface & Half Mortise Hinges

### For hinge models HS103 & HM104

Screw type	Aluminum	Bronze	6'8"-7'0"-7'2"	8'0"	10'0"
1/4-14 x 3/4" Torx pan head self-drilling Tek screw	TORX-TKS14075R	TORX-TKS14075R	16	18	10
12-24 x 11/16" Phillips flat head undercut self-drilling Tek screw	TKS1267SP10SS	TKS1267SP10BLR	21	23	27
#8 x 3/4" Phillips flat head Tek screw	TKS8075Z	S323-08R12-663	2	2	2

### For hinge models HS203 & HM204

Screw type	Stainless Steel	6'8"-7'0"-7'2"	8'0"	10'0"
1/4-14 x 3/4" Torx pan head self-drilling Tek screw	TORX-TKS14075R	14	16	20
12-24 x 11/16" Phillips flat head undercut self-drilling Tek screw	TKS1267SP10SS	21	23	27
606 Cover clips	M22-0130-01	5	6	8
#8 x 3/4" Phillips flat head sheet metal screw	TKS8075Z	2	2	2

### For hinge models HS303, HM304, & HG306

Screw type	Stainless Steel	6'8"-7'0"-7'2"	8'0"	10'0"
1/4-14 x 3/4" Torx pan head self-drilling Tek screw	TORX-TKS14075R	14	16	20
12-24 x 3/16" Phillips flat head undercut self-drilling Tek screw	TKS1267SP10SS	21	23	27
606 Cover clips	M22-0130-01	5	6	8
#8 x 3/4" Phillips flat head sheet metal screw	TKS8075Z	2	2	2

## Markar Universal Screw Packs – Toilet Partition Hinges

### For hinge models FM400

Screw type	Stainless Steel	54"	57"
12-24 x <sup>11</sup> / <sub>16</sub> " Phillips flat head undercut zinc self-drilling Tek screw	TKS1267SP10SS	26	26
<sup>3</sup> / <sub>32</sub> " x <sup>3</sup> / <sub>8</sub> " Stainless Steel roll pin	RLPN33238SS	1	1

### For hinge model FS402

Screw type	Stainless Steel	54"	57"
<sup>1</sup> / <sub>4</sub> -14 x <sup>3</sup> / <sub>4</sub> " Torx button head sheet metal screw	TORX-TKS14075R	12	12
#8 x <sup>3</sup> / <sub>4</sub> " TORX flat head self-drilling Tek screw	TORX-TKS8075Z	4	4
<sup>3</sup> / <sub>32</sub> " x <sup>3</sup> / <sub>8</sub> " Stainless Steel roll pin	RLPN33238SS	1	1

### For hinge models FM900

Screw type	Stainless Steel	54"	57"
#12-24 x <sup>11</sup> / <sub>16</sub> " Phillips flat head undercut self-drilling Tek screw	TKS1267SP10SS	26	26
<sup>3</sup> / <sub>32</sub> " x <sup>3</sup> / <sub>8</sub> " Stainless Steel roll pin	RLPN33238SS	1	1

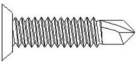



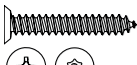

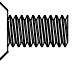

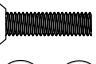

### For hinge model FS902

Screw type	Stainless Steel	54"	57"
<sup>1</sup> / <sub>4</sub> -14 x <sup>3</sup> / <sub>4</sub> " Torx button head sheet metal screw	TORX-TKS14075R	12	12
606 Cover clips	M22-0130-01	6	6
#8 x <sup>3</sup> / <sub>4</sub> " TORX flat head self-drilling Tek screw	TORX-TKS8075Z	4	4
<sup>3</sup> / <sub>32</sub> " x <sup>3</sup> / <sub>8</sub> " Stainless Steel roll pin	RLPN33238SS	1	1

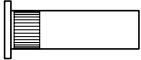
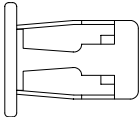
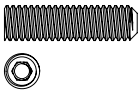
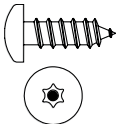
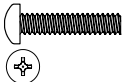
### For hinge models FS910

Screw type	Stainless Steel	54"	57"
#12-24 x <sup>11</sup> / <sub>16</sub> " Phillips flat head undercut self-drilling Tek screw	TKS1267SP10SS	26	26
<sup>3</sup> / <sub>32</sub> " x <sup>3</sup> / <sub>8</sub> " Stainless Steel roll pin	RLPN33238SS	1	1

## Markar Fasteners

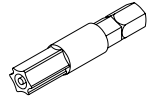
	Product Number	Description	Properties
 		<b>Custom 12-24 x 1<sup>1</sup>/<sub>16</sub>" Phillips Flat Head Undercut Self-Drilling Screw</b>	
	TKS1267SP10SS	For attaching Edge Mounted hinge leaves	Stainless Steel Phillips
	TORX-TKS1267SP10SS	For attaching Edge Mounted hinge leaves	Stainless Steel Torx
 		<b>#8 x 3/4" Flat Head Self Drilling Tek Screw</b>	
	TKS8075Z	For attaching 100, 200, and 300 series covers	Zinc Phillips
	S323-08R12-663	For attaching 100, 200, and 300 series covers	Bronze Phillips
	TORX-TKS8075Z	For attaching 100, 200, and 300 series covers	Zinc Torx
 		<b>Custom #12 x 1<sup>1</sup>/<sub>2</sub>" Flat Head Undercut Particle Board Screw</b>	
	PBS12150SP10BLR	For edge mounting to wood	Bronze Phillips
	PBS12150SP10SS	For edge mounting to wood	Stainless Steel Phillips
	TORX-PBS12150SP10SS	For edge mounting to wood	Stainless Steel Torx
 		<b>Custom 12-24 x 7/16" Flat Head Undercut Machine Screw</b>	
	MS1244SP10SS	Used with 3500 series hinges for mounting to metal	Stainless Steel Phillips
	TORX-MS1244SP10SS	Used with 3500 series hinges for mounting to metal	Stainless Steel Torx
 		<b>10-32 x 3/4" Flat Head Machine Screw</b>	
	MS10075SS	Used with Adjust-A-Screw	Stainless Steel Phillips
	TORX-MS10075SS	Used with Adjust-A-Screw	Stainless Steel Torx

## Markar Fasteners

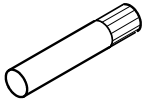
	Product Number	Description	Properties
	TB1420SS	1/4-20 x 1 5/8" Sleeve Bolt For surface mounting to wood	Stainless Steel
	M26-0030	10-24 Security Button Head Barrel Nut For surface mount toilet partition hinges Consult factory for pricing and availability	Stainless Steel
	TORX-BHMS1075SS	10-24 x 3/4" Button Head Security Torx For surface mount toilet partition hinges Consult factory for pricing and availability	Stainless Steel
	M26-0015-02	18 SJN 1/4-20 Molly Jack Nut 7/16" hole	Zinc
	M26-0031-01	1 3/8" Adjust-A-Screw™ with 10-32 Internal Thread and Hex Head Adjustment Used with MS10075SS screw Note: 5/16" pilot hole required for 3/8" - 16 tap	
	TORX-TKS14075R	1/4-14 x 3/4" T-27 Torx Button Head Sheet Metal Screw	Ruspert Coat Torx
	S222-416R16-603	1/4-20 x 1" Pan Head Machine Screw For surface mounting to metal	Zinc Phillips



## Markar Tools, Parts and Accessories



Product Number	Description
TORXBIT20	MT-T20, 27, & 15 Torx Driver Bit Used on TORX-MS1244SP10SS, TORX-PBS12150SP10SS and TORX-MS10075SS
TORXBIT27	Used on TORX-TKS14075R16 and to adjust 400 and 900 series spring-loaded hinges
TORXBIT15	Used on TORX-TKS8075Z



RLPN33238SS	Knurl Pin Replacement pin for spring-loaded toilet partition hinges
-------------	--

## Cutting Pin & Barrel Hinges to Custom Lengths

**Step 1** The following instructions will apply to all Markar pin and barrel hinges except for toilet partition hinges.

The general instructions apply for the 100, 200, 300 and 3500 series hinges. Follow option **A** for specific directions related to 100 series aluminum hinges and option **B** or **C** for specific directions related to 200, 300 & 3500 series steel and stainless steel hinges.

**Step 2** Determine the amount the hinge needs to be shortened. Note the hand of the hinge before beginning to lay out your cut. All cuts should be done at the bottom of your hinge assembly so that the gang hole pattern is at the top.

**Step 3** Measure from the top of the hinge down and mark a cut line at the desired length.

For 200, 300 & 3500 series hinges, follow the instructions below

- If less than  $\frac{3}{4}$ " of knuckle is remaining follow option **B**
- If  $\frac{3}{4}$ " or more of knuckle is remaining follow option **C**

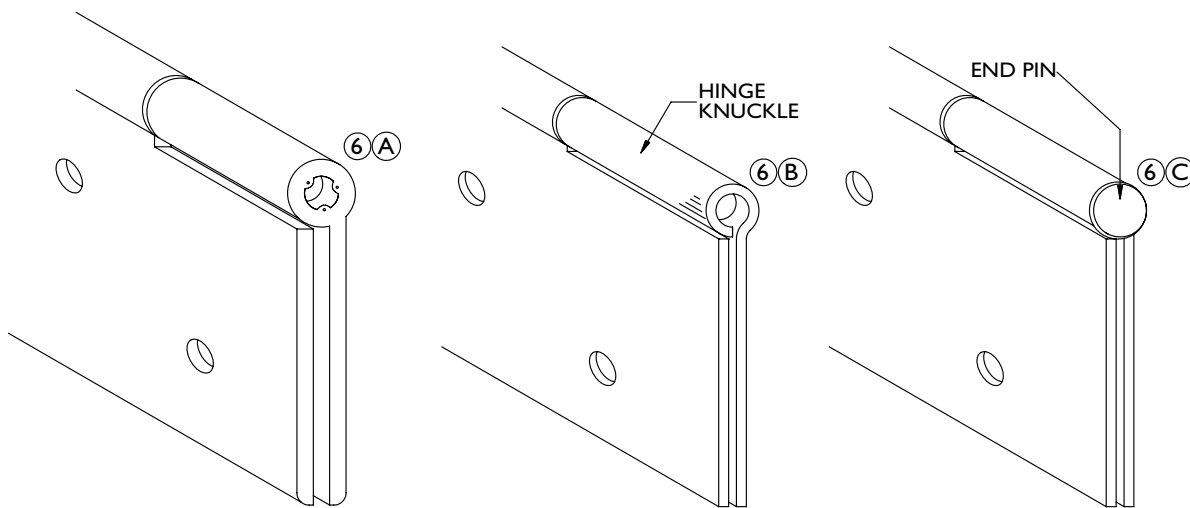
**Step 4** Cut the hinge to length with a hacksaw or horizontal band saw, going through each hinge leaf, barrel and rod. If necessary, use a file to remove sharp edges and deburr.

**Step 5** Slide the stainless steel rod out approximately 1" making sure the assembly stays together as one unit.

- **A B** Remove  $\frac{1}{4}$ " from the rod using hacksaw and then push back into it's original position.
- **C** Remove  $\frac{3}{4}$ " from the rod using a hacksaw and then push back into it's original position.

**Step 6** Follow instructions below based on option used.

- **A** Using a hammer and a center-punch, swage the aluminum material towards the center of the hole locking the hinge pin into place making sure it will not slide out.
- **B** Using a pair of vice-grips, crimp the end of the steel barrel making sure the hinge pin will not slide out.
- **C** Remove the end of the pin from the scrap hinge and insert it into the bottom of hinge using hammer.



**ASSA ABLOY**  
Opening Solutions

Experience a safer  
and more open world

800-824-3018 | [www.assaabloydooraccessories.us](http://www.assaabloydooraccessories.us)  
Check the web site for the up-to-date catalog

Copyright © 2015-2020, ASSA ABLOY Accessories and Door Controls Group, Inc., an ASSA ABLOY Group company. All rights reserved.  
Reproduction in whole or in part without the express written permission of ASSA ABLOY Accessories and Door Controls Group, Inc. is prohibited.

# PemkoHinge®

## Continuous Geared Aluminum Hinges

### CONTENTS:

What is PemkoHinge®? .....	82
Ordering Chart .....	82
BHMA Certification Program .....	83
Hospital Tip .....	83
Cycle Requirements and Weight Bearing .....	83
UL Fire Labeling .....	83
Options for Electrically Modified Continuous Geared Hinges .....	84
X-Series PemkoHinge® .....	85
Offset Hinges.....	86
Full Mortise Hinges.....	87
Special Full Mortise Hinges.....	88
Kawneer Full Mortise Hinges.....	89
Raised Gear Hinge.....	89
Full Mortise Safety Hinges.....	90
Wide Throw Full Mortise Hinges.....	91
Wide Throw Half Surface Hinges.....	91
Half Surface Hinges.....	92
Half Mortise Hinges.....	92
Full Surface Hinges.....	93
Full Surface Center Pivot Hinges.....	93
Full Surface Balanced Pivot Hinge.....	93
Full Mortise Residential Hinges.....	94
Firepins™ .....	95
Double Swing Hinge.....	96
Emergency Release Stop.....	96
Power Transfer Units .....	97

### INDEX:

PRODUCT	PAGE	PRODUCT	PAGE	PRODUCT	PAGE
DSH.....	98	FM_SLI.....	89	RS138.....	96
EL-CEPT.....	99	FM_SLISF.....	92	RS175.....	96
EL-EPT.....	99	FS.....	95	SPFM.....	90
EL-EPT-SC.....	99	FS_BP.....	95	SPFM_SLF.....	90
EL-EPTL.....	99	FS_CP.....	95	SPFM_SLI.....	90
ERS.....	98	HM.....	94	WT_FM.....	93
FM.....	89	HS.....	94	WT_HS.....	93
FM_RG.....	91	HS_SF.....	94	XF.....	87
FM_SF.....	92	K_FM.....	91	XI.....	87
FM_SLF.....	89	OS_FM.....	88	XK.....	87
FM_SLF138.....	92	OS_HS.....	88	XM.....	87
				X25M.....	87

NOTE: Products shown in this section may not be drawn to scale

800-824-3018 | [www.assaabloydooraccessories.us](http://www.assaabloydooraccessories.us)  
Check the web site for the up-to-date catalog

Copyright © 2015-2020, ASSA ABLOY Accessories and Door Controls Group, Inc., an ASSA ABLOY Group company. All rights reserved.  
Reproduction in whole or in part without the express written permission of ASSA ABLOY Accessories and Door Controls Group, Inc. is prohibited.

**ASSA ABLOY**  
Opening Solutions

Experience a safer  
and more open world

## What is PemkoHinge®?

PemkoHinge® consists of two full-height, paired and geared leaves. Each geared leaf rotates evenly from top to bottom riding on proprietary polymer blended bearings. The geared leaves and bearings are held together by a full-length channel cap. This assembly retains the smooth, clean lines of the door and frame, while easily supporting heavy vertical loads.

## PemkoHinge®

### SECURITY, SAFETY, PRIVACY, LOW WEAR AND TEAR

#### PemkoHinge® Attributes:

- With a continuous hinge, typical alignment problems (such as door sag and binding) are eliminated
- The continuous hinge distributes load stress uniformly along the full length of the door and frame
- The gear design of the continuous hinge ensures symmetrical operation of each leaf
- ½ lb. or less operating force required to operate most doors, regardless of size
- Low operating force feature makes continuous hinges ideal for doors used by the physically challenged
- The continuous hinge, when installed on standard steel doors and frames, requires no additional reinforcement. However, hinge preps must have fillers installed for proper operation
- A high degree of security can be achieved for exterior openings or restricted spaces by using a continuous hinge. With the geared construction and the full-length channel cap, the common gap between the door and frame is sealed, which provides security against prying
- In addition, the continuous full-height hinge cap protects against pinching fingers in doors in public areas, particularly those where children are present
- Sight proof design of the continuous hinge provides privacy for lavatories, executive offices, or file rooms

#### PemkoHinge® Superior Design:

- PemkoHinge® has increased critical stress points of the hinge leaf extrusions providing additional strengths and rigidity to the completed product
- PemkoHinge® bearing design eliminates premature wear, guarantees proper alignment, and requires fewer bearings to carry more weight. The bearing is produced for Pemko using a chemical composition and injection process that provides a stronger, more accurately formed bearing
- PemkoHinge® is designed with inter-meshing gear segments in the hinge which provide 50% more bearing surface resulting in less wear
- PemkoHinge® goes through the anodizing process after completing all machining. This means the machined aluminum surfaces that are in direct contact with the bearing have a smoother, harder surface, thereby reducing wear
- PemkoHinge® maintains uniform bearing spacing for the full length of the hinge even when lengths exceed 10'
- PemkoHinge® uses #12-24 size fasteners with #10 head (#12 Tek fasteners available upon request)
- PemkoHinge® commercial models are ideal for use on lead lined doors (i.e. hospital X-ray rooms), without requiring special screw locations

#### How To Order (Hinge Part Designations)

Example: D | SPFM | 85 | SLI | HD1

Finishes		Hinge Types		Lengths	Hinge Options		Capacity	
BL	Black Anodized	FM	Full-Mortise	79	"blank"	Standard	"blank"	Standard Duty
C	Clear Anodized	FS	Full-Surface	83	CP	Center Pivot	HD1	Heavy Duty, Grade 1
D	Dark Bronze Anodized	HS	Half-Surface	85	RG	Raised Gear	HD3	Heavy Duty, Grade 3
G	Painted Gold	RS138	Full-Mortise Residential: 1¾"	95	SF	Safety		
PW	Painted White	RS175	Full-Mortise Residential: 1¾"	120	SL	Short Leaf (residential only)		
SN	Satin Nickel Anodized	SPFM	Special Full-Mortise		SLF	Short Leaf Flush		
		WT_FM	Wide Throw Full-Mortise		SLI	Short Leaf Inset		
		WT_HS	Half-Surface					

**ASSA ABLOY**  
Opening Solutions

Experience a safer  
and more open world

800-824-3018 | [www.assaabloydooraccessories.us](http://www.assaabloydooraccessories.us)

Check the web site for the up-to-date catalog

Copyright © 2015-2020, ASSA ABLOY Accessories and Door Controls Group, Inc., an ASSA ABLOY Group company. All rights reserved. Reproduction in whole or in part without the express written permission of ASSA ABLOY Accessories and Door Controls Group, Inc. is prohibited.

## BHMA Certification Program

This program was developed to establish product classifications through performance testing. Three grades (1, 2 and 3) of product classifications were established for continuous hinges, with three weight groups (150, 300 and 600) for each grade: Grade 3 being the lowest and Grade 1 being the highest classification. Each classification and weight group has a set of established cycle requirements and wear characteristics, with a minimum for vertical and lateral wear to establish a listing under a weight and grade classification, after the set number of cycles is completed.

Maximum Vertical Wear Allowable:

Grade 3 = 0.105"

Grade 2 = 0.030"

Grade 1 = 0.020"

Maximum Lateral Wear Allowable:

All Grades = 0.062"

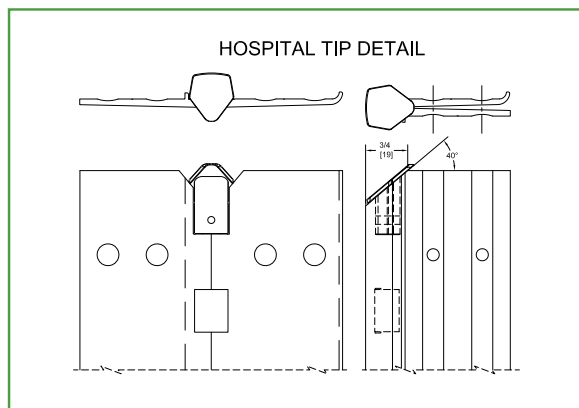
Cycle requirements range from Grade 3-600 requiring 100,000 cycles through Grade 1-150 requiring 2.5 million cycles.

For more information on certification testing or other product certification programs, please contact Pemko Customer Service.



## Hospital Tip

A special modification is available for certain hinges which provides a Hospital Tip Cap at the top of the gear cap, leaving no opening. A 45° angled cut on the gear cap and leaf covers provides a safe environment for hospitals and correctional facilities.



## Cycle Requirements - Per BHMA Standard ANSI/BHMA A156.26-2012

- Standard Duty Hinges (excluding \_RS175 & \_RS138) conform to Grade 3-150 and Grade 3-300
- HD3 Hinges conform to Grade 3-150, Grade 3-300, and Grade 3-600
- HD1 Hinges conform to Grade 2-150, Grade 1-300, and Grade 1-600
- 1100 Series and X-Series Hinges conform to Grade 1-150

## Weight Bearing - Per BHMA Standard ANSI/BHMA A156.26-2012

- This information pertains to all commercial models
- Heavier weight can be carried; please contact Customer Service for applications other than those listed in the chart
- Special hinge reinforcements are not required as hollow metal door and frame manufacturers' standard are acceptable. Removal of hinge reinforcements in the door and frame is not advised. Hinge preps must have fillers installed

## UL Fire Labeled 1½ & 3 Hour



LISTED  
DOOR HINGE  
76Y2

- All models designated with these symbols are tested and certified by Underwriters Laboratories Inc.® (U.S.A. and Canada) to standards UL10B, UL10C and UBC7.2 (positive pressure) for a 1½-Hour Fire Listing for all 4'0" x 10'0" and 8'0" x 10'0" door and frame assemblies. Fire listing certifications apply to all approved hollow metal and wood door assemblies in drywall or masonry wall construction
- Special FirePins™ are only required on 3-Hour assemblies. Please refer to page 95 for illustrations and information regarding the application of Pemko FirePins™

- All hinges are supplied with standard fastener kits. Replacement kits/individual fasteners may be purchased separately
- TEK/TORX fasteners may be purchased separately. Full-mortise hinges require 40 each; half-surface hinges require 20 each; full-surface hinges require 12 each
- All half-surface and full-surface hinges are supplied with a snap cover for the door leaf. Replacement snap covers may be purchased separately
- Rain caps may be purchased separately

# Electrically Modified Continuous Geared Hinges

## Electrical Modifications

- Pemko has vastly improved the cycle performance of the electrically modified hinge. Performance testing has shown that 3,000,000+ cycles can now be achieved using Pemko's exclusive polyurethane-coated 4, 8, or 12 TRI-FLEX titanium copper alloy cables. Each cable is capable of carrying 6 amps continuous or 16 amps in-rush @ 24-volts for 820 milliseconds. When ordering, please use the "shorthand code" shown in the chart page 82. For example, if you require a Clear Anodized standard Full-Mortise hinge at 83" with Quick Connect transfer - 4-wire, modified 36 1/4" from the top, right hand, you would order a CFM83 with QC4 at 36 1/4" from top - RH

## Options for Electrically Modified Continuous Geared Hinges

These options allow variable degrees of service to be performed at the specific locations of the current carrying cables by installing a serviceable/removable hinge which includes a removable module (SER), or installing a hinge with a pivoting accessible feature (ACC).

- Both options (SER & ACC) are available in 4 Wire (QC4), 8 Wire (QC8), 12 Wire (QC12) variants
- Available on FM, FS, HS, KFM, SLF, SLI, XF, XI, XK, XM, X25M Models

## Serviceable/Removable (SER) Module

The hinge is furnished to be installed in three sections allowing the current carrying cable to be serviced or replaced without removing the door from the frame. Additionally, the SER option allows the current carrying cables to be safely stored or delivered to the electrician or security contractor prior to the installation of the electrified hardware, eliminating the necessity of the electrician or security contractor being present when the doors are being hung.

Product Numbering Example: **CFM83HD1xSER4**

## Accessible (ACC) Feature

The hinge is furnished to be installed in a single section with the leaves modified to pivot at the location of the current carrying cable and allow access to the cables and connected wiring.

Product Numbering Example: **CFM83HD1xACC4**

## Concealed Magnetic Monitoring (CM)

Concealed magnetic monitoring is also available with the SER and ACC options. Magnetic monitor is supplied with monitor and an adjustable magnet.

Product Numbering Example: **CFM83HD1xSER4xCM**  
**CFM83HD1xACC4xCM**

## Customer Information Needed:

- Specify handing and prep location if other than Pemko standard

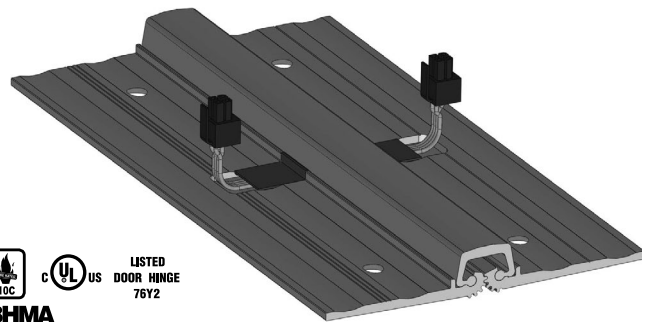
### Included:

- HD1, 1100 and X-Series model hinges using Molex connectors with ElectroLynx® are warranted for five (5) years. Standard duty and HD3 hinges are warranted for one (1) year
- Each electrical prep is supplied with one 48" and one 180" cable lead

### ElectroLynx®

As part of their promise to provide innovative, fast and effective high security solutions to their customers, certain ASSA ABLOY Group brands offer ElectroLynx®, a universal quick-connect system that simplifies the electrification of the door opening.

ElectroLynx® is a registered trademark of ASSA ABLOY Inc.



Quick Connect Transfer For Full Mortise (FM) Hinges	QC4 4 WIRE	Quick Connect Transfer For Full Surface (FS) & Half Surface (HS) Hinges	QC4_S 4 WIRE
	QC8 8 WIRE		QC8_S 8 WIRE
	QC12 12 WIRE		QC12_S 12 WIRE

Additional Electrical Modifications Options Code	
Additional Length of Quick Connect Cable Leads	
Adjustable Concealed Magnetic Monitoring	CM
Power Transfer - Prep Only	PT

**ASSA ABLOY**  
Opening Solutions

Experience a safer  
and more open world

800-824-3018 | [www.assaabloydooraccessories.us](http://www.assaabloydooraccessories.us)

Check the web site for the up-to-date catalog

Copyright © 2015-2020, ASSA ABLOY Accessories and Door Controls Group, Inc., an ASSA ABLOY Group company. All rights reserved. Reproduction in whole or in part without the express written permission of ASSA ABLOY Accessories and Door Controls Group, Inc. is prohibited.

## X-Series Hinges

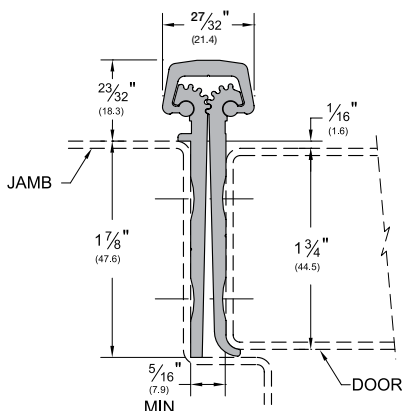
- Thicker leaves than traditional continuous geared hinge and requires no additional clearance

- X-Series hinges allow for a deeper cavity for electrical wires when ordering an electrified hinge

### Full Mortise

XM\_

STANDARD FINISHES: C, D

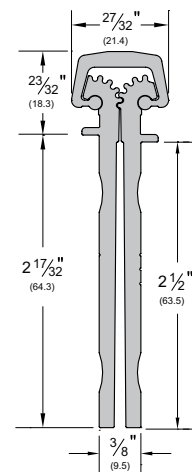


### Full Mortise for 2 1/2" Thick Door

- Wider hinge leaves to accommodate doors 2 1/2" thick

X25M\_

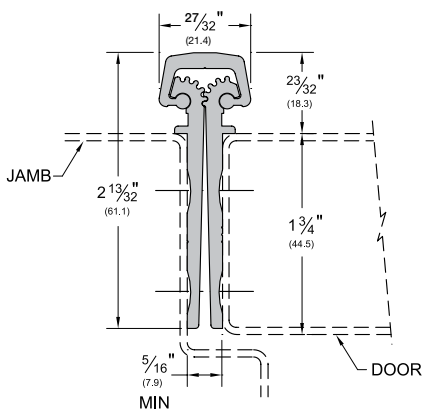
STANDARD FINISHES: C, D



### Short Leaf Flush

XF\_

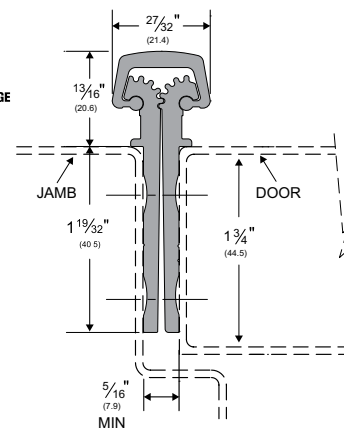
STANDARD FINISHES: C, D



### Kawneer Full Mortise

XK\_

STANDARD FINISHES: C, D

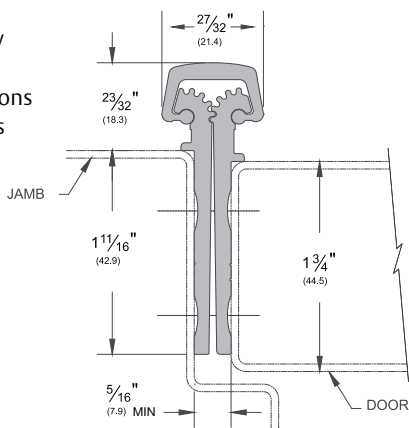


### Short Leaf Inset

- Designed for use with hollow metal doors where the inset conforms to S.D.I. specifications for aligning doors and frames

XI\_

STANDARD FINISHES: C, D



AVAILABLE FINISHES FOR PRODUCTS SHOWN ON THIS PAGE (see General Information section for finish chart)

BL (Black Anodized) G (Painted Gold)

PW (Painted White) and SN (Satin Nickel) are special finishes available upon request.

800-824-3018 | [www.assaabloydooraccessories.us](http://www.assaabloydooraccessories.us)

Check the web site for the up-to-date catalog

Copyright © 2015-2020, ASSA ABLOY Accessories and Door Controls Group, Inc., an ASSA ABLOY Group company. All rights reserved. Reproduction in whole or in part without the express written permission of ASSA ABLOY Accessories and Door Controls Group, Inc. is prohibited.

**ASSA ABLOY**  
Opening Solutions

Experience a safer  
and more open world



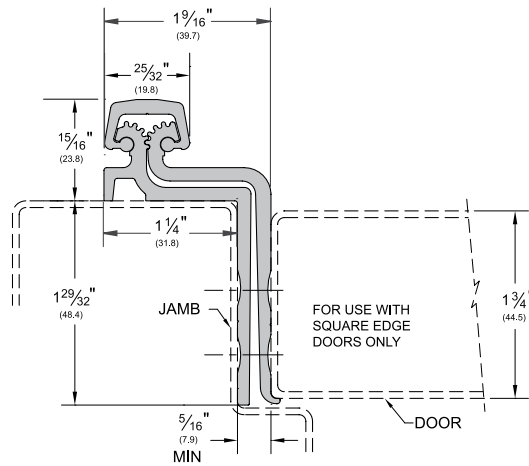
# Offset Hinges

- Used when extra clearance is needed when the door is open at 90°

## Offset Full Mortise

\_OS\_FM

STANDARD FINISHES: C, D

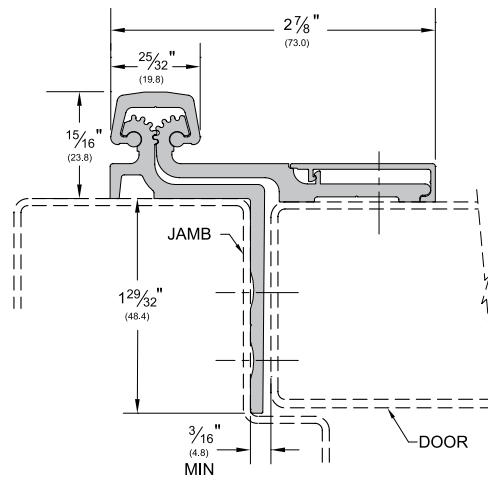


## Offset Half Surface

- Replacement snap cover is C1 for Clear Anodized or D1 for Dark Bronze Anodized

\_OS\_HS

STANDARD FINISHES: C, D



AVAILABLE FINISHES FOR PRODUCTS SHOWN ON THIS PAGE (see General Information section for finish chart)  
**BL** (Black Anodized) **G** (Painted Gold)  
**PW** (Painted White) and **SN** (Satin Nickel) are special finishes available upon request.

**ASSA ABLOY**  
Opening Solutions

Experience a safer  
and more open world

800-824-3018 | [www.assaabloydooraccessories.us](http://www.assaabloydooraccessories.us)  
Check the web site for the up-to-date catalog

Copyright © 2015-2020, ASSA ABLOY Accessories and Door Controls Group, Inc., an ASSA ABLOY Group company. All rights reserved. Reproduction in whole or in part without the express written permission of ASSA ABLOY Accessories and Door Controls Group, Inc. is prohibited.

## Full Mortise Hinges

- Full-Mortise units are designed mainly for new door applications and are applied to the frame rabbet and door edge to conceal both leaves

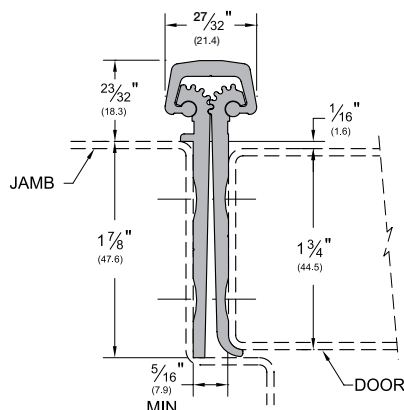
### Full Mortise

\_FM

STANDARD FINISHES: C, D



LISTED  
DOOR HINGE  
76Y2



### Full Mortise Short Leaf Inset

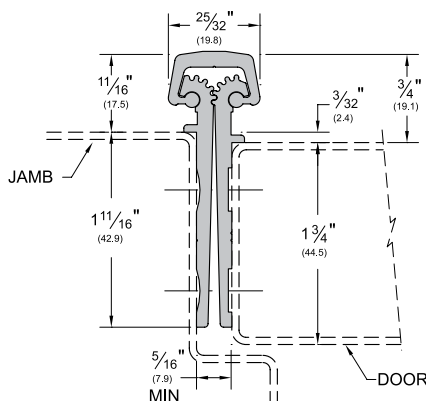
- Designed for use with doors which range between 1 3/4" to 2 1/4"
- Designed for use with hollow metal doors and frames where the inset conforms to S.D.I. specifications for aligning doors and frames

\_FM\_SLI

STANDARD FINISHES: C, D



LISTED  
DOOR HINGE  
76Y2



### Full Mortise Short Leaf Flush

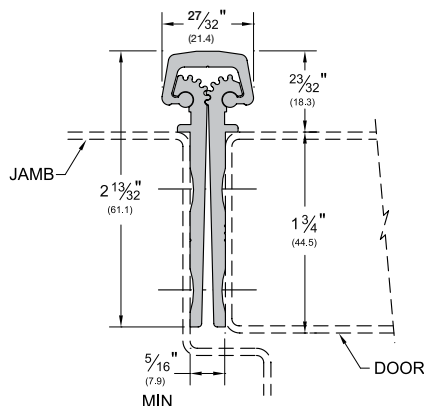
- Designed for use with doors which range between 1 3/4" to 2 1/4"
- Also used for bifold applications to keep the faces of the doors flush (not illustrated)

\_FM\_SLF

STANDARD FINISHES: C, D



LISTED  
DOOR HINGE  
76Y2



OPTIONAL FINISHES FOR PRODUCTS SHOWN ON THIS PAGE (see General Information section for finish chart)  
**BL** (Black Anodized) **C** (Painted Gold)  
**PW** (Painted White) and **SN** (Satin Nickel) are special finishes available upon request.

800-824-3018 | [www.assaabloydooraccessories.us](http://www.assaabloydooraccessories.us)

Check the web site for the up-to-date catalog

Copyright © 2015-2020, ASSA ABLOY Accessories and Door Controls Group, Inc., an ASSA ABLOY Group company. All rights reserved.  
 Reproduction in whole or in part without the express written permission of ASSA ABLOY Accessories and Door Controls Group, Inc. is prohibited.

**ASSA ABLOY**  
Opening Solutions

Experience a safer  
and more open world

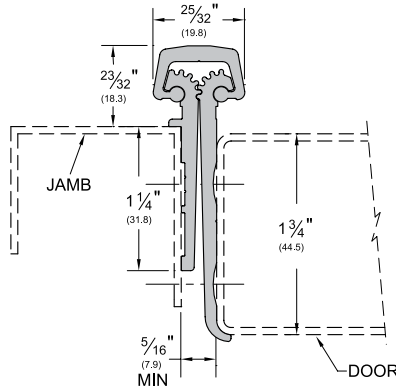
# Special Full Mortise Hinges

- Special Full-Mortise units are designed for door and frame applications where the hinge leaf may interfere with the weatherstrip, thermal break, or applied stop of the frame
- Special Full-Mortise hinges are applied to the frame rabbet and door edge to conceal both leaves

## Special Full Mortise

\_SPFM

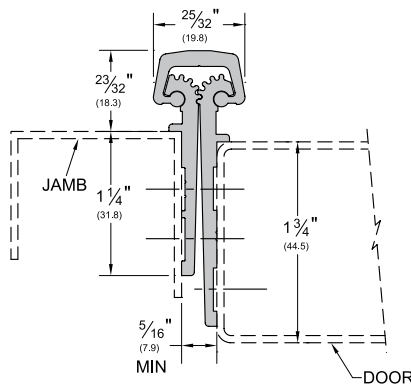
STANDARD FINISHES: C, D



## Special Full Mortise Short Leaf Inset

\_SPFM\_SLI

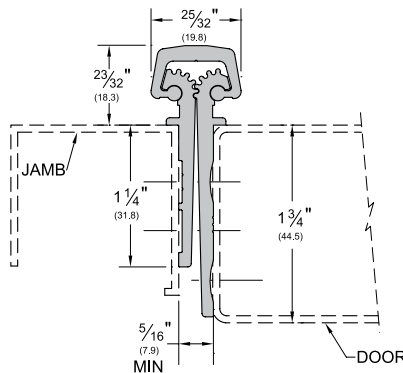
STANDARD FINISHES: C, D



## Special Full Mortise Short Leaf Flush

\_SPFM\_SLF

STANDARD FINISHES: C, D



OPTIONAL FINISHES FOR PRODUCTS SHOWN ON THIS PAGE (see General Information section for finish chart)  
**BL** (Black Anodized) **G** (Painted Gold)  
**PW** (Painted White) and **SN** (Satin Nickel) are special finishes available upon request.

**ASSA ABLOY**  
Opening Solutions

Experience a safer  
and more open world

800-824-3018 | [www.assaabloydooraccessories.us](http://www.assaabloydooraccessories.us)  
Check the web site for the up-to-date catalog

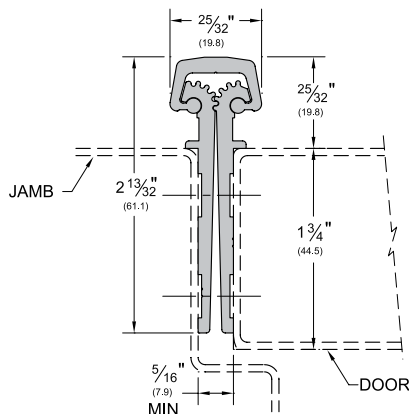
## Full Mortise Hinge

- Like our other Full Mortise units, the Kawneer Hinges are designed mainly for new door applications and are applied to the frame rabbet and door edge to conceal both leaves
- Developed for the Kawneer “Tuffline” series of aluminum doors

### Kawneer Full Mortise

K\_FM

STANDARD FINISHES: C, D



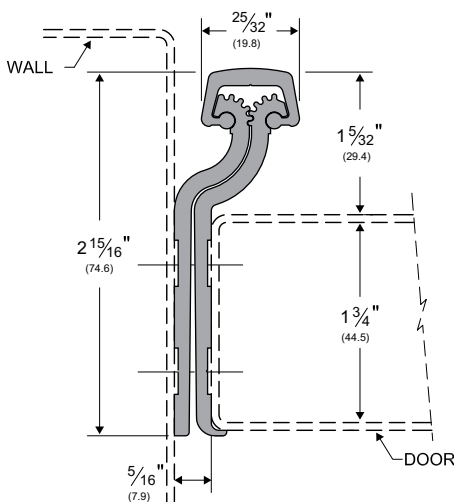
### Raised Gear Hinge

- Designed for wood or metal cased openings when hinge is to be installed deep on the rabbet. The design of the leaves allows for the hinge to pivot without interference from the cap.
- Certain door/frame conditions may require an extra 1/32" to 1/16" clearance. Excessive clearance on fire rated assemblies may violate the requirements of NFPA80

### Full Mortise Raised Gear

\_FM\_RG

STANDARD FINISHES: C, D



OPTIONAL FINISHES FOR PRODUCTS SHOWN ON THIS PAGE (see General Information section for finish chart)  
 BL (Black Anodized) C (Painted Gold)  
 PW (Painted White) and SN (Satin Nickel) are special finishes available upon request.

800-824-3018 | [www.assaabloydooraccessories.us](http://www.assaabloydooraccessories.us)  
 Check the web site for the up-to-date catalog

Copyright © 2015-2020, ASSA ABLOY Accessories and Door Controls Group, Inc., an ASSA ABLOY Group company. All rights reserved.  
 Reproduction in whole or in part without the express written permission of ASSA ABLOY Accessories and Door Controls Group, Inc. is prohibited.

**ASSA ABLOY**  
 Opening Solutions

Experience a safer  
 and more open world

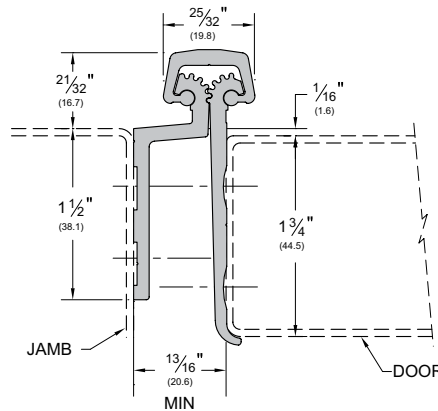
# Full Mortise Safety Hinge

- Full Mortise Safety units are designed mainly for new door applications in child care and nursing facilities
- These hinges require extra clearance and are applied to conceal both leaves

## Full Mortise Safety

\_FM\_SF

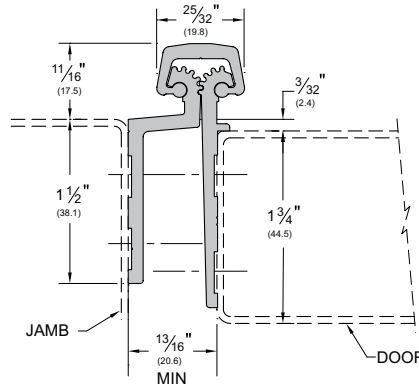
STANDARD FINISHES: C, D



## Full Mortise Short Leaf Inset Safety

\_FM\_SLISF

STANDARD FINISHES: C, D



## Full Mortise Hinge for 1 3/8" Door

- More bearings than \_RS138 hinge to work in commercial grade application
- Shorter leaves for thinner doors

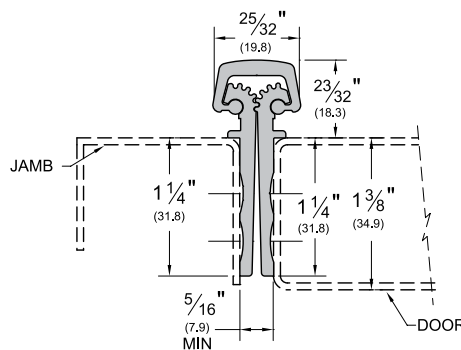
## Full Mortise

FM\_SLF138

STANDARD FINISHES: C, D



LISTED  
DOOR HINGE  
76Y2



OPTIONAL FINISHES FOR PRODUCTS SHOWN ON THIS PAGE (see General Information section for finish chart)  
**BL** (Black Anodized) **G** (Painted Gold)  
**PW** (Painted White) and **SN** (Satin Nickel) are special finishes available upon request.

**ASSA ABLOY**  
Opening Solutions

Experience a safer  
and more open world

800-824-3018 | [www.assaabloydooraccessories.us](http://www.assaabloydooraccessories.us)  
Check the web site for the up-to-date catalog

Copyright © 2015-2020, ASSA ABLOY Accessories and Door Controls Group, Inc., an ASSA ABLOY Group company. All rights reserved. Reproduction in whole or in part without the express written permission of ASSA ABLOY Accessories and Door Controls Group, Inc. is prohibited.

## Wide Throw Full Mortise Hinge

- Wide Throw Full Mortise units are designed mainly for new door applications that require extra clearance due to special frame, door or wall design, and are applied to the frame rabbet and door edge to conceal both leaves
- More clearance between the door and frame when door is open 180°
- Available only in heavy duty to support larger doors

### Wide Throw Full Mortise

WT\_FM

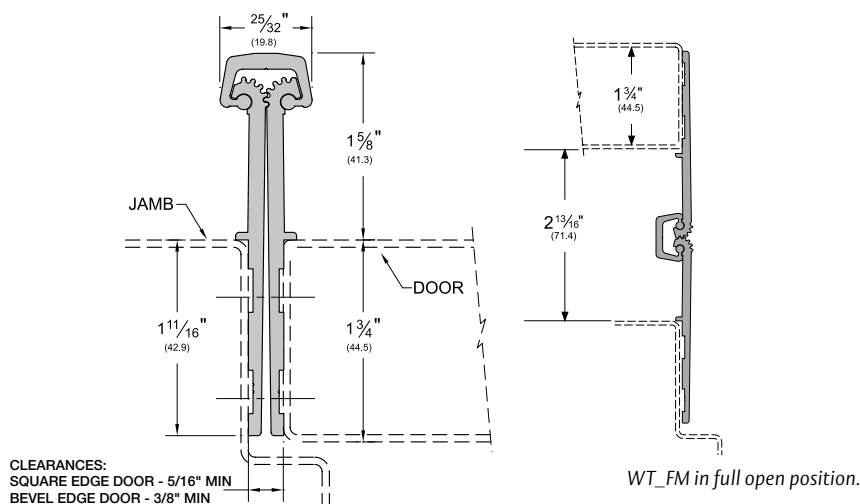
STANDARD FINISHES: C, D



BHMA  
CERTIFIED



LISTED  
DOOR HINGE  
76Y2



## Wide Throw Half Surface Hinge

- Wide Throw Half Surface units are designed mainly for retrofit applications that require extra clearance due to special frame, door, or wall design and are applied to the frame rabbet and the exposed door surface
- Wide Throw Half Surface units combine the versatility of the Half Surface unit and the clearance of a Wide Throw hinge into one
- Replacement snap cover is C1 for Clear Anodized or D1 for Dark Bronze Anodized

### Wide Throw Half Surface

WT\_HS

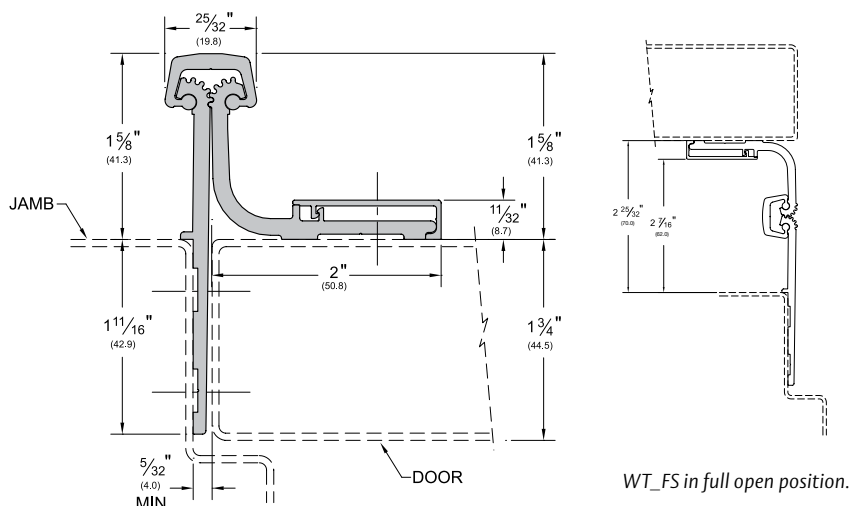
STANDARD FINISHES: C, D



BHMA  
CERTIFIED



LISTED  
DOOR HINGE  
76Y2



OPTIONAL FINISHES FOR PRODUCTS SHOWN ON THIS PAGE (see General Information section for finish chart)

BL (Black Anodized) C (Painted Gold)

PW (Painted White) and SN (Satin Nickel) are special finishes available upon request.

800-824-3018 | [www.assaabloydooraccessories.us](http://www.assaabloydooraccessories.us)

Check the web site for the up-to-date catalog

Copyright © 2015-2020, ASSA ABLOY Accessories and Door Controls Group, Inc., an ASSA ABLOY Group company. All rights reserved. Reproduction in whole or in part without the express written permission of ASSA ABLOY Accessories and Door Controls Group, Inc. is prohibited.

**ASSA ABLOY**  
Opening Solutions

Experience a safer  
and more open world

## Half Surface Hinge

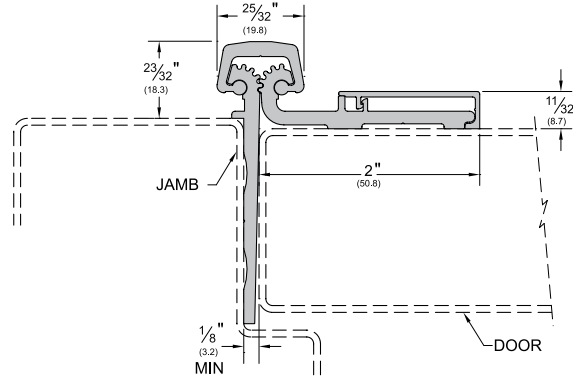
- Half Surface units are designed mainly for retrofit work, and are applied to the exposed surface of the door and the frame rabbet
- Designed for use with hollow metal frames, where the inset conforms to S.D.I. specifications for aligning doors and frames

- Allows for adjustments in order to properly align edge of the door to the frame
- Replacement snap cover is C1 for Clear Anodized or D1 for Dark Bronze Anodized

### Half Surface

\_HS

STANDARD FINISHES: C, D



## Half Surface Safety Hinge

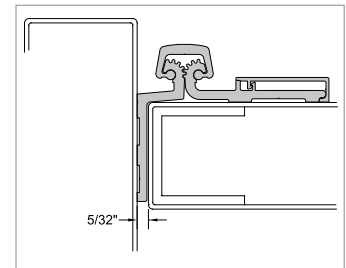
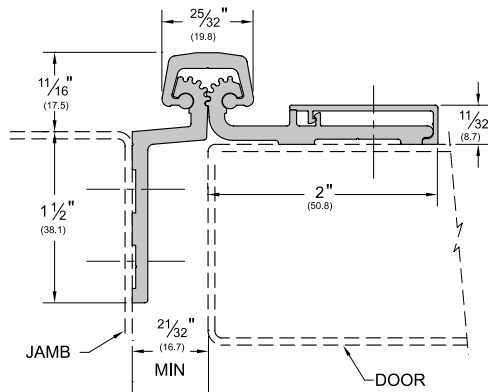
- Half Surface Safety units are designed mainly for retrofit work in child care and nursing facilities and are applied to the exposed surface of the door and the frame rabbet

- Replacement snap cover is C1 for Clear Anodized or D1 for Dark Bronze Anodized

### Half Surface Safety

\_HS\_SF

STANDARD FINISHES: C, D



HS\_SF in deep frame application is no longer a safety hinge

## Half Mortise Hinge

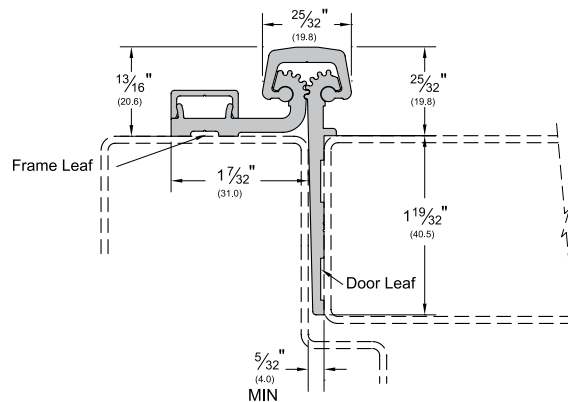
- Half Mortise units are designed mainly for retrofit work and are applied to the exposed surface of the frame and the door edge
- Designed to require only 5/32" clearance instead of 5/16" and also allows for adjustments to properly align edge of the door to the frame face

- Replacement snap cover is C29316 for Clear Anodized or D29316 for Dark Bronze Anodized

### Half Mortise

\_HM

STANDARD FINISHES: C, D



OPTIONAL FINISHES FOR PRODUCTS SHOWN ON THIS PAGE (see General Information section for finish chart)  
**BL** (Black Anodized) **G** (Painted Gold)  
**PW** (Painted White) and **SN** (Satin Nickel) are special finishes available upon request.

**ASSA ABLOY**  
Opening Solutions

Experience a safer  
and more open world

800-824-3018 | [www.assaabloydooraccessories.us](http://www.assaabloydooraccessories.us)

Check the web site for the up-to-date catalog

Copyright © 2015-2020, ASSA ABLOY Accessories and Door Controls Group, Inc., an ASSA ABLOY Group company. All rights reserved. Reproduction in whole or in part without the express written permission of ASSA ABLOY Accessories and Door Controls Group, Inc. is prohibited.

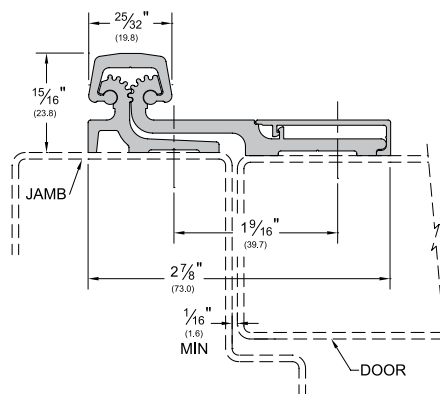
## Standard Full Surface Hinge

- Full Surface units are designed mainly for retrofit work, and are applied to the exposed surfaces of the door and frame
- Replacement snap cover is C1 for Clear Anodized or D1 for Dark Bronze Anodized

### Full Surface

\_FS

STANDARD FINISHES: C, D



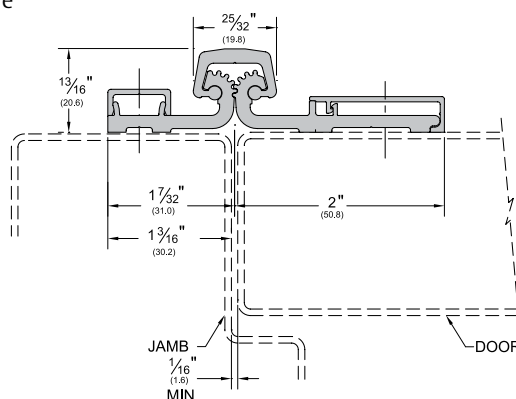
## Full Surface Center Pivot Hinge

- Full Surface Center Pivot units are designed mainly for retrofit work and are applied to the exposed surfaces of the door and frame
- Full Surface Center Pivot units easily replace butt hinges since no door or frame adjustments are necessary and are more versatile with restricted frame faces
- Replacement snap cover for door leaf is C1 for Clear Anodized or D1 for Dark Bronze Anodized. Replacement snap cover for frame leaf is C29316 for Clear Anodized or D29316 for Dark Bronze Anodized

### Full Surface Center Pivot

\_FS\_CP

STANDARD FINISHES: C, D



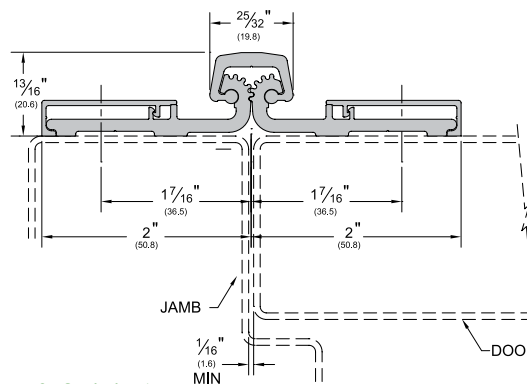
## Full Surface Balanced Pivot Hinge

- Allows for easy replacement from butt hinges as the pivot point remains the same and no door or frame adjustments are necessary
- No template adjustments are needed for existing door opening/closing devices
- Equal length leaves provide an aesthetic appearance
- Good in a bi-fold application where two doors need to be hinged
- Replacement snap cover for either leaf is C1 for Clear Anodized or D1 for Dark Bronze Anodized

### Full Surface Balanced Pivot

\_FS\_BP

STANDARD FINISHES: C, D



OPTIONAL FINISHES FOR PRODUCTS SHOWN ON THIS PAGE (see General Information section for finish chart)  
 BL (Black Anodized) G (Painted Gold)  
 PW (Painted White) and SN (Satin Nickel) are special finishes available upon request.

800-824-3018 | [www.assaabloydooraccessories.us](http://www.assaabloydooraccessories.us)  
 Check the web site for the up-to-date catalog

Copyright © 2015-2020, ASSA ABLOY Accessories and Door Controls Group, Inc., an ASSA ABLOY Group company. All rights reserved.  
 Reproduction in whole or in part without the express written permission of ASSA ABLOY Accessories and Door Controls Group, Inc. is prohibited.

**ASSA ABLOY**  
 Opening Solutions

Experience a safer  
 and more open world



## Full Mortise Residential Hinges

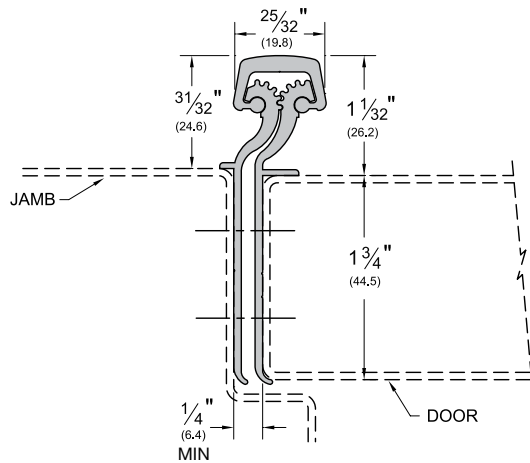
- Full Mortise Residential units are designed mainly for new door and frame applications, and are applied to conceal both leaves

NOTE: All RS series hinges are excluded from the "LIFE OF THE OPENING" guarantee, and instead carry a ten (10) year warranty

### \_RS175

STANDARD FINISHES: C, D

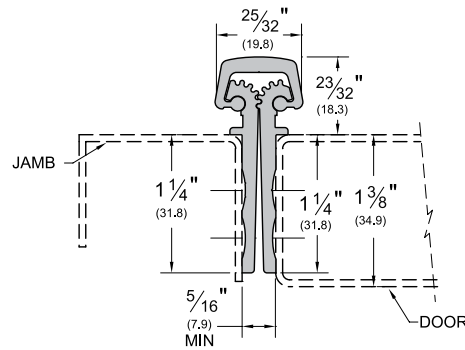
- Designed for 1 $\frac{3}{4}$ " MAXIMUM thickness with a weight up to 90 lbs.



### \_RS138

STANDARD FINISHES: C, D

- Shorter leaves for thinner doors
- Designed for doors 1 $\frac{3}{8}$ " thick with a weight limit up to 90 lbs.



OPTIONAL FINISHES FOR PRODUCTS SHOWN ON THIS PAGE (see General Information section for finish chart)  
**BL** (Black Anodized) **G** (Painted Gold)  
**PW** (Painted White) and **SN** (Satin Nickel) are special finishes available upon request.

**ASSA ABLOY**  
 Opening Solutions

Experience a safer  
 and more open world

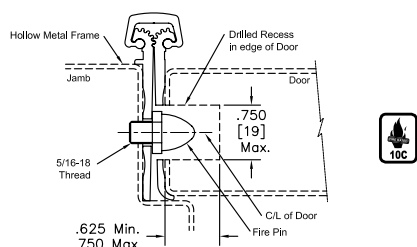
800-824-3018 | [www.assaabloydooraccessories.us](http://www.assaabloydooraccessories.us)  
 Check the web site for the up-to-date catalog

Copyright © 2015-2020, ASSA ABLOY Accessories and Door Controls Group, Inc., an ASSA ABLOY Group company. All rights reserved.  
 Reproduction in whole or in part without the express written permission of ASSA ABLOY Accessories and Door Controls Group, Inc. is prohibited.

## FirePins For Use With 3-Hour Fire Rated Assemblies

- FirePins™ are required to achieve 3-hour fire rating
- Although PemkoHinge® Continuous Hinges carry UL Fire Ratings unequaled in the industry, some applications may require the use of FirePins™
- FirePin™ applications fall within the UL guidelines for retro-fitting assemblies in the field. Expensive shop modifications and door/frame reinforcements are not required
- FirePins™ also add extra security to a door assembly

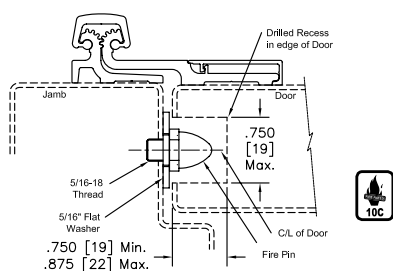
### Full Mortise Hinges



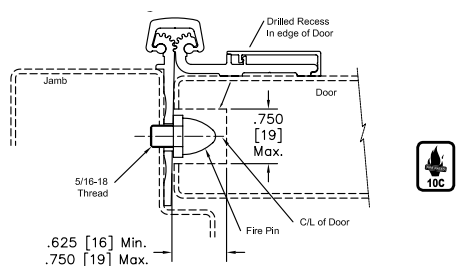
#### FirePin Locations

- The locations (illustrated right) indicate where holes should be drilled on the hinge edge of the
- These locations are appropriate all hinge models (Full Mortise, Full Surface, and Half Surface)

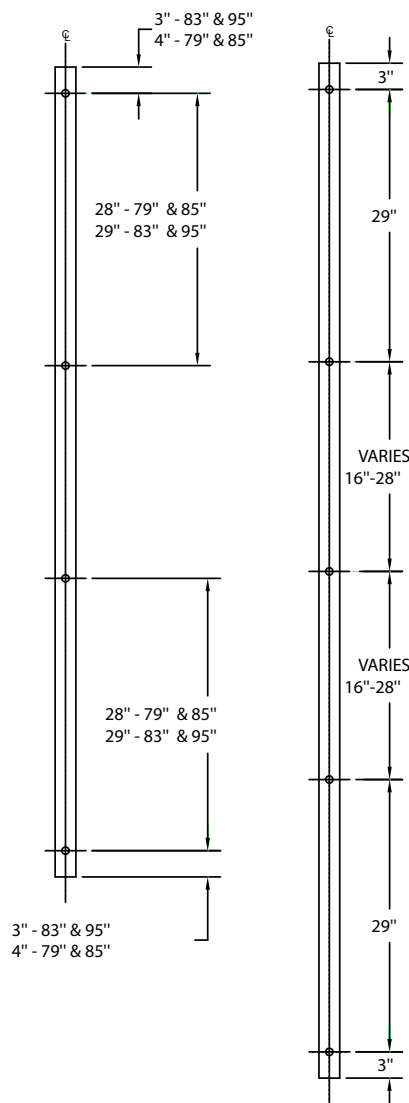
### Full Surface Hinges



### Half Surface Hinges



80" to 95" Hinges    96" to 120" Hinges



## Double Swing Hinge and Emergency Release Stop

- Innovative healthcare solution that permits quick door opening in an emergency situation
- Double Swing Hinge has a unique 100° swing and allows the door to swing in either direction
- Emergency Release Stop features a special flush bolt that is used to release the door in an emergency situation. Hospital tip is standard.
- The Double Swing Hinge and Emergency Release Stop are accepted by the New York State Office of Mental Health (OMH) for use in high risk areas.
- The Markar DSH1000 Pin & Barrel Double Swing Hinge is another option to use with the Emergency Release Stop to create an anti-barricade system. See the Markar products section of this catalog for more information.
- Order form required, available online.

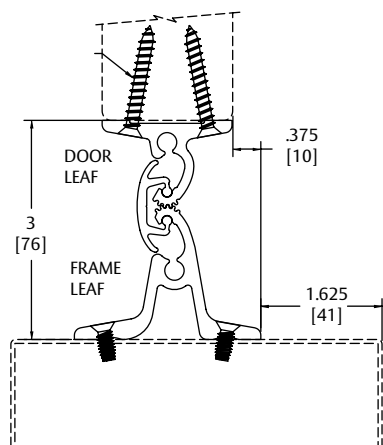
### Double Swing Hinge

- Meets the cycle test requirements for ANSI/BHMA A156.26 for Continuous Hinges.
- Meets the barrier free requirement of ICC/ANSI A117.1 and ADAAG (2010)

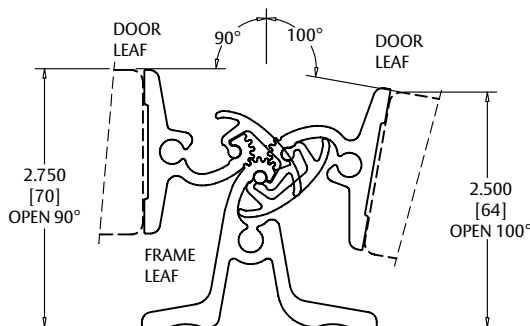
#### DSH\_

AVAILABLE FINISHES: **C**, other finishes available upon request

- Designed for 1 3/4" MAXIMUM thickness with a weight up to 250 lbs.



Hinge Size	Opening	Clear Anodized
84"	7' 0"	DSHP01C-84
96"	8' 0"	DSHP01C-96
120"	10' 0"	DSHP01C-120



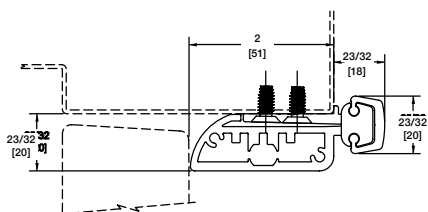
NOTE: DSH1000 Pin & Barrel Double Swing Hinge shown on page 67

### Emergency Release Stop

- Minimum 2 3/4" backset for hardware trim
- NOTE: With 2 3/4" hardware trim backset, a Notch is required in the ERS to clear the hardware trim. The type of Notch is determined by the manufacturer based on the information provide on the order form.
- To avoid using an extended lip strike, use a single rabbit jamb on strike side of frame only with cased open header and hinge jamb.

#### ERS\_

AVAILABLE FINISHES: **C**, other finishes available upon request



Hinge Size	Opening	Clear Anodized – Left Hand	Clear Anodized – Right Hand
84"	7' 0"	ERS84CxHT-LH	ERS84CxHT-RH
96"	8' 0"	ERS96CxHT-LH	ERS96CxHT-RH
120"	10' 0"	ERS120CxHT-LH	ERS120CxHT-RH

OPTIONAL FINISHES FOR PRODUCTS SHOWN ON THIS PAGE (see General Information section for finish chart)  
**BL** (Black Anodized) **G** (Painted Gold)  
**PW** (Painted White) and **SN** (Satin Nickel) are special finishes available upon request.

**ASSA ABLOY**  
Opening Solutions

Experience a safer  
and more open world

800-824-3018 | www.assaabloydooraccessories.us  
Check the web site for the up-to-date catalog

Copyright © 2015-2020, ASSA ABLOY Accessories and Door Controls Group, Inc., an ASSA ABLOY Group company. All rights reserved. Reproduction in whole or in part without the express written permission of ASSA ABLOY Accessories and Door Controls Group, Inc. is prohibited.

## Power Transfers

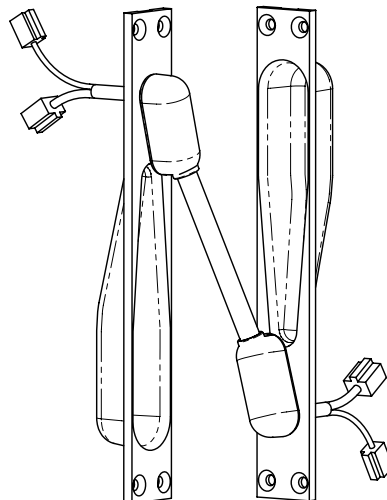
- These Securitron electronic power transfer units fit into doors and frames to transfer power from your power supply to the door-mounted electronic device

- Contact your hinge manufacturer for cutout availability
- Order form required, available online

### EL-CEPT

AVAILABLE COLORS:  
US32D, US10B

- Mortises into the edges of the door and frame
- Tamper-resistant; no exposed openings
- All metal construction, including backboxes
- $\frac{7}{8}$ " knockouts on back boxes to accommodate EMF-type fitting
- 12-wire configuration with ElectroLynx compatible connectors
- Tested to 1,000,000 cycles
- Will not work on center-hung or balanced doors
- Works with most continuous hinges, up to 6" wide
- UL10B and UL10C listed



### EL-EPT

AVAILABLE COLORS:  
US2C

- Installs in the door and frame edges
- Flexible steel shield protects wires— $\frac{3}{8}$ " (9.5mm) I.D.
- New universal device; works with most butt and continuous hinges
- Not for use with center pivot doors or with pivot hinges with offset greater than  $\frac{3}{4}$ "
- UL634, UL10B, UL10C Listed
- ANSI A250.13-2003—Windstorm Resistant

### EL-EPTL

AVAILABLE COLORS:  
US2C

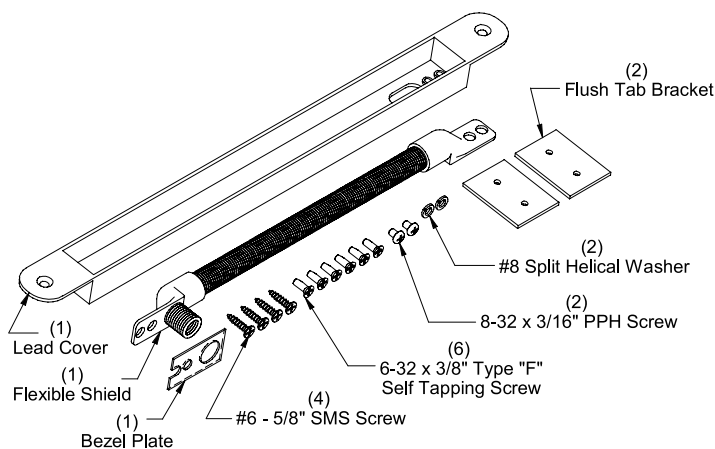
- Installs in the door and frame edges
- Flexible steel shield protects wires— $\frac{3}{8}$ " (9.5mm) I.D.
- New universal device; works with most butt and continuous hinges
- Not for use with center pivot doors or with pivot hinges with offset greater than  $\frac{3}{4}$ "
- UL634, UL10B, UL10C Listed
- ANSI A250.13-2003—Windstorm Resistant



### EL-EPT-SC

AVAILABLE COLORS:  
US2C

- Installs in the door and frame edges
- Flexible steel shield protects wires— $\frac{3}{8}$ " (9.5mm) I.D.
- New universal device; works with most butt and continuous hinges
- Functions on off-set pivot and swing clear hinged doors
- UL634, UL10B, UL10C Listed
- ANSI A250.13-2003—Windstorm Resistant



800-824-3018 | [www.assaabloydooraccessories.us](http://www.assaabloydooraccessories.us)  
Check the web site for the up-to-date catalog

Copyright © 2015-2020, ASSA ABLOY Accessories and Door Controls Group, Inc., an ASSA ABLOY Group company. All rights reserved.  
Reproduction in whole or in part without the express written permission of ASSA ABLOY Accessories and Door Controls Group, Inc. is prohibited.

**ASSA ABLOY**  
Opening Solutions

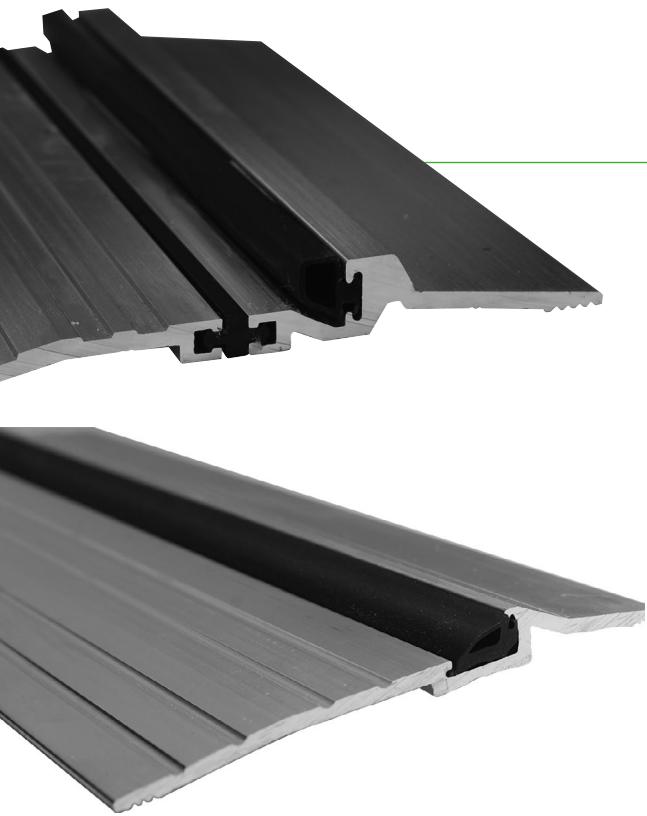
Experience a safer  
and more open world

**ASSA ABLOY**  
Opening Solutions

Experience a safer  
and more open world

800-824-3018 | [www.assaabloydooraccessories.us](http://www.assaabloydooraccessories.us)  
Check the web site for the up-to-date catalog

Copyright © 2015-2020, ASSA ABLOY Accessories and Door Controls Group, Inc., an ASSA ABLOY Group company. All rights reserved.  
Reproduction in whole or in part without the express written permission of ASSA ABLOY Accessories and Door Controls Group, Inc. is prohibited.



# COMMERCIAL THRESHOLDS

## CONTENTS:

Saddle Thresholds.....	100
Half Saddle Thresholds.....	106
Offset Saddles.....	110
Stainless Steel Saddles.....	111
Stainless Steel Half Saddles and Offset Saddles.....	111
Thermal Break Saddles.....	112
Stainless Steel Thermal Break Threshold.....	115
Latching Panic Exit Saddles.....	116
Latching Panic Exit Saddles - Thermal Break.....	120
Acoustic Thresholds.....	123
Threshold with Flexible Joint.....	123
Eco-V™ Thresholds.....	124
Adjustable-Width Eco-V™ Threshold.....	125
Heavy Duty Latching Panic Exit Saddle Threshold.....	126
Heavy Duty Thresholds.....	126
Modular Heavy Duty Thresholds.....	127
Floor Plates/Safety Treads.....	128
Aluminum Plates.....	129
Carpet Separators.....	130
Floor Plate Supports/Accessories and Elevators.....	131
Threshold Stop Strips.....	132
Floor Closer Thresholds/Cover Plate Assemblies.....	133
ANSI/BHMA A156.21 Thresholds - Cross Reference.....	134

## INDEX:

PRODUCT	PAGE	PRODUCT	PAGE	PRODUCT	PAGE	PRODUCT	PAGE		
14/1.....	135	193.....	134	254x4x170.....	139	278x224_FG.....	127	2366.....	136
18/1.....	135	193x2/195.....	139	254x4x171.....	139	278x292_FGPK.....	128	2464.....	136
151.....	106	194.....	137	254x5_FG.....	120	279.....	112	2548.....	110, 139
154.....	109	195.....	137	254x226.....	125	279x224_FG.....	127	2548x170.....	139
154SS.....	116	196.....	137	254x226_FG.....	126	279x292_FGPK.....	128	2548x171.....	139
156.....	112	198.....	111	255.....	114	282.....	137	2549.....	111
157.....	116	200.....	137	255x5.....	111	283.....	137	2550.....	111
158.....	115	227.....	115	255x5_FG.....	119	290.....	138	2555.....	114
158SS.....	117	228.....	134	255x226.....	125	1546.....	109	2565.....	114
159.....	124	229.....	115	255x226_FG.....	126	1547.....	109	2705.....	132
166.....	108	230.....	136	256.....	114	1571.....	116	2715.....	132
168.....	113	236.....	136	256x6.....	111	1665.....	108	2716.....	132
169.....	108	246.....	136	256x6_FG.....	118	1700.....	108	2727.....	116
170.....	108	252.....	113	257x259.....	139	1710.....	109	2727SS.....	117
171.....	110	252SS.....	117	270.....	106	1715.....	132	2746.....	113
172.....	110	252x2_FG.....	119	271.....	106	1716.....	133	2746x6.....	107
173.....	106	252x226.....	125	272.....	106	1717.....	133	2746x6_FG.....	118
174.....	136	252x226_FG.....	126	273.....	112	1718.....	133	2748.....	107, 139
175.....	109	252x2SS.....	120	273x3_FG.....	118	1719.....	133	2748x270.....	107
175SS.....	117	252x3_FG.....	119	273x4_FG.....	118	1842.....	138	2748x271.....	107
176.....	110, 139	252x3SS.....	121	273x292_FGPK.....	128	1855.....	124	2749.....	135
176x170.....	139	252x4SS.....	121	274x224_FG.....	127	1875.....	115	2750.....	135
176x171.....	139	253.....	113	274.....	112	1877.....	115	19125.....	129
177.....	124	253SS.....	117	273x224_FG.....	127	1951.....	136	19325.....	129
179.....	123	253x3_FG.....	119	274x4.....	107, 139	2001.....	122	2006STC.....	129
181.....	124	253x3SS.....	121	274x4_FG.....	118	2002.....	122	2007STC.....	131
182.....	116	253x4_FG.....	119	274x4x270.....	139	2005.....	122	ADJ232V8.....	134
183.....	137	253x4SS.....	121	274x4x271.....	139	2006.....	122	ADJ232V14.....	130
184.....	138	253x226_FG.....	126	274x292_FGPK.....	128	2007.....	123	ADJ232x2325V8.....	131
185.....	125	253x6_FG.....	120	2746x292_FGPK.....	128	2008.....	131	E197.....	130
188.....	137	254.....	113	276.....	107, 139	2009.....	123	EV232.....	130
189.....	137	254SS.....	117	276x270.....	139	2010.....	123	EV2320.....	130
190.....	134	254x4.....	110, 139	276x271.....	139	2266.....	134	EV2322.....	130
191.....	134	254x4_FG.....	120	277.....	123	2286.....	135	EV2325.....	130
192.....	134	254x4SS.....	121	278.....	112	2364.....	136	EV2326.....	130

800-824-3018 | [www.assaabloydooraccessories.us](http://www.assaabloydooraccessories.us)

Check the web site for the up-to-date catalog

Copyright © 2015-2020, ASSA ABLOY Accessories and Door Controls Group, Inc., an ASSA ABLOY Group company. All rights reserved.  
 Reproduction in whole or in part without the express written permission of ASSA ABLOY Accessories and Door Controls Group, Inc. is prohibited.

**ASSA ABLOY**  
Opening Solutions

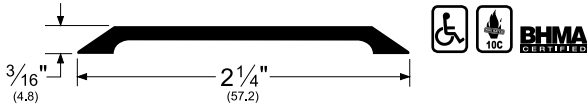
Experience a safer  
and more open world

## Saddle Thresholds

- To use a saddle threshold in an offset condition, use an elevator (see page 135)

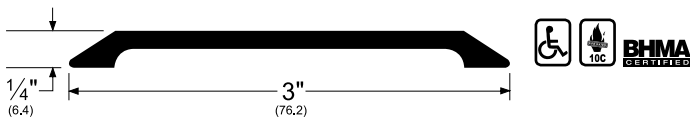
### 173\_

AVAILABLE FINISHES: **10BE, A, B, BSP, D, G, WSP**  
ANSI (aluminum): **J32300, J32330**  
ANSI (brass): **J12300, J12330**



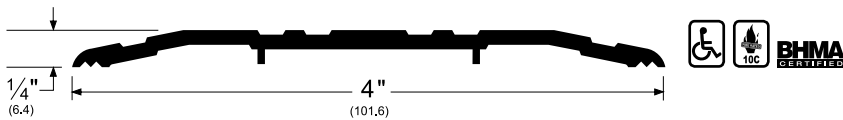
### 151\_

AVAILABLE FINISHES: **10BE, A, B, BSP, D, G, WSP**  
ANSI (aluminum): **J32300, J32330**  
ANSI (brass): **J12300, J12330**



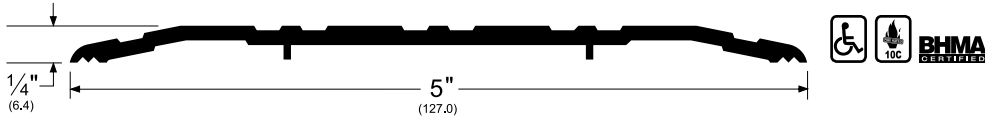
### 270\_

AVAILABLE FINISHES: **10BE, A, B, BSP, D, G, WSP**  
ANSI (aluminum): **J32100, J32130**  
ANSI (brass): **J12300, J12330**



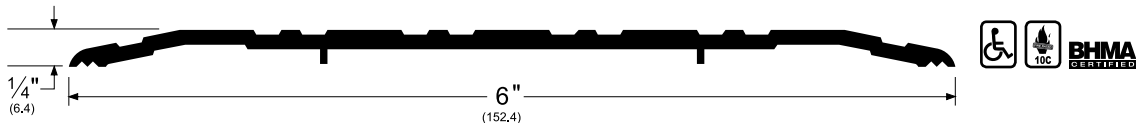
### 271\_

AVAILABLE FINISHES: **10BE, A, B, BSP, D, G, SN, WSP**  
ANSI (aluminum): **J32100, J32130**  
ANSI (brass): **J12100, J12130**



### 272\_

AVAILABLE FINISHES: **10BE, A, B, BSP, D, G, SN, WSP**  
ANSI (aluminum): **J32100, J32130**  
ANSI (brass): **J12100, J12130**



NOTE: Products shown in this section may not be drawn to scale.

AVAILABLE FINISHES FOR PRODUCTS SHOWN ON THIS PAGE (see General Information section for finish chart)  
**10BE** (Stain Bronze Powder Coated Aluminum) **A** (Mill Finish Aluminum) **B** (Mill Finish Extruded Bronze [Brass])  
**BSP** (Black Suede Powder Coated Aluminum) **D** (Dark Bronze Anodized) **G** (Gold Anodized)  
**SN** (Satin Nickel Anodized) **WSP** (White Suede Powder Coated Aluminum)

NOTE: **G, SN** are available with limited inventory

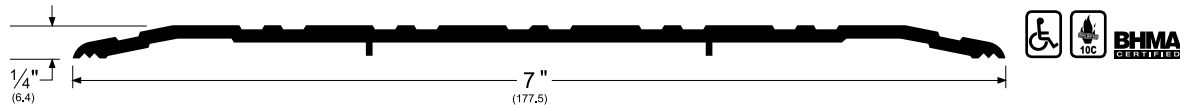
**ASSA ABLOY**  
Opening Solutions

Experience a safer  
and more open world

## Saddle Thresholds (Cont.)

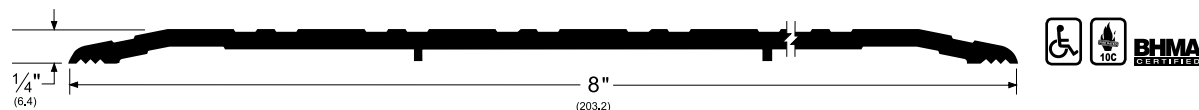
### 276\_

AVAILABLE FINISHES: 10BE, A, B, BSP, D, G, WSP  
 ANSI (aluminum): J32100, J32130, J39100, J39130, J39135, J39150  
 ANSI (brass): J12100, J12130, J19100, J19130, J19135, J19150



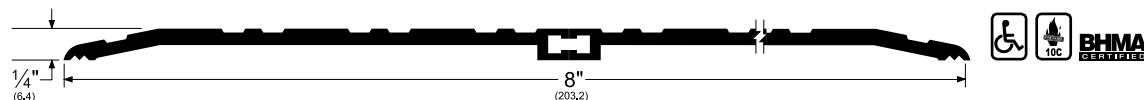
### 2748\_

AVAILABLE FINISHES: 10BE, A, BSP, D, G, WSP  
 ANSI (aluminum): J32100, J32130, J39100, J39130, J39135, J39150



### 274x4\_

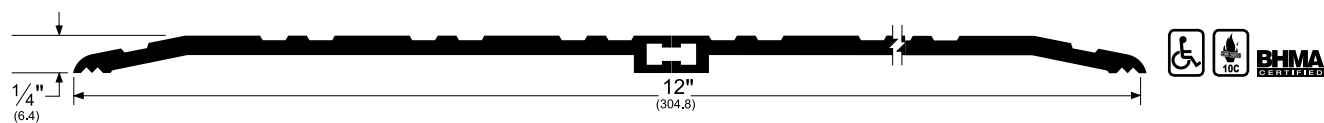
AVAILABLE FINISH: B  
 ANSI (brass): J12100, J12130, J19100, J19130, J19135, J19150



Welded on bottom.

### 2746x6\_

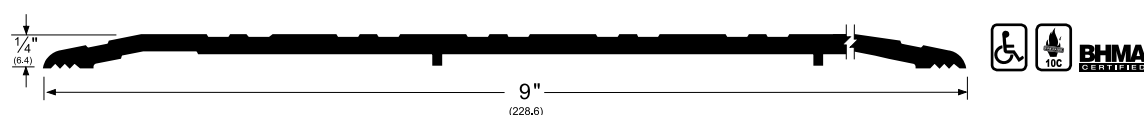
AVAILABLE FINISHES: 10BE, A, BSP, D, G, WSP  
 ANSI (aluminum): J32100, J32130



Welded on bottom.

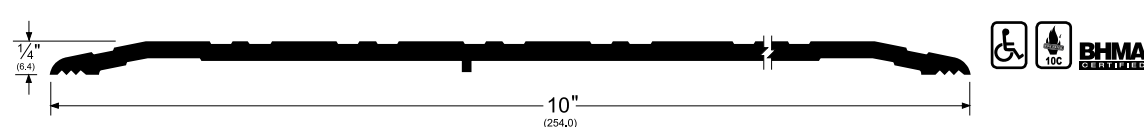
### 2749\_

AVAILABLE FINISHES: 10BE, A, BSP, D, G, WSP  
 ANSI (aluminum): J32100, J32130



### 2750\_

AVAILABLE FINISHES: 10BE, A, BSP, D, G, WSP  
 ANSI (aluminum): J32100, J32130



Includes two support legs (only one shown due to break in drawing)

NOTE: Products shown in this section may not be drawn to scale.

AVAILABLE FINISHES FOR PRODUCTS SHOWN ON THIS PAGE (see General Information section for finish chart)  
 10BE (Stain Bronze Powder Coated Aluminum) A (Mill Finish Aluminum) B (Mill Finish Extruded Bronze [Brass])  
 BSP (Black Suede Powder Coated Aluminum) D (Dark Bronze Anodized) G (Gold Anodized)  
 WSP (White Suede Powder Coated Aluminum)

NOTE: G is available with limited inventory

800-824-3018 | [www.assaabloydooraccessories.us](http://www.assaabloydooraccessories.us)

Check the web site for the up-to-date catalog

Copyright © 2015-2020, ASSA ABLOY Accessories and Door Controls Group, Inc., an ASSA ABLOY Group company. All rights reserved.  
 Reproduction in whole or in part without the express written permission of ASSA ABLOY Accessories and Door Controls Group, Inc. is prohibited.

**ASSA ABLOY**  
 Opening Solutions

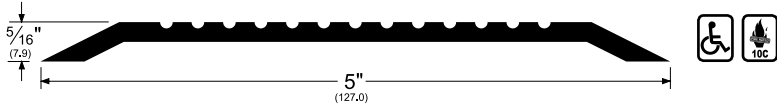
Experience a safer  
 and more open world



# Saddle Thresholds (Cont.)

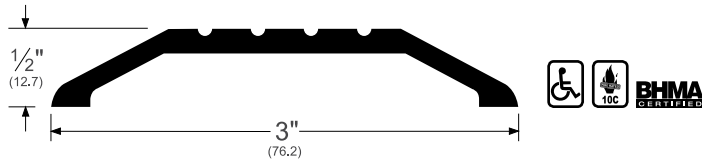
1665\_

AVAILABLE FINISHES: 10BE, A, BSP, D, G, WSP



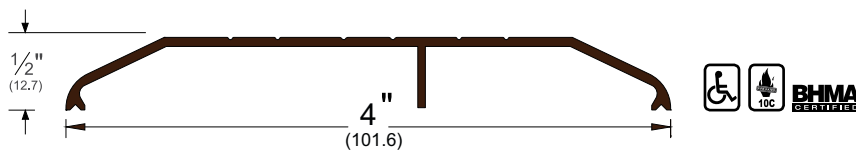
169\_

AVAILABLE FINISHES: 10BE, A, BSP, D, G, WSP  
ANSI (aluminum): J32100, J32130



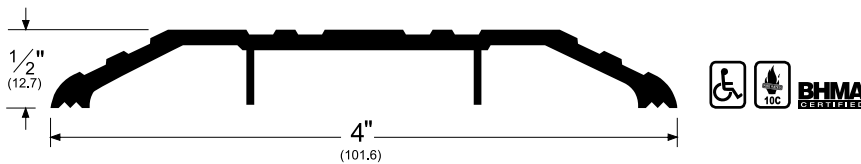
1700\_

AVAILABLE FINISH: 10BE, A, BSP, WSP  
ANSI (aluminum): J32100, J32130



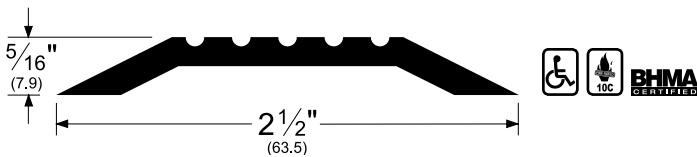
170\_

AVAILABLE FINISHES: 10BE, A, B, BDG, BSP, D, G, WSP  
ANSI (aluminum): J32100, J32130  
ANSI (brass): J12100, J12130



166\_

AVAILABLE FINISHES: 10BE, A, BSP, D, G, WSP  
ANSI (aluminum): J32100, J32130



NOTE: Products shown in this section may not be drawn to scale.

AVAILABLE FINISHES FOR PRODUCTS SHOWN ON THIS PAGE (see General Information section for finish chart)  
**10BE** (Stain Bronze Powder Coated Aluminum) **A** (Mill Finish Aluminum) **B** (Mill Finish Extruded Bronze [Brass])  
**BDG** (Bright Dip Gold Anodized) **BSP** (Black Suede Powder Coated Aluminum) **D** (Dark Bronze Anodized)  
**G** (Gold Anodized) **WSP** (White Suede Powder Coated Aluminum)

NOTE: **G** is available with limited inventory

**ASSA ABLOY**  
Opening Solutions

Experience a safer  
and more open world

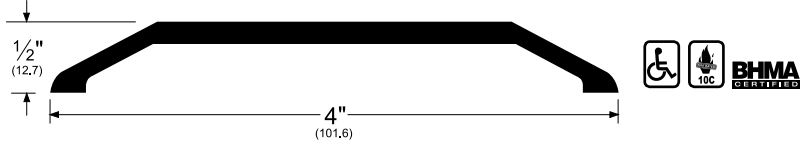
800-824-3018 | [www.assaabloydooraccessories.us](http://www.assaabloydooraccessories.us)  
Check the web site for the up-to-date catalog

Copyright © 2015-2020, ASSA ABLOY Accessories and Door Controls Group, Inc., an ASSA ABLOY Group company. All rights reserved.  
Reproduction in whole or in part without the express written permission of ASSA ABLOY Accessories and Door Controls Group, Inc. is prohibited.

## Saddle Thresholds (Cont.)

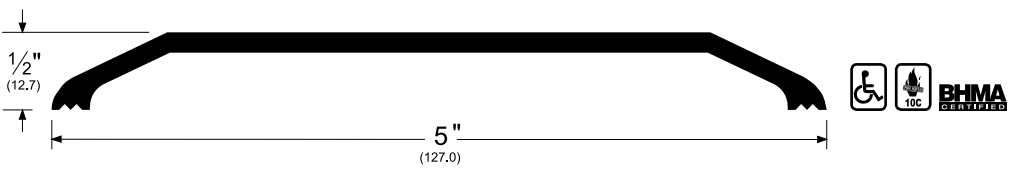
### 175\_

AVAILABLE FINISHES: **10BE, A, B, BSP, D, G, WSP**  
 ANSI (aluminum): **J32300, J32330**  
 ANSI (brass): **J12300, J12330**



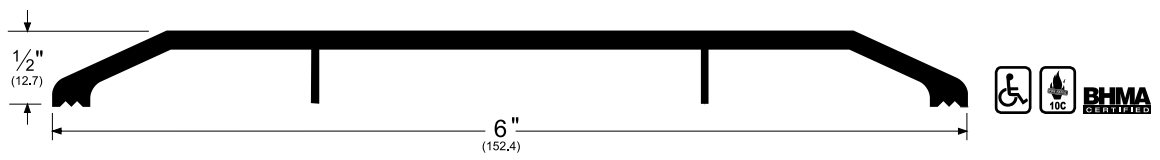
### 154\_

AVAILABLE FINISHES: **10BE, A, BSP, D, G, WSP**  
 ANSI (aluminum): **J32300, J32330**



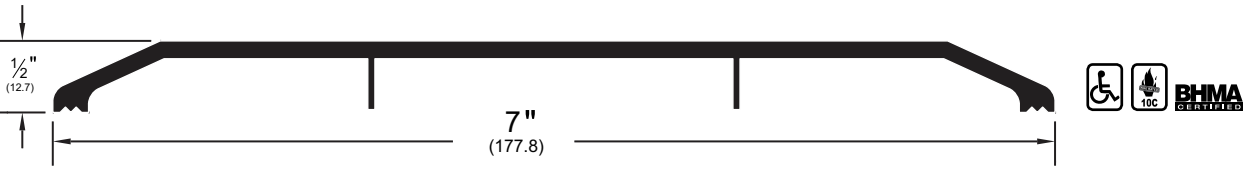
### 1546\_

AVAILABLE FINISHES: **10BE, A, BSP, D, G, WSP**  
 ANSI (aluminum): **J32300, J32330**



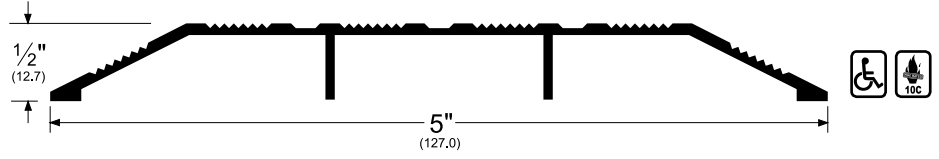
### 1547\_

AVAILABLE FINISHES: **10BE, A, BSP, D, G, WSP**  
 ANSI (aluminum): **J32300, J32330**



### 1710\_

AVAILABLE FINISH: **10BE, A, BSP, WSP**



NOTE: Products shown in this section may not be drawn to scale.  
 AVAILABLE FINISHES FOR PRODUCTS SHOWN ON THIS PAGE (see General Information section for finish chart)  
**10BE** (Stain Bronze Powder Coated Aluminum) **A** (Mill Finish Aluminum) **B** (Mill Finish Extruded Bronze [Brass])  
**BSP** (Black Suede Powder Coated Aluminum) **D** (Dark Bronze Anodized) **G** (Gold Anodized)  
**WSP** (White Suede Powder Coated Aluminum)

NOTE: **G** is available with limited inventory  
 800-824-3018 | [www.assaabloydooraccessories.us](http://www.assaabloydooraccessories.us)  
 Check the web site for the up-to-date catalog

Copyright © 2015-2020, ASSA ABLOY Accessories and Door Controls Group, Inc., an ASSA ABLOY Group company. All rights reserved.  
 Reproduction in whole or in part without the express written permission of ASSA ABLOY Accessories and Door Controls Group, Inc. is prohibited.

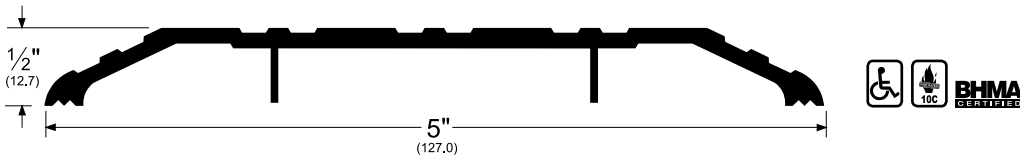
**ASSA ABLOY**  
 Opening Solutions

Experience a safer  
 and more open world

## Saddle Thresholds (Cont.)

171\_

AVAILABLE FINISHES: 10BE, A, B, BDG, BSP, D, G, SN, WSP  
 ANSI (aluminum): J32100, J32130  
 ANSI (brass): J12100, J12130



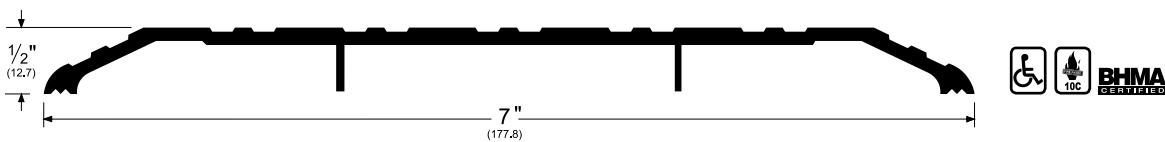
172\_

AVAILABLE FINISHES: 10BE, A, B, BSP, D, G, SN, WSP  
 ANSI (aluminum): J32100, J32130  
 ANSI (brass): J12100, J12130



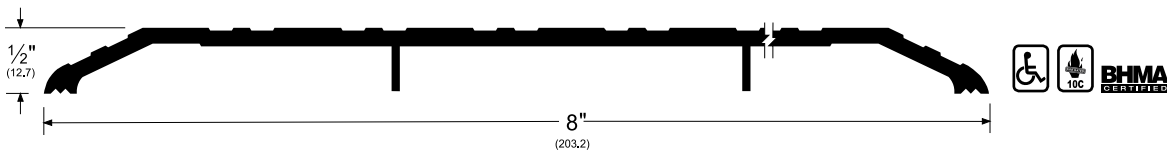
176\_

AVAILABLE FINISHES: 10BE, A, B, BSP, D, G, WSP  
 ANSI (aluminum): J32100, J32130, J39100, J39130, J39135, J39150  
 ANSI (brass): J12100, J12130, J19100, J19130, J19135, J19150



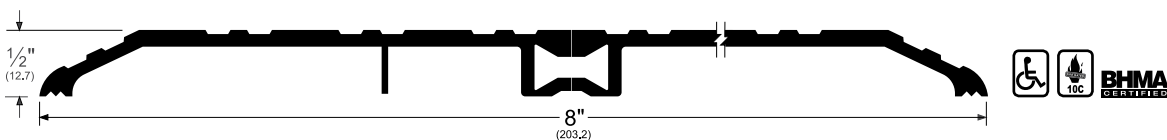
2548\_

AVAILABLE FINISHES: 10BE, A, BSP, D, G, WSP  
 ANSI (aluminum): J32100, J32130, J39100, J39130, J39135, J39150



254x4\_

AVAILABLE FINISH: B  
 ANSI (brass): J12100, J12130, J19100, J19130, J19135, J19150



Welded on bottom. Includes two support legs (only one shown due to break in drawing)

NOTE: Products shown in this section may not be drawn to scale.

AVAILABLE FINISHES FOR PRODUCTS SHOWN ON THIS PAGE (see General Information section for finish chart)  
 10BE (Stain Bronze Powder Coated Aluminum) A (Mill Finish Aluminum) B (Mill Finish Extruded Bronze [Brass])  
 BDG (Bright Dip Gold Anodized) BSP (Black Suede Powder Coated Aluminum) D (Dark Bronze Anodized)  
 G (Gold Anodized) SN (Satin Nickel Anodized) WSP (White Suede Powder Coated Aluminum)

NOTE: G, SN are available with limited inventory

**ASSA ABLOY**  
 Opening Solutions

Experience a safer  
 and more open world

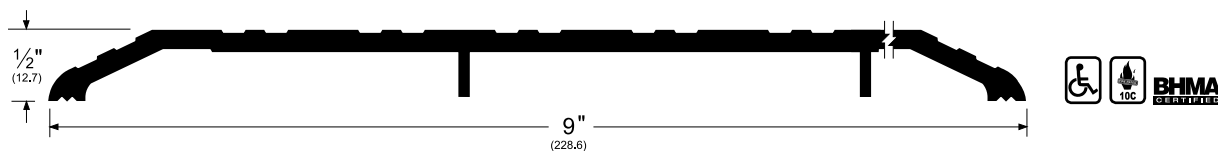
800-824-3018 | [www.assaabloydooraccessories.us](http://www.assaabloydooraccessories.us)  
 Check the web site for the up-to-date catalog

Copyright © 2015-2020, ASSA ABLOY Accessories and Door Controls Group, Inc., an ASSA ABLOY Group company. All rights reserved.  
 Reproduction in whole or in part without the express written permission of ASSA ABLOY Accessories and Door Controls Group, Inc. is prohibited.

## Saddle Thresholds (Cont.)

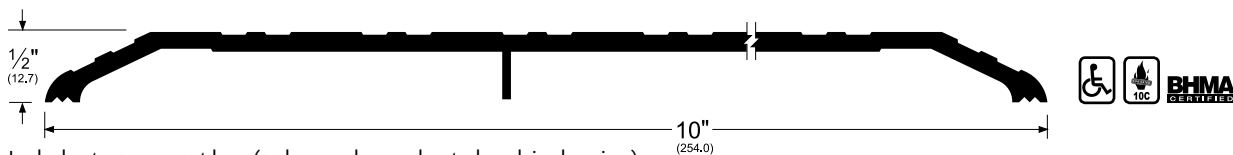
### 2549\_

AVAILABLE FINISHES: 10BE, A, BSP, D, G, WSP  
ANSI (aluminum): J32100, J32130



### 2550\_

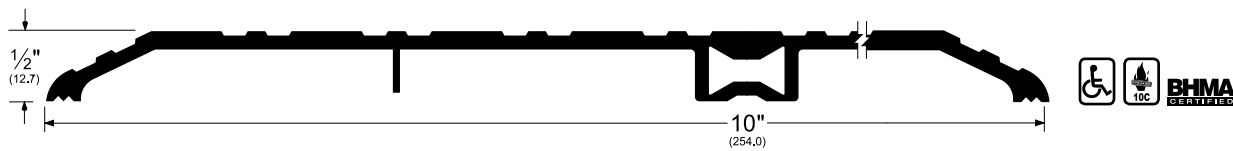
AVAILABLE FINISHES: 10BE, A, BSP, D, G, WSP  
ANSI (aluminum): J32100, J32130



Includes two support legs (only one shown due to break in drawing)

### 255x5\_

AVAILABLE FINISH: B  
ANSI (brass): J12100, J12130



Welded on bottom. Includes two support legs (only one shown due to break in drawing)

### 256x6\_

AVAILABLE FINISHES: 10BE, A, BSP, D, G, WSP  
ANSI (aluminum): J32100, J32130



Welded on bottom. Includes two support legs (only one shown due to break in drawing)

### 198\_

AVAILABLE FINISHES: 10BE, A, BSP, D, G, WSP  
ANSI (aluminum): J32100  
ANSI (brass): J12100



NOTE: Products shown in this section may not be drawn to scale.

AVAILABLE FINISHES FOR PRODUCTS SHOWN ON THIS PAGE (see General Information section for finish chart)  
10BE (Stain Bronze Powder Coated Aluminum) A (Mill Finish Aluminum) B (Mill Finish Extruded Bronze [Brass])  
BSP (Black Suede Powder Coated Aluminum) D (Dark Bronze Anodized) G (Gold Anodized)  
WSP (White Suede Powder Coated Aluminum)

800-824-3018 | [www.assaabloydooraccessories.us](http://www.assaabloydooraccessories.us)

Check the web site for the up-to-date catalog

Copyright © 2015-2020, ASSA ABLOY Accessories and Door Controls Group, Inc., an ASSA ABLOY Group company. All rights reserved.  
Reproduction in whole or in part without the express written permission of ASSA ABLOY Accessories and Door Controls Group, Inc. is prohibited.

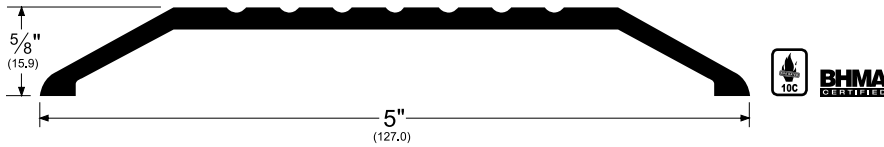
**ASSA ABLOY**  
Opening Solutions

Experience a safer  
and more open world

## Saddle Thresholds (Cont)

156\_

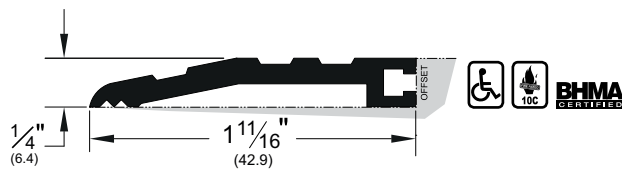
AVAILABLE FINISHES: 10BE, A, BSP, D, G, WSP  
ANSI (aluminum): J32100



## Half Saddle Thresholds

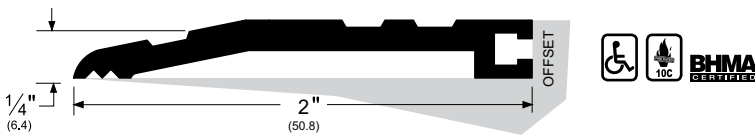
278\_

AVAILABLE FINISHES: 10BE, A, BSP, D, G, WSP  
ANSI (aluminum): J33100, J33130, J33133



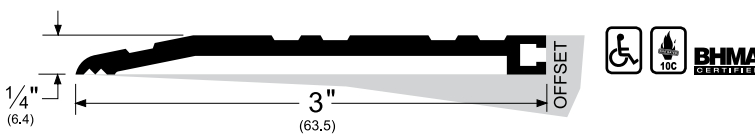
279\_

AVAILABLE FINISHES: 10BE, A, BSP, D, G, WSP  
ANSI (aluminum): J33100, J33130, J33133



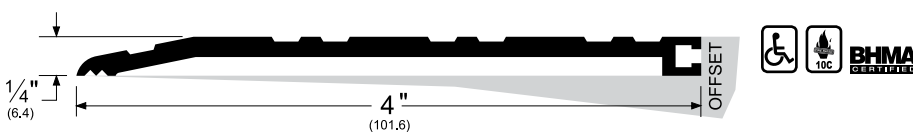
273\_

AVAILABLE FINISHES: 10BE, A, B, BSP, D, G, WSP  
ANSI (aluminum): J33100, J33130, J33133  
ANSI (brass): J13100, J13130, J13133



274\_

AVAILABLE FINISHES: 10BE, A, B, BSP, D, G, WSP  
ANSI (aluminum): J33100, J33130, J33133  
ANSI (brass): J13100, J13130, J13133



NOTE: Products shown in this section may not be drawn to scale.

AVAILABLE FINISHES FOR PRODUCTS SHOWN ON THIS PAGE (see General Information section for finish chart)  
10BE (Stain Bronze Powder Coated Aluminum) A (Mill Finish Aluminum) B (Mill Finish Extruded Bronze [Brass])  
BSP (Black Suede Powder Coated Aluminum) D (Dark Bronze Anodized) G (Gold Anodized)  
WSP (White Suede Powder Coated Aluminum)

NOTE: G is available with limited inventory

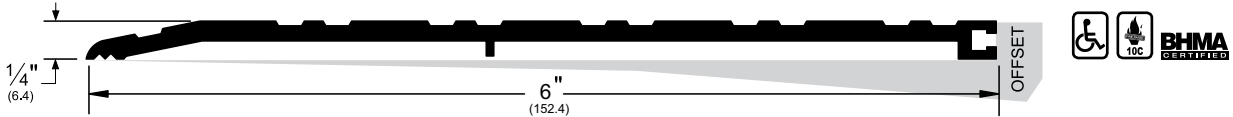
**ASSA ABLOY**  
Opening Solutions

Experience a safer  
and more open world

# Half Saddle Thresholds

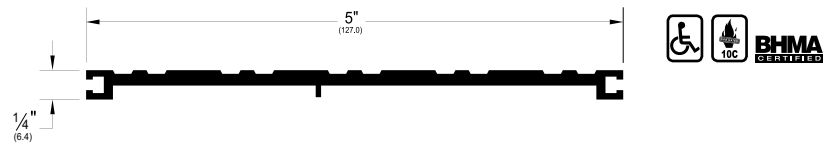
## 2746\_

AVAILABLE FINISHES: 10BE, A, BSP, D, G, WSP  
ANSI (aluminum): J33100, J33130, J33133



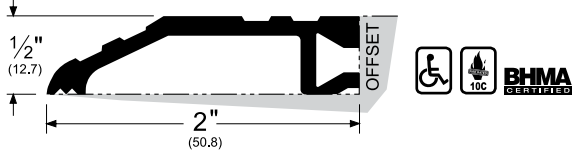
## 2755\_

AVAILABLE FINISHES: 10BE, A, BSP, D, WSP  
Ratings: ADA, 10c, BHMA



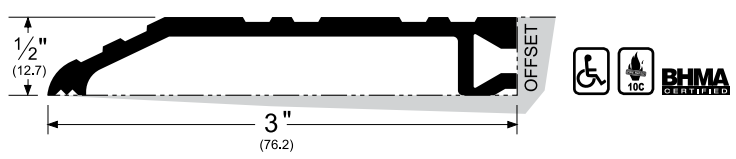
## 252\_

AVAILABLE FINISHES: 10BE, A, B, BSP, D, G, WSP  
ANSI (aluminum): J33100, J33130  
ANSI (brass): J13100, J13130



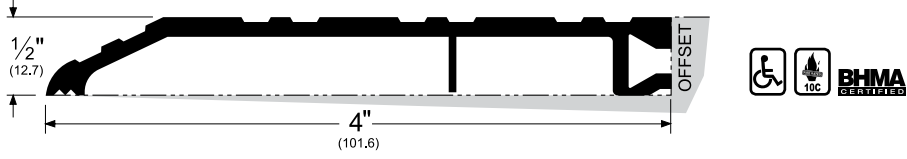
## 253\_

AVAILABLE FINISHES: 10BE, A, B, BSP, D, G, WSP  
ANSI (aluminum): J33100, J33130  
ANSI (brass): J13100, J13130



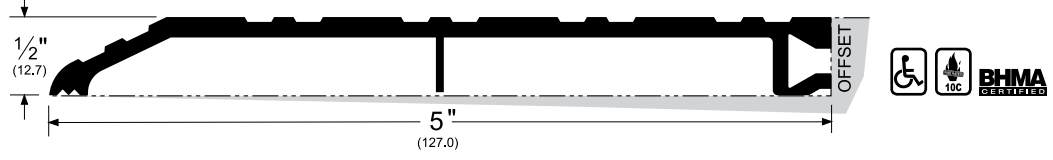
## 254\_

AVAILABLE FINISHES: 10BE, A, B, BSP, D, G, WSP  
ANSI (aluminum): J33100, J33130  
ANSI (brass): J13100, J13130



## 255\_

AVAILABLE FINISHES: 10BE, A, B, BSP, D, G, WSP  
ANSI (aluminum): J33100, J33130  
ANSI (brass): J13100, J13130



NOTE: Products shown in this section may not be drawn to scale.

AVAILABLE FINISHES FOR PRODUCTS SHOWN ON THIS PAGE (see General Information section for finish chart)  
10BE (Stain Bronze Powder Coated Aluminum) A (Mill Finish Aluminum) B (Mill Finish Extruded Bronze [Brass])  
BSP (Black Suede Powder Coated Aluminum) D (Dark Bronze Anodized) G (Gold Anodized)  
WSP (White Suede Powder Coated Aluminum)

NOTE: G is available with limited inventory

800-824-3018 | [www.assaabloydooraccessories.us](http://www.assaabloydooraccessories.us)  
Check the web site for the up-to-date catalog

Copyright © 2015-2020, ASSA ABLOY Accessories and Door Controls Group, Inc., an ASSA ABLOY Group company. All rights reserved.  
Reproduction in whole or in part without the express written permission of ASSA ABLOY Accessories and Door Controls Group, Inc. is prohibited.

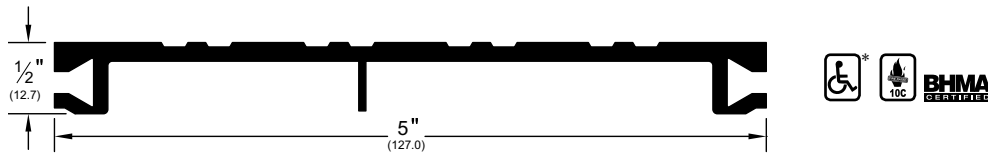
**ASSA ABLOY**  
Opening Solutions

Experience a safer  
and more open world

## Half Saddle Thresholds (Cont.)

### 2555\_

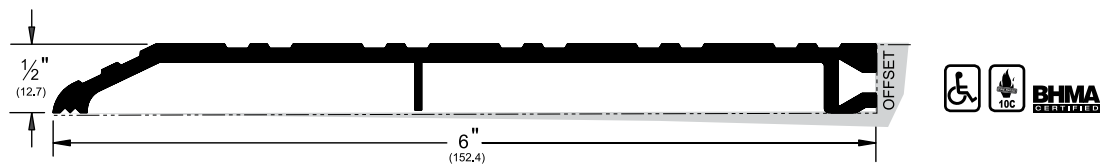
AVAILABLE FINISHES: **10BE, A, BSP, D, G, WSP**  
ANSI (aluminum): **J33100**



\* 2555\_ can be combined with other half saddles on one or both sides. If combined only on one side, the opposite side should be mounted flush with an existing offset. Either stated application is required for this to be ADA-compliant.

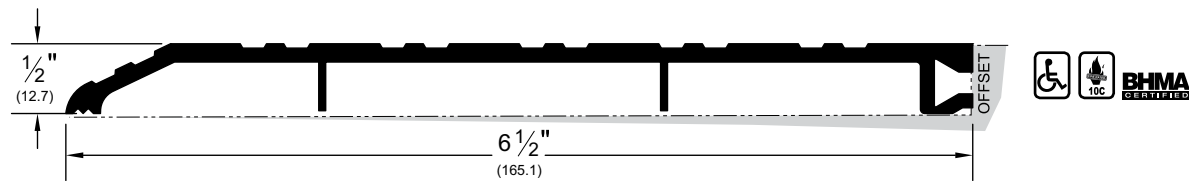
### 256\_

AVAILABLE FINISHES: **10BE, A, BSP, D, G, WSP**  
ANSI (aluminum): **J33100, J33130**



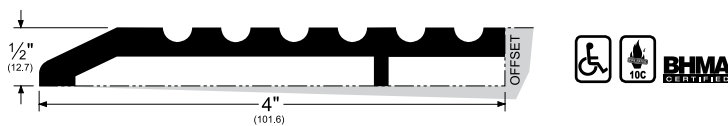
### 2565\_

AVAILABLE FINISHES: **10BE, A, BSP, D, G, WSP**  
ANSI (aluminum): **J33100, J33130**



### 227\_

AVAILABLE FINISHES: **10BE, A, BSP, D, G, WSP**  
ANSI (aluminum): **J33100, J33130**  
ANSI (brass): **J13100, J13130**



### 229\_

AVAILABLE FINISHES: **10BE, A, BSP, D, G, WSP**  
ANSI (aluminum): **J33100, J33130**



NOTE: the 227 and 229 can be welded to floor plates and supports (page 136-137), to create custom thresholds which have the same fluting pattern.

NOTE: Products shown in this section may not be drawn to scale.

AVAILABLE FINISHES FOR PRODUCTS SHOWN ON THIS PAGE (see General Information section for finish chart)  
**10BE** (Stain Bronze Powder Coated Aluminum) **A** (Mill Finish Aluminum) **B** (Mill Finish Extruded Bronze [Brass])  
**BSP** (Black Suede Powder Coated Aluminum) **D** (Dark Bronze Anodized) **G** (Gold Anodized)  
**WSP** (White Suede Powder Coated Aluminum)

NOTE: **G** is available with limited inventory

**ASSA ABLOY**  
Opening Solutions

Experience a safer  
and more open world

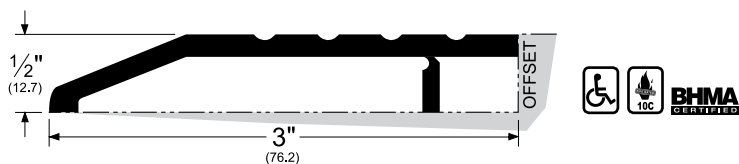
800-824-3018 | [www.assaabloydooraccessories.us](http://www.assaabloydooraccessories.us)  
Check the web site for the up-to-date catalog

Copyright © 2015-2020, ASSA ABLOY Accessories and Door Controls Group, Inc., an ASSA ABLOY Group company. All rights reserved.  
Reproduction in whole or in part without the express written permission of ASSA ABLOY Accessories and Door Controls Group, Inc. is prohibited.

## Half Saddle Thresholds (Cont.)

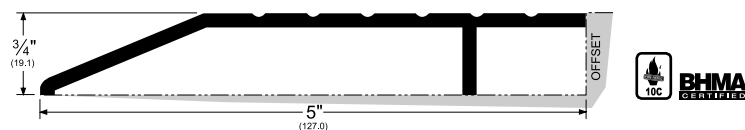
168\_

AVAILABLE FINISHES: 10BE, A, BSP, D, G, WSP  
ANSI (aluminum): J33100, J33130



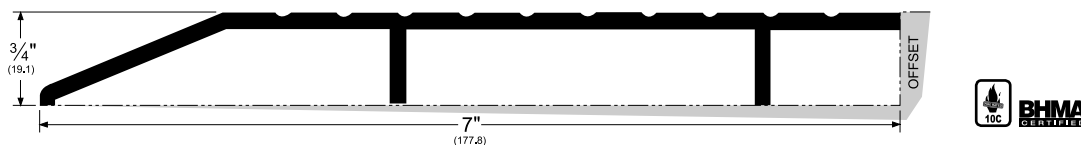
1875\_

AVAILABLE FINISHES: 10BE, A, BSP, D, G, WSP  
ANSI (aluminum): J33100



1877\_

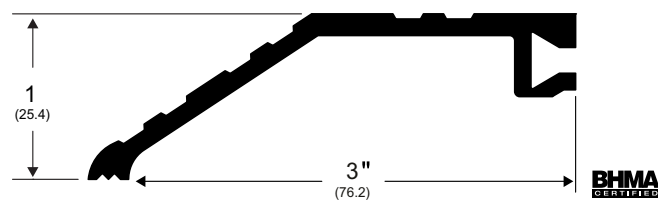
AVAILABLE FINISHES: 10BE, A, BSP, D, G, WSP  
ANSI (aluminum): J33100, J33130



## Offset Half Saddles

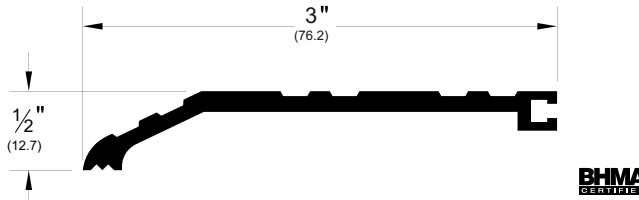
566\_

AVAILABLE FINISHES: A, D



766\_

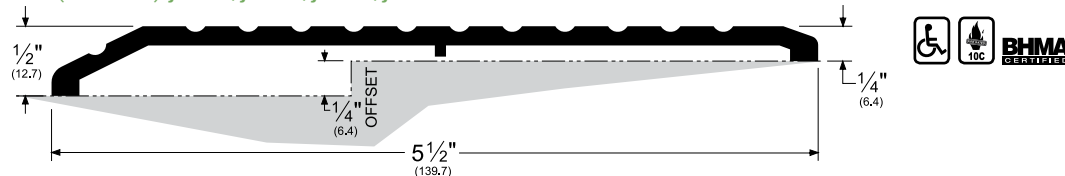
AVAILABLE FINISHES: A, D



## Offset Saddles

158\_

AVAILABLE FINISHES: 10BE, A, BSP, D, G, WSP  
ANSI (aluminum): J32100, J32130, J32138, J32180



NOTE: Products shown in this section may not be drawn to scale.

AVAILABLE FINISHES FOR PRODUCTS SHOWN ON THIS PAGE (see General Information section for finish chart)  
10BE (Stain Bronze Powder Coated Aluminum) A (Mill Finish Aluminum) B (Mill Finish Extruded Bronze [Brass])  
BSP (Black Suede Powder Coated Aluminum) D (Dark Bronze Anodized) G (Gold Anodized)  
WSP (White Suede Powder Coated Aluminum)

NOTE: G is available with limited inventory

800-824-3018 | [www.assaabloydooraccessories.us](http://www.assaabloydooraccessories.us)

Check the web site for the up-to-date catalog

Copyright © 2015-2020, ASSA ABLOY Accessories and Door Controls Group, Inc., an ASSA ABLOY Group company. All rights reserved.  
Reproduction in whole or in part without the express written permission of ASSA ABLOY Accessories and Door Controls Group, Inc. is prohibited.

**ASSA ABLOY**  
Opening Solutions

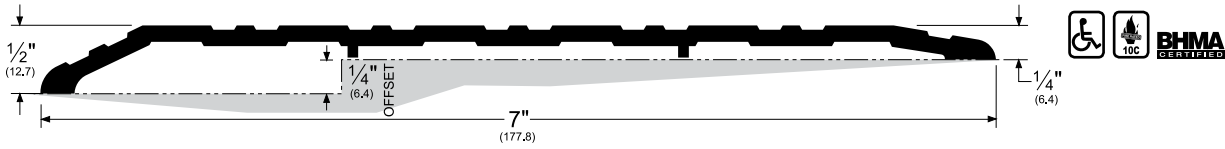
Experience a safer  
and more open world



## Offset Saddles (Cont.)

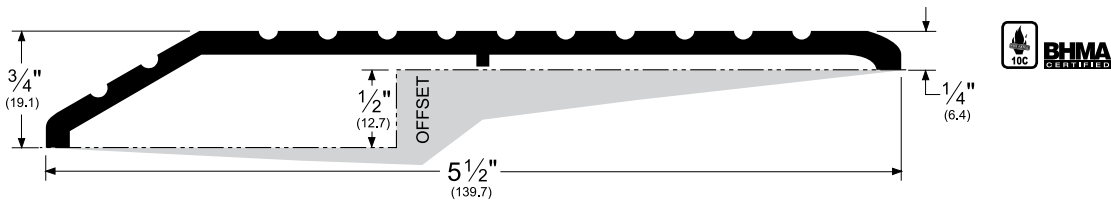
### 2727\_

AVAILABLE FINISHES: 10BE, A, BSP, D, G, WSP  
ANSI (aluminum): J32100, J32130, J32138, J32180



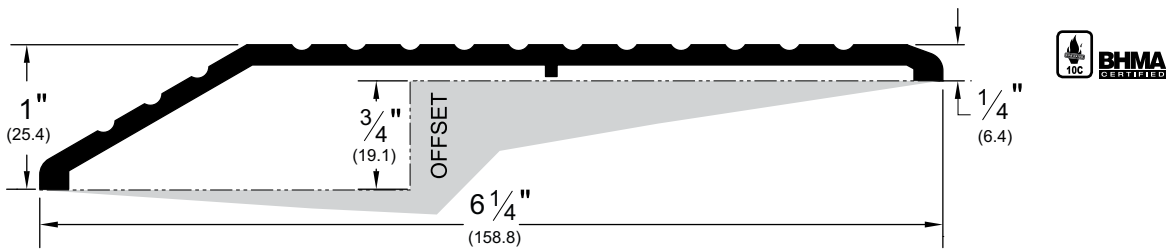
### 157\_

AVAILABLE FINISHES: 10BE, A, BSP, D, G, WSP  
ANSI (aluminum): J32100, J32180, J33100



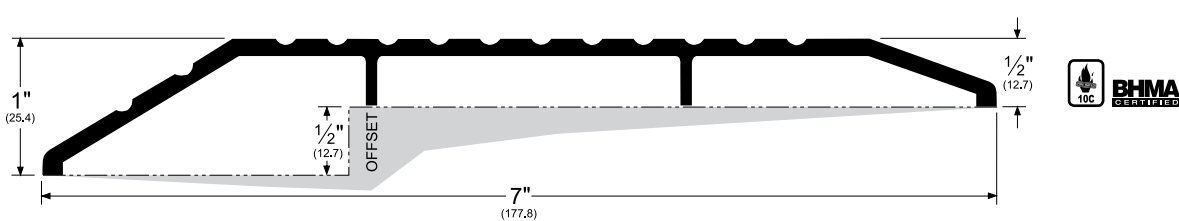
### 1571\_

AVAILABLE FINISHES: 10BE, A, BSP, D, WSP  
ANSI (aluminum): J32100, J32180, J33100



### 182\_

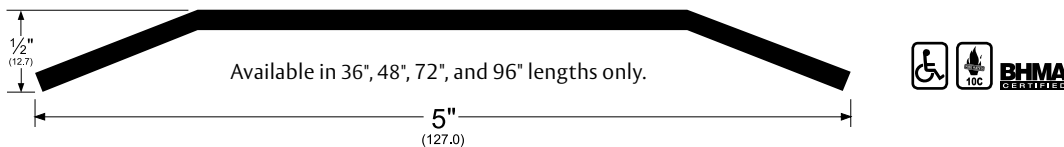
AVAILABLE FINISHES: 10BE, A, BSP, D, G, WSP  
ANSI (aluminum): J32100, J32180, J33100



## Stainless Steel Saddles

### 154SS\_

AVAILABLE FINISH: SS (#4, Brushed Finish)  
ANSI: J52300, J52330



NOTE: Products shown in this section may not be drawn to scale.

AVAILABLE FINISHES FOR PRODUCTS SHOWN ON THIS PAGE (see General Information section for finish chart)  
10BE (Stain Bronze Powder Coated Aluminum) A (Mill Finish Aluminum) B (Mill Finish Extruded Bronze [Brass])  
BSP (Black Suede Powder Coated Aluminum) D (Dark Bronze Anodized) G (Gold Anodized)  
WSP (White Suede Powder Coated Aluminum) SS (See Individual Part)

NOTE: G is available with limited inventory

**ASSA ABLOY**  
Opening Solutions

Experience a safer  
and more open world

800-824-3018 | [www.assaabloydooraccessories.us](http://www.assaabloydooraccessories.us)

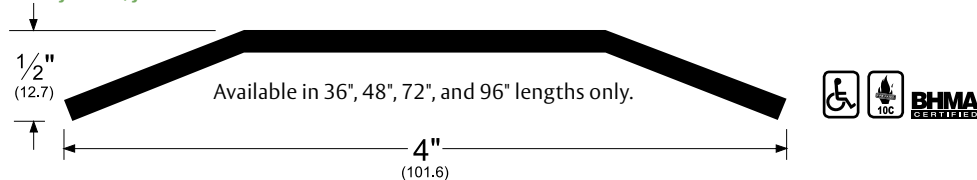
Check the web site for the up-to-date catalog

Copyright © 2015-2020, ASSA ABLOY Accessories and Door Controls Group, Inc., an ASSA ABLOY Group company. All rights reserved. Reproduction in whole or in part without the express written permission of ASSA ABLOY Accessories and Door Controls Group, Inc. is prohibited.

## Stainless Steel Saddles (Cont.)

### 175SS\_

AVAILABLE FINISH: **SS (#4, Brushed Finish)**  
ANSI: J52300, J52330

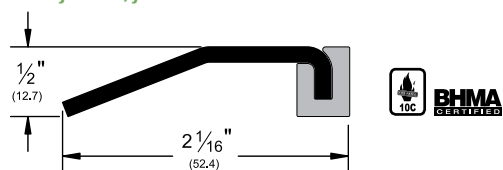


## Stainless Steel Half Saddles

- Available in 36", 48", 72", and 96" lengths only.

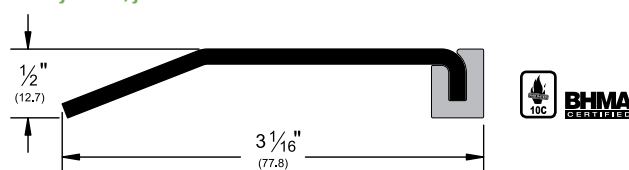
### 252SS\_

AVAILABLE FINISH: **SS (#4, Brushed Finish)**  
ANSI: J52300, J52330



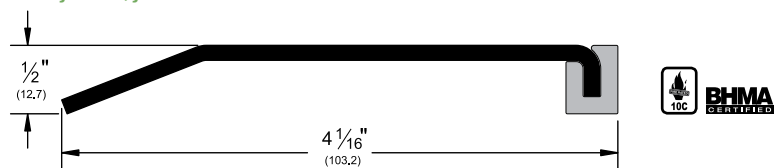
### 253SS\_

AVAILABLE FINISH: **SS (#4, Brushed Finish)**  
ANSI: J52300, J52330



### 254SS\_

AVAILABLE FINISH: **SS (#4, Brushed Finish)**  
ANSI: J52300, J52330

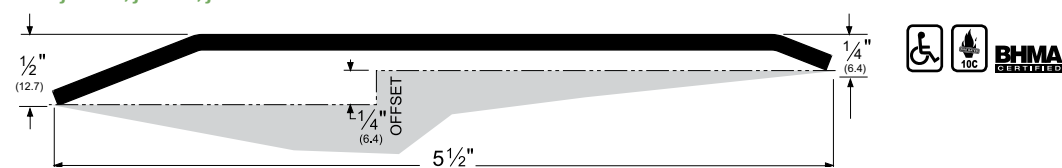


## Stainless Steel Offset Saddles

- Available in 36", 48", 72", and 96" lengths only.

### 158SS\_

AVAILABLE FINISH: **SS (#4, Brushed Finish)**  
ANSI: J52300, J52380, J52388



### 2727SS\_

AVAILABLE FINISH: **SS (#4, Brushed Finish)**  
ANSI: J52300, J52380, J52388



NOTE: Products shown in this section may not be drawn to scale.

AVAILABLE FINISHES FOR PRODUCTS SHOWN ON THIS PAGE (see General Information section for finish chart)  
SS (See Individual Part)

800-824-3018 | [www.assaabloydooraccessories.us](http://www.assaabloydooraccessories.us)  
Check the web site for the up-to-date catalog

Copyright © 2015-2020, ASSA ABLOY Accessories and Door Controls Group, Inc., an ASSA ABLOY Group company. All rights reserved.  
Reproduction in whole or in part without the express written permission of ASSA ABLOY Accessories and Door Controls Group, Inc. is prohibited.

**ASSA ABLOY**  
Opening Solutions

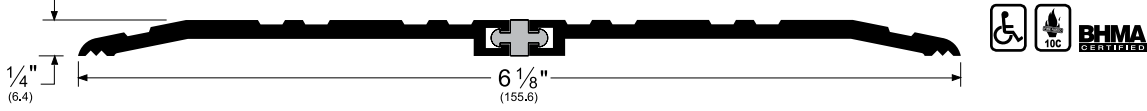
Experience a safer  
and more open world

## Thermal Break Saddles

- Black rigid polypropylene key between extrusions provides a thermal break (designated by "FG" Frost Guard following finish code)

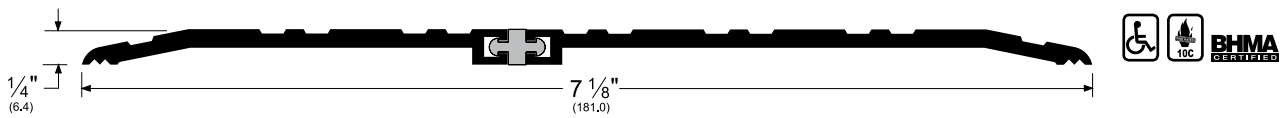
### 273x3\_FG

AVAILABLE FINISHES: 10BE, A, B, BSP, D, G, WSP  
 ANSI (aluminum): J32139, J32190, J32193  
 ANSI (brass): J12139, J12190, J12193



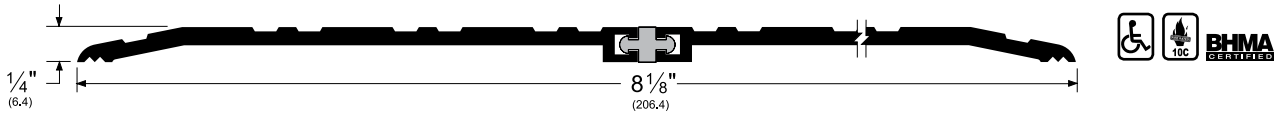
### 273x4\_FG

AVAILABLE FINISHES: 10BE, A, B, BSP, D, G, WSP  
 ANSI (aluminum): J32139, J32190, J32193  
 ANSI (brass): J12139, J12190, J12193



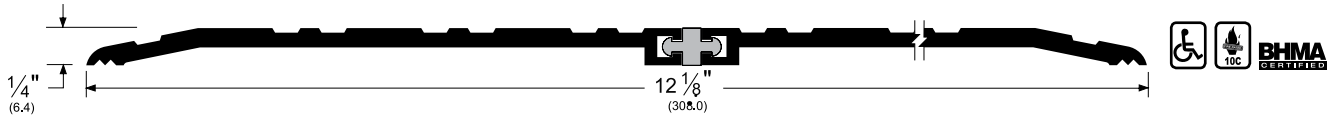
### 274x4\_FG

AVAILABLE FINISHES: 10BE, A, B, BSP, D, G, WSP  
 ANSI (aluminum): J32139, J32190, J32193  
 ANSI (brass): J12139, J12190, J12193



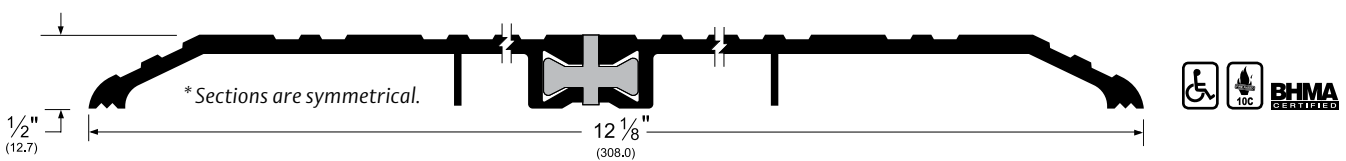
### 2746x6\_FG

AVAILABLE FINISHES: 10BE, A, BSP, D, G, WSP  
 ANSI (aluminum): J32139, J32190, J32193



### 256x6\_FG

AVAILABLE FINISHES: 10BE, A, BSP, D, G, WSP  
 ANSI (aluminum): J32139, J32190, J32193



NOTE: Products shown in this section may not be drawn to scale.

AVAILABLE FINISHES FOR PRODUCTS SHOWN ON THIS PAGE (see General Information section for finish chart)  
**10BE** (Stain Bronze Powder Coated Aluminum) **A** (Mill Finish Aluminum) **B** (Mill Finish Extruded Bronze [Brass])  
**BSP** (Black Suede Powder Coated Aluminum) **D** (Dark Bronze Anodized) **G** (Gold Anodized)  
**WSP** (White Suede Powder Coated Aluminum)

NOTE: **G** is available with limited inventory

**ASSA ABLOY**  
 Opening Solutions

Experience a safer  
 and more open world

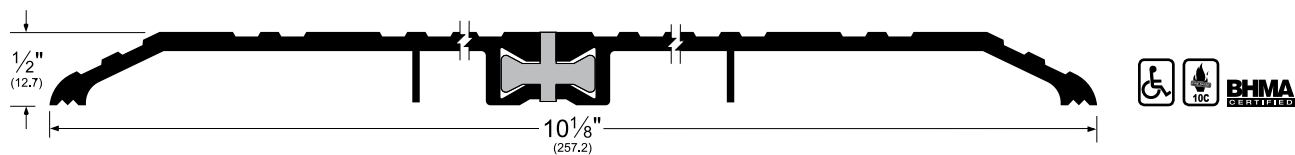
800-824-3018 | [www.assaabloydooraccessories.us](http://www.assaabloydooraccessories.us)  
 Check the web site for the up-to-date catalog

Copyright © 2015-2020, ASSA ABLOY Accessories and Door Controls Group, Inc., an ASSA ABLOY company. All rights reserved.  
 Reproduction in whole or in part without the express written permission of ASSA ABLOY Accessories and Door Controls Group, Inc. is prohibited.

## Thermal Break Saddles (Cont.)

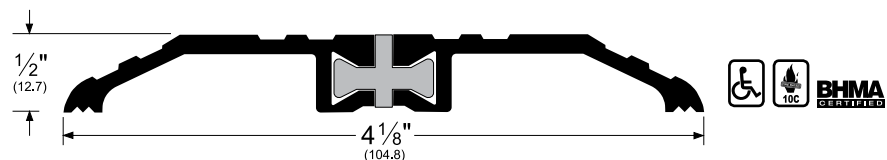
### 255x5\_FG

AVAILABLE FINISHES: 10BE, A, B, BSP, D, G, WSP  
 ANSI (aluminum): J32139, J32190, J32193  
 ANSI (brass): J12139, J12190, J12193



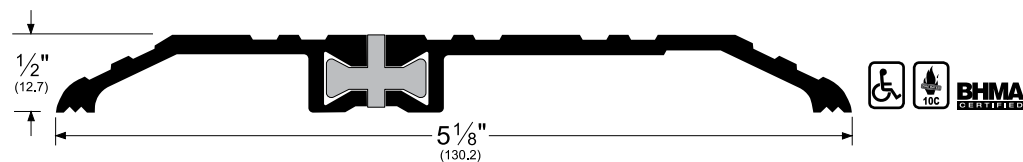
### 252x2\_FG

AVAILABLE FINISHES: 10BE, A, B, BSP, D, G, WSP  
 ANSI (aluminum): J32139, J32190, J32193  
 ANSI (brass): J12139, J12190, J12193



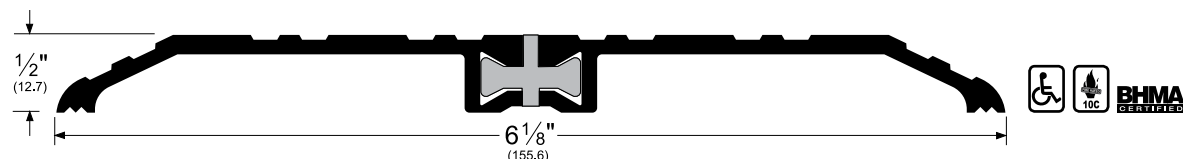
### 252x3\_FG

AVAILABLE FINISHES: 10BE, A, B, BSP, D, G, WSP  
 ANSI (aluminum): J32139, J32190, J32193  
 ANSI (brass): J12139, J12190, J12193



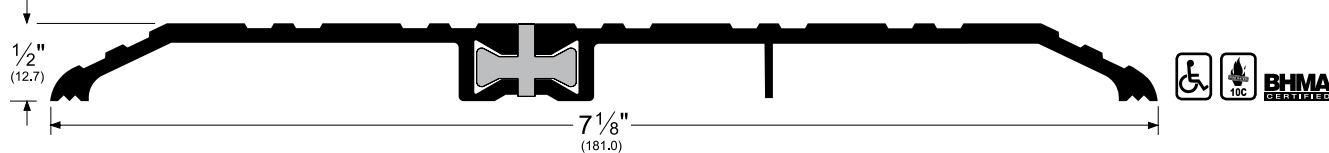
### 253x3\_FG

AVAILABLE FINISHES: 10BE, A, B, BSP, D, G, WSP  
 ANSI (aluminum): J32139, J32190, J32193  
 ANSI (brass): J12139, J12190, J12193



### 253x4\_FG

AVAILABLE FINISHES: 10BE, A, B, BSP, D, G, WSP  
 ANSI (aluminum): J32139, J32190, J32193  
 ANSI (brass): J12139, J12190, J12193



NOTE: Products shown in this section may not be drawn to scale.

AVAILABLE FINISHES FOR PRODUCTS SHOWN ON THIS PAGE (see General Information section for finish chart)  
**10BE** (Stain Bronze Powder Coated Aluminum) **A** (Mill Finish Aluminum) **B** (Mill Finish Extruded Bronze [Brass])  
**BSP** (Black Suede Powder Coated Aluminum) **D** (Dark Bronze Anodized) **G** (Gold Anodized)  
**WSP** (White Suede Powder Coated Aluminum)

NOTE: G is available with limited inventory

800-824-3018 | [www.assaabloydooraccessories.us](http://www.assaabloydooraccessories.us)

Check the web site for the up-to-date catalog

Copyright © 2015-2020, ASSA ABLOY Accessories and Door Controls Group, Inc., an ASSA ABLOY Group company. All rights reserved.  
 Reproduction in whole or in part without the express written permission of ASSA ABLOY Accessories and Door Controls Group, Inc. is prohibited.

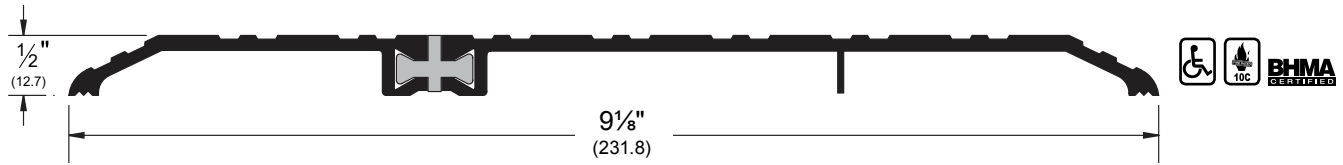
**ASSA ABLOY**  
 Opening Solutions

Experience a safer  
 and more open world

## Thermal Break Saddles (Cont.)

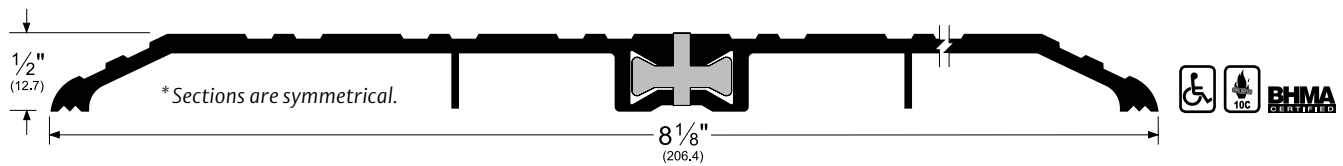
### 253x6\_FG

AVAILABLE FINISHES: 10BE, A, BSP, D, G, WSP  
ANSI (aluminum): J32139, J32190, J32193



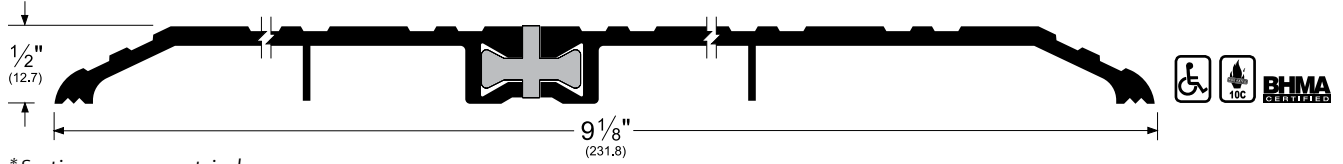
### 254x4\_FG

AVAILABLE FINISHES: 10BE, A, B, BSP, D, G, WSP  
ANSI (aluminum): J32139, J32190, J32193  
ANSI (brass): J12139, J12190, J12193



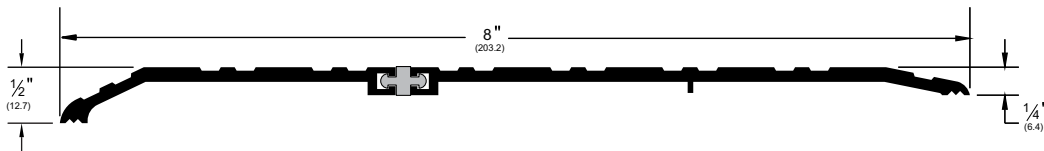
### 254x5\_FG

AVAILABLE FINISHES: 10BE, A, B, BSP, D, G, WSP  
ANSI (aluminum): J32139, J32190, J32193  
ANSI (brass): J12139, J12190, J12193



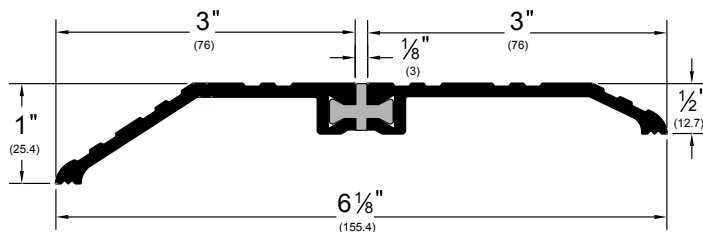
### 766x5\_FG

AVAILABLE FINISHES: A, D  
ANSI (aluminum): J32139, J32190, J32193, J32189, J32180  
ANSI (brass): J12139, J12190, J12193, J12189, J12180



### 566x3\_FG

AVAILABLE FINISHES: A, D  
ANSI (aluminum): J32189, J32190, J32180



NOTE: Products shown in this section may not be drawn to scale.

AVAILABLE FINISHES FOR PRODUCTS SHOWN ON THIS PAGE

(see General Information section for finish chart)

A (Mill Finish Aluminum) B (Mill Finish Extruded Bronze [Brass])

D (Dark Bronze Anodized) G (Gold Anodized)

NOTE: G is available with limited inventory

800-824-3018 | [www.assaabloydooraccessories.us](http://www.assaabloydooraccessories.us)

Check the web site for the up-to-date catalog

**ASSA ABLOY**  
Opening Solutions

Experience a safer  
and more open world

Copyright © 2015-2020, ASSA ABLOY Accessories and Door Controls Group, Inc., an ASSA ABLOY Group company. All rights reserved. Reproduction in whole or in part without the express written permission of ASSA ABLOY Accessories and Door Controls Group, Inc. is prohibited.

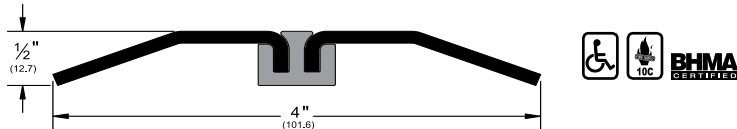
## Stainless Steel Thermal Break Threshold

- Black rigid polypropylene key between extrusions provides a thermal barrier (designated by "FG" Frost Guard following finish code)

### 252x2SSFG

AVAILABLE FINISH: SS (#4, Brushed Finish)

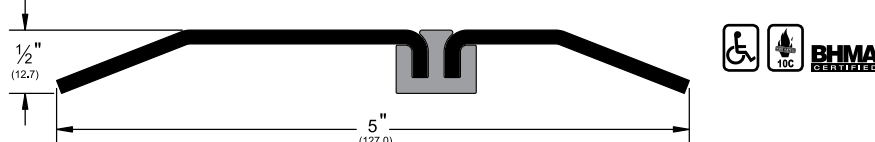
ANSI: J52330, J52339, J52390, J52393



### 252x3SSFG

AVAILABLE FINISH: SS (#4, Brushed Finish)

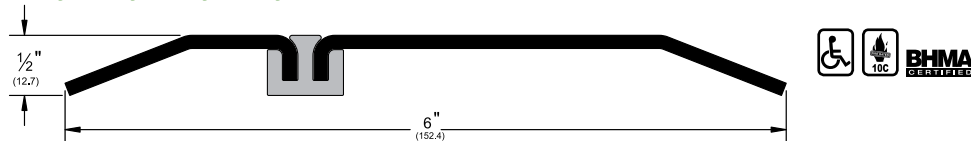
ANSI: J52330, J52339, J52390, J52393



### 252x4SSFG

AVAILABLE FINISH: SS (#4, Brushed Finish)

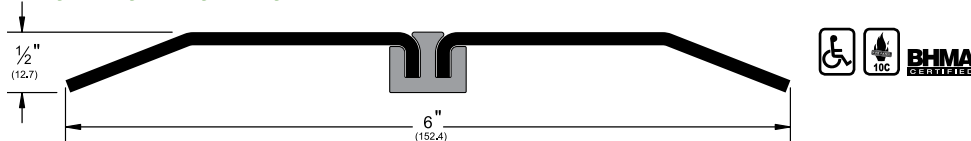
ANSI: J52330, J52339, J52390, J52393



### 253x3SSFG

AVAILABLE FINISH: SS (#4, Brushed Finish)

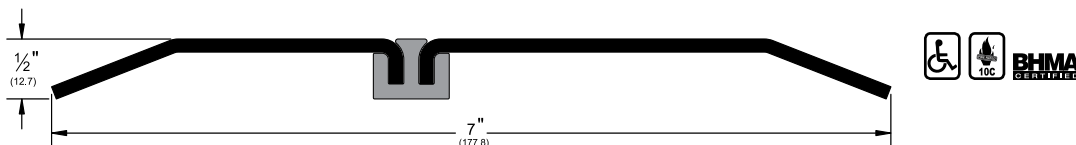
ANSI: J52330, J52339, J52390, J52393



### 253x4SSFG

AVAILABLE FINISH: SS (#4, Brushed Finish)

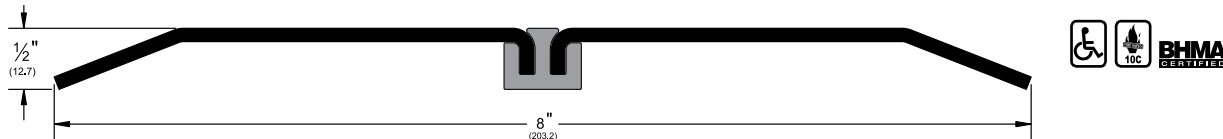
ANSI: J52330, J52339, J52390, J52393



### 254x4SSFG

AVAILABLE FINISH: SS (#4, Brushed Finish)

ANSI: J52330, J52339, J52390, J52393



NOTE: Products shown in this section may not be drawn to scale.

AVAILABLE FINISHES FOR PRODUCTS SHOWN ON THIS PAGE (see General Information section for finish chart)

SS (See Individual Part)

800-824-3018 | [www.assaabloydooraccessories.us](http://www.assaabloydooraccessories.us)

Check the web site for the up-to-date catalog

Copyright © 2015-2020, ASSA ABLOY Accessories and Door Controls Group, Inc., an ASSA ABLOY Group company. All rights reserved. Reproduction in whole or in part without the express written permission of ASSA ABLOY Accessories and Door Controls Group, Inc. is prohibited.

**ASSA ABLOY**  
Opening Solutions

Experience a safer  
and more open world

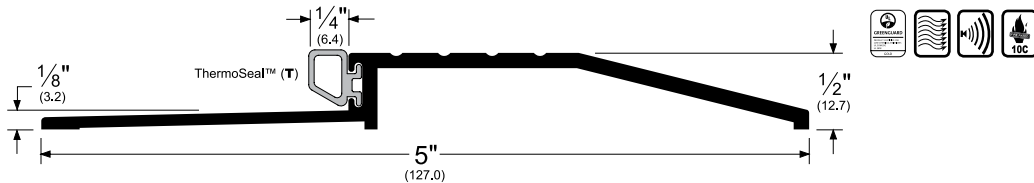
# Latching Panic Exit Saddles

- Used in conjunction with surface applied vertical rod exit device, or as a stop and a seal at the bottom of door
- For offset applications, use an elevator (see page 137)
- **2006\_T and 2007\_T** are only ADA compliant when installed butted to 1/4" tile or other floor material

## 2001\_T

AVAILABLE FINISHES: **10BE, A, BSP, D, G, WSP**  
 REPLACEMENT INSERT: **T5 (BL)**

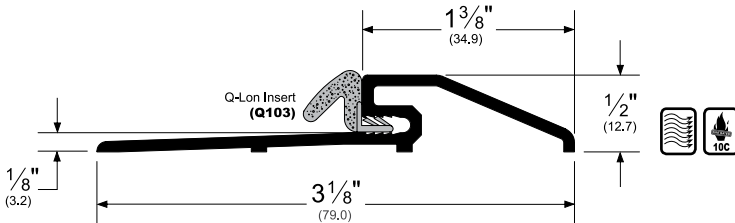
- Allow 1/4" door clearance
- Special purpose bumper threshold designed for use with a low 1/4" to 3/8" undercut door.



## 2002\_Q

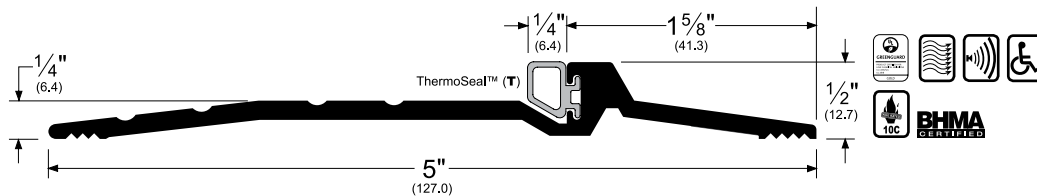
AVAILABLE FINISHES: **10BE, A, BSP, D, G, WSP**  
 Replacement Insert: **Q103 (D, W)**

- Allow 1/4" door clearance
- Must specify gasket color when ordering



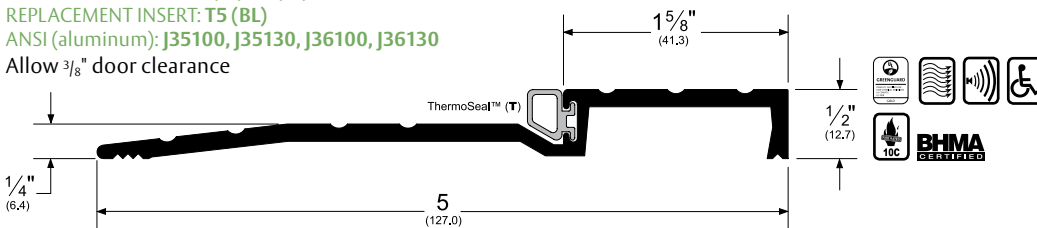
## 2005\_T

AVAILABLE FINISH: **10BE, A, B, BSP, D, G, WSP**  
 REPLACEMENT INSERT: **T5 (BL)**  
 ANSI (aluminum): **J35100, J35130, J36100, J36130**  
 ANSI (brass): **J15100, J15130, J16100, J16130**  
 Allow 3/8" door clearance



## 2006\_T

AVAILABLE FINISH: **10BE, A, BSP, D, WSP**  
 REPLACEMENT INSERT: **T5 (BL)**  
 ANSI (aluminum): **J35100, J35130, J36100, J36130**  
 Allow 3/8" door clearance



Alternate Inserts	
	pile (P)
	2001_P
	2005_P
	2006_P
	2007_P
REPLACEMENT INSERT: <b>P2 (BL, W)</b>	
	Eco-V™ (V)
	2001_V
	2005_V
	2006_V
	2007_V
REPLACEMENT INSERT: <b>EV41 (BL, GR, W)</b>	

NOTE: Products shown in this section may not be drawn to scale.

AVAILABLE FINISHES FOR PRODUCTS SHOWN ON THIS PAGE (see General Information section for finish chart)  
**10BE** (Stain Bronze Powder Coated Aluminum) **A** (Mill Finish Aluminum) **B** (Mill Finish Extruded Bronze [Brass])  
**BSP** (Black Suede Powder Coated Aluminum) **D** (Dark Bronze Anodized) **G** (Gold Anodized)  
**WSP** (White Suede Powder Coated Aluminum)

NOTE: **G** is available with limited inventory

**ASSA ABLOY**  
 Opening Solutions

Experience a safer  
 and more open world

800-824-3018 | [www.assaabloydooraccessories.us](http://www.assaabloydooraccessories.us)

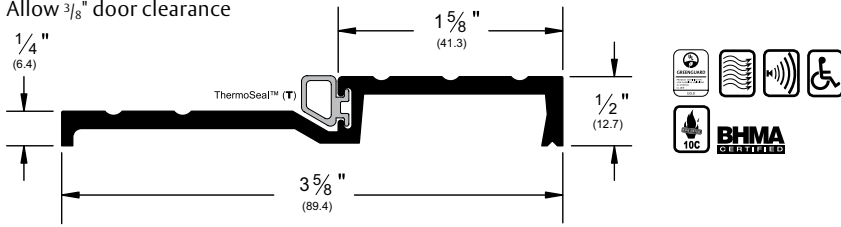
Check the web site for the up-to-date catalog

Copyright © 2015-2020, ASSA ABLOY Accessories and Door Controls Group, Inc., an ASSA ABLOY company. All rights reserved. Reproduction in whole or in part without the express written permission of ASSA ABLOY Accessories and Door Controls Group, Inc. is prohibited.

# Latching Panic Exit Saddles (Cont.)

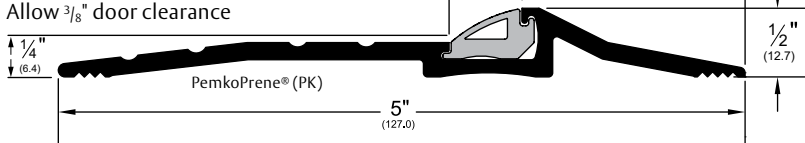
## 2007\_T

AVAILABLE FINISH: **10BE, A, BSP, D, WSP**  
 REPLACEMENT INSERT: **T5 (BL)**  
 ANSI (aluminum): **J35100, J35130, J36100, J36130**  
 Allow  $\frac{3}{8}$ " door clearance



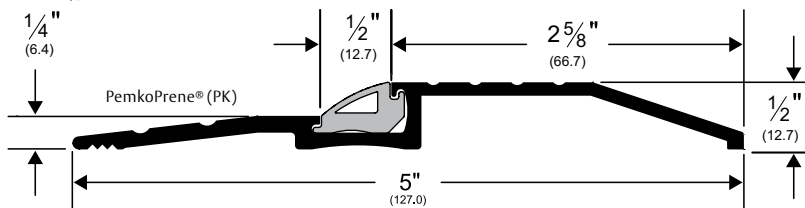
## 2009\_PK

AVAILABLE FINISHES: **10BE, A, BSP, D, WSP**  
 REPLACEMENT INSERT: **PK20 (BL)**  
 ANSI: **J36100, J36130**  
 Allow  $\frac{3}{8}$ " door clearance



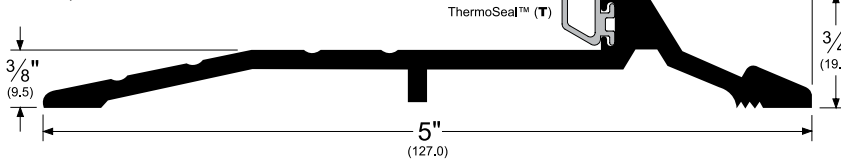
## 2010\_PK

AVAILABLE FINISHES: **10BE, A, BSP, D, WSP**  
 REPLACEMENT INSERT: **PK20 (BL)**  
 ANSI: **J36100, J36130**  
 Allow  $\frac{3}{8}$ " door clearance



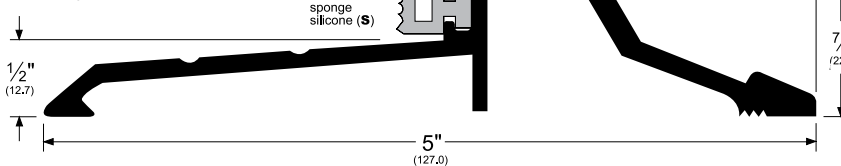
## 179\_T

AVAILABLE FINISHES: **10BE, A, BSP, D, G, WSP**  
 REPLACEMENT INSERT: **T5 (BL)**  
 ANSI (aluminum): **J35100, J36100**  
 Allow  $\frac{1}{2}$ " door clearance



## 277\_S

AVAILABLE FINISHES: **10BE, A, BSP, D, G, WSP**  
 REPLACEMENT INSERT: **SR6 (BL)**  
 ANSI (aluminum): **J35100, J36100**  
 Allow  $\frac{5}{8}$ " door clearance



### Alternate Inserts



pile (P)

## 2007\_P

REPLACEMENT INSERT:  
**P2 (BL, W)**



Eco-V™ (V)

## 2007\_V

REPLACEMENT INSERT:  
**EV41 (BL, GR, W)**

### Alternate Inserts



pile (P)

## 179\_P

REPLACEMENT INSERT:  
**P2 (BL, W)**

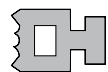


Eco-V™ (V)

## 179\_V

REPLACEMENT INSERT:  
**EV41 (BL, GR, W)**

### Alternate Inserts



sponge  
 EPDM (R)

## 277\_R

REPLACEMENT INSERT:  
**E7 (BL)**  
 ANSI (aluminum):  
**J36100**

NOTE: Products shown in this section may not be drawn to scale.

AVAILABLE FINISHES FOR PRODUCTS SHOWN ON THIS PAGE (see General Information section for finish chart)  
**10BE** (Stain Bronze Powder Coated Aluminum) **A** (Mill Finish Aluminum) **B** (Mill Finish Extruded Bronze [Brass])  
**BSP** (Black Suede Powder Coated Aluminum) **D** (Dark Bronze Anodized) **G** (Gold Anodized)  
**WSP** (White Suede Powder Coated Aluminum)

NOTE: **G** is available with limited inventory

800-824-3018 | [www.assaabloydooraccessories.us](http://www.assaabloydooraccessories.us)

Check the web site for the up-to-date catalog

Copyright © 2015-2020, ASSA ABLOY Accessories and Door Controls Group, Inc., an ASSA ABLOY Group company. All rights reserved.  
 Reproduction in whole or in part without the express written permission of ASSA ABLOY Accessories and Door Controls Group, Inc. is prohibited.

**ASSA ABLOY**  
 Opening Solutions

Experience a safer  
 and more open world



# Latching Panic Exit Saddles (Cont.)

## 159\_T

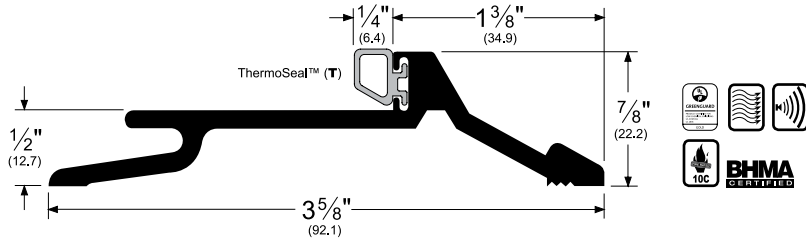
AVAILABLE FINISHES: 10BE, A, B, BSP, D, WSP

REPLACEMENT INSERT: T5 (BL)

ANSI (aluminum): J35300, J36300

ANSI (brass): J15300, J16300

- Allow 9/16" door clearance
- Provided with "J" hook.
- Can also be used as an interlock threshold (see Residential Thresholds section)



## 177\_T

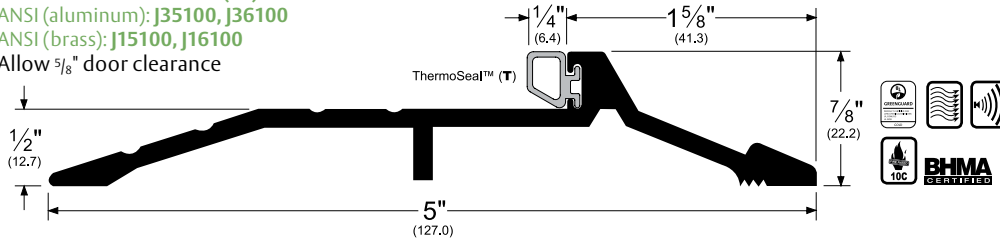
AVAILABLE FINISHES: 10BE, A, B, BSP, D, WSP

REPLACEMENT INSERT: T5 (BL)

ANSI (aluminum): J35100, J36100

ANSI (brass): J15100, J16100

Allow 5/8" door clearance



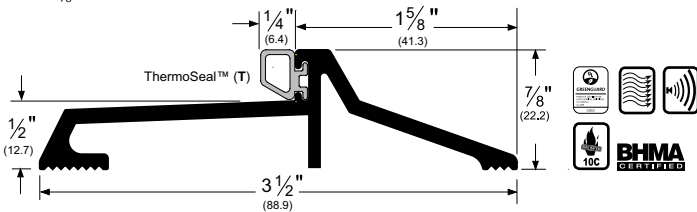
## 1855\_T

AVAILABLE FINISHES: 10BE, A, BSP, D, WSP

REPLACEMENT INSERT: T5 (BL)

ANSI (aluminum): J35100, J36100

Allow 5/8" door clearance



## 181\_T

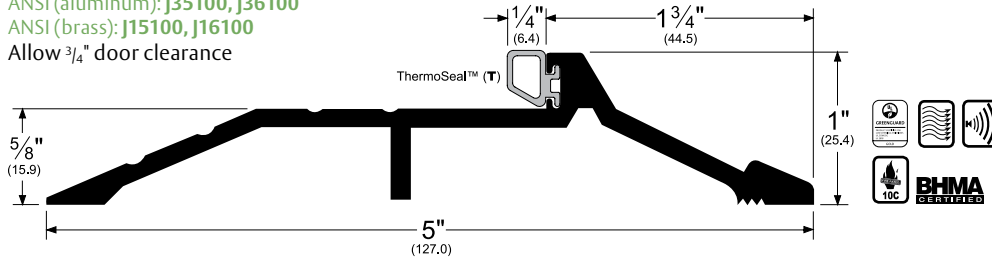
AVAILABLE FINISHES: 10BE, A, B, BSP, D, G, WSP

REPLACEMENT INSERT: T5 (BL)

ANSI (aluminum): J35100, J36100

ANSI (brass): J15100, J16100

Allow 3/4" door clearance



NOTE: Products shown in this section may not be drawn to scale.

AVAILABLE FINISHES FOR PRODUCTS SHOWN ON THIS PAGE (see General Information section for finish chart)  
**10BE** (Stain Bronze Powder Coated Aluminum) **A** (Mill Finish Aluminum) **B** (Mill Finish Extruded Bronze [Brass])  
**BDG** (Bright Dip Gold Anodized) **BSP** (Black Suede Powder Coated Aluminum) **D** (Dark Bronze Anodized)  
**G** (Gold Anodized) **WSP** (White Suede Powder Coated Aluminum)

NOTE: **G** is available with limited inventory

### Alternate Inserts



pile (P)

159\_P



177\_P



1855\_P

181\_P

REPLACEMENT INSERT:  
P2 (BL, W)



Eco-V™ (V)

159\_V



177\_V



1855\_V

181\_V

REPLACEMENT INSERT:  
EV41 (BL, GR, W)

**ASSA ABLOY**  
Opening Solutions

Experience a safer  
and more open world

800-824-3018 | [www.assaabloydooraccessories.us](http://www.assaabloydooraccessories.us)

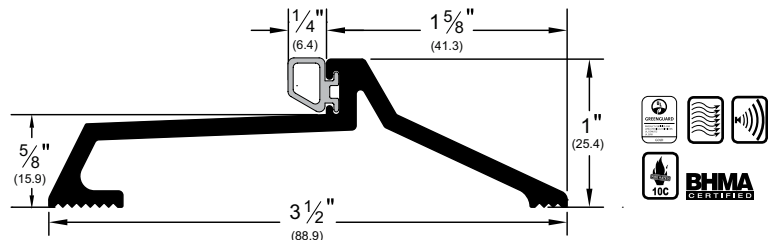
Check the web site for the up-to-date catalog

Copyright © 2015-2020, ASSA ABLOY Accessories and Door Controls Group, Inc., an ASSA ABLOY Group company. All rights reserved. Reproduction in whole or in part without the express written permission of ASSA ABLOY Accessories and Door Controls Group, Inc. is prohibited.

# Latching Panic Exit Saddles (Cont.)

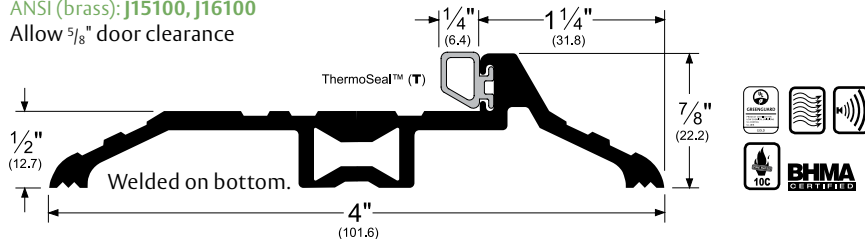
## 185\_T

AVAILABLE FINISHES: **10BE, A, BSP, D, WSP**  
 REPLACEMENT INSERT: **T5 (BL)**  
 ANSI (aluminum): **J35300, J36300**  
 Allow 3/4" door clearance



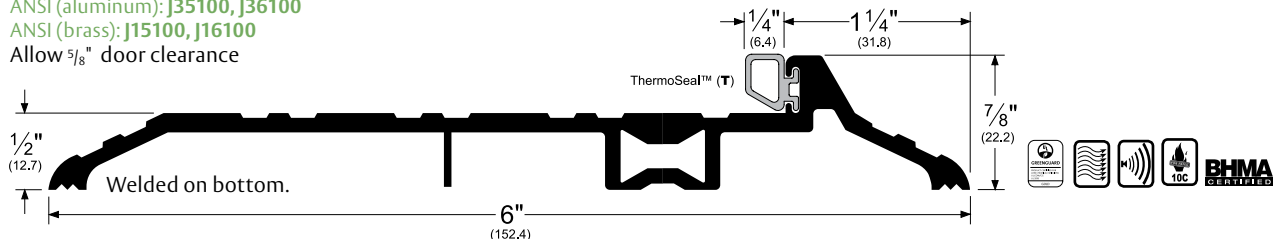
## 252x226\_T

AVAILABLE FINISHES: **10BE, A, B, BSP, D, G, WSP**  
 REPLACEMENT INSERT: **T5 (BL)**  
 ANSI (aluminum): **J35100, J36100**  
 ANSI (brass): **J15100, J16100**  
 Allow 5/8" door clearance



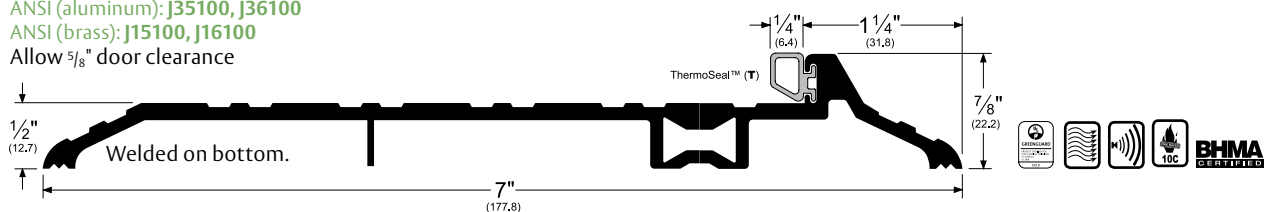
## 254x226\_T

AVAILABLE FINISHES: **10BE, A, B, BSP, D, G, WSP**  
 REPLACEMENT INSERT: **T5 (BL)**  
 ANSI (aluminum): **J35100, J36100**  
 ANSI (brass): **J15100, J16100**  
 Allow 5/8" door clearance



## 255x226\_T

AVAILABLE FINISHES: **10BE, A, B, BSP, D, G, WSP**  
 REPLACEMENT INSERT: **T5 (BL)**  
 ANSI (aluminum): **J35100, J36100**  
 ANSI (brass): **J15100, J16100**  
 Allow 5/8" door clearance



**Alternate Inserts**

pile (P)

185\_P

252x226\_P

254x226\_P

255x226\_P

REPLACEMENT INSERT:  
**P2 (BL, W)**

---

Eco-V™ (V)

185\_V

252x226\_V

254x226\_V

255x226\_V

REPLACEMENT INSERT:  
**EV41 (BL, GR, W)**

NOTE: Products shown in this section may not be drawn to scale.

AVAILABLE FINISHES FOR PRODUCTS SHOWN ON THIS PAGE (see General Information section for finish chart)  
**10BE** (Stain Bronze Powder Coated Aluminum) **A** (Mill Finish Aluminum) **B** (Mill Finish Extruded Bronze [Brass])  
**BSP** (Black Suede Powder Coated Aluminum) **D** (Dark Bronze Anodized) **G** (Gold Anodized)  
**WSP** (White Suede Powder Coated Aluminum)

800-824-3018 | [www.assaabloydooraccessories.us](http://www.assaabloydooraccessories.us)  
 Check the web site for the up-to-date catalog

Copyright © 2015-2020, ASSA ABLOY Accessories and Door Controls Group, Inc., an ASSA ABLOY Group company. All rights reserved.  
 Reproduction in whole or in part without the express written permission of ASSA ABLOY Accessories and Door Controls Group, Inc. is prohibited.

**ASSA ABLOY**  
 Opening Solutions

Experience a safer  
 and more open world

## Latching Panic Exit Saddles - Thermal Break

- Black rigid polypropylene key between extrusions provides thermal break (designated by "FG" Frost Guard following finish code)
- Used in conjunction with surface applied vertical rod exit device, or as a stop and a seal at the bottom of door
- These units are not welded

### 252x226\_FGT

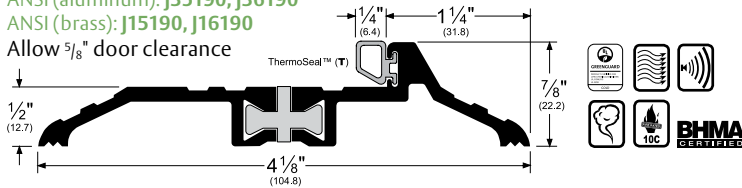
AVAILABLE FINISHES: 10BE, A, B, BSP, D, G, WSP

REPLACEMENT INSERT: T5 (BL)

ANSI (aluminum): J35190, J36190

ANSI (brass): J15190, J16190

Allow 5/8" door clearance



### 253x226\_FGT

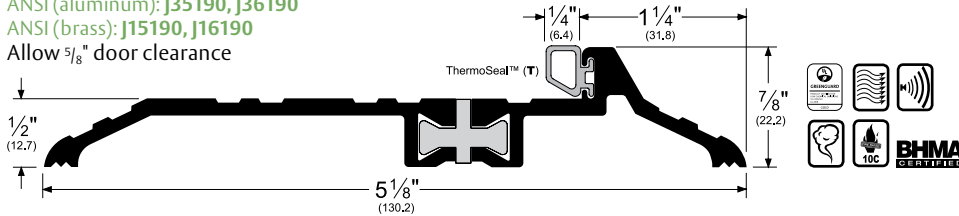
AVAILABLE FINISHES: 10BE, A, B, BSP, D, G, WSP

REPLACEMENT INSERT: T5 (BL)

ANSI (aluminum): J35190, J36190

ANSI (brass): J15190, J16190

Allow 5/8" door clearance



### 254x226\_FGT

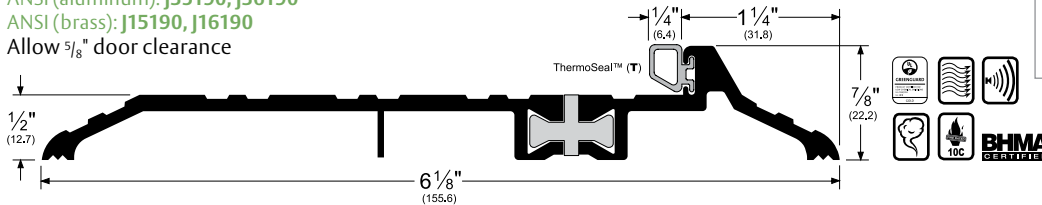
AVAILABLE FINISHES: 10BE, A, B, BSP, D, G, WSP

REPLACEMENT INSERT: T5 (BL)

ANSI (aluminum): J35190, J36190

ANSI (brass): J15190, J16190

Allow 5/8" door clearance



### 255x226\_FGT

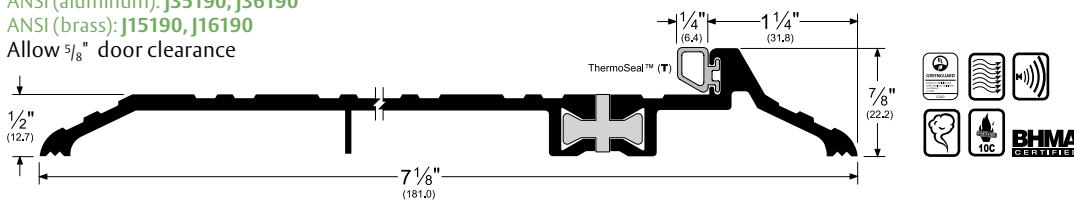
AVAILABLE FINISHES: 10BE, A, B, BSP, D, G, WSP

REPLACEMENT INSERT: T5 (BL)

ANSI (aluminum): J35190, J36190

ANSI (brass): J15190, J16190

Allow 5/8" door clearance



#### Alternate Inserts



pile (P)

252x226\_FGP



253x226\_FGP



254x226\_FGP



255x226\_FGP



273x224\_FGP



REPLACEMENT INSERT:  
P2 (BL, W)



Eco-V™ (V)

252x226\_FGV



253x226\_FGV



254x226\_FGV



255x226\_FGV



273x224\_FGV



REPLACEMENT INSERT:  
EV41 (BL, GR, W)

NOTE: Products shown in this section may not be drawn to scale.

AVAILABLE FINISHES FOR PRODUCTS SHOWN ON THIS PAGE (see General Information section for finish chart)  
**10BE** (Stain Bronze Powder Coated Aluminum) **A** (Mill Finish Aluminum) **B** (Mill Finish Extruded Bronze [Brass])  
**BSP** (Black Suede Powder Coated Aluminum) **D** (Dark Bronze Anodized) **G** (Gold Anodized)  
**WSP** (White Suede Powder Coated Aluminum)

NOTE: G is available with limited inventory

**ASSA ABLOY**  
Opening Solutions

Experience a safer  
and more open world

800-824-3018 | [www.assaabloydooraccessories.us](http://www.assaabloydooraccessories.us)

Check the web site for the up-to-date catalog

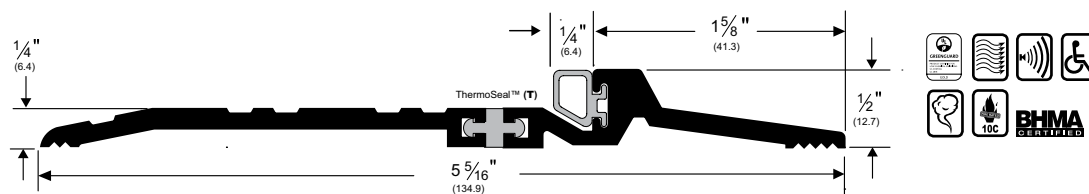
Copyright © 2015-2020, ASSA ABLOY Accessories and Door Controls Group, Inc., an ASSA ABLOY Group company. All rights reserved. Reproduction in whole or in part without the express written permission of ASSA ABLOY Accessories and Door Controls Group, Inc. is prohibited.

# Latching Panic Exit Saddles - Thermal Break (Cont.)

- Allow 3/8" door clearance

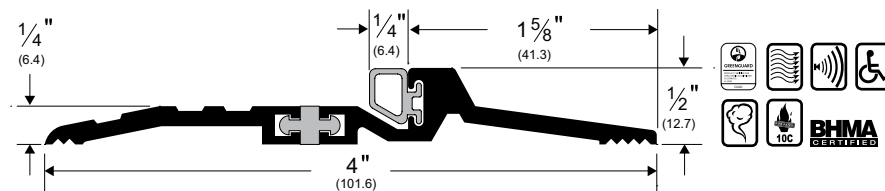
## 273x224\_FGT

AVAILABLE FINISHES: **10BE, A, BSP, D, G, WSP**  
 REPLACEMENT INSERT: **T5 (BL)**  
 ANSI (aluminum): **J36130, J36139, J36190, J36193**



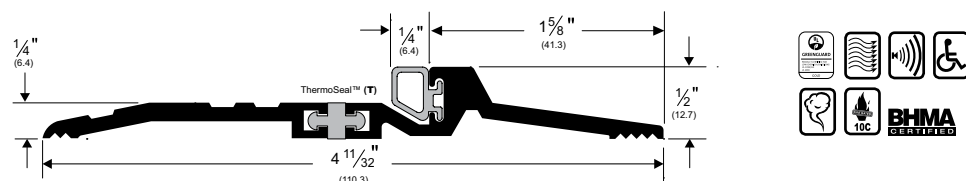
## 278x224\_FGT

AVAILABLE FINISHES: **10BE, A, BSP, D, G, WSP**  
 REPLACEMENT INSERT: **T5 (BL)**  
 ANSI (aluminum): **J36130, J36139, J36190, J36193**



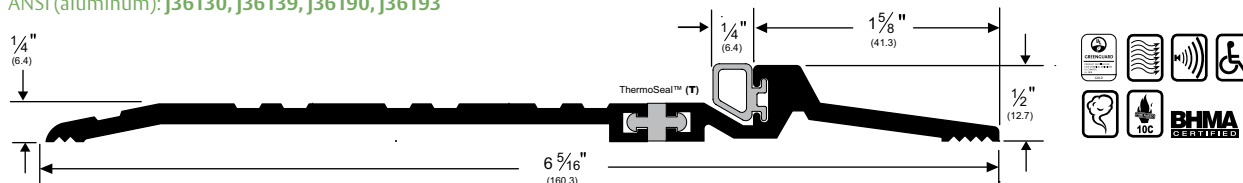
## 279x224\_FGT

AVAILABLE FINISHES: **10BE, A, BSP, D, G, WSP**  
 REPLACEMENT INSERT: **T5 (BL)**  
 ANSI (aluminum): **J36130, J36139, J36190, J36193**



## 274x224\_FGT

AVAILABLE FINISHES: **10BE, A, BSP, D, G, WSP**  
 REPLACEMENT INSERT: **T5 (BL)**  
 ANSI (aluminum): **J36130, J36139, J36190, J36193**



**Alternate Inserts**

pile (P)

273x224\_FGP

274x224\_FGP

278x224\_FGP

279x224\_FGP

REPLACEMENT INSERT: **P2 (BL, W)**

---

Eco-V™ (V)

273x224\_FGV

274x224\_FGV

278x224\_FGV

279x224\_FGV

REPLACEMENT INSERT: **EV41 (BL, GR, W)**

NOTE: Products shown in this section may not be drawn to scale.

AVAILABLE FINISHES FOR PRODUCTS SHOWN ON THIS PAGE (see General Information section for finish chart)  
**10BE** (Stain Bronze Powder Coated Aluminum) **A** (Mill Finish Aluminum) **BSP** (Black Suede Powder Coated Aluminum)  
**D** (Dark Bronze Anodized) **G** (Gold Anodized) **WSP** (White Suede Powder Coated Aluminum)

NOTE: **G** is available with limited inventory

800-824-3018 | [www.assaabloydooraccessories.us](http://www.assaabloydooraccessories.us)  
 Check the web site for the up-to-date catalog

Copyright © 2015-2020, ASSA ABLOY Accessories and Door Controls Group, Inc., an ASSA ABLOY Group company. All rights reserved.  
 Reproduction in whole or in part without the express written permission of ASSA ABLOY Accessories and Door Controls Group, Inc. is prohibited.

**ASSA ABLOY**  
 Opening Solutions

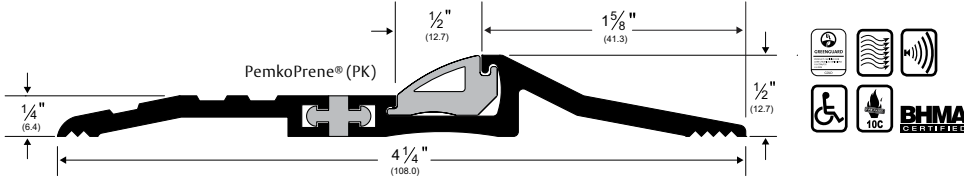
Experience a safer  
 and more open world

# Latching Panic Exit Saddles - Thermal Break (Cont.)

- Allow 3/8" door clearance

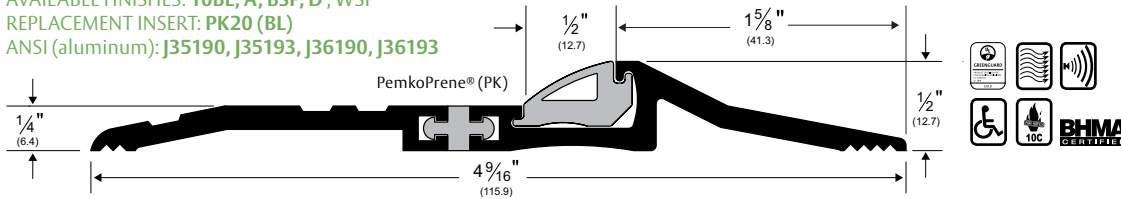
## 278x292\_FGPK

AVAILABLE FINISHES: 10BE, A, BSP, D, WSP  
 REPLACEMENT INSERT: PK20 (BL)  
 ANSI (aluminum): J35190, J35193, J36190, J36193



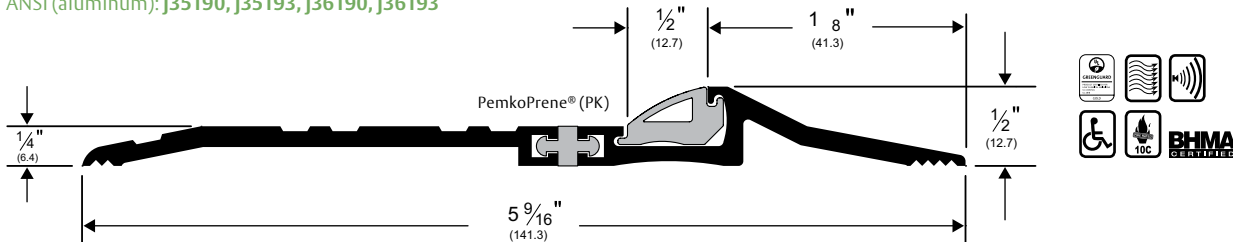
## 279x292\_FGPK

AVAILABLE FINISHES: 10BE, A, BSP, D, WSP  
 REPLACEMENT INSERT: PK20 (BL)  
 ANSI (aluminum): J35190, J35193, J36190, J36193



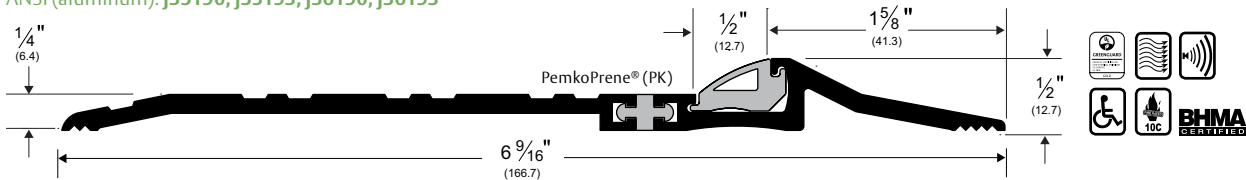
## 273x292\_FGPK

AVAILABLE FINISHES: 10BE, A, BSP, D, WSP  
 REPLACEMENT INSERT: PK20 (BL)  
 ANSI (aluminum): J35190, J35193, J36190, J36193



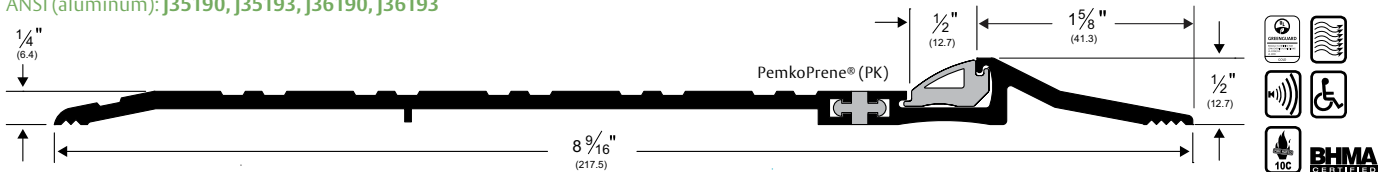
## 274x292\_FGPK

AVAILABLE FINISHES: 10BE, A, BSP, D, WSP  
 REPLACEMENT INSERT: PK20 (BL)  
 ANSI (aluminum): J35190, J35193, J36190, J36193



## 2746x292\_FGPK

AVAILABLE FINISHES: 10BE, A, BSP, D, WSP  
 REPLACEMENT INSERT: PK20 (BL)  
 ANSI (aluminum): J35190, J35193, J36190, J36193



NOTE: Products shown in this section may not be drawn to scale.

AVAILABLE FINISHES FOR PRODUCTS SHOWN ON THIS PAGE (see General Information section for finish chart)  
 10BE (Stain Bronze Powder Coated Aluminum) A (Mill Finish Aluminum) BSP (Black Suede Powder Coated Aluminum) D (Dark Bronze Anodized) WSP (White Suede Powder Coated Aluminum)

**ASSA ABLOY**  
 Opening Solutions

800-824-3018 | [www.assaabloydooraccessories.us](http://www.assaabloydooraccessories.us)  
 Check the web site for the up-to-date catalog

Experience a safer  
 and more open world

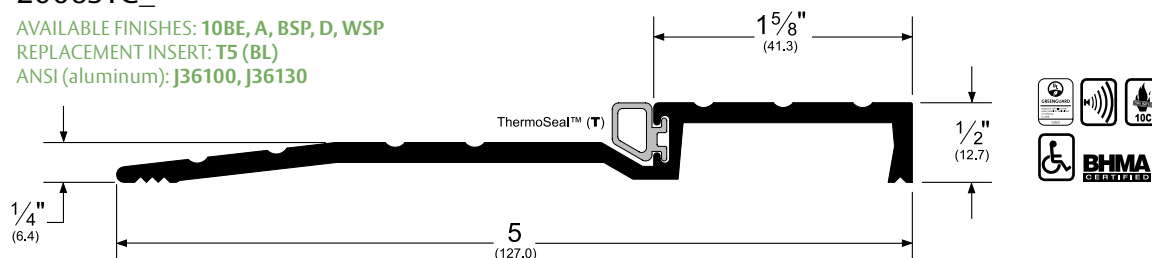
Copyright © 2015-2020, ASSA ABLOY Accessories and Door Controls Group, Inc., an ASSA ABLOY Group company. All rights reserved.  
 Reproduction in whole or in part without the express written permission of ASSA ABLOY Accessories and Door Controls Group, Inc. is prohibited.

## Acoustic Thresholds

- Pemko's line of Acoustic Thresholds are designed to aid with a door's STC rating
- **2006STC** and **2007STC** are only ADA compliant when installed butted to other flooring materials in accordance with ADA guidelines
- Thresholds will not improve a door's "sealed in-place" STC rating
- See the Acoustic Catalog Section or visit Pemko's website, [www.assaabloydooraccessories.us](http://www.assaabloydooraccessories.us), for more Acoustic products and additional information

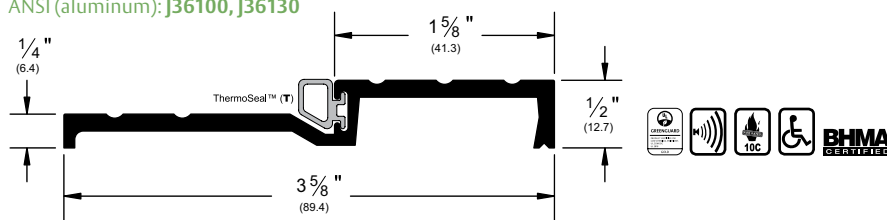
### 2006STC\_

AVAILABLE FINISHES: **10BE, A, BSP, D, WSP**  
 REPLACEMENT INSERT: **T5 (BL)**  
 ANSI (aluminum): **J36100, J36130**



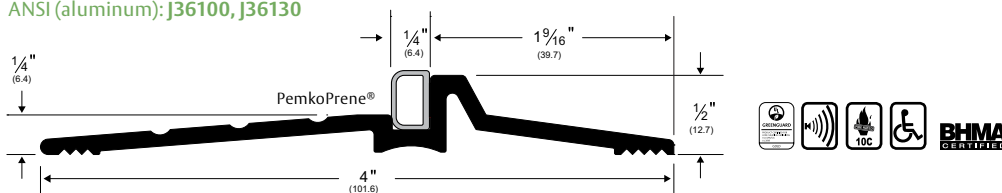
### 2007STC\_

AVAILABLE FINISHES: **10BE, A, BSP, D, WSP**  
 REPLACEMENT INSERT: **T5 (BL)**  
 ANSI (aluminum): **J36100, J36130**



### 2008\_PK

AVAILABLE FINISHES: **10BE, A, BSP, D, WSP**  
 REPLACEMENT INSERT: **PK381 (BL)**  
 ANSI (aluminum): **J36100, J36130**

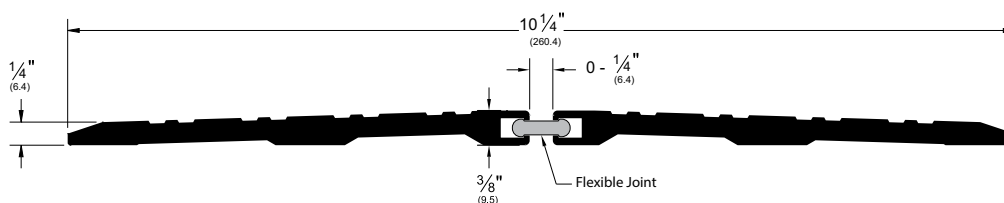


## Threshold with Flexible Joint

- Flexible joint allows the threshold to flex as much as 20° up or down
- Expands up to an additional 1/4"

### 573x5\_FG

AVAILABLE FINISHES: **A, D**  
 REPLACEMENT INSERT: **PK45 (BL)**  
 ANSI (aluminum): **J3219, J32190, J32193**



\* When used in such a manner that the slope is not steeper than 1:2, and the overall height is 1/2" or less and all other criteria are met.

NOTE: Products shown in this section may not be drawn to scale.

AVAILABLE FINISHES FOR PRODUCTS SHOWN ON THIS PAGE (see General Information section for finish chart)  
**10BE** (Satin Bronze Powder Coated Aluminum) **A** (Mill Finish Aluminum) **BSP** (Black Suede Powder Coated Aluminum)  
**D** (Dark Bronze Anodized) **WSP** (White Suede Powder Coated Aluminum)

800-824-3018 | [www.assaabloydooraccessories.us](http://www.assaabloydooraccessories.us)

Check the web site for the up-to-date catalog

Copyright © 2015-2020, ASSA ABLOY Accessories and Door Controls Group, Inc., an ASSA ABLOY Group company. All rights reserved. Reproduction in whole or in part without the express written permission of ASSA ABLOY Accessories and Door Controls Group, Inc. is prohibited.

**ASSA ABLOY**  
 Opening Solutions

Experience a safer  
 and more open world

## Eco-V™ Thresholds

- Eco-V™ thresholds create an ideal transition where two different pieces of carpet meet, or carpet meets another surface under a door
- Ideal for use in any high-traffic commercial installation, such as hotels and offices
- Eco-V™ thresholds are manufactured from slightly softer material than competitive products. This aids in the cutting and fitting of the threshold and facilitates easier

insertion of the carpet into the holding cavities on the carpet side(s) of the threshold

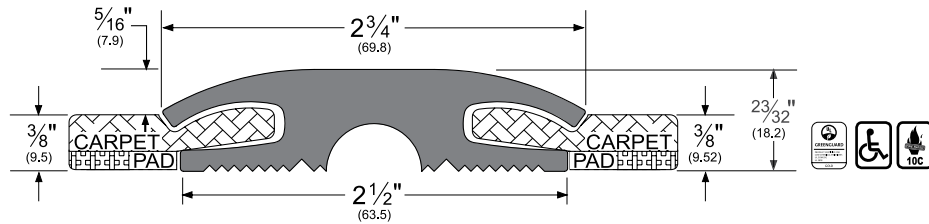
- Eco-V™ thresholds are designed to work in conjunction with Pemko's **2173\_V**, **2113\_V** and **2343\_V** door shoes
- EV232**, **EV2325**, and **ADJ232V** thresholds have been tested and approved under **ADAAG-2010 (Amended)**; **ICC/ANSI A117.1** and **California Building Code**, Title 24 for Barrier-Free Entry

### EV232\_

AVAILABLE COLORS: **BL, D**

AVAILABLE LENGTHS: **36", 48", 73"**

Serves as a transition where two pieces of carpet meet beneath an interior door

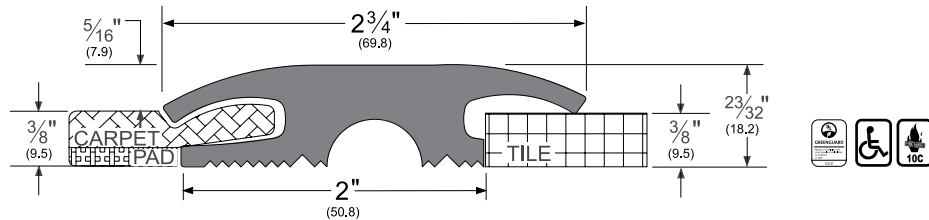


### EV2325\_

AVAILABLE COLORS: **BL, D**

AVAILABLE LENGTHS: **36", 48", 73"**

Serves as a transition where one piece of carpet meets tile beneath an interior door

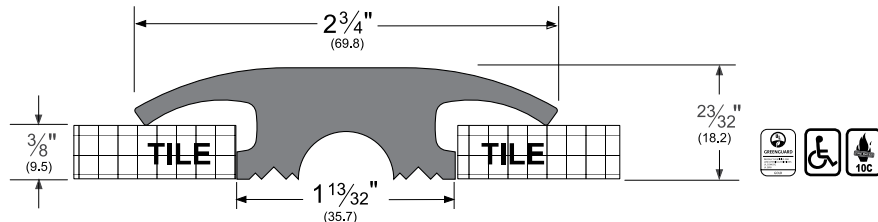


### EV2326\_

AVAILABLE COLORS: **BL, D**

AVAILABLE LENGTHS: **36", 48", 73"**

Serves as a transition where two pieces of tile meet beneath an interior door

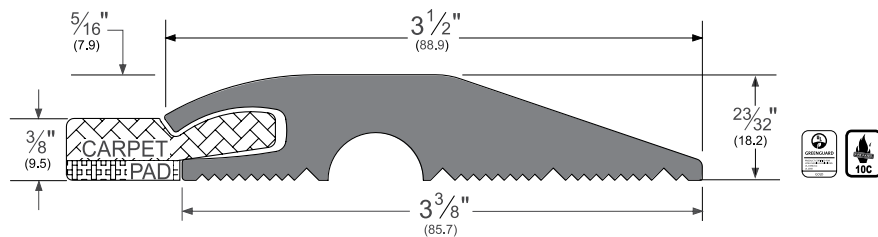


### EV2320\_

AVAILABLE COLOR: **BL**

AVAILABLE LENGTHS: **36", 48", 73"**

Serves as a transition where carpet meets concrete beneath an interior or exterior door

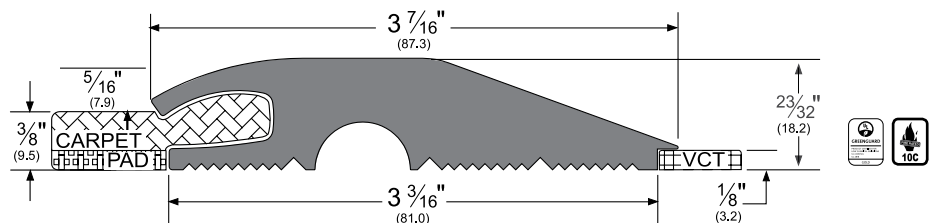


### EV2322\_

AVAILABLE COLOR: **BL**

AVAILABLE LENGTHS: **36", 48", 73"**

Serves as a transition where carpet meets 1/8" tile beneath an interior door



NOTE: Products shown in this section may not be drawn to scale.

AVAILABLE FINISHES FOR PRODUCTS SHOWN ON THIS PAGE (see General Information section for finish chart)

**BL** (Black) **D** (Dark Brown)

**ASSA ABLOY**  
Opening Solutions

Experience a safer  
and more open world

800-824-3018 | [www.assaabloydooraccessories.us](http://www.assaabloydooraccessories.us)

Check the web site for the up-to-date catalog

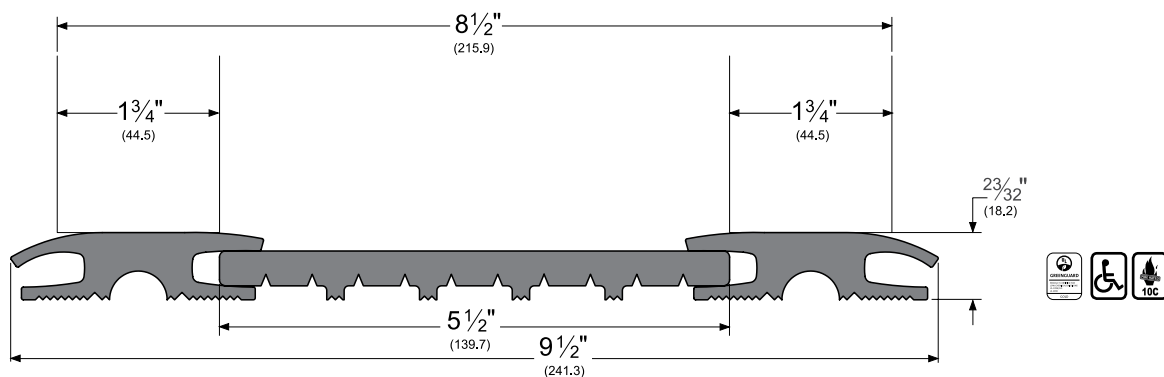
Copyright © 2015-2020, ASSA ABLOY Accessories and Door Controls Group, Inc., an ASSA ABLOY Group company. All rights reserved. Reproduction in whole or in part without the express written permission of ASSA ABLOY Accessories and Door Controls Group, Inc. is prohibited.

## Adjustable-Width Eco-V™ Threshold

- The adjustable-width threshold is designed for installations where the widths of the transition beneath a door may need to change, without completely disassembling and reinstalling the threshold
- The adjustable-width threshold consists of two Eco-V™ end pieces and one Eco-V™ adjustable center section
- Center section (**EV2321** below) can easily be cut to size with a standard razor knife

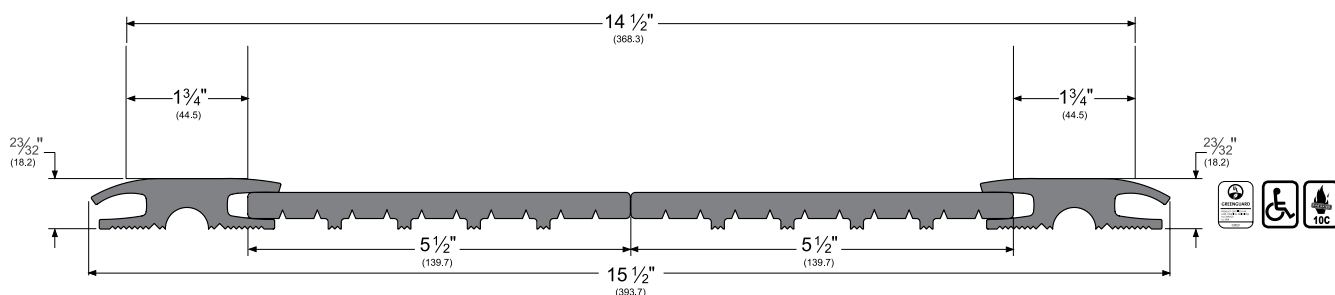
### ADJ232V8\_

AVAILABLE COLOR: **BL, D**  
 AVAILABLE LENGTHS: **36", 48"**



### ADJ232V14\_

AVAILABLE COLOR: **BL, D**  
 AVAILABLE LENGTHS: **36", 48"**

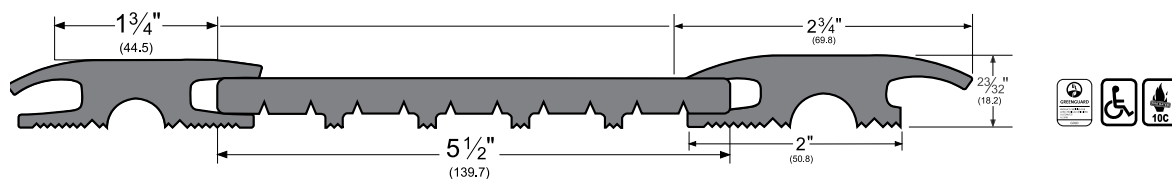


- Eco-V™ threshold ends can be used in many combinations to suit your flooring combination needs
- Shown below is **EV232** used with **EV2325** to illustrate use with carpet outside one communicating door and tile outside the other

### ADJ232x2325V8\_

AVAILABLE COLOR: **BL, D**  
 AVAILABLE LENGTHS: **36", 48", 73"**

Serves as a transition where carpet meets tile beneath an interior door



NOTE: Products shown in this section may not be drawn to scale.

AVAILABLE FINISHES FOR PRODUCTS SHOWN ON THIS PAGE (see General Information section for finish chart)  
**BL** (Black) **D** (Dark Brown Anodized)

800-824-3018 | [www.assaabloydooraccessories.us](http://www.assaabloydooraccessories.us)  
 Check the web site for the up-to-date catalog

Copyright © 2015-2020, ASSA ABLOY Accessories and Door Controls Group, Inc., an ASSA ABLOY Group company. All rights reserved.  
 Reproduction in whole or in part without the express written permission of ASSA ABLOY Accessories and Door Controls Group, Inc. is prohibited.

**ASSA ABLOY**  
 Opening Solutions

Experience a safer  
 and more open world

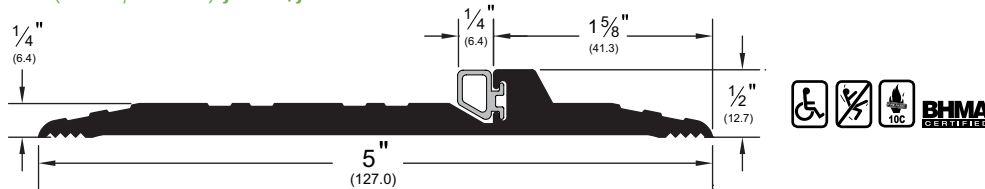


## Heavy Duty Latching Panic Exit Saddle Threshold

- Ideal for heavy-duty, high-traffic and high weight-bearing applications, such as industrial facilities, schools, cafeterias, manufacturing buildings and hospitals
- Withstands coastal and high-humidity conditions
- Ultra-durable, extra thick extruded nickel-aluminum construction is guaranteed for ten (10) years

### 2705\_T

AVAILABLE FINISHES: **10BE, A, AK, BSP, D, WSP**  
 ANSI (aluminum): **J35100, J35130, J36100, J36130**  
 ANSI (alum w/PemKote): **J36200, J36130**



All items on this page are available with PemKote™ non-slip coating (see General Information section). Please specify "PemKote™" when ordering. Please furnish drilling instructions when ordering PemKote™ as it is difficult to drill through this coating.

## Heavy Duty Thresholds

- Ideal for heavy-duty, high-traffic and high weight-bearing applications, such as industrial facilities, schools, cafeterias, manufacturing buildings and hospitals
- Withstands coastal and high-humidity conditions
- Ultra-durable, extra thick extruded nickel-aluminum construction is guaranteed for ten (10) years

### 2715

AVAILABLE FINISHES: **10BE, A, AK, BSP, D, WSP**  
 ANSI (aluminum): **J32100, J32130**  
 ANSI (alum w/PemKote): **J32200, J32230**



All items on this page are available with PemKote™ non-slip coating (see General Information section). Please specify "PemKote™" when ordering. Please furnish drilling instructions when ordering PemKote™ as it is difficult to drill through this coating.

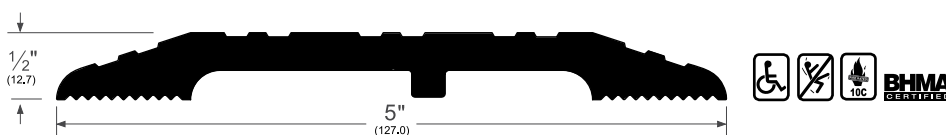
### 2716

AVAILABLE FINISHES: **10BE, A, AK, BSP, D, WSP**  
 ANSI (aluminum): **J32100, J32130**  
 ANSI (alum w/PemKote): **J32200, J32230**



### 1715\_

AVAILABLE FINISHES: **10BE, A, AK, BSP, D, WSP**  
 ANSI (aluminum): **J32100, J32130**  
 ANSI (alum w/PemKote): **J32200, J32230**  
 Allow 5/8" door clearance



NOTE: Products shown in this section may not be drawn to scale.

AVAILABLE FINISHES FOR PRODUCTS SHOWN ON THIS PAGE (see General Information section for finish chart)  
**10BE** (Stain Bronze Powder Coated Aluminum) **A** (Mill Finish Aluminum)  
**AK** (Mill Finish Aluminum w/PemKote™ Non-Slip Coating) **BSP** (Black Suede Powder Coated Aluminum)  
**D** (Dark Bronze Anodized) **WSP** (White Suede Powder Coated Aluminum)

NOTE: D is available with limited inventory

**ASSA ABLOY**  
 Opening Solutions

Experience a safer  
 and more open world

800-824-3018 | [www.assaabloydooraccessories.us](http://www.assaabloydooraccessories.us)

Check the web site for the up-to-date catalog

Copyright © 2015-2020, ASSA ABLOY Accessories and Door Controls Group, Inc., an ASSA ABLOY Group company. All rights reserved. Reproduction in whole or in part without the express written permission of ASSA ABLOY Accessories and Door Controls Group, Inc. is prohibited.

## Heavy Duty Thresholds (Cont.)

1716\_

AVAILABLE FINISHES: 10BE, A, AK, BSP, D, WSP

ANSI (aluminum): J32100, J32130

ANSI (alum w/PemKote): J32200, J32230

Allow 5/8" door clearance



All items on this page are available with PemKote™ non-slip coating (see General Information section). Please specify "PemKote™" when ordering. Please furnish drilling instructions when ordering PemKote™ as it is difficult to drill through this coating.

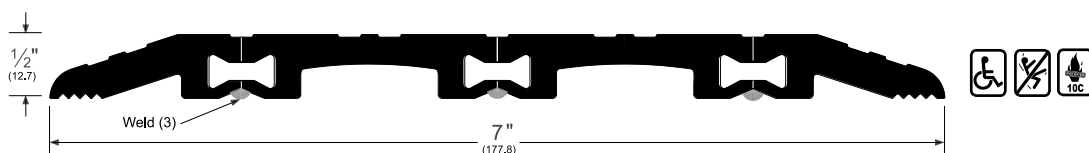
## Modular Heavy Duty Thresholds

- Modular construction allows threshold to fit openings up to 15" wide without the expense of custom cast thresholds. There is no restriction on width additions (in 1" increments)
- Modular Thresholds can be thermally broken. Order by adding "FG" to the part number and designate at which joint the thermal key should be supplied. Note that each thermal key will add 1/8" to overall width of threshold.

1717\_

AVAILABLE FINISHES: 10BE, A, AK, BSP, D, WSP

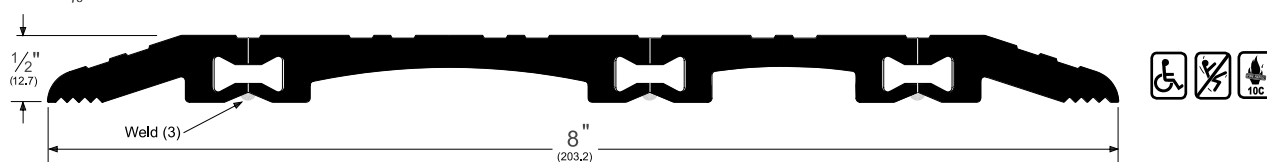
Allow 5/8" door clearance



1718\_

AVAILABLE FINISHES: 10BE, A, AK, BSP, D, WSP

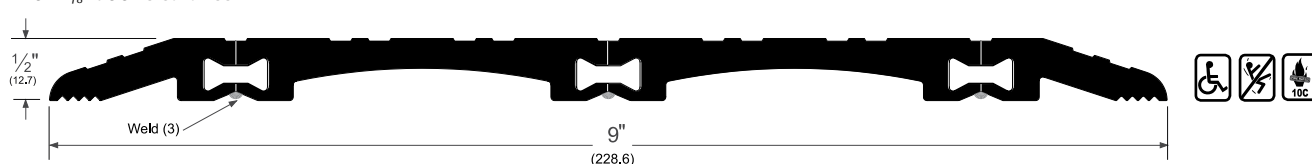
Allow 5/8" door clearance



1719\_

AVAILABLE FINISHES: 10BE, A, AK, BSP, D, WSP

Allow 5/8" door clearance



NOTE: Products shown in this section may not be drawn to scale.

AVAILABLE FINISHES FOR PRODUCTS SHOWN ON THIS PAGE (see General Information section for finish chart)

10BE (Stain Bronze Powder Coated Aluminum) A (Mill Finish Aluminum)

AK (Mill Finish Aluminum w/PemKote™ Non-Slip Coating) BSP (Black Suede Powder Coated Aluminum)

D (Dark Bronze Anodized) WSP (White Suede Powder Coated Aluminum)

NOTE: D is available with limited inventory

800-824-3018 | [www.assaabloydooraccessories.us](http://www.assaabloydooraccessories.us)

Check the web site for the up-to-date catalog

Copyright © 2015-2020, ASSA ABLOY Accessories and Door Controls Group, Inc., an ASSA ABLOY Group company. All rights reserved. Reproduction in whole or in part without the express written permission of ASSA ABLOY Accessories and Door Controls Group, Inc. is prohibited.

**ASSA ABLOY**  
Opening Solutions

Experience a safer  
and more open world

## Floor Plates/Safety Treads

- Pemko can fabricate almost any floor plate threshold you might require
- Furnished undrilled unless drilling instructions are specified when ordering
- Ordering of fasteners does not constitute drilling instructions
- Elevated floor plates require support every 4" on center, at welded seams, and as necessary for support
- Orders with "x" in the product number (i.e. 195 x 193 x 195) indicate welding

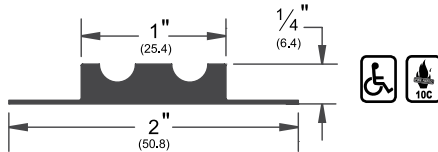


Available with PemKote™ non-slip coating (see General Information section). Please specify "PemKote™" when ordering. Please furnish drilling instructions when ordering PemKote™ as it is difficult to drill through this coating.

### E197\_

AVAILABLE FINISHES: **Black (blank)**

- EPDM Expansion Joint

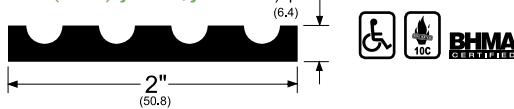


### 190\_

AVAILABLE FINISHES: **10BE, A, BSP, D, G, WSP**

ANSI (aluminum): **J37100, J37130**

ANSI (brass): **J17100, J17130**



### 191\_

AVAILABLE FINISHES: **10BE, A, BSP, D, G, WSP**

ANSI (aluminum): **J37100, J37130**

ANSI (brass): **J17100, J17130**



### 192\_

AVAILABLE FINISHES: **10BE, A, BSP, D, G, WSP**

ANSI (aluminum): **J37100, J37130**

ANSI (brass): **J17100, J17130**



### 193\_

AVAILABLE FINISHES: **10BE, A, BSP, D, G, WSP**

ANSI (aluminum): **J37100, J37130**

ANSI (brass): **J17100, J17130**

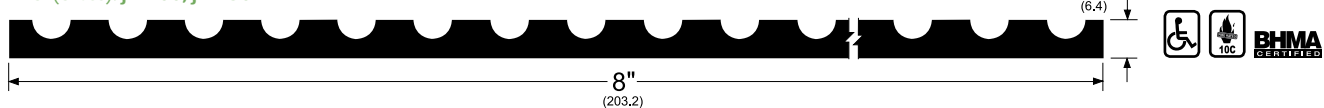


### 228\_

AVAILABLE FINISHES: **10BE, A, BSP, D, G, WSP**

ANSI (aluminum): **J37100, J37130**

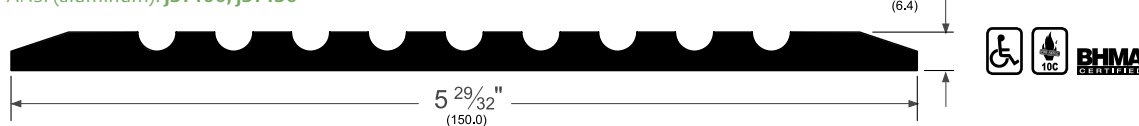
ANSI (brass): **J17100, J17130**



### 2266\_

AVAILABLE FINISHES: **10BE, A, BSP, D, G, WSP**

ANSI (aluminum): **J37100, J37130**



NOTE: Products shown in this section may not be drawn to scale.

AVAILABLE FINISHES FOR PRODUCTS SHOWN ON THIS PAGE (see General Information section for finish chart)

**10BE** (Stain Bronze Powder Coated Aluminum) **A** (Mill Finish Aluminum)

**BSP** (Black Suede Powder Coated Aluminum) **D** (Dark Bronze Anodized) **G** (Gold Anodized)

**WSP** (White Suede Powder Coated Aluminum)

NOTE: **G** is available with limited inventory

**ASSA ABLOY**  
Opening Solutions

Experience a safer  
and more open world

800-824-3018 | [www.assaabloydooraccessories.us](http://www.assaabloydooraccessories.us)

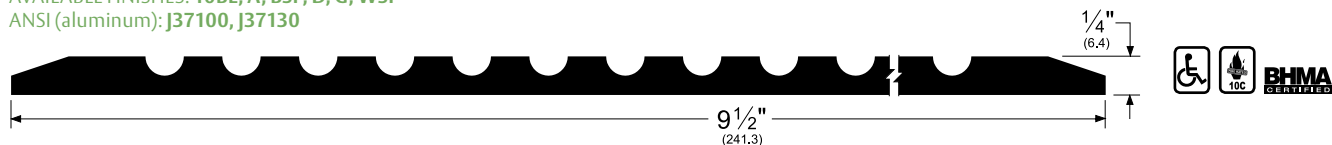
Check the web site for the up-to-date catalog

Copyright © 2015-2020, ASSA ABLOY Accessories and Door Controls Group, Inc., an ASSA ABLOY Group company. All rights reserved. Reproduction in whole or in part without the express written permission of ASSA ABLOY Accessories and Door Controls Group, Inc. is prohibited.

## Floor Plates/Safety Treads (Cont.)

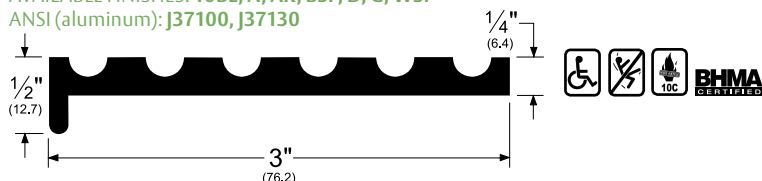
2286\_

AVAILABLE FINISHES: 10BE, A, BSP, D, G, WSP  
ANSI (aluminum): J37100, J37130



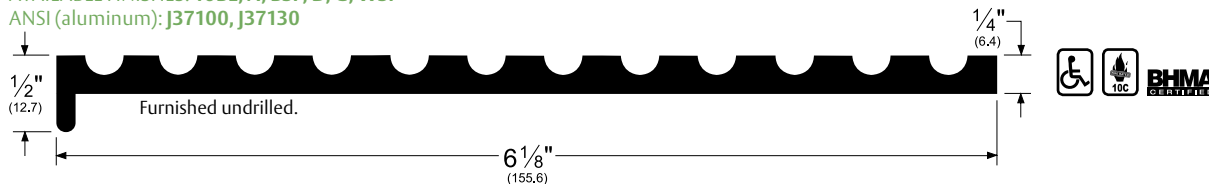
19125\_

AVAILABLE FINISHES: 10BE, A, AK, BSP, D, G, WSP  
ANSI (aluminum): J37100, J37130



19325\_

AVAILABLE FINISHES: 10BE, A, BSP, D, G, WSP  
ANSI (aluminum): J37100, J37130

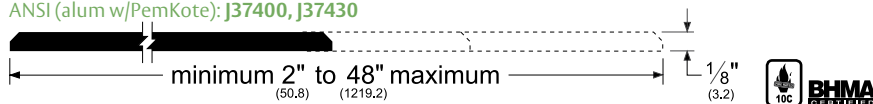


## Aluminum Plates

- Used where a cover plate, expansion joint plate, or wide extra-strength metal plate is needed
- Maximum length is 144". All aluminum plates are provided NET length
- Both length edges are beveled at a 45° angle; "single edge bevel" or "no bevel" is also available at no extra cost; length of plate should be roughly equal to width of opening.
- Plates are supplied undrilled unless otherwise specified. Pemko reserves the right to charge for special fastener patterns
- Plates are furnished with #10 x 1 1/2" wood screws. Screws supplied: one (1) screw per foot up to 8" wide; two (2) screws per foot 8" to 12" wide; and three (3) screws per foot over 12" wide
- Plates are ADA compliant only when ordered with PemKote finish

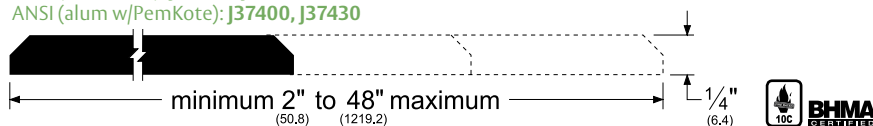
18/1\_ - (width x length)

AVAILABLE FINISH: 10BE, A, AK, BSP, WSP  
ANSI (aluminum): J37300, J37330  
ANSI (alum w/PemKote): J37400, J37430



14/1\_ - (width x length)

AVAILABLE FINISH: 10BE, A, AK, BSP, WSP  
ANSI (aluminum): J37300, J37330  
ANSI (alum w/PemKote): J37400, J37430



NOTE: Products shown in this section may not be drawn to scale.

AVAILABLE FINISHES FOR PRODUCTS SHOWN ON THIS PAGE (see General Information section for finish chart)

10BE (Stain Bronze Powder Coated Aluminum) A (Mill Finish Aluminum)  
AK (Mill Finish Aluminum w/PemKote™ Non-Slip Coating) BSP (Black Suede Powder Coated Aluminum)  
D (Dark Bronze Anodized) G (Gold Anodized) WSP (White Suede Powder Coated Aluminum)

NOTE: G is available with limited inventory

800-824-3018 | www.assaabloydooraccessories.us

Check the web site for the up-to-date catalog

Copyright © 2015-2020, ASSA ABLOY Accessories and Door Controls Group, Inc., an ASSA ABLOY Group company. All rights reserved.  
Reproduction in whole or in part without the express written permission of ASSA ABLOY Accessories and Door Controls Group, Inc. is prohibited.

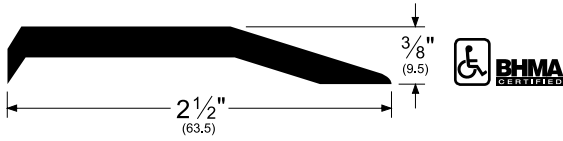
**ASSA ABLOY**  
Opening Solutions

Experience a safer  
and more open world

# Carpet Separators

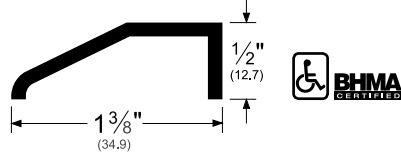
## 174\_

AVAILABLE FINISHES: **10BE, BSP, C, D, WSP**  
 ANSI (aluminum): **J32300, J32340**  
 ANSI (brass): **J17300, J17330**



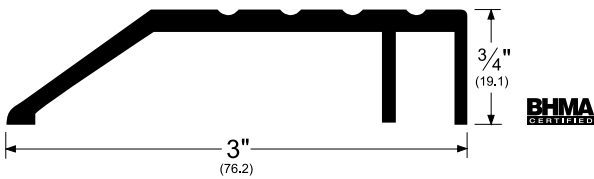
## 1951\_

AVAILABLE FINISHES: **A, D**  
 ANSI (aluminum): **J37300, J37330**  
 • Supplied undrilled unless otherwise specified  
 • ADA compliant when butted to 1/4" or 1/2" high flooring material



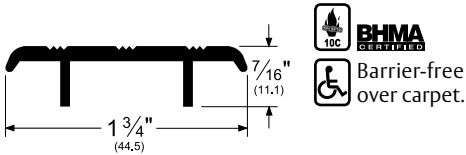
## 230\_

AVAILABLE FINISHES: **10BE, A, BSP, D, WSP**



## 236\_

AVAILABLE FINISHES: **10BE, A, BDG, BSP, D, WSP**  
 ANSI (aluminum): **J32134**



## 2364\_

AVAILABLE FINISHES: **10BE, A, BSP, D, WSP**  
 ANSI (aluminum): **J32134, J32140**



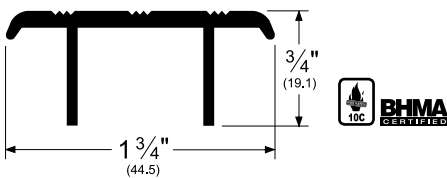
## 2366\_

AVAILABLE FINISHES: **10BE, A, BSP, D, WSP**  
 ANSI (aluminum): **J32134**



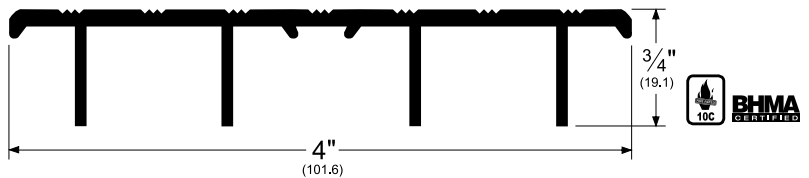
## 246\_

AVAILABLE FINISHES: **10BE, A, D, BSP, WSP**  
 ANSI (aluminum): **J32134**



## 2464\_

AVAILABLE FINISHES: **10BE, A, BSP, D, WSP**  
 ANSI (aluminum): **J32134**



NOTE: Products shown in this section may not be drawn to scale.

AVAILABLE FINISHES FOR PRODUCTS SHOWN ON THIS PAGE (see General Information section for finish chart)

**10BE** (Stain Bronze Powder Coated Aluminum) **A** (Mill Finish Aluminum)

**BDG** (Bright Dip Gold Anodized) **BSP** (Black Suede Powder Coated Aluminum) **C** (Clear Anodized)

**D** (Dark Bronze Anodized) **WSP** (White Suede Powder Coated Aluminum)

**ASSA ABLOY**  
 Opening Solutions

Experience a safer  
 and more open world

800-824-3018 | [www.assaabloydooraccessories.us](http://www.assaabloydooraccessories.us)

Check the web site for the up-to-date catalog

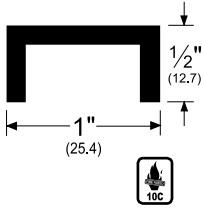
Copyright © 2015-2020, ASSA ABLOY Accessories and Door Controls Group, Inc., an ASSA ABLOY Group company. All rights reserved. Reproduction in whole or in part without the express written permission of ASSA ABLOY Accessories and Door Controls Group, Inc. is prohibited.

## Floor Plate Supports/Accessories

- Please see information under Floor Plates and Safety Treads (page 134-135)

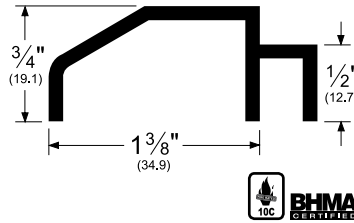
### 189\_

AVAILABLE FINISHES:  
10BE, A, BSP, D, G, WSP



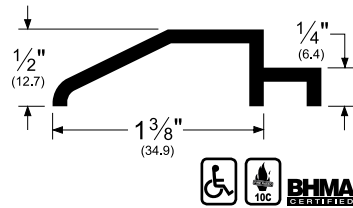
### 194\_

AVAILABLE FINISHES: 10BE, A, BSP, D, G, WSP  
ANSI (aluminum): J37300  
ANSI (brass): J17300



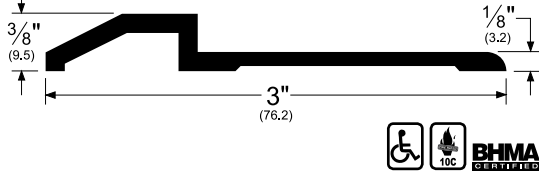
### 195\_

AVAILABLE FINISHES: 10BE, A, BSP, D, G, WSP  
ANSI (aluminum): J37300  
ANSI (brass): J17300



### 200\_

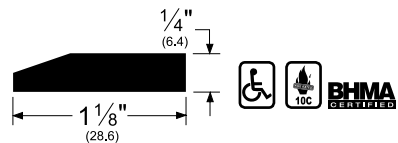
AVAILABLE FINISHES: 10BE, A, BSP, D, G, WSP  
ANSI (aluminum): J37300, J37330  
ANSI (brass): J17300, J17330



### 196\_

AVAILABLE FINISHES: 10BE, A, B, BSP, D, WSP  
ANSI (aluminum): J37300, J37330  
ANSI (brass): J17300, J17330

When ordering, specify whether 196 material is to be used as trim or support



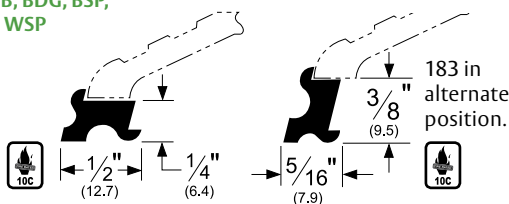
## Elevators

- Elevators allow for custom sizing in offset conditions

- Fasteners are not included and are not required with these shapes when used in conjunction with a threshold

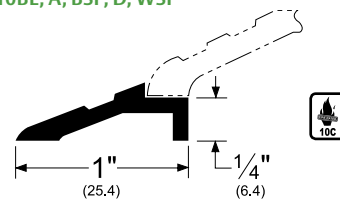
### 183\_

AVAILABLE FINISHES:  
10BE, A, B, BDG, BSP,  
D, G, SN, WSP



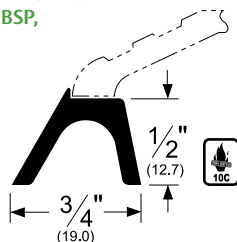
### 282\_

AVAILABLE FINISHES:  
10BE, A, BSP, D, WSP



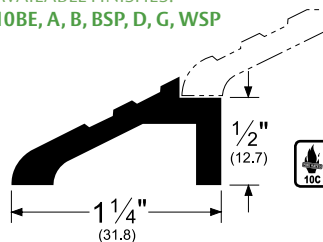
### 188\_

AVAILABLE FINISHES:  
10BE, A, B, BSP,  
D, WSP



### 283\_

AVAILABLE FINISHES:  
10BE, A, B, BSP, D, G, WSP



NOTE: Products shown in this section may not be drawn to scale.

AVAILABLE FINISHES FOR PRODUCTS SHOWN ON THIS PAGE (see General Information section for finish chart)

10BE (Stain Bronze Powder Coated Aluminum) A (Mill Finish Aluminum) B (Mill Finish Extruded Bronze [Brass])

BDG (Bright Dip Gold Anodized) BSP (Black Suede Powder Coated Aluminum) C (Clear Anodized)

D (Dark Bronze Anodized) G (Gold Anodized) SN (Satin Nickel Anodized) WSP (White Suede Powder Coated Aluminum)

NOTE: G, SN are available with limited inventory

800-824-3018 | [www.assaabloydooraccessories.us](http://www.assaabloydooraccessories.us)

Check the web site for the up-to-date catalog

Copyright © 2015-2020, ASSA ABLOY Accessories and Door Controls Group, Inc., an ASSA ABLOY Group company. All rights reserved.  
Reproduction in whole or in part without the express written permission of ASSA ABLOY Accessories and Door Controls Group, Inc. is prohibited.

**ASSA ABLOY**  
Opening Solutions

Experience a safer  
and more open world

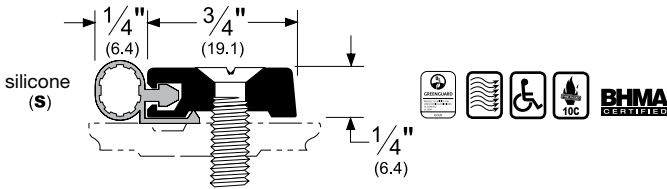
# Threshold Stop Strips

- Use with standard flat top, saddle threshold to provide a door stop and seal at bottom of door
- Stop strips are supplied pre-drilled with #10-24 Phillips flat head machine screws of appropriate length
- These stops will affect the pivot hole location of an assembly

## 1842\_S

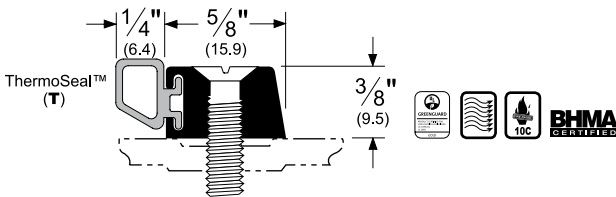
AVAILABLE FINISHES: **10BE, A, BSP, D, G, WSP**  
 REPLACEMENT INSERT: **S3 (BL, W)**

- Allow 1/8" door clearance from top of threshold
- Barrier-free with 1/4" saddle only



## 184\_T

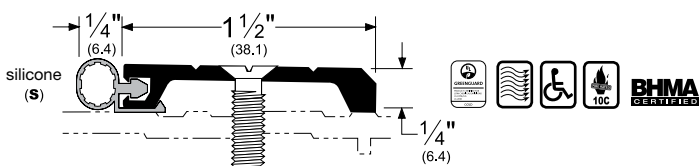
AVAILABLE FINISHES: **10BE, A, B, BSP, D, G, WSP**  
 REPLACEMENT INSERT: **T5 (BL)**



## 290\_SSTOP

AVAILABLE FINISHES: **10BE, A, BSP, D, G, WSP**  
 REPLACEMENT INSERT: **S3 (BL, W)**

- Allow 1/8" door clearance from top of threshold
- Barrier-free with 1/4" saddle only



### Alternate Inserts

**1842\_PK**  
**290\_PKSTOP**

REPLACEMENT INSERT:  
**PK47 (BL, GR)**



### Alternate Inserts

**1842\_V**  
**290\_VSTOP**

REPLACEMENT INSERT:  
**EV47 (BL, GR, W)**



### Alternate Inserts

**184\_P**

REPLACEMENT INSERT:  
**P2 (BL, GR)**



**184\_V**

REPLACEMENT INSERT:  
**EV41 (BL, GR, W)**



NOTE: Products shown in this section may not be drawn to scale.

AVAILABLE FINISHES FOR PRODUCTS SHOWN ON THIS PAGE (see General Information section for finish chart)  
**10BE** (Stain Bronze Powder Coated Aluminum) **A** (Mill Finish Aluminum) **B** (Mill Finish Extruded Bronze [Brass])  
**BSP** (Black Suede Powder Coated Aluminum) **D** (Dark Bronze Anodized) **G** (Gold Anodized)  
**WSP** (White Suede Powder Coated Aluminum)

NOTE: **G** is available with limited inventory

**ASSA ABLOY**  
 Opening Solutions

Experience a safer  
 and more open world

800-824-3018 | [www.assaabloydooraccessories.us](http://www.assaabloydooraccessories.us)

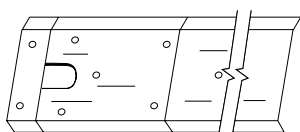
Check the web site for the up-to-date catalog

## Floor Closer Thresholds/Cover Plate Assemblies

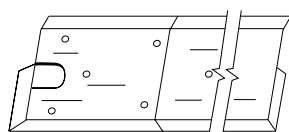
- **TYPE OF ASSEMBLY** – Type 11 or 14 for center hung, Type 13 or 15 for offset hung
- **MATERIALS** – Saddles, floor plates, supports, risers, elevators, and stop strips
- **CLOSER TO BE USED** – Manufacturer and model number
- **NET LENGTH** – Jamb-to-Jamb. Assembly Types 11, 13 and 14 are cut with center section  $\frac{1}{2}$ " over net length up to 48" and 1" over net length over 48" to allow for fitting on the job. Please specify "net length", if required. Assembly Type 15 is cut at net length because of factory-cut miters
- **HANDING** – For single doors, specify right or left hand. For pairs of doors, handing is not required
- **SPECIAL FINISHES** – Examples include polished, oxidized and oil rubbed, and PemKote™
- **SPECIAL FASTENERS** – For center section only. Examples include: MSES, FHSL25, and MSES-SS
- **SPECIAL FABRICATION INSTRUCTIONS** – Notching, full miters, etc. Assembly Type 11 is supplied without mitered ends, and assembly Types 13, 14 and 15 are supplied with both ends mitered. Also, when ordering stop strips (shown on page 138), specify door thickness and pivot offset so that the threshold assembly width and pivot dimension can be determined
- **RETURNS AND ALLOWANCES** – Restock fee for "custom" material applies to these products



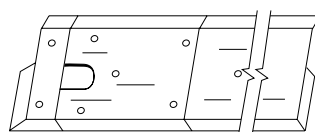
THRESHOLD WIDTH	FASTENER ROWS	THRESHOLD WIDTH	FASTENER ROWS
2" to 7 $\frac{7}{8}$ "	1 Row	19" to 24 $\frac{7}{8}$ "	4 Rows
8" to 12 $\frac{7}{8}$ "	2 Rows	25" to 30 $\frac{7}{8}$ "	5 Rows
13" to 18 $\frac{7}{8}$ "	3 Rows	31" to 36 $\frac{7}{8}$ "	6 Rows



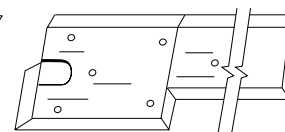
**TYPE 11**  
Center hung



**TYPE 13**  
Offset



**TYPE 14**  
Center hung



**TYPE 15**  
Offset

### THRESHOLDS FOR TYPE 11, 13, 14

SIZE	PRODUCT NUMBER	FINISHES	PRODUCT NUMBER	FINISHES
$\frac{1}{2}$ " x 7"	176_	A, B, D, G		
$\frac{1}{4}$ " x 7"	276_	A, B, D, G		
$\frac{1}{2}$ " x 8"	2548_	A, D, G	254_ x 4_	B
$\frac{1}{4}$ " x 8"	2748_	A, D, G	274_ x 4_	B
$\frac{1}{2}$ " x 8 $\frac{7}{8}$ "	193_ x 2/195_	A, B, D, G		
* $\frac{3}{4}$ " x 12" x $\frac{1}{4}$ "	257_ x 259_	A, B, D, G		

\* Ramp threshold for  $\frac{1}{2}$ " offset.

### THRESHOLDS FOR TYPE 15

SIZE	PRODUCT NUMBER	FINISHES	PRODUCT NUMBER	FINISHES
$\frac{1}{2}$ " x 7" x 4"	176_ x 170_	A, B, D, G		
$\frac{1}{4}$ " x 7" x 4"	276_ x 270_	A, B, D, G		
$\frac{1}{2}$ " x 7" x 5"	176_ x 171_	A, B, D, G		
$\frac{1}{4}$ " x 7" x 5"	276_ x 271_	A, B, D, G		
$\frac{1}{2}$ " x 8" x 4"	2548_ x 170_	A, D, G	254 x 4_ x 170_	B
$\frac{1}{4}$ " x 8" x 4"	2748_ x 270_	A, D, G	274 x 4_ x 270_	B
$\frac{1}{2}$ " x 8" x 5"	2548_ x 171_	A, D, G	254 x 4_ x 171_	B
$\frac{1}{4}$ " x 8" x 5"	2748_ x 271	A, D, G	274 x 4_ x 271_	B

NOTE: Products shown in this section may not be drawn to scale.

AVAILABLE FINISHES FOR PRODUCTS SHOWN ON THIS PAGE (see General Information section for finish chart)  
**A** (Mill Finish Aluminum) **B** (Mill Finish Extruded Bronze [Brass]) **D** (Dark Bronze Anodized) **G** (Gold Anodized)

NOTE: **G** is available with limited inventory

800-824-3018 | [www.assaabloydooraccessories.us](http://www.assaabloydooraccessories.us)

Check the web site for the up-to-date catalog

Copyright © 2015-2020, ASSA ABLOY Accessories and Door Controls Group, Inc., an ASSA ABLOY Group company. All rights reserved.  
 Reproduction in whole or in part without the express written permission of ASSA ABLOY Accessories and Door Controls Group, Inc. is prohibited.

**ASSA ABLOY**  
Opening Solutions

Experience a safer  
and more open world



## ANSI/BHMA A156.21 Thresholds - Cross Reference

- Following a profile number, “**A**” signifies the base metal as aluminum and will include any anodized finish
- Following a profile number, “**B**” signifies the base metal as architectural bronze [brass]
- Consult [www.buildershardware.com](http://www.buildershardware.com) for the most up-to-date BHMA Certified Product Directory (CPD) information

ANSI No.	Pemko Item#
J12100	170B, 171B, 172B, 176B, 198B, 254x4B, 254x5B, 255x5B, 270B, 271B, 272B, 274x4B, 276B
J12130	170B, 171B, 172B, 176B, 254x4B, 254x5B, 255x5B, 270B, 271B, 272B, 274x4B, 276B
J12134	236B, 2364B
J12139	252x2BFG, 252x3BFG, 253x3BFG, 253x4BFG, 254x4BFG, 254x5BFG, 255x5BFG, 273x3BFG, 273x4BFG, 274x4BFG
J12190	252x2BFG, 252x3BFG, 253x3BFG, 253x4BFG, 254x4BFG, 254x5BFG, 255x5BFG, 273x3BFG, 273x4BFG, 274x4BFG
J12193	252x2BFG, 252x3BFG, 253x3BFG, 253x4BFG, 254x4BFG, 254x5BFG, 273x3BFG, 273x4BFG, 274x4BFG
J12300	151B, 173B, 175B
J12330	151B, 173B, 175B
J13100	227B, 252B, 253B, 254B, 255B, 273B, 274B
J13130	227B, 252B, 253B, 254B, 255B, 273B, 274B
J13133	273B, 274B
J14170	101B, 108B, 114B
J15100	177B, 181B, 2005B, 252x226B, 253x226B, 254x226B, 255x226B
J15130	2005B
J15190	252x226BFG, 253x226BFG, 254x226BFG, 255x226BFG
J15300	159B
J16100	177BT, 181BT, 2005B, 2005BT, 252x226BT, 253x226BT, 254x226BT, 255x226BT
J16130	2005B
J16300	159BT
J17100	190B, 191B, 192B, 193B
J17130	190B, 191B, 192B, 193B
J17300	174B, 194B, 195B, 196B, 200B
J17330	174B, 195B, 196B, 200B
J18130	257B, 259B, 275x259B
J19100	176B, 193Bx2/195B, 254x4B, 257B/259B, 274x4B, 276B
J19130	176B, 193Bx2/195B, 254x4B, 257B/259B, 274x4B, 276B
J19135	176B, 176B, 176Bx170B, 176Bx171B, 193Bx2/195B, 193Bx2/195B, 254x4B, 254x4B, 254x4Bx170B, 254x4Bx171B, 257B/259B, 257B/259B, 274x4B, 274x4B, 274x4Bx270B, 274x4Bx271B, 276B, 276B, 276Bx270B, 276Bx271B
J19150	176B, 176B, 176Bx170B, 176Bx171B, 193Bx2/195B, 254x4B, 254x4Bx170B, 254x4Bx171B, 257B/259B, 274x4B, 274x4B, 274x4Bx270B, 274x4Bx271B, 276B, 276B, 276Bx270B, 276Bx271B
J31100	206AV, 207AV
J32100	156A, 1571A, 157A, 158A, 166A, 169A, 1700A, 170A, 1715A, 171A, 172A, 176A, 182A, 198A, 2548A, 2549A, 2550A, 2555x253A, 256x6A, 256x6A, 270A, 2715A, 2716A, 271A, 2727A, 272A, 2746x6A, 2748A, 2749A, 2750A, 276A

**ASSA ABLOY**  
Opening Solutions

Experience a safer  
and more open world

800-824-3018 | [www.assaabloydooraccessories.us](http://www.assaabloydooraccessories.us)

Check the web site for the up-to-date catalog

Copyright © 2015-2020, ASSA ABLOY Accessories and Door Controls Group, Inc., an ASSA ABLOY Group company. All rights reserved. Reproduction in whole or in part without the express written permission of ASSA ABLOY Accessories and Door Controls Group, Inc. is prohibited.

## ANSI/BHMA A156.21 Thresholds - Cross Reference (Continued)

ANSI No.	Pemko Item#
J32130	158A, 166A, 169A, 1700A, 170wA, 1715A, 1716A, 1716A, 171A, 172A, 176A, 2548A, 2549A, 2550A, 2555x253A, 256x6A, 256x6A, 270A, 2715A, 2716A, 271A, 2727A, 272A, 2746x6A, 2748A, 2749A, 2750A, 276A
J32134	236A, 2364A, 2366A, 2464A
J32138	158A, 2727A
J32139	252x2AFG, 252x3AFG, 253x3AFG, 253x4AFG, 253x6AFG, 254x4AFG, 254x5AFG, 2555x253AFG, 255x5AFG, 256x6AFG, 273x3AFG, 273x4AFG, 2746x6AFG, 274x4AFG
J32140	236A, 246A
J32180	157A, 1571A, 158A, 182A, 2727A
J32190	252x2AFG, 252x3AFG, 253x3AFG, 253x4AFG, 253x6AFG, 254x4AFG, 254x5AFG, 2555x253AFG, 255x5AFG, 256x6AFG, 273x3AFG, 273x4AFG, 2746x6AFG, 274x4AFG
J32193	252x2AFG, 252x3AFG, 253x3AFG, 253x4AFG, 253x6AFG, 254x4AFG, 254x5AFG, 2555x253AFG, 255x5AFG, 256x6AFG, 273x3AFG, 273x4AFG, 2746x6AFG, 274x4AFG
J32200	1715AK, 2715AK, 2716AK
J32230	1715AK, 1716AK, 2715AK, 2716AK
J32300	151A, 1546A, 1547A, 154A, 173A, 174A, 175A
J32330	151A, 1546A, 1547A, 154A, 173A, 174A, 175A
J33100	157A, 1571A, 168A, 182A, 1875A, 1877A, 227A, 229A, 252A, 253A, 254A, 2555A, 255A, 2565A, 256A, 273A, 2746A, 274A, 278A, 279A
J33130	168A, 227A, 229A, 252A, 253A, 254A, 255A, 2565A, 256A, 273A, 2746A, 274A, 278A, 279A
J33133	273A, 2746A, 274A, 278A, 279A
J33180	1875A, 1877A
J34170	101A, 107A, 114A, 121A, 123A
J35100	177A, 179A, 181A, 2005A, 2006A, 2007A, 2008A, 252x226A, 253x226A, 254x226A, 255x226A, 2705A, 277A
J35130	2005A, 206A, 2007A, 2008A, 2705A
J35190	252x226AFG, 253x226AFG, 254x226AFG, 255x226AFG
J35300	159A, 185A, 1855A
J36100	177AT, 179AT, 181AT, 2005AT, 2006AT, 2006STC, 2007AT, 2007STC, 2008APK, 2009APK, 2010APK, 252x226A, 252x266A, 253x226A, 254x226AT, 255x226AT, 2705A, 277AR, 277AS
J36130	2005A, 2005AT, 2006AT, 2006STC, 2007AT, 2007STC, 2008APK, 2009APK, 2010APK, 2705A, 273x224AFG, 273x292AFG, 2746x292AFG, 274x224AFG, 274x292AFG, 278x224AFG, 278x292AFG, 279x224AFG, 279x292AFG
J36139	273x224AFG, 273x292AFG, 2746x292AFG, 274x224AFG, 274x292AFG, 278x224AFG, 278x292AFG, 279x224AFG, 279x292AFG
J36190	252x226AFGT, 253x226AFG, 253x226BFG, 254x226AFG, 255x226AFG, 273x224AFG, 273x292AFG, 2746x292AFG, 274x224AFG, 274x292AFG, 278x224AFG, 278x292AFG, 279x224AFG, 279x292AFG
J36193	273x224AFG, 273x292AFG, 2746x292AFG, 274x224AFG, 274x292AFG, 278x224AFG, 278x292AFG, 279x224AFG, 279x292AFG
J36200	2705AK
J36230	2705AK

## ANSI/BHMA A156.21 Thresholds - Cross Reference (Continued)

ANSI No.	Pemko Item#
J36300	159AT, 185AT, 1855AT
J37100	190A, 191A, 192A, 193A, 228A, 2266A, 2286A, 19125A, 19325A
J37130	190A, 191A, 192A, 193A, 228A, 2266A, 2286A, 19125A, 19325A
J37200	190AK, 191AK, 192AK, 193AK, 19125AK
J37230	190AK, 191AK, 192AK, 193AK, 19125AK
J37300	14/1A, 18/1A, 194A, 1951A, 195A, 196A, 200A
J37330	14/1A, 174C, 18/1A, 1951A, 195A, 196A, 200A
J37400	14/1A, 18/1A
J37430	14/1A, 18/1A
J38130	257A, 259A, 257x259A, RAMP10A, RAMP11A, RAMP12A, RAMP1A, RAMP2A, RAMP3A, RAMP4A, RAMP5A, RAMP6A, RAMP7A, RAMP8A, RAMP9A, WING10, WING16, WINGExT
J38230	257AK, 259AK, 257x259AK, 257x259BK, RAMP10AK, RAMP11AK, RAMP12AK, RAMP1AK, RAMP2AK, RAMP3AK, RAMP4AK, RAMP5AK, RAMP6AK, RAMP7AK, RAMP8AK, RAMP9AK, WING10K, WING16K, WINGExTK
J39100	176A, 193Ax2/195A, 2548A, 257Ax259A, 2748A, 276A, RAMP1A
J39130	176A, 193Ax2/195A, 2548A, 257Ax259A, 2748A, 276A, RAMP1A
J39135	176A, 176Ax170A, 176Ax171A, 2548A, 2548Ax170A, 2548Ax171A, 257Ax259A, 2748A, 2748Ax270A, 2748Ax271A, 276A, 276Ax270A, 276Ax271A, RAMP1A
J39150	176A, 176Ax170A, 176Ax171A, 2548A, 2548Ax170A, 2548Ax171A, 257Ax259A, 2748A, 2748Ax270A, 2748Ax271A, 276A, 276Ax270A, 276Ax271A, RAMP1A
J52300	154SS, 158SS, 175SS, 2727SS
J52330	154SS, 175SS, 252x2SSFG, 252x3SSFG, 252x4SSFG, 253x3SSFG, 253x4SSFG, 254x4SSFG
J52338	158SS, 2727SS
J52339	252x2SSFG, 252x3SSFG, 252x4SSFG, 253x3SSFG, 253x4SSFG, 254x4SSFG
J52380	158SS, 2727SS
J52390	252x2SSFG, 252x3SSFG, 252x4SSFG, 253x3SSFG, 253x4SSFG, 254x4SSFG
J52393	252x2SSFG, 252x3SSFG, 252x4SSFG, 253x3SSFG, 253x4SSFG, 254x4SSFG
J53300	252SS, 253SS, 254SS
J53330	252SS, 253SS, 254SS
J53300	252SS, 253SS, 254SS
J53330	252SS, 253SS, 254SS

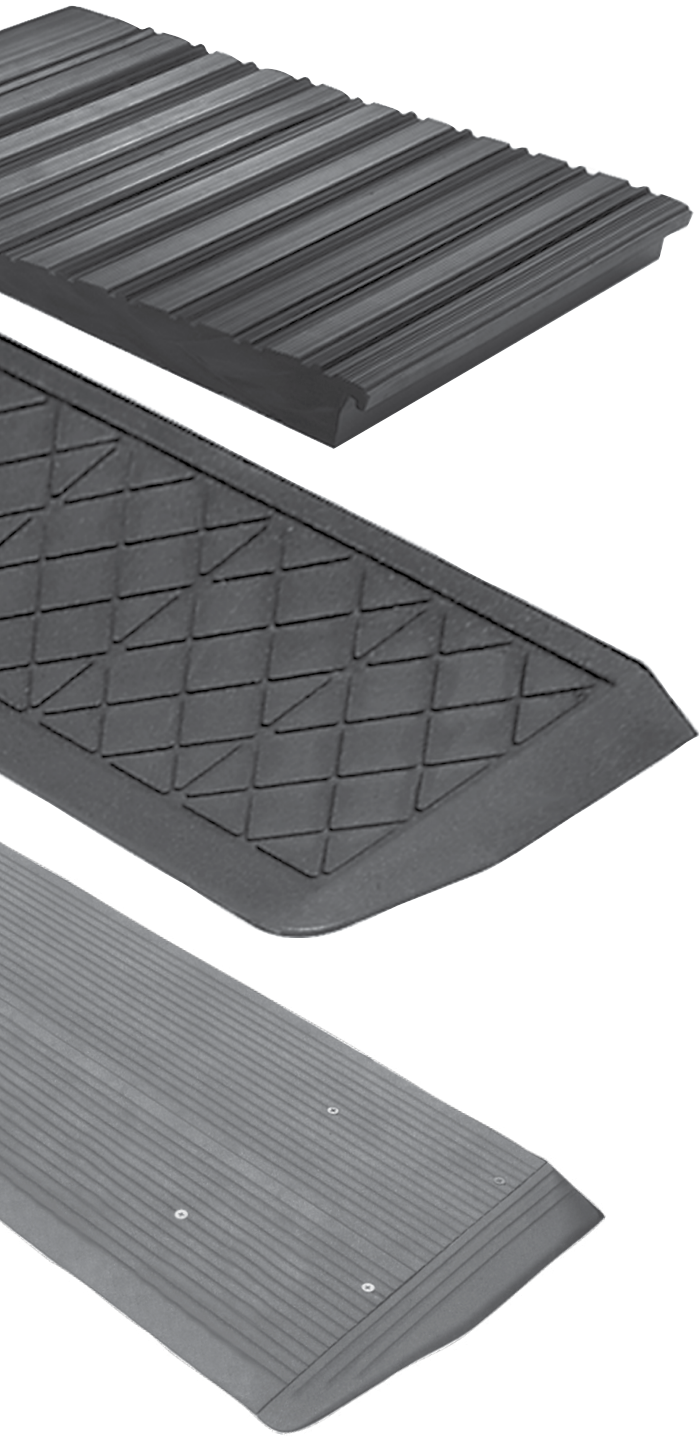
# Pemko Modular Ramps

## CONTENTS:

- Ramp Ordering Information.....138
- Modular Ramp Threshold Assemblies - Flush Applications .....140
- Modular Ramp Threshold Assemblies - Offset (7" Top Plate).....141
- Modular Ramp Threshold Assemblies - Offset (3½" Top Plate).....142
- Modular Ramp Threshold Components .....143
- Modular Ramp Threshold Assemblies - Variables.....144
- Risers for Modular Ramps .....144
- Miter Returns For All Modular Ramp Thresholds.....145
- Barrier-Free Ramp Thresholds .....146
- Fire Retardant and Styrene Butadiene Rubber Ramp Thresholds .....147
- Rubber Ramp Miter Returns.....148
- Recycled Rubber Ramp Assembly.....148

## INDEX:

PRODUCT	PAGE	PRODUCT	PAGE	PRODUCT	PAGE
257	150	R1.25OSS	146	RAMP 4	147
257x259	150	R1.25OSSMR	146	RAMP 5	147
259	150	R1.5F	144	RAMP 6	147
R.5F	144	R1.5FMR	144	RAMP 7	148
R.5FMR	144	R1.5OS	145	RAMP 8	147-148
R.5OS	145	R1.5OSMR	145	RAMP 9	147
R.5OSMR	145	R1.5OSS	146	RAMP10	147
R.5OSS	146	R1.5OSSMR	146	RAMP 11	147
R.5OSSMR	146	R1.75F	144	RAMP 12	147
R.75F	144	R1.75FMR	144	RAMP 13	148
R.75FMR	144	R1.75OS	145	RAMP 14	148
R.75OS	145	R1.75OSMR	145	RR1.25FMR	152
R.75OSMR	145	R1.75OSS	146	RR1	151
R.75OSS	146	R1.75OSSMR	146	RR2	151
R.75OSSMR	146	R2F	144	RR12_H	152
R1F	144	R2FMR	144	RVARIOSS	148
R1FMR	144	R2OS	145	RVAR1/A	148
R1OS	145	R2OSMR	145	RVAR1/AK	148
R1OSMR	145	R2OSS	146	SBR.5F	151
R1OSS	146	R2OSSMR	146	SBR.5FMR	151
R1OSSMR	146	R2.25F	144	SBR1F	151
R1.25F	144	R2.25FMR	144	SBR1FMR	151
R1.25FMR	144	RAMP 1	147	WING 10_H	149
R1.25OS	145	RAMP 2	148	WING 16_H	149
R1.25OSMR	145	RAMP 3	147	WING EXT_H	149



800-824-3018 | [www.assaabloydooraccessories.us](http://www.assaabloydooraccessories.us)  
 Check the web site for the up-to-date catalog

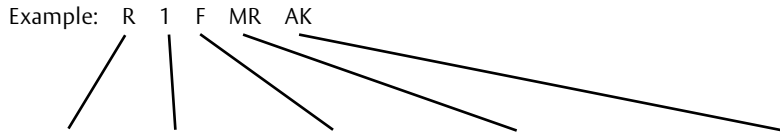
Copyright © 2015-2020, ASSA ABLOY Accessories and Door Controls Group, Inc., an ASSA ABLOY Group company. All rights reserved.  
 Reproduction in whole or in part without the express written permission of ASSA ABLOY Accessories and Door Controls Group, Inc. is prohibited.

**ASSA ABLOY**  
 Opening Solutions

Experience a safer  
 and more open world

# Ramp Ordering Information

## Flush Applications



Product	Floor Offset Height	Application	Option	Finish
R = Ramp	.5 = 1/2"	F = Flushes out to floor offset	MR = Miter Return (1 pair)	A = Aluminum (mill finish) AK = PemKote™ (skid-resistant surface)
	.75 = 3/4"			
	1 = 1"			
	1.25 = 1-1/4"			
	1.5 = 1-1/2"			
	1.75 = 1-3/4"			
	2 = 2"			
	2.25 = 2-1/4"			

## Ramp Ordering Information

### Offset Applications - 7" Top Plate

Example: R 1 OS MR AK

Product	Floor Offset Height	Application	Option	Finish
R = Ramp	.5 = 1/2" .75 = 3/4" 1 = 1" 1.25 = 1-1/4" 1.5 = 1-1/2" 1.75 = 1-3/4" 2 = 2"	OS = Up & over offset w/ 7" top plate	MR = Miter Return (1 pair)	A = Aluminum (mill finish) AK = PemKote™ (skid-resistant surface)

### Offset Applications - 3 1/2" Top Plate

Example: R 2 OSS MR AK

Product	Floor Offset Height	Application	Option	Finish
R = Ramp	.5 = 1/2" .75 = 3/4" 1 = 1" 1.25 = 1-1/4" 1.5 = 1-1/2" 1.75 = 1-3/4" 2 = 2"	OSS = Up & over offset w/ 3-1/2" top plate	MR = Miter Return (1 pair)	A = Aluminum (mill finish) AK = PemKote™ (skid-resistant surface)

## Modular Ramp Threshold Assemblies

- Assemblies accommodate 1/2" to 2 1/4" floor offsets in meeting the 1:12 slope requirements of the "Americans with Disabilities Act". Even higher offsets can be accommodated by using the risers, **RAMP13\_** and **RAMP14\_**
- "MR" in a product number denotes that one-pair of miter returns (and extenders, if applicable) is included. Otherwise, we recommend filling and feathering the threshold ends with grout. Do not leave threshold ends open
- Miter Returns are available for offsets up to 2 1/4"

## Flush Applications

### 1/2" Floor Offset

R.5F\_


R.5FMR\_ \*\*

AVAILABLE FINISHES: **10BE, A, AK, BSP, WSP**  
 ASSEMBLY LENGTH: 6 1/8"  
 # OF COMPONENTS: 1



- Assemblies are supplied with #10 stainless steel wood screws. Stainless steel machine screws and expansion shields are available at an extra cost
- Assemblies allow for custom fabrication; please consult Pemko Customer Service
- Assemblies are provided NET length
- Miter returns will add 2 pieces to total components; miter returns with extenders will add 4 pieces to total components

PemKote™ is highly recommended for all threshold assemblies, especially exterior conditions where moisture may be present.

 Only with PemKote™ Non-Slip Coating



### 3/4" Floor Offset

R.75F\_

R.75FMR\_ \*\*

AVAILABLE FINISHES: **10BE, A, AK, BSP, WSP**  
 ASSEMBLY LENGTH: 9 1/4"  
 # OF COMPONENTS: 2



### 1" Floor Offset

R1F\_

R1FMR\_ \*\*

AVAILABLE FINISHES: **10BE, A, AK, BSP, WSP**  
 ASSEMBLY LENGTH: 12 3/8"  
 # OF COMPONENTS: 2



### 1 1/4" Floor Offset

R1.25F\_

R1.25FMR\_ \*\*

AVAILABLE FINISHES: **10BE, A, AK, BSP, WSP**  
 ASSEMBLY LENGTH: 15 1/2"  
 # OF COMPONENTS: 3

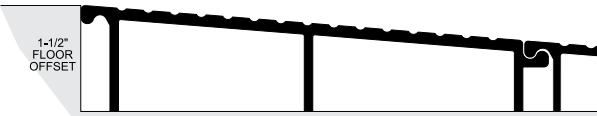


### 1 1/2" Floor Offset

R1.5F\_

R1.5FMR\_ \*\*

AVAILABLE FINISHES: **10BE, A, AK, BSP, WSP**  
 ASSEMBLY LENGTH: 18 3/8"  
 # OF COMPONENTS: 3

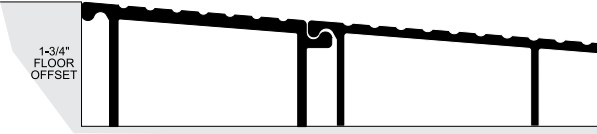


### 1 3/4" Floor Offset

R1.75F\_

R1.75FMR\_ \*\*

AVAILABLE FINISHES: **10BE, A, AK, BSP, WSP**  
 ASSEMBLY LENGTH: 21 3/4"  
 # OF COMPONENTS: 4



### 2" Floor Offset

R2F\_

R2FMR\_ \*\*

AVAILABLE FINISHES: **10BE, A, AK, BSP, WSP**  
 ASSEMBLY LENGTH: 24 7/8"  
 # OF COMPONENTS: 4

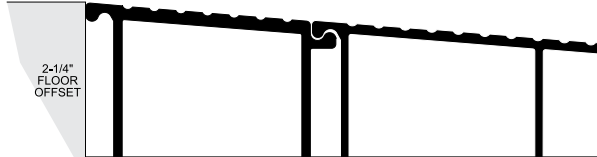


### 2 1/4" Floor Offset

R2.25F\_

R2.25FMR\_ \*\*

AVAILABLE FINISHES: **10BE, A, AK, BSP, WSP**  
 ASSEMBLY LENGTH: 28"  
 # OF COMPONENTS: 5



Complete assembly drawings available online

NOTE: Greater offset may be accomplished by using Pemko risers.  
 \*\*Miter Returns are not ADA Compliant

**ASSA ABLOY**  
 Opening Solutions

Experience a safer  
 and more open world

AVAILABLE FINISHES FOR PRODUCTS SHOWN ON THIS PAGE (see General Information section for finish chart)  
**10BE** (Stain Bronze Powder Coated Aluminum) **A** (Mill Finish Aluminum) **AK** (Mill Finish Aluminum with PemKote™ Non-Slip Coating) **BSP** (Black Suede Powder Coated Aluminum) **WSP** (White Suede Powder Coated Aluminum)

800-824-3018 | [www.assaabloydooraccessories.us](http://www.assaabloydooraccessories.us)

Check the web site for the up-to-date catalog

Copyright © 2015-2020, ASSA ABLOY Accessories and Door Controls Group, Inc., an ASSA ABLOY Group company. All rights reserved. Reproduction in whole or in part without the express written permission of ASSA ABLOY Accessories and Door Controls Group, Inc. is prohibited.

## Offset Applications (7" Top Plate)

### 1/2" Floor Offset

R.5OS\_

R.5OSMR\_\*\*



AVAILABLE FINISHES: 10BE, A, AK, BSP, WSP  
 ASSEMBLY LENGTH\*: 16 1/4"  
 # OF COMPONENTS: 3



### 3/4" Floor Offset

R.75OS\_

R.75OSMR\_\*\*



AVAILABLE FINISHES: 10BE, A, AK, BSP, WSP  
 ASSEMBLY LENGTH\*: 19 3/8"  
 # OF COMPONENTS: 3



### 1" Floor Offset

R1OS\_

R1OSMR\_\*\*



AVAILABLE FINISHES: 10BE, A, AK, BSP, WSP  
 ASSEMBLY LENGTH\*: 22 1/2"  
 # OF COMPONENTS: 4



### 1 1/4" Floor Offset

R1.25OS\_

R1.25OSMR\_\*\*



AVAILABLE FINISHES: 10BE, A, AK, BSP, WSP  
 ASSEMBLY LENGTH\*: 25 5/8"  
 # OF COMPONENTS: 4



### 1 1/2" Floor Offset

R1.5OS\_

R1.5OSMR\_\*\*



AVAILABLE FINISHES: 10BE, A, AK, BSP, WSP  
 ASSEMBLY LENGTH\*: 28 3/4"  
 # OF COMPONENTS: 5



### 1 3/4" Floor Offset

R1.75OS\_

R1.75OSMR\_\*\*



AVAILABLE FINISHES: 10BE, A, AK, BSP, WSP  
 ASSEMBLY LENGTH\*: 31 7/8"  
 # OF COMPONENTS: 5



### 2" Floor Offset

R2OS\_

R2OSMR\_\*\*



AVAILABLE FINISHES: 10BE, A, AK, BSP, WSP  
 ASSEMBLY LENGTH\*: 35"  
 # OF COMPONENTS: 6



Complete assembly drawings available online.

NOTE: Greater offset may be accomplished by using Pemko risers.

\*Assembly length includes 7" top plate

\*\*Miter Returns are not ADA Compliant



Assembly Shown: R.5OS

AVAILABLE FINISHES FOR PRODUCTS SHOWN ON THIS PAGE (see General Information section for finish chart)  
 10BE (Stain Bronze Powder Coated Aluminum) A (Mill Finish Aluminum) AK (Mill Finish Aluminum with PemKote™ Non-Slip Coating) BSP (Black Suede Powder Coated Aluminum) WSP (White Suede Powder Coated Aluminum)

800-824-3018 | [www.assaabloydooraccessories.us](http://www.assaabloydooraccessories.us)

Check the web site for the up-to-date catalog

Copyright © 2015-2020, ASSA ABLOY Accessories and Door Controls Group, Inc., an ASSA ABLOY Group company. All rights reserved. Reproduction in whole or in part without the express written permission of ASSA ABLOY Accessories and Door Controls Group, Inc. is prohibited.

**ASSA ABLOY**  
 Opening Solutions

Experience a safer  
 and more open world



## Short Offset Applications (3 1/2" Top Plate)

### 1/2" Floor Offset

R.5OSS\_  
R.5OSSMR\_\*\*



AVAILABLE FINISHES: **10BE, A, AK, BSP, WSP**  
ASSEMBLY LENGTH\*: 12 3/4"  
# OF COMPONENTS: 3



### 3/4" Floor Offset

R.75OSS\_  
R.75OSSMR\_\*\*



AVAILABLE FINISHES: **10BE, A, AK, BSP, WSP**  
ASSEMBLY LENGTH\*: 15 7/8"  
# OF COMPONENTS: 3

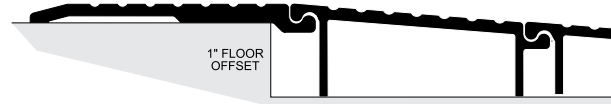


### 1" Floor Offset

R1OSS\_  
R1OSSMR\_\*\*



AVAILABLE FINISHES: **10BE, A, AK, BSP, WSP**  
ASSEMBLY LENGTH\*: 19"  
# OF COMPONENTS: 4

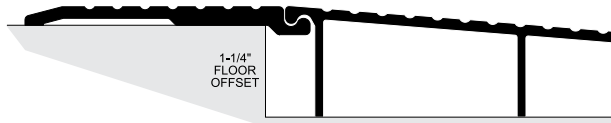


### 1 1/4" Floor Offset

R1.25OSS\_  
R1.25OSSMR\_\*\*



AVAILABLE FINISHES: **10BE, A, AK, BSP, WSP**  
ASSEMBLY LENGTH\*: 22 1/8"  
# OF COMPONENTS: 4

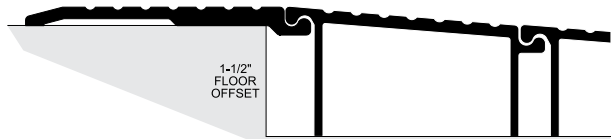


### 1 1/2" Floor Offset

R1.5OSS\_  
R1.5OSSMR\_\*\*



AVAILABLE FINISHES: **10BE, A, AK, BSP, WSP**  
ASSEMBLY LENGTH\*: 25 1/4"  
# OF COMPONENTS: 5

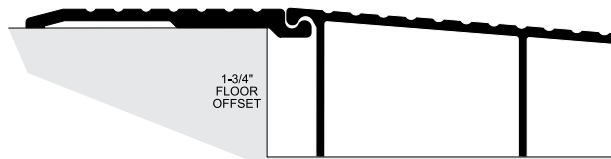


### 1 3/4" Floor Offset

R1.75OSS\_  
R1.75OSSMR\_\*\*



AVAILABLE FINISHES: **10BE, A, AK, BSP, WSP**  
ASSEMBLY LENGTH\*: 28 3/8"  
# OF COMPONENTS: 5

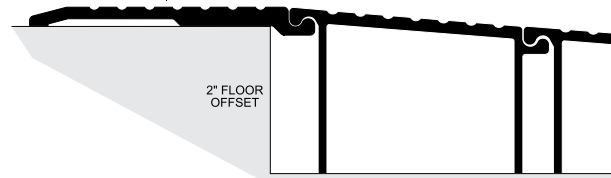


### 2" Floor Offset

R2OSS\_  
R2OSSMR\_\*\*



AVAILABLE FINISHES: **10BE, A, AK, BSP, WSP**  
ASSEMBLY LENGTH\*: 31 1/2"  
# OF COMPONENTS: 6



Complete assembly drawings available online.

NOTE: Greater offset may be accomplished by using Pemko risers.

\*Assembly length includes 3 1/2" top plate

\*\*Miter Returns are not ADA Compliant



Assembly Shown: **R.75OSS**

AVAILABLE FINISHES FOR PRODUCTS SHOWN ON THIS PAGE (see General Information section for finish chart)  
**10BE** (Stain Bronze Powder Coated Aluminum) **A** (Mill Finish Aluminum)  
**AK** (Mill Finish Aluminum with PemKote™ Non-Slip Coating) **BSP** (Black Suede Powder Coated Aluminum)  
**WSP** (White Suede Powder Coated Aluminum)

**ASSA ABLOY**  
Opening Solutions




800-824-3018 | [www.assaabloydooraccessories.us](http://www.assaabloydooraccessories.us)

Check the web site for the up-to-date catalog

Experience a safer  
and more open world

Copyright © 2015-2020, ASSA ABLOY Accessories and Door Controls Group, Inc., an ASSA ABLOY Group company. All rights reserved. Reproduction in whole or in part without the express written permission of ASSA ABLOY Accessories and Door Controls Group, Inc. is prohibited.

## Modular Ramp Threshold Components

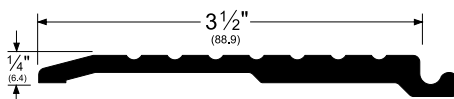
- Components are generally sold as part of assemblies
- Ramp Assemblies consist of interlocking components, eliminating the need to weld joints. Interlocking ball-joint design allows each component to flex and conform to uneven surfaces
- All assemblies carry the following labels:   

- PemKote™ is highly recommended for all threshold assemblies, especially exterior conditions where moisture may be present
- NOTE: The following pages are for component identification only. Do not order from these pages. Order only complete assemblies from pages 146 to 148

### Top Plates

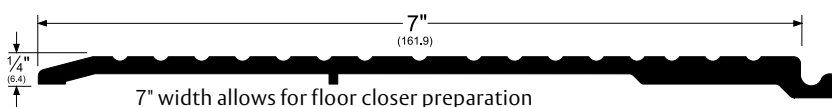
#### RAMP8\_

Short top plate  
AVAILABLE FINISHES: 10BE, A, AK, BSP, WSP

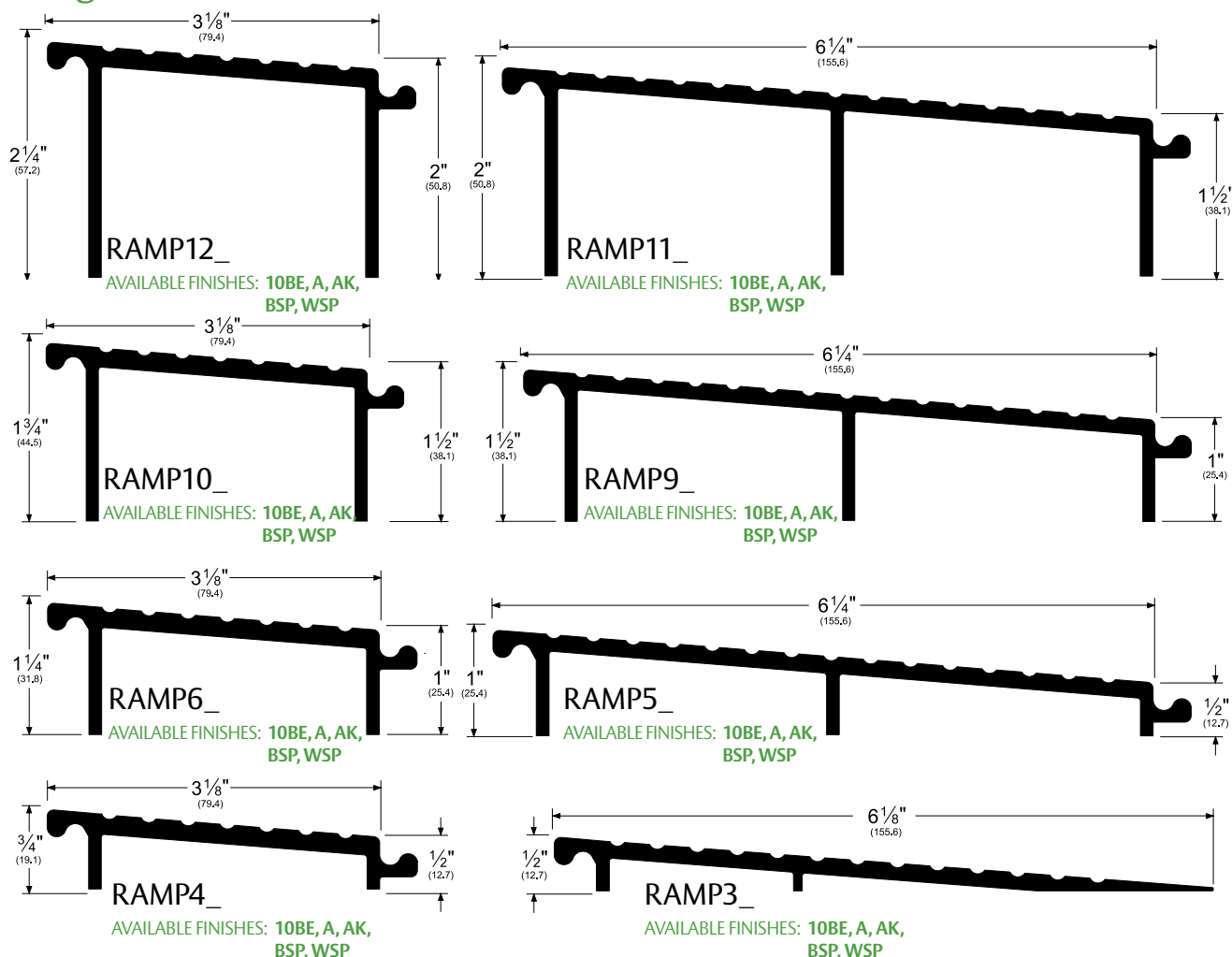


#### RAMP1\_

Top plate  
AVAILABLE FINISHES: 10BE, A, AK, BSP, WSP



### Bridges



NOTE: Products shown in this section are not drawn to scale.

AVAILABLE FINISHES FOR PRODUCTS SHOWN ON THIS PAGE (see General Information section for finish chart)  
**10BE** (Stain Bronze Powder Coated Aluminum) **A** (Mill Finish Aluminum) **AK** (Mill Finish Aluminum with PemKote™ Non-Slip Coating) **BSP** (Black Suede Powder Coated Aluminum) **WSP** (White Suede Powder Coated Aluminum)  
 800-824-3018 | www.assaabloydooraccessories.us


Check the web site for the up-to-date catalog

Copyright © 2015-2020, ASSA ABLOY Accessories and Door Controls Group, Inc., an ASSA ABLOY Group company. All rights reserved. Reproduction in whole or in part without the express written permission of ASSA ABLOY Accessories and Door Controls Group, Inc. is prohibited.

**ASSA ABLOY**  
Opening Solutions

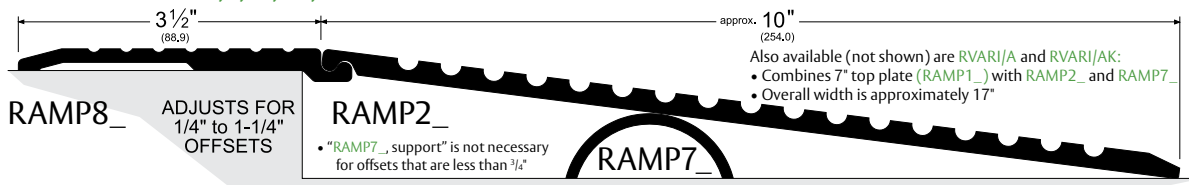
Experience a safer  
and more open world

## Modular Ramp Threshold Assemblies - Variables

- Use a “Variable” component to accommodate offsets from 1/2” to 1 1/4”. These meet the 1:8 maximum slope allowance (ADA) for existing buildings. For new construction, this assembly is only ADA compliant in certain applications as outlined by the current ADA standard
- May require a variance from some state building codes, even though ADA compliant
- Ideal for use in cross traffic corridors where a minimal ramp projection may be required and a steeper slope may be allowed. Supplied with #10 stainless steel sheet metal screws. Stainless steel machine screws and expansion shields are available at an extra cost
- Miter returns are not available due to the variable angle of this ramp. Please fill and feather the threshold ends. Do not leave threshold ends open
- This variable ramp is supplied un-drilled from Pemko. Due to the variance in the angle, it must be drilled in the field. For proper installation, it requires the **RAMP7\_** to be placed under **RAMP2\_** after the assembly is in place, then must be match drilled and anchored through both components
- PemKote™ is highly recommended for all ramp threshold assemblies especially exterior conditions where moisture may be present
- In addition to ADA compliance, outlined previously, all assemblies carry the following labels: 

### RVARIOSS\_

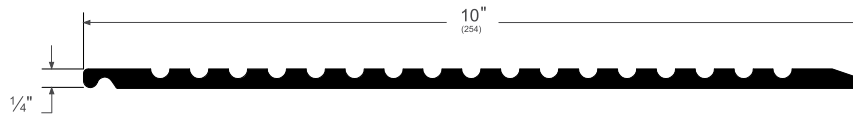
AVAILABLE FINISHES: **10BE, A, AK, BSP, WSP**



## Variable Ramp Components

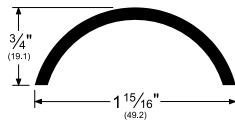
### RAMP2\_

variable  
AVAILABLE FINISHES: **10BE, A, AK, BSP, WSP**



### RAMP7\_

support for variable  
AVAILABLE FINISHES: **A**

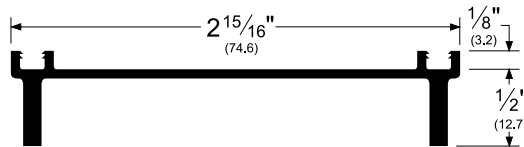


## Risers for Modular Ramps

- Risers easily attach to the legs of Pemko’s Modular Ramp Systems. Each adds 1/2” in height to accommodate offsets greater than 2 1/4”
- Contact Pemko Customer Service for information on stacking risers to reach desired height

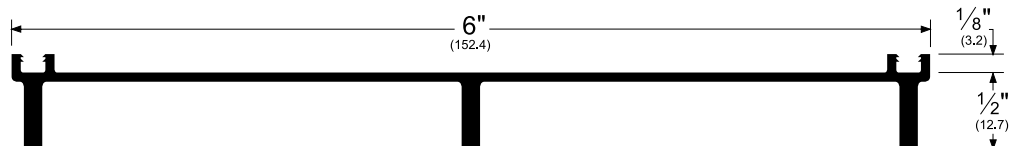
### RAMP13\_

AVAILABLE FINISHES: **A**



### RAMP14\_

AVAILABLE FINISHES: **A**



NOTE: Products shown in this section are not drawn to scale.

AVAILABLE FINISHES FOR PRODUCTS SHOWN ON THIS PAGE (see General Information section for finish chart)  
**10BE** (Satin Bronze Powder Coated Aluminum) **A** (Mill Finish Aluminum) **AK** (Mill Finish Aluminum with PemKote™ Non-Slip Coating) **BSP** (Black Suede Powder Coated Aluminum) **WSP** (White Suede Powder Coated Aluminum)

800-824-3018 | [www.assaabloydooraccessories.us](http://www.assaabloydooraccessories.us)

Check the web site for the up-to-date catalog

**ASSA ABLOY**  
Opening Solutions

Experience a safer  
and more open world

## Miter Returns For All Modular Ramp Thresholds

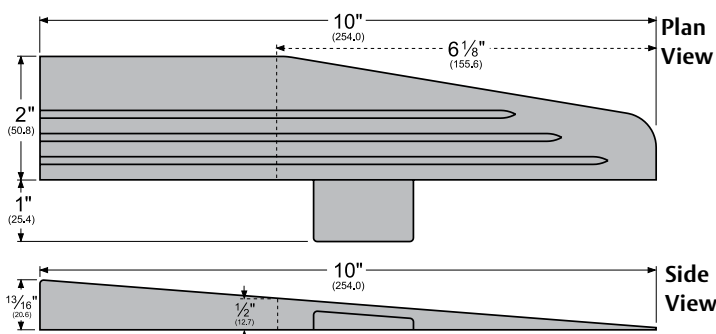
- Cast aluminum "wings" fit into end of modular ramp threshold assembly and are fastened to ramp mid sections with self-tapping machine screws
- Neat, compact, and tight-fitting design replaces former mitering methods
- Miter Returns are match-drilled with each assembly
- Miter Returns are not "ADA" compliant
- Miter Returns are handed from the low end and are determined by which side of the ramp it fits into



### WING10\_H\_

AVAILABLE FINISHES: **A, AK**

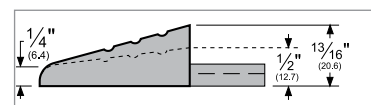
- WING10 can be trimmed to fit ramp assembly (dotted lines show cut down for use with R.5FMR\_)



### WING10RH\_

(right-hand shown)

End View

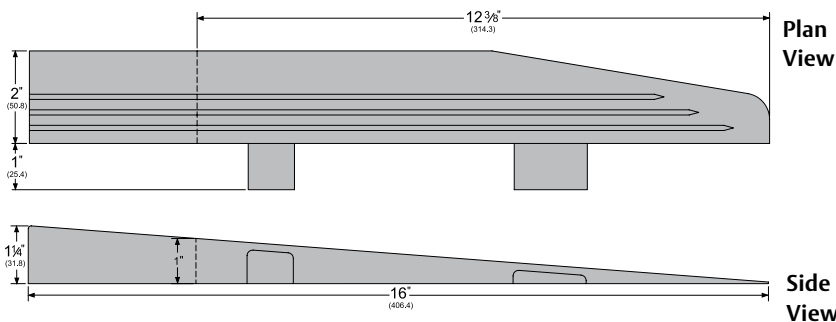


View from high-end

### WING16\_H\_

AVAILABLE FINISHES: **A, AK**

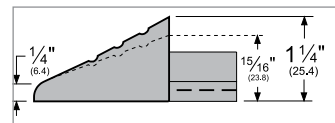
- WING16 can be trimmed to fit ramp assembly (dotted lines show cut down for use with R1FMR\_)



### WING16RH\_

(right-hand shown)

End View

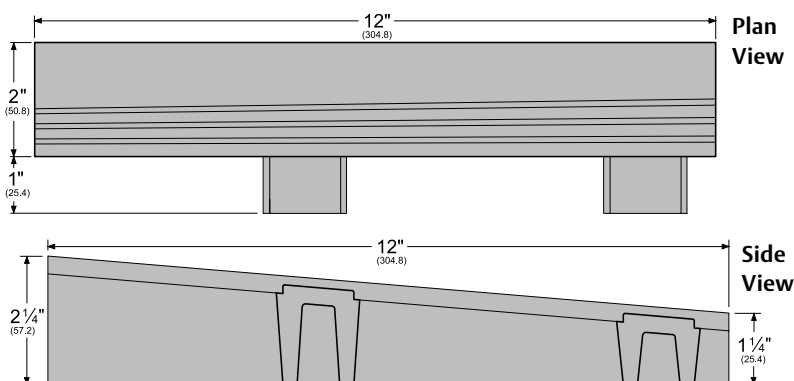


View from high-end

### WINGEXT\_H\_

AVAILABLE FINISHES: **A, AK**

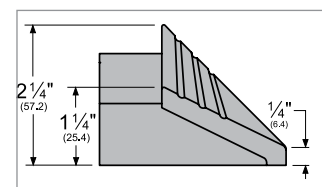
- WINGEXT are included with assemblies to completely fill ends for 2" offset or 2 1/4" flush conditions
- WINGEXT works in conjunction with WING16 for these higher offset conditions



### WINGEXTRH\_

(right-hand shown)

End View



View from high-end

See flyer on the Literature page of [www.assaabloydooraccessories.us](http://www.assaabloydooraccessories.us) for WING cut-down chart.

AVAILABLE FINISHES FOR PRODUCTS SHOWN ON THIS PAGE (see General Information section for finish chart)

**A** (Mill Finish Aluminum) **AK** (Mill Finish Aluminum with PemKote™ Non-Slip Coating)

800-824-3018 | [www.assaabloydooraccessories.us](http://www.assaabloydooraccessories.us)

Check the web site for the up-to-date catalog

Copyright © 2015-2020, ASSA ABLOY Accessories and Door Controls Group, Inc., an ASSA ABLOY Group company. All rights reserved. Reproduction in whole or in part without the express written permission of ASSA ABLOY Accessories and Door Controls Group, Inc. is prohibited.

**ASSA ABLOY**  
Opening Solutions

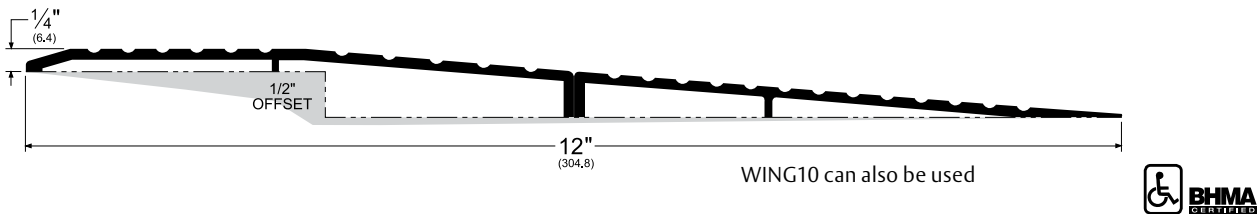
Experience a safer  
and more open world

## Barrier-Free Ramp Thresholds

- The modular ramp thresholds are an improvement over the **257/259** however, **257/259** will remain available for special requirements
- Use **257\_** and **259\_** together, or use **257\_** with an abutted 1:12 concrete slope
- When used as a cover plate assembly (see Commercial Thresholds section), a longer spindle may be required
- Ramps on this page are not ADA compliant when used at a door opening
- The **257\_** is not ADA compliant when used alone.
- PemKote™ is highly recommended for all threshold assemblies, especially exterior conditions where moisture may be present

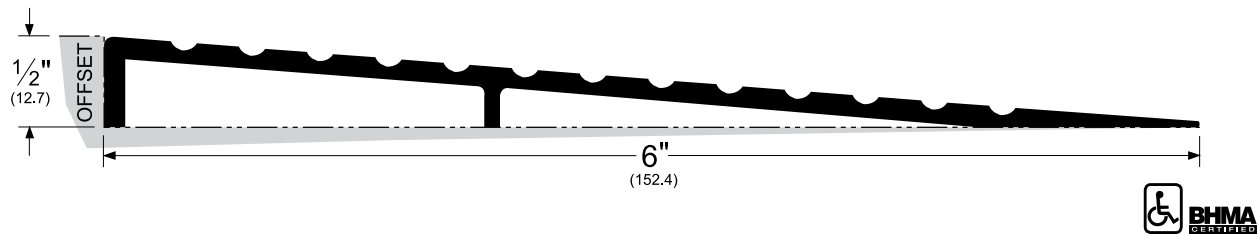
### 257x259\_

AVAILABLE FINISHES: **10BE, A, AK, B, BSP, D, G, WSP**



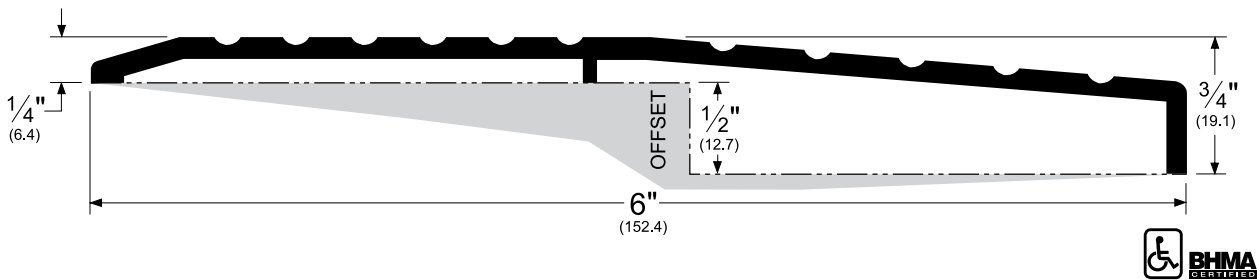
### 259\_

AVAILABLE FINISHES: **10BE, A, AK, B, BSP, D, G, WSP**



### 257\_

AVAILABLE FINISHES: **10BE, A, AK, B, BSP, D, G, WSP**



NOTE: Products shown in this section are not drawn to scale.

AVAILABLE FINISHES FOR PRODUCTS SHOWN ON THIS PAGE (see General Information section for finish chart)  
**10BE** (Stain Bronze Powder Coated Aluminum) **A** (Mill Finish Aluminum)  
**AK** (Mill Finish Aluminum with PemKote™ Non-Slip Coating) **B** (Mill Finish Extruded Bronze [Brass])  
**BSP** (Black Suede Powder Coated Aluminum) **D** (Dark Bronze Anodized) **G** (Gold Anodized)  
**WSP** (White Suede Powder Coated Aluminum)

800-824-3018 | [www.assaabloydooraccessories.us](http://www.assaabloydooraccessories.us)

Check the web site for the up-to-date catalog

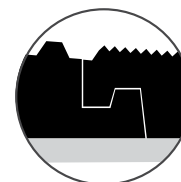
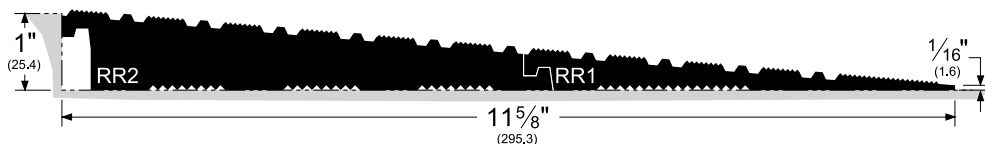
**ASSA ABLOY**  
Opening Solutions

Experience a safer  
and more open world

## Fire Retardant and Styrene Butadiene Rubber Ramp Thresholds

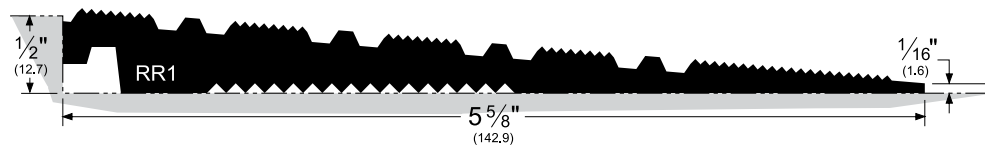
- Rubber ramps meet the requirements of **ADAAG-2010; IBC/ANSI A117.1; and California Title 24, Part 2**
- Styrene butadiene rubber ramps are weather, ozone, abrasion, and impact resistant; long-lasting and fire retardant
- Rubber ramps are sold in one foot increments up to 15-foot lengths
- Rubber ramps can be butted together for longer lengths
- Rubber ramps are cut square on each end but are available with molded rubber miter returns. To receive a pair of miter returns, add "MR" to the part number (example: **SBR.5FMR**)
- Rubber ramps have a superior grip, anti-slip surface and a "no bump" tapered lead edge. Rubber ramps are classified by Underwriters Laboratories, Inc.,<sup>®</sup> as a skid-resistant floor surface per **UL standard for safety, UL410**. Rubber ramps also meet the requirements of **ASTM D 2047** and **Federal Specification P-F-430C**
- Rubber ramps are easy to install on most surfaces by using a construction adhesive. Mechanical fasteners are not required and not recommended
- Rubber ramps are also portable. For temporary applications, an assembly stays in place by its sheer weight and can be removed from one opening and placed at another opening
- Use an adhesive (caulk) suitable for use with plastics and your flooring material for proper installation and adhesion
- Rubber ramps are available for 1/2" and 1" offset heights
- Rubber ramps can be cross-cut to length or ripped to a custom offset height using a table or radial arm saw with a carbide-tipped blade. These modifications must be made in the field

SBR1F  
SBR1FMR \*\*

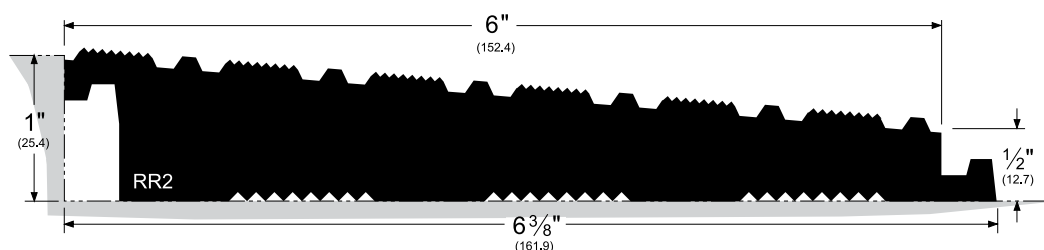


Assembly consists of two inter-locking components.

SBR.5F  
SBR.5FMR \*\*  
RR1



RR2



This component (**RR2**) is not ADA compliant when used by itself.

NOTE: Products shown in this section are not drawn to scale.

\*\* = Miter Returns are not ADA compliant

800-824-3018 | [www.assaabloymodularaccessories.us](http://www.assaabloymodularaccessories.us)  
Check the web site for the up-to-date catalog

Copyright © 2015-2020, ASSA ABLOY Accessories and Door Controls Group, Inc., an ASSA ABLOY Group company. All rights reserved.  
Reproduction in whole or in part without the express written permission of ASSA ABLOY Accessories and Door Controls Group, Inc. is prohibited.

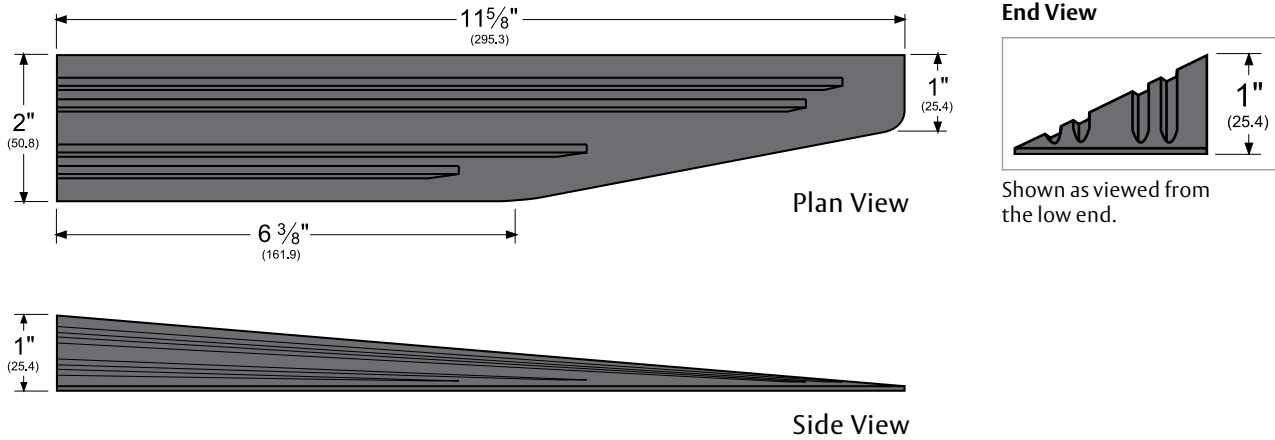
**ASSA ABLOY**  
Opening Solutions

Experience a safer  
and more open world

## Rubber Ramp Miter Returns

- Made from molded styrene butadiene rubber
- Glue miter returns to each end using an adhesive such as **RR200**
- Miter Returns are supplied in pairs: one left-hand (**RR12LH**) and one right-hand (**RR12RH**)
- If only one miter return is required, specify the handing

### RR12\_H



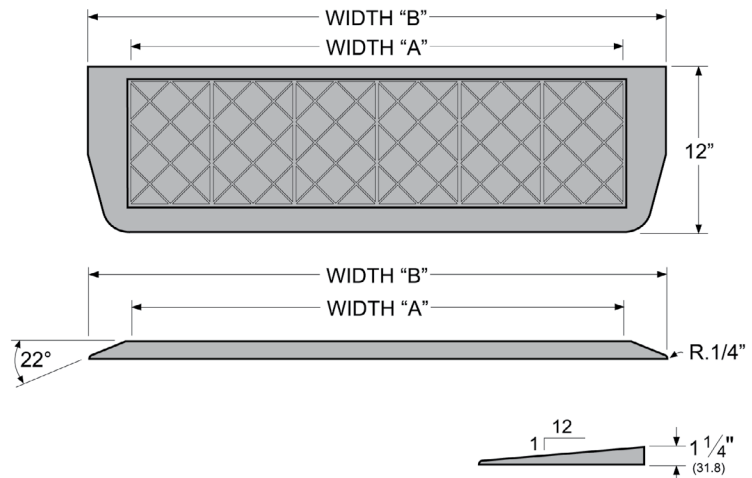
## Recycled Rubber Ramp Assembly

- ADA Compliant, based on application
- Meets: **UL410, ASTM D2047, Federal Specification P-F-430C**
- Recycled Rubber Ramp Assemblies meet **IBC/ANSI A117.1-2013**
- Made from #20 mesh minus crumb rubber (with urethane binders) reclaimed from 100% recycled rubber automotive tires
- Use an adhesive (caulk) suitable for use with plastics and your flooring material for proper installation and adhesion. Avoid Liquid Nails with Rubber Ramps
- Using ordinary tools, trim to fit your application
- Can be ripped for offsets less than 1 1/4"
- Plane bottom surface of ramp to accommodate irregular surface conditions
- Miter returns are molded into the design of the Recycled Rubber Ramp
- 36" and 60" ramps are supplied as one (1) piece assemblies
- 48" and 72" ramps are supplied as two (2) piece assemblies
- Dimensions are nominal and can vary by as much as one inch. This is acceptable as long as the two halves match

### Ordering Chart

Other sizes are available, please contact Pemko Customer Service.

PART #	WIDTH "A" (door opening)	WIDTH "B" (total width)
RR1.25FMR36	36"	41"
RR1.25FMR48	48"	53"
RR1.25FMR60	60"	65"
RR1.25FMR72	72"	77"
RR1.25FMR96	96"	101"



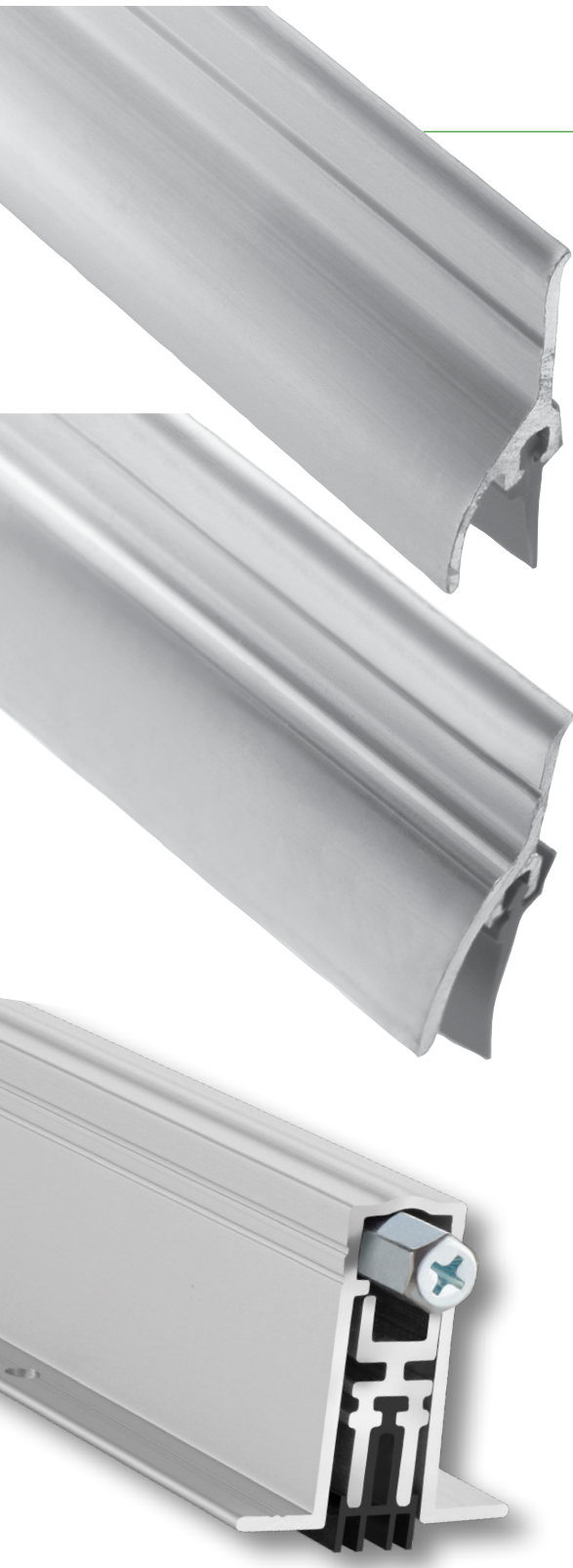
**ASSA ABLOY**  
Opening Solutions

Experience a safer  
and more open world

800-824-3018 | [www.assaabloydooraccessories.us](http://www.assaabloydooraccessories.us)  
Check the web site for the up-to-date catalog

Copyright © 2015-2020, ASSA ABLOY Accessories and Door Controls Group, Inc., an ASSA ABLOY Group company. All rights reserved. Reproduction in whole or in part without the express written permission of ASSA ABLOY Accessories and Door Controls Group, Inc. is prohibited.





## Pemko Door Bottoms

### CONTENTS:

- Automatic Door Bottoms .....150
- Security Door Bottoms .....155
- Residential Automatic Door Bottoms .....155
- End Plates for Automatic Door Bottoms.....156
- Specialty Door Bottoms.....157
- Eco-V™ Door Shoes.....157
- Door Shoes .....158
- Thermally Broken Door Shoe.....160
- Door Sweeps for Hollow Metal Doors .....161
- Fabrication Options for Door Shoes .....161
- Door Bottom Sweeps .....162
- Stainless Steel Door Bottom Sweeps.....165
- Door Top Weatherstrip.....166
- Heavy Duty Door Bumper.....166

### INDEX:

PRODUCT	PAGE	PRODUCT	PAGE	PRODUCT	PAGE
56.....	167	344.....	170	18100.....	168
57.....	167	345.....	167, 168	18137.....	168
68.....	170	346.....	170	293100.....	166, 168
196.....	159, 170	347.....	170	29326.....	166
209.....	162	368.....	166	90062.....	168
210.....	162	377.....	170	90100.....	168
211.....	162	405.....	159	E199.....	170
215.....	162	411.....	157	K411.....	160
216.....	162	412.....	158	K412.....	160
216_FG.....	165	420.....	157	K420.....	160
217.....	162	430.....	158	K435-PREM.....	160
220.....	162	434.....	157	K435.....	160
221.....	164	2113.....	163	K436.....	160
222.....	165	2163.....	163	K436SM.....	160
223.....	163	2170.....	161	K437.....	160
225.....	164	2173.....	163	K437SM.....	160
234.....	162	2203.....	163	K434.....	160
270.....	159	2211.....	164	K4133.....	160
307.....	167	2212.....	164	K4301.....	160
308.....	167	2221.....	164	SA1.....	159
309.....	167	2251.....	164	SA2.....	159
313.....	161	2343.....	163	SA3.....	159
314.....	161	3151.....	166	SA4.....	159
315.....	166	3151SS.....	169	EV80.....	161
315SS.....	169	3185.....	161		
317.....	161	3452.....	167, 170		
318.....	161	3692.....	163		
321.....	166	4131.....	157		
321SS.....	169	4301.....	157		
343.....	170	18061.....	168		

800-824-3018 | [www.assaabloydooraccessories.us](http://www.assaabloydooraccessories.us)  
 Check the web site for the up-to-date catalog

Copyright © 2015-2020, ASSA ABLOY Accessories and Door Controls Group, Inc., an ASSA ABLOY Group company. All rights reserved.  
 Reproduction in whole or in part without the express written permission of ASSA ABLOY Accessories and Door Controls Group, Inc. is prohibited.

**ASSA ABLOY**  
 Opening Solutions

Experience a safer  
 and more open world



## Automatic Door Bottoms

- All Pemko Automatic Door Bottoms, 24" and up, can be manufactured for field alteration. Please specify when ordering: Allow 2" for field trimming
- Overall sizes range from 12" to 72". Sizes between 12" and 23.9" will be supplied at absolute NET length and will have no room for field trimming.
- 0.0625" Lead-lining available upon request; contact Pemko Customer Service for options on profiles
- Provided with end plate kits (except 420, SA, and 405V models) which include wood screws. Tek screws are available for mounting to hollow metal doors.

## Important Drop Bar Information

Drop seals of all types are designed to close a uniform size gap. Pemko drop seals can seal up to  $\frac{3}{4}$ " gaps (420 model can seal up to  $\frac{1}{2}$ " gap), provided the gap is consistent. Gaps that start at less than  $\frac{3}{4}$ " and then grow cannot be closed. The drop seal utilizes a straight aluminum extrusion so it cannot close an inconsistent gap.

Plunger extension to drop dimension is 1:1 (i.e., a  $\frac{1}{4}$ " extension on the plunger will equal a  $\frac{1}{4}$ " drop of the drop bar).

## Drop-Bar Seal Actuation

The drop bar mechanism prevents the seal from skidding along the floor/threshold while the door is being closed.

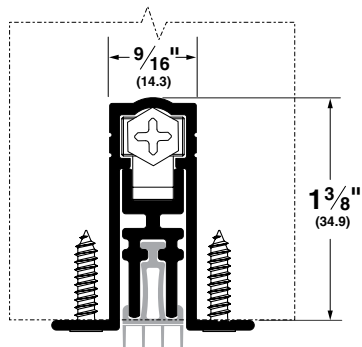


## Automatic Door Bottoms - Acoustic

- Non-handed
- Recommended gap under door is 1/2" for optimal acoustic performance max drop is 3/4"
- Internal mechanism allows bar to accommodate slight imperfections in floor materials
- STC411 end plate kit is K435; for doors narrower than 1-3/4", specify end plate kit K411
- STC4131 end plate kit is K4133C for Clear Anodized and K4133D for Dark Bronze Anodized

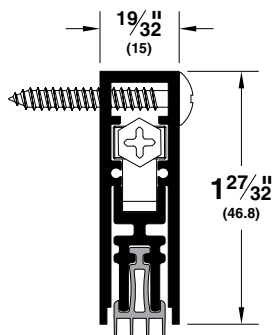
### STC411\_PK

AVAILABLE FINISHES: **A**  
 REPLACEMENT INSERT: **PK4111 (BL)**  
 ANSI: **R3G324, R3G325**



### STC4131\_PK

AVAILABLE FINISHES: **10BE, BSP, C, D, WSP**  
 REPLACEMENT INSERT: **PK4111 (BL)**  
 ANSI: **R3G334, R3G335, R3G344, R3G345**



NOTE: STC411\_PK Automatic Door Bottom is now included in PEMKOSTCSET-1 (A through E). Please see Acoustic Products section for more information.

NOTE: Products shown in this section may not be drawn to scale.

AVAILABLE FINISHES FOR PRODUCTS SHOWN ON THIS PAGE (see General Information section for finish chart)  
**10BE** (Satin Bronze Powder Coated Aluminum) **A** (Mill Finish Aluminum) **BSP** (Black Suede Powder Coated Aluminum)  
**C** (Clear Anodized) **D** (Dark Bronze Anodized) **WSP** (White Suede Powder Coated Aluminum)

800-824-3018 | [www.assaabloydooraccessories.us](http://www.assaabloydooraccessories.us)

Check the web site for the up-to-date catalog

Copyright © 2015-2020, ASSA ABLOY Accessories and Door Controls Group, Inc., an ASSA ABLOY Group company. All rights reserved.  
 Reproduction in whole or in part without the express written permission of ASSA ABLOY Accessories and Door Controls Group, Inc. is prohibited.

**ASSA ABLOY**  
 Opening Solutions

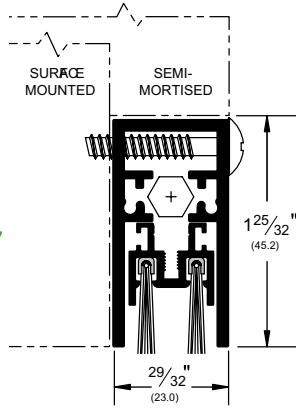
Experience a safer  
 and more open world

# Automatic Door Bottoms - Surface and Semi-Mortise Models

- Specify if the Automatic Door Bottom is for a semi-mortise application so that shorter screws can be provided
- Recommended gap under door is 1/2," maximum drop is 3/4"
- 4301 end plate kit is K436 for surface mounted applications and K436SM for semi-mortised applications
- 4131 end plate kit is K4133

## 4301\_NBL

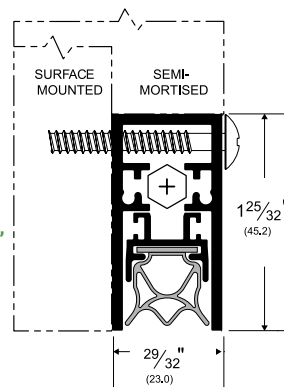
AVAILABLE FINISHES:  
**BSP, C, D**  
 REPLACEMENT INSERT:  
**P516062 (BL, GR, W)**  
 ANSI: R3A334, R3A335,  
 R3A344, R3A345



nylon brush (NB)

## 4301\_PKL

AVAILABLE FINISHES:  
**BSP, C, D**  
 REPLACEMENT INSERT:  
**PK4304 (BL)**  
 ANSI: R3G334, R3G335,  
 R3G344, R3G345

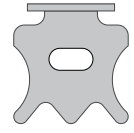


PemkoPrene™ (PK)

### Alternate Insert For 4301

#### 4301\_RL

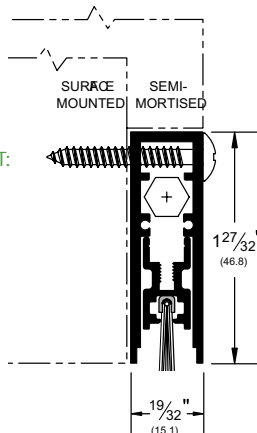
AVAILABLE FINISHES:  
**BSP, C, D**  
 REPLACEMENT  
 INSERT:  
**E4303 (BL)**  
 ANSI: R3G334,  
 R3G335,  
 R3G344,  
 R3G345



sponge EPDM (R)

## 4131\_NBL

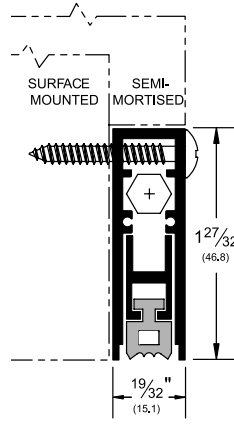
AVAILABLE FINISHES:  
**BDG, BSP, C, D, SN**  
 REPLACEMENT INSERT:  
**P516041 (BL, GR)**  
 ANSI: R3A334,  
 R3A335, R3A344,  
 R3A345



nylon brush (NB)

## 4131\_RL

AVAILABLE FINISHES:  
**BDG, BSP, C, D, SN**  
 REPLACEMENT INSERT:  
**E7 (BL)**  
 ANSI: R3G334,  
 R3G335, R3G344,  
 R3G345

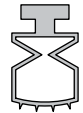


sponge EPDM (R)

### Alternate Inserts For 4131

#### 4131\_PKL

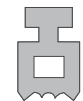
AVAILABLE FINISHES:  
**BDG, BSP, C, D, SN**  
 REPLACEMENT  
 INSERT:  
**PK4132 (BL)**  
 ANSI: R3G334,  
 R3G335, R3G344,  
 R3G345



PemkoPrene™ (PK)

#### 4131\_SL

AVAILABLE FINISHES:  
**BDG, BSP, C, D, SN**  
 REPLACEMENT  
 INSERT:  
**SR6 (BL)**  
 ANSI: R3E334,  
 R3E335, R3E344,  
 R3E345



sponge silicone (S)

All above products



NOTE: Products shown in this section may not be drawn to scale.

AVAILABLE FINISHES FOR PRODUCTS SHOWN ON THIS PAGE (see General Information section for finish chart)  
**BDG** (Bright Dip Gold Anodized) **BSP** (Black Suede Powder Coated Aluminum) **C** (Clear Anodized)  
**D** (Dark Bronze Anodized) **SN** (Satin Nickel Anodized)

**ASSA ABLOY**  
 Opening Solutions

Experience a safer  
 and more open world

800-824-3018 | [www.assaabloydooraccessories.us](http://www.assaabloydooraccessories.us)

Check the web site for the up-to-date catalog

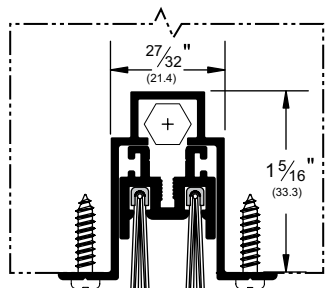
Copyright © 2015-2020, ASSA ABLOY Accessories and Door Controls Group, Inc., an ASSA ABLOY Group company. All rights reserved. Reproduction in whole or in part without the express written permission of ASSA ABLOY Accessories and Door Controls Group, Inc. is prohibited.

## Automatic Door Bottoms - Full-Mortise Models

- Recommended drop is 1/2"; maximum drop is 3/4", except where noted
- 411 and 434 end plate kit is K435. When using 411 model on doors narrower than 1 3/4", specify end plate kit K411
- 420 is used on hollow metal doors and does not come with end plates; requires a hole for the plunger to extend through in the hinge side door edge.

### 434\_NBL

AVAILABLE FINISH: A  
REPLACEMENT INSERT: P516062 (BL, GR, W)  
ANSI: R3A324, R3A325

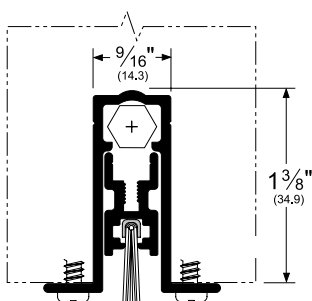


nylon brush (NB)



### 411\_NBL

AVAILABLE FINISH: A  
REPLACEMENT INSERT: P516041 (BL, GR)  
ANSI: R3A324, R3A325

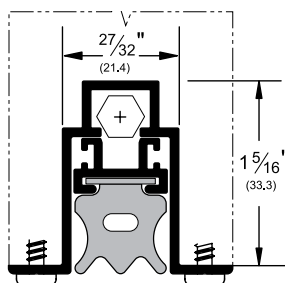


nylon brush (NB)



### 434\_RL

AVAILABLE FINISH: A  
REPLACEMENT INSERT: E4303 (BL)  
ANSI: R3G324, R3G325

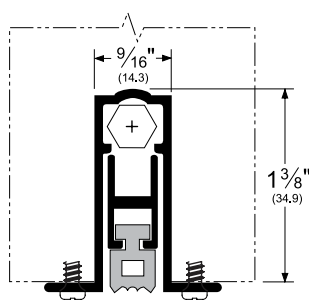


sponge EPDM (R)



### 411\_RL

AVAILABLE FINISH: A  
REPLACEMENT INSERT: E7 (BL)  
ANSI: R3G324, R3G325



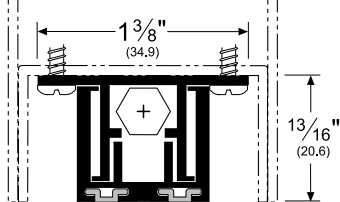
sponge EPDM (R)



### 420\_PKL

AVAILABLE FINISH: A  
REPLACEMENT INSERT: PK4 (BL, GR)  
ANSI: R3G324, R3G325

- For hollow metal doors maximum drop is 1/2"
- Recommended drop is 3/8"



PemkoPrene™ (PK)



NOTE: Products shown in this section may not be drawn to scale.

AVAILABLE FINISHES FOR PRODUCTS SHOWN ON THIS PAGE (see General Information section for finish chart)  
A (Mill Finish Aluminum)

800-824-3018 | [www.assaabloydooraccessories.us](http://www.assaabloydooraccessories.us)

Check the web site for the up-to-date catalog

Copyright © 2015-2020, ASSA ABLOY Accessories and Door Controls Group, Inc., an ASSA ABLOY Group company. All rights reserved.  
Reproduction in whole or in part without the express written permission of ASSA ABLOY Accessories and Door Controls Group, Inc. is prohibited.

### Alternate Inserts For 434

#### 434\_PKL

AVAILABLE FINISH: A  
REPLACEMENT INSERT: PK4304 (BL)  
ANSI: R3G324, R3G325



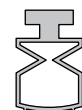
PemkoPrene™ (PK)



### Alternate Inserts For 411

#### 411\_PKL

AVAILABLE FINISH: A  
REPLACEMENT INSERT: PK4132 (BL)  
ANSI: R3G324, R3G325



PemkoPrene™ (PK)



#### 411\_SL

AVAILABLE FINISHES: A  
REPLACEMENT INSERT: SR6 (BL)  
ANSI: R3E324, R3E325



sponge silicone (S)



### Alternate Inserts For 420

#### 420\_VL

AVAILABLE FINISH: A  
REPLACEMENT INSERT:  
EV41 (BL, GR, W)



Eco-V™ (V)



#### 420\_SL

AVAILABLE FINISH: A  
REPLACEMENT INSERT: S4 (BL, GR)  
ANSI: R3G324, R3G325



silicone (S)



**ASSA ABLOY**  
Opening Solutions

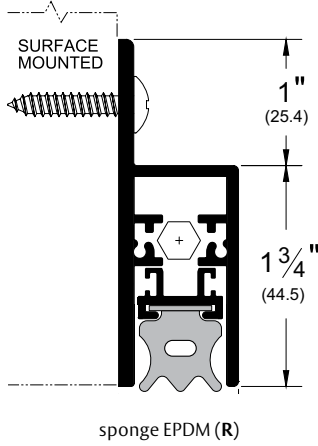
Experience a safer  
and more open world

# Automatic Door Bottoms - Handed Surface and Semi-Mortise Models

- These models have all the same features as the 4301 and the 4131 except that these are handed and disassembly of the mechanism is required to reverse the hand
- For easy non-handed installation, Pemko recommends using the 4301 rather than the 430, and the 4131 rather than the 412. The 4301 and 4131 are shown on page 156
- Recommended drop is 1/2"; maximum drop is 3/4"
- 430 end plate kit is K437 for surface-mounted applications; end plate kit is K437SM for semi-mortise mounted applications
- 412 end plate kit is K412R1

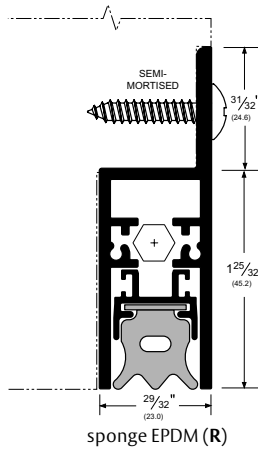
## 430\_RL

AVAILABLE FINISHES: C, D  
 REPLACEMENT INSERT: E4303 (BL)  
 ANSI: R3G344, R3G345



## 430\_MRL

AVAILABLE FINISHES: C, D  
 REPLACEMENT INSERT: E4303 (BL)  
 ANSI: R3G344, R3G345



### Alternate Inserts For 430

#### 430\_PKL

AVAILABLE FINISHES: C, D  
 REPLACEMENT INSERT: PK4304 (BL)  
 ANSI: R3G334, R3G335



PemkoPrene™ (PK)

#### 430\_MPKL

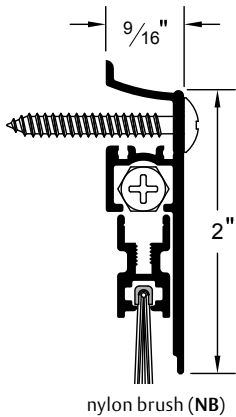
AVAILABLE FINISHES: C, D  
 REPLACEMENT INSERT: PK4304 (BL)  
 ANSI: R3G344, R3G345



PemkoPrene™ (PK)

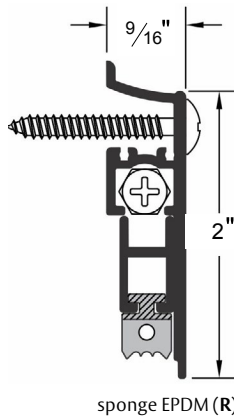
## 412\_NBL

AVAILABLE FINISHES: B, BSP, C, D, S  
 REPLACEMENT INSERT: P516041 (BL, GR)  
 ANSI: R3A334, R3A335



## 412\_RL

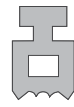
AVAILABLE FINISHES: B, BSP, C, D, S  
 REPLACEMENT INSERT: E7 (BL)  
 ANSI: R3G334, R3G335



### Alternate Inserts For 412

#### 412\_SL

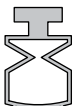
AVAILABLE FINISHES: B, BSP, C, D, S  
 REPLACEMENT INSERT: SR6 (BL)  
 ANSI: R3E334, R3E335



sponge silicone (S)

#### 412\_PKL

AVAILABLE FINISHES: B, BSP, C, D, S  
 REPLACEMENT INSERT: PK4132 (BL)  
 ANSI: R3G334, R3G335



PemkoPrene™ (PK)

NOTE: Products shown in this section may not be drawn to scale.

AVAILABLE FINISHES FOR PRODUCTS SHOWN ON THIS PAGE (see General Information section for finish chart)  
 B (Mill Finish Extruded Bronze[Brass]) BSP (Black Suede Powder Coated Aluminum) C (Clear Anodized)  
 D (Dark Bronze Anodized) S (Cladded Stainless Steel)

**ASSA ABLOY**  
 Opening Solutions

Experience a safer  
 and more open world

800-824-3018 | [www.assaabloydooraccessories.us](http://www.assaabloydooraccessories.us)

Check the web site for the up-to-date catalog

Copyright © 2015-2020, ASSA ABLOY Accessories and Door Controls Group, Inc., an ASSA ABLOY Group company. All rights reserved. Reproduction in whole or in part without the express written permission of ASSA ABLOY Accessories and Door Controls Group, Inc. is prohibited.

## Security Door Bottoms

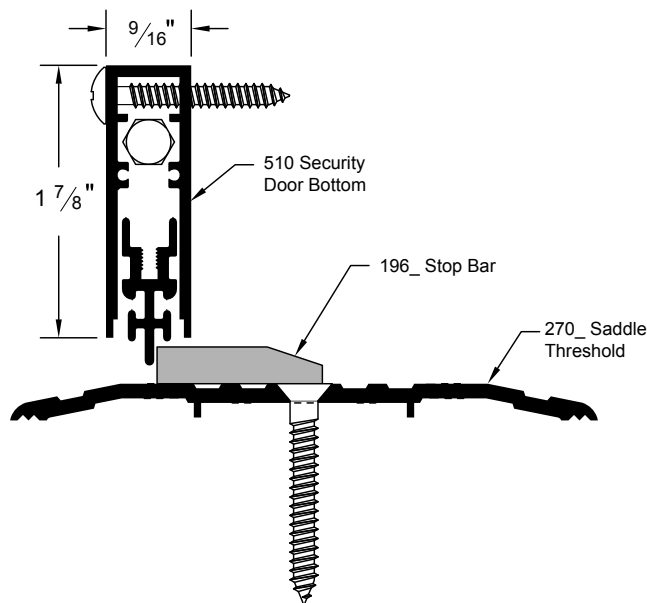
- Help prevent break-ins with Pemko security door bottoms
- Great for office buildings, dormitories, hotel/motels, multi-family housing, and other applications where break-ins from interior lever-handles are a problem
- Mounting screws and a cam are included
- Order stop bar (196) and thresholds (270, 2364, etc.) separately

### STC510\_

AVAILABLE FINISHES: **C, D**  
 AVAILABLE LENGTHS: **36", 42", 48"**  
 ANSI: **R3Y334, R3Y335, R3Y344, R3Y345**

### 196\_ and 270\_

AVAILABLE FINISHES:  
**A, B, D, G**

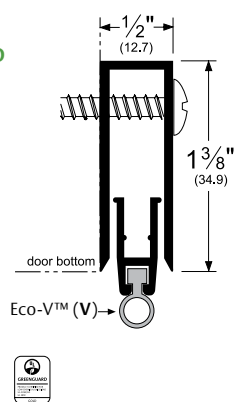


## Residential Automatic Door Bottoms

### SA1\_, SA2\_, SA3\_, SA4\_

AVAILABLE FINISHES: **A** (no finish selection), **D**  
 AVAILABLE LENGTHS: **28", 32", 36", 42"**  
 REPLACEMENT INSERT: **EV5 (BL)**

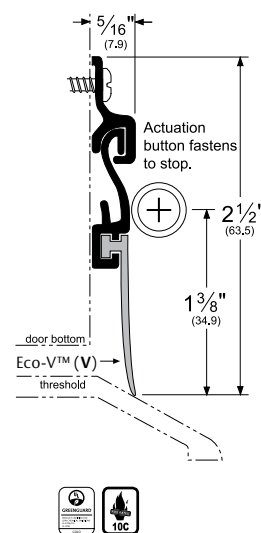
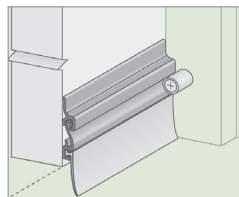
- Surface type for wood doors
- 1/2" maximum drop
- Can be trimmed down by as much as 2"
- Non-handed
- End plates are not provided



### 405\_V

AVAILABLE FINISHES: **C, D, G, PW**  
 REPLACEMENT INSERT: **EV43 (BL, GR)**

- Spring loaded door bottom sweep
- Available in 36" length only
- May be cut down to 24" minimum length



NOTE: Products shown in this section may not be drawn to scale.

AVAILABLE FINISHES FOR PRODUCTS SHOWN ON THIS PAGE (see General Information section for finish chart)  
**A** (Mill Finish Aluminum) **B** (Mill Finish Extruded Bronze [Brass]) **C** (Clear Anodized) **D** (Dark Bronze Anodized)  
**G** (Gold Anodized) **PW** (Painted White)

800-824-3018 | [www.assaabloydooraccessories.us](http://www.assaabloydooraccessories.us)  
 Check the web site for the up-to-date catalog

Copyright © 2015-2020, ASSA ABLOY Accessories and Door Controls Group, Inc., an ASSA ABLOY Group company. All rights reserved.  
 Reproduction in whole or in part without the express written permission of ASSA ABLOY Accessories and Door Controls Group, Inc. is prohibited.

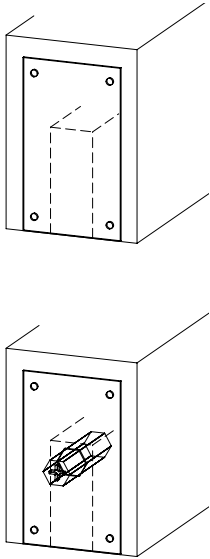
**ASSA ABLOY**  
 Opening Solutions

Experience a safer  
 and more open world

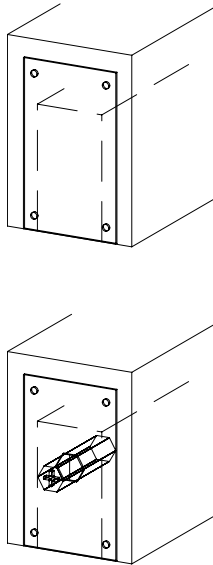
## End Plates for Automatic Door Bottoms

- Metal end plates are provided to protect the mechanism and to give a clean, aesthetic appearance. Do not tighten with power tool
- Plunger end plate prevents the plunger adjustment from rotating
- Necessary fasteners are provided with End Plate kits; color corresponds with case color
- All end plates are black in color

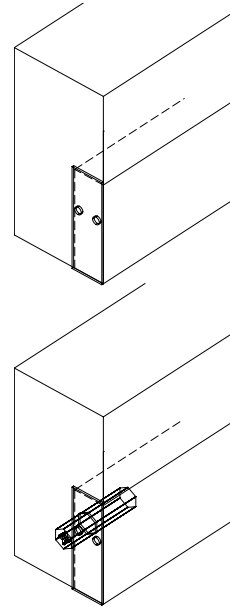
411 and STC411 End Plates Mortise



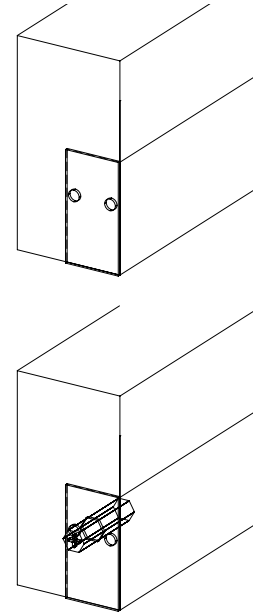
434 End Plates Mortise



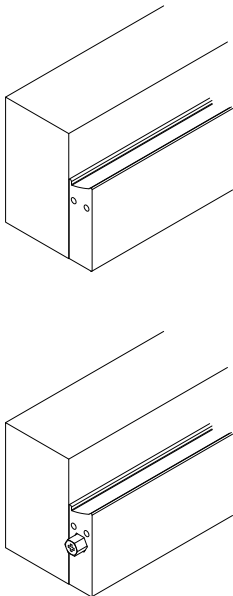
4131 and STC4131 Auto Door Bottom Semi-Mortise\*



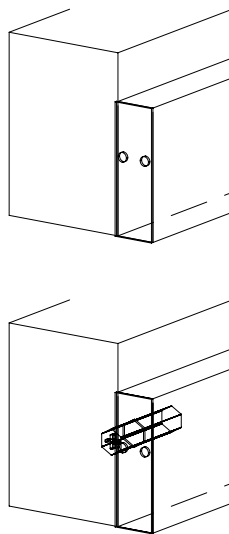
4301-430 Auto Door Bottom Semi-Mortise\*



412 New Style End Plates



510 End Plates Surface Mount



### Automatic Door Bottom Kits

K411	Optional Kit for 411 and STC411 Door Bottom, 1 3/8" Doors
K412R1C	Kit for new style 412 Door Bottom - Clear
K412R1D	Kit for new style 412 Door Bottom - Dark Bronze
K4133C	Kit for 4131, STC4131, and STC510 Door Bottoms, Clear
K4133D	Kit for 4131, STC4131, and STC510 Door Bottoms, Dark Bronze
K4133G	Kit for 4131 Door Bottom, Bright Dip Gold
K420	Kit for 420 Door Bottom
K435	Standard Kit for 411, 434, and STC411 Door Bottom
K436	Kit for 4301 Door Bottom (surface)
K436SM	Kit for 4301 Door Bottom (semi-mortised)
K437	Kit for 430 (surface)
K437SM	Kit for 430_M (semi-mortised)
K435-PREM	Special End-Support Mounting Kit for 434 (sold separately)

**ASSA ABLOY**  
Opening Solutions

Experience a safer  
and more open world

800-824-3018 | [www.assaabloydooraccessories.us](http://www.assaabloydooraccessories.us)  
Check the web site for the up-to-date catalog

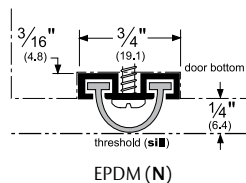
Copyright © 2015-2020, ASSA ABLOY Accessories and Door Controls Group, Inc., an ASSA ABLOY Group company. All rights reserved. Reproduction in whole or in part without the express written permission of ASSA ABLOY Accessories and Door Controls Group, Inc. is prohibited.

## Specialty Door Bottoms

- May be used in many different applications. Some of these shapes may be used as meeting stile gasketing; see page 174 for examples
- Supplied Net Length (as ordered)

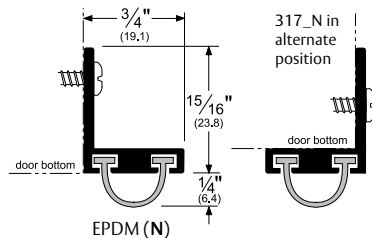
### 313\_N

AVAILABLE FINISHES: **A, D, G**  
 REPLACEMENT INSERT:  
**E1 (BL, GR)**  
 ANSI: **R3G416**



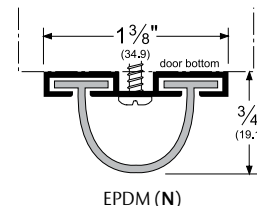
### 317\_N

AVAILABLE FINISHES: **A, BSP, D, G**  
 REPLACEMENT INSERT: **E1 (BL, GR)**  
 ANSI: **R3G416**



### 314\_N

AVAILABLE FINISHES: **C, D, G**  
 REPLACEMENT INSERT: **E3 (BL, GR)**  
 ANSI: **R3G416**

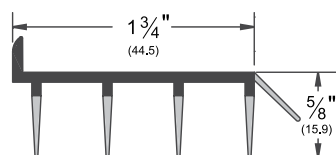


## Eco-V™ Door Shoes

- Dual durometer Eco-V™ door shoe
- EV80\_ is furnished net 36"
- Supplied Net Length (as ordered)

### EV80\_

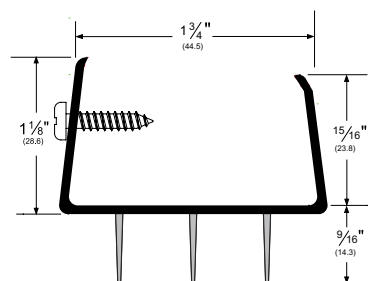
AVAILABLE FINISHES: **D**  
 AVAILABLE LENGTHS: **36" NET**



### 2170\_V

AVAILABLE COLORS: **D, W**  
 AVAILABLE LENGTHS: **36", 48"**

Also available with unnotched insert:  
 2170\_V36UN  
 2170\_V48UN



NOTE: Products shown in this section may not be drawn to scale.

AVAILABLE FINISHES FOR PRODUCTS SHOWN ON THIS PAGE (see General Information section for finish chart)  
**A** (Mill Finish Aluminum) **BSP** (Black Suede Powder Coated Aluminum) **C** (Clear Anodized) **D** (Dark Bronze Anodized)  
**G** (Gold Anodized) **Eco-V™ DOORS SHOES: D** (Dark Brown) **W** (White)

800-824-3018 | [www.assaabloydooraccessories.us](http://www.assaabloydooraccessories.us)

Check the web site for the up-to-date catalog

Copyright © 2015-2020, ASSA ABLOY Accessories and Door Controls Group, Inc., an ASSA ABLOY Group company. All rights reserved.  
 Reproduction in whole or in part without the express written permission of ASSA ABLOY Accessories and Door Controls Group, Inc. is prohibited.

**ASSA ABLOY**  
 Opening Solutions

Experience a safer  
 and more open world



# Door Shoes

- Profiles on this page available with PemkoPrene™ (PK) or Eco-V™ (V); both are the same shape and size
- Slotted holes for easy adjustment
- Rain drip model is ideal for deflecting rain away from the bottom of door

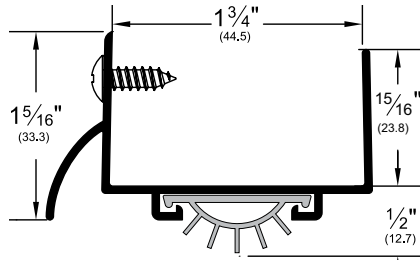
- Recommended compression of gasket fins is 1/16"
- Except where specified otherwise, supplied with 1/4" undercut from length ordered. Specify "NET LENGTH" to receive length as ordered.

## 216\_V

AVAILABLE FINISHES: **A, B, BDG, BSP, D, G, PW, SN**  
 REPLACEMENT INSERT: **EV9 (BL, GR)**  
 ANSI: **R3D514**

## 216\_PK

AVAILABLE FINISHES: **A, B, BDG, BSP, D, G, PW, SN**  
 REPLACEMENT INSERT: **PK9 (BL, GR)**  
 ANSI: **R3G514**

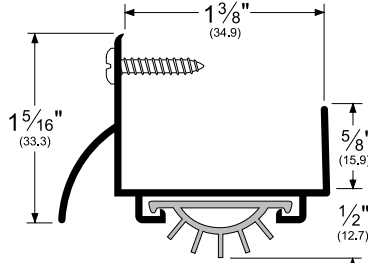


## 215\_V

AVAILABLE FINISHES: **A, BDG, BSP, D, G, PW, SN**  
 REPLACEMENT INSERT: **EV9 (BL, GR)**  
 ANSI: **R3D514**

## 215\_PK

AVAILABLE FINISHES: **A, BDG, BSP, D, G, PW, SN**  
 REPLACEMENT INSERT: **PK9 (BL, GR)**  
 ANSI: **R3G514**

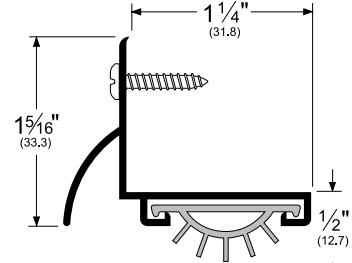


## 210\_V

AVAILABLE FINISHES: **A, BDG, BSP, D, G, PW, SN**  
 REPLACEMENT INSERT: **EV9 (BL, GR)**  
 ANSI: **R3D514**

## 210\_PK

AVAILABLE FINISHES: **A, BDG, BSP, D, G, PW, SN**  
 REPLACEMENT INSERT: **PK9 (BL, GR)**  
 ANSI: **R3G514**

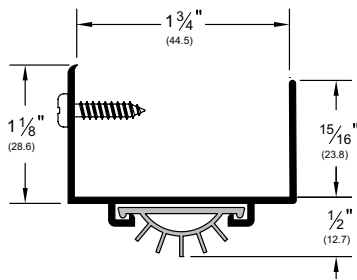


## 217\_V

AVAILABLE FINISHES: **A, BDG, BSP, D, G, PW, SN**  
 REPLACEMENT INSERT: **EV9 (BL, GR)**  
 ANSI: **R3D414**

## 217\_PK

AVAILABLE FINISHES: **A, BDG, BSP, D, G, PW, SN**  
 REPLACEMENT INSERT: **PK9 (BL, GR)**  
 ANSI: **R3G414**

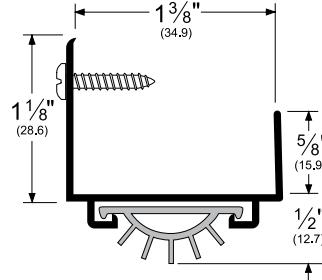


## 220\_V

AVAILABLE FINISHES: **A, BSP, D, G**  
 REPLACEMENT INSERT: **EV9 (BL, GR)**  
 ANSI: **R3D414**

## 220\_PK

AVAILABLE FINISHES: **A, BSP, D, G**  
 REPLACEMENT INSERT: **PK9 (BL, GR)**  
 ANSI: **R3G414**

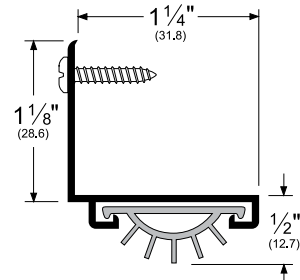


## 211\_V

AVAILABLE FINISHES: **A, BSP, D, G**  
 REPLACEMENT INSERT: **EV9 (BL, GR)**  
 ANSI: **R3D414**

## 211\_PK

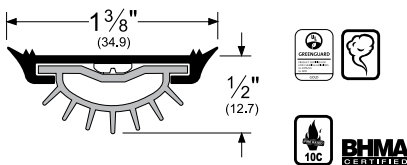
AVAILABLE FINISHES: **A, BSP, D, G**  
 REPLACEMENT INSERT: **PK9 (BL, GR)**  
 ANSI: **R3G414**



## 209\_V

AVAILABLE FINISHES: **A, BSP, D**  
 REPLACEMENT INSERT: **EV15 (BL, GR)**  
 ANSI: **R3D414**

- Supplied Net Length (as ordered)



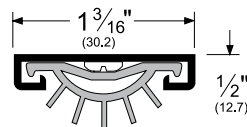
## 234\_V

AVAILABLE FINISHES: **A, BSP, D, G**  
 REPLACEMENT INSERT: **EV9 (BL, GR)**  
 ANSI: **R3D414**

## 234\_PK

AVAILABLE FINISHES: **A, BSP, D, G**  
 REPLACEMENT INSERT: **PK9 (BL, GR)**  
 ANSI: **R3G414**

- Supplied Net Length (as ordered)



NOTE: Products shown in this section may not be drawn to scale.

AVAILABLE FINISHES FOR PRODUCTS SHOWN ON THIS PAGE (see General Information section for finish chart)

- A** (Mill Finish Aluminum) **BDG** (Bright Dip Gold Anodized)
- BSP** (Black Suede Powder Coated Aluminum)
- D** (Dark Bronze Anodized) **G** (Gold Anodized)
- PW** (Painted White)

**ASSA ABLOY**  
 Opening Solutions

Experience a safer  
 and more open world

800-824-3018 | [www.assaabloydooraccessories.us](http://www.assaabloydooraccessories.us)

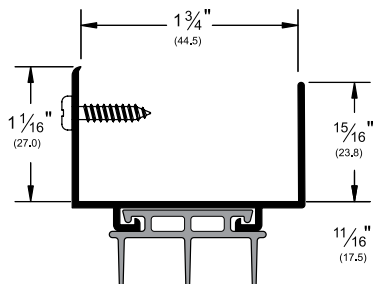
Check the web site for the up-to-date catalog

## Door Shoes (Cont.)

- Notched-fin gaskets (where applicable) allow up to 50% free air flow

### 2173\_V

AVAILABLE FINISHES: **A, BDG, BSP, D, G, PW**  
 AVAILABLE LENGTHS: **36", 48"**  
 REPLACEMENT INSERT: **EV94 (BL)**  
 ANSI: **R3D414, R3D415**

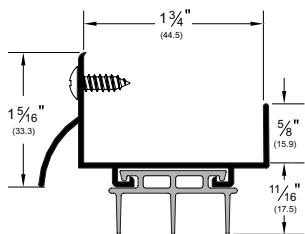


Also available with unnotched insert:  
 2173\_V36UN  
 2173\_V48UN



### 2163\_V

AVAILABLE FINISHES: **A, BSP, D, G**  
 AVAILABLE LENGTHS: **36", 48"**  
 REPLACEMENT INSERT: **EV94 (BL)**  
 ANSI: **R3D514, R3D515**



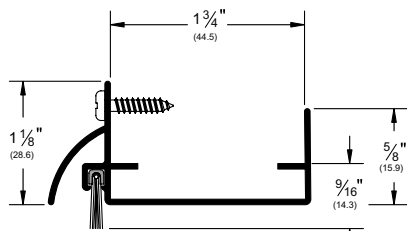
Also available with unnotched insert:  
 2163\_V36UN  
 2163\_V48UN



### 223\_NB

AVAILABLE FINISHES: **A, BSP, D, G**  
 REPLACEMENT INSERT: **P516041 (BL, GR)**  
 ANSI: **R3A514, R3A515**

- Supplied Net Length (as ordered)



NOTE: Products shown in this section may not be drawn to scale.

AVAILABLE FINISHES FOR PRODUCTS SHOWN ON THIS PAGE (see General Information section for finish chart)  
**A** (Mill Finish Aluminum) **BDG** (Bright Dip Gold Anodized) **BSP** (Black Suede Powder Coated Aluminum)  
**D** (Dark Bronze Anodized) **G** (Gold Anodized) **PW** (Painted White)

800-824-3018 | [www.assaabloydooraccessories.us](http://www.assaabloydooraccessories.us)

Check the web site for the up-to-date catalog

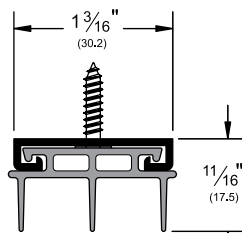
Copyright © 2015-2020, ASSA ABLOY Accessories and Door Controls Group, Inc., an ASSA ABLOY Group company. All rights reserved.  
 Reproduction in whole or in part without the express written permission of ASSA ABLOY Accessories and Door Controls Group, Inc. is prohibited.

- Recommended compression of gasket fins is 1/16

### 2343\_V

AVAILABLE FINISHES: **A, BSP, D, G**  
 AVAILABLE LENGTHS: **36", 48"**  
 REPLACEMENT INSERT: **EV94 (BL)**  
 ANSI: **R3D414, R3D415**

- Supplied Net Length (as ordered)

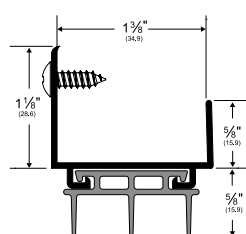


Also available with unnotched insert:  
 2343\_V36UN  
 2343\_V48UN



### 2203\_V

AVAILABLE FINISHES: **A, BSP, D, G**  
 AVAILABLE LENGTHS: **36", 48"**  
 REPLACEMENT INSERT: **EV94 (BL)**  
 ANSI: **R3D414, R3D415**



Also available with unnotched insert:  
 2203\_V36UN  
 2203\_V48UN

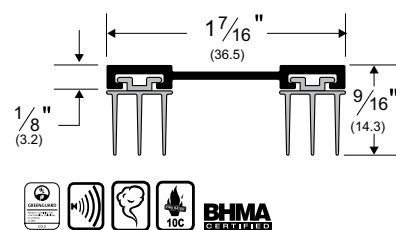


- Except where noted, supplied with 1/4" undercut from length ordered. Specify "NET LENGTH" to receive length as ordered.

### 3692\_PK773

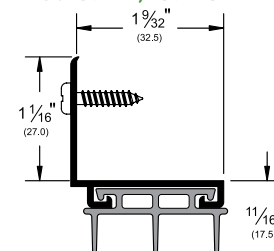
AVAILABLE FINISHES: **A**  
 AVAILABLE LENGTHS: **36", 48"**  
 REPLACEMENT INSERT: **PK773 (BL, GR)**  
 ANSI: **R3G414, R3G415**

- Supplied Net Length (as ordered)



### 2113\_V

AVAILABLE FINISHES: **A, BSP, D, G**  
 AVAILABLE LENGTHS: **36", 48"**  
 REPLACEMENT INSERT: **EV94 (BL)**  
 ANSI: **R3D414, R3D415**



Also available with unnotched insert:  
 2113\_V36UN  
 2113\_V48UN



Replacement "V" gasket for Door Shoes on this page is EV94. For replacement gasket with notched fins, add "N" to the end of the part number.

Example:  
 EV94BL-36.5 - Unnotched fins  
 EV94BL-36.5N - Notched fins (for airflow)

**ASSA ABLOY**  
 Opening Solutions

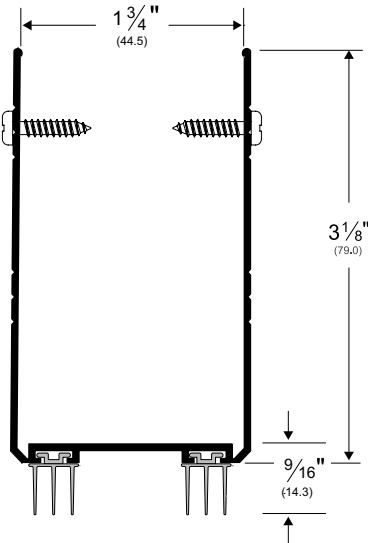
Experience a safer  
 and more open world

## Door Shoes (Cont.)

### 2212\_PK773

AVAILABLE FINISHES: **A, BSP, D**  
 REPLACEMENT INSERT: **PK773 (BL)**  
 ANSI: **R3G416**

- Combination door shoe and kick plate
- Excellent Acoustic performance
- Supplied Net Length (as ordered)



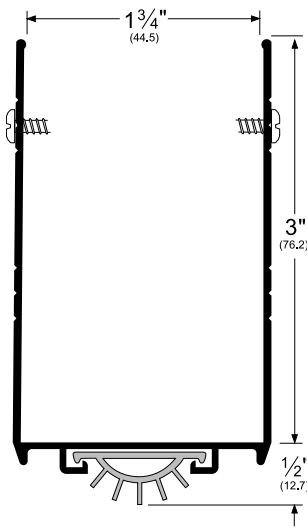
### 221\_V

AVAILABLE FINISHES: **A, BSP, D, G**  
 REPLACEMENT INSERT: **EV9 (BL, GR)**  
 ANSI: **R3D414**

### 221\_PK

AVAILABLE FINISHES: **A, BSP, D, G**  
 REPLACEMENT INSERT: **PK9 (BL, GR)**  
 ANSI: **R3G414**

- Combination door shoe and kick plate
- Supplied Net Length (as ordered)



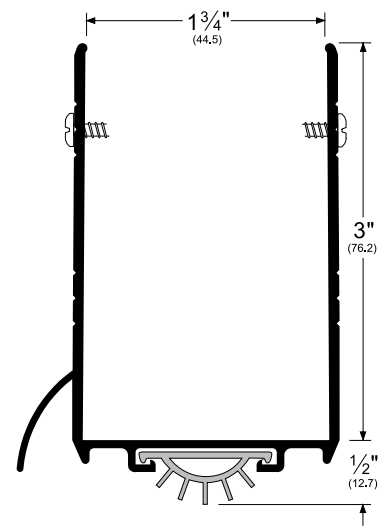
### 2211\_V

AVAILABLE FINISHES: **A, BSP, D, G**  
 REPLACEMENT INSERT: **EV9 (BL, GR)**  
 ANSI: **R3D514**

### 2211\_PK

AVAILABLE FINISHES: **A, BSP, D, G**  
 REPLACEMENT INSERT: **PK9 (BL, GR)**  
 ANSI: **R3G514**

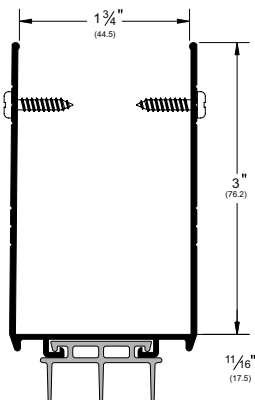
- Combination door shoe and kick plate with raindrip
- Supplied Net Length (as ordered)



### 2213\_V

AVAILABLE FINISHES: **A, BSP, D, G**  
 REPLACEMENT INSERT: **EV94 (BL)**  
 ANSI: **R3D414 K773 (BL)**

- Combination door shoe and kick plate
- Furnished with notched gasket as standard
- Supplied Net Length (as ordered)



Also available with unnotched insert:

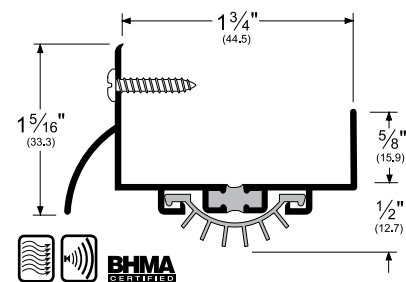
2213\_V36UN  
 2213\_V48UN

## Thermally Broken Door Shoe

- Polypropylene thermal break (FG) prevents conductivity of hot or cold from exterior to interior. Supplied with PemkoPrene™ Seal
- Supplied Net Length (as ordered)

### 216\_FG

AVAILABLE FINISHES: **BDC, BDG, BSP, D, PW, SN**  
 REPLACEMENT INSERT: **PK216 (BL, GR)**  
 ANSI: **R3D514**



NOTE: Products shown in this section may not be drawn to scale.

AVAILABLE FINISHES FOR PRODUCTS SHOWN ON THIS PAGE (see General Information section for finish chart)  
**A** (Mill Finish Aluminum) **BDC** (Bright Dip Clear) **BSP** (Black Suede Powder Coated Aluminum)  
**D** (Dark Bronze Anodized) **G** (Gold Anodized) **PW** (Painted White) **SN** (Satin Nickel Anodized)

**ASSA ABLOY**  
 Opening Solutions

Experience a safer  
 and more open world

800-824-3018 | [www.assaabloydooraccessories.us](http://www.assaabloydooraccessories.us)  
 Check the web site for the up-to-date catalog

## Door Sweeps for Hollow Metal Doors

- Profiles in this section available with PemkoPrene™ (PK) or Eco-V™ (V); both are the same shape and size
- Slotted holes for easy adjustment
- Rain drip model is ideal for deflecting rain away from the bottom of the door

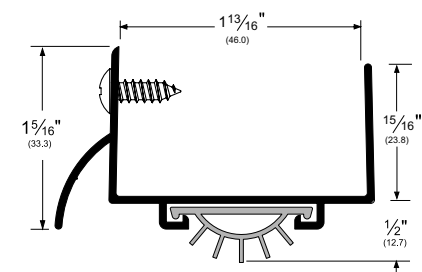
### 2251\_V

AVAILABLE FINISHES: **A, BSP, D**  
 REPLACEMENT INSERT: **EV9 (BL, GR)**  
 ANSI: **R3D514**

### 2251\_PK

AVAILABLE FINISHES: **A, BSP, D**  
 REPLACEMENT INSERT: **PK9 (BL, GR)**  
 ANSI: **R3G514**

- Supplied with 1/4" undercut from length ordered. Specify "NET LENGTH" to receive length as ordered.



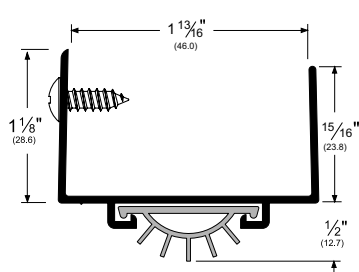
### 225\_V

AVAILABLE FINISHES: **A, BSP, D**  
 REPLACEMENT INSERT: **EV9 (BL, GR)**  
 ANSI: **R3D414**

### 225\_PK

AVAILABLE FINISHES: **A, BSP, D**  
 REPLACEMENT INSERT: **PK9 (BL, GR)**  
 ANSI: **R3G414**

- Supplied with 1/4" undercut from length ordered. Specify "NET LENGTH" to receive length as ordered.



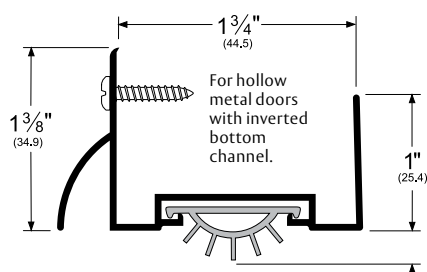
### 2221\_V

AVAILABLE FINISHES: **A, BSP, D, G**  
 REPLACEMENT INSERT: **EV9 (BL, GR)**  
 ANSI: **R3D514**

### 2221\_PK

AVAILABLE FINISHES: **A, BSP, D, G**  
 REPLACEMENT INSERT: **EV9 (BL, GR)**  
 ANSI: **R3G514**

- Supplied Net Length (as ordered)



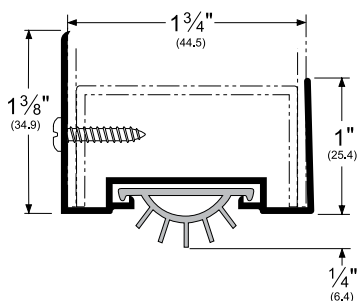
### 222\_V

AVAILABLE FINISHES: **A, BSP, D, G**  
 REPLACEMENT INSERT: **EV9 (BL, GR)**  
 ANSI: **R3D414**

### 222\_PK

AVAILABLE FINISHES: **A, BSP, D, G**  
 REPLACEMENT INSERT: **PK9 (BL, GR)**  
 ANSI: **R3G414**

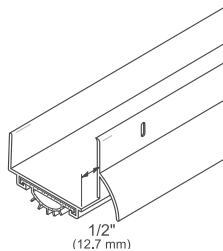
- For hollow metal doors with inverted bottom channel
- Supplied Net Length (as ordered)



## Fabrication Options for Door Shoes

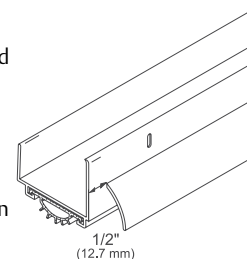
### 1/2" Full Notch

- Fabrication includes: removal of rain drip and front flange of door shoe to prevent interference with door stop and weatherstrip
- Ordering: order width of door leaf, and designate by adding "M" following the product number  
 (Example: a 216AV with a 1/2" full notch fabrication, for a 36" door leaf = 216AVM36)



### 1/2" Half Notch

- Fabrication includes: removal of rain drip to prevent interference with door stop and weatherstrip
- Ordering: order width of door leaf and designate by adding "N" following the product number
- Special: Other half notches available are 9/16", 5/8", and 3/4" widths, please specify when ordering  
 (Example: a 216AV with a 1/2" half notch fabrication, for a 36" door leaf = 216AVN36)



NOTE: Products shown in this section may not be drawn to scale.

AVAILABLE FINISHES FOR PRODUCTS SHOWN ON THIS PAGE (see General Information section for finish chart)

**A** (Mill Finish Aluminum) **BDC** (Bright Dip Clear Anodized) **BDG** (Bright Dip Gold Anodized)  
**BSP** (Black Suede Powder Coated Aluminum) **D** (Dark Bronze Anodized) **G** (Gold Anodized)  
**PW** (Painted White) **SN** (Satin Nickel Anodized)

800-824-3018 | [www.assaabloydooraccessories.us](http://www.assaabloydooraccessories.us)

Check the web site for the up-to-date catalog

Copyright © 2015-2020, ASSA ABLOY Accessories and Door Controls Group, Inc., an ASSA ABLOY Group company. All rights reserved.  
 Reproduction in whole or in part without the express written permission of ASSA ABLOY Accessories and Door Controls Group, Inc. is prohibited.

**ASSA ABLOY**  
 Opening Solutions

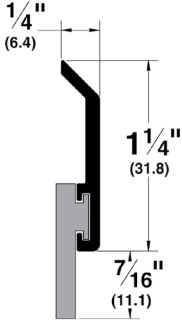
Experience a safer  
 and more open world

# Door Bottom Sweeps

## 315\_N

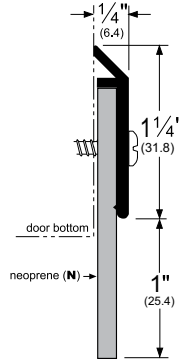
AVAILABLE FINISHES: **B, BSP, C, D, G, PW, SN**  
 REPLACEMENT INSERT: **E315 (BL)**  
 ANSI: **R3B434, R3B435**

- Currently being redesigned as a running change. Anodized finishes may be supplied in old style for a short time. Contact Customer Service with questions.



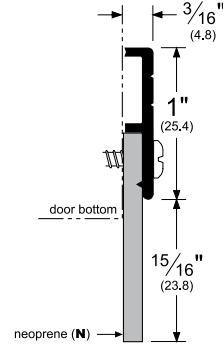
## 3151\_N

AVAILABLE FINISHES: **BSP, C, D, G**  
 REPLACEMENT INSERT: **N9 (BL)**  
 ANSI: **R3B434**



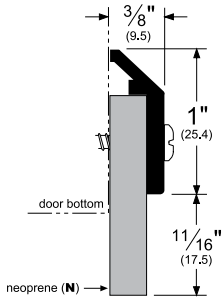
## 321\_N

AVAILABLE FINISHES: **BSP, C, D, G**  
 REPLACEMENT INSERT: **N8 (BL)**  
 ANSI: **R3B434, R3B435**



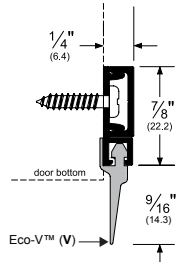
## 368\_N

AVAILABLE FINISHES: **BSP, C, D, G**  
 REPLACEMENT INSERT: **N10 (BL)**  
 ANSI: **R3B434, R3B435**



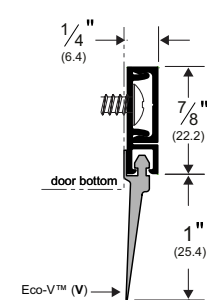
## 29326\_V

AVAILABLE FINISHES: **C, D, G**  
 REPLACEMENT INSERT: **EV65 (BL, GR, W)**  
 ANSI: **R3D434**



## 293100\_V

AVAILABLE FINISHES: **C, D, G**  
 REPLACEMENT INSERT: **EV54 (BL, GR, W)**  
 ANSI: **R3D434**



NOTE: Products shown in this section may not be drawn to scale.

AVAILABLE FINISHES FOR PRODUCTS SHOWN ON THIS PAGE (see General Information section for finish chart)  
**B** (Mill Finish Extruded Bronze [Brass]) **BDG** (Bright Dip Gold Anodized) **BSP** (Black Suede Powder Coated Aluminum)  
**C** (Clear Anodized) **D** (Dark Bronze Anodized) **G** (Gold Anodized) **PW** (Painted White) **SN** (Satin Nickel Anodized)

**ASSA ABLOY**  
 Opening Solutions

Experience a safer  
 and more open world

800-824-3018 | [www.assaabloydooraccessories.us](http://www.assaabloydooraccessories.us)  
 Check the web site for the up-to-date catalog

Copyright © 2015-2020, ASSA ABLOY Accessories and Door Controls Group, Inc., an ASSA ABLOY Group company. All rights reserved. Reproduction in whole or in part without the express written permission of ASSA ABLOY Accessories and Door Controls Group, Inc. is prohibited.

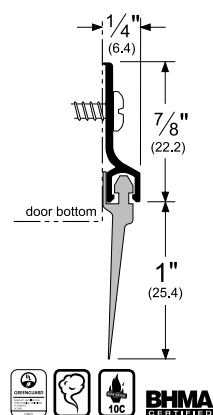
## Door Bottom Sweeps (Cont.)

### 307\_V

AVAILABLE FINISHES:  
**A, BDG, BSP, C, D, G, PW, SN**  
 REPLACEMENT INSERT:  
**EV54 (BL, GR, W)**  
 ANSI: **R3D434**

### 307\_PK

AVAILABLE FINISHES:  
**A, BDG, BSP, C, D, G, PW, SN**  
 REPLACEMENT INSERT:  
**PK54 (BL, GR)**  
 ANSI: **R3G434**

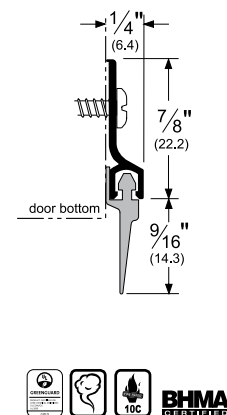


### 308\_V

AVAILABLE FINISHES:  
**A, BDG, BSP, C, D, G, PW, SN**  
 REPLACEMENT INSERT:  
**EV65 (BL, GR)**  
 ANSI: **R3D434**

### 308\_PK

AVAILABLE FINISHES:  
**A, BDG, BSP, C, D, G, PW, SN**  
 REPLACEMENT INSERT:  
**PK65 (BL, GR)**  
 ANSI: **R3D434**

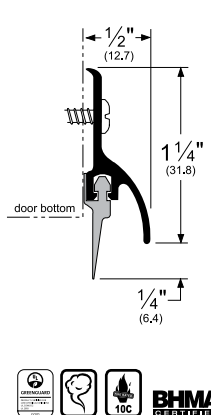


### 3452\_V

AVAILABLE FINISHES:  
**A, BDG, BSP, C, D, G, PW, SN**  
 REPLACEMENT INSERT:  
**EV65 (BL, GR, W)**  
 ANSI: **R3D534**

### 3452\_PK

AVAILABLE FINISHES:  
**A, BDG, BSP, C, D, G, PW, SN**  
 REPLACEMENT INSERT:  
**PK65 (BL, GR)**  
 ANSI: **R3G534**

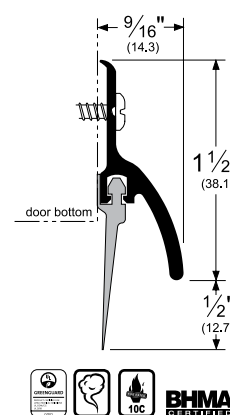


### 345\_V

AVAILABLE FINISHES:  
**A, BDG, BSP, C, D, G, PW, SN**  
 REPLACEMENT INSERT:  
**EV54 (BL, GR, W)**  
 ANSI: **R3D534**

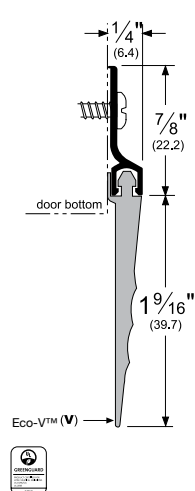
### 345\_PK

AVAILABLE FINISHES:  
**A, BDG, BSP, C, D, G, PW, SN**  
 REPLACEMENT INSERT:  
**PK54 (BL, GR)**  
 ANSI: **R3G534**



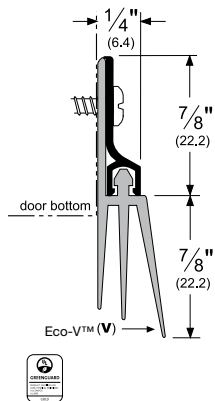
### 56\_V

AVAILABLE FINISHES:  
**A, BDG, BSP, D, G, PW, SN**  
 REPLACEMENT INSERT:  
**EV56 (BL, GR)**



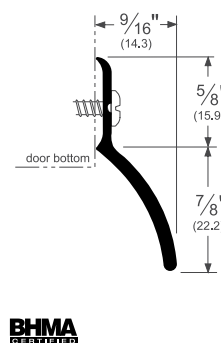
### 57\_V

AVAILABLE FINISHES:  
**A, BDG, BSP, D, G, PW, SN**  
 REPLACEMENT INSERT:  
**EV57 (BL)**



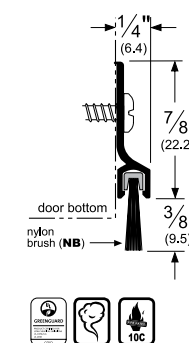
### 345\_

AVAILABLE FINISHES:  
**A, B, BDG, BSP, C, D, G, PW, SN**  
 ANSI: **R3Y936**



### 309\_P

AVAILABLE FINISHES:  
**A, BDG, BSP, D, G, PW, SN**  
 REPLACEMENT INSERT:  
**P3 (BL, GR)**



NOTE: Products shown in this section may not be drawn to scale.

AVAILABLE FINISHES FOR PRODUCTS SHOWN ON THIS PAGE (see General Information section for finish chart)  
**A** (Mill Finish Aluminum) **B** (Mill Finish Extruded Bronze [Brass]) **BDG** (Bright Dip Gold Anodized)  
**BSP** (Black Suede Powder Coated Aluminum) **C** (Clear Anodized) **D** (Dark Bronze Anodized) **G** (Gold Anodized)  
**PW** (Painted White) **SN** (Satin Nickel Anodized)

800-824-3018 | [www.assaabloydooraccessories.us](http://www.assaabloydooraccessories.us)  
 Check the web site for the up-to-date catalog

Copyright © 2015-2020, ASSA ABLOY Accessories and Door Controls Group, Inc., an ASSA ABLOY Group company. All rights reserved.  
 Reproduction in whole or in part without the express written permission of ASSA ABLOY Accessories and Door Controls Group, Inc. is prohibited.

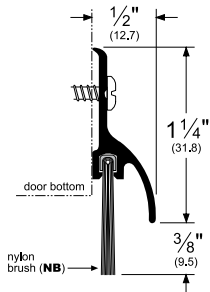
**ASSA ABLOY**  
 Opening Solutions

Experience a safer  
 and more open world

# Door Bottom Sweeps (Cont.)

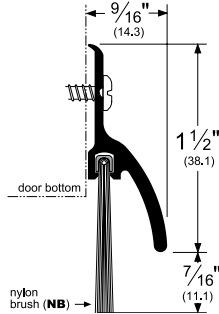
## 3452\_NB

AVAILABLE FINISHES:  
**BDG, BSP, C, D, G, PW, SN**  
 REPLACEMENT INSERT:  
**P14075 (BL, GR)**  
 ANSI: R3A534



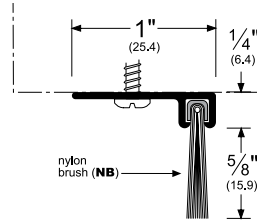
## 345\_NB

AVAILABLE FINISHES:  
**A, BDG, BSP, D, G, PW**  
 REPLACEMENT INSERT:  
**P14100 (BL, GR)**  
 ANSI: R3A534



## 90062\_NB

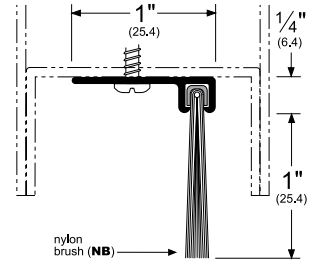
AVAILABLE FINISHES:  
**BSP, C, D, G**  
 REPLACEMENT INSERT:  
**P516062 (BL, GR, W)**  
 ANSI: R3A414



## 90100\_NB

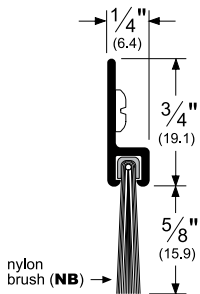
AVAILABLE FINISHES:  
**BSP, C, D, G**  
 REPLACEMENT INSERT:  
**P516100 (BL, GR, W)**  
 ANSI: R3A414

For hollow metal doors  
 with inverted channel



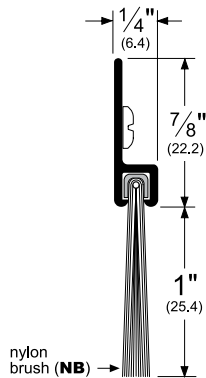
## 18061\_NB

AVAILABLE FINISHES:  
**BSP, C, D, G, SN**  
 REPLACEMENT INSERT:  
**P51062 (BL, GR, W)**  
 ANSI: R3A434



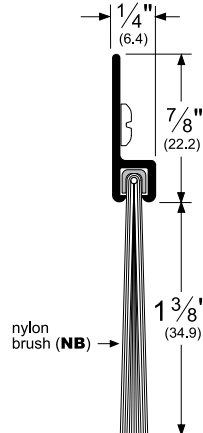
## 18100\_NB

AVAILABLE FINISHES:  
**BSP, C, D, G, PW**  
 REPLACEMENT INSERT:  
**P38100 (BL, GR)**  
 ANSI: R3A434



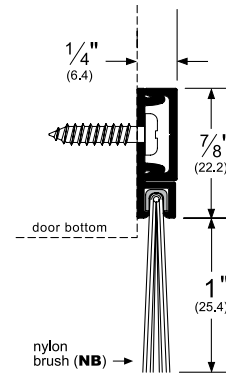
## 18137\_NB

AVAILABLE FINISHES:  
**BSP, C, D, G, PW**  
 REPLACEMENT INSERT:  
**P38137 (BL, GR)**  
 ANSI: R3A434



## 293100\_NB

AVAILABLE FINISHES:  
**BSP, C, D, G**  
 REPLACEMENT INSERT:  
**P516100 (BL, GR)**



NOTE: Products shown in this section may not be drawn to scale.

AVAILABLE FINISHES FOR PRODUCTS SHOWN ON THIS PAGE (see General Information section for finish chart)  
**A** (Mill Finish Aluminum) **BDG** (Bright Dip Gold Anodized) **BSP** (Black Suede Powder Coated Aluminum)  
**C** (Clear Anodized) **D** (Dark Bronze Anodized) **G** (Gold Anodized) **PD** (Painted Dark Bronze)  
**SN** (Satin Nickel Anodized)

**ASSA ABLOY**  
 Opening Solutions

Experience a safer  
 and more open world

800-824-3018 | [www.assaabloydooraccessories.us](http://www.assaabloydooraccessories.us)

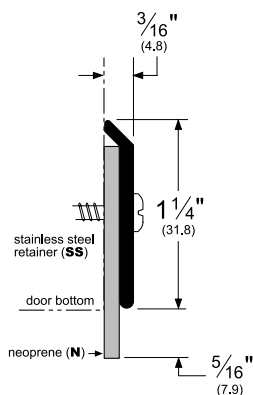
Check the web site for the up-to-date catalog

Copyright © 2015-2020, ASSA ABLOY Accessories and Door Controls Group, Inc., an ASSA ABLOY Group company. All rights reserved. Reproduction in whole or in part without the express written permission of ASSA ABLOY Accessories and Door Controls Group, Inc. is prohibited.

# Stainless Steel Door Bottom Sweeps

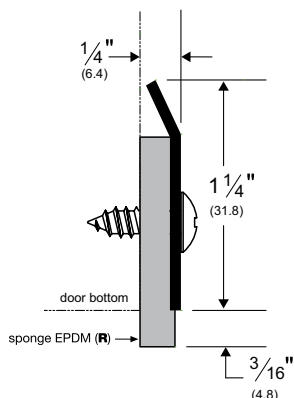
## 315SSN

AVAILABLE FINISH: **SS (#4 Finish)**  
 REPLACEMENT INSERT: **N8 (BL)**  
 ANSI: **R5B434, R5B435**



## 315SSR

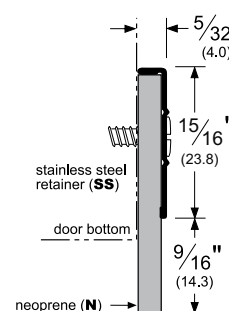
AVAILABLE FINISH: **SS (#4 Finish)**  
 REPLACEMENT INSERT: **ER2 (BL)**  
 ANSI: **R5G164, R5G165**



## 321SSN

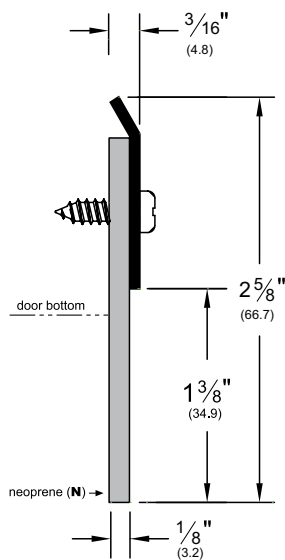
AVAILABLE FINISH: **SS**  
 REPLACEMENT INSERT: **N8 (BL)**  
 ANSI: **R5B165**

- 430 Bright Annealed SS



## 3151SSN

AVAILABLE FINISH: **SS (#4 Finish)**  
 REPLACEMENT INSERT: **N9 (BL)**  
 ANSI: **R5B434, R5B435**



NOTE: Products shown in this section may not be drawn to scale.

AVAILABLE FINISHES FOR PRODUCTS SHOWN ON THIS PAGE (see General Information section for finish chart)  
 SS (See Individual Part)

800-824-3018 | [www.assaabloydooraccessories.us](http://www.assaabloydooraccessories.us)  
 Check the web site for the up-to-date catalog

Copyright © 2015-2020, ASSA ABLOY Accessories and Door Controls Group, Inc., an ASSA ABLOY Group company. All rights reserved.  
 Reproduction in whole or in part without the express written permission of ASSA ABLOY Accessories and Door Controls Group, Inc. is prohibited.

**ASSA ABLOY**  
 Opening Solutions

Experience a safer  
 and more open world

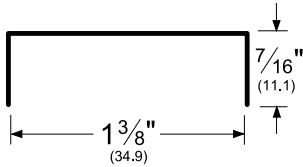


## Door Top Weatherstrip

**\_343**

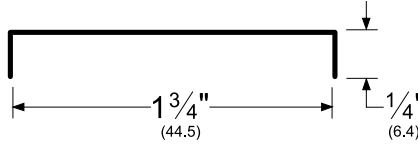
AVAILABLE FINISHES: **PA**  
AVAILABLE LENGTHS: **36", 48"**

- For top of 1 3/8" wood doors



**\_344**

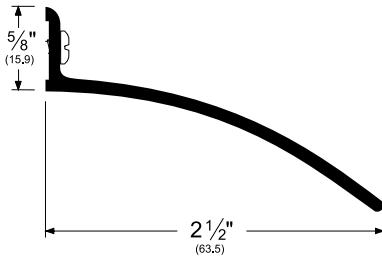
AVAILABLE FINISHES: **PA**  
AVAILABLE LENGTHS: **36", 48"**



**346\_**

AVAILABLE FINISHES: **10BE, BSP, C, D, G, PW, WSP**

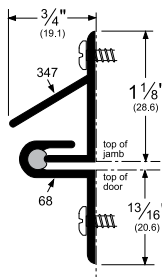
- Overhead rain drip with slotted holes
- Should be ordered a minimum of 4" longer than the door width



**347\_**

**68\_R**

AVAILABLE FINISHES: **A, D, G**



## Heavy Duty Door Bumper

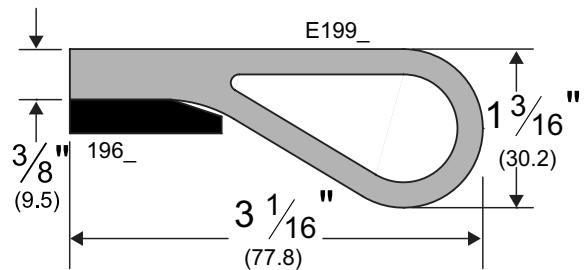
- Heavy duty door bumper extruded from black EPDM (E)
- Order 196\_ separately; furnished undrilled unless requested otherwise

**E199\_**

AVAILABLE COLOR: **BL**

**196\_**

AVAILABLE COLOR: **A**



NOTE: Products shown in this section may not be drawn to scale.

AVAILABLE FINISHES FOR PRODUCTS SHOWN ON THIS PAGE (see General Information section for finish chart)

**10BE** (Satin Bronze Powder Coated Aluminum) **A** (Mill Finish Aluminum) **BSP** (Black Suede Powder Coated Aluminum)  
**C** (Clear Anodized) **D** (Dark Bronze Anodized) **G** (Gold Anodized) **PA** (Painted Aluminum) **PW** (Painted White)  
**WSP** (White Suede Powder Coated Aluminum)

Non-Metal Finish: **BL** (Black)

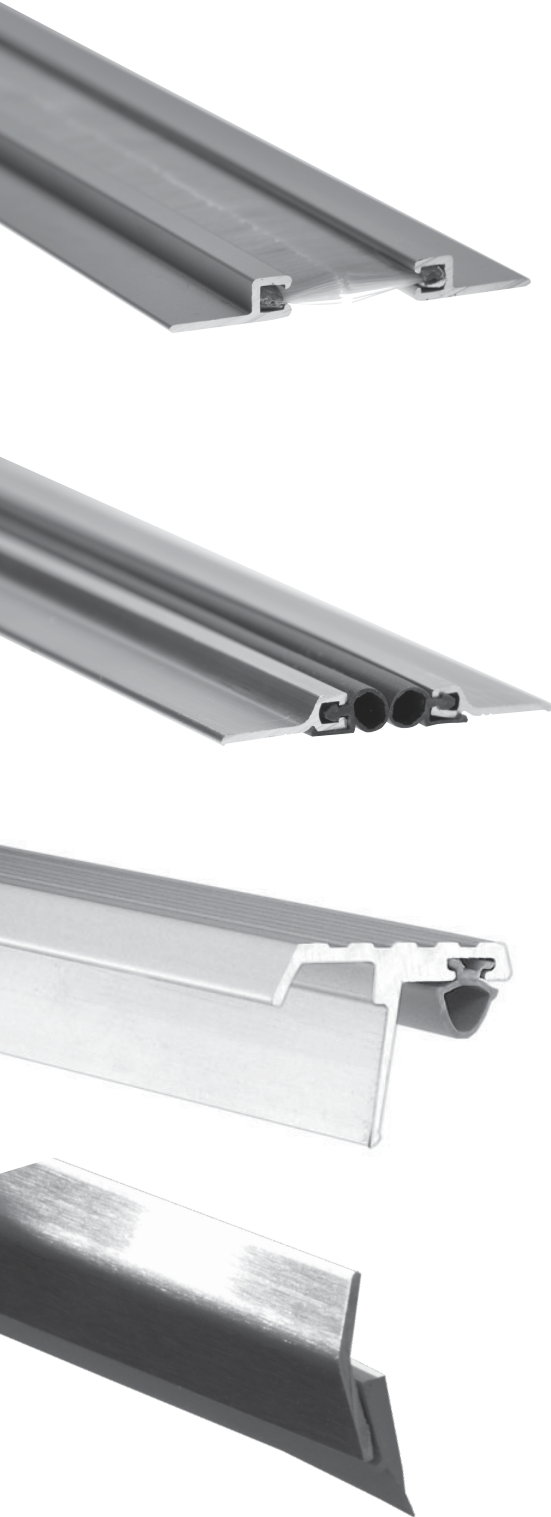
**ASSA ABLOY**  
Opening Solutions

Experience a safer  
and more open world

800-824-3018 | [www.assaabloydooraccessories.us](http://www.assaabloydooraccessories.us)  
Check the web site for the up-to-date catalog

Copyright © 2015-2020, ASSA ABLOY Accessories and Door Controls Group, Inc., an ASSA ABLOY Group company. All rights reserved.  
Reproduction in whole or in part without the express written permission of ASSA ABLOY Accessories and Door Controls Group, Inc. is prohibited.

# Pemko Astragals & Meeting Stiles



## CONTENTS:

Astragal and Meeting Stile Gasketing - Split Astragals.....	168
Split Astragals with Snap Covers – Concealed Fasteners.....	170
Meeting Stile Gasketing.....	170
Adhesive Astragal/Meeting Stile Seals.....	172
Adjustable Astragals.....	172
“T” and Overlapping Astragals.....	173
Adhesive-Backed Mullion Gasketing.....	174
Adhesive Astragal Seal.....	174
Offset Security Bar and Security Astragal.....	174
Locking Astragals.....	175
Locking Wood Astragals.....	177
Outswing Locking Astragals.....	178

## INDEX:

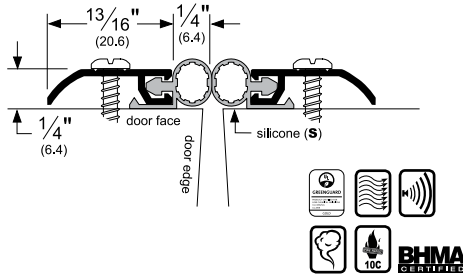
PRODUCT	PAGE	PRODUCT	PAGE	PRODUCT	PAGE
297.....	172	358.....	174	5110.....	178
300.....	175	359.....	177	18041.....	173
303.....	172	369.....	175	18061.....	173
305.....	172	371.....	175	29310.....	174
305SS.....	172	372.....	175	29324.....	174
310.....	173	375.....	177	29326.....	174
311CIN.....	173	378.....	178	34831.....	181
313.....	174	3443.....	182	B71.....	175
314.....	174	3444.....	182	OAK349.....	179
316.....	173	3481.....	181	FIR349.....	179
318.....	173	3483.....	181	S1125.....	178
329.....	172	3493.....	179	Q108.....	180, 181
351.....	176	3494.....	179	S771.....	176
352.....	177	3495.....	180	S771x6.....	176
354.....	176	3496.....	180	S772.....	176
355.....	177	3497.....	180		
356.....	177	3498.....	180		
357.....	177	3572.....	178		

## Astragal and Meeting Stile Gasketing - Split Astragals

- Astragals and meeting stiles with a fire label may be mounted on pairs of doors wherein the gap meets the requirements of **NFPA 80, 6.3.1.7.1 "The clearance between... the meeting edges of doors swinging in pairs on the pull side shall be 1/8" ± 1/16" (3.18mm ± 1.59mm) for steel doors and shall not exceed 1/8" (3.18mm) for wood doors"**
- Order split astragals at two (2) pieces by door height per set of double doors. When ordering add "/2" to the end of the part number to specify 2 pieces (i.e. order quantity 1 each 303AS84/2 to get two lengths at 84 inches)
- Punched with slotted holes for adjustment
- Clear anodized brush products are supplied with gray brush. Painted white brush products are supplied with white brush when available, otherwise black brush is supplied. All other finishes supplied with black brush. Black brush is available for clear anodized and painted white brush products upon request.

### 297\_S

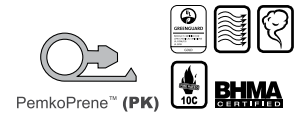
AVAILABLE FINISHES:  
**10BE, A, BDG, BSP, D, G, PW, SN, WSP**  
 REPLACEMENT INSERT:  
**S3 (BL, W)**  
 ANSI: R3E734, R3E735



### Alternate Inserts For 297

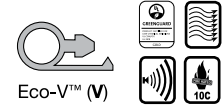
#### 297\_PK

AVAILABLE FINISHES:  
**10BE, A, BDG, BSP, D, G, PW, SN, WSP**  
 REPLACEMENT INSERT:  
**PK47 (BL, GR)**  
 ANSI: R3G734, R3G735



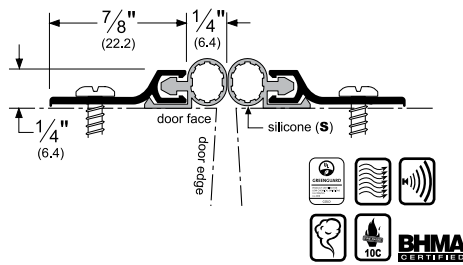
#### 297\_V

AVAILABLE FINISHES:  
**10BE, A, BDG, BSP, D, G, PW, SN, WSP**  
 REPLACEMENT INSERT:  
**EV47 (BL, GR, W)**



### 303\_S

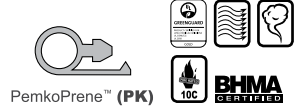
AVAILABLE FINISHES:  
**10BE, A, BDG, BSP, C, D, G, PW, SN, WSP**  
 REPLACEMENT INSERT:  
**S3 (BL, W)**  
 ANSI: R3E734, R3E735



### Alternate Inserts For 303

#### 303\_PK

AVAILABLE FINISHES:  
**10BE, A, BDG, BSP, C, D, G, PW, SN, WSP**  
 REPLACEMENT INSERT:  
**PK47 (BL, GR)**  
 ANSI: R3G734



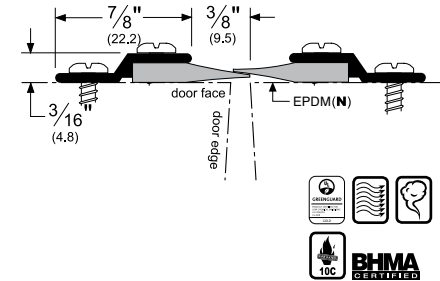
#### 303\_V

AVAILABLE FINISHES:  
**10BE, A, BDG, BSP, C, D, G, PW, SN, WSP**  
 REPLACEMENT INSERT:  
**EV47 (BL, GR, W)**



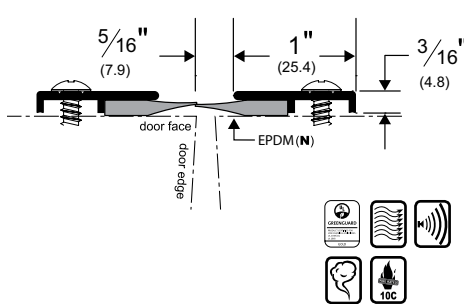
### 305\_N

AVAILABLE FINISHES:  
**10BE, B, BSP, C, D, G, WSP**  
 REPLACEMENT INSERT:  
**E2 (BL, GR)**  
 ANSI: R3G734, R3G735



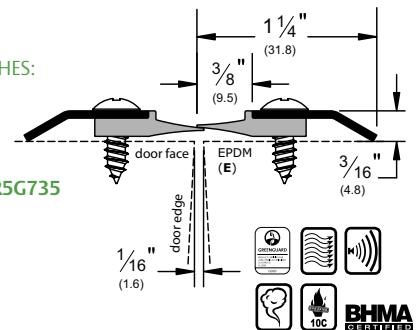
### 329\_N

AVAILABLE FINISHES:  
**10BE, BSP, C, D, G, PW, WSP**  
 REPLACEMENT INSERT:  
**E2 (BL, GR)**



### 305SSE

AVAILABLE FINISHES:  
**SS (#4 Finish)**  
 REPLACEMENT INSERT:  
**E2 (BL, GR)**  
 ANSI: R5G734, R5G735



AVAILABLE FINISHES FOR PRODUCTS SHOWN ON THIS PAGE (see General Information section for finish chart)  
**10BE** (Satin Bronze Powder Coated Aluminum) **A** (Mill Finish Aluminum) **BDG** (Bright Dip Gold Anodized)  
**BSP** (Black Suede Powder Coated Aluminum) **C** (Clear Anodized) **D** (Dark Bronze Anodized) **G** (Gold Anodized)  
**PW** (Painted White) **SN** (Satin Nickel Anodized) **WSP** (White Suede Powder Coated Aluminum)  
 Special finishes available upon request

**ASSA ABLOY**  
 Opening Solutions

Experience a safer  
 and more open world

800-824-3018 | [www.assaabloydooraccessories.us](http://www.assaabloydooraccessories.us)

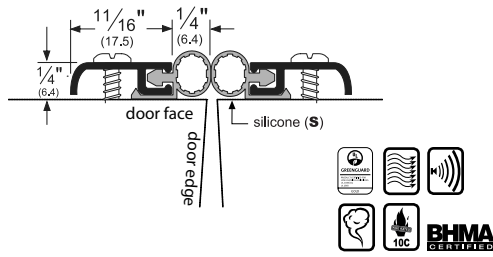
Check the web site for the up-to-date catalog

Copyright © 2015-2020, ASSA ABLOY Accessories and Door Controls Group, Inc., an ASSA ABLOY Group company. All rights reserved. Reproduction in whole or in part without the express written permission of ASSA ABLOY Accessories and Door Controls Group, Inc. is prohibited.

# Astragal and Meeting Stile Gasketing - Split Astragals (Cont.)

## 316\_S

AVAILABLE FINISHES:  
**10BE, A, BDG, BSP, D, G, WSP**  
 REPLACEMENT INSERT:  
**S3 (BL, W)**  
 ANSI: **R3E734, R3E735**



### Alternate Inserts For 316

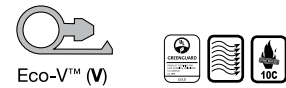
#### 316\_PK

AVAILABLE FINISHES:  
**A, BDG, D, G**  
 REPLACEMENT INSERT:  
**PK47 (BL, GR)**  
 ANSI: **R3G734, R3G735**



#### 316\_V

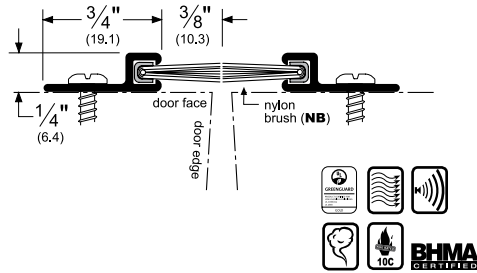
AVAILABLE FINISHES:  
**A, BDG, D, G**  
 REPLACEMENT INSERT:  
**EV47 (BL, GR, W)**



## 18041\_NB

AVAILABLE FINISHES:  
**10BE, C, BSP, D, G, SN, WSP**  
 REPLACEMENT INSERT:  
**P516041 (BL, GR)**  
 ANSI: **R3A734**

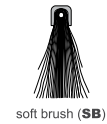
NOTE: Brush should mesh from 1/32" to 1/16".



### Alternate Inserts For 18041

#### 18041\_SB

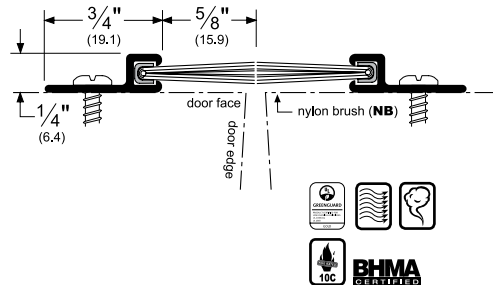
AVAILABLE FINISHES:  
**C, D, G, SN**  
 REPLACEMENT INSERT:  
**P3 (BL, GR)**



## 18061\_NB

AVAILABLE FINISHES:  
**10BE, C, BSP, D, G, SN, WSP**  
 REPLACEMENT INSERT:  
**P516062 (BL, GR, W)**  
 ANSI: **R3A734**

NOTE: Brush should mesh from 1/32" to 1/16".



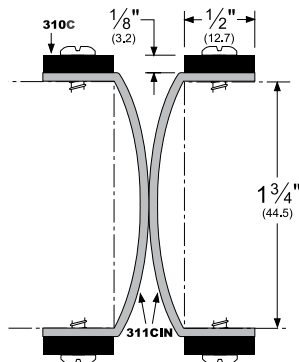
## 310\_\*

### 311CIN

AVAILABLE FINISHES:  
**C**

- Material required for one pair of doors:
  - 4 ea. 310 bars
  - 2 ea. 311CIN cloth inserted rubber pieces
    - Specify 311CIN3.75 for 1 3/4" thick doors
    - Specify 311CIN4.00 for 2" thick doors
    - Specify 311CIN4.25 for 2 1/4" thick doors

\* Sold individually



AVAILABLE FINISHES FOR PRODUCTS SHOWN ON THIS PAGE (see General Information section for finish chart)  
**10BE** (Satin Bronze Powder Coated Aluminum) **A** (Mill Finish Aluminum) **BDG** (Bright Dip Gold Anodized)  
**BSP** (Black Suede Powder Coated Aluminum) **C** (Clear Anodized) **D** (Dark Bronze Anodized) **G** (Gold Anodized)  
**PW** (Painted White) **SN** (Satin Nickel Anodized) **WSP** (White Suede Powder Coated Aluminum)  
 Special finishes available upon request

800-824-3018 | [www.assaabloydooraccessories.us](http://www.assaabloydooraccessories.us)

Check the web site for the up-to-date catalog

Copyright © 2015-2020, ASSA ABLOY Accessories and Door Controls Group, Inc., an ASSA ABLOY Group company. All rights reserved.  
 Reproduction in whole or in part without the express written permission of ASSA ABLOY Accessories and Door Controls Group, Inc. is prohibited.

**ASSA ABLOY**  
 Opening Solutions

Experience a safer  
 and more open world

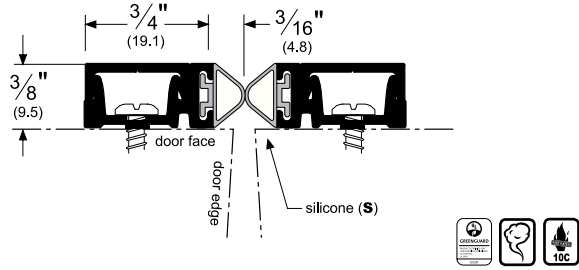
## Split Astragals with Snap Covers – Concealed Fasteners

- Snap cover helps prevent vandalism and adds an attractive finished look by concealing the fasteners

- Replacement snap cover part number is \_29316. Please specify finish and length when ordering.

### 29310\_S

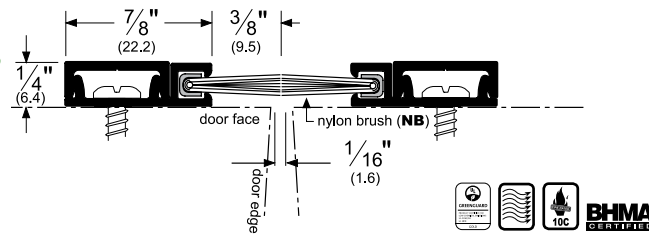
AVAILABLE FINISHES:  
**10BE, C, BSP, D, G, WSP**  
 REPLACEMENT INSERT:  
**S4 (BL, GR)**  
 ANSI: R3E734



### 29324\_NB

AVAILABLE FINISHES:  
**10BE, C, BSP, D, G, WSP**  
 REPLACEMENT INSERT:  
**P516041 (BL, GR)**  
 ANSI: R3A434

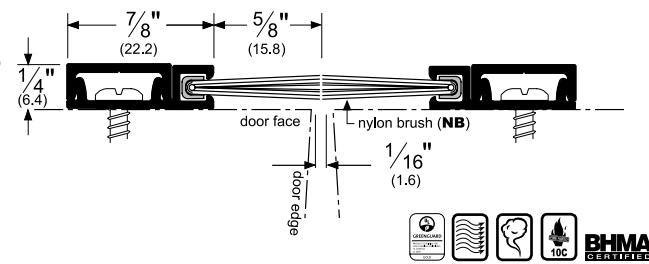
NOTE: Brush should mesh from 1/32" to 1/16".



### 29326\_NB

AVAILABLE FINISHES:  
**10BE, C, BSP, D, G, WSP**  
 REPLACEMENT INSERT:  
**P516062 (BL, GR, W)**  
 ANSI: R3A164, R3A165

NOTE: Brush should mesh from 1/32" to 1/16".



### Alternate Inserts For 29310

#### 29310\_PK

AVAILABLE FINISHES:  
**C, D, G**  
 REPLACEMENT INSERT:  
**PK4 (BL, GR)**  
 ANSI: R3G734



#### 29310\_P

AVAILABLE FINISHES:  
**C, D, G**  
 REPLACEMENT INSERT:  
**P2 (BL, GR)**



#### 29310\_V

AVAILABLE FINISHES:  
**C, D, G**  
 REPLACEMENT INSERT:  
**EV41 (BL, GR, W)**



### Alternate Inserts For 29324

#### 29324\_SB

AVAILABLE FINISHES:  
**C, D, G**  
 REPLACEMENT INSERT:  
**P3 (BL, GR)**

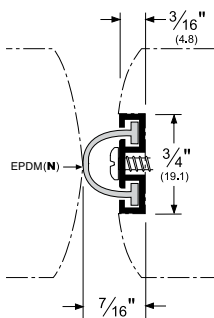


## Meeting Stile Gasketing

- These products do not work well on beveled-edge pairs of doors

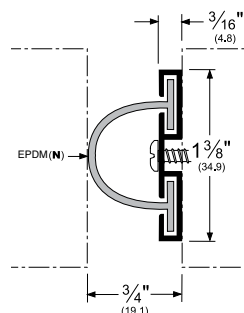
### 313\_N

AVAILABLE FINISHES:  
**A, D, G**  
 REPLACEMENT INSERT:  
**E1 (BL, GR)**  
 NOTE: Recommended radius is 1-7/8"



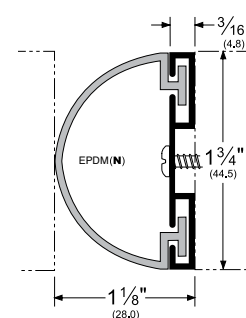
### 314\_N

AVAILABLE FINISHES:  
**C, D, G**  
 REPLACEMENT INSERT:  
**E3 (BL, GR)**



### 358\_N

AVAILABLE FINISHES:  
**C, D, G**  
 REPLACEMENT INSERT:  
**E6 (BL, GR)**



AVAILABLE FINISHES FOR PRODUCTS SHOWN ON THIS PAGE (see General Information section for finish chart)  
**10BE** (Satin Bronze Powder Coated Aluminum) **A** (Mill Finish Aluminum) **BSP** (Black Suede Powder Coated Aluminum)  
**C** (Clear Anodized) **D** (Dark Bronze Anodized) **G** (Gold Anodized) **WSP** (White Suede Powder Coated Aluminum)  
 Special finishes available upon request

**ASSA ABLOY**  
 Opening Solutions

Experience a safer  
 and more open world

800-824-3018 | [www.assaabloydooraccessories.us](http://www.assaabloydooraccessories.us)  
 Check the web site for the up-to-date catalog

Copyright © 2015-2020, ASSA ABLOY Accessories and Door Controls Group, Inc., an ASSA ABLOY Group company. All rights reserved.  
 Reproduction in whole or in part without the express written permission of ASSA ABLOY Accessories and Door Controls Group, Inc. is prohibited.

## Meeting Stile Gasketing (Cont.)

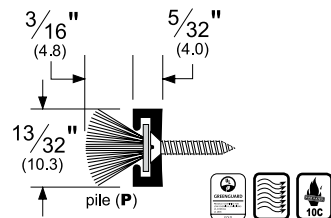
- Astragals/Meeting Stiles with a fire label may be mounted on pairs of doors wherein the gap meets the requirements of NFPA 80, 2-5.4
- These products (except \_71) do not work well on beveled-edge pairs of doors

### 369\_P

AVAILABLE FINISHES: **A, D, G**

REPLACEMENT INSERT:

**P2 (BL, GR)**

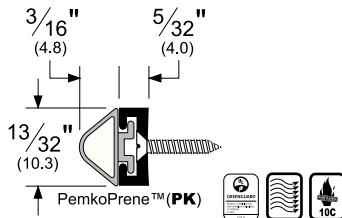


### 369\_PK

AVAILABLE FINISHES: **A, D, G**

REPLACEMENT INSERT:

**PK4 (BL, GR)**

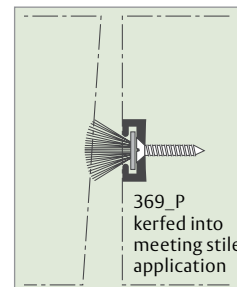
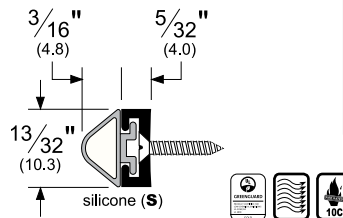


### 369\_S

AVAILABLE FINISHES: **A, D, G**

REPLACEMENT INSERT:

**S4 (BL, GR)**

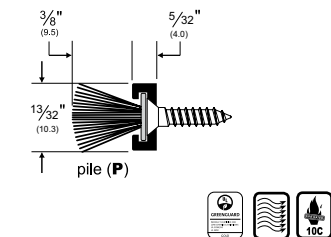


### 369\_P4

AVAILABLE FINISHES: **A, D, G**

REPLACEMENT INSERT:

**P4 (BL)**



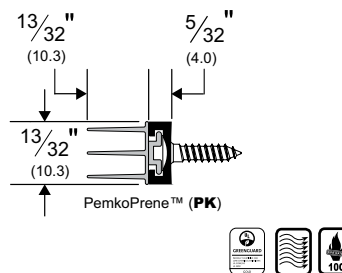
### 369\_PK773

AVAILABLE FINISHES: **A, D, G**

REPLACEMENT INSERT:

**PK773 (BL)**

- Gasket only available in 36" or 49" lengths and will be spliced in a continuous metal retainer

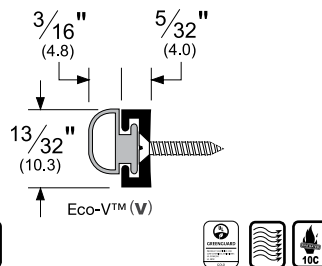


### 369\_V

AVAILABLE FINISHES: **A, D, G**

REPLACEMENT INSERT:

**EV41 (BL, GR, W)**



### A371P (1/4" pile)

### A372P (3/8" pile)

- Available in 84" and 96" lengths
- Available with gray pile only
- Fasten with nails or staples through pile and backing, or use adhesive. Fasteners not supplied
- Pile and backing do not separate

### 300\_P

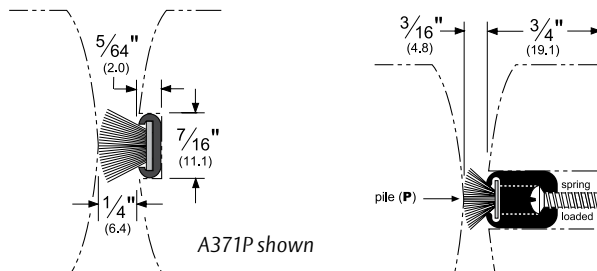
AVAILABLE FINISHES:

**B, C, D, G**

REPLACEMENT INSERT:

**P2 (BL, GR)**

- For a 3/8" gap (or smaller) between doors
- Spring-loaded from back side



AVAILABLE FINISHES FOR PRODUCTS SHOWN ON THIS PAGE (see General Information section for finish chart)  
**A** (Mill Finish Aluminum) **B** (Mill Finish Extruded Bronze [Brass]) **B** (Hemmed Spring Bronze) **C** (Clear Anodized)  
**D** (Dark Bronze Anodized) **G** (Gold Anodized) **SS** (Stainless Steel) Special finishes available upon request

800-824-3018 | [www.assaabloydooraccessories.us](http://www.assaabloydooraccessories.us)

Check the web site for the up-to-date catalog

Copyright © 2015-2020, ASSA ABLOY Accessories and Door Controls Group, Inc., an ASSA ABLOY Group company. All rights reserved.  
 Reproduction in whole or in part without the express written permission of ASSA ABLOY Accessories and Door Controls Group, Inc. is prohibited.

**ASSA ABLOY**  
Opening Solutions

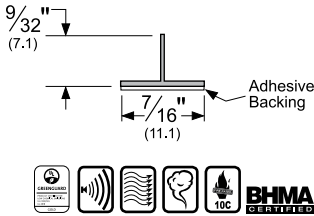
Experience a safer  
and more open world



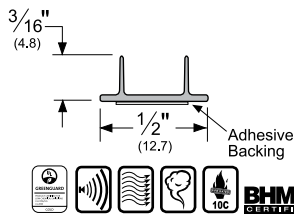
# Adhesive Astragal/Meeting Stile Seals

- The **S771** and **S772** astragal/meeting stile seals can be installed on virtually any pair of doors where sound attenuation is required. These products seal the opening to prevent heat loss, retard the passage of smoke, and act as a weatherization product
- Excellent resistance to compression set, particularly at elevated temperatures and for extended periods of time
- Stays flexible between -58°F and 450°F with very high resistance to flex fatigue
- Maintains a low closing force
- Easy installation requires no mechanical fasteners; can be cut to size in the field

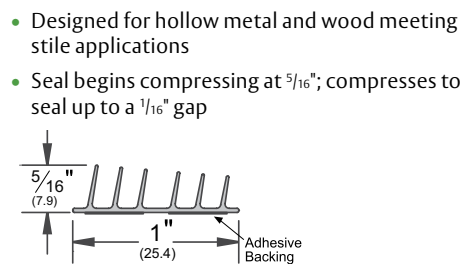
**S771\_**  
 AVAILABLE FINISHES: **BL, C, D, GR, W**  
 AVAILABLE LENGTHS: 7', 8', 9', 10'  
 ANSI: **ROE754, ROE755**



**S772\_**  
 AVAILABLE FINISHES: **BL, C, D, GR, W**  
 AVAILABLE LENGTHS: 7', 8', 9', 10'  
 ANSI: **ROE754, ROE755**



**S771x6\_**  
 AVAILABLE FINISHES: **BL, C**  
 AVAILABLE LENGTHS: 7', 8', 9', 10'  
 ANSI: **ROE154, ROE155, ROE754, ROE755**



**Notes For All Adhesive Gasketing:**

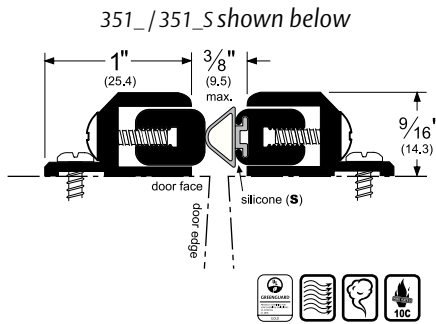
Storage and shelf life: All adhesive gaskets have a limited shelf life. This product must be installed within 6 months of purchase and must be stored between 50°F and 100°F. For further notes/details, please see Adhesive Gasketing section.

## Adjustable Astragals

- Available in 84", 96" and 120" lengths
- When used as split astragals on double doors, two lengths must be ordered: one for each door
- If you require split astragals in a metal to gasket configuration, you must order using part number 351\_/\_351\_S where "S" can be any gasket designation shown in this section and "\_" is your desired finish

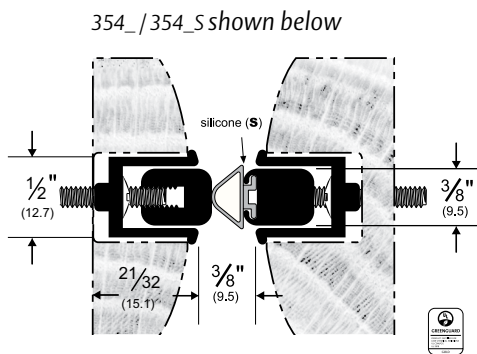
**351\_S**  
 AVAILABLE FINISHES:  
**10BE, B, BSP, C, D, G, WSP**  
 REPLACEMENT INSERT:  
**S4 (BL, GR)**

- Surface applied
- For use with square-edge or bevel-edge doors
- 351\_S (et al) is one single piece; order 351\_/\_351\_S to receive both pieces as in drawing



**354\_S**  
 AVAILABLE FINISHES:  
**10BE, B, BSP, C, D, G, WSP**  
 REPLACEMENT INSERT:  
**S4 (BL, GR)**

- Fully mortised
- Designed for use with bullnose doors
- 354\_S (et al) is one single piece; order 354\_/\_354\_S to receive both pieces as in drawing

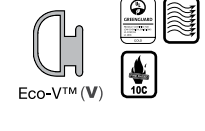


### Alternate Inserts For 351

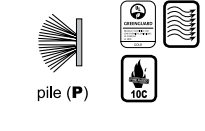
**351\_PK**  
 AVAILABLE FINISHES:  
**10BE, B, BSP, C, D, G, WSP**  
 REPLACEMENT INSERT:  
**PK4 (BL, GR)**



**351\_V**  
 AVAILABLE FINISHES:  
**10BE, B, BSP, C, D, G, WSP**  
 REPLACEMENT INSERT:  
**EV41 (BL, GR, W)**



**351\_P**  
 AVAILABLE FINISHES:  
**10BE, B, BSP, C, D, G, WSP**  
 REPLACEMENT INSERT:  
**P2 (BL, GR)**

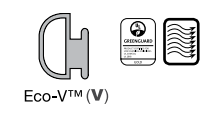


### Alternate Inserts For 354

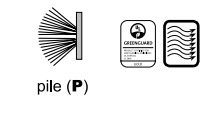
**354\_PK**  
 AVAILABLE FINISHES:  
**10BE, B, BSP, C, D, G, WSP**  
 REPLACEMENT INSERT:  
**PK4 (BL, GR)**



**354\_V**  
 AVAILABLE FINISHES:  
**10BE, B, BSP, C, D, G, WSP**  
 REPLACEMENT INSERT:  
**EV41 (BL, GR, W)**



**354\_P**  
 AVAILABLE FINISHES:  
**10BE, B, BSP, C, D, G, WSP**  
 REPLACEMENT INSERT:  
**P2 (BL, GR)**



AVAILABLE FINISHES FOR PRODUCTS SHOWN ON THIS PAGE (see General Information section for finish chart)  
**10BE** (Satin Bronze Powder Coated Aluminum) **B** (Mill Finish Extruded Bronze [Brass]) **BSP** (Black Suede Powder Coated Aluminum) **C** (Clear Anodized) **D** (Dark Bronze Anodized) **G** (Gold Anodized) **WSP** (White Suede Powder Coated Aluminum)  
 Special finishes available upon request  
 Gasket colors: **BL** (Black) **C** (Clear) **D** (Dark) **GR** (Gray) **W** (White)

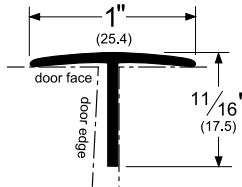
800-824-3018 | www.assaabloydooraccessories.us  
 Check the web site for the up-to-date catalog

**ASSA ABLOY**  
 Opening Solutions

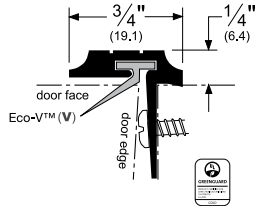
Experience a safer  
 and more open world

# "T" and Overlapping Astragals

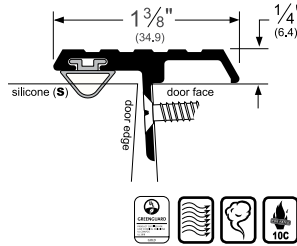
**359\_**  
 AVAILABLE FINISHES:  
**10BE, A, BDG, BSP, D, WSP**  
 • Supplied with weatherstrip nails for installation



**356\_V**  
 AVAILABLE FINISHES:  
**10BE, A, BDG, BSP, D, PW, SN, WSP**  
 REPLACEMENT INSERT:  
**EV17 (BL, GR, W)**  
 • Countersink drilling with countersunk flathead screws also available upon request at no extra charge



**355\_S**  
 AVAILABLE FINISHES:  
**10BE, B, BDG, BSP, C, D, G, PW, SN, WSP**  
 REPLACEMENT INSERT:  
**S4 (BL, GR)**



## Alternate Inserts For 355

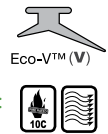
**355\_V**  
 AVAILABLE FINISHES:  
**10BE, B, BDG, BSP, C, D, G, PW, SN, WSP**  
 REPLACEMENT INSERT:  
**EV7 (BL, GR, W)**



**355\_P**  
 AVAILABLE FINISHES:  
**10BE, B, BDG, BSP, C, D, G, PW, SN, WSP**  
 REPLACEMENT INSERT:  
**P2 (BL, GR)**

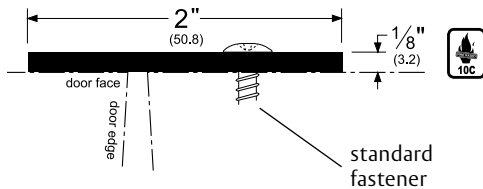


**355\_PK**  
 AVAILABLE FINISHES:  
**B, BDG, BSP, C, D, G, PW, SN**  
 REPLACEMENT INSERT:  
**PK7 (BL, GR, W)**



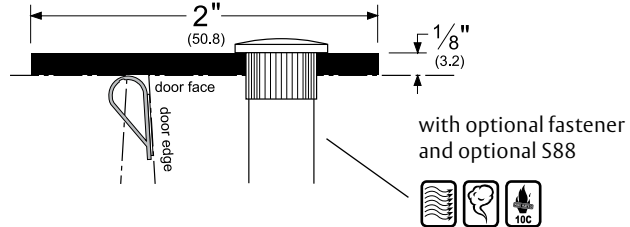
**357\_**  
**357\_ND**  
 AVAILABLE FINISHES:  
**10BE, BSP, C, D, SP, SPBSP, SPWSP, SS**  
 (#4 Finish & #4 Edge)

- 11 GAUGE**
- "ND" denotes "no drill" (unless specified "ND", astragals are drilled)
  - Standard fastener is #10 x 1" Truss Head SMS
  - Lead-line option available

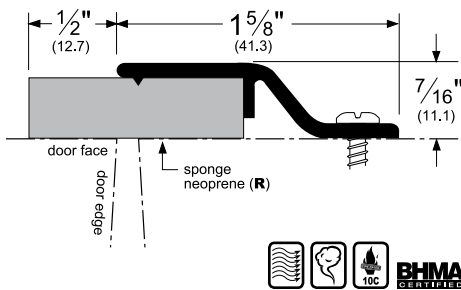


**357\_ with S88**  
 AVAILABLE FINISHES:  
**SP, SS (#4 Finish & #4 Edge)**  
**11 GAUGE**

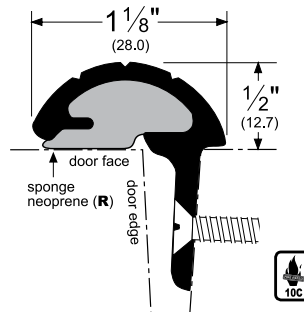
- Standard fastener is #10 x 1" Truss Head SMS
- 1/4" - 20 machine screws and thru-bolts must be ordered separately at additional cost
- S88 seal must be ordered separately at an additional cost, if required



**375\_R**  
 AVAILABLE FINISHES: **10BE, BSP, C, D, WSP**  
 REPLACEMENT INSERT: **ER6 (BL)**  
 ANSI: **R3C634, R3C635**



**352\_R**  
 AVAILABLE FINISHES: **C, D, G**  
 REPLACEMENT INSERT: **R8 (BL)**  
 For reverse bevel doors



AVAILABLE FINISHES FOR PRODUCTS SHOWN ON THIS PAGE (see General Information section for finish chart)  
**10BE** (Satin Bronze Powder Coated Aluminum) **A** (Mill Finish Aluminum) **B** (Mill Finish Extruded Bronze [Brass]) **BDG** (Bright Dip Gold Anodized) **C** (Clear Anodized) **BSP** (Black Suede Powder Coated Aluminum) **D** (Dark Bronze Anodized) **G** (Gold Anodized) **PW** (Painted White) **SN** (Satin Nickel Anodized) **SP** (Galvannealed Steel) **SPBSP** (Black Suede Powder Coated Steel) **SPWSP** (White Suede Powder Coated Steel) **SS** (See Individual Part) **WSP** (White Suede Powder Coated Aluminum) Special finishes available upon request

800-824-3018 | [www.assaabloydooraccessories.us](http://www.assaabloydooraccessories.us)  
 Check the web site for the up-to-date catalog

Copyright © 2015-2020, ASSA ABLOY Accessories and Door Controls Group, Inc., an ASSA ABLOY Group company. All rights reserved.  
 Reproduction in whole or in part without the express written permission of ASSA ABLOY Accessories and Door Controls Group, Inc. is prohibited.

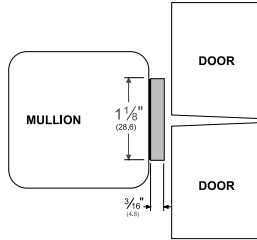
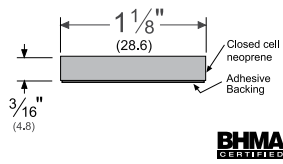
**ASSA ABLOY**  
 Opening Solutions

Experience a safer  
 and more open world



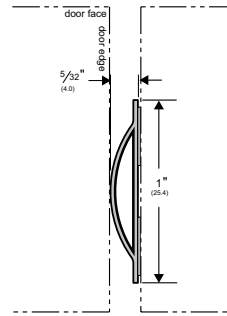
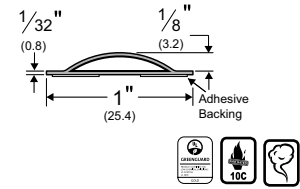
## Adhesive-Backed Mullion Gasketing

**5110\_**  
 AVAILABLE FINISH: **BL**  
 AVAILABLE LENGTHS: **120"**  
 ANSI: **ROC004**



## Adhesive Astragal Seal

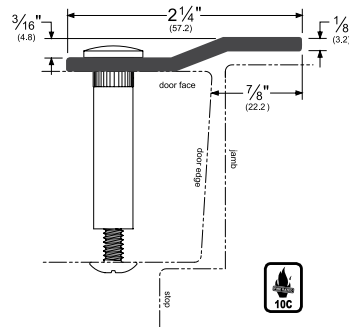
**S1125\_**  
 AVAILABLE FINISH: **D**  
 AVAILABLE LENGTHS: **7, 8, 10**



## Offset Security Bar

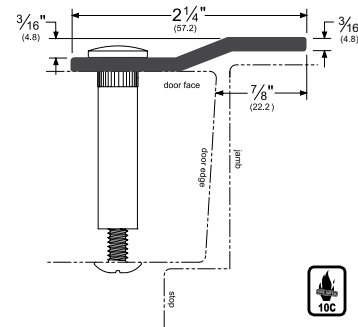
- For use on single outswing wood or metal doors
- Covers gap between the door and jamb for the full door height, preventing prying and manipulation

**3572\_**  
**3572\_ND**  
 AVAILABLE FINISHES:  
**SP, SPBSP, SPWSP, SS (#4 Finish & #4 Edge)**  
 AVAILABLE LENGTHS:  
**80", 84" and 96"**  
**10 GAUGE**



- 3572\_ supplied drilled 12" on center with 1/4" holes; "ND" denotes "no drill"

**3572PP7**  
**3572PP7ND**  
 AVAILABLE FINISHES:  
**PP**  
 AVAILABLE LENGTHS:  
**84"**  
**7 GAUGE**

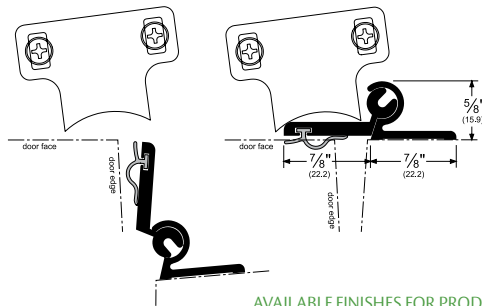


## Security Astragal

- Automatic security astragal for outswing pairs of wood and metal doors
- Discourages manipulation of panic-type hardware
- Astragal is held flush against other door by 1/2" thick cam mounted to header (cam and mounting screws included); for replacement cam order K378 kit
- Anodized aluminum with Eco-V™ seal and stainless steel operating spring

- Either door may be active without requiring a coordinator
- Parts can be trimmed 12" maximum from each end
- Should be mounted prior to attaching panic hardware to eliminate the problem of interference
- Must be installed on the inside and top of a pair of outswing doors
- Longest length available is 96"

**378\_**  
 AVAILABLE FINISHES:  
**C, D, G**  
 REPLACEMENT INSERT:  
**EV23 (BL)**  
 AVAILABLE LENGTHS:  
**86", 96"**



AVAILABLE FINISHES FOR PRODUCTS SHOWN ON THIS PAGE (see General Information section for finish chart)  
**BL** (Black) **C** (Clear Anodized) **D** (Dark Bronze Anodized) **G** (Gold Anodized) **PP** (Prime Painted)  
**SP** (Galvanized Steel) **SS** (See Individual Part) **SPBSP** (Black Suede Powder Coated Steel)  
**SPWSP** (White Suede Powder Coated Steel) Special finishes available upon request

**ASSA ABLOY**  
 Opening Solutions

Experience a safer  
 and more open world

800-824-3018 | [www.assaabloydooraccessories.us](http://www.assaabloydooraccessories.us)

Check the web site for the up-to-date catalog

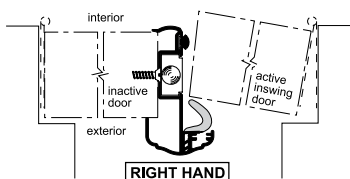
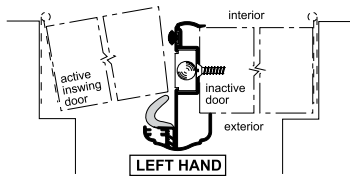
Copyright © 2015-2020, ASSA ABLOY Accessories and Door Controls Group, Inc., an ASSA ABLOY Group company. All rights reserved. Reproduction in whole or in part without the express written permission of ASSA ABLOY Accessories and Door Controls Group, Inc. is prohibited.

## Locking Astragals

- Weatherstripped astragals with locking spring bolts or slide bolts for 1 $\frac{3}{4}$ " inswing double doors
- Odd numbered astragals have economical smooth acting slide bolts. Slide bolts are 4" from the top/bottom standard; optional 18" slide bolt is available for easier access. Even numbered astragals have locking spring bolts. Both have full  $\frac{3}{8}$ " diameter steel bolts with 1 $\frac{1}{16}$ " throw. In the extended and locked position, locking spring bolts cannot be easily retracted by tampering. In the retracted position, the spring loaded bolts latch firmly, preventing marking of the floor and door header trim when opening or closing the inactive door
- Styles **3493** thru **3498** come with a molded sponge neoprene bottom seal
- All feature four-way adjustable strike plate mounting for latchbolt and deadbolt
- All come with a Eco-V™ snap-in cover strip to conceal the cutout and cover the mounting screws
- Astragal stock lengths are 80", 84", 96" and 120"
- A standard deadbolt punchout is  $\frac{3}{4}$ " x 4" at 40" on center Punchout supplied on request only
- For non-stock astragals, specify deadbolt punchout size and center distance from top end
- Specify handing using the handing chart on page 181 or 184

### Handing Chart For Astragals (For pages 181 thru 184)

- An astragal is handed by the hand of the active door. The hand of the active door is determined by the position of the hinges on the door, when viewed from the outside (the key side)



### Slimline style with slide bolt 3493\_S

REPLACEMENT INSERT: **S4 (BL, GR)**

### 3493\_V

REPLACEMENT INSERT: **EV41 (BL, W)**

AVAILABLE FINISHES:

**BDG, C, D, G, PW**

- **3493** also available with 18" slide bolt (at additional cost) for easier access (specify "L" at the end of the product number for this option i.e. **3493\_VL**)

### Slimline style with locking spring bolt 3494\_S

REPLACEMENT INSERT: **S4 (BL, GR)**

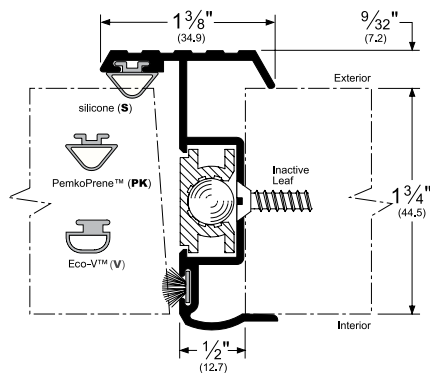
### 3494\_V

REPLACEMENT INSERT: **EV41 (BL, W)**

AVAILABLE FINISHES:

**BDG, C, D, G, PW**

### Slimline Style

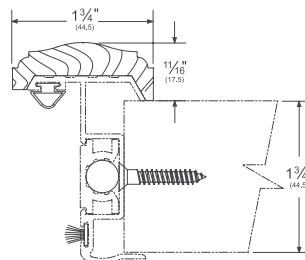


### Oak Fascia

**OAK349-96**

### Fir Fascia

**FIR349-96**



- Available in 96" length only
- The fascia is attached to the face of 3493/3494 locking metal astragals, providing a aesthetic appearance while utilizing the mechanical advantages of the locking metal astragals
- The fascia is supplied unfinished to allow for custom matching

AVAILABLE FINISHES FOR PRODUCTS SHOWN ON THIS PAGE (see General Information section for finish chart)  
**BDG** (Bright Dip Gold Anodized) **C** (Clear Anodized) **D** (Dark Bronze Anodized) **G** (Gold Anodized) **PW** (White)  
 Special finishes available upon request

800-824-3018 | [www.assaabloydooraccessories.us](http://www.assaabloydooraccessories.us)

Check the web site for the up-to-date catalog

Copyright © 2015-2020, ASSA ABLOY Accessories and Door Controls Group, Inc., an ASSA ABLOY Group company. All rights reserved.  
 Reproduction in whole or in part without the express written permission of ASSA ABLOY Accessories and Door Controls Group, Inc. is prohibited.

**ASSA ABLOY**  
 Opening Solutions

Experience a safer  
 and more open world

# Locking Astragals

## Colonial Style

Colonial style with slide bolt

3495\_M

REPLACEMENT INSERT: **MAG349 (D, W)**

3495\_Q

REPLACEMENT INSERT: **Q102 (D, W)**

AVAILABLE FINISHES: **BDG, C, D, PW**

- 3495 available with 18" aluminum bar; specify "L" at the end of product number (i.e. 3498\_Q96L)

Colonial style with locking spring bolt

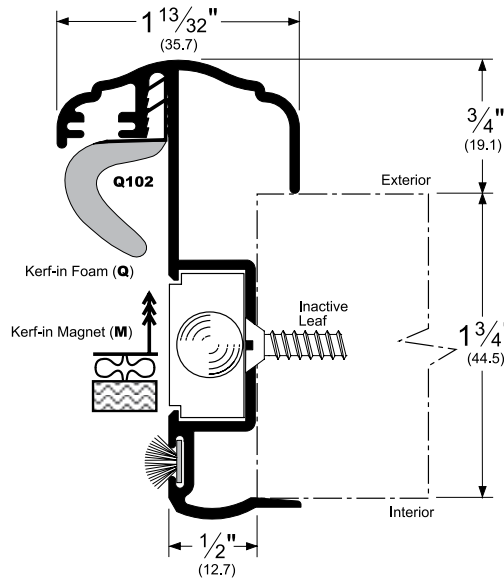
3496\_M

REPLACEMENT INSERT: **MAG349 (D, W)**

3496\_Q

REPLACEMENT INSERT: **Q102 (D, W)**

AVAILABLE FINISHES: **BDG, C, D, G, PW**



**Q108\_**  
 AVAILABLE FINISHES:  
**BL, W**  
 Available with Q108  
 insert only upon  
 request

AVAILABLE FINISHES FOR PRODUCTS SHOWN ON THIS PAGE (see General Information section for finish chart)  
**BDG** (Bright Dip Gold Anodized) **C** (Clear Anodized) **D** (Dark Bronze Anodized) **G** (Gold Anodized)  
**PW** (White) Special finishes available upon request Kerf Colors: **BL** (Black) **W** (White)

**ASSA ABLOY**  
 Opening Solutions

Experience a safer  
 and more open world

800-824-3018 | [www.assaabloydooraccessories.us](http://www.assaabloydooraccessories.us)  
 Check the web site for the up-to-date catalog

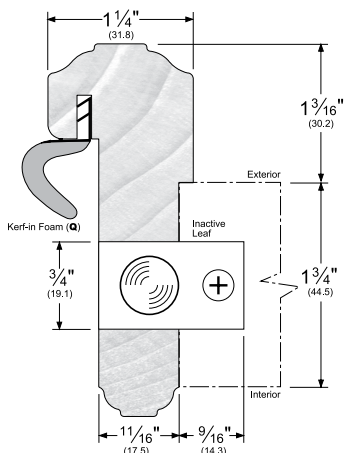
Copyright © 2015-2020, ASSA ABLOY Accessories and Door Controls Group, Inc., an ASSA ABLOY Group company. All rights reserved.  
 Reproduction in whole or in part without the express written permission of ASSA ABLOY Accessories and Door Controls Group, Inc. is prohibited.

## Locking Wood Astragals

- Fir and Oak are clear, stain grade with no knots on visible surfaces
- **3481's** are supplied with a hardware kit including:  
Two (2) bright brass sliding type flush bolt assemblies

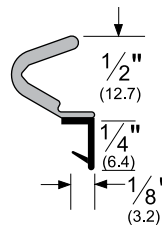
### 3481\_Q

AVAILABLE FINISHES:  
**FIR, OAK**



### Q108\_

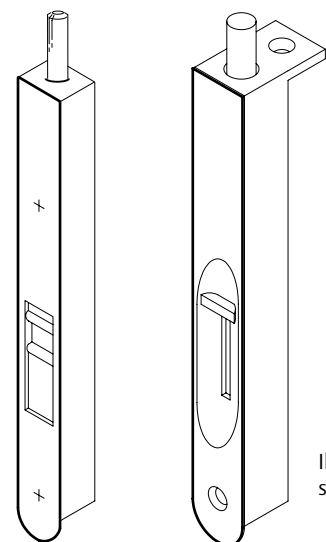
AVAILABLE FINISHES:  
**BL, W**  
**3481** available with **Q108**  
insert only upon request



### 3483FB

### 3481FB

- Flush bolt face plates for **3483FB** are 3/4" x 7".  
Face plates for **3481FB** are 3/4" x 6"
- A 3/4" x 9/16" x 1/8" notch at the top of the door is required for the flush bolt mounting flange on 3481FB
- Flush bolt assemblies for locking wood astragals can be purchased separately



Illustrations not to scale.

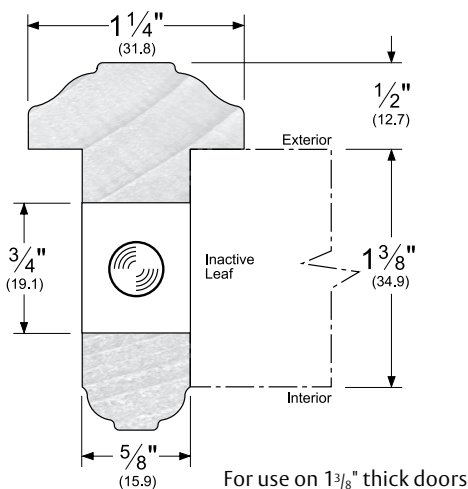
3/8" bolt  
3483FB

1/2" bolt  
3481FB

### 3483\_ (0 flush bolts)

### 34831\_ (1 flush bolt)

AVAILABLE FINISHES:  
**FIR, OAK**



AVAILABLE FINISHES FOR PRODUCTS SHOWN ON THIS PAGE (see General Information section for finish chart)  
**FIR** (Natural Unfinished Fir) **OAK** (Natural Unfinished Oak)  
Kerf Colors: **BL** (Black) **W** (White)

800-824-3018 | [www.assaabloydooraccessories.us](http://www.assaabloydooraccessories.us)  
Check the web site for the up-to-date catalog

Copyright © 2015-2020, ASSA ABLOY Accessories and Door Controls Group, Inc., an ASSA ABLOY Group company. All rights reserved.  
Reproduction in whole or in part without the express written permission of ASSA ABLOY Accessories and Door Controls Group, Inc. is prohibited.

**ASSA ABLOY**  
Opening Solutions

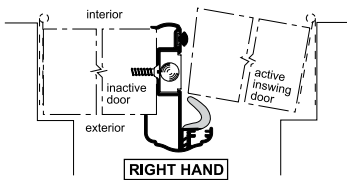
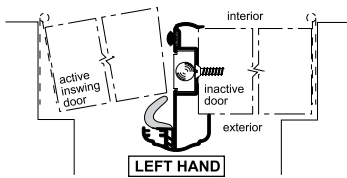
Experience a safer  
and more open world

## Outswing Locking Astragals

- Weatherstripped astragals with locking spring bolts or slide bolts for 1<sup>3</sup>/<sub>4</sub>" outswing double doors. Slide bolts are 18" from the top/bottom for easier access
- Odd numbered astragals have economical smooth acting slide bolts. Even numbered astragals have locking spring bolts. Both have full 3/8" diameter steel bolts with 1<sup>1</sup>/<sub>16</sub>" throw for improved locking strength. In the extended and locked position, locking spring bolts cannot be easily retracted by tampering. In the retracted position, the spring loaded bolts latch firmly, thus preventing marking of the floor and door header trim when opening or closing the inactive door
- All come with a Eco-V™ snap-in cover strip to conceal the cutout and to cover the mounting screws
- All feature four-way adjustable strike plate mounting for latchbolt and deadbolt
- All styles come with a molded sponge neoprene bottom seal
- Each astragal comes complete with an installation kit and detailed instructions
- Specify punchout locations with your order
- Specify handing using the handing chart below

### Handing Chart For Astragals (For pages 181 thru 184)

- An astragal is handed by the hand of the active door. The hand of the active door is determined by the position of the hinges on the door, when viewed from the outside (the key side)



## Slimline Style

### Slimline style with slide bolt

3443\_S

REPLACEMENT INSERT:

S4 (BL, GR)

AVAILABLE FINISHES:

C, D, PW

3443 available with 18" aluminum bar; specify "L" at the end of product number (i.e. 3443\_S96L)

### Slimline style with locking spring bolt

3444\_S

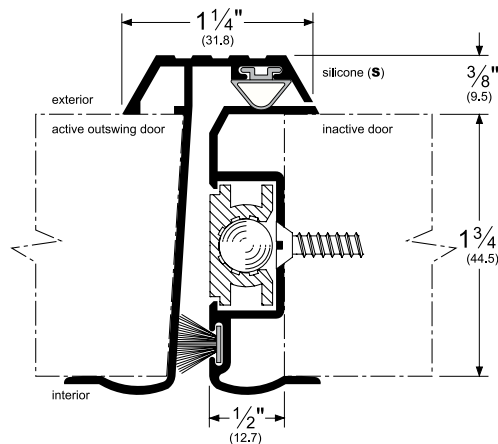
REPLACEMENT INSERT:

S4 (BL, GR)

AVAILABLE FINISHES:

C, D, PW

## Slimline Style



AVAILABLE FINISHES FOR PRODUCTS SHOWN ON THIS PAGE (see General Information section for finish chart)  
C (Clear Anodized) D (Dark Bronze Anodized) PW (White)

**ASSA ABLOY**  
Opening Solutions

Experience a safer  
and more open world

800-824-3018 | [www.assaabloydooraccessories.us](http://www.assaabloydooraccessories.us)

Check the web site for the up-to-date catalog

Copyright © 2015-2020, ASSA ABLOY Accessories and Door Controls Group, Inc., an ASSA ABLOY Group company. All rights reserved. Reproduction in whole or in part without the express written permission of ASSA ABLOY Accessories and Door Controls Group, Inc. is prohibited.

## Pemko Brush Gasketing

### CONTENTS:

180° Aluminum Retainers.....	180
180° Concealed Fastener Retainers .....	181
90° Aluminum Retainers .....	182
45° Concealed Fastener Retainers.....	182
35° Aluminum Retainers .....	184
Mortise Retainers.....	184
Aluminum Retainer with Rain Drip .....	184
Oak Retainers.....	184
Meeting Stiles .....	185
Automatic Door Bottoms.....	186

### INDEX:

<u>PRODUCT</u>	<u>PAGE</u>	<u>PRODUCT</u>	<u>PAGE</u>	<u>PRODUCT</u>	<u>PAGE</u>
345 .....	188	18062W .....	188	45041 .....	187
411 .....	190	18100.....	185	45061 .....	187
434 .....	190	18100W .....	188	45062 .....	187
3452.....	188	18137.....	184	45100.....	187
4131 .....	190	18175.....	184	45137.....	187
4301.....	190	18250.....	184	45175.....	187
5025.....	188	18400 .....	184	45250 .....	187
5041.....	188	18950.....	184	45400 .....	187
5061.....	188	29324.....	185, 189	90041 .....	186
5100.....	188	29326 .....	185, 189	90062 .....	186
18041.....	185, 189	29344 .....	186	90100 .....	186
18050 .....	185	29346 .....	186	90137.....	186
18061 .....	185, 189	35041 .....	188	293100 .....	185
18062 .....	185	35061 .....	188		

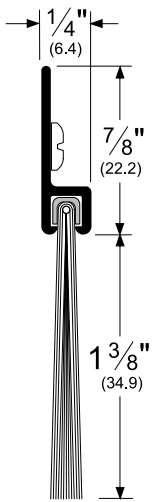
# 180° Aluminum Retainers

- All brush seals consist of densely compressed nylon filaments encased in a high quality aluminum retainer. These products are ideally suited for hollow metal and wood door applications. Also use Pemko's brush weatherstripping product on overhead, section, sliding, and automatic doors
- All brush seals reduce the infiltration of light, air, wind, rain, and snow; prevent heat loss; and control the penetration of smoke and fumes
- Brush remains flexible down to -40°F and has a melting point above 400°F

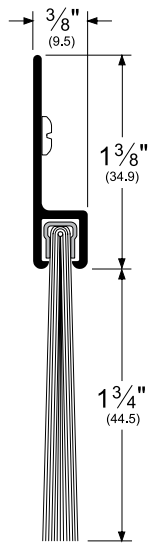
- UV stable, dependable, long-lasting, cost-effective
- Punched with slotted holes for adjustment (except 35° angle types which are drilled with 1/8" hole)
- Naturally repels rodents and spiders; can be sprayed with household pest repellent for additional pest control
- 18950\_NB does not come punched or drilled unless specified otherwise

**18950\_NB**  
 AVAILABLE FINISHES: **C, D**  
 REPLACEMENT INSERT:  
**P58400 (BL, GR)**  
 ANSI: **R3A434**

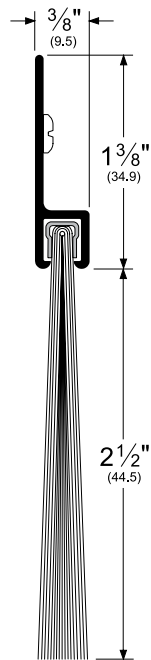
**18137\_NB**  
 AVAILABLE FINISHES:  
**10BE, BSP, C, D, G, PW, WSP**  
 REPLACEMENT INSERT:  
**P38137 (BL, GR, W)**  
 ANSI: **R3A434**



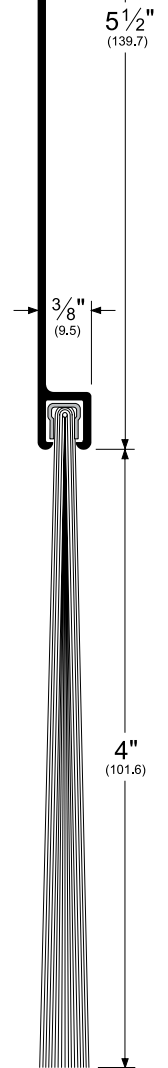
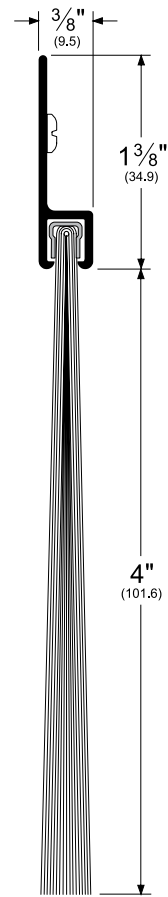
**18175\_NB**  
 AVAILABLE FINISHES:  
**10BE, BSP, C, D, G, WSP**  
 REPLACEMENT INSERT:  
**P58175 (BL, GR)**  
 ANSI: **R3A434**



**18250\_NB**  
 AVAILABLE FINISHES:  
**10BE, BSP, C, D, G, WSP**  
 REPLACEMENT INSERT:  
**P58250 (BL, GR)**  
 ANSI: **R3A434**



**18400\_NB**  
 AVAILABLE FINISHES:  
**10BE, BSP, C, D, G, WSP**  
 REPLACEMENT INSERT:  
**P58400 (BL, GR)**  
 ANSI: **R3A434**



NOTE: Products shown in this section may not be drawn to scale.

AVAILABLE FINISHES FOR PRODUCTS SHOWN ON THIS PAGE (see General Information section for finish chart)

**10BE** (Satin Bronze Coated Aluminum) **BSP** (Black Suede Powder Coated Aluminum) **C** (Clear Anodized)

**D** (Dark Bronze Anodized) **G** (Gold Anodized) **PW** (Painted White) **WSP** (White Suede Powder Coated Aluminum)

Special finishes available upon request

800-824-3018 | [www.assaabloydooraccessories.us](http://www.assaabloydooraccessories.us)

Check the web site for the up-to-date catalog

**ASSA ABLOY**  
 Opening Solutions

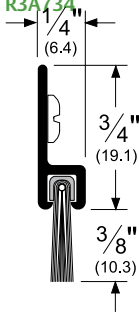
Experience a safer  
 and more open world



## 180° Aluminum Retainers (Cont.)

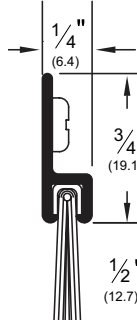
### 18041\_NB

AVAILABLE FINISHES:  
**10BE, BSP, C, D, G, PW, SN, WSP**  
 REPLACEMENT INSERT:  
**P516041 (BL, GR)**  
 ANSI: **R3A134, R3A164, R3A734**



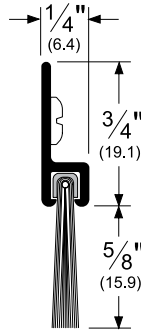
### 18050\_NB

AVAILABLE FINISHES:  
**10BE, BSP, C, D, G, PW, SN, WSP**  
 REPLACEMENT INSERT:  
**P516050 (BL, GR)**  
 ANSI: **R3A434, R3A734**



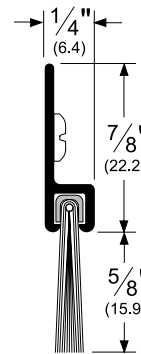
### 18061\_NB

AVAILABLE FINISHES:  
**10BE, BSP, C, D, G, PW, SN, WSP**  
 REPLACEMENT INSERT:  
**P516062 (BL, GR, W)**  
 ANSI: **R3A434, R3A734**



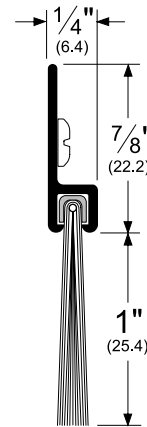
### 18062\_NB

AVAILABLE FINISHES:  
**10BE, BSP, C, D, G, PW, WSP**  
 REPLACEMENT INSERT:  
**P38062 (BL, GR, W)**  
 ANSI: **R3A434**



### 18100\_NB

AVAILABLE FINISHES:  
**10BE, BSP, C, D, G, PW, WSP**  
 REPLACEMENT INSERT:  
**P38100 (BL, GR)**  
 ANSI: **R3A434**



#### Alternate Inserts For 18041

### 18041\_SB

AVAILABLE FINISHES: **C, D, G, SN**  
 REPLACEMENT INSERT: **P3 (BL, GR)**

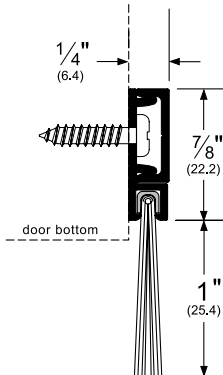


## 180° Concealed Fastener Retainers

- Aluminum snap cover conceals mounting screws to provide a clean aesthetic appearance
- Replacement snap cover is item \_29316; when ordering, identify finish and length
- Cover snaps securely into place to deter vandalism

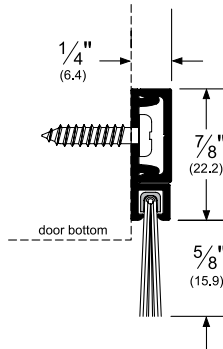
### 293100\_NB

AVAILABLE FINISHES:  
**10BE, BSP, C, D, WSP**  
 REPLACEMENT INSERT:  
**P516100 (BL, GR, W)**  
 ANSI: **R3A434**



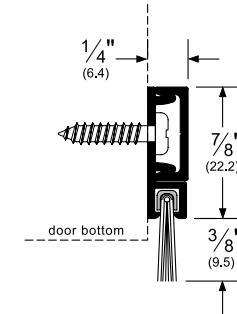
### 29326\_NB

AVAILABLE FINISHES:  
**10BE, BSP, C, D, G, WSP**  
 REPLACEMENT INSERT:  
**P516062 (BL, GR, W)**  
 ANSI: **R3A434**



### 29324\_NB

AVAILABLE FINISHES:  
**10BE, BSP, C, D, G, WSP**  
 REPLACEMENT INSERT:  
**P516041 (BL, GR)**  
 ANSI: **R3A434**



#### Alternate Insert For 29324

### 29324\_SB

AVAILABLE FINISHES: **10BE, BSP, C, D, WSP**  
 REPLACEMENT INSERT: **P3 (BL, GR)**



NOTE: Products shown in this section may not be drawn to scale.

AVAILABLE FINISHES FOR PRODUCTS SHOWN ON THIS PAGE (see General Information section for finish chart)  
**10BE** (Satin Bronze Powder Coated Aluminum) **BSP** (Black Suede Powder Coated Aluminum) **C** (Clear Anodized)  
**D** (Dark Bronze Anodized) **G** (Gold Anodized) **PW** (Painted White) **SN** (Satin Nickel Anodized)  
**WSP** (White Suede Powder Coated Aluminum) Special finishes available upon request

800-824-3018 | [www.assaabloydooraccessories.us](http://www.assaabloydooraccessories.us)

Check the web site for the up-to-date catalog

Copyright © 2015-2020, ASSA ABLOY Accessories and Door Controls Group, Inc., an ASSA ABLOY Group company. All rights reserved. Reproduction in whole or in part without the express written permission of ASSA ABLOY Accessories and Door Controls Group, Inc. is prohibited.

**ASSA ABLOY**  
 Opening Solutions

Experience a safer  
 and more open world

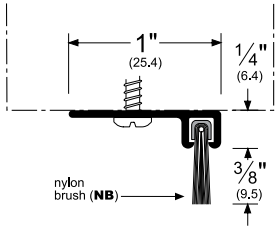


## 90° Aluminum Retainers

- Design permits use as a concealed seal for many applications
- Slotted holes for easy adjustment

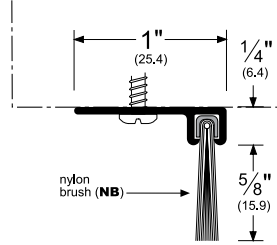
### 90041\_NB

AVAILABLE FINISHES:  
**10BE, BSP, C, D, WSP**  
 REPLACEMENT INSERT:  
**P516041 (BL, GR, W)**  
 ANSI: **R3A164, R3A414**



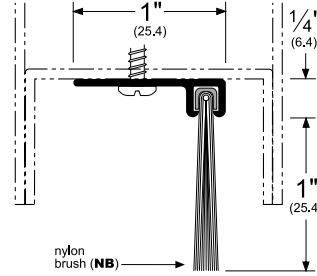
### 90062\_NB

AVAILABLE FINISHES:  
**10BE, BSP, C, D, WSP**  
 REPLACEMENT INSERT:  
**P516062 (BL, GR, W)**  
 ANSI: **R3A164, R3A414**



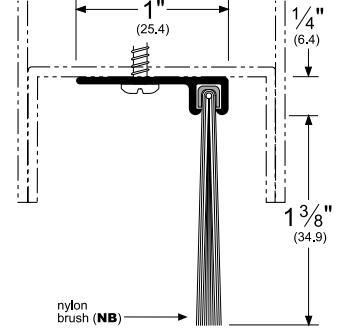
### 90100\_NB

AVAILABLE FINISHES:  
**10BE, BSP, C, D, G, WSP**  
 REPLACEMENT INSERT:  
**P516100 (BL, GR, W)**  
 ANSI: **R3A414**



### 90137\_NB

AVAILABLE FINISHES:  
**10BE, BSP, C, D, G, WSP**  
 REPLACEMENT INSERT:  
**P516137 (BL, GR, W)**  
 ANSI: **R3A414**



Alternate Insert For 90041

### 90041\_SB

AVAILABLE FINISHES: **10BE, BSP, C, D, WSP**  
 REPLACEMENT INSERT: **P3 (BL, GR)**

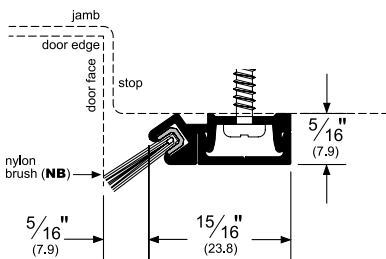


## 45° Concealed Fastener Retainers

- Replacement snap cover is item \_29316-.  
 When ordering, identify finish and length

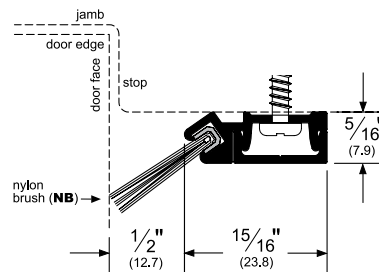
### 29344\_NB

AVAILABLE FINISHES: **10BE, BSP, C, D, WSP**  
 REPLACEMENT INSERT: **P516041 (BL, GR)**  
 ANSI: **R3A164**



### 29346\_NB

AVAILABLE FINISHES: **10BE, BSP, C, D, WSP**  
 REPLACEMENT INSERT: **P516062 (BL, GR, W)**  
 ANSI: **R3A164**



Alternate Insert For 29344

### 29344\_SB

AVAILABLE FINISHES:  
**10BE, BSP, C, D, WSP**  
 REPLACEMENT INSERT: **P3 (BL, GR)**



**ASSA ABLOY**  
 Opening Solutions

Experience a safer  
 and more open world

NOTE: Products shown in this section may not be drawn to scale.

AVAILABLE FINISHES FOR PRODUCTS SHOWN ON THIS PAGE (see General Information section for finish chart)  
**10BE** (Satin Bronze Powder Coated Aluminum) **BSP** (Black Suede Powder Coated Aluminum) **C** (Clear Anodized)  
**D** (Dark Bronze Anodized) **G** (Gold Anodized) **PW** (Painted White) **WSP** (White Suede Powder Coated Aluminum)  
 Special finishes available upon request

800-824-3018 | [www.assaabloydooraccessories.us](http://www.assaabloydooraccessories.us)

Check the web site for the up-to-date catalog

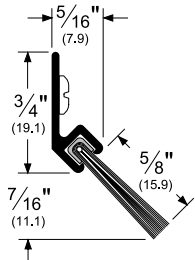
Copyright © 2015-2020, ASSA ABLOY Accessories and Door Controls Group, Inc., an ASSA ABLOY company. All rights reserved.  
 Reproduction in whole or in part without the express written permission of ASSA ABLOY Accessories and Door Controls Group, Inc. is prohibited.

# 45° Aluminum Retainers

- Slotted holes for easy adjustment

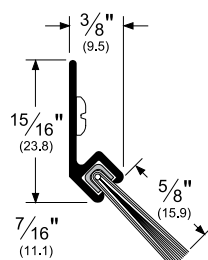
## 45061\_NB

AVAILABLE FINISHES:  
**10BE, BSP, C, D, G, SN, WSP**  
 REPLACEMENT INSERT:  
**P516062 (BL, GR, W)**  
 ANSI: R3A164



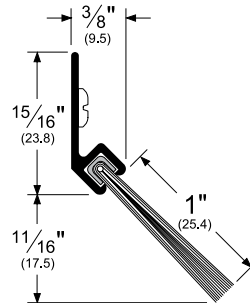
## 45062\_NB

AVAILABLE FINISHES:  
**10BE, BSP, C, D, G, PW, WSP**  
 REPLACEMENT INSERT:  
**P38062 (BL, GR, W)**  
 ANSI: R3A164



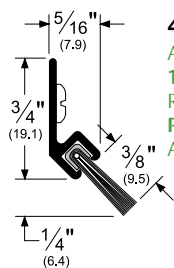
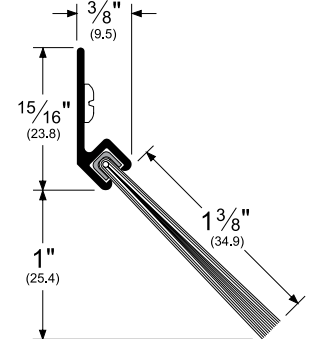
## 45100\_NB

AVAILABLE FINISHES:  
**10BE, BSP, C, D, G, PW, WSP**  
 REPLACEMENT INSERT:  
**P38100 (BL, GR)**  
 ANSI: R3A164



## 45137\_NB

AVAILABLE FINISHES:  
**10BE, BSP, C, D, PW, WSP**  
 REPLACEMENT INSERT:  
**P58137 (BL, GR, W)**  
 ANSI: R3A164



## 45041\_NB

AVAILABLE FINISHES:  
**10BE, BSP, C, D, G, SN, WSP**  
 REPLACEMENT INSERT:  
**P516041 (BL, GR)**  
 ANSI: R3A164



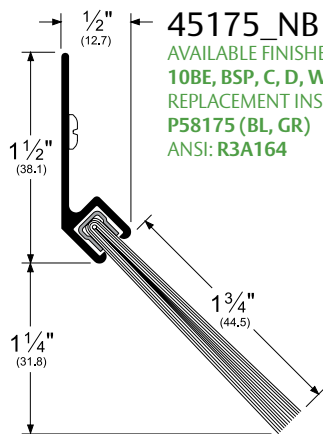
### Alternate Insert For 45041

## 45041\_SB

AVAILABLE FINISHES:  
**10BE, BSP, C, D, G, SN, WSP**  
 REPLACEMENT INSERT: P3 (BL, GR)

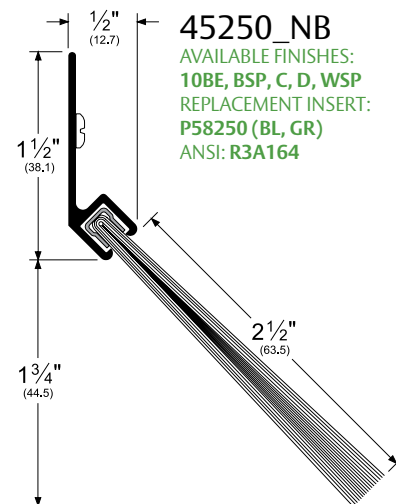


soft brush (SB)



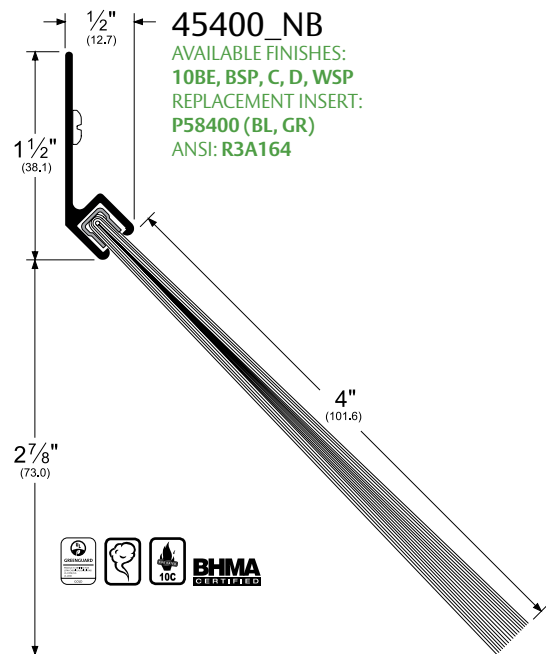
## 45175\_NB

AVAILABLE FINISHES:  
**10BE, BSP, C, D, WSP**  
 REPLACEMENT INSERT:  
**P58175 (BL, GR)**  
 ANSI: R3A164



## 45250\_NB

AVAILABLE FINISHES:  
**10BE, BSP, C, D, WSP**  
 REPLACEMENT INSERT:  
**P58250 (BL, GR)**  
 ANSI: R3A164



## 45400\_NB

AVAILABLE FINISHES:  
**10BE, BSP, C, D, WSP**  
 REPLACEMENT INSERT:  
**P58400 (BL, GR)**  
 ANSI: R3A164



NOTE: Products shown in this section may not be drawn to scale.

AVAILABLE FINISHES FOR PRODUCTS SHOWN ON THIS PAGE (see General Information section for finish chart)  
**10BE** (Satin Bronze Powder Coated Aluminum) **BSP** (Black Suede Powder Coated Aluminum) **C** (Clear Anodized)  
**D** (Dark Bronze Anodized) **G** (Gold Anodized) **PW** (Painted White) **SN** (Satin Nickel Anodized)  
**WSP** (White Suede Powder Coated Aluminum) Special finishes available upon request

800-824-3018 | [www.assaabloydooraccessories.us](http://www.assaabloydooraccessories.us)

Check the web site for the up-to-date catalog

Copyright © 2015-2020, ASSA ABLOY Accessories and Door Controls Group, Inc., an ASSA ABLOY Group company. All rights reserved.  
 Reproduction in whole or in part without the express written permission of ASSA ABLOY Accessories and Door Controls Group, Inc. is prohibited.

**ASSA ABLOY**  
 Opening Solutions

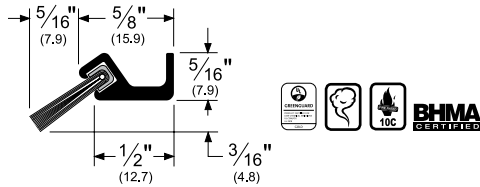
Experience a safer  
 and more open world

## 35° Aluminum Retainers

- These products have 1/8" drilled fastener holes

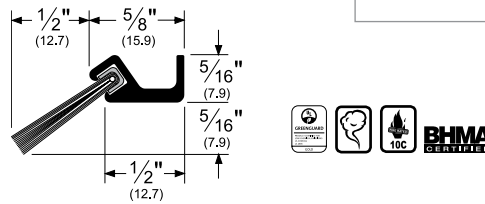
### 35041\_NB

AVAILABLE FINISHES: **C, D**  
 REPLACEMENT INSERT:  
**P516041 (BL, GR)**  
 ANSI: **R3A164**



### 35061\_NB

AVAILABLE FINISHES: **C, D**  
 REPLACEMENT INSERT:  
**P516062 (BL, GR, W)**  
 ANSI: **R3A164**



Alternate Insert For 35041

### 35041\_SB

AVAILABLE FINISHES: **C, D**  
 REPLACEMENT INSERT: **P3 (BL, GR)**

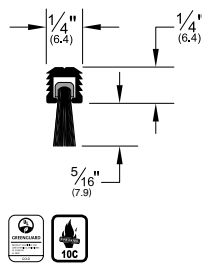


## Mortise Retainers

- The ultimate design for concealed weatherstrip needs
- Can be used on doors, windows and more

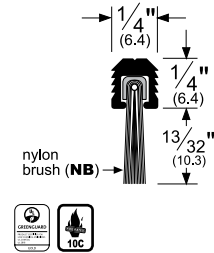
### 5025\_NB

AVAILABLE FINISH: **A**  
 REPLACEMENT INSERT:  
**P14025 (BL, GR)**



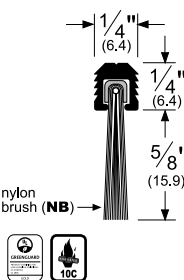
### 5041\_NB

AVAILABLE FINISH: **A**  
 REPLACEMENT INSERT:  
**P516041 (BL, GR)**



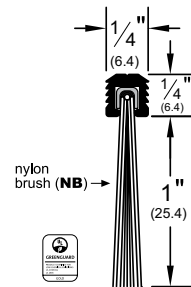
### 5061\_NB

AVAILABLE FINISH: **A**  
 REPLACEMENT INSERT:  
**P516062 (BL, GR, W)**



### 5100\_NB

AVAILABLE FINISH: **A**  
 REPLACEMENT INSERT:  
**P516100 (BL, GR, W)**



Alternate Insert For 5025 and 5041

### 5025\_SB

AVAILABLE FINISHES: **A**  
 REPLACEMENT INSERT:  
**SB14025 (BL, GR)**



### 5041\_SB

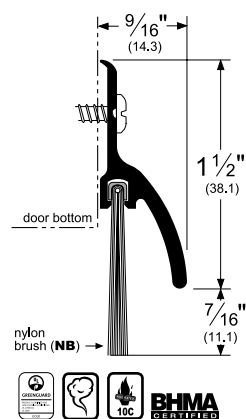
AVAILABLE FINISHES: **A**  
 REPLACEMENT INSERT:  
**P3 (BL, GR)**

## Aluminum Retainer with Rain Drip

- Slotted holes for easy adjustment

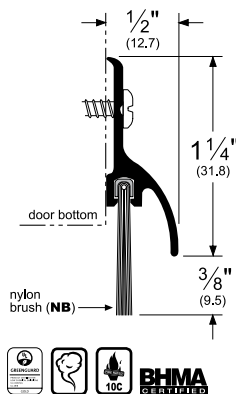
### 345\_NB

AVAILABLE FINISHES:  
**A, BDG, D, G, PW**  
 REPLACEMENT INSERT:  
**P14100 (BL, GR)**  
 ANSI: **R3A534**



### 3452\_NB

AVAILABLE FINISHES:  
**A, BDG, C, D, G, PW, SN**  
 REPLACEMENT INSERT:  
**P14075 (BL, GR)**  
 ANSI: **R3A534**

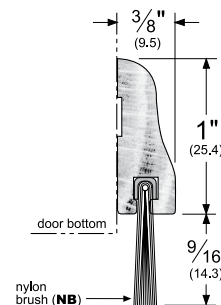


## Oak Retainers 36" Wide

- These products have 1/8" drilled fastener holes

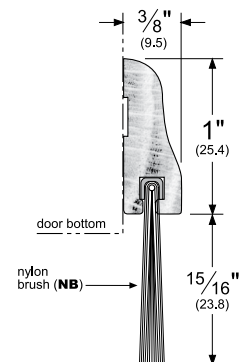
### 18062WNB

AVAILABLE FINISH: **W**  
 REPLACEMENT INSERT:  
**P516062 (BL, GR, W)**



### 18100WNB

AVAILABLE FINISH: **W**  
 REPLACEMENT INSERT:  
**P516100 (BL, GR)**



NOTE: Products shown in this section may not be drawn to scale.

AVAILABLE FINISHES FOR PRODUCTS SHOWN ON THIS PAGE (see General Information section for finish chart)  
**A** (Mill Finish Aluminum) **BDG** (Bright Dip Gold Anodized) **C** (Clear Anodized) **D** (Dark Bronze Anodized)  
**G** (Gold Anodized) **PW** (Painted White) **SN** (Satin Nickel Anodized) **W** (Unfinished Solid Oak)

**ASSA ABLOY**  
 Opening Solutions

Experience a safer  
 and more open world

800-824-3018 | [www.assaabloydooraccessories.us](http://www.assaabloydooraccessories.us)

Check the web site for the up-to-date catalog

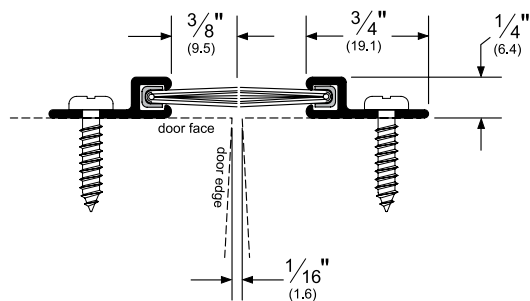
Copyright © 2015-2020, ASSA ABLOY Accessories and Door Controls Group, Inc., an ASSA ABLOY Group company. All rights reserved. Reproduction in whole or in part without the express written permission of ASSA ABLOY Accessories and Door Controls Group, Inc. is prohibited.

## Meeting Stiles

- Astragals and Meeting Stiles with a fire label may be mounted on pairs of doors wherein the gap meets the requirements of NFPA 80-2013, 6.3.1.7.1 “The clearance between... the meeting edges of doors swinging in pairs on the pull side shall be  $\frac{1}{8}'' \pm \frac{1}{16}''$  (3.18mm  $\pm$  1.59mm) for steel doors and shall not exceed  $\frac{1}{8}''$  (3.18mm) for wood doors”
- Snap cover helps prevent vandalism and adds an attractive finished look by concealing the fasteners
- Replacement snap cover is item \_29316. When ordering, identify finish and length
- NOTE: Although drawn with a gap between the brush, when installed, these brush products SHOULD make contact. Brush should mesh from  $\frac{1}{32}''$  to  $\frac{1}{16}''$

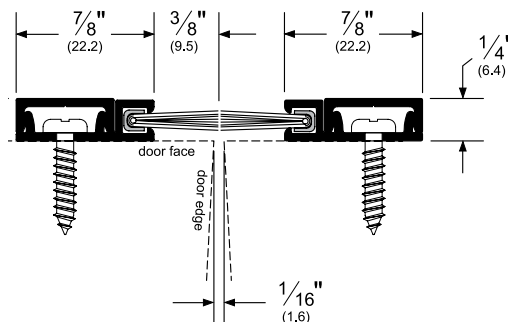
### 18041\_NB

AVAILABLE FINISHES: 10BE, BSP, C, D, G, SN, WSP  
 REPLACEMENT INSERT: P516041 (BL, GR)  
 ANSI: R3A734



### 29324\_NB

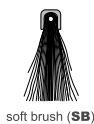
AVAILABLE FINISHES: 10BE, BSP, C, D, G, SN, WSP  
 REPLACEMENT INSERT: P516041 (BL, GR)  
 ANSI: R3A434, R3A435



#### Alternate Insert For 18041

### 18041\_SB

AVAILABLE FINISHES:  
 10BE, BSP, C, D, G, SN, WSP  
 REPLACEMENT INSERT: P3 (BL, GR)



soft brush (SB)

#### Alternate Insert For 29324

### 29324\_SB

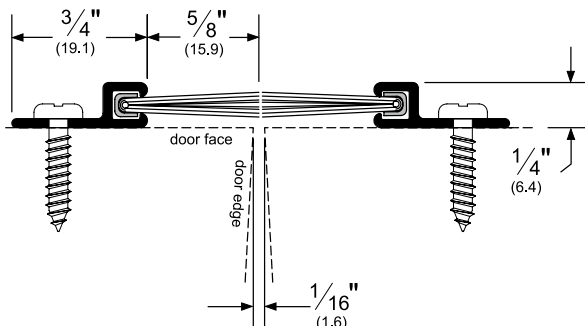
AVAILABLE FINISHES:  
 10BE, BSP, C, D, G, SN, WSP  
 REPLACEMENT INSERT: P3 (BL, GR)



soft brush (SB)

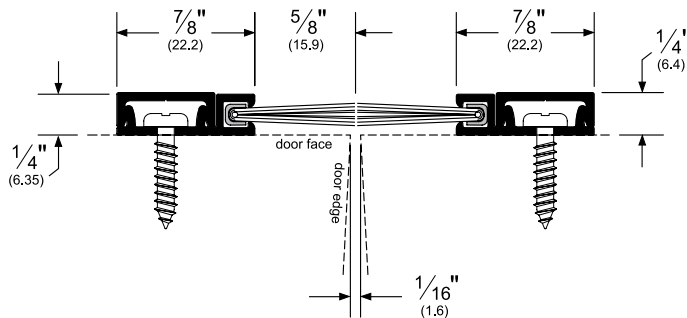
### 18061\_NB

AVAILABLE FINISHES: 10BE, BSP, C, D, G, SN, WSP  
 REPLACEMENT INSERT: P516062 (BL, GR, W)  
 ANSI: R3A734



### 29326\_NB

AVAILABLE FINISHES: 10BE, BSP, C, D, G, SN, WSP  
 REPLACEMENT INSERT: P516062 (BL, GR, W)  
 ANSI: R3A764, R3A765



NOTE: Products shown in this section may not be drawn to scale.

AVAILABLE FINISHES FOR PRODUCTS SHOWN ON THIS PAGE (see General Information section for finish chart)

10BE (Satin Bronze Powder Coated Aluminum) BSP (Black Suede Powder Coated Aluminum) C (Clear Anodized)  
 D (Dark Bronze Anodized) G (Gold Anodized) SN (Satin Nickel Anodized) WSP (White Suede Powder Coated Aluminum)

800-824-3018 | [www.assaabloydooraccessories.us](http://www.assaabloydooraccessories.us)

Check the web site for the up-to-date catalog

Copyright © 2015-2020, ASSA ABLOY Accessories and Door Controls Group, Inc., an ASSA ABLOY Group company. All rights reserved.  
 Reproduction in whole or in part without the express written permission of ASSA ABLOY Accessories and Door Controls Group, Inc. is prohibited.

**ASSA ABLOY**  
 Opening Solutions

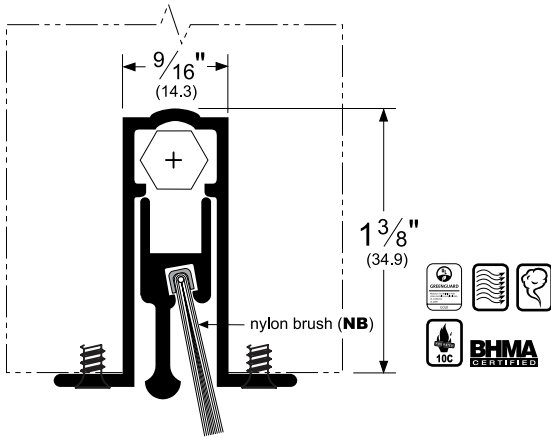
Experience a safer  
 and more open world

# Automatic Door Bottoms

- When ordering 4131 or 4301, specify if the automatic door bottom is for a semi-mortise application so that shorter screws can be provided

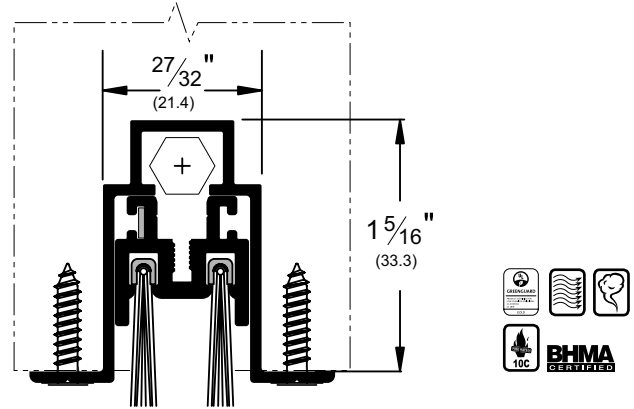
## 411\_NBL

AVAILABLE FINISH: **A**  
 REPLACEMENT INSERT: **P14075BL (BL, GR)**  
 ANSI: **R3A324, R3A325**



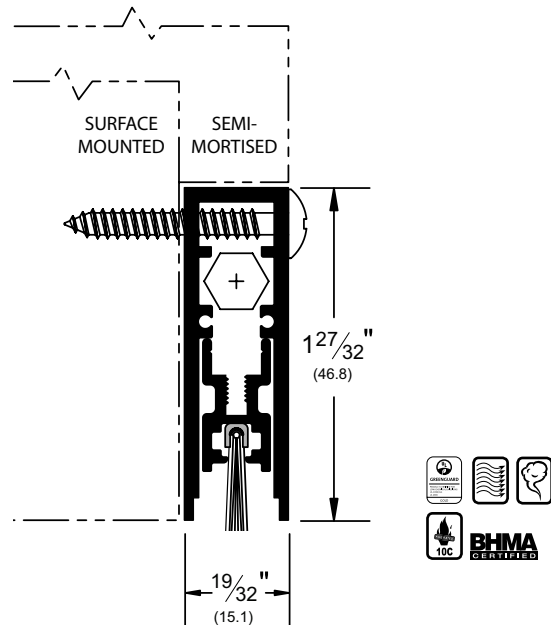
## 434\_NBL

AVAILABLE FINISH: **A**  
 REPLACEMENT INSERT: **P516075BL (BL)**  
 ANSI: **R3A324, R3A325**



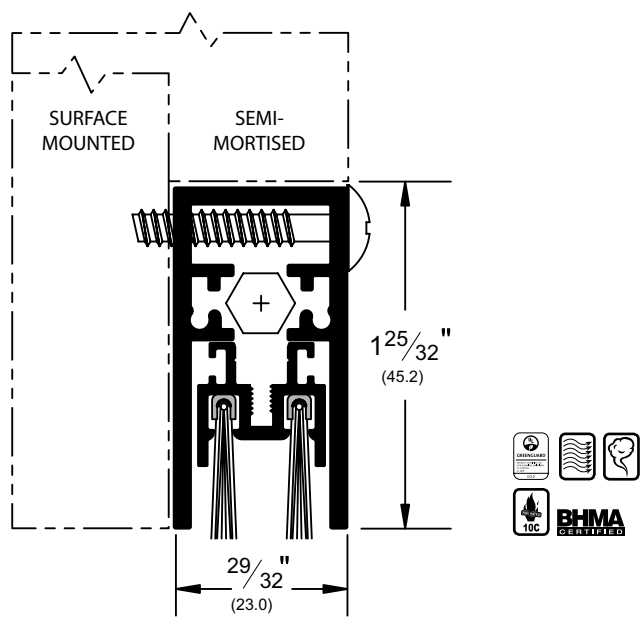
## 4131\_NBL

AVAILABLE FINISHES: **10BE, BDG, BSP, C, D, G, WSP**  
 REPLACEMENT INSERT: **P14075BL (BL, GR)**  
 ANSI: **R3A334, R3A335, R3A344, R3A345**



## 4301\_NBL

AVAILABLE FINISHES: **10BE, BSP, C, D, WSP**  
 REPLACEMENT INSERT: **P516075BL (BL)**  
 ANSI: **R3A334, R3A335, R3A344, R3A345**



NOTE: Products shown in this section may not be drawn to scale.

AVAILABLE FINISHES FOR PRODUCTS SHOWN ON THIS PAGE (see General Information section for finish chart)  
**10BE** (Satin Bronze Powder Coated Aluminum) **A** (Mill Finish Aluminum) **BDG** (Bright Dip Gold Anodized)  
**BSP** (Black Suede Powder Coated Aluminum) **C** (Clear Anodized) **D** (Dark Bronze Anodized) **G** (Gold Anodized)  
**SN** (Satin Nickel Anodized) **WSP** (White Suede Powder Coated Aluminum)

**ASSA ABLOY**  
 Opening Solutions

Experience a safer  
 and more open world

800-824-3018 | [www.assaabloydooraccessories.us](http://www.assaabloydooraccessories.us)  
 Check the web site for the up-to-date catalog

Copyright © 2015-2020, ASSA ABLOY Accessories and Door Controls Group, Inc., an ASSA ABLOY Group company. All rights reserved.  
 Reproduction in whole or in part without the express written permission of ASSA ABLOY Accessories and Door Controls Group, Inc. is prohibited.

# Pemko Perimeter Gasketing

## CONTENTS:

Standard Perimeter Gasketing.....	188
Stainless Steel Perimeter Gasketing .....	192
Adjustable Jamb Gasketing.....	193
Heavy Duty Interlock Perimeter Gasketing.....	193
Heavy Duty Perimeter Gasketing - Head Section .....	194
Heavy Duty Perimeter Gasketing - Standard Jamb .....	195
Snap Cover Perimeter Gasketing With Concealed Fasteners .....	196
Kerf-In Weatherstrip - Foam, Silicone .....	197
Kerf-In Weatherstrip - Thermoplastic, Magnetic .....	198
Adhesive Perimeter Gasketing.....	198
MicroShield® Antimicrobial Adhesive Gasketing .....	199
Interlock Weatherstrip For Wood Doors and Wood Windows .....	200
Cushion/Spring Weatherstrip .....	201
Fasteners for Cushion, Spring and Interlock Weatherstrip.....	201

## INDEX:

PRODUCT	PAGE	PRODUCT	PAGE	PRODUCT	PAGE
2P.....	204	315SS.....	196	29346.....	200
4C.....	204	3151.....	194	AM44.....	203
4P.....	204	316.....	192	AM88.....	203
6C.....	204	319.....	193	MAG349.....	202
10.....	204	319SS.....	196	NL1634.....	205
30.....	204	322.....	197	NL1678.....	205
41M.....	204	329.....	193	NL13516.....	205
43.....	204	330.....	194	P50.....	202
70C-100.....	205	331.....	204	P51B17.....	205
70D-100.....	205	332.....	193	PK33.....	203
70E-100.....	205	335.....	197	PK52.....	202
70F-100.....	205	336.....	197	PK55.....	203
71.....	205	350.....	197	Q102.....	201
73.....	205	375.....	195	Q103.....	201
74.....	205	379.....	197	Q106.....	201
75.....	205	2815_M.....	202	Q107.....	201
285.....	194	2891.....	198	Q108.....	201
290.....	199	2892.....	198	S44.....	202
294.....	195	2893.....	198	S442.....	203
296.....	194	28945.....	198	S52.....	201
297.....	192	2902.....	199	S77.....	203
303.....	192	2903.....	199	S88.....	202
305.....	193	29045.....	199	S104.....	201
305SS.....	196	29310.....	200	S105.....	201
306.....	195	29313.....	200	S109.....	201
309.....	195	29321.....	200	S771x6.....	203
312.....	194	29326.....	200	S773.....	202
315.....	194	29344.....	200	S776.....	203

800-824-3018 | [www.assaabloydooraccessories.us](http://www.assaabloydooraccessories.us)  
Check the web site for the up-to-date catalog

Copyright © 2015-2020, ASSA ABLOY Accessories and Door Controls Group, Inc., an ASSA ABLOY Group company. All rights reserved.  
Reproduction in whole or in part without the express written permission of ASSA ABLOY Accessories and Door Controls Group, Inc. is prohibited.

**ASSA ABLOY**  
Opening Solutions

Experience a safer  
and more open world

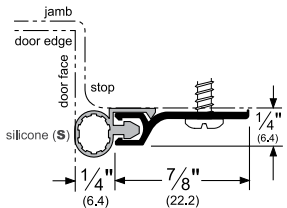


# Standard Perimeter Gasketing

- Rigid jamb weatherstrip shown mounted on openings with 1/16" gaps; however, each weatherstrip can seal gaps up to the depth of its seal. Seal depth provided on each illustration (example: the 303 has a 1/4" seal; therefore, it can seal up to a 1/4" gap)
- Punched on 6" centers with slotted holes for adjustment. Models 294, 303, and 306 are available with self-adhesive two-sided tape (TST) and tek screws (3 slotted holes per part) for easy installation. To obtain this option, add "TST" to the end of the part when ordering (example: 303AVTST)

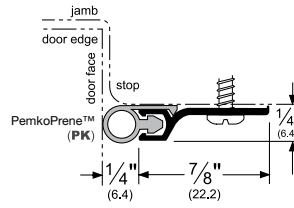
## 303\_S

AVAILABLE FINISHES:  
**10BE, A, BDG, BSP, C, D, G, PW, SN, WSP**  
 REPLACEMENT INSERT: **S3 (BL, W)**  
 ANSI: **R3E164, R3E165**



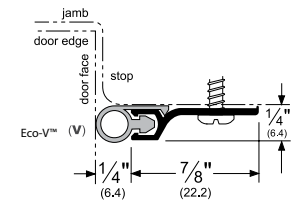
## 303\_PK

AVAILABLE FINISHES:  
**10BE, A, BDG, BSP, C, D, G, PW, SN, WSP**  
 REPLACEMENT INSERT: **PK47 (BL, GR)**  
 ANSI: **R3G164**



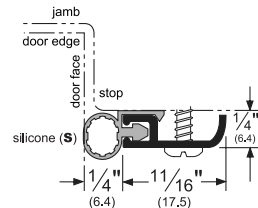
## 303\_V

AVAILABLE FINISHES:  
**10BE, A, BDG, BSP, C, D, G, PW, SN, WSP**  
 REPLACEMENT INSERT: **EV47 (BL, GR, W)**



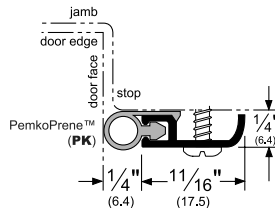
## 316\_S

AVAILABLE FINISHES:  
**10BE, A, BDG, BSP, D, G, WSP**  
 REPLACEMENT INSERT: **S3 (BL, W)**  
 ANSI: **R3E164, R3E165**



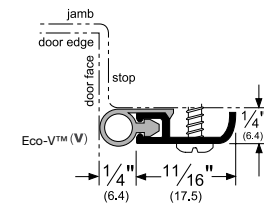
## 316\_PK

AVAILABLE FINISHES:  
**10BE, A, BDG, BSP, D, G, WSP**  
 REPLACEMENT INSERT: **PK47 (BL, GR)**  
 ANSI: **R3G164, R3G165**



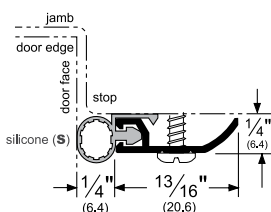
## 316\_V

AVAILABLE FINISHES:  
**10BE, A, BDG, BSP, D, G, WSP**  
 REPLACEMENT INSERT: **EV47 (BL, GR, W)**



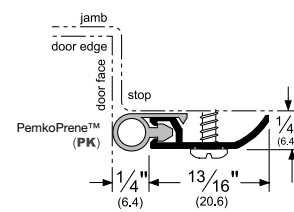
## 297\_S

AVAILABLE FINISHES:  
**10BE, A, BDG, BSP, D, G, PW, SN, WSP**  
 REPLACEMENT INSERT: **S3 (BL, W)**  
 ANSI: **R3E164, R3E165**



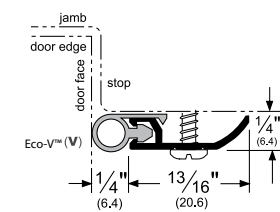
## 297\_PK

AVAILABLE FINISHES:  
**10BE, A, BDG, BSP, D, G, PW, SN, WSP**  
 REPLACEMENT INSERT: **PK47 (BL, GR)**  
 ANSI: **R3G164, R3G165**



## 297\_V

AVAILABLE FINISHES:  
**10BE, A, BDG, BSP, D, G, PW, SN, WSP**  
 REPLACEMENT INSERT: **EV47 (BL, GR, W)**



NOTE: Products shown in this section may not be drawn to scale.

AVAILABLE FINISHES FOR PRODUCTS SHOWN ON THIS PAGE (see General Information section for finish chart)  
**10BE** (Satin Bronze Powder Coated Aluminum) **A** (Mill Finish Aluminum) **BDG** (Bright Dip Gold Anodized)  
**BSP** (Black Suede Powder Coated Aluminum) **C** (Clear Anodized) **D** (Dark Bronze Anodized) **G** (Gold Anodized)  
**PW** (Painted White) **SN** (Satin Nickel Anodized) **WSP** (White Suede Powder Coated Aluminum)

**ASSA ABLOY**  
 Opening Solutions

Experience a safer  
 and more open world

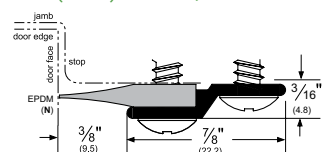
800-824-3018 | [www.assaabloydooraccessories.us](http://www.assaabloydooraccessories.us)  
 Check the web site for the up-to-date catalog

Copyright © 2015-2020, ASSA ABLOY Accessories and Door Controls Group, Inc., an ASSA ABLOY Group company. All rights reserved. Reproduction in whole or in part without the express written permission of ASSA ABLOY Accessories and Door Controls Group, Inc. is prohibited.

# Standard Perimeter Gasketing (Cont.)

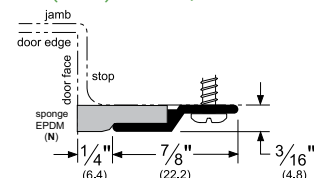
## 305\_N

AVAILABLE FINISHES:  
**10BE, B, BSP, C, D, G, WSP**  
 REPLACEMENT INSERT: **E2 (BL, GR)**  
 ANSI (alum): **R3G164, R3G165**  
 ANSI (brass): **R1G164, R1G165**



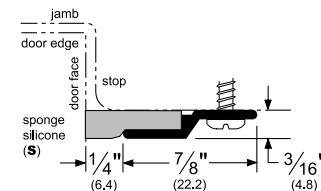
## 305\_R

AVAILABLE FINISHES:  
**10BE, B, BSP, C, D, G, WSP**  
 REPLACEMENT INSERT: **ER1 (BL)**  
 ANSI (alum): **R3G164, R3G165**  
 ANSI (brass): **R1G164, R1G165**



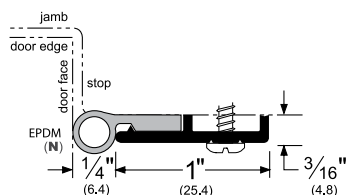
## 305\_S

AVAILABLE FINISHES:  
**10BE, B, BSP, C, D, G, WSP**  
 REPLACEMENT INSERT: **SR1 (BL)**  
 ANSI: **R3E164, R3E165**



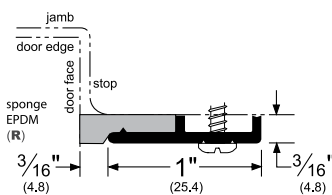
## 319\_N

AVAILABLE FINISHES: **10BE, BSP, C, D, G, WSP**  
 REPLACEMENT INSERT: **E11 (BL)**  
 ANSI: **R3G164, R3G165**



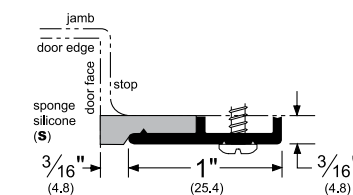
## 319\_R

AVAILABLE FINISHES: **10BE, BSP, C, D, G, WSP**  
 REPLACEMENT INSERT: **ER1 (BL)**  
 ANSI: **R3G164, R3G165**



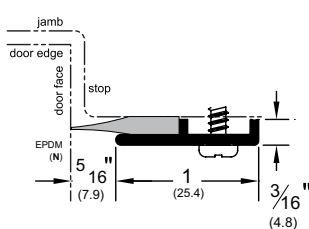
## 319\_S

AVAILABLE FINISHES: **10BE, BSP, C, D, G, WSP**  
 REPLACEMENT INSERT: **SR1 (BL)**  
 ANSI: **R3E165**



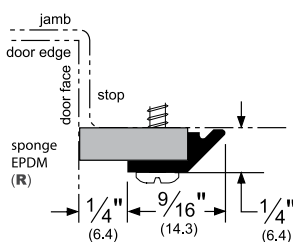
## 329\_N

AVAILABLE FINISHES:  
**10BE, BSP, C, D, G, WSP**  
 REPLACEMENT INSERT: **E2 (BL, GR)**  
 ANSI: **R3G164, R3G165**



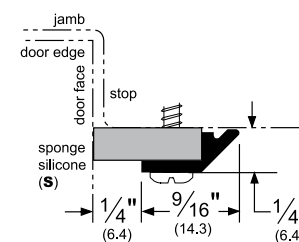
## 322\_R

AVAILABLE FINISHES:  
**10BE, BSP, C, D, G, WSP**  
 REPLACEMENT INSERT: **ER1 (BL)**  
 ANSI: **R3G164, R3G165**



## 322\_S

AVAILABLE FINISHES:  
**10BE, BSP, C, D, G, WSP**  
 REPLACEMENT INSERT: **SR1 (BL)**  
 ANSI: **R3E164, R3E165**



NOTE: Products shown in this section may not be drawn to scale.

AVAILABLE FINISHES FOR PRODUCTS SHOWN ON THIS PAGE (see General Information section for finish chart)  
**10BE** (Satin Bronze Powder Coated Aluminum) **A** (Mill Finish Aluminum) **B** (Mill Finish Extruded Bronze [Brass])  
**BDG** (Bright Dip Gold Anodized) **BSP** (Black Suede Powder Coated Aluminum) **C** (Clear Anodized) **D** (Dark Bronze Anodized)  
**G** (Gold Anodized) **PW** (Painted White) **SN** (Satin Nickel Anodized) **WSP** (White Suede Powder Coated Aluminum)

800-824-3018 | [www.assaabloydooraccessories.us](http://www.assaabloydooraccessories.us)

Check the web site for the up-to-date catalog

Copyright © 2015-2020, ASSA ABLOY Accessories and Door Controls Group, Inc., an ASSA ABLOY Group company. All rights reserved.  
 Reproduction in whole or in part without the express written permission of ASSA ABLOY Accessories and Door Controls Group, Inc. is prohibited.

**ASSA ABLOY**  
 Opening Solutions

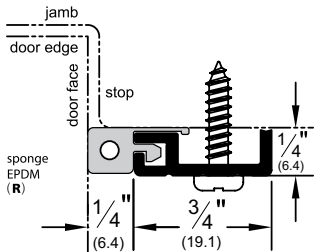
Experience a safer  
 and more open world



# Standard Perimeter Gasketing (Cont.)

## 312\_R

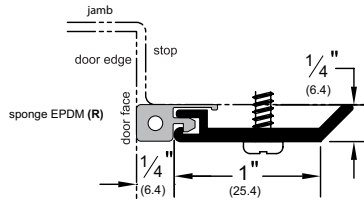
AVAILABLE FINISHES:  
**10BE, BSP, C, D, G, WSP**  
 REPLACEMENT INSERT: **ER9BL (BL)**  
 ANSI (alum): **R3G164, R3G165**



## 315\_R

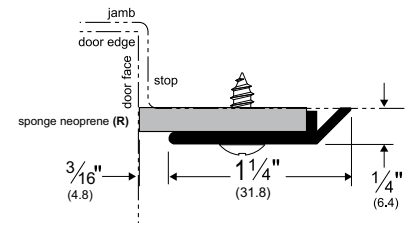
AVAILABLE FINISHES:  
**10BE, B, BSP, C, D, G, WSP**  
 REPLACEMENT INSERT: **ER9BL (BL)**  
 ANSI (alum): **R3G164, R3G165**

- Please consult website for correct 315BR profile.



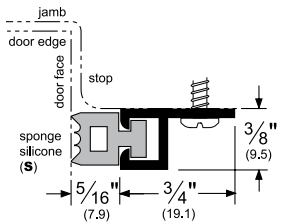
## 3151\_R

AVAILABLE FINISHES:  
**10BE, BSP, C, D, G, WSP**  
 REPLACEMENT INSERT: **ER2 (BL)**  
 ANSI (alum): **R3G164**



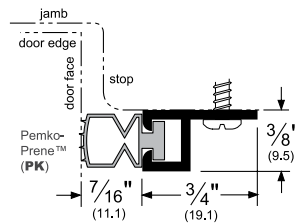
## 296\_S

AVAILABLE FINISHES:  
**10BE, BSP, C, D, G, WSP**  
 REPLACEMENT INSERT: **SR6 (BL)**  
 ANSI (alum): **R3E164, R3E165**



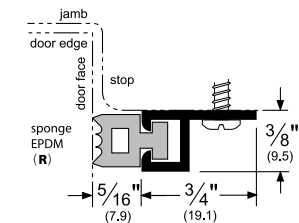
## 296\_PK

AVAILABLE FINISHES:  
**10BE, BSP, C, D, G, WSP**  
 REPLACEMENT INSERT: **PK4132 (BL)**  
 ANSI (alum): **R3G164, R3G165**



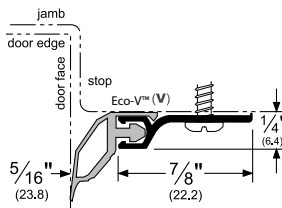
## 296\_R

AVAILABLE FINISHES:  
**10BE, BSP, C, D, G, WSP**  
 REPLACEMENT INSERT: **E7 (BL)**  
 ANSI (alum): **R3G164, R3G165**



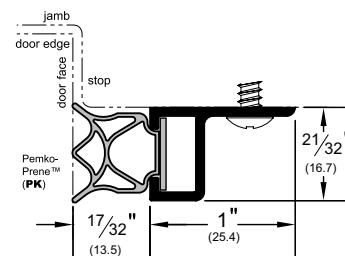
## 330\_V

AVAILABLE FINISHES:  
**10BE, A, BSP, D, SN, WSP**  
 REPLACEMENT INSERT: **EV61 (BL, GR)**



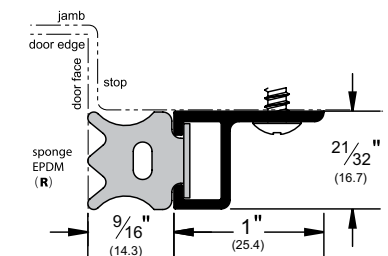
## 285\_PK

AVAILABLE FINISHES:  
**10BE, BSP, C, D, G, WSP**  
 REPLACEMENT INSERT: **PK4304 (BL)**  
 ANSI (alum): **R3G164, R3G165**



## 285\_R

AVAILABLE FINISHES:  
**10BE, BSP, C, D, G, WSP**  
 REPLACEMENT INSERT: **E4303 (BL)**  
 ANSI (alum): **R3G166**



NOTE: Products shown in this section may not be drawn to scale.

AVAILABLE FINISHES FOR PRODUCTS SHOWN ON THIS PAGE (see General Information section for finish chart)  
**10BE** (Satin Bronze Powder Coated Aluminum) **A** (Mill Finish Aluminum) **B** (Mill Finish Extruded Bronze [Brass])  
**BDG** (Bright Dip Gold Anodized) **BSP** (Black Suede Powder Coated Aluminum) **C** (Clear Anodized) **D** (Dark Bronze Anodized)  
**G** (Gold Anodized) **PW** (Painted White) **SN** (Satin Nickel Anodized) **WSP** (White Suede Powder Coated Aluminum)

800-824-3018 | [www.assaabloydooraccessories.us](http://www.assaabloydooraccessories.us)  
 Check the web site for the up-to-date catalog

**ASSA ABLOY**  
 Opening Solutions

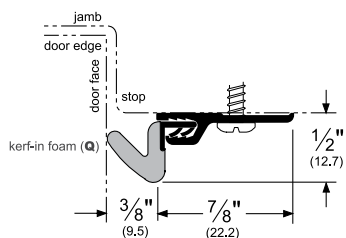
Experience a safer  
 and more open world

## Standard Perimeter Gasketing (Cont.)

### 306\_Q

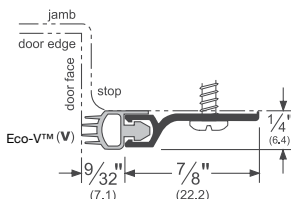
AVAILABLE FINISHES: **10BE, A, BSP, D, PW, WSP**  
 REPLACEMENT INSERT: **Q103 (D, W)**

- Minimum space between the door face and the stop is  $\frac{3}{16}$ "; maximum space is  $\frac{5}{16}$ "
- Note insert color when ordering:  
 Dark Brown (D) or White (W)



### 306\_V

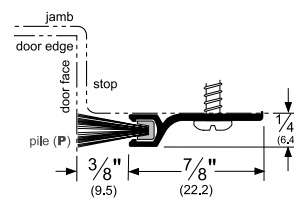
AVAILABLE FINISHES:  
**10BE, A, BDG, BSP, D, G, PW, SN, WSP**  
 REPLACEMENT INSERT: **EV59 (BL, GR, W)**



### 309\_P

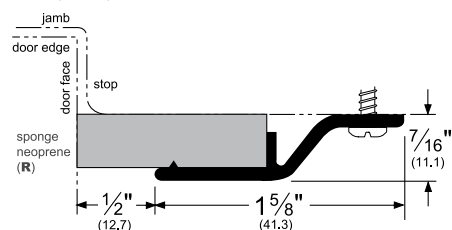
AVAILABLE FINISHES:  
**10BE, A, BDG, BSP, D, G, PW, SN, WSP**  
 REPLACEMENT INSERT: **P3 (BL, GR)**

- Minimum space between the door face and the stop is  $\frac{3}{16}$ "; maximum space is  $\frac{5}{16}$ "



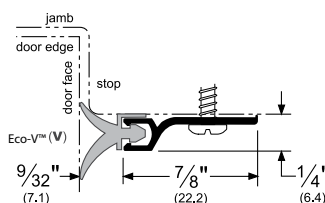
### 375\_R

AVAILABLE FINISHES:  
**10BE, B, BSP, C, D, G, WSP**  
 REPLACEMENT INSERT: **ER6 (BL)**  
 ANSI (alum): **R3C164, R3C165**



### 294\_V

AVAILABLE FINISHES:  
**10BE, A, BDG, BSP, D, G, PW, SN, WSP**  
 REPLACEMENT INSERT: **EV60 (GR)**



NOTE: Products shown in this section may not be drawn to scale.

AVAILABLE FINISHES FOR PRODUCTS SHOWN ON THIS PAGE (see General Information section for finish chart)

**10BE** (Satin Bronze Powder Coated Aluminum) **A** (Mill Finish Aluminum) **B** (Mill Finish Extruded Bronze [Brass])  
**BDG** (Bright Dip Gold Anodized) **BSP** (Black Suede Powder Coated Aluminum) **C** (Clear Anodized) **D** (Dark Bronze Anodized)  
**G** (Gold Anodized) **PW** (Painted White) **SN** (Satin Nickel Anodized) **WSP** (White Suede Powder Coated Aluminum)

800-824-3018 | [www.assaabloydooraccessories.us](http://www.assaabloydooraccessories.us)

Check the web site for the up-to-date catalog

Copyright © 2015-2020, ASSA ABLOY Accessories and Door Controls Group, Inc., an ASSA ABLOY Group company. All rights reserved.  
 Reproduction in whole or in part without the express written permission of ASSA ABLOY Accessories and Door Controls Group, Inc. is prohibited.

**ASSA ABLOY**  
 Opening Solutions

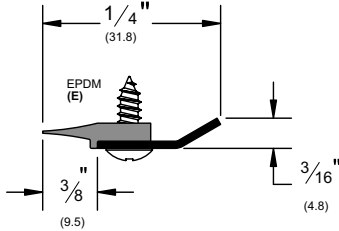
Experience a safer  
 and more open world

# Stainless Steel Perimeter Gasketing

- Stainless Steel is a tough and durable material that tolerates exposure to chemicals and heavy use
- Manufactured from 430 Stainless Steel
- Easy to clean to meet sanitary requirements
- Long lasting with low cost of ownership

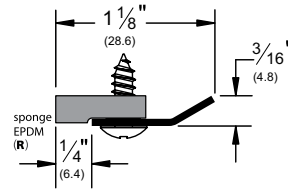
## 305SSE

AVAILABLE FINISH: **SS (#4 Finish)**  
 REPLACEMENT INSERT: **E2 (BL, GR)**  
 ANSI: **R5G164, R5G165**



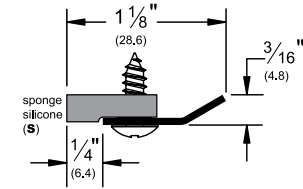
## 305SSR

AVAILABLE FINISH: **SS (#4 Finish)**  
 REPLACEMENT INSERT: **ER1 (BL)**  
 ANSI: **R5G164, R5G165**



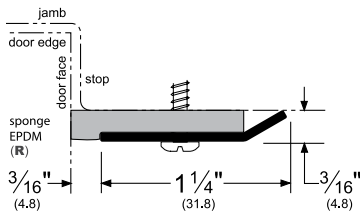
## 305SSS

AVAILABLE FINISH: **SS (#4 Finish)**  
 REPLACEMENT INSERT: **SR1 (BL)**  
 ANSI: **R5E164, R5E165**



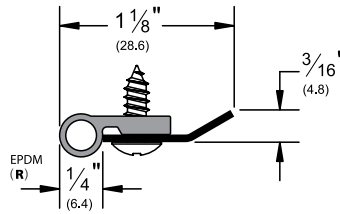
## 315SSR

AVAILABLE FINISH: **SS (#4 Finish)**  
 REPLACEMENT INSERT: **ER2 (BL)**  
 ANSI: **R5G164, R5G165**



## 319SSN

AVAILABLE FINISH: **SS (#4 Finish)**  
 REPLACEMENT INSERT: **E11 (BL)**  
 ANSI: **R5G164, R5G165**



NOTE: Products shown in this section may not be drawn to scale.

AVAILABLE FINISHES FOR PRODUCTS SHOWN ON THIS PAGE (see General Information section for finish chart)

**A** (Mill Finish Aluminum) **B** (Mill Finish Extruded Bronze [Brass]) **BDG** (Bright Dip Gold Anodized)  
**C** (Clear Anodized) **D** (Dark Bronze Anodized) **G** (Gold Anodized) **PW** (Painted White) **SN** (Satin Nickel Anodized)  
**SS** (See Individual Part)

**ASSA ABLOY**  
 Opening Solutions

Experience a safer  
 and more open world

800-824-3018 | [www.assaabloydooraccessories.us](http://www.assaabloydooraccessories.us)

Check the web site for the up-to-date catalog

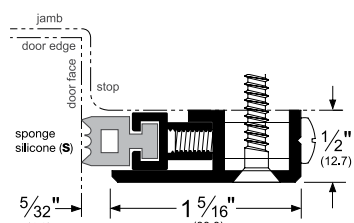
Copyright © 2015-2020, ASSA ABLOY Accessories and Door Controls Group, Inc., an ASSA ABLOY Group company. All rights reserved. Reproduction in whole or in part without the express written permission of ASSA ABLOY Accessories and Door Controls Group, Inc. is prohibited.

## Adjustable Jamb Gasketing

- Adjustable jamb gasketing is shown mounted on openings with  $\frac{1}{16}$ " gaps; however, each weatherstrip can seal gaps up to  $\frac{1}{4}$ "
- Adjustable jamb weatherstrip can adjust  $\frac{3}{16}$ " out from the position illustrated

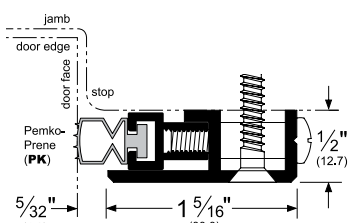
### 379\_S

AVAILABLE FINISHES: 10BE, BSP, C, D, G, WSP  
REPLACEMENT INSERT: SR6 (BL)  
ANSI: R3E264, R3E265



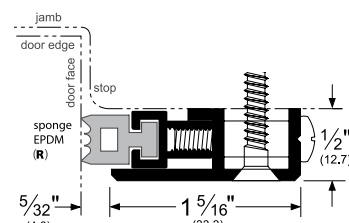
### 379\_PK

AVAILABLE FINISHES: 10BE, BSP, C, D, G, WSP  
REPLACEMENT INSERT: PK4132 (BL)  
ANSI: R3G264, R3G265



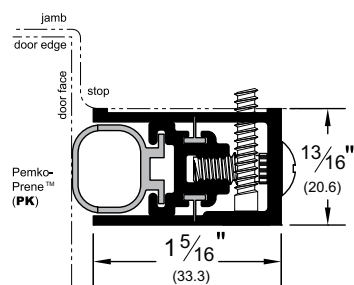
### 379\_R

AVAILABLE FINISHES: 10BE, BSP, C, D, G, WSP  
REPLACEMENT INSERT: E7 (BL)  
ANSI: R3G264, R3G265



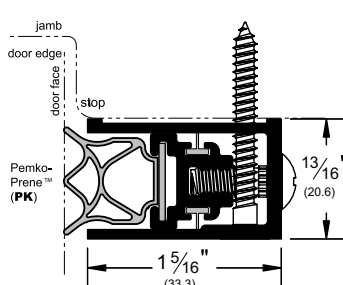
### 322\_SPK

AVAILABLE FINISHES: 10BE, BSP, C, D, G, WSP  
REPLACEMENT INSERT: PK121 (BL)



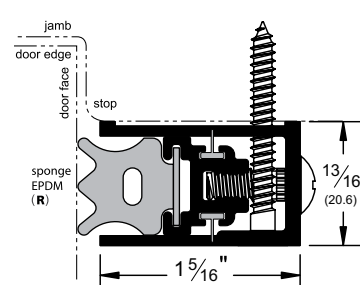
### 350\_SPK

AVAILABLE FINISHES: 10BE, BSP, C, D, G, WSP  
REPLACEMENT INSERT: PK4304 (BL)  
ANSI: R3G164, R3G165



### 350\_SR

AVAILABLE FINISHES: 10BE, BSP, C, D, G, WSP  
REPLACEMENT INSERT: E4303 (BL)  
ANSI: R3G164, R3G165



## Heavy Duty Interlock Perimeter Gasketing

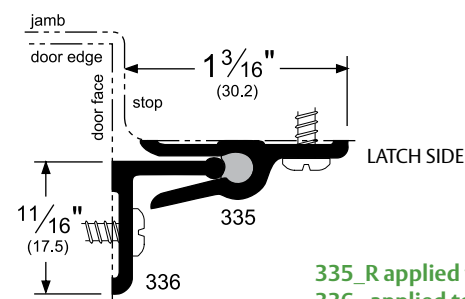
### 335\_R

AVAILABLE FINISHES: A, D

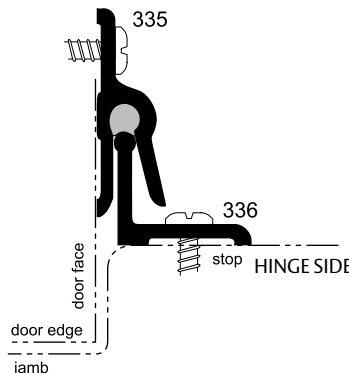
### 336\_

AVAILABLE FINISHES: A, D

NOTE: Diagram consists of two parts, each sold separately.



335\_R applied to jamb;  
336\_ applied to door.



NOTE: Products shown in this section may not be drawn to scale.

AVAILABLE FINISHES FOR PRODUCTS SHOWN ON THIS PAGE (see General Information section for finish chart)

10BE (Satin Bronze Powder Coated Aluminum) A (Mill Finish Aluminum) BSP (Black Suede Powder Coated Aluminum)  
C (Clear Anodized) D (Dark Bronze Anodized) G (Gold Anodized) WSP (White Suede Powder Coated Aluminum)

800-824-3018 | [www.assaabloydooraccessories.us](http://www.assaabloydooraccessories.us)

Check the web site for the up-to-date catalog

Copyright © 2015-2020, ASSA ABLOY Accessories and Door Controls Group, Inc., an ASSA ABLOY Group company. All rights reserved.  
Reproduction in whole or in part without the express written permission of ASSA ABLOY Accessories and Door Controls Group, Inc. is prohibited.

**ASSA ABLOY**  
Opening Solutions

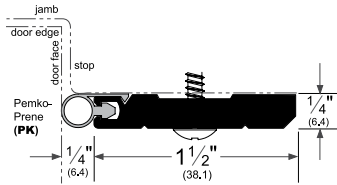
Experience a safer  
and more open world

# Heavy Duty Perimeter Gasketing - Head Section

- For the head section of the frame where a parallel arm closer bracket or other hardware is required. Supplied undrilled (36") or drilled (80" and above) and supplied with sheet metal screws for mounting
- If used as a stop, flat head machine screws can be provided upon request and take a countersunk #10 hole. Pemko will drill the head member only if drilling instructions for countersink holes are provided
- All gasketing shown below is sold individually

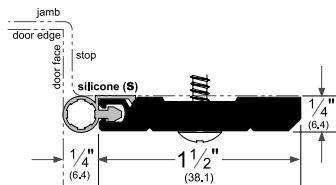
## 2891\_PK

AVAILABLE FINISHES: 10BE, A, BSP, D, G, WSP  
 REPLACEMENT INSERT: PK47 (BL, GR)  
 ANSI: R3G164, R3G165



## 2891\_S

AVAILABLE FINISHES: 10BE, A, BSP, D, G, WSP  
 REPLACEMENT INSERT: S3 (BL, W)  
 ANSI: R3E164, R3E165



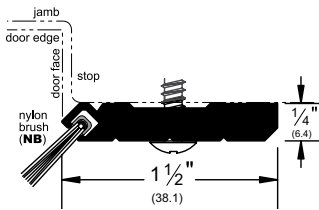
**2891\_PK**  
1 per door standard

**290\_PK**  
2 per door standard

When ordering a head section such as 2891\_PK, two corresponding side sections (i.e. 290\_PK) should also be ordered for the latch and hinge sides of the frame.

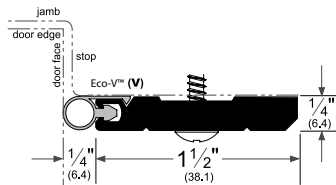
## 28945\_NB

AVAILABLE FINISHES: 10BE, A, BSP, D, G, WSP  
 REPLACEMENT INSERT: P14050 (BL, GR)  
 ANSI: R3A164, R3A165



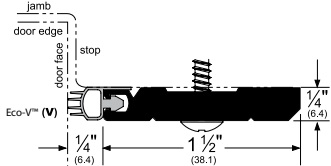
## 2891\_V

AVAILABLE FINISHES: 10BE, A, BSP, D, WSP  
 REPLACEMENT INSERT: EV47 (BL, GR, W)



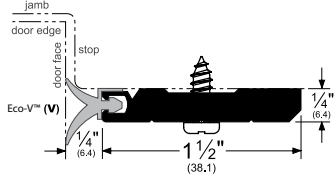
## 2892\_V

AVAILABLE FINISHES: 10BE, A, BSP, D, WSP  
 REPLACEMENT INSERT: EV59 (BL, GR, W)



## 2893\_V

AVAILABLE FINISHES: 10BE, A, BSP, D, WSP  
 REPLACEMENT INSERT: EV60 (GR)



NOTE: Products shown in this section may not be drawn to scale.

AVAILABLE FINISHES FOR PRODUCTS SHOWN ON THIS PAGE (see General Information section for finish chart)

10BE (Satin Bronze Powder Coated Aluminum) A (Mill Finish Aluminum) BSP (Black Suede Powder Coated Aluminum)

D (Dark Bronze Anodized) G (Gold Anodized) WSP (White Suede Powder Coated Aluminum)

Special finishes available upon request

**ASSA ABLOY**  
Opening Solutions

Experience a safer  
and more open world

800-824-3018 | [www.assaabloydooraccessories.us](http://www.assaabloydooraccessories.us)

Check the web site for the up-to-date catalog

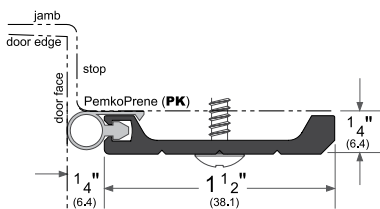
Copyright © 2015-2020, ASSA ABLOY Accessories and Door Controls Group, Inc., an ASSA ABLOY Group company. All rights reserved. Reproduction in whole or in part without the express written permission of ASSA ABLOY Accessories and Door Controls Group, Inc. is prohibited.

## Heavy Duty Perimeter Gasketing - Standard Jamb

- For the head section of the frame where a parallel arm closer bracket or other hardware is required. Supplied undrilled (36") or drilled (80" and above) and supplied with sheet metal screws for mounting
- If used as a stop, flat head machine screws can be provided upon request and take a countersunk #10 hole. Pemko will drill the head member only if drilling instructions for countersink holes are provided
- All gasketing shown below is sold individually

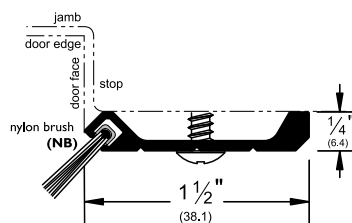
### 290\_PK

AVAILABLE FINISHES: **10BE, A, BSP, D, G, WSP**  
 REPLACEMENT INSERT: **PK47 (BL, GR)**  
 ANSI: **R3G164, R3G165**



### 29045\_NB

AVAILABLE FINISHES: **10BE, A, BSP, D, G, WSP**  
 REPLACEMENT INSERT: **P14050 (BL, GR)**  
 ANSI: **R3A164, R3A165**



### Alternate Inserts For 290

#### 290\_S

AVAILABLE FINISHES: **A, D, G**  
 REPLACEMENT INSERT: **S3 (BL, W)**  
 ANSI: **R3E164, R3E165**



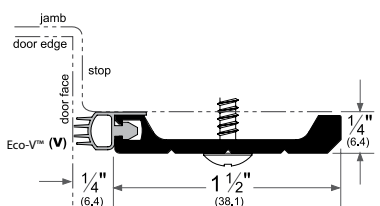
#### 290\_V

AVAILABLE FINISHES: **A, D, G**  
 REPLACEMENT INSERT: **EV47 (BL, GR, W)**



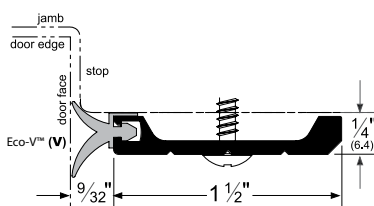
### 2902\_V

AVAILABLE FINISHES: **10BE, A, BSP, D, G, WSP**  
 REPLACEMENT INSERT: **EV59 (BL, GR, W)**



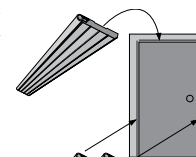
### 2903\_V

AVAILABLE FINISHES: **10BE, A, BSP, D, G, WSP**  
 REPLACEMENT INSERT: **EV60 (GR)**

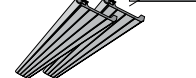


### 2891\_PK

1 per door standard



290\_PK  
 2 per door standard



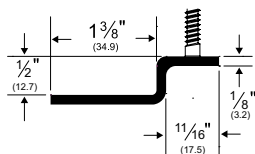
When ordering a head section such as 2891\_PK, two corresponding side sections (i.e. 290\_PK) should also be ordered for the latch and hinge sides of the frame.

## Perimeter Gasket Jamb Brackets

- For use with standard perimeter gasket profiles when opening utilizes a parallel arm closer
- Mount perimeter gasket first, then bracket over the profile. Closer bracket will mount to face of bracket.
- Furnished in paintable galvanized steel (SP) or gray prime coat (G); available in powder coated finishes
- Supplied in 6" lengths

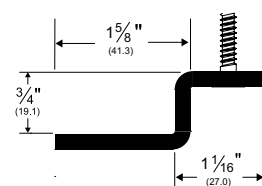
### BKT050\_

AVAILABLE FINISHES: **10BE, BSP, SP, G, WSP**



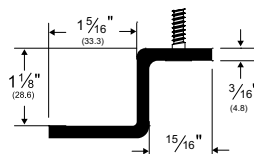
### BKT075\_

AVAILABLE FINISHES: **10BE, BSP, SP, G, WSP**



### BKT1532\_

AVAILABLE FINISHES: **10BE, BSP, SP, G, WSP**



NOTE: Products shown in this section may not be drawn to scale.

AVAILABLE FINISHES FOR PRODUCTS SHOWN ON THIS PAGE  
 (see General Information section for finish chart)

**10BE** (Satin Bronze Powder Coated Aluminum) **A** (Mill Finish Aluminum) **BSP** (Black Suede Powder Coated Aluminum)  
**D** (Dark Bronze Anodized) **G** (Gold Anodized) **WSP** (White Suede Powder Coated Aluminum)

AVAILABLE BRACKET FINISHES FOR PRODUCTS SHOWN ON THIS PAGE  
**G** (Gray Prime Painted Steel) **SP** (Galvanized Steel)

800-824-3018 | [www.assaabloydooraccessories.us](http://www.assaabloydooraccessories.us)

Check the web site for the up-to-date catalog

Copyright © 2015-2020, ASSA ABLOY Accessories and Door Controls Group, Inc., an ASSA ABLOY Group company. All rights reserved.  
 Reproduction in whole or in part without the express written permission of ASSA ABLOY Accessories and Door Controls Group, Inc. is prohibited.

**ASSA ABLOY**  
 Opening Solutions

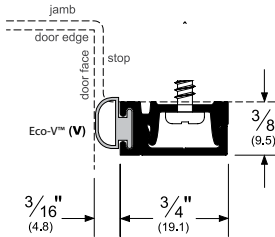
Experience a safer  
 and more open world

# Snap Cover Perimeter Gasketing With Concealed Fasteners

- Low-profile snap cover conceals mounting screws to provide security and a clean aesthetic appearance
- Cover snaps securely in place to deter vandalism
- All clear anodized brush products are supplied with gray brush (black brush available upon request)

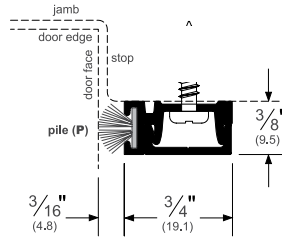
## 29310\_V

AVAILABLE FINISHES: **10BE, BSP, C, D, G, WSP**  
REPLACEMENT INSERT: **EV41 (BL, GR, W)**



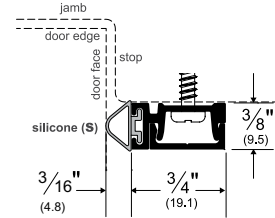
## 29310\_P

AVAILABLE FINISHES: **10BE, BSP, C, D, G, WSP**  
REPLACEMENT INSERT: **P2 (BL, GR)**



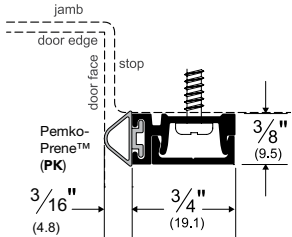
## 29310\_S

AVAILABLE FINISHES: **10BE, BSP, C, D, G, WSP**  
REPLACEMENT INSERT: **S4 (BL, GR)**  
ANSI: **R3E164, R3E165**



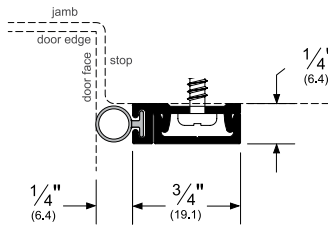
## 29310\_PK

AVAILABLE FINISHES: **10BE, BSP, C, D, G, WSP**  
REPLACEMENT INSERT: **PK4 (BL, GR)**  
ANSI: **R3G164, R3G165**



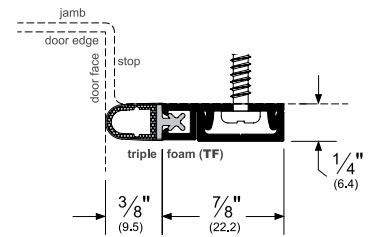
## 29313\_PK

AVAILABLE FINISHES: **10BE, BSP, C, D, G, WSP**  
REPLACEMENT INSERT: **PK588 (BL)**



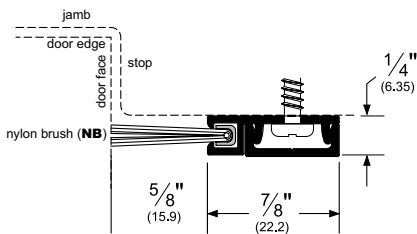
## 29321\_TF

AVAILABLE FINISHES: **10BE, BSP, C, D, G, WSP**  
REPLACEMENT INSERT: **FS9 (BL)**



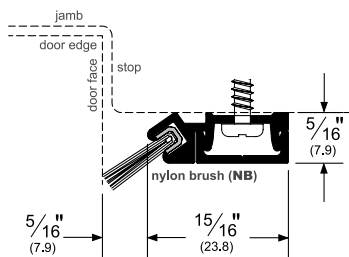
## 29326\_NB

AVAILABLE FINISHES: **10BE, BSP, C, D, G, WSP**  
REPLACEMENT INSERT: **P516062 (BL, GR, W)**  
ANSI: **R3A164, R3A165**



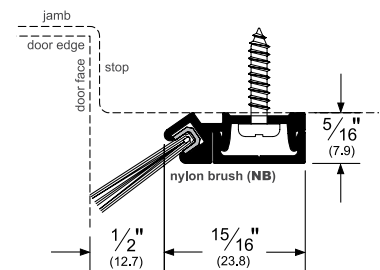
## 29344\_NB

AVAILABLE FINISHES: **10BE, BSP, C, D, G, WSP**  
REPLACEMENT INSERT: **P516041 (BL, GR)**  
ANSI: **R3A164**



## 29346\_NB

AVAILABLE FINISHES: **10BE, BSP, C, D, G, WSP**  
REPLACEMENT INSERT: **P516062 (BL, GR, W)**  
ANSI: **R3A164**



NOTE: Products shown in this section may not be drawn to scale.

AVAILABLE FINISHES FOR PRODUCTS SHOWN ON THIS PAGE (see General Information section for finish chart)

**10BE** (Satin Bronze Powder Coated Aluminum) **BSP** (Black Suede Powder Coated Aluminum) **C** (Clear Anodized) **D** (Dark Bronze Anodized) **G** (Gold Anodized) **WSP** (White Suede Powder Coated Aluminum)

800-824-3018 | [www.assaabloydooraccessories.us](http://www.assaabloydooraccessories.us)

Check the web site for the up-to-date catalog

**ASSA ABLOY**  
Opening Solutions

Experience a safer  
and more open world

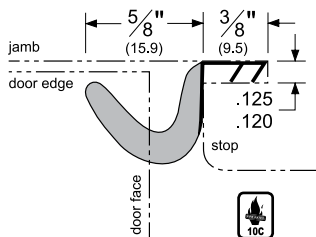
# Kerf-In Weatherstrip

## Foam

- Pemko's "Q" foam kerf-in weatherstrip is constructed from soft cell foam enclosed by an embossed, tear-resistant, low-friction, UV-stable polyethylene cover
- Includes rigid PVC insert with extended flange for fast and easy kerf installation

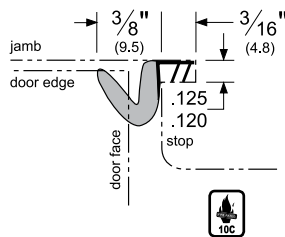
### Q102\_

AVAILABLE FINISHES: **BL, D, W**  
 AVAILABLE LENGTHS: **36", 85", 97", 121"**  
 Minimum space between the door face and the stop is  $\frac{5}{16}$ "; maximum space is  $\frac{1}{2}$ "



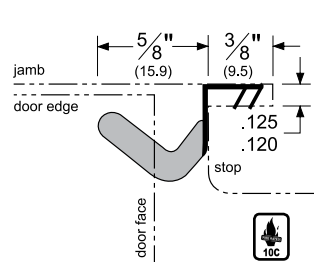
### Q103\_

AVAILABLE FINISHES: **BL, D, W**  
 AVAILABLE LENGTHS: **36", 85", 97", 121"**  
 Minimum space between the door face and the stop is  $\frac{3}{16}$ "; maximum space is  $\frac{5}{16}$ "



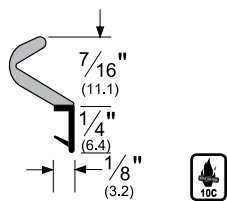
### Q106\_

AVAILABLE FINISHES: **D, W**  
 AVAILABLE LENGTHS: **36", 85", 97", 121"**  
 Minimum space between the door face and the stop is  $\frac{5}{16}$ "; maximum space is  $\frac{1}{2}$ "



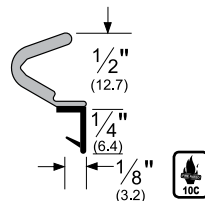
### Q107\_

AVAILABLE FINISHES: **BL, W**  
 Minimum space between the door face and the stop is  $\frac{1}{8}$ "; maximum space is  $\frac{7}{16}$ "  
 Sold per foot (specify length)



### Q108\_

AVAILABLE FINISHES: **BL, W**  
 Minimum space between the door face and the stop is  $\frac{1}{8}$ "; maximum space is  $\frac{1}{2}$ "  
 Sold per foot (specify length)

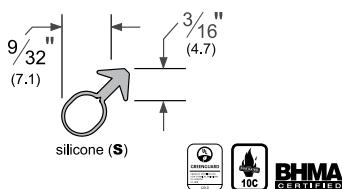


## Silicone

- Extruded from platinum cross-linked silicon
- Self-extinguishing and non-toxic
- Unaffected by sunlight, ozone, and ultraviolet rays
- Impervious to fungus and mildew; will not deteriorate under normal exposure
- Available in 100ft lengths

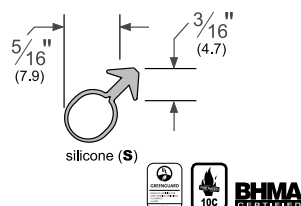
### S104\_100

AVAILABLE FINISHES: **D, W**  
 ANSI: **R0E156**  
 Minimum space between the door face and the stop is  $\frac{1}{16}$ "; maximum space is  $\frac{1}{4}$ "



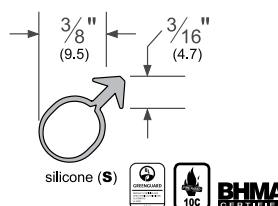
### S109\_100

AVAILABLE FINISHES: **D, W**  
 ANSI: **R0E156**  
 Minimum space between the door face and the stop is  $\frac{1}{16}$ "; maximum space is  $\frac{1}{4}$ "



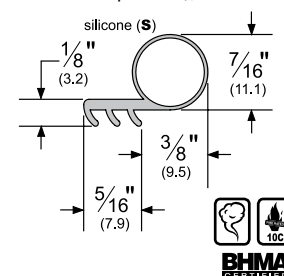
### S105\_100

AVAILABLE FINISHES: **D, W**  
 ANSI: **R0E156**  
 Minimum space between the door face and the stop is  $\frac{1}{16}$ "; maximum space is  $\frac{3}{8}$ "



### S52\_100

AVAILABLE FINISHES: **BL, W**  
 ANSI: **R0E154**  
 Minimum space between the door face and the stop is  $\frac{1}{16}$ "; maximum space is  $\frac{3}{8}$ "



NOTE: Products shown in this section may not be drawn to scale.

AVAILABLE FINISHES FOR PRODUCTS SHOWN ON THIS PAGE (see General Information section for finish chart)

**BL** (Black) **D** (Dark Brown) **W** (White)

800-824-3018 | [www.assaabloydooraccessories.us](http://www.assaabloydooraccessories.us)

Check the web site for the up-to-date catalog

Copyright © 2015-2020, ASSA ABLOY Accessories and Door Controls Group, Inc., an ASSA ABLOY Group company. All rights reserved. Reproduction in whole or in part without the express written permission of ASSA ABLOY Accessories and Door Controls Group, Inc. is prohibited.

**ASSA ABLOY**  
 Opening Solutions

Experience a safer  
 and more open world



## Kerf-In Weatherstrip (Cont.)

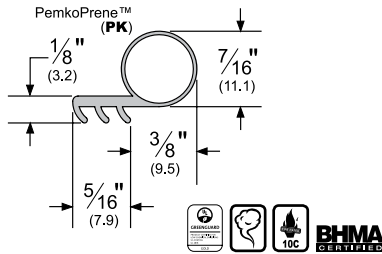
### PK52

AVAILABLE FINISHES: **BL, W**

ANSI: **ROG154**

AVAILABLE LENGTHS: **18', 20', 300'**

- Minimum space between the door face and the stop is  $\frac{1}{16}$ "; maximum space is  $\frac{3}{8}$ "

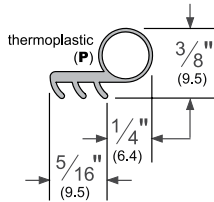


### P50

AVAILABLE FINISHES: **BL, W**

AVAILABLE LENGTHS: **17', 25', 250'**

- Minimum space between the door face and the stop is  $\frac{1}{16}$ "; maximum space is  $\frac{3}{16}$ ".
- Thermoplastic elastomer formulation will not transmigrate; remains flexible to  $-60^{\circ}\text{F}$

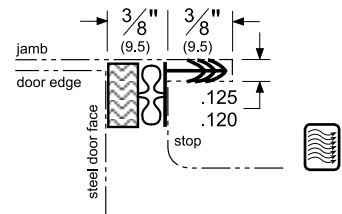


### MAG349

AVAILABLE FINISHES: **D, W**

AVAILABLE LENGTHS: **37", 85", 96", 121"**

- Minimum space between the door face and the stop is  $\frac{3}{16}$ "; maximum space is  $\frac{7}{16}$ ".
- Magnetic kerf-in weatherstrip features a magnetic strip encased by a UV-stable TPE cover
- Use for steel-faced door and wood frame applications
- Can be trimmed in the field and corner-mitered

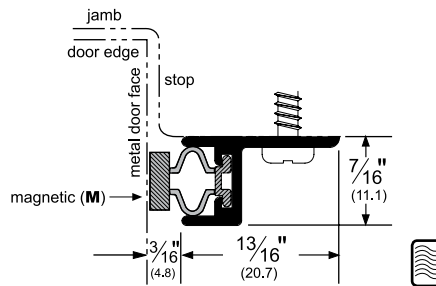


## Magnetic Kerf-In Weatherstrip

### 2815\_M

AVAILABLE FINISHES: **C, D, G**

REPLACEMENT INSERT: **2815MAG**



## Adhesive Perimeter Gasketing

For more information on these perimeter gasketing products, please see the Adhesive Gasketing section.

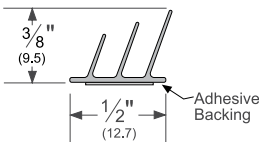
### S773

AVAILABLE FINISHES: **BL, D, GR, W**

AVAILABLE LENGTHS: **17', 18', 20', 21', 25', 30', 250', 500'**

ANSI: **ROE154, ROE155**

- Triple-fin design blocks light and sound from infiltrating a room
- Product designed as hospitality gasketing (see more hospitality products in the Hospitality Products section)
- Seal begins compressing at  $\frac{3}{8}$ "; compresses to seal up to a  $\frac{1}{16}$ " gap



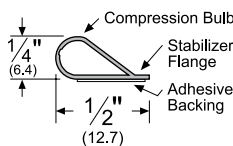
### S88

AVAILABLE FINISHES: **BL, C, D, GR, TAN, W**

AVAILABLE LENGTHS: **17', 18', 20', 21', 25', 30', 204', 510'**

ANSI: **ROE154, ROE155**

- Seal begins compressing at  $\frac{1}{4}$ "; compresses to seal up to a  $\frac{1}{16}$ " gap
- Available with perforations for Behavioral Health applications. Substitute "P" in place of "S" to order this option.



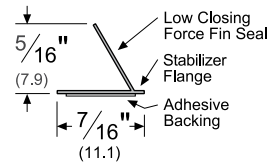
### S44

AVAILABLE FINISHES: **BL, C, D, GR, W**

AVAILABLE LENGTHS: **17', 18', 20', 21', 25', 30', 204', 510'**

ANSI: **ROE154, ROE155**

- Designed for tighter frames.
- Demonstrates extremely low closing force.
- Seal begins compressing at  $\frac{9}{16}$ "; compresses to seal up to a  $\frac{1}{16}$ " gap
- Available with perforations for Behavioral Health applications. Substitute "P" in place of "S" to order this option.



NOTE: Products shown in this section may not be drawn to scale.

AVAILABLE FINISHES FOR PRODUCTS SHOWN ON THIS PAGE (see General Information section for finish chart)  
Adhesive Gasketing Colors: **BL** (Black) **C** (Clear) **D** (Dark Brown) **GR** (Light Gray) **TAN** (Tan) **W** (White)

**ASSA ABLOY**  
Opening Solutions

Experience a safer  
and more open world

800-824-3018 | [www.assaabloydooraccessories.us](http://www.assaabloydooraccessories.us)

Check the web site for the up-to-date catalog

Copyright © 2015-2020, ASSA ABLOY Accessories and Door Controls Group, Inc., an ASSA ABLOY Group company. All rights reserved. Reproduction in whole or in part without the express written permission of ASSA ABLOY Accessories and Door Controls Group, Inc. is prohibited.

## Adhesive Perimeter Gasketing (Cont.)

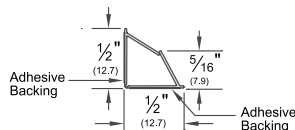
For more information on these perimeter gasketing products, please see the Adhesive Gasketing section.

### S442\_

AVAILABLE FINISHES: **BL, D, W**  
 AVAILABLE LENGTHS: **17', 18', 20', 21', 25', 30', 510'**

ANSI: **R0E154, R0E155**

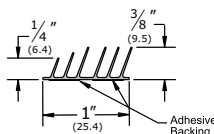
- Fits flush into corner
- Seal begins compressing at  $\frac{5}{16}$ "; compresses to seal up to a  $\frac{1}{16}$ " gap



### S776\_

AVAILABLE FINISHES: **BL**  
 AVAILABLE LENGTHS: **17', 18', 20', 21', 25', 30'**  
 ANSI: **R0E154, R0E155**

- Designed for hollow metal and wood meeting stile applications
- Seal begins compressing at  $\frac{3}{8}$ "; compresses to seal up to a  $\frac{1}{16}$ " gap

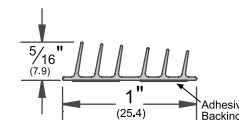


### S771x6\_

AVAILABLE FINISH: **BL**  
 AVAILABLE LENGTHS: **7', 8', 10', 17', 18', 20', 21', 25'**

ANSI: **R0E154, R0E155**

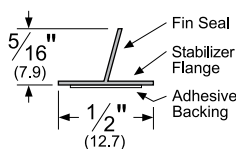
- Designed for hollow metal and wood meeting stile applications
- Seal begins compressing at  $\frac{5}{16}$ "; compresses to seal up to a  $\frac{1}{16}$ " gap



### S77\_

AVAILABLE FINISHES: **C, BL, D, W**  
 AVAILABLE LENGTHS: **17', 18', 20', 21', 25', 30', 510'**  
 ANSI: **R0E154, R0E155**

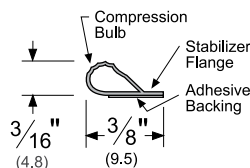
- Designed for hollow metal and wood meeting stile applications.
- Seal begins compressing at  $\frac{5}{16}$ "; compresses to seal up to a  $\frac{1}{16}$ " gap



### PK33\_

AVAILABLE FINISHES: **BL, D, W**  
 AVAILABLE LENGTHS: **17', 18', 20', 21', 25', 30', 510'**  
 ANSI: **R0G154, R0G155**

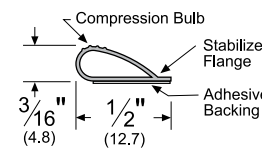
- Designed for tighter frames.
- Demonstrates extremely low closing force.
- Seal begins compressing at  $\frac{3}{16}$ "; compresses to seal up to a  $\frac{1}{16}$ " gap



### PK55\_

AVAILABLE FINISHES: **BL, D, W**  
 AVAILABLE LENGTHS: **17', 18', 20', 21', 25', 30', 510'**  
 ANSI: **R0G154, R0G155**

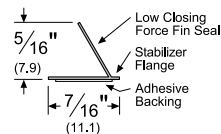
- Designed for tighter frames.
- Demonstrates extremely low closing force.
- Seal begins compressing at  $\frac{3}{16}$ "; compresses to seal up to a  $\frac{1}{16}$ " gap



## MicroShield® Antimicrobial Adhesive Gasketing

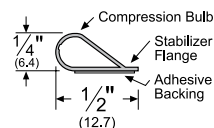
### AM44\_

AVAILABLE FINISHES: **BL, C, D, W**  
 AVAILABLE LENGTHS: **17', 18', 20', 21', 25', 30', 510'**  
 ANSI: **R8E154, R0E155**



### AM88\_

AVAILABLE FINISHES: **BL, C, D, W**  
 AVAILABLE LENGTHS: **17', 18', 20', 21', 25', 30', 510'**  
 ANSI: **R8E154, R0E155**



#### NOTES FOR ALL ADHESIVE GASKETING:

Storage and shelf life: All adhesive gaskets have a limited shelf life. This product must be installed within 6 months of purchase and must be stored between 50°F and 100°F. For further notes/details, please see Adhesive Gasketing section.

NOTE: Products shown in this section may not be drawn to scale.

AVAILABLE FINISHES FOR PRODUCTS SHOWN ON THIS PAGE (see General Information section for finish chart)

Adhesive Gasketing Colors: **BL** (Black) **C** (Clear) **D** (Dark Brown) **GR** (Light Gray) **W** (White)

800-824-3018 | [www.assaabloydooraccessories.us](http://www.assaabloydooraccessories.us)

Check the web site for the up-to-date catalog

Copyright © 2015-2020, ASSA ABLOY Accessories and Door Controls Group, Inc., an ASSA ABLOY Group company. All rights reserved. Reproduction in whole or in part without the express written permission of ASSA ABLOY Accessories and Door Controls Group, Inc. is prohibited.

**ASSA ABLOY**  
 Opening Solutions

Experience a safer  
 and more open world

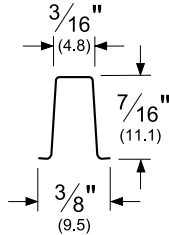
## Interlock Weatherstrip For Wood Doors

- Fasteners available at additional cost

### Liner Strip

- Made from .008" spring bronze (B)

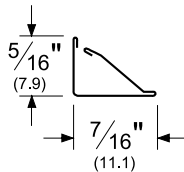
**\_30**  
 AVAILABLE FINISH: **B**  
 AVAILABLE LENGTHS: **96"**



### Lock Strip

- Made from .008" spring bronze (B)

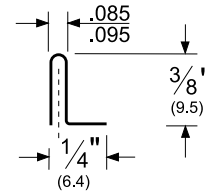
**\_331**  
 AVAILABLE FINISH: **B**  
 AVAILABLE LENGTHS: **6", 96"**



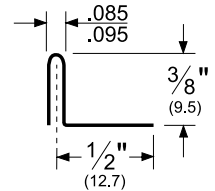
### "L" Metal

- Bronze or zinc-plated wafer head drive screws available for \_41M (sold separately)

**\_41M**  
 AVAILABLE FINISHES: **B, Z**  
 AVAILABLE LENGTHS: **96"**



**\_43**  
 AVAILABLE FINISH: **B**  
 AVAILABLE LENGTHS: **96"**



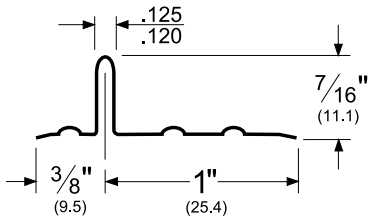
## Interlock Weatherstrip For Wood Windows

### Corrugated Rib Strips

- Corrugated rib strips are made from .015" spring bronze (B) or .0172" galvanized steel (Z)
- \_4C and \_6C are only available in 96" lengths

**\_4C** (1 3/8" width)  
 AVAILABLE FINISHES: **B, Z**

**\_6C** (1 7/8" width)  
 AVAILABLE FINISH: **Z**

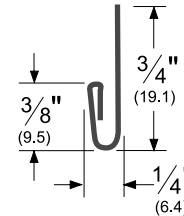


*\_4C (1 3/8" width) shown above; also available in \_6C (1 7/8" width) in galvanized steel (Z) only*

### Flat Hooks

- \_10 Flat hooks are made from .026" spring bronze (B) or .0172" galvanized steel (Z)

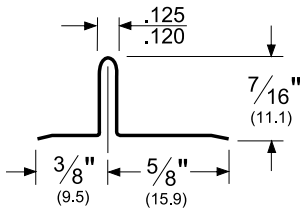
**\_10**  
 AVAILABLE FINISHES: **B, Z**  
 AVAILABLE LENGTHS: **96"**



### Plain Rib Strips

- Plain rib strips are made from .015" spring bronze (B) or .0172" galvanized steel (Z)

**\_2P** (1" width)  
 AVAILABLE FINISHES: **B, Z**



**\_4P** (1 3/8" width)  
 AVAILABLE FINISHES: **B, Z**

*\_2P (1" width) shown at left; also available in \_4P (1 3/8" width). \_2P and \_4P available in 96" lengths only*

NOTE: Products shown in this section may not be drawn to scale.

AVAILABLE FINISHES FOR PRODUCTS SHOWN ON THIS PAGE (see General Information section for finish chart)  
**B** (Bronze) **Z** (Galvanized Steel)

**ASSA ABLOY**  
 Opening Solutions

Experience a safer  
 and more open world

800-824-3018 | [www.assaabloydooraccessories.us](http://www.assaabloydooraccessories.us)  
 Check the web site for the up-to-date catalog

Copyright © 2015-2020, ASSA ABLOY Accessories and Door Controls Group, Inc., an ASSA ABLOY Group company. All rights reserved. Reproduction in whole or in part without the express written permission of ASSA ABLOY Accessories and Door Controls Group, Inc. is prohibited.

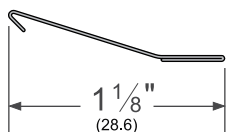
## Cushion/Spring Weatherstrip for Wood or Metal Doors and Windows

### Spring Bronze - Wood Doors/Windows

- Spring bronze weatherstrip fits wood doors and wood casement windows
- Made from .008" hemmed spring bronze/brass (B)
- Nails should be approximately 1 1/2" on center (sold separately)

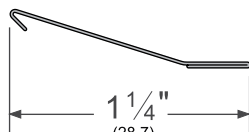
#### 70C-100

AVAILABLE FINISH: **B**  
AVAILABLE LENGTHS: **100'**



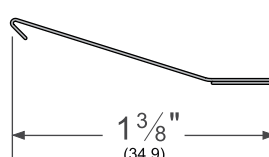
#### 70D-100

AVAILABLE FINISH: **B**  
AVAILABLE LENGTHS: **100'**



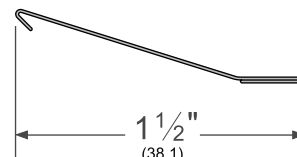
#### 70E-100

AVAILABLE FINISH: **B**  
AVAILABLE LENGTHS: **100'**



#### 70F-100

AVAILABLE FINISH: **B**  
AVAILABLE LENGTHS: **100'**



#### P51B17

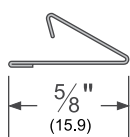
P51B17 is 17 feet of 70C  
Packaged with nails

## Cushion ("V") - Wood or Metal Doors

- Cushion weatherstrip fits wood or metal doors
- Made from .008" hemmed spring bronze/brass (B)
- Nails should be approximately 3" on center (sold separately)
- Gap coverage is 1/8" minimum to 3/16" maximum

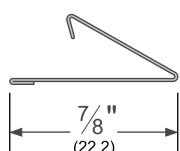
#### 73

AVAILABLE FINISH: **B**  
AVAILABLE LENGTHS: **96"**



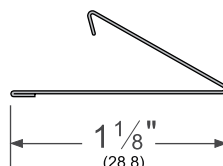
#### 74

AVAILABLE FINISH: **B**  
AVAILABLE LENGTHS: **96"**



#### 75

AVAILABLE FINISH: **B**  
AVAILABLE LENGTHS: **96"**



## Fasteners for Cushion, Spring and Interlock Weatherstrip

- Fasteners for cushion, spring, and interlock weatherstrip are sold separately unless otherwise specified

#### NL1678\_

AVAILABLE FINISHES: **BL, BP, Z**  
For Wood: #16 x 7/8" flat head nail



#### NL13516\_

AVAILABLE FINISHES: **BP, Z**  
For Metal: #13 x 5/16" wafer head drive screw



#### NL1634\_

AVAILABLE FINISHES: **BB, SS**  
For Wood: #16 x 3/4" flat head nail

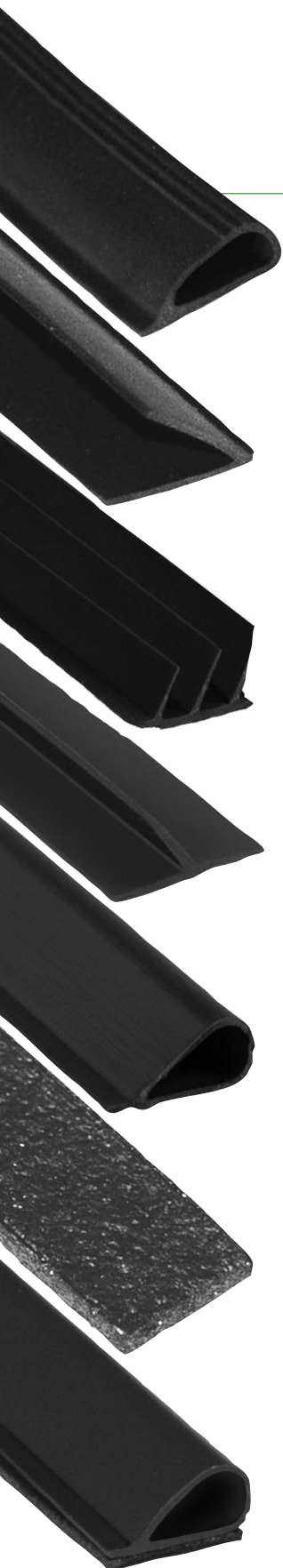


**ASSA ABLOY**  
Opening Solutions

Experience a safer  
and more open world

800-824-3018 | [www.assaabloydooraccessories.us](http://www.assaabloydooraccessories.us)  
Check the web site for the up-to-date catalog

Copyright © 2015-2020, ASSA ABLOY Accessories and Door Controls Group, Inc., an ASSA ABLOY Group company. All rights reserved.  
Reproduction in whole or in part without the express written permission of ASSA ABLOY Accessories and Door Controls Group, Inc. is prohibited.



## Pemko Adhesive Gasketing

---

### CONTENTS:

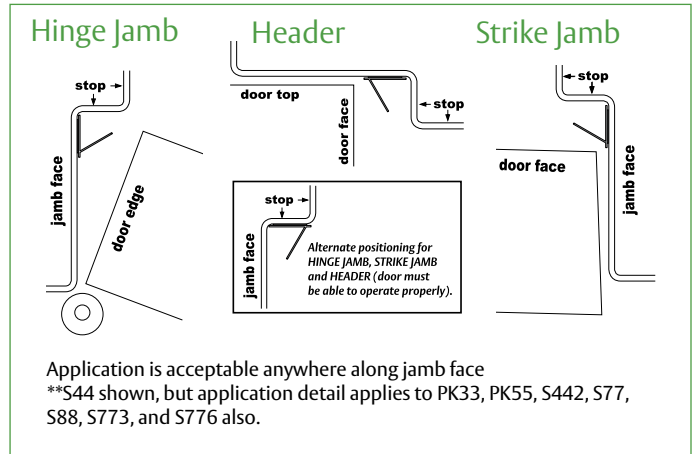
SiliconSeal Adhesive-Backed Fire/Smoke Gasketing .....	204
PemkoPrene® Adhesive-Backed Fire/Smoke Gasketing .....	205
SiliconSeal Adhesive-Backed Meeting Stile Gasketing .....	205
MicroShield® Antimicrobial Gasketing .....	206
Hot Smoke Seal/SiliconSeal Combination Fire/Smoke Sealing .....	206

### INDEX:

<u>PRODUCT</u>	<u>PAGE</u>	<u>PRODUCT</u>	<u>PAGE</u>
AM44 .....	210	S442 .....	208
AM88 .....	210	S77 .....	208
HSS1000 .....	210	S88 .....	208
HSS2000 .....	210	S771 .....	209
HSS2000xS44 .....	210	S771x6 .....	209
HSS2000xS88 .....	210	S772 .....	209
PK33 .....	209	S773 .....	208
PK55 .....	209	S776 .....	208
S44 .....	208		

# SiliconSeal Adhesive-Backed Fire/Smoke Gasketing

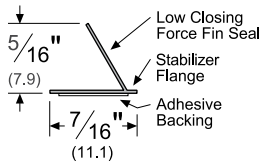
- SiliconSeal is extruded from high-temperature silicone; effective between -58°F and 450°F
- Self-extinguishing and non-toxic; unaffected by sunlight, ozone, and ultraviolet rays
- Impervious to fungus and mildew; will not deteriorate under normal exposure
- Meets FAR 25.853 Airworthiness Standards for Compartment Interiors



## S44\_

AVAILABLE FINISHES: **BL, C, D, GR, W**  
 AVAILABLE LENGTHS: 17', 18', 20', 21', 25', 30', 204', 510'  
 ANSI: **R0E154, R0E155**

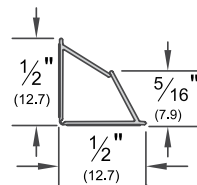
- Designed for tighter frames
- Demonstrates extremely low closing force
- Seal begins compressing at  $\frac{5}{16}$ "; compresses to seal up to a  $\frac{1}{16}$ " gap



## S442\_

AVAILABLE FINISHES: **BL, D, W**  
 AVAILABLE LENGTHS: 17', 18', 20', 21', 25', 30', 510'  
 ANSI: **R0E154, R0E155**

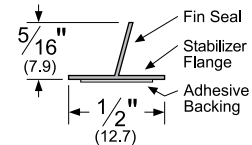
- Fits flush into corner
- Seal begins compressing at  $\frac{5}{16}$ "; compresses to seal up to a  $\frac{1}{16}$ " gap in either direction



## S77\_

AVAILABLE FINISHES: **BL, C, D, W**  
 AVAILABLE LENGTHS: 17', 18', 20', 21', 25', 30', 204', 500'  
 ANSI: **R0E154, R0E155**

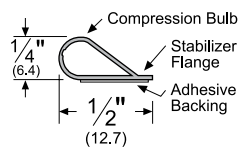
- Designed for hollow metal and wood meeting stile applications
- Seal begins compressing at  $\frac{5}{16}$ "; compresses to seal up to a  $\frac{1}{16}$ " gap



## S88\_

AVAILABLE FINISHES: **BL, C, D, GR, TAN, W**  
 AVAILABLE LENGTHS: 17', 18', 20', 21', 25', 30', 204', 510'  
 ANSI: **R0E154, R0E155**

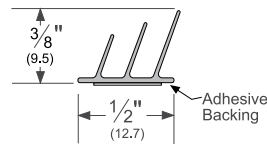
- Seal begins compressing at  $\frac{1}{4}$ "; compresses to seal up to a  $\frac{1}{16}$ " gap



## S773\_

AVAILABLE FINISHES: **BL, D, W**  
 AVAILABLE LENGTHS: 17', 18', 20', 21', 25', 30', 250', 500'  
 ANSI: **R0E154, R0E155**

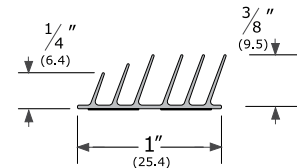
- Triple-fin design effectively blocks light and sound from infiltrating a room
- Seal begins compressing at  $\frac{3}{8}$ "; compresses to seal up to a  $\frac{1}{16}$ " gap



## S776\_

AVAILABLE FINISHES: **BL**  
 AVAILABLE LENGTHS: 17', 18', 20', 21', 25', 30'  
 ANSI: **R0E154, R0E155**

- Designed for hollow metal and wood meeting stile applications
- Seal begins compressing at  $\frac{3}{8}$ "; compresses to seal up to a  $\frac{1}{16}$ " gap



AVAILABLE FINISHES FOR PRODUCTS SHOWN ON THIS PAGE (see General Information section for finish chart)  
**BL** (Black) **C** (Clear) **D** (Dark Brown) **GR** (Light Gray) **TAN** (Tan) **W** (White)

**ASSA ABLOY**  
 Opening Solutions

Experience a safer  
 and more open world

800-824-3018 | [www.assaabloydooraccessories.us](http://www.assaabloydooraccessories.us)  
 Check the web site for the up-to-date catalog

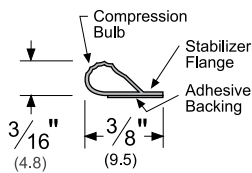
Copyright © 2015-2020, ASSA ABLOY Accessories and Door Controls Group, Inc., an ASSA ABLOY Group company. All rights reserved.  
 Reproduction in whole or in part without the express written permission of ASSA ABLOY Accessories and Door Controls Group, Inc. is prohibited.

# PemkoPrene® Adhesive-Backed Fire/Smoke Gasketing

## PK33\_

AVAILABLE FINISHES: **BL, D, W**  
 AVAILABLE LENGTHS: 17', 18', 20', 21', 25', 30', 510'  
 ANSI: **R0G154, R0G155**

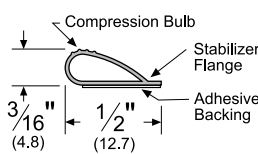
- Designed for tighter frames
- Demonstrates extremely low closing force
- Seal begins compressing at  $\frac{3}{16}$ "; compresses to seal up to a  $\frac{1}{16}$ " gap



## PK55\_

AVAILABLE FINISHES: **BL, D, W**  
 AVAILABLE LENGTHS: 17', 18', 20', 21', 25', 30', 510'  
 ANSI: **R0G154, R0G155**

- Designed for tighter frames
- Demonstrates extremely low closing force
- Seal begins compressing at  $\frac{3}{16}$ "; compresses to seal up to a  $\frac{1}{16}$ " gap

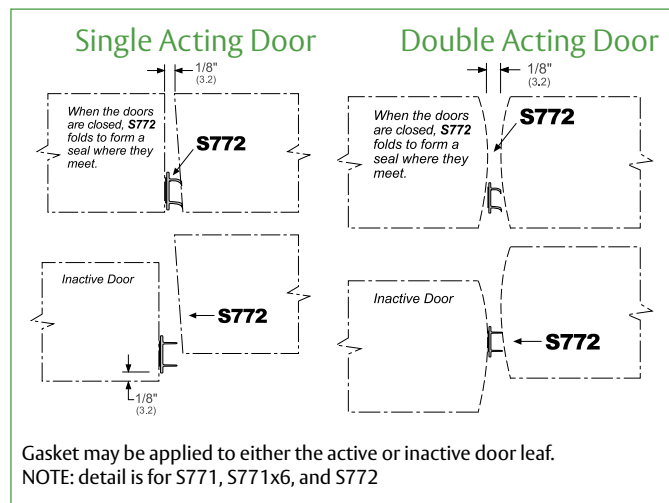
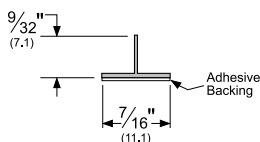


# SiliconSeal Adhesive-Backed Meeting Stile Gasketing

- Excellent resistance to compression set, particularly at elevated temperatures and for extended periods of time
- Outstanding ozone resistance rating
- Smoke tested in accordance with UL1784-01; meets the requirements of NFPA 105 "Standard for the Installation of Smoke Door Assemblies and Other Opening Protectives"

## S771\_

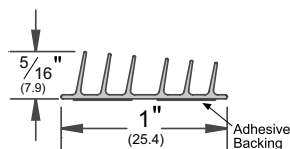
AVAILABLE FINISHES: **BL, C, D, GR, W**  
 AVAILABLE LENGTHS: 7', 8', 9', 10'  
 ANSI: **R0E154, R0E155, R0E754, R0E755**



## S771x6\_

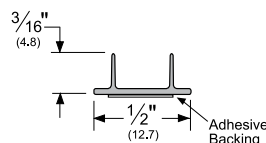
AVAILABLE FINISHES: **BL**  
 AVAILABLE LENGTHS: 7', 8', 9', 10'  
 ANSI: **R0E154, R0E155, R0E754, R0E755**

- Designed for hollow metal and wood meeting stile applications
- Seal begins compressing at  $\frac{5}{16}$ "; compresses to seal up to a  $\frac{1}{16}$ " gap



## S772\_

AVAILABLE FINISHES: **BL, C, D, GR, W**  
 AVAILABLE LENGTHS: 7', 8', 9', 10'  
 ANSI: **R0E154, R0E155, R0E754, R0E755**



AVAILABLE FINISHES FOR PRODUCTS SHOWN ON THIS PAGE (see General Information section for finish chart)  
**BL** (Black) **C** (Clear) **D** (Dark Brown) **GR** (Light Gray) **W** (White)

800-824-3018 | [www.assaabloydooraccessories.us](http://www.assaabloydooraccessories.us)  
 Check the web site for the up-to-date catalog

Copyright © 2015-2020, ASSA ABLOY Accessories and Door Controls Group, Inc., an ASSA ABLOY Group company. All rights reserved.  
 Reproduction in whole or in part without the express written permission of ASSA ABLOY Accessories and Door Controls Group, Inc. is prohibited.

**ASSA ABLOY**  
 Opening Solutions

Experience a safer  
 and more open world



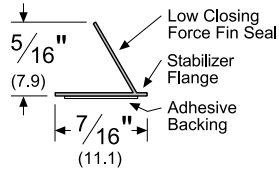
# MicroShield® Antimicrobial Gasketing

- Extruded from high-temperature silicone with MicroShield®, a silver-based antimicrobial additive
- Effective between -58°F and 450°F
- Adhesive Backed

- Self-extinguishing and non-toxic
- Unaffected by sunlight, ozone and ultraviolet rays
- Exceeds the requirements for Antimicrobial Test JIS-Z-2801

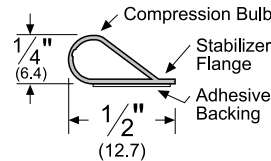
## AM44

AVAILABLE FINISHES: **BL, C, D, W**  
 AVAILABLE LENGTHS: **17', 18', 20', 21', 25', 30', 510'**  
 ANSI: **ROE154, ROE155**



## AM88

AVAILABLE FINISHES: **BL, C, D, W**  
 AVAILABLE LENGTHS: **17', 18', 20', 21', 25', 30', 510'**  
 ANSI: **ROE154, ROE155**



MicroShield®  
 As part of their promise to provide innovative solutions to their customers, certain ASSA ABLOY Group brands offer the MicroShield® technology, a silver-based antimicrobial additive designed to inhibit the growth of bacteria.

MicroShield® is a registered trademark of Yale Security Inc., an ASSA ABLOY Group company.

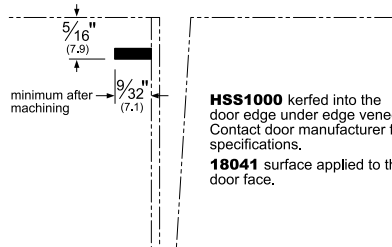
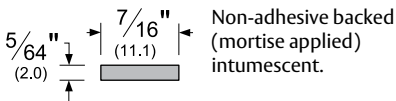
# Hot Smoke Seal/SiliconSeal Combination Fire/Smoke Sealing

- Chemically inert, highly stable, expandable graphite strip
- Tested and proven in positive pressure conditions to withstand both hot smoke and hot gasses, resulting in longer integrity of the door assembly
- More economical to use than specially modified doors in "tested assembly only" classifications

- Hot Smoke Seal can be painted to blend in with the finish of a frame
- Will not degrade from carbon dioxide and ozone like many competitive intumescent from other manufacturers
- Unaffected by moisture and will not break down like fiber-based or cellulose-based products

## HSS1000

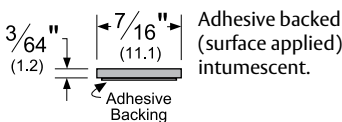
AVAILABLE FINISHES: Graphite (no finish code), **W**  
 AVAILABLE LENGTHS: **7', 8', 10', 18', 21', 24'**  
 ANSI: **ROP124**



**HSS1000** kerfed into the door edge under edge veneer. Contact door manufacturer for specifications.  
**18041** surface applied to the door face.

## HSS2000

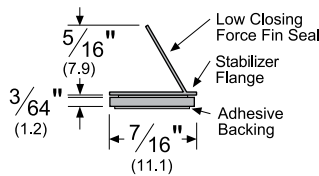
AVAILABLE FINISHES: Graphite (no finish code), **W**  
 AVAILABLE LENGTHS: **7', 8', 10', 18', 21', 24'**  
 ANSI: **ROP154**



## HSS2000xS44

AVAILABLE FINISHES: **BL, C, D, GR, W**  
 AVAILABLE LENGTHS: **18', 20', 21', 24'**  
 20' lengths can be supplied in 4-0 x 8-0 or 6-0 x 7-0. Specify when ordering  
 ANSI: **ROU154, ROU155**

- Compresses to seal a gap up to 1/8"



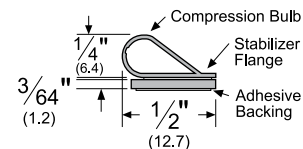
## Notes For All Adhesive Gasketing:

Storage and shelf life: All adhesive gaskets have a limited shelf life. This product must be installed within 6 months of purchase and must be stored between 50°F and 100°F.  
 Before installing: Thoroughly clean the frame to remove grease, dust or cleanser build-up (cleansing towelettes are included with product). Painted frame surface must be completely dry. Some hospital environments have wax or anti-bacterial cleanser build-up. As an alternative or substitute cleanser, use isopropyl (rubbing) alcohol. Note: Mineral spirits or other petroleum based cleaning products should NOT be used.

## HSS2000xS88

AVAILABLE FINISHES: **BL, C, D, GR, TAN, W**  
 AVAILABLE LENGTHS: **18', 20', 21', 24'**  
 20' lengths can be supplied in 4-0 x 8-0 or 6-0 x 7-0. Specify when ordering  
 ANSI: **ROU154, ROU155**

- Compresses to seal a gap up to 1/8"



AVAILABLE FINISHES FOR PRODUCTS SHOWN ON THIS PAGE (see General Information section for finish chart)  
**BL** (Black) **C** (Clear) **D** (Dark Brown) **GR** (Light Gray) **TAN** (Tan) **W** (White)

800-824-3018 | [www.assaabloydooraccessories.us](http://www.assaabloydooraccessories.us)

Check the web site for the up-to-date catalog

**ASSA ABLOY**  
 Opening Solutions

Experience a safer  
 and more open world

## Pemko Hospitality Products

### CONTENTS:

Privacy Door Latch, Bracket and Decals .....	208
SiliconSeal Adhesive Gasketing.....	209
Automatic Door Bottoms: PDB Series .....	210
Door Shoes.....	210
Automatic Door Bottoms.....	211
Eco-V™ Thresholds.....	212
Adjustable-Width Eco-V™ Threshold .....	213
Carpet Separators.....	214
Acoustic Adhesive Corner Pads.....	214
Stainless Steel Sliding Track Hardware System.....	215
Simultaneous Acting Sliding Door System.....	216
SHS80 System.....	217
Bypass Track Series .....	218

### INDEX:

PRODUCT	PAGE	PRODUCT	PAGE
174.....	218	EV2326.....	216
2113.....	214	HBP200A.....	222
2163.....	214	PDB411.....	214
2173.....	214	PDB4131.....	214
2212.....	214	PDL.....	212
2343.....	214	PDLBRKT.....	212
236.....	218	PDL-D1.....	212
2364.....	218	PDL-D2.....	212
2366.....	218	S44.....	213
3692.....	214	S442.....	213
411.....	215	S771.....	213
4131.....	215	S771x6.....	213
ACP112.....	218	S772.....	213
ADJ232V14.....	217	S773.....	213
ADJ232x2325V8.....	217	S776.....	213
ADJ232V8.....	217	S88.....	213
EV232.....	216	SHS80.....	221
EV2320.....	216	SIM150.....	220
EV2322.....	216	W60.....	219
EV2325.....	216		

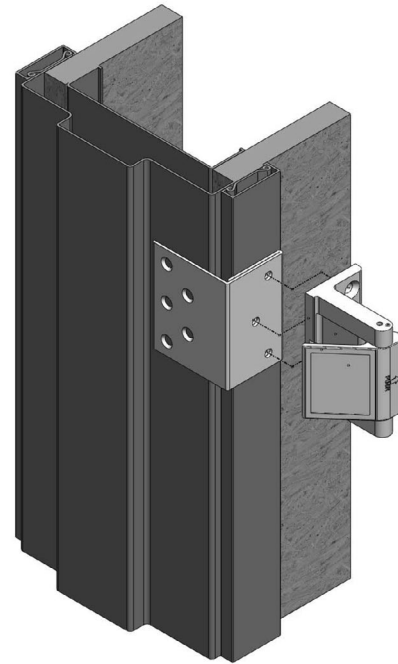
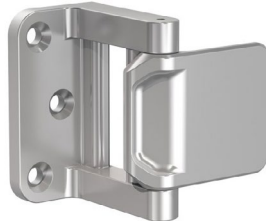
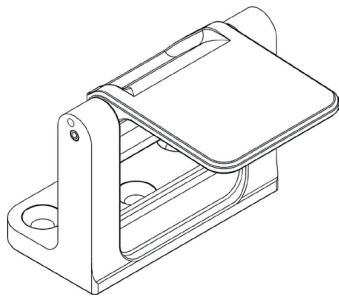
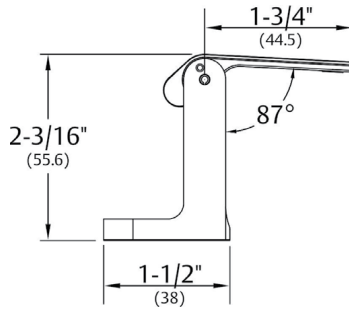
## Privacy Door Latch

- Easy to install, simple to operate
- ADA Compliant
- Enhances room privacy
- UL Classified as a fire door accessory

### PDLAA\_

AVAILABLE COLORS:

- PDLAA26 Polished Chrome
- PDLAA26D/15 Polished Chrome/  
Satin Nickel
- PDLAA3 Polished Brass
- PDLAA4 Brushed Brass
- PDLAABSP Black Suede



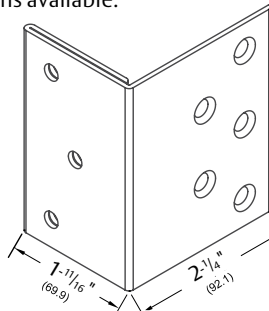
## Privacy Door Latch Bracket

- Designed for Timely or Redi-Frame frames with snap on trim
- Bracket allows PDL to be installed in the correct position for proper operation
- Custom powder coat options available.

### PDLBRKT\_

AVAILABLE COLORS:

- Paintable Galvannealed (blank)
- Black Suede (BSP)
- Stain Bronze (10BE)
- White Suede (WSP)



## Privacy Door Latch Decals

- Used to cover holes left on door and frame from old style door latch. Per NFPA80 holes must first be filled with like material in order to maintain the fire opening rating
- Made from stable, mar-resistant plastic
- Sub-surface screen printing so verbiage will not be affected by gentle cleaning/dusting



PDL-D1



PDL-D2

**ASSA ABLOY**  
Opening Solutions

Experience a safer  
and more open world

800-824-3018 | [www.assaabloydooraccessories.us](http://www.assaabloydooraccessories.us)  
Check the web site for the up-to-date catalog

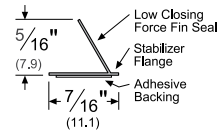
Copyright © 2015-2020, ASSA ABLOY Accessories and Door Controls Group, Inc., an ASSA ABLOY Group company. All rights reserved. Reproduction in whole or in part without the express written permission of ASSA ABLOY Accessories and Door Controls Group, Inc. is prohibited.

# SiliconSeal Adhesive Gasketing

## S44\_

AVAILABLE FINISHES: **BL, C, D, GR, W**  
 AVAILABLE LENGTHS: 17', 18', 20', 21', 25', 30', 510'  
 ANSI: **ROE154, ROE155**

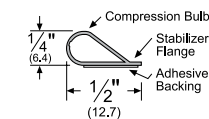
- Designed for tighter frames
- Demonstrates extremely low closing force
- Seal begins compressing at  $\frac{5}{16}$ "; compresses to seal up to a  $\frac{1}{16}$ " gap



## S88\_

AVAILABLE FINISHES: **BL, C, D, GR, TAN, W**  
 AVAILABLE LENGTHS: 17', 18', 20', 21', 25', 30', 204', 510'  
 ANSI: **ROE154, ROE155**

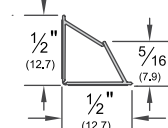
- Seal begins compressing at  $\frac{1}{4}$ "; compresses to seal up to a  $\frac{1}{16}$ " gap



## S442\_

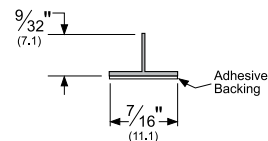
AVAILABLE FINISHES: **BL, C, D, GR, TAN, W**  
 AVAILABLE LENGTHS: 17', 18', 20', 21', 25', 30', 204', 510'  
 ANSI: **ROE154, ROE155**

- Seal fits flush into corner
- Seal begins compressing at  $\frac{5}{16}$ "; compresses to seal up to a  $\frac{1}{16}$ " gap in either direction



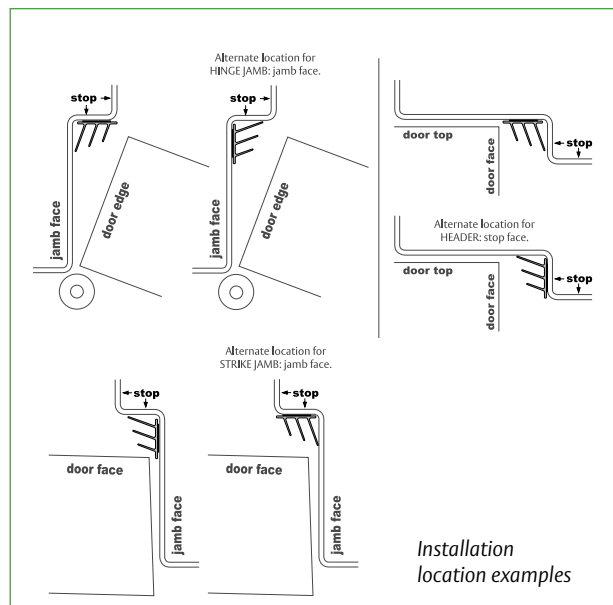
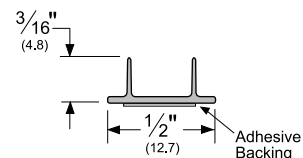
## S771\_

AVAILABLE FINISHES: **BL, C, D, GR, W**  
 AVAILABLE LENGTHS: 7', 8', 9', 10'  
 ANSI: **ROE154, ROE155, ROE754, ROE755**



## S772\_

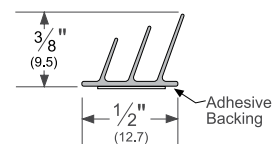
AVAILABLE FINISHES: **BL, C, D, GR, W**  
 AVAILABLE LENGTHS: 7', 8', 9', 10'  
 ANSI: **ROE154, ROE155, ROE754, ROE755**



## S773\_

AVAILABLE FINISHES: **BL, D, GR, W**  
 AVAILABLE LENGTHS: 17', 18', 20', 21', 25', 30', 250'  
 ANSI: **ROE154, ROE155**

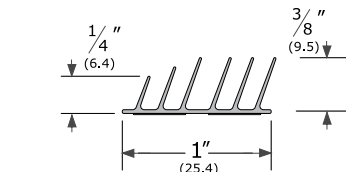
- Triple-fin design effectively blocks light and sound from infiltrating a room
- Seal begins compressing at  $\frac{3}{8}$ "; compresses to seal up to a  $\frac{1}{16}$ " gap



## S776\_

AVAILABLE FINISHES: **BL**  
 AVAILABLE LENGTHS: 17', 18', 20', 21'  
 ANSI: **ROE154, ROE155**

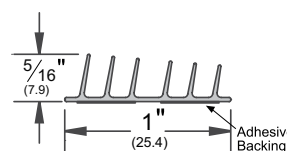
- Designed for hollow metal and wood meeting stile applications
- Seal begins compressing at  $\frac{3}{8}$ "; compresses to seal up to a  $\frac{1}{16}$ " gap



## S771x6\_

AVAILABLE FINISHES: **BL, C**  
 AVAILABLE LENGTHS: 7, 8, 9', 10, 17, 18, 20, 21, 25  
 ANSI: **ROE154, ROE155, ROE754, ROE755**

- Designed for hollow metal and wood meeting stile applications
- Seal begins compressing at  $\frac{5}{16}$ "; compresses to seal up to a  $\frac{1}{16}$ " gap



AVAILABLE FINISHES FOR PRODUCTS SHOWN ON THIS PAGE (see General Information section for finish chart)  
**BL** (Black) **C** (Clear) **D** (Dark Brown) **GR** (Light Gray) **TAN** (Tan) **W** (White)

800-824-3018 | [www.assaabloydooraccessories.us](http://www.assaabloydooraccessories.us)  
 Check the web site for the up-to-date catalog

Copyright © 2015-2020, ASSA ABLOY Accessories and Door Controls Group, Inc., an ASSA ABLOY Group company. All rights reserved.  
 Reproduction in whole or in part without the express written permission of ASSA ABLOY Accessories and Door Controls Group, Inc. is prohibited.

**ASSA ABLOY**  
 Opening Solutions

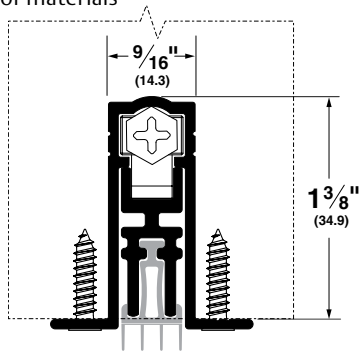
Experience a safer  
 and more open world

## Automatic Door Bottoms - Acoustic

- Recommended gap under door is 1/2" for optimal acoustic performance max drop is 3/4"
- Internal mechanism allows bar to accommodate slight imperfections in floor materials

### STC411\_PK

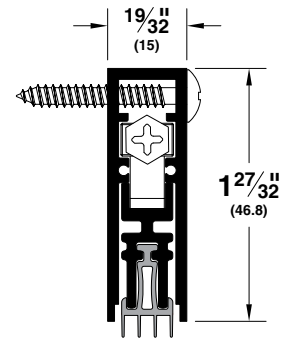
AVAILABLE FINISHES: **A**  
REPLACEMENT INSERT:  
**PK4111 (BL)**  
ANSI: **R3G324, R3G325**



- STC411 end plate kit is K435; for doors narrower than 1-3/4", specify end plate kit K411
- STC4131 end plate kit is K4133C for Clear Anodized and K4133D for Dark Bronze Anodized
- Non-handed

### STC4131\_PK

AVAILABLE FINISHES: **BSP, C, D**  
REPLACEMENT INSERT: **PK4111 (BL)**  
ANSI: **R3G334, R3G335, R3G344, R3G345**



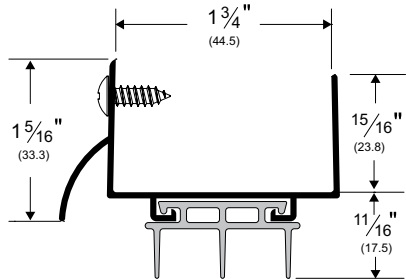
## Door Shoes

### 2163\_V

AVAILABLE FINISHES:  
**A, BSP, D, G**  
AVAILABLE LENGTHS:  
**36", 48"**  
REPLACEMENT INSERT:  
**EV94 (BL)**  
ANSI:  
**R3D514, R3D515**

Also available with  
unnotched insert:

2163\_V36UN  
2163\_V48UN

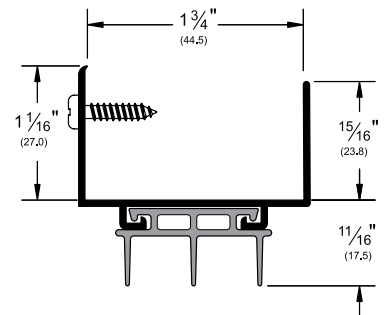


### 2173\_V

AVAILABLE FINISHES:  
**A, BDG, BSP, D, G, PW**  
AVAILABLE LENGTHS:  
**36", 48"**  
REPLACEMENT INSERT:  
**EV94 (BL)**  
ANSI:  
**R3D414, R3D415**

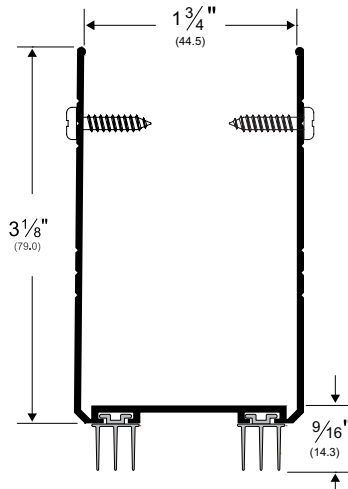
Also available with  
unnotched insert:

2173\_V36UN  
2173\_V48UN



### 2212\_PK773

AVAILABLE FINISHES:  
**A, BSP, D**  
AVAILABLE LENGTHS:  
**36", 48"**  
REPLACEMENT INSERT:  
**PK773 (BL, GR)**  
ANSI:  
**R3D414, R3D415**

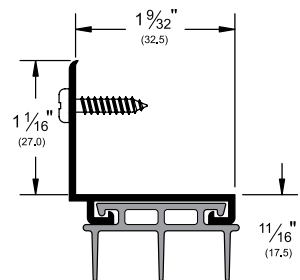


### 2113\_V

AVAILABLE FINISHES:  
**A, BSP, D, G**  
AVAILABLE LENGTHS:  
**36", 48"**  
REPLACEMENT INSERT:  
**EV94 (BL)**  
ANSI:  
**R3D414, R3D415**

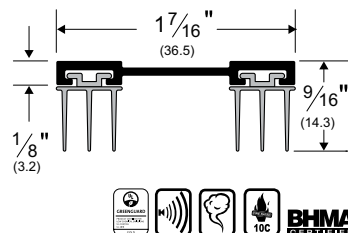
Also available with  
unnotched insert:

2113\_V36UN  
2113\_V48UN



### 3692\_PK773

AVAILABLE FINISH:  
**A**  
AVAILABLE LENGTHS:  
**36", 48"**  
REPLACEMENT INSERT:  
**PK773 (BL, GR)**  
ANSI:  
**R3G414, R3G415**

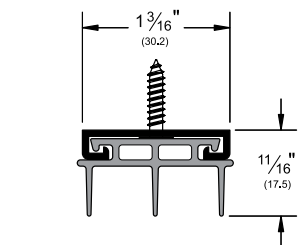


### 2343\_V

AVAILABLE FINISHES:  
**A, BSP, D, G**  
AVAILABLE LENGTHS:  
**36", 48"**  
REPLACEMENT INSERT:  
**EV94 (BL)**  
ANSI:  
**R3D414, R3D415**

Also available with  
unnotched insert:

2343\_V36UN  
2343\_V48UN



AVAILABLE FINISHES FOR PRODUCTS SHOWN ON THIS PAGE (see General Information section for finish chart)  
**10BE** (Satin Bronze Powder Coated Aluminum) **A** (Mill Finish Aluminum) **BDG** (Bright Dip Gold Anodized)  
**BSP** (Black Suede Powder Coated Aluminum) **D** (Dark Bronze Anodized) **G** (Gold Anodized)  
**PW** (Painted White) **WSP** (White Suede Powder Coated Aluminum)

800-824-3018 | [www.assaabloydooraccessories.us](http://www.assaabloydooraccessories.us)

Check the web site for the up-to-date catalog

**ASSA ABLOY**  
Opening Solutions

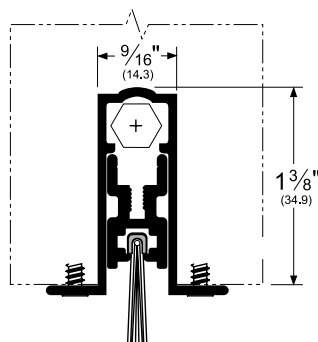
Experience a safer  
and more open world

# Automatic Door Bottoms

- All Pemko Automatic Door Bottoms, 24" and up, can be manufactured for field alteration.
- Please specify when ordering: Allow 2" for field trimming
- Overall sizes range from 18" to 72"
- 0.0625" Lead-lining available upon request; contact Pemko Customer Service for options on profiles

## 411\_NBL

AVAILABLE FINISH:  
**A**  
 REPLACEMENT INSERT:  
**P14075 (BL, GR)**  
 ANSI:  
**R3A324, R3A325**

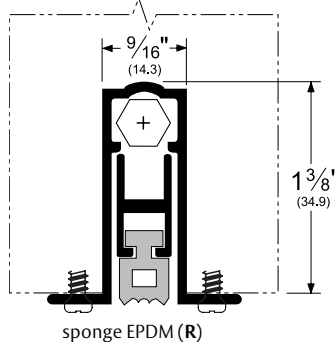


nylon brush (NB)



## 411\_RL

AVAILABLE FINISH:  
**A**  
 REPLACEMENT INSERT:  
**E7 (BL)**  
 ANSI:  
**R3G324, R3G325**



sponge EPDM (R)



### Alternate Insert For 411

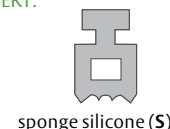
## 411\_PKL

AVAILABLE FINISH:  
**A**  
 REPLACEMENT INSERT:  
**PK4132 (BL)**  
 ANSI: **R3G324, R3G325**



## 411\_SL

AVAILABLE FINISH:  
**A**  
 REPLACEMENT INSERT:  
**SR6 (BL)**  
 ANSI:  
**R3E324, R3E325**

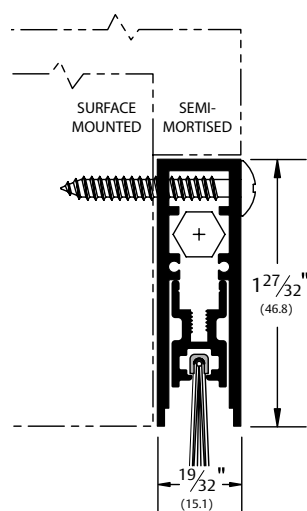


All above products



## 4131\_NBL

AVAILABLE FINISHES:  
**BDG, BSP, C, D, SN**  
 REPLACEMENT INSERT:  
**P14075 (BL, GR)**  
 ANSI:  
**R3A334, R3A335, R3A344, R3A345**

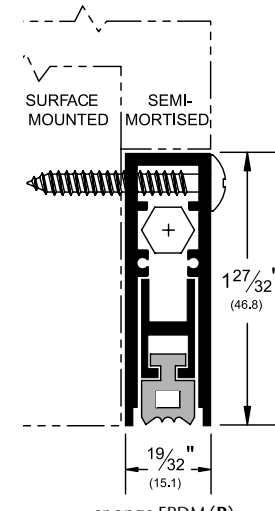


nylon brush (NB)



## 4131\_RL

AVAILABLE FINISHES:  
**BDG, BSP, C, D, SN**  
 REPLACEMENT INSERT:  
**E7 (BL)**  
 ANSI:  
**R3G334, R3G335, R3G344, R3G345**



sponge EPDM (R)



### Alternate Inserts For 4131

## 4131\_PKL

AVAILABLE FINISHES:  
**BDG, BSP, C, D, SN**  
 REPLACEMENT INSERT:  
**PK4132 (BL)**  
 ANSI: **R3G334, R3G335, R3G344, R3G345**



## 4131\_SL

AVAILABLE FINISHES:  
**BDG, BSP, C, D, SN**  
 REPLACEMENT INSERT:  
**SR6 (BL)**  
 ANSI: **R3E334, R3E335, R3E344, R3E345**



All above products



AVAILABLE FINISHES FOR PRODUCTS SHOWN ON THIS PAGE (see General Information section for finish chart)  
**10BE** (Satin Bronze Powder Coated Aluminum) **A** (Mill Finish Aluminum) **BDG** (Bright Dip Gold Anodized)  
**BSP** (Black Suede Powder Coated Aluminum) **C** (Clear Anodized) **D** (Dark Bronze Anodized)  
**WSP** (White Suede Powder Coated Aluminum) **SN** (Satin Nickel Anodized)

800-824-3018 | [www.assaabloydooraccessories.us](http://www.assaabloydooraccessories.us)  
 Check the web site for the up-to-date catalog

Copyright © 2015-2020, ASSA ABLOY Accessories and Door Controls Group, Inc., an ASSA ABLOY Group company. All rights reserved.  
 Reproduction in whole or in part without the express written permission of ASSA ABLOY Accessories and Door Controls Group, Inc. is prohibited.

**ASSA ABLOY**  
 Opening Solutions

Experience a safer  
 and more open world

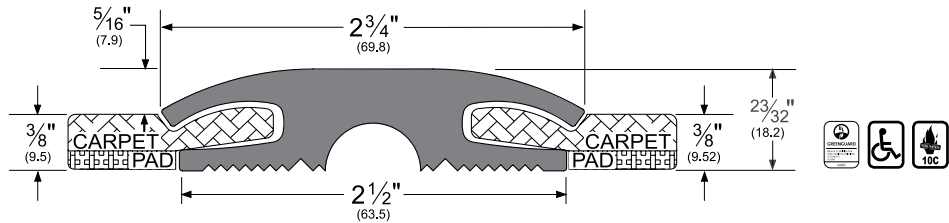


## Eco-V™ Thresholds

- Eco-V™ thresholds create an ideal transition where two different pieces of carpet meet, or carpet meets another surface under a door
- Ideal for use in any high-traffic commercial installation, such as hotels and offices
- Eco-V™ thresholds are manufactured from slightly softer material than competitive products. This aids in the cutting and fitting of the threshold and facilitates easier insertion of the carpet into the holding cavities on the carpet side(s) of the threshold
- Eco-V™ thresholds are designed to work in conjunction with Pemko's **2173\_V**, **2113\_V** and **2343\_V** door shoes
- EV232**, **EV2325**, and **ADJ232V** thresholds have been tested and approved under **ADAAG-2010 (Amended)**; **ICC/ANSI A117.1** and **California Building Code, Title 24** for Barrier-Free Entry

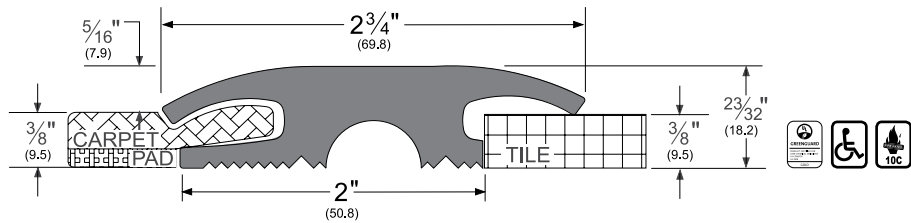
### EV232\_

AVAILABLE COLORS: **BL**, **D**  
 AVAILABLE LENGTHS: **36"**, **48"**, **73"**  
 Serves as a transition where two pieces of carpet meet beneath an interior door



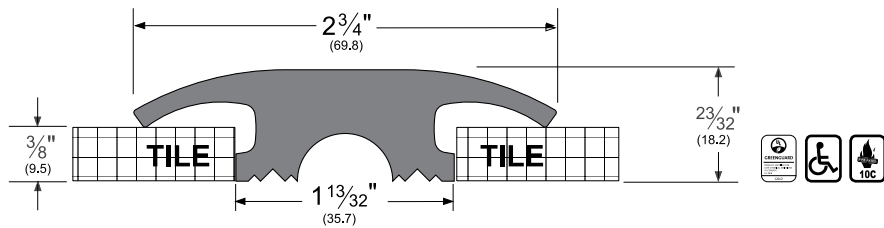
### EV2325\_

AVAILABLE COLORS: **BL**, **D**  
 AVAILABLE LENGTHS: **36"**, **48"**, **73"**  
 Serves as a transition where one piece of carpet meets tile beneath an interior door



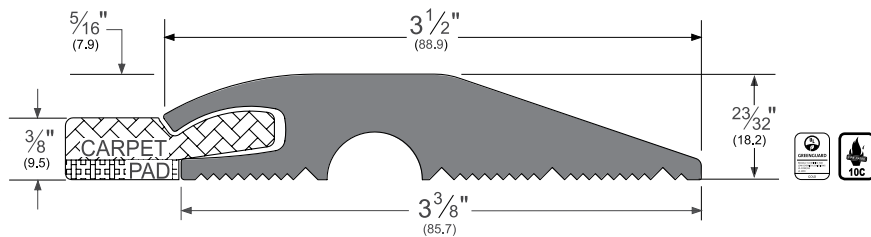
### EV2326\_

AVAILABLE COLORS: **BL**, **D**  
 AVAILABLE LENGTHS: **36"**, **48"**, **73"**  
 Serves as a transition where two pieces of tile meet beneath an interior door



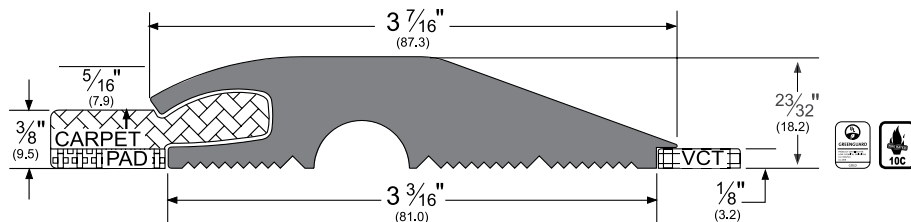
### EV2320\_

AVAILABLE COLOR: **BL**  
 AVAILABLE LENGTHS: **36"**, **48"**, **73"**  
 Serves as a transition where carpet meets concrete beneath an interior or exterior door



### EV2322\_

AVAILABLE COLOR: **BL**  
 AVAILABLE LENGTHS: **36"**, **48"**, **73"**  
 Serves as a transition where carpet meets 1/8" tile beneath an interior door



NOTE: Products shown in this section may not be drawn to scale.

AVAILABLE FINISHES FOR PRODUCTS SHOWN ON THIS PAGE (see General Information section for finish chart)  
**BL** (Black) **D** (Dark Brown)

**ASSA ABLOY**  
 Opening Solutions

Experience a safer  
 and more open world

800-824-3018 | [www.assaabloydooraccessories.us](http://www.assaabloydooraccessories.us)  
 Check the web site for the up-to-date catalog

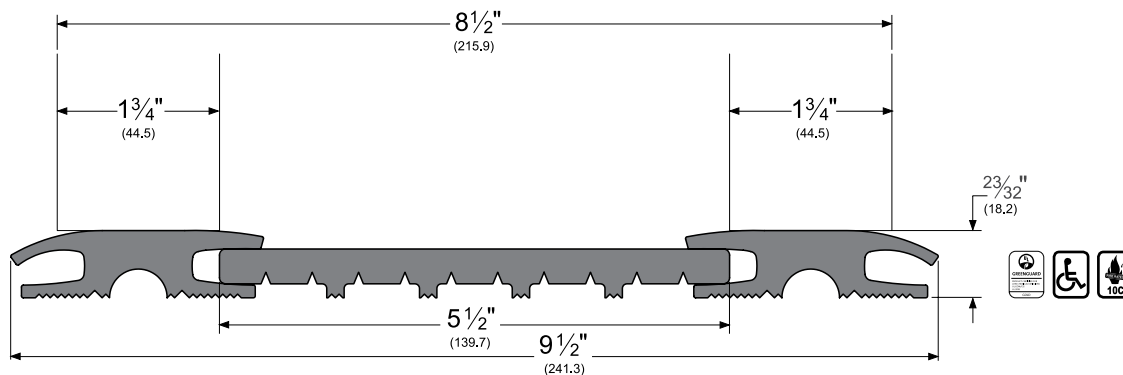
Copyright © 2015-2020, ASSA ABLOY Accessories and Door Controls Group, Inc., an ASSA ABLOY Group company. All rights reserved. Reproduction in whole or in part without the express written permission of ASSA ABLOY Accessories and Door Controls Group, Inc. is prohibited.

## Adjustable-Width Eco-V™ Threshold

- The adjustable-width threshold is designed for installations where the widths of the transition beneath a door may need to change, without completely disassembling and reinstalling the threshold
- The adjustable-width threshold consists of two Eco-V™ end pieces and one Eco-V™ adjustable center section
- Center section (**EV2321** below) can easily be cut to size with a standard razor knife

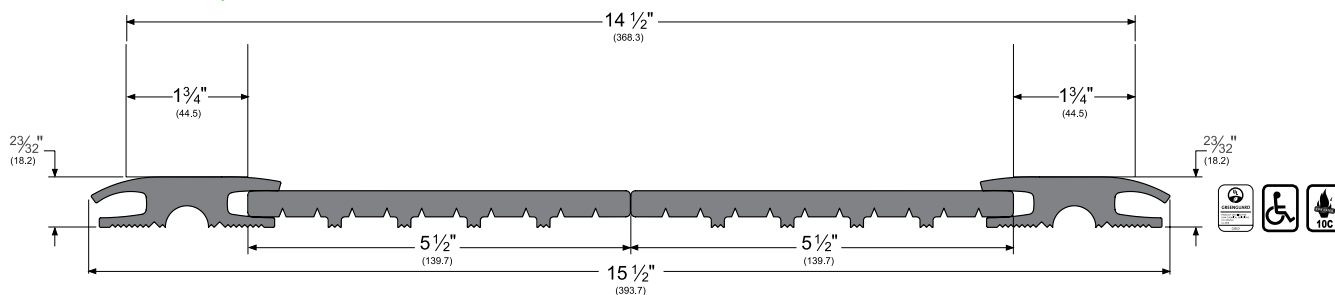
### ADJ232V8\_

AVAILABLE COLOR: **BL, D**  
AVAILABLE LENGTHS: **36", 48"**



### ADJ232V14\_

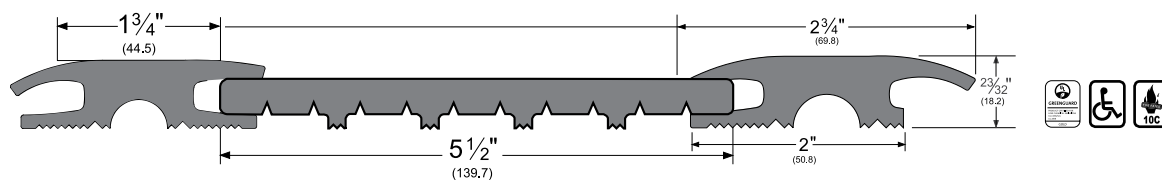
AVAILABLE COLOR: **BL, D**  
AVAILABLE LENGTHS: **36", 48"**



### ADJ232x2325V8\_

AVAILABLE COLOR: **BL, D**  
AVAILABLE LENGTHS: **36", 48"**

For carpet to tile applications; other combinations available



NOTE: Products shown in this section may not be drawn to scale.

AVAILABLE FINISHES FOR PRODUCTS SHOWN ON THIS PAGE (see General Information section for finish chart)  
**BL** (Black) **D** (Dark Brown)

800-824-3018 | [www.assaabloydooraccessories.us](http://www.assaabloydooraccessories.us)

Check the web site for the up-to-date catalog

Copyright © 2015-2020, ASSA ABLOY Accessories and Door Controls Group, Inc., an ASSA ABLOY Group company. All rights reserved.  
Reproduction in whole or in part without the express written permission of ASSA ABLOY Accessories and Door Controls Group, Inc. is prohibited.

**ASSA ABLOY**  
Opening Solutions

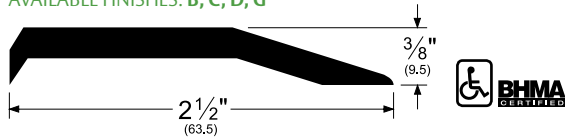
Experience a safer  
and more open world



## Carpet Separators

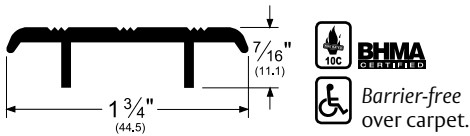
174\_

AVAILABLE FINISHES: B, C, D, G



236\_

AVAILABLE FINISHES: 10BE, A, B, BDG, BSP, D, G, WSP



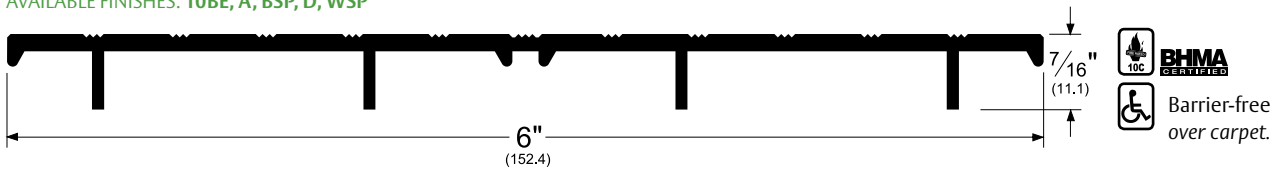
2364\_

AVAILABLE FINISHES: 10BE, A, B, BSP, D, G, WSP



2366\_

AVAILABLE FINISHES: 10BE, A, BSP, D, WSP

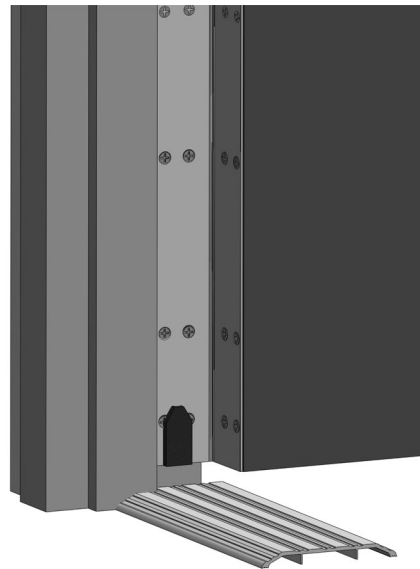
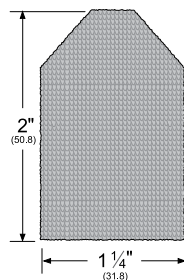


## Acoustic Adhesive Corner Pads

- Corner pad with black or white polypropylene pile, with pressure-sensitive adhesive
- Apply to corner of jamb on hinge side to seal against air and light infiltration

ACP112\_

AVAILABLE COLORS: BL, W



NOTE: Products shown in this section may not be drawn to scale.

AVAILABLE FINISHES FOR PRODUCTS SHOWN ON THIS PAGE (see General Information section for finish chart)  
**A** (Mill Finish Aluminum) **B** (Mill Finish Extruded Bronze[Brass]) **BDG** (Bright Dip Gold Anodized)  
**D** (Dark Bronze Anodized) **G** (Gold Anodized)  
 Corner Pad: **BL** (Black) **W** (White)\*

**ASSA ABLOY**  
Opening Solutions

Experience a safer  
and more open world

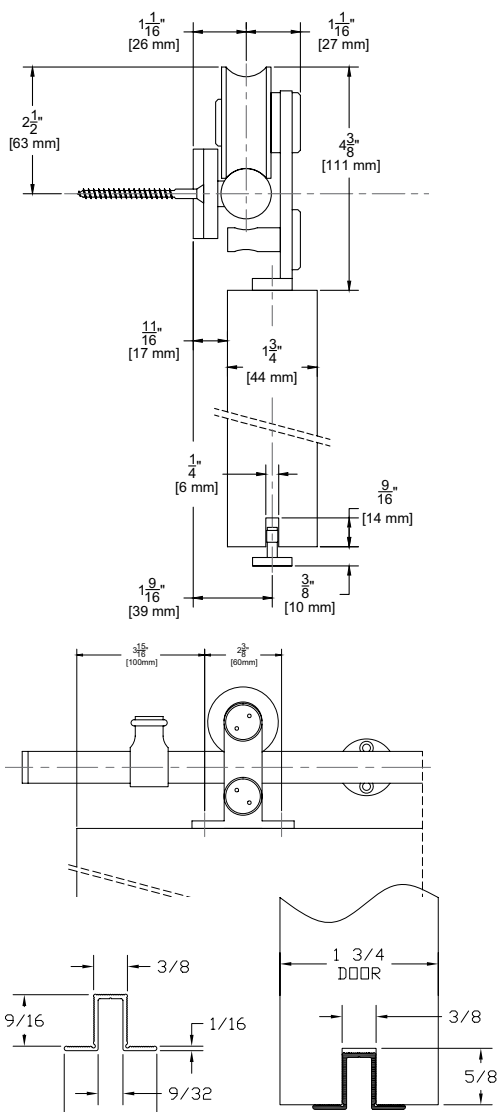
800-824-3018 | [www.assaabloydooraccessories.us](http://www.assaabloydooraccessories.us)  
Check the web site for the up-to-date catalog

Copyright © 2015-2020, ASSA ABLOY Accessories and Door Controls Group, Inc., an ASSA ABLOY Group company. All rights reserved. Reproduction in whole or in part without the express written permission of ASSA ABLOY Accessories and Door Controls Group, Inc. is prohibited.

# Stainless Steel Sliding Track Hardware System

## W60 Series for Wood Doors

For Sliding Panels up to 176 lbs.



NOTE: Alternate route dimension when using optional EPD3BL

### Configurations:

- Single
- Bi-parting

### Installations:

- Side Wall Mount (only)

### Features:

- Made of 304 stainless steel
- Nylon coated stainless steel wheel for smooth operation
- 176 lb. panel capacity
- 5 year warranty
- Meets ADA push force requirements

### Finishes:

- Brushed Stainless Steel (W60)
- Black Powder Coated Stainless Steel (W60D)
- Polished Stainless Steel (W60P)
- 10BE Satin Bronze Powder Coated Stainless Steel (W60BE)

### W60 Kits Include:

- 1 ea **BAR/\_** Stainless Steel Track
- **BRACKET2** Stainless Steel Wall Brackets
- 2 ea **62** Stainless Steel Hangers
- 1 ea **102SS-KIT** Stainless Steel Guide
- 2 ea **STOP2** Stainless Steel Stops Mounting Hardware

NOTE: If ordering individual parts in the optional Black Powder Coat, Polished finishes or Satin Bronze be sure to include a prefix "D" for Black Powder Coat, "P" for Polished Stainless, or BE for Satin Bronze Powder Coat

Standard Kit Sizes			
Part Number	Material	Track Length	Door Width
W60/6	304 Stainless Steel	78 <sup>3</sup> / <sub>4</sub> "	36"
W60/8	304 Stainless Steel	98 <sup>7</sup> / <sub>16</sub> "	48"
W60D/6	Black Powder Coated Stainless Steel	78 <sup>3</sup> / <sub>4</sub> "	36"
W60D/8	Black Powder Coated Stainless Steel	98 <sup>7</sup> / <sub>16</sub> "	48"
W60P/6	304 Polished Stainless Steel	78 <sup>3</sup> / <sub>4</sub> "	36"
W60P/8	304 Polished Stainless Steel	98 <sup>7</sup> / <sub>16</sub> "	48"
W60BE/6	Satin Bronze Powder Coated Stainless Steel	78 <sup>3</sup> / <sub>4</sub> "	36"
W60BE/8	Satin Bronze Powder Coated Stainless Steel	98 <sup>7</sup> / <sub>16</sub> "	48"

Custom lengths are available. Please contact the factory to order.

### Options:

- Hardware Pack (One Door) **W60\_H/PACK**
- Mortise Guides **102N**
- Polypropylene Guide Rail **EPD3BL** For Use With 102N
- 5/8" Spacer **BLD-SPACER-58** Pack of 5 5/8" Spacer  
Recommended for use with 5/8" Gypsum Board When Mounting Track Directly to Gypsum Board
- 1/2" Spacer **BLD-SPACER-12** Pack of 5 1/2" Spacer  
Recommended for use with 1/2" Gypsum Board When Mounting Track Directly to Gypsum Board
- 3/8" Spacer **BLD-SPACER-38** Pack of 5 3/8" Spacer  
Recommended for use with 3/8" Gypsum Board When Mounting Track Directly to Gypsum Board

800-824-3018 | [www.assaabloydooraccessories.us](http://www.assaabloydooraccessories.us)

Check the web site for the up-to-date catalog

Copyright © 2015-2020, ASSA ABLOY Accessories and Door Controls Group, Inc., an ASSA ABLOY Group company. All rights reserved. Reproduction in whole or in part without the express written permission of ASSA ABLOY Accessories and Door Controls Group, Inc. is prohibited.

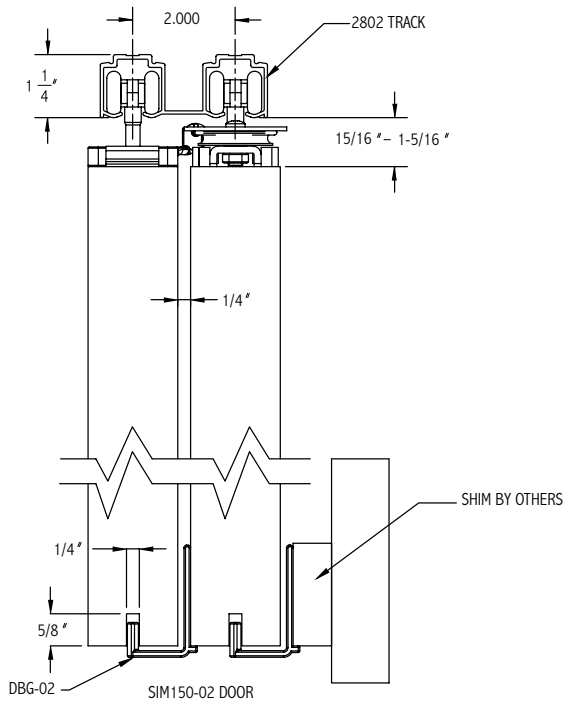
**ASSA ABLOY**  
Opening Solutions

Experience a safer  
and more open world

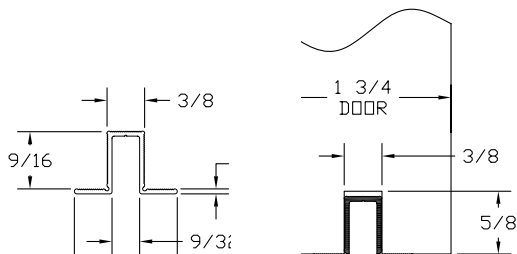
# Simultaneous Acting Sliding Door System

## SIM 150 for 2 Door Systems

For Sliding Panels up to 176 lbs.



### Alternate Route for EPD3BL



**ASSA ABLOY**  
Opening Solutions

Experience a safer  
and more open world

### Configurations:

- Bi-part Telescoping

### Installations:

- Overhead Mount

### Features:

- Easy to install with self aligning components
- Telescoping panels glide along the track
- Doors retract into storage pockets when not in use
- 5 year warranty

### Finishes:

- Clear (C)
- Dark Bronze (D)

## Pulley System Kit Includes:

- Pre-Assembled Pulley System
- In-Track Stops and Hangers
- Door Bottom Guides
- Floor Stops, Back Stop and End Plates
- Installation Fasteners

Single Extrusion Aluminum Track must be ordered separately.

Specify door width when ordering. Default door overlap is 3". Any other overlap must be specified (Min. overlap is 2").

Note: All doors must be of equal width.

Pulley System Kits	
Part Number	Door Width
SIM150-2-LH/25-32	25" - 32"
SIM150-2-LH/33-40	33" - 40"
SIM150-2-LH/41-48	41" - 48"
SIM150-2-RH/25-32	25" - 32"
SIM150-2-RH/33-40	33" - 40"
SIM150-2-RH/41-48	41" - 48"

System Track Ordered Separately		
Track	Finish	Track Length
2802C	Clear	up to 147"
2802D	Dark	up to 185"

### Options:

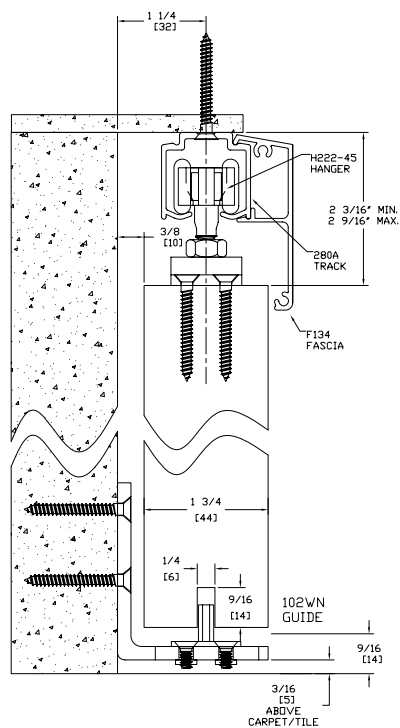
- Lock Kit- includes lock with edge pull, and cup pull, **SIM150-LOCKKIT**
- Bolt Kit- includes surface bolt, dust-proof strike, cup pull, and edge pull, **SIM150-BOLTKIT**
- Snap-on Fascia Available **F134**
- Polypropylene Guide Rail **EPD3BL**

800-824-3018 | [www.assaabloydooraccessories.us](http://www.assaabloydooraccessories.us)  
Check the web site for the up-to-date catalog

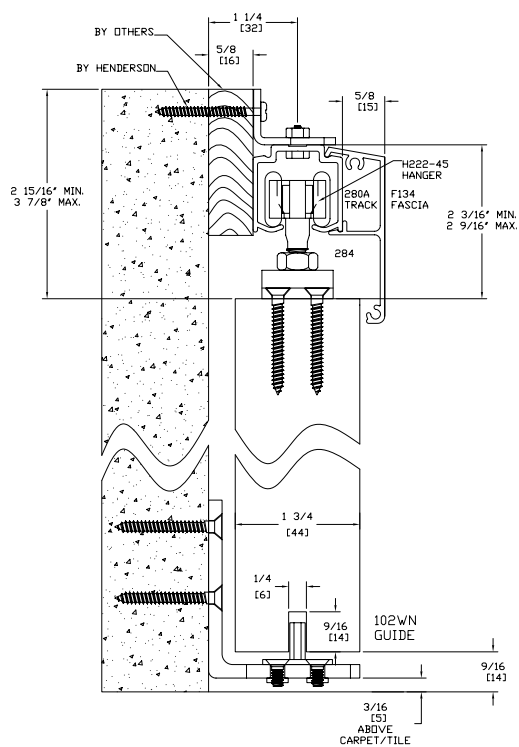
# SHS80 Series

For Sliding Panels up to 200 lbs.

## Overhead Mount



## Side Wall Mount



SHS80-SW  
SLIDING DOOR HARDWARE W/FASCIA  
SIDE WALL MOUNT 1 3/4" DOORS

### Configurations:

- Single
- Bi-parting

### Installations:

- Overhead Mount
- Side Wall Mount

### Features:

- Hanger body is made of nickel plated zinc alloy for durability and long life
- Steel ball bearing wheels coated in nylon for smooth operation
- 200 lb. panel capacity
- Optional Soft Close
- 5 year warranty
- Meets ADA push force requirements

### SHS80 Kits Include:

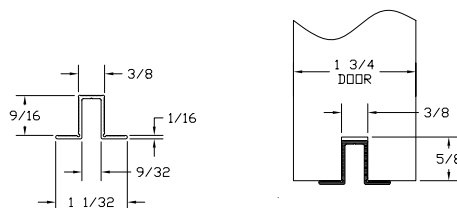
- 1 ea **280C** Clear Anodized Aluminum Track
- 2 ea **H222R1** - Nickel Plated Zinc Alloy Body
- 2 ea **601H** Nylon In-Track Clip Stop
- 1 ea **102WN** White Nylon Mortise Guide on Zinc Plated Steel "L" Metal

Standard Kit Sizes			
Part Number	Material	Track Length	Door Width
SHS80/6	Aluminum	72"	36"
SHS80/8	Aluminum	96"	48"

### Options:

- Fascia **F134C** clear anodized aluminum fascia  
**F134D** dark bronze anodized fascia
- Side Wall Track Brackets **PC2815** available as 5 pack only, PC2815 pack of 5 281 zinc plated side wall bracket. NOTE: Need one at each end and no more than 2 feet in-between. Fasteners included.
- Track **280D** dark bronze anodized track
- End Plate Kit **K134EP** (use with F134C and 280C only)  
**K134DEP** (use with F134D and 280D only)
- Bottom Channel **94A**
- Roller Guide **106R/94**
- Threshold **971A**
- Side Wall Mount Extra Hardware Pack **SHS80/PACK**
- Mortise Floor Guide **102N**
- Polypropylene Guide Rail **EPD3BL** for use with 102N or 102WN
- Soft Close available. See page 284-285 for more information.

### Alternate Route for EPD3BL



800-824-3018 | [www.assaabloydooraccessories.us](http://www.assaabloydooraccessories.us)

Check the web site for the up-to-date catalog

Copyright © 2015-2020, ASSA ABLOY Accessories and Door Controls Group, Inc., an ASSA ABLOY Group company. All rights reserved. Reproduction in whole or in part without the express written permission of ASSA ABLOY Accessories and Door Controls Group, Inc. is prohibited.

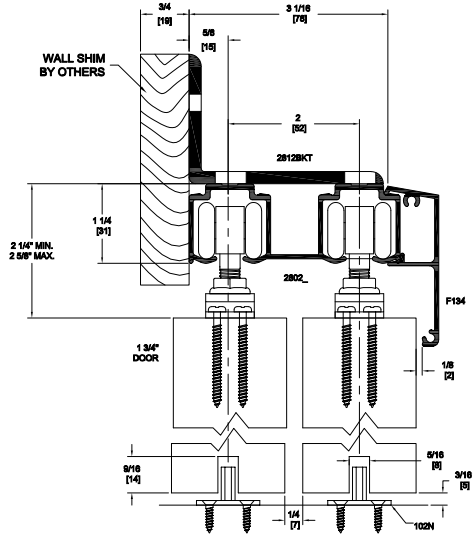
**ASSA ABLOY**  
Opening Solutions

Experience a safer  
and more open world

# Bypass Track Series

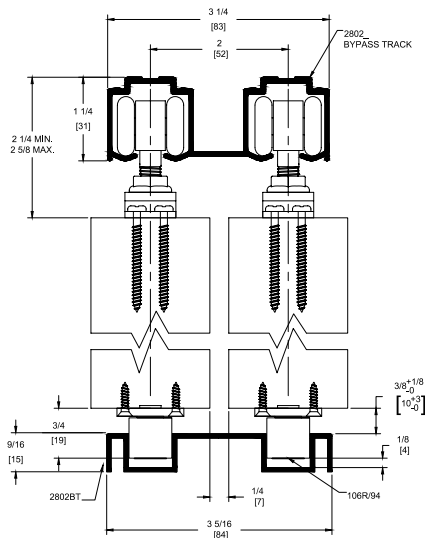
For Bypass Panels up to 200 lbs.

## 1 3/4" Thick Doors Side Wall Mount



NOTE: Route door 9/16" deep by 1/4" wide to receive 102N Guide.

## 1 3/4" Thick Doors Overhead Mount



\* Side Wall mounting: use one (1) 2812KIT at each end of track and 24" on center

### Configurations:

- For Bypass Doors

### Features:

- Fits 1 3/8" and 1 3/4" doors
- Hanger body is made of nickel plated zinc alloy for durability and long life
- Steel ball bearing wheels coated in nylon for smooth operation
- 200 lb. panel capacity
- Load capacity 200 lbs. per door panel (2 hangers)
- Extruded aluminum track
- Optional Soft Close
- 5 year warranty
- Meets ADA push force requirements

### HBP200A Kits Include:

- 1 ea **2802C** Clear Anodized Aluminum Track
- 4 ea **H222R1** Hangers
- 2 ea **102N** White Nylon Mortise Guide
- 4 ea **TELS-14KIT** In Track Stops
- 1 ea Adjusting Wrench and Mounting Hardware

Standard Kit Sizes		
Part Number	Track Length	Door Width
HBP200A/4	48"	2 @ 26" Min*
HBP200A/5'4	64"	2 @ 34" Min*
HBP200A/6	72"	2 @ 38" Min*
HBP200A/7	84"	2 @ 44" Min*
HBP200A/8	96"	2 @ 50" Min*
HBP200A/10	120"	2 @ 62" Min*
HBP200A/12	144"	2 @ 74" Min*

\*Minimum door overlap is 2".

### Options:

- Hardware Kit **H200PACK**
- Mounting Bracket **2812KIT**
- Track **2802D** dark bronze anodized track
- Track Stop (bumper) **287R1-KIT**
- Bottom Channel **94A**
- Fascia, Snap-On **F134C** clear anodized aluminum fascia. **F134D** dark bronze anodized aluminum fascia
- Roller Guide **106R/94**
- Dual Guide Channel **2802BT**
- Polypropylene Guide Rail **EPD3BL** for use with 102N
- Soft Close available. See page 284-285 for more information.

**ASSA ABLOY**  
Opening Solutions

Experience a safer  
and more open world

AVAILABLE FINISHES FOR PRODUCTS SHOWN ON THIS PAGE (see General Information section for finish chart)  
A (Mill Finish Aluminum) C (Clear Anodized)

800-824-3018 | [www.assaabloydooraccessories.us](http://www.assaabloydooraccessories.us)  
Check the web site for the up-to-date catalog

Copyright © 2015-2020, ASSA ABLOY Accessories and Door Controls Group, Inc., an ASSA ABLOY Group company. All rights reserved. Reproduction in whole or in part without the express written permission of ASSA ABLOY Accessories and Door Controls Group, Inc. is prohibited.

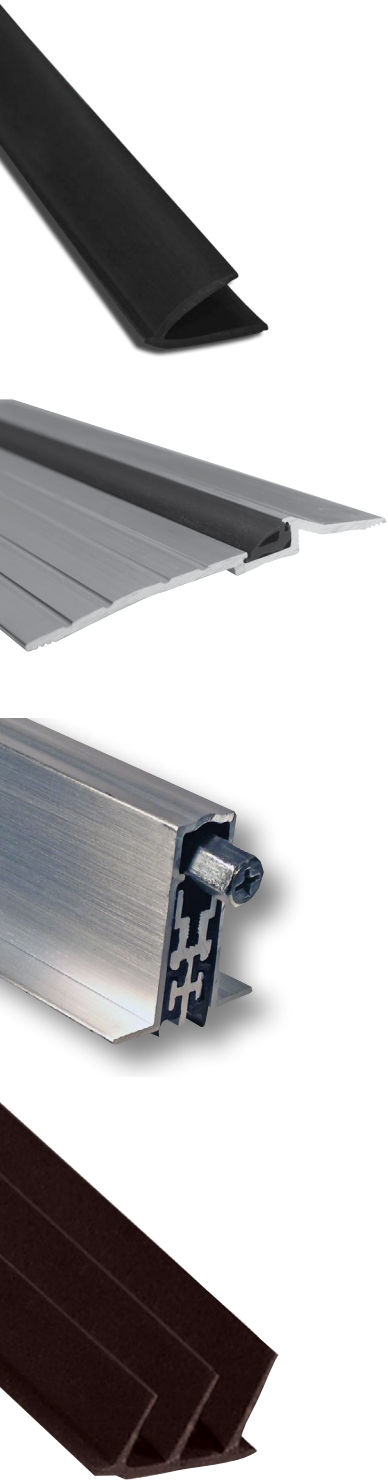
## Pemko Acoustic Products

### CONTENTS:

Basic Acoustics.....	220
Sound and STC Ratings.....	221
Acoustic Seal Sets.....	222
Acoustic Thresholds.....	223
Saddle Thresholds.....	224
Automatic Door Bottoms: PDB Series.....	225
Door Shoes.....	225
Acoustic Adhesive Corner Pads.....	225
Standard Perimeter Gasketing.....	226
SiliconSeal Adhesive-Backed Gasketing.....	226

### INDEX:

PRODUCT	PAGE	PRODUCT	PAGE	PRODUCT	PAGE
151.....	228	2009.....	227	PDB411.....	229
154.....	228	2212.....	229	PDB4131.....	229
175.....	228	303.....	230	S44.....	230
1546.....	228	312.....	230	S442.....	230
1547.....	228	315.....	230	S773.....	230
2006STC_.....	227	3692.....	229		
2007STC_.....	227	ACP112_.....	229		
2008.....	227	PEMKOSTCSET.....	226		



## The Impact of Sound

Everyday our ears are met with a barrage of sounds. Sounds can be pleasant, like music or laughter. But they can also be disruptive, like construction or traffic, or even just the people in the cubicle next door. At a certain point sound becomes noise and we look for ways to control it. Sound control is especially important in classrooms, hospitals, hotels and offices, as it impacts our ability to learn, heal, sleep and think.

The U.S. Green Building Council recognizes the importance of acoustical control by including LEED Indoor Environment Quality (IEQ) credits for acoustics.

## Description of Sound

Sound can be described as vibrations in the air moving in waves. The rate of sound vibrations measured in cycles per second is called frequency and is measured in hertz (Hz). Sound pressure levels are measured in decibels (dB). For a list of common noises and their related decibel level, see the chart on the right.

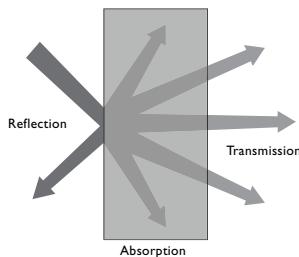
Sound Level dB		
0	Threshold of hearing	Inaudible
20	Very rural environment	Extremely quiet
30	Quiet home	Faint
40	Quiet office	Distant sounds audible
50	Background conversation	Moderate
60	Radio/Television in home	Moderate
70	Highway noise	Moderately loud
80	Background factory noise	Loud
90	Noisy factory	Very loud
105	Elevated train	Deafening
120	Bass drum at 3'	Physical pain
130	Jet aircraft at 100'	Physical pain

## Basic Acoustics

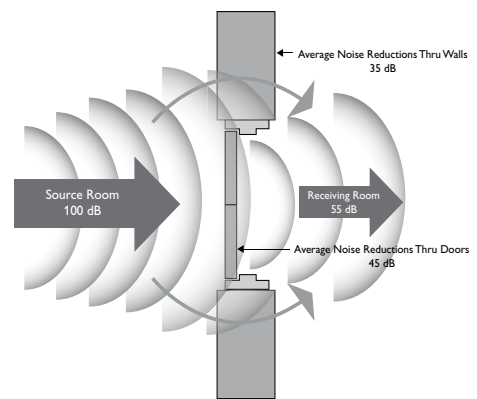
Sound transmission reduction relies on two main principles:

**Sound Absorption** - Removing sound energy from within a room by using materials such as acoustic tiles or open cell foam to soak up sound.

**Sound Insulation** - Preventing the transmission of sound waves by introducing a barrier. Examples include brick, concrete, metal, heavy doors, etc.



Sound waves will travel the path of least resistance. A high performing door will not compensate for less performing materials in the walls around it.



In order to reduce the transmission of sound, materials are added between the source room and the receiving room. The resulting change in decibel level is the sound transmission loss and is given a Sound Transmission Class (STC) rating.

The higher the rating number, the lower the transmission of sound. The STC rating is roughly the decibel reduction a partition can provide. For instance, if a 100 dB noise is reduced to 55 dB, that product roughly has a STC 45 rating.

**ASSA ABLOY**  
Opening Solutions

Experience a safer  
and more open world

800-824-3018 | [www.assaabloydooraccessories.us](http://www.assaabloydooraccessories.us)  
Check the web site for the up-to-date catalog

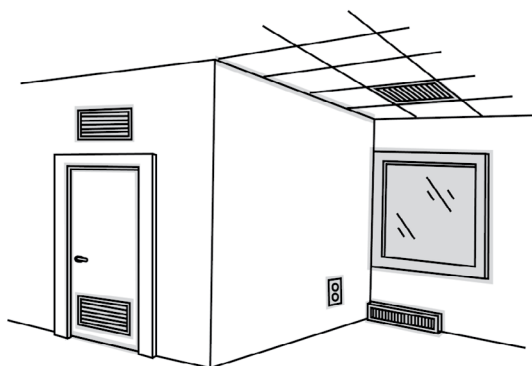
Copyright © 2015-2020, ASSA ABLOY Accessories and Door Controls Group, Inc., an ASSA ABLOY Group company. All rights reserved. Reproduction in whole or in part without the express written permission of ASSA ABLOY Accessories and Door Controls Group, Inc. is prohibited.



## Sound Flanking

Flanking is the leakage of airborne sound around a door opening through any available gap. Flanking between the door leaf and the surrounding frame is reduced by the use of seals.

Optimum sound attenuation performance is likely achieved using a four sided frame with a sill made to the same detail as the head and the seals set in a single plane. If a full four sided frame is not an option, then alternative threshold sealing options should be made such as automatic door bottoms, door shoes and/or thresholds.



Active STC Rating	Level Of Speech Heard
STC-30	Loud speech understood
STC-35	Loud speech heard but not understood
STC-40	Loud speech audible as a murmur
STC-45	Some loud speech barely audible
STC-48	Hearing strained to hear loud speech
STC-50	Loud speech not audible

## STC Ratings

Acoustic Door Testing is done on “sealed-in-place” (fully caulked) doors for door STC ratings, as well as on assemblies (with gasketing and door bottoms) for operable STC ratings. Operable STC ratings are always equal to or lower than the sealed-in-place ratings. The best performance rating on the operable test is a 'zero drop' in the assembly's STC rating. For example, a door with a STC 45 rating can only achieve an operable STC of 45 at its very best; it can never achieve a STC 50.

Also, since sound waves travel the path of least resistance, a high performing door will not compensate for elements like improperly installed seals around doors, the lack of a threshold under the door, a non-insulated frame, louvered doors, or poor seals at the wall/ceiling/floor/mullion connections.

When STC ratings are determined, normal human speech and hearing are used. In most cases the level of reduction does not totally eliminate but rather muffles the sound to an unintelligible level. The chart shown on the left compares the level of speech that would be heard through a door system with the indicated operable STC rating.

### Look for Pemko products with this symbol:



Tested To: ASTM E 90-2009

Products indicated by this symbol have been acoustically tested in accordance with ASTM E90 - Standard Test Method for Laboratory Measurement of Airborne Sound Transmission Loss of Building Partitions and Elements.

### Need STC Rated Doors?

Pemko Acoustic Seal Sets are an important part of an overall acoustic solution. ASSA ABLOY Group brands can provide the other elements of the solution including STC Rated Doors, STC Rated Frames and complete STC Rated Assemblies.

#### For more information please see:

CECO DOORS: [www.cecodoor.com](http://www.cecodoor.com)  
 CURRIES: [www.curries.com](http://www.curries.com)



## Acoustic Seal Sets

Pemko acoustic components are available in their appropriate sets. These product combinations are lab tested and have known decibel drops when used with sound-rated doors. Each kit includes gasketing, a door bottom or threshold, and a complete set of installation instructions. Installation instructions show the proper installation location for each component for optimal performance.

### HOW TO:

1. Locate the Sealed-In-Place (inoperable) rating for your door.
2. Determine the maximum allowable drop for your opening (i.e. -1 db). Note: the numbers are represented as negative numbers as they will decrease your inoperable rating by the number shown (i.e. 45 using a -1 kit will decrease the inoperable rating from 45 to an operable of 44)
3. Find a number in the column below your door's inoperable rating that will keep your opening in the allowable range.
4. Select a kit (or one of the kits given if Alternate Kits are shown), place it on your Purchase Order and add your opening size in inches (i.e. a 3/0 x 7/0 opening will be ordered as a 3684).

Item Number	Sealed-In-Place Door STC Rating				
	58 to 54	53 to 49	48 to 46	45 to 43	<42
PEMKOSTCSET-1A Alternate Kits: 1B, 1C, 1D, 1E		-2	-2	-1	0
PEMKOSTCSET-2C	-3	-2	-2	-1	0
PEMKOSTCSET-2D Alternate Kits: 2A, 2B	-3	-2	-1	-1	0
PEMKOSTCSET-2E	-2	-2	-1	-1	0
PEMKOSTCSET-3A		-2	-1	0	0
PEMKOSTCSET-3D		-2	-1	0	0
PEMKOSTCSET-3E	-2	-2	-1	0	0
PEMKOSTCSET-3B				0	0
PEMKOSTCSET-4A				0	0
PEMKOSTCSET-4B				0	0
PEMKOSTCSET-4D				0	0
PEMKOSTCSET-4E				0	0

NOTE: A seal set cannot increase the sealed-in-place rating; a zero drop is the best performance any seal set can provide.

Item Number	Gasketing	Door Bottom	Threshold	Corner Pad
PEMKOSTCSET-1A	S773BL (Single Row) and S44BL (Single Row)	STC411APK		ACP112BL
PEMKOSTCSET-1B	S44BL (Two Rows)	STC411APK		ACP112BL
PEMKOSTCSET-1C	S442BL (Single Row) and S44BL (Single Row)	STC411APK		ACP112BL
PEMKOSTCSET-1D	303AS and S44BL (Single Row)	STC411APK		ACP112BL
PEMKOSTCSET-1E	312CR and S44BL (Single Row)	STC411APK		ACP112BL
PEMKOSTCSET-2A	S773BL (Single Row) and S44BL (Single Row)		2008APK	
PEMKOSTCSET-2B	S44BL (Two Rows)		2008APK	
PEMKOSTCSET-2C	S442BL (Single Row) and S44BL (Single Row)		2008APK	
PEMKOSTCSET-2D	303AS and S44BL (Single Row)		2008APK	
PEMKOSTCSET-2E	312CR and S44BL (Single Row)		2008APK	
PEMKOSTCSET-3A	S773BL (Single Row) and S44BL (Single Row)	3692APK773BL		
PEMKOSTCSET-3B	S44BL (Two Rows)	3692APK773BL		
PEMKOSTCSET-3D	303AS and S44BL (Single Row)	3692APK773BL		
PEMKOSTCSET-3E	312CR and S44BL (Single Row)	3692APK773BL		
PEMKOSTCSET-4A	S773BL (Single Row) and S44BL (Single Row)		2009APK	
PEMKOSTCSET-4B	S44BL (Two Rows)		2009APK	
PEMKOSTCSET-4D	303AS and S44BL (Single Row)		2009APK	
PEMKOSTCSET-4E	312CR and S44BL (Single Row)		2009APK	

**ASSA ABLOY**  
Opening Solutions

Experience a safer  
and more open world

800-824-3018 | [www.assaabloydooraccessories.us](http://www.assaabloydooraccessories.us)

Check the web site for the up-to-date catalog

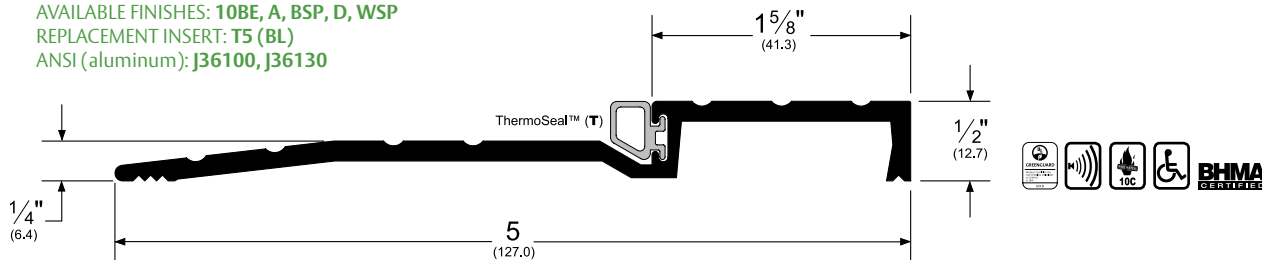
Copyright © 2015-2020, ASSA ABLOY Accessories and Door Controls Group, Inc., an ASSA ABLOY Group company. All rights reserved. Reproduction in whole or in part without the express written permission of ASSA ABLOY Accessories and Door Controls Group, Inc. is prohibited.

## Acoustic Thresholds

- Pemko Acoustic Thresholds are designed to aid with a door's STC rating
- Thresholds will not improve a door's "sealed-in-place" STC rating
- Visit [www.assaabloydooraccessories.us](http://www.assaabloydooraccessories.us), for more Acoustic products and additional information

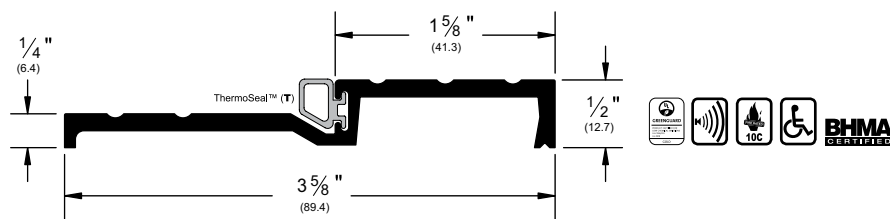
### 2006STC\_

AVAILABLE FINISHES: **10BE, A, BSP, D, WSP**  
 REPLACEMENT INSERT: **T5 (BL)**  
 ANSI (aluminum): **J36100, J36130**



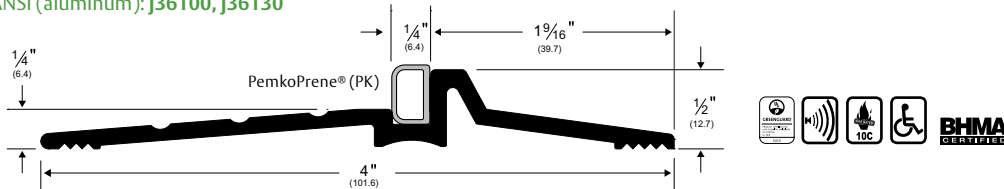
### 2007STC\_

AVAILABLE FINISHES: **10BE, A, BSP, D, WSP**  
 REPLACEMENT INSERT: **T5 (BL)**  
 ANSI (aluminum): **J36100, J36130**



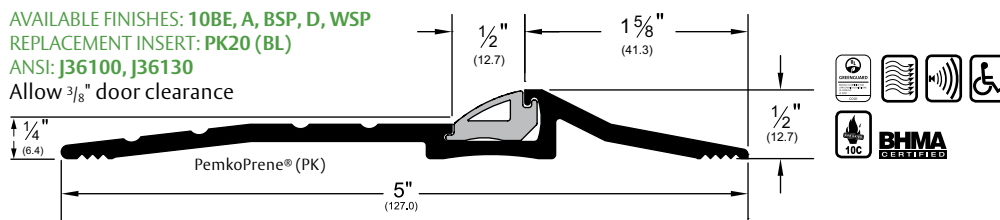
### 2008\_PK

AVAILABLE FINISHES: **10BE, A, BSP, D, WSP**  
 REPLACEMENT INSERT: **PK381 (BL)**  
 ANSI (aluminum): **J36100, J36130**



### 2009\_PK

AVAILABLE FINISHES: **10BE, A, BSP, D, WSP**  
 REPLACEMENT INSERT: **PK20 (BL)**  
 ANSI: **J36100, J36130**  
 Allow 3/8" door clearance



AVAILABLE FINISHES FOR PRODUCTS SHOWN ON THIS PAGE (see General Information section for finish chart)  
**10BE** (Satin Bronze Powder Coated Aluminum) **A** (Mill Finish Aluminum)  
**BSP** (Black Suede Powder Coated Aluminum) **D** (Dark Bronze Anodized)  
**WSP** (White Suede Powder Coated Aluminum)

800-824-3018 | [www.assaabloydooraccessories.us](http://www.assaabloydooraccessories.us)  
 Check the web site for the up-to-date catalog

Copyright © 2015-2020, ASSA ABLOY Accessories and Door Controls Group, Inc., an ASSA ABLOY Group company. All rights reserved.  
 Reproduction in whole or in part without the express written permission of ASSA ABLOY Accessories and Door Controls Group, Inc. is prohibited.

**ASSA ABLOY**  
 Opening Solutions

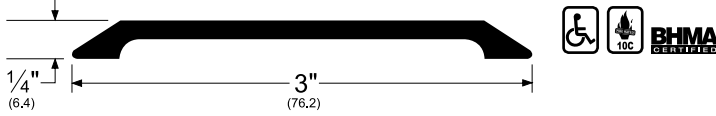
Experience a safer  
 and more open world

# Saddle Thresholds

- Use these with Pemko Automatic Door Bottoms to create a smooth, even sealing surface

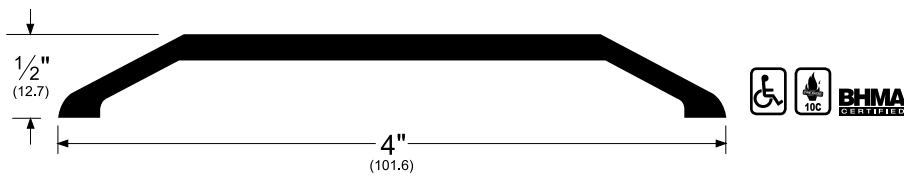
## 151\_

AVAILABLE FINISHES: **10BE**, **A**, **B**, **BSP**, **D**, **G**, **WSP**  
 ANSI (aluminum): **J32300**, **J32330**  
 ANSI (brass): **J12300**, **J12330**



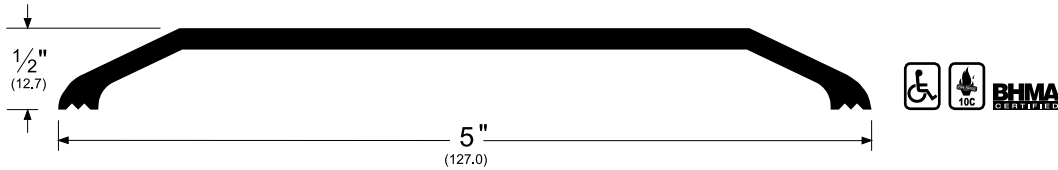
## 175\_

AVAILABLE FINISHES: **10BE**, **A**, **B**, **BSP**, **D**, **G**, **WSP**  
 ANSI (aluminum): **J32300**, **J32330**  
 ANSI (brass): **J12300**, **J12330**



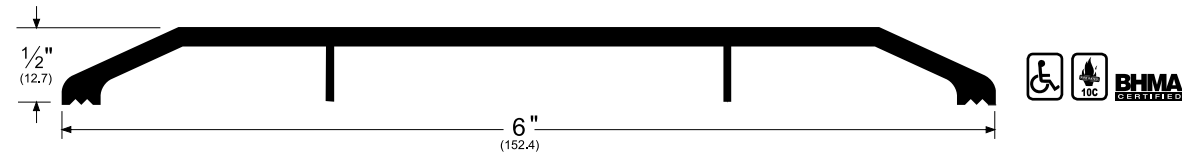
## 154\_

AVAILABLE FINISHES: **10BE**, **A**, **BSP**, **D**, **G**, **WSP**  
 ANSI (aluminum): **J32300**, **J32330**



## 1546\_

AVAILABLE FINISHES: **10BE**, **A**, **BSP**, **D**, **G**, **WSP**  
 ANSI (aluminum): **J32300**, **J32330**



## 1547\_

AVAILABLE FINISHES: **10BE**, **A**, **BSP**, **D**, **G**, **WSP**  
 ANSI (aluminum): **J32300**, **J32330**



AVAILABLE FINISHES FOR PRODUCTS SHOWN ON THIS PAGE (see General Information section for finish chart)  
**10BE** (Satin Bronze Powder Coated Aluminum) **A** (Mill Finish Aluminum) **B** (Mill Finish [Brass] Bronze)  
**BSP** (Black Suede Powder Coated Aluminum) **D** (Dark Bronze Anodized) **G** (Gold Anodized)  
**WSP** (White Suede Powder Coated Aluminum)

**ASSA ABLOY**  
 Opening Solutions

Experience a safer  
 and more open world

800-824-3018 | [www.assaabloydooraccessories.us](http://www.assaabloydooraccessories.us)  
 Check the web site for the up-to-date catalog

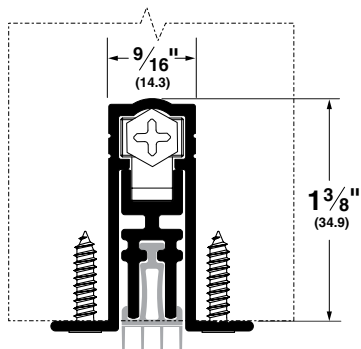
Copyright © 2015-2020, ASSA ABLOY Accessories and Door Controls Group, Inc., an ASSA ABLOY Group company. All rights reserved.  
 Reproduction in whole or in part without the express written permission of ASSA ABLOY Accessories and Door Controls Group, Inc. is prohibited.

## Automatic Door Bottoms - Acoustic

- Non-handed
- Recommended gap under door is 1/2" for optimal acoustic performance max drop is 3/4"
- Internal mechanism allows bar to accommodate slight imperfections in floor materials
- STC411 end plate kit is K435; for doors narrower than 1-3/4", specify end plate kit K411
- STC4131 end plate kit is K4133C for Clear Anodized and K4133D for Dark Bronze Anodized

### STC411\_PK

AVAILABLE FINISHES: **A**  
REPLACEMENT INSERT:  
**PK4111 (BL)**  
ANSI: **R3G324, R3G325**

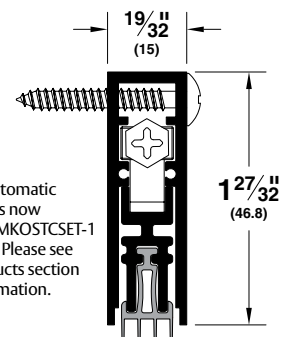


### STC4131\_PK

AVAILABLE FINISHES: **BSP, C, D**  
REPLACEMENT INSERT: **PK4111 (BL)**  
ANSI: **R3G334, R3G335, R3G344, R3G345**



NOTE: STC411\_PK Automatic Door Bottom is now included in PEMKOSTCSET-1 (A through E). Please see Acoustic Products section for more information.

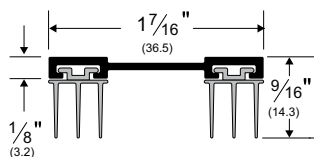


## Door Shoes

- Slotted holes for easy adjustment
- Provided with stainless steel fasteners
- Use a flat saddle to create a positive sealing surface that ensures maximum acoustic performance

### 3692\_PK773

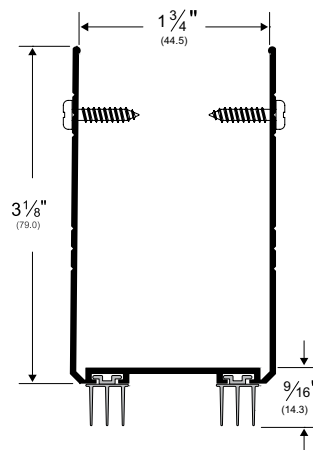
AVAILABLE FINISH: **A**  
AVAILABLE LENGTHS: **36", 48"**  
REPLACEMENT INSERT: **PK773 (BL, GR)**  
ANSI: **R3G414, R3G415**



### 2212\_PK773

AVAILABLE FINISHES: **10BE, A, BSP, D, G, WSP**  
REPLACEMENT INSERT: **PK773 (BL)**  
ANSI: **R3G416**

- Combination door shoe and kick plate
- Excellent Acoustic performance



## Acoustic Adhesive Corner Pads

- Corner pad with black or white polypropylene pile, with pressure-sensitive adhesive
- Apply to corner of jamb on hinge side to seal against air and light infiltration

### ACP112\_

AVAILABLE COLORS: **BL, W**

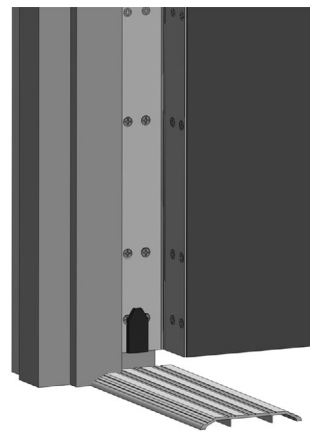
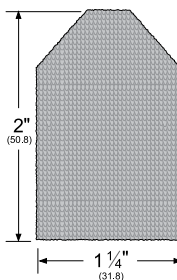


NOTE: Products shown in this section may not be drawn to scale.

AVAILABLE FINISHES FOR PRODUCTS SHOWN ON THIS PAGE (see General Information section for finish chart)

**10BE** (Satin Bronze Powder Coated Aluminum) **A** (Mill Finish Aluminum)  
**BSP** (Black Suede Powder Coated Aluminum) **C** (Clear Anodized) **D** (Dark Bronze Anodized)  
**G** (Gold Anodized) **WSP** (White Suede Powder Coated Aluminum)

Corner Pads: **BL** (Black) **W** (White)



800-824-3018 | [www.assaabloydooraccessories.us](http://www.assaabloydooraccessories.us)

Check the web site for the up-to-date catalog

Copyright © 2015-2020, ASSA ABLOY Accessories and Door Controls Group, Inc., an ASSA ABLOY Group company. All rights reserved. Reproduction in whole or in part without the express written permission of ASSA ABLOY Accessories and Door Controls Group, Inc. is prohibited.

**ASSA ABLOY**  
Opening Solutions

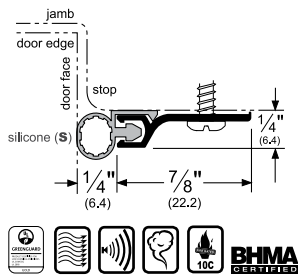
Experience a safer  
and more open world

## Standard Perimeter Gasketing

- Rigid jamb weatherstrip shown mounted on openings with  $\frac{1}{16}$ " gaps; however, each weatherstrip can seal gaps up to the depth of its seal. Seal depth provided on each illustration (example: the **303** has a  $\frac{1}{4}$ " seal; therefore, it can seal up to a  $\frac{1}{4}$ " gap)
- Punched on 6" centers with slotted holes for adjustment
- Model 303 is available with self-adhesive two-sided tape (TST) and tek screws (3 slotted holes per part) for easy installation. To obtain this option, add "TST" to the end of the part when ordering (example: **303AVTST**)
- Pemko is continually commissioning tests for acoustic assemblies. More profiles may be tested from this category. Please contact Customer Service if the options here don't suit your application.

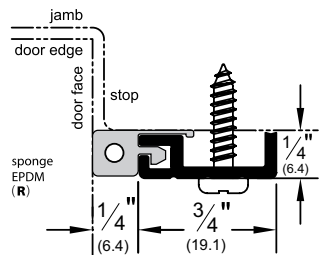
### 303\_S

AVAILABLE FINISHES: **10BE, A, BDG, BSP, C, D, G, PW, SN, WSP**  
 REPLACEMENT INSERT: **S3 (BL, GR, W)**  
 ANSI: **R3E164, R3E165**



### 312\_R

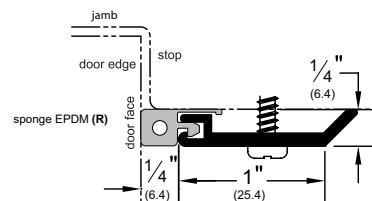
AVAILABLE FINISHES: **10BE, BSP, C, D, G, WSP**  
 REPLACEMENT INSERT: **ER9BL (BL)**  
 ANSI (alum): **R3G164, R3G165**



### 315\_R

AVAILABLE FINISHES: **10BE, B, BSP, C, D, G, WSP**  
 REPLACEMENT INSERT: **ER9BL (BL)**  
 ANSI (alum): **R3G164, R3G165**

- Please consult website for correct 315BR profile.



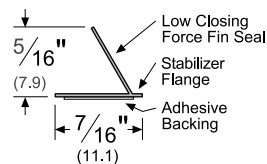
## SiliconSeal Adhesive-Backed Gasketing

- SiliconSeal is extruded from high-temperature silicone; effective between -58°F and 450°F
- Self-extinguishing and non-toxic; unaffected by sunlight, ozone, and ultraviolet rays
- Impervious to fungus and mildew; will not deteriorate under normal exposure
- Meets FAR 25.853 Airworthiness Standards for Compartment Interiors

### S44\_

AVAILABLE FINISHES: **BL, C, D, GR, W**  
 AVAILABLE LENGTHS: **17', 18', 20', 21', 25', 30', 204', 510'**  
 ANSI: **R0E154, R0E155**

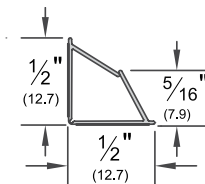
- Designed for tighter frames
- Demonstrates extremely low closing force
- Seal begins compressing at  $\frac{5}{16}$ "; compresses to seal up to a  $\frac{1}{16}$ " gap



### S442\_

AVAILABLE FINISHES: **BL, D, GR, W**  
 AVAILABLE LENGTHS: **17', 18', 20', 21', 25', 30', 510'**  
 ANSI: **R0E154, R0E155**

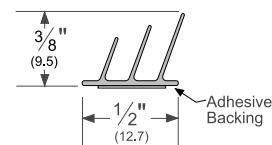
- Fits flush into corner
- Seal begins compressing at  $\frac{5}{16}$ "; compresses to seal up to a  $\frac{1}{16}$ " gap in either direction



### S773\_

AVAILABLE FINISHES: **BL, D, GR, W**  
 AVAILABLE LENGTHS: **17', 18', 20', 21', 25', 30', 250', 500'**  
 ANSI: **R0E154, R0E155**

- Triple-fin design effectively blocks light and sound from infiltrating a room
- Seal begins compressing at  $\frac{3}{8}$ "; compresses to seal up to a  $\frac{1}{16}$ " gap



NOTE: Products shown in this section may not be drawn to scale.

AVAILABLE FINISHES FOR PRODUCTS SHOWN ON THIS PAGE (see General Information section for finish chart)  
 Metal: **10BE** (Satin Bronze Powder Coated Aluminum) **A** (Mill Finish Aluminum) **B** (Mill Finish [Brass] Bronze)  
**BDG** (Bright Dip Gold Anodized) **BSP** (Black Suede Powder Coated Aluminum) **D** (Dark Bronze Anodized)  
**G** (Gold Anodized) **PW** (Painted White) **SN** (Satin Nickel Anodized)  
**WSP** (White Suede Powder Coated Aluminum)

SiliconSeal: **BL** (Black) **C** (Clear) **D** (Dark) **GR** (Gray) **W** (White)

**ASSA ABLOY**  
 Opening Solutions

Experience a safer  
 and more open world

800-824-3018 | [www.assaabloydooraccessories.us](http://www.assaabloydooraccessories.us)

Check the web site for the up-to-date catalog

Copyright © 2015-2020, ASSA ABLOY Accessories and Door Controls Group, Inc., an ASSA ABLOY Group company. All rights reserved. Reproduction in whole or in part without the express written permission of ASSA ABLOY Accessories and Door Controls Group, Inc. is prohibited.



## CONTENTS:

H180A Series .....	228
SHS80 Series .....	229
Sliding 200 Series .....	230
Side Wall Track (SWT) System .....	231
Bypass Track Series .....	234
SIM200A Series .....	235
LP200 Series .....	236
Sirocco Series .....	237
H300S-OH Series .....	238
H300S-SW Series .....	239
H440A-OH Series .....	240
H440A-SW Series .....	241
H600S-OH Series .....	242
H600S-SW Series .....	243
H800S-OH Series .....	244
H800S-SW Series .....	245
H1100A-OH Series .....	246
H1100A-SW Series .....	247
Husky Sliding Glass Series .....	248
Pocket Frame Kit .....	249
Folding 100 Series .....	250
Pacer Interior End Fold Series .....	251
Flexirol Interior End Fold Series .....	252
Stainless Steel Sliding Track Hardware System for Wood Doors .....	253
Stainless Steel Sliding Track Hardware System for Glass Doors .....	262
Builders Series Flat Track for Wood Doors .....	265
Designer Series Flat Track for Wood Doors .....	267
SIM 150 - 2 Door .....	271
SIM 150 - 3 Door .....	272
Cascading Door with Sample Configurations .....	273
SDL Privacy Barn Door Lock .....	274
Options, Accessories & Soft Close .....	275

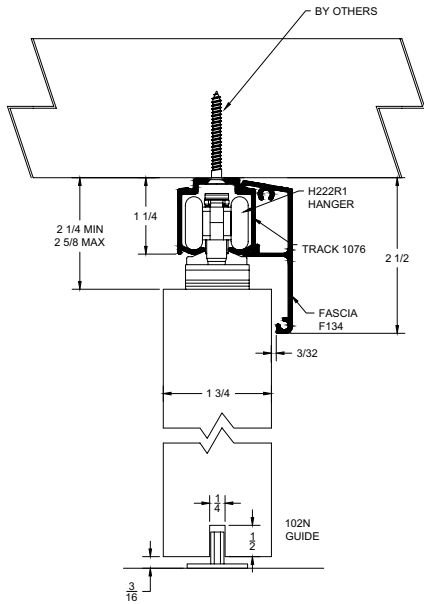
## INDEX:

PRODUCT	PAGE	PRODUCT	PAGE	PRODUCT	PAGE	PRODUCT	PAGE	PRODUCT	PAGE
12 .....	264	1A/290/EC .....	242-243	556/57 .....	250-251	H200PACK .....	234-238, 277	PFAS88 .....	253
22 .....	266	1A/301 .....	247, 249	57A/N .....	248-249	H1100A-OH .....	250	PFBG-4 .....	253-277
32 .....	265	1A/301/EC .....	246-249	57A/S .....	246-247	H1100A-SW .....	251	PFBG-8 .....	253-277
42 .....	267	1A/550 .....	251	57B .....	244-245	H180A .....	232	PFBS .....	253-277
52 .....	268	1AX/290 .....	243	57K/N .....	242-243	H200 .....	234	PFCDKIT .....	253
62 .....	257-258	1AX/301 .....	247, 249	600A .....	244-245, 255	H222R1 .....	232-239	PFFC-8 .....	253
72 .....	259	1B .....	245	601H .....	244-245, 255	H300S-OH .....	242	PFHB-1 .....	253
82 .....	260	1BX .....	245	601P .....	244-245	H300S-SW .....	243	PFHB-2 .....	253
92 .....	261	21/550/P .....	256	8-12/SN .....	252	H440A-OH .....	244	PFHS .....	253
111 .....	262-263	21B/P .....	255	89/2N .....	242-251	H440A-SW .....	245	PFKIT-4 .....	253
280 .....	233-234, 238-240, 252, 254, 277	21BO/4 .....	255	94A .....	232-240, 242-251, 254-263, 269-274, 277	H600S-OH .....	246	PFKIT-8 .....	253
281 .....	232-234, 238-240, 252, 254, 277	21N/94 .....	255	971A .....	232-234, 239-240, 242, 244, 246, 248, 250, 254-256, 277	H600S-SW .....	247	PIF2/165A .....	255
283 .....	254	21R/94 .....	256	BAR .....	257-268	H800S-OH .....	248	PIF4/165A .....	255
290 .....	242-243	280 .....	235	BRACKET2 .....	257-268	H800S-SW .....	249	SDL .....	280
301 .....	246-251	280_SWT .....	235-237	DELH/DLHRH .....	241	HBP200A .....	238	SHS80 .....	233
2812 .....	238, 277	2802 .....	238, 275	EPD3 .....	232-234, 239, 259-263, 269-270, 275-276	HF2/100 .....	254	SIM100 .....	239
102N .....	232-240, 242-249, 257-263, 269, 270, 277	2802BT .....	238, 277	DELH/DLHRH .....	241	HF2/100PACK .....	277	SIM150 .....	275-276
102WA .....	232-237, 239, 243, 245, 247, 249, 277	2803 .....	276	EPD3 .....	232-234, 239, 259-263, 269-270, 275-276	HF4/100 .....	254	SIM150-BOLTKIT .....	275-276
102WN .....	232-237, 239, 243, 245, 247, 249, 269-274	280_SWTKIT .....	235	F134 .....	233-234, 238-239, 275-277	HH3/290 .....	242-243	SIM150-LOCKKIT .....	275-276
106HF/94 .....	254	282HD .....	254	F160C .....	244	HH3/301 .....	246-251	SIM200A .....	239
106N/94 .....	277	284D .....	252	F160ECP .....	244	K1077_-SWEP .....	232	SIRF/2500 .....	241
106R/94 .....	232-240, 242-251, 258-263, 269-274, 277	287HD .....	232, 234, 238, 277	F200C .....	245	K134EP .....	233-234, 239, 277	SIRLH /SIRRH .....	241
1075C .....	232	289B .....	254	F200ECP .....	245	K134DEP .....	233, 234, 239	SOFT CLOSE .....	284-285
1076 .....	232	289T .....	254	F234 .....	252, 277	K28_-SWEP .....	235	STOP1 .....	265, 277
1A/290 .....	242	3A/290 .....	242	G60 to G100 .....	264-268	LH100 .....	240	STOP2 .....	257, 259-262, 264-268
		3A/301 .....	246, 248	GLASSGUIDE .....	264-268	LP200A .....	240	W60 to W100 .....	257-263
		3AX/290 .....	242	FIF2/275A .....	256	PF134 KIT .....	253	WOODGUIDE .....	257
		3AX/301 .....	246, 248			PF28200A .....	253		
		403/2 .....	255-256			PFAS .....	253		
		550A .....	250, 251, 256			PFAS100 .....	253		
		556/21 .....	256						

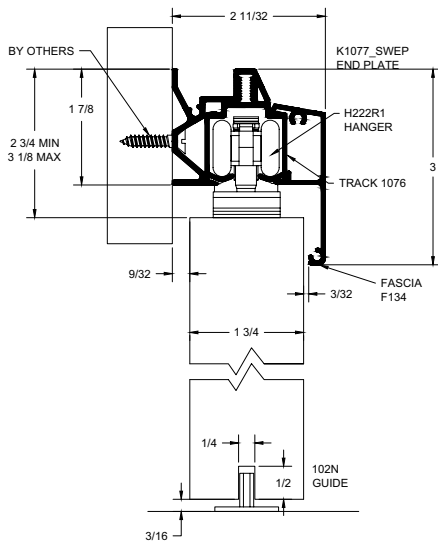
# H180A Series

For Sliding Panels up to 200 lbs.

## Overhead Mount



## Side Wall Mount



### Configurations:

- Single
- Bi-parting

### Installations:

- Overhead Mount
- Side Wall Mount

### Features:

- Hanger body is made of nickel plated zinc alloy for durability and long life
- Steel ball bearing wheels coated in nylon for smooth operation
- 200 lb. panel capacity
- Optional side wall bracket reduces the amount of wall space needed to mount the track
- Optional Soft Close
- 5 year warranty
- Meets ADA push force requirements

### H180A Kits Include:

- 1 ea **280C** Clear Anodized Aluminum Track
- 2 ea **H222R1** - Nickel Plated Zinc Alloy Body Zinc Alloy Wheels Coated in Nylon
- 2 ea **287R1-KIT** Rubber Bumper In-Track Stop
- 1 ea **102N** White Nylon Mortise Guide

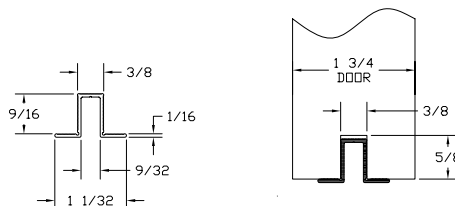
### Standard Kit Sizes

Part Number	Material	Track Length	Door Width
H180A/6	Aluminum	72"	36"
H180A/8	Aluminum	96"	48"
H180A/10	Aluminum	120"	60"
H180A/12	Aluminum	144"	72"

### Options:

- Fascia **F134C** clear anodized aluminum fascia
  - F134D** dark bronze anodized fascia
  - Side Wall Track Bracket **1075C** clear anodized aluminum bracket- order same length as track
  - 1075D** dark bronze aluminum bracket
  - Track **280D** dark bronze anodized track
  - End Plate Kit **K1077C-SWEP** (use with F134C fascia and 1075C side wall bracket only)
  - K1077D-SWEP** (use with F134D fascia and 1075D side wall bracket only)
  - Bottom Channel **94A**
  - Roller Guide **106R/94**
  - Threshold **971A**
  - Side Wall Mount Mortise Guides **102WN** (nylon) and **102WA** (steel)
  - Polypropylene Guide Rail **EPD3BL** for use with 102N or 102WN
- Soft Close available. See page 284-285 for more information.

### Alternate Route for EPD3BL



**ASSA ABLOY**  
Opening Solutions

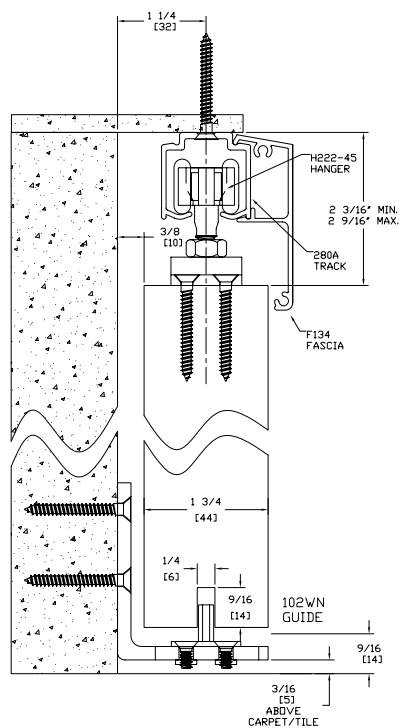
Experience a safer  
and more open world



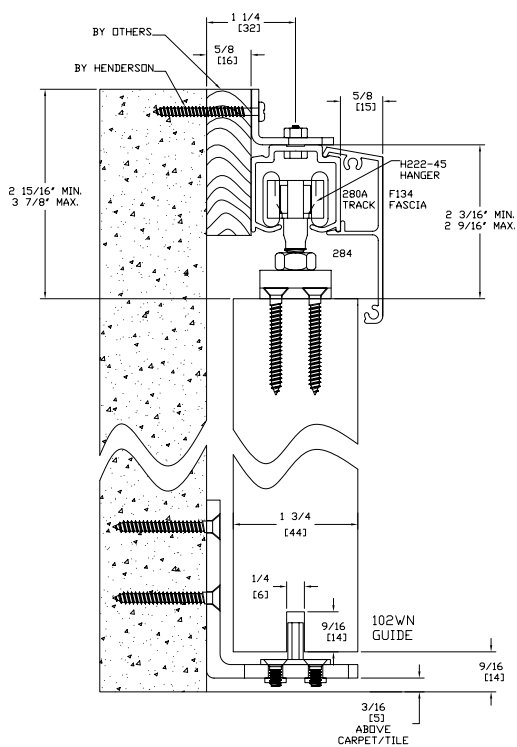
# SHS80 Series

For Sliding Panels up to 200 lbs.

## Overhead Mount



## Side Wall Mount



SHS80-SW  
SLIDING DOOR HARDWARE W/FASCIA  
SIDE WALL MOUNT 1 3/4" DOORS

800-824-3018 | [www.assaabloydooraccessories.us](http://www.assaabloydooraccessories.us)

Check the web site for the up-to-date catalog

Copyright © 2015-2020, ASSA ABLOY Accessories and Door Controls Group, Inc., an ASSA ABLOY Group company. All rights reserved. Reproduction in whole or in part without the express written permission of ASSA ABLOY Accessories and Door Controls Group, Inc. is prohibited.

## Configurations:

- Single
- Bi-parting

## Installations:

- Overhead Mount
- Side Wall Mount

## Features:

- Hanger body is made of nickel plated zinc alloy for durability and long life
- Steel ball bearing wheels coated in nylon for smooth operation
- 200 lb. panel capacity
- Optional Soft Close
- 5 year warranty
- Meets ADA push force requirements

## SHS80 Kits Include:

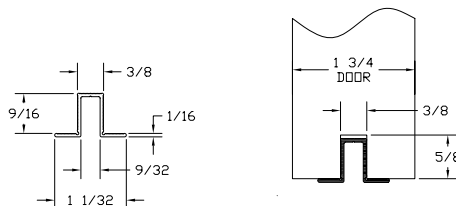
- 1 ea **280C** Clear Anodized Aluminum Track
- 2 ea **H222R1** - Nickel Plated Zinc Alloy Body
- 2 ea **601H** Nylon In-Track Clip Stop
- 1 ea **102WN** White Nylon Mortise Guide on Zinc Plated Steel "L" Metal

Standard Kit Sizes			
Part Number	Material	Track Length	Door Width
SHS80/6	Aluminum	72"	36"
SHS80/8	Aluminum	96"	48"

## Options:

- Fascia **F134C** clear anodized aluminum fascia  
**F134D** dark bronze anodized fascia
- Side Wall Track Brackets **PC2815** available as 5 pack only, PC2815 pack of 5 281 zinc plated side wall bracket. NOTE: Need one at each end and no more than 2 feet in-between. Fasteners included.
- Track **280D** dark bronze anodized track
- End Plate Kit **K134EP** (use with F134C and 280C only)  
**K134DEP** (use with F134D and 280D only)
- Bottom Channel **94A**
- Roller Guide **106R/94**
- Threshold **971A**
- Side Wall Mount Extra Hardware Pack **SHS80/PACK**
- Mortise Floor Guide **102N**
- Polypropylene Guide Rail **EPD3BL** for use with 102N or 102WN
- Soft Close available. See page 284-285 for more information.

## Alternate Route for EPD3BL



**ASSA ABLOY**  
Opening Solutions

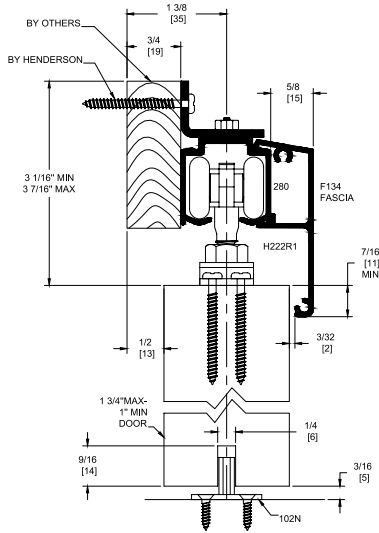
Experience a safer  
and more open world



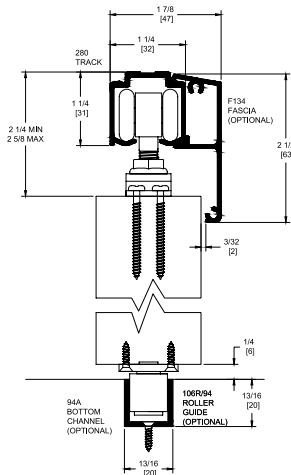
## Sliding 200 Series

For Sliding Panels up to 200 lbs.  
Manufactured by P.C. Henderson

### 280C Side Wall Mounted



### 280C Soffit Mounted with Fascia



#### Configurations:

- Single
- Bi-parting

#### Installations:

- Overhead Mount
- Side Wall Mount

#### Features:

- Hanger body is made of nickel plated zinc alloy for durability and long life
- Steel ball bearing wheels coated in nylon for smooth operation
- 200 lb. panel capacity
- Galvanized steel track 280
- Clear anodized aluminum track 280C
- Optional Soft Close
- 5 year warranty
- Meets ADA push force requirements

#### H200A Kits Include:

- 1 ea **280C** Clear Anodized Aluminum Track
- 2 ea **H222R1** Hangers
- 1 ea **102N** Nylon Guide
- 2 ea **TELS-14KIT** Stops
- 1 ea Adjusting Wrench and Mounting Hardware

#### H200 Kits Include:

- 1 ea **280** Steel Track
- 2 ea **H222R1** Hangers
- 1 ea **102N** Nylon Guide
- 2 ea **TELS-14KIT** Stops
- 1 ea Adjusting Wrench and Mounting Hardware

#### Standard Kit Sizes

Part Number	Material	Track Length	Door Width
H200A/4	Aluminum	48"	24"
H200A/5-4	Aluminum	64"	32"
H200A/6	Aluminum	72"	36"
H200A/7	Aluminum	84"	42"
H200A/8	Aluminum	96"	48"
H200A/10	Aluminum	120"	60"
H200A/12	Aluminum	144"	72"
H200/6	Steel	72"	36"
H200/8	Steel	96"	48"

#### Options:

Hardware Kit  
Mounting Bracket

#### H200PACK

**PC2815** available as 5 pack only, **PC2815** pack of 5 281 zinc plated side wall bracket  
NOTE: Need one at each end and no more than 2 feet in-between  
Fasteners included

Track Stop (bumper)  
Bottom Channel  
Fascia, Snap-On

#### 287R1-KIT

**94A**  
**F134C** in clear anodized (**280C** only)  
**F134D** dark bronze anodized fascia

Track  
Roller Guide  
Side Wall Mortise Guide  
Threshold  
End Plate

**280D** dark bronze anodized  
**106R/94**

**102WA** (steel) and **102WN** (nylon)

#### 971A

**K134EP** (use with F134C and 280C only) **K134DEP** (use with F134D and 280D only)

Polypropylene Guide Rail **EPD3BL** for use with 102N or 102WN  
Soft Close available. See page 284-285 for more information.

**ASSA ABLOY**  
Opening Solutions

Experience a safer  
and more open world

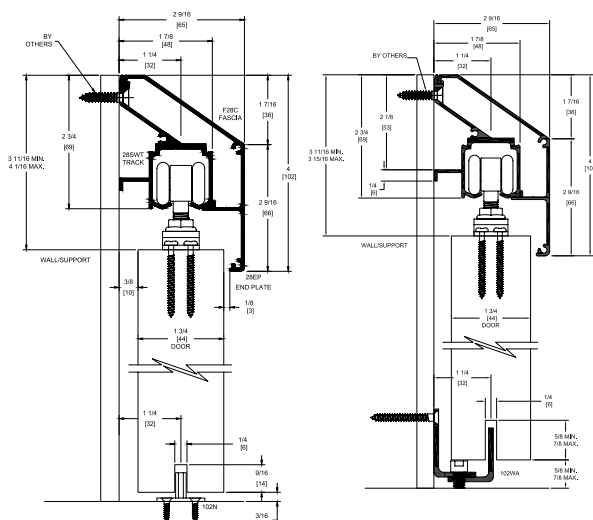
## Side Wall Track (SWT) System

For Sliding Panels up to 200 lbs.

The Pemko Side Wall Track System has a unique mounting bracket that is extruded with the track. An innovative wall mounted bottom guide assembly allows carpet to be replaced without removing the door.



SWT Kit Side Wall Mounted



### Configurations:

- Single
- Bi-parting

### Installations:

- Side Wall Mount

### Features:

- Unique mounting bracket extruded into track
- Supports up to 200 lbs. per door
- Quick, easy attachment
- New construction or retrofit
- Optional Soft Close
- 5 year warranty
- Meets ADA push force requirements

### 280SWT Kits Include:

- 1ea **280\_-SWT** Aluminum Track
- 1ea **280\_-SWF** Aluminum Fascia
- 1ea **K28\_-SWEP** Pair of End Plates
- 2ea **H222R1** Hangers
- 2ea **TELS-14KIT** In Track Stops
- 1ea **102N** White Nylon Mortise Guide
- 1ea **102WA** Wall Mounted Mortise Guide
- 1ea **Adjusting Wrench**

### Standard Kit Sizes

Part Number	Track Length	Door Width
(Mill Finished Track/Clear Anodized Fascia/End Plates)		
280C-SWTKIT/5	60"	30"
280C-SWTKIT/6	72"	36"
280C-SWTKIT/8	96"	48"
280C-SWTKIT/12*	144"	2 @ 36"
(Dark Bronze Anodized Track/Fascia/End Plates)		
280D-SWTKIT/5	60"	30"
280D-SWTKIT/6	72"	36"
280D-SWTKIT/8	96"	48"
280D-SWTKIT/12*	144"	2 @ 36"

\*NOTE: 280\_-SWTKIT/12 comes with enough hardware for two doors.

### Options:

- Hardware Kit (one door) **H200PACK**
- Roller Guide **106R/94**
- Bottom Channel **94A**
- Nylon Mortise Guide **102WN**
- Stainless Steel Flush Bolt **FB150SS**
- Stainless Steel Flush Bolt with Black E Coating **FB150SSBL**
- Stainless Steel Flush Pull **503SF**

Soft Close available. See page 284-285 for more information.

AVAILABLE FINISHES FOR PRODUCTS SHOWN ON THIS PAGE (see General Information section for finish chart)

A (Mill Finish Aluminum) C (Anodized Aluminum) D (Dark Bronze Anodized)

800-824-3018 | [www.assaabloydooraccessories.us](http://www.assaabloydooraccessories.us)

Check the web site for the up-to-date catalog

Copyright © 2015-2020, ASSA ABLOY Accessories and Door Controls Group, Inc., an ASSA ABLOY Group company. All rights reserved. Reproduction in whole or in part without the express written permission of ASSA ABLOY Accessories and Door Controls Group, Inc. is prohibited.

**ASSA ABLOY**  
Opening Solutions

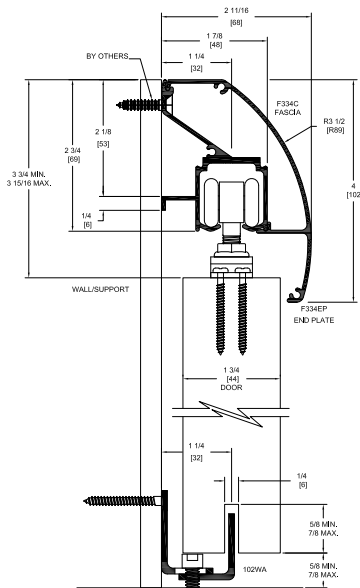
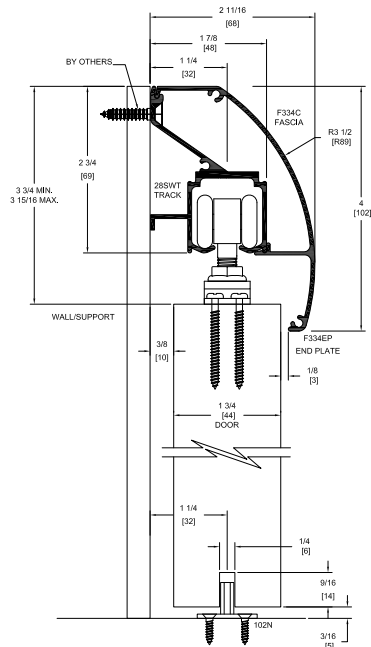
Experience a safer  
and more open world

# Side Wall Track System with Radius Fascia (RF280\_-SWTK)

For Sliding Panels up to 200 lbs.

Pemko Side Wall Track Systems have a unique mounting bracket that is extruded into the track. An innovative wall mounted bottom guide assembly allows carpet to be replaced without removing the door.

## SWT Kit Side Wall Mounted



### Configurations:

- Single
- Bi-parting

### Installations:

- Side Wall Mount

### Features:

- Unique mounting bracket extruded into track
- Supports up to 200 lbs. per door
- Quick, easy attachment
- New construction or retrofit
- Optional Soft Close
- 5 year warranty
- Meets ADA push force requirements

## 280SWT Kits Include:

- 1ea **280\_-SWT** Aluminum Track
- 1ea **F334\_** Aluminum Fascia
- 1ea **KF334\_-SWEP** Pair of End Plates
- 2ea **H222R1** Hangers
- 2ea **TELS-14KIT** In Track Stops
- 1ea **102N** White Nylon Mortise Guide
- 1ea **102WA** Wall Mounted Mortise Guide
- 1ea Adjusting Wrench

### Standard Kit Sizes

Part Number	Track Length	Door Width
(Mill Finished Track/Clear Anodized Fascia/End Plates)		
RF280C-SWTK/5	60"	30"
RF280C-SWTK/6	72"	36"
RF280C-SWTK/8	96"	48"
RF280C-SWTK/12 *	144"	2 @ 36"
(Dark Bronze Anodized Track/Fascia/End Plates)		
RF280D-SWTK/5	60"	30"
RF280D-SWTK/6	72"	36"
RF280D-SWTK/8	96"	48"
RF280D-SWTK/12 *	144"	2 @ 36"

\*NOTE: RF280\_-SWTK/12 comes with enough hardware for two doors.

### Options:

- Hardware Kit (one door) **H200PACK**
- Roller Guide **106R/94**
- Bottom Channel **94A**
- Nylon Mortise Guide **102WN**
- Stainless Steel Flush Bolt **FB150SS**
- Stainless Steel Flush Bolt with Black E Coating **FB150SSBL**
- Stainless Steel Flush Pull **503SF**

Soft Close available. See page 284-285 for more information.

AVAILABLE FINISHES FOR PRODUCTS SHOWN ON THIS PAGE (see General Information section for finish chart)  
 A (Mill Finish Aluminum) C (Clear Anodized) D (Dark Bronze Anodized)

**ASSA ABLOY**  
Opening Solutions

Experience a safer  
and more open world

800-824-3018 | [www.assaabloydooraccessories.us](http://www.assaabloydooraccessories.us)

Check the web site for the up-to-date catalog

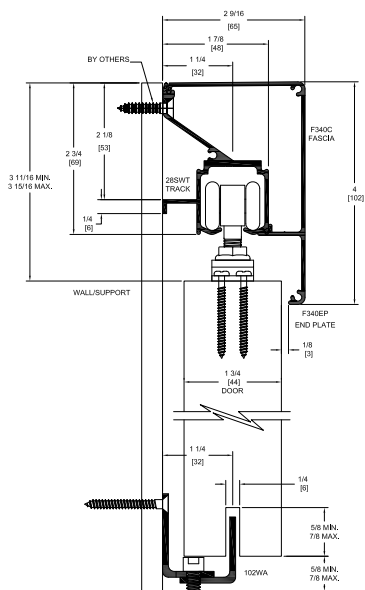
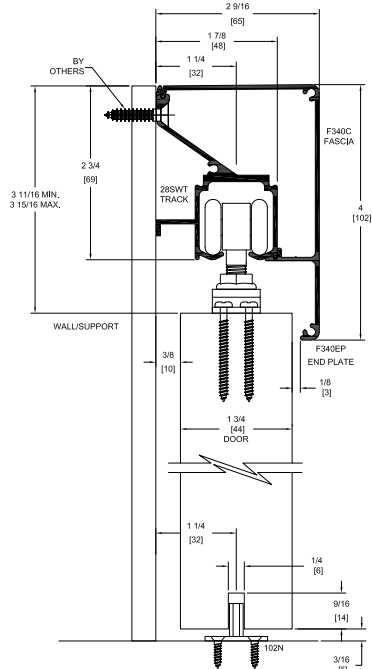
Copyright © 2015-2020, ASSA ABLOY Accessories and Door Controls Group, Inc., an ASSA ABLOY Group company. All rights reserved. Reproduction in whole or in part without the express written permission of ASSA ABLOY Accessories and Door Controls Group, Inc. is prohibited.

# Side Wall Track System with Square Fascia (SF280\_-SWTK)

For Sliding Panels up to 200 lbs.

Pemko Side Wall Track Systems have a unique mounting bracket that is extruded with the track. An innovative wall mounted bottom guide assembly allows carpet to be replaced without removing the door.

## SWT Kit Side Wall Mounted



### Configurations:

- Single
- Bi-parting

### Installations:

- Side Wall Mount

### Features:

- Unique mounting bracket extruded into track
- Supports up to 200 lbs. per door
- Quick, easy attachment
- New construction or retrofit
- Optional Soft Close
- 5 year warranty
- Meets ADA push force requirements

## 280SWT Kits Include:

- 1ea **280\_-SWT** Aluminum Track
- 1ea **F340\_** Aluminum Fascia
- 1ea **KF340\_-SWEP** Pair of End Plates
- 2ea **H222R1** Hangers
- 2ea **TELS-14KIT** In Track Stops
- 1ea **102N** White Nylon Mortise Guide
- 1ea **102WA** Wall Mounted Mortise Guide
- 1ea Adjusting Wrench

Standard Kit Sizes		
Part Number	Track Length	Door Width
(Mill Finished Track/Clear Anodized Fascia/End Plates)		
SF280C-SWTK/5	60"	30"
SF280C-SWTK/6	72"	36"
SF280C-SWTK/8	96"	48"
SF280C-SWTK/12 *	144"	2 @ 36"
(Dark Bronze Anodized Track/Fascia/End Plates)		
SF280D-SWTK/5	60"	30"
SF280D-SWTK/6	72"	36"
SF280D-SWTK/8	96"	48"
SF280D-SWTK/12 *	144"	2 @ 36"

\*NOTE: SF280\_-SWTK/12 comes with enough hardware for two doors.

### Options:

- Hardware Kit (one door) **H200PACK**
- Roller Guide **106R/94**
- Bottom Channel **94A**
- Nylon Mortise Guide **102WN**
- Stainless Steel Flush Bolt **FB150SS**
- Stainless Steel Flush Bolt with Black E Coating **FB150SSBL**
- Stainless Steel Flush Pull **503SF**

Soft Close available. See page 284-285 for more information.

AVAILABLE FINISHES FOR PRODUCTS SHOWN ON THIS PAGE (see General Information section for finish chart)  
 A (Mill Finish Aluminum) C (Clear Anodized) D (Dark Bronze Anodized)

800-824-3018 | www.assaabloydooraccessories.us  
 Check the web site for the up-to-date catalog

Copyright © 2015-2020, ASSA ABLOY Accessories and Door Controls Group, Inc., an ASSA ABLOY Group company. All rights reserved.  
 Reproduction in whole or in part without the express written permission of ASSA ABLOY Accessories and Door Controls Group, Inc. is prohibited.

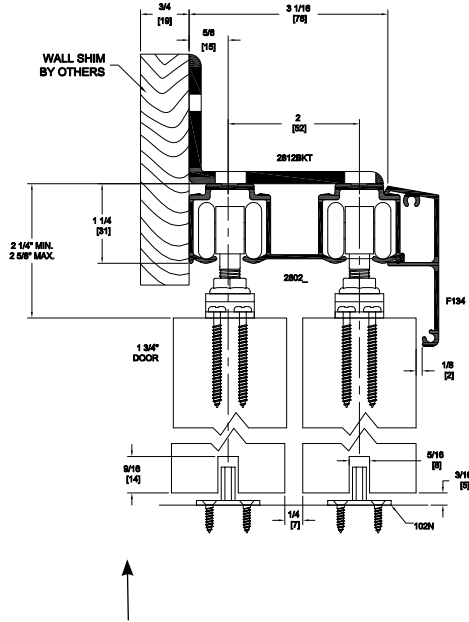
**ASSA ABLOY**  
 Opening Solutions

Experience a safer  
 and more open world

# Bypass Track Series

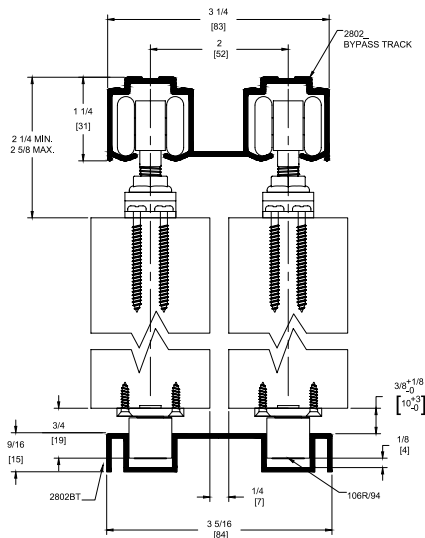
For Bypass Panels up to 200 lbs.

## 1 3/4" Thick Doors Side Wall Mount



NOTE: Route door 9/16" deep by 1/4" wide to receive 102N Guide.

## 1 3/4" Thick Doors Overhead Mount



\* Side Wall mounting: use one (1) 2812KIT at each end of track and 24" on center

### Configurations:

- For Bypass Doors

### Features:

- Fits 1 3/8" and 1 3/4" doors
- Hanger body is made of nickel plated zinc alloy for durability and long life
- Steel ball bearing wheels coated in nylon for smooth operation
- 200 lb. panel capacity
- Load capacity 200 lbs. per door panel (2 hangers)
- Extruded aluminum track
- Optional Soft Close
- 5 year warranty
- Meets ADA push force requirements

### HBP200A Kits Include:

- 1 ea **2802C** Clear Anodized Aluminum Track
- 4 ea **H222R1** Hangers
- 2 ea **102N** White Nylon Mortise Guide
- 4 ea **TELS-14KIT** In Track Stops
- 1 ea Adjusting Wrench and Mounting Hardware

Standard Kit Sizes		
Part Number	Track Length	Door Width
HBP200A/4	48"	2 @ 26" Min*
HBP200A/5'4	64"	2 @ 34" Min*
HBP200A/6	72"	2 @ 38" Min*
HBP200A/7	84"	2 @ 44" Min*
HBP200A/8	96"	2 @ 50" Min*
HBP200A/10	120"	2 @ 62" Min*
HBP200A/12	144"	2 @ 74" Min*

\*Minimum door overlap is 2".

### Options:

- Hardware Kit **H200PACK**
- Mounting Bracket **2812KIT**
- Track **2802D** dark bronze anodized track
- Track Stop (bumper) **287R1-KIT**
- Bottom Channel **94A**
- Fascia, Snap-On **F134C** clear anodized aluminum fascia. **F134D** dark bronze anodized aluminum fascia
- Roller Guide **106R/94**
- Dual Guide Channel **2802BT**
- Polypropylene Guide Rail **EPD3BL** for use with 102N
- Soft Close available. See page 284-285 for more information.

**ASSA ABLOY**  
Opening Solutions

Experience a safer  
and more open world

AVAILABLE FINISHES FOR PRODUCTS SHOWN ON THIS PAGE (see General Information section for finish chart)  
A (Mill Finish Aluminum) C (Clear Anodized)

800-824-3018 | www.assaabloydooraccessories.us  
Check the web site for the up-to-date catalog

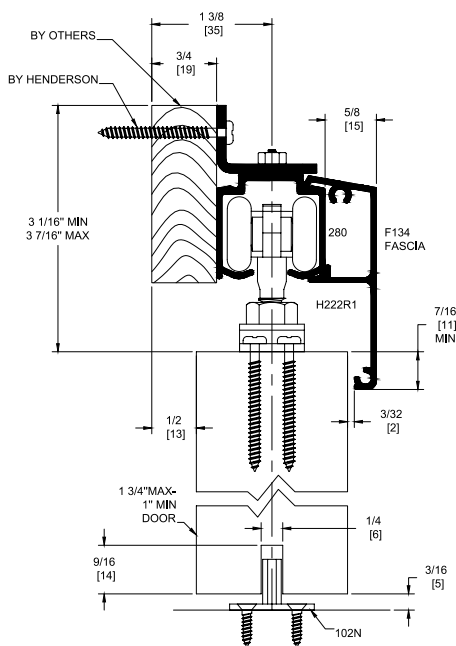
Copyright © 2015-2020, ASSA ABLOY Accessories and Door Controls Group, Inc., an ASSA ABLOY Group company. All rights reserved. Reproduction in whole or in part without the express written permission of ASSA ABLOY Accessories and Door Controls Group, Inc. is prohibited.

## SIM200A Series

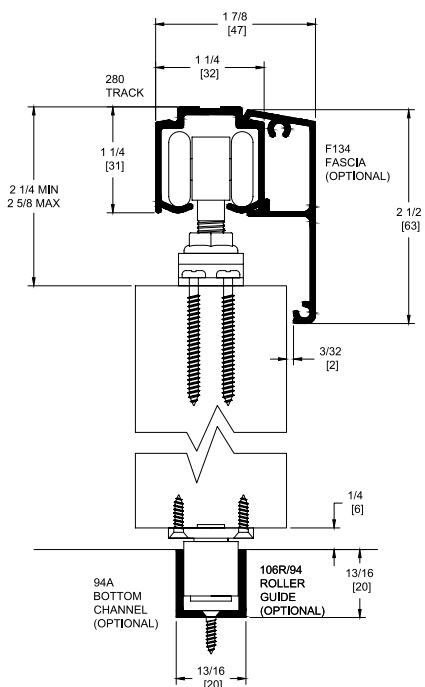
For Sliding Doors up to 48" wide and 200 lbs.

Manufactured by P.C. Henderson

### Side Wall Mount



### Overhead Mount



Simultaneous Action Unit (SIM) allows the simultaneous operation of two doors.

#### Configurations:

- Bi-parting

#### Installations:

- Overhead Mount
- Side Wall Mount

#### Features:

- Allows individual bi-part doors to act as a single operating unit. When one door is opened or closed, the second door operates simultaneously
- 200 lb. panel capacity
- Hanger body is made of nickel plated zinc alloy for durability and long life
- Steel ball bearing wheels coated in nylon for smooth operation
- Clear anodized aluminum track 280C
- 2 year warranty

### SIM200A Kits Include:

- 1 ea **280C** Clear Anodized Aluminum Track
- 4 ea **H222R1** Hangers
- 4 ea **601H** Nylon In-Track Clip Stop
- 2 ea **102N** White Nylon Mortise Guide
- 1 ea **SIM100** Cable and Pulley Kit

#### Standard Kit Sizes

Part Number	Material	Track Length	Door Width
SIM200A/6	Aluminum	72"	2 @ 18"
SIM200A/8	Aluminum	96"	2 @ 24"
SIM200A/12	Aluminum	2 @ 72"	2 @ 36"
SIM200A/16	Aluminum	2 @ 96"	2 @ 48"

#### Options:

- Fascia**
  - F134C** clear anodized aluminum fascia
  - F134D** dark bronze anodized fascia
  - 280D** dark bronze anodized
- Side Wall Track Brackets** **PC2815** available as 5 pack only, **PC2815** pack of 5 281 zinc plated side wall bracket. NOTE: Need one at each end and no more than 2 feet in-between. Fasteners included.
- End Plates**
  - K134EP** (use with F134C only)
  - K134DEP** (use with F134D only)
- Bottom Channel** **94A**
- Roller Guide** **106R/94**
- Threshold** **971A**
- Side Wall Mortise Guides** **102WN** (nylon) and **102WA** (steel)
- Polypropylene Guide Rail** **EPD3BL** for use with 102N or 102WN

800-824-3018 | [www.assaabloydooraccessories.us](http://www.assaabloydooraccessories.us)

Check the web site for the up-to-date catalog

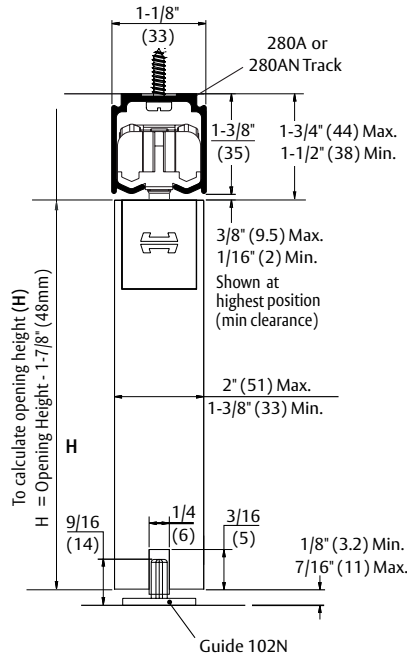
Copyright © 2015-2020, ASSA ABLOY Accessories and Door Controls Group, Inc., an ASSA ABLOY Group company. All rights reserved. Reproduction in whole or in part without the express written permission of ASSA ABLOY Accessories and Door Controls Group, Inc. is prohibited.

**ASSA ABLOY**  
Opening Solutions

Experience a safer  
and more open world

## LP200 Series

**For Sliding Panels up to 200 lbs.**  
 Manufactured by P.C. Henderson



Low profile design for use where space is limited.

### Configurations:

- Single
- Bi-parting

### Installations:

- Overhead Mount
- Side Wall Mount

### Features:

- Used to maximize door height
- Designed to give a modern clean finish with all parts concealed. Ideal for applications where minimal clearance between track and door is required
- Easy installation and adjustment
- 200 lb. panel capacity
- Needle bearing nylon wheels for smooth operation
- Clear anodized aluminum track 280C
- 2 year warranty
- Meets ADA push force requirements

### LP200A Kits Include:

- 1 ea **280C** Clear Anodized Aluminum Track
- 1 ea **LH100** Hardware Kit

### LH100 Hardware Kits Include:

- 2 ea Low Head Room Units
- 2 ea End Caps
- 2 ea In-Track Clip Stops
- 1 ea Screw Pack
- 2 ea Low Head Room Hangers
- 1 ea **102N** White Nylon Mortise Guide
- 1 ea Small Spanner and 4mm Allen Key

### Standard Kit Sizes

Part Number	Material	Track Length	Door Width
LP200A/6	Aluminum	72"	36"
LP200A/8	Aluminum	96"	48"
LP200A/10	Aluminum	120"	60"

### Options:

- Side Wall Track Bracket **PC2815** available as 5 pack only, **PC2815** pack of 5 281 zinc plated side wall bracket  
 NOTE: Need one at each end and no more than 2 feet in-between. Fasteners included.
- Bottom Channel **94A**
- Roller Guide **106R/94**
- Threshold **971A**

**ASSA ABLOY**  
 Opening Solutions

Experience a safer  
 and more open world

800-824-3018 | [www.assaabloydooraccessories.us](http://www.assaabloydooraccessories.us)  
 Check the web site for the up-to-date catalog

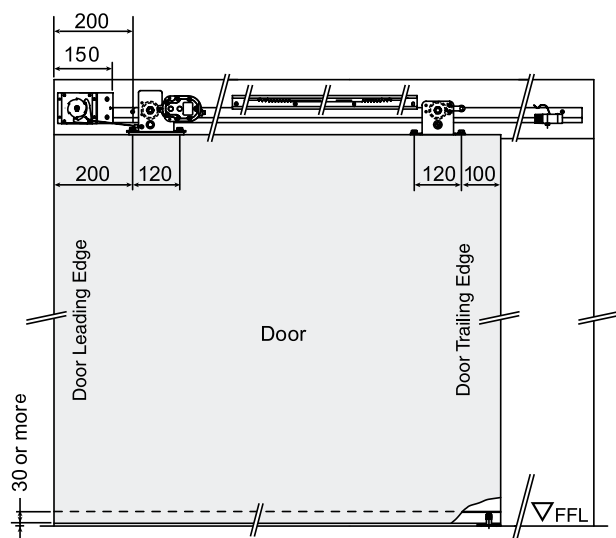
Copyright © 2015-2020, ASSA ABLOY Accessories and Door Controls Group, Inc., an ASSA ABLOY Group company. All rights reserved. Reproduction in whole or in part without the express written permission of ASSA ABLOY Accessories and Door Controls Group, Inc. is prohibited.



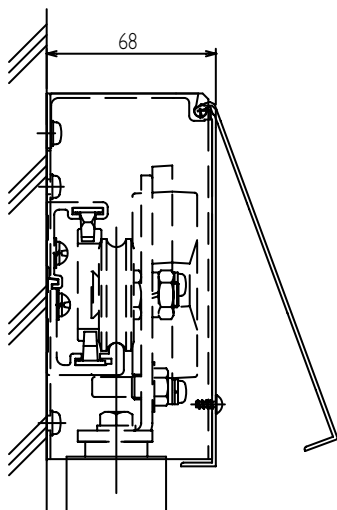
## Sirocco Series

For Sliding Panels up to 200 lbs.

Manufactured by P.C. Henderson



Right Hand SIRRH Shown Above and Below



The Sirocco system is a quiet, user friendly, self closing system which brings the door gently to a close.

The integrated hydraulic soft stop brings the door to a safe and cushioned close making it ideal for disabled access systems or public areas. The internal door brake can also be adjusted to allow the user to dictate the speed of opening preventing damage to the door and system.

### Configurations:

- Single

### Installations:

- Side Wall Mount

### Features:

- Self closing system for a single door from 31 $\frac{1}{2}$ " to 47 $\frac{1}{4}$ " wide and up to 200 lbs.
- Interior applications only
- Comes complete with a hydraulically controlled soft close feature
- Adjustable closing speed
- Door brake to reduce opening speed to prevent damage to the door and system
- Optional hold open unit giving adjustable time delay before self closing
- Operational between temperature ranges of 50 to 104 degrees Fahrenheit
- 2 year warranty

### Sirocco Series Kits Include:

- 1 ea Track 86.61" long
- 1 ea Leading hanger
- 1 ea Trailing hanger
- 1 ea Hydraulic Control Unit
- 1 ea Closing brake rack
- 1 ea Opening brake rack
- 1 ea Power spring mounting bracket
- 7 ea Height adjustment plates
- 1 ea Power spring unit
- 1 ea Guide roller
- 1 ea Opening door stop
- 1 ea Door stop roller
- 1 ea Closing door stop
- 2 ea Wooden door plate (and all required screws and bolts)

### Standard Kits

Part Number	Description
SIRRH	Right Hand Opening Kit
SIRLH	Left Hand Opening Kit

### Options:

- SIRF/2500** 98" Fascia and End Plates
- SIR80DEL-RH** Delayed Closing Timer Right Hand
- SIR80DEL-LH** Delayed Closing Timer Left Hand

800-824-3018 | [www.assaabloydooraccessories.us](http://www.assaabloydooraccessories.us)

Check the web site for the up-to-date catalog

Copyright © 2015-2020, ASSA ABLOY Accessories and Door Controls Group, Inc., an ASSA ABLOY Group company. All rights reserved. Reproduction in whole or in part without the express written permission of ASSA ABLOY Accessories and Door Controls Group, Inc. is prohibited.

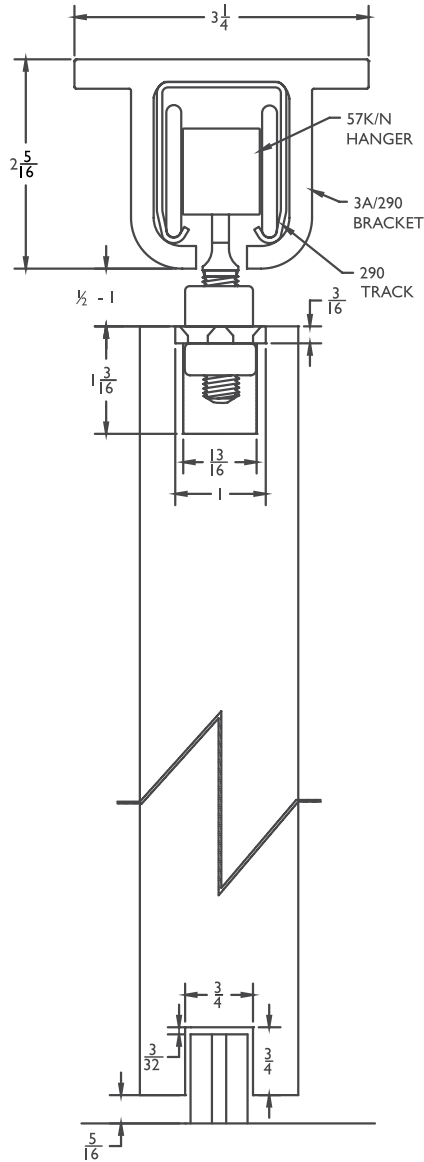
**ASSA ABLOY**  
Opening Solutions

Experience a safer  
and more open world



## H300S-OH Series

For Sliding Panels up to 300 lbs.  
Manufactured by P.C. Henderson



### Configurations:

- Single
- Bi-parting

### Installations:

- Overhead Mount

### Features:

- Overhead mount system
- Nylon wheels for smooth operation
- 300 lb. panel capacity
- Galvanized steel track 290
- 2 year warranty

### H300S-OH Kits Include:

- 1 ea **290** Galvanized Steel Track
- **3A/290** Aluminum Alloy Overhead Mount Track Brackets (One at each end and no more than 3 feet in between)
- 2 ea **1A/290/EC** Aluminum Alloy End Caps
- 2 ea **57K/N** White Nylon Body and Wheels, Zinc Coated Steel Pendant Bolt Hangers
- 2 ea **HH3/290** Galvanized Steel In-Track Stop
- 1 ea **89/2N** Gray Nylon Mortise Guide

### Standard Kit Sizes

Part Number	Material	Track Length	Door Width
H300S-OH/6	Steel	72"	36"
H300S-OH/8	Steel	96"	48"
H300S-OH/10	Steel	120"	60"
H300S-OH/12	Steel	144"	72"

### Options:

- Bottom Channel **94A**
- Roller Guide **106R/94**
- Threshold **971A**
- Joining Bracket **3AX/290**
- Mortise Guides **102N**
- Stainless Steel Flush Bolt **FB150SS**
- Stainless Steel Flush Bolt with Black E Coating **FB150SSBL**
- Stainless Steel Flush Pull **503SF**

**ASSA ABLOY**  
Opening Solutions

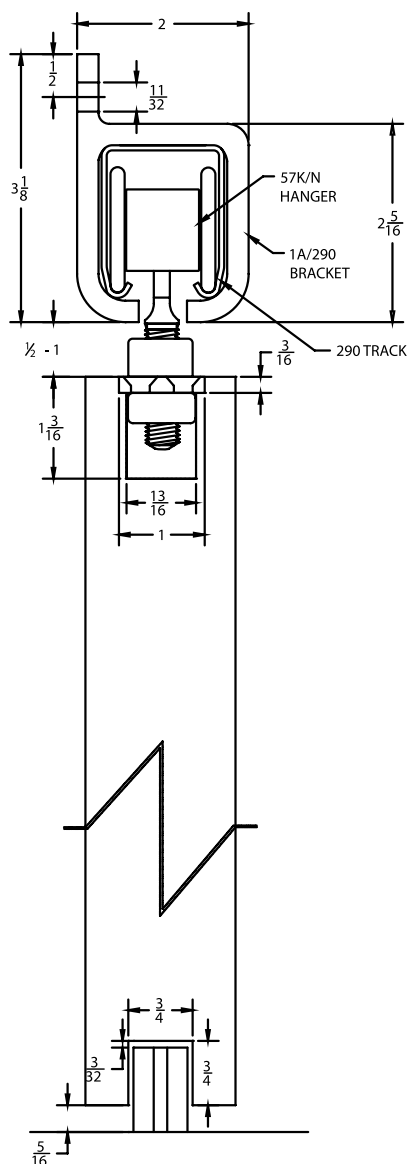
Experience a safer  
and more open world

800-824-3018 | [www.assaabloydooraccessories.us](http://www.assaabloydooraccessories.us)  
Check the web site for the up-to-date catalog

Copyright © 2015-2020, ASSA ABLOY Accessories and Door Controls Group, Inc., an ASSA ABLOY Group company. All rights reserved. Reproduction in whole or in part without the express written permission of ASSA ABLOY Accessories and Door Controls Group, Inc. is prohibited.

## H300S-SW Series

For Sliding Panels up to 300 lbs.  
Manufactured by P.C. Henderson



### Configurations:

- Single
- Bi-parting

### Installations:

- Side Wall Mount

### Features:

- Side wall mount system
- Nylon wheels for smooth operation
- 300 lb. panel capacity
- Galvanized steel track 290
- 2 year warranty

### H300S-SW Kits Include:

- 1 ea **290** Galvanized Steel Track
- **1A/290** Side Wall Mount Track Brackets  
(One at each end and no more than three feet in between)
- 2 ea **1A/290/EC** Aluminum Alloy End Caps
- 2 ea **57K/N** White Nylon Body and Wheels, Zinc Coated Steel Pendant Bolt Hangers
- 2 ea **HH3/290** Galvanized Steel In-Track Stops
- 1 ea **89/2N** Gray Nylon Mortise Guide

### Standard Kit Sizes

Part Number	Material	Track Length	Door Width
H300S-SW/6	Steel	72"	36"
H300S-SW/8	Steel	96"	48"
H300S-SW/10	Steel	120"	60"
H300S-SW/12	Steel	144"	72"

### Options:

Bottom Channel	<b>94A</b>
Roller Guide	<b>106R/94</b>
Mortise Guides	<b>102N</b>
Side Wall Mortise Guides	<b>102WN</b> (nylon) and <b>102WA</b> (steel)
Joining Bracket	<b>1AX/290</b>
Stainless Steel Flush Bolt	<b>FB150SS</b>
Stainless Steel Flush Bolt with Black E Coating	<b>FB150SSBL</b>
Stainless Steel Flush Pull	<b>503SF</b>

800-824-3018 | [www.assaabloydooraccessories.us](http://www.assaabloydooraccessories.us)  
Check the web site for the up-to-date catalog

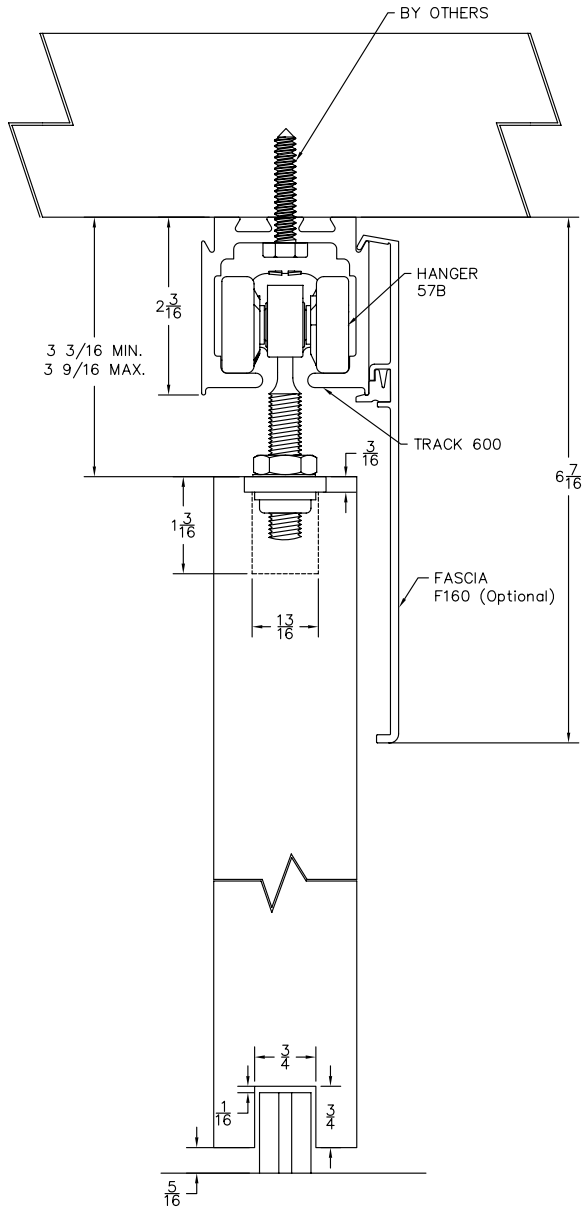
Copyright © 2015-2020, ASSA ABLOY Accessories and Door Controls Group, Inc., an ASSA ABLOY Group company. All rights reserved.  
Reproduction in whole or in part without the express written permission of ASSA ABLOY Accessories and Door Controls Group, Inc. is prohibited.

**ASSA ABLOY**  
Opening Solutions

Experience a safer  
and more open world

## H440A-OH Series

For Sliding Panels up to 440 lbs.  
Manufactured by P.C. Henderson



### Configurations:

- Single
- Bi-parting

### Installations:

- Overhead Mount

### Features:

- Overhead mount system
- Nylon body and steel ball bearing nylon wheels for smooth operation
- 440 lb. panel capacity
- Mill finished aluminum track 600A
- 2 year warranty
- Meets ADA push force requirements

### H440A-OH Kits Include:

- 1 ea **600A** Mill Finished Aluminum Track
- 2 ea **57B** Hangers: Gray Nylon Body, Zinc Coated Steel Pendant Bolt, Steel Ball Bearing Nylon Wheels
- 2 ea **601P** Nylon In-Track Clip Stop
- 1 ea **89/2N** Gray Nylon Mortise Guide

### Standard Kit Sizes

Part Number	Material	Track Length	Door Width
H440A-OH/6	Aluminum	72"	36"
H440A-OH/8	Aluminum	96"	48"
H440A-OH/10	Aluminum	120"	60"
H440A-OH/12	Aluminum	144"	72"
H440A-OH/16	Aluminum	192"	96"

### Options:

- Fascia **F160C**
- Bottom Channel **94A**
- Roller Guide **106R/94**
- Threshold **971A**
- Mortise Guides **102N**
- End Plate Kit **F160ECP** (used with **F160C** fascia and **600A** track only)
- Stainless Steel Flush Bolt **FB150SS**
- Stainless Steel Flush Bolt with Black E Coating **FB150SSBL**
- Stainless Steel Flush Pull **503SF**

**ASSA ABLOY**  
Opening Solutions

Experience a safer  
and more open world

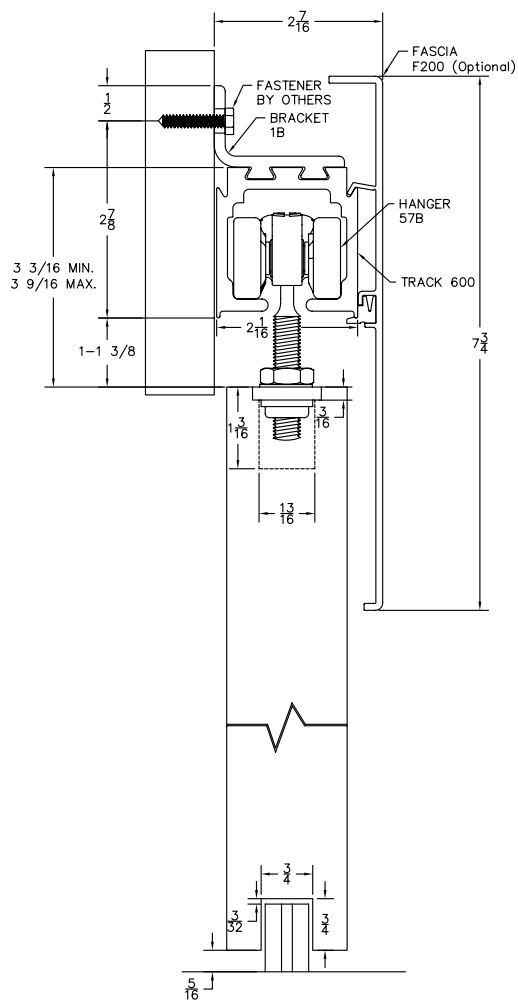
800-824-3018 | [www.assaabloydooraccessories.us](http://www.assaabloydooraccessories.us)  
Check the web site for the up-to-date catalog

Copyright © 2015-2020, ASSA ABLOY Accessories and Door Controls Group, Inc., an ASSA ABLOY Group company. All rights reserved. Reproduction in whole or in part without the express written permission of ASSA ABLOY Accessories and Door Controls Group, Inc. is prohibited.

## H440A-SW Series

For Sliding Panels up to 440 lbs.

Manufactured by P.C. Henderson



### Configurations:

- Single
- Bi-parting

### Installations:

- Side Wall Mount

### Features:

- Side wall mount system
- Nylon body and steel ball bearing nylon wheels for smooth operation
- 440 lb. panel capacity
- Mill finished aluminum track 600A
- 2 year warranty
- Meets ADA push force requirements

### H440A-SW Kits Include:

- 1 ea **600A** Mill Finished Aluminum Track
- **1B** Side Wall Mount Track Brackets (One at each end and no more than 3 feet in between)
- 2 ea **57B** Hangers: Gray Nylon Body, Zinc Coated Steel Pendant Bolt, Steel Ball Bearing Nylon Wheels
- 2 ea **601P** Nylon In-Track Clip Stop
- 1 ea **89/2N** Gray Nylon Mortise Guide

### Standard Kit Sizes

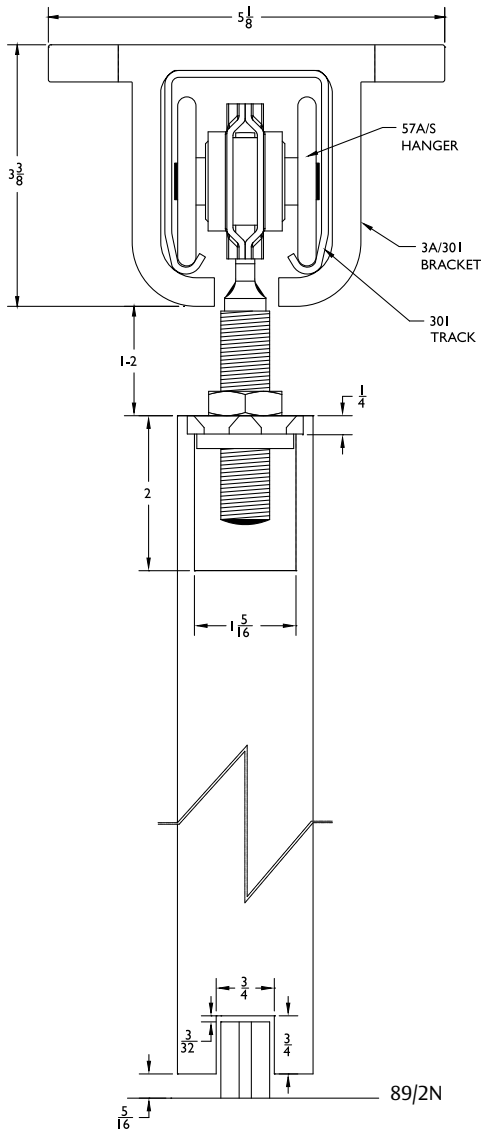
Part Number	Material	Track Length	Door Width
H440A-SW/6	Aluminum	72"	36"
H440A-SW/8	Aluminum	96"	48"
H440A-SW/10	Aluminum	120"	60"
H440A-SW/12	Aluminum	144"	72"
H440A-SW/16	Aluminum	192"	96"

### Options:

Fascia	<b>F200C</b>
Bottom Channel	<b>94A</b>
Roller Guide	<b>106R/94</b>
Mortise Guides	<b>102N</b>
Side Wall Mortise Guides	<b>102WN</b> (nylon) and <b>102WA</b> (steel)
End Plate Kit	<b>F200ECP</b> (used with <b>F200C</b> fascia and <b>600A</b> track only)
Joining Bracket	<b>1BX</b>
Stainless Steel Flush Bolt	<b>FB150SS</b>
Stainless Steel Flush Bolt with Black E Coating	<b>FB150SSBL</b>
Stainless Steel Flush Pull	<b>503SF</b>

## H600S-OH Series

For Sliding Panels up to 600 lbs.  
Manufactured by P.C. Henderson



### Configurations:

- Single
- Bi-parting

### Installations:

- Overhead Mount

### Features:

- Overhead mount system
- Heavy duty zinc coated steel
- Ball bearing wheels
- 600 lb. panel capacity
- Galvanized steel track 301
- 2 year warranty

### H600S-OH Kits Include:

- 1 ea **301** Galvanized Steel Track
- **3A/301** Aluminum Alloy Overhead Mount Track Brackets  
(One at each end and no more than three feet in between)
- 2 ea **1A/301/EC** Aluminum Alloy End Caps
- 2 ea **57A/S** Zinc Coated Steel Body, Wheels, and Pendant Bolt Hangers
- 2 ea **HH3/301** Galvanized Steel In-Track Stops
- 1 ea **89/2N** Gray Nylon Mortise Guide

### Standard Kit Sizes

Part Number	Material	Track Length	Door Width
H600S-OH/6	Steel	72"	36"
H600S-OH/8	Steel	96"	48"
H600S-OH/10	Steel	120"	60"
H600S-OH/12	Steel	144"	72"

### Options:

- Bottom Channel **94A**
- Roller Guide **106R/94**
- Mortise Guides **102N**
- Threshold **971A**
- Joining Bracket **3AX/301**
- Stainless Steel Flush Bolt **FB150SS**
- Stainless Steel Flush Bolt with Black E Coating **FB150SSBL**
- Stainless Steel Flush Pull **503SF**

**ASSA ABLOY**  
Opening Solutions

Experience a safer  
and more open world

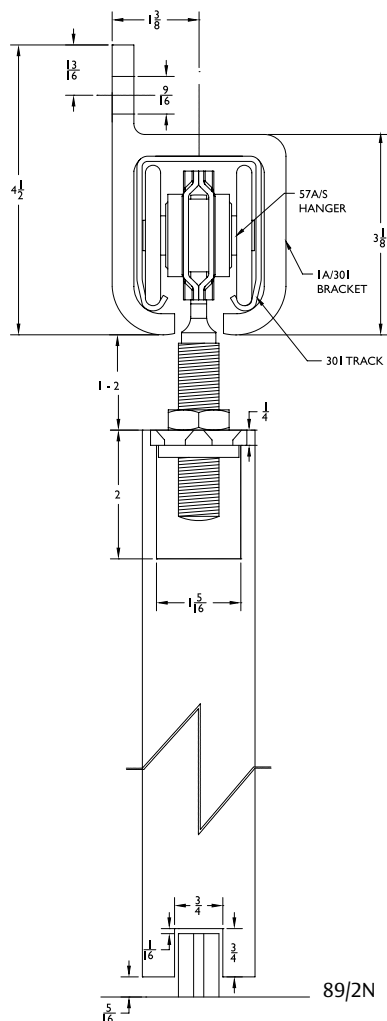
800-824-3018 | [www.assaabloydooraccessories.us](http://www.assaabloydooraccessories.us)

Check the web site for the up-to-date catalog

Copyright © 2015-2020, ASSA ABLOY Accessories and Door Controls Group, Inc., an ASSA ABLOY Group company. All rights reserved. Reproduction in whole or in part without the express written permission of ASSA ABLOY Accessories and Door Controls Group, Inc. is prohibited.

## H600S-SW Series

For Sliding Panels up to 600 lbs.  
Manufactured by P.C. Henderson



### Configurations:

- Single
- Bi-parting

### Installations:

- Side Wall Mount

### Features:

- Side wall mount system
- Heavy duty zinc coated steel
- Ball bearing wheels
- 600 lb. panel capacity
- Galvanized steel track 301
- 2 year warranty

### H600S-SW Kits Include:

- 1 ea **301** Galvanized Steel Track
- **1A/301** Side Wall Mount Track Brackets  
(One at each end and no more than three feet in between)
- 2 ea **1A/301/EC** Aluminum Alloy End Caps
- 2 ea **57A/S** Zinc Coated Steel Body, Wheels, and Pendant Bolt Hangers
- 2 ea **HH3/301** Galvanized Steel In-Track Stops
- 1 ea **89/2N** Gray Nylon Mortise Guide

### Standard Kit Sizes

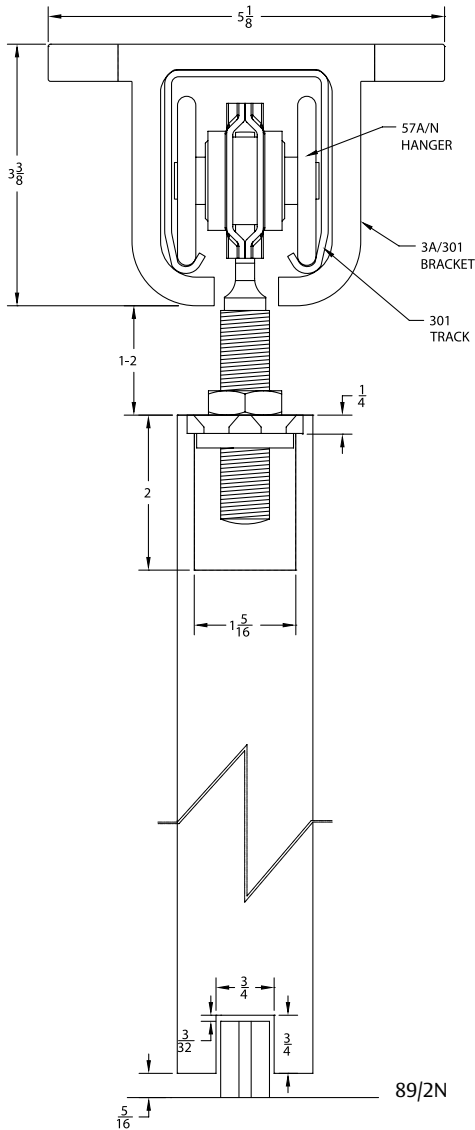
Part Number	Material	Track Length	Door Width
H600S-SW/6	Steel	72"	36"
H600S-SW/8	Steel	96"	48"
H600S-SW/10	Steel	120"	60"
H600S-SW/12	Steel	144"	72"

### Options:

Bottom Channel	<b>94A</b>
Roller Guide	<b>106R/94</b>
Mortise Guides	<b>102N</b>
Side Wall Mortise Guides	<b>102WN</b>
Joining Bracket	<b>1AX/301</b>
Stainless Steel Flush Bolt	<b>FB150SS</b>
Stainless Steel Flush Bolt with Black E Coating	<b>FB150SSBL</b>
Stainless Steel Flush Pull	<b>503SF</b>

## H800S-OH Series

For Sliding Panels up to 800 lbs.  
Manufactured by P.C. Henderson



### Configurations:

- Single
- Bi-parting

### Installations:

- Overhead Mount

### Features:

- Overhead mount system
- Heavy duty zinc coated steel body
- Ball bearing nylon wheels for smooth operation
- 800 lb. panel capacity
- Galvanized steel track 301
- 2 year warranty

### H800S-OH Kits Include:

- 1 ea **301** Galvanized Steel Track
- **3A/301** Overhead Mount Track Brackets (One at each end and no more than three feet in between)
- 2 ea **1A/301/EC** Aluminum Alloy End Caps
- 2 ea **57A/N** Zinc Coated Steel Body, Nylon Wheels, and Pendant Bolt Hangers
- 2 ea **HH3/301** Galvanized Steel In-Track Stop
- 1 ea **89/2N** Gray Nylon Mortise Guide

### Standard Kit Sizes

Part Number	Material	Track Length	Door Width
H800S-OH/6	Steel	72"	36"
H800S-OH/8	Steel	96"	48"
H800S-OH/10	Steel	120"	60"
H800S-OH/12	Steel	144"	72"

### Options:

- Bottom Channel **94A**
- Roller Guide **106R/94**
- Mortise Guides **102N**
- Threshold **971A**
- Joining Bracket **3AX/301**
- Stainless Steel Flush Bolt **FB150SS**
- Stainless Steel Flush Bolt with Black E Coating **FB150SSBL**
- Stainless Steel Flush Pull **503SF**

**ASSA ABLOY**  
Opening Solutions

Experience a safer  
and more open world

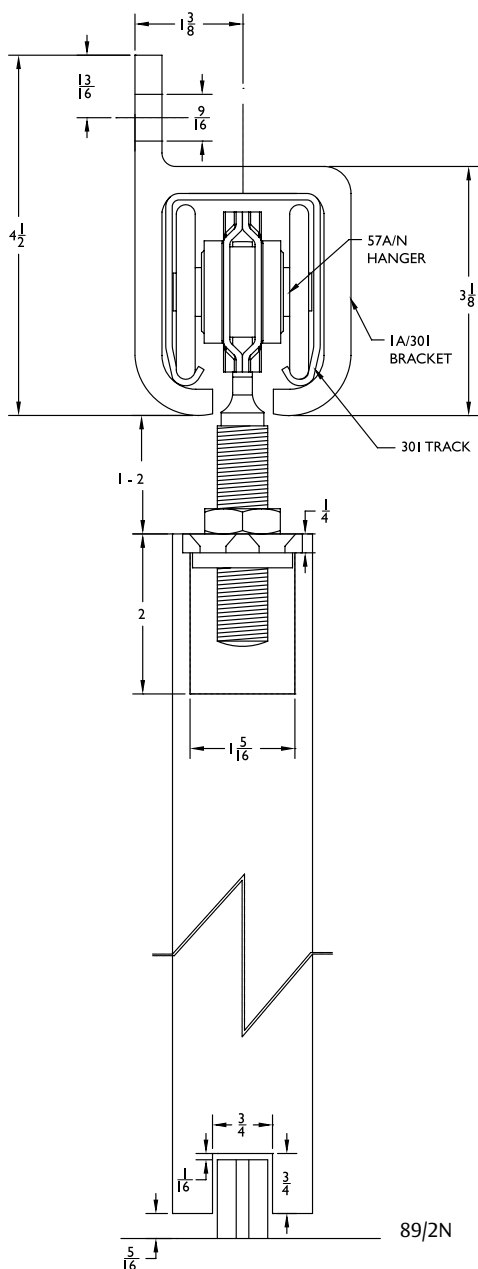
800-824-3018 | [www.assaabloydooraccessories.us](http://www.assaabloydooraccessories.us)

Check the web site for the up-to-date catalog

Copyright © 2015-2020, ASSA ABLOY Accessories and Door Controls Group, Inc., an ASSA ABLOY Group company. All rights reserved. Reproduction in whole or in part without the express written permission of ASSA ABLOY Accessories and Door Controls Group, Inc. is prohibited.

## H800S-SW Series

For Sliding Panels up to 800 lbs.  
Manufactured by P.C. Henderson



### Configurations:

- Single
- Bi-parting

### Installations:

- Side Wall Mount

### Features:

- Side wall mount system
- Heavy duty zinc coated steel body
- Heavy ball bearing nylon wheels for smooth operation
- 800 lb. panel capacity
- Galvanized steel track 301
- 2 year warranty

### H800S-SW Kits Include:

- 1 ea **301** Galvanized Steel Track
- **1A/301** Aluminum Alloy Side Wall Mount Track Brackets (One at each end and no more than three feet in between)
- 2 ea **1A/301/EC** Aluminum Alloy End Caps
- 2 ea **57A/N** Zinc Coated Steel Body, Nylon Wheels, and Pendant Bolt Hangers
- 2 ea **HH3/301** Galvanized Steel In-Track Stops
- 1 ea **89/2N** Gray Nylon Mortise Guide

### Standard Kit Sizes

Part Number	Material	Track Length	Door Width
H800S-SW/6	Steel	72"	36"
H800S-SW/8	Steel	96"	48"
H800S-SW/10	Steel	120"	60"
H800S-SW/12	Steel	144"	72"

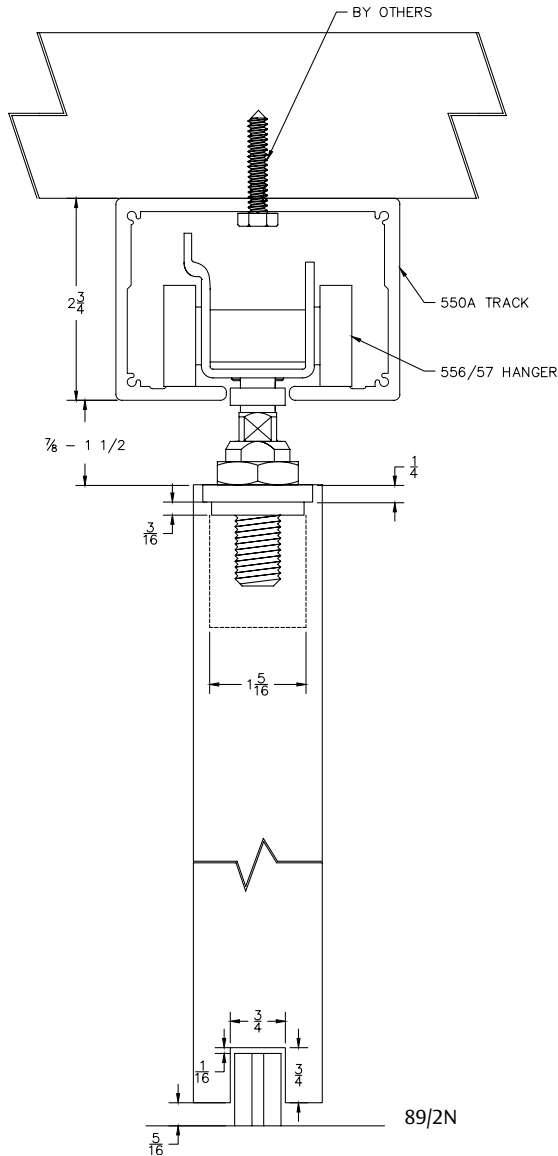
### Options:

- Bottom Channel **94A**
- Roller Guide **106R/94**
- Mortise Guides **102N**
- Side Wall Mortise Guides **102WN** (nylon) and **102WA** (steel)
- Joining Bracket **1AX/301**
- Stainless Steel Flush Bolt **FB150SS**
- Stainless Steel Flush Bolt with Black E Coating **FB150SSBL**
- Stainless Steel Flush Pull **503SF**



## H1100A-OH Series

For Sliding Panels up to 1100 lbs.  
Manufactured by P.C. Henderson



Ideally suited for large doors that require high performance and an attractive finish.

Typical applications are hotels, conference centers, shop-fronts and showrooms.

### Configurations:

- Single
- Bi-parting

### Installations:

- Overhead Mount

### Features:

- For top hung wood and metal doors
- Heavy duty black painted steel body
- Ball bearing steel wheels
- 1100 lb. panel capacity
- Mill finished aluminum track 550A
- 2 year warranty

### H1100A-OH Kits Include:

- 1 ea **550A** Mill Finished Aluminum Track
- 2 ea **556/57** Painted Black Steel Body - Zinc Coated Steel Wheels and Pendant Bolt Hangers
- 2 ea **HH3/301** Galvanized Steel In-Track Stops
- 1 ea **89/2N** Gray Nylon Mortise Guide

### Standard Kit Sizes

Part Number	Material	Track Length	Door Width
H1100A-OH/6	Aluminum	72"	36"
H1100A-OH/8	Aluminum	96"	48"
H1100A-OH/10	Aluminum	120"	60"
H1100A-OH/12	Aluminum	144"	72"
H1100A-OH/16	Aluminum	197"	98"

### Options:

- Bottom Channel **94A**
- Roller Guide **106R/94**
- Threshold **971A**
- Stainless Steel Flush Bolt **FB150SS**
- Stainless Steel Flush Bolt with Black E Coating **FB150SSBL**
- Stainless Steel Flush Pull **503SF**

**ASSA ABLOY**  
Opening Solutions

Experience a safer  
and more open world

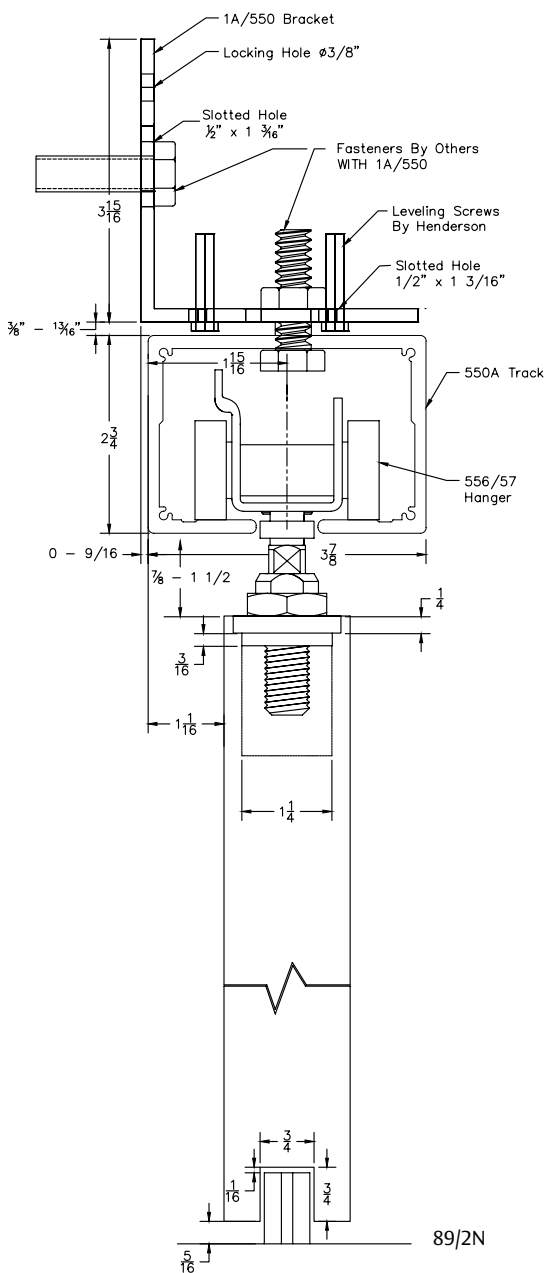
800-824-3018 | [www.assaabloydooraccessories.us](http://www.assaabloydooraccessories.us)

Check the web site for the up-to-date catalog

Copyright © 2015-2020, ASSA ABLOY Accessories and Door Controls Group, Inc., an ASSA ABLOY Group company. All rights reserved. Reproduction in whole or in part without the express written permission of ASSA ABLOY Accessories and Door Controls Group, Inc. is prohibited.

## H1100A-SW Series

For Sliding Panels up to 1100 lbs.  
Manufactured by P.C. Henderson



Ideally suited for large doors that require high performance and an attractive finish.

Typical applications are hotels, conference centers, shop-fronts and showrooms.

### Configurations:

- Single
- Bi-parting

### Installations:

- Side Wall Mount

### Features:

- Heavy duty black painted steel body ball bearing wheels
- 1100 lb. panel capacity
- Mill finished aluminum track 550A
- 2 year warranty

### H1100A-SW Kits Include:

- 1 ea **550A** Mill Finished Aluminum Track
- **1A/550** Aluminum Alloy Side Wall Track Bracket  
Fasteners not included with 1A/550. (One at each end and no more than three feet in between)
- 2 ea **556/57** Painted Black Steel Body - Zinc Coated Steel Wheels and Pendant Bolt Hangers
- 2 ea **HH3/301** Galvanized Steel In-Track Stops
- 1 ea **89/2N** Gray Nylon Mortise Guide

### Standard Kit Sizes

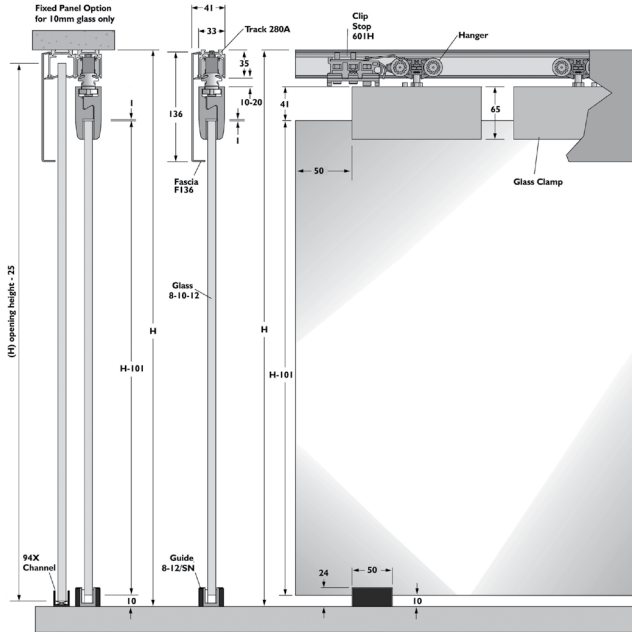
Part Number	Material	Track Length	Door Width
H1100A-SW/6	Aluminum	72"	36"
H1100A-SW/8	Aluminum	96"	48"
H1100A-SW/10	Aluminum	120"	60"
H1100A-SW/12	Aluminum	144"	72"
H1100A-SW/16	Aluminum	197"	98"

### Options:

- Bottom Channel **94A**
- Roller Guide **106R/94**
- Stainless Steel Flush Bolt **FB150SS**
- Stainless Steel Flush Bolt with Black E Coating **FB150SSBL**
- Stainless Steel Flush Pull **503SF**

# Husky Sliding Glass Series

**For Sliding Panels up to 165 lbs.**  
 Manufactured by P.C. Henderson



For lightweight glass applications such as office doors and small glass partitions.

- 2 year warranty

## Capacity:

- Max. door weight 165 lbs. (75kg)
- Max. door height 7' 10" (2400mm)
- Max. door width 4' 1" (1250mm)
- Glass thickness  $\frac{5}{16}$ " (8mm) &  $\frac{3}{8}$ " (10mm)

## Door Types:

- Glass panels of  $\frac{5}{16}$ " (8mm) or  $\frac{3}{8}$ " (10mm) thickness in tempered or laminated glass.
- Meets ADA push force requirements

## 8/HY/75 and 10/HY/75 HUSKY Glass Clamp Kit:

- 8/HY/75 is for 8mm or  $\frac{5}{16}$ " thick glass
- 10/HY/75 kit is for 10mm or  $\frac{3}{8}$ " thick glass
- 2 ea **284D** Hangers
- 2 ea GLASS Clamps
- 2 ea **601H** End stops
- 1 ea **8-12/SN** adjustable guide for  $\frac{5}{16}$ " or  $\frac{3}{8}$ " glass guide

Standard Track Sizes		
Part Number	Material	Standard Track Sizes (Track Ordered Separately)
280AN/2000	Aluminum	79"
280AN/2500	Aluminum	98"
280AN/3000	Aluminum	118"

## Options:

- Face mount bracket: **PC2815** available as 5 pack only, **PC2815** pack of 5 281 zinc plated side wall bracket. NOTE: Need one at each end and no more than 2 feet in-between. Fasteners included.
- Fascias: **F136** clear anodized aluminum fascia
- Guides: **8-12/SN** adjustable guide for  $\frac{5}{16}$ " or  $\frac{3}{8}$ " glass guide
- Accessories: **601H** retaining stop mounted within the track

**ASSA ABLOY**  
 Opening Solutions

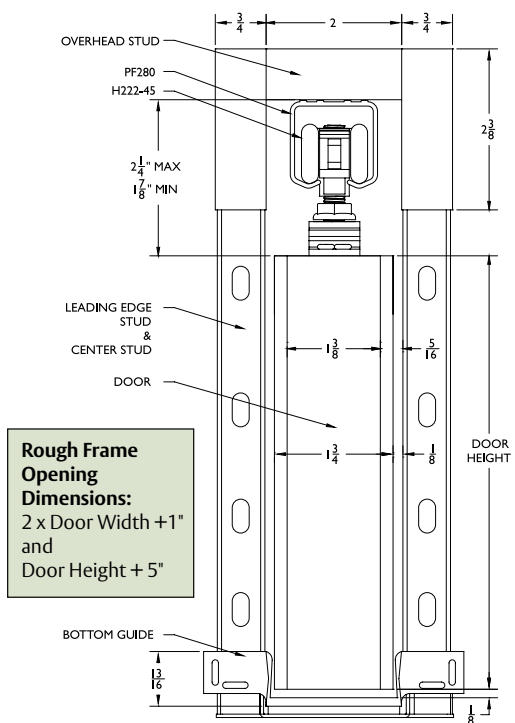
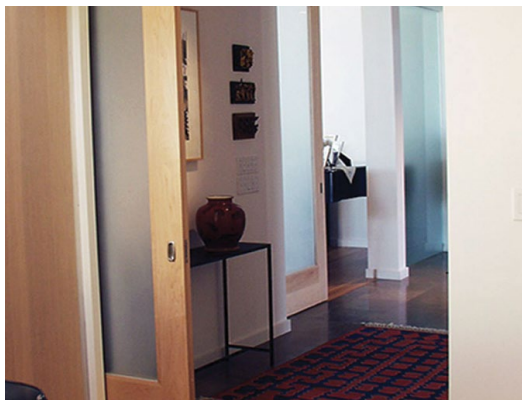
Experience a safer  
 and more open world

800-824-3018 | [www.assaabloydooraccessories.us](http://www.assaabloydooraccessories.us)  
 Check the web site for the up-to-date catalog

Copyright © 2015-2020, ASSA ABLOY Accessories and Door Controls Group, Inc., an ASSA ABLOY Group company. All rights reserved. Reproduction in whole or in part without the express written permission of ASSA ABLOY Accessories and Door Controls Group, Inc. is prohibited.

## Pocket Frame Kit

For Sliding Panels up to 200 lbs.



**Rough Frame Opening Dimensions:**  
2 x Door Width + 1"  
and  
Door Height + 5"

NOTE: 3/4" plywood can be installed to the studs in the pocket to add strength and rigidity to pocket door walls.

### Features:

- Heavy duty hardware supports doors up to 200 lbs. each
- Standard kit is for 1 3/8" door. For 1 3/4" door, MUST use PF134KIT (see Options below)
- Chrome plated steel hangers are corrosion resistant and no maintenance is required
- 5 year warranty
- Meets ADA push force requirements

### Pocket Frame Kit Includes:

- 1 ea Header Track Assembly
- 4 ea PFAS\_ Aluminum Cased Wood Studs
- 2 ea PFHB-1 and PFHB-2 Pre-Mounted Header Brackets
- 2 ea H222R1 Hangers
- 2 ea PFFC-8 Floor Cleats
- 1 ea PFBS Pocket Frame Bumper Stop
- 1 ea PFBG-8 Pocket Frame Bottom Guide for 1 3/8" Thick Doors Mounting Hardware

Standard Kit Sizes			
2x4 Wood or Metal Stud Constructed Walls	2x6 Wood Stud Constructed Walls	2x6 Metal Stud Constructed Walls	Net Door Size (The Kits can be trimmed in field)
PF28200A6080	PF28200A6080-2x6	PF28200A6080-SP6	2'6" x 6'8"
PF28200A7280	PF28200A7280-2x6	PF28200A7280-SP6	3'0" x 6'8"
PF28200A9680	PF28200A9680-2x6	PF28200A9680-SP6	4'0" x 6'8"
PF28200A6084	PF28200A6084-2x6	PF28200A6084-SP6	2'6" x 7'0"
PF28200A7284	PF28200A7284-2x6	PF28200A7284-SP6	3'0" x 7'0"
PF28200A9684	PF28200A9684-2x6	PF28200A9684-SP6	4'0" x 7'0"
PF28200A6096	PF28200A6096-2x6	PF28200A6096-SP6	2'6" x 8'0"
PF28200A7296	PF28200A7296-2x6	PF28200A7296-SP6	3'0" x 8'0"
PF28200A9696	PF28200A9696-2x6	PF28200A9696-SP6	4'0" x 8'0"

### Options:

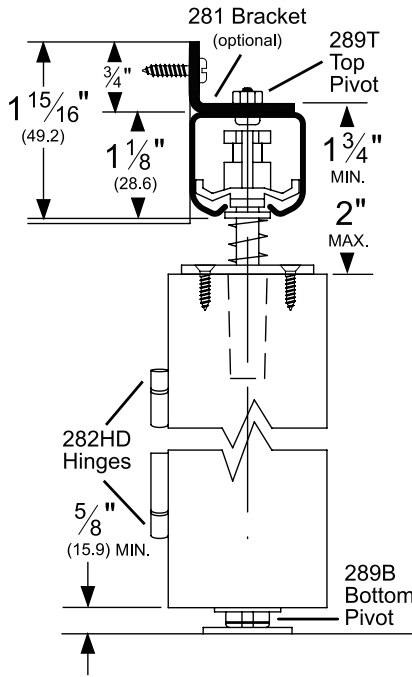
- PF134 KIT** - Recommended for use with 1 3/4" thick doors in 2x4 constructed wall kits (3 1/2" stud)
- PFAS84** - For doors over 3' wide an extra pair of 84" center studs with floor cleat for 80" tall doors recommended
- PFAS88** - For doors over 3' wide an extra pair of 88" center studs with floor cleat for 84" tall doors recommended
- PFAS100** - For doors over 3' wide an extra pair of 100" center studs with floor cleat for 96" tall doors recommended
- PFCDKIT** - Conversion Kit to achieve a bipart double door frame
- PFKIT-4** - Replacement Hardware Kit for Pemko Pocket Frame Kit for 1 3/4" thick doors (Each contains 2-H222-45 Hangers, 1-PFBS Bumper Stop, 1- PFBG-4 Guide, 2 PFHS Header Shims, 2-PFFC-4 Floor Cleats)
- PFKIT-8** - Replacement Hardware Kit for Pemko Pocket Frame Kit for 1 3/8" thick doors (Each contains 2-H222-45 Hangers, 1-PFBS Bumper Stop, 1- PFBG-8 Guide, 2-PFFC-8 Floor Cleats)

Soft Close available. See page 286 for more information.

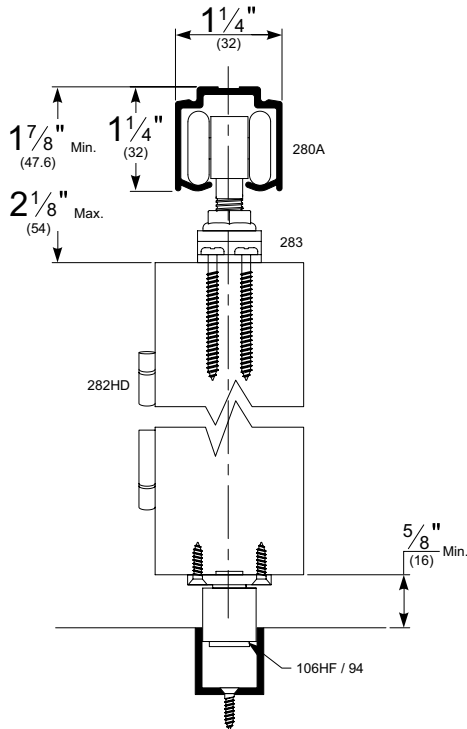
# Folding 100 Series

For Folding Doors up to 100 lbs.  
 For Doors up to 24" Wide x 96" Tall  
 Manufactured by P.C. Henderson

## 280 Side Wall Mounted



## 280C Overhead Mounted



**ASSA ABLOY**  
 Opening Solutions

Experience a safer  
 and more open world

### Features:

- For medium weight folding doors
- Two and four leaf kits are available
- 2 year warranty

### Two Panel:

#### HF2/100A Kits Include:

- 1 ea **280C** Clear Anodized Track
- 1 ea **283** Hanger
- 1 ea **289T** Top Pivot
- 1 ea **289B** Bottom Pivot
- 3 ea **282HD26** Hinges
- 1 ea **106HF/94** Roller Guide
- 1 ea **94A** Aluminum Guide Channel
- 1 ea Adjusting Wrench and Mounting Hardware

### Four Panel:

#### HF4/100A Kits Include:

- 1 ea **280C** Clear Anodized Track
- 2 ea **283** Hangers
- 2 ea **289T** Top Pivots
- 2 ea **289B** Bottom Pivots
- 6 ea **282HD26** Hinges
- 2 ea **106HF/94** Roller Guide
- 1 ea **94A** Aluminum Guide Channel
- 1 ea Adjusting Wrench and Mounting Hardware

Standard Kit Sizes			
Part Number	Material	# of Panels	Track Length
HF2/100A/2	Aluminum	2	24"
HF2/100A/2'6	Aluminum	2	30"
HF2/100A/3	Aluminum	2	36"
HF2/100A/4	Aluminum	2	48"
HF4/100A/4	Aluminum	4	48"
HF4/100A/5	Aluminum	4	60"
HF4/100A/6	Aluminum	4	72"
HF4/100A/8	Aluminum	4	96"
HF2/100/4*	Steel	2	48"
HF4/100/8*	Steel	4	96"

\*Steel kits include the same components as above, except track is 1ea 280 galvanized steel.

### Options:

- Mounting Bracket **PC2815** available as 5 pack only, **PC2815** pack of 5 281 zinc plated side wall bracket. NOTE: Need one at each end and no more than 2 feet in-between. Fasteners included.
- Threshold **971A**
- Track **280D** dark bronze anodized aluminum

NOTE: Allow 1/4" clearance at pivot jambs and 1/8" in between hinged doors if hinges are mortised. Allow 3/16" between hinged doors if hinges are surface mounted. Allow 1/8" between doors meeting in the center of the opening on HF4 kits and allow 1/8" between wall and end panel on HF2 kits.

800-824-3018 | [www.assaabloydooraccessories.us](http://www.assaabloydooraccessories.us)  
 Check the web site for the up-to-date catalog

# Pacer Interior End Fold Series

For Folding Doors and Room Dividers up to 165 lbs.

For Doors up to 36" Wide x 106" Tall

Manufactured by P.C. Henderson



## Features:

- For top-hung, medium weight, interior, partition doors
- Ideal in both residential and commercial applications requiring end folding doors
- 2 year warranty

## Two Panel: plan 1

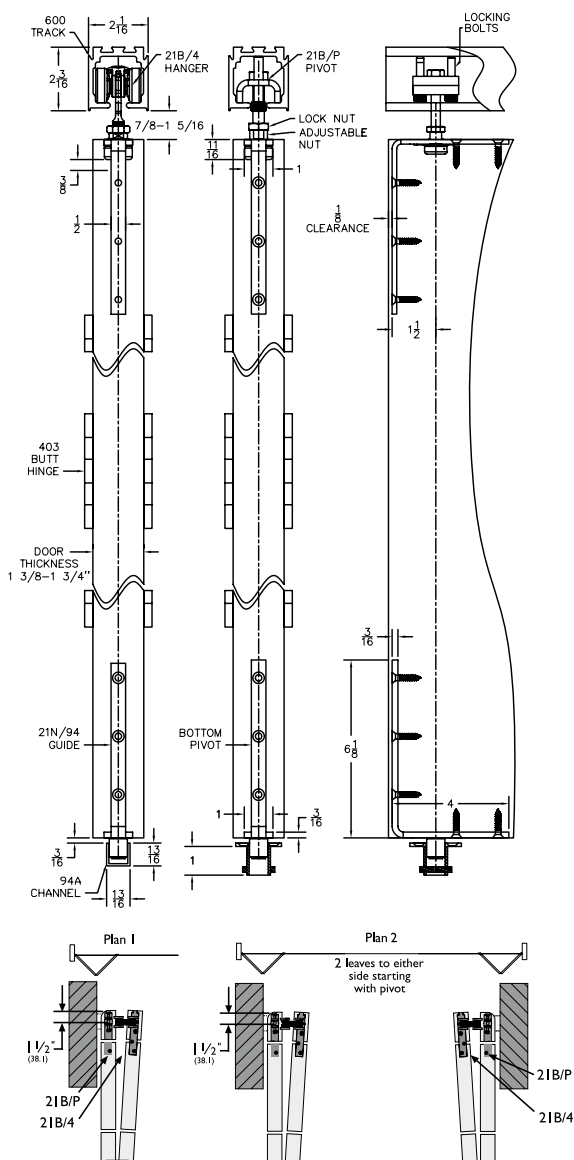
### PIF2/165A Kits Include:

- 1 ea **600A** Mill Finished Aluminum Track
- 1 ea **21B/P** Top and Bottom Pivot Assembly
- 1 ea **21B/4** Nylon Body and Wheels, Zinc Coated Steel Pendant Bolt and Door Bracket Hanger
- 1 ea **21N/94** Nylon Roller Guide on Zinc Coated Steel Door Bracket Bottom Guide
- 4 ea **403/2** Aluminum Alloy Butt Hinges
- 1 ea **94A** Aluminum Guide Channel

## Four Panel: plan 2

### PIF4/165A Kits Include:

- 1 ea **600A** Mill Finished Aluminum Track
- 2 ea **21B/P** Top and Bottom Pivot Assembly
- 2 ea **21B/4** Nylon Body and Wheels, Zinc coated steel Pendant Bolt and Door Bracket Hanger
- 2 ea **21N/94** Nylon Roller Guide on Zinc Coated Steel Door Bracket Bottom Guide
- 8 ea **403/2** Aluminum Alloy Butt Hinges
- 1 ea **94A** Aluminum Guide Channel



### Standard Kit Sizes

Part Number	Material	# of Panels	Track Length
PIF2/165A/6	Aluminum	2	72"
PIF4/165A/6	Aluminum	4	72"
PIF4/165A/8	Aluminum	4	96"
PIF4/165A/12	Aluminum	4	2 @ 72"

## Options:

- Threshold **971A**
- Stainless Steel Flush Bolt **FB150SS**
- Stainless Steel Flush Bolt with Black E Coating **FB150SSBL**
- Stainless Steel Flush Pull **503SF**

NOTE: Allow  $\frac{3}{8}$ " clearance at pivot jambs and  $\frac{1}{8}$ " in between hinged doors if hinges are mortised. Allow  $\frac{7}{16}$ " between hinged doors if hinges are surface mounted. Allow  $\frac{1}{8}$ " between doors meeting in the center of the opening on PIF4 kits and allow  $\frac{1}{8}$ " between wall and end panel on PIF2 kits.

800-824-3018 | [www.assaabloydooraccessories.us](http://www.assaabloydooraccessories.us)

Check the web site for the up-to-date catalog

Copyright © 2015-2020, ASSA ABLOY Accessories and Door Controls Group, Inc., an ASSA ABLOY Group company. All rights reserved. Reproduction in whole or in part without the express written permission of ASSA ABLOY Accessories and Door Controls Group, Inc. is prohibited.

**ASSA ABLOY**  
Opening Solutions

Experience a safer  
and more open world

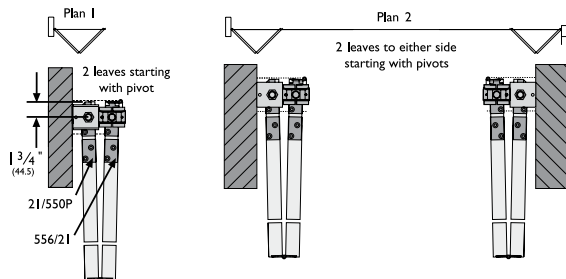
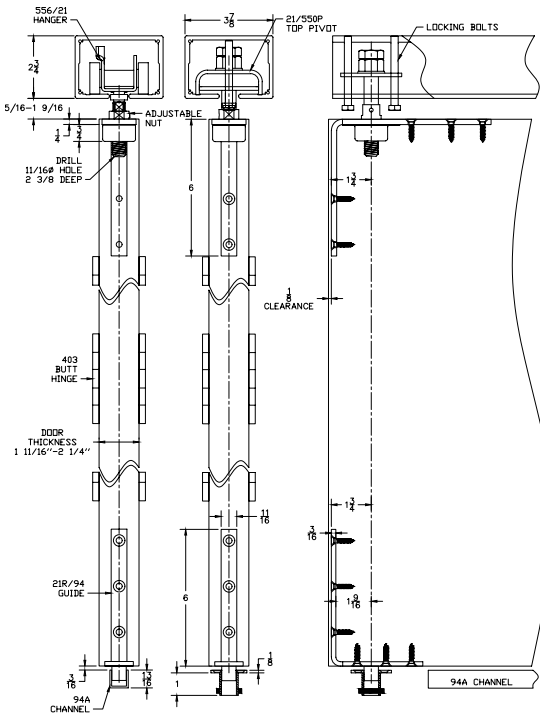


# Flexirol Interior End Fold Series

For Folding Doors and Room Dividers up to 275 lbs.

For Doors up to 48" Wide x 177" Tall

Manufactured by P.C. Henderson



### Features:

- For top-hung, heavy weight, interior, partition doors.
- Specifically designed for commercial applications requiring end folding doors
- 2 year warranty.

### Two Panel: plan 1

#### FIF2/275A Kits Include:

- 1 ea 550A Mill Finished Aluminum Track
- 1 ea 21/550/P Top and Bottom Pivot Assembly
- 1 ea 556/21 Zinc Coated Steel Wheels, Pendant Bolt, Body, and Door Bracket
- 1 ea 21R/94 Bottom Guide
- 4 ea 403/2 Aluminum Alloy Butt Hinges
- 1 ea 94A Aluminum Guide Channel

### Four Panel: plan 2

#### FIF4/275A Kits Include:

- 1 ea 550A Mill Finished Aluminum Track
- 2 ea 21/550/P Top and Bottom Pivot Assembly
- 2 ea 556/21 Zinc Coated Steel Wheels, Pendant Bolt, Body, and Door Bracket
- 2 ea 21R/94 Bottom Guide
- 8 ea 403/2 Aluminum Alloy Butt Hinges
- 1 ea 94A Aluminum Guide Channel

Standard Kit Sizes			
Part Number	Material	# of Panels	Track Length
FIF2/275A/6	Aluminum	2	72"
FIF2/275A/8	Aluminum	2	96"
FIF4/275A/6	Aluminum	4	72"
FIF4/275A/8	Aluminum	4	96"
FIF4/275A/12	Aluminum	4	2 @ 72"
FIF4/275A/16	Aluminum	4	2 @ 96"

### Options:

- Threshold **971A**
- Stainless Steel Flush Bolt **FB150SS**
- Stainless Steel Flush Bolt with Black E Coating **FB150SSBL**
- Stainless Steel Flush Pull **503SF**

NOTE: Allow 3/8" clearance at pivot jambs and 1/8" in between hinged doors if hinges are mortised. Allow 7/16" between hinged doors if hinges are surface mounted. Allow 1/8" between doors meeting in the center of the opening on FIF4 kits and allow 1/8" between wall and end panel on FIF2 kits.

**ASSA ABLOY**  
Opening Solutions

Experience a safer  
and more open world

800-824-3018 | [www.assaabloydooraccessories.us](http://www.assaabloydooraccessories.us)

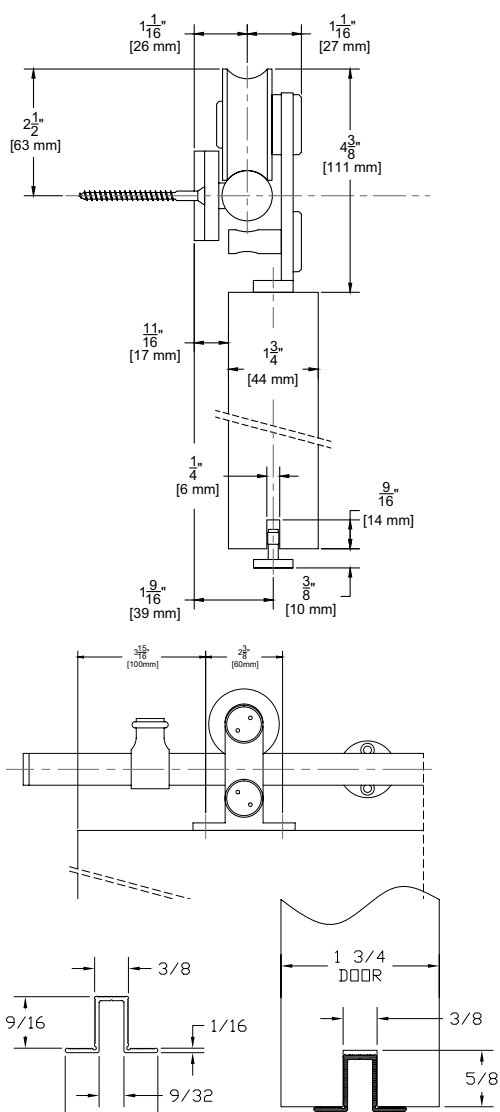
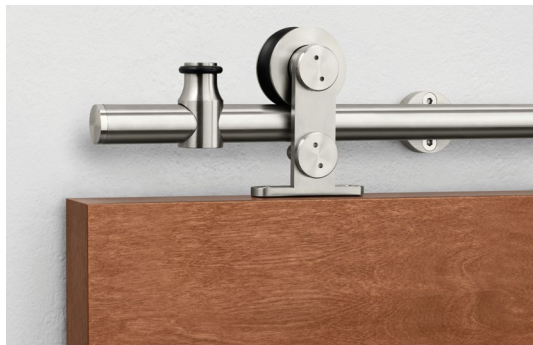
Check the web site for the up-to-date catalog

Copyright © 2015-2020, ASSA ABLOY Accessories and Door Controls Group, Inc., an ASSA ABLOY Group company. All rights reserved. Reproduction in whole or in part without the express written permission of ASSA ABLOY Accessories and Door Controls Group, Inc. is prohibited.

# Stainless Steel Sliding Track Hardware System

## W60 Series for Wood Doors

For Sliding Panels up to 176 lbs.



NOTE: Alternate route dimension when using optional EPD3BL

### Configurations:

- Single
- Bi-parting

### Installations:

- Side Wall Mount (only)

### Features:

- Made of 304 stainless steel
- Nylon coated stainless steel wheel for smooth operation
- 176 lb. panel capacity
- 5 year warranty
- Meets ADA push force requirements

### Finishes:

- Brushed Stainless Steel (W60)
- Black Powder Coated Stainless Steel (W60D)
- Polished Stainless Steel (W60P)
- 10BE Satin Bronze Powder Coated Stainless Steel (W60BE)

### W60 Kits Include:

- 1 ea **BAR/\_** Stainless Steel Track
- **BRACKET2** Stainless Steel Wall Brackets
- 2 ea **62** Stainless Steel Hangers
- 1 ea **102SS-KIT** Stainless Steel Guide
- 2 ea **STOP2** Stainless Steel Stops Mounting Hardware

NOTE: If ordering individual parts in the optional Black Powder Coat, Polished finishes or Satin Bronze be sure to include a prefix "D" for Black Powder Coat, "P" for Polished Stainless, or BE for Satin Bronze Powder Coat

Standard Kit Sizes			
Part Number	Material	Track Length	Door Width
W60/6	304 Stainless Steel	78 <sup>3</sup> / <sub>4</sub> "	36"
W60/8	304 Stainless Steel	98 <sup>7</sup> / <sub>16</sub> "	48"
W60D/6	Black Powder Coated Stainless Steel	78 <sup>3</sup> / <sub>4</sub> "	36"
W60D/8	Black Powder Coated Stainless Steel	98 <sup>7</sup> / <sub>16</sub> "	48"
W60P/6	304 Polished Stainless Steel	78 <sup>3</sup> / <sub>4</sub> "	36"
W60P/8	304 Polished Stainless Steel	98 <sup>7</sup> / <sub>16</sub> "	48"
W60BE/6	Satin Bronze Powder Coated Stainless Steel	78 <sup>3</sup> / <sub>4</sub> "	36"
W60BE/8	Satin Bronze Powder Coated Stainless Steel	98 <sup>7</sup> / <sub>16</sub> "	48"

Custom lengths are available. Please contact the factory to order.

### Options:

- Hardware Pack (One Door) **W60\_H/PACK**
- Mortise Guides **102N**
- Polypropylene Guide Rail **EPD3BL** For Use With 102N
- 5/8" Spacer **BLD-SPACER-58** Pack of 5 5/8" Spacer  
Recommended for use with 5/8" Gypsum Board  
When Mounting Track Directly to Gypsum Board
- 1/2" Spacer **BLD-SPACER-12** Pack of 5 1/2" Spacer  
Recommended for use with 1/2" Gypsum Board  
When Mounting Track Directly to Gypsum Board
- 3/8" Spacer **BLD-SPACER-38** Pack of 5 3/8" Spacer  
Recommended for use with 3/8" Gypsum Board  
When Mounting Track Directly to Gypsum Board

800-824-3018 | [www.assaabloydooraccessories.us](http://www.assaabloydooraccessories.us)

Check the web site for the up-to-date catalog

Copyright © 2015-2020, ASSA ABLOY Accessories and Door Controls Group, Inc., an ASSA ABLOY Group company. All rights reserved. Reproduction in whole or in part without the express written permission of ASSA ABLOY Accessories and Door Controls Group, Inc. is prohibited.

**ASSA ABLOY**  
Opening Solutions

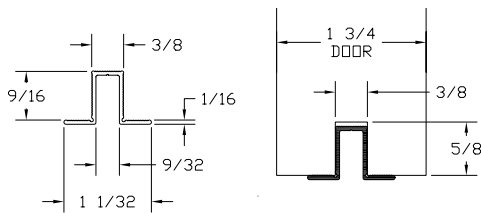
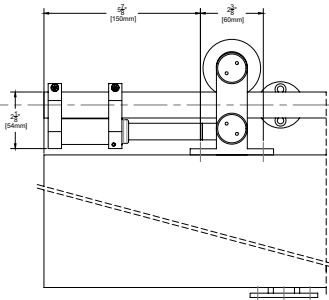
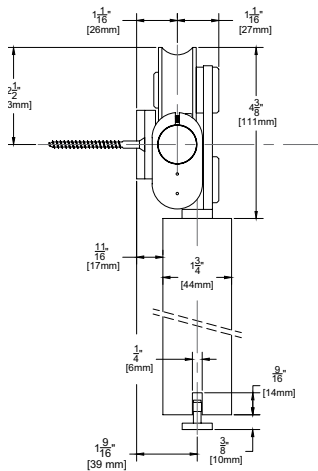
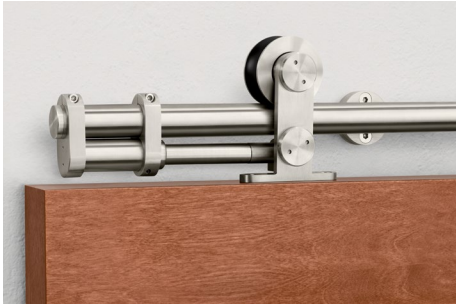
Experience a safer  
and more open world



# Stainless Steel Sliding Track Hardware System With Cushion Stop

## CS-W60 Series for Wood Doors

For Sliding Panels up to 176 lbs.



NOTE: Alternate route dimension when using optional EPD3BL

### Configurations:

- Single

### Installations:

- Side Wall Mount (only)

### Features:

- Made of 304 stainless steel
- Prevents door racking and bounce back
- Extends life of upper hardware
- Nylon coated stainless steel wheel for smooth operation
- 176 lb. panel capacity
- 5 year warranty
- Meets ADA push force requirements

### Finishes:

- Brushed Stainless Steel
- Dark Bronze Stainless Steel
- Polished Stainless Steel

### CS-W60 Kits Include:

- 1 ea **BAR/\_** Stainless Steel Track
- **BRACKET2** Stainless Steel Wall Brackets
- 2 ea **62** Stainless Steel Hangers
- 1 ea **102SS-KIT** Stainless Steel Guide
- 1 pr **CS-001SS** Stainless Steel Cushion Stops

NOTE: If ordering individual parts in the optional Black Powder Coated Stainless Steel or Polished finishes, be sure to include a suffix "D" for Black Powder Coated Stainless Steel or "P" for Polished Stainless

Standard Kit Sizes			
Part Number	Material	Track Length	Door Width
CS-W60/6	304 Stainless Steel	78 3/4"	36"
CS-W60/8	304 Stainless Steel	98 7/16"	48"
CS-W60D/6	304 Black Powder Coated Stainless Steel	78 3/4"	36"
CS-W60D/8	304 Black Powder Coated Stainless Steel	98 7/16"	48"
CS-W60P/6	304 Polished Stainless Steel	78 3/4"	36"
CS-W60P/8	304 Polished Stainless Steel	98 7/16"	48"

Custom lengths are available. Please contact the factory to order.

### Options: See page 278

Mortise Guides

**102N**

Polypropylene Guide Rail

**EPD3BL For Use With 102SS-KIT**

Cushion Stops

**CS-001SS** (sold as pair) For use with existing openings that have W60 hardware installed

5/8" Spacer

**BLD-SPACER-58** Pack of 5 5/8" Spacer Recommended for use with 5/8" Gypsum Board When Mounting Track Directly to Gypsum Board

1/2" Spacer

**BLD-SPACER-12** Pack of 5 1/2" Spacer Recommended for use with 1/2" Gypsum Board When Mounting Track Directly to Gypsum Board

3/8" Spacer

**BLD-SPACER-38** Pack of 5 3/8" Spacer Recommended for use with 3/8" Gypsum Board When Mounting Track Directly to Gypsum Board

**ASSA ABLOY**  
Opening Solutions

Experience a safer  
and more open world

800-824-3018 | [www.assaabloydooraccessories.us](http://www.assaabloydooraccessories.us)

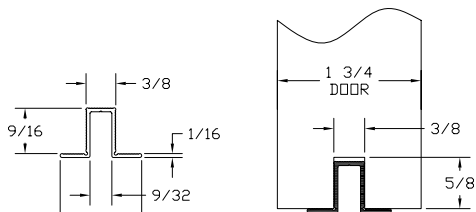
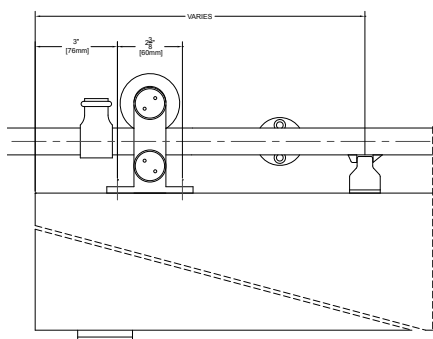
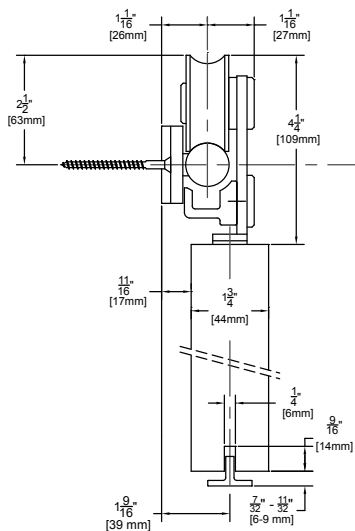
Check the web site for the up-to-date catalog

Copyright © 2015-2020, ASSA ABLOY Accessories and Door Controls Group, Inc., an ASSA ABLOY Group company. All rights reserved. Reproduction in whole or in part without the express written permission of ASSA ABLOY Accessories and Door Controls Group, Inc. is prohibited.

# Soft Close Stainless Steel Sliding Track Hardware System

## SFT-W60 Series for Wood Doors

For Sliding Panels up to 176 lbs.



NOTE: Alternate route dimension when using optional EPD3BL

### Configurations:

- Single

### Features:

- Made of 304 stainless steel
- Soft Close
- Nylon coated stainless steel wheel for smooth operation
- 176 lb. panel capacity
- 5 year warranty
- Meets ADA push force requirements

### Finishes:

- Brushed Stainless Steel

### Installations:

- Side Wall Mount (only)-

### SFT-W60 Kits Include:

- 1 ea **SC-BAR/** Stainless Steel Track with Two Soft Close Devices
- **BRACKET2** Stainless Steel Wall Brackets
- 2 ea **SC-62** Stainless Steel Hangers
- 1 ea **102SS-KIT** Stainless Steel Guide
- 2 ea **STOP2** Stainless Steel Stops Mounting Hardware
- 2 ea **SC-TRG** Soft Close Activators

### Standard Kit Sizes

Part Number	Material	Track Length	Door Width
SFT-W60/6	304 Stainless Steel	78 <sup>3</sup> / <sub>4</sub> "	36"
SFT-W60/8	304 Stainless Steel	98 <sup>7</sup> / <sub>16</sub> "	48"

### Options:

- Hardware Pack (One Door) **SC-W60H/PACK**
- Mortise Guides **102N**
- Polypropylene Guide Rail **EPD3BL** For Use With 102N and 102SS-KIT
- 5/8" Spacer **BLD-SPACER-58** Pack of 5 5/8" Spacer  
Recommended for use with 5/8" Gypsum Board  
When Mounting Track Directly to Gypsum Board
- 1/2" Spacer **BLD-SPACER-12** Pack of 5 1/2" Spacer  
Recommended for use with 1/2" Gypsum Board  
When Mounting Track Directly to Gypsum Board
- 3/8" Spacer **BLD-SPACER-38** Pack of 5 3/8" Spacer  
Recommended for use with 3/8" Gypsum Board  
When Mounting Track Directly to Gypsum Board

800-824-3018 | [www.assaabloydooraccessories.us](http://www.assaabloydooraccessories.us)

Check the web site for the up-to-date catalog

Copyright © 2015-2020, ASSA ABLOY Accessories and Door Controls Group, Inc., an ASSA ABLOY Group company. All rights reserved.  
Reproduction in whole or in part without the express written permission of ASSA ABLOY Accessories and Door Controls Group, Inc. is prohibited.

**ASSA ABLOY**  
Opening Solutions

Experience a safer  
and more open world

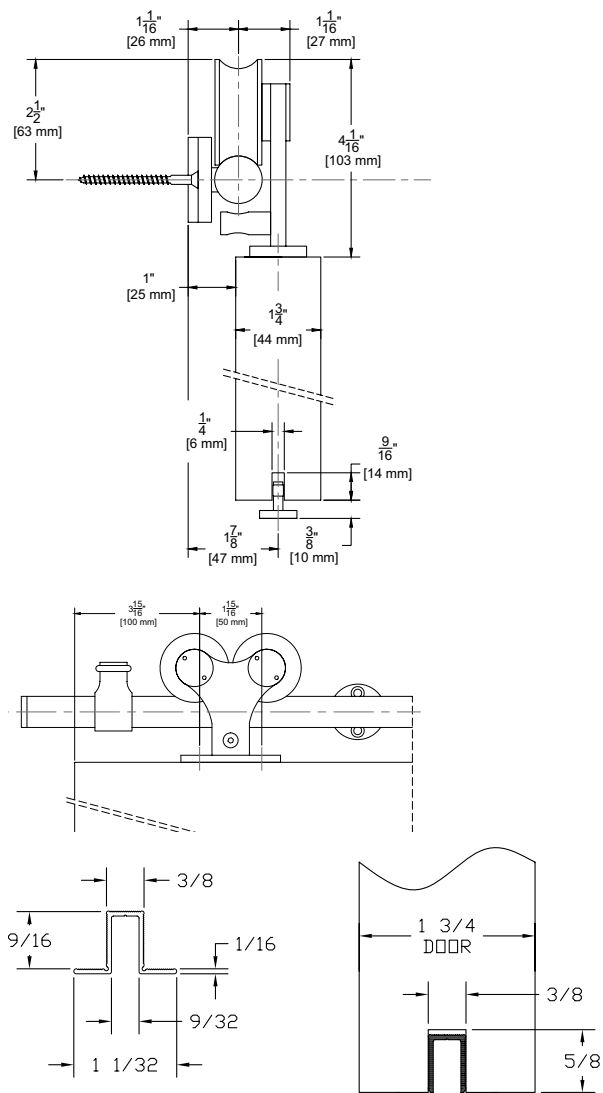
# Stainless Steel Sliding Track Hardware System

## W70 Series for Wood Doors

For Sliding Panels up to 240 lbs.



Shown with Optional Stop. Part number: STOP1



NOTE: Alternate route dimension when using optional EPD3BL

**ASSA ABLOY**  
Opening Solutions

Experience a safer  
and more open world

### Configurations:

- Single
- Bi-parting

### Installations:

- Side Wall Mount (only)

### Features:

- Made of 304 stainless steel
- Nylon coated stainless steel wheel for smooth operation
- 240 lb. panel capacity
- 5 year warranty
- Meets ADA push force requirements

### Finishes:

- Brushed Stainless Steel (W70)
- Black Powder Coated Stainless Steel (W70D)
- Polished Stainless Steel (W70P)
- Satin Bronze Powder Coated Stainless Steel (W70BE)

### W70 Kits Include:

- 1 ea **BAR/** Stainless Steel Track
- **BRACKET2** Stainless Steel Wall Brackets
- 2 ea **WD72** Stainless Steel Hangers
- 1 ea **102SS-KIT** Stainless Steel Guide
- 2 ea **STOP2** Stainless Steel Stops Mounting Hardware

NOTE: If ordering individual parts in the optional Black Powder Coat, Polished finishes or Satin Bronze be sure to include a prefix "D" for Black Powder Coat, "P" for Polished Stainless, or BE for Satin Bronze Powder Coat

Standard Kit Sizes			
Part Number	Material	Track Length	Door Width
W70/6	304 Stainless Steel	78 <sup>3</sup> / <sub>4</sub> "	36"
W70/8	304 Stainless Steel	98 <sup>7</sup> / <sub>16</sub> "	48"
W70D/6	Black Powder Coated Stainless Steel	78 <sup>3</sup> / <sub>4</sub> "	36"
W70D/8	Black Powder Coated Stainless Steel	98 <sup>7</sup> / <sub>16</sub> "	48"
W70P/6	304 Polished Stainless Steel	78 <sup>3</sup> / <sub>4</sub> "	36"
W70P/8	304 Polished Stainless Steel	98 <sup>7</sup> / <sub>16</sub> "	48"
W70BE/6	Satin Bronze Powder Coated Stainless Steel	78 <sup>3</sup> / <sub>4</sub> "	36"
W70BE/8	Satin Bronze Powder Coated Stainless Steel	98 <sup>7</sup> / <sub>16</sub> "	48"

Custom lengths are available. Please contact the factory to order.

### Options:

Hardware Pack (One Door) **W70\_H/PACK**

Alternate Stop

**STOP1**

Mortise Guides

**102N**

Polypropylene Guide Rail

**EPD3BL** For Use With 102N

5/8" Spacer

**BLD-SPACER-58** Pack of 5 5/8" Spacer  
Recommended for use with 5/8" Gypsum Board  
When Mounting Track Directly to Gypsum Board

1/2" Spacer

**BLD-SPACER-12** Pack of 5 1/2" Spacer  
Recommended for use with 1/2" Gypsum Board  
When Mounting Track Directly to Gypsum Board

3/8" Spacer

**BLD-SPACER-38** Pack of 5 3/8" Spacer  
Recommended for use with 3/8" Gypsum Board  
When Mounting Track Directly to Gypsum Board

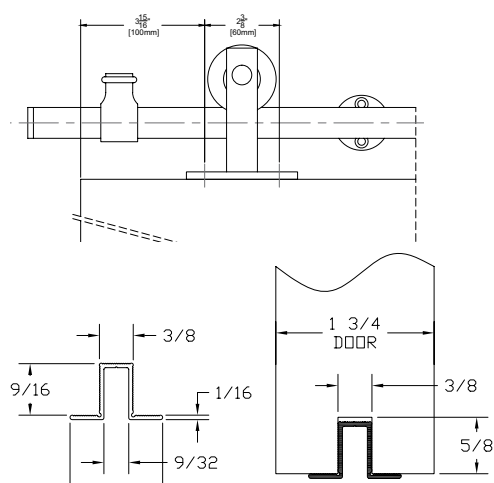
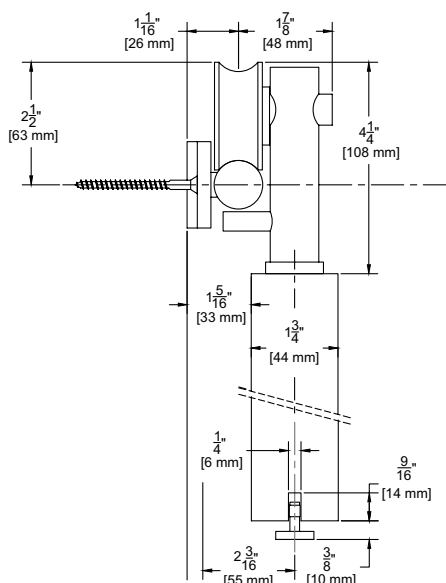
800-824-3018 | [www.assaabloydooraccessories.us](http://www.assaabloydooraccessories.us)

Check the web site for the up-to-date catalog

# Stainless Steel Sliding Track Hardware System

## W80 Series for Wood Doors

For Sliding Panels up to 176 lbs.



NOTE: Alternate route dimension when using optional EPD3BL

### Configurations:

- Single
- Bi-parting

### Installations:

- Side Wall Mount (only)

### Features:

- Made of 304 stainless steel
- Nylon coated stainless steel wheel for smooth operation
- 176 lb. panel capacity
- 5 year warranty
- Meets ADA push force requirements

### Finishes:

- Brushed Stainless Steel (W80)
- Black Powder Coated Stainless Steel (W80D)
- Polished Stainless Steel (W80P)

### W80 Kits Include:

- 1 ea **BAR/\_** Stainless Steel Track
- **BRACKET2** Stainless Steel Wall Brackets
- 2 ea **WD82** Stainless Steel Hangers
- 1 ea **102SS-KIT** Stainless Steel Guide
- 2 ea **STOP2** Stainless Steel Stops Mounting Hardware

NOTE: If ordering individual parts in the optional Black Powder Coat, Polished finishes or Satin Bronze be sure to include a prefix "D" for Black Powder Coat, or "P" for Polished Stainless

Standard Kit Sizes			
Part Number	Material	Track Length	Door Width
W80/6	304 Stainless Steel	78 <sup>3</sup> / <sub>4</sub> "	36"
W80/8	304 Stainless Steel	98 <sup>7</sup> / <sub>16</sub> "	48"
W80D/6	Black Powder Coated Stainless Steel	78 <sup>3</sup> / <sub>4</sub> "	36"
W80D/8	Black Powder Coated Stainless Steel	98 <sup>7</sup> / <sub>16</sub> "	48"
W80P/6	304 Polished Stainless Steel	78 <sup>3</sup> / <sub>4</sub> "	36"
W80P/8	304 Polished Stainless Steel	98 <sup>7</sup> / <sub>16</sub> "	48"

Custom lengths are available. Please contact the factory to order.

### Options:

- Hardware Pack (One Door) **W80\_H/PACK**
- Mortise Guides **102N**
- Polypropylene Guide Rail **EPD3BL** For Use With 102N
- 5/8" Spacer **BLD-SPACER-58** Pack of 5 5/8" Spacer  
Recommended for use with 5/8" Gypsum Board  
When Mounting Track Directly to Gypsum Board
- 1/2" Spacer **BLD-SPACER-12** Pack of 5 1/2" Spacer  
Recommended for use with 1/2" Gypsum Board  
When Mounting Track Directly to Gypsum Board
- 3/8" Spacer **BLD-SPACER-38** Pack of 5 3/8" Spacer  
Recommended for use with 3/8" Gypsum Board  
When Mounting Track Directly to Gypsum Board

800-824-3018 | [www.assaabloydooraccessories.us](http://www.assaabloydooraccessories.us)  
Check the web site for the up-to-date catalog

Copyright © 2015-2020, ASSA ABLOY Accessories and Door Controls Group, Inc., an ASSA ABLOY Group company. All rights reserved.  
Reproduction in whole or in part without the express written permission of ASSA ABLOY Accessories and Door Controls Group, Inc. is prohibited.

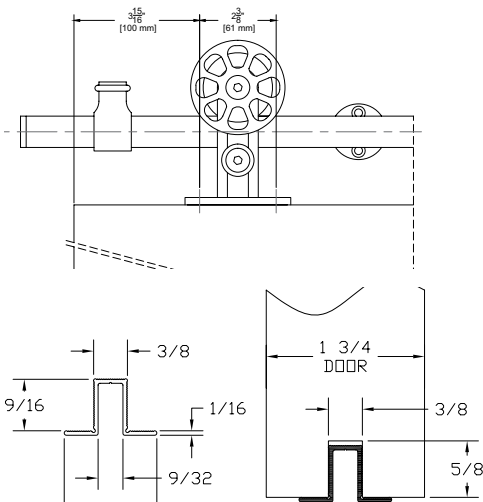
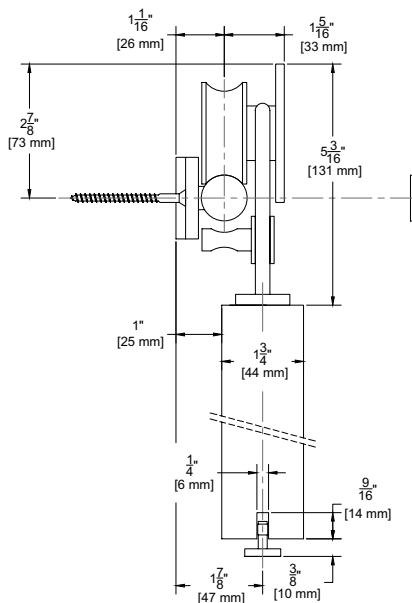
**ASSA ABLOY**  
Opening Solutions

Experience a safer  
and more open world

# Stainless Steel Sliding Track Hardware System

## W90 Series for Wood Doors

For Sliding Panels up to 176 lbs.



NOTE: Alternate route dimension when using optional EPD3BL

**ASSA ABLOY**  
Opening Solutions

Experience a safer  
and more open world

### Configurations:

- Single
- Bi-parting

### Installations:

- Side Wall Mount (only)

### Features:

- Made of 304 stainless steel
- Nylon coated stainless steel wheel for smooth operation
- 176 lb. panel capacity
- 5 year warranty
- Meets ADA push force requirements

### Finishes:

- Brushed Stainless Steel (W90)
- Black Powder Coated Stainless Steel (W90D)
- Polished Stainless Steel (W90P)

### W90 Kits Include:

- 1 ea **BAR/\_** Stainless Steel Track
- **BRACKET2** Stainless Steel Wall Brackets
- 2 ea **WD92** Stainless Steel Hangers
- 1 ea **102SS-KIT** Stainless Steel Guide
- 2 ea **STOP2** Stainless Steel Stops Mounting Hardware

NOTE: If ordering individual parts in the optional Black Powder Coat, Polished finishes or Satin Bronze be sure to include a prefix "D" for Black Powder Coat, or "P" for Polished Stainless

### Standard Kit Sizes

Part Number	Material	Track Length	Door Width
W90/6	304 Stainless Steel	78 <sup>3</sup> / <sub>4</sub> "	36"
W90/8	304 Stainless Steel	98 <sup>7</sup> / <sub>16</sub> "	48"
W90D/6	Black Powder Coated Stainless Steel	78 <sup>3</sup> / <sub>4</sub> "	36"
W90D/8	Black Powder Coated Stainless Steel	98 <sup>7</sup> / <sub>16</sub> "	48"
W90P/6	304 Polished Stainless Steel	78 <sup>3</sup> / <sub>4</sub> "	36"
W90P/8	304 Polished Stainless Steel	98 <sup>7</sup> / <sub>16</sub> "	48"

Custom lengths are available. Please contact the factory to order.

### Options:

Hardware Pack (One Door) **W90\_H/PACK**

Mortise Guides **102N**

Polypropylene Guide Rail **EPD3BL** For Use With 102N

5/8" Spacer

**BLD-SPACER-58** Pack of 5 5/8" Spacer  
Recommended for use with 5/8" Gypsum Board  
When Mounting Track Directly to Gypsum Board

1/2" Spacer

**BLD-SPACER-12** Pack of 5 1/2" Spacer  
Recommended for use with 1/2" Gypsum Board  
When Mounting Track Directly to Gypsum Board

3/8" Spacer

**BLD-SPACER-38** Pack of 5 3/8" Spacer  
Recommended for use with 3/8" Gypsum Board  
When Mounting Track Directly to Gypsum Board

800-824-3018 | [www.assaabloydooraccessories.us](http://www.assaabloydooraccessories.us)

Check the web site for the up-to-date catalog

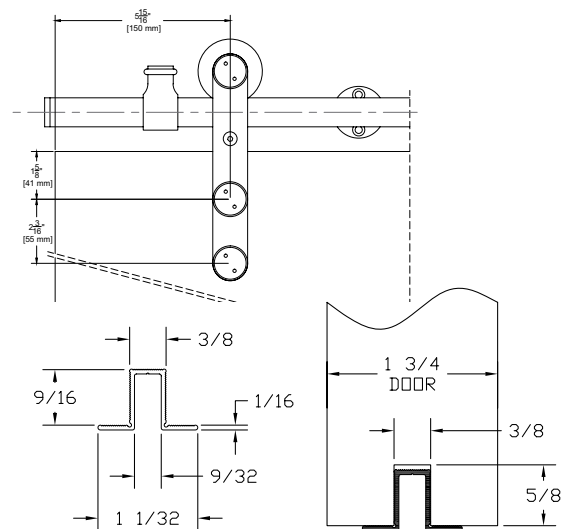
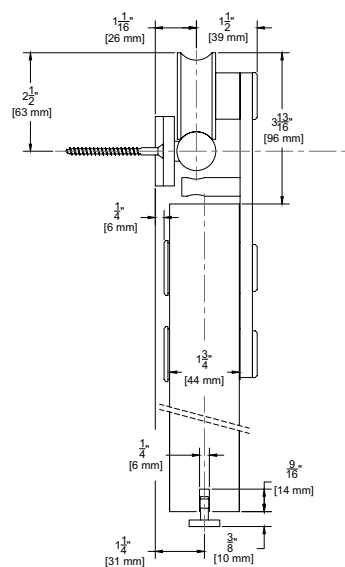
Copyright © 2015-2020, ASSA ABLOY Accessories and Door Controls Group, Inc., an ASSA ABLOY Group company. All rights reserved. Reproduction in whole or in part without the express written permission of ASSA ABLOY Accessories and Door Controls Group, Inc. is prohibited.



# Stainless Steel Sliding Track Hardware System

## W100 Series for Wood Doors

For Sliding Panels up to 198 lbs.



NOTE: Alternate route dimension when using optional EPD3BL

### Configurations:

- Single
- Bi-parting

### Installations:

- Side Wall Mount (only)

### Features:

- Made of 304 stainless steel
- Nylon coated stainless steel wheel for smooth operation
- 198 lb. panel capacity
- 5 year warranty
- Meets ADA push force requirements

### Finishes:

- Brushed Stainless Steel (W100)
- Black Powder Coated Stainless Steel (W100D)
- Polished Stainless Steel (W100P)
- Satin Bronze Powder Coated Stainless Steel (W100BE)

### W100 Kits Include:

- 1 ea **BAR/\_** Stainless Steel Track
- **BRACKET2** Stainless Steel Wall Brackets
- 2 ea **WD111** Stainless Steel Hangers
- 1 ea **102SS-KIT** Stainless Steel Guide
- 2 ea **STOP2** Stainless Steel Stops Mounting Hardware

NOTE: If ordering individual parts in the optional Black Powder Coat, Polished finishes or Satin Bronze be sure to include a prefix "D" for Black Powder Coat, "P" for Polished Stainless, or BE for Satin Bronze Powder Coat

Standard Kit Sizes			
Part Number	Material	Track Length	Door Width
W100/6	304 Stainless Steel	78 <sup>3</sup> / <sub>4</sub> "	36"
W100/8	304 Stainless Steel	98 <sup>7</sup> / <sub>16</sub> "	48"
W100D/6	Black Powder Coated Stainless Steel	78 <sup>3</sup> / <sub>4</sub> "	36"
W100D/8	Black Powder Coated Stainless Steel	98 <sup>7</sup> / <sub>16</sub> "	48"
W100P/6	304 Polished Stainless Steel	78 <sup>3</sup> / <sub>4</sub> "	36"
W100P/8	304 Polished Stainless Steel	98 <sup>7</sup> / <sub>16</sub> "	48"
W100BE/6	Satin Bronze Powder Coated Stainless Steel	78 <sup>3</sup> / <sub>4</sub> "	36"
W100BE/8	Satin Bronze Powder Coated Stainless Steel	98 <sup>7</sup> / <sub>16</sub> "	48"

Custom lengths are available. Please contact the factory to order.

### Options:

- Hardware Pack (One Door) **W100\_H/PACK**
- Mortise Guides **102N**
- Polypropylene Guide Rail **EPD3BL** For Use With 102N
- 5/8" Spacer **BLD-SPACER-58** Pack of 5 5/8" Spacer  
Recommended for use with 5/8" Gypsum Board When Mounting Track Directly to Gypsum Board
- 1/2" Spacer **BLD-SPACER-12** Pack of 5 1/2" Spacer  
Recommended for use with 1/2" Gypsum Board When Mounting Track Directly to Gypsum Board
- 3/8" Spacer **BLD-SPACER-38** Pack of 5 3/8" Spacer  
Recommended for use with 3/8" Gypsum Board When Mounting Track Directly to Gypsum Board

800-824-3018 | [www.assaabloydooraccessories.us](http://www.assaabloydooraccessories.us)  
Check the web site for the up-to-date catalog

Copyright © 2015-2020, ASSA ABLOY Accessories and Door Controls Group, Inc., an ASSA ABLOY Group company. All rights reserved.  
Reproduction in whole or in part without the express written permission of ASSA ABLOY Accessories and Door Controls Group, Inc. is prohibited.

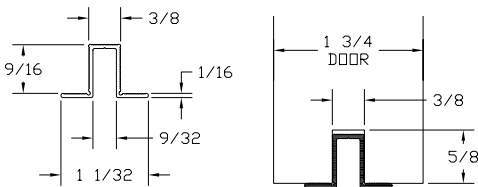
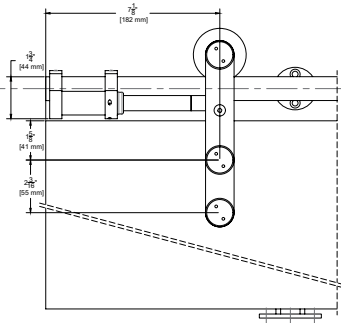
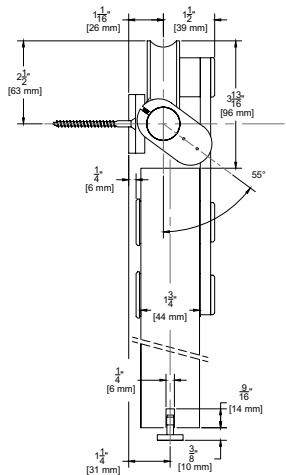
**ASSA ABLOY**  
Opening Solutions

Experience a safer  
and more open world

# Stainless Steel Sliding Track Hardware System With Cushion Stop

## CS-W100 Series for Wood Doors

For Sliding Panels up to 198 lbs.



NOTE: Alternate route dimension when using optional EPD3BL

### Configurations:

- Single

### Installations:

- Side Wall Mount (only)

### Features:

- Made of 304 stainless steel
- Prevents door racking and bounce back
- Extends life of upper hardware
- Nylon coated stainless steel wheel for smooth operation
- 198 lb. panel capacity
- 5 year warranty
- Meets ADA push force requirements

### Finishes:

- Brushed Stainless Steel
- Dark Bronze Stainless Steel
- Polished Stainless Steel

### CS-W100 Kits Include:

- 1 ea **BAR/** Stainless Steel Track
- **BRACKET2** Stainless Steel Wall Brackets
- 2 ea **WD111** Stainless Steel Hangers
- 1 ea **102SS-KIT** Stainless Steel Guide
- 1 pr **CS-003SS** Stainless Steel Cushion Stops

NOTE: If ordering individual parts in the optional Dark Bronze or Polished finishes, be sure to include a suffix "D" for Dark Bronze or "P" for Polished Stainless

Standard Kit Sizes			
Part Number	Material	Track Length	Door Width
CS- W100/6	304 Stainless Steel	78 <sup>3</sup> / <sub>4</sub> "	36"
CS- W100/8	304 Stainless Steel	98 <sup>7</sup> / <sub>16</sub> "	48"
CS- W100D/6	Black Powder Coated Stainless Steel	78 <sup>3</sup> / <sub>4</sub> "	36"
CS- W100D/8	Black Powder Coated Stainless Steel	98 <sup>7</sup> / <sub>16</sub> "	48"
CS- W100P/6	304 Polished Stainless Steel	78 <sup>3</sup> / <sub>4</sub> "	36"
CS- W100P/8	304 Polished Stainless Steel	98 <sup>7</sup> / <sub>16</sub> "	48"

Custom lengths are available. Please contact the factory to order.

### Options:

- Mortise Guides **102N**
- Polypropylene Guide Rail **EPD3BL For Use With 102SS-KIT**
- Cushion Stops **CS-003SS** (sold as pair) For use with existing openings that have W100 hardware installed"
- 5/8" Spacer **BLD-SPACER-58** Pack of 5 5/8" Spacer Recommended for use with 5/8" Gypsum Board When Mounting Track Directly to Gypsum Board
- 1/2" Spacer **BLD-SPACER-12** Pack of 5 1/2" Spacer Recommended for use with 1/2" Gypsum Board When Mounting Track Directly to Gypsum Board
- 3/8" Spacer **BLD-SPACER-38** Pack of 5 3/8" Spacer Recommended for use with 3/8" Gypsum Board When Mounting Track Directly to Gypsum Board

**ASSA ABLOY**  
Opening Solutions

Experience a safer  
and more open world

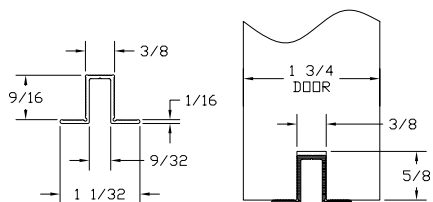
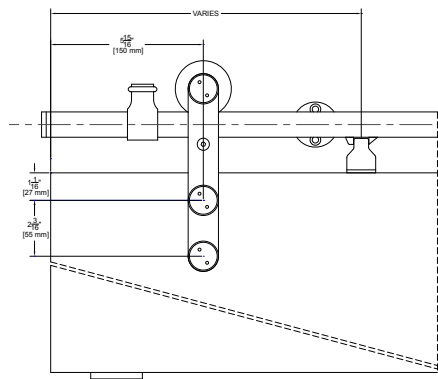
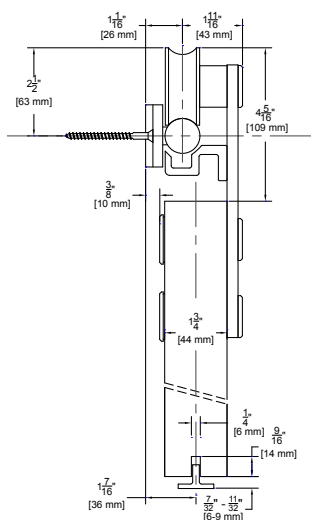
800-824-3018 | [www.assaabloydooraccessories.us](http://www.assaabloydooraccessories.us)  
Check the web site for the up-to-date catalog

Copyright © 2015-2020, ASSA ABLOY Accessories and Door Controls Group, Inc., an ASSA ABLOY Group company. All rights reserved. Reproduction in whole or in part without the express written permission of ASSA ABLOY Accessories and Door Controls Group, Inc. is prohibited.

# Soft Close Stainless Steel Sliding Track Hardware System

## SFT-W100 Series for Wood Doors

For Sliding Panels up to 198 lbs.



NOTE: Alternate route dimension when using optional EPD3BL

### Configurations:

- Single

### Installations:

- Side Wall Mount (only)

### Features:

- Made of 304 stainless steel
- Soft Close
- Nylon coated stainless steel wheel for smooth operation
- 198 lb. panel capacity
- 5 year warranty
- Meets ADA push force requirements

### Finishes:

- Brushed Stainless Steel

### SFT-W100 Kits Include:

- 1 ea **SC-BAR/** Stainless Steel Track with Two Soft Close Devices
- **BRACKET2** Stainless Steel Wall Brackets
- 2 ea **SC-111** Stainless Steel Hangers
- 1 ea **102SS-KIT** Stainless Steel Guide
- 2 ea **STOP2** Stainless Steel Stops Mounting Hardware
- 2 ea **SC-TRG** Soft Close Activators

Standard Kit Sizes			
Part Number	Material	Track Length	Door Width
SFT-W100/6	304 Stainless Steel	78 <sup>3</sup> / <sub>4</sub> "	36"
SFT-W100/8	304 Stainless Steel	98 <sup>7</sup> / <sub>16</sub> "	48"

### Options:

Hardware Pack (One Door) **SC-W100H/PACK**

Mortise Guides **102N**

Polypropylene Guide Rail **EPD3BL** For Use With 102N and 102SS-KIT

5/8" Spacer

**BLD-SPACER-58** Pack of 5 5/8" Spacer  
Recommended for use with 5/8" Gypsum Board  
When Mounting Track Directly to Gypsum Board

1/2" Spacer

**BLD-SPACER-12** Pack of 5 1/2" Spacer  
Recommended for use with 1/2" Gypsum Board  
When Mounting Track Directly to Gypsum Board

3/8" Spacer

**BLD-SPACER-38** Pack of 5 3/8" Spacer  
Recommended for use with 3/8" Gypsum Board  
When Mounting Track Directly to Gypsum Board

800-824-3018 | [www.assaabloydooraccessories.us](http://www.assaabloydooraccessories.us)

Check the web site for the up-to-date catalog

Copyright © 2015-2020, ASSA ABLOY Accessories and Door Controls Group, Inc., an ASSA ABLOY Group company. All rights reserved.  
Reproduction in whole or in part without the express written permission of ASSA ABLOY Accessories and Door Controls Group, Inc. is prohibited.

**ASSA ABLOY**  
Opening Solutions

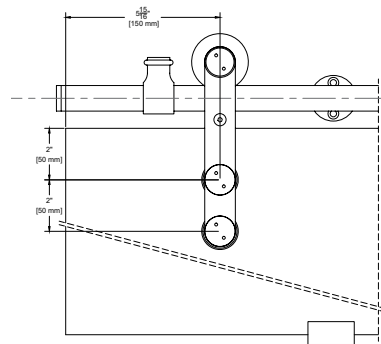
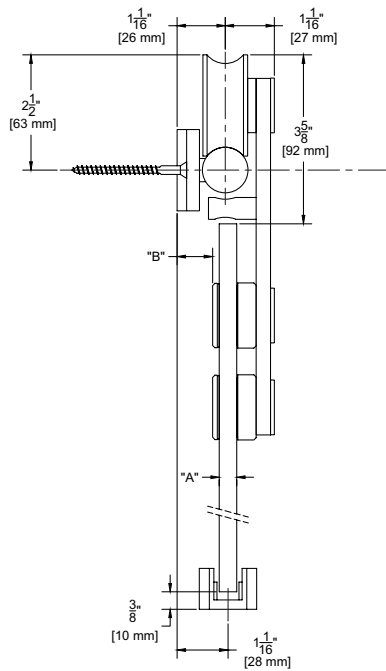
Experience a safer  
and more open world



# Stainless Steel Sliding Track Hardware System

## G60 Series for Glass Doors

For Sliding Panels up to 198 lbs.



Glass Thickness "A"	Distance from Wall "B"
3/8"	3/4"
1/2"	5/8"

**ASSA ABLOY**  
Opening Solutions

Experience a safer  
and more open world

**Configurations:**

- Single
- Bi-parting

**Installations:**

- Side Wall Mount (only)

**Features:**

- Made of 304 stainless steel
- Nylon coated stainless steel wheel for smooth operation
- 198 lb. panel capacity
- 5 year warranty
- Meets ADA push force requirements

**Finishes:**

- Brushed Stainless Steel (G60)
- Black Powder Coated Stainless Steel (G60D)
- Polished Stainless Steel (G60P)

**G60 Kits Include:**

- 1 ea **BAR/\_** Stainless Steel Track
- **BRACKET2** Stainless Steel Wall Brackets
- 2 ea **12** Stainless Steel Hangers
- 1 ea **GLASSGUIDE** Stainless Steel Guide
- 2 ea **STOP2** Stainless Steel Stops Mounting Hardware

NOTE: If ordering individual parts in the optional Black Powder Coat, Polished finishes or Satin Bronze be sure to include a prefix "D" for Black Powder Coat, or "P" for Polished Stainless

Standard Kit Sizes			
Part Number	Material	Track Length	Door Width
G60/6	304 Stainless Steel	78 <sup>3</sup> / <sub>4</sub> "	36"
G60/8	304 Stainless Steel	98 <sup>7</sup> / <sub>16</sub> "	48"
G60D/6	Black Powder Coated Stainless Steel	78 <sup>3</sup> / <sub>4</sub> "	36"
G60D/8	Black Powder Coated Stainless Steel	98 <sup>7</sup> / <sub>16</sub> "	48"
G60P/6	304 Polished Stainless Steel	78 <sup>3</sup> / <sub>4</sub> "	36"
G60P/8	304 Polished Stainless Steel	98 <sup>7</sup> / <sub>16</sub> "	48"

Custom lengths are available. Please contact the factory to order.

**Options:**

Hardware Pack (One Door) **G60\_H/PACK**

5/8" Spacer

**BLD-SPACER-58** Pack of 5 5/8" Spacer  
Recommended for use with 5/8" Gypsum Board When Mounting Track Directly to Gypsum Board

1/2" Spacer

**BLD-SPACER-12** Pack of 5 1/2" Spacer  
Recommended for use with 1/2" Gypsum Board When Mounting Track Directly to Gypsum Board

3/8" Spacer

**BLD-SPACER-38** Pack of 5 3/8" Spacer  
Recommended for use with 3/8" Gypsum Board When Mounting Track Directly to Gypsum Board

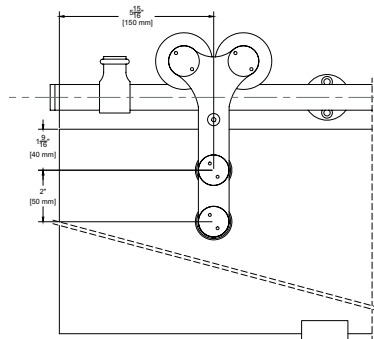
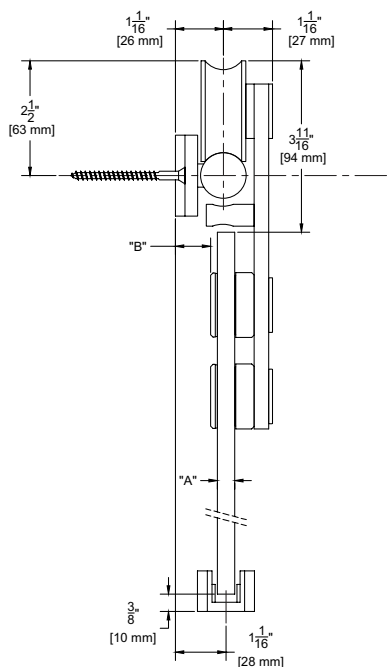
800-824-3018 | [www.assaabloydooraccessories.us](http://www.assaabloydooraccessories.us)

Check the web site for the up-to-date catalog

# Stainless Steel Sliding Track Hardware System

## G70 Series for Glass Doors

For Sliding Panels up to 240 lbs.



Glass Thickness "A"	Distance from Wall "B"
3/8"	3/4"
1/2"	5/8"

### Configurations:

- Single
- Bi-parting

### Installations:

- Side Wall Mount (only)

### Features:

- Made of 304 stainless steel
- Nylon coated stainless steel wheel for smooth operation
- 240 lb. panel capacity
- 5 year warranty
- Meets ADA push force requirements

### Finishes:

- Brushed Stainless Steel (G70)
- Polished Stainless Steel (G70P)

### G70 Kits Include:

- 1 ea **BAR/\_** Stainless Steel Track
- **BRACKET2** Stainless Steel Wall Brackets
- 2 ea **32** Stainless Steel Hangers
- 1 ea **GLASSGUIDE** Stainless Steel Guide
- 2 ea **STOP2** Stainless Steel Stops Mounting Hardware

NOTE: If ordering individual parts in the optional Polished finishes or Satin Bronze be sure to include a prefix "P" for Polished Stainless

Standard Kit Sizes			
Part Number	Material	Track Length	Door Width
G70/6	304 Stainless Steel	78 <sup>3</sup> / <sub>4</sub> "	36"
G70/8	304 Stainless Steel	98 <sup>7</sup> / <sub>16</sub> "	48"
G70P/6	304 Polished Stainless Steel	78 <sup>3</sup> / <sub>4</sub> "	36"
G70P/8	304 Polished Stainless Steel	98 <sup>7</sup> / <sub>16</sub> "	48"

Custom lengths are available. Please contact the factory to order.

### Options:

Hardware Pack (One Door) **G70\_H/PACK**

Alternate Stop

**STOP1**

5/8" Spacer

**BLD-SPACER-58** Pack of 5 5/8" Spacer  
Recommended for use with 5/8" Gypsum Board When Mounting Track Directly to Gypsum Board

1/2" Spacer

**BLD-SPACER-12** Pack of 5 1/2" Spacer  
Recommended for use with 1/2" Gypsum Board When Mounting Track Directly to Gypsum Board

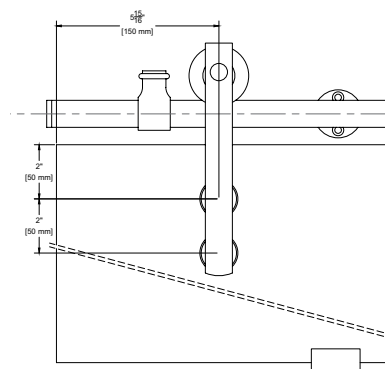
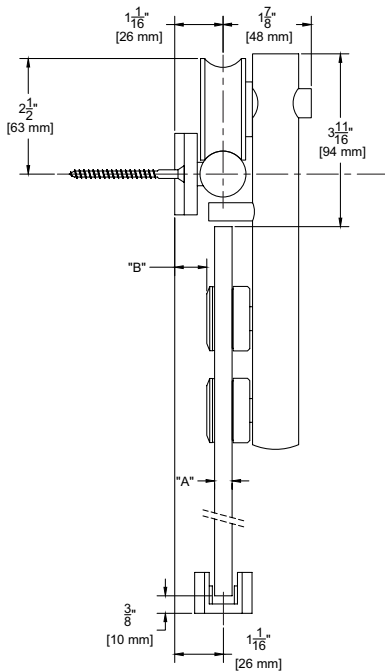
3/8" Spacer

**BLD-SPACER-38** Pack of 5 3/8" Spacer  
Recommended for use with 3/8" Gypsum Board When Mounting Track Directly to Gypsum Board

# Stainless Steel Sliding Track Hardware System

## G80 Series for Glass Doors

For Sliding Panels up to 198 lbs.



### Configurations:

- Single
- Bi-parting

### Installations:

- Side Wall Mount (only)

### Features:

- Made of 304 stainless steel
- Nylon coated stainless steel wheel for smooth operation
- 198 lb. panel capacity
- 5 year warranty
- Meets ADA push force requirements

### Finishes:

- Brushed Stainless Steel (G80)
- Black Powder Coated Stainless Steel (G80D)
- Polished Stainless Steel (G80P)

### G80 Kits Include:

- 1 ea **BAR/\_** Stainless Steel Track
- **BRACKET2** Stainless Steel Wall Brackets
- 2 ea **22** Stainless Steel Hangers
- 1 ea **GLASSGUIDE** Stainless Steel Guide
- 2 ea **STOP2** Stainless Steel Stops Mounting Hardware

NOTE: If ordering individual parts in the optional Black Powder Coat, Polished finishes or Satin Bronze be sure to include a prefix "D" for Black Powder Coat, or "P" for Polished Stainless

Standard Kit Sizes			
Part Number	Material	Track Length	Door Width
G80/6	304 Stainless Steel	78 <sup>3</sup> / <sub>4</sub> "	36"
G80/8	304 Stainless Steel	98 <sup>7</sup> / <sub>16</sub> "	48"
G80D/6	Black Powder Coated Stainless Steel	78 <sup>3</sup> / <sub>4</sub> "	36"
G80D/8	Black Powder Coated Stainless Steel	98 <sup>7</sup> / <sub>16</sub> "	48"
G80P/6	304 Polished Stainless Steel	78 <sup>3</sup> / <sub>4</sub> "	36"
G80P/8	304 Polished Stainless Steel	98 <sup>7</sup> / <sub>16</sub> "	48"

Custom lengths are available. Please contact the factory to order.

### Options:

Hardware Pack (One Door) **G80\_H/PACK**

5/8" Spacer

**BLD-SPACER-58** Pack of 5 5/8" Spacer  
Recommended for use with 5/8" Gypsum Board When Mounting Track Directly to Gypsum Board

1/2" Spacer

**BLD-SPACER-12** Pack of 5 1/2" Spacer  
Recommended for use with 1/2" Gypsum Board When Mounting Track Directly to Gypsum Board

3/8" Spacer

**BLD-SPACER-38** Pack of 5 3/8" Spacer  
Recommended for use with 3/8" Gypsum Board When Mounting Track Directly to Gypsum Board

Glass Thickness "A"	Distance from Wall "B"
3/8"	11/16"
1/2"	9/16"

**ASSA ABLOY**  
Opening Solutions

Experience a safer  
and more open world

800-824-3018 | [www.assaabloydooraccessories.us](http://www.assaabloydooraccessories.us)

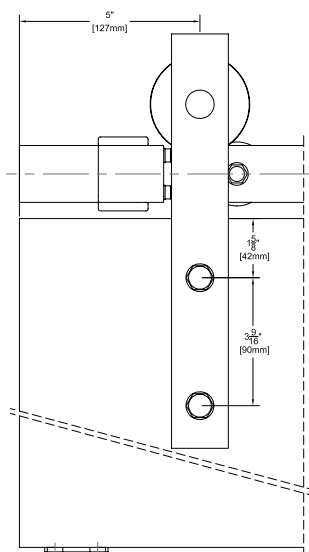
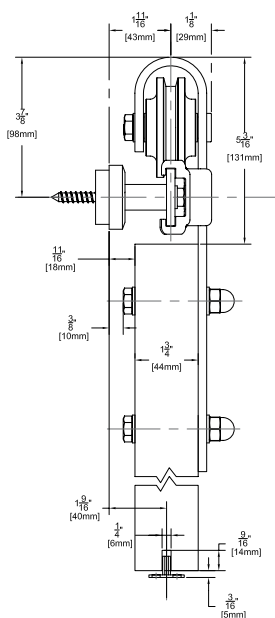
Check the web site for the up-to-date catalog

Copyright © 2015-2020, ASSA ABLOY Accessories and Door Controls Group, Inc., an ASSA ABLOY Group company. All rights reserved. Reproduction in whole or in part without the express written permission of ASSA ABLOY Accessories and Door Controls Group, Inc. is prohibited.

# Builders Series Flat Track Sliding Door Hardware System

## BLD-FT-01 for Wood Doors

For Sliding Panels up to 240 lbs.



### Configurations:

- Single
- Bi-parting

### Installations:

- Side Wall Mount (only)

### Features:

- Solid nylon wheel for smooth operation
- 240 lb. panel capacity
- Optional Soft Close
- 5 year warranty
- Meets ADA push force requirements

### Finishes:

- Black Suede Powder Coated Steel (BLD-FT-01BSP)
- Industrial Steel Zinc Coated Steel (BLD-FT-01IS)

### BLD-FT-01 Kits Include:

- 1 ea **BLD-FT\_/\_** Steel Flat Track
- 5 ea **BLD-99\_** Steel Track Brackets
- 5 ea **BLD-88\_** Steel Track Fasteners
- 2 ea **BLD-01\_** Steel Strap Mount Hangers
- 2 ea **BLD-77** Anti-Rise Discs
- 1 ea **102N** Mortised Type Nylon Guide
- 2 ea **BLD-11\_** Steel Track Stops Mounting Hardware

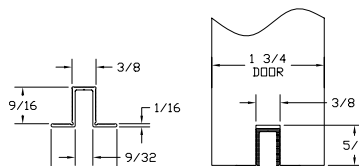
Standard Kit Sizes			
Part Number	Material	Track Length	Door Width
BLD-FT-01IS/6	Industrial Steel	72"	36"
BLD-FT-01IS/8	Industrial Steel	96"	48"
BLD-FT-01BSP/6	Black Suede Powder Coated Steel	72"	36"
BLD-FT-01BSP/8	Black Suede Powder Coated Steel	96"	48"

Custom lengths are available. Please contact the factory to order.

### Options:

- Thru-bolts for 1 3/8" thick doors 4 per door **BLD-97-\_\_**
- Hardware Pack (One Door) **BLD-FT01-\_\_/PACK**
- Side Wall Mortised Type Guide **102WN-KIT**
- Polypropylene Guide Rail **EPD3BL** For Use With 102N
- 5/8" Spacer **BLD-SPACER-58** Pack of 5 5/8" Spacer Recommended for use with 5/8" Gypsum Board When Mounting Track Directly to Gypsum Board
- 1/2" Spacer **BLD-SPACER-12** Pack of 5 1/2" Spacer Recommended for use with 1/2" Gypsum Board When Mounting Track Directly to Gypsum Board
- 3/8" Spacer **BLD-SPACER-38** Pack of 5 3/8" Spacer Recommended for use with 3/8" Gypsum Board When Mounting Track Directly to Gypsum Board

Soft Close available. See page 279 for more information.



NOTE: Alternate route dimension when using optional EPD3BL

800-824-3018 | [www.assaabloydooraccessories.us](http://www.assaabloydooraccessories.us)

Check the web site for the up-to-date catalog

Copyright © 2015-2020, ASSA ABLOY Accessories and Door Controls Group, Inc., an ASSA ABLOY Group company. All rights reserved. Reproduction in whole or in part without the express written permission of ASSA ABLOY Accessories and Door Controls Group, Inc. is prohibited.

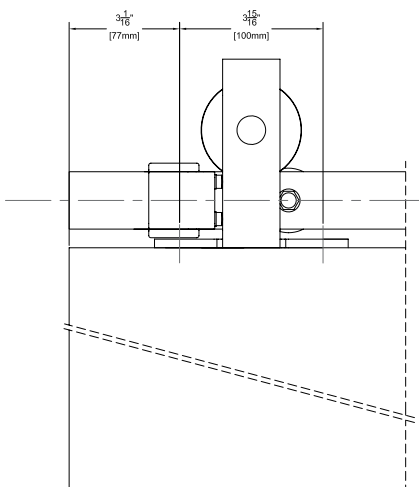
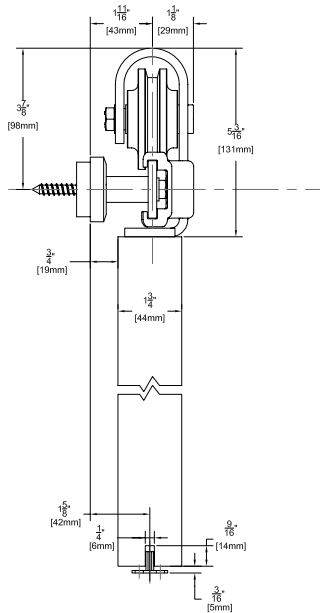
**ASSA ABLOY**  
Opening Solutions

Experience a safer  
and more open world

# Builders Series Flat Track Sliding Door Hardware System

## BLD-FT-02 for Wood Doors

For Sliding Panels up to 240 lbs.



### Configurations:

- Single
- Bi-parting

### Installations:

- Side Wall Mount (only)

### Features:

- Solid nylon wheel for smooth operation
- 240 lb. panel capacity
- Optional Soft Close
- 5 year warranty
- Meets ADA push force requirements

### Finishes:

- Black Suede Powder Coated Steel (BLD-FT-02BSP)
- Industrial Steel Zinc Coated Steel (BLD-FT-02IS)

### BLD-FT-02 Kits Include:

- 1 ea **BLD-FT-\_/\_** Steel Flat Track
- 5 ea **BLD-99-\_/\_** Steel Track Brackets
- 5 ea **BLD-88-\_/\_** Steel Track Fasteners
- 2 ea **BLD-02-\_/\_** Steel Top Mount Hangers
- 2 ea **BLD-77** Anti-Rise Discs
- 1 ea **102N** Mortised Type Nylon Guide
- 2 ea **BLD-11-\_/\_** Steel Track Stops Mounting Hardware

Standard Kit Sizes			
Part Number	Material	Track Length	Door Width
BLD-FT-02IS/6	Industrial Steel	72"	36"
BLD-FT-02IS/8	Industrial Steel	96"	48"
BLD-FT-02BSP/6	Black Suede Powder Coated Steel	72"	36"
BLD-FT-02BSP/8	Black Suede Powder Coated Steel	96"	48"

Custom lengths are available. Please contact the factory to order.

### Options: See page 278

Hardware Pack (One Door)

Side Wall Mortised Type Guide

Polypropylene Guide Rail

5/8" Spacer

1/2" Spacer

3/8" Spacer

**BLD-FT02-\_/\_/PACK**

**102WN-KIT**

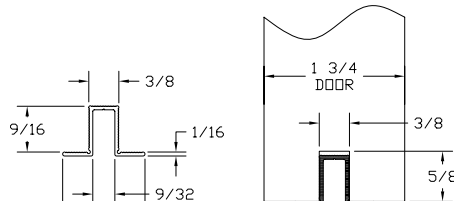
**EPD3BL** For Use With 102N

**BLD-SPACER-58** Pack of 5 5/8" Spacer Recommended for use with 5/8" Gypsum Board When Mounting Track Directly to Gypsum Board

**BLD-SPACER-12** Pack of 5 1/2" Spacer Recommended for use with 1/2" Gypsum Board When Mounting Track Directly to Gypsum Board

**BLD-SPACER-38** Pack of 5 3/8" Spacer Recommended for use with 3/8" Gypsum Board When Mounting Track Directly to Gypsum Board

Soft Close available. See page 284-285 for more information.



NOTE: Alternate route dimension when using optional EPD3BL

**ASSA ABLOY**  
Opening Solutions

Experience a safer  
and more open world

800-824-3018 | [www.assaabloydooraccessories.us](http://www.assaabloydooraccessories.us)

Check the web site for the up-to-date catalog

Copyright © 2015-2020, ASSA ABLOY Accessories and Door Controls Group, Inc., an ASSA ABLOY Group company. All rights reserved. Reproduction in whole or in part without the express written permission of ASSA ABLOY Accessories and Door Controls Group, Inc. is prohibited.

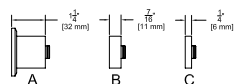
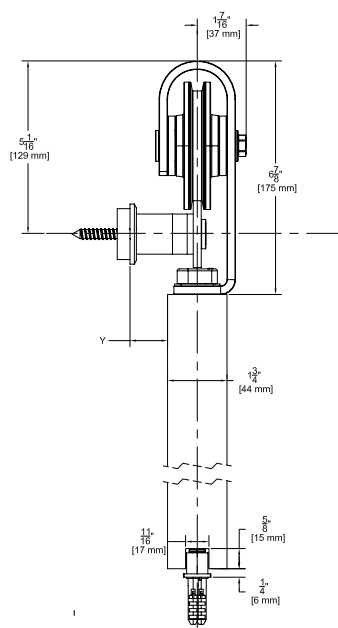
# Designer Series Flat Track Sliding Door Hardware System

## DSG-FT-03 for Wood Doors

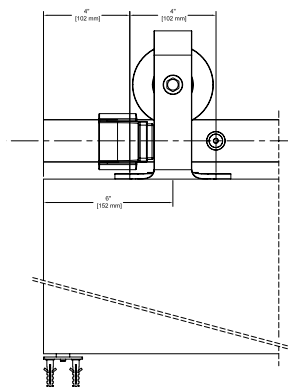
For Sliding Panels up to 500 lbs.



Shown in 10BE Satin Bronze finish



Wall Bracket Combination				
	A	A+C	A+B	A+B+C
"Y"	1/2"	3/4"	1"	1-1/4"



### Configurations:

- Single
- Bi-parting

### Installations:

- Side Wall Mount (only)

### Features:

- Solid steel wheel with a polymer resin contact surface for smooth operation
- 500 lb. panel capacity
- 5 year warranty

### Finishes:

- Black Suede Powder Coated Steel (DSG-FT-03BSP)
- Industrial Steel Zinc Coated Steel (DSG-FT-03IS)
- Wrought Black Powder Coated Steel (DSG-FT-03WB)
- 10BE Satin Bronze Powder Coated Steel (DSG-FT-03BZ)
- Stainless Steel (DSG-FT-03SS)

### DSG-FT-03 Kits include:

- 1 ea **DSG-FT-/\_** Steel Flat Track
- 7 to 9 ea **DSG-100-/\_** Steel Track Brackets
- 7 to 9 ea **DSG-89-/\_** Steel Track Fasteners
- 2 ea **DSG-03-/\_** Steel Top Mount Hangers
- 2 ea **DSG-78** Anti-Rise Blocks
- 1 ea **DSG-106** Mortised Type Roller Guide
- 2 ea **DSG-12-/\_** Steel Track Stops Mounting Hardware

### Standard Kit Sizes

Part Number	Material	Track Length	Door Width
DSG-FT-03IS/6	Industrial Steel	72"	36"
DSG-FT-03IS/8	Industrial Steel	96"	48"
DSG-FT-03BSP/6	Black Suede Powder Coated Steel	72"	36"
DSG-FT-03BSP/8	Black Suede Powder Coated Steel	96"	48"
DSG-FT-03WB/6	Wrought Black Powder Coated Steel	72"	36"
DSG-FT-03WB/8	Wrought Black Powder Coated Steel	96"	48"
DSG-FT-03BZ/6	10BE Satin Bronze Powder Coated Steel	72"	36"
DSG-FT-03BZ/8	10BE Satin Bronze Powder Coated Steel	96"	48"
DSG-FT-03SS/6	Stainless Steel	72"	36"
DSG-FT-03SS/8	Stainless Steel	96"	48"

Custom lengths are available. Please contact the factory to order.

### Options:

- Hardware Pack (One Door)
- Side Wall Mortised Type Guide
- 5/8" Spacer

### DSG-FT03-\_/PACK

#### 102WN-KIT

**BLD-SPACER-58** Pack of 5 5/8" Spacer Recommended for use with 5/8" Gypsum Board When Mounting Track Directly to Gypsum Board

- 1/2" Spacer

**BLD-SPACER-12** Pack of 5 1/2" Spacer Recommended for use with 1/2" Gypsum Board When Mounting Track Directly to Gypsum Board

- 3/8" Spacer

**BLD-SPACER-38** Pack of 5 3/8" Spacer Recommended for use with 3/8" Gypsum Board When Mounting Track Directly to Gypsum Board

**ASSA ABLOY**  
Opening Solutions

Experience a safer  
and more open world

800-824-3018 | [www.assaabloydooraccessories.us](http://www.assaabloydooraccessories.us)

Check the web site for the up-to-date catalog

Copyright © 2015-2020, ASSA ABLOY Accessories and Door Controls Group, Inc., an ASSA ABLOY Group company. All rights reserved. Reproduction in whole or in part without the express written permission of ASSA ABLOY Accessories and Door Controls Group, Inc. is prohibited.



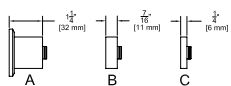
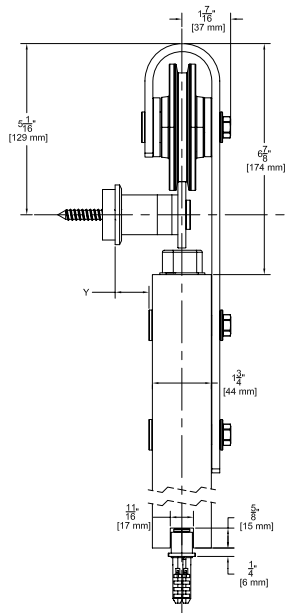
# Designer Series Flat Track Sliding Door Hardware System

## DSG-FT-04 for Wood Doors

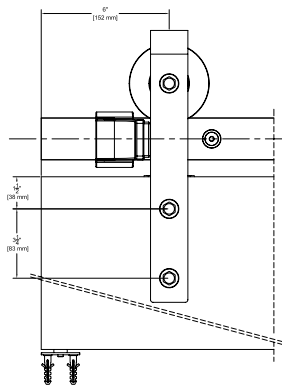
For Sliding Panels up to 500 lbs.  
Only for doors 1 1/2" to 2 1/4" thick.



Shown in Wrought Black finish



Wall Bracket Combination				
	A	A+C	A+B	A+B+C
"Y"	7/16"	11/16"	7/8"	1-1/8"



**ASSA ABLOY**  
Opening Solutions

Experience a safer  
and more open world

### Configurations:

- Single
- Bi-parting

### Features:

- Solid steel wheel with a polymer resin contact surface for smooth operation
- 500 lb. panel capacity
- 5 year warranty

### Finishes:

- Black Black Suede Powder Coated Steel (DSG-FT-04BSP)
- Industrial Steel Zinc Coated Steel (DSG-FT-04IS)
- Wrought Black Powder Coated Steel (DSG-FT-04WB)
- 10BE Satin Bronze Powder Coated Steel (DSG-FT-04BZ)
- Stainless Steel (DSG-FT-04SS)

### DSG-FT-04 Kits include:

- 1 ea **DSG-FT-\_\_** Steel Flat Track
- 7 to 9 ea **DSG-100-\_\_** Steel Track Brackets
- 7 to 9 ea **DSG-89-\_\_** Steel Track Fasteners
- 2 ea **DSG-04-\_\_** Steel Top Mount Hangers
- 2 ea **DSG-78** Anti-Rise Blocks
- 1 ea **DSG-106** Mortised Type Roller Guide
- 2 ea **DSG-12-\_\_** Steel Track Stops Mounting Hardware

Standard Kit Sizes			
Part Number	Material	Track Length	Door Width
DSG-FT-04IS/6	Industrial Steel	72"	36"
DSG-FT-04IS/8	Industrial Steel	96"	48"
DSG-FT-04BSP/6	Black Suede Powder Coated Steel	72"	36"
DSG-FT-04BSP/8	Black Suede Powder Coated Steel	96"	48"
DSG-FT-04WB/6	Wrought Black Powder Coated Steel	72"	36"
DSG-FT-04WB/8	Wrought Black Powder Coated Steel	96"	48"
DSG-FT-04BZ/6	10BE Satin Bronze Powder Coated Steel	72"	36"
DSG-FT-04BZ/8	10BE Satin Bronze Powder Coated Steel	96"	48"
DSG-FT-04SS/6	Stainless Steel	72"	36"
DSG-FT-04SS/8	Stainless Steel	96"	48"

Custom lengths are available. Please contact the factory to order.

### Options:

- Hardware Pack (One Door)
- Side Wall Mortised Type Guide
- 5/8" Spacer
- 1/2" Spacer
- 3/8" Spacer

### DSG-FT04-\_\_\_/PACK

#### 102WN-KIT

**BLD-SPACER-58** Pack of 5 5/8" Spacer Recommended for use with 5/8" Gypsum Board When Mounting Track Directly to Gypsum Board

**BLD-SPACER-12** Pack of 5 1/2" Spacer Recommended for use with 1/2" Gypsum Board When Mounting Track Directly to Gypsum Board

**BLD-SPACER-38** Pack of 5 3/8" Spacer Recommended for use with 3/8" Gypsum Board When Mounting Track Directly to Gypsum Board

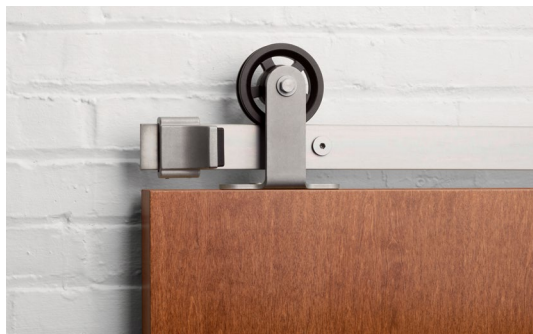
800-824-3018 | [www.assaabloydooraccessories.us](http://www.assaabloydooraccessories.us)

Check the web site for the up-to-date catalog

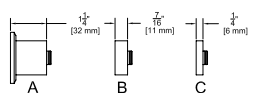
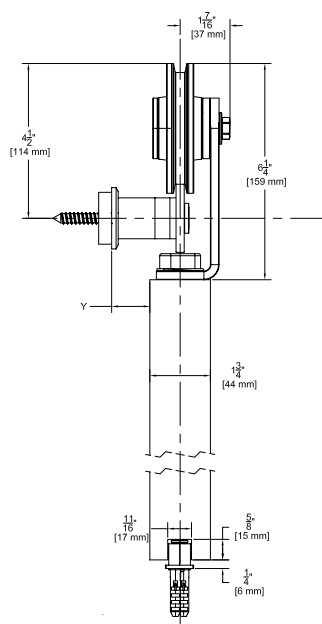
# Designer Series Flat Track Sliding Door Hardware System

## DSG-FT-05 for Wood Doors

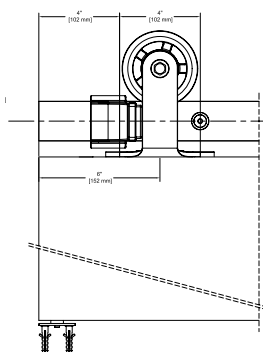
For Sliding Panels up to 500 lbs.



Shown in Industrial Steel finish



Wall Bracket Combination				
	A	A+C	A+B	A+B+C
"Y"	1/2"	3/4"	1"	1-1/4"



### Configurations:

- Single
- Bi-parting

### Installations:

- Side Wall Mount (only)

### Features:

- Solid steel wheel with a polymer resin contact surface for smooth operation
- 500 lb. panel capacity
- 5 year warranty

### Finishes:

- Black Suede Powder Coated Steel (DSG-FT-05BSP)
- Industrial Steel Zinc Coated Steel (DSG-FT-05IS)
- Wrought Black Powder Coated Steel (DSG-FT-05WB)
- 10BE Satin Bronze Powder Coated Steel (DSG-FT-05BZ)
- Stainless Steel (DSG-FT-05SS)

### DSG-FT-05 Kits include:

- 1 ea **DSG-FT-/\_** Steel Flat Track
- 7 to 9 ea **DSG-100-/\_** Steel Track Brackets
- 7 to 9 ea **DSG-89-/\_** Steel Track Fasteners
- 2 ea **DSG-05-/\_** Steel Top Mount Hangers
- 2 ea **DSG-78** Anti-Rise Blocks
- 1 ea **DSG-106** Mortised Type Roller Guide
- 2 ea **DSG-12-/\_** Steel Track Stops Mounting Hardware

### Standard Kit Sizes

Part Number	Material	Track Length	Door Width
DSG-FT-05IS/6	Industrial Steel	72"	36"
DSG-FT-05IS/8	Industrial Steel	96"	48"
DSG-FT-05BSP/6	Black Suede Powder Coated Steel	72"	36"
DSG-FT-05BSP/8	Black Suede Powder Coated Steel	96"	48"
DSG-FT-05WB/6	Wrought Black Powder Coated Steel	72"	36"
DSG-FT-05WB/8	Wrought Black Powder Coated Steel	96"	48"
DSG-FT-05BZ/6	10BE Satin Bronze Powder Coated Steel	72"	36"
DSG-FT-05BZ/8	10BE Satin Bronze Powder Coated Steel	96"	48"
DSG-FT-05SS/6	Stainless Steel	72"	36"
DSG-FT-05SS/8	Stainless Steel	96"	48"

Custom lengths are available. Please contact the factory to order.

### Options:

- Hardware Pack (One Door)
- Side Wall Mortised Type Guide
- 5/8" Spacer
- 1/2" Spacer
- 3/8" Spacer

### DSG-FT05-\_/PACK

#### 102WN-KIT

**BLD-SPACER-58** Pack of 5 5/8" Spacer Recommended for use with 5/8" Gypsum Board When Mounting Track Directly to Gypsum Board

**BLD-SPACER-12** Pack of 5 1/2" Spacer Recommended for use with 1/2" Gypsum Board When Mounting Track Directly to Gypsum Board

**BLD-SPACER-38** Pack of 5 3/8" Spacer Recommended for use with 3/8" Gypsum Board When Mounting Track Directly to Gypsum Board

800-824-3018 | [www.assaabloydooraccessories.us](http://www.assaabloydooraccessories.us)

Check the web site for the up-to-date catalog

Copyright © 2015-2020, ASSA ABLOY Accessories and Door Controls Group, Inc., an ASSA ABLOY Group company. All rights reserved. Reproduction in whole or in part without the express written permission of ASSA ABLOY Accessories and Door Controls Group, Inc. is prohibited.

**ASSA ABLOY**  
Opening Solutions

Experience a safer  
and more open world



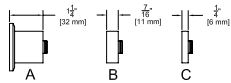
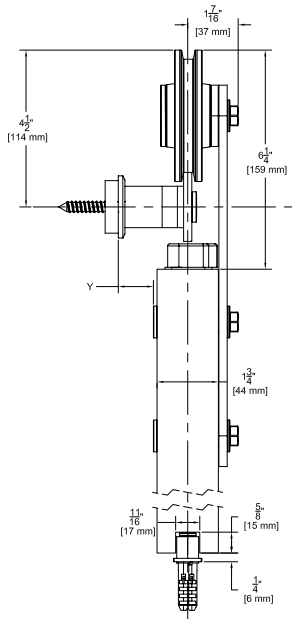
# Designer Series Flat Track Sliding Door Hardware System

## DSG-FT-06 for Wood Doors

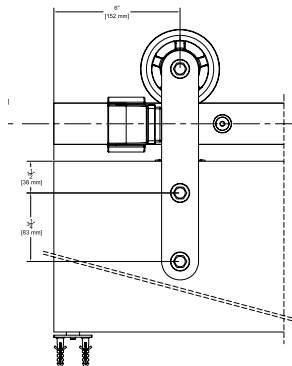
For Sliding Panels up to 500 lbs.  
Only for doors 1 1/2" to 2 1/4" thick.



Shown in Stainless Steel with a solid wheel. DGS-FT-06 in all other finishes have spoked wheels.



Wall Bracket Combination				
	A	A+C	A+B	A+B+C
"Y"	7/16"	11/16"	7/8"	1-1/8"



**ASSA ABLOY**  
Opening Solutions

Experience a safer  
and more open world

### Configurations:

- Single
- Bi-parting

### Features:

- Solid steel wheel with a polymer resin contact surface for smooth operation
- 500 lb. panel capacity
- 5 year warranty

### Finishes:

- Black Black Suede Powder Coated Steel (DSG-FT-06BSP)
- Industrial Steel Zinc Coated Steel (DSG-FT-06IS)
- Wrought Black Powder Coated Steel (DSG-FT-06WB)
- 10BE Satin Bronze Powder Coated Steel (DSG-FT-64BZ)
- Stainless Steel (DSG-FT-06SS)

### DSG-FT-06 Kits include:

- 1 ea **DSG-FT-/\_** Steel Flat Track
- 7 to 9 ea **DSG-100-/\_** Steel Track Brackets
- 7 to 9 ea **DSG-89-/\_** Steel Track Fasteners
- 2 ea **DSG-06-/\_** Steel Top Mount Hangers
- 2 ea **DSG-78** Anti-Rise Blocks
- 1 ea **DSG-106** Mortised Type Roller Guide
- 2 ea **DSG-12-/\_** Steel Track Stops Mounting Hardware

### Standard Kit Sizes

Part Number	Material	Track Length	Door Width
DSG-FT-06IS/6	Industrial Steel	72"	36"
DSG-FT-06IS/8	Industrial Steel	96"	48"
DSG-FT-06BSP/6	Black Suede Powder Coated Steel	72"	36"
DSG-FT-06BSP/8	Black Suede Powder Coated Steel	96"	48"
DSG-FT-06WB/6	Wrought Black Powder Coated Steel	72"	36"
DSG-FT-06WB/8	Wrought Black Powder Coated Steel	96"	48"
DSG-FT-06BZ/6	10BE Satin Bronze Powder Coated Steel	72"	36"
DSG-FT-06BZ/8	10BE Satin Bronze Powder Coated Steel	96"	48"
DSG-FT-06SS/6	Stainless Steel	72"	36"
DSG-FT-06SS/8	Stainless Steel	96"	48"

Custom lengths are available. Please contact the factory to order.

### Options:

- Hardware Pack (One Door)
- Side Wall Mortised Type Guide
- 5/8" Spacer
- 1/2" Spacer
- 3/8" Spacer

### DSG-FT06-\_/PACK

#### 102WN-KIT

**BLD-SPACER-58** Pack of 5 5/8" Spacer  
Recommended for use with 5/8" Gypsum Board When Mounting Track Directly to Gypsum Board

**BLD-SPACER-12** Pack of 5 1/2" Spacer  
Recommended for use with 1/2" Gypsum Board When Mounting Track Directly to Gypsum Board

**BLD-SPACER-38** Pack of 5 3/8" Spacer  
Recommended for use with 3/8" Gypsum Board When Mounting Track Directly to Gypsum Board

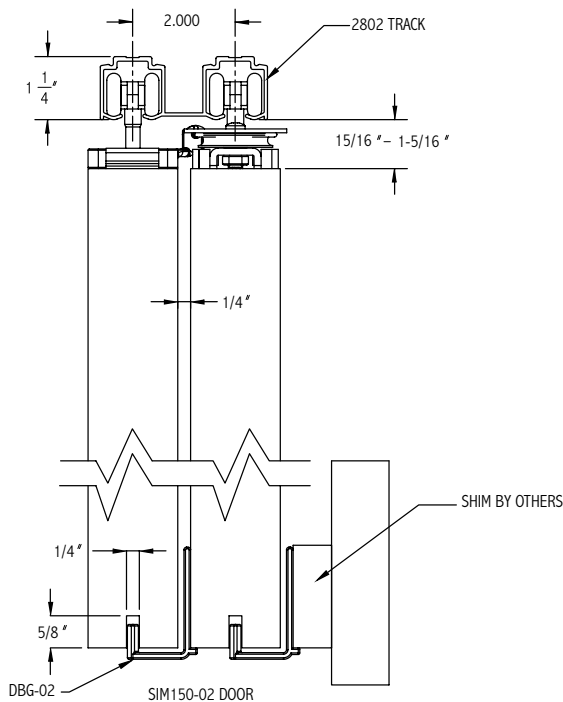
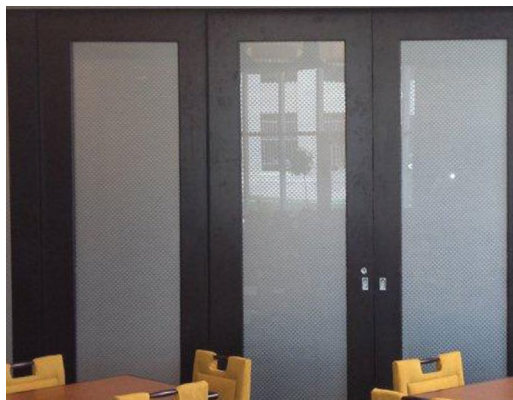
800-824-3018 | [www.assaabloydooraccessories.us](http://www.assaabloydooraccessories.us)

Check the web site for the up-to-date catalog

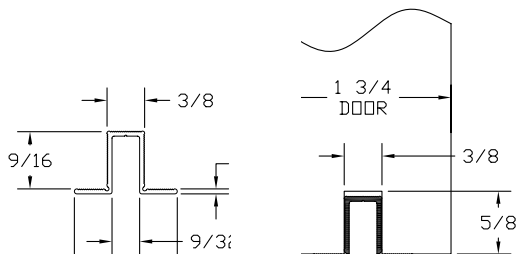
# Simultaneous Acting Sliding Door System

## SIM 150 for 2 Door Systems

For Sliding Panels up to 176 lbs.



### Alternate Route for EPD3BL



### Configurations:

- Bi-part Telescoping

### Installations:

- Overhead Mount

### Features:

- Easy to install with self aligning components
- Telescoping panels glide along the track
- Doors retract into storage pockets when not in use
- 5 year warranty

### Finishes:

- Clear (C)
- Dark Bronze (D)

### Pulley System Kit Includes:

- Pre-Assembled Pulley System
- In-Track Stops and Hangers
- Door Bottom Guides
- Floor Stops, Back Stop and End Plates
- Installation Fasteners

Single Extrusion Aluminum Track must be ordered separately.

Specify door width when ordering. Default door overlap is 3". Any other overlap must be specified (Min. overlap is 2").

Note: All doors must be of equal width.

Pulley System Kits	
Part Number	Door Width
SIM150-2-LH/25-32	25" - 32"
SIM150-2-LH/33-40	33" - 40"
SIM150-2-LH/41-48	41" - 48"
SIM150-2-RH/25-32	25" - 32"
SIM150-2-RH/33-40	33" - 40"
SIM150-2-RH/41-48	41" - 48"

System Track Ordered Separately		
Track	Finish	Track Length
2802C	Clear	up to 147"
2802D	Dark	up to 185"

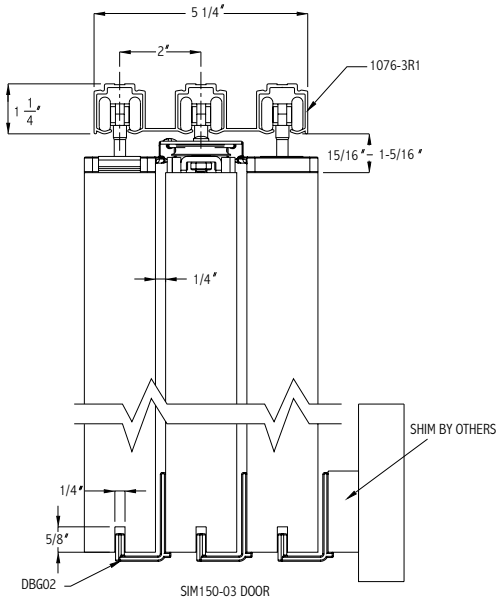
### Options:

- Lock Kit- includes lock with edge pull, and cup pull, **SIM150-LOCKKIT**
- Bolt Kit- includes surface bolt, dust-proof strike, cup pull, and edge pull, **SIM150-BOLTKIT**
- Snap-on Fascia Available **F134**
- Polypropylene Guide Rail **EPD3BL**

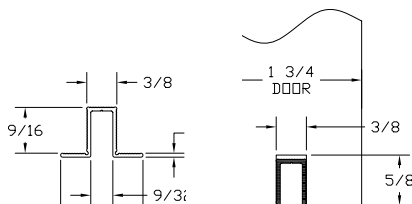
# Simultaneous Acting Sliding Door System

## SIM 150 for 3 Door Systems

For Sliding Panels up to 176 lbs.



### Alternate Route for EPD3BL



### Configurations:

- Bi-part Telescoping

### Installations:

- Overhead Mount

### Features:

- Easy to install with self aligning components
- Telescoping panels glide along the track
- Doors retract into storage pockets when not in use
- 5 year warranty

### Finishes:

- Clear (C)
- Dark Bronze (D)

## Pulley System Kit Includes:

- Pre-Assembled Pulley System
- In-Track Stops and Hangers
- Door Bottom Guides
- Floor Stops, Back Stop and End Plates
- Installation Fasteners

Single Extrusion Aluminum Track must be ordered separately.

Specify door width when ordering. Default door overlap is 3". Any other overlap must be specified (Min. overlap is 2").

Note: All doors must be of equal width.

Pulley System Kits	
Part Number	Door Width
SIM150-3-LH/25-32	25" - 32"
SIM150-3-LH/33-40	33" - 40"
SIM150-3-LH/41-48	41" - 48"
SIM150-3-RH/25-32	25" - 32"
SIM150-3-RH/33-40	33" - 40"
SIM150-3-RH/41-48	41" - 48"

System Track Ordered Separately		
Track	Finish	Track Length
2803C	Clear	up to 185"
2803D	Dark	up to 185"

### Options:

Lock Kit- includes lock with edge pull, and cup pull, **SIM150-LOCKKIT**

Bolt Kit- includes surface bolt, dust-proof strike, cup pull, and edge pull, **SIM150-BOLTKIT**

Snap-on Fascia Available **F134**

Polypropylene Guide Rail **EPD3BL**

**ASSA ABLOY**  
Opening Solutions

Experience a safer  
and more open world

800-824-3018 | [www.assaabloydooraccessories.us](http://www.assaabloydooraccessories.us)

Check the web site for the up-to-date catalog

Copyright © 2015-2020, ASSA ABLOY Accessories and Door Controls Group, Inc., an ASSA ABLOY Group company. All rights reserved. Reproduction in whole or in part without the express written permission of ASSA ABLOY Accessories and Door Controls Group, Inc. is prohibited.

# Cascading Sliding Door System

**For Sliding Panels up to 200 lbs. each.**



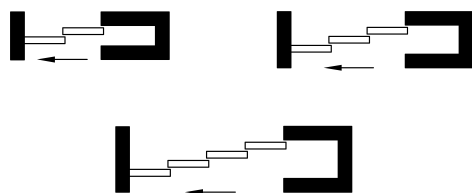
Note: All doors must be of equal width. Minimum overlap between doors is 2".

## Cased Opening

NOTE: Aluminum "T" Guide **102PB** Shown Under Options Must be Ordered Separately for Fixed Panel in Cased Opening Application



## Pocket



## Side Wall Mount

NOTE: Side Wall track Brackets Shown Under Options Must be Ordered Separately for Side Wall Mount Openings



## Configurations:

- Bi-part Telescoping
- Single Direction Telescoping

## Features:

- Opening and closing of lead door results in the trailing doors to follow because of interlocking hardware at door top edges
- Easy to install with self aligning components on 1 3/4" and 1 3/8" thick doors
- Telescoping panels glide along the track
- Solid steel catches with rubber bumpers ensure durable yet quiet operation
- 200 lb. per door weight capacity
- 5 year warranty

## Cascading Kit Includes:

**CAS-05** Catches - Mechanical Catch system - 2 Per Door

**601H** - Track Stops - 2 Per Door

**H222R1** - Hangers - 2 Per Door

**DBG-02R1** - Door Bottom Guides - 1 Per Door

**TELS-23** - End Plates - 2 Per Door

**2802C** - Single Extrusion - Dual Track

**2803C** - Single Extrusion - Triple Track

**C1076-TC** - Track Connector for CAS200A-4/\_ Kits

**EPD3-BL** - Polypropylene Guide Rails - 1 Per Door

**WRENCH14** - 1 Hanger Wrench

Hardware Fasteners

Cascading System Kits			
Part Number	Track Length	# of Doors	Installation
CAS200A-2/6	6'	2	Pocket Side Wall
CAS200A-2/8	8'	2	
CAS200A-2/10	10'	2	
CAS200A-2/12	12'	2	
CAS200A-3/8	8'	3	Pocket Cased Opening Side Wall
CAS200A-3/10	10'	3	
CAS200A-3/12	12'	3	
CAS200A-3/16	16'	3	Pocket Cased Opening
CAS200A-4/8	8'	4	
CAS200A-4/10	10'	4	
CAS200A-4/12	12'	4	
CAS200A-4/16	16'	4	

For special number of doors and for dark bronze track, please contact Technical Support for more information

## Options:

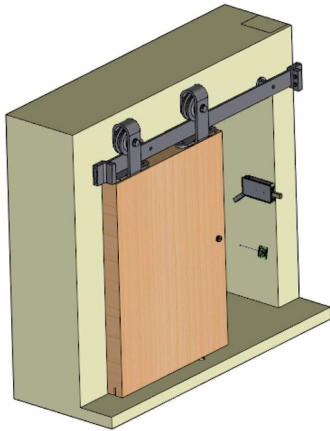
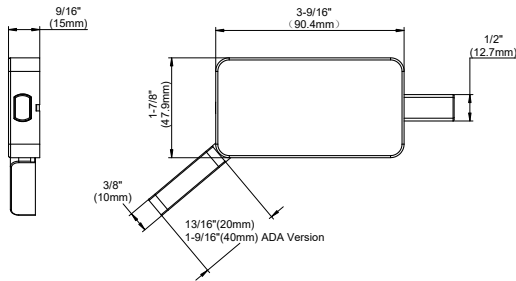
Lock Kit	<b>SIM150-LOCKKIT</b> includes lock with edge pull and cup pull
Bolt Kit	<b>SIM150-BOLTKIT</b> includes surface bolt, dust-proof strike, cup pull, and edge pull
Fascia	<b>F134C</b> Snap-on Fascia
Splice Kit	<b>C1076-2SPLKIT</b> for use with Bi-Parting systems and 2802C Track <b>C1076-3SPLKIT</b> for use with Bi-Parting systems and 2803C Track
Back Stop	<b>TELS-25</b> for use with pocket systems when no access to in track stops in pocket
Aluminium "T" Guide	<b>102PB</b> for use with fixed panel in cased opening applications
Side Wall Track Bracket	<b>2812KIT</b> for use with 2802C Track (1 for every 12" of track) <b>2813KIT</b> for use with 2803C Track (1 for every 12" of track)
Side Wall Joining Bracket	<b>2813-5KIT</b> for use with Side Wall Bi-Parting systems and <b>2803C</b> Track

**ASSA ABLOY**  
Opening Solutions

Experience a safer  
and more open world

# Privacy Barn Door Lock

## Pemko SDL Series for Surface Mounted Sliding Doors



NOTE: For doors with 3/8" - 3/4" clearance between the wall or frame & door face

### Configurations:

- Single

### Installations:

- Side Wall Mount (only)
- For Side Wall Mounted Sliding Door Openings only
- New Construction
- Retro
- ADA

### Features:

- Quick and easy installation
- Handing is reversible in the field
- ADA option available
- Privacy Function
- Includes Emergency Release Key
- Doors can be prepped in the field
- 5 year warranty

### Finishes:

- Brushed Stainless Steel
- Polished Stainless Steel
- Black Graphite
- Contact factory if custom finish is required for more information

Standard Kit Sizes		
Part Number	Material	ADA Compliant
SDL32D	Brushed Stainless	
SDL32	Polished Stainless	
SDL19	Black Graphite	
SDL32D-ADA	Brushed Stainless	•
SDL32-ADA	Polished Stainless	•
SDL19-ADA	Black Graphite	•

Compatible with the following Pemko sliding door kits:

- W60 Series
- W70 Series (with 3/8" to 3/4" clearance)
- W80 Series (with 3/8" to 3/4" clearance)
- W90 Series (with 3/8" to 3/4" clearance)
- W100 Series
- Side Wall Box Track Series (SWT)
- BLD Flat Track Series
- DSG Flat Track Series (with 3/8" to 3/4" clearance)

**ASSA ABLOY**  
Opening Solutions

Experience a safer  
and more open world

800-824-3018 | [www.assaabloydooraccessories.us](http://www.assaabloydooraccessories.us)  
Check the web site for the up-to-date catalog

Copyright © 2015-2020, ASSA ABLOY Accessories and Door Controls Group, Inc., an ASSA ABLOY Group company. All rights reserved. Reproduction in whole or in part without the express written permission of ASSA ABLOY Accessories and Door Controls Group, Inc. is prohibited.



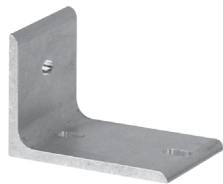
# Options & Accessories

A visual guide to various parts

## Mounting Brackets

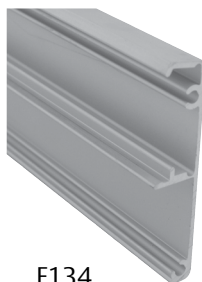


281  
(Sold in 5 packs, PC2815)



2812

## Fascia



F134

## End plates

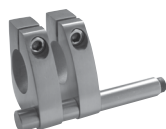


K134EP

## Stops



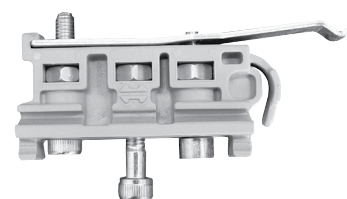
TELS-14KIT



STOP1  
W70 and G70 Kits only



PFBS



601H

## Guides



102N



PFBG-4



106R/94



102WA



PFBG-8



106N/94

## Pulls and Flush Bolts

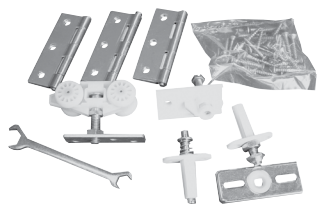


503SF

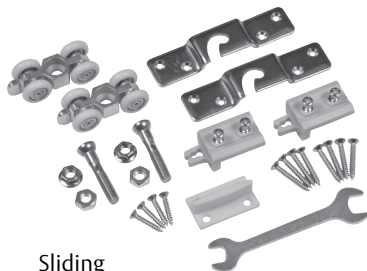


FB150SS

## Hardware Kits



Folding  
HF2/100 Pack



Sliding  
H200PACK

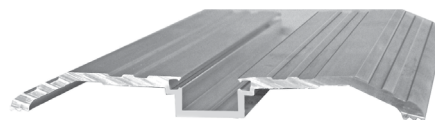
## Bottom Channel



94A



2802BT



971A

## Soft Close for Pemko Box Track Systems

For Pemko H200, H180, SHS80, HBP200,  
and Side Wall Track (SWT) systems

Minimum Door Width 28" When Using Dual or Single Devices.

### For doors weighing 88-132 lbs.

ITEM #	Description
H180_/6-1411-1	H180_ 6' Single Device
H180_/8-1411-1	H180_ 8' Single Device
H180_/10-1411-1	H180_ 10' Single Device
H180_/12-1411-1	H180_ 12' Single Device
H180_/6-1411-2	H180_ 6' Dual Devices
H180_/8-1411-2	H180_ 8' Dual Devices
H180_/10-1411-2	H180_ 10' Dual Devices
H180_/12-1411-2	H180_ 12' Dual Devices
SHS80_/6-1411-1	SHS80_ 6' Single Device
SHS80_/8-1411-1	SHS80_ 8' Single Device
SHS80_/6-1411-2	SHS80_ 6' Dual Devices
SHS80_/8-1411-2	SHS80_ 8' Dual Devices
H200_/6-1411-1	H200_ 6' Single Device
H200_/8-1411-1	H200_ 8' Single Device
H200_/10-1411-1	H200_ 10' Single Device
H200_/12-1411-1	H200_ 12' Single Device
H200_/6-1411-2	H200_ 6' Dual Devices
H200_/8-1411-2	H200_ 8' Dual Devices
H200_/10-1411-2	H200_ 10' Dual Devices
H200_/12-1411-2	H200_ 12' Dual Devices
280_-SWTKIT/6-1411-1	280_-SWTKIT 6' Single Device
280_-SWTKIT/8-1411-1	280_-SWTKIT 8' Single Device
280_-SWTKIT/12-1411-1	280_-SWTKIT 12' One Device Per Door
280_-SWTKIT/6-1411-2	280_-SWTKIT 6' Dual Devices
280_-SWTKIT/8-1411-2	280_-SWTKIT 8' Dual Devices
280_-SWTKIT/12-1411-2	280_-SWTKIT 12' Two Devices Per Door
RF280_-SWTK/6-1411-1	RF280_-SWTK 6' Single Device
RF280_-SWTK/8-1411-1	RF280_-SWTK 8' Single Device
RF280_-SWTK/12-1411-1	RF280_-SWTK 12' One Device Per Door
RF280_-SWTK/6-1411-2	RF280_-SWTK 6' Dual Devices
RF280_-SWTK/8-1411-2	RF280_-SWTK 8' Dual Devices
RF280_-SWTK/12-1411-2	RF280_-SWTK 12' Two Devices Per Door
SF280_-SWTK/6-1411-1	SF280_-SWTK 6' Single Device
SF280_-SWTK/8-1411-1	SF280_-SWTK 8' Single Device
SF280_-SWTK/12-1411-1	SF280_-SWTK 12' One Device Per Door
SF280_-SWTK/6-1411-2	SF280_-SWTK 6' Dual Devices
SF280_-SWTK/8-1411-2	SF280_-SWTK 8' Dual Devices
SF280_-SWTK/12-1411-2	SF280_-SWTK 12' Two Devices Per Door
HBP200_/6-1411-1	HBP200_ 6' One Device Per Door
HBP200_/8-1411-1	HBP200_ 8' One Device Per Door
HBP200_/10-1411-1	HBP200_ 10' One Device Per Door
HBP200_/12-1411-1	HBP200_ 12' One Device Per Door
HBP200_/6-1411-2	HBP200_ 6' Two Devices Per Door
HBP200_/8-1411-2	HBP200_ 8' Two Devices Per Door
HBP200_/10-1411-2	HBP200_ 10' Two Devices Per Door
HBP200_/12-1411-2	HBP200_ 12' Two Devices Per Door

### For doors weighing 133-176 lbs.

ITEM #	Description
H180_/6-1413-1	H180_ 6' Single Device
H180_/8-1413-1	H180_ 8' Single Device
H180_/10-1413-1	H180_ 10' Single Device
H180_/12-1413-1	H180_ 12' Single Device
H180_/6-1413-2	H180_ 6' Dual Devices
H180_/8-1413-2	H180_ 8' Dual Devices
H180_/10-1413-2	H180_ 10' Dual Devices
H180_/12-1413-2	H180_ 12' Dual Devices
SHS80_/6-1413-1	SHS80_ 6' Single Device
SHS80_/8-1413-1	SHS80_ 8' Single Device
SHS80_/6-1413-2	SHS80_ 6' Dual Devices
SHS80_/8-1413-2	SHS80_ 8' Dual Devices
H200_/6-1413-1	H200_ 6' Single Device
H200_/8-1413-1	H200_ 8' Single Device
H200_/10-1413-1	H200_ 10' Single Device
H200_/12-1413-1	H200_ 12' Single Device
H200_/6-1413-2	H200_ 6' Dual Devices
H200_/8-1413-2	H200_ 8' Dual Devices
H200_/10-1413-2	H200_ 10' Dual Devices
H200_/12-1413-2	H200_ 12' Dual Devices
280_-SWTKIT/6-1413-1	280_-SWTKIT 6' Single Device
280_-SWTKIT/8-1413-1	280_-SWTKIT 8' Single Device
280_-SWTKIT/12-1413-1	280_-SWTKIT 12' One Device per Door
280_-SWTKIT/6-1413-2	280_-SWTKIT 6' Dual Devices
280_-SWTKIT/8-1413-2	280_-SWTKIT 8' Dual Devices
280_-SWTKIT/12-1413-2	280_-SWTKIT 12' Two Devices per Door
RF280_-SWTK/6-1413-1	RF280_-SWTK 6' Single Device
RF280_-SWTK/8-1413-1	RF280_-SWTK 8' Single Device
RF280_-SWTK/12-1413-1	RF280_-SWTK 12' One Device per Door
RF280_-SWTK/6-1413-2	RF280_-SWTK 6' Dual Devices
RF280_-SWTK/8-1413-2	RF280_-SWTK 8' Dual Devices
RF280_-SWTK/12-1413-2	RF280_-SWTK 12' Two Devices per Door
SF280_-SWTK/6-1413-1	SF280_-SWTK 6' Single Device
SF280_-SWTK/8-1413-1	SF280_-SWTK 8' Single Device
SF280_-SWTK/12-1413-1	SF280_-SWTK 12' One Device per Door
SF280_-SWTK/6-1413-2	SF280_-SWTK 6' Dual Devices
SF280_-SWTK/8-1413-2	SF280_-SWTK 8' Dual Devices
SF280_-SWTK/12-1413-2	SF280_-SWTK 12' Two Devices per Door
HBP200_/6-1413-1	HBP200_ 6' One Device Per Door
HBP200_/8-1413-1	HBP200_ 8' One Device Per Door
HBP200_/10-1413-1	HBP200_ 10' One Device Per Door
HBP200_/12-1413-1	HBP200_ 12' One Device Per Door
HBP200_/6-1413-2	HBP200_ 6' Two Devices Per Door
HBP200_/8-1413-2	HBP200_ 8' Two Devices Per Door
HBP200_/10-1413-2	HBP200_ 10' Two Devices Per Door
HBP200_/12-1413-2	HBP200_ 12' Two Devices Per Door

**ASSA ABLOY**  
Opening Solutions

Experience a safer  
and more open world

800-824-3018 | [www.assaabloydooraccessories.us](http://www.assaabloydooraccessories.us)

Check the web site for the up-to-date catalog

Copyright © 2015-2020, ASSA ABLOY Accessories and Door Controls Group, Inc., an ASSA ABLOY Group company. All rights reserved. Reproduction in whole or in part without the express written permission of ASSA ABLOY Accessories and Door Controls Group, Inc. is prohibited.

## Soft Close for Pemko Box Track Systems (Continued)

### For Pemko H200, H180, SHS80, HBP200, and Side Wall Track (SWT) systems

Minimum Door Width 28" When Using Dual or Single Devices.

For doors weighing 177-200 lbs.	
ITEM #	Description
H180_/6-1418-1	H180_ 6' Single Device
H180_/8-1418-1	H180_ 8' Single Device
H180_/10-1418-1	H180_ 10' Single Device
H180_/12-1418-1	H180_ 12' Single Device
H180_/6-1418-2	H180_ 6' Dual Devices
H180_/8-1418-2	H180_ 8' Dual Devices
H180_/10-1418-2	H180_ 10' Dual Devices
H180_/12-1418-2	H180_ 12' Dual Devices
SHS80_/6-1418-1	SHS80_ 6' Single Device
SHS80_/8-1418-1	SHS80_ 8' Single Device
SHS80_/6-1418-2	SHS80_ 6' Dual Devices
SHS80_/8-1418-2	SHS80_ 8' Dual Devices
H200_/6-1418-1	H200_ 6' Single Device
H200_/8-1418-1	H200_ 8' Single Device
H200_/10-1418-1	H200_ 10' Single Device
H200_/12-1418-1	H200_ 12' Single Device
H200_/6-1418-2	H200_ 6' Dual Devices
H200_/8-1418-2	H200_ 8' Dual Devices
H200_/10-1418-2	H200_ 10' Dual Devices
H200_/12-1418-2	H200_ 12' Dual Devices
280_-SWTKIT/6-1418-1	280_-SWTKIT 6' Single Device
280_-SWTKIT/8-1418-1	280_-SWTKIT 8' Single Device
280_-SWTKIT/12-1418-1	280_-SWTKIT 12' One Device Per Door
280_-SWTKIT/6-1418-2	280_-SWTKIT 6' Dual Devices
280_-SWTKIT/8-1418-2	280_-SWTKIT 8' Dual Devices
280_-SWTKIT/12-1418-2	280_-SWTKIT 12' Two Devices Per Door
RF280_-SWTK/6-1418-1	RF280_-SWTK 6' Single Device
RF280_-SWTK/8-1418-1	RF280_-SWTK 8' Single Device
RF280_-SWTK/12-1418-1	RF280_-SWTK 12' One Device Per Door
RF280_-SWTK/6-1418-2	RF280_-SWTK 6' Dual Devices
RF280_-SWTK/8-1418-2	RF280_-SWTK 8' Dual Devices
RF280_-SWTK/12-1418-2	RF280_-SWTK 12' Two Devices Per Door
SF280_-SWTK/6-1418-1	SF280_-SWTK 6' Single Device
SF280_-SWTK/8-1418-1	SF280_-SWTK 8' Single Device
SF280_-SWTK/12-1418-1	SF280_-SWTK 12' One Device Per Door
SF280_-SWTK/6-1418-2	SF280_-SWTK 6' Dual Devices
SF280_-SWTK/8-1418-2	SF280_-SWTK 8' Dual Devices
SF280_-SWTK/12-1418-2	SF280_-SWTK 12' Two Devices Per Door
HBP200_/6-1418-1	HBP200_ 6' One Device Per Door
HBP200_/8-1418-1	HBP200_ 8' One Device Per Door
HBP200_/10-1418-1	HBP200_ 10' One Device Per Door
HBP200_/12-1418-1	HBP200_ 12' One Device Per Door
HBP200_/6-1418-2	HBP200_ 6' Two Devices Per Door
HBP200_/8-1418-2	HBP200_ 8' Two Devices Per Door
HBP200_/10-1418-2	HBP200_ 10' Two Devices Per Door
HBP200_/12-1418-2	HBP200_ 12' Two Devices Per Door

## Soft Close for Pemko Flat Track Systems

### For Pemko Builders Series Flat Track Sliding Door Hardware

Minimum Door Width Using Single Device 15".

22" Minimum Door Width When Using Dual Devices.

For doors weighing 88 - 132 lbs.	
ITEM #	Description
BLD-FT-01_/6-1411-1	BLD-FT-01_ 6' Single Device
BLD-FT-01_/8-1411-1	BLD-FT-01_ 8' Single Device
BLD-FT-01_/6-1411-2	BLD-FT-01_ 6' Dual Devices
BLD-FT-01_/8-1411-2	BLD-FT-01_ 8' Dual Devices
BLD-FT-02_/6-1411-1	BLD-FT-02_ 6' Single Device
BLD-FT-02_/8-1411-1	BLD-FT-02_ 8' Single Device
BLD-FT-02_/6-1411-2	BLD-FT-02_ 6' Dual Devices
BLD-FT-02_/8-1411-2	BLD-FT-02_ 8' Dual Devices

For doors weighing 133-176 lbs.	
ITEM #	Description
BLD-FT-01_/6-1413-1	BLD-FT-01_ 6' Single Device
BLD-FT-01_/8-1413-1	BLD-FT-01_ 8' Single Device
BLD-FT-01_/6-1413-2	BLD-FT-01_ 6' Dual Devices
BLD-FT-01_/8-1413-2	BLD-FT-01_ 8' Dual Devices
BLD-FT-02_/6-1413-1	BLD-FT-02_ 6' Single Device
BLD-FT-02_/8-1413-1	BLD-FT-02_ 8' Single Device
BLD-FT-02_/6-1413-2	BLD-FT-02_ 6' Dual Devices
BLD-FT-02_/8-1413-2	BLD-FT-02_ 8' Dual Devices

For doors weighing 177-240 lbs.	
ITEM #	Description
BLD-FT-01_/6-1418-1	BLD-FT-01_ 6' Single Device
BLD-FT-01_/8-1418-1	BLD-FT-01_ 8' Single Device
BLD-FT-01_/6-1418-2	BLD-FT-01_ 6' Dual Devices
BLD-FT-01_/8-1418-2	BLD-FT-01_ 8' Dual Devices
BLD-FT-02_/6-1418-1	BLD-FT-02_ 6' Single Device
BLD-FT-02_/8-1418-1	BLD-FT-02_ 8' Single Device
BLD-FT-02_/6-1418-2	BLD-FT-02_ 6' Dual Devices
BLD-FT-02_/8-1418-2	BLD-FT-02_ 8' Dual Devices

## Soft Close Retrofit Kits

For Box Track Systems	
ITEM #	Description
SC1411-1	Single Device 88-132 lbs.
SC1411-2	Dual Devices 88-132 lbs.
SC1413-1	Single Device 133-176 lbs.
SC1413-2	Dual Devices 133-176 lbs.
SC1418-1	Single Device 177-200 lbs.
SC1418-2	Dual Devices 177-200 lbs.

For Builders Series Systems	
ITEM #	Description
BLD1411-1_	Single Device 88-132 lbs.
BLD1411-2_	Dual Devices 88-132 lbs.
BLD1413-1_	Single Device 133-176 lbs.
BLD1413-2_	Dual Devices 133-176 lbs.
BLD1418-1_	Single Device 177-240 lbs.
BLD1418-2_	Dual Devices 177-240 lbs.

**Finishes:** add C for IS finish  
add D for BSP finish

800-824-3018 | [www.assaabloydooraccessories.us](http://www.assaabloydooraccessories.us)

Check the web site for the up-to-date catalog

Copyright © 2015-2020, ASSA ABLOY Accessories and Door Controls Group, Inc., an ASSA ABLOY Group company. All rights reserved.  
Reproduction in whole or in part without the express written permission of ASSA ABLOY Accessories and Door Controls Group, Inc. is prohibited.

**ASSA ABLOY**  
Opening Solutions

Experience a safer  
and more open world



## Soft Close Pocket Frame Kit

**PF134KIT must be ordered.**

Wood 2x4 Stud Constructed Walls	Wood 2x6 Stud Constructed Walls	Metal 2x6 Stud Constructed Walls	Net Door Size	Options
SC-PF28200A7280	SC-PF28200A7280-2x6	SC-PF28200A7280-SP6	3'0" x 6'8"	PFAS84, PFCDKIT for Bi-Parting door openings
SC-PF28200A9680	SC-PF28200A9680-2x6	SC-PF28200A9680-SP6	4'0" x 6'8"	PFAS84, PFCDKIT for Bi-Parting door openings
SC-PF28200A7284	SC-PF28200A7284-2x6	SC-PF28200A7284-SP6	3'0" x 7'0"	PFAS88, PFCDKIT for Bi-Parting door openings
SC-PF28200A9684	SC-PF28200A9684-2x6	SC-PF28200A9684-SP6	4'0" x 7'0"	PFAS88, PFCDKIT for Bi-Parting door openings
SC-PF28200A7296	SC-PF28200A7296-2x6	SC-PF28200A7296-SP6	3'0" x 8'0"	PFAS100, PFCDKIT for Bi-Parting door openings
SC-PF28200A9696	SC-PF28200A9696-2x6	SC-PF28200A9696-SP6	4'0" x 8'0"	PFAS100, PFCDKIT for Bi-Parting door openings

These above are the ones you must order PF134KIT for

**ASSA ABLOY**  
Opening Solutions

Experience a safer  
and more open world

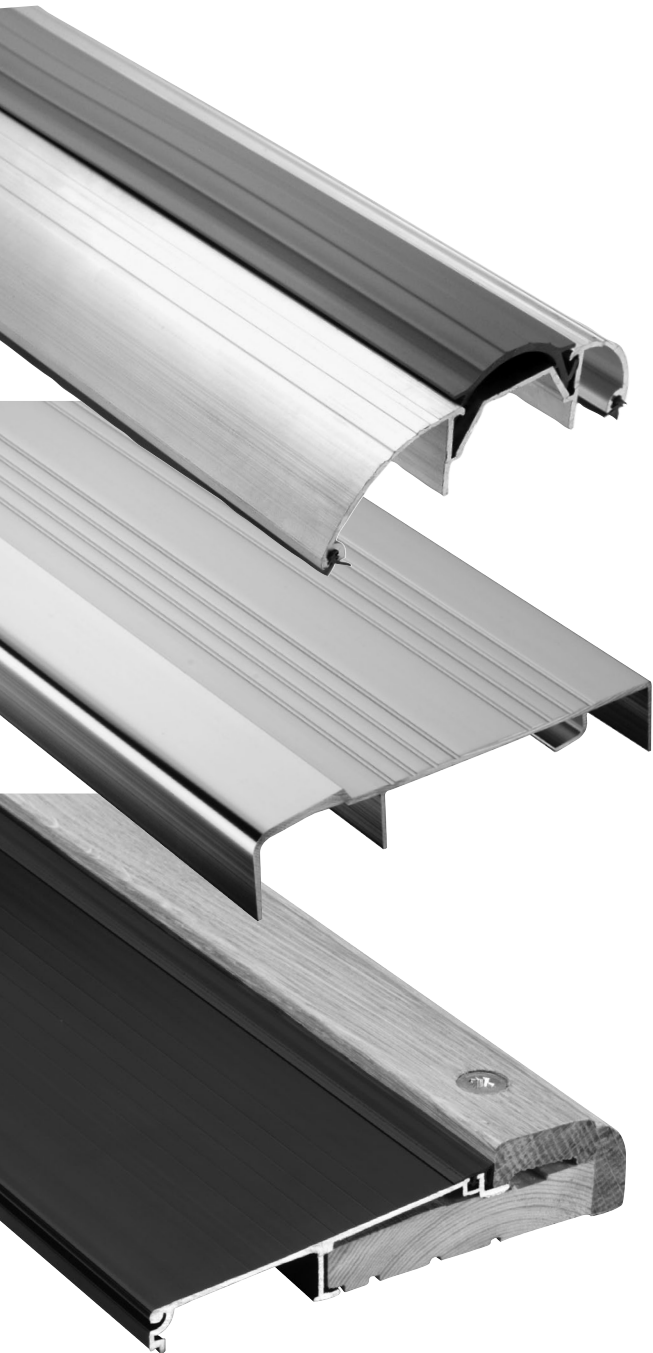
800-824-3018 | [www.assaabloydooraccessories.us](http://www.assaabloydooraccessories.us)  
Check the web site for the up-to-date catalog

Copyright © 2015-2020, ASSA ABLOY Accessories and Door Controls Group, Inc., an ASSA ABLOY Group company. All rights reserved. Reproduction in whole or in part without the express written permission of ASSA ABLOY Accessories and Door Controls Group, Inc. is prohibited.

# RESIDENTIAL THRESHOLDS

## CONTENTS:

Interlocking Thresholds .....	280
Interlocking Thresholds - Water Return .....	281
Residential Thresholds - Water Return .....	282
Adjustable Eco-V™ Top Thresholds .....	282
Eco-V™ Top Thresholds .....	283
Residential Saddles .....	283
Bumper Thresholds for Outswing Doors .....	284
Squareback Thresholds .....	285
Oak Thresholds and Sill Nosings .....	285
Adjustable Aluminum Top Sills .....	287
Adjustable Oak Top Sills .....	288
Outswing Adjustable Oak Top Sills .....	289
Residential All-Aluminum Adjustable Sills .....	289
Fixed Eco-V™ Top Residential Sills .....	290
Residential All-Aluminum Fixed Sills .....	290
Outswing Fixed Bumper Sills .....	291
Extenders For All Residential Sills .....	291
Bumper Thresho-Sills For Outswing Doors .....	292
Thresho-Sills .....	293
Fabrication Options For Thresho-Sills .....	294



## INDEX:

PRODUCT	PAGE	PRODUCT	PAGE	PRODUCT	PAGE
61 .....	283	207 .....	285	2813 .....	284
66 .....	283	208 .....	285	3261 .....	288
67 .....	283	212 .....	285	74518 .....	285
101 .....	282	213 .....	284	75518 .....	291
107 .....	282	214 .....	285	8451 .....	293
108 .....	282	218 .....	285	8452 .....	293
114 .....	282	218OAK .....	288	N84518 .....	292
120 .....	282	219 .....	285	N85518 .....	292
136 .....	283	219OAK .....	288	84514 .....	292
140_M .....	295	231 .....	285	85514 .....	292
142 .....	283	233 .....	285	94518 .....	289
145 .....	283	249 .....	284	95518 .....	289
146 .....	283	250 .....	284	93518 .....	290
147 .....	283	324 .....	288	94518_W .....	290
149 .....	285	326 .....	288	95518_W .....	290
153 .....	294	327 .....	288	EXT3/4 .....	293
160_M .....	294	2051 .....	286	EXT2 .....	293
161_M .....	295	2052 .....	287	EXT3 .....	293
165 .....	294	2053 .....	287	OS95518 .....	291
167 .....	295	2054 .....	287		
205 .....	286	2055 .....	287		
206 .....	285	2500W .....	288		

800-824-3018 | [www.assaabloydooraccessories.us](http://www.assaabloydooraccessories.us)  
Check the web site for the up-to-date catalog

Copyright © 2015-2020, ASSA ABLOY Accessories and Door Controls Group, Inc., an ASSA ABLOY Group company. All rights reserved.  
Reproduction in whole or in part without the express written permission of ASSA ABLOY Accessories and Door Controls Group, Inc. is prohibited.

**ASSA ABLOY**  
Opening Solutions

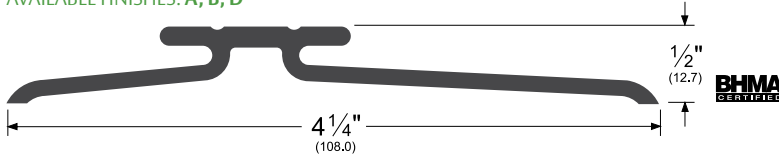
Experience a safer  
and more open world

## Interlocking Thresholds

- All interlocking thresholds (including water return types) and caps are furnished with #61 hooks and nails
- For alternate hooks, see following page

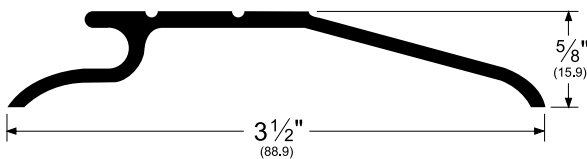
114\_

AVAILABLE FINISHES: A, B, D



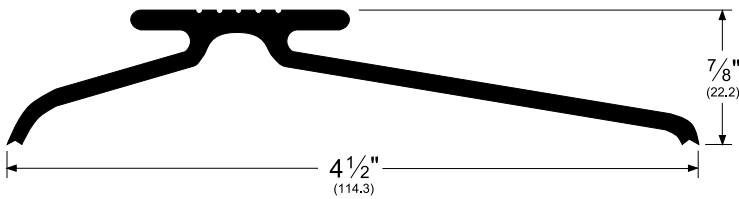
110\_

AVAILABLE FINISHES: A, B, D



120\_

AVAILABLE FINISHES: B



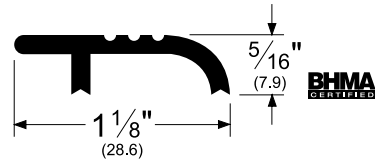
## Threshold Caps

- Typically mounted on an existing saddle-type threshold to create an interlock with a J-hook or L-hook

101\_

AVAILABLE FINISHES: A, B, D

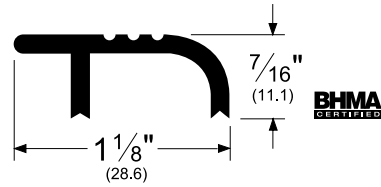
ANSI: J34170



107\_

AVAILABLE FINISHES: A, D

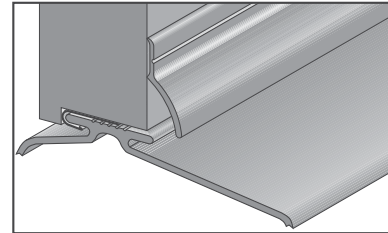
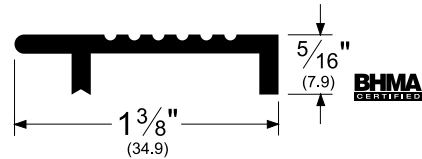
ANSI: J34170



108\_

AVAILABLE FINISH: B

ANSI: J14170



NOTE: Products shown in this section may not be drawn to scale.

AVAILABLE FINISHES FOR PRODUCTS SHOWN ON THIS PAGE (see General Information section for finish chart)  
 A (Mill Finish Aluminum) B (Mill Finish Extruded Bronze [Brass]) D (Dark Bronze Anodized)

**ASSA ABLOY**  
Opening Solutions

Experience a safer  
and more open world

800-824-3018 | [www.assaabloydooraccessories.us](http://www.assaabloydooraccessories.us)

Check the web site for the up-to-date catalog

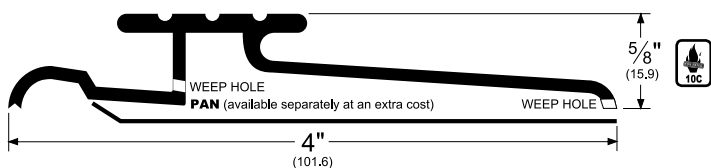
Copyright © 2015-2020, ASSA ABLOY Accessories and Door Controls Group, Inc., an ASSA ABLOY Group company. All rights reserved. Reproduction in whole or in part without the express written permission of ASSA ABLOY Accessories and Door Controls Group, Inc. is prohibited.

## Interlocking Thresholds - Water Return

- Water return thresholds are designed to catch water which may blow or run under the door and return it to the outside through interior weep holes, down the sloped drain pan, and out exterior weep holes
- Product number for the aluminum water return pan is **PAN**
- Products are furnished with #61 hooks and nails

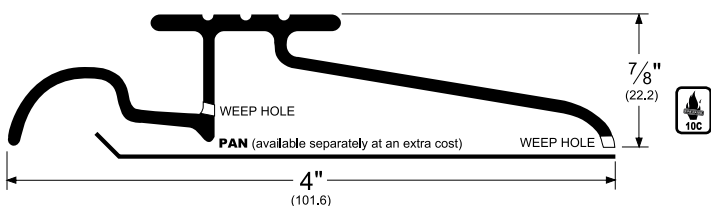
142\_

AVAILABLE FINISHES: **A, D**



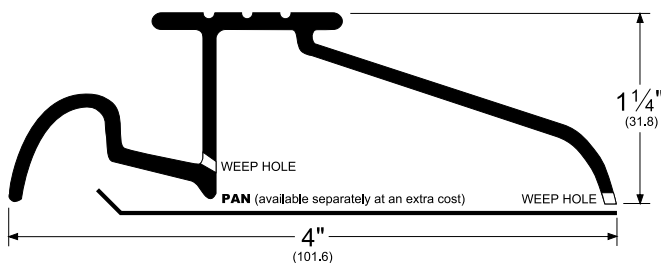
145\_

AVAILABLE FINISHES: **A, B, D**



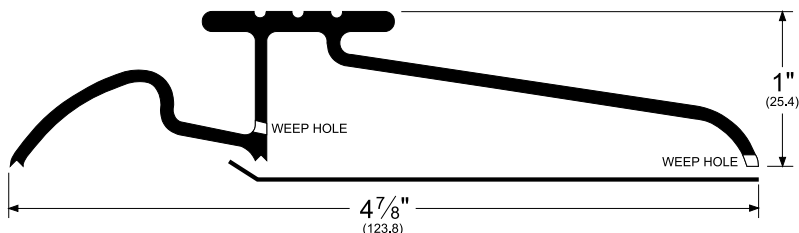
146\_

AVAILABLE FINISHES: **A, B, D**



136\_

AVAILABLE FINISHES: **A, B, D**

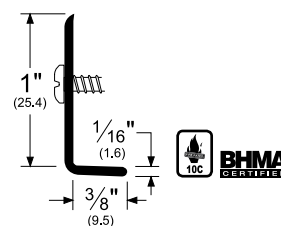


## Hooks

- When installed properly on bottom of door, hooks interlock with threshold for a superior seal
- When substituting #66 or #67 hooks for #61 hooks, price will be increased accordingly. Contact Pemko Customer Service

66\_

AVAILABLE FINISHES: **A, B, D**



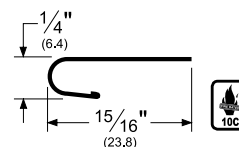
\_61

AVAILABLE FINISHES: **B, Z**

.018 bronze

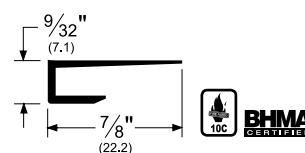
.015 steel

NOTE: B61 is roll form bronze metal



\_67

AVAILABLE FINISHES: **A, D**



NOTE: Products shown in this section may not be drawn to scale.

AVAILABLE FINISHES FOR PRODUCTS SHOWN ON THIS PAGE (see General Information section for finish chart)

**A** (Mill Finish Aluminum) **B** (Mill Finish Extruded Bronze [Brass])

**D** (Dark Bronze Anodized) **G** (Gold Anodized)

For Hooks: **B** (Bronze) **Z** (Steel)

800-824-3018 | [www.assaabloydooraccessories.us](http://www.assaabloydooraccessories.us)

Check the web site for the up-to-date catalog

Copyright © 2015-2020, ASSA ABLOY Accessories and Door Controls Group, Inc., an ASSA ABLOY Group company. All rights reserved. Reproduction in whole or in part without the express written permission of ASSA ABLOY Accessories and Door Controls Group, Inc. is prohibited.

**ASSA ABLOY**  
Opening Solutions

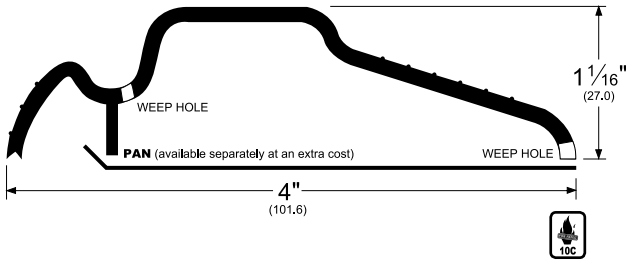
Experience a safer  
and more open world

## Residential Thresholds - Water Return

- Water return thresholds are designed to catch water which may blow or run under the door and return it to the outside through interior weep holes, down the sloped drain pan and out exterior weep holes
- Product number for aluminum water return pan is **PAN**
- Eco-V™ feet replacement insert (where applicable) is **EV12GR**

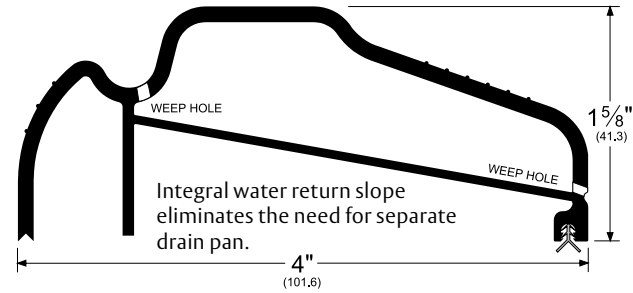
213\_

AVAILABLE FINISHES: **A, D**



2813\_

AVAILABLE FINISHES: **A, D, SN**

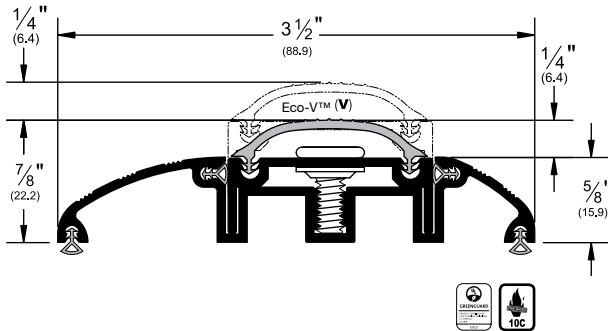


## Adjustable Eco-V™ Top Thresholds

- Furnished with concealed, weather-sealed mounting screws and adjustment mechanism
- Eco-V™ seal adjusts to overcome swelling and/or shrinking of door and floor and eliminates need for shoe or sweep
- Furnished with Eco-V™ (V) insert. Gray replacement Eco-V™ is **PV64GR** (see Weatherization Products section)
- Eco-V™ replacement "foot" insert is **EV63GR**
- Pre-assembled for easy installation and adjustment

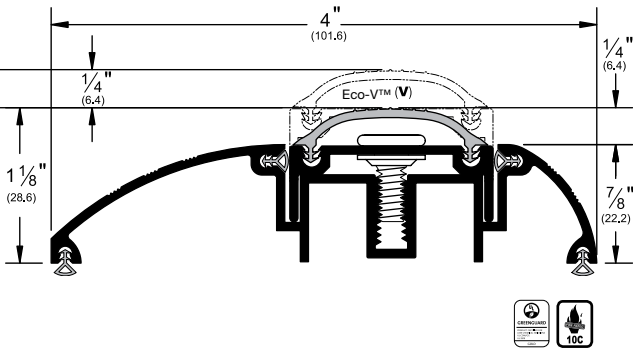
249\_V

AVAILABLE FINISHES: **A, D**  
AVAILABLE LENGTHS: **36", 72"**



250\_V

AVAILABLE FINISHES: **A, D**  
AVAILABLE LENGTHS: **36", 72"**



NOTE: Products shown in this section may not be drawn to scale.

AVAILABLE FINISHES FOR PRODUCTS SHOWN ON THIS PAGE (see General Information section for finish chart)  
**A** (Mill Finish Aluminum) **D** (Dark Bronze Anodized) **SN** (Satin Nickel Anodized)

**ASSA ABLOY**  
Opening Solutions

Experience a safer  
and more open world

800-824-3018 | [www.assaabloydooraccessories.us](http://www.assaabloydooraccessories.us)

Check the web site for the up-to-date catalog

Copyright © 2015-2020, ASSA ABLOY Accessories and Door Controls Group, Inc., an ASSA ABLOY Group company. All rights reserved. Reproduction in whole or in part without the express written permission of ASSA ABLOY Accessories and Door Controls Group, Inc. is prohibited.

## Eco-V™ Top Thresholds

- Eco-V™ (V) top creates a seal at the bottom of the door, eliminating the need for door sweeps or door shoes

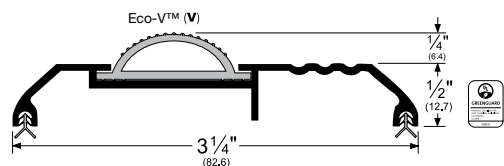
- Eco-V™ feet replacement insert is **EV12GR**

### 206\_V

AVAILABLE FINISHES: **A, D**

Gray replacement Eco-V™ is **PV22GR36**

Black replacement Eco-V™ is **PV22BL36**

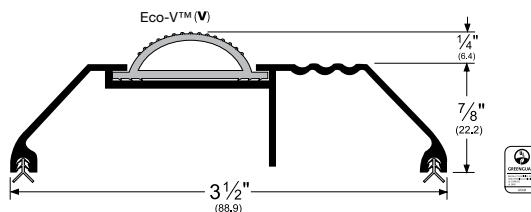


### 207\_V

AVAILABLE FINISHES: **A, D**

Gray replacement Eco-V™ is **PV22GR36**

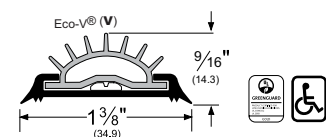
Black replacement Eco-V™ is **PV22BL36**



### 208\_V

AVAILABLE FINISHES: **A, D**

Gray replacement Eco-V™ is **EV15BL** or **EV15GR**



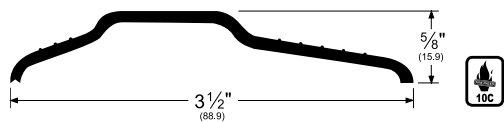
## Residential Saddles

- Use a door bottom shoe or sweep with these thresholds to seal out the elements

- Made of sturdy extruded aluminum
- Replacement Eco-V™ feet (where applicable) is **EV12GR**

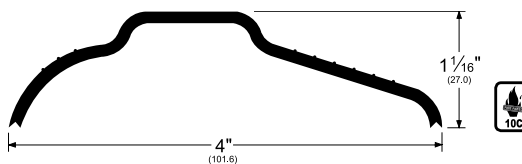
### 212\_

AVAILABLE FINISHES: **A, D**



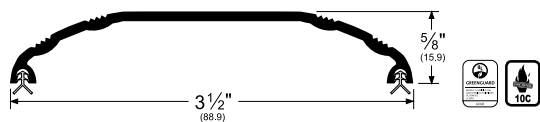
### 214\_

AVAILABLE FINISHES: **A, D**



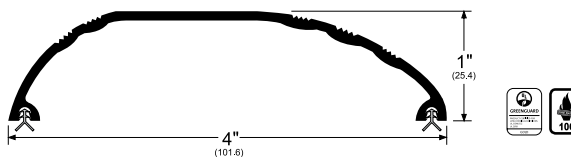
### 218\_

AVAILABLE FINISHES: **A, D, SN**



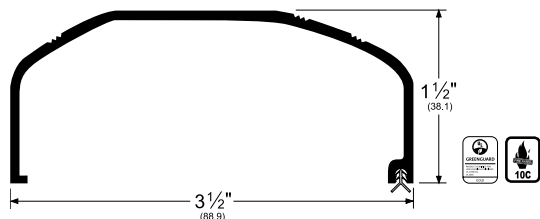
### 219\_

AVAILABLE FINISHES: **A, D, SN**



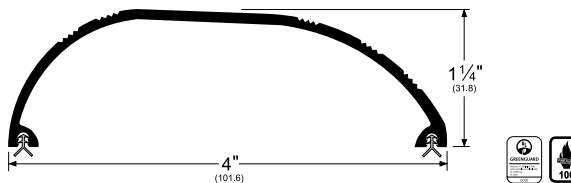
### 231\_

AVAILABLE FINISHES: **A, D**



### 233\_

AVAILABLE FINISHES: **A, D**



NOTE: Products shown in this section may not be drawn to scale.

AVAILABLE FINISHES FOR PRODUCTS SHOWN ON THIS PAGE (see General Information section for finish chart)  
**A** (Mill Finish Aluminum) **D** (Dark Bronze Anodized) **SN** (Satin Nickel Anodized)

800-824-3018 | [www.assaabloydooraccessories.us](http://www.assaabloydooraccessories.us)

Check the web site for the up-to-date catalog

Copyright © 2015-2020, ASSA ABLOY Accessories and Door Controls Group, Inc., an ASSA ABLOY Group company. All rights reserved. Reproduction in whole or in part without the express written permission of ASSA ABLOY Accessories and Door Controls Group, Inc. is prohibited.

**ASSA ABLOY**  
Opening Solutions

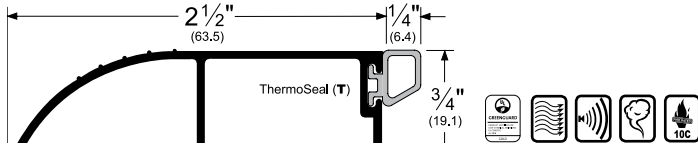
Experience a safer  
and more open world

# Bumper Thresholds for Outswing Doors

- In the closed position, the door butts up to bumper seal on threshold creating a seal against the elements

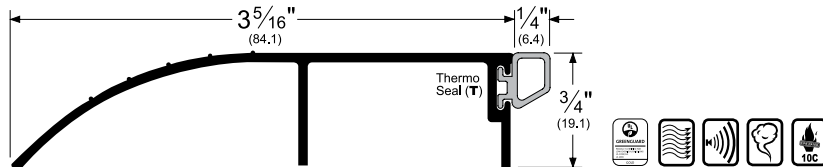
## 149\_T

AVAILABLE FINISHES: **A, D**  
REPLACEMENT INSERT: **T5 (BL)**



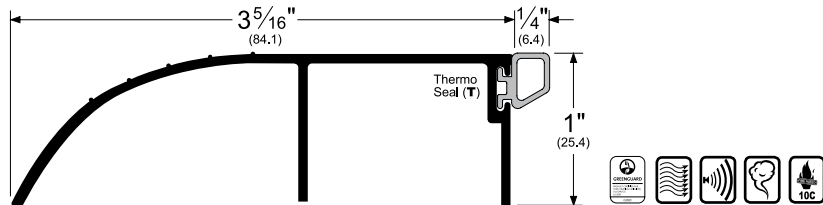
## 205\_T

AVAILABLE FINISHES: **A, D**  
REPLACEMENT INSERT: **T5 (BL)**



## 2051\_T

AVAILABLE FINISHES: **A, D**  
REPLACEMENT INSERT: **T5 (BL)**



### Alternate Insert For 149

#### 149\_P

AVAILABLE FINISHES: **A, D**



REPLACEMENT INSERT: **P2 (BL, GR)**



#### 149\_V

AVAILABLE FINISHES: **A, D**



REPLACEMENT INSERT: **EV41 (BL, GR, W)**



### Alternate Insert For 205

#### 205\_P

AVAILABLE FINISHES: **A, D**



REPLACEMENT INSERT: **P2 (BL, GR)**



#### 205\_V

AVAILABLE FINISHES: **A, D**



REPLACEMENT INSERT: **EV41 (BL, GR, W)**



### Alternate Insert For 2051

#### 2051\_P

AVAILABLE FINISHES: **A, D**



REPLACEMENT INSERT: **P2 (BL, GR)**



#### 2051\_V

AVAILABLE FINISHES: **A, D**



REPLACEMENT INSERT: **EV41 (BL, GR, W)**



NOTE: Products shown in this section may not be drawn to scale.

AVAILABLE FINISHES FOR PRODUCTS SHOWN ON THIS PAGE (see General Information section for finish chart)  
**A** (Mill Finish Aluminum) **D** (Dark Bronze Anodized)

**ASSA ABLOY**  
Opening Solutions

Experience a safer  
and more open world

800-824-3018 | [www.assaabloydooraccessories.us](http://www.assaabloydooraccessories.us)

Check the web site for the up-to-date catalog

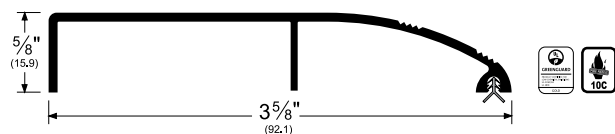
Copyright © 2015-2020, ASSA ABLOY Accessories and Door Controls Group, Inc., an ASSA ABLOY Group company. All rights reserved. Reproduction in whole or in part without the express written permission of ASSA ABLOY Accessories and Door Controls Group, Inc. is prohibited.

## Squareback Thresholds

- Replacement Eco-V™ feet (where applicable) is **EV12GR**
- Interior support leg flushes with interior jamb in application, allowing flooring to squarely abut threshold
- Ideal for tall terra cotta, plush carpet or stone paver entry applications for smooth transition
- Gently sloping and ribbed exterior ramp eliminates trip hazard while providing maximum rain guard. (Be sure to caulk all support legs or lay in mastic for best seal)
- Center support leg provides for engineered threshold stability

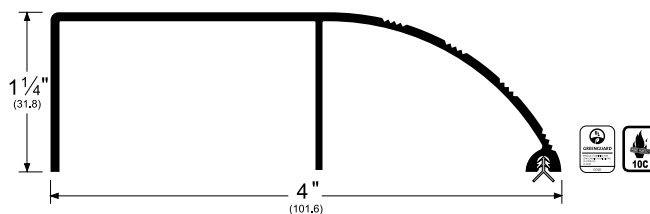
### 2052\_

AVAILABLE FINISHES: **A, D**



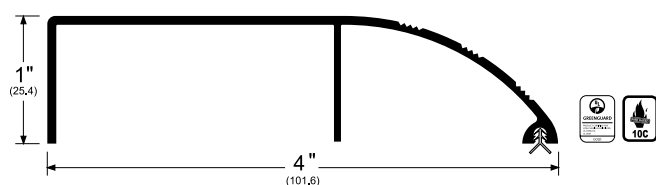
### 2054\_

AVAILABLE FINISHES: **A, D**



### 2053\_

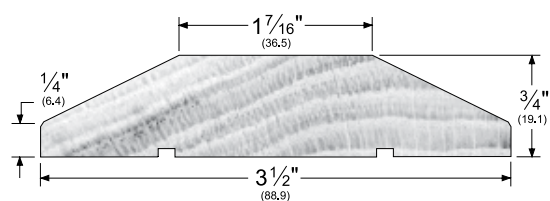
AVAILABLE FINISHES: **A, D**



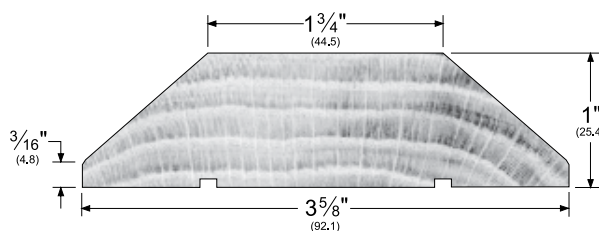
## Oak Thresholds

- Natural unfinished oak provides beauty as well as thermal benefits
- Available in 36" or 72" lengths only

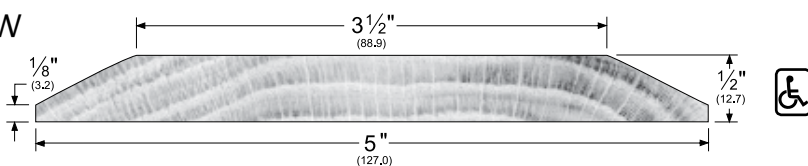
### 218OAK



### 219OAK



### 2500W



NOTE: Products shown in this section may not be drawn to scale.

AVAILABLE FINISHES FOR PRODUCTS SHOWN ON THIS PAGE (see General Information section for finish chart)  
**A** (Mill Finish Aluminum) **D** (Dark Bronze Anodized) **OAK** (Natural Unfinished Oak) **W** (Solid Oak)

800-824-3018 | [www.assaabloydooraccessories.us](http://www.assaabloydooraccessories.us)

Check the web site for the up-to-date catalog

Copyright © 2015-2020, ASSA ABLOY Accessories and Door Controls Group, Inc., an ASSA ABLOY Group company. All rights reserved. Reproduction in whole or in part without the express written permission of ASSA ABLOY Accessories and Door Controls Group, Inc. is prohibited.

**ASSA ABLOY**  
Opening Solutions

Experience a safer  
and more open world

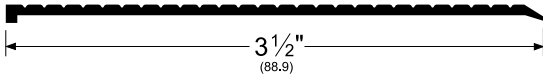


## Sill Nosings

- Used to cover concrete or wood sill
- Provides an attractive finished look to new and old door openings, covering defects in existing sill
- Sill nosings are held in place with mastic and pressure from threshold placement

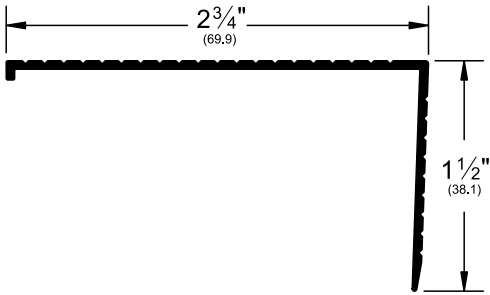
324\_

AVAILABLE FINISHES: **A, B, D**



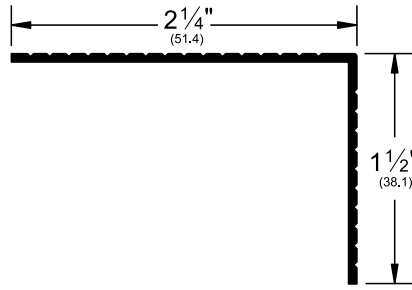
326\_

AVAILABLE FINISHES:  
**A, B, D, SN**



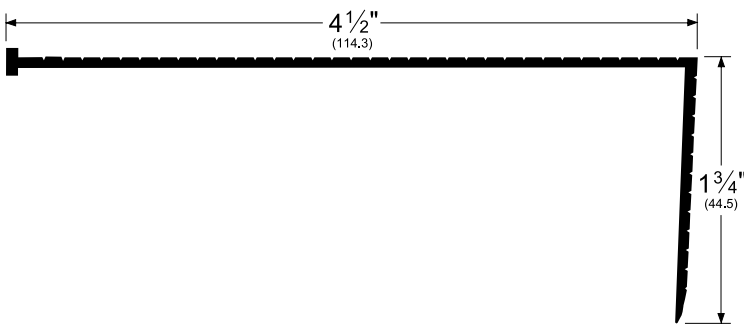
3261\_

AVAILABLE FINISHES: **A, D, SN**



327\_

AVAILABLE FINISHES: **A, D, PW, SN**



NOTE: Products shown in this section may not be drawn to scale.

AVAILABLE FINISHES FOR PRODUCTS SHOWN ON THIS PAGE (see General Information section for finish chart)  
**A** (Mill Finish Aluminum) **B** (Mill Finish Extruded Bronze [Brass]) **D** (Dark Bronze Anodized)  
**PW** (Painted White) **SN** (Satin Nickel Anodized)

**ASSA ABLOY**  
Opening Solutions

Experience a safer  
and more open world

800-824-3018 | [www.assaabloydooraccessories.us](http://www.assaabloydooraccessories.us)  
Check the web site for the up-to-date catalog

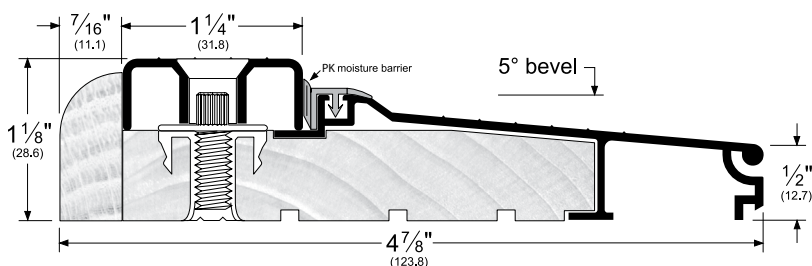
## Residential Millwork Sills

- Sills for use with standard 4<sup>5</sup>/<sub>8</sub>" jamb width with easy snap-on extension for jambs as wide as 8<sup>3</sup>/<sub>4</sub>"
- For fabrication options for adjustable or fixed substrate sills, such as honing or sidelite mullion notching, contact Pemko Customer Service
- Residential Sills are designed specifically for the pre-hung door market. They are furnished un-drilled and without screws or nails
- Adjustable up to 1/4" to compensate for uneven door bottoms and sub-sill level changes. Two-part zinc plated steel stud shoulder screw joins a long-barreled, zinc plated steel T-nut for superior stability and long-lasting reliability
- PemkoPrene (PK) moisture barrier prevents water intrusion. Design of PemkoPrene (PK) bulb configuration keeps constant pressure between aluminum cap and aluminum extrusion at any level of adjustment (bulb shown compressed). Replacement insert is PK74BL
- Available in standard sizes 32.5", 36.5", and 73.75"

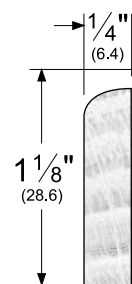
## Adjustable Aluminum Top Sills

### 94518\_

AVAILABLE FINISHES: **A, D**

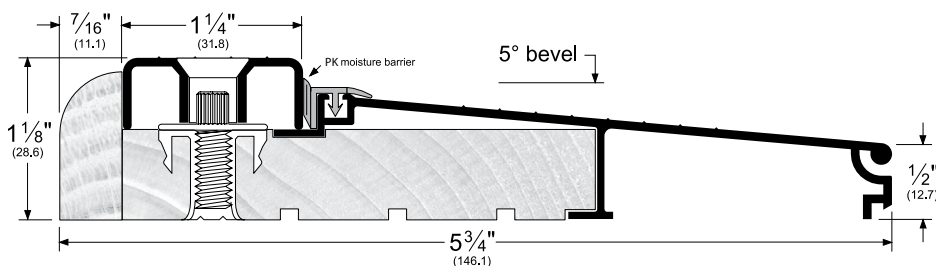


Add "NT" to the end of product number to order narrow trim (i.e. **94518A36.5NT**). Full width of sill changes from 4<sup>7</sup>/<sub>8</sub>" to 4<sup>11</sup>/<sub>16</sub>".

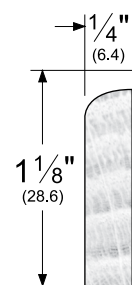


### 95518\_

AVAILABLE FINISHES: **A, D**



Add "NT" to the end of product number to order narrow trim (i.e. **95518A36.5NT**). Full width of sill changes from 5<sup>3</sup>/<sub>4</sub>" to 5<sup>9</sup>/<sub>16</sub>".



NOTE: Products shown in this section may not be drawn to scale.

AVAILABLE FINISHES FOR PRODUCTS SHOWN ON THIS PAGE (see General Information section for finish chart)  
**A** (Mill Finish Aluminum) **BDG** (Bright Dip Gold Anodized) **D** (Dark Bronze Anodized) **SN** (Satin Nickel Anodized)

800-824-3018 | [www.assaabloydooraccessories.us](http://www.assaabloydooraccessories.us)  
 Check the web site for the up-to-date catalog

Copyright © 2015-2020, ASSA ABLOY Accessories and Door Controls Group, Inc., an ASSA ABLOY Group company. All rights reserved.  
 Reproduction in whole or in part without the express written permission of ASSA ABLOY Accessories and Door Controls Group, Inc. is prohibited.

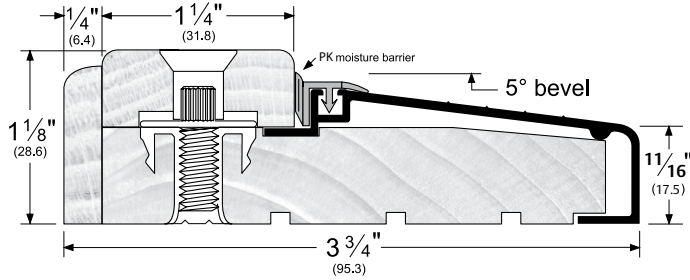
**ASSA ABLOY**  
 Opening Solutions

Experience a safer  
 and more open world

# Adjustable Oak Top Sills

93518\_W

AVAILABLE FINISHES: A, D



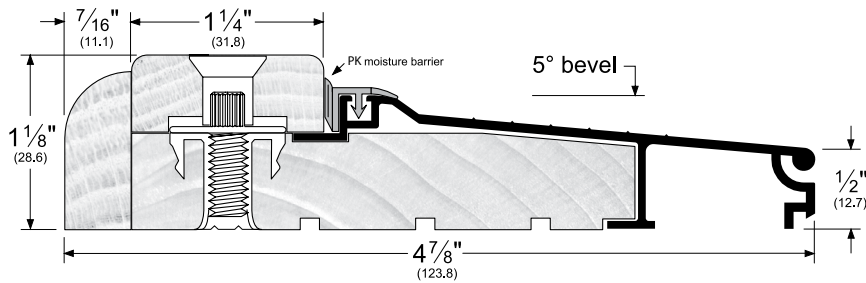
Available with optional Synthetic Wood Substrate

93518\_W\_SYN

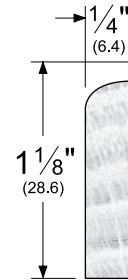
AVAILABLE FINISH: A, D

94518\_W

AVAILABLE FINISHES: A, D

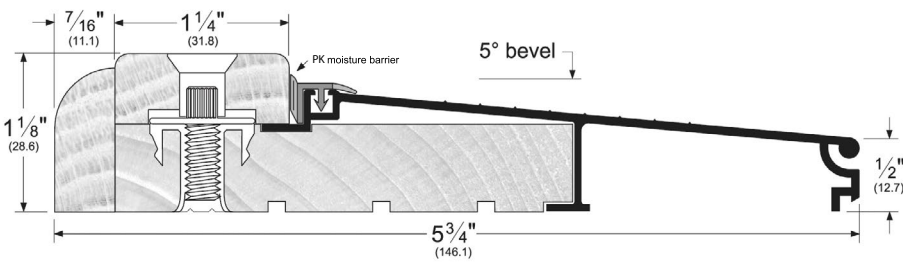


Add "NT" to the end of product number to order narrow trim (i.e. **94518AW36.5NT**). Full width of sill changes from 4 7/8" to 4 11/16".

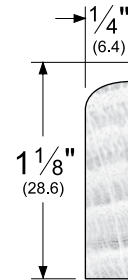


95518\_W

AVAILABLE FINISHES: A, D



Add "NT" to the end of product number to order narrow trim (i.e. **95518AW36.5NT**). Full width of sill changes from 5 3/4" to 5 9/16".



NOTE: Products shown in this section may not be drawn to scale.

AVAILABLE FINISHES FOR PRODUCTS SHOWN ON THIS PAGE (see General Information section for finish chart)  
**A** (Mill Finish Aluminum) **BDG** (Bright Dip Gold Anodized) **D** (Dark Bronze Anodized)  
**SN** (Satin Nickel Anodized)

**ASSA ABLOY**  
Opening Solutions

Experience a safer  
and more open world

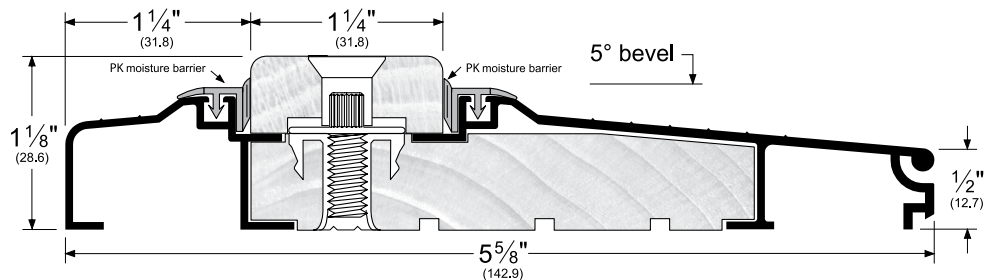
800-824-3018 | [www.assaabloydooraccessories.us](http://www.assaabloydooraccessories.us)  
Check the web site for the up-to-date catalog

Copyright © 2015-2020, ASSA ABLOY Accessories and Door Controls Group, Inc., an ASSA ABLOY Group company. All rights reserved. Reproduction in whole or in part without the express written permission of ASSA ABLOY Accessories and Door Controls Group, Inc. is prohibited.

## Outswing Adjustable Oak Top Sills

OS95518\_W

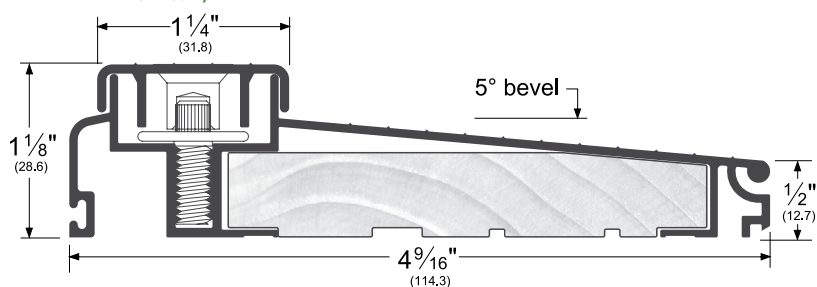
AVAILABLE FINISHES: **A, D**



## Residential All-Aluminum Adjustable Sills

74518\_

AVAILABLE FINISHES: **A, D**



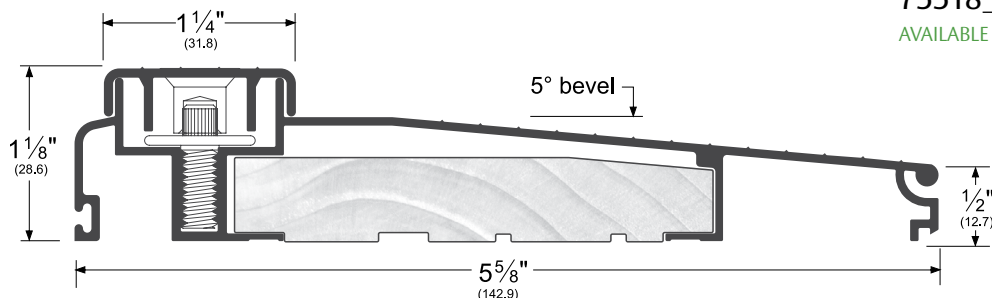
Available with optional Synthetic Wood Substrate

74518\_SYN

AVAILABLE FINISHES: **A, D**

75518\_

AVAILABLE FINISHES: **A, D**



Available with optional Synthetic Wood Substrate

75518\_SYN

AVAILABLE FINISHES: **A, D**

NOTE: Products shown in this section may not be drawn to scale.

AVAILABLE FINISHES FOR PRODUCTS SHOWN ON THIS PAGE (see General Information section for finish chart)  
**A** (Mill Finish Aluminum) **D** (Dark Bronze Anodized)

800-824-3018 | [www.assaabloydooraccessories.us](http://www.assaabloydooraccessories.us)

Check the web site for the up-to-date catalog

Copyright © 2015-2020, ASSA ABLOY Accessories and Door Controls Group, Inc., an ASSA ABLOY Group company. All rights reserved.  
 Reproduction in whole or in part without the express written permission of ASSA ABLOY Accessories and Door Controls Group, Inc. is prohibited.

**ASSA ABLOY**  
 Opening Solutions

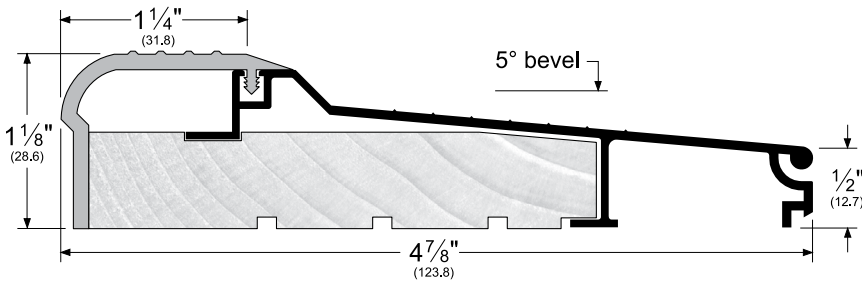
Experience a safer  
 and more open world

## Fixed Eco-V™ Top Residential Sills

- Fixed rigid Eco-V™ (V) cap includes ratchet lock feature which prevents moisture penetration and securely fastens Eco-V™ to aluminum extrusion

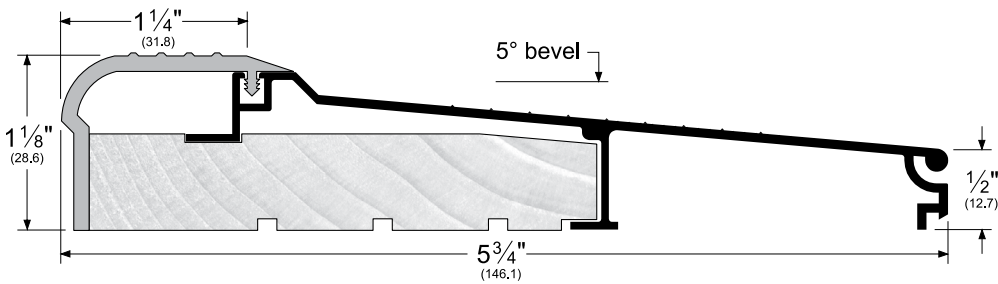
### N84518\_V

AVAILABLE FINISHES: A, D



### N85518\_V

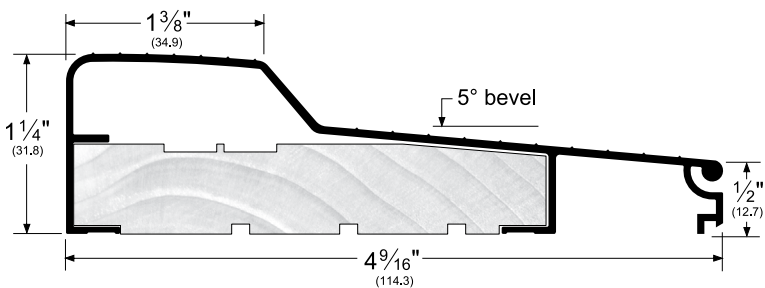
AVAILABLE FINISHES: A, D



## Residential All-Aluminum Fixed Sills

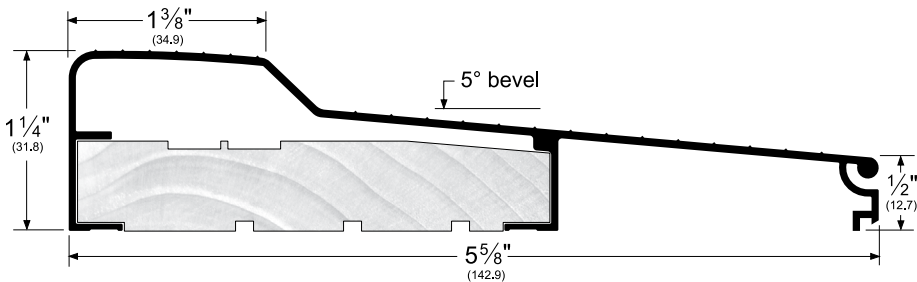
### 84514\_

AVAILABLE FINISHES: A, D



### 85514\_

AVAILABLE FINISHES: A, D



NOTE: Products shown in this section may not be drawn to scale.

AVAILABLE FINISHES FOR PRODUCTS SHOWN ON THIS PAGE (see General Information section for finish chart)  
 A (Mill Finish Aluminum) D (Dark Bronze Anodized)

**ASSA ABLOY**  
 Opening Solutions

Experience a safer  
 and more open world

800-824-3018 | [www.assaabloydooraccessories.us](http://www.assaabloydooraccessories.us)  
 Check the web site for the up-to-date catalog

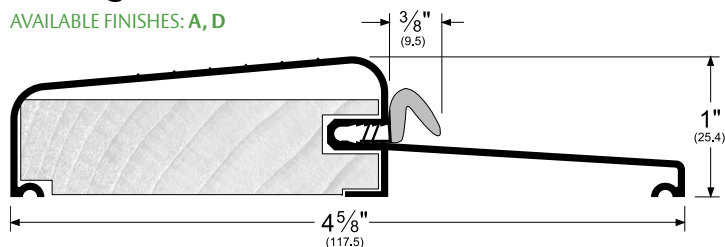
Copyright © 2015-2020, ASSA ABLOY Accessories and Door Controls Group, Inc., an ASSA ABLOY Group company. All rights reserved.  
 Reproduction in whole or in part without the express written permission of ASSA ABLOY Accessories and Door Controls Group, Inc. is prohibited.

## Outswing Fixed Bumper Sills

- High dam design restricts water intrusion
- Supplied with high quality Q103 (Q) kerf-in seal
- 8452\_Q is extendable to interior

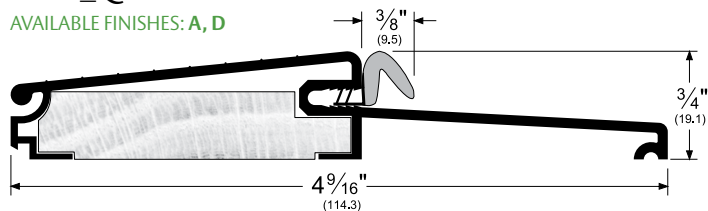
### 8451\_Q

AVAILABLE FINISHES: A, D



### 8452\_Q

AVAILABLE FINISHES: A, D

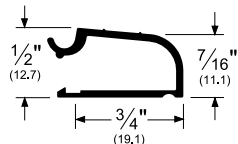


## Extenders For All Residential Sills

- Extenders fit all 4 7/8" wide and 5 3/4" wide extrusions
- Extenders are available for jambs as wide as 8 3/4"
- Not for use with 8451\_Q

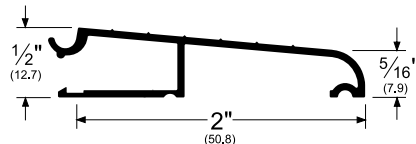
### EXT3/4\_

AVAILABLE FINISHES: A, D



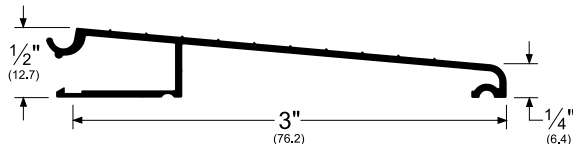
### EXT2\_

AVAILABLE FINISHES: A, D



### EXT3\_

AVAILABLE FINISHES: A, D



NOTE: Products shown in this section may not be drawn to scale.

AVAILABLE FINISHES FOR PRODUCTS SHOWN ON THIS PAGE (see General Information section for finish chart)  
**A** (Mill Finish Aluminum) **D** (Dark Bronze Anodized)  
 For Kerf Gasket: **BL** (Black) **W** (White)

800-824-3018 | [www.assaabloydooraccessories.us](http://www.assaabloydooraccessories.us)  
 Check the web site for the up-to-date catalog

Copyright © 2015-2020, ASSA ABLOY Accessories and Door Controls Group, Inc., an ASSA ABLOY Group company. All rights reserved.  
 Reproduction in whole or in part without the express written permission of ASSA ABLOY Accessories and Door Controls Group, Inc. is prohibited.

**ASSA ABLOY**  
 Opening Solutions

Experience a safer  
 and more open world

## Bumper Thresho-Sills For Outswing Doors

- Please specify whether the part is to be used for a standard threshold or for a prehung application. For a standard threshold application, the part is supplied with 3 holes on center and 1/2" over net length (less than 48") or 1" over net length (48" and over). For a prehung application, the part is supplied according to fabrication options for thresho-sills - STYLE 4 only (see page 296).

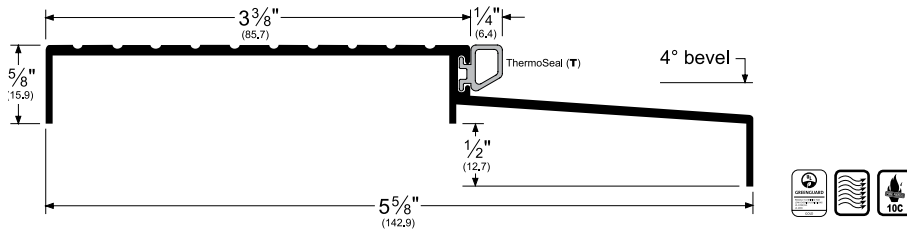
### 153\_T

AVAILABLE FINISHES:

**A, D**

REPLACEMENT INSERT: **T5 (BL)**

Allow 3/8" door clearance.



### Alternate Insert

### 153\_V

AVAILABLE FINISHES:

**A, D,**

REPLACEMENT INSERT:

**EV41 (BL, GR, W)**



NOTE: Products shown in this section may not be drawn to scale.

AVAILABLE FINISHES FOR PRODUCTS SHOWN ON THIS PAGE (see General Information section for finish chart)  
**A** (Mill Finish Aluminum) **D** (Dark Bronze Anodized)

**ASSA ABLOY**  
 Opening Solutions

Experience a safer  
 and more open world

800-824-3018 | [www.assaabloydooraccessories.us](http://www.assaabloydooraccessories.us)

Check the web site for the up-to-date catalog

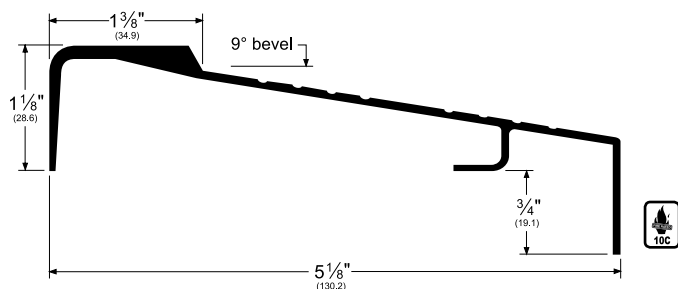
Copyright © 2015-2020, ASSA ABLOY Accessories and Door Controls Group, Inc., an ASSA ABLOY Group company. All rights reserved. Reproduction in whole or in part without the express written permission of ASSA ABLOY Accessories and Door Controls Group, Inc. is prohibited.

## Thresho-Sills

- The following products are designed specifically for the prehung door market

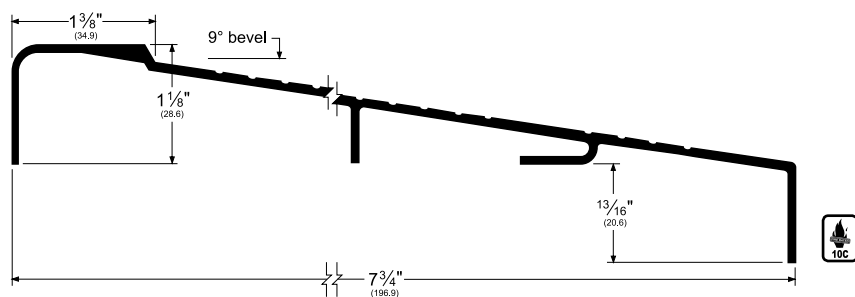
### 160\_M

AVAILABLE FINISHES: A, D



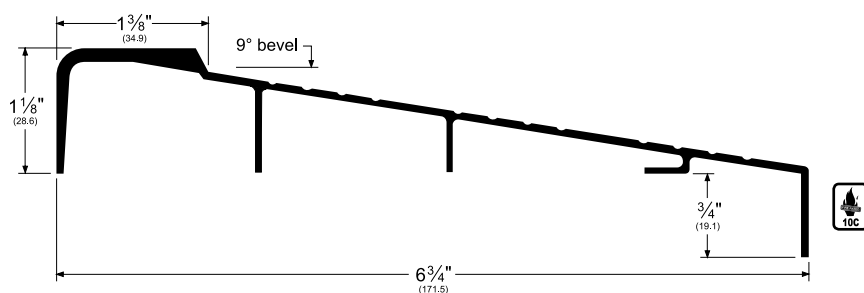
### 161\_M

AVAILABLE FINISHES: A, D



### 140\_M

AVAILABLE FINISHES: A, D

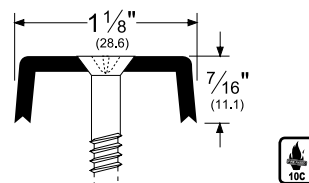


- See *updated* fabrication options for thresho-sills (see page 296) for complete information and drawings regarding milling, drilling, and notching

### 167\_

AVAILABLE FINISHES: A, D

- Riser fastens to top of any thresho-sill
- Supplied with both wood and sheet metal screws
- Specify NET length when ordering
- Furnished undrilled unless drilling instructions are specified when ordering



NOTE: Products shown in this section may not be drawn to scale.

AVAILABLE FINISHES FOR PRODUCTS SHOWN ON THIS PAGE (see General Information section for finish chart)  
 A (Mill Finish Aluminum) D (Dark Bronze Anodized)

800-824-3018 | [www.assaabloydooraccessories.us](http://www.assaabloydooraccessories.us)  
 Check the web site for the up-to-date catalog

Copyright © 2015-2020, ASSA ABLOY Accessories and Door Controls Group, Inc., an ASSA ABLOY Group company. All rights reserved.  
 Reproduction in whole or in part without the express written permission of ASSA ABLOY Accessories and Door Controls Group, Inc. is prohibited.

**ASSA ABLOY**  
 Opening Solutions

Experience a safer  
 and more open world



## Fabrication Options For Thresho-Sills

### STYLE 3A (standard mill)

- Fabrication includes:  $\frac{3}{4}$ " mill each end, 3 nail holes at each end, and one center screw
- Preparation: Cut jamb  $\frac{3}{4}$ " at angle and height of threshold. Nail threshold to underside of jamb
- Ordering: Add 1 $\frac{1}{2}$ " to net opening dimension and designate Style 3A by adding "M" following product number and add "x3A" after length

(Example: A 160\_M profile for a 36" net opening with a STYLE 3A fabrication = 160\_MM37.5x3A)

### STYLE 3B (modification of STYLE 3A)

- Fabrication includes:  $\frac{3}{8}$ " mill each end, 3 nail holes at each end, and one center screw
- Preparation: Cut jamb  $\frac{3}{8}$ " at angle and height of threshold. Nail threshold to underside of jamb
- Ordering: Add  $\frac{3}{4}$ " to net opening dimension and designate STYLE 3B by adding "M" following product number and add "x3B" after length

(Example: A 160\_M profile for a 36" net opening with a STYLE 3B fabrication = 160\_MM36.75x3B)

### STYLE 3C (modification of STYLE 3A)

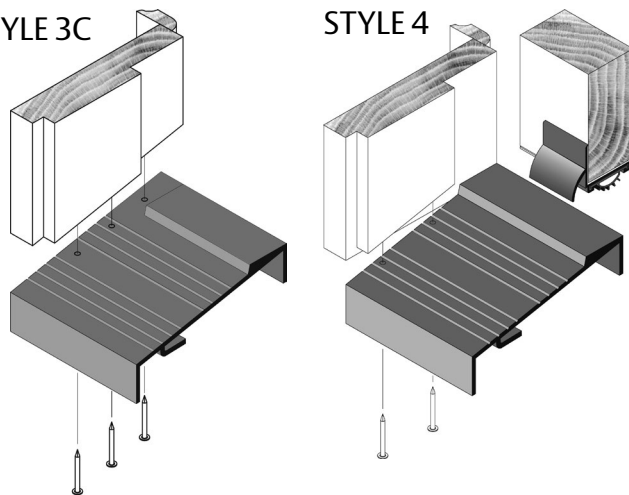
- Fabrication includes:  $\frac{1}{2}$ " mill each end, 3 nail holes at each end, and one center screw
- Preparation: Cut jamb  $\frac{1}{2}$ " at angle and height of threshold. Nail threshold to underside of jamb
- Ordering: Add 1" to net opening dimension and designate STYLE 3C by adding "M" following product number and add "x3C" after length

(Example: A 160\_M profile for a 36" net opening with a STYLE 3C fabrication = 160\_MM37x3C)

### STYLE 3A

### STYLE 3B

### STYLE 3C



### STYLE 4

- Fabrication includes: 2 nail holes at each end and one center screw
- Preparation: Rabbet stop to angle and height of threshold. Nail threshold to underside of stop
- Ordering: Order net opening dimension and designate STYLE 4 by adding "H" following the product number

(Example: A 160\_M profile for a 36" net opening with a STYLE 4 fabrication = 160\_MH36)

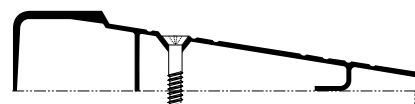
### L-NOTCH

- Accommodates trim molding by notching corner of product
- Fabrication: Customer must supply diagram indicating location and dimensions of L-NOTCH (see drawing)
- Pemko Customer Service can provide form to fill in location and dimensions
- Ordering: Specify "L-NOTCH". After fabrication, orders are non-cancellable and non-returnable

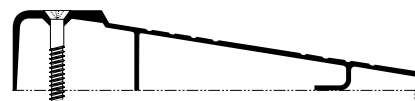
### U-NOTCH

- For use with pre-installed door frames, to "drop-in" around door frame stops
- Fabrication: Customers must supply diagram indicating location and dimensions of U-NOTCH cut-out
- Pemko Customer Service can provide form to fill in location and dimensions
- Ordering: Specify "U-NOTCH". After fabrication, orders are non-cancellable and non-returnable

### Screw Location

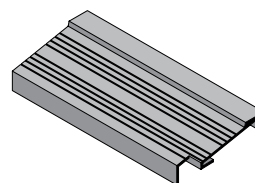


Standard thresho-sill center screw is located on the slope.

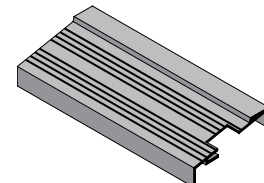


Alternate thresho-sill screw is located on the top of the sill. Specify "thresho-sill screws on top".

### L-NOTCH



### U-NOTCH



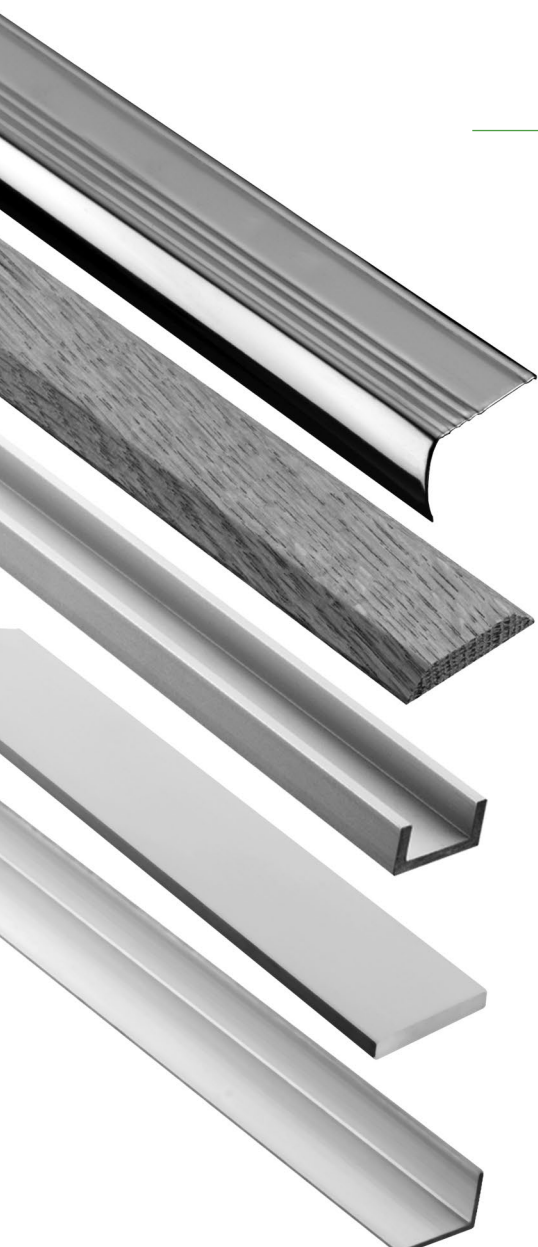
**ASSA ABLOY**  
Opening Solutions

Experience a safer  
and more open world

800-824-3018 | [www.assaabloydooraccessories.us](http://www.assaabloydooraccessories.us)

Check the web site for the up-to-date catalog

Copyright © 2015-2020, ASSA ABLOY Accessories and Door Controls Group, Inc., an ASSA ABLOY company. All rights reserved. Reproduction in whole or in part without the express written permission of ASSA ABLOY Accessories and Door Controls Group, Inc. is prohibited.



## FLOOR MOLDING, TRIM & HANDYSHAPES™

### CONTENTS:

Carpet Bar - Standard.....	296
Seam Binding.....	296
Stair Nosing and Edging.....	296
Oak Seam Binding, Floor Edging, and Carpet Trim.....	297

### INDEX:

PRODUCT	PAGE	PRODUCT	PAGE	PRODUCT	PAGE
2120.....	298	2134.....	298	2300W.....	299
2131.....	298	2175W.....	299	2350W.....	299
2132.....	298	2218.....	298	2500W.....	299
2132W.....	299	2219.....	298	2604.....	298
2133W.....	299	2219W.....	299	2604W.....	299

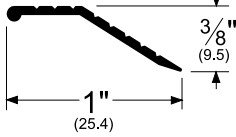
## Carpet Bar - Standard

- Carpet Bars protect and provide a neat trim for the edge of carpet

### 2131\_

AVAILABLE FINISHES: **A, G**  
AVAILABLE LENGTHS: **36", 72"**

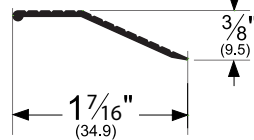
Provided with drive nails



### 2132\_

AVAILABLE FINISHES: **A, G**  
AVAILABLE LENGTHS: **36", 72"**

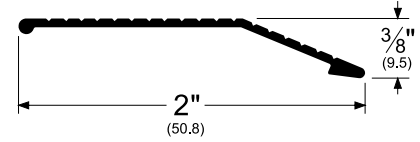
Provided with drive nails



### 2134\_

AVAILABLE FINISHES: **A, G**  
AVAILABLE LENGTHS: **36", 72"**

Provided with drive nails



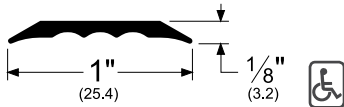
## Seam Binding

- Covers seams and joins in linoleum, tile, carpet, and other floor coverings

### 2218\_

AVAILABLE FINISHES: **A, G**  
AVAILABLE LENGTHS: **36", 72"**

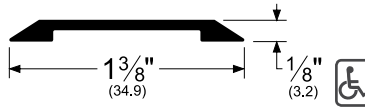
Provided with drive nails



### 2219\_

AVAILABLE FINISHES: **A, G**  
AVAILABLE LENGTHS: **36", 72"**

Provided with drive nails



## Stair Nosing

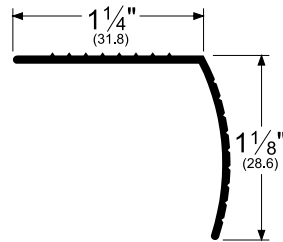
- Protects and improves the appearance of stair edges

### 2120\_

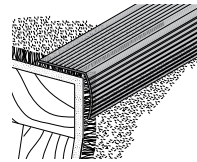
AVAILABLE FINISHES: **A, G**  
AVAILABLE LENGTHS: **36", 72"**

Provided with drive nails

Ribbed top surface and fluted face



### Typical Installation



2120\_ shown installed

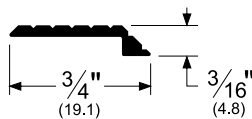
## Edging

- Protects and provides neat trim for edge of linoleum, tile, and other floor coverings

### 2604\_

AVAILABLE FINISHES: **A, G**  
AVAILABLE LENGTHS: **36", 72"**

Provided with screw nails



### Typical Installation



2604\_ shown installed

AVAILABLE FINISHES FOR PRODUCTS SHOWN ON THIS PAGE (see General Information section for finish chart)  
**A** (Mill Finish Aluminum) **G** (Gold Anodized)

**ASSA ABLOY**  
Opening Solutions

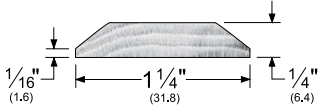
800-824-3018 | [www.assaabloydooraccessories.us](http://www.assaabloydooraccessories.us)  
Check the web site for the up-to-date catalog

## Oak Seam Binding

- Oak Seam Binding covers seams between wood, tile, linoleum and other surfaces
- Oak is provided unfinished with countersunk holes and brass plated screws

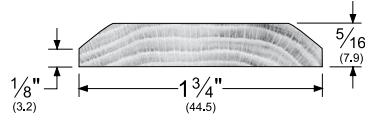
### 2219W

AVAILABLE LENGTHS: 36", 72"



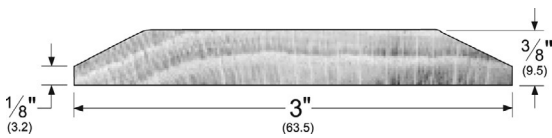
### 2175W

AVAILABLE LENGTHS: 36", 72"



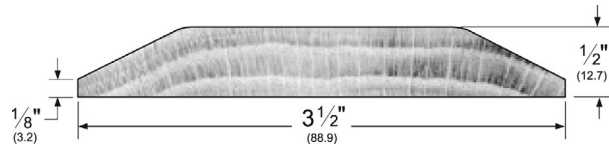
### 2300W

AVAILABLE LENGTHS: 36", 72"



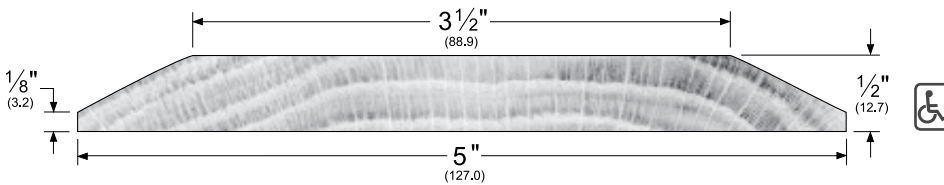
### 2350W

AVAILABLE LENGTH: 36"



### 2500W

AVAILABLE LENGTHS: 36", 72"

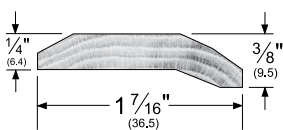


## Oak Carpet Trim

- Oak Carpet Trim covers, protects and beautifies carpet edges
- Also covers seams between two surfaces of different height
- Oak is provided unfinished with countersunk holes and brass plated screws

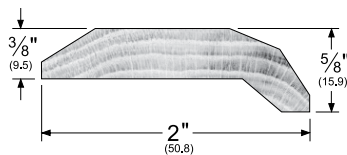
### 2132W

AVAILABLE FINISH: W  
AVAILABLE LENGTHS: 36", 72"



### 2133W

AVAILABLE FINISH: W  
AVAILABLE LENGTHS: 36", 72"

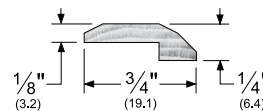


## Oak Floor Edging

- Covers, protects, and provides a neat trim for edges of wood, tile, linoleum, and other surfaces
- Oak is provided unfinished with countersunk holes and brass plated screws

### 2604W

AVAILABLE FINISH: W  
AVAILABLE LENGTHS: 36", 72"



AVAILABLE FINISHES FOR PRODUCTS SHOWN ON THIS PAGE (see General Information section for finish chart)  
W (Solid Oak)

800-824-3018 | [www.assaabloymdooraccessories.us](http://www.assaabloymdooraccessories.us)  
Check the web site for the up-to-date catalog

Copyright © 2015-2020, ASSA ABLOY Accessories and Door Controls Group, Inc., an ASSA ABLOY Group company. All rights reserved.  
Reproduction in whole or in part without the express written permission of ASSA ABLOY Accessories and Door Controls Group, Inc. is prohibited.

**ASSA ABLOY**  
Opening Solutions

Experience a safer  
and more open world



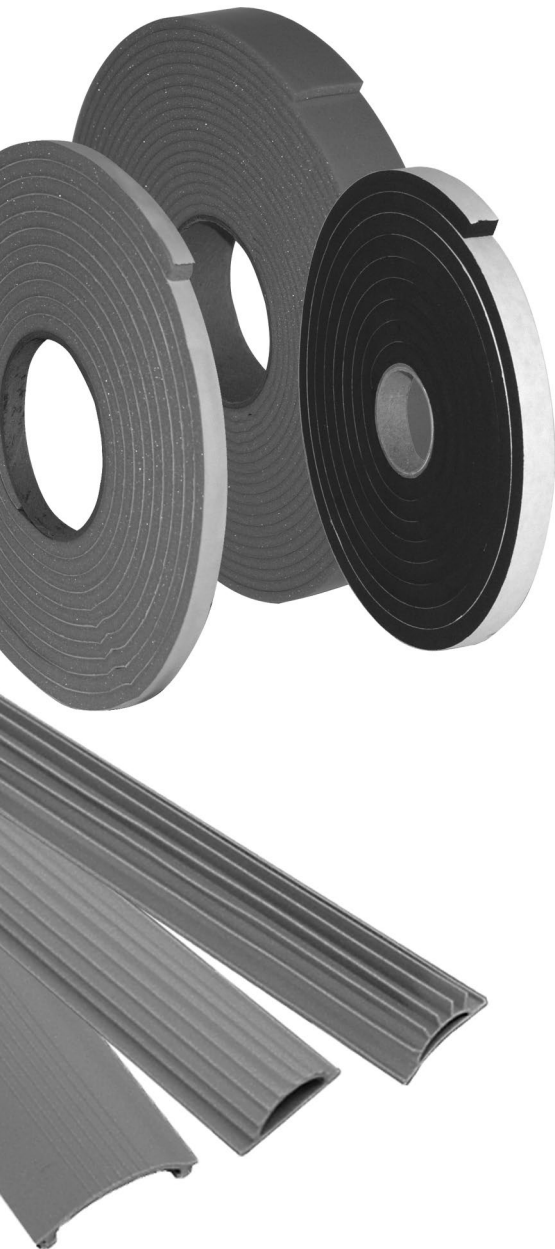
# Pemko Weatherization Products

## CONTENTS:

Foam Tape .....	300
Neoprene Tape .....	301
Miscellaneous Tape .....	301
Garage Door Weatherstrip .....	302
Spring Bronze Weatherstrip .....	302
Replacement Eco-V™ .....	302

## INDEX:

PRODUCT	PAGE	PRODUCT	PAGE	PRODUCT	PAGE
P39C17 .....	303	P364R16 .....	304	P396 .....	302
P39C180 .....	303	P365V16 .....	304	P397 .....	302
P240 .....	302	P366V16 .....	304	P398 .....	302
P241 .....	302	P380 .....	303	P480 .....	303
P241-30 .....	302	P381 .....	303	P484 .....	303
P242 .....	302	P382 .....	303	P490 .....	303
P243 .....	302	P384 .....	303	P491 .....	303
P244 .....	302	P385 .....	302	P493 .....	303
P260 .....	302	P386 .....	302	P497 .....	303
P261 .....	302	P387 .....	303	P51BL17 .....	304
P262 .....	302	P388 .....	303	PV9BL36 .....	304
P263 .....	302	P390 .....	302	PV9GR36 .....	304
P264 .....	302	P391 .....	302	PV15GR36 .....	304
P265 .....	302	P392 .....	302	PV22BL36 .....	304
P266 .....	302	P393 .....	302	PV22GR36 .....	304
P361V16 .....	304	P394 .....	302	PV64GR36 .....	304



800-824-3018 | [www.assaabloydooraccessories.us](http://www.assaabloydooraccessories.us)  
 Check the web site for the up-to-date catalog

Copyright © 2015-2020, ASSA ABLOY Accessories and Door Controls Group, Inc., an ASSA ABLOY Group company. All rights reserved.  
 Reproduction in whole or in part without the express written permission of ASSA ABLOY Accessories and Door Controls Group, Inc. is prohibited.

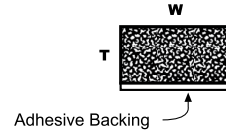
**ASSA ABLOY**  
 Opening Solutions

Experience a safer  
 and more open world

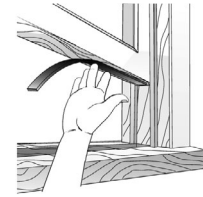
## Open Cell Polyurethane Foam Tape

- Easily compressible self-adhesive weatherstrip

Product #	Color	Thickness (T)		Width (W)		Length
P390	Gray	3/16"	x	3/8"	x	17'
P391	White	1/4"	x	3/8"	x	17'
P392	Gray	3/8"	x	3/8"	x	17'
P393	Gray	1/2"	x	1/2"	x	17'
P394	Gray	1/2"	x	3/4"	x	17'
P396	Charcoal	1/4"	x	1/2"	x	17'
P397	White	1/8"	x	3/8"	x	17'
P398	Gray	1/4"	x	3/4"	x	17'



### Suggested Installation

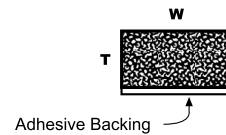


Open Cell Foam Tape installed on casement window.

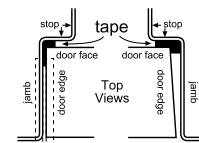
## Closed Cell Soft PVC Foam Tape

- Flexible, conformable, and softly compressible self-adhesive weatherstrip
- Highly resilient: resists ultraviolet, oxygen and moisture degradation
- Seals against air and water, around doors and windows

Product #	Color	Thickness (T)		Width (W)		Length
P240	Gray	1/8"	x	1/4"	x	17'
P241	Gray	3/16"	x	3/8"	x	17'
P241-30	Gray	3/16"	x	3/8"	x	30'
P242	Gray	1/4"	x	3/8"	x	17'
P243	Gray	3/8"	x	3/8"	x	17'
P244	Gray	3/8"	x	3/4"	x	17'



### Suggested Installation

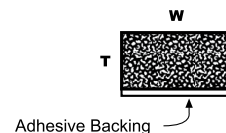


Top view of Closed Cell PVC Soft Foam Tape installed on door opening.

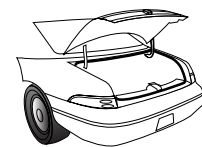
## Closed Cell Firm PVC Foam Tape

- Moderately compressible self-adhesive weatherstrip

Product #	Color	Thickness (T)		Width (W)		Length
P260	Black	1/8"	x	1/4"	x	17'
P261	Black	3/16"	x	3/8"	x	17'
P262	Black	3/16"	x	3/4"	x	17'
P263	Black	5/16"	x	3/8"	x	10'
P264	Black	5/16"	x	3/4"	x	10'
P265	Black	7/16"	x	3/8"	x	10'
P266	Black	7/16"	x	3/4"	x	10'
P385	Gray	1/4"	x	1/2"	x	10'
P386	Gray	1/4"	x	3/4"	x	10'



### Suggested Installation



Closed Cell Firm PVC Foam Tape installed as car trunk weatherstrip.

**ASSA ABLOY**  
Opening Solutions

Experience a safer  
and more open world

800-824-3018 | [www.assaabloydooraccessories.us](http://www.assaabloydooraccessories.us)

Check the web site for the up-to-date catalog

Copyright © 2015-2020, ASSA ABLOY Accessories and Door Controls Group, Inc., an ASSA ABLOY Group company. All rights reserved. Reproduction in whole or in part without the express written permission of ASSA ABLOY Accessories and Door Controls Group, Inc. is prohibited.

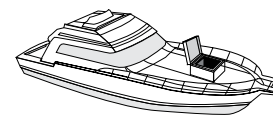
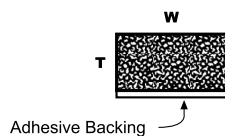
## EPDM Sponge Neoprene Tape

- Slightly compressible self-adhesive weatherstrip
- Resists deterioration and remains flexible at sub-zero temperatures

Product #	Color	Thickness (T)		Width (W)		Length
P490	Gray	1/8"	x	3/8"	x	10'
P491	Gray	1/4"	x	3/8"	x	10'
P493	Gray	1/4"	x	1/2"	x	10'
P497	Gray	1/4"	x	3/4"	x	10'

- Superior product for weatherstripping doors, windows, hatchways, lids and covers

### Suggested Installation



EPDM Sponge Neoprene Tape installed as boat hatch weatherstrip

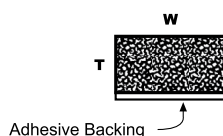
## Closed Cell Sponge Neoprene Tape

- Superior product for weatherstripping homes, cars, trucks and boats

Product #	Color	Thickness (T)		Width (W)		Length
P380	Black	3/16"	x	3/8"	x	10'
P381	Black	5/16"	x	3/8"	x	10'
P382	Black	5/16"	x	3/4"	x	10'
P384	Black	7/16"	x	3/4"	x	10'
P387	Black	3/16"	x	3/4"	x	10'
P388	Black	5/16"	x	1/2"	x	10'
P484	Black	7/16"	x	3/8"	x	10'

- Resists deterioration from oily substances
- Remains flexible at high and low temperatures

### Suggested Installation

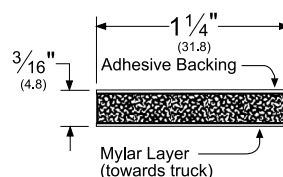


Closed Cell Sponge Neoprene Tape installed as car door weatherstrip.

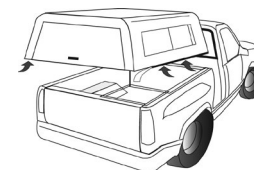
## Closed Cell Sponge Vinyl Camper Tape

- Mylar-backed tape cushions between camper and truck

Product #	Color	Thickness (T)		Width (W)		Length
P480	Gray	3/16"	x	1 1/4"	x	30'



### Suggested Installation

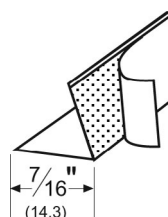


Sponge Vinyl Camper Tape installed as seal between camper and truck bed

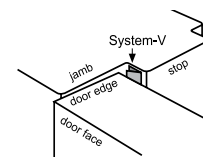
## System-V Weatherstrip Tape

- Compression adhesive weatherstrip is easy to install and seals out air, dust and sound

Product #	Color	Width		Length
P39C17	Clear	7/8"	x	17'



### Suggested Installation



System-V Weatherstrip Tape installed onto door jamb stop

For more weatherstripping products (such as S44, S773, and S88) see pages 210 through 212 in the Adhesive Gasketing Section.

800-824-3018 | [www.assaabloymdooraccessories.us](http://www.assaabloymdooraccessories.us)

Check the web site for the up-to-date catalog

Copyright © 2015-2020, ASSA ABLOY Accessories and Door Controls Group, Inc., an ASSA ABLOY Group company. All rights reserved. Reproduction in whole or in part without the express written permission of ASSA ABLOY Accessories and Door Controls Group, Inc. is prohibited.

**ASSA ABLOY**  
Opening Solutions

Experience a safer  
and more open world

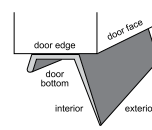


## Garage Door Weatherstrip

- All garage door weatherstrips are furnished with roofing nails

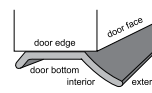
Product #	Color	Height		Width		Length
P361V16	Black	1 1/2"	x	1"	x	16'
P364R16	Black	3/4"	x	2 1/4"	x	16'
P365V16	Gray	1 3/4"	x	5/8"	x	16'
P366V16	Black	5/8"	x	1 1/2"	x	16'

P361V16



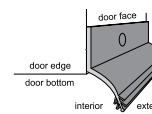
- Nails to door edge, bottom or jamb, closing gaps up to 1 1/2"

P364R16



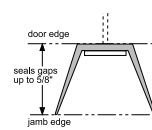
- Nails to door bottom, closing gaps up to 5/8"

P365V16



- Nails to door edge, bottom or face, closing gaps up to 1 3/4"

P366V16

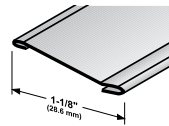


- Nails to door edge, jamb edge, or door bottom

## Spring Bronze Weatherstrip

- For use on wood doors and wood casement windows
- .008" hemmed spring bronze (brass)
- Packaged with nails. Nails should be approximately 1 1/2" on center

Product #	Material	Width		Length
P51B17	Bronze	1 1/8"	x	17'

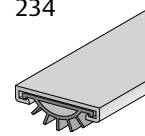


## Replacement Eco-V™

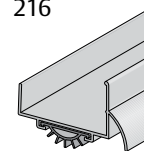
### Door Shoe Replacement Eco-V™

Product #	Color	Used In (Pemko Product Numbers):
PV9BL36	Black	210, 211, 215, 216, 217, 220, 221, 222, 234, 2211, 2221
PV9GR36	Gray	210, 211, 215, 216, 217, 220, 221, 222, 234, 2211, 2221
PV15GR36	Gray	209

234



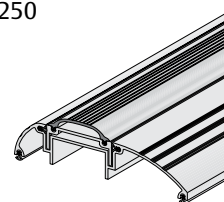
216



### Threshold Replacement Eco-V™

Product #	Color	Used In (Pemko Product Numbers):
PV22BL36	Black	206, 207
PV22GR36	Gray	206, 207
PV64GR36	Gray	249, 250

250



**ASSA ABLOY**  
Opening Solutions

Experience a safer  
and more open world

800-824-3018 | [www.assaabloydooraccessories.us](http://www.assaabloydooraccessories.us)  
Check the web site for the up-to-date catalog

Copyright © 2015-2020, ASSA ABLOY Accessories and Door Controls Group, Inc., an ASSA ABLOY Group company. All rights reserved. Reproduction in whole or in part without the express written permission of ASSA ABLOY Accessories and Door Controls Group, Inc. is prohibited.

## Pemko Fire Glazing Tape

---

### CONTENTS:

Fire Glazing Tape .....	304
Fire Glazing Tape Applications.....	305

### INDEX:

<u>PRODUCT</u>	<u>PAGE</u>
FG3000S45.....	306-309, 312
FG3000S90.....	306, 311-312
HSS2000.....	311

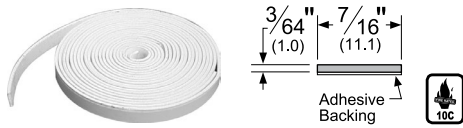


## Fire Glazing Tape

- Verify all applications with your door and/or frame manufacturer
- **FG3000S45** and **FG3000S90** are specially formulated high-performance fire glazing tapes
- For exterior fire-rated applications, seal against moisture using standard industry methods

### FG3000S45

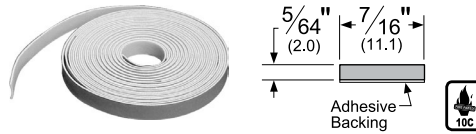
AVAILABLE LENGTHS: 7', 8', 14', 16'



Color: White

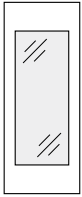
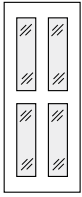
### FG3000S90

AVAILABLE LENGTHS: 8', 16'



Color: White

### Fire Glazing Tape in Larger Lite Applications

<p><b>Single Vision Lites</b> (Wood/Hollow Metal Door)</p> 	<p>Maximum Height: 84" Maximum Width: 34" Maximum Total Square Inches (Visible Glass Area): 2,856</p>	<ul style="list-style-type: none"> <li>• In 20-, 45-, 60- and 90-minute rated wood and hollow metal doors with metal vision frames, the use of FG3000 fire glazing tape allows for much larger vision lites</li> <li>• In 20- and 45-minute rated hollow metal screens, the use of FG3000 fire glazing tape allows for much larger sidelites, borrowed lites and glass transoms</li> <li>• New allowable visible glass areas for vision lites in 20- and 45-minute rated wood and hollow metal doors with FG3000S45 is 2,856 square inches with a maximum height of 84" and a maximum width of 34"</li> </ul>
<p><b>Multiple Vision Lites</b> (Hollow Metal Door)</p> 	<p>Maximum Height (Each Lite): 12" Maximum Width (Each Lite): 46" Maximum Combined Square Inches (All Visible Glass Areas): 2,208</p>	<ul style="list-style-type: none"> <li>• For 90-minute hollow metal doors with FG3000 fire glazing tape, 12" x 46" vision lites are allowed, but the total number of lites must not exceed four (4) per door. The combined total visible glass area allowed is 2208 square inches</li> </ul>

**ASSA ABLOY**  
Opening Solutions

Experience a safer  
and more open world

800-824-3018 | [www.assaabloydooraccessories.us](http://www.assaabloydooraccessories.us)

Check the web site for the up-to-date catalog

Copyright © 2015-2020, ASSA ABLOY Accessories and Door Controls Group, Inc., an ASSA ABLOY Group company. All rights reserved. Reproduction in whole or in part without the express written permission of ASSA ABLOY Accessories and Door Controls Group, Inc. is prohibited.

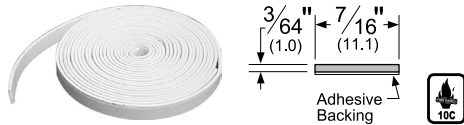
# FG3000S45 Fire Glazing Tape in 20- and 45-Minute Hollow Metal Frame (Screen)

## Sidelite/Borrowed Lite/Transom Lite Applications

- Verify all applications with your door and/or frame manufacturer
- For exterior fire-rated applications, a clear silicone caulk is recommended for water proofing

## FG3000S45

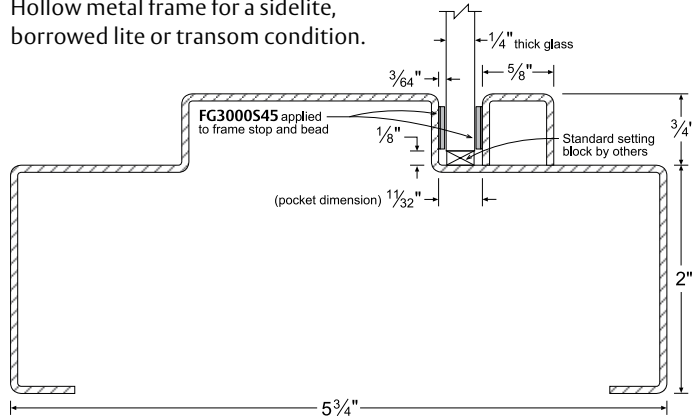
AVAILABLE LENGTHS: 7', 8', 14', 16'



Color: White

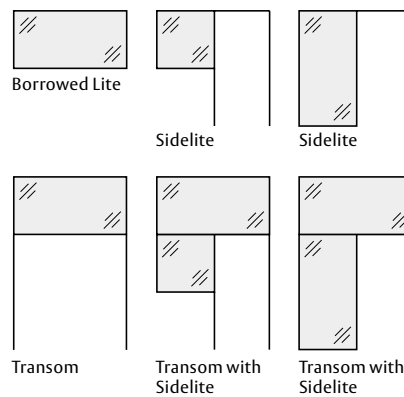
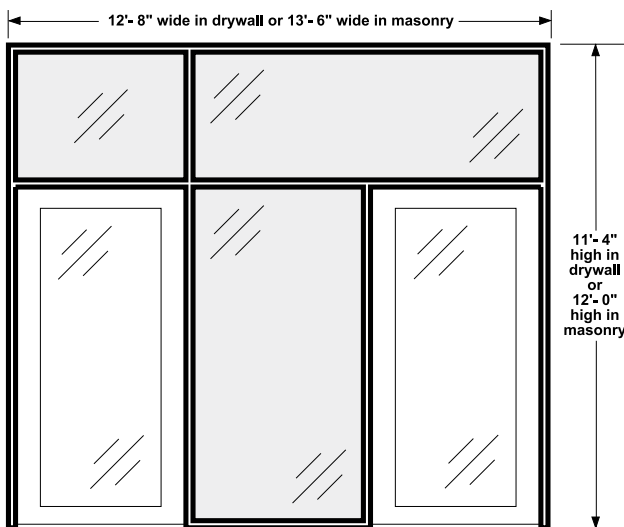
## Sectional View of Application

Hollow metal frame for a sidelite, borrowed lite or transom condition.



## Technical Data for 20- And 45-Minute Hollow Metal Screens Equipped with FG3000S45 (Sidelite/Borrowed Lite/Transom Lite Applications)

### Lite Configurations



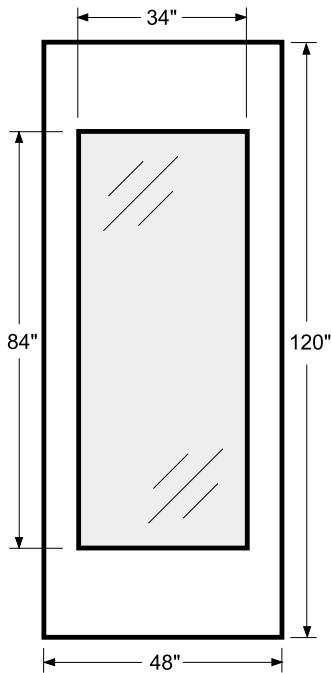
The maximum visible glass area allowed for side lites, borrowed lites, and glass transoms is 4,704 square inches with a maximum length of 106" in any one direction.

Lite Specifications	Hollow Metal Screen Specifications	Listing/Labeling Specifications
<p>Maximum Lite Size: 106" In Any One Direction</p> <p>Maximum Lite Combined Square Inches: Not To Exceed 4,704</p>	<p>Maximum Dimensions (Drywall): 12'8" X 11'4"</p> <p>Maximum Dimensions (Masonry): 13'6" X 12'0"</p> <p>Metal Requirements: Frames are restricted to a minimum of 16-gauge with 5/8" high stops and 18-gauge glazing bead with #8 fasteners at 9" maximum centers</p>	<ul style="list-style-type: none"> <li>• Door and frame must be manufactured by companies that are classified by Underwriters Laboratories Inc.® for the manufacturing and labeling of hollow metal fire doors. Warnock Hersey (I.T.S.) listings are also available through participating hollow metal manufacturers</li> <li>• Listed Glazing Products include: <ul style="list-style-type: none"> <li>– Wire Glazing: Pilkington, Asahi and Central Glass</li> </ul> </li> <li>• All vision lite kits must be listed fire door glass frames, packaged with FG3000S45 or FG3000S90</li> <li>• Individual door and frame manufacturers' modification procedures may vary slightly from the size listings shown</li> </ul>

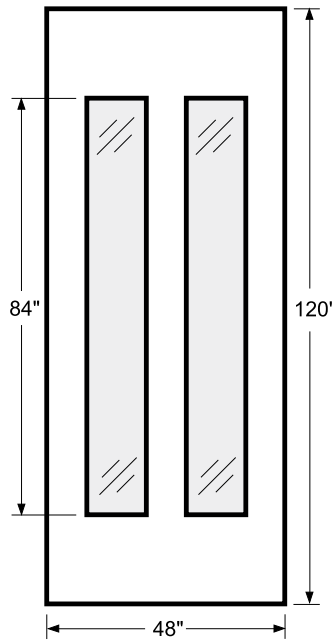
# FG3000S45 Fire Glazing Tape in 20- and 45-Minute Hollow Metal Door

## Metal Vision Frame Applications

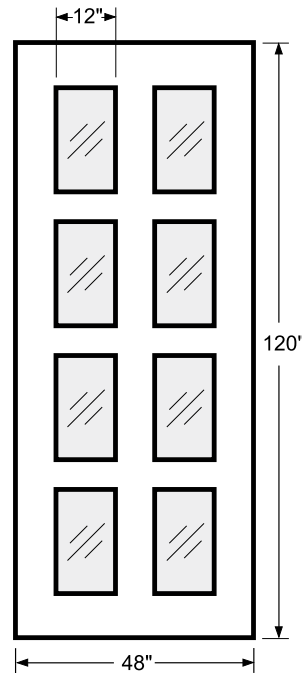
- Maximum hollow metal door size: 48" x 120" single, pairs approved
- Door and frame must be manufactured by companies that are classified by Underwriters Laboratories Inc.® for the manufacturing and labeling of hollow metal fire doors and frames. Warnock-Hersey (I.T.S.) listings are also available through participating hollow metal manufacturers
- For exterior fire rated applications, seal against moisture using standard industry methods
- Verify all applications with your door and/or frame manufacturer



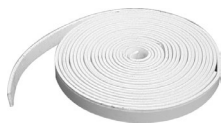
For 20 minute and 45 minute the maximum visible glass size allowed is 34" wide x 84" high or 2,856 square inches per vision lite.



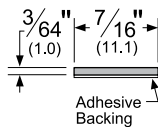
Multiple vision lites are allowed in both the 20 minute and 45 minute, but the combined total visible glass area allowed is 2,856 square inches per door.



## FG3000S45

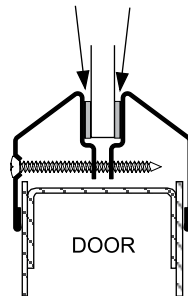


Color: White



## Sectional View of Applications

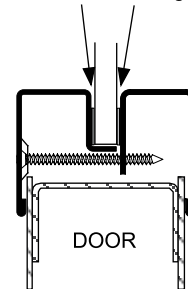
FG3000S45 applied between frame and glass



Beveled



FG3000S45 applied between frame and glass



Square



**ASSA ABLOY**  
Opening Solutions

Experience a safer  
and more open world

800-824-3018 | [www.assaabloydooraccessories.us](http://www.assaabloydooraccessories.us)

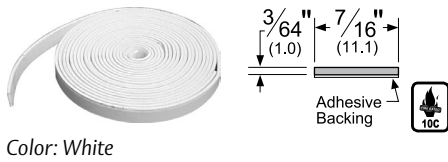
Check the web site for the up-to-date catalog

Copyright © 2015-2020, ASSA ABLOY Accessories and Door Controls Group, Inc., an ASSA ABLOY Group company. All rights reserved. Reproduction in whole or in part without the express written permission of ASSA ABLOY Accessories and Door Controls Group, Inc. is prohibited.

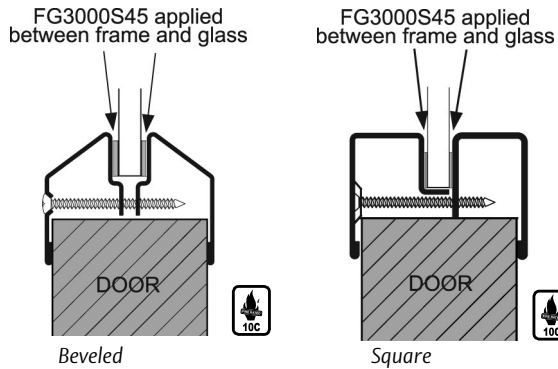
# FG3000S45 Fire Glazing Tape in 20- and 45-Minute Wood Door

## Metal Vision Frame Applications

### FG3000S45

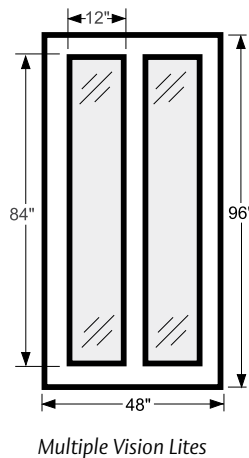
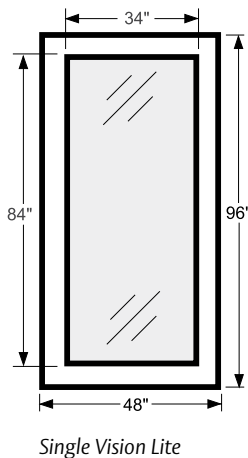


### Sectional View of Applications



## Technical Data for 20- And 45-Minute Wood Doors Equipped with FG3000S45 (Metal Vision Frame, Single and Multiple Lite Applications)

### Lite Configurations



The maximum visible glass area allowed for single lites is 34" wide x 84" high; for single and multiple lites, the total visible glass area allowed is 2,856 square inches per door.

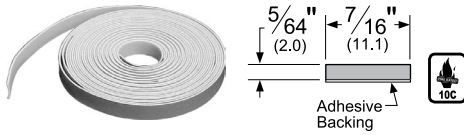
Lite Specifications	Door Specification	Listing/Labeling Specifications
<p><b>Maximum Dimensions (Single Lite):</b> 34" wide x 84" high, 2,856 square inches per lite</p> <p><b>Maximum Combined Dimensions (Multiple Lites):</b> Multiple vision lites are allowed in both the 20- and 45-minute doors, but the combined total visible glass area allowed is 2,856 square inches per door.</p>	<p><b>Maximum Dimensions:</b> Or both 20- and 45-minute doors, the maximum wood door size is 48" x 96" single, pairs approved</p>	<ul style="list-style-type: none"> <li>• Door and frame must be manufactured by companies that are classified by Underwriters Laboratories Inc.® for the manufacturing and labeling of hollow metal fire doors. Warnock Hersey (I.T.S.) listings are also available through participating hollow metal manufacturers</li> <li>• Listed Glazing Products include:                             <ul style="list-style-type: none"> <li>– Wire Glazing: Pilkington, Asahi and Central Glass</li> </ul> </li> <li>• Individual door and frame manufacturers' modification procedures may vary slightly from the size listings shown</li> </ul>

# FG3000S90 Fire Glazing Tape in 90-Minute Hollow Metal Door Metal Vision Frame Applications

- Verify all applications with your door and/or frame manufacturer
- For exterior fire-rated applications, seal against moisture using industry standard methods

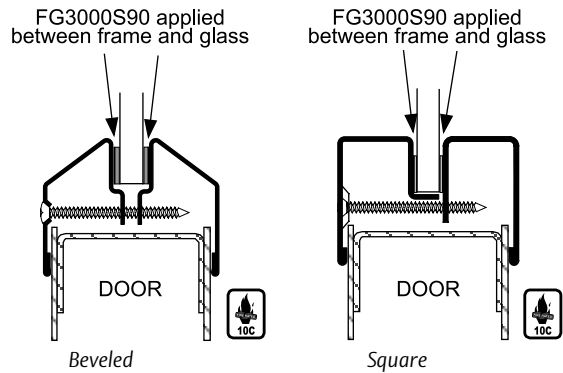
## FG3000S90

AVAILABLE LENGTHS: 8', 16'



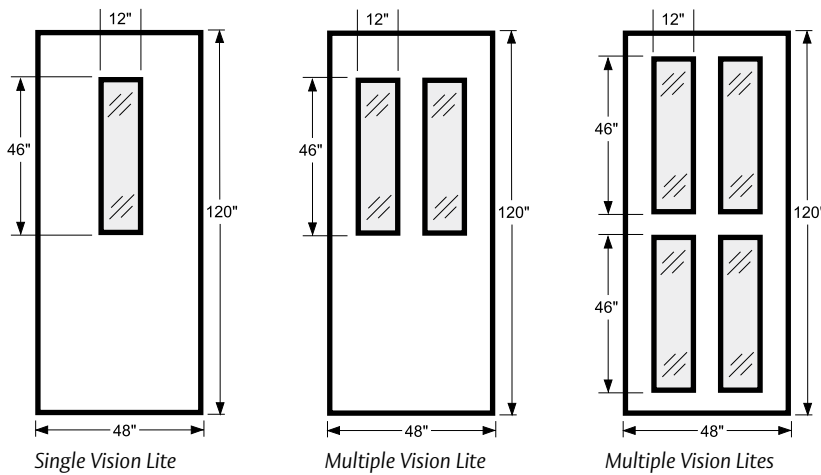
Color: White

### Sectional View of Applications



### Technical Data for 90-Minute Hollow Metal Doors Equipped with FG3000S90 (Metal Vision Frame, Single And Multiple Lite Applications)

#### Lite Configurations



The maximum visible glass area allowed for single lites is 12" wide x 46" high or 552 square inches per vision lite; for multiple lites, the largest approved door configuration is two (2) vision lites at 12" wide x 46" high above two (2) vision lites at 12" wide x 46" high (as shown at far right). No more than four (4) lites are allowed per door, and the combined total visible glass area allowed is 2,208 square inches per door.

Lite Specifications	Door Specification	Listing/Labeling Specifications
<p><b>Maximum Dimensions (Single Lite):</b> 12" wide x 46" high, 552 square inches per lite</p> <p><b>Maximum Combined Dimensions (Multiple Lites):</b> Multiple vision lites are allowed in 90-minute doors, but the combined total visible glass area allowed is 2,208 square inches per door. No more than four (4) lites are allowed per door. The largest approved configuration is above two (2) vision lites at 12" wide x 46" high above two vision lites at 12" wide x 46" high.</p>	<p><b>Maximum Dimensions:</b> For 90-minute doors, the maximum hollow metal door size is 48" x 120" single, pairs approved.</p>	<ul style="list-style-type: none"> <li>• Door and frame must be manufactured by companies that are classified by Underwriters Laboratories Inc.® for the manufacturing and labeling of hollow metal fire doors. Warnock Hersey (I.T.S.) listings are also available through participating hollow metal manufacturers</li> <li>• Listed Glazing Products include: <ul style="list-style-type: none"> <li>– Wire Glazing: Pilkington, Asahi and Central Glass</li> </ul> </li> <li>• Individual door and frame manufacturers' modification procedures may vary slightly from the size listings shown.</li> </ul>

**ASSA ABLOY**  
Opening Solutions

Experience a safer  
and more open world

800-824-3018 | [www.assaabloydooraccessories.us](http://www.assaabloydooraccessories.us)  
Check the web site for the up-to-date catalog

Copyright © 2015-2020, ASSA ABLOY Accessories and Door Controls Group, Inc., an ASSA ABLOY Group company. All rights reserved. Reproduction in whole or in part without the express written permission of ASSA ABLOY Accessories and Door Controls Group, Inc. is prohibited.



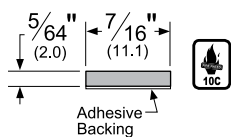
# FG3000S90 Fire Glazing Tape in 60- and 90-Minute Wood Doors

## Metal Vision Frame Applications

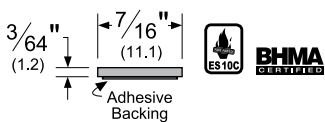
- Verify all applications with your door and/or frame manufacturer
- For exterior fire-rated applications, a clear silicone caulk is recommended for water proofing

### FG3000S90

AVAILABLE LENGTHS: 8', 16'

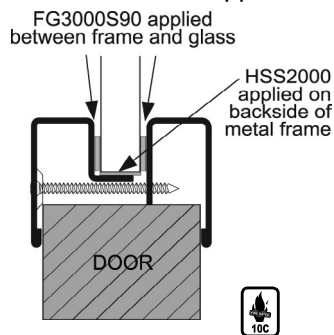


### HSS2000



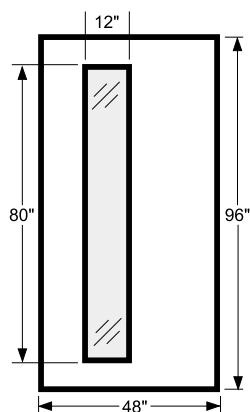
HSS2000 is required to be installed with FG3000S90 for positive pressure applications only. For more information about HSS2000, please see the Adhesive Gasketing section.

## Sectional View of Applications

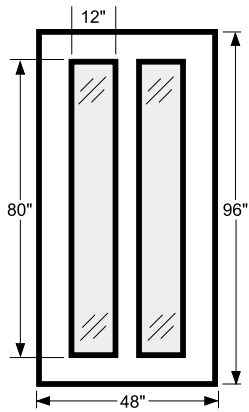


## Technical Data for 60- and 90-Minute Wood Doors Equipped with FG3000S90 & HSS2000 (Metal Vision Frame, Single and Multiple Lite Applications)

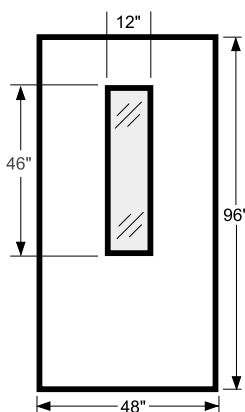
### Lite Configurations



Single Vision Lite, 60-Minute Door



Multiple Vision Lites, 60-Minute Door



Single Vision Lite, 90-Minute Door

The maximum visible glass area allowed for 60-minute single lites is 12" wide x 80" high or 960 square inches per vision lite; 90-minute doors are allowed a maximum visible glass area of 12" wide x 46" high or 552 square inches per vision lite. Multiple lites (allowed on 60-minute doors only) have a maximum combined visible glass area of 1,920 square inches per door.

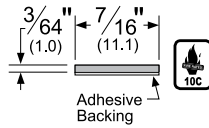
Lite Specifications	Door Specification	Listing/Labeling Specifications
<p><b>Maximum Dimensions (Single Lite, 60-Minute):</b> 12" wide x 80" high; 960 square inches per lite</p> <p><b>Maximum Dimensions (Single Lite, 90-Minute):</b> 12" wide x 46" high; 552 square inches per lite</p> <p><b>Maximum Combined Dimensions (Multiple Lites, 60-Minute):</b> Multiple vision lites are allowed in 60-minute doors only; the combined total visible glass area allowed is 1,920 square inches per door</p>	<p><b>Maximum Dimensions:</b> For both 60- and 90-minute doors, the maximum wood door size is 48" x 96" single, pairs approved</p>	<ul style="list-style-type: none"> <li>• Door must be manufactured by companies that are classified by Underwriters Laboratories Inc.® for the manufacturing and labeling of hollow metal fire doors. Warnock Hersey (I.T.S.) listings are also available through participating hollow metal manufacturers.</li> <li>• Listed Glazing Products include: <ul style="list-style-type: none"> <li>– Wire Glazing: Pilkington, Asahi and Central Glass</li> </ul> </li> <li>• Individual door and frame manufacturers' modification procedures may vary slightly from the size listings shown</li> <li>• HSS2000 is required on Positive Pressure applications only</li> </ul>



# FG3000S45 Fire Glazing Tape in 20- and 45-Minute Wood Doors and Frames

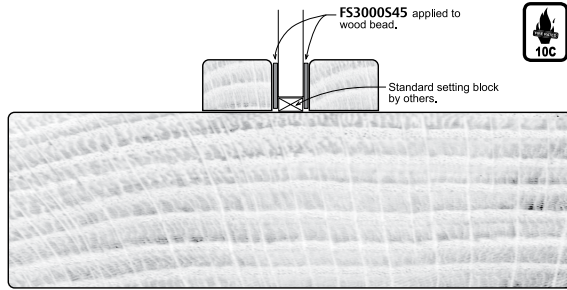
## FG3000S45

AVAILABLE LENGTHS:  
7', 8', 14', 16'



- Verify all applications with your door and/or frame manufacturer
- For exterior fire-rated applications, seal against moisture using standard industry methods
- Wood vision frames rated 20-minute and 45-minute
- Wood sidelite frames rated 20-minute and 45-minute
- Wood borrowed lite frames rated 20-minute and 45-minute

### Technical Data for 20-Minute Wood Sidelite Frame/Wood Lite Bead/Clear Tempered Glass



#### Maximum Visible Glazing Dimensions (Sidelite):

32<sup>7</sup>/<sub>8</sub>" x 87<sup>13</sup>/<sub>16</sub>"

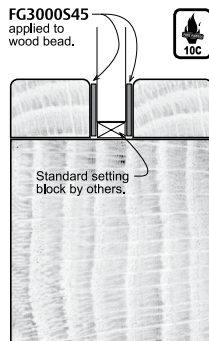
#### Glazing Materials (Sidelite):

- PyroEdge 20™ by Interedge Technologies
- Fireglass 20™ by Technical Glass Products

#### Listing/Labeling Specifications:

- Positive Pressure Tested and Listed
- Verify availability with door and frame manufacturer

### Technical Data For 20-Minute Full Lite Wood Door/Wood Lite Frame/Clear Tempered Glass



#### Maximum Visible Glazing Dimensions (Lite):

- (4'0" x 8'0" Door): 32<sup>7</sup>/<sub>8</sub>" x 75<sup>13</sup>/<sub>16</sub>"
- (4'0" x 8'0" Door): 32<sup>7</sup>/<sub>8</sub>" x 75<sup>13</sup>/<sub>16</sub>"

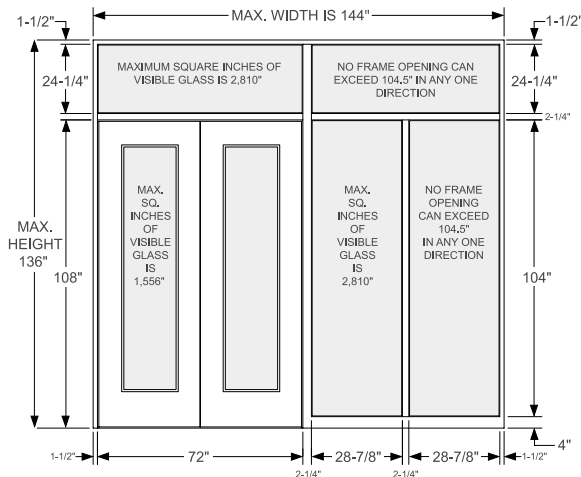
#### Glazing Materials (Sidelite):

- PyroEdge 20™ by Interedge Technologies
- Fireglass 20™ by Technical Glass Products

#### Listing/Labeling Specifications:

- Positive Pressure Tested and Listed
- Verify availability with door and frame manufacturer

### Technical Data for: 20- and 45-Minute Full Lite Wood Door/Wood Lite Frame With Wire Glass or FireLite™, 20- and 45-Minute Wood Sidelite Frame/Borrowed Lite Frame/Transom Lite Frame with Wire Glass or FireLite™



#### Lite Specifications (see diagram at left):

- Positive Pressure Tested and Listed
- Large visible glazing areas
- Wire Glass and FireLite™
- Verify availability with door and frame manufacturer.

#### Contact These Manufacturers:

##### Navy Island, Inc.

275 Marie Ave East, West St. Paul, MN 55118  
Phone: 651.451.4454, Fax: 651.451.4484

##### Eggers Industries - Frame Plant

1819 East River Street, Two Rivers, WI 54241  
Phone: 920.793.1351, Fax: 920.793.2958

**ASSA ABLOY**  
Opening Solutions

Experience a safer  
and more open world

800-824-3018 | [www.assaabloydooraccessories.us](http://www.assaabloydooraccessories.us)

Check the web site for the up-to-date catalog

Copyright © 2015-2020, ASSA ABLOY Accessories and Door Controls Group, Inc., an ASSA ABLOY Group company. All rights reserved. Reproduction in whole or in part without the express written permission of ASSA ABLOY Accessories and Door Controls Group, Inc. is prohibited.

# Pemko Door & Frame Accessories



## CONTENTS:

Glazing Bead/Spreader Bar .....	312
Reinforcements - Fillers .....	312
Reinforcements - Misc.....	313
Reinforcements - Tabs.....	313

## INDEX:

<u>PRODUCT</u>	<u>PAGE</u>
CB1-50PK.....	314
CR2-5PK .....	315
FT3-50PK.....	315
GS2-20PK.....	314
GS3-20PK.....	314
GS4-20PK.....	314
HF3-25PK.....	314
SB1-25PK.....	314

## Glazing Bead/Spreader Bar

### Glazing Bead

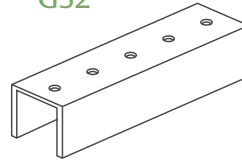
- Sold in 20 packs only
- No fasteners supplied

- GS2-20PK**
- $5/8"$  x  $3/4"$  x  $10'0"$
  - Punched and countersunk for #8 screw
  - Hole spacings are 6" from ends and 12" on center
  - .049 18 gauge A40 galvanized steel

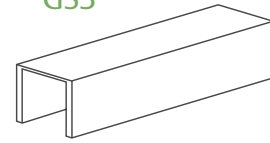
- GS3-20PK**
- $5/8"$  x  $3/4"$  x  $10'0"$
  - Blank (no holes)
  - .049 18 gauge A40 galvanized steel

- GS4-20PK**
- $5/8"$  x  $3/4"$  x  $3'0"$
  - Blank (no holes)
  - .049 18 gauge A40 galvanized steel

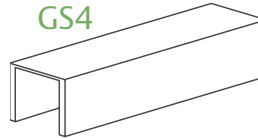
GS2



GS3



GS4



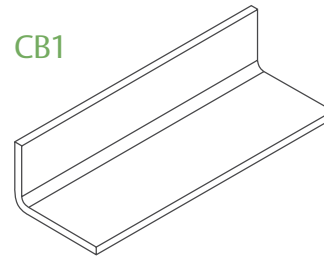
## Reinforcements - Fillers

### Corner Fillers

- Holes in one side for anchoring  $1\frac{5}{8}"$  x  $1\frac{5}{8}"$
- .065 - 16 gauge galvanized steel
- Sold in 50 packs only

- CB1-50PK**
- 2" face frame corner filler.
  - $5/8"$  x  $7/16"$  lip x  $1\frac{13}{16}"$  wide

CB1

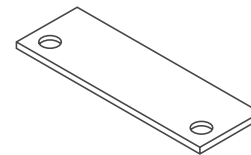


### Frame Hinge Filler Plate

- For  $1\frac{3}{4}"$  rabbeted frames
- Two (2) #12-24 x  $1/2"$  F.H.M.S.
- Sold in 25 packs only

- HF3-25PK**
- $4\frac{1}{2}"$  hinge filler for frames.
  - $1\frac{5}{8}"$  x  $4\frac{1}{2}"$  x .134 HRPO

HF3

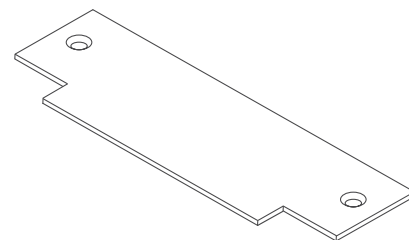


### Strike Filler Plates

- Sold in 25 packs only

- SB1-25PK**
- For  $4\frac{7}{8}"$  strike
  - $1\frac{1}{4}"$  x  $4\frac{7}{8}"$  x .095 CRS
  - Two (2) #12-24 x  $1/2"$  F.H.M.S. included

SB1



**ASSA ABLOY**  
Opening Solutions

Experience a safer  
and more open world

800-824-3018 | [www.assaabloydooraccessories.us](http://www.assaabloydooraccessories.us)  
Check the web site for the up-to-date catalog

Copyright © 2015-2020, ASSA ABLOY Accessories and Door Controls Group, Inc., an ASSA ABLOY Group company. All rights reserved. Reproduction in whole or in part without the express written permission of ASSA ABLOY Accessories and Door Controls Group, Inc. is prohibited.

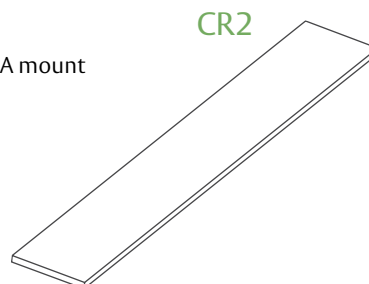
## Reinforcements - Misc.

### Weld-In Reinforcements

- Weld-in closer reinforcement
- CR2 sold in 5 packs only
- CR3 sold in 20 packs only

#### CR2-5PK

- 12" flat closer reinforcement for standard and PA mount closers
- 1<sup>3</sup>/<sub>4</sub>" x 12" x .134 - 10 gauge HRPO

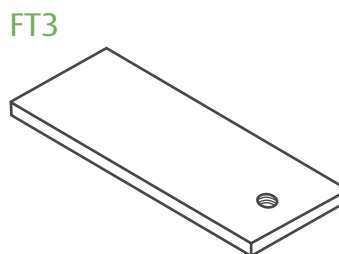


## Reinforcements - Tabs

### Flush Bolt Strike Tabs

- For strike in header bars - no offset
- 1" x 1/2" x .109 HRPO
- Hole tapped #8-32
- Sold in 50 packs only

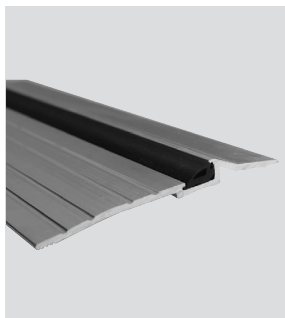
#### FT3-50PK



The ASSA ABLOY Group is the global leader in access solutions.  
Every day, we help billions of people experience a more open world.

**ASSA ABLOY**  
Opening Solutions

ASSA ABLOY Opening Solutions leads the development within door openings and products for access solutions in homes, businesses and institutions. Our offering includes doors, frames, door and window hardware, mechanical and smart locks, access control and service.



Memphis, TN USA  
P: 800.824.3018  
F: 800.243.3656

Ventura, CA USA  
P: 800.283.9988  
F: 800.283.4050

Vancouver, BC Canada  
P: 877.535.7888  
F: 877.535.7444

Toronto, ON Canada  
P: 877.535.7888  
F: 877.535.7444

[www.assaabloydooraccessories.us](http://www.assaabloydooraccessories.us)