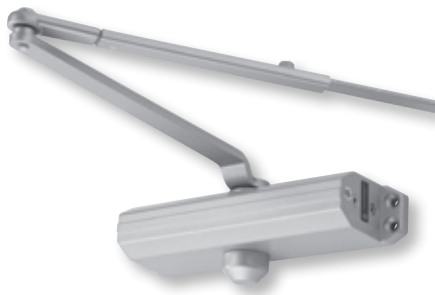




FALCON

Price book 7

Effective May 4, 2019 • Rev. 05/19



This price list supersedes and cancels all previous price lists. Prices shown are subject to change without notice.

Administrative Offices

Allegion Administrative Office
11819 N. Pennsylvania St.
Carmel, IN 46032
allegion.com/us

Placing orders

You can place orders with Allegion via the fax numbers or emails listed below:

Locks, Exits (panic devices), Closers
Fax#: 1-800-452-0665
Email: Order_Entry_Schlage_Commercial@allegion.com

Electronic Products
Fax#: 1-800-452-0665
Email: Order_Entry_Schlage_Commercial@allegion.com

FastTrack
Fax#: 1-800-288-4242
Email: Order_Fasttrack@allegion.com

ProExpress
Fax#: 800-924-3551
Email: Order.Pro.Express@Allegion.com
Online: www.Allegion.com/us/proexpress

Customer Care

Our Customer Care Representatives are available for questions or assistance.

You can reach them at **877-671-7011** (Press 1 for Sales Support | Press 2 for Product Support | Press 3 for RSO) or through the email addresses listed below:

Sales Support

support@allegion.com

Technical Product Support

Mechanical Locks/Keying Systems

Mechanical_Locks_TechProdSupport@allegion.com

Exit Devices

Exits_TechProdSupport@allegion.com

Closers

Closers_TechProdSupport@allegion.com

Request for Quote

Carolinas

(North Carolina, South Carolina, Virginia)
Carolinas.Quotes@allegion.com

Central

(Arkansas, Illinois, Iowa, Kansas, Missouri, Nebraska, Oklahoma)
Central.Quotes@allegion.com

Chicago

(Illinois-Northern, Wisconsin)
Chicago.Quotes@allegion.com

Florida

Florida.Quotes@allegion.com

Great Lakes

(New York, Pennsylvania)
GreatLakes.Quotes@allegion.com

Metro New York

Metro.Quotes@allegion.com

Michigan

Michigan.Quotes@allegion.com

Mid Atlantic North

(New York, Pennsylvania)
Mid.Atlantics.north.quotes@allegion.com

Mid Atlantic South

(Delaware, Maryland, New Jersey)
Mid.Atlantics.south.quotes@allegion.com

Midwest

(Indiana, Kentucky, Ohio, West Virginia)
Midwest.Quotes@allegion.com

Mountain States

(Colorado, Idaho, Montana, Nevada, Utah, Wyoming)
Mtn.States.Quotes@allegion.com

New England

(Connecticut, Main, Massachusetts, New Hampshire, Rhode Island, Vermont)
NewEngland.Quotes@allegion.com

North Central

(Minnesota, North Dakota, South Dakota)
NorthCentral.Quotes@allegion.com

Northern California

NoCal.Quotes@allegion.com

Northwest

(Alaska, Oregon, Washington)
Northwest.Quotes@allegion.com

South

(Alabama, Georgia, Louisiana, Mississippi, Tennessee)
South.Quotes@allegion.com

Southern California

(California-Southern, Hawaii)
SoCal.Quotes@allegion.com

Southwest

(Arizona, New Mexico)
Southwest.Quotes@allegion.com

Texas

Texas.Quotes@allegion.com

Contact Information	2
General Terms	4-7

Locks

Miscellaneous Information	8
Finishes	9
Forms & Examples	14-27
Product Index	169-172

MA Series	29-42
RU Series	43-56
T Series	57-70
X Series	71-78
K Series	79-84
D100 Series	85-94
B Series	95-102
W Series	103-112
D200 Series	113-124
H Series (Discontinued)	125-130
H2 Series	131-140
Cylinders	141-158
Auxillary Products	159-168

Exits

Finishes	174
Factors Affecting Exit Devices	175
New Nomenclature Conversion Chart	176
How to Order	177-178
25 Series	180-189
25 Series Options/Trims/Accessories/Parts	190-200
25 Series Exploded View	202-215
24 Series	216-223
24 Series Options/Trims/Strikes/Accessories/Parts	224-233
24 Series Exploded View	234-245
19 Series	246-249
19 Series Options/Trims/Strikes/Accessories/Parts	250-256
19 Series Exploded View	258-263
20 Series	264
1490 Series	265-266
1590 Series	267
1590 Series	268
1490-1590 Series Exploded View	269-276
1690 Series	277-278
1690 Series Exploded View	279-281
1790 Series	282-283
1790 Series Exploded View	284-285
XX Series	286-295
XX Series Options/Trims/Strikes/Accessories/Parts	296-303
XX Series Exploded View	304-315
1990 Series	316
1990 Series	317
1990 Series Exploded View	318-321
2090 Series	322-323
2090 Series Exploded View	324-327
2390 Series	328
2390 Series Exploded View	330-333
Exit Accessories	334-335
Mullions/Mullion Options/Parts	334-335
Product Index	336-338

Closers

Available Finishes	339
Common Applications	340
SC Series Options	341
SC60/SC60A Series Surface Mount	342
SC70/SC70A Series Surface Mount	343
SC80/SC80A Series Surface Mount	344
SC90 Series Surface Mount	345
OHC Series Concealed	346
8200 Series Auto Operator	347
8300 Series Actuators & Accessories	348

Electronics

Power Supplies	349-350
Warranty	351

General Terms and Conditions of Sale and Service

Allegion General Terms and Conditions of Sale and Service

1. GENERAL/ACCEPTANCE. (a) This Agreement contains the only terms and conditions by which Company will quote and sell Deliverables to Customer; (b) The terms "purchase order" or "order" for the purposes of this Agreement include the term "request for quotation," as appropriate; (c) This Agreement supersedes all pre-printed or boilerplate terms and conditions set forth in any purchase order issued by Customer; (d) No reference herein to Customer's purchase order will in any way incorporate different or additional terms and conditions, all of which Company hereby expressly objects to; (e) **ANY ACCEPTANCE BY COMPANY OF CUSTOMER'S PURCHASE ORDER IS EXPRESSLY CONDITIONED ON THE CUSTOMER'S ASSENT TO AND ACCEPTANCE OF THE TERMS AND CONDITIONS CONTAINED IN THIS AGREEMENT;** (f) Company reserves the right to decline any order, in whole or in part, for any reason.

2. ORDERS.

a. **Order Processing.** When Customer wishes to place an order for Deliverables, it will deliver to Company a purchase order. All such purchase orders must (i) be in a written format acceptable to Company, (ii) be legible, (iii) include a purchase order number, (iv) include Customer's account number, invoice address, ship to address, shipping method, shipper's letter of instruction for international shipments, part number, pricing, and designated contact information, (v) include, if applicable, any special configuration ID numbers, necessary programming information, special factory instructions, and requested specifications regarding a particular finish, handling, design, backset, or strike, (vi) reference any applicable pricing discounts under an ongoing buying program or based on a written quote from Company, along with the applicable buying program number or quotation number, and (vii) not combine buying program and quoted product on the same order.

b. **Minimum Orders.** In the event the order value does not meet any required minimum net Deliverable value, Company may, at its sole discretion, (i) increase the quantity of items in the order to meet the minimum net Deliverable value requirement; (ii) apply a minimum order charge; (iii) reject the order, or (iv) waive the requirement, provided that the waiver of a requirement for one order shall not constitute a waiver of the requirement for any future orders.

c. **Acceptance of Purchase Orders.** Company will endeavor to (i) acknowledge receipt of each purchase order issued in accordance with this Agreement, and (ii) notify Customer whether Company accepts or rejects the purchase order. If Company fails to accept or reject a purchase order within a reasonable time period, such failure to respond will be deemed a rejection of the entire order. Orders that combine buying program and quoted product on the same order will be routed back to your local RSO office in order to review subject purchase order.

d. **Changes to Order/Cancellation of Orders.** Additional terms and conditions regarding order changes and cancellations are available on the Allegion customer website, **WHICH TERMS ARE EXPRESSLY INCORPORATED HEREIN BY REFERENCE.** Unless otherwise provided herein, Customer acknowledges that (i) requesting a Change Order may cause a delay in the scheduled shipment date, a longer lead time or result in a new scheduled shipment date; (ii) Orders may not be changed after 48 hours of Company's order acknowledgment; (iii) After 48 hours of Company's order acknowledgment, all changes to an accepted purchase order will be subject to a Change Order charge of 25% of the net Deliverable value, plus the cost of labor and fabrication or raw material that Company incurred prior to the receipt of the Change Order from Customer, or that may be required due to the Change Order; (iv) the requested change may result in additional charges for labor, fabrication, and raw material, and (v) if Customer cancels an order or portion of an order that includes Deliverables that have been manufactured and prepped for shipping, a 45% restocking fee will apply. Notwithstanding the foregoing, Customer cannot change or cancel credential orders, reader orders, biometrics orders or any non-cataloged, special, custom or nonstandard items once they have been placed. All cancelled orders for a Non Recurring Expense (NRE), credential orders, reader orders, biometrics orders, and/or Custom orders will be subject to a cancellation charge of 100% of the acknowledged price.

e. **Add-ons.** Add-on orders will not be accepted. Additions to orders will be entered as separate stand-alone orders and must qualify for all terms of sale, including discounts, on an individual basis.

f. **Fast-Track Orders.** No changes or cancellations will be accepted on the 24-Hour Fast Track Program. For 3-day Fast Track orders, changes and cancellations may only be requested by Customer within 24 hours of Company's order acknowledgment if the order has not shipped. For 5-Day Fast Track orders, changes and cancellations may only be requested by Customer if the order has not shipped and if the request is made to Company within 48 hours of Company's order acknowledgment. Return Material Authorization (RMA) for Deliverables must be processed through Fast Track Customer Service.

g. **Steelcraft Orders.** For all Steelcraft orders, changes or cancellations are allowed without penalty only if made within 48 hours of Company's order acknowledgment, and provided that the order has not shipped. Some exceptions do apply – please consult the factory. Changes are not allowed on Rapid Program orders after the order has been entered and acknowledged. After 48 hours of Company's order acknowledgment, all changes or cancellations are subject to a charge of 25% of the order. Unless otherwise specified by Company in writing, any changes to orders acknowledged by Company that affect the delivery date will be deemed a new order and will require acknowledgement by Company as provided in this Section. Additional products, features, terms and conditions regarding the Rapid Program are available on the Allegion customer website, **WHICH TERMS ARE EXPRESSLY INCORPORATED HEREIN BY REFERENCE.**

3. PRICES, INVOICES AND PAYMENT.

a. **Prices.** The prices in Company's Price Book are subject to change at any time, without notice to Customer. Company may charge Customer additional amounts if Customer requests special packing, marking, shipment, product modification, or engineering services. Oral prices specified by Company are null and void. Quote numbers must be referenced on Customer's purchase order in order for the Company's quoted pricing to apply. Orders that do not reference a quote number will receive buy program pricing or book net pricing. Quoted prices are for those specific products quoted for a specified job, and are subject to the Price Book in effect at the time Company receives the order.

b. **Taxes.** Prices do not include any present or future federal, state or local property, license, privilege, sales, use, excise, gross receipts or other like taxes or assessments which may result from transactions or any services performed in connection therewith. Any taxes, charges, or duties imposed by any governmental authority on the sale of Deliverables will be paid by Customer, in addition to the selling price specified by Company. Credits for U.S. sales tax applied to invoices will only be granted if valid exemption documentation is provided within 30-days of the invoice date and a case is initiated by customer service. Exemption documentation may be emailed to sales.tax.certificates@allegion.com, this e-mail address cannot be used to request a credit for sales tax charged all such requests must be made with customer service. All certificates sent to the e-mail address must include the following information: (1) Customer account number(s); (2) Customer name; and (3) Allegion brand(s) the certificate should be applied to.

c. **Payment Terms.** Company will deliver to Customer an invoice with each shipment of Deliverables hereunder. Customer will pay all invoiced amounts within 35 days of the invoice date (subject to any early pay discounts that may be offered to Customer by Company in its sole discretion). Customer will make all payments in United States dollars. Past due invoices will be subject to a late payment service charge of 1.5% per month on any overdue unpaid balance, equivalent to 18% per annum, or the maximum rate permitted by law, whichever is less. Customer shall reimburse Company for all costs of collection, including, without limitation, reasonable attorneys' fees, for any overdue amount owed by Customer to Company, and such collection costs shall also be subject to interest charges.

4. QUOTATIONS.

a. **Project Quotations.** Project or new construction quotes are restricted to the specific project quoted for the quantities, finishes, and series of Deliverables referenced on the quote. Company reserves the right to require proof of sale of Company products for any quoted project.

b. **Stock Quotations.** Deliverables fulfilling stock quotations may only be used for the following: (i) Stocking of the Customer's shelves for small, quick-turn, discretionary projects, or (ii) Sale to a general contractor or installer for new construction. Stock quotations may not be used for any project containing any Company no-substitution, specified products. Deliverables purchased under Stock Quotations cannot be redistributed to other Customer branch locations or re-sold to other resellers or used for aftermarket sales, end-user annual contracts or sold over the counter to any walk in trade.

c. **General.** All quotes are subject to this Agreement, unless otherwise specified by Company, and are subject to change at any time prior to Company's acceptance of a purchase order referencing the applicable quote number. Company, its representatives and employees reserve the right, in their sole discretion and for any reason, to refuse a Customer's request to quote a price other than the standard list price, regardless of whether Company or its representatives or employees have previously quoted discounted prices to the Customer on some or all of its orders. Customer's failure to comply with this Section 4 will be considered a material breach of this Agreement, and will entitle Company to immediately terminate any purchase orders and/or Customer's ability to distribute Company's products.

5. SECURITY INTEREST. Customer grants Company, and Company retains, a purchase money security interest and lien on any and all of Customer's rights, title and interest in each Deliverable sold by Company to Customer, wherever located, until the invoice for the applicable Deliverable(s) is paid in full, including any late charges and costs of collection. Customer authorizes Company to, and will assist Company in, taking all necessary steps to perfect and maintain Company's interest in such Deliverables.

6. CREDIT TERMS. Unless Customer pre-pays all of its purchase orders in advance, its purchase orders will be subject to the credit limit and other terms of credit ("Credit Terms") set forth in Company's credit application, which Credit Terms Customer acknowledges are subject to change by Company at any time. Company reserves the right to request payment in advance of shipment or any order or to request adequate assurances for Customer's payment of an order and may withhold or stop shipment, without any liability to Company, until Customer submits payment or adequate assurance of payment.

7. RESALE OF DELIVERABLES. Customer agrees and warrants that it will offer Company products in support of Company-written specifications and will maintain sufficient inventory to adequately support End Users, installers, and/or general contractors' needs. Company may implement an MSRP or a resale pricing programs at any time in its sole discretion. Failure to comply with such program(s) will be considered a material breach of this Agreement, and will entitle Company to immediately terminate any purchase order and/or Customer's ability to distribute Company's products. Customer shall, at its own expense, gain and maintain sufficient knowledge of the industry and products competitive with Deliverables so as to be able to (a) explain in detail to End Users, installers, and/or general contractors the differences between the Deliverables and competing products, (b) ensure that an adequate number of trained, capable and qualified technical personnel with sufficient knowledge of the Deliverables and who have obtained all necessary licenses and permits are available to assist End Users, installers, and/or general contractors, and (c) respond to such End Users, installers, and/or general contractors with respect to the general operation and use of the Deliverables including, but not limited to, (1) acting as a liaison between the End Users, installers and/or general contractors and Company in matters requiring Company participation, (2) providing general product information and configuration support on standard protocols and features, (3) collecting relevant technical problem identification information, and (4) posting and distributing any warranty information concerning the Products in accordance with Company's instructions. Customer is responsible for all service and support resulting from the re-sale of any Deliverable to End-Users, installers and/or general contractors, examples of which may include, but are not limited to, support activities such as installation, initialization, software set-up, training, trouble-shooting, technical support and field service. In the event Customer is unwilling or unable to perform said support activities, Company reserves the right to recover from Customer any and all expenses incurred by Company to resolve the afore-mentioned End-User, installer and/or general contractor issues. Technical product training is recommended for Customer in order to fully service and support Deliverables purchased from Company that are resold to End-Users, installers and/or general contractors.

8. DEFAULT. If Customer is in default of payment or otherwise with respect to any purchase order or other contract with Company, Company shall have the right, in addition to all other legal remedies and without prejudice to any of its right hereunder, to defer further shipments under that or any other purchase order until such default is corrected and to declare all outstanding bills of Customer to be immediately due and payable.

9. INSPECTION AND DELIVERY.

a. **Inspection.** Customer will inspect all Deliverables immediately after receiving them. Customer will be deemed to have accepted the Deliverables unless Customer notifies Company in writing of any nonconformance within 10 days of delivery and provides Company written evidence reasonably documenting that nonconformance. Inspection of Deliverables at Company's facility is not permitted.

b. **Delivery.** Delivery schedules for Deliverables are based upon current production capacities, material or component availability, and inventory, and may be changed by Company as conditions require. Delivery schedules for services are based upon Company's prompt receipt of, and prompt access to, Customer's equipment and all information necessary to complete the services. In no event will any delivery date be construed as falling within the meaning of "time is of the essence." Partial delivery shall be accepted by Customer and paid for at the price and on the terms stated herein. Any partial delivery shall constitute a separate sale, and payment shall be separately made when due. If any part of a delivery hereunder is not delivered by Company in accordance with Customer's purchase order, this Agreement shall not be affected thereby.

General Terms and Conditions of Sale and Service

10. TITLE & RISK OF LOSS. Unless otherwise specified by Company, (i) where the Customer is located in the United States, all Deliverables will be sold "Uniform Commercial Code, FOB Origin, Company's factory"; and (ii) where the Customer is located outside of the United States, all Products will be sold "Ex-works, Company's factory (Incoterms 2010)." In either instance, title and risk of loss will pass to Customer upon delivery to the carrier at Company's factory, provided, however, as set forth herein, Company shall retain a security interest in the Deliverables until full payment has been made therefore, and Customer agrees, upon request, to do all things and acts necessary to protect Company's interest by adequately insuring the Deliverables against loss or damage from any cause and to have Company named as an additional insured. Customer will promptly provide Company with a copy of the relevant certificate of insurance upon Company's request.

11. SHIPPING.

a. **Freight Charges.** Company will ship all Deliverables in accordance with Company's freight shipment guidelines, which are set forth on the My Allegion Portal ("Freight Shipping Guidelines"), **WHICH TERMS ARE EXPRESSLY INCORPORATED HEREIN.**

b. **Rush Charges.** Expedited order options are available as set forth in Company's Freight Shipping Guidelines.

c. **Packing and Marking.** Company will pack, mark, and ship Deliverables according to its standard procedures for shipment, unless the parties agree, in writing, that Company will comply with any special instructions provided by Customer. Special instructions may result in an increased price.

d. **International Shipments.** For all international orders, a Shipper's letter of instruction must be submitted in writing with the order. Failure to do so will result in the order being rejected. Complete adherence to this order requirement will be strictly enforced. Company will not be held liable for any charges resulting from delays due to lack of complete required information being supplied.

e. Once received by the Company, a purchase order cannot be combined with any other order to increase average order size as it relates to Company's Freight Shipping Guidelines. However, for orders placed under Company's FastTrack 24 Hour/5 Day Program (available for Schlage, Von Duprin, LCN and Glynn-Johnson products); ii) FastTrack 24 Hour/3 Day Program (available for Ives products); or ProExpress (available for specific product lines stated in the ProExpress price book for Falcon, Ives, Glynn Johnson, LCN, Schlage and Von Duprin products), the applicable brands or product categories may, subject to certain order requirements identified by Company, be combined on a single order to increase average order size used in Company's Freight Shipping Guidelines.

12. CLAIMS. All claims must be submitted in writing to Company as follows: (i) All claims for prices must be submitted within thirty (30) days from the date of invoice; (ii) All claims regarding Deliverable quantity or incorrect orders must be submitted within ten (10) days from the date of delivery; (iii) All claims for damage to Deliverables (while in the care, custody, and control of Company) must be submitted within thirty (30) days from the date of invoice; (iv) All claims for loss or damage to Deliverables while in the care, custody, and/or control of a carrier will be the responsibility of Customer, unless otherwise agreed by the parties.

13. PRODUCT CHANGES. Company's product policy is one of ongoing update and revision, and accordingly, Company reserves the right to change, without notice, the design of, or the process of manufacturing, the Deliverables covered by this Agreement.

14. PRODUCT USAGE LIMITATION. Customer agrees: (i) not to sell or use a Deliverable in any manner contrary to the manner in which the Deliverable is intended to be used; and/or (ii) not to modify the design of any Deliverable for use with another product without the prior written consent of Company.

15. PRODUCT RETURNS. Unless otherwise agreed by the parties in writing, Deliverables that are correctly furnished by Company per the purchase order may not be returned unless Customer receives written authorization from Company. If returns are authorized by Company, a return merchandise authorization ("RMA" number must be provided by Company. Deliverables identified under such RMA must be returned to Company within 90 days of issuance of the RMA. Such RMA number and any accompanying RMA documents, the original invoice number, and a written explanation for the return must be included with the returned Deliverables in order for Company to inspect and approve a credit for the return. **For warranty returns,** a credit in the amount of the original purchase price will only be issued if, after Company's receipt and inspection of the returned Deliverables, Company confirms, in its sole discretion, the defect is valid and approves the return. **For non-warranty returns/convenience returns,** in the event Company approves such a return, in its sole discretion, the following shall apply: (a) the total amount of Deliverables requested to be returned shall be a minimum of \$250.00; (b) a credit will be made to Customer's account in the amount of the original purchase price less freight and a handling charge of 45% of the net material on the original invoice; and (c) only Deliverables that are new, current, standard, non-obsolete, non-specially manufactured, unused, in their original condition as at the time of sale by Company to Customer, in their original packaging and in Customer's inventory less than 180 days from the date of shipment by the Company, and not ordered as part of a master key solution may be considered by Company for return. Such credit will only be issued if, after Company's receipt and inspection of Deliverables, Company approves the return. The amount of final credit will be determined upon receipt at the factory and following Company's inspection and analysis of the condition of the returned material. Company retains the right to deny credit to anyone for any reason.

16. CONFIDENTIAL INFORMATION.

a. **Non-Use And Non-Disclosure.** Customer shall not use the Confidential Information of the Company except for the purpose of performing its obligations under this Agreement or exercising the rights granted herein (the "Purpose"). Customer shall protect Confidential Information of the Company from disclosure and unauthorized use in the same manner that it protects its own Confidential Information, but in no event shall such standard of care be less than reasonable care. Customer may disclose Confidential Information of the Company only to its employees who require such information for the Purpose and who are subject to confidentiality obligations at least as protective as those set forth herein.

b. **Proprietary Information and Advice.** (a) All designs, data, and specifications provided by Company are proprietary and may not be disclosed or reused by Customer without the prior written consent of Company; (b) Company assumes no obligation or liability for any advice given by Company, the results obtained, or damages incurred as a result of such advice, and all such advice is given and accepted at Customer's risk.

c. **Return.** Upon the termination or expiration of a purchase order or this Agreement or upon the request of the Company, the Customer agrees to end all further use of, to immediately return to the Company the original version of, and to delete or destroy all copies of, any and all Confidential Information of the Company.

17. TRADEMARKS. Except as agreed to by Company in writing, Customer agrees not to (a) use Company's name in any form of publicity; or (b) use, create, register or market, directly or indirectly, in whole or in part, Company's names, logos, brands, or any other trademarks, or names that are now or may hereafter be owned by Company, as part of Customer's corporate or business name, as part of an internet domain name, uniform resource locator (URL), or in any way connected with Customer's business, trade address or other designations. Upon termination of this Agreement or upon the request of company for any reason, any use of Company's trademarks or names will be immediately discontinued.

18. LIMITED WARRANTY.

COMPANY MAKES NO OTHER WARRANTIES EXCEPT THOSE STATED IN COMPANY'S LIMITED WARRANTY IN EFFECT ON THE DATE COMPANY ACCEPTS EACH APPLICABLE PURCHASE ORDER ("LIMITED WARRANTY"). THE LIMITED WARRANTY MAY BE FOUND IN THE APPLICABLE PRICE BOOK AND ON THE ALLEGION CUSTOMER WEBSITE, WHICH TERMS ARE EXPRESSLY INCORPORATED HEREIN BY REFERENCE. COMPANY WILL MAIL CUSTOMER A HARD COPY OF THIS WARRANTY UPON CUSTOMER'S WRITTEN REQUEST. IN THE EVENT THAT CERTAIN DELIVERABLE WARRANTIES ARE NOT FURNISHED BY THE COMPANY TO CUSTOMER, COMPANY WARRANTS ONLY TO CUSTOMER THAT THE DELIVERABLES WILL BE FREE FROM DEFECTS IN MATERIAL AND WORKMANSHIP FOR A PERIOD OF 12 MONTHS FROM THE DATE OF SHIPMENT OF THE DELIVERABLES. COMPANY'S SOLE OBLIGATION UNDER THIS WARRANTY IS LIMITED TO REPAIRING OR REPLACING, AT COMPANY'S OPTION, THE DEFECTIVE DELIVERABLE, PROVIDED WRITTEN NOTICE OF THE DEFECT OR NONCONFORMANCE IS PROVIDED BY CUSTOMER WITHIN 30 DAYS OF DISCOVERY OF THE DEFECT OR NONCONFORMANCE. COMPANY DISCLAIMS ALL OTHER WARRANTIES, EXPRESS OR IMPLIED, WITH RESPECT TO THE DELIVERABLES, INCLUDING BUT NOT LIMITED TO, ANY IMPLIED WARRANTIES OF NON-INFRINGEMENT, MERCHANTABILITY, OR FITNESS FOR A PARTICULAR PURPOSE.

a. **Exclusions.** The provisions of this Limited Warranty do not apply to Deliverables that: (A) are not the proper size for the application; (B) are not installed in accordance with Company's published installation instructions; (C) are installed with improper or incorrect parts and/or are used for purposes for which they are not designed or intended; (D) have been repaired or altered without the Company's prior written consent; (E) have been subjected to misuse, abuse, negligence or accident; (F) have been improperly stored, installed, maintained or operated; (G) have been used in violation of written instructions provided by Company to Customer; (H) have been subjected to improper temperature, humidity, or other environmental conditions, or (I) have been affected by normal wear and tear. In addition, the provisions of this Limited Warranty do not apply to any defects or issues with the design or performance of equipment or products not manufactured by Company, nor does it apply to any code compliance or permit requirements for the assembly, installation, erection or construction of any goods. Company is not responsible for loss or damage resulting from use of Deliverables in conjunction with parts or systems not manufactured by Company. Accessories or products furnished by the Company, but manufactured by others, shall carry whatever warranty the manufacturers have conveyed to the Company and which can be passed to Customer.

b. **Services.** Company warrants that its services will be free from defects in material and workmanship for a period of 12 months from the date of completion of the particular items of service. Company's sole obligation under this service warranty is limited to repair or reperformance, at its option of the service, provided however, if repair or reperformance is either impractical or impossible, the Company will refund to Customer that portion of the price paid to Company for any defective service, provided written notice of the defect or nonconformance is provided by Customer within 30 days of discovery of the nonconformance.

c. **Notification.** Customer agrees to immediately notify Company in writing if any claim is made against Customer for any damages caused by any modules, parts, products, service or other Deliverables which may be the direct result of any defect in the manufacture of such aforementioned products. Customer agrees to cooperate with Company and its counsel in the defense of such claim and Customer agrees not to settle such claim without Company's written consent. If Customer fails to notify Company of such claim or fails to cooperate in such defense as aforesaid, then Company shall be discharged from any obligations under this Section and shall have no further liability to Customer.

d. **Exceptions.** The following costs and expenses are not covered by the provisions of these limited warranties: (i) labor costs for the removal and reinstallation of Deliverables or other manufacturer's products; (ii) shipping and freight expenses required to return Deliverables to Company; (iii) normal maintenance; and (iv) economic losses. In addition, the provisions of this warranty are not applicable to anything other than defects in Company's material (products only) or workmanship.

19. LIMITATION OF REMEDIES.

CUSTOMER'S EXCLUSIVE AND SOLE REMEDY ON ACCOUNT OF, OR IN RESPECT OF, THE FURNISHING OF NON-CONFORMING DELIVERABLES, SHALL BE TO (A) SECURE REPAIR OR REPLACEMENT OF THE PRODUCTS; OR (B) SECURE REPAIR OR RE-PERFORMANCE OF THE SERVICES OR TO OBTAIN A REFUND OF THE PRICE PAID FOR THE DEFECTIVE SERVICE, ALL AT COMPANY'S OPTION. IN NO EVENT WILL THE COMPANY'S MAXIMUM LIABILITY EXCEED THE SELLING PRICE FOR THE DELIVERABLE. THE WARRANTY, OBLIGATIONS AND LIABILITIES OF COMPANY (INCLUDING ITS SUPPLIERS) AND THE RIGHTS AND REMEDIES OF CUSTOMER ARE EXCLUSIVE AND ARE IN LIEU OF AND CUSTOMER HEREBY WAIVES AND RELEASES ALL OTHER WARRANTIES, OBLIGATIONS, REPRESENTATIONS OR LIABILITIES EXPRESS OR IMPLIED ARISING BY LAW, IN CONTRACT, TORT (INCLUDING NEGLIGENCE OR STRICT LIABILITY) OR OTHERWISE, INCLUDING BUT NOT LIMITED TO (I) ANY IMPLIED WARRANTY OF MERCHANTABILITY OR FITNESS FOR A PARTICULAR PURPOSE OR ANY WARRANTY IMPLIED THROUGH COURSE OF PERFORMANCE, COURSE OF DEALING, OR USAGE OF TRADE OR (II) CLAIMS ARISING OUT OF THE NEGLIGENCE OF COMPANY OR COMPANY'S SUPPLIERS OR (III) ANY OTHER CLAIM ARISING OUT OF, CONNECTED WITH, OR RESULTING FROM THE PERFORMANCE OF COMPANY OR FROM THE DESIGN, MANUFACTURE, SALE, REPAIR, LEASE OR USE OF THE DELIVERABLE, OR ANY COMPONENT THEREOF, DELIVERED OR RENDERED HEREUNDER OR OTHERWISE.

20. INDEMNIFICATION AND LIMITATION OF LIABILITY. a. Customer shall indemnify, defend and hold Company, and its officers, directors, employees, customers, Affiliates, suppliers, users and agents, (collectively the "Indemnitees") harmless from and against any and all damages, claims, losses, expenses, costs, obligations, liabilities, including without limiting the generality of the foregoing, liabilities for court costs and attorneys' fees, suffered directly or indirectly by an Indemnitee by reason of, or arising out of any injury, death or loss to any person, or injury to any property (collectively, "Damages"), received or sustained by any person(s) or property, arising out of, occasioned by, attributable or related to i) any breach of any representation or warranty made by Customer, its officers, directors, employees, affiliates, users, agents, representatives or customers to Company or any third party, (ii) any failure by

General Terms and Conditions of Sale and Service

Customer to perform or fulfill any of its covenants, acts and/or omissions to Company or to any third party, or (iii) any litigation, proceeding or claim by any third party relating in any way to the obligations of Customer and/or the Deliverables sold by Company to Customer hereunder. Customer shall not consummate any settlement of any indemnified claim without the Indemnitees' prior written consent. Customer's obligation to indemnify Indemnitees will continue in full force and effect notwithstanding the termination or expiration of any order under this Agreement. In any claim against an Indemnitee by an employee of Customer or any subcontractor or anyone directly or indirectly employed by any of them or anyone for whose acts they may be liable, the indemnification obligations set forth in this Section shall not be limited in any way by or for Customer or any subcontractor under any applicable worker's compensation act, disability or other employee benefit act, or insurance coverage. This provision shall survive termination of any order or Agreement. **IN NO EVENT WILL COMPANY, ITS OFFICERS, DIRECTORS, EMPLOYEES, CUSTOMERS, AFFILIATES, USERS AND AGENTS, (NOR COMPANY'S SUPPLIERS) BE LIABLE FOR ANY INCIDENTAL, CONSEQUENTIAL, INDIRECT, SPECIAL, OR PUNITIVE DAMAGES OF ANY KIND OR NATURE UNDER ANY CIRCUMSTANCES INCLUDING, BUT NOT LIMITED TO, LOSS OF USE OF THE PRODUCTS, SERVICE INTERRUPTION, LOSS OF PROFITS, LOSS OF REVENUE, LOSS OF INTEREST, LOST GOODWILL, LOSS OF DATA, WORK STOPPAGE, IMPAIRMENT OF OTHER GOODS, LOSS BY REASON OF SHUTDOWN OR NON-OPERATION, INCREASED EXPENSES OF OPERATION, OR CLAIMS OF CUSTOMER'S CUSTOMERS, OR ANY OTHER LOSSES OR DAMAGES ARISING OUT OF ANY LACK OR LOSS OF USE OF THE DELIVERABLES WHETHER BASED ON CONTRACT, WARRANTY, TORT (INCLUDING, BUT NOT LIMITED TO, STRICT LIABILITY OR NEGLIGENCE), PATENT INFRINGEMENT, OR OTHERWISE, EVEN IF ADVISED OF THE POSSIBILITY OF SUCH DAMAGES.**

b) **INTELLECTUAL PROPERTY INDEMNITY.** Company makes no representation or warranty to the Customer that the Deliverables shall not infringe any intellectual property rights including, without limitations, claims arising from patent, copyright, trademark, trade secret, or other intellectual property infringement. Customer agrees to hold Company harmless from and defend the Company against any such claim of intellectual property infringement, including any Damages resulting from that claim, the cost of complying with any preliminary or permanent injunction, and all other costs of defense (including the attorneys' fees and costs), in connection with the foregoing.

c) To the extent that applicable law does not permit any limitations set out in this Agreement, such limitation shall not be applied or invoked. Nothing in this Agreement will be interpreted to disclaim liability of Company or the Indemnitees for gross negligence or willful misconduct. The limitations of remedy and liability herein shall not be interpreted to affect Company's obligations, if any, for claims for (i) property damage, (ii) personal injury, or (iii) wrongful death asserted by persons who are not parties to or beneficiaries of this Agreement. Further, the limitations of remedy and liability herein shall not be interpreted to limit Company's or Customer's right, if permitted by applicable law, to assert a claim for contribution among joint tortfeasors in connection with a claim by a person who is not a party to this Agreement.

21. CERTIFICATIONS. Certification of Deliverables for compliance with UL and ANSI standards are tested and performed by third-party independent laboratories. Any field modification or alteration of certified Deliverables will void certification and Company is not liable to Customer to certify any modified or altered Deliverable.

22. TERM FOR CLAIMS. NO ACTION ARISING OUT OF ANY CLAIMED BREACH OF THIS AGREEMENT BY COMPANY MAY BE BROUGHT BY CUSTOMER MORE THAN ONE (1) YEAR AFTER THE CAUSE OF ACTION HAS ARISEN.

23. CONSUMER PRODUCTS

WITH RESPECT TO "CONSUMER PRODUCTS" AS DEFINED UNDER THE MAGNUSON-MOSS WARRANTY ACT ("MMWA"), THE FOLLOWING STATEMENTS ARE MADE. (A) SOME STATES OR LOCAL LAWS DO NOT ALLOW LIMITATIONS ON HOW LONG AN IMPLIED WARRANTY LASTS, SO THE ABOVE LIMITATION MAY NOT APPLY TO YOU; (B) IF ANY IMPLIED WARRANTY IS PROVIDED UNDER THE MMWA, IT IS LIMITED TO THE DURATION OF THE WARRANTY PROVIDED IN SECTION 18 ABOVE. (C) SOME STATES OR LOCAL LAWS DO NOT ALLOW THE EXCLUSION OR LIMITATION OF INCIDENTAL OR CONSEQUENTIAL DAMAGES, SO THE ABOVE LIMITATION OR EXCLUSION MAY NOT APPLY TO YOU; AND (D) THIS WARRANTY GIVES YOU SPECIFIC LEGAL RIGHTS AND YOU MAY ALSO HAVE OTHER RIGHTS WHICH VARY FROM STATE TO STATE OR LOCATION TO LOCATION.

24. FORCE MAJEURE/EXCUSABLE DELAY. Any delay or failure of Company to perform its obligations hereunder will be excused to the extent that it is caused by an event or occurrence beyond Company's control such as, by way of example and not by way of limitation, acts of God, acts by any governmental authority (whether valid or invalid), governmental laws and regulations not presently in effect, fires, floods, windstorms, explosions, riots, natural disasters, wars, sabotage, accidents, labor problems (including, without limitation, lockouts, strikes, and slowdowns) at Company's facility, its source plant or their suppliers, inability to obtain power, material, labor equipment, or transportation, or court injunction or order. The delivery date will be extended for a time equal to that of the delay and the schedule for Company's performance will be deemed adjusted to that effect.

25. ENTIRE AGREEMENT AND AMENDMENT. This Agreement, together with the attachments, exhibits, webpages, or supplements specifically referenced and incorporated herein, constitute the entire agreement between Company and Customer with respect to the matters contained herein and supersede all previous communications, representations, or agreements, either oral or written between Company and Customer. No agreement or understanding varying or expanding this Agreement will be binding upon either party unless it is in writing and signed by a duly authorized representative of each party hereto.

26. CONFLICTS. In the event of any conflict or inconsistency between the terms of any agreement, or any part of an agreement or the various documents (including, but not limited to, electronic documents) between Company and Customer, unless the parties agree otherwise in writing, the various components of the agreements shall be given the following precedence (in descending order of precedence): a) any master agreement or long term agreement between Company and Customer; b) any specific terms, conditions and/or warranties of the individual products or Deliverables; c) the terms and conditions of this Agreement, and d) any purchase order.

27. UNSATISFACTORY CREDIT/TERMINATION FOR INSOLVENCY OR DEFAULT.

Customer shall furnish Company with statements evidencing Customer's financial condition as Company may, from time to time, reasonably request, and shall notify Company immediately of any and all events that may have a material adverse effect on Customer's business or financial

condition. If Company determines, in its sole discretion, that Customer's financial condition or creditworthiness is inadequate or unsatisfactory, then in addition to Company's other rights, Company may without liability or penalty, take any of the following actions: (i) modify the payment terms for any outstanding and/or future purchases; (ii) cancel any previously accepted orders; (iii) delay any further shipment of Deliverables to Customer; or (iv) any combination of the above.

Company may immediately terminate an order from Customer by giving written notice to Customer in the event of the happening of any of the following or any other comparable event: (i) insolvency of the Customer; (ii) filing of a petition in bankruptcy by or against the Customer; (iii) appointment of a receiver or trustee for the Customer; (iv) execution of an assignment for the benefit of creditors by the Customer, all of which will allow Company to demand reclamation of all affected orders; (v) Customer ceases or threatens to cease to trade; (vi) Company determines that Customer does not meet or no longer meets the credit requirements of Company or Customer's credit account is closed; (vii) any Customer violation of law, specifically including, without limitation, those laws set forth in this Agreement.

In the event of termination in accordance with this section, Company will not be obligated to accept any existing or additional orders from Customer and Company will be released from its obligation to deliver under orders accepted prior to such termination. The rejection or termination of any order by Company will not entitle Customer to any termination or severance compensation, or to any payment in respect to any goodwill established by Customer, or render Company liable for damages on account of the loss of prospective profits, or on account of any loss, expenditure, investment or obligation incurred or made by Customer.

No action taken under this Section 27 by Company (nor any failure of Company to act under this Section 27) will constitute a waiver by Company of any of its rights to enforce Customer's obligations, including the obligation of Customer to make payments as required under this Agreement. Upon termination of any order, all amounts owed by Customer to Company will become immediately due and payable, whether or not otherwise then due or payable.

28. CREDIT RISK ON RESALE OF DELIVERABLES. Customer is responsible for all credit risks with respect to, and for collecting payment for, all Deliverables sold to third parties (including End Users, installers, and/or general contractors) whether or not Customer has made full payment to Company for such Deliverables. The inability of Customer to collect payment for any Deliverable shall not affect Customer's obligation to pay Company for any Deliverable.

29. GOVERNING LAW; VENUE; AND EXPENSES. Any dispute or claim relating to this Agreement shall be governed by and construed according to the laws of the State of Indiana (excluding its conflict of laws principles); and not by the provisions of the 1980 United Nations Convention on the International Sale of Goods. Any disputes or claims shall be instituted and maintained in the courts of the State of Indiana. Customer consents to the exercise of jurisdiction over it by such courts and agrees that Indiana is not an inconvenient forum for any action arising from or relating to this Agreement. Customer agrees to pay for all expenses (including, but not limited to, collection costs, court costs and attorneys' fees) incurred by Company in enforcing the obligations of Customer under this Agreement.

30. RELATIONSHIP OF THE PARTIES. Nothing in this Agreement or any other document creates an employment, partnership, joint venture, or agency relationship between Company and Customer, including that of franchisee/franchisor. No party will have any power or authority to enter into any commitment on behalf of or otherwise bind the other party on any matter. No employee of Customer will be deemed to be an employee of Company. If any provision of this Agreement is deemed to create a franchise relationship or business opportunity between the Parties, then Company may terminate any purchase order or this Agreement or the Parties shall negotiate in good faith to modify this Agreement so as to effect the original intent of the Parties as closely as possible in a mutually acceptable manner in order that the transactions contemplated hereby are consummated as a reseller agreement and not a franchise or business opportunity agreement.

31. SETOFF. Customer does not have the right to setoff or to back charge against any amounts which become payable to Company under this Agreement or otherwise. Company will not accept responsibility for backcharges for the cost of material or labor by Customer or any third party.

32. ELECTRONIC COMMUNICATIONS AND ELECTRONIC SIGNATURES. Both parties expressly agree to electronic transactions and acknowledge that documents they sign electronically will bind them to the same extent as a paper signature. Customer represents and warrants to Company that only employees authorized to bind Customer legally shall electronically sign any document under this Agreement. Customer shall comply with any method of electronic communication/payment processing specified by Company, including electronic funds transfer, pay-on-receipt processes/systems, order transmission, releases, electronic signature, and electronic communication systems, including, without limitation, the use of electronic data interchange ("EDI") portals. Notwithstanding the foregoing, e-mails, even those containing a signature block of one of Company's representatives, shall not constitute a signed writing.

33. COMPLIANCE WITH APPLICABLE LAWS.

a. **General.** Company and Customer will comply with all applicable federal, state and municipal laws, regulations, codes, ordinances and orders that pertain to the Deliverables, including but not limited to full compliance with any applicable provisions of The Health Insurance Portability and Accountability Act. Where the Customer is located outside the United States, or where the customer intends to ship the product outside the United States, the Customer shall be responsible for compliance with all U.S. export laws, and for filing all U.S. Electronic Export Information, as applicable.

b. The Customer acknowledges and agrees that: (i) it shall not violate applicable laws and regulations in performing its duties under this Agreement; (ii) it does not and shall not engage in any conduct that shall violate any applicable anti-bribery or anti-corruption laws or regulations; (iii) it (and its owners, officers, directors, employees and agents) shall not pay, offer, promise or authorize the payment of, either directly or indirectly, anything of value (including but not limited to cash, gifts and entertainment) to (a) any government official or employee of any government; (b) any official or employee of any department, agency, or instrumentality of a government; (c) any employee of any corporation or entity owned or controlled by a government; (d) any family member of such officials or employees; (e) any political party, party official, or political candidate; or (f) any other persons, owners, officers, directors, employees and agents of any corporation or entity; to improperly or illegally assist in obtaining or retaining business (including but not limited to any contracts, avoidance of duties or reduction of tariffs, reduction of taxes or

General Terms and Conditions of Sale and Service

to obtain money owed, or to obtain regulatory approval) or for the purpose of causing, soliciting or inducing the sale and purchase of the Deliverables by any party, and (iv) it has full knowledge of and will comply with the Company's Code of Conduct for Business Partners as set forth on the Allegion customer website, **WHICH IS HEREBY INCORPORATED BY REFERENCE.**

c. The Customer shall indemnify and hold the Company harmless from any claim, demand, expense or cost arising from any breach of this Article.

d. The Customer shall permit the Company to conduct an audit or review of the Customer's financial books and records and business operations at such other times that the Company considers it necessary to confirm compliance with this provision. Such audit may be conducted by representatives of the Company or, at the Company's sole discretion, by a certified public accounting firm selected by the Company. The Customer shall cooperate with any inquiries from the Company's Ethics & Compliance Group.

e. A violation of this provision constitutes a material breach of this Agreement and the Company may terminate any purchase order or this Agreement immediately, with no opportunity to cure, in accordance with Section 27 of this Agreement.

f. Notwithstanding the foregoing provisions of this Section 33, (i) Company is not responsible for obtaining or maintaining any permits for the performance of services or the verification or compliance with any code requirements relative to the performance of services, (ii) to the extent any sale of Deliverables pursuant to this Agreement may require approval of the U.S. Government, Company's obligations under this Agreement are conditioned upon the grant of such approval and upon compliance by Customer with any restrictions imposed by the U.S. Government in connection with such approval, and (iii) in the event the Deliverables are to be used in a nuclear facility, the Customer shall, prior to such use, arrange for insurance or governmental indemnity protecting Company against liability. The Customer hereby releases and agrees to indemnify Company and its suppliers for any nuclear damage including, but not limited to, loss of use, in any manner arising out of the nuclear incident, whether alleged to be due, in whole or in part by Company or its suppliers.

g. **No Inducements.** Each party represents to each other that neither it nor any person acting on its behalf has, in contravention of any applicable law, given or offered to give or will give or offer to give, any sum of money or other material consideration to any person, directly or indirectly, as an inducement to obtain business hereunder or to influence the granting of licenses or other governmental permissions to enter into this Agreement or perform obligations hereunder.

h. **Equal Employment Opportunity.** Company is a U.S. federal contractor that complies with Executive Order 11246, as amended, and applicable regulations in 41 CFR Parts 60-1 through 60-60, 29 U.S.C. § 793 and applicable regulations in 41 CFR § 60-741; and 38 U.S.C. § 4212 and applicable regulations in 41 CFR Part 60-250 and 60-300. **THE FOLLOWING PROVISIONS ARE INCORPORATED HEREIN BY REFERENCE:** Executive Order 11246, as amended by Executive Order 13672, and 41 CFR § 60-4.3(a); Executive Order 11701 and 41 CFR §§ 60-250.5(a), 60-300.5; Executive Order 11758 and 41 CFR § 60-741.5(a); U.S. immigration laws, including the L-1 Visa Reform Act of 2004 and the H-1B Visa Reform Act of 2004; and Executive Order 13496.

i. **Ethical Business Conduct.** Customer shall adopt and comply with Company's Business Partner Code of Conduct which is **EXPRESSLY INCORPORATED HEREIN BY REFERENCE.**

34. REPRESENTATIONS AND WARRANTIES. Customer represents, warrants and covenants to Company that: (a) it has the right, power, and authority to enter into this Agreement and fully perform its obligations hereunder; (b) it has all necessary rights in and to its respective Content and Marks for use within the scope of this Agreement, including the licenses granted herein; and (c) it complies, and at all times shall comply, with all laws, rules, and regulations in effect that are applicable to its performance under this Agreement, including obtaining all such approvals and/or permits as may be required hereunder.

35. NO THIRD-PARTY BENEFICIARY. Each party is entering into this Agreement solely based on the representations contained herein for its own purposes and not for the benefit of any third party.

36. NOTICES AND CHANGE OF ADDRESS. All notices or other communications under this Agreement shall be in writing and delivered in person, or sent by receipted courier, express mail, e-mail, or postage prepaid certified or registered mail, addressed to the party for whom it is intended, at the addresses set forth in this Agreement. Either party may change its address for notice by giving written notice to the other party. Any notice or other communication shall be deemed given no later than the date actually received. Notice by courier, express mail, certified mail, or registered mail shall be deemed given on the date it is officially recorded as delivered and, in the absence of such record of delivery, it shall be rebuttably presumed to have been delivered on the third Business Day after it was deposited. Notices sent by e-mail require tangible confirmation of receipt from addressee.

37. ASSIGNMENT. Customer may not assign this Agreement without the prior written consent of Company. Company may assign its rights and delegate its duties under this Agreement, without the prior consent of Customer, to an Affiliate, or to a third party in the event of a spin-off, merger, business combination, consolidation or sale of all, or substantially all, of its assets or business that are related to this Agreement. The rights and duties in this Agreement shall bind and inure to the benefit of any such assignee.

38. SEVERABILITY. If any provision of this Agreement is held to be invalid, illegal, or unenforceable under any statute, regulation, ordinance, executive order, or other rule of law, that provision will be deemed severed to the extent necessary to comply with such statute, regulation, ordinance, order, or rule. In the event such provision is deemed severed, the parties will negotiate in good faith to arrive at an alternative arrangement approximating the original business objective of the parties. The remaining terms and conditions of this Agreement will remain in effect.

39. NO IMPLIED WAIVER. The failure of either party at any time to require performance by the other party of any provision of this Agreement will in no way affect the right to require such performance at any time thereafter, nor will the waiver of either party of a breach of any provision of this Agreement constitute a waiver of any succeeding breach of the same or any other provision.

40. MISCELLANEOUS. (a) This Agreement does not make either party the agent or legal representative of the other party. Neither party is authorized to create any obligation on behalf of the other party including, but not limited to, the obligation for payment of any service or warranty obligation hereunder; (b) The rights and remedies herein reserved to Company are cumulative and additional to any other rights and remedies provided at law or equity; (c) The official text of this Agreement is in the English language. If this Agreement is translated into another language, the English text will govern any question with respect to interpretation;

(d) The headings in this Agreement are for convenience of reference only and do not affect the meaning of this Agreement in any manner.

DEFINITIONS.

Capitalized terms have the meanings set forth in this Section, or in the Section in which they first appear in this Agreement.

"Agreement" means these Allegion Terms and Conditions of Sale and Service, together with any applicable Country Supplement or Region Supplement provided by Company, and all of the documents referenced herein or therein.

"Affiliate" means any Person that directly or indirectly, through one or more intermediaries, controls, is controlled by, or is under common control with, the Company. The term "control" (including the terms "controlled by" and "under common control with") means the possession, directly or indirectly, of the power to direct or cause the direction of the management and policies of a Person, whether through the ownership of voting securities, by contract or otherwise.

"Business Day" means any day except Saturday, Sunday or any other day on which commercial banks located in the United States are authorized or required by Law to be closed for business.

"Company" means Schlage Lock Company, LLC or any subsidiary or affiliate thereof selling products that are part of the Allegion product portfolio. Schlage Lock Company and/or its subsidiary or affiliates will be severally but not jointly liable under the Agreement.

"Company Marks" refers to the Marks of Company.

"Confidential Information" shall mean any and all information provided by either party to the other party pertaining to the disclosing party's business. Confidential Information shall include, but not be limited to, any bidding lists, formulae for products, manufacturing processes, production techniques, packaging processes, methods, research materials, ideas, marketing plans and related materials, quality standards, test results and data, apparatus, engineering drawings, contract documents, computer software, hardware, or firmware, business activities information such as financial information, reports, projections, books and records, customer and supplier information, and operations, customer and supplier lists and data, specifications, know how, and other Proprietary Information or Trade Secrets (as defined herein) that either party may furnish to the other party. Confidential Information shall not include information that:

(a) is or becomes publicly known if such public knowledge or disclosure is not the result of any act or failure to act on the part of the receiving party; (b) is, at the time of disclosure, already known to the Receiving Party without utilizing the Confidential Information; (c) is information disclosed to the Receiving Party by a third party which is not to the Receiving Party's knowledge, after inquiry of the third party, under a duty of confidentiality to the Disclosing Party; or (d) is independently developed by the Receiving Party without the use of Confidential Information. The Receiving Party shall have the burden of proof as to prior knowledge and absence of breach. Confidential Information may be furnished in any tangible or intangible form including, but not limited to, writings, drawings, computer and other electronic media, logic diagrams, component specifications, graphs, prototypes, samples, or verbal communications and regardless of whether such information is marked or designated as "confidential." For the avoidance of doubt, all information, knowledge or data disclosed by Company to Customer, regardless of whether disclosed in written, tangible, oral, visual or other form, including, without limitation, sample products, equipment, software, or other objects or material, provided by Company to Customer, and all information, knowledge or data which was obtained by Customer from visits to Company's facilities, shall be considered "Confidential Information" under this Agreement.

"Content" means all information (including without limitation any text, music, sound, photographs, video, graphics, data or software), in any medium, on a particular Company Web page or Website or in Marketing Materials.

"Customer" means the purchaser of Deliverables from Company.

"Deliverables" means any good or service or both purchased by Customer from Company under these General Terms and Conditions of Sale and Service.

"End Users" means the purchaser that (a) has acquired a Deliverable from Customer for (i) its own and its Affiliate's/Affiliates' internal use and not for resale, remarketing or distribution or (ii) incorporation into its own products and (b) is an individual or entity, other than any federal, state or local agency, office or division.

"IP" means all intellectual property and industrial property rights comprising or relating to/ of the following: (a) Patents; (b) Trademarks; (c) internet domain names, whether or not Trademarks, registered by any authorized private registrar or Governmental Authority, web addresses, web pages, website and URLs; (d) works of authorship, expressions, designs and design registrations, whether or not copyrightable, including copyrights and copyrightable works, software and firmware, application programming interfaces, architecture, files, records, schematics, data, data files, and databases and other specifications and documentation; (e) Trade Secrets; and (f) all other intellectual property and industrial property rights, and all rights, interests and protections that are associated with, equivalent or similar to, or required for the exercise of, any of the foregoing, however arising, in each case whether registered or unregistered and including all registrations and applications for, and renewals or extensions of, such rights or forms of protection pursuant to the Laws of any jurisdiction throughout in any part of the world.

"Marketing Materials" means all marketing brochures, buckslips, pamphlets, emails, text, call scripts or other material, whether in printed format, audio or audiovisual format, or in any other format, that contain any (i) Content relating to the Company Deliverables or (ii) Company Marks.

"Marks" means collectively the domain names, trademarks, trade names, service marks, trade dress, logos, and the like used or provided by either party for use in connection with this Agreement.

"Patents" means all patents (including all reissues, divisionals, provisionals, continuations and continuations-in-part, re-examinations, renewals, substitutions and extensions thereof), patent applications, and other patent rights and any other Governmental Authority-issued indicia of invention ownership (including inventor's certificates, petty patents and patent utility models).

"Person" means a person or entity.

"Price Books" mean Company's current Price Book in effect for the applicable Deliverable being purchased by Customer.

"Trade Secrets" means and includes business or technical information of either party, including processes, formulas, devices, techniques, compilations and other material that a party attempts to maintain in secret and that derive commercial value for such party from not being generally known to the public or readily ascertainable through independent development or reverse engineering.

LOCKS FOR THICK DOORS

Many Series of Falcon locks are available for doors over 1-3/4" thick. Consult the options section for each series for available door thicknesses and charges.

LEAD-LINING OR LEAD-WRAPPING

T and RU Series locksets and latchsets are available lead-lined. MA Series locksets are available lead-wrapped. Consult the options section for each series for availability and charges.

ABRASIVE COATING AND KNURLING

Abrasive coated or knurled knobs or levers are available for most Falcon locksets and latchsets. Consult the options section for each series for availability and charges.

MOUNTED LOCK SAMPLES

Individual mounted samples are available for all lock series. The samples are mounted on a mount block and are fully operative thus allowing demonstration of each functions' individual features. There is a nominal charge for the mount block. There is no charge for mounting of the hardware. See page 168 for mount selection.

SET OF FINISH SAMPLES

One (1) of each finish on 1-1/4" diameter disks attached together with a bead chain.
 Finishes Included: 605, 606, 612, 613, 625, 626 & 630. Contact your RSO representative for availability.

COMPETITORS' KEYWAYS

A selection of standard keyways of other lock manufacturers is available as listed below (6-pin only). Consult options sections of each series for availability. (Not available in any mortise and rim cylinders, except Schlage C, or factory master keyed.)
 Furnished O-Bitted unless otherwise specified. KD option is not available for locks containing 2 cylinders.

Manufacturer	Keyway	Keying Options
Corbin Russwin	60	O Bitted, KD
	L4	O Bitted, KA4
Russwin	D1	O Bitted, KD
Sargent	LA	O Bitted, KD
Schlage	C	O Bitted, KD, KA4
	E	O Bitted
Yale	8 (Para)	O Bitted, KD

INTERCHANGEABLE CORES

The "A" keyway is standard for IC products and will be supplied unless otherwise specified. A, B, C, D, DD, E, F, G, H, J, K, L, M, N, Q, R, TB, TD are equivalent to Best and Arrow IC keyways of the same names. Consult Allegion Customer Service for restricted keyways not listed here. Conventional cylinders are not compatible with interchangeable core.

COMPETITORS' CORES

Falcon standard IC preps accept Arrow (including Flex-Core), Best (including PKS, Peaks and Cormax®), InstaKey, Kaba Peaks, Keymark and KSP cores. Other brands of interchangeable cores are compatible with T and RU Series locksets. See those sections for details.

CONVENTIONAL CYLINDERS

The "G" keyway is standard for conventional cylinder products and will be supplied unless otherwise specified. E, H, K, L, N and P are also available. Consult Allegion Safety Customer Service for restricted keyways and other keyways not listed here.

* Interchangeable core not compatible with conventional cylinders

RESTRICTED KEYWAY POLICY

All keyways not listed in the above statements defined as standard keyways are considered RESTRICTED. Falcon requires a minimum cylinder order size to qualify for a defined geographic area restricted key system. A letter of authorization is required for the purchase of keys, locks or cylinders (to include plugs) for a restricted keyway. Contact 877-671-7011 for availability.

Prices subject to change without notice

FINISHES

Although we apply the finest available protective plating and/or enamel coating to the surface of our products, these finishes have limitations and in time may deteriorate either from exposure to weather, pollution, perspiration, extremes of climate, frequency of use or other factors. Deterioration of these finishes is, therefore, not a defect, but a normal process which is unavoidable. Our Company cannot accept responsibility for finish deterioration in these circumstances and therefore the finishes cannot be guaranteed. These products will not be refinished or replaced under our warranty should deterioration of finishes occur.

Some finishes are not suggested for areas that are subject to corrosive climate or chemical conditions. We recommend chrome plated or stainless steel finishes for these areas.

ANSI/BHMA Finish Code	U.S. Standard Code	Description
605*	3	Bright Brass - Clear Coated
606	4	Satin Brass - Clear Coated
612	US10	Satin Bronze
613**	10B	Satin Bronze; Dark Oxidized and Oil Rubbed
619	US15	Satin Nickel
622		Matte Black
625	26	Bright Chromium
626	26D	Satin Chromium
630	32D	Satin Stainless Steel
643E	US11	Aged Bronze

* 605 Finish is not recommended for corrosive climates.

** Oil rubbed bronze (613) is considered a category "B" finish by ANSI/BHMA and will vary in color when applied to different alloys and forms of base material. 613 will also vary from production lot and additionally from one manufacturer to another. Oil rubbed bronze will wear off over time due to the "rubbed" finishing method that has no protective coating or plating.

Please refer to price columns for each lock series for finish availability.

HOW TO SPECIFY FINISHES

STRAIGHT FINISHES: When the finish is to be the same for both sides of the door.

EXAMPLE: 40 EA. 511HG 626

SPLIT FINISHES: Split finishes are available on all models except for H and Padlocks. Finish may vary from one side of the door to the other and will be priced at the highest list price of the design/finish chosen.

EXAMPLE: 40 EA. X30ITG 606 x 625 (Outside finish is always specified first)

MARKING CARTONS

Markings (e.g., door number, stock reference numbers) on individual product cartons will be provided with no charge.

Prices subject to change without notice

WHERE TO SEND ORDERS		
Type of Order	Fax No.	Mailing Address
Factory	888-840-7732 (West) 888-840-7735 (East)	Falcon Lock 3899 Hancock Expressway Security, CO 80911 877-671-7011

Note 1) Failure to use the above fax numbers or mailing address will delay processing of your order.

PRODUCT IDENTIFICATION CODING	
Latch Suffix	
D	Deadlatch
S	Springlatch
Cylinder Suffix	
P	6 pin cylinder, keyed to 5 chambers
L	Less cylinder
B	Less SFIC
BDC	Disposable construction core, plastic (SFIC**)
J	FSIC core prep (competitor's full-size IC, designate competitor in "Additional Details" of Order Form)
G	SFIC (Old Falcon designation = WIC)
H	Construction Core SFIC (brass, keyed)
BB	Best Syle Capped Core (SFIC)
CP6	Schlage C Keyway
Trim and Chassis Prefix	
6	Abrasive Lever (6DA = Dane Lever x abrasive strip)
8	Knurled (8TG = Troy-Gala knob trim x knurled lever or knob)
9	Lead-Lined (9AV = Avalon lever x lead-lining of levers (and/or chassis)
XC	Corrosion resistant chassis (XC561 = X corrosion resistant chassis, classroom function)*

* X Series chassis only.

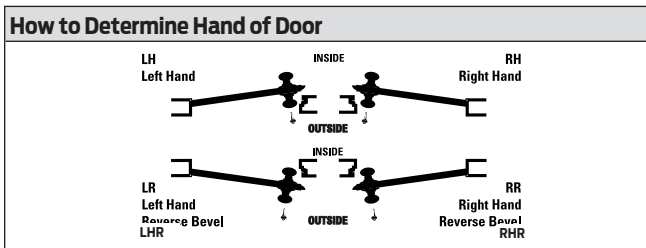
** SFIC = Small format interchangeable core

Prices subject to change without notice

To order Falcon products, descriptive data should be in the same sequence as shown:

Line Item	Qty	Product	Outside		Inside		Hand	Latch	Strike	Dr. Thk	Ext	DIM	Additional Details
			DES	FIN	DES	FIN							
1	2	3	4	5	6	7	8	9	10	11	12	13	14

1. **LINE ITEM:** Line item number
2. **QTY:** Quantity
3. **PRODUCT:** Complete lock product or part number
4. **OUTSIDE DES:** Outside design code
5. **OUTSIDE FIN:** Outside finish code
6. **INSIDE DES:** Inside design code. Leave blank if same as outside design code.
7. **INSIDE FIN:** Inside finish code. Leave blank if same as outside finish code.
8. **HAND:** Hand of door. Only one hand allowed per line item.
Example: RH = Right Hand, LH = Left Hand, RHR = Right Reverse, LHR = Left Reverse.



9. **LATCH:** Latch. Leave blank for standard or specify part number if non-standard latch is required. LLL = Less Latch.
10. **STRIKE:** Strike. Leave blank for standard or specify part number if non-standard strike is required. LLL = Less Strike.
11. **DR THK:** Door Thickness. Enter door thickness if non-standard. Example: 138 = 1-3/8", 214 = 2 1/4", 212 = 2 1/2".
12. **EXT:** Extension. Enter one of the following when doors 2" thick or greater are specified:
 - EE = Extended Equally
 - EI = Extended Inside
 - EO = Extended Outside
 - ED = Extended Differently
 EI or EO assumes the latch will be centered on a 1-3/4" door, to which material has been added.
13. **DIM:** Enter dimension for non-standard strike lip length and mortise cylinder or blocking ring length.

012 = 1/8"	118 = 1-1/8"
018 = 3/16"	114 = 1-1/4"
025 = 1/4"	138 = 1-3/8"
031 = 5/16"	112 = 1-1/2"
037 = 3/8"	158 = 1-5/8"
050 = 1/2"	134 = 1-3/4"
078 = 7/8"	200 = 2"
100 = 1"	400 = 4"
14. **ADDITIONAL DETAILS:** Enter detail for keying information and for special requirements.

Prices subject to change without notice

Line Item	Qty	Product	Outside		Inside		Hand	Latch	Strike	Dr. Thk	Ext	DIM	Additional Details/Keying
			DES	FIN	DES	FIN							
Ten B-Series storeroom locks with a Dane outside lever in 605 and Dane inside lever in 626, with a 2-3/8 radius face latch and full lip radius strike, 6-pin standard cylinder, G keyway.													
2	10	B581PD6	DAN	605	DAN	626		57421	5104-1				
Four T-Series entry office locks with an Avalon lever in 613, standard latch and strike, 5-pin standard cylinder, G keyway													
3	4	T511PD	AVA	613				98535	5164	134			
Three T-Series entry office locks with a Quantum lever in 605, abrasive outside lever, standard latch and strike, for 2-1/4" thick doors, 6-pin standard cylinder, G keyway, masterkeyed to new system, with 3 keys each. Provide 2 masterkeys.*													
Note: Masterkeying charges and extra cut key charges will be added to the applicable lock/cylinder order line and list price of lock will be adjusted. Charges will not be shown separately on acknowledgements or invoices.													
4	3	T511PD6	6QU	605	QUA			98535	5164	214			G Keyway, w/3 keys ea.
5	2	KB578											G Section, master key
6	3	50-215											Extra cut keys charges
7	3	50-210											Master keying charges
Two X-Series dormitory locks with a Troy knob and Gala rose in 606, 7-pin SFIC, A keyway, 0-bitted, one control key, less strike.													
8	2	X571BD7	TG	606				98535	LLL				A-000000
9	1	KB609-2											A Section control key 0-bit
Two MA-Series dormitory locks with a Hana knob and Gala rose in 625, right hand, lead-lined, 6-pin SFIC, A keyway, construction core, one control key, two change keys.													
10	2	MA571HDG	9HG	625			RH						
11	2	KB632-1CCA											A Section const. change key
12	1	KB609-ICCA											A Section const. ctrl. key
One MA-Series dormitory locks with a Hana knob and Gala rose in 625, left hand reverse, knurled outside knob, 6-pin SFIC, disposable construction core.													
13	1	MA571BDC	9HG	625			LR						
Five W-Series classroom locks with a Dane lever in 626. Standard latch and strike. 6-pin Schlage C keyway, Keyed Different.													
14	5	W5619D6	DAN	626				30-197	30-148				Sch C KD
*Use Master Keying Schedule form and appropriate Master Key Specification Sheet when ordering.													

Prices subject to change without notice

FORMS & EXAMPLES - Sample Letter of Authorization For Falcon® Restricted Products



DISTRICT 10

**End User
Letterhead - REQUIRED**

District 10 Schools
555 Main Street
End User City, State 55555
(555) 555-5555

May 1, 2003

Date - REQUIRED

To: Falcon Dealer
100 East Avenue
Dealer City, State 11111

**Dealer Name -
RECOMMENDED**

RE: District 10, Jones Elementary School

Facility Name - REQUIRED

Please consider this authorization to ship product for the above-referenced project.

Jones Elementary School is to be keyed using a new Falcon Restricted Key System. For security reasons, we would like to have all keys for this facility shipped to a location other than the job site. Master keyed products, however, can be shipped directly to the site. This letter authorizes Falcon to ship our restricted products to the following addresses:

Master Keyed Products, Construction Keys, Locks Less
Cylinders, and Locks with Construction Cores

Attn: Building Project Manager
District 10 Schools
555 Main Street
End User City, State 55555

Master Keys, Change Keys, Control Keys, and Key Blanks

Attn: Locksmith
District 10 Lockshop
1201 Fifth Avenue
End User City, State 55555

**Authorized Ship -
To Addresses -
REQUIRED**

These two addresses above serve as our only authorized shipment addresses for all orders placed for our facility. We understand that this letter will be kept on file and referenced for our future orders and that a new letter is only required to add, remove, or change authorized shipping locations.

Sincerely,

End User Representative
Facilities Manager

**End User
Representative
Signature -
REQUIRED**

Letter may be mailed or faxed to Falcon
Falcon Restricted Order Processing
3899 Hancock Expressway
Security, CO 80911
Fax: (888) 840-7735

Prices subject to change without notice



MASTER KEY SYSTEM SUMMARY

This form must be attached to the **Master Key Order form and P.O.** Please provide as complete and accurate as possible so we can provide what you need for your Key System.

Job Name
Address
City / State
Country

Account No.
P.O.#

For detailed instructions on how to complete this form please refer to pages 4 & 5

System Overview

- New Existing (provide info below)
- Attached Dealer Specified Combinations Registry # _____
- Structure or
Factory Order # _____

1. Select System

Schlage

- Classic
- Classic Primus*

Everest®

- B (Small Format IC, Restricted *)
- C (Open)
 - Primus**
- D (Restricted *)
 - Primus**

Everest 29™

- R (Small Format IC, Restricted *)
- S (Open)
 - Primus**
- T (Restricted *)
 - Primus**

Falcon

- Standard
- Schlage C
- Restricted *
- Interchangeable Core A2
- Interchangeable Core A4

Everest 29 key sections are backwards compatible to Everest keyways and have the following relationships:

R family sections > B family keyways
S family sections > C family keyways
T family sections > D family keyways

Type

- 5-pin 6-pin 7-pin
- See compatibility chart on page 5*

Keyway _____

Specified:** _____

** = The Commercial Master Key Department makes the final decision in the selection of key sections

Construction Keyed Yes No

Full Size Construction Cores ICA ICB ICC
(Schlage Only)

Small Format Construction Cores Brown Green

Construction Keyed Type

- Falcon CK (BOK) Lost Ball
- Schlage CK (Split) RCK (5-Pin C only)

2. Select Keys & Key Stamping

Change Keys

No. Of Keys per Symbol _____

No. Of Keys per Cylinder _____

Type

Standard Bow

Standard Bow
(Unembossed)

Access Bow
(Schlage Only)

Large Bow

Key Stamp Details

Keyset Symbol

Do Not Duplicate
(DND)

With Custom Die
(Specify) _____

Non-standard Code (Specify) _____

Change Key Packaging and Shipping Instructions

Pack Keys Independently (PKI) of Lock or Cylinder***

*** = Furnished standard at no charge with
Split-Key construction keying

Yes No

If PKI, ship change keys to:

Dealer

Other _____

See Primus Facesheet

3. Select Cylinder Stamping

Cylinder Stamp Details

With Industry Standard Key Symbol

Non-Standard Code (Specify)

Cylinder Stamping Location

Plug Face (N/A in Primus) - VKC

Concealed (N/A in Falcon STD) - CKC

4. Select Key Quantities

Level	Qty. Per	Master Key Symbol (s)	Total Quantity
GGM _____	_____	_____	_____
GM _____	_____	_____	_____
MK or RMK _____	_____	_____	_____
Control _____	_____	_____	_____
Emergency _____	_____	_____	_____
Others _____	_____	_____	_____

Ship Master Keys To:

Dealer
 See Primus Facesheet
 Other _____

Special Function	Qty. Per		Qty. Per
RCK (Lost Ball) ****	_____	Full Size Construction Core Keys (Schlage Only)	_____
CK (Split Key) ****	_____	Full Size Construction Core Control Keys (Schlage Only)	_____
Extractor Tools ****	_____	Small Format Construction Core Keys	_____
		Small Format Construction Core Control Keys	_____

**** = Use with Construction Keying

5. Master Key Future Expansion

List Future MK Symbols	Approx. # of Change Key Symbols Under Each Future MK
------------------------	--

Example:
 MK..... ✓ BJ, BK _____ 40 each _____

GGM_ <input type="checkbox"/>	_____	_____
GM_ <input type="checkbox"/>	_____	_____
MK_ <input type="checkbox"/>	_____	_____
MK_ <input type="checkbox"/>	_____	_____
MK_ <input type="checkbox"/>	_____	_____
MK_ <input type="checkbox"/>	_____	_____
Others_ <input type="checkbox"/>	_____	_____

6. Operating Instructions

(Unless otherwise specified, all hierarchical master keys will operate cross-keyed cylinders)

Cross Keyed Cylinder	is operated by these change keys	Cross Keyed Cylinder	is operated by these change keys
X _____	_____	X _____	_____
X _____	_____	X _____	_____
X _____	_____	X _____	_____
X _____	_____	X _____	_____

7. Instructions and Compatibility

General Information

If you do not know the registry number (R#), structure number or the original factory order number for an existing system, contact Customer Service prior to placing the order:

Tel. 1-877-671-7011
Fax 1-800-452-0663

- Only one structure may be ordered on the same purchase order
- Classic refers to Obverse, Numbered (Paracentric), Quad, and Reverse key section families
- Classic Primus refers to Primus Obverse and Primus Quad key section families

Section 1: System a System

Full Size Construction Cores

- Schlage only

Small Format Construction Cores

- 7-pin only for Schlage
- 6- and 7-pin for Falcon

CK (Split)

- 6-pin for Schlage and Falcon
- Split key construction keying is not available for Classic Primus or Everest 29 Primus

RCK (Lost Ball)

- 5-pin (C keyway) only for Schlage
- 5-, 6-, and 7-pin for Falcon

System Selection

- Refer to the compatibility chart

Section 2: Select Kys and Key Stamping

Stamp Details

- Unless otherwise specified, industry standard key symbols are stamped on Everest 29™ and Primus® keys
- For custom die, attach RFQ approval for Schlage

Section 3: Select Cylinder Stamping

Type

- For cylinder type refer to the compatibility chart

Keyway (specify)

- Schlage Commercial's default key section for new Master Key Systems is Everest™ S145

Section 4: Key Quantities

Level

- Unless otherwise specified, the control key has the same cut as the highest-level key in the system (Except SFIC systems)

Special Function

- Construction keys are not furnished unless specified

Change Keys

- Unless otherwise specified 2 change keys are furnished per lock or cylinder

Section 5: Master Key Future Expansion

- Do not use the letters “I”, “O”, “CK”, “KA, or “KD” for any master key symbols

Section 6: Operating Instructions

- Cross keying reduces the security and expansion of key systems
- Unless otherwise specified, all hierarchical master keys will operate cross-keyed cylinders

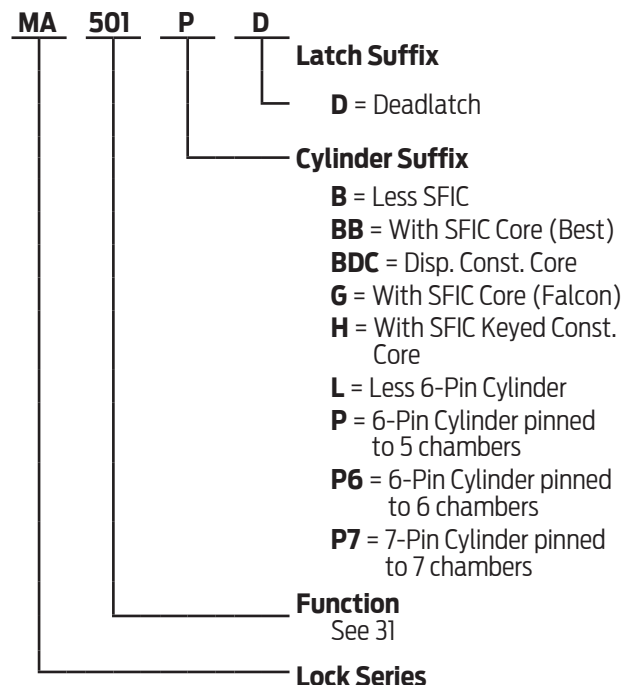
Compatibility Chart

	5 Pin	6 Pin	7 Pin	Split Key	Block O-Key	Lost Ball	Tempe Core	A2	A4	0.025	0.018
Schlage											
Classic	X	X		X		X	X				
Everest 29 S		X		X			X				
Everest 29 T		X		X			X				
Everest 29 R			X				X	X			
Classic Primus (XP)		X					X				
Everest 29 Primus (XP)		X					X				
Falcon											
Open	X	X	X		X	X					X
Restricted		X	X		X	X				X	
Schlage C		X		X							
SFIC Open		X	X				X	X	X		
SFIC Restricted		X	X				X	X	X		

MA Series
Function Chart 31
MA Complete Lock Pricing 33
Option
 Conventional Cylinder Options.....37
 SFIC Cylinder Options.....37
 Small Format Interchangeable Core.....37
 Small Format Constructoin Core37
 Strikes38
 Armor Fronts (Scalps)38
 Lock Less Components.....41
 Non-Standard Door Thickness.....41
 Abrasive Coating and Knurling.....41
 Lead Wrap.....41
 Allegion Connect.....41
 Indicators41

MA Series Parts
 Full Body Mortise Deadlocks.....36
 Lock Cases39
 Knobs & Levers.....39
 Roses.....39
 Escutcheons40
 Screws and Screw Packs40
 Misc. Parts.....40
 Allegion Connect.....41
 Indicators41
 Trim Packs.....42

Product Identification



SFIC = Small Format (Best® Style) Interchangeable Core

Finish Codes and Descriptions

Code		Description
605	(US3)	Bright Brass
606	(US4)	Satin Brass
613	(US10B)	Oil Rubbed Bronze
619	(US15)	Satin Nickel
622	(US19)	Matte Black
625	(US26)	Bright Chrome
626	(US26D)	Satin Chrome
630	(US32D)	Satin Stainless Steel
643E	(US11)	Aged Bronze

Standard Features - Furnished unless otherwise specified



Certification	ANSI A156.13, Series 1000, Grade 1 Operation and Security, UL Listed for 3-Hour fire door with SFIC Interchangeable Core Cylinders: Grade 3 Security
Latch	2 piece stainless steel anti-friction bolt 3/4" projection.
Strike	1-1/4" x 4-7/8", ANSI, Square corner, with dust box
Cylinder	6-Pin, Solid brass, Keyed 5-Pin, Falcon G keyway, Keyed different (KD)
Door Range	1-3/4" - 1-7/8" standard
Keys	Two, Nickel silver cut keys per lock, Falcon G keyway

Prices subject to change without notice

MA Series

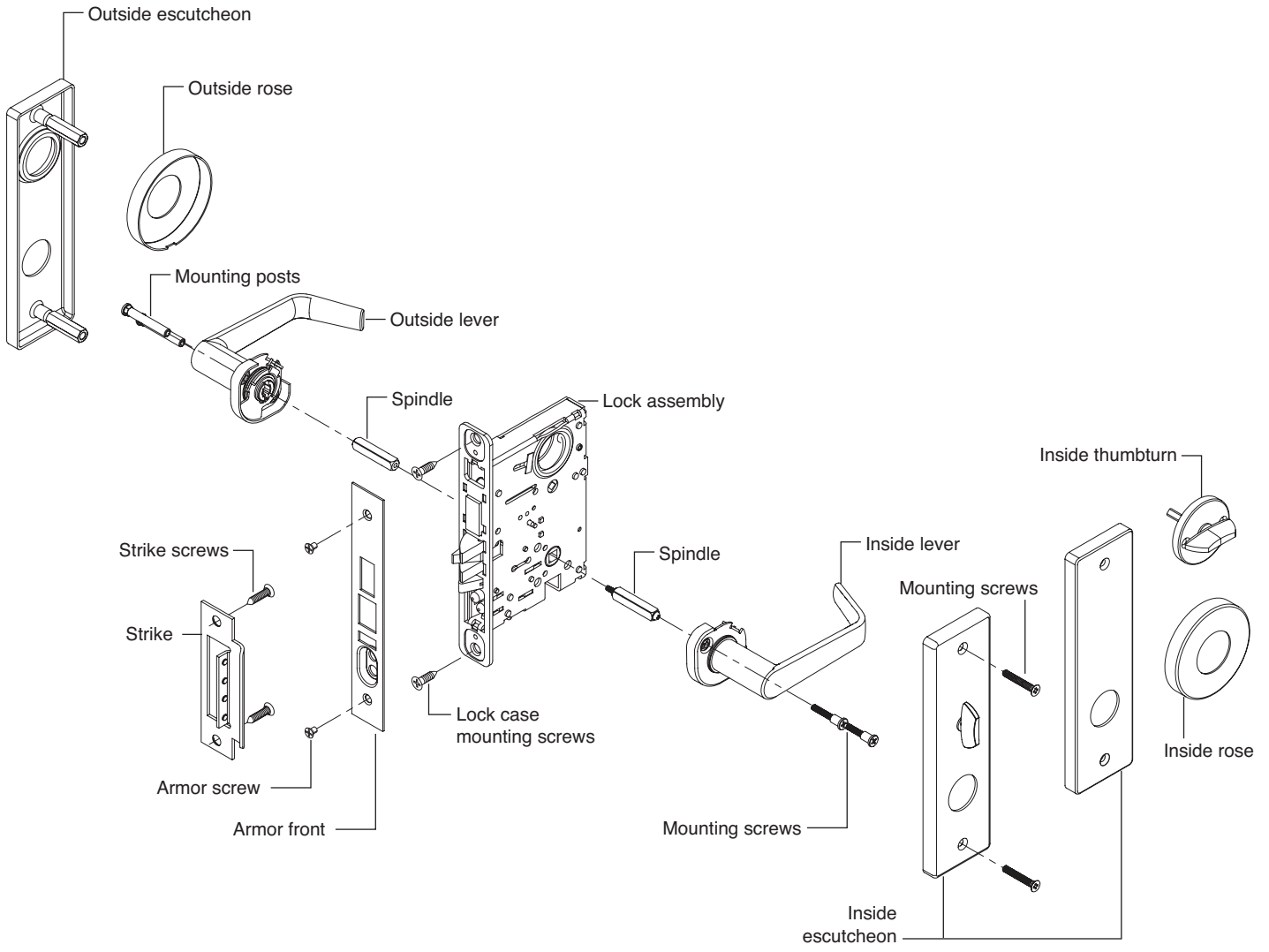
GRADE 1 MORTISE LOCK

LOCKS

Grade 1

Mortise

MA Series



Prices subject to change without notice

ANSI A156.13 Series 1000 Grade 1 Operation

Mortise

FALCON ANSI

MA101 F01



Passage/Closet Latchset

Latchbolt retracted by knob/lever from either side at all times. Inside knob/lever is always free for immediate egress.

MA161 F31



Connecting Room/Exit Latch

Latch bolt operated by knob/lever from inside. No trim outside. Auxiliary dead latch.

MA301 F02



Privacy Lock

Latch bolt operated by knobs/levers either side, dead bolt operated by turn from inside or by emergency release outside.

MA311 F19



Privacy, Bedroom or Bath Lock

Latch bolt operated by knobs/levers. Dead bolt operated by turn from inside and emergency release outside. Rotating inside knob/lever retracts both bolts. Inside knob/lever is always free for immediate egress.

MA321 F22



Privacy Lock

Latch bolt operated by knob/lever from either side except when outside knob/lever is locked by inside T-turn. Operating inside knob/lever, closing door or operating outside emergency release unlocks outside knob/lever. Inside knob/lever is always free for immediate egress.

MA371* F14



Store Door Lock

Latch bolt operated by knobs/levers either side. Dead bolt by key from either side.

MA381 F09



Apartment, Exit Lock

Latch bolt operated by knob/lever from either side, except when outside knob/lever is locked by key from inside. When outside knob/lever is locked, latch bolt is retracted by key from outside or by operating inside lever. Auxiliary dead latch. Inside knob/lever is always free for immediate egress.

Mortise

FALCON ANSI

MA411* F30



Asylum Lock

Latch bolt operated by key from either side. Both knobs/levers always inoperative. Auxiliary dead latch.

MA431 F34



Classroom Security Lock with Deadbolt

Latch bolt operated by knob/lever from either side except when outside knob/lever is locked from inside or outside by key. Dead bolt retracted by key from inside or outside. Operating inside knob/lever retracts both bolts and unlocks outside. Latch bolt dead locked when dead bolt is thrown. Inside knob/lever is always free for immediate egress.

MA441 F32



Classroom Security Lock

Latch bolt operated by knob/lever from either side except when outside knob/lever is locked from inside or outside by key. When outside knob/lever is locked, latch bolt is retracted by key from inside or outside or by operating inside knob/lever. Auxiliary dead latch. Inside knob/lever is always free for immediate egress.

MA451 F15



Hotel Guest Lock

Latch bolt operated by key from outside or by operating inside knob/lever. Outside knob/lever is always inoperative. Dead bolt projected by turn from inside and all keys except emergency key are shut out. Operating inside knob/lever retracts both bolts. Auxiliary dead latch. Inside knob/lever is always free for immediate egress.

MA521 F04



Entry/Office Lock

Latch bolt operated by knob/lever from either side except when outside knob/lever is made inoperative by buttons in face. When outside knob/lever is locked, latch bolt is retracted by key from outside or by operating inside knob/lever. Auxiliary dead latch. Inside knob/lever is always free for immediate egress.

MA531 F20



Apartment Corridor Door Lock

Latch bolt operated by knob/lever from either side, except when outside knob/lever is made inoperative by buttons in face. Dead bolt operated by key outside or turn inside. Key outside operates both bolts. Operating inside knob/lever retracts both bolts and outside remains locked. Latch bolt is deadlocked when outside knob/lever is made inoperative or when the dead bolt is projected. When dead bolt is retracted, knob/lever is unlocked by buttons in face. Inside knob/lever is always free for immediate egress.

* **Caution:** Double cylinder locks on residences and any door, in any structure, which is used for egress are a life safety hazard in times of emergency and their use is not recommended. Installation should be in accordance with existing codes only.

Prices subject to change without notice

MA-Series - Functions

LOCKS

Grade 1

Mortise

MA Series

ANSI A156.13 Series 1000 Grade 1 Operation

Mortise
FALCON ANSI

MA541* F21



Entry or Office Lock

Latchbolt retracted by knob/lever from either side. Deadbolt thrown or retracted by key outside or thumbturn inside.

MA551 F06

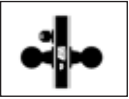


Holdback Lock

Latch bolt operated by lever from either side except when outside lever is locked from outside by key. Latch bolt can be locked in a retracted position by key. When outside lever is locked, latch bolt is retracted by key from outside or by operating inside lever unless latch bolt has been locked in a retracted position. Auxiliary dead latch. Inside knob/lever is always free for immediate egress.

Note: Chassis is handed

MA561 F05



Classroom Lock

Latchbolt operated by knob/lever from either side except when outside knob/lever is locked by key. When outside knob/lever is locked, latchbolt is retracted by key from outside or by operating inside knob/lever. Auxiliary latch deadlocks latchbolt when door is closed. Inside knob/lever is always free for immediate egress.

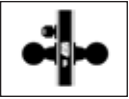
MA571 F13



Dormitory or Exit Lock

Latch bolt operated by knob/lever from either side. Dead bolt projected by key from outside and turn from inside. Operating inside knob/lever retracts both bolts and unlocks outside. Inside knob/lever is always free for immediate egress.

MA581 F07



Storeroom Lock

Latch bolt operated by key from outside or by operating inside knob/lever. Outside knob/lever is always inoperative. Auxiliary dead latch. Inside knob/lever is always free for immediate egress.

MA621 F08/F10



Apartment Corridor Lock

Latch bolt is operated by knob/lever from either side, except when outside knob/lever is made inoperative by buttons in face. Dead bolt is operated by turn inside. Key outside operates both bolts. Inside knob/lever is always free for immediate egress.

MA641



Dormitory Lock

Latch bolt by knob/lever inside and key outside. Inside knob/lever free. Outside knob/lever rigid. Dead bolt by key outside or T-turn inside. Rotating inside knob/lever retracts both bolts. Deadlocking latch. Inside knob/lever is always free for immediate egress.

Mortise
FALCON ANSI
MA851-12
MA851-24



Storeroom-Fail Safe EL

Latch bolt operated by knob/lever from either side except when outside knob/lever is electrically locked. When outside knob/lever is locked, latch bolt retracted by key in outside cylinder. Deadlocking latch. Specify 12 or 24V DC. Inside knob/lever is always free for immediate egress.

MA851-12RX
MA851-24RX



Storeroom-Fail Safe EL w/ MA851-24RX Request to Exit (RX)

Latch bolt operated by knob/lever from either side except when outside knob/lever is electrically locked. When outside knob/lever is locked, latch bolt retracted by key in outside cylinder. RX monitors inside or outside trim independently; compatible with normally open or normally closed systems. Deadlocking latch. Specify 12 or 24V DC. Inside knob/lever is always free for immediate egress.

MA881-12
MA881-24



Storeroom-Fail Secure EU

Latchbolt operated by knob/lever from inside except when outside knob/lever is electrically unlocked, then knob/lever from either side. When locked, key in outside cylinder retracts latch bolt. Specify 12 or 24V DC. Deadlocking latch. Inside knob/lever is always free for immediate egress.

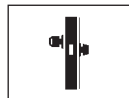
MA881-12RX F15
MA881-24RX



Storeroom-Fail Secure EU

Latchbolt operated by knob/lever from inside except when outside knob/lever is electrically unlocked, then knob/lever from either side. When locked, key in outside cylinder retracts latch bolt. RX independently monitors inside or outside trim; compatible with normally open or normally closed systems. Deadlocking latch. Specify 12 or 24V DC. Inside knob/lever is always free for immediate egress.

MA911 F29



Classroom Dead Lock

Key from outside operates dead bolt. Turn from inside retracts but does not project dead bolt.

MA921 F18



Outside Only Deadlock

Dead bolt by key outside only.

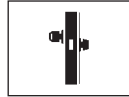
MA931* F16



Two-sided Deadlock

Dead bolt by key from either side.

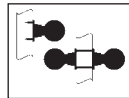
MA941 F17



Deadlock w/ inside turn

Dead bolt by key outside or turn inside.

MA12/MA18

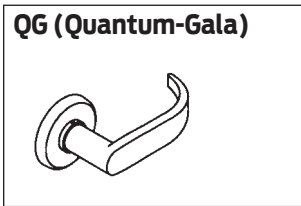
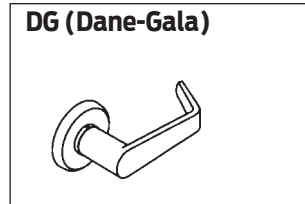
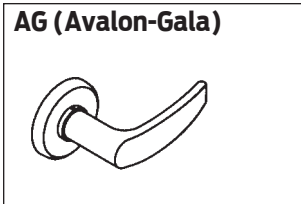


Dummy Trim

Single or double available.
Single (MA12)
Double (MA18)

* **Caution:** Double cylinder locks on residences and any door, in any structure, which is used for egress are a life safety hazard in times of emergency and their use is not recommended. Installation should be in accordance with existing codes only. No Immediate Egress.

Prices subject to change without notice



MA Lever/Rose Styles

Function	Description	Designs and Finishes							
		AG DG QG SG** LTG* LGG* BRG* BOG*							
		626	643E	605	606	613	619	622	625 630*
Single Cylinder Functions									
MA521P	Entry/Office								
MA541P	Entry/Office								
MA551P	Holdback								
MA561P	Classroom		\$575.00					\$587.00	
MA571P	Dormitory Exit								
MA581P	Storeroom								
MA531P	Apartment Corridor								
MA621P	Front Door		592.00					604.00	
MA641P	Dormitory								
MA451P	Hotel		747.00					759.00	
MA851P-12 or -24 ¹	Elect. Storeroom (Fail Safe)								
MA881P-12 or -24 ¹	Elect. Storeroom (Fail Secure)		1,062.00					1,074.00	
MA851P-12RX or -24RX ¹	Elect. Storeroom (Fail Safe) w/ RX								
MA881P-12RX or -24RX ¹	Elect. Storeroom (Fail Secure) w/ RX		1,162.00					1,174.00	
Double Cylinder Functions									
MA371P	Store Door								
MA381P	Apartment /Exit								
MA411P	Asylum								
MA431P	Classroom Security with deadbolt		\$634.00					\$646.00	
MA441P	Classroom Security								
CAUTION: Double cylinder locks on residences and any door in any structure which is used for egress are a life safety hazard in times of emergency and their use is not recommended. Installation should be in accordance with existing codes only.									
Non-Keyed Functions									
MA101	Passage		\$448.00					\$460.00	
MA161	Exit/Connecting		466.00					478.00	
MA301	Privacy								
MA311	Privacy								
MA321	Privacy		521.00					533.00	
MA12	Half Dummy		186.00					192.00	
MA18	Full Dummy		369.00					381.00	

Note: 1) Specify 12 or 24VDC. Default is 12V.

Power supply PS902 will be sufficient to operate an individual lock for multiple lock installation - see Power Supply section.

* Latitude, Longitude, Broadway and Boardwalk levers not available in 630 finish.

** Sutro-Gala trim not available in 619, 622 or 643e finishes.

Prices subject to change without notice

MA-Series - Complete Locks

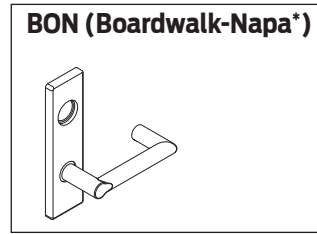
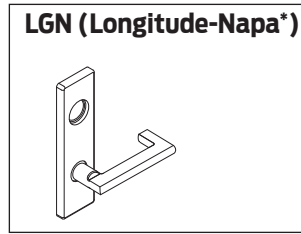
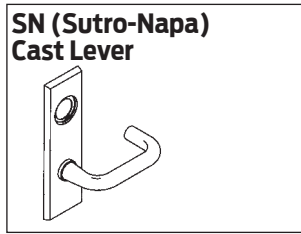
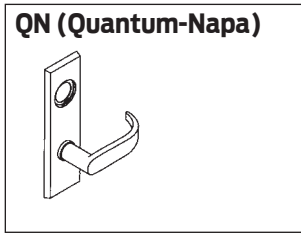
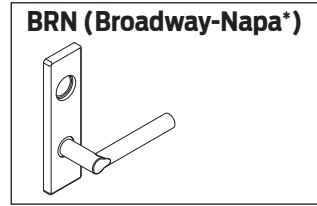
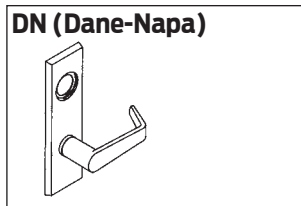
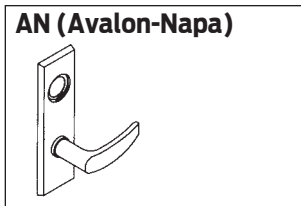
Grade 1 Mortise Locks with Cast/Forged or Heavy Wrought Trim ANSI-A156.13, SERIES 1000, GRADE 1

LOCKS

Grade 1

Mortise

MA Series



MA Lever Escutcheon Styles

Function	Description	Designs and Finishes							
		AN		DN		QN		SN**	
		626	643E	605	606	613	619	622	625 630
Single Cylinder Functions									
MA521P	Entry/Office								
MA541P	Entry/Office								
MA551P	Holdback								
MA561P	Classroom	\$620.00						\$632.00	
MA571P	Dormitory Exit								
MA581P	Storeroom								
MA531P	Apartment Corridor								
MA621P	Front Door	629.00						641.00	
MA641P	Dormitory								
MA451P	Hotel	686.00						698.00	
MA851P-12 or -24 ¹	Elect. Storeroom (Fail Safe)	1,131.00						1,143.00	
MA881P-12 or -24 ¹	Elect. Storeroom (Fail Secure)								
MA851P-12RX or -24RX ¹	Elect. Storeroom (Fail Safe) w/ RX	1,231.00						1,243.00	
MA881P-12RX or -24RX ¹	Elect. Storeroom (Fail Secure) w/ RX								
Double Cylinder Functions									
MA371P	Store Door								
MA381P	Apartment/Exit								
MA411P	Asylum	\$681.00						\$693.00	
MA431P	Classroom Security with deadbolt								
MA441P	Classroom Security								
CAUTION: Double cylinder locks on residences and any door in any structure which is used for egress are a life safety hazard in times of emergency and their use is not recommended. Installation should be in accordance with existing codes only.									
Non-Keyed Functions									
MA101	Passage	\$486.00						\$498.00	
MA161	Exit/Connecting	504.00						516.00	
MA301	Privacy								
MA311	Privacy	559.00						571.00	
MA321	Privacy								
MA12	Half Dummy	200.00						206.00	
MA18	Full Dummy	401.00						413.00	

Note: 1) Specify 12 or 24 VDC.

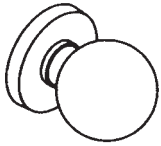
Power supply PS902 will be sufficient to operate an individual lock for multiple lock installation - see Power Supply section.

* Latitude, Longitude, Broadway and Boardwalk levers not available in 630 finish.

** Sutro-Gala trim not available in 619, 622 or 643e finishes.

Prices subject to change without notice

HG (Hana-Gala)



HN (Hana-Napa)



MA Knob Styles – Hana

Function	Description	Designs and Finishes			
		HANA – GALA		HANA – NAPA	
		626	605 606 613 625 630	626	605 606 613 625 630
Single Cylinder Functions					
MA521P	Entry/Office	\$509.00	\$521.00	\$525.00	\$537.00
MA541P	Entry/Office				
MA551P	Holdback				
MA561P	Classroom				
MA571P	Dormitory Exit				
MA581P	Storeroom				
MA531P	Apartment Corridor	525.00	537.00	533.00	545.00
MA621P	Front Door				
MA641P	Dormitory				
MA451P	Hotel	580.00	592.00	592.00	604.00
MA851P-12 or -24 ¹	Elect. Storeroom (Fail Safe)	1,025.00	1,037.00	1,034.00	1,046.00
MA881P-12 or -24 ¹	Elect. Storeroom (Fail Secure)				
MA851P-12RX or -24RX ¹	Elect. Storeroom (Fail Safe) w/ RX	1,125.00	1,137.00	1,134.00	1,146.00
MA881P-12RX or -24RX ¹	Elect. Storeroom (Fail Secure)w/ RX				
Double Cylinder Functions					
MA371P	Store Door	\$581.00	\$593.00	\$590.00	\$602.00
MA381P	Apartment/Exit				
MA411P	Asylum				
MA431P	Classroom Security with deadbolt				
MA441P	Classroom Security				
CAUTION: Double cylinder locks on residences and any door in any structure which is used for egress are a life safety hazard in times of emergency and their use is not recommended. Installation should be in accordance with existing codes only.					
Non-Keyed Functions					
MA101	Passage	\$351.00	\$363.00	\$366.00	\$378.00
MA161	Exit/ Connecting	375.00	387.00	388.00	400.00
MA301	Privacy	441.00	453.00	460.00	472.00
MA311	Privacy				
MA321	Privacy				
MA12	Half Dummy	144.00	150.00	142.00	148.00
MA18	Full Dummy	272.00	284.00	284.00	296.00

Note: 1) Specify 12 or 24VDC. Default is 12V.
Power supply PS902 will be sufficient to operate an individual lock for multiple lock installation - see Power Supply section.

Prices subject to change without notice

MA-Series - Deadlocks and Cylinders

LOCKS

MA Series Mortise Deadlocks (No Knob or Lever Trim)

Function	Description	List Price			
		626, 643E	605 606 613 619 622 625 630		
MA911P	Classroom Deadlock	\$350.00	\$356.00		
MA921P	Deadlock by key outside	315.00	321.00		
MA931P**	Deadlock by key from either side, Double Cylinder lock	343.00	349.00		
MA941P	Single Cylinder, Thumbturn inside	430.00	436.00		

****CAUTION:** Double cylinder locks on residences and any door in any structure which is used for egress are a life safety hazard in times of emergency and their use is not recommended. Installation should be in accordance with existing codes only.

- Notes:** 1) If ordered with Napa Escutcheon Trim - add \$132 (both sides will be included)
 2) Deadlock case comes with appropriate scalp (front).

Grade 1

Conventional Mortise Cylinders

Pins	Length	Description	Number	626	605 606 613 619 622 625 630 643e
5 or 6	1-1/8	Mortise	985	\$61.00	\$63.00
	1-1/4		986		
5, 6, or 7	1-3/8	Mortise	987	61.00	63.00
	1-1/2		988	78.00	80.00
	1-3/4		990	100.00	102.00
	2		992	105.00	107.00
6	1-1/8	Mortise, hotel function**	250	80.00	82.00
	1-1/4		251		
6	1-3/8		252		
	7		1-3/8		
-	1-1/8		Mortise, thumbturn		
	1-1/4	986T			
-	1	Dummy	984D	37.00	39.00
	1-1/8		985D		

** Hotel mortise cylinder are only offered as Master keyed or 6-pin 0-bitted and must be specified. If not specified, 0-bitted furnished.

- Notes:** 1) Cylinders are furnished 5-pin G keyway, keyed differently unless otherwise specified.
 2) Restricted sections see page 141. See Keys & Keying for standard keyways. Contact 877-671-7011 for availability.
 3) MA cam (5622-STD) provided unless otherwise specified.
 4) For 7-pin conventional add \$11.50.
 5) All mortise cylinders will be furnished with cam 5622-STD, except for MA381 function which will be supplied with 5620-STD and 5621-STD. See page 152 for additional available cams.
 6) Mortise and rim cylinders are not available in any competitor keyway, except Schlage C.
 7) 984D, 985D not available in 629 and 630.
 8) Conventional mortise cylinder with Schlage C keyway are available with the following cams only, 5622-STD & B502-191. Specify XQ11-949 when ordering with cylinder dogging
 9) Add \$10.80 (list) for Falcon restricted keyways. See page 8 for standard keyways. All others are restricted. Falcon conventional cylinder restricted keyways use a unique pin kit (P/N 1417) and cutter wheel for keys.

SFIC MA Series housings only

Cat. Number	Length	Pins	Description	626, 643E	605 606 613 619 622 625 630
C987-xx	1 3/8"	6 or 7	Mortise	\$38.00	\$40.00
C988-xx	1 1/2"	6 or 7	Mortise		
C990-xx	1 3/4"	6 or 7	Mortise	49.00	51.00
C992-xx	2"	6 or 7	Mortise	51.00	53.00
C997-xx	1 3/8"	6 or 7	Mortise, unassembled, less cam	24.00	26.00
C262-xx	1 5/8"	6 or 7	Mortise, hotel function RH	68.00	70.00
C265-xx	1 5/8"	6 or 7	Mortise, hotel function LH		

- Notes:** 1) All mortise cylinders will be furnished with cam 5622-IC, except for MA381 function which will be supplied with 5620-IC and 5621-IC. See page 154 for additional available cams.
 2) C977 is only furnished with 012667-001 Adams Rite Cam.

Prices subject to change without notice

Conventional Cylinder options		
Description	Specify	Add to Lock Price
5 pinned cylinder	P Suffix Example: MA581P	STD
6 pinned cylinder	P6 Suffix Example: MA581P6	N/C
7 pinned cylinder	P7 Suffix Example: MA581P7	\$11.50
6 pinned Competitor keyway cylinders*	P6 Suffix Example: MA581P6 (0 Bitted, KD, KA4 only)	N/C

* Competitor keyways are furnished 0 bitted, unless otherwise specified. Not available Master keyed, except Schlage C

- Notes:**
- 1) Finishes: 606, 622, & 626 only
 - 2) Specify keyway
 - 3) Cylinders are furnished G keyway, keyed differently unless otherwise specified.
 - 4) Restricted sections add \$10.80 to list price. See page 8 for list of standard keyways. All other keyways are considered restricted. Contact 877-671-7011 for availability.
 - 5) 622 Finish is available only on Allegion cylinders (P, P6, & P7) in C & G Keyways.

Small Format Interchangeable Core and Small Format Construction Core		
Description	Specify	Add to Lock Price (per core)
Small format core *	G Suffix Example: MA581GD	\$45.00
Small format core (Best Style) *	BB Suffix Example: MA581BB	
Small format construction core **	H Suffix Example: MA581HD	45.00
Less Small format core	B Suffix Example: MA581BD	N/C
Small format disposable core	BDC Suffix Example: MA581BDC	N/C

* Keying must be specified

** Locks are assessed one non-refundable handling charge (50-231F) per core.

- Note:**
- 6) Control keys are not furnished with locks and must be ordered separately. See page 151 for details.
 - 7) 622 Finish is available only on SFIC (G) in C & G Keyways.

Prices subject to change without notice

MA-Series - Strikes and Armor Fronts

LOCKS

MA-Series Strikes with Locks

Descriptions	Lip Length	Specify	Add to Lock Price
			605, 606, 613, 619 622, 629, 630, 643E
Standard - 1-3/4" Door Thickness	1-1/4"	A8737-1	N/C
Optional - 2" Door Thickness	1-7/16"	A8737-2	
Optional - 2-1/4" Door Thickness	1-9/16"	A8737-3	
Optional - 2-1/2" Door Thickness	1-11/16"	A8737-4	
Optional - 1-3/4" Door Thickness	7/8"	A8737-5	

MA-Series Strikes Sold Separately

Descriptions	Lip Length	Specify	Price
			605, 606, 613, 619 622, 629, 630, 643E
Standard - 1-3/4" Door Thickness	1-1/4"	A8737-1	\$22.70
Optional - 2" Door Thickness	1-7/16"	A8737-2	28.90
Optional - 2-1/4" Door Thickness	1-9/16"	A8737-3	
Optional - 2-1/2" Door Thickness	1-11/16"	A8737-4	
Optional - 1-3/4" Door Thickness	7/8"	A8737-5	

MA-Series Armor Fronts (Scalps) Sold Separately

Descriptions	Part Number	Price
		605, 606, 613, 619 622, 629, 630, 643E
MA101, 321	S77801-LL	\$41.90
MA521	S77804-LL	
MA161, 381, 411, 441, 561, 581, 851, 881, 551	S77805-LL	
MA621	S77811-LL	
MA451, 641	S77815-LL	
MA911, 921, 931, 941	S77816-LL	
MA301, 311, 371, 541, 571, 431	S77819-LL	
MA531	S77820-LL	

- Notes:** 1) Armor front is included in complete MA lock
 2) Screws not provided with armors or strikes when ordered separately.
 Please order S76300 if additional screws are required.

Prices subject to change without notice

MA-Series Lock Case		
Part Number	Description	List Price
A7801-xx	MA101	\$224.00
A7831-xx	MA161	213.00
A7802-xx	MA301	250.00
A7819-xx	MA311	
A7822-xx	MA321	
A7814-xx	MA371	
A7809-xx	MA381	279.00
A7830-xx	MA411	
A7815-xx	MA451	316.00
A7804-xx	MA521	279.00
A7820-xx	MA531	369.00
A7821-xx	MA541	279.00
A7805-xx	MA561, 441	
A7813-xx	MA571, 431	
A7807-xx	MA581	
A7808-xx	MA621	
A7815-xx	MA641	316.00
A7806-xx	MA551	382.00
A7851-12-xx	MA851 12V	664.00
A7851-24-xx	MA851 24V	
A7881-12-xx	MA881 12V	
A7881-24-xx	MA881 24V	
A7851-12RX-xx	MA851 12V RX	787.00
A7851-24RX-xx	MA851 24V RX	
A7881-12RX-xx	MA881 12V RX	
A7881-24RX-xx	MA881 24V RX	
A7829-xx	MA911	
A7816-xx	MA921, 931, 941	202.00

Notes: 1) xx Specify handing: RH= Right hand. LH= Left hand. RR = Right hand reverse. LR = Left hand reverse.
 2) Does not include armor front

MA-Series Lever & Knob Assemblies					
Part Number	Description	List Price			
		626	643E*	605 606 613 619* 622* 625 630	
AS76029-L/RH	Avalon, sectional trim	\$123.00		\$126.00	
AS76140-L/RH	Quantum, sectional trim				
AS76526-L/RH	Sutro, sectional trim				
AS76280-L/RH	Dane, sectional trim				
AS76100-L/RH	Hana, sectional trim				
AS76321-L/RH	Broadway, sectional trim (Not available in 630 finish)				
AS76310-L/RH	Boardwalk, sectional trim (Not available in 630 finish)				
AS76360-L/RH	Latitude, sectional trim (Not available in 630 finish)				
AS76760-L/RH	Longitude, sectional trim (Not available in 630 finish)				
AS77321-L/RH	Broadway, escutcheon trim (Not available in 630 finish)				
AS77310-L/RH	Boardwalk, escutcheon trim (Not available in 630 finish)				
AS77360-L/RH	Latitude, escutcheon trim (Not available in 630 finish)				
AS77760-L/RH	Longitude, escutcheon trim (Not available in 630 finish)				
AE77029-L/RH	Avalon, escutcheon trim				
AE77140-L/RH	Quantum, escutcheon trim				
AE77526-L/RH	Sutro, escutcheon trim				
AE77280-L/RH	Dane, escutcheon trim				
AE77100-L/RH	Hana, escutcheon trim				

Notes: 3) Specify finish and handing
 4) Lever assemblies include one lever assemblies with spring cage.
 * Not available on Hana knobs.

MA-Series Rose				
Part Number	Description	List Price		
		626	643E	605 606 613 619 622 625 630
S76012	Rose, Gala	\$31.60		\$34.60
AS76853	Emergency Coin Turn Rose Turn for MA 301/311/321	32.00		35.00
AS75319	Thumbturn assembly for sectional trim for MA 301/311/321 when door thickness is less than 2"	43.10		46.10
AS76319	Thumbturn Assembly for sectional trim for all functions except MA 301/311/321 when door thickness is less than 2"			

Notes: 5) Specify finish

MA-Series ROSE with INDICATOR			
Part Number	Description	List Price	
		626	630
AE55012-OT	Outside indicator, sectional trim, MA301/311/321.	\$32.00	\$35.00
AE55012-OC	Outside Indicator, sectional trim, All functions except MA 301/311/321/441.		

Notes: 6) Specify finish

Prices subject to change without notice

MA-Series - Trim, Screws and Parts

LOCKS

MA-Series Escutcheons

Part Number	Description	List Price			
		626	643E	605 606 613 619	622 625 630
AE77012-OP	Napa, Outside lever opening	\$74.90		\$77.90	
AE77012-OC	Napa, Outside Cylinder and lever openings				
AE77012-OK	Napa, Outside Cylinder only opening				
AE77012-OT	Napa, Outside Emergency key and lever opening				
E77012-IP	Napa, Inside lever opening				
E77012-IB	Napa, inside Blank, no lever opening	87.30		90.30	
AE77012-IT	Napa, Inside lever opening with thumbturn attached				
AE77012-IE	Napa, Inside no lever opening with thumbturn attached	74.90		77.90	
E77012-IC	Napa, Inside Cylinder and lever opening				
E77012-IK	Napa, Inside Cylinder only opening				

Note: 1) Specify finish

Grade 1

MA-Series ESCUTCHEONS with INDICATOR

Part Number	Description	List Price	
		626	630
AE87012-OT	Napa, outside indicator escutcheon trim, MA301/311/321. Vacant/Occupied.	\$111.00	\$114.00
AE87012-OK	Napa, outside indicator escutcheon trim, MA911/921/931/941. Vacant/Occupied.		
AE87012-OC	Napa, outside indicator escutcheon trim, all other functions. Vacant/Occupied.		
AE87012-IC	Napa, inside indicator escutcheon trim, MA441. Vacant/Occupied.		
AE87112-OT	Napa, outside indicator escutcheon trim, MA301/311/321. Locked/Unlocked.		
AE87112-OK	Napa, outside indicator escutcheon trim, MA911/921/931/941. Locked/Unlocked.		
AE87112-OC	Napa, outside indicator escutcheon trim, all other functions. Locked/Unlocked.		
AE87212-IC	Napa, inside indicator escutcheon trim, MA441. Locked/Unlocked.		

Note: 2) Specify finish

Mortise

MA-Series Screw Packs

Part Number	Description	List Price			
		606	613	622	630
S76300	1-3/4" - 1-7/8" door thickness, sectional trim with levers	\$24.40			
S76301	Over 1-7/8" - 2-1/2" door thickness, sectional trim with levers				
E77301	Over 1-7/8" - 2-1/2" door thickness, escutcheon trim with levers				
E77303	Over 1-7/8" - 2-1/2" door thickness, escutcheon trim with knobs				
S76306	Torx screw pack, sectional trim, no turn				
S76307	Torx screw pack, sectional trim, with turn				
E77306	Torx screw pack, escutcheon trim, standard				
E77307	Torx screw pack, escutcheon trim, over 1-7/8" - 2-1/2" door thickness				
S76302	1-3/4" - 1-7/8" door thickness, sectional trim with knobs				
S76303	Over 1-7/8" - 2-1/2" door thickness, sectional trim with knobs				
E77300	1-3/4" - 1-7/8" door thickness, escutcheon trim with levers				
E77302	1-3/4" - 1-7/8" door thickness, escutcheon trim with knobs				

Notes: 3) Specify finish

4) Non torx screw packs contains armor front screws, strike screws, trim screws, mortise screws, spindle, mounting posts

5) Torx screw packs contain armor front, strike and trim screws only

MA Series

MA/M-Series Miscellaneous Parts

Part Number	Description	List Price
PE1396	Dust Box, standard with lock	\$5.20
005099-000	Metal Dust Box	10.10
S76806	Spindles (2) for lever on standard door thickness or knob on door thickness 1-7/8" - 2-1/2"	6.60
S76816	Spindles (2) for lever on door thickness 1-7/8" - 2-1/2"	6.60
S76206	Spindles (2) for knob on standard door thickness	6.60
S76802	Spindles (2) for connecting door, MA161	6.60
AS5813	Mounting plate for use with no outside trim	17.50
030057-002	Replacement M lock lever return spring*	9.40

Note 6): *Return spring is for the old Falcon M mortise lock not the current Falcon MA mortise lock.

Prices subject to change without notice

Locks Less Components		
Description	Specify	Deduct from Lock Price
Less each knob or lever	LLL for knob/lever design Example: MA581P LLL/DG x DG	\$27.40
Less each escutcheon	LLL for escutcheon design Example: MA581P DN x DN/LLL	27.70
Less each rose	LLL for rose design Example: MA581P DG x DG/LLL	7.10
Less standard cylinder	L suffix Example: MA581L DG	61.00
Less standard hotel cylinder	L suffix Example: MA451L DG	61.00
Less armor front	LLL for latch Example: MA581P DG 626 LLL 21315R	23.50
Less strike	LLL for strike Example: MA581P DG 626 20099 LLL	12.20

Notes: 1) MA-series locks ordered less all components will be furnished as lock cases. See page 39 for part numbers.
2) Sum of applicable deducts, use DG (Dane Gala) and specified finish for base price.

Non-Standard Door Thickness		
Description	Specify	Add to Lock Price
Over 1 7/8" – 2 1/2" thick doors	Door thickness and how door is extended Example: 2", EE	\$85.30

Notes: 3) Must indicate how lock will be extended: Extended Inside (EI) on non-thumb turn functions only
Extended Outside (EO) on all functions
Extended Equally (EE) on all functions

4) MA451 has maximum 1-3/4" door thickness

Abrasive		
Description	Specify	Add to Lock Price
6 Prefix	Example: 6 DG for Dane Gala* * G Prefix not available in 613	\$59.10

Note: 5) Abrasive option not available on Latitude, Longitude, Broadway, & Boardwalk levers.

Knurling		
Description	Specify	Add to Lock Price
8 Prefix	Example: 8 DG for Dane Gala** **Only available in 626 finish and levers only	\$88.30

Note: 6) Knurling option not available on Latitude, Longitude, Broadway, & Boardwalk levers.

Lead Wrap		
Description	Specify	Add to Lock Price
9 Prefix	Example: 9 DG for Dane Gala	\$190.00

Note: 7) Lead Wrap option not available on Latitude, Longitude, Broadway, & Boardwalk levers.

Allegion Connect		
Suffix		List Add
CON	Cross-category solution using common interconnect components for electrified options. Available on the MA851 and MA881 functions including all voltage (12 or 24) and RX options. <i>For wire harness options refer to Electronic Power Supplies section.</i>	N/C

Indicators		
Description	Specify	Add to Lock Price
OCCUPIED/VACANT message indicator. For Sectional and Escutcheon Trim	Add M Suffix to trim. Example: DGM for Dane Gala	\$96.60
LOCKED/UNLOCKED message indicator. For Sectional and Escutcheon Trim	Add SI Suffix to trim. Example: DGSi for Dane Gala	96.60

Note: 8) Optional Vacant available on the following functions: MA301, MA311, MA321, MA371, MA431, MA451, MA541, MA571, MA641, MA921, MA931, MA941 on the outside of door.
Optional Vacant available on the following functions: MA441 on the inside of door.
Available in 626 (Satin Chrome) or 630 (Satin Stainless) finish only.
LOCKED/UNLOCKED message indicator only available on the following functions: MA441 on the inside of the door.

Prices subject to change without notice

MA-Series • Trim Packages

LOCKS

Grade 1

Mortise

MA Series

MA-Series Trim Packages				
Cat. Number	Function	Specify Style	List Price	
			626 643E*	605 606 613 619* 622* 625 630**
TP 50 S	101, 371, 381, 411, 431, 441, 521, 551, 561, 581, 851, 881	Dane, Sutro, Avalon, Quantum, Hana, Latitude, Longitude, Broadway, Boardwalk	\$316.00	\$322.00
TP 60 C	301, 311, 321	Dane, Sutro, Avalon, Quantum, Hana, Latitude, Longitude, Broadway, Boardwalk	344.00	350.00
TP 70 T	451, 531, 541, 571, 621, 641	Dane, Sutro, Avalon, Quantum, Hana, Latitude, Longitude, Broadway, Boardwalk	368.00	374.00
TP 55 E	101	Dane, Sutro, Avalon, Quantum, Hana, Latitude, Longitude, Broadway, Boardwalk	381.00	387.00
TP 65 E	311, 321, 301	Dane, Sutro, Avalon, Quantum, Hana, Latitude, Longitude, Broadway, Boardwalk	399.00	405.00
TP 75 E	431, 441, 411, 371, 381	Dane, Sutro, Avalon, Quantum, Hana, Latitude, Longitude, Broadway, Boardwalk		
TP 85 E	551, 881, 851, 581, 561, 521	Dane, Sutro, Avalon, Quantum, Hana, Latitude, Longitude, Broadway, Boardwalk		
TP 95 E	641, 541, 531, 571, 621, 451	Dane, Sutro, Avalon, Quantum, Hana, Latitude, Longitude, Broadway, Boardwalk		

Notes:

- S** = Sectional, No Thumbturn, up to 2 cylinders
- C** = Sectional, Thumbturn, no cylinder
- T** = Sectional, Thumbturn & cylinder
- E** = Escutcheon Trim

- 1)** Specify Lever/Knob style and finish
- 2)** Contains inside and outside trim, screw pack with mounting hardware

* Not available on Hana Knob Trim Packages.

**Latitude, Longitude, Broadway and Boardwalk levers not available in 630 finish.

Prices subject to change without notice

Table of Contents

Function Chart 45
Complete Lock Pricing 46
Order Detail 48

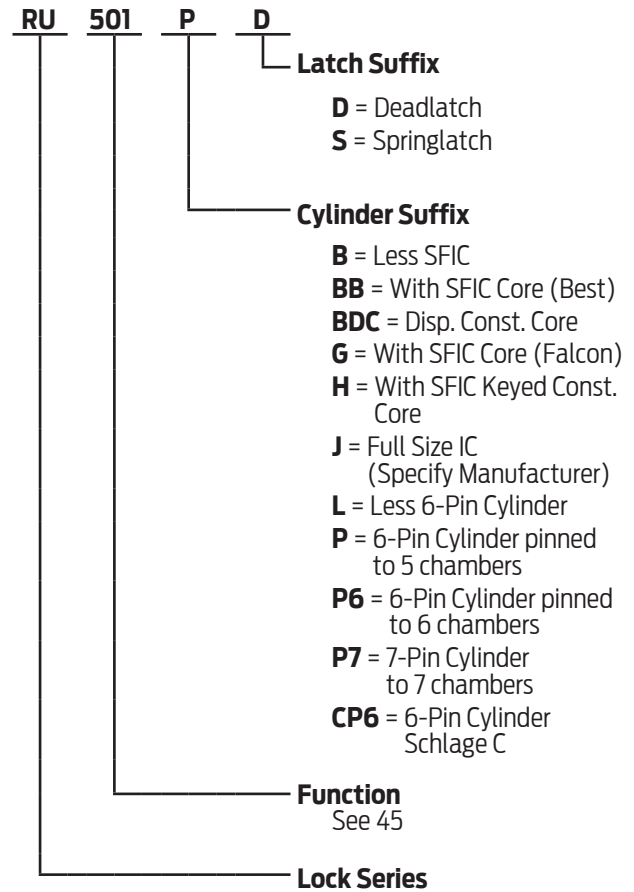
Options

- Latches 47
- Strikes 47
- Cylinder Requirements..... 49
- Competitor Cylinders..... 50

Parts

- Complete Cylinders 51
- Conventional Cylinder Options..... 51
- Lock Less Components 52
- Tactile Warning 52
- Lead Lining 52
- Lever 53
- Roses 53
- Misc. Parts..... 54
- Screws..... 54
- Tailpieces..... 55

Product Identification



SFIC = Small Format (Best® Style) Interchangeable Core

Finish Codes and Descriptions

Code		Description
613	(US10B)	Oil Rubbed Bronze
626	(US26D)	Satin Chrome

Standard Features - Furnished unless otherwise specified



Certification	ANSI A156.2, Series 2000, Grade 1, UL Listed for 3-Hour fire door
Latch	1-1/8" x 2-1/4", Square corner faceplate, 1" housing diameter, 1/2" throw, 2-3/4" backset
Strike	1-1/4" x 4-7/8", ANSI, Square corner, with dust box
Cylinder	6-Pin, Solid brass, Keyed 5-Pin, Falcon G keyway, Keyed different (KD)
Door Range	1-3/4" - 2-1/8" standard
Keys	Two, Nickel silver cut keys per lock, Falcon G keyway

Prices subject to change without notice

RU Series

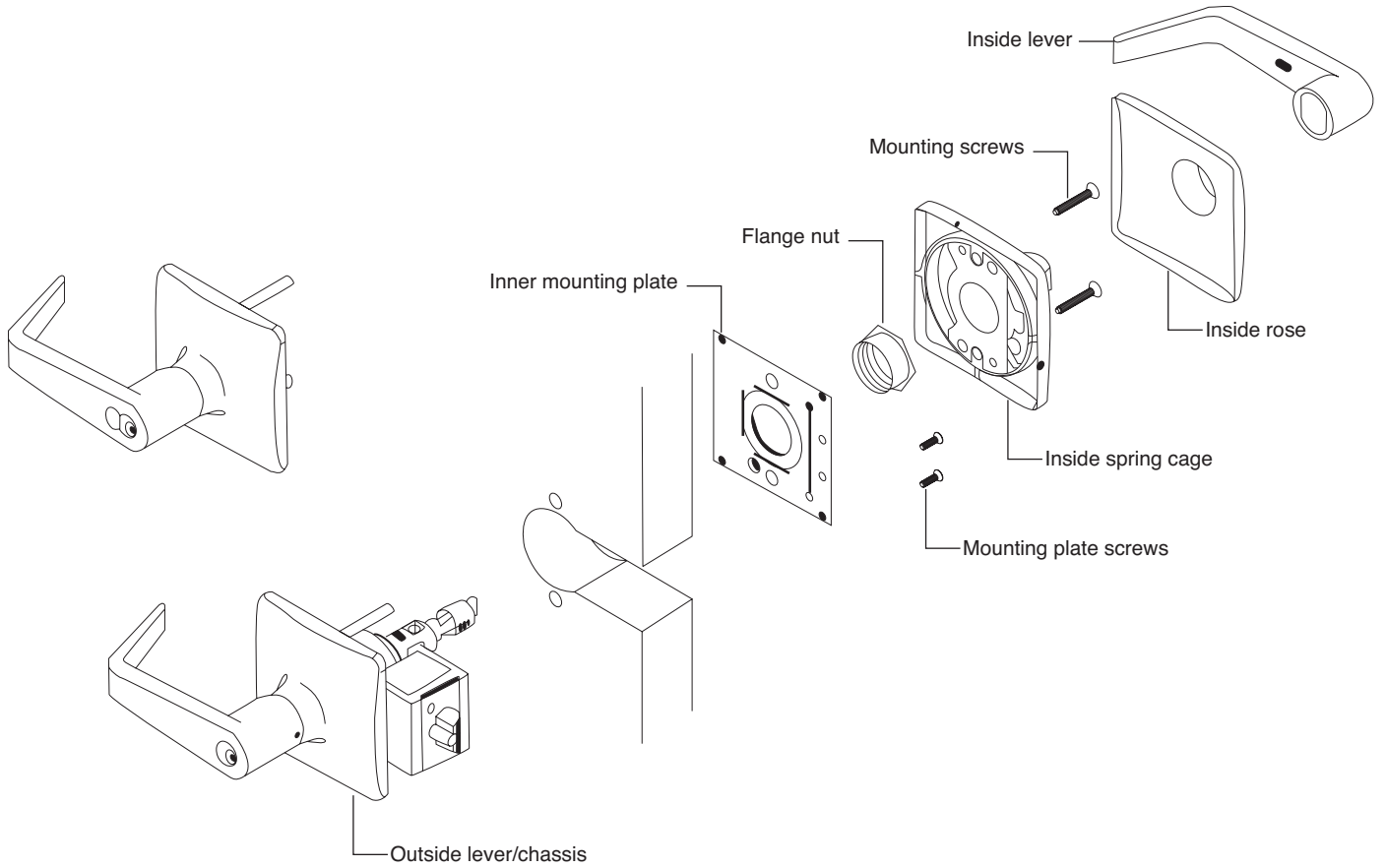
GRADE 1 PREASSEMBLED LOCK

LOCKS

Grade 1

Preassembled

RU Series



Prices subject to change without notice

ANSI A156.2, Series 2000 Grade 1

Retrofit Locks

FALCON ANSI

RU101 F36



Passage/Closet Latchset

Latch bolt by levers at all times.

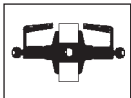
RU301 F37



Privacy/Bedroom/Bath Lock

Latch bolt by levers. Outside lever locked by push button in inside lever. Rotating inside lever or closing door releases push button. Emergency release in outside lever unlocks door.

RU381 F45



Classroom Security Lock

Latchbolt operated by lever from either side except when key from inside lever locks outside lever. When outside lever is locked, latchbolt retracted by key in outside lever or by turning inside lever.

RU411



Asylum Lock*

Deadlocking latch bolt by key from either side at all times. Both levers inoperable.

RU501 F41



Entry Lock

Push button locking. Button on inside locks outside lever until unlocked by key or by rotating inside lever. Inside lever always free. Deadlocking latch bolt.

RU511 F40/F41



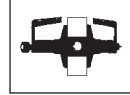
Entry/Office Lock

Turn/push button locking. Pushing and turning button locks outside lever requiring use of key until button is manually unlocked. Push button locking. Pushing button locks outside lever until unlocked by key or by rotating inside lever. Inside lever always free. Deadlocking latch bolt.

Retrofit Locks

FALCON ANSI

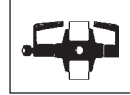
RU521



F40 Office Lock

Turn button locking. Turning button locks outside lever requiring use of key until button is manually unlocked. Inside lever always free. Deadlocking latch bolt.

RU561



F42 Classroom Lock

Deadlocking latch bolt by levers. Outside lever is locked by key in outside lever. Inside lever is always free.

RU571



F48 Dormitory/Corridor Lock

Deadlocking latch bolt by levers except when locked by push button in inside lever. Key in outside lever locks or unlocks lever and releases button. Closing door releases push button. Inside lever always free.

RU581



F44 Storeroom Lock

Deadlocking latch bolt by lever inside or key outside. Outside lever is inoperable. Inside lever always free.

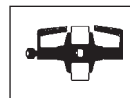
RU851



Storeroom (Electrified-Fail Safe)

Latch bolt operated by lever from either side except when outer lever is electrically locked. When outer lever is locked (inoperable), latch bolt retracted by key in cylinder outside. 24 volt DC .185 Amps, continuous duty.

RU881



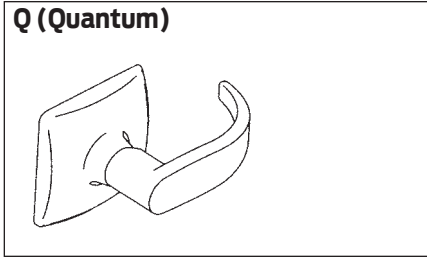
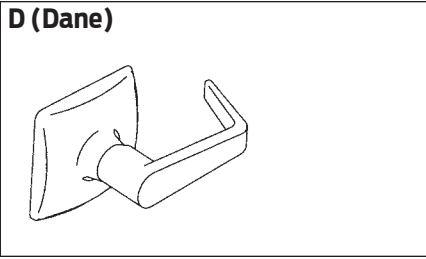
Storeroom (Electrified-Fail Secure)

Deadlocking latch bolt operated by lever inside at all times. Outside lever inoperable until electrically unlocked, then latch bolt from either side. When outside lever is inoperable, latch bolt retracted by key in cylinder outside. 24 volt DC .185 Amps, continuous duty.

* **Caution:** Double cylinder locks on residences and any door, in any structure, which is used for egress are a life safety hazard in times of emergency and their use is not recommended. Installation should be in accordance with existing codes only.

Prices subject to change without notice

LOCKS



Key-In-Lever

Function	Description	Designs and Finishes	
		D Q	D
		626	613
Single Cylinder Functions			
RU501PD	Entry	\$810.00	\$822.00
RU511PD	Entry/Office		
RU521PD	Entry/Office		
RU561PD	Classroom		
RU571PD	Dormitory/Corridor		
RU581PD	Storeroom		
Single Cylinder Functions - Electrified			
RU8511PD	Elec. Storeroom – Fail Safe	1,225.00	1,237.00
RU8811PD	Elec. Storeroom – Fail Secure		
Double Cylinder Functions			
RU381PD	Classroom Security	894.00	906.00
RU411PD	Asylum		
CAUTION: Double cylinder locks on residences and any door in any structure which is used for egress are a life safety hazard in times of emergency and their use is not recommended. Installation should be in accordance with existing codes only.			
Non-Keyed Functions			
RU101S	Passage	\$673.00	\$685.00
RU301S	Privacy	753.00	765.00

Grade 1

Preassembled

RU Series

Prices subject to change without notice

Latches with Locks					
Latch	Description	Door Thickness			Add to Lock Price
		1-3/4"	2"	2-1/4"	
314691	2-3/4" Latch height 1-3/4" x 1/2 Proj. Std.	Default			N/C
314692	2-3/4" Latch height 2-1/16" x 1/2 Proj.	•			N/C
314693	2-3/4" Latch height 2-5/8" x 1/2 Proj.	•			N/C
314694	2-3/4" Latch height 2-11/16" x 1/2 Proj.	•			N/C
315491	2-3/4" Latch height 1-3/4" x 3/4 Proj.	•			\$159.00
315492	2-3/4" Latch height 2-1/16" x 3/4 Proj.	•			159.00
315493	2-3/4" Latch height 2-5/8" x 3/4 Proj.	•			159.00
315494	2-3/4" Latch height 2-11/16" x 3/4 Proj.	•			159.00
316231	2-3/4" Latch height 1-3/4" x 1/2 Proj.		Default		N/C
316232	2-3/4" Latch height 2 1/16" x 1/2 Proj.		•		N/C
316233	2-3/4" Latch height 2 5/8" x 1/2 Proj.		•		N/C
316234	2-3/4" Latch height 2 11/16" x 1/2 Proj.		•		N/C
316241	2-3/4" Latch height 1-3/4" x 1/2 Proj.			Default	N/C
316242	2-3/4" Latch height 2 1/16" x 1/2 Proj.			•	N/C
316243	2-3/4" Latch height 2 5/8" x 1/2 Proj.			•	N/C
316244	2-3/4" Latch height 2 11/16" x 1/2 Proj.			•	N/C
LLL	LLL : Less Latch	•			-66.40

Strikes with Locks		
Description	Specify	Add to Lock Price
ANSI, 1-1/4" x 4-7/8" standard	5164	N/C
Early Corbin Russwin single door	31471	
Early Corbin Russwin single door	31471S	
Early Corbin Russwin pair doors	31472	\$95.20
Yale Mono Pair of Doors	31473	
Early Corbin	31474	
Early Russwin Unit Lock	31477	
ANSI Dust Box 1" deep steel	005099-000 30	N/C
3/4 deep for 3-1/4" high strike, dust box	031453-000 30	2.30

Latches sold separate				
Finishes: 613, 626				
Backset	Description	Spring Latch	Dead Latch	List Price
2-3/4"	Latch height 1-3/4" x 1/2 Proj.	A31469-001	A31469-01D	\$101.00
	Latch height 2-1/16" x 1/2 Proj.	A31469-002	A31469-02D	133.00
	Latch height 2-5/8" x 1/2 Proj.	A31469-003	A31469-03D	139.00
	Latch height 2-11/16" x 1/2 Proj.	A31469-004	A31469-04D	
	Latch height 1-3/4" x 3/4 Proj.	-	A31549-01D	199.00
	Latch height 2-1/16" x 3/4 Proj.	-	A31549-02D	
	Latch height 2-5/8" x 3/4 Proj.	-	A31549-03D	
	Latch height 2-11/16" x 3/4 Proj.	-	A31549-04D	

Strikes sold separate			
Finishes: 613, 626, 630			
Description	Lip Length	Specify	List Price
ANSI, 1-1/4" x 4-7/8" standard	1-3/16"	005164-000	\$13.80
Early Corbin Russwin single door (center line same as early Corbin Russwin)		031471-000	16.60
Early Corbin Russwin single door (center line is different than early Corbin Russwin)		031471-001	
Early Corbin Russwin pair doors		031472-000	89.10
Yale Mono Pair of Doors		031473-000	
Early Corbin		031474-000	
Early Russwin Unit Lock		031477-000	
ANSI Dust Box 1" deep steel		005099-000 30	3.20
3/4 deep for 3-1/4" high strike, dust box -		031453-000 30	2.20

Prices subject to change without notice

RU-Series - Order Detail

LOCKS

Grade 1

Preassembled

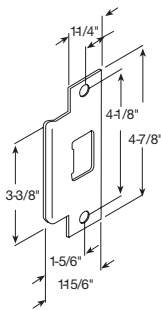
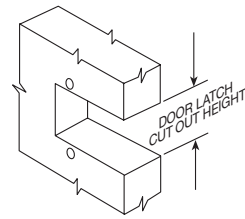
RU Series

Ordering Format

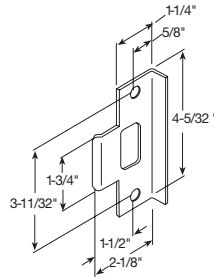
Qty.	Catalog Number	Trim Design	Finish	Latch Height	Strike Part No.	Hand	Cylinder	Other Requirements
8	RU521	D	626	1 ³ / ₄ "	031471-000	RH	Less	IC-CR Cylinder

When evaluating the retrofit requirements for an RU Series lockset, the following questions need to be answered.

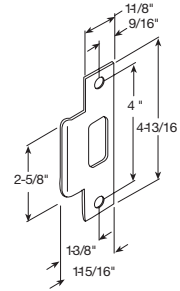
- Which manufacturer's unit lock is currently installed?
 - Russwin Corbin Corbin Russwin Yale Falcon
- What is the existing latch height? To determine latch height measure existing latch height as shown here:
 Latch heights currently identified and the manufacturer:
 1. 1³/₄" Most Corbin & Russwin sold 1949 thru current; Yale 6200
 2. 2¹/₁₆" Corbin, Falcon
 3. 2⁵/₈" Certain Corbin (O)2400 Series sold 1913-1953
 4. 2¹¹/₁₆" Russwin 2100 & 2800 Series sold 1904-1968
- What is the existing strike condition?



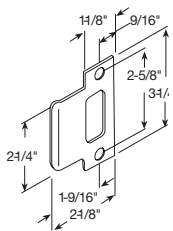
0005164-000



031477-000
Early Russwin
Unit Lock

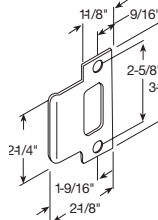


031474-000
Early Corbin



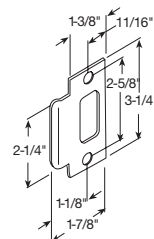
031471-000

Note: Strike, Door and Lock Same Center Line Early Corbin Russwin Single Door

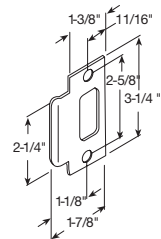


031471-001

Note: Strike Center Line is not the Same as Door and Lock Early Corbin Russwin Single Door



031472-000
Early Corbin Russwin
Pair of Doors



031473-000
Yale Mono
Pair of Doors

- What is the existing door thickness?
 Locks are for 1³/₄" thick doors only.

Prices subject to change without notice

Specify cylinder requirements.

Note: Locks furnished with Falcon's standard "G" keyway cylinder or prepared for Falcon interchangeable core unless otherwise specified.

With Cylinder

Falcon IC

- 6-pin
- 7-pin

Falcon Standard

- 6-pin *specify keyway*
- 7-pin *specify keyway*

Competitors' Keyways - 6-pin Standard Cylinder*

- Corbin - 60, 0 Bitted, KD
- Russwin - D1, 0 Bitted, KD
- Sargent - LA, 0 Bitted, KD (Also accepts LB, LC keys)
- Schlage - C, 0 Bitted, KD, KA4
- Schlage - E, 0 Bitted
- Yale - 8 (Para), 0 Bitted, KD

* Generic replacement cylinders with competitors' keyways.

Less Cylinder - Prepared to Accept**

Falcon IC

Falcon Standard

- 6-pin
- 7-pin

Unit / Mono Lock Cylinders

- Falcon Standard (R Series old small plug) 6-pin
- Corbin Russwin Unit Lock (2000-052) - Master Ring not available
- Medeco Unit Lock Retrofit Cylinder (20W5005) - Corbin Russwin Unit Lock
- Medeco Unit Lock Retrofit Cylinder (20W0500) - Yale 6200 Mono Lock
- Yale Mono Lock (1801) and later models

Competitors' Standard Cylinders

- Assa (65611 or 65661) 6-pin
- Corbin Russwin (2000-034 / CL3400) 6-pin - Master Ring not available
- Medeco (20W200V3) 6-pin
 - tailpiece supplied by Medeco
 - Falcon / Schlage style
- Peaks (Kaba) 6-pin
- Primus (Schlage) 6-pin
- Sargent (6, 7 & 10 Line) 6-pin - Keso not available
- Schlage 6-pin
- Yale (1801) 6-pin - Bicentric not available

Competitors' IC

- Arrow 6, 7-pin
- Assa (70600IC & V70600IC) 6-pin
- Best 6, 7-pin
- Corbin Russwin (8000) 6-pin
- Corbin Russwin (8000-7) 7-pin
- InstaKey
- Medeco 31 Series 6-pin
- Medeco 32 Series 6-pin
- Medeco Keymark 6, 7-pin
- Peaks (Kaba) 6, 7-pin
- Primus (Schlage) 6-pin
- Sargent (6300) 6-pin
- Schlage 6-pin
- Yale (1210) 6-pin

** Proper tailpiece supplied unless otherwise noted.

LOCKS

Grade 1

Preassembled

RU Series

Prices subject to change without notice

Compatibility with Competitors' I-Cores



Falcon's standard interchangeable core option. Specify 6 or 7-pin.
Locksets with this option also accept Schlage SFIC, Arrow (including Flex Core), Best (including PKS & Peaks), InstaKey, Kaba Peaks, Keymark and KSP cores.

The following larger format interchangeable cores will work with the T Series locksets when lockset is so specified:



Asa
old and new style
Specify IC-AS



Corbin Russwin
8000 or 8000-7
Specify IC-CR6
or IC-CR7



Medeco
32 Series 6-pin
Specify IC-ME



Medeco
31 Series 6-pin
Specify IC-YA6



Sargent
6300
Specify IC-SA



Schlage 6-pin
including Primus
Specify IC-SC



Yale 6-pin
Specify IC-YA6

Compatibility with Competitors' Standard Cylinders

The RU Series is furnished with Falcon's standard "G" keyway cylinder unless otherwise specified. The RU Series accepts the following competitors' standard 6-pin cylinders.

- Asa (65611 or 65661) 6-pin
- Corbin Russwin (2000-034 / CL3400) 6-pin - Master Ring not available
- Medeco (20W200V3) 6-pin
- tailpiece supplied by Medeco
- Falcon / Schlage style
- Peaks (Kaba) 6-pin
- Primus (Schlage) 6-pin
- Sargent (6, 7 & 10 Line) 6-pin - Keso not available
- Schlage 6-pin
- Yale (1801) 6-pin - Bicentric not available

Prices subject to change without notice

RU Series - Complete Cylinders		
Cylinder Mechanism	Part Number	Price Each
5 pin cylinder RU series (except 381 IS, 571)	A23151-05	\$54.00
5 pin cylinder RU series 381 IS	A23151-06	
5 pin cylinder RU series 571	A23151-07	
6 pin cylinder RU series (except 381 IS, 571)	A23161-05	
6 pin cylinder RU series 381 IS	A23161-06	
6 pin cylinder RU series 571	A23161-07	
7 pin cylinder RU series (except 381 IS, 571)	A23171-05	69.00
7 pin cylinder RU series 381 IS	A23171-06	
7 pin cylinder RU series 571	A23171-07	

Conventional Cylinder Options		
Description	Specify	Add to Lock Price (per core)
5 pinned cylinder	P Suffix Example: RU581P	STD
6 pinned cylinder	P6 Suffix Example: RU581P6	N/C
7 pinned cylinder	P7 Suffix Example: RU581P7	\$11.50
6 pinned Competitor keyway cylinders*	P6 Suffix Example: RU581P6 (0 Bitted, KD, KA4 only)	N/C
Schlage C (6 pin only)	CP6 Suffix Example: RU581CP6 (All other keying, not listed above)	

* Competitor keyways are furnished 0 bitted, unless otherwise specified. Not available Master keyed, except Schlage C. KD option is not available for locks containing 2 cylinders.

- Notes:**
- 1) Finishes: 606 and 626 only
 - 2) Specify keyway
 - 3) Cylinders are furnished G keyway, keyed differently unless otherwise specified.
 - 4) Restricted sections add \$10.80 to list price. See page 8 for list of standard keyways. All other keyways are considered restricted. Contact 877-671-7011 for availability.

Interchangeable Core and Small Format Construction Core		
Description	Specify	Add to Lock Price (per core)
Small format core *	G Suffix Example: RU581GD	\$45.00
Small format core (Best Style) *	BB Suffix Example: RU581BB	
Small format construction core **	H Suffix Example: RU581HD	45.00
Less Small format core	B Suffix Example: RU581BD	N/C
Less Full Size core	J Suffix Example: RU581JD SCH x DAN	
Small format disposable core	BDC Suffix Example: RU581BDC	N/C

* Keying must be specified
 ** Locks are assessed one non-refundable handling charge (50-231F) per core.

Note: 5) Control keys are not furnished with locks and must be ordered separately. See page 151 for details policy on use of restricted keyway cylinders. Contact 877-671-7011 for availability.

Prices subject to change without notice

RU-Series • Less Components, Thick Door, Tactile Warning, Lead Lining

LOCKS

Locks Less Components

Description	Specify	Deduct from Price (per core)
Less standard cylinder	L suffix Example: RU581LD DAN	\$54.00
Less latch	LLL suffix Example: RU581PD DAN 626 LLL/5164	7.20
Less strike	LLL suffix Example: RU581PD DAN 626 31469I LLL	8.80

Tactile Warning (Abrasive coat)

Description	Specify	Add to Lock Price
Abrasive	Preface the design code with 6 Example: 6DA for DAN	\$66.30

Lead Lining

Description	Specify	Add to Lock Price
Lead lining	Preface the design code with 9 Example: 9DA for DAN	\$293.00

Grade 1

Preassembled

RU Series

Prices subject to change without notice

Levers, Conventional Cylinder		
Part Number	Description	List Price
030742-000	Dane lever, closed	\$49.10
030742-001	Dane lever, open	
030744-000	Quantum lever, closed	58.50
030744-001	Quantum lever, open	
030929-002	Lever, Dane open (Corbin Russwin, Medeco, Yale unit)	65.70
030929-003	Lever, Quantum open (Corbin Russwin, Medeco, Yale unit)	
030996-002	Lever, Dane open (Sargent 6, 7 & 10 line, Yale)	40.10
030996-003	Lever, Quantum open (Sargent 6, 7 & 10 line, Yale)	
A30753-00*	Inside lever w/set screw, closed	101.00
A30753-01*	Inside lever w/set screw, open	
A31544-00*	Inside lever w/set screw, closed 851/881	

* Specify design prefix D (Dane), Q (Quantum)

Levers and related parts, Small Format and Large Format Interchangeable Core		
Part Number	Description	List Price
030742-002	Lever, Dane SFIC	\$49.10
030744-002	Lever, Quantum SFIC	
030926-002	Lever, Dane IC, ASSA, Medeco, Yale	105.00
030926-003	Lever, Quantum IC, ASSA, Medeco, Yale	
030927-002	Lever, Dane IC, Schlage	105.00
030927-003	Lever, Quantum IC, Schlage	
030928-002	Lever, Dane IC, Corbin Russwin	102.00
030928-003	Lever, Quantum IC, Corbin Russwin	
030930-002	Lever, Dane IC, Sargent	109.00
030930-003	Lever, Quantum IC, Sargent	

Roses		
Part Number	Description	List Price
031452-000	Rose, square	\$33.60

Note: 1) Dane available in 626 and 613 Quantum available in 626.

Prices subject to change without notice

RU-Series - Miscellaneous Parts

LOCKS

Grade 1

Preassembled

RU Series

Miscellaneous Parts		
Part Number	Description	List Price
022104-000-30	Short Slide Catch	\$0.88
022105-000-30	Slide Catch	2.50
022106-002-55	Retractor	3.10
022108-000-60	Retractor Spring	1.90
022112-000-30	Retainer, Retractor Spring	1.90
022986-001-50	Retractor Insert	0.62
030703-000-30	Inner Spindle, Passage and Button Functions	26.00
030704-002-30	Lever Stop Plate	3.70
030709-000-60	Clutch Spring	0.42
030712-000-30	Mounting Plate, Inner	3.60
030712-001-30	Mounting Plate, Outer	3.20
030718-000-30	Key Spindle, std	4.60
030718-001-30	Key Spindle, IC	
030722-000-30	Dogging Bar	3.10
030724-000-30	Lever Retaining Ring	0.62
030726-000-30	Flanged Nut	7.30
030726-007-30	Flanged Nut, Inner Electrified	10.20
030728-000	Push Button Cap	9.60
030733-000-55	Spindle Inner	3.30
031511-000-30	Hex Nut, 1/-28 Special	8.10
031514-000-30	Solenoid Mount	10.40
031519-000-30	Inner Spindle, RU851/881	41.00
1387	Hex Key – 1/8" with Looped Handle	15.40
1388	Hex (castle) Not installation tool	35.50
A30746-000-00	Hub & Housing Assembly	15.20
A30747-000-00	Hub & Plate Assembly	14.00
A30749-060-00	Insert & Spindle Assembly, Outer, 6 Pin	99.50
A30749-070-00	Insert & Spindle Assembly, Outer, 7 Pin	59.40
A30905-001-00	Spindle & Driver Assembly, IC	55.80
A30905-060-00	Spindle & Driver Assembly, 6 Pin	
A30906-070-00	Spindle & Driver Assembly, 7 Pin	
A30913-000-00	Key Spindle Assembly, Inner Std.	163.00
A30913-001-00	Key Spindle Assembly, Inner IC	
Q330-272	RU Lock Spring Cage Kit (for all functions except RU101 and RU301)	38.90
Q330-273	RU Lock Spring Cage Kit (RU101 and RU301)	

Screws				
Part Number	Description	Finishes	Size	List Price
002762-000	RU latch screw	606, 613, 626	8-32 x3/8	\$0.34
002770-016-30	Insert screws	–	10-32 x 1	0.48
021164-016	ANSI strike screws	606, 613, 626, 630	12-24 x 1" combo	0.56
024416-012	Latch and strike screws	606, 613, 626, 630	8-32 x 3/4" combo	0.32
030755-005-30	Type D screw	–	8-32 x 5/16"	0.42
030831-004-30	Set screw	–	1/4-20 x 1/4"	0.60
031533-006-30	Self tap screw	–	8-32 x 3/8"	0.44
031541-006-30	Mounting plate screws	–	8-32 x 1/2"	0.46

Prices subject to change without notice

Tailpieces for Conventional Cylinders				
Cylinder	Std. Functions	RU381 Inside	RU571	Price
Falcon 6-pin* (10/pack)	A30730-001-00	A30730-003-00	A30730-002-00	\$23.10 pkg. of 10
Falcon 7-pin (10/pack)	A30730-002-00	A30730-004-00	A30730-006-00	\$23.10 pkg. of 10
Sargent 6 & 10 Line	030997-001-30	030997-003-30	030997-005-30	12.20
Yale1801, 5801	030917-001-30	030917-003-30	030917-005-30	34.90 each
Corbin Russwin	030994-001-30	030994-003-30	030994-005-30	65.80

IC Throw Members (Tailpieces)				
Core Type	Std. Functions	RU381 Inside	RU571	Price
Falcon 6-pin*	030739-000-30		030739-004-30	\$2.90
Falcon 6-pin*	030739-002-30			9.90
Falcon 7-pin*	030739-001-30		030739-005-30	2.90
Falcon 7-pin *		030739-003-30		2.90
Corbin Russwin 8000 and Sargent 6300	031468-000-30	031468-002-30	031468-004-30	7.50
Corbin Russwin 8000-7 (7-pin)	031468-001-30	031468-003-30	031468-005-30	7.50
Medeco 32 Series & ASSA	A30988-000-00	A30988-002-00	A30988-000-00	6.40
Schlage full size, including Primus	031467-000-30	031467-002-30	031467-004-30	15.30
Yale and Medeco 31 Series 6-pin	030917-001-30	030917-003-30	030917-005-30	34.90

* Arrow, Best, InstaKey, Kaba Peaks, Keymark, KSP and Schlage small format cores all use the Falcon configuration.

LOCKS

Grade 1

Preassembled

RU Series

Prices subject to change without notice

LOCKS

Grade 1

Preassembled

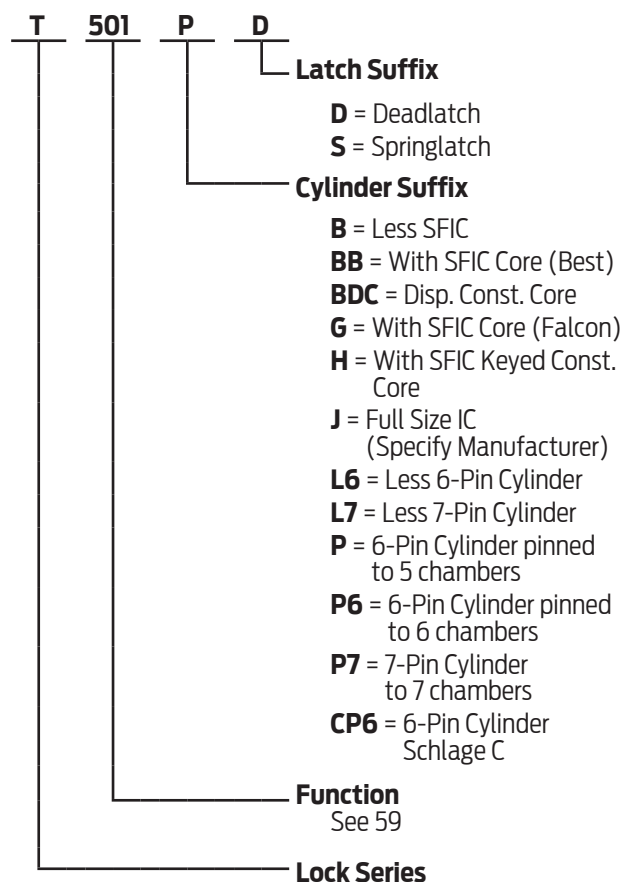
RU Series

Prices subject to change without notice

Table of Contents

Function Chart **59**
Complete Lock Pricing **60**
Options & Parts
 Cylinders61
 Tailpieces.....62
 Order Detail63
 Competitor Cylinders64
 Lock Less Components65
 Non-Standard Door Thickness65
 Tactile Warning65
 Lead Lining65
 Allegion Connect.....65
 Latches with Locks.....65
 Strikes66
 Levers67
 Roses67
 Misc. Parts.....68
 Chassis Assemblies68
 Screws.....69

Product Identification



SFIC = Small Format (Best® Style) Interchangeable Core

Finish Codes and Descriptions

Code		Description
605	(US3)	Bright Brass
606	(US4)	Satin Brass
613	(US10B)	Oil Rubbed Bronze
619	(US15)	Satin Nickel
622		Matte Black
625	(US26)	Bright Chrome
626	(US26D)	Satin Chrome
643E	(US11)	Aged Bronze

Standard Features - Furnished unless otherwise specified

Certification	ANSI A156.2, Series 4000, Grade 1, UL Listed for 3-Hour fire door
Latch	1-1/8" x 2-1/4", Square corner faceplate, 1" housing diameter, 1/2" throw, 2-3/4" backset
Strike	1-1/4" x 4-7/8", ANSI, Square corner, no box
Cylinder	6-Pin, Solid brass, Keyed 5-Pin, Falcon G keyway, Keyed different (KD)
Door Range	1-3/4" - 2-1/8" standard
Keys	Two, Nickel silver cut keys per lock, Falcon G keyway



Prices subject to change without notice

T Series

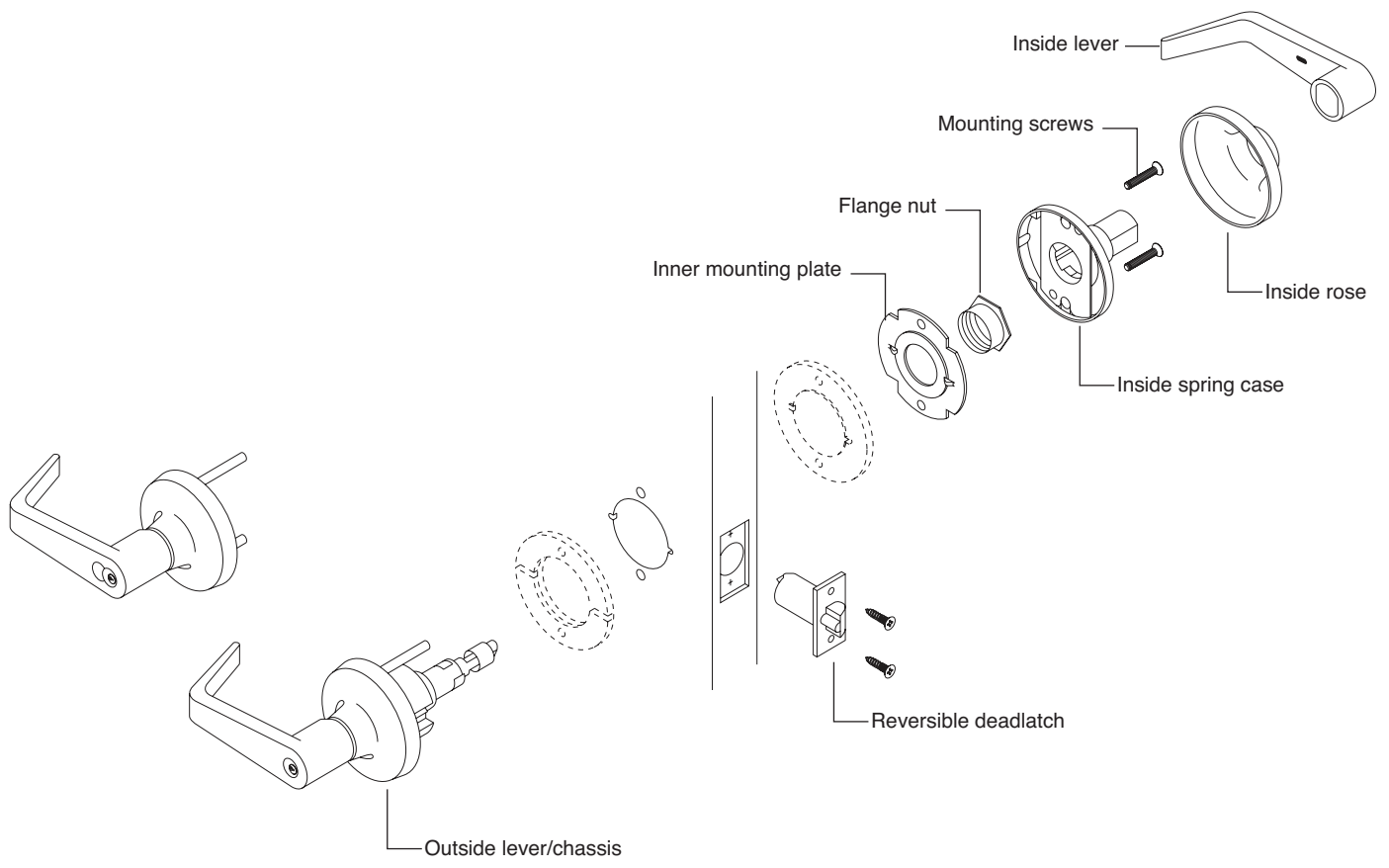
GRADE 1 CYLINDRICAL LOCK

LOCKS

Grade 1

Cylindrical

T Series



Prices subject to change without notice

ANSI A156.2 Series 4000 Grade 1

Key-In-Lever Locks

FALCON ANSI

T101 F75

Passage/Closet Latchset

Latch bolt by levers at all times.



T291

Privacy Hospital Lock

Latch bolt by levers. Outside lever locked by push button in inside lever. Rotating inside lever, closing door, or turning emergency release turn button on outside, release push button. Inside is always free for egress.



T301 F76

Privacy Lock

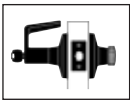
Latch bolt by levers. Outside lever locked by push button in inside lever. Rotating inside lever or closing door releases push button. Emergency release in outside lever unlocks door.



T351

Closet Lock

Deadlocking latch bolt by turn knob inside or lever outside except when outside lever is locked by key.



T381 F88

Classroom Security Lock

Latchbolt operated by lever from either side except when key from inside lever locks outside lever. When outside lever is locked, latchbolt retracted by key in outside lever or by turning inside lever.



T411 F87

Asylum Lock*

Deadlocking latch bolt operated by key in lever from either side. Both levers always inoperable.



T501 F82

Entry Lock

Push button locking. Button on inside locks outside lever until unlocked by key or by rotating inside lever. Inside lever always free. Deadlocking latch bolt.



T511 F109

Entry/Office Lock

Turn/push button locking. Pushing and turning button locks outside lever requiring use of key until button is manually unlocked. Push button locking. Pushing button locks outside lever until unlocked by key or by rotating inside lever. Inside lever always free. Deadlocking latch bolt.



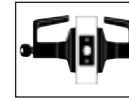
Key-In-Lever Locks

FALCON ANSI

T521 F81

Office Lock

Turn button locking. Turning button locks outside lever requiring use of key until button is manually unlocked. Inside lever always free. Deadlocking latch bolt.



T561 F84

Classroom Lock

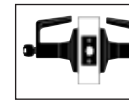
Deadlocking latch bolt by levers. Outside lever is locked by key in outside lever. Inside lever is always free.



T571 F90

Dormitory/Corridor Lock

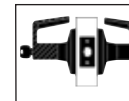
Deadlocking latch bolt by levers except when locked by push button in inside lever. Key in outside lever locks or unlocks outside lever and releases button. Closing door releases push button. Inside lever always free.



T581 F86

Storeroom Lock

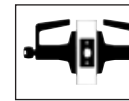
Deadlocking latch bolt by lever inside or key outside. Outside lever is inoperable. Inside lever always free.



T851

Storeroom (Electrified – Fail Safe)

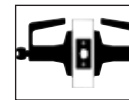
Latch bolt operated by lever from either side except when outer lever is electrically locked. When outer lever is locked (inoperable), latch bolt retracted by key in cylinder outside. Available in both 12 (.65 Amps) or 24 (.32 Amps) volt DC, continuous duty.



T881

Storeroom (Electrified – Fail Secure)

Deadlocking latch bolt operated by lever inside at all times. Outside lever inoperable until electrically unlocked, then latch bolt from either side. When outside lever is inoperable latch bolt retracted by key in cylinder outside. Available in both 12 (.65 Amps) or 24 (.32 Amps) volt DC, continuous duty.



T12

Dummy Trim

Single Trim-surface mounted rigid lever.



* **Caution:** Double cylinder locks on residences and any door, in any structure, which is used for egress are a life safety hazard in times of emergency and their use is not recommended. Installation should be in accordance with existing codes only.

Prices subject to change without notice

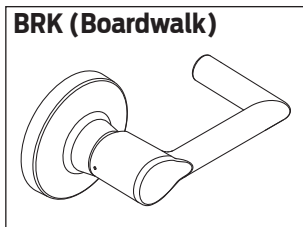
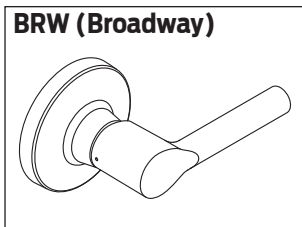
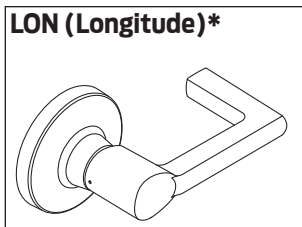
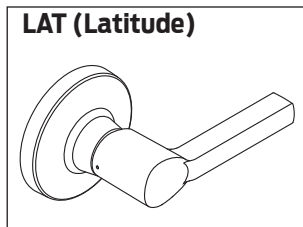
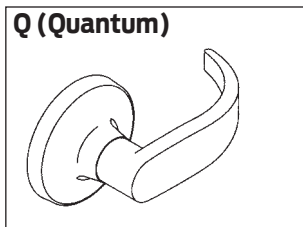
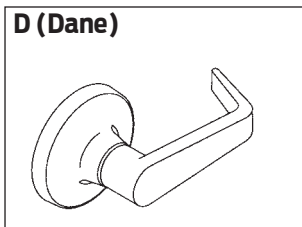
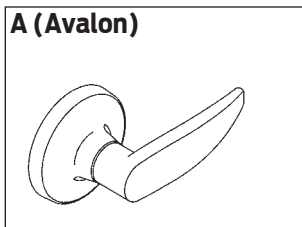
T-Series - Complete Locks

LOCKS

Grade 1

Cylindrical

T Series



Key-In-Lever

Function	Description	Designs and Finishes							
		A D Q LAT LON BRW BRK							
		626	643E	605	606	613	619	622	625
Single Cylinder Functions									
T351PD	Closet								
T501PD	Entry								
T511PD	Entry/Office								
T521PD	Office								
T561PD	Classroom								
T571PD	Dormitory/Corridor								
T581PD	Storeroom								
T851PD ¹	Elec. Storeroom – Fail Safe								
T881PD ¹	Elec. Storeroom – Fail Secure								
Double Cylinder Functions									
T381PD	Exit Security								
T411PD	Asylum								
CAUTION: Double cylinder locks on residences and any door in any structure which is used for egress are a life safety hazard in times of emergency and their use is not recommended. Installation should be in accordance with existing codes only.									
Non-Keyed Functions									
T101S	Passage								
T291S	Hospital/Grade School Privacy								
T301S	Privacy								
Dummy Trim									
T12	Half Dummy								

Notes: 1) 24V is standard. Power supply PS902 will be sufficient to operate an individual lock for multiple lock installation - see Power Supply section.

Prices subject to change without notice

T Series - Complete Cylinders		
Cylinder Mechanism	Part Number	Price Each
5 pin cylinder T series (except 381 IS, 571)	A23151-05	\$58.00
5 pin cylinder T series 381 IS	A23151-06	
5 pin cylinder T series 571	A23151-07	
6 pin cylinder T series (except 381 IS, 571)	A23161-05	
6 pin cylinder T series 381 IS	A23161-06	
6 pin cylinder T series 571	A23161-07	
7 pin cylinder T series (except 381 IS, 571)	A23171-05	73.00
7 pin cylinder T series 381 IS	A23171-06	
7 pin cylinder T series 571	A23171-07	

Conventional Cylinder Options		
Description	Specify	Add to Lock Price (per core)
5 pinned cylinder	P Suffix Example: T581P	STD
6 pinned cylinder	P6 Suffix Example: T581P6	N/C
7 pinned cylinder	P7 Suffix Example: T581P7	\$11.50
6 pinned Competitor keyway cylinders*	P6 Suffix Example: T581P6 (0 Bitted, KD, KA4 only)	
Schlage C (6 pin only)	CP6 Suffix Example: T581CP6 (All other keying, not listed above)	N/C

* Competitor keyways are furnished 0 bitted, unless otherwise specified. Not available Master keyed, except Schlage C. KD option is not available for locks containing 2 cylinders.

- Notes:**
- 1) Finishes: 606, 622*, & 626 only
 - 2) Specify keyway
 - 3) Cylinders are furnished G keyway, keyed differently unless otherwise specified.
 - 4) Restricted sections add \$10.80 to list price. See page 8 for list of standard keyways. All other keyways are considered restricted. Contact 877-671-7011 for availability.
 - 5) 622 Finish is available only on Allegion cylinders (P, P6, & P7) in C & G Keyways.

Small Format Interchangeable Core and Small Format Construction Core		
Description	Specify	Add to Lock Price (per core)
Small format core *	G Suffix Example: T581GD	\$45.00
Small format core (Best Style) *	BB Suffix Example: T581BB	
Small format construction core **	H Suffix Example: T581HD	45.00
Less Small format core	B Suffix Example: T581BD	N/C
Less Full Size core	J Suffix Example: T581JD SCH x DAN	
Small format disposable core	BDC Suffix Example: T581BDC	N/C

* Keying must be specified

** Locks are assessed one non-refundable handling charge (50-231F) per core.

- Note:**
- 6) Control keys are not furnished with locks and must be ordered separately. See page 151 for details.
 - 7) 622 Finish is available only on SFIC (G) in C & G Keyways.

Prices subject to change without notice

T-Series - Cylinder Parts

LOCKS

Tailpieces for Conventional Cylinders

Cylinder	Std. Functions	T381 Inside	T571	Price
Falcon 6-pin* (10/pack)	A30730-001-00	A30730-003-00	A30730-002-00	\$23.10 pkg. of 10
Falcon 7-pin (10/pack)	A30730-002-00	A30730-004-00	A30730-006-00	\$23.10 pkg. of 10
Sargent 6 & 10 Line	030997-001-30	030997-003-30	030997-005-30	12.20 each
Yale 1801, 5801	030917-001-30	030917-003-30	030917-005-30	34.90 each
Corbin Russwin	030994-001-30	030994-003-30	030994-005-30	65.80

* Assa 65611 and 65661, Corbin Russwin 2000-034 and Schlage, including Primus, all use the Falcon 6-pin tailpiece.

Grade 1

IC Throw Members (Tailpieces)

Cylinder	Std. Functions	T381 Inside	T571	Price
Falcon 6-pin*	030739-000-30		030739-000-30	\$2.90
Falcon 6-pin*		030739-002-30		9.90
Falcon 7-pin*	030739-001-30		030739-001-30	2.90
Falcon 7-pin*		030739-003-30		2.90
Corbin Russwin 8000 and Sargent 6300	031468-000-30	031468-002-30	031468-004-30	7.50
Corbin Russwin 8000-7 (7-pin)	031468-001-00	031468-003-30	031468-005-30	7.50
Medeco 32 Series & ASSA	A30988-000-00	A30988-002-00	A30988-000-00	6.40
Schlage Full Size, Including Primus	031467-000-30	031467-002-30	031467-004-30	15.30
Yale and Medeco 31 Series, 6-pin	030917-001-30	030917-003-30	030917-005-30	34.90

* Arrow, Best, InstaKey, Kaba Peaks, Keymark, KSP and Schlage small format cores all use the Falcon configuration.

Cylindrical

T Series

Prices subject to change without notice

Specify cylinder requirements.

Note: Locks furnished with Falcon's standard "G" keyway cylinder or prepared for Falcon interchangeable core unless otherwise specified.

With Cylinder

Falcon IC

- 6-pin
- 7-pin

Falcon Conventional

- 6-pin *specify keyway*
- 7-pin *specify keyway*

Competitors' Keyways - 6-pin Conventional Cylinder*

- Corbin - 60, 0 Bitted, KD
- Russwin - D1, 0 Bitted, KD
- Sargent - LA, 0 Bitted, KD (Also accepts LB, LC keys)
- Schlage - C, 0 Bitted, KD, KA4
- Schlage - E, 0 Bitted
- Yale - 8 (Para), 0 Bitted, KD

* Generic replacement cylinders with competitors' keyways.

Less Cylinder - Prepared to Accept**

Falcon IC

Falcon Conventional

- 6-pin
- 7-pin

Unit / Mono Lock Cylinders

- Falcon Standard (R Series old small plug) 6-pin
- Corbin Russwin Unit Lock (2000-052) - Master Ring not available
- Medeco Unit Lock Retrofit Cylinder (20W5005) - Corbin Russwin Unit Lock
- Medeco Unit Lock Retrofit Cylinder (20W0500) - Yale 6200 Mono Lock
- Yale Mono Lock (1801) and later models

Competitors' Conventional Cylinders

- Assa (65611 or 65661) 6-pin
- Corbin Russwin (2000-034 / CL3400) 6-pin - Master Ring not available
- Medeco (20W200V3) 6-pin - tailpiece supplied by Medeco - Falcon / Schlage style
- Peaks (Kaba) 6-pin
- Primus (Schlage) 6-pin
- Sargent (6, 7 & 10 Line) 6-pin - Keso not available
- Schlage 6-pin
- Yale (1801) 6-pin - Bicentric not available

Competitors' IC

- Arrow 6, 7-pin
- Assa (70600IC & V70600IC) 6-pin
- Best 6, 7-pin
- Corbin Russwin (8000) 6-pin
- Corbin Russwin (8000-7) 7-pin
- InstaKey
- Medeco 31 Series 6-pin
- Medeco 32 Series 6-pin
- Medeco Keymark 6, 7-pin
- Peaks (Kaba) 6, 7-pin
- Primus (Schlage) 6-pin
- Sargent (6300) 6-pin
- Schlage 6-pin
- Yale (1210) 6-pin

** Proper tailpiece supplied unless otherwise noted.

Prices subject to change without notice

Compatibility with Competitors' Standard Cylinders

The T Series is furnished with Falcon's standard "G" keyway cylinder unless otherwise specified, and accepts the following competitors' standard 6-pin cylinders.

- Assa (65611 or 65661) 6-pin
- Corbin Russwin (2000-034 / CL3400) 6-pin - Master Ring not available
- Medeco (20W200V3) 6-pin
- tailpiece supplied by Medeco
- Falcon / Schlage style
- Peaks (Kaba) 6-pin
- Primus (Schlage) 6-pin
- Sargent (6, 7 & 10 Line) 6-pin - Keso not available
- Schlage 6-pin
- Yale (1801) 6-pin - Bicentric not available

Compatibility with Competitors' I-Cores



Falcon's standard interchangeable core option. Specify 6 or 7-pin.
Locksets with this option also accept Schlage SFIC, Arrow (including Flex Core), Best (including PKS & Peaks), InstaKey, Kaba Peaks, Keymark and KSP cores.

The following larger format interchangeable cores will work with the T Series locksets when lockset is so specified:



Assa
old and new style
Specify IC-AS



Corbin Russwin
8000 or 8000-7
Specify IC-CR6
or IC-CR7



Medeco
32 Series 6-pin
Specify IC-ME



Medeco 31
31 Series 6-pin
Specify IC-YA6



Sargent
6300
Specify IC-SA



Schlage 6-pin
including Primus
Specify IC-SC



Yale 6-pin
Medeco 31 Series
Specify IC-YA6

Prices subject to change without notice

Locks Less Components		
Description	Specify	Deduct from Lock Price
Less each lever	LLL Example: T581PD LLL/DAN	\$23.90
Less standard cylinder	L suffix Example: T581LD DAN	55.60
Less latch	LLL Example: T581PD DAN 626 LLL/5164	37.30
Less strike	LLL Example: T581PD DAN 626 98535 LLL	8.90

Non-Standard Door Thickness		
Description	Specify	Add to Lock Price
Door thickness 1-3/8" to 1-3/4"	A30775-000-00 for thin door shims	\$12.40

Note: 1) T Series lockset will accommodate up to a 2-1/8" thick door prep standard.

Tactile Warning (abrasive coat)		
Description	Specify	Add to Lock Price
Abrasive Strip*	Preface the design code with 6 Example: 6DA for DAN	\$58.40

Note: 2) Outside lever only is coated unless otherwise specified.

* Not available in 613, Latitude, Longitude, Broadway, & Boardwalk Levers.

Lead Lining		
Description	Specify	Add to Lock Price
Lead lining	Preface the design code with 9 Example: 9DA for DAN	\$268.00

Note: 3) Lead Lining is not available on Latitude, Longitude, Broadway, & Boardwalk levers.

Allegion Connect		
Suffix		List Add
CON	Cross-category solution using common interconnect components for electrified options. Available on the T851 and T881 functions. <i>For wire harness options refer to Electronic Power Supplies Section.</i>	N/C

Latches with Locks					
Backset	Description	HSG Dia	Specify		Add to Lock Price
			Springlatch	Deadlatch	
2-3/8"	Square corner, 1" x 2-1/4"	1"	23981111	23981160	N/C
2-3/4"	Square corner, 1-1/8" x 2-1/4", std.		23981137	23981145	
2-3/4"	Anti-friction fire door latch Square corner, 1-1/8" x 2-1/4", 3/4" throw		-	23981152	\$182.00
3-3/4"	Square corner, 1-1/8" x 2-1/4"		24074387	23981129	N/C
5"	Backset extension Link			43-005	31.00

Part Number	Description	Price
24483760	latch spacer for hollow door applications	\$5.10

Prices subject to change without notice

T-Series - Latches and Strikes

LOCKS

Strikes with Locks			
Description	Lip Length	Specify	Add to Lock Price
ANSI, 1-1/4" x 4-7/8" standard	1-3/16"	5164	N/C
Square corner, full lip 1-5/8" x 2-1/4"	1"	01-049	N/C
1/4" Radius round corner, full lip 1-5/8" x 2-1/4"	1"	01-048	N/C
Square Corner, T-Strike, 1-1/8" x 2-3/4"	1-5/16"	5185	N/C
ANSI dust box 1" deep, steel	-	005099-000-30	N/C
ANSI 1-1/4" x 4-7/8"	7/8"	5161	N/C
Radius T Strike, 1-1/8" x 2-3/4"	9/16"	5185-4	N/C

Latches sold separate Finishes: 606, 613, 630

Grade 1

Specify		Backset	Description	HSG Dia	List Price
Springlatch	Deadlatch				
23981111	23981160	2-3/8"	Square corner, 1" x 2-1/4"	1"	\$93.10
23981137	23981145	2-3/4"	Square corner, 1-1/8" x 2-1/4", std.		71.50
-	23981152	2-3/4"	Anti-friction fire door latch Square corner, 1-1/8" x 2-1/4", 3/4" throw		274.00
24074387	23981129	3-3/4"	Square corner, 1-1/8" x 2-1/4"		85.80
	43-005	5"	Backset extension Link		33.10

Cylindrical

Strikes sold separate

T Series

Description	Lip Length	Specify	List Price
ANSI, 1-1/4" x 4-7/8" standard	1-3/16"	005164-000	\$13.80
Square Corner, T-strike, 1-1/8" x 2-3/4"	1-1/8"	A05185-000	4.30
1/4" Radius round corner, full lip 1-5/8" x 2-1/4"	1"	Q001-048	4.30
Square corner, full lip 1-5/8" x 2-1/4"		Q001-049	
ANSI dust box 1" deep, steel	-	005099-000-30	3.20
ANSI 1-1/4" x 4-7/8"	7/8"	005161-000	23.20
Radius T Strike, 1-1/8" x 2-3/4"	9/16"	A05185-004	29.00

Shaded items are standard components and are furnished with locks unless otherwise specified.

Prices subject to change without notice

LOCKS
Grade 1
Cylindrical
T Series

Levers, Conventional Cylinder			
Part Number	Description	List Price	
030740-000	Avalon lever, closed	\$49.10	
030740-001	Avalon lever, open		
Q330-430 BRK	Boardwalk lever, closed		
Q330-431 BRK	Boardwalk lever, open		
Q330-430 BRW	Broadway lever, closed		
Q330-431 BRW	Broadway lever, open		
030742-000	Dane lever, closed		
030742-001	Dane lever, open		
Q330-430 LAT	Latitude lever, closed		
Q330-431 LAT	Latitude lever, open		
Q330-430 LON	Longitude lever, closed		
Q330-431 LON	Longitude lever, open		
030744-000	Quantum lever, closed		
030744-001	Quantum lever, open		
030929-001	Lever, Avalon open (Corbin Russwin, Medeco, Yale unit)		58.50
030929-002	Lever, Dane open (Corbin Russwin, Medeco, Yale unit)		
030929-003	Lever, Quantum open (Corbin Russwin, Medeco, Yale unit)		
030996-001	Lever, Avalon open (Sargent 6, 7 & 10 line, Yale)	65.70	
030996-002	Lever, Dane open (Sargent 6, 7 & 10 line, Yale)		
030996-003	Lever, Quantum open (Sargent 6, 7 & 10 line, Yale)		
A30753-00*	Inside lever w/set screw, closed	40.10	
A30753-01*	Inside lever w/set screw, open		
A31544-00*	Inside lever w/set screw, closed 851/881	101.00	

Note: 1) When ordering levers or roses, specify finish.
Note: 2) Competitor prepped levers are not available in 622 Finish.

Levers, Small and Large Format Interchangeable Core		
Part Number	Description	List Price
030740-002	Lever, Avalon SFIC	\$49.10
Q330-432 BRK	Lever, Boardwalk SFIC	
Q330-432 BRW	Lever, Broadway SFIC	
030742-002	Lever, Dane SFIC	
Q330-432 LAT	Lever, Latitude SFIC	
Q330-432 LON	Lever, Longitude SFIC	
030744-002	Lever, Quantum SFIC	105.00
030926-001	Lever, Avalon IC, ASSA, Medeco, Yale	
030926-002	Lever, Dane IC, ASSA, Medeco, Yale	
030926-003	Lever, Quantum IC, ASSA, Medeco, Yale	105.00
030927-001	Lever, Avalon IC, Schlage	
Q330-433 BRK	Lever, Boardwalk FSIC	
Q330-433 BRW	Lever, Broadway FSIC	
030927-002	Lever, Dane IC, Schlage	
Q330-433 LAT	Lever, Latitude FSIC	
Q330-433 LON	Lever, Longitude FSIC	102.00
030927-003	Lever, Quantum IC, Schlage	
030928-001	Lever, Avalon IC, Corbin Russwin	
030928-002	Lever, Dane IC, Corbin Russwin	109.00
030928-003	Lever, Quantum IC, Corbin Russwin	
030930-001	Lever, Avalon IC, Sargent	
030930-002	Lever, Dane IC, Sargent	
030930-003	Lever, Quantum IC, Sargent	

Roses			
Part Number	Description	List Price	
		626 643E	605 606 613 619 622
030706-002	Rose cover	\$23.70	\$26.70

Prices subject to change without notice

T-Series - Levers and Parts

LOCKS

Grade 1

Cylindrical

T Series

Miscellaneous Parts		
Part Number	Description	List Price
022104-000-30	Short Slide Catch	0.88
022105-000-30	Slide Catch	2.50
022106-002-55	Retractor	3.10
022108-000-60	Retractor Spring	1.90
022112-000-30	Retainer, Retractor Spring	1.90
022986-001-50	Retractor Insert	0.62
030654-000-625	Emergency Release Cap	2.30
030654-000-626	Emergency Release Cap	2.80
030703-000-30	Inner Spindle, Passage and Button Functions	26.00
030704-002-30	Lever Stop Plate	3.70
030709-000-60	Clutch Spring	0.42
030712-000-30	Mounting Plate, Inner	3.60
030712-001-30	Mounting Plate, Outer	3.20
030722-000-30	Dogging Bar	3.10
030724-000-30	Lever Retaining Ring	0.62
030726-000-30	Flanged Nut	7.30
030726-007-30	Flanged Nut, Inner Electrified	10.20
030728-000	Push Button Cap	9.60
030729-000-70	Outer Button Mount	1.30
030733-000-55	Spindle Inner	3.30
030787-000-70	Button Spacer	2.40
M204-198	Drill guide for locating 5/16" thru-bolt holes	15.20
031516-000-70	Solenoid, Fail secure T881	377.00
031511-000-30	Hex Nut, 1/-28 Special	8.10
031514-000-30	Solenoid Mount	10.40
031519-000-30	Inner Spindle, T851/881	41.00
1387	Hex Key - 1/8" with Looped Handle	15.30
1388	Hex Wrench	35.50
A30746-000-00	Hub & Housing Assembly	15.20
A30747-000-00	Hub & Plate Assembly	14.00
A30749-060-00	Insert & Spindle Assembly, Outer, 6 Pin	99.50
A30749-070-00	Insert & Spindle Assembly, Outer, 7 Pin	59.40
A30906-001-00	Spindle & Driver Assembly, IC	55.80
A30775-000-00	Door thickness 1-3/8" to 1-3/4" Door Shims	12.40
A30906-060-00	Spindle & Driver Assembly, 6 Pin	55.80
A30906-070-00	Spindle & Driver Assembly, 7 Pin	
Q330-270	T Lock Spring Cage Kit (Inside for T411 and outside for all functions except T101, T291, T301)	40.10
Q330-271	T Lock Spring Cage Kit (Inside- all functions except T411 and inside & outside for T101, T291, T301)	
030718-000-30	Key Spindle Assembly T501, T511 T521, T851, T881 STD and T381 Outside STD	4.70
030718-001-30	Key Spindle Assembly T501, T511 T521, T851, T881 IC and T381 Outside IC	4.70
A30913-000-00	Key Spindle Assembly T381 Inside STD	168.00
A30913-001-00	Key Spindle Assembly T381 Inside IC	
A30780-000-00	Key Spindle Assembly T351, T561 STD	168.00
A30780-001-00	Key Spindle Assembly T351, T561 IC	168.00
A30915-000-00	Key Spindle Assembly T571 STD	81.10
A30915-001-00	Key Spindle Assembly T571 IC	79.50
030732-000-30	Key Spindle Assembly T581 STD	4.90
030732-001-30	Key Spindle Assembly T581 IC	4.90

Prices subject to change without notice

Chassis Assemblies			
Part Number			
Conventional Cylinder	IC Core	Description	List Price
A30761-000-00		T101 Chassis	\$84.50
A30765-000-00		T301 Chassis, T291 Chassis	146.00
A30758-000-00	A30758-001-00	T351/561 Chassis	
A30769-000-00	A30769-001-00	T411 Chassis	
A30773-000-00	A30773-001-00	T501 Chassis	
A30756-000-00	A30756-001-00	T511 Chassis	
A30748-000-00	A30748-001-00	T521 Chassis	
A30760-000-00	A30760-001-00	T581 Chassis	
A30767-000-00	A30767-001-00	T381 Chassis	276.00
A30759-000-00	A30759-001-00	T571 Chassis	787.00
A31517-000-00	A31517-001-00	T851 Chassis	
A31518-000-00	A31518-001-00	T881 Chassis	

Screws				
Part Number	Description	Finishes	Size	List Price
021164-016	ANSI strike screws	606, 613, 622, 626, 630	12-24 x 1" combo	\$0.56
024416-012	Latch and strike screws	606, 613, 622, 626, 630	8-32 x 3/4" combo	0.32
030755-005-30	Type D screw	-	8-32 x 5/16"	0.42
030831-004-30	Set screw for standard lever	-	1/4 x 20 x 1/4"	0.58
031515-004-30	Fillister Head Screw	-	4-40 x 1/4"	2.20
031531-006-30	Set Screw for electrified screw	-	1/4-20 x 3/8"	0.50
031533-006-30	Self Tap Screw	-	8-32 x 3/8"	0.44
002770-016-30	Mounting Screws	-	10-32 x 1"	0.48

Prices subject to change without notice

LOCKS

Grade 1

Cylindrical

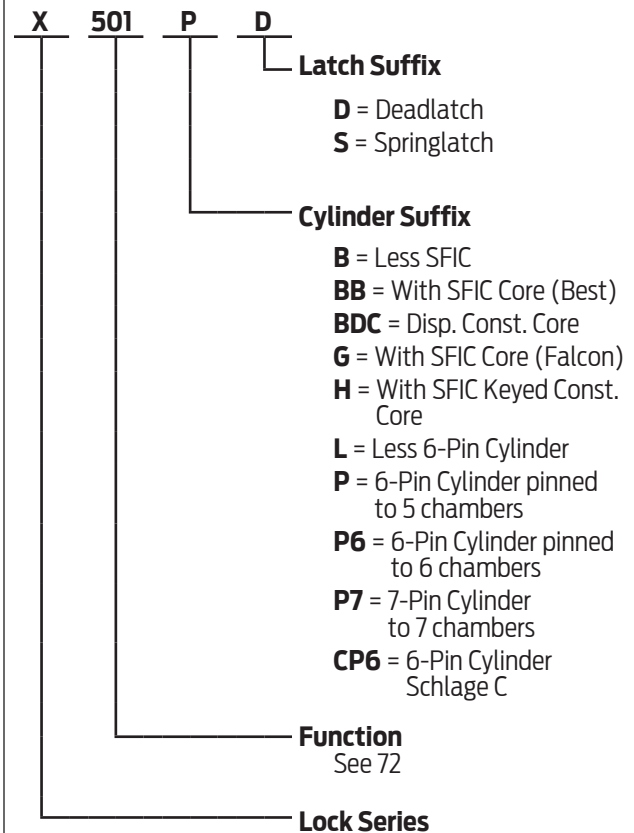
T Series

Prices subject to change without notice

Table of Contents

Function Chart 72
Complete Lock Pricing 73
Options & Parts
 Latches 74-75
 Strikes 74-75
 Cylinders 76
 Knobs 77
 Roses 77
 Misc. Parts 77
 Screws 77
 Screw Packs 77
 Lock Less Components 78
 Tactile Warning 78
 Stainless Steel/Corros. Resist. Chassis 78
 Non-Standard Door Thickness 78

Product Identification



SFIC = Small Format (Best® Style) Interchangeable Core

Finish Codes and Descriptions

Code		Description
605	(US3)	Bright Brass
606	(US4)	Satin Brass
613	(US10B)	Oil Rubbed Bronze
625	(US26)	Bright Chrome
626	(US26D)	Satin Chrome
630	(US32D)	Satin Stainless

Standard Features - Furnished unless otherwise specified



Certification	ANSI A156.2, Series 4000, Grade 1, UL Listed for 3-Hour fire door
Latch	1-1/8" x 2-1/4", Square corner faceplate, 1" housing diameter, 1/2" throw, 2-3/4" backset
Strike	1-1/4" x 4-7/8", ANSI, Square corner, no box
Cylinder	6-Pin, Solid brass, Keyed 5-Pin, Falcon G keyway, Keyed different (KD)
Door Range	1-3/8" - 2-1/8" standard
Keys	Two, Nickel silver cut keys per lock, Falcon G keyway
Backset	2-3/4"

Prices subject to change without notice

X-Series • Functions

LOCKS

Grade 1

Cylindrical

X Series

ANSI A156.2 Series 4000 Grade 2

Key-In-Knob Locks

FALCON ANSI

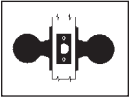
Key-In-Knob Locks

FALCON ANSI

X101 F75

Passage/Closet Latchset

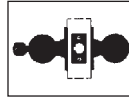
Latch bolt by knobs at all times.



X521 F81

Office Lock

Turn button locking. Turning button locks outside knob requiring use of key until button is manually unlocked. Inside knob always free.



X301 F76

Privacy Lock

Latch bolt by knobs. Outside locked by push button in inside knob. Rotating inside knob or closing door releases push button. Emergency release in outside knob. Emergency Release Tool M504-271.



X561 F84

Classroom Lock

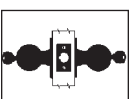
Deadlocking latch bolt by knobs. Outside knob is locked by key in outside knob. Inside knob is always free.



X411 F87

Asylum Lock*

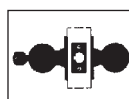
Deadlocking latch bolt by key from either side. Both knobs rigid.



X571 F90

Dormitory Lock

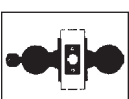
Deadlocking latch bolt by knobs except when locked by push button in inside knob. Key in outside knob locks or unlocks outside knob and releases button. Closing door releases push button. Inside knob always free.



X501 F82

Entry Lock

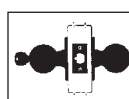
Push button locking. Button on inside locks outside knob until unlocked by key or by rotating inside knob.



X581 F86

Storeroom Lock

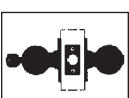
Deadlocking latch bolt by inside knob or key outside. Outside knob rigid.



X511 F109

Entry/Office Lock

Turn/push button locking. Pushing and turning button locks outside knob requiring use of key until button is manually unlocked. Push button locking. Pushing button locks outside knob until unlocked by key or by turning inside knob.



X12

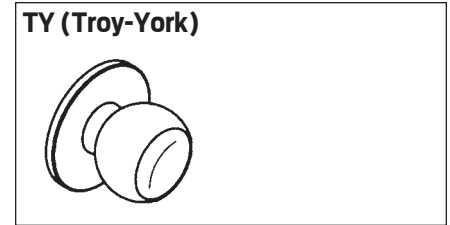
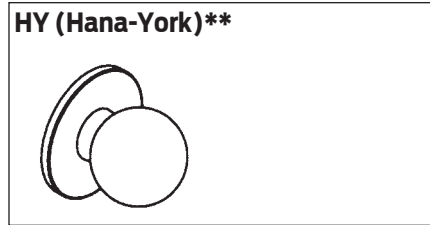
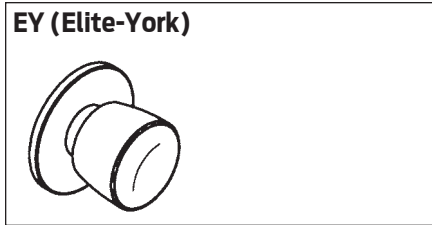
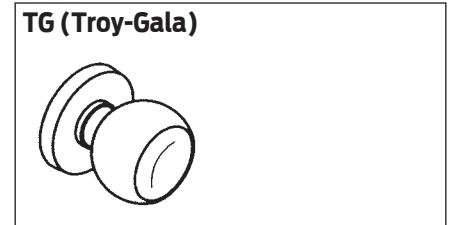
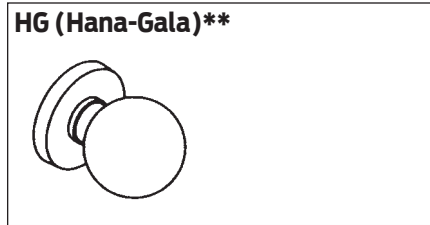
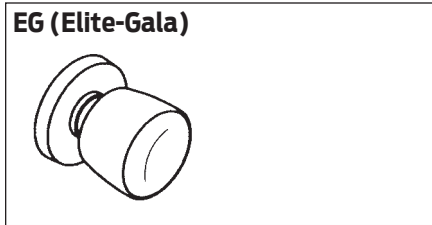
Single Dummy Trim

Single Trim—Surface mounted.



* **Caution:** Double cylinder locks on residences and any door, in any structure, which is used for egress are a life safety hazard in times of emergency and their use is not recommended. Installation should be in accordance with existing codes only.

Prices subject to change without notice



Key-In-Knob		Designs and Finishes				
		EG EY HG HY TG TY				
Function	Description	626	605 606 613 625	TG TY		
		626	605 606 613 625	630		
Single Cylinder Functions						
X501PD	Entry	\$540.00	\$552.00	\$552.00		
X511PD	Entry/Office					
X521PD	Entry/Office					
X561PD	Classroom					
X571PD	Dormitory					
X581PD	Storeroom					
Double Cylinder Functions						
X411PD	Asylum	\$627.00	\$639.00	\$639.00		
CAUTION: Double cylinder locks on residences and any door in any structure which is used for egress are a life safety hazard in times of emergency and their use is not recommended. Installation should be in accordance with existing codes only.						
Non-Keyed Functions						
X101S	Passage	\$385.00	\$397.00	\$397.00		
X301S	Privacy	477.00	489.00	489.00		
X12	Single Dummy Trim	172.00	178.00	178.00		

** Hana Knob not available in IC

Prices subject to change without notice

X-Series • Latches and Strikes

LOCKS

Latches with Locks

Finishes 606, 613, 630

Backset	Description	Specify	Add to Lock Price
2-3/4"	Square corner, 1 1/8" x 2-1/4", std.	98535	N/C
	9/16" radius corner, 1-1/8" x 2-1/4"	98538	
	3/4" proj. square corner, 1-1/8" x 2-1/4"	98835S**	\$172.00
	9/16" radius x 3/4" proj., 1-1/8" x 2-1/4"	98838S**	
	Square corner, 1" x 2 1/4"	92330	
2-3/8"*	1/4" Radius round corner, 1" x 2-1/4"	92331	16.10
	Square corner, 1" x 2-1/4"	92320	16.10
	1/4" Radius round corner, 1" x 2-1/4"	92321	
5"	Backset Link for 2-3/4" Backset Latch	A22161-005-00	130.00

* 2-3/8" backset is furnished as a 1" faceplate standard.

** Only available as a deadlatch.

Note: 1) Stainless steel applications can be substituted for the 2-3/4" backsets. Specify as "S" after part number (ex: 98535S)

Grade 1

Strikes with Locks

Description	Lip Length	Specify	Add to Lock Price
ANSI, 1-1/4" x 4-7/8" standard	1-3/16"	5164	N/C
Square corner, full lip 1-5/8" x 2-1/4"	1"	01-049	
1/4" Radius round corner, full lip 1-5/8" x 2-1/4"	1"	01-048	
Square Corner, T-strike, 1-1/8" x 2-3/4"	1-5/16"	5185	
Vermin proof strike for ships, 9/16" radius		5133-4	\$95.40
2 3/4" high T strike, ANSI A115.3	1	5183	N/C
2 3/4" high T strike, ANSI A115.3	9/16"	5185-4	
2 3/4" high T strike, ANSI A115.3	1-9/16"	5186	
2 3/4" high T strike, ANSI A115.3	1-13/16"	5187	
2 3/4" high T strike, ANSI A115.3	2-1/16"	5188	
2 3/4" high T strike, ANSI A115.3	2-5/16"	5189	
ANSI dust box 1" deep, steel	-	005099-000-30	
Dust box, 1/2" deep, use with 2-3/4" strike	-	012191-003-70	N/C
Dust box, 1/2" deep, stainless steel	-	012191-000-60	
ANSI, 1-1/4" x 4-7/8"	7/8"	5161	N/C

Cylindrical

X Series

Latches sold separate

Finishes: 606, 613, 630

Latch Face	Backset		List Price
	2-3/8"	2-3/4"	
1" Spring Latch	A92320-000	A92330-000	\$59.20
1" Deadlatch	A92320-00D	A92330-00D	
1" Spring Latch – 1/4" Radius	A92321-000	A92331-000	
1" Deadlatch – 1/4" Radius	A92321-00D	A92331-00D	
1-1/8" Spring Latch *	-	A98535-000	
1-1/8" Deadlatch *		A98535-00D	
1-1/8" Spring Latch – 9/16" Radius *		A98538-000	
1-1/8" Deadlatch – 9/16" Radius *		A98538-00D	
1-1/8" Deadlatch – 3/4" Projection *		A98835-OSD	230.00
1-1/8" Deadlatch – 9/16" Rad. X 3/4" Proj. *		A98838-OSD	
5" Backset Link for 2-3/4" Backset Latch		A22161-005-00	103.00

Note: 1) Marine non-ferrous mechanism latches can be ordered by adding "OSD" for Deadlatch or "OOS" for Springlatch

2) These latches conform to the standards set forth within ANSI/BHMA 156.2, 156.5, & 156.15 and are suitable for marine applications.

3) Marine latches have a \$20.70 add to list price

Shaded items are standard components and are furnished with locks unless otherwise specified.

Prices subject to change without notice

Latches and Strikes - X-Series

Strikes sold separate Finishes: 605, 606, 613, 625, 626, 629, 630			
Description	Lip Length	Specify	List Price
ANSI, 1-1/4" x 4-7/8"	1-3/16"	005164-000	\$13.80
1/4" Radius round corner, full lip 1-5/8" x 2-1/4"	1"	Q001-048	4.30
Square corner, full lip 1-5/8" x 2-1/4"		Q001-049	
Square Corner, T-strike, 1-1/8" x 2-3/4"	1-1/8"	A05185-000	29.00
2-3/4" high T strike, ANSI A115.3	9/16"	A05185-004	
2-3/4" high T strike, ANSI A115.3	1"	A05183-000	48.60
2-3/4" high T strike, ANSI A115.3	1-9/16"	A05183-004	
2-3/4" high T strike, ANSI A115.3	1-13/16"	A05187-000	54.30
2-3/4" high T strike, ANSI A115.3	2-1/16"	A05188-000	
2-3/4" high T strike, ANSI A115.3	2-5/16"	A05189-000	74.90
Vermin proof strike for ships, 9/16" radius		A05133-004-630	
ANSI dust box 1" deep, steel	-	005099-000-30	79.70
ANSI dust box 1" deep, stainless steel	-	005099-000-60	3.20
Dust box, 1/2" deep, stainless steel		012191-000-60	10.10
Dust box, 1/2" deep, use with 2-3/4" strike		012191-003-70	6.10
ANSI, 1-1/4" x 4-7/8"	7/8"	005161-000	2.30

LOCKS

Grade 1

Cylindrical

X Series

Prices subject to change without notice

X-Series - Cylinder Options

LOCKS

Grade 1

Cylindrical

X Series

X-Series Complete Cylinders		
Cylinder Mechanism	Part Number	Price Each
5 pin cylinder X411, 501, 511, 521, 581 E & T	A23152	\$54.00
5 pin cylinder X411, 501, 511, 521, 581 H	A23152-02	
5 pin cylinder X561 – E and T designs	A23151	
5 pin cylinder X561 – H designs, 571 – E & T	A23151-02	
5 pin cylinder X571 – H designs	A23151-03	
6 pin cylinder X411, 501, 511, 521, 581 E & T	A23162	
6 pin cylinder X411, 501, 511, 521, 581 H	A23162-02	
6 pin cylinder X561 – E and T designs	A23161	
6 pin cylinder X561 – H designs, 571 – E & T	A23161-02	
6 pin cylinder X571 – H designs	A23161-03	
7 pin cylinder X411, 501, 511, 521, 581 H	A23172-02	69.00
7 pin cylinder X561 – H designs	A23171-01	
7 pin cylinder X571 – H designs	A23171-02	

- Notes:**
- 1) Cylinders are furnished G keyway, keyed differently unless otherwise specified.
 - 2) Finishes: 606 and 626 only.
 - 3) Specify keyway
 - 4) Restricted sections add \$10.80 to list price. See page 8 for list of standard keyways. All other keyways are considered restricted. Contact 877-671-7011 for availability.

Conventional Cylinder Options		
Description	Specify	Add to Lock Price (per core)
5 pinned cylinder	P Suffix Example: X581P	STD
6 pinned cylinder	P6 Suffix Example: X581P6	N/C
7 pinned cylinder	P7 Suffix Example: X581P7	\$11.50
6 pinned Competitor keyway cylinders*	P6 Suffix Example: X581P6 (0 Bitted, KD, KA4 only)	
Schlage C (6 pin only)	CP6 Suffix Example: X581CP6 (All other keying, not listed above)	N/C

* Competitor keyways are furnished 0 bitted, unless otherwise specified. Not available Master keyed, except Schlage C. KD option is not available for locks containing 2 cylinders.

Small Format Interchangeable Core and Small Format Construction Core		
Description	Specify	Add to Lock Price (per core)
Small format core *	G Suffix Example: X581GD	\$45.00
Small format core (Best Style) *	BB Suffix Example: X581BB	
Small format construction core **	H Suffix Example: X581HD	45.00
Less Small format core	B Suffix Example: X581BD	N/C
Small format disposable core	BDC Suffix Example: X581BDC	N/C

* Keying must be specified
 ** Locks are assessed one non-refundable handling charge (50-231F) per core.

Note: 5) Control keys are not furnished with locks and must be ordered separately. See page 151 for details

Prices subject to change without notice

Knobs					
Part Number	Description	List Price			
		626	605	606	613 625 630
022258-007	Knob, Troy – Closed	\$80.90	\$83.90		
022258-008	Knob, Troy – Emergency				
022258-009	Knob, Troy – SFIC				
022290-007	Knob, Troy – Button/Cylinder	76.90	79.90		
022950-007	Knob, Hana – Closed				
022950-008	Knob, Hana – Emergency				
022953-007	Knob, Hana – Button/Cylinder	69.60	72.60		
022980-007	Knob, Elite – Closed				
022980-008	Knob, Elite – Emergency				
022980-009	Knob, Elite – SFIC				
022981-007	Knob, Elite – Button/Cylinder				

Note: 1) Hana and Elite not available in 630

Roses					
Part Number	Description	List Price			
		626	605	606	613 625 630
022920-000	Rose, Gala	\$30.60	\$33.60		
024030-000	Rose, York				

Miscellaneous Parts		
Part Number	Description	List Price
012138-000	Push button cap (X301/X501/X571)	\$2.70
012137-000	Turn button cap (X511/X521)	2.70
012136-000	Button mount For Elite & Troy knobs (X501/X521/X301/X511)	14.40
012236-000	Button mount For Elite & Troy knobs (X571)	14.40
012966-000	Button mount For Hana knobs (X501/X521/X301/X511)	14.40
012967-000	Button mount For Hana knobs (X571)	14.40
012172-000-30	X Lock Spanner Wrench	2.50

Note: Need to specify finish

Screws				
Part Number	Description	Finishes	Size	List Price
024416-012	Latch and strike screws	606, 613, 626, 630	8-32 x 3/4" combo	\$0.32
021164-016	ANSI strike screws	606, 613, 626, 630	12-24 x 1" combo	0.56

Screws packs				
Part Number	Description	Specify Finish	Contents	List price
A03519-000	Screw pack	605, 613, 626	024416-012 (2 ea)	\$3.50

Prices subject to change without notice

X-Series - Options

LOCKS

Locks Less Components		
Description	Specify	Deduct from Lock Price
Less each knob	LLL for knob design Example: X581PD LLL/EG	\$12.60
Less standard cylinder	L suffix Example: X581LD EG	54.00
Less latch	LLL for latch Example: X581PD EG 626 LLL/5164	46.40
Less strike	LLL for strike Example: X581PD EG 626 98535 LLL	11.10

Grade 1

Tactile Warning		
Description	Specify	Add to Lock Price
Abrasive - 6 Prefix (not available in 613)	Preface the design code with 6 Example: 6EG for ELITE GALA	\$66.20
Knurled - 8 Prefix (not available in 630)	Preface the design code with 8 Example: 8EG for ELITE GALA	120.00

Cylindrical

Note: 1) Outside lever only is coated unless otherwise specified

X Series

Stainless Steel / Corrosion Resistant Chassis		
Description	Specify	Add to Lock Price
SS - Stainless steel/non-ferrous mechanism	After the function code as "SS" Example: X581 SS PD TG 630	\$209.00

Note: 1) When ordering SS you will get the A98538 OSD Deadlatch standard.

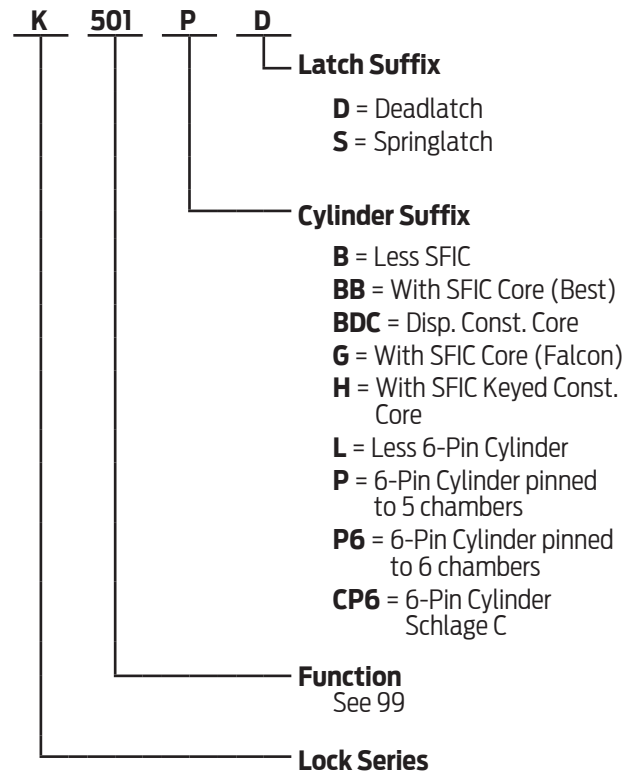
Non-Standard Door Thickness		
Description	Specify	Add to Lock Price
Door thickness over 2-1/8" - 2-1/4"	Door thickness and how door is extended Example: 2-1/4", EE	\$13.50

Prices subject to change without notice

Table of Contents

Function Charts	80
Levers	80
Complete Lock Pricing	81
Levers	81
Options	82
Conventional Cylinder Options.....	82
Latches	83
Strikes	83
Miscellaneous Parts.....	84

Product Identification



SFIC = Small Format (Best® Style) Interchangeable Core

Finish Codes and Descriptions

Code		Description
613	(US10B)	Oil Rubbed Bronze
626	(US26D)	Satin Chrome

Standard Features - Furnished unless otherwise specified



Certification	ANSI A156.2, Series 4000, Grade 1, UL Listed for 3-Hour fire door
Latch	1-1/8" x 2-1/4", Square corner faceplate, 1" housing diameter, 1/2" throw, 2-3/4" backset
Strike	1-1/4" x 4-7/8", ANSI, Square curved lip corner, no box
Cylinder	6-Pin, Solid brass, keyed 5-pin, Falcon G keyway, Keyed different (KD)
Door Range	1-3/8" - 2-1/4" standard, come set for a 1-3/4" thick door standard
Keys	Two, Nickel silver cut keys per lock, Falcon G keyway

Prices subject to change without notice

K-Series - Lever Functions

LOCKS

ANSI A156.2, Series 4000 Grade 1

Key-In-Lever Locks

FALCON ANSI & Function

K101 F75

Passage Latchset

Latch bolt by levers at all times.



K301 F76

Privacy Lock

Latch bolt by levers. Outside lever is locked by push button in inside lever. Rotating inside lever or closing door release push button and frees outside lever. Inside lever is always free. Emergency release in outside lever unlocks door.



K501 F82

Entry Lock

Push Button Locking. Button on the inside locks outside lever until unlocked by key or by rotating inside lever. Inside lever always free. Deadlocking latch bolt.



K511 F109

Entry/Office Lock

Deadlocking latch bolt by levers. Turn/push button locking. Pushing and turning button locks outside lever, requiring use of a key for unlocking the door until button is manually unlocked. Pushing button locks outside lever until unlocked by key or by rotating inside lever. Inside lever is always free.



Key-In-Lever Locks

FALCON ANSI & Function

K561 F84

Classroom Lock

Deadlocking latch bolt by levers. Outside lever is locked by key in outside lever. Inside lever is always free.



K571

Corridor Lock

Deadlocking latch bolt. Push Button Locking. Button on the inside locks outside lever until unlocked by key or by rotating inside lever. Closing the door releases button. Inside lever always free. Key will lock and unlock from the outside.



K581 F86

Storeroom Lock

Deadlocking latch bolt by lever inside or key outside. Outside lever is always locked. Inside lever is always free.



K12

Dummy Trim

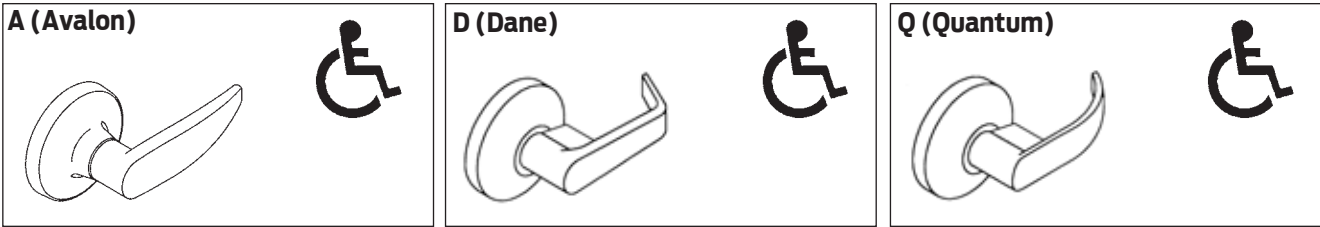
Single trim - surface mounted right lever



Grade 1

Cylindrical

K Series



LOCKS

Grade 1

Cylindrical

K Series

Key-In-Lever		Designs and Finishes	
Function	Description	A D Q	
		626	613
Single Cylinder Functions			
K501PD	Entry	\$274.00	\$286.00
K511PD	Entry/Office		
K561PD	Classroom		
K571PD	Dormitory/Corridor		
K581PD	Storeroom		
Non-Keyed Functions			
K101S	Passage	\$225.00	\$237.00
K301S	Privacy	252.00	264.00
Dummy Trim			
K12	Half Dummy	\$115.00	\$121.00

Prices subject to change without notice

K-Series Levers - Cylinder Options

LOCKS

Conventional Cylinder Options

Description	Specify	Add to Lock Price (per core)
5 pinned cylinder	P Suffix Example: K581P	STD
6 pinned cylinder	P6 Suffix Example: K581P6	N/C
6 pinned Competitor keyway cylinders*	P6 Suffix Example: K581P6 (0 Bitted, KD, KA4 only)	\$11.50
Schlage C (6 pin only)	CP6 Suffix Example: K581CP6 (All other keying, not listed above)	N/C

* Competitor keyways are furnished 0 bitted.

Not available Master keyed, except Schlage C. KD option is not available for locks containing 2 cylinders.

- Notes:**
- 1) Finishes: 613 and 626 only
 - 2) Specify keyway
 - 3) Cylinders are furnished G keyway, keyed differently unless otherwise specified.
 - 4) Restricted sections add \$10.80 to list price. See page 8 for list of standard keyways. All other keyways are considered restricted. Contact 877-671-7011 for availability.

Grade 1

K-Series Complete Conventional Cylinders

Cylinder Mechanism	Part Number		Price Each
	For All Other Functions	For K571	
6 Pin Falcon keyway cylinder	Q330-396	Q330-310	\$54.00
6 Pin Schlage C keyway cylinder	Q330-391	Q330-306	
6 Pin to 5 Pin Falcon G keyway cylinder	Q330-397	Q330-311	
For other cylinders, see pages 141-146.			

- Notes:**
- 5) Finishes for Falcon keyway cylinders are 613 and 626 only.
 - 6) Falcon cylinders are furnished G keyway unless otherwise specified.
 - 7) Restricted sections See page 141. See Restricted Keyway Policy for standard keyway and policy on use of restricted keyway cylinders. Contact 877-671-7011 for availability.

Cylindrical

K Series

Small Format Interchangeable Core and Small Format Construction Core

Description	Specify	Add to Lock Price (per core)
Small format core *	G Suffix Example: K581GD	\$45.00
Small format core (Best Style) *	BB Suffix Example: K581BB	
Small format construction core **	H Suffix Example: K581HD	
Less Small format core	B Suffix Example: K581BD	N/C
Small format disposable core	BDC Suffix Example: K581BDC	N/C

* Keying must be specified

** Locks are assessed one non-refundable handling charge (50-231F) per core.

Note: 8) Control keys are not furnished with locks and must be ordered separately. See page 151 for details

Prices subject to change without notice

Latches with Locks						
Backset	Description	Specify				Add to Lock Price
		Springlatch 101	Restoring Springlatch 301	Deadlatch 501, 511, 561, 581	Restoring Deadlatch 571	
2-3/8"	Square corner	30-267	30-271	30-301	30-386	N/C
	Radius corner	30-269	30-273	30-275	30-388	
2-3/4"	Square corner	30-266	30-270	30-302	30-385	
	Radius corner	30-268	30-272	30-274	30-387	

Note: 1) Standard faceplate size is 2-1/4" x 1-1/8"

Strikes with Locks			
Description	Lip Length	Specify	Add to Lock Price
ANSI, 1-1/4" x 4-7/8" standard	1-3/8"	30-148	N/C
Square Corner, T-Strike 1-1/8" x 2-3/4"	1-3/8"	30-149	
Radius Corner, Full Lip Strike 1-5/8" x 2-1/4"	1"	30-150	
Square Corner, Full Lip Strike 1-5/8" x 2-1/4"	1"	30-151	

Latches as Parts Finishes: 613, 626						
Backset	Description	Specify				List Price
		Springlatch 101	Restoring Springlatch 301	Deadlatch 501, 511, 561, 581	Restoring Deadlatch 571	
2-3/8"	Square corner	Q630-267	Q630-271	Q630-301	Q630-386	\$54.20
	Radius corner	Q630-269	Q630-273	Q630-275	Q630-388	
2-3/4"	Square corner	Q630-266	Q630-270	Q630-302	Q630-385	
	Radius corner	Q630-268	Q630-272	Q630-274	Q630-387	

Strikes as Parts Finishes: 613, 626			
Description	Lip Length	Specify	List Price
ANSI, 1-1/4" x 4-7/8" standard	1-3/8"	Q330-148	\$10.70
Square Corner, T-strike, 1-1/8" x 2-3/4"	1-3/8"	Q330-149	
Radius Corner, Full Lip Strike 1-5/8" x 2-1/4"	1"	Q330-150	
Square Corner, Full Lip Strike 1-5/8" x 2-1/4"	1"	Q330-151	

Note: 1) Specify finish when ordering.

Prices subject to change without notice

K-Series - Misc. Parts & Options

LOCKS

Locks Less Components

Description	Specify	Deduct from Lock Price
Less standard (conventional) cylinder	L Suffix Example: K581LD DAN	\$21.00
Less latch	LLL Suffix Example: K581PD6 DAN 626 LLL 30-148	16.50
Less strike	LLL Suffix Example: K581GD7 DAN 626 30-206 LLL	5.50

Screws

Part Number	Description	Finishes	List Price
Q630-254	Screw Pack	613, 626	\$5.60
Q330-399	Screw Pack – Dummy Trim	–	4.00

Grade 1

Miscellaneous Parts

Part Number	Description	List Price
Q330-393	Conventional Falcon G Cylinder tailpiece (K501, 511, 581, 561)	\$4.00
Q330-394	Conventional Falcon G Cylinder tailpiece (K571)	
Q630-312	Conventional Schlage C cylinder tailpiece (K501, 511, 581, 561)	
Q630-288	Conventional Schlage C cylinder tailpiece (K571)	
Q630-289	SFIC Tailpiece (K501, 511, 581, 561)	
Q330-392	SFIC Tailpiece (K571)	55.30
Q630-246	Inside Spring Cage Kit	
Q630-279	2-1/4" x 1-1/8" Faceplate, deadlatch, round corner	6.10
Q630-278	2-1/4" x 1-1/8" Faceplate, deadlatch, square corner	
Q630-277	2-1/4" x 1-1/8" Faceplate, springlatch, round corner	
Q630-276	2-1/4" x 1-1/8" Faceplate, springlatch, square corner	

Cylindrical

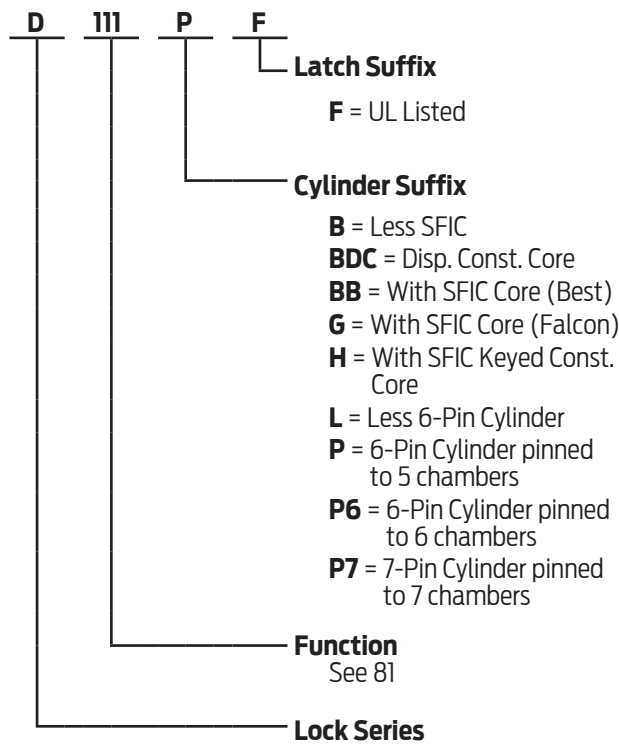
K Series

Prices subject to change without notice

Table of Contents

Function Charts **87**
Complete Lock Pricing **88**
Options
 Deadbolts89
 Strikes89
 Small Format Interchangeable Cores.....90
 Small Format Construction Cores90
 Lock Less Components91
 Conventional Cylinder Options.....91
Parts
 Trim.....92
 Deadbolts92
 Strikes93
 Adapters.....93
 Screws.....94
 Screw Packs94

Product Identification



SFIC = Small Format (Best® Style) Interchangeable Core

Finish Codes and Descriptions

Code		Description
605	(US3)	Bright Brass
606	(US4)	Satin Brass
613	(US10B)	Oil Rubbed Bronze
625	(US26)	Bright Chrome
626	(US26D)	Satin Chrome

Standard Features - Furnished unless otherwise specified

Certification	BHMA - ANSI A156.5, 2001, Grade 1 auxiliary lock, Available UL Listed for 3-Hour fire door
Deadbolt	1-1/8" x 2-1/4", Square corner faceplate, 1" housing diameter, 1" throw
Strike	1-1/8" x 2-3/4", lipless, with box
Cylinder	6-Pin, Solid brass, Keyed 5-Pin, Falcon G keyway, Keyed different (KD)
Door Range	1-3/8" - 1 7/8" standard cylinder and thumbturn only; 1-5/8" - 2-1/4" interchangeable core cylinder
Keys	Two, Nickel silver cut keys per lock, Falcon G keyway
Reinforcement	Metal dust box reinforcer with three - 3" screws
Trim Ring	1" Wrought brass or bronze, reinforced with security insert
Backset	2-3/8" and 2-3/4" adjustable



Prices subject to change without notice

D100 Series

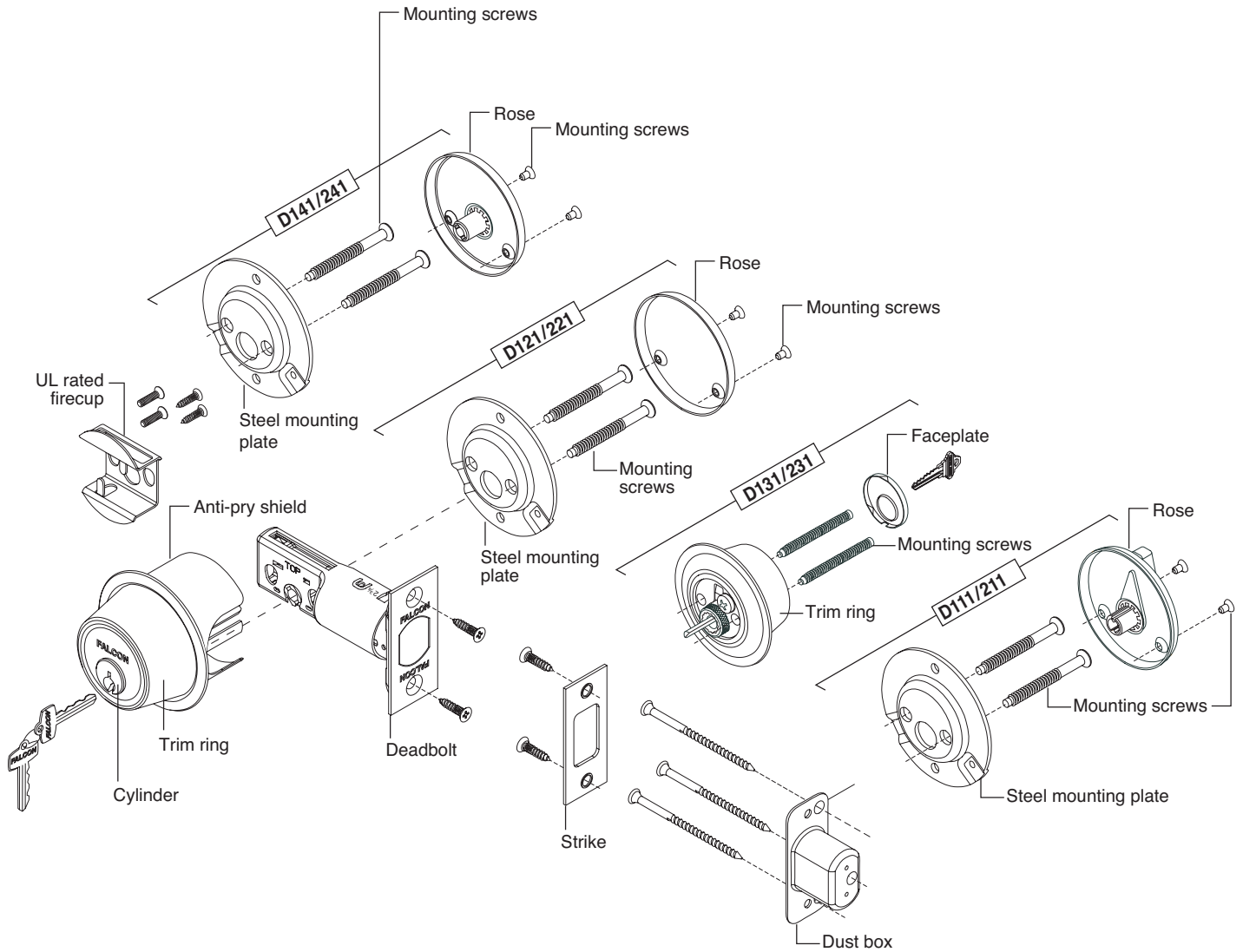
GRADE 1 DEADBOLT

LOCKS

Grade 1

Deadbolt

D100 Series



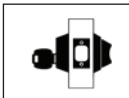
Prices subject to change without notice

**BHMA / ANSI A156.5, 2001, Grade 1
Bored Deadbolt Locks**

FALCON ANSI

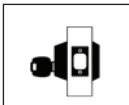
D111P E0171

Classroom Function
Deadbolt thrown or retracted by key from outside. Inside turn will only retract bolt. Bolt automatically deadlocks when fully thrown.



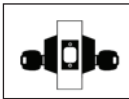
D121P E0161

Single Cylinder x Rose
Deadbolt thrown or retracted by key only. Blank plate inside. Bolt automatically deadlocks when fully thrown.



D131P E0141

Double Cylinder
Deadbolt thrown or retracted by key from either side. Bolt automatically deadlocks when fully thrown.



D141P E0151

Single Cylinder x Turn
Deadbolt thrown or retracted by key or by turn. Bolt automatically deadlocks when fully thrown.



D151

Turn x Turn
Deadbolt thrown or retracted by turn unit from either side. Application for shelters. Bolt automatically deadlocks when fully thrown.

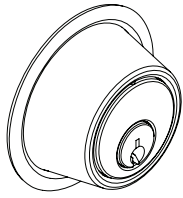


Prices subject to change without notice

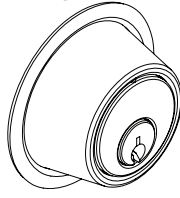
D100 Series - Levers and Parts

LOCKS

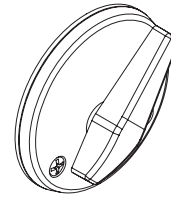
Outside Cylinder Trim



Inside Cylinder Trim



Rose and Turn



D-100 Series

Function	Description	Designs and Finishes			
		626	605	606	613 625
Single Cylinder Functions					
D111P	Classroom Function	\$143.00		\$149.00	
D121P	Single Cylinder x Blank Rose	126.00		132.00	
D141P	Single Cylinder x Turn				
Double Cylinder Functions					
CAUTION: Double cylinder locks on residences and any door in any structure which is used for egress are a life safety hazard in times of emergency and their use is not recommended. Installation should be in accordance with existing codes only.					
D131P	Cylinder x Cylinder	\$163.00		\$169.00	
Non-Keyed Functions					
D151	Turn x Turn	\$105.00		\$111.00	

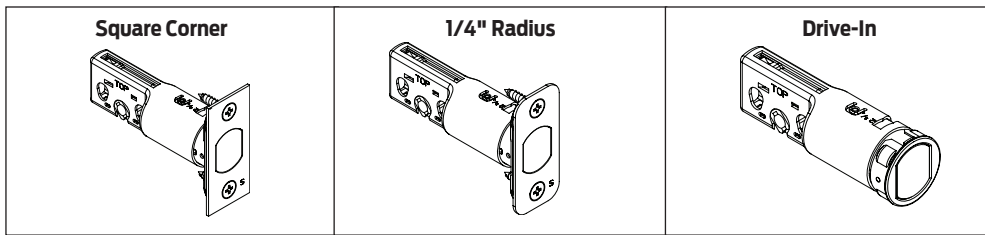
- Notes:**
- 1) Split finishes are priced at the highest finish price.
 - 2) Keying options: See page 8
 - 3) 'F' suffix must be added for UL product.

Grade 1

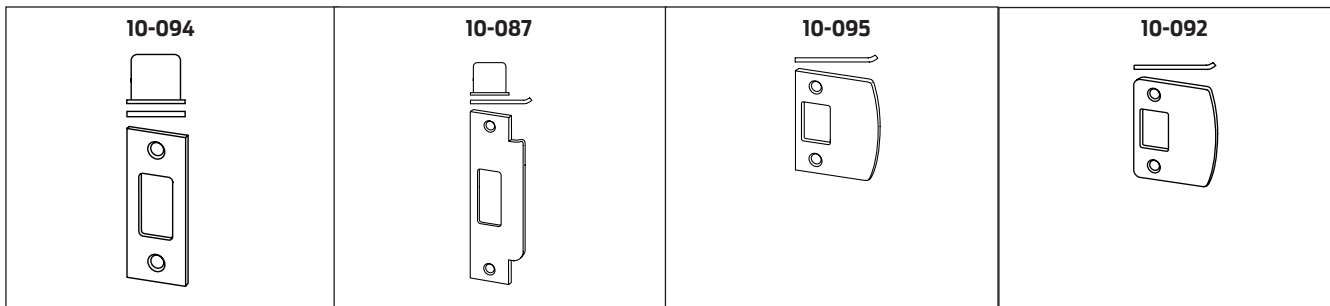
Deadbolt

D100 Series

Prices subject to change without notice



Deadbolts with Locks				
Backset	Description	HSG Dia	Specify	Add to Lock Price
2-3/8" or 2-3/4"	Square corner, 1-1/8" x 2-1/4", standard	1"	30-256	N/C
	Square corner, 1" x 2-1/4"		30-176	
	1/4" Radius round corner, 1" x 2-1/4"		30-178	
	Circular, Drive-In bolt, 626 only		30-257	
For UL Listed Locks				
2-3/8" or 2-3/4" UL	Square corner, 1-1/8" x 2-1/4", standard	1"	30-174	N/C
	Square corner, 1" x 2-1/4"		30-172	
	Circular, Drive-In bolt, 626 only		30-259	



Strikes with Locks			
Description	Lip Length	Specify	Add to Lock Price
Drive-In thimble strike, 1-3/16" dia.	1"	10-064	N/C
ANSI, 1-1/4" x 4-7/8", with box	1-1/8"	10-087	\$8.60
Full Lip, 1/4" radius corner, 1-5/8" x 2-1/4", no box	1-5/16"	10-092	N/C
Square Corner with metal dust box, 1-1/8" x 2-3/4", standard	-	10-094	
Full Lip, square corner, 1-5/8" x 2-1/4", no box		10-095	
1-1/8" square corner and strike		5075	

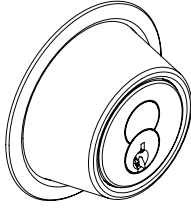
Shaded items are standard components and are furnished with locks unless otherwise specified.

Prices subject to change without notice

D100 Series • Options

LOCKS

Small Format Interchangeable Core



Small Format Interchangeable Core and Small Format Construction Core

Description	Specify	Add to Lock Price (per core)
Small format core *	G Suffix Example: D111GD	\$45.00
Small format core (Best Style) *	BB Suffix Example: D111BB	
Small format construction core **	H Suffix Example: D111HD	45.00
Less Small format core	B Suffix Example: D111BD	N/C
Small format disposable core	BDC Suffix Example: D111BDC	N/C

* Keying must be specified

** Locks are assessed one non-refundable handling charge (50-231F) per core.

Notes: 1) Split finishes are priced at the highest finish price.

2) Key section must be specified and applicable charges for restricted sections will be applied. See page 141.

3) Control keys are not furnished with locks and must be ordered separately. See page 151 for details

Grade 1

Deadbolt

D100 Series

Prices subject to change without notice

Lock Less Components		
Description	Specify	Deduct from Lock Price
Less deadbolt	LLL for latch Example: D211P 605 30-171 LLL	\$11.00
Less strike	LLL for strike Example: D211L	3.50
Less conventional cylinder	L suffix Example: D211L	19.20
Less conventional cylinder D131	L suffix Example: D131L	36.20

Conventional Cylinder Options		
Description	Specify	Add to Lock Price (per core)
5 pinned cylinder	P Suffix Example: D111P	STD
6 pinned cylinder	P6 Suffix Example: D111P6	N/C
7 pinned cylinder (Not available on D131)	P7 Suffix Example: D111P7	\$11.50
6 pinned Competitor keyway cylinders*	P6 Suffix Example: D111P6 (0 Bitted, KD, KA4 only)	N/C

* Specify specific competitor keyway on order. Competitor keyways are furnished 0 bitted, unless otherwise specified. Not available Master keyed, except Schlage C. KD option is not available for locks containing 2 cylinders.

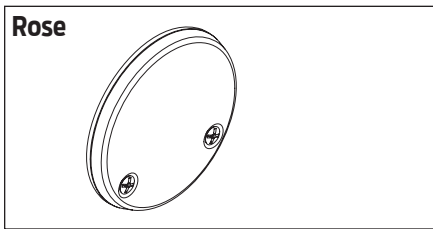
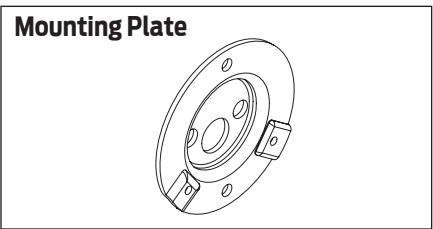
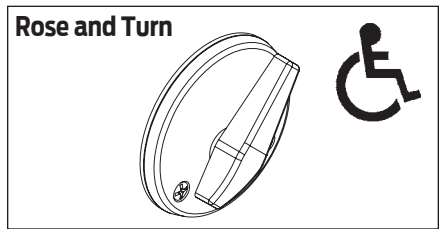
D100-Series Complete Conventional Cylinders		
Cylinder Mechanism	Part Number	Price Each
5 Pin Cylinder - D111, D141	Q500-064	\$54.00
5 Pin Cylinder - D121	Q500-066	
5 Pin Cylinder - D131	Q500-070	
6 Pin Cylinder - D111, D141	Q500-021	
6 Pin Cylinder - D121	Q500-058	
6 Pin Cylinder - D131	Q500-054	
7 Pin Cylinder - D111, D141	Q500-046	69.00
7 Pin Cylinder - D121	Q500-059	

- Notes:**
- 1) Finishes: 606 and 626 only
 - 2) Specify keyway
 - 3) Cylinders are furnished G keyway, keyed differently unless otherwise specified.
 - 4) Restricted sections add \$10.80 to list price. See page 8 for list of standard keyways. All other keyways are considered restricted. Contact 877-671-7011 for availability.

Prices subject to change without notice

D100 Series - Parts

LOCKS

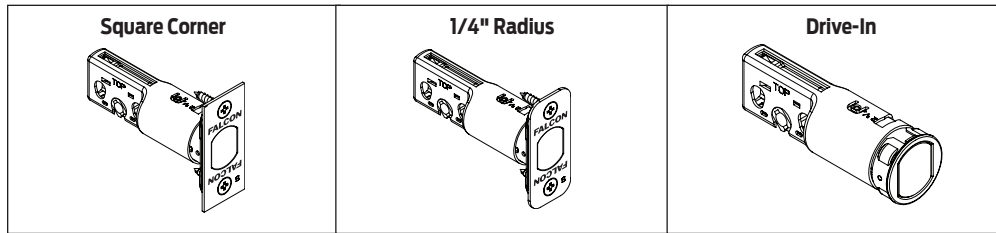


Grade 1

Trim			
Part Number	Specify Finish	Description	Price Each
B302-041	.	Rose and Turn	\$44.50
B302-045	.	Rose and Turn (D111)	44.50
12-626	.	Blank Rose (D121)	25.30
B600-018	.	Mounting plate for rose and rose & turn	10.30

Note: 1) For trim rings and inserts see Cylinders: D100

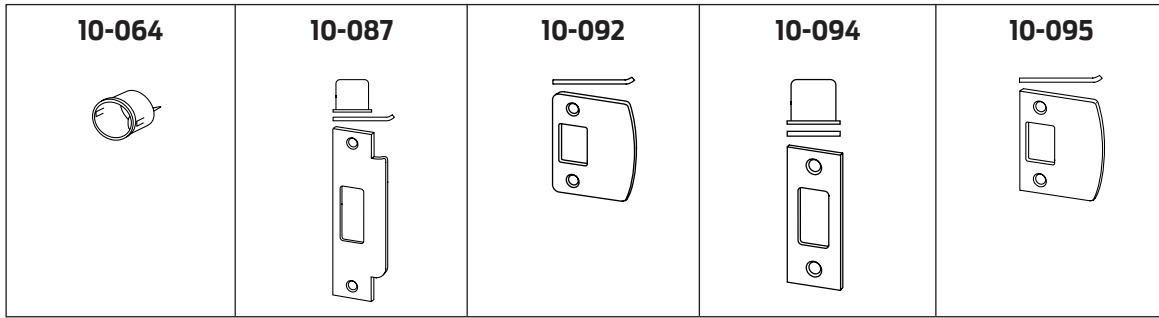
Deadbolt



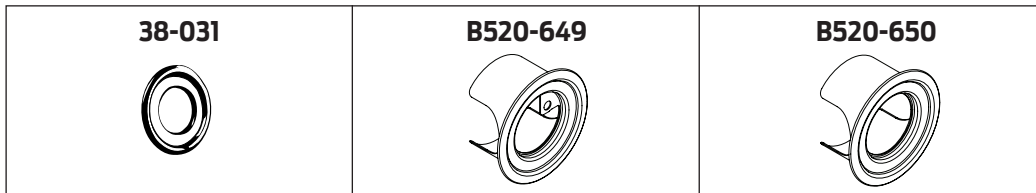
D100 Series

Deadbolts				
Part Number	Specify Finish	Housing Diameter	Description	Price Each
Q330-256	.	2-3/8" or 2- 3/4" Universal	Square corner, 1-1/8" x 2-1/4" faceplate	\$16.20
Q330-176	.		Square corner, 1" x 2-1/4" faceplate	
Q330-178	.		1/4" radius corner, 1" x 2-1/4" faceplate	
Q330-257	626		1" circular drive-in, 626 only	

Prices subject to change without notice



Strikes				
Part Number	Specify Finish	Description	Lip Length	Price Each
10-064	.	Drive-In, thimble strike, 1-3/16" deep	-	\$16.70
10-087	.	ANSI, 1-1/4" x 4-7/8, with box	1-1/8"	22.90
10-094	.	Square corner with metal dust box, 1-1/8" x 2-3/4"	-	12.20
10-092	.	Full lip, 1/4" radius corner, 1-5/8" x 2-1/4", no box	1-5/16"	7.90
10-095	.	Full lip, square corner, 1-5/8" x 2-1/4", no box		8.10
J250-028		2" strike mounting screws		2.00
5075	.	Security Strike	-	9.60



Adapters			
Part Number	Specify Finish	Description	Price Each (per finish)
			605 606 613 625 626
38-031	.	2-1/2" diameter adapter ring for 2-1/8" door prep, for under cylinder	\$19.00
B520-649	.	Trim ring w/shield for D131/D141	23.50
B520-650	.	Trim ring w/shield for IC functions	23.50
36-071	.	1-3/8" IC Core thin door shim kit, contains 36-066 & 36-068	14.60

Prices subject to change without notice

LOCKS

Screws						
Part Number	Specify Finish	Description		Application		Price Each (Order in multiples of 100)
		Size	Type	Use	Door Thickness	
Keyed, Single Conventional Cylinder						
B600-100		1/4"-28 x 1-15/16"	POH mach.	Mounting	1-3/8" - 1-3/4"	\$2.40
B600-101		1/4"-28 x 2.425"	POH mach.	Mounting	over 1-3/4"	
B600-066	.	6-32 x 1/4"	PH mach.	Turn	-	0.78
B520-298		10-32 x 3/8"	PH mach.	Anti-pry shield	-	
Keyed, Single SFIC Cylinder						
B600-100		1/4"-28 x 1-15/16"	POH mach.	Mounting	1-3/8" - 2-1/4"	2.40
B600-066	.	6-32 x 1/4"	PH mach.	Turn	-	
Keyed, Double Conventional Cylinder						
B600-047		1/4"-28 x 3-13/16"	PH mach.	Mounting	1-3/8" - 1-3/4"	2.40
B600-078		1/4"-28 x 3-29/64"	PH mach.	Mounting	over 1-3/4"	
B520-298		10-32 x 3/8"	PH mach.	Anti-pry shield	-	0.78
Keyed, Double SFIC Cylinder						
B600-053		1/4"-28 x 3-61/64"	PH mach.	Mounting	1-3/4" - 2-1/4"	2.40
B520-298		10-32 x 3/8"	PH mach.	Anti-pry shield	-	0.78
All Functions						
C603-897	.	#8 x 3/4"	PFH combo	Deadbolt & strike	-	0.90
J250-028		#8 x 2"	PFH wood	2" strike screw	-	2.00
R525-256		#12 x 3"	PFH wood	3" metal dust box	-	

Grade 1

Deadbolt

D100 Series

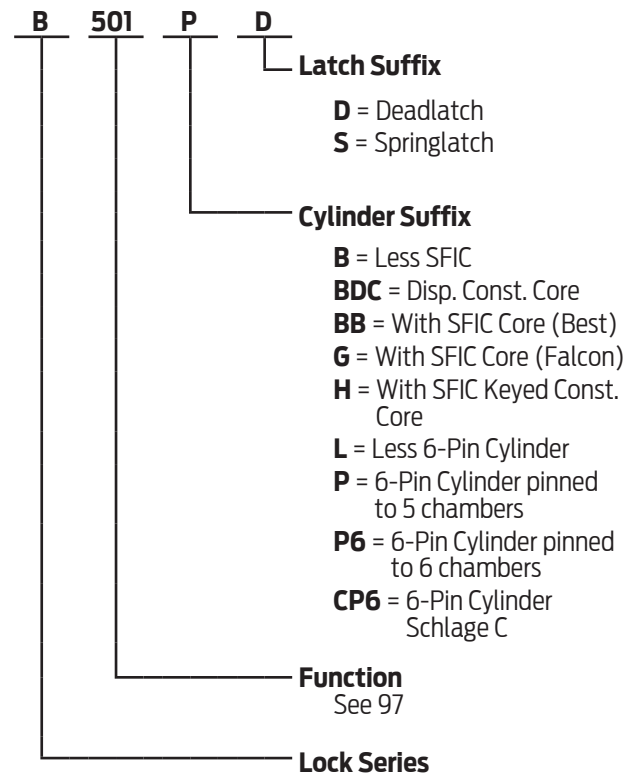
Screw Packs				
Part Number	Specify Finish	Door Thickness	Contents	Price Each
Keyed, Single Conventional Cylinder				
61-500	.	1 3/8" - 1 3/4"	(1) B600-018 (2) B600-100 (2) B600-066 (4) C603-897	\$14.60
61-501	.	over 1 3/4" - 2 1/4"	(1) B600-018 (2) B600-101 (2) B600-066 (4) C603-897	14.60
Keyed, Single SFIC Cylinder				
61-500	.	1 3/8" - 2"	(1) B600-018 (2) B600-100 (2) B600-066 (4) C603-897	\$14.60
Keyed, Double Conventional Cylinder				
61-502	.	1 3/8" - 1 3/4"	(2) B600-047 (4) C603-897	\$11.10
61-503	.	over 1 3/4" - 2 1/4"	(2) B600-078 (4) C603-897	11.10
Keyed, Double SFIC Cylinder				
61-507	.	1 3/8" - 2"	(2) B600-053 (4) C603-897	\$11.10

Prices subject to change without notice

Table of Contents

Functions	97
Complete Lock Pricing	98
Options	
Conventional Cylinder Options.....	99
Small Format Interchangeable Cores.....	99
Small Format Construction Cores	99
Latches	100
Strikes	100
Lock Less Components.....	101
Tactile Warning Strip (not available in 613).....	101
Parts	
Levers	101
Roses	101
Chassis Assemblies	101
Screws.....	102
Misc. Parts.....	102

Product Identification



SFIC = Small Format (Best® Style) Interchangeable Core

Finish Codes and Descriptions

Code		Description
605	(US3)	Bright Brass
606	(US4)	Satin Brass
613	(US10B)	Oil Rubbed Bronze
625	(US26)	Bright Chrome
626	(US26D)	Satin Chrome

Standard Features - Furnished unless otherwise specified



Certification	ANSI A156.2, Series 4000, Grade 2, UL Listed for 3-Hour fire door
Latch	1-1/8" x 2-1/4", Square corner faceplate, 1" housing diameter, 1/2" throw, 2-3/4" backset
Strike	1-1/4" x 4-7/8", ANSI, Square corner, no box
Cylinder	6-Pin, Solid brass, Keyed 5-Pin, Falcon G keyway, Keyed different (KD)
Door Range	1-3/8" - 2" standard (exceptions for communicating locks - see pg 98)
Keys	Two, Nickel silver cut keys per lock, Falcon G keyway

Prices subject to change without notice

B Series

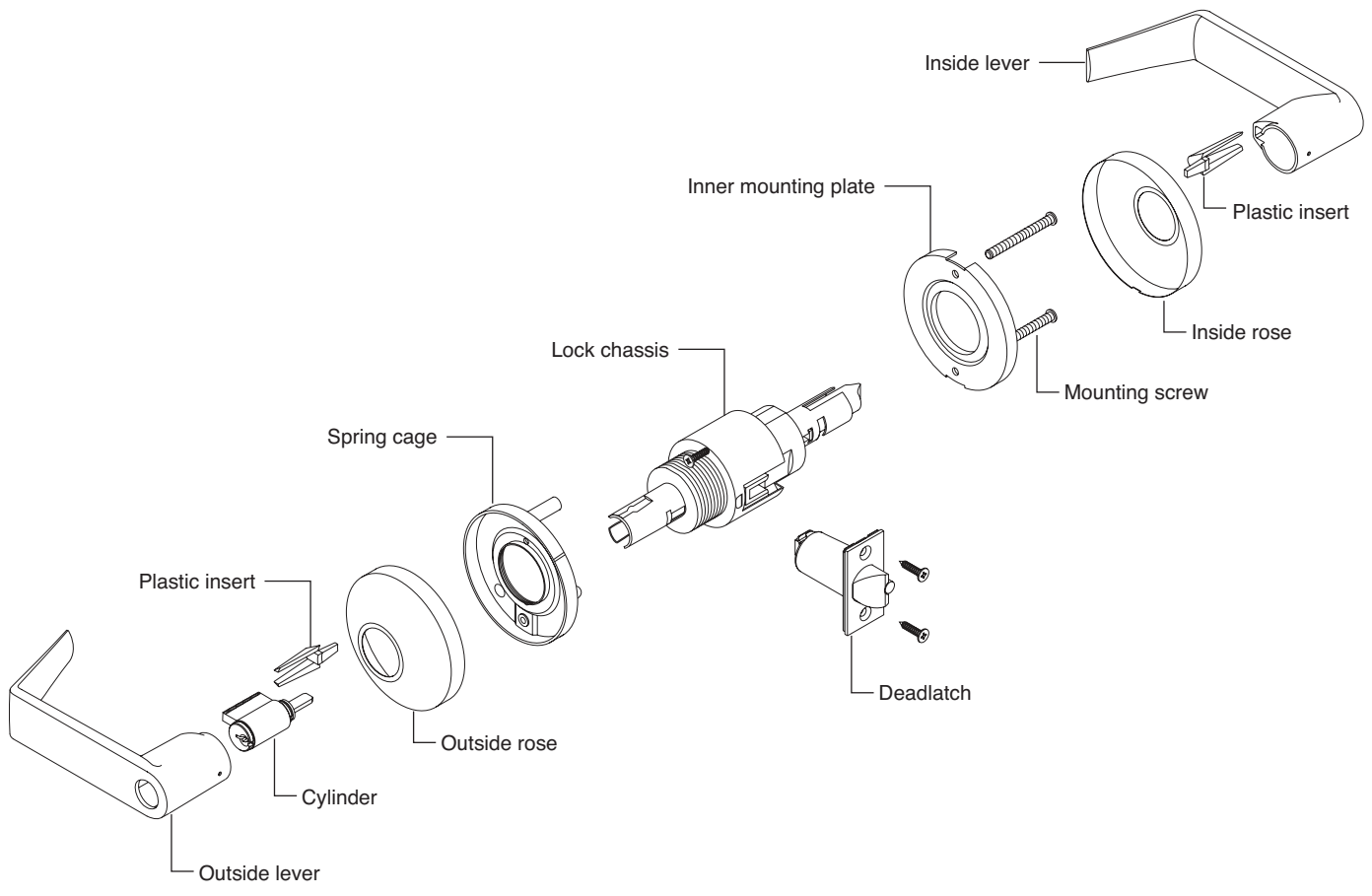
GRADE 2 CYLINDRICAL LOCK

LOCKS

Grade 2

Cylindrical

B Series



Prices subject to change without notice

ANSI A156.2 Series 4000 Grade 2

Key-In-Lever Locks

FALCON ANSI

B101 F75



Passage/Closet Latchset
Latch bolt by levers at all times.

B161 F111



Communicating Passage Lock
Deadlocking latch bolt by inside lever.
Non-removable blank plate outside.

B301 F76



Privacy/Bedroom/Bath Lock
Latch bolt by levers. Outside lever locked by push button in inside lever. Rotating inside lever or closing door releases push button. Emergency release in outside lever unlocks door.

B341 F112



Communicating Store Room Lock
Deadlocking latch bolt by inside lever locked by push button in inside lever except when locked by key. Non-removable blank plate on opposite side of lever (11/16" projection).

B501 F82



Entry Lock
Push button locking. Button on inside locks outside lever until unlocked by key or by rotating inside lever. Inside lever always free. Deadlocking latch bolt.

B511 F109

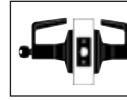


Entry/Office Lock
Turn/push button locking. Pushing and turning button locks outside lever requiring use of key until button is manually unlocked. Push button locking. Pushing button locks outside lever until unlocked by key or by rotating inside lever. Inside lever always free. Deadlocking latch bolt.

Key-In-Lever Locks

FALCON ANSI

B561 F84



Classroom Lock
Deadlocking latch bolt by levers. Outside lever is locked by key in outside lever. Inside lever is always unlocked for immediate egress.

B581 F86



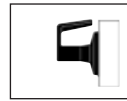
Store Room
Deadlocking latch bolt by lever inside or key outside. Outside lever is always locked. Inside lever is always unlocked for immediate egress.

B611 F90



Dormitory/Corridor Lock
Deadlocking latch bolt by levers except when locked by push button on inside lever. Key in outside lever locks or unlocks outside lever and releases button. Closing door releases push button. Inside lever is always free.

B12



Dummy Trim
Single Trim-surface mounted rigid lever.

Prices subject to change without notice

B-Series • Complete Locks

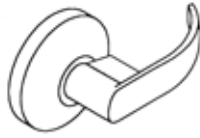
Grade 2 Standard Duty Cylindrical Locksets
ANSI-A156.2, SERIES 4000, GRADE 2

LOCKS

D (Dane)



Q (Quantum)



Key-In-Lever

Designs and Finishes

D Q

Function	Description	626	605 606 613 625
Single Cylinder Functions			
B341PD*	Connecting/Exit	\$209.00	\$221.00
B501PD	Entry		
B511PD	Entry/Office		
B561PD	Classroom		
B581PD	Storeroom		
B611PD	Dormitory/Corridor	236.00	248.00
Non-Keyed Functions			
B101S	Passage	\$150.00	\$162.00
B161D*	Communicating Latch		
B301S	Privacy	174.00	186.00
Dummy Trim			
B12	Half Dummy	\$68.00	\$74.00

* The B161 and B341 need to be specified as shown for correct door ranges: 138 for (1-3/8"-1-5/8") or 134 for (>1-5/8"-2")

Grade 2

Cylindrical

B Series

Prices subject to change without notice

Conventional Cylinder Options		
Description	Specify	Add to Lock Price (per core)
5 pinned cylinder	P Suffix Example: B581P	STD
6 pinned cylinder	P6 Suffix Example: B581P6	N/C
6 pinned Competitor keyway cylinders*	P6 Suffix Example: B581P6 (0 Bitted, KD, KA4 only)	
Schlage C (6 pin only)	CP6 Suffix Example: B581CP6 (All other keying, not listed above)	

* Specify specific competitor keyway on order. Competitor keyways are furnished 0 bitted, unless otherwise specified.
Not available Master keyed, except Schlage C. KD option is not available for locks containing 2 cylinders.

B-Series Complete Conventional Cylinders		
Cylinder Mechanism	Part Number	Price Each
5 Pin Cylinder	A23155-02	\$54.00
5 Pin Cylinder - B611	A23151-06	
6 Pin Cylinder	A23165-02	
6 Pin Cylinder - B611	A23161-06	

- Notes:**
- 1) Finishes: 606 and 626 only.
 - 2) Specify keyway.
 - 3) Cylinders are furnished G keyway, keyed differently unless otherwise specified.
 - 4) Restricted sections add \$10.80 to list price. See page 8 for list of standard keyways. All other keyways are considered restricted. Contact 877-671-7011 for availability.

Small Format Interchangeable Core and Small Format Construction Core		
Description	Specify	Add to Lock Price (per core)
Small format core *	G Suffix Example: B581GD	\$45.00
Small format core (Best Style) *	BB Suffix Example: B581BB	
Small format construction core **	H Suffix Example: B581HD	45.00
Less Small format core	B Suffix Example: B581BD	N/C
Small format disposable core	BDC Suffix Example: B581BDC	N/C

*Keying must be specified.

** Locks are assessed one non-refundable handling charge (50-231F) per core.

Note: 5) Control keys are not furnished with locks and must be ordered separately. See page 151 for details

Prices subject to change without notice

B-Series • Latch and Strike Options

LOCKS

Latches with Locks				
Backset	Description	Specify		Add to Lock Price
		Springlatch/Deadlatch	301/611	
2-3/4"	Square corner, 1-1/8" x 2-1/4", standard	57435	57635	N/C
	Square corner, 1" x 2-1/4"	57430	57630	
	1/4" Radius round corner, 1" x 2-1/4"	57431	57631	
2-3/8" **	Square corner, 1" x 2-1/4"	57420	57620	N/C
	Square corner, 1-1/8"	57425	57625	
	1/4" Radius round corner, 1" x 2-1/4"	57421	57621	
5"	Backset extension link	A31727-005-00 *		\$38.60

* Backset extension link A31727-005-00 must be used with 2-3/8" backset latches

** 2-3/8" backset is furnished as a 1" faceplate standard.

Grade 2

Strikes with Locks			
Description	Lip Length	Specify	Add to Lock Price
ANSI, 1-1/4" x 4-7/8" standard	1-3/16"	5164	N/C
Square Corner, full lip 1-5/8" x 2-1/4"	1"	01-049	N/C
1/4" Radius round corner, full lip 1-5/8" x 2-1/4"	1"	01-048	N/C
Square Corner, T-strike, 1-1/8" x 2-3/4"	1-5/16"	01-046	N/C
ANSI dust box 1" deep, steel	-	005099-000-30	N/C
ANSI, 1-1/4" x 4-7/8"	7/8"	5161	N/C

Cylindrical

Latches sold separate Finishes: 605, 613, 630			
Latch Face	Backset & Price		
	2-3/8"	2-3/4"	Price
1" Spring Latch (101)	A57420-000	A57430-000	\$28.30
1" Spring Latch (301)	A57620-000	A57630-000	
1" Spring Latch - 1/4" Rad. (101)	A57421-000	A57431-000	
1" Spring Latch - 1/4" Rad. (301)	A57621-000	A57631-000	
1" Deadlatch	A57420-00D	A57430-00D	
1" Deadlatch (611)	A57620-00D	A57630-00D	
1" Deadlatch - 1/4" Rad.	A57421-00D	A57431-00D	
1" Deadlatch - 1/4" Rad. (611)	A57621-00D	A57631-00D	
1-1/8" Spring Latch (101)	A57425-000	A57435-000	
1-1/8" Spring Latch (301)	A57625-000	A57635-000	
1-1/8" Deadlatch	A57425-00D	A57435-00D	
1-1/8" Deadlatch (611)	A57625-00D	A57635-00D	

B Series

Strikes sold separate Finishes: 605, 606, 613, 626, 630 (ANSI only)			
Description	Lip Length	Specify	List Price
Square Corner, T-strike, 1-1/8" x 2-3/4"	1-1/8"	Q001-046	\$4.30
1/4" Radius round corner, full lip 1-5/8" x 2-1/4"	1"	Q001-048	
Square corner, full lip 1-5/8" x 2-1/4"		Q001-049	
ANSI, 1-1/4" x 4-7/8" standard	1-3/16"	005164-000	13.80
ANSI dust box 1" deep, steel	-	005099-000-30	3.20
ANSI, 1-1/4" x 4-7/8"	7/8"	005161-000	23.20

Shaded items are standard components and are furnished with locks unless otherwise specified.

Prices subject to change without notice

Lock Less Components		
Description	Specify	Deduct from Lock Price
Less standard cylinder	L suffix Example: B581LD DAN	\$54.00
Less latch	LLL for latch Example: B581PD DAN 626 LLL 5164	13.30
Less strike	LLL for strike Example: B581PD DAN 626 57435 LLL	10.10

Tactile Warning (abrasive strip)		
Description	Specify	Add to Lock Price
Abrasive Strip	Preface the design code with 6 Example: 6DA for DAN	\$48.70

- Notes:**
- 1) Outside lever only has abrasive strip adhered to the back surface of the lever.
 - 2) B581 Storeroom function locks should be used on doors requiring tactile warning of danger.
 - 3) Abrasive strip not available in 613 finish.

Levers		
Part Number	Description	List Price
		605, 606, 613, 625, 626
A31750-000	Lever, Dane closed	\$41.80
A31751-000	Lever, Quantum closed	
A31750-001	Lever, Dane open	
A31751-001	Lever, Quantum open	
031700-002	Lever, Dane IC	
031701-002	Lever, Quantum IC	

Roses		
Part Number	Description	List Price
		605, 606, 613, 625, 626
031702-000	Rose, Outer	\$16.80
031703-000	Rose, Inner	
A31764-000	Rose, Blank Insert and Post	

B Series Chassis Assemblies			
Part Number		Description	Price
Conventional Cylinder	IC Core		
A31706-000-00		B101 Chassis	\$121.00
A31707-000-00		B161 Chassis – 1-5/8" – 2" Door Thickness	
A31707-002-00		B161 Chassis – 1-3/8" – 1-5/8" Door Thickness	121.00
A31709-000-00	A31709-001-00	B301/501 Chassis	147.00
A31714-000-00	A31714-001-00	B511 Chassis	
A31715-000-00	A31715-001-00	B561 Chassis	197.00
A31716-000-00	A31716-001-00	B581 Chassis	147.00
A31708-000	A31708-001	B341 Chassis – >1-5/8" – 2" Door Thickness	
A31708-002	A31708-003	B341 Chassis – 1-3/8" – 1-5/8" Door Thickness	
A31739-000	A31739-001	B611 Chassis	220.00

Note: 4) Chassis provided with trim finish on B341 and B611.

Prices subject to change without notice

B-Series • Parts

LOCKS

Screws				
Part Number	Description	Finishes	Size	List Price
021164-016	ANSI strike screws	606, 613, 626, 630	12-24 x 1" combo	\$0.52
024416-012	Latch and strike screws	606, 613, 626, 630	8-32 x 3/4" combo	0.32
A31767-000	Screw pack 2-Strike screws, 2- Latch screws, 2- Mounting screws, 2- ANSI Strike screws, and 1- Pin Wrench	605, 613, 626		4.90

Grade 2

Miscellaneous Parts		
Part Number	Description	List Price
031705-000-30	Inside Rose Liner	\$2.00
031718-000	Push button cap	2.40
031719-000	Turn button cap	2.70
031741-000-50	Lever insert	0.56

Cylindrical

B Series

Prices subject to change without notice

Table of Contents

Function Charts **105**

Levers 105

Knobs 106

Complete Lock Pricing

Levers/Knobs 107

Small Rose Levers/Knobs 108

Options

Conventional Cylinder Options 109

Complete Conventional Cylinders 109

Interchangeable Core & Const. Core 109

Latches 110

Strikes 110

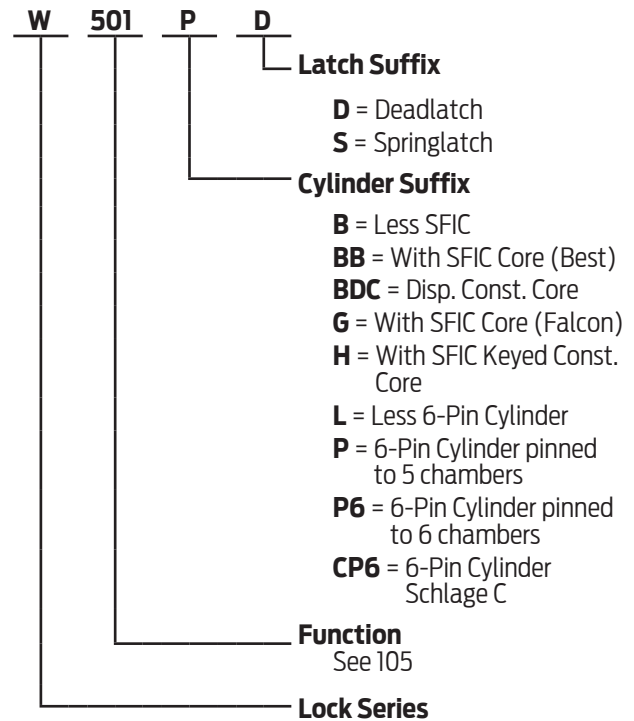
Lock Less Components 111

Tactile Warning Strip 111

Scews 111

Misc. Parts 111

Product Identification



SFIC = Small Format (Best® Style) Interchangeable Core

Finish Codes and Descriptions

Code		Description
605	(US3)	Bright Brass
606*	(US4)	Satin Brass
613	(US10B)	Oil Rubbed Bronze
619	(US15)	Satin Nickel
622		Matte Black
625	(US26)	Bright Chrome
626	(US26D)	Satin Chrome
643E	(US11)	Aged Bronze

*Not available on small rose

Standard Features - Furnished unless otherwise specified



Certification	ANSI A156.2, Series 4000, Grade 2, UL Listed for 3-Hour fire door
Latch	1-1/8" x 2-1/4", Square corner faceplate, 1" housing diameter, 1/2" throw, 2-3/4" backset
Strike	1-1/4" x 4-7/8", ANSI, Square corner, no box
Cylinder	6-Pin, Solid brass, keyed 5-pin, Falcon G keyway, Keyed different (KD)
Door Range	1-3/8" - 1-3/4" standard
Keys	Two, Nickel silver cut keys per lock, Falcon G keyway

Prices subject to change without notice

W Series

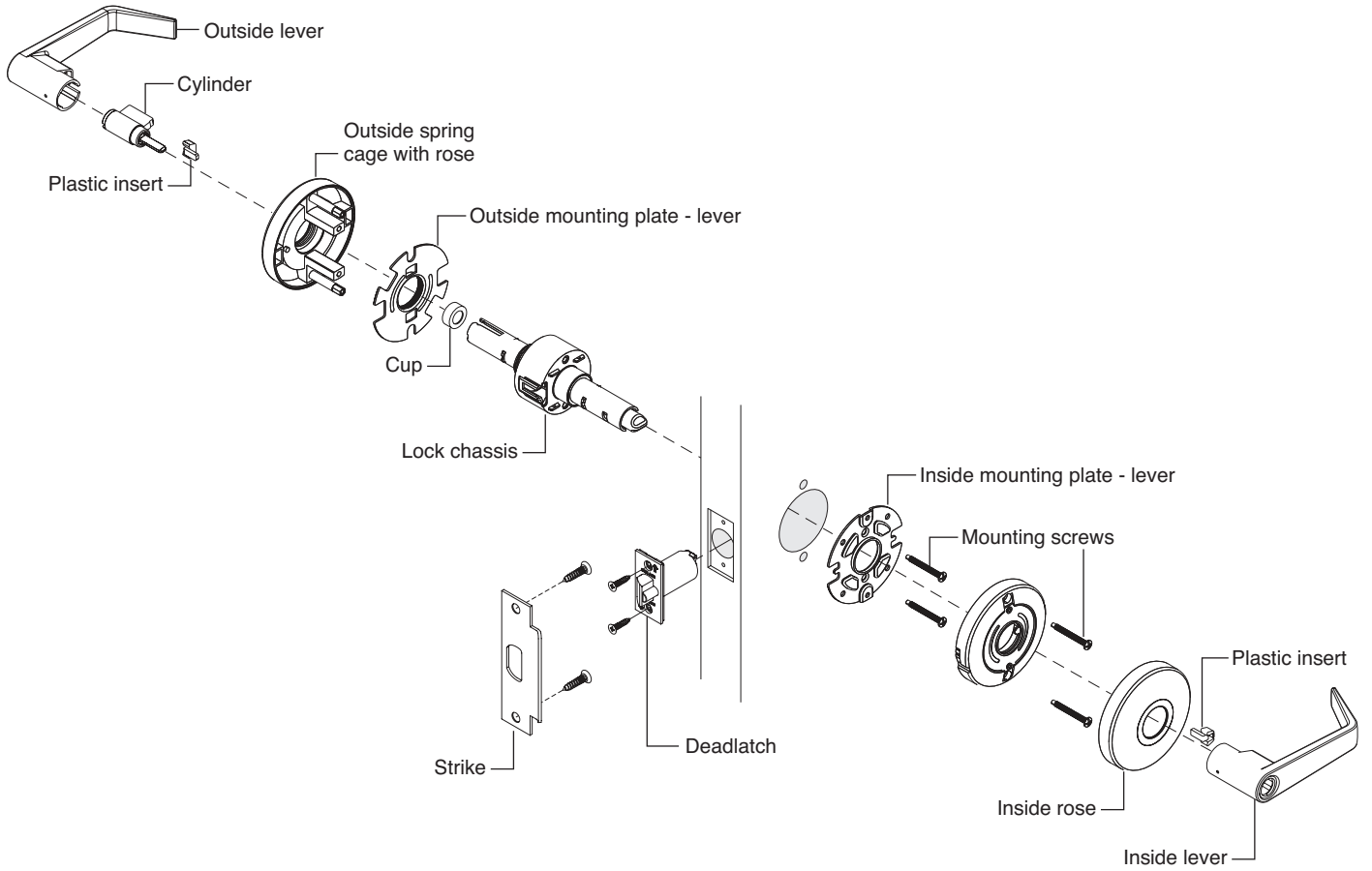
GRADE 2 CYLINDRICAL LOCK

LOCKS

Grade 2

Cylindrical

W Series



Prices subject to change without notice

ANSI A156.2, Series 4000 Grade 2

Key-In-Lever Locks

FALCON ANSI & Function

W101 F75



Passage Latchset

Latch bolt by levers at all times.

W161 F111



Communicating/Exit Latch

Deadlocking latch bolt by inside lever. Non-removable blank plate outside.

W201* F77



Patio Lock

Deadlocking latch bolt by levers. Outside lever is locked by push button from inside. Rotating inside lever or closing door releases button and unlocks outside lever.

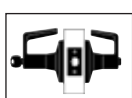
W301 F76



Privacy Lock

Latch bolt by levers. Outside lever is locked by push button in inside lever. Rotating inside lever or closing door release push button and frees outside lever. Inside lever is always free. Emergency release in outside lever unlocks door.

W501* F82



Entry Lock

Push Button Locking. Button on the inside locks outside lever until unlocked by key or by rotating inside lever. Inside lever always free. Deadlocking latch bolt.

FUNCTION CHANGE NOTE: THIS LOCK WILL STAY LOCKED WHEN THE DOOR IS CLOSED. IF YOU WANT YOUR DOOR TO UNLOCK WHEN IT CLOSES, PLEASE PURCHASE THE 571 FUNCTION.

W511 F109



Entry/Office Lock

Deadlocking latch bolt by levers. Turn/push button locking. Pushing and turning button locks outside lever, requiring use of a key for unlocking the door until button is manually unlocked. Pushing button locks outside lever until unlocked by key or by rotating inside lever. Inside lever is always free.

Key-In-Lever Locks

FALCON ANSI & Function

W561 F84



Classroom Lock

Deadlocking latch bolt by levers. Outside lever is locked by key in outside lever. Inside lever is always free.

W571*



Corridor Lock

Deadlocking latch bolt. Push Button Locking. Button on the inside locks outside lever until unlocked by key or by rotating inside lever. Closing the door releases button. Inside lever always free.

NEW FUNCTION NOTE: THIS LOCK WILL UNLOCK WHEN THE DOOR IS CLOSED. IF YOU WANT YOUR DOOR TO REMAIN LOCKED WHEN IT CLOSES, PLEASE PURCHASE THE 501 FUNCTION.

W581 F86



Storeroom Lock

Deadlocking latch bolt by lever inside or key outside. Outside lever is always locked. Inside lever is always free.

W711*



Apartment Entrance Lock

Deadlocking latch bolt by levers. Turn/push button locking. Pushing and turning button locks outside lever, requiring use of a key for unlocking the door until button is manually unlocked. Pushing button locks outside lever until unlocked by key, by rotating inside lever, or by closing door. Inside lever is always free.

W12/W18*



Dummy Trim

Single or double available.
Single (W12)
Double (W18)

* Functions are not available for small rose option

Prices subject to change without notice

W-Series - Knob Functions

LOCKS

Grade 2

Cylindrical

W Series

ANSI A156.2, Series 4000 Grade 2

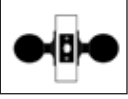
Key-In-Knob Locks

FALCON ANSI & Function

W101 F75

Passage Latchset

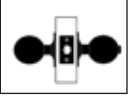
Latch bolt by knob at all times.



W301 F76

Privacy Lock

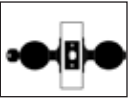
Latch bolt by knobs. Outside knob is locked by push button in inside lever. Rotating inside knob or closing door release push button and frees outside knob. Inside knob is always free. Emergency release in outside knob unlocks door.



W501 F82

Entry Lock

Push Button Locking. Button on the inside locks outside knob until unlocked by key or by rotating inside knob. Inside knob always free. Deadlocking latch bolt.

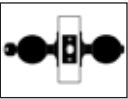


FUNCTION CHANGE NOTE: THIS LOCK WILL STAY LOCKED WHEN THE DOOR IS CLOSED. IF YOU WANT YOUR DOOR TO UNLOCK WHEN IT CLOSSES, PLEASE PURCHASE THE 571 FUNCTION.

W511 F109

Entry/Office Lock

Deadlocking latch bolt by knobs. Turn/push button locking. Pushing and turning button locks outside knob, requiring use of a key for unlocking the door until button is manually unlocked. Pushing button locks outside knob until unlocked by key or by rotating inside lever. Inside knob is always free.



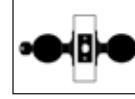
Key-In-Knob Locks

FALCON ANSI & Function

W561 F84

Classroom Lock

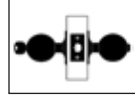
Deadlocking latch bolt by knobs. Outside knob is locked by key in outside knob. Inside knob is always free.



W571

Corridor Lock

Deadlocking latch bolt. Push Button Locking. Button on the inside locks outside knob until unlocked by key or by rotating inside knob. Closing the door releases button. Inside knob always free.

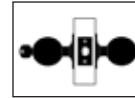


NEW FUNCTION NOTE: THIS LOCK WILL UNLOCK WHEN THE DOOR IS CLOSED. IF YOU WANT YOUR DOOR TO REMAIN LOCKED WHEN IT CLOSSES, PLEASE PURCHASE THE 501 FUNCTION.

W581 F86

Storeroom Lock

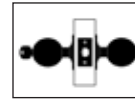
Deadlocking latch bolt by knob inside or key outside. Outside knob is always locked. Inside knob is always free.



W711

Apartment Entrance Lock

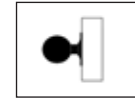
Deadlocking latch bolt by knobs. Turn/push button locking. Pushing and turning button locks outside knob, requiring use of a key for unlocking the door until button is manually unlocked. Pushing button locks outside knob until unlocked by key, by rotating inside knob, or by closing door. Inside knob is always free.



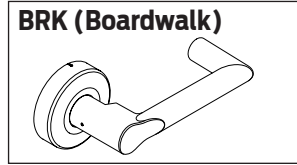
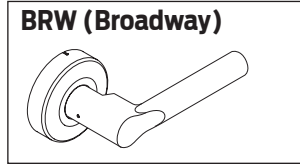
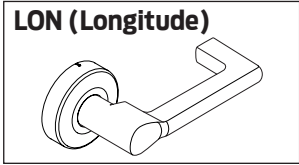
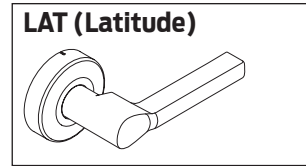
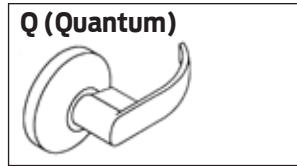
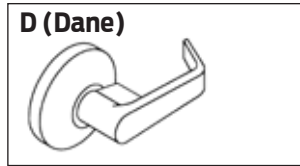
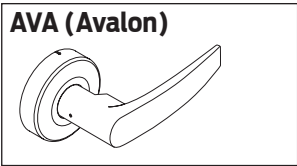
W12

Dummy Trim

Single Trim rigid knob.



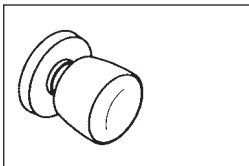
Prices subject to change without notice



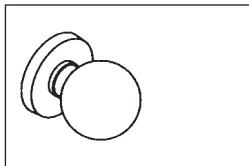
		Designs and Finishes															
		AVA	D	Q	LAT	LON	BRW	BRK	AVA	D	Q	LAT	LON	BRW	BRK		
Function	Description	626	643E					605	606	613	619	622	625				
Single Cylinder Functions																	
W501PD	Entry																
W511PD	Entry/Office																
W561PD	Classroom																
W571PD	Dormitory/Corridor	\$114.00								\$126.00							
W581PD	Storeroom																
W711PD	Apartment Entry																
Non-Keyed Functions																	
W101S	Passage					\$104.00								\$116.00			
W161D	Communicating/Exit																
W201D	Patio					105.00								117.00			
W301S	Privacy																
Dummy Trim																	
W12	Half Dummy					\$61.00								\$67.00			
W18	Two Sided Dummy					121.00								133.00			

Note: 1) New Finishes (643E, 619, 622) & New Levers (AVA, LAT, LON, BRW, BRK) are not available on W18 function.

ELI (Elite)



HAN (Hana)



		Designs and Finishes							
		E				H			
Function	Description	626				605 606 613 625			
Single Cylinder Functions									
W511PD	Entry/Office								
W561PD	Classroom								
W571PD	Corridor								
W581PD	Storeroom	\$66.00				\$78.00			
W711PD	Apartment Entry								
Non-Keyed Functions									
W101S	Passage	\$54.00				\$66.00			
W301S	Privacy	55.00				67.00			
Dummy Trim									
W12	Half Dummy	\$40.00				\$46.00			

Note: 2) Not available with a small rose. Small rose option is for levers only.

Prices subject to change without notice

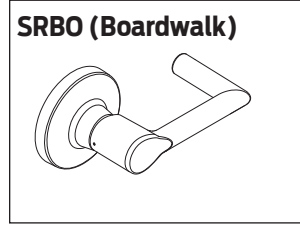
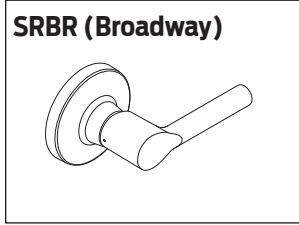
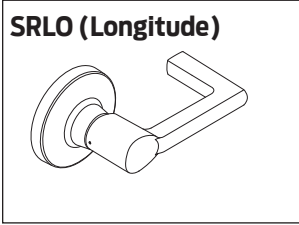
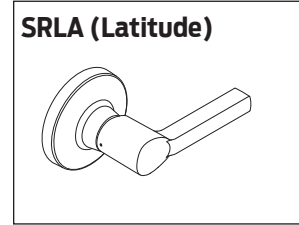
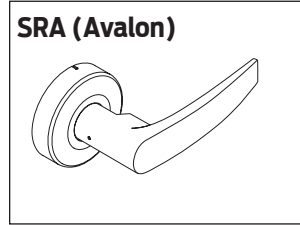
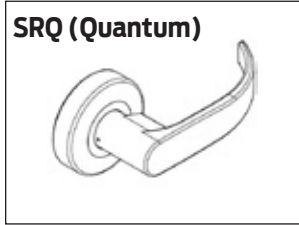
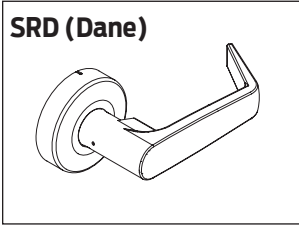
W-Series Small Rose • Levers Complete Locks

LOCKS

Grade 2

Cylindrical

W Series



Small Rose 2-9/16" (65mm)					
		Designs and Finishes			
		SRA, SRD, SRQ, SRLA, SRLO, SRBR, SRBO			
Function	Description	626	643E	605	613 619 622 625
Single Cylinder Functions					
W511	Entry/Office				
W561	Classroom		\$137.00		\$149.00
W581	Storeroom				
Non-Keyed Functions					
W101	Passage		\$112.00		\$124.00
W161	Communicating/Exit				
W301	Privacy		114.00		126.00
Dummy Trim					
W12	Single Dummy		\$65.00		\$71.00

How to Order the Small Rose Option

Small Rose 2-9/16" (65mm)			
Function	Cylinder	Trim	Finish
W511	PD	SRD	626

Prices subject to change without notice

Conventional Cylinder Options - both small and regular rose sizes		
Description	Specify	Add to Lock Price (per core)
5 pinned cylinder	P Suffix Example: W581P	STD
6 pinned cylinder	P6 Suffix Example: W581P6	N/C
6 pinned Competitor keyway cylinders*	P6 Suffix Example: W581P6 (0 Bitted, KD, KA4 only)	\$6.70
Schlage C (6 pin only)	CP6 Suffix Example: W581CP6 (All other keying, not listed above)	N/C

* Competitor keyways are furnished 0 bitted.

Not available Master keyed, except Schlage C. KD option is not available for locks containing 2 cylinders.

- Notes:**
- 1) Finishes: 606, 622, & 626 only.
 - 2) Specify keyway.
 - 3) Cylinders are furnished G keyway, keyed differently unless otherwise specified.
 - 4) Restricted sections add \$10.80 to list price. See page 8 for list of standard keyways. All other keyways are considered restricted. Contact 877-671-7011 for availability.
 - 5) 622 Finish is available only on Allegion cylinders (P, P6, & P7) in C & G Keyways.

W-Series Complete Conventional Cylinders		
Cylinder Mechanism	Part Number For All Other Functions	Price Each
6 Pin Falcon keyway cylinder	Q330-154	\$54.00
6 Pin Schlage C keyway cylinder	Q330-152	
For other cylinders, see pages 141-146.		

- Notes:**
- 6) Finishes for Falcon keyway cylinders are 606, 622, & 626 only.
 - 7) Falcon cylinders are furnished G keyway unless otherwise specified.
 - 8) Restricted sections See page 141. See Restricted Keyway Policy for standard keyway and policy on use of restricted keyway cylinders. Contact 877-671-7011 for availability.

Small Format Interchangeable Core and Small Format Construction Core		
Description	Specify	Add to Lock Price (per core)
Small format core *	G Suffix Example: W581GD	\$45.00
Small format core (Best Style) *	BB Suffix Example: W581BB	
Small format construction core **	H Suffix Example: W581HD	45.00
Less Small format core	B Suffix Example: W581BD	N/C
Small format disposable core	BDC Suffix Example: W581BDC	N/C

* Keying must be specified

** Locks are assessed one non-refundable handling charge (50-231F) per core.

- Note:**
- 9) Control keys are not furnished with locks and must be ordered separately. See page 151 for details.
 - 10) 622 Finish is available only on SFIC (G) in C & G Keyways.

Prices subject to change without notice

W-Series - Latch & Strike Options

LOCKS

Latches with Locks

Backset	Description	Specify			Add to Lock Price
		Springlatch 101, 301	Deadlatch 161, 501, 511, 561, 581	Restoring Deadlatch 201, 511**, 571, 711	
2-3/8"*	Square corner, 1-1/8" x 2-1/4"	30-209	30-203	30-200	N/C
	Square corner, 1" x 2-1/4"	30-207	30-201	30-198	
	Radius corner, 1" x 2-1/4"	30-208	30-202	30-199	
2-3/4"	Square corner, 1-1/8" x 2-1/4"	30-206	30-197	30-194	
	Square corner, 1" x 2-1/4"	30-204	30-195	30-192	
	Radius corner, 1" x 2-1/4"	30-205	30-196	30-193	

* 2-3/8" backset is furnished as a 1" faceplate standard.

** W511 Standard offering is the Deadlatch 30-197, however if a Restoring Deadlatch is needed it will have to be ordered 30-194

Grade 2

Strikes with Locks

Description	Lip Length	Specify	Add to Lock Price
ANSI, 1-1/4" x 4-7/8" standard	1-3/8"	30-148	N/C
Square Corner, T-Strike 1-1/8" x 2-3/4"	1-3/8"	30-149	
Radius Corner, Full Lip Strike 1-5/8" x 2-1/4"	1"	30-150	
Square Corner, Full Lip Strike 1-5/8" x 2-1/4"	1"	30-151	

Cylindrical

W Series

Latches as Parts Finishes: 605, 606, 613, 619, 622, 625, 626, 643E

Backset	Description	Specify			List Price
		Springlatch 101, 301	Deadlatch 161, 501, 511, 561, 581	Restoring Deadlatch 201, 511, 571, 711	
2-3/8"	Square corner, 1-1/8" x 2-1/4"	Q330-209	Q330-203	Q330-200	\$10.70
	Square corner, 1" x 2-1/4"	Q330-207	Q330-201	Q330-198	
	Radius corner, 1" x 2-1/4"	Q330-208	Q330-202	Q330-199	
2-3/4"	Square corner, 1-1/8" x 2-1/4"	Q330-206	Q330-197	Q330-194	
	Square corner, 1" x 2-1/4"	Q330-204	Q330-195	Q330-192	
	Radius corner, 1" x 2-1/4"	Q330-205	Q330-196	Q330-193	

Strikes as Parts Finishes: 605, 606, 613, 619, 622, 625, 626, 643E

Description	Lip Length	Specify	List Price
ANSI, 1-1/4" x 4-7/8" standard	1-3/8"	Q330-148	\$10.70
Square Corner, T-strike, 1-1/8" x 2-3/4"	1-3/8"	Q330-149	
Radius Corner, Full Lip Strike 1-5/8" x 2-1/4"	1"	Q330-150	
Square Corner, Full Lip Strike 1-5/8" x 2-1/4"	1"	Q330-151	

Note: 1) Specify finish when ordering.

Shaded items are standard components and are furnished with locks unless otherwise specified.

Prices subject to change without notice

Locks Less Components		
Description	Specify	Deduct from Lock Price
Less standard (conventional) cylinder	L Suffix Example: W581LD DAN	\$7.10
Less latch	LLL Suffix Example: W581PD6 DAN 626 LLL 30-148	6.50
Less strike	LLL Suffix Example: W581GD7 DAN 626 30-206 LLL	6.50

Tactile Warning (abrasive strip)		
Description	Specify	Add to Lock Price
Abrasive Strip	Preface the design code with 6 Example: W581PD6 6DA (for Dane) For small rose: preface the design code with 6S Example for Small Rose: W501PD 6SD (for Dane) 6SQ (for Quantum)	\$54.00

- Notes:** 1) Outside lever only has abrasive strip application.
 2) Abrasive strip not available in 613 finish.
 3) Abrasive strip is not available on Avalon, Latitude, Longitude, Broadway, & Boardwalk.

Screws			
Part Number	Description	Finishes	List Price
Q005-085	Screw Pack – Knobs	605, 613, 622, 630	\$6.00
Q330-170	Screw Pack	605, 606, 613, 622, 630	6.00
Q330-182	Screw Pack – Dummy Trim	–	4.30
Q330-179	Screw Pack – Small Rose	605, 613, 622, 626	6.00

Miscellaneous Parts		
Part Number	Description	List Price
Q330-164	Conventional Cylinder tailpiece for all keyed functions	\$4.30
Q330-168	SFIC Tailpiece (throw member for levers)	
Q330-169	SFIC Tailpiece (throw member for knobs)	
Q330-282	Inside Spring Cage Kit	10.30
Q330-448	Inside Spring Cage Kit, Small Rose	11.50
Q330-447	Outside Spring Cage Kit, Small Rose	11.50
Q033-026	Cylinder Lever Insert	0.24

Prices subject to change without notice

LOCKS

Grade 2

Cylindrical

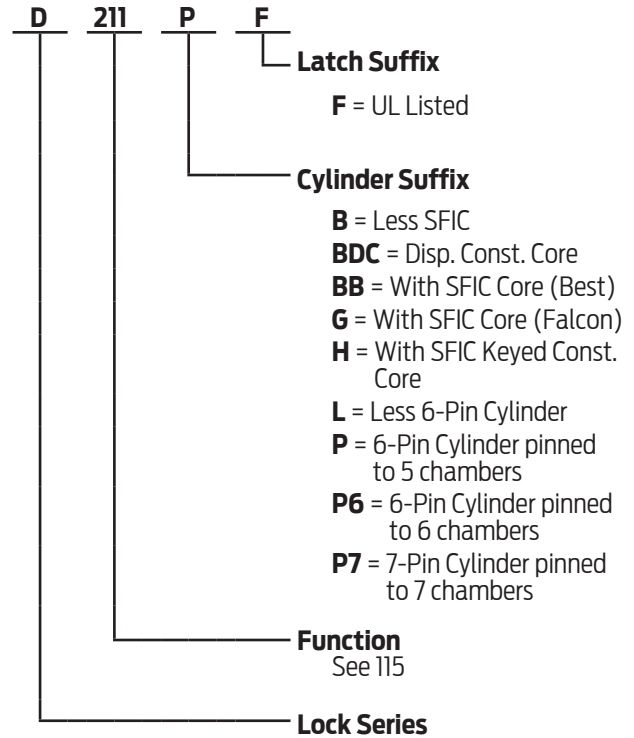
W Series

Prices subject to change without notice

Table of Contents

Funcion Chart	115
Complete Lock Pricing	116
Options	
Deadbolts	117
Strikes	117
Small Format Interchangeable Cores.....	118
Small Small Construction Cores	118
Lock Less Components	119
Conventional Cylinder Options.....	119
Parts	
Trim.....	120
Deadbolts	120
Keys.....	120
Strikes	121
Adapters.....	121
Screws.....	122
Screw Packs	123

Product Identification



SFIC = Small Format (Best® Style) Interchangeable Core

Finish Codes and Descriptions

Code		Description
605	(US3)	Bright Brass
606	(US4)	Satin Brass
613	(US10B)	Oil Rubbed Bronze
625	(US26)	Bright Chrome
626	(US26D)	Satin Chrome

Standard Features - Furnished unless otherwise specified



Certification	BHMA - ANSI A156.5, 2001, Grade 2 auxiliary lock, Available UL Listed for 3-Hour fire door
Deadbolt	1-1/8" x 2-1/4", Square corner faceplate, 1" housing diameter, 1" throw
Strike	1-1/8" x 2-3/4", lipless, with box
Cylinder	6-Pin, Solid brass, Keyed 5-Pin, Falcon G keyway, Keyed different (KD)
Door Range	1-3/8" - 2-1/4" standard cylinder or thumbturn only; 1-5/8" - 2" interchangeable core cylinder
Keys	Two, Nickel silver cut keys per lock, Falcon G keyway
Reinforcement	Metal dust box reinforcer with three - 3" screws
Trim Ring	1" Wrought brass or bronze, reinforced with security insert
Backset	2-3/8" and 2-3/4" adjustable



Prices subject to change without notice

D200 Series

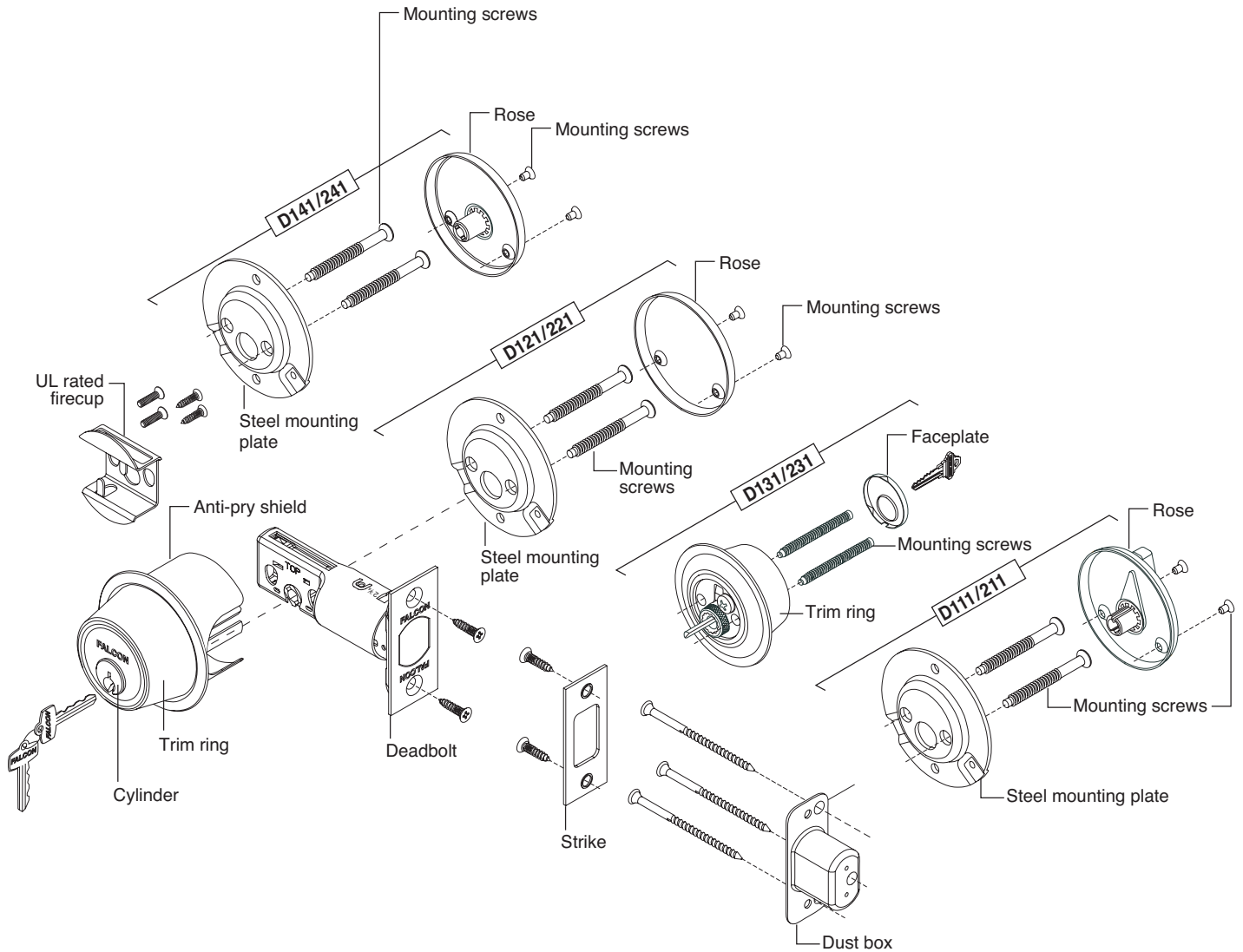
GRADE 2 DEADBOLT

LOCKS

Grade 2

Deadbolt

D200 Series

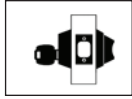


Prices subject to change without notice

**BHMA / ANSI A156.5, 2001, Grade 2
Bored Deadbolt Locks**

FALCON ANSI

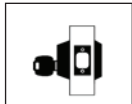
D211P E0172



Classroom Function

Deadbolt thrown or retracted by key from outside. Inside turn will only retract bolt. Bolt automatically deadlocks when fully thrown.

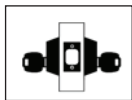
D221P E0162



Single Cylinder x Rose

Deadbolt thrown or retracted by key only. Blank plate inside. Bolt automatically deadlocks when fully thrown.

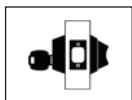
D231P E0142



Double Cylinder*

Deadbolt thrown or retracted by key from either side. Bolt automatically deadlocks when fully thrown.

D241P E0152



Single Cylinder x Turn

Deadbolt thrown or retracted by key or by turn. Bolt automatically deadlocks when fully thrown.

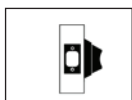
D251



Thumbturn x Thumbturn

Deadbolt thrown or retracted by turn unit from either side. Application for storm shelters. Bolt automatically deadlocks when fully thrown.

D261 E0192



Thumbturn, Inside Only

Deadbolt thrown or retracted by turn unit only. No outside trim. Bolt automatically deadlocks when fully thrown.

D261M E01112



Thumbturn, Inside x Rose

Deadbolt thrown or retracted by turn unit only. Outside blank rose. Bolt automatically deadlocks when fully thrown.

D271



Thumbturn x Occupancy Indicator

Deadbolt thrown or retracted by turn unit only. Occupancy indicator on outside (reads either in use or vacant with color coding). Bolt automatically deadlocks when fully thrown.

Note: This function is not UL Listed.

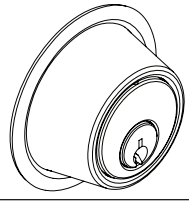
* **Caution:** Double cylinder locks on residences and any door, in any structure, which is used for egress are a life safety hazard in times of emergency and their use is not recommended. Installation should be in accordance with existing codes only.

Prices subject to change without notice

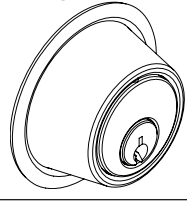
D200-Series - Complete Locks

LOCKS

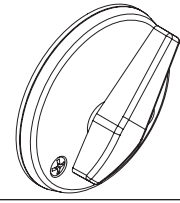
Outside Cylinder Trim



Inside Cylinder Trim



Rose and Turn



D-200 Series

Function	Description	Designs and Finishes				
		626	605	606	613	622 625
Keyless						
D251	Turn x Turn					
D261	Turn, Inside Only	\$56.00				\$62.00
D261M	Turn, Inside x Rose					
D271	Turn, Inside x Occupancy Indicator	57.00				63.00
Single Cylinder Functions						
D211P	Classroom Function	\$76.00				\$82.00
D221P	Single Cylinder x Rose	73.00				79.00
D241P	Single Cylinder x Turn					
Double Cylinder Functions						
CAUTION: Double cylinder locks on residences and any door in any structure which is used for egress are a life safety hazard in times of emergency and their use is not recommended. Installation should be in accordance with existing codes only.						
D231P	Double Cylinder	\$96.00				\$102.00

- Notes:**
- 1) Split finishes are priced at the highest finish price.
 - 2) D271 Occupancy Indicator deadbolt is shipped with emergency key (61-509) and instructions.
 - 3) 'F' Suffix must be added for UL product

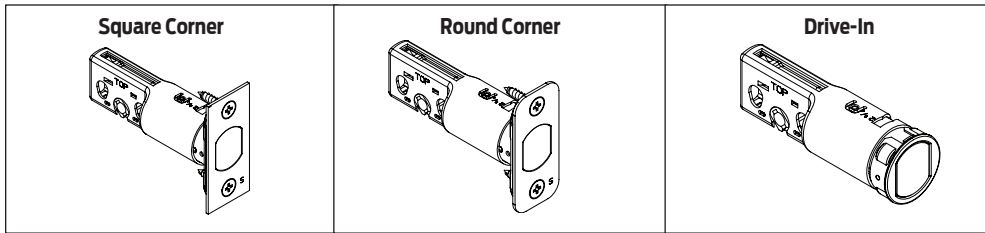
Grade 2

Deadbolt

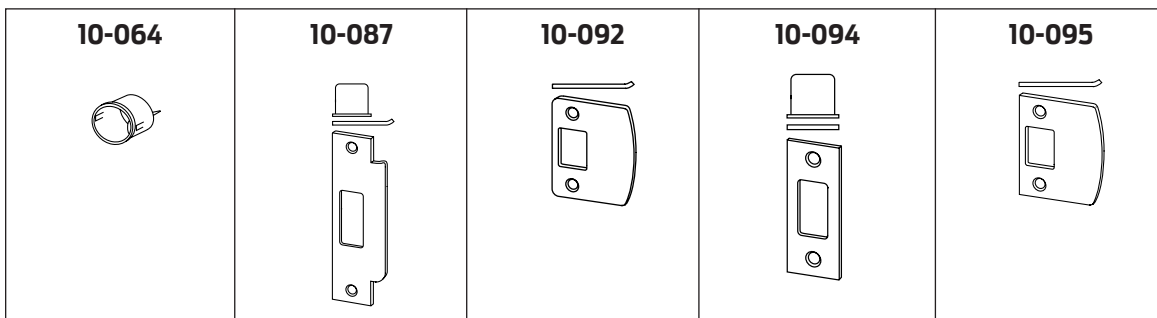
D200 Series

Prices subject to change without notice

Bolt & Strike Options - D200 Series



Deadbolts with Locks				
Backset	Description	HSG Dia	Specify	Add to Lock Price
2-3/8" or 2-3/4"	Square corner, 1-1/8" x 2-1/4", standard	1"	30-253	N/C
	Square corner, 1" x 2-1/4"		30-175	
	1/4" Radius round corner, 1" x 2-1/4"		30-177	
	Circular, Drive-In bolt, 626 only		30-254	
For UL Listed Locks				
2-3/8" or 2-3/4" UL	Square corner, 1-1/8" x 2-1/4", standard	1"	30-173	N/C
	Square corner, 1" x 2-1/4"		30-171	
	Circular, Drive-In bolt, 626 only		30-258	

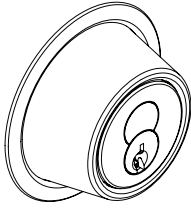


Strikes with Locks			
Description	Lip Length	Specify	Add to Lock Price
Drive-In thimble strike, 1-3/16" dia.	1"	10-064	N/C
ANSI, 1-1/4" x 4-7/8", with box	1-1/8"	10-087	\$8.20
Full Lip, 1/4" radius corner, 1-5/8" x 2-1/4", no box	1-5/16"	10-092	N/C
Square Corner with metal dust box, 1-1/8" x 2-3/4", standard	-	10-094	
Full Lip, square corner, 1-5/8" x 2-1/4", no box		10-095	

Shaded items are standard components and are furnished with locks unless otherwise specified.

Prices subject to change without notice

Small Format Interchangeable Core



Small Format Interchangeable Core and Small Format Construction Core

Description	Specify	Add to Lock Price (per core)
Small format core *	G Suffix Example: D211GD	\$45.00
Small format core (Best Style) *	BB Suffix Example: D211BB	
Small format construction core **	H Suffix Example: D211HD	45.00
Less Small format core	B Suffix Example: D211BD	N/C
Small format disposable core	BDC Suffix Example: D211BDC	N/C

* Keying must be specified

** Locks are assessed one non-refundable handling charge (50-231F) per core.

- Notes:**
- 1) Split finishes are priced at the highest finish price.
 - 2) Key section must be specified and applicable charges for restricted sections will be applied. See page 141
 - 3) Control keys are not furnished with locks and must be ordered separately. See page 151 for details.
 - 4) Adapter kit 36-071 required for interchangeable core cylinders on 1-3/8" doors.

Prices subject to change without notice

Lock Less Components		
Description	Specify	Deduct from Lock Price
Less deadbolt	LLL for latch Example: D211P 605 30-171 LLL	\$9.80
Less strike	LLL for strike Example: D211L	3.20
Less conventional cylinder	L suffix Example: D211L	18.10
Less conventional cylinder D231	L suffix Example: D231L	36.20

Conventional Cylinder Options		
Description	Specify	Add to Lock Price (per core)
5 pinned cylinder	P Suffix Example: D211P	STD
6 pinned cylinder	P6 Suffix Example: D211P6	N/C
7 pinned cylinder (Not available on D231)	P7 Suffix Example: D211P7	\$11.50
6 pinned Competitor keyway cylinders*	P6 Suffix Example: D211P6 (0 Bitted, KD, KA4 only)	N/C

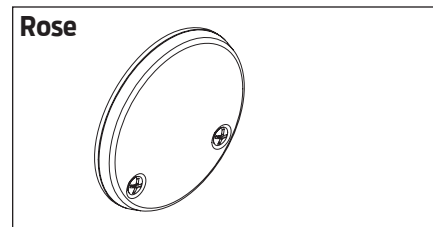
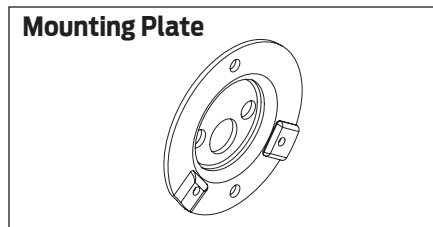
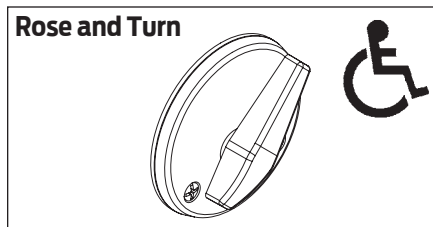
* Specify specific competitor keyway on order. Competitor keyways are furnished 0 bitted, unless otherwise specified. Not available Master keyed, except Schlage C. KD option is not available for locks containing 2 cylinders.

D200-Series Complete Conventional Cylinders		
Cylinder Mechanism	Part Number	Price Each
5 Pin Cylinder - D211, D241	Q500-067	\$54.00
5 Pin Cylinder - D221	Q500-069	
5 Pin Cylinder - D231	Q500-072	
6 Pin Cylinder - D211, D241	Q500-010	
6 Pin Cylinder - D221	Q500-056	
6 Pin Cylinder - D231	Q500-012	
7 Pin Cylinder - D211, D241	Q500-014	69.00
7 Pin Cylinder - D221	Q500-057	

- Notes:**
- 1) Finishes: 606 and 626 only
 - 2) Specify keyway
 - 3) Cylinders are furnished G keyway, keyed differently unless otherwise specified.
 - 4) Restricted sections add \$10.80 to list price. See page 8 for list of standard keyways. All other keyways are considered restricted. Contact 877-671-7011 for availability.

Prices subject to change without notice

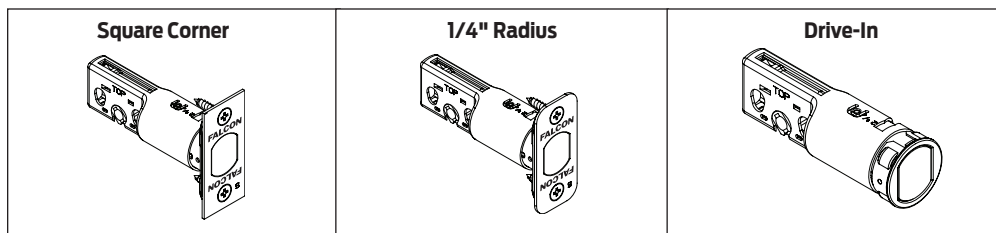
LOCKS



Grade 2

Trim			
Part Number	Specify Finish	Description	Price Each
B302-041	.	Rose and Turn	\$44.50
B302-045	.	Rose and Turn (D211)	44.50
12-626	.	Blank Rose (D221)	25.30
B600-018	.	Mounting plate for rose and rose & turn	10.30

Deadbolt

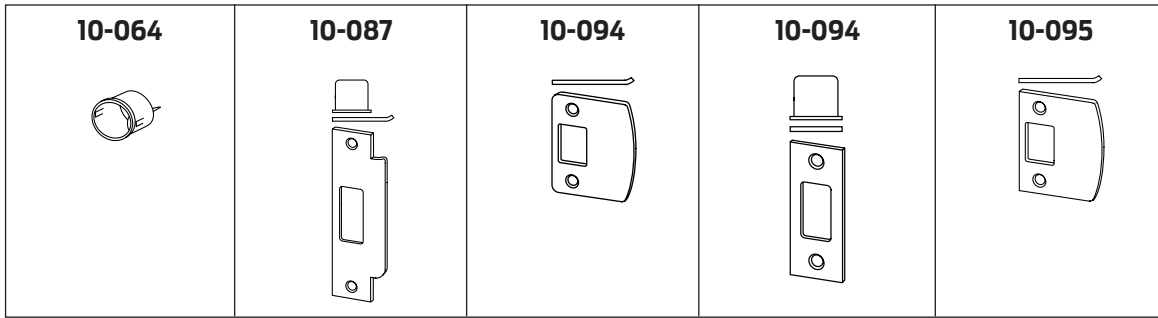


D200 Series

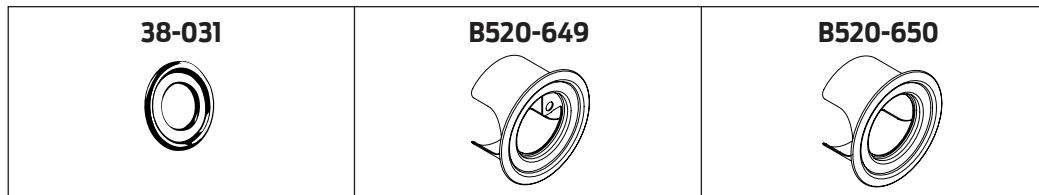
Deadbolts				
Part Number	Specify Finish	Housing Diameter	Description	Price Each
Q330-253	.	2-3/8" or 2- 3/4" Universal	Square corner, 1-1/8" x 2-1/4" faceplate	\$16.20
Q330-175	.		Square corner, 1" x 2-1/4" faceplate	
Q330-177	.		1/4" radius corner, 1" x 2-1/4" faceplate	
Q330-254	626		1" circular drive-in, 626 only	

Keys - Emergency For Occupancy Indicator		
Part Number	Description	Price Each
61-509	Emergency Release Key – Standard Size for Occupancy Indicator	\$11.00
61-510	Emergency Release Key – Large Size for Occupancy Indicator	20.90

Prices subject to change without notice



Strikes				
Part Number	Specify Finish	Description	Lip Length	Price Each
10-064	.	Drive-In, thimble strike, 1-3/16" deep	-	\$16.70
10-087	.	ANSI, 1-1/4" x 4-7/8, with box	1-1/8"	22.90
10-094	.	Square corner with metal dust box, 1-1/8" x 2-3/4"	-	12.20
10-092	.	Full lip, 1/4" radius corner, 1-5/8" x 2-1/4", no box	1-5/16"	7.90
10-095	.	Full lip, square corner, 1-5/8" x 2-1/4", no box		
J250-028		2" strike mounting screws		2.00
5075	.	Security Strike	-	9.00



Adapters			
Part Number	Specify Finish	Description	Price Each (per finish)
			605 606 613 625 626
38-031	.	2-1/2" diameter adapter ring for 2-1/8" door prep, for under cylinder	\$19.00
B520-649	.	Trim ring w/shield for D131/D141	23.50
B520-650	.	Trim ring w/shield for IC functions	23.50
36-071	.	1-3/8" IC Core thin door shim kit, contains 36-066 & 36-068	14.60

Prices subject to change without notice

LOCKS

Grade 2

Deadbolt

D200 Series

Screws						
Part Number	Specify Finish	Description		Application		Price Each (Order in multiples of 100)
		Size	Type	Use	Door Thickness	
Keyed, Single Conventional Cylinder						
B600-100		1/4"-28 x 1-15/16"	POH mach.	Mounting	1-3/8" - 1-3/4"	\$2.40
B600-101		1/4"-28 x 2.425"	POH mach.	Mounting	over 1-3/4"	
B600-066	.	6-32 x 1/4"	PH mach.	Turn	-	
B520-298		10-32 x 3/8"	PH mach.	Anti-pry shield	-	0.78
Keyed, Single SFIC Cylinder						
B600-100		1/4"-28 x 1-15/16"	POH mach.	Mounting	1-3/8" - 2-1/4"	2.40
B600-066	.	6-32 x 1/4"	PH mach.	Turn	-	
Keyed, Double Conventional Cylinder						
B600-047		1/4"-28 x 3-13/16"	PH mach.	Mounting	1-3/8" - 1-3/4"	2.40
B600-078		1/4"-28 x 3-29/64"	PH mach.	Mounting	over 1-3/4"	
B520-298		10-32 x 3/8"	PH mach.	Anti-pry shield	-	0.78
Keyed, Double SFIC Cylinder						
B600-053		1/4"-28 x 3-61/64"	PH mach.	Mounting	1-3/4" - 2-1/4"	2.40
B520-298		10-32 x 3/8"	PH mach.	Anti-pry shield	-	0.78
All Functions						
C603-897	.	#8 x 3/4"	PFH combo	Deadbolt & strike	-	0.90
J250-028		#8 x 2"	PFH wood	2" strike screw	-	2.00
R525-256		#12 x 3"	PFH wood	3" metal dust box	-	

Prices subject to change without notice

Screw Packs				
Part Number	Specify Finish	Door Thickness	Contents	Price Each
Keyed, Single Conventional Cylinder				
61-506	.	1 3/8" - 2 1/4"	(2) B600-048 (2) F605-359 (4) C603-897 (1) B600-018 (2) B600-066	\$17.80
Keyless, D261M, D271				
61-504	.	1-3/8" - 1-3/4"	(2) B520-662 (4) C603-897 (2) B600-066 (4) B600-018	23.10
61-505	.	1-3/4" - 2-1/4"	(2) B520-663 (4) C603-897 (2) B600-066 (4) B600-018	23.10
Keyed, Single Conventional Cylinder				
61-500	.	1 3/8" - 1 3/4"	(1) B600-018 (2) B600-100 (2) B600-066 (4) C603-897	14.60
61-501	.	over 1 3/4" - 2 1/4"	(1) B600-018 (2) B600-101 (2) B600-066 (4) C603-897	14.60
Keyed, Single SFIC Cylinder				
61-500	.	1 3/8" - 2"	(1) B600-018 (2) B600-100 (2) B600-066 (4) C603-897	14.60
Keyed, Double Conventional Cylinder				
61-502	.	1 3/8" - 1 3/4"	(2) B600-047 (4) C603-897	11.10
61-503	.	over 1 3/4" - 2 1/4"	(2) B600-078 (4) C603-897	11.10
Keyed, Double SFIC Cylinder				
61-507	.	1 3/8" - 2"	(2) B600-053 (4) C603-897	11.10

Prices subject to change without notice

LOCKS

Grade 2

Deadbolt

D200 Series

Prices subject to change without notice

Product No Longer Available.

Product No Longer Available.

Prices subject to change without notice

Product No Longer Available.

Prices subject to change without notice

Product No Longer Available.

Prices subject to change without notice

Product No Longer Available.

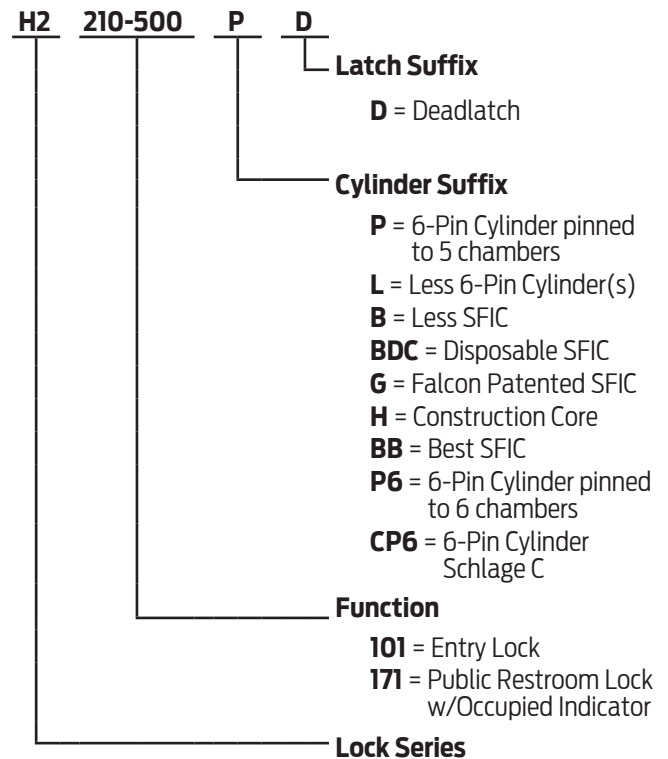
Product No Longer Available.

Prices subject to change without notice

Table of Contents

Functions	133
Complete Locks	134
Options	
Deadbolts/Deadlatches.....	137
Deadbolt Strikes.....	137
Strike Combinations.....	137
Lock Less Components.....	137
Parts	
Deadbolts.....	138
Deadlatches.....	138
Deadbolt/Deadlatch Combinations.....	138
Deadbolt Strikes.....	138
Deadlatch Strikes.....	138
Deadbolt/Deadlatch Strike Combinations.....	138
Screw/Screw Packs.....	139
Complete Cylinders	See Cylinders Section
How to Order	Forms & Examples

Product Identification



SFIC = Small Format (Best® Style) Interchangeable Core

Finish Codes and Descriptions

Code		Description
605	(US 3)	Bright Brass
619	(US 15)	Satin Nickel
625	(US 26)	Bright Chromium Plated
626	(US 26D)	Satin Chromium Plated
643e	(US 11)	Aged Bronze
622		Matte Black

Standard Features



- Certification: ANSI/BHMA Certified A156.12-2013, Grade 2, UL listed for 3-hour fire door
With SFIC interchangeable core cylinders: Grade 3 Security
- Deadbolt: 1 X 2-1/4", dual option faceplate, (square corner standard, round corner included in package), 1" housing diameter, 1" throw
- Latch: 1" x 2-1/4" dual option faceplate (square corner standard, round corner included in package). 1" edge bore required
- Strikes: 1-1/8" X 2-3/4", Square corner (deadbolt) and 1-5/8" X 2-1/4", Square corner, T-strike, box, 1 1/8" x 2 3/4" (Deadlatch)
- Backset: Adjustable backset, fits 2-3/8" or 2-3/4"
- Cylinders: 6-pin, solid brass, keyed 6-pin, G keyway, keyed different (KD)
- Door Range: 1-3/4" to 2" standard (1-3/8" available, must be specified)
- Keys: Nickel silver cut keys, 6-pin, G keyway
- Center to Center: Fits 4" or 5 1/2" (factory default) center to center door preps

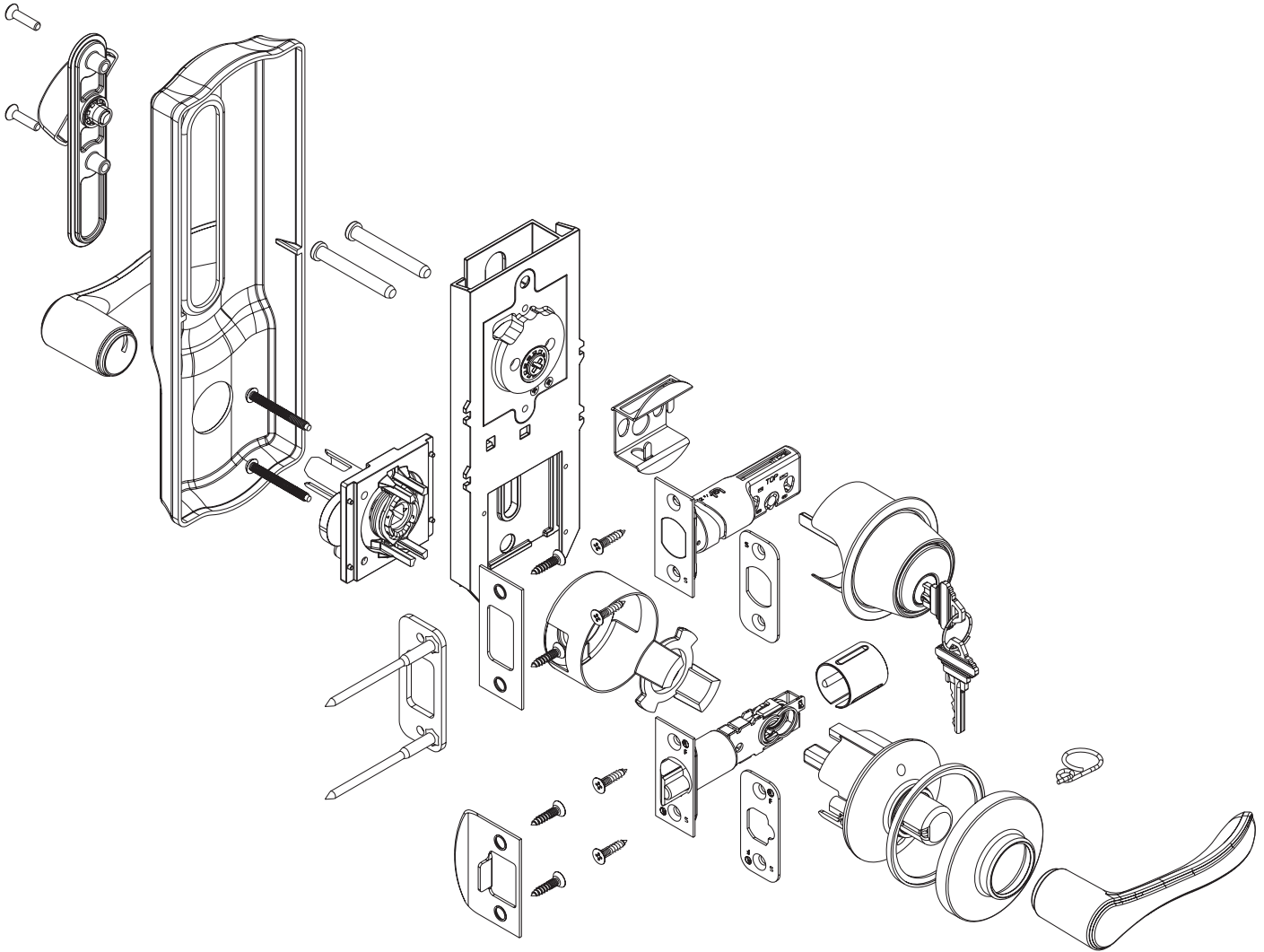
Prices subject to change without notice

H2 Series

GRADE 2 INTERCONNECT LOCK

LOCKS

Interconnected



Prices subject to change without notice

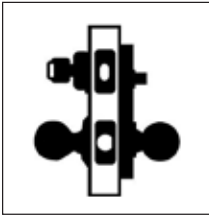
ANSI/BHMA Certified A156.12-2013, Grade 2, UL Listed for 3-hour fire door.

FALCON ANSI

FALCON ANSI

H2101 F95

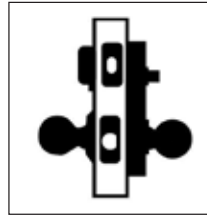
Entrance Lock



Deadbolt operated by key from outside or by turn unit from inside. Bolt automatically deadlocks when fully thrown. Latch retracted by lever from either side. Turning inside lever retracts deadbolt and latch simultaneously for immediate exit.

H2171

Public Restroom Lock with Occupancy Indicator



Deadlocking latch bolt operated by emergency key outside or rotating inside lever. Outside lever rigid. Rotating turn from inside extends dead bolt and changes visual message on outside from vacant to occupied. Both dead bolt and deadlocking latch bolt retract by rotating inside lever.

Prices subject to change without notice

H2-Series • Complete Locks

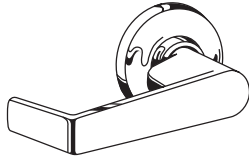
LOCKS

Interconnected

Avalon (AVA)



Dane (DAN)

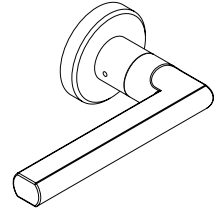


Flair (FLA)



Specify hand

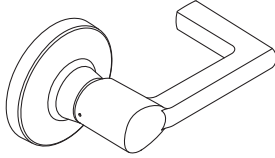
Latitude (LAT)



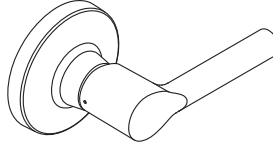
Quantum (QUA)



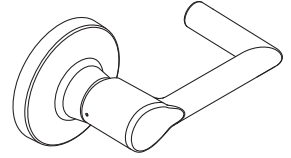
Longitude (LON)



Broadway (BRW)



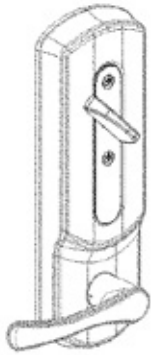
Boardwalk (BRK)



Prices subject to change without notice

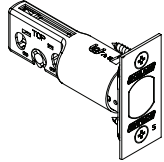
Escutcheons

Plymouth (PLY)

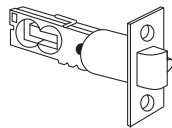


Latches

Q330-041



Q100-101

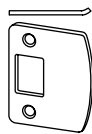


Strikes, Deadbolts

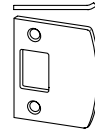
10-094
Standard



10-092



10-095

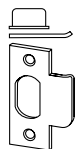


10-116

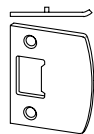


Strikes, Deadlatches

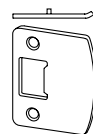
10-001



10-026
Standard



10-027



Prices subject to change without notice

H2-Series • Complete Locks

LOCKS

Interconnected

Function	Description	Design and Finishes					
		AVL DAN FLA LAT QUA LON BRW BRK					
		626	643E	605*	619	622	625
H2101	Entrance Lock - Deadbolt Single Cylinder	\$305.00		\$317.00			
H2171	Public Restroom with Occupancy Indicator - No Cylinder (Interior Locking Only)	402.00		414.00			

Specify both outside and inside designs if split.

*605 finish not available for LON and BRK lever designs.

Prices subject to change without notice

Deadbolts/Deadlatches				
Combo Part Number	Deadbolt	Deadlatch	Backset - Hsg Dia. - Description	Lock Adjustment
Q100-100	Q330-041	Q100-101	2 3/8" or 2 3/4" - 1" - Dual Option, 1" x 2 1/4", standard (square corner standard, round corner included in the package)	N/C

Deadbolt Strikes			
Part Number	Lip Length - Description		Lock Adjustment
10-094	N/A - Square corner, 1 1/8" x 2 3/4"		N/C
10-092	1 1/8" - 1/4" Radius round corner, full lip, no box, 1 5/8" x 2 1/4"		
10-095	1 1/8" - 1/4" Square corner, full lip, no box, 1 5/8" x 2 1/4"		
10-116	N/A - Round corner strike, no lip, 1 1/8" X 2 3/4"		

Deadlatch Strikes			
Part Number	Lip Length - Description		Lock Adjustment
10-001	1 1/8" - Square corner, T-strike, box, 1 1/8" x 2 3/4"		N/C
10-026	1 1/8" - Square corner, full lip, no box, 1 5/8" x 2 1/4"		
10-027	1 1/8" - 1/4" Radius round corner, full lip, no box, 1 5/8" x 2 1/4"		

Strike Combinations			
Deadbolt Strike	Deadlatch Strike	Specify Combo Number	Add to Lock Price
10-094	10-001	10-109	N/C
10-094	10-026	10-121	
10-116	10-027	10-122	
10-092	10-027	10-123	
10-095	10-026	10-124	

Conventional Cylinder Options		
Description	Specify	Add to Lock Price (per core)
5 pinned cylinder	P Suffix Example: H2101P	STD
6 pinned cylinder	P6 Suffix Example: H2101P6	
6 pinned Competitor keyway cylinders* available on H101, H511 only	P6 Suffix Example: H2101P6 (0 Bitted, KD, KA4 only)	N/C

* Specify specific competitor keyway on order. Competitor keyways are furnished 0 bitted, unless otherwise specified.
Not available Master keyed, except Schlage C. KD option is not available for locks containing 2 cylinders.

- Notes:**
- 1) Finishes: 606, 622, 626 and 643e
 - 2) Specify keyway
 - 3) Cylinders are furnished G keyway, keyed differently unless otherwise specified.
 - 4) Restricted sections add \$10.80 to list price. See page 8 for list of standard keyways. All other keyways are considered restricted.

Small Format Interchangeable Core and Small Format Construction Core		
Description	Specify	Add to Lock Price (per core)
Small format core *	G Suffix Example: H2101GD	\$45.00
Small format core (Best Style) *	BB Suffix Example: H2101BB	
Small format construction core **	H Suffix Example: H2101HD	45.00
Less Small format core	B Suffix Example: H2101BD	N/C
Small format disposable core	BDC Suffix Example: H2101BDC	N/C

* Keying must be specified
** Locks are assessed one non-refundable handling charge (50-231F) per core.
Notes: 5) Control keys are not furnished with locks and must be ordered separately. See page 151 for details

Locks Less Components		
Description	Specify	Deduct from Lock Price
Less deadbolt strike	LLL for deadbolt strike Example: H2101 DAN 12-339 LLL/10-001	N/C
Less deadlatch strike	LLL for deadlatch strike Example: H2101 DAN 12-339 LLL/10-094	N/C
Less both levers	LLL for both Levers Example: H2101 LLL/DAN LLL	\$11.60
Less Conventional Cylinder	L suffix Example: H2101LD/DAN	18.10

Prices subject to change without notice

Shaded items are standard components and are furnished with locks unless otherwise specified.

H2-Series • Parts

LOCKS

Interconnected

Deadbolts									
Available Finishes - Specify for Listed Parts					605	619	626	643e	622
Q330-041, Q330-177, Q330-175					▪	▪	▪	▪	▪
Part Number	Backset - Description				Price Each				
Q330-041	2 3/8" or 2 3/4" - 1" Square corner, 1" x 2 1/4"				\$40.10				
Q330-177	2 1/4" Standard Round Corner standard				40.10				
Q330-175	2 1/4" standard Square Corner standard				40.10				

Deadlatches									
Available Finishes - Specify for Listed Parts					605	619	626	643e	622
Q100-101, Q100-102					▪	▪	▪	▪	▪
Part Number	Backset - Description				Price Each				
Q100-101	2 3/8" or 2 3/4" - Square corner, 1" x 2 1/4" Round corner, 1" x 2 1/4", included w/o screws				\$35.60				
Q100-102	2 1/4" - 1" Square corner, 1" x 2 1/4" Round corner, 1" x 2 1/4", included w/screws								

Deadbolt/Deadlatch Combinations									
Available Finishes - Specify for Listed Parts					605	619	626	643e	622
Q100-100 & Q100-103					▪	▪	▪	▪	▪
Part Number	Backset - Description	Deadbolt	Deadlatch	Price Each					
Q100-100	2 3/8" or 2 3/4" - Dual Option, 1" x 2-1/4" w/ screws	Q330-041	Q100-101	\$75.70					
Q100-103	2 3/8" or 2 3/4" - Dual Option, 1" x 2-1/4" w/o screws	Q330-177	Q100-102						

Deadbolt Strikes									
Available Finishes - Specify for Listed Parts					605	619	626	643e	622
10-094, 10-092, 10-095					▪	▪	▪	▪	▪
Part Number	Lip Length - Description				Price Each				
10-094	N/A - Square corner, 1 1/8" x 2 3/4"				\$12.20				
10-092	1 1/8" - 1/4" Radius round corner, full lip, no box, 1 5/8" x 2 1/4"				7.90				
10-095	1 1/8" - Square corner, full lip, no box, 1 5/8" x 2 1/4"								
10-116	N/A - Round corner strike, no lip, 1 1/8" X 2 3/4"				13.70				
37-016	Strike reinforce, use with 10-094 and 10-116				15.70				

Deadlatch Strikes									
Available Finishes - Specify for Listed Parts					605	619	626	643e	622
10-001, 10-026, 10-027					▪	▪	▪	▪	▪
Part Number	Lip Length - Description				Price Each				
10-001	Square corner, T-strike, box, 1 1/8" x 2 3/4"				\$6.50				
10-026	1 1/8" - Square corner, full lip, no box, 1 5/8" x 2 1/4"				7.60				
10-027	1 1/8" - 1/4" Radius round corner, full lip, no box, 1 5/8" x 2 1/4"								

Deadbolt/Deadlatch Strike Combinations									
Available Finishes - Specify for Listed Parts					605	619	626	643e	622
10-109, 10-121, 10-122, 10-123, 10-124					▪	▪	▪	▪	▪
Part Number	Deadbolt Strike	Deadlatch Strike		Price Each					
10-109	10-094	10-001		\$18.70					
10-121	10-094	10-026		19.80					
10-122	10-116	10-027		21.30					
10-123	10-092	10-027		15.50					
10-124	10-095	10-026							

Prices subject to change without notice

Screw/Screw Packs									
Available Finishes - Specify for Listed Parts					605	619	626	643e	622
B202-578, S206-504					▪	▪	▪	▪	▪
Part Number	Description	Contents			Price Each				
B202-578	Latch and strike	(4) C603-897			\$4.80				
S206-504	Chassis & trim	(2) B600-100 (2) B520-621 (2) F506-278			6.50				
S206-505	Chassis & Trim, Thick Door	(2) B600-101 (2) B520-621 (2) F506-278			6.50				
B502-873*	Screw, reinf. strike	-			0.58				
	* Order in multiples of 100								

LOCKS

Interconnected

Prices subject to change without notice

Prices subject to change without notice

Table of Contents

Conventional Cylinders 142
 Interchangeable Cores 147
 IC Cylinders and Cabinet Locks 148
 Conventional Keys and Blanks 149
 IC Keys and Key Blanks,
 Disposable Construction Core 150
 Keys & Keying Construction Core Program 151
 Cams, Tailpieces, Throw Members 152
 Cylinder Parts and Service Equipment 153
 IC Cams, Throw Members, etc 154
 IC Service Equipment & Supplies 155
 Keying and Stamping Charges 156

Finish Codes and Descriptions*

Code		Description
605	(US 3)	Bright Brass-Clear Coated
606	(US 4)	Satin Brass-Clear Coated
613	(US 10B)	Satin Bronze-Dark Oxidized and Oil Rubbed
619	(US15)	Satin Nickel
622		Matte Black
643e		Alternate 613 finish
626	(US 26D)	Satin Chromium
629	(US32)	Bright Stainless Steel
630	(US 32D)	Satin Stainless Steel

* See individual products for finish availability.

Standard Features - Furnished unless otherwise specified



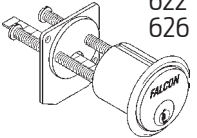
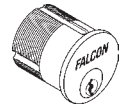

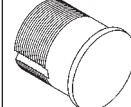
Standard Cylinder Solid Brass housings and plugs. Standard Keyway is Falcon G keyway. Keyed different furnished unless otherwise specified (additional charges may apply, See page 156 for keying charges) with 2 nickel silver keys. Mortise cylinder standard lengths are 1-1/8" for conventional cylinders and 1-3/8" for small format interchangeable core housings.

SFIC Furnished in A keyway unless otherwise specified. Combined cores are provided with 2 keys.

Restricted Keyways Falcon has a varied selection of restricted keyways for conventional and SFIC cylinders based on geographic restrictions for usage. Minimum cylinder purchase required. See your Security and Safety Consultant for more information or availability.

Prices subject to change without notice

Conventional Cylinders

	951	Available in:		985	Available in:		986T	Available in:		985D	Available in:
	605	606		605	606		605	606		605	606
	613	619		613	619		613	619		613	619
	622	625		622	625		622	626		622	625
	626	630		626	630		630	643e		626	630
	643e		643e				643e			643e	



MA and M Series Conventional Rim and Mortise Cylinders

Pins	Length	Description	Number	626, 643e	605 606 613 630 619/622/625/626	
5 or 6	1-1/8	Mortise	985	\$61.00	\$63.00	
	1-1/4		986			
	1-3/8		987			
5, 6, or 7	1-1/2	Mortise	988	61.00	63.00	
	1-3/4		990	100.00	102.00	
	2		992	105.00	107.00	
	1-1/8		Mortise, hotel function*	250	80.00	82.00
	1-1/4			251		
6	1-3/8	252				
7	1-3/8	253				
5, 6, or 7	-	Rim	951	61.00	63.00	
-	1-1/8	Mortise, thumbturn	985T	95.00	97.00	
-	1-1/4		986T			
-	1-1/8		973			
-	1-1/8	Mortise, classroom thumbturn (RH, CCW)	974			
-	1-1/8	Mortise, classroom thumbturn (LH, CW)				
-	1	Dummy	984D	37.00	39.00	
-	1-1/8		985D			

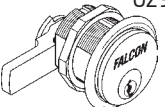
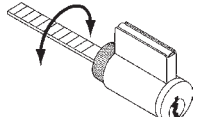
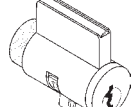
*Hotel mortise cylinders are offered as masterkeyed or "O" bitted only and must be specified.

Notes: 1) MA cam (5622-STD) provided unless otherwise specified. See page 154 for additional available cams.

2) Mortise and rim cylinders are not available in any competitor keyway, except Schlage C.

3) 984D, 985D not available in 629 and 630.

4) Add \$10.80 (list) for Falcon restricted keyways. See page 8 for for standard keyways. All others are restricted. Falcon conventional cylinder restricted keyways use a unique pin kit (P/N 1417) and cutter wheel for keys.

	945	Available in:		950	Available in:		954	Available in:
	605	606		606	626		606	
	613	626						
	629	630						

Miscellaneous Cylinders

Part Number	Description	Finishes		
		606, 626	605, 613	629, 630
945	Cam lock	\$109.00	\$109.00	\$109.00
950*	Sliding door cylinder	49.00	-	-
954*	Mail box cylinder	60.00	-	-

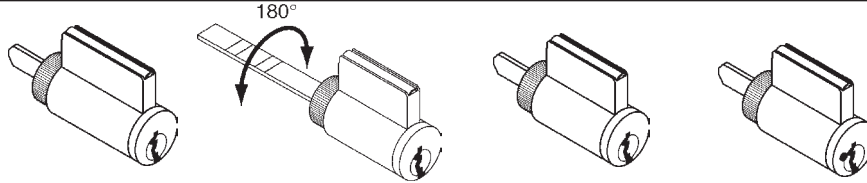
* For 7-pin cylinder add \$11.50.

Note: 5) Postal regulations prohibit master keying of mail box cylinders.

Prices subject to change without notice



Non-IC Products



Falcon Conventional Cylinders, 5 and 6 Pin

Cylinder Mechanism	Part Number	List Price
5 Pin Cylinder 955	A23151-01	
5 Pin Cylinder B series except 611 function	A23155-02	
5 Pin Cylinder B series 611 function	A23151-06	
5 Pin Cylinder - D111, D141 for 1 3/8" to 1 3/4" thick doors	Q500-064	
5 Pin Cylinder - D111, D141 for 1 7/8"- 2 1/4" thick doors	Q500-065	
5 Pin Cylinder - D121	Q500-066	
5 Pin Cylinder - D131	Q500-070	
5 Pin Cylinder - D211, D241	Q500-067	
5 Pin Cylinder - D221	Q500-069	
5 Pin Cylinder - D231	Q500-072	
5 Pin Cylinder H all other functions & designs	A30028	
5 Pin cylinder H511 knobs	A30040	
5 Pin Cylinder - H2101	Q100-105	
5 Pin Cylinder RU/T series (except 381 IS, 571)	A23151-05	
5 Pin Cylinder RU/T series 381 IS	A23151-06	
5 Pin Cylinder RU/T series 571	A23151-07	
5 Pin Cylinder X411, 501, 511, 521, 581 E & T	A23152	
5 Pin Cylinder X411, 501, 511, 521, 581 H	A23152-02	
5 Pin Cylinder X561 - E and T designs	A23151	
5 Pin Cylinder X561 - H designs, 571 - E & T	A23151-02	
5 Pin Cylinder X571 - H designs	A23151-03	
5 Pin Cylinder Y series	A23155	
6 Pin Cylinder 955	A23161-01	\$54.00
6 Pin Cylinder B series except 611 function	A23165-02	
6 Pin Cylinder B series 611 function	A23161-06	
6 Pin Cylinder - D111, D141 for 1 3/8" to 1 7/8" thick doors	Q500-021	
6 Pin Cylinder - D111, D141 for 1 7/8"- 2 1/4" thick doors	Q500-022	
6 Pin Cylinder - D121	Q500-058	
6 Pin Cylinder - D131 for 1 3/8" - 1 3/4" thick doors	Q500-054	
6 Pin Cylinder - D131 for 1 7/8"- 2 1/4" thick doors	Q500-055	
6 Pin Cylinder - D211, D241	Q500-010	
6 Pin Cylinder - D221	Q500-056	
6 Pin Cylinder - D231	Q500-012	
6 Pin Cylinder H101	A30028-01	
6 Pin Cylinder H511 knobs	A30040-01	
6 Pin Cylinder - H2101	Q100-104	
6 Pin Cylinder RU /T series 381 IS	A23161-06	
6 Pin Cylinder RU/T series (except 381 IS, 571)	A23161-05	
6 Pin Cylinder RU/T series 571	A23161-07	
6 Pin Cylinder X411, 501, 511, 521, 581 E & T	A23162	
6 Pin Cylinder X411, 501, 511, 521, 581 H	A23162-02	
6 Pin Cylinder X561 - E and T designs	A23161	
6 Pin Cylinder X561 - H designs, 571 - E & T	A23161-02	
6 Pin Cylinder X571 - H designs	A23161-03	
6 Pin Cylinder Y series	A23165	
6 Pin Cylinder H451, 461 hotel/motel	A30036-01	69.00
6 Pin Cylinder W lock	Q330-154	
6 Pin Cylinder W lock - except W561 (knob)	Q330-238	54.00
6 Pin Cylinder W561 (knob)	Q330-246	

Falcon Conventional Cylinders, 7 Pin

Cylinder Mechanism	Part Number	List Price
7 Pin Cylinder - D111, D141 for 1 3/8" to 1 7/8" thick doors	Q500-046	
7 Pin Cylinder - D111, D141 for 1 7/8"- 2 1/4" thick doors	Q500-047	
7 Pin Cylinder - D121	Q500-059	
7 Pin Cylinder - D211, D241	Q500-014	
7 Pin Cylinder - D221	Q500-057	
7 pin cylinder RU/T series (except 381 IS, 571)	A23171-05	\$69.00
7 pin cylinder RU/T series 381 IS	A23171-06	
7 pin cylinder RU/T series 571	A23171-07	
7 pin cylinder X411, 501, 511, 521, 581 H	A23172-02	
7 pin cylinder X561 - H designs	A23171-01	
7 pin cylinder X571 - H designs	A23171-02	

Notes: 1) Finishes: 606 and 626 only

2) Specify keyway

3) Cylinders are furnished G keyway, keyed differently unless otherwise specified.

4) Add \$10.80 (list) for Falcon restricted keyways. See page 8 for standard keyways. All others are restricted.
Falcon conventional cylinder restricted keyways use a unique pin kit (P/N 1417) and cutter wheel for keys.

Prices subject to change without notice

Schlage Conventional Cylinders, 6 Pin				
Cylinder Mechanism	Function	Keying Offered	Part Number	List Price
Schlage C kwy	955	KA4, KD, 0-bit	A23160-2	\$54.00
Schlage E kwy		0-bit	A23159-2	
Schlage C kwy	B except 611	KD, 0-bit	A23160-13	
Schlage E kwy		0-bit	A23159-13	
Schlage C kwy	B611, T381 IS	KD, 0-bit	A23160-11	
Schlage E kwy		0-bit	A23159-11	
Schlage C kwy	D121, 221	KD, 0-bit	Q033-071	
Schlage E kwy		0-bit	Q033-066	
Schlage C kwy	D131, 231	KD, 0-bit, KA4	Q033-070	
Schlage E kwy		0-bit	Q033-067	
Schlage C kwy	D111, D211, D241 (Q033-069 only)	KD, 0-bit, KA4	Q033-069	
Schlage E kwy		0-bit	Q033-066	
Schlage C kwy	H deadbolt	KA4, KD, 0-bit	A23160-10	
Schlage E kwy		0-bit	A23159-10	
Schlage C	H2101	KA4, KD, 0-bit	Q100-108	
Schlage C kwy	H511 knobs	KA4, KD, 0-bit	A23160-7	
Schlage E kwy		0-bit	A23159-7	
Schlage C kwy	T571	KA4, KD, 0-bit	A23160-12	
Schlage E kwy		0-bit	A23159-12	
Schlage C kwy	T Except 571 & 381 IS	KA4, KD, 0-bit	A23160-000	
Schlage E kwy		0-bit	A23159-000	
Schlage C kwy	X411, 501, 511, 521, 581 E & T	KA4, KD, 0-bit	A23160-5	
Schlage E kwy		0-bit	A23159-5	
Schlage C kwy	X411, 501, 511, 521, 581 H	KA4, KD, 0-bit	A23160-6	
Schlage E kwy		0-bit	A23159-6	
Schlage C kwy	X561 E & T	KA4, KD, 0-bit	A23160-1	
Schlage E kwy		0-bit	A23159-1	
Schlage C kwy	X571 E & T, X561 H	KA4, KD, 0-bit	A23160-3	
Schlage E kwy		0-bit	A23159-3	
Schlage C kwy	X571 H	KA4, KD, 0-bit	A23160-4	
Schlage E kwy		0-bit	A23159-4	
Schlage C kwy	Y series	KA4, KD, 0-bit	A23160-8	
Schlage E kwy		0-bit	A23159-8	
Schlage C kwy	W Series Levers	MK, KA4, KD, 0-bit	Q330-152	
	W Series Knobs (except W561)	MK, KA4, KD, 0-bit	Q330-237	
	W561 Knob	MK, KA4, KD, 0-bit	Q330-245	

Schlage Conventional Cylinders, 5 Pin			
Cylinder Mechanism	Function	Part Number	List Price
5 Pin Schlage C	Q500-065-5C : 5 Pin cylinder Schlage C -D111, 141 for 1-7/8" - 2-1/4"	Q500-065-5C	\$54.00
5 Pin Schlage C	Q500-071 : 5 Pin cylinder D131 for 1-7/8' - 2-1/4"	Q500-071	
5 Pin Schlage C	Q500-071-5C : 5 Pin cylinder Schlage C - D131 for 1-7/8' - 2-1/4"	Q500-071-5C	
5 Pin Schlage C	T lock all except T571	A23160-14	
5 Pin Schlage C	X LOCK 561 E & T	A23160-15	
5 Pin Schlage C	PADLOCKS	A23160-16	
5 Pin Schlage C	X LOCK 561 H, 571 E & T	A23160-17	
5 Pin Schlage C	X LOCK 571 H	A23160-18	
5 Pin Schlage C	X LOCK 411 E & T, X501,511,521,581 E & T	A23160-19	
5 Pin Schlage C	X LOCK 411 H, X501,511,521,581 H	A23160-20	
5 Pin Schlage C	H LOCK 511 LOWER	A23160-21	
5 Pin Schlage C	Y LOCK	A23160-22	
5 Pin Schlage C	H LOCK 101,511 (UPPER)	A23160-23	
5 Pin Schlage C	B611	A23160-24	
5 Pin Schlage C	T571	A23160-25	
5 Pin Schlage C	B LOCK EXCEPT B611	A23160-26	
5 Pin Schlage C	W561 (Knobs)	Q330-245-5	

- Notes:**
- 1) Finishes: 606 and 626 only
 - 2) Specify keyway, cylinders are furnished 0-bitted unless otherwise specified.
 - 3) Master keying is available on Schlage C Keyway only.

Prices subject to change without notice

Corbin Russwin Conventional Cylinders, 6 Pin				
Cylinder Mechanism	Function	Keying Offered	Part Number	List Price
Corbin 60 kwy	955	KD, 0-bit	A23167-2	\$54.00
Corbin/Russ L4 kwy		0-bit	A23174-2	
Russwin D1 kwy		KD, 0-bit	A23168-2	
Corbin 60 kwy	B Series	KD, 0-bit	A23167-13	
Corbin/Russ L4 kwy		KA4, 0-bit	A23174-13	
Russwin D1 kwy		KD, 0-bit	A23168-13	
Corbin 60 kwy	B611, T381 IS series	KD, 0-bit	A23167-11	
Corbin/Russ L4 kwy		KA4, 0-bit, KD	A23174-11	
Russwin D1 kwy		KD, 0-bit	A23168-11	
Russwin D1 kwy	D121, 221	KD, 0-bit	Q033-074	
Corbin/Russ L4 kwy		0-bit	Q033-079	
Russwin D1 kwy	D131, 231	KD, 0-bit	Q033-073	
Corbin/Russ L4 kwy		0-bit	Q033-078	
Russwin D1 kwy	D141, D241	KD, 0-bit	Q033-072	
Corbin 60 kwy		KD, 0-bit	Q033-077	
Corbin/Russ L4 kwy	H deadbolt	KA4, 0-bit	A23174-7	
Corbin 60 kwy		KD, 0-bit	A23167-7	
Russwin D1 kwy		0-bit	A23168-7	
Corbin 60 kwy	H511 knobs	0-bit	A23167-10	
Corbin/Russ L4 kwy		KA4, 0-bit	A23174-10	
Russwin D1 kwy	T Except 571 & 381 IS	KD, 0-bit	A23168-10	
Corbin 60 kwy		0-bit	A23167	
Corbin/Russ L4 kwy		KA4, 0-bit	A23174	
Russwin D1 kwy	T571	KD, 0-bit	A23168	
Corbin 60 kwy		KD, 0-bit	A23167-12	
Corbin/Russ L4 kwy		0-bit	A23174-12	
Russwin D1 kwy	X 411, 501, 511, 521, 581 H	KD, 0-bit	A23168-12	
Corbin 60 kwy		0-bit	A23167-6	
Corbin/Russ L4 kwy		0-bit	A23174-6	
Russwin D1 kwy	X411, 501, 511, 521, 581 E & T	KD, 0-bit	A23168-6	
Corbin 60 kwy		0-bit	A23167-5	
Corbin/Russ L4 kwy		0-bit	A23174-5	
Russwin D1 kwy	X561 E & T	KD, 0-bit	A23168-5	
Corbin 60 kwy		KD, 0-bit	A23167-1	
Corbin/Russ L4 kwy		0-bit	A23174-1	
Russwin D1 kwy	X571 E & T, X561 H	KD, 0-bit	A23174-1	
Corbin 60 kwy		KD, 0-bit	A23168-1	
Corbin/Russ L4 kwy		0-bit	A23167-3	
Russwin D1 kwy	X571 H	0-bit	A23174-3	
Corbin 60 kwy		KD, 0-bit	A23168-3	
Corbin/Russ L4 kwy		KD, 0-bit	A23167-4	
Russwin D1 kwy	Y Series	0-bit	A23174-4	
Corbin 60 kwy		KD, 0-bit	A23168-4	
Corbin/Russ L4 kwy		0-bit	A23167-8	
Russwin D1 kwy	W Series Levers	0-bit	A23174-8	
Corbin 60 kwy		KD, 0-bit	A23168-8	
Corbin/Russ L4 kwy		0-bit	Q330-166	
Russwin D1 kwy	W Series Knobs (except W561)	0-bit, KA4	Q330-158	
Corbin 60 kwy		KD, 0-bit	Q330-210	
Corbin/Russ L4 kwy		KD, 0-bit	Q330-241	
Russwin D1 kwy	W561 Knobs only	0-bit, KA4	Q330-240	
Corbin 60 kwy		KD, 0-bit	Q330-242	
Corbin/Russ L4 kwy		KD, 0-bit	Q330-249	
Russwin D1 kwy		0-bit, KA4	Q330-248	
		KD, 0-bit	Q330-250	

* Cylinders are furnished 6-pin 0-bit unless otherwise specified, KA and KD available, no masterkeying.

- Notes:** 1) Finishes: 606 and 626 only.
2) Specify keyway.

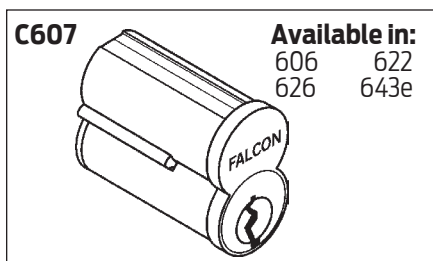
Prices subject to change without notice

Sargent Conventional Cylinders, 6 Pin				
Cylinder Mechanism	Function	Keying Offered	Part Number	List Price
Sargent LA Keyway	955	KD, 0 Bit	A23166-2	\$54.00
	B Series		A23166-13	
	B611, T381 IS		A23166-11	
	H deadbolt		A23166-7	
	H511 Knobs		A23166-10	
	T Except 571 & 381 IS		A23166	
	T571		A23166-12	
	X411, 501, 511, 521, 581 E & T		A23166-5	
	X411, 501, 511, 521, 581 H		A23166-6	
	X561 E & T		A23166-1	
	X571 E & T, X561 H		A23166-3	
	X571 H		A23166-4	
	Y Series		A23166-8	
	W Series Levers		Q330-160	
	W Series Knobs (except W561)		Q330-243	
	W561 Knob only		Q330-251	

Yale Conventional Cylinders, 6 Pin				
Cylinder Mechanism	Function	Keying Offered	Part Number	List Price
Yale 8 (Para) Keyway	955	KD, 0-bit	A23169-2	\$54.00
	B except 611		A23169-13	
	B611, T381 IS		A23169-11	
	D121, D221	KD	Q033-076	
	D141, 241, 111, 211		Q033-075	
	H deadbolt	KD, 0-bit	A23169-7	
	H511 knobs		A23169-10	
	T Except 571 & 381 IS		A23169	
	T571		A23169-12	
	X411, 501, 511, 521, 581 E & T		A23169-5	
	X411, 501, 511, 521, 581 H		A23169-6	
	X561 E & T		A23169-1	
	X571 E & T, X561 H		A23169-3	
	X571 H		A23169-4	
	Y series		A23169-8	
	W Series Levers		Q330-156	
	W Series Knobs (except W561)		Q330-239	
	W561 Knob only		Q330-247	

- Notes:** 1) Finishes: 606 and 626 only
 2) Specify keyway, cylinders are furnished 0-bitted unless otherwise specified.
 3) Master keying is not available.

Prices subject to change without notice



Regular Core (suffix keyway to number)						
	Uncombined			Combined		
Description	6-Pin	7-Pin	Price	6-Pin	7-Pin	Price
Standard	C646	C647	\$34.00	C606	C607	\$45.00
Best style capping	CB846	CB847		CB806	CB807	
No logo	C648	C649	34.00	C608	C609	
No logo, Best capping	CB848	CB849		CB808	CB809	

- Notes:**
- 1) For restricted keyways add \$10.80 per core. See page 141 for restricted keyway policies.
 - 2) For temporary construction cores and policy, See page 151.
 - 3) For 605, 613 and 625 add \$2.80 per core. Minimum 250 pieces.
 - 4) Keying must be specified on combined cores. (unspecified orders will default to 0-bitted)

Pricing: Uncombined cores have no pins, springs or keys. Combined core prices include master keying.

Finishes: 606 and 626 standard.

Packaging: Uncombined cores are packed 20 per box.

Keyways: The "A" keyway is standard for IC products and will be supplied unless otherwise specified.

A, B, C, D, DD, E, F, G, H, J, K, L, M, N, Q, R, TB and TD are equivalent to Best and Arrow IC keyways of the same letter designations. All other keyways are restricted. Add \$10.80 list for all restricted keyways.

When ordering locks or cores master keyed into existing Best, Arrow or other IC systems, a copy of the bitting list for the existing system is required with the order. Competitors' bitting lists are safeguarded the same as Falcon bitting lists. See page 157.

Logo: Cores and keys are supplied with the Falcon logo standard.
 Combined cores supplied without logo are furnished with plain (non-embossed) keys.

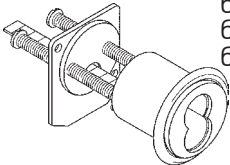
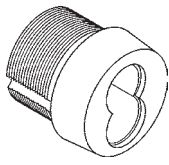
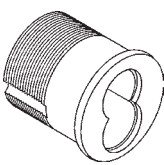
Prices subject to change without notice

IC Cylinders & Cabinet Locks

LOCKS

Cylinders & Key Systems



Rim 	Available in: 605 606 613 619 622 625 626 643e	Tapered Head 	Available in: 605 606 613 619 622 625 626 643e	Mortise 	Available in: 605 606 613 619 622 625 626 643e
---	---	--	---	--	---

All prices are less core. Not available with C997.

Small Format Interchangeable Rim and Mortise Core Housings Only

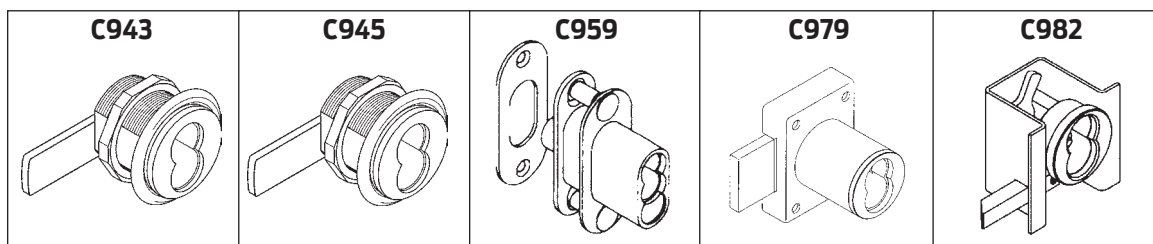
Cat. Number	Length	Pins	Description	626	605 606 613 629 630 626/625/619/643e
C987	1-3/8"	6 or 7	Mortise	\$38.00	40.00
C988	1-1/2"	6 or 7	Mortise		
C990	1-3/4"	6 or 7	Mortise	49.00	51.00
C991	1 7/8"	6 or 7	Mortise	51.00	53.00
C992	2"	6 or 7	Mortise	51.00	53.00
C977	Fits Adams Rite	6 or 7	Mortise, tapered head	38.00	40.00
C997	1-3/8"	6 or 7	Mortise, unassembled, less cam	24.00	26.00
C262	1-5/8"	6 or 7	Mortise, hotel function RH	68.00	70.00
C265	1-5/8"	6 or 7	Mortise, hotel function LH		
C953	N/A	6 or 7	Rim	40.00	42.00

Notes: 1) All mortise cylinders will be furnished with cam 5622-IC, except for MA381 function which will be supplied with 5620-IC and 5621-IC. See page 154 for additional available cams.

2) C977 is only furnished with 012667-001 Adams Rite Cam

3) When ordering cylinders with construction cores, include the suffix -7 CCA or -6 CCA added to the part number. i.e. C987-6 CCA 626 for a 6 pin small format construction core included with a C987 cylinder in 626 finish

4) For mortise cylinders A08794-XXX tapered ring is supplied by default. If different is desired, please specify.

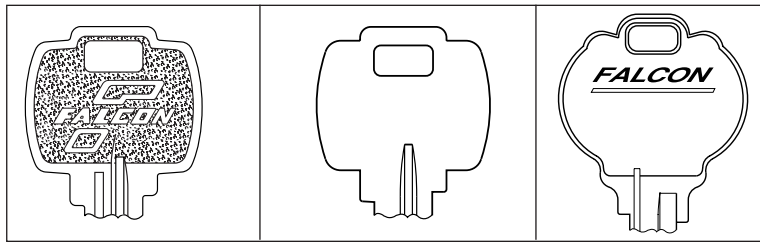


Cabinet Locks and Miscellaneous

Cat. No.	Description	Finishes			
		606, 626	606, 626	605, 626	605, 613, 629, 630
C942	Cabinet lock	\$87.00	-	-	\$89.00
C943	Cam lock	124.00	-	-	126.00
C945	Cam lock - heavy cam	87.00	-	-	89.00
C959	Push lock for sliding doors	-	121.00	-	-
C979	Rim cabinet lock	-	-	75.00	-
C982	Mail box lock	-	71.00	-	75.00

Note: 5) U.S. postal regulations prohibit master keying of mail box locks.

Prices subject to change without notice



Standard

**Plain
(non-embossed)**

Large Bow

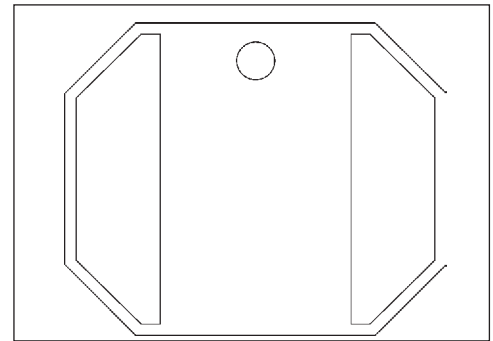


Non-IC Products

LOCKS

Cylinders &
Key Systems

Key Blanks (Specify keyway and order in multiples of 50 except where specified)			
Part. Number	Description	Qty./Wt.	Each
KB573	Standard 5-pin	50/1	\$2.30
KB577	Standard 6-pin		
KB581	Standard 7-pin	35/1	2.70
KB751	Plain 5-pin (non-embossed)	50/1	2.40
KB761	Plain 6-pin (non-embossed)		
KB771	Plain 7-pin (non-embossed)		
KB544	Large bow - 5-pin	25/1	5.30
KB590	Large bow - 6-pin	25/1	6.30
KB579	Emergency - 6-pin	50/1	8.80
KB592	Emergency, large bow - 6-pin	25/1	10.50
001911-001-70	Plastic handicap access bow only	1	7.00
KB525	Block-O-Key construction key - 4-pin	1	4.90
KB536	Block-O-Key removal tool (Specify Keyway)	1	2.30
Q330-215	6 Pin Schlage C Blank	1	3.20



001911-001-70 Blue Plastic Bow

(not shown full size)

2" access bow meets Title 24 of
The California Code for the Handicapped.

Cut Keys		
Part. Number	Description	Each
KB574	Standard 5 Pin	\$7.50
KB578	Standard 6 Pin	
KB582	Standard 7 Pin	
KB794	Plain 5-pin (non-embossed)	
KB797	Plain 6-pin (non-embossed)	
KB799	Plain 7-pin (non-embossed)	
KB545	Large bow - 5-pin (When furnished with lock - 2 keys) additional per lock	8.20
KB545	Large bow - 5-pin	
KB591	Large bow - 6-pin (When furnished with lock - 2 keys) additional per lock	9.80
KB591	Large bow - 6-pin	
KB580	Emergency - 6-pin	12.40
KB584	Emergency - 7-pin	14.90
KB593	Emergency, large bow - 6-pin	12.80
KB905	With 2" handicap access bow, 5-pin	16.90
KB906	With 2" handicap access bow, 6-pin	
KB907	With 2" handicap access bow, 7-pin	
KB531	Block-O-Key construction key - 4-pin	8.00
KB565	Construction key - 5-pin	7.70
KB566	Construction key - 6-pin	
KB567	Construction key - 7-pin	
330055	Schlage C - 6 pin	7.30
Q330-276	Schlage Split Key 6-pin	9.80

* Specify key section to key (blank) numbers.

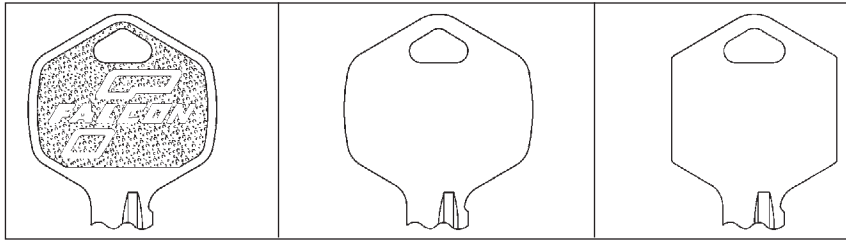
Note: 1) Prices listed for key blanks and cut keys are for E, G and H sections only. For all other key sections add \$0.80 list per key to prices shown. Letter of authorization required for restricted sections; not available to stock; shipped directly to the end user.

Prices subject to change without notice

IC Keys and Key Blanks, Disposable Construction Core



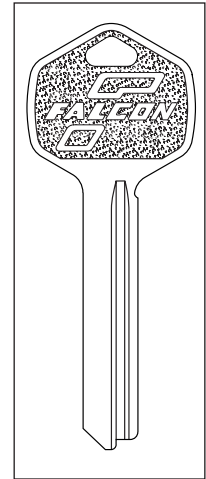
IC Products



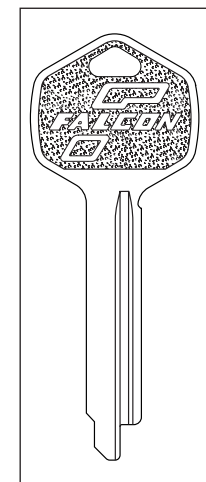
Standard

**Plain
(non-embossed)**

**Clipped
for Handicap**



**Standard
Key Tip**



**Mortise EMK
Tip**



Best Key

IC Core Key Blanks

	Standard	Plain Both Sides	Price
Standard	KB628	KB718	\$2.60
Stamped CONTROL	KB608	KB744	5.00
M Series EMERGENCY	KB737	KB748	7.50
Blade for 2" Access Bow	KB633	-	7.20
Plastic Access Bow	001911-001-70	-	7.00

IC Core Cut Keys

	Standard		Plain Both Sides		Price
	6-Pin	7-Pin	6-Pin	7-pin	
Standard	KB632-1	KB632-2	KB673-1	KB673-2	\$7.50
CONTROL	KB609-1	KB609-2	KB778-1	KB778-2	9.70
M Series EMERGENCY	KB738-1	KB738-2	KB779-1	KB779-2	11.30
2" Access Bow	KB916	KB916-1	-	-	17.30

- Notes:**
- 1) Specify keyway
 - 2) Order standard blanks in multiples of 50.
 - 3) Prices for key blanks and/or cut keys are for single key sections only. Key blanks 50 min. Cut keys no minimum quantity
 - 4) For double milled key (e.g. DE, EF, FG) add \$3.20 each to prices shown, minimum order quantity of 50 keys.
 - 5) Triple and quadruple milled keys add \$3.70 each to price shown, minimum order quantity of 50 keys.
 - 6) Letter of authorization required for restricted sections; not available to stock; shipped directly to the end user.
 - 7) Prices shown above are for standard key sections, prices for all restricted sections add \$0.80.

Best Style SFIC Core Key Blanks

	Standard	Plain Both Sides	Price
Standard	KB800*	KB801*	\$2.70

* KB 800 & 801 are not available in multi milled keyways.

Best Style SFIC Core Cut Keys

	Standard	Plain Both Sides	Price
Standard 6-Pin	KB807-1	KB809-1	\$7.80
Stamped Control 6-Pin	KB811-1	KB813-1	10.10
Standard 7-Pin	KB807-2	KB809-2	11.80
Standard Control 7-Pin	KB811-2	KB813-2	18.00

Prices subject to change without notice

Construction Core Program

Keyed construction cores may be ordered with interchangeable core locks and cylinders. These cores may also be ordered separately. All keyed construction cores are assessed a non-refundable handling charge (50-231). Standard payment terms apply.

Features:

- 6-pin A keyway.
- 7-pin A keyway.
- Construction cores are a flat black finish on the face. Other colors may be provided. Contact Customer Service for available colors.
- Construction cores are furnished with no keys (NCK). Cut keys must be ordered separately.
- A control key is required to install and remove construction cores. Control keys must be ordered separately.
- Construction cores may be returned for credit in working condition. Credit is issued upon receipt of cores at our factory.

A Return Material Authorization (RMA) must be issued, in order for cores to be returned.

Construction Core Program

Part Number	Description	Specify	Price
C606CCA	Construction core 6-pin	Specify "H" suffix when ordering with Locks, Specify CCA when ordering with Mortise and Rim Cylinders	\$45.00
C607CCA	Construction core 7-pin		
KB632-1CCA	Cut key for construction core 6-pin		7.80
KB632-2CCA	Cut key for construction core 7-pin		
KB609-1CCA	Cut control key 6-pin (order separately)		
KB609-2CCA	Cut control key 7-pin (order separately)		
1408	Disposable construction core	Specify "BDC" suffix when ordering	5.50
50-231F	Non-refundable handling charge per core		7.60

Notes: 1) Keyed and temporary construction cores will be installed in locks and cylinders automatically unless otherwise specified on orders.

2) Construction cores for a given project are keyed alike to one of a limited number of combinations nationwide. Different Falcon projects in the same area using the same or different contractors may use the same key. Where a higher degree of security is desired, order a set of cores in 606 or 626 finish keyed alike to a random combination. Specify "KSI." Such cores are not returnable to Falcon but may be reused for other projects.

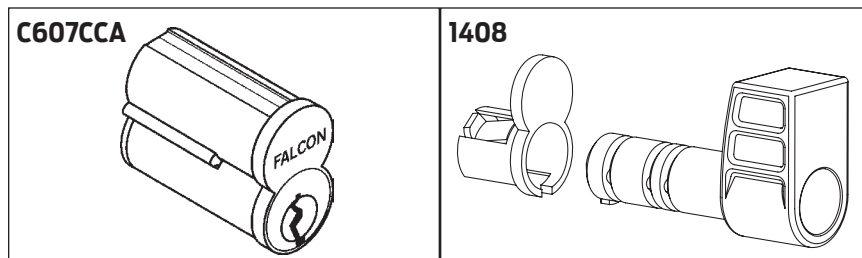
3) Temporary construction cores are an inexpensive alternative to interior keyed construction cores. This temporary is intended for use on interior door applications or where security on-site is not a concern.

Temporary Construction Core Program (Disposable)

Temporary construction cores may be ordered with interchangeable core locks and cylinders. These cores may also be ordered separately. Standard payment terms apply.

Features:

- Conveniently fits both 6 & 7-pin SFIC applications.
- No keys need to be issued.
- Disposable construction cores are not returnable.
- The disposable core is inserted in the lever or knob and is operated by a thumbturn, which retracts the latch bolt.



Prices subject to change without notice



Non-IC Products



Conventional Mortise Cylinder Cams

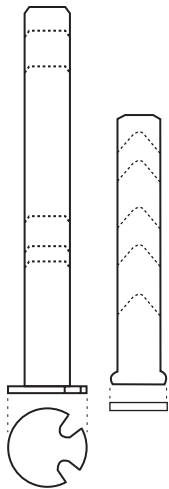
Part Number	Application	Price
1396	Cam kit for conventional cylinders	\$181.00
A09890-000-00	Adapter ring for 1-1/2" diameter cylinders	41.10
5622-STD	Falcon MA CAM for conventional mortise cylinders, except MA381	3.10
5620-STD	Falcon MA CAM for conventional mortise cylinder MA381 inside function	
5621-STD	Falcon MA CAM for conventional mortise cylinder MA381 outside function	
		10-Pack Price
A08867-000-00	Falcon cyl. in Sargent and Yale (26)	\$69.60
A09888-000-00	Falcon cyl. in Schlage L Series (13)	
A09894-001-00	Falcon, Ilco, Lori and Schlage cyl. in M deadbolt functions (1)	47.20
A09894-002-00	Arrow, Sargent, Yale cyl. in M deadbolt functions (2)	69.60
A09894-003-00	Corbin Russwin cyl. in M deadbolt functions (3)	
A09894-021-00	Falcon cyl. in Falcon concealed VR Delta trim (21)	
A09894-022-00	Arrow, Sargent, Yale cyl. in Falcon Delta trim (22)	
A09894-023-00	Corbin Russwin cyl. in Falcon Delta trim (23)	
A09897-000-00	Falcon M Series non-deadbolt functions (4)	47.20
A09897-024-00	Falcon dogging cyl. in Falcon device (24)	63.90
A09898-000-00	Adams Rite 4070 (16)	
A09899-000-00	Adams Rite MS (6)	47.20
A20065-000-00	M381 outside (14)	
A20069-000-00	Corbin Russwin ML2200	69.60

Conventional Cylinder Tailpieces and Driver Bars

Part Number	Application	Price
1389	Tailpiece kit (assortment of tailpieces and 1416 cap tool)	\$226.00
B600-045	D Series double cylinder (1-3/8" - 1-3/4" doors)	2.60
B600-046	D Series double cylinder (over 1-3/4" - 2-1/4" doors)	
B520-651	D Series single cylinder (1-3/8" - 1-3/4" doors)	2.60
B520-652	D Series single cylinder (over 1-3/4" - 2-1/4" doors)	2.60
Q330-164	W Series 501, 511, 561, 581, 711 Functions	4.30
030480-004-00	Y Series	1.00
A08350-000-00	H101	1.00
		10-Pack Price
A22164-000-00	X Series 561 (6 Pin) Elite & Troy	\$27.60
A22164-001-00	X Series 561 (6 Pin) Hana, 955	33.70
A22164-002-00	X Series 571 (6 Pin) Elite & Troy, 571 (7 Pin) Hana	27.60
A22164-003-00	X571 - H designs	27.60
A22169-000-00	X Series 411, 501, 511, 521 (6 Pin) Elite & Troy	7.00
A22169-002-00	X Series 411, 501, 511, 521 (6 & 7 Pin) Hana	
A28351-000-00	Rim conventional	\$33.00
A30034-001-00	H451, H461	10.40
A30038-000-00	H511	7.00
A30480-004-00	B Series	10.50
A30730-001-00	RU, T Series most 6-pin	23.10
A30730-002-00	RU, T Series most 7-pin and T571 6-pin	
A30730-003-00	RU381, T381 inside 6-pin, B611	
A30730-004-00	RU381, T381 inside 7-pin	
A30730-006-00	RU571, T571 7-pin	

Conventional Cylinder Tailpiece Retainers, Etc.

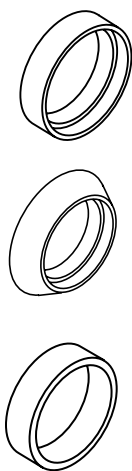
Part Number	Application	10-Pack Price
A08355-000-00	Tailpiece retainer for rim cylinder	\$29.30
A08395-000-00	Tailpiece retaining washer for H101	6.10
A12053-000-00	Tailpiece retainer, 22164 & 22169	9.00
A24264-000-00	Tailpiece spacer	3.60
A30037-000-00	Tailpiece retainer, 30034 & 30038	9.00
B600-071	D Series Retainer Washer	1 pack / 0.82



Prices subject to change without notice



Non-IC Products



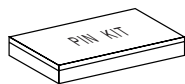
Cylinder Collars (also used for IC cylinders)

Part Number	Size	Shape	626	605, 606 613, 625, 622, 643e
A08790-000	9/32"	Straight Protective used on escutcheon trim	\$13.70	\$15.70
A08790-001	13/32"			
A08790-002	17/32"			
A08790-003	21/32"			
A08794-000	9/32"	Tapered Protective used on sectional trim	13.70	15.70
A08794-001	13/32"			
A08794-002	17/32"			
A08794-003	21/32"	Blocking Ring	5.30	7.30
008876-000	1/8"			
008876-005	3/16"			
008876-001	1/4"			
008876-002	3/8"			
008876-003	1/2"	Rim Cylinder	5.30	7.30
008876-004	5/8"			
008862-000	n/a			

See below for wave washer. Protective rings listed above include wave washer.

Other Parts

Part Number	Application	Pack Qty.	Pkg. Price
008789-001-60	Wave washer	-	\$1.60
012162-000-10	Cylinder cap	-	2.30
031100-000-30	Hex nut for cam lock and mortise cylinders	-	10.00
A02750-000-00	Cam Screw	100	23.20
A03039-000-00	Mortise hotel function instruction plate packet	-	9.00
A12165-000-00	Cap retaining pin	10	7.30
A12165-100-00	Cap retaining pin	100	57.10
A12166-000-00	Spring for retaining pin	100	10.30



Pin Kits, Pins, Tools and Service Equipment

Part Number	Application	Pack Qty.	Pkg. Price	
1416	Cylinder cap tool - steel		\$47.20	
1417	Pin kit for restricted keyways (includes follower and cyl. Cap tool)		274.00	
1418	Pin kit, standard (includes follower and cyl. Cap tool)		364.00	
1421	Plug follower		19.00	
1453	Depth key set, 5-pin		48.70	
1453-1	Depth key set, 6-pin		61.50	
1453-2	Depth key set, 7-pin		8.00	
030113-000-60	Key gauge for standard keys (.018" systems)		25.10	
030166-T10-30	Torx Screw Bit #10		28.90	
030166-T15-30	Torx Screw Bit #15		22.50	
030166-T20-30	Torx Screw Bit #20		8.90	
042613-000-60	Key gauge for restricted keyways (.025" systems)		11.00	
35-057	Extractor Tool		25.50	
A08552-000-00	Universal top pin		100	8.90
A08553-00X-00	Bottom pins, 0 thru 9: replace; "x" with size (.018" systems)			11.00
A08554-000-00	Tumbler springs	25.50		
A08556-000-00	Construction master pins	8.90		
A08580-00X-00	Master pins, 2 thru 9: replace; "x" with size (.018" systems)	8.90		
A48553-00X-00	Bottom pins, 0 thru 6: replace; "x" with size (.025" systems)		11.00	
A48580-00X-00	Master pins, 1 thru 6: replace; "x" with size (.025" systems)		20.90	
61-509	Emergency Release Key – Standard Size for Occupancy Indicator	-	11.00	
61-5110	Emergency Release Key – Large Size for Occupancy Indicator	-	20.90	



Prices subject to change without notice

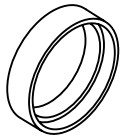
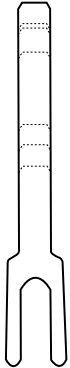
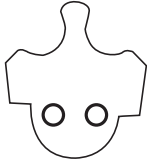
IC Cams, Throw Members, etc.

LOCKS

Cylinders & Key Systems



IC Products



IC Mortise Cylinder Cams		
Part Number	Description	Price
1397	Cam kit	\$225.00
		10-Pack Price
5622-IC	Falcon MA CAM for SFIC mortise cylinders, except MA381	\$57.30 pkg of 10
5620-IC	Falcon MA CAM for SFIC mortise cylinders MA381 inside function	
5621-IC	Falcon MA CAM for SFIC mortise cylinders MA381 outside function	
A12667-000-00	Sargent / Yale (7)	
A12667-001-00	Adams Rite MS (8)	
A12667-002-00	Adams Rite 4070	
A12667-003-00	Straight (5), M series non-deadbolt functions	
A12667-006-00	Corbin Russwin master ring (25) (requires bushing A09890)	
A12667-007-00	M series deadbolt functions (10)	
A12667-008-00	Schlage L Series (12)	
A12667-011-00	Corbin Russwin, Arrow (11)	
A12667-013-00	Corbin Russwin DL4000	
A12667-020-00	Falcon concealed vertical rod Delta trim (20)	
A12667-03A-00	Sargent 7737	
A20278-000-00	M381 outside (15)	

IC Throw Members (Tailpieces) and Spacers for Cylindrical Locksets		
022175-000-30	X Series except X571, new style	\$2.90
022175-001-30	X571 new style 6-pin	
022175-002-30	X571 new style 7-pin	
030739-000-30	RU, T Series most 6-pin	9.90
030739-001-30	RU, T Series most 7-pin	
030739-002-30	RU381, T381 inside 6-pin	
030739-003-30	RU381, T381 inside 7-pin	2.90
Q001-055	B & Y Series	
Q330-168	W Series Levers	
Q330-169	W Series Knobs	3.90
A12689-000-00	Rim	10.40 pkg. of 10
A12698-000-00	Retainer, IC rim cylinder	16.30 pkg. of 10
A12742-001-00	Coupler and tailpiece H, D400 and D800 series deadbolts	5.10

Cylinder Collars		
See page 153 for cylinder collars.		-

Other Parts		
A12663-001-00	Throw pins, package of ten (10)	\$12.80 pkg.
A12663-002-00	Throw pins, package of ten (10)	
A12663-003-00	Throw pins, package of ten (10)	
A12663-004-00	Throw pins, package of ten (10)	
A12663-008-00	Throw pins, package of ten (10)	
A12663-009-00	Throw pins, package of ten (10)	
A12664-010-00	Drive washer, package of ten (10)	
002807-000-30	Mortise cylinder security screw	0.68

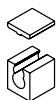
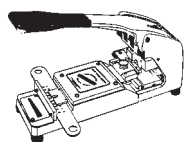
	D111/D211 D141/D241	D121/D221	D131/D231	D251/D271	D261/D261M
Door Range:	B520-651 1.6"	B520-667 1.265"	B600-045 0.67"	B520-653 2.875"	B600-041 2.4"
	B520-652 2.0"	NA	B600-046 0.95"	NA	NA
	B202-957 1.4"	B220-032 1.03"	B202-580 0.45"	NA	NA

Prices subject to change without notice



IC Products

Tools		
Part Number	Description	Price Each
1208	Key biting punch machine, standard A2 System	\$3,407.00
1392	Capping pin, Best style capping	35.20
1393	Capping block, Best style capping	164.00
1398	Core and key stamping fixture	190.00
1400	IC mortise cyl. assy./ disassembly tool set w/punch	247.00
1401	IC mortise cyl. assy./ disassembly tool	224.00
1402	IC cam staking center punch	20.50
1405	Ejector tool	23.10
1407	Mortise cylinder installation wrench	38.20
1411	Pinning block set, Falcon spring cover cores	130.00
1414	Pinning block only, Falcon spring cover cores	85.30
1415	Tamping Plate	46.80
012612-000-60	Key Gauge (A2 System)	15.70
030425-000-60	Key Gauge (A4 System)	15.70
031034-000-30	A4 System depth bar for key biting punch	232.00
Pin Kits		
1404 (standard)	Pin kit, A2 System complete in wooden case; Falcon spring cover cores	\$765.00
1391	Pin kit, A2 System complete in wooden case; Best style capping	
1403	Pin kit, A4 System complete in wooden case; Falcon spring cover cores	
1390	Pin kit, A4 System complete in wooden case; Best style capping	
Pin, Springs, etc.		
A12635-0xx-00	A2 top pins, #2 through #19; replace "xx" with size, 100/pkg	\$11.70 pkg
A12636-0xx-00	A2 bottom pins, #0 through #9; replace "xx" with size, 100/pkg	
A30375-0xx-00	A4 top pins, #1 through #11; replace "xx" with size, 100/pkg	
A30376-0xx-00	A4 bottom pins, #0 through #5; replace "xx" with size, 100/pkg	9.70 pkg
A12637-000-00	Tumbler Spring, 100/pkg.	
A12637-500-00	Tumbler Spring, 500/pkg.	25.20 pkg
A12638-000-00	Caps for Best style cores, 500/pkg.	29.40 pkg
A12639-001-00	Spring cover, 6-Pin, 100/pkg.	
A12639-002-00	Spring cover, 7-Pin 100/pkg.	



Prices subject to change without notice

Keying and Stamping Charges

Master Keying		
Part Number	Description	List Price
50-210	Conventional cylinder Master Keyed (MK), Grand Master Keyed (GMK), Emergency Master Keyed (EMK), and Single Keyed (SKD) groups	\$14.60
-	Interchangeable core Master Keyed (MK), Grand Master Keyed (GMK), Emergency Master Keyed (EMK), and Single Keyed (SKD) groups	No Charge

Construction Keying – Conventional Cylinder		
Part Number	Description	List Price
50-211	Cylinder Construction Keyed (CK)	\$4.80
50-212	Cylinder Block-O-Keyed (BOK)	
60-000	Pack change keys independently for construction keying	No Charge

Other Keying (Non-Masterkeyed)		
Part Number	Description	List Price
-	Cylinder keyed different (KD) or keyed alike to a Falcon selected combination (KA) in sets of 2 or more	No Charge
-	Cylinder 0-bitted or 1-bitted, as applicable	No Charge
50-001	Conventional cylinder keyed to a specific combination	\$7.30
50-215	Standard cylinder extra key charge	6.00
50-232	IC core extra key charge	6.50
60-001	Pack change keys independently for non-construction keying	0.52 per key

- Notes:**
- 1) Any cylinder operated by keys other than its own change key, or Single Keyed (SKD) groups within a masterkey system are subject to masterkeying charges. The Falcon Masterkey department determines and makes the final decision in the selection and use of key. 100% system expansion is allowed for new masterkey systems, unless otherwise specified.
 - 2) Construction keyed cylinder charges are in addition to masterkeying charges. PKI (Pack Keys Independently) packaging is included at no additional charge.
 - 3) Construction keying is not available with SFIC cylinders. Construction cores may be ordered for interchangeable core locks and for mortise and rim cylinders, for use during construction. See Construction Core Program.
 - 4) Block-O-Key construction keying requires 6-pin cylinders and is available only in select keyways.
 - 5) Construction keys must be ordered separately. See Page 151.
 - 6) Conventional cylinders are available 0-bitted.
 - 7) Conventional restricted key section cylinders are furnished 1-bitted unless otherwise specified.
 - 8) Falcon locks and cylinders are furnished with Falcon G key section, keyed differently (KD) unless otherwise specified.
 - 9) Falcon SFIC cylinders are furnished with A keyway, uncombined, without keys when not specified.

Prices subject to change without notice

Key & Core Stamping			
Part Number	Description	Price	
		Standard	I-Core
50-002	VKC - Cylinders - Standard and I-Core, Standard and non-standard code	\$4.20	-
50-217	VKC – Visual Key Control, standard symbols (AA1, AA2, etc. on keys	1.90	\$1.90
50-003	Non-standard code letters or numbers than industry standard key symbols on key (5 max.)		
50-216	CKC - Cylinders - I-Core only, Standard and non-standard code	-	4.20

Special & Custom Die Stamps		
Part Number	Description	List Price
50-219	Keys stamped with custom or special dies – i.e, STATE OF FLORIDA, DO NOT DUPLICATE, etc.	\$1.90

Bitting Lists (Keying Transcripts)		
Part Number	Description	List Price
50-123	Bitting list for factory masterkeyed products (requires written authorization from end-user on letterhead)	\$161.00
50-120	Establish new masterkey system for field masterkeying, up to 50 bittings.	147.00
50-121	Each additional bitting for field masterkeying.	1.00
50-122	New change key bitting for cylinders keyed in the field	

Prices subject to change without notice

Prices subject to change without notice

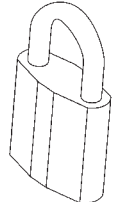
Table of Contents

Padlocks	160
Complete Lock Pricing	160
Cable Locks	161
Padlocks.....	163
Padlocks, Parts and Accessories.....	164
Complete Padlocks	166
Special Security Products.....	167
Lock Mounts.....	168

Prices subject to change without notice

Auxiliary Products

LOCKS

Padlocks	Available in: 606
	

Padlocks		
Cat No.	Description	Finish 606
955-1P	Deadlocking type - 1" shackle	\$142.00
955-2P	Deadlocking type - 2" shackle	153.00
955-6P	Deadlocking type - 6" shackle	

Notes: 1) Key is removable with shackle in locked position only.
 2) Falcon padlocks now discount as complete locks and not as parts.

Options	
Description	Price
Cylinders	
5-pin (drilled for 6)	Standard
6-pin	No Charge
7-pin (per cylinder)	\$11.50
Less cylinder	Deduct \$19.00
Competitor's keyways in standard cylinder model (see page 8)	No Charge
Keying	
Master keying, conventional cylinder	See page 156
Construction master keying, conventional cylinder	See page 156

Prices subject to change without notice

Standard Features for Commercial Series Padlocks - Stock

Certification	Meets or exceeds ASTM standards for standard steel shackle, shackle cutting and corrosion resistance.
Lock Body	Chrome plated brass - resists corrosion.
Shackle	Hardened steel alloy, double deadbolt locking mechanism.
Cylinder*	Accepts Falcon 6 or 7-pin small format interchangeable core (SFIC), as well as SFIC products from other manufacturers.

*All padlocks supplied less cylinder. Cylinders must be ordered separately.

Standard Features for Commercial Series Cables - Interchangeable Core

Lock Head	Die-cast zinc, 407 satin finish
Cable	Braided steel vinyl coated for greater cut resistance than twisted cables
Cylinder*	Accepts Falcon 6 or 7-pin small format interchangeable core (SFIC), as well as SFIC products from other manufacturers.

*All cables supplied less cylinder. Cylinders must be ordered separately.

Important Ordering Information

Locks must be ordered in case quantities; this does not apply to factory ordered Falcon branded 955 Series locks. Case quantity is listed with each product. All prices listed are unit prices.

Note: All Falcon cylinders will ship separately.

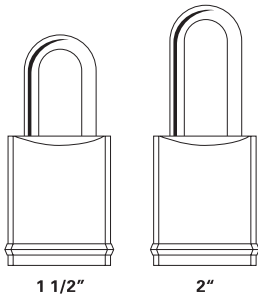
Prices subject to change without notice

Auxiliary Products - Cable Locks

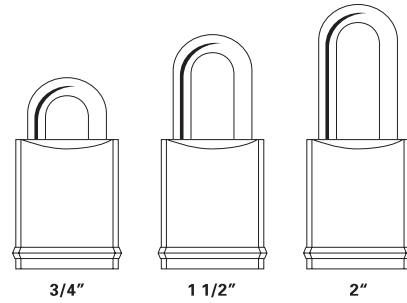
LOCKS

Auxiliary
Products

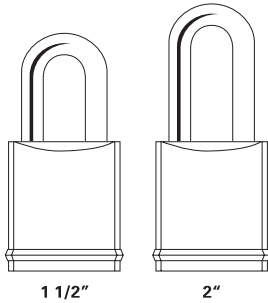
10 Series - 1/4" Shackle diameter



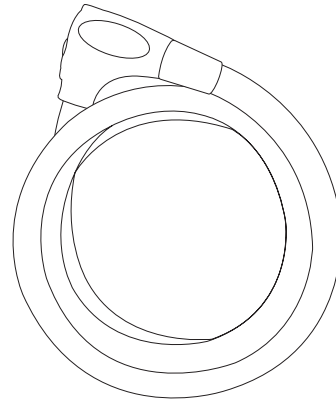
20 Series - 5/16" Shackle diameter



40 Series - 3/8" Shackle diameter



KC Series - 2', 4' lengths



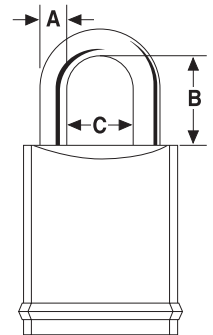
Prices subject to change without notice

Padlocks - Small Format Interchangeable Core (SFIC) - Less Cylinder				
Part Number	Shackle Dimensions			List Price
	A	B	C	
Chrome Plated Brass Body - KS11 2 Series (Body Dimensions: 1-25/32" wide, 2-3/16" high, 7/8" thick)				
KS11D1200	1/4" (6.4mm)	1-1/2" (38mm)	3/4" (19mm)	\$31.10
KS11F1200		2" (51mm)		32.50
Chrome Plated Brass Body - KS21 Series (Body Dimensions: 1-25/32" wide, 2-3/16" high, 7/8" thick)				
KS21A1200	5/16" (8mm)	3/4" (19mm)	3/4" (19mm)	\$30.00
KS21D1200		1-1/2" (38mm)		33.00
KS21F1200		2" (51mm)		34.60
Chrome Plated Brass Body - KS41 Series (Body Dimensions: 1-15/16" wide, 2-3/16" high, 7/8" thick)				
KS41D1200	3/8" (9.5mm)	1-1/2" (38mm)	3/4" (19mm)	\$33.00
KS41F1200		2" (51mm)		34.60

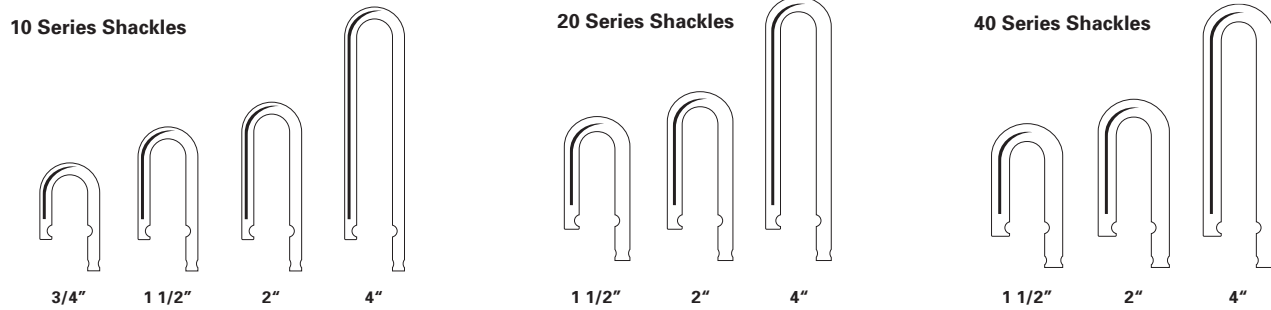
- Notes:** 1) Product is shipped without cylinder. For cylinder options: see **Cylinders**.
 2) Keying options: see **Keys & Keying**. See **Terms & Conditions** for more information.
 3) Case quantity is 6.

Cables - SFIC - Less Cylinder			
Part Number	Cable Diameter	Cable Length	List Price
Braided Steel Key Cable - KC2 Series			
KC215A130	5/8" (15mm)	2' (60cm)	\$62.60
KC215B130	5/8" (15mm)	4' (121cm)	67.00

- Notes:** 4) Product is shipped without cylinder. For cylinder options: see **Cylinders**.
 5) Keying options: see **Keys & Keying**. See **Terms & Conditions** for more information.
 6) Case quantity is 6.



Prices subject to change without notice



Commercial Series: Replacement Shackles

Part Number	Shackle Dimensions			List Price
	A	B	C	
Hardened Steel Shackle - For Use with 10 Series Padlocks				
KZ11A10	1/4" (6.4mm)	3/4" (19mm)	3/4" (19mm)	\$5.20
KZ11D10		1-1/2" (38mm)		6.40
KZ11F10		2" (51mm)		6.50
KZ11G10		4" (102mm)		9.10
Hardened Steel Shackle - For Use with 20 Series Padlocks				
KZ11D20	5/16" (8mm)	1-1/2" (38mm)	3/4" (19mm)	\$8.00
KZ11G20		4" (102mm)		11.50
Hardened Steel Shackle - For Use with 40 Series Padlocks				
KZ11F40	3/8" (9.5mm)	2" (51mm)	3/4" (19mm)	\$10.30
KZ11G40		4" (102mm)		14.20
Brass Shackle - For Use with 10 Series Padlocks				
KZ12D10	1/4" (6.4mm)	1-1/2" (38mm)	3/4" (19mm)	\$6.40
KZ12G10		4" (102mm)		9.10
Brass Shackle - For Use with 20 Series Padlocks				
KZ12D20	5/16" (8mm)	1-1/2" (38mm)	3/4" (19mm)	7.50
KZ12G20		4" (102mm)		11.50
Brass Shackle - For Use with 40 Series Padlocks				
KZ12D40	3/8" (9.5mm)	1-1/2" (38mm)	3/4" (19mm)	\$10.00
KZ12G40		4" (102mm)		14.20
Stainless Steel Shackles - For use with 10 Series Padlocks				
KZ13D10	1/4" (6.4mm)	1-1/2" (38mm)	3/4" (19mm)	\$6.00
KZ13F10		2" (51mm)		6.40
Stainless Steel Shackles - For use with 20 Series Padlocks				
KZ13D20	5/16" (8mm)	1-1/2" (38mm)	3/4" (19mm)	\$8.00
KZ13F20		2" (51mm)		8.30
Stainless Steel Shackles - For use with 40 Series Padlocks				
KZ13D40	3/8" (9.5mm)	1-1/2" (38mm)	3/4" (19mm)	\$10.00
KZ13F40		2" (51mm)		10.30

Note: 1) Case quantity is 6.

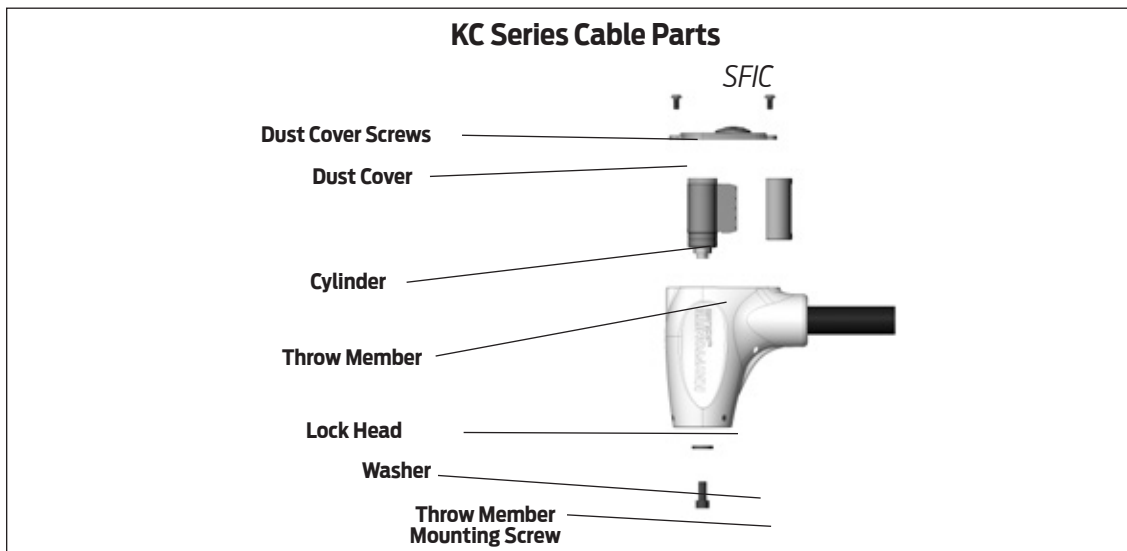
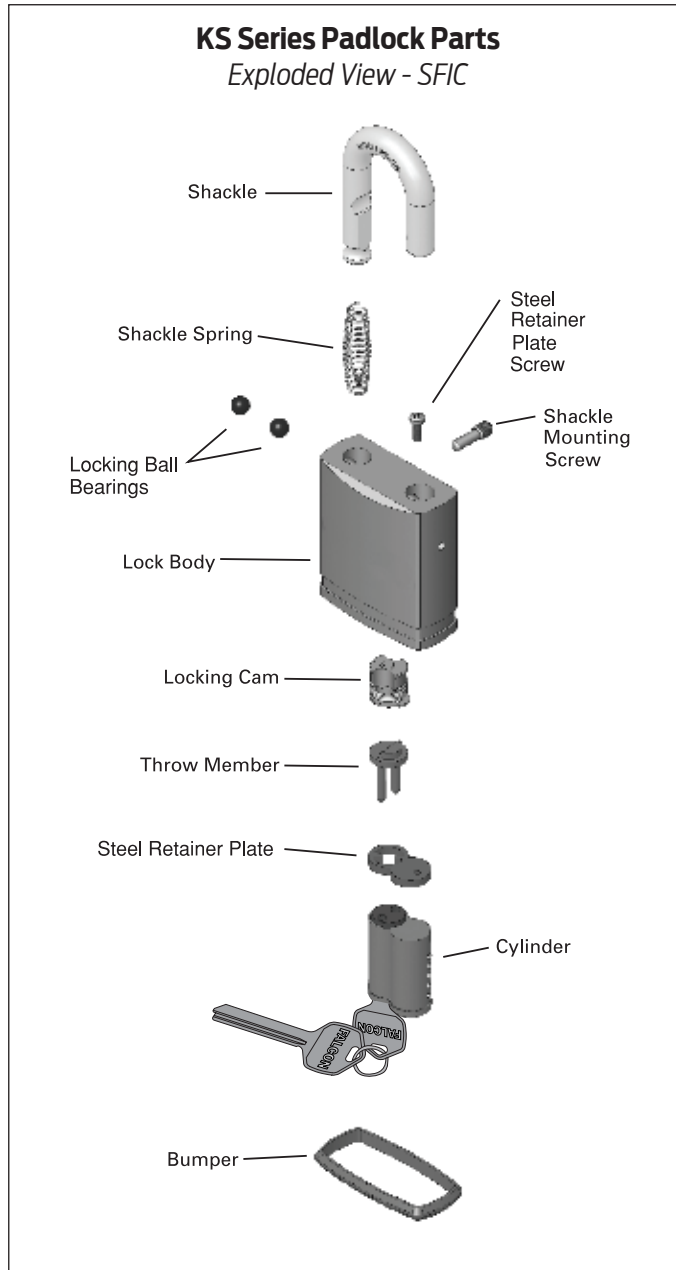
Important Ordering Information

Locks must be ordered in case quantities; this does not apply to factory ordered Falcon branded 955 Series locks. Case quantity is listed with each product. All prices listed are unit prices.

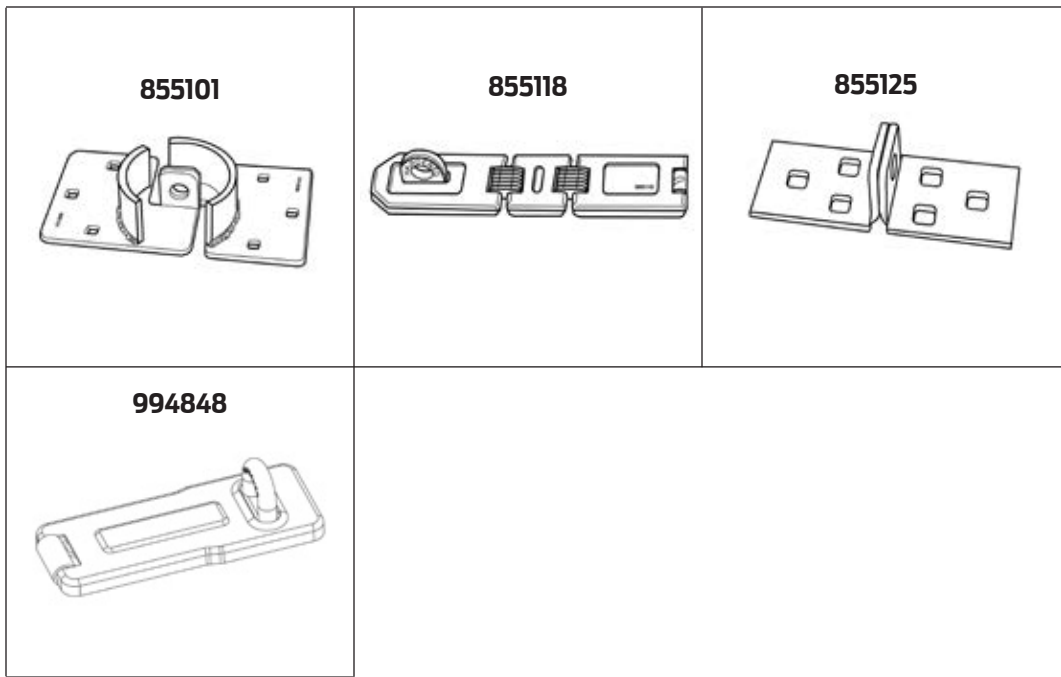
Note: All Falcon cylinders will ship separately.

Prices subject to change without notice

This page intentionally left blank



Prices subject to change without notice

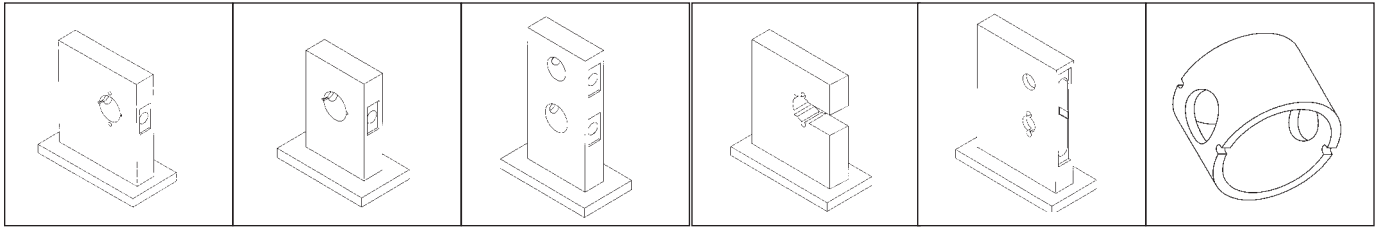


Specialty Security Products				
Security Hasps				
Part Number	Body Dimension			Price Each
855101	8-1/2" x 4-1/2"	3		\$39.20
855118	7-3/4" x 1-3/4"	6		12.50
855125	5" x 2"	6		11.90
Hasp				
994848	4-1/2" x 1-5/8"	6		\$6.40

Prices subject to change without notice

Displays - Lock Mounts

LOCKS



No. 21

No. 22

No. 23

No. 24

No.35-410

No. 002086-000-70

Displays

Lock Mounts

Part Number	For Product	Backset	Price
21	B, T ,K and W Lever Series	2-3/4"	\$133.00
22	D, X and W Knob Series		
23	H Series		
24	RU Series		
35-MA	MA Series (101)		
36-MA	MA Series (371, 381, 411, 431, 441)		
37-MA	MA Series (521, 551, 561, 581)		
38-MA	MA Series (301, 311, 321)		
39-MA	MA Series (531, 541, 571, 621, 641)		
40-MA	MA Series (451)		
002086-000-70	Acrylic Mounting Ring	N/A	37.40

Note: 1) For MA Series, locks must be 1-3/4" door thickness and left handed.

Prices subject to change without notice

Part No.	Page	Part No.	Page	Part No.	Page	Part No.	Page
001911-001-70	149	030709-000-60	54, 68	031702-000	101	253	142
002086-000-70	168	030712-000-30	54, 68	031703-000	101	330055	149
002762-000	54	030712-001-30	54, 68	031705-000-30	102	35-057	153
002770-016-30	54, 69	030718-000-30	54, 68	031718-000	102	35-MA	168
002807-000-30	154	030718-001-30	54, 68	031719-000	102	36-071	93, 121
005099-000	40	030722-000-30	54, 68	031741-000-50	102	36-MA	168
008789-001-60	153	030724-000-30	54, 68	042613-000-60	153	37-016	138
008862-000	153	030726-000-30	54, 68	10-001	137, 138	37-MA	168
008876-000	153	030726-007-30	54, 68	10-026	137, 138	38-031	93, 121
008876-001	153	030728-000	54, 68	10-027	137, 138	38-MA	168
008876-002	153	030729-000-70	68	10-064	93, 121	39-MA	168
008876-003	153	030732-000-30	68	10-087	93, 121	40-MA	168
008876-004	153	030732-001-30	68	10-092	93, 121,	50-001	156
008876-005	153	030733-000-55	54, 68		137, 138	50-002	157
012136-000	77	030739-000-30	154	10-094	93, 121,	50-003	157
012137-000	77	030739-001-30	154		137, 138	50-120	157
012138-000	77	030739-002-30	154	10-095	93, 121,	50-121	157
012162-000-10	153	030739-003-30	154		137, 138	50-122	157
012172-000-30	77	030740-000	67	10-109	137, 138	50-123	157
012236-000	77	030740-001	67	10-116	137, 138	50-210	156
012612-000-60	155	030740-002	67	10-121	137, 138	50-211	156
012966-000	77	030742-000	53, 67	10-122	137, 138	50-212	156
012967-000	77	030742-001	53, 67	10-123	137, 138	50-215	156
021164-016	54, 69, 77,	030742-002	53, 67	10-124	137, 138	50-216	157
	102	030744-000	53, 67	12-626	92, 120	50-217	157
022104-000-30	54, 68	030744-001	53, 67	1208	155	50-219	157
022105-000-30	54, 68	030744-002	53, 67	1387	54, 68	50-232	156
022106-002-55	54, 68	030755-005-30	54, 69	1388	54, 68	5075	93, 121
022108-000-60	54, 68	030787-000-70	68	1389	152	5620-IC	154
022112-000-30	54, 68	030831-004-30	54, 69	1390	155	5620-STD	152
022175-000-30	154	030926-001	67	1391	155	5621-IC	154
022175-001-30	154	030926-002	53, 67	1392	155	5621-STD	152
022175-002-30	154	030926-003	53, 67	1393	155	5622-IC	154
022258-007	77	030927-001	67	1396	152	5622-STD	152
022258-008	77	030927-002	53, 67	1397	154	60-000	156
022258-009	77	030927-003	53, 67	1398	155	60-001	156
022290-007	77	030928-001	67	1400	155	61-500	94, 123
022292-000	77	030928-002	53, 67	1401	155	61-501	94, 123
022295-007	77	030928-003	53, 67	1402	155	61-502	94, 123
022295-008	77	030929-001	67	1403	155	61-503	94, 123
022295-007	77	030929-002	53, 67	1404	155	61-504	123
022298-007	77	030929-003	53, 67	1405	155	61-505	123
022980-008	77	030930-001	67	1407	155	61-506	123
022980-009	77	030930-002	53, 67	1411	155	61-507	94, 123
022981-007	77	030930-003	53, 67	1414	155	61-509	120
022986-001-50	54, 68	030996-001	67	1415	155	61-510	120
024030-000	77	030996-002	53, 67	1416	153	855101	167
024416-012	54, 69, 77,	030996-003	53, 67	1417	153	855118	167
	102	031034-000-30	155	1418	153	855125	167
030057-002	40	031100-000-30	153	1421	153	945	142
030113-000-60	153	031452-000	53	1453	153	950	142
030166-T10-30	153	031511-000-30	54, 68	1453-1	153	951	142
030166-T15-30	153	031514-000-30	54, 68	1453-2	153	954	142
030166-T20-30	153	031515-004-30	69	21	168	973	142
030425-000-60	155	031516-000-70	68	22	168	974	142
030480-004-00	152	031519-000-30	54, 68	23	168	984D	142
030654-000-625	68	031531-006-30	69	24	168	985	142
030654-000-626	68	031533-006-30	54, 69	24483760	65	985D	142
030703-000-30	54, 68	031541-006-30	54	250	142	985T	142
030704-002-30	54, 68	031700-002	101	251	142	986	142
030706-002	67	031701-002	101	252	142	986T	142

Product Index - Locks

Part No.	Page	Part No.	Page	Part No.	Page	Part No.	Page
987.....	142	A12667-007-00.....	154	A23160-23.....	144	A23168-7.....	145
988.....	142	A12667-008-00.....	154	A23160-24.....	144	A23168-8.....	145
990.....	142	A12667-011-00.....	154	A23160-25.....	144	A23169.....	146
992.....	142	A12667-013-00.....	154	A23160-26.....	144	A23169-1.....	146
994848.....	167	A12667-020-00.....	154	A23160-3.....	144	A23169-10.....	146
A02750-000-00.....	153	A12667-03A-00.....	154	A23160-4.....	144	A23169-11.....	146
A03039-000-00.....	153	A12689-000-00.....	154	A23160-5.....	144	A23169-12.....	146
A03519-000.....	77	A12698-000-00.....	154	A23160-6.....	144	A23169-13.....	146
A08350-000-00.....	152	A12742-001-00.....	154	A23160-7.....	144	A23169-2.....	146
A08355-000-00.....	152	A20065-000-00.....	152	A23160-8.....	144	A23169-3.....	146
A08395-000-00.....	152	A20069-000-00.....	152	A23161.....	76, 143	A23169-4.....	146
A08552-000-00.....	153	A20278-000-00.....	154	A23161-01.....	143	A23169-5.....	146
A08553-00X-00.....	153	A22164-000-00.....	152	A23161-02.....	76, 143	A23169-6.....	146
A08554-000-00.....	153	A22164-001-00.....	152	A23161-03.....	76, 143	A23169-7.....	146
A08556-000-00.....	153	A22164-002-00.....	152	A23161-05.....	51, 61,	A23169-8.....	146
A08580-00X-00.....	153	A22164-003-00.....	152		143	A23171-01.....	76, 143
A08790-000.....	153	A22169-000-00.....	152	A23161-06.....	51, 61,	A23171-02.....	76, 143
A08790-001.....	153	A22169-002-00.....	152		99, 143	A23171-05.....	51, 61,
A08790-002.....	153	A23151.....	76, 143	A23161-07.....	51, 61,		143
A08790-003.....	153	A23151-01.....	143		143	A23171-06.....	51, 61,
A08790-004.....	153	A23151-02.....	76, 143	A23162.....	76, 143		143
A08794-000.....	153	A23151-03.....	76, 143	A23162-02.....	76, 143	A23171-07.....	51, 61,
A08794-001.....	153	A23151-05.....	51, 61,	A23165.....	143		143
A08794-002.....	153		143	A23165-02.....	99, 143	A23172-02.....	76, 143
A08794-003.....	153	A23151-06.....	51, 61,	A23166.....	146	A23174.....	145
A08867-000-00.....	152		99, 143	A23166-1.....	146	A23174-1.....	145
A09888-000-00.....	152	A23151-07.....	51, 61,	A23166-10.....	146	A23174-10.....	145
A09890-000-00.....	152		143	A23166-11.....	146	A23174-11.....	145
A09894-001-00.....	152	A23152.....	76, 143	A23166-12.....	146	A23174-12.....	145
A09894-002-00.....	152	A23152-02.....	76, 143	A23166-13.....	146	A23174-13.....	145
A09894-003-00.....	152	A23155.....	143	A23166-2.....	146	A23174-2.....	145
A09894-021-00.....	152	A23155-02.....	99, 143	A23166-3.....	146	A23174-3.....	145
A09894-022-00.....	152	A23159-000.....	144	A23166-4.....	146	A23174-4.....	145
A09894-023-00.....	152	A23159-1.....	144	A23166-5.....	146	A23174-5.....	145
A09897-000-00.....	152	A23159-10.....	144	A23166-6.....	146	A23174-6.....	145
A09897-024-00.....	152	A23159-11.....	144	A23166-7.....	146	A23174-7.....	145
A09898-000-00.....	152	A23159-12.....	144	A23166-8.....	146	A23174-8.....	145
A09899-000-00.....	152	A23159-13.....	144	A23166-8.....	146	A23174-8.....	145
A12053-000-00.....	152	A23159-13.....	144	A23167.....	145	A24264-000-00.....	152
A12165-000-00.....	153	A23159-2.....	144	A23167-1.....	145	A28351-000-00.....	152
A12165-100-00.....	153	A23159-3.....	144	A23167-10.....	145	A30028.....	143
A12166-000-00.....	153	A23159-4.....	144	A23167-11.....	145	A30028-01.....	143
A12635-0xx-00.....	155	A23159-5.....	144	A23167-12.....	145	A30034-001-00.....	152
A12636-0xx-00.....	155	A23159-6.....	144	A23167-13.....	145	A30036-01.....	143
A12637-000-00.....	155	A23159-7.....	144	A23167-2.....	145	A30037-000-00.....	152
A12637-500-00.....	155	A23159-8.....	144	A23167-3.....	145	A30038-000-00.....	152
A12638-000-00.....	155	A23160-000.....	144	A23167-4.....	145	A30040.....	143
A12639-001-00.....	155	A23160-1.....	144	A23167-5.....	145	A30040-01.....	143
A12639-002-00.....	155	A23160-10.....	144	A23167-6.....	145	A30375-0xx-00.....	155
A12663-001-00.....	154	A23160-11.....	144	A23167-7.....	145	A30376-0xx-00.....	155
A12663-002-00.....	154	A23160-12.....	144	A23167-8.....	145	A30480-004-00.....	152
A12663-003-00.....	154	A23160-13.....	144	A23168.....	145	A30730-001-00.....	152
A12663-004-00.....	154	A23160-14.....	144	A23168-1.....	145	A30730-002-00.....	152
A12663-008-00.....	154	A23160-15.....	144	A23168-10.....	145	A30730-003-00.....	152
A12663-009-00.....	154	A23160-16.....	144	A23168-11.....	145	A30730-004-00.....	152
A12664-010-00.....	154	A23160-17.....	144	A23168-12.....	145	A30730-006-00.....	152
A12667-000-00.....	154	A23160-18.....	144	A23168-13.....	145	A30746-000-00.....	54, 68
A12667-001-00.....	154	A23160-19.....	144	A23168-2.....	145	A30747-000-00.....	54, 68
A12667-002-00.....	154	A23160-2.....	144	A23168-3.....	145	A30748-000-00.....	69
A12667-003-00.....	154	A23160-20.....	144	A23168-4.....	145	A30748-001-00.....	69
A12667-006-00.....	154	A23160-21.....	144	A23168-5.....	145	A30749-060-00.....	54, 68
		A23160-22.....	144	A23168-6.....	145	A30749-070-00.....	54, 68

Part No.	Page	Part No.	Page	Part No.	Page	Part No.	Page
A30753-00	53, 67	A7801-xx	39	AS77310-L/RH	39	KB797	149
A30753-01	53, 67	A7802-xx	39	AS77321-L/RH	39	KB799	149
A30756-000-00	69	A7804-xx	39	AS77360-L/RH	39	KB905	149
A30756-001-00	69	A7805-xx	39	AS77760-L/RH	39	KB906	149
A30758-000-00	69	A7806-xx	39	B202-578	139	KB907	149
A30758-001-00	69	A7807-xx	39	B302-041	92, 120	KC215A130	163
A30759-000-00	69	A7808-xx	39	B302-045	92, 120	KC215B130	163
A30759-001-00	69	A7809-xx	39	B502-873	139	KS11D1200	163
A30760-000-00	69	A7813-xx	39	B520-298	94, 122	KS11F1200	163
A30760-001-00	69	A7814-xx	39	B520-649	93, 121	KS21A1200	163
A30761-000-00	69	A7815-xx	39	B520-650	93, 121	KS21D1200	163
A30765-000-00	69	A7816-xx	39	B520-651	152	KS21F1200	163
A30767-000-00	69	A7819-xx	39	B520-652	152	KS41D1200	163
A30767-001-00	69	A7820-xx	39	B600-018	92, 120	KS41F1200	163
A30769-000-00	69	A7821-xx	39	B600-045	152	KZ11A10	164
A30769-001-00	69	A7822-xx	39	B600-046	152	KZ11D10	164
A30773-000-00	69	A7829-xx	39	B600-047	94, 122	KZ11D20	164
A30773-001-00	69	A7830-xx	39	B600-053	94, 122	KZ11F10	164
A30775-000-00	68	A7831-xx	39	B600-066	94, 122	KZ11F40	164
A30780-000-00	68	A7851-12-xx	39	B600-071	152	KZ11G10	164
A30780-001-00	68	A7851-12RX-xx	39	B600-078	94, 122	KZ11G20	164
A30905-001-00	54	A7851-24-xx	39	B600-100	94, 122	KZ11G40	164
A30905-060-00	54	A7851-24RX-xx	39	B600-101	94, 122	KZ12D10	164
A30906-001-00	68	A7881-12-xx	39	C603-897	94, 122	KZ12D20	164
A30906-060-00	68	A7881-12RX-xx	39	E77012-IB	40	KZ12D40	164
A30906-070-00	54, 68	A7881-24-xx	39	E77012-IC	40	KZ12G10	164
A30913-000-00	54, 68	A7881-24RX-xx	39	E77012-IC	40	KZ12G20	164
A30913-001-00	54, 68	AE55012-OC	39	E77012-IP	40	KZ12G40	164
A30915-000-00	68	AE55012-OT	39	E77300	40	KZ13D10	164
A30915-001-00	68	AE77012-IE	40	E77301	40	KZ13D20	164
A31517-000-00	69	AE77012-IT	40	E77302	40	KZ13D40	164
A31517-001-00	69	AE77012-OC	40	E77303	40	KZ13F10	164
A31518-000-00	69	AE77012-OK	40	E77306	40	KZ13F20	164
A31518-001-00	69	AE77012-OP	40	E77307	40	KZ13F40	164
A31544-00*	53	AE77012-OT	40	J250-028	93, 94, 121, 122	M204-198	68
A31544-00	67	AE77029-L/RH	39	KB525	149	PE1396	40
A31706-000-00	101	AE77100-L/RH	39	KB531	149	Q001-055	154
A31707-000-00	101	AE77140-L/RH	39	KB536	149	Q005-085	111
A31707-002-00	101	AE77280-L/RH	39	KB544	149	Q033-026	111
A31708-000	101	AE77526-L/RH	39	KB545	149	Q033-066	144
A31708-001	101	AE87012-OC	40	KB545	149	Q033-067	144
A31708-002	101	AE87012-OK	40	KB565	149	Q033-069	144
A31708-003	101	AE87012-OT	40	KB566	149	Q033-070	144
A31709-000-00	101	AE87012-IC	40	KB567	149	Q033-071	144
A31709-001-00	101	AE87112-OC	40	KB573	149	Q033-072	145
A31714-000-00	101	AE87112-OK	40	KB574	149	Q033-073	145
A31714-001-00	101	AE87112-OT	40	KB577	149	Q033-074	145
A31715-000-00	101	AE87212-IC	40	KB578	149	Q033-075	146
A31715-001-00	101	AS5813	40	KB579	149	Q033-076	146
A31716-000-00	101	AS75319	39	KB580	149	Q033-077	145
A31716-001-00	101	AS76029-L/RH	39	KB581	149	Q033-078	145
A31739-000	101	AS76100-L/RH	39	KB582	149	Q033-079	145
A31739-001	101	AS76140-L/RH	39	KB584	149	Q100-100	137, 138
A31750-000	101	AS76280-L/RH	39	KB590	149	Q100-101	137, 138
A31750-001	101	AS76310-L/RH	39	KB591	149	Q100-102	138
A31751-000	101	AS76319	39	KB592	149	Q100-103	138
A31751-001	101	AS76321-L/RH	39	KB593	149	Q100-104	143
A31764-000	101	AS76360-L/RH	39	KB751	149	Q100-105	143
A31767-000	102	AS76526-L/RH	39	KB761	149	Q100-108	144
A48553-00X-00	153	AS76760-L/RH	39	KB771	149	Q330-041	137, 138
A48580-00X-00	153	AS76853	39	KB794	149	Q330-152	109, 144

Product Index - Locks

LOCKS

Product Index

Part No.	Page	Part No.	Page	Part No.	Page	Part No.	Page
Q330-154	109, 143	Q330-249	145	Q330-431 LAT	67	Q500-070	91, 143
Q330-156	146	Q330-250	145	Q330-431 LON	67	Q500-071	144
Q330-158	145	Q330-251	146	Q330-432 BRK	67	Q500-071-5C	144
Q330-160	146	Q330-253	120	Q330-432 BRW	67	Q500-072	119, 143
Q330-164	111, 152	Q330-254	120	Q330-432 LAT	67	Q630-246	84
Q330-166	145	Q330-256	92	Q330-432 LON	67	Q630-254	84
Q330-168	111, 154	Q330-257	92	Q330-433 BRK	67	Q630-276	84
Q330-169	111, 154	Q330-270	68	Q330-433 BRW	67	Q630-277	84
Q330-170	111	Q330-271	68	Q330-433 LAT	67	Q630-278	84
Q330-175	120, 138	Q330-272	54	Q330-433 LON	67	Q630-279	84
Q330-176	92	Q330-273	54	Q500-010	119, 143	Q630-288	84
Q330-177	120, 138	Q330-276	149	Q500-012	119, 143	Q630-289	84
Q330-178	92	Q330-282	111	Q500-014	119, 143	Q630-312	84
Q330-179	111	Q330-306	82	Q500-021	91, 143	R525-256	94, 122
Q330-182	111	Q330-310	82	Q500-022	143	S206-504	139
Q330-210	145	Q330-311	82	Q500-046	91, 143	S76012	39
Q330-215	149	Q330-391	82	Q500-047	143	S76206	40
Q330-237	144	Q330-392	84	Q500-054	91, 143	S76300	40
Q330-238	143	Q330-393	84	Q500-055	143	S76301	40
Q330-239	146	Q330-394	84	Q500-056	119, 143	S76302	40
Q330-240	145	Q330-396	82	Q500-057	119, 143	S76303	40
Q330-241	145	Q330-397	82	Q500-058	91, 143	S76306	40
Q330-242	145	Q330-399	84	Q500-059	91, 143	S76307	40
Q330-243	146	Q330-430 BRK	67	Q500-064	91, 143	S76802	40
Q330-245	144	Q330-430 BRW	67	Q500-065	143	S76806	40
Q330-245-5	144	Q330-430 LAT	67	Q500-065-5C	144	S76816	40
Q330-246	143	Q330-430 LON	67	Q500-066	91, 143		
Q330-247	146	Q330-431 BRK	67	Q500-067	119, 143		
Q330-248	145	Q330-431 BRW	67	Q500-069	119, 143		

Finishes	174
General Exit Device Information	174
Factors Affecting Exit Devices	175
New Nomenclature Conversion Chart	176
How to Order	177-178

Exit Device

Pushpad Architectural Heavy Duty

25-R Series	180-181
25-V Series	182-183
25-M Series	184-185
25-C Series	186-187
25-C-WDC Series	188-189
25 Series Device Options	190-191
25 Series Trims	192
25 Series Device Accessories	192-195
25 Series Device and Trim Parts	196-200
2	
4-R Series	216-217
24-V Series	218-219
24-C Series	220-221
24-C-CWDC Series	222-223
24 Series Device Options	224
24 Series Trims	225
24 Series Device Accessories	226-228
24 Series Device and Trim Parts	229-233

Pushpad Commercial Medium Duty

19-R Series	246-247
19-V Series	248-249
19 Series Device Options	250
19 Series Trims	251
19 Series Device Accessories	252-254
19 Series Device and Trim Parts	255-256
20 Series Devices and Trims	264
1490 Series and Device Options/Accessories	265-266
1590 Series and Device Options/Accessories	267-268
1490/1590 Device Parts	269
1690 Series and Device Options/Accessories	277-278
1690 Device Parts	279
1790 Series and Device Options/Accessories	282-283
1790 Device Parts	284

Crossbar Wide Stile

XX-R Series	286-287
XX-V Series	288-289
XX-M Series	290-291
XX-C Series	292-293
XX-CWDC Series	294-295
XX Series Device Options	296
XX Series Trims	297-298
XX Series Device Accessories	299-300
XX Series Device and Trim Parts	301-303

Crossbar Narrow Stile

1990 Series and Device Options/Accessories	316-317
1990 Device Parts	318
2090 Series and Device Options/Accessories	322-323
2090 device Parts	324

Recessed Concealed Vertical Mid-Panel

2390 Series and Device Options/Accessories	328
2390 Device Parts	330

Exit Device Accessories

Mullions and Mullion Parts	334
Sex Bolts	335
Delayed Egress	335

Numerical Index	336-338
-----------------------	---------

Prices subject to change without notice

Exit Device Finishes

US	BHMA	Finish Color Description
SP28	689	Silver Painted (Resembles Aluminum Finish)
P13/SP313	695	Dark Bronze Painted (Spray Duranodic)
P35	622	Flat Black Painted
US3	605/666	Brass, Polished
US4	606/667	Brass, Satin
US9	611/705	Bronze, Polished
US10	612/668	Bronze, Satin
US11	643e	Aged Bronze
US10B	613/703	Bronze, Oil-Rubbed Satin
US15	619/670	Nickel, Satin
US19	622	Flat Black Painted
US26	625/672	Chrome, Polished
US26D	626/702	Chrome, Satin
US32	629	Stainless Steel, Polished
US32D	630	Stainless Steel, Satin
US28	628	Anodized Aluminum, Clear (Satin)
DC13 / 313AN	710	Anodized Aluminum, Duranodic Dark Bronze
DC35	711	Anodized Aluminum, Flat Black
USP	600	Prime Coat

REFERENCE NOTES:

- 1) Material substrate varies by device component, US and BHMA code used represents overall finish appearance of assembled device.
- 2) SP28 and SP313 contain certain exposed parts that are molded from black plastic material or black powder coated finish.
- 3) When split finish is desired, the finish listed first is understood to be the outside finish.
- 4) See specific device pages for available finishes by device.

General Information (Specific to the Falcon 19, 24, 25, and XX series exit devices)

All products listed meet ANSI A156.3 Grade 1 standard.

Devices will be furnished for hollow metal doors 3'0" x 7'0" x 1-3/4" full flush, with 5/8" high frame stops unless specified otherwise.

DOOR WIDTHS

EXIT DEVICES for door widths exceeding 4'0" are custom applications. Specify the exact door width and consult factory for price and availability. For device widths on narrow stile aluminum and glass doors, consult factory.

DOOR THICKNESS

EXIT DEVICES are furnished at prices listed for door thicknesses of 1 3/4" with standard centerlines. Other door thicknesses and/or offset installations may require additional charges for the device, trim, control and/or strike. Consult factory.

DOOR HEIGHTS/DEVICE CENTERLINE

SURFACE and **CONCEALED VERTICAL ROD DEVICES** for heights over 7'0" up to 8'0", extension rods are furnished at no additional charge. For heights over 8'0" up to 10'0" extension rods are furnished at prices shown on specific device parts pages. For doors higher than 10'0" or when centerline is other than standard, specify exact height. Consult factory for price.

86 OR 161 DOOR PREPARATIONS

When devices will apply over a 86 or 161 door preparation, consult factory.

DEVICE MOUNTING SCREWS

Machine screws are furnished with Fire Exit Devices. Sheet metal screws are furnished with Panic Devices. Machine screws can be substituted at no additional charge, specify AMS.

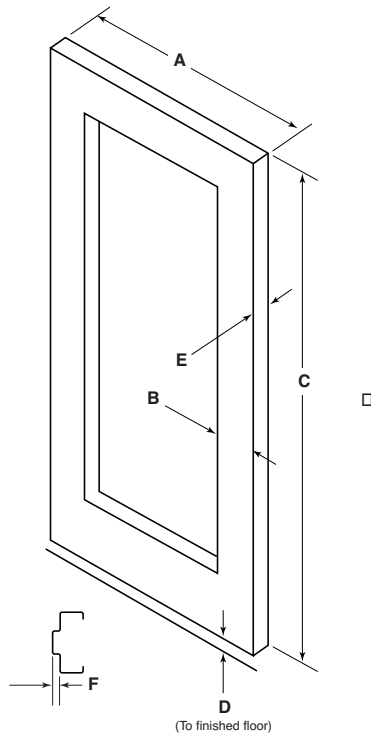
SUBSTITUTION OF OUTSIDE TRIM OR STRIKES

When other than standard is desired, deduct price of standard and add price of item used. Check catalog for compatibility. Lever trim is furnished standard Dane. Optional lever designs of Avalon, Quantum, and Sutro are available at no additional charge.

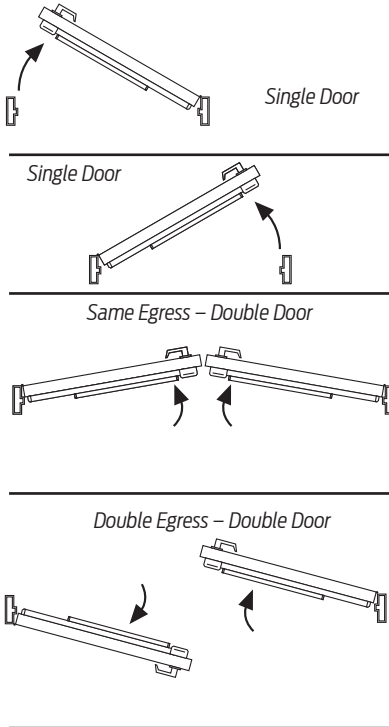
ELECTRIC ACCESSORIES

When specifying Electrical Products, consult catalog or factory to ensure all coordinating accessories have been considered. All electric devices must use respective power supply for warranty to apply.

Prices subject to change without notice



Handing Diagrams



A Door Width

Specify exact door width. This determines what size device is supplied. If door width not specified, 3' is furnished standard.

B Stile Width

Determines which series can be used because of the dimension of the active or inactive case. In conjunction with the door width, the width of the device is also affected.

C Door Height

Rod lengths and extension rod requirements for surface vertical or concealed vertical rod devices are determined by height.

D Undercut

Bottom rods and bottom latches or bolts for vertical rod applications are affected by the distance between the bottom of the door and the surface to which the strike will apply; 1/4" minimum, 3/4" maximum.

E Thickness

When trim is used with a device it is affected by thickness as is the length of fasteners and cylinders.

F Stop Height

The type of strike and affect on backsets is determined by the stop (5/8" standard)

Glass Bead

In the case of touch bar devices, series 19, 24 and 25, glazing bead or trim can interfere with the device requiring shim kits with modified trim and/or device.

Fire Labels

As a component of a fire door assembly, exit devices must meet special requirements.

Other

Factors such as transom panels, sill conditions and astragals can affect exit device selection.

Pairs

When devices will occur on paired door leaves, order them together.

Materials

Unusual door or frame materials can affect device selection such as channel iron frames, blade stop frames, hollow core doors and mineral core doors.

Conversion Table

17 Series to 24 Series

Old	New	Trim
(F)17-R	(F)24-R	No Change
(F)17-V	(F)24-V	No Change
(F)17-C	(F)24-C	No Change
(F)17-C-WDC	(F)24-C-WDC	No Change

18 Series to 25 Series

Old	New	Trim
(F)18-R	(F)25-R	See Below
(F)18-V	(F)25-V	See Below
(F)18-C	(F)25-C	See Below
(F)18-C-WDC	(F)25-C-WDC	See Below
(F)18-M	(F)25-M	See Below

18 Series to 25 Series Trim

Old	Old Trim	New	Old	Old Trim	New
812L	Lever Trim	510L	810TP	Apollo	512TP
812L-NL	Lever Trim	510L-NL	810NL	Apollo	512NL
812L-DT	Lever Trim	510L-DT	810DT	Apollo	512DT
812L-BE	Lever Trim	510L-BE	810TP-BE	Apollo	512TP-BE
816L	Vandal Resistant	511L	811K	Knob	513K
820TP	Vanguard	512TP	811K-NL	Knob	513K-NL
820NL	Vanguard	512NL	811K-DT	Knob	513K-DT
820DT	Vanguard	512DT	811K-BE	Knob	513K-BE
820TP-BE	Vanguard	512TP-BE	717DT	Delta	717DT
				Key in Lever	Discontinued

17/18 Strikes to 24/25 Strikes

Old	New	24 Series	25 Series	Comments
F490	299	X	X	Need 650106 retrofit kit for existing prep
F490	299F	X	X	Need 650106 retrofit kit for existing prep
565	1439	X	X	
F570	299	X	X	Need 650106 retrofit kit for existing prep
F570	299F	X	X	Need 650106 retrofit kit for existing prep
571	1609	X	X	
579	1606	Not recommended	X	
No Equivalent	499F	Not offered	X	
No Equivalent	264	X	X	

19 Series Trim Changes

Old	New	Trim/Control	Old	New	Trim/Control
1953DT	920DT	Trident	1910L-NL	912L-NL-Dane	Control
1955P	920NL	Trident	1920L LS/LK	912L-BE-Dane	Control
1904 PULL ONLY	917DT	Centron	1980L-DT	912L-DT-Dane	Control
2301BE	930EO	Centron	1919L	912L-Quantum	Control
2303DT	930DT	Centron	1919L-NL	912L-NL-Quantum	Control
2302C	930C	Centron	1929L LS/LK	912L-BE-Quantum	Control
2305P	930NL	Centron	1989L-DT	912L-DT-Quantum	Control
1907K	911K	Control	1912L	912L-Sutro	Control
1907K-NL	911K-NL	Control	1912L-NL	912L-NL-Sutro	Control
1927K LS/LK	911K-BE	Control	1922L-BE	912L-BE-Sutro	Control
1937K-DT	911K-DT	Control	1982L-DT	912L-DT-Sutro	Control
1911L	912L	Control	2400KIL w/IC Core	914KIL-IC	Key in Lever
1911L-NL	912L-NL	Control	2400KIL	914KIL-KD	Key in Lever
1921L LS/LK	912L-BE	Control	2401KIL LS/LK	914KIL-BE	Key in Lever
1981LDT	912L-DT	Control	2402KIL-NL	914KIL-NL-KD	Key in Lever
1910L	912L-Dane	Control			

Prices subject to change without notice

How to Order Sequence Example

MEL F 25 V L-DANE US3 3' LHR LBR SNB WD

Prefixes

AX	Accessible Device (25 and 19 Series Only)
CD	Cylinder Dogging
LD	Less Dogging
RX	Touchbar Request to Exit
DM	Latchbolt Monitor Switch - when fully extended
LM	Latchbolt Monitor Switch - when fully retracted
KOR	Key Bypass Switch
EL	Electric Latch Retraction
MEL	Motorized Electric Latch Retraction
FSA	Electric Lock or Unlock Trim-Fail Safe (25 Series Only)
FSE	Electric Lock or Unlock Trim-Fail Secure (25 Series Only)
EA	Exit Alarm

Rating

F	Fire Exit Hardware
Blank	Panic Exit Hardware

Device Series

19	Touch Bar Device, Narrow Stile
24	Touch Bar Device, Narrow Stile
25	Touch Bar Device
XX	Crossbar Device

Device Type

R	Rim	C	Concealed Vertical rod
V	Surface Vertical Rod	C-WDC	Concealed Vertical rod Wood Door
M	Mortise		

Trim Function (see Trim pages for all functions)

EO	Exit Only	K	Knob
DT	Dummy Trim	L	Lever (Dane Standard)
NL	Night Latch	TL	Thumb Lever
C	Cylinder Trim Plate	NL-OP	Night Latch Pull by other
TP	Thumbpiece	KIL	Key in Lever

Latch Option

DL	Dead Locking
-----------	--------------

Finish

US3	US10	US15*	US26	US32	SP28	
US4	643E*	US19*	US26D	US32D	SP313	313AN

Door Width

3'	Standard Default
4'	
2'	

Door Thickness

1-3/4"	Standard
2-1/4"	Optional

Handing

RHR	Right Hand Reverse
LHR	Left Hand Reverse

Less Bottom Rod

LBR	Less Bottom Rod
LBR-AFL	LBR w/Auxiliary Fire Pin

Accessories

CYL	Cylinder	SNB	Sex Bolts	AMS	All Machine Screws
SK	Shim Kit	SLM	SLM Blocking		

Other Miscellaneous Door Information

HMD	Hollow Metal Door	SCDC	Steel Channel Door Construction	-	Door Label (20 min, 45 min, 90 min 1-1/2 hr)
HMF	Hollow Metal Frame	-	Specify other Door or Frame	-	Stile Width
WD	Wood Door		Material information	-	Frame Stop Height
WDF	Wood Frame	-	Door Height	SGL	Single Door
ALD	Aluminum Door	-	Door Thickness	PR	Pair of Doors Swinging Same Direction
ALF	Aluminum Frame	-	Door Undercut	DE	Double Egress Doors
CPD	Composite Door	-		CON	Allegion Connect

*643E, US15 and US19 are available on select 24 and 25 Series

Not all options are available on all series, consult customer service.

For Special Order Product Quotes: Email: vdi_specials@allegion.com Fax: 1-877-730-6248

Prices subject to change without notice

EXITS

Trim - How to Order

How to Order Sequence Example

510	L - R	US26D	LHR	SUTRO	FSE	CYL
-----	-------	-------	-----	-------	-----	-----

Trim Series

D24 Series	D25 Series	19 Series	XX Series
711	510	911	711
712	511	912	712
715	512	914	717
717	513	917	718
718	717	918	810
	718	920	811
		930	812
			815
			816
			820

Trim Function (see Trim pages for all functions)

EO	Exit Only
DT	Dummy Trim
NL	Night Latch
C	Cylinder Trim Less Pull
TP	Thumbpiece
K	Knob
L	Lever (Dane Standard)
KIL	Key in Lever
TL	Thumb Lever

Device Type

R	Rim
V	Surface Vertical Rod
M	Mortise
C	Concealed Vertical Rod (includes WDC)

Finish

US3	US10	643E*	US19*	US26D	SP313	
US4	US10B	US15*	US26	SP28	US32	US32D

Handing

RHR	Right Hand Reverse
LHR	Left Hand Reverse

Lever Style

DANE	(DAN) supplied standard if not specified	BROADWAY	(BRW)* (available on 24 and 25 Series only)
SUTRO	(SUT)	DANISH	(DSH)* (available on 24 and 25 Series only)
QUANTUM	(QUA)	LATITUDE	(LAT)* (available on 24 and 25 Series only)
AVALON	(AVA) (available on 24, 25 and xx Series only)	LONGITUDE	(LON)* (available on 24 and 25 Series only)
BOARDWALK	(BRK)* (available on 24 and 25 Series only)		

Trim Options

FSA	Electric Lock or Unlock-Fail Safe (FSA device required)
FSE	Electric Lock or Unlock-Fail Secure (FSE device required)
CON	Allegion Connect

Other Information or Accessories

CYL	Include Cylinder with Trim
KD	Cylinder Keyed Different

Door Thickness

Specify door thickness other than 1-3/4"

*New finishes and levers are available on select 24 and 25 Series.

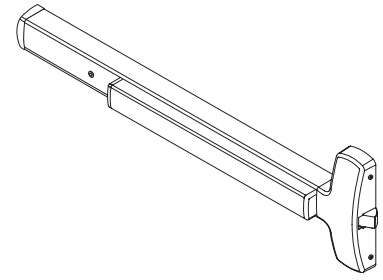
Prices subject to change without notice

Discount Policy on Von Duprin and Falcon Common Products and Parts:

- Von Duprin discount applies on products and parts, such as power supplies, power transfers, and other parts or accessories common to both brands.
- Customers not open to Von Duprin product will receive a minimum buying program with a 50% multiplier.

Prices subject to change without notice

3' Devices are priced with standard trim and strike, 4' add \$19 list.
Cylinders are not included in the price.



EXIT HARDWARE

Rim Devices

(Price includes 299 Strike)

	Trim/Control	US28	US32D	313AN	US19* US26D	US26	US32	US10	US4	US3 643E* US15*
* 25-R-EO		869	1081	921	1059	1102	1124	1102	1124	1239
* 25-R-NL-OP	(Supplied as NL less trim)	869	1081	921	1059	1102	1124	1102	1124	1239
Lever - Dane (handed and field reversible)										
* 25-R-L	510L*	1194	1464	1246	1442	1491	1513	1427	1449	1628
* 25-R-L-BE	510L-BE*	1194	1464	1246	1442	1491	1513	1427	1449	1628
* 25-R-L-NL	510L-NL*	1129	1387	1181	1365	1459	1481	1362	1384	1596
* 25-R-L-DT	510L-DT*	1129	1387	1181	1365	1459	1481	1362	1384	1596
VR Lever (handed and field reversible)										
* 25-R-L	511L*	1252	1518	1304	1496	1548	1570	1485	1507	1685
Thumbpiece (non-handed)										
25-R-TP	512TP	1159	1401	1211	1379	1478	1500	1392	1414	1615
25-R-TP-BE	512TP-BE	1159	1401	1211	1379	1478	1500	1392	1414	1615
* 25-R-NL	512-NL*	1104	1337	1156	1315	1405	1427	1337	1359	1542
Knob (non-handed)										
25-R-K	513K	1115	1367	1167	1345	1438	1460	1348	1370	1575
25-R-K-BE	513K-BE	1115	1367	1167	1345	1438	1460	1348	1370	1575
25-R-K-NL	513K-NL	1115	1367	1167	1345	1438	1460	1348	1370	1575
25-R-K-DT	513K-DT	1115	1367	1167	1345	1438	1460	1348	1370	1575
DT Pull (717 handed and field reversible, 512 non-handed)										
25-R-DT	717DT	1048	1337	1140	1315	1358	1380	1281	1303	1495
25-R-DT	512DT	1067	1281	1119	1259	1405	1427	1300	1322	1542

* These devices and 510L, 510L-BE, 510L-NL, 510L-DT, 511L, 512NL trims are available in 643E, US15, and US19 finishes.

REFERENCE NOTES:

25 Series ordered in 313AN will be supplied with trims in SP313.

Handing: 25-R Device is non-handed. Trims are furnished RHR when handing is not specified.

Sex Bolts:

Optional Sex Bolts are recommended for center case mounting when device is used with hollow core wood, composite or light gauge hollow metal doors. See chart below for quantities and list prices.

Application	Sex Bolt 425 (Optional)	List Add
Hollow core wood, composite, or light gauge hollow metal doors - EO (exit only device)	8	96
Hollow core wood, composite, or light gauge hollow metal doors - Device x Trim	4	48

Prices subject to change without notice

EXITS

Pushpads

Architectural /
Heavy Duty

25 Series

**3' Devices are priced with standard trim and strike, 4' add \$19 list.
Cylinders are not included in the price.**

FIRE EXIT HARDWARE**Rim Devices**

(Price includes 299F Strike)

	Trim/Control	US28	US32D	313AN	US19* US26D	US26	US32	US10	US4	US3 643E* US15*
* F-25-R-EO		1073	1285	1125	1263	1306	1328	1306	1328	1443
* F-25-R-NL-OP	(Supplied as NL less trim)	1073	1285	1125	1263	1306	1328	1306	1328	1443
Lever - Dane (handed and field reversible)										
* F-25-R-L	510L*	1398	1668	1450	1646	1695	1717	1631	1653	1832
* F-25-R-L-BE	510L-BE*	1398	1668	1450	1646	1695	1717	1631	1653	1832
* F-25-R-L-NL	510L-NL*	1333	1591	1385	1569	1663	1685	1566	1588	1800
* F-25-R-L-DT	510L-DT*	1333	1591	1385	1569	1663	1685	1566	1588	1800
VR Lever (handed and field reversible)										
* F-25-R-L	511L*	1456	1722	1508	1700	1752	1774	1689	1711	1889
Thumbpiece (non-handed)										
F-25-R-TP	512TP	1363	1605	1415	1583	1682	1704	1596	1618	1819
F-25-R-TP-BE	512TP-BE	1363	1605	1415	1583	1682	1704	1596	1618	1819
* F-25-R-NL	512-NL*	1308	1541	1360	1519	1609	1631	1541	1563	1746
Knob (non-handed)										
F-25-R-K	513K	1319	1571	1371	1549	1642	1664	1552	1574	1779
F-25-R-K-BE	513K-BE	1319	1571	1371	1549	1642	1664	1552	1574	1779
F-25-R-K-NL	513K-NL	1319	1571	1371	1549	1642	1664	1552	1574	1779
F-25-R-K-DT	513K-DT	1319	1571	1371	1549	1642	1664	1552	1574	1779
DT Pull (717 handed and field reversible, 512 non-handed)										
F-25-R-DT	717DT	1252	1541	1344	1519	1562	1584	1485	1507	1699
F-25-R-DT	512DT	1271	1485	1323	1463	1609	1631	1504	1526	1746

* These devices and 510L, 510L-BE, 510L-NL, 510L-DT, 511L, 512NL trims are available in 643E, US15, and US19 finishes.

REFERENCE NOTES:

25 Series ordered in 313AN will be supplied with trims in SP313.

Handing: F-25-R Device is non-handed. Trims are furnished RHR when handing is not specified.

Sex Bolts:

Sex Bolts are supplied for center case mounting when device is used with wood, composite or non-reinforced hollow metal doors. See chart below for quantities.

Application	Sex Bolt 425 (Supplied)
Wood, composite or non-reinforced hollow metal doors - EO (exit only device)	8
Wood, composite or non-reinforced hollow metal doors - Device x Trim	4

Prices subject to change without notice

3' Devices are priced with standard trim and strikes, 4' add \$19 list and 2' add \$123 list. Cylinders are not included in the price.

EXIT HARDWARE
Surface Vertical Rod Devices
 (Includes 3788 & 2130 Strikes)

Trim/Control	US28	US32D	313AN	US19* US26D	US26	US32	US10	US4	US3 643E* US15*
* 25-V-EO	1263	1583	1342	1542	1607	1638	1607	1638	1730
* 25-V-NL-OP (Supplied as NL less trim)	1263	1583	1342	1542	1607	1638	1607	1638	1730
Lever - Dane (handed and field reversible)									
* 25-V-L 510L*	1588	1966	1667	1925	1996	2027	1932	1963	2119
25-V-L-BE 510L-BE	1588	1966	1667	1925	1996	2027	1932	1963	2119
* 25-V-L-NL 510L-NL*	1523	1889	1602	1848	1964	1995	1867	1898	2087
* 25-V-L-DT 510L-DT*	1523	1889	1602	1848	1964	1995	1867	1898	2087
VR Lever (handed and field reversible)									
* 25-V-L 511L*	1646	2020	1725	1979	2053	2084	1990	2021	2176
Thumbpiece (non-handed)									
25-V-TP 512TP	1553	1903	1632	1862	1983	2014	1897	1928	2106
25-V-TP-BE 512TP-BE	1553	1903	1632	1862	1983	2014	1897	1928	2106
* 25-V-NL 512-NL*	1498	1839	1577	1798	1910	1941	1842	1873	2033
Knob (non-handed)									
25-V-K 513K	1509	1869	1588	1828	1943	1974	1853	1884	2066
25-V-K-BE 513K-BE	1509	1869	1588	1828	1943	1974	1853	1884	2066
25-V-K-NL 513K-NL	1509	1869	1588	1828	1943	1974	1853	1884	2066
25-V-K-DT 513K-DT	1509	1869	1588	1828	1943	1974	1853	1884	2066
DT Pull (717 handed and field reversible, 512 non-handed)									
25-V-DT 717DT	1442	1839	1561	1798	1863	1894	1786	1817	1986
25-V-DT 512DT	1461	1783	1540	1742	1910	1941	1805	1836	2033

* These devices and 510L, 510L-BE, 510L-NL, 510L-DT, 511L, 512NL trims are available in 643E, US15, and US19 finishes.

REFERENCE NOTES:

25 Series ordered in 313AN will be supplied with trims in SP313.

25-V Device ordered in US15 will be supplied with US32D Rod and Latch Cover.

Handing: The 25-V Device is handed and field reversible. Trims are furnished RHR when handing is not specified.

Extension Rods: For door heights over 7'0" up to 8'0", 12" extension rods are furnished at no additional charge at the time of device order. For door heights over 8'0" up to 10'0" extension rods are furnished at prices shown in parts section with the device at the time of order. MUST specify door height on order line.

Sex Bolts:

Optional Sex Bolts are recommended for center case and latch mounting when device is used with hollow core wood, composite or light gauge hollow metal doors. See chart below for quantities and list prices.

Application	Latches Sex Bolt 2729 (Optional)	Device Sex Bolt 425 (Optional)	List Add
Hollow core wood, composite or light gauge hollow metal doors - EO (exit only device)	6	6	126.00
Hollow core wood, composite or light gauge hollow metal doors - Device x Trim	6	2	78.00
Hollow core wood, composite or light gauge hollow metal doors - EO (exit only device) LBR	3	6	99.00
Hollow core wood, composite or light gauge hollow metal doors - Device x Trim LBR	3	2	51.00

Prices subject to change without notice

EXITS

Pushpads

Architectural /
Heavy Duty

25 Series

3' Devices are priced with standard trim and strikes, 4' add \$19 list and 2' add \$123 list. Cylinders are not included in the price.

FIRE EXIT HARDWARE
Surface Vertical Rod Devices
 (Includes 3788 & 2130 Strikes)

	Trim/Control	US28	US32D	313AN	US19* US26D	US26	US32	US10	US4	US3 643E* US15*
* F-25-V-EO		1451	1771	1530	1730	1795	1826	1795	1826	1918
* F-25-V-NL-OP	(Supplied as NL less trim)	1451	1771	1530	1730	1795	1826	1795	1826	1918
Lever - Dane (handed and field reversible)										
* F-25-V-L	510L*	1776	2154	1855	2113	2184	2215	2120	2151	2307
* F-25-V-L-BE	510L-BE*	1776	2154	1855	2113	2184	2215	2120	2151	2307
* F-25-V-L-NL	510L-NL*	1711	2077	1790	2036	2152	2183	2055	2086	2275
* F-25-V-L-DT	510L-DT*	1711	2077	1790	2036	2152	2183	2055	2086	2275
VR Lever (handed and field reversible)										
* F-25-V-L	511L*	1834	2208	1913	2167	2241	2272	2178	2209	2364
Thumbpiece (non-handed)										
F-25-V-TP	512TP	1741	2091	1820	2050	2171	2202	2085	2116	2294
F-25-V-TP-BE	512TP-BE	1741	2091	1820	2050	2171	2202	2085	2116	2294
* F-25-V-NL	512-NL*	1686	2027	1765	1986	2098	2129	2030	2061	2221
Knob (non-handed)										
F-25-V-K	513K	1697	2057	1776	2016	2131	2162	2041	2072	2254
F-25-V-K-BE	513K-BE	1697	2057	1776	2016	2131	2162	2041	2072	2254
F-25-V-K-NL	513K-NL	1697	2057	1776	2016	2131	2162	2041	2072	2254
F-25-V-K-DT	513K-DT	1697	2057	1776	2016	2131	2162	2041	2072	2254
DT Pull (717 handed and field reversible, 512 non-handed)										
F-25-V-DT	717DT	1630	2027	1749	1986	2051	2082	1974	2005	2174
F-25-V-DT	512DT	1649	1971	1728	1930	2098	2129	1993	2024	2221

* These devices and 510L, 510L-BE, 510L-NL, 510L-DT, 511L, 512NL trims are available in 643E, US15, and US19 finishes.

REFERENCE NOTES:

25 Series ordered in 313AN will be supplied with trims in SP313.

25-V Device ordered in US15 will be supplied with US32D Rod and Latch Cover.

Handing: The F-25-V Device is handed and field reversible. Trims are furnished RHR when handing is not specified.

Extension Rods: For door heights over 7'0" up to 8'0", 12" extension rods are furnished at no additional charge at the time of device order. For door heights over 8'0" up to 10'0" extension rods are furnished at prices shown in parts section with the device at the time of order. MUST specify door height on order line.

Sex Bolts:

Sex Bolts are supplied for center case mounting and latch mounting when device is used with wood, composite or non-reinforced hollow metal doors. See chart below for quantities.

Application	Latches Sex Bolt 2729 (Supplied)	Device Sex Bolt 425 (Supplied)
Wood, composite or non-reinforced hollow metal doors - EO (exit only device)	6	6
Wood, composite or non-reinforced hollow metal doors - Device x Trim	6	2
Wood, composite or non-reinforced hollow metal doors - EO (exit only device) LBR	3	6
Wood, composite or non-reinforced hollow metal doors - Device x Trim LBR	3	2

Prices subject to change without notice

3' Devices are priced with standard trim and strike, 4' add \$19 list.
Cylinders are not included in the price.

EXIT HARDWARE
Mortise Lock Devices
(Includes 1279 Strike)

	Trim/Control	US28	US32D	313AN	US19* US26D	US26	US32	US10	US4	US3 643E* US15*
* 25-M-EO		1148	1433	1219	1404	1462	1489	1463	1492	1577
* 25-M-NL-OP	(Supplied as NL less trim)	1148	1433	1219	1404	1462	1489	1463	1492	1577
Lever - Dane										
* 25-M-L	510L*	1473	1816	1544	1787	1851	1878	1788	1817	1966
* 25-M-L-BE	510L-BE*	1473	1816	1544	1787	1851	1878	1788	1817	1966
* 25-M-L-NL	510L-NL*	1408	1739	1479	1710	1819	1846	1723	1752	1934
* 25-M-L-DT	510L-DT*	1408	1739	1479	1710	1819	1846	1723	1752	1934
VR Lever										
* 25-M-L	511L*	1531	1870	1602	1841	1908	1935	1846	1875	2023
Thumbpiece										
25-M-TP	512TP	1438	1753	1509	1724	1838	1865	1753	1782	1953
25-M-TP-BE	512TP-BE	1438	1753	1509	1724	1838	1865	1753	1782	1953
* 25-M-NL	512-NL*	1383	1689	1454	1660	1765	1792	1698	1727	1880
Knob										
25-M-K	513K	1394	1719	1465	1690	1798	1825	1709	1738	1913
25-M-K-BE	513K-BE	1394	1719	1465	1690	1798	1825	1709	1738	1913
25-M-K-NL	513K-NL	1394	1719	1465	1690	1798	1825	1709	1738	1913
25-M-K-DT	513K-DT	1394	1719	1465	1690	1798	1825	1709	1738	1913
DT Pull										
25-M-DT	717DT	1327	1689	1438	1660	1718	1745	1642	1671	1833
25-M-DT	512DT	1346	1633	1417	1604	1765	1792	1661	1690	1880

* These devices and 510L, 510L-BE, 510L-NL, 510L-DT, 511L, 512NL trims are available in 643E, US15, and US19 finishes.

REFERENCE NOTES:

25 Series ordered in 313AN will be supplied with trims in SP313.

Handing: The 25-M Device is handed and not field reversible. Specify handing RHR or LHR.

Sex Bolts:

Optional Sex Bolts are recommended for center case and latch mounting when device is used with hollow core wood, composite or light gauge hollow metal doors. See chart below for quantities and list prices.

Application	Device Sex Bolt 425 (Optional)	List Add
Hollow core wood, composite or light gauge hollow metal doors - EO (exit only device)	6	72
Hollow core wood, composite or light gauge hollow metal doors - Device x Trim	2	24

Prices subject to change without notice

EXITS

Pushpads

Architectural /
Heavy Duty

25 Series

**3' Devices are priced with standard trim and strike, 4' add \$19 list.
Cylinders are not included in the price.**

FIRE EXIT HARDWARE

Mortise Lock Devices
(Includes 1279 Strike)

	Trim/Control	US28	US32D	313AN	US19* US26D	US26	US32	US10	US4	US3 643E* US15*
* F-25-M-EO		1336	1621	1407	1592	1650	1677	1651	1680	1765
* F-25-M-NL-OP	(Supplied as NL less trim)	1336	1621	1407	1592	1650	1677	1651	1680	1765
Lever - Dane										
* F-25-M-L	510L*	1661	2004	1732	1975	2039	2066	1976	2005	2154
* F-25-M-L-BE	510L-BE*	1661	2004	1732	1975	2039	2066	1976	2005	2154
* F-25-M-L-NL	510L-NL*	1596	1927	1667	1898	2007	2034	1911	1940	2122
* F-25-M-L-DT	510L-DT*	1596	1927	1667	1898	2007	2034	1911	1940	2122
VR Lever										
* F-25-M-L	511L*	1719	2058	1790	2029	2096	2123	2034	2063	2211
Thumbpiece										
F-25-M-TP	512TP	1626	1941	1697	1912	2026	2053	1941	1970	2141
F-25-M-TP-BE	512TP-BE	1626	1941	1697	1912	2026	2053	1941	1970	2141
* F-25-M-NL	512-NL*	1571	1877	1642	1848	1953	1980	1886	1915	2068
Knob										
F-25-M-K	513K	1582	1907	1653	1878	1986	2013	1897	1926	2101
F-25-M-K-BE	513K-BE	1582	1907	1653	1878	1986	2013	1897	1926	2101
F-25-M-K-NL	513K-NL	1582	1907	1653	1878	1986	2013	1897	1926	2101
F-25-M-K-DT	513K-DT	1582	1907	1653	1878	1986	2013	1897	1926	2101
DT Pull										
F-25-M-DT	717DT	1515	1877	1626	1848	1906	1933	1830	1859	2021
F-25-M-DT	512DT	1534	1821	1605	1792	1953	1980	1849	1878	2068

* These devices and 510L, 510L-BE, 510L-NL, 510L-DT, 511L, 512NL trims are available in 643E, US15, and US19 finishes.

REFERENCE NOTES:

25 Series ordered in 313AN will be supplied with trims in SP313.

Handing: The F-25-M Device is handed and not field reversible. Specify handing RHR or LHR.

Sex Bolts:

Optional Sex Bolts are supplied for center case mounting when device is used with hollow core wood, composite or light gauge hollow metal doors. See chart below for quantities.

Application	Device Sex Bolt 425 (Supplied)
Hollow core wood, composite or light gauge hollow metal doors - EO (exit only device)	6
Hollow core wood, composite or light gauge hollow metal doors - Device x Trim	2

Prices subject to change without notice

3' Devices are priced with standard trim and strikes, 4' add \$19 list and 2' add \$123 list. Cylinders are not included in the price.

EXIT HARDWARE
Concealed Vertical Rod Devices
 (Includes 4188 Strikes)

	Trim/Control	US28	US32D	313AN	US19* US26D	US26	US32	US10	US4	US3 643E* US15*
* 25-C-EO		1295	1646	1375	1583	1646	1677	1646	1677	1773
Lever - Dane (handed and field reversible)										
* 25-C-L	510L*	1620	2029	1700	1966	2035	2066	1971	2002	2162
* 25-C-L-BE	510L-BE*	1620	2029	1700	1966	2035	2066	1971	2002	2162
* 25-C-L-NL	510L-NL*	1555	1952	1635	1889	2003	2034	1906	1937	2130
* 25-C-L-DT	510L-DT*	1555	1952	1635	1889	2003	2034	1906	1937	2130
VR Lever (handed and field reversible)										
* 25-C-L	511L*	1678	2083	1758	2020	2092	2123	2029	2060	2219
Thumbpiece (non-handed)										
25-C-TP	512TP	1585	1966	1665	1903	2022	2053	1936	1967	2149
25-C-TP-BE	512TP-BE	1585	1966	1665	1903	2022	2053	1936	1967	2149
* 25-C-NL	512-NL*	1530	1902	1610	1839	1949	1980	1881	1912	2076
Knob (non-handed)										
25-C-K	513K	1541	1932	1621	1869	1982	2013	1892	1923	2109
25-C-K-BE	513K-BE	1541	1932	1621	1869	1982	2013	1892	1923	2109
25-C-K-NL	513K-NL	1541	1932	1621	1869	1982	2013	1892	1923	2109
25-C-K-DT	513K-DT	1541	1932	1621	1869	1982	2013	1892	1923	2109
DT Pull (717 handed and field reversible, 512 non-handed)										
25-C-DT	717DT	1474	1902	1594	1839	1902	1933	1825	1856	2029
25-C-DT	512DT	1493	1846	1573	1783	1949	1980	1844	1875	2076
Delta Trim (handed and field reversible)										
* 25-C-C	718C*	1434	1843	1554	1780	1843	1874	1785	1816	1970

* These devices and 510L, 510L-BE, 510L-NL, 510L-DT, 511L, 512NL trims are available in 643E, US15, and US19 finishes.

REFERENCE NOTES:

25 Series ordered in 313AN will be supplied with trims in SP313.

Handing: The 25-C Device is handed and field reversible. Trims are furnished RHR when handing is not specified.

Extension Rods: For door heights over 7'0" up to 8'0", 12" extension rods are furnished at no additional charge at the time of device order. For door heights over 8'0" up to 10'0" extension rods are furnished at prices shown in parts section with the device at the time of order. MUST specify door height on order line.

Sex Bolts:

Optional Sex Bolts are recommended for center case mounting when device is used with light gauge hollow metal doors. See chart below for quantities and list prices.

Application	Sex Bolt 425 (Optional)	List Add
Light gauge hollow metal doors - EO (exit only device)	6	72
Light gauge hollow metal doors - Device x Trim	2	24

Prices subject to change without notice

EXITS

Pushpads

Architectural /
Heavy Duty

25 Series

3' Devices are priced with standard trim and strikes, 4' add \$19 list and 2' add \$123 list. Cylinders are not included in the price.

FIRE EXIT HARDWARE
Concealed Vertical Rod Devices
 (Includes 4188 and 2130 Strikes)

	Trim/Control	US28	US32D	313AN	US19* US26D	US26	US32	US10	US4	US3 643E* US15*
* F-25-C-EO		1483	1834	1563	1771	1834	1865	1834	1865	1961
Lever - Dane (handed and field reversible)										
* F-25-C-L	510L*	1808	2217	1888	2154	2223	2254	2159	2190	2350
* F-25-C-L-BE	510L-BE*	1808	2217	1888	2154	2223	2254	2159	2190	2350
* F-25-C-L-NL	510L-NL*	1743	2140	1823	2077	2191	2222	2094	2125	2318
* F-25-C-L-DT	510L-DT*	1743	2140	1823	2077	2191	2222	2094	2125	2318
VR Lever (handed and field reversible)										
* F-25-C-L	511L*	1866	2271	1946	2208	2280	2311	2217	2248	2407
Thumbpiece (non-handed)										
F-25-C-TP	512TP	1773	2154	1853	2091	2210	2241	2124	2155	2337
F-25-C-TP-BE	512TP-BE	1773	2154	1853	2091	2210	2241	2124	2155	2337
* F-25-C-NL	512-NL*	1718	2090	1798	2027	2137	2168	2069	2100	2264
Knob (non-handed)										
F-25-C-K	513K	1729	2120	1809	2057	2170	2201	2080	2111	2297
F-25-C-K-BE	513K-BE	1729	2120	1809	2057	2170	2201	2080	2111	2297
F-25-C-K-NL	513K-NL	1729	2120	1809	2057	2170	2201	2080	2111	2297
F-25-C-K-DT	513K-DT	1729	2120	1809	2057	2170	2201	2080	2111	2297
DT Pull (717 handed and field reversible, 512 non-handed)										
F-25-C-DT	717DT	1662	2090	1782	2027	2090	2121	2013	2044	2217
F-25-C-DT	512DT	1681	2034	1761	1971	2137	2168	2032	2063	2264
Delta Trim (handed and field reversible)										
* F-25-C-C	718C*	1622	2031	1742	1968	2031	2062	1973	2004	2158

* These devices and 510L, 510L-BE, 510L-NL, 510L-DT, 511L, 512NL trims are available in 643E, US15, and US19 finishes.

REFERENCE NOTES:

25 Series ordered in 313AN will be supplied with trims in SP313.

Handing: The F-25-C Device is handed and field reversible. Trims are furnished RHR when handing is not specified.

Extension Rods: For door heights over 7'0" up to 8'0", 12" extension rods are furnished at no additional charge at the time of device order. For door heights over 8'0" up to 10'0" extension rods are furnished at prices shown in parts section with the device at the time of order. MUST specify door height on order line.

Sex Bolts:

Sex Bolts are supplied for center case mounting when device is used with non-reinforced hollow metal doors. See chart below for quantities.

Application	Sex Bolt 425 (Supplied)
Non-reinforced hollow metal doors - EO (exit only device)	6
Non-reinforced hollow metal doors - Device x Trim	2

Prices subject to change without notice

EXITS

 Pushpads

 Architectural /
 Heavy Duty

 25 Series

3' Devices are priced with standard trim and strikes, 4' add \$19 list and 2' add \$123 list. Cylinders are not included in the price.

EXIT HARDWARE

Wood Door Concealed Vertical Rod
(Includes 4188 and 2130 Strikes)

	Trim/Control	US28	US32D	313AN	US19* US26D	US26	US32	US10	US4	US3 643E* US15*
* 25-CWDC-EO		1466	1827	1557	1791	1863	1897	1863	1897	2008
Lever - Dane (handed and field reversible)										
* 25-CWDC-L	510L*	1791	2210	1882	2174	2252	2286	2188	2222	2397
* 25-CWDC-L-BE	510L-BE*	1791	2210	1882	2174	2252	2286	2188	2222	2397
* 25-CWDC-L-NL	510L-NL*	1726	2133	1817	2097	2220	2254	2123	2157	2365
* 25-CWDC-L-DT	510L-DT*	1726	2133	1817	2097	2220	2254	2123	2157	2365
VR Lever (handed and field reversible)										
* 25-CWDC-L	511L*	1849	2264	1940	2228	2309	2343	2246	2280	2454
Thumbpiece (non-handed)										
25-CWDC-TP	512TP	1756	2147	1847	2111	2239	2273	2153	2187	2384
25-CWDC-TP-BE	512TP-BE	1756	2147	1847	2111	2239	2273	2153	2187	2384
* 25-CWDC-NL	512-NL*	1701	2083	1792	2047	2166	2200	2098	2132	2311
Knob (non-handed)										
25-CWDC-K	513K	1712	2113	1803	2077	2199	2233	2109	2143	2344
25-CWDC-K-BE	513K-BE	1712	2113	1803	2077	2199	2233	2109	2143	2344
25-CWDC-K-NL	513K-NL	1712	2113	1803	2077	2199	2233	2109	2143	2344
25-CWDC-K-DT	513K-DT	1712	2113	1803	2077	2199	2233	2109	2143	2344
DT Pull (717 handed and field reversible, 512 non-handed)										
25-CWDC-DT	717DT	1645	2083	1776	2047	2119	2153	2042	2076	2264
25-CWDC-DT	512DT	1664	2027	1755	1991	2166	2200	2061	2095	2311
Delta Trim (handed and field reversible)										
* 25-CWDC-C	718C*	1605	2024	1736	1988	2060	2094	2002	2036	2205

* These devices and 510L, 510L-BE, 510L-NL, 510L-DT, 511L, 512NL trims are available in 643E, US15, and US19 finishes.

REFERENCE NOTES:

25 Series ordered in 313AN will be supplied with trims in SP313.

Handing: The 25-CWDC Device is handed and field reversible. Trims are furnished RHR when handing is not specified.

Extension Rods: For door heights over 7'0" up to 8'0", 12" extension rods are furnished at no additional charge at the time of device order. For door heights over 8'0" up to 10'0" extension rods are furnished at prices shown in parts section with the device at the time of order. MUST specify door height on order line.

Sex Bolts:

Optional Sex Bolts are recommended for center case mounting when device is used with hollow core wood or composite doors. See chart below for quantities and list prices.

Application	Device Sex Bolt 425 (Optional)	List Add
Hollow core wood or composite doors - EO (exit only device)	6	72
Hollow core wood or composite doors - Device x Trim	2	24

Prices subject to change without notice

EXITS

Pushpads

Architectural /
Heavy Duty

25 Series

3' Devices are priced with standard trim and strikes, 4' add \$19 list and 2' add \$123 list. Cylinders are not included in the price.

FIRE EXIT HARDWARE
Wood Door Concealed Vertical Rod
 (Includes 4188 and 2130 Strikes)

	Trim/Control	US28	US32D	313AN	US19* US26D	US26	US32	US10	US4	US3 643E* US15*
* F-25-CWDC-EO		1654	2015	1745	1979	2051	2085	2051	2085	2196
Lever - Dane										
* F-25-CWDC-L	510L*	1979	2398	2070	2362	2440	2474	2376	2410	2585
* F-25-CWDC-L-BE	510L-BE*	1979	2398	2070	2362	2440	2474	2376	2410	2585
* F-25-CWDC-L-NL	510L-NL*	1914	2321	2005	2285	2408	2442	2311	2345	2553
* F-25-CWDC-L-DT	510L-DT*	1914	2321	2005	2285	2408	2442	2311	2345	2553
VR Lever										
* F-25-CWDC-L	511L*	2037	2452	2128	2416	2497	2531	2434	2468	2642
Thumbpiece										
F-25-CWDC-TP	512TP	1944	2335	2035	2299	2427	2461	2341	2375	2572
F-25-CWDC-TP-BE	512TP-BE	1944	2335	2035	2299	2427	2461	2341	2375	2572
* F-25-CWDC-NL	512-NL*	1889	2271	1980	2235	2354	2388	2286	2320	2499
Knob										
F-25-CWDC-K	513K	1900	2301	1991	2265	2387	2421	2297	2331	2532
F-25-CWDC-K-BE	513K-BE	1900	2301	1991	2265	2387	2421	2297	2331	2532
F-25-CWDC-K-NL	513K-NL	1900	2301	1991	2265	2387	2421	2297	2331	2532
F-25-CWDC-K-DT	513K-DT	1900	2301	1991	2265	2387	2421	2297	2331	2532
DT Pull										
F-25-CWDC-DT	717DT	1833	2271	1964	2235	2307	2341	2230	2264	2452
F-25-CWDC-DT	512DT	1852	2215	1943	2179	2354	2388	2249	2283	2499
Delta Trim (handed and field reversible)										
* F-25-CWDC-C	718C*	1793	2212	1924	2176	2248	2282	2190	2224	2393

* These devices and 510L, 510L-BE, 510L-NL, 510L-DT, 511L, 512NL trims are available in 643E, US15, and US19 finishes.

REFERENCE NOTES:

25 Series ordered in 313AN will be supplied with trims in SP313.

Extension Rods: For door heights over 7'0" up to 8'0", 12" extension rods are furnished at no additional charge at the time of device order. For door heights over 8'0" up to 10'0" extension rods are furnished at prices shown in parts section with the device at the time of order. MUST specify door height on order line.

Handing: The F-25-CWDC Device is handed and field reversible. Trims are furnished RHR when handing is not specified.

Sex Bolts:

Sex Bolts are supplied for center case mounting when device is used with hollow core or composite doors. See chart below for quantities.

Application	Device Sex Bolt 425 (Supplied)
Hollow core or composite doors - EO (Exit only device)	6
Hollow core or composite doors - Device x Trim	2

Prices subject to change without notice

EXITS

 Pushpads

 Architectural /
 Heavy Duty

 25 Series

Cylinder Dogging

Not for use with Fire Exit Hardware

Prefix		List Add
CD	Cylinder Dogging available on all 25 series Panic Devices.	62
LD	Less Dogging available on all 25 series Panic Devices.	N/C

Less Bottom Rod

Suffix		List Add
LBR	Less Bottom Rod available with UL Fire Label at no additional charge on F-25-V and F-25-C devices. Fire rated LBR devices must be ordered in pairs of Vertical Rod Devices. For Fire Rated Devices specify one device LBR and second device LBR-AFL. Second device provided with a Fire Pin.	N/C

Accessible Device

Suffix		List Add
AX	Accessible device compliant with the California Building Code (Section 11B-309.4) requirement for 5 lb. maximum operational force. Available on 3' and 4' AX-25-R, AX-F-25-R, AX-25-V, AX-F-25-V, AX-25-V-LBR, AX-F-25-V-LBR/LBR-AFL, AX-25-C, AX-F-25-C, AX-25-C-LBR, AX-F-25-C-LBR/LBR-AFL. Trim functions available EO, DT, NL, L, L-BE, L-NL, L-DT, NL-OP, and C. Other device and trim options compatible with AX25 devices: EL, RX, DM, LM, CON, EA, FSA/FSE, CD, LD.	24

Hurricane Device

Meets all FBC Hurricane Listings. Consult factory for specific Applications.

Prefix		List Add
HH	Hurricane option available on 25-R*, F-25-R, 25-V, F-25-V. Prefix device "HH". Note: HH-25-V-EO and HH-F-25-V-EO, will be supplied with twelve sexbolts. Add \$126.00 LIST. Other device functions will be supplied with eight sexbolts. Add \$78.00 LIST. *HH-25-R requires 299F Strike; Strike 299F will be provided/charged in place of Strike 299. Standard Devices 25-C, F-25-C, 25-M, F-25-M meet all FBC Hurricane listing requirements. Consult factory for specific applications. Prefix "HH" is not required on these devices.	28 N/C

Electric Latch Retraction

Prefix		List Add
EL	Electric Latch Retraction - Available on all 25 series Panic and Fire Devices Electric Latch cannot be used in combination with CD, EA or KOR options.	766
MEL	Motorized Electric Latch Retraction - Available on all 25 series Panic and Fire Devices except for 25-M and F-25-M. Motorized Electric Latch Retraction cannot be used in combination with AX, HD, CD, EA, or KOR options	725

REFERENCE NOTE:

PS914 is required for EL operation. See Power Supply section for more detail.

Device Monitoring

Prefix		List Add
RX	Touch Bar Request to Exit Switch available on all 25 series devices. RX dogging monitoring switch can be used in combination with a second DM or LM switch.	201
DM	Latch Bolt Monitor Switch (provide signal when latch bolt is fully extended) DM device monitoring switch can be used in combination with a RX switch.	210
LM	Latch Bolt Monitoring Switch (provide signal when latch bolt is fully retracted) LM device monitoring switch can be used in combination with a RX switch.	201
KOR	Key Override - Override device monitoring on a door by use of a keyed cylinder. KOR must be used in combination with a device monitoring switch.	56

Allegion Connect

Suffix		List Add
CON	Cross-category solution using common interconnect components for electrified options. Available with EL, RX, DM, LM, EA, RX-DM, RX-LM, EL-RX, EL-DM, EL-LM options. Also available as an option on FSA and FSE options for the Falcon 25 series trim.	N/C

NOTE: For wire harness options refer to Power Supply and Electronic Component Section.

Prices subject to change without notice

Exit Alarm

Prefix		List Add
EA	Exit Alarm available on 25-R and 25-V Panic and Fire Devices. Price includes switch - "RX" is standard, "LM" is optional at no charge. To order "Less Switch", Deduct \$201 list. For vertical rod tampering monitoring on Surface Vertical Devices, specify device with DM (Latch Bolt Monitor Switch). Add \$210 list. 9 volt battery included.	498

Electric Lock or Unlock of Trims

Prefix		List Add
FSA	Electric Lock/Unlock Trim, Fail Safe (unlocks when power is interrupted).	294
FSE	Electric Lock/Unlock Trim, Fail Secure (locks when power is interrupted).	294

REFERENCE NOTES:

FSA/FSE available on all 25 series devices.

Available with TP, K, or L functions only.

Can be used in combination with EL, EA, or any device monitoring switch.

Power supply PS902 is the recommended power supply for use with FSA/FSE trim. If paired with an EL device, PS914 is required.

See the power supply section for more information.

Schlage Electronic Exit Trim

AD series Electronic Exit Trim is available on Series 25 for rim. AD-300/400 network trim is available exclusively with Series 25 devices when mounted with LC-RX switch must be specified with exit device.

Four communication options:

AD-200 993 Offline, access rights stored on lock.

AD-250 993 Offline, access rights on stored magnetic stripe credential.

AD-300 993 Networked Hardware Locks.

AD-400 993 Networked Wireless Locks

For complete pricing information refer to Schlage Electronic Security Price Book

Prices subject to change without notice

Cylinders are not included in price.

Lever Trim

Model No.	Lever Style	Device Type	Description	SP28 US4	SP313 US10	US32D US19* US26D	US3 643E* US15* US26 US32
510L	Dane	R,V,M,C	Lever, Key Locks or Unlocks	325		383	389
510L-NL	Dane	R,V,M,C	Lever, Night Latch	260		306	357
510L-DT	Dane	R,V,M,C	Lever, Dummy Trim	260		306	357
510L-BE	Dane	R,V,M,C	Lever, Blank Escutcheon	325		383	389

* 643E, US15, US19 are available on the lever trim type listed above except Sutro.

510 series trim are handed and field reversible. Trims are furnished RHR when handing is not specified.

The Dane Lever is furnished standard. Optional lever designs Broadway, Boardwalk, Danish, Latitude, Longitude, Sutro, Quantum and Avalon are available at no additional charge.

Electric Lock or Unlock option is available on 510L function only.

Suffix FSA for Fail Safe operation, or FSE for Fail Secure operation, add \$294 List.

Knurling on Dane lever, add \$63 List. Contact factory for lead times.

Vandal Resistant Trim

Model No.	Lever Style	Device Type	Description	SP28 US4	SP313 US10	US32D US19* US26D	US3 643E* US15* US26 US32
511L*	Dane	R,V,M,C	Lever, Key Locks or Unlocks		383	437	446

* 643E, US15, US19 are available on the lever trim type listed above except Sutro.

511 series trim are handed and field reversible. Trims are furnished RHR when handing is not specified.

The Dane Lever is furnished standard. Optional lever designs Broadway, Boardwalk, Danish, Latitude, Longitude, Sutro, Quantum and Avalon are available at no additional charge.

Electric Lock or Unlock option is available on 511L.

Suffix FSA for Fail Safe operation, or FSE for Fail Secure operation, add \$294 List.

Night Latch and Thumbpiece Trim

Model No.	Device Type	Description	SP28 US4	SP313 US10	US32D US19* US26D	US3 643E* US15* US26 US32
512NL*	R,V,M,C	Night Latch	235		256	303
512TP	R,V,M,C	Thumbpiece, Key Locks or Unlocks	290		320	376
512TP-BE	R,V,M,C	Thumbpiece, Blank Escutcheon	290		320	376

* Available in 643E, US15, US19 on all Falcon Exit levers except for Sutro.

Electric Lock or Unlock option is available on 512TP function only.

Suffix FSA for Fail Safe operation, or FSE for Fail Secure operation, add \$294 List.

Knob Trim

Model No.	Device Type	Description	SP28 US4	SP313 US10	US32D US26D	US3 US26 US32
513K	R,V,M,C	Knob, Key Locks or Unlocks	246		286	336
513K-NL	R,V,M,C	Knob, Night Latch	246		286	336
513K-DT	R,V,M,C	Knob, Dummy Trim	246		286	336
513K-BE	R,V,M,C	Knob, Blank Escutcheon	246		286	336

Electric Lock or Unlock option is available on 513K function only.

Suffix FSA for Fail Safe operation, or FSE for Fail Secure operation, add \$294 List.

Pull Trim

Model No.	Device Type	Description	SP28 US4	SP313 US10	US32D US26D	US3 US26 US32
512DT	R,V,M,C	Dummy Trim	198		200	303

Delta Trim

Model No.	Device Type	Description	SP28 US10	US4 SP313	US19* US26D US3, 643E* US15 US26
717DT	R,V,M,C	Dummy Trim	179	219	256
718C*	C	Night Latch Less Pull	139	179	197

* Available in 643E and US19.

717 and 718 series trim are handed and field reversible. Trims are furnished RHR when handing is not specified.

Prices subject to change without notice

EXITS

Pushpads

Architectural / Heavy Duty

25 Series

Rim Strikes

Model	Description	Unfinished	US19	US26D	US32D	US4	US10	US10B	SP313	US3	US26	US32
264	24/25-R Panic Devices - Opt.	-	101	117	-	-	-	-	-	-	-	-
299	24/25-R Panic Devices - Std.	-	61	73	-	73	-	-	73	95	95	-
299F	24/25-R Fire Devices - Std.	-	77	-	102	119	119	119	-	137	-	137
499F	25-R Fire Devices - Opt.	-	182	-	190	-	-	-	-	-	-	-
1439	24/25-R Panic Devices - Opt.	-	147	-	-	-	-	-	-	-	-	-
1606	24/25-R Panic Devices - Opt.	73	-	-	-	-	-	-	-	-	-	-
1609	25-R Panic Devices - Opt. Must be used with a Coordinator. Not a UL fire exit hardware listed application.	-	101	113	-	113	113	113	-	122	122	-

Vertical Rod Top Strikes

Model	Description	Unfinished
3788*	19/24/25/XX-V Panic and Fire Devices	52
4188	24/25/XX-C,CWDC Panic and Fire Devices	52

* For Flush Transom applications, Specify part number 4215-019 Angle Bracket, **add \$53 List.**

Vertical Rod Bottom Strikes

Model	Description	Unfinished
2130	19-V/24/25/XX-V,C Panic or Fire - Std.	52
4155	19-V/24/25/XX-V,C Panic	52

Mortise Lock Strikes

Model	Description	Unfinished
1279	25/XX-M Panic and Fire Devices - Std.	52
F1280	25-M Fire Devices - Opt.	52

REFERENCE NOTES:

Refer to device catalogs for specific door application strike requirements.

Prices subject to change without notice

Cover Plates & Filler Plates

Model No.	Description	Unfinished
3722	Strike cover - ASA 4-7/8"	11
3723	Mortise front - 8" x 1-1/4"	11
3721	Lock front - 2-1/4" x 1-1/8"	11

Cylinders

Model No.	Description	US26D	US3, US4, US10B US10, US32, US32D
985	1-1/8" Mortise Cylinder with Straight Cam (#24)	61	63
986	1-1/4" Mortise Cylinder with Straight Cam (#24)	61	63
951	Rim Cylinder	61	63
C987	1-3/8" Interchangeable Core Mortise Cylinder Housing	38	40
C953	Interchangeable Core Rim Cylinder Housing	40	42

REFERENCE NOTES:

Interchangeable Core Cylinder Housing uses #5 cam.
 Custom Keying not available. Falcon G - default keyway.
 Cylinder type determined by trim function.
 IC Cylinder Housings sold LESS SFIC
 US11 finish = 643e

Cylinder Dogging Kits

Model No.	Description	Part No.	US3, US4, US10, US26, US26D, US28, US32D, 313AN
25CDK-3	25 Series - 3" device	650159	62
25CDK-4	25 Series - 4" device	650160	62

REFERENCE NOTES:

Cylinder Sold Separately.
 When a device is ordered "with CD with Cylinder" a 1-1/4" mortise cylinder (986 Falcon G x straight cam KD) is supplied for CD.
 CD Kits can also pair with a 1-1/8" mortise cylinder (985 Falcon G x straight cam KD). Must be ordered separately.

EXITS

Pushpads

Architectural /
Heavy Duty

25 Series

Prices subject to change without notice

Dummy Touch Bars

3' Device pricing below, 4' add \$19 list.

Model No.	Description	SP28 SP313	US4 US10	US32D	US3, US32, US15, US19, 643e, US26 US26D
250DT	24/25 Series Dummy Touch Bar	331	367	417	476
Optional Features:					
Prefix					List Add
RX	Touchbar Request to Exit Switch - For D250 only				201
KOR	Key Override device monitoring on a door by use of a keyed cylinder - For D250 only				56

250DT Parts

Part No.	Description	SP28,SP313, US32D	US4, US10	US26, US32	US26D	US3
600291	250 Front Cover Plate Pkg	23	33	91	29	47

Extension Rods

Part No.	Description	All Finishes				
650006	24/25/19/XX-V Extension Rod 12" (ER12-V)	21				
650007	24/25/19/XX-V Extension Rod 24" (ER24-V)	37				
650008	24/25/19/XX-V Extension Rod 36" (ER36-V)	60				
650017	24/25/XX-C, CWDC Extension Rod 12" (ER12-C)	21				
650018	24/25/XX-C, CWDC Extension Rod 24" (ER24-C)	37				
650019	24/25/XX-C, CWDC Extension Rod 36" (ER36-C)	60				

REFERENCE NOTES:

- 1) Surface Vertical and Concealed Vertical Rod Devices for door heights over 7'0" up to 8'0", 12" extension rods are furnished at no additional charge at the time of device order. Must specify door height on order line.
- 2) For door heights over 8'0" up to 10'0" extension rods are furnished at prices shown above with the device at the time of order. MUST specify door height on order line.
- 3) Replacement extension rods can be ordered individually by the part numbers listed above.

Electric and Alarm Kits

Model No.	Description	Part #	US3, US4, US10, US26, US26D, US28, US32D, 313AN
25-EAK-3	25 Series Exit Alarm Kit 3'	650167	498
25-EAK-4	25 Series Exit Alarm Kit 4'	650168	498

Model No.	Description	Part #	US3, US4, US10, US26, US26D, US32D, SP28, SP313
ELK-3	24/25 Electric Latch Retraction Kit 3'	650147	766
ELK-4	24/25 Electric Latch Retraction Kit 4'	650148	766

Model No.	Description	Part #	Part Number w/ Allegion Connect (-CON)	US3, US4, US10, US26, US26D, US28, US32D, 313AN
25-MELK-3	25 Motorized Electric Latch Retraction Kit 3'	47266630	47270546	725
25-MELK-4	25 Motorized Electric Latch Retraction Kit 4'	47266631	47270547	725

Model No.	Description	Part #	Unfinished
24/25 RX KIT	24/25 Series RX Switch Kit	650359	248

Prices subject to change without notice

Shim Kits

Model No.	Description	Part #	US19
SK25-R/M	25 Rim or 25 Mortise Shim Kit - 1/4"	650107	66
SK25-V-8	25 Surface Vertical Shim Kit - 1/4" - over 7' up to 8' doors	650108	66
SK25-V-10	25 Surface Vertical Shim Kit - 1/4" - over 8' up to 10' doors	650266	66
579	Retrofit Shim Kit - HH-25-R, HH-F25-R (Required)	650106	28

REFERENCE NOTES:

All shim kits for use on door thicknesses up to 2". Consult factory for door thickness over 2"

25 SLM Blocking

For use with devices on doors with special high density blocking material. Blocking material must be UL or Warnock Hersey approved.

Model No.	Description	Part #	US19
F-25-R/C	F-25 Rim/Concealed Vertical SLM Blocking Kit	600335	18
F-25-V	F-25 Surface Vertical SLM Blocking Kit	600336	20

8500 Mortise Lock

Model No.	Description	US4 US10	US19	US10B	US3, US26 US26D
8500NL	Night Latch (Universal for all 25 Device Mortise Lock Trim Options)	321	401	401	401

REFERENCE NOTES:

US32D and US32 finish device supplied with US26D and US26 mortise lock.
Mortise Device is handed. For replacement of Mortise Lock only, handing is field reversible. Lock is furnished RHR when handing is not specified.
See Trim section for FSA/FSE options compatible with 8500NL, ordered as Trim option.

8500 Mortise Locks - Parts

Part No.	Description	Unfinished
3518	Dead Lock Arm Spring	7
3519	Knob Cam	36
3530	Auxiliary Bolt Actuator	36
661473	Auxiliary Bolt Spring	7
661472	Deadlocking Arm	36
3542	Cylinder Operating Arm	36
4067	Locking Arm	37
610042	Locking Arm and Spring Assembly	38

Prices subject to change without notice

(F) 25 Exit Devices

Part No.	Description	Unfinished	US28	US32D	313AN	US10, US26			
						US26D	US32	US4	US3
650239	25-R Center Case Kit	175	-	-	-	-	-	-	-
650240	F-25-R Center Case Kit	188	-	-	-	-	-	-	-
650242	(F) 25-V Center Case Kit	148	-	-	-	-	-	-	-
650244	(F) 25-C, CWDC Center Case Kit	135	-	-	-	-	-	-	-
650246	(F) 25-M Center Case Kit RHR	148	-	-	-	-	-	-	-
650398	(F) 25-M Center Case Kit LHR	148	-	-	-	-	-	-	-
650255	(F) 25-R Center Case Cover Kit	-	123	155	132	152	158	162	168
650257	(F) 25-V Center Case Cover Kit	-	123	155	132	152	158	162	168
650259	(F) 25-C, M Center Case Cover Kit	-	123	155	132	152	158	162	168
600307	25 Series Center Case Cover Mtg Pkg	-	-	-	11	-	11	11	11
650261	25-V/M/C Center Case Housing Kit	19	-	-	-	-	-	-	-
600308	25-V/M/C Center Case Housing Screw Pkg	10	-	-	-	-	-	-	-
650262	25-V Center Case Finger Kit	36	-	-	-	-	-	-	-
650263	25-C Center Case Finger Kit	27	-	-	-	-	-	-	-
600309	25-V/C Center Case Finger Screw Pkg	10	-	-	-	-	-	-	-
650378	25-M Center Case Slide Bar Assy RHR	75	-	-	-	-	-	-	-
650377	25-M Center Case Slide Bar Assy LHR	75	-	-	-	-	-	-	-
661412	25 Series Channel 3' Door	-	79	98	84	96	100	101	107
661413	25 Series Channel 4' Door	-	101	129	105	122	130	132	136
650227	F-25 Series Channel Cover 3'	-	38	38	38	38	38	38	38
650228	F-25 series Channel Cover 4'	-	41	41	41	41	41	41	41
650119	25 Series CD Channel Cover 3'	-	48	48	48	48	48	48	48
650120	25 Series CD Channel Cover 4'	-	55	55	55	55	55	55	55
650135	25 Series EA Channel Cover 3'	-	73	73	73	73	73	73	73
650136	25 Series EA Channel Cover 4'	-	83	83	83	83	83	83	83
650143	25 Series KOR Channel Cover 3'	-	61	61	61	61	61	61	61
650144	25 Series KOR Channel Cover 4'	-	65	65	65	65	65	65	65
650191	25 Series Hex Dogging Kit 3'	-	64	64	64	64	64	64	64
650192	25 Series Hex Dogging Kit 4'	-	68	68	68	68	68	68	68
610480	25 Dogging Housing	18	-	-	-	-	-	-	-
060109	25 Hex Dogging Key 7/32" (Pkg of 10)	13	-	-	-	-	-	-	-
650294	25 Channel End Cap Kit 1-3/4" Door	-	31	38	35	37	39	39	41
650348	25 Channel End Cap Kit 2-1/4" Door	-	31	38	35	37	39	39	41
600305	25 Series Channel Screw (Pkg of 10)	15	-	-	-	-	-	-	-
600310	25 Series Push Bar End Cap Kit	-	35	40	36	39	40	41	45
600319	25 Series Push Bar Guide Pkg	11	-	-	-	-	-	-	-
650345	(F) 25-R/M Mounting Pkg 1-3/4" Door	21	-	-	-	-	-	-	-
650293	(F) 25-R/M Mounting Pkg 2-1/4" Door	21	-	-	-	-	-	-	-
650315	25-V Mounting Pkg 1-3/4" - 2-1/4" Door	41	-	-	-	-	-	-	-
650316	F-25-V Mounting Pkg 1-3/4" Door	41	-	-	-	-	-	-	-
650295	F-25-V Mounting Pkg 2-1/4" Door	41	-	-	-	-	-	-	-
650318	25-C Mounting Pkg 1-3/4" Door	30	-	-	-	-	-	-	-
650300	25-C Mounting Pkg 2-1/4" Door	30	-	-	-	-	-	-	-
650317	F-25-C Mounting Pkg 1-3/4" Door	30	-	-	-	-	-	-	-
650346	F-25-C Mounting Pkg 2-1/4" Door	30	-	-	-	-	-	-	-
650299	(F) 25-CWDC Mounting Pkg 1-3/4" Door	-	-	-	61	-	61	61	61
650296	(F) 25-CWDC Mounting Pkg 2-1/4" Door	-	-	-	61	-	61	61	61
060111	Cotter Key 1/8" x 1" (Pkg of 10)	13	-	-	-	-	-	-	-
600320	EL Solenoid Pkg	181	-	-	-	-	-	-	-
600321	EL Plunger Solenoid Pkg	68	-	-	-	-	-	-	-
650359	24/25 Series RX Switch Kit	248	-	-	-	-	-	-	-
050534	EL Potted Circuit Breaker	305	-	-	-	-	-	-	-
650265	Exit Alarm Label - Service	10	-	-	-	-	-	-	-

Prices subject to change without notice

(F) 25 Exit Devices - Latches and Rods

Part No.	Description	Unfinished	SP28	SP313 US32D	US26D	US32 US26 US32	US3 US4 US10
650389	25-V Top Latch Case	117	-	-	-	-	-
650375	F-25-V Top Latch Case	121	-	-	-	-	-
650202	25-V Latch Case Cover Kit	-	68	68	88	88	88
650336	25-V Latch Case Cover Mounting Pkg	-	4	4	4	4	4
650311	25-V Rod Guide Kit	-	52	55	-	66	49
650387	25-V Bottom Bolt Guide (Latch cover sold separately)	10	-	-	-	-	-
3777	25-V Top Rod Kit	-	88	88	88	88	88
610055	25-V Bottom Rod Kit	-	119	119	119	119	119
5494	F-25-V Auxiliary Fire Pin Kit (LBR application only)	151	-	-	-	-	-
603	25-C, C-WDC Top Latch Case	202	-	-	-	-	-
F603	F-25-C Top Latch Case	280	-	-	-	-	-
WF603	F-25-CWDC Top Latch Case	280	-	-	-	-	-
650339	(F) 25-C, CWDC Top Latch Release Kit	-	-	39	39	35	35
4567	25-C Bottom Bolt Guide	48	-	-	-	-	-
4835	25-CWDC Bottom Bolt Guide	44	-	-	-	-	-
4694	F-25-CWDC Latch Bracket	10	-	-	-	-	-
650376	(F) 25-C, CWDC Center Slide Assy	281	-	-	-	-	-
4832	(F) 25-CWDC Center Slide Reinforcement Plate	36	-	-	-	-	-
4833	24-CWDC Reinforcement Plate	-	32	32	43	43	43
4834	24-CWDC Reinforcement Plate w/ Access Hole	-	32	32	43	43	43
610061	(F) 25-C, CWDC Top Rod Kit	88	-	-	-	-	-
610057	(F) 25-C, CWDC Bottom Rod Kit	119	-	-	-	-	-
5494	F-25-C Auxiliary Fire Pin Kit (LBR application only)	151	-	-	-	-	-
660002	#10 x 1 1/4" FPHSMS Clear Zinc	2	-	-	-	-	-

EXITS

Pushpads

Architectural /
Heavy Duty

25 Series

Prices subject to change without notice

25 Series Trim

Part No.	Description	Unfinished	SP28	SP313	US26D US32D	US10 US26	US4 US32	US3
600272	510 Backplate Assembly	28	-	-	-	-	-	-
600273	510/512/513 Slider	74	-	-	-	-	-	-
600282	511L Slider Assy	174	-	-	-	-	-	-
090041	Hook Spring Pkg	11	-	-	-	-	-	-
600274	510/511L Spring (Pkg of 2)	21	-	-	-	-	-	-
600284	512TP/513K Spring (Pkg of 2)	11	-	-	-	-	-	-
600275	510L/512TP/513K Locking Hook	28	-	-	-	-	-	-
600281	510L-NL/512NL/513K-NL Cam	30	-	-	-	-	-	-
600276	L/K Spindle Cam Kit	30	-	-	-	-	-	-
600280	L-NL/L-DT Spindle Cam Kit	32	-	-	-	-	-	-
600277	510/511/513 Spindle Cam Retaining Ring (Pkg of 10)	10	-	-	-	-	-	-
650267	510L/513K Shear Pin (Pkg of 10)	24	-	-	-	-	-	-
600283	511L Shear Pin (Pkg of 5)	10	-	-	-	-	-	-
600278	500 Series Cylinder Lock Nut	11	-	-	-	-	-	-
600279	500 Series Cylinder Nut Tool	20	-	-	-	-	-	-
600296	500 Series Security Collar	-	24	24	30	30	30	31
600289	Lower Pull Bracket Kit 1.3/4"	-	15	12	15	15	15	20
600290	Lower Pull Bracket Kit 2.1/4"	-	15	12	15	15	15	20
600285	512TP Thumbpiece	-	35	36	41	44	44	48
600286	512TP Thumbpiece Pivot Pin	9	-	-	-	-	-	-
600287	512TP Thumbpiece Bracket	12	-	-	-	-	-	-
600297	512TP Pull	-	137	147	173	175	180	188
600298	513K Knob Assy	-	136	145	169	174	178	187
600299	510L Dane Lever Kit	-	101	106	129	131	133	138
600300	510L Sutro Lever Kit	-	101	106	129	131	133	138
600301	510L Quantum Lever Kit	-	101	106	129	131	133	138
600337	510 Avalon Lever Kit	-	162	164	164	224	164	224
600288	Pull Grip Screw (Pkg of 10)	4	-	-	-	-	-	-
650231	512 Mounting Pkg 1-3/4"	-	-	5	5	-	9	-
650232	512 Mounting Pkg 2-1/4"	-	-	5	5	-	9	-
650235	510/511/512/513 Screw Pkg 1-3/4"	4	-	-	-	-	-	-
650237	510/511/512/513 Screw Pkg 2-1/4"	4	-	-	-	-	-	-
600293	FSA/FSE Solenoid Kit	145	-	-	-	-	-	-
600294	FSA/FSE Solenoid Plunger	21	-	-	-	-	-	-
600295	FSA/FSE Pivot Pin	4	-	-	-	-	-	-
650278	FSA/FSE Solenoid Spring	6	-	-	-	-	-	-

EXITS

Pushpads

Architectural /
Heavy Duty

25 Series

Prices subject to change without notice

Part No.	Description	List Price
650277	24/25 Maintenance Kit (See below for what is supplied in Kit)	1,807.00

Refill Parts/Packages

Part No.	Description	Refill	
		List Price Each	Kit Contents Qty
299 Strike	299 Strike US19	61.00	5
325 SNB	325 Sex Bolt, 1/4-20 US32D (Pkg of 2)	24.00	10
425 SNB	425 Sex Bolt, 10-24 US32D (Pkg of 2)	24.00	10
4208	CD/EA/KOR Cylinder Retaining Bracket	7.00	30
060126	512/718 Lever Washer (Pkg of 10)	6.00	1
3894-000	Cylinder Nut BRS	4.00	10
650311	Rod Guide Kit US32D	55.00	6
650311	Rod Guide Kit SP28	52.00	2
650311	Rod Guide Kit SP313	55.00	2
060109	Hex Dogging Key 7/32" (Pkg of 10)	13.00	1
650231	512 Mtg Pkg US4 1-3/4" Dr	9.00	2
650231	512 Mtg Pkg US10B 1-3/4" Dr	5.00	2
650231	512 Mtg Pkg US26D 1-3/4" Dr	5.00	6
650294	24/25 End Cap Kit US32D 1-3/4" Dr.	38.00	6
650294	24/25 End Cap Kit US26D 1-3/4" Dr.	37.00	2
650294	24/25 End Cap Kit SP28 1-3/4" Dr.	31.00	1
650294	24/25 End Cap Kit SP313 1-3/4" Dr.	35.00	1
600283	511 Trim Shear Pin (Pkg of 5)	10.00	6
640001	24 Device Plastic Mounting Template	4.00	2
640002	25 Device Plastic Mounting Template	4.00	2
650267	510/513 Trim Shear Pin (Pkg of 10)	24.00	3
060112	8500 Lock Housing Screws (Pkg of 10)	6.00	2
060113	24/25-C Latch Screw (Pkg of 10)	6.00	5
060114	Rod Guide Screws (Pkg of 10)	6.00	3
060119	510/511/512/513 Back Plate Screws (Pkg of 10)	6.00	5
600309	25 Lift Finger Screws (Pkg of 2)	10.00	10
600173	8500 Lock Face Screws US3/US4/US10	4.00	10
600173	8500 Lock Face Screws US26D/US32D	4.00	10
600173	8500 Lock Face Screws US10B	4.00	10
060120	8500 Lock Backplate Screws (Pkg of 10)	6.00	5
060121	24/25-V Latch Cover Screws US26D/US32D/US28 (Pkg of 10)	6.00	5
060121	24/25-V Latch Cover Screws US3/US4/US10 (Pkg of 10)	6.00	5
060121	24/25-V Latch Cover Screws US10B (Pkg of 10)	6.00	5
060123	Electric Option Dogging Screw (Pkg of 10)	6.00	5
060122	K-NL/L-NL Spindle Cam Screw (Pkg of 10)	11.00	2
060124	K/L/TL Trim Lock Nut (Pkg of 10)	6.00	1
600305	24/25 Channel Screw (Pkg of 10)	15.00	3
060111	Cotter Key 1/8" x 1" (Pkg of 10)	13.00	5
600279	Cylinder Nut Tool (Pkg of 5)	20.00	2
060125	FSE/FSE Trim Pivot Pin (Pkg of 10)	6.00	2
600319	24/25 Pushbar Guide (Pkg of 2)	11.00	10
600278	25 Trim Cylinder Locknut	11.00	10
060117	25 Center Case Mtg Screws (Pkg of 10)	6.00	5
060118	24 Center Case Housing Screws (Pkg of 10)	6.00	5
060116	25-R/M Device Mounting Screws (Pkg of 10)	7.00	5
060115	FSA/FSE Trim Screws (Pkg of 10)	6.00	5
600307	24/25 Center Case Cover Screws US3 (Pkg of 4)	11.00	12
600307	24/25 Center Case Cover Screws US4 (Pkg of 4)	11.00	12
600307	24/25 Center Case Cover Screws US10 (Pkg of 4)	11.00	12
600307	24/25 Center Case Cover Screws US10B (Pkg of 4)	11.00	12
600307	24/25 Center Case Cover Screws US26D/US32D/SP28 (Pkg of 4)	11.00	12
600277	510/513 Spindle Cam Ret. Ring (Pkg of 10)	10.00	2
600308	25 Housing Plate Screws (Pkg of 2)	10.00	2
970321	299 Strike Shim	12.00	20

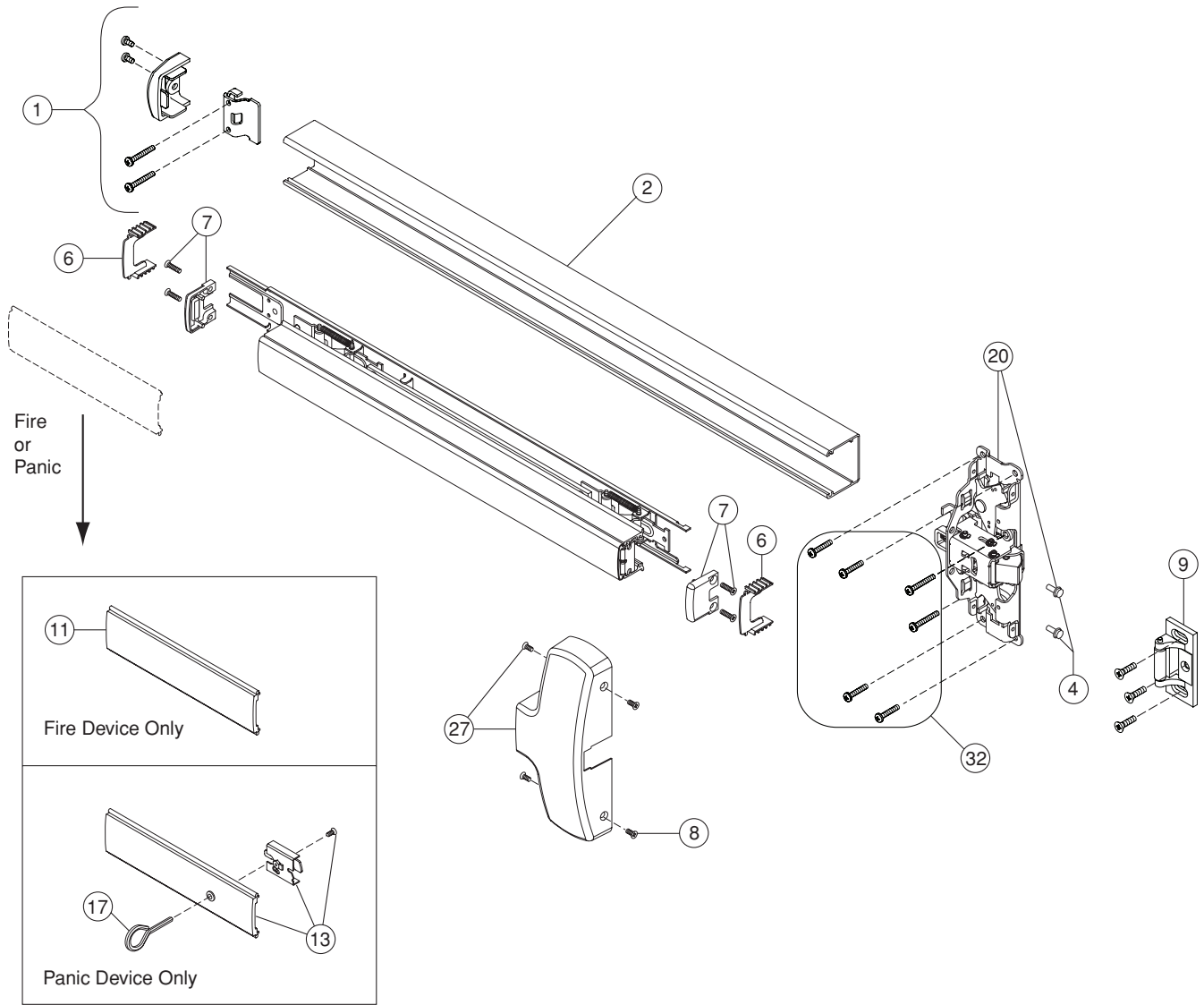
Prices subject to change without notice

Prices subject to change without notice

(F)25 rim exit device

Panic and fire

EXITS
Pushpads
Architectural / Heavy Duty
25 Series



Prices subject to change without notice

No.	Qty.	Part no.	Description	Package contents	Notes
1	1	650294	25 Channel Endcap Kit 1¾" Door	1- Channel Endcap	A
				2- #10-24 x ¾" PPHMS	
				1- Channel Endcap Bracket	
				2- #10 x 1¼" PPHSMS	
				2- #10-24 x 1" PPHMS	
	1	650348	25 Channel Endcap Kit 2¼" Door	1- Channel Endcap	A
				2- #10-24 x ¾" PPHMS	
				1- Channel Endcap Bracket	
				2- #10 x 1¼" PPHSMS	
				2- #10-24 x 1" PPHMS	
2	1	661412	25 Channel 3'		A
		661413	25 Channel 4		
4	1	600305	25 Channel Screw package of 10	#10-16 x ½" Hex Washer Head Taptite	
6	1	600319	25 Pushbar Guide Pkg	2- Pushbar Guide	
7	1	600310	25 Pushbar Endcap Kit	2- Pushbar Endcap	A
				4- #8-18 x ¾" FPHSMS	
8	1	600307	25 Center Case Cover Screw Pkg	4- #8-18 x ¾" UFPHMS	A
9	1	299	299 Strike		C
11	1	650227	F-25 Channel Cover Plate 3'		A, B
		650228	F-25 Channel Cover Plate 4'		
13	1	650191	25 Hex Dogging Kit 3'	1- Panic Channel Cover (3' or 4") 1- Dogging Subassembly	A, B
		650192	25 Hex Dogging Kit 4'	1- #8-32 x ¾" UFPHMS	
17	1	060109	Hex Dogging Key 7/32" package of 10		
20	1	650239	25-R Center Case Kit, Panic	1- Center Case	
		650240	F-25-R Center Case Kit, Fire	2- #10-16 x ½" Hex Washer Head Taptite	
27	1	650255	(F)25-R Center Case Cover Kit	1- Head Cover	A
				4- #8-18 x ¾" UFPHMS	
32	1	650345	(F)25-R/M Mounting Pkg 1¾" Door	6- #10 x 1¼" PPHSMS	*
				4- #10-24 x ¾" PPHMS	
				2- #10-24 x 1" PPHMS	
				1- Tailpiece Guide	
		650293	(F)25-R/M Mounting Pkg 2¼" Door	6- #10 x 1¼" PPHSMS	*
4- #10-24 x 1¼" PPHMS					
2- #10-24 x 1½" PPHMS					
1- Tailpiece Guide	*				

* Item(s) not shown.

A Specify by finish: US3, US4, US10, US26, US26D, US32, US32D, US28, 313AN

B Specify by finish: US3, US4, US10, US19, US26, US26D, SP313

Prices subject to change without notice

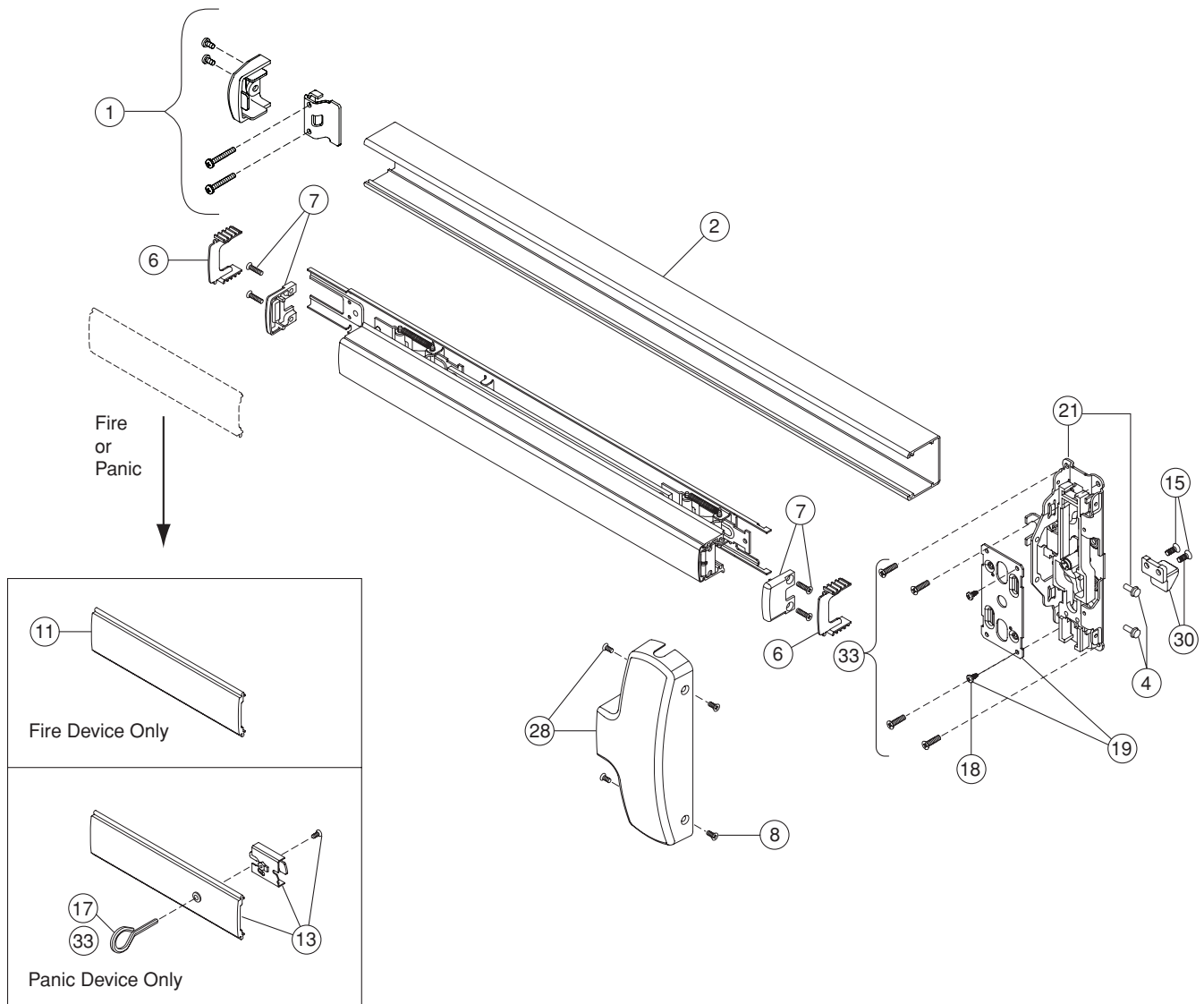
Panic and fire

EXITS

Pushpads

Architectural / Heavy Duty

25 Series



No.	Qty.	Part no.	Description	Package contents	Notes
1	1	650294	25 Channel Endcap Kit 1 3/4" Door	1- Channel Endcap 2- #10-24 x 3/8" PPHMS 1- Channel Endcap Bracket 2- #10-24 x 1" PPHMS 2- #10 x 1 1/4" PPHSMS	A
1	1	650348	25 Channel Endcap Kit 2 1/4" Door	1- Channel Endcap 2- #10-24 x 3/8" PPHMS 1- Channel Endcap Bracket 2- #10-24 x 1" PPHMS 2- #10 x 1 1/4" PPHSMS	A

Prices subject to change without notice

No.	Qty.	Part no.	Description	Package contents	Notes
2	1	661412	25 Channel 3'		A
		661413	25 Channel 4'		
4	1	600305	25 Channel Screw package of 10	10- #10-16 x 1/2" Hex Washer Head Taptite	
6	1	600319	25 Pushbar Guide Pkg	2- Pushbar Guide	
7	1	600310	25 Pushbar Endcap Kit	2- Pushbar Endcap	A
				4- #8-18 x 3/4" FPHSMS	
8	1	600307	25 Center Case Cover Screw Pkg	4- #8-18 x 3/8" UFPHMS	A
11	1	650227	F-25 Channel Cover Plate 3'		A
		650228	F-25 Channel Cover Plate 4'		
13	1	650191	25 Hex Dogging Kit 3'	1- Panic Channel Cover (3' or 4")	A
		650192	25 Hex Dogging Kit 4'	1- Dogging Subassembly 1- #8-32 x 3/8" UFPHMS	
15	1	600309	25-V/C Finger Screw Pkg	2- #10-24 x 3/8" UFPHMS	
17	1	060109	Hex Dogging Key 7/32" package of 10		
18	1	600308	25-V/M/C Center Case Housing Screw Pkg	2- #8-32 x 3/8" PPHMS Trilob	
19	1	650261	25-V/M/C Center Case Housing Kit	2- #8-32 x 3/8" PPHMS Trilob	
				1- Vertical Housing	
21	1	650242	(F)25-V Center Case Kit	1- Center Case	
				2- #10-16 x 1/2" Hex Washer Head Taptite	
28	1	650257	(F)25-V Center Case Cover Kit	1- Head Cover	A
				4- #8-18 x 3/8" UFPHMS	
30	1	650262	25-V Center Case Finger Kit	2- #10-24 x 3/8" UFPHMS	
				1-Vertical Finger	
33	1	650315	25-V Mounting Pkg 1 3/4" - 2 1/4" Door	6- #10 x 1 1/4" PPHSMS	*
				4- #10 x 1 1/4" FPHSMS	*
				1- 1/8 x 1" Cotter Key	*
				1- Dogging Key	
		650316	F-25-V Mounting Pkg 1 3/4" Door	6- #10-24 x 3/4" PPHMS	
				4- #10-24 x 3/4" FPHMS	*
				1- 1/8 x 1" Cotter Key	*
		650295	F-25-V Mounting Pkg 2 1/4" Door	6- #10-24 x 1 1/4" PPHMS	*
				4- #10-24 x 1 1/4" FPHMS	*
		1- 1/8" x 1" Cotter Key	*		

* Item(s) not shown.

A Specify by finish: US3, US4, US10, US26, US26D, US32, US32D, US28, 313AN

Prices subject to change without notice

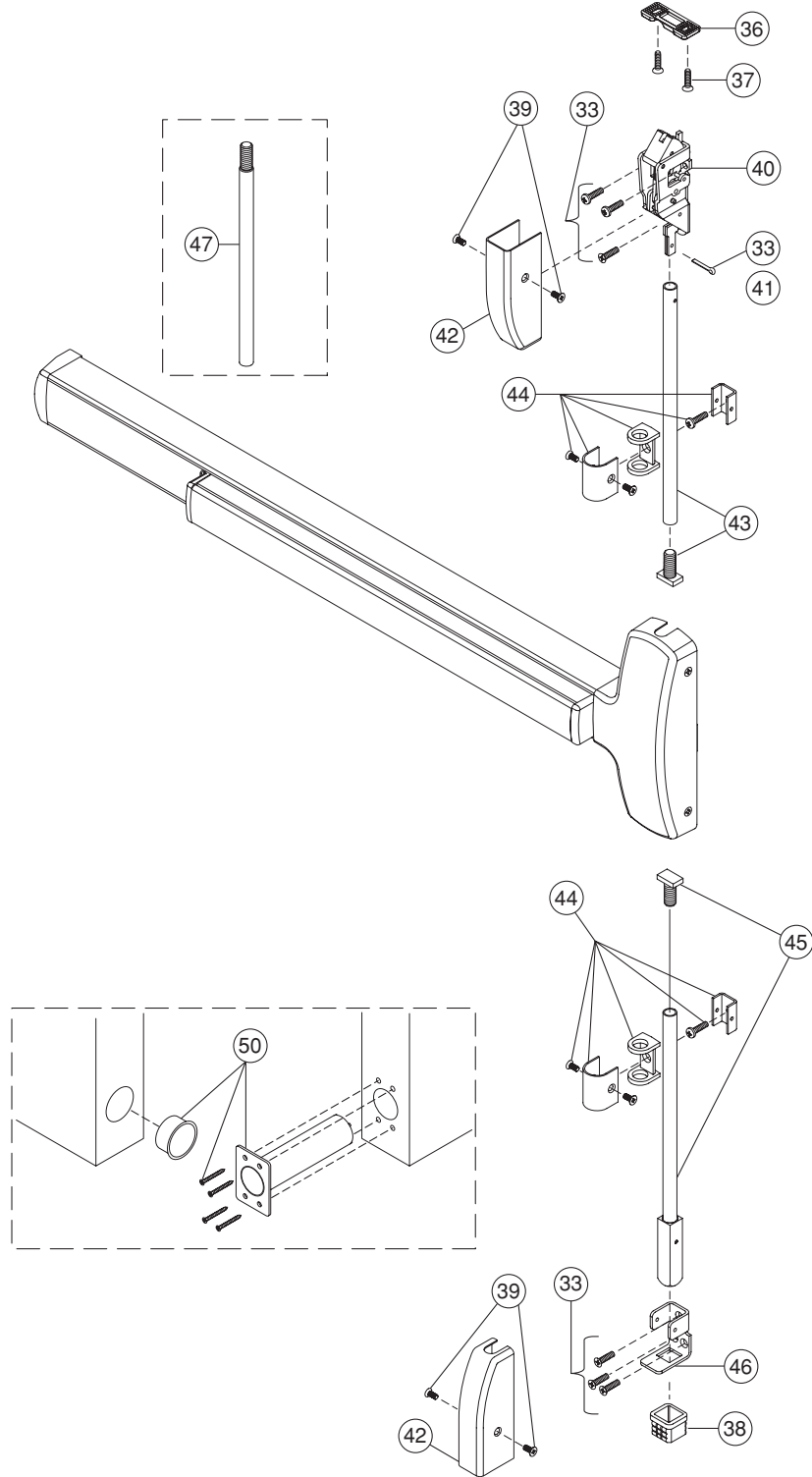
Panic and fire

EXITS

Pushpads

Architectural /
Heavy Duty

25 Series



Prices subject to change without notice

No.	Qty.	Part no.	Description	Package contents	Notes
33	1	650315	25-V Mounting Pkg 1¾" – 2¼" Door	4– #10 x 1¼" FPHSMS	*
				6– #10 x 1¼" PPHSMS	*
				1– ⅛ x 1" Cotter Key	
				1– Dogging Key	*
		650316	F-25-V Mounting Pkg 1¾" Door	4– #10-24 x ¾" FPHMS	*
				6– #10-24 x ¾" PPHMS	
				1– ⅛ x 1" Cotter Key	
		650295	F-25-V Mounting Pkg 2¼" Door	4– #10-24 x 1¼" FPHMS	*
				6– #10-24 x 1¼" PPHMS	*
1– ⅛" x 1" Cotter Key					
36	1	3788	Vertical Rod Top Strike		
37	2	660002	#10 x 1¼" FPHSMS		
38	1	2130	Vertical Rod Bottom Strike		
39	1	650336	25-V Latch Case Cover Mounting Pkg	4– #8-32 x ¼" UFPHMS	
40	1	650389	25-V Top Latch Case		
		650375	F-25-V Top Latch Case		
41	1	060111	⅛" x 1" Cotter Key package of 10		
42	2	650202	25-V Latch Case Cover Kit		A
43	1	3777	25-V Top Rod Kit		A
44	2	650311	25-V Rod Guide Kit		A
45	1	610055	25-V Bottom Rod Kit		A
46	1	650387	25-V Bottom Bolt Guide		A
47	1	650006	Vertical Extension Rod 12"		A
		650007	Vertical Extension Rod 24"		
		650008	Vertical Extension Rod 36"		
50	1	5494	Auxiliary Fire Pin Kit (Less Bottom Rod application only)		

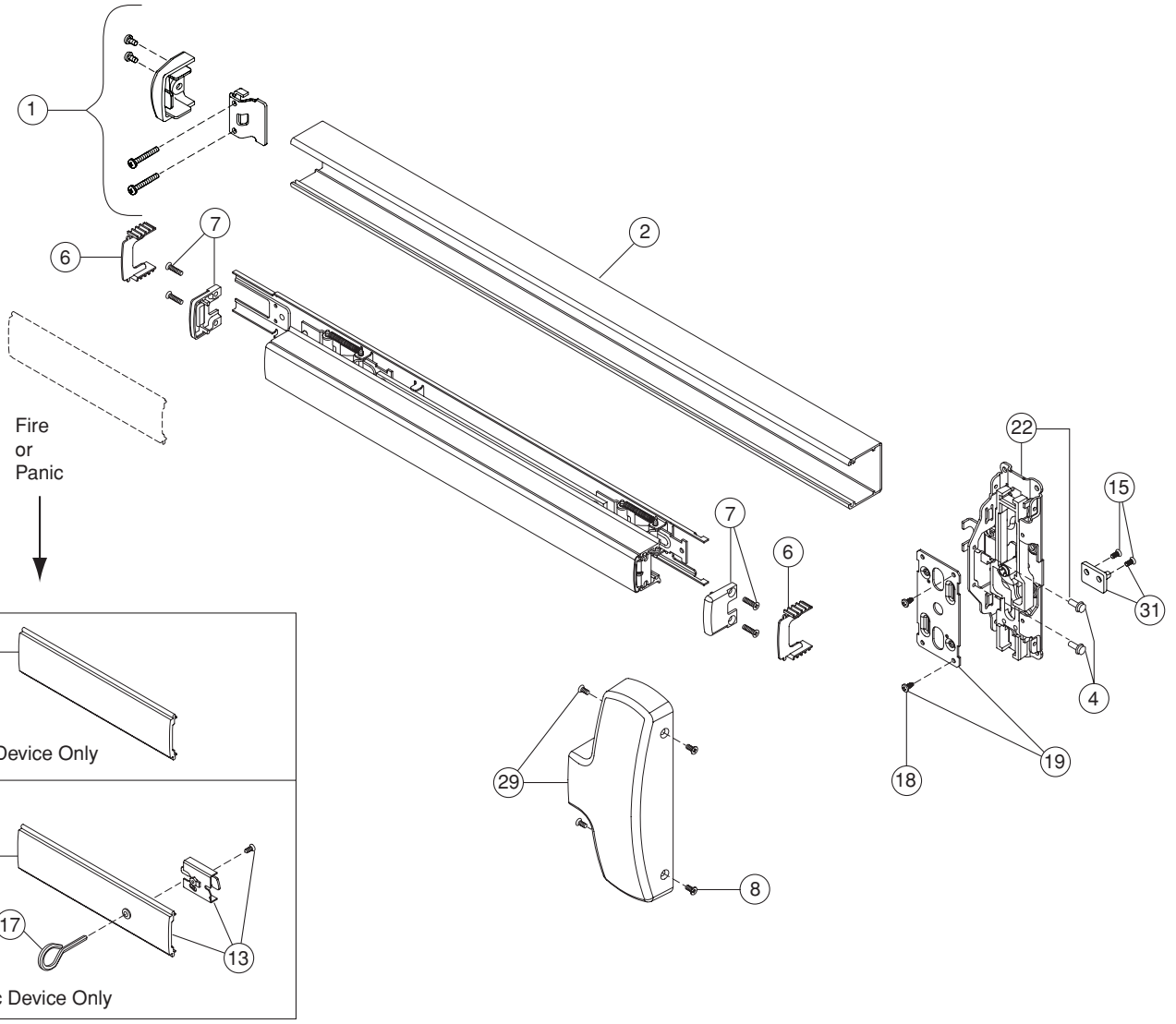
* Item(s) not shown.

A Specify by finish: US3, US4, US10, US26, US26D, US32, US32D, US28, 313AN

Prices subject to change without notice

(F)25-C Concealed vertical rod exit device

Panic and fire



EXITS
 Pushpads
 Architectural / Heavy Duty
 25 Series

Prices subject to change without notice

No.	Qty.	Part no.	Description	Package contents	Notes
1	1	650294	25 Channel Endcap Kit 1¾" Door	1- Channel Endcap	A
				2- #10-24 x ⅜" PPHMS	
				1- Channel Endcap Bracket	
				2- #10-24 x 1" PPHMS	
				2- #10 x 1¼" PPHSMS	
1	1	650348	25 Channel Endcap Kit 2¼" Door	1- Channel Endcap	A
				2- #10-24 x ⅜" PPHMS	
				1- Channel Endcap Bracket	
				2- #10-24 x 1" PPHMS	
				2- #10 x 1¼" PPHSMS	
2	1	661412	25 Channel 3'		A
		661413	25 Channel 4'		
4	1	600305	25 Channel Screw package of 10	#10-16 x ½" Hex Washer Head Taptite	
6	1	600319	25 Pushbar Guide Pkg	2- Pushbar Guide	
7	1	600310	25 Pushbar Endcap Kit	2- Pushbar Endcap	A
				4- #8-18 x ¾" FPHSMS	
8	1	600307	25 Center Case Cover Screw Pkg	4- #8-18 - ⅜" UFPHMS	A
11	1	650227	F-25 Channel Cover Plate 3'		A, B
		650228	F-25 Channel Cover Plate 4'		
13	1	650191	25 Hex Dogging Kit 3'	1- Panic Channel Cover (3' or 4')	A, B
		650192	25 Hex Dogging Kit 4'	1- Dogging Subassembly 1- #8-32 x ⅜" UFPHMS	
15	1	600309	25-V/C Center Case Finger Screw Pkg	2- #10-24 x ⅜" UFPHMS	
17	1	060109	Hex Dogging Key 7/32" package of 10		
18	1	600308	25-V/M/C Center Case Housing Screw Pkg	2- #8-32 x ⅜" PPHMS Trilob Housing	
19	1	650261	25-V/M/C Center Case Housing Kit	2- #8-32 x ⅜" PPHMS Trilob Housing	
				1- Vertical Housing	
22	1	650244	25-C, CWDC Center Case Kit	1- Center Case	
				2- #10-16 x ½" Hex Washer Head Taptite	
29	1	650259	(F)25-C/M Center Case Cover Kit	1- Center Case	A
				4- #8-18 - ⅜" UFPHMS	
31	1	650263	25-C Center Case Finger Kit	2- #10-24 x ⅜" UFPHMS	
				1- Concealed Finger	

A Specify by finish: US3, US4, US10, US26, US26D, US32, US32D, US28, 313AN

EXITS

 Pushpads

 Architectural / Heavy Duty

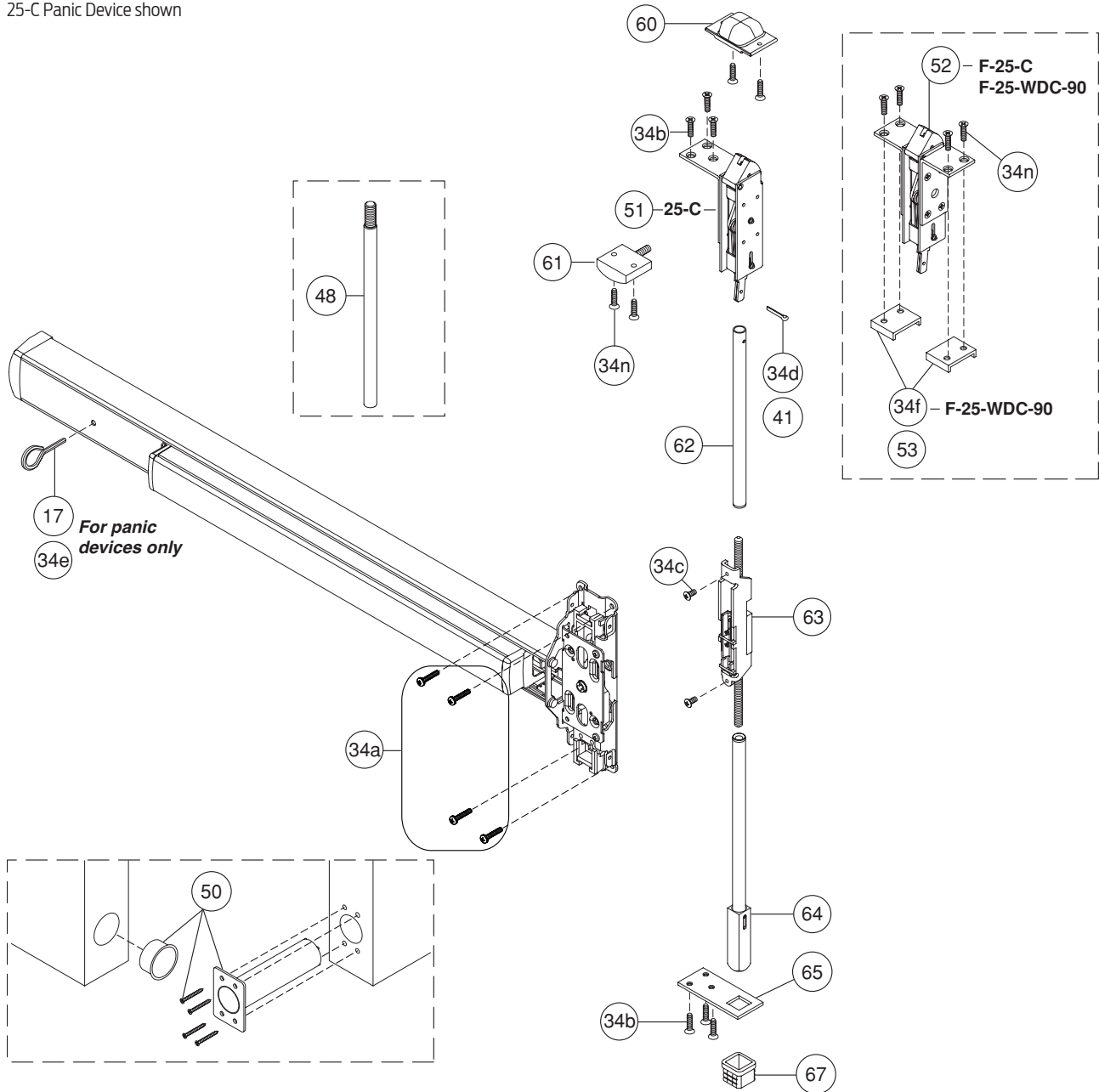
 25 Series

Prices subject to change without notice

(F)25-C and F-25-C-WDC-90 Concealed vertical rods and latches

Metal door—panic and fire, wood door—90 minute fire device

25-C Panic Device shown



EXITS
Pushpads
Architectural / Heavy Duty
25 Series

No.	Qty.	Part no.	Description	Package contents	Notes
17	1	060109	Hex Dogging Key 7/32" package of 10		
34	1	650317	F-25-C Mounting Pkg 1 3/4" Door	34a 8- #10-24 x 3/4" PPHMS 34b 7- #10-24 x 3/4" FPHMS 34c 2- #8-32 x 3/8" UFPHMS 34d 1- 1/8 x 1" Cotter Key — 2- 1/4-20 x 3/4" PPHMS	*

Prices subject to change without notice

Concealed vertical rods and latches (F)25-C and F-25-C-WDC-90

No.	Qty.	Part no.	Description	Package contents	Notes	
34	1	650318	25-C Mounting Pkg 1¾" Door	34a	8- #10 x 1¼" PPHSMS	*
				34b	6- #10-24 x ¾" FPHMS	
				34c	2- #8-32 x ⅝" UFPHMS	
				34d	1- ⅛ x 1" Cotter Key	
				34e	1- Dogging Key	
				—	2- #14 x 1" PPHSMS	*
		650299	F-25-CWDC Mounting Pkg 1¾" Door	34a	4- #10 x 1¼" PPHSMS	*
				34a	8- #10-24 x ¾" PPHMS	
				34b	3- #10 x 1¼" FPHSMS	*
				34c	2- #8-32 x ⅝" UFPHMS	
				34d	1- ⅛ x 1" Cotter Key	
				34f	2- Latch Bracket (Sold Separately #4694-089)	
				34n	6- #10-24 x ¾" FPHMS	
		650296	F-25-CWDC Mounting Pkg 2¼" Door	34a	4- #10 x 1¼" PPHSMS	*
				34a	8- #10-24 x ¾" PPHMS	
				34b	3- #10 x 1¼" FPHSMS	*
				34c	2- #8-32 x ⅝" UFPHMS	
				34d	1- ⅛ x 1" Cotter Key	
				34f	2- Latch Bracket (Sold Separately #4694-089)	
				34n	6- #10-24 x ¾" FPHMS	
650300	25-C Mounting Pkg 2¼" Door	34a	8- #10 x 1¼" PPHSMS	*		
		34b	6- #10-24 x 1¼" FPHMS			
		34c	2- #8-32 x ⅝" UFPHMS			
		34d	1- ⅛ x 1" Cotter Key			
		34e	1- Dogging Key			
		—	2- #14 x 1" PPHSMS	*		
650346	F-25-C Mounting Pkg 2¼" Door	34a	8- #10-24 x 1¼" PPHMS			
		34b	7- #10-24 x 1¼" FPHMS			
		34c	2- #8-32 x ⅝" UFPHMS			
		34d	1- ⅛ x 1" Cotter Key			
		—	2- ¼-20 x 1¼" PPHMS	*		
41	1	060111	⅛ x 1" Cotter Key package of 10			
48	1	650017	Concealed Vertical Extension Rod 12"			
		650018	Concealed Vertical Extension Rod 24"			
		650019	Concealed Vertical Extension Rod 36"			
50	1	5494	Auxiliary Fire Latch Kit (Less Bottom Rod application only)			
51	1	603L	25-C, CWDC Top Latch Case LHR			
		603R	25-C, CWDC Top Latch Case RHR			
52	1	F603	F-25-C Top Latch Case			
53	2	4694	F-25 CWDC Latch Bracket			
60	1	4188	Concealed Vertical Top Rod Strike			
61	1	650339	(F)25-C, CWDC Top Latch Release Kit		A	
62	1	610061	(F)25-C, CWDC Top Rod Kit			
63	1	650376	(F)25-C, CWDC Center Slide Assembly			
64	1	610057	(F)25-C, CWDC Bottom Rod Kit			
65	1	4567	25-C Bottom Bolt Guide			
67	1	2130	Vertical Rod Bottom Strike			

* Items for 24 Series devices only, not shown.

A Specify by finish: US3, US4, US10, US26, US26D, US32, US32D, US28, 313AN

Prices subject to change without notice

25-C-WDC and F-25-C-WDC-20 Concealed vertical rods and latches

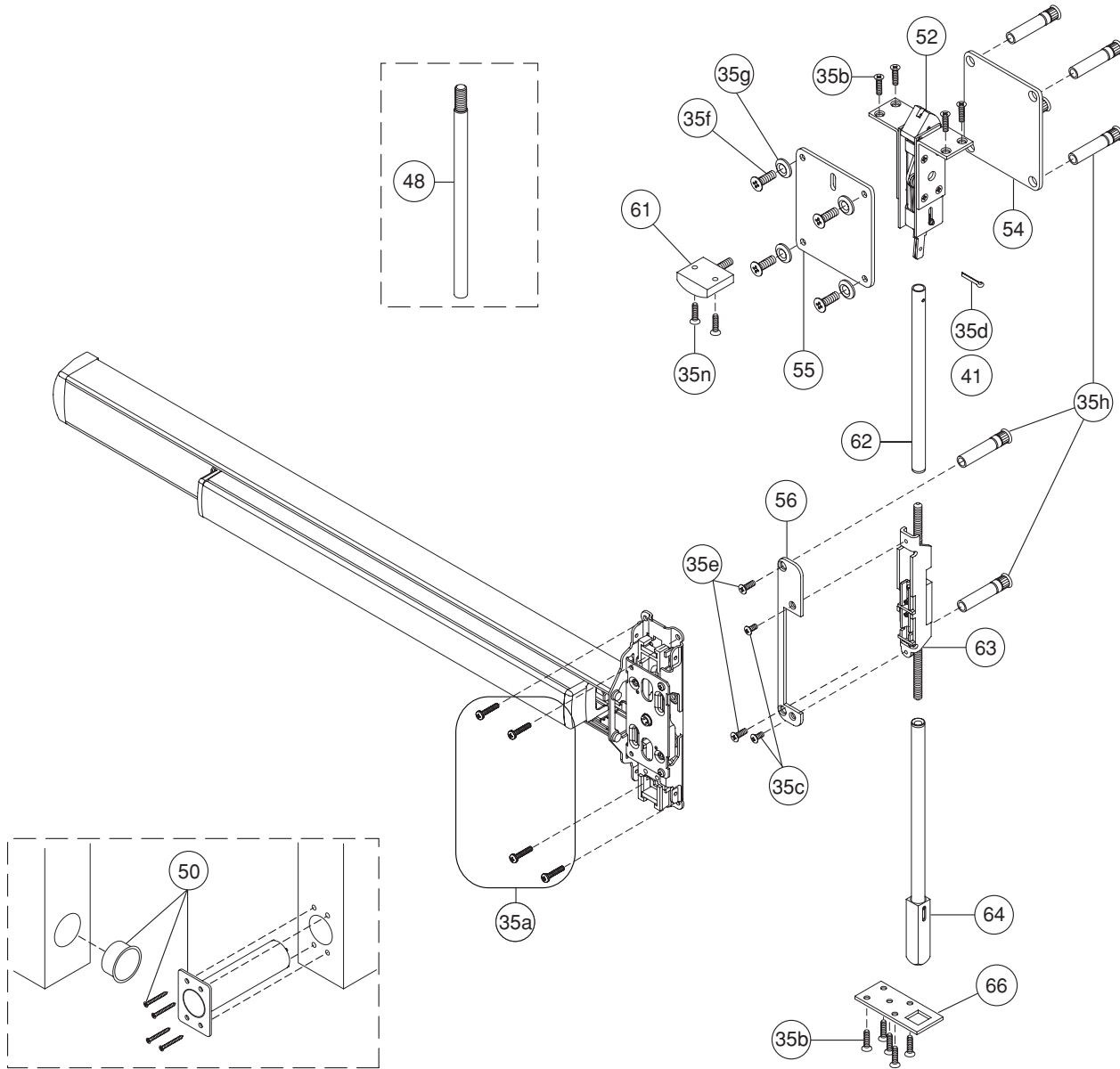
Wood door—panic devices, wood door—20 minute fire device

EXITS

Pushpads

Architectural / Heavy Duty

25 Series



F-25-C-WDC-20 Device shown

REFERENCE NOTE:
F-25-C-WDC-20 is no longer available for purchase. Parts listed for installed SERVICE ONLY.

Prices subject to change without notice

Concealed vertical rods and latches **25-C-WDC and F-25-C-WDC-20**

No.	Qty.	Part no.	Description	Package contents		Notes
17	1	060109	Hex Dogging Key 7/32" package of 10			
35	1	650299	F-25-CWDC Mounting Pkg 1 3/4" Door	35a	8- #10 x 1 1/4" PPHSMS	A
				—	4- #10-24 x 1" PPHMS	
				35b	11- #10 x 1 1/4" FPHSMS	
				35c	2- #8-32 x 3/8" UFPHMS	
				35d	1- 1/8 x 1" Cotter Key	
				35e	2- 3/4" CS Plate Mtg Screw	
				35f	4- 1/4-20 x 3/4" FPHMS	
				35g	4- 1/4" CS Washer	
				35h	6- 1/4-20 Sexbolt	
				35n	4- #10-24 x 3/4" FPHMS	
		650296	25-CWDC Mounting Pkg 2 1/4" Door	35a	8- #10 x 1 1/4" PPHSMS	A
				—	4- #10-24 x 1 1/2" PPHMS	
				35b	11- #10 x 1 1/4" FPHSMS	
				35c	2- #8-32 x 3/8" UFPHMS	
				35d	1- 1/8 x 1" Cotter Key	
				35e	2- 3/4" CS Plate Mtg Screw	
				35f	4- 1/4-20 x 1 1/4" FPHMS	
				35g	4- 1/4" CS Finish Washer	
				35h	6- 1/4-20 Sexbolt	
				35n	2- #10-24 x 3/4" FPHMS	
41	1	060111	1/8 x 1" Cotter Key package of 10			
48	1	650017	Concealed Vertical Extension Rod 12"			
		650018	Concealed Vertical Extension Rod 24"			
		650019	Concealed Vertical Extension Rod 36"			
49	1	WF603	F-25-CWDC Top Latch Case			*
50	1	5494	Auxiliary Fire Latch Kit (Less Bottom Rod application only)			
52	1	F603	F-25-C Top Latch Case			
54	1	4833	Top Reinforcement Plate			A
55	1	4834	Top Reinforcement Plate with Access Hole			A
56	1	4832	(F)25-CWDC Center Slide Reinforcement Plate			
61	1	650339	(F)25-C, CWDC Top Latch Release Kit			A
62	1	610061	(F)25-C, CWDC Top Rod Kit			
63	1	650376	(F)25-C, CWDC Center Slide Assembly			
64	1	610057	(F)25-C, CWDC Bottom Rod Kit			
66	1	4835	25-CWDC Bottom Bolt Guide			

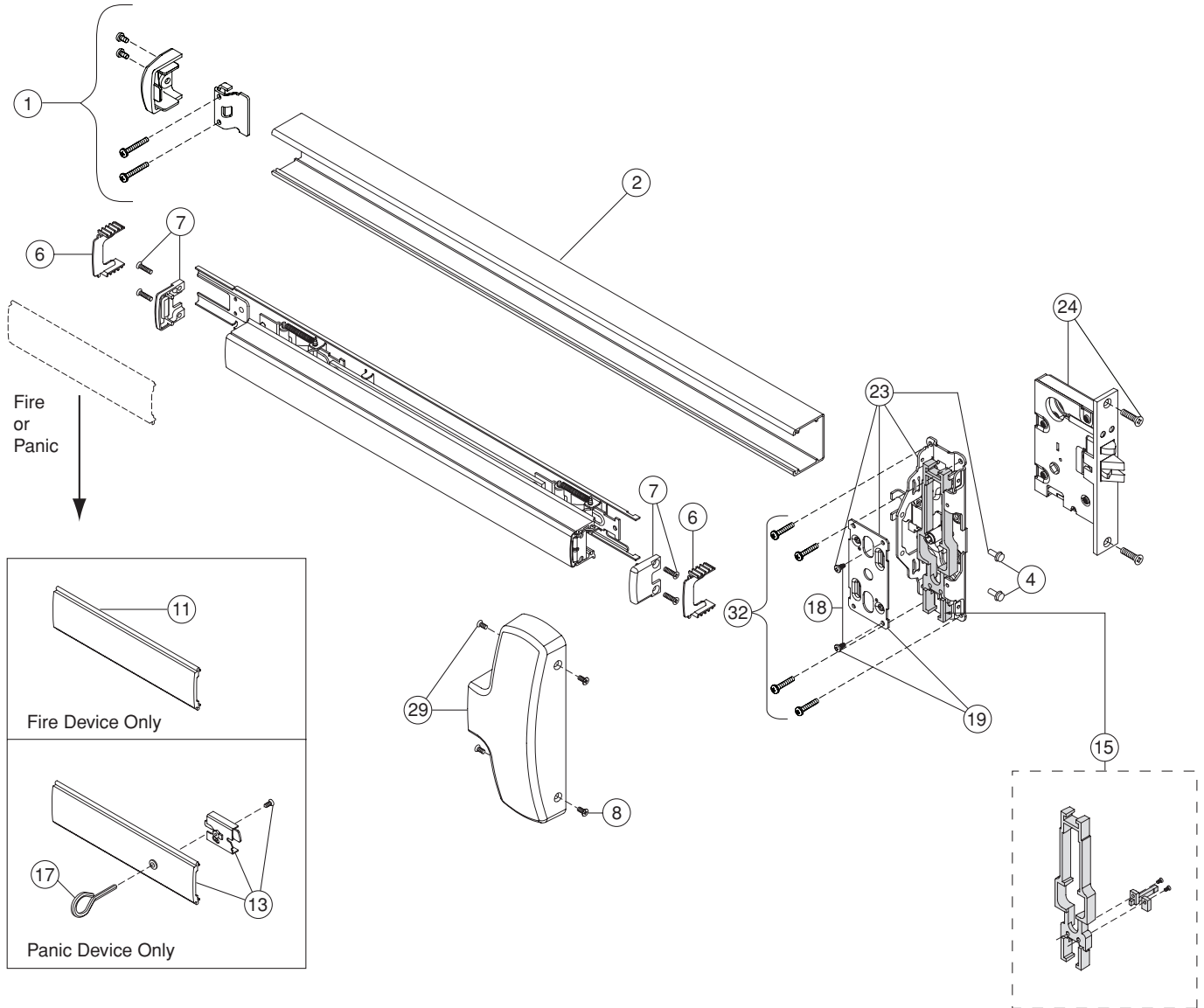
* Item(s) not shown.

A Specify by finish: US3, US4, US10, US26, US26D, US32, US32D, US28, 313AN

Prices subject to change without notice

(F)25-M Mortise exit device

Panic and fire



EXITS

Pushpads

Architectural / Heavy Duty

25 Series

No.	Qty.	Part no.	Description	Package contents	Notes
1	1	650294	25 Channel Endcap Kit 1¾" Door	1- Channel Endcap 2- #10-24 x ¾" PPHMS 1- Channel Endcap Bracket 2- #10-24 x 1" PPHMS 2- #10 x 1¼" PPHSMS	A

Prices subject to change without notice

No.	Qty.	Part no.	Description	Package contents	Notes
1	1	650348	25 Channel Endcap Kit 2 1/4" Door	1- Channel Endcap	A
				2- #10-24 x 3/8" PPHMS	
				1- Channel Endcap Bracket	
				2- #10-24 x 1" PPHMS	
				2- #10 x 1 1/4" PPHSMS	
2	1	661412	25 Channel 3'		A
		661413	25 Channel 4'		
4	1	600305	25 Channel Screw package of 10	#10-16 x 1/2" Hex Washer Head Taptite	
6	1	600319	25 Pushbar Guide Pkg	2- Pushbar Guide	
7	1	600310	25 Pushbar Endcap Kit	2- Pushbar Endcap	A
				4- #8-18 x 3/4" FPHSMS	
8	1	600307	25 Center Case Cover Screw Pkg	4- #8-18 x 3/8" UFPHMS	A
11	1	650227	F-25 Channel Cover Plate 3'		B
		650228	F-25 Channel Cover Plate 4'		
13	1	650191	25 Hex Dogging Kit 3'	1- Panic Channel Cover (3' or 4')	A
		650192	25 Hex Dogging Kit 4'	1- Dogging Subassembly 1- #8-32 x 3/8" UFPHMS	
15	1	650377	25-M Center Case Slide Bar Assembly LHR		C
		650378	25-M Center Case Slide Bar Assembly RHR		
17	1	060109	Hex Dogging Key 7/32" package of 10		
18	1	600308	25-V/M/C Housing Screw Pkg	2- #8-32 x 3/8" PPHMS Trilob	
19	1	650261	25-V/M/C Housing Kit	2- #8-32 x 3/8" PPHMS Trilob	
				1- Vertical Housing	
23	1	650246	(F)25-M Center Case Kit, RHR	1- Center Case	
				2- #10-16 x 1/2" Hex Washer Head Taptite	
				1- Mortise Finger	
		650398	(F)25-M Center Case Kit, LHR	1- Mortise Block 2- #10-24 x 3/8" UFPHMS	
24	1	8500	Mortise Lock Assembly	1- Mortise Lock	
				2- #12-24 x 1/2" UFPHMS	
29	1	650259	(F)25-C, M Center Case Cover Kit	1- Center Case Cover	A
				4- #8-18 x 3/8" UFPHMS	
32	1	650345	(F)25-R/M Mounting Pkg 1 3/4" Door	6- #10 x 1 1/4" PPHSMS	*
				4- #10-24 x 3/4" PPHMS	
				2- #10-24 x 1" PPHMS	*
				1- Tailpiece Guide	*
	1	650293	(F)25-R/M Mounting Pkg 2 1/4" Door	6- #10 x 1 1/4" PPHSMS	*
				4- #10-24 x 1 1/4" PPHMS	
				2- #10-24 x 1 1/2" PPHMS	*
				1- Tailpiece Guide	*

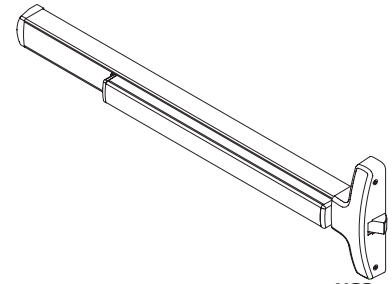
* Item(s) not shown.

A Specify by finish: US3, US4, US10, US26, US26D, US32, US32D, US28, 313AN

B Lift Finger is pre-installed on the Slide Bar Assembly. Screws secured with Loctite®.

Prices subject to change without notice

3' Devices are priced with standard trim and strikes, 4' add \$19 list.
Cylinders are not included in the price.



EXIT HARDWARE
Rim Devices
(Includes 299 Strike)

	Trim/Control	US28	US32D	313AN	US19* US26D	US26	US32	US10	US4	US3 643E* US15*
* 24-R-EO		1122	1410	1189	1365	1416	1444	1416	1444	1542
* 24-R-NL-OP	(Supplied as NL less trim)	1122	1410	1189	1365	1416	1444	1416	1444	1542
Delta Trim (handed and field reversible)										
24-R-DT	717DT	1301	1666	1408	1621	1672	1700	1595	1623	1798
24-R-DT	718DT	1467	1686	1386	1641	1692	1720	1761	1789	1818
* 24-R-NL	718NL*	1301	1666	1408	1621	1672	1700	1595	1623	1798
* 24-R-C	718C*	1261	1607	1368	1562	1613	1641	1555	1583	1739
Knob Control (handed and field reversible)										
24-R-K	711K	1289	1716	1432	1671	1722	1750	1583	1611	1848
24-R-K-BE	711K-BE	1289	1716	1432	1671	1722	1750	1583	1611	1848
24-R-K-NL	711K-NL	1289	1716	1432	1671	1722	1750	1583	1611	1848
Dane Lever Control (handed and field reversible)										
* 24-R-L	712L*	1458	1787	1541	1742	1793	1821	1752	1780	1919
* 24-R-L-BE	712L-BE*	1458	1787	1541	1742	1793	1821	1752	1780	1919
* 24-R-L-NL	712L-NL*	1458	1787	1541	1742	1793	1821	1752	1780	1919
* 24-R-L-DT	712L-DT*	1458	1787	1541	1742	1793	1821	1752	1780	1919

* These devices and 712L, 712L-BE, 712L-NL, 712L-DT, 718C, 718NL trims are available in 643E, US15 and US19 finishes.

REFERENCE NOTES:

24 Series ordered in 313AN will be supplied with trims in SP313.
Handing: Trims are furnished RHR when handing is not specified.
24 Rim, comes with dead latching as a standard effective April 3, 2017.

Sex Bolts:

Optional Sex Bolts are recommended for center case mounting when device is used with hollow core wood, composite or light gauge hollow metal doors. See chart below for quantities and list prices.

Application	Sex Bolt 325 (Optional)	Sex Bolt 425 (Optional)	List Add
Hollow core wood, composite or light gauge hollow metal doors - EO (exit only device)	2	4	72
Hollow core wood, composite or light gauge hollow metal doors - Device with Trim	Not Required	4	48

Prices subject to change without notice

EXITS

Pushpads

Architectural /
Heavy Duty

24 Series

**3' Devices are priced with standard trim and strikes, 4' add \$19 list.
Cylinders are not included in the price.**

EXIT HARDWARE

Rim Devices

(Includes 299F Strike)

	Trim/Control	US28	US32D	313AN	US19* US26D	US26	US32	US10	US4	US3 643E* US15*
* F-24-R-EO		1325	1613	1392	1568	1619	1647	1619	1647	1745
* F-24-R-NL-OP	(Supplied as NL less trim)	1325	1613	1392	1568	1619	1647	1619	1647	1745
Delta Trim (handed and field reversible)										
F-24-R-DT	717DT	1504	1869	1611	1824	1875	1903	1798	1826	2001
F-24-R-DT	718DT	1670	1889	1589	1844	1895	1923	1964	1992	2021
* F-24-R-NL	718NL*	1504	1869	1611	1824	1875	1903	1798	1826	2001
* F-24-R-C	718C*	1464	1810	1571	1765	1816	1844	1758	1786	1942
Knob Control (handed and field reversible)										
F-24-R-K	711K	1492	1919	1635	1874	1925	1953	1786	1814	2051
F-24-R-K-BE	711K-BE	1492	1919	1635	1874	1925	1953	1786	1814	2051
F-24-R-K-NL	711K-NL	1492	1919	1635	1874	1925	1953	1786	1814	2051
Dane Lever Control (handed and field reversible)										
* F-24-R-L	712L*	1661	1990	1744	1945	1996	2024	1955	1983	2122
* F-24-R-L-BE	712L-BE*	1661	1990	1744	1945	1996	2024	1955	1983	2122
* F-24-R-L-NL	712L-NL*	1661	1990	1744	1945	1996	2024	1955	1983	2122
* F-24-R-L-DT	712L-DT*	1661	1990	1744	1945	1996	2024	1955	1983	2122

* These devices and 712L, 712L-BE, 712L-NL, 712L-DT, 718C, 718NL trims are available in 643E, US15 and US19 finishes.

REFERENCE NOTES:

24 Series ordered in 313AN will be supplied with trims in SP313.

Handing: Trims are furnished RHR when handing is not specified.

Sex Bolts:

Sex Bolts are supplied for center case mounting when device is used with wood, composite or non-reinforced hollow metal doors.

Application	Sex Bolt 325 (Supplied)	Sex Bolt 425 (Supplied)
Wood, composite or non-reinforced hollow metal doors - EO (exit only device)	2	4
Wood, composite or non-reinforced hollow metal doors - Device with Trim	Not Required	4

Prices subject to change without notice

3' Devices are priced with standard trim and strikes, 4' add \$19, 2' add \$123 list.
Cylinders are not included in the price.

EXIT HARDWARE

Surface Vertical Rod Devices
(Includes 3788 and 2130 Strikes)

Trim/Control	US28	US32D	313AN	US19* US26D	US26	US32	US10	US4	US3 643E* US15*
* 24-V-EO	1466	1862	1553	1792	1862	1897	1862	1897	2008
* 24-V-NL-OP (Supplied as NL less trim)	1466	1862	1553	1792	1862	1897	1862	1897	2008
Delta Trim (handed and field reversible)									
24-V-DT 717DT	1645	2118	1772	2048	2118	2153	2041	2076	2264
24-V-DT 718DT	1811	2138	1750	2068	2138	2173	2207	2242	2284
* 24-V-NL 718NL*	1645	2118	1772	2048	2118	2153	2041	2076	2264
* 24-V-C 718C*	1605	2059	1732	1989	2059	2094	2001	2036	2205
Knob Control (handed and field reversible)									
24-V-K 711K	1633	2168	1796	2098	2168	2203	2029	2064	2314
24-V-K-BE 711K-BE	1633	2168	1796	2098	2168	2203	2029	2064	2314
24-V-K-NL 711K-NL	1633	2168	1796	2098	2168	2203	2029	2064	2314
Dane Lever Control (handed and field reversible)									
* 24-V-L 712L*	1802	2239	1905	2169	2239	2274	2198	2233	2385
* 24-V-L-BE 712L-BE*	1802	2239	1905	2169	2239	2274	2198	2233	2385
* 24-V-L-NL 712L-NL*	1802	2239	1905	2169	2239	2274	2198	2233	2385
* 24-V-L-DT 712L-DT*	1802	2239	1905	2169	2239	2274	2198	2233	2385

* These devices and 712L, 712L-BE, 712L-NL, 712L-DT, 718C, 718NL trims are available in 643E, US15 and US19 finishes.

REFERENCE NOTES:

24 Series ordered in 313AN will be supplied with trims in SP313.

24-V Device ordered in US15 will be supplied with US32D Rod and Latch Cover.

Handing: 24-V devices and noted Trims are handed and field reversible. The Device and Trims are furnished RHR when handing is not specified.

Extension Rods: For door heights over 7'0" up to 8'0", 12" extension rods are furnished at no additional charge at the time of device order. For door heights over 8'0" up to 10'0" extension rods are furnished at prices shown in parts section with the device at the time of order. MUST specify door height on order line.

Sex Bolts:

Optional Sex Bolts are recommended for center case and latch mounting when device is used with hollow core wood, composite or light gauge hollow metal doors. See chart below for quantities and list prices.

Application	Latches Sex Bolt 2729 (Optional)	Device Sex Bolt 425 (Optional)	Device Sex Bolt 325 (Optional)	List Add
Hollow core wood, composite or light gauge hollow metal doors - EO (exit only device)	6	2	2	102.00
Hollow core wood, composite or light gauge hollow metal doors - Device with Trim	6	2	Not Required	78.00
Hollow core wood, composite or light gauge hollow metal doors - EO (exit only device) LBR	3	2	2	75.00
Hollow core wood, composite or light gauge hollow metal doors - Device with Trim LBR	3	2	Not Required	51.00

Prices subject to change without notice

**3' Devices are priced with standard trim and strikes, 4' add \$19 list, 2' add \$123 list.
Cylinders are not included in the price.**

FIRE EXIT HARDWARE**Surface Vertical Rod Devices**

(Includes 3788 and 2130 Strikes)

	Trim/Control	US28	US32D	313AN	US19* US26D	US26	US32	US10	US4	US3 643E* US15*
* F-24-V-EO		1653	2049	1740	1979	2049	2084	2049	2084	2195
* F-24-V-NL-OP	(Supplied as NL less trim)	1653	2049	1740	1979	2049	2084	2049	2084	2195
Delta Trim (handed and field reversible)										
F-24-V-DT	717DT	1832	2305	1959	2235	2305	2340	2228	2263	2451
F-24-V-DT	718DT	1998	2325	1937	2255	2325	2360	2394	2429	2471
* F-24-V-NL	718NL*	1832	2305	1959	2235	2305	2340	2228	2263	2451
* F-24-V-C	718C*	1792	2246	1919	2176	2246	2281	2188	2223	2392
Knob Control (handed and field reversible)										
F-24-V-K	711K	1820	2355	1983	2285	2355	2390	2216	2251	2501
F-24-V-K-BE	711K-BE	1820	2355	1983	2285	2355	2390	2216	2251	2501
F-24-V-K-NL	711K-NL	1820	2355	1983	2285	2355	2390	2216	2251	2501
Dane Lever Control (handed and field reversible)										
* F-24-V-L	712L*	1989	2426	2092	2356	2426	2461	2385	2420	2572
* F-24-V-L-BE	712L-BE*	1989	2426	2092	2356	2426	2461	2385	2420	2572
* F-24-V-L-NL	712L-NL*	1989	2426	2092	2356	2426	2461	2385	2420	2572
* F-24-V-L-DT	712L-DT*	1989	2426	2092	2356	2426	2461	2385	2420	2572

* These devices and 712L, 712L-BE, 712L-NL, 712L-DT, 718C, 718NL trims are available in 643E, US15 and US19 finishes.

REFERENCE NOTES:

24 Series ordered in 313AN will be supplied with trims in SP313.

24-V Device ordered in US15 will be supplied with US32D Rod and Latch Cover.

Handing: F-24-V devices and noted Trims are handed and field reversible. The Device and Trims are furnished RHR when handing is not specified.

Extension Rods: For door heights over 7'0" up to 8'0", 12" extension rods are furnished at no additional charge at the time of device order.

For door heights over 8'0" up to 10'0" extension rods are furnished at prices shown in parts section with the device at the time of order.

MUST specify door height on order line.

Sex Bolts:

One 4122 Sex Bolt is supplied standard no charge for hinge side mounting. Sex Bolts are supplied for center case and latch mounting when device is used with wood, composite or non-reinforced hollow metal doors.

Application	Latches Sex Bolt 2729 (Supplied)	Device Sex Bolt 425 (Supplied)	Device Sex Bolt 325 (Supplied)
Wood, composite or non-reinforced hollow metal doors - EO (exit only device)	6	2	2
Wood, composite or non-reinforced hollow metal doors - Device with Trim	6	2	Not Required
Wood, composite or non-reinforced hollow metal doors - EO (exit only device) LBR	3	2	2
Wood, composite or non-reinforced hollow metal doors - Device with Trim LBR	3	2	Not Required

Prices subject to change without notice

3' Devices are priced with standard trim and strikes, 4' add \$19 list, 2' add \$123 list.
Cylinders are not included in the price.

EXIT HARDWARE
Concealed Vertical Rod Devices
(Includes Strikes 4188 and 2130)

	Trim/Control	US28	US32D	313AN	US19* US26D	US26	US32	US10	US4	US3 643E* US15*
* 24-C-EO		1539	1921	1634	1882	1959	1997	1959	1997	2111
Delta Trim (handed and field reversible)										
24-C-DT	717DT	1718	2177	1853	2138	2215	2253	2138	2176	2367
24-C-DT	718DT	1884	2197	1831	2158	2235	2273	2304	2342	2387
* 24-C-NL	718NL*	1718	2177	1853	2138	2215	2253	2138	2176	2367
* 24-C-C	718C*	1678	2118	1813	2079	2156	2194	2098	2136	2308
Knob Control (handed and field reversible)										
24-C-K	711K	1706	2227	1877	2188	2265	2303	2126	2164	2417
24-C-K-BE	711K-BE	1706	2227	1877	2188	2265	2303	2126	2164	2417
24-C-K-NL	711K-NL	1706	2227	1877	2188	2265	2303	2126	2164	2417
Dane Lever Control (handed and field reversible)										
* 24-C-L	712L*	1875	2298	1986	2259	2336	2374	2295	2333	2488
* 24-C-L-BE	712L-BE*	1875	2298	1986	2259	2336	2374	2295	2333	2488
* 24-C-L-NL	712L-NL*	1875	2298	1986	2259	2336	2374	2295	2333	2488
* 24-C-L-DT	712L-DT*	1875	2298	1986	2259	2336	2374	2295	2333	2488

* These devices and 712L, 712L-BE, 712L-NL, 712L-DT, 718C, 718NL trims are available in 643E, US15 and US19 finishes.

REFERENCE NOTES:

24 Series ordered in 313AN will be supplied with trims in SP313.

Handing: All 24-C Devices and Trims are handed and field reversible. The Device and Trims are furnished RHR when handing is not specified.

Extension Rods: For door heights over 7'0" up to 8'0", 12" extension rods are furnished at no additional charge at the time of device order. Must specify door height on order line. For door heights over 8'0" up to 10'0" extension rods are furnished at prices shown in parts section with the device at the time of order. MUST specify door height on order line.

Sex Bolts:

Optional Sex Bolts are recommended for center case when device is used with light gauge hollow metal doors. See chart below for quantities and list prices.

Application	Device Sex Bolt 425 (Optional)	Device Sex Bolt 325 (Optional)	List Add
Light gauge hollow metal doors - EO (exit only device)	2	2	48
Light gauge hollow metal doors - Device with Trim	2	Not Required	24

Prices subject to change without notice

EXITS

Pushpads

Architectural /
Heavy Duty

24 Series

3' Devices are priced with standard trim and strikes, 4' add \$19 list, and 2' add \$123 list. Cylinders are not included in the price.

FIRE EXIT HARDWARE
Concealed Vertical Rod Devices
 (Includes Strikes 4188 and 2130)

	Trim/Control	US28	US32D	313AN	US19* US26D	US26	US32	US10	US4	US3 643E* US15*
* F-24-C-EO		1726	2108	1821	2069	2146	2184	2146	2184	2298
Delta Trim (handed and field reversible)										
F-24-C-DT	717DT	1905	2364	2040	2325	2402	2440	2325	2363	2554
F-24-C-DT	718DT	2071	2384	2018	2345	2422	2460	2491	2529	2574
* F-24-C-NL	718NL*	1905	2364	2040	2325	2402	2440	2325	2363	2554
* F-24-C-C	718C*	1865	2305	2000	2266	2343	2381	2285	2323	2495
Knob Control (handed and field reversible)										
F-24-C-K	711K	1893	2414	2064	2375	2452	2490	2313	2351	2604
F-24-C-K-BE	711K-BE	1893	2414	2064	2375	2452	2490	2313	2351	2604
F-24-C-K-NL	711K-NL	1893	2414	2064	2375	2452	2490	2313	2351	2604
Dane Lever Control (handed and field reversible)										
* F-24-C-L	712L*	2062	2485	2173	2446	2523	2561	2482	2520	2675
* F-24-C-L-BE	712L-BE*	2062	2485	2173	2446	2523	2561	2482	2520	2675
* F-24-C-L-NL	712L-NL*	2062	2485	2173	2446	2523	2561	2482	2520	2675
* F-24-C-L-DT	712L-DT*	2062	2485	2173	2446	2523	2561	2482	2520	2675

* These devices and 712L, 712L-BE, 712L-NL, 712L-DT, 718C, 718NL trims are available in 643E, US15 and US19 finishes.

REFERENCE NOTES:

24 Series ordered in 313AN will be supplied with trims in SP313.

Handing: All F-24-C Devices and Trims are handed and field reversible. The Device and Trims are furnished RHR when handing is not specified.

Extension Rods: For door heights over 7'0" up to 8'0", 12" extension rods are furnished at no additional charge at the time of device order. For door heights over 8'0" up to 10'0" extension rods are furnished at prices shown in parts section with the device at the time of order. MUST specify door height on order line.

Sex Bolts:

Sex Bolts are supplied for center case mounting when device is used with non-reinforced hollow metal doors. See chart below for quantities.

Application	Device Sex Bolt 425 (Supplied)	Device Sex Bolt 325 (Supplied)
Non-reinforced hollow metal doors - EO (exit only device)	2	2
Non-reinforced hollow metal doors - Device with Trim	2	Not Required

Prices subject to change without notice

3' Devices are priced with standard trim and strikes, 4' add \$19 list, 2' add \$123 list. Cylinders are not included in the price.

EXIT HARDWARE

Wood Door Concealed Vertical Rod Devices
(Includes Strikes 4188 and 2130)

	Trim/Control	US28	US32D	313AN	US19* US26D	US26	US32	US10	US4	US3 643E* US15*
* 24-CWDC-EO		1875	2342	1991	2292	2386	2433	2386	2433	2573
Delta Trim (handed and field reversible)										
24-CWDC-DT	717DT	2054	2598	2210	2548	2642	2689	2565	2612	2829
24-CWDC-DT	718DT	2220	2618	2188	2568	2662	2709	2731	2778	2849
* 24-CWDC-NL	718NL*	2054	2598	2210	2548	2642	2689	2565	2612	2829
* 24-CWDC-C	718C*	2014	2539	2170	2489	2583	2630	2525	2572	2770
Knob Control (handed and field reversible)										
24-CWDC-K	711K	2042	2648	2234	2598	2692	2739	2553	2600	2879
24-CWDC-K-BE	711K-BE	2042	2648	2234	2598	2692	2739	2553	2600	2879
24-CWDC-K-NL	711K-NL	2042	2648	2234	2598	2692	2739	2553	2600	2879
Dane Lever Control (handed and field reversible)										
* 24-CWDC-L	712L*	2211	2719	2343	2669	2763	2810	2722	2769	2950
* 24-CWDC-L-BE	712L-BE*	2211	2719	2343	2669	2763	2810	2722	2769	2950
* 24-CWDC-L-NL	712L-NL*	2211	2719	2343	2669	2763	2810	2722	2769	2950
* 24-CWDC-L-DT	712L-DT*	2211	2719	2343	2669	2763	2810	2722	2769	2950

* These devices and 712L, 712L-BE, 712L-NL, 712L-DT, 718C, 718NL trims are available in 643E, US15 and US19 finishes.

REFERENCE NOTES:

24 Series ordered in 313AN will be supplied with trims in SP313.

Handing: All 24-CWDC Devices and Trims are handed and field reversible. The Device and Trims are furnished RHR when handing is not specified.

Extension Rods: For door heights over 7'0" up to 8'0", 12" extension rods are furnished at no additional charge at the time of device order. For door heights over 8'0" up to 10'0" extension rods are furnished at prices shown in parts section with the device at the time of order. MUST specify door height on order line.

Sex Bolts:

Optional Sex Bolts are recommended for center case when device is used with hollow core or composite doors. See chart below for quantities and list prices.

Application	Device Sex Bolt 425 (Optional)	Device Sex Bolt 325 (Optional)	List Add
Hollow core or composite doors - EO (exit only device)	2	2	48
Hollow core or composite doors - Device with Trim	2	Not Required	24

Prices subject to change without notice

EXITS

Pushpads

Architectural /
Heavy Duty

24 Series

3' Devices are priced with standard trim and strikes, 4' add \$19 list, 2' add \$123 list. Cylinders are not included in the price.

FIRE EXIT HARDWARE

Wood Door Concealed Vertical Rod Devices

(Includes Strikes 4188 and 2130)

	Trim/Control	US28	US32D	313AN	US19* US26D	US26	US32	US10	US4	US3 643E* US15*
* F-24-CWDC-EO		2062	2529	2178	2479	2573	2620	2573	2620	2760
Delta Trim (handed and field reversible)										
F-24-CWDC-DT	717DT	2241	2785	2397	2735	2829	2876	2752	2799	3016
F-24-CWDC-DT	718DT	2407	2805	2375	2755	2849	2896	2918	2965	3036
* F-24-CWDC-NL	718NL*	2241	2785	2397	2735	2829	2876	2752	2799	3016
* F-24-CWDC-C	718C*	2201	2726	2357	2676	2770	2817	2712	2759	2957
Knob Control (handed and field reversible)										
F-24-CWDC-K	711K	2229	2835	2421	2785	2879	2926	2740	2787	3066
F-24-CWDC-K-BE	711K-BE	2229	2835	2421	2785	2879	2926	2740	2787	3066
F-24-CWDC-K-NL	711K-NL	2229	2835	2421	2785	2879	2926	2740	2787	3066
Dane Lever Control (handed and field reversible)										
* F-24-CWDC-L	712L*	2398	2906	2530	2856	2950	2997	2909	2956	3137
* F-24-CWDC-L-BE	712L-BE*	2398	2906	2530	2856	2950	2997	2909	2956	3137
* F-24-CWDC-L-NL	712L-NL*	2398	2906	2530	2856	2950	2997	2909	2956	3137
* F-24-CWDC-L-DT	712L-DT*	2398	2906	2530	2856	2950	2997	2909	2956	3137

* These devices and 712L, 712L-BE, 712L-NL, 712L-DT, 718C, 718NL trims are available in 643E, US15 and US19 finishes.

REFERENCE NOTES:

24 Series ordered in 313AN will be supplied with trims in SP313.

Handing: All F-24-CWDC Devices and Trims are handed and field reversible. The Device and Trims are furnished RHR when handing is not specified.

Extension Rods: For door heights over 7'0" up to 8'0", 12" extension rods are furnished at no additional charge at the time of device order.

For door heights over 8'0" up to 10'0" extension rods are furnished at prices shown in parts section with the device at the time of order.

MUST specify door height on order line.

Sex Bolts:

Sex Bolts are supplied for center case mounting when device is used with hollow core or composite doors. See chart below for quantities.

Application	Device Sex Bolt 425 (Supplied)	Device Sex Bolt 325 (Supplied)
Hollow core or composite doors - EO (exit only device)	2	2
Hollow core or composite doors - Device x Trim	2	Not Required

Prices subject to change without notice

EXITS

 Pushpads

 Architectural / Heavy Duty

 24 Series

Cylinder Dogging

Not for use with Fire Exit Hardware

Prefix		List Add
CD	Cylinder Dogging available on all 24 series Panic Devices.	62
LD	Less Dogging available on all 24 series Panic Devices.	N/C

Less Bottom Rod

Suffix		List Add
LBR	Less Bottom Rod available with UL Fire Label at no additional charge on F-24-V and F-24-C devices. Fire rated LBR devices must be ordered in pairs of Vertical Rod Devices. For Fire Rated Devices specify one device LBR and second device LBR-AFL. Second device provided with a Fire Pin.	N/C

Electric Latch Retraction

Prefix		List Add
EL	Electric Latch Retraction - Available on all 24 series Panic and Fire Devices. Electrical Latch cannot be used in combination with CD, EA or KOR options.	766
MEL	Motorized Electric Latch Retraction - Available on all 24 series Panic and Fire Devices. Motorized Electric Latch Retraction cannot be used in combination with AX, HD, CD, EA, or KOR options.	725

REFERENCE NOTE:

PS914 is required for EL operation. See Power Supply section for more detail.

Device Monitoring

Prefix		List Add
RX	Touch Bar Request to Exit Switch available on all 24 series devices. RX device monitoring switch can be used in combination with a second DM or LM switch (except for 24-R panic and fire).	201
KOR	Key Override - Override device monitoring on a door by use of a keyed cylinder. KOR must be used in combination with a device monitoring switch.	56

Exit Alarm

Prefix		List Add
EA	Exit Alarm available on 24-R and 24-V Panic and Fire Devices. Price includes switch - "RX" is standard, "DC" is optional at no charge. To order "Less Switch", Deduct \$201 list.	498

Allegion Connect

Suffix		List Add
CON	Cross-category solution using common interconnect components for electrified options. Available with EL, RX, DM, LM, EA, RX-DM, RX-LM, EL-RX, EL-DM, EL-LM options.	N/C

NOTE: For wire harness options refer to Power Supply and Electronic Component Section.

EXITS

Pushpads

Architectural / Heavy Duty

24 Series

Prices subject to change without notice

Cylinders are not included in price unless noted.

Athena Trim

Model No.	Device Type	Description	US4, US10, SP28	SP313	US15	US3, US26 US26D
715DT	R, V	Dummy Trim	123	227	-	227

Control Trim

Model No.	Device Type	Description	US4, US10, SP28	SP313	US3, US15, US26, US26D,
711K	R, V	Knob, Key Locks or Unlocks	167	243	306
711K	C	Knob, Key Locks or Unlocks	167	243	306
711K-BE	R, V	Knob, Blank Escutcheon	167	243	306
711K-BE	C	Knob, Blank Escutcheon	167	243	306
711K-NL	R, V	Knob, Night Latch	167	243	306
711K-NL	C	Knob, Night Latch	167	243	306

711 series trim are handed and field reversible. Trims are furnished RHR when handing is not specified.

Delta Controls

Model No.	Device Type	Description	US4, US10, SP28	SP313	US3, US15, US19, US26, US26D
717DT	R, V	Dummy Trim	179	219	256
717DT	C	Dummy Trim	179	219	256

717 series trim are handed and field reversible. Trims are furnished RHR when handing is not specified.

Delta Controls

Model No.	Device Type	Description	US4, US10, SP28	SP313	US3, 643E* US15, US19*, US26 US26D
718DT	C	Dummy Trim	345	197	276
718NL*	R, V	Night Latch	179	219	256
718NL*	C	Night Latch	179	219	256
718C*	R, V	Night Latch Less Pull	139	179	197
718C*	C	Night Latch Less Pull	139	179	197

*** Available in 643E and US19.**

718 series trim are handed and field reversible. Trims are furnished RHR when handing is not specified.

Control Lever Trims

Model No.	Device Type	Description	US4, US10, SP28	SP313	US3, 643E* US15, US19*, US26 US26D
712L*	R, V	Dane Lever, Key Locks or Unlocks	336	352	377
712L*	C	Dane Lever, Key Locks or Unlocks	336	352	377
712L-BE*	R, V	Dane Lever, Blank Escutcheon	336	352	377
712L-BE*	C	Dane Lever, Blank Escutcheon	336	352	377
712L-NL*	R, V	Dane Lever, Night Latch	336	352	377
712L-NL*	C	Dane Lever, Night Latch	336	352	377
712L-DT*	R, V	Dane Lever, Dummy Trim	336	352	377
712L-DT*	C	Dane Lever, Dummy Trim	336	352	377

*** Available in 643E and US19.**

712 series trim are handed and field reversible. Trims are furnished RHR when handing is not specified.

The Dane Lever is furnished standard. Optional lever designs Sutro, Quantum and Avalon are available at no additional charge.

24 Series ordered in US32D will be supplied with trims in US15.

Prices subject to change without notice

Rim Strikes

Model	Description	Unfinished	US19	US26D	US32D	US4	US10	SP313	US10B	US3	US26	US32
264	24/25-R Panic Devices - Opt.	-	101	117	-	-	-	-	-	-	-	-
299	24/25-R Panic Devices - Std.	-	61	73	-	73	-	73	-	95	95	-
299F	24/25-R Fire Devices - Std.	-	77	-	102	119	119	-	119	137	-	137
1439	24/25-R Panic Devices - Opt.	-	147	-	-	-	-	-	-	-	-	-
1606	24/25-R Panic Devices - Opt.	73	-	-	-	-	-	-	-	-	-	-
1609-D24	24-R Panic Devices - Opt. Must be used with a Coordinator. Not a UL fire exit hardware listed application.	-	101	-	-	-	-	-	-	-	-	-

Vertical Rod Top Strikes

Model	Description	Unfinished
3788	19/24/25/XX-V Panic and Fire Devices	52
4188	24/25/XX-C,CWDC Panic and Fire Devices	52

Vertical Rod Bottom Strikes

Model	Description	Unfinished
2130	19-V/24/25/XX-V,C Panic or Fire - Std.	52
4155	19-V/24/25/XX-V,C Panic	52

REFERENCE NOTES:

Refer to device catalogs for specific door application strike requirements.

Prices subject to change without notice

Cover Plates & Filler Plates

Model No.	Description	Unfinished
3722	Strike cover - ASA 4-7/8"	11
3723	Mortise front - 8" x 1-1/4"	11
3721	Lock front - 2-1/4" x 1-1/8"	11

Cylinders

Model No.	Description	US26D	US3, US4, US10, US10B US32, US32D
985	1-1/8" Mortise Cylinder with Straight Cam #24	61	63
986	1-1/4" Mortise Cylinder with Straight Cam #24	61	63
951	Rim Cylinder	61	63
C987	1-3/8" Interchangeable Core Mortise Cylinder Housing	38	40
C953	Interchangeable Core Rim Cylinder Housing	40	42

REFERENCE NOTES:

Interchangeable Core Cylinder Housing uses #5 cam.
 Custom Keying not available. Falcon G - default keyway.
 Cylinder type needed is determined by trim function.
 IC Cylinder Housings sold LESS SFIC

Cylinder Dogging Kits

Model No.	Description	Part No.	US3, US4, US10, US26, US26D, US28, US32D, 313AN
24CDK-3	24 Series - 3' device	650155	62
24CDK-4	24 Series - 4' device	650156	62

REFERENCE NOTES:

Cylinder Sold Separately.

When a device is ordered "with CD with Cylinder" a 1-1/4" mortise cylinder (986 Falcon G x straight cam KD) is supplied for CD.
 CD Kits can also pair with a 1-1/8" mortise cylinder (985 Falcon G x straight cam KD). Must be ordered separately.

Prices subject to change without notice

Dummy Touch Bars

3' Device pricing below, 4' add \$19 list.

Model No.	Description	SP28 SP313	US4 US10	US32D	US3, US32, US15, US19, 643e, US26, US26D
250DT	24/25 Series Dummy Touch Bar	331	367	417	476
Optional Features:					
Prefix					List Add
RX	Touchbar Request to Exit Switch - For D250 only				201
KOR	Key Override device monitoring on a door by use of a keyed cylinder - For D250 only				56

Extension Rods

Part No.	Description	All Finishes
650006	24/25/19/XX-V Extension Rod 12" (ER12-V)	21
650007	24/25/19/XX-V Extension Rod 24" (ER24-V)	37
650008	24/25/19/XX-V Extension Rod 36" (ER36-V)	60
650017	24/25/XX-C, CWDC Extension Rod 12" (ER12-C)	21
650018	24/25/XX-C, CWDC Extension Rod 24" (ER24-C)	37
650019	24/25/XX-C, CWDC Extension Rod 36" (ER36-C)	60

REFERENCE NOTES:

- 1) Surface Vertical and Concealed Vertical Rod Devices for door heights over 7'0" up to 8'0", 12" extension rods are furnished at no additional charge at the time of device order. Must specify door height on order line.
- 2) For door heights over 8'0" up to 10'0" extension rods are furnished at prices shown above with the device at the time of order. MUST specify door height on order line.
- 3) Replacement extension rods can be ordered individually by the part numbers listed above.

Electric and Alarm Kits

Model No.	Description	Part #	US3, US4, US10, US26, US26D, US28, US32D, 313AN
24-EAK-3	24 Series Exit Alarm Kit 3'	650163	498
24-EAK-4	24 Series Exit Alarm Kit 4'	650164	498

Model No.	Description	Part #	US3, US4, US10, US26, US26D, US32D, SP28, SP313
ELK-3	24/25 Electric Latch Retraction Kit 3'	650147	766
ELK-4	24/25 Electric Latch Retraction Kit 4'	650148	766

Model No.	Description	Part #	Part Number w/ Allegion Connect (-CON)	US3, US4, US10, US26, US26D, US28, US32D, 313AN
24-MELK-3	24 Motorized Electric Latch Retraction Kit 3'	47266632	47270548	725
24-MELK-4	24 Motorized Electric Latch Retraction Kit 4'	47266633	47270549	725

Model No.	Description	Part #	Unfinished
24/25 RX KIT	24/25 Series RX Switch Kit	650359	248

Prices subject to change without notice

EXITS

Pushpads

Architectural /
Heavy Duty

24 Series

Shim Kits

Model No.	Description	Part #	US19
SK24-R	24 Rim Shim Kit - 1/4"	650109	66
SK24-V-8	24 Surface Vertical Shim Kit - 1/4" - over 7' up to 8' doors	650110	66
SK24-V-10	24 Surface Vertical Shim Kit - 1/4" - over 8' up to 10' doors	650208	66

REFERENCE NOTES:

All shim kits for use on door thicknesses up to 2". Consult factory for door thickness over 2"

SLM Blocking

***For use with devices on doors with special high density blocking material.
Blocking material must be UL or Warnock Hersey approved.***

Model No.	Description	Part #	Unfinished
F-24-R/C	F-24 Rim/Concealed Vertical SLM Blocking Kit	600333	18
F-24-V	F-24 Surface Vertical SLM Blocking Kit	600334	20

Prices subject to change without notice

(F) 24 Exit Devices

Part No.	Description	Unfinished	US28	US32D	313AN	US26D	US10 US26 US32	US4	US3
650234	(F)24-R Center Case Kit	606.00	-	-	-	-	-	-	-
650236	(F) 24-V Center Case Kit	252.00	-	-	-	-	-	-	-
650238	(F) 24-C Center Case Kit RHR	243.00	-	-	-	-	-	-	-
090978-00	(F) 24-C Center Case Kit LHR	243.00	-	-	-	-	-	-	-
650247	24-R Center Case Cover Kit	-	123.00	153.00	132.00	151.00	157.00	162.00	169.00
650249	F-24-R Center Case Cover Kit	-	123.00	153.00	132.00	151.00	157.00	162.00	169.00
650251	(F) 24-V Center Case Cover Kit	-	123.00	153.00	132.00	151.00	157.00	162.00	169.00
650253	(F) 24-C Center Case Cover Kit	-	123.00	153.00	132.00	151.00	157.00	162.00	169.00
600307	24 Series Center Case Cover Mtg Pkg	-	-	-	11.00	-	11.00	11.00	11.00
661408	24 Series Channel 3' Door	-	82.00	101.00	87.00	97.00	101.00	104.00	112.00
661409	24 Series Channel 4' Door	-	102.00	130.00	107.00	129.00	132.00	134.00	138.00
650121	F-24 Series Channel Cover 3'	-	39.00	39.00	39.00	39.00	39.00	39.00	39.00
650122	F-24 series Channel Cover 4'	-	44.00	44.00	44.00	44.00	44.00	44.00	44.00
650116	24 Series CD Channel Cover 4'	-	55.00	55.00	55.00	55.00	55.00	55.00	55.00
650117	24 Series CD Channel Cover 3'	-	49.00	49.00	49.00	49.00	49.00	49.00	49.00
650131	24 Series EA Channel Cover 3'	-	74.00	74.00	74.00	74.00	74.00	74.00	74.00
650132	24 Series EA Channel Cover 4'	-	84.00	84.00	84.00	84.00	84.00	84.00	84.00
650139	24 Series KOR Channel Cover 3'	-	62.00	62.00	62.00	62.00	62.00	62.00	62.00
650140	24 Series KOR Channel Cover 4'	-	66.00	66.00	66.00	66.00	66.00	66.00	66.00
650187	24 Series Hex Dogging Kit 3'	-	65.00	65.00	65.00	65.00	65.00	65.00	65.00
650188	24 Series Hex Dogging Kit 4'	-	69.00	69.00	69.00	69.00	69.00	69.00	69.00
610480	24 Panic Dogging Housing	18.00	-	-	-	-	-	-	-
060109	24 Hex Dogging Key 7/32" (Pkg of 10)	13.00	-	-	-	-	-	-	-
650294	24 Channel End Cap Kit 1-3/4" Door	-	31.00	38.00	35.00	37.00	39.00	39.00	41.00
650348	24 Channel End Cap Kit 2-1/4" Door	-	31.00	38.00	35.00	37.00	39.00	39.00	41.00
600305	24 Series Channel Screw Pkg	15.00	-	-	-	-	-	-	-
600310	24 Series Push Bar End Cap Kit	-	35.00	40.00	36.00	39.00	40.00	41.00	45.00
600319	24 Series Push Bar Guide Pkg	11.00	-	-	-	-	-	-	-
650324	(F) 24-R Mounting Pkg 1-3/4" Door	30.00	-	-	-	-	-	-	-
650302	(F) 24-R Mounting Pkg 2-1/4" Door	29.00	-	-	-	-	-	-	-
650304	24-V Mounting Pkg 1-3/4" - 2-1/4" Door	44.00	-	-	-	-	-	-	-
650325	F-24-V Mounting Pkg 1-3/4" Door	44.00	-	-	-	-	-	-	-
650201	F-24-V Mounting Pkg 2-1/4" Door	44.00	-	-	-	-	-	-	-
650318	24-C Mounting Pkg 1-3/4" Door	30.00	-	-	-	-	-	-	-
650300	24-C Mounting Pkg 2-1/4" Door	30.00	-	-	-	-	-	-	-
650317	F-24-C Mounting Pkg 1-3/4" Door	30.00	-	-	-	-	-	-	-
650346	F-24-C Mounting Pkg 2-1/4" Door	30.00	-	-	-	-	-	-	-
650326	24-CWDC Mounting Pkg 1-3/4" Door	-	-	63.00	63.00	-	-	63.00	-
650298	24-CWDC Mounting Pkg 2-1/4" Door	-	-	63.00	63.00	-	-	63.00	-
650327	F-24-CWDC Mounting Pkg 1-3/4" Door	63.00	-	-	-	-	-	-	-
060111	Cotter Key 1/8" x 1" (Package of 10)	13.00	-	-	-	-	-	-	-
600320	EL Solenoid Pkg	181.00	-	-	-	-	-	-	-
600321	EL Plunger Solenoid Pkg	68.00	-	-	-	-	-	-	-
650359	24/25 Series RX Switch Kit	248.00	-	-	-	-	-	-	-
050534	EL Potted Circuit Breaker	305	-	-	-	-	-	-	-
650265	Exit Alarm Label - Service	10	-	-	-	-	-	-	-

Prices subject to change without notice

EXITS

Pushpads

Architectural / Heavy Duty

24 Series

(F) 24 Exit Devices - Latches and Rods

Part No.	Description	Unfinished	SP28	US32D	313AN	US26D	US10 US26 US32
650389	24-V Top Latch Case	117.00	-	-	-	-	-
650375	F-24-V Top Latch Case	121.00	-	-	-	-	-
650202	24-V Latch Case Cover Kit	-	68.00	68.00	88.00	88.00	88.00
650336	24-V Latch Case Cover Mounting Pkg	-	4.00	4.00	4.00	4.00	4.00
650311	24-V Rod Guide Kit	-	52.00	55.00	-	66.00	49.00
650387	24-V Bottom Bolt Guide (Latch cover sold separately)	10.00	-	-	-	-	-
4450	24-V Top Rod Kit	-	88.00	88.00	88.00	88.00	88.00
610056	24-V Bottom Rod Kit	-	119.00	119.00	119.00	119.00	119.00
603	24-C, C-WDC Top Latch Case	202.00	-	-	-	-	-
F603	F-24-C Top Latch Case	280.00	-	-	-	-	-
WF603	F-24-CWDC Top Latch Case	280.00	-	-	-	-	-
650339	(F) 24-C, CWDC Top Latch Release Kit	-	39.00	39.00	35.00	35.00	35.00
4567	24-C Bottom Bolt Guide	48.00	-	-	-	-	-
4835	24-CWDC Bottom Bolt Guide	44.00	-	-	-	-	-
4694	F-24-CWDC Latch Bracket	10.00	-	-	-	-	-
650351	(F) 24-C, CWDC Center Slide Assy	291.00	-	-	-	-	-
4833	24-CWDC Reinforcement Plate	-	32.00	32.00	43.00	43.00	43.00
4834	24-CWDC Reinforcement Plate w/ Access Hole	-	32.00	32.00	43.00	43.00	43.00
610061	(F) 24-C, CWDC Top Rod Kit	88.00	-	-	-	-	-
610057	(F) 24-C, CWDC Bottom Rod Kit	119.00	-	-	-	-	-
5494	F-24-C Auxiliary Fire Pin Kit (LBR application only)	151.00	-	-	-	-	-
660002	#10 x 1 1/4" FPHSMS Clear Zinc	2.00	-	-	-	-	-

EXITS

Pushpads

Architectural /
Heavy Duty

24 Series

Prices subject to change without notice

24 Series Trim

Part No.	Description	Unfinished	SP28 SP313	US26D US32D	US10 US26	US4 US32	US3
4120	710NL, 718C/NL Cylinder Spacer Collar	7.00	-	-	-	-	-
4121	710NL, 718C/NL Cylinder Anchor Plate	7.00	-	-	-	-	-
661560	700/900 Locking Plate	18.00	-	-	-	-	-
4270	700 Series Trim Hex Stud	4.00	-	-	-	-	-
4349	Control Hex Stud	5.00	-	-	-	-	-
650314	700/900 Lever Actuator Spring	18.00	-	-	-	-	-
600288	717/718/719 Pull Grip Screw Pkg	4.00	-	-	-	-	-
650366	TP/K/L Actuator Shaft Assembly	30.00	-	-	-	-	-
650313	710TP Retainer Plate	36.00	-	-	-	-	-
650312	711/712-R/V Retainer Plate	41.00	-	-	-	-	-
060136	700/900 Output Cam Pkg 2-1/4" Dr	41.00	-	-	-	-	-
060137	700/900 Output Cam Pkg 1-3/4" Dr	28.00	-	-	-	-	-
650151	715DT Mtg Pkg 1-3/4"	-	12.00	12.00	12.00	12.00	12.00
650152	715DT Mtg Pkg 2-1/4"	-	12.00	12.00	12.00	12.00	12.00
650153	717DT Mtg Pkg 1-3/4"	-	7.00	7.00	7.00	7.00	7.00
650154	717DT Mtg Pkg 2-1/4"	-	7.00	7.00	7.00	7.00	7.00
650157	710DT Mtg Pkg 1-3/4"	-	7.00	7.00	7.00	7.00	7.00
650158	710DT Mtg Pkg 2-1/4"	-	7.00	7.00	7.00	7.00	7.00
650161	710NL Mtg Pkg 1-3/4"	-	22.00	22.00	22.00	22.00	22.00
650162	710NL Mtg Pkg 2-1/4"	-	22.00	22.00	22.00	22.00	22.00
650165	710TP Mtg Pkg 1-3/4"	-	12.00	12.00	12.00	12.00	12.00
650166	710TP Mtg Pkg 2-1/4"	-	12.00	12.00	12.00	12.00	12.00
650169	718C/NL-R/V Mtg Pkg 1-3/4"	-	12.00	12.00	12.00	12.00	12.00
650170	718C/NL-R/V Mtg Pkg 2-1/4"	-	12.00	12.00	12.00	12.00	12.00
650173	718NL-C Mtg Pkg 1-3/4"	-	30.00	30.00	30.00	30.00	30.00
650174	718NL-C Mtg Pkg 2-1/4"	-	30.00	30.00	30.00	30.00	30.00
650177	718C-CV Mtg Pkg 1-3/4"	-	30.00	30.00	30.00	30.00	30.00
650178	718C-CV Mtg Pkg 2-1/4"	-	30.00	30.00	30.00	30.00	30.00
650181	718DT Mtg Pkg 1-3/4"	-	7.00	7.00	7.00	7.00	7.00
650182	718DT Mtg Pkg 2-1/4"	-	7.00	7.00	7.00	7.00	7.00
650185	718TP Mtg Pkg 1-3/4"	-	7.00	7.00	7.00	7.00	7.00
650186	718TP Mtg Pkg 2-1/4"	-	7.00	7.00	7.00	7.00	7.00
650189	711/712/719 Mtg Pkg 1-3/4"	7.00	-	-	-	-	-
650190	711/712/719 Mtg Pkg 2-1/4"	7.00	-	-	-	-	-
650327	F-24 CWDC SERV Mtg Pkg	63.00	-	-	-	-	-
600339	700/900 NL Spring Pkg	6.00	-	-	-	-	-
600283	Shear Pin, package of 5	10.00	-	-	-	-	-

24 Series Trim

Part No.	Description	Unfinished	SP28	SP313	US26D US32D	US10 US26	US4 US32	US3
600298	Knob Assy	-	136.00	145.00	169.00	174.00	178.00	187.00
600299	Dane Lever Kit	-	101.00	106.00	129.00	131.00	133.00	138.00
600300	Sutro Lever Kit	-	101.00	106.00	129.00	131.00	133.00	138.00
600301	Quantum Lever Kit	-	101.00	106.00	129.00	131.00	133.00	138.00
600337	Avalon Lever Kit	-	162.00	164.00	164.00	224.00	164.00	224.00

Prices subject to change without notice

EXITS

Pushpads

Architectural /
Heavy Duty

24 Series

Part No.	Description	List Price
650277	24/25 Maintenance Kit (See below for what is supplied in Kit)	1,807.00

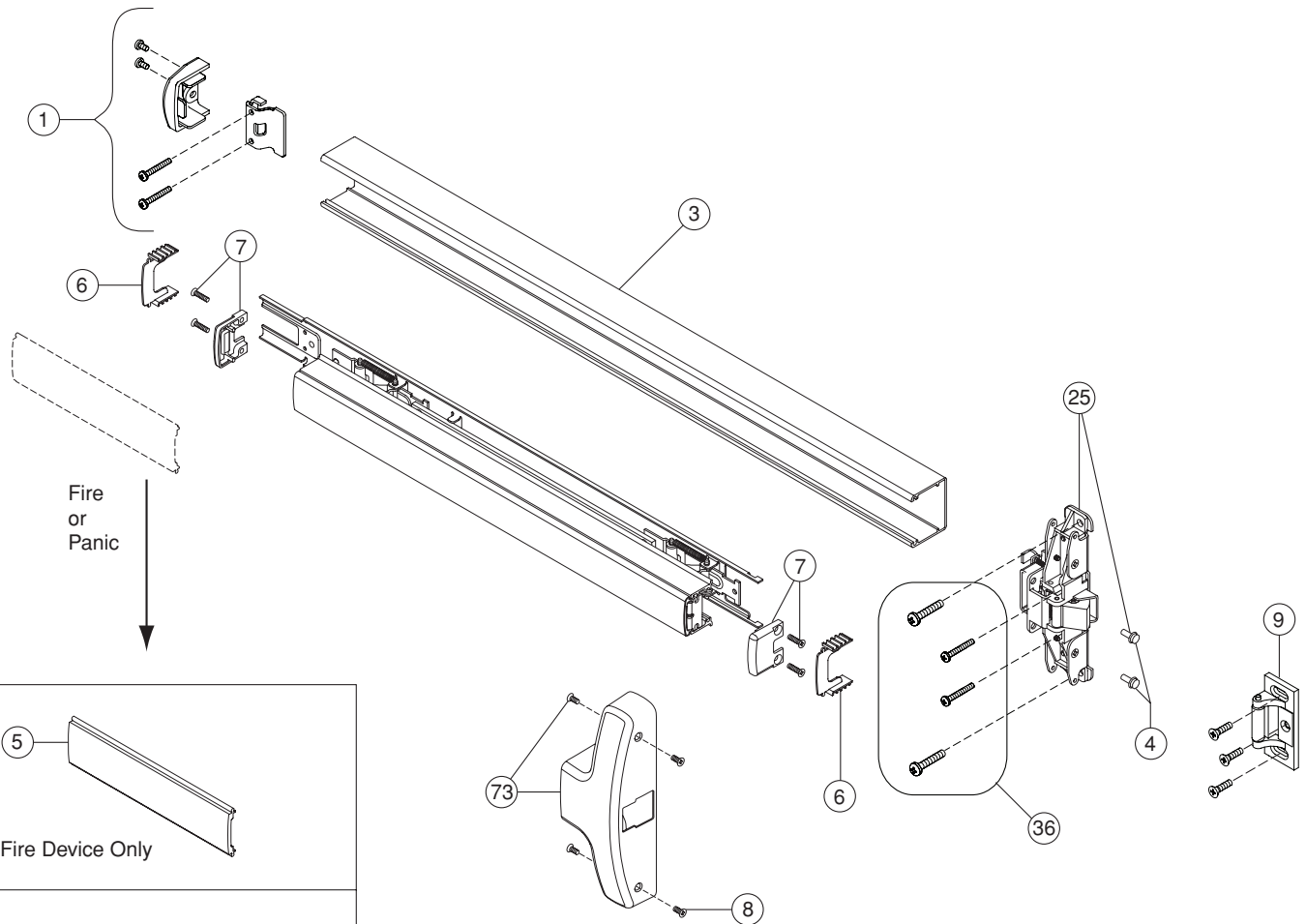
Refill Parts/Packages

Part No.	Description	Refill List Price Each	Kit Contents Qty
299 Strike	299 Strike US19	61.00	5
325 SNB	325 Sex Bolt, 1/4-20 US32D (Pkg of 2)	24.00	10
425 SNB	425 Sex Bolt, 10-24 US32D (Pkg of 2)	24.00	10
4208	CD/EA/KOR Cylinder Retaining Bracket	7.00	30
060126	512/718 Lever Washer (Pkg of 10)	6.00	1
3894-000	Cylinder Nut BRS	4.00	10
650311	Rod Guide Kit US32D	55.00	6
650311	Rod Guide Kit SP28	52.00	2
650311	Rod Guide Kit SP313	55.00	2
060109	Hex Dogging Key 7/32" (Pkg of 10)	13.00	1
650231	512 Mtg Pkg US4 1-3/4" Dr	9.00	2
650231	512 Mtg Pkg US10B 1-3/4" Dr	5.00	2
650231	512 Mtg Pkg US26D 1-3/4" Dr	5.00	6
650294	24/25 End Cap Kit US32D 1-3/4" Dr.	38.00	6
650294	24/25 End Cap Kit US26D 1-3/4" Dr.	37.00	2
650294	24/25 End Cap Kit SP28 1-3/4" Dr.	31.00	1
650294	24/25 End Cap Kit SP313 1-3/4" Dr.	35.00	1
600283	511 Trim Shear Pin (Pkg of 5)	10.00	6
640001	24 Device Plastic Mounting Template	4.00	2
640002	25 Device Plastic Mounting Template	4.00	2
650267	510/513 Trim Shear Pin (Pkg of 10)	24.00	3
060112	8500 Lock Housing Screws (Pkg of 10)	6.00	2
060113	24/25-C Latch Screw (Pkg of 10)	6.00	5
060114	Rod Guide Screws (Pkg of 10)	6.00	3
060119	510/511/512/513 Back Plate Screws (Pkg of 10)	6.00	5
600309	25 Lift Finger Screws (Pkg of 2)	10.00	10
600173	8500 Lock Face Screws US3/US4/US10	4.00	10
600173	8500 Lock Face Screws US26D/US32D	4.00	10
600173	8500 Lock Face Screws US10B	4.00	10
060120	8500 Lock Backplate Screws (Pkg of 10)	6.00	5
060121	24/25-V Latch Cover Screws US26D/US32D/US28 (Pkg of 10)	6.00	5
060121	24/25-V Latch Cover Screws US3/US4/US10 (Pkg of 10)	6.00	5
060121	24/25-V Latch Cover Screws US10B (Pkg of 10)	6.00	5
060123	Electric Option Dogging Screw (Pkg of 10)	6.00	5
060122	K-NL/L-NL Spindle Cam Screw (Pkg of 10)	11.00	2
060124	K/L/TL Trim Lock Nut (Pkg of 10)	6.00	1
600305	24/25 Channel Screw (Pkg of 10)	15.00	3
060111	Cotter Key 1/8" x 1" (Pkg of 10)	13.00	5
600279	Cylinder Nut Tool (Pkg of 5)	20.00	2
060125	FSE/FSE Trim Pivot Pin (Pkg of 10)	6.00	2
600319	24/25 Pushbar Guide (Pkg of 2)	11.00	10
600278	25 Trim Cylinder Locknut	11.00	10
060117	25 Center Case Mtg Screws (Pkg of 10)	6.00	5
060118	24 Center Case Housing Screws (Pkg of 10)	6.00	5
060116	25-R/M Device Mounting Screws (Pkg of 10)	7.00	5
060115	FSA/FSE Trim Screws (Pkg of 10)	6.00	5
600307	24/25 Center Case Cover Screws US3 (Pkg of 4)	11.00	12
600307	24/25 Center Case Cover Screws US4 (Pkg of 4)	11.00	12
600307	24/25 Center Case Cover Screws US10 (Pkg of 4)	11.00	12
600307	24/25 Center Case Cover Screws US10B (Pkg of 4)	11.00	12
600307	24/25 Center Case Cover Screws US26D/US32D/SP28 (Pkg of 4)	11.00	12
600277	510/513 Spindle Cam Ret. Ring (Pkg of 10)	10.00	2
600308	25 Housing Plate Screws (Pkg of 2)	10.00	2
970321	299 Strike Shim	12.00	20

Prices subject to change without notice

(F)24 Rim exit device

Panic and fire



EXITS

Pushpads

Architectural / Heavy Duty

24 Series

Prices subject to change without notice

No.	Qty.	Part no.	Description	Package contents	Notes
1	1	650294	24 Channel Endcap Kit 1¾" Door	1- Channel Endcap	A
				2- #10-24 x ⅜" PPHMS	
				1- Channel Endcap Bracket	
				2- #10-24 x 1" PPHMS	
				2- #10 x 1¼" PPHSMS	
		650348	24 Channel Endcap Kit 2¼" Door	1- Channel Endcap	A
				2- #10-24 x ⅜" PPHMS	
				1- Channel Endcap Bracket	
				2- #10-24 x 1" PPHMS	
				2- #10 x 1¼" PPHSMS	
3	1	661408	24 Channel 3'		A
		661409	24 Channel 4'		
4	1	600305	24 Channel Screw Pkg	10- #10-16 x ½" Hex Washer Head Taptite	
5	1	650121	F-24 Channel Cover 3'		A, B
		650122	F-24 Channel Cover 4'		
6	1	600319	24 Pushbar Guide Pkg	2- Pushbar Guide	
7	1	600310	24 Pushbar Endcap Kit	2- Pushbar Endcap	A
				4- #8-18 x ¾" FPHSMS	
8	1	600307	Center Case Cover Screw Pkg	4- #8-18 x ⅜" UFPHSMS	A
9	1	299	299 Strike		C
13	1	650187	24 Hex Dogging Kit 3'	1- Panic Channel Cover	A, B
		650188	24 Hex Dogging Kit 4'	1- Dogging Subassembly 1- #8-32 x ⅜" UFPHMS	
17	1	060109	24 Panic Hex Dogging Key 7/32" package of 10		
25	1	650234	(F)24-R Center Case Kit	2- #10-16 x ½" Hex Washer Head Taptite	
36	1	650324	(F)24-R Mounting Pkg 1¾" Door	2- #10 x 1¼" PPHSMS	*
				2- #14 x 1" PPHSMS	*
				2- 1/4 - 20 x ¾" PPHMS	
				2- 10-24 x 1½" PPHMS	
				1- Dogging Key	
	1	650302	(F)24-R Mounting Pkg 2¼" Door	2- #10 x 1¼" PPHSMS	*
				2- #14 x 1" PPHSMS	*
				2- 1/4 - 20 x 1¼" PPHMS	*
				2- #10-24 x 2" PPHMS	*
73	1	650247	24-R Center Case Cover Kit	1- Center Case Cover	A
		650249	F-24-R Center Case Cover Kit	4- #8-18 x ⅜" UFPHSMS	

* Item(s) not shown

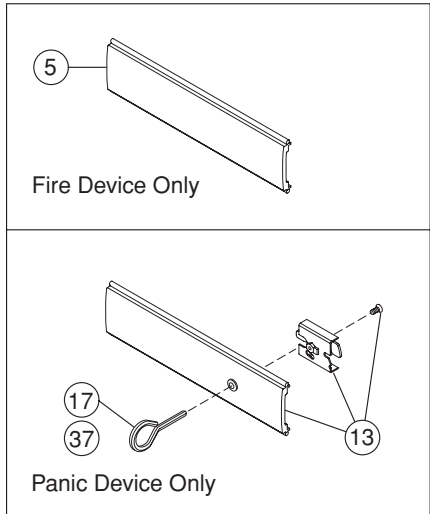
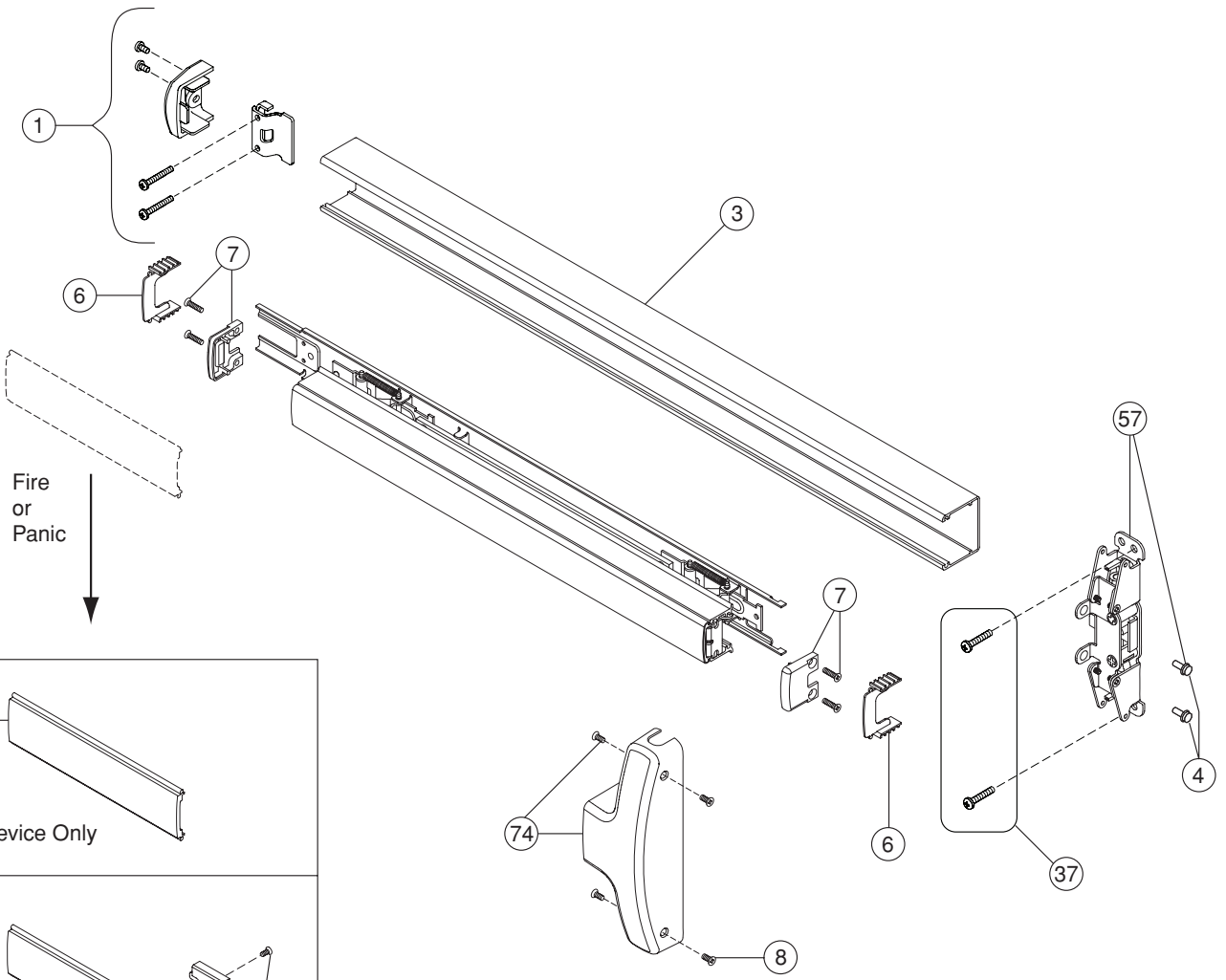
A Specify by finish: US3, US4, US10, 313AN, US26, US32, US26D, US32D, US28

B Specify by finish: US3, US4, US10, US19, US26, US26D, SP313

Prices subject to change without notice

(F)24-V Surface vertical rod exit device

Panic and fire



EXITS
 Pushpads
 Architectural / Heavy Duty
 24 Series

Prices subject to change without notice

No.	Qty.	Part no.	Description	Package contents	Notes
1	1	650294	24 Channel Endcap Kit 1¾" Door	1- Channel Endcap 2- #10-24 x ¾" PPHMS 1- Channel Endcap Bracket 2- #10-24 x 1" PPHMS 2- #10 x 1¼" PPHSMS	A
	1	650348	24 Channel Endcap Kit 2¼" Door	1- Channel Endcap 2- #10-24 x ¾" PPHMS 1- Channel Endcap Bracket 2- #10-24 x 1" PPHMS 2- #10 x 1¼" PPHSMS	A
3	1	661408	24 Channel 3'		A
		661409	24 Channel 4'		
4	1	600305	24 Channel Screw Pkg	10- #10-16 x ½" Hex Washer Head Taptite	
5	1	650121	F-24 Channel Cover 3'		A, B
		650122	F-24 Channel Cover 4'		
6	1	600319	24 Pushbar Guide Pkg	2- Pushbar Guide	
7	1	600310	24 Pushbar Endcap Kit	2- Pushbar Endcap	A
				4- #8-18 x ¾" FPHSMS	
8	1	600307	Center Case Cover Screw Pkg	4- #8-18 x ¾" UFPHMS	A
13	1	650187	24 Hex Dogging Kit 3'	1- Panic Channel Cover 1- Dogging Subassembly	A, B
		650188	24 Hex Dogging Kit 4'	1- #8-32 x ¾" UFPHMS	
17	1	060109	24 Panic Hex Dogging Key 7/32" package of 10		
37	1	650304	24-V Mounting Pkg 1¾" - 2¼" Door	4- #10 x 1¼" PPHSMS	*
				2- #10 x 1¼" FPHSMS	*
				2- #14 x 1" PPHSMS	*
				1- 1/8 x 1" Cotter Key	*
				1- Dogging Key	
		650325	F-24-V Mounting Pkg 1¾" Door	2- #10-24 x ¾" PPHMS	*
				4- #10-24 x ¾" FPHMS	*
				2- 1/4-20 x ¾" PPHMS	
		650201	F-24-V Mounting Pkg 2¼" Door	1- 1/8 x 1" Cotter Key	*
				2- #10-24 x 1¼" PPHMS	*
				4- #10-24 x 1¼" FPHMS	*
				2- 1/4-20 x 1¼" PPHMS	*
				1- 1/8" x 1" Cotter Key	*
57	1	650236	(F)24-V Center Case Kit	1- Center Case	A
				2- #10-16 x ½" Hex Washer Head Taptite	
74	1	650251	(F)24-V Center Case Cover Kit	1- Center Case Cover	A
				4- #8-18 x ¾" UFPHMS	

* Item(s) not shown
A Specify by finish: US3, US4, US10, 313AN, US26, US32, US26D, US32D, US28

Prices subject to change without notice

EXITS

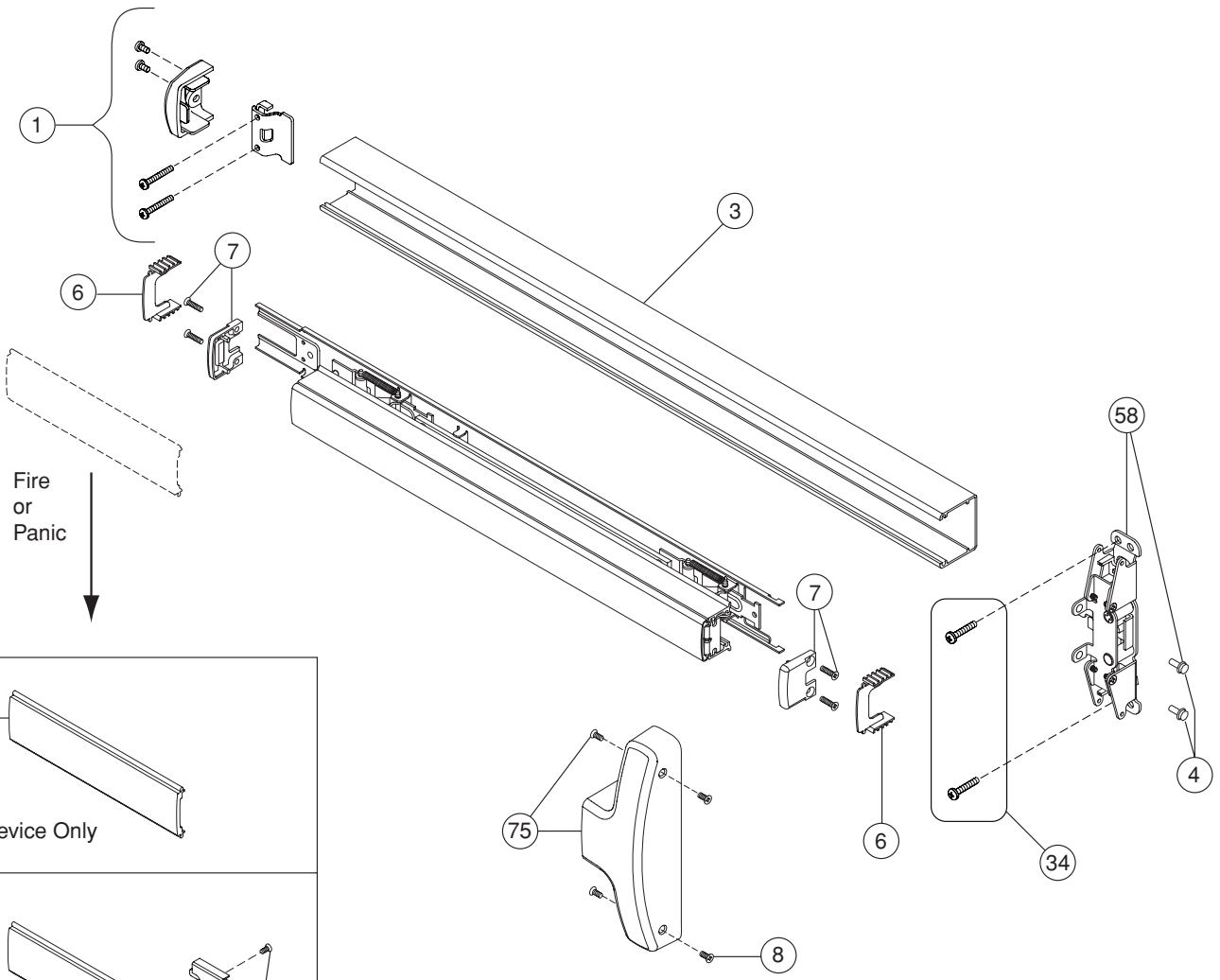
Pushpads

Architectural / Heavy Duty

24 Series

(F)24-C Concealed vertical rod exit device

Panic and fire



EXITS

Pushpads

Architectural / Heavy Duty

24 Series

Prices subject to change without notice

No.	Qty.	Part no.	Description	Package contents	Notes
1	1	650294	24 Channel Endcap Kit 1¾" Door	1- Channel Endcap	A
				2- #10-24 x ¾" PPHMS	
				1- Channel Endcap Bracket	
				2- #10-24 x 1" PPHMS	
				2- #10 x 1¼" PPHSMS	
1	1	650348	24 Channel Endcap Kit 2¼" Door	1- Channel Endcap	A
				2- #10-24 x ¾" PPHMS	
				1- Channel Endcap Bracket	
				2- #10-24 x 1" PPHMS	
				2- #10 x 1¼" PPHSMS	
3	1	661408	24 Channel 3'		A
		661409	24 Channel 4'		
4	1	600305	24 Channel Screw Pkg	10- #10-16 x ½" Hex Washer Head Taptite	
5	1	650121	F-24 Channel Cover 3'		A, B
		650122	F-24 Channel Cover 4'		
6	1	600319	24 Pushbar Guide Pkg	2- Pushbar Guide	
7	1	600310	24 Pushbar Endcap Kit	2- Pushbar Endcap	A
				4- #8-18 x ¾" FPHSMS	
8	1	600307	24 Center Case Cover Screw Pkg	4- #8-18 x ¾" UFPHSMS	A
13	1	650187	24 Hex Dogging Kit 3'	1- Panic Channel Cover	A, B
		650188	24 Hex Dogging Kit 4'	1- Dogging Subassembly 1- #8-32 x ¾" UFPHMS	
17	1	060109	24 Panic Hex Dogging Key 7/32" package of 10		
34		Included with C, F-24-C, F-24-CWDC Mounting Packages.			
35					
58	1	650238	(F)24-C Center Case Kit RHR	1- Center Case	
		090978	(F) 24-C Center Case Kit LHR	2- #10-16 x ½" Hex Washer Head Taptite	
75	1	650253	(F)24-C Center Case Cover Kit	1- Center Case	A
				4- #8-18 x ¾" UFPHSMS	

A Specify by finish: US3, US4, US10, 313AN, US26, US32, US26D, US32D, US28

EXITS
 Pushpads
 Architectural / Heavy Duty
 24 Series

Prices subject to change without notice

(F)24-V Surface vertical rods and latches

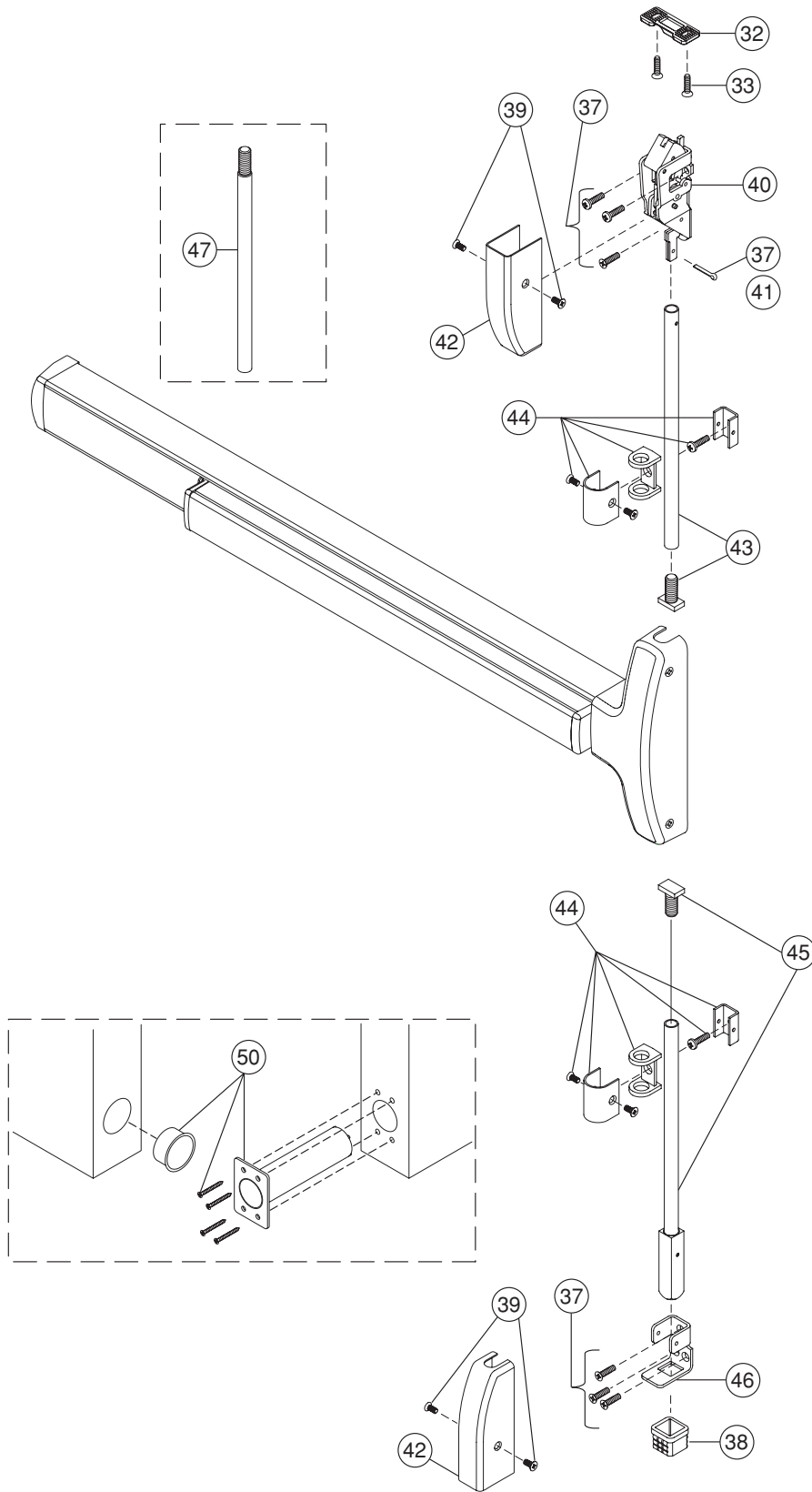
Panic and fire

EXITS

Pushpads

Architectural /
Heavy Duty

24 Series



Prices subject to change without notice

No.	Qty.	Part no.	Description	Package contents	Notes
32	1	3788	Vertical Rod Top Strike		**
33	2	660002	#10 x 1¼" FPHSMS		
37	1	650304	24-V Mounting Pkg 1¾" - 2¼" Door	2- #10 x 1¼" PPHSMS	*
				4- #10 x 1¼" FPHSMS	*
				2- #14 x 1" PPHSMS	*
				1- ⅛ x 1" Cotter Key	
				1- Dogging Key	*
		650325	F-24-V Mounting Pkg 1¾" Door	2- #10-24 x ¾" PPHMS	*
				4- #10-24 x ¾" FPHMS	
				2-1/4-20 x ¾" PPHMS	*
				1- ⅛ x 1" Cotter Key	
		650201	F-24-V Mounting Pkg 2¼" Door	2- #10-24 x 1¼" PPHMS	*
				4- #10-24 x 1¼" FPHMS	*
				2-1/4-20 x 1¼" PPHMS	*
1- ⅛" x 1" Cotter Key					
39	1	650336	24-V Latch Case Cover Screw Pkg	4- #8-32 x ¼" UFPHMS	
40	1	650389	24-V Top Latch Case - Panic		
		650375	24-V Top Latch Case - Fire		
41	1	060111	⅛" x 1" Cotter Key package of 10		
42	2	650202	24-V Latch Case Cover		B
43	1	4450	24-V Top Rod Kit		B
44	2	650311	24-V Rod Guide Kit		C
45	1	610056	24-V Bottom Bolt Kit		B
46	1	650387	24-V Bottom Guide Assembly (screws not included)		
47	1	650006	Vertical Extension Rod 12"		A
		650007	Vertical Extension Rod 24"		
		650008	Vertical Extension Rod 36"		
50	1	5494	F-24-C Auxiliary Fire Pin Kit (Less Bottom Rod applications only)		

- * Item(s) not shown
- ** For Flush Transom applications, specify part number 4215-019 angle bracket
- A Specify by finish: US3, US4, US10, US10B, US32, US32D, SP28, SP313
- B Specify by finish: US3, US4, US10, US26, US26D, US32, US32D, SP28, SP313
- C Specify by finish: US3, US4, US10, US26, US32, US32D, SP28, SP313

Prices subject to change without notice

EXITS

 Pushpads

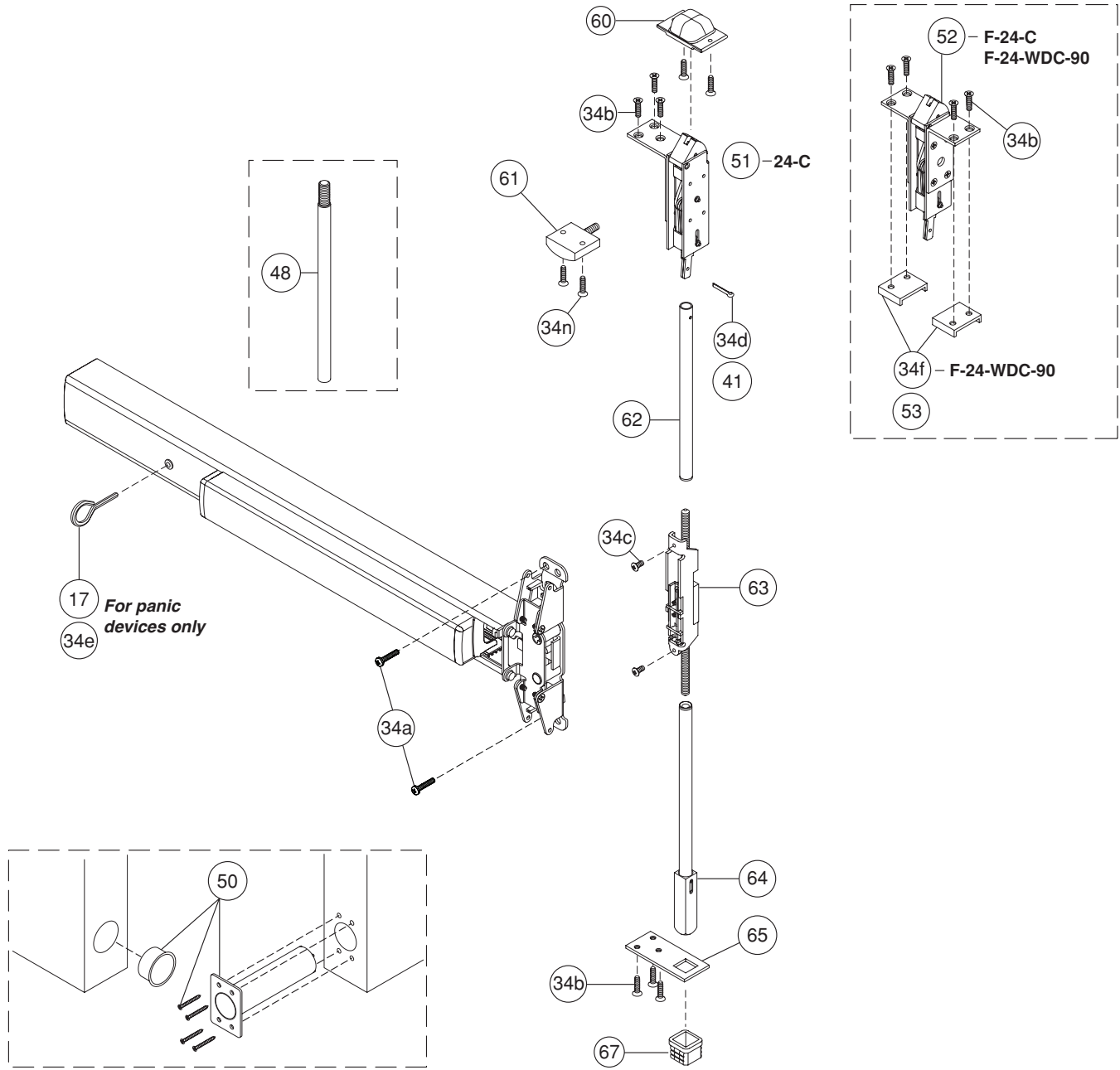
 Architectural / Heavy Duty

 24 Series

(F)24-C and F-24-C-WDC-90 Concealed vertical rods and latches

Metal door—panic and fire, wood door—90 minute fire device

EXITS
Pushpads
Architectural / Heavy Duty
24 Series



No.	Qty.	Part no.	Description	Package contents	Notes
17	1	060109	24 Panic Hex Dogging Key 7/32" package of 10		
34	1	650317	F-24-C Mounting Pkg 1 3/4" Door	34a 8- #10-24 x 3/4" PPHMS 34b 7- #10-24 x 3/4" FPHMS 34c 2- #8-32 x 3/8" UFPHMS 34d 1- 1/8 x 1" Cotter Key — 2- 1/4-20 x 3/4" PPHMS	*

Prices subject to change without notice

Concealed vertical rods and latches **(F)24-C and F-24-C-WDC-90**

No.	Qty.	Part no.	Description	Package contents		Notes
34	1	650318	24-C Mounting Pkg 1¾" Door	34a	8- #10 x 1¼" PPHSMS	
				34b	6- #10-24 x ¾" FPHMS	
				34c	2- #8-32 x ¾" UFPHMS	
				34d	1- ½ x 1" Cotter Key	
				34e	1- Dogging Key	
				-	2- #14 x 1" PPHSMS	*
		650327	F-24-CWDC 90 Minute Mounting Pkg 1¾" Door	34a	4- #10 x 1¼" PPHSMS	
				34b	3- #10 x 1¼" FPHMS	
				34c	2- #8-32 x ¾" UFPHMS	
				34d	1- ½ x 1" Cotter Key	
				34f	2- Latch Bracket	
				-	2- 1/4-20 x ¾" PPHMS	*
		650300	24-C Mounting Pkg 2¼" Door	34a	8- #10 x 1¼" PPHSMS	
				34b	6- #10-24 x 1¼" FPHMS	
				34c	2- #8-32 x ¾" UFPHMS	
				34d	1- ½ x 1" Cotter Key	
				34e	1- Dogging Key	
				-	2- #14 x 1" PPHSMS	*
		650346	F-24-C Mounting Pkg 2¼" Door	34a	8- #10-24 x 1¼" PPHMS	
				34b	7- #10-24 x 1¼" FPHMS	
34c	2- #8-32 x ¾" UFPHMS					
34d	1- ½ x 1" Cotter Key					
-	2- 1/4-20 x 1¼" PPHMS			*		
41	1	060111	½ x 1" Cotter Key package of 10			
48	1	650017	Concealed Vertical Extension Rod 12"			
		650018	Concealed Vertical Extension Rod 24"			
		650019	Concealed Vertical Extension Rod 36"			
50	1	5494	F-24-C Auxiliary Fire Pin Kit (Less Bottom Rod application only)			
51	1	603L	24-C, C-WDC Top Latch Case - LHR			
	1	603R	24-C, C-WDC Top Latch Case - RHR			
52	1	F603	F-24-C, C-WDC Top Latch Case			
53	2	4694	F-24-CWDC Latch Bracket			
60	1	4188	Concealed Vertical Top Rod Strike			
61	1	650339	(F)24-C, CWDC Top Latch Release Kit		A	
62	1	610061	(F)24-C, CWDC Top Rod Kit			
63	1	650351	(F)24-C, CWDC Center Slide Assembly			
64	1	610057	(F)24-C, CWDC Bottom Rod Kit			
65	1	4567	24-C Bottom Bolt Guide			
67	1	2130	Vertical Rod Bottom Strike			

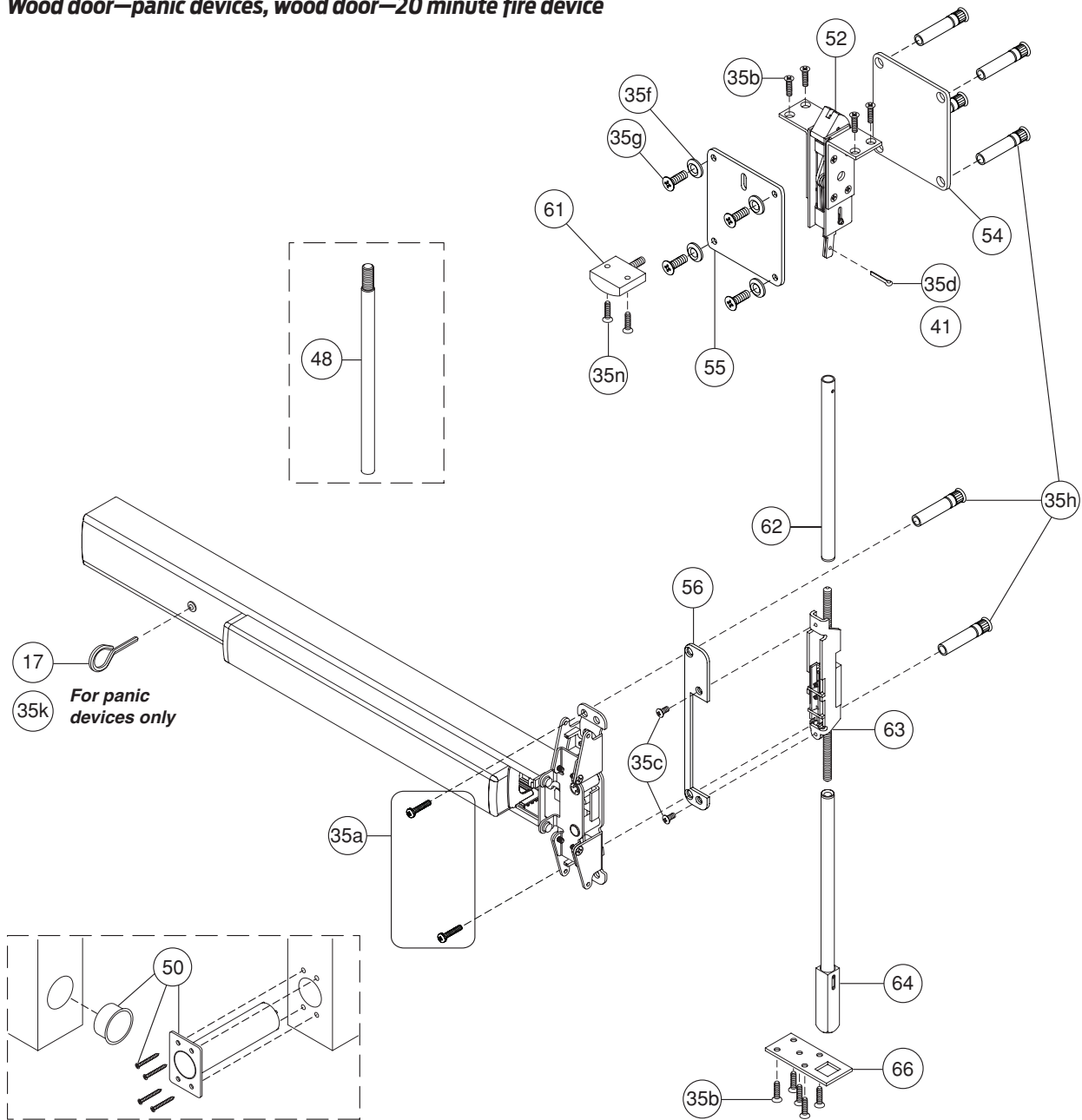
* Item(s) not shown

A Specify by finish: US3, US4, US10, 313AN, US26, US32, US26D, US32D, SP28

Prices subject to change without notice

24-C-WDC and F-24-C-WDC-20 Concealed vertical rods latches

Wood door—panic devices, wood door—20 minute fire device



No.	Qty.	Part no.	Description	Package contents	Notes
17	1	060109	24 Panic Hex Dogging Key 7/32" package of 10		
35	1	650326	24-CWDC Mounting Pkg 1 3/4" Door	35a 2- 1/4-20 x 3/4" PPHMS — 4- #10-24 x 1" PPHMS * 35b 11- #10 x 1 1/4" FPHSMS 35c 2- #8-32 x 3/8" UFPHMS — 2- 3/4" CS Plate Mtg Screw * 35d 1- 1/8 x 1" Cotter Key 35f 4- 1/4" CS Finish Washer	A

REFERENCE NOTE:
F-24-C-WDC-20 is no longer available for purchase. Parts listed for installed SERVICE ONLY.

Prices subject to change without notice

EXITS
Pushpads
Architectural / Heavy Duty
24 Series

Concealed vertical rods latches **24-C-WDC and F-24-C-WDC-20**

No.	Qty.	Part no.	Description	Package contents		Notes
35	1	650326	24-CWDC Mounting Pkg 1¾" Door	35g	4- ¼-20 x ¾" FPHMS	A
				35h	6- ¼-20 Sexbolt	
				35k	1- Dogging Key	
				35n	2- #10-24 x ¾" FPHMS	
				—	2- #10-24 x ¾" FPHMS *	
	650327	F-24-CWDC 20 Minute Mounting Pkg 1¾" Door	35a	2- ¼-20 x ¾" PPHMS	A	
			35b	11- #10 x 1¼" FPHSMS		
			35c	2- #8-32 x ¾" UFPHMS		
			35d	1- ⅛ x 1" Cotter Key		
			—	2- ¾" CS Plate Mtg Screw *		
			35f	4- ¼" CS Finish Washer		
			35g	4- ¼-20 x ¾" FPHMS		
			35h	6- ¼-20 Sexbolt		
			—	4- #10-24 x 1" PPHMS *		
			35n	2- #10-24 x ¾" FPHMS		
650298	24-CWDC Mounting Pkg 2¼" Door	35a	2- ¼-20 x 1¼" PPHMS	A		
		—	4- #10-24 x 1" PPHMS *			
		35b	11- #10 x 1¼" FPHSMS			
		35c	2- #8-32 x ¾" UFPHMS			
		—	2- #8-32 x ¾" UFPHMS *			
		35d	1- ⅛ x 1" Cotter Key			
		—	2- ¾" CS Plate Mtg Screw *			
		35f	4- ¼-20 x 1¼" FPHMS			
		35n	2- #10-24 x ¾" FPHMS			
41	1	060111	⅛ x 1" Cotter Key package of 10			
48	1	650017	Concealed Vertical Extension Rod 12"			
		650018	Concealed Vertical Extension Rod 24"			
		650019	Concealed Vertical Extension Rod 36"			
49	1	WF603	F-24-C-WDC Top Latch Case		*	
50	1	5494	F-24-C Auxiliary Fire Pin Kit (Less Bottom Rod application only)			
54	1	4833	Top Reinforcement Plate		A	
55	1	4834	Top Reinforcement Plate with Access Hole		A	
56	1	4832	(F)24-CWDC Center Slide Reinforcement Plate			
61	1	650339	(F)24-C, CWDC Top Latch Release Kit		A	
62	1	610061	(F)24-C, CWDC Top Rod Subassembly			
63	1	650351	(F)24-C, CWDC Center Slide Assembly			
64	1	610057	(F)24-C, CWDC Bottom Rod Kit			
66	1	4835	24-CWDC Bottom Bolt Guide			

* Item(s) not shown

A Specify by finish: US3, US4, US10, 313AN, US26, US32, US26D, US32D, SP28

Prices subject to change without notice

3' Devices are priced with standard trim and strikes, 4' add \$19 list.
Cylinders are not included in price unless noted.



EXIT HARDWARE		SP28	US32D
Rim Devices (Includes F570 Strike)	Trim/Control	SP313	
19-R-EO		287	504
Trident Trim (must specify handing)			
19-R-DT	920DT	325	542
19-R-NL	920NL	354	571
Centron Trim (non-handed)			
19-R-EO	930EO	321	538
19-R-DT	930DT	325	542
19-R-NL	930NL	340	557
19-R-C	930C	334	551
19-R-DT	917DT	317	534
Control Trim (non-handed)			
19-R-DT	918DT	398	707
19-R-NL	918NL	398	707
Knob Control (handed and field reversible)			
19-R-K	911K	398	707
19-R-K-BE	911K-BE	398	707
19-R-K-NL	911K-NL	398	707
Dane Lever Control (handed and field reversible)			
19-R-L	912L	441	741
19-R-L-BE	912L-BE	441	741
19-R-L-NL	912L-NL	441	741
19-R-L-DT	912L-DT	441	741
Key in Lever (handed and field reversible)			
19-R-KIL	914-KIL-KD W/CYL	472	689
19-R-KIL-NL	914-KIL-NL-KD W/CYL	472	689
19-R-KIL-BE	914-KIL-BE	472	689
19-R-KIL-IC	914-KIL-IC W/CYL	515	732

REFERENCE NOTE:

930 series trim is available in SP313 and US32D finish only. 19 series devices order in SP28 paired with 930 trim are supplied with US32D finish trim.

Sex Bolts:

Three 4122 Sex Bolts are supplied standard no charge, one for hinge side mounting and two for center case mounting.

Prices subject to change without notice

EXITS

Pushpads

Commercial /
Medium Duty

19 Series

**3' Devices are priced with standard trim and strike, 4' add \$19 list.
Cylinders are not included in the price unless noted.**

FIRE EXIT HARDWARE		SP28	US32D
Rim Devices (Includes F570 Strike)	Trim/Control	SP313	US32D
F-19-R-EO		358	588
Trident Trim (must specify handing)			
F-19-R-DT	920DT	396	626
F-19-R-NL	920NL	425	655
Centron Trim (non-handled)			
F-19-R-EO	930EO	392	622
F-19-R-DT	930DT	396	626
F-19-R-NL	930NL	411	641
F-19-R-C	930C	405	635
F-19-R-DT	917DT	388	618
Control Trim (non-handled)			
F-19-R-DT	918DT	469	791
F-19-R-NL	918NL	469	791
Knob Control (handed and field reversible)			
F-19-R-K	911K	469	791
F-19-R-K-BE	911K-BE	469	791
F-19-R-K-NL	911K-NL	469	791
Dane Lever Control (handed and field reversible)			
F-19-R-L	912L	512	825
F-19-R-L-BE	912L-BE	512	825
F-19-R-L-NL	912L-NL	512	825
F-19-R-L-DT	912L-DT	512	825
Key in Lever (handed and field reversible)			
F-19-R-KIL	914-KIL-KD W/CYL	543	773
F-19-R-KIL-NL	914-KIL-NL-KD W/CYL	543	773
F-19-R-KIL-BE	914-KIL-BE	543	773
F-19-R-KIL-IC	914-KIL-IC W/CYL	586	816

REFERENCE NOTE:

930 series trim is available in SP313 and US32D finish only. 19 series devices order in SP28 paired with 930 trim are supplied with US32D finish trim.

Sex Bolts:

Three 4122 Sex Bolts are supplied standard, one for hinge side mounting and two for center case mounting.

Two 2729 Sex bolts are supplied for additional center case mounting when device is used with wood, composite or non-reinforced hollow metal doors.

Application**Sex Bolt 2729**

(Supplied)

Wood, composite or non-reinforced hollow metal doors

2

EXITS

Pushpads

Commercial /
Medium Duty

19 Series

Prices subject to change without notice

3' Devices are priced with standard trim and strikes, 4' add \$19 list.
Cylinders are not included in the price unless noted.

EXIT HARDWARE

Surface Vertical Rod Devices
(Includes 3788 and 2130 Strikes)

	Trim/Control	SP28 SP313	US32D
19-V-EO		444	841
Trident Trim (must specify handing)			
19-V-DT	920DT	482	879
19-V-NL	920NL	511	908
Centron Trim (non-handed)			
19-V-EO	930EO	478	875
19-V-DT	930DT	482	879
19-V-NL	930NL	497	894
19-V-C	930C	491	888
19-V-DT	917DT	474	871
Control Trim (non-handed)			
19-V-DT	918DT	555	1044
19-V-NL	918NL	555	1044
Knob Control (handed and field reversible)			
19-V-K	911K	555	1044
19-V-K-BE	911K-BE	555	1044
19-V-K-NL	911K-NL	555	1044
Dane Lever Control (handed and field reversible)			
19-V-L	912L	598	1078
19-V-L-BE	912L-BE	598	1078
19-V-L-NL	912L-NL	598	1078
19-V-L-DT	912L-DT	598	1078
Key in Lever (handed and field reversible)			
19-V-KIL	914-KIL-KD W/CYL	629	1026
19-V-KIL-NL	914-KIL-NL-KD W/CYL	629	1026
19-V-KIL-BE	914-KIL-BE	629	1026
19-V-KIL-IC	914-KIL-IC W/CYL	672	1069

REFERENCE NOTES:

Handing: 19-V devices are handed and field reversible. Devices and Trims are furnished RHR when handing is not specified.

Extension Rods: For door heights over 7'0" up to 8'0", 12" extension rods are furnished at no additional charge at the time of device order. For door heights over 8'0" up to 10'0" extension rods are furnished at prices shown in parts section with the device at the time of order. MUST specify door height on order line.

930 series trim is available in SP313 and US32D finish only. 19 series devices order in SP28 paired with 930 trim are supplied with US32D finish trim.

Sex Bolts:

Three 4122 Sex Bolts are supplied standard no charge, one for hinge side mounting and two for center case mounting.

Six 2729 Sex Bolts are recommended for latch mounting when device is used with hollow core, composite or light gauge hollow metal doors. See chart below for quantities and list prices.

Application	Sex Bolt 2729 (Optional)	List Add
Hollow core, composite or light gauge hollow metal doors	6	54

Prices subject to change without notice

EXITS

Pushpads

Commercial /
Medium Duty

19 Series

**3' Devices are priced with standard trim and strikes, 4' add \$19 list.
Cylinders are not included in the price unless noted.**

FIRE EXIT HARDWARE			
Surface Vertical Rod Devices			
(Includes 3788 and 2130 Strikes)			
	Trim/Control	SP28 SP313	US32D
F-19-V-EO		558	946
Trident Trim (must specify handing)			
F-19-V-DT	920DT	596	984
F-19-V-NL	920NL	625	1013
Centron Trim (non-handed)			
F-19-V-EO	930EO	592	980
F-19-V-DT	930DT	596	984
F-19-V-NL	930NL	611	999
F-19-V-C	930C	605	993
F-19-V-DT	917DT	588	976
Control Trim (non-handed)			
F-19-V-DT	918DT	669	1149
F-19-V-NL	918NL	669	1149
Knob Control (handed and field reversible)			
F-19-V-K	911K	669	1149
F-19-V-K-BE	911K-BE	669	1149
F-19-V-K-NL	911K-NL	669	1149
Dane Lever Control (handed and field reversible)			
F-19-V-L	912L	712	1183
F-19-V-L-BE	912L-BE	712	1183
F-19-V-L-NL	912L-NL	712	1183
F-19-V-L-DT	912L-DT	712	1183
Key in Lever (handed and field reversible)			
F-19-V-KIL	914-KIL-KD W/CYL	743	1131
F-19-V-KIL-NL	914-KIL-NL-KD W/CYL	743	1131
F-19-V-KIL-BE	914-KIL-BE	743	1131
F-19-V-KIL-IC	914-KIL-IC W/CYL	786	1174

REFERENCE NOTES:

Handing: F-19-V devices are handed and field reversible. Devices and Trims are furnished RHR when handing is not specified.

Extension Rods: For door heights over 7'0" up to 8'0", 12" extension rods are furnished at no additional charge at the time of device order. For door heights over 8'0" up to 10'0" extension rods are furnished at prices shown in parts section with the device at the time of order. MUST specify door height on order line.

930 series trim is available in SP313 and US32D finish only. 19 series devices order in SP28 paired with 930 trim are supplied with US32D finish trim.

Sex Bolts:

Three 4122 Sex Bolts are supplied standard no charge, one for hinge side mounting and two for center case mounting.

Six 2729 are supplied for additional latch case mounting when device is used with wood, composite or non-reinforced hollow metal doors.

Sex Bolt 2729

(Supplied)

Application

Wood, composite or non-reinforced hollow metal doors

6

Prices subject to change without notice

Cylinders are not included in price unless noted.

Trident Trim

Model No.	Lever Style	Description	SP28, SP313	US32D
920DT	-	Dummy Trim	38	-
920NL	-	Night Latch	67	-

920 series trim are handed and not field reversible, specify RHR or LHR.

Centron Trim

Model No.	Lever Style	Description	SP28	US32D, SP313
917DT	-	Dummy Trim	30	30
930EO	-	Exit Only	-	34
930DT	-	Dummy Trim	-	38
930NL	-	Night Latch	-	53
930C	-	Night Latch Less Pull	-	47

930 series trim are available in SP313 and US32D finish only.

Control Trim

Model No.	Lever Style	Description	SP28, SP313	US15
918DT	-	Dummy Trim	111	203
918NL	-	Night Latch	111	203
911K	-	Knob, Key Locks or Unlocks	111	203
911K-BE	-	Knob, Blank Escutcheon	111	203
911K-NL	-	Knob, Night Latch	111	203

911 series trim are handed and field reversible. Trims are furnished RHR when handing is not specified.

Lever Trim

Model No.	Lever Style	Description	SP28, SP313	US15
912L	Dane	Lever, Key Locks or Unlocks	154	237
912L-BE	Dane	Lever, Blank Escutcheon	154	237
912L-NL	Dane	Lever, Night Latch	154	237
912L-DT	Dane	Lever, Dummy Trim	154	237

Optional lever designs Quantum and Sutro are available at no additional charge.

912 series trim are handed and field reversible. Trims are furnished RHR when handing is not specified.

Key In Lever Trims

Model No.	Lever Style	Description	US32D, SP313
914KIL-KD	Dane	Key in Lever, with Keyed Different Cylinder	185
914KIL-BE	Dane	Key in Lever, Blank Escutcheon	185
914KIL-NL-KD	Dane	Key in Lever, Night Latch with Cylinder	185
914KIL-IC	Dane	Key in Lever with IC Core Cylinder	228

914 series trim are handed and field reversible. Trims are furnished RHR when handing is not specified.

914 KIL-KD, KIL-NL-KD come standard with a C keyway and 914 KIL-IC come standard with a A keyway.

Consult factory if other keyways are desired to order separately.

Prices subject to change without notice

Rim Strikes

Model	Description	Unfinished	US19	US26D	US32D	SP313
F490	19-R/XX-R Panic and Fire Devices - Opt.	52	–	–	–	–
565	19-R/XX-R Panic Devices - Opt.	–	–	52	–	52
F570	19-R/XX-R Panic and Fire Devices - Std.	–	52	–	–	–
571	19/XX-R Inactive Leaf 2 7/8" backset - Opt.	–	52	–	52	–
571A	19/XX-R Inactive Leaf 2 3/8" backset - Opt.	–	52	–	52	–

Vertical Rod Top Strikes

Model	Description	Unfinished
* 3788	19/24/25/XX-V Panic and Fire Devices	52

* For Flush Transom applications, Specify part number 4215-019 Angle Bracket, **add \$53 List.**

Vertical Rod Bottom Strikes

Model	Description	Unfinished
2130	19-V/24/25/XX-V,C Panic or Fire - Std.	52
4155	19-V/24/25/XX-V,C Panic	52

REFERENCE NOTES:

Refer to device catalogs for specific door application strike requirements.

Prices subject to change without notice

Cover Plates & Filler Plates

Model No.	Description	Unfinished	SP313	US32D
4167	19 TP or DT Controls used on 86 or 161 door preps	-	33	50
4168	19 EO used on 86 door preps	-	33	50
4170	19 K or L Controls used on 86 or 161 door preps	-	33	50
4174	19 Device (push side) used on 86 door preps	-	33	50
3722	Strike cover - ASA 4-7/8"	11	-	-
3723	Mortise front - 8" x 1-1/4"	11	-	-
3721	Lock front - 2-1/4" x 1-1/8"	11	-	-

Cylinders

Model No.	Description	US26D	US4 US10B	US3 US10	US32 US32D
951	Rim Cylinder, Keyed Different	61	63	63	63
986	Threaded 1-1/4" Mortise Cylinder, with Straight Cam Keyed Different	61	63	63	63
985	1-1/8" Mortise Cylinder with Straight Cam	61	63	63	63

REFERENCE NOTES:

Custom keying not available. Falcon G keyway supplied.
Cylinder type determined by trim function.

Cylinder Dogging Kits

Model No.	Description	Part No.	SP28, SP313
19CDK-3	19 Series - 3' device	650060	62
19CDK-4	19 Series - 4' device	650063	62

REFERENCE NOTES:

Cylinder Sold Separately.

When a device is ordered "with CD with Cylinder" a 1-1/4" mortise cylinder (986 Falcon G x straight cam KD) is supplied for CD.
CD Kits can also pair with a 1-1/8" mortise cylinder (985 Falcon G x straight cam KD). Must be ordered separately.

Prices subject to change without notice

Dummy Touch Bars

3' Device pricing below, 4' add \$19 list.

Model No.	Description	SP28 SP313
190DT	19 Series Dummy Touch Bar	165

Extension Rods

Part No.	Description	All Finishes
650006	24/25/19/XX-V Extension Rod 12" (ER12-V)	21
650007	24/25/19/XX-V Extension Rod 24" (ER24-V)	37
650008	24/25/19/XX-V Extension Rod 36" (ER36-V)	60

REFERENCE NOTES:

- 1) Surface Vertical and Concealed Vertical Rod Devices for door heights over 7'0" up to 8'0", 12" extension rods are furnished at no additional charge at the time of device order. Must specify door height on order line.
- 2) For door heights over 8'0" up to 10'0" extension rods are furnished at prices shown above with the device at the time of order. MUST specify door height on order line.
- 3) Replacement extension rods can be ordered individually by the part numbers listed above.

Shim Kits

Model No.	Description	Part #	US19
SK19-R	19 Rim Shim Kit - 1/4"	650022	66
SK19-V	19 Surface Vertical Shim Kit - 1/4"	650023	66

REFERENCE NOTES:

19 series shim kits for use on door thickness devices less trim. For devices with trim, consult factory. All shim kits for use on door thicknesses up to 2". Consult factory for door thickness over 2"

EXITS

Pushpads

Commercial /
Medium Duty

19 Series

Prices subject to change without notice

(F) 19 Exit Devices

Part No.	Description	Unfinished	SP28		
			SP313	US32D	Black
650307	19-R Center Case	82.00	-	-	-
650374	F-19-R Center Case	101.00	-	-	-
650308	19-V Center Case LHR	71.00	-	-	-
650309	19-V Center Case RHR	71.00	-	-	-
650384	19-R Center Case Cover Kit (w/Screws)	-	-	-	36.00
650385	19-V Center Case Cover Kit (w/Screws)	-	-	-	36.00
650338	19-R Center Case Cover Mounting Pkg	4.00	-	-	-
650334	19-V Center Case Cover Mounting Pkg	4.00	-	-	-
650393	19-V Center Case Retractor Cam	35.00	-	-	-
650390	19-V Drawbar	10.00	-	-	-
650391	19-V Center Case Drawbar Lever	22.00	-	-	-
650392	19-V Center Case Slidebar Lever	13.00	-	-	-
4107	19 Channel 3' Door	-	122.00	318.00	-
4108	19 Channel 4' Door	-	141.00	351.00	-
650297	19 Panic Hex Dogging Kit 4' Door	-	81.00	117.00	-
650303	19 Panic Hex Dogging Kit 3' Door	-	58.00	95.00	-
610480	19 Panic Dogging Housing	18.00	-	-	-
060109	19 Panic Hex Dogging Key 7/32" (Pkg of 10)	13.00	-	-	-
060110	19 Panic Dogging Pin (Pkg of 10)	4.00	-	-	-
650343	19 Channel End Cap Kit (w/Screws)	24.00	-	-	-
650320	19 End Cap Mounting Bracket with SNB	-	10.00	-	-
650328	19-R Mounting Pkg	-	28.00	-	-
650329	F-19-R Mounting Pkg	-	28.00	-	-
650330	19-V Mounting Pkg	-	39.00	-	-
650331	F-19-V Mounting Pkg	-	39.00	-	-
3722	Strike ASA Filler Plate	11.00	-	-	-
660136	8-32 5/16" UFPHMS STL BO NYL	3.00	-	-	-

(F) 19 Exit Devices

Part No.	Description	US32D,	
		SP313	SP28
650360	F-19 Channel Cover Plate 3' Door	40.00	37.00
650361	F-19 Channel Cover Plate 4' Door	45.00	40.00

(F) 19-V Surface Vertical Rod and Latches

Part No.	Description	Unfinished	SP28		
			SP313	US32D	Black
650389	19-V Top Latch Case (Latch cover sold separately)	117.00	-	-	-
650388	19-V Latch Case Cover Kit (w/Screws)	-	-	-	36.00
650337	19-V Latch Cover Mounting Pkg	6.00	-	-	-
650386	Rod Guide Kit (w/Screws)	-	-	-	11.00
610045	Bottom Bolt Assembly	39.00	-	-	-
650387	Bottom Bolt Guide (Latch cover sold separately)	10.00	-	-	-
4286	19 Top Rod	-	69.00	81.00	-
4288	19 Bottom Rod	-	69.00	81.00	-
5494	F-19-V Auxiliary Fire Pin Kit (LBR application only)	151.00	-	-	-
650375	V-F Top Latch Asy Serv PKG	121.00	-	-	-
660002	#10 x 1 1/4" FPHSMS Clear Zinc	2.00	-	-	-

Prices subject to change without notice

Part No.	Description	Unfinished	SP28, SP313 US32D
050526	Cylinder Locknut Package	13.00	-
650314	700/900 Locking Plate	18.00	-
4270	900 Series Hex Stud	4.00	-
600315	920/930 Cylinder Anchor	18.00	-
600161	914 Tailpiece Guide Pkg	9.00	-
600346	911/912 Tailpiece Guide Package	9.00	-
661565	700/900 Lever Actuator Spring	3.00	-
4349	Control Hex Stud	5.00	-
650371	Tailpiece Pkg 1 3/4" - Service	6.00	-
600339	700/900 NL Spring Pkg	6.00	-
600283	Shear Pin, package of 5	10.00	-
600166	918NL Cylinder Mounting package	11.00	-
650355	912 Dane Lever	-	89.00
650356	912 Sutro Lever	-	113.00
650358	912 Quantum Lever	-	89.00

EXITS

Pushpads

Commercial /
Medium Duty

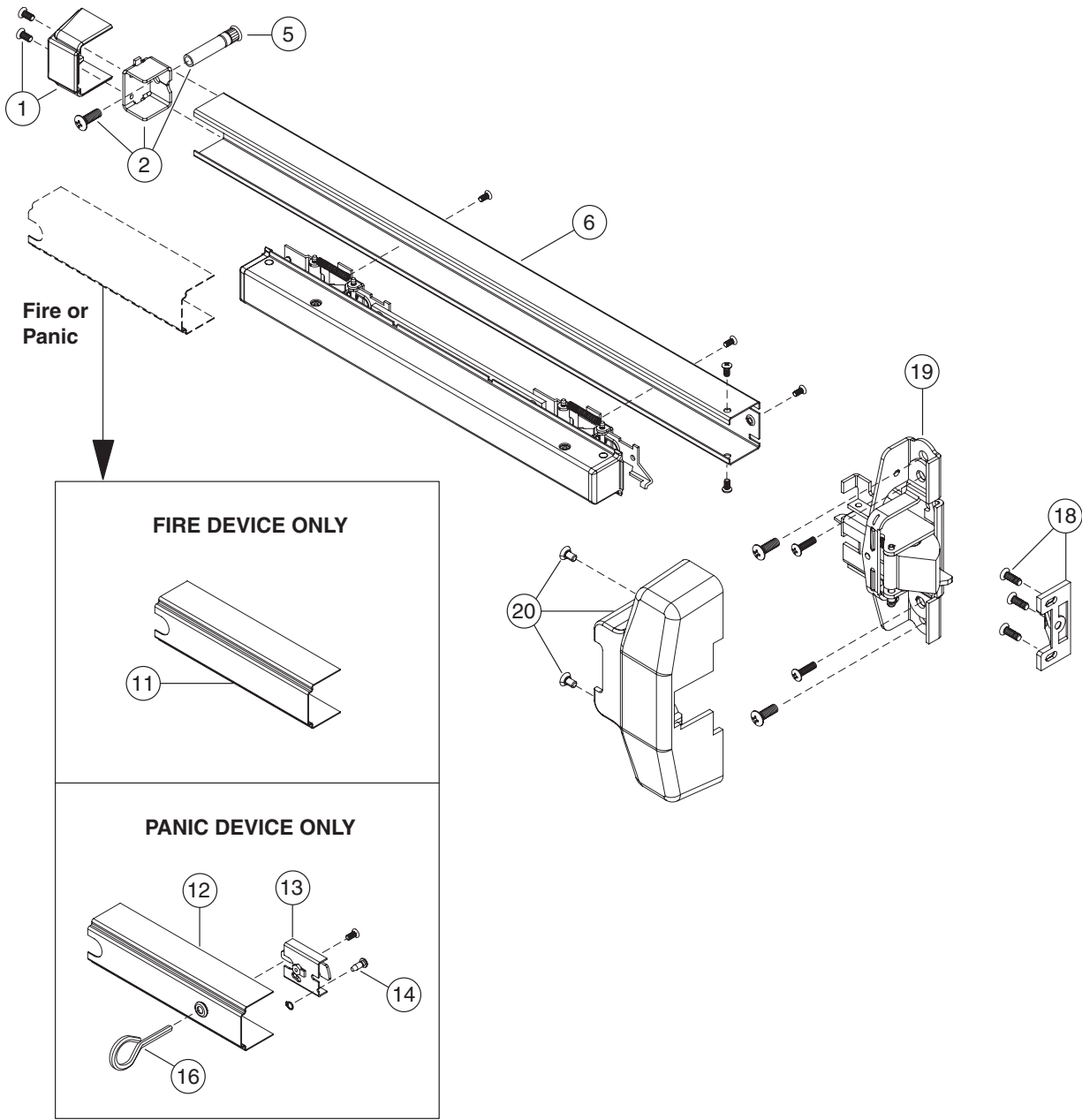
19 Series

Prices subject to change without notice

Prices subject to change without notice

19 and F-19 Rim exit device

Fire and panic



EXITS
 Pushpads
 Commercial / Medium Duty
 19 Series

Prices subject to change without notice

No.	Qty.	Part no.	Description	Notes
1	1	650343	19 Channel End Cap Kit (with screws)	
2	1	650320	19 End Cap Mounting Bracket with SNB	
5	1	4122	Sex Bolt, package of 1, includes machine screw, 1/2 - 20 x 3/4" PPHMS	A
6	1	4107	19 Channel 3' Door	A
	1	4108	19 Channel 4' Door	A
11	1	650360	F-19 Channel Cover Plate 3'	A
	1	650361	F-19 Channel Cover Plate 4'	
12	1	650297	19 Panic Hex Dogging Channel Cover, 4'	A
	1	650303	19 Panic Hex Dogging Channel Cover 3'	A
13	1	610480	19 Panic Dogging Housing	
14	1	060110	19 Panic Dogging Pin (package of 10)	
16	1	060109	19 Panic Hex Dogging Key 7/32" (package of 10)	
18	1	F570	F570 Strike (US19)	
19	1	650307	19-R Center Case Assembly	
		650374	F-19-R Center Case Assembly	
20	1	650384	19-R Center Case Cover Kit (with screws)	
*	1	650328	19-R Mounting Package	
*	1	650329	F-19-R Mounting Package	

* Item(s) not shown

A Specify by finish: US32D or SP28/SP313

Prices subject to change without notice

19-V and F-19-V Surface vertical rod exit device

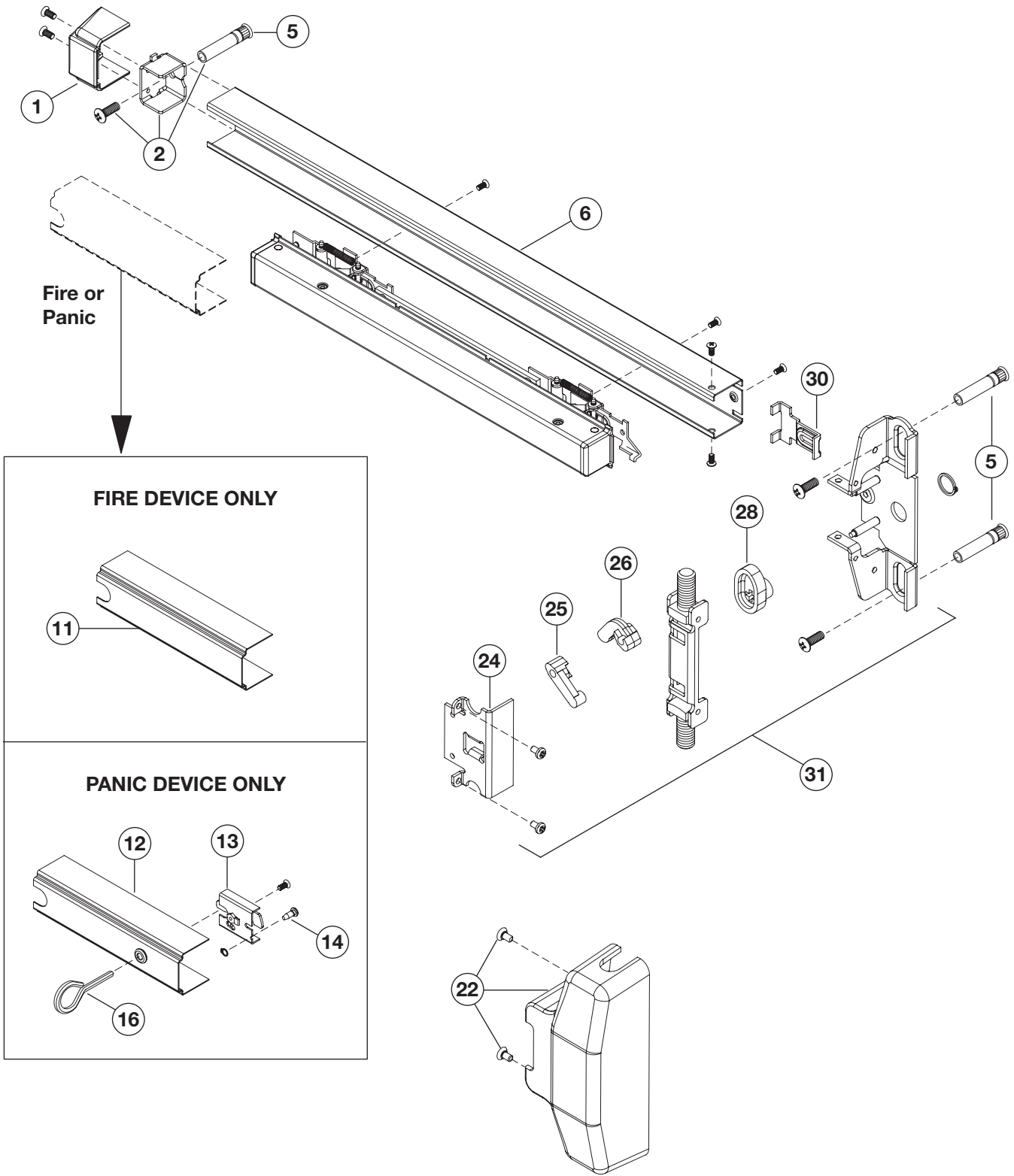
Panic and fire

EXITS

Pushpads

Commercial / Medium Duty

19 Series



Prices subject to change without notice

No.	Qty.	Part no.	Description	Notes
1	1	650343	19 Channel End Cap Kit (with screws)	
2	1	650320	19 End Cap Mounting Bracket with SNB	
5	1	4122	Sex Bolt, package of 1, includes machine screw (1/2 - 20 x 3/4" PPHMS)	A
6	1	4107	19 Channel 3' Door	A
	1	4108	19 Channel 4' Door	A
11	1	650360	F-19 Channel Cover Plate 3'	A
	1	650361	F-19 Channel Cover Plate 4'	A
12	1	650297	19 Panic Hex Dogging Channel Cover 4'	A
	1	650303	19 Panic Hex Dogging Channel Cover 3'	A
13	1	610480	19 Panic Dogging Housing	
14	1	060110	19 Panic Dogging Pin (package of 10)	
16	1	060109	19 Panic Hex Dogging Key 7/32" (package of 10)	
22	1	650385	19-V Center Case Cover Kit (with screws)	
25	1	650392	19-V Center Case Slidebar Lever	
26	1	650391	19-V Center Case Drawbar Lever	
28	1	650393	19-V Center Case Retractor Cam	
30	1	650390	19-V Drawbar	
31	1	650308	19-V Center Case LHR	
	1	650309	19-V Center Case RHR	
*	1	650330	19-V Mounting package	
*	1	650331	F-19-V Mounting package	

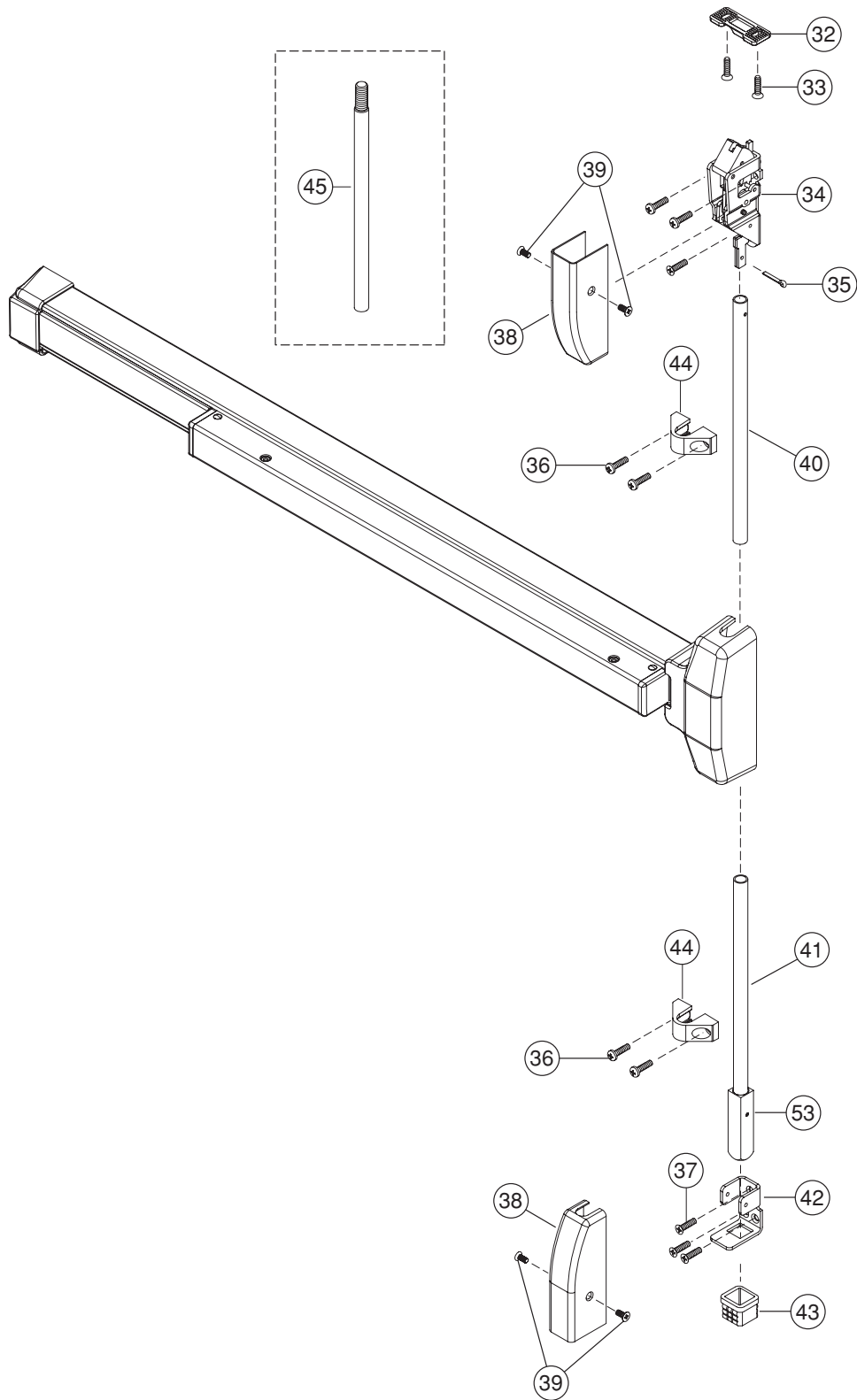
* Item(s) not shown

A Specify by finish: US32D or SP28/SP313

Prices subject to change without notice

19-V and F-19-V Surface vertical rods and latch cases

Panic and fire



EXITS

Pushpads

Commercial /
Medium Duty

19 Series

Prices subject to change without notice

No.	Qty.	Part no.	Description	Notes
32	1	3788	Vertical Rod Top Strike	*
33	2	660002	#10 x 1¼" FPHSMS	
34	1	650389	19-V Top Latch Case	
35	1	060111	½" x 1" Cotter Key package of 10	
36	1	060114	Rod Guide Screws package of 10	
37	1	060113	Latch Screw package of 10	
38	2	650388	19-V Latch Case Cover Kit (with screws)	A
39	1	650337	19-V Latch Case Cover Mounting package of 4	
40	1	4286	19 Top Rod	
41	1	4288	19 Bottom Rod	
42	1	650387	Bottom Bolt Guide (screws not included)	
43	1	2130	Vertical Rod Bottom Strike	
44	2	650386	Rod Guide Kit (with screws)	
45	1	650006	19/24/25/XX-V Extension Rod 12"	A
45	1	650007	19/24/25/XX-V Extension Rod 24"	A
45	1	650008	19/24/25/XX-V Extension Rod 36"	A
53	1	610045	(F)19-V Bottom Bolt Assembly	

* For Flush Transom applications, specify part number 4215-019 angle bracket

A Specify by finish: US32D or SP28/SP313

Prices subject to change without notice

Falcon 20 Series

Devices

		SP28	US32D
EXIT HARDWARE			
20-R-EO	Rim Device Exit Only 3'	249	440
20-V-EO	Surface Vertical Rod Device Exit Only 3'	382	607
20-R-EO	Rim Device - Exit Only 4'	268	459
20-V-EO	Surface Vertical Rod Device Exit Only 4'	401	626
FIRE EXIT HARDWARE			
F-20-R-EO	Fire Rim Device - Exit Only 3'	311	514
F-20-V-EO	Fire Surface Vertical Rod Device - Exit Only 3'	548	684

Trims

		SP28	US32D
Model No.	Description		
212-L	Escutcheon Lever - Key Locks or Unlocks	154	209
212-L-NL	Escutcheon Lever - Night Latch	154	209
214-KIL	Key in Lever Round Rose - Entrance	185	185
214-KIL-NL	Key in Lever Round Rose - Night Latch	185	185
214-KIL-BE	Key in Lever Round Rose - Passage	185	185
218-NL	Handle Pull Plate - Night Latch	98	139
218-TP	Handle Pull Plate - Thumbpiece	215	226
240-NL	Raised Lip Pull Plate - Night Latch	66	75

EXITS

Pushpads

Commercial /
Medium Duty

1490 Series

Prices subject to change without notice

1490 Series

**Devices are priced for 36" x 7',
Aluminum or Hollow Metal Doors.
RL Bottom Latch furnished standard.**
(Price includes PB48 Strike.)



Model No.	US28	DC13, DC35	Standard Trim
1490EO	846	869	-
1491DT	1014	1037	9970 Pull
1492NL-OP	978	1001	149CA-NL w/Rim Cylinder
1493HB-OP	978	1001	149CA-HB w/Rim Cylinder
1494NL-P	1146	1169	9970 Pull 149CA-NL w/Rim Cylinder
1495HB-P	1146	1169	9970 Pull 149CA-HB w/Rim Cylinder
1498	592	592	N/A Dummy Touchbar Device

REFERENCE NOTES:

- Specify Handing RHR or LHR. Device furnished RHR when handing is not specified, both RHR and LHR labels are provided.
- Specify if Door Material other than Aluminum.
- Not recommended for use on wood doors.
- Cylinder assembly furnished in DC35 finish, unless specified. Available finishes DC13, US28 & DC35.
- Rim cylinder supplied standard with NL and HB options is C keyway.

1490 Device Options

		List Add
Extra Length	42" 1490 Device	35.00
	48" 1490 Device	76.00
Extra Length	42" 1498 Device	20.00
	48" 1498 Device	25.00
Extension Rods	For Door Heights over 7' up to 10'	105.00
Door Thickness	For Doors greater than 1 3/4" up to 2 1/4" using cylinder assembly	23.00
Rim Cylinder	For Door with cylinder assembly (3216 - C Keyway)	89.00
7 Pin Cylinder Assembly	For Door with cylinder assembly and using 7 pin cylinder	22.00
Risers (1/2")	Specify device "x Riser" (example 1490EO x 36" x US28 x Riser)	89.00
Centerlines	Change from 40 9/16" standard Device Centerline	102.00
HH	Hurricane Device. Available up to 8' device only. Prefix device "HH"	20.00
Signal Switch	Base Exit Device unit modified with signal switch (SPDT) indicating latch condition. Prefix device "S".	385.00
Electric Latch Retraction	Base Exit Device unit modified with Electric Latch Retraction and Signal Switch (SPDT). Prefix device "EL". EL Kits are field replaceable, please refer to page 263 for part numbers.	874.00

**(One PS914 x 900-2RS is the minimum requirement to power one or two EL devices.
See Power Supply Section for requirements and options.)**

REFERENCE NOTES:

HH (Hurricane) 1490 devices are hurricane rated by specific door manufacturers. Consult your device manufacturer to assure the HH1490 is hurricane rated with their door solution.

Prices subject to change without notice

Offset Pull

Model No.		Non-Finish	DC13, DC35, US28	US26, US26D
9970 Pull		-	168	378
STUD.102	9970 Mounting Stud (Pkg Qty 10)	30	-	-

Replacement Cylinders

Model No.	Description	US26D, US10B
3216	Rim Cylinder C Keyway	89

Cylinder Assembly

Model No.	Description	US28, DC13, DC35
149CA-NL	Cylinder Assembly Less Cylinder	43
149CA-HB	Cylinder Assembly Less Cylinder	43

REFERENCE NOTES:

Door Thickness greater than 1 3/4" up to 2 1/4", **add \$23 list.** 7 Pin Cylinder applications, **add \$22 list.**

Risers

Model No.	Description	List Price
RSR1490	1490 Riser Pkg	89

Strikes - Concealed Vertical Rod

Model No.	Description	Non-Finish	P13, P35, US32D
PB48	Top strike for 1990/1490/1690/2390 devices.	-	24
SHIM.112	PB48 Strike Shim (Pkg Qty: 10)	25	-

Prices subject to change without notice

EXITS

Pushpads

Commercial /
Medium Duty

1590 Series

1590 Series**Devices are priced 36",****Aluminum or Hollow Metal Doors.**

(Price includes TD35 Strike. Retractor needed for cylinder operation only furnished with 1592/3/4/5.)



Model No.	US28	DC13, DC35	Standard Trim
1590EO	696	722	-
1591DT	864	890	9970 Pull
1592NL-OP (Specify if used on pair of doors with Mullion.)	828	854	159CA-NL w/Rim Cylinder
1593HB-OP (Specify if used on pair of doors with Mullion.)	828	854	159CA-HB w/Rim Cylinder
1594NL-P (Specify if used on pair of doors with Mullion.)	996	1022	9970 Pull 159CA-NL w/Rim Cylinder
1595HB-P (Specify if used on pair of doors with Mullion.)	996	1022	9970 Pull 159CA-HB w/Rim Cylinder

REFERENCE NOTES:

Specify if Door Material other than Aluminum.

Device furnished non-handed with RHR and LHR Pushbar labels for field installation.

Cylinder assembly furnished in DC35 finish, unless specified. Available finishes DC13, US28 & DC35.

Rim cylinder supplied standard with NL and HB options is C keyway.

1590 Device Options

		List Add
Matching Dummy Touchbar	Specify 1498 series. Refer to 1490 Device Page 254 for pricing.	-
Extra Length	42" 1590 Device	35.00
	48" 1590 Device	76.00
Door Thickness	For Doors greater than 1 3/4" up to 2 1/4" using cylinder assembly	23.00
Rim Cylinder	For Door with cylinder assembly (3216 - C Keyway)	89.00
7 Pin Cylinder Assembly	For Door with cylinder assembly and using 7 pin cylinder	22.00
Risers (1/2")	Specify device "x Riser" (example 1590EO x 36" x US28 x Riser)	89.00
Signal Switch	Base Exit Device unit modified with signal switch (SPDT) indicating latch condition. Prefix device "S".	385.00
Electric Latch Retraction	Base Exit Device unit modified with Electric Latch Retraction and Signal Switch (SPDT). Prefix device "EL". EL Kits are field replaceable, please refer to page 263 for part numbers.	874.00

(One PS914 x 900-2RS is the minimum requirement to power one or two EL devices.**See Power Supply Section for requirements and options.)**

Prices subject to change without notice

Offset Pull

Model No.		Non-Finish	DC13, DC35, US28	US26, US26D
9970 Pull		–	168	378
STUD.102	9970 Mounting Stud (Pkg Qty 10)	30	–	–

Replacement Cylinders

Model No.	Description	US26D, US10B
3216	Rim Cylinder C Keyway	89

Cylinder Assembly

Model No.	Description	US28, DC13, DC35
159CA-NL	Cylinder Assembly Less Cylinder	43
159CA-HB	Cylinder Assembly Less Cylinder	43

REFERENCE NOTES:

Door Thickness greater than 1 3/4" up to 2 1/4", **add \$23 list.** 7 Pin Cylinder applications, **add \$22 list.**

Retractors

Model No.	Description	List Price
For field conversion of 1590 inactive device to NL or HB functions.		
RTR10	1590 Retractor Single Door	15
RTR11	1590 Retractor Single Door with Riser	15
RTR12	1590 Retractor Pair with Mullion 1 3/4" Door	15
RTR13	1590 Retractor Pair with Mullion 2 1/4" Door	15
RTR14	1590RL Retractor 1 3/4" Door	90
RTR15	1590RL Retractor 2 1/4" Door	90

Risers

Model No.	Description	List Price
RSR1590	1590 Riser Pkg	89

Strikes - Rim

Model No.	Description	Black	P28	P13	P35	Non-Finish
STK45	Strike for inactive door, pair of doors with 1590/1790/2090 devices	–	–	–	83	–
TD35	Strike for single doors, 1590 and 1790 device	–	–	–	113	–
SHIM.150	TD35 Strike Shim	25	–	–	–	–
SCREW.1016	TD35 Screw 10-32 x 1" FPHMS (Pkg Qty 25)	23	–	–	–	–
4270109590	TD35 Wear Strip	–	–	–	–	12
RIVET.101	TD35 Drive Rivet (Pkg Qty 25)	–	–	–	–	33

Prices subject to change without notice

EXITS

Pushpads

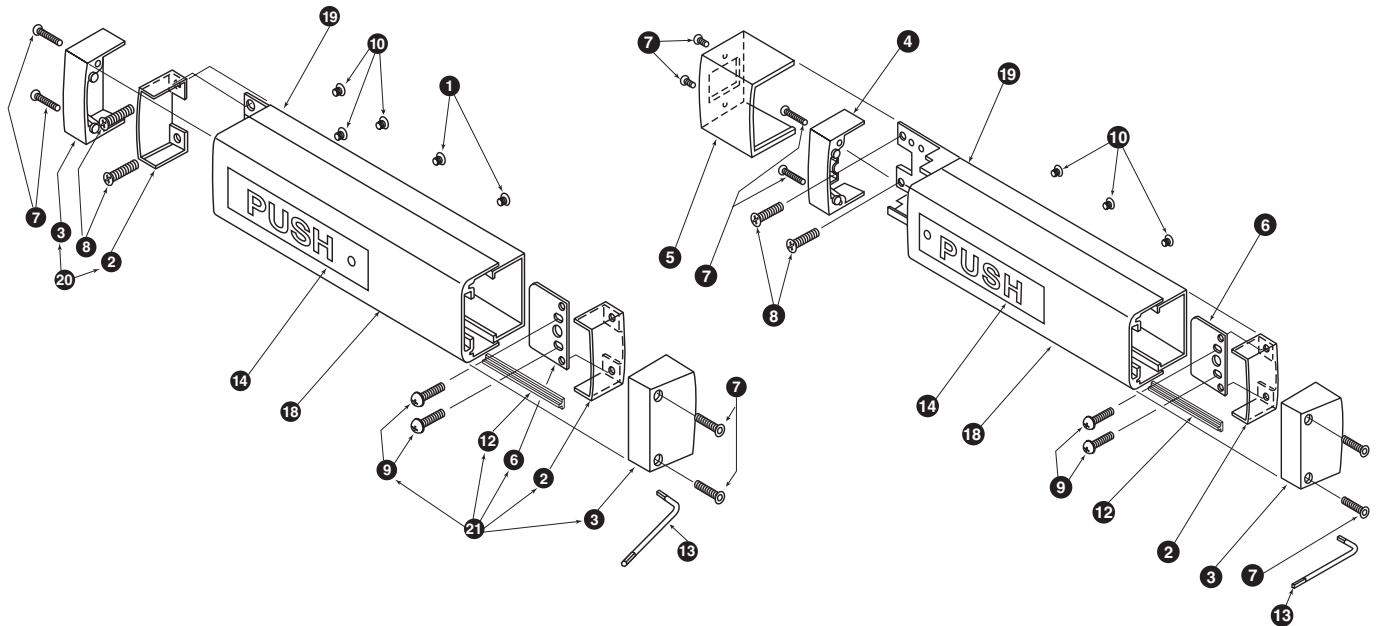
Commercial /
Medium Duty

1490 / 1590
Series

Pushbar

1490

1590



Part No.	Description	Finish	Pkg. Qty	Price
1	SCREW.1028 10-32 1/4" UFPHMS Screw	-	10	24.00
2	4270106786 1490/1590 Pushbar Mounting Bracket	-	each	25.00
3	4270106787 1490/1590 Pushbar End Cap	P35	each	46.00
4	4270106875 1590 Pushbar End Cap	P35	each	21.00
5	4270106863 1590 Center Case Cover P35	P35	each	29.00
6	4270106770 1490/1590 P/Bar Hingeside Mounting Plate	-	each	13.00
7	SCREW.1050 8-32 1" FH Torx Screw (before September, 2004)	-	10	32.00
	SCREW.1143 8-18 1.1/4" FPH TF Typ 25	-	10	24.00
8	SCREW.1282 12-24 1 1/2" UFPHMS Screw (1490)	-	10	25.00
	SCREW.1066 12-24 1" UFPHMS Screw (1590)	-	10	25.00
9	SCREW.1053 12-24 1" PPH W/SEMS EXT TF Screw	-	10	25.00
10	SCREW.1012 8-32 1/4" UFPHMS Screw	US32D	10	12.00
	SCREW.1055 8-32 1/4" UFPHMS Screw	BLACK	10	12.00
12	BUMPER.103 Pushbar Bumper 4' (2 ea. Required)	-	each	12.00
13	KEY.102 Short Arm Key	-	10	36.00
14	4270107321 1490 RHR/1590 LHR Push Label	BLACK	each	29.00
	4270107323 1490 LHR/1590 RHR Push Label	BLACK	each	29.00
	4270107320 1490 RHR/1590 LHR Push Label	GOLD	each	29.00
	4270107322 1490 LHR/1590 RHR Push Label	GOLD	each	29.00

Prices subject to change without notice

Pushbar

Part No.	Description	Finish	Pkg. Qty	Price	
18	4270107027	1490 Pushbar 36"	US28	each	114.00
	4270107028	1490 Pushbar 36"	DC13	each	119.00
	4270107029	1490 Pushbar 36"	DC35	each	119.00
	4270107685	1490 Pushbar 36"	US3	each	1176.00
	4270107689	1490 Pushbar 36"	US4	each	1176.00
	4270107686	1490 Pushbar 36"	US10	each	1176.00
	4270107691	1490 Pushbar 36"	US10B	each	1231.00
	4270107687	1490 Pushbar 36"	US14	each	1231.00
	4270107688	1490 Pushbar 36"	US15	each	1231.00
18	4270107031	1490 Pushbar 48"	US28	each	122.00
	4270107032	1490 Pushbar 48"	DC13	each	129.00
	4270107033	1490 Pushbar 48"	DC35	each	129.00
	4270107703	1490 Pushbar 48"	US3	each	1182.00
	4270107707	1490 Pushbar 48"	US4	each	1182.00
	4270107704	1490 Pushbar 48"	US10	each	1182.00
	4270107709	1490 Pushbar 48"	US10B	each	1235.00
	4270107705	1490 Pushbar 48"	US14	each	1235.00
	4270107706	1490 Pushbar 48"	US15	each	1235.00
18	4270107091	1590 Pushbar 36"	US28	each	122.00
	4270107092	1590 Pushbar 36"	DC13	each	129.00
	4270107093	1590 Pushbar 36"	DC35	each	129.00
	4270107712	1590 Pushbar 36"	US3	each	1176.00
	4270107716	1590 Pushbar 36"	US4	each	1176.00
	4270107713	1590 Pushbar 36"	US10	each	1176.00
	4270107718	1590 Pushbar 36"	US10B	each	1238.00
	4270107714	1590 Pushbar 36"	US14	each	1238.00
	4270107715	1590 Pushbar 36"	US15	each	1238.00
18	4270107095	1590 Pushbar 48"	US28	each	139.00
	4270107096	1590 Pushbar 48"	DC13	each	144.00
	4270107097	1590 Pushbar 48"	DC35	each	144.00
	EXT.255	1590 Pushbar 48"	US3	each	1195.00
	EXT.259	1590 Pushbar 48"	US4	each	1195.00
	EXT.256	1590 Pushbar 48"	US10	each	1195.00
	EXT.261	1590 Pushbar 48"	US10B	each	1251.00
	EXT.257	1590 Pushbar 48"	US14	each	1251.00
	EXT.258	1590 Pushbar 48"	US15	each	1251.00
19	4270107034	1490 Channel 36"	US28	each	114.00
	4270107035	1490 Channel 36"	DC13	each	119.00
	4270107036	1490 Channel 36"	DC35	each	119.00
19	4270107038	1490 Channel 48"	US28	each	122.00
	4270107039	1490 Channel 48"	DC13	each	129.00
	4270107040	1490 Channel 48"	DC35	each	129.00
19	4270107587	1590 Channel 36"	US28	each	139.00
	4270107588	1590 Channel 36"	DC13	each	144.00
	4270107589	1590 Channel 36"	DC35	each	144.00
19	4270107591	1590 Channel 48"	US28	each	151.00
	4270107592	1590 Channel 48"	DC13	each	159.00
	4270107593	1590 Channel 48"	DC35	each	159.00
20	ECAP.111	1490 Lockside End Cap Assembly	P35	each	36.00
21	ECAP.103	1490 Hingside End Cap Assembly	P35	each	41.00
	PKG.102	1490 Mounting Package	US28	each	23.00
	PKG.104	1490 Mounting Package	DC35	each	24.00
	PKG.105	1590 Mounting Package	-	each	23.00

EXITS

Pushpads

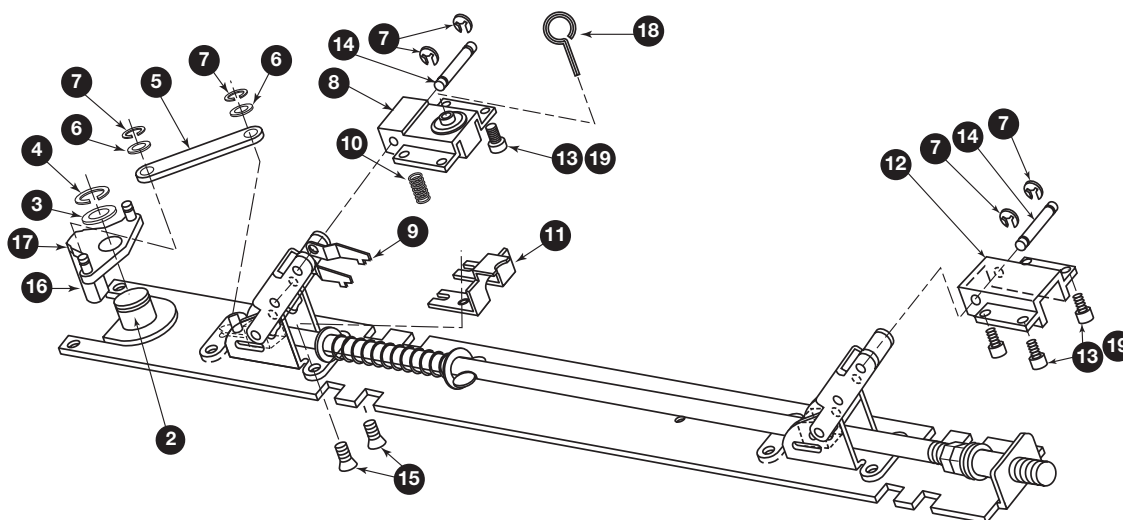
Commercial / Medium Duty

1490 / 1590 Series

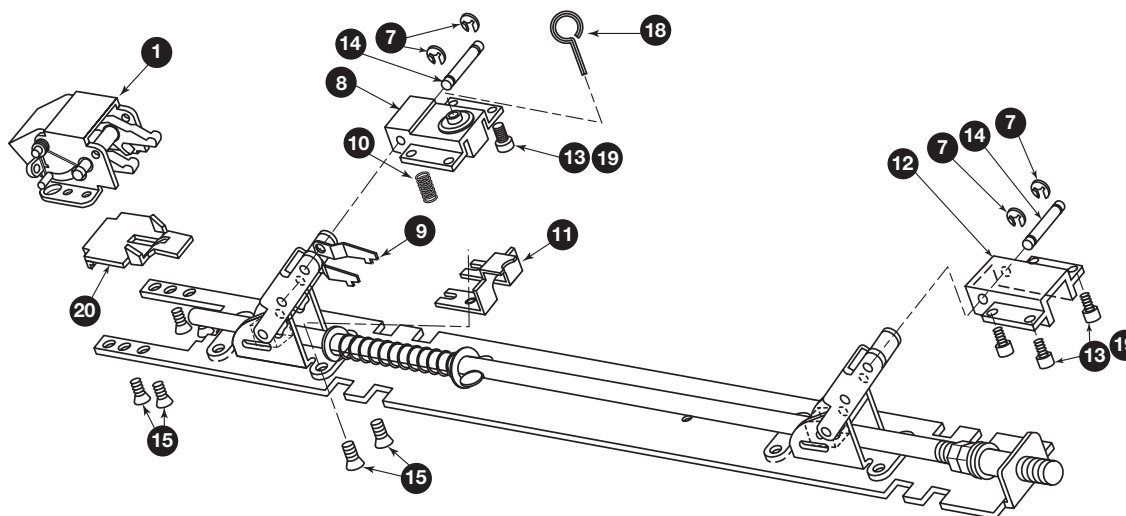
Prices subject to change without notice

Activating Baseplate Assembly

1490



1590



Prices subject to change without notice

Activating Baseplate Assembly

	Part No.	Description	Finish	Pkg. Qty	Price
1	4270107603	1590 Latchbolt Assembly	-	each	122.00
2	4270106769	Lift Lever Axle	-	each	13.00
3	WASHER.102	Lift Lever Washer	-	10	22.00
4	RRING.104	Retaining Ring .500"	-	10	15.00
5	4270106773	Link	-	each	12.00
6	WASHER.103	Link Washer	-	10	22.00
7	RRING.105	Retaining Ring .188"	-	10	12.00
8	4270107046	Dogging Bracket Assembly	-	each	69.00
9	971659-79	Dogging Clip	-	each	37.00
10	4299101020	Compression Spring	-	each	9.00
11	971660-79	Act. Rod Spring Stop CZNC	-	each	15.00
12	4270106977	Clevis	-	each	96.00
13	SCREW.1136	8-32 3/8" PPHMS w/Sems	-	10	36.00
14	AXLE.1007	Clevis Assembly Axle	-	10	15.00
15	SCREW.1043	10-32 3/8" UFPHMS Screw	-	10	15.00
16	4270106745	Lift Lever	-	each	22.00
17	4270106772	Pivot Pin	-	each	22.00
18	KEY.10020	Hex Dogging Key 5/32"	-	10	46.00
19	WASHER.107	#8 Washer Hi-Collar	-	10	13.00
20	4270106888	1590 Retractor-Sgl Dr 1 3/4" (Only furnished with 1592/3/4/5)	-	each	15.00
	4270107422	1590 Retractor-Sgl Dr 2 1/4" (Only furnished with 1592/3/4/5)	-	each	15.00
	4270107520	1590 Retractor-Pair w/Mullion 1 3/4" Dr (Only furnished with 1592/3/4/5)	-	each	15.00
	4270107521	1590 Retractor-Pair w/Mullion 2 1/4" Dr (Only furnished with 1592/3/4/5)	-	each	15.00

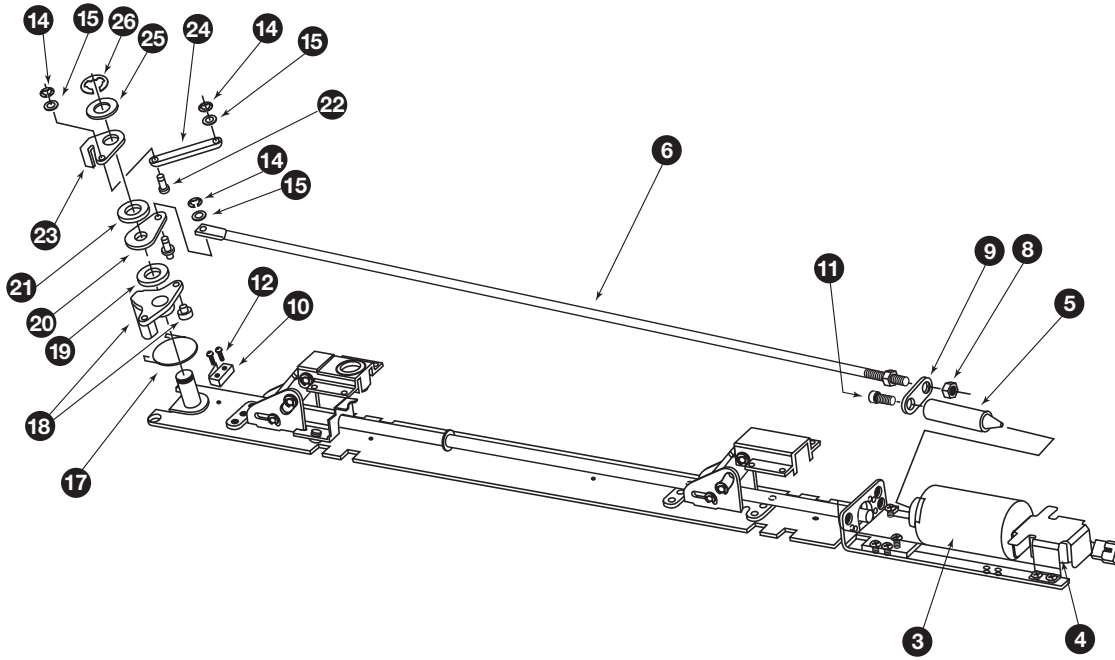
1490 Base Plate Assemblies

	4270107061	1490 Baseplate Assembly LHR 36"	-	each	479.00
	4270107048	1490 Baseplate Assembly LHR 48"	-	each	536.00
	4270107047	1490 Baseplate Assembly RHR 36"	-	each	479.00
	4270107060	1490 Baseplate Assembly RHR 48"	-	each	536.00
	4270107089	1590 Baseplate Assembly 36"	-	each	344.00
	4270107090	1590 Baseplate Assembly 48"	-	each	404.00

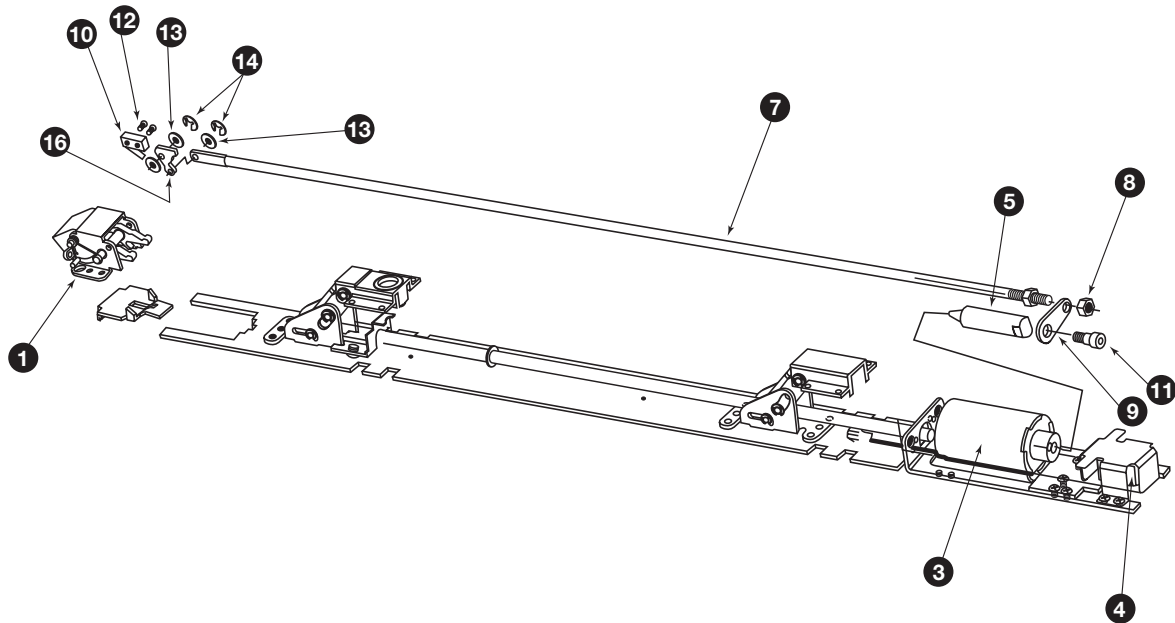
Prices subject to change without notice

Activating Baseplate Assembly

EL1490



EL1590



Prices subject to change without notice

Activating Baseplate Assembly

	Part No.	Description	Finish	Pkg. Qty	Price	
	1	4270107623	EL1590 Latchbolt Assembly 36"	-	each	347.00
		LATCHR.102	EL1590 Latchbolt Assembly 48"	-	each	352.00
2	4270108763	S1590 Latchbolt Assembly	-	each	258.00	
3	SOLENOID.142	EL Solenoid	-	each	238.00	
4	050534-00	EL Potted Circuit Breaker	-	each	305.00	
5	PLUNGER.101	EL Solenoid Plunger	-	each	72.00	
	110388-00	EL Cable Assembly (not shown)	-	each	46.00	
6	4270107193	EL1490 Pull Rod 36"	-	each	37.00	
	4270107361	EL1490 Pull Rod 48"	-	each	44.00	
7	4270107342	EL1590 Push Rod 36"	-	each	44.00	
	4270107360	EL1590 Push Rod 48"	-	each	58.00	
8	NUT.103	1/4-20 Hex Nut	-	10	6.00	
9	4270107341	EL1590 Link	-	each	7.00	
10	SWITCH.1002	Subminiature Switch Assembly 36"	-	each	65.00	
	SWITCH.1004	Subminiature Switch Assembly 48"	-	each	71.00	
11	SCREW.1061	1/4-20 29/32" Soc Shoulder Screw	BLACK	10	35.00	
	SCREW.1136	8-32 3/8" PPH w/Sems Machine Screw	-	10	35.00	
12	SCREW.1063	2-56 RHMS Screw	-	10	7.00	
	SCREW.1065	8-32 1/4" PPH MS Typ 2A Screw	-	10	6.00	
14	RRING.105	Retaining Ring .188	-	10	12.00	
15	WASHER.103	Link Washer	-	10	22.00	
16	LEVER.103	EL1590 Release Lever Assembly	-	each	75.00	
17	4270107429	EL1490 Lift Lever Spring-LHR	-	each	9.00	
	4270107430	EL1490 Lift Lever Spring-RHR	-	each	9.00	
18	LEVER.104	EL1490 Lift Lever Sub-Assembly LHR	-	each	35.00	
	LEVER.105	EL1490 Lift Lever Sub-Assembly RHR	-	each	35.00	
19	4270107194	EL Lift Lever Spacer	-	each	14.00	
20	4270107192	EL1490 Pivot Bracket	-	each	9.00	
21	4270109142	Lift Lever Washer	-	each	13.00	
22	4270107186	Link Pin	-	each	8.00	
23	4270107188	EL1490 Lift Lever Bracket-LHR	-	each	9.00	
	4270107189	EL1490 Lift Lever Bracket-RHR	-	each	9.00	
24	4270106773	1490 Link	-	each	12.00	
25	WASHER.102	Lift Lever Washer	-	10	21.00	
26	RRING.104	Retaining Ring .500	-	10	14.00	
27	4270107363	Pivot Pin YZNC STL	-	each	4.00	

S1490/S1590 Baseplate Assemblies

	BASEASY.210	S1490 Baseplate Assembly LHR 36"	-	each	953.00
	BASEASY.211	S1490 Baseplate Assembly LHR 48"	-	each	1009.00
	BASEASY.208	S1490 Baseplate Assembly RHR 36"	-	each	953.00
	BASEASY.209	S1490 Baseplate Assembly RHR 48"	-	each	1009.00
	BASEASY.220	S1590 Baseplate Assembly 36"	-	each	818.00
	BASEASY.221	S1590 Baseplate Assembly 48"	-	each	877.00

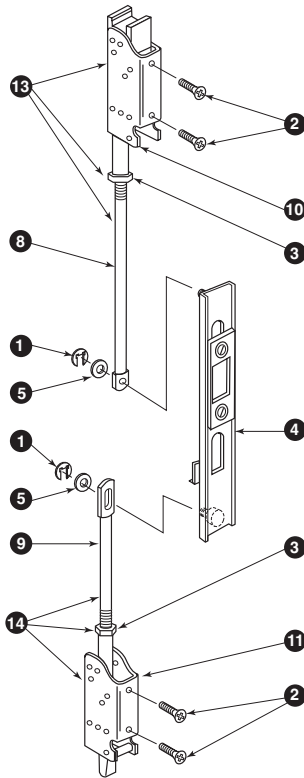
EL1490/EL1590 Baseplate Assemblies

	KIT.1011	EL1490 Conversion Kit LHR 36"	-	each	995.00
	KIT.1010	EL1490 Conversion Kit RHR 36"	-	each	995.00
	KIT.1013	EL1490 Conversion Kit LHR 48"	-	each	995.00
	KIT.1012	EL1490 Conversion Kit RHR 48"	-	each	995.00
	KIT.1008	EL1590 Conversion Kit 36"	-	each	995.00
	KIT.1009	EL1590 Conversion Kit 48"	-	each	995.00

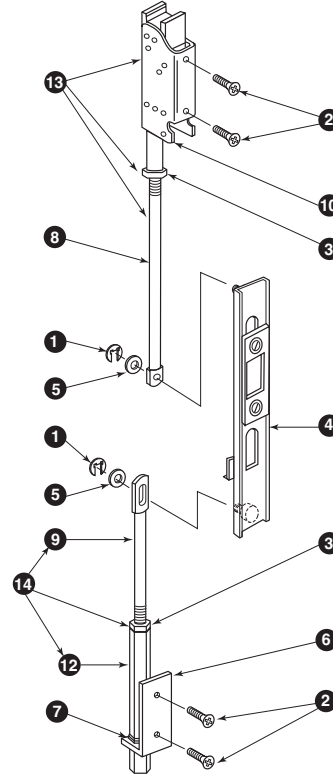
Prices subject to change without notice

Rod Assembly

Standard Rod Assembly



EL Rod Assembly

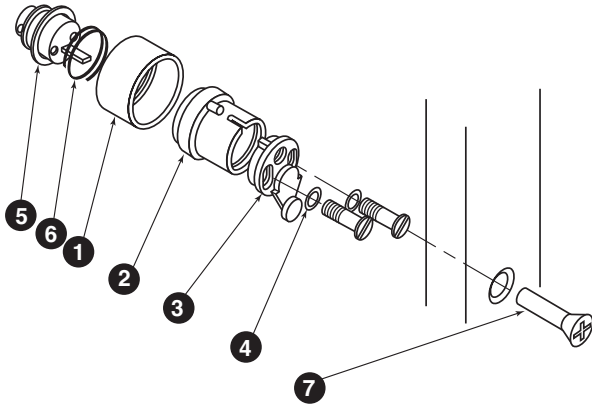


Part No.	Description	Finish	Pkg. Qty	Price
1	RRING.103 Retaining Ring .250	-	25	12.00
2	SCREW.1028 10-32 1/4" UFPH Screw	US32D	10	24.00
	SCREW.1029 10-32 1/4" UFPH Screw	BLACK	10	24.00
3	NUT.101 3/8-24 Jam Nut	-	10	24.00
4	4270106796 Lift Bracket Assembly	-	each	64.00
	4270107495 EL Lift Bracket Assembly	-	each	74.00
5	WASHER.116 Rod Washer	-	10	15.00
6	4270108426 EL Hex Rod Guide Assembly	US32D	each	46.00
	GUIDE.101 EL Hex Rod Guide Assembly	P35	each	46.00
7	BUSH.107 EL Hex Bushing	-	10	24.00
	GUIDE.102 HH Hex Rod Guide Assembly	P35	each	66.00
8	4270106776 Top Rod 35.000"	-	each	61.00
9	4270106775 Standard Bottom Rod 31.625"	-	each	61.00
	4270109003 EL Bottom Rod 34.625"	-	each	68.00
10	4270105926 EL Top Latch	-	each	151.00
	4270101806 SU Top Latch	-	each	113.00
11	4270100521 RL Bottom Latch	-	each	96.00
12	4270101830 Hex Bottom Bolt	-	each	41.00
13	RODASY.110 1490 Top Rod Assembly 7' Dr	-	each	178.00
	4270109078 EL1490 Top Rod Assembly 7' Dr	-	each	215.00
14	RODASY.112 Bottom Rod Assembly	-	each	106.00
	4270109077 EL1490 Bottom Rod Assembly	-	each	116.00
15	4270106782 1490 Top/Btm Rod Assembly 7' Dr	-	each	344.00
	4270107497 EL1490 Top/Btm Rod Assembly 7' Dr	-	each	384.00
	4270107791 Extension Rod Kit over 7' up to 10' Drs	-	each	125.00

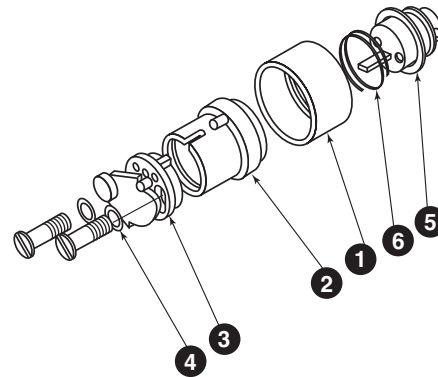
Prices subject to change without notice

Cylinder Assembly

1490



1590



Cam Assembly



Hold Back



Night Latch

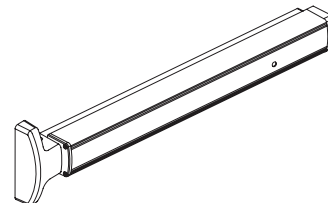
	Part No.	Description	Finish	Pkg. Qty	Price	
1	4270107213	Cylinder Collar 1.00"	P28	each	24.00	
	4270107214	Cylinder Collar 1.00"	P13	each	24.00	
	4270107215	Cylinder Collar 1.00"	P35	each	24.00	
	4270109005	Cylinder Collar 7 Pin 1.25"	P28	each	36.00	
	4270109006	Cylinder Collar 7 Pin 1.25"	P13	each	36.00	
	4270109007	Cylinder Collar 7 Pin 1.25"	P35	each	36.00	
	2	4270107286	Cylinder Tube w/Pin 1 3/4" DR	-	each	38.00
4270107833		Cylinder Tube w/Pin 2" DR	-	each	66.00	
4270107787		Cylinder Tube w/Pin 2 1/4" DR	-	each	66.00	
4270109009		Cylinder Tube w/Pin 7 Pin 1 3/4" DR	-	each	66.00	
4270109190		Cylinder Tube w/Pin 7 Pin 2" DR	-	each	66.00	
4270109630		HH Cylinder Tube w/Pin 2 3/8" DR	-	each	46.00	
CTUBE.232		HH Cylinder Tube w/Pin 7 Pin 2 3/8" DR	-	each	72.00	
3	4270107268	1490 NL Cam Assembly	-	each	32.00	
	4270107270	1490 HB Cam Assembly	-	each	32.00	
	4270107283	1590 NL Cam Assembly	-	each	32.00	
	4270107285	1590 HB Cam Assembly	-	each	32.00	
	4	WASHER.108	Cylinder Adaptor Washer	-	10	15.00
5		WASHER.109	Cylinder Lock Washer	CZNC	10	22.00
		WASHER.110	Cylinder Lock Washer	BLACK	10	22.00
6	SPRING.105	Cylinder Collar Spring	-	10	10.00	
	7	SCREW.1105	12-24 1.1/2" UFPHMS Screw	CZNC	10	25.00
SCREW.1099		12-24 1.1/2" UFPHMS Screw	BLACK	10	24.00	

Prices subject to change without notice

1690 Series

Devices are priced for 30", 36" x 7',
Aluminum or Hollow Metal Doors.
Hex Bottom Latch furnished standard.

(Price includes PB48 Strike)



Model No.	US28	DC13, DC35	US26	US26D	Standard Trim
1690EO	470	502	612	591	–
1691DT	638	669	990	966	9970 Pull
1692NL-OP/HB-OP	559	590	701	677	169CA w/Rim Cylinder
1694NL-P/HB-P	727	758	1079	1055	9970 Pull 169CA w/Rim Cylinder

REFERENCE NOTES:

Devices are supplied 36" x 7' standard, if not specified.
Rim cylinder supplied standard with NL and HB options is C keyway.

Extra Length

	List Add
42"	19.00
48"	27.00

Optional Latches

Suffix		List Add
RL	Rod Bottom Latch	28.00
PL	Pullman Bottom Latch	28.00
ES	Top Latch for use with Electric Strikes Device Furnished LBR (Less Bottom Rod and Less Strike) deduct \$23 List	32.00
Less Rods	For retrofit of 1990 crossbar device, deduct \$46 List	

Door Heights over 7'

	List Add
Up to 8'	64.00
Up to 9'	82.00
Up to 10'	94.00

Device Options

		List Add
RX Switch	Base Exit Device unit modified Request to Exit Switch monitoring pushpad. Prefix device "RX".	209.00
Electric Latch Retraction	Base Exit Device unit modified with Electric Latch Retraction. Prefix device "EL". The EL option is not field replaceable on this model.	562.00
(One PS914 x 900-2RS is the minimum requirement to power one or two EL devices. See Power Supply Section for requirements and options.)		
Electric Dogging	Base Exit Device unit modified with Electric Dogging Prefix device "ED".	562.00
HH	Hurricane device. Available up to 8' device only. Prefix device "HH". HH is for a Hurricane device for all door manufactures other than YKK.	112.00
HHYKK	Hurricane device. Available up to 8' device only. Prefix device "HHYKK". HHYKK is for a Hurricane device for door manufacture YKK.	112.00

REFERENCE NOTES:

For EL1690 Door widths other than the standard size (30", 36", 42" or 48"), please specify exact door width. For non-standard widths, the price of the next widest standard size will apply.
HH (Hurricane) 1690 devices are hurricane rated by specific door manufacturers. Consult your device manufacturer to assure the HH1690 is hurricane rated with their door solution.

Prices subject to change without notice

Offset Pull

Model No.		Non-Finish	DC13, DC35, US28	US26, US26D
9970 Pull		-	168	378
STUD.102	9970 Mounting Stud (Pkg Qty 10)	30	-	-

Replacement Cylinders

Model No.	Description	US26D, US10B
3216	Rim Cylinder C Keyway	89

Cylinder Assembly

Model No.	Description	Non-Finish
169CA	Cylinder Assembly Less Cylinder	28

Strikes - Concealed Vertical Rod

Model No.	Description	Non-Finish	P13, P35, US32D
PB48	Top strike for 1990/1490/1690/2390 devices.	-	24
SHIM.112	PB48 Strike Shim (Pkg Qty: 10)	25	-

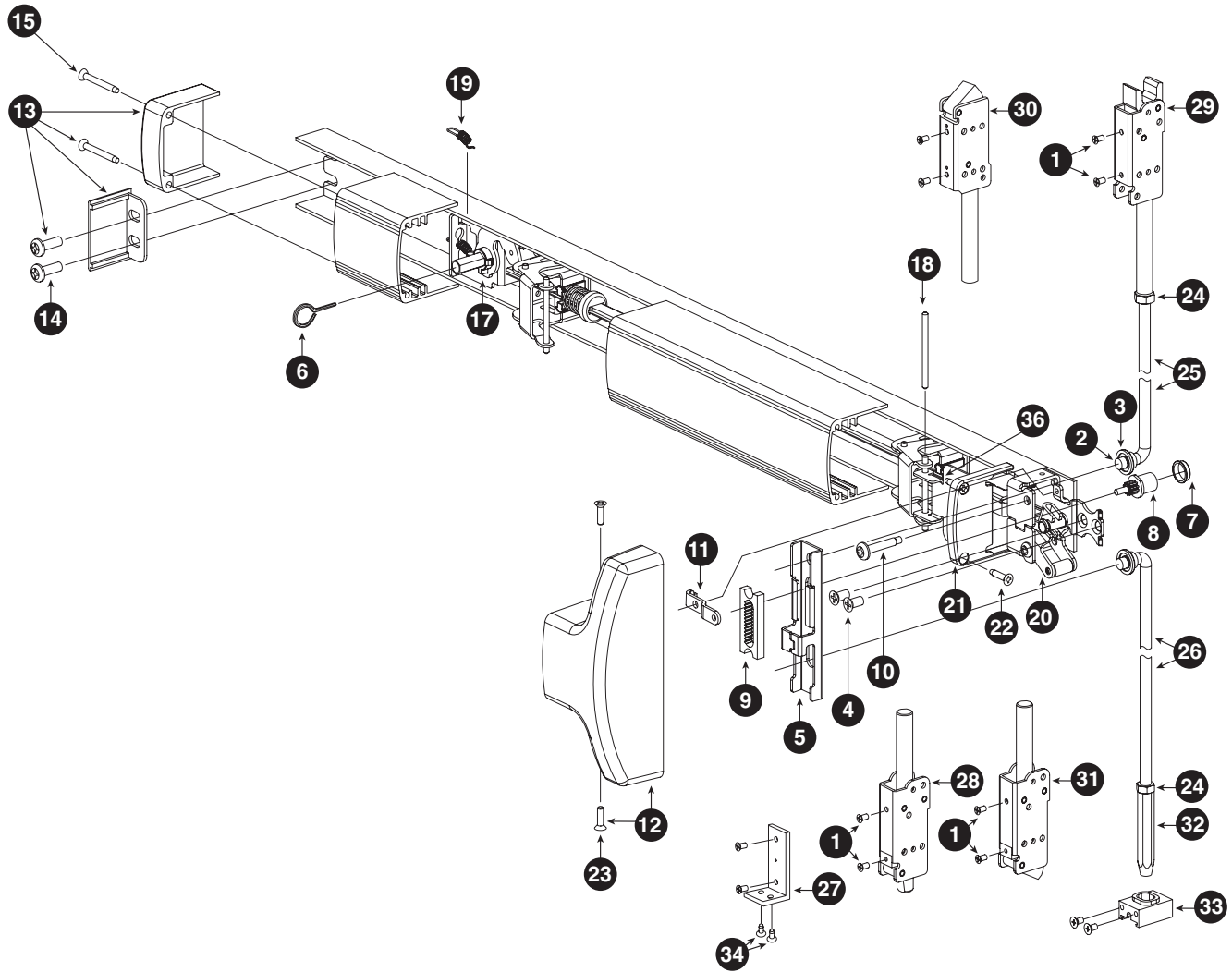
EXITS

Pushpads

Commercial /
Medium Duty

1690 Series

Prices subject to change without notice



Part No.	Description	Finish	Pkg. Qty	Price
1	SCREW.1028	US32D	10	24.00
	SCREW.1029	BLACK	10	24.00
2	BUSH.109	Bearing Bushing	10	25.00
3	RRING.109	Retaining Ring .250"	25	22.00
4	SCREW.1069	Lock Stile Mounting Screw	10	13.00
5	BRKT.138	Lift Bracket	each	24.00
6	KEY.10020	Hex Dogging Key 5/32"	10	46.00
	PKG.150	Auxiliary Package (part 1-6)	each	25.00
	PKG.151	Auxiliary Package (part 1-6)	each	25.00
7	BUSH.102	Cylinder Bushing	10	25.00
8	CAM.102	Pinion Cam	10	139.00
	4270903177	Pinion Cam	each	22.00
9	RETRACT.101	Rod Retractor	10	58.00
10	SCREW.1074	Retainer Screw	10	22.00
11	BRKT.478	Pinion Support Bracket	each	9.00
12	COVER.113	Center Case Cover Kit	each	39.00
13	ECAP.130	Channel/Hinge End Cap Kit	each	27.00

Prices subject to change without notice

1690 Series Exploded View And Parts List

	Part No.	Description	Finish	Pkg. Qty	Price
14	SCREW.1070	1/4-20 1/2" PPHMS Screw	-	10	12.00
15	SCREW.1072	#8 1.1/2" FPH TC Typ AB Screw (before September, 2004)	-	10	12.00
	SCREW.1143	8-18 1.1/4" FPH TF Typ 25	-	10	24.00
16	SCREW.1067	1/4-20 3/8" Hex Soc Set Screw	BLACK	3	13.00
	SCREW.1068	1/4-20 3/8" Hex Soc Set Screw	US28	3	13.00
17	KIT.1197	Dogging Kit		each	33.00
18	PIN.128	Push Bar Pin	-	10	12.00
19	971493-76	Dogging Spring	-	each	6.00
20	BRKTASY.107	Actuator Arm Bracket Assy	-	each	15.00
21	ECAP.129	Lock Stile Push Bar End Cap	P35	each	15.00
22	SCREW.1077	8-3/4" FPHSMS (before September, 2004)	BLACK	10	24.00
	SCREW.1141	8-18 .3/4" FPH TF Typ 25	-	10	18.00
23	SCREW.1025	8-5/8" FPHSMS (before September, 2004)	BLACK	10	22.00
24	NUT.101	Rod Jam Nut	-	10	24.00
25	4270100017	SU/PL/ES/RL Rod (Standard)	-	each	35.00
	4270102427	SU/PL/ES/RL Rod-1/4" Insulclad 7'	-	each	35.00
	4270102426	SU/PL/ES/RL Rod-1/4" Insulclad 8'	-	each	111.00
	4270100018	SU Rod 8' Door	-	each	111.00
	4270100172	SU Ext Rod Kit Up to 9' Dr (not shown)	-	each	98.00
	4270100197	SU Ext Rod Kit Up to 10' Dr (not shown)	-	each	114.00
26	4270101825	Hex Bottom Rod	-	each	35.00
27	BRKTASY.101	Latch Mtg Bracket Kit-HMD	-	each	48.00
28	● 4270100521	RL Bottom Latch	-	each	96.00
29	● 4270101806	SU Top Latch	-	each	113.00
30	● 4270100346	ES Top Latch	-	each	132.00
31	● 4270101482	PL Bottom Latch	-	each	96.00
32	BOLT.1004	Hex Bottom Bolt Beveled	-	each	46.00
33	4270107176	Hex Rod Guide Assembly	US32D	each	39.00
	4270107178	Hex Rod Guide Assembly	P35	each	39.00
	SCREW.1076	Hex Rod Guide Screws	US28	10	9.00
	SCREW.1081	Hex Rod Guide Screws	DC13/DC35	10	9.00
	PIN.110	ES Latch Pin	-	10	23.00
	PIN.109	SU/ES/PL/HH Latch Spirol Pin	-	10	18.00
34	SCREW.1037	10-32 3/8" FPHMS	-	25	22.00
	● 4270106632	SU Top Rod Assembly 7' Dr	-	each	151.00
	● 4270106633	SU Top Rod Assembly 8' Dr	-	each	227.00
	● 4270101818	SU Top Rod Assembly 9' Dr	-	each	247.00
	● 4270101819	SU Top Rod Assembly 10' Dr	-	each	268.00
	● 4270101873	ES Top Rod Assembly 7' Dr	-	each	190.00
	4270101874	ES Top Rod Assembly 8' Dr	-	each	288.00
	● 4270100522	RL Bottom Rod Assembly	-	each	151.00
	RODASY.1075	Hex Bottom Rod Assembly	-	each	107.00
	● 4270100266	PL Bottom Rod Assembly	-	each	155.00
36	BRKT.128	Pushbar Anchor Bracket	-	each	9.00

REFERENCE NOTES:

- Specify if door material other than aluminum. Complete rod and latch assembly includes (4270100017) standard rod and (Nut.101). Part numbers shown are for standard centerlines and assembled lengths.

Prices subject to change without notice

EXITS
Pushpads
Commercial / Medium Duty
1690 Series

Part No.	Description	Finish	Pkg. Qty	Price
KIT.1156	NL Cylinder Assy & Auxiliary Parts (parts 1-10)	US28	each	61.00
KIT.1157	NL Cylinder Assy & Auxiliary Parts (parts 1-10)	DC13/DC35	each	61.00
169CA	1690NL Cylinder Assembly (parts 7-11)	-	each	28.00
SCREW.1121	10-32 3/8" UFPH TF	US28	8	10.00
SCREW.1114	10-32 3/8" UFPH TF	DC13/DC35	8	10.00
BRKT.156	Center Case Bracket	-	each	15.00
SWITCH.1006	RX Switch Wire Assembly (not shown) Valid for Field Install RX Option on Devices shipped after June, 2002	-	each	221.00
050534-00	EL Potted Circuit Breaker (not shown)	-	each	305.00
971687-00	EL Solenoid 24 VDC (not shown)	-	each	249.00
PLUNGER.101	EL Plunger (not shown)	-	each	72.00
110388-00	EL Cable Assembly (not shown)	-	each	46.00

1690/1790 Pushbars and Channels**Standard EL**

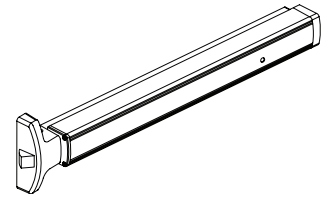
EXT.827	EXT.830	1690/1790 Pushbar 30"	US28	each	106.00
EXT.828	EXT.825	1690/1790 Pushbar 30"	DC13	each	122.00
EXT.829	EXT.826	1690/1790 Pushbar 30"	DC35	each	122.00
EXT.2351	EXT.2323	1690/1790 Pushbar 30"	US3	each	288.00
EXT.2352	EXT.2333	1690/1790 Pushbar 30"	US10	each	259.00
EXT.2353	EXT.2338	1690/1790 Pushbar 30"	US26	each	288.00
EXT.2354	EXT.2340	1690/1790 Pushbar 30"	US26D	each	259.00
EXT.608	EXT.398	1690/1790 Pushbar 36"	US28	each	106.00
EXT.609	EXT.399	1690/1790 Pushbar 36"	DC13	each	122.00
EXT.631	EXT.400	1690/1790 Pushbar 36"	DC35	each	122.00
EXT.2355	EXT.2324	1690/1790 Pushbar 36"	US3	each	288.00
EXT.2356	EXT.2334	1690/1790 Pushbar 36"	US10	each	259.00
EXT.2357	EXT.2339	1690/1790 Pushbar 36"	US26	each	288.00
EXT.2358	EXT.2289	1690/1790 Pushbar 36"	US26D	each	259.00
EXT.646	EXT.438	1690/1790 Pushbar 42"	US28	each	114.00
EXT.736	EXT.439	1690/1790 Pushbar 42"	DC13	each	136.00
EXT.737	EXT.441	1690/1790 Pushbar 42"	DC35	each	136.00
EXT.2359	EXT.2341	1690/1790 Pushbar 42"	US3	each	299.00
EXT.2360	EXT.2345	1690/1790 Pushbar 42"	US10	each	270.00
EXT.2361	EXT.2349	1690/1790 Pushbar 42"	US26	each	299.00
EXT.2362	EXT.2350	1690/1790 Pushbar 42"	US26D	each	270.00
EXT.738	EXT.442	1690/1790 Pushbar 48"	US28	each	122.00
EXT.739	EXT.443	1690/1790 Pushbar 48"	DC13	each	144.00
EXT.740	EXT.444	1690/1790 Pushbar 48"	DC35	each	144.00
EXT.2363	EXT.2298	1690/1790 Pushbar 48"	US3	each	307.00
EXT.2364	EXT.2303	1690/1790 Pushbar 48"	US10	each	277.00
EXT.2365	EXT.2304	1690/1790 Pushbar 48"	US26	each	307.00
EXT.2366	EXT.2294	1690/1790 Pushbar 48"	US26D	each	277.00
EXT.175		1690 Channel 27.138	US28	each	25.00
EXT.177		1690 Channel 27.138	DC13	each	39.00
EXT.741		1690 Channel 33.138	US28	each	28.00
EXT.742		1690 Channel 33.138	DC13	each	33.00
EXT.743		1690 Channel 33.138	DC35	each	32.00
EXT.744		1690 Channel 39.138	US28	each	33.00
EXT.745		1690 Channel 39.138	DC13	each	38.00
EXT.746		1690 Channel 39.138	DC35	each	38.00
EXT.747		1690 Channel 45.138	US28	each	37.00
EXT.748		1690 Channel 45.138	DC13	each	45.00
EXT.749		1690 Channel 45.138	DC35	each	48.00
4270109291		1690 Channel 32.250	US28	each	31.00
4270109295		1690 Channel 44.250	US28	each	37.00
4270109293		1690 Channel 44.250	DC35	each	44.00
EXT.178		1690 Channel 27.138	DC35	each	45.00
4270109297		1690 Channel 44.250	DC35	each	54.00
4270109423		1690 Channel 38.250	US28	each	37.00
4270109424		1690 Channel 38.250	DC13	each	37.00
4270109425		1690 Channel 38.250	DC35	each	54.00
EXT.101		1790 Channel 33.580	US28	each	61.00
EXT.102		1790 Channel 39.580	US28	each	64.00
EXT.103		1790 Channel 45.580	US28	each	68.00
4270109571		1790 Channel 33.580	DC13	each	56.00
4270109572		1790 Channel 39.580	DC13	each	66.00
4270109574		1790 Channel 33.580	DC35	each	62.00
4270109575		1790 Channel 39.580	DC35	each	69.00
4270109576		1790 Channel 45.580	DC35	each	75.00

Prices subject to change without notice

1790 Series

Devices are priced for 30" and 36",
Aluminum or Hollow Metal Doors.

(Price includes TD35 Strike)



Model No.	US28	DC13, DC35	US26	US26D	Standard Trim
1790EO	428	457	568	548	-
1791DT	596	625	946	926	9970 Pull
1792NL-OP/HB-OP	517	546	657	637	179CA w/Rim Cylinder
1794NL-P/HB-P	685	714	1,035	1,015	9970 Pull 179CA w/Rim Cylinder

REFERENCE NOTES:

Devices are supplied 36" x 7' standard, if not specified.
Rim cylinder supplied standard with NL and HB options is C keyway.

Extra Length

	List Add
42"	19.00
48"	27.00

Device Options

	List Add	
RX Switch	Base Exit Device unit modified Request to Exit Switch monitoring pushpad. Prefix device "RX".	209.00
Electric Latch Retraction	Base Exit Device unit modified with Electric Latch Retraction. Prefix device "EL". The EL option is not field replaceable on this model.	562.00
(One PS914 x 900-2RS is the minimum requirement to power one or two EL devices. See Power Supply Section for requirements and options.)		
Electric Dogging	Base Exit Device unit modified with Electric Dogging Prefix device "ED".	562.00

REFERENCE NOTES:

For EL1790 Door widths other than the standard size (30", 36", 42" or 48"), please specify exact door width.
For non-standard widths, the price of the next widest standard size will apply.

Lever Control

		P28 P13 P35	US15
179L	Lever Control	327	365
179L-BE	Lever Control, Blank Escutcheon	327	365
179L-NL	Lever Control, Night Latch	327	365

REFERENCE NOTES:

Lever Controls are Handed. Specify handing RHR or LHR.
179L Trims are field retrofittable with all 1790 Series Devices.
For initial installation requiring lever trim, the 1790EO is the suggested device to order with the 179L trims.
179L and L-NL require a 1 1/8" mortise cylinder with straight cam, sold separately.

Prices subject to change without notice

Offset Pull

Model No.		Non-Finish	DC13, DC35, US28	US26, US26D
9970 Pull		–	168.00	378.00
STUD.102	9970 Mounting Stud (Pkg Qty 10)	30.00	–	–

Replacement Cylinders

Model No.	Description	US26D, US10B
3216	Rim Cylinder C Keyway	89.00

Cylinder Assembly

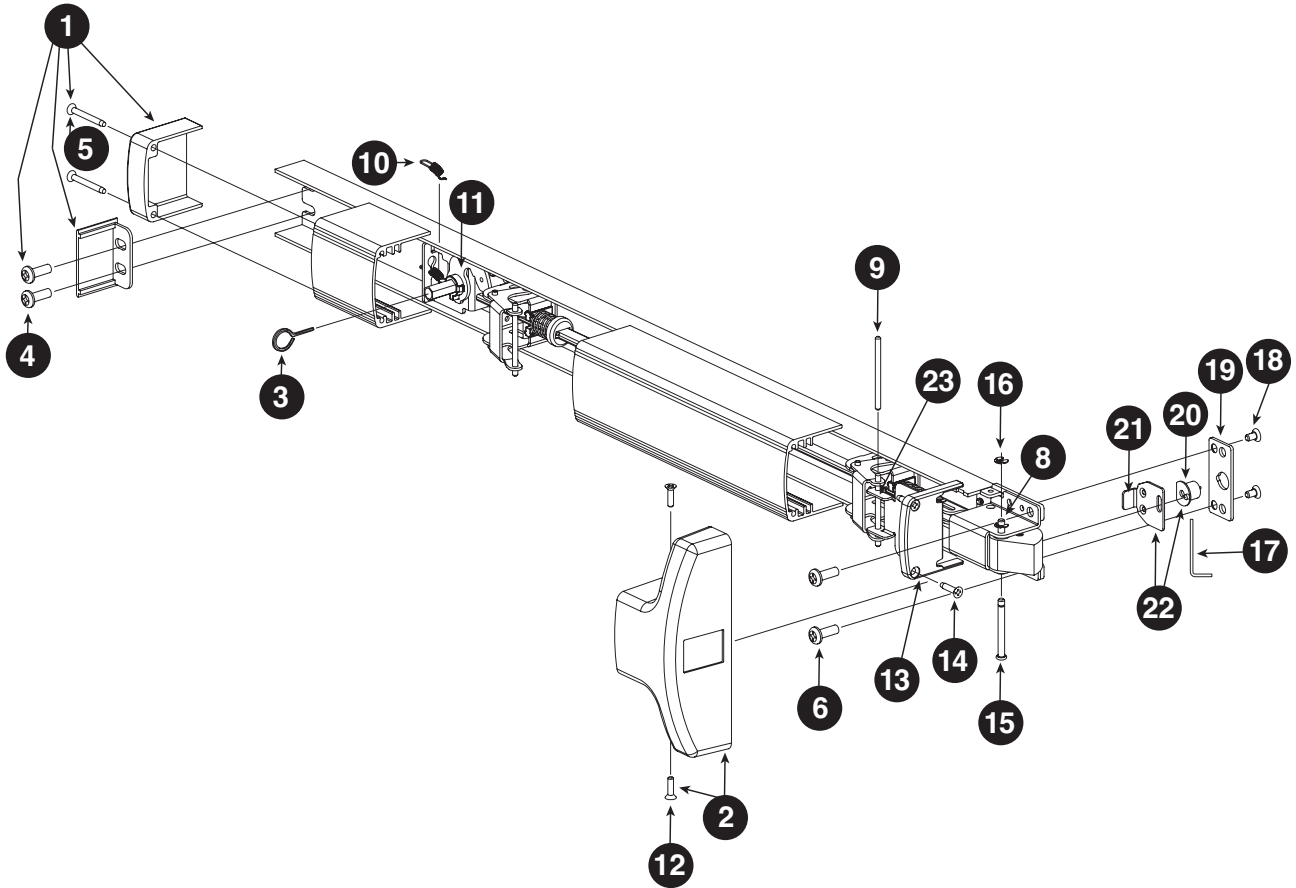
Model No.	Description	Non-Finish
179CA	Cylinder Assembly Less Cylinder	28.00

Strikes - Rim

Model No.	Description	Non-Finish	Black	P35
STK45	Strike for inactive door, pair of doors with 1590/1790/2090 devices	–	–	83.00
TD35	Strike for single doors, 1590 and 1790 device	–	–	113.00
SHIM.150	TD35 Strike Shim	–	25.00	–
SCREW.1016	TD35 Screw 10-32 x 1" FPHMS (Pkg Qty 25)	–	23.00	–
4270109590	TD35 Wear Strip	12.00	–	–
RIVET.101	TD35 Drive Rivet (Pkg Qty 25)	33.00	–	–

Prices subject to change without notice

EXITS
 Pushpads
 Commercial / Medium Duty
 1790 Series



Prices subject to change without notice

	Part No.	Description	Finish	Pkg. Qty	Price
1	ECAP.130	Channel/Hingeside End Cap Kit	-	each	27.00
2	COVER.120	Center Case Cover Kit	-	each	39.00
3	KEY.10020	Hex Dogging Key 5/32"	-	10	46.00
4	SCREW.1070	1/4-20 1/2" PPHMS Screw	-	10	12.00
5	SCREW.1072	#8 1.1/2" FPH TC Typ AB Screw (before September, 2004)	-	10	12.00
	SCREW.1143	8-18 1.1/4" FPH TF Typ 25	-	10	24.00
6	SCREW.1075	1/4-20 3/4" PPHMS Screw	-	10	13.00
	SCREW.1121	10-32 3/8" UFPH TF	US28	8	10.00
7	PKG.133	Auxiliary Package	-	each	10.00
8	LBOLT.105	Latch Assembly	-	each	61.00
	SWITCH.1006	RX Switch Wire Assembly (not shown) Valid for Field Install RX Option on Devices shipped after June, 2002	-	each	221.00
	050534-00	EL Potted Circuit Breaker (not shown)	-	each	305.00
	971687-00	EL Solenoid 24VDC (not shown)	-	each	249.00
	PLUNGER.101	EL Plunger (not shown)	-	each	72.00
	110388-00	EL Cable Assembly (not shown)	-	each	46.00
9	PIN.128	Pushbar Pin	-	10	12.00
10	971493-76	Dogging Spring	-	each	6.00
11	KIT.1197	Dogging Kit	US28	each	33.00
12	SCREW.1025	8 x 5/8" FPHTC Typ 25 (before July, 2006)	-	10	22.00
13	ECAP.129	Lock Stile End Cap	DC35	each	15.00
14	SCREW.1077	8-3/4" FPHSMS (before September, 2004)	BLACK	10	24.00
	SCREW.1141	8-18 .3/4" FPH TF Typ 25	-	10	18.00
15	969467-89	Latch Pin	-	each	10.00
16	RRING.105	Latch Pin Retaining Clip	-	10	12.00
17	4270109548	Short Arm Allen Wrench	-	each	6.00
18	SCREW.1150	10-32 3/8" UFPH MS	-	10	23.00
19	SPACER.107	1790 Channel Spacer	-	each	18.00
20	CAMASY.101	Drive Bushing	-	each	48.00
21	SLIDER.101	Slider	-	each	7.00
22	179CA	1790 NL/HB Cylinder Assembly	-	each	28.00
23	BRKT.128	Pushbar Anchor Bracket	-	each	9.00

1790 Pushbars on page 270

EXITS

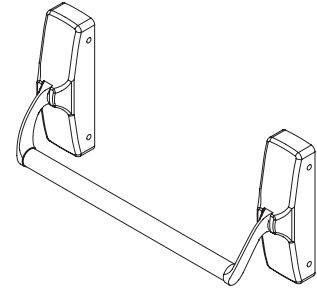
Pushpads

Commercial /
Medium Duty

1790 Series

Prices subject to change without notice

Devices are furnished standard for door widths up to 4' and priced with standard trim and strikes. Cylinders are not included in price.



EXIT HARDWARE
Rim Devices
(Includes F570 Strike)

	Trim	US4 US10	SP313 US32D	US26D	US3 US26 US32
XX-R-EO	-	1005	1210	1319	1367
Athena (non-handed)					
XX-R-DT	815DT	1128	1437	1546	1594
XX-R-NL	815NL	1140	1454	1563	1611
XX-R-C	815C	1045	1273	1382	1430
XX-R-TP	815TP	1165	1482	1591	1639
XX-R-TP-BE	815TP-BE	1165	1482	1591	1639
* XX-R-TP-NL	* 815TP	1165	1482	1591	1639
Knob (non-handed)					
XX-R-K	811K	1213	1459	1607	1655
XX-R-K-BE	811K-BE	1213	1459	1607	1655
* XX-R-K-NL	* 811K	1213	1459	1607	1655
XX-R-K-DT	811K-DT	1172	1453	1625	1673
Dane Lever (handed and field reversible)					
XX-R-L	812L	1343	1604	1721	1769
XX-R-L-BE	812L-BE	1343	1604	1721	1769
* XX-R-L-NL	* 812L	1343	1604	1721	1769
XX-R-L-DT	812L-DT	1343	1604	1721	1769

* NL function is in device, trim does not change.

REFERENCE NOTES:

Handing: Device and Trim are furnished RHR when handing is not specified. The EO Device is compatible with all device functions except all L and K. When ordering device only for L and K functions specify device with function "less trim". Example: XX-R-L less trim.

Sex Bolts:

Optional Sex Bolts are recommended for center case and end case mounting when device is used with hollow core wood, composite or light gauge hollow metal doors. See chart below for quantities and list prices.

Application	Sex Bolt 2729 (Optional)	List Add
Hollow core wood, composite or light gauge hollow metal doors - EO (exit only device)	8	72
Hollow core wood, composite or light gauge hollow metal doors - Device x Athena Trim	8	72
Hollow core wood, composite or light gauge hollow metal doors - Device x all other Trims	4	36

Prices subject to change without notice

EXITS

Crossbars

Wide Stile

XX Series

Devices are furnished standard for door widths up to 4' and priced with standard trim and strikes. Cylinders are not included in price.

FIRE EXIT HARDWARE

Rim Devices

(Includes F570 Strike)

	Control Trim	US4 US10	SP313 US32D	US26D	US3 US26 US32
F-XX-R-EO	-	1365	1521	1619	1662
Athena (non-handed)					
F-XX-R-DT	815DT	1488	1748	1846	1889
F-XX-R-NL	815NL	1500	1765	1863	1906
F-XX-R-C	815C	1405	1584	1682	1725
F-XX-R-TP	815TP	1525	1793	1891	1934
F-XX-R-TP-BE	815TP-BE	1525	1793	1891	1934
* F-XX-R-TP-NL	* 815TP	1525	1793	1891	1934
Knob (non-handed)					
F-XX-R-K	811K	1573	1770	1907	1950
F-XX-R-K-BE	811K-BE	1573	1770	1907	1950
* F-XX-R-K-NL	* 811K	1573	1770	1907	1950
F-XX-R-K-DT	811K-DT	1532	1764	1925	1968
Dane Lever (handed and field reversible)					
F-XX-R-L	812L	1703	1915	2021	2064
F-XX-R-L-BE	812L-BE	1703	1915	2021	2064
* F-XX-R-L-NL	* 812L	1703	1915	2021	2064
F-XX-R-L-DT	812L-DT	1703	1915	2021	2064

* NL function is in device, trim does not change.

REFERENCE NOTES:

Handing: Device and Trim are furnished RHR when handing is not specified.

The EO Device is compatible with all device functions except all L and K. When ordering device only for L and K functions specify device with function "less trim". Example: F-XX-R-L less trim.

Sex Bolts:

Sex Bolts are supplied for center case and end case mounting when device is used with wood, composite or non-reinforced hollow metal doors. See chart below for quantities.

Application	Sex Bolt 2729 (Supplied)
Wood, composite or non-reinforced hollow metal doors - EO (exit only device)	10
Wood, composite or non-reinforced hollow metal doors - Device x Athena Trim	10
Wood, composite or non-reinforced hollow metal doors - Device x all other Trims	6

Prices subject to change without notice

EXITS

 Crossbars

 Wide Stile

 XX Series

Devices are furnished standard for door widths up to 4' and priced with standard trim and strikes. Cylinders are not included in price.

EXIT HARDWARE
Surface Vertical Rod Devices
 (Includes 3788 and 2130 Strikes)

	Trim	US4 US10	SP313 US32D	US26D	US3 US26 US32
XX-V-EO	-	1422	1693	1693	1977
Athena (non-handed)					
XX-V-DT	815DT	1545	1920	1920	2204
XX-V-NL	815NL	1557	1937	1937	2221
XX-V-C	815C	1462	1756	1756	2040
XX-V-TP	815TP	1582	1965	1965	2249
XX-V-TP-BE	815TP-BE	1582	1965	1965	2249
* XX-V-TP-NL	* 815TP	1582	1965	1965	2249
Knob (non-handed)					
XX-V-K	811K	1630	1942	1981	2265
XX-V-K-BE	811K-BE	1630	1942	1981	2265
* XX-V-K-NL	* 811K	1630	1942	1981	2265
XX-V-K-DT	811K-DT	1589	1936	1999	2283
Dane Lever (handed and field reversible)					
XX-V-L	812L	1760	2087	2095	2379
XX-V-L-BE	812L-BE	1760	2087	2095	2379
* XX-V-L-NL	* 812L	1760	2087	2095	2379
XX-V-L-DT	812L-DT	1760	2087	2095	2379

* NL function is in device, trim does not change.

REFERENCE NOTES:

Handing: Device and Trim are furnished RHR when handing is not specified.

The EO Device is compatible with all device functions except all L and K. When ordering device only for L and K functions specify device with function "less trim". Example: XX-V-L less trim.

Extension Rods: For door heights over 7'0" up to 8'0", 12" extension rods are furnished at no additional charge at the time of device order. For door heights over 8'0" up to 10'0" extension rods are furnished at prices shown in parts section with the device at the time of order. MUST specify door height on order line.

Sex Bolts:

Optional Sex Bolts are recommended for center case, end case and latch mounting when device is used with hollow core wood, composite or light gauge hollow metal doors. See chart below for quantities and list prices.

Application	Latches Sex Bolt 2729 (Optional)	Center & End Case Sex Bolt 2729 (Optional)	List Add
Hollow core wood, composite or light gauge hollow metal doors - EO (exit only device)	6	8	126
Hollow core wood, composite or light gauge hollow metal doors - Device x Athena Trim	6	8	126
Hollow core wood, composite or light gauge hollow metal doors - Device x all other Trims	6	4	90

Prices subject to change without notice

Devices are furnished standard for door widths up to 4' and priced with standard trim and strikes. Cylinders are not included in price.

FIRE EXIT HARDWARE
Surface Vertical Rod Devices
 (Includes 3788 and 2130 Strikes)

	Control Trim	US4 US10	SP313 US32D	US26D	US3 US26 US32
F-XX-V-EO	-	1978	2231	2409	2482
Athena (non-handed)					
F-XX-V-DT	815DT	2101	2458	2636	2709
F-XX-V-NL	815NL	2113	2475	2653	2726
F-XX-V-C	815C	2018	2294	2472	2545
F-XX-V-TP	815TP	2138	2503	2681	2754
F-XX-V-TP-BE	815TP-BE	2138	2503	2681	2754
* F-XX-V-TP-NL	* 815TP	2138	2503	2681	2754
Knob (non-handed)					
F-XX-V-K	811K	2186	2480	2697	2770
F-XX-V-K-BE	811K-BE	2186	2480	2697	2770
* F-XX-V-K-NL	* 811K	2186	2480	2697	2770
F-XX-V-K-DT	811K-DT	2145	2474	2715	2788
Dane Lever (handed and field reversible)					
F-XX-V-L	812L	2316	2625	2811	2884
F-XX-V-L-BE	812L-BE	2316	2625	2811	2884
* F-XX-V-L-NL	* 812L	2316	2625	2811	2884
F-XX-V-L-DT	812L-DT	2316	2625	2811	2884

* NL function is in device, trim does not change.

REFERENCE NOTES:

Handing: Device and Trim are furnished RHR when handing is not specified.

The EO Device is compatible with all device functions except all L and K. When ordering device only for L and K functions specify device with function "less trim". Example: F-XX-V-L less trim.

Extension Rods: For door heights over 7'0" up to 8'0", 12" extension rods are furnished at no additional charge at the time of device order. For door heights over 8'0" up to 10'0" extension rods are furnished at prices shown in parts section with the device at the time of order. MUST specify door height on order line.

Sex Bolts:

Sex Bolts are supplied for center case, end case and latch mounting when device is used with wood, composite or non-reinforced hollow metal doors. See chart below for quantities.

Application	Latches Sex Bolt 2729 (Supplied)	Center & End Case Sex Bolt 2729 (Supplied)
Wood, composite or non-reinforced hollow metal doors - EO (exit only device)	6	8
Wood, composite or non-reinforced hollow metal doors - Device x Athena Trim	6	8
Wood, composite or non-reinforced hollow metal doors - Device x all other Trims	6	4

Prices subject to change without notice

EXITS
 Crossbars
 Wide Stile
 XX Series

Devices are furnished standard for door widths up to 4' and priced with standard trim and strikes. Cylinders are not included in price.

EXIT HARDWARE
Mortise Lock Devices
 (Includes 1279 Strike)

	Trim	US32D	US4 US10	SP313	US26D	US3 US26 US32
XX-M-EO	-	1477	1314	1549	1571	1614
Athena						
XX-M-DT	815DT	1704	1437	1776	1798	1841
XX-M-NL	815NL	1721	1449	1793	1815	1858
XX-M-C	815C	1540	1354	1612	1634	1677
XX-M-TP	815TP	1749	1474	1821	1843	1886
XX-M-TP-BE	815TP-BE	1749	1474	1821	1843	1886
* XX-M-TP-NL	* 815TP	1749	1474	1821	1843	1886
Knob						
XX-M-K	811K	1726	1522	1798	1859	1902
XX-M-K-BE	811K-BE	1726	1522	1798	1859	1902
* XX-M-K-NL	* 811K	1726	1522	1798	1859	1902
XX-M-K-DT	811K-DT	1720	1481	1792	1877	1920
Dane Lever						
XX-M-L	812L	1871	1652	1943	1973	2016
XX-M-L-BE	812L-BE	1871	1652	1943	1973	2016
* XX-M-L-NL	* 812L	1871	1652	1943	1973	2016
XX-M-L-DT	812L-DT	1871	1652	1943	1973	2016

* NL function is in device, trim does not change.

REFERENCE NOTES:

Handing: The XX-M Device is handed and not field reversible. Specify handing RHR or LHR.

The Mortise Lock determines function of the device. When ordering device only, specify device with function "Less Trim". Example: XX-M-L less trim.

Sex Bolts:

Optional Sex Bolts are recommended for center case and end case mounting when device is used with hollow core wood, composite or light gauge hollow metal doors. See chart below for quantities and list prices.

Application	Sex Bolt 2729 (Optional)	List Add
Hollow core wood, composite or light gauge hollow metal doors - EO (exit only device)	8	72
Hollow core wood, composite or light gauge hollow metal doors - Device x Athena Trim	8	72
Hollow core wood, composite or light gauge hollow metal doors - Device x all other Trims	4	36

Prices subject to change without notice

Devices are furnished standard for door widths up to 4' and priced with standard trim and strikes. Cylinders are not included in price.

FIRE EXIT HARDWARE

Mortise Lock Devices

(Includes 1279 Strike)

	Control Trim	US32D	US4 US10	SP313	US26D	US3 US26 US32
F-XX-M-EO	-	1560	1453	1633	1756	1803
Athena						
F-XX-M-DT	815DT	1787	1576	1860	1983	2030
F-XX-M-NL	815NL	1804	1588	1877	2000	2047
F-XX-M-C	815C	1623	1493	1696	1819	1866
F-XX-M-TP	815TP	1832	1613	1905	2028	2075
F-XX-M-TP-BE	815TP-BE	1832	1613	1905	2028	2075
* F-XX-M-TP-NL	* 815TP	1832	1613	1905	2028	2075
Knob						
F-XX-M-K	811K	1809	1661	1882	2044	2091
F-XX-M-K-BE	811K-BE	1809	1661	1882	2044	2091
* F-XX-M-K-NL	* 811K	1809	1661	1882	2044	2091
F-XX-M-K-DT	811K-DT	1803	1620	1876	2062	2109
Dane Lever						
F-XX-M-L	812L	1954	1791	2027	2158	2205
F-XX-M-L-BE	812L-BE	1954	1791	2027	2158	2205
* F-XX-M-L-NL	* 812L	1954	1791	2027	2158	2205
F-XX-M-L-DT	812L-DT	1954	1791	2027	2158	2205

* NL function is in device, trim does not change.

REFERENCE NOTES:

Handing: The XX-M Device is handed and not field reversible. Specify handing RHR or LHR.

The Mortise Lock determines function of the device. When ordering device only, specify device with function "Less Trim". Example: XX-M-L less trim.

Sex Bolts:

Sex Bolts are supplied for center case and end case mounting when device is used with wood, composite or non-reinforced hollow metal doors. See chart below for quantities.

Application	Sex Bolt 2729 (Supplied)
Wood, composite or non-reinforced hollow metal doors - EO (exit only device)	8
Wood, composite or non-reinforced hollow metal doors - Device x Athena Trim	8
Wood, composite or non-reinforced hollow metal doors - Device x all other Trims	4

Prices subject to change without notice

Devices are furnished standard for door widths up to 4' and priced with standard trim and strikes. Cylinders are not included in price.

EXIT HARDWARE
Concealed Vertical Rod Devices
 (Includes 4188 and 2130 Strikes)

	Trim/Control	US32D	US4 US10	SP313	US26D	US3 US26 US32
XX-C-EO	-	1831	1634	1831	2059	2106
Delta						
XX-C-DT	717DT	2087	1813	2050	2315	2362
XX-C-DT	718DT	2107	1979	2028	2335	2382
XX-C-NL	718NL	2087	1813	2050	2315	2362
XX-C-C	718C	2028	1773	2010	2256	2303
Knob						
XX-C-K	711K	2137	1801	2074	2365	2412
XX-C-K-BE	711K-BE	2137	1801	2074	2365	2412
XX-C-K-NL	711K-NL	2137	1801	2074	2365	2412
Dane Lever Controls						
XX-C-L	712L	2208	1970	2183	2436	2483
XX-C-L-BE	712L-BE	2208	1970	2183	2436	2483
XX-C-L-NL	712L-NL	2208	1970	2183	2436	2483
XX-C-L-DT	712L-DT	2208	1970	2183	2436	2483

REFERENCE NOTES:

Handing: All XX-C Devices are handed and not field reversible. Specify handing RHR or LHR.

The "EO" Device is compatible with all device functions.

Extension Rods: For door heights over 7'0" up to 8'0", 12" extension rods are furnished at no additional charge at the time of device order. For door heights over 8'0" up to 10'0" extension rods are furnished at prices shown in parts section with the device at the time of order. MUST specify door height on order line.

Sex Bolts:

Optional Sex Bolts are recommended for center case and end case mounting when device is used with hollow core wood, composite or light gauge hollow metal doors. See chart below for quantities and list prices.

Application	Sex Bolt 2729 (Optional)	List Add
Hollow core wood, composite or light gauge hollow metal doors - EO (exit only device)	8	72
Hollow core wood, composite or light gauge hollow metal doors - Device x all other Trims	4	36

Prices subject to change without notice

EXITS

Crossbars

Wide Stile

XX Series

Devices are furnished standard for door widths up to 4' and priced with standard trim and strikes. Cylinders are not included in price.

FIRE EXIT HARDWARE
Concealed Vertical Rod Devices
 (Includes 4188 and 2130 Strikes)

	Trim/Control	US32D	US4 US10	SP313	US26D	US3 US26 US32
F-XX-C-EO	-	1970	1773	1970	1991	2028
Delta						
F-XX-C-DT	717DT	2226	1952	2189	2247	2284
F-XX-C-DT	718DT	2246	2118	2167	2267	2304
F-XX-C-NL	718NL	2226	1952	2189	2247	2284
F-XX-C-C	718C	2167	1912	2149	2188	2225
Knob						
F-XX-C-K	711K	2276	1940	2213	2297	2334
F-XX-C-K-BE	711K-BE	2276	1940	2213	2297	2334
F-XX-C-K-NL	711K-NL	2276	1940	2213	2297	2334
Dane Lever Controls						
F-XX-C-L	712L	2347	2109	2322	2368	2405
F-XX-C-L-BE	712L-BE	2347	2109	2322	2368	2405
F-XX-C-L-NL	712L-NL	2347	2109	2322	2368	2405
F-XX-C-L-DT	712L-DT	2347	2109	2322	2368	2405

REFERENCE NOTES:

Handing: All XX-C Devices are handed and not field reversible. Specify handing RHR or LHR.

The "EO" Device is compatible with all device functions.

Extension Rods: For door heights over 7'0" up to 8'0", 12" extension rods are furnished at no additional charge at the time of device order. For door heights over 8'0" up to 10'0" extension rods are furnished at prices shown in parts section with the device at the time of order. MUST specify door height on order line.

Sex Bolts:

Sex Bolts are supplied for center case and end case mounting when device is used with wood, composite or non-reinforced hollow metal doors. See chart below for quantities.

Application	Sex Bolt 2729 (Supplied)	List Add
Wood, composite or non-reinforced hollow metal doors - EO (exit only device)	8	72
Wood, composite or non-reinforced hollow metal doors - Device x all other Trims	4	36

Prices subject to change without notice

Devices are furnished standard for door widths up to 4' and price with standard trim and strikes. Cylinders are not included in price.

EXIT HARDWARE
Wood Door Concealed Vertical Rod Devices
 (Includes 4188 and 2130 Strikes)

	Trim/Control	US32D	US4 US10	SP313	US26D	US3 US26 US32
XX-C-WDC-EO	-	2535	2216	2535	2721	2766
Delta						
XX-C-WDC-DT	717DT	2791	2395	2754	2977	3022
XX-C-WDC-DT	718DT	2811	2561	2732	2997	3042
XX-C-WDC-NL	718NL	2791	2395	2754	2977	3022
XX-C-WDC-C	718C	2732	2355	2714	2918	2963
Knob						
XX-C-WDC-K	711K	2841	2383	2778	3027	3072
XX-C-WDC-K-BE	711K-BE	2841	2383	2778	3027	3072
XX-C-WDC-K-NL	711K-NL	2841	2383	2778	3027	3072
Dane Lever Controls						
XX-C-WDC-L	712L	2912	2552	2887	3098	3143
XX-C-WDC-L-BE	712L-BE	2912	2552	2887	3098	3143
XX-C-WDC-L-NL	712L-NL	2912	2552	2887	3098	3143
XX-C-WDC-L-DT	712L-DT	2912	2552	2887	3098	3143

REFERENCE NOTES:

Handing: All XX-CWDC Devices are handed and not field reversible. Specify handing RHR or LHR.

The "EO" Device is compatible with all device functions.

Extension Rods: For door heights over 7'0" up to 8'0", 12" extension rods are furnished at no additional charge at the time of device order. For door heights over 8'0" up to 10'0" extension rods are furnished at prices shown in parts section with the device at the time of order. MUST specify door height on order line.

Sex Bolts:

Optional Sex Bolts are recommended for center case and end case mounting when device is used with hollow core or composite doors. See chart below for quantities and list prices.

Application	Sex Bolt 2729 (Optional)	List Add
Hollow core or composite doors - EO (Exit only device)	8	72
Hollow core or composite doors - Device x all other trim	4	36

Prices subject to change without notice

EXITS

Crossbars

Wide Stile

XX Series

Devices are furnished standard for door widths up to 4' and priced with standard trim and strikes. Cylinders are not included in price.

FIRE EXIT HARDWARE

Wood Door Concealed Vertical Rod Devices
(Includes 4188 and 2130 Strikes)

	Trim/Control	US32D	US4 US10	SP313	US26D	US3 US26 US32
F-XX-C-WDC-EO		2729	2410	2729	2915	2960
Delta Trim						
F-XX-C-WDC-DT	717DT	2985	2589	2948	3171	3216
F-XX-C-WDC-DT	718DT	3005	2755	2926	3191	3236
F-XX-C-WDC-NL	718NL	2985	2589	2948	3171	3216
F-XX-C-WDC-C	718C	2926	2549	2908	3112	3157
Knob Control						
F-XX-C-WDC-K	711K	3035	2577	2972	3221	3266
F-XX-C-WDC-K-BE	711K-BE	3035	2577	2972	3221	3266
F-XX-C-WDC-K-NL	711K-NL	3035	2577	2972	3221	3266
Dane Lever Control						
F-XX-C-WDC-L	712L	3106	2746	3081	3292	3337
F-XX-C-WDC-L-BE	712L-BE	3106	2746	3081	3292	3337
F-XX-C-WDC-L-NL	712L-NL	3106	2746	3081	3292	3337
F-XX-C-WDC-L-DT	712L-DT	3106	2746	3081	3292	3337

REFERENCE NOTES:

The "EO" Device is compatible with all device functions.

Handing: All F-XX-CWDC Devices are handed and not field reversible. Specify handing RHR or LHR.

Extension Rods: For door heights over 7'0" up to 8'0", 12" extension rods are furnished at no additional charge at the time of device order. For door heights over 8'0" up to 10'0" extension rods are furnished at prices shown in parts section with the device at the time of order. MUST specify door height on order line.

Handing: All F-XX-CWDC Devices are handed and not field reversible. Specify handing RHR or LHR.

Sex Bolts:

Sex Bolts are supplied for center case and end case mounting when device is used hollow core or composite doors.

Application	Sex Bolt 2729 (Supplied)
Hollow core or composite doors - EO (Exit only device)	8
Hollow core or composite doors - Device x all other trim	4

Prices subject to change without notice

EXITS

 Crossbars

 Wide Stile

 XX Series

Less Bottom Rod

Suffix	List Add
LBR	N/C

Less Bottom Rod available at no additional charge on Vertical and Concealed Vertical Rod Devices.
Fire rated LBR devices must be ordered in pairs of Vertical Rod Devices.
 For Fire Rated Devices specify one device LBR and second device LBR-AFL. Second device provided with an Auxiliary Fire Pin.

EXITS

Crossbars

Wide Stile

XX Series

Prices subject to change without notice

Cylinders are not included in price.

Athena Trim

To be Discontinued - June 2019

Model No.	Device Type	Description	US4 US10	US3, US10B, US26, US26D, US32, US32D, SP313
815DT	R, V, M	Dummy Trim	123	227
815NL	R, V, M	Night Latch	135	244
815C	R, V, M	Night Latch Less Pull	40	63
815TP	R, V, M	Thumbpiece, Key Locks or Unlocks	160	272
815TP-BE	R, V, M	Thumbpiece, Blank Escutcheon	160	272

Delta Trim

Model No.	Device Type	Description	US4 US10, SP28	SP313	US3, US15, US26, US26D
718DT	C	Dummy Trim	345	197	276
717DT	C	Dummy Trim	179	219	256
718NL	C	Night Latch	179	219	256
718C	C	Night Latch Less Pull	139	179	197

718 series trim are handed and field reversible. Trims are furnished RHR when handing is not specified.

Vanguard Trim

To be Discontinued - June 2019

Model No.	Device Type	Description	US4 US10	SP313 US10B US32D	US3, US26, US26D, US32
820DT	R, V, M	Dummy Trim	157	179	179
820NL	R, M	Night Latch	197	197	237
820TP	R	Thumbpiece, Key Locks or Unlocks	230	288	300
820TP	V, M	Thumbpiece, Key Locks or Unlocks	230	288	300
820TP-BE	R, M	Thumbpiece, Blank Escutcheon	230	288	300

Apollo Trim

To be Discontinued - June 2019

Model No.	Device Type	Description	US4 US10	SP313 US10B US32D	US3, US26, US26D, US32
810EO	R, V, M	Exit Only	123	123	157
810DT	R, V, M	Dummy Trim	144	179	219
810NL	R, M, V	Night Latch	155	188	237
810TP	R	Thumbpiece, Key Locks or Unlocks	178	219	237
810TP	V, M	Thumbpiece, Key Locks or Unlocks	178	219	237
810TP-BE	R, V, M	Thumbpiece, Blank Escutcheon	178	219	237

Prices subject to change without notice

Cylinders are not included in price.

Knob Trim

Model No.	Device Type	Description	US4 US10	SP313 US10B US32D	US3 US15 US26 US26D US32
811K *	R, V, M	Knob, Key Locks or Unlocks	208	249	288
711K	C	Knob, Key Locks or Unlocks	167	243	306
811K-BE *	R, V, M	Knob, Blank Escutcheon	208	249	288
711K-BE	C	Knob, Blank Escutcheon	167	243	306
811K-DT *	R, V, M	Knob, Dummy Trim	167	243	306

711 series trim are handed and field reversible. Trims are furnished RHR when handing is not specified.
 Finish – US15 finish available on 711 series trim only.
 Finish – US32D finish available on 811 series trim only.

Lever Trim

Model No.	Device Type	Lever Style	Description	US4 US10	SP313 US10B US32D	US3 US15 US26 US26D US32
812L *	R, V, M	Dane	Lever, Key Locks or Unlocks	338	394	402
712L	C	Dane	Lever, Key Locks or Unlocks	336	352	377
812L-BE *	R, V, M	Dane	Lever, Blank Escutcheon	338	394	402
712L-BE	C	Dane	Lever, Blank Escutcheon	336	352	377
812L-DT *	R, V, M	Dane	Lever, Dummy Trim	338	394	402
712L-DT	C	Dane	Lever, Dummy Trim	336	352	377

712 and 812 series trim are handed and field reversible. Trims are furnished RHR when handing is not specified.
 The Dane Lever is furnished standard. Optional lever designs Sutro, Quantum and Avalon are available at no additional charge.
 Finish – US15 finish available on 712 series trim only.
 Finish – US32D finish available on 812 series trim only.

Breakaway Lever Trim

Model No.	Device Type	Lever Style	Description	US4 US10	SP313 US10B US32D	US3 US26 US26D US32
816L *	R, V, M	Dane	Lever, Key Locks or Unlocks	394	454	460
816L-BE *	R, V, M	Dane	Lever, Blank Escutcheon	394	454	460
816L-NL *	R, V, M	Dane	Lever, Night Latch	394	454	460
816L-DT *	R, V, M	Dane	Lever, Dummy Trim	394	454	460

816 series trim are handed and field reversible. Trims are furnished RHR when handing is not specified.
 The Dane Lever is furnished standard. Optional lever designs Sutro, Quantum and Avalon are available at no additional charge.

* To be Discontinued - June 2019

Prices subject to change without notice

EXITS

Crossbars

Wide Stile

XX Series

Rim Strikes

Model	Description	Unfinished	US19	US26D	US32D	US4	US10	SP313	US10B	US3	US26	US32
F490	19-R/XX-R Panic and Fire Devices - Opt.	52	-	-	-	-	-	-	-	-	-	-
565	19-R/XX-R Panic Devices - Opt.	-	-	52	-	52	52	52	52	52	52	-
F570	19-R/XX-R Panic and Fire Devices - Std.	-	52	-	-	-	-	-	-	-	-	-
571	19/XX-R Inactive Leaf 2 7/8" backset - Opt.	-	52	-	52	-	-	-	-	-	-	-
571A	19/XX-R Inactive Leaf 2 3/8" backset - Opt.	-	52	-	52	-	-	-	-	-	-	-

Vertical Rod Top Strikes

Model	Description	Unfinished
* 3788	19/24/25/XX-V Panic and Fire Devices	52
4188	24/25/XX-C,CWDC Panic and Fire Devices	52

* For Flush Transom applications, Specify part number 4215-019 Angle Bracket, **add \$53 List.**

Vertical Rod Bottom Strikes

Model	Description	Unfinished
2130	19-V/24/25/XX-V,C Panic or Fire - Std.	52
4155	19-V/24/25/XX-V,C Panic	52

Mortise Lock Strikes

Model	Description	Unfinished
1279	25/XX-M Panic and Fire Devices - Std.	52

REFERENCE NOTES:

Refer to device catalogs for specific door application strike requirements.

EXITS

Crossbars

Wide Stile

XX Series

Prices subject to change without notice

Cover Plates & Filler Plates

Model No.	Description	Unfinished
3722	Strike cover - ASA 4-7/8"	11
3723	Mortise front - 8" x 1-1/4"	11
3721	Lock front - 2-1/4" x 1-1/8"	11

Cylinders

Model No.	Description	US26D	US4 US10B	US3, US10, US32 US32D
951	Rim Cylinder, Keyed Different	61	63	63
986	Threaded 1-1/4" Mortise Cylinder, with Straight Cam Keyed Different	61	63	63
988	Threaded 1-1/2" Mortise Cylinder, with Straight Cam Keyed Different	78	80	-

REFERENCE NOTES:

Custom keying not available. Falcon G keyway supplied.
Cylinder type determined by trim function.

Extension Rods

Part No.	Description	All Finishes
650006	24/25/19/XX-V Extension Rod 12" (ER12-V)	21
650007	24/25/19/XX-V Extension Rod 24" (ER24-V)	37
650008	24/25/19/XX-V Extension Rod 36" (ER36-V)	60
650017	24/25/XX-C, CWDC Extension Rod 12" (ER12-C)	21
650018	24/25/XX-C, CWDC Extension Rod 24" (ER24-C)	37
650019	24/25/XX-C, CWDC Extension Rod 36" (ER36-C)	60

REFERENCE NOTES:

- 1) Surface Vertical and Concealed Vertical Rod Devices for door heights over 7'0" up to 8'0", 12" extension rods are furnished at no additional charge at the time of device order. Must specify door height on order line.
- 2) For door heights over 8'0" up to 10'0" extension rods are furnished at prices shown above with the device at the time of order. MUST specify door height on order line.
- 3) Replacement extension rods can be ordered individually by the part numbers listed above.

EXITS

Crossbars

Wide Stile

XX Series

Prices subject to change without notice

8500 Mortise Locks

Model No.	Description	US4 US10	US3, US10B, US26, US26D
8500TP	Thumbpiece	321.00	401.00
8500L/K	Lever/Knob	321.00	401.00
8500NL	Night Latch	321.00	401.00
8500EO/DT	Exit Only/Dummy Trim	321.00	401.00
8500LBE/KBE	Lever Blank Escutcheon/Knob Blank Escutcheon	321.00	401.00
8500TPNL	Thumbpiece Night Latch	321.00	401.00

REFERENCE NOTES:

US32D and US32 finish device supplied with US26D and US26 mortise lock.

Mortise Device is handed. For replacement of Mortise Lock only, handing is field reversible. Lock is furnished RHR when handing is not specified.

8500 Mortise Locks - Parts

Part No.	Description	Unfinished
3518	Dead Lock Arm Spring	7.00
3519	Knob Cam	36.00
3530	Auxiliary Bolt Actuator	36.00
661473	Auxiliary Bolt Spring	7.00
661472	Deadlocking Arm	36.00
3542	Cylinder Operating Arm	36.00
4067	Locking Arm	37.00
610042	Locking Arm and Spring Assembly	38.00

EXITS

Crossbars

Wide Stile

XX Series

Prices subject to change without notice

(F) XX Exit Devices

Part No.	Description	Unfinished	US4 US10	US10B US32D	US26D	US3 US26 US32
585	XX-R-EO/TP Center Case	327.00	--	-	-	-
685	F-XX-R-EO/TP Center Case	525.00	-	-	-	-
587	XX-V-EO Center Case	217.00	-	-	-	-
687	F-XX-V-EO Center Case	357.00	-	-	-	-
582	XX-V-K/L Center Case	272.00	-	-	-	-
F582	F-XX-V-K/L Center Case	414.00	-	-	-	-
583	XX-V-TP Center Case	268.00	-	-	-	-
F583	F-XX-V-TP Center Case	430.00	-	-	-	-
591	XX-C Center Case	267.00	-	-	-	-
691	F-XX-C Center Case	675.00	-	-	-	-
650145	XX-M Center Case LHR	367.00	-	-	-	-
650146	XX-M Center Case RHR	367.00	-	-	-	-
650149	F-XX-M Center Case LHR	367.00	-	-	-	-
650150	F-XX-M Center Case RHR	367.00	-	-	-	-
3740	XX-R Center Case Cover	-	89.00	107.00	125.00	125.00
3742	XX-V Center Case Cover	-	89.00	107.00	125.00	125.00
3741	XX-M/C Center Case Cover	-	85.00	106.00	124.00	124.00
650381	XX-M Slide Bar Assy LHR	65.00	-	-	-	-
650382	XX-M Slide Bar Assy RHR	65.00	-	-	-	-
661180	XX-R Latch Bolt Assembly	75.00	-	-	-	-
610044	XX-M/V/C Axle Support Housing Assy	85.00	-	-	-	-
3566	XX-V Locking Cam	11.00	-	-	-	-
3755	XX-R Knob Cam	39.00	-	-	-	-
3775	XX-V Knob Cam	39.00	-	-	-	-
3770	XX-R Main Cam Spring	7.00	-	-	-	-
610070	XX-R Back Plate	94.00	-	-	-	-
584	XX Series End Case	182.00	-	-	-	-
684	F-XX Series End Case	309.00	-	-	-	-
3746	XX Series Lever Arm RH	-	68.00	75.00	94.00	94.00
3747	XX Series Lever Arm LH	-	68.00	75.00	94.00	94.00
3749	XX Series Lever Arm Axle	12.00	-	-	-	-
3767	XX Series Crossbar	-	113.00	113.00	113.00	113.00
660025	1/4-20 Crossbar Retaining Screw	6.00	-	-	-	-
060109	Hex Dogging Key 7/32" (Pkg of 10)	13.00	-	-	-	-
060111	Cotter Key 1/8" x 1" (Pkg of 10)	13.00	-	-	-	-
650113	XX-R Mounting Package	31.00	-	-	-	-
650133	F-XX-R Mounting Package	31.00	-	-	-	-
650332	XX-V Mounting Package	46.00	-	-	-	-
650134	F-XX-V Mounting Package	46.00	-	-	-	-
650318	XX-C Mounting Package	30.00	-	-	-	-
650317	F-XX-C Mounting Package	30.00	-	-	-	-
650301	F-XX-C-WDC Mounting Package	67.00	-	-	-	-
650299	XX-C-WDC Mounting Package	-	61.00	61.00	61.00	-
650137	XX-M Mounting Package	60.00	-	-	-	-
650138	F-XX-M Mounting Package	60.00	-	-	-	-
650141	XX-R AMS Mounting Package	31.00	-	-	-	-
650333	XX-V AMS Mounting Package	46.00	-	-	-	-
650323	XX-C AMS Mounting Package	31.00	-	-	-	-
650142	XX-M AMS Mounting Package	60.00	-	-	-	-

Prices subject to change without notice

(F) XX Exit Devices (continued)

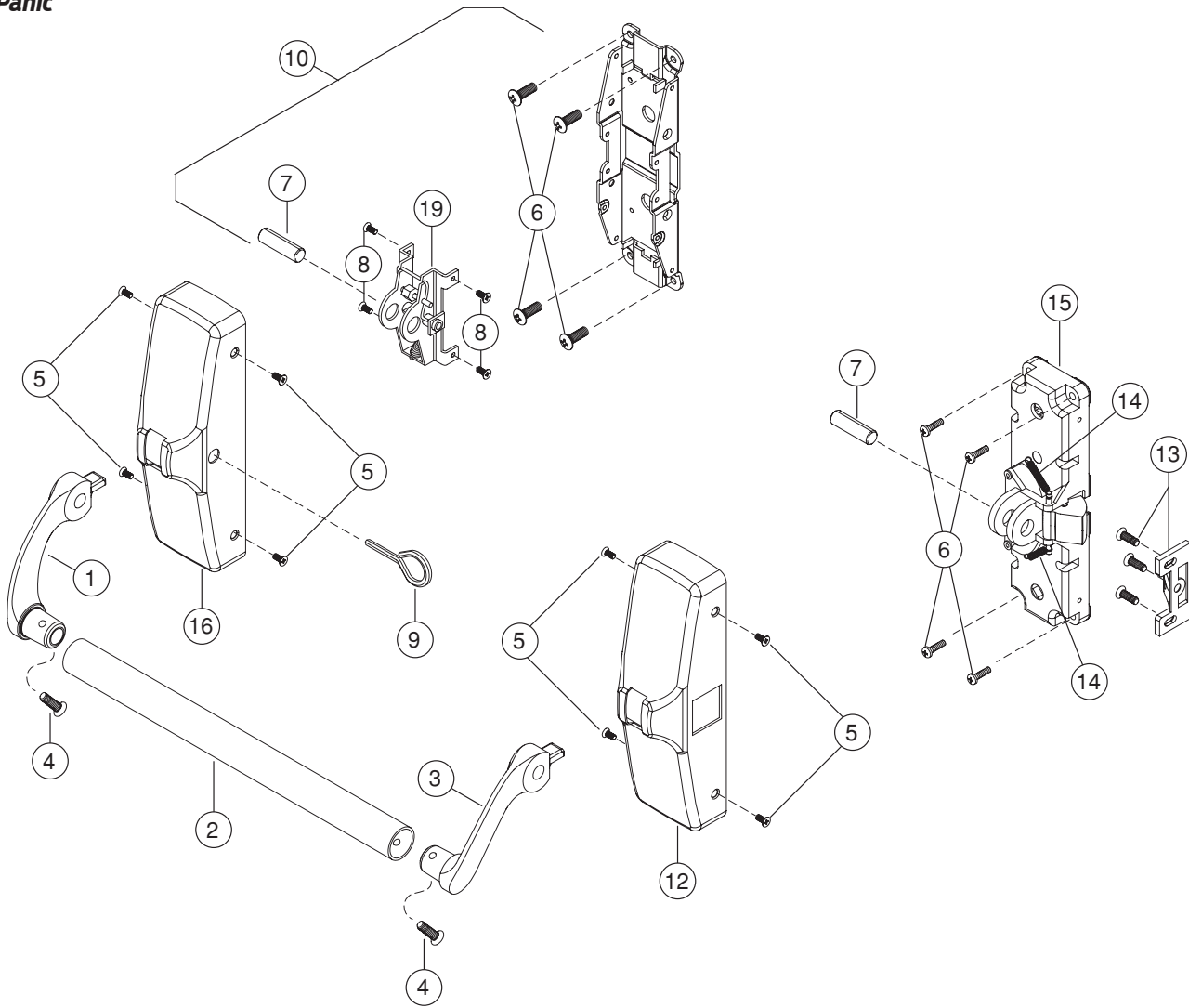
Part No.	Description	Unfinished	US4 US10	US10B US32D	US26D	US3 US26 US32
650336	XX V Latch Case Cover Mounting Pkg	-	4.00	4.00	-	-
060121	XX Latch Cover Screw package of 10	-	6.00	6.00	-	-
661182	XXLOCKING CAM	7.00	-	-	-	-
660439	XX Retaining Ring	4.00	-	-	-	-
650263	XX-C Center Case Finger Kit	27.00	-	-	-	-
060123	Screws #8-32 3/8" UFPHMS(10pk)	6.00	-	-	-	-
660004	Screws 10 x 1 1/4" PPHSMS	2.00	-	-	-	-
660078	Screws 10-24 x 3/4" FPHMS (Fire)	2.00	-	-	-	-
660429	1/4" CSK Finish Washer	4.00	-	-	-	-

(F) XX Exit Devices - Latches and Rods

Part No.	Description	Unfinished	US4 US10	US10B US32D	US26D	US3 US26 US32
650389	XX-V Top Latch Case	117.00	-	-	-	-
650375	F-XX-V Top Latch Case	121.00	-	-	-	-
650202	XX-V Latch Case Cover Kit	-	88.00	68.00	-	88.00
650311	XX-V Rod Guide Kit	-	49.00	55.00	-	66.00
650387	XX-V Bottom Bolt Guide (Latch cover sold separately)	10.00	-	-	-	-
3777	XX-V Top Rod Kit	-	88.00	88.00	-	88.00
610055	XX-V Bottom Rod Kit	-	119.00	119.00	-	119.00
5494	F-XX-V Auxiliary Fire Pin Kit (LBR application only)	151.00	-	-	-	-
4400	(F) XX-V Rod Adjusting Screw	2.00	-	-	-	-
603L	XX-C Top Latch Case LHR	202.00	-	-	-	-
603R	XX-C Top Latch Case RHR	202.00	-	-	-	-
F603	F-XX-C, CWDC Top Latch Case	280.00	-	-	-	-
650339	XX-C Top Latch Release Sub Assembly	-	35.00	39.00	35.00	35.00
4567	XX-C Bottom Bolt Guide	48.00	-	-	-	-
4835	XX-CWDC Bottom Bolt Guide	44.00	-	-	-	-
4694	XX-CWDC Latch Bracket	10.00	-	-	-	-
610037	XX-C Center Slide Assy	316.00	-	-	-	-
4832	XX-CWDC Center Slide Reinforcement Plate	36.00	-	-	-	-
4833	24-CWDC Reinforcement Plate	-	43.00	32.00	43.00	43.00
4834	24-CWDC Reinforcement Plate w/ Access Hole	-	43.00	32.00	43.00	43.00
610061	(F) XX-C Top Rod Kit	88.00	-	-	-	-
610057	(F) XX-C, CWDC Bottom Rod Kit	119.00	-	-	-	-
5494	F-XX-C Auxiliary Fire Pin Kit (LBR application only)	151.00	-	-	-	-
660002	#10 x 1 1/4" FPHSMS Clear Zinc	2.00	-	-	-	-

Prices subject to change without notice

Panic



EXITS

Crossbars

Wide Stile

XX Series

No.	Qty.	Part No.	Description	Notes
1	1	3747	XX Series Lever Arm LH	A
2	1	3767	XX Series Crossbar	A
3	1	3746	XX Series Lever Arm RH	A
4	2	660025	1/4-20 x 1/2" Crossbar Retaining Screw	
5	1	650336	Center Case Cover Mtg Pkg (US32D)	
6	1	650113	XX-R Service Mtg Pkg	
7	2	3749	XX Series Lever Arm Axle	
8	1	060121	Latch Cover Screw package of 10 (US4, US10B, US32D)	B

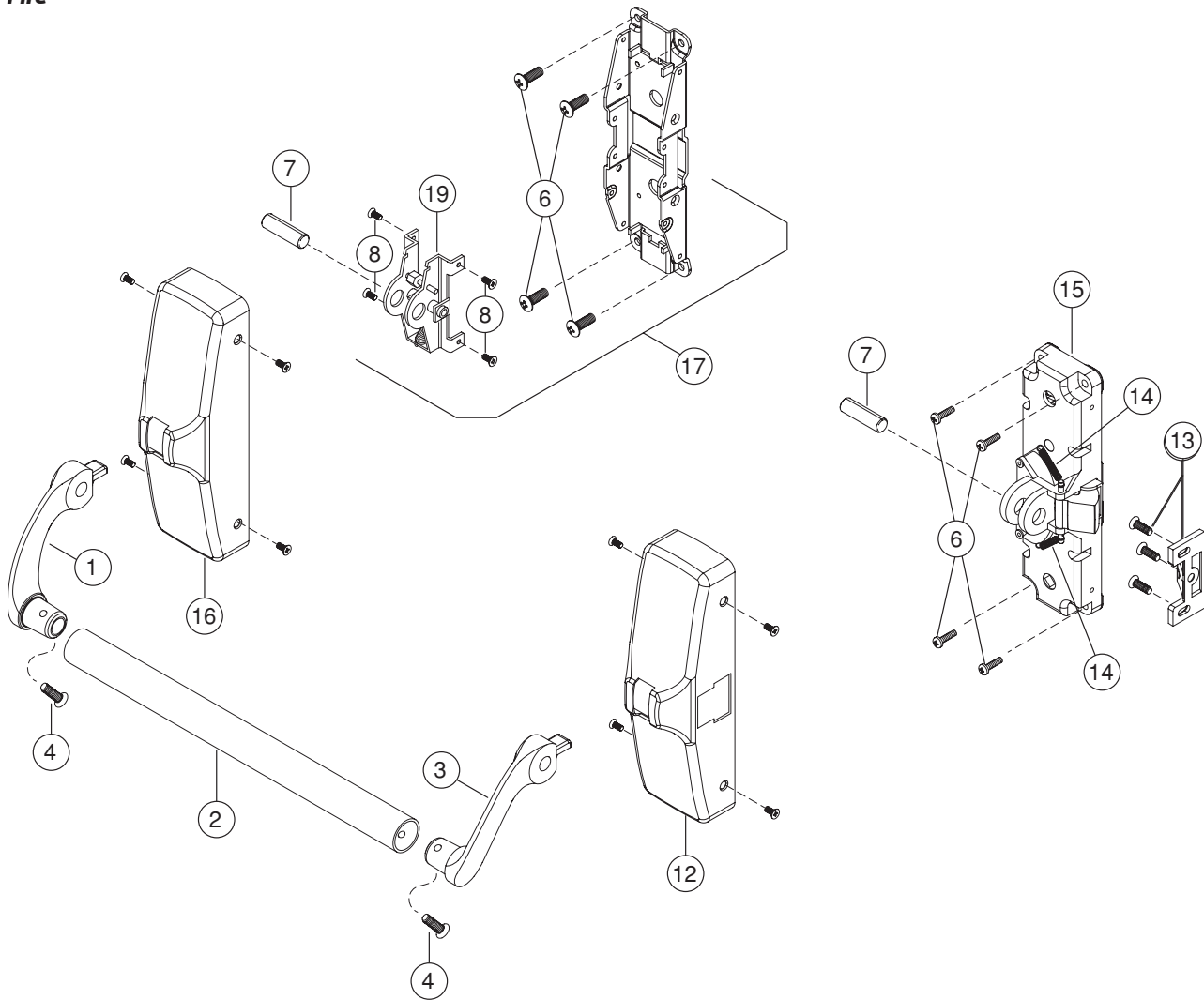
No.	Qty.	Part No.	Description	Notes
9	1	060109	Hex Dogging Key 7/32" package of 10	
10	1	584	XX Series End Case Assembly	
12	1	3740	XX-R Series Center Case Cover	A
13	1	F570	F570 Strike (US19)	
14	2	3770	XX-R Main Cam Spring	
15	1	585	XX-R-EO/TP Center Case Assembly - Panic	
16	1	3741	XX Series End Case Cover	A
19	1	610044	XX Axle Support Housing Assembly	

A Specify by finish: SP313, US3, US4, US10, US10B, US26, US26D, US32, US32D

B Specify by finish shown

Prices subject to change without notice

Fire



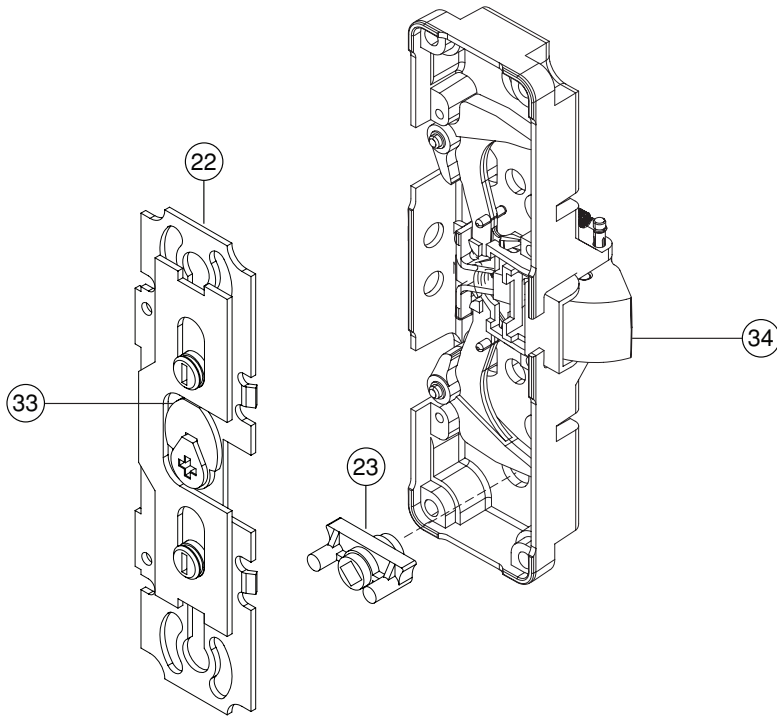
No.	Qty.	Part No.	Description	Notes
1	1	3747	XX Series Lever Arm LH	A
2	1	3767	XX Series Crossbar	A
3	1	3746	XX Series Lever Arm RH	A
4	2	660025	1/4-20 x 1/2" Crossbar Retaining Screw	
6	1	650133	F-XX-R Service Mtg Pkg	
7	2	3749	XX Series Lever Arm Axle	
8	1	060121	Latch Cover Screw package of 10 (specify by finish: US4, US10B, US32D)	
9	1	060109	Hex Dogging Key 7/32" package of 10	

No.	Qty.	Part No.	Description	Notes
12	1	3740	XX-R Center Case Cover	A
13	1	F570	F570 Strike (US19)	
14	2	3770	XX-R Main Cam Spring	
15	1	685	XX R-EO/TP Center Case Assembly - Fire	
16	1	3741	XX Series End Case Cover	A
17	1	684	XX End Case Assembly - Fire	
19	1	610044	XX Axle Support Housing Assembly	

A Specify by finish: SP313, US3, US4, US10, US26, US26D, US32, US32D

Prices subject to change without notice

Panic and fire



EXITS

Crossbars

Wide Stile

XX Series

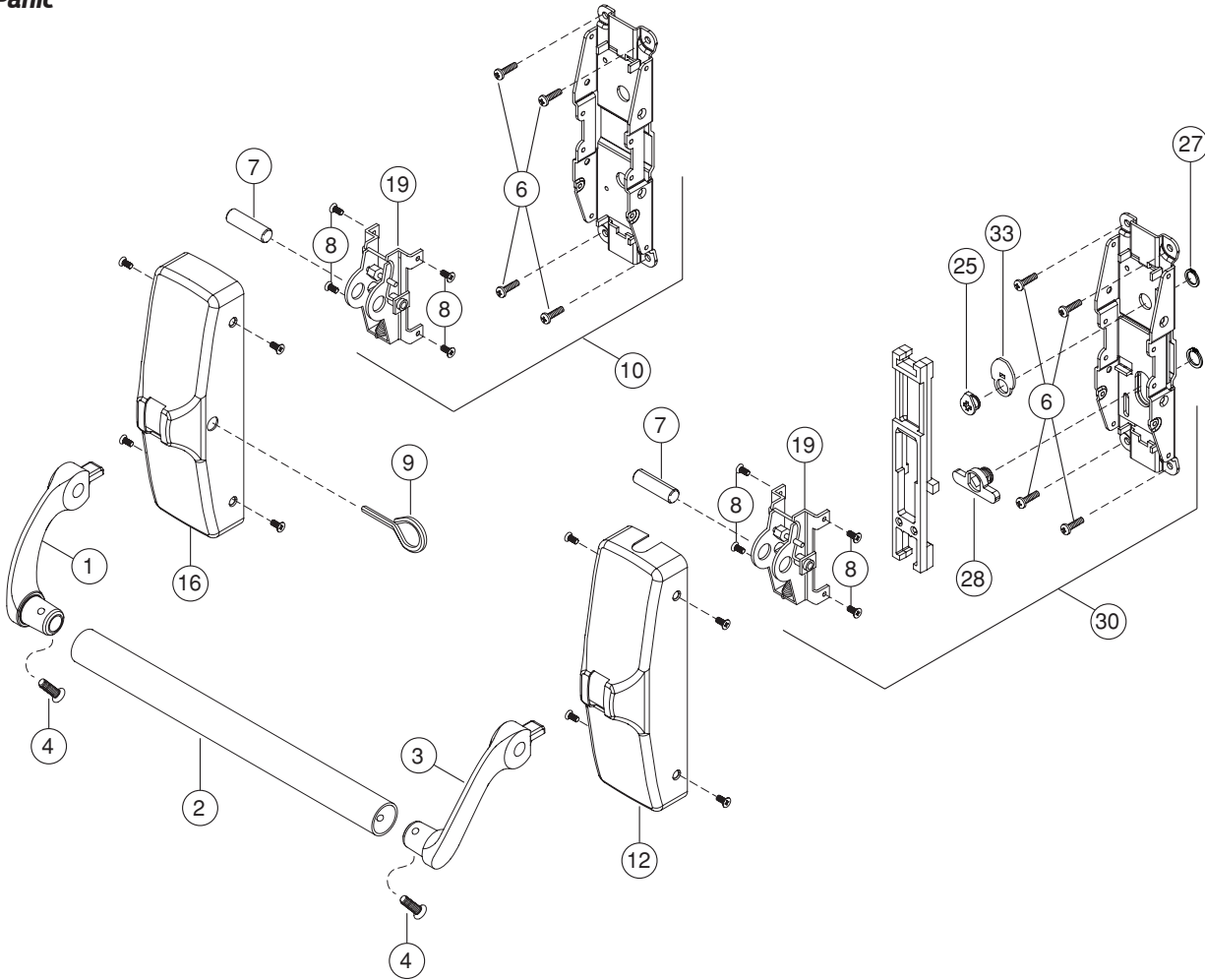
No.	Qty.	Part No.	Description	Notes
22	1	610070	XX-R Back Plate	
23	1	3755	XX-R Knob Cam	A

No.	Qty.	Part No.	Description	Notes
33	1	661182	Locking Cam	
34	1	661180	(F) XX-R Latchbolt Assembly	

A Used in K/L functions only.

Prices subject to change without notice

Panic



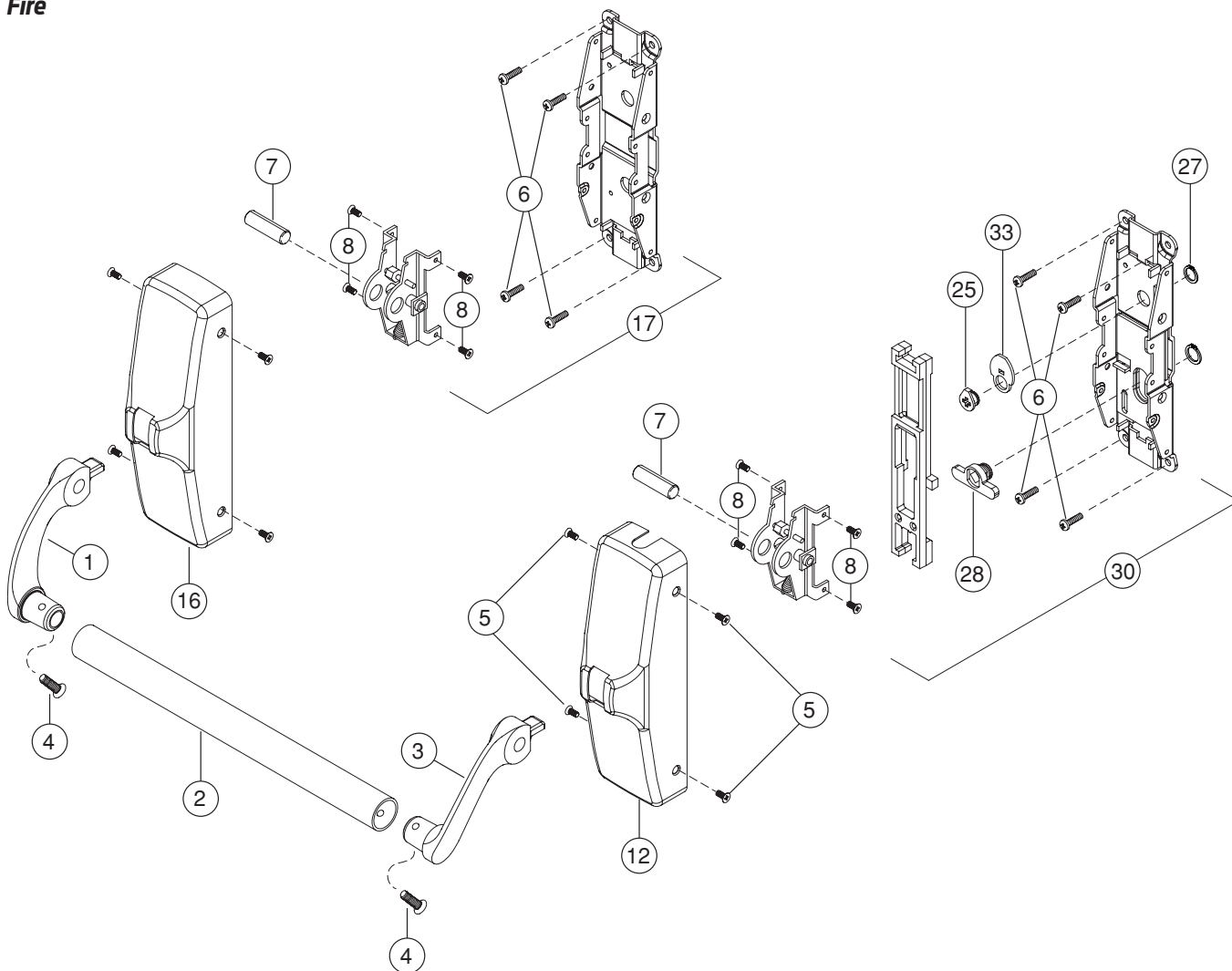
No.	Qty.	Part No.	Description	Notes
1	1	3747	XX Lever Arm Left Hand	A
2	1	3767	XX Crossbar	A
3	1	3746	XX Lever Arm Right Hand	A
4	2	660025	1/4-20 x 1/2" Crossbar Retaining Screw	
6	1	650332	XX-V Mounting Package	
7	2	3749	XX Series Axle	
8	1	060121	Latch Cover Screw package of 10 (specify by finish: US4, US10B, US32D)	
9	1	060109	7/32" Hex Dogging Key package of 10	
10	1	584	XX End Case Assembly	

No.	Qty.	Part No.	Description	Notes
12	1	3742	XX-V Center Case Cover	A
16	1	3741	XX Series End Case Cover	A
19	2	610044	XX Axle Support Housing Assembly	
25	1	3566	Locking Cam Operator	
27	1	660439	Retaining Ring	
28	1	3775	Knob Cam	B
30	1	582	XX-V-K/L Center Case Assembly	
		587	XX-V-EO Active Center Case Assembly	
33	1	661182	Locking Cam	

A Specify by finish: SP313, US3, US4, US10, US26, US32, US32D
 B K/L function only.

Prices subject to change without notice

Fire



EXITS

Crossbars

Wide Stile

XX Series

No.	Qty.	Part No.	Description	Notes
1	1	3747	XX Lever Arm LH	A
2	1	3767	XX Crossbar	A
3	1	3746	XX Lever Arm RH	A
4	2	660025	1/4-20 x 1/2" Crossbar Retaining Screw	
6	1	650134	F-XX-V Mounting Package	
7	2	3749	XX Series Lever Arm Axle	
8	1	060121	Latch Cover Screw package of 10 (specify by finish: US4, US10B, US32D)	
12	1	3742	F-XX Series Center Case Cover	A

No.	Qty.	Part No.	Description	Notes
16	1	3741	XX Series End Case Cover	A
17	1	684	F-XX Series End Case Assembly	
25	1	3566	Locking Cam Operator	
27	1	660439	Retaining Ring	
28	1	3775	XX-R Knob Cam	B
30	1	687	F-XX-V-EO Center Case	
		F582	F-XX-V-K/L Center Case	
		F583	F-XX-V-TP Center Case	
33	1	661182	Locking Cam	

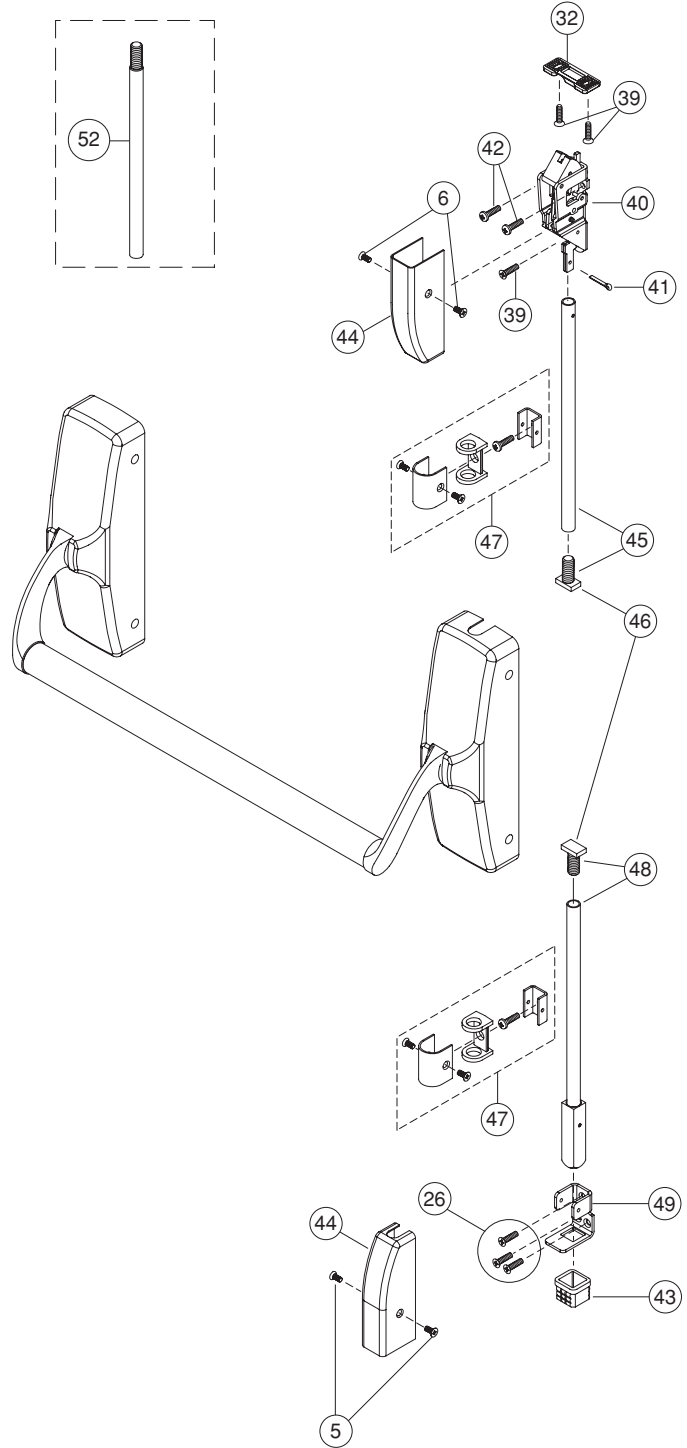
A Specify by finish: SP313, US3, US4, US10, US26, US26D, US32, US32D
 B K/L function only.

Prices subject to change without notice

Panic and fire

No.	Qty.	Part No.	Description	Notes
6	1	650336	Latch Case Cover Mounting Package (US4, US10B, US32D)	B
26	3	660002	10 x 1 1/4" FPHSMS	
	3	660078	10-24 x 3/4" FPHMS (Fire)	
32	1	3788	3788 Strike	
39	3	660002	10 x 1 1/4" FPHSMS	
40	1	650389	XX Surface Vertical Top Latch Case Subassembly - Panic	
	1	650375	XX Surface Vertical Top Latch Case Subassembly - Fire	
41	1	060111	1/8 x 1" Cotter Key package of 10	
42	2	660004	10 x 1 1/4" PPHSMS	
43	1	2130	2130 Strike	
44	1	650202	XX-V Latch Case Cover Kit	A
45	1	3777	XX-V Top Rod Subassembly	
46	1	4400	Rod Adj. Screw	
47	2	650311	Rod Guide Kit	A
48	1	610055	XX-V Bottom Rod Assembly	
49	1	650387	Bottom Bolt Guide Bracket (screws not included)	A
52	1	650006	XX-V Extension Rod 12"	A
	1	650007	XX-V Extension Rod 24"	A
	1	650008	XX-V Extension Rod 36"	A

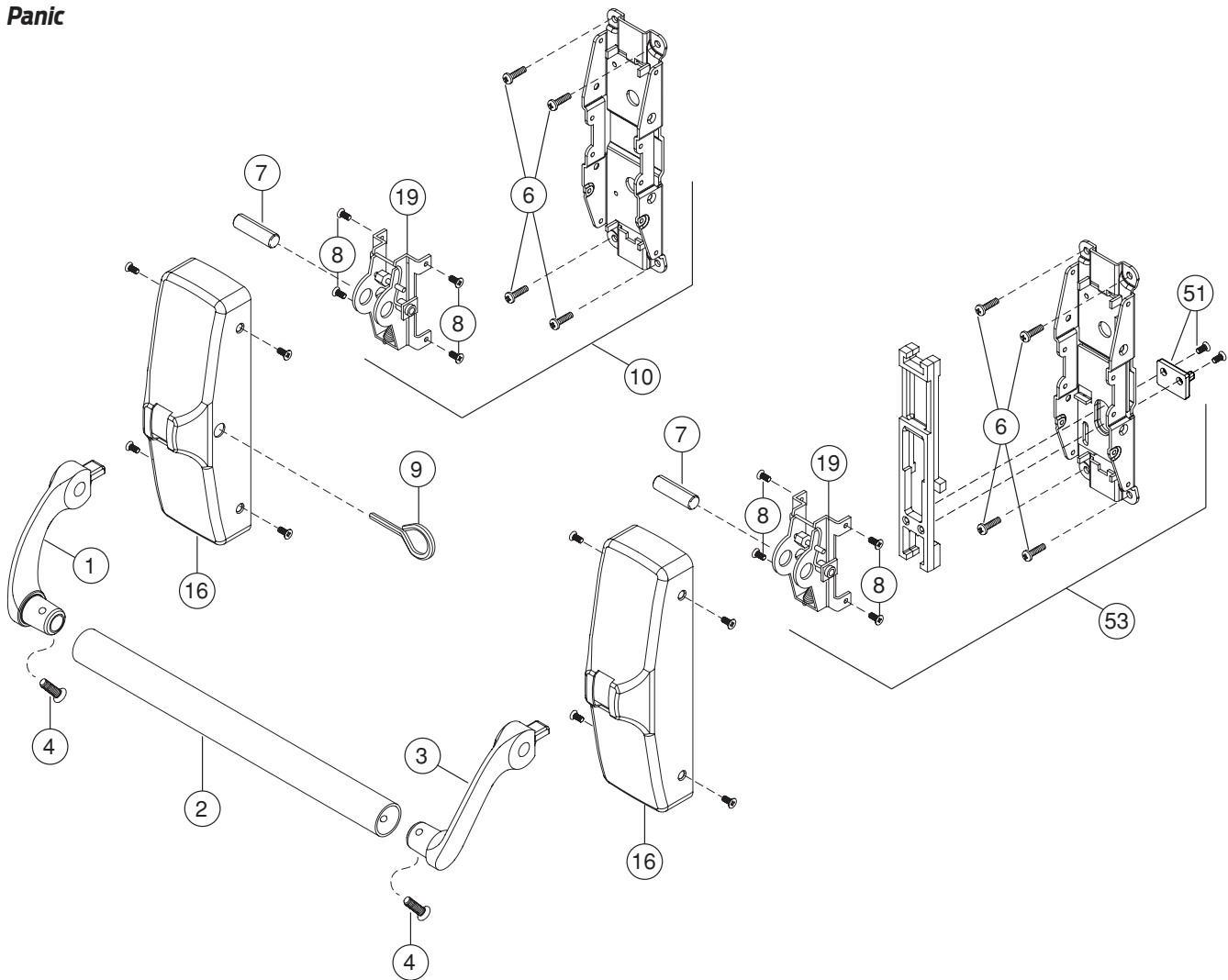
A Specify by finish: SP313, US3, US4, US10, US26, US26D, US32, US32D
 B Specify by finish shown



EXITS
 Crossbars
 Wide Stile
 XX Series

Prices subject to change without notice

Panic



EXITS

Crossbars

Wide Stile

XX Series

No.	Qty.	Part No.	Description	Notes
1	1	3747	XX Lever Arm Left Hand	A
2	1	3767	XX Crossbar	A
3	1	3746	XX Lever Arm Right Hand	A
4	2	660025	1/4 - 20 x 1/2" Crossbar Retaining Screw	
6	1	650318	XX-C Mounting Package	
7	2	3749	XX Lever Arm Axle	
8	4	060121	Latch Cover Screw package of 10 (US4, US10B, US32D)	B
9	1	060109	7/32" Hex Dogging Key package of 10	

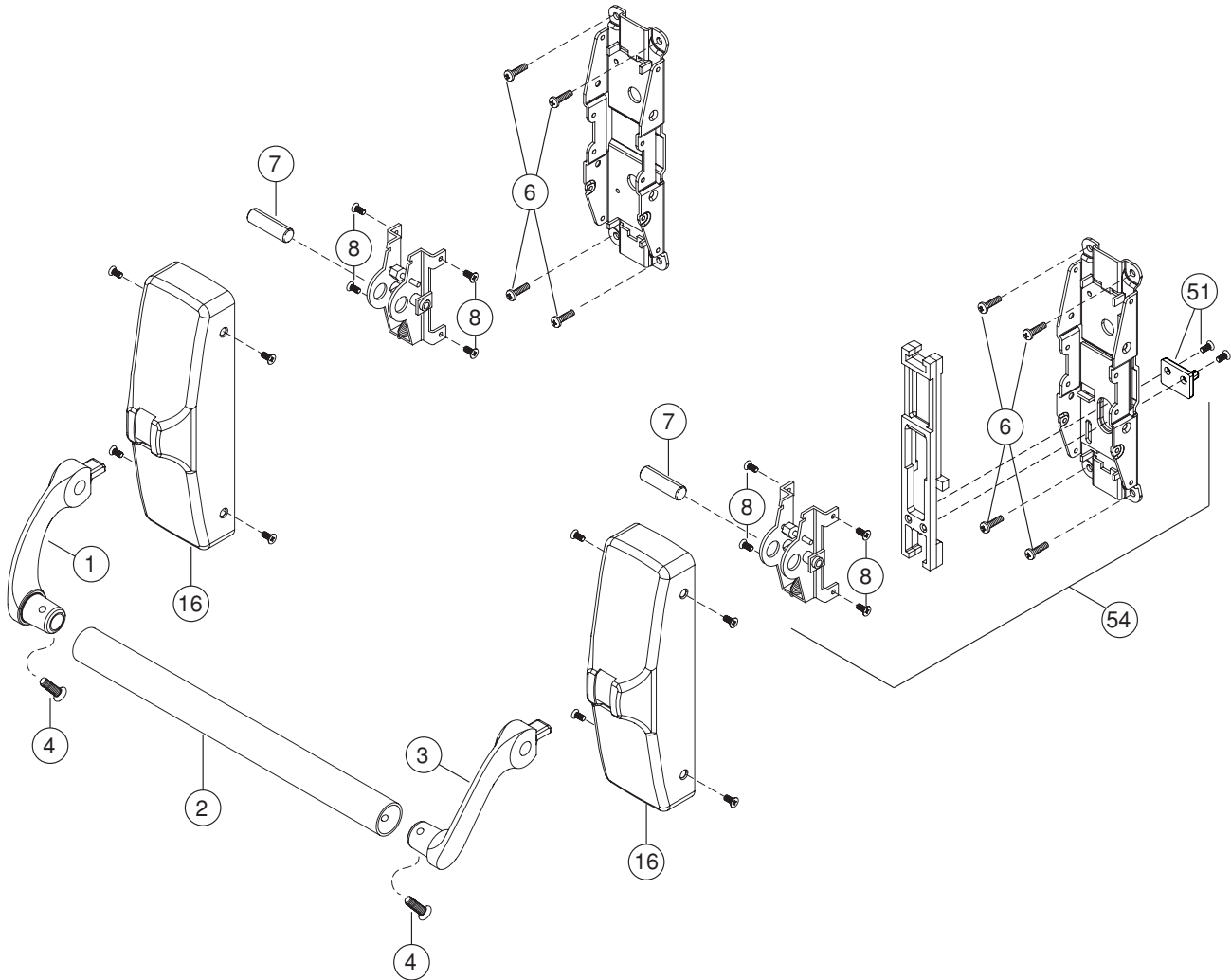
No.	Qty.	Part No.	Description	Notes
10	1	584	XX Series End Case Assembly	
16	2	3741	XX Series End Case Cover	A
19	2	610044	XX Axle Support Housing Assembly	
24	1	3742	XX Vertical Active Center Case Cover	
51	1	650263	Finger Kit	
53	1	591	XX-C Active Center Case Assembly	

A Specify by finish: SP313, US3, US4, US10, US26, US26D, US32, US32D

B Specify by finish shown

Prices subject to change without notice

Fire



No.	Qty.	Part No.	Description	Notes
1	1	3747	XX Lever Arm Left Hand	A
2	1	3767	XX Crossbar	A
3	1	3746	XX Lever Arm Right Hand	A
4	2	660025	1/4 - 20 x 1/2" Crossbar Retaining Screw	
6	1	650317	F-XX-C Mounting Package	
7	2	3749	XX Lever Arm Axle	

No.	Qty.	Part No.	Description	Notes
8	4	060121	Latch Cover Screw package of 10 (US4, US10B, US32D)	B
16	2	3741	XX Series End Case Cover - Fire	A
24	1	3742	XX Vertical Active Center Case Cover	
51	1	650263	Finger Kit	
54	1	691	F-XX-C Active Center Case Assembly	

A Specify by finish: SP313, US3, US4, US10, US26, US26D, US32, US32D

B Specify by finish shown

EXITS

Crossbars

Wide Stile

XX Series

Prices subject to change without notice

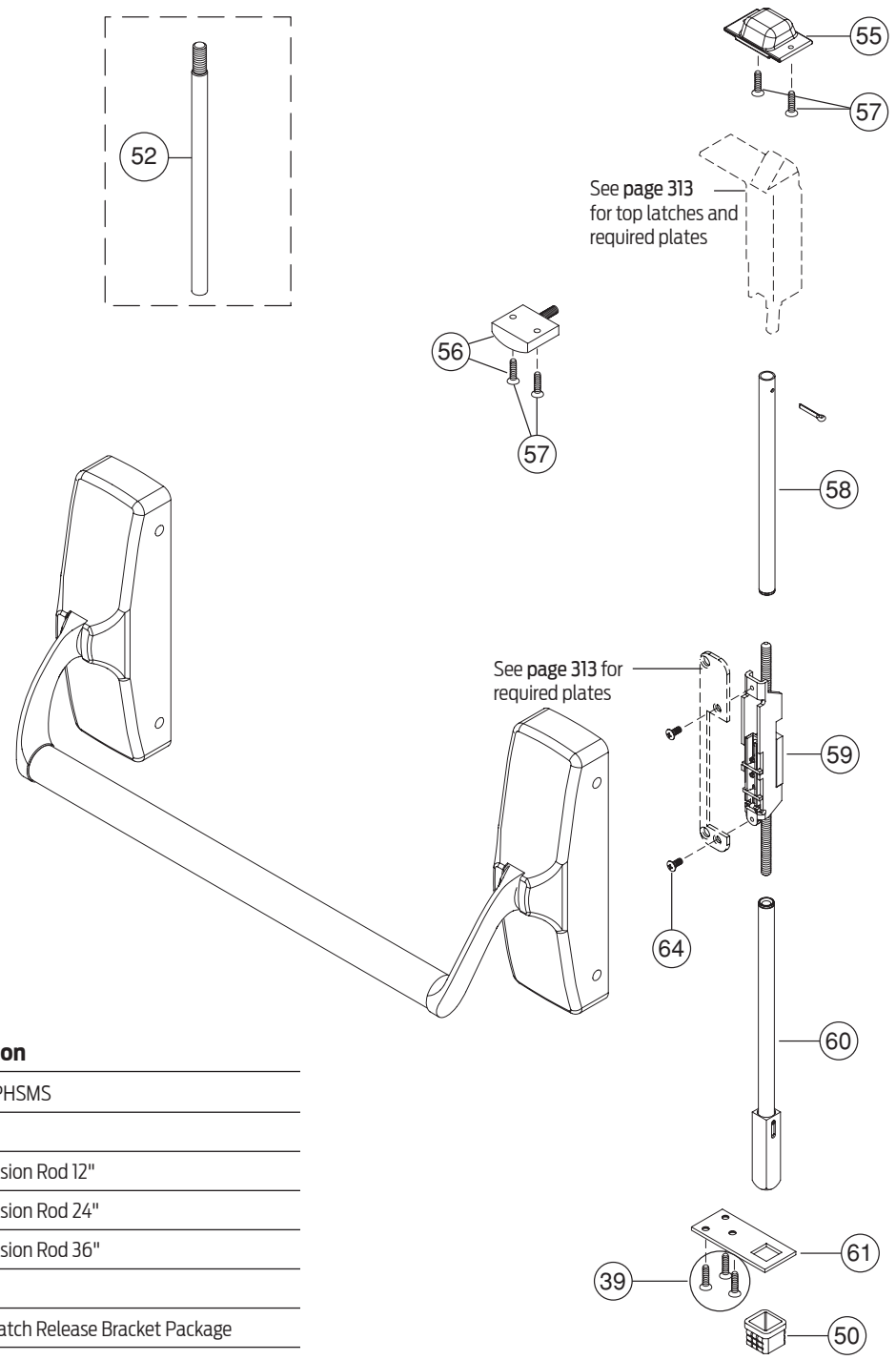
Panic and fire

EXITS

Crossbars

Wide Stile

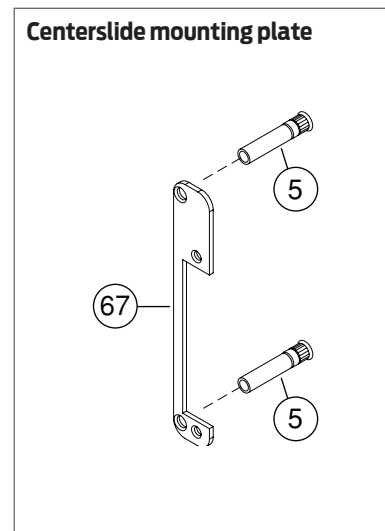
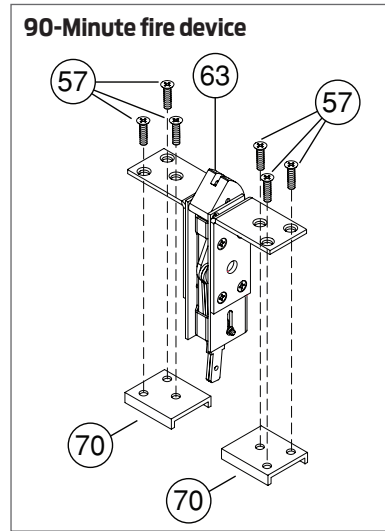
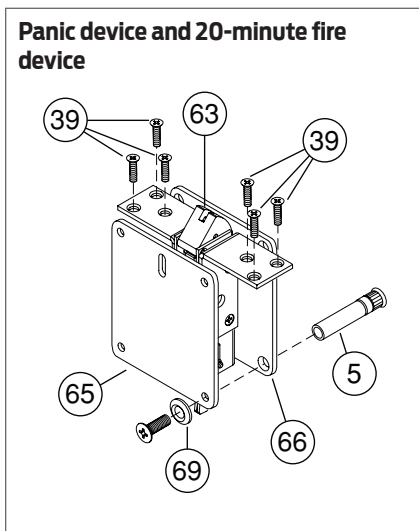
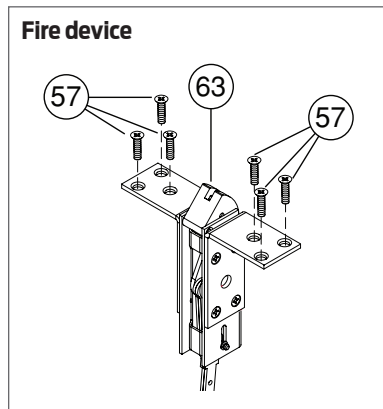
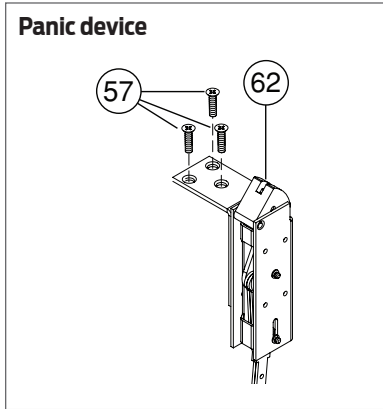
XX Series



No.	Qty.	Part No.	Description
39	3	660002	10 x 1¼" FPHSMS
50	1	2130	2130 Strike
52	1	650006	XX-V Extension Rod 12"
	1	650007	XX-V Extension Rod 24"
	1	650008	XX-V Extension Rod 36"
55	2	4188	4188 Strike
56	1	650339	XX-C Top Latch Release Bracket Package
57	2	660078	10-24 x ¾" FPHMS
58	1	610061	(F)XX-C Top Rod Kit
59	1	610037	Center Slide Sub Assembly
60	1	610057	(F)XX-C, CWDC Bottom Rod Kit
61	1	4567	Bottom Bolt Guide
64	2	060123	#8-32 ¾" UFPHMS 10 pk

Prices subject to change without notice

Metal door



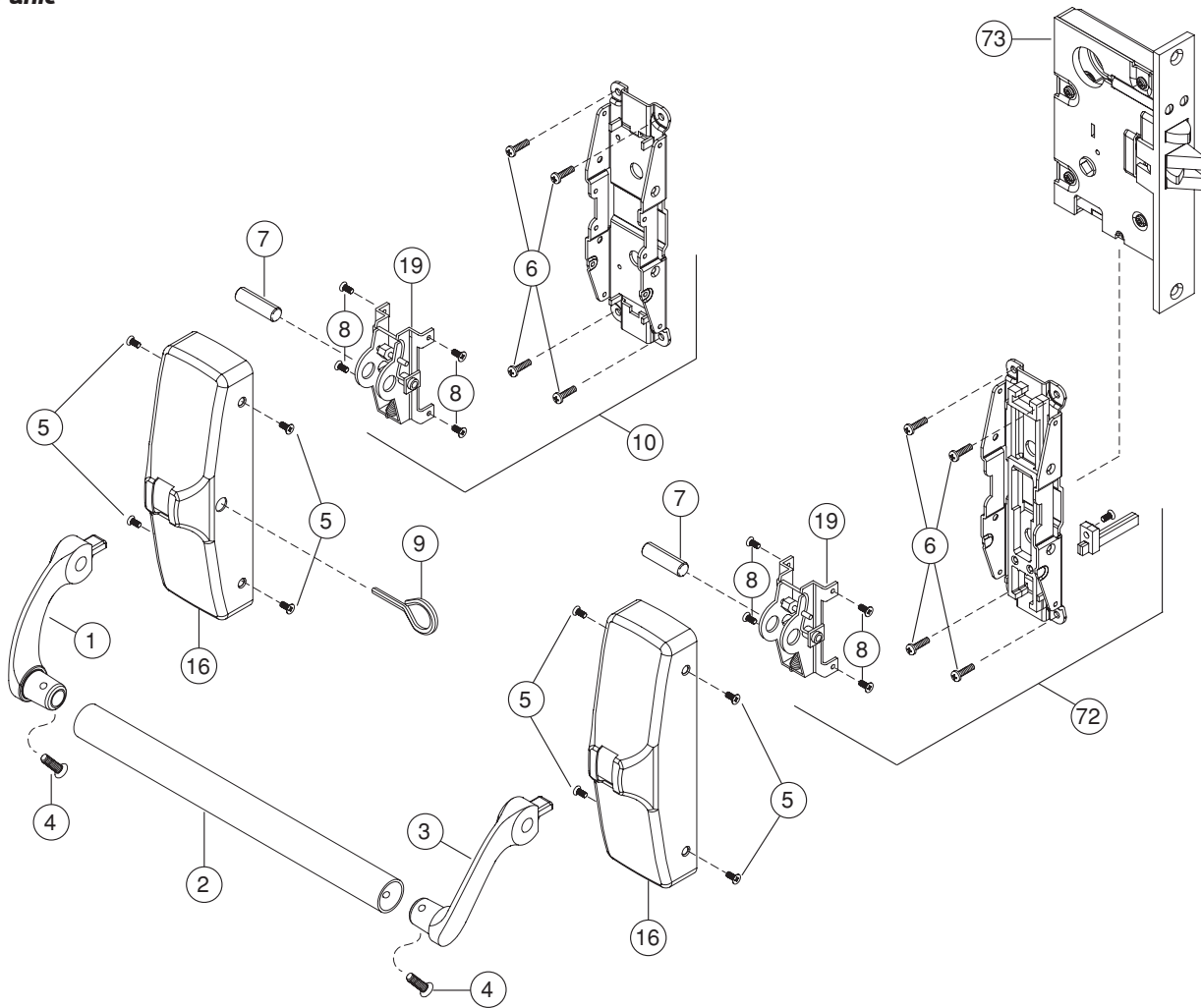
No.	Qty.	Part No.	Description	Notes
5	1	4122	Sex Bolt, package of 1, includes machine screw (1/2" - 20 x 3/4" PPHMS) (US10B, US26D, BRS)	B
39	6	660002	10 x 1 1/4" FPHSMS	
57	6	600078	10-24 x 3/4" FPHMS (Fire)	
62	1	603L	XX-C Top Latch Case LHR	
	1	603R	XX-C Top Latch Case RHR	
63	1	F603	F-XX-C, CWDC Top Latch Case	
65	1	4834	Top Reinforcement Plate with Access Hole	A
66	1	4833	Top Reinforcement Plate	A
67	1	4832	XX-CWDC Center Slide Reinforcement Plate	
69	1	660429	1/4" CSK Finish Washer	
70	2	4694	Latch Bracket	

REFERENCE NOTE:

- A Specify by finish: US3, US4, US10, US10B, US15, US26, US26D, SP28, SP313
 - B Specify by finish shown
- F-XX-C-WDC-20 is no longer available for purchase. Parts listed for installed SERVICE ONLY.

Prices subject to change without notice

Panic



EXITS

Crossbars

Wide Stile

XX Series

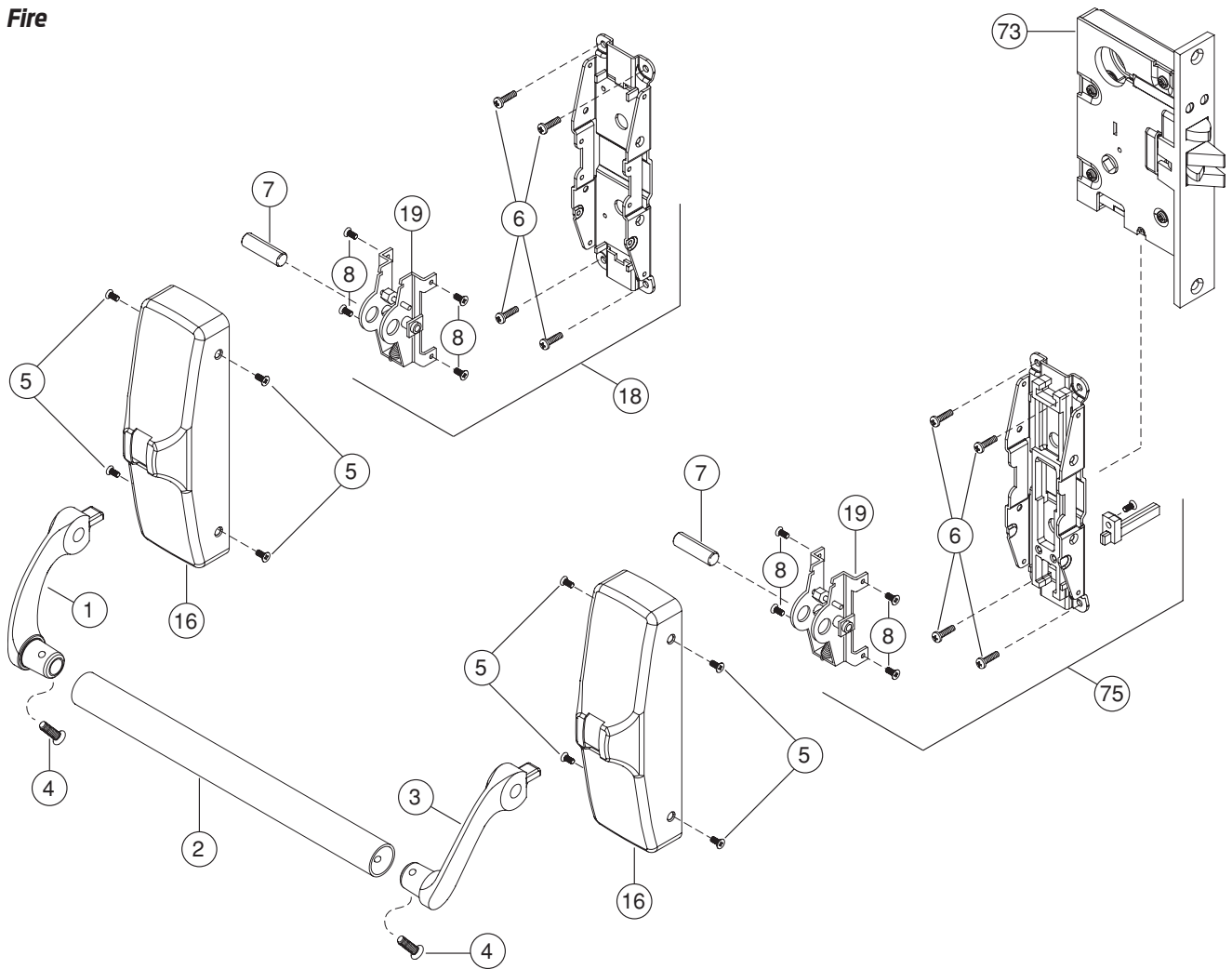
No.	Qty.	Part No.	Description	Notes
1	1	3747	XX Lever Arm Left Hand	A
2	1	3767	XX Crossbar	A
3	1	3746	XX Lever Arm Right Hand	A
4	2	660025	1/4-20 x 1/2" Crossbar Retaining Screw	
5	1	650336	Latch Case Cover Mounting Package (US4, US10B, US32D)	B
6	1	650137	XX-M Service Mounting Package	
7	2	3749	XX Lever Arm Axle	

No.	Qty.	Part No.	Description	Notes
8	4	060121	Latch Cover Screw package of 10 (US4, US10B, US32D)	B
9	1	060109	Hex Dogging Key 7/32" package of 10	
10	1	584	XX End Case Assembly	
16	2	3741	XX Series End Case Cover	A
19	2	610044	XX Axle Support Housing Assembly	
73	1		Mortise Lock - 8500 x Function x Handing	A
75	1	650145	XX-Mortise Center Case LHR	
		650146	XX-Mortise Center Case RHR	

A Specify by finish: SP313, US3, US4, US10, US26, US26D, US32, US32D
 B Specify by finish shown

Prices subject to change without notice

Fire



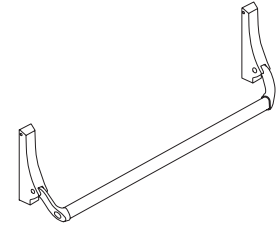
No.	Qty.	Part No.	Description	Notes
1	1	3747	XX Lever Arm Left Hand	A
2	1	3767	XX Crossbar	A
3	1	3746	XX Lever Arm Right Hand	A
4	2	660025	1/4-20 x 1/2" Crossbar Retaining Screw	
5	4	650336	Latch Case Cover Mounting Package (US4, US10B, US32D)	B
6	1	650138	F-XX-M Service Mounting Package	
7	2	3749	XX Lever Arm Axle	
8	4	060121	Latch Cover Screw package of 10 (US4, US10B, US32D)	B
16	2	3741	XX Series End Case Cover - Fire	A
18	1	684	F-XX End Case Assembly	
19	2	610044	Axle Support Assembly	
73	1		Mortise Lock – 8500 x Function x Handing	A
75	1	650149	F-XX-Mortise Center Case LHR	
		650150	F-XX-Mortise Center Case RHR	

A Specify by finish: US3, US4, US10, US10B, US26, US26D
 B Specify by finish shown

Prices subject to change without notice

1990 Series

**Devices are priced for 3'8" x 7',
Aluminum or Hollow Metal Doors.
Hex Bottom Latch furnished standard.**
(Price includes PB48 Strike)



Model No.	P28	P13, P35	US26D	
1990EO	490	504	1232	—
1991DT	658	671	1610	9970 Pull
1992NL-OP/HB-OP	579	592	1321	Rim Cylinder only
1993NL/HB	745	760	1699	9970 w/Rim Cylinder

REFERENCE NOTES:

Rim cylinder supplied standard with NL and HB options is C keyway.

Optional Latches

Suffix		List Add
RL	Rod Bottom Latch	28.00
PL	Pullman Bottom Latch	28.00
ES	Top Latch for use with Electric Strikes Device Furnished LBR (Less Bottom Rod and Less Strike) deduct \$23.00 List	32.00

Door Heights over 7'

	List Add
Up to 8'	64.00
Up to 9'	82.00
Up to 10'	94.00

Crossbar

	List Add
Crossbar furnished 41" standard - Easily Cut for Job Fitting	
Extra Length Crossbar - 48" (Fits Door Width up to 51") - P28, P13, P35 finishes	20.00
Extra Length Crossbar - 48" (Fits Door Width up to 51") - Architectural finishes Less Crossbar, deduct \$116 List	29.00

REFERENCE NOTES:

Specify if Door Material other than Aluminum.
Not recommended for use on wood doors.

Prices subject to change without notice

Offset Pull

Model No.		Non-Finish	DC13, DC35, US28	US26, US26D
9970 Pull		–	168	378
STUD.102	9970 Mounting Stud (Pkg Qty 10)	30	–	–

Replacement Cylinders

Model No.	Description	US26D, US10B
3216	Rim Cylinder C Keyway	89

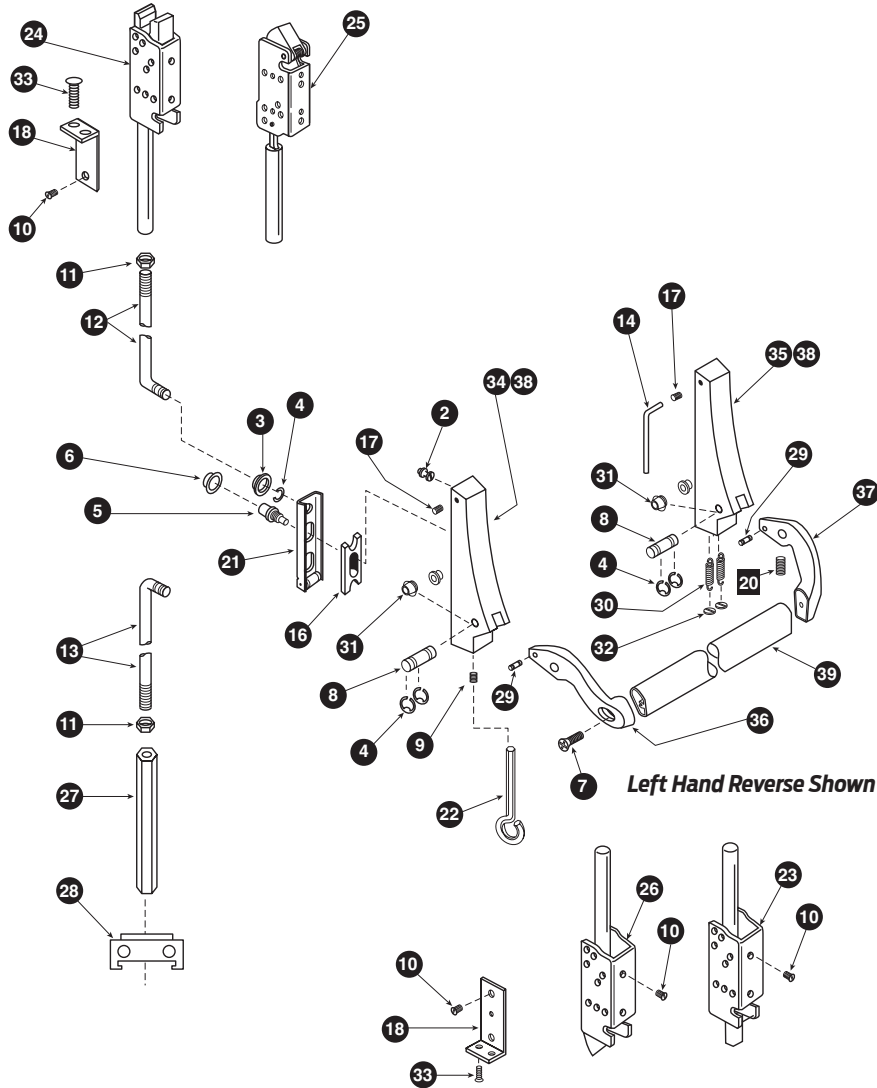
Strikes - Concealed Vertical Rod

Model No.	Description	Non-Finish	P28	P13	P35	US32D
PB48	Top strike for 1990/1490/1690/2390 devices.	–	–	24	24	24
SHIM.112	PB48 Strike Shim (Pkg Qty: 10)	25	–	–	–	–

Prices subject to change without notice

1990 Exploded View And Parts List

(For Devices Furnished After 5/1/77)



Part No.	Description	Finish	Pkg. Qty	Price
2	STUD.101 Case Mounting Stud	-	10	29.00
3	BUSH.109 Bearing Bushing	-	10	25.00
4	RRING.109 Retaining Ring .250	-	25	22.00
5	CAM.102 Pinion Cam	-	10	139.00
	4270903177 Pinion Cam	-	each	22.00
6	BUSH.102 Cylinder Bushing	-	10	25.00
7	SCREW.1027 1/4-20 1" FPHTC Typ 23	US32D	10	38.00
	SCREW.1015 1/4-20 1" FPHTC Typ 23	BLACK	10	38.00
	PIN.115 1990 Axle Pin	-	10	129.00
9	SCREW.1022 Dog Screw	-	25	113.00
10	SCREW.1028 10-32 1/4" UFPHMS	US32D	10	24.00
	SCREW.1029 10-32 1/4" UFPHMS	BLACK	10	24.00
	4270107322 1490 LHR/1590 RHR Push Label	GOLD	each	29.00

Prices subject to change without notice

1990 Series

(For Devices Furnished After 5/1/77)

	Part No.	Description	Finish	Pkg. Qty	Price
11	NUT.101	Rod Jam Nut	-	10	24.00
12	4270100017	SU/PL/ES/RL Rod	-	each	35.00
	4270102427	SU/PL/ES/RL Rod-1/4" Insulclad 7'	-	each	35.00
	4270102426	SU/PL/ES/RL Rod-1/4" Insulclad 8'	-	each	111.00
13	4270101825	Hex Bottom Rod	-	each	35.00
14	WRENCH.101	Allen Wrench	-	10	15.00
16	RETRACT.101	Rod Retractor	-	10	58.00
17	SCREW.1030	1/4-20 3/8" Hex Soc Set	US32D	25	32.00
	SCREW.1039	1/4-20 3/8" Hex Soc Set	BLACK	25	32.00
18	BRKTASY.101	Latch Mtg Bracket Kit-HMD	-	each	48.00
21	4270100013	Lift Bracket Assembly	-	each	25.00
22	KEY.101	Hex Dogging Key	-	10	38.00
23	● 4270100521	RL Bottom Latch	-	each	96.00
24	● 4270101806	SU Top Latch	-	each	113.00
25	● 4270100346	ES Top Latch	-	each	132.00
26	● 4270101482	PL Bottom Latch	-	each	96.00
27	4270101830	Hex Bottom Bolt	-	each	41.00
28	4270107176	Hex Rod Guide Assembly	US32D	each	39.00
	4270107178	Hex Rod Guide Assembly	P35	each	39.00
	SCREW.1076	Hex Rod Guide Screws	US28	10	9.00
	SCREW.1081	Hex Rod Guide Screws	DC13/DC35	10	9.00
	PIN.110	ES Latch Pin	-	10	23.00
	RETAIN.101	Case Retainer	-	10	25.00
	PIN.109	SU/ES/PL/HH Latch Spirol Pin	-	10	18.00
	4270100312	Crossbar Tie Rod	-	each	72.00
	RRING.103	End Case Retaining Ring	-	25	12.00
29	PIN.104	Spring Pin	-	10	24.00
30	SPRING.103	Tension Spring	-	10	32.00
31	BUSH.103	Axle Bushing	-	25	32.00
32	RETAIN.102	Spring Retainer	-	25	22.00
33	SCREW.1037	10-32 3/8" FPHMS	-	25	22.00
	● 4270106632	SU Top Rod Assembly 7' Dr	-	each	151.00
	● 4270106633	SU Top Rod Assembly 8' Dr	-	each	227.00
	● 4270101818	SU Top Rod Assembly 9' Dr	-	each	247.00
	● 4270101819	SU Top Rod Assembly 10' Dr	-	each	268.00
	● 4270101873	ES Top Rod Assembly 7' Dr	-	each	190.00
	4270101874	ES Top Rod Assembly 8' Dr	-	each	288.00
	● 4270100522	RL Bottom Rod Assembly	-	each	151.00
	4270101831	Hex Bottom Rod Assembly	-	each	79.00
	● 4270100266	PL Bottom Rod Assembly	-	each	155.00
	4270100018	SU Rod 8' Door	-	each	111.00
	4270100172	SU Ext Rod Kit Up to 9' Dr	-	each	98.00
	4270100197	SU Ext Rod Kit Up to 10' Dr	-	each	114.00

EXITS

Crossbars

Narrow Stile

1990 Series

Prices subject to change without notice

1990 Series

(For Devices Furnished After 5/1/77)

34 End Case Assy LH

Part No.	Finish	List Price
LH = Lock Stile assembly for LHR Device or Hinge Stile assembly for RHR Device		
4270902776	P28	204.00
4270902778	P13	226.00
4270902779	P35	226.00
CASE.223	US26D	659.00

36 Lever Arm LH

Part No.	Finish	List Price
LH = Lock Stile Lever Arm for LHR Device or Hinge Stile Lever Arm for RHR Device		
4270902799	P28	63.00
4270902802	P13	71.00
4270902803	P35	71.00
LARM.180	US26D	237.00

38 Housing Assembly

Part No.	Finish	List Price
(Includes housing, retainer spring, retainer, dog screw and mounting screws)		
4270902787	P28	144.00
4270902789	P13	144.00
4270902790	P35	144.00
HOUSING.231	US26D	412.00

35 End Case Assy RH

Part No.	Finish	List Price
RH = Lock Stile assembly for RHR Device or Hinge Stile assembly for LHR Device		
4270902782	P28	204.00
4270902784	P13	226.00
4270902785	P35	226.00
CASE.222	US26D	659.00

37 Lever Arm RH

Part No.	Finish	List Price
RH = Lock Stile Lever Arm for RHR Device or Hinge Stile Lever Arm for LHR Device		
4270902805	P28	63.00
4270902808	P13	71.00
4270902809	P35	71.00
LARM.188	US26D	237.00

39 Crossbar 41"

Part No.	Finish	List Price
4270900091	US28	144.00
4270900094	DC13	157.00
4270900095	DC35	157.00

Crossbar 48"

Part No.	Finish	List Price
CBAR.101	US28	164.00
CBAR.116	DC13	179.00
CBAR.135	DC35	179.00

REFERENCE NOTE:

1990/2090 Lever Arms & Housing Assemblies in US finishes are not compatible with 990/1090 components. Replace with appropriate end case assembly or active housing assembly.

Prices subject to change without notice

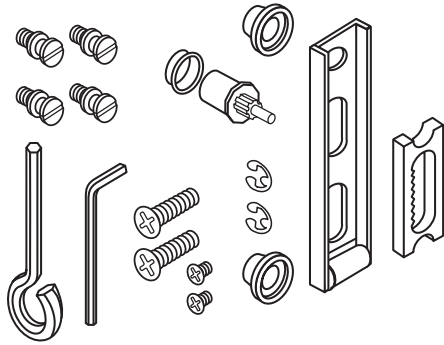
EXITS

Crossbars

Narrow Stile

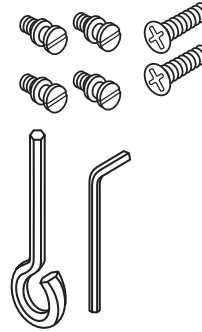
1990 Series

990 and 1990 Auxiliary Pkg.



Part Number	Finish	List Price
4270902091	US32D	48.00
4270902095	DC35	48.00

1090 and 2090 Auxiliary Pkg.



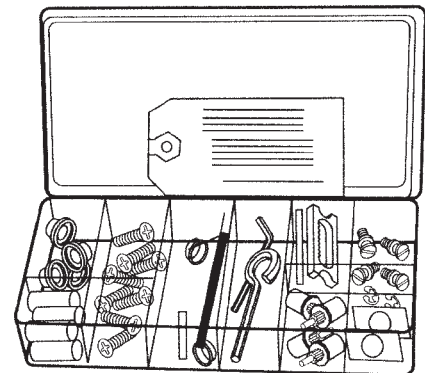
Part Number	Finish	List Price
4270902121	US32D	15.00
4270902125	DC35	15.00

Panic Device Repair Kit

		List Price
Complete Repair Kit	4270100583	343.00
Maintenance Kit Box only	4270100582	27.00

Kit Includes:

	Part Number	Description	Replacement Pkg.	
12	RING.108	Retaining Rings	RRING.109	(pkg/25)
6	4270100130	1/4-20 x 3/8 Set Screws	SCREW.1030	(pkg/25)
6	BUSH.108	Bearing Bushing	BUSH.109	(pkg/10)
8	4270101753	Tension Springs	SPRING.103	(pkg/10)
2	4270100153	Dogging Screws	SCREW.1022	(pkg/25)
10	963128-00	10-32 x 1/4 UFPH MS	SCREW.1028	(pkg/10)
6	4299100213	1/4-20 x 1" FPH MS	SCREW.1027	(pkg/10)
3	4270100152	Spring Pins	PIN.104	(pkg/10)
1	4270100116	Dogging Key	KEY.101	(pkg/10)
1	963100-00	1/8" Allen Wrench	WRENCH.101	(pkg/10)
3	4270100110	Retractor	RETRACT.101	(pkg/10)
4	4270903177	Pinion Cams	CAM.102	(pkg/10)
8	4230100017	Center Case Mounting Studs	STUD.101	(pkg/10)
6	4270101778	Axle Bushings	BUSH.103	(pkg/25)
3	4270108353	PB48 Strike US32D		each
4	4270100663	Cylinder Bushings	BUSH.102	(pkg/10)
1	4270100013	Lift Bracket Assy		each
4	4270106997	Axle Pins	PIN.115	(pkg/10)
2	4270100026	3/16 x 13/16 Roll Pins	PIN.109	(pkg/10)
2	4270100075	3/16 x 9/16 Roll Pins	PIN.110	(pkg/10)
1	4270100299	Dogging Key Tag		each
12	4299100997	Retaining Rings	RRING.103	(pkg/25)
1	4270100582	Maintenance Kit Box		each
8	4270101782	1990 Spring Retainer	RETAIN.102	(pkg/25)
3	4270106349	SU Latchbolt		each



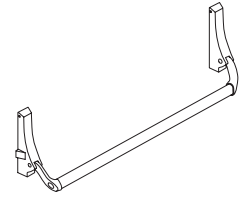
**Parts Kit For Easy Servicing
of 1990 Devices**

Prices subject to change without notice

2090 Series

**Devices are priced for 3'8",
Aluminum or Hollow Metal Doors.**

(Price includes SD36 Strike)



Model No.	P28	P13, P35	US26D	Standard Trim
2090EO	404	422	1143	–
2091DT	572	589	1521	9970 Pull
2092NL-OP/HB-OP	493	510	1232	Rim Cylinder only
2093NL/HB	660	678	1609	9970 w/Rim Cylinder

REFERENCE NOTES:

Rim cylinder supplied standard with NL and HB options is C keyway.

Crossbar

	List Add
Crossbar furnished 41" standard - Easily Cut for Job Fitting	
Extra Length Crossbar - 48" (Fits Door Width up to 51") - P28, P13, P35 finishes	20.00
Extra Length Crossbar - 48" (Fits Door Width up to 51") - Architectural finishes Less Crossbar, deduct \$116 List	29.00

REFERENCE NOTES:

Specify if Door Material other than Aluminum.
Specify Handing RHR or LHR. Not Reversible.

Prices subject to change without notice

Offset Pull

Model No.		Non-Finish	US28, DC13, DC35	US26, US26D
9970 Pull		-	168	378
STUD.102	9970 Mounting Stud (Pkg Qty 10)	30	-	-

Replacement Cylinders

Model No.	Description	US26D, US10B
3216	Rim Cylinder C Keyway	89

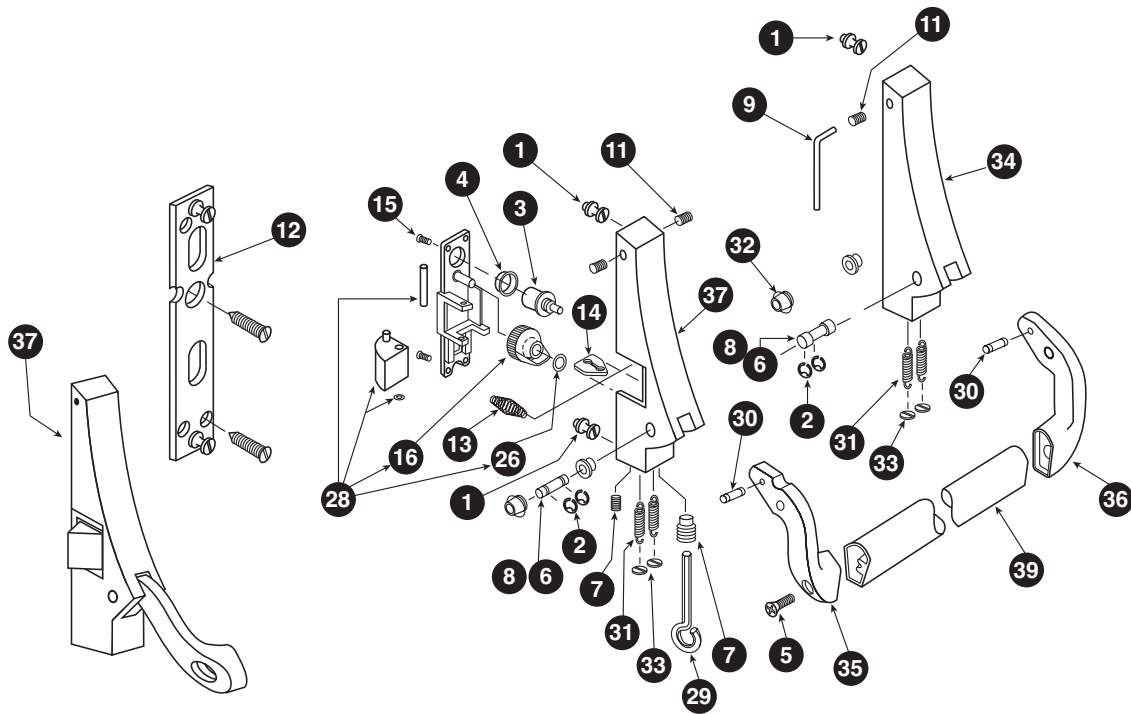
Strikes - Rim

Model No.	Description	P13, P28	P35
STK45	Strike for inactive door, pair of doors with 1590/1790/2090 devices	-	83
SD35	Strike for 1/3" x 1/2" blade stop, 2090 device.	81	81
SD36	Strike for all stops, 2090 device.	73	73
TD35	Strike for single doors, 1590 or 1790 device.	-	113

Prices subject to change without notice

2090 Series Exploded View And Parts List

(For Devices Furnished After 5/1/77)



Left Hand Reverse Shown

EXITS

Crossbars

Narrow Stile

2090 Series

Prices subject to change without notice

(For Devices Furnished After 5/1/77)

	Part No.	Description	Finish	Pkg. Qty	Price
1	STUD.101	Case Mounting Stud	-	10	29.00
2	RRING.103	Retaining Ring .250	-	10	12.00
3	CAM.102	Pinion Cam	-	10	139.00
	4270903177	Pinion Cam	-	each	22.00
4	BUSH.102	Cylinder Bushing	-	10	25.00
5	SCREW.1027	1/4-20 1" FPHTC TYP23	US32D	10	38.00
	SCREW.1015	1/4-20 1" FPHTC TYP23	BLACK	10	38.00
	PIN.115	2090 Axle Pin	US32D	10	129.00
	PIN.116	Latch Pivot Pin	-	10	12.00
7	SCREW.1022	Dog Screw	-	25	113.00
9	WRENCH.101	Allen Wrench	-	10	15.00
11	SCREW.1030	1/4-20 3/8" Hex Soc Set Screw	US32D	25	32.00
	SCREW.1039	1/4-20 3/8" Hex Soc Set Screw	BLACK	25	32.00
12	4270100304	Adapter Plate Assembly	-	2	29.00
13	SPRING.104	Latch Spring	-	10	15.00
14	4270101840	Latch Link	-	each	13.00
15	SCREW.1031	4-40 3/8" FL Posi-Drive Screw	-	10	13.00
16	RETRACT.102	Latchbolt Retractor	-	10	162.00
26	RRING.102	Retaining Ring .240	-	10	12.00
28	4270902968	2090 Backplate Assembly LHR	-	each	67.00
	4270902974	2090 Backplate Assembly RHR	-	each	67.00
29	KEY.101	Hex Dogging Key	-	10	38.00
	4270100312	Crossbar Tie Rod	-	each	72.00
30	PIN.104	Spring Pin	-	10	24.00
	SPRING.103	Tension Spring	-	10	32.00
32	BUSH.103	Axle Bushing	-	25	32.00
33	RETAIN.102	Spring Retainer	-	25	22.00

EXITS

Crossbars

Narrow Style

2090 Series

Prices subject to change without notice

2090 Series

(For Devices Furnished After 5/1/77)

34 End Case Assy LH

Part No.	Finish	List Price
LH = Hinge Stile assembly for RHR Device		
4270902776	P28	204.00
4270902778	P13	226.00
4270902779	P35	226.00
CASE.223	US26D	659.00

35 Lever Arm LH - Active

Part No.	Finish	List Price
LH = Lock Stile Lever Arm for LHR Device		
4270902763	P28	63.00
4270902766	P13	71.00
4270902767	P35	71.00
LARM.216	US26D	237.00

36 Lever Arm LH - End Case

Part No.	Finish	List Price
LH = Hinge Stile assembly for RHR Device		
4270902799	P28	63.00
4270902802	P13	71.00
4270902803	P35	71.00
LARM.180	US26D	237.00

35 End Case Assy RH

Part No.	Finish	List Price
RH = Hinge Stile assembly for LHR Device		
4270902782	P28	204.00
4270902784	P13	226.00
4270902785	P35	226.00
CASE.222	US26D	659.00

35 Lever Arm RH - Active

Part No.	Finish	List Price
RH = Lock Stile Lever Arm for RHR Device		
4270902769	P28	63.00
4270902772	P13	71.00
4270902773	P35	71.00
LARM.205	US26D	237.00

36 Lever Arm RH - End Case

Part No.	Finish	List Price
RH = Hinge Stile assembly for LHR Device		
4270902805	P28	63.00
4270902808	P13	71.00
4270902809	P35	71.00
LARM.188	US26D	237.00

REFERENCE NOTE:

1990/2090 Lever Arms & Housing Assemblies in US finishes are not compatible with 990/1090 components. Replace with appropriate end case assembly or active housing assembly.

Prices subject to change without notice

EXITS

Crossbars

Narrow Stile

2090 Series

(For Devices Furnished After 5/1/77)

37 Active Housing Assembly LH

Part No.	Finish	List Price
LH = Lock Stile assembly for LHR Device		
4270902740	P28	260.00
4270902742	P13	279.00
4270902743	P35	279.00
CASE.243	US26D	754.00

39 Crossbar 41"

Part No.	Finish	List Price
4270900091	US28	144.00
4270900094	DC13	157.00
4270900095	DC35	157.00

37 Active Housing Assembly RH

Part No.	Finish	List Price
RH = Lock Stile assembly for RHR Device		
4270902746	P28	260.00
4270902748	P13	279.00
4270902749	P35	279.00
CASE.229	US26D	754.00

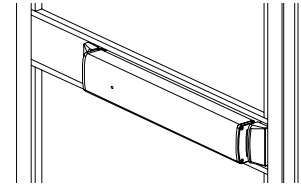
Crossbar 48"

Part No.	Finish	List Price
CBAR.101	US28	164.00
CBAR.116	DC13	179.00
CBAR.135	DC35	179.00

Prices subject to change without notice

2390 Series Concealed Vertical Rod Mid-Panel Exit Devices

Devices are priced for 42", 48" x 7',
Aluminum Doors.
Hex Bottom Latch furnished standard.
(Price includes PB48 Strike)



Model No.	Device Size	Fits Door Opening	US28	DC13, DC35,	Standard Trim
2390EO	21"	up to 42"	812	835	-
2390EO	24"	up to 48"	867	890	-
2392NL/HB-OP	21"	up to 42"	1001	1024	Mortise Cylinder Assy with Cylinder
2392NL/HB-OP	24"	up to 48"	1056	1079	Mortise Cylinder Assy with Cylinder
2395NL/HB-OP	21"	up to 42"	912	935	Mortise Cylinder Assy less Cylinder
2395NL/HB-OP	24"	up to 48"	967	990	Mortise Cylinder Assy less Cylinder
2398 Dummy	21"	up to 42"	446	476	-
2398 Dummy	24"	up to 48"	479	509	-

NOTE: Must Specify centerline of device.

Optional Cylinder Kit

Model No.	Description	List Add
239CA	NL/HB Kit Less Cylinder	100.00
231CA	NL/HB Kit Less Cylinder w/ Schlage Cam B502-191	102.00
3215	Mortise Cylinder C Keyway	89.00
2" Door Kit	For Cylinder Operation	37.00

Optional Latches

Suffix	Description	List Add
RL	Rod Bottom Latch	28.00
PL	Pullman Bottom Latch	28.00
ES	Top Latch for use with Electric Strike	32.00

Device furnished LBR (Less Bottom Rod and Less Strike) deduct \$23.00 List

Accessories

Description	List Add
■ Long Top Rod	For Door Height from 7' to 8' 25.00
■ Top Rod with Extension	For Door Height from 8' to 9' 83.00
■ Top Rod with Extension	For Door Height from 9' to 10' 94.00
Extension Rod Kit	For Door Height 7' to 10' Field Installation - Part #EXTROD.1001 130.00
Filler Plate	Up to 42" Door, 16 1/2" Filler Plate US28 27.00
	DC13, DC35, Champagne 29.00
	Up to 48" Door, 19 1/2" Filler Plate US28 28.00
	DC13, DC35, Champagne 30.00

REFERENCE NOTES:

Rod Length requirement varies with device mounting height.

Strikes - Concealed Vertical Rod

Model No.	Description	P13	P35	US32D
PB48	Top strike for 1990/1490/1690/2390 devices.	24	24	24

2390 Device Options

Description	List Add
RX Switch	Base Exit Device unit modified Request to Exit Switch monitoring pushpad. Prefix device "RX". 209.00
Electric Latch Retraction	Base Exit Device unit modified with Electric Latch Retraction. Prefix device "EL". The EL option is not field replaceable on this model. 562.00

(One PS914 x 900-2RS is the minimum requirement to power one or two EL devices.
See Power Supply Section for requirements and options.)

Prices subject to change without notice

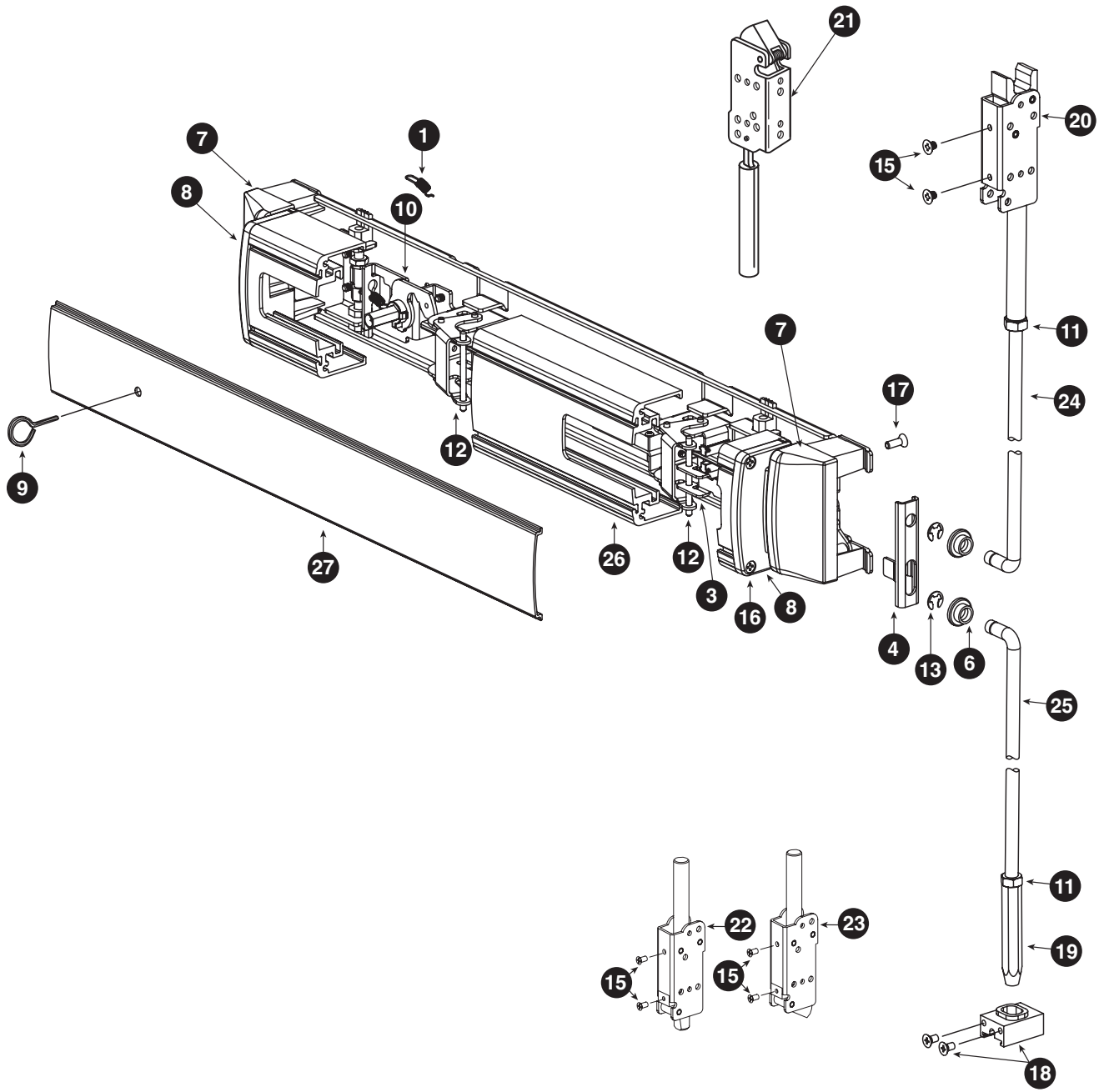
Prices subject to change without notice

EXITS

Recessed

Concealed Vertical
Mid-Panel

2390 Series



Prices subject to change without notice

	Part No.	Description	Finish	Pkg Qty	List Price
1	971493-76	Dogging Spring	-	each	6.00
2	AXLE.1006	Lift Lever Axle	-	each	6.00
3	BRKT.137	Pushbar Anchor Bracket	-	each	15.00
4	BRKT.143	Lift Bracket	-	each	15.00
5	BRKTASY.107	Actuator Arm Bracket Assembly	-	each	15.00
6	BUSH.109	Bearing Bushing	-	10	25.00
7	COVER.127	Fixed Cover	-	each	35.00
8	ECAP.143	Moving Pushbar End Cap	-	each	13.00
9	KEY.10020	Hex Dogging Key 5/32"	-	10	46.00
10	KIT.1197	Dogging Kit	-	each	33.00
11	NUT.101	Rod Jam Nut	-	10	24.00
12	PIN.128	Pushbar Pin	-	10	12.00
	PKG.134	Mounting Package (parts 4,6,9,13,15 on page 111)	US32D	each	25.00
	PKG.135	Mounting Package (parts 4,6,9,13,15 on page 111)	DC35	each	25.00
13	RRING.109	Retaining Ring .250	-	25	22.00
15	SCREW.1028	10-32 1/4" UFPHMS	US32D	10	24.00
	SCREW.1029	10-32 1/4" UFPHMS	BLACK	10	24.00
16	★ SCREW.1077	#8 3/4" FPH TF AB Screw (before September, 2004)	-	10	24.00
	SCREW.1141	8-18 .3/4" FPH TF Typ 25	-	10	18.00
17	SCREW.1088	12-14 1/2" UFPH MS Typ 25 Screw	-	10	18.00
	SCREW.1121	10-32 3/8" UFPH TF	US28	8	10.00
	SCREW.1114	10-32 3/8" UFPH TF	DC13/DC35	8	10.00
	SCREW.1076	Hex Rod Guide Screws	US28	10	9.00
	SCREW.1081	Hex Rod Guide Screws	DC13/DC35	10	9.00
	EXTROD.1001	Extension Rod Kit (not shown)	-	each	130.00
18	4270107176	Hex Rod Guide Assembly	US32D	each	39.00
	4270107178	Hex Rod Guide Assembly	P35	each	39.00
19	BOLT.1004	Hex Bottom Bolt-Beveled	-	each	46.00
20	4270101806	SU Top Latch	-	each	113.00
21	4270100346	ES Top Latch	-	each	132.00
22	4270100521	RL Bottom Latch	-	each	96.00
23	4270101482	PL Bottom Latch	-	each	96.00
	PIN.110	ES Latch Pin	-	10	23.00
	PIN.109	SU/ES/PL/HH Latch Spirol Pin	-	10	18.00
	● SWITCH.1006	RX Switch Wire Assembly (not shown) Valid for Field Install RX Option on Devices shipped after June, 2002	-	each	221.00
	110388-00	EL Cable Assembly (not shown)	-	each	46.00
	050534-00	EL Potted Circuit Breaker (not shown)	-	each	305.00
	971687-00	EL Solenoid 24VDC (not shown)	-	each	249.00
	PLUNGER.101	EL Plunger (not shown)	-	each	72.00
24	ROD.1043	Top Rod 34.000", CL=42.5, DH=83.1875"	-	each	35.00
	4270103324	Top Rod 35.500", CL=41.25, DH=83.1875"	-	each	35.00
	ROD.1082	Top Rod 39.000", CL=37.875, DH=83.1875"	-	each	35.00
	ROD.1036	Top Rod 36.500", CL=40, DH=83.1875"	-	each	35.00
25	ROD.1080	Bottom Rod 40.000", CL=42.500"	-	each	35.00
	ROD.1044	Bottom Rod 38.500", CL=41.250"	-	each	35.00
	4270100017	Bottom Rod 35.125", CL=37.875"	-	each	35.00
	ROD.1011	Bottom Rod 37.500", CL=40"	-	each	35.00
	KIT.1128	2390 LBR KIT	-	each	15.00

REFERENCE NOTES:

- RX Switch Kit valid for Field Install RX option on devices shipped after June, 2002
- ★ For Devices shipped before September, 2004.

Prices subject to change without notice

2390 Series (continued)

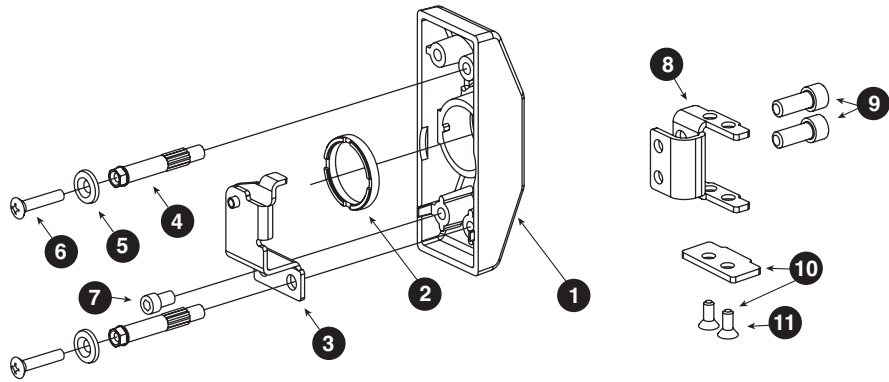
	Part No.	Description	Finish	List Price	
26	EXT.3000	Pushbar 21"	US28	155.00	
	EXT.3001	Pushbar 21"	DC13	167.00	
	EXT.3002	Pushbar 21"	DC35	167.00	
	EXT.3003	Pushbar 21"	Champagne	167.00	
	EXT.3004	Pushbar 24"	US28	181.00	
	EXT.3005	Pushbar 24"	DC13	199.00	
	EXT.3006	Pushbar 24"	DC35	199.00	
	EXT.3007	Pushbar 24"	Champagne	199.00	
	27	EXT.3008	Coverplate 21"	US28	61.00
		EXT.3009	Coverplate 21"	DC13	69.00
		EXT.3010	Coverplate 21"	DC35	69.00
		EXT.3011	Coverplate 21"	Champagne	69.00
		EXT.3012	Coverplate 24"	US28	67.00
		EXT.3013	Coverplate 24"	DC13	79.00
EXT.3014		Coverplate 24"	DC35	79.00	
EXT.3015		Coverplate 24"	Champagne	79.00	
EXT.3050		EL Coverplate 21"	US28	61.00	
EXT.3051		EL Coverplate 21"	DC13	69.00	
EXT.3052		EL Coverplate 21"	DC35	69.00	
EXT.3053		EL Coverplate 21"	Champagne	69.00	
EXT.3054		EL Coverplate 24"	US28	67.00	
EXT.3055		EL Coverplate 24"	DC13	79.00	
EXT.3056	EL Coverplate 24"	DC35	79.00		
EXT.3057	EL Coverplate 24"	Champagne	79.00		
Recessed	CHASY.147	Channel Assembly 36" Door (supplied for field sizing)	US28	101.00	
	CHASY.160	Channel Assembly 36" Door (supplied for field sizing)	DC13	122.00	
	CHASY.107	Channel Assembly 36" Door (supplied for field sizing)	DC35	122.00	
	CHASY.158	Channel Assembly 36" Door (supplied for field sizing)	Champagne	163.00	
	CHASY.108	Channel Assembly 48" Door (supplied for field sizing)	US28	115.00	
	CHASY.109	Channel Assembly 48" Door (supplied for field sizing)	DC13	165.00	
	CHASY.125	Channel Assembly 48" Door (supplied for field sizing)	DC35	165.00	
	CHASY.207	Channel Assembly 48" Door (supplied for field sizing)	Champagne	165.00	
	Concealed Vertical Mid-Panel	EXT.2927	Filler Plate 16.50", 42" Door (supplied for field sizing)	US28	32.00
		EXT.2949	Filler Plate 16.50", 42" Door (supplied for field sizing)	DC13	35.00
		EXT.2950	Filler Plate 16.50", 42" Door (supplied for field sizing)	DC35	35.00
		EXT.2951	Filler Plate 16.50", 42" Door (supplied for field sizing)	Champagne	35.00
		EXT.440	Filler Plate 19.50", 48" Door (supplied for field sizing)	US28	33.00
		EXT.445	Filler Plate 19.50", 48" Door (supplied for field sizing)	DC13	35.00
EXT.450		Filler Plate 19.50", 48" Door (supplied for field sizing)	DC35	35.00	
EXT.2244		Filler Plate 19.50", 48" Door (supplied for field sizing)	Champagne	35.00	
2390 Series		● RODASY.10001	Top Rod Assy RHR AL=40.176", CL=42.500", DH=83.1875"		151.00
		● RODASY.10002	Top Rod Assy RHR AL=41.426", CL=41.250", DH=83.1875"		151.00
		● RODASY.10003	Top Rod Assy RHR AL=44.801", CL=37.875", DH=83.1875"		178.00
		● RODASY.10004	Top Rod Assy RHR AL=42.676", CL=40", DH=83.1875"		151.00
		● RODASY.10005	Top Rod Assy RHR AL=41.489", CL=41.250", DH=83.1875"		151.00
		● RODASY.10006	Top Rod Assy LHR AL=40.176", CL=42.500", DH=83.1875"		151.00
	● RODASY.10007	Top Rod Assy LHR AL=41.426", CL=41.250", DH=83.1875"		151.00	
	● RODASY.10008	Top Rod Assy LHR AL=44.801", CL=37.875", DH=83.1875"		178.00	
	● RODASY.10009	Top Rod Assy LHR AL=42.676", CL=40", DH=83.1875"		151.00	
	● RODASY.10010	Top Rod Assy LHR AL=41.489", CL=41.250", DH=83.1875"		151.00	
	● RODASY.10011	Bottom Rod Assy AL=41.877", CL=42.500"		79.00	
	● RODASY.10012	Bottom Rod Assy AL=40.627", CL=41.250"		79.00	
	● RODASY.10013	Bottom Rod Assy AL=37.252", CL=37.875"		79.00	
	● RODASY.10014	Bottom Rod Assy AL=39.377", CL=40"		79.00	

REFERENCE NOTES:

- Complete rod and latch assembly includes standard rod (4270100017) and (Nut.101).

Prices subject to change without notice

EXITS
Recessed
Concealed Vertical Mid-Panel
2390 Series



Part No.	Description	Finish	Pkg Qty	List Price
1	HOUSING.123 2390 Cylinder Housing	P28	each	87.00
	HOUSING.124 2390 Cylinder Housing	P13	each	87.00
	HOUSING.125 2390 Cylinder Housing	P35	each	87.00
2	971974-00 Mortise Locking Collar	-	each	13.00
3	BRKTASY.118 2390 NL/HB Bracket Assembly	-	each	41.00
4	971585-89 Mounting Stud	-	each	11.00
5	WASHER.120 #10 Countersunk Washer	DC35	10	13.00
5	WASHER.121 #10 Countersunk Washer	US32D	10	13.00
6	SCREW.1083 10-24 x 1" OPHMS	US32D	10	15.00
7	SCREW.1082 1/4-20 x 3/8" SHCS	-	10	15.00
8	BRKT.152 2390 Rod Lift Bracket	-	each	24.00
9	SCREW.1084 1/4-28 x 3/4" SHCS	-	10	18.00
10	BRKTASY.155 Lift Bracket Kit - 2" Door	-	each	45.00
11	SCREW.1085 8-18 x 5/16" UFPHMS AB Screw	-	each	15.00

Strike

Part No.	Description	Finish	Pkg Qty	List Price
SHIM.112	PB48 Strike Shim	-	10	25.00
SCREW.1038	Screw 8-32 x 1/2" UFPHMS	BLACK	25	15.00
SCREW.1032	Screw 8-32 x 1/2" UFPHMS	US32D	25	15.00

Prices subject to change without notice

Exit Accessories

Mullions

Model No.	Description	Finish	List Price					
			7'2"	7'3"	8'2"	8'3"	9'2"	10'2"
4023	Steel Mullion (2" x 3") For use with 25/24/19/XX Rim Devices only	SP28	411	—	445	—	—	517
F4023	Steel Mullion (2" x 3") Fire Rated for use with 25/24/19/XX Fire Rated Rim Devices only	SP28	—	588	—	636	—	—
2923	Steel Mullion (1 1/2" x 2 1/2") For use with 25/24/19/XX Rim Devices only	Black Prime Coat	367	—	396	—	428	—
4423	T Shaped Steel Mullion for use with 24-R Device only (4396 Adjustable Strike Supplied)	Black Prime Coat	1019	—	1042	—	—	—
RM70	Aluminum Mullion for use with 2090 Rim Devices only (STK70 Adjustable Mortise Strike Supplied)	US28	747	—	803	—	864	924
		DC13/DC35	791	—	850	—	907	967
RM150	Aluminum Mullion for use with 1590 Rim Devices only (STK150 Adjustable Mortise Strike Supplied)	US28	760	—	822	—	881	941
		DC13/DC35	803	—	865	—	927	989
RM170	Aluminum Mullion for use with 1790 Rim Devices only (STK170 Adjustable Mortise Strike Supplied)	US28	747	—	803	—	864	924
		DC13/DC35	791	—	850	—	907	967

REFERENCE NOTES:

- 1) Mullions shipped complete with mounting brackets, screws, and stabilizers. Strikes are not included, except where indicated. Order with exit devices when required.
- 2) Aluminum Mullions for use with doors with stiles as narrow as 1 1/4", reinforced with steel insertions.
- 3) Blank Aluminum Mullions (without strike preparation) are available at the same price as standard Mullions. Consult factory for more information.
- 4) Mullions can be cut down in field if unique heights under 10'2" are required.
- 5) Steel Mullions 4023 and F4023 now ship with a new design. Part purchased prior to September 1, 2014 are not retrofittable.

Mullion Options

Model No.	Description	Finish	List Adder
KR	KR-4023 Mullion Keyed Removable Mullion option for use with 25/24/19/XX Rim Devices only	SP28	374
	KR-F4023 Mullion Keyed Removable Fire rated Mullion option for use with 25/24/19/XX Fire Rated Rim Devices	SP28	557

Accessories

Model No.	Description	Finish	List Price
050168	Keyed Removable Kit for existing 4023 Mullion	SP28	485
050169	Keyed Removable Kit for existing F4023 Mullion	SP28	534

REFERENCE NOTES:

- 1) Steel Mullions 4023 and F4023 now ship with a new design. Parts purchased prior to September 1, 2014 are not retrofittable.

Parts

Model No.	Description	Finish	List Price
050335	Top Fitting for 4023 Mullion	SP28	69.00
050391	Top Fitting for F4023 Mullion	SP28	177.00
050390	Bottom Fitting for 4023 and KR-4023 Mullion	SP28	67.00
050392	Bottom Fitting for F4023 and KR-F4023 Mullion	SP28	177.00
971212	KR-4023 Mullion Adjustment Shim Plate	Non-finished	11.00
971313	KR-F4023 Mullion Adjustment Shim Plate	SP28	43.00
971340	KR-4023 Mullion Top Fitting	SP28	104.00
971312	KR-F4023 Mullion Top Fitting	SP28	119.00
971328	KR-4023/KR-F4023 Mullion Cylinder Locking Washer	Non-finished	17.00
050054	(KR)(F)4023 Mullion Stabilizers (set of 4, 2 attach to the mullion and 2 attach to the door)	SP28	94.00
050526	KR-4023/KR-F4023 Mullion Cylinder Lock Nut	Non-finished	13.00
900409	KR-4023 Mullion Mounting Package	SP28	72.00
900410	KR-F4023 Mullion Mounting Package	SP28	60.00
900411	KR-F4023 Bottom Fitting Screw Package	Non-finished	24.00
900413	KR-F4023 Top Fitting Screw Package	Non-finished	24.00
971187	KR Inner Mullion Back Cover Plate	SP28	24.00
060104	Top Fittings for 2923 Mullion	Non-finished	53.00
060105	Bottom Fittings for 2923 Mullion	Non-finished	53.00
060107	Top Fittings for 4423 Mullion	Non-finished	81.00
060108	Bottom Fittings for 4423	Non-finished	81.00
525	Aluminum Mullion Stabilizers (set of 2)	US28	45.00
		DC13/DC35	49.00
STK70	Adjustable Mortise Strikes (pair) for use with 2090 Device /RM70 Aluminum Mullion	US32D	110.00
STK150	Adjustable Mortise Strikes (pair) for use with 1590 Device /RM150 Aluminum Mullion	US32D	110.00
STK170	Adjustable Mortise Strikes (pair) for use with 1790 Device /RM170 Aluminum Mullion	US32D	110.00

REFERENCE NOTES:

- 1) Steel Mullions 4023 and F4023 now ship with a new design. Parts listed above are not retrofittable to mullions purchased prior to September 1, 2014. Please consult factory for more information.

Prices subject to change without notice

Mullion

Part No.	Description	Finish	Pkg Qty	List Price
4270108954	RM170 Mullion Bracket Pkg	-	each	89
4270107489	RM150 Mullion Bracket Pkg	-	each	84
4270108999	Mullion Adapter Plate P28	-	each	65
4270109000	Mullion Adapter Plate P13	-	each	65
4270109001	Mullion Adapter Plate P35	-	each	65

Sex Bolts

Model No.	Description	Screw	BRS US10B US26D	US3, US4 US10, SP313 US32, US32D
2729P	Package of 1 - Includes Machine Screw	10-24 3/4" PPHMS	9	-
2729F	Package of 1 - Includes Machine Screw	10-24 3/4" FPHMS	9	-
4122	Package of 1 - Includes Machine Screw	1/2-20 3/4" PPHMS	9	-
325	Package of 2	1/4-20	-	24
425	Package of 2	10-24	-	24

Delayed Egress System

Model No.	Description	List Price
DE5300	Logic Controller *15 Second Release Delay furnished standard	971

REFERENCE NOTES:

- 1) Designed to meet both life safety and security & NFPA 101 for "Special Locking Arrangement" and IBC "Special Egress-Control Devices"
- 2) Release delay over 15 seconds requires a letter of approval from Authority Having Local Jurisdiction. Letter must accompany sales order at time of submission. Order cannot be processed without the letter.
- 3) A complete delayed egress system requires several components that must be ordered separately:
 - a. 24 / 25 Device containing a RX switch option
 - b. Power Supply PS902 minimum recommendation (See Power Supply section for more information)
 - c. Electronic Power Transfer (EPT) or Power Transfer Hinge
 - d. Magnetic Locks – Recommended Schlage electronics M420, M450 or M490 (See Schlage Electronics Security Price Book for more information.)
 - e. 1-1/4" Mortise Cylinder with Straight Cam installed with a compression ring

Shared Components

Shared components will receive the lower discount (ie components shared with Von Duprin will receive the Von Duprin discount instead of the Falcon discount).

Prices subject to change without notice

Numerical Index - Exits

EXITS

Part No.	Page	Part No.	Page	Part No.	Page	Part No.	Page
299.....	203, 235		302, 309	610045.....	255, 263	650201.....	230, 237, 241
525.....	334	060112.....	200, 233	610055.....	198, 207, 303, 309	650202.....	198, 207, 231, 241, 303, 309
582.....	302, 307	060113.....	200, 233, 263	610056.....	231, 241		
583.....	302	060114.....	200, 233, 263	610057.....	198, 211, 213, 231, 243, 245, 303, 312	650210.....	197, 230
584.....	302, 304, 307, 310, 314	060115.....	200, 233			650227.....	197, 203, 205, 209, 215
585.....	302, 304	060116.....	200, 233	610061.....	198, 211, 213, 231, 243, 245, 303, 312	650228.....	197, 203, 205, 209, 215
587.....	302, 307	060117.....	200, 233			650231.....	199, 200, 233
591.....	302, 310	060118.....	200, 233	610070.....	302, 306	650232.....	199
603.....	198, 231	060119.....	200, 233	610480.....	197, 230, 255, 259, 261	650234.....	230
684.....	302, 305, 308, 315	060120.....	200, 233	640001.....	200, 233	650234.....	235
685.....	302, 305	060121.....	200, 233, 303-305, 307, 308, 310, 311, 314, 315	640002.....	200, 233	650235.....	199
687.....	302, 308			650006.....	207, 241, 254, 263, 309, 312	650236.....	230, 237
691.....	302, 311	060122.....	200, 233			650237.....	199
2130.....	207, 211, 243, 263, 309, 312	060123.....	200, 233, 303, 312	650007.....	207, 241, 254, 263, 309, 312	650238.....	230, 239
3518.....	196	060124.....	200, 233			650239.....	197, 203
3519.....	196	060125.....	200, 233	650008.....	207, 241, 254, 263, 309, 312	650240.....	197, 203
3530.....	196	060126.....	200, 233			650242.....	197, 205
3542.....	196	060136.....	232	650017.....	211, 213, 243, 245	650244.....	197, 209
3566.....	302, 307, 308	060137.....	232	650018.....	211, 213, 243, 245	650246.....	197, 215
3722.....	255	090041.....	199	650019.....	211, 213, 243, 245	650247.....	230, 235
3740.....	302, 304, 305	090978.....	239	650106.....	196	650249.....	230, 235
3741.....	302, 304, 305, 307, 308, 310, 311, 314, 315	600078.....	313	650107.....	196	650251.....	230, 237
		600161.....	256	650108.....	196	650253.....	230, 239
3742.....	302, 307, 308, 310, 311	600166.....	256	650113.....	302, 304	650255.....	197, 203
3746.....	302, 304, 305, 307, 308, 310, 311, 314, 315	600173.....	200, 233	650116.....	230	650257.....	197, 205
		600272.....	199	650117.....	230	650259.....	197, 209, 215
3747.....	302, 304, 305, 307, 308, 310, 311, 314, 315	600273.....	199	650119.....	197	650261.....	197, 205, 209, 215
		600274.....	199	650120.....	197	650262.....	197, 205
3749.....	302, 304, 305, 307, 308, 310, 311, 314, 315	600275.....	199	650121.....	230, 235, 237, 239	650263.....	197, 209, 303, 310, 311
		600276.....	199	650122.....	230, 235, 237, 239	650264.....	197, 230
3755.....	302, 306	600277.....	199, 200, 233	650131.....	230	650265.....	197, 230
3767.....	302, 304, 305, 307, 308, 310, 311, 314, 315	600278.....	199, 200, 233	650132.....	230	650266.....	196
		600279.....	199, 200, 233	650133.....	302, 305	650267.....	199, 200, 233
3770.....	302, 304, 305	600280.....	199	650134.....	302, 308	650277.....	200, 233
3775.....	302, 307, 308	600281.....	199	650135.....	197	650278.....	199
3777.....	198, 207, 303, 309	600282.....	199	650136.....	197	650293.....	197, 203, 215
3788.....	207, 241, 263, 309	600283.....	199, 200, 232, 233, 256	650137.....	302, 314	650294.....	197, 200, 203, 204, 209, 214, 230, 233, 235, 237, 239
4067.....	196	600284.....	199	650138.....	302, 315		
4107.....	255, 259, 261	600285.....	199	650139.....	230	650295.....	197, 205, 207
4108.....	255, 259, 261	600286.....	199	650140.....	230	650296.....	197, 211, 213
4120.....	232	600287.....	199	650141.....	302	650297.....	255, 259, 261
4121.....	232	600288.....	199, 232	650142.....	302	650298.....	230, 245
4122.....	259, 261, 313	600289.....	199	650143.....	197	650299.....	197, 211, 213, 302
4188.....	211, 243, 312	600290.....	199	650144.....	197	650300.....	197, 211, 230, 243
4208.....	200, 233	600293.....	199	650145.....	302, 314	650301.....	302
4270.....	232, 256	600294.....	199	650146.....	302, 314	650302.....	230, 235
4286.....	255, 263	600295.....	199	650147.....	195	650303.....	255, 259, 261
4288.....	255, 263	600296.....	199	650148.....	195	650304.....	230, 237, 241
4349.....	232, 256	600297.....	199	650149.....	302, 315	650307.....	255, 259
4400.....	303, 309	600298.....	199, 232	650150.....	302, 315	650308.....	255, 261
4450.....	231, 241	600299.....	199, 232	650151.....	232	650309.....	255, 261
4567.....	198, 211, 231, 243, 303, 312	600300.....	199, 232	650152.....	232	650311.....	198, 200, 207, 231, 233, 241, 303, 309
4694.....	198, 211, 231, 243, 303, 313	600301.....	199, 232	650153.....	232		
4832.....	198, 213, 245, 303, 313	600305.....	197, 200, 203, 205, 209, 215, 230, 233, 235, 237, 239	650154.....	232	650312.....	232
4833.....	198, 213, 231, 245, 303, 313			650157.....	232	650313.....	232
4834.....	198, 213, 231, 245, 303, 313	600307.....	197, 200, 205, 209, 215, 230, 233, 237, 239	650158.....	232	650314.....	232, 256
4835.....	198, 213, 231, 245, 303	600307.....	203, 235	650161.....	232	650315.....	197, 205, 207
5494.....	198, 207, 211, 213, 231, 241, 243, 245, 255, 303	600308.....	197, 200, 205, 209, 215, 233	650162.....	232	650316.....	197, 205, 207
				650165.....	232	650317.....	197, 210, 230, 242, 302, 311
8500.....	215	600309.....	197, 200, 205, 209, 233	650166.....	232	650318.....	197, 211, 230, 243, 302, 310
050054.....	334	600310.....	197, 203, 205, 209, 215, 230, 235, 237, 239	650167.....	195	650320.....	255, 259, 261
050335.....	334			650168.....	195	650323.....	302
050390.....	334	600315.....	256	650169.....	232	650324.....	230, 235
050391.....	334	600319.....	197, 200, 203, 205, 209, 215, 230, 233, 235, 237, 239	650170.....	232	650325.....	230, 237, 241
050392.....	334			650173.....	232	650326.....	230, 244, 245
050526.....	256, 334	600320.....	197, 230	650177.....	232	650327.....	230, 232, 243, 245
050534.....	197, 230	600321.....	197, 230	650178.....	232	650328.....	255, 259
060104.....	334	600335.....	196	650181.....	232	650329.....	255, 259
060105.....	334	600336.....	196	650182.....	232	650330.....	255, 261
060107.....	334	600337.....	199, 232	650185.....	232	650331.....	255, 261
060108.....	334	600339.....	232, 256	650186.....	232	650332.....	302, 307
060109.....	197, 200, 203, 205, 209, 210, 213, 215, 230, 233, 235, 237, 239, 242, 244, 255, 259, 261, 302, 304, 305, 307, 310, 314	600346.....	256	650187.....	230, 235, 237, 239	650333.....	302
		610037.....	303, 312	650188.....	230, 235, 237, 239	650334.....	255
060110.....	255, 259, 261	610042.....	196	650189.....	232	650336.....	198, 207, 231, 241, 303, 304, 309, 314, 315
060111.....	197, 200, 207, 211, 213, 230, 233, 241, 243, 245, 263,	610044.....	302, 304, 305, 307, 310, 314, 315	650190.....	232	650337.....	255, 263
				650191.....	197, 203, 205, 209, 215	650338.....	255
				650192.....	197, 203, 205, 209, 215	650339.....	198, 211, 213, 231, 243, 245, 303, 312

Prices subject to change without notice

Part No.	Page
650343	255, 259, 261
650345	197, 203, 215
650346	197, 211, 230, 243
650348	197, 203, 204, 209, 215, 230, 235, 237, 239
650351	231, 243, 245
650355	256
650356	256
650358	256
650359	195, 197, 230
650360	255, 259, 261
650361	255, 259, 261
650366	232
650371	256
650374	255, 259
650375	198, 207, 231, 241, 255, 303, 309
650376	198, 211, 213
650377	197, 215
650378	197, 215
650381	302
650382	302
650384	255, 259
650385	255, 261
650386	255, 263
650387	198, 207, 231, 241, 255, 263, 303, 309
650388	255, 263
650389	198, 207, 231, 241, 255, 263, 303, 309
650390	255, 261
650391	255, 261
650392	255, 261
650393	255, 261
650398	197, 215
660002	198, 207, 231, 241, 255, 263, 303, 309, 312, 313
660004	303, 309
660025	302, 304, 305, 307, 308, 310, 311, 314, 315
660078	309, 312
660078	303
660136	255
660429	313
660429	303
660439	303, 307, 308
661180	302, 306
661182	303, 306-308
661408	230, 235, 237, 239
661409	230, 235, 237, 239
661412	197, 203, 205, 209, 215
661413	197, 203, 205, 209, 215
661472	196
661473	196
661560	232
661565	256
900409	334
900410	334
900411	334
900413	334
970321	200, 233
971187	334
971212	334
971312	334
971313	334
971328	334
971340	334
3894-000	200, 233
050534-00	274, 281, 285, 331
090978-00	230
110388-00	274, 281, 285, 331
963100-00	321
963128-00	321
969467-89	285
971493-76	280, 285, 331
971585-89	333
971659-79	272
971660-79	272
971687-00	281, 285, 331

Part No.	Page
971974-00	333
4270902121	321
4230100017	321
4270100013	319, 321
4270100017	280, 319, 331
4270100018	280, 319
4270100026	321
4270100075	321
4270100110	321
4270100116	321
4270100130	321
4270100152	321
4270100153	321
4270100172	280, 319
4270100197	280, 319
4270100266	280, 319
4270100299	321
4270100304	325
4270100312	319, 325
4270100346	280, 319, 331
4270100521	275, 280, 319, 331
4270100522	280, 319
4270100582	321
4270100583	321
4270100663	321
4270101482	280, 319, 331
4270101753	321
4270101778	321
4270101782	321
4270101806	275, 280, 319, 331
4270101818	280, 319
4270101819	280, 319
4270101825	280, 319
4270101830	275, 319
4270101831	319
4270101840	325
4270101873	280, 319
4270101874	280, 319
4270102426	280, 319
4270102427	280, 319
4270103324	331
4270105926	275
4270106349	321
4270106632	280, 319
4270106633	280, 319
4270106745	272
4270106769	272
4270106770	269
4270106772	272
4270106773	272, 274
4270106775	275
4270106776	275
4270106782	275
4270106786	269
4270106787	269
4270106796	275
4270106863	269
4270106875	269
4270106888	272
4270106977	272
4270106997	321
4270107027	270
4270107028	270
4270107029	270
4270107031	270
4270107032	270
4270107033	270
4270107034	270
4270107035	270
4270107036	270
4270107038	270
4270107039	270
4270107040	270
4270107046	272
4270107047	272
4270107048	272
4270107060	272
4270107061	272
4270107089	272

Part No.	Page
4270107090	272
4270107091	270
4270107092	270
4270107093	270
4270107095	270
4270107096	270
4270107097	270
4270107176	280, 319, 331
4270107178	280, 319, 331
4270107186	274
4270107188	274
4270107189	274
4270107192	274
4270107193	274
4270107194	274
4270107213	276
4270107214	276
4270107215	276
4270107268	276
4270107270	276
4270107283	276
4270107285	276
4270107286	276
4270107320	269
4270107321	269
4270107322	269, 318
4270107323	269
4270107341	274
4270107342	274
4270107360	274
4270107361	274
4270107363	274
4270107422	272
4270107429	274
4270107430	274
4270107489	335
4270107495	275
4270107497	275
4270107520	272
4270107521	272
4270107587	270
4270107588	270
4270107589	270
4270107591	270
4270107592	270
4270107593	270
4270107603	272
4270107623	274
4270107685	270
4270107686	270
4270107687	270
4270107688	270
4270107689	270
4270107691	270
4270107703	270
4270107704	270
4270107705	270
4270107706	270
4270107707	270
4270107709	270
4270107712	270
4270107713	270
4270107714	270
4270107715	270
4270107716	270
4270107718	270
4270107787	276
4270107791	275
4270107833	276
4270108353	321
4270108426	275
4270108763	274
4270108954	335
4270108999	335
4270109000	335
4270109001	335
4270109003	275
4270109005	276
4270109006	276

Part No.	Page
4270109007	276
4270109009	276
4270109077	275
4270109078	275
4270109142	274
4270109190	276
4270109548	285
4270109630	276
42709000091	320, 327
4270900094	320, 327
4270900095	320, 327
4270902091	321
4270902095	321
4270902125	321
4270902740	327
4270902742	327
4270902743	327
4270902746	327
4270902748	327
4270902749	327
4270902763	326
4270902766	326
4270902767	326
4270902769	326
4270902772	326
4270902773	326
4270902776	320, 326
4270902778	320, 326
4270902779	320, 321, 326
4270902782	320, 326
4270902784	320, 326
4270902785	320, 326
4270902787	320
4270902789	320
4270902790	320
4270902799	320, 326
4270902802	320, 326
4270902803	320, 326
4270902805	320, 326
4270902808	320, 326
4270902809	320, 326
4270902968	325
4270902974	325
4270903177	279, 318, 321, 325
4299100213	321
4299100997	321
4299101020	272
169CA	281
179CA	285
603L	211, 243, 303, 313
603R	211, 243, 303, 313
325 SNB	200, 233
425 SNB	200, 233
299 Strike	200, 233
AXLE.1006	331
AXLE.1007	272
BASEASY.208	274
BASEASY.209	274
BASEASY.210	274
BASEASY.211	274
BASEASY.220	274
BASEASY.221	274
BOLT.1004	280, 331
BRKT.128	280, 285
BRKT.137	331
BRKT.138	279
BRKT.143	331
BRKT.152	333
BRKT.156	281
BRKT.478	279
BRKTASY.101	280, 319
BRKTASY.107	280, 331
BRKTASY.118	333
BRKTASY.155	333
BUMPER.103	269
BUSH.102	279, 318, 325
BUSH.103	319, 325
BUSH.107	275
BUSH.108	321

EXITS

Prices subject to change without notice

Numerical Index - Exits

EXITS

Part No.	Page
BUSH.109	279, 318, 331
CAM.102	279, 318, 325
CAMASY.101	285
CASE.222	320, 326
CASE.223	320, 326
CASE.229	327
CASE.243	327
CBAR.101	320, 327
CBAR.116	320, 327
CBAR.135	320, 327
CHASY.107	332
CHASY.108	332
CHASY.109	332
CHASY.125	332
CHASY.147	332
CHASY.158	332
CHASY.160	332
CHASY.207	332
COVER.113	279
COVER.120	285
COVER.127	331
CTUBE.232	276
ECAP.103	270
ECAP.111	270
ECAP.129	280, 285
ECAP.130	279, 285
ECAP.143	331
EXT.255	270
EXT.256	270
EXT.257	270
EXT.258	270
EXT.259	270
EXT.261	270
EXT.440	332
EXT.445	332
EXT.450	332
EXT.2244	332
EXT.2927	332
EXT.2949	332
EXT.2950	332
EXT.2951	332
EXT.3000	332
EXT.3001	332
EXT.3002	332
EXT.3003	332
EXT.3004	332
EXT.3005	332
EXT.3006	332
EXT.3007	332
EXT.3008	332
EXT.3009	332
EXT.3010	332
EXT.3011	332
EXT.3012	332
EXT.3013	332
EXT.3014	332

Part No.	Page
EXT.3015	332
EXT.3050	332
EXT.3051	332
EXT.3052	332
EXT.3053	332
EXT.3054	332
EXT.3055	332
EXT.3056	332
EXT.3057	332
EXTROD.1001	331
F570	259, 304, 305
F582	302, 308
F583	302, 308
F603	198, 211, 213, 231, 243, 303, 313
GUIDE.101	275
GUIDE.102	275
HOUSING.123	333
HOUSING.124	333
HOUSING.125	333
HOUSING.231	320
KEY.101	319, 325
KEY.102	269
KEY.10020	272, 279, 285, 331
KIT.1008	274
KIT.1009	274
KIT.1010	274
KIT.1011	274
KIT.1012	274
KIT.1013	274
KIT.1128	331
KIT.1156	281
KIT.1157	281
KIT.1197	280, 285, 331
LARM.180	326
LARM.180	320
LARM.188	326
LARM.188	320
LARM.205	326
LARM.216	326
LATCHR.102	274
LBOLT.105	285
LEVER.103	274
LEVER.104	274
LEVER.105	274
NUT.101	275, 280, 319, 331
NUT.103	274
PIN.104	319, 325
PIN.109	280, 319, 331
PIN.110	280, 319, 331
PIN.115	318, 325
PIN.116	325
PIN.128	280, 285, 331
PKG.102	270
PKG.104	270
PKG.105	270

Part No.	Page
PKG.133	285
PKG.134	331
PKG.135	331
PKG.150	279
PKG.151	279
PLUNGER.101	274, 281, 285, 331
RETAIN.101	319
RETAIN.102	319, 325
RETRACT.101	279, 319
RETRACT.102	325
RING.108	321
ROD.1011	331
ROD.1036	331
ROD.1043	331
ROD.1044	331
ROD.1080	331
ROD.1082	331
RODASY.110	275
RODASY.112	275
RODASY.1075	280
RODASY.10001	332
RODASY.10002	332
RODASY.10003	332
RODASY.10004	332
RODASY.10005	332
RODASY.10006	332
RODASY.10007	332
RODASY.10008	332
RODASY.10009	332
RODASY.10010	332
RODASY.10011	332
RODASY.10012	332
RODASY.10013	332
RODASY.10014	332
RRING.102	325
RRING.103	275, 319, 325
RRING.104	272, 274
RRING.105	272, 274, 285
RRING.109	279, 318, 331
SCREW.1012	269
SCREW.1015	318, 325
SCREW.1022	318, 325
SCREW.1025	280, 285
SCREW.1027	318, 325
SCREW.1028	269, 275, 279, 318, 331
SCREW.1029	275, 279, 318, 331
SCREW.1030	319, 325
SCREW.1031	325
SCREW.1032	333
SCREW.1037	280, 319
SCREW.1038	333
SCREW.1039	319, 325
SCREW.1043	272
SCREW.1050	269
SCREW.1053	269
SCREW.1055	269

Part No.	Page
SCREW.1061	274
SCREW.1063	274
SCREW.1065	274
SCREW.1066	269
SCREW.1067	280
SCREW.1068	280
SCREW.1069	279
SCREW.1070	280, 285
SCREW.1072	280
SCREW.1072	285
SCREW.1074	279
SCREW.1075	285
SCREW.1076	280, 319, 331
SCREW.1077	280
SCREW.1077	285, 331
SCREW.1081	280, 319, 331
SCREW.1082	333
SCREW.1083	333
SCREW.1084	333
SCREW.1085	333
SCREW.1088	331
SCREW.1099	276
SCREW.1105	276
SCREW.1114	281, 331
SCREW.1121	281, 285, 331
SCREW.1136	272, 274
SCREW.1141	280, 285, 331
SCREW.1143	269, 280, 285
SCREW.1150	285
SCREW.1282	269
SHIM.112	333
SLIDER.101	285
SOLENOID.142	274
SPACER.107	285
SPRING.103	319, 325
SPRING.104	325
SPRING.105	276
STK70	334
STK150	334
STK170	334
STUD.101	318, 325
SWITCH.1002	274
SWITCH.1004	274
SWITCH.1006	281, 285, 331
WASHER.102	272, 274
WASHER.103	272, 274
WASHER.107	272
WASHER.108	276
WASHER.109	276
WASHER.110	276
WASHER.116	275
WASHER.120	333
WASHER.121	333
WF603	198, 213, 231, 245
WRENCH.101	319, 325

Prices subject to change without notice

General Closer Information	339
Finishes	339
Common Applications	340
Surface Mount	
SC Series Options Overview	341
SC60/SC60A Series (Light-Medium Duty)	342
SC60/SC60A Options and Parts	342
SC70/SC70A Series (Heavy Duty)	343
SC70/SC70A Options and Parts	343
SC80/SC80A Series (Medium Duty)	344
SC80/SC80A Options and Parts	344
SC90/SC90A Series (Light/Residential Duty)	345
SC90/SC90A Options and Parts	345

Concealed	
OHC100A Series	346
OHC100A Options and Parts	346

Auto Operator	
8200 Series	347
8200 Options and Parts	347
8300 Series Actuators & Accessories	348

General Closer Information

Surface Mount SC Series

Certifications and Listings

1. SC60/SC60A, SC70/SC70A and SC80/SC80A Series Closers are certified to meet the requirements of ANSI Standard A156.4, Grade 1.
2. SC90/SC90A Series Closers are certified to meet the requirements of ANSI Standard A156.4, Grade 3.
3. SC60/SC60A, SC70/SC70A, SC80/SC80A, and SC90 Series Closers without hold-open arms are UL10C fire rated.
4. SC61/SC61A, SC71/SC71A, SC81/SC81A, and SC91 Series are designed to meet the American Disabilities Act (ADA) and ANSI A117.1.
5. SC93 (spring size 3) and SC94 (spring size 4) Series do not meet ADA force requirements.

Covers and Hardware:

1. SC80/SC80A Series Closers ship with a standard SLIM cover unless an optional FULL (FC) cover is added to the order line.
2. SC60/SC60A Series Closers ship as LESS cover unless an optional SLIM cover is added to the order line.
3. SC90/SC90A Series Closers ship LESS cover unless an option SLIM cover is added to order line.
4. All SC 60/70/80/90 Series Closers are furnished with a TBWMS fastener pack. ALL SC60A/70A/80A/93A/94A closer series are furnished with TBWMS and Self-Reaming and Tapping Screws.

Master Cartons

1. All SC60, SC80 and SC90 Series Closers are packed with six (6) identical closers per master carton. SC60A and SC80A RWPA are packed with six (6) identical closers per master carton. SC60A and SC80A HWP, DS, DSHO, HD, SS, and SSHO arms are packed 4 per master carton.

Closer Finishes

Finish Code	BHMA	Finish Color Description
MTBK	622	Matte Black
AL	689	Silver Painted (Resembles Aluminum Finish)
DKB	695	Dark Bronze Painted (Spray Duranodic)
BR	696	Brass Painted

- REFERENCE NOTES:**
- 1) OHC100 and OHC101 cylinder and components only available in DKBRZ. VO style arm available in AL or DKBRZ finish.
 - 2) 8200 Series Auto Operator only available in AL.
 - 3) Matte Black finish will not transition to SC60A, SC70A, and SC80A until Q3 2017.

Prices subject to change without notice

2. SC70/SC70A Series Closers are packed with four (4) identical closers per master carton.

Overhead Concealed OHC100A Series

Certifications and Listings

1. OHC100A and OHC101A Series Closers without hold-open option are listed to UL228.
2. OHC101A Series Closers are designed to meet the American Disabilities Act (ADA) and ANSI A117.1.
3. OHC100A Series Closers (spring size 3-5) do not meet ADA force requirements.

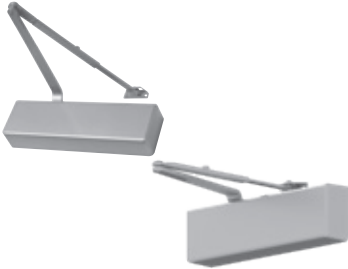




Device Options

1. OHC100A and OHC101A Series Closers are available with 90° or 105° of door swing cylinders.
2. OHC100A and OHC101A Series Closers utilize a 'Hold-Open' feature within the cylinder assembly.
3. 'A' Style arm is an End Load(EL) arm
4. 'S' Style arm is a Side load(SL) arm
5. 'VO' Style is used on doors hung with offset pivots or butt hinges.
6. OHC100A and OHC101A cylinders come standard with DKBRZ finish and components come with AL finish.

Competitive Retrofit

OHC100A Series are a retrofit for the following models; Norton 4900, Jackson 20-330, Global TC7000, International 100 or 200 and the Kawneer Husky II.

Common Applications

	Series	Duty	Applications
	SC70/SC70A Series	Heavy	Commercial / Exterior Door Commercial / Interior Door Aluminum Store Front
	SC80/SC80A Series	Medium	Commercial / Exterior Door Commercial / Interior Door Aluminum Store Front
	SC60/SC60A Series	Light-Medium	Commercial / Exterior Door Commercial / Interior Door Aluminum Store Front
	SC90/SC90A Series	Light	Commercial / Interior Door Aluminum Store Front
	OH100A Series	Medium	Aluminum Store Front Retail

CLOSERS

Prices subject to change without notice

Falcon has several options to meet your unique application and/or installation needs. See the options section on each series page in the Falcon Closer price list for available options by series. Please contact **Falcon Closer Customer Care at (877) 671-7011** for additional information. As always, we appreciate your business!

Cylinder Options

- **STD – Standard Cylinder.** Cylinder will provide consistent door control throughout the opening & closing cycle. Independent backcheck, main speed and latch speed are field adjustable regulation valves and incorporated into the cylinder.
- **DEL – Delay Action Cylinder.** Cylinder will provide consistent door control throughout the opening & closing cycle but includes an extra regulation valve that allows the door to slowly close (delay) as it begins to send the door back to latch (approximately 70°). Independent backcheck, main speed and latch speed are field adjustable regulation valves and incorporated into the cylinder.

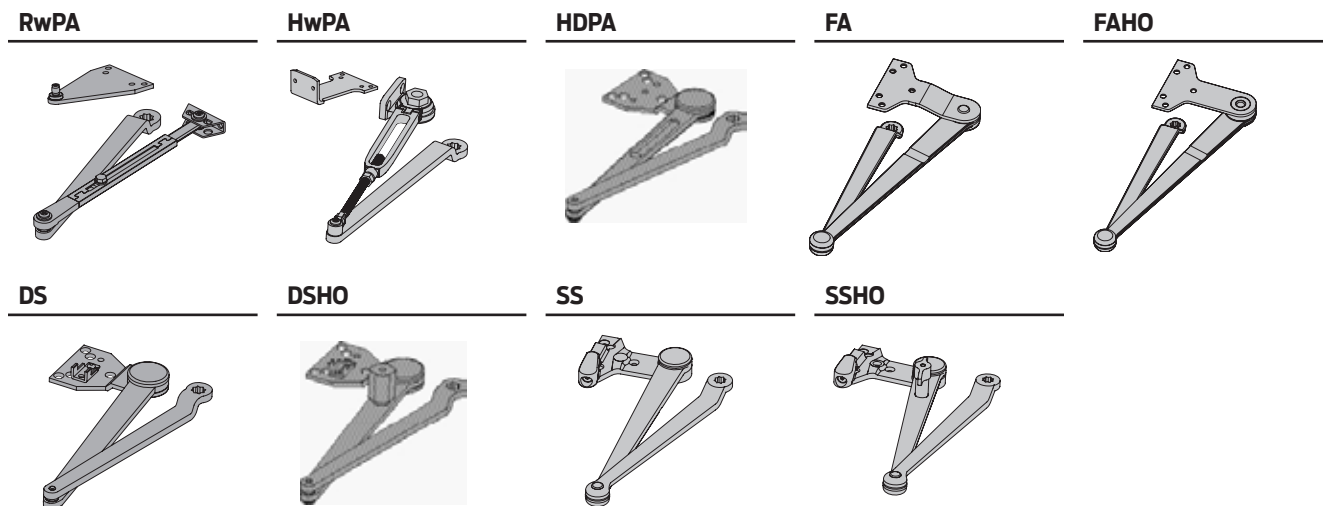
Cover Options

- **STD – Standard Cover.** Cover will enclose the cylinder body with the exception of the unused pinion shaft. A shaft cover will be included to cover the unused pinion shaft.
- **SLIM – Slim Cover.** Cover will enclose the cylinder body with the exception of the unused pinion shaft. A shaft cover will be included to cover the unused pinion shaft.
- **FULL – Full Cover.** Cover will enclose the entire cylinder body, including the unused pinion shaft.

Arm Options

- **Rw/PA – Regular Arm with Parallel Arm Bracket.** Includes adjustable forearm assembly to accommodate a variety of door types and frame conditions. Parallel Arm (PA) bracket allows closer to be installed on the 'push' side of the door in a parallel arm type configuration.
- **Hw/PA – Hold Open Arm with Parallel Arm Bracket.** Includes adjustable forearm assembly to accommodate a variety of door types and frame conditions. Parallel Arm (PA) bracket allows closer to be installed on the 'push' side of the door in a parallel arm type configuration. Hold open function adjustable at the arm shoe.
- **HD/PA – Heavy Duty Arm with Parallel Arm Bracket.** Includes a stamped steel main arm and forearm for added durability in potentially high traffic and/or abusive applications. Parallel Arm (PA) bracket is a permanent feature, installation on 'push' side of the door in a parallel arm type configuration is required.

- **FA – Forged Arm.** Extra heavy duty arm with parallel arm bracket. Includes a forged steel main arm and forearm for maximum durability in high traffic and/or abusive applications. Parallel Arm (PA) bracket is a permanent feature, installation on 'push' side of the door in a parallel arm type configuration is required.
- **FA/HO – Forged Arm with Hold Open.** Extra heavy duty arm with parallel arm bracket that incorporates a hold open feature. Includes a forged steel main arm and forearm for maximum durability in high traffic and/or abusive applications. Parallel Arm (PA) bracket is a permanent feature, installation on 'push' side of the door in a parallel arm type configuration is required.
- **DS – Dead Stop Arm.** Heavy duty arm with parallel arm bracket that incorporates a positive mechanical stop. Includes a stamped steel main arm and forearm for added durability in potentially high traffic and/or abusive applications. Parallel Arm (PA) bracket is a permanent feature, installation on 'push' side of the door in a parallel arm type configuration is required.
- **DS/HO – Dead Stop Arm with Hold Open.** Heavy duty arm with parallel arm bracket that incorporates a positive mechanical stop and hold open feature. Includes a stamped steel main arm and forearm for added durability in potentially high traffic and/or abusive applications. Parallel Arm (PA) bracket is a permanent feature, installation on 'push' side of the door in a parallel arm type configuration is required. Hold open function is manually selected with a 'thumb turn' feature built into the main portion of the arm.
- **SS – Spring-n-Stop Arm.** Extra heavy duty arm with parallel arm bracket that incorporates an integral spring stop. Includes a forged steel main arm and forearm for maximum durability in high traffic and/or abusive applications. Parallel Arm (PA) bracket is a permanent feature, installation on 'push' side of the door in a parallel arm type configuration is required.
- **SS/HO – Spring-n-Stop Arm with Hold Open.** Extra heavy duty arm with parallel arm bracket that incorporates an integral spring stop and hold open feature. Includes a forged steel main arm and forearm for maximum durability in high traffic and/or abusive applications. Parallel Arm (PA) bracket is a permanent feature, installation on 'push' side of the door in a parallel arm type configuration is required.



Fastener Pack Option

- **TBWS – Through Bolt, Wood & Machine Screws.** Fasteners for installation on wood, hollow metal or aluminum store front type doors. Through bolts for installations on 1¾" thick, hollow core doors are included. SC60A/SC70A/SC80A/SC93A/SC94A faster pack will contain TBWS and Self-Reaming and Tapping Screws

ADA Accessibility Requirements

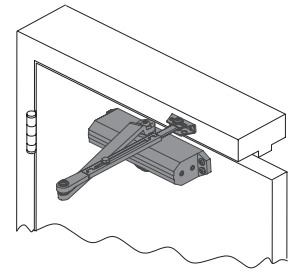
- **Product Information – Closers are preset for standard spring power or can be adjusted in the field to generate the 5lbs. of opening force (36" wide, interior door) requirements for ADA (Sections 4.13.10 and/or 4.13.11) and the ANSI Standard A117.1 (Sections 4.13.10 and/or 4.13.11).**
- **Product Information – Closers installed with the delay (DEL) cylinder option will also comply with the additional advisory suggestions for ADA (Section 4.13.10) and ANSI A117.1 (Section 4.13.10).**

Prices subject to change without notice

SC60/SC60A Series

Light-Medium Duty

Model	Arm Type	Shipping Weight	AL (689) DKB (695) BR (696) MTBK (622) ¹
SC61/SC61A	RwPA	7	166
SC61/SC61A	HwPA	7	189
SC61/SC61A	HDPA ¹	7	189
SC61/SC61A	DS	9	209
SC61/SC61A	DSHO ¹	9	232
SC61/SC61A	SS ¹	9	276
SC61/SC61A	SSHO ¹	9	294



SC60/60A Series

REFERENCE NOTES:

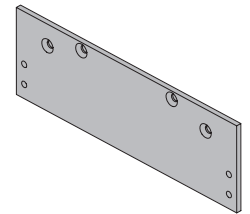
- 1) SC61 HD, DS/HO, SS, and SS/HO arms are not available in matte black. All other matte black will transition to SC60A in Q3 of 2017.
- 2) SC61/SC61A ships standard as LESS cover.
- 3) SC61/SC61A is fully adjustable 1-5

Closer Options

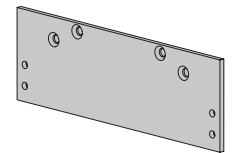
Suffix	Description	List Adder
SLIM	SLIM Cover	15

Closer Parts and Accessories

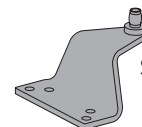
Model	Description	Shipping Weight	List
SC61/SC61A-3071	Standard Cylinder	9	103
SC61-3071DEL	Delay Cylinder ¹	9	137
SC60/SC60A-72	Slim Cover	1	15
SC60/SC60A-3077/PA	Regular Arm w/ PA Bracket	3	64
SC60/SC60A-3049/PA	Hold Open Arm w/ PA Bracket	3	87
SC60/SC60A-3077HD	Heavy Duty Parallel Arm ¹	3	87
SC60/SC60A-3077DS	Dead Stop Parallel Arm	5	106
SC60/SC60A-3049DS	Hold Open Dead Stop Parallel Arm ¹	5	129
SC60/SC60A-3077SS	Spring N Stop Arm ¹	5	173
SC60/SC60A-3049SS	Hold Open Spring N Stop Arm ¹	5	192
SC60/SC60A-18	Mounting Plate - Top Jamb	2	33
SC60/SC60A-18PA	Mounting Plate - Push Side	2	33
SC60/SC60A-30	Cush Shoe Support	1	21
SC60/SC60A-61	Blade Stop Spacer	1	24
SC60/SC60A-62A	Offset Auxiliary Shoe	1	28
043156626427	SC60A Standard Screw Pack AL Finish replacing 42824		10
043156626465	SC60A Standard Screw Pack DKB Finish replacing 42833		10
043156626441	SC60A Standard Screw Pack BR Finish replacing 42840		10
043156626434	SC60A/80A Screw Pack for Affixed Parallel Arm Shoe (AL) - in addition to 043156626427		10
043156626472	SC60A/80A Screw Pack for Affixed Parallel Arm Shoe (DKB) - in addition to 043156626465		10
043156626458	SC60A/80A Screw Pack for Affixed Parallel Arm Shoe (BR) - in addition to 043156626441		10
043156618422	SC60A/80A PINION CAP (AL)		6
043156618446	SC60A/80A PINION CAP (DKB)		6
043156618439	SC60A/80A PINION CAP (BR)		6
43924	SC60/80/90 PINION CAP (MTBK)		6



SC60A-18



SC60A-18PA



SC60A-62A

REFERENCE NOTES:

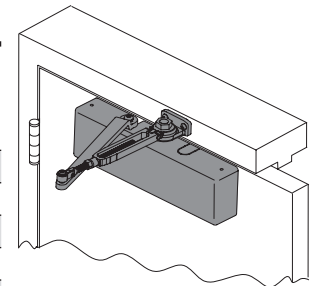
- 1) SC61 delay action, HD, DS/HO, SS, and SS/HO arms are not available in matte black.
- 2) Delay Action will transition to SC61A end of 2017.
- 3) Matte Black finish will transition to SC61A in Q3 2017.
- 4) Matte Black and Dark Bronze Closers share the same screw finish.

Prices subject to change without notice

SC70/SC70A Series

Heavy Duty

Model	Arm Type	Shipping Weight	AL (689) DKB (695) BR (696) MTBK (622) ¹
SC71/SC71A	RwPA	10	306
SC71/SC71A	HwPA	10	327
SC71/SC71A	HDPA	11	327
SC71/SC71A	FA ¹	11	343
SC71/SC71A	FAHO ¹	11	365
SC71/SC71A	DS	11	345
SC71/SC71A	DSHO ¹	12	367
SC71/SC71A	SS ¹	12	408
SC71/SC71A	SSHO ¹	12	425



SC70/SC70A Series

REFERENCE NOTES:

- 1) SC71 FA, FA/HO, DS/HO, SS, and SS/HO are not available in matte black. All other matte black will transition to SC71A in Q3 2017.
- 2) SC71 ships standard with a FULL Cover.
- 3) SC71 is fully adjustable 1-6

Closer Options

Suffix	Description	List Adder
DEL ¹	Delayed Action Cylinder	30

REFERENCE NOTE:

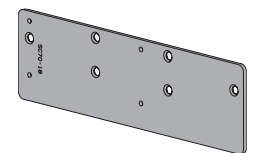
- 1) Delay Action is not available in matte black and will transition to SC71A end of 2017

Closer Parts and Accessories

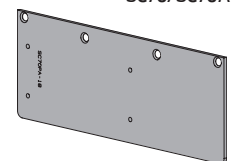
Model	Description	Shipping Weight	List
SC71/SC71A-3071	Standard Cylinder	12	230
SC71/SC71A-3071DEL	Delay Cylinder ¹	12	262
SC70/SC70A-72	FULL Cover	1	16
SC70/SC70A-3077/PA	Regular Arm w/ PA Bracket	3	60
SC70/SC70A-3049/PA	Hold Open Arm w/ PA Bracket	3	81
SC70/SC70A-3077HD	Heavy Duty Parallel Arm	3	81
SC70/SC70A-3077FA	Forged Parallel Arm ¹	3	97
SC70/SC70A-3049FA	Hold Open Forged Parallel Arm ¹	3	119
SC70/SC70A-3077DS	Dead Stop Parallel Arm	5	99
SC70/SC70A-3049DS	Hold Open Dead Stop Parallel Arm ¹	5	121
SC70/SC70A-3077SS	Spring N Stop Arm ¹	5	162
SC70/SC70A-3049SS	Hold Open Spring N Stop Arm ¹	5	179
SC70/SC70A-18	Narrow Frame Back Plate	3	52
SC70/SC70A-18PA	Narrow Top Rail Drop Plate	4	52
SC70/SC70A-30	Cush Shoe Support	1	20
SC70/SC70A-61	Blade Stop Spacer	1	22
SC70/SC70A-62A	Offset Auxiliary Shoe	1	26
42992	SC70 Screw Pack RW/PA and HW/PA Arms (AL)		10
43096	SC70 Screw Pack RW/PA and HW/PA Arms (DRKB)		10
43097	SC70 Screw Pack RW/PA and HW/PA Arms (BR)		10
43065	SC70 Screw Pack for Affixed Parallel Arm Shoe (AL)		10
43100	SC70 Screw Pack for Affixed Parallel Arm Shoe (DRK)		10
43101	SC70 Screw Pack for Affixed Parallel Arm Shoe (BR)		10

REFERENCE NOTE:

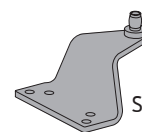
- 1) SC71/SC71A FA, FA/HO, DS/HO, SS, and SS/HO arms are not available in matte black.
- 2) Matte Black will transition to SC71A in Q3 2017.
- 3) Delay Action will transition to SC71A by end of 2017.
- 4) Matte Black and Dark Bronze Closers share the same screw finish.



SC70/SC70A-18



SC70/SC70A-18PA



SC70/SC70A-62A

CLOSERS

Surface Mount / Mechanical

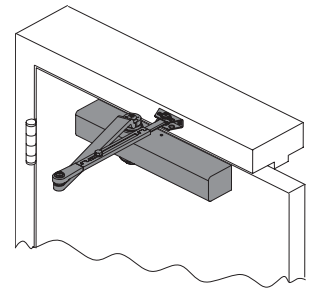
SC70/SC70A

Prices subject to change without notice

SC80/SC80A Series

Medium Duty

Model	Arm Type	Shipping Weight	AL (689) DKB (695) BR (696) MTBK (622) ¹
SC81/SC81A	RwPA	8	195
SC81/SC81A	HwPA	8	216
SC81/SC81A	HDPA ¹	10	216
SC81/SC81A	DS	10	234
SC81/SC81A	DSHO ¹	10	255
SC81/SC81A	SS ¹	10	297
SC81/SC81A	SSHO ¹	10	314



SC80/SC80A
(w/ full cover shown)

REFERENCE NOTES:

- 1) SC81 delay action, HD, DS/HO, SS, and SS/HO arms are not available in matte black. All other matte black will transition to SC81A in Q3 of 2017.
- 2) SC81/SC81A ships standard with a SLIM Cover.
- 3) SC81/SC81A is fully adjustable 1-6

Closer Options

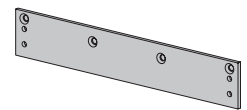
Suffix	Description	List Adder
FC	FULL Cover	5
DEL ¹	Delayed Action Cylinder	30

REFERENCE NOTE:

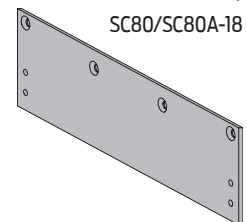
- 1) Delay action is not available in matte black and will transition to SC81A end of Q3 2017.

Closer Parts and Accessories

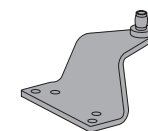
Model	Description	Shipping Weight	List
SC81/SC81A-3071	Standard Cylinder	10	125
SC81-3071DEL	Delay Cylinder ¹	10	157
SC80/SC80A-72	Slim Cover	1	11
SC80/SC81A-72FC	FULL Cover	1	16
SC80/SC81A-3077/PA	Regular Arm w/ PA Bracket	3	60
SC80/SC81A-3049/PA	Hold Open Arm w/ PA Bracket	3	81
SC80/SC81A-3077HD	Heavy Duty Parallel Arm ¹	3	81
SC80/SC81A-3077DS	Dead Stop Parallel Arm	5	99
SC80/SC81A-3049DS	Hold Open Dead Stop Parallel Arm ¹	5	121
SC80/SC81A-3077SS	Spring N Stop Arm ¹	5	162
SC80/SC81A-3049SS	Hold Open Spring N Stop Arm ¹	5	179
SC80/SC81A-18	Mounting Plate - Top Jamb	2	31
SC80/SC81A-18FC	Mounting Plate - Top Jamb for FULL Cover	2	31
SC80/SC81A-18PA	Mounting Plate - PA	2	31
SC80/SC81A-18PAFC	Mounting Plate - PA for FULL Cover	2	31
SC80/SC81A-30	Cush Shoe Support	1	20
SC80/SC81A-61	Blade Stop Spacer	1	22
SC80/SC81A-62A	Offset Auxiliary Shoe	1	26
043156626427	SC80A Standard Screw Pack AL Finish replacing 42824		10
043156626465	SC80A Standard Screw Pack DKB Finish replacing 42833		10
043156626441	SC80A Standard Screw Pack BR Finish replacing 42840		10
043156626434	SC60A/80A Screw Pack for Affixed Parallel Arm Shoe (AL) - in addition to 043156626427		10
043156626472	SC60A/80A Screw Pack for Affixed Parallel Arm Shoe (DKB) - in addition to 043156626465		10
043156626458	SC60A/80A Screw Pack for Affixed Parallel Arm Shoe (BR) - in addition to 043156626441		10
043156618422	SC60A/80A PINION CAP (AL)		6
043156618446	SC60A/80A PINION CAP (DKB)		6
043156618439	SC60A/80A PINION CAP (BR)		6
43924	SC60/80/90 PINION CAP (MTBK)		6



SC80/SC80A-18



SC80/SC80A-18PA



SC80/SC80 A-62A

REFERENCE NOTE:

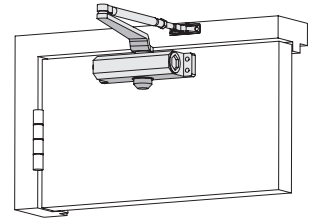
- 1) SC80A delay action, HD, DS/HO, SS, and SS/HO arms are not available in matte black.
- 2) Delay action will transition to SC81A by end of 2017.
- 3) Matte Black finish will transition to SC81A in Q3 2017.
- 4) Matte Black and Dark Bronze Closers share the same screw finish.

Prices subject to change without notice

SC90/SC90A Series

Light- Residential Duty

Model	Arm Type	Size	Shipping Weight	AL (689) DKB (695) BR* (696)
SC91/SC91A	RwPA	1	5	114
SC91/SC91A	HwPA	1	5	135
SC93/SC93A	RwPA	3	5	114
SC93	HwPA	3	5	135
SC94/SC94A	RwPA	4	5	114
SC94	HwPA	4	5	135



SC90/SC90A Series
(SC91 shown)

REFERENCE NOTES:

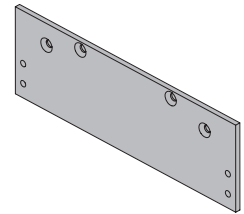
- 1) SC90 series ship standard as LESS Cover.
- 2) *Brass will not be available with SC91A/SC93A/SC94A.
- 3) Less Back Check option is available on SC91 RWPA AL, SC93 RWPA AL, SC94 RWPA AL & DKB at \$10 Less List

Closer Options

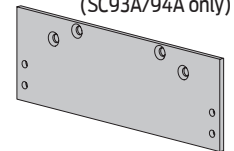
Suffix	Description	List Adder
STD	Standard Cover (Only fits 93 and 94 models)	16

Closer Parts and Accessories

Model	Description	Shipping Weight	List
SC90/SC90A-18	Mounting Plate - Top Jamb	2	31
SC90/SC90A-18PA	Mounting Plate - Push Side	2	31
42901	SC60/80/90 PINION CAP (ALUM)		6
42902	SC60/80/90 PINION CAP (DRKBRZ)		6
42903	SC60/80/90 PINION CAP (BRASS)		6



SC90/SC90A-18
(SC93A/94A only)



SC90/SC90A-18PA
(SC93A/94A only)

CLOSERS

Surface Mount /
Mechanical

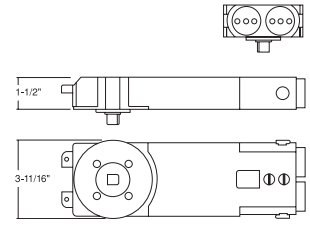
SC90/SC90A

Prices subject to change without notice

OHC100A Series

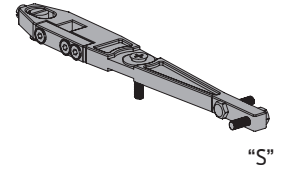
OHC100A Series - Overhead Concealed (90° - without Hold Open)

Model	Door Swing Degree/ Hold Open Option	Arm /Floor Pivot Type	Adjustable Size	Shipping Weight	Standard Finish DKBRZ (695)
OHC100A	SO90 (90° - w/o Hold Open)	EL-DP	3-5	16	297
OHC101A	SO90 (90° - w/o Hold Open)	EL-DP	1-3	16	297
OHC100A	SO90 (90° - w/o Hold Open)	VO*	3-5	16	297
OHC101A	SO90 (90° - w/o Hold Open)	VO*	1-3	16	297
OHC100A	SO90 (90° - w/o Hold Open)	SL/GE	3-5	16	297
OHC101A	SO90 (90° - w/o Hold Open)	SL/GE	1-3	16	297



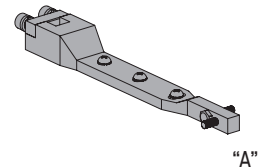
OHC100A Series - Overhead Concealed (90° - with Hold Open)

Model	Door Swing Degree/ Hold Open Option	Arm /Floor Pivot Type	Adjustable Size	Shipping Weight	Standard Finish DKBRZ (695)
OHC100A	HO90 (90° - w/ Hold Open)	EL-DP	3-5	16	297
OHC101A	HO90 (90° - w/ Hold Open)	EL-DP	1-3	16	297
OHC100A	HO90 (90° - w/ Hold Open)	VO*	3-5	16	297
OHC101A	HO90 (90° - w/ Hold Open)	VO*	1-3	16	297
OHC100A	HO90 (90° - w/ Hold Open)	SL/GE	3-5	16	297
OHC101A	HO90 (90° - w/ Hold Open)	SL/GE	1-3	16	297



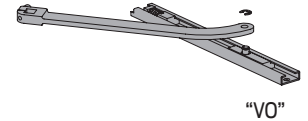
OHC100A Series - Overhead Concealed (105° - without Hold Open)

Model	Door Swing Degree/ Hold Open Option	Arm /Floor Pivot Type	Adjustable Size	Shipping Weight	Standard Finish DKBRZ (695)
OHC100A	S105 (105° - w/o Hold Open)	EL-DP	3-5	16	297
OHC101A	S105 (105° - w/o Hold Open)	EL-DP	1-3	16	297
OHC100A	S105 (105° - w/o Hold Open)	VO*	3-5	16	297
OHC101A	S105 (105° - w/o Hold Open)	VO*	1-3	16	297
OHC100A	S105 (105° - w/o Hold Open)	SL/GE	3-5	16	297
OHC101A	S105 (105° - w/o Hold Open)	SL/GE	1-3	16	297



OHC100A Series - Overhead Concealed (105° - with Hold Open)

Model	Door Swing Degree/ Hold Open Option	Arm /Floor Pivot Type	Adjustable Size	Shipping Weight	Standard Finish DKBRZ (695)
OHC100A	H105 (105° - w/ Hold Open)	EL-DP	3-5	16	297
OHC101A	H105 (105° - w/ Hold Open)	EL-DP	1-3	16	297
OHC100A	H105 (105° - w/ Hold Open)	VO*	3-5	16	297
OHC101A	H105 (105° - w/ Hold Open)	VO*	1-3	16	297
OHC100A	H105 (105° - w/ Hold Open)	SL/GE	3-5	16	297
OHC101A	H105 (105° - w/ Hold Open)	SL/GE	1-3	16	297



REFERENCE NOTES:

- 1) *VO Style offset arm and track available in (AL) (689) or (DKBRZ) (695)
- 2) OHC100A and OHC101A Series Closers utilize a 'Hold-Open' feature within the cylinder assembly.
- 3) OHC100A Series Closers (Sizes 3-5) do not meet ADA force requirements.

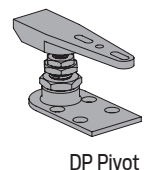
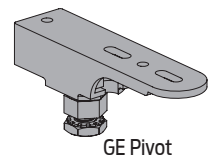
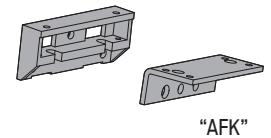
Closer Parts and Accessories

Model	Description	Shipping Weight	AL (689) or DKBRZ (695)
OHC100-S090	Standard 90° Cylinder (Adjustable Sizes 3-5)	12	264.00
OHC101-S090	Standard 90° Cylinder (Adjustable Sizes 1-3)	12	264.00
OHC100-H090	Hold Open 90° Cylinder (Adjustable Sizes 3-5)	12	264.00
OHC101-H090	Hold Open 90° Cylinder (Adjustable Sizes 1-3)	12	264.00
OHC100-S105	Standard 105° Cylinder (Adjustable Sizes 3-5)	12	264.00
OHC101-S105	Standard 105° Cylinder (Adjustable Sizes 1-3)	12	264.00
OHC100-H105	Hold Open 105° Cylinder (Adjustable Sizes 3-5)	12	264.00
OHC101-H105	Hold Open 105° Cylinder (Adjustable Sizes 1-3)	12	264.00
OHC100-AFK	Mounting Bracket & Hardware	1	23.70
OHC100-EL	"A" Style End Load Arm	2	70.00
OHC100-SL	"S" Style Side Load Arm	2	49.40
OHC100-VO*	"VO" Style Offset Arm & Track	4	70.00
OHC100-GE	Center Hung Floor Pivot used with Side Load arm	2	41.20
OHC100-DP	Center Hung Floor Pivot used with End Load arm	2	41.20

* VO Style offset arm and track available in AL(689) or DKBRZ (695).

REFERENCE NOTES:

- 1) OHC100 series cylinder are available only in DKBRZ (695)
- 2) Mounting Bracket/Hardware and Arms are available only in AL (689) with the exception of VO Style.
- 3) *VO style offset arm and track are available in both AL (689) or DKBRZ (695).



Prices subject to change without notice

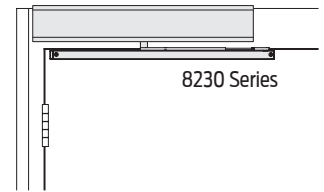
8200 Series

Auto Operator

Model	Description	Shipping Weight	AL (689)
8231	Pull Side (STD)	41	2398

REFERENCE NOTES:

1) Ships with standard 26" length cover.



8230 Series

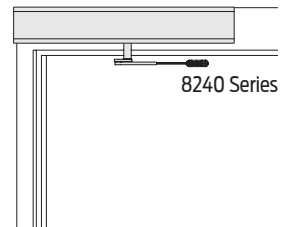
Auto Operator Parts

Model	Description	List
8230-3077T	Standard Arm	142.00
8230-3077PLCM	Standard Arm w/Track	206.00
8230-3038	Track	72.10
8230-72MC	Metal Cover	113.00
8230-MS	Screw Pack	18.50
8230-3018	Mounting Bracket	275.00
8230-3034	Track Roller	19.60
8230-3155	Label Kit	23.70
8230-3454	Motor Gearbox Assembly	1,488.00
8230-3462	Control Box	984.00
8230-3498-2A	A/C Power Cable	39.10

Model	Description	Shipping Weight	AL (689)
8242	Push Side (REG)	41	23.98

REFERENCE NOTES:

1) Ships with standard 26" length cover.



8240 Series

Auto Operator Parts

Model	Description	List
8240-3077	Regular Arm	115.00
8240-72MC	Metal Cover	113.00
8240-MS	Screw Pack	18.50
8240-77	Main Arm	106.00
8240-79	Rod	19.60
8240-3018	Mounting Bracket	275.00
8240-3155	Label Kit	23.70
8240-3454	Motor Gearbox Assembly	1,488.00
8240-3462	Control Box	984.00
8240-3498-2A	A/C Power Cable	39.10

Prices subject to change without notice

8300 Series

8200 Series

Actuators & Accessories

6" Round – Text w/ Logo

Model	Description	List
8310-852T	Push Plate, Wall Mount	273.00
8310-869F	Mounting Box, Flush	166.00
8310-869S	Mounting Box, Surface	166.00
8310-802	Weather Ring	23.70



8310-852T

1 1/2" x 4 3/4" Jamb – Text w/ Logo

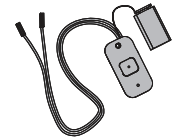
Model	Description	List
8310-818T	Push Plate, Jamb Mount	178.00
8310-819F	Mounting Box, Flush	39.10
8310-819S	Mounting Box, Surface	39.10



8310-818T

Wireless Transmitters & Receiver

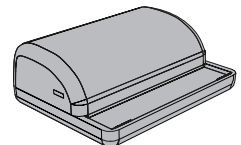
Model	Description	List
8310-844	Transmitter, Wall Mount	202.00
8310-844J	Transmitter, Jamb Mount	202.00
8310-861	Transmitter, Handheld	202.00
8310-865	Receiver	213.00



8310-844

REFERENCE NOTES:

1) Additional actuators and accessories are available through LCN - please see the LCN Price List.



8310-865

Prices subject to change without notice

Standard Features

- UL294 Listed for Access Control
 - Class 2 rated power limited output*
 - Universal 120-240 VAC input
 - Regulated and filtered DC outputs
 - AC input, battery and DC output LED indications
 - Plug and play connectors for optional distribution boards
 - AC input status indication on outside cover
 - AC monitoring
 - 14"H x 12"W x 4"D enclosure
- * PS906 is Class 2 when used with 900-8P option board

1. Select Power Supply

Model No.	Description	List Price
PS902	Base Power Supply (2A @ 12/24 VDC- field selectable) (approx. weight: 9 lbs) -PS902 is able to accept a total of one optional distribution board, plus one fire alarm relay along with one battery backup board and up to two 7A/hr batteries	252.00
PS904	Base Power Supply (4A @ 12/24 VDC- field selectable) (approx. weight: 11 lbs) - PS904 is able to accept a total of two optional distribution boards, plus one battery backup board and up to two 7A/hr batteries	477.00
PS906	Base Power Supply (6A @ 12/24 VDC- field selectable) (approx. weight: 7 lbs) - PS906 is able to accept a total of three optional distribution boards or two optional boards with battery backup board and two 7A/hr batteries	738.00
PS914	Base Power Supply (4A w/ 16A inrush @ 12/24 VDC- field selectable) (approx. weight: 9 lbs) - PS914 is able to accept a total of two optional boards, plus one battery backup board and two 7A/hr batteries	722.00
PS914RFK	The PS914RFK allows the retrofit of the PS914 into an existing PS873 cabinet.	846.00
BAA	Buy America Act compliant power supply option will be labeled as "Assembled in the U.S.A. with U.S. and foreign materials"	39.00

FALCON "EL" devices require the PS914 to operate.

When specifying PS914 power supply for use with "EL" Electric Latch Retraction devices, the 2RS is furnished when board option not specified.

2. Select Optional Distribution Board with or without FA (Fire Alarm Relay)

Model No.	Description	Part #	List Price
900-4R	Independently controlled relays	44489912-00	170.00
900-4R-FA	Independently controlled relays with FA		232.00
900-2RS	2 Relay board output	44489896-00	173.00
900-2RS-FA	2 Relay board output with FA		235.00
900-4RL	4 Relay board integrated logic for controlling security interlocks, auto operators and time delays	44489920-00	467.00
900-4RL-FA	4 Relay board integrated logic for controlling security interlocks, auto operators and time delays with FA		529.00
900-8F	8 fuse protected outputs	44489946-00	62.00
900-8F-FA	8 fuse protected outputs with FA		124.00
900-8P	8 PTC protected outputs	44489938-00	62.00
900-8P-FA	8 PTC protected outputs with FA		124.00
900-BBK	Battery Backup Kit (includes two 7A/hr batteries)	44489961-00	244.00
900-BB	Battery Backup Board Only (sold separately)	44489953-00	122.00
900-BAT	Batteries Only (two 7A/hr batteries, sold separately)	44487155-00	122.00

* For field installation, use model number. Example: 900-2RS.

3. Select Other Power Supply Options

Model No.	Description	Part #	List Price
900-FA	Fire Alarm Relay (EIR) module is a plug-in relay to provide an interface with fire or other emergency override systems PS902; may be installed directly on power supply or may be used with optional distribution boards PS904/PS906/PS914; must be used with optional distribution boards. If an optional board is not listed the 900-8F-FA will be provided.	44487247-00	62.00
900-KL	Key Lock Cover (not available with BAA)	44486850-00	39.00

NOTES:

- 1) PS902, PS904, PS 906 and PS914 power supplies require connection to AC line voltage. Installation and all electrical connections (high and low voltage) should be performed by a qualified electrical contractor.
- 2) Power Supplies and Power Supply Options are not subject to standard discount terms.

Prices subject to change without notice

Power Transfers

Electric Power Transfers

Model No.	Description	SP28	SP313	Weight lbs
EPT 2	Two 18 gauge wires	471	471	2.5
EPT 10	Ten 24 gauge wires	499	499	2.5

NOTE:
Electric Power Transfers are not subject to standard discount terms.

EPT Options

Suffix	Description	List Add
CON	Cross-category solution using common interconnect components for electrified options. Available on the EPT10. Specify CON. See wire harness options in below Allegion Connect table.	\$11.00
BAA	"Buy America Act" compliant EPT option - No additional charge will be labeled as "Assembled in the U.S.A. with U.S. and foreign materials"	N/C

Allegion Connect Harnesses - Prices listed are net, discounting does not apply

Part Number	Description	Price Each
Harnesses with Molex Connectors on both ends (for use with Hollow Metal Doors)		
CON-6	6" Wire Harness (internal p/n 106190-00)	\$10.50
CON-12	12" Wire Harness (internal p/n 106191-00)	14.00
CON-26	26" Wire Harness (internal p/n 106192-00)	15.80
CON-32	32" Wire Harness (internal p/n 106193-00)	16.90
CON-38	38" Wire Harness (internal p/n 106194-00)	18.50
CON-44	44" Wire Harness (internal p/n 106195-00)	18.00
CON-50	50" Wire Harness (internal p/n 106196-00)	18.50
CON-192	192" Wire Harness (internal p/n 106197-00)	44.20
Harnesses with Molex Connector on one end, crimped pins on other w/ attachable Molex connector (for use with Wood Doors)		
CON-6P	6" Wire Harness (internal p/n 106201-00)	\$13.40
CON-12P	12" Wire Harness (internal p/n 106202-00)	16.90
CON-26P	26" Wire Harness (internal p/n 106203-00)	18.50
CON-32P	32" Wire Harness (internal p/n 106204-00)	19.80
CON-38P	38" Wire Harness (internal p/n 106205-00)	20.30
CON-44P	44" Wire Harness (internal p/n 106206-00)	20.90
CON-50P	50" Wire Harness (internal p/n 106207-00)	21.50
CON-192P	192" Wire Harness (internal p/n 106208-00)	46.50
Harness with Molex Connector on one end, stripped leads on other (for connection to power supply)		
CON-6W	6" extension to power supply (internal p/n 106210-00)	\$13.40
Service Kit		
CON-KIT	Connector Service Kit (internal p/n 050823-00) contains: -100 each male & female terminals -10 each 4-pin and 8-pin male connectors -10 each 4-pin and 8-pin female connectors - 1 extraction tool"	\$111.00

Prices subject to change without notice

WARRANTY

FALCON

Warranty

Falcon Door Hardware warrants its mechanical offering of locks, exit devices and door controls products manufactured to be free from defects in materials and workmanship for a period of **TEN (10) YEARS** from the date of manufacture with the exception of the products detailed in the table below. The terms and conditions of this new warranty apply to Falcon Door Hardware shipments made on or after November 1st, 2008.

This limited warranty does not cover products that (i) are not the proper size for the application; (ii) are not installed in accordance with Falcon's published installation instructions; (iii) are installed with improper or incorrect parts; (iv) have been modified, repaired, or altered in any way without the express written consent of Falcon; (v) are used for purposes which they are not designed or intended; (vi) are subjected to misuse, abuse, negligence, or accident; or (vii) are grade 2 products used in educational facilities and student housing. The following costs and expenses are not covered by the provisions of this limited warranty; (i) labor costs for the removal and reinstallation of products; (ii) shipping and freight expenses required to return products to Falcon; (iii) normal maintenance; and (iv) economic losses. **THE PREVISIONS OF THIS WARRANTY DO NOT APPLY TO FINISHES.**

Falcon will replace the products that are found to be defective, provided said products are returned to Falcon within fifteen (15) days of defect.

FALCON SHALL IN NO EVENT BE LIABLE FOR ANY INCIDENTAL, CONSEQUENTIAL, INDIRECT, SPECIAL, OR PUNITIVE DAMAGES FOR ANY CLAIM WHETHER BASED ON CONTRACT; WARRANTY, TORT (INCLUDING, BUT NOT LIMITED TO, STRICT LIABILITY OR NEGLIGENCE), PATENT INFRINGEMENT, OR OTHERWISE, EVEN IF ADVISED OF THE POSSIBILITY OF SUCH DAMAGES.

This limited warranty replaces all other warranties, expressed or implied, and excludes any warranties of fitness for a particular purpose or merchantability. No agent, representative, dealer, or employee of Falcon has the authority to increase or alter the obligations of this limited warranty.

Note: Should the Product be considered a "consumer product" as may be covered by the Magnuson-Moss Federal Warranty Act, please be advised that: (1) Some states do not allow limitations on incidental or consequential damages or how long an implied warranty lasts, so that the above limitations may not fully apply; and (2) This warranty gives specific legal rights and a user may have rights which may vary from state to state.

PRODUCT EXCEPTION	WARRANTY
OHC100A CONCEALED CLOSERS	5 YEARS
8200 AUTOMATIC OPERATOR	1 YEAR
ELECTRONICS/ELECTRIFIED	1 YEAR

About Allegion

Allegion (NYSE: ALLE) creates peace of mind by pioneering safety and security. As a \$2 billion provider of security solutions for homes and businesses, Allegion employs more than 8,000 people and sells products in more than 120 countries across the world. Allegion comprises 27 global brands, including strategic brands CISA®, Interflex®, LCN®, Schlage® and Von Duprin®.

For more, visit www.allegion.com

KRYPTONITE ■ LCN ■  ■ STEELCRAFT ■ VON DUPRIN