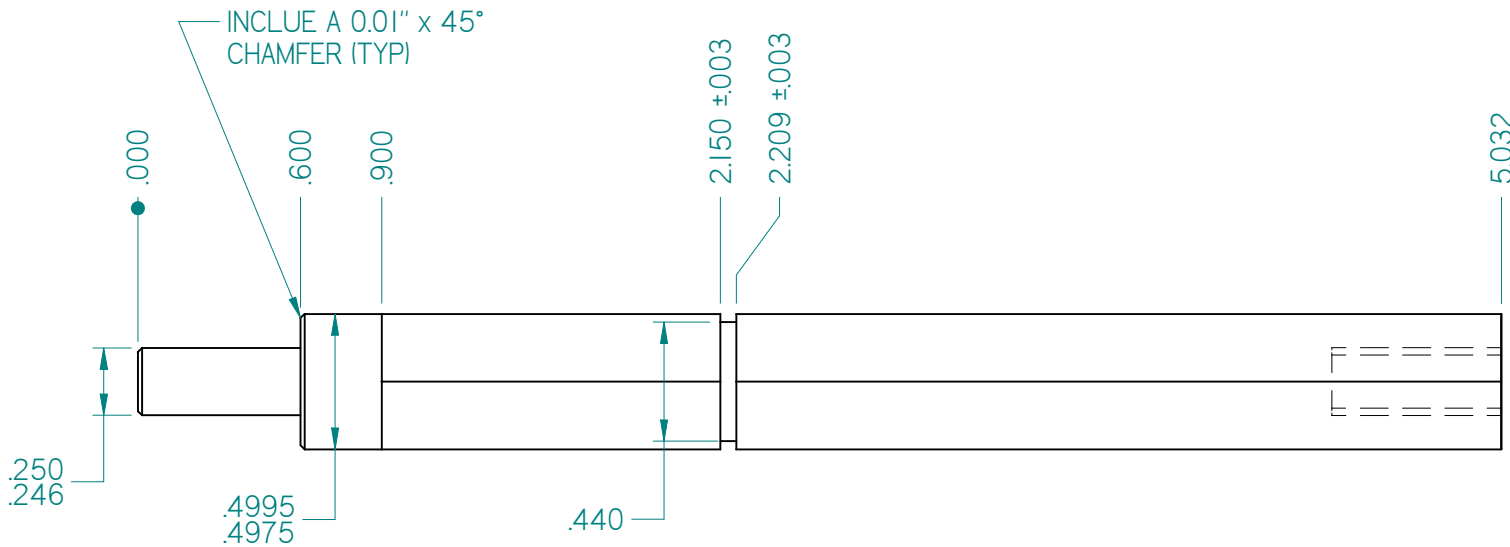
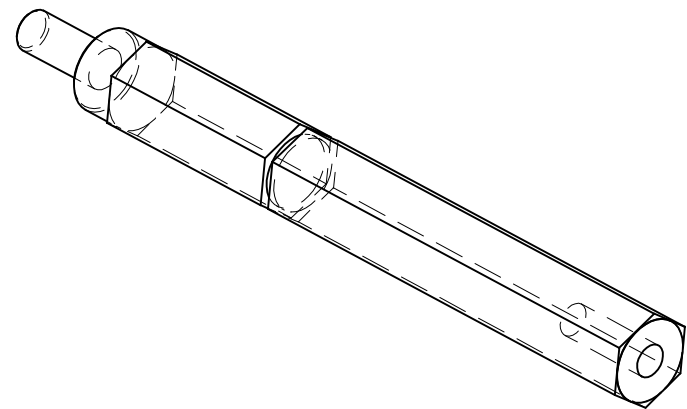
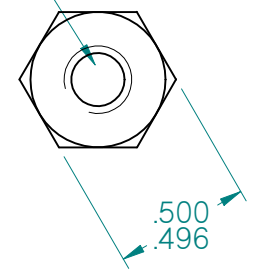


REVISION HISTORY			
REV	DESCRIPTION	DATE	APPROVED



DRILL & TAP 1/2" DEEP FOR 1/4-20 SCREW



Material: 2024 T351 Aluminum
 Qty. per gearbox: 1
 Finish: Tumble

AndyMark.biz

DRAWN	NAME	DATE	SOLID EDGE	
CHECKED	Andy Baker	11/19/09	EDS-PLM SOLUTIONS	
ENG APPR			TITLE	
MGR APPR			Hex SS Wheel Shaft	
UNLESS OTHERWISE SPECIFIED DIMENSIONS ARE IN INCHES ANGLES ±0.5°			SIZE	REV
2 PL ±0.01 3 PL ±0.005			AZ	1
			FILE NAME: super_d16.dft	
SCALE:		WEIGHT:	SHEET 1 OF 1	