

OFFICE PARTITIONS

DOORS, FRAMES, AND ACCESSORIES

CAT. NO. **0P15**

08 1100
METAL DOORS
AND FRAMES

08 1416
FLUSH WOOD
DOORS

08 3200
SLIDING GLASS
DOORS

08 4200
ENTRANCES

10 2200
PARTITIONS



- 487 Series Aluminum Office Partitions
- Wide Stile Aluminum Doors
- Wood Flush Doors
- Door Hardware
- Frameless Glass Partitions
- Area Divider Systems
- Door Pull Handles

- Ladder Pulls
- Locking Ladder Pulls
- Center Locks
- CRL-Blumcraft® Access Control Handles
- Monterey Bi-Folding Door and Wall System
- Stacking Glass Partitions
- Sliding Door Systems



C.R. LAURENCE COMPANY

Worldwide Manufacturer and Supplier

Glazing, Architectural, Railing, Screen, Construction, Industrial, and Automotive Supplies

crlaurence.com

usalum.com

crl-arch.com

A LETTER FROM THE PRESIDENT

C.R. Laurence (CRL) has long been committed to providing architects, designers, and contractors with quality architectural and glazing hardware for commercial, institutional, and residential projects. From schools and universities to office buildings, plus everything in between, CRL provides nothing but the best products for your current and future projects. Our products are thoroughly tested in our ISO 9001:2008 certified facilities with advanced manufacturing technologies and techniques to ensure they meet CRL's highest level of quality.

Our U.S. Aluminum Division is introducing a new system of Office Partitions that provide highly effective solutions for office settings. These Office Partitions present many ways to redesign and structure office spaces in a way that will increase circulation, efficiency, and privacy, that in turn will decrease excess noise levels. In addition to their functional aspects, they enhance and transform outdated interiors into modern office environments that encourage improved productivity.

CRL-U.S. Aluminum Office Partitions are available in several striking configurations that serve a host of different needs. Our new Office Partitions are versatile, polished designs that deliver cost savings in the form of a more transparent wall and door system. CRL-U.S. Aluminum Office Partitions can also form office area dividers, interior offices, conference room walls, office entrances, and hallways.

We've expanded manufacturing and warehouse capacities to ensure stock inventories of popular configurations of CRL-U.S. Aluminum Office Partitions in order to meet quick project deadlines. For special orders we maintain short lead times as well. Ultimately, CRL-U.S. Aluminum's combination of modern aesthetics and durable construction makes it easy for you to find the CRL-U.S. Aluminum Office Partition System that will best suit your interior office projects.



A handwritten signature in black ink, appearing to read 'Lloyd W. Talbert'.

Lloyd W. Talbert

President and C.O.O.
C.R. Laurence Co., Inc.



The logo for CRL U.S. ALUMINUM. The letters 'CRL' are in a large, bold, blue font with a registered trademark symbol. Below it, 'U.S. ALUMINUM' is written in a smaller, blue, sans-serif font.

BLUMCRAFT®
A DIVISION OF C.R. LAURENCE CO., INC.

The logo for Jackson CRL. The word 'jackson' is in a bold, lowercase, sans-serif font. To its right is a stylized icon of a square with an arrow pointing left. Below 'jackson' is the word 'CRL' in a large, bold, uppercase, sans-serif font. Underneath 'CRL' is the website address 'crlaurence.com' in a smaller font.



487 SERIES ALUMINUM OFFICE PARTITIONS	Pages 102X - 121X
550 SERIES WIDE STILE ALUMINUM DOORS	Pages 122X - 126X
WOOD FLUSH DOORS	Pages 127X - 129X
FRAME AND DOOR QUOTE/ORDER REQUEST FORMS ...	Pages 130X - 132X
DOOR HARDWARE	Pages 133X - 153X
FRAMELESS GLASS OFFICE PARTITIONS	Pages 154X - 160X
AREA DIVIDER SYSTEMS	Page 161X
EZ GLAZE SOUNDSTRIP	Page 162X
NARROW OFFICE FRONT JAMBS AND VERTICAL MULLIONS	Page 163X
PLATINUM SERIES FULL FRAMED DOORS	Pages 164X - 165X
'ALL-GLASS' DOOR PIVOTS AND HINGES	Pages 166X - 170X
DOOR PULL HANDLES	Page 171X
LADDER PULL HANDLES	Page 172X
LOCKING LADDER PULL HANDLES	Page 173X
GLASS DOOR CENTER LOCKS	Page 174X
LEVER LOCK HOUSINGS	Page 175X
CRL-BLUMCRAFT ACCESS CONTROL HANDLES	Pages 176X - 177X
MONTEREY BI-FOLDING DOOR AND WALL SYSTEM	Pages 178X - 179X
STACKING GLASS PARTITIONS	Page 180X
SLIDING DOOR SYSTEMS	Pages 181X - 190X
CRL MANUFACTURING	Page 191X
CRL CUSTOMER SERVICES	Pages 192X - 194X
CRL ONLINE SERVICES	Pages 195X - 196X
CRL LITERATURE	Pages 197X - 198X
CRL STOREFRONTS ONLINE	Page 199X
CRL TECHNICAL SALES CONTACTS	Pages 201X - 203X

CRL 487 Series Office Partitions

- Single and Double Door Frames Designed to Wrap 4-7/8" (124 mm) Walls
- Screw Spline or Clip Joinery
- 1-1/2" (38.1 mm) Face Trim
- Aluminum and Wood Doors Available
- Sliding Aluminum Doors and Sliding Wood Door Kits Optional
- Accepts 1/4", 3/8", 1/2", and 9/16" (6, 10, 12, and 14 mm) Glazing
- Several Stock Finishes Available, With Custom Finishes on Request
- 20-Minute and 90-Minute Labeled Frames Available



- **Contributes to LEED® Certification Ratings**
- **Available in Individual Stock Lengths or Convenient Door Frame Kits (see page 121X)**

We have involved all our resources to develop a product line that our customers, architects, and designers will come to trust as a viable solution to their interior office design needs. Use our 487 Series Office Partition Frames for sidelites to doors, clerestory lites, borrowed lites, or continuous glass walls. A great way to divide interior office space and provide acoustical privacy, all while allowing desirable light to enter the indoor spaces and qualify for LEED® (Leadership in Energy and Environment Design) Green Building Rating System™ credit.

CRL-U.S. Aluminum offers a variety of Office Partition Hardware to make state-of-the-art interior office systems available to the glazing industry. Our commitment to our customers is to carry sufficient inventories of popular stock items, and provide short lead times for special orders. It is a total program that will allow your entry into the Interior Office Front Systems market.

For additional information, contact U.S. Aluminum Technical Sales at (800) 262-5151 in the U.S. and Canada, and ask for Ext. 5305. You can also email us through our web site at usalum.com.

LEED is a registered trademark of U.S. Green Building Council.



CRL 487 Series Office Partition System Specifications

SECTION 08 11 16 ALUMINUM DOORS AND FRAMES

SERIES	FACE WIDTH	OVERALL DEPTH	GLAZING INFILLS	APPLICATION
487	1-1/2" (38.1 mm)	5-11/16" (144.4 mm)	1/4", 3/8", 1/2" or 9/16" (6, 10, 12 or 14 mm)	Interior Office Partitions

I. GENERAL DESCRIPTION

Work Included: Furnish all necessary materials, labor, and equipment for the complete installation of Office Partition Framing as shown on the drawings and specified herein. *(Specifier Note: It is suggested that related items such as aluminum and wood entrance doors, glass, and sealants be included whenever possible).*

Work Not Included: Structural support of the framing system, wood framing, structural steel, and masonry.

(Specifier list other exclusions).

Related Work Specified Elsewhere: *(Specifier list).*

QUALITY ASSURANCE

Drawings and specifications are based on the 487 Series Office Partition System as manufactured by U.S. Aluminum. When substitute products are to be considered, supporting technical literature, samples, drawings, and performance data must be submitted 10 days prior to bid date in order to make a valid comparison of the products involved. Test reports certified by an independent test laboratory must be made available upon request.

II. PRODUCTS MATERIALS

Extrusions shall be 6063-T5 alloy and temper (ASTM B221 alloy T5 temper) with fixed throat frames to accommodate wall thickness of 4-7/8" (124 mm). Fasteners, where exposed, shall be aluminum, stainless steel or zinc plated steel in accordance with ASTM A 164. Perimeter anchors shall be aluminum

or steel, providing the steel is properly isolated from the aluminum. Glazing gaskets for non-rated frames shall be a flexible vinyl, and for rated frames shall be an elastomeric silicone.

FINISH

All exposed framing surfaces shall be free of scratches and other serious blemishes. Aluminum extrusions shall be given a caustic etch followed by an anodic oxide treatment to obtain...

(Specify one of the following):

- _____ #11 Clear anodic coating
- _____ #22 Dark Bronze anodic coating
- _____ #33 Black anodic coating

A Fluoropolymer paint coating conforming with the requirements of AAMA 2605. Color shall be *(Specify a U.S. Aluminum standard color).*

FABRICATION

The framing system shall provide for flush glazing on all sides with no projecting stops. Vertical and horizontal framing members shall have a nominal face dimension of 1-1/2" (38.1 mm). Overall depth shall be 5-11/16" (144.4 mm). Entrance framing members shall be compatible with glass framing in appearance.

III. EXECUTION INSTALLATION

All items under this heading shall be set in their correct locations as shown in the details and shall be level, square, plumb, at proper elevation, and in alignment with other work in accordance with the manufacturer's installation instructions and approved shop drawings. Upon completion of

the installation of the 487 Series Office Partition, it shall be the contractor's responsibility to make all necessary final adjustments to attain normal operation.

PROTECTION AND CLEANING

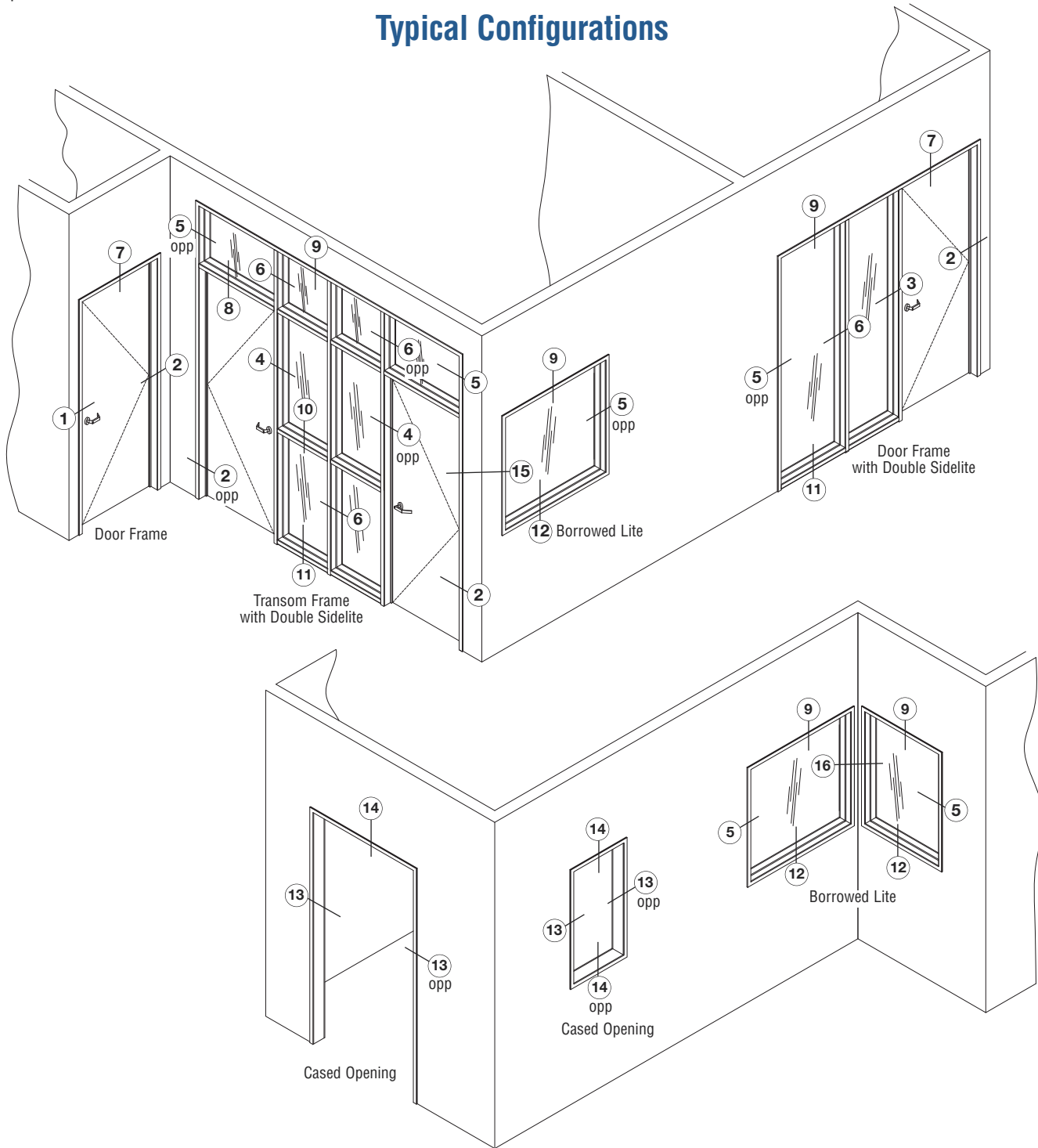
After installation the General Contractor shall adequately protect exposed portions of all aluminum surfaces from damage by grinding and polishing compounds, plaster, lime, acid, cement or other contaminants. The General Contractor shall be responsible for final cleaning.

CRL 487 Series Office Partition System With Wood Flush Doors



Our 487 Series Office Partition System can be configured in a variety of ways. See pages 105X through 108X for details. You can also find these details in CAD and .pdf formats on our web site usalum.com.

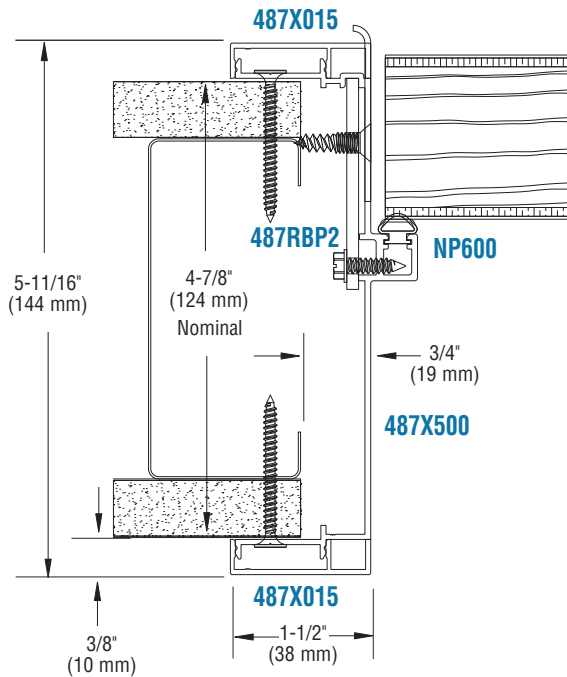
Typical Configurations



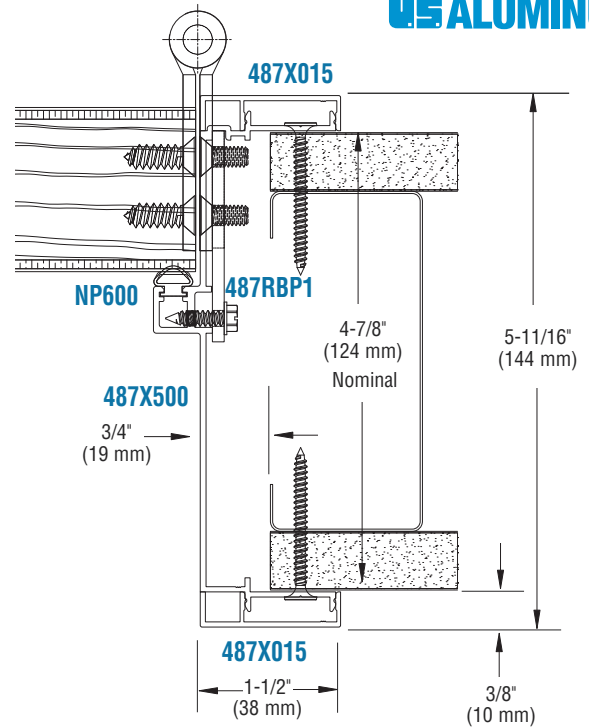


CRL 487 Series Office Partition System With Wood Flush Doors

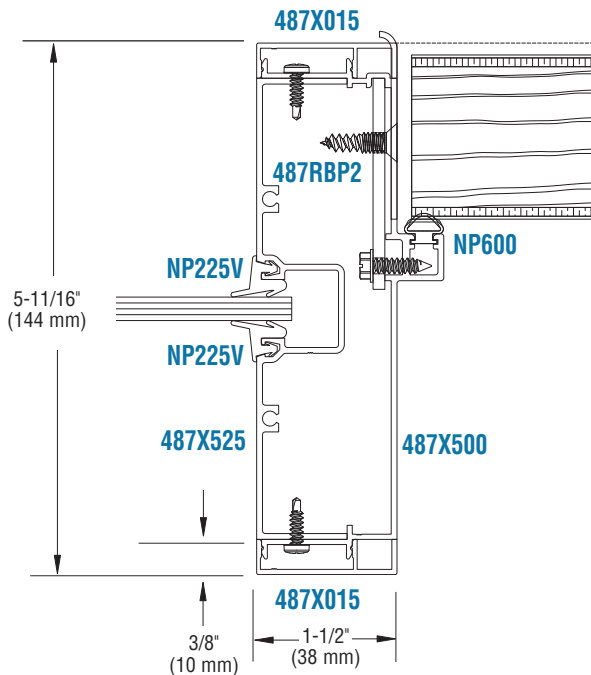
Typical Details



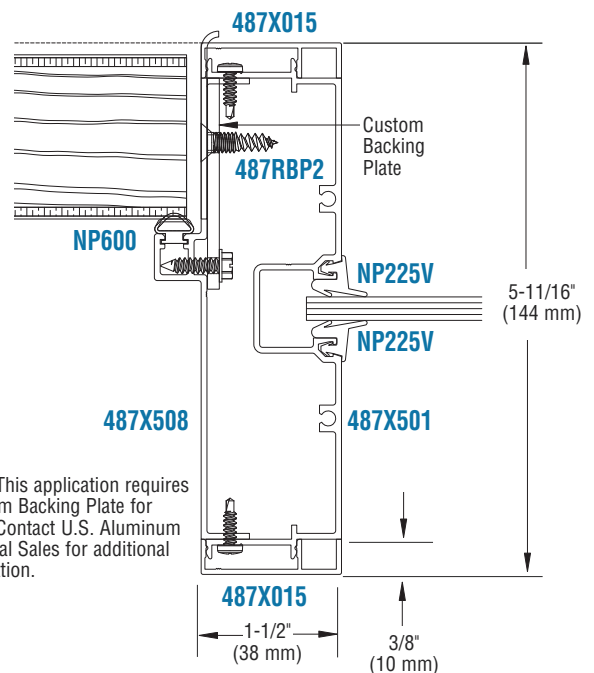
① Strike Jamb



② Hinge Jamb



③ Strike Jamb with Sidelite



④ Strike Jamb with Sidelite/Transom

NOTE: This application requires a custom Backing Plate for Strike. Contact U.S. Aluminum Technical Sales for additional information.

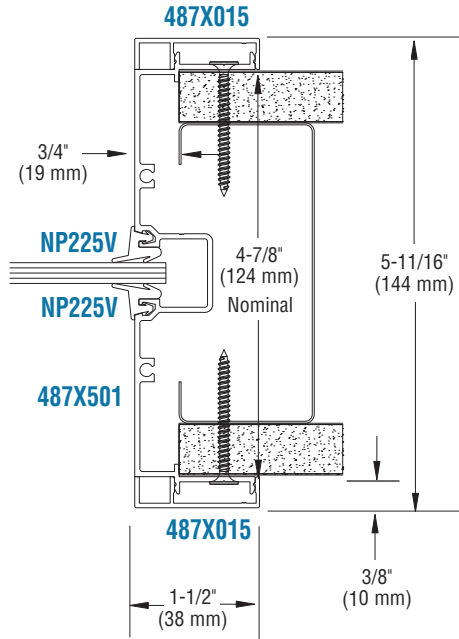
NOT TO SCALE



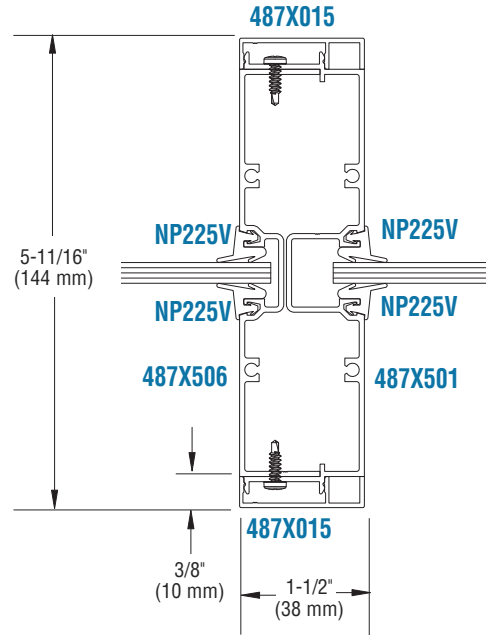
CRL 487 Series Office Partition System With Wood Flush Doors



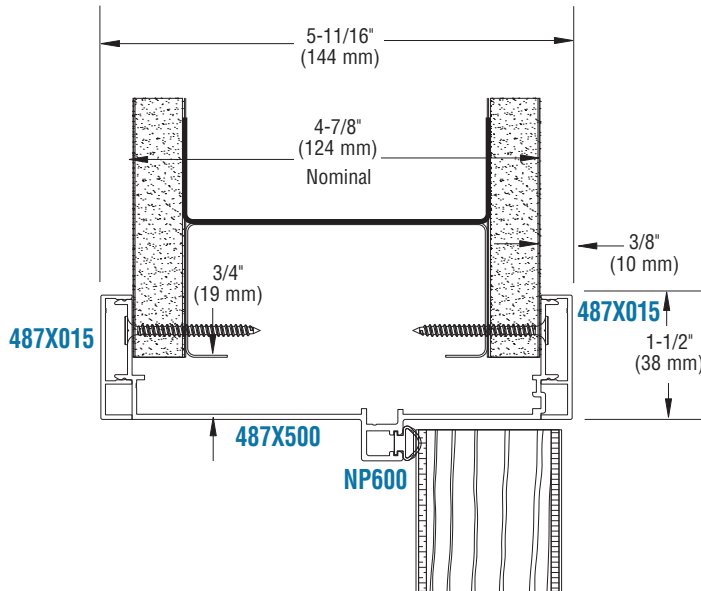
Typical Details



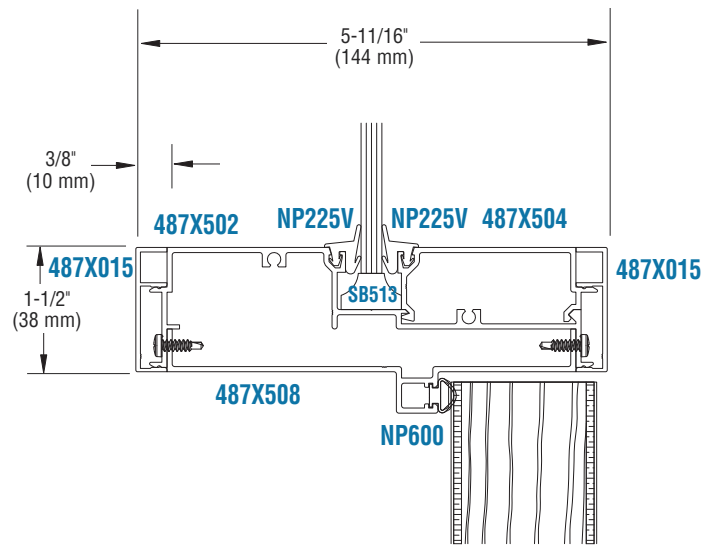
⑤ Wall Jamb



⑥ Intermediate Vertical



⑦ Door Header

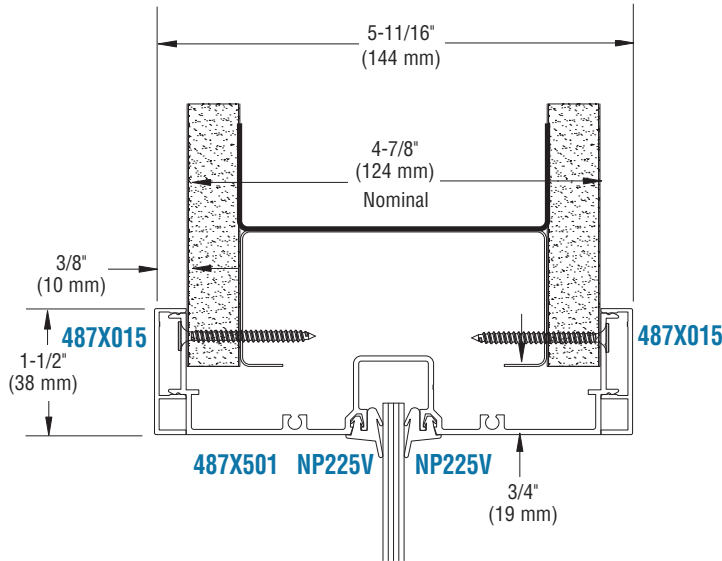


⑧ Door Header with Transom

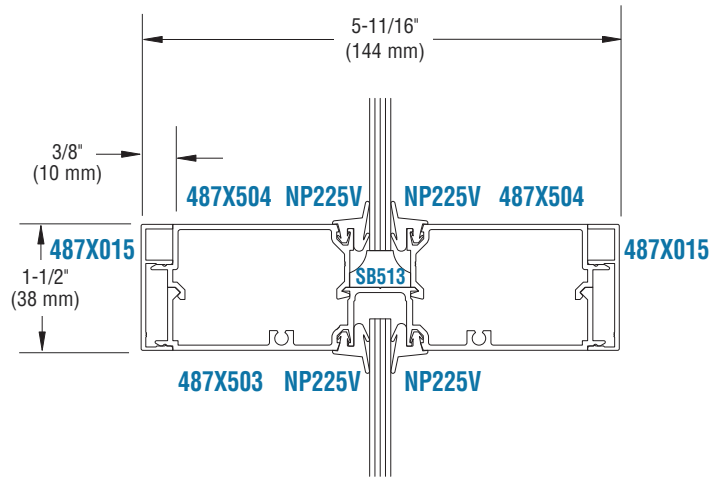
NOT TO SCALE



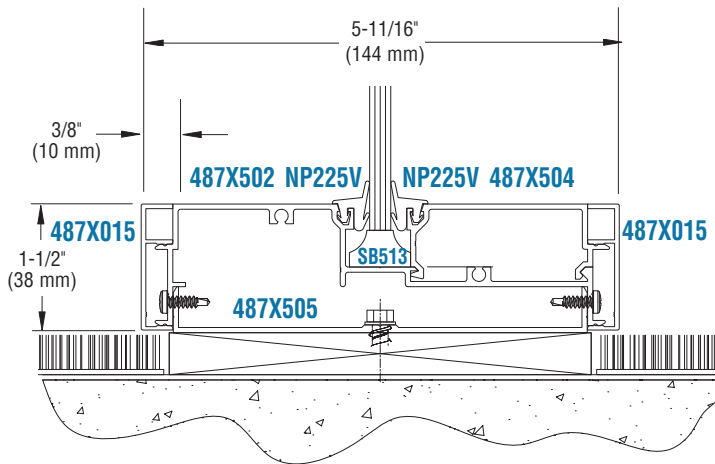
CRL 487 Series Office Partition System Typical Details



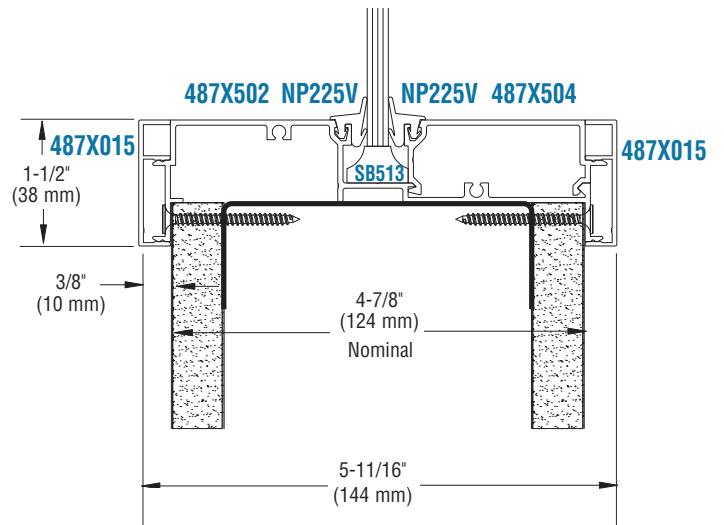
9 Fixed Glazing Header



10 Intermediate Horizontal



11 Fixed Glazing Sill at Floor



12 Borrowed Lite Sill

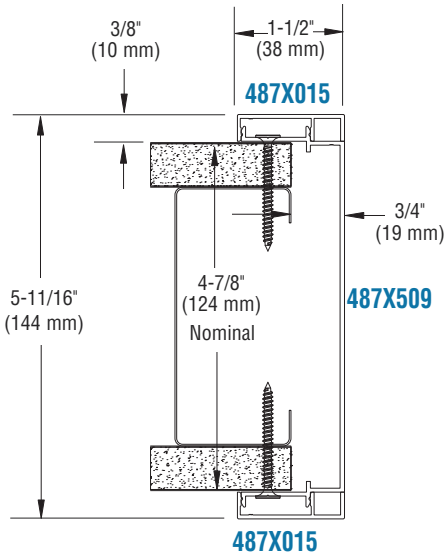
NOT TO SCALE



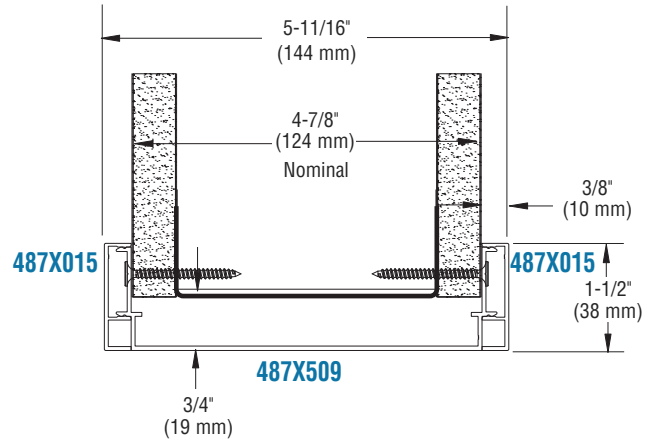
CRL 487 Series Office Partition System With Wood Flush Doors



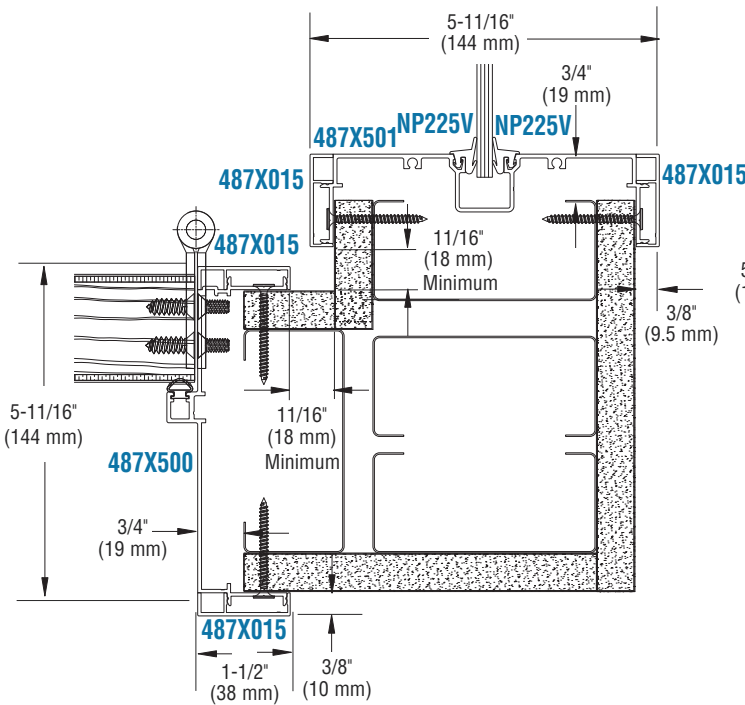
Typical Details



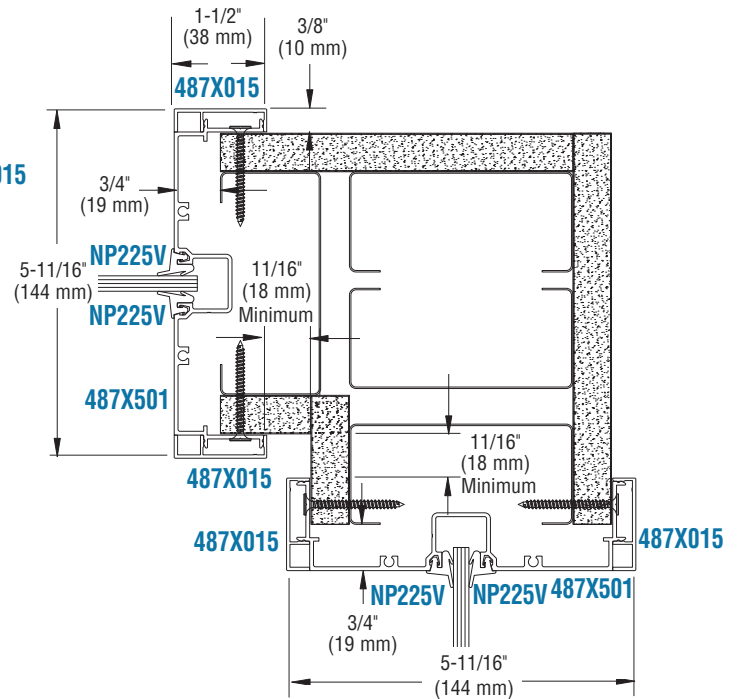
13 Cased Opening Wall Jamb



14 Cased Opening Head/Sill



15 Corner Hinge Jamb/Wall Jamb



16 Corner Wall Jamb/Wall Jamb

NOT TO SCALE

CRL 487 Series 20-Minute "Positive Pressure" Frames

- 1-1/2" (38 mm) Face Trim
- Accommodates 4-7/8" (124 mm) Wall Thickness
- Fully Fabricated Door Frames With Optional Sidelites
- Supplied With CRL Smoke Seal
- Available in Clear, Bronze, and Black Anodized Finishes
- Custom Painted Finishes are Available on Request
- 20-Minute Wood Doors Available (see pages 127X-128X)

The CRL 487 Series 20-Minute "Positive Pressure" Frame provides a highly effective heat barrier, is available as single or double door frames, and with optional sidelite. The system wraps 4-7/8" (124 mm) walls and is available with optional rated wood door. All frames come fully fabricated and labeled. Frames with sidelite utilize the screw spline assembly method. Finishes include clear, bronze, and black anodized, with custom painted finishes on request.

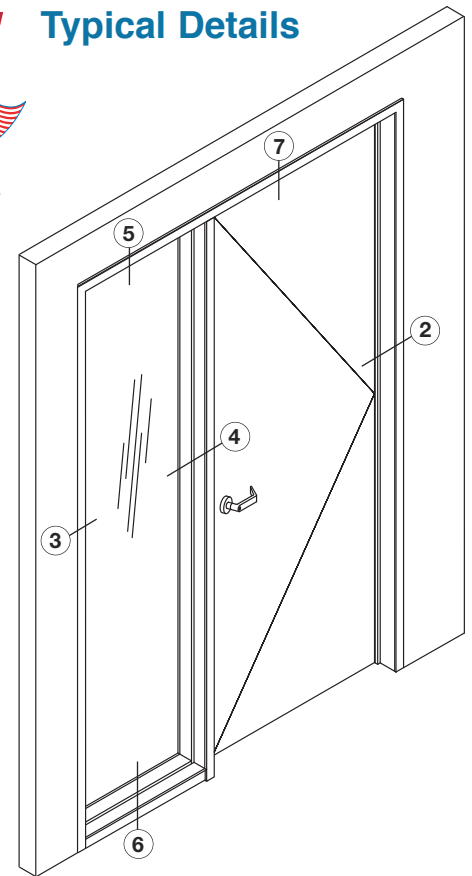
NOTE: Maximum sidelite width for rated frames is 24" (610 mm); if over 96" (2438 mm) tall a horizontal mullion will be required.

NEW!

Typical Details



Includes CRL Smoke Seal for Inside Door Frame (Supplied Loose). See Page 120X.



CRL 487 Series 90-Minute "Positive Pressure" Frames

- 1-1/2" (38 mm) Face Trim
- Accommodates 4-7/8" (124 mm) Wall Thickness
- Fully Fabricated Door Frames
- .0625" (1.6 mm) Steel Channel Included for 90-Minute Label
- Supplied With CRL Smoke Seal
- Available in Clear, Bronze, and Black Anodized Finishes
- Custom Painted Finishes are Available on Request
- 90-Minute Wood Doors Available (see page 128X)

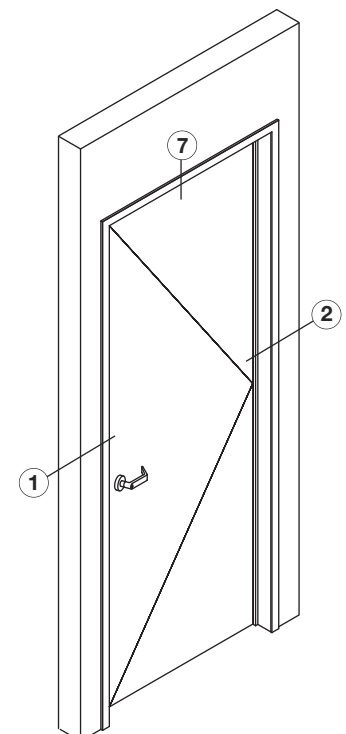
The CRL 487 Series 90-Minute "Positive Pressure" Frame provides a highly effective heat barrier and is available as single door frames only. The system wraps 4-7/8" (124 mm) walls and is available with optional rated wood door. All frames come fully fabricated and labeled. Finishes include clear, bronze, and black anodized with custom painted finishes on request. **NOTE:** Maximum door size is 48" (1219 mm) wide x 96" (2438 mm) tall.

NEW!

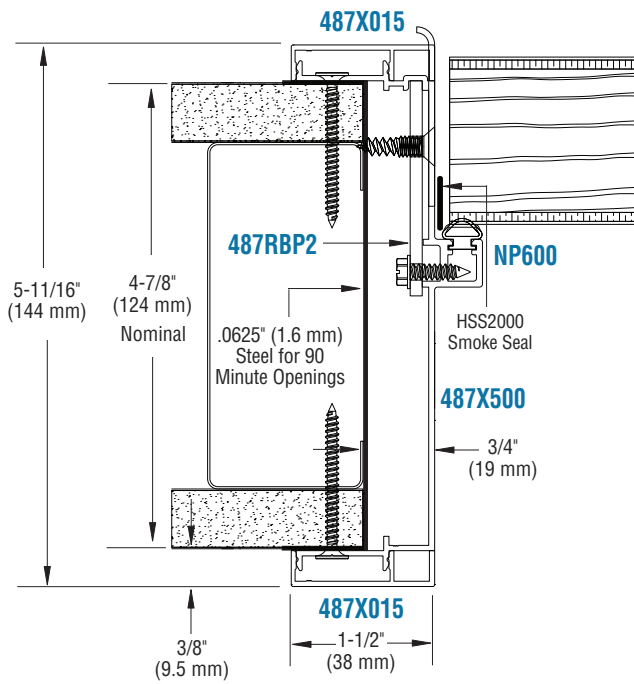
Typical Details



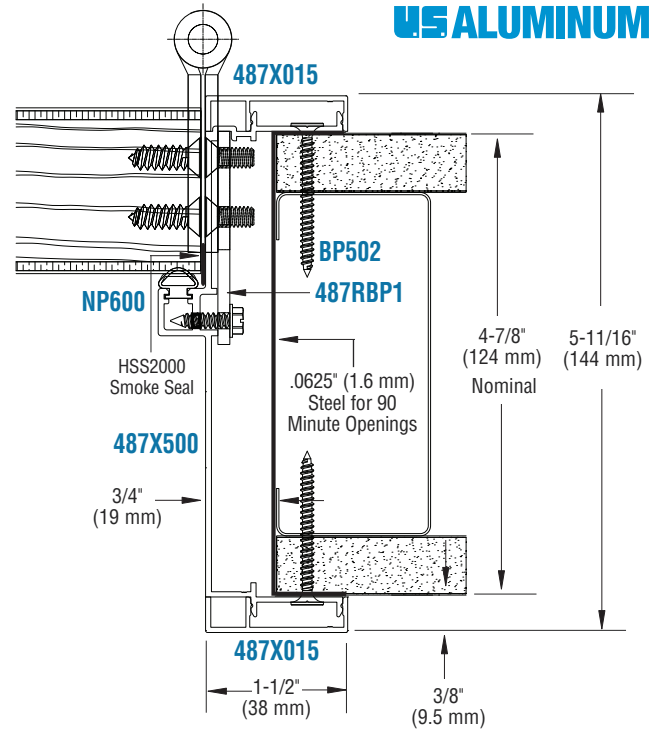
Includes CRL Smoke Seal for Inside Door Frame (Supplied Loose). See Page 120X.



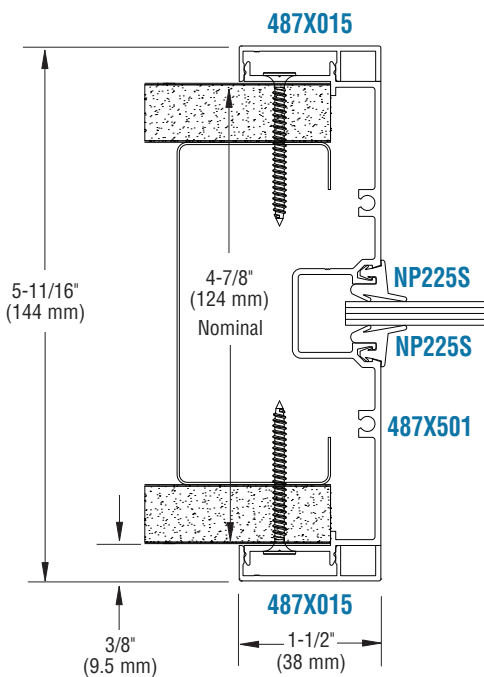
CRL 487 Series Office Partitions Typical Details for Rated Frames



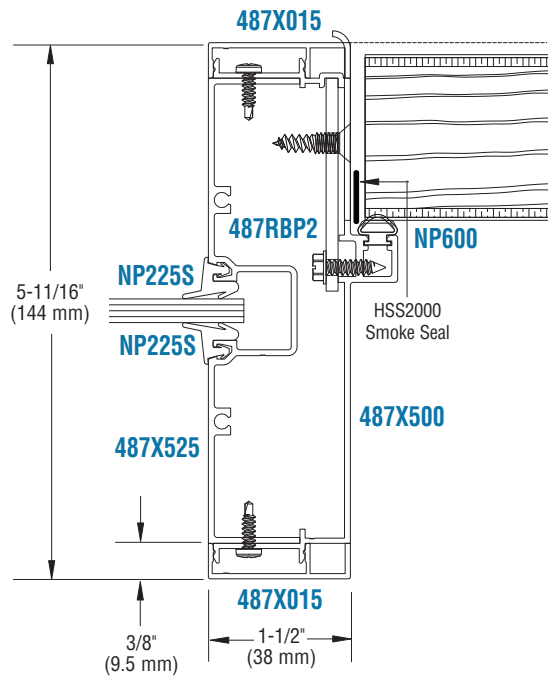
① Strike Jamb



② Hinge Jamb



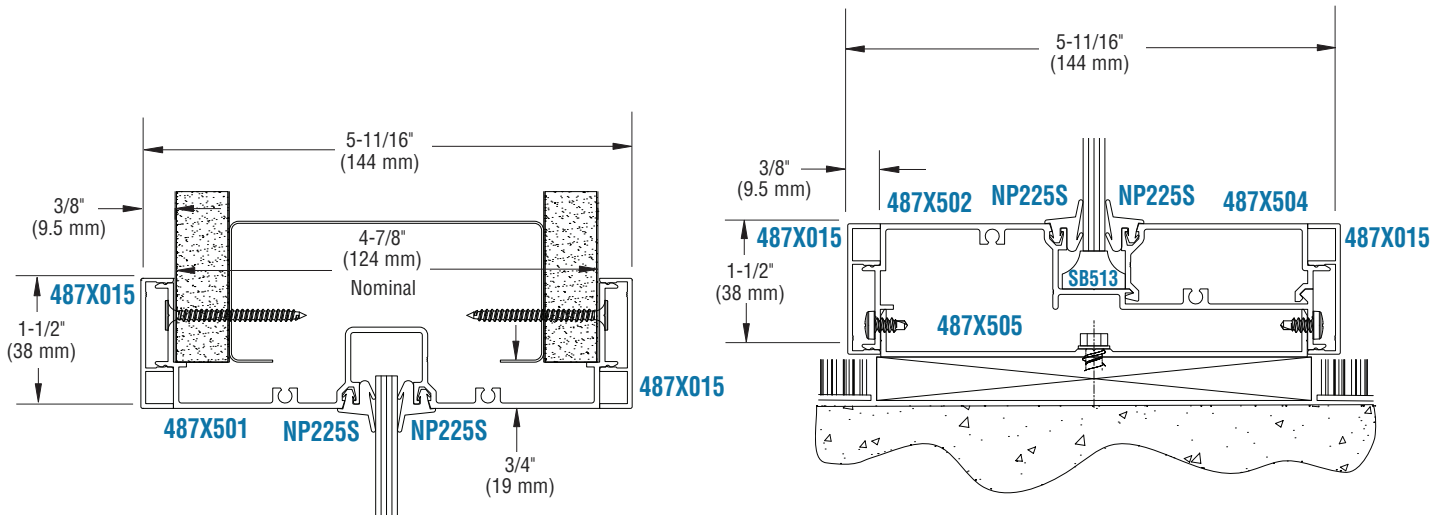
③ Wall Jamb at Sidelite



④ Strike Jamb at Sidelite

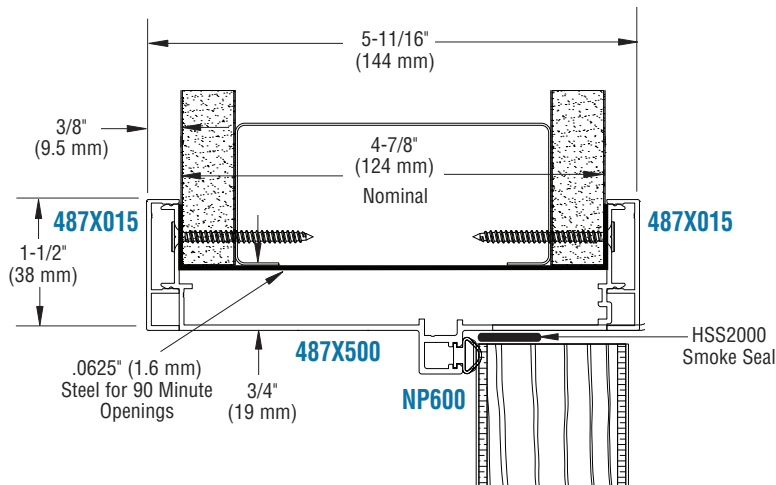
NOT TO SCALE

CRL 487 Series Office Partitions Typical Details for Rated Frames



5 Head at Sidelite

6 Sill at Sidelite



7 Header

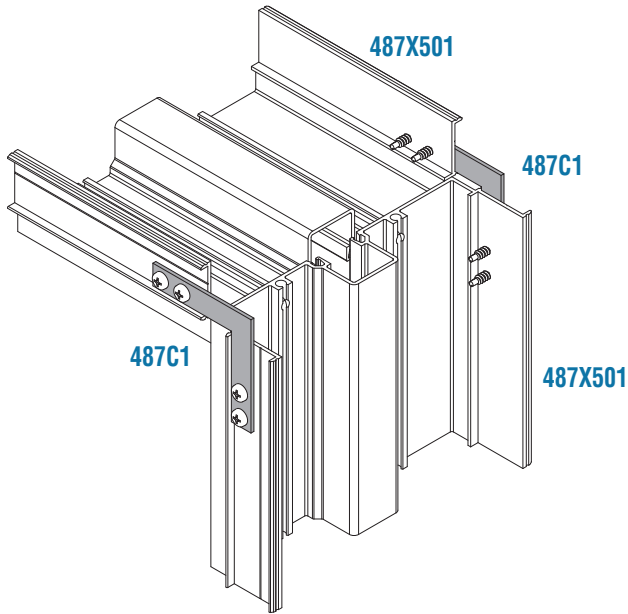
NOT TO SCALE



CRL 487 Series Office Partitions Assembly Clip Details

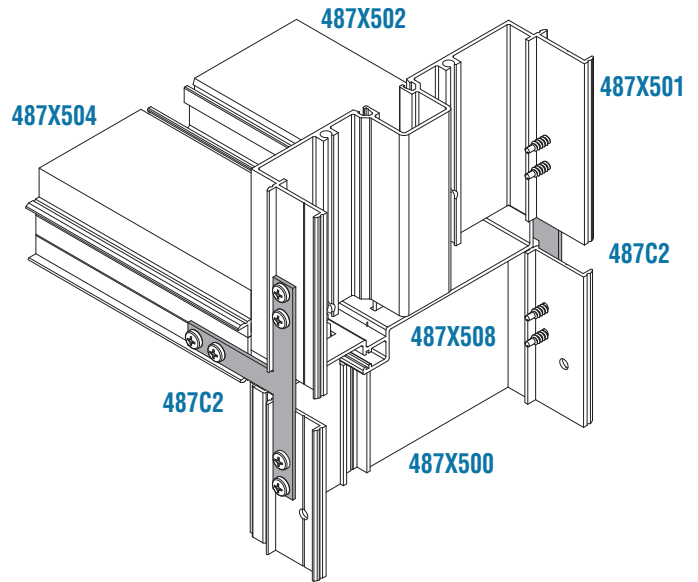


Glazing Head to Glazing Jamb



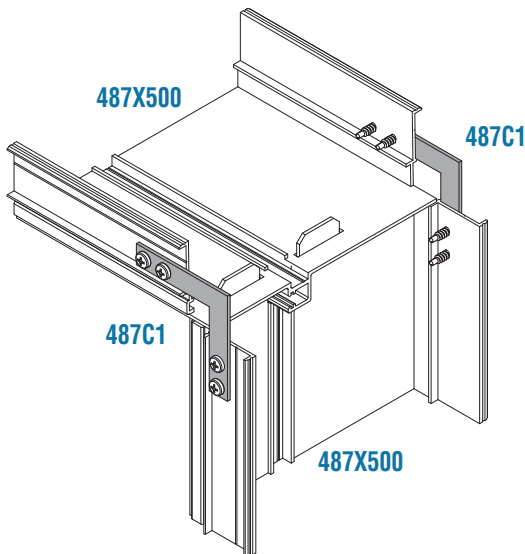
Corner Clip Cat. No. 487C1 (Two Required)

Transom to Door/Glazing Jamb



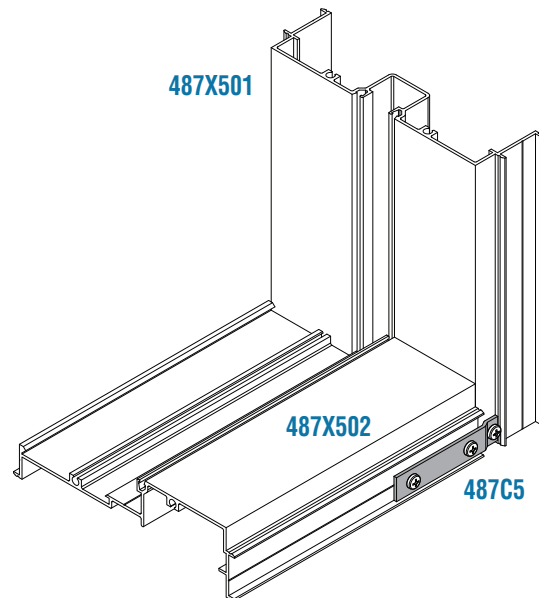
T-Clip Cat. No. 487C2 (Two Required)

Door Head to Door Jamb



Corner Clip Cat. No. 487C1 (Two Required)

Sill to Glazing Jamb

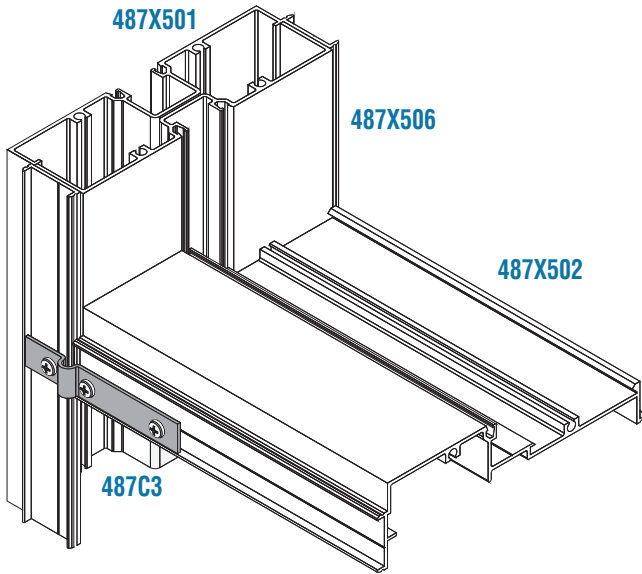


Offset Clip Cat. No. 487C5 (Two Required)



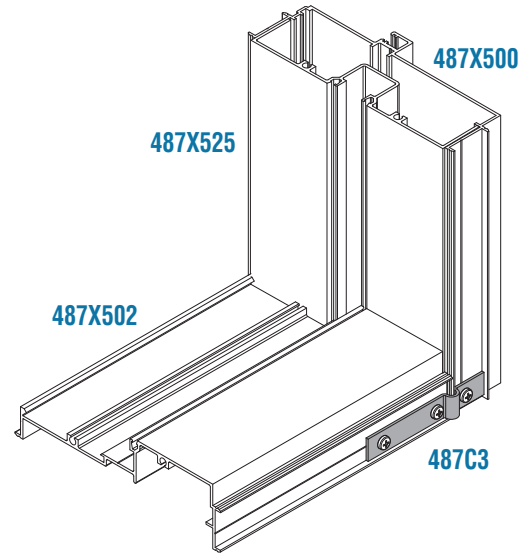
CRL 487 Series Office Partitions Assembly Clip Details

Sill to Vertical Mullion at Knee Wall



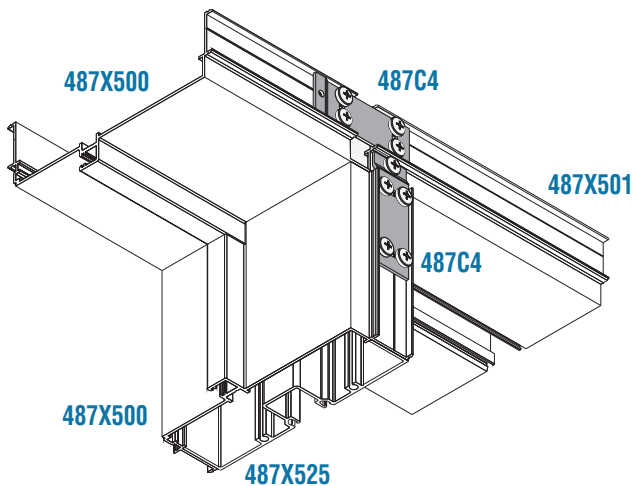
Hook Clip Cat. No. 487C3 (Two Required)

Sill to Door Jamb



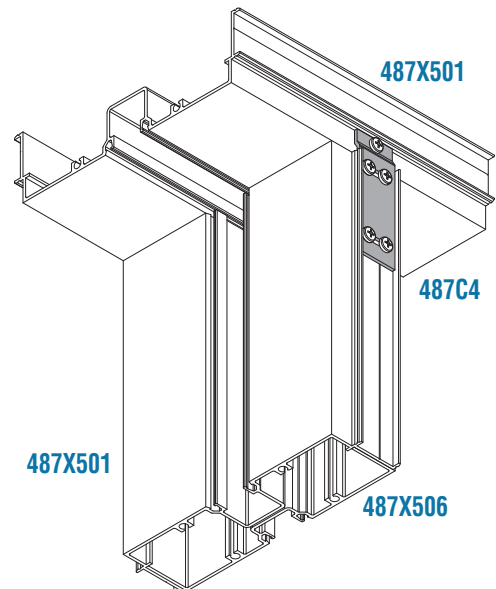
Hook Clip Cat. No. 487C3 (Two Required)

Door and Glazing Head to Jamb



Wide Offset Clip Cat. No. 487C4 (Four Required)

Vertical Mullion to Head

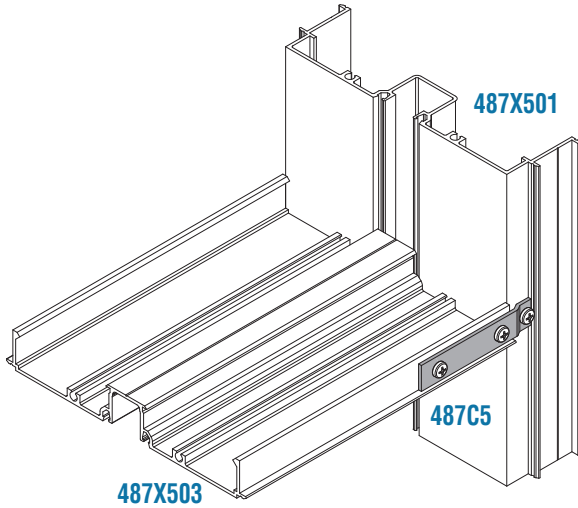


Wide Offset Clip Cat. No. 487C4 (Two Required)



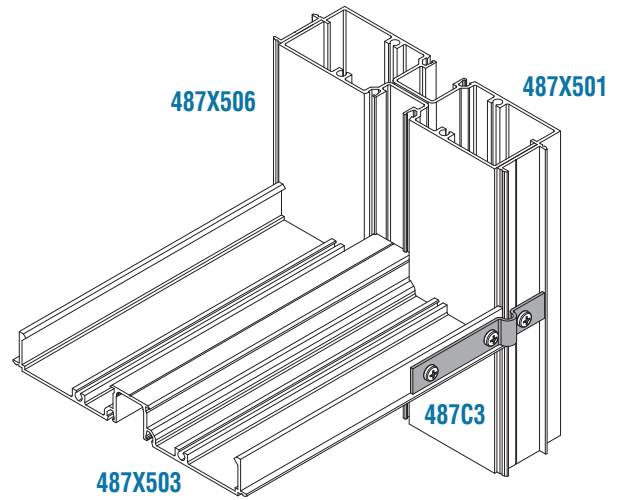
CRL 487 Series Office Partitions Assembly Clip Details

Horizontal Mullion to Glazing Jamb



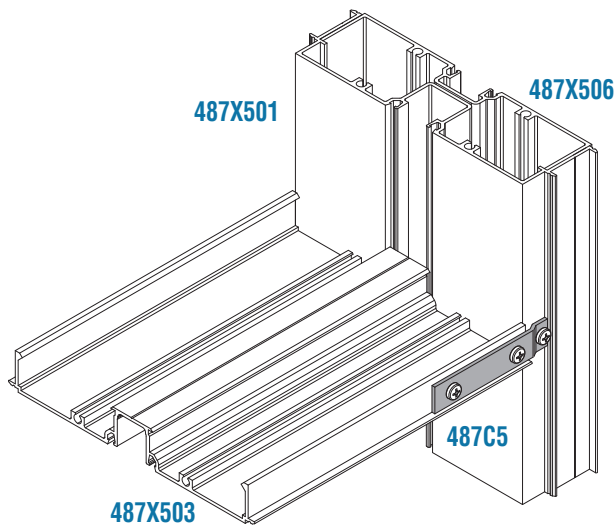
Offset Clip Cat. No. 487C5 (Two Required)

Horizontal Mullion to Shallow Pocket Vertical Mullion



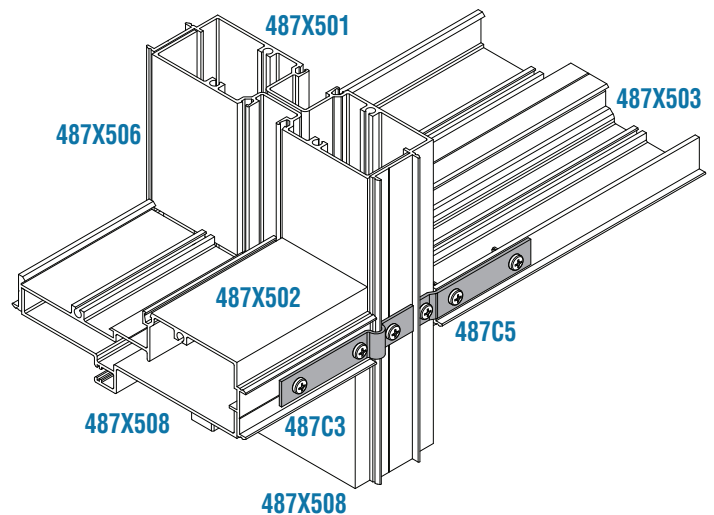
Hook Clip Cat. No. 487C3 (Two Required)

Horizontal Mullion to Deep Pocket Vertical Mullion



Offset Clip Cat. No. 487C5 (Two Required)

Transom to Door Jamb/Vertical Mullion

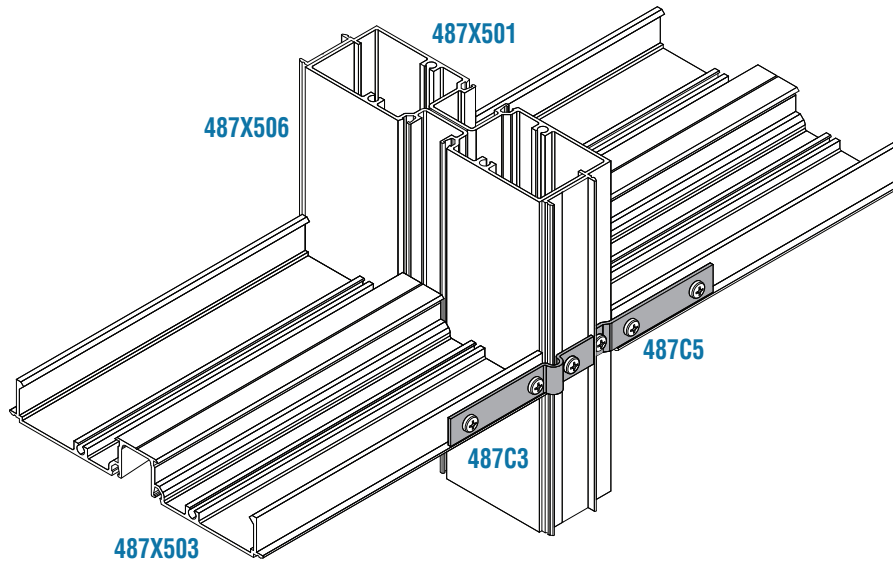


Hook Clip Cat. No. 487C3 (Two Required)
Offset Cat. No. 487C5 (Two Required)



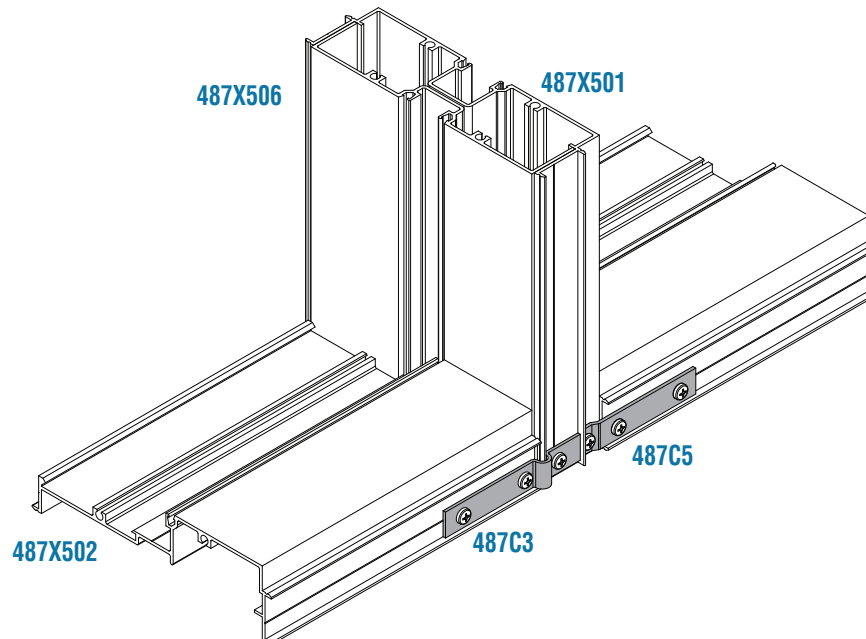
CRL 487 Series Office Partitions Assembly Clip Details

Double Horizontal Mullions



Hook Clip Cat. No. 487C3 (Two Required)
Offset Clip Cat. No. 487C5 (Two Required)

Double Sills to Vertical Mullion



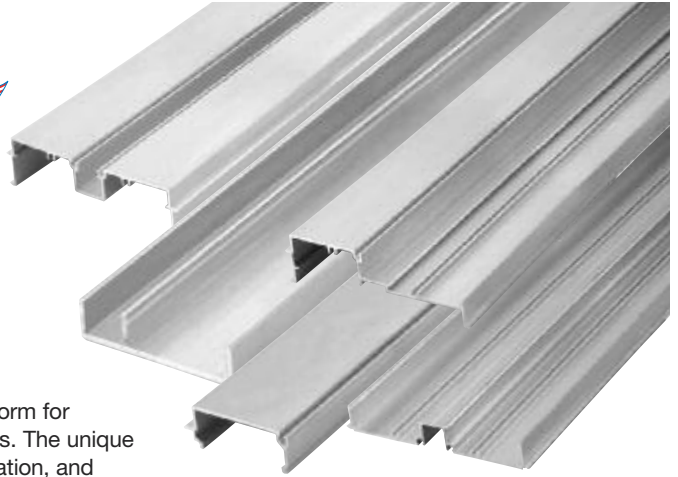
Hook Clip Cat. No. 487C3 (Two Required)
Offset Clip Cat. No. 487C5 (Two Required)



CRL 487 Series Office Partition Extrusions

- Accommodates 4-7/8" (124 mm) Wall Thickness
- Available for 1/4", 3/8", 1/2", and 9/16" (6, 10, 12, and 14 mm) Glazing
- Designed for Top Load Gaskets
- Clear, Bronze, and Black Anodized Finishes
- Custom Painted Finishes Available Upon Request

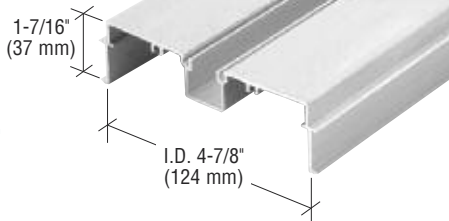
CRL 487 Series Office Partition Extrusions are available in stock length form for many applications including Sidelites, Borrowed Lites, and Cased Openings. The unique framing members are designed for both clip joinery for quick on site installation, and screw spline assembly for shop fabrication allowing units to be shipped to the job site knocked down, open panel assembly, or as shop glazed panels ready for installation into finished drywall openings. **NOTE:** For Door Frames see page 121X.



CRL 487 Series Deep Pocket Wall Jamb/Head

NEW!

- Available in Three Stock Finishes Plus Custom Finishes on Special Order



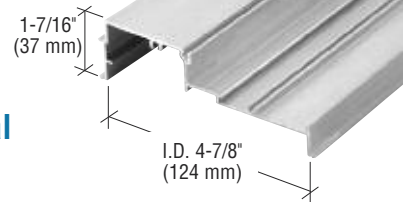
CAT. NO.	FINISH	LENGTH
487X50111	Clear Anodized	24'-2" (7.3 m)
487X50122	Dark Bronze Anodized	24'-2" (7.3 m)
487X50133	Black Anodized	24'-2" (7.3 m)

Minimum order: 1 stock length. All 487 Series Extrusions can be combined for quantity pricing. **NOTE:** Must ship common carrier.

CRL 487 Series Glazing Base

NEW!

- Works With 487X505 Floor Track and 487X504 Glazing Stop
- Available in Three Stock Finishes Plus Custom Finishes on Special Order



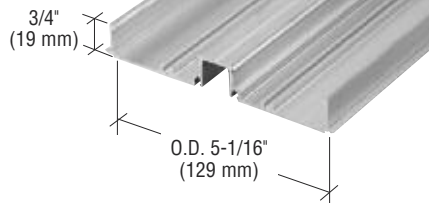
CAT. NO.	FINISH	LENGTH
487X50211	Clear Anodized	24'-2" (7.3 m)
487X50222	Dark Bronze Anodized	24'-2" (7.3 m)
487X50233	Black Anodized	24'-2" (7.3 m)

Minimum order: 1 stock length. All 487 Series Extrusions can be combined for quantity pricing. **NOTE:** Must ship common carrier.

CRL 487 Series Horizontal Mullion Base

NEW!

- Works With 487X504 Glazing Stop
- Available in Three Stock Finishes Plus Custom Finishes on Special Order



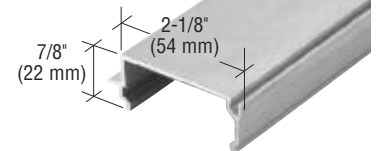
CAT. NO.	FINISH	LENGTH
487X50311	Clear Anodized	24'-2" (7.3 m)
487X50322	Dark Bronze Anodized	24'-2" (7.3 m)
487X50333	Black Anodized	24'-2" (7.3 m)

Minimum order: 1 stock length. All 487 Series Extrusions can be combined for quantity pricing. **NOTE:** Must ship common carrier.

CRL 487 Series Glazing Stop

NEW!

- Easily Snaps Into Place
- Works With 487X502 and 487X503 Bases
- Available in Three Stock Finishes Plus Custom Finishes on Special Order

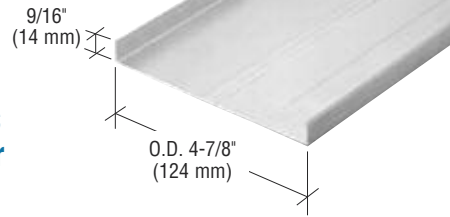


CAT. NO.	FINISH	LENGTH
487X50411	Clear Anodized	24'-2" (7.3 m)
487X50422	Dark Bronze Anodized	24'-2" (7.3 m)
487X50433	Black Anodized	24'-2" (7.3 m)

Minimum order: 1 stock length. All 487 Series Extrusions can be combined for quantity pricing. **NOTE:** Must ship common carrier.

CRL 487 Series Floor Track

- Works With 487X502 Glazing Base **NEW!**
- Available in Three Stock Finishes Plus Custom Finishes on Special Order

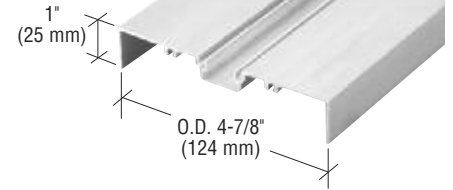


CAT. NO.	FINISH	LENGTH
487X50511	Clear Anodized	24'-2" (7.3 m)
487X50522	Dark Bronze Anodized	24'-2" (7.3 m)
487X50533	Black Anodized	24'-2" (7.3 m)

Minimum order: 1 stock length. All 487 Series Extrusions can be combined for quantity pricing.
NOTE: Must ship common carrier.

CRL 487 Series Shallow Pocket Glazing Insert

- Available in Three Stock Finishes Plus Custom Finishes on Special Order **NEW!**

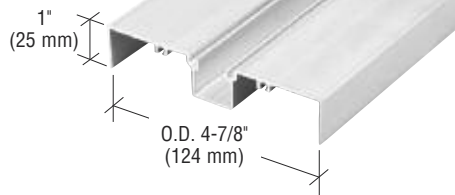


CAT. NO.	FINISH	LENGTH
487X50611	Clear Anodized	24'-2" (7.3 m)
487X50622	Dark Bronze Anodized	24'-2" (7.3 m)
487X50633	Black Anodized	24'-2" (7.3 m)

Minimum order: 1 stock length. All 487 Series Extrusions can be combined for quantity pricing.
NOTE: Must ship common carrier.

CRL 487 Series Deep Pocket Glazing Insert

- Available in Three Stock Finishes Plus Custom Finishes on Special Order **NEW!**

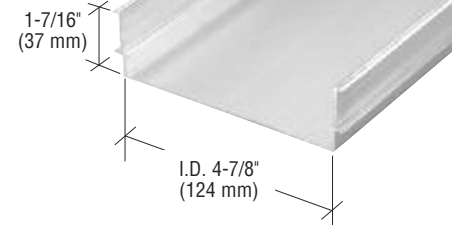


CAT. NO.	FINISH	LENGTH
487X52511	Clear Anodized	24'-2" (7.3 m)
487X52522	Dark Bronze Anodized	24'-2" (7.3 m)
487X52533	Black Anodized	24'-2" (7.3 m)

Minimum order: 1 stock length. All 487 Series Extrusions can be combined for quantity pricing.
NOTE: Must ship common carrier.

CRL 487 Series Cased Jamb/Head

- Available in Three Stock Finishes Plus Custom Finishes on Special Order **NEW!**

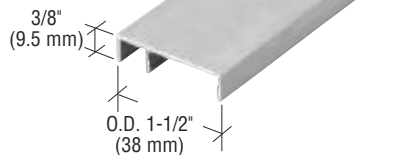


CAT. NO.	FINISH	LENGTH
487X50911	Clear Anodized	24'-2" (7.3 m)
487X50922	Dark Bronze Anodized	24'-2" (7.3 m)
487X50933	Black Anodized	24'-2" (7.3 m)

Minimum order: 1 stock length. All 487 Series Extrusions can be combined for quantity pricing.
NOTE: Must ship common carrier.

CRL 487 Series Face Trim

- 1-1/2" (38.1 mm) Face Trim **NEW!**
- Available in Three Stock Finishes Plus Custom Finishes on Special Order

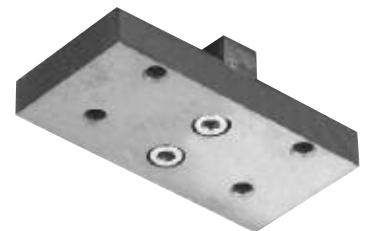


CAT. NO.	FINISH	LENGTH
487X01511	Clear Anodized	24'-2" (7.3 m)
487X01522	Dark Bronze Anodized	24'-2" (7.3 m)
487X01533	Black Anodized	24'-2" (7.3 m)

Minimum order: 1 stock length. All 487 Series Extrusions can be combined for quantity pricing.
NOTE: Must ship common carrier.

CRL 487 Series Drill Jig

- For Screw Spline Assembly **NEW!**



This CRL Drill Jig is designed for use on our U.S. Aluminum 487 Series Office Partition extrusions. The precision made steel Jig fits on to the vertical extrusion providing a template to accurately drill holes for the screw spline. Minimum order is one each.

NOTE: For large fabrication shops our Accufab Pro Tool can be customized to help you save up to 75% on fabrication times. Call a U.S. Aluminum Technical Sales Representative at (800) 262-5151, or visit usalum.com.

CAT. NO. DJ487

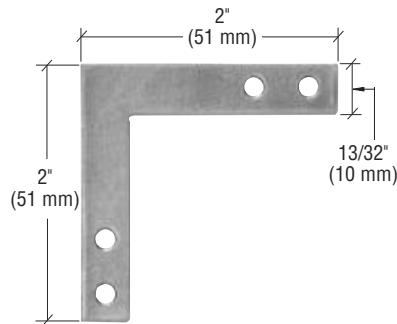
Accessories

CRL 487 Series Corner Clip

NEW!

See details on page 112X for applications.

Assembly Screws are sold separately (see Cat. No. 20061601 below).



CAT. NO.	QTY/PKG
487C1	2

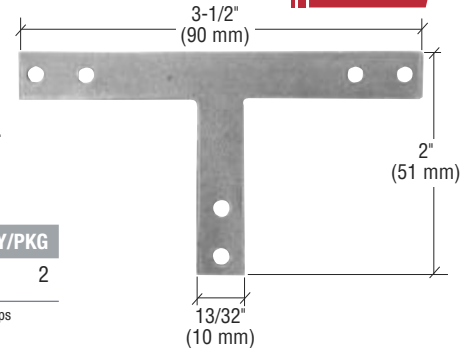
Minimum order: 1 pack. All 487 Series Clips can be combined for quantity pricing.

CRL 487 Series T-Clip

NEW!

See details on page 112X for applications.

Assembly Screws are sold separately (see Cat. No. 20061601 below).



CAT. NO.	QTY/PKG
487C2	2

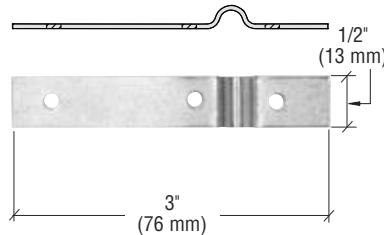
Minimum order: 1 pack. All 487 Series Clips can be combined for quantity pricing.

CRL 487 Series Hook Clip

NEW!

See details on pages 113X to 115X for applications.

Assembly Screws are sold separately (see Cat. No. 20061601 below).



CAT. NO.	QTY/PKG
487C3	2

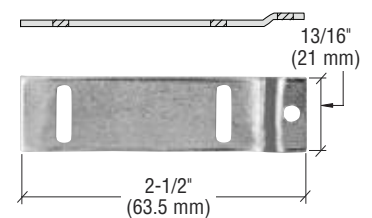
Minimum order: 1 pack. All 487 Series Clips can be combined for quantity pricing.

CRL 487 Series Wide Offset Clip

NEW!

See details on page 113X for applications.

Assembly Screws are sold separately (see Cat. No. 20061601 below).



CAT. NO.	QTY/PKG
487C4	2

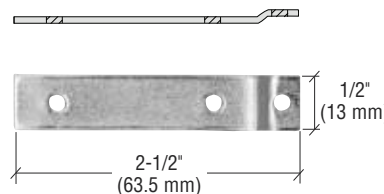
Minimum order: 1 pack. All 487 Series Clips can be combined for quantity pricing.

CRL 487 Series Offset Clip

NEW!

See details on pages 112X, 114X, and 115X for applications.

Assembly Screws are sold separately (see Cat. No. 20061601 below).



CAT. NO.	QTY/PKG
487C5	2

Minimum order: 1 pack. All 487 Series Clips can be combined for quantity pricing.

CRL Flat Head Phillips Self-Drilling Drywall Screw

Use to anchor 487 Series Extrusion to drywall.



CAT. NO.	SIZE
6X158DWSD	6 x 1-5/8" (41 mm)

Minimum order: 100 each. Must be ordered in increments of 100.

CRL Hex Washer Head Sheet Metal Screws

Use Cat. No. ST251 with 487 Series Office Partition Screw Spine-Assembly Extrusions. 200 Screws per pack. Use Cat. No. 8X58HWSMS for attaching Reinforcement Backing Plates (see page 133X).



CAT. NO. ST251
For Screw Spine Assembly



CAT. NO. 8X58HWSMS
For Reinforcement Backing Plates

CAT. NO.	SIZE
ST251	10 x 1" (25 mm)
8X58HWSMS	8 x 5/8" (16 mm)

Minimum order: 1 pack for Cat. No. ST251, and 100 each for Cat. No. 8X58HWSMS. All Bulk Screws can be combined for quantity pricing.

CRL TEK® Self-Drilling Screw

Use Cat. No. 20061601 for fastening 487 Series Inserts and Clips.



For Attachment of All Clips on this Page

CAT. NO.	SIZE
20061601	6-20 x 1/2" (13 mm)

Minimum order: 100 each. Must be ordered in increments of 100.

Accessories CRL Glazing Gaskets

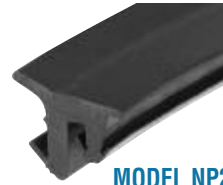
- Vinyl and Silicone Top Load Gaskets
- For 1/4", 3/8", 1/2", and 9/16" Glazing*

These Glazing Gaskets are used with our 487 Series Office Partitions. Vinyl Gaskets are used for non-rated assemblies, and Silicone Gaskets when rated assemblies are required. Available in black or gray. For easy installation we recommend our Vinyl Roller Tools (see below). ***NOTE:** When glazing with 1/2" (12 mm) glass use Cat. No. NP238 on one side and Cat. No. NP563 on the opposite side.

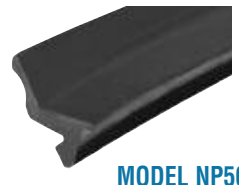
NEW!



MODEL NP225



MODEL NP238



MODEL NP563

100 FT. ROLL VINYL CAT. NO.	100 FT. ROLL SILICONE CAT. NO.	500 FT. ROLL VINYL CAT. NO.	500 FT. ROLL SILICONE CAT. NO.	COLOR	APPLICATION
NP225VC	NP225SC	NP225V	NP225S	Black	For 1/4" (6 mm) Glass
NP225VGRYC	NP225SGRYC	NP225VGRY	NP225SGRY	Gray	For 1/4" (6 mm) Glass
NP238VC	—	NP238V	—	Black	*For 3/8" and 1/2" (10 and 12 mm) Glass
NP238VGRYC	—	NP238VGRY	—	Gray	*For 3/8" and 1/2" (10 and 12 mm) Glass
NP563VC	—	NP563V	—	Black	*For 1/2" and 9/16" (12 and 14 mm) Glass
NP563VGRYC	—	NP563VGRY	—	Gray	*For 1/2" and 9/16" (12 and 14 mm) Glass

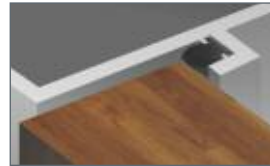
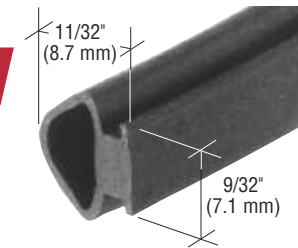
Minimum order: 1 roll.

CRL Door Frame Stop Gasket

NEW!

- Flame Retardant Neoprene
- Easily Installed

CRL Door Frame Stop Gasket is designed to be applied to the "stop" perimeter of our 487 Series Office Partition Frame to prevent energy loss, reduce noise and dust infiltration.



Compresses When Door is Closed

CAT. NO.	COLOR	ROLL LENGTH
NP600C	Black	100' (30.5 m)
NP600	Black	750' (228.6 m)

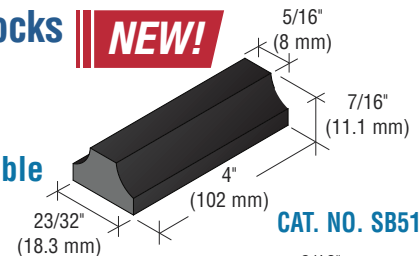
Minimum order: 1 roll.

CRL Setting Blocks

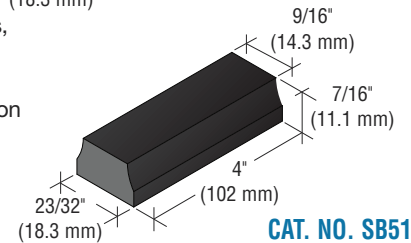
NEW!

- Cushions and Supports Glass
- Two Sizes Available

CRL Setting Blocks cushion and support glass, and act as a centering device for glass installed in 487 Series Office Partition channels. The vinyl composition of the blocks makes them flexible with 1% flame retardant.



CAT. NO. SB513



CAT. NO. SB514

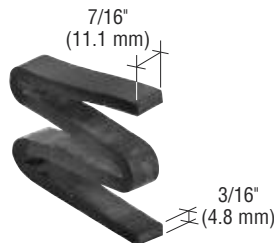
CAT. NO.	APPLICATION	QTY/PKG
SB513	For 1/4" to 3/8" (6 to 10 mm) Glass	20
SB514	For 1/2" to 9/16" (12 to 14 mm) Glass	20

Minimum order: 1 pack.

CRL Edge Block

- Used at Deep Pocket Verticals

This CRL Edge Block is used to prevent glass from shifting in opening.



CAT. NO.	QTY/PKG
WB452	50

Minimum order: 1 pack.

CRL Adjustable Multi-Cutter Tool

- Makes Precise Straight or Miter Cuts in Gaskets
- Adjustable Guide Block



CAT. NO.	DESCRIPTION
MC80N	Multi-Cutter
MC80RB	Pack of 5 Blades

Minimum order: 1 each or 1 pack.

CRL Vinyl Roller Tools

- Knurl Diamond Grip and a Ball Bearing Wheel



CAT. NO.	DESCRIPTION
VR17	Extra Long 17" (432 mm) Vinyl Roller
VR04	Standard 11" (279 mm) Vinyl Roller
VR10	Blue Handle 11" (279 mm) Vinyl Roller
VR10RW	Replacement Wheel for VR10

Minimum order: 1 each.

Accessories

CRL HSS2000 Smoke Seal

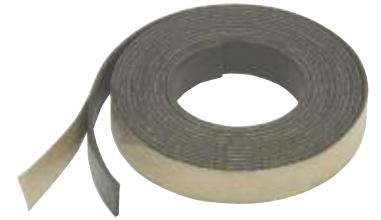
NEW!



- Prevents Spread of Flames, Smoke, and Toxic Gases
- Provides Thermal Insulation to Deter Heat Transfer
- Adhesive Backed for Easy, Cost-Effective Installation
- Effective at Temperatures up to 800°



CRL HSS2000 Smoke Seal is a seal designed to improve life safety and comply with new positive pressure testing criteria. Tested in compliance with UL10C, UBC 7-2 (positive pressure), ASTM and UL Standards. CRL HSS2000 Smoke Seal is an innovative product comprised of a thin, intumescent material that expands when heated. Just 3/64" thick by 7/16" wide, the flexible strip is effective at temperatures up to 800° to seal the air space between doors and window frames. This expansion helps prevent smoke, noxious gases, flames and heat from penetrating into adjacent areas. Seals begin compressing at 250° and can be compressed sufficiently to seal openings with 1/16" gaps making door latching easy.



CAT. NO. HSS2000



CAT. NO. HSS2000W

CAT. NO.	COLOR	THICKNESS	WIDTH	ROLL LENGTH
HSS2000	Black	3/64" (1.2 mm)	7/16" (11.1 mm)	24' (7.31 m)
HSS2000W	White	3/64" (1.2 mm)	7/16" (11.1 mm)	24' (7.31 m)

Minimum order: 1 roll.

CRL FG3000 Fire Glazing Tapes

- Specially Formulated High Performance Intumescent Glazing Tape
- Positive Pressure Tested and Listed
- For Use With Wire Glass and Firelite™
- White Color



CRL FG3000 Fire Glazing Tapes are specially formulated high performance intumescent glazing tapes with adhesive backing on one side. They allow for much larger vision lites in 20, 45, 60 and 90 minute rated wood and hollow metal doors with metal vision frames. In 20 and 45 minute rated hollow metal screens the use of FG3000 allows for much larger side lites, borrowed lites, and glass transoms. Successfully passed 20 minutes (with hose stream) and 45 minutes on wood and metal doors with vision lites installed. **NOTE:** Verify all applications with your door and/or frame manufacturer.



CAT. NO. FG3000S45
45 Minute Fire Glazing Tape



CAT. NO. FG3000S90
90 Minute Fire Glazing Tape

CAT. NO.	COLOR	THICKNESS	WIDTH	ROLL LENGTH
FG3000S45	White	3/64" (1.2 mm)	7/16" (11.1 mm)	16' (4.9 m)
FG3000S90	White	5/64" (2 mm)	7/16" (11.1 mm)	16' (4.9 m)

Minimum order: 1 roll. Sizes can be combined for quantity pricing.

CRL Jumbo Size Plastic Horseshoe Shims

- Large 3" x 4" (76 x 102 mm) Size
- Available in Three Thicknesses
- Color Coded for Convenience

CRL Jumbo Size Plastic Horseshoe Shims are preferred for use in curtainwall construction and other installations requiring the leveling of larger members. These high-impact styrene shims are molded to a jumbo 3" x 4" (76 x 102 mm) size in standard thicknesses of 1/16", 1/8", and 1/4" (1.6, 3.2, and 6.3 mm). Precisely sized and balanced for vertical and horizontal installation.



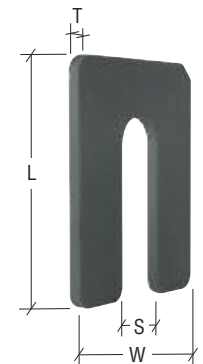
1/16"
PHS36



1/8"
PHS38



1/4"
PHS34



CAT. NO.	COLOR	THICKNESS (T)	LENGTH (L)	WIDTH (W)	SLOT (S)	QTY/CONTAINER
PHS36	Blue	1/16" (1.6 mm)	4" (102 mm)	3" (76 mm)	13/16" (20.6 mm)	100 or 500
PHS38	Red	1/8" (3.2 mm)	4" (102 mm)	3" (76 mm)	13/16" (20.6 mm)	100 or 500
PHS34	Black	1/4" (6.3 mm)	4" (102 mm)	3" (76 mm)	13/16" (20.6 mm)	250

PHS36 and PHS38 Minimum order: 100 each. Must order in increments of 100. PHS34 Minimum order: 250 each. Must order in increments of 250. Sizes can be combined for quantity pricing.

CRL 487 Series Office Partition Door Frame Standard Size Kits

- Complete Framing Kits for Single or Double Doors
- Stocked in Clear and Dark Bronze Anodized Finishes
- Six Configurations Available
- Non-Fire Rated

NEW!



CRL stocks a variety of 487 Office Partition Door Frame Kits in clear and dark bronze anodized finishes. The Kits can be used alone or combined with stock length extrusions to create larger openings with sidelites. Available for single or double door applications in a variety of widths and heights. All Door Frame Kits are prepped for 4-1/2" x 4-1/2" (114 x 114 mm) butt hinges. Frames up to 84" (2134 mm) tall are prepped for three hinges, and Frames over 84" (2134 mm) tall are prepped for four hinges. All Door Frame Kits also include standard CRL Lock Strike prep. Custom Door Frame Kits are available on special order. **NOTE:** All doors and hardware must be ordered separately.

UP AND OVER – SINGLE DOOR FRAME

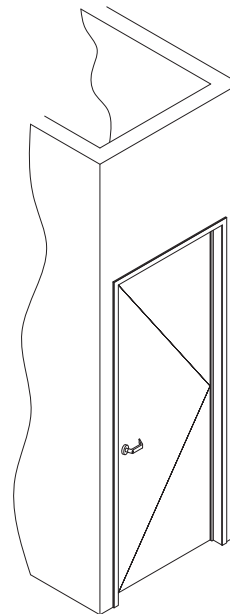
CAT. NO.	HANDING	DOOR OPENING	FINISH
487F3711L	LH	3'0 x 7'0 (914 x 2134 mm)	Clear Anodized
487F3711R	RH	3'0 x 7'0 (914 x 2134 mm)	Clear Anodized
487F3722L	LH	3'0 x 7'0 (914 x 2134 mm)	Dark Bronze Anodized
487F3722R	RH	3'0 x 7'0 (914 x 2134 mm)	Dark Bronze Anodized
487F3811L	LH	3'0 x 8'0 (914 x 2438 mm)	Clear Anodized
487F3811R	RH	3'0 x 8'0 (914 x 2438 mm)	Clear Anodized
487F3822L	LH	3'0 x 8'0 (914 x 2438 mm)	Dark Bronze Anodized
487F3822R	RH	3'0 x 8'0 (914 x 2438 mm)	Dark Bronze Anodized
487F3911L	LH	3'0 x 9'0 (914 x 2743 mm)	Clear Anodized
487F3911R	RH	3'0 x 9'0 (914 x 2743 mm)	Clear Anodized
487F3922L	LH	3'0 x 9'0 (914 x 2743 mm)	Dark Bronze Anodized
487F3922R	RH	3'0 x 9'0 (914 x 2743 mm)	Dark Bronze Anodized

Minimum order: 1 each. **NOTE:** Doors and hardware must be ordered separately.

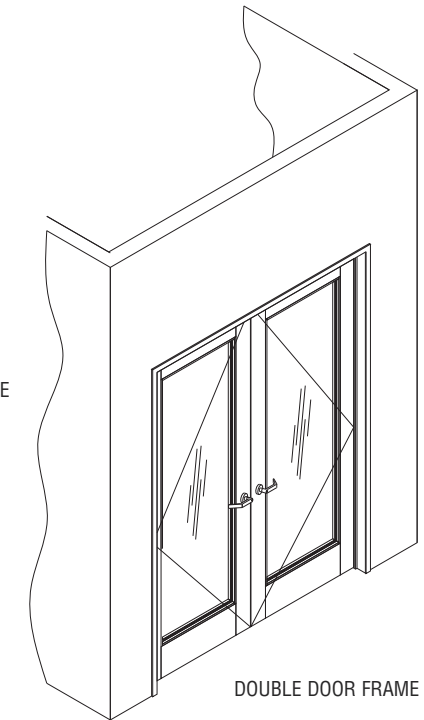
UP AND OVER – DOUBLE DOOR FRAME

CAT. NO.	DOOR OPENING	FINISH
487F6711	6'0 x 7'0 (1829 x 2134 mm)	Clear Anodized
487F6722	6'0 x 7'0 (1829 x 2134 mm)	Dark Bronze Anodized
487F6811	6'0 x 8'0 (1829 x 2438 mm)	Clear Anodized
487F6822	6'0 x 8'0 (1829 x 2438 mm)	Dark Bronze Anodized
487F6911	6'0 x 9'0 (1829 x 2743 mm)	Clear Anodized
487F6922	6'0 x 9'0 (1829 x 2743 mm)	Dark Bronze Anodized

Minimum order: 1 each. **NOTE:** Doors and hardware must be ordered separately.



SINGLE DOOR FRAME



DOUBLE DOOR FRAME

Handing of doors is determined from the "PUSH" side. A single door with hinges on the left from the PUSH side is a Left Hand (LH) Door. A single door with hinges on the right from the PUSH side is a Right Hand (RH) Door. Paired doors always consist of one LH and one RH door.

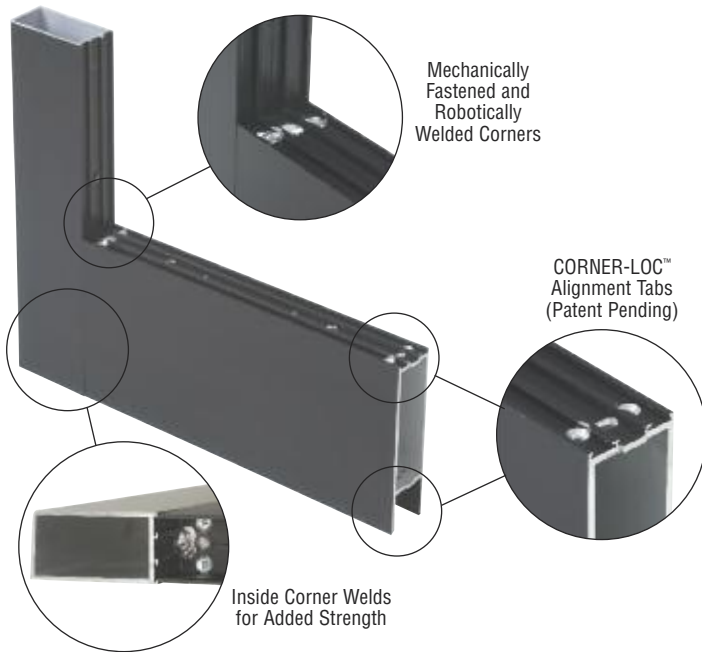
CRL 550 Series Wide Stile Aluminum Door



- **Limited Lifetime Warranty on Mechanically Fastened and Welded Corner Construction Featuring CORNER-LOC™ Technology**

CRL-U.S. Aluminum has long been an industry leader in the manufacture of entrance doors, door frames, and hardware. Our products are consistently built to the highest industry standards, ensuring years of reliable service. Now amazing improvement has been realized with our patent pending CORNER-LOC™ Technology, creating the most durable door corner assembly available.

Torsion resulting from automatic operators and forceful impacts persistently degrades doors. To counteract these forces our CORNER-LOC™ Technology features a robust mechanical fastening system, precision alignment tabs generated by state-of-the-art CNC processes, and robotically applied welds. This new system is so tough we had to create a severe torsion test to measure it against leading competitors. We are proud to say our CORNER-LOC™ Doors lasted 10 times longer than the closest competitor's doors.



CRL-U.S. Aluminum provides dependable quality Aluminum Framed Doors to meet your specifications. Thousands of examples of CRL-U.S. Aluminum Doors are installed in buildings nationwide. Builders know that our systems are subjected to rigorous testing to assure quality and reliability through many years of service in all environmental conditions. Many CRL-U.S. Aluminum products now qualify for LEED® ratings as the requirement for "green" building products increases.

For additional information, contact U.S. Aluminum Technical Sales at (800) 262-5151 in the U.S. and Canada, and ask for Ext. 5305. You can also email us through our web site at usalum.com.

LEED is a registered trademark of U.S. Green Building Council.



CRL 550 Series Wide Stile Aluminum Door Specifications



SECTION 08 11 16 ALUMINUM DOORS AND FRAMES

SERIES	STILES	TOP RAIL	BOTTOM RAIL	GLAZING INFILL
550 Wide Stile	5" (127 mm)	5-1/2" (139.7 mm)	6-1/2" (165.1 mm)	1/4" or 1" (6 or 25 mm)
A.D.A. Bottom Rail Option for Any Series			9-1/2" (241.3 mm)	

I. GENERAL DESCRIPTION

Work Included: The glazing contractor shall furnish all necessary materials, labor, and equipment for the complete installation of Aluminum Entrance Doors, Door Frames, and Hardware as detailed on the drawings and specified herein.

Work Not Included: Structural support of the framing system, wood framing, structural steel, and masonry.

(Specifier list other exclusions).

Related Work Specified Elsewhere: *(Specifier list).*

QUALITY ASSURANCE

Drawings and specifications are based on U.S. Aluminum Series 550 Entrance Doors.

OPTIONAL: Door shall have A.D.A. 9-1/2" (241.3 mm) bottom rail. When substitute products are to be considered, supporting technical literature, samples, drawings, and performance data must be submitted 10 days prior to bid date in order to make a valid comparison of the products involved. Test reports certified by an independent test laboratory must be made available upon request.

II. PRODUCT MATERIALS

Door members shall be extruded architectural aluminum 6063-T5 alloy and temper. Major portions of all door sections, except glazing beads, shall be nominal .125" (3.2 mm). Wall thickness of frame members shall be nominal .093" (2.4 mm).

DOOR CONSTRUCTION

Door stiles and rails shall be tubular sections and feature CORNER-LOC™ Door Corner Construction. Doors shall have snap-in stops with E.P.D.M. glazing gasket on both sides of the glass. No exposed screws shall be permitted. Each door leaf shall be equipped with an adjusting mechanism, located in the top rail near the lock stile, which provides for minor clearance adjustments after installation. The active meeting stile of all pairs of doors shall have an adjustable astragal with a double line of weatherstripping.

HARDWARE

Hardware for aluminum doors and door frames shall be the entrance manufacturer's standard:

- Pair and a half of 4-1/2" x 4-1/2" (114.3 x 114.3 mm) butt hinges per leaf
- Two pair of butt hinges for doors over 7' (2134 mm) tall
- Latch sets for entrance, passage, office, or closets
- Flush Bolts
- Closers for surface mount applications

FINISH

All exposed framing surfaces shall be free of scratches and other serious blemishes. Aluminum extrusions shall be given a caustic etch followed by an anodic oxide treatment to obtain...

(Specify one of the following):

- ___ #11 Clear anodic coating
- ___ #22 Dark Bronze anodic coating
- ___ #33 Black anodic coating

A Fluoropolymer paint coating conforming with the requirements of AAMA 2605. Color shall be *(Specify a U.S. Aluminum standard color).*

III. EXECUTION INSTALLATION

All items under this heading shall be set in their correct locations as shown in the details and shall be level, square, plumb, at proper elevation, and in alignment with other work in accordance with the manufacturer's installation instructions and approved shop drawings. Upon completion of the installation of the entrances, it shall be the contractor's responsibility to make all necessary final adjustments to attain normal operation of each door and its mechanical hardware.

PROTECTION AND CLEANING

After installation the General Contractor shall adequately protect exposed portions of the aluminum entrance work from damage by grinding and polishing compounds, plaster, lime, acid, cement or other contaminants. The General Contractor shall be responsible for final cleaning.

WARRANTY

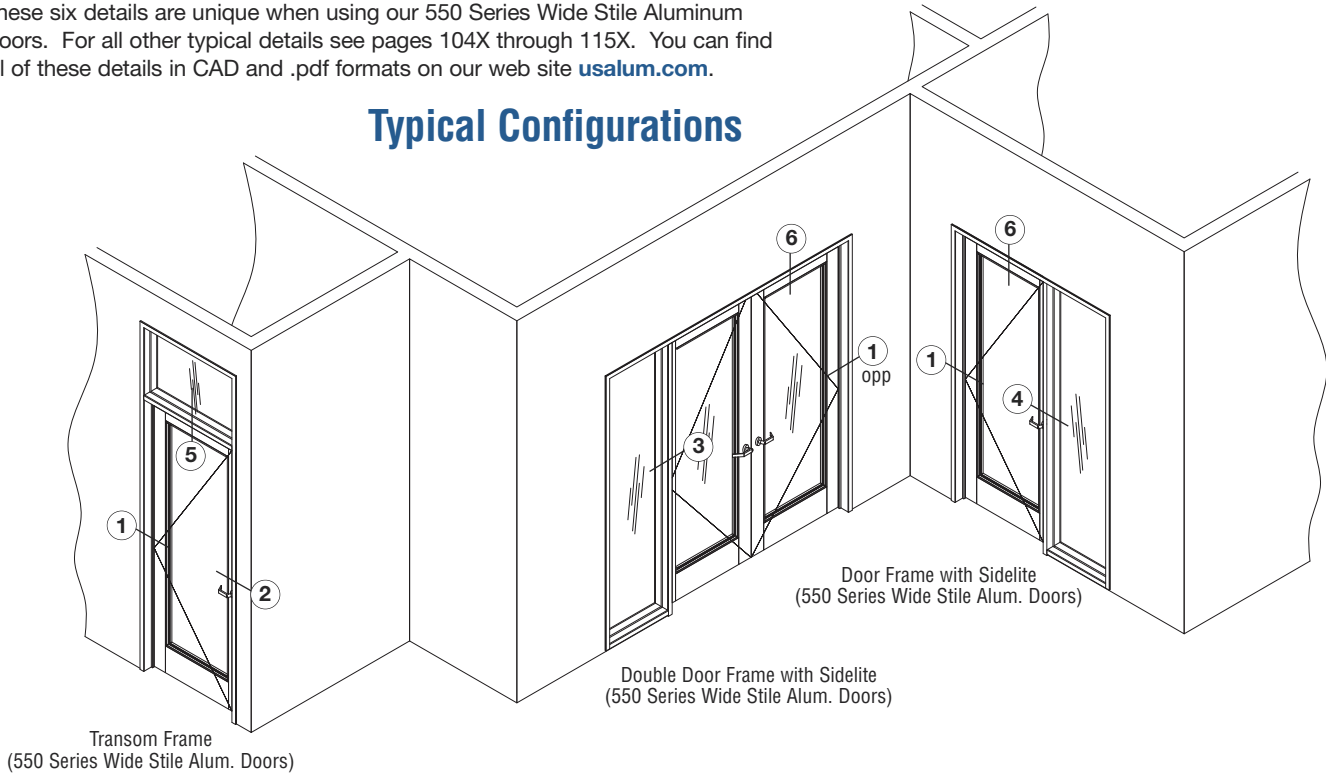
Each CORNER-LOC™ Corner Assembly comes with a Limited Lifetime Warranty, good for the life of the U.S. Aluminum Door under normal use and is in addition to the standard two-year warranty covering material and workmanship.

CRL 487 Series Office Partition System With 550 Series Wide Stile Aluminum Doors

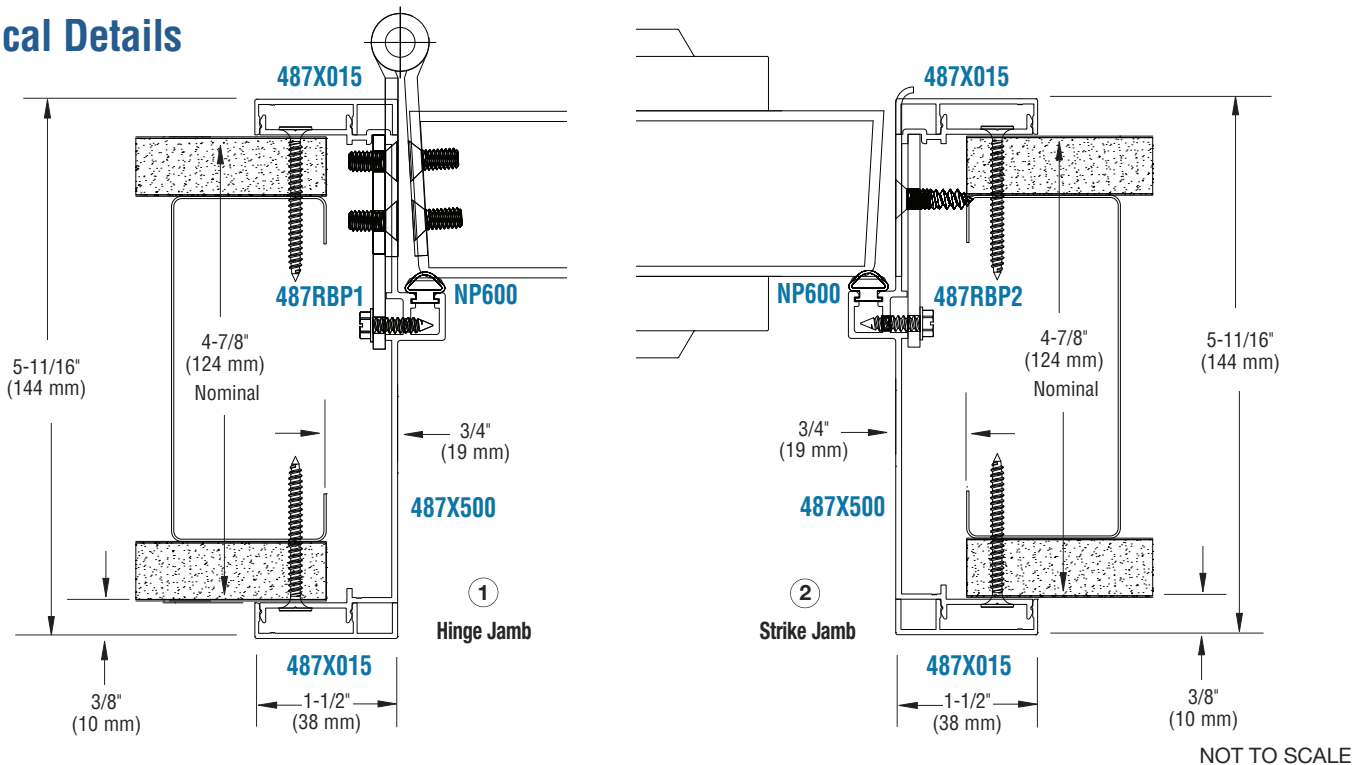


Our 487 Series Office Partition System can be configured in a variety of ways. These six details are unique when using our 550 Series Wide Stile Aluminum Doors. For all other typical details see pages 104X through 115X. You can find all of these details in CAD and .pdf formats on our web site usalum.com.

Typical Configurations



Typical Details

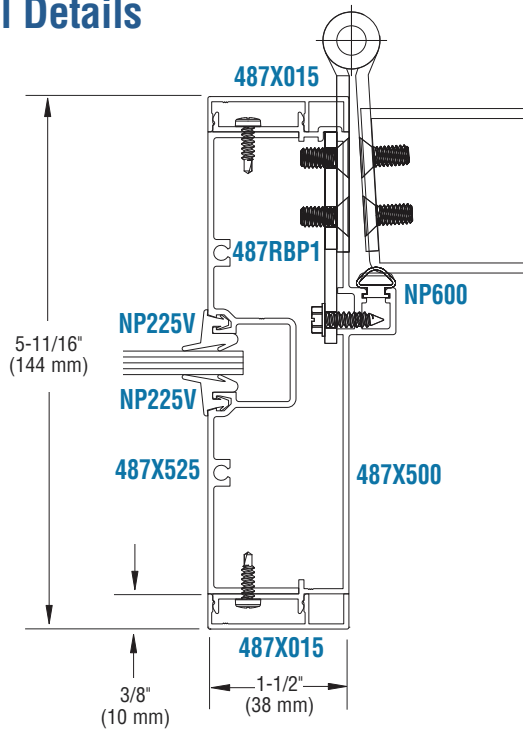


NOT TO SCALE

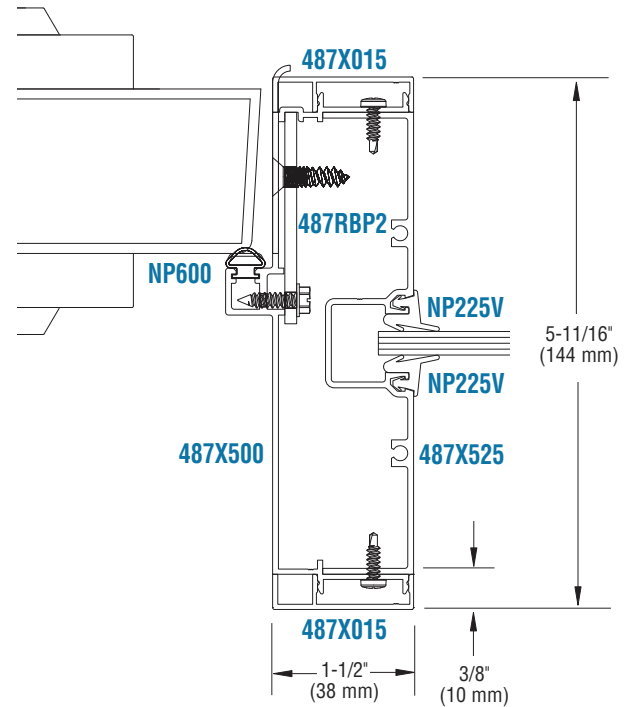


CRL 487 Series Office Partition System With 550 Series Wide Stile Aluminum Doors

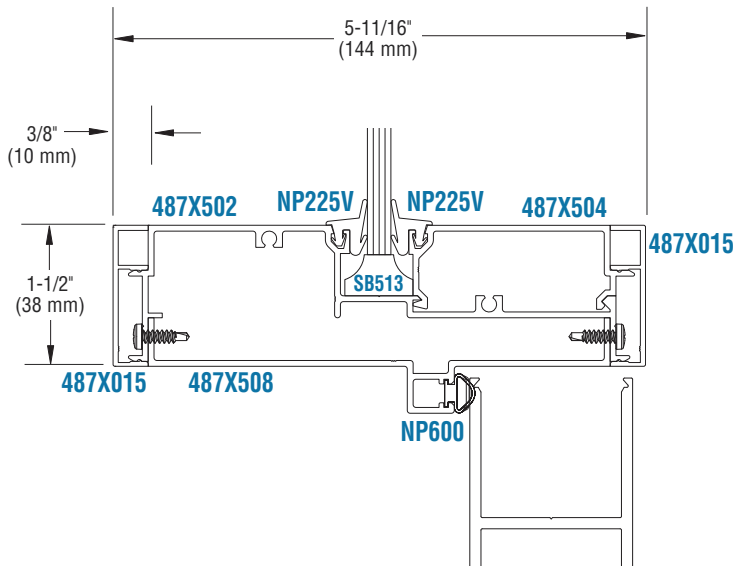
Typical Details



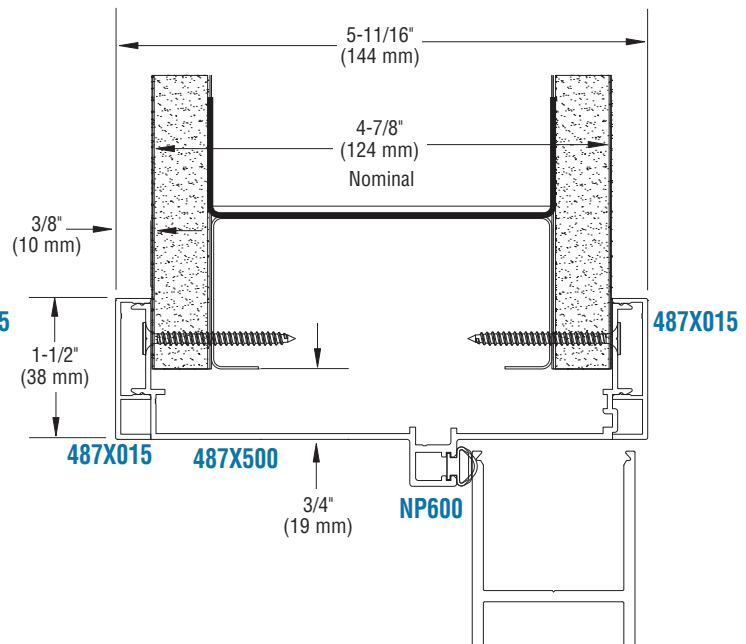
③ Hinge Jamb with Sidelite



④ Strike Jamb with Sidelite



⑤ Door Header with Transom



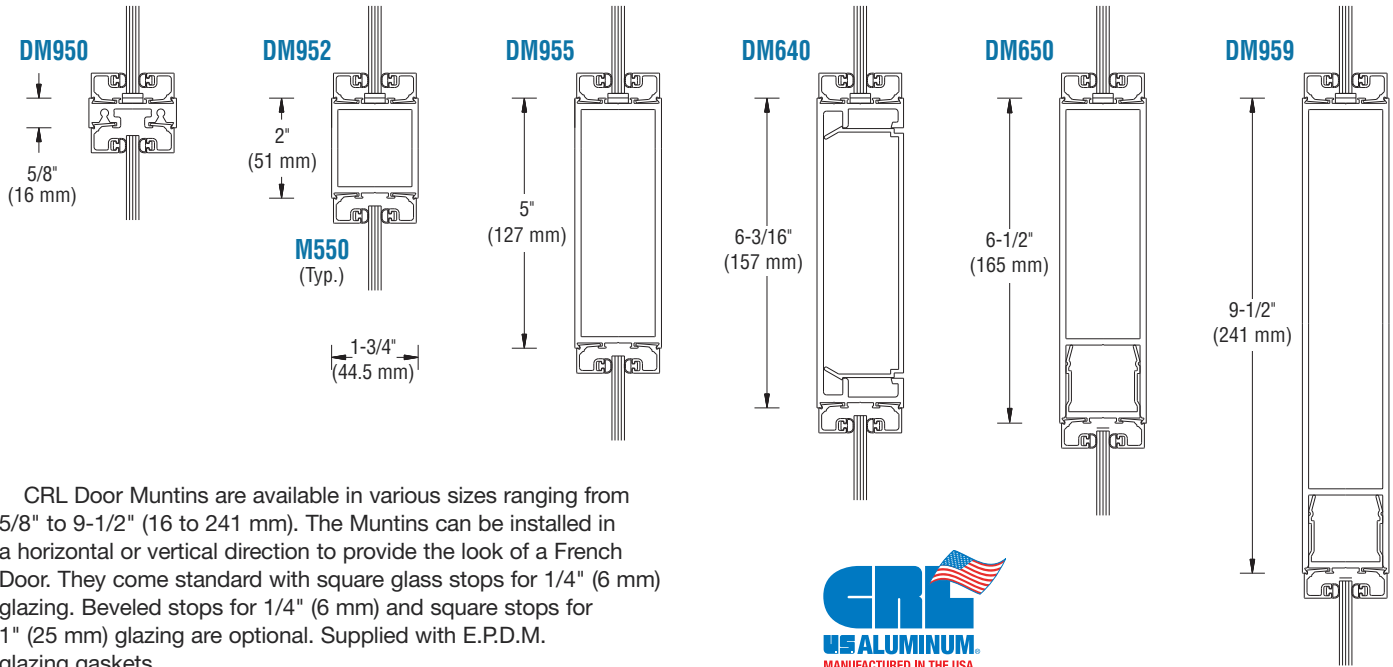
⑥ Door Header

NOT TO SCALE



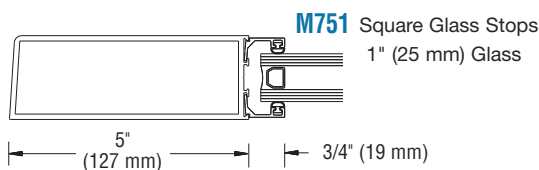
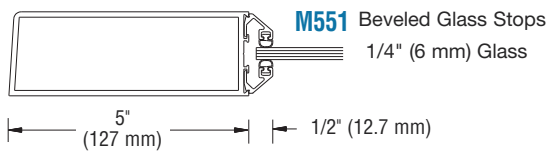
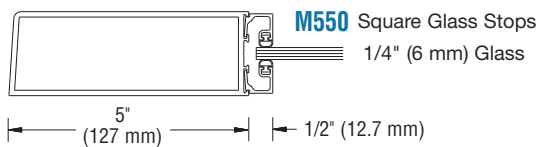
CRL 550 Series Aluminum Door Options

DOOR MUNTINS



CRL Door Muntins are available in various sizes ranging from 5/8" to 9-1/2" (16 to 241 mm). The Muntins can be installed in a horizontal or vertical direction to provide the look of a French Door. They come standard with square glass stops for 1/4" (6 mm) glazing. Beveled stops for 1/4" (6 mm) and square stops for 1" (25 mm) glazing are optional. Supplied with E.P.D.M. glazing gaskets.

GLAZING OPTIONS



CRL-U.S. Aluminum Wood Flush Doors

- Fire Rated
- 1-3/4" (44 mm) Thick
- Interior Use Only
- Optional Vision Lites Available
- Contributes to LEED® Certification Ratings

NEW!

CRL
U.S. ALUMINUM

DOORMERICA
Products



CRL-U.S. Aluminum offers an extensive selection of Wood Doors to complement our Office Partition Systems. They are engineered for high performance in diverse environments including office, hospitality, education, healthcare, recreation, and residential settings.

Architectural wood doors are often favored as long-term investments because they add an iconic, permanent feel to building interiors. CRL-U.S. Aluminum's latest addition of solid Wood Flush Doors are no different. They are a part of our vast selection of architectural hardware products and systems that aid architects, designers, and contractors.

Our Wood Flush Doors are thoroughly tested and approved for a variety of applications, including 20-minute through 90-minute fire ratings, and are available with optional vision lites. A full selection of distinctive wood varieties, like White Birch, Red Oak, White Maple, and Cherry are available (see page 129X). Our Wood Flush Doors are engineered and crafted for high performance and available in three core options, Standard Particleboard Core, Extra Heavy-Duty Structural Composite Lumber Core, and our Mineral Core for openings requiring up to a 90-minute label. All Wood Doors are available unfinished, prefinished with a UV Clear Coat, or your choice from a wide selection of colors (see Color Chart on page 129X). Maximum sizes are limited to 48" wide x 108" (1219 x 2743 mm) tall for use in light commercial to large-scale institutional projects.

All 20-minute Doors have been tested in accordance to Standards ASTM-E-152, CSFM-43.7, CAN4-S104, NFPA-252, UBC-7-2-97, UL10C.

All architectural wood skin species are manufactured under conformance to the following industry standards: WDMA I.S. 1-A, W.I. Section 12, A.W.I. 1300 Premium (AA), and Custom (A) Grade Faces.

Wood skins are 2-ply construction with 1/42" face veneer. All stocking skins used are "Book Running Match A-Grade" faces.

CRL-U.S. Aluminum SC Series Wood Flush Door

NEW!

- Flush Standard Particleboard Core
- 20 Minute Fire Rated
- 1-3/4" (44 mm) Thick
- 5-Ply Construction
- Pre-Drilled Pilot Holes
- Exceeds Industry Standards of WDMA I.S. 1
- Core: 28-30 Lb. Particleboard, ANSI A208.1 Grade LD-1
- Lay Up Method: Loose

- Interior Use Only
- Optional Vision Lites Available
- 1" (25 mm) Wide Stiles (Nominal)

This Wood Flush Standard Particleboard Core Door offers light commercial commodity wood veneers, plastic laminates, or 2-ply wood medium and high density fiberboard backer wood veneers with matching hardwood veneer edges suited for both residential and light commercial.

See pages 130X to 132X for Quote/Order Form.

LEED is a registered trademark of U.S. Green Building Council.



CRL-U.S. Aluminum EHC Series Wood Flush Door

NEW!

- Flush Extra Heavy-Duty Structural Composite Lumber Core
- Fire Rated Up to 45 Minutes
- 1-3/4" (44 mm) Thick
- 5-Ply Construction
- Pre-Drilled Pilot Holes
- Exceeds Industry Standards of WDMA I.S.1-A
- Core: 34 Lb. Structural Composite Lumber (Engineered) Grade LD-2
- Lay Up Method: Bonded and Sanded

- Interior Use Only
- Optional Vision Lites Available
- 1-3/8" (35 mm) Wide Stiles (Minimum)

Our Flush Extra Heavy-Duty Structural Composite Lumber Core is bonded and sanded structural composite lumber core with either plastic laminate or 2-ply high density fiberboard backer wood veneer with 1-3/8" (35 mm) matching hardwood stiles or veneer edges and wood rails, great for any architectural or institutional project. See pages 130X to 132X for Quote/Order Form.



CRL-U.S. Aluminum MC Series Wood Flush Door

NEW!

- Wood Flush Mineral Core Door
- Fire Rated Up to 90 Minutes
- 1-3/4" (44 mm) Thick
- 3 and 5-Ply Construction Available
- Pre-Drilled Pilot Holes
- Exceeds Industry Standards of WDMA I.S.1-A
- Core: Gypsum Mineral
- Lay Up Method: Bonded and Sanded
- Maximum Size: 48" W x 96" H (1219 x 2438 mm)

- Interior Use Only
- Optional Vision Lites Available
- 1-3/8" (35 mm) Wide Stiles (Minimum)

Our Wood Flush Mineral Core Door has a bonded and sanded gypsum core offering light commercial veneers, plastic laminates, or 2-ply medium and high density fiberboard backer wood veneers with laminated composite stiles and rails. Meets 90-minute fire rated requirements on any architectural or light commercial project. See pages 130X to 132X for Quote/Order Form.



CRL Wood Flush Doors Color Chart



White Birch (Rotary Cut)	Red Oak (Plain Sliced)	White Maple (Plain Sliced)	Cherry (Plain Sliced)	
				Clear
				Nevada
				Arizona
				Oregon
				California
				Florida
				Virginia
				Georgia
				Alabama



Colors shown are representative only, and may vary slightly from actual gloss, color, and texture. If color match is critical, please contact Technical Sales for additional information. Custom colors are available upon request.



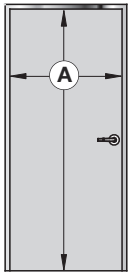
Custom 487 Series Aluminum Frame and Door Quote/Order Request Form

Page 1 of 3

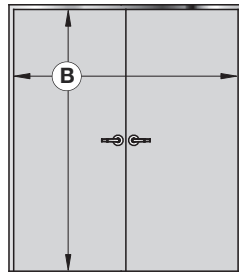


STEP 1 MEASURE

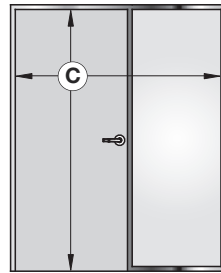
ROUGH OPENING CALCULATIONS



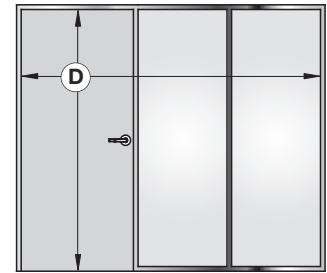
Door Frame



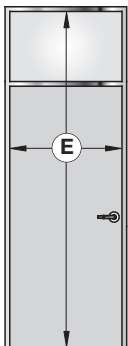
Double Door Frame



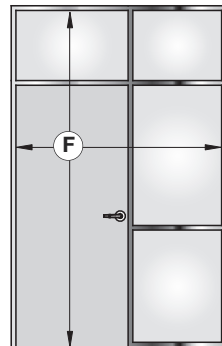
Door w/Sidelite



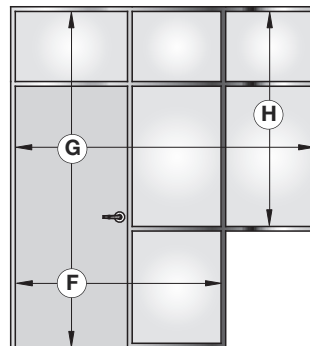
Door w/Two Sidelites



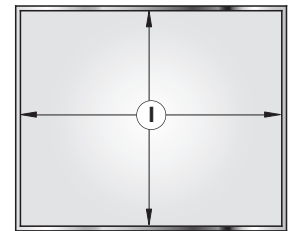
Transom Frame



Transom Frame w/Sidelite



Transom Frame w/Two Sidelites



Vision Lite

ROUGH OPENING FORMULAS

- A** Width = $DW + 1-1/2"$
Height = $DH + 3/4"$

- B** Width = $DW + 1-1/2"$
Height = $DH + 3/4"$

- C** Width = $DW + 1-1/2" + SW + 1-1/2"$
Height = $DH + 3/4"$

- D** Width = $DW + 1-1/2" + SW + 1-1/2" + SW + 1-1/2"$
Height = $DH + 3/4"$

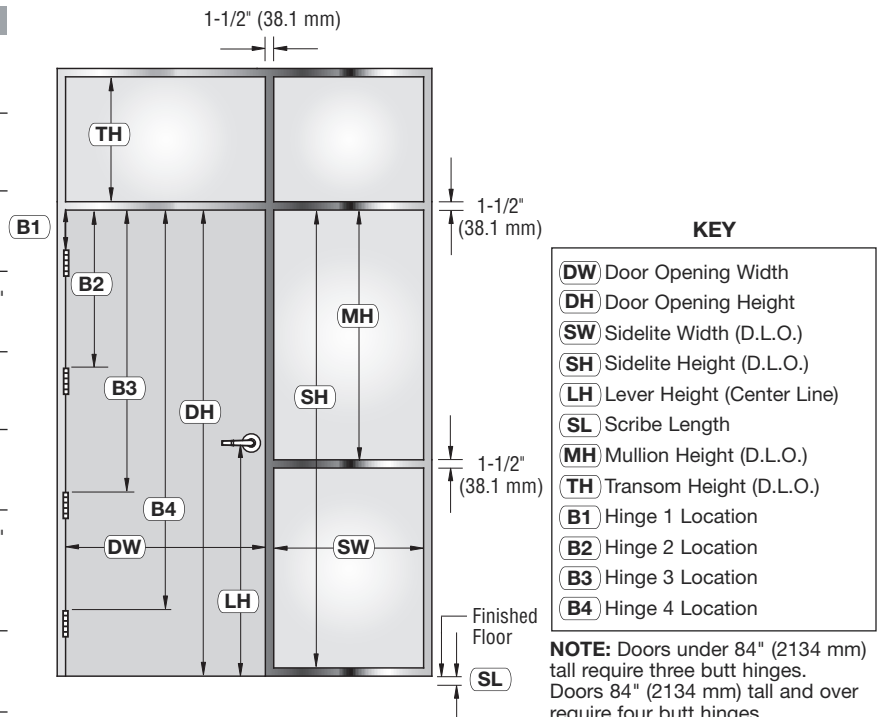
- E** Width = $DW + 1-1/2"$
Height = $DH + 1-1/2" + TH + 3/4"$

- F** Width = $DW + 1-1/2" + SW + 1-1/2"$
Height = $DH + 1-1/2" + TH + 3/4"$

- G** Width = $DW + 1-1/2" + SW + 1-1/2" + SW + 1-1/2"$
Height = $DH + 1-1/2" + TH + 3/4"$

- H** Height = $SH + 1-1/2" + TH + 1-3/4"$

- I** Width = $SW + 1-1/2"$
Height = $SH + 1-3/4"$



Custom 487 Series Aluminum Frame and Door Quote/Order Request Form

Page 2 of 3

Fax Completed Checklist to U.S. Aluminum Technical Sales at (866) 262-3299. Then call to discuss: (800) 262-5151 (U.S.), (877) 421-6144 (Canada), or (323) 588-1281 (International). Ask for Extension 5305. This form is also available online at usalum.com.

Company Name _____
 Contact _____
 Job Name _____

Phone # _____
 Fax # _____
 Email _____

When you are ready to order, utilize this form to assist you in covering the details required to complete a Custom 487 Series Aluminum Frame installation. Going through this exercise should prevent you from overlooking any details related to your installation.

IMPORTANT: Depending on the complexity of your project, one or more of the following may be required to accurately order: sketches or drawings of your particular application with dimensions; printed architectural drawings or CAD files; photos of job site conditions (digital images are preferable). **NOTE:** A final sign off is required prior to any custom fabrication.

STEP 2 FRAME SELECTION

FRAME TYPE

- Up/Over Frame (No Sidelites)
- Frame With Sidelite
 - Left of Door from Push Side
 - Right of Door from Push Side
- Transom Frame
- Transom Frame With Sidelite
 - Left of Door from Push Side
 - Right of Door from Push Side
- Custom (Supply Drawings)

FRAME RATING

- Non Rated
 - 20-Minute Label "Positive Pressure"
 - 90-Minute Label "Positive Pressure"
- NOTE:** 20-Minute Frames have a maximum sidelite width of 24" (610 mm).
 90-Minute Label is only available with Single Door Up/Over Frames.

FRAME FINISH

- Clear Anodized
- Bronze Anodized
- Black Anodized
- Painted (Specify) _____

BUTT HINGES (See Page 133X)

- BB10A Satin Chrome Removable Pin
- BB10BRZ Bronze Removable Pin
- BB15NRPA Satin Chrome Non-Removable Pin
- BB15NRPBRZ Bronze Non-Removable Pin
- By Others (Must Specify) _____

BUTT HINGE LOCATIONS

- CRL Standard Hinge Locations
- Custom Hinge Locations (Specify Below)
 - (B1) _____ (B3) _____
 - (B2) _____ (B4) _____

FRAME INFORMATION (See Page 130X for Formulas)

Door Opening Width **(DW)** _____
 Door Opening Height **(DH)** _____
 Sidelite Width **(SW)** _____ QTY. _____
 Sidelite Height **(SH)** _____
 Transom Height **(TH)** _____
 Mullion Height **(MH)** _____
 Scribe Length **(SL)** _____
 Standard 1-5/8" (41.3 mm)
 Custom _____

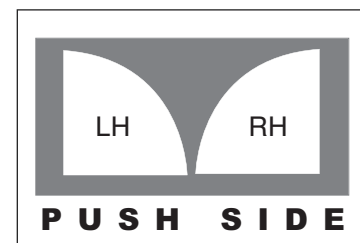
STEP 3 DOOR SELECTION

DOOR SWING

- | | |
|--|-----------|
| <input type="checkbox"/> Push Side Hinges On Left | _____ ea. |
| <input type="checkbox"/> Push Side Hinges On Right | _____ ea. |

Handing of doors is determined from the "PUSH" side. A single door with hinges on the left from the PUSH side is a Left Hand (LH) Door. A single door with hinges on the right from the PUSH side is a Right Hand (RH) Door. Paired doors always consist of one LH and one RH door.

DOOR SWING CHART





Custom 487 Series Aluminum Frame and Door Quote/Order Request Form

Page 3 of 3

STEP 3 DOOR SELECTION (CONTD.)

DOOR TYPE

- 550 Series Wide Stile Aluminum
- Wood Flush
- By Others _____

DOOR OPENING SIZE *

- 36" x 84" (914 x 2134 mm) Single
- 36" x 96" (914 x 2432 mm) Single
- 36" x 108" (914 x 2743 mm) Single
- 48" x 84" (1219 x 2134 mm) Single
- 48" x 96" (1219 x 2432 mm) Single
- 48" x 108" (1219 x 2743 mm) Single
- 72" x 84" (1829 x 2134 mm) Pair
- 72" x 96" (1829 x 2438 mm) Pair
- 72" x 108" (1829 x 2743 mm) Pair
- 96" x 96" (2438 x 2438 mm) Pair
- Other (Specify) _____

* Door Bottom Clearance

- Standard 5/16" (8 mm)
- Other (Specify) _____

CYLINDRICAL LEVER LOCKS (See Pages 139X-141X)

- Entrance Grade 1 Grade 2
- Showroom Grade 1 Grade 2
- Passage Grade 1 Grade 2
- Privacy Grade 1 Grade 2
- Specify Finish _____
- By Others (Specify) _____
- None

MORTISE LEVER LOCK (See Page 138X)

- ML9453 Mortise (Satin Chrome Finish)
- By Others (Specify) _____
- None

LEVER HEIGHT

- CRL Standard Lever Location
- Custom Lever Height (Specify) _____

PANIC DEVICES (See Pages 144X-147X)

- CRL 10 Series Rim
- CRL 10 Series Concealed
- CRL 12 Series Rim
- CRL 12 Series Concealed
- CRL 20 Series Rim
- CRL 20 Series Concealed
- Cat. No. _____
- By Others (Specify) _____
- None

SURFACE MOUNT DOOR CLOSER (See Pages 134X-135X)

- CRL PR70
- Cat. No. _____
- Regular Projecting Arm
- Parallel Arm
- By Others _____
- None

550 Series Wide Stile Aluminum Doors (See Pages 123X-126X)

DOOR FINISH

- Clear Anodized
- Dark Bronze Anodized
- Black Anodized
- Painted (Specify) _____

BOTTOM RAIL

- Standard 6-1/2" (165 mm)
- 7-1/2" (191 mm)
- 9-1/2" (241 mm) A.D.A.
- Custom _____

GLASS STOPS (See Page 126X)

- Square for 1/4" (6 mm) Glass
- Beveled for 1/4" (6 mm) Glass
- For 1" (25 mm) Glass

FLUSH BOLTS FOR PAIRS (See Page 142X)

- Yes
 - Cat. No. DL2210A18 Aluminum
 - Cat. No. DL2210DU18 Bronze
- No

DOOR MUNTINS (See Page 126X)

- 5/8" (16 mm)
- 2" (51 mm)
- 5" (127 mm)
- 6-3/16" (157 mm)
- 6-1/2" (165 mm)
- 9-1/2" (241 mm)
- None

Wood Flush Doors (See Pages 127X-129X)

SERIES

- 1-3/4" SC Series Standard Particleboard Core
- 1-3/4" EHC Series Extra Heavy-Duty Structural Composite Core
- 1-3/4" MC Series Mineral Core
 - 3-Ply 5-Ply

AUTOMATIC FLUSH BOLTS FOR PAIRS (See Page 142X)

- Yes Cat. No. _____
- No

WOOD TYPE AND FINISH (See Page 129X)

- TYPE**
- White Birch White Maple
 - Red Oak Cherry
- FINISH**
- Raw (Unfinished)
 - UV Clear (Prefinished)
 - Other (Specify Color) _____

VISION LITE (See Page 143X)

- Frame By**
- CRL (Specify Size) _____
 - Others _____
 - None

DOOR RATING

- Non Rated
- 20-Minute "Positive Pressure" Category B
- 90-Minute "Positive Pressure" Category B

PUSH PLATES (See Page 149X)

- Yes Cat. No. _____
- No

PULL PLATES (See Page 149X)

- Yes Cat. No. _____
- No

KICK PLATES (See Page 148X)

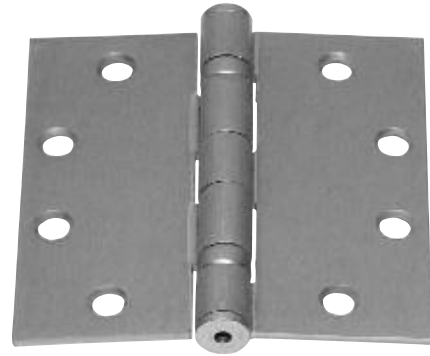
- Yes Cat. No. _____
- No



CRL 4-1/2" x 4-1/2" Standard Weight Ball Bearing Butt Hinges

- Full Mortise Hinges for Medium Weight Doors
- Removable Pin and Non-Removable Pin Models Available
- Complete With Machine and Wood Screws

CRL 4-1/2" x 4-1/2" (114 x 114 mm) Standard Weight Ball Bearing Butt Hinges are ideal for medium weight doors receiving average frequency use. Quality construction (.134 Gauge) in satin chrome and bronze finishes. Hinges come three per box, with machine screws and wood screws included.



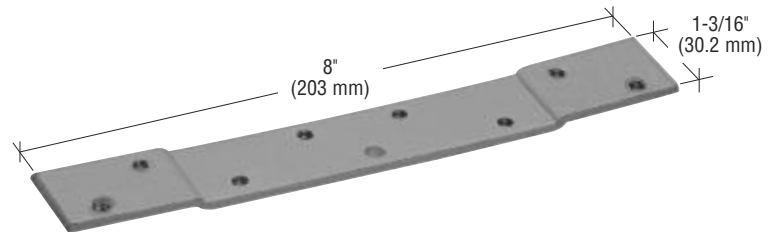
CAT. NO.	HINGE PIN TYPE	FINISH
BB10A	Removable Pin	Satin Chrome
BB10BRZ	Removable Pin	Bronze
BB15NRPA	Non-Removable Pin	Satin Chrome
BB15NRPBRZ	Non-Removable Pin	Bronze

Minimum order: 1 box. Types and finishes can be combined for quantity pricing.

CRL Door Reinforcement Backing Plate

This CRL Reinforcement Backing Plate is designed to support Standard Weight BB10, BB15 Series 4-1/2" (114 mm) Ball Bearing Butt Hinges when mounted to office partition aluminum framed doors. They are non-handed, and made of heavy gauge, plated steel. Plates are tapped for standard 12-24 machine screws to mount the Plate to the door. Minimum order is one each.

- For Standard Weight Butt Hinge Installations
- Non-Handed, Mounts to Aluminum Door



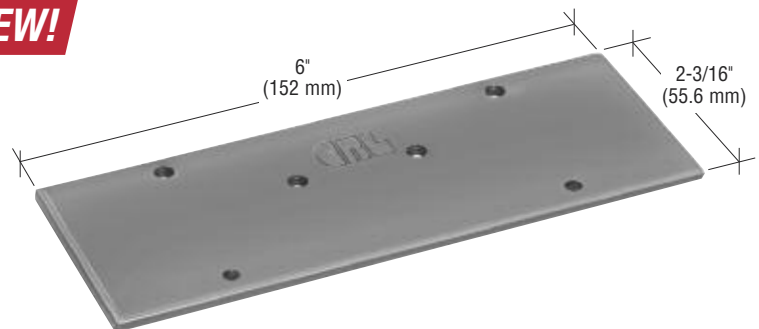
CAT. NO. MHT4

CRL 487 Series Frame Reinforcement Backing Plate

This CRL Reinforcement Backing Plate is designed to support Standard Weight BB10, and BB15 Series 4-1/2" (114 mm) Ball Bearing Butt Hinges when mounted to our 487 Series Office Partition Frames. They are non-handed, and made of heavy gauge, plated steel. Plates are tapped for standard 12-24 machine screws to mount the Plate to the frame. Minimum order is one each.

- For Standard Weight Butt Hinge Installations
- Non-Handed, Mounts to 487 Series Frame

NEW!



CAT. NO. 487RBP1

CRL PR70 Series Adjustable Spring Power Surface Mounted Door Closers

- Multi-Size Adjustable Spring Power Closers Ranging in Sizes BF 1/2 to 6
- Barrier Free and Delayed Action Models to Meet A.D.A. Barrier-Free Requirements
- Applicable for Doors Weighing 22 to 330 Pounds (10 to 150 kg)
- Aluminum and Dark Bronze Finishes
- Bright Gold and Chrome Finishes for Restaurants and Upscale Retail Businesses
- 10 Year Limited Warranty

• UL Listed

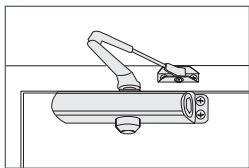
The CRL PR70 Series of Multi-Size Adjustable Spring Power Surface Mounted Door Closers are a range of Closers offering A.D.A. Barrier-Free (low opening resistance), Delayed Action models to allow adjustable delayed closing, and heavy-duty full range models for full control of heavier commercial doors. They are also available in Bright Gold and Polished Chrome finishes to complement most architectural finish requirements.

The Delayed Action feature adjusts the time a door will remain open to facilitate ease of progress through the opening. This feature is valuable in health care facilities and public buildings that require door closers to momentarily stay open. Closing and latching speed controls are independently adjustable, and an adjustable backcheck feature helps prevent damage to the closer, door, and adjacent structures should the door be violently swung open due to wind or heavy pedestrian traffic.

All PR70 Closers are UL Listed and warranted for 10 years. Parallel Arm Brackets and mounting hardware are included with each closer permitting universal installation for regular, top jamb or parallel arm applications. Optional accessories, such as Backing Plates and Hold Open Arms, are available for special installations, please see page 135X. Visit crlaurence.com for a complete selection of Surface Mounted Door Closers.

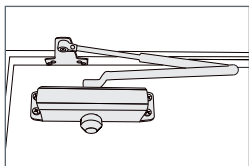
Surface Mounted Closer Universal Mounting Options

- Non-Handed, Reversible Closers Can Be Mounted Three Different Ways



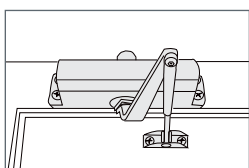
Regular Projecting Arm Installation

Closer installed on "PULL" side of the door.



Parallel Arm Installation

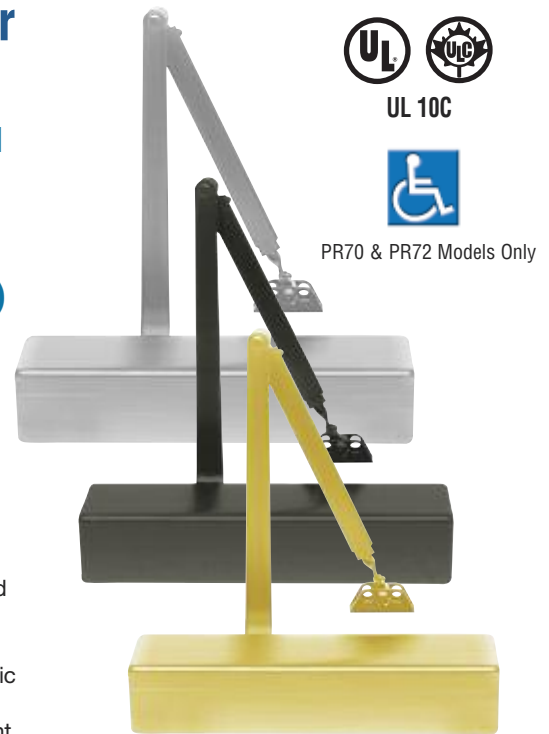
Closer installed on "PUSH" side of the door.



Top Jamb* Installation

Closer installed above door on "PUSH" side.

*Not applicable to 487 Series Office Partitions



PR70 & PR72 Models Only

CAT. NO.	FINISH	SPRING SIZE	CLOSER DESCRIPTION
PR70BFA	Aluminum	1/2 - 4	Barrier-Free/Adjustable
PR70BFDU	Dark Bronze	1/2 - 4	Barrier-Free/Adjustable
PR70BFBG	Bright Gold	1/2 - 4	Barrier-Free/Adjustable
PR70BFCH	Bright Chrome	1/2 - 4	Barrier-Free/Adjustable
PR72DAA	Aluminum	1/2 - 4	Delayed Action/Adjustable
PR72DADU	Dark Bronze	1/2 - 4	Delayed Action/Adjustable
PR72DABG	Bright Gold	1/2 - 4	Delayed Action/Adjustable
PR72DACH	Bright Chrome	1/2 - 4	Delayed Action/Adjustable
PR74BCA	Aluminum	2 - 6	Adjustable
PR74BCDU	Dark Bronze	2 - 6	Adjustable
PR76DAA	Aluminum	2 - 6	Delayed Action/Adjustable
PR76DADU	Dark Bronze	2 - 6	Delayed Action/Adjustable

Minimum order: 1 each. All CRL Door Closers can be combined for quantity pricing.

CLOSER SELECTION DATA

CLOSER MODEL	CLOSER SIZE	APPLICABLE DOOR SIZE (WIDTH)			APPLICABLE DOOR WEIGHT
		INTERIOR DOOR	EXTERIOR DOOR		
PR70BF	1/2 - 4	28"-48" (0.71-1.22 m)	24"-42" (0.61-1.07 m)	20"-36" (0.51-0.91 m)	22-187 Lbs. (10-85 kg)
PR72DA	1/2 - 4	28"-48" (0.71-1.22 m)	24"-42" (0.61-1.07 m)	20"-36" (0.51-0.91 m)	22-187 Lbs. (10-85 kg)
PR74BC	2 - 6	36"-58" (0.91-1.47 m)	32"-52" (0.81-1.32 m)	28"-48" (0.71-1.22 m)	66-330 Lbs. (30-150 kg)
PR76DA	2 - 6	36"-58" (0.91-1.47 m)	32"-52" (0.81-1.32 m)	28"-48" (0.71-1.22 m)	66-330 Lbs. (30-150 kg)

CRL Accessories for PR70 Series Surface Mounted Door Closers

CRL PR70 Series Surface Mounted Door Closer Accessories are intended to support a wide range of mounting options and applications. Contact the CRL Technical Sales Department at (800) 421-6144 in the U.S., (877) 421-6144 from Canada, or (323) 588-1281 International, and ask for Ext. 7520. You can also send us an e-mail at crlaurence.com/support.

CRL Closer Body Covers

CAT. NO.	FINISH
PR7CVRA	Aluminum
PR7CVRDU	Dark Bronze
PR7CVRBG	Bright Gold
PR7CVRCH	Bright Chrome

Minimum order: 1 each. Finishes can be combined for quantity pricing.

- Full Body Cover



CRL Sex Bolt Sets

CAT. NO.	FINISH
DCSBA	Aluminum
DCSBBRZ	Dark Bronze
DCSBBG	Bright Gold
DCSBCH	Bright Chrome

Minimum order: 1 pack. Finishes can be combined for quantity pricing.

- Four Per Pack



CRL Regular Closer Arms

- Replacement Arms

CAT. NO.	FINISH
DC50CAA	Aluminum
DC50CABRZ	Dark Bronze

Minimum order: 1 each. Finishes can be combined for quantity pricing.



CRL Parallel Arm Brackets

- For Use With Regular Non-Hold Open Arms

CAT. NO.	FINISH
DC9PABA	Aluminum
DC9PABBRZ	Dark Bronze

Minimum order: 1 each. Finishes can be combined for quantity pricing.



CRL Reinforcement Backing Plate

- For Surface Mounted Regular Arm Closer

NEW!



CAT. NO. 487RBP3
Minimum order is one each.

CRL Reinforcement Backing Plate

- For Parallel Arm Closer

NEW!



CAT. NO. 487RBP4
Minimum order is one each.

CRL Extended Rod Assemblies

- Use With Reveals Up to 6" (152 mm)

CAT. NO.	FINISH
DCAXTA	Aluminum
DCAXTBRZ	Dark Bronze

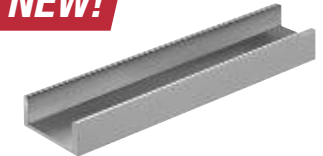
Minimum order: 1 each. Finishes can be combined for quantity pricing.



CRL Spacer Bar

- For Surface Mounted Parallel Arm Closer

NEW!



CAT. NO. 487SB1
Minimum order is one each.

CRL Hold Open Arms

- Parallel Hold Open Bracket Included

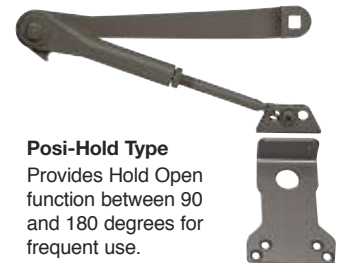
FRICTION TYPE CAT. NO.	POSI-HOLD TYPE CAT. NO.	FINISH
DCH0AA	DCPH0AA	Aluminum
DCH0ABRZ	DCPH0ABRZ	Dark Bronze
DCH0ABG	DCPH0ABG	Bright Gold
DCH0ACH	DCPH0ACH	Bright Chrome

Minimum order: 1 each. Finishes can be combined for quantity pricing.



Friction Type

Provides Hold Open function between 90 and 180 degrees for occasional Hold Open need.



Posi-Hold Type

Provides Hold Open function between 90 and 180 degrees for frequent use.

CRL Replacement Screw Packages

CAT. NO.	FINISH
DCSA	Aluminum
DCSBRZ	Dark Bronze

Minimum order: 1 pack. Finishes can be combined for quantity pricing.

- Complete Set of Replacement Screws



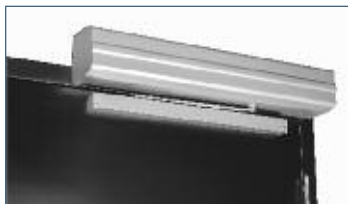
CRL Norton® 5700 Series - LEO® Low Energy Power Door Operator

- Complies With A.D.A. Accessibility Guidelines
- Retains Proper Closing Force While Providing A.D.A. Mandated Opening Force
- Meets ANSI/BHMA A156.19 and A.D.A. A156.4
- Easy to Install and Set Up
- Non-Handed
- UL Listed

Norton's 5700 Series introduces a new generation of power door operators. The patented design of the 5700 is based on ease and simplicity. It installs in minutes rather than hours, and consists of three basic components: inverter, motor, and Norton's 1601 Closer Body.

What separates the Norton 5700 from other operators is its ability to function as a standard door closer. When the door is opened manually, there is little resistance, and the drive train and motor are not engaged. The 1601 Closer, not the motor, controls the closing cycle. Since the door closer does not back-drive the motor during the closing cycle, there is no loss of closer efficiency.

Hinge (Pull) Side



Stop (Push) Side



- Adjustable Stop
- 180 Degree Swing (Trim Permitting)
- Minimum Door Width
Single Door - 29" (737 mm)
Double Door - 30" (762 mm)
- Maximum Door Width 48" (1219 mm)
- An Auxiliary Stop is Suggested Where Severe Conditions Exist

- Reveals 2-5/8" to 6-3/4" (67 to 171 mm)
- 170 Degree Swing (Trim Permitting)
- Maximum Door Width 48" (1219 mm)
- An Auxiliary Stop is Required

Motorized Operation

When activated by an optional switch or motion sensor, the unit powers the door open at both a speed and force that is adjustable to comply with accessibility codes. The door is powered from a closed position to a full open position, and remains in a momentary hold open position that can be adjusted from 0 to 30 seconds. The door is then allowed to close under the closer spring force only. Once the unit reaches full hold open position, if reinitiated, the unit's momentary hold open time is restarted from the initially set hold-open time. If the unit is activated during the closing cycle, the unit reverts back to the opening cycle, beginning at that door position. If an obstruction is detected when opening, the opening cycle is ended and the door is allowed to close under the closer spring force only.

Norton® and LEO® are registered trademarks of Yale Security Inc., an ASSA ABLOY Group Company



In the event of a power outage, the door can be manually opened and will close via the door closer's spring force.

The 5700 is listed with UL and ANSI/BHMA A156.19, and meets the requirements of A.D.A. A156.4. It is ideal for offices, retirement facilities, schools, churches, and any location where extra features are not required and noise may be a concern. The operator can be activated via wall switch, radio frequency device or motion sensor, and is available for both push and pull side applications. Based on its dual functionality, ease of use and quiet operation, the 5700 offers the customer a unique choice.

NOTE: This product is a low energy power operator intended for A.D.A. assist openings only. It is not intended to be used for applications requiring a full time automatic operator.



Inverter

Motor

1601 Closer Body

SPECIFICATIONS:

Power Input: 120V AC, 60Hz

Current Draw: .6A

Relay Output: DPDT-N.O./N.C. (jumper)

External On/Off Switch

Adjustable Hydraulic Backcheck

Adjustable Hold Open: 0 to 30 Seconds

Warranty: 2 Year Limited

Finish: Sprayed Combination of Waterborne Acrylic and Polyester Powder Coat

Dimensions:

Body With Cover: 29" (737 mm) x 5-1/4" (133 mm)

Body Projection: 4-5/8" (117 mm)

Track Assembly: 23" (584 mm)

NOTE: Contact CRL Technical Sales for use on doors exceeding 250 lbs. (113 kg)

NOTE: Door Switches and Sensors are not included with 5700 Series Door Operators. These must be ordered separately (see next page).



UL 10C

CAT. NO.

LE05741A

LE05741DU

FINISH

Aluminum

Dark Bronze

Minimum order: 1 each. Finishes can be combined for quantity pricing.

CRL Norton® 5700 Series - LEO® Accessories

CRL Norton® Automatic Door Signage

- Replacements for Standard Decal Placards

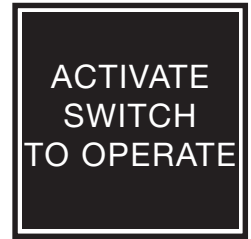


CAT. NO. LE0428
(2 per Operator)

These CRL Norton® Signs are supplied standard with the purchase of the 5700 Series Door Operator and Door Switches. They are also sold separately as replacements for lost or older signs. Each 5700 Series - LEO® Power Door Operator comes with two Cat. No. LE0428 Signs. Each Door Switch below comes with one Cat. No. LE0429 Sign.



CAT. NO. LE0429
(1 per Switch)



CAT. NO. LE0433

CAT. NO.	SIGN DESCRIPTION
LE0428	"CAUTION" Automatic Door
LE0429	A.D.A. Activate Switch to Operate
LE0433	Activate Switch to Operate

Minimum order: 1 each.

CRL Norton® Automatic Door Switches

- Large 6" x 6" Square Automatic Door Push Switch
- Available for Both Hardwired and Wireless Installations

CRL Norton® Automatic Door Switches are designed for use with the Norton® 5700 Series - LEO® Power Door Operators. Available for both hardwired and wireless type installations, the large 6" x 6" (152 x 152 mm) square button is user friendly. Both models come with one Cat. No. LE0429 Sign (shown above). Minimum order is one each.



CAT. NO. LE0505

HARDWIRED DOOR SWITCH

- 6" x 6" (152 x 152 mm) Faceplate
- 15 amp @ 125V AC
- Hardwired
- Flush or Surface Mounted
- Stainless Finish With Blue Letters
- Includes One LE0429 Sign



CAT. NO. LE0531

WIRELESS (RF) DOOR SWITCH

- Wireless RF Frequency (433 MHz)
- 6" x 6" (152 x 152 mm) Faceplate
- Flush or Surface Mounted
- Stainless Finish With Blue Letters
- Includes One LE0429 Sign
- Works with Cat. No. LE0539 (Sold Separately)

CRL Norton® Motion Sensor

- Uni-Directional Motion Sensor for 5700 Series Door Operators

MOTION SENSOR

- Adjustable Angle Pattern
- Uni-directional
- Black Cover
- 24V DC Input
- SPDT Relay



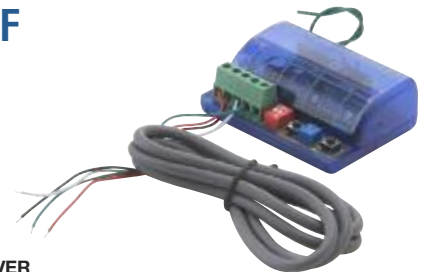
4-3/4" x 3-3/16" x 2" Projection
(121 mm x 81 mm x 51 mm)

The CRL Norton® Motion Sensor is a 24V DC powered unit designed to work with the Norton® 5700 Series - LEO® Power Door Operator. Must be placed where motion at door can be sensed. Minimum order is one each.

CAT. NO. LE0663

CRL Norton® RF Receiver Kit

- Wireless Receiver Kit



RADIO FREQUENCY RECEIVER

- Wireless RF Frequency (433 MHz)
- 24V DC Power Supply
- Activation Switch Not Included
- Requires Switch No. LE0531

The CRL Norton® RF Receiver Kit is designed to work along with the Cat. No. LE0531 RF Door Switch (see above). Kit allows for wireless switch activation of our 5700 Series - LEO® Power Door Operators. Minimum order is one each.

CAT. NO. LE0539

Norton® and LEO® are registered trademarks of Yale Security Inc., an ASSA ABLLOY Group Company

CRL Heavy-Duty Mortise Lever Lockset

- ANSI A156.13 Series 1000 Grade 1
- 3 Year Warranty
- UL Listed

This CRL Heavy-Duty Commercial Grade 1 Mortise Lever Lockset is easy to install, and comes with detailed installation instructions. It has a 3-hour fire rating and is UL Listed. The lock case features heavy-duty stamped steel construction.

This CRL Commercial Mortise Lever Lockset comes in an ANSI-F20 Entrance Lock Function, and operates in the following fashion:

The lever handles will operate the latchbolt from either side or the outside lever can be locked by activating the rocker switch on the edge of the mortise latch (just below the latchbolt). The outside lever remains locked requiring a key to enter or until the rocker switch is returned to the unlock position. The deadbolt can be thrown by thumbturn from the inside or key from the outside. The inside lever is always free to simultaneously retract both the deadbolt and latch for immediate egress with a single turn of the lever.

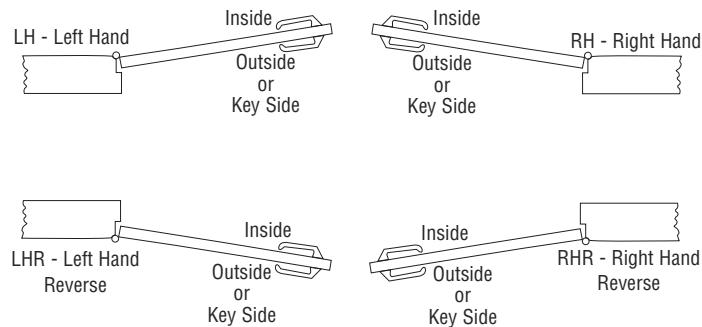
The Lever Lockset is field reversible for Right Hand, Left Hand, Right Hand Reverse, or Left Hand Reverse handing capabilities. Lockset fits 1-3/4" (44.5 mm) door thickness with a 2-3/4" (70 mm) backset. The 1-1/8" (28.5 mm) mortise cylinder has a Schlage "C" 6-pin keyway. Also included is an ANSI 1-1/4" x 4-7/8" (31.8 x 124 mm) curved lip Strike. One per box. **NOTE:** Cat. No. 487RBP2 Strike Backing Plate is sold separately see page 141X.

Other functions are available through our special order program. For more information, contact CRL Technical Sales at (800) 421-6144 in the U.S., (877) 421-6144 from Canada, or (323) 588-1281 International. Ask for Ext. 7700. You can also send us an e-mail at crlaurence.com/support.



Door Handing Capabilities

Door Handing is Determined from Outside or Key (Secure) Side of the Door.



CAT. NO.	DESCRIPTION	FINISH
ML9453	Heavy-Duty Mortise Lever Lock	Satin Chrome

Minimum order: 1 each.

CRL Commercial Cylindrical and Mortise Lever Locks

- Cylindrical Lever Locks are Non-Handed and Reversible
- For 1-3/8" to 1-3/4" (35 to 44.5 mm) Thick Doors
- Now Available With 6-Pin or 7-Pin SFIC Core Format
- New Finishes Available



7-Pin SFIC Core

Constantly attentive to our customer's needs and requests, we have expanded our Commercial Door Hardware line to include these popular CRL Commercial Cylindrical and Mortise Lever Locks. Our Lever Lock Door Hardware brings a contemporary look to commercial doors. Made of high-grade materials and ruggedly constructed, they will bring years of reliable function and modern beauty to your projects.

INTERIOR	EXTERIOR	FUNCTION ANSI NUMBER	FUNCTION DESCRIPTION
		Entrance F 109	Pushing inside button locks outside trim, requiring key to unlock. Pushing and twisting button locks outside lever and always requires a key to unlatch. Inside lever always allows free egress.
		Storeroom F 86	Outside lever always locked. Key unlatches only. Inside lever always allows free egress.
		Passage F 75	Both levers are always free.
		Privacy F 76	Push button locking from inside. Lock can be opened from outside with narrow flat head screwdriver or by rotating inside lever.
		Entrance F 20	Latchbolt operated by lever from either side, except when outside lever is made inoperative by push button rocker. Deadbolt projected by key from outside and by thumbturn from inside. Deadbolt retracted by key from outside. Both bolts retracted by inside lever with simultaneous retraction.

CRL Cylindrical Lever Lock Code Compliances

- ANSI A156.2 Grade 1. UL10C and UBC 7.2 for Positive Pressure
- ANSI A117.1 and A.D.A. for Barrier-Free Accessibility
- C-UBC California Amended Uniform Builders Code – 2001
- NFPA-80 National Fire Protection - 1999
- NFPA101 National Fire Protection - Life Safety - 2000



CRL Mortise Lever Lock Code Compliances

- ANSI A156.13 Series 1000 Grade 1 Listed. UL10C and UBC 7.2 for Positive Pressure
- ANSI A117.1 and A.D.A. for Barrier-Free Accessibility
- C-UBC California Amended Uniform Builders Code – 2001
- NFPA-80 National Fire Protection - 1999
- NFPA101 National Fire Protection - Life Safety - 2000

For additional information, contact CRL Technical Sales at (800) 421-6144 in the U.S., (877) 421-6144 from Canada, or (323) 588-1281 International. Ask for Ext. 7700. You can also e-mail us at [crlaurence.com/support](mailto:info@crlaurence.com).

CRL Heavy-Duty Grade 1 and Grade 2 Lever Locksets - Entrance

- Clutch Feature
- 3 Year Warranty
- ANSI A156.2 Grade 1 and 2
- UL Listed

These CRL Heavy-Duty Commercial Grade 1 and 2 Lever Locksets are non-handed, reversible, and have a clutch feature that disengages the outer lever when the latch is locked. This prevents latch failure when excessive torque is applied to the outer lever in an attempt to force entry.

These Locksets are UL Listed with a 3-hour fire rating, and fit door thicknesses from 1-3/8" to 1-3/4" (35 to 45 mm) with a 2-3/4" (70 mm) backset. Available with either a Schlage 'C' 6-pin keyway or a 7-pin Small Format Interchangeable Core (SFIC) and an ANSI 1-1/4" x 4-7/8" (32 x 124 mm) Strike.

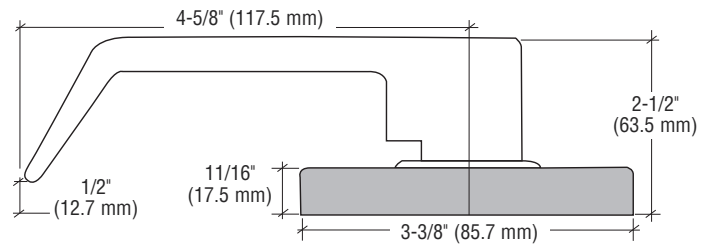
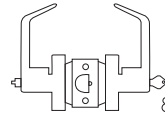
NOTE: Locksets are keyed differently.



Schlage 'C' 6-Pin Keyway



7-Pin SFIC Keyway



GRADE 1

SCHLAGE 6-PIN CAT. NO.	7-PIN SFIC CAT. NO.	FINISH
D50ENT	D52ENT	Brushed Chrome
D50ENTCH	D52ENTCH	Polished Chrome
D50ENTBN	D52ENTBN	Brushed Nickel
D50ENTPB	D52ENTPB	Polished Brass
D50ENTORB	D52ENTORB	Oil Rubbed Bronze

Minimum order: 1 each. All Lever Locksets can be combined for quantity pricing.

GRADE 2

SCHLAGE 6-PIN CAT. NO.	7-PIN SFIC CAT. NO.	FINISH
D55ENT	D57ENT	Brushed Chrome
D55ENTCH	D57ENTCH	Polished Chrome
D55ENTBN	D57ENTBN	Brushed Nickel
D55ENTPB	D57ENTPB	Polished Brass
D55ENTORB	D57ENTORB	Oil Rubbed Bronze

Minimum order: 1 each. All Lever Locksets can be combined for quantity pricing.

CRL Heavy-Duty Grade 1 and Grade 2 Lever Locksets - Storeroom

- Clutch Feature
- 3 Year Warranty
- ANSI A156.2 Grade 1 and 2
- UL Listed

These CRL Heavy-Duty Commercial Grade 1 and 2 Lever Locksets are non-handed, reversible, and have a clutch feature that disengages the outer lever when the latch is locked. This prevents latch failure when excessive torque is applied to the outer lever in an attempt to force entry.

These Locksets are UL Listed with a 3-hour fire rating, and fit door thicknesses from 1-3/8" to 1-3/4" (35 to 45 mm) with a 2-3/4" (70 mm) backset. Available with either a Schlage 'C' 6-pin keyway or a 7-pin Small Format Interchangeable Core (SFIC) and an ANSI 1-1/4" x 4-7/8" (32 x 124 mm) Strike.

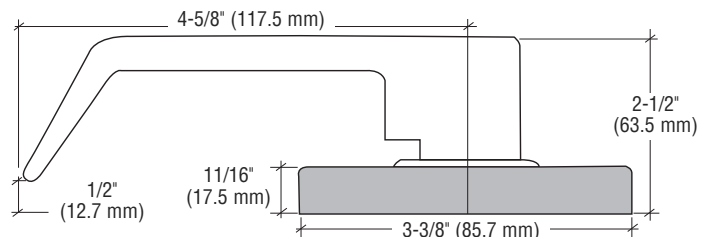
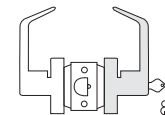
NOTE: Locksets are keyed differently.



Schlage 'C' 6-Pin Keyway



7-Pin SFIC Keyway



GRADE 1

SCHLAGE 6-PIN CAT. NO.	7-PIN SFIC CAT. NO.	FINISH
D70STR	D72STR	Brushed Chrome
D70STRCH	D72STRCH	Polished Chrome
D70STRBN	D72STRBN	Brushed Nickel
D70STRPB	D72STRPB	Polished Brass
D70STRORB	D72STRORB	Oil Rubbed Bronze

Minimum order: 1 each. All Lever Locksets can be combined for quantity pricing.

GRADE 2

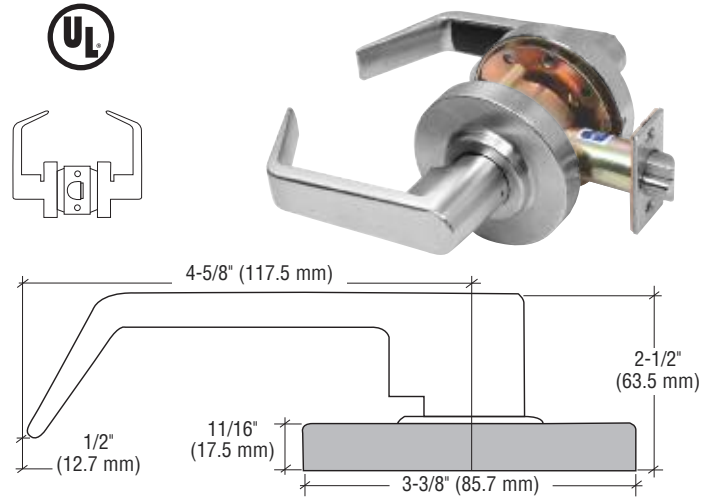
SCHLAGE 6-PIN CAT. NO.	7-PIN SFIC CAT. NO.	FINISH
D75STR	D77STR	Brushed Chrome
D75STRCH	D77STRCH	Polished Chrome
D75STRBN	D77STRBN	Brushed Nickel
D75STRPB	D77STRPB	Polished Brass
D75STRORB	D77STRORB	Oil Rubbed Bronze

Minimum order: 1 each. All Lever Locksets can be combined for quantity pricing.

CRL Heavy-Duty Grade 1 and Grade 2 Lever Locksets - Passage

- 3 Year Warranty
- ANSI A156.2 Grade 1 and 2 • UL Listed

These CRL Heavy-Duty Commercial Grade 1 and 2 Lever Locksets are non-handed and reversible. These Locksets are UL Listed with a 3-hour fire rating, and fit door thicknesses from 1-3/8" to 1-3/4" (35 to 45 mm) with a 2-3/4" (70 mm) backset. An ANSI 1-1/4" x 4-7/8" (32 x 124 mm) Strike is included.



GRADE 1

CAT. NO.	FINISH
D10PASS	Brushed Chrome
D10PASSCH	Polished Chrome
D10PASSBN	Brushed Nickel
D10PASSPB	Polished Brass
D10PASSORB	Oil Rubbed Bronze

Minimum order: 1 each. All Lever Locksets can be combined for quantity pricing.

GRADE 2

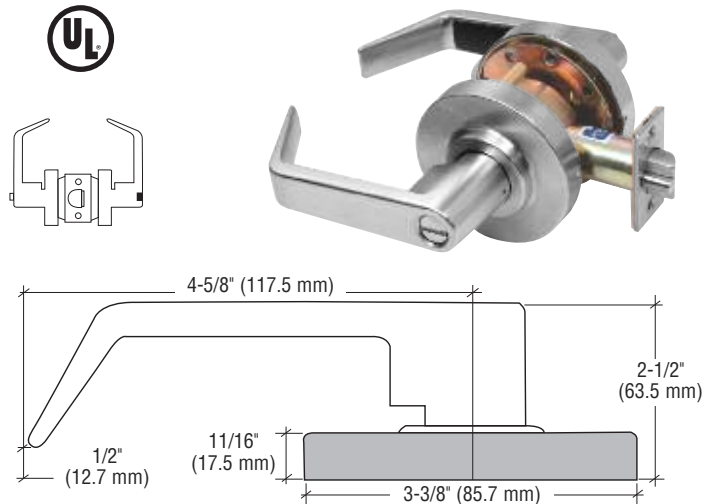
CAT. NO.	FINISH
D15PASS	Brushed Chrome
D15PASSCH	Polished Chrome
D15PASSBN	Brushed Nickel
D15PASSPB	Polished Brass
D15PASSORB	Oil Rubbed Bronze

Minimum order: 1 each. All Lever Locksets can be combined for quantity pricing.

CRL Heavy-Duty Grade 1 and Grade 2 Lever Locksets - Privacy

- Clutch Feature
- ANSI A156.2 Grade 1 and 2 • UL Listed

These CRL Heavy-Duty Commercial Grade 1 and 2 Lever Locksets are non-handed and reversible. These Locksets are UL Listed with a 3-hour fire rating, and fit door thicknesses from 1-3/8" to 1-3/4" (35 to 45 mm) with a 2-3/4" (70 mm) backset. An ANSI 1-1/4" x 4-7/8" (32 x 124 mm) Strike is included.



GRADE 1

CAT. NO.	FINISH
D40PRV	Brushed Chrome
D40PRVCH	Polished Chrome
D40PRVBN	Brushed Nickel
D40PRVPB	Polished Brass
D40PRVORB	Oil Rubbed Bronze

Minimum order: 1 each. All Lever Locksets can be combined for quantity pricing.

GRADE 2

CAT. NO.	FINISH
D45PRV	Brushed Chrome
D45PRVCH	Polished Chrome
D45PRVBN	Brushed Nickel
D45PRVPB	Polished Brass
D45PRVORB	Oil Rubbed Bronze

Minimum order: 1 each. All Lever Locksets can be combined for quantity pricing.

CRL Deadlatches, Spring Latches, and Strikes for Lever Locks

CRL Deadlatches and Spring Latches are made for 2-3/8" (60.3 mm) or 2-3/4" (70 mm) backsets. Both Latches and Strikes are designed to work with the CRL Lever Locksets shown above. One per package.

- Non-Handed and Reversible
- ANSI A156.2 Grade 1 and 2
- UL Listed

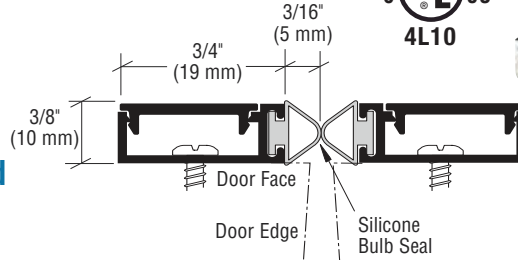
CAT. NO.	FUNCTION	BACKSET
DL238*	Deadlatch	2-3/8" (60.3 mm)
DL234	Deadlatch	2-3/4" (70 mm)
SL238	Spring Latch	2-3/8" (60.3 mm)
SL234	Spring Latch	2-3/4" (70 mm)
PLK1ASA	Strike	-----
487RBP2	Strike Backing Plate	-----

Minimum order: 1 each. Deadlatches, Spring Latches, and Strikes can be combined for quantity pricing. *ANSI Grade 2.



CRL Split Astragals With Silicone Bulb Seal

NEW!



Shown as a pair but sold individually. If a pair is required, you must order two pieces.

- Aluminum or Bronze in Two Stock Sizes for Double Door Applications
- Smoke Tested and Fire Rated
- Concealed Fasteners
- UL Classified

This CRL Split Astragal With Silicone Bulb Seal is used to seal the gap between a pair of doors. The snap covering conceals the fasteners and provides an attractive finished look. Available in two lengths and two finishes. When installing on pairs of fire doors, care must be taken to maintain the requirements of NFPA 80. Screws are included.

CAT. NO.	FINISH	LENGTH
29310CS84	Aluminum	84" (2134 mm)
29310CS96	Aluminum	96" (2438 mm)
29310DS84	Bronze	84" (2134 mm)
29310DS96	Bronze	96" (2438 mm)

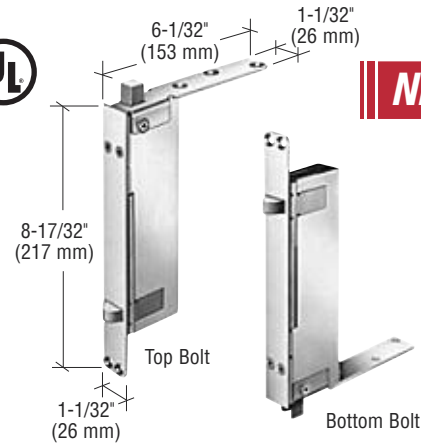
Minimum order: 1 each.

CRL Automatic Flush Bolts for Wood Double Doors

- Fully Automatic Top and Bottom Bolts
- 3/4" (19 mm) Throw
- Conforms to ANSI/BHMA 156.3, Type 25
- 1-1/2 Hour Fire Rating
- Non-Handed
- UL Listed



NEW!



These CRL Automatic Flush Bolts retract at top and bottom when the active door is opened, and automatically extends top and bottom 3/4" (19 mm) into frame and sill strikes, locking inactive door. Patented free floating cams require a maximum of 5 pounds closing force on active door. **NOTE:** Door Astragal is optional and sold separately, see above. Other finishes available on special order.

CAT. NO.	DESCRIPTION	FINISH
94232D	Automatic Flush Bolts	Brushed Stainless

Minimum order: 1 set.

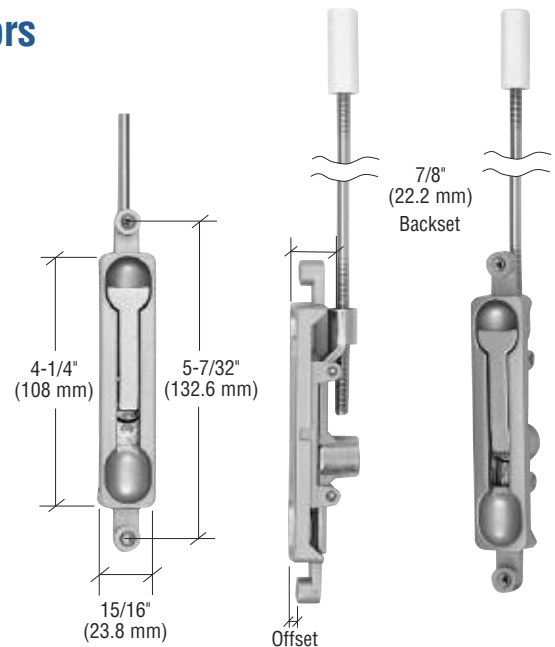
CRL Manual Flush Bolts for Aluminum Double Doors

- Radiused Face With 1/8", 3/16" or 1/4" (3.2, 4.8, or 6.4 mm) Offsets
- Rod Length for 12" (305 mm) Face Centerline Installation
- 7/8" (22.2 mm) Backset
- 5/8" (15.9 mm) Throw

These Flush Bolts are designed to work on any radius faced narrow stile aluminum door. Intended to securely lock the inactive door, three different offsets are available in aluminum or bronze finishes. A Nylon Flush Bolt Guide is included. One per package.

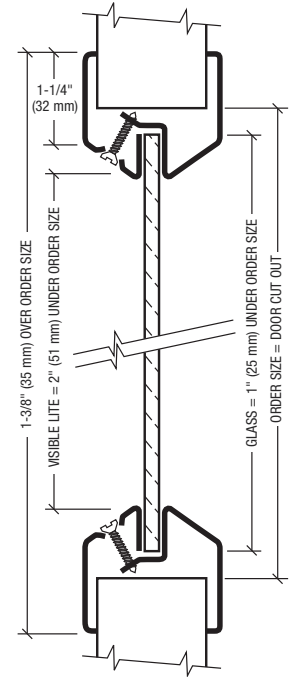
CAT. NO.	OFFSET	FINISH
DL2210A18	1/8" (3.2 mm)	Aluminum
DL2210DU18	1/8" (3.2 mm)	Bronze
DL2210A316	3/16" (4.8 mm)	Aluminum
DL2210DU316	3/16" (4.8 mm)	Bronze
DL2210A14	1/4" (6.4 mm)	Aluminum
DL2210DU14	1/4" (6.4 mm)	Bronze

Minimum order: 1 each. All Flush Bolts can be combined for quantity pricing.



CRL Door Vision Lites

- Beveled Vision Lite Frame Available in 12 Different Sizes
- Fire Rated
- Bronze Powder Coat Finish
- For Glazing Thickness of 3/16" to 1/4" (5 to 6 mm)
- Available With or Without Wire Glass



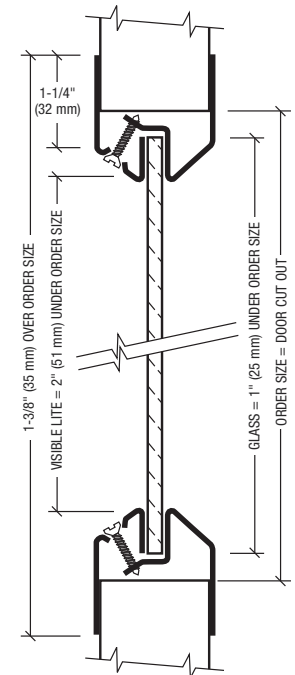
CRL's Door Vision Lites are constructed from 20 gauge CRS bronze powder coated frames. They are designed for 1-3/4" (44 mm) thick doors in sizes from 5" x 35" (127 x 889 mm) to 24" x 60" (610 x 1524 mm). Vision Lites include mitered and welded corners, a continuous glass retainer, and countersunk mounting holes in the bevel on the non-corridor side. These Vision Lites are listed with both UL and WHI. Custom sizes and finishes are available upon request.

W/O GLASS CAT. NO.	WITH GLASS CAT. NO.	SIZE W X H	USES GLASS SIZE	EXPOSED GLASS
VLFEZ5X35	---	5" x 35" (127 x 889 mm)	4" x 34" (102 x 864 mm)	3" x 33" (76 x 838 mm)
VLFEZ6X27	VLFEZ6X27WS	6" x 27" (152 x 686 mm)	5" x 26" (127 x 660 mm)	4" x 25" (102 x 635 mm)
VLFEZ7X22	VLFEZ7X22WS	7" x 22" (178 x 559 mm)	6" x 21" (152 x 533 mm)	5" x 20" (127 x 508 mm)
VLFEZ7X31	---	7" x 31" (178 x 787 mm)	6" x 30" (152 x 762 mm)	5" x 29" (127 x 737 mm)
VLFEZ8X32	VLFEZ8X32WS	8" x 32" (203 x 813 mm)	7" x 31" (178 x 787 mm)	6" x 30" (152 x 762 mm)
VLFEZ12X12	VLFEZ12X12WS	12" x 12" (305 x 305 mm)	11" x 11" (279 x 279 mm)	10" x 10" (254 x 254 mm)
VLFEZ24X24	VLFEZ24X24WS	24" x 24" (610 x 610 mm)	23" x 23" (584 x 584 mm)	22" x 22" (559 x 559 mm)
VLFEZ24X30	VLFEZ24X30WS	24" x 30" (610 x 762 mm)	23" x 29" (584 x 737 mm)	22" x 28" (559 x 711 mm)
VLFEZ24X32	---	24" x 32" (610 x 813 mm)	23" x 31" (584 x 787 mm)	22" x 30" (559 x 762 mm)
VLFEZ24X36	---	24" x 36" (610 x 914 mm)	23" x 35" (584 x 889 mm)	22" x 34" (559 x 864 mm)
VLFEZ24X56	---	24" x 56" (610 x 1422 mm)	23" x 55" (584 x 1397 mm)	22" x 54" (559 x 1372 mm)
VLFEZ24X60	---	24" x 60" (610 x 1524 mm)	23" x 59" (584 x 1499 mm)	22" x 58" (559 x 1473 mm)

Minimum order: 1 each.

CRL Slimline Series Door Vision Lites

- Low Profile Design Beveled Vision Lite Frame
- Fire Rated
- Bronze Powder Coat Finish
- For Glazing Thickness of 3/16" to 1/4" (5 to 6 mm)
- You Supply the Glass



CRL's Slimline Series Door Vision Lites are stocked with bronze powder coated frames. Fabricated from 20 gauge CRS, these Vision Lites are available in sizes from 6" x 27" (152 x 686 mm) to 24" x 30" (610 x 762 mm). Featuring trim with radius corners, a continuous glass retainer, a mitered and welded frame, and countersunk holes on the non-corridor side, the Slimline Series is designed for 1-3/4" (44 mm) thick doors, and is listed with both UL and WHI. Custom sizes and finishes are available upon request.

CAT. NO.	SIZE W X H	USES GLASS SIZE	EXPOSED GLASS
SL6X27	6" x 27" (152 x 686 mm)	5" x 26" (127 x 660 mm)	4" x 25" (102 x 635 mm)
SL7X22	7" x 22" (178 x 559 mm)	6" x 21" (152 x 533 mm)	5" x 20" (127 x 508 mm)
SL12X12	12" x 12" (305 x 305 mm)	11" x 11" (279 x 279 mm)	10" x 10" (254 x 254 mm)
SL24X30	24" x 30" (610 x 762 mm)	23" x 29" (584 x 737 mm)	22" x 28" (559 x 711 mm)

Minimum order: 1 each. Glass not included.

CRL Jackson 20 Series Panic Exit Devices

- Designed for Use With 1-3/4" (44 mm) Narrow, Medium, and Wide Stile Aluminum, Wood, or Hollow Metal Doors
- Concealed Fastening for Added Security

This CRL Jackson Panic Exit Device is designed to withstand wear and tear, yet remain aesthetically pleasing. Each part is manufactured from the highest quality materials, which are hand fitted and adjusted for a smooth, whisper-quiet operation. The Touch Pad with "Soft-Touch" insert requires only slight pressure anywhere on the bar insert for a smooth release.

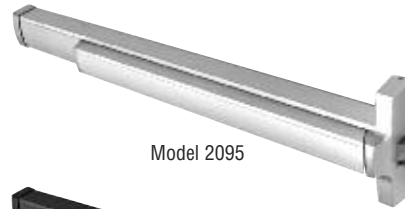
Available in both Rim and Concealed Vertical Rod versions, this device is suitable for use with 1-3/4" (44.5 mm) narrow, medium, and wide stile aluminum, wood, or hollow metal doors. It complies with ANSI 156.3, Grade 1 Specification. For active outside trim and other panic accessories, visit crlaurence.com.



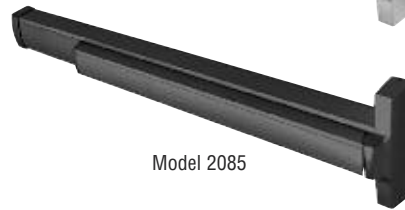
2085 Series Top Latch Panic Device



2086 Series Top Bolt Panic Device



Model 2095



Model 2085



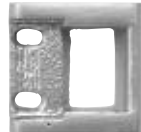
CONCEALED VERTICAL ROD EXIT DEVICES

TOP LATCH CAT. NO.	TOP BOLT CAT. NO.	LENGTH – HANDING	FINISH
312085L37628	312086L37628	36" (914 mm) Left Hand-Reverse Bevel	Satin Aluminum
312085R37628	312086R37628	36" (914 mm) Right Hand-Reverse Bevel	Satin Aluminum
312085L37313	312086L37313	36" (914 mm) Left Hand-Reverse Bevel	Dark Bronze
312085R37313	312086R37313	36" (914 mm) Right Hand-Reverse Bevel	Dark Bronze
312085L47628	312086L47628	48" (1219 mm) Left Hand-Reverse Bevel	Satin Aluminum
312085R47628	312086R47628	48" (1219 mm) Right Hand-Reverse Bevel	Satin Aluminum
312085L47313	312086L47313	48" (1219 mm) Left Hand-Reverse Bevel	Dark Bronze
312085R47313	312086R47313	48" (1219 mm) Right Hand-Reverse Bevel	Dark Bronze

Minimum order: 1 each. All Panic Exit Devices can be combined for quantity pricing.



'C' Strike



'S' Strike

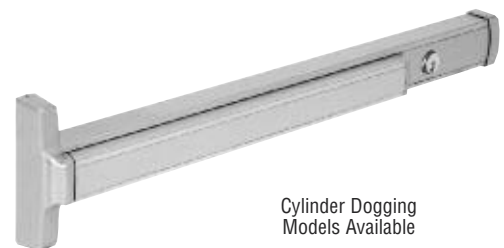
RIM EXIT DEVICES

'C' STRIKE CAT. NO.	'S' STRIKE CAT. NO.	LENGTH – HANDING	FINISH
312095LC3628	312095LS3628	36" (914 mm) Left Hand-Reverse Bevel	Satin Aluminum
312095RC3628	312095RS3628	36" (914 mm) Right Hand-Reverse Bevel	Satin Aluminum
312095LC3313	312095LS3313	36" (914 mm) Left Hand-Reverse Bevel	Dark Bronze
312095RC3313	312095RS3313	36" (914 mm) Right Hand-Reverse Bevel	Dark Bronze
312095LC4628	312095LS4628	48" (1219 mm) Left Hand-Reverse Bevel	Satin Aluminum
312095RC4628	312095RS4628	48" (1219 mm) Right Hand-Reverse Bevel	Satin Aluminum
312095LC4313	312095LS4313	48" (1219 mm) Left Hand-Reverse Bevel	Dark Bronze
312095RC4313	312095RS4313	48" (1219 mm) Right Hand-Reverse Bevel	Dark Bronze

Minimum order: 1 each. All Panic Exit Devices can be combined for quantity pricing.

Cylinder Dogging

Cylinder dogging is available when specified by adding "C" behind the model number. The Exit Device is supplied with the required prep and special cam only that is required to be used with a 1-1/8" Mortise Cylinder that is not supplied with the device and must be purchased separately. See DC7185SC Series at crlaurence.com.
Example: 312095C¹LC3628



Cylinder Dogging Models Available

SPECIFICATIONS:

- Standard for 36" (914 mm) Wide Door – Field Sizeable up to 48" (1219 mm) Width Available
- Concealed Easy to Use Dogging System – Optional Cylinder Dogging is Available
- Wear Points Insulated by Nylon Sleeves and Rollers

2085 Concealed Vertical Rod Device – Top Latch

- Positive Locking, Spring Loaded Top Latch
- Standard Height 84" (2134 mm); See Page 147X for Extensions
- Requires Mortise Cylinder and Series 30821J Mounting Pad for Keyed Entry. Visit crlaurence.com.

2086 Concealed Vertical Rod Device – Top Bolt

- Top and Bottom Bolt Action – 1/2" (13 mm) Throw
- Standard Height 84" (2134 mm); See Page 147X for Extensions
- Requires Mortise Cylinder and Series 30821J Mounting Pad for Keyed Entry. Visit crlaurence.com.

20861 Impact Concealed Vertical Rod – Top Bolt

- Available for impact resistant applications under Miami-Dade County rules and regulations governing the use of construction materials when used with properly tested and approved doors. Simply add a "1" behind the model number.

Example: 312086¹L37628

2095 Rim Device

- Requires Rim Cylinder for Keyed Entry; Visit crlaurence.com.
- Cylinder Mounting Pad Not Required
- 3/4" (19 mm) Throw Deadlocking Latch

CRL Jackson 1200 Series Panic Exit Devices

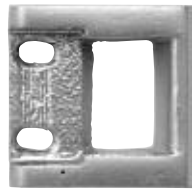
- Designed for Use With 1-3/4" (44 mm) Narrow, Medium, and Wide Stile Aluminum, Wood or Hollow Metal Doors
- "Soft-Touch" Smooth Action Push-Pad
- Field Sizeable

This CRL Jackson Exit Device blends the reliability of the time-proven 10 Series Crossbar Device with the sleek, contemporary style of today's modern push-pad exit device. Available in Rim, Concealed, and Surface Vertical Rod versions, this device is suitable for use with 1-3/4" (44.5 mm) narrow, medium, and wide stile aluminum, wood, or hollow metal doors. The base is easily trimmed for field sizing. This Exit Device features an easy to use Hex Key dogging system, and is also available with keyed cylinder dogging.

The 1200 Series touch pad with "Soft-Touch" insert requires slight pressure anywhere on the bar insert for instant release of the locking mechanism. Overall projection is only 2-7/8" (73 mm) from the door surface, and mounting hardware is concealed. For active outside trim and other panic accessories, visit crlaurence.com.



'C' Strike



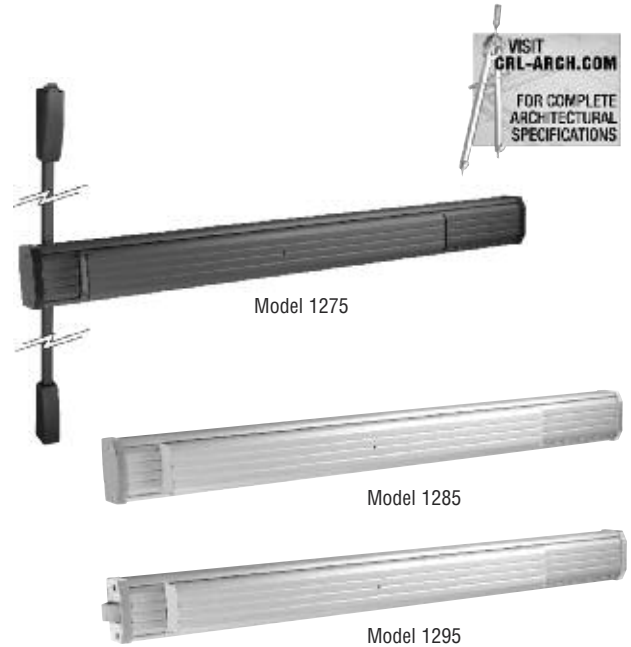
'S' Strike

36" (914 MM) DOOR CAT. NO.	48" (1219 MM) DOOR CAT. NO.	TYPE	HANDING	FINISH
31127537628	31127547628	Surface Vertical Rod	Non-Handed	Satin Aluminum
31127537313	31127547313	Surface Vertical Rod	Non-Handed	Dark Bronze
311285L37628	311285L4628	Concealed Vertical Rod	Left Hand-Reverse Bevel	Satin Aluminum
311285R37628	311285R4628	Concealed Vertical Rod	Right Hand-Reverse Bevel	Satin Aluminum
311285L37313	311285L4313	Concealed Vertical Rod	Left Hand-Reverse Bevel	Dark Bronze
311285R37313	311285R4313	Concealed Vertical Rod	Right Hand-Reverse Bevel	Dark Bronze
311295C3628	311295C4628	Rim Device - 'C' Strike	Non-Handed	Satin Aluminum
311295C3313	311295C4313	Rim Device - 'C' Strike	Non-Handed	Dark Bronze
311295S3628	311295S42628	Rim Device - 'S' Strike	Non-Handed	Satin Aluminum
311295S3313	311295S42313	Rim Device - 'S' Strike	Non-Handed	Dark Bronze

Minimum order: 1 each.

Cylinder Dogging

Cylinder dogging is available when specified by adding "C" behind the model number. The Exit Device is supplied with the required prep and special cam only that is required to be used with a 1-1/4" Mortise Cylinder that is not supplied with the device and must be purchased separately. See DC7205SCK Series at crlaurence.com. **Example:** 312095'C'LC3628



SPECIFICATIONS:

1275 Surface Vertical Rod Device

- Stocked in Both 36" (914 mm) and 48" (1219 mm) Widths
- Standard Door Height 84" (2134 mm) – Field Sizeable

1285 Concealed Vertical Rod Device

- Stocked in Both 36" (914 mm) and 48" (1219 mm) Widths
- Standard Height 84" (2134 mm) - Extension Available; See page 147X
- Requires Series 30821J Cylinder Mounting Pad When Using Mortise Cylinder for Keyed Outside Entry; Visit crlaurence.com.

1295 Rim Device

- Stocked in Both 36" (914 mm) and 48" (1219 mm) Widths
- Surface Mounted Roller Strike Standard
- Requires Rim Cylinder for Keyed Entry; Visit crlaurence.com.



Cylinder Dogging Models Available

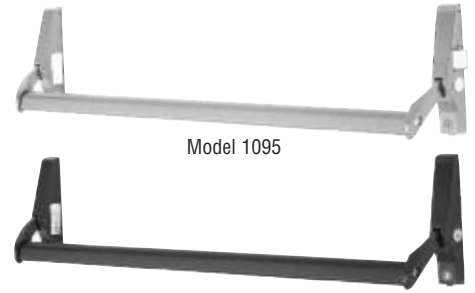
CRL Jackson 10 Series Cross Bar Panic Exit Devices

- Available as Concealed Vertical Rod and Rim Exit Devices
- For Use With Narrow, Medium, and Wide Stile Aluminum, Wood or Hollow Metal Doors

CRL Jackson Panic Exit Devices are designed to withstand wear and tear, yet remain aesthetically pleasing for years to come. Each part is manufactured from the highest quality materials, which are hand fitted and adjusted for a smooth, whisper-quiet operation.

CAT. NO.	TYPE	HANDING	FINISH
311095LC4628	Rim - 'C' Strike	Left Hand-Reverse Bevel	Satin Aluminum
311095RC4628	Rim - 'C' Strike	Right Hand-Reverse Bevel	Satin Aluminum
311095LC4313	Rim - 'C' Strike	Left Hand-Reverse Bevel	Dark Bronze
311095RC4313	Rim - 'C' Strike	Right Hand-Reverse Bevel	Dark Bronze
311095LS4628	Rim - 'S' Strike	Left Hand-Reverse Bevel	Satin Aluminum
311095RS4628	Rim - 'S' Strike	Right Hand-Reverse Bevel	Satin Aluminum
311095LS4313	Rim - 'S' Strike	Left Hand-Reverse Bevel	Dark Bronze
311095RS4313	Rim - 'S' Strike	Right Hand-Reverse Bevel	Dark Bronze
31108547628	Concealed Vert. Rod	Non-Handed	Satin Aluminum
31108547313	Concealed Vert. Rod	Non-Handed	Dark Bronze

Minimum order: 1 each. All Panic Exit Devices can be combined for quantity pricing.



Model 1095

SPECIFICATIONS: Model 1085

- Contoured Field Sizeable 48" (1219 mm) Long Crossbar
- Dual Dogging Feature – By Outside Cylinder – By Dogging Pins on Panic Housing
- Wear Points Insulated by Nylon Sleeves and Rollers

1095 Rim Device

- Requires Rim Cylinder for Keyed Entry; Visit crlaurence.com.

- Cylinder Mounting Pad Not Required

1085 Concealed Vertical Rod Device

- Standard Height 84" (2134 mm); See Page 147X for Extensions
- Requires Mortise Cylinder and No. 30821J Mounting Pad for Keyed Entry; Visit crlaurence.com.



'C' Strike



'S' Strike

CRL Jackson 896 Removable Mullions

- For Use With CRL Jackson 1095, 1295, and 2095 Rim Panic Exit Devices
- Increased Security for Paired Doors

This extra heavy wall, cross-reinforced, extruded aluminum CRL Jackson Removable Mullion is designed to provide increased security when used with paired doors equipped with latch bolt type Rim Panic Exit Devices.

The 896 Mullion is supplied with a pair of installed strikes and stabilizers to prohibit deflection of the doors. Secure floor and header mounting brackets provide stability and easy removal of the Mullions for increased opening access. Standard height is 96" (2.44 m), and it can be field cut to fit. Optional 120" (3.05 m) height is also available on special order.

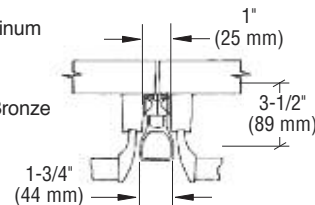
96" (2.44 M) REMOVABLE MULLIONS

CAT. NO.	FOR USE WITH	FINISH
3089610958628	Model 1095 Rim Panic Device	Satin Aluminum
3089610958313	Model 1095 Rim Panic Device	Dark Bronze
3089612958628	Model 1295 Rim Panic Device	Satin Aluminum
3089612958313	Model 1295 Rim Panic Device	Dark Bronze
3089620958628	Model 2095 Rim Panic Device	Satin Aluminum
3089620958313	Model 2095 Rim Panic Device	Dark Bronze

Minimum order: 1 each. All Mullions can be combined for quantity pricing.

MATERIALS:

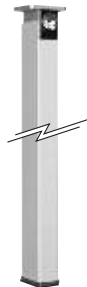
Body: Extruded Aluminum
Stabilizer: Aluminum
Strike: Sintered Steel
Mounting Brackets: Bronze



CRL Key Removable Mullion

- For Use on Standard and Fire-Rated Pairs of Doors
- 11 Gauge, 2" x 3" (51 x 76 mm) Primer Gray Steel Tube

The CRL Key Removable Mullion can be removed in seconds with one key turn, and easily snaps back into place without needing the key. The installation is easy (no drilling of the mullion tube), and can be adapted to any double door application. You can cut to fit almost any size application 8 feet (2.14 m) and smaller. The CRL Key Removable Mullion is designed for heavy-duty use on rim exit devices on standard and fire rated pairs of doors. The Mullion comes with a small profile base plate to prevent interference when moving objects through doorways. Hardware includes shims to ensure an accurate fit and base anchors. Rim Cylinder sold separately Cat. No. DL911SCKDA. Minimum order is one each.



CAT. NO. F90KR



CRL Jackson Exit Device Accessories

CRL Top Rod Extenders

- For Doors Over 84" (2134 mm) Tall

CAT. NO.	USED WITH	LENGTH
301347	1085, 1285, 2085, 2086	12" (305 mm)
301348	1085, 1285, 2085, 2086	24" (609 mm)
301347A	2085E and 2086E	12" (305 mm)
301348A	2085E and 2086E	24" (609 mm)

Minimum order: 1 each.



CRL Top and Bottom Bolt

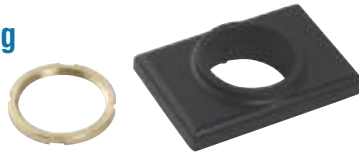
- Plated and Used With Concealed Vertical Rods



CAT. NO. 30763P
Minimum order: 1 each.

CRL Mortise Cylinder Mounting Pads

- Required When Using Mortise Cylinders



CAT. NO.	USED WITH	FINISH
30821J628	1085, 1285, 2085, 2086 Exit Devices	Aluminum
30821J313	1085, 1285, 2085, 2086 Exit Devices	Dark Bronze
30821J335	1085, 1285, 2085, 2086 Exit Devices	Black
30821B628	3185 and 3186 Exit Devices	Aluminum
30821B313	3185 and 3186 Exit Devices	Dark Bronze

Minimum order: 1 each.

CRL Top and Bottom Rod Strikes

- Required for Proper Device Function



CAT. NO.	USED WITH	FINISH
301084628	1085, 1285, 2086, 3186 Exit Devices	Aluminum
301084624	1085, 1285, 2086, 3186 Exit Devices	Dark Bronze
301345628	1275, 2085, 3185 Exit Devices	Aluminum
301345313	1275, 2085, 3185 Exit Devices	Dark Bronze

Minimum order: 1 each.

CRL Rim Panic Strikes

- Surface Mounted



CAT. NO.	DESCRIPTION	FINISH
302436628	Standard "C" Strike	Aluminum
302501626	Optional "S" Strike	Aluminum
302501624	Optional "S" Strike	Dark Bronze

Minimum order: 1 each.

CRL Top and Bottom Concealed Bolt Guides

- Allows for Full Bolt Adjustment

Top Bolt Guide

CAT. NO.	DESCRIPTION	FINISH
30934628	Top Bolt Guide	Aluminum
30934624	Top Bolt Guide	Dark Bronze
30320628	Bottom Bolt Guide	Aluminum
30320624	Bottom Bolt Guide	Dark Bronze

Bottom Bolt Guide

Minimum order: 1 each.

CRL Top Bolt Trip Bracket

- Activates Bolt Release to Lock Door

CAT. NO.	FINISH
30824628	Aluminum
30824313	Dark Bronze
30824335	Black

Minimum order: 1 each.



CRL Concealed Rod Silencers

- Fits Over Rods to Dampen Rod Clatter
- Easy to Install



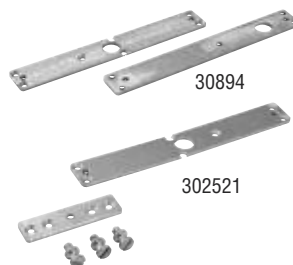
CAT. NO. 301552
Minimum order: 1 each.

CRL Wood Door Mounting Kits

- Allows Mounting of Rim Exit Hardware to Wood Doors

CAT. NO.	FITS RIM MODEL
30894	1095
302521	2095

Minimum order: 1 each.



CRL Signal Switch Kits

- Sends Signal to Remote Monitoring Station
- Concealed Inside of Panic

CAT. NO.	FITS	FINISH
302861	1200 Series	---
302989628	20 Series	Aluminum

Minimum order: 1 each.



For 1200 Series

For 20 Series

CRL Kick Plates

- Nine Sizes Available in Four Architectural Finishes
- Fabricated From Sturdy 18-Gauge Metals



Oil Rubbed Bronze

Polished Brass

Clear Anodized

Brushed Stainless



CRL Kick Plates and Push Plates are fabricated from sturdy 18-gauge (.050 thickness) metals, and pre-drilled for mounting screws, which are included. The oil rubbed bronze plates are made from aluminum with a very durable powder coated 10B finish; the polished brass plates are made from solid brass with a lacquered finish; aluminum plates are clear anodized; brushed stainless plates are made from solid stainless steel stock.

6" X 34" (152 X 864 MM)

CAT. NO.	FINISH
KP6X3410B	Oil Rubbed Bronze
KP6X343	Polished Brass
KP6X3428	Clear Anodized
KP6X3432D	Brushed Stainless

Minimum order: 1 each. All Kick Plates and Push Plates can be combined for quantity pricing.

8" X 30" (203 X 762 MM)

CAT. NO.	FINISH
KP8X3010B	Oil Rubbed Bronze
KP8X303	Polished Brass
KP8X3028	Clear Anodized
KP8X3032D	Brushed Stainless

Minimum order: 1 each. All Kick Plates and Push Plates can be combined for quantity pricing.

8" X 32" (203 X 813 MM)

CAT. NO.	FINISH
KP8X3210B	Oil Rubbed Bronze
KP8X323	Polished Brass
KP8X3228	Clear Anodized
KP8X3232D	Brushed Stainless

Minimum order: 1 each. All Kick Plates and Push Plates can be combined for quantity pricing.

8" X 34" (203 X 864 MM)

CAT. NO.	FINISH
KP8X3410B	Oil Rubbed Bronze
KP8X343	Polished Brass
KP8X3428	Clear Anodized
KP8X3432D	Brushed Stainless

Minimum order: 1 each. All Kick Plates and Push Plates can be combined for quantity pricing.

8" X 40" (203 X 1016 MM)

CAT. NO.	FINISH
KP8X4032D	Brushed Stainless

Minimum order: 1 each. All Kick Plates and Push Plates can be combined for quantity pricing.

8" X 46" (203 X 1168 MM)

CAT. NO.	FINISH
KP8X4632D	Brushed Stainless

Minimum order: 1 each. All Kick Plates and Push Plates can be combined for quantity pricing.

10" X 34" (254 X 864 MM)

CAT. NO.	FINISH
KP10X3410B	Oil Rubbed Bronze
KP10X343	Polished Brass
KP10X3428	Clear Anodized
KP10X3432D	Brushed Stainless

Minimum order: 1 each. All Kick Plates and Push Plates can be combined for quantity pricing.

10" X 46" (254 X 1168 MM)

CAT. NO.	FINISH
KP10X4632D	Brushed Stainless

Minimum order: 1 each. All Kick Plates and Push Plates can be combined for quantity pricing.

12" X 34" (305 X 864 MM)

CAT. NO.	FINISH
KP12X3410B	Oil Rubbed Bronze
KP12X343	Polished Brass
KP12X3428	Clear Anodized
KP12X3432D	Brushed Stainless

Minimum order: 1 each. All Kick Plates and Push Plates can be combined for quantity pricing.

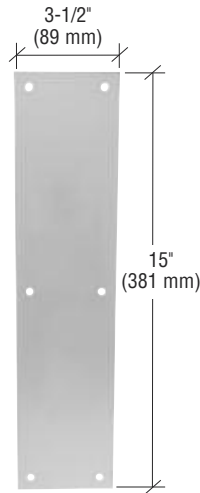
CRL Push Plates 3-1/2" x 15"

- 18-Gauge Metals
- Four Architectural Finishes
- Pre-Drilled for Included Mounting Screws

Push Plates eliminate hand prints and scratch marks to the door face. Comes with pre-drilled mounting holes and all hardware needed to fasten to the door.

CAT. NO.	FINISH
M60310B	Oil Rubbed Bronze
M6033PB	Polished Brass
M60328	Clear Anodized
M60332D	Brushed Stainless

Minimum order: 1 each. All Kick Plates and Push Plates can be combined for quantity pricing.



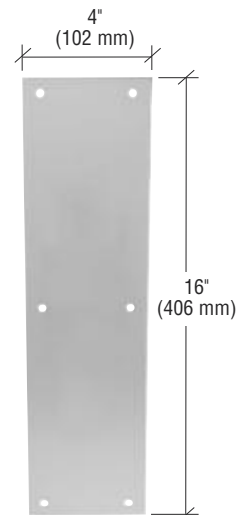
CRL Push Plates 4" x 16"

- 18-Gauge Metals
- Four Architectural Finishes
- Pre-Drilled for Included Mounting Screws

Push Plates eliminate hand prints and scratch marks to the door face. Comes with pre-drilled mounting holes and all hardware needed to fasten to the door.

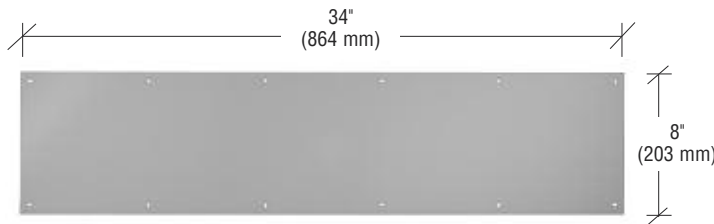
CAT. NO.	FINISH
M60410B	Oil Rubbed Bronze
M6043PB	Polished Brass
M60428	Clear Anodized
M60432D	Brushed Stainless

Minimum order: 1 each. All Kick Plates and Push Plates can be combined for quantity pricing.



CRL Door Kick Plates

- Protects Surface of Door
- Three Architectural Finishes



Door Kick Plates are used to protect 36" (914 mm) wide door bottoms from scuffing. Comes with pre-drilled mounting holes and all hardware needed to fasten to the door. Plates are 3/64" (1.2 mm) thick.

CAT. NO.	FINISH
37	Satin Aluminum
37SS	Brushed Stainless
37PB	Polished Brass

Minimum order: 1 each. All Kick Plates and Push/Pull Plates can be combined for quantity pricing.

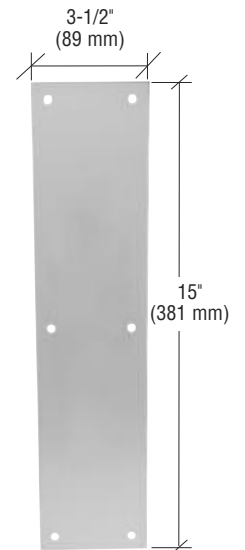
CRL Push Plates

- Protects Surface of Door
- Three Architectural Finishes

Push Plates eliminate hand prints and scratch marks to the door face. Comes with pre-drilled mounting holes and all hardware needed to fasten to the door. Plates are 3/64" (1.2 mm) thick.

CAT. NO.	FINISH
47	Satin Aluminum
47SS	Brushed Stainless
47PB	Polished Brass

Minimum order: 1 each. All Kick Plates and Push/Pull Plates can be combined for quantity pricing.



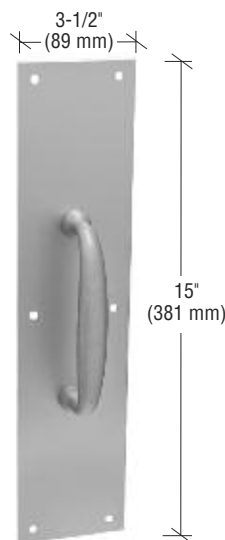
CRL Pull Plates

- Heavy Die Cast Handle
- Three Architectural Finishes

This CRL Pull Plate is 3/64" (1.2 mm) thick with a heavy die cast pull handle. It has beveled edges with pre-drilled mounting holes. All mounting hardware is included.

CAT. NO.	FINISH
57N	Satin Aluminum
57SS	Brushed Stainless
57PB	Polished Brass

Minimum order: 1 each. All Kick Plates and Push/Pull Plates can be combined for quantity pricing.



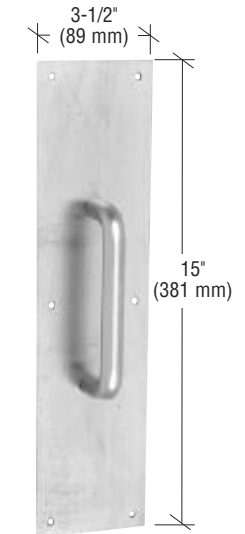
CRL Round Handle Pull Plates

- Solid Round Pull Handle
- Three Architectural Finishes

The CRL Round Handle Pull Plate is 3/64" (1.2 mm) thick, with a 3/4" (19 mm) diameter solid round pull handle. All mounting hardware is included.

CAT. NO.	FINISH
67N	Satin Aluminum
67SS	Brushed Stainless
67PB	Polished Brass

Minimum order: 1 each. All Kick Plates and Push/Pull Plates can be combined for quantity pricing.

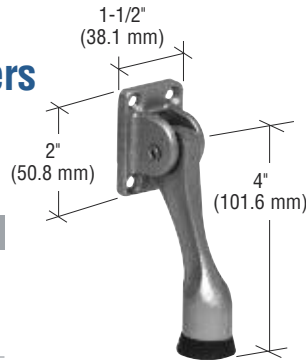


CRL Door Mounted 4" Heavy-Duty Door Holders

- Cast Iron Construction
- Wood Screws Included

CAT. NO.	FINISH	QTY/PACK
J4551	Aluminum	1
J4551B	Aluminum	10
J4552	Bronze	1
J4552B	Bronze	10

Minimum order: 1 pack. Door Hardware on this page can be combined for quantity pricing.

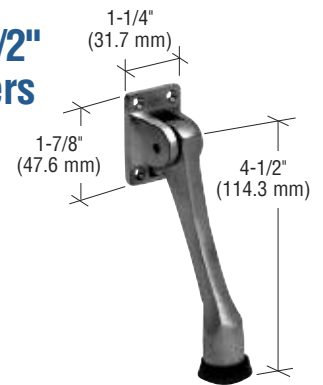


CRL Door Mounted 4-1/2" Heavy-Duty Door Holders

- Solid Brass Construction
- Meets ANSI Standards
- Wood Screws Included

CAT. NO.	FINISH
J4571	Brushed Chrome
J4572	Polished Brass
J4671	Polished Chrome

Minimum order: 1 pack. Door Hardware on this page can be combined for quantity pricing.

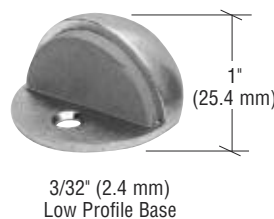


CRL Dome Door Stops • Low Profile Base

Heavy cast 1-3/4" (44.4 mm) Door Stop has a post that seats into a hole bored into the floor, preventing base from shifting.

CAT. NO.	FINISH
DL2501A	Satin Chrome
DL2501DU	Dark Bronze
DL2501PB	Polished Brass

Minimum order: 1 each. Door Hardware on this page can be combined for quantity pricing.

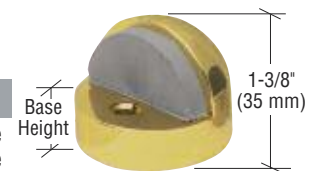


CRL Dome Door Stops • High Profile Base

Heavy cast 1-3/4" (44.4 mm) Door Stop has a post that seats into a hole bored into the floor, preventing base from shifting.

CAT. NO.	BASE HEIGHT	FINISH
DL2502A	1/2" (12.7 mm)	Satin Chrome
DL2502DU	1/2" (12.7 mm)	Dark Bronze
DL2502PB	1/2" (12.7 mm)	Polished Brass
DH80100	7/16" (11 mm)	Brushed Chrome

Minimum order: 1 each. Door Hardware on this page can be combined for quantity pricing.



CRL Floor Mount Door Stop/Bumpers

NEW!

- Three Mounting Holes For Secure Attachment
- Screws and Anchors Included

CAT. NO.	FINISH
DH80311	Satin Chrome
DH80322	Bronze

Minimum order: 1 each. All Floor and Wall Mount Stops and Bumpers can be combined for quantity pricing.



CRL Heavy-Duty Floor Mount Door Stops

- Screws and Anchors Included

The Floor Mount Stop has a center floor post which seats into a bored hole in the floor, preventing shifting of the base.

CAT. NO.	FINISH
DL2522A	Satin Chrome
DL2522PB	Polished Brass
DL2522DU	Dark Bronze
F120A	Aluminum

Minimum order: 1 each. All Floor and Wall Mount Stops and Bumpers can be combined for quantity pricing.



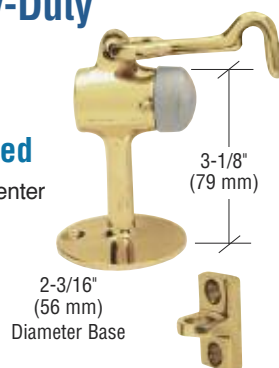
CRL Floor Mount Heavy-Duty Door Holders

- Brass Die Cast
- Screws and Anchors Included

The Floor Mount Door Holder has a center floor post that seats into a bored hole in the floor, preventing shifting of the base.

CAT. NO.	FINISH
F823	Brushed Satin Chrome
DL2521A	Satin Chrome
DL2521PB	Polished Brass
DL2521DU	Dark Bronze

Minimum order: 1 each. All Floor and Wall Mount Stops and Bumpers can be combined for quantity pricing.



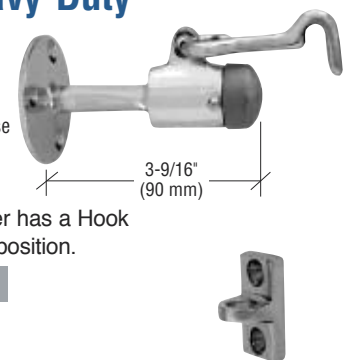
CRL Wall Mount Heavy-Duty Door Holders

- Brass Die Cast
- Screws and Anchors Included

This CRL Wall Mount Door Holder has a Hook Latch to keep the door in the open position.

CAT. NO.	FINISH
W140	Brushed Satin Chrome
DL2531A	Satin Chrome
DL2531PB	Polished Brass
DL2531DU	Dark Bronze

Minimum order: 1 each. All Floor and Wall Mount Stops and Bumpers can be combined for quantity pricing.



CRL Glass Safety Decals

- Easy to Apply Decals Reduce the Risk of Injury Due to Accidental Collision With Glass Panels and Doors
- Decals Have "Floating" Appearance

With today's architecture incorporating more glass than ever, it's important to reduce the risk of people being injured by accidental collision with glass panels and doors. CRL Glass Safety Decals installed near eye level give a "floating" appearance that serves to warn pedestrians of the presence of large glass panels and sliding doors.

All Glass Safety Decals are a white color, and use a special dual-sided adhesive transfer material which when peeled off leaves only the decal, with no unsightly residue to spoil the 'all-glass' appearance.

Minimum order for Cat. No. 2149 Silver Rectangles is one roll. Minimum order for all others on this page is five each. Our Cat. No.105 Plastic Scraper will give you firm, even pressure as you apply Safety Decals to clean glass.



"Trend"
3/4" x 6-7/8" (19 x 175 mm)
CAT. NO. 010323



"Bradnams"
1" x 17-3/4" (25 x 451 mm)
CAT. NO. 010326



"G. James"
1-7/8" x 21" (48 x 533 mm)
CAT. NO. 010328



"Stegbar"
1-3/8" x 22-1/2" (35 x 572 mm)
CAT. NO. 010331



"Silver Rectangles"
1" x 5/16" (25 x 8 mm) on a 197" (5 m) Roll
CAT. NO. 2149



"Boral"
1-3/16" x 22-1/4" (30 x 566 mm)
CAT. NO. 010325



"Dowell"
1-1/2" x 23-1/4" (38 x 590 mm)
CAT. NO. 010327



"Pilkington"
1-3/4" x 22" (44 x 559 mm)
CAT. NO. 010330



"James Hardie"
1" x 23-1/4" (25 x 591 mm)
CAT. NO. 010332

CRL Restroom Signs

- Easily Installed Without Tools



CAT. NO. SBH12M



CAT. NO. SBH08B



CAT. NO. SBH12W



CAT. NO. SBH08G



CAT. NO. SBH12U

CRL Restroom Signs are molded from 1/4" (6.3 mm) thick high impact polystyrene with 1/8" (3.2 mm) thick raised white symbols and letters over a bright blue background. Each Restroom Sign comes complete with pressure sensitive adhesive tape on the back for easy installation on any clean, dry, smooth surface.

CAT. NO.	SIZE	SIGN CAPTION
SBH12M	12" (305 mm) Triangle	Men
SBH08B	12" (305 mm) Triangle	Boys
SBH12W	12" (305 mm) Circle	Women
SBH08G	12" (305 mm) Circle	Girls
SBH12U	12" (305 mm) Circle	Restroom

Minimum order: 1 each.

CRL Handicap Symbol Decals

- Vinyl Decals are Easy to Install
- Single-Sided or Visible From Both Sides of Glass Doors

CRL offers two styles of this Handicap Decal. Cat. No. SBH01H is a 2" (50.8 mm) square stencil-cut white decal that you apply to solid doors or restroom signs; Cat. No. 150B0 is a 6" (152.4 mm) square decal that is applied to glass and is visible from both sides. The white symbol is on a blue background.



CAT. NO. 150B0



CAT. NO. SBH01H*

*Decal Only-Sign Not Included

CAT. NO.	DIMENSIONS	COLOR
150B0	6" (152.4 mm) Square	White on Blue
SBH01H	2" (50.8 mm) Square	White

Minimum order: 1 each.

CRL Round Glass Presence Indicator Set

- For Use on Storefront Panels and Doors
- Easily Installed With Supplied Tape
- Help to Prevent Accidents

CRL Round Glass Presence Indicator Sets are 2" (50.8 mm) in diameter. They are applied to glass panels back-to-back at eye level to warn people of the presence of large glass panels. Easily installed using high bond tape applied to the rear of each Indicator. Each set contains two round discs.



CAT. NO.	FINISH	DIAMETER
RPPBDU	Dark Bronze	2" (50.8 mm)
RPPBBS	Brushed Stainless Steel	2" (50.8 mm)
RPPBPS	Polished Stainless Steel	2" (50.8 mm)
RPPBPB	Polished Brass	2" (50.8 mm)
RPPBSB	Satin Brass	2" (50.8 mm)

Minimum order: 1 set. All Indicators can be combined for quantity pricing.

CRL Round Push or Pull Indicators

- Etched Brass or Stainless Steel
- 2" (50.8 mm) Diameter
- Install in Seconds



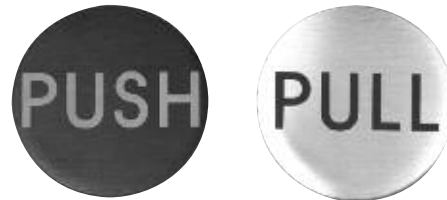
These CRL 2" (50.8 mm) Round Indicators are made of high quality brass or stainless steel. They are applied using high bond tape that is pre-installed on the back of each Indicator. The etched letters are 5/8" (15.9 mm) high so that they can be easily read. "Push" or "Pull" are sold separately, not in sets.

PULL CAT. NO.	PUSH CAT. NO.	FINISH	DIAMETER
2EPORBPL	2EPORBPU	Oil Rubbed Bronze	2" (50.8 mm)
2EPBSPL	2EPBSPU	Brushed Stainless Steel	2" (50.8 mm)
2EPPSPL	2EPPSPU	Polished Stainless Steel	2" (50.8 mm)
2EPPBPL	2EPPBPU	Polished Brass	2" (50.8 mm)
2EPSBPL	2EPSBPU	Satin Brass	2" (50.8 mm)

Minimum order: 1 each. All Indicators can be combined for quantity pricing.

CRL Round Push-Pull Indicator Sets

- One Push and One Pull Indicator Per Set
- Five Architectural Finishes
- 2" (50.8 mm) Diameter



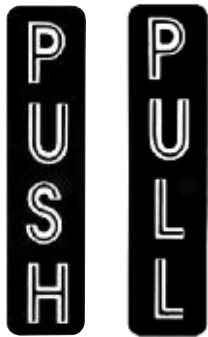
These CRL 2" (50.8 mm) Round Push-Pull Indicator sets are made of high quality brass or stainless steel. They are applied using high bond tape that is pre-installed on the back of each Indicator. The etched letters are 5/8" (15.9 mm) high so that they can be easily read. One set includes one "PUSH" and one "PULL" disc.

CAT. NO.	FINISH	DIAMETER
RPP2DU	Dark Bronze	2" (50.8 mm)
RPP2BS	Brushed Stainless Steel	2" (50.8 mm)
RPP2PS	Polished Stainless Steel	2" (50.8 mm)
RPP2PB	Polished Brass	2" (50.8 mm)
RPP2SB	Satin Brass	2" (50.8 mm)

Minimum order: 1 set. All Indicators can be combined for quantity pricing.

CRL Push-Pull Indicator Decals

- Mylar Decals are Very Durable



Vertical Style



Horizontal Style

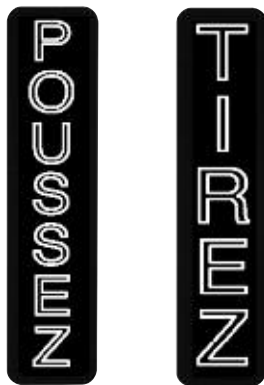
Made of die-cut Mylar, these Decals have a strong adhesive backing so you can stick them on any reasonably smooth metal, glass, plastic or wood surface. Aluminum colored letters on black background. Vertical Dimensions: 5-3/4" (146 mm) high x 1-3/8" (34.9 mm) wide. Horizontal Dimensions: 1-7/8" (47.6 mm) high x 4-1/4" (107.9 mm) wide.

CAT. NO.	TYPE	COLOR	STYLE
566VA	Push	Aluminum/Black	Vertical
566HA	Push	Aluminum/Black	Horizontal
567VA	Pull	Aluminum/Black	Vertical
567HA	Pull	Aluminum/Black	Horizontal

Minimum order: 25 each. 25 per package. All Mylar signs can be combined for quantity pricing.

CRL French Push-Pull Indicator Decals

- Made From Durable Mylar



Made of die-cut Mylar, these Decals have a strong adhesive backing so you can stick them on any reasonably smooth metal, glass, plastic or wood surface. Aluminum colored letters on black background. Dimensions: 5-3/4" (146 mm) high x 1-3/8" (34.9 mm) wide.

PUSH CAT. NO.	PULL CAT. NO.	LANGUAGE	STYLE
568VF	569VF	French	Vertical

Minimum order: 1 each. All Push-Pull Signs can be combined for quantity pricing.

CRL Etched Aluminum Push-Pull Signs

- Letters Etched in Aluminum Plates With Tape Backing for Easy Mounting
- Choose Black on Aluminum or White on Bronze



White on Bronze



Black on Aluminum

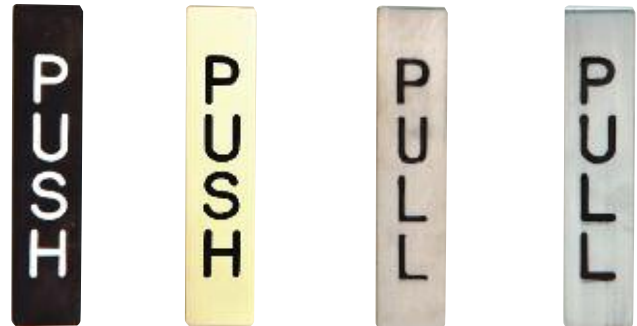
These Push-Pull Signs have letters etched in aluminum. There are two finishes available: aluminum with black letters, and bronze with white letters. Mount with pressure sensitive tape backing. Dimensions: 4-9/16" (115.8 mm) high x 1" (25.4 mm) wide. The letters are 5/8" (15.9 mm) high.

CAT. NO.	TYPE	COLOR	STYLE
1445G	Push	Black on Aluminum	Vertical
1445GW	Push	White on Bronze	Vertical
1446G	Pull	Black on Aluminum	Vertical
1446GW	Pull	White on Bronze	Vertical

Minimum order: 1 each. All Push-Pull Signs can be combined for quantity pricing.

CRL Push-Pull Indicators

- Brass or Stainless Steel Plate
- Tape Backing for Easy Mounting



These Push-Pull Indicators have 5/8" (15.9 mm) high letters etched into the plate. They are available in several popular architectural finishes, and each comes complete with pressure sensitive tape on the back for quick and easy mounting. Indicators measure 4-1/2" (114.3 mm) high x 1" (25.4 mm) wide.

PUSH CAT. NO.	PULL CAT. NO.	FINISH
4EPORBPU	4EPORBPL	Oil Rubbed Bronze
4EPBSPU	4EPBSPL	Brushed Stainless Steel
4EPPSPU	4EPPSPL	Polished Stainless Steel
4EPPBPU	4EPPBPL	Polished Brass
4EPSBPU	4EPSBPL	Satin Brass

Minimum order: 1 each. All Push-Pull Signs can be combined for quantity pricing.

CRL DRS Door Rail System

- Strength and Utility
- Complements Any Office Interior
- Patented Wedge-Lock™ Glass Securing System

Glass Walls constructed using our Wedge-Lock™ Door and Sidelite Rail System offer the strength and utility you want while offering so many options for size and finish. Standard 2-5/16", 4", 6", and 10" (59, 102, 152, and 254 mm) rails and sidelites can be combined with optional cladding in beautiful architectural finishes that will be right at home with any commercial interior. The Wedge-Lock™ Glass Securing System assures steadfast holding power for doors in high traffic areas. Dry glazing aids in rapid installation because the use of messy cements is not required, and doors can be ready for use immediately after installation. Doors can be secured by full width or patch length rails and mated to overhead or floor mounted closers, and adjustments can be made without removing the doors.

We offer the most comprehensive door and sidelite rail program in the industry. Wedge-Lock™ Door and Sidelite Rails come in sizes for 3/8", 1/2", and 3/4" (10, 12, and 19 mm) thick tempered glass in six standard architectural finishes, and custom finishes can also be provided. Patented Wedge-Lock™ Door and Sidelite Rails are the solution when you want to specify a system that has been tried and tested. Contact our Technical Sales Specialists to discuss how this comprehensive program can fit into your office designs.



Five Profiles Available



How the Wedge-Lock™ Glass Securing System Works

The patented Wedge-Lock™ Glass Securing System is a totally original concept for securing the glass in the Door Rail. No more fumbling with multiple pieces, trying to align them properly. No more time wasted waiting for cement to dry, or on clean up.

The Wedge-Lock™ System works by applying pressure evenly along both sides of the glass. Simply tighten the jaw screws, accessed from the hardware pocket of the rail. The screws then draw down a flat stainless steel bar. The steel bar in turn pulls down the gripping jaws. This action then forces the jaws toward one another, creating a tremendous amount of force against the glass, holding it securely in place.

The Wedge-Lock™ Glass Securing System is so unique that it is covered by U.S. Patents 6,434,905 and 6,912,818 B2, Canadian Patent 2,419,706, and European Patent No. EP1 404 939 B1.

Learn more about the entire range of CRL Door Rails at crlaurence.com/door-rails

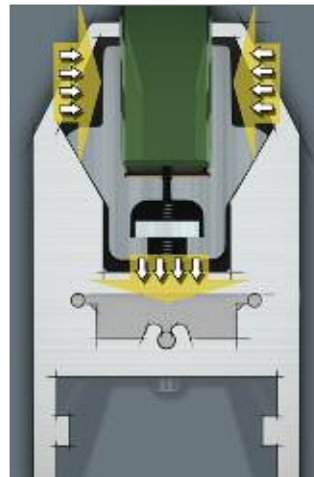




Photo: A. Warner-IKM Architects



CRL Low Profile Door Rails

For that "more glass with less metal" look we offer our Low Profile Door and Sidelite Rails. They measure only 2-5/16" tall by 1-1/2" wide, yet incorporate our patented Wedge-Lock™ Glass Securing System for a secure hold on 1/2" (12 mm) tempered glass. Our Low Profile Door Rails are prepped for various Low Profile Rail Pivot Inserts that allow you to use either overhead concealed closers, floor mounted closers, or pivots. Doors can be aligned and adjusted without removal, and because they are dry glazed they can be used immediately after installation. Matching Low Profile Sidelite Rails provide an even sight line with the Door Rails, and have an extruded reversible saddle to match 1/4" or 3/4" door clearances.

Both door and sidelite rails are available in six standard architectural finishes, with custom finishes available to complement the appearance of any interior. If you are interested in specifying a secure door and sidelite rail system that makes the most of the 'all-glass' look, we invite you to contact our Technical Sales Specialists for design assistance and specifications.



CRL-Blumcraft® 1301 Series Doors and Sidelites

- One of The Originals
- More Glass, Less Metal



The CRL-Blumcraft® 1301 Series Entrance and Sidelite System is "one of the originals" and can easily be adapted for use as an 'all-glass' interior office wall. The header and bottom rails are made from solid stainless steel or bronze in either brushed or polished finishes, as well as popular oil rubbed bronze. The doors can be adapted for use with either overhead concealed or floor mounted door closers, and specially designed pivots make installation neat and simple, all the while maintaining a "more glass, less metal" theme. Sidelites have matching top and bottom rails. Rails are as slim as 3/4" x 3/4", and can be glazed with 1/2", 5/8", or 3/4" (12, 16, or 19 mm) tempered glass.

Blumcraft® is one of the most respected names in the building trades, with decades of experience and thousands of installations worldwide. The CRL-Blumcraft® Technical Sales Specialists will work with you to provide specifications and design plans for beautiful 'all-glass' office walls.



BLUMCRAFT®
A DIVISION OF C.R. LAURENCE CO., INC.

Learn more about the entire range of Blumcraft® products at crlaurence.com/blumcraft



CRL-Blumcraft® 250 Series Doors and Sidelites

- Narrow Profile Rails With Vertical Stiles
- Fully Glazed With 1/2", 5/8" or 3/4" (12, 16 or 19 mm) Tempered Glass
- Six Standard Architectural Finishes
- Custom Finishes Available
- Available With Matching Fully Glazed Sidelites



Our CRL-Blumcraft® 250 Series Doors and Sidelites are the perfect solution for framed office systems. They are supplied fully glazed with 1/2", 5/8" or 3/4" (12, 16 or 19 mm) tempered glass in clear, tinted or low-iron. Rails and Vertical Stiles are bonded to the glass, and can be prepped for a wide variety of door closer and pivot hardware. A bottom rail lock option is available, or the doors can come complete with any of our Egress Handles mounted on the door, ready to install in the opening.

250 Series Doors have solid aluminum narrow profile rails and narrow vertical stiles with or without weatherstripping. Available in six standard finishes: satin anodized, black bronze anodized, black powder coat, brushed and polished stainless steel, and polished brass. Custom finishes are available on special order. Maximum door size is 42" (1067 mm) wide by 108" (2743 mm) tall.

Adjustable pivot blocks are installed in the rails to suit the closer hardware selected for the project. When overhead door closers are specified, the 250 Series Doors come with an adjustable pivot arm in the top rail and a heavy-duty bottom pivot designed to work with the narrow profile rails. Similarly, when floor mounted door closers are specified, the Doors come with adjustable heavy-duty top and bottom inserts to accept the floor mounted door closer and top pivot hardware.



250 Series Door and Sidelites

Shown With DB170N Deadbolt Handle



Aluminum
250 Series Door Stile
Without Weatherstripping



Bronze or Stainless Steel
250 Series Door Stile
With Weatherstripping

Fully glazed sidelites are available to match the 250 Series Doors. They have rails made from solid aluminum, anodized or clad, just like the doors, creating a uniform look throughout the opening.

For additional information contact CRL Technical Sales at (800) 421-6144 in the U.S., (877) 421-6144 from Canada, or (323) 588-1281 International, and ask for Ext. 7700. You can also send us an e-mail at crlaurence.com/support.

Learn more about the entire range of Blumcraft® products at crlaurence.com/blumcraft

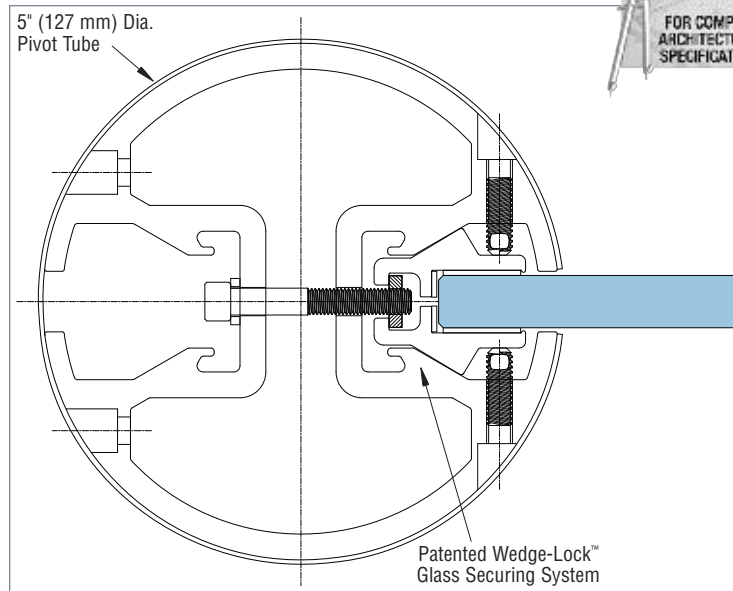


CRL-Blumcraft® 1200 Series Doors

- Patented Wedge-Lock™ Glass Securing System
- Doors Up to 12 Feet (3.66 m) Tall
- No Top or Bottom Rails
- Fully Glazed With 1/2" (12 mm) Tempered Glass
- Available in Six Standard Architectural Finishes

CRL-Blumcraft® 1200 Series Doors can be made up to 12 feet (3.6 m) tall and have no top or bottom rails. Instead they have a vertical Pivot Tube that runs the height of the door, achieving what appears to be a truly 'all-glass' door.

1200 Series Doors are supplied fully glazed with 1/2" (12 mm) tempered glass in clear, tinted or low-iron. We have incorporated our patented Wedge-Lock™ Glass Securing System into a 5" (127 mm) diameter vertical Pivot Tube, ensuring a non-slip environment for the life of the door. The Pivot Tube is clad in one of six architectural finishes: satin anodized, black bronze anodized, black powder coat, brushed stainless steel, polished stainless steel, and polished brass. Custom finishes are available on special order.



BLUMCRAFT®
A DIVISION OF C.R. LAURENCE CO., INC.



With no rails top and bottom the entire weight of the door is transferred through the Pivot Tube to a specially engineered, heavy-duty, load-bearing cement case, independent of the floor mounted door closer. 1200 Series Doors utilize a heavy-duty walking beam pivot at the top of the Pivot Tube that can be incorporated into a variety of different headers to create a desired look. Floor mounted door closer functionality is preserved in this uniquely different entrance system.

Options

CRL-Blumcraft® 1200 Series Doors can be ordered with a full length rail across the top, bottom, or both top and bottom of the door to allow for the use of optional locking or monitoring hardware. The rail is coped to fit snug against the hinge tube creating an appealing transition from round to square materials.

To create a secure opening, a small patch rail with lock can be added to the bottom of the door. Also, any of our Egress Handles or Locking Ladder Pulls may be added. All hardware comes mounted to the door and is ready for installation into your opening.

CRL DRS 1202 Series Swinging Glass Door System

- Unique Closing Device Located in Vertical Rail
- Beautiful in Design and Functional in Operation
- Double Acting Hold or No Hold Open Options
- Stainless Steel, Brass, Anodized and Painted Finishes
- Round Vertical Edge Door Rail Design Prevents Finger Pinch
- Custom Fabricated to Meet Your Design Requirements
- For 3/8" or 1/2" (10 or 12 mm) Tempered Glass
- Door Only, Door With Transom/Wall or Transom/Sidelite Configurations Available
- Optional Top and Bottom Low Profile Rails With or Without Locks
- Also Available for Swinging Gates Visit crlaurence.com for Additional Information

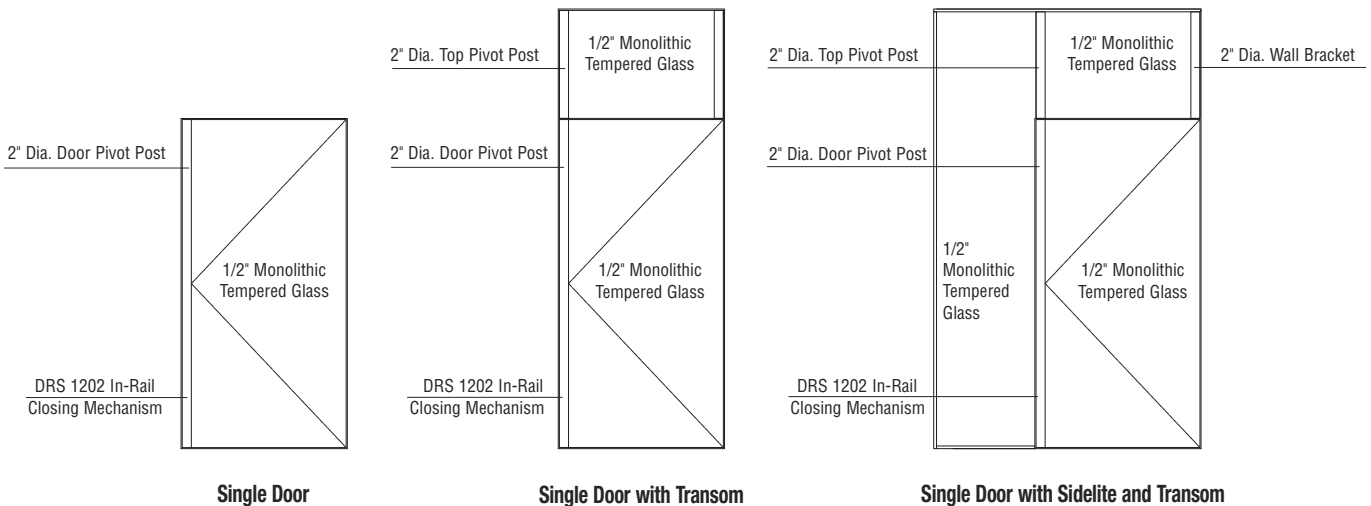


MODEL DRS1202

NEW!



Typical Applications





CRL Patch Fittings

- Clean, Minimalist Look
- Sturdy and Secure
- Adaptive and Attractive

Our 'all-glass' office partitions are the perfect application for our Patch Hardware. Partitions constructed using patch hardware are sturdy yet the fittings offer minimal distractions from the frameless appearance. You can combine them with overhead or floor mounted closers to control the doors. Configurations can include single or paired doors surrounded by sidelites and/or transoms. For access and security the doors can include our

Learn more about the entire range of CRL Patch Fittings at crlaurence.com/patch-hardware



ladder style pulls and floor mounted patch locks, or glass mounted lever locks and keepers.

The resulting clean, minimalist look provides for a bright, welcoming appearance while still providing the security and structural integrity offered by solid partitions. Let the Technical Sales Specialists at C.R. Laurence help you design office partitions using our very versatile and attractive selection of Patch Fittings.

CRL ADS Area Divider Systems

- Accepts 1/4" to 1/2" (6 to 12 mm) Thick Glass or Panel Material for the Creation of Attractive and Functional Area Dividers
- Seven Stock Colors, Plus Unfinished Chromate

U.S. Patent
No. 7,730,677



The ADS Area Divider System was developed to provide an attractive, maintenance-free area divider that will enhance any office space. All ADS Systems can be used in conjunction with a concrete slab or individual footings. If our stock components do not fit your application, allow us to design a system that can. CRL has the ability to design, engineer and fabricate a custom system that will satisfy your artistic tastes. For additional information, please contact our Technical Sales Specialists, at (800) 421-6144 in the U.S., (877) 421-6144 from Canada, or (323) 588-1281 International. Ask for Extension 7730. You can also send us an e-mail at crlaurence.com/support.

Visual Appeal – Your client will love the clean look of these partitions.

Noise Reduction – The ADS System is superbly suited as a sound wall between work stations. The system provides a high sound transmission rating, while at the same time allowing for a wide open environment.

Flexibility – The ADS System adapts to a wide variety of partition designs. It can easily handle slopes, steps, and curves.

Lead Time – We carry 36" (914 mm), 48" (1219 mm), 60" (1524 mm), and 72" (1829 mm) posts in stock, allowing CRL to respond almost instantly to your needs. This system can be installed during almost any phase of construction, allowing the builder or contractor important scheduling flexibility.

Integrity – The ADS System has been designed to provide a safe and sturdy area divider. All glass installed must be fully tempered to meet all safety requirements and building codes.



Interior Designer: Matlack/Van Every Design, Inc



Interior Designer: Matlack/Van Every Design, Inc.



CRL EZ GLAZE Soundstrip

NEW!

- Creates a Seal Between Glass Panels
- Simple to Install - No Adhesives
- Available in Clear or Black in Sizes for 1/4", 3/8", and 1/2" (6, 10, and 12 mm) Thick Glass

CRL EZ GLAZE Soundstrip is an extruded silicone gasket designed to reduce sound, smoke, and odors through glass-to-glass (butt) joints. It's most commonly used in interior office spaces where tenants wish to utilize partial and full-height glass partitions to reduce sound transmission. Unlike wet glazing with silicone sealants, EZ GLAZE Soundstrip is easy to apply, saving the labor required to mask and apply silicone, plus the clean-up afterward. It can be installed from one side of the glass with simple roller tools, it cuts easily, and will not bubble like silicone sealants. Does not adversely affect laminated glass. EZ GLAZE is available in clear or black for 1/4" (6 mm), 3/8" (10 mm), and 1/2" (12 mm) thick glass. Recommended gap between the lites of glass is 1/4" (6 mm). Rolls are 100' (30.5 m) in length.

CLEAR EZ GLAZE SOUNDSTRIP

CAT. NO.	COLOR	FITS GLASS THICKNESS
EZ14C	Clear	1/4" (6 mm)
EZ38C	Clear	3/8" (10 mm)
EZ12C	Clear	1/2" (12 mm)

Minimum order: 1 Roll. Sizes and colors can be combined for quantity pricing.

BLACK EZ GLAZE SOUNDSTRIP

CAT. NO.	COLOR	FITS GLASS THICKNESS
EZ14BL	Black	1/4" (6 mm)
EZ38BL	Black	3/8" (10 mm)
EZ12BL	Black	1/2" (12 mm)

Minimum order: 1 Roll. Sizes and colors can be combined for quantity pricing.

CRL Narrow Office Front Jamb and Vertical Mullion

NEW!

- Mechanical Clamping With No Exposed Fasteners
- Integrates With DRS Rails, Narrow Headers, and Vertical Weatherstiles
- Used With 1/2" (12 mm) Fully Tempered Glass
- Cladding in Five Architectural Finishes



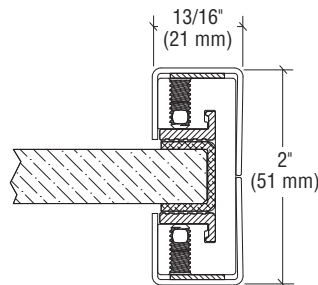
Now you can easily create interior office fronts using 1/2" (12 mm) fully tempered glass with narrow profile jambs and vertical mullions. These new mechanical clamping components integrate with our popular DRS Rails and Vertical Weatherstiles to produce a new look with higher performance values than a typical butt glazed installation.

We improved upon our popular mechanical weatherstile design making installation even easier. Offered in 120" (3.05 m) stock lengths or can be special ordered in custom lengths to fit your project needs. Available in satin or black bronze anodized, polished or brushed stainless steel, and polished brass clad finishes.

CRL Narrow Jamb

NEW!

- Only 13/16" (21 mm) Wide
- No Exposed Fasteners
- Cladding in Five Architectural Finishes



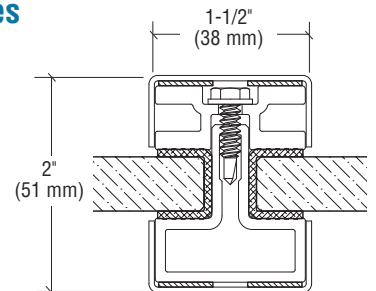
CAT. NO.	LENGTH	FINISH
J12SA	120" (3.05 m)	Satin Anodized
J12DU	120" (3.05 m)	Black Bronze Anodized
J12BS	120" (3.05 m)	Brushed Stainless Steel
J12PS	120" (3.05 m)	Polished Stainless Steel
J12PB	120" (3.05 m)	Polished Brass

Minimum order: 1 each. Finishes can be combined for quantity pricing. All Narrow Jambs have a clad finish. Must ship via common carrier.

CRL Narrow Vertical Mullion

NEW!

- Only 1-1/2" (38 mm) Wide
- No Exposed Fasteners
- Cladding in Five Architectural Finishes



CAT. NO.	LENGTH	FINISH
M12SA	120" (3.05 m)	Satin Anodized
M12DU	120" (3.05 m)	Black Bronze Anodized
M12BS	120" (3.05 m)	Brushed Stainless Steel
M12PS	120" (3.05 m)	Polished Stainless Steel
M12PB	120" (3.05 m)	Polished Brass

Minimum order: 1 each. Finishes can be combined for quantity pricing. All Narrow Mullions have a clad finish. Must ship via common carrier.

CRL Platinum Series Full Framed Architectural Doors

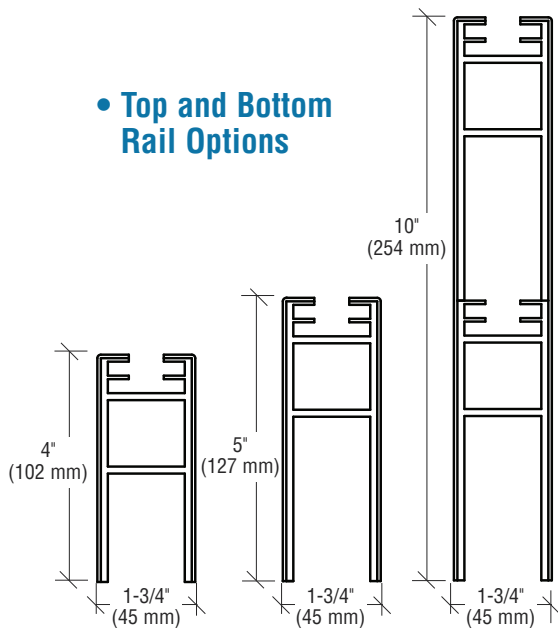
- Designed, Engineered, and Manufactured by CRL
- Supplied With 1/4" to 1" (6 to 25 mm) Monolithic, Laminated or Insulating Glass
- Narrow, Medium, and Wide Stiles to Choose From
- No Exposed Glass Stops
- 18 Gauge Clad Aluminum Construction
- Seven Standard Architectural Finishes



CRL manufactures a complete line of Full Framed Architectural Doors for interior office applications. Supplied with 1/4" to 1" (6 to 25 mm) monolithic, laminated or insulating glass, these innovative door systems are available in seven standard architectural finishes, with custom finishes available on special order. CRL's Platinum Series Full Framed Doors are made to order and can be designed for almost any application. With the ability to prep and install almost any architectural hardware configuration, we are confident we can meet your design requirements. We also offer a wide selection of top and bottom rail sizes, and mid-rails or applied mullions can be incorporated.



• Top and Bottom Rail Options



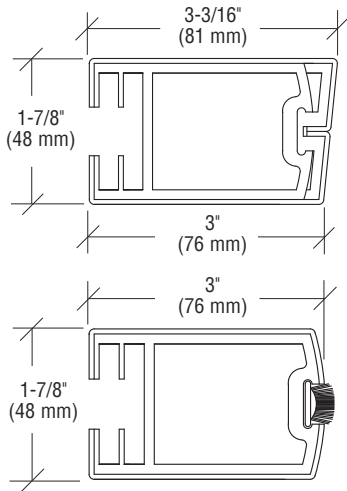
All of our Platinum Series Full Framed Doors offer three standard rail options for the top and bottom rails: 4", 5", and 10" (102, 127, and 254 mm). We can also provide custom height rails to meet your needs. Contact Technical Sales as some limitations do exist.

ORDERING INFORMATION:

All CRL Full Framed Doors are manufactured to order. To request a quote or place an order you need to specify the door size, top and bottom rail heights, glass type and thickness, finish required, and what hardware type is needed for the application.

Full Framed Doors can be prepped and supplied with CRL Panic Handles, Push/Pulls, Ladder Style Handles, Three Point Locks, Intermediate Pivots, Butt Hinges, Flush Bolts, and even Balanced Door Hardware. Our Full Framed Door product line can also support Floor Closers, Overhead Concealed Closers, and Door Holders. Contact CRL Technical Sales at (800) 421-6144 in the U.S., (877) 421-6144 from Canada, or (323) 588-1281 International, and ask for Ext. 7700. You can also send us an e-mail at [crlaurence.com/support](mailto:info@crlaurence.com).

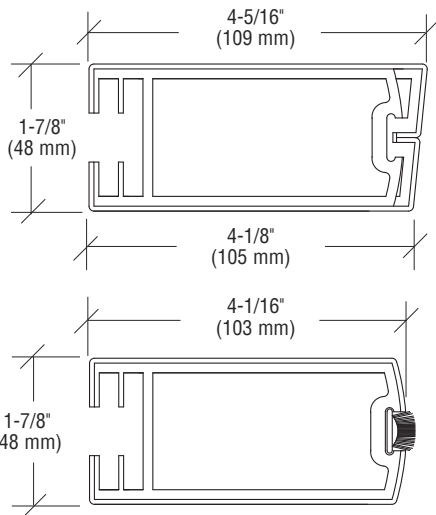
CRL Platinum Series Full Framed Architectural Doors



Narrow Beveled Stile
for Butt Hinge/Offset
Pivot Conditions



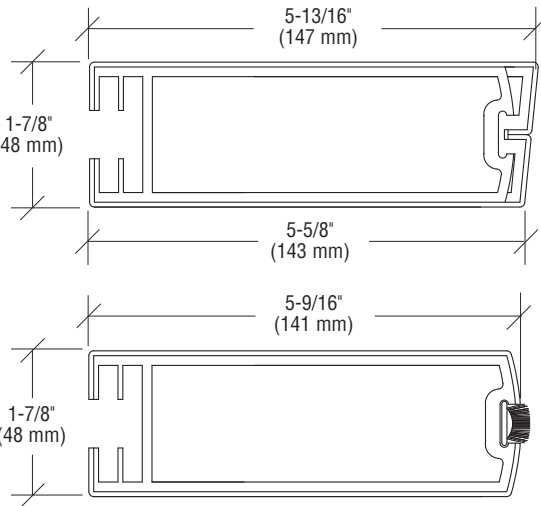
3" Narrow Stile Doors
FFN1 SERIES



Medium Beveled Stile
for Butt Hinge/Offset
Pivot Conditions



4" Medium Stile Doors
FFM1 SERIES



Wide Beveled Stile
for Butt Hinge/Offset
Pivot Conditions



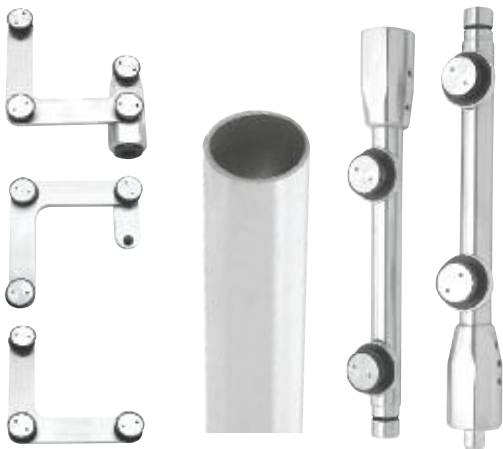
5-1/2" Wide Stile Doors
FFW1 SERIES



CRL Laguna Series Pivot Door Hardware • Reliable Function and Modern Style

Our Laguna Series Pivot Door Hardware brings a contemporary look to interior office partitions. Made of high-grade 316 alloy stainless steel with a brushed finish, it will give years of reliable function and modern beauty to your projects. The CRL Laguna Pivot Door System can be used with free-swinging doors, or doors controlled by floor mounted door closers.

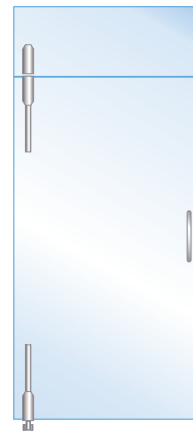
The hardware can be ordered in sets or by individual components. CRL provides you with all of the Glass Fasteners for either flush mounting, which requires a countersunk hole, or surface mounting, where a straight hole is needed. The Glass Fasteners will accommodate either 3/8" or 1/2" (10 or 12 mm) tempered glass. Standardized sets allow easy planning and purchasing for a number of basic configurations involving only a door, a door and transom, or a door with sidelite and transom. Available accessories give you the opportunity to customize the standard sets to accommodate the most imaginative designers. For Sliding Laguna Doors see page 182X.



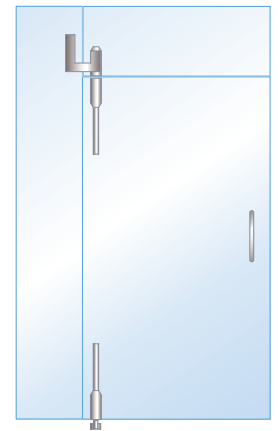
Learn more about the entire range of Laguna Series Door Systems at crlaurence.com/laguna



'All-Glass' Door



Door With Transom



Door With Transom and Sidelite

CRL Beretta Series Glass Door Hardware

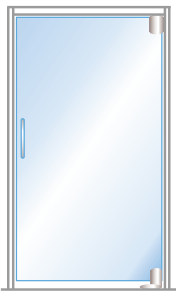
- Unconventional Cylindrical Design
- Patches and Closers Require No Glass Fabrication

The Beretta Series is the latest addition to our comprehensive Patch Fitting Program, and it gives the typical 'all-glass' interior office or conference room door a totally new look! Beretta's cylindrical design and compact closing mechanism reduces the impact a typical closer has on an opening, and with the availability of free-swinging top and bottom pivots the doors look as if they are floating on air.

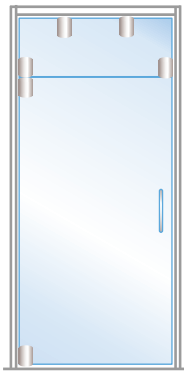
There are Beretta Patch Fittings in polished chrome and brushed nickel finishes for single pivoting doors and doors with transoms. All will accommodate 3/8" to 1/2" (10 to 12 mm) tempered glass, and some can be fastened with set screws so there's no need for glass fabrication.

Matching Beretta Series Transom Clamps and Pull Handles give doors a coordinated finish.

For specific applications and installation details on the new Beretta Series, please consult with our Technical Sales Specialists.



Beretta Fittings can be used for single pivoting doors and door with transoms



Wall Mount Fixed Panel Clamp



Transom/Wall Mount Pivot Patch



Fixed Panel Clamp

20" (508 mm) Pull Handle



Top Door Patch With Pivot



Closer With Door Patch



8" (203 mm) Pull Handle



CRL Euro Series Interior Door Hinges

- Four Single Acting Free Swinging Models
- Available in Polished Brass, Polished Chrome, Brushed Nickel or Satin Anodized Finishes
- For 5/16" or 3/8" (8 or 10 mm) Tempered Glass



CRL Euro Series Interior Door Hinges offer a new look for modern office or residential interior doors. The Hinges are single acting and can open to 180 degrees. There are two mounting options available, Surface Mount or Steel Frame Mount. Surface Mount is used predominately in North America where the mounting brackets screw to the side of the opening or frame. The Steel Frame Mount is used in Europe where the steel frames come prepped as standard for these mounts.

We offer four models, the Barcelona, the Roma, the Valencia, and the Sofia. The Barcelona and the Roma are of solid brass construction, while the Valencia and the Sofia are of solid aluminum construction.

These hinges can accommodate 5/16" or 3/8" (8 or 10 mm) fully tempered glass, with a maximum weight of 99 pounds (45 kg) and a width of 39" (990 mm) per pair of hinges. Only two 5/8" (16 mm) holes are required in the glass per hinge.



MODEL PTHK7

Valencia Series Interior Door Hinge Kits
Solid Aluminum Construction With Satin Anodized Finish



MODEL PTHK6

Roma Series Interior Door Hinge Kits
Solid Brass Construction Available in Polished Brass, Polished Chrome or Brushed Nickel



MODEL PTHK5

Barcelona Series Interior Door Hinge Kits
Solid Brass Construction Available in Polished Brass, Polished Chrome or Brushed Nickel



MODEL PTHK1

Sofia Series Interior Door Hinge Kits
Solid Aluminum Construction With Satin Anodized Finish

CRL Atlas Series Interior Door Hinges



- Automatic Closing Action
- Self-Centering Function
- Ideal for Large Interior Tempered Glass Doors

This innovative CRL Atlas Series 'All-Glass' Door Hinge gives you the best of two worlds; minimal hardware and automatic closing action, all wrapped up in a stylish, heavy-duty hinge. They are ideal for large interior tempered glass doors ranging from 5/16" to 1/2" (8 to 12 mm) thick. The automatic closing function eliminates the need for any closer mechanism, and will close the door from any position. The Atlas Hinge will swing 90 degrees inward and outward, and when fully opened, will hold at 90 degrees. These Hinges offer easy fine-tune closed position adjustment.

The solid brass construction and stainless steel components make the Atlas Hinge a natural for applications that may involve heavy traffic, such as office conference rooms and interior lobby doors. Four architectural finishes are offered to complement virtually any décor.

For additional information visit crlaurence.com or contact CRL Technical Sales (800) 421-6144 in the U.S., (877) 421-6144 from Canada, or (323) 588-1281 International, and ask for Ext. 7700. You can also send us an e-mail at crlaurence.com/support.



• Four Architectural Finishes



CRL Biloba Series Interior Door Hinges



- For Self-Closing Tempered Glass Doors From 3/8" to 1/2" (10 to 12 mm) Thick
- The Self-Closing Alternative to Floor Mounted Closers and Patch Fittings
- Aluminum Body in Your Choice of Three Finishes: Brite Chrome, Brushed Satin, and Satin Anodized

Designers of 'all-glass' office partitions should consider the Biloba Hinge because it represents the evolution and the synthesis between automatic mechanical hinges and hydraulic door closers. Designed for use on interior 'all-glass' doors, Biloba allows you to design a self-closing door without the need of a floor mounted or overhead closing device. The Biloba Hinge features an aluminum body in distinct configurations for Wall Mount and Glass-to-Glass applications. This lets you design a wall with doors at the end or between adjoining sidelites.

The Biloba Hinge has been subject to strict testing (over 1 million cycles), assuring long lasting service. For additional information visit crlaurence.com or contact CRL Technical Sales (800) 421-6144 in the U.S., (877) 421-6144 from Canada, or (323) 588-1281 International, and ask for Ext. 7700. You can also send us an e-mail at crlaurence.com/support.



Full Back Plate
Wall Mount Hinge



180 Degree
Glass-to-Glass Hinge



One Way Swinging
Wall Mount Hinge

CRL Door Pull Handles

- The Industry's Largest Stock Selection for Glass and Aluminum Framed Doors
- New Designs and Finishes

CRL manufactures a complete selection of Back-to-Back and Single Sided Pull Handles in a variety of finishes and styles for sliding and swinging entrance doors. Handles are made from aluminum, stainless steel or brass with a wide range of fastening options. Visit crlaurence.com for additional information.



CRL Custom Designed Door Handles

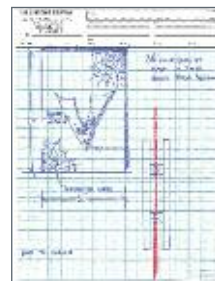
- For Glass, Wood, or Aluminum Doors
- Solid or Tubular Construction
- Custom Cast Designs
- Metal Etched Logos and Designs
- Over 20 Standard Finishes
- Custom Color Matching Available



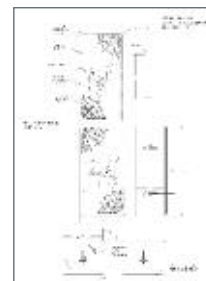
Let CRL make your idea a reality! Send us your specifications and our Technical Sales Staff will design your custom handles for you. Then our Engineering Staff will supply you with a 3D rendered drawing of your design to ensure we make exactly what you want.

For additional information, or to begin the design process, contact CRL Technical Sales at (800) 421-6144 in the U.S., (877) 421 6144 from Canada, or (323) 588-1281 International. Ask for Ext. 7700. You can also e-mail us at crlaurence.com/support.

Imagination



Design



Reality



CRL Extra Length Ladder Style Pull Handles

- Straight and "S" Style Designs
- Extra Height for Eye-Catching Contemporary and Elegant Appearance
- Eleven Sizes in Two Popular Finishes for 3/8" or 1/2" (10 or 12 mm) Glass
- 1-1/4" (31.7 mm) Diameter Heavy Wall Stainless Steel Tubing
- Custom Finishes and Sizes Available



CRL Ladder Style Pull Handles are for back-to-back mounting with supplied through-bolts. Available in a choice of Straight or "S" Style design, our Ladder Style Pull adds elegance and eye-catching appeal to a commercial glass door.

Ladder Style Pulls are intended for use with full size glass doors made from 3/8" to 1/2" (10 to 12 mm) thick tempered glass. Stock sizes range from 24" to 84" (610 to 2134 mm) overall height. Standard finishes are polished stainless and brushed stainless. Custom sizes and finishes are available. Visit crlaurence.com for additional information.



"S" Style
*Left Hand



"S" Style
*Right Hand

Straight Style
Stocked in
Eleven Sizes
Ranging From
24" to 84"
(610 to 2134 mm)

* Handing determined from the exterior looking in. Stocked in three sizes 24", 36", and 48" (610, 914, and 1219 mm)

Optional Mid-Posts give extra strength to very long Ladder Pulls. Must be factory-installed. Call for details.



CRL Locking Ladder Pulls

- Locks Operate at a Comfortable Height Above the Floor
- No Kneeling or Bending to Lock or Unlock Doors
- Nine Styles in Stock, With Custom Sizes Available on Special Order
- Made of Durable Alloy 316 Stainless Steel Tubing
- Single and Double Locking Options Available
- 1-1/4" (32 mm) Long Deadbolt Throw - All Units



The newest and most practical option for 'all-glass' entrances is CRL's Locking Ladder Pulls. No more kneeling down to unlock the entry doors in the morning, or having to bend over after a long day at work to reach for the lock at the bottom edge of the door. Simply turn a key or thumbturn located at a comfortable height above the finished floor to lock or unlock your doors. CRL Locking Ladder Pulls have a fully concealed deadbolt locking mechanism with models available that lock only into the floor, or both the floor and the header. We also offer Horizontal Pulls that lock into a jamb or sidelite. These Locking Ladder Pulls are intended for use with glass doors made from 3/8" to 3/4" (10 to 19 mm) thick tempered glass. Select models available with prep for 6-pin or 7-pin Rim type cylinders. Custom heights and configurations are available on special order.

For additional information visit crlaurence.com or contact CRL Technical Sales (800) 421-6144 in the U.S., (877) 421-6144 from Canada, or (323) 588-1281 International, and ask for Ext. 7700. You can also send us an e-mail at crlaurence.com/support.

Vertical Double Locking Ladder Pulls



Horizontal Locking Ladder Pull

Vertical Double Locking Ladder Pulls

Vertical Floor Locking Ladder Pulls

CRL Center Locks for 'All-Glass' Doors

- Available in 4" x 10", 6" x 10", and New Low Profile Models
- Choose From Three Types: Deadlatch, Long Throw Deadlock, and Hook Throw Deadlock
- For Use With 1/2" (12 mm) Tempered Glass; Custom Sizes for Other Glass Thicknesses Available on Special Order
- Installs Easily With Bolts; No Messy Silicone or Cement Required
- Available in Five Stock Finishes Plus Custom Finishes on Special Order



CRL Center Locks are available in three types: Deadlatch, Long Throw Deadlock, and Hook Throw Deadlock. A variety of pull handles and latch-operating devices (Thumbturns, Keyed Cylinders, Lever Handles, and Paddle Handles) are available to accommodate different requirements.

We carry stock units for immediate shipment, and can fabricate custom units that can be shipped within one week.

Low Profile Center Locks and Keepers

4" x 10" Center Locks and Glass Keepers



4" x 10" Center Lock With Deadlatch



4" x 10" Center Lock Glass Keeper



4" x 10" Center Lock With Long Throw Deadlock



4" x 10" Center Lock With Hook Throw Deadlock



4" x 10" Center Lock Glass Keeper



4" x 10" Center Lock Glass Keeper With Electric Strike



2-3/4" x 5-5/8" Low Profile Center Lock

6" x 10" Center Locks and Glass Keepers



6" x 10" Center Office Lock



6" x 10" Center Entrance Lock



6" x 10" Center Passage Lock



6" x 10" Center Storeroom Lock



6" x 10" Center Classroom Lock



6" x 10" Center Push Button Lock



6" x 10" Center Lock Glass Keeper



6" x 10" Center Lock Glass Keeper



6" x 10" Center Lock Glass Keeper With Electric Strike



1-3/4" x 5-5/8" Low Profile Glass Keeper

CRL Lever Lock Housings

NEW!



Glass Fabrication is required. Installation Instructions and Fabrication Template Included.



- Low Profile Body Design for Use With 3/8" or 1/2" (10 or 12 mm) Tempered Glass
- Supplied With ANSI A156.2 Grade 1 or Grade 2 Lever Lock
- Non-Handed and Reversible
- Five Architectural Finishes Available
- Four Function Options

CRL's new Lever Lock Housings are easy to install and come complete with Housing and Lever Lockset for 3/8" or 1/2" (10 or 12 mm) thick glass. The Entrance and Storeroom models are available with either a Schlage 'C' 6-Pin keyway or a 7-Pin Small Format Interchangeable Cores (SFIC). See crlaurence.com for additional information. An ANSI 1-1/4" x 4-7/8" (32 x 124 mm) Strike is included.

INTERIOR	EXTERIOR	FUNCTION ANSI NUMBER	FUNCTION DESCRIPTION
		Entrance F 109	Pushing inside button locks outside trim, requiring key to unlock. Pushing and twisting button locks outside lever and always requires a key to unlatch. Inside lever always allows free egress.
		Storeroom F 86	Outside lever always locked. Key unlatches only. Inside lever always allows free egress.
		Passage F 75	Both levers are always free.
		Privacy F 76	Push button locking from inside. Lock can be opened from outside with narrow flat head screwdriver or by rotating inside lever.

CRL Cylindrical Lever Lock Code Compliances



- ANSI A156.2 Grade 1. UL10C and UBC 7.2 for Positive Pressure
- ANSI A117.1 and A.D.A. for Barrier-Free Accessibility
- C-UBC California Amended Uniform Builders Code – 2001
- NFPA-80 National Fire Protection - 1999
- NFPA101 National Fire Protection - Life Safety - 2000



Lever Lock Housing Entrance



Lever Lock Housing Passage



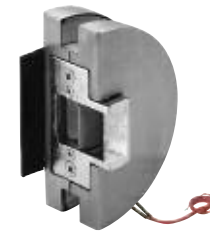
Lever Lock Glass Keeper



Lever Lock Housing Storeroom



Lever Lock Housing Privacy



Lever Lock Glass Keeper With Electric Strike

CRL-Blumcraft® Access Control Handles



- Access Control Handles With a Large Selection of Exterior Fixed Pulls for Medium and Wide Stile Doors
- Available in Polished and Brushed Stainless, Satin and Polished Brass, and Oil Rubbed Bronze
- Custom Finishes Available By Special Order

CRL-Blumcraft® manufactures a complete line of Access Control Handles for all your door needs. We have Panic Devices, Deadbolt Handles, and Electronic Egress Control Handles in a wide variety of configurations. We can also supply you with Dummy Handles to match these devices, allowing you to maintain the same appearance throughout the project, but without the added costs. Visit crlaurence.com for more information.



Designer Series

NEW!



- Sharp Lines and Angles With a Smooth Round Gripping Surface
- Crisp Transitions at All Corners
- Available in Alloy 316 Brushed or Polished Stainless Steel

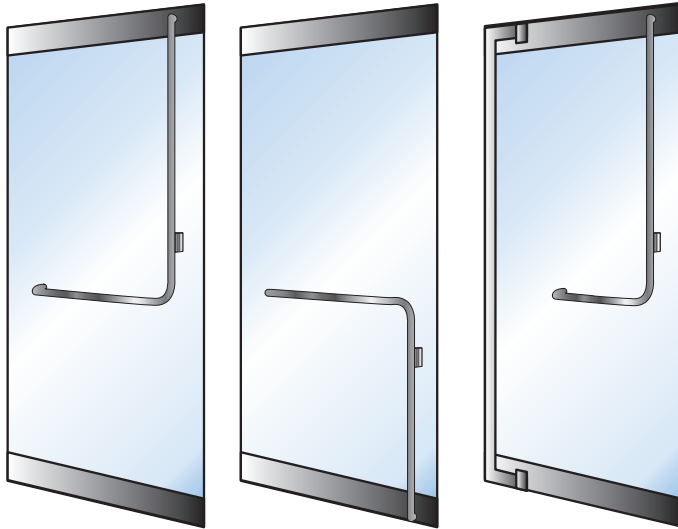
U.S. Patent No. 7,347,461
 Canadian Patent No. 2,418,658
 Canadian Design Patents 147654 and 152084



Contact CRL Technical Sales at (800) 421-6144 in the U.S., (877) 421-6144 from Canada, or (323) 588-1281 International, and ask for Ext. 7700. You can also send us an e-mail at crlaurence.com/support. **NOTE:** All Access Control Handles on this page function as health and safety tools, and may only be purchased through CRL Authorized Glass Temperers and Door Manufacturers.

Standard Interior Configurations for CRL-Blumcraft® Access Control Handles

BLUMCRAFT®
A DIVISION OF C.R. LAURENCE CO., INC.



PA100, DB100, AND EG100 SERIES

Available with or without Keyed Access Device

PA110, DB110, AND EG110 SERIES

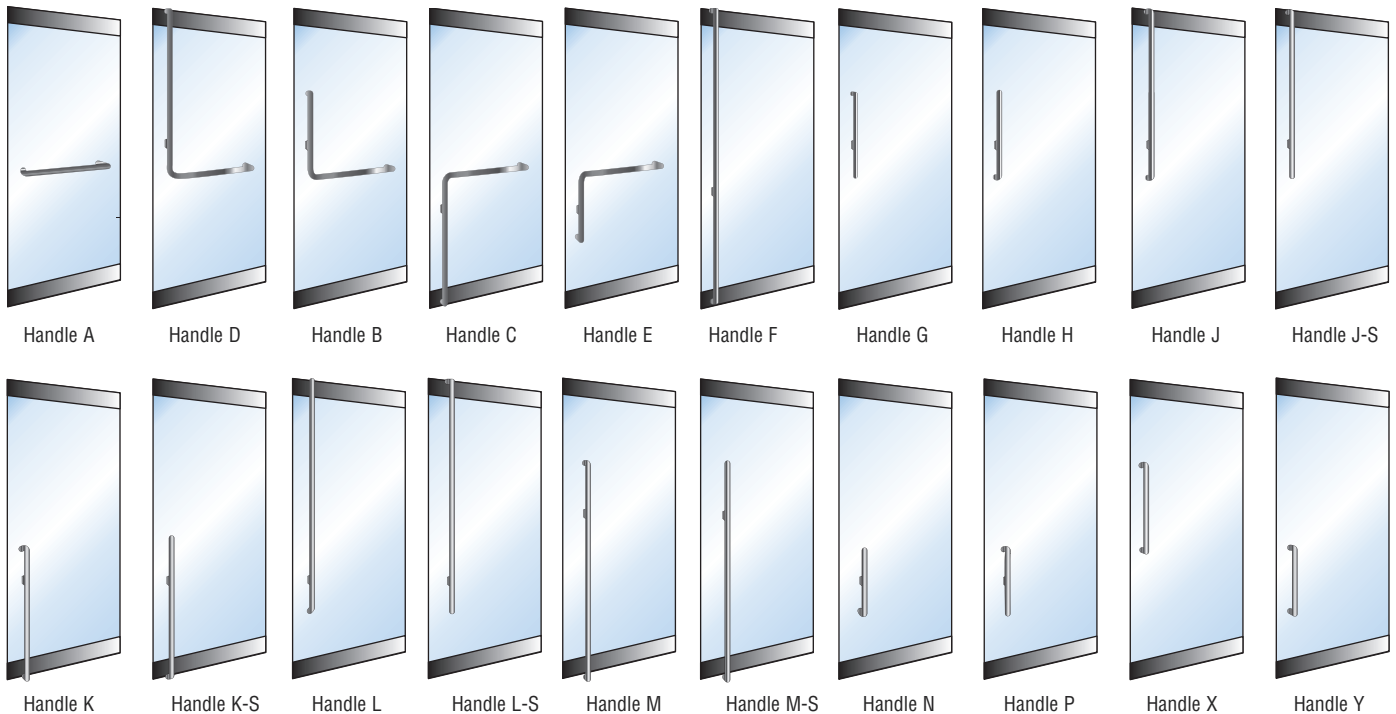
BP100 SERIES
For Balanced Door
Panic Handles



Exterior Handle Combinations for Doors With CRL-Blumcraft® Access Control Handles

NOTE: All Exterior Fixed Handles below can be used in combination with any Panic, Deadbolt or Electronic Egress Handle.

Contact CRL Technical Sales at (800) 421-6144 in the U.S., (877) 421-6144 from Canada, or (323) 588-1281 International. Ask for Ext. 7700. You can also send us an e-mail at crlaurence.com/support.



NOTE: All Access Control Handles on this page function as health and safety tools, and may only be purchased through CRL Authorized Glass Temperers and Door Manufacturers.

Bring the Outdoors In With the NEW Monterey Bi-Folding Door and Wall System from CRL

NEW!



See our New CRL14D Doors and Entrance Systems Catalog for more information

MONTEREY™
Bi-Folding Door and Wall System
Interior and Exterior By C.R. Laurence Co., Inc. / U.S. Aluminum

- Weather Resistant, Designed for Interior/Exterior Use
- New Construction or Retrofit, Commercial and Residential
- Fully Assembled, Ready for Glazing
- Simple to Operate Panels Open or Close Easily
- Several Configurations With Inward or Outward Opening Options Available
- Wood Grain, White, and Black Powder Coat, Satin and Black/Bronze Anodized. Custom Colors Available on Special Order
- Virtually Limitless Design Options

CRL's long awaited and much anticipated venture into the great outdoors is finally here! We are excited to introduce the Monterey Bi-Folding Door and Wall System! The Monterey Series allows you to bring the outdoors inside while providing resistance to undesirable weather conditions. Countless options are available to create large living spaces that seamlessly transition outdoors to indoors.

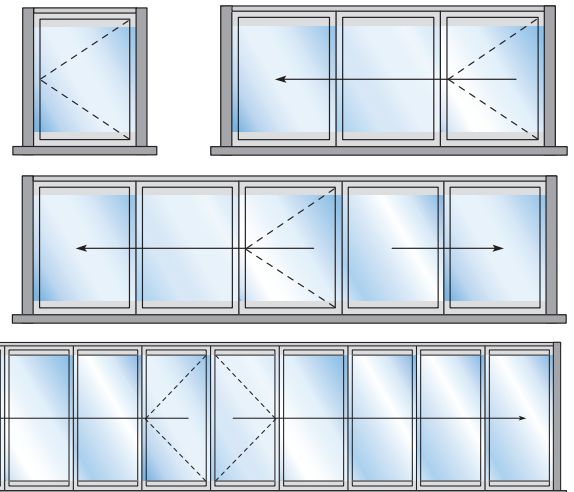
Our precision engineered components provide a system that slides smoothly with minimal effort. Design options are virtually limitless. The sturdy, yet slim frame construction allows for more glass and less metal. A thermally broken frame option offers improved acoustics and energy savings.

The Monterey Series is designed for use with 1/4" to 1-1/4" (6 to 32 mm) glazing. Standard finishes are Wood Grain, White, and Black Powder Coat; Satin and Black/Bronze Anodized. Custom colors are available on special order.



The versatile Pivoting Panel Option gives you the flexibility to fully or partially open the Monterey Bi-Folding Wall.

Complete design flexibility allows the system to support any number of sliding and pivoting panels in a single opening, with both inward and outward opening options.



CRL Monterey Bi-Folding Door and Wall System

NEW!



Monterey S55



Monterey S55 and S55R

A contemporary way to maximize the available space in residential or commercial properties without limiting design options. The Monterey can be installed for interior or exterior use, opening either inwards or outwards. Interior applications come standard with flush mount sills whereas raised sills are supplied standard for exterior use. Flush sill option at exterior requires additional water management such as a trench drain (supplied by others) in front of the entire opening.

All systems are top hung and include a compensating frame and adjustable spacers to help overcome openings that are not level or plumb. Available in five standard colors and in custom finishes upon request.

Taller openings are easily handled by our S55R Series that incorporates a vertical mullion at each roller joint, allowing for additional rollers to help carry the weight of the door.

- 1/4", 3/8" or 1/2" (6, 10 or 12 mm) Monolithic or 1" (25 mm) Insulating Glazing
- Top Hung Panels Glide Smoothly and Easily With Minimal Effort
- Versatile Pivoting Panel Option
- Weather Resistant, Designed for Interior and Exterior Use
- Inward or Outward Stacking Positions Available
- Certain Models Available With Three Point Keyed Locking System
- Flush Mount or Raised Sill Options



Monterey S80



Learn more about the entire range of Monterey Bi-Folding Door and Wall Systems at crlaurence.com/monterey

Monterey S80 and S80R

All the same great features as the S55 plus thermally broken for extreme weather conditions and long term performance. Specifically engineered to satisfy the increasing demands for energy conservation. The high quality materials used and precision manufacturing of the system provides smooth operation of the panels with minimal effort.

All systems are top hung, and have a comprehensive seal configuration creating an exceptional weather-sealed system. Available in five standard colors and in custom finishes upon request.

Taller openings are easily handled by our S80R Series that incorporates a vertical mullion at each roller joint, allowing for additional rollers to help carry the weight of the door.

- Same Great Features as S55 Series Above Plus:
- 1" or 1-1/4" (25 or 32 mm) Insulating Glazing
- Thermally Broken, Constructed for Extreme Weather Conditions



or





Exclusive Intelli-Track™ Top Roller

CRL SPS Stacking Partition System

CRL's most versatile option for 'all-glass' walls and office partitions is our patent pending Stacking Partition System, or 'SPS' for short. When you specify the SPS your installation options are virtually unlimited because the individual SPS components allow you to design stacking doors to fit almost any situation. Whether you need to partition off interior spaces, or provide movable 'all-glass' doors for a storefront or other public areas, you can select SPS with full assurance that the system will be easy to work with, easy to install, and easy to operate. SPS utilizes our patented Wedge-Lock™ Glass Securing System, found in our popular DRS Door Rails. Available in a variety of rail configurations and finishes, SPS is the right choice when searching for a dependable and attractive stacking partition system.

- Combining Versatility With Ease of Operation
- Patented Wedge-Lock™ Glass Securing System



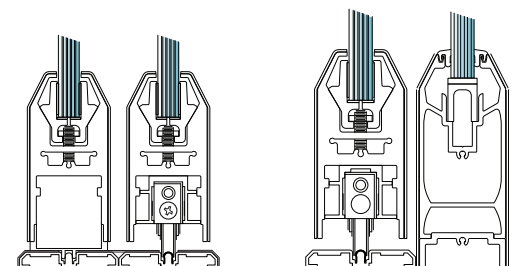
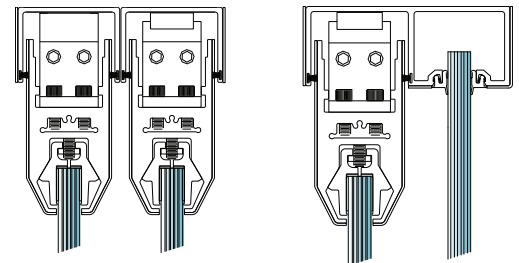
CRL SDR/SSR Bottom Rolling Sliding Door Systems



- Each Unit Custom Built to Fit the Opening
- Doors Can Be Aligned Without Removal
- Saves Valuable Floor Space – Does Not Project Out of the Door Opening

CRL Bottom Rolling Sliding Door Systems use the same technology found in our Wedge-Lock™ Door Rails to secure heavy panels of 3/8" or 1/2" (10 or 12 mm) tempered glass to create almost 'frameless' glass doors between interior office areas. Several profiles are available in any of the seven architectural finishes used for our Door and Sidelite Rails in both Tapered and Square Styles. Installation is simplified because each unit is custom built to your specifications for opening size and glass thickness. Once installed you can adjust or align the doors without removal. Maximum door width is 48" (1219 mm); maximum door height is 108" (2743 mm), with a maximum weight not to exceed 234 pounds (106 kg).

NOTE: Available by custom order only. Most orders can be fabricated in five business days at our Los Angeles, California manufacturing facility. Contact CRL Technical Sales at (800) 421-6144 in the U.S., (877) 421-6144 from Canada, or (323) 588-1281 International, and ask for Ext. 7700. You can also send us an e-mail at crlaurence.com/support.



Typical Section of SDR System

Typical Section of SSR System

CRL Laguna Series Sliding Glass Door System With Anti-Lift Safety Features



- Ideal for Interior Office Applications
- For Use With 3/8" or 1/2" (10 or 12 mm) Tempered Glass
- Anti-Lift Feature for Added Safety
- All 316 Alloy Brushed Stainless Steel Construction
- Adaptor Kits Available for Wood Door Applications

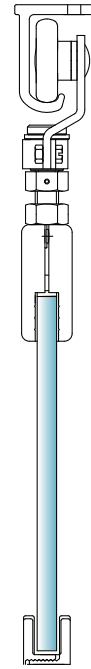
The Laguna Series Sliding Glass Door System is a modern day "Barn Door" that provides a distinct interior office entrance. Made of high-grade 316 alloy stainless steel, it can be installed on glass partitions or directly to the side of a sufficiently reinforced wall. The adjustable Top Rollers make final adjustments quick and easy, without the need to remove the door. Their smooth operation and solid stainless steel construction minimizes maintenance issues, while their 'anti-lift' feature improves the performance, safety, and security.

The Laguna Series is furnished with all the glass attachment fasteners for either flush mounting, requiring a countersunk hole, or surface mounting, requiring a straight hole. The glass attachment fasteners accommodate either 3/8" or 1/2" (10 or 12 mm) tempered glass. Adaptor kits are also available for wood door applications.

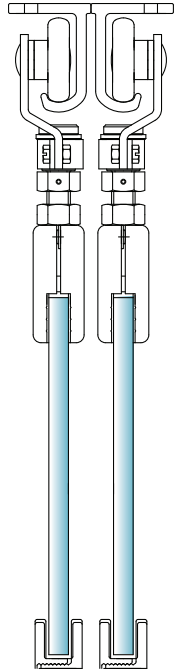
Standardized sets allow you to make planning and purchasing quick and easy for basic installations. We offer four different kits; two for wall mounting, and two for glass mounting. Available accessories give you the opportunity to customize the standard sets to accommodate the most imaginative designers.



Learn more about the entire range of Laguna Series Door Systems at crlaurence.com/laguna



Single Slide Application



Bi-Pass Application

- Attractive and Cost-Effective
- No Glass Fabrication Required

CRL EZ-Slide 80/180 Series Top Hung Sliding Door Kits



CRL EZ-Slide 80/180 Top Hung Single Track Sliding Door Kits are an easy to install cost effective solution to adding 'all-glass' sliding doors in interior office wall applications. The only glass fabrication required is to polish the edges. If handles or knobs are desired, holes will be required for their mounting. Optional break metal covers are available to help conceal the operating hardware.

The EZ-Slide 80 Series is designed for 5/16" or 3/8" (8 or 10 mm) tempered glass panels weighing up to 176 pounds (80 kg). The EZ-Slide 180 Series is designed for 3/8" or 1/2" (10 or 12 mm) tempered glass panels weighing up to 396 pounds (180 kg). For more details on the EZ-Slide 80 or 180 Series, please contact our Technical Sales Specialists or visit crlaurence.com.

CRL51 Series Top Hung Sliding Door Systems

Our CRL51 Series Kits now feature the 'Softbrake' Braking System which prevents doors from slamming open or closed. 'Softbrake' cushions the opening and closing of the doors gently, quietly, and is virtually unseen because it is concealed in the top track. It engages in the final 4" (102 mm) of travel, preventing glass from impacting the frame or adjacent glass panels.

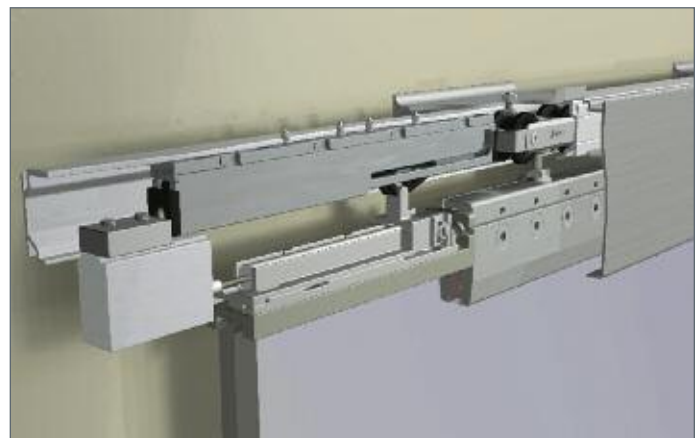
The CRL51 Series offers the option of wall or ceiling mounting. The panels are hung from the top; no holes or notches in the glass required, and no bottom track across the opening. The hanger assemblies offer smooth 'finger touch' control, and have over 1/4" (6 mm) of height adjustment during installation to allow for openings and floors that are not true and level. It is also available with 'synchronization' of bi-parting doors, where the opening of one panel moves the others. A 'telescoping' version is also available where the panels slide in the same direction and stack away together. Kits come with all necessary hardware to complete the installation.



- Models for Single Doors and Synchronized Bi-Parting Doors
- New 'Softbrake' Prevents Slamming of Doors



'Softbrake' System in Ceiling Mount Track Application

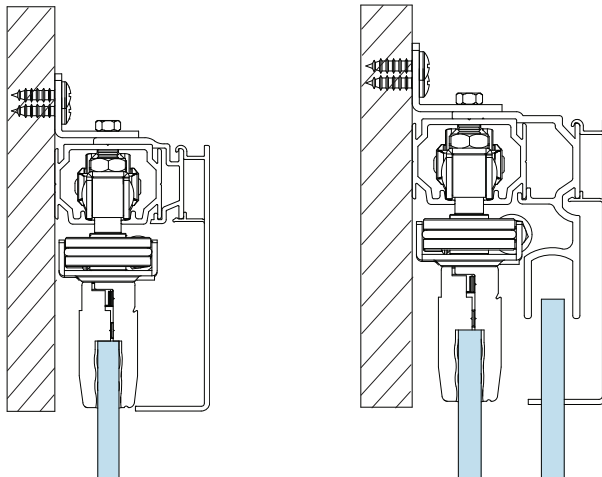


'Softbrake' System in Surface Mount Track Application

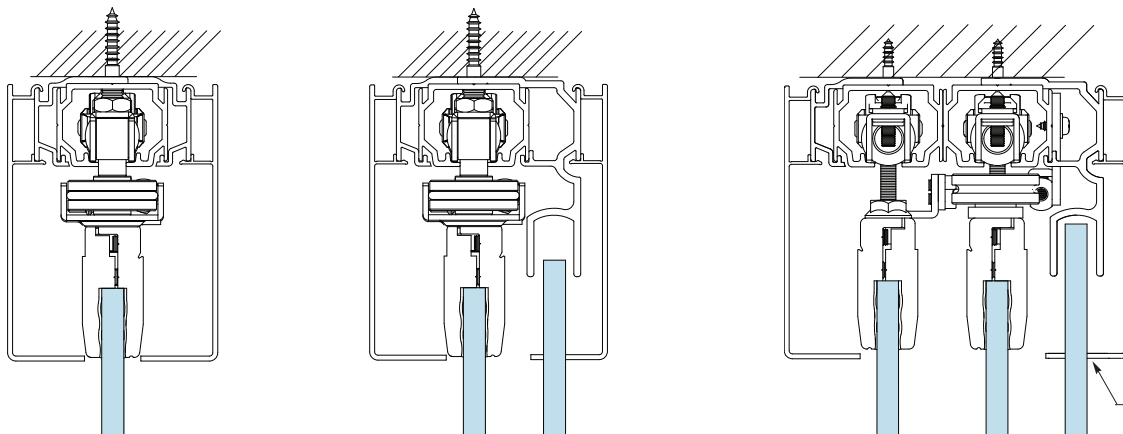
CRL50 Series Synchronized Bi-Parting Panel Kits

- Kits for Synchronized Operation of Two Bi-Parting Panels
- Combination Synchronized and Telescoping Kit Also Available
- Satin Anodized Finish

These configurations of CRL50 Series Panel Kits are for synchronized 5/16" to 3/8" (8 to 10 mm) tempered glass doors. These Kits provide synchronized movement of two bi-parting glass panels while only operating one of the panels. The panels are hung from the top; no holes or notches in the glass are required, and no bottom track across the opening. The hanger assemblies offer smooth "finger touch" control, and have over 1/4" (6 mm) of height adjustment during installation to allow for openings and floors that are not true and level. Kits are available with Track Covers in satin anodized finish. Optional finishes are available on special order. All necessary hardware to complete the installation is included. Contact Technical Sales for kit selection or installation assistance.



- Wall and Ceiling Mount Models in a Variety of Configurations



NOTE: Top Track Cover to be trimmed in field to match fixed glass configuration.

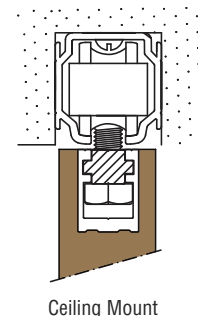
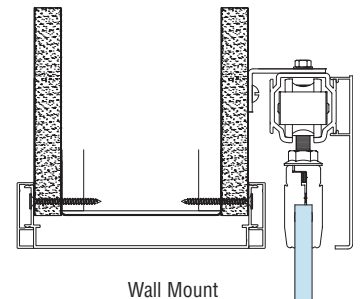
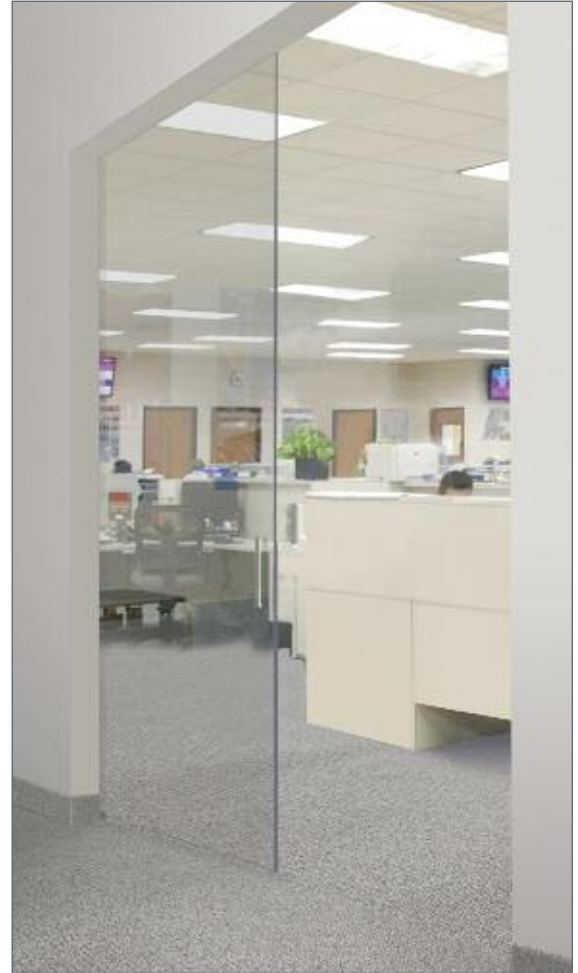
CRL70 Series Sliding Door Systems

- Sleek European Design
- Painted or Metal Clad Finish Options
- Finger Touch Top Hung Panels to 1/2" (12 mm) Thick
- Models for Single and Synchronized Bi-Parting Doors
- Wood Door Kits Available

Our CRL70 Series Top Hung Sliding Door Systems feature a sleek European design that offers wall or ceiling mount options for 5/16" to 1/2" thick sliding glass or wood doors, with or without fixed panels. These top hung systems require no bottom track, and the smooth sliding action allows for finger touch control of doors weighing up to 275 pounds (125 kg). The Hanger Assemblies offer 1/4" (6 mm) of height adjustment during installation to allow for openings and floors that are not true and level. Kits come with concealed Roller Stops in the Top Track to hold the door in the open or closed position, a Floor Guide, and a Track Cover in satin anodized finish, with an option for powder paint or cladding in any architectural finish desired.

Contact Technical Sales for Commercial Products for assistance with proper kit selection or installation instruction assistance.

NOTE: Laminated glass should not be used with the CRL70 System.



CRL290 Series Top Hung Sliding Door System With 'Softbrake' Braking System

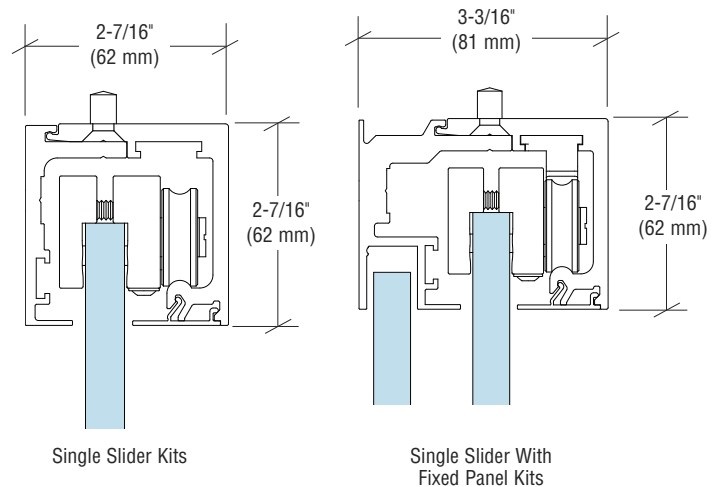
NEW!

- Systems Available for Wall, Ceiling, or Dropped Ceiling Applications, With or Without Fixed Panels
- Can Accommodate Doors Weighing Up to 264 Pounds (120 kg)
- Clamps are Fully Concealed Inside the Header
- Integrated 'Softbrake' Braking System
- For Use With 5/16", 3/8" or 1/2" (8, 10 or 12 mm) Tempered Glass
- No Notches or Holes Required in the Glass for Installation



The New CRL290 Series Top Hung Sliding Door Systems are a stouter version of our tremendously popular CRL285 Series, allowing for panels weighing up to 264 pounds (120 kg). This new series also has an improved 'Softbrake' Braking System that can stand up to the demands of door panels at the heavier weight, ensuring that you do not have to worry about the doors slamming open or closed. 'Softbrake' cushions the opening and closing of the doors gently, quietly, and is completely concealed inside the header. 'Softbrake' engages during the last 4" (102 mm) of door travel, preventing the glass from impacting the frame or adjacent glass panel.

The CRL290 Series offers multiple mounting options, is top hung, requires no bottom track, and operates with smooth "finger touch" control. No holes or notches required, making glass fabrication easy and cost effective. The upper clamp and roller assemblies have over 1/4" (6 mm) of height adjustment during installation, allowing for easy correction of openings that are not true and level. Kits are available in satin anodized and brushed nickel anodized finishes.



CRL280/285 Series Top Hung Sliding Door Systems

- Kits Available With or Without 'Softbrake' Braking System
- Designed for Use With 5/16", 3/8" or 1/2" (8, 10, or 12 mm) Tempered Glass
- Rated for Doors Weighing Up to 176 Pounds (80 kg)
- No Notches or Holes Required in the Glass for Installation

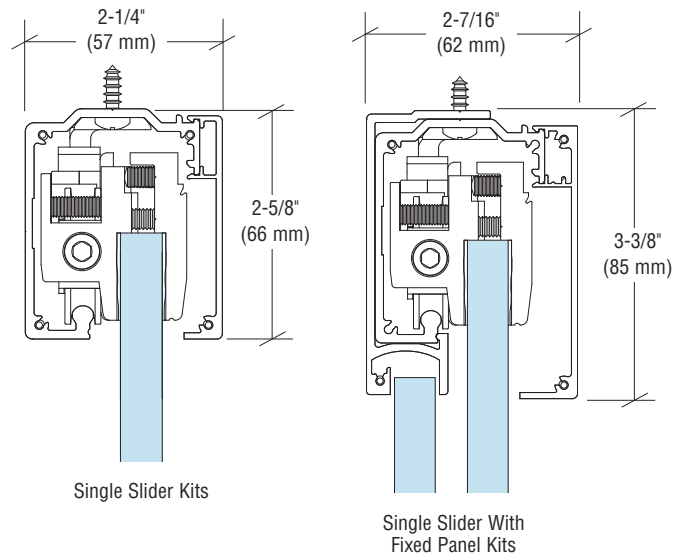


Partitions featuring 'all-glass' top hung sliding doors are reliable, versatile, and easy to install. These CRL280/285 Series are no exception. Designed for use with 5/16", 3/8", or 1/2" (8, 10, or 12 mm) tempered glass, they can accommodate doors weighing up to 176 pounds and 60" (1524 mm) wide.

The CRL280 Series boasts these features: sleekly designed ceiling or glass mount versions, no bottom track, smooth "finger touch" control, and no holes or notches required in the glass. The Upper Clamp and Roller Assemblies have 1/4" (6 mm) of fine tune height adjustment after installation to allow for openings and floors that are not true and level.

The CRL285 Series Kits have all the features of the CRL280 Series plus an additional, highly sought after feature, the CRL 'Softbrake' Braking System. The 'Softbrake' is completely concealed in the top track, and engages during the final 4" (102 mm) of travel, preventing the glass door from "slamming" open or closed, impacting the frame or adjacent glass panel.

Kits are available with or without hardware for adjacent fixed panels. Individual components are also available should you wish to construct custom units. Available in a satin anodized finish.



CRL Cabo Soft Slide Sliding Door System

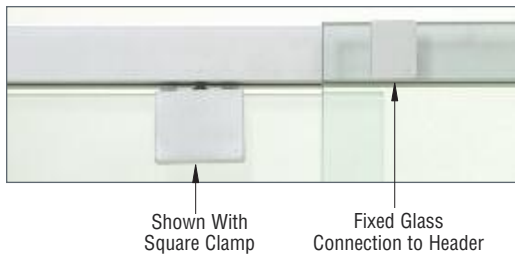
- Featuring the New 'Softbrake' Braking System
- Two Sizes Available 65" and 84" (1.65 and 2.13 m)
- Hardware for One Sliding Door and One Fixed Panel
- Concealed Overhead Roller Design
- Mounts to Ceiling
- For Use With 5/16", 3/8" or 1/2" (8, 10 or 12 mm) Tempered Glass (Not Included)
- Can Accommodate Doors Weighing Up to 176 Pounds (80 kg)
- Available in Five Finishes, With Custom Finishes Available



The Cabo Soft Slide Sliding Door System offers the 'Softbrake' Braking System on the door, ensuring that you do not have to worry about the door "slamming" open or closed. 'Softbrake' cushions the opening and closing of the door gently, quietly, and is completely concealed inside the header. 'Softbrake' controls the last 4" (100 mm) of door travel, preventing the glass from impacting the frame or adjacent glass panel.

The Cabo Soft Slide Series has two clamp cover designs (rounded or square), and is available in five architectural finishes. Each Kit comes complete with a Header, two Top Clamps with Covers, two Wall Mount Brackets, two Top Fixed Glass Fasteners with Covers, and a Bottom Guide. Bottom Fixed Glass Attachments (Channels or Clamps), and Handles must be ordered separately.

NOTE: Tempered glass is not included.



Square Clamp Style



Optional Wall Mount Bracket (Included with 180 Degree Kits)

SPECIFICATIONS:

Glass Thickness Range:
5/16" (8 mm) to 1/2" (12 mm)
Tempered Safety Glass (Not Included)

Material: Aluminum

Maximum Door Weight: 176 lbs (80 kg)

Finished Opening Size:

Minimum 60" (1.52 m) Wide on 65" (1.65 m) Kit;

Minimum 65" (1.65 m) Wide on 84" (2.13 m) Kit

Fabrication: Holes and Notches Required in Sliding Door

Includes: Gaskets, Screws, and Glass Fabrication Information



Rounded Clamp Style

FINISHES:



Optional 90 Degree Return Bracket and Wall Clamp (Sold Separately, See Below)

180 DEGREE KITS WITH HEADERS

65" (1.65 M) ROUNDED CLAMP CAT. NO.	65" (1.65 M) SQUARE CLAMP CAT. NO.	84" (2.13 M) ROUNDED CLAMP CAT. NO.	84" (2.13 M) SQUARE CLAMP CAT. NO.	FINISH
CABR65CH	CABS65CH	CABR84CH	CABS84CH	Polished Chrome
CABR65SA	CABS65SA	CABR84SA	CABS84SA	Satin Anodized
CABR65BN	CABS65BN	CABR84BN	CABS84BN	Brushed Nickel
CABR65BR	CABS65BR	CABR84BR	CABS84BR	Polished Brass
CABR65DU	CABS65DU	CABR84DU	CABS84DU	Duranodic Bronze

Minimum order: 1 each. **NOTE:** Bottom Fixed Glass Attachments (Channels or Clamps), and Handles must be Ordered Separately.

OPTIONAL 90 DEGREE RETURN KIT

CAT. NO.	FINISH
CAB90CH	Polished Chrome
CAB90SA	Satin Anodized
CAB90BN	Brushed Nickel
CAB90BR	Polished Brass
CAB90DU	Duranodic Bronze

Minimum order: 1 each.



CRL-U.S. Aluminum 2000 Series Sliding Door System



- **Designed for Shopping Malls, Office Partitions, and Auto Dealerships**
- **For 1/4" or 1" (6 or 25 mm) Glazing**
- **Standard Finishes are Clear Anodized, Dark Bronze Anodized, and Black Anodized**
- **Custom Anodized, Cladded, and KYNAR® Painted Finishes Also Available**

CRL-U.S. Aluminum's 2000 Series Sliding Door is a multi-track entrance designed for interior office partitions. This multi-track slider is engineered with stacking head channels and bottom tracks allowing multi-slider combinations. Rugged overall construction coupled with heavy wall stiles and interlocks create a truly monumental sliding unit. Doors are equipped with flush finger pulls, hooklocks, and lock cylinders. Adjustable tandem rollers and floor track with stainless steel caps ensure smooth operation and durability.

Various combinations of sliding and pocket door panels can accommodate many design plans. Floor tracks can be recessed or surface applied. Each sliding door has two tandem steel rollers to provide smooth operation and years of service. For additional information or assistance contact U.S. Aluminum Technical Sales at (800) 262-5151 in the U.S., and Canada or (323) 268-4230 International, and ask for Ext. 5305. You can also send an e-mail from the usalum.com home page.

KYNAR® is a registered trademark of Autofina Chemicals, Inc.



C.R. LAURENCE COMPANY

crlaurence.com | usalum.com

190X | crlaurence.ca crlaurence.com.au crlaurence.co.uk crlaurence.de crlaurence.eu



Los Angeles, California Headquarters of CRL Manufacturing

CRL Manufacturing

- Making Quality Products for Over 50 Years
- User of Progressive ISO9001:2008 Manufacturing Processes
- Mechanical and Technical Expertise Available to Assist Your Manufacturing Processes



You may know C.R. Laurence Company as the world's largest distributor of supplies to the glass industry. What you may not know is that we are also a manufacturer of over 10,000 products found in our Online Catalog. We make some of the best products available to customers worldwide. Our people use progressive ISO9001:2008 manufacturing processes to make products for the Glazing, Architectural, Railing, Screen, Construction, Industrial, and Automotive industries. These certified processes ensure that we give every product our full attention to detail.

Using strict manufacturing standards we produce the kind of quality products that have kept us at the head of this field for many years. That's your assurance that when you select a product made by CRL Manufacturing, you have made the best possible choice.

We're always looking for ways to make our products better, and along the way we've added experts from different fields to our staff of designers, engineers, and craftspeople. Our goal is to make our products a better value to you, whether it's time or labor savings, extended service life, increased versatility or enhanced visual appeal.



Manufacturing Video Online

Go to the home page of crlaurence.com and click on Video Library. From there you can select a seven-minute video presentation detailing CRL's product line and manufacturing capabilities.



Many of our products incorporate industry "firsts"; features offered by no other manufacturer because we feel that no product or process is so good that it can't be improved. We strive to make products of high quality and value. That's the goal we set for ourselves at the onset, and it's still our guiding influence. Some of the improvements we've made have originated from people who have used our products and generously contributed their opinions and suggestions. We welcome your comments, and invite you to contact us at any time regarding a C.R. Laurence product.

Expansion of our manufacturing capability has brought our total manufacturing floor space in California to roughly 650,000 square feet. CRL now has almost 1 million square feet of distribution and manufacturing capability in the local area to better serve our customers. We also have a 90,000 square foot machinery facility in Cicero, Illinois, and a facility in Melbourne, Australia for the manufacture of our Vacuum Lifters. It's all part of CRL's commitment to provide good quality products with short lead times to the industries we serve.



CRL Serves the World From Three Continents With Ever-Improving Service Capabilities

- North America • Europe • Australia

C.R. Laurence has been a supplier to customers worldwide for decades, and can now offer our unmatched range of products and services from CRL locations on three continents: North America, Europe, and Australia.

Communicating

In our history we have prospered as a company because we've followed a path of innovation and growth, always seeking new ways to use the latest technology to expand our service capabilities. Major advancements in the world of communications have made much of this possible. We've always been among the first to introduce new ways of reaching our customers, and in return, have made it easier for them to do business with us.

C.R. Laurence was the first in our industry to offer toll free telephone ordering. For over 40 years our customers have been able to call our 800 number to place orders, ask questions about products, get prices, and communicate with us without it costing them a cent. Our recent expansion into Europe lets us offer the same free phone and free fax service to our customers on that continent.

In the early '80's we added toll free fax ordering, making it possible for our customers to fax their purchase orders, parts lists, shop drawings and other documents directly to our Customer Service Department at CRL Corporate Headquarters. It was during this time that we also introduced CRL FastFax, providing customers instant notification that their orders had been shipped.

One of our most important advances was the installation of the CRL Computer System in 1978. The power of our abilities multiplied many times when we went 'online' because we were better able to track inventory levels throughout our distribution network, and better able to process your orders quickly and more accurately. The ongoing evolution of the CRL Computer System now includes our Internet and fax servers, which empowers us to offer our customers in every corner of the world ever-improving service at every step in the process, from order entry through shipping and billing.

Some say our most important communications advancement was our entry into the business of Electronic Commerce with the introduction of the CRL web site in 1997. What was once a fledgling effort has blossomed into a self service web site featuring information regarding all of the products and services CRL has to offer. Customers who use crlaurence.com find an enlightening and comprehensive web site that is constantly improving with the addition of new features that make it quicker and easier to use. And now we have web sites especially tailored to the countries with which we do business.

C.R. Laurence makes a serious effort to promote ever-improving service by making the investments required to improve communications at every



level. We want your business dealings with CRL to be simple, clear, and convenient. If you feel that we can improve communications at any level, we would like to hear from you. To submit comments, go to crlaurence.com and click on Contact Us, then click on Web Comments.

Building A Network

Providing the ever-improving service level we strive for means bringing CRL to our customers. From a single Los Angeles, California location we have grown to a network of Service Centers in six countries on three continents.

Each of our Service Centers is connected to Corporate Headquarters through our computer system, which monitors and updates inventory levels with the arrival of each new delivery truck and the shipment of each customer order. Every Service Center receives fresh inventory each week through our Inter-Branch Transfer System so stock levels can remain high. This improves the percentage of your orders we can ship complete, and usually on the same day we receive them.

Another advantage of having regionally located Service Centers in or near major metropolitan areas is the opportunity to serve our customers in person. Each CRL location has a Will Call Trade Counter open six days a week. For directions to CRL locations go to crlaurence.com and click on About CRL under the General Information menu to the left of your screen. The pop-up menu will give you a selection for Service Centers.

And in order to provide ever-improving service, the CRL network of Service Centers will continue to grow. In recent years CRL service has come to Australia and Europe with the opening of locations to serve customers on these continents. New or enlarged Service Centers are planned for metropolitan areas throughout the U.S. With the opening of each new facility, we make getting what you want from CRL faster and easier.

Investing In People To Serve You

The best way we can serve you is to have capable people available to answer your questions, take and expedite your orders, suggest solutions to problems you may be having with a job, or to assist you in any manner we can. We maintain ongoing training programs so that the CRL people who serve you will have at their command the resources to make your business transactions with us a pleasant experience.





CRL Serves the World With Local and International Brands of Your Favorite Products

• North America

• Europe

• Australia



CRL's Global Headquarters in the Los Angeles, California area

Brand Names

Product branding is the identification of a product by a specific name, and it is present in just about everything you buy. Whether it's groceries, garments, appliances, electronics or vehicles, we all have our favorite brands. We get to know and trust certain brands for their reputation of quality, good or bad, and we make buying decisions in part based on our familiarity and trust in a brand name.

The same is true for the products we use. Every professional has favorite brands that they trust for quality, service life, and value. Some of these names are familiar worldwide, and can be found in shops in virtually every country. Others are more local in scope, marketed only in certain countries or on certain continents.

As for quality, in many cases the "local" brands are just as good as the "international" brands, and provide equal value. They have their particular markets, and have excelled in them by producing top quality products at affordable prices.

CRL Brings The Best To You

Operating on three continents allows us to bring brands to you that you may not otherwise have local access to. Our purchasing agents select quality products from vendors across the globe, and because we have a global distribution network these products can be made available through any of our Service Centers.

When you review our catalogs, both in print and online, you'll see many familiar brand names and some that will be new to you. Be assured that these new brands, including those products bearing the CRL brand name, are tested products that will deliver both quality and value.

As both a manufacturer and a distributor, CRL can bring you the best products at value prices. We're a brand name that you can trust.

Need It But Don't See It? Just Ask CRL

Our access to suppliers worldwide gives us the ability to deliver products from any of the brand names we advertise. If you need a certain product from a specific brand name, don't hesitate to ask us for a price and delivery time. We're experts at getting you what you want when you need it. Just ask us and we'll do our best to serve you.



CRL's Canadian Headquarters in the Toronto, Ontario area



CRL's European Headquarters in the Manchester, England area



CRL's Australian Headquarters in the Sydney, New South Wales area

CRL Provides Global Service With Regionally Oriented Web Sites

- Access to All CRL Products and Services is Available 24 Hours a Day, Seven Days a Week When You Visit Us Online
- Our Sites are Updated Continually to Bring You Our Newest Products and Special Offers
- The Entry Port for 'All-Glass' Storefronts Online®, Showers Online, Hand Rails Online, and Our Other Web-Based Services

As a global supplier to the industries we serve, CRL recognizes that the power of electronic commerce strengthens our ability to serve you locally, as well as our other customers worldwide. And while the Internet has created a virtual "global village", it's important to also have the capability to tailor our web sites to the specific needs and business conditions of the continents on which we are based. That said, it became apparent that our web site, crlaurence.com, had to at the same time be global in appeal, but still local enough to be relevant.

Thus the creation of our Global Web Site Directory. When you visit our web site you are directed to the home page of the individual site designated to host your home country.



You can also move from one site to another simply by clicking on the directory icon at the top of the home page. From here you have access to all of our sites, giving you the opportunity to explore the entire scope of CRL's online world.

As we progress in this global strategy, look for us to include new translations of our Online Catalog into many more of the major languages. We are committed to spreading the virtual world of C.R. Laurence around the globe, and making your online shopping experience at crlaurence.com pleasant and easy to understand. We want you to be comfortable with CRL, and will work hard to make that possible.

Welcome to the C.R. Laurence Global Web Site Directory

Please select from one of these web sites to begin your visit

 UNITED STATES and INTERNATIONAL English Language crlaurence.com	 CANADA English Language crlaurence.ca	 EUROPE - UK English Language crlaurence.co.uk	 EUROPE - DE Deutsche Sprache crlaurence.de
 UNITED STATES and INTERNATIONAL MX idioma español crlaurence.com.mx	 CANADA FR en français crlaurence.qc.ca	 EUROPE FR en français crlaurence.fr	 EUROPE English Language crlaurence.eu
 EUROPE - IT Lingua Italiana crlaurence.it	 AUSTRALIA crlaurence.com.au	 EUROPE Spanish Language crlaurence.es	 SCANDINAVIA ApS crlaurence.dk
 usalum.com	 crl-arch.com	 A Division of C.R. Laurence Co., Inc. somaca.com	 A Division C.R. Laurence of Europe LTD crlaurence.co.uk
 THE NEW COLUMBIA MANUFACTURING CORP. A Division of C.R. Laurence Co., Inc.	 mobile web site		

Welcome to the C.R. Laurence Online Catalog

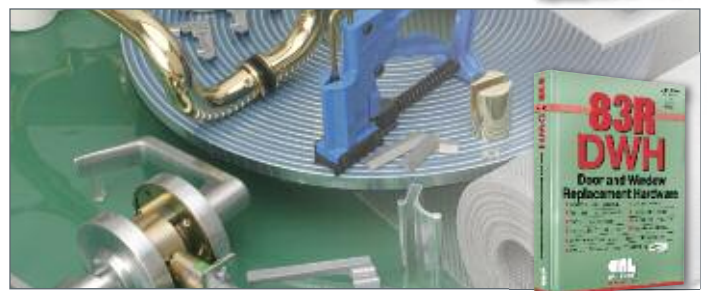
- Thousands of Pages of Quality Products and Helpful Information are Just Clicks Away, Anytime, and at Your Convenience
- It's the Best Way to Shop at CRL

What's the best way to shop at C.R. Laurence? Visit the Online Catalog at crlaurence.com. Our Online Catalog brings you thousands of pages from our many printed catalogs, all of them in full color, and linked to our ordering module so you can browse and shop at any time it's convenient. You can check prices, review stock levels, and get the most complete and up-to-date details on the products we offer. And you can do it all from any PC.

Our "self-service" web site and Online Catalog are the most comprehensive and convenient up-to-date information sources we can offer. Explore some of our most popular product lines or review individual products. CRL has over 60,000 of them organized by specific product categories.

The convenience of having all CRL catalogs combined into one Online Catalog is the quick and easy way to find just what you need, available at your convenience, whenever you're ready.

Please review the following pages for easy to follow instructions on how to do business at crlaurence.com. And if you ever need assistance, just contact us over the Internet or by toll free phone. We'll be glad to help.



Introduction

Of all the products we bring you, our Online Catalog may be the most important. We know that the most efficient way for our customers to shop at CRL is by using this carefully planned and thoroughly prepared Online Catalog to make it easy for them to find exactly what they need. C.R. Laurence Company is committed to making our Online Catalog your best source for information and technical support.

What you will find at crlaurence.com is a link to who we are, what we do, and what we have to offer our customers. The CRL "self-service" web site allows us to use the powers of Electronic Commerce to bring you closer to all of the products and services that we offer.

We take a Business-to-Business approach of conducting business over the Internet because it gives us so many ways to connect with you. Methods of searching for and ordering products that just a few years ago would have been impossible were it not for the versatility of this powerful tool.

Empowerment is what a good web site is all about. We let you make the decisions that will best serve you. You can build your orders and submit them 24 hours a day, seven days a

week, at your convenience. You can review over 60,000 products we make available, including pricing and current stock availability.

All of this and more is available to CRL customers who have signed in to our web site and become part of the World of crlaurence.com. The next few pages will provide the "How To" answers to the features you can access, making it more convenient to shop by using the CRL Online Catalog.

User's Guide Menu to CRL Online

- [How to Create a User Name and Password](#)
- [How to Sign On and Recover Your Log In Information](#)
- [How to Search for Products](#)
- [How to Check Prices](#)
- [How to Check Stock](#)
- [How to View/Print Invoices](#)
- [How to Place or Change Orders](#)
- [How to Request, Process or Change a Quote](#)
- [How to Request Product Data Sheets](#)
- [How to Pay Your Statement](#)
- [How to Contact Us](#)
- [How to View the Online Catalog Library](#)
- [New Mobile Site!](#)

The following User's Guide Menu is easy to learn and a quick way to locate necessary information. We've written step-by-step instructions to help you navigate through our Online Catalog (see Cat. No. UG15). Take some time to explore all it has to offer!

C.R. Laurence is a Catalog Company

- Master and Specialty Catalogs in Print and Online
- Thousands of Products Presented in an Organized Manner
- Color Photos and Detailed Illustrations
- Easy to Understand Ordering Information



Of all the products we bring you, our catalogs may be the most important. C.R. Laurence is in the business of making catalogs because we know that our customers find it convenient and informative to use these carefully planned and thoroughly prepared catalogs that make it easy for them to find exactly what they need.

Part of our catalog philosophy is to provide more of the information you need, and not overburden you with excess catalog literature. That is why we make our Master Catalogs that usually contain all of the products we offer to certain industries, as well as our Specialty Catalogs that focus on particular product groups. You can select CRL Catalogs for only the areas that pertain to your business, or choose to shop from our Master Catalogs because you like the convenience of finding such a wide variety of products all under one cover.

Our Catalog Library continues to grow with the publication of new Specialty Catalogs on a regular basis. Visit our Catalog Library online at crlaurence.com/catalogs to see our latest editions.

Master Catalog Selection

- 03 SEALANTS, ADHESIVES, AND FASTENERS
- 23R FRAMELESS SHOWER DOOR HARDWARE
- 43 AUTO GLASS TOOLS AND WINDOWS
- 53R GLASS AND GLAZING HARDWARE
- 63A ARCHITECTURAL HARDWARE
- 63R ARCHITECTURAL RAILING
- 73R TOOLS, MACHINERY, AND EQUIPMENT
- 83R DOOR AND WINDOW REPLACEMENT HARDWARE
- 93 BIG RED MASTER CATALOG

Free CRL Catalogs Online

You can also view or download CRL Catalogs free of charge any time at crlaurence.com/catalogs.



Once you open the page you'll be able to view full PDF versions of each catalog simply by clicking on the image of that catalog's cover. Browse through them page by page at your convenience. When you find a product that you want more information about, or would like to order, just click on its Catalog Number and you'll go directly to that product's Offer Page. It's another convenient way for you to shop at crlaurence.com.

Catalog Library

Catalog Page Search


HOME
Architectural Products
Frameless Showers
Glass and Glazing
Transaction, Security, Hospitality
Windows and Doors
See All Catalogs

CRL's Complete Selection of Catalogs


- Master and Specialty Catalogs in Print and Online
- Thousands of Products Presented in an Organized Manner
- Color Photos and Detailed Illustrations
- Download PDF Catalogs from a [ZIP File Here](#)

New: Each flip catalog has interactive catalog number links which, when clicked, direct you to that product's information page in the language of the web site from where you were viewing the catalog.


To view the details or any particular catalog online, first click on one of the links above to the type of products you are looking for, then click on the catalog's icon you are interested in. If you encounter any problems, need assistance, or have a question, click on [Contact Us](#). Thank you.




AB30
Architectural Hardware Door Openings




AB40
Architectural Hardware Hospitality/Service




AB70
Catalog Assortment



23R SDH
Frameless Shower Door and Mirror Hardware



CH6




CH3

CRL Catalog Organizers

Frameless Shower Door and Mirror Hardware Master Catalog

The 23R SDH Frameless Shower Door and Mirror Hardware Master Catalog is the most comprehensive and up-to-date reference for all the products in this category. It is available in both print and online formats. Visit our website at crlaurence.com to view the online version of this catalog. For more information, visit our website at crlaurence.com or call us at 1-800-828-2222. For more information, visit our website at crlaurence.com or call us at 1-800-828-2222.



Call Us Toll Free at 1-800-828-2222 or visit our website at crlaurence.com to view the online version of this catalog.

CRL Specialty Catalogs

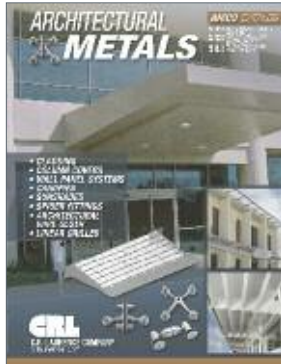
- Full Color Catalogs Showcasing Specific Product Lines
- Great for Customer Presentations
- The Latest Product Updates

CRL Specialty Catalogs are available for some of our major product lines. Each catalog is presented in full color, and contains descriptive and informative specifications that will assist your field sales and estimating staff in the selection of the right product to satisfy your customer's needs. We invite you to contact CRL Customer Service by phone, fax, mail or e-mail. You can order them separately, or add them to your regular product orders. You can also view them over the Internet, or download them when you visit our Catalog Library at crlaurence.com/library.



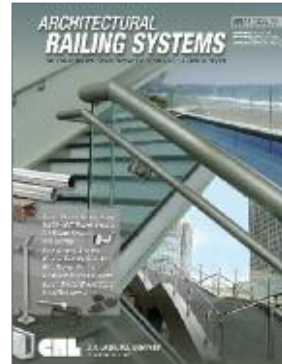
CRL is your source for the largest selection of Frameless Shower Door Hardware and Supplies. See it all, plus a gallery of finished installations, in this informative catalog.

ASK FOR CATALOG SD12



We fabricate an extensive selection of architectural metal systems and related hardware for the construction of beautiful and code-compliant building facades.

ASK FOR CATALOG AM09



CRL offers the largest selection of Architectural Railing Systems. See them all, plus beautiful photographs of finished installations, in our Railing Systems Catalog.

ASK FOR CATALOG HR11



Our Architectural Hardware Catalog features our expanded selection of architectural metal and glass hardware for construction of the 'all-glass' entrances in commercial office buildings and storefronts. There are photos of finished projects, as well as helpful technical data to help you create your designs.

ASK FOR CATALOG AH11



We've expanded our selection of architectural metal and glass hardware for the construction of entrances in commercial, retail, and residential buildings. Over 400 pages of color photos of finished projects, as well as helpful technical data.

ASK FOR CATALOG CRL14D



Our line of Door Closers and related Door Control Hardware can be found in this full color catalog. Specifications and ordering information make it easy for you to select the right product every time.

ASK FOR CATALOG DC14



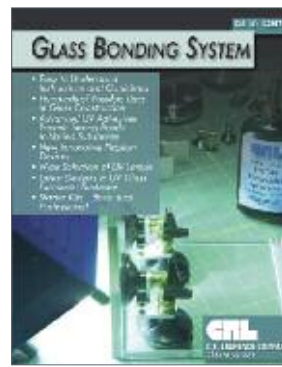
See the latest in top quality Transaction Hardware and bullet resistant exchange products, beautifully illustrated with specifications and installation photographs.

ASK FOR CATALOG TH10



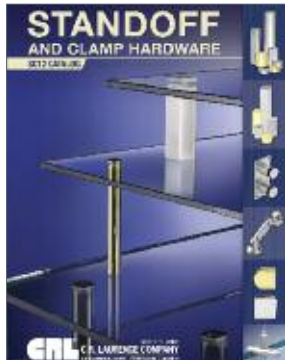
Your source for the largest supply of stock and custom products for the Hospitality and Food Service Markets. See it all with beautiful photographs in this informative catalog.

ASK FOR CATALOG HS12



See the latest in UV Glass Bonding tools and accessories including UV Adhesives, Fixation Devices, Curing Lamps, and Unique Hardware. Loaded with full color photos and technical data.

ASK FOR CATALOG GB10



A complete family of Standoff related products. From our standard line of Round and Square Standoffs, to Custom Standoffs, to Custom Standoffs, to Custom Standoffs, Tube Style Standoffs, Edge Grips, Slot Mount Standoffs, Accent Rings, Swivel Fittings, Framepegs, and Mounting Hardware, CRL has everything you will need to create innovative designs.

ASK FOR CATALOG SC12



SCR14 offers you a full range of Screen Doors with superior security performance. Included is the full line of Columbia Manufacturing Corp., and the new Guarda Protective Security Screens.

ASK FOR CATALOG SCR14

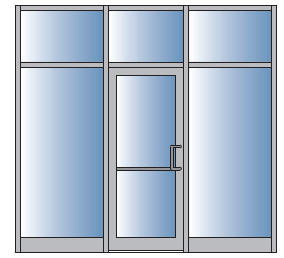


Our Truck and Van Accents Catalog details the CRL automotive product line of quality truck sliders, sunroofs, van windows, and other automotive accessories.

ASK FOR CATALOG TV12A



U.S. ALUMINUM



STOREFRONTSonline
by **CRL**

U.S. Aluminum Storefronts Online **NEW!**

Web-Based Design, Estimating, and Ordering Program for Aluminum Framed Storefronts and Entrances

- Complete Design and Estimating Software for Aluminum Framed Storefronts
- Determines All Materials Required for the Storefront, and Optimizes Material Needs
- Generates Quotes and Orders in Minutes
- Produces Glass Sizes and Material Fabrication Details for the Project
- Generates Warnings Based on Limitations to Ensure Safe Installations
- Generates Professional Bid Package With Your Company Logos for Presentation to Clients and Architects
- Complete Training Webinar on How to Use the Program is Offered at No Additional Cost
- Program Runs In the Cloud So No Software to Install
- Works on All Computers and Mobile Platforms, Including Tablets

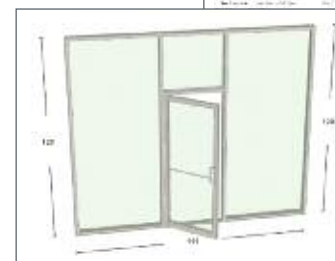
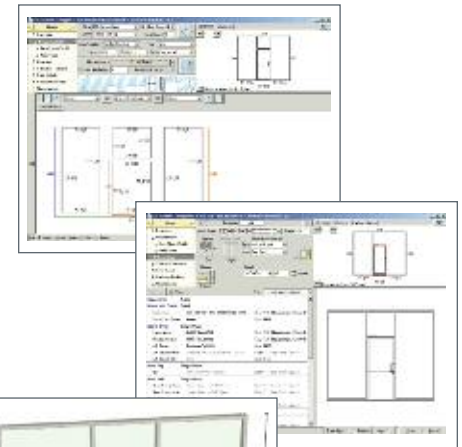


Is This Program Right for You?

- Do You Quote and Install Aluminum Storefronts?
- Do You Need Help in Designing Safe, Attractive, and Cost Efficient Storefronts?
- Do You Want Professional Drawings for Your Proposals?
- Do You Want to Grow This Part of Your Business?

If you answered "Yes" to any of these questions then U.S. Aluminum Storefronts Online is right for you. Be among the first to enjoy the benefits of our newest online design and estimating program. Contact U.S. Aluminum Architectural Sales at (800) 262-5151 from anywhere in the United States and ask about how you can receive a **FREE** 30-day trial of this helpful and time-saving new tool.

We have other Web-based programs that will benefit your successful business. Ask us about our **FREE** 30-day trials.



Learn more about U.S. Aluminum Storefronts Online at crlaurence.com/sfo



Online at crlaurence.com

- crlaurence.com Never Closes!
- It's the Home of Our Online Catalog

Many of our customers have found the most convenient method of ordering from CRL is through our "self-service" web site. When you use crlaurence.com to place your orders you have many options that other methods don't provide. You set the schedule and the pace because you can sign on 24 hours a day, seven days a week. You can build a personal catalog and even make changes or additions to your orders online. There's no easier way! See pages 195X-196X for more information about the benefits of ordering at crlaurence.com.



Toll Free Fax Service

- This Convenient Way of Ordering is Used Over 1,000 Times Every Day

When we introduced toll free fax service in the '80's we had no idea how popular it would become, but now our customers send us over 1,000 orders or quote requests every business day! Fax ordering is very convenient because you can fill out your own purchase orders and then just fax them to us. You can be specific about shipping instructions or other details that will help us serve you. To send your orders or quote requests by toll free fax from anywhere in the U.S. or Canada, just dial **(800) 262-3299**. In Australia the number is **1800 813 013**. In Europe the freefax number is **00 800 0262 3299**.



Toll Free Customer Service Order Desk

- Our Friendly, Trained Staff is Always Happy to Hear From You

For over 40 years CRL has provided toll free ordering at **(800) 421-6144**. When you call our Customer Service Order Desk you'll find CRL staff who are trained to provide assistance with CRL products and services. They have instant access to pricing, stock availability, and the status of your account, plus they can connect you to CRL Technical Sales personnel if you need specialized product assistance. Order Desk hours are 6 am to 5 pm (Pacific Time) Monday through Friday, and 7 am to 12 pm Saturdays. In Australia our number is **1800 424 275**. In Europe our freephone number is **00 800 0421 6144**.



Will Call Trade Counter

- When You Need It Today, Our Will Call Trade Counter is Your Fastest Option
- Come In and Visit Us at All CRL Service Center Locations

Every CRL Service Center location has a Will Call Trade Counter where you can place and pick up your orders in person. And when you place your order in advance by phone, fax, or over the Internet, we can have it ready and waiting for you, which can save you a lot of time. Will Call Trade Counter hours are 8 am to 5 pm Monday through Friday, and 8 am to 12 pm Saturdays. Some of our most experienced people staff our Will Call Trade Counter, and they are always happy to see you. Remember, to save time just place your order in advance.

Who May Buy

C.R. Laurence is a manufacturer and wholesale distributor. Possession of this catalog, or any other CRL sales literature, does not constitute an offer to sell. Orders from individuals (except professional tradesmen) may not be accepted.

Customer Service Order Desk

- Get Product Information
- Request Price Quotes
- Check Stock Availability
- Place or Trace Orders
- Check Your Account Status
- Request Catalogs

Customer Service Order Desk hours are 6 am to 5 pm (Pacific Time) Monday through Friday, and 7 am to 12 pm Saturday. If you wish to pick up your order at the Will Call Trade Counter of our regional warehouses the hours are 8 am to 5 pm Monday through Friday, and 8 am to 12 pm Saturday. For the fastest Will Call service be sure to place your order in advance so we can have it ready upon your arrival.

Ask for Extension

5275

Direct Fax
(800) 262-3299

Direct E-Mail
crl@crlaurence.com

Technical Sales Business Groups

U.S. Aluminum

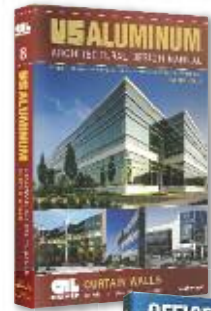
- Storefronts and Entrance Doors
- Elephant Doors
- Curtain and Window Walls
- Sun Control Systems
- Windows
- Hurricane Resistant Systems
- Blast Mitigation Systems
- Glass Wall Office Systems
- 487 Series Office Partitions

Ask for Extension

5305

Direct Fax
(866) 262-3299

Direct E-Mail
usalum@crlaurence.com



Glass and Glazing

- Glass Handling Equipment
- Glazier's Tools and Machinery
- Mirror and Glass Hardware
- Retail Display Hardware and Standoffs
- Safety Gear
- Sealants, Adhesives, and Fasteners
- UV Glass Bonding
- Vacuum Lifting Equipment
- Glass Cleaners
- Security Solutions for the Locksmith Industry

Ask for Extension

5275

Direct Fax
(800) 262-3299

Direct E-Mail
glazing@crlaurence.com



Technical Sales Business Groups

Door and Window Control Hardware

- Door Closers and Hardware
- Commercial Door Hardware
- Insulating Glass Supplies
- Patio Door Hardware
- Residential Window Hardware
- Guarda™ Security Screens
- Screen Wire and Supplies
- Storm Door and Window Supplies
- Screen and Security Doors

Ask for Extension

7520

Direct Fax
(866) 921-0531

Direct E-Mail
glazing@crlaurence.com



Architectural Hardware

- Architectural Storefronts
- 'All-Glass' Entrance Systems
- Door and Sidelite Rails
- Glass Walls and Partitions
- Stacking and Sliding Glass Doors
- Structural Glass Fittings
- Bi-Folding Doors

Ask for Extension

7700

Direct Fax
(800) 587-7501

Direct E-Mail
architectural@crlaurence.com



Blumcraft Architectural Metals

- Tubular Architectural Hardware
- Tempered Glass Door Hardware
- Panic Hardware
- Railing Systems
- Smoke Baffles
- Glass Gates
- Display Case Doors

Ask for Extension

7700

Direct Fax
(800) 587-7501

Direct E-Mail
architectural@crlaurence.com



Architectural and Ornamental Metals

- Brake Shaped Metals
- Canopies and Sunshades
- Column Covers (Cladding)
- Custom Entrances and Storefronts
- Ornamental Hand and Guard Rails
- Wall Panel Systems
- Bollards
- Glass Awnings
- Balanced Doors

Ask for Extension

7770

Direct Fax
(866) 921-0532

Direct E-Mail
archmetals@crlaurence.com



Technical Sales Business Groups

Frameless Shower Door

- Hinges and Clamps
- Knobs and Pull Handles
- Sliding Shower Enclosures
- Towel and Grab Bars
- Vanity and Wardrobe Mirrors
- 'All-Glass' Restroom Partitions
- Shower Installation Tools

Ask for Extension

7740

Direct Fax (800) 458-7496

Direct E-Mail showers@crlaurence.com



Architectural Railings

- TAPER-LOC® Railing System
- Aluminum Railing Systems
- Cap Railing Systems
- Hand Railing Systems
- Heavy Glass Base Shoe
- Post Railing Systems
- Windscreen and Gate Systems

Ask for Extension

7730

Direct Fax (800) 587-7501

Direct E-Mail railings@crlaurence.com



Transaction and Hospitality

- Bullet Resistant Exchange Windows
- Drive-Thru and Walk-Up Windows
- Food Service Sneeze Guards
- Partition Posts and Booth Dividers
- Safety and Security Mirrors
- Speak-Thru Devices
- Barrier Systems

Ask for Extension

7760

Direct Fax (800) 458-7496

Direct E-Mail transaction@crlaurence.com

Direct E-Mail hospitality@crlaurence.com



Automotive

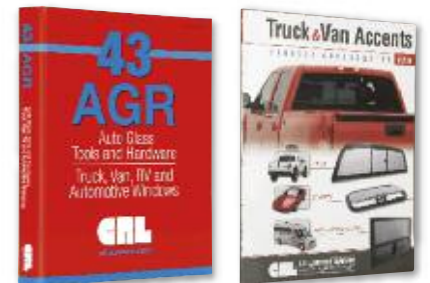
- Auto Glass Shop Products
- Auto Glass Tools
- Pop-Up and Electric Sunroofs
- Truck Sliding Rear Windows
- Van and RV Windows

Ask for Extension

7780

Direct Fax (800) 587-7501

Direct E-Mail automotive@crlaurence.com



Online Assistance by Telephone:

United States (800) 421-6144

Canada (877) 421-6144

International (323) 588-1281

Ask for Extension

6200



Supplying the World With Glazing, Screen, Architectural, Railing, Construction, Industrial, and Automotive Supplies

C.R. Laurence Co., Inc. An ISO9001:2008 Company

There Are Many Ways to Find Just the Right Product for Any Job, and We Are Here to Help

C.R. Laurence Co., Inc.

2503 E. Vernon Ave.
Los Angeles, California 90058-1897

Toll Free Phone (800) 421-6144
Toll Free Fax (800) 262-3299
International Phone (323) 588-1281
International Fax (323) 581-6522



Send An Email or Request to CRL's Online Support

You've looked through our catalog and tried the "CRL Total Search" on our web site, and still couldn't find what you were looking for? Don't give up, just ask us for assistance online. Go to crlaurence.com/support and tell us what it is you are looking for. Our Online Support Department will respond with an answer, usually within one hour if you contact us during normal business hours.

If you have a picture, drawing, or attachment you need to send along with your request, you can send a direct email by addressing it to crl@crlaurence.com. We will do our best to help you because your satisfaction is our goal.



Call Us Toll Free At (800) 421-6144

There's a friendly and helpful voice to help with your product inquiries whenever you call us toll free at **(800) 421-6144** from anywhere in the United States or Canada. Please ask for Customer Service and let us know what you are looking for, how many you need, and when you need them. We're experts at searching available sources worldwide. The experience gained by decades of service affords us the ability to serve you in more ways than you might realize. In Australia our toll free number is **1800 424 275**. In Europe our freephone number is **00 800 0421 6144**.



Fax Us Toll Free At (800) 262-3299

They say a picture is worth a thousand words, and when you send us a fax describing what you need it makes it that much easier to serve you. CRL offers toll free fax service from anywhere in the United States and Canada. Just dial **(800) 262-3299**, and address your request to CRL Customer Service. Make sure to include your name and return telephone number. We'll be in touch shortly with an answer. In Australia the toll free fax number is **1800 813 013**. In Europe the freefax number is **00 800 0262 3299**.



Send Us A Sample

Need a special part but haven't been able to find it anywhere? We can usually help you by e-mail, phone or fax, but when that doesn't work, we offer a sample matching service that is determined to serve you. Every year hundreds of CRL customers send us samples of what they're looking for because they know that, quite often, CRL is their best chance of getting just what they need. You may send a sample of what you need to: CRL Customer Service, 2503 E. Vernon Avenue, Los Angeles, CA 90058-1897. Be sure to include your name and telephone number so we can call you with the results of our search. In Australia, 9 Shale Place, Eastern Creek, NSW 2766. In Europe, Charles Babbage Avenue, Kingsway Business Park, Rochdale OL16 4NW England.



OFFICE PARTITIONS DOORS, FRAMES, AND ACCESSORIES



487 Series Aluminum Office Partitions
Pages 102X to 123X



Wide Stile Aluminum Doors
Pages 124X to 129X



Wood Flush Doors and Accessories
Pages 130X to 135X



Surface Mounted Door Closers
Pages 136X to 139X



Mortise and Cylindrical Locks
Pages 140X to 143X



Panic Exit Devices
Pages 144X to 147X



Commercial Door Hardware
Pages 148X to 153X



Frameless Glass Partitions
Pages 154X to 160X



Area Divider Systems
Page 161X



Platinum Series Full Framed Doors
Pages 164X to 165X



'All-Glass' Door Hinges and Pivots
Pages 166X to 170X



Door Handles, Ladder Pulls, and Locking Ladder Pulls
Pages 171X to 173X



Center Locks and Lever Lock Housings
Pages 174X to 175X



Access Control Handles
Pages 176X to 177X



Monterey Bi-Folding Door and Wall System
Pages 178X to 179X



Sliding and Stacking Doors Systems
Pages 180X to 190X