

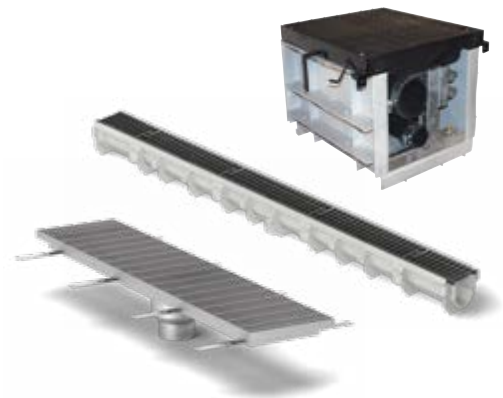


# Trench Drain Systems

Systems That Cover the Spectrum and Your Demands



ZURN.COM US 1.855.ONE.ZURN CANADA 1.877.892.5216



# Performs to Your Level

We consider the contractor with every product feature and support service Zurn provides. From upfront design consultation, to simplified installation, and performance after your job is done, we're here to meet all of your trench drain project requirements. We know each site has unique needs that aren't the same. Let us guide you to the ideal solution based on your application or installation prerequisites.

## Solutions for Every Project

From highways to swimming pools to every high-profile site in between, your customer's industry is specific, just like the job at hand. We offer customized selection and expert support to cover the spectrum and your demands.

### Expert Support

Our service begins as soon as you start comparing trench drains. Consult with an expert for design selection, modifications, or drafting drawings.

### Savings

Lean construction requires cutting costs without cutting corners. Each system has been engineered to reduce installation pains, like extra hardware, labor, and freight charges.

### Quality

Your reputation is tied to every job. Options such as Dura-coated heavy-duty steel frames and grates, mechanical overlaps, rebar clips, and combination anchor tabs/leveling devices ensure everything stays intact, including the brand you built.

### Flow Velocity

Performance comes down to proper drainage. Built-in molded slope delivers superior flow rates. The smooth, non-porous internal surface further enhances the flow.

## PERMA-TRENCH® HDPE TRENCH DRAINS

---

<b>Z886 Perma-Trench</b> HDPE 6" Drain System (4" Throat).....	4
<b>Z882 Perma-Trench</b> HDPE 12" Drain System (9.25" Throat).....	6
<b>Z874 Perma-Trench</b> HDPE Drain Systems (12", 18", 21.25" Throat) .....	8
<b>Z874-U-XX-LDRA Perma-Trench</b> HDPE Drain System .....	10
<b>Z874-U-XX-LDRS Perma-Trench</b> HDPE Drain System .....	11
<b>Z874-U-XX-HD Perma-Trench</b> HDPE Utility Chase System .....	12
<b>Z880-CUSTOM Perma-Trench</b> Aesthetic Drainage System .....	12
<b>Z880 Perma-Trench</b> HDPE 2-1/2" Wide Drain System (1.75" Throat) .....	13
<b>Z884 Perma-Trench</b> 4-3/4" Shallow Drain System (3.25" Throat) .....	14
<b>Z883 Perma-Trench</b> 6" Shallow Drain System (4" Throat).....	15
<b>Z887 Perma-Trench</b> Catch Basins .....	16

## Start Your Next Project

When the project prerequisites keep adding up, it's hard to know where to begin. That's where we come in.

Work with us every step of the way, so you can make decisions with confidence for your customers.

## Support Materials Available Upon Request

- DOT approvals
- CD specifications
- Technical assistance
- Jobsite installation assistance
- CAD layout drawings – custom design, sizing chart

## AIA Continuing Education Courses

- Online at [zurn.com](http://zurn.com)
- Lunch and Learn



For your next project, look to Zurn for design assistance. Contact us at 855-ONE-ZURN, or e-mail us at [flothru@zurn.com](mailto:flothru@zurn.com).

### SANI-FLO® STAINLESS STEEL TRENCH DRAINS

<b>ZS880 Sani-Flo</b>	
Stainless Steel Shower Drain System .....	17
<b>Z890 Sani-Flo</b>	
6" Stainless Steel Drain System (4" Throat) .....	18
<b>Z895 Sani-Flo</b>	
12" Stainless Steel Drain System (9.25" Throat) .....	19
<b>Z898 Sani-Flo</b>	
18" Stainless Steel Drain System .....	20
<b>Z894 Sani-Flo</b>	
24" Stainless Steel Drain System .....	21
<b>Z899 Elevator/Threshold Drain</b>	
Trench Drain System .....	22
<b>Z891 Sani-Flo</b>	
3/4" Stainless Steel Slot Drain .....	23
<b>Z897 Sani-Flo</b>	
Catch Basins .....	24
<b>Z893 Sani-Flo</b>	
Stainless Steel Floor Receptor with Bar Grate .....	25
<b>SLOT DRAINS</b>	
<b>Z888 Slot Drains</b>	
Polyethylene .....	26
<b>HI-CAP® LLDPE TRENCH DRAINS</b>	
<b>Z888 Hi-Cap</b>	
High Capacity Drain System .....	28
<b>Z889 Hi-Cap</b>	
High Capacity Cleanout Port .....	30

### ALUMINUM TRENCH DRAINS

<b>ZA880-300</b>	
Extruded Aluminum Trench Drain .....	31
<b>ZA880-156</b>	
Extruded Aluminum Trench Drain .....	31
<b>FLO-THRU® FIBERGLASS TRENCH DRAINS</b>	
<b>ZF806 Flo-Thru</b>	
6" Trench Drain System .....	32
<b>ZF812 Flo-Thru</b>	
12" Trench Drain System .....	33
<b>FRAME AND GRATE CAST-IN-PLACE TRENCH DRAINS</b>	
<b>Z700 Series</b>	
Frame and Grate Systems for Cast-in-Place Trench .....	34
<b>OIL/DEBRIS SEPARATORS</b>	
<b>Z885</b>	
Oil Separators/Debris Separators .....	35
<b>GRATES</b>	
Technical Information .....	36
<b>SYSTEM INSTALLATIONS</b>	
Drain Installation Techniques .....	42
<b>TECHNICAL DATA</b>	
Material Definitions	
and Grate Loading Classifications .....	43
Chemical Resistance Information .....	44

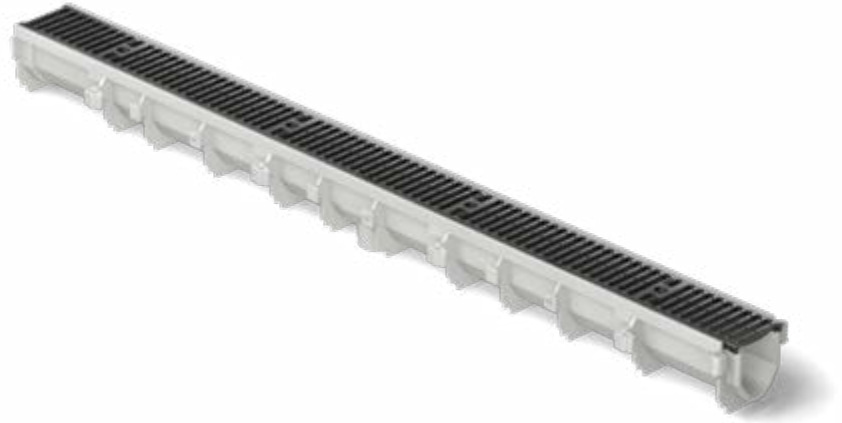
# PERMA-TRENCH® HDPE TRENCH DRAINS

## Z886 Perma-Trench®

HPDE 6" Drain System (4" Throat)

### Z886 Applications

- Highways
- Industrial Parks
- Driveways
- Chemical Plants
- Kitchens
- Food Processing
- Pools
- Shopping Malls
- Parking Lots
- Industrial Plants
- Gas Stations
- Pharmaceuticals
- Airports
- Amusement Parks
- Airplane Hangars



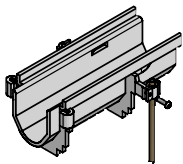
### Features and Benefits

- 80" Pre-engineered Modular Channel Sections with 20" or 40" Grates
- Variety of Gratings – Multiple finishes and designs available
- .75% Built-In Slope – Handles greater flows, uniform slope
- Grate Options – From heel-proof to FAA rated; ADA compliant. See pages 36-37.
- RADIUS Bottom – Better flow rate, less solids build-up
- Built-In Rebar Clips – Accommodates #3 or #4 rebar (supplied by others)
- Smooth High Density Polyethylene Structural Composite Interior – 0% water absorption
- Frame available in coated steel, stainless steel, or galvanized steel
- Durable and Lightweight – Strong corrosion-resistant material
- Extra Long Runs – Sidewall extensions allow pre-slope runs up to 300 feet

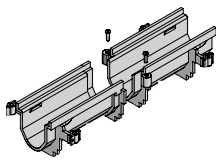
### Engineering Specification

Channels shall be 80" long, 6-1/4" wide, and have a 4" wide throat. Modular channel sections shall be made of High Density Polyethylene (HDPE), have mechanical interlocking ends, and radiused bottom. Channel shall be provided either flat (neutral) or with a .75% built-in slope. Channels shall be available with inverts ranging from 3.5" to 12.50" (sidewall extensions optional; must be installed at factory). Channels shall have clips molded into the sides of the channel to accommodate vertical rebar for positioning and anchoring purposes. Choice of class A, B, C, D, E, and F grates shall be available with H-20 and/or FAA load ratings and/or ADA compliance with mechanical lockdown devices (refer to pages 24 and 25). End caps and catch basins shall be available to complement the channels and grates. End outlets, bottom outlets, and side outlets shall be available in 2", 3", 4", and 6" diameters. Trench drain shall be Flo-Thru model Z886. For downloadable CSI format specification, visit [www.zurn.com](http://www.zurn.com).

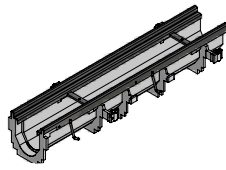
### System Highlights



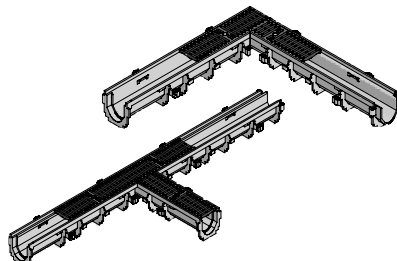
Integral Rebar Clips



Mechanical Interlocking Connection



Optional -HD Frame Assembly

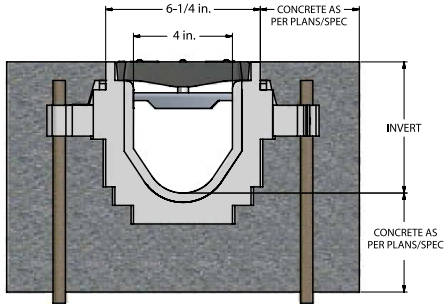


Tee and 90° Fabrication



Sidewall

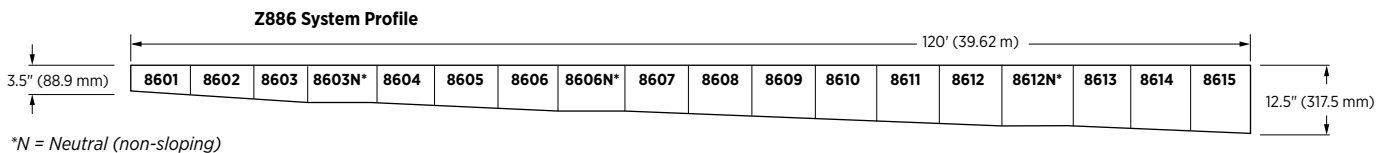
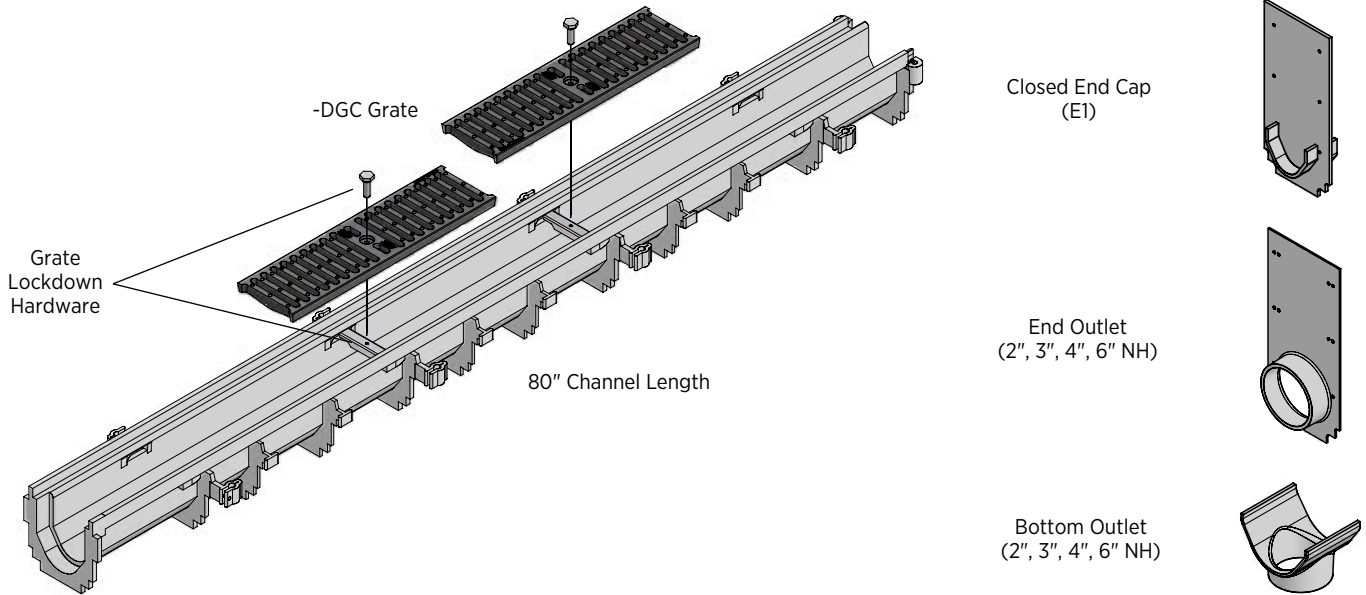
## Installation Specification



4" Throat / 6-1/4" Overall Width

Consult Plans and Specifications

TRENCH NUMBER	DIMENSIONS IN INCHES [MM]		MAX. FLOW RATE			APPROX. WEIGHT LESS GRATE (LB [KG])
	SHALLOW INVERT	DEEP INVERT	GPM	LPS	CFS	
8601	3.50 [89]	4.10 [104]	93	6	0.207	14 [6.2]
8602	4.10 [104]	4.70 [119]	122	8	0.272	15 [6.8]
8603	4.70 [119]	5.30 [135]	152	10	0.339	16 [7.4]
8603N	5.30 [135]	5.30 [135]	-	-	-	17 [7.7]
8604	5.30 [135]	5.90 [150]	183	12	0.408	18 [8.3]
8605	5.90 [150]	6.50 [165]	214	14	0.477	20 [8.9]
8606	6.50 [165]	7.10 [180]	245	16	0.546	21 [9.5]
8606N	7.10 [180]	7.10 [180]	-	-	-	22 [10]
8607	7.10 [180]	7.70 [196]	276	17	0.615	23 [10.6]
8608	7.70 [196]	8.30 [211]	308	19	0.686	25 [11.2]
8609	8.30 [211]	8.90 [226]	339	21	0.755	26 [11.8]
8610	8.90 [226]	9.50 [241]	371	23	0.827	27 [12.4]
8611	9.50 [241]	10.1 [257]	403	26	0.898	29 [13]
8612	10.10 [257]	10.7 [272]	435	28	0.969	30 [13.6]
8612N	10.70 [272]	10.7 [272]	-	-	-	30 [13.6]
8613	10.70 [272]	11.3 [287]	467	30	1.041	31 [14.2]
8614	11.30 [287]	11.9 [302]	498	32	1.11	33 [14.8]
8615	11.90 [302]	12.5 [318]	530	34	1.181	34 [15.4]



# Z882 Perma-Trench®

HPDE 12" Drain System (9.25" Throat)

## Z882 Applications

- Highways
- Airports
- Airplane Hangars
- Parking Lots
- Gas Stations
- Industrial Parks
- Chemical Plants
- Food Processing
- Industrial Plants
- Pharmaceuticals
- Port Facilities
- Water Parks



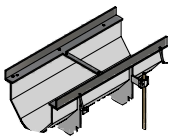
## Features and Benefits

- 8' Pre-engineered Modular Sections with 24" Grates
- 1.04% Built-In Slope – Handles greater flows, uniform slope
- Radiused Bottom – Better flow rate, less solids build-up
- Smooth High Density Polyethylene Structural Composite Interior – 0% water absorption
- Durable and Lightweight – Strong corrosion-resistant material
- Extra Long Runs – Sidewall extensions allow pre-slope runs up to 288'
- Variety of Gratings – Multiple finishes and designs available
- Grate Options – From heel-proof to FAA rated; ADA compliant. See page 38.
- Built-In Rebar Clips – Accommodates #3 or #4 rebar (supplied by others)
- Frame available in coated steel, stainless steel, or galvanized steel

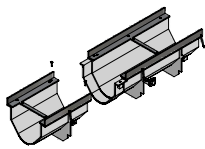
## Engineering Specification

Channels shall be 8' long, 12" wide, and have a 9-1/4" wide throat. Modular channel sections shall be made of High Density Polyethylene (HDPE), have interlocking ends, and radiused bottom. Channel shall be provided with no slope (neutral) or with a 1.04% built-in slope. Channels shall be available with inverts ranging from 6.25" to 18.25" (sidewall extensions optional; must be installed at factory). Channels shall have clips molded into the sides of the channel to accommodate vertical rebar for positioning and anchoring purposes. Choice of class A, B, C, D, E, and F grates shall be available with H-20 and/or FAA load ratings and/or ADA compliance with mechanical lockdown devices (refer to page 26). A heavy-duty steel frame shall be provided to distribute weight between the grates and the HDPE channel. End caps and catch basins shall be available to complement the channels and grates. End outlets, bottom outlets, and side outlets shall be available in 4", 6", and 8" diameters. Trench drain shall be Flo-Thru model Z882. For downloadable CSI format specification, visit [www.zurn.com](http://www.zurn.com).

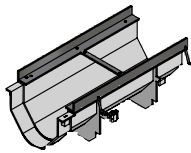
## System Highlights



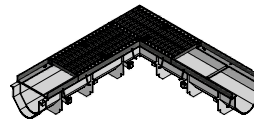
Integral Rebar Clips



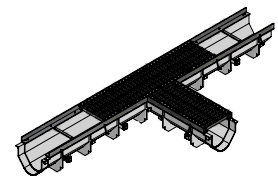
Mechanical Overlap Connection



Frame Assembly with Anchor Studs

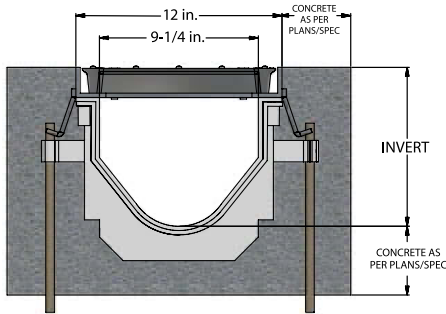


90° Fabrication



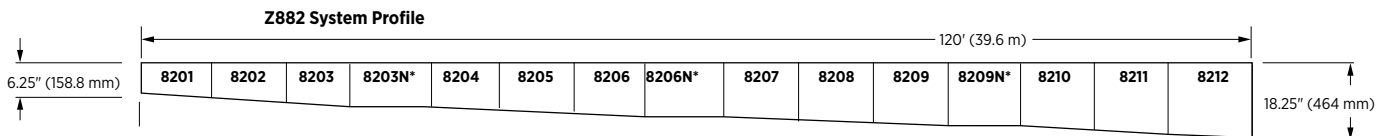
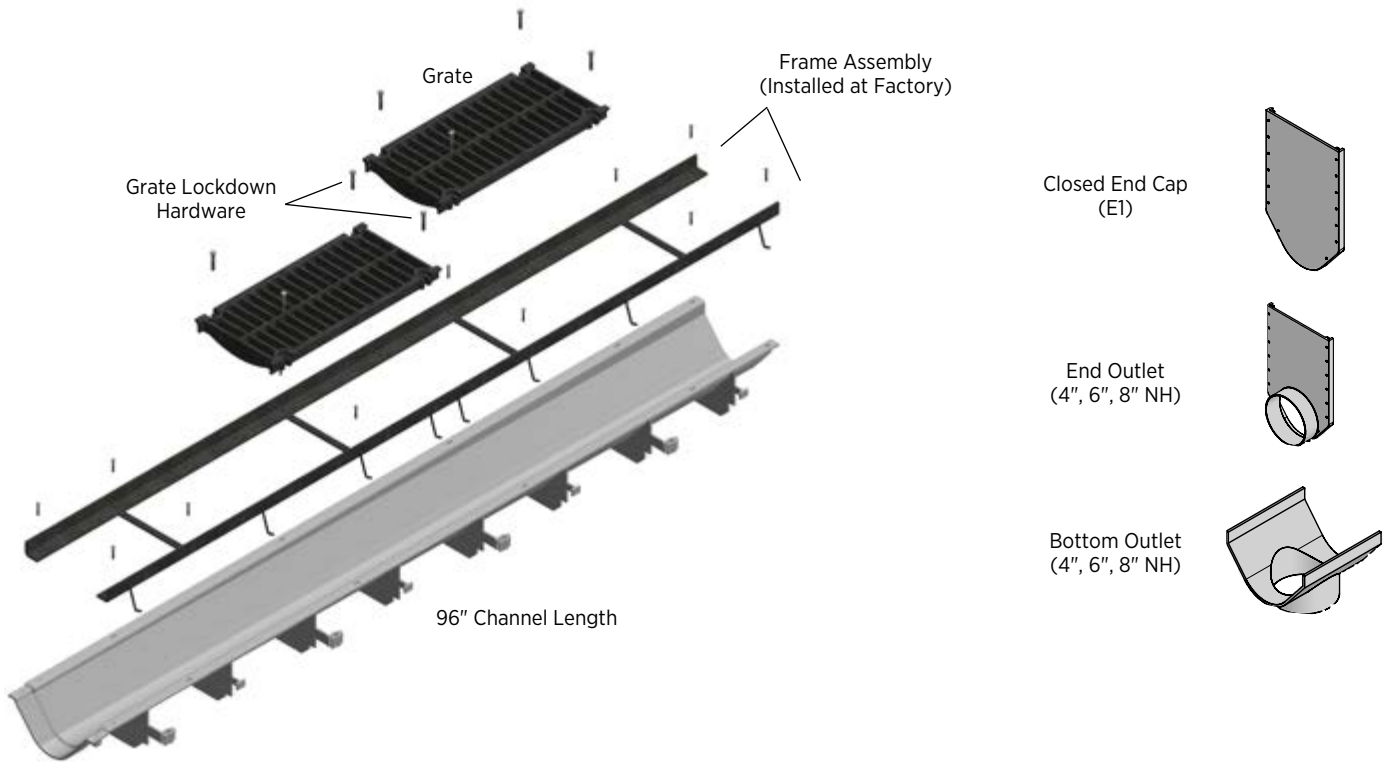
Tee Fabrication

## Installation Specification



9-1/4" Throat / 12" Overall Width  
Consult Plans and Specifications

TRENCH NUMBER	DIMENSIONS IN INCHES [MM]		MAX. FLOW RATE			APPROX. WEIGHT LESS GRATE (LB [KG])
	SHALLOW INVERT	DEEP INVERT	GPM	LPS	CFS	
8201	6.25 [159]	7.25 [184]	557	35	1.241	68 [30.8]
8202	7.25 [184]	8.25 [210]	774	49	1.725	68 [30.8]
8203	8.25 [210]	9.25 [235]	999	63	2.226	70 [31.8]
8203N	9.25 [235]	9.25 [235]	-	-	-	71 [32.2]
8204	9.25 [235]	10.25 [260]	1232	78	2.745	72 [32.7]
8205	10.25 [260]	11.25 [286]	1468	93	3.271	75 [34]
8206	11.25 [286]	12.25 [311]	1709	108	3.808	77 [34.9]
8206N	12.25 [311]	12.25 [311]	-	-	-	78 [35.4]
8207	12.25 [311]	13.25 [337]	1951	123	4.347	79 [35.8]
8208	13.25 [337]	14.25 [362]	2196	139	4.893	80 [36.3]
8209	14.25 [362]	15.25 [387]	2443	155	5.443	83 [37.7]
8209N	15.25 [387]	15.25 [387]	-	-	-	84 [38.1]
8210	15.25 [387]	16.25 [413]	2691	170	5.996	85 [38.6]
8211	16.25 [413]	17.25 [438]	2940	186	6.551	85 [39.5]
8212	17.25 [438]	18.25 [464]	3189	202	7.106	85 [40.4]

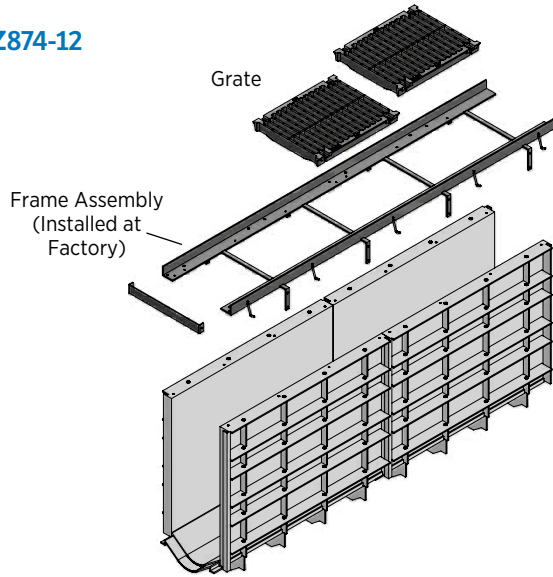


\*N = Neutral (non-sloping)

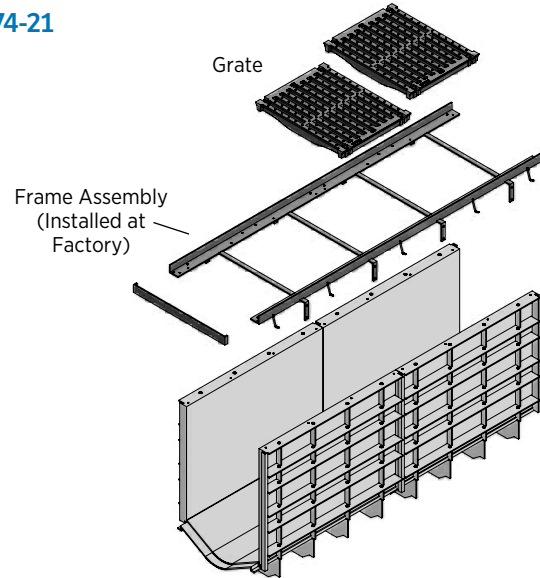
# Z874 Perma-Trench®

HDPE Drain Systems (12", 18", 21.25" Throat)

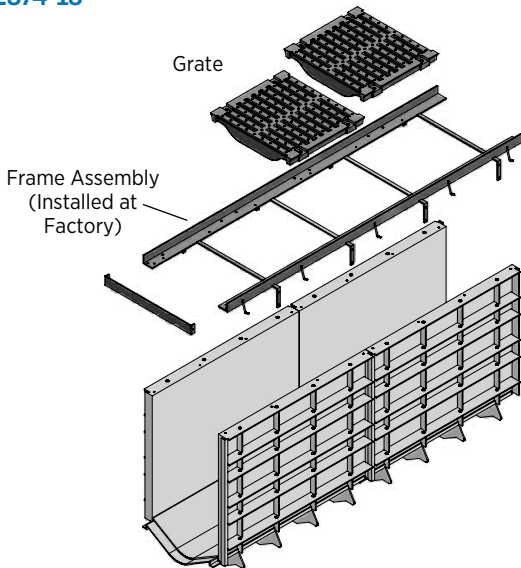
## Z874-12



## Z874-21



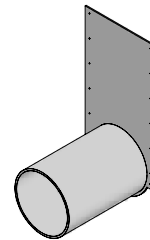
## Z874-18



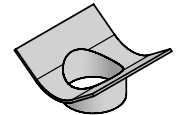
\*4-corner bolt lockdown on all systems.



Closed End Cap  
(E1)



End Outlet  
Z874-12  
(4", 6", 8" NH)  
Z874-18  
(4", 6", 8", 12" NH)  
Z874-21  
(4", 6", 8", 12", 18" NH)



Bottom Outlet  
Z874-12  
(4", 6", 8" NH)  
Z874-18  
(4", 6", 8", 12" NH)  
Z874-21  
(4", 6", 8", 12", 18" NH)

## Z874-12, Z874-18, Z874-21 Applications

- Airports
- Airplane Hangars
- Chemical Plants
- Highways
- Industrial Parks
- Industrial Plants
- Parking Lots
- Port Facilities

## Features and Benefits

- 8' pre-engineered modular sections
- 1.00% built-in slope – handles greater flows, uniform slope
- Radiused bottom – Better flow rate, less solids build-up
- Constructed with HDPE to provide a durable and lightweight solution
- 4-corner grate lock down for dynamic loading situations
- Rebar clips provided with system for elevation set
- Frame available in coated steel, stainless steel, or galvanized steel



## Engineering Specification

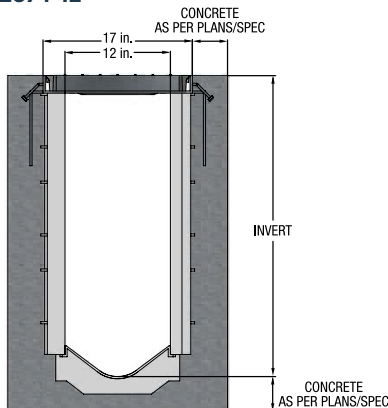
Channels shall be 80" long, Z874-12 (17" wide and have 12" wide throat); Z874-18 (23" wide and 18" wide throat); or Z874-21 (26-1/4" wide and 21-1/4" wide throat). Modular channel sections shall be made of High Density Polyethylene (HDPE), have interlocking ends, and radiused bottom. Channel shall be provided with no slope (neutral) or with a 1.00% built-in slope. Channels shall be available with inverts ranging from 9.25" to 36.21". Channels shall have clips attached to the frame to accommodate vertical rebar for positioning and anchoring purposes. Choice of class A, B, C, E, and F grates shall be available with H-20 and/or FAA load ratings and/or ADA compliance with mechanical lockdown devices (refer to pages 27 and 28). A heavy-duty steel frame is installed at the factory prior to shipping. End outlets, bottom outlets, and side outlets shall be available in 4", 6", 8", 12", and 18" diameters. Trench drain shall be Flo-Thru model Z874-12, Z874-18, or Z874-21. For downloadable CSI format specification, visit [www.zurn.com](http://www.zurn.com).

Z874-12 FLOW RATE DATA				Z874-18 FLOW RATE DATA				Z874-21 FLOW RATE DATA			
TRENCH NUMBER	SHALLOW INVERT	DEEP INVERT	FLOW RATE	TRENCH NUMBER	SHALLOW INVERT	DEEP INVERT	FLOW RATE	TRENCH NUMBER	SHALLOW INVERT	DEEP INVERT	FLOW RATE
	IN. [MM]		CFS		IN. [MM]		CFS		IN. [MM]		CFS
1201P	9.25 [235]	10.08 [256]	3.306	1801P	10.25 [260]	11.08 [281]	6.850	2101P	11.25 [286]	12.08 [307]	8.369
1202P	10.08 [256]	10.91 [277]	3.941	1802P	11.08 [281]	11.91 [303]	8.040	2102P	12.08 [305]	12.91 [328]	9.857
1203P	10.91 [277]	11.75 [298]	4.589	1803P	11.91 [303]	12.75 [324]	9.260	2103P	12.91 [328]	13.75 [349]	11.388
1204P	11.75 [298]	12.58 [319]	5.248	1804P	12.75 [324]	13.58 [345]	10.5	2104P	13.75 [349]	14.58 [370]	12.953
1205P	12.58 [319]	13.41 [341]	5.915	1805P	13.58 [345]	14.41 [366]	11.76	2105P	14.58 [370]	15.41 [391]	14.549
1205NP	13.41 [341]	13.41 [341]	-	1805NP	14.41 [366]	14.41 [366]	-	2105NP	15.41 [391]	15.41 [391]	-
1206P	13.41 [341]	14.24 [362]	6.589	1806P	14.41 [366]	15.24 [387]	13.04	2106P	15.41 [391]	16.42 [417]	16.17
1207P	14.24 [362]	15.07 [383]	7.268	1807P	15.24 [387]	16.07 [408]	14.33	2107P	16.42 [417]	17.07 [434]	17.814
1208P	15.07 [383]	15.91 [404]	7.953	1808P	16.07 [408]	16.91 [429]	15.63	2108P	17.07 [434]	17.91 [455]	19.478
1209P	15.91 [404]	16.74 [425]	8.641	1809P	16.91 [429]	17.74 [451]	16.94	2109P	17.91 [455]	18.74 [476]	21.159
1210P	16.74 [425]	17.57 [446]	9.333	1810P	17.74 [451]	18.57 [472]	18.27	2110P	18.74 [476]	19.57 [497]	22.855
1211P	17.57 [446]	18.40 [467]	10.028	1811P	18.57 [472]	19.40 [493]	19.6	2111P	19.57 [497]	20.40 [518]	24.565
1212P	18.40 [467]	19.23 [489]	10.726	1812P	19.40 [493]	20.23 [514]	20.93	2112P	20.40 [518]	21.23 [539]	26.287
1213P	19.23 [489]	20.07 [510]	11.426	1813P	20.23 [514]	21.07 [535]	22.28	2113P	21.23 [539]	22.07 [560]	28.02
1214P	20.07 [510]	20.90 [531]	12.128	1814P	21.07 [535]	21.90 [556]	23.63	2114P	22.07 [560]	22.90 [582]	29.763
1215P	20.90 [531]	21.73 [552]	12.832	1815P	21.90 [556]	22.73 [577]	24.98	2115P	22.90 [582]	23.73 [603]	31.514
1215NP	21.73 [552]	21.73 [552]	-	1815NP	22.73 [577]	22.73 [577]	-	2115NP	23.73 [603]	23.73 [603]	-
1216P	21.73 [552]	22.56 [573]	13.538	1816P	22.73 [577]	23.56 [598]	26.34	2116P	23.73 [603]	24.56 [624]	33.274
1217P	22.56 [573]	23.39 [594]	14.244	1817P	23.56 [598]	24.39 [620]	27.71	2117P	24.56 [624]	25.39 [645]	35.041
1218P	23.39 [594]	24.23 [615]	14.953	1818P	24.39 [620]	25.23 [641]	29.08	2118P	25.39 [645]	26.23 [666]	36.814
1219P	24.23 [615]	25.06 [636]	15.662	1819P	25.23 [641]	26.09 [683]	30.45	2119P	26.23 [666]	27.06 [687]	38.594
1220P	25.06 [636]	25.89 [658]	16.372	1820P	26.09 [683]	26.89 [683]	31.82	2120P	27.06 [687]	27.89 [701]	40.379
1221P	25.89 [658]	26.72 [679]	17.084	1821P	26.89 [683]	27.72 [704]	33.2	2121P	27.89 [701]	28.72 [729]	42.169
1222P	26.72 [679]	27.55 [700]	17.796	1822P	27.72 [704]	28.55 [725]	34.58	2122P	28.72 [729]	29.55 [751]	43.964
1223P	27.55 [700]	28.39 [721]	18.509	1823P	28.55 [725]	29.39 [746]	35.96	2123P	29.55 [751]	30.39 [772]	45.763
1224P	28.39 [721]	29.22 [742]	19.223	1824P	29.39 [746]	30.22 [768]	37.35	2124P	30.39 [772]	31.22 [793]	47.567
1225P	29.22 [742]	30.05 [763]	19.937	1825P	30.22 [768]	31.05 [789]	38.74	2125P	31.22 [793]	32.05 [814]	49.374
1225NP	30.05 [763]	30.05 [763]	-	1825NP	31.05 [789]	31.05 [789]	-	2125NP	32.05 [814]	32.05 [814]	-
1226P	30.05 [763]	30.88 [784]	20.652	1826P	31.05 [789]	31.89 [810]	40.12	2126P	32.05 [814]	32.88 [835]	51.184
1227P	30.88 [784]	31.71 [806]	21.367	1827P	31.89 [810]	32.71 [831]	41.52	2127P	32.88 [835]	33.71 [856]	52.998
1228P	31.71 [806]	32.55 [827]	22.083	1828P	32.71 [831]	33.55 [852]	42.91	2128P	33.71 [856]	34.55 [878]	54.815
1229P	32.55 [827]	33.38 [848]	22.8	1829P	33.55 [852]	34.38 [873]	44.3	2129P	34.55 [878]	35.38 [899]	56.634
1230P	33.38 [848]	34.21 [869]	23.517	1830P	34.38 [873]	35.21 [894]	45.7	2130P	35.38 [899]	36.21 [920]	58.457

## Installation Specification

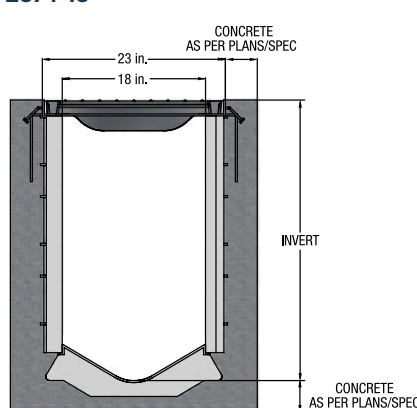
Consult Plans and Specifications

### Z874-12



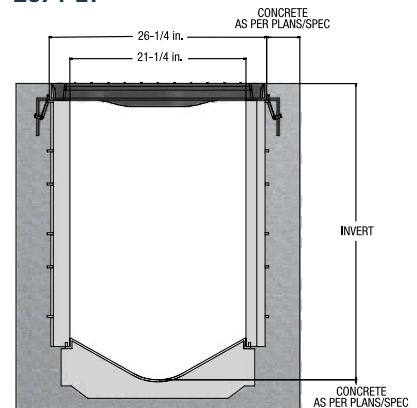
12" Throat / 17" Overall Width

### Z874-18



18" Throat / 23" Overall Width

### Z874-21



21-1/4" Throat / 26-1/4" Overall Width

# Z874-U-XX-LDRA Perma-Trench®

## HDPE Drain System



Closed End Cap (E1)



Interlocking Connection



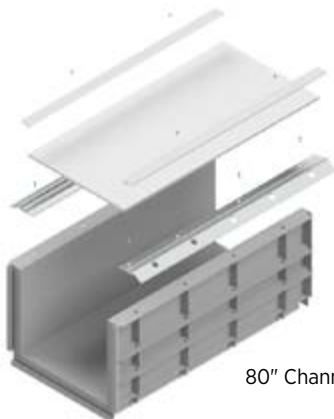
In Concrete

### Z874-U-XX-LDRA Applications

- Light-Duty Utility
- Convention Centers
- Sports Stadiums

### Engineering Specification

Channels shall be 80" long, variable reveal and variable throat width. Modular channel sections shall be made of 0% water absorbent High Density Polyethylene (HDPE). Shall have a positive mechanical connection between channel sections that will not separate during the installation and shall mechanically lock into the concrete surround every 10". Channels shall weigh less than 2.31 lb per linear foot, smooth bottom with a Manning's coefficient of customized slope. Shall be provided with standard Aluminum Solid covers that lock into the frame. Zurn Aluminum Solid Cover is rated class A per the DIN EN1433 top load classifications. Supplied in 40" nominal lengths and .50" bearing depth. Frames Shall be produced in the U.S.A. For downloadable CSI format specification, visit [www.zurn.com](http://www.zurn.com).



80" Channel Length

### Features and Benefits

- 80-inch modular sections require less manpower and fewer joints than comparable models
- Mechanical interlocking ends create a secure hold when carrying, aligning or leveling
- High density polyethylene construction for a durable and lightweight solution
- Cover recessed for flooring installation
- In-field weldable joint
- Compatible with carpet and floor tile finishes
- Ability to transitions into multiple widths
- Frame available in coated steel, stainless steel, or galvanized steel

### Installation Specification



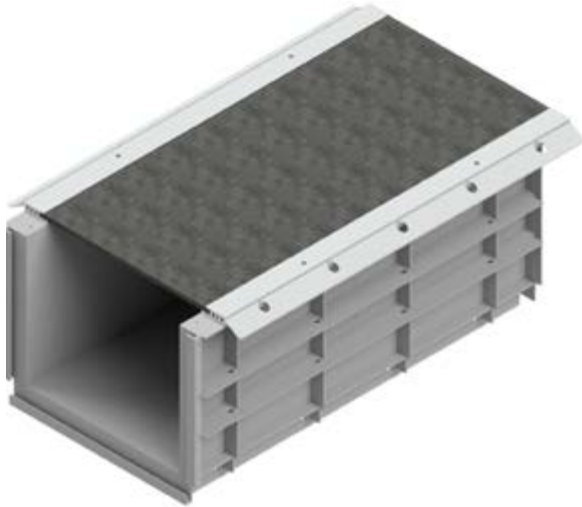
*Consult Plans and Specifications*

TRENCH NUMBER	DIMENSIONS IN INCHES [MM]	
	A THROAT	B INVERT
Z874-U-12	12 [305]	*
Z874-U-14	14 [356]	*
Z874-U-16	16 [406]	*
Z874-U-18	18 [457]	*
Z874-U-20	20 [508]	*
Z874-U-21	21 [533]	*
Z874-U-22	22 [559]	*
Z874-U-24	24 [610]	*
Z874-U-26	26 [660]	*

*\*Specify depth ranging from 4 [102] to 30 [762]*

# Z874-U-XX-LDRS Perma-Trench®

HDPE Drain System



Closed End Cap (E1)



Interlocking Connection



In Concrete

## Features and Benefits

- 80-inch modular sections require less manpower and fewer joints than comparable models
- Mechanical interlocking ends create a secure hold when carrying, aligning or leveling
- Cover recessed for flooring installation
- In-field weldable joint
- Compatible with carpet and floor tile finishes (for schools and labs)
- Ability to transition into multiple widths — (not all one size - flexible)
- Frame available in coated steel, stainless steel, or galvanized steel

## Z874-U-XX-LDRS Applications

- Light-Duty Utility
- Convention Centers
- Sports Stadiums

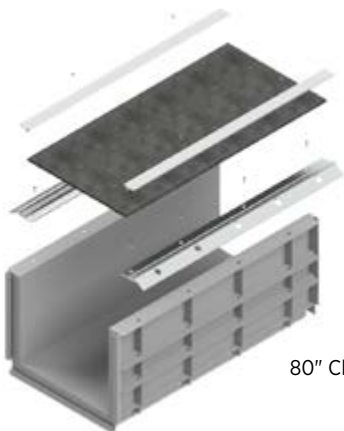
## Engineering Specification

Channels shall be 40" long, variable reveal and variable throat width. Modular channel sections shall be made of 0% water absorbent High Density Polyethylene (HDPE). Shall have a positive mechanical connection between channel sections that will not separate during the installation and shall mechanically lock into the concrete surround every 10". Channels shall weigh less than 11.4 lb per linear foot, smooth bottom with a Manning's coefficient of customized slope. Shall be provided with standard light-duty Solid Steel covers that lock into the frame. Steel Solid Cover is rated class A per the DIN EN1433 top load classifications and conforms to ASTM A36. Supplied in 20" nominal lengths and 1/2" bearing depth. The .105" thick Light-Duty Aluminum Frame Assembly shall be produced in the U.S.A. For downloadable CSI format specification, visit [www.zurn.com](http://www.zurn.com).

## Installation Specification



Consult Plans and Specifications



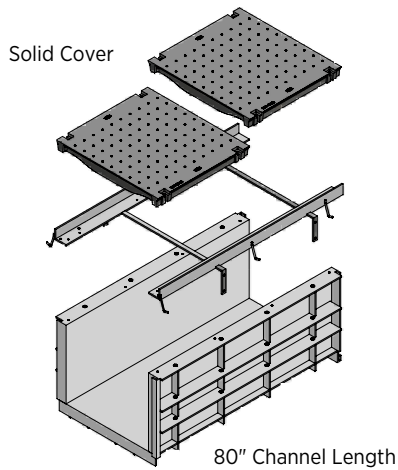
80" Channel Length

TRENCH NUMBER	DIMENSIONS IN INCHES [MM]	
	A THROAT	B INVERT
Z874-U-12	12 [305]	*
Z874-U-14	14 [356]	*
Z874-U-16	16 [406]	*
Z874-U-18	18 [457]	*
Z874-U-20	20 [508]	*
Z874-U-21	21 [533]	*
Z874-U-22	22 [559]	*
Z874-U-24	24 [610]	*
Z874-U-26	26 [660]	*

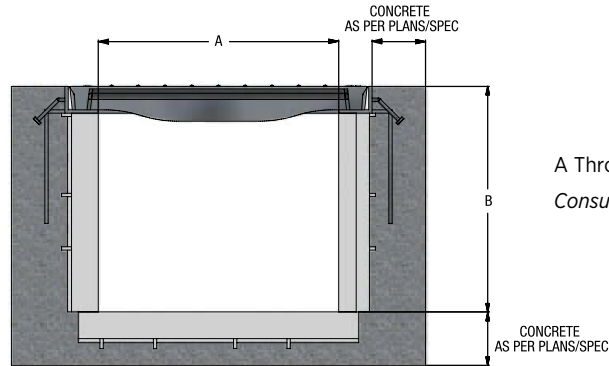
\*Specify depth ranging from 4 [102] to 30 [762]

# Z874-U-XX-HD Perma-Trench®

## HDPE Utility Chase System



### Installation Specification



A Throat / B Invert  
Consult Plans and Specifications

### Z874-U-XX-HD Applications

- Manufacturing Facilities
- Grocery Stores
- Malls
- Banks
- Schools
- Hospitals
- Electronics Stores
- Pharmaceuticals

### Engineering Specification

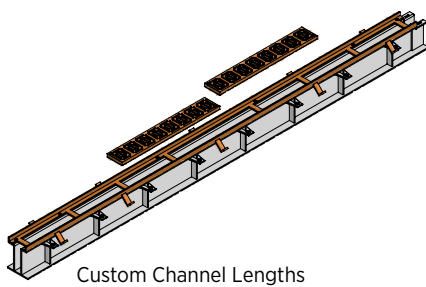
Zurn Z874-U-XX-HD Heavy-Duty Utility Chase Drainage System with Ductile Grate. High Density Polyethylene (HDPE) drain channel. All sections modular 80" or 8' lengths with interlocking ends. Complete with Dura-Coated steel frame system, ductile iron solid cover, or checkered steel plate. For downloadable CSI format specification, visit [www.zurn.com](http://www.zurn.com).

TRENCH NUMBER	DIMENSIONS IN INCHES [MM]	
	A THROAT	B INVERT
<b>Z874-U-9-HD</b>	9-1/4 [235]	*
<b>Z874-U-12-HD</b>	12 [305]	*
<b>Z874-U-18-HD</b>	18 [457]	*
<b>Z874-U-21-HD</b>	21 [533]	*

*\*The Z874-U-XX-HD is a neutral, non-sloped utility chase system. Depths of this system may range from 4" to 30".*

# Z880-CUSTOM Perma-Trench®

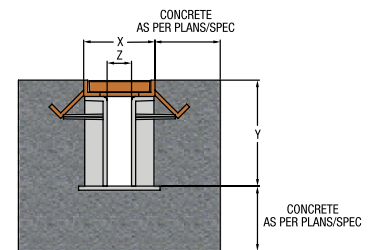
## Aesthetic Drainage System



### Features and Benefits

- Custom Lengths
- HDPE Channels
- Stainless Steel and Aluminum Frames and Grates Available
- All Aluminum Components Can Be Anodized to Match Colors
- Ability to Custom Radius 7" to Infinity
- Contact Factory for Design Assistance

### Installation Specification



X, Y, and Z varies from 2" to 12"  
Consult Plans and Specifications

### Z880-CUSTOM Applications

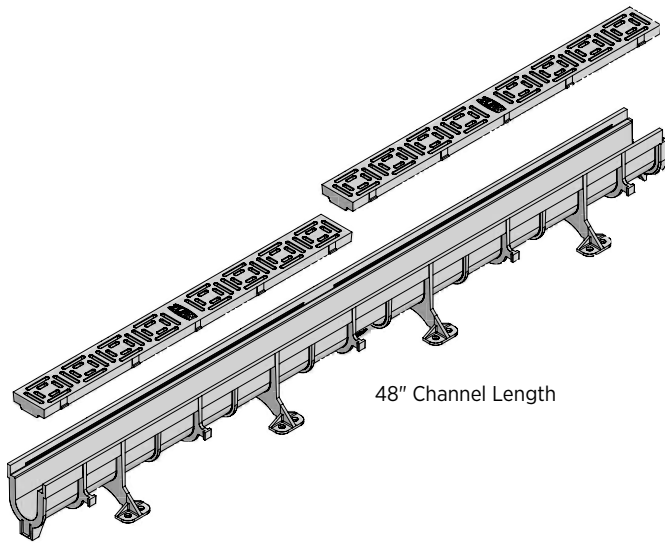
- Pools
- Residential
- Balconies
- Fountains

### Engineering Specification

Contact the factory for engineering assistance with a specification to meet the requirements.

# Z880 Perma-Trench®

HDPE 2-1/2" Wide Drain System (1.75" Throat)



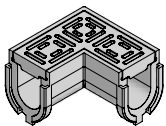
## Z880 Applications

- Pools
- Residential
- Hardscapes

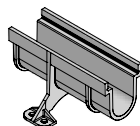
## Engineering Specification

2-1/2" Wide Trench Drain System shall be 48" long and 2-1/2" wide. Drain shall be 3" deep. Drain shall be made of High Density Polyethylene (HDPE) and be UV-10 stabilized. Drain shall have bedding feet and/or bedding feet shall be used for positioning and anchoring purposes. Drain shall have tongue and groove snap fit connection. End outlets and bottom outlets shall be available in 1-1/2" diameter. Drain shall be Flo-Thru model Z880. 24" long High Density Polyethylene decorative grate (-POG) provided as standard. For downloadable CSI format specification, visit [www.zurn.com](http://www.zurn.com).

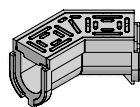
## System Highlights



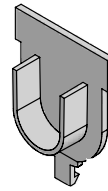
90° Connector Channel with Grate



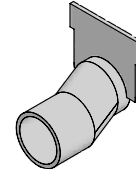
Bedding Feet



45° Connector Channel with Grate



Closed End Cap (E1)



End Outlet (1-1/2" NH)



Bottom Outlet (1-1/2" NH)

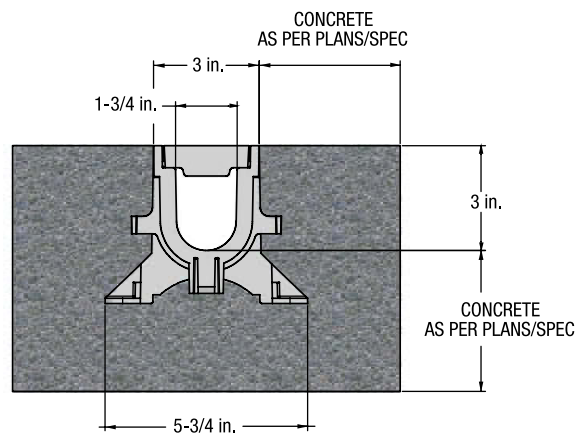
## Features and Benefits

- 48" Pre-engineered Modular Channel Sections with 24" Grates
- Durable and Lightweight
- 3" Trench Depth
- Prefabricated 45's and 90's
- Five Standard Colors – Gray, Brick Red, Blue, Sand, and White



- Grate Options – Heel-Proof Polyethylene Grate (-POG), Bronze Decorative Grate (-BZ), Aluminum Wire Grate (-AWG), Stainless Steel Wire Grate (SWG), and Stainless Steel Decorative Grate (SOG)

## Installation Specification

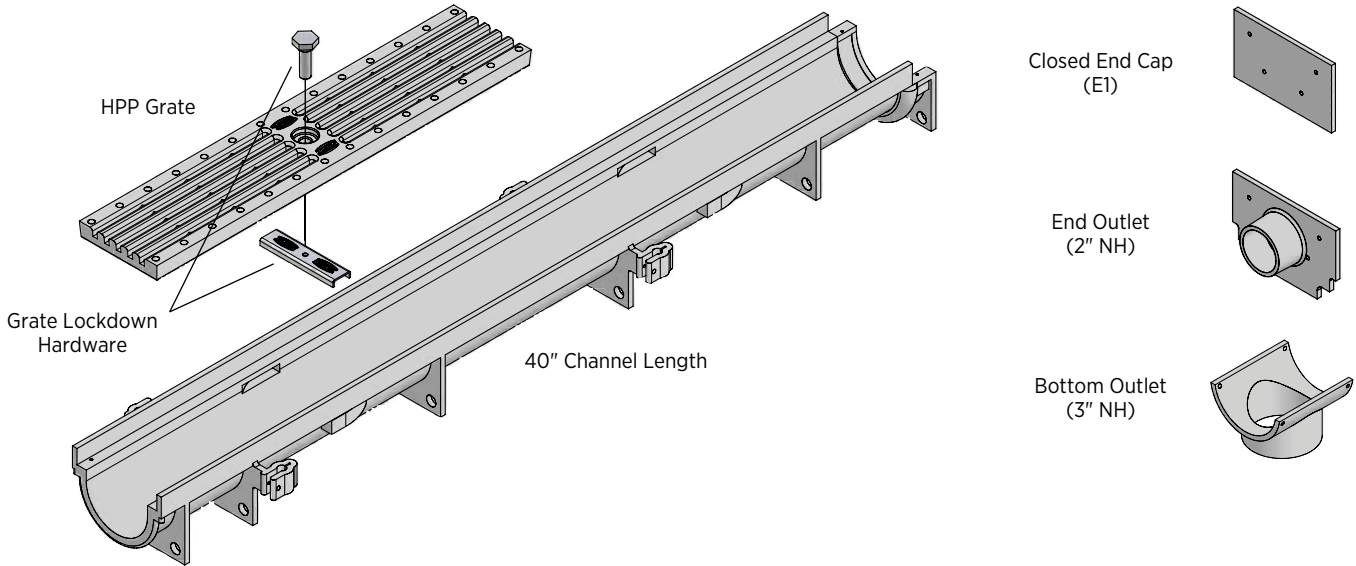


Consult Plans and Specifications

TRENCH NUMBER	DIMENSIONS IN INCHES [MM]		APPROX. WEIGHT LESS GRATE (LB [KG])
	C OVERALL DEPTH MIN.	D OVERALL DEPTH MAX.	
Z880	3 [76.2]	3 [76.2]	4 [1.8]

# Z884 Perma-Trench®

4-3/4" Shallow Drain System (3.25" Throat)



## Z884 Applications

- Sidewalks
- Kitchens
- Pools
- Residential

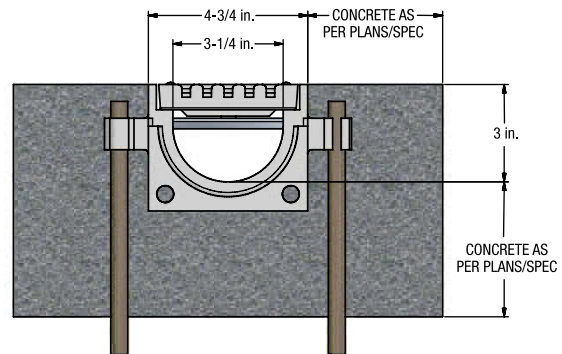
## Features and Benefits

- 40" Pre-engineered Modular Channel Sections with 20" or 40" Grates
- Smooth Seamless Construction – Clean, sanitary installation
- Durable and Lightweight – Strong corrosion-resistant material
- 2-7/8" Trench Depth – For depth restricted applications
- Variety of Gratings – Able to meet specific job requirements
- Grate Options – Available in ADA. See page 28.
- Optional – Stainless veneer frame
- Built-In Rebar Clips – Accommodates #3 rebar (supplied by others)

## Engineering Specification

Channels shall be 40" long, 4-3/4" wide, and have a 3-1/4" wide throat. Modular channel sections shall be made of polypropylene, have interlocking ends, and radiused bottom. Channel shall be provided flat (neutral) with a 2.875" invert. Channels shall have clips molded into the sides of the channel to accommodate vertical rebar for positioning and anchoring purposes. Choice of class A, B, and C grates shall be available with H-20 and/or ADA compliance with mechanical lockdown devices (refer to page 28). End caps and catch basins shall be available to complement the channels and grates. End outlets in 2" diameter and bottom outlets in 3" diameter shall be available. Trench drain shall be Flo-Thru model Z884. For downloadable CSI format specification, visit [www.zurn.com](http://www.zurn.com).

## Installation Specification



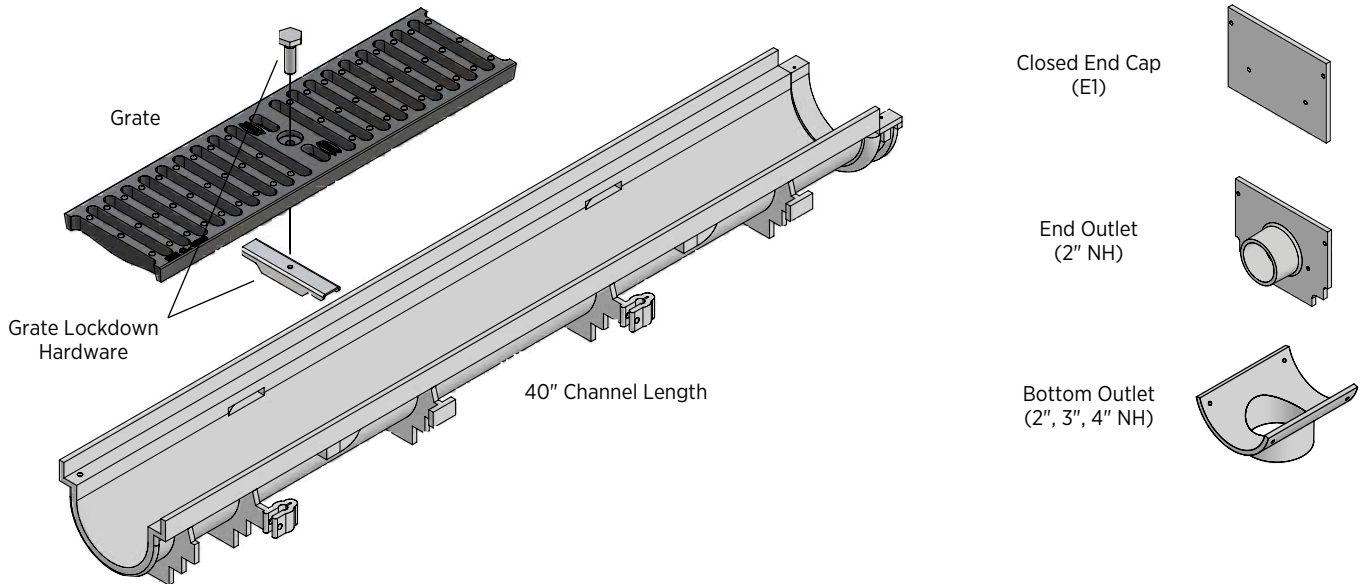
3-1/4" Throat / 4-3/4" Overall Width

*Consult Plans and Specifications*

TRENCH NUMBER	DIMENSIONS IN INCHES [MM]	APPROX. WEIGHT LESS GRATE (LB [KG])
	OVERALL DEPTH	
Z884	2.875 [73]	2.3 [1.04]

# Z883 Perma-Trench®

6" Shallow Drain System (4" Throat)



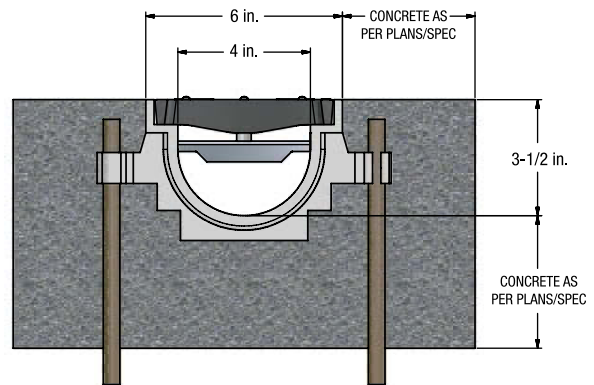
## Z883 Applications

- Sidewalks
- Kitchens
- Pools
- Residential

## Features and Benefits

- 40" Pre-engineered Modular Channel Sections with 20" or 40" Grates
- Smooth Seamless Construction – Clean, sanitary installation
- Durable and Lightweight – Strong corrosion-resistant material
- 3-1/2" Trench Depth – For depth restricted applications
- Variety of Gratings – Able to meet specific job requirements
- Grate Options – Available in ADA. See pages 24-25.
- Optional – Stainless veneer frame
- Built-In Rebar Clips – Accommodates #3 rebar (supplied by others)

## Installation Specification



4" Throat / 6" Overall Width

*Consult Plans and Specifications*

TRENCH NUMBER	DIMENSIONS IN INCHES [MM]		APPROX. WEIGHT LESS GRATE (LB [KG])
	C OVERALL DEPTH MIN.	D OVERALL DEPTH MAX.	
Z883	3.5 [88.9]	3.5 [88.9]	4 [1.8]

## Engineering Specification

Channels shall be 40" long, 6" wide, and have a 4" wide throat. Modular channel sections shall be made of polypropylene, have interlocking ends, and radiused bottom. Channel shall be provided flat (neutral) with a 3-1/2" invert. Channels shall have clips molded into the sides of the channel to accommodate vertical rebar for positioning and anchoring purposes. Choice of class A, B, and C grates shall be available with H-20 and/or ADA compliance with mechanical lockdown devices (refer to pages 24 and 25). End caps and catch basins shall be available to complement the channels and grates. End outlets in 2" diameter and bottom outlets in 2", 3", and 4" diameters shall be available. Trench drain shall be Flo-Thru model Z883. For downloadable CSI format specification, visit [www.zurn.com](http://www.zurn.com).

# Z887 Perma-Trench®

## Catch Basins

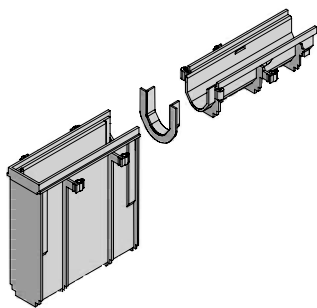
### Z887 Applications

- Highways
- Driveways
- Kitchens
- Pools
- Parking Lots
- Gas Stations
- Car Washes
- Airports
- Airplane Hangars
- Industrial Parks
- Chemical Plants
- Food Processing
- Shopping Malls
- Industrial Plants
- Pharmaceuticals
- Amusement Parks
- Port Facilities
- Water Parks

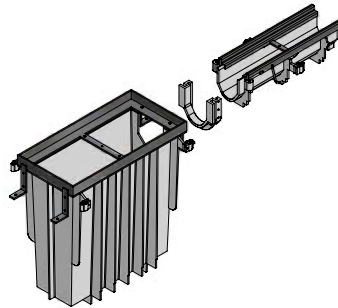
### Features and Benefits

- **6" x 20" Catch Basin** – The 6" x 20" basin is meant to be used as an in-line sump for applications where, from the top surface, the visual appearance is of continuous 6" wide Z886 trenching. Simply trace and cut the trench section to be connected into the end of the basin, insert into the basin, bolt together, and caulk around the exterior. For grate options, refer to pages 24-25.
- **12" x 24" and 24" x 24" Catch Basins** – The larger catch basins, 12" x 24" x 24" and 24" x 24" x 24", provide greater sump capacities for larger trench runs. These catch basins can be used with Z882 and Z886 trenches. These basins have an external trench adapter supplied to make the transition between the trench and basin (see illustration). This adapter, along with the hardware, is supplied by Zurn to make a fast and easy connection to any basin. Additional adapters can be used to make numerous connections of trench into the catch basin. For grate options, refer to page 26.
- **Basin Extension for 24" x 24"** – This 12" polyethylene extension for 24" x 24" catch basin provides greater depths and capacities. These stackable units allow for depths in 12" increments. For grate options, refer to page 29.

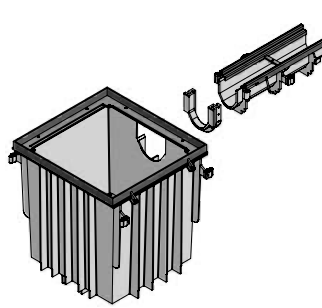
### System Highlights



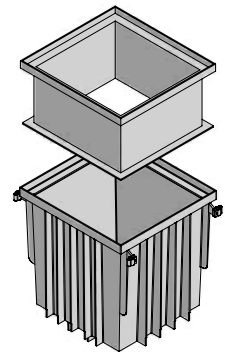
6" x 20" Catch Basin with Z886 Connecting Trench



12" x 24" Catch Basin with Z886 Connecting Trench

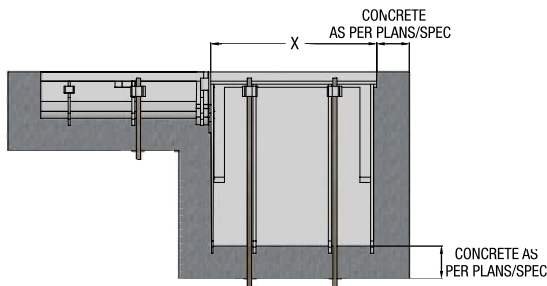


24" x 24" Catch Basin with Z886 Connecting Trench



24" x 24" Catch Basin with 12" High Basin Extension

### Installation Specification



Consult Plans and Specifications

### Engineering Specification

Catch Basins shall be 6" wide x 20" long x 20" deep, 12" wide x 24" long x 24" deep, or 24" wide x 24" long x 24" deep and shall be made of High Density Polyethylene (HDPE). Choice of class A, B, C, D, E, and F grates shall be available with H-20, FAA, and/or ADA compliance with mechanical lockdown devices (refer to page 28). Outlets in 2", 3", 4", 6", and 8" diameters shall be available. Catch Basin shall be Flo-Thru model Z887. For downloadable CSI format specification, visit [www.zurn.com](http://www.zurn.com).



# SANI-FLO® STAINLESS STEEL TRENCH DRAINS

## ZS880 Sani-Flo®

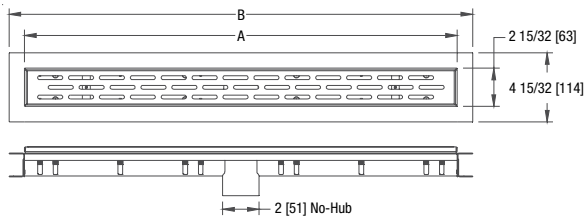
Stainless Steel Shower Drain System



### ZS880 Applications

- Healthcare
- Hospitality
- Residential

### Installation Specification



1" Throat / 2-1/2" Overall Width

Consult Plans and Specifications

### Engineering Specification

All Type 304 (CF8) Fabricated Stainless Steel Linear Shower Drain. Complete with vertically adjustable anchoring support legs, anti-ponding V-shaped channel with 2" No-Hub center outlet, adjustable secured leveling frame with built-in tile edge, integral membrane flange for glue on waterproofing membrane, and secured, light-duty, slotted heel-proof grate. Drain is designed for installation in a minimum 2" concrete pour and can be adjusted to accommodate 1/4" and 3/8" finished tile thicknesses. For downloadable CSI format specification, visit [www.zurn.com](http://www.zurn.com).

PRODUCT DESIGNATION	DIMENSIONS IN INCHES [MM]		APPROX. WEIGHT (LB [KG])	GRATE OPEN AREA SQ. IN. [CM2]
	A	B		
-12	12 [305]	14 [356]	2.9 [1.3]	6 [38]
-28	28 [711]	30 [762]	5.4 [2.5]	15 [97]
-32	32 [813]	34 [864]	5.9 [2.7]	18 [116]
-36	36 [914]	38 [965]	6.4 [2.9]	20 [129]
-40	40 [1016]	42 [1069]	7.2 [3.3]	22 [142]
-48	48 [1219]	50 [1270]	8.4 [3.8]	27 [174]
-60	60 [1524]	62 [1575]	10.3 [4.7]	34 [219]

### System Highlights

45° Connector



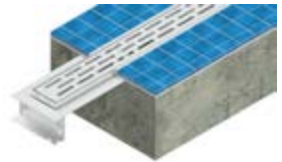
90° Connector



Straight Connector

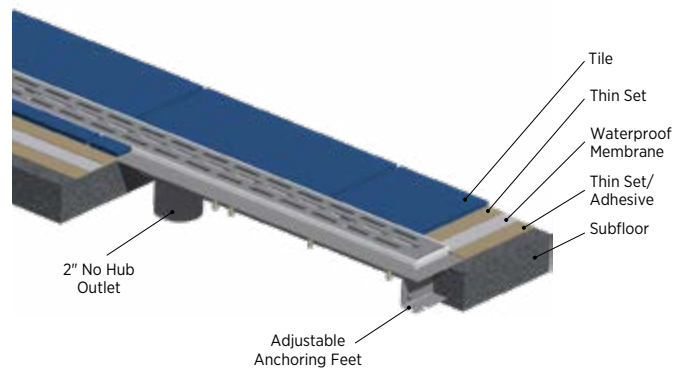


In Concrete



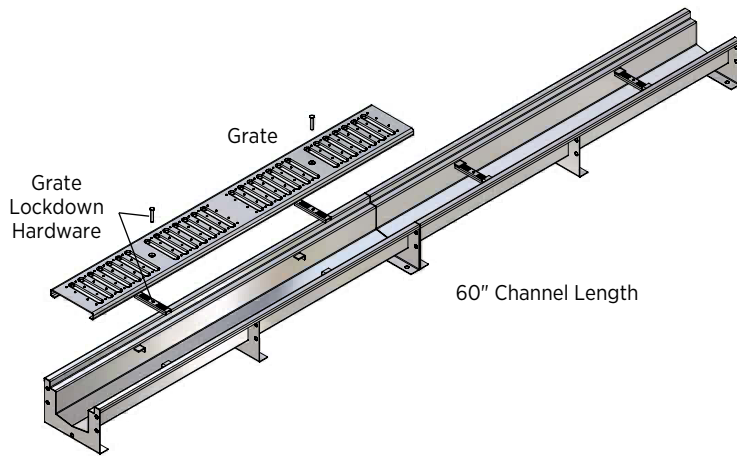
### Features and Benefits

- Patented frame and grate features allow effortless height and level adjustment, reducing pooling
- Integral tiling edge reduces installation time while protecting flooring from damage
- Type 304 stainless steel construction provides corrosion resistance, durability, and low maintenance
- Extensive grating design and decorative finish options enhance aesthetic appeal

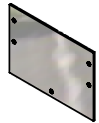


# Z890 Sani-Flo®

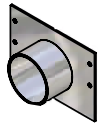
## 6" Stainless Steel Drain System (4" Throat)



Closed End Cap (E1)  
Z890 supplied with end plate attached.



End Outlet (2", 3", 4", 6" NH)  
Z890 supplied with outlet attached.



Bottom Outlet (2", 3", 4", 6" NH)  
Z890 supplied with outlet attached.



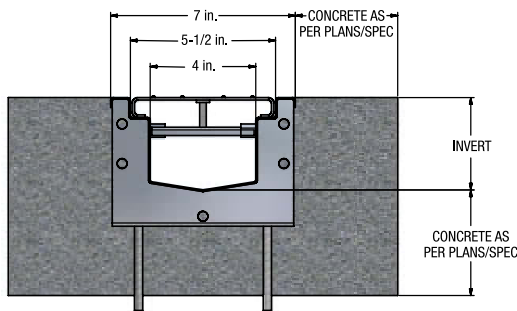
### Z890 Applications

- Food Processing
- Breweries
- Dairies
- Chemical Plants
- Showers/ Restrooms
- Pharmaceuticals

### Features and Benefits

- 5' Pre-engineered Modular Sections
- 1.04% Built-in Slope
- Smooth Seamless Construction
- Variety of Gratings - See pages 24-25
- Custom Fabrications
- Optional - Type 316 Stainless Steel Available
- Optional - Clamping Collar and Pan (-KC)

### Installation Specification



4" Throat / 7" Overall Width

Consult Plans and Specifications

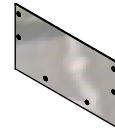
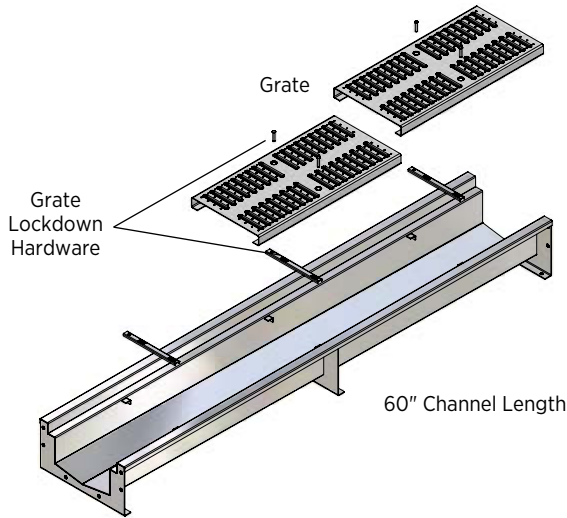
### Engineering Specification

Channels shall be 5' long, 6" wide, and have a 4" wide throat. Modular channel sections shall be made of 16-gauge 304 stainless steel and shall be provided with a gasket for flanged connections. Channel shall be provided either flat (neutral) or with a 1.04% pre-slope. Channels shall be available with inverts ranging from 3.5" to 16.00". Choice of class A, B, C, D, E, and F grates shall be available with H-20 and/or FAA load ratings and/or ADA compliance with mechanical lockdown devices (refer to pages 24 and 25). End caps and catch basins shall be available to complement the channels and grates. End outlets, bottom outlets, and side outlets shall be available in 2", 3", 4", and 6" diameters. Trench drain shall be Flo-Thru model Z890. For downloadable CSI format specification, visit [www.zurn.com](http://www.zurn.com).

TRENCH NUMBER	DIMENSIONS IN INCHES [MM]		MAX. FLOW RATE			APPROX. WEIGHT LESS GRATE (LB [KG])
	SHALLOW INVERT	DEEP INVERT	GPM	LPS	CFS	
89001	3.5 [89]	4.13 [105]	97	6	0.216	20 [9]
89002	4.13 [105]	4.75 [121]	124	8	0.276	21 [9.5]
89002N	4.75 [121]	4.75 [121]	-	-	-	22 [10]
89003	4.75 [121]	5.38 [137]	151	10	0.336	23 [10.4]
89004	5.38 [137]	6 [152]	179	11	0.399	24 [10.9]
89004N	6 [152]	6 [152]	-	-	-	25 [11.3]
89005	6 [152]	6.63 [168]	207	13	0.461	26 [11.8]
89006	6.63 [168]	7.25 [184]	235	15	0.524	27 [12.2]
89006N	7.25 [184]	7.25 [184]	-	-	-	28 [12.7]
89007	7.25 [184]	7.88 [200]	263	17	0.586	29 [13.1]
89008	7.88 [200]	8.5 [216]	292	18	0.651	30 [13.6]
89008N	8.5 [216]	8.5 [216]	-	-	-	31 [14]
89009	8.5 [216]	9.13 [232]	321	20	0.715	32 [14.5]
89010	9.13 [232]	9.75 [248]	349	22	0.778	34 [15.4]
89010N	9.75 [248]	9.75 [248]	-	-	-	35 [15.9]
89011	9.75 [248]	10.38 [264]	378	24	0.842	36 [15.9]
89012	10.38 [264]	11 [279]	407	26	0.907	37 [16.8]
89012N	11 [279]	11 [279]	-	-	-	38 [17.2]
89013	11 [279]	11.63 [295]	436	28	0.971	39 [17.7]
89014	11.63 [295]	12.25 [311]	465	29	1.036	40 [18.1]
89014N	12.25 [311]	12.25 [311]	-	-	-	41 [18.6]
89015	12.25 [311]	12.88 [327]	494	31	1.101	42 [19]
89016	12.88 [327]	13.5 [343]	523	33	1.165	43 [19.5]
89016N	13.5 [343]	13.5 [343]	-	-	-	44 [20]
89017	13.5 [343]	14.13 [359]	552	35	1.23	45 [20.4]
89018	14.13 [359]	14.75 [375]	581	37	1.295	46 [20.8]
89018N	14.75 [375]	14.75 [375]	-	-	-	47 [21.3]
89019	14.75 [375]	15.38 [391]	610	39	1.359	48 [21.8]
89020	15.38 [391]	16 [406]	639	40	1.424	49 [22.2]

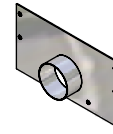
# Z895 Sani-Flo®

## 12" Stainless Steel Drain System (9.25" Throat)



Closed End Cap (E1)

Z895 supplied with end plate attached.



End Outlet (4", 6", 8" NH)

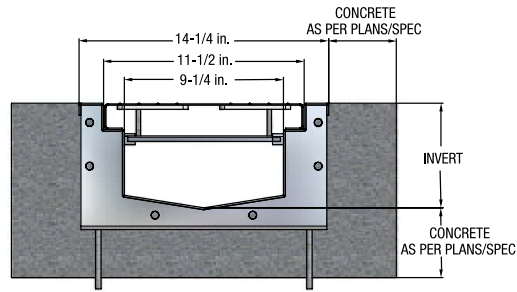
Z895 supplied with outlet attached.



Bottom Outlet (4", 6", 8" NH)

Z895 supplied with outlet attached.

### Installation Specification



9-1/8" Throat / 14-5/16" Overall Width

Consult Plans and Specifications

### Z895 Applications

- Food Processing
- Dairies
- Showers/Restrooms
- Breweries
- Chemical Plants
- Pharmaceuticals

### Features and Benefits

- 5' Pre-engineered Modular Sections
- 1.04% Built-in Slope
- Smooth Seamless Construction
- Variety of Gratings - See page 26
- Custom Fabrications
- Optional - Type 316 Stainless Steel Available
- Optional - Clamping Collar and Pan (-KC)

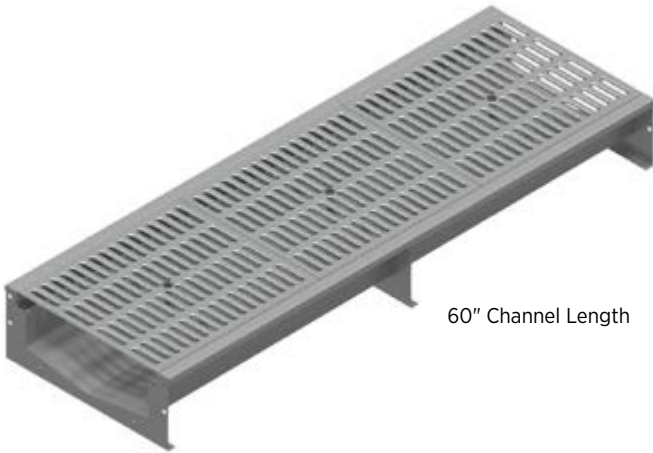
### Engineering Specification

Channels shall be 5' long, 12" wide, and have a 9-1/8" wide throat. Modular channel sections shall be made of 16-gauge 304 stainless steel. Channel shall be provided with no slope (neutral) or with a 1.04% built-in slope. Channels shall be available with inverts ranging from 6.00" to 18.50". Choice of class A, B, C, D, E, and F grates shall be available with H-20 and/or FAA load ratings and/or ADA compliance with mechanical lockdown devices (refer to page 26). End caps and catch basins shall be available to complement the channels and grates. End outlets, bottom outlets, and side outlets shall be available in 4", 6", and 8" diameters. Trench drain shall be Flo-Thru model Z895. For downloadable CSI format specification, visit [www.zurn.com](http://www.zurn.com).

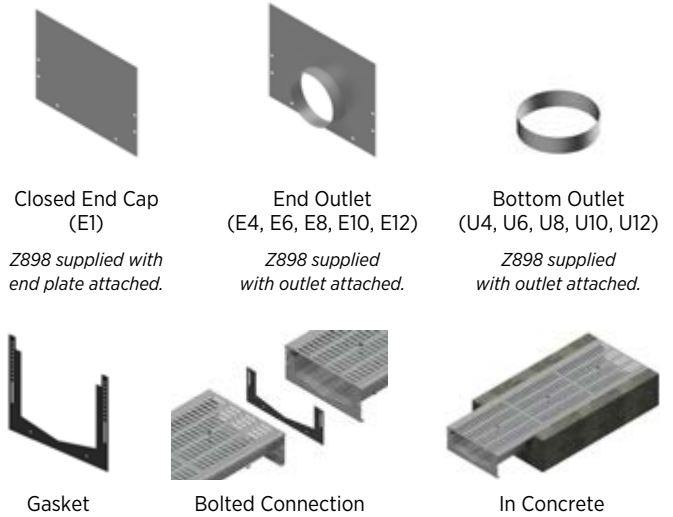
TRENCH NUMBER	DIMENSIONS IN INCHES [MM]		MAX. FLOW RATE			APPROX. WEIGHT LESS GRATE (LB [KG])
	SHALLOW INVERT	DEEP INVERT	GPM	LPS	CFS	
89501	6 [152]	6.63 [168]	548	35	1.221	70 [31.7]
89502	6.63 [168]	7.25 [184]	652	41	1.453	73 [33.1]
89502N	7.25 [184]	7.25 [184]	-	-	-	74 [33.5]
89503	7.25 [184]	7.88 [200]	759	48	1.691	76 [34.5]
89504	7.88 [200]	8.5 [216]	868	55	1.934	80 [36.3]
89504N	8.5 [216]	8.5 [216]	-	-	-	81 [36.7]
89505	8.5 [216]	9.13 [232]	978	62	2.179	83 [37.6]
89506	9.13 [232]	9.75 [248]	1090	69	2.429	86 [39]
89506N	9.75 [248]	9.75 [248]	-	-	-	87 [39.4]
89507	9.75 [248]	10.38 [264]	1203	76	2.68	90 [40.8]
89508	10.38 [264]	11 [279]	1316	83	2.932	93 [42.2]
89508N	11 [279]	11 [279]	-	-	-	94 [42.6]
89509	11 [279]	11.63 [295]	1431	91	3.189	96 [43.5]
89510	11.63 [295]	12.25 [311]	1546	98	3.445	99 [44.9]
89511	12.25 [311]	12.88 [327]	1662	105	3.703	103 [46.7]
89512	12.88 [327]	13.5 [343]	1779	113	3.964	106 [48]
89512N	13.5 [343]	13.5 [343]	-	-	-	107 [48.5]
89513	13.5 [343]	14.13 [359]	1896	120	4.225	109 [49.4]
89514	14.13 [359]	14.75 [375]	2013	127	4.485	113 [51.2]
89514N	14.75 [375]	14.75 [375]	-	-	-	114 [51.7]
89515	14.75 [375]	15.38 [391]	2131	135	4.748	116 [52.6]
89516	15.38 [391]	16 [406]	2249	142	5.011	119 [54]
89516N	16 [406]	17 [406]	-	-	-	120 [54.4]
89517	17 [406]	16.63 [422]	2368	150	5.276	122 [55.3]
89518	16.63 [422]	17.25 [438]	2487	157	5.541	126 [57.1]
89518N	17.25 [438]	17.25 [438]	-	-	-	127 [57.6]
89519	17.25 [438]	17.88 [454]	2606	165	5.807	129 [58.5]
89520	17.88 [454]	18.5 [470]	2752	174	6.132	132 [59.9]

# Z898 Sani-Flo®

## 18" Stainless Steel Drain System



60" Channel Length



Closed End Cap (E1)

Z898 supplied with end plate attached.

End Outlet (E4, E6, E8, E10, E12)

Z898 supplied with outlet attached.

Bottom Outlet (U4, U6, U8, U10, U12)

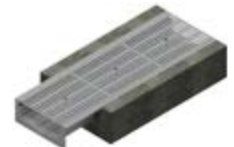
Z898 supplied with outlet attached.



Gasket



Bolted Connection



In Concrete

### Z898 Applications

- Light Duty
- High Temperatures
- Chemical Processing
- Kitchens
- Decorative

### Features and Benefits

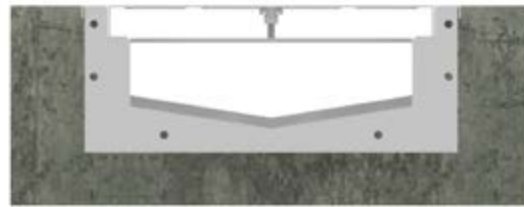
- Bolted, gasketed mechanical connections for structural strength
- Type 304 stainless steel construction helps to ensure hygiene and easy maintenance while withstanding chemicals and high temperatures.
- 1.04% built in slope

### Engineering Specification

18" Wide Pre-Sloped Trench Drainage System with 1/8" per foot slope. #12 Gage Type 304 Stainless Steel drain channel with bolted flanged connection complete with rubber flange gasket, and stamped stainless steel grate. For downloadable CSI format specification, visit [www.zurn.com](http://www.zurn.com).



### Installation Specification



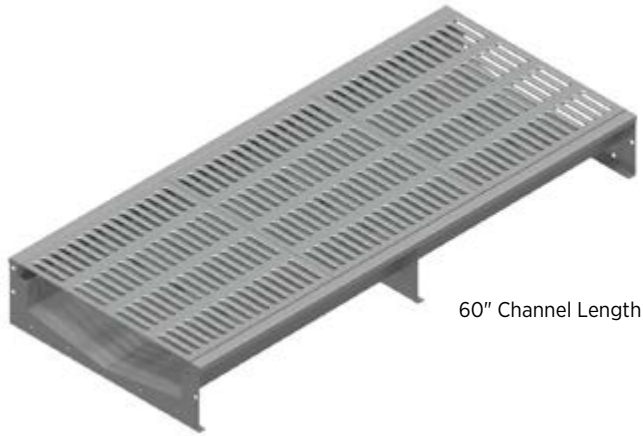
15-1/8" Throat / 20-5/16" Overall Width

Consult Plans and Specifications

TRENCH NUMBER	OVERALL DEPTH		MAX. FLOW RATE (GPM)	APPROX. WEIGHT LESS GRATE (LB)
	A MIN.	B MAX.		
89801	6.00	6.63	640	60
89802	6.63	7.25	805	62
89802N	7.25	7.25	-	64
89803	7.88	7.88	982	65
89804	8.50	8.50	1167	67
89804N	8.50	8.50	-	68
89805	9.13	9.13	1361	69
89806	9.75	9.75	1562	72
89806N	9.75	9.75	-	73
89807	10.38	10.38	1769	74
89808	11.00	11.00	1982	76
89808N	11.00	11.00	-	77
89809	11.63	11.63	2200	78
89810	12.25	12.25	2423	81
89810N	12.25	12.25	-	82
89811	12.88	12.88	2651	83
89812	13.50	13.50	2882	85
89812N	13.50	13.50	-	86
89813	14.13	14.13	3117	88
89814	14.75	14.75	3356	90
89814N	14.75	14.75	-	91
89815	15.38	15.38	3597	92
89816	16.00	16.00	3842	95
89816N	16.00	16.00	-	96
89817	16.63	16.63	4089	97
89818	17.25	17.25	4338	99
89818N	17.25	17.25	-	100
89819	17.88	17.88	4590	102
89820	18.50	18.50	4844	104

# Z894 Sani-Flo®

## 24" Stainless Steel Drain System



60" Channel Length



Closed End Cap (E1)

Z894 supplied with end plate attached.



End Outlet (E4, E6, E8, E10, E12)

Z894 supplied with outlet attached.

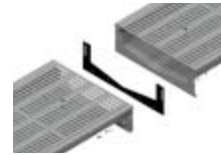


Bottom Outlet (U4, U6, U8, U10, U12)

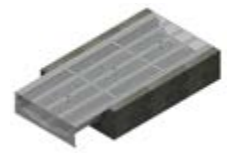
Z894 supplied with outlet attached.



Gasket



Bolted Connection



In Concrete

### Z894 Applications

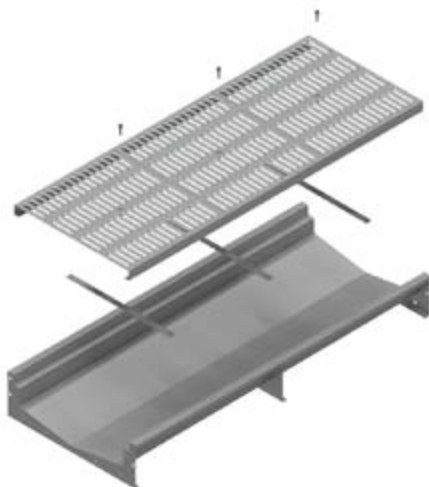
- Light Duty
- High Temperatures
- Chemical Processing
- Kitchens
- Decorative

### Features and Benefits

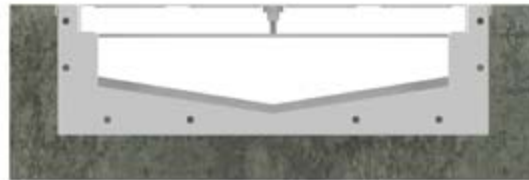
- Bolted, gasketed mechanical connections for structural strength
- Type 304 stainless steel construction helps to ensure hygiene and easy maintenance while withstanding chemicals and high temperatures.
- 1.04% built in slope

### Engineering Specification

24" Wide Pre-Sloped Trench Drainage System with 1/8" per foot slope. #12 Gage Type 304 Stainless Steel drain channel with bolted flanged connection complete with rubber flange gasket, and stamped stainless steel grate. For downloadable CSI format specification, visit [www.zurn.com](http://www.zurn.com).



### Installation Specification



21-1/8" Throat / 26-5/16" Overall Width

Consult Plans and Specifications

TRENCH NUMBER	OVERALL DEPTH		MAX. FLOW RATE (GPM)	APPROX. WEIGHT LESS GRATE (LB)
	A MIN.	B MAX.		
89401	6.00	6.63	1299	70
89402	6.63	7.25	1636	72
89402N	7.25	7.25	-	73
89403	7.25	7.88	1991	74
89404	7.88	8.50	2362	76
89404N	8.50	8.50	-	77
89405	8.50	9.13	2746	78
89406	9.13	9.75	3142	80
89406N	9.75	9.75	-	81
89407	9.75	10.38	3548	82
89408	10.38	11.00	3963	84
89408N	11.00	11.00	-	85
89409	11.00	11.63	4387	86
89410	11.63	12.25	4817	88
89410N	12.25	12.25	-	89
89411	12.25	12.88	5253	90
89412	12.88	13.50	5696	92
89412N	13.50	13.50	-	93
89413	13.50	14.13	6143	94
89414	14.13	14.75	6595	96
89414N	14.75	14.75	-	97
89415	14.75	15.38	7051	98
89416	15.38	16.00	7512	100
89416N	16.00	16.00	-	101
89417	16.00	16.63	7975	102
89418	16.63	17.25	8442	104
89418N	17.25	17.25	-	105
89419	17.25	17.88	8912	106
89420	17.88	18.50	9385	108

# Z899 Elevator/Threshold Drain

## Trench Drain System

### Z899 Applications

To be used in front of the elevator door or entryway

### Features and Benefits

#### Clear the Way

- Heel-proof grating keeps foot traffic moving
- 9-3/8" throat ensures fast 100 gpm water evacuation
- 2-1/4" to 3-1/4" depth allows for proper drainage, yet shallow installation.
- Stainless steel construction withstands wear and tear of everyday use

#### Comply with All Codes

- Complete system meets 2013 California Building Code 403.6.1, 403.6.2, 3007.4, 3008.4
- Additionally complies with 2013 San Francisco Fire Code, Section 511.1.4
- Grating fits securely and follows ADA compliance
- Adaptive design is positioned to meet emerging code adoption
- Expert assistance on hand to verify plans, specs, and code requirements

#### Customize Your Solution

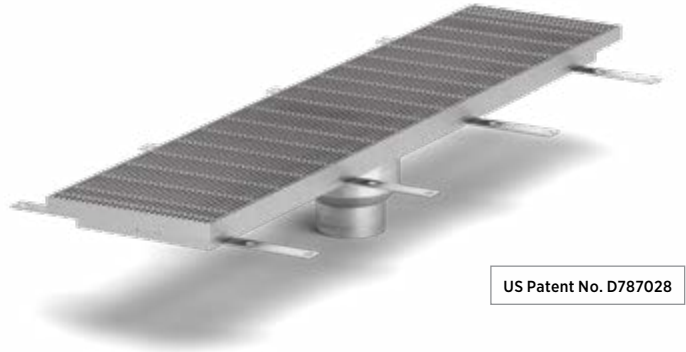
- Design your system to meet installation requirements, while providing pleasing aesthetics
- Available in lengths from 36" to 96" with bottom center or end outlet configurations
- Easy-to-remove grating provides accessible cleaning and maintenance

### Engineering Specification

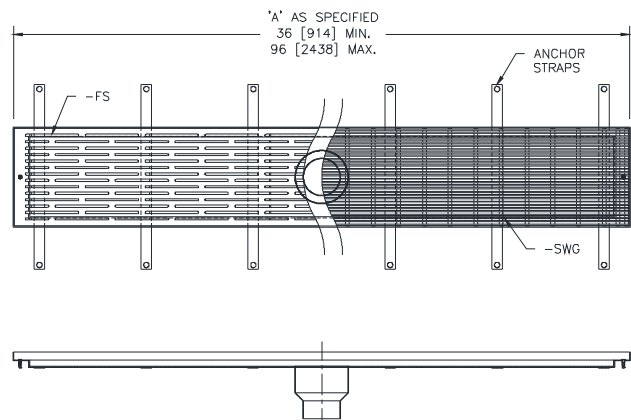
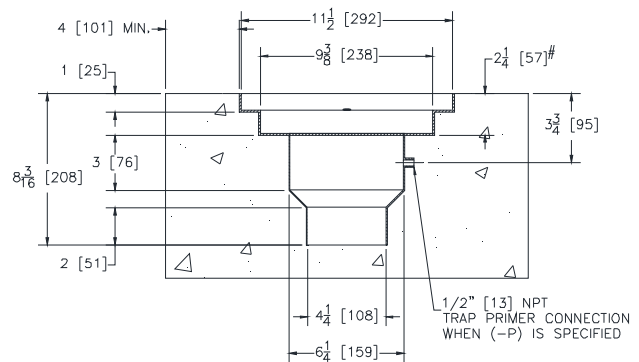
Overall channel width is 11-1/2" [292mm] and includes 9-3/8" [238mm] throat. Fabricated stainless steel channel meets ASTM A-240 (type 304) and features anchoring straps. The outlet on each channel is centered. Custom SWG stainless steel wire grate conforms to ASTM A-240 (type 304) and locks down to the channel with vandal-proof flathead machine screws.

This grate is rated for Class A per the DIN EN1433 top load classification, complies with both ADA and Heel-Proof requirements, and has an open area of 64.9 sq. in/ft. [1373.7 sq. cm/m]. Optional FS fabricated slotted grate has an open area of 35.91 sq. in/ft [760.1 sq. cm/m] and also complies with ADA and heel-proof requirements. System design complies with SFFC Code, Section 511.1 for a 100 gpm flow rate. (Replaces Z895-94)

NOTE: Minimum dimensional requirements must be met to satisfy 100 gpm flow rate specification.



### Installation Specification



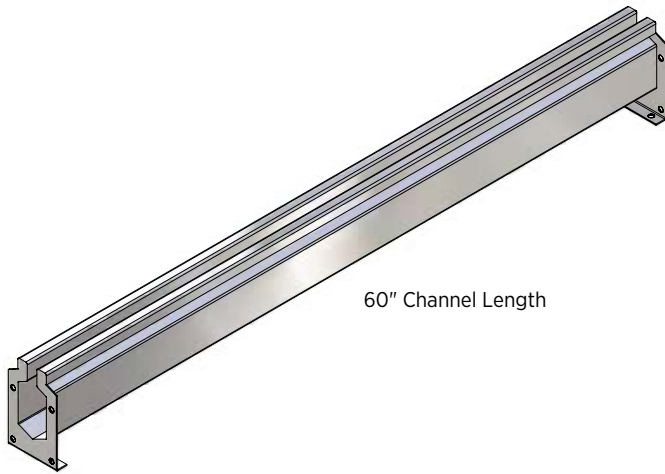
Consult Plans and Specifications

### Dimensions

Made to order. Min. length is 36". Max. length is 96".

# Z891 Sani-Flo®

## 3/4" Stainless Steel Slot Drain



60" Channel Length



Closed End Cap (E1)

Z891 supplied with outlet attached.



End Outlet (2" NH)

Z891 supplied with outlet attached.



Bottom Outlet (2" NH)

Z891 supplied with outlet attached.

### Z891 Applications

- Food Processing
- Dairies
- Showers/Restrooms
- Breweries
- Chemical Plants
- Pharmaceuticals

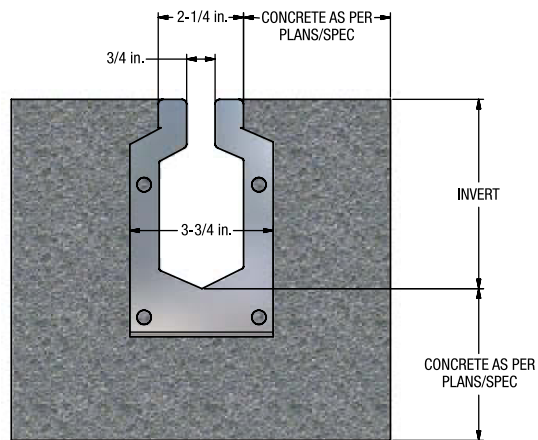
### Features and Benefits

- 5' Pre-engineered Modular Sections – Allows quick and easy assembly, straighter installation
- 1.04% Built-In Slope (1/8" per Foot) – Able to handle greater flows, uniform slope
- Smooth, Seamless Construction – Provides clean, sanitary installation
- Durable and Lightweight – Strong corrosion-resistant material
- Bolted, Gasketed Feature – Keeps trench system straight and liquid tight
- Optional – Type 316 Stainless Steel Available
- Optional – Anchoring leg

### Engineering Specification

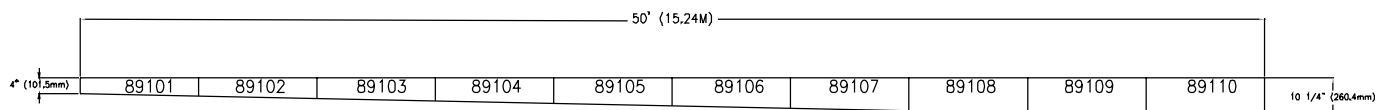
Channels shall be 5' long, 3/4" wide slot, and have a 2-1/4" wide throat. Modular channel sections shall be made of 16-gauge type 304 stainless steel. Channel shall be provided with no slope (neutral) or with a 1.04% built-in slope. Channels shall be available with inverts ranging from 4" to 16.5". End caps and catch basins shall be available to complement the channels. Trench drain shall be Flo-Thru model Z891. For downloadable CSI format specification, visit [www.zurn.com](http://www.zurn.com).

### Installation Specification



Consult Plans and Specifications

TRENCH NUMBER	DIMENSIONS IN INCHES [MM]		MAX. FLOW RATE			APPROX. WEIGHT LESS GRATE (LB [KG])
	SHALLOW INVERT	DEEP INVERT	GPM	LPS	CFS	
89101	4 [102]	4.63 [118]	51	3	194	15 [6.8]
89102	4.63 [118]	5.25 [133]	67	4	255	16 [7.3]
89103	5.25 [133]	5.88 [149]	84	5	316	17 [7.7]
89104	5.88 [149]	6.5 [165]	100	6	378	18 [8.2]
89105	6.5 [165]	7.13 [181]	117	7	441	19 [8.6]
89106	7.13 [181]	7.75 [197]	135	8	504	20 [9.1]
89107	7.75 [197]	8.38 [213]	150	9	568	21 [9.6]
89108	8.38 [213]	9 [229]	167	11	632	22 [10]
89109	9 [229]	9.63 [245]	184	12	696	23 [10.5]
89110	9.63 [245]	10.25 [260]	201	13	760	24 [10.9]



# Z897 Sani-Flo®

## Catch Basins

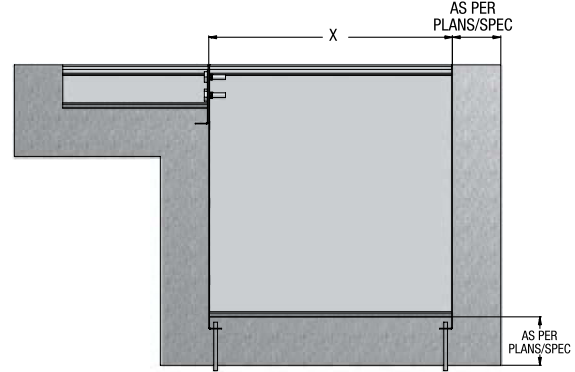
### Z897 Applications

- Food Processing
- Dairies
- Showers/Restrooms
- Breweries
- Chemical Plants
- Pharmaceuticals

### Features and Benefits

- 6" x 20" Catch Basin – The 6" x 20" basin is meant to be used as an in-line sump for applications where, from the top surface, the visual appearance is of continuous 6" wide Z890 trenching. These catch basins with bolted flange connection come complete with flange gasket and assembly hardware for fast, easy installation. Outlets are fabricated at the factory based upon the specified location.
- 12" x 24" and 24" x 24" Catch Basins – The larger catch basins, 12" x 24" x 24" and 24" x 24" x 24", provide greater sump capacities for larger trench runs and can be used with Z890 and Z895 trenches. These basins share a bolted flanged connection and come complete with flanged gasket and assembly hardware for fast, easy installation. Outlets are fabricated at the factory based upon the specified location.
- Optional – Type 316 Stainless Steel Available

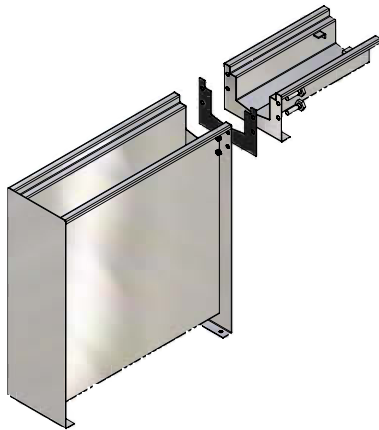
### Installation Specification



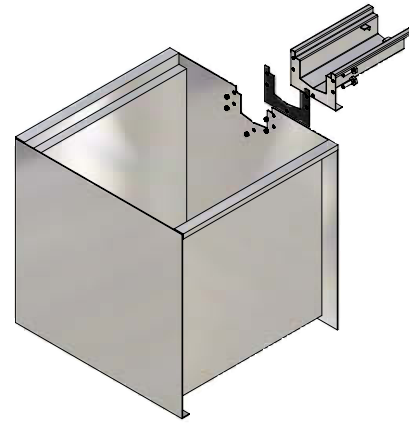
Consult Plans and Specifications

NOMINAL SIZE	OVERALL DIMENSIONS IN INCHES [MM]			APPROX. WEIGHT LESS GRATE (LB [KG])
	WIDTH	LENGTH	DEPTH	
6 x 20	7 [178]	20 [508]	20-3/4 [527]	49 [22]
12 x 24	14-5/16 [363]	24-1/8 [612]	24-3/4 [629]	67 [30]
24 x 24	26-5/16 [685]	25-9/16 [647]	24-3/4 [629]	88 [40]

### System Highlights



6" x 20" Catch Basin with Z890 Connecting Trench



24" x 24" Catch Basin with Z890 Connecting Trench

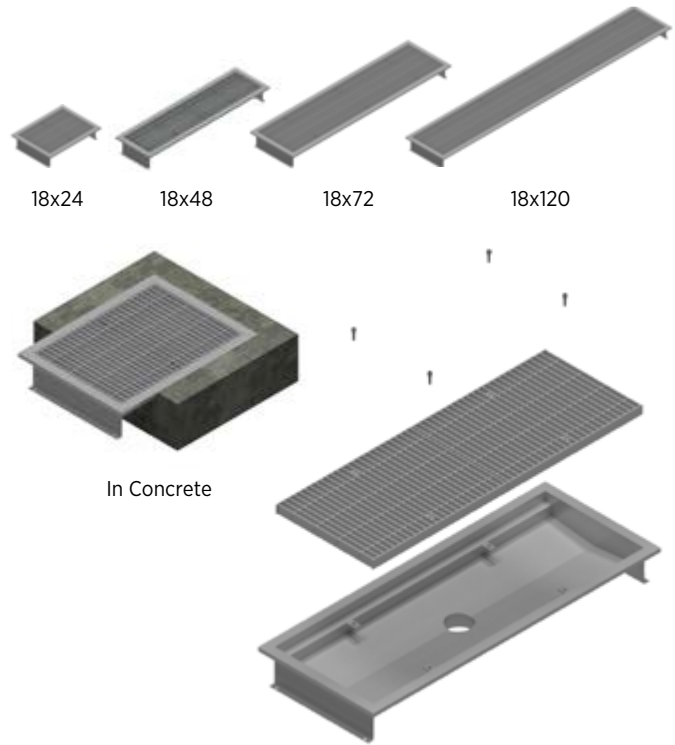
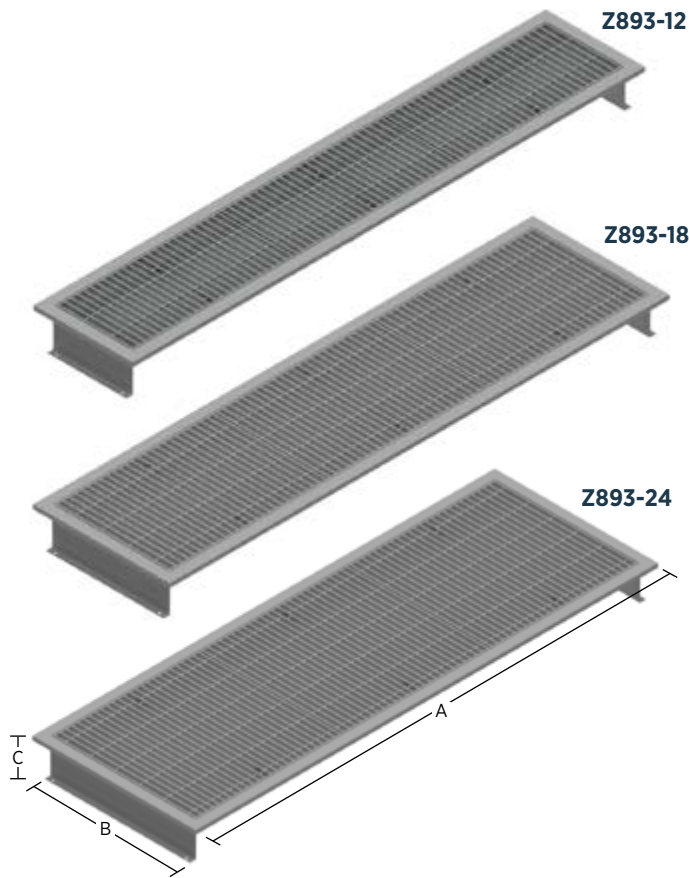
### Engineering Specification

Catch Basins shall be 6" wide x 20" long x 20" deep, 12" wide x 24" long x 24" deep, or 24" wide x 24" long x 24" deep and shall be made of #16- or #12-gauge 304 stainless steel. Choice of class A, B, C, D, E, and F grates shall be available with H-20, FAA, and/or ADA compliance with mechanical lockdown devices. Outlets in 2", 3", 4", 6", and 8" diameters shall be available. Catch Basin shall be Flo-Thru model Z897. For downloadable CSI format specification, visit [www.zurn.com](http://www.zurn.com).



# Z893 Sani-Flo®

Stainless Steel Floor Receptor with Bar Grate



## Z893 Applications

- High Temperatures
- Chemical Processing
- Kitchens
- Decorative

## Features and Benefits

- Weighs less than 4.15 lb. per linear foot for ease of installation and labor savings
- Single channel system with smooth 1.5" radiused self-cleaning bottom
- Type 304 stainless steel construction helps to ensure hygiene and easy maintenance while withstanding chemicals and high temperatures.
- Continuous reveal around drain

## Engineering Specification

Channels are made of #14 ga. fabricated Stainless Steel con forming to ASTM A-240 (type 304). Channels weigh less than 4.15 lb per linear foot, have a smooth, 1.5" radiused self cleaning bottom with a Manning's coefficient of .009. Channels have feet for patty pour or leveling studs standard to secure trench in its final location with 4" No-Hub bottom outlet. All welds must be performed by a certified welder per ASTM standard AWS D1.6. Channels to be produced in the U.S.A. For downloadable CSI format specification, visit [www.zurn.com](http://www.zurn.com).

## Installation Specification



See chart below for product dimensions.

SIZE	OVERALL DIMENSIONS IN INCHES [MM]			NO OF GRATES
	A LENGTH	B WIDTH	C DEPTH	
12	14.3 [363]	24 [610]	4 [102]	1
		48 [1219]		2
		72 [1829]		3
		120 [3048]		5
		18		20.3 [516]
48 [1219]	2			
72 [1829]	3			
120 [3048]	5			
24	26.6 [676]	24 [610]	4 [102]	
		48 [1219]		2
		72 [1829]		3
		120 [3048]		5

# SLOT DRAINS

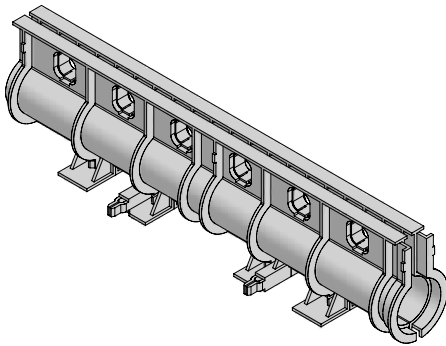
## Z888 Slot Drains

Polyethylene

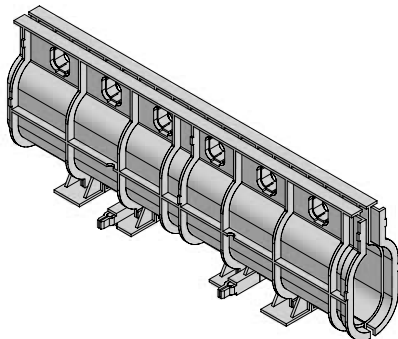
### Z888-4, Z888-6, Z888-8 Applications

- Residential
- Hardscape Areas
- Running Tracks
- Pools
- Sports Facilities

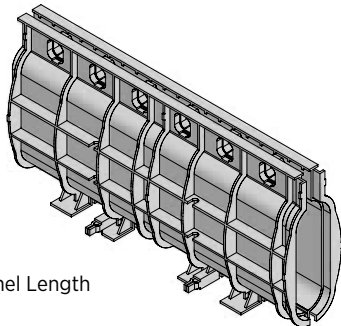
### Z888-4 Slot Drain



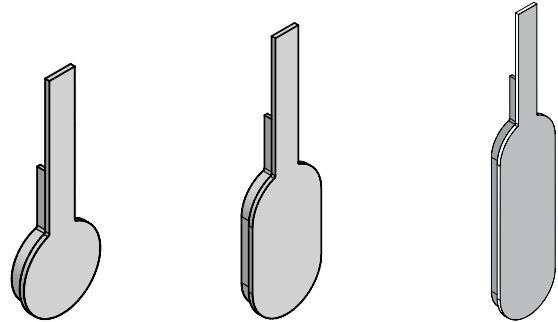
### Z888-6 Slot Drain



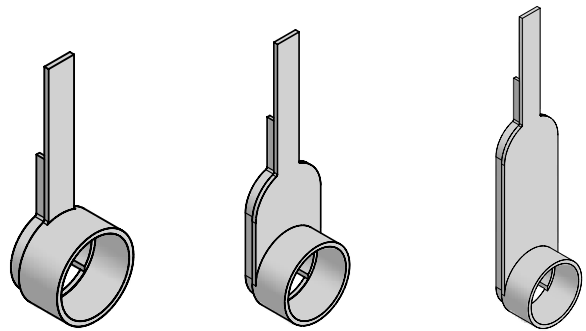
### Z888-8 Slot Drain



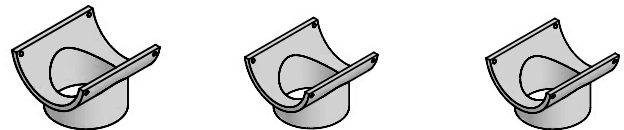
40" Channel Length



Z888-4 Closed End Cap (E1)      Z888-6 Closed End Cap (E1)      Z888-8 Closed End Cap (E1)



Z888-4 End Outlet (2", 3", 4" NH)      Z888-6 End Outlet (2", 3", 4", 6" NH)      Z888-8 End Outlet (2", 3", 4", 6", 8" NH)



Z888-4 Bottom Outlet (2", 3", 4" NH)      Z888-6 Bottom Outlet (2", 3", 4" NH)      Z888-8 Bottom Outlet (2", 3", 4" NH)

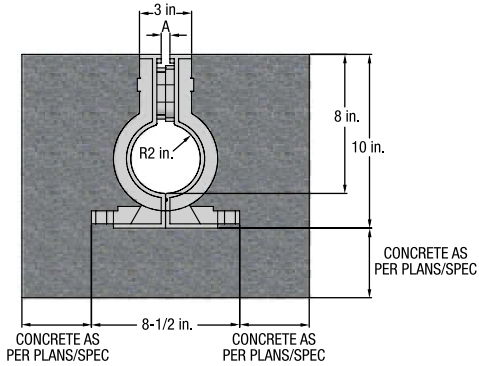
### Engineering Specification

Slot drain shall be 40" long, Z888-4 (8" deep and 4" wide); Z888-6 (11-3/4" deep and 4" wide); or Z888-8 (17-5/8" deep and 4" wide) with 1/2" wide slot opening (ADA compliant). Drain shall be made of High Density Polyethylene (HDPE) and be UV-10 stabilized. Drain shall have rebar clips molded onto bedding feet and/or bedding feet shall be used for positioning and anchoring purposes. Overlap connection shall be interlocked. For downloadable CSI format specification, visit [www.zurn.com](http://www.zurn.com).

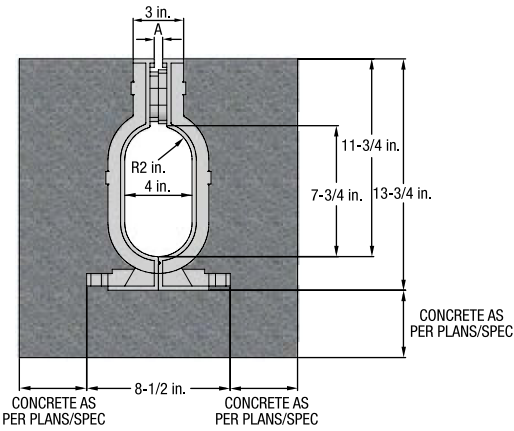
## Installation Specification

Consult Plans and Specifications

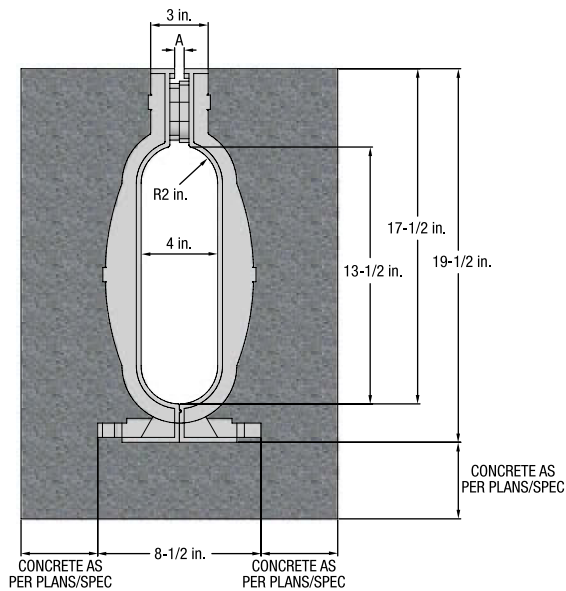
### Z888-4



### Z888-6

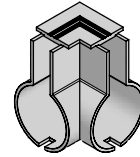


### Z888-8

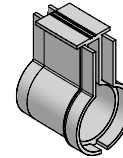


## Features and Benefits

- 40" Pre-engineered Modular Sections – Allows quick and easy installation
- Variable Slot Opening – "A" Dimension (1/4" or 1/2")
- ADA Compliant – Heel-proof ductile iron frame
- Smooth High Density Polyethylene Structural Composite Interior – 0% water absorption.
- Interlocking Joints – Connect without the added time and expense of an external coupling
- Radius System Capability – For layout flexibility
- Heavy-Duty Frame Available – Carbon Steel, Galvanized, or Stainless Steel
- Built-In Rebar Clips – Accommodates #3 or #4 rebar (supplied by others)

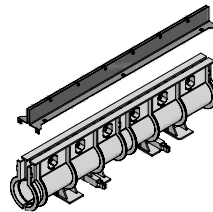


90° Connector  
(Only Available with Z888-4)

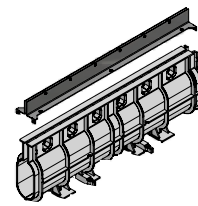


Radius Connector  
(Only Available with Z888-4)

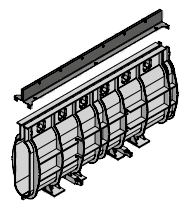
## Z888-4, Z888-6, Z888-8 System Paver Slot Options



Z888-4-HD



Z888-6-HD



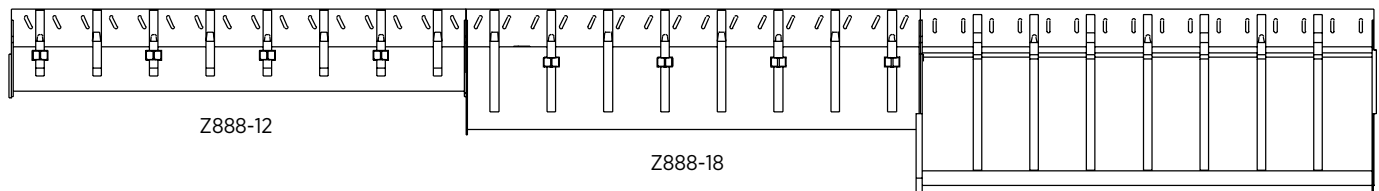
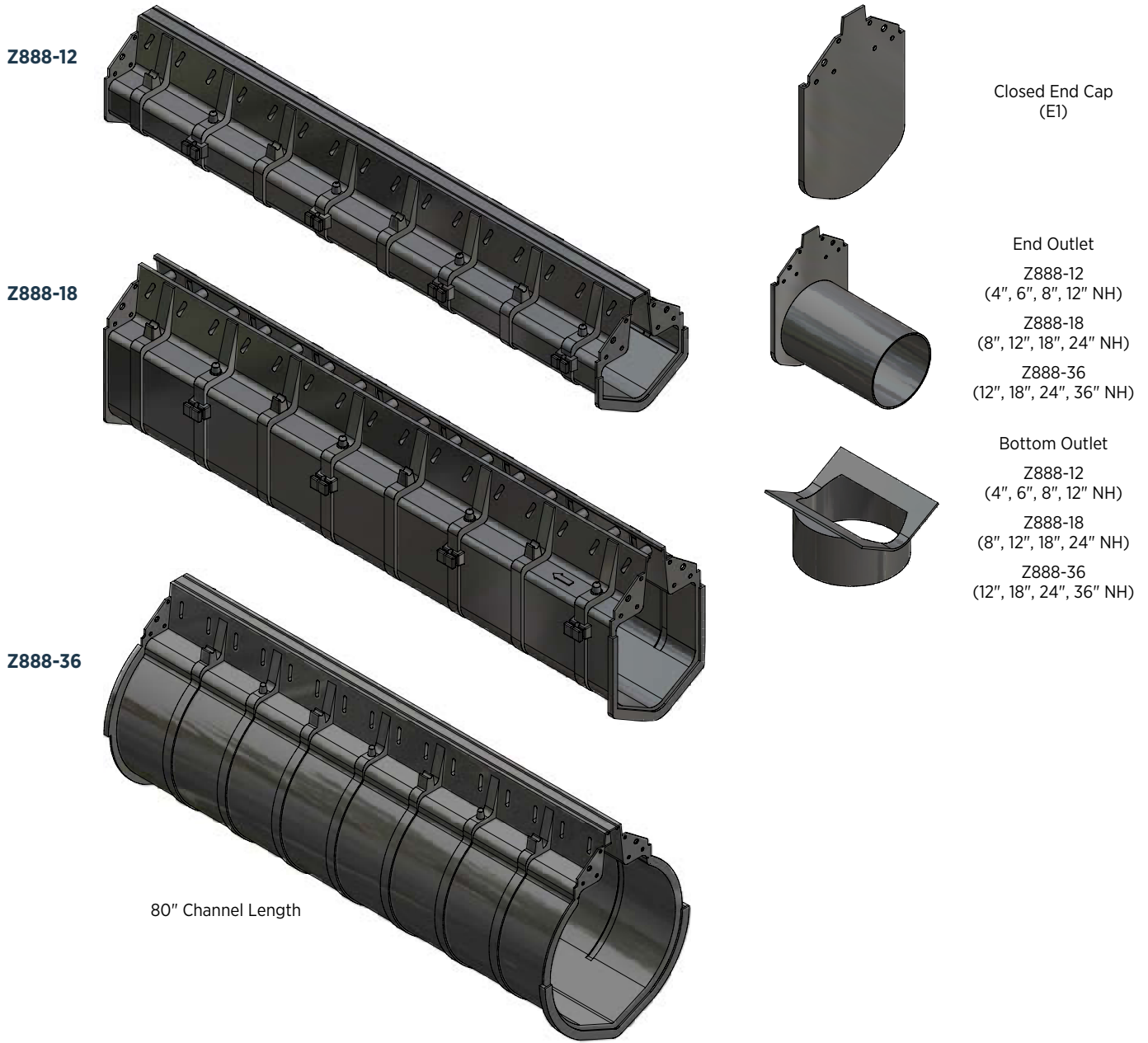
Z888-8-HD

For downloadable CSI format specification, visit [www.zurn.com](http://www.zurn.com).

# HI-CAP® LLDPE TRENCH DRAINS

## Z888 Hi-Cap®

High Capacity Drain System



## Z888 Applications

- Highways
- Airports
- Ports
- Wineries
- Parking Lots
- Gas Stations
- Industrial Parks
- Airplane Hangars

PRODUCT SIZE	FLOW RATES @ GRADES				STORAGE CAPACITY (GPF)
	LAID FLAT (CFS)	.3% SLOPE (CFS)	.6% SLOPE (CFS)	1% SLOPE (CFS)	
<b>888-12</b>	0.65	1.13	1.59	2.06	3.609
<b>888-18</b>	2.18	3.78	5.34	6.9	9.248
<b>888-36</b>	7.59	13.15	18.59	24	23.238

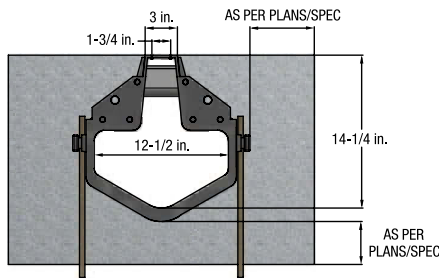
## Features and Benefits

- 80" Pre-engineered Modular Sections – Allows quick and easy assembly, straighter installation
- "V" Shaped Bottom – Better flow rate, less solids build-up
- Smooth Polyethylene Interior – 0% water absorption
- Chemical Resistance – Strong corrosion-resistant material
- Positive Mechanical Joint Connection – Keeps trench system straight and rigid
- Tie Down Leveling Device Every 20" – Positive anchoring to place and set installation to the desired elevation
- Integral Protective "Zip Strip" – Keeps body clean of debris and materials during installation. Remove after concrete pour
- Extra-Heavy-Duty Frame – Optional extra-heavy-duty top frame or heavy-duty ductile iron frame complete with anchor studs to handle dynamic loads

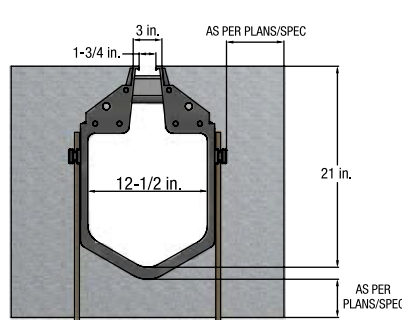
## Installation Specification

Consult Plans and Specifications

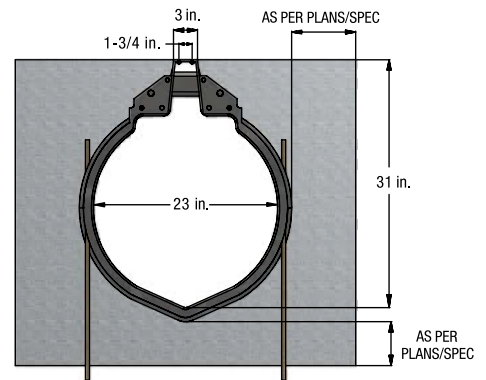
### Z888-12



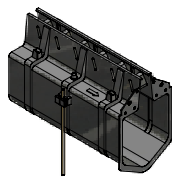
### Z888-18



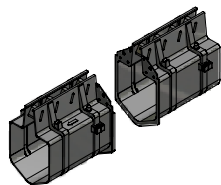
### Z888-36



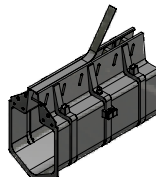
## System Highlights



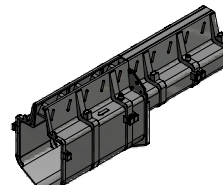
Support Antiflotation Rebar Clips



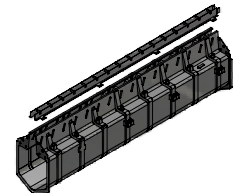
Mechanical Interlocking Connection



Integral "Zip Strip"



Transition (Optional)



Pre-Sloped Frame (Optional)

## Engineering Specification

Slot drain shall be 80" long, Z888-12 (14-1/4" deep and 12" wide); Z888-18 (21" deep and 12" wide); or Z888-36 (31" deep and 23" wide). Slot shall be 1-3/4" wide and have spacer bars at 5" intervals to keep sides of slot apart. Drain shall be made of Linear Low Density Polyethylene (LLDPE). Drain shall have tongue-and-groove interlocking ends and clips molded into the sides of the channel to accommodate vertical rebar for positioning and anchoring purposes. Drain shall be available with a choice of pedestrian, bicycle, FAA, and/or H-20 grates. End outlets, bottom outlets, and side outlets shall be available in 4", 6", 8", 12", 18", 24", and 36" diameters. Twenty-four-inch long cleanout sections shall be available with removable ductile iron grate. Slot drain shall be Flo-Thru model Z888-12, Z888-18, or Z888-36. For downloadable CSI format specification, visit [www.zurn.com](http://www.zurn.com).

# Z889 Hi-Cap®

## High Capacity Cleanout Port

**Z889-12**



**Z889-18**



**Z889-36**



### Z889 Applications

- Highways
- Airports
- Ports
- Wineries
- Parking Lots
- Gas Stations
- Industrial Parks
- Airplane Hangars

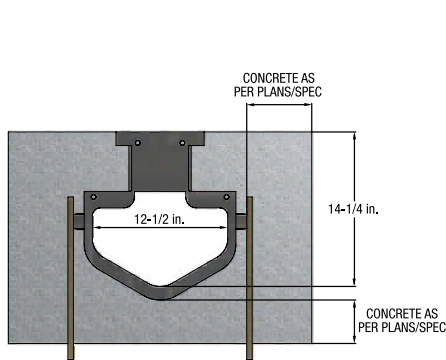
### Features and Benefits

- 24" Pre-engineered Modular Cleanout Port
- Integral Top Frame
- Smooth Radiused Interior
- Mechanically Interlocking Joints
- Integral Rebar Clips
- Dura-Coated Ductile Iron Grate (H-20 Loading - Standard)
- Class F Available

### Installation Specification

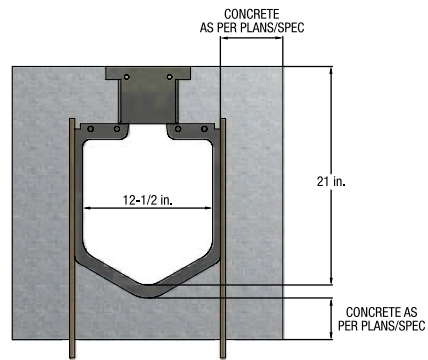
Consult Plans and Specifications

**Z889-12**



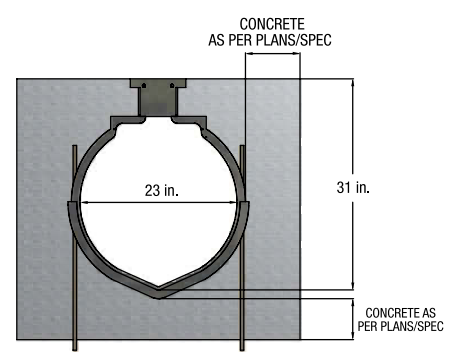
8" Throat / 12-1/2" Overall Width

**Z889-18**



8" Throat / 12-1/2" Overall Width

**Z889-36**



8" Throat / 23" Overall Width

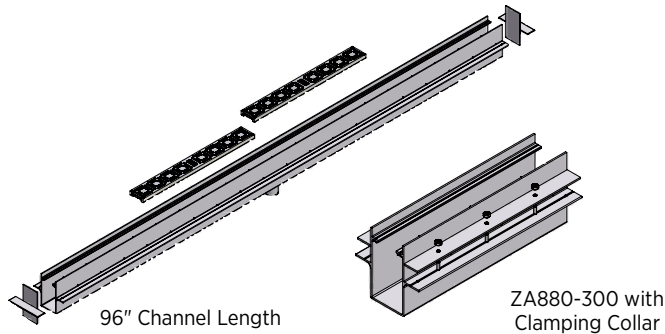
### Engineering Specification

Slot drain cleanout port shall be 24" long. Z889-12 cleanout port shall be 24" long, 12" wide, and 14" deep. Z889-18 cleanout port shall be 24" long, 12" wide, and 21" deep. Z889-36 cleanout port shall be 24" long, 12" wide, and 31" deep. The grate shall be 8" wide. Cleanout port shall be made of Linear Low Density Polyethylene (LLDPE), tongue-and-groove interlocking ends, and clips molded into the sides of the channel to accommodate vertical rebar for positioning and anchoring purposes. Cleanout port shall be available with a choice of pedestrian, bicycle safe, FAA, and/or H-20 grates. End outlets, bottom outlets, and side outlets shall be available in 4", 6", 8", and 12" diameters. Slot drain cleanout port shall be Flo-Thru model Z889-12, Z889-18, or Z889-36. For downloadable CSI format specification, visit [www.zurn.com](http://www.zurn.com).

# ALUMINUM TRENCH DRAINS

## ZA880-300

Extruded Aluminum Trench Drain



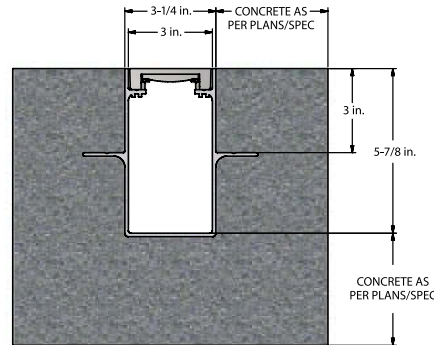
### Features and Benefits

- 96" Channel Sections with 24" Grates
- Flanged on Both Sides of Trench
- Four-Corner Lockdown Bronze or Ductile Iron Grates Available
- Mechanically Fastened Joint Connector with Integral Gasket
- Optional - Clamping Collar and Pan (-KC) with Weep Holes
- Compatible with Membrane Applications
- Aluminum Channel Can Be Anodized to Match Pantone Color

### ZA880-300 Applications

- Pools
- Residential
- Shower Drains
- Decks

### Installation Specification



ZA880-300

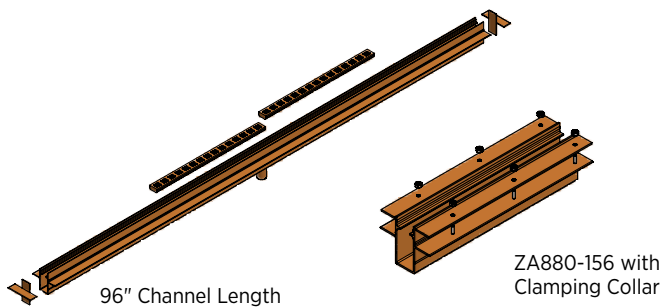
*Consult Plans and Specifications*

### Engineering Specification

Zurn ZA880-300 Extruded Aluminum Trench Drain System. 3" interior width x 6" overall height x 96" long, 48" long, or 24" long. Complete with 1-1/2" wide flanges on one or both sides. Material to be Aluminum Alloy 6063T5. Cast decorative bronze grate conforms to ASTM B584 Copper Alloy No. 844. Trench is anodized after extrusion to match grate color. End caps and outlets factory attached at the location determined by the customer before anodizing. For downloadable CSI format specification and other options available, visit [www.zurn.com](http://www.zurn.com).

## ZA880-156

Extruded Aluminum Trench Drain



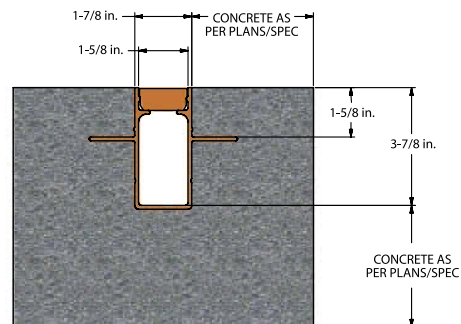
### Features and Benefits

- 96" Channel Sections with 24" Grates
- Flanged on Both Sides of Trench
- Bronze Decorative Grate
- Optional - Clamping Collar and Pan (-KC) with Weep Holes
- Compatible with Membrane Applications
- Aluminum Channel Can Be Anodized to Match Pantone Color

### ZA880-156 Applications

- Pools
- Residential
- Shower Drains
- Decks

### Installation Specification



*Consult Plans and Specifications*

### Engineering Specification

Zurn ZA880-156 Extruded Aluminum Trench Drain System. 1.63" interior width x 4" overall height x 80" long. Complete with 1-1/2" wide flanges on side. Material to be Aluminum Alloy 6063T5. Cast decorative bronze snap-in grate conforms to ASTM B584 Copper Alloy No. 844. Trench is anodized after extrusion to match grate color. End caps and outlets factory attached at the location determined by the customer before anodizing. For downloadable CSI format specification and other options available, visit [www.zurn.com](http://www.zurn.com).

# FLO-THRU® FIBERGLASS TRENCH DRAINS

## ZF806 Flo-Thru®

### 6" Trench Drain System



120" Channel Length

### ZF806 Applications

- Chemical Processing
- Commercial
- Traffic Areas
- Highway
- Industrial

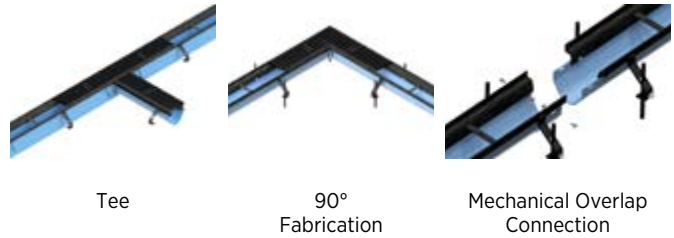
### Features and Benefits

- Fiberglass material provides self-extinguishing fire protection and advanced chemical resistance
- Available in two different resins - polyester and vinyl ester
- Longer lightweight pieces allow for lower job site inventory, ease of system alignment, and reduced worker fatigue
- Integral rebar clips for elevation set and final adjustment
- Factory installed sidewalls for longer runs and increased hydraulic capabilities
- Sidewall extensions available to allow pre-slope runs up to 300 feet
- Frame available in coated steel, stainless steel, or galvanized steel

### Engineering Specification

Channels shall be 120" long, 6" wide and have a 4" throat. Modular channel section shall be made of Fiber Reinforced Polymer (FRP). Shall have a positive mechanical connection between channel sections that will not separate during the installation. Channels shall weigh less than 2.31 lb per linear foot, have a smooth, 1-1/2" radiused self cleaning bottom with a Manning's coefficient of .009 and .75% or neutral 0% built in slope. Shall be provided with standard DGC grates that lock down to frame. Zurn 6" wide reveal Ductile Iron Slotted Gate conforming to ASTM specification A536, Grade 80-55-06. Ductile Iron grate is rated class C per the DIN EN1433 top load classifications. Supplied in 20" nominal lengths with 1/2" wide slots, and 3/4" bearing depth. Grate has an open area of 28.1 sq. in per ft. The #10 gage thick Heavy-Duty Carbon Steel Frame Assembly conforms to ASTM specification A36. Frames shall mechanically lock into the concrete surround at a maximum spacing of every 20" with 16 concrete anchors per 120". Frames shall have rebar attachment brackets as standard to secure trench in its final location. Grate lockdown bars are to be integral to the frame. The frame is supplied with a powder coated finish. All welds must be performed by a certified welder per ASTM standard AWS D1.1. Frames and Channels shall be produced in the U.S.A. For downloadable CSI format specification, visit [www.zurn.com](http://www.zurn.com).

### System Highlights



Tee

90° Fabrication

Mechanical Overlap Connection

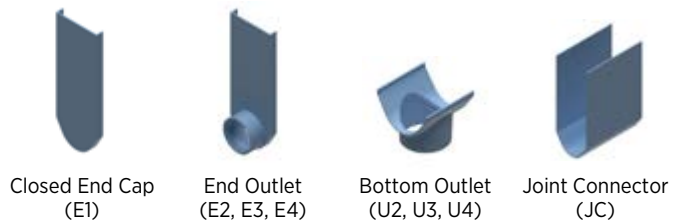
### Installation Specification



4" Throat / 5-3/4" Overall Width

Consult Plans and Specifications

TRENCH NO.	DIMENSIONS IN INCHES [MM]		FLOW RATE*		
	A SHALLOW INV.	B DEEP INV.	CFS	GPM	LPS
1002	4.75	5.65	0.326	146	9
1002N	5.65	5.65	-	-	-
1003	5.65	7.55	0.427	192	12
1004	6.55	7.45	0.53	238	15
1004N	7.45	7.45	-	-	-
1005	7.45	8.35	0.635	285	18
1006	8.35	9.25	0.74	332	21
1007	9.25	10.15	0.845	379	24
1008	10.15	11.05	0.951	427	27
1008N	11.05	11.05	-	-	-
1009	11.05	11.95	1.058	475	30
1010	11.95	12.85	1.164	523	33

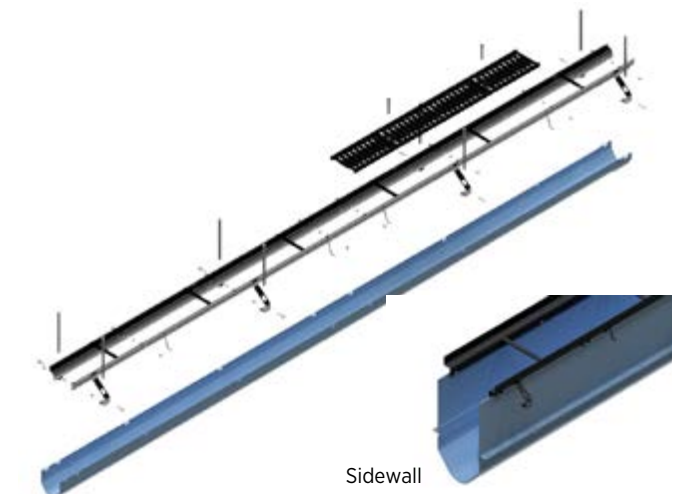


Closed End Cap (E1)

End Outlet (E2, E3, E4)

Bottom Outlet (U2, U3, U4)

Joint Connector (JC)

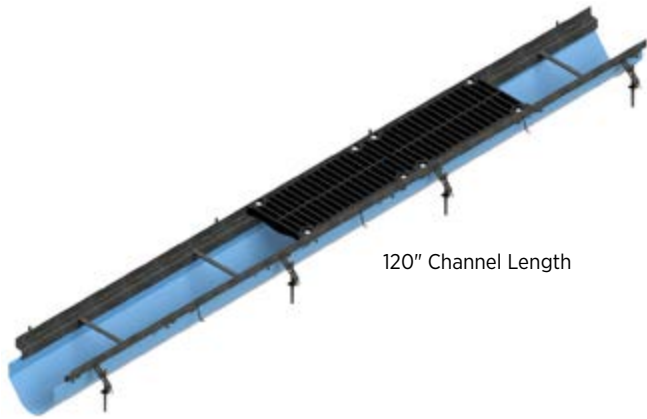


Sidewall



# ZF812 Flo-Thru<sup>®</sup>

## 12" Trench Drain System



120" Channel Length

### ZF812 Applications

- Chemical Processing
- Commercial
- Traffic Areas
- Highway
- Industrial

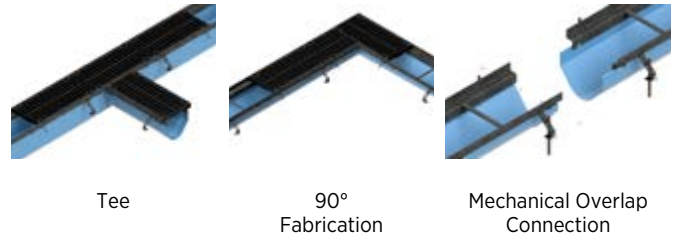
### Features and Benefits

- Fiberglass material provides self-extinguishing fire protection and advanced chemical resistance
- Available in two different resins - polyester and vinyl ester
- Longer lightweight pieces allow for lower job site inventory, ease of system alignment, and reduced worker fatigue
- Integral rebar clips for elevation set and final adjustment
- Factory installed sidewalls for longer runs and increased hydraulic capabilities
- Sidewall extensions available to allow pre-slope runs up to 300 feet
- Frame available in coated steel, stainless steel, or galvanized steel

### Engineering Specification

Channels are 120" long, 12" wide reveal and have a 9-1/4" throat. Modular channel sections are made of Fiber Reinforced Polymer (FRP), and have a positive mechanical connection between channel sections that will not separate during the installation. Channels weigh less than 5.05 lb per linear foot, have a smooth, 3" radiused self cleaning bottom with a Manning's coefficient of .009 and 1.04% or neutral 0% built in slope. Channels are provided with standard DGC grates that lock down to frame. Zurn 12" wide reveal Ductile Iron Slotted Grate conforming to ASTM specification A536, Grade 80-55-06. Ductile Iron grate is rated class C per the DIN EN 1433 top load classifications. Supplied in 24" nominal lengths with 13/16" wide slots, and 1-1/2" bearing depth. Grate has an open area of 80.8 sq. in per ft. The #7 gage thick Heavy-Duty Carbon Steel Frame Assembly conforms to ASTM specification A36. Frames shall mechanically lock into the concrete surround at a maximum spacing of every 21", with 14 anchors per 120". Frames have rebar attachment brackets as standard to secure trench to its final location. Grate lockdown bars are to be integral to the frame. The frame is supplied with a powder coated finish. All welds must be performed by a certified welder per ASTM standard AWS D1.1. Frames and Channels shall be produced in the U.S.A. For downloadable CSI format specification, visit [www.zurn.com](http://www.zurn.com).

### System Highlights



Tee

90°  
Fabrication

Mechanical Overlap  
Connection

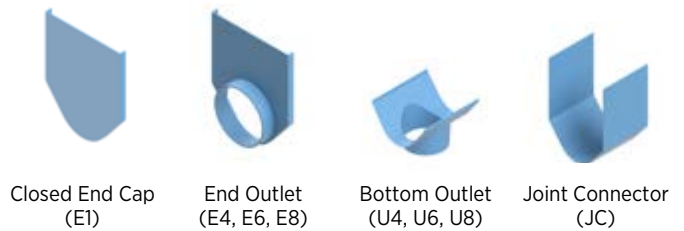
### Installation Specification



9-1/4" Throat / 11-7/8" Overall Width

Consult Plans and Specifications

TRENCH NO.	DIMENSIONS IN INCHES [MM]		FLOW RATE		
	A SHALLOW INV.	B DEEP INV.	CFS	GPM	LPS
2002	7.93 [201]	9.18 [233]	2.088	937	59
2002N	9.18 [233]	9.18 [233]	-	-	-
2003	9.18 [233]	10.43 [265]	2.73	1225	77
2004	10.43 [265]	11.68 [297]	3.388	1521	96
2004N	11.68 [297]	11.68 [297]	-	-	-
2005	11.68 [297]	12.93 [328]	4.058	1821	115
2006	12.93 [328]	14.18 [360]	4.736	2125	134
2007	14.18 [360]	15.43 [392]	5.42	2432	153
2008	15.43 [392]	16.68 [424]	6.109	2742	173
2008N	16.68 [424]	16.68 [424]	-	-	-
2009	16.68 [424]	17.93 [455]	6.802	3053	193
2010	17.93 [455]	19.18 [487]	7.498	3365	212

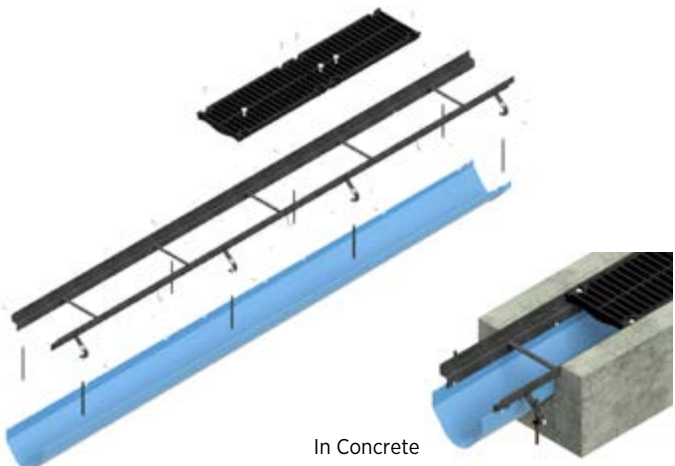


Closed End Cap  
(E1)

End Outlet  
(E4, E6, E8)

Bottom Outlet  
(U4, U6, U8)

Joint Connector  
(JC)



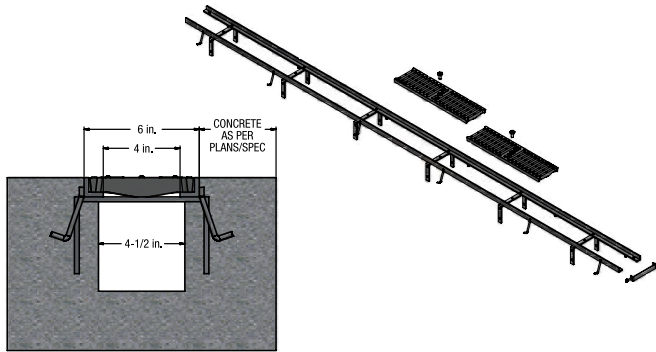
In Concrete

# FRAME AND GRATE CAST-IN-PLACE TRENCH DRAINS

## Z700 Series

### Frame and Grate Systems for Cast-in-Place Trench

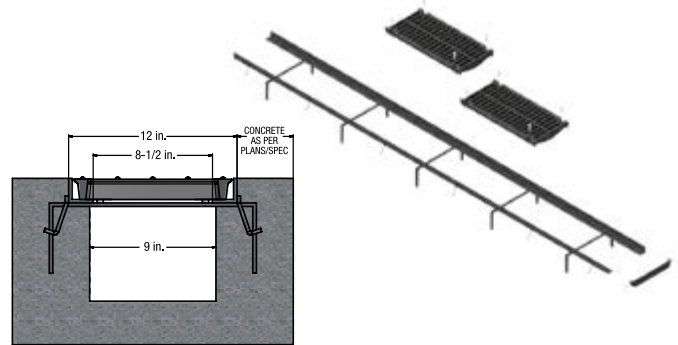
#### Z706 6" Frame and Grate System



#### Engineering Specification

Z706 6" Wide Frame and Grate System. 1" x 1" x 1/4" angle, 10' long, carbon steel frame assembly. 1/4" x 3" studs and combination anchor tabs/leveling devices at appropriate locations for embedding into surrounding concrete. Complete with Class C ductile iron slotted grates (-DGC).

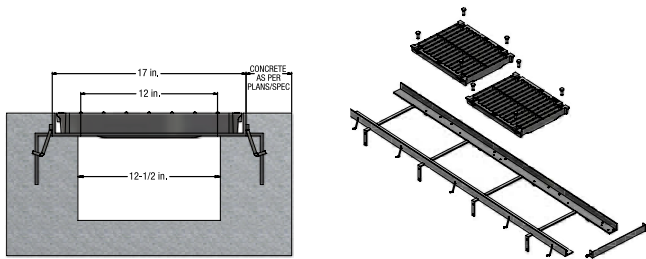
#### Z712 12" Frame and Grate System



#### Engineering Specification

Z712 12" Wide Frame and Grate System. 1-3/4" x 1-3/4" x 1/4" angle, 10' long, carbon steel frame assembly. 1/4" x 3" studs and combination anchor tabs/leveling devices at appropriate locations for embedding into surrounding concrete. Complete with Class C ductile iron slotted grates (-DGC).

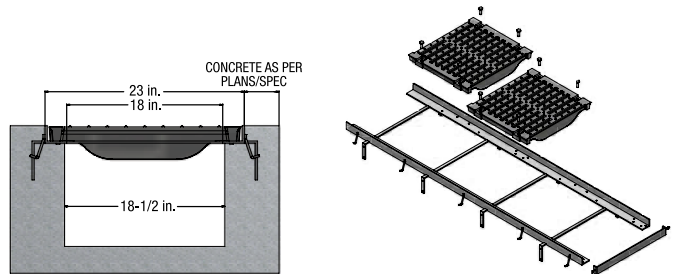
#### Z717 17" Frame and Grate System



#### Engineering Specification

Z717 17" Wide Frame and Grate System. 2" x 2-1/2" x 1/4" angle, 80" long, carbon steel frame assembly. 1/4" x 3" studs and combination anchor tabs/leveling devices at appropriate locations for embedding into surrounding concrete. Complete with Class C ductile iron slotted grates (-DGC).

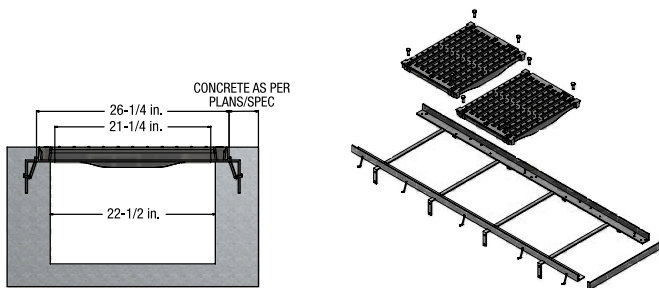
#### Z723 23" Frame and Grate System



#### Engineering Specification

Z723 23" Wide Frame and Grate System. 2" x 2-1/2" x 1/4" angle, 80" long, carbon steel frame assembly. 1/4" x 3" studs and combination anchor tabs/leveling devices at appropriate locations for embedding into surrounding concrete. Complete with Class C ductile iron slotted grates (-DGC).

#### Z726 26" Frame and Grate System



#### Engineering Specification

Z726 26" Wide Frame and Grate System. 2" x 2-1/2" x 1/4" angle, 80" long, carbon steel frame assembly. 1/4" x 3" studs and combination anchor tabs/leveling devices at appropriate locations for embedding into surrounding concrete. Complete with Class C ductile iron slotted grates (-DGC).

Frame available in coated steel, stainless steel, or galvanized steel.

*Consult Plans and Specifications*

# OIL/DEBRIS SEPARATORS

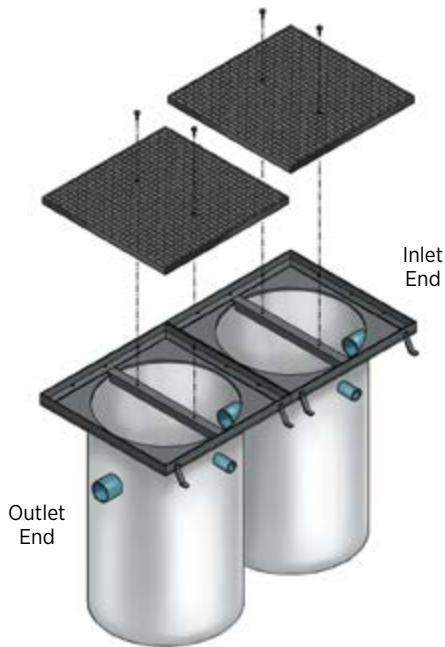
## Z885

### Oil Separators/Debris Separators

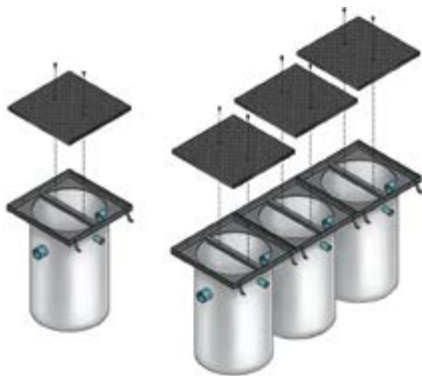
#### Z885 Applications

- Industrial Plants
- Chemical Plants
- Kitchens
- Food Processing

#### Installation Specification



Double basins are standard for Z885.



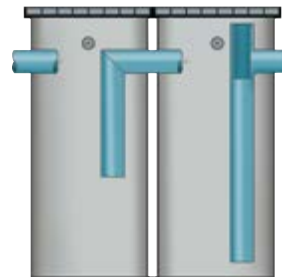
Single and triple basins available upon request.

#### Features and Benefits

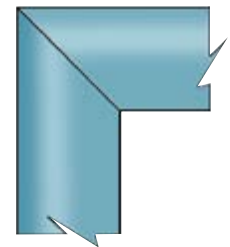
- Smooth Polyethylene Interior – 0% water absorption
- Standard Steel Angle Frame with Anchor Studs
- Polyethylene Tanks – Lightweight, strong, corrosion-resistant
- Medium-Duty Tread Plate Cover with Stainless Steel Lockdown Hardware
- Contact Factory For Custom Sizes

CAPACITY GALLONS	TOP DIMENSION IN [MM]	HEIGHT IN [MM]	APROX. WT. LB [KG]
140	70-1/2 x 35-1/4 [1791 x 895]	30 [762]	328 [149]
200	70-1/2 x 35-1/4 [1791 x 895]	36 [914]	354 [161]
260	70-1/2 x 35-1/4 [1791 x 895]	48 [1219]	382 [173]

#### System Highlights



Single Assembled Unit



Pre-Welded Piping

#### Engineering Specification

Z885 Polyethylene Oil Separator. 1/4" thick polyethylene body complete with heavy-duty Dura-Coated steel frame and 1/4" thick steel diamond plate covers with medium-duty top loading classification. Four-inch diameter No-Hub inlet/outlet with 2" diameter No-Hub vent connections. Dimensions shown nominally for reference. Top of grate to center of outlet distance is 8" unless otherwise specified. For downloadable CSI format specification and additional options available, visit [www.zurn.com](http://www.zurn.com).

# GRATES

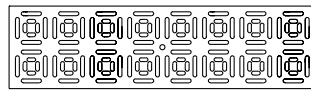
## Technical Information

6" SYSTEM GRATES												
SUFFIX	DESCRIPTION	MATERIAL	OVERALL DIMENSIONS				DIN	ANSI	ADA	H-20	FAA	
			WEIGHT (LB/FT.)	LENGTH	OPEN AREA (SQ. IN. PER FT.)	SLOT WIDTH/ HOLE SIZE						
-AWG	Aluminum Wire Grate	Aluminum	0.7	40"	37.5	0.250	A	Light Duty	Yes	No	No	
-BCD	Circular Decorative	Bronze	7.8	20"	17.6	0.250	A	Light Duty	No	No	No	
-BDD	Diagonal Decorative	Bronze	6.9	20"	17.9	0.250	A	Light Duty	Yes	No	No	
-BZ	Bronze Decorative	Bronze	6.2	20"	16.9	0.250	A	Light Duty	No	No	No	
-DDD	Diagonal Decorative	Ductile Iron	5.5	20"	17.9	0.250	A	Light Duty	Yes	No	No	
-DWV	Decorative Wave Grate	Ductile Iron	4.2	20"	36.9	0.900	A	Light Duty	No	No	No	
-FG	Fabricated Slotted	Galvanized Steel	1.7	40"	12	0.375	A	Light Duty	No	No	No	
-FS	Fabricated Slotted	Stainless Steel	1.7	40"	12	0.375	A	Light Duty	No	No	No	
-GG	Slotted Grate	Fiberglass	0.98	40"	41.6	0.750	A	Light Duty	No	No	No	
-HPB	Heel-Proof Slotted	Bronze	7.8	20"	17	0.250	A	Light Duty	Yes	No	No	
-HPP	Heel-Proof Slotted	HDPE	0.9	20"	14.5	0.250	A	Light Duty	Yes	No	No	
-HPS	Heel-Proof Slotted	Stainless Steel	7.1	20"	17	0.250	A	Light Duty	Yes	No	No	
-NBZ-USA	Domestic Decorative	Nickel Bronze	5.7	20"	16.9	0.250	A	Light Duty	Yes	No	No	
-PG	Fabricated Perforated	Galvanized Steel	1.6	40"	5.3	.250 Dia.	A	Light Duty	Yes	No	No	
-PGR	Raised Perforated	Galvanized Steel	1.8	40"	5.3	.250 Dia.	A	Light Duty	Yes	No	No	
-PS	Fabricated Perforated	Stainless Steel	1.8	40"	5.3	.250 Dia.	A	Light Duty	Yes	No	No	
-PSR	Raised Perforated	Stainless Steel	1.9	40"	5.3	.250 Dia.	A	Light Duty	Yes	No	No	
-SC	Solid Cover	Stainless Steel	1.6	40"	N/A	N/A	A	Light Duty	Yes	No	No	
-SWG	Stainless Steel Wire Grate	Stainless Steel	2.5	40"	37.5	0.250	A	Light Duty	Yes	Yes	No	
-DOG	Decorative	Ductile Iron	4.9	20"	16.9	0.250	B	Medium Duty	No	No	No	
-GHPD	Heel-Proof Slotted	Galvanized Ductile Iron	6.3	20"	17	0.250	B	Medium Duty	Yes	No	No	
-GMG	Mesh Screen	Galvanized Steel	3.8	40"	47	1.125	B	Medium Duty	No	No	No	
-HPD	Heel-Proof Longitudinal	Ductile Iron	6.3	20"	17	0.250	B	Medium Duty	Yes	No	No	
-LD	Longitudinal Slotted	Ductile Iron	6.48	20"	20.94	0.563	B	Medium Duty	No	No	No	
-PVS	Paver Slot Grate	Fabricated Steel	4.6	40"	6	0.500	B	Medium Duty	Yes	No	No	
-PVSG	Paver Slot Grate	Fabricated Galvanized Steel	4.6	40"	6	0.500	B	Medium Duty	Yes	No	No	
-PVSS	Paver Slot Grate	Fabricated Stainless Steel	4.7	40"	6	0.500	B	Medium Duty	Yes	No	No	
-SCD	Circular Decorative	Stainless Steel	7.2	20"	17.6	0.250	B	Medium Duty	No	No	No	
-SDD	Diagonal Decorative	Stainless Steel	6.3	20"	17.9	0.250	B	Medium Duty	Yes	No	No	

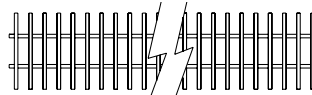
All gratings for the 6" systems have a width of 5.375" and a height of 3/4".



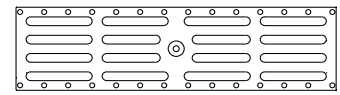
AWG/SWG



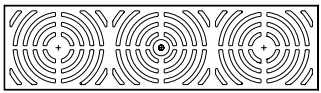
BZ/DOG/NBZ/SOG



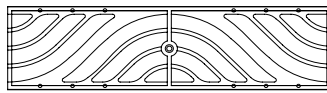
GG



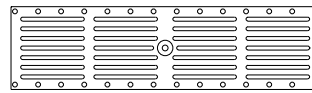
LD



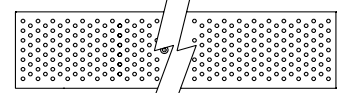
BCD/DCD/SCD



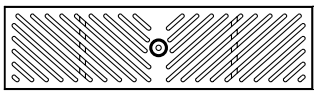
DWV



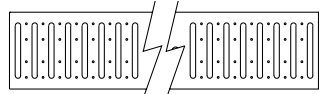
HPB/HPD/HPS



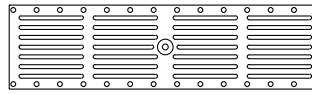
PG/PS



BDD/DDD/SDD



FG/FS



HPP



PVS/PVSG/PVSS

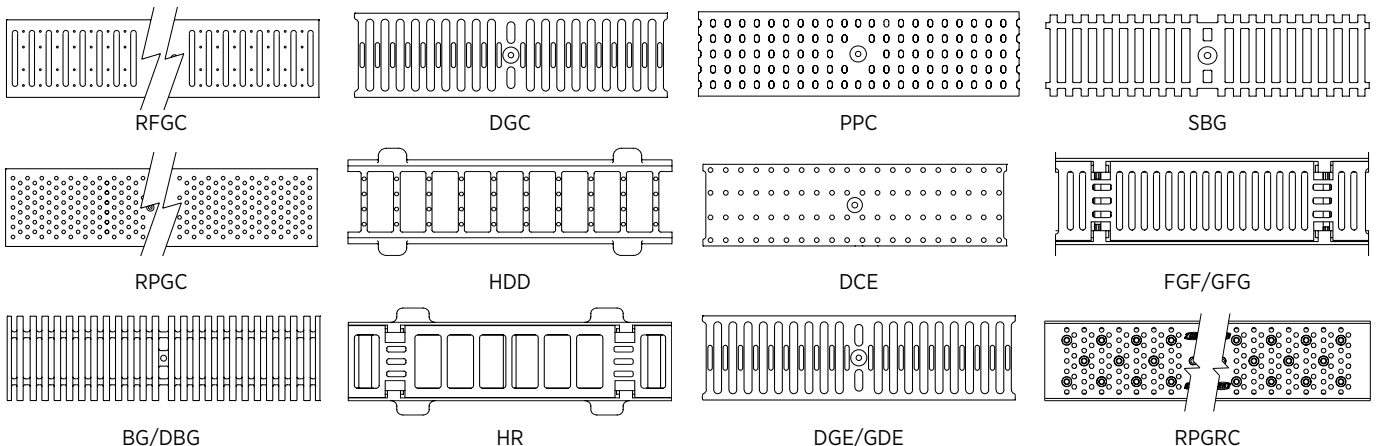
For downloadable CSI format specification, visit [www.zurn.com](http://www.zurn.com).

 Indicates 40" Grate Length

### 6" SYSTEM GRATES

SUFFIX	DESCRIPTION	MATERIAL	OVERALL DIMENSIONS				DIN	ANSI	ADA	H-20	FAA
			WEIGHT (LB/FT.)	LENGTH	OPEN AREA (SQ. IN. PER FT.)	SLOT WIDTH/ HOLE SIZE					
-SMG	Mesh Screen	Stainless Steel	3.9	40"	47	1.125	B	Medium Duty	No	No	No
-SOG	Decorative	Stainless Steel	5.6	20"	16.9	0.250	B	Medium Duty	No	No	No
-BDC	Black Acid Resistant Ductile	Ductile Iron	4.5	20"	28.2	0.500	C	Heavy Duty	No	Yes	No
-BG	Slotted Bar Grate	Galvanized Ductile Iron	5.7	20"	23.9	0.360	C	Heavy Duty	No	Yes	No
-DBG	Slotted Bar Grate	Ductile Iron	5.7	20"	23.9	0.360	C	Heavy Duty	No	Yes	No
-DC	Solid Cover	Ductile Iron	8	20"	N/A	N/A	C	Heavy Duty	Yes	Yes	No
-DCD	Circular Decorative	Ductile Iron	6.3	20"	17.6	0.250	C	Heavy Duty	No	No	No
-DGC	Slotted Grate	Ductile Iron	4.5	20"	28.2	0.500	C	Heavy Duty	No	Yes	No
-DGC-USA	Domestic Slotted Grate	Ductile Iron	4.5	20"	28.2	0.500	C	Heavy Duty	No	Yes	No
-DTW	Decorative Tidal Wave	Ductile Iron	8.1	20"	21	0.406	C	Heavy Duty	Yes	Yes	No
-GDC	Slotted Grate	Galvanized Ductile Iron	4.5	20"	28.1	0.500	C	Heavy Duty	No	Yes	No
-GDC-USA	Domestic Slotted Grate	Galvanized Ductile Iron	4.5	20"	28.1	0.500	C	Heavy Duty	No	Yes	No
-HDD	Fixed Grate	Ductile Iron	7.7	20"	38.8	1.75	C	Heavy Duty	No	Yes	No
-HR	Removable Grate	Ductile Iron	12.3	20"	32.8	1.625	C	Heavy Duty	No	Yes	No
-PPC	Perforated Grate	Vinylester	3.3	20"	6.6	0.300	C	Heavy Duty	Yes	No	No
-RFGC	Reinforced Slotted	Galvanized Steel	4.8	40"	12	0.375	C	Heavy Duty	Yes	Yes	No
-RFSC	Reinforced Slotted	Stainless Steel	5.2	40"	12	0.375	C	Heavy Duty	Yes	Yes	No
-RPGC	Reinforced Perforated	Galvanized Steel	4.7	40"	8.3	.250 Dia.	C	Heavy Duty	Yes	Yes	No
-RPGRC	Reinforced Perforated	Galvanized Steel	4.7	40"	8.3	.313 Dia.	C	Heavy Duty	Yes	Yes	No
-RPSC	Reinforced Perforated	Stainless Steel	5.1	40"	8.3	.313 Dia.	C	Heavy Duty	Yes	Yes	No
-RPSRC	Reinforced Perforated Reverse Punch	Stainless Steel	5.1	40"	8.3	.313 Dia.	C	Heavy Duty	Yes	Yes	No
-BDE	Black Acid Resistant Ductile	Ductile Iron	6.4	20"	28.2	0.5	E	Special Duty	No	Yes	Yes
-BDE-USA	Domestic Black Acid Resistant Ductile	Ductile Iron	6.4	20"	28.2	0.5	E	Special Duty	No	Yes	Yes
-DCE-USA	Domestic Solid Cover	Ductile Iron	8	20"	N/A	N/A	E	Special Duty	Yes	Yes	Yes
-DGE	Slotted Grate	Ductile Iron	6.4	20"	28.2	0.500	E	Special Duty	No	Yes	Yes
-DGE-USA	Domestic Slotted Grate	Ductile Iron	6.4	20"	28.2	0.500	E	Special Duty	No	Yes	Yes
-GDE	Slotted Grate	Galvanized Ductile Iron	6.4	20"	28.2	0.500	E	Special Duty	No	Yes	Yes
-GDE-USA	Domestic Slotted Grate	Galvanized Ductile Iron	6.4	20"	28.2	0.500	E	Special Duty	No	Yes	Yes
-GHPDE	Heel-Proof Slotted	Galvanized Ductile Iron	9.5	20"	10.9	0.313	E	Special Duty	Yes	Yes	Yes
-GHPDE-USA	Domestic Heel-Proof Slotted	Galvanized Ductile Iron	9.5	20"	10.9	0.313	E	Special Duty	Yes	Yes	Yes
-HPDE	Heel-Proof Slotted	Ductile Iron	9.5	20"	10.9	0.313	E	Special Duty	Yes	Yes	Yes
-HPDE-USA	Domestic Heel-Proof Slotted	Ductile Iron	9.5	20"	10.9	0.313	E	Special Duty	Yes	Yes	Yes
-PDE-USA	Domestic Decorative	Ductile Iron	7.4	20"	9.13	0.453	E	Special Duty	Yes	Yes	Yes
-SBG	Slotted Bar Grate	Stainless Steel	9.4	20"	27.7	0.500	E	Special Duty	No	Yes	Yes
-FGF	Ductile Frame & Grate	Ductile Iron	18.7	20"	20.5	0.370	F	Special Duty	No	Yes	Yes
-FGF-USA	Domestic Ductile Frame & Grate	Ductile Iron	18.7	20"	20.5	0.370	F	Special Duty	No	Yes	Yes
-GFG	Galvanized Frame & Grate	Galvanized Ductile Iron	18.7	20"	20.5	0.370	F	Special Duty	No	No	Yes
-GFG-USA	Domestic Galvanized Frame & Grate	Galvanized Ductile Iron	18.7	20"	20.5	0.370	F	Special Duty	No	No	Yes

*All gratings for the 6" systems have a width of 5.375" and a height of 3/4".*



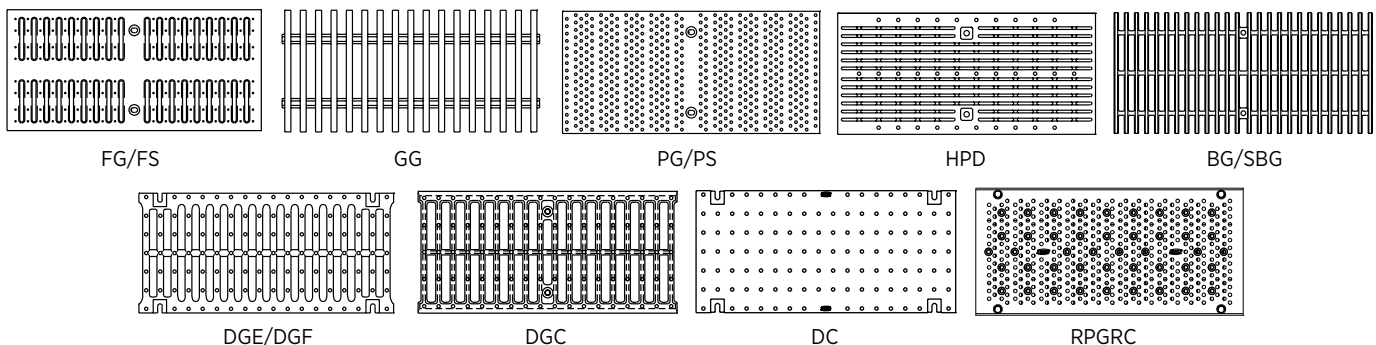
For downloadable CSI format specification, visit [www.zurn.com](http://www.zurn.com).

Indicates 40" Grate Length

### 12" SYSTEM GRATES

SUFFIX	DESCRIPTION	MATERIAL	OVERALL DIMENSIONS				DIN	ANSI	ADA	H-20	FAA
			WEIGHT (LB/FT.)	LENGTH	OPEN AREA (SQ. IN. PER FT.)	SLOT WIDTH/HOLE SIZE					
-FG	Fabricated Slotted	Galvanized Steel	7.7	24"	25.61	0.375	A	Light Duty	No	No	No
-FS	Fabricated Slotted	Stainless Steel	7.7	24"	25.61	0.375	A	Light Duty	No	No	No
-GG	Slotted Grate	Fiberglass	2.8	24"	82.5	0.875	A	Light Duty	No	No	No
-PG	Fabricated Perforated	Galvanized Steel	7	24"	14.9	.250 Dia.	A	Light Duty	Yes	No	No
-PGR	Raised Perforated	Galvanized Steel	7	24"	14.9	.250 Dia.	A	Light Duty	Yes	No	No
-PS	Fabricated Perforated	Stainless Steel	7.3	24"	14.9	.250 Dia.	A	Light Duty	Yes	No	No
-PSR	Raised Perforated	Stainless Steel	7.3	24"	14.9	.250 Dia.	A	Light Duty	Yes	No	No
-HPD	Heel-Proof Longitudinal	Ductile Iron	14	24"	33.7	0.250	B	Medium Duty	Yes	No	No
-GHPD	Galvanized Heel-Proof	Galvanized Ductile Iron	14	24"	33.7	0.250	B	Medium Duty	Yes	No	No
-SSCD	Solid Cover	Stainless Steel	11.7	24"	N/A	N/A	B	Medium Duty	Yes	No	No
-ADA-USA	Domestic ADA Compliant	Ductile Iron	15.6	24"	65.2	0.469	C	Heavy Duty	Yes	Yes	No
-BDC	Black Acid Resistant Ductile	Ductile Iron	14.7	24"	86.7	0.984	C	Heavy Duty	No	Yes	No
-DGC	Slotted Grate	Ductile Iron	14.7	24"	86.7	0.984	C	Heavy Duty	No	Yes	No
-DGC-USA	Domestic Slotted Grate	Ductile Iron	14.7	24"	86.7	0.984	C	Heavy Duty	No	Yes	No
-GADA-USA	Domestic Galvanized ADA Compliant	Galvanized Ductile Iron	15.6	24"	65.2	0.469	C	Heavy Duty	Yes	Yes	No
-GDC	Galvanized Slotted Grate	Galvanized Ductile Iron	14.7	24"	86.7	0.984	C	Heavy Duty	No	Yes	No
-GDC-USA	Domestic Galvanized Slotted Grate	Galvanized Ductile Iron	14.7	24"	86.7	0.984	C	Heavy Duty	No	Yes	No
-RFGC	Reinforced Slotted	Galvanized Steel	16.4	24"	20.2	0.375	C	Heavy Duty	Yes	Yes	No
-RFSC	Reinforced Slotted	Stainless Steel	21.3	24"	20.2	0.375	C	Heavy Duty	Yes	Yes	No
-RPGC	Reinforced Perforated	Galvanized Steel	11.3	24"	14.9	.250 Dia.	C	Heavy Duty	Yes	No	No
-RPGRC	Raised Perforated	Galvanized Steel	16	24"	19.2	.313 Dia.	C	Heavy Duty	Yes	Yes	No
-RPSC	Reinforced Perforated	Stainless Steel	21	24"	19.2	.313 Dia.	C	Heavy Duty	Yes	Yes	No
-RPSRC	Raised Perforated	Stainless Steel	21	24"	14.9	.313 Dia.	C	Heavy Duty	Yes	Yes	No
-SBG-L	Slotted Bar Grate	Stainless Steel	13.9	24"	101.9	0.750	C	Heavy Duty	No	Yes	No
-BG	Slotted Bar Grate	Galv. Ductile Iron	19.7	24"	73.9	0.750	D	Heavy Duty	No	Yes	No
-BDE	Black Acid Resistant Ductile	Ductile Iron	19.8	24"	60.3	0.766	E	Special Duty	No	Yes	Yes
-BDE-USA	Domestic Black Acid Resistant Ductile	Ductile Iron	19.8	24"	60.3	0.766	E	Special Duty	No	Yes	Yes
-DC	Solid Cover	Ductile Iron	27.9	24"	N/A	N/A	E	Special Duty	Yes	Yes	Yes
-DC-G	Galvanized Solid Cover	Galvanized Ductile Iron	27.9	24"	N/A	N/A	E	Special Duty	Yes	Yes	Yes
-DGE	Slotted Grate	Ductile Iron	19.8	24"	60.3	0.760	E	Special Duty	No	Yes	Yes
-DGE-USA	Domestic Slotted Grate	Ductile Iron	19.8	24"	60.3	0.766	E	Special Duty	No	Yes	Yes
-GDE	Galvanized Slotted Grate	Galvanized Ductile Iron	19.8	24"	60.3	0.766	E	Special Duty	No	Yes	Yes
-GDE-USA	Domestic Galvanized Slotted Grate	Galvanized Ductile Iron	19.8	24"	60.3	0.766	E	Special Duty	No	Yes	Yes
-GHPDE	Galvanized Heel-Proof	Galvanized Ductile Iron	29.6	24"	29.9	0.281	E	Special Duty	Yes	Yes	Yes
-GHPDE-USA	Domestic Galvanized Heel-Proof	Galvanized Ductile Iron	29.6	24"	29.9	0.281	E	Special Duty	Yes	Yes	Yes
-HPDE	Heel-Proof	Ductile Iron	29.6	24"	29.9	0.281	E	Special Duty	Yes	Yes	Yes
-HPDE-USA	Domestic Heel-Proof	Ductile Iron	29.6	24"	29.9	0.281	E	Special Duty	Yes	Yes	Yes
-BDF	Black Acid Resistant Ductile	Ductile Iron	26	24"	54	0.703	F	Special Duty	No	Yes	Yes
-DGF	Slotted Grate	Ductile Iron	26	24"	54	0.703	F	Special Duty	No	Yes	Yes
-GDF	Galvanized Slotted Grate	Galvanized Ductile Iron	26	24"	54	0.703	F	Special Duty	No	Yes	Yes

*All gratings for the 12" systems have a width of 11-1/4" and a height of 1-1/2".*

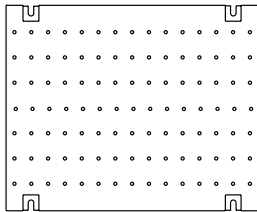


For downloadable CSI format specification, visit [www.zurn.com](http://www.zurn.com).

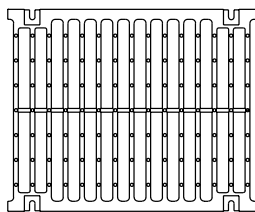
### Z874-12 SYSTEM GRATES

SUFFIX	DESCRIPTION	MATERIAL	OVERALL DIMENSIONS				DIN	ANSI	ADA	H-20	FAA
			WEIGHT (LB./FT.)	LENGTH	OPEN AREA (SQ. IN. PER FT.)	SLOT WIDTH/ HOLE SIZE					
-GG	Fiberglass Grate	Fiberglass	6	20"	147	1.750	A	Light Duty	No	No	No
-ADA-USA	Domestic ADA Compliant	Ductile Iron	26.5	20"	66	0.500	C	Heavy Duty	Yes	Yes	No
-DCC	Solid Cover	Ductile Iron	29	20"	N/A	N/A	C	Heavy Duty	Yes	Yes	No
-DGC	Slotted Grate	Ductile Iron	28	20"	118	0.953	C	Heavy Duty	No	Yes	No
-DGC-USA	Domestic Slotted Grate	Ductile Iron	28	20"	118	0.953	C	Heavy Duty	No	Yes	No
-GADA-USA	Domestic Galvanized ADA Compliant	Galvanized Ductile Iron	26.5	20"	66	0.500	C	Heavy Duty	Yes	Yes	No
-GDC	Galvanized Slotted Grate	Galvanized Ductile Iron	28	20"	118	0.953	C	Heavy Duty	No	Yes	No
-GDC-USA	Domestic Galvanized Slotted Grate	Galvanized Ductile Iron	28	20"	118	0.953	C	Heavy Duty	No	Yes	No
-GHPD	Galvanized Heel-Proof	Galvanized Ductile Iron	28.5	20"	37	0.250	C	Heavy Duty	Yes	Yes	No
-HPD	Heel-Proof Longitudinal	Ductile Iron	28.5	20"	37	0.250	C	Heavy Duty	Yes	Yes	No
-SBG	Bar Grate	Stainless Steel	24.17	20"	143	1.125	C	Heavy Duty	No	Yes	No
-DCF	Solid Cover	Ductile Iron	48	20"	N/A	N/A	F	Special Duty	Yes	Yes	Yes
-DGF	Slotted Grate	Ductile Iron	49	20"	90	0.740	F	Special Duty	No	Yes	Yes
-DGF-USA	Domestic Slotted Grate	Ductile Iron	39.8	20"	120	1.000	F	Special Duty	No	Yes	Yes
-GCF	Galvanized Solid Cover	Galvanized Ductile Iron	48	20"	N/A	N/A	F	Special Duty	Yes	Yes	Yes
-GDF	Galvanized Slotted Grate	Galvanized Ductile Iron	49	20"	90	N/A	F	Special Duty	No	Yes	Yes
-GDF-USA	Domestic Galvanized Slotted Grate	Galvanized Ductile Iron	39.8	20"	120	1.000	F	Special Duty	No	Yes	Yes

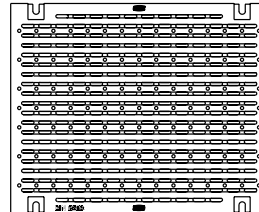
All gratings for the Z874-12 system have a width of 16-1/4" and a height of 1-3/4".



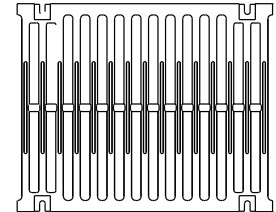
DCC



DGC



HPD

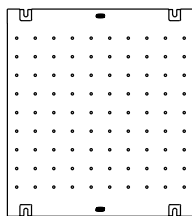


DGF

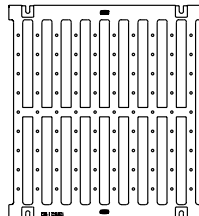
### Z874-18 SYSTEM GRATES

SUFFIX	DESCRIPTION	MATERIAL	OVERALL DIMENSIONS				DIN	ANSI	ADA	H-20	FAA
			WEIGHT (LB./FT.)	LENGTH	OPEN AREA (SQ. IN. PER FT.)	SLOT WIDTH/ HOLE SIZE					
-GG	Fiberglass Grate	Fiberglass	8	20"	159.6	1.375	A	Light Duty	No	No	No
-DCC	Solid Cover	Ductile Iron	54.1	20"	N/A	N/A	C	Heavy Duty	Yes	Yes	No
-DGC	Slotted Grate	Ductile Iron	33.1	20"	118.1	1.062	C	Heavy Duty	No	Yes	No
-GDC	Galvanized Slotted Grate	Galvanized Ductile Iron	33.1	20"	118.1	1.062	C	Heavy Duty	No	Yes	No
-HPD	Heel-Proof Longitudinal	Ductile Iron	53.2	20"	60.5	0.250	C	Heavy Duty	Yes	Yes	No
-DGE	Slotted Grate	Ductile Iron	50.2	20"	111.4	1.000	E	Special Duty	No	Yes	Yes
-DGE-USA	Domestic Slotted Grate	Ductile Iron	50.2	20"	111.4	1.000	E	Special Duty	No	Yes	Yes
-GDE	Galvanized Slotted Grate	Galvanized Ductile Iron	50.2	20"	111.4	1.000	E	Special Duty	No	Yes	Yes
-GDE-USA	Domestic Galvanized Slotted Grate	Galvanized Ductile Iron	50.2	20"	111.4	1.000	E	Special Duty	No	Yes	Yes
-DCF	Solid Cover	Ductile Iron	80.2	20"	N/A	N/A	F	Special Duty	Yes	Yes	Yes
-DGF	Slotted Grate	Ductile Iron	73.4	20"	94.1	0.875	F	Special Duty	No	Yes	Yes
-GDF	Galvanized Slotted Grate	Galvanized Ductile Iron	73.4	20"	94.1	0.875	F	Special Duty	No	Yes	Yes

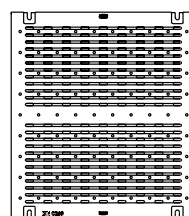
All gratings for the Z874-18 system have a width of 22-1/4" and a height of 1-3/4".



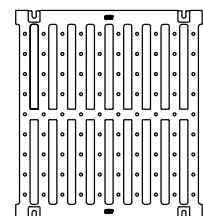
DCC



DGC



HPD



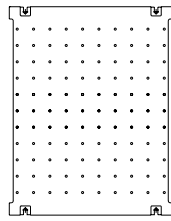
DGF

For downloadable CSI format specification, visit [www.zurn.com](http://www.zurn.com).

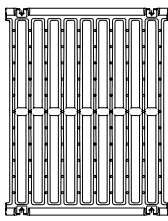
### Z874-21 SYSTEM GRATES

SUFFIX	DESCRIPTION	MATERIAL	OVERALL DIMENSIONS				DIN	ANSI	ADA	H-20	FAA
			WEIGHT (LB/FT.)	LENGTH	OPEN AREA (SQ. IN. PER FT.)	SLOT WIDTH/HOLE SIZE					
-BDC	Black Acid Resistant Ductile	Ductile Iron	54	20"	132	1.030	C	Heavy Duty	No	Yes	No
-DCC	Solid Cover	Ductile Iron	58	20"	N/A	N/A	C	Heavy Duty	Yes	Yes	No
-DGC	Slotted Gate	Ductile Iron	54	20"	132	1.030	C	Heavy Duty	No	Yes	No
-GDC	Galvanized Slotted Gate	Galvanized Ductile Iron	54	20"	132	1.030	C	Heavy Duty	No	Yes	No
-HPD	Heel-Proof Longitudinal	Ductile Iron	55.2	20"	39.4	0.250	C	Heavy Duty	Yes	Yes	No
-BDE-USA	Black Acid Resistant Ductile	Ductile Iron	62.8	20"	122.4	1.000	E	Extra Heavy Duty	No	Yes	Yes
-DGE-USA	Domestic Slotted Gate	Ductile Iron	62.8	20"	122.4	1.000	E	Extra Heavy Duty	No	Yes	Yes
-GDE-USA	Domestic Galvanized Slotted Gate	Galvanized Ductile Iron	62.8	20"	122.4	1.000	E	Extra Heavy Duty	No	Yes	Yes
-BDF	Black Acid Resistant Ductile	Ductile Iron	85.2	20"	111	0.870	F	Special Duty	No	Yes	Yes
-DGF	Slotted Gate	Ductile Iron	85.2	20"	111	0.870	F	Special Duty	No	Yes	Yes
-GDF	Galvanized Slotted Gate	Galvanized Ductile Iron	85.2	20"	111	0.870	F	Special Duty	No	Yes	Yes

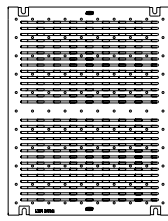
All gratings for the Z874-21 system have a width of 25-1/2" and a height of 1-3/4". Note: Ductile iron grating for Z874-21 is furnished unpainted. Painted option available.



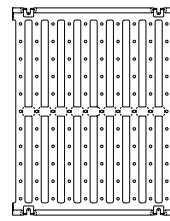
DCC



DGC



HPD

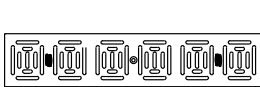


DGF

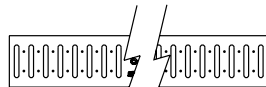
### Z884 4" SYSTEM GRATES

SUFFIX	DESCRIPTION	MATERIAL	OVERALL DIMENSIONS				DIN	ANSI	ADA	H-20	FAA
			WEIGHT (LB/FT.)	LENGTH	OPEN AREA (SQ. IN. PER FT.)	SLOT WIDTH/HOLE SIZE					
-BZ	Bronze Decorative	Bronze	4.5	20"	11.5	0.250	A	Light Duty	No	No	No
-FG	Fabricated Slotted	Galvanized Steel	1.8	40"	10.2	0.375	A	Light Duty	No	No	No
-FS	Fabricated Slotted	Stainless Steel	1.8	40"	10.2	0.375	A	Light Duty	No	No	No
-HPP	Heel-Proof Slotted	HDPE	0.78	20"	10.3	0.250	A	Light Duty	Yes	No	No
-PG	Fabricated Perforated	Galvanized Steel	1.2	40"	5.9	.250 Dia.	A	Light Duty	Yes	No	No
-PS	Fabricated Perforated	Stainless Steel	1.2	40"	5.9	.250 Dia.	A	Light Duty	Yes	No	No
-SC	Solid Cover	Stainless Steel	1.74	40"	N/A	N/A	A	Light Duty	Yes	No	No
-CG	Slotted Gate	Cast Iron	5.2	20"	12.2	0.375	B	Medium Duty	No	No	No

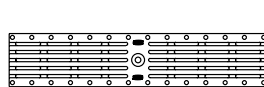
All gratings for the Z884 system have a width of 4-1/8" and a height of 3/4".



BZ



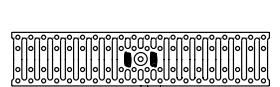
FG/FS



HPP



PG/PS



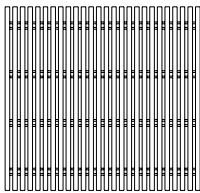
CG



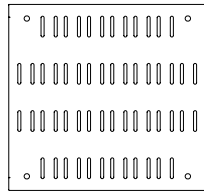
### Z817 AND Z887 24" X 24" SYSTEM GRATES

SUFFIX	DESCRIPTION	MATERIAL	OVERALL DIMENSIONS			DIN	ANSI	ADA	H-20	FAA
			WEIGHT (LB)	OPEN AREA (SQ. IN.)	SLOT WIDTH/HOLE SIZE					
<b>-BG</b>	Slotted Bar Grate	Galvanized Ductile Iron	39	433.2	1.125	A	Light Duty	Yes	No	No
<b>-FG</b>	Slotted Grate	Galvanized Steel	46.2	101	0.375	A	Light Duty	Yes	No	No
<b>-FS</b>	Slotted Grate	Stainless Steel	47.5	101	0.375	A	Light Duty	Yes	No	No
<b>-GG</b>	Slotted Grate	Fiberglass	15.29	208.5	0.375	A	Light Duty	No	No	No
<b>-PG</b>	Perforated Grate	Galvanized Steel	46.7	62.5	.25 Dia.	A	Light Duty	Yes	No	No
<b>-PS</b>	Perforated Grate	Stainless Steel	48	62.5	.25 Dia.	A	Light Duty	Yes	No	No
<b>-SBG</b>	Slotted Bar Grate	Stainless Steel	39	433.2	1.125	A	Light Duty	No	No	No
<b>-RFG-USA</b>	Reinforced Slotted	Galvanized Steel	46.2	101	0.380	B	Medium Duty	Yes	No	No
<b>-RFS-USA</b>	Reinforced Slotted	Stainless Steel	47.5	101	0.380	B	Medium Duty	Yes	No	No
<b>-RPG-USA</b>	Reinforced Perforated	Galvanized Steel	46.7	62.52	0.250	B	Medium Duty	Yes	No	No
<b>-RPGR</b>	Reverse Punched Perforated	Galvanized Steel	46.7	62.5	0.250	B	Medium Duty	Yes	No	No
<b>-RPSR</b>	Reverse Punched Perforated	Stainless Steel	48	62.5	0.250	B	Medium Duty	Yes	No	No
<b>-RPS-USA</b>	Reinforced Perforated	Stainless Steel	48	62.52	0.250	B	Medium Duty	Yes	No	No
<b>-BDC</b>	Black Acid Resistant Ductile	Ductile Iron	95.8	228.8	0.688	C	Heavy Duty	No	Yes	No
<b>-DGC</b>	Slotted Grate	Ductile Iron	95.8	228.8	0.344	C	Heavy Duty	No	Yes	No
<b>-GDC</b>	Galvanized Slotted Grate	Galvanized Ductile Iron	95.8	228.8	0.688	C	Heavy Duty	No	Yes	No
<b>-DGF</b>	Slotted Grate	Ductile Iron	129	153.4	0.625	F	Special Duty	No	Yes	Yes
<b>-GDF</b>	Galvanized Slotted Grate	Galvanized Ductile Iron	129	153.4	0.625	F	Special Duty	No	Yes	Yes

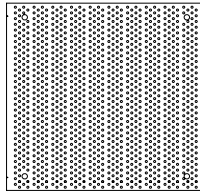
*All gratings for the Z817 and Z887 systems have a width of 24" and a height of 1-7/16".*



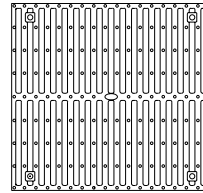
GG



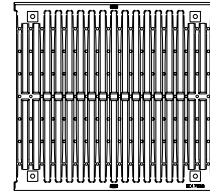
RFG/RFS



RPG/RPS



DGC



DGF

# SYSTEM INSTALLATIONS

## Drain Installation Techniques

### General Information

Versatility best defines Zurn Trench Drain systems. Unlike other channel drainage systems, Zurn systems can be installed using various techniques to meet job conditions.

Two workers can easily pick up and set in place up to a 20-foot assembled section (less grates) of Zurn channels, securing into position and setting to finished elevation more efficiently. Longer length channels in the Zurn systems result in a better installation with fewer joints.

**Note:** Single iron frame must be anchored in concrete. Voids in the concrete pour or removal of concrete around the frame may result in a trench failure. When epoxy coated floors are used, the concrete pour should be planned so as to allow floor coating to be applied flush to the angle iron top or above without the removal or disturbing of concrete around the frame.

### Joint Connections

- HDPE/PP: Urethane Caulk or Hot Air Welding
- FRP: Urethane Caulk or Chemical Resistant Adhesive (Cleaned and Sanded Contact Points)
- Stainless Steel: Gasket or Welded

**Note:** Joints cannot be considered watertight unless properly welded. Please refer all watertight applications to Zurn Engineering for review.

### Installation Tips

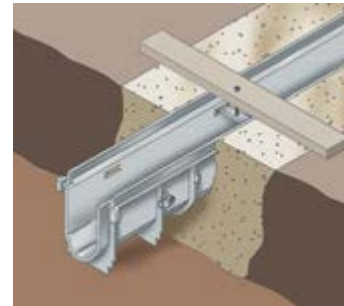
- Always begin trench installation at the outlet end and work upstream
- Always follow standard concrete installation methods including vibration under and around both sides of trench
- Excavation can be dug with a gradual slope (trench channels have built-in sloping invert)
- Install trench at (-)1/8" below finished floor elevation for positive fall into trench
- All-thread rod offers more up and down flexibility for finish grade
- Rebar clips accommodate #3 or #4 rebar

The minimum concrete surround is 4", but is based upon the thickness of slab. Consult structural engineer's specifications on plans.

Suspended installation is the most widely practiced installation method on an existing slab or where form boards can be utilized to hold channel sections in place.

Use 2" x 4" boards of sufficient length to span trench (minimum of 4" of concrete on either side of trench) and 3" long bolts or all-thread rods, nuts, and washers. Secure the channel to the boards, either through attachment to the rebar clips or grate lockdown bar. Follow the shop drawings or engineered layout of channels. Position each channel section (channels are numbered in sequence) end to end by inserting the mechanical joint together for proper alignment and grade.

Rebar clip installation is best suited for new construction. Prepare trench excavation and pull string-line for proper elevation and straightness. Place cut rebar lengths inside rebar clips. Set trench in ditch, connecting each joint. Beginning at the outlet end, drive rebar stakes into ground. Raise the trench to finished floor elevation and secure screw into rebar clip. Set concrete under and evenly on both sides of trench drain in 6" lifts to finished floor elevation.



**Suspended Installation**  
Z886 Perma-Trench Illustrated



**Rebar Clip Installation**  
Z886 Perma-Trench Illustrated

	SUSPENDED	REBAR CLIP	LEVELING STUD	ANCHOR BAR
	INSTALLATION			
Z886	X	X		
Z882	X	X		
Z874	X	X		X
Z874-U-HD	X	X		X
Z874	X	X		
Z883	X	X		
Z880	X			
ZA880	X			
Z890	X		X	
Z895	X		X	
Z891	X		X	
Z806	X	X		X
Z812	X	X		X
Z888 Slot Drain	X	X		
Z888 Hi-Cap	X	X		

Refer to [www.zurn.com](http://www.zurn.com) and/or specifications.

## TECHNICAL DATA

# Material Definitions and Grate Loading Classifications

### Definition of Terms

**ACID-RESISTING EPOXY COATING (A.R.C.)** is a baked-on powder coating which produces a smooth, hard, high-gloss finish. This epoxy-based coating offers high impact resistance and excellent life expectancy in all drainage applications.

**GALVANIZING STEEL** is a process of applying a coating of zinc to the finished sheet or fabricated parts to provide corrosion resistant properties. The coating is applied by hot dipping or electrolytic deposition.

**POLYESTER** is a thermosetting resin utilized to bond the individual fibers during the manufacture of molded fiberglass components. It provides high durability and excellent chemical-and weather-resistant properties.

**POLYETHYLENE, HIGH DENSITY (HDPE)** is a thermoplastic resin that offers excellent physical characteristics such as light weight, outstanding chemical resistance to household and industrial chemicals, good toughness, and 0% water absorption.

**POLYPROPYLENE (PP)** is a thermoplastic that offers excellent physical characteristics such as light weight, outstanding chemical and impact resistance, and 0% water absorption.

**STAINLESS STEEL** is any steel containing four or more percent chromium content. Chromium, along with other alloying elements like nickel and silicon, provides corrosion and heat resistant characteristics. Type 304 stainless steel is typical with 316 available as an option.

**STAINLESS STEEL HARDWARE** is used to secure steel angle frame to fiberglass trench for all Zurn Trench Systems.

**VINYLESTER** is a thermosetting resin utilized in the manufacture of molded fiberglass components. Its superior corrosion resistance in acidic and alkaline services, along with excellent impact and flexural fatigue resistance, make it ideal for hazardous chemical applications.

**ZURN CAST IRON** conforms to ASTM Specification for Gray Iron Castings A 48-83, Class 25. It is produced utilizing the latest equipment and newest developed foundry techniques. Zurn cast iron castings are characterized by a high degree of strength, corrosion resistance, workmanship, and finish.

**ZURN DURA COAT** is a specially formulated paint designed to resist cracking and chipping. Dura Coat is a latex-based coating developed to be used with cast iron substrates.

**ZURN DURESIST** is a ductile iron complying with ASTM Specification A 536-84, Grade 85-65-10. Its physical properties make it ideal for grates and drain components that are subjected to severe and heavy-duty service. Its chemical characteristics make possible a degree of corrosion resistance far superior to that of cast iron.

**LLDPE** (linear low density polyethylene) exhibits the following properties: excellent chemical resistance, low moisture absorption, extremely flexible, and very impact resistant.

### Grate Top Loading Classifications

Two grate classification systems are shown to assist in grate selection. Both standards are used in the trench drain industry to choose the proper grating to meet loading requirements.

**6.1 ANSI A112.21.1M** – Grates and top rims shall be designed to meet the following loading classifications:

**6.1.1 Light Duty** – All grates having safe live load (as calculated in paragraph 6.1.6) under 2,000 lb. [900 kg] (i.e. Pedestrian).

**6.1.2 Medium Duty** – All grates having safe live load (as calculated in paragraph 6.1.6) between 2,000 lb. [900 kg] and 4,999 lb. [2,250 kg] (i.e. Light Vehicle).

**6.1.3 Heavy Duty** – All grates having safe live load (as calculated in paragraph 6.1.6) between 5,000 lb. [2,250 kg] and 7,499 lb. [3,375 kg] (i.e. H2O).

**6.1.4 Extra Heavy Duty** – All grates having safe live load (as calculated in paragraph 6.1.6) between 7,500 lb. [3,375 kg] and 10,000 lb. [4,500 kg] (i.e. Forklift).

**6.1.5 Special Duty** – Grates having safe live load (as calculated in paragraph 6.1.6) over 10,000 lb. [4,500 kg] shall be considered special and treated accordingly (i.e. Airport). The maximum safe live load is computed by dividing the load at failure by two.

**6.2 EN 1433** – Grates and top rims shall be designed to meet the following load classifications:

**6.2.1 Classification A** – Grate design load up to or exceeding 3372 lbf [15 kn] (i.e. Pedestrian).

**6.2.2 Classification B** – Grate design load of at least 2810 lbf [125 kn] (i.e. Light Vehicle).

**6.2.3 Classification C** – Grate design load of at least 5620 lbf [250 kn] (i.e. H2O).

**6.2.4 Classification D** – Grate design load of at least 8992 lbf [400 kn] (i.e. Pneumatic Forklift).

**6.2.5 Classification E** – Grate design load of at least 13488 lbf [600 kn] (i.e. Forklift).

**6.2.6 Classification F** – Grate design load of at least 20232 lbf [900 kn] (i.e. Airport). In areas of extreme hard wheel forklift traffic (i.e. steel wheels), the Zurn -HD Frame Assembly is required.

### Transportation Classifications

The American Association of State Highway and Transportation Officials' (AASHTO) "Standard Specification for Highway Bridges" defines H-20 loading as a two-axle truck with a maximum dual-wheel load of 16,000 pounds. HS-20 loading is defined as a tractor truck with a tandem axle semi trailer with a dual-wheel load of 16,000 pounds.

The FAA (Federal Aviation Administration) Advisory Circular AC 150/5320-6D describes aircraft loading as 100,000 pounds placed over a 9" x 9" area.

The Americans with Disabilities Act (ADA) stipulates that the slot width be limited on gratings in walkways and elongated slots must be placed longitudinally so they are perpendicular to the dominant direction of travel.

# Chemical Resistance Information

## Flo-Thru Drainage System

Chart below shows chemical resistance of polyester and vinylester to select chemicals. For a more complete list or for other chemicals, contact your Zurn Sales Representative.

CHEMICAL	PERCENTAGE CONCENTRATION	POLYESTER RESIN	VINYLESTER RESIN
		MAX. TEMPERATURE °F	
Acetic Acid	50	120	210
Acetone	10	NR	NR
Ammonium Acetate	65	NR	80
Ammonium Chloride	All	150	210
Amyl Alcohol	All	NR	120
Benzene	100	NR	NR
Borax	100	150	210
Boric Acid	All	150	210
Chlorine, dry gas	100	120	210
Chlorine, wet gas	100	NR	210
Chlorine Dioxide	All	NR	150
Chlorine Water	Sat'd.	NR	180
Chromic Acid	5	NR	150
Chromic Acid	20	NR	120
Citric Acid	All	150	210
Crude Oil (Sour)	100	150	210
Dibutyl Ether	100	NR	180
Diesel Fuel	100	110	180
Diethylene Glycol	100	140	180
Ethylene Glycol	100	150	210
Fatty Acids	All	150	210
Fuel Oil	100	150	180
Gasoline, Aviation	100	100	180
Glycerine	100	150	210
Hydraulic Fluid	100	NR	180
Hydrogen Chloride	100	110	210
Jet Fuel (JP-4)	100	-	180
Kerosene	100	110	180
Lead Acetate	All	80	210
Linseed Oil	100	150	210
Magnesium Nitrate	All	150	210
Mercury	100	150	210
Minerals Oils	100	150	210
Naptha	100	80	180
Napthalene	100	110	210
Nickel Sulfate	All	110	210
Nitric Acid	5	NR	150
Potassium Bicarbonate	50	-	180
Potassium Nitrate	All	150	210
Silver Nitrate	All	150	210
Sodium Acetate	All	150	210
Sodium Carbonate	10	NR	180
Sodium Chloride	50	NR	100
Sodium Hydroxide	50	NR	210
Sour Crude Oil	100	150	210
Sugar, Sucrose	All	-	210
Sulfuric Acid	75	-	100
Toluene	100	NR	80
Turpentine	100	NR	150
Vinegar	100	110	210
Vinyl Toluene	100	-	80
Xylene	100	NR	80
Zinc Chloride	70	150	210

## Perma-Trench Drainage System

Chart below shows chemical resistance of high density polyethylene structural composite to select chemicals and temperatures at the maximum concentration percentage. For a more complete list or for other chemicals, contact your Zurn Sales Representative.

CHEMICAL	MAX. % CONCENTRATION	MAX. TEMPERATURE °F
Acetic Acid	60	70
Acetone	All	140
Alcohol	All	140
Aluminum Chloride	All	140
Ammonia	All	68
Ammonium Hydroxide	-	NR
Battery Acid	All	140
Beer	All	140
Benzene	All	140
Borax	All	140
Brake Fluid	All	140
Bromic Acid	10	140
Calcium Carbide	All	140
Calcium Chloride	All	140
Calcium Hypochlorite	All	140
Carbon Tetrachloride	-	NR
Chlorinated Pool and Spa Water	-	105
Chlorobenzene	-	NR
Citrus Juices	All	140
Dibutyl Ether	-	NR
Dichloroethane	-	NR
Ethanol	96	140
Ethyl Alcohol	96	140
Ethylene Dichloride	-	NR
Formaldehyde	10	140
Fructose	All	140
Fuel Oil	All	140
Heptane	-	NR
Hydraulic Fluid	All	68
Hydrochloric Acid	35	140
Kerosene	All	68
Machine Oil	All	68
Methyl Ethyl Ketone	-	NR
Methanol	All	68
Methyl Alcohol	All	68
Milk	All	140
Phosphoric Acid	90	140
Sodium Carbonate	All	140
Sodium Hydroxide	All	140
Sodium Nitrate	50	140
Sulfuric Acid	50	140
Toluene	-	NR
Urine	All	140
Vinegar	All	140
Water, Distilled	All	140
Xylene	-	NR
Zinc Oxide	All	140
Zinc Sulfate	All	140

## Sani-Flo Trench Drainage System

Typical corrosion resistance of type 304 and 316 stainless steel to various chemicals.

### Code:

- a** – Unaffected
- b** – Slightly Attacked
- c** – Attacked
- m** – Complete details concerning the conditions of service must be evaluated

CHEMICAL	TYPE NUMBERS	
	CFB 304	CF8M 316
<b>ORGANIC SUBSTANCES</b>		
Acetone	a	a
Benzol	a	a
Carbon Tetrachloride	c	c
Ethyl Alcohol	a	a
Ethyl Chloride	a	a
Ethyl Ether	a	a
Food Pastes	a	a
Fruit Juices	a	a
Ink	m	m
Mustard	b	a
Paregoric Cmpd.	a	a
Quinine Bisulfate	b	a
Quinine Sulfate	a	a
Vinegar at 70°F	m	m
<b>ACIDS</b>		
Acetic	m	m
Benzoic	a	a
Boric	a	a
Carbolic	a	a
Chromic (50%)	c	c
Citric	a	a
Formic	c	m
Hydrobromic	c	c
Hydrocyanic	a	a
Hydrochloric	c	c
Hydrofluoric	c	c
Lactic	a	a
Nitric (conc.)	a	a
Nitric (conc. plus 2% HCl)	a	NR
Nitrous (conc.)	a	a
Oxalic	m	m
Phosphoric	a	a
Phosphoric (10%)	a	a
Picric (conc.)	a	a
Pyrogallic (conc.)	a	a
Pyroligneus (conc.)	a	a
Stearic (conc.)	a	a
Succinic (molten)	c	NR
Sulfuric (conc.)	a	a
Sulfuric (dil.)	m	m
Sulfuric 15% (plus 2% potassium dichromate)	a	a
Sulfurous (conc.)	b	a
Tannic (conc.)	a	a
Tartaric (conc.)	a	a
Trichloroacetic Acid (10%)	a	a
Uric (conc.)	a	a

CHEMICAL	TYPE NUMBERS	
	CFB 304	CF8M 316
<b>SALTS</b>		
Aluminum Chloride	c	c
Aluminum Fluoride	c	b
Aluminum Sulfate	a	a
Ammonium Alum	a	a
Ammonium Bromide	c	a
Ammonium Chloride	b	a
Ammonium Hydroxide	a	a
Ammonium Nitrate	a	a
Ammonium Sulfate	a	a
Barium Chloride	a	a
Bleaching Powder	c	a
Calcium Chloride	c	a
Calcium Hydroxide or Oxide	a	a
Copper Chloride	c	c
Copper Cyanide	a	a
Copper Nitrate	a	a
Copper Sulfate (plus 2% sulfuric acid)	a	a
Copper Sulfate	a	a
Creosote	c	a
Creosote (plus 3% salt)	c	c
Hydrogen Peroxide	b	a
Magnesium Carbonate	a	a
Magnesium Chloride	m	m
Magnesium Sulfate	a	a
Magnesium Hydroxide	a	a
Magnesium Nitrate	a	a
Phosphorous Trichloride	a	a
Potassium Bromide	a	a
Potassium Carbonate	a	a
Potassium Chloride	m	m
Potassium Chlorate	a	a
Potassium Cyanide	a	a
Potassium Dichromate	a	a
Potassium Ferricyanide	a	a
Potassium Ferricyanide (boiling)	a	a
Potassium Hypochlorite	c	m
Potassium Iodide	a	a
Potassium Iodide (sat. plus 0.1% sodium carbonate evaporated to dryness)	a	a
Potassium Hydrate	a	a

CHEMICAL	TYPE NUMBERS	
	CFB 304	CF8M 316
<b>SALTS</b>		
Potassium Nitrate	a	a
Potassium Oxalate	a	a
Potassium Permanganate	a	a
Potassium Sulfate	a	a
Silver Nitrate	a	a
Silver Cyanide	a	a
Sodium Bicarbonate	a	a
Sodium Borate	a	a
Sodium Bromide	a	a
Sodium Chloride (2% aerated)	a	a
Sodium Citrate	a	a
Sodium Fluoride	b	NR
Sodium Hydroxide	a	a
Sodium Nitrate	a	a
Sodium Peroxide (212 °F)	a	a
Stannic Chloride	c	c
Stannous Chloride	b	NR
Sulfur (molten) 500 °F	a	a
Sulfur Chloride	b	NR
Titanium Tetrachloride	a	a
Zinc Chloride	c	b
Zinc Sulfate	a	a
<b>Miscellaneous</b>		
Ammonia	a	a
Baking Oven Gases	a	a
Bromine	c	c
Carbonated Beverages	a	a
Chlorine (wet and dry)	c	c
Glycerin	a	a
Hydrogen Sulfide (400 °F)	b	a
Iodine	c	a
Lead (molten)	c	c
Lysol	m	m
Mercury	a	a
Sauerkraut Brine	c	a
Sea Water	m	m
Sulfur Dioxide	b	b
Vegetable Juices	a	a
X-ray Developing Solution	b	a
Zinc (molten)	c	c

# Notes



Zurn Engineered Water Solutions® is a recognized leader in commercial, municipal, and industrial markets, delivering sustainable building solutions for new construction and retrofit applications. At Zurn, we are committed to providing smart solutions that save both time and money. Our goal is serving the customer through innovation, continuous improvement, and assurance behind every installation. Choose Zurn as a reliable, recognized manufacturer to supply your entire installation, from behind the wall rough-in, to finish trim product and fixture systems.



**Zurn Industries, LLC**  
1801 Pittsburgh Avenue  
Erie, PA 16502, 855.663.9876

In Canada  
**Zurn Industries Limited**  
7900 Goreway Drive, Unit 10  
Brampton, Ontario L6T 5W6, 877.892.5216

US 1.855.ONE.ZURN CANADA 1.877.892.5216 [ZURN.COM](http://ZURN.COM)

Form No. 220-012, 7/18