



# STD Series Multi-Wire Connectors Specifications

Technical Characteristics											
Connector Size		3A					10A		16A		
Inserts	<b>Number of Poles</b>		3+PE	4+PE	5+PE	7+PE	12+PE	10+PE	15+PE	16+PE	25+PE
	<b>UL/CSA Rated Voltage*</b>		600V								
	<b>Maximum Rated Current</b>		10A	16A	10A			16A	10A	16A	10A
	<b>EN 61984 (2001-11) Pollution Degree 3</b>	<b>Rated Voltage AC/DC</b>	230/400V			250V	400V	250V			
		<b>Impulse Withstand Voltage</b>	4kV				6kV		4kV		
	<b>EN 61984 (2001-11) Pollution Degree 2</b>	<b>Rated Voltage</b>	230/400V	320/500V	230/400V	400/690V	230/400V				
		<b>Impulse Withstand Voltage</b>	4kV				6kV		4kV		
	<b>Continuous Current Carrying Capacity</b>		Refer to Electrical Engineering section charts								
	<b>Insulation Resistance</b>		10 <sup>10</sup> Ω								
	<b>Material</b>		Polycarbonate								
	<b>Temperature Range</b>		-40 to 125°C (-40 to 257°F)								
	<b>Flammability</b>		UL 94 V-0 GWT 960°								
	<b>Degree Protection</b>	<b>With Housing</b>	IP66, NEMA/UL (Type 1, 4, 4x, 12)								
		<b>Without Housing</b>	IP20								
<b>Mechanical Working Life</b>		500 Cycles									
<b>Conductor Termination</b>	<b>Screw Terminals</b>	√	√	N/A	N/A	N/A	√	N/A	√	N/A	
	<b>Crimp Contacts</b>	N/A	N/A	√	√	√	√	√	√	√	
Contacts	<b>Material</b>		Hard-silver plated (2μm Au) or gold plated copper alloy								
	<b>Minimum Recommended Load (voltage &amp; current)</b>		5V/5mA AC/DC (silver plated)								
	<b>Contact Resistance</b>		≤ 1mΩ			≤ 3mΩ		≤ 1mΩ	≤ 3mΩ	≤ 1mΩ	≤ 3mΩ
	<b>Screw Terminal Wire Size</b>	<b>mm<sup>2</sup></b>	0.5-2.5		N/A			0.5-2.5	N/A	0.5-2.5	N/A
		<b>AWG</b>	20-14		N/A			20-14	N/A	20-14	N/A
	<b>Screw Terminal Tightening Test Torque</b>		0.5 Nm		N/A			0.5 Nm	N/A	0.5 Nm	N/A
	<b>Screw Terminal Stripping Length</b>		7.0 mm		N/A			7.0 mm	N/A	7.0 mm	N/A
	<b>Crimp Terminal Wire Size</b>	<b>mm<sup>2</sup></b>	N/A	0.5-2.5	0.14-2.5		0.14-4.0	0.14-2.5	0.14-4.0	0.14-2.5	0.14-2.5
		<b>AWG</b>	N/A	26-14			26-12	26-14	26-12	26-14	26-14
<b>Crimp Terminal Stripping Length</b>		N/A	7.5 mm		N/A		7.5 mm	N/A	7.5 mm	N/A	
Thermoplastic Hoods/Bases/Couplers/Covers	<b>Material</b>		Glass filled polyamide					N/A			
	<b>Locking Element</b>		Glass filled polyamide lever and peg								
	<b>Flammability</b>		UL 94 V-0 GWT 960°								
	<b>Housings Seal</b>		NBR (Nitrile rubber)								
	<b>Degree of Protection Acc. to EN 60529 (coupled)</b>		IP66								
	<b>Temperature Range</b>		-40°C to 125°C (-40°F to 257°F)								
	<b>Thread</b>		Metric EN 50262 Pg DIN 40430								
Aluminum Hoods/Bases/Couplers/Covers	<b>Material</b>		Die cast aluminum alloy, Polyester powder coated								
	<b>Locking Element</b>		Stainless steel lever and peg								
	<b>Housings Seal</b>		NBR (Nitrile)								
	<b>Degree of Protection Acc. to EN 60529 (coupled) NEMA 250, UL50, 50E</b>		IP66, NEMA/UL (Type 1, 4, 4x, 12)								
	<b>Temperature Range</b>		-40 to 125°C (-40 to 257°F)								
	<b>Thread</b>		Metric EN50262 Pg DIN 40430								

\* Connectors should not be coupled and decoupled under electrical load.



# STD Series Multi-Wire Connectors

## Conductor Termination

### Overview

Two types of conductor termination are available for ZIPport inserts:

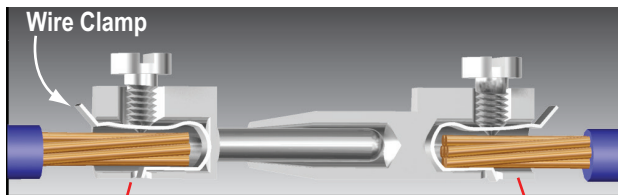
- Screw terminations
- Crimp terminations

### Screw Terminations

Screw terminations consist of contacts made of silver-plated copper alloy and are incorporated with a wire clamp (with the exception of the size 3A inserts and size 24B with 80A contacts) for firmly securing the conductors. The screw terminals use stainless steel captive screws and meet VDE 0609 / EN 60999 standards.

Proper conductor installation requires no special preparation when using inserts with the wire clamp terminals (no wire ferrules). The table below lists the current rating, maximum wire gauge and stripping lengths.

Current Rating	Max Wire Gauge		Stripping Length mm (in)
	(mm <sup>2</sup> )	AWG	
10A	2.5	14	4.5 (0.18)
16A	2.5	14	7 (0.28)
35A	6.0	10	11.5 (0.45)
16/80A	25/16	14/5	7 (0.28)/14 (0.55)



Wire ferrules not necessary.

Wire ferrules can be used.

### Screw Terminals with Clamps

The value of tensile strength of conductors in accordance with the dimensions of the screws and the wires are shown in the following table:

Wire Gauge mm <sup>2</sup> (AWG)	1.5 (16)	2.5 (14)	4 (12)	6 (10)	10 (8)	16 (6)
Size of Screw	M3	M3	M3.5	M4	M4	M6
Tensile Strength of Stranded Wire (N)	40	50	60	80	90	100

Increasing the tightening torque does not necessarily improve the contact resistance. The screw torques are selected according to standard EN 60999-1, to provide excellent mechanical, thermal and electrical behavior. The conductor or terminal may be damaged if the recommended values are significantly exceeded.

Insert Screw Specifications									
Insert Size	Screw Type	Screw Size	Tightening Torque (Nm)	Tightening Torque (in-lbs)	Recommended Screwdriver Size	Recommended Screwdriver Part			
3A	10 Amp Terminal	M3	0.25	2.2	0.4 x 2.5	TW-SD-VSL-2			
	Installation								
	Ground	M3.5							
10A, 16A	16 Amp Terminal	M3	0.50	4.4	0.5 x 3.0	TW-SD-SL-1			
	Installation								
	Ground	M4							
6B, 10B	16 Amp Terminal	M3	0.50	4.4	Ph 0-0.8 x 4	TW-SD-VSL-3			
	Installation								
	Ground	M4					1.2	10.6	Ph 2 1.0 x 5.5
16B	35 Amp Terminal	M4	1.2	10.6	Ph 1 - 0.8 x 4	TW-SD-VSL-3			
	16 Amp Terminal	M3					0.50	4.4	Ph 0-0.8 x 4
	Installation								
	Ground	M4					1.2	10.6	Ph 2 1.0 x 5.5
24B	80 Amp Terminal	M6	2.5	22.1	1.0 x 5.5	TW-SD-VSL-4			
	16 Amp Terminal	M3					0.50	4.4	Ph 0-0.8 x 4
	Installation								
	Ground	M4					1.2	10.6	Ph 2 1.0 x 5.5
32B*	16 Amp Terminal	M3	0.50	4.4	Ph 0-0.8 x 4	TW-SD-VSL-3			
	Installation								
	Ground	M4					1.2	10.6	Ph 2 1.0 x 5.5

Note: Size 32B requires 2 size 16B insert

### Crimp Terminations

Crimp terminations consist of contacts made of silver or gold-plated copper alloy. Crimp terminations are accomplished by applying a crimp contact to the conductor by means of a crimping tool. Crimp contacts are available in several sizes:

10 amp, 26-14 AWG ; 16 amp, 26-12 AWG

A perfect crimp connection is gas-tight, corrosion free and is equal to a cold weld of the parts being connected. Wires to be connected must be carefully matched with the correct wire size of crimp contacts.

The requirements for crimp connectors are depicted in IEC 60352, part 2.

Note: Low currents and voltages:

ZIPport standard contacts (screw and crimp) have a silver plated surface. This metal has excellent conductive properties. During the contacts's lifetime, the silver surface generates a black oxide layer due to its affinity to sulphur (always present in the atmosphere). This layer is conductive smooth and very thin and is partly interrupted when the contacts are mated and non mated, thus guaranteeing very low contact resistances. In the case of very low current or voltage, small changes to the transmitted signal may be encountered.

In applications where voltage and current are lower than 5V and 5mA, and in extremely aggressive environments, ZIPport gold plated contacts are recommended. See ZIPport spare parts and accessories pages.



# STD Series Multi-Wire Connectors

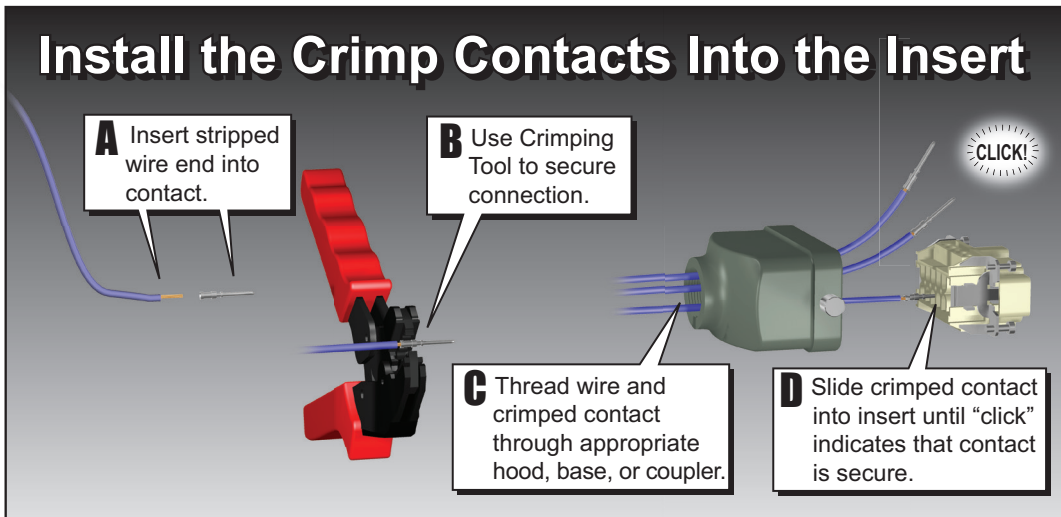
## Crimp Contact to Insert Installation

Proper installation of the crimp contacts is important for a good electrical and mechanical connection. The following steps will ensure correct installation.

### Step 1: Select the Crimp Contacts

Select a crimp contact based on the rating of the Insert you are using - 10 or 16 amps; the gender - male or female; and gauge of wire being used.

### Step 2:

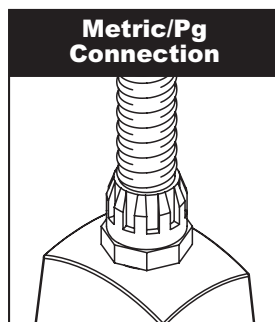


### Step 3: Install the Insert into the Housing

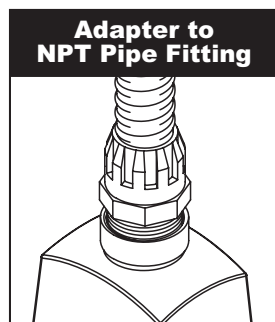
Now that the crimp contacts are installed, the insert can be placed into the housing by aligning the corner installation screws of the insert with the screw holes located in the corners of the housing. Tighten the screws according to the tightening torques listed in the Insert Screw Specifications table in this document.

### Wire Entry Connection

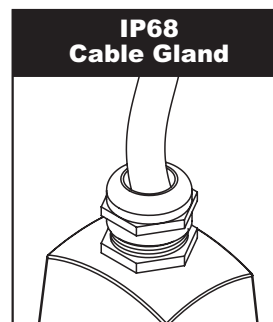
ZIPports offer four types of connection for wire entry into the housings. Two entries accommodate flex conduit and two accept cable.



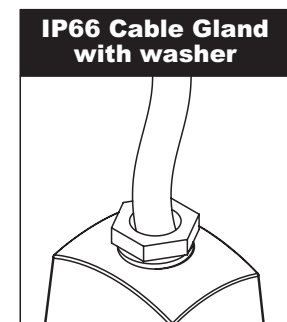
This is standard on all housings that offer a threaded wire entry. Sizes range from Pg 11 to Pg 36. This is for using fittings with a male Pg thread connection.



This adapter converts the Pg thread to an NPT thread. Sizes range from 3/8" to 1-1/4" in relation to the Pg threaded opening in the housing.



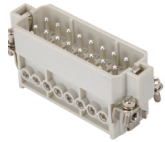
For securing a cable to the housing. This is an all inclusive fitting that can be tightened without using separate washers.



For securing a cable to the housing. This gland is available in plastic or metal in relation to housing material. Includes two washers and four gaskets to accommodate a wide range of cable diameters.



# STD Series Multi-Wire Connectors Size 16A



ZP-MC16A-1-MS016



ZP-MC16A-1-FS016



ZP-MC16A-1-MC016



ZP-MC16A-1-FC016



ZP-MC16A-1-MC025



ZP-MC16A-1-FC025

## Inserts

Insert Type	No. of Poles	16+PE		25+PE
	Rated Voltage AC/DC	600V		600V
	Max. Rated Current	16A		10A
	Termination Type	Screw Terminal	Crimp Contacts*	Crimp Contacts*
Male	Part Number	<a href="#">ZP-MC16A-1-MS016</a>	<a href="#">ZP-MC16A-1-MC016</a>	<a href="#">ZP-MC16A-1-MC025</a>
	Price	\$13.25	\$10.50	\$8.25
	Contact Size	N/A	<a href="#">ZP-MC-CC-M16A-XX*</a>	<a href="#">ZP-MC-CC-M10A-XX*</a>
	Weight (lb.)	0.139	0.064	0.079
Female	Part Number	<a href="#">ZP-MC16A-1-FS016</a>	<a href="#">ZP-MC16A-1-FC016</a>	<a href="#">ZP-MC16A-1-FC025</a>
	Price	\$14.25	\$10.50	\$8.25
	Contact Size	N/A	<a href="#">ZP-MC-CC-F16A-XX*</a>	<a href="#">ZP-MC-CC-F10A-XX*</a>
	Weight (lb.)	0.148	0.068	0.086

\* Crimp Contacts must be purchased separately. The XX represents wire AWG. See Accessories section for complete part numbers.



ZP-MC16A-2-STE13M



ZP-MC16A-2-SSE16M



ZP-MC16A-2-SBHM



ZP-MC16A-2-SBHMC



ZP-MC16A-2-SSM16M



ZP-MC16A-2-SSM21MC

## Hoods, Bases, Couplers and Covers

## Accessories\*\*

Housing Component		Threaded Opening**	Part Number	Price	Weight (lb.)	Plug with Gasket
Single Lever	Top Entry Hood	Pg 13.5	<a href="#">ZP-MC16A-2-STE13M</a>	\$9.25	0.232	<a href="#">ZP-MC-PLG-13M8</a>
		Pg 16	<a href="#">ZP-MC16A-2-STE16M</a>	\$9.25	0.234	<a href="#">ZP-MC-PLG-16M8</a>
		Pg 16 HC	<a href="#">ZP-MC16A-2-STE16ML</a>	\$14.25	0.388	<a href="#">ZP-MC-PLG-16M8</a>
		Pg 21 HC	<a href="#">ZP-MC16A-2-STE21ML</a>	\$16.25	0.373	<a href="#">ZP-MC-PLG-21M8</a>
	Side Entry Hood	Pg 16	<a href="#">ZP-MC16A-2-SSE16M</a>	\$9.25	0.254	<a href="#">ZP-MC-PLG-16M8</a>
		Pg 16 HC	<a href="#">ZP-MC16A-2-SSE16ML</a>	\$14.25	0.381	<a href="#">ZP-MC-PLG-16M8</a>
		Pg 21 HC	<a href="#">ZP-MC16A-2-SSE21ML</a>	\$14.25	0.366	<a href="#">ZP-MC-PLG-21M8</a>
	Bulkhead	N/A	<a href="#">ZP-MC16A-2-SBHM</a>	\$10.25	0.185	N/A
	Bulkhead w/Cover	N/A	<a href="#">ZP-MC16A-2-SBHMC</a>	\$19.50	0.298	N/A
	Surface Mounting Housing	Pg 16x2	<a href="#">ZP-MC16A-2-SSM16M</a>	\$15.25	0.445	<a href="#">ZP-MC-PLG-16M8</a>
		Pg 21x2	<a href="#">ZP-MC16A-2-SSM21M</a>	\$15.25	0.403	<a href="#">ZP-MC-PLG-21M8</a>
	Surface Mounting Housing/ with Cover	Pg 16	<a href="#">ZP-MC16A-2-SSM16MC</a>	\$23.50	0.558	<a href="#">ZP-MC-PLG-16M8</a>
Pg 21		<a href="#">ZP-MC16A-2-SSM21MC</a>	\$23.50	0.518	<a href="#">ZP-MC-PLG-21M8</a>	
Cover w/Pegs - 1 Lever	N/A	<a href="#">ZP-MC16A-2-SCVLM</a>	\$14.25	0.145	N/A	
Cover w/Pegs - 2 Pegs	N/A	<a href="#">ZP-MC16A-2-SCVPM</a>	\$9.25	0.068	N/A	

HC = High Construction

\*\* To convert to NPT, select a Pg to NPT adapter.

\*\*\* Accessories pricing and details can be found in the Accessories section.



# STD Series Multi-Wire Connectors Size 16A



Single Lever Cover



IP66 Cable Gland



IP68 Cable Gland



PG to NPT Adapter



Plug with Gasket

Accessories*** Continued						
Housing Component		IP66 Cable Glands	IP68 Cable Glands	Pg to NPT Adapter		
				Pg 13.5 to 1/2"	Pg 16 to 1/2"	Pg 21 to 3/4"
Single Lever	Top Entry Hood	<a href="#">ZP-MC-CG-13M5</a>	<a href="#">ZP-MC-CG-13M8</a>	<a href="#">ZP-MC-A-13012</a>	N/A	N/A
		<a href="#">ZP-MC-CG-16M5</a>	<a href="#">ZP-MC-CG-16M8</a>	N/A	<a href="#">ZP-MC-A-16012</a>	N/A
		N/A	<a href="#">ZP-MC-CG-16M8</a>	N/A	<a href="#">ZP-MC-A-16012</a>	N/A
		N/A	<a href="#">ZP-MC-CG-21M8</a>	N/A	N/A	<a href="#">ZP-MC-A-21034</a>
	Side Entry Hood	<a href="#">ZP-MC-CG-16M5</a>	<a href="#">ZP-MC-CG-16M8</a>	N/A	<a href="#">ZP-MC-A-16012</a>	N/A
		N/A	<a href="#">ZP-MC-CG-16M8</a>	N/A	<a href="#">ZP-MC-A-16012</a>	N/A
		N/A	<a href="#">ZP-MC-CG-21M8</a>	N/A	N/A	<a href="#">ZP-MC-A-21034</a>
	Bulkhead	N/A	N/A	N/A	N/A	N/A
	Bulkhead w/Cover	N/A	N/A	N/A	N/A	N/A
	Surface Mounting Housing	N/A	<a href="#">ZP-MC-CG-16M8</a>	N/A	<a href="#">ZP-MC-A-16012</a>	N/A
		N/A	<a href="#">ZP-MC-CG-21M8</a>	N/A	N/A	<a href="#">ZP-MC-A-21034</a>
	Surface Mounting Housing/with Cover	N/A	<a href="#">ZP-MC-CG-16M8</a>	N/A	<a href="#">ZP-MC-A-16012</a>	N/A
N/A		<a href="#">ZP-MC-CG-21M8</a>	N/A	N/A	<a href="#">ZP-MC-A-21034</a>	
Cover w/Pegs - 1 Lever	N/A	N/A	N/A	N/A	N/A	
Cover w/Pegs - 2 Pegs	N/A	N/A	N/A	N/A	N/A	

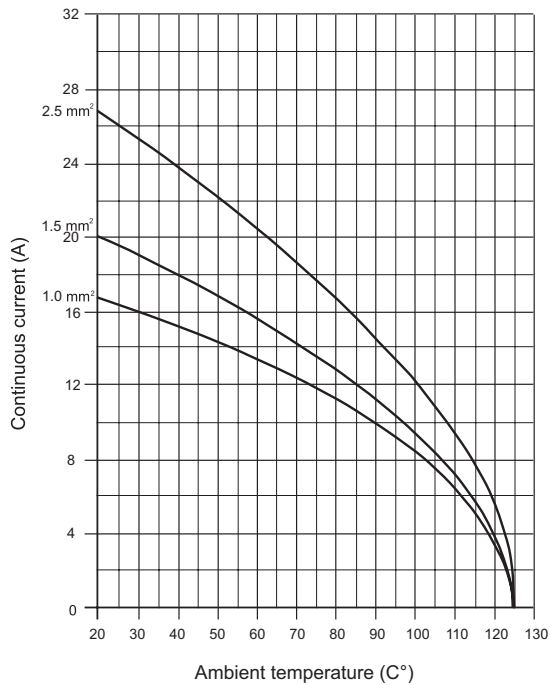
\*\*\* Accessories pricing and details can be found in the Accessories section.



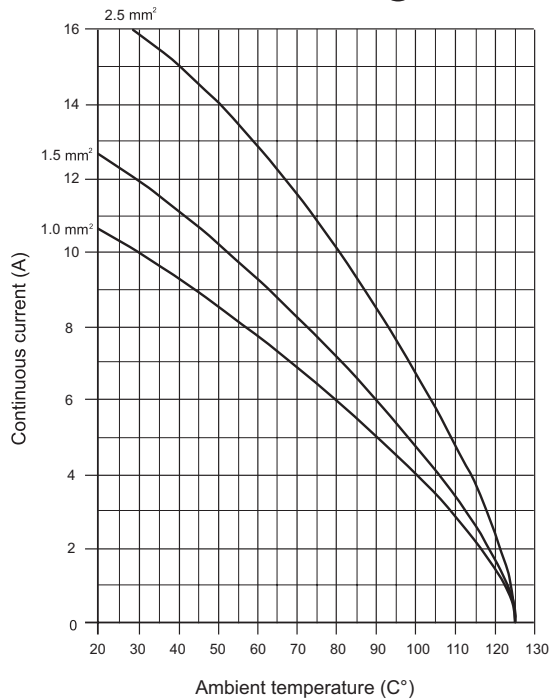
# STD Series Multi-Wire Connectors

## Electrical Engineering Data - Load Diagrams

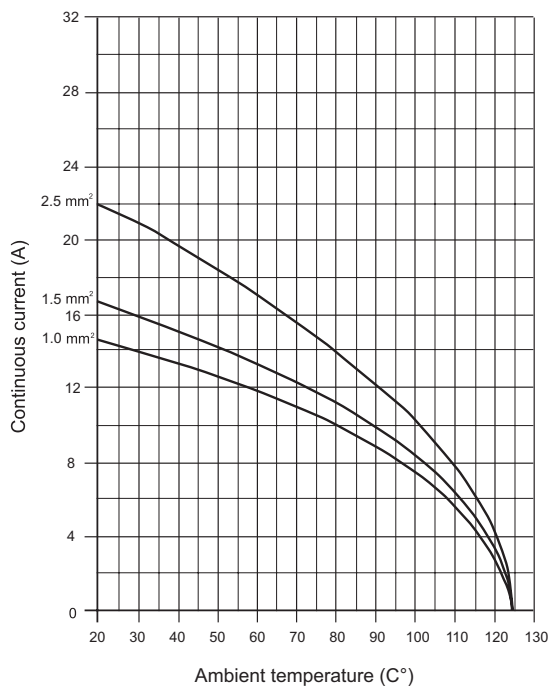
Size 10A 10P +



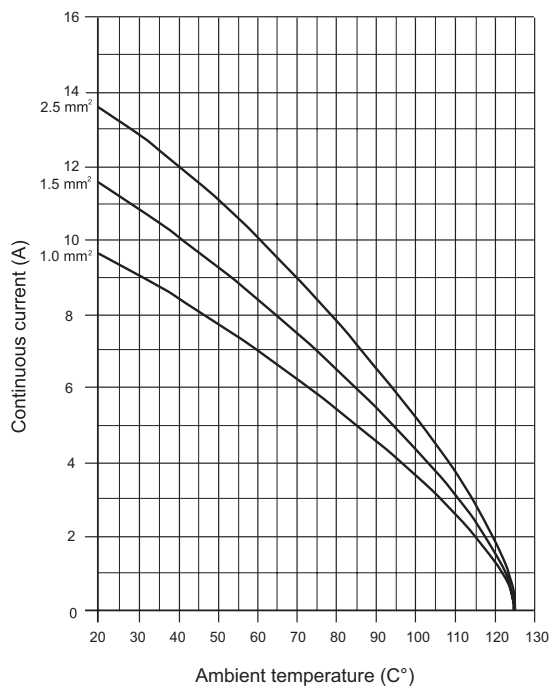
Size 10A 15P +



Size 16A 16P +



Size 16A 25P +

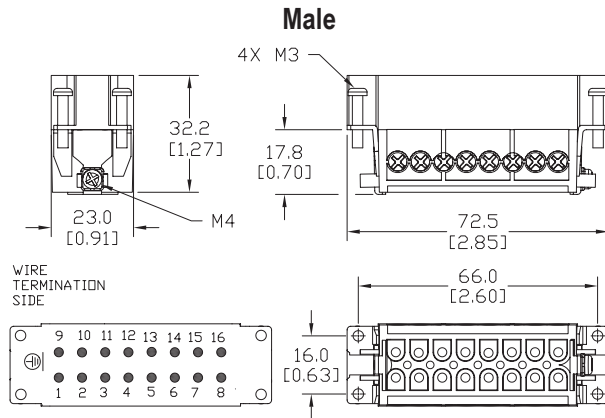


# ZIP<sup>port</sup> STD Series Multi-Wire Dimensions

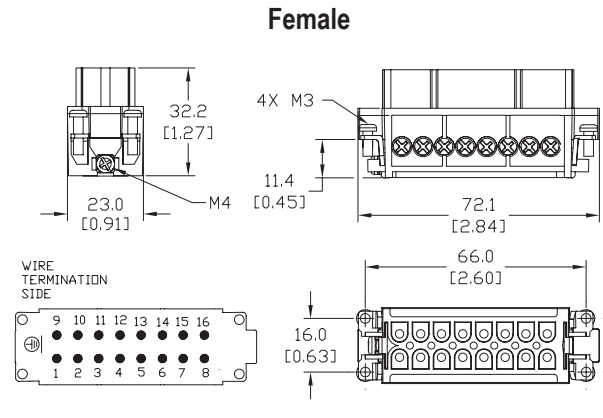
## Size 16A Inserts

Dimensions mm [in]

### 16 + $\oplus$ – Screw Terminals

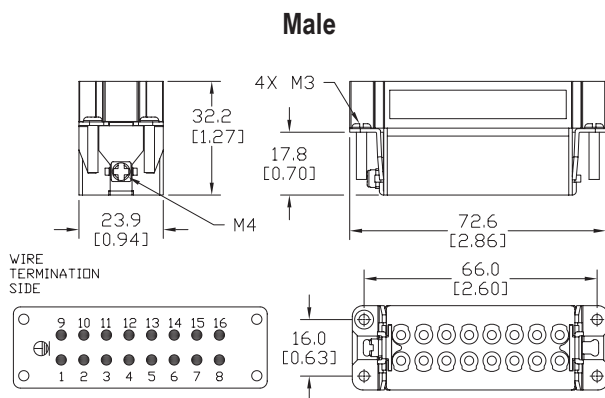


ZP-MC16A-1-MS016

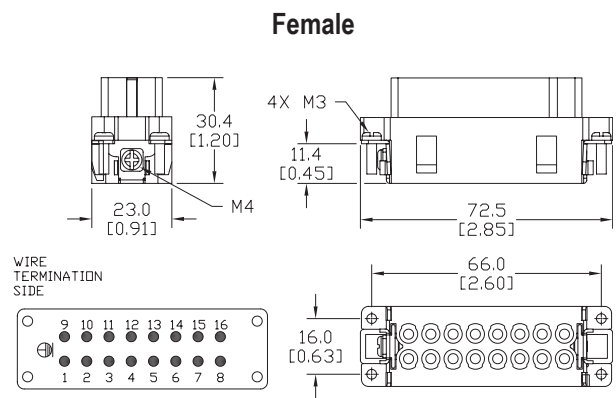


ZP-MC16A-1-FS016

### 16 + $\oplus$ – Crimp Contacts

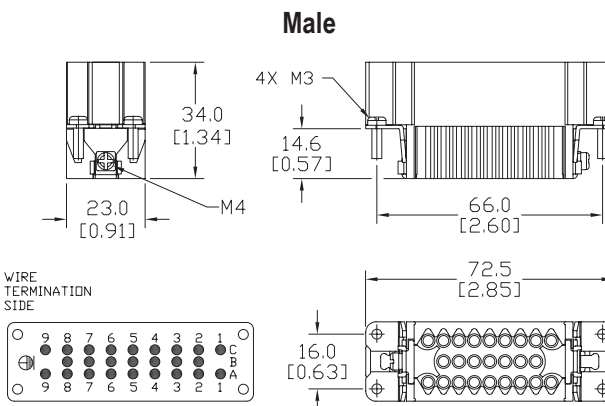


ZP-MC16A-1-MC016

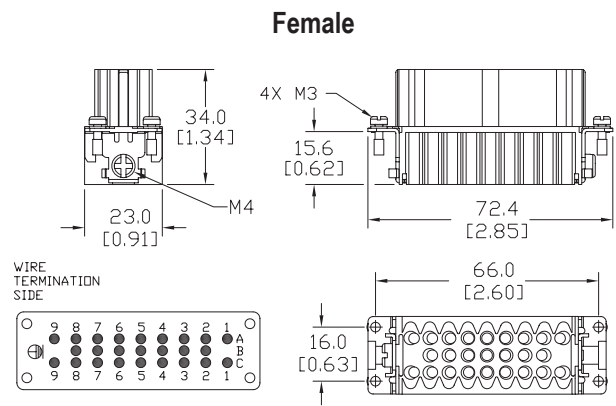


ZP-MC16A-1-FC016

### 25 + $\oplus$ – Crimp Contacts



ZP-MC16A-1-MC025



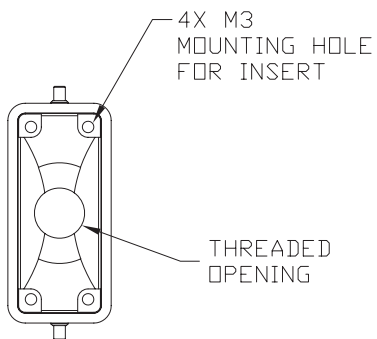
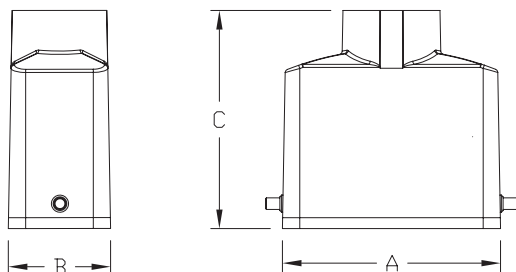
ZP-MC16A-1-FC025

# ZIPport STD Series Multi-Wire Dimensions

## Size 10A, 16A Hoods and Housings

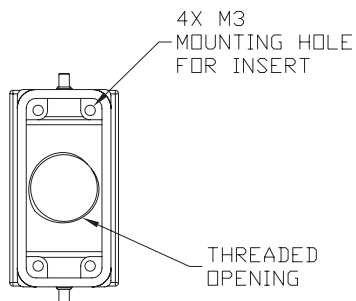
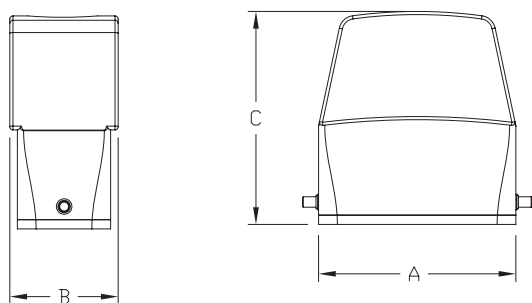
Dimensions mm [in]

### Single Lever Top Entry Hood



Single Lever Top Entry Hood					
Part Number	Size	Thread	A	B	C
<a href="#"><u>ZP-MC10A-2-STE13M</u></a>	10A	Pg 13.5	63.0	29.6	63.0
<a href="#"><u>ZP-MC10A-2-STE16M</u></a>		Pg 16	[2.48]	[1.17]	[2.48]
<a href="#"><u>ZP-MC16A-2-STE13M</u></a>	16A	Pg 13.5	79.5	29.6	63.0
<a href="#"><u>ZP-MC16A-2-STE16M</u></a>		Pg 16	[3.13]	[1.17]	[2.48]

### Single Lever Top Entry High Construction Hood



Single Lever Top Entry High Construction Hood					
Part Number	Size	Thread	A	B	C
<a href="#"><u>ZP-MC10A-2-STE16ML</u></a>	10A	Pg 16	63.0	34.6	68.0
<a href="#"><u>ZP-MC10A-2-STE21ML</u></a>		Pg 21	[2.48]	[1.36]	[2.68]
<a href="#"><u>ZP-MC16A-2-STE16ML</u></a>	16A	Pg 16	79.5	34.6	71.0
<a href="#"><u>ZP-MC16A-2-STE21ML</u></a>		Pg 21	[3.13]	[1.36]	[2.79]

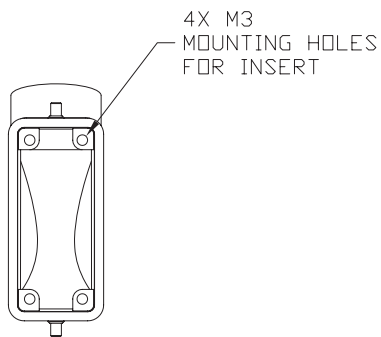
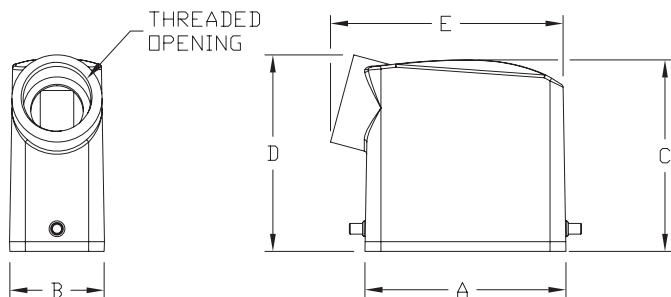


# ZIPport STD Series Multi-Wire Dimensions

## Size 10A, 16A Hoods and Housings

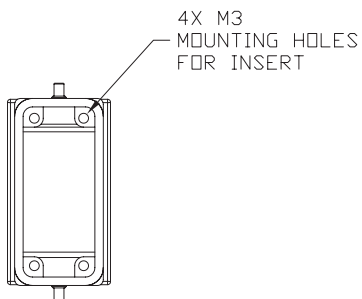
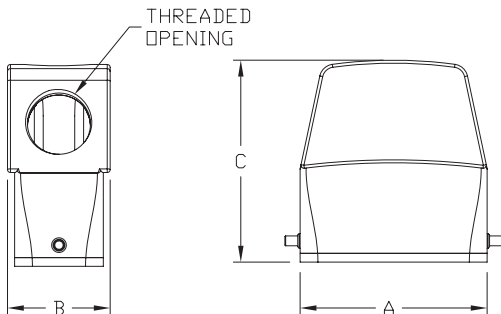
Dimensions mm [in]

### Single Lever Side Entry Hood



Single Lever Side Entry Hood							
Part Number	Size	Thread	A	B	C	D	E
<a href="#">ZP-MC10A-2-SSE16M</a>	10A	Pg 16	63.0 [2.48]	29.6 [1.17]	60.0 [2.36]	61.6 [2.43]	72.9 [2.87]
<a href="#">ZP-MC16A-2-SSE16M</a>	16A		79.5 [3.13]	29.6 [1.17]	60.0 [2.36]	61.6 [2.43]	89.8 [3.54]

### Single Lever Side Entry High Construction Hood



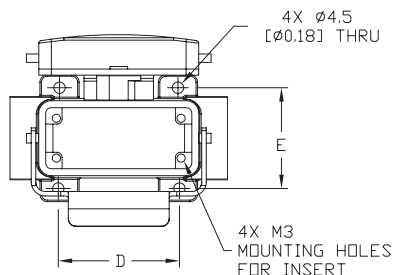
Single Lever Side Entry High Construction Hood					
Part Number	Size	Thread	A	B	C
<a href="#">ZP-MC10A-2-SSE16ML</a>	10A	Pg 16	63.0 [2.48]	34.6 [1.36]	68.0 [2.68]
<a href="#">ZP-MC10A-2-SSE21ML</a>		Pg 21			
<a href="#">ZP-MC16A-2-SSE16ML</a>	16A	Pg 16	79.5 [3.13]	34.6 [1.36]	71.0 [2.79]
<a href="#">ZP-MC16A-2-SSE21ML</a>		Pg 21			

# ZIPport STD Series Multi-Wire Dimensions

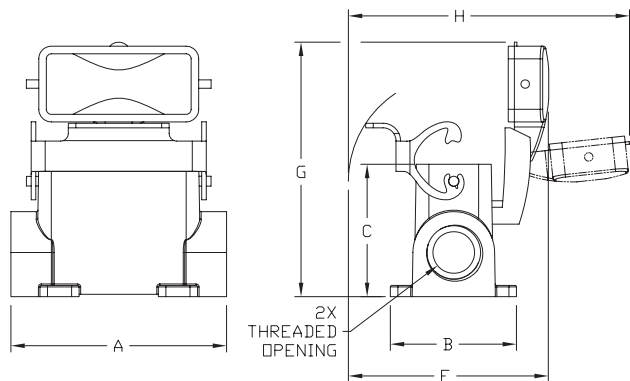
## Size 10A, 16A Hoods and Housings

Dimensions mm [in]

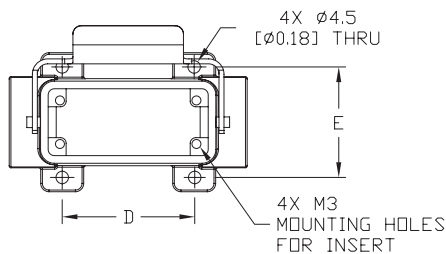
### Single Lever Surface Mount Base With Cover



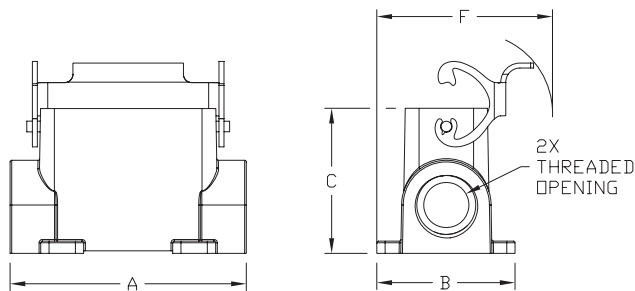
Single Lever Surface Mount Base With Cover										
Part Number	Size	Thread	A	B	C	D	E	F	G	H
<b>ZP-MC10A-2-SSM16MC</b>	10A	Pg 16x2	85.5	50.0	52.5	48.0	40.0	79.4	100.9	111.4
<b>ZP-MC10A-2-SSM21MC</b>		Pg 21x2	[3.37]	[1.97]	[2.07]	[1.89]	[1.57]	[3.13]	[3.97]	[4.39]
<b>ZP-MC16A-2-SSM16MC</b>	16A	Pg 16x2	102.0	50.0	57.0	64.0	40.0	79.4	106.0	114.5
<b>ZP-MC16A-2-SSM21MC</b>		Pg 21x2	[4.02]	[1.97]	[2.24]	[2.52]	[1.57]	[3.13]	[4.17]	[4.51]



### Single Lever Surface Mount Base



Single Lever Surface Mount Base								
Part Number	Size	Thread	A	B	C	D	E	F
<b>ZP-MC10A-2-SSM16M</b>	10A	Pg 16x2	85.5	50.0	52.5	48.0	40.0	63.6
<b>ZP-MC10A-2-SSM21M</b>		Pg 21x2	[3.37]	[1.97]	[2.07]	[1.89]	[1.57]	[2.50]
<b>ZP-MC16A-2-SSM16M</b>	16A	Pg 16x2	102.0	50.0	57.0	64.0	40.0	63.6
<b>ZP-MC16A-2-SSM21M</b>		Pg 21x2	[4.02]	[1.97]	[2.24]	[2.52]	[1.57]	[2.50]

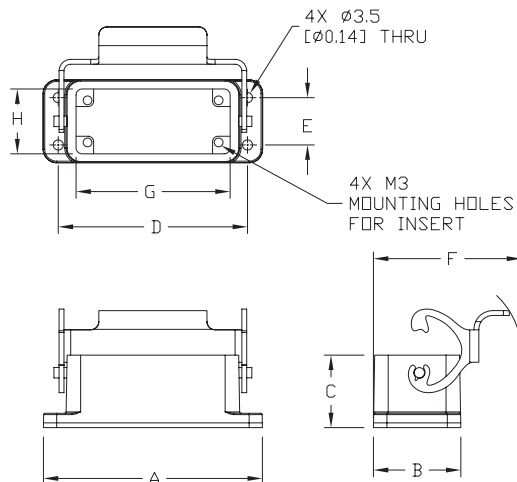


# ZIPport STD Series Multi-Wire Dimensions

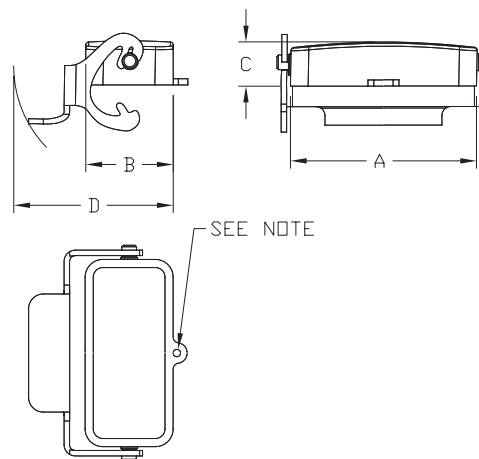
## Size 10A, 16A Hoods and Housings

Dimensions mm [in]

### Single Lever Bulkhead Base



### Single Lever Cover

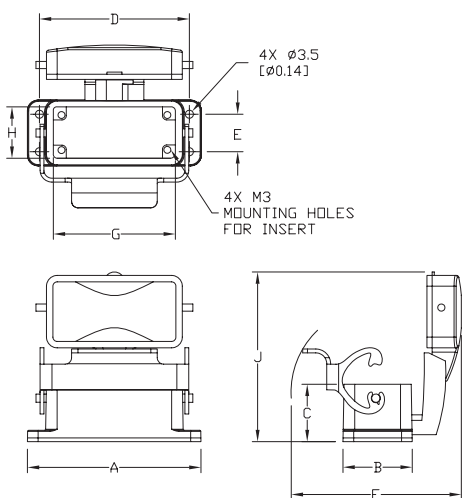


Single Lever Bulkhead Base									
Part Number	Size	A	B	C	D	E	F	G*	H*
<b>ZP-MC10A-2-SBHM</b>	10A	81.0 [3.19]	32.3 [1.27]	26.8 [1.06]	70.0 [2.76]	17.5 [0.69]	54.8 [2.16]	57.0 [2.24]	24.0 [0.94]
<b>ZP-MC16A-2-SBHM</b>	16A	96.0 [3.78]	32.3 [1.27]	26.8 [1.06]	86.0 [3.39]	17.5 [0.69]	54.8 [2.16]	73.0 [2.87]	24.0 [0.94]

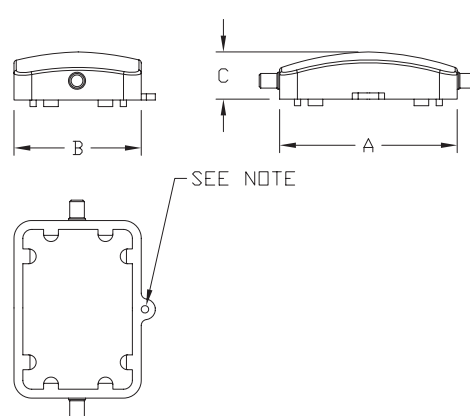
Single Lever Cover					
Part Number	Size	A	B	C	D
<b>ZP-MC10A-2-SCVLM</b>	10A	63.0 [2.48]	29.6 [1.17]	15.0 [0.59]	54.0 [2.13]
<b>ZP-MC16A-2-SCVLM</b>	16A	79.5 [3.13]	29.6 [1.17]	15.0 [0.59]	54.0 [2.13]

\*Dimensions G and H refer to cutout size

### Single Lever Bulkhead Base with Cover



### Two Peg Cover



Single Lever Bulkhead Base With Cover										
Part Number	Size	A	B	C	D	E	F	G*	H*	J
<b>ZP-MC10A-2-SBHMC</b>	10A	81.0 [3.19]	32.3 [1.27]	26.8 [1.06]	70.0 [2.76]	17.5 [0.69]	79.4 [3.13]	57.0 [2.24]	24.0 [0.94]	76.0 [2.99]
<b>ZP-MC16A-2-SBHMC</b>	16A	96.0 [3.78]	32.3 [1.27]	26.8 [1.06]	86.0 [3.39]	17.5 [0.69]	79.4 [3.13]	73.0 [2.87]	24.0 [0.94]	76.0 [2.99]

Two Peg Cover				
Part Number	Size	A	B	C
<b>ZP-MC10A-2-SCVPM</b>	10A	63.0 [2.48]	29.6 [1.17]	16.0 [0.63]
<b>ZP-MC16A-2-SCVPM</b>	16A	79.5 [3.13]	29.6 [1.17]	16.0 [0.63]

\*Dimensions G and H refer to cutout size

Note: Includes attached 112 mm [4.40 inch] nylon cord with ring terminal



# STD Series Multi-Wire Connectors

## Standards

The inserts are designed and manufactured to conform with EN 61984, (IEC 61984), VDE 0627 and UL 1977/CSA C22.2 182.3 standards. They are certified and labeled with the cULus and CE marks. The connectors are therefore in conformance with both European/International and American systems. This permits them to be used in a wider range of applications worldwide.

- EN 61984 Connectors safety requirements and tests
- VDE 0627 Connectors (DIN VDE 0627)
- EN 60664-1 Insulation coordination for equipment within low-voltage systems
- EN 175 301-801 High density rectangular connectors, round removable crimp contacts
- EN 60947-7-1 part 7-1 Low-voltage switchgear and control gear, Ancillary equipment - Terminal blocks for copper conductors
- VDE 0110 Table 4 concerning clearance and creepage distances
- EN 60512 Connectors for electronic equipment, tests and measurements
- UL 1977 Component connectors for use in data, signal, control and power applications
- CSA.C22.2 No. 182.3 Special use attachment, plugs, receptacles and connectors
- EN 60529 Degree of protection provided by enclosures (IP degree)
- EN 50262 Metric cable glands for electrical installation
- EN 60423 Conduits for electrical purposes. Outside diameters of conduits for electrical installations and thread for conduits and fittings
- ISO 23570-2 Industrial automation system and integration. Distributed installation in industrial applications. Part 2: Hybrid communication bus.
- ISO 23570-3 Industrial automation system and integration. Distributed installation in industrial applications Part 3: Power distribution bus.
- DESINA® specifications Specification to standardize electrical, hydraulic and pneumatic components and their interconnection on a common platform for CNC controlled machine tools and manufacturing lines.

*(Distributed and Standardized Installation Technology), Studied by German Manufacturers of Machine Tool Association.*

## Directives and Declarations

### NEMA-250 Declaration of Conformity

Metal and plastic enclosures for Multipole Industrial Connectors (Heavy Duty Connectors). Series STD, STD-HV, HE, HE-HV all sizes. Are designed and manufactured in conformity with NEMA 250-1991 Standard and meet the requirements of NEMA Type 4, 4x and 12.

### 2006/95/EC: LVD Directive

Directive 2006/95/EC of the European Parliament and of the council of 12 December 2006 on the harmonization of the laws of Members States relating to electrical equipment designed for use within certain voltage limits.

### 2002/95/EC: RoHS Directive

Directive 2002/95/EC of the European Parliament and of the Council of 27 January 2003 on the restriction of the use of certain hazardous substances in electrical and electronic equipment.

### 2008/35/EC: RoHS Directive amendment

Directive 2008/35/EC of the European Parliament and of the Council of 11 March 2008 amending Directive 2002/95/EC of the use of certain hazardous substances in electrical and electronic equipment (RoHS) as regards the implementing powers conferred on the Commission.

### 2004/108/EC EMC Directive

EMC, Electromagnetic Compatibility Directive.

In accordance with the European Directive that regulates the emission and the immunity of the equipment, for the products designed for EMC industrial applications.

Regulation (EC) No 1907/2006 of the European Parliament and of the Council of 18 December 2006 concerning the Registration Evaluation, Authorization and Restriction of Chemicals (REACH), establishing a European Chemicals Agency, amending Directive 1999/45/EC and repealing Council Regulation (EEC) No 793/93 and Commission Regulation (EC) No 1488/94 as well as Council Directive 76/769/EEC and Commission Directives 91/155/EEC, 93/67/EEC, 93/105/EEC and 2000/21/EC.



**WARNING - ACCORDING TO EN 61984, CONNECTORS SHOULD NOT BE COUPLED AND DECOUPLED UNDER ELECTRICAL LOAD.**

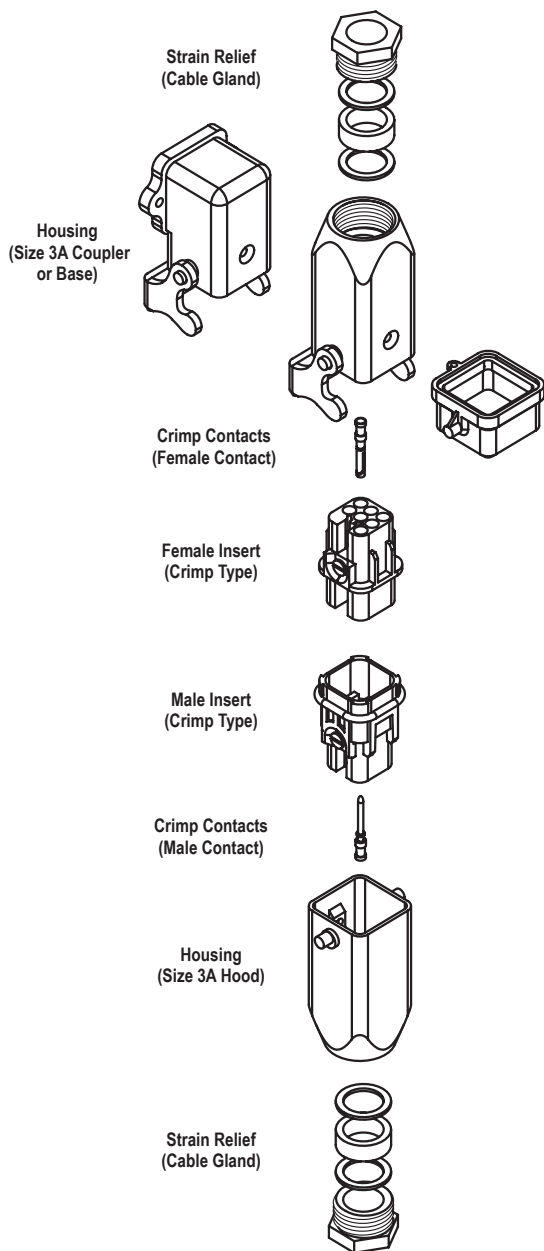


Type 1/4/4x/12

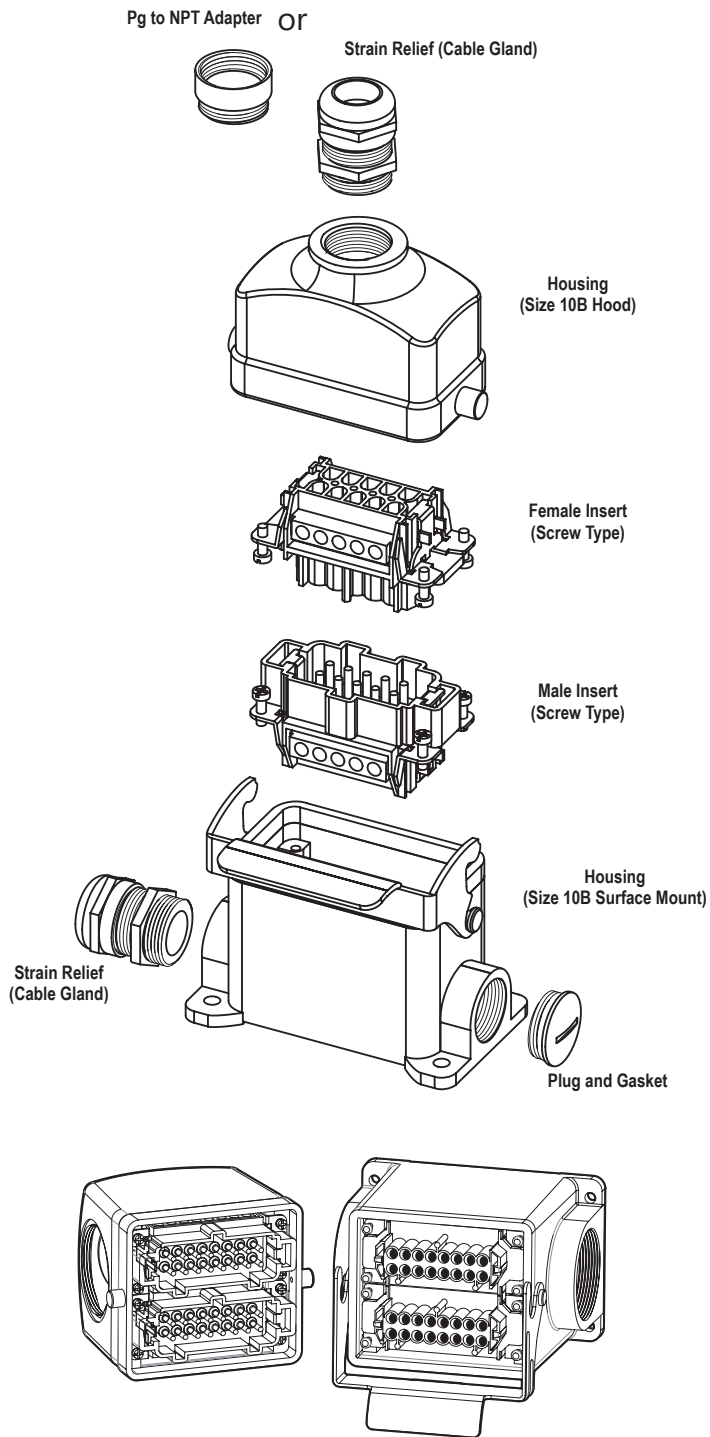


# STD Series Multi-Wire Connectors

## Crimp Contact Basic Assembly



## Screw Terminal Basic Assembly





# STD Series Multi-Wire Connectors Spare Parts and Accessories

## Crimp Contacts - 10 and 16 Amp

Crimp contacts are made of hard silver-plated or gold-plated copper alloy. Wires to be connected must be carefully matched with the correct wire size of crimp contacts. Crimp contacts should be installed using a crimping tool.  
For applications with voltages and currents lower than 5V and 5mA gold plated contacts are recommended.

10 Amp Crimp Contacts - 100/Pack								
	Male	Price	Weight (lb.)	Female	Price	Weight (lb.)	Wire Gauge mm <sup>2</sup> [AWG]	Stripping Length
Silver-Plated	<a href="#">ZP-MC-CC-M10A-22</a>	\$41.50	0.150	<a href="#">ZP-MC-CC-F10A-22</a>	\$43.50	0.150	0.14-0.37 [26-22]	8 mm [0.32 in]
	<a href="#">ZP-MC-CC-M10A-20</a>	\$41.50	0.150	<a href="#">ZP-MC-CC-F10A-20</a>	\$44.50	0.140	0.5 [20]	
	<a href="#">ZP-MC-CC-M10A-18</a>	\$41.50	0.150	<a href="#">ZP-MC-CC-F10A-18</a>	\$44.50	0.150	0.75 [18]	
	<a href="#">ZP-MC-CC-M10A-16</a>	\$41.50	0.150	<a href="#">ZP-MC-CC-F10A-16</a>	\$44.50	0.140	1.5 [16]	
	<a href="#">ZP-MC-CC-M10A-14</a>	\$41.50	0.140	<a href="#">ZP-MC-CC-F10A-14</a>	\$44.50	0.150	2.5 [14]	
Gold-Plated	<a href="#">ZP-MC-CC-M10A-22G</a>	\$86.00	0.157	<a href="#">ZP-MC-CC-F10A-22G</a>	\$93.00	0.159	0.14-0.37 [26-22]	
	<a href="#">ZP-MC-CC-M10A-20G</a>	\$86.00	0.150	<a href="#">ZP-MC-CC-F10A-20G</a>	\$93.00	0.157	0.5 [20]	
	<a href="#">ZP-MC-CC-M10A-18G</a>	\$86.00	0.146	<a href="#">ZP-MC-CC-F10A-18G</a>	\$107.00	0.150	0.75 [18]	
	<a href="#">ZP-MC-CC-M10A-16G</a>	\$86.00	0.146	<a href="#">ZP-MC-CC-F10A-16G</a>	\$93.00	0.150	1.5 [16]	
	<a href="#">ZP-MC-CC-M10A-14G</a>	\$86.00	0.146	<a href="#">ZP-MC-CC-F10A-14G</a>	\$93.00	0.152	2.5 [14]	



Male Crimp Contact



Female Crimp Contact



Male Crimp Contact



Female Crimp Contact

16 Amp Crimp Contacts - 100/Pack								
	Male	Price	Weight (lb.)	Female	Price	Weight (lb.)	Wire Gauge mm <sup>2</sup> [AWG]	Stripping Length
Silver-Plated	<a href="#">ZP-MC-CC-M16A-22</a>	\$28.50	0.280	<a href="#">ZP-MC-CC-F16A-22</a>	\$32.50	0.280	0.14-0.37 [26-22]	7.5 mm [0.29 in]
	<a href="#">ZP-MC-CC-M16A-20</a>	\$31.00	0.360	<a href="#">ZP-MC-CC-F16A-20</a>	\$32.50	0.350	0.5 [20]	
	<a href="#">ZP-MC-CC-M16A-18</a>	\$28.50	0.270	<a href="#">ZP-MC-CC-F16A-18</a>	\$26.50	0.290	0.75 [18]	
	<a href="#">ZP-MC-CC-M16A-16</a>	\$28.50	0.350	<a href="#">ZP-MC-CC-F16A-16</a>	\$32.50	0.350	1.5 [16]	
	<a href="#">ZP-MC-CC-M16A-14</a>	\$28.50	0.270	<a href="#">ZP-MC-CC-F16A-14</a>	\$32.50	0.280	2.5 [14]	
	<a href="#">ZP-MC-CC-M16A-12</a>	\$28.50	0.350	<a href="#">ZP-MC-CC-F16A-12</a>	\$32.50	0.350	4.0 [12]	
Gold-Plated	<a href="#">ZP-MC-CC-M16A-22G</a>	\$129.00	0.280	<a href="#">ZP-MC-CC-F16A-22G</a>	\$196.00	0.322	0.14-0.37 [26-22]	
	<a href="#">ZP-MC-CC-M16A-20G</a>	\$129.00	0.276	<a href="#">ZP-MC-CC-F16A-20G</a>	\$196.00	0.318	0.5 [20]	
	<a href="#">ZP-MC-CC-M16A-18G</a>	\$129.00	0.273	<a href="#">ZP-MC-CC-F16A-18G</a>	\$196.00	0.315	0.75 [18]	
	<a href="#">ZP-MC-CC-M16A-16G</a>	\$129.00	0.273	<a href="#">ZP-MC-CC-F16A-16G</a>	\$196.00	0.320	1.5 [16]	
	<a href="#">ZP-MC-CC-M16A-14G</a>	\$133.00	0.276	<a href="#">ZP-MC-CC-F16A-14G</a>	\$196.00	0.320	2.5 [14]	
	<a href="#">ZP-MC-CC-M16A-12G</a>	\$129.00	0.273	<a href="#">ZP-MC-CC-F16A-12G</a>	\$196.00	0.329	4.0 [12]	

Note: The crimp contact ampacities listed above are the Maximum current ratings for the crimp contacts only. The current rating DOES NOT reflect the wire gauge current rating.

Crimp Contact Tools				
Part Number	Price	Qty.	Description	Weight (lb.)
<a href="#">ZP-MC-CT1</a>	\$669.00	1	Crimping tool w/die set and locator	1.593
<a href="#">ZP-MC-CT2</a>	\$97.00		Crimping tool w/die set only, no locator	0.814
<a href="#">ZP-MC-RT1</a>	\$101.00		Removal tool for 10A contacts	0.081
<a href="#">ZP-MC-RT2</a>	\$90.00		Removal tool for 16A contacts	0.086



ZP-MC-CT1



ZP-MC-CT2



ZP-MC-RT1



ZP-MC-RT2



# STD Series Multi-Wire Connectors Spare Parts and Accessories

## Cable Glands

### IP66 Glands

#### Plastic

- Thread: 1.5 mm pitch in accordance with EN 50262, Pg in accordance with DIN 40430
- IP Protection: IP66 in accordance with EN 60529
- Working Temperature: -40°C to 125°C (-40°F to 257°F)
- Materials: Body - Glass filled polyamide UL 94 V0; Washer - zinc plated steel; Gasket - Elastomer
- Includes two washers and four gaskets to accommodate a wide range of cable diameters
- Applications: for size 3A plastic type housings

#### Metal

- Thread: 1.5 mm pitch in accordance with EN 50262, Pg in accordance with DIN 40430
- IP Protection: IP66 in accordance with EN 60529
- Working Temperature: -40°C to 125°C (-40°F to 257°F)
- Materials: Body - nickel-plated brass; Washer - zinc plated steel; Gasket - Elastomer
- Includes two washers and four gaskets to accommodate a wide range of cable diameters
- Applications: for all sizes metal type housings

### IP68 Glands

#### Metal

- Thread: 1.5 mm pitch in accordance with EN 50262, Pg in accordance with DIN 40430
- IP Protection: IP68, patented design for up to 5 bars
- Working Temperature: -40°C to 125°C (-40°F to 257°F)
- Materials: Body - nickel-plated brass; Strain relief - Glass filled polyamide UL 94 V0; Gasket - Elastomer
- Applications: for industrial connector housings where higher protection and strength are required

IP66 Cable Glands						
Part Number	Price	Qty	Type	Cable Diameter mm [in]	Thread	Weight (lb.)
<a href="#">ZP-MC-CG-11P5</a>	\$1.25	1	Plastic	7-12 [0.275-0.472]	Pg 11	0.019
<a href="#">ZP-MC-CG-11M5</a>	\$2.25			7-12 [0.275-0.472]	Pg 11	0.030
<a href="#">ZP-MC-CG-13M5</a>	\$2.00		Metal	7-12 [0.275-0.472]	Pg 13.5	0.031
<a href="#">ZP-MC-CG-16M5</a>	\$2.25			7-14.5 [0.275-0.570]	Pg 16	0.041
<a href="#">ZP-MC-CG-21M5</a>	\$2.50			9.5-18.5 [0.374-0.728]	Pg 21	0.070
<a href="#">ZP-MC-CG-29M5</a>	\$3.50			17.5-26.5 [0.688-1.043]	Pg 29	0.125
<a href="#">ZP-MC-CG-36M5</a>	\$7.25			23.5-32.5 [0.925-1.279]	Pg 36	0.249

Note: IP66 cable glands with washers CANNOT be used with HC (High Construction) top or side entry housings. You must use the IP68 cable glands. IP66 glands can be used with surface mount HC (High Construction) housings



IP66 Cable Glands - Plastic



IP66 Cable Glands - Metal



IP68 Cable Glands

IP68 Cable Glands						
Part Number	Price	Qty	Type	Thread	Diameter mm [in]	Weight (lb.)
<a href="#">ZP-MC-CG-11M8</a>	\$32.50	10 per pack	Metal	Pg 11	4-10 [0.157-0.393]	0.451
<a href="#">ZP-MC-CG-13M8</a>	\$34.00			Pg 13.5	5-12 [0.197-0.472]	0.780
<a href="#">ZP-MC-CG-16M8</a>	\$47.50			Pg 16	8-14 [0.314-0.551]	0.881
<a href="#">ZP-MC-CG-21M8</a>	\$39.00	5 per pack		Pg 21	11-18 [0.433-0.708]	0.727
<a href="#">ZP-MC-CG-29M8</a>	\$70.00			Pg 29	16-25 [0.629-0.984]	1.466
<a href="#">ZP-MC-CG-36M8</a>	\$101.00			Pg 36	19-36 [0.748-1.417]	2.205



# STD Series Multi-Wire Connectors Spare Parts and Accessories

## Blanking Plugs with Gasket

- Thread: 1.5 mm pitch in accordance with EN 50262, Pg in accordance with DIN 40430
- IP Protection: IP68 in accordance with EN 60529
- Working Temperature: -40°C to 125°C (-40°F to 257°F)
- Materials: Body - nickel-plated brass; Gasket - Elastomer
- Applications: for blanking threaded holes on housings or other enclosures

Blanking Plugs With Gasket					
Part Number	Price	Qty	Type	Thread	Weight (lb.)
<a href="#">ZP-MC-PLG-11M8</a>	\$16.25	10 per pack	Metal	Pg 11	0.169
<a href="#">ZP-MC-PLG-13M8</a>	\$16.25			Pg 13.5	0.192
<a href="#">ZP-MC-PLG-16M8</a>	\$22.50			Pg 16	0.253
<a href="#">ZP-MC-PLG-21M8</a>	\$35.50			Pg 21	0.478
<a href="#">ZP-MC-PLG-29M8</a>	\$36.50	5 per pack		Pg 29	0.218
<a href="#">ZP-MC-PLG-36M8</a>	\$56.00			Pg 36	0.706



Blanking Plugs With  
Gasket

## Pg to NPT Adapters

Thread: Metric 1.5 mm pitch Pg in accordance with DIN 40430, NPT in accordance with USAS B2-1

- IP Protection: dependant on coupling and other components
- Working Temperature: -60°C to 200°C (-76°F to 392°F)
- Materials: nickel-plated brass
- Applications: for converting a Pg thread to an NPT thread

Pg to NPT Adapters						
Part Number	Price	Qty	Type	Pg Thread	NPT Thread	Weight (lb.)
<a href="#">ZP-MC-A-11038</a>	\$5.75	1	Metal	Pg 11	3/8"	0.044
<a href="#">ZP-MC-A-11012</a>	\$4.75			Pg 11	1/2"	0.072
<a href="#">ZP-MC-A-13012</a>	\$4.75			Pg 13.5	1/2"	0.106
<a href="#">ZP-MC-A-16012</a>	\$8.25			Pg 16	1/2"	0.070
<a href="#">ZP-MC-A-21034</a>	\$9.25			Pg 21	3/4"	0.101
<a href="#">ZP-MC-A-29100</a>	\$15.25			Pg 29	1"	0.194
<a href="#">ZP-MC-A-29114</a>	\$16.25			Pg 29	1 1/4"	0.238
<a href="#">ZP-MC-A-36114</a>	\$17.25			Pg 36	1 1/4"	0.201



Pg to NPT  
Adapters

## Replacement Gaskets

Replacement Gaskets						
Part Number	Price	Qty	Size	Type	Material	Weight (lb.)
<a href="#">ZP-MC03A-GSK</a>	\$7.50	10 per pack	3A	For bulkhead housings	Nitrile Butadiene Rubber (NBR)	0.085
<a href="#">ZP-MC10A-GSK</a>	\$6.25		10A			0.082
<a href="#">ZP-MC16A-GSK</a>	\$6.25		16A			0.079
<a href="#">ZP-MC06B-GSK</a>	\$7.50		6B			0.097
<a href="#">ZP-MC10B-GSK</a>	\$7.75		10B			0.105
<a href="#">ZP-MC16B-GSK</a>	\$9.00		16B			0.127
<a href="#">ZP-MC24B-GSK</a>	\$9.25		24B			0.141
<a href="#">ZP-MC32B-GSK</a>	\$16.25		32B			0.229



Replacement Gaskets





# STD Series Multi-Wire Connectors Spare Parts and Accessories

## Insert Plates with Cutouts

Insert Plates with Cutouts				
Part Number	Price	Qty	Description	Weight (lb.)
<a href="#"><u>ZP-MC6B-2-1XDB9</u></a>	\$1.75	1	ZIPport insert plate, (1) 9-pin D-sub connector cutout(s), thermoplastic, RAL 7044 gray. For use with ZIPport size 6B connector housing.	0.0176
<a href="#"><u>ZP-MC6B-2-2XDB9</u></a>	\$1.50		ZIPport insert plate, (2) 9-pin D-sub connector cutout(s), thermoplastic, RAL 7044 gray. For use with ZIPport size 6B connector housing.	0.0154
<a href="#"><u>ZP-MC6B-2-1XDB15</u></a>	\$1.75		ZIPport insert plate, (1) 15-pin D-sub connector cutout(s), thermoplastic, RAL 7044 gray. For use with ZIPport size 6B connector housing.	0.0176
<a href="#"><u>ZP-MC6B-2-2XDB15</u></a>	\$1.50		ZIPport insert plate, (2) 15-pin D-sub connector cutout(s), thermoplastic, RAL 7044 gray. For use with ZIPport size 6B connector housing.	0.0154

Note: machine screw M3-0.5x16 hardware not included



Insert Plates with Cutouts

## Bulkhead Cutout Reducing Plates

Bulkhead Cutout Reducing Plates				
Part Number	Price	Qty	Description	Weight (lb.)
<a href="#"><u>ZP-MC24B-2-RD6B</u></a>	\$5.75	1	ZIPport bulkhead cutout reducing plate, thermoplastic, RAL 7044 gray. For use with ZIPport size 24B bulkhead cutouts. Gasket included. Reduces cutout to ZIPport size 6B.	0.0838
<a href="#"><u>ZP-MC24B-2-RD10B</u></a>	\$5.75		ZIPport bulkhead cutout reducing plate, thermoplastic, RAL 7044 gray. For use with ZIPport size 24B bulkhead cutouts. Gasket included. Reduces cutout to ZIPport size 10B.	0.0816
<a href="#"><u>ZP-MC24B-2-RD16B</u></a>	\$5.75		ZIPport bulkhead cutout reducing plate, thermoplastic, RAL 7044 gray. For use with ZIPport size 24B bulkhead cutouts. Gasket included. Reduces cutout to ZIPport size 16B.	0.0772



Bulkhead Cutout Reducing Plates

## Bulkhead Cutout Blank Covers

Bulkhead Cutout Blank Covers				
Part Number	Price	Qty	Description	Weight (lb.)
<a href="#"><u>ZP-MC6B-2-BLANK</u></a>	\$4.25	1	ZIPport bulkhead cutout blank cover plate, thermoplastic, RAL 7044 gray. For use with ZIPport size 6B bulkhead cutouts. Gasket included.	0.4343
<a href="#"><u>ZP-MC10B-2-BLANK</u></a>	\$4.25		ZIPport bulkhead cutout blank cover plate, thermoplastic, RAL 7044 gray. For use with ZIPport size 10B bulkhead cutouts. Gasket included.	0.0463
<a href="#"><u>ZP-MC16B-2-BLANK</u></a>	\$4.25		ZIPport bulkhead cutout blank cover plate, thermoplastic, RAL 7044 gray. For use with ZIPport size 16B bulkhead cutouts. Gasket included.	0.0529
<a href="#"><u>ZP-MC24B-2-BLANK</u></a>	\$5.75		ZIPport bulkhead cutout blank cover plate, thermoplastic, RAL 7044 gray. For use with ZIPport size 24B bulkhead cutouts. Gasket included.	0.0573



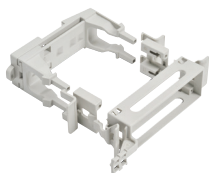
Bulkhead Cutout Blank Covers



# STD Series Multi-Wire Connectors Spare Parts and Accessories

## DIN Rail Mounting Kits

- For mounting inserts inside an enclosure
- Fits 35 mm DIN rail



DIN Rail Mounting Kits



ZP-MC-RT3

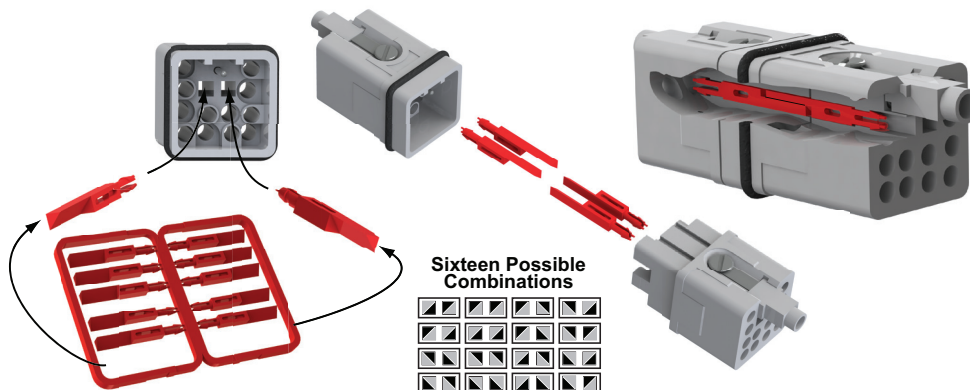
DIN Rail Mounting Kits				
Part Number	Price	Qty	Description	Weight (lb.)
<a href="#"><u>ZP-MC06B-DKIT</u></a>	\$30.00	1	For size 6B inserts	0.374
<a href="#"><u>ZP-MC10B-DKIT</u></a>	\$30.00		For size 10B inserts	0.377
<a href="#"><u>ZP-MC16B-DKIT</u></a>	\$35.50		For size 16B inserts	0.385
<a href="#"><u>ZP-MC24B-DKIT</u></a>	\$35.50		For size 24B inserts	0.392
<a href="#"><u>ZP-MC-RT3</u></a>	\$238.00		Insert removal tool	0.052

## Replacement Screws/Polarization Key

Replacement Screws / Polarization Key				
Part Number	Price	Qty	Description	Weight (lb.)
<a href="#"><u>ZP-MC-SCRWKIT</u></a>	\$6.25	2 pieces of each part	M3.5 - PE screw for size 3A inserts	0.048
			M4 - PE screw for size 6B insert, size 10B insert, size 16B insert (16+PE) and size 24B insert (24+PE)	
			M4 - PE screw for size 16B insert (6+PE) and size 24B insert (8+4+PE)	
			M3 - Installation screw for 3A inserts only	
			M3 - Installation screw for all inserts except 3A	
<a href="#"><u>ZP-MC-POLKEY-1</u></a>	\$4.75	12	Polarization key for size 3A 12-pin inserts. Two keys are required per coupled connection.	0.011



Polarization Key



Using the Polarization Key



# STD Series Multi-Wire Connectors Spare Parts and Accessories

Code Pins					
Part Number	Price	Qty	Description	Figure	Weight (lb.)
<u>ZP-MC-CODEPIN-2</u>	\$9.00	16 per pack	Single code pin	1	0.009
<u>ZP-MC-CODEPIN-3</u>	\$7.25	16 per pack	Male code pin (use w/ZP-MC-CODEPIN-4)	2	0.064
<u>ZP-MC-CODEPIN-4</u>	\$17.25	16 per pack	Female code pin (use w/ZP-MC-CODEPIN-3)	3	0.101

\* Code pins are used in applications where there are identical connectors that could be coupled with the incorrect mate, potentially causing equipment damage or breakdown. Code pins replace the installation screws on the inserts. Code pins do NOT work with 3A inserts or 32x13 inserts. The following combinations of code pins allow for a selective number of couples. Material is zinc-plated steel.

## Coding Pin Configurations

### Single Code Pin

The ZP-MC-CODEPIN-2 is designed to be used as a single stand-alone code pin using the following configurations.



Figure 1

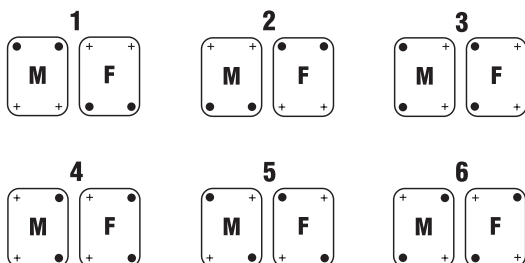


Figure 2



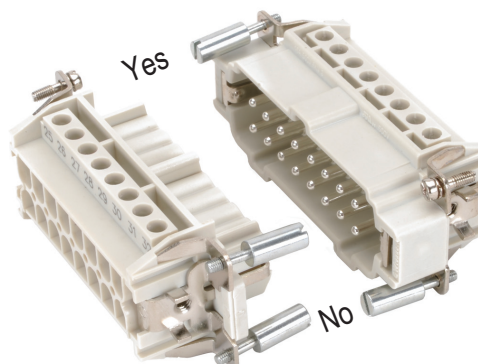
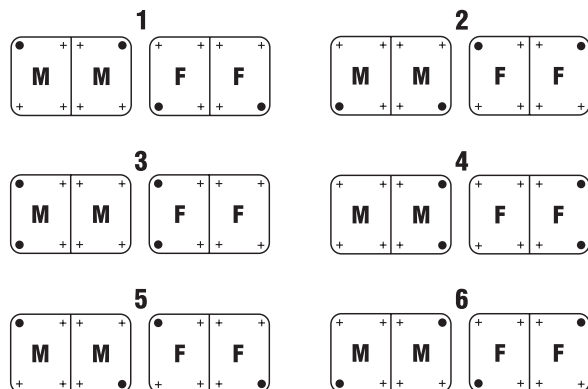
Figure 3

### Application with single insert



- Code pin ZP-MC-CODEPIN-2
- + Normal fixing screw
- M** Male insert
- F** Female insert

### Application with double insert





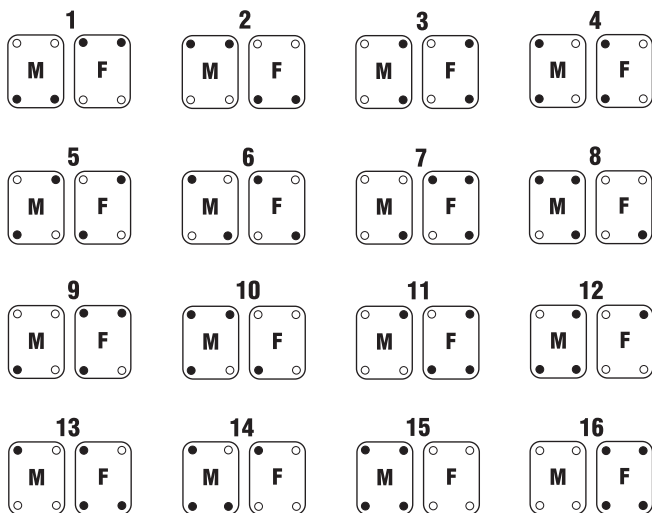
# STD Series Multi-Wire Connectors Spare Parts and Accessories

## Coding Pin Configurations

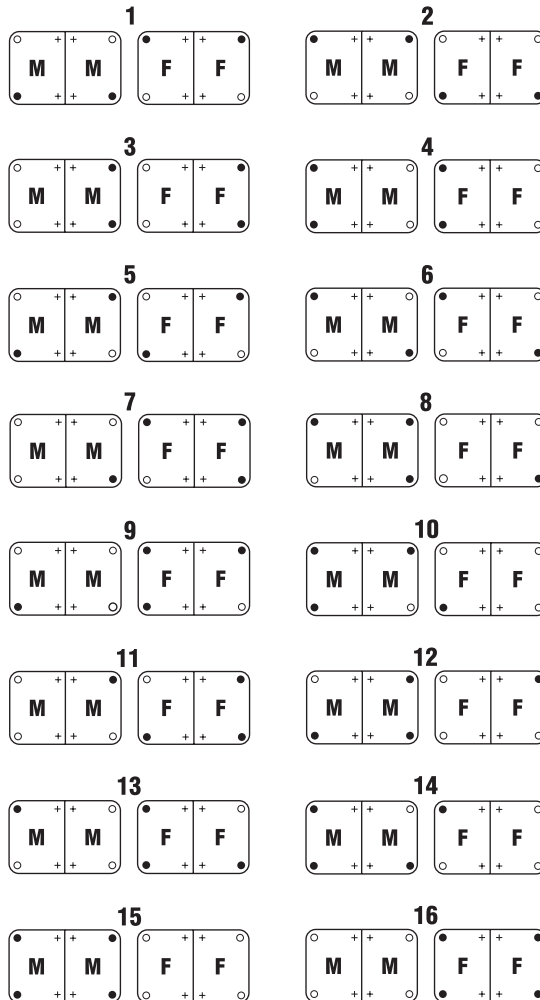
### Male / Female Code Pins

The ZP-MC-CODEPIN-3 and the ZP-MC-CODEPIN-4 are designed to be used together using the following configurations.

#### Application with single insert



#### Application with double insert



- Male code pin ZP-MC-CODEPIN-3
- Female code pin ZP-MC-CODEPIN-4
- + Normal fixing screw
- M** Male insert
- F** Female insert

