

Renesas Starter Kit for RX24T CPU Board Schematics

REV	REF	DATE	DRAWN BY
1.00	Release	24.11.2015	YUO

PAGE	DESCRIPTION
1	INDEX
2	RX24T Microcontroller
3	PSU, Reset, Switches, LEDs, MCU Mode Setting
4	MCU Pin Function Select, Application Headers
5	E1, USB to Serial Interface
6	Pmod Interface, IIC EEPROM
7	Microcontroller Pin Headers

Note:

C : Capacitor
D : Diode
R : Fixed Resistor
RV : Potentiometer
U : Integrated Circuit
X : Crystal, Oscillator
RES : Reset Switch
SW : Switch
LED : Light Emitting Diode
PWR : Power Jack
J : Connector, Jumper

* "DNF" marking means that component
is not fitted by default.

Board Code:

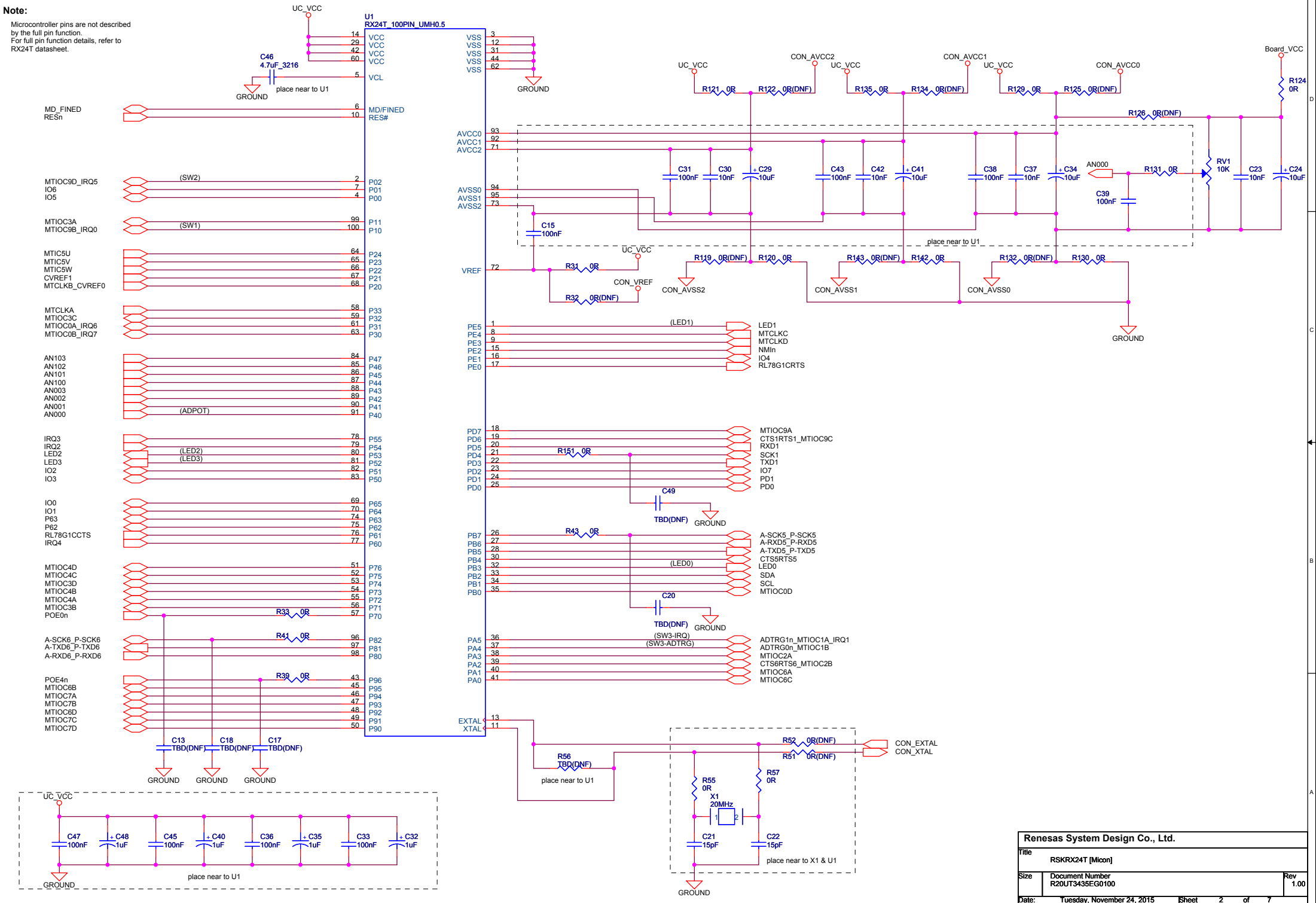
RTK500524TC00000BE : MP Board

REEL Drawing No. D014332_04

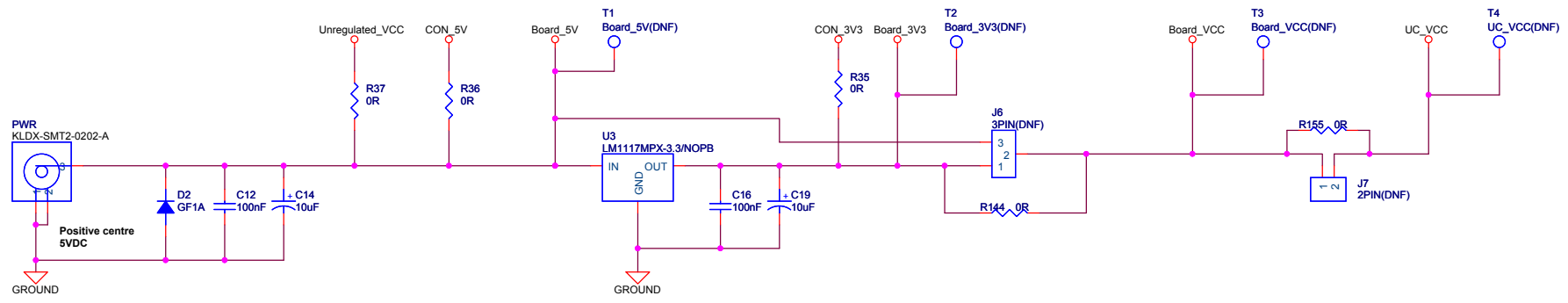
Renesas System Design Co., Ltd.			
Title			
RSKRX24T [Index]			
Size	Document Number		Rev
	R20UT3435EG0100		1.00
Date:	Tuesday, November 24, 2015	Sheet	1 of 7

RX24T Microcontroller

Note:
Microcontroller pins are not described by the full pin function.
For full pin function details, refer to RX24T datasheet.



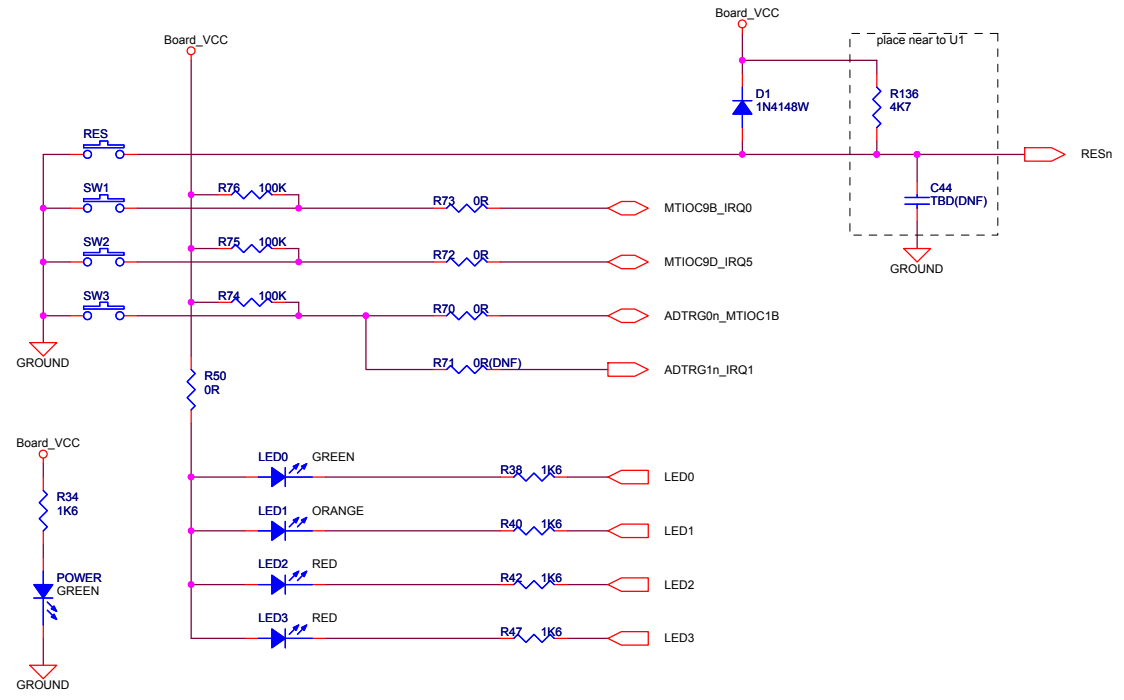
Power Supply Unit



Power Supply Configuration

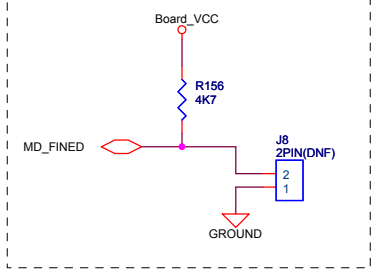
J6	R144	Power Supply Source	Board_VCC UC_VCC	Unavailable Feature
All Open/DNF	FIT	PWR/Unregulated_VCC/CON_5V E1(3V3)/CON_3V3	3V3	None
1-2 shorted	DNF	PWR/Unregulated_VCC/CON_5V E1(3V3)/CON_3V3	3V3	None
2-3 shorted	DNF	PWR/Unregulated_VCC/CON_5V E1(5V)	5V	Pmod

Switches, LEDs, RESET

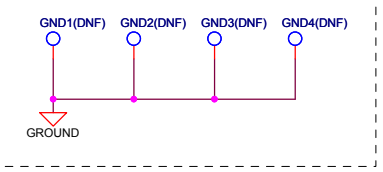


MCU Operating Mode Configuration

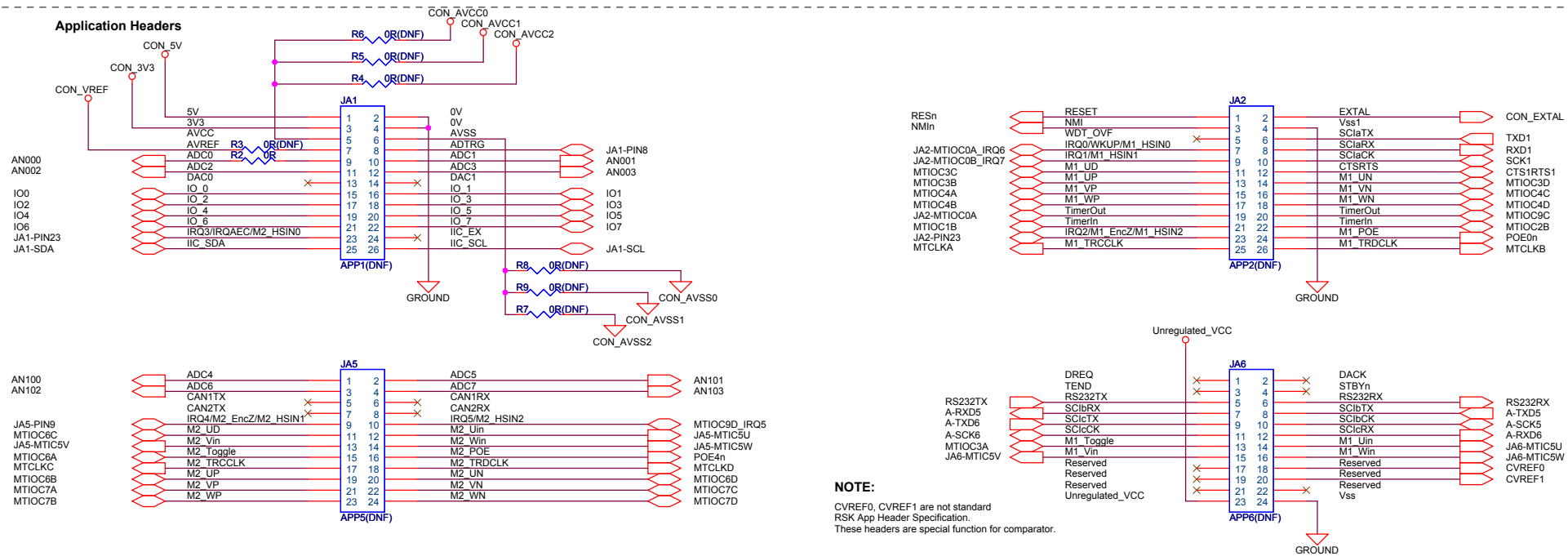
J8	Operating Mode
Open	Single Chip Mode
Shorted Pin	Boot Mode (SCI)



Ground Test Point

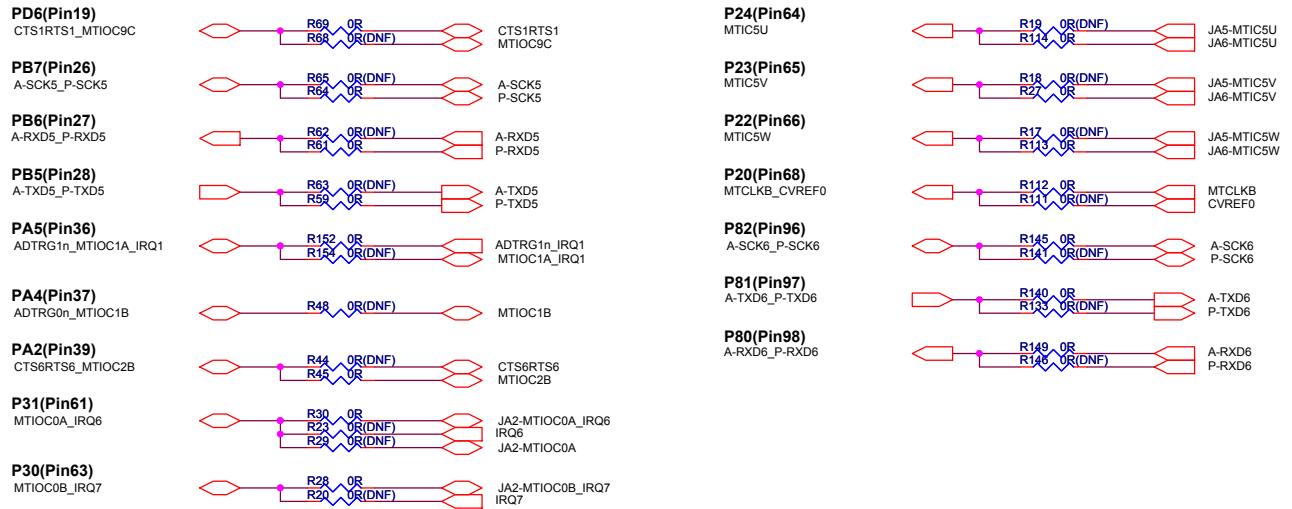


Application Headers

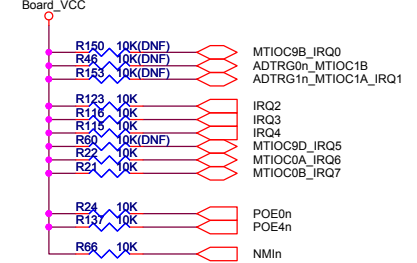


NOTE:
CVREF0, CVREF1 are not standard RSK App Header Specification. These headers are special function for comparator.

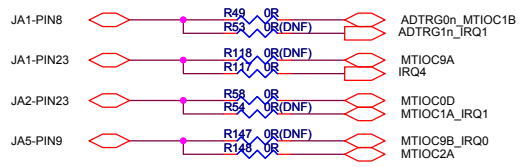
MCU Pin Function Select

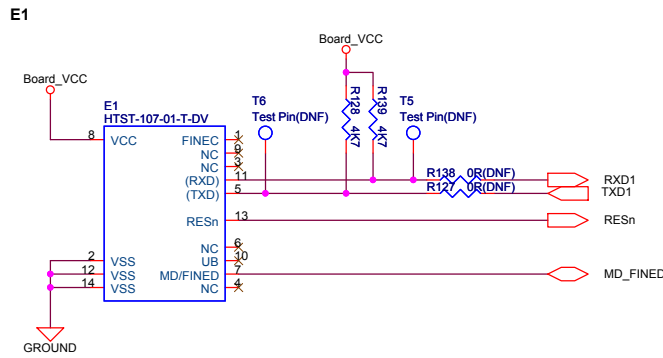


Pull-up resistor



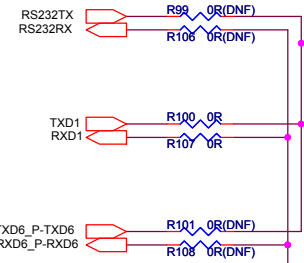
Application Header Function Select





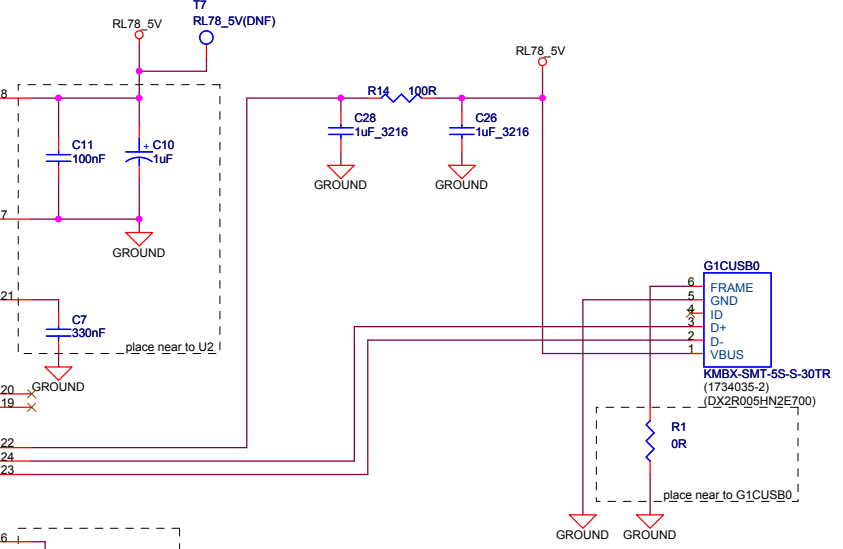
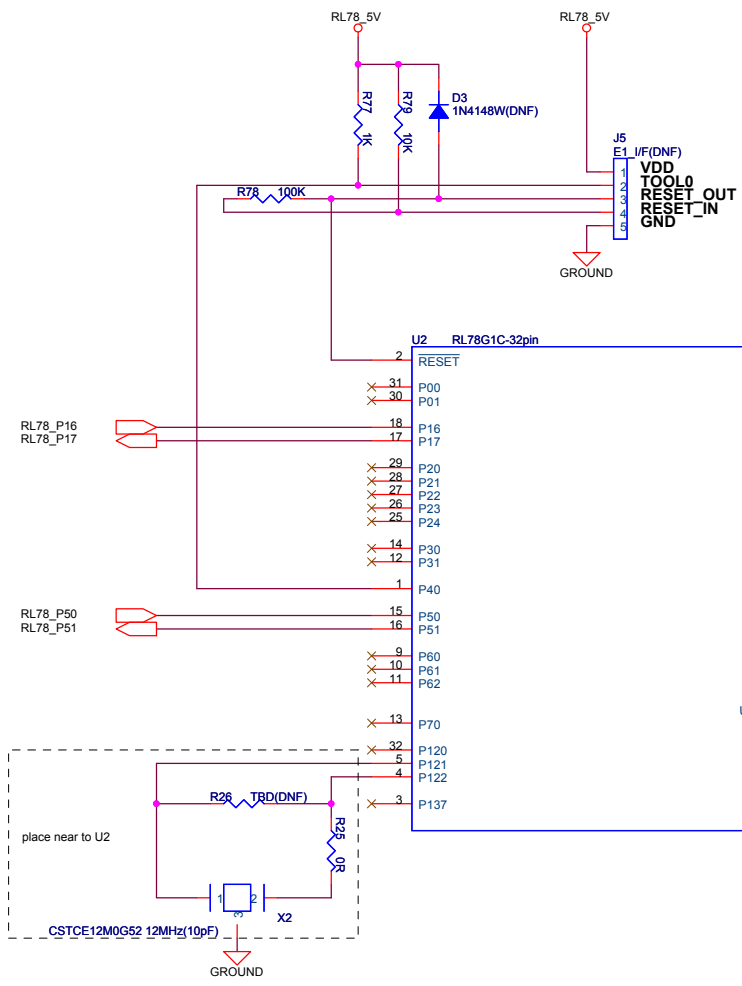
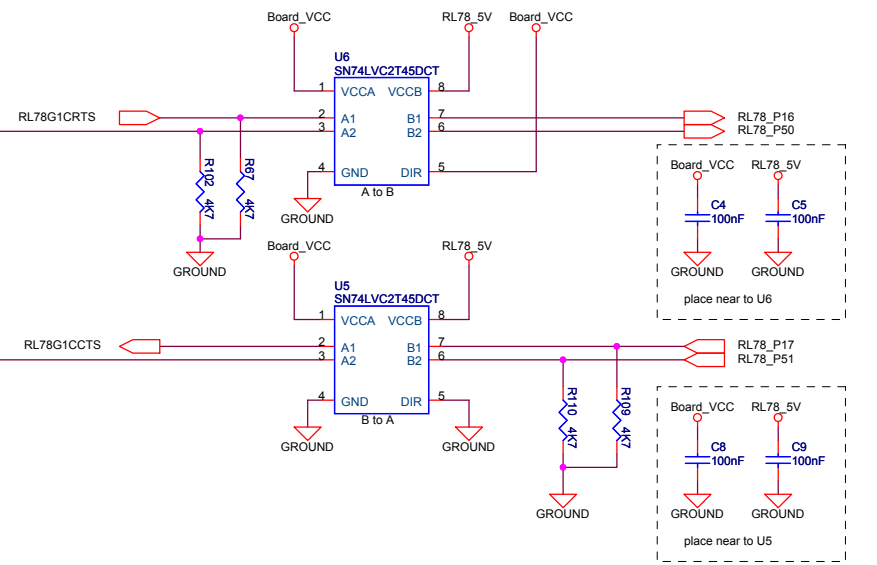
USB to Serial Port Interface

To App Header



RX24T_SC11

RX24T_SC16

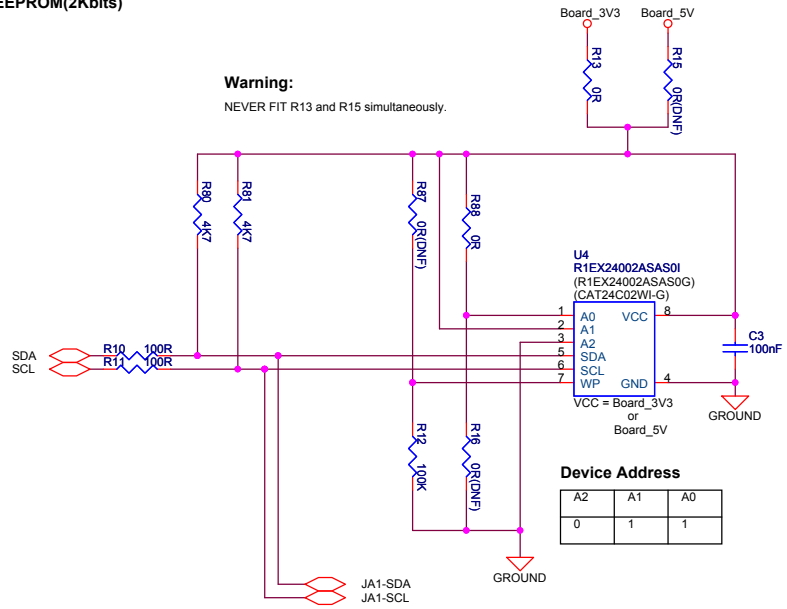


Renesas System Design Co., Ltd.		
Title RSKRX24T [E1, USB to Serial Interface]		
Size Document Number R20UT3435EG0100		Rev 1.00
Date: Tuesday, November 24, 2015	Sheet 5	of 7

IIC EEPROM(2Kbits)

Warning:

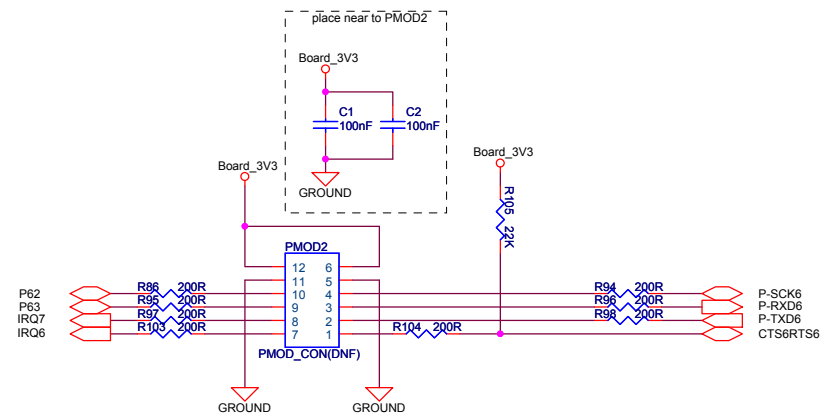
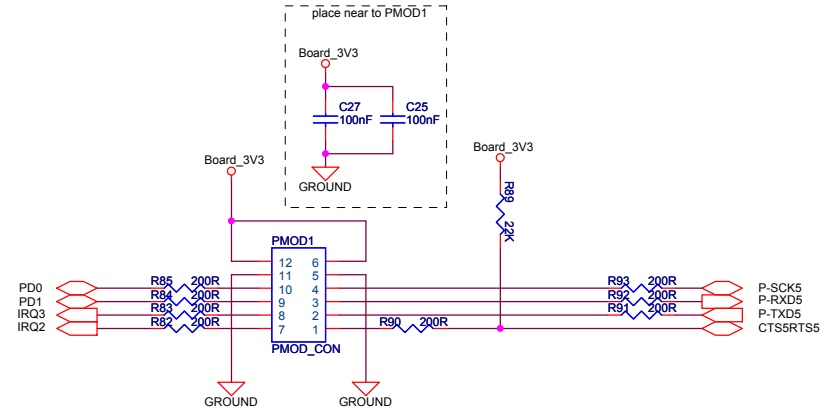
NEVER FIT R13 and R15 simultaneously.



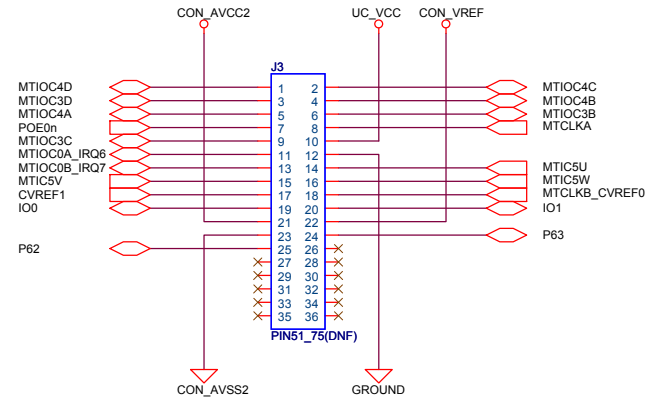
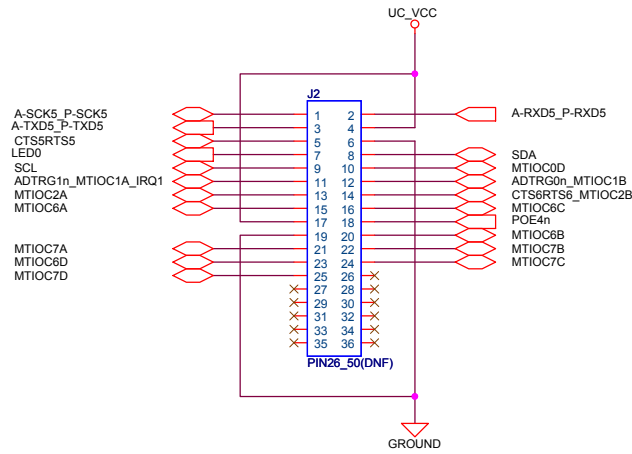
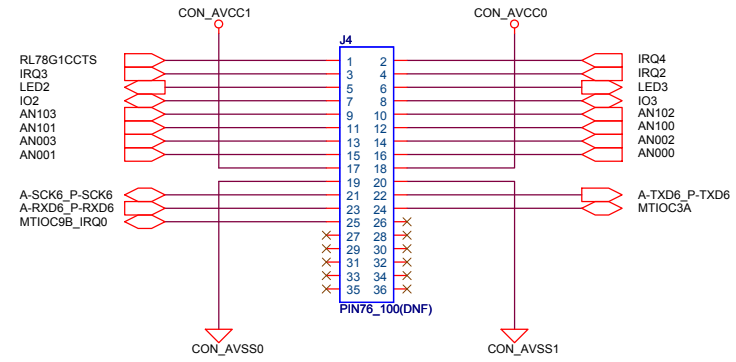
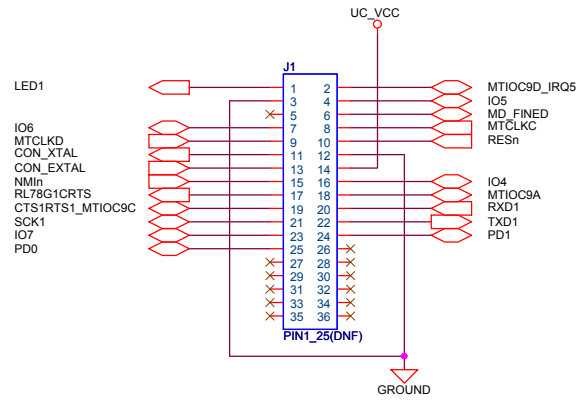
Pmod Interface

PMOD1: Angle type connector

PMOD2: Vertical type connector (spare)



Microcontroller Pin Headers



Revision History

REV	DATE	PAGE	DESCRIPTION
1.00	24.11.2015	---	1st release edition.

Renesas System Design Co., Ltd.			
Title		RSKRX24T [Revision History]	
Size	Document Number	Rev	
	R20UT3435EG0100	1.00	
Date:	Tuesday, November 24, 2015	Sheet	X of X