

COMMSCOPE®



Uniprise® Solutions

Information Security
Network Solutions

Information Security Network Solutions

Companies today face the challenges of maintaining data security throughout the enterprise. Network managers must guard against not only physical intrusion or tapping of the cables, but also non-contact eavesdropping. Any of these security threats can result in serious degradation or critical system failure. Uniprise® Information Security Network Solutions provide fiber and copper solutions to help you protect your company's data resources against intrusion and interference.

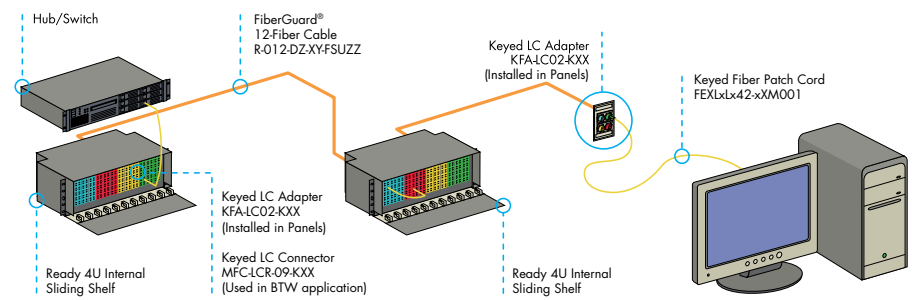
Because of specific speed and bandwidth security requirements, many network managers prefer fiber optic cabling for the Local Area Network (LAN). CommScope's Uniprise Fiber Solutions provide the maximum performance and data protection for your network. We offer premise and indoor/outdoor fiber optic cables, connectors, patch cords, faceplates, and shelves to fit the needs of your network – all color-coded for easy identification. In addition, we provide fiber cable with interlocking armor for the highest level of protection against damage and intrusion. Our keyed LC adapters and connectors provide the security necessary to limit authorized physical access to the network and prevent inadvertent or malicious access.

Significant improvements in the construction of copper cables and connectors have pushed the speed and distance capabilities to new levels. However, unshielded copper cabling remains susceptible to electromagnetic interference. CommScope's Uniprise Foiled Twisted Pair (F/UTP) Solutions offer greater protection in high-noise environments where electromagnetic devices could impair the network. In addition, our F/UTP Solutions provide a plug and play design and color-coded identification to facilitate easy interconnection of the foiled twisted pair system without the use of special tools.

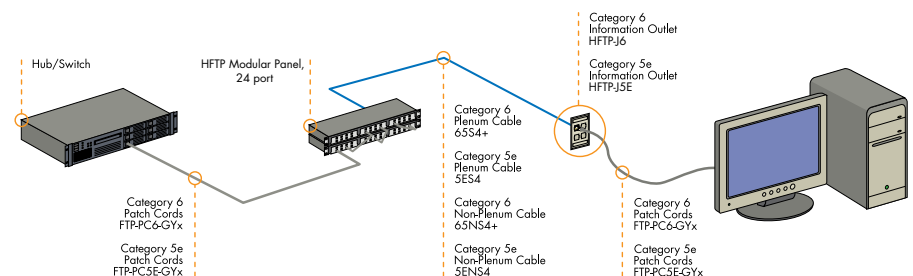
Uniprise Solutions are engineered and tested to provide the exceptional value, performance and headroom for the complexity and maximum security of your network. You want to maintain the confidentiality, integrity, and availability of your data – and CommScope's Uniprise Information Security Solutions will help you accomplish that task.

In addition to highly engineered systems, CommScope also provides the convenience of ordering cables and connectivity from a single source, a single warranty for all solution components, excellent quality control, and step-by-step guidance and assistance in choosing the right solution for your needs.

Fiber Optic Channel (Secured)



F/UTP Channel



Fiber Solutions

Keyed Fiber LC Adapters and Connectors

Features and Benefits

- Duplex LC adapter mounts in the same footprint as a simplex SC adapter
- RJ-style housing
- Single-fiber ferrule for maintaining proper polarity
- Pull-proof for jumper
- UPC finish
- Anti-snap latch for jumper
- Minimal polish
- Standards compliant
- Standard Uniprise installation procedure
- Ten keys in distinct colors
- Adapters come standard with ceramic sleeves
- Available in Behind the Wall version
- Universal Key available for use while testing
- Disengages easily in dense spaces

KEYED LC CONNECTORS



KEYED LC ADAPTERS



Today's facilities often employ more than one network and need mechanical security to limit access and prevent inadvertent cross-connection. The Uniprise Keyed LC products have special molded features in the LC connector and molded keys in the adapter to reduce the chance of unauthorized connections.

Ten connector-adapter combinations exist, identified by color, and in order for a connection to be possible, the connector and adapter colors must match. If the colors do not match, the keying features will prevent the connector from carrying the signal. Uniprise Keyed LC connectors will not mate with standard LC adapters, only with matching, same-color adapters.

ORDERING GUIDE

| Material ID | Description |
|--------------------|---|
| SM & MM | |
| 760057190 | SM & MM LC duplex adapter - keyed, Blue |
| 760057208 | SM & MM LC duplex adapter - keyed, Green |
| 760057216 | SM & MM LC duplex adapter - keyed, Red |
| 760057224 | SM & MM LC duplex adapter - keyed, Yellow |
| 760090670 | SM & MM LC duplex adapter - keyed, Orange |
| 760090621 | SM & MM LC duplex adapter - keyed, Aqua |
| 760090639 | SM & MM LC duplex adapter - keyed, Rose |
| 760090647 | SM & MM LC duplex adapter - keyed, Brown |
| 760090654 | SM & MM LC duplex adapter - keyed, Slate |
| 760090662 | SM & MM LC duplex adapter - keyed, Violet |
| MM LC | |
| 760102541 | MM LC connector for use on 900µm buffer - keyed, Blue |
| 760102558 | MM LC connector for use on 900µm buffer - keyed, Green |
| 760102566 | MM LC connector for use on 900µm buffer - keyed, Red |
| 760102574 | MM LC connector for use on 900µm buffer - keyed, Yellow |
| 760102632 | MM LC connector for use on 900µm buffer - keyed, Orange |
| 760102582 | MM LC connector for use on 900µm buffer - keyed, Aqua |
| 760102590 | MM LC connector for use on 900µm buffer - keyed, Rose |
| 760102608 | MM LC connector for use on 900µm buffer - keyed, Brown |
| 760102616 | MM LC connector for use on 900µm buffer - keyed, Slate |
| 760102624 | MM LC connector for use on 900µm buffer - keyed, Violet |

| Material ID | Description |
|--------------|---|
| SM LC | |
| 760102897 | SM LC connector for use on 900µm buffer - keyed, Blue |
| 760102905 | SM LC connector for use on 900µm buffer - keyed, Green |
| 760102913 | SM LC connector for use on 900µm buffer - keyed, Red |
| 760102921 | SM LC connector for use on 900µm buffer - keyed, Yellow |
| 760102988 | SM LC connector for use on 900µm buffer - keyed, Orange |
| 760102939 | SM LC connector for use on 900µm buffer - keyed, Aqua |
| 760102947 | SM LC connector for use on 900µm buffer - keyed, Rose |
| 760102954 | SM LC connector for use on 900µm buffer - keyed, Brown |
| 760102962 | SM LC connector for use on 900µm buffer - keyed, Slate |
| 760102970 | SM LC connector for use on 900µm buffer - keyed, Violet |

Fiber Solutions

Keyed LC Patch Cords

FEXL2LC42-MXF003



Features and Benefits

- High-quality factory termination
- Variety of fiber types and connector types
- 100% termination tested with test data included
- Available in multiple key colors
- Universal plug available for testing
- Lowest possible loss, providing improved system performance
- Maintains optical contact under load and helps prevent accidental disconnects
- Reduces maintenance and ensures consistent optical performance

A critical component of the Keyed LC Fiber Solution, Uniprise Keyed LC Patch Cords are available in a variety of key colors, fiber types and lengths. Keyed LC Patch Cords are made with the same keying features as the Keyed LC Adapters, preventing accidental connection and ensuring physical network security.

FIBER PATCH CORD CONFIGURATOR

| 1 | 2 | 3 | 4 | 5 | 6 | 7 | 8 | 9 | 10 | 11 | 12 | 13 | 14 | 15 | 16 |
|---|---|---|---|---|---|---|---|---|----|----|----|----|----|----|----|
| F | D | X | L | 1 | L | 1 | 2 | 1 | - | G | X | F | 0 | 0 | 2 |

| | | | | | | | |
|--|--|---|--|--|--|---|--|
| <p>Prefix</p> <p>FD Jumper - Plenum FE Jumper - Riser FF Jumper - LSZH</p> | <p>Fiber Type</p> <p>X LazrSPEED 550 Multimode M OptiSPEED Multimode W TeraSPEED Single-mode</p> | <p>Connector One</p> <p>L1 LC Keyed Red L2 LC Keyed Yellow L3 LC Keyed Blue L4 LC Keyed Green L5 LC Keyed Orange L6 LC Keyed Slate L7 LC Keyed Brown L8 LC Keyed Aqua L9 LC Keyed Rose LV LC Keyed Violet</p> | <p>Connector Two</p> <p>L1 LC Keyed Red L2 LC Keyed Yellow L3 LC Keyed Blue L4 LC Keyed Green L5 LC Keyed Orange L6 LC Keyed Slate L7 LC Keyed Brown L8 LC Keyed Aqua L9 LC Keyed Rose LV LC Keyed Violet LA LC Angled LC LC Standard LU LC Uniboot* SA SC Angled SC SC Standard ST STII MJ MTRJ FA FC Angled FB FC Standard</p> | <p>Fiber Count</p> <p>1 1 Fiber 2 2 Fiber</p> <p>Cordage Size</p> <p>2 1.6mm Simplex 3 3.0mm Simplex 4 1.6mm Zipcord 5 3.0mm Zipcord</p> | <p>Jacket Color</p> <p>A Blue B Orange C Green D Brown E Slate G Red H Black J Yellow K Violet L Rose M Aqua</p> | <p>UOM</p> <p>F Feet M Meters</p> <p>Breakout Length</p> <p>X No Breakout</p> | <p>Length</p> <p>2 - 999 Feet 1 - 999 Meters</p> |
|--|--|---|--|--|--|---|--|

Enclosures

Features and Benefits

RFE-SLC-IS-EMT:

- Available in black or white
- Heavy gauge steel
- Internal wire management included
- Works with 23" and 19" racks
- Spaces available on the sides of the shelf for routing cable or buffered fiber internally between shelves
- Port identification label behind front door
- Ergonomic design
- Lockable

WBE-EMT:

- Three models available in 2-4-8 adapter panels
- Security covers for BTW and patch side
- Secure with padlock (not included)
- Mounts on wall at 4 different orientations
- Cable mounting with cable glands
- Protection on patch side
- Splice clip available as 3 or 6 tray
- Cable clamp compatible (not included)
- Lockable

Uniprise Ready™ shelves uses include anything from updating or expanding telecommunications closets to risers to small data centers in intelligent buildings, education and government structures.

Ready's internal sliding shelves and locking wall mounts share a common panel style footprint with all Ready system fiber connector panels and modules enabling field termination, field splicing and factory

termination in a single unit. This modular concept enables users to adopt new technologies and fiber architectures over time by simply replacing modular Ready components in deployed Ready shelves and wall mount units. Simplifying initial installation while enabling easy network upgrades, Ready's modular design provides a future-ready platform for all fiber deployments.

Ready's common footprint fiber support LC, SC, ST and MPO connector deployments. Supporting LazrSPEED® OM4 and OM3 multimode, OptiSPEED® OM1 multimode and TeraSPEED® single-mode fiber technologies, the Ready fiber solution is ideal for a variety of applications and networking environments.

Available in 1U, 2U and 4U Configurations, Ready shelves hold 3 fiber panels or pre-terminated modules per 1U of Rack Space and can support up to 36 duplex LC (72 fibers) or 24 MPO pass through adapters (288 fibers) in each 1U of space.

CommScope offers several fiber management shelves for splicing, termination, and cable and patch cord management, including the RFE-FXD-EMT and WBE-EMT-BK.

The RFE-SLC-IS-EMT-BK/4U is a frame mounted, Internal Sliding fixed position shelf that is designed to accommodate up to 12 ST, SC or LC adapter panels. Modular and stackable, the 4U shelf features front and rear access doors and an ergonomic design for ease of use.

The WBE-EMT is a wall-mount fiber enclosure used for a combination of splicing and termination of fiber optic building cable or outside plant cables. The enclosure can be configured for multiple adapter applications and is designed to accommodate termination of up to 96 LC connections. The enclosures can also be used as splice units to store 96 Single Fusion Splices, 72 Mechanical Splices or 36 Mass Fusion Splices with the addition of the appropriate splice holders.

Ready 4U Fiber Shelf



Ready Wall Mount Building Enclosure



Shown with example adapter panels installed

| Material ID | Description |
|-------------|--|
| 760147439 | Ready 1U Internal Sliding Shelf, black |
| 760147447 | Ready 2U Internal Sliding Shelf, black |
| 760147454 | Ready 4U Internal Sliding Shelf, black |
| 760147496 | Wall Mount Building Enclosure, 2P, black |
| 760147504 | Wall Mount Building Enclosure, 4P, black |
| 760147512 | Wall Mount Building Enclosure, 8P, black |

Fiberguard®



R-012-DZ-XY-FSUZZ

Features and Benefits

- Outstanding mechanical protection for sensitive cables combined with excellent flexibility
- Reduces the potential of data transmission loss/failures caused by accidental cut through, crushing, mechanical vibration and rub through damage via adjacent cables or other objects
- Available in aluminum interlocking armor with an outer jacket
- Flame Rating: NEC and CEC compliant for OFCR, OFCP and OFCR-LS (Limited Smoke)
- Outer jacket colored for easy identification with sequential length marking in feet or meters
- Custom printing available on outer jacket for ease of identification (minimum order quantities may apply)
- Indoor and Indoor/Outdoor cable constructions

For installations where conduit or innerduct are typically installed, CommScope offers premise and indoor/outdoor fiber optic cables inside an interlocking armor that provides protection against damage due to extreme conditions. This construction eliminates the need for installing conventional conduit or innerduct and then pulling in the fiber optic cable, thus reducing the overall time and cost of the installation.

| Material ID | Description |
|-------------|--|
| 760127761 | 12-Fiber Indoor Distribution, Plenum, 62.5µm |
| 760127704 | 12-Fiber Indoor Distribution, Plenum, 50µm, 10G/150m |
| 760127878 | 24-Fiber Indoor Distribution, Plenum, 50µm, 10G/150m |
| 760127647 | 12-Fiber Indoor Distribution, Plenum, 50µm, 10G/300m |
| 760127902 | 24-Fiber Indoor Distribution, Plenum, 50µm, 10G/300m |
| 760127803 | 12-Fiber Indoor Distribution, Plenum, Single-mode |
| 760127886 | 24-Fiber Indoor Distribution, Plenum, Single-mode |

Fiber and Copper Solutions

Faceplates

The angled outlet faceplates are flush-mounted US standard. They are designed to be used with all of our UNJ series outlets, UNFA fiber faceplate mounting modules, and other adapters and couplers. Outlets and adapters installed in the angled faceplates are angled downward 40 degrees to reduce the strain on cords and connectors. The faceplates are available in two styles and four colors: single gang 4-port and double gang 8-port black,

gray, white and stainless steel. They include labels, label holders and mounting screws (2 of each with the single gang faceplate and 4 of each with the double gang faceplate).

CommScope offers an extensive range of faceplates, including designer and modular flush-mount styles. For a complete product listing, please see the Uniprise product catalog.



M13SP-L



M14SP-L



M14AS-262



M14L-270



M12L-003



M13L-262



Each faceplate comes with labels, label holders and screws

| Material ID | Product Number |
|-------------|----------------|
| 760072199 | M13SP-L |
| 108168535 | M14L-270 |
| 108168485 | M12L-003 |
| 108168501 | M13L-262 |
| 76007207 | M14SP-L |
| 107713588 | M14AS-246 |
| 107713596 | M14AS-270 |
| 107713604 | M14AS-262 |
| 107713547 | M12AS-246 |
| 107713562 | M12AS-262 |

F/UTP Solutions

F/UTP Modular Patch Panels

Features and Benefits

- Accommodates Unirpise Shielded Information Outlets
- Simple to use grounding solution with ground terminals on each end
- Straight and angled constructions in both 1U and 2U
- Easy cable routing and bundling through improved rear cable management
- Compatible with DYMO labeling

The HFTP Shielded Modular Panels are available in 24 Port 1U and 48 Port 2U, flat and angled configurations. The HFTP Shielded Outlets mount directly to the HFTP Panel, and, when mounted, are connected to the panel grounding bar. The grounding bar is built into the panel and provides ground lugs on each end of the panel.

| Material ID | Description |
|-------------|---|
| 760163436 | Shielded 1U Modular Panel, 24 port |
| 760163444 | Shielded 1U Modular Panel, 48 port |
| 760163451 | Shielded 1U Angled Modular Panel, 24 port |
| 760163469 | Shielded 1U Angled Modular Panel, 48 port |



**HFTP Shielded
Modular Panels**

F/UTP Information Outlets

Features and Benefits

- Allows for multiple size cable terminations 0.270 inches up to 0.300 inches diameter over jacket and flame ratings
- Universal design and label supports both T568A and T568B wiring
- Black icons provided in strip of three: VOICE, DATA and BLANK and are also sold separately in bulk packs, available in green, blue, red, black, white and yellow
- Termination time decreased when using the HGS-TTS termination tool
- Patent pending flexible mounting system enables a single connector to mount in three separate openings: HD (High Density), M-Series and Keystone
- Rugged, full-metal construction
- IDC connector terminations on rear of base allow quick and easy installation of 22 to 24 AWG cables
- Optimal performance is achieved when using Uniprise shielded patch cords
- UL® listed
- Can support network line speeds up to at least 10 Gbps
- Trade Agreements Act (TAA) compliant

The HFTP Shielded Outlets can be mounted directly to the HFTP Shielded Modular Panels. HFTP Shielded Outlets can be mounted to the M3200 FTP Modular Panel, M-Series Faceplates and Surface Mount boxes with the addition of the HGS-AMS M-Series Adapter.

The HFTP Shielded Outlets can also be mounted into keystone openings with the addition of the HGS-AKS Keystone Adapter.

The M-Series and Keystone Adapters are sold separately.

The HFTP Shielded Outlets also include a strip of (3) Black Icons, BLANK, VOICE, and DATA. Additional Icon colors are available.



HFTP Shielded Outlets

| Material ID | Description |
|-------------|--|
| 760163501 | Category 5E Shielded Outlet |
| 760163519 | Category 6 Shielded Outlet |
| 760163527 | Ultra 10® 10G Shielded Outlet |
| 760152827 | Keystone Adapter Bulk Pack for HFTP Outlet |
| 760154211 | M-Series Adapter for HFTP Outlet |
| 760154252 | M-Series Adapter for HFTP Outlet |
| 760154187 | M-Series Adapter for HFTP Outlet |
| 760154195 | M-Series Adapter for HFTP Outlet |
| 760154229 | M-Series Adapter for HFTP Outlet |
| 760164350 | Icon Strip Bulk Pack for HFTP Outlet, White |
| 760164368 | Icon Strip Bulk Pack for HFTP Outlet, Ivory |
| 760164376 | Icon Strip Bulk Pack for HFTP Outlet, Gray |
| 760164384 | Icon Strip Bulk Pack for HFTP Outlet, Black |
| 760164392 | Icon Strip Bulk Pack for HFTP Outlet, Orange |
| 760164400 | Icon Strip Bulk Pack for HFTP Outlet, Green |
| 760164418 | Icon Strip Bulk Pack for HFTP Outlet, Yellow |
| 760164426 | Icon Strip Bulk Pack for HFTP Outlet, Blue |
| 760164434 | Icon Strip Bulk Pack for HFTP Outlet, Red |
| 760164442 | Icon Strip Bulk Pack for HFTP Outlet, Violet |
| 760164459 | Icon Strip Bulk Pack for HFTP Outlet, Cream |
| 760152876 | Hand Termination Tool – Seat Only |

F/UTP Modular Patch Cords

FTP-PC6



Features and Benefits

- Enhanced plug design, improved 24-gauge (0.511 mm) cordage and a unique manufacturing process assures extremely high electrical performance with low variability
- Improved anti-snag feature provides maximum protection from snagging during moves, adds and changes
- Available in gray solid conductor cordage
- UL listed
- Can support high bandwidth applications including IEEE 802.3ab 1000BASE-T (Gigabit Ethernet)
- Qualifies for a Uniprise F/UTP Solutions 20-Year Extended Product Warranty when included in a certified Uniprise F/UTP channel
- Lengths in feet: 3,5,7,9,15,25

Uniprise F/UTP Modular Patch Cords (FTP-PC6 and FTP-PC5E) consist of high quality components designed to assure high performance in Category 6 and Category 5e applications, respectively. These products meet the Category 6 and Category 5e specifications as specified in ANSI/TIA-568-C.2, IEC 60603-7-5 and ISO/IEC 11801.

Uniprise F/UTP Modular Patch Cords are designed to mate with FTP-J6 and FTP-5E information outlets to minimize signal reflections and significantly improve performance.

CATEGORY 5E F/UTP PATCH CORD

| Material ID BASE Code | Product Number | Type | Information Outlet Color | Jacket Color | | | | | | | | UOM | Cable/Cordage Length Options | |
|--------------------------|-------------------|--------------------------|-----------------------------|--------------|----|----|----|----|----|----|----|-----|---------------------------------|----------------|
| | | | | BK | OR | RD | WH | YL | GY | VL | GR | | | BL |
| UC1EEH2 | FTP-PC5E | F/UTP Modular Patch Cord | 0 | | | | | | C | | | | F,M | 3-300ft/1-100m |

Ordering Material ID Example: UC1EEH2 - 0CF007 (FTP-PC5E-GY-7F)

CATEGORY 6 F/UTP PATCH CORDS

| Material ID BASE Code | Product Number | Type | Information Outlet Color | Jacket Color | | | | | | | | UOM | Cable/Cordage Length Options | |
|--------------------------|-------------------|--------------------------|-----------------------------|--------------|----|----|----|----|----|----|----|-----|---------------------------------|--------------|
| | | | | BK | OR | RD | WH | YL | GY | VL | GR | | | BL |
| UC1FFL2 | FTP-PC6 | F/UTP Modular Patch Cord | 0 | | | 7 | 8 | 9 | C | | M | Z | F,M | 3-300ft/100m |

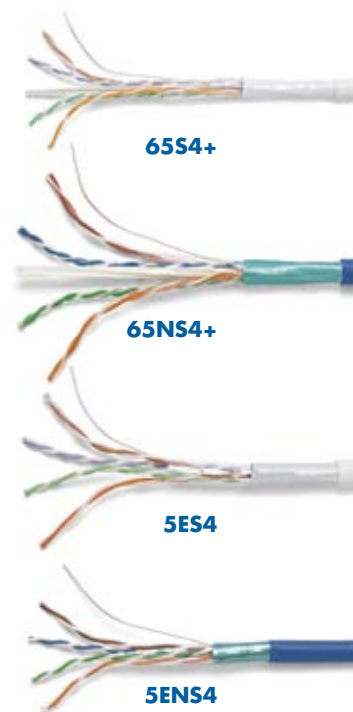
Ordering Material ID Example: UC1FFL2 - 08F007 (FTP-PC6-WH-7F)

F/UTP Cables

Features and Benefits

- Test report available online at www.commscopewebtrak.com
- Flexible jacket strips cleanly and resists kinking
- Co-extruded color striped pairs for easy identification
- 1,000 to 0 footage markers every two feet
- Available in reels
- Qualifies for a Uniprise F/UTP Solutions 20-Year Extended Product Warranty when included in a certified Uniprise F/UTP channel

Uniprise F/UTP cables exhibit excellent cross-talk performance, enabled via optimized twist and strand schemes, dramatically enhancing high-frequency performance using the latest in cable technology. The Category 6 cables are manufactured with a patented pair isolator which further provides separation of the pairs and enhanced cross-talk performance.



| Material ID | Description |
|-------------|--|
| 8759604/10 | 65S4+ Category 6 F/UTP Plenum Cable, Blue, 1000 ft. Reel |
| 8759684/30 | 65S4+ Category 6 F/UTP Plenum Cable, Blue, 3000 ft. Reel |
| 8755204/10 | 65S4+ Category 6 F/UTP Plenum Cable, White, 1000 ft. Reel |
| 8755284/30 | 65S4+ Category 6 F/UTP Plenum Cable, White, 3000 ft. Reel |
| 8755304/10 | 65S4+ Category 6 F/UTP Plenum Cable, Gray, 1000 ft. Reel |
| 8755384/30 | 65S4+ Category 6 F/UTP Plenum Cable, Gray, 3000 ft. Reel |
| 8859104-10 | 65NS4+ Category 6 F/UTP Non-Plenum Cable, Blue, 1000 ft. Reel |
| 8859184/30 | 65NS4+ Category 6 F/UTP Non-Plenum Cable, Blue, 3000 ft. Reel |
| 8866604/10 | 65NS4+ Category 6 F/UTP Non-Plenum Cable, White, 1000 ft. Reel |
| 8866684/30 | 65NS4+ Category 6 F/UTP Non-Plenum Cable, White, 3000 ft. Reel |
| 8852604/10 | 65NS4+ Category 6 F/UTP Non-Plenum Cable, Gray, 1000 ft. Reel |
| 8852604/30 | 65NS4+ Category 6 F/UTP Non-Plenum Cable, Gray, 3000 ft. Reel |
| 8744604/10 | 5ES4 Category 5e F/UTP Plenum Cable, Blue, 1000 ft. Reel |
| 8744704/10 | 5ES4 Category 5e F/UTP Plenum Cable, White, 1000 ft. Reel |
| 8740204/10 | 5ES4 Category 5e F/UTP Plenum Cable, Gray, 1000 ft. Reel |
| 4666904/10 | 5ENS4 Category 5e F/UTP Non-Plenum Cable, Blue, 1000 ft. Reel |
| 4667004/10 | 5ENS4 Category 5e F/UTP Non-Plenum Cable, White, 1000 ft. Reel |
| 4666804/10 | 5ENS4 Category 5e F/UTP Non-Plenum Cable, Gray, 1000 ft. Reel |

We're proud to be a part of your network's story

Here at CommScope, we embrace our role as a trusted resource, partner and facilitator. We create the infrastructure that connects the world and evolves with every advance in technology. By investing all of our capabilities, resources, relationships and products into your toughest challenges, we continue our long history of solving problems together—paving the way for new ideas and fresh ways of thinking.

We're a trusted resource and partner around the world because we're invested in you: your people, your networks, your success. It inspires us to build relationships and infrastructure ... connect people and technologies across protocols, oceans and time zones ... and share what we learn along the way. We'll never stop connecting and evolving networks for the business of life at home, at work and on the go.

**This is our promise to you.
This is CommScope.**

COMMSCOPE®

www.commscope.com

Visit our Web site or contact your local CommScope representative for more information.

© 2013 CommScope, Inc. All rights reserved.

All trademarks identified by ® or ™ are registered trademarks or trademarks, respectively, of CommScope, Inc. This document is for planning purposes only and is not intended to modify or supplement any specifications or warranties relating to CommScope products or services. All products and services sold by CommScope are subject to its standard warranty terms and conditions unless contractual agreements exist.

CO-106617-EN (3/13)