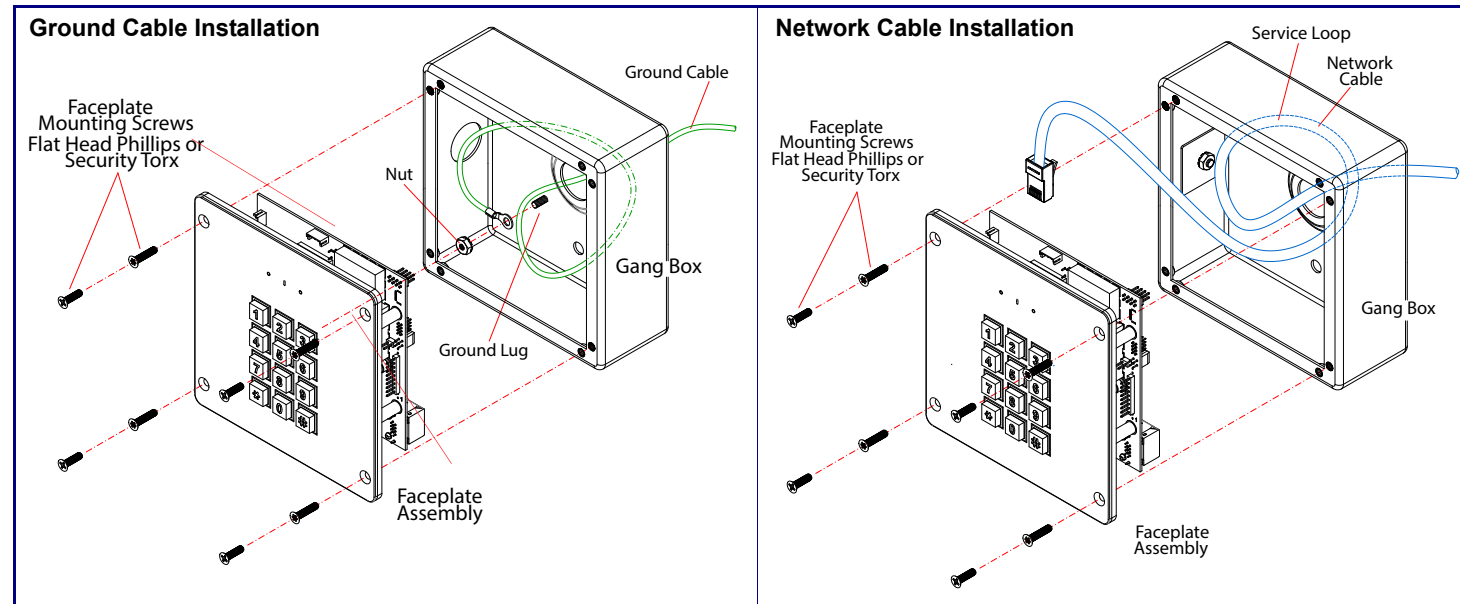
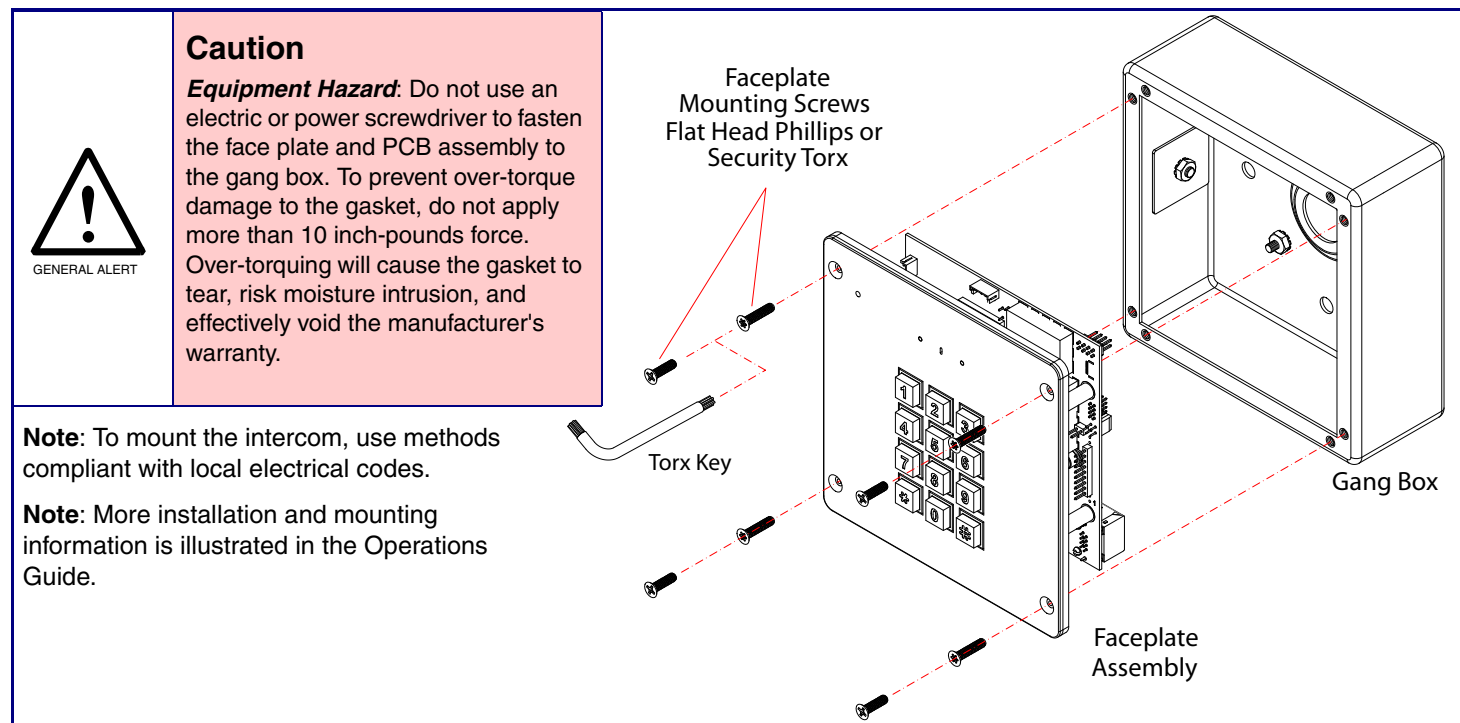


## Connecting the Intercom (Service Loop Routing)



## Securing the Intercom



## Contacting CyberData

### Corporate Headquarters

CyberData Corporation  
 3 Justin Court  
 Monterey, CA 93940, USA

Phone: 831-373-2601  
 Fax: 831-373-4193  
<http://www.cyberdata.net/>

Sales: (831) 373-2601 ext. 334  
 Support: 831-373-2601 ext. 333  
 Support Website: <http://support.cyberdata.net/>  
 RMA Department: (831) 373-2601 ext. 136  
 RMA Email: RMA@CyberData.net  
 RMA Status: <http://support.cyberdata.net/>  
 Warranty Information: <http://support.cyberdata.net/>

# Secure Access Control Keypad

SIP Compliant

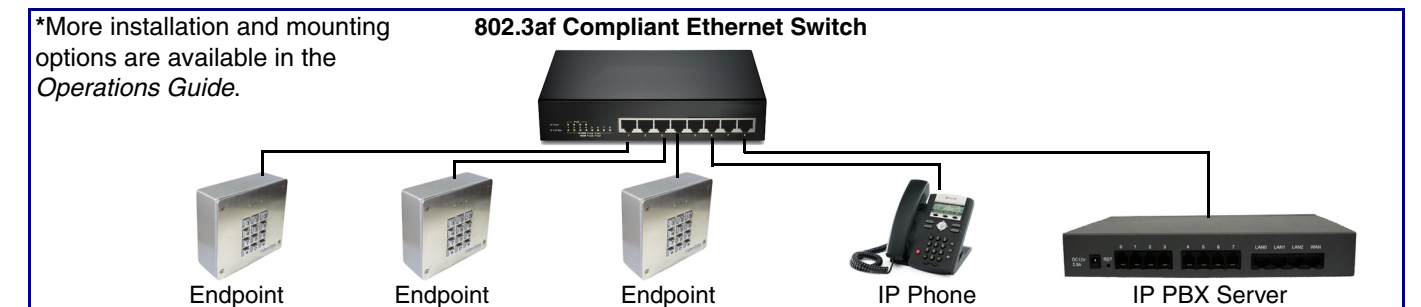
011433



Parameter	Factory Default Setting
IP Addressing	DHCP
IP Address <sup>a</sup>	10.10.10.10
Web Access Username	admin
Web Access Password	admin
Subnet Mask <sup>a</sup>	255.0.0.0
Default Gateway <sup>a</sup>	10.0.0.1

a. Default if there is not a DHCP server present.

## Typical System Installation



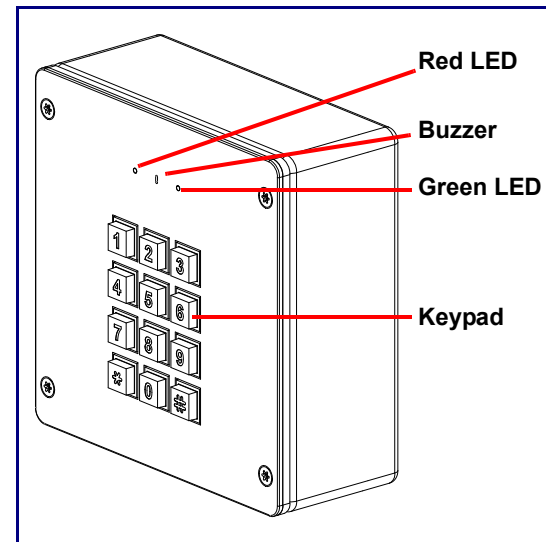
## Getting Started

- Download the *Operations Guide* PDF file, from the **Downloads** tab at the following webpage:  
<http://www.cyberdata.net/voip/011433>
- Create a plan for the locations of your Intercoms.
- WARNING:** This product should be installed by a licensed electrician according to all local electrical and building codes.
- WARNING:** To prevent injury, this apparatus must be securely attached to the floor/wall in accordance with the installation instructions.
- WARNING:** The PoE connector is intended for intra-building connections only and does not route to the outside plant.
- WARNING:** This enclosure is not rated for any AC voltages!

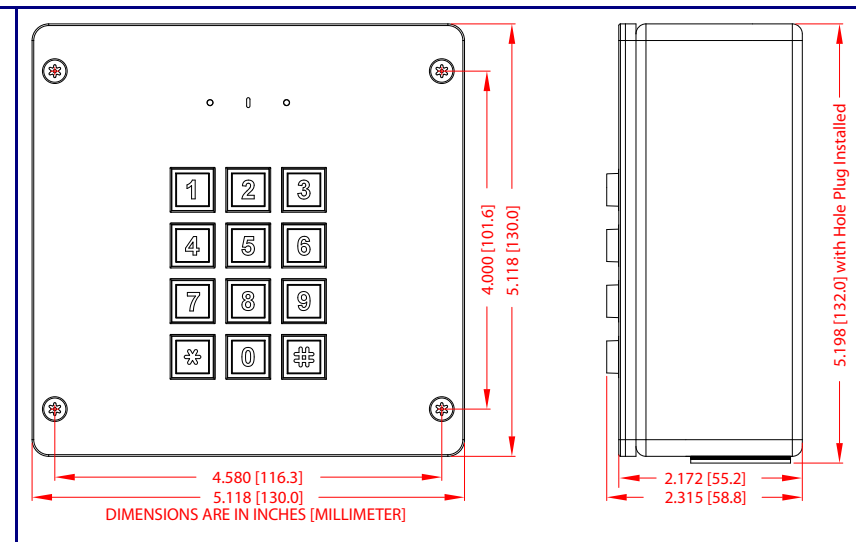
## Parts

<p>(1) Secure Access Control Keypad</p>	<p>(1) T-15H Torx Key</p> <p>(4) Security Torx Screw</p>	<p><b>Optional Accessories (for gooseneck mounting)</b></p> <p>(4) Carriage bolt nuts</p> <p>(4) Carriage bolts</p> <p>(4) Carriage bolt washers</p>	<p><b>Optional Accessories</b></p> <p>(1) Spacer for half-inch set conduit connector</p> <p>(1) Hole plug assembly</p>
---	--	--	--

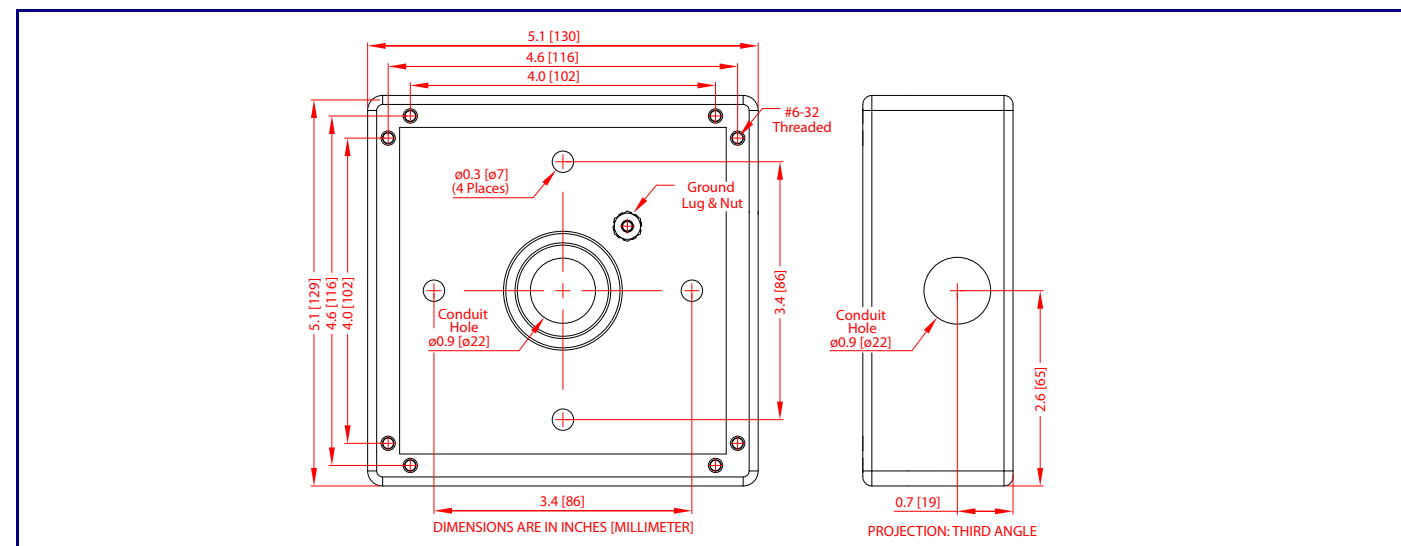
## Features



## Dimensions (Front and Side View)

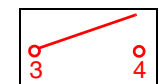


## Dimensions (Rear View and Mounting Holes)



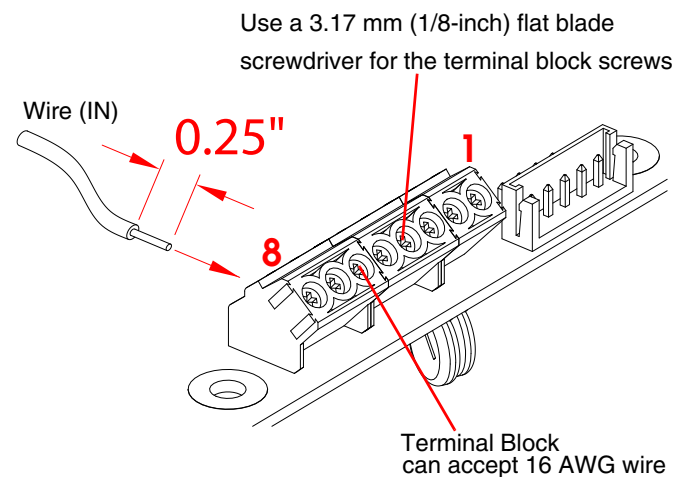
## Terminal Block Connections

Alternate Power Input:  
1 = +8 to +12VDC @ 1000mA Regulated Power Supply\*  
2 = Power Ground\*

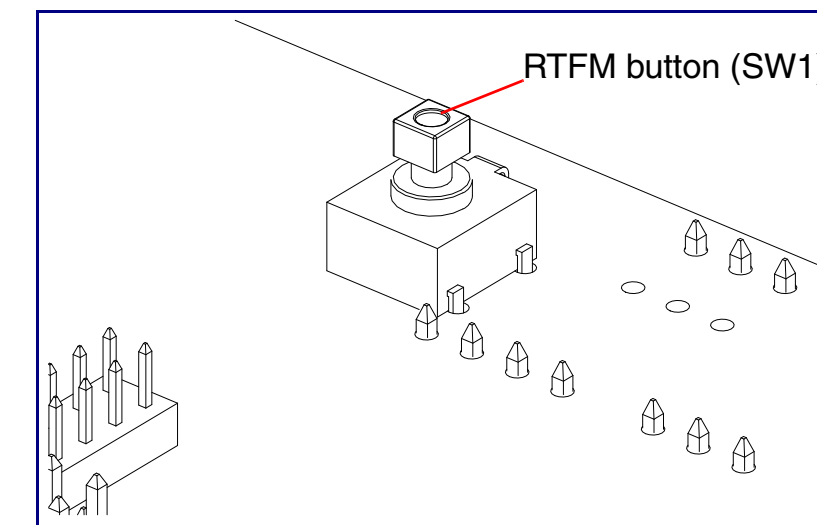


Relay Contact:  
(1 A at 30 VDC for continuous loads)  
3 = Relay Common  
4 = Relay Normally Open Contact  
5 = Sense Input  
6 = Sense Ground  
7 = Remote Switch "A"  
8 = Remote Switch "B"

\*Contacts 1 and 2 on the terminal block are only for powering the device from a non-PoE 12VDC power source as an alternative to Network PoE power. Use of these contacts for any other purpose will damage the device and void the product warranty.



## RTFM Button



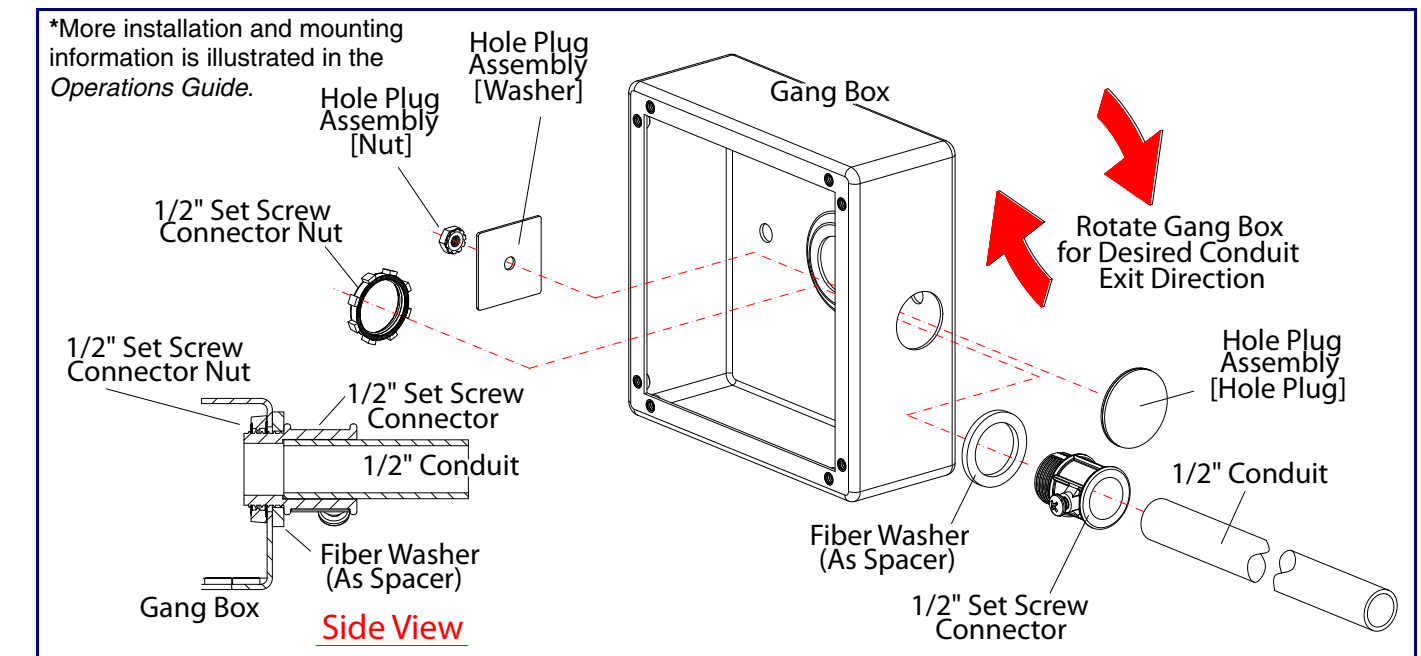
When the device is operational and linked to a network, you can use the Reset Test Function Management (RTFM) button (SW1 [see picture]) to announce the device's IP address or restore the device to the factory default settings.

**Note** The device will use DHCP to obtain the new IP address (DHCP-assigned address or default to 10.10.10.10 if a DHCP server is not present).

To restore the device to factory default settings:

- Press and hold the RTFM button for longer than five seconds.

## Optional Conduit Mounting (Side Entry)



## Optional Goose Neck Mounting

