



Liebert[®] PPC

User Manual

Second Generation Power and Distribution Cabinet - 150, 200, 225,
300, 430 & 800kVA; PDU for Two-Stage
Distribution, Three-Phase, 60 Hz

The information contained in this document is subject to change without notice and may not be suitable for all applications. While every precaution has been taken to ensure the accuracy and completeness of this document, Vertiv assumes no responsibility and disclaims all liability for damages resulting from use of this information or for any errors or omissions. Refer to other local practices or building codes as applicable for the correct methods, tools, and materials to be used in performing procedures not specifically described in this document.

The products covered by this instruction manual are manufactured and/or sold by Vertiv. This document is the property of Vertiv and contains confidential and proprietary information owned by Vertiv. Any copying, use or disclosure of it without the written permission of Vertiv is strictly prohibited.

Names of companies and products are trademarks or registered trademarks of the respective companies. Any questions regarding usage of trademark names should be directed to the original manufacturer.

Technical Support Site

If you encounter any installation or operational issues with your product, check the pertinent section of this manual to see if the issue can be resolved by following outlined procedures.

Visit <https://www.vertiv.com/en-us/support/> for additional assistance.

TABLE OF CONTENTS

1 Important Safety Instructions	1
2 Installation Instructions	1
2.1 Unpacking and Installation	1
2.1.1 Unpacking and Preliminary Inspection	1
2.1.2 Handling Considerations	1
2.1.3 Unit Preparation	2
2.1.4 Location Considerations	3
2.2 Power and Control Wiring	6
2.2.1 Distribution Section Mounting and Wiring	6
2.2.2 Side-Section Electrical Connections	9
2.2.3 Input Power Connections	9
2.2.4 System Grounding	9
2.2.5 Grounding Electrode Conductor	10
2.2.6 Output Power Connections	10
2.2.7 Control Wiring Connections	11
3 Inspection and Startup Checklist	15
3.1 Internal Inspection Overview	15
3.2 Internal Inspection Procedure	15
3.3 Startup and Monitoring System Check Overview	16
3.4 Startup Procedure	17
3.5 Monitoring System Check	19
3.6 Send Completed Checklist to Vertiv	19
4 Operating Instructions	21
4.1 Startup Procedures	21
4.1.1 Emergency Shutdown	21
4.1.2 Normal System Shutdown	21
4.1.3 Normal System Startup	21
4.1.4 Manual Restart	22
4.2 Basic Monitor Panel	22
4.3 Power Monitor Panel	24
4.4 Liebert® Current Plus Monitoring (If Supplied)	26
4.5 Liebert® Distribution Monitoring (If Supplied)	28
5 Maintenance	31
5.1 Corrective Maintenance—Repair	31
5.2 Preventive Maintenance—Inspection and Cleaning	31
5.2.1 Inspection Schedule	32

This page intentionally left blank.

1 Important Safety Instructions

SAVE THESE INSTRUCTIONS

Read and understand the entire manual before beginning to install or beginning to operate the Liebert® PPC system.



WARNING! Risk of cutting metal bands under tension. Can cause injury and death. The shipping bands may be under tension. Use appropriate eye, face and hand protection to safeguard against injury from band backlash.



AVERTISSEMENT! Risque de sectionnement de sangles métalliques sous tension. Peut provoquer des blessures potentiellement mortelles. Les sangles d'expédition peuvent être sous tension. Utilisez un équipement adéquat pour vous protéger les yeux, le visage et les mains afin d'éviter toute blessure causée par un retour de sangle.



WARNING! Risk of electric shock and arc flash. Can cause equipment damage, injury and death. Verify that all incoming line voltage (power) and low voltage (control) circuits are de-energized and locked out before installing cables or making connections, whether in the junction box or in the unit. Equipment inspection and startup should be performed only by trained personnel. Lethal voltages are present during startup procedures. Electrical safety precautions must be followed throughout inspection and startup. Only properly trained and qualified service personnel should perform maintenance on the Liebert® PPC™. All voltage sources to the unit must be disconnected before inspecting or cleaning within the cabinet. Lethal voltages exist within the equipment during operation. Observe all warnings and cautions in this manual. Failure to comply may result in serious injury or death. Obtain qualified service for this equipment as instructed. The monitoring system contains a lithium battery for memory backup. Danger of explosion if battery is incorrectly replaced. Replace only with same or equivalent type. Dispose of used batteries according to manufacturer's instructions.



AVERTISSEMENT! Risque de choc et d'arc électriques. Peut provoquer des dommages matériels, ainsi que des blessures potentiellement mortelles.

Vérifiez que l'ensemble des circuits de tension d'entrée (alimentation) et de basse tension (contrôle) sont hors tension et verrouillés avant de raccorder des câbles ou de réaliser toute connexion au sein de la boîte de jonction ou l'unité.

L'inspection et la mise en service de l'équipement doivent être réalisées uniquement par des personnes formées. Des tensions mortelles sont présentes lors des procédures de mise en service. Les précautions applicables en matière de sécurité électrique doivent être suivies pendant toute la durée de l'inspection et de la mise en service.

Les travaux de maintenance du panneau de mise à niveau Liebert® PPC™ doivent être réalisés uniquement par des techniciens d'entretien dûment formés et qualifiés. Toutes les sources de tension raccordées à l'unité doivent être déconnectées avant toute inspection ou opération de nettoyage au sein de l'armoire. Lors du fonctionnement, les tensions présentes au sein de l'équipement peuvent être mortelles. Respectez l'ensemble des avertissements et précautions figurant dans ce manuel. Le non-respect des consignes peut entraîner des blessures graves, voire mortelles. Confiez l'entretien de cet équipement à des techniciens qualifiés, conformément aux instructions.

Le système de surveillance contient une batterie au lithium pour la sauvegarde de la mémoire. Il y a risque d'explosion si la batterie est remplacée par une autre batterie inadéquate. Remplacez la batterie uniquement par une batterie de même type ou équivalent. Mettez les batteries usagées au rebut conformément aux instructions du fabricant.

NOTE: The unit should not be loosened from the shipping pallet until after all handling by forklift or pallet jack is completed. All power and control wiring should be installed by licensed electricians and must comply with the NEC and applicable codes.

ELECTROMAGNETIC COMPATIBILITY — The Liebert PPC complies with the limits for a Class A Digital Device, pursuant to Part 15 of FCC rules. Operation is subject to the following two conditions:

- This device may not cause harmful interference, and
- This device must accept any interference received, including interference that may cause undesired operation.

Operating this device in a residential area is likely to cause harmful interference that users must correct at their own expense.

The Liebert PPC complies with the requirements of EMC Directive 2014/30/EU and the published technical standards. Continued compliance requires installation in accordance with these instructions and use of accessories approved by Vertiv.

2 Installation Instructions

2.1 Unpacking and Installation

NOTE: Read the entire manual before installing and operating the system. Upon receipt of a Liebert® PPC, the installer should perform the following steps to ensure a quality installation.

2.1.1 Unpacking and Preliminary Inspection

A quality installation begins on the receiving dock.

1. Inspect the shipping crate(s) for damage or signs of mishandling before unpacking the unit(s). Check Shock-Watch indicator.
2. Open the shipping crates carefully. (Use care to avoid puncturing the container with sharp objects that would damage the contents).
3. Remove the packing and vapor barriers and inspect the equipment for any obvious shipping damages.

NOTE: The units should not be loosened from the shipping pallet until after all handling by forklift or pallet jack is completed. Complete internal inspection should be accomplished only after equipment positioning and prior to electrical hookup.

If any damage as a result of shipping is observed, immediately file a damage claim with the shipping agency and forward a copy to:

Vertiv™
1050 Dearborn Drive
P.O. Box 29186
Columbus, Ohio 43229 USA

2.1.2 Handling Considerations

The Liebert PPC is bolted to a wooden pallet to allow handling by forklift equipment.

- **Movable** — The Liebert PPC is furnished with casters to allow the unit to be rolled into place after it has been unbolted from the pallet.
- **Check size and weight** — Refer to **Table 1.1** on the next page and the cabinet drawings furnished with the unit for size and weight information.
- **Plan the route** — Decide the best route for the unit to follow to the installation area to ensure that all passages are large enough to accommodate the unit and the floors are adequate to support the weight. Is there adequate room in doorways, elevators, ramps, etc.? Are there any non-negotiable corners or offsets in the hallways?
- **Move with care** — To prevent panel damage, Vertiv recommends removing the exterior panels before the unit is moved. When replacing panels, remember to reconnect all panel ground wires.

Table 1.1 1150-800kVA Liebert® PPC™ Dimensions

kVA	Transformer Section				Distribution Side Section(s) ¹			
	Dimensions - in. (mm)			Weight lb. (kg)	Dimensions - in. (mm)			Weight lb. (kg)
	W	D	H		W	D	H	
150	43 (1092) ²	32 (813)	77 (1956)	1630 (741)	43 (1092) ²	32 (813)	77 (1956)	650 (295)
200	43 (1092) ²	32 (813)	77 (1956)	2060 (936)	43 (1092) ²	32 (813)	77 (1956)	650 (295)
225	43 (1092) ²	32 (813)	77 (1956)	2303 (1047)	43 (1092) ²	32 (813)	77 (1956)	650 (295)
300	43 (1092) ²	32 (813)	77 (1956)	2708 (1231)	43 (1092) ²	32 (813)	77 (1956)	650 (295)
430	61 (1549) ²	32 (813)	77 (1956)	3478 (1581)	43 (1092) ²	32 (813)	77 (1956)	650 (295)
800	86 (2184)	32 (813)	77 (1956)	7039 (3200)	43 (1092) ²	32 (813)	77 (1956)	650 (295)

1. 800kVA requires two (2) distribution side sections
 2. Includes a 1" side panel

2.1.3 Unit Preparation

The Liebert PPC may be removed from the shipping pallet and installed by the user. A typical procedure follows:

1. Set the palletized assembly in a level area.
2. Cut the shipping bands.



WARNING! Risk of cutting metal bands under tension. Can cause injury and death. The shipping bands may be under tension. Use appropriate eye, face and hand protection to safeguard against injury from band backlash.



AVERTISSEMENT! Risque de sectionnement de sangles métalliques sous tension. Peut provoquer des blessures potentiellement mortelles. Les sangles d'expédition peuvent être sous tension. Utilisez un équipement adéquat pour vous protéger les yeux, le visage et les mains afin d'éviter toute blessure causée par un retour de sangle.

3. Remove side and rear panels from the module. An Allen wrench for the side panels is furnished in the installation packet. (Carefully disconnect panel ground wires by pulling the easy-disconnect terminals at the unit frame.)
4. Remove the bolts holding the unit to the shipping pallet in each of the four bottom corners.
5. Remove shipping blocks from under the unit, then remove chocks from all casters.
6. Lift the unit off the pallet and set it on the floor.

7. Roll the unit to the installation location. For units located on a raised floor, use care when positioning the unit over the floor cutout to avoid casters falling through the cutout.

NOTE: Before maneuvering the unit into its final position, read and follow all advisories in [Location Considerations](#) below

2.1.4 Location Considerations

The Liebert® PPC should be installed close to the load(s) it is supplying. The unit should not be located over combustible surfaces.

Equipment location should employ the shortest output distribution cable runs consistent with logical equipment arrangement and allowances for future additions.

Operating Environment — Ambient temperatures of 32°F to 104°F (0°C to 40°C) with a relative humidity of 0% to 95% (non-condensing).

Top or Bottom Clearance is required for exit of cables and conduit.

- For bottom exit, this clearance is automatically provided by a raised floor — minimum height 12 in. (305mm).
- For top exit, this clearance is 18 in. (460mm).

Recommended minimum service clearances are shown in **Figure 1.1** on the next page (150 to 430kVA units) and **Figure 1.2** on the next page (800kVA units). The indicated clearance at the front of the unit is required for service access by the National Electrical Code (NEC) (Article 110-26). Clearance above the unit is required for cooling air flow (exhaust).

Heat Output — Like any electrical device, the Liebert PPC produces heat under normal operation. Include this heat output (see **Table 1.2** below) when calculating the environmental conditions of the room.

Table 1.2 Heat Output—Standard Transformer, including Distribution Section

Full Load Heat Output		
kVA	BTU/Hr	kW
150	12,290	3.60
200	15,245	4.52
225	18,185	5.33
300	19,415	5.69
430	24,010	7.04
800	34,555	10.13

Figure 1.1 Recommended Minimum Service and Ventilation Clearances for 150 to 430kVA Units

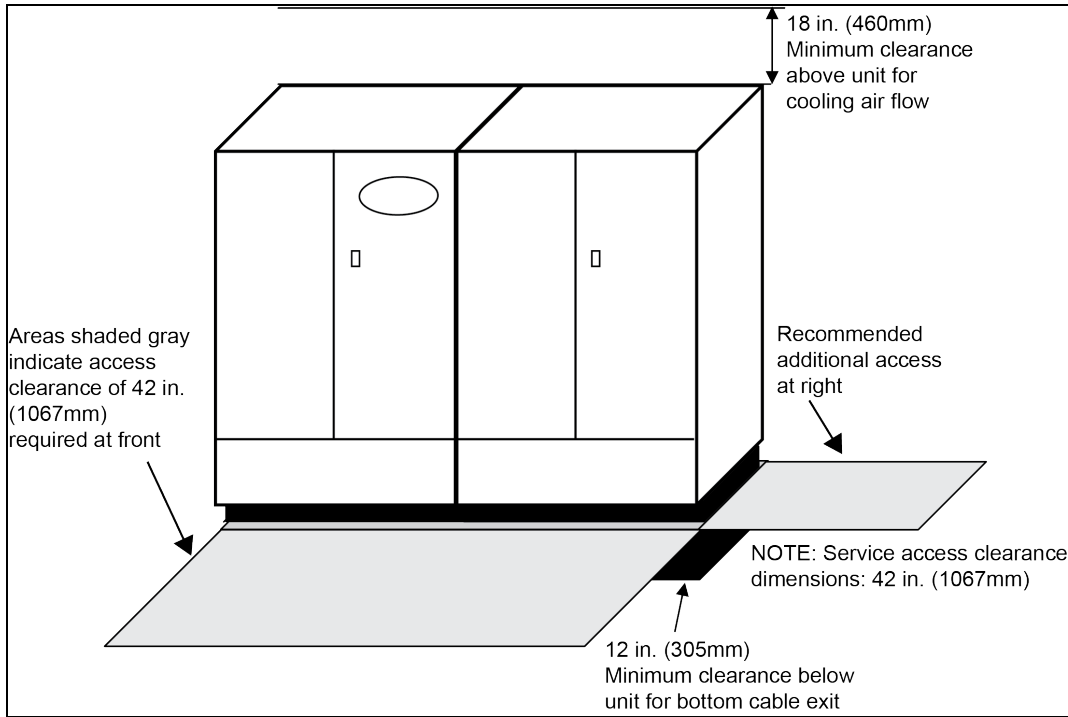


Figure 1.2 Recommended Minimum Service and Ventilation Clearances for 800kVA Units

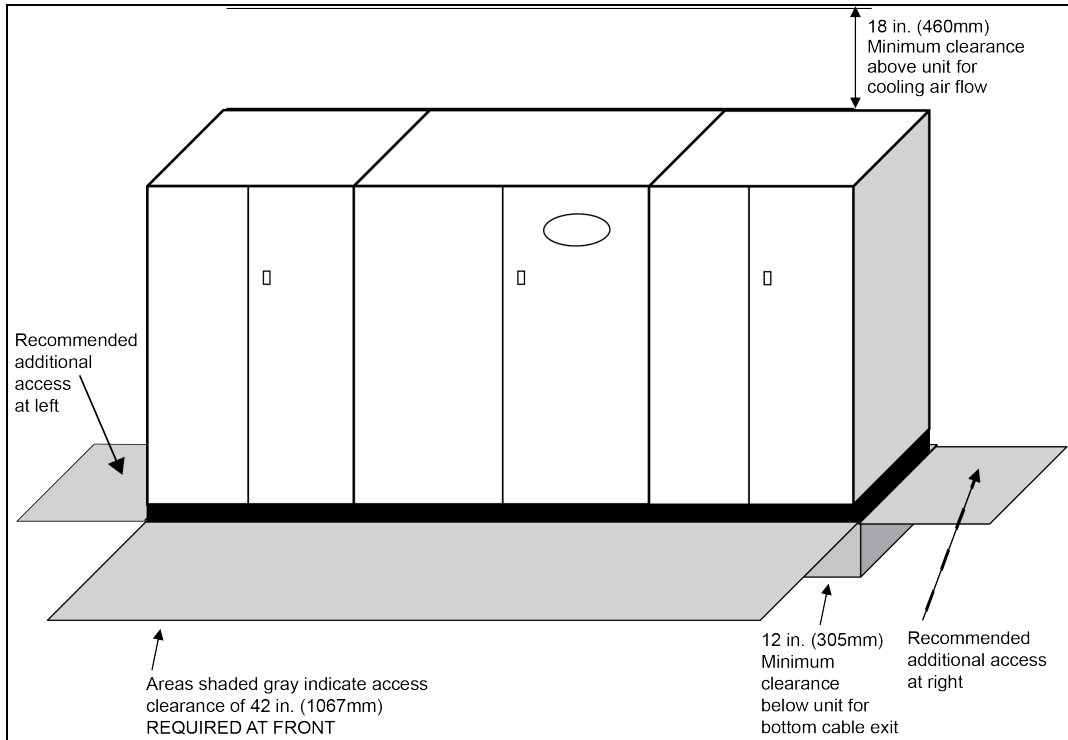
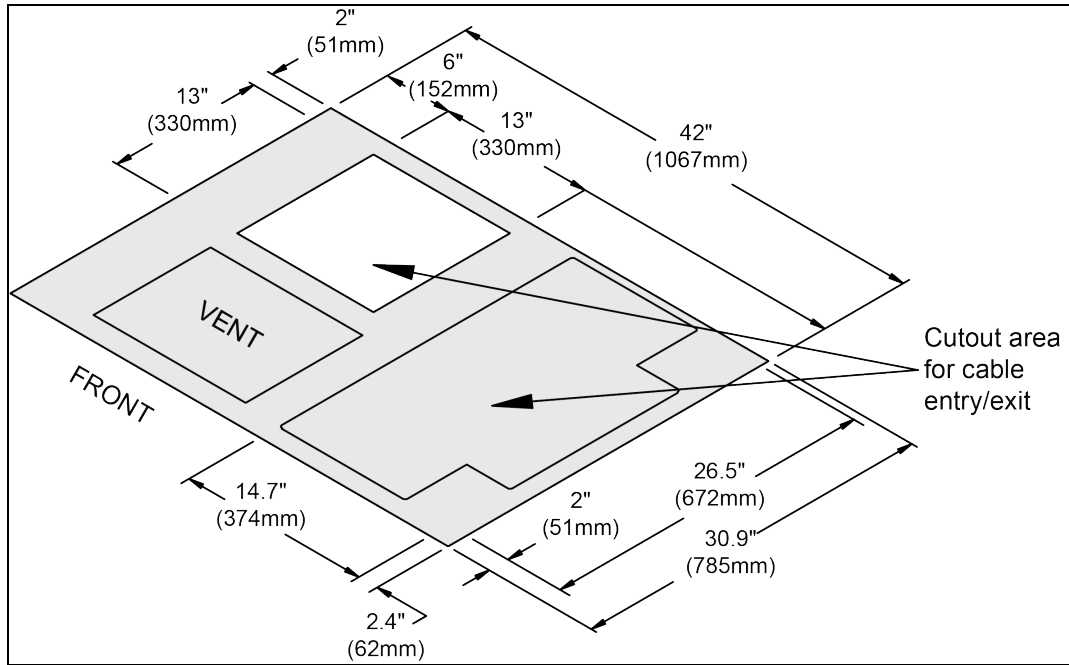


Figure 1.5 Footprint and Floor Cutout Dimensions for Distribution Sections - 150-800kVA Units



2.2 Power and Control Wiring

Power and control wiring should be installed by licensed electricians. All power and control wiring must comply with the NEC and applicable local codes. See **Figure 1.6** on the facing page and **Figure 1.7** on page 8 for single-line diagrams

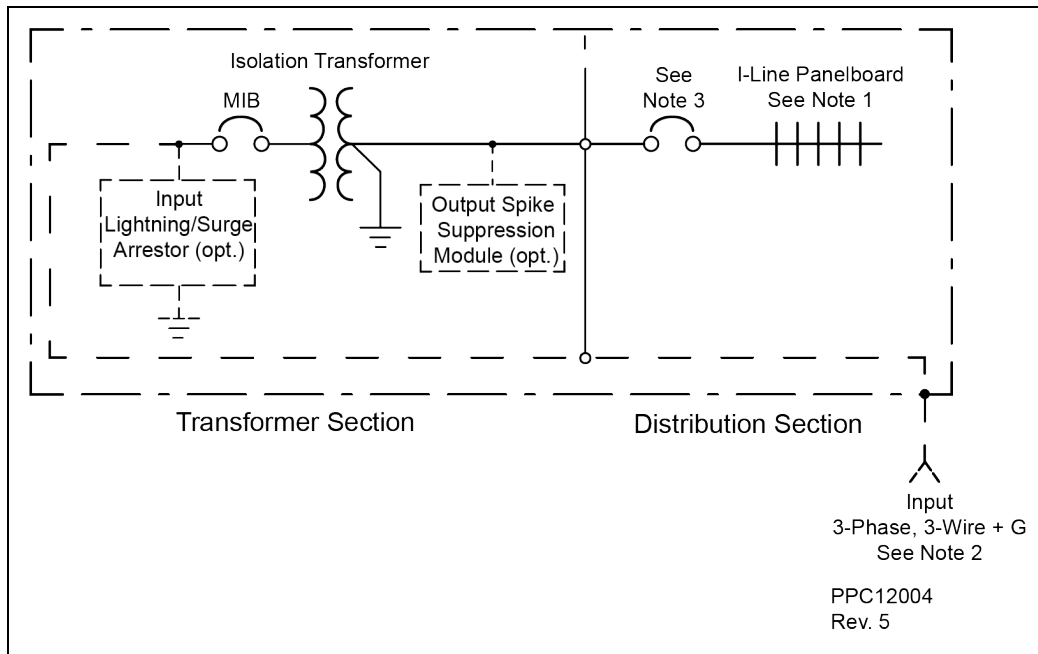
2.2.1 Distribution Section Mounting and Wiring

Each 150, 200, 225, 300 and 430kVA Liebert® PPC™ has a Distribution Section for routing input/output cables and to provide output distribution.

Each 800kVA Liebert PPC requires two Distribution Sections. The 150 to 430kVA Distribution Section is shipped attached to the Transformer Section. The 800kVA Distribution Sections are shipped separate from the Transformer Section. Each 800kVA Distribution Section has a base dimension of 43 x 30 in. (1092 x 762mm) and should be mounted on each side on the Transformer Section.

Provide a floor cutout for exit of output cables, as shown in **Figure 1.3** on the previous page **Figure 1.4** on the previous page and **Figure 1.5** above. Align the distribution side section with the Transformer Section and bolt the two frames together using the four bolts and hardware provided. See **Figure 1.2** on page 4 for 800kVA units.

Figure 1.6 150-430kVA Liebert® PPC™ Single-line Diagram



Notes to Figure

1. A maximum of 11 250A frame or eight 400A LA frame or six 600A LI frame output breakers can be installed in an I-Line panelboard.
2. Input is through the distribution section to the transformer section.
Input cables can be either through the top or bottom of the distribution section.
3. 150kVA = 600A; 200kVA = 700A; 225kVA = 800A; 300kVA = 1200A
430kVA = 1200A; 800kVA = 1400A.

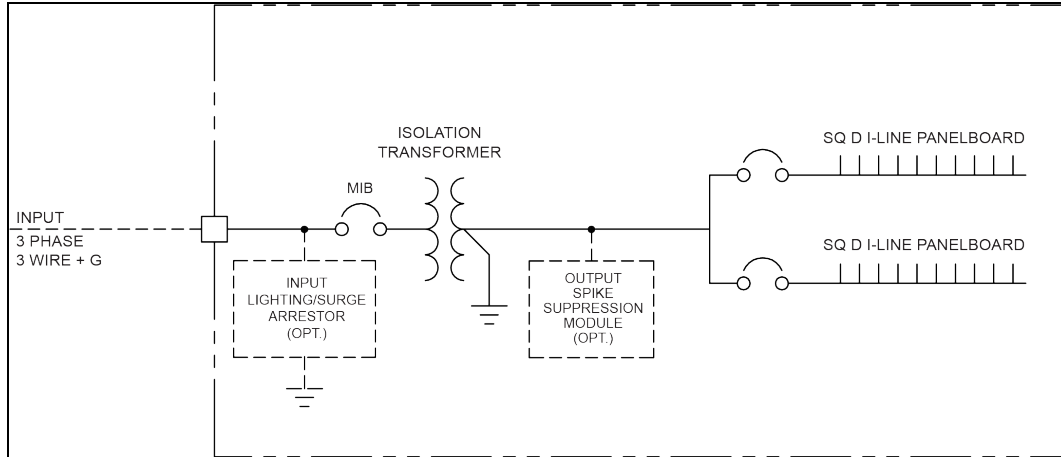
Table 1.3 Suggested Minimum Input Wire Size, 150 to 430kVA

kV A	Input Voltage	Full Load Amps	MIB Trip Amps	Suggested Feeder Size
150	480	184	250	250 kcmil
	600	147	200	#3/0 AWG
200	480	245	350	(2) #2/0 AWG
	600	196	250	250 kcmil
225	480	276	350	(2) #2/0 AWG
	600	221	300	350 kcmil
300	380	465	600	(2) 350 kcmil
	400	441	600	(2) 350 kcmil
	415	426	600	(2) 350 kcmil
	480	368	500	(2) 250 kcmil
	600	294	400	(2) #3/0 AWG
430	480	528	700	(2) 500 kcmil
	600	422	600	(2) 350 kcmil

Table 1.4 250A to 700A MIB, 150-430kVA Liebert® PPC™

Interrupting Rating	380-480V	600V
Standard	65kA	25kA
High	100kA	50kA

Figure 1.7 800kVAliebert PPC Single-line Diagram



Notes to Figure

- The maximum number of output breakers that can be installed in an I-Line panelboard is:
 - Eleven (11) 250A frame or
 - Eight (8) 400A LA frame or
 - Six (6) 600A LI frame.
- Input cables can enter through either the top or the bottom of the Transformer Section.

Table 1.5 Suggested Minimum Input Wire Size, 800kVA Liebert PPC

kVA	Input Voltage	Full Load Amps	MIB Trip Amps	Suggested Feeder Wire Size
800	480	974	250	(4) 500 kcmil
	600	779	200	(4) 350 kcmil

Table 1.6 1000A to 1200A MIB, 800kVA Liebert PPC

Interrupting Rating	480V	600V
Standard	65kA	25kA
High	100kA	50kA

2.2.2 Side-Section Electrical Connections

Five conductors (three-phase conductors, neutral and ground) are furnished with the Distribution Section for connection to the Transformer Section in the field, along with an intercabinet frame ground conductor.

The Distribution Section neutral (Wire 47) and ground (Wire 50) conductors are connected to the Transformer Section main ground busbar (see the unit wiring diagram that shipped with the unit).

Each 800kVA Distribution Section is fed from an output breaker mounted in the Transformer Section.

2.2.3 Input Power Connections

The 150, 200, 225, 300 and 430kVA input power feeders enter through the Distribution Section and routes to the Transformer Section where it is connected to the busbars located inside the unit. The 800kVA input power feeder enters through the Transformer Section where it is connected to the busbars inside the unit.



WARNING! Risk of electric shock and arc flash. Can cause equipment damage, injury and death. Verify that all incoming line voltage (power) and low voltage (control) circuits are de-energized and locked out before installing cables or making connections in the unit.



AVERTISSEMENT! Risque de choc et d'arc électriques. Peut provoquer des dommages matériels, ainsi que des blessures potentiellement mortelles. Vérifiez que l'ensemble des circuits de tension d'entrée (alimentation) et de basse tension (contrôle) sont hors tension et verrouillés avant de raccorder des câbles ou de réaliser toute connexion au sein de l'unité.

To minimize disturbances caused by other loads in the building, the three-phase power input to the unit should be supplied directly from the service entrance or other power source (a dedicated power feeder).

The input feeder circuit should be sized in accordance with the NEC and any local building codes to ensure the feeder's ability to safely carry the system's full load current, including losses.

Input feeder conductors should be sized for no more than 2% voltage drop. If operation at undervoltage conditions for extended periods of time is desired, the input feeders must be oversized.

The main input feeder should consist of three-phase conductors and one (safety) ground conductor (3W + G).

2.2.4 System Grounding

The performance and safety of any power conditioning system depends on proper grounding. **Figure 1.8** on page 11 shows the typical grounding arrangements for the Liebert® PPC.

Equipment grounding — Proper grounding is required for safe operation but also enhances equipment performance. All power feeders must include equipment grounding means as required by the NEC and local codes. An insulated ground conductor is recommended to be run in each feeder conduit. Ground conductors must be at least the minimum size per NEC Table 250-122. Larger wire sizes may be used for increased system performance. If the input power feeder conduit is used as a grounding conductor, adequate electrical continuity must be maintained at all conduit connections. Using isolating bushings in a metal conduit run can be a safety hazard and is not recommended.

Signal reference grid — If the unit is used to supply power to a computer room, an area equipped with a signal reference grid or a grounded raised-floor stringer system, a grounding conductor should be connected from the system ground bus to the grid or floor system. This conductor should be stranded or braided #8 AWG or larger and as short as practical; less than 3 ft. (1m) is recommended.

2.2.5 Grounding Electrode Conductor



WARNING! Touch current exceeds 10mA. Minimum grounding conductor must be sized 5% of the input current rating or greater in accordance with NEC Section 250.66. Larger sizes are permitted to be used.



AVERTISSEMENT! Le courant de contact est supérieur à 10 mA. Le conducteur de terre doit avoir une intensité nominale d'au moins 5 % de l'intensité nominale d'alimentation, conformément à la section 250.66 du NEC. Des conducteurs de terre d'une intensité supérieure peuvent également être utilisés.

Required by code — The Liebert® PPC should be grounded according to the safety practices of NEC 250-30. A local grounding electrode conductor is recommended in addition to the equipment safety ground that is normally run with the input power conductors.

Electrode connection — As shown in **Figure 1.8** on the facing page, the grounding electrode conductor is run from the unit to the nearest effectively grounded item below (shown in order of preference):

- Building steel
- Metal water pipe
- Other made grounding electrode

Sizing of the grounding electrode conductor is based on the secondary circuit conductors. According to the NEC (Table 250-66).

Recommended methods for running the grounding electrode conductor (shown in order by preference for system performance and as acceptable by local and other applicable codes):

- Outside of conduit (where not subject to damage)
- Inside non-metallic conduit
- Inside non-ferrous conduit
- Inside ferrous conduit, bonded to the ferrous conduit at both ends, as acceptable by local and other applicable codes.

2.2.6 Output Power Connections

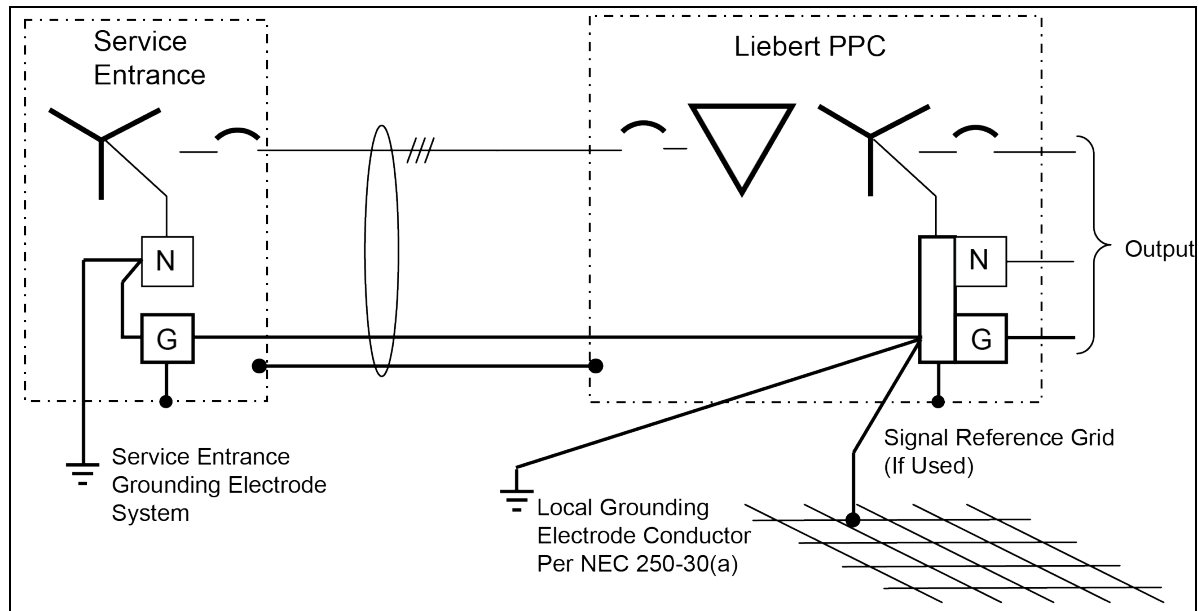
Output circuit breakers with ground and neutral provisions are available as an option for installation inside the unit for connecting loads as required.

For best performance, the Liebert PPC should be located as close to the load as practical.

Initial system output loading should be between 50% and 75% of rated capacity. This allows the addition of future loads without immediately investing in another power conditioner. The high partial-load efficiency of the unit permits such sizing without imposing an energy-use penalty during initial operation.

Keep the load balance — Balancing of loads is good design practice on any three-phase system. Accordingly, each distribution panel is load-balanced at the factory, based on output branch circuit breaker sizes. All additions to the system should be arranged to preserve this balance.

Figure 1.8 Typical Liebert® PPC™ Grounding Arrangement



WARNING! Risk of electric shock and arc flash. Can cause equipment damage, injury and death. Verify that incoming line voltage circuits are de-energized and locked out before installing output breakers and cables.



AVERTISSEMENT! Risque de choc et d'arc électriques. Peut provoquer des dommages matériels, ainsi que des blessures potentiellement mortelles. Vérifiez que les circuits de tension d'entrée sont hors tension et verrouillés avant de raccorder des disjoncteurs de sortie et des câbles.

Code compliance — All output cables and connections must comply with the NEC and all other applicable codes.

Padlock-off provisions — All output breakers that are hard-wired to the load equipment must be equipped with a padlock-off accessory for the output circuit breaker. The padlock-off accessory is used to lock out and tag the circuit breaker when service is performed on the hard-wired load equipment in accordance with OSHA safety rules.

2.2.7 Control Wiring Connections

The NEC Article 645 requires that Emergency Power Off (EPO) switches be located at the principal room exits. All standard Liebert power conditioning systems have provision for external shutdown control from Remote Emergency Power Off (REPO) stations. **Figure 1.9** on the next page is a simplified diagram of the shutdown circuitry of the Liebert PPC.

Low-voltage control circuit — As shown in **Figure 1.9** on the next page, the control circuit operates on 24VDC. The shutdown device (represented by the REPO switch) activates a low-current 24VDC relay that operates the shunt-trip mechanism. The shunt-trip solenoid opens the main input breaker, which de-energizes the Liebert PPC.

Multiple-unit shutdown — When more than one Liebert PPC is installed by the user, a typical requirement is that actuation of a single device (REPO, for example) must shut down all Liebert PPC units. The low-voltage control circuits of all standard Liebert PPC systems are designed to meet this requirement. External control wiring connections for remote shutdown, alarm and/or monitoring are made to the Adapter Board TB1 terminal block inside the unit. Control wiring connections are shown in **Figure 1.10** on page 13.

Code compliance — Control wiring connections must comply with the NEC and all other applicable codes.

! **WARNING!** Risk of electric shock and arc flash. Can cause equipment damage, injury and death. Verify that all incoming line voltage (power) and low voltage (control) circuits are de-energized and locked out before installing cables or making connections in the unit.

! **AVERTISSEMENT!** Risque de choc et d'arc électriques. Peut provoquer des dommages matériels, ainsi que des blessures potentiellement mortelles. Vérifiez que l'ensemble des circuits de tension d'entrée (alimentation) et de basse tension (contrôle) sont hors tension et verrouillés avant de raccorder des câbles ou de réaliser toute connexion au sein de l'unité.

Figure 1.9 Simplified Shutdown Circuit

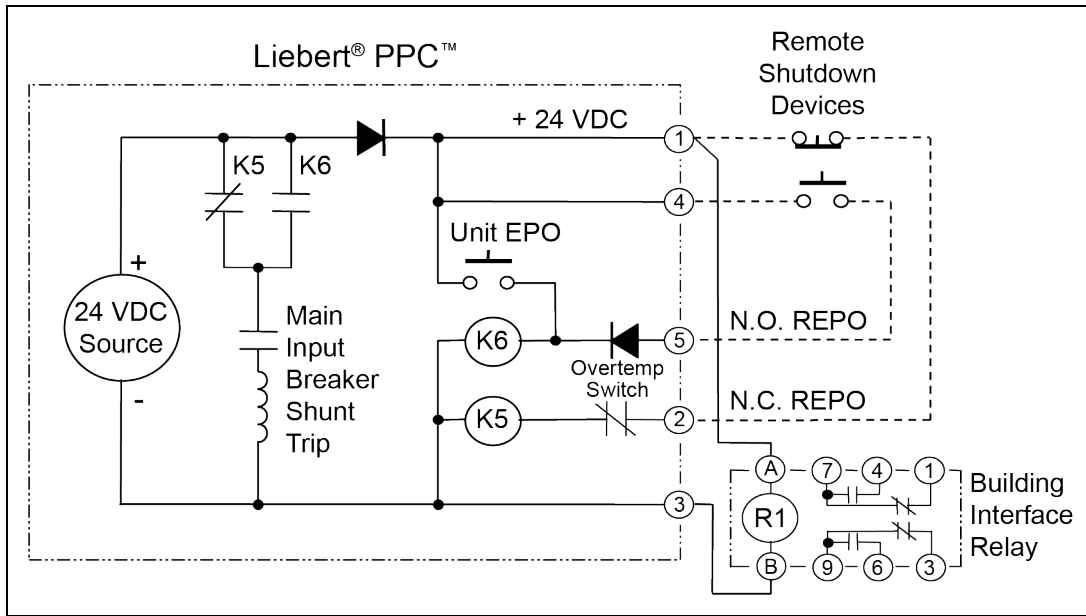
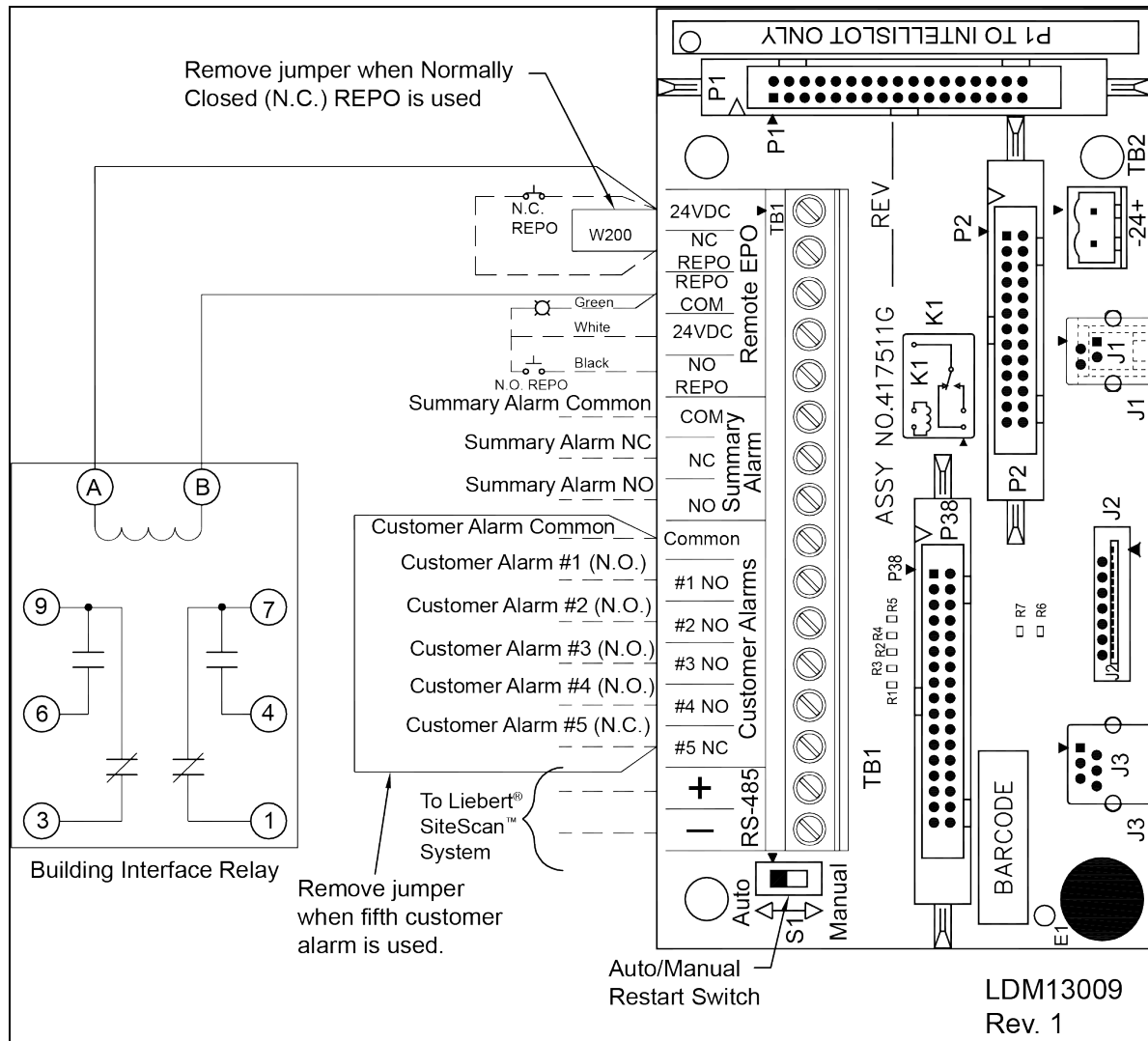


Figure 1.10 Typical Control Wiring for Power Monitoring



Notes to Figure

1. All switching devices are to be suitable for switching low current 24VDC. Minimum recommended wire size is 18 AWG stranded copper with 300V insulation. All wiring and devices are field-supplied except where noted.
2. The total load on the 24VDC supply (both N.O. and N.C. REPO circuits) must be limited to 1A.
3. Multiple normally open (N.O.) REPO switches may be paralleled. Multiple normally closed (N.C.) REPO switches may be connected in series. All lamps (if used) are connected in parallel.
4. The summary alarm contacts are rated for 0 to 30VAC or VDC, 0.5A, 10W maximum.
5. Customer Alarms 1 through 4 are normally open (indicates alarm on contact closure). Customer Alarm 5 is normally closed (indicates alarm on contact opening).
6. To connect Liebert® SiteScan®, use #22AWG shielded cable with a maximum length of 1000ft. (300m).

This page intentionally left blank.

3 Inspection and Startup Checklist

Unit Serial Number: _____

Unit Model Number: _____

Date: _____

3.1 Internal Inspection Overview

A detailed internal inspection should be performed after the unit is in place and before it is energized, to ensure trouble-free startup. The same internal inspection should be carried out when performing maintenance.



WARNING! Risk of electric shock. Can cause equipment damage, injury and death.
Verify that all incoming power and control circuits are de-energized and locked out before performing the internal inspection.



AVERTISSEMENT! Risque de choc électrique. Peut provoquer des dommages matériels, ainsi que des blessures potentiellement mortelles. Vérifiez que l'ensemble des circuits de tension d'entrée et de contrôle sont désactivés et verrouillés avant toute inspection interne.

Open the unit — Remove the exterior panels to gain access to the internal components of the Liebert® PPC.

Visually inspect — Check to make sure wiring and components are not damaged.

Check power connections — Check all power connections for tightness. Refer to **Table 2.1** on page 17 for torque requirements of all electrical connections.

Perform formal detailed inspection — Follow the procedures described in the next section, [Internal Inspection Procedure](#) below when performing detailed inspection.

3.2 Internal Inspection Procedure



WARNING! Risk of electric shock and arc flash. Can cause equipment damage, injury and death.
All equipment inspection must be performed with power to the unit turned Off and locked out.



AVERTISSEMENT! Risque de choc et d'arc électriques. Peut provoquer des dommages matériels, ainsi que des blessures potentiellement mortelles. Toutes les opérations d'inspection de l'équipement doivent être effectuées avec l'alimentation de l'unité désactivée et verrouillée.

EXTERIOR INSPECTION

1. Confirm that the exterior of the unit is undamaged.
2. Confirm that service and ventilation clearances are adequate (see **Figure 1.1** on page 4 and **Figure 1.2** on page 4).

INTERIOR INSPECTION

1. Remove accessible exterior panels.

NOTE: When removing exterior panels, disconnect panel ground wires by separating the easydisconnect terminals located on the frame. When replacing exterior panels, reconnect all panel ground wires.

2. Inspect all wire and conductor insulation for damage.
3. Check all transformer terminal connections for tightness. Retorque if necessary.
4. Check all breaker connections for tightness. Retorque if necessary.
5. Check trip settings of adjustable breakers.
6. Check all terminal block connections for tightness. Retorque if necessary.
7. Check transformer mounting bolts for tightness. Retorque if necessary.
8. Remove any foreign objects from the components and the interior area of the unit. Make sure air passages on transformers are clear and free of debris.
9. Check that the intake and exhaust air screens are clean and free of obstructions.
10. Replace side panels, leaving access to circuit breakers for the following startup procedure.

NOTE: When replacing the side panels, be sure to reconnect the panel ground wires.

3.3 Startup and Monitoring System Check Overview

Checklists — Follow the step-by-step instructions in the following two sections when installing and starting up the Liebert® PPC:

- [Startup Procedure](#) on the facing page
- [Monitoring System Check](#) on page 19

Check Initial system startup — A qualified electrician should be employed to perform the equipment inspection and startup. Liebert system startup may be arranged by contacting your local Vertiv sales representative or Vertiv Support at 800-543-2378.

Warranty — A copy of the checklist furnished with the unit must be completed, signed, dated and returned to Vertiv (see [Send Completed Checklist to Vertiv](#) on page 19). Warranty coverage of the equipment is not effective unless the checklist is received by the factory.



WARNING! Risk of electric shock and arc flash. Can cause equipment damage, injury and death. Equipment inspection and startup should be performed only by trained personnel wearing appropriate safety headgear, gloves and shoes. Hazardous voltages are present during startup procedures. Electrical safety precautions must be followed throughout inspection and startup.

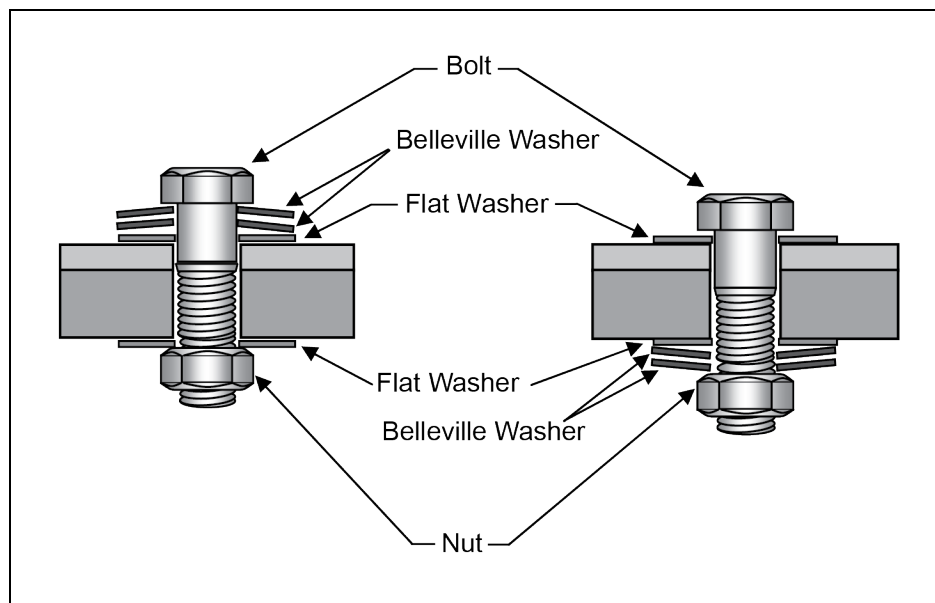


AVERTISSEMENT! Risque de choc et d'arc électriques. Peut provoquer des dommages matériels, ainsi que des blessures potentiellement mortelles. L'inspection et la mise en service de l'équipement doivent être réalisées uniquement par des personnes formées et équipées de casques, de gants et de chaussures de sécurité adaptés. Des tensions dangereuses sont présentes lors des procédures de mise en service. Les précautions applicables en matière de sécurité électrique doivent être suivies pendant toute la durée de l'inspection et de la mise en service.

Table 2.1 Torque Specifications (unless otherwise labeled)

Nut and Bolt Combinations				
Bolt Shaft Size	Electrical Connections With 1 Belleville Washer		Electrical Connections With 2 Belleville Washers	
	lb-in	N-m	lb-in	N-m
1/4" M6	40	4.52	80	9.04
5/16" M8	80	9.04	160	18.08
3/8" M10	120	13.56	240	27.12
1/2" M12	480	54.23	—	—

Figure 2.1 Acceptable Hardware Configurations for Torque Specifications



3.4 Startup Procedure



WARNING! Risk of electric shock and arc flash. Can cause equipment damage, injury and death. Startup procedures should be performed only by qualified personnel. Hazardous voltages are present in the equipment throughout the majority of the startup procedure. Use proper safety equipment. Proceed with caution.



AVERTISSEMENT! Les procédures de mise en service doivent être réalisées uniquement par des personnes qualifiées. L'équipement est soumis à des tensions dangereuses pendant la majeure partie de la procédure de mise en service. Utilisez un équipement de sécurité adéquat. Faites preuve de prudence.

1. Make certain that all circuit breakers are in the Off position and that power to the unit is locked out.
2. Verify proper input power connections to unit, including equipment grounding conductor and local grounding electrode conductor.
3. Turn On the building input power to the unit.

- 4. Check the phase rotation at the main input breaker. Phase rotation should be A, B, C, left-to-right.
- 5. Check and record the input voltage at the main input breaker. Measured voltages should correspond to the unit's nameplate input voltage.

Volts, phase A to phase B = _____

Volts, phase B to phase C = _____

Volts, phase C to phase A = _____

- 6. Turn On the main input breaker; wait one minute. (If breaker trips Off, check for wiring errors including control connections. Contact VertivSupport or the location factory representative for assistance.)
- 7. Check the phase rotation at the line side terminals of the panelboard or panelboard main breaker(s). The rotation should be A, B, C, left-to-right.
- 8. Check and record the voltages at the line-side terminals of the output circuit breaker. Measured voltages should correspond to the unit's nameplate output voltage (within +4%, 0%).

Volts, phase A to phase B = _____

Volts, phase B to phase C = _____

Volts, phase C to phase A = _____

Volts, phase A to neutral = _____

Volts, phase B to neutral = _____

Volts, phase C to neutral = _____

If output voltage is incorrect, check for wiring errors, incorrect input voltage or improper transformer tap. Contact VertivSupport at 1-800-543-2378 or your local Vertiv representative for assistance.

NOTE: The Liebert® PPC™ transformer has input voltage taps for each input phase:

- For 150 to 300kVA units, the taps are arranged in 2-1/2% increments. Taps include: two above nominal voltage (upper range limit of +5%) and four below nominal voltage (lower range limit of -10%).
- For 430kVA units, the taps are arranged in 2.7% increments. Taps include: two above nominal voltage (upper range limit of 5.4%) and four below nominal voltage (lower range limit of - 10.8%).
- For 800kVA: the taps are arranged in 3.5% increments. Taps include: two above nominal voltage (upper range limit is 7%) and two below nominal voltage (lower range limit of -7%).

NOTE: This permits the transformer to provide the proper output voltage for a range of input voltages. Should it be necessary, the tap arrangement may be changed to match the input voltage:

- Open the main input circuit breaker.
- Select tap arrangement to match input voltage. (Refer to transformer nameplate for tap information.)
- Secure each line to its proper tap.
- Repeat Steps 6 to 8 .

- 9. Depress the local Emergency Power Off (EPO) switch and verify system shutdown. Turn the unit back On.
- 10. If the system is equipped with any Remote Emergency Power Off (REPO) switches, test each to ensure proper operation. Note that the REPO switch may shut down more equipment or systems than just the Liebert PPC.

3.5 Monitoring System Check

1. Basic Indicators:
 - a. Turn On the building power to the unit, then turn the main input breaker On.
 - b. Check that the Power Indicator (Green LED) next to the local display is illuminated.
2. Manual Restart Check—if the unit is equipped with manual restart:
 - a. Turn On building power to the unit. Turn the main input breaker On.
 - b. Turn Off all building power to the unit.
 - c. Observe that the main input breaker automatically trips open upon power loss.
 - d. Restore building power to the unit and return the main input breaker to On.
3. Power Monitor Panel:
 - a. Turn the unit On.
 - b. Ensure that the voltage values indicated by the Monitor Panel correspond to the voltage values measured at the main input circuit breaker (Step 5 in **2.4 - Startup Procedure**) and output circuit breaker (Step 8 in **2.4 - Startup Procedure**).
4. Centralized Monitoring System — if the unit is connected to a centralized monitoring system:
 - a. Turn the unit and centralized monitoring system On.
 - b. Verify proper communication to the monitor system operation.
5. Control Voltage:
 - a. Obtain access to the low voltage terminals in the low-voltage control section inside the unit.
 - b. With the unit On, measure and record the DC control voltage on +Vout (+) and -Vout (com).
 - c. Control voltage = _____ (Voltage should be 12VDC, ±5%).
6. Customer Alarms:
 - a. With the unit On, simulate alarm operation by jumpering the appropriate low voltage control terminals. (Refer to the control wiring installation drawing furnished with the unit.)
 - b. Verify correct alarm operation by the Power Monitor Panel and/or by the centralized monitoring system.

3.6 Send Completed Checklist to Vertiv

After performing all procedures described in this section, [Inspection and Startup Checklist](#) on page 15, sign, date and return the completed Inspection and Startup Checklist form furnished with the unit to:

Vertiv™
 1050 Dearborn Drive
 P.O. Box 29186
 Columbus, Ohio 43229 USA

NOTE: Warranty is not in effect unless the Inspection and Startup Checklist form is received by the factory.

This page intentionally left blank.

4 Operating Instructions

4.1 Startup Procedures

Before the unit is placed into service after initial installation, after equipment relocation or after equipment has been de-energized for an extended period of time, perform equipment inspection and startup procedures as detailed in [Inspection and Startup Checklist](#) on page 15 .

After initial system startup, use the following guidelines for standard equipment operation. These guidelines should be reviewed for any special equipment modifications, special site considerations or company policies that may require changes to the standard equipment operation.

4.1.1 Emergency Shutdown

To perform an immediate system shutdown during emergency conditions, move the protective clear cover and push the EPO switch on the front door of the unit.

NOTICE

Risk of improper shutdown. Can cause equipment damage. Depending on the control circuit wiring, the Remote Emergency Power Off switch may shut down more equipment or systems than just the Liebert® PPC™.

AVIS

Risque de mise hors tension incorrecte. Peut provoquer des dommages matériels. Selon le câblage du circuit de contrôle, il est possible que le commutateur d'arrêt d'urgence à distance mette hors tension d'autres équipements et systèmes en plus du Liebert® PPC™.

If the site is equipped with a REPO switch — for example, as required by NEC Article 645 at the principal exit doors— activate one of the REPO switches to perform an immediate room shutdown.

4.1.2 Normal System Shutdown

To perform a normal system shutdown

- Shut down the load equipment — for example, a computer system—according to the manufacturer's recommendations. The load equipment can be turned Off at each piece of load equipment or at the Liebert PPC output distribution (circuit breaker) panels located behind the unit's front door.
- Turn Off all unit output breakers, then turn Off the unit's main input circuit breaker.
- To remove all power from the unit, turn Off the building power to the unit's input breaker.

4.1.3 Normal System Startup

Make certain all unit circuit breakers are in the Off position. All unit circuit breakers are located behind the front doors, as shown in [Figure 3.1](#) on the next page .

- Turn On building power to the unit.
- Turn On the unit's main input circuit breaker.
- If the circuit breaker has been tripped Off (instead of being turned Off), the circuit breaker handle must be moved to the Off position before being turned On.
- If the unit has a voltage monitoring panel, verify proper output voltages before turning On output circuit breakers.

- Turn On the panelboard main breakers.
- Individually Turn On each output circuit breaker following the load equipment manufacturer's startup sequence.

Figure 3.1 Liebert® PPC™ with Doors Open—150, 200, 225 and 300kVA Units



4.1.4 Manual Restart

If the unit's manual restart feature has been selected, the unit's main input circuit breaker will be tripped by a power outage, preventing repetitive application of unstable voltage and allowing for an orderly system restart. If the main input circuit breaker is tripped by a power outage, follow the instructions in [Normal System Startup](#) on the previous page after power is restored.

4.2 Basic Monitor Panel

Basic Monitoring provides transformer overtemperature alarm, transformer overtemperature shutdown and Emergency Power Off controls only.

Display Controls and Indicators

- **Power Indicator (Green LED)** - illuminates when power has been applied to the Liebert power product.
- **Alarm Status Indicator (Red LED)** - illuminates when an alarm is present. The LED will remain illuminated until the alarm condition is cleared.
- **Audible Alarm speaker (represented by the speaker symbol)** - a speaker behind the bezel will sound when there is an alarm condition.
- **Silence/Reset Push Button** - Press and release the Silence/Reset button to silence the audible alarm. Press and hold the button to clear the alarm and turn off the red alarm indicator LED. If the alarm condition still exists, the alarm will be annunciated again.

- **Emergency Power Off (EPO) Push Button** - pressing the EPO button shunt trips the input circuit breaker to turn the unit off.
- **LCD** - Not available
- **Navigation keys (soft function keys F1 through F4 and Help)** - Not used.

If an overtemperature condition occurs—when the transformer temperature exceeds 356°F (180°C)—it should be investigated and corrected. Possible causes include transformer overload, excessive non-linear loading, inadequate ventilation, high or low input voltage and monitoring malfunction.

Failure to correct the overtemperature condition may result in an automatic system shutdown due to the second stage of overtemperature sensing, when the transformer temperature exceeds 392°F (200°C). After the alarm condition is corrected, the alarm will automatically reset. See **Figure 1.10** on page 13 for remote summary alarm and Remote Emergency Power Off switch connections.

Figure 3.2 Monitor Panel Layout



Item	Description
1	Power Indicator Green
2	Audible alarm Speaker
3	Navigation key
4	Alarm Silence /Reset push button
5	Emergency Power OFF(EPO)Push Button
6	LCD Viewing area
7	Alarm Status Indicator Red

4.3 Power Monitor Panel

Liebert® VPMP (Power Monitor Panel with Velocity protocol) provides input voltage, output current and voltage and other power parameters and will detect and annunciate alarm messages. The monitored parameters and alarms will be displayed on the local display and be available for communication to a customer or Liebert monitoring system.

The Liebert VPMP includes a monochrome liquid crystal display (LCD), power and alarm LED's, an audible alarm and alarm silence and Emergency Power Off push buttons mounted on the front door.

Display Controls and Indicators

- **Power Indicator (Green LED)** - illuminates when power has been applied to the Liebert power product.
- **Alarm Status Indicator (Red LED)** - illuminates when the VPMP detects an alarm. The LED will remain illuminated until the alarm condition is cleared.
- **Audible Alarm speaker (represented by the speaker symbol)** - a speaker behind the bezel will sound when the Liebert VPMP records an alarm condition.
- **Silence/Reset Push Button** - Press and release the Silence/Reset button to silence the audible alarm. Press and hold the button to clear the alarm and turn off the red alarm indicator LED. If the alarm condition still exists, the alarm will be annunciated again.
- **Emergency Power Off (EPO) Push Button** - pressing the EPO button shunt trips the input circuit breaker to turn the unit off.
- **LCD** - displays power parameters and alarm data.
- **Navigation keys (soft function keys F1 through F4 and Help):**
 - a. F1 selects the next Main Breaker or Next Subfeed.
 - b. F2 is the Sequence key. It selects the next set of items at the current level or the next item on a list.
 - c. F3 can select Subfeed (if supplied and monitored) at the top level or can select a menu item at a lower level.
 - d. level.
 - e. F4 can select Branch a Back function at lower levels. Pressing the Back key (F4) navigates to the top level (Main) except from the Help screen. From the Help screen, the Back key navigates to the previous screen.
 - f. Pressing the Help key navigates to the Help screen.

All alarm thresholds for monitored parameters are adjustable by way of the Liebert VPMP DB-9 setup port to match site requirements. All alarms are stored in non-volatile memory to protect against erasure by a power outage. Alarms must be reset manually after the alarm condition has been corrected. Alarms may be reset by pushing the Silence/Reset button on the display or through the remote monitoring system (if used).

The following metering parameters may be displayed:

- | | |
|---|-------------------------|
| • Input Voltage, Line-to-Line for all three phases | • System Ground Current |
| • Output Voltages, Line-to-Line for all three phases | • Output Frequency |
| • Output Voltages, Line-to-Neutral for all three phases | • Output kVA |
| • Output Voltage Total Harmonic Distortion (THD) for all three phases | • Output kW |
| • Output Current for all three phases | • Output Power Factor |
| • Output Current Total Harmonic Distortion (THD) for all three phases | • Output kW-Hours |
| • Output Current Crest Factor (Peak/RMS) for all three phases | • Percent Load |
| • Output Current Harmonic K-Factor for all three phases | • Date |
| • Output Neutral Current | • Time |

The Liebert® VPMP™ detects and annunciates by alarm message the following conditions:

- Output Overvoltage
- Output Undervoltage
- Output Overcurrent
- Neutral Overcurrent
- Ground Overcurrent
- Output Voltage Distortion
- Frequency Deviation
- Phase Sequence Error
- Phase Loss
- Transformer Overtemperature

All alarm thresholds for monitored parameters are adjustable by way of the Liebert VPMP DB-9 setup port to match site requirements. The factory setpoints for the alarms are:

- **Output Overvoltage** - voltage exceeds +6% of nominal
- **Output Undervoltage** - voltage falls below - 13% of nominal
- **Output Overcurrent** - current exceeds 95% of full load amps
- **Neutral Overcurrent** - current exceeds 95% of full load amps
- **Ground Overcurrent** - current exceeds: 10 amps (150-225kVA); 15 amps (300kVA); 20 amps (430kVA); 25 amps (800kVA)
- **Output Voltage Distortion** - output voltage THD exceeds 10%
- **Frequency Deviation** - output frequency exceeds ± 0.5 Hz of nominal

Summary Alarm

- Summary Alarm - detects and annunciates any alarm.

Summary Alarm Contacts

- The Liebert® VPMP™ has a Form C (one NO and one NC) summary alarm contacts for remote alarm status. The contacts are rated at 24VAC @ 1A. The contacts change state upon occurrence of any alarm including warnings and resets when the alarm is cleared. Summary alarm contacts are on the adapter board. The adapter board is on top of the monitoring enclosure. See **Figure 1.10** on page 13 for details.

Communication - Liebert® IntelliSlot™ cards provide customer connections to a Building Management System (BMS) or Remote Monitoring Systems. The following cards are available:

- IS-WEBS Card provides SNMP/WEB output. An RJ-45 connector is supplied for customer connection to Ethernet LAN.
- IS-485S Card provides Modbus 485 output. A terminal strip is provided for 2-wire connection.
- IS-IPBMS Card provides Modbus IP output. An RJ-45 connector is supplied for customer connection
- IS-UNITY-DP Card for HTTP/HTTPS, Vertiv™ Protocol, e-mail, SMS, SNMP v1/v2c/v3, BACnet IP/MSTP and Modbus TCP/RTU output using a serial RS-485 two-wire connection

Up to three cards can be plugged into the Liebert® IntelliSlot™ ports provided with the Liebert® VPMP™ system. If communication to Liebert® SiteScan® is required, customer connection can be made to the adapter board RS-485 terminals on TB1, see **Figure 1.10** on page 13 for details. The adapter board is on top of the monitoring enclosure.

4.4 Liebert® Current Plus Monitoring (If Supplied)

Liebert® CPM (Current Plus Monitoring) provides the current and voltage of each panelboard main circuit breaker. These measurements are used for reporting the average RMS current, power and other parameters. The Liebert CPM detects and annunciates alarm messages and status conditions for each panelboard main circuit breaker. The monitored parameters and alarms appear on the local display and are available for communication to a customer or Liebert monitoring system.

The Liebert CPM includes a monochrome LCD, power and alarm LED's, an audible alarm and alarm silence and Emergency Power Off push buttons mounted on the front door.

Display Controls and Indicators

- **Power Indicator (Green LED)** — illuminates when power has been applied to the Liebert power product.
- **Alarm Status Indicator (Red LED)** — illuminates when the Liebert CPM detects an alarm. The LED will remain illuminated until the alarm condition is cleared.
- **Audible Alarm speaker (represented by the speaker symbol)** — a speaker behind the bezel will sound when the Liebert CPM records an alarm condition.
- **Silence/Reset Push Button** — Press and release the Silence/Reset button to silence the audible alarm. Press and hold the button to clear the alarm and turn off the red alarm indicator LED. If the alarm condition still exists, the alarm will be annunciated again.
- **Emergency Power Off (EPO) Push Button** — pressing the EPO button shunt trips the input circuit breaker to turn the unit off.
- **LCD** — displays power parameters and alarm data.
- **Navigation keys (soft function keys F1 through F4 and Help):**
 - a. F1 selects the next Main Breaker.
 - b. F2 is the Sequence key. It selects the next set of items at the current level or the next item on a list.
 - c. F3 can select a menu item.
 - d. F4 can provide a Back function at lower levels.
Pressing the Back key (F4) navigates to the top level (Main) except from the Help screen.
From the Help screen, the Back key navigates to the previous screen.
 - e. Pressing the Help key navigates to the Help screen.

All alarm thresholds for monitored parameters are adjustable by way of the DB-9 setup port to match site requirements. All alarms are stored in non-volatile memory to protect against erasure by a power loss. Alarms must be reset manually after the alarm condition has been corrected. Alarms may be reset by pushing the Silence/Reset button on the display or through the remote monitoring system (if used).

The Liebert® CPM monitors and displays the following parameters for the panelboard main circuit breaker:

- Phase Current
- Percent Load
- kW
- kW-Hours

The following metering parameters may be displayed:

- Voltage - Line-to-Line
- Voltage - Line-to-Neutral
- Neutral Current
- Ground Current

- kVA
- Power Factor
- Voltage Total Harmonic Distortion (THD)
- Current Total Harmonic Distortion (THD)
- Crest Factor

Circuit identification and status of each breaker may be displayed.

The Liebert CPM detects and annunciates by alarm message the following conditions:

- Overvoltage
- Undervoltage
- Neutral Overcurrent
- Ground Overcurrent
- Phase Overcurrent
- Phase Overcurrent Warning
- Summary Alarm

All alarm thresholds for monitored parameters are adjustable by way of the DB-9 setup port to match site requirements. The factory setpoints for the alarms are as follows:

- Overvoltage - at least one of the line-to-line voltages exceeds +6% of nominal
- Undervoltage - at least one of the line-to-line or line-to-neutral voltages falls below -13% of nominal
- Phase Overcurrent Warning - current exceeds 75% of breaker amps
- Phase Overcurrent - current exceeds 80% of breaker amps
- Neutral Current - current exceeds 95% of breaker amps
- Ground Current - current exceeds: 10 amps (150-225kVA); 15 amps (300kVA); 20 amps (430kVA); 25 amps (800kVA)

Summary Alarm

- Summary Alarm - detects and annunciates any alarm.

Summary Alarm Contacts

- The Liebert® CPM has a Form C (one NO and one NC) summary alarm contacts for remote alarm status. The contacts are rated at 24VAC @ 1A. The contacts change state upon occurrence of any alarm including warnings and reset when the alarm is cleared. Summary alarm contacts are on the adapter board. The adapter board is on top of the monitoring enclosure. See **Figure 1.10** on page 13 for details

Communication — Liebert® IntelliSlot™ cards provide customer connections to a Building Management System (BMS) or Remote Monitoring Systems. The following cards are available:

- IS-WEBS Card provides SNMP/WEB output. An RJ-45 connector is supplied for customer connection to Ethernet LAN.
- IS-485S Card provides Modbus 485 output. A terminal strip is provided for two-wire connection.
- IS-IPBMS Card provides Modbus IP output. An RJ-45 connector is supplied for customer connection. Up to three cards can be plugged into the Liebert® IntelliSlot™ ports provided with the Liebert® VPMP system.
- IS-UNITY-DP Card provides HTTP/HTTPS, Vertiv Protocol, e-mail, SMS, SNMP v1/v2c/v3, BACnet IP/MSTP and Modbus TCP/RTU output using a serial RS-485 two-wire connection.

If communication to Liebert® SiteScan® is required, customer connection can be made to the adapter board RS-485 terminals on TB1; see **Figure 1.10** on page 13 for details. The adapter board is on top of the monitoring enclosure.

4.5 Liebert® Distribution Monitoring (If Supplied)

The Liebert® LDMF (Distribution Monitoring) provides the current and voltage for each branch circuit breaker mounted on the panelboards and the panelboard main circuit breaker. These measurements are used for reporting the average RMS current, power and other parameters. The Liebert LDMF detects and annunciates alarm messages and status conditions for each branch circuit breaker and the panelboard main circuit breaker. The monitored parameters and alarms appear on the local display (if supplied) and are available for communication to a customer or Liebert monitoring system.

The Liebert LDMF (if supplied) includes a monochrome LCD, power and alarm LED's, an audible alarm and alarm silence and Emergency Power Off push buttons mounted on the front door

Display Controls and Indicators

- **Power Indicator (Green LED)** — illuminates when power has been applied to the Liebert power product.
- **Alarm Status Indicator (Red LED)** — illuminates when the Liebert LDMF detects an alarm. The LED will remain illuminated until the alarm condition is cleared
- **Audible Alarm speaker (represented by the speaker symbol)** — a speaker behind the bezel will sound when the Liebert LDMF records an alarm condition.
- **Silence/Reset Push Button** — Press and release the Silence/Reset button to silence the audible alarm. Press and hold the button to clear the alarm and turn Off the red alarm indicator LED. If the alarm condition still exists, the alarm will be annunciated again.
- **Emergency Power Off (EPO) Push Button** — pressing the EPO button shunt trips the input circuit breaker to turn the unit off.
- **LCD** — displays power parameters and alarm data.
- **Navigation keys (soft function keys F1 through F4 and Help):**
 - a. F1 selects the next Main Breaker, Next Subfeed or Next Branch.
 - b. F2 is the Sequence key. It selects the next set of items at the current level or the next item on a list.
 - c. F3 can select Subfeed (if supplied and monitored) at the top level or a menu item at a lower level.
 - d. F4 can select Branch Breakers at the top level or provide a Back function at lower levels. Pressing the Back key (F4) navigates to the top level (Main) except from the Help screen. From the Help screen, the Back key navigates to the previous screen.
 - e. Pressing the Help key navigates to the Help screen.

All alarm thresholds for monitored parameters are adjustable by way of the Liebert® LDMF DB-9 setup port to match site requirements. All alarms are stored in non-volatile memory to protect against erasure by a power loss. Alarms must be reset manually after the alarm condition has been corrected. Alarms may be reset by pushing the Silence/Reset button on the display or through the remote monitoring system (if used).

The Liebert LDMF monitors and displays the following parameters for the panelboard main circuit breaker, each branch circuit breaker and subfeed circuit breakers (if supplied and monitored):

- Phase Current
- Percent Load
- kW
- kW-Hours

The following metering parameters may be displayed:

- Voltage - Line-to-Line
- Voltage - Line-to-Neutral
- Neutral Current
- Ground Current
- kVA
- Power Factor
- Voltage Total Harmonic Distortion (THD)
- Current Total Harmonic Distortion (THD)
- Crest Factor

Circuit identification and status of each breaker may be displayed.

The Liebert LDMF detects and annunciates by alarm message the following conditions:

- Overvoltage
- Undervoltage
- Neutral Overcurrent
- Ground Overcurrent
- Phase Overcurrent
- Phase Overcurrent Warning
- Summary Alarm

All alarm thresholds for monitored parameters are adjustable by way of the Liebert LDMF DB-9 setup port to match site requirements. The factory setpoints for the alarms are:

- **Overvoltage** - at least one of the line-to-line voltages exceeds +6% of nominal
- **Undervoltage** - at least one of the line-to-line or line-to-neutral voltages falls below -13% of nominal
- **Phase Overcurrent Warning** - current exceeds 75% of breaker amps
- **Phase Overcurrent** - current exceeds 80% of breaker amps
- **Neutral Current** - current exceeds 95% of breaker amps
- **Ground Current** - current exceeds: 10A (150-225 kVA); 15A (300kVA); 20A (430kVA); 25A (800kVA)

Summary Alarm

- Summary Alarm - detects and annunciates any alarm.

Summary Alarm Contacts

- The Liebert LDMF has a Form C (one NO and one NC) summary alarm contacts for remote alarm status. The contacts are rated at 24VAC @ 1A. The contacts change state upon occurrence of any alarm including warnings and resets when the alarm is cleared. Summary alarm contacts are located on the adapter board. The adapter board is located on top of the monitoring enclosure. See **Figure 1.10** on page 13 for details.

Communication — Liebert® IntelliSlot™ cards provide customer connections to a Building Management System (BMS) or Remote Monitoring Systems. The following cards are available:

- IS-WEBS Card provides SNMP/WEB output. An RJ-45 connector is supplied for customer connection to Ethernet LAN.
- IS-485S Card provides Modbus 485 output. A terminal strip is provided for 2-wire connection.
- IS-IPBMS Card provides Modbus IP output. An RJ-45 connector is supplied for customer connection.

- IS-UNITY-DP Card provides HTTP/HTTPS, Vertiv Protocol, e-mail, SMS, SNMP v1/v2c/v3, BACnet IP/MSTP and Modbus TCP/RTU output using a serial RS-485 two-wire connection

Up to three Liebert® IntelliSlot™ cards may be installed in the Liebert® LDMF system. If communication to Liebert® SiteScan® is required, customer connection can be made to the adapter board RS-485 terminals on TB1, see **Figure 1.10** on page 13 for details. The adapter board is on top of the monitoring enclosure.

5 Maintenance

5.1 Corrective Maintenance—Repair

Even the most reliable equipment may fail. Contact Vertiv Support for fast repair of your unit and minimum downtime of your installation.



WARNING! Risk of electric shock and arc flash. Can cause equipment damage, injury and death. Only qualified service personnel should perform maintenance on the Liebert® PPC. All voltage sources to the unit must be disconnected before inspecting, performing maintenance or cleaning within the cabinet.



AVERTISSEMENT! Risque de choc et d'arc électriques. Peut provoquer des dommages matériels, ainsi que des blessures potentiellement mortelles. Les travaux de maintenance au niveau du panneau de mise à niveau Liebert® PPC™ doivent être réalisés uniquement par des techniciens d'entretien qualifiés. Toutes les sources de tension raccordées à l'unité doivent être déconnectées avant toute inspection ou opération de nettoyage au sein de l'armoire

Standard electrical troubleshooting procedures should be used to isolate problems in the unit. If there are questions, contact Vertiv Support. Repair or replacement of standard items, such as circuit breakers, fuses, transformers, capacitors and indicator lights can be either handled by qualified electricians or referred to Vertiv Support.

Repairs related to the monitoring system should be referred to Vertiv Support.

To contact Vertiv Support for information or repair service, call 800-543-2378.

5.2 Preventive Maintenance—Inspection and Cleaning

Air circulation through the cabinet may cause dust to accumulate on internal components. Cleaning should be done as necessary during electrical inspections.

Annual general system inspections, cleaning and operation checks are recommended to ensure system performance and long service life.



WARNING! Risk of electric shock and arc flash. Can cause equipment damage, injury and death. Only qualified service personnel should perform maintenance on the Liebert PPC. All voltage sources to the unit must be disconnected before inspecting, performing maintenance or cleaning within the cabinet.



AVERTISSEMENT! Risque de choc et d'arc électriques. Peut provoquer des dommages matériels, ainsi que des blessures potentiellement mortelles. Les travaux de maintenance au niveau du panneau de mise à niveau Liebert PPC doivent être réalisés uniquement par des techniciens d'entretien qualifiés. Toutes les sources de tension raccordées à l'unité doivent être déconnectées avant toute inspection ou opération de nettoyage au sein de l'armoire

5.2.1 Inspection Schedule

- It is difficult to establish a schedule for periodic cleanings since conditions vary from site to site. Inspections after the first 24 hours, 30 days and 6 months of operation should help determine a pattern for the inspection schedule.
- Electrical connections and component mountings should be inspected after the first 24 hours, 30 days and 6 months of operation. Inspections should be conducted annually thereafter.
- Ventilation openings and grilles should be inspected and cleaned every six months to one year.
- A complete inspection and operational checkout should be performed annually. This is best done by performing the inspection and startup procedures outlined in [Inspection and Startup Checklist](#) on page 15 .
- Vertiv Support offers a complete range of preventive maintenance services. These include thorough equipment performance checks and calibration of electronics. Contact Vertiv™ Support at 800-543-2378 for details.

Connect with Vertiv on Social Media



<https://www.facebook.com/vertiv/>



<https://www.instagram.com/vertiv/>



<https://www.linkedin.com/company/vertiv/>



<https://www.twitter.com/Vertiv/>



Vertiv.com | Vertiv Headquarters, 1050 Dearborn Drive, Columbus, OH, 43085, USA

© 2021 Vertiv Group Corp. All rights reserved. Vertiv™ and the Vertiv logo are trademarks or registered trademarks of Vertiv Group Corp. All other names and logos referred to are trade names, trademarks or registered trademarks of their respective owners. While every precaution has been taken to ensure accuracy and completeness here, Vertiv Group Corp. assumes no responsibility, and disclaims all liability, for damages resulting from use of this information or for any errors or omissions. Specifications, rebates and other promotional offers are subject to change at Vertiv's sole discretion upon notice.

SL-20048_REV10_03-21