

SIEMENS

Ingenuity for life

3SB5 Datasheet

3SB5

Indicating lamps and push buttons

www.siemens.co.in

Control at your finger tips.....



Index

Device Types	Pg 03
Benefits	Pg 04
Overview	Pg 05
Selection and ordering data	Pg 06
Technical Data	Pg 13
Enclosures	Pg 15
Dimension Drawings	Pg 19

Special attention has to be paid to the interaction between man and machine. Fault sources and system disturbances must be signaled reliably – and as early as possible. And if things do get critical – the top priority is to safely and quickly stop machines and bring systems offline.

Our extensive range of 3SB5 commanding and Signalling devices is designed to meet the challenge. Push button actuators, selector actuators, key actuators, compact & modular indicators... our 3SB5 pilot devices let you handle every situation confidently.

Device Types

Actuators

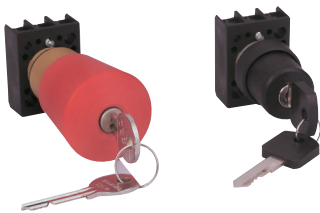
Push Button



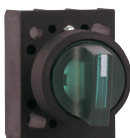
Mushroom Head



Key



Selector



Twin Pushbuttons



Indicators

Compact



Modular



Wide Band

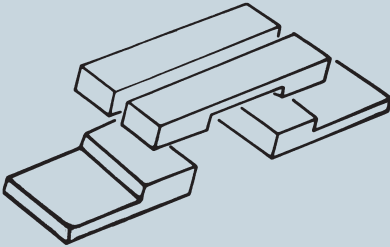
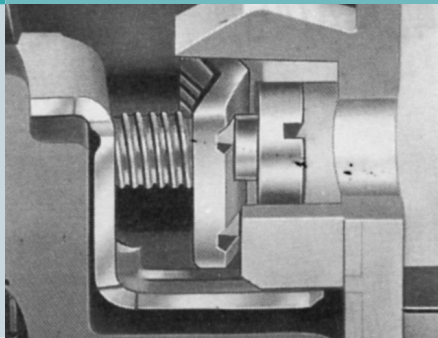
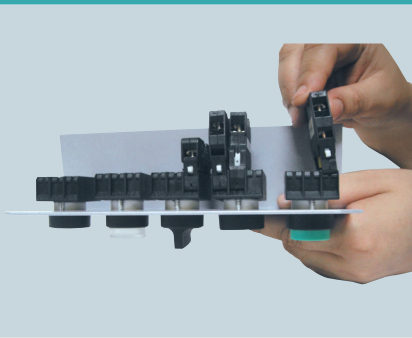





Enclosures

Enclosures



Benefits

Contact Reliability	SIGUT® Termination	Snap Mounting
 <p>3SB5 contact block is an ideal component in control systems, where contact reliability at low voltage is essential as in cases involving PLCs, DCS systems, CNC systems, etc.</p> <p>Thanks to the “double break parallel bridge contact system”, 3SB5 offers guaranteed continuity at voltage as low as 17V DC and signal strength as low as 5mA.</p>	 <p>It increases safety to the operator by preventing accidental contact of the finger or the back-of-the-hand with live terminals. A major hazard has therefore been eliminated. The open terminals, captive screws, funnel-shaped cable entrances and guides for power screw drivers reduce wiring / testing time (electrician’s time) by approximately 30%</p>	 <p>The actuators, lens assemblies are mounted on the panel door / housing cover into a holder and twist-latched into it. The holder is secured to the panel door / housing cover by means of two screws.</p> <p>The snap mounting facility minimizes labour and significantly reduces installation time. For rear connection models, contact blocks and lamp holders can be mounted without a screw driver.</p>
Contacts Blocks	LVGP	In Built Surge suppressors
 <p>Compact contact block design of 3SB5 makes it a preferred choice for applications where there are limitations on panel depth e.g. marine applications, machine tool panels etc. For a contact block housing a single contact (1 NO or 1 NC) the depth is just 20 mm</p>	 <p>Built in low voltage glow protection: The LED pilot lights are essentially Light Emitting Diodes which start glowing at low voltages as low as 4V.</p> <p>Such glow at low voltages (typically caused by residual voltage due to leakage currents) can lead to erroneous interpretation. The 3SB5 LED indicating lamps are provided with low voltage glow protection (LVGP). This eliminates the possibility of any false indication due to leakage voltage or current.</p>	 <p>Built in surge suppressors: 3SB5 LED pilot lights are provided with an in-built “surge suppressor”. This helps in protecting sensitive electronic devices such as PLC, DCS systems, CNC systems, etc. from switching over voltage</p>

Design

The 3SB5 series is a modular range of commanding and signalling devices for front panel mounting and rear conductor connection.

The devices are of modern industrial design and can be mounted rapidly by a single person.

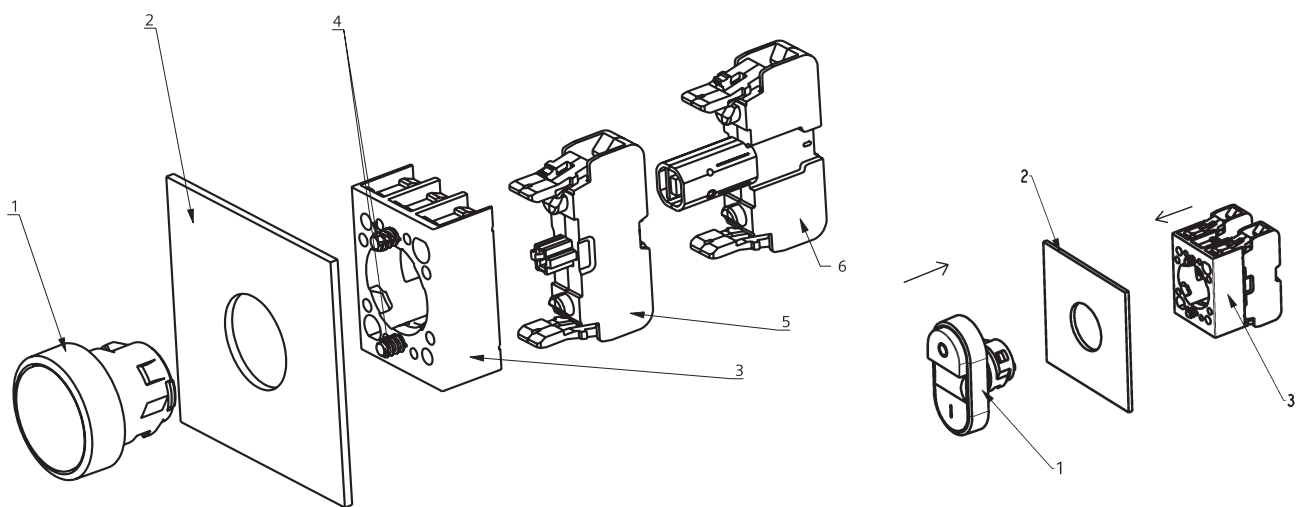
The operating surfaces of the pushbuttons and illuminated pushbuttons are concave.

The lenses of the indicator lights are convex.

One command point comprises:

- One actuator in front of the control panel
- One holder for mounting behind the control panel
- Up to 3 contact blocks or 2 contact blocks and 1 illumination module behind the control panel

In case three contact blocks are being used - to actuate the middle contact block thrust pad is used for selector actuator and Thrust Cap is used for Push Button Actuators.



1. Actuator
2. Panel Door
3. Holder
4. Pressure Screws
5. Contact Block
6. Integrated LED illumination module

1. Twin Push Button Actuator
2. Panel door
3. Holder with Contact Blocks

Standards

IS/IEC 60947-5-1

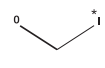
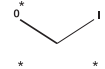
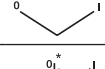


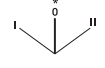
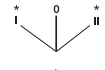
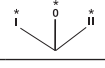

Connection Method

The devices are available with screw terminals.

Selection and ordering data

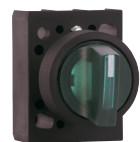
Version	Colour	Order No.	Weight per PU approx. kg				
Pushbuttons with holder							
	Opaque normal	Red Green Blue White Yellow Black	3SB50 00-0AC01 3SB50 00-0AE01 3SB50 00-0AF01 3SB50 00-0AG01 3SB50 00-0AD01 3SB50 00-0AB01	0.0215 0.0215 0.0215 0.0215 0.0215 0.0215			
		Opaque raised	Red Green Blue White Yellow Black	3SB50 00-0LC01 3SB50 00-0LE01 3SB50 00-0LF01 3SB50 00-0LG01 3SB50 00-0LD01 3SB50 00-0LB01	0.0215 0.0215 0.0215 0.0215 0.0215 0.0215		
			Illuminated normal	Red Green Amber Blue White Yellow Clear	3SB50 01-0AC01-0PQ0 3SB50 01-0AE01-0PQ0 3SB50 01-0AL01-0PQ0 3SB50 01-0AF01-0PQ0 3SB50 01-0AG01-0PQ0 3SB50 01-0AD01-0PQ0 3SB50 01-0AH01-0PQ0	0.023 0.023 0.023 0.023 0.023 0.023 0.023	
				Illuminated raised	Red Green Amber Blue White Yellow Clear	3SB52 18-0LC01-0PQ0 3SB52 18-0LE01-0PQ0 3SB52 18-0LL01-0PQ0 3SB52 18-0LF01-0PQ0 3SB52 18-0LG01-0PQ0 3SB52 18-0LD01-0PQ0 3SB52 18-0LH01-0PQ0	0.023 0.023 0.023 0.023 0.023 0.023 0.023
				Mushroom pushbuttons with holder			
					Mushroom pushbuttons, Ø 40 mm momentary	Black Red	3SB50 00-1NB01 3SB50 00-1NC01
					Mushroom pushbuttons, Ø 40 mm push to trip, turn to release	Black	3SB50 00-1CB01
Mushroom pushbuttons for emergency stop							
	Mushroom pushbuttons with 1NC push to trip, turn to release	Red		3SB52 03-0UC01	0.050		
		Mushroom pushbuttons, Ø 40 mm push to trip, turn to release	Red	3SB50 00-0UC01	0.050		
			Mushroom pushbuttons, Ø 40 mm push to trip, key to release	Red	3SB50 00-0TC01	0.050	
** operates with NC Contact Blocks only							



Version	Key removal position	Order No.	Weight per PU approx. kg
Key-operated switches with holder			
Key-operated switches with 2 keys & 2 switch positions			
Switching sequence O-I, 100° operating angle, maintained	L - KR		3SB50 00-4AC01 0.057
	KL - R		3SB50 00-4AA01 0.057
	KL - KR		3SB50 00-4AB01 0.057
Switching sequence O-I, 50° operating angle, momentary	KL < R		3SB50 00-4TA01 0.057
	L > KR		3SB50 00-4TC01 0.057
Key-operated switches with 2 keys & 3 switch positions			
Switching sequence I-O-II, 2 x 50° operating angle, maintained	L - KC - R		3SB50 00-4HA01 0.057
	KL - C - KR		3SB50 00-4HC01 0.057
	KL - KC - KR		3SB50 00-4HB01 0.057
Switching sequence O-I, 2 x 50° operating angle, momentary	L > KC < R		3SB50 00-4JA01 0.057

* Key removable position
 L - Left, R - Right, C - Centre, KL - Key at Left, KR - Key at Right, KC - Key at Centre

Version	Version	Colour	Order No.	Weight per PU approx. kg
Selector switches with holder				
2 position				
Selector switches with 2 switch positions				
Switching sequence O-I, 100° operating angle	Opaque Maintained	Black Red	3SB50 00-2AB01 3SB50 00-2AC01	0.024 0.024
Switching sequence O-I, 50° operating angle	Opaque Momentary	Black Red	3SB50 00-2BB01 3SB50 00-2BC01	0.024 0.024
Switching sequence O-I, 100° operating angle	Illuminated Maintained	Red Green Blue Yellow Clear	3SB50 01-2AC01 3SB50 01-2AE01 3SB50 01-2AF01 3SB50 01-2AD01 3SB50 01-2AH01	0.024 0.024 0.024 0.024 0.024
Switching sequence O-I, 50° operating angle	Illuminated Momentary	Red Green Blue Yellow Clear	3SB50 01-2BC01 3SB50 01-2BE01 3SB50 01-2BF01 3SB50 01-2BD01 3SB50 01-2BH01	0.024 0.024 0.024 0.024 0.024
3 position				
Selector switches with 3 switch positions				
Switching sequence I-O-II, 2 x 50° operating angle	Opaque Maintained	Black Red	3SB50 00-2DB01 3SB50 00-2DC01	0.024 0.024
Switching sequence I-O-II, 2 x 50° operating angle	Opaque Momentary	Black Red	3SB50 00-2EB01 3SB50 00-2EC01	0.024 0.024
2 x 50° operating angle	Illuminated Maintained	Red Green Blue Yellow Clear	3SB50 01-2DC01 3SB50 01-2DE01 3SB50 01-2DF01 3SB50 01-2DD01 3SB50 01-2DH01	0.024 0.024 0.024 0.024 0.024
Switching sequence I-O-II, 2 x 50° operating angle	Illuminated Momentary	Red Green Blue Yellow Clear	3SB50 01-2EC01 3SB50 01-2EE01 3SB50 01-2EF01 3SB50 01-2ED01 3SB50 01-2EH01	0.024 0.024 0.024 0.024 0.024

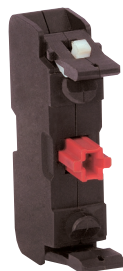




Version	Colour	Order No.	Weight per PU approx. kg
Twin pushbutton with holder			
Opaque twin pushbutton with 1NO & 1NC		3SB52 01-7EC01	0.04662
Opaque twin pushbutton modular		3SB50 00-7EC01	0.04662
Illuminated twin ¹⁾ pushbutton with 1NO & 1NC		3SB52 34-7EC01	0.04662
Illuminated twin pushbutton modular		3SB50 01-7EC01	0.04662



1) Use illumination module with integrated LED only

Version	Symbols	Operating travel <input type="checkbox"/> Contact closed <input type="checkbox"/> Contact open	Order No.	Weight per PU approx. kg
Contact blocks for front plate mounting				
Contact blocks with one contact				
1 NO			3SB54 00-0B	0.011
1 NC			3SB54 00-0C	0.011
Contact blocks with 2 contacts				
1 NO + 1 NC			3SB54 00-0A	0.018
2 NO			3SB54 00-0E	0.018
2 NC			3SB54 00-0F	0.018



Version	Rated Voltage V	Colour	Order No.	Weight per PU approx. kg
Compact LED indicating lamp				
	24 V AC/DC	Red	3SB52 85-6HC01	0.017
		Green	3SB52 85-6HE01	0.017
		Amber	3SB52 85-6HL01	0.017
		Blue	3SB52 85-6HF01	0.017
		White	3SB52 85-6HG01	0.017
		Yellow	3SB52 85-6HD01	0.017
		Clear	3SB52 85-6HH01	0.017
	30 V DC®	Red	3SB52 85-6HC13	0.017
		Green	3SB52 85-6HE13	0.017
		Amber	3SB52 85-6HL13	0.017
		Blue	3SB52 85-6HF13	0.017
		White	3SB52 85-6HG13	0.017
		Yellow	3SB52 85-6HD13	0.017
		Clear	3SB52 85-6HH13	0.017
	110 V AC 50/60 Hz	Red	3SB52 85-6HC02	0.017
		Green	3SB52 85-6HE02	0.017
		Amber	3SB52 85-6HL02	0.017
		Blue	3SB52 85-6HF02	0.017
		White	3SB52 85-6HG02	0.017
		Yellow	3SB52 85-6HD02	0.017
		Clear	3SB52 85-6HH02	0.017
	110 V DC®	Red	3SB52 85-6HC04	0.017
		Green	3SB52 85-6HE04	0.017
		Amber	3SB52 85-6HL04	0.017
		Blue	3SB52 85-6HF04	0.017
		White	3SB52 85-6HG04	0.017
		Yellow	3SB52 85-6HD04	0.017
		Clear	3SB52 85-6HH04	0.017
	220/240 V AC 50/60 Hz	Red	3SB52 85-6HC03	0.017
		Green	3SB52 85-6HE03	0.017
		Amber	3SB52 85-6HL03	0.017
		Blue	3SB52 85-6HF03	0.017
		White	3SB52 85-6HG03	0.017
		Yellow	3SB52 85-6HD03	0.017
		Clear	3SB52 85-6HH03	0.017
	220 V DC®	Red	3SB52 85-6HC05	0.017
		Green	3SB52 85-6HE05	0.017
		Amber	3SB52 85-6HL05	0.017
		Blue	3SB52 85-6HF05	0.017
		White	3SB52 85-6HG05	0.017
		Yellow	3SB52 85-6HD05	0.017
		Clear	3SB52 85-6HH05	0.017
Wide band compact LED indicating lamps				
	42 to 240V AC & 42 to 220V DC	Red	3SB52 35-6HC14	0.175
		Green	3SB52 35-6HE14	0.175
		Amber	3SB52 35-6HL14	0.175
		Blue	3SB52 35-6HF14	0.175
		White	3SB52 35-6HG14	0.175
		Yellow	3SB52 35-6HD14	0.175
		Clear	3SB52 35-6HH14	0.175
Modular indicating lamps				
	Lens assembly with holder	Red	3SB52 01-6BC00	0.019
		Green	3SB52 01-6BE00	0.019
		Amber	3SB52 01-6BL00	0.019
		Blue	3SB52 01-6BF00	0.019
		White	3SB52 01-6BG00	0.019
		Yellow	3SB52 01-6BD00	0.019
		Clear	3SB52 01-6BH00	0.019

® Use of bridge rectified DC source (filtered O/P) recommended

Version	Rated Voltage V	Colour	Order No.	Weight per PU approx. kg
Illumination module with integrated LED				
	24 V AC/DC	Red	3SB54 00-7CC	0.0125
		Green	3SB54 00-7CE	0.0125
		Amber	3SB54 00-7CL	0.0125
		Blue	3SB54 00-7CF	0.0125
		White	3SB54 00-7CG*	0.0125
		Yellow	3SB54 00-7CD	0.0125
	110 V AC	Red	3SB54 00-7EC	0.0125
		Green	3SB54 00-7EE	0.0125
		Amber	3SB54 00-7EL	0.0125
		Blue	3SB54 00-7EF	0.0125
		White	3SB54 00-7EG*	0.0125
		Yellow	3SB54 00-7ED	0.0125
	110 V DC®	Red	3SB54 00-7DC	0.0125
		Green	3SB54 00-7DE	0.0125
		Amber	3SB54 00-7DL	0.0125
		Blue	3SB54 00-7DF	0.0125
		White	3SB54 00-7DG*	0.0125
		Yellow	3SB54 00-7DD	0.0125
	230 V AC	Red	3SB54 00-7TC	0.0125
		Green	3SB54 00-7TE	0.0125
		Amber	3SB54 00-7TL	0.0125
		Blue	3SB54 00-7TF	0.0125
		White	3SB54 00-7TG*	0.0125
		Yellow	3SB54 00-7TD	0.0125
220 V DC®	Red	3SB54 00-7HC	0.0125	
	Green	3SB54 00-7HE	0.0125	
	Amber	3SB54 00-7HL	0.0125	
	Blue	3SB54 00-7HF	0.0125	
	White	3SB54 00-7HG*	0.0125	
	Yellow	3SB54 00-7HD	0.0125	
Illumination module with BA9s LED				
	24 V AC/DC	Red	3SB54 00-8CC	0.015
		Green	3SB54 00-8CE	0.015
		Blue	3SB54 00-8CF	0.015
		Yellow	3SB54 00-8CD	0.015
	110 V AC/DC#	Red	3SB54 00-8FC	0.25
		Green	3SB54 00-8FE	0.25
		Blue	3SB54 00-8FF	0.25
		Yellow	3SB54 00-8FD	0.25
	240 V AC#	Red	3SB54 00-8SC	0.25
		Green	3SB54 00-8SE	0.25
		Blue	3SB54 00-8SF	0.25
		Yellow	3SB54 00-8SD	0.25
Illumination module with BA9s filament lamp				
	24 V AC/DC (24 V lamp)		3SB54 00-6CC	0.0135
	110 V AC/DC (130 V lamp)		3SB54 00-6FH	0.0135
	230 V AC (130 V lamp)		3SB54 00-6LH	0.0135

* Can be used with clear lens

@ Use of rectified DC source (filtered O/P) recommended

With voltage reducer






Note: All illumination modules can be used along with illuminated push buttons, illuminated selector actuators and modular indicating lamps.

Selection and ordering data

Accessories and spare parts



Version	Colour	Order No.	Weight per PU approx. kg
---------	--------	-----------	-----------------------------

Pusher caps and lenses

	Normal opaque For opaque pushbuttons	Red	3SB59 10-0AC	0.001
		Green	3SB59 10-0AE	0.001
		Blue	3SB59 10-0AF	0.001
		White	3SB59 10-0AG	0.001
		Yellow	3SB59 10-0AD	0.001
		Black	3SB59 10-0AB	0.001
	Raised opaque For opaque pushbuttons	Red	3SB59 10-0BC	0.002
		Green	3SB59 10-0BE	0.002
		Blue	3SB59 10-0BF	0.002
		White	3SB59 10-0BG	0.002
		Yellow	3SB59 10-0BD	0.002
		Black	3SB59 10-0BB	0.002
	Normal illuminated For illuminated pushbuttons	Red	3SB59 10-0CC	0.001
		Green	3SB59 10-0CE	0.001
		Amber	3SB59 10-0CR	0.001
		Blue	3SB59 10-0CF	0.001
		White	3SB59 10-0CG	0.001
		Yellow	3SB59 10-0CD	0.001
		Clear	3SB59 10-0CH	0.001
	Raised illuminated For illuminated pushbuttons raised	Red	3SB59 10-0DC	0.002
		Green	3SB59 10-0DE	0.002
		Amber	3SB59 10-0DR	0.002
		Blue	3SB59 10-0DF	0.002
		White	3SB59 10-0DG	0.002
		Yellow	3SB59 10-0DD	0.002
		Clear	3SB59 10-0DH	0.002
	Lenses For indicator lamps	Red	3SB59 10-1PC	0.006
		Green	3SB59 10-1PE	0.006
		Amber	3SB59 10-1PR	0.006
		White	3SB59 10-1PG	0.006
		Yellow	3SB59 10-1PD	0.006
		Clear	3SB59 10-1PH	0.006



Version	Rated Voltage V	Colour	Order No.	Weight per PU approx. kg
---------	--------------------	--------	-----------	-----------------------------

Lamps

	BA9s filament lamp	24V/2W 130V/2.5W		3SB59 02-6C	0.0015
				3SB59 02-6D	0.0015
					0.0015
	BA9s LED	24V AC/DC	Red	3SB59 02-3FK	0.002
			Green	3SB59 02-3GK	0.002
			Blue	3SB59 02-3JK	0.002
			Yellow	3SB59 02-3HK	0.002

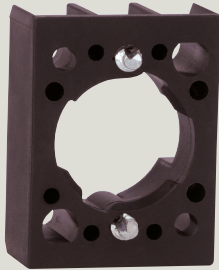
Version	Use	Colour	Order No.	Weight per PU approx. kg
---------	-----	--------	-----------	-----------------------------

Protective caps¹⁾, degree of protection IP67

	Protective caps	Flat button (plastic)	Clear	3SB59 02-0AK	0.0013
	Protective caps	Raised button (plastic)	Clear	3SB59 02-0AN	0.0085

Version	Order No.	Weight per PU approx. kg
Holders for commanding and signalling elements		
 Holders For plastic version, round	3SB59 12-0BA	0.013
 Holders Metallic for front connection	3SB59 11-1AA	0.009
Inscription labels		
 E-stop yellow dia. 75 mm with "EMERGENCY STOP" printing (yellow contrast label)	3SB59 21-0AD	
 E-stop yellow dia. 75 mm for mushroom blank (yellow contrast label)	3SB59 21-0AB	
Inscription plates		
 Inscription plates	Start Stop ON OFF Up Down Forward Slow Fast Reverse Black Trip	3SB59 01-2EL 0.001 3SB59 01-2EK 0.001 3SB59 01-2EB 0.001 3SB59 01-2EC 0.001 3SB59 01-2ED 0.001 3SB59 01-2EE 0.001 3SB59 01-2EF 0.001 3SB59 01-2ES 0.001 3SB59 01-2ER 0.001 3SB59 01-2EG 0.001 3SB59 01-2AA 0.001 3SB59 01-2EA 0.001
Twin push button spares and accessories		
 Lens	3SB59 12-0BB	0.001
Other accessories		
 Adapter plate for replacing 30 mm by 22 mm	3SB59 21-0AE	0.007
 Lamp extractors For lamps with BA 9s lamps and LEDs	3SB59 02-2AD	0.0085
 Plastic front ring	3SB59 11-1BA	0.0016
 Thrust cap for pushbuttons for actuating middle module	3SB59 02-0AA	0.0005
 Thrust pad for selector actuators for actuating middle module	3SB59 12-0AN	0.0001
 Blanking plug for empty enclosures	3SB59 12-0BC	0.0150

Holders



The holders are used for mounting the actuating or signalling elements and are plugged into the rear of the panel door. The holder for the round versions is set to a switchboard thickness of 1 to 6 mm.

When label holders, protective caps or similar accessories are used, the greatest permissible panel thickness must be reduced by the wall thickness of the accessory part.

Contact and lampholders



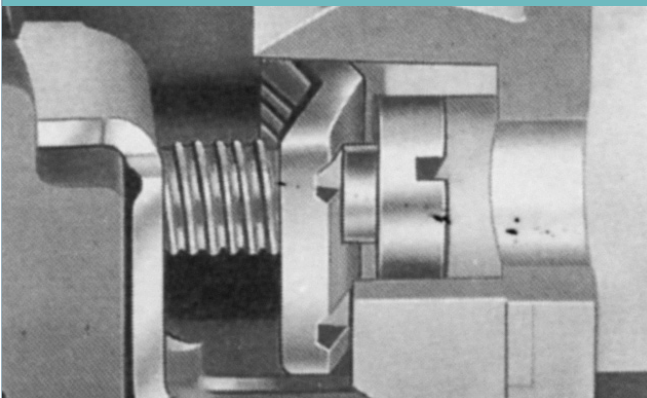
The contact blocks are fitted with (1 NO contact or 1 NC contact) with double operating contacts. These ensure a high switching reliability even with small voltages and currents, such as 5 V/1 mA. The switch contacts of the NC contact are positively driven.

For illuminated elements, lampholders with an integrated LED or with a base for replaceable bulbs can be supplied.

For indicating lamps holder, ring holder helps in faster assembly thus reducing installation time.

Wider voltage range 3SB5 wide band indicating lamps are supplied with integrated LEDs. This would help in reducing the inventory cost.

Connection methods

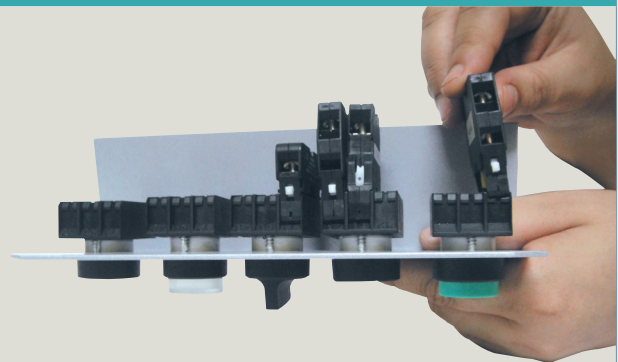


The following devices are available:

Screw terminal (SIGUT termination)

The devices with screw terminals have open terminals, screws that can not be lost, funnel-shaped cable entries and screwdriver fed openings, all of which saves time when connecting and enables the use of motorized screwdrivers.

Mounting



The 3SB5 devices can be easily and quickly mounted:

Actuators or indicator lights are positioned in the opening of the front panel from the front Position the holder from the rear Tighten the screw on the holder Snap on the contact block or the lampholder directly onto the actuator from the back.

Pushbuttons and indicating lamps

Rated insulation voltage U_i	All executions except lamp holder	AC 690V, 50Hz
	BA9s lamp holder	AC 250V, 50Hz; DC 250V
	Illumination module with integrated LED / Compact Pilot Light	AC 440V, 50Hz; DC 250V
Rated operational voltage U_e	For contact blocks	660V, 50Hz
	For Illumination modules with integrated LED	24V AC/DC, 110V AC, 110V DC, 230V AC, 220V DC
	For Illumination modules with BA9s LED lamp	24V AC/DC, 110V AC/DC, 240V AC
	For Illumination modules with BA9s filament lamp	24V AC/DC, 110V AC/DC, 230V AC
	For Compact LED indicating lamps	24V AC/DC, 110V AC, 110V DC, 220/240V AC, 220V DC
	For compact BA9s filament indicating lamp	24V AC/DC, 110V AC/DC, 230V AC
	Wide band LED indicating lamp	42V to 240V AC & 42V to 220V DC
Back-up HRC fuse rating	16A quick acting cartridge	
	10A delayed acting cartridge	
Mechanical life	All actuators (except the following)	10×10^6 cycles
	Luminous actuators	3×10^6 cycles
	Selector, key and latched mushroom actuator*	3×10^5 cycles
Electrical life	Depends on load current e.g. 10×10^6 cycles with 3TH30, 3TF30/31 contactors	
Switching frequency	1200 cycles per hour	
Voltage limits	+10% -15% nominal supply voltage	
Degree of protection	Indicating Lamps	IP65
	Push Buttons	IP65
	Push Buttons with protective cover	IP67
	Selector Switches	IP65
	Mushroom Actuators	IP65
	Key Executions	IP54
	Enclosures	IP65
	Terminals of Contact Blocks and Illumination Modules (Standard Execution)	IP20
Permissible service temperature range	-25°C to +60°C	
Terminal capacity	Finely stranded cable with end sleeves (end sealing ferrule)	2 x 0.5 to 1.5 mm ²
	Solid conductor	2 x 1 to 2.5 mm ²
	Solid conductor with end sleeves (end sealing ferrule)	2 x 0.5 to 0.75 mm ²
	Finely stranded cable with end sleeves (end sealing ferrule)	2 x 1 to 1.5 mm ² (for compact variants)

* For Mushroom Actuator with Key Mechanical Life is 5×10^4

Continuous current, rated operational current I_e , contact blocks					
I_e /AC-12	I_e /AC-15	U_e Volts (40-60 Hz)	I_e /DC-12	I_e /DC-13	U_e Volts-DC
10 A	3.6 A	24V	6 A	2.8 A	24V
	3.6 A	110V	3.6 A	1.4 A	48V
	3.6 A	220/230V	1.6 A	0.64 A	110V
			0.8 A	0.32 A	220V

Contact block / Illumination module configuration					
Actuator-Illuminated Push button and selector	Voltage	Max. possible lamp holders (lamp holder always in middle position)	Max. possible contact blocks (1st block-left, 2nd-right, 3rd-middle)		Accessory to operate middle contact block (Order separately & snap-fit on actuator)
			Rear connection	Front connection	
With BA9s LED	24V AC/DC	1	2	2	Not applicable
	110V AC/DC	1	1	1	
	240V AC	1	1	1	
With BA9s Filament lamp	24V AC/DC	1	2	2	Not applicable
	110V AC/DC				
	230V AC				
Integrated LED	24V AC/DC, 110V AC	1	2	-	Not applicable
	230V AC, 100V DC, 220V DC				
Actuator / Opaque					
Push button	-	-	3	3	Thrust cap
Selector	-	-	3	3	Thrust pad
Key	-	-	3	3	Thrust pad
Mushroom - momentary	-	-	3	3	Thrust cap

Enclosures



Enclosed pushbutton units and indicator lights are used as hand operated control devices for separately allocated control units and cabinets. The devices are suitable for use in any climate.

Enclosures with handle are available for suspension (e.g. for crane control units).

Enclosures with standard fittings are available with:

- 1 to 3 command positions in metal / plastic enclosures
- 1 way is available in 2 colours, grey & yellow
- Operational voltage up to 440 V
- Vertical mounting type
- Empty Plastic Enclosures are also available in 6 and 4 Way
- Contact blocks for base mounting (are snapped into the enclosure base). Screw terminals as standard.

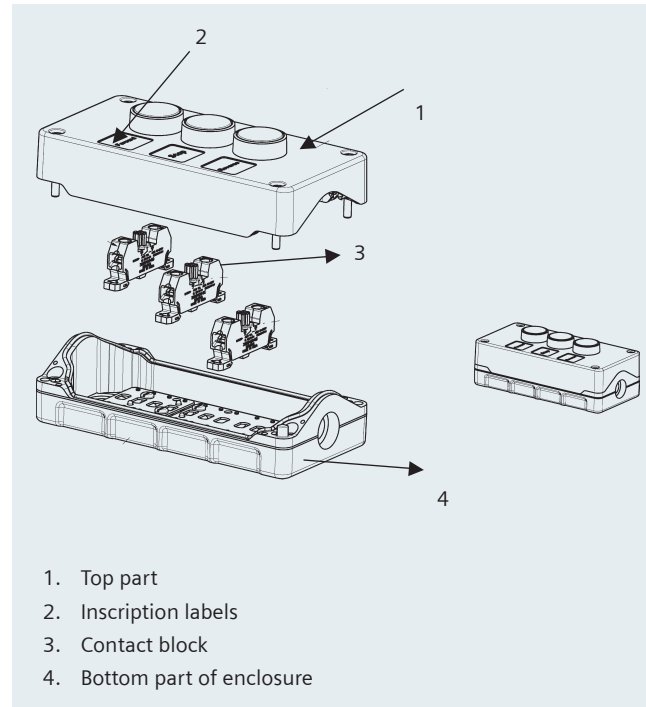
Customer-specific enclosures

Operational voltage up to 400 V

One command position comprises:

- 1 actuator or indicator
- Up to 3 contact blocks or up to 2 contact blocks + 1 lampholder
- 1 inscription label

Enclosures with standard fittings



1. Top part
2. Inscription labels
3. Contact block
4. Bottom part of enclosure

- The contact blocks have moving double break contacts and therefore high contact reliability
- The plastic enclosures comply with the "total insulation" protective measure.

Colour of enclosure cover:

- Gray, RAL 7035, or
- Yellow, RAL 1004 (1 way only)

Colour of enclosure base:

- Black, RAL 9005





Standards

IS/IEC 60947-5-1

For plastic and metal enclosures the command positions are equipped as standard with actuators.

For routing the cable in, one hole for M20 (for 1 to 3 command positions) or for M25 (for 4 or 6 command positions) is provided at the top and bottom.

Selection and ordering data

Version	Number of command positions	Order No.	Weight per PU approx. kg	
Metal enclosures				
	Normal opaque push button - Green with 1NO contact block, "START"	1	3SB58 01-8AA3	0.423
	Red mushroom momentary actuator, with 1NC contact block, "STOP"	1	3SB58 01-8AN3	0.430
	Red maintained mushroom actuator, turn to release, with 1NC contact block, "E-STOP"	1	3SB58 01-8AM3	0.440
	Normal opaque push button - Green with 1NO contact block, "START" + Normal opaque push button - Red with 1NC contact block, "STOP"	2	3SB58 02-8AC3	0.520
	Normal opaque push button - Green with 1NO contact block, "START" + Red mushroom-maintained with 1NC contact block, "STOP"	2	3SB58 02-0AE3	
	Normal opaque push button - Green with 1NO contact block, "FORWARD" + Normal opaque push button - Red with 1NC contact block, "STOP" + Normal opaque push button - Black with 1NO contact block, "REVERSE"	3	3SB58 03-8AH3	0.441
Plastic enclosures				
	Normal opaque push button - Green with 1NO contact block, "START"	1	3SB58 01-7AA3	0.196
	Red mushroom momentary actuator, with 1NC contact block, "STOP"	1	3SB58 01-7AN3	0.203
	Red maintained mushroom actuator, turn to release, with 1NC contact block, "E-STOP"	1	3SB58 01-7AM3	0.213
	Normal opaque push button - Green with 1NO contact block, "START" + Normal opaque push button - Red with 1NC contact block, "STOP"	2	3SB58 02-7AC3	0.285
	Normal opaque push button - Green with 1NO contact block, "START" + Red mushroom-maintained with 1NC contact block, "STOP"	2	3SB58 02-7AE3	0.302
	Normal opaque push button - Green with 1NO contact block, "FORWARD" + Normal opaque push button - Red with 1NC contact block, "STOP" + Normal opaque push button - Black with 1NO contact block, "REVERSE"	3	3SB58 04-7AG3	0.300

Customer-specific enclosures

Version	Number of command positions	Order No.	Weight per PU approx. kg
---------	-----------------------------	-----------	-----------------------------

Pendant mounting: Metal



Normal opaque push button - Green with 1NO contact block, "START" + Normal opaque push button - Red with 1NC contact block, "STOP"	2	3SB58 22-8AC3	0.810
---	---	---------------	-------

Normal opaque push button - Green with 1NO contact block, "FORWARD" + Normal opaque push button - Red with 1NC contact block, "STOP" + Normal opaque push button - Black with 1NO contact block, "REVERSE"	3	3SB58 23-8AH3	0.820
--	---	---------------	-------

Pendant Mounting: Plastic



Normal opaque push button - Green with 1NO contact block, "START"	1	3SB5821-7AA3	0.19678
---	---	--------------	---------

Normal opaque push button - Green with 1NO contact block, "START" + Normal opaque push button - Red with 1NC contact block, "STOP"	2	3SB5822-7AC3	0.28938
---	---	--------------	---------

Normal opaque push button - Green with 1NO contact block, "FORWARD" + Normal opaque push button - Red with 1NC contact block, "STOP" + Normal opaque push button - Black with 1NO contact block, "REVERSE"	3	3SB5823-7AH3	0.61525
--	---	--------------	---------

Empty enclosures

Version	Number of command positions	Colour	Order No.	Weight per PU approx. kg
---------	-----------------------------	--------	-----------	-----------------------------

Empty enclosures, plastic





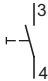



<i>1 to 3 command positions, 4 and 6 command positions</i>	1	Grey	3SB58 01-0AC3	0.187
	2	Grey	3SB58 02-0AC3	0.267
	3	Grey	3SB58 03-0AC3	0.273
	4	Grey	3SB58 04-0AC3	0.310
	6	Grey	3SB58 06-0AC3	0.400
	1	Yellow	3SB58 01-0AD3	0.187

Empty enclosures, metal



<i>1 to 3 command positions</i>	1		3SB58 01-4AC3	0.414
	2		3SB58 02-4AC3	0.502
	3		3SB58 03-4AC3	0.623

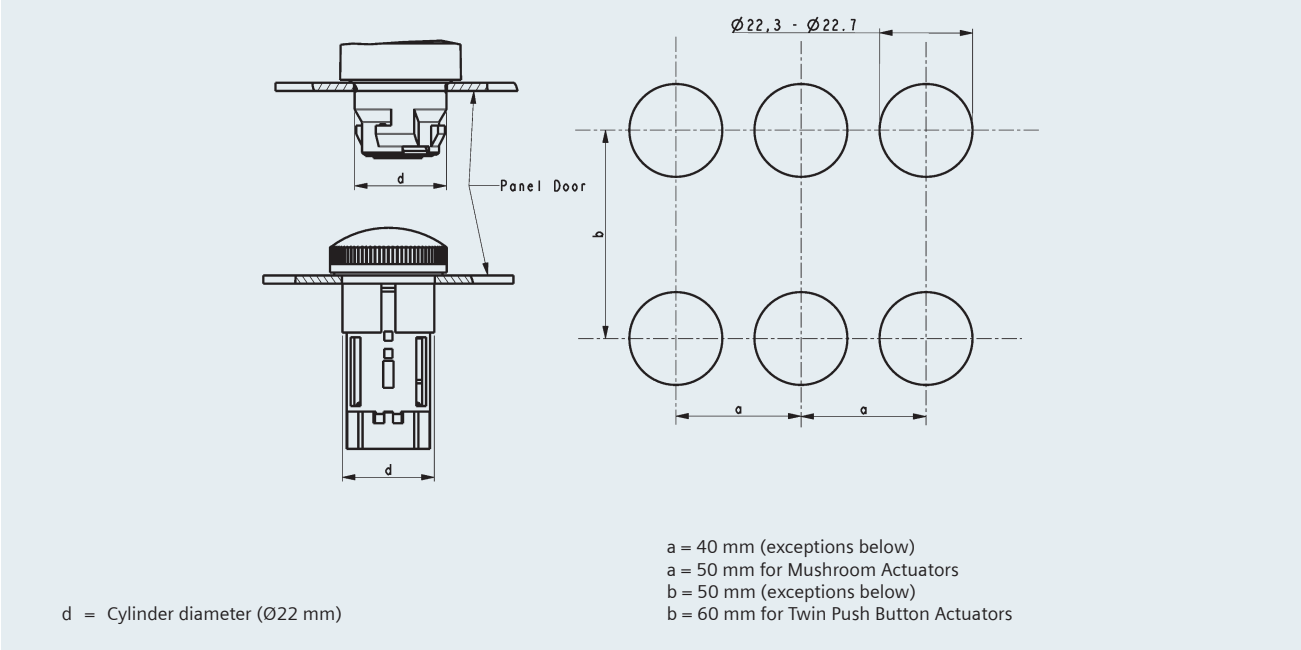
Lampholders and contact blocks

Version		Rated Voltage V	Screw terminals	Weight per PU approx.
			Order No.	kg
BA9s lampholder				
	BA 9s lampholders			
	With lamp	110 V AC/DC 230 V AC	3SB54 20-2PF0 3SB54 20-2PLO	0.013 0.013
Contact blocks with one contact				
	Contact blocks with one contact			
	1 NO	 3-4 mm	3SB54 20-0B	0.0105
1 NC	 1-2 mm	3SB54 20-0C	0.0105	
Version			Order No.	Weight per PU approx.
				kg
Accessories				
	Set of 11 labels Start, Stop, ON, OFF, Up, Down, Open, Close Forward, Reverse, Emergency Off		3SB59 01-3EA	0.001
	Tool for fitting actuator on metal enclosure		3SB59 02-2BX	0.150

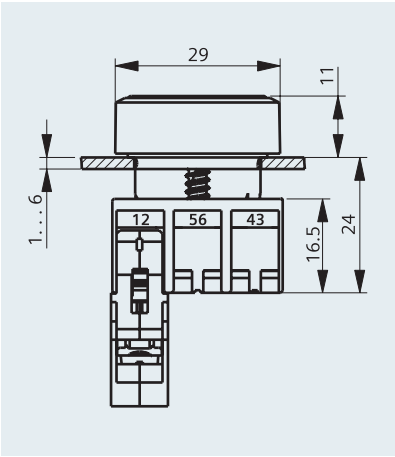
Dimensional drawings

Project planning aids

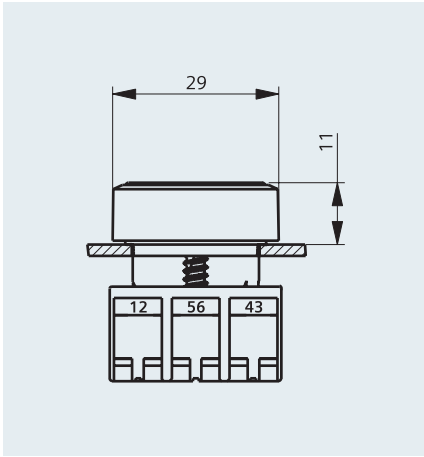
Mounting details for cylinder Ø22 mm



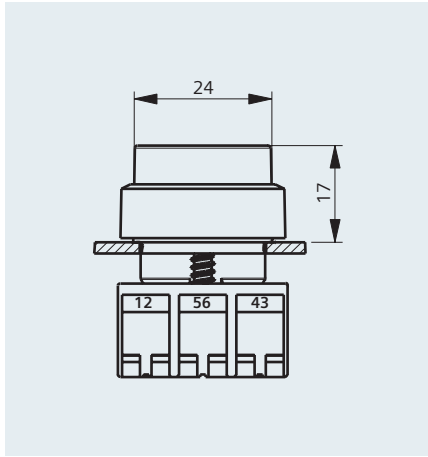
Normal Push Button Actuator with Holder and 1NC Contact Block



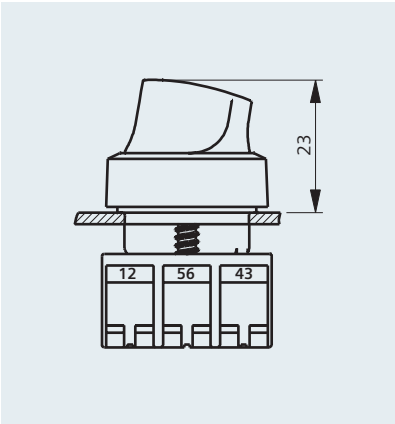
Normal Push Button Actuator with Holder



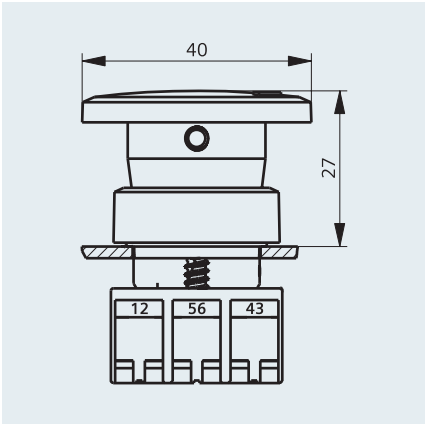
Raised Push Button Actuator with Holder



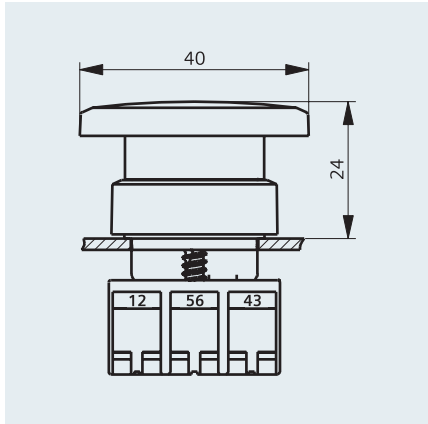
Selector Actuator with Holder



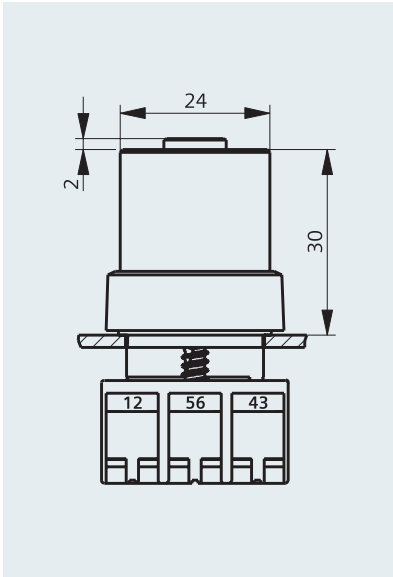
Mushroom Twist to release Actuator with Holder



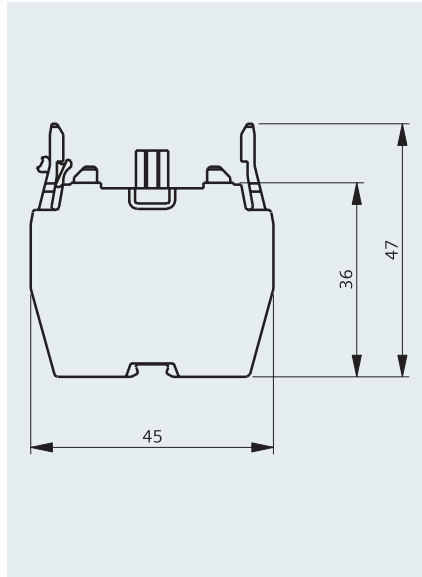
Mushroom Momentary Actuator with Holder



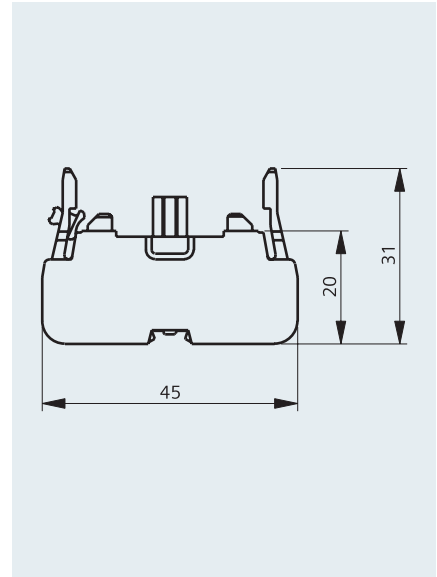
Key Actuator with Holder



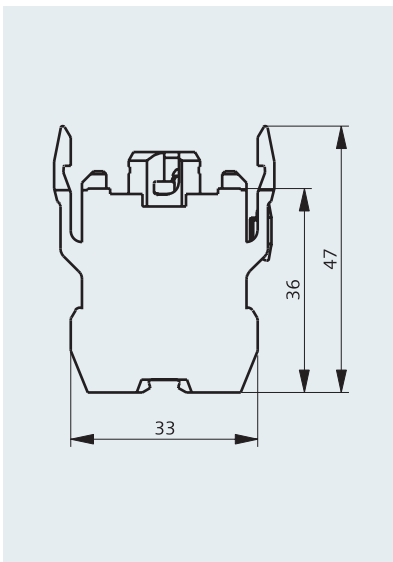
2NO/2NC/1NO+1NC Contact Block
(Front Mounting)



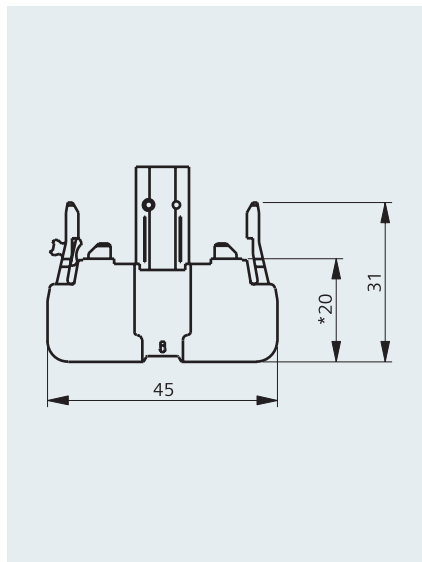
1NO/1NC Contact Block
(Front Mounting)



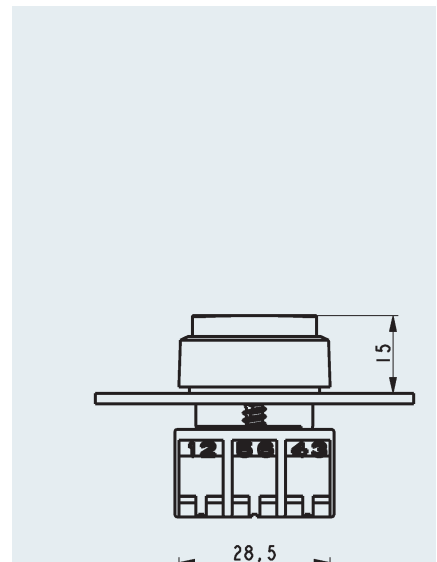
BA9s Lamp Holder



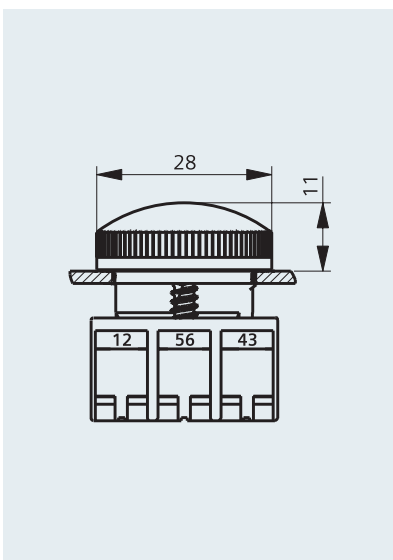
Integrated LED



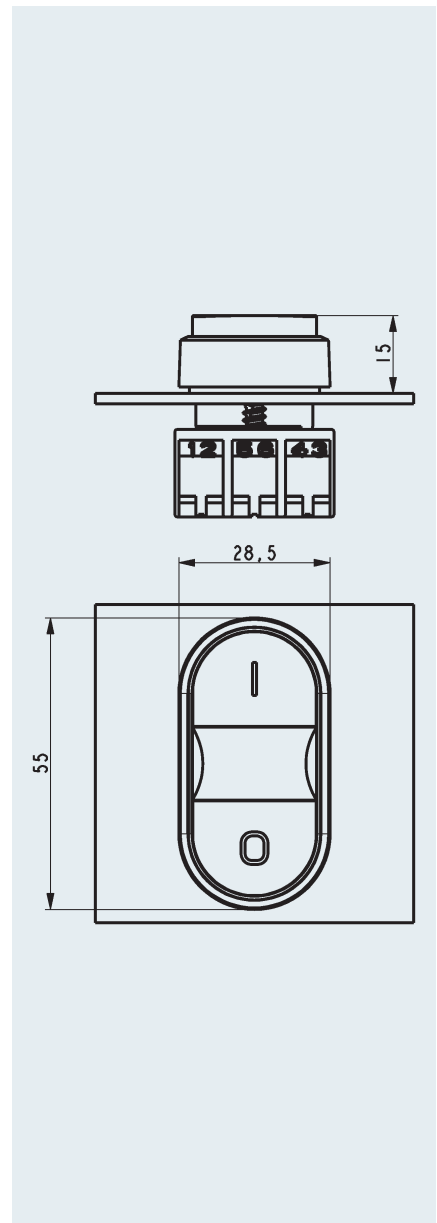
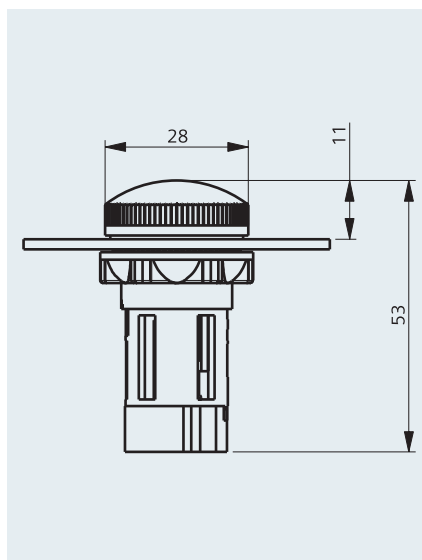
Twin Push Button Actuator with Holder



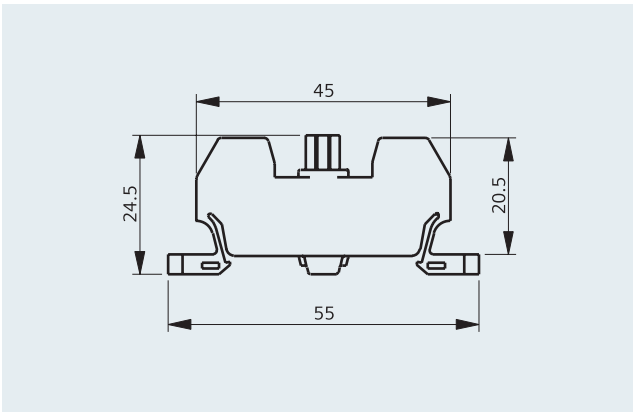
Lens assembly with Holder



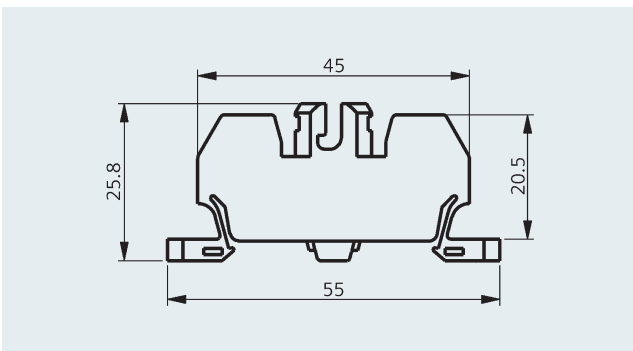
Compact Pilot Light (LED/Wideband)



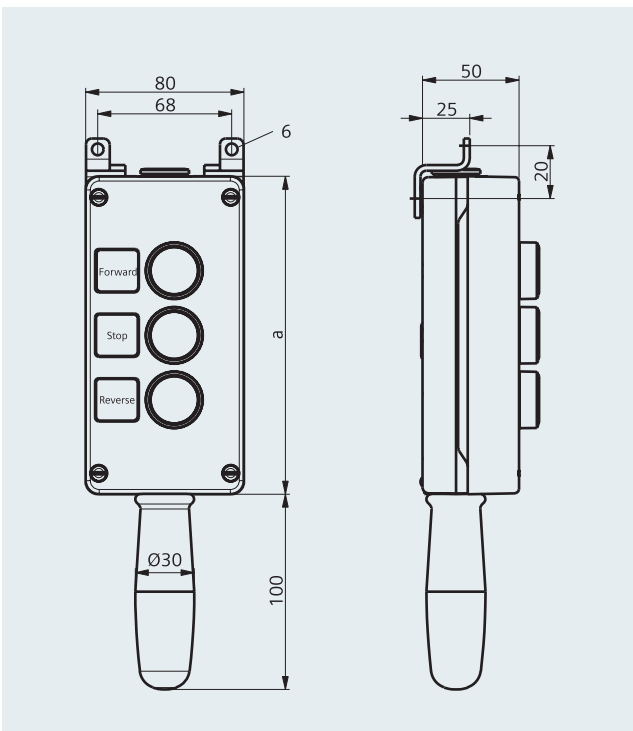
1NC/1NO Contact Block (Base Mounting)



Lamp holder front connection

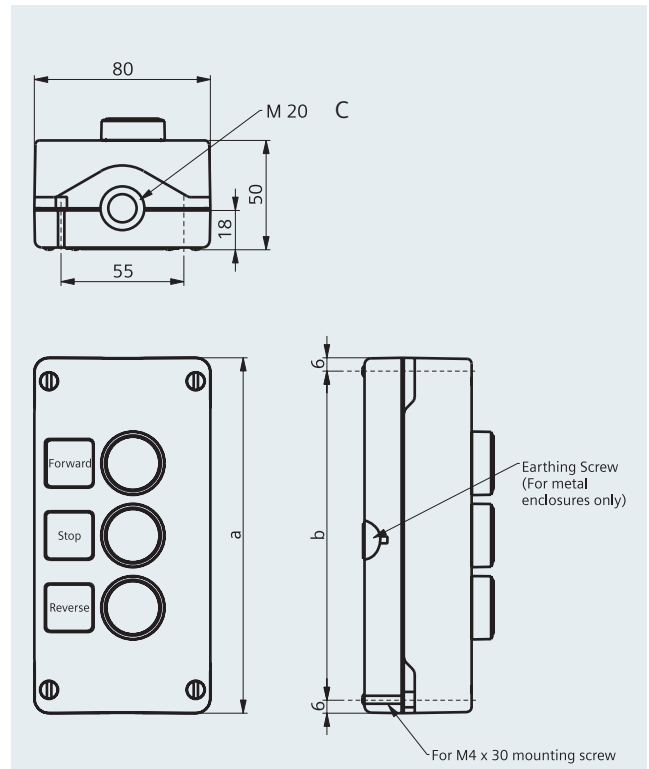


Pendant Push Button Enclosures (Metal and plastic)



Numbers of command points	a
2	124
3	162

Push Button Enclosures (Plastic & Metal)



Numbers of command points	a	b	C
1	88	76	M20
2	124	112	M20
3	162	150	M20
4*	200	188	M25
6*	276	264	M25

* For plastic enclosures only.

Your partners

Sales offices:

Ahmedabad

3rd Floor, Prerna Arbour
Girish Coldrinks Cross Roads, Navrangpura
Ahmedabad - 380 009
☎ : +91 79 30927600
Fax: +91 79 30927699

Baroda

Ground Floor, Urja Bhavan
Opp.Makarpura Railway Station, Maneja
Vadodara - 390 013
☎ : +91 265 3957700
Fax: +91 265 3039190

Bengaluru

1st Floor, Jyoti Mahal, No. 49, St. Marks Rd.
Bengaluru - 560 001
☎ : +91 80 33422000
Fax: +91 80 33424131

Bhubaneswar

Unit: 1102 & 1103, DLF Cyber City
Chandaka Industrial Estate, Patia, Bhubaneswar
Odisha - 751024

Chandigarh

SCO 188/191, 3rd Floor, Sector-17 C
Chandigarh - 160 017
☎ : +91 172 4690300
Fax: +91 172 4690399

Territory managers:

Agra

F7B, ACR Desire Appartment
Near Kargil Petrol Pump, Sikandra
Agra - 282007, U.P.
Mobile: +91 7665590333
E-mail: jain.nitin@siemens.com

Aurangabad

Mobile: +91 9673333024
E-mail: brajesh.rathor@siemens.com

Belgavi

Flat no-201, 2nd Floor, Harimanor Apartment
1st Cross- Bhagya Nagar, Angol Extension, Belgavi
Karnataka 590006
Tel.: +91 0831 2495156
Mobile: +91 9740277991
E-mail: anand.gawade@siemens.com
Mobile: +91 8105254395
E-mail: siddu.mareguddi@siemens.com

Bharuch

Gold B, 804, Samruddhi Residency
Opp. Zadeshwar Bus Stop, Zadeshwar Road
Bharuch - 392011
Mobile: +91 9429307805
E-mail: kalpeshkumar.darji@siemens.com

Bhilai

C/o. Mr. Anil Dhusia
Qtr No. 4A, Street 33, Sector - 4
Bhilai - 490001
Mobile: +91 9869922211
E-mail: pravlin.deshbhatar@siemens.com

Bhopal

Flat-102, Tower – Jasmine Nikhil Nestles
Jatkeri Hoshangabad Road
Bhopal, MP - 462026
Mobile: +91 9711007466
E-mail: vinay.mittal@siemens.com

Boisar

Flat No. A-21, Sai Sagar CHS, MAHADA Colony
Chitrayalaya Road, Boisar - 401506
Mobile: +91 9819231892
E-mail: debashis.biswas@siemens.com

Cochin

Jomer Symphony, 33/2317, 5th Floor
Chalikkavattom, Ponnurrunni North, Vytilla
Kochi - 682019
Tel.: +91 4028611122
Mobile: +91 9656690111
E-mail: vinu.pillai@siemens.com

Durgapur

6/15, Bengal Ambuja
(Near Durgapur Cinema Hall), Citi Centre
Durgapur - 713216
Mobile: +91 9051020207
E-mail: sayantan.ghosh@siemens.com

Gandhidham

Plot No. 299, Ward 3A, Adipur
Gandhidham - 370205, Gujarat
Mobile: +91 9099010323
E-mail: Vismay.pandya@siemens.com

Gorakhpur

Flat No. 3B, 3rd Floor, Plot No. 298
Near Sawatri Hospital, Purdilpur, Vijay Chowk
Gorakhpur - 273001, UP
Mobile: +91 917800960310
E-mail: tiwari.mayank@siemens.com

Guwahati

Shivalaya Housing Society, Flat No. B3A
Bylane 4, Joymati Nagar, Adabari, Pandu
Guwahati - 781012
Mobile: +91 9864110684
E-mail: biplab.datta@siemens.com

Chennai

4th Floor, ETA Mount Centre
Seethakathi Business Centre, Mount Road
Chennai - 600006
☎ : +91 44 30474000
Fax: +91 44 30474080

Coimbatore

1st Floor, "Senthil Towers", 1078, Avinashi Road
Coimbatore - 641018
☎ : +91 422 3076300
Fax: +91 422 3076310

Gurgaon

Plot No. - 78, Tower - B
Jagatjit Industries Building (JIL)
Opposite SBI Academy, Sector-18
Gurgaon - 122015
☎ : +91 124 2842000, 3810200

Hyderabad

5-9-19, 4th & 5th Floor, Laxmi Narasinh Estate
Opp. Secretariat Road, Saifabad
Hyderabad - 500 004
☎ : +91 40 30922500
Fax: +91 40 30923145

Haridwar

Flat No. 204, Shiv Asthaly Appartment
Purshotyam Vihar, Kankhal, Haridwar - 249408
Mobile: +91 9889384222
E-mail: umesh.pandey@siemens.com

Hospet

#727, Lakshmi Narasimha Nilaya
Near Surbhi Kalyana Mantapa, Amaravathi
Hospet - 583203
Mobile: +91 9741114877
E-mail: naveen.sn@siemens.com

Hosur

Plot No. 12 Vishnu Anandam Galaxy
Chittanapalli Nallur Village, Hosur - 635109
Mobile: +91 8971200266
E-mail: dinesh.rajaian@siemens.com

Hubli

Plot No. 8, Abhi Nilay, Manjunath Nagar
Gokul Road, Hubli - 30, Karnataka
Mobile: +91 9945961052
E-mail: kiran.kage@siemens.com

Jalandhar

H.No. 140, Ground Floor, Defence Colony
Jalandhar, Punjab - 144001
Mobile: +91 8427979870
E-mail: himanshu.kaushik@siemens.com

Jodhpur

A-240, Shastri Nagar, Jodhpur - 342003
Mobile: +91 9929110493
E-mail: rajendra.kabra@siemens.com

Kanpur

Flat No. 702, Pushpi Apartments
Sharda Nagar, Kanpur - 208025, Uttar Pradesh
Mobile: +91 8802011478
E-mail: singh.amar@siemens.com

Khopoli

Samarthanagar Co-op Hsg. Soc.
Mogalwadi Road, Khopoli,
Taluka - Khalapur, Dist. Raigad - 410 203
Mobile: +91 9867748975
E-mail: deshpande.sachin@siemens.com

Kolhapur

RS No. 84-1, Pinac Prasad, Flat No. A-35
New Palace Road, Kolhapur - 416006
Mobile: +91 9850836839
E-mail: vinay.todkar@siemens.com

Kota

406, Manglayatan Appartment
Near Jain Temple, Bhiingarj Mandi
Kota - 324002
Mobile: +91 9828419111
E-mail: avinash.mathur@siemens.com

Ludhiana

H.No. 1858, First Floor, Sector - 32 A
Ludhiana - 141008, Punjab
Mobile: +91 9876047929
E-mail: sunil.single@siemens.com

Ludhiana

R-115, Near DAV School
Sarabha Nagar Ext Ph-2, Pakhowal Road
Ludhiana, Punjab - 142022
Mobile: +91 9888484066
E-mail: padam.sharma@siemens.com

Madurai

Anirudh block, F-Top 3, Vasudhara Apartment
84, TPK Main Road, Andalapuram
Madurai - 625 003, Tamil Nadu
Mobile: +91 9894617776
E-mail: sivaprakasam.r@siemens.com

Jaipur

International Business Center, K14 First Floor
Ashok Marg, Ashok Nagar, C Scheme
Jaipur - 302001
☎ : +91 141 5152108
Fax: +91 141 2370482

Jamshedpur

"Roshan Tower", Main Road, Bistupur (2nd Floor)
Jamshedpur - 831001
☎ : +91 657 6682201

Kolkata

3rd Floor, 43, Shanti Palli
Rashbihari Bypass Connector
Kolkata - 700042, India
☎ : +91 33 30939000
Fax: +91 33 30939010

Lucknow

510-511, 5th Floor, Shalimar Titanium
Plot No. TC.G-1/1, Vibhuti Khand
Gomti Nagar, Lucknow
Uttar Pradesh 226010
☎ : +91 522 4031039

Maraimalainagar

No.11, Ambekar Street, SRS Buildings, Upstairs Raga
Dental Clinic, Potheri, Chennai - 603203
Mobile: +91 9840392926
E-mail: shanmuga.v@siemens.com

Meerut

D-205, Ansal Courtyard, Roorkee Bypass
Modipuram, Meerut - 250110, UP
Mobile: +91 7619047999
E-mail: achint.mathur@siemens.com

Mehsana

Mr. Prabhakaran Mudaliar
Mobile: +91 9724753579
E-mail: prabhakaran.mudaliar@siemens.com

Mysore

No. 980, 4th Cross, 6th Main
Bannimantap B layout, SS Nagar
Mysore - 570015
Mobile: +91 9611311645
E-mail: raashid.syed@siemens.com

Naidupeta

Door No. 3-3-140, Raghavaiahpeta
Sriharikota Road, Opp to Race School
Sullurpeta Town & Mandal, SP5R Nellore District
AP - 524123
Mobile: +91 9840255185
E-mail: r.pradeep@siemens.com

Nashik

Flat No 402, "D" Wing, Hari Shrushti
Near Jogging Track, Opposite WNS, Indira Nagar
Nashik - 422009
Mobile: +91 9822193204
E-mail: dhananjay.thorat@siemens.com

Neemrana

Flat No. F111, Anantraj Aashray Apartment
Plot No. 236, Japanese Zone
Neemrana - 301705, Dist.- Alwar
Mobile: +91 9650481919
E-mail: deepak.benival@siemens.com

Patna

A-53, 5th Floor, Krishna Apartment, Boring Road
Patna - 800001
Mobile: +91 9641574289
E-mail: rajendra.mitra@siemens.com

Pondicherry

R.A.M. Paradise, II Floor, No.4, 2nd Cross
Kamban Nagar, Reddiarpalayam
Puducherry - 605010
Mobile: +91 9176609374
E-mail: gopalakrishnan.shanmugam@siemens.com

Raipur

103 Risabh Regency, Near Shri Medishine Hospital
New Rajendra Nagar, Raipur (CG) - 492001
Mobile: +91 9425601849
E-mail: raghuraj.bisen@siemens.com

Rajkot

301, Snowhill Apartment
Near Golden Supermarket, Amin Marg
Rajkot - 360007, Gujarat
Mobile: +91 9909904993
E-mail: piyush.thaker@siemens.com

Ranchi

Flat No. A-101, 1st Floor, Sundaram Apartment
Kilburn Colony, Hinoo, Ranchi
Jharkhand - 834002
Mobile: +91 8294052647
E-mail: shyamal.bhattacharyya@siemens.com

Mumbai

Business Centre-1
Thane Belapur Road, Thane - 400 601
☎ : +91 22 39663000
Fax: +91 22 39663721

Nagpur

4th Floor, Land Mark Building
Wardha Road, Ramdas Peth
Nagpur - 440 010
☎ : +91 712 3093000
Fax: +91 712 3093111

Pune

Tower B/701-705, ICC Trade Tower
403A, Senapati Bapat Road
Pune - 411016
☎ : +91 20 30466000
Fax: +91 20 30466000

Vishakhapatnam

2nd Floor, 30-8-47, Lakshmi Narasimha Towers
Banu Street, Daba Gardens
Visakhapatnam - 530 020
Andhra Pradesh
☎ : +91 891 3050200
Fax: +91 891 3050222

Renukoot

Vijay Gupta Bhawan, Swami Vivekanand Colony
Murdhawa, Renukoot - 231217, U.P.
Mobile: +91 9984500021
E-mail: kumardeepak@siemens.com

Rourkela

D/7, Gafoor Colony, Ground Floor
Near LIC Office, Udit Nagar
Rourkela - 769012, Odisha
Mobile: +91 9776967773
E-mail: prakhar.chaturvedi@siemens.com

Rudrapur

Shanti Vihar Colony, Chatarpur Road
Opposite – Dr. Pandey Hospital
Rudrapur - 263153, Uttarakhand
Mobile: +91 9839174578
E-mail: girish.pandey@siemens.com

Salem

A 604, Stuti Universal, Green City Road
Pal-Adajan, Surat - 395009, Gujarat
Mobile: +91 8754922245
E-mail: g.suresh@siemens.com

Siliguri

C/o Radhagobindo Paul
Syed Mustafa Ali Road, Raja Rammohan Roy Road
Hakimpara, Ward Number: XV, Dist - Darjeeling
Siliguri - 741201
Mobile: +91 9932276294
E-mail: dibyojyoti.karmakar@siemens.com

Sonepat

H.No. 1103, 1st Floor, Sector - 14
Sonepat, Haryana - 131001
Mobile: +91 9855526122
E-mail: kumar.manish@siemens.com

Sriperumbudur

Villa No. 97, Casa Grande Futura, Chengalpet Road
Sriperumbudur, Kanchipuram Dist - 602105
Mobile: +91 9791045280
E-mail: murugaraj.s@siemens.com

Surat

A 604, Stuti Universal, Green City Road
Pal-Adajan, Surat - 395009, Gujarat
Mobile: +91 9712445504
E-mail: harshwardhan.mishra@siemens.com

Trichy

Flat No.102, 'B' Block, 2nd Floor, Vignesh Empire
Apartments, Salai Road, Woraipur, Trichy - 620003
Mobile: +91 8056025127
E-mail: ponnivalavan.p@siemens.com

Trissur

Plot No. 12, Cherakaran House, Unity Nagar
Kuriachira P.O, Thrissur, Kerala - 680006
Mobile: +91 9947957839
E-mail: nobin.babu@siemens.com

Udaipur

A-39, New Ahinsapuri, Fatehpura
Udaipur - 313004
Mobile: +91 8696222212
E-mail: rohit.nandan@siemens.com

Vapi

Flat No. 302, 3rd Floor, Samrajya-IV
Royal Residency, Gokul Vihar Township
Charwada Road, Taluka - Pardi, Dist. Valsad
Vapi - 396195
Mobile: +91 9825147957
E-mail: rohit.darji@siemens.com

Vijayawada

Mobile: +91 9948664228
E-mail: naga.ganesna@siemens.com

Siemens Ltd.

Digital Factory

Control Products

R&D Technology Centre

Kalwa Works, Thane Belapur Road, Thane - 400 601

Fax: +91 22 33265627

For more information contact toll free 1800 209 1800

E-mail: lvsg-rmktg.india@siemens.com

www.siemens.co.in

Order No.: 108940700

DF-CP-CC77102018

(This replaces I-IA-CECP-012)

Customer Care Toll free no.

1800 209 0987

Email: ics.india@siemens.com

Product upgradation is a continuous process. Hence, data in this datasheet is subject to change without prior notice. For the latest information, please get in touch with our Sales Offices.