

BACKLIT LED FLAT PANEL



Date: _____ Catalog No.: _____

Type: _____ Project: _____

Location: _____

Product Description

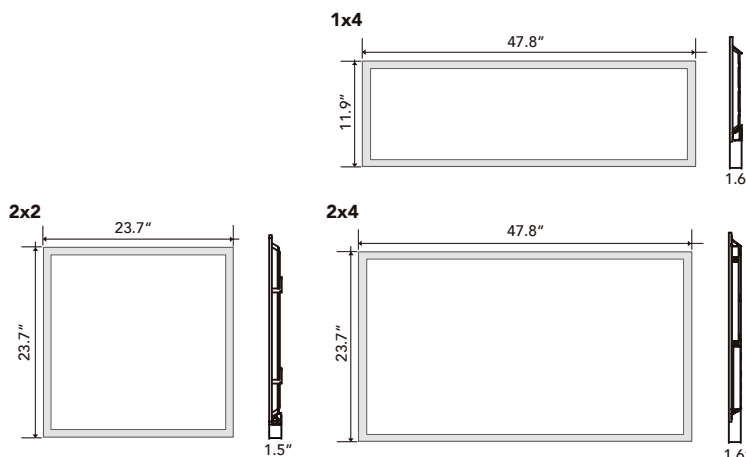
Howard Lighting Panels are commercial luminaires utilizing an advanced LED optical system to deliver superior lighting performance. They achieve high uniformity, DLC PREMIUM energy efficiency and reduced glare in typical T-bar grid ceiling applications.

Our state-of-the-art backlit LED technology utilizes PMMA lensing over the LEDs which will not discolor over time. The need for a light guide is eliminated, thus increasing photometric performance while keeping costs competitive. Combined with the rigid back enclosure that prevents warping in application, this luminaire is designed for worry-free longevity and reliability.



Key Benefits

- Size, CCT & wattage options
- DLC PREMIUM efficacies
- PMMA lenses won't yellow overtime
- Lightweight construction
- High reliability electronics
- UL Listed for Damp Locations
- Rated for insulated ceilings
- -20°C to 40°C Operating temperatures
- Surface & suspension mount kits



Specifications

CONSTRUCTION

- Aluminum frame in white finish, steel die-formed back enclosure

OPTICS

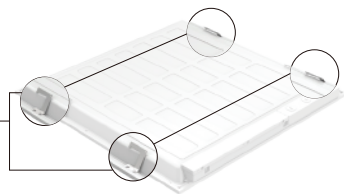
- PMMA lenses over LEDs, PS diffuser
- SDCM < 5
- UGR < 22
- 120° Beam angle

ELECTRICAL

- 0-10VDC Dimming (10%-100%)

INSTALLATION

- Recessed in T-bar grid ceiling with integral earthquake clips for secure attachment
- Surface mount and suspension mount cable kit accessories available

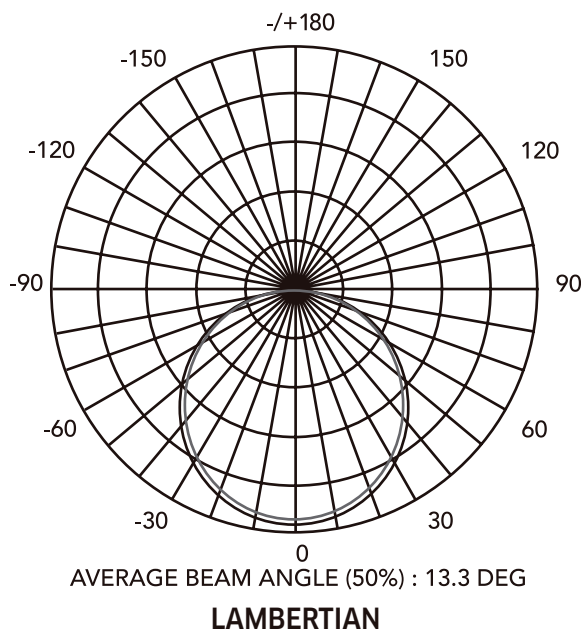


CERTIFICATIONS

- UL Listed for Damp Locations
- IC Rated for insulated ceilings
- RoHS, FCC
- DLC PREMIUM
- -20°C to 35°C (-4°F to 95°F)

WARRANTY: 5 Year Limited Warranty

Photometry



BACKLIT LED FLAT PANEL



Panel Stock Information

Catalog #	Size	CCT	Nominal Lumens	Watts	LPW	CRI	Voltage	DLC	Weight	Qty/ Carton	Pallet Qty
DP-14-U-P-30-35K-80-D	1' x 4'	3500K	3750	30	125	80	120-277VAC	PREMIUM	5.2 lbs	2	66
DP-14-U-P-30-40K-80-D	1' x 4'	4000K	3825	30	127.5	80	120-277VAC	PREMIUM	5.2 lbs	2	66
DP-22-U-P-30-35K-80-D	2' x 2'	3500K	3750	30	125	80	120-277VAC	PREMIUM	5.2 lbs	2	72
DP-22-U-P-30-40K-80-D	2' x 2'	4000K	3825	30	127.5	80	120-277VAC	PREMIUM	5.2 lbs	2	72
DP-22-U-P-36-35K-80-D	2' x 2'	3500K	4500	36	125	80	120-277VAC	PREMIUM	5.2 lbs	2	72
DP-22-U-P-36-40K-80-D	2' x 2'	4000K	4590	36	127.5	80	120-277VAC	PREMIUM	5.2 lbs	2	72
DP-22-U-P-36-50K-80-D	2' x 2'	5000K	4590	36	127.5	80	120-277VAC	PREMIUM	5.2 lbs	2	72
DP-24-U-P-40-35K-80-D	2' x 4'	3500K	5000	40	125	80	120-277VAC	PREMIUM	9.2 lbs	2	44
DP-24-U-P-40-40K-80-D	2' x 4'	4000K	5100	40	127.5	80	120-277VAC	PREMIUM	9.2 lbs	2	44
DP-24-U-P-40-50K-80-D	2' x 4'	5000K	5100	40	127.5	80	120-277VAC	PREMIUM	9.2 lbs	2	44
DP-24-U-P-50-35K-80-D	2' x 4'	3500K	5100	50	125	80	120-277VAC	PREMIUM	9.2 lbs	2	44
DP-24-U-P-50-40K-80-D	2' x 4'	4000K	6250	50	127.5	80	120-277VAC	PREMIUM	9.2 lbs	2	44
DP-24-U-P-50-50K-80-D	2' x 4'	5000K	6375	50	127.5	80	120-277VAC	PREMIUM	9.2 lbs	2	44

MAKE-TO-ORDER ORDERING INFORMATION

DLC PREMIUM MODELS



EXAMPLE

DP-22-U-P-30-35K-80-D-EL

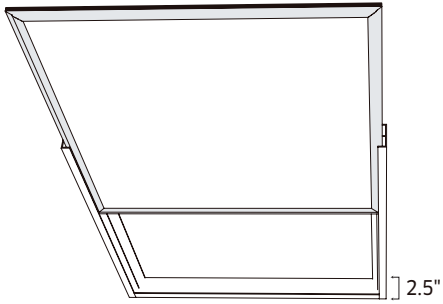
SERIES	SIZE	INPUT VOLTAGE	DLC	WATTAGE	CCT	CRI	DIMMING	OPTIONS	LUMENS
DREAM PANELS DP	24 = 2x4	H = 120-347V U = 120-277V	P = PREMIUM	30	35K = 3500K	80	D = 0-10VDC DIMMING	EL = EMERGENCY BACKUP	3750-3825
				40	40K = 4000K				5000-5100
				50	50K = 5000K				6250-6375
				20					2500-2550
				25					3125-3188
				30					3750-3825
				36					4500-4590
				25					3125-3188
				30					3750-3825
				40					5000-5100

BACKLIT LED FLAT PANEL



Mounting Accessories

Surface Mount Kits



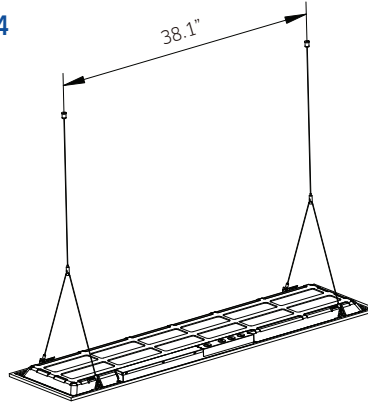
DP-SMF-14-W 1x4 Kit

DP-SMF-22-W 2x2 Kit

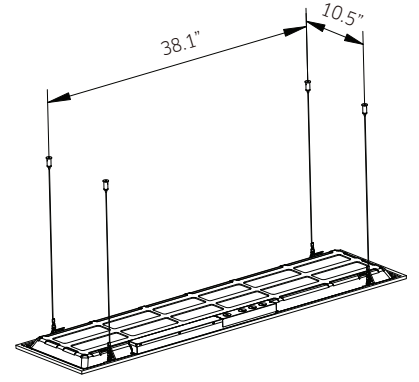
DP-SMF-24-W 2x4 Kit

Suspension Cable Mount Kits

1X4

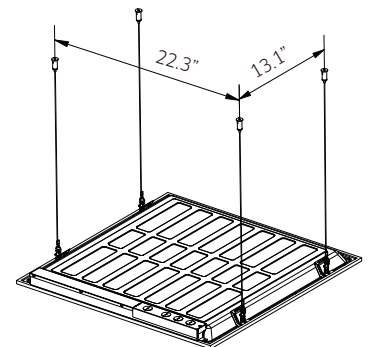
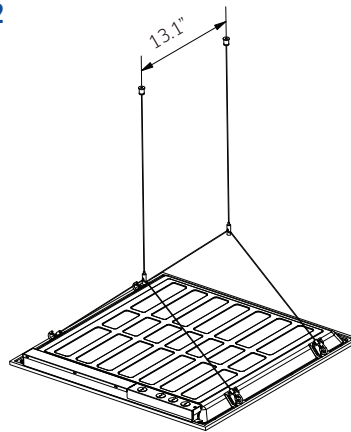


DP-SCM-2 2-Cable Kit

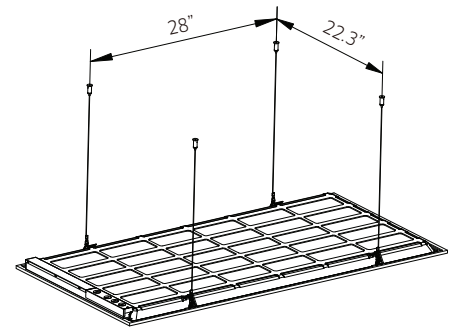
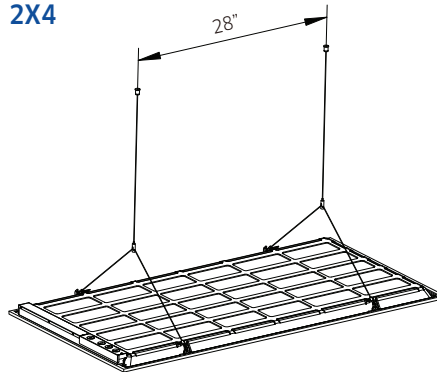


DP-SCM-4 4-Cable Kit

2X2



2X4



(Max. Adjustment Range: 3.9 Feet; Min. Adjustment Range: 0.6 Feet)