

**Renewable Energy Management Controller
with LCD Touch Screen**

NMS-360V

Quick Installation Guide

Table of Contents

1. Package Contents	3
2. Hardware Description	4
2.1 Physical Specifications.....	5
2.2 Product Features	7
2.3 Specifications	8
3. Deployed Devices Monitored via NMS-360V Controller	10
4. Wired Network Configuration	12
5. Entering into the Web Management.....	13
6. Setup Wizard	14
Further Information	16

1. Package Contents

Thank you for purchasing PLANET Universal Network Management Controller. PLANET NMS-360V comes in two sizes as described below:

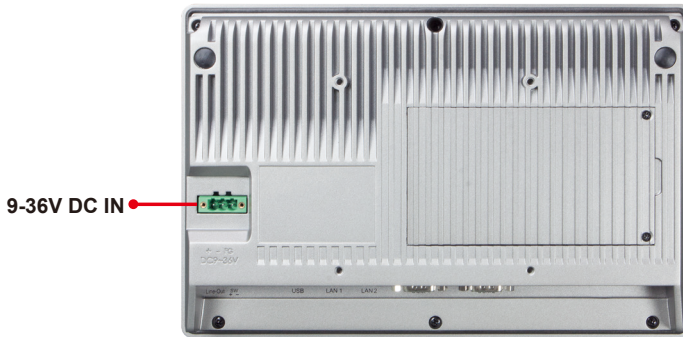
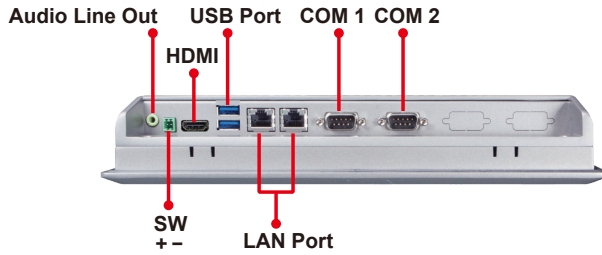
- NMS-360V-12** Renewable Energy Management Controller with 12" LCD Touch Screen
- NMS-360V-10** Renewable Energy Management Controller with 10" LCD Touch Screen

Package Contents:

- The NMS-360V Controller x 1
- Quick Installation Guide x 1
- Adapter with Power Cord x 1
- Installation Kit x 1

If any item is found missing or damaged, contact your local reseller for replacement.

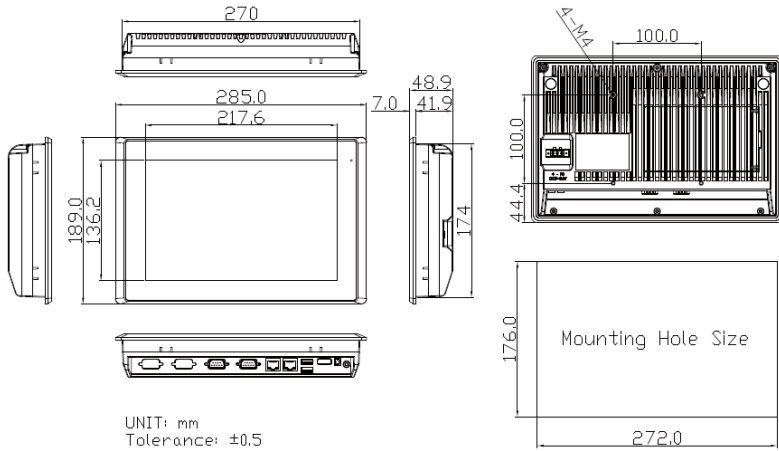
2. Hardware Description



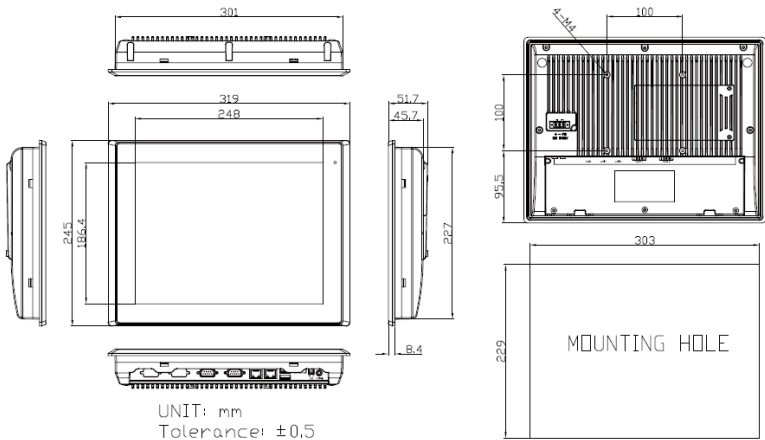
2.1 Physical Specifications

Model	NMS-360V-10	NMS-360V-12
Dimensions (W x D x H)	285 x 49 x 189 mm	319 x 51.7 x 245 mm
Weight	2 kg	2.9 kg

NMS-360V-10 (10" Panel)

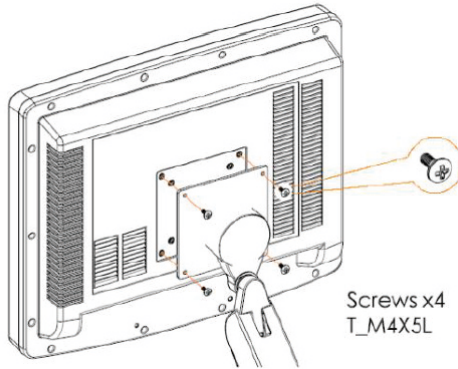


NMS-360V-12 (12" Panel)



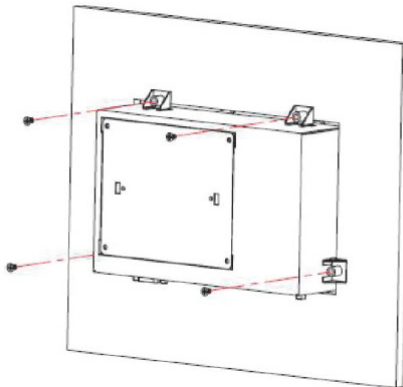
VESA Mounting

The NMS-360V series is designed to be VESA-mounted as shown in the picture. Just carefully place the LCD stand on the back of the controller and tighten the given screws to secure the mounting.



Panel Mounting

There are eight holes located along the four sides of the NMS-360V. Insert the clamp from the four sides and tighten them with the nuts provided.



2.2 Product Features

➤ Network Devices Management

Dashboard	Providing the at-a-glance view of system, power, traffic, and device event statuses.
Device List	Providing devices status overview and managed function.
Setup Wizard	Easy to use step-by-step guidance.
Node Discovery	Management is carried out once a BSP-360-powered device is detected.
App-like Device Viewing	App-like devices that are compliant with SNMP, MQTT, and Smart Discovery.
Event Table	The status of system can be reported via event alarm.
Alarm System	E-mail alerts for the administrator via the SMTP server.
Device Provisioning	Enabling BSP-360 to be configured and upgraded at the same time.
Site Map	Real-time site map of BSP-360 and IP cams on the user-defined map to optimize energy deployment.
Remote PoE control	Real-time remote PoE on/off to reboot connected devices.
User Control	Allowing on-demand account creation and user-defined access policy.
Scalability	Free system upgrade and BSP-360 firmware bulk upgrade capability.
Maximum Scalability	1 site map, 512 nodes, 2048 managed IP cameras.

➤ Network Management Characteristics

- Built-in DHCP Server
- Built-in RADIUS Server
- SSL secure access
- Web-based GUI management interface
- SNMP v1, v2c, and v3 management
- Supports PLANET DDNS/Easy DDNS

2.3 Specifications

Product	NMS-360V-10	NMS-360V-12
	Renewable Energy Management Controller with LCD Touch Screen	
Platform		
Form Factor	Panel Mount, VESA 100 x 100	
Physical Specifications		
I/O Interface	2 10/100/1000BASE-T Gigabit Ethernet RJ45 ports	
	2 USB 3.0 ports (They cannot be used at the same time.)	
	1 Audio Line Out (reserved)	
	1 HDMI interface	
	2 DB-9 COM1,COM2 (reserved)	
	1 3-pin DC power input terminal	
	1 2-pin connector for power on/off button (reserved)	
Storage	2.5" 32G SATA3 HDD	
Touch LCD Size	10.1" TFT-LCD	12.1" TFT-LCD
Touch Type	Resistive Touch Window	Projected Capacitive Touch
Display Resolution	1280 x 800	1024 x 768
Display Luminance (cd/m ²)	350	500
Display Viewing Angle (H°/V°)	160(H) / 160(V)	160(H) / 140(V)
Display Contrast	800:1	700:1
Display Backlight Lifetime (hrs)	40,000 hrs	30,000 hrs
Light Transmission (%)	Resistive Touch Window: over 80% Projected Capacitive Touch: over 90%	
Enclosure	Aluminum Die-casting Chassis	
Power Requirements	DC IN 9~36V 60W adapter 12V 5A with terminal block AC 100~240V, 2.0A, 60~50Hz.	
Environment & Certification		
IP Rating	IP66-rated front bezel	
Temperature	Operating: 0 ~ 50 degrees C Storage: -30 ~ 70 degrees C	
Humidity	10 ~ 90% relative humidity (non-condensing)	
MTBF (Hours)	100,000	
Network Management		
Number of Managed Devices	512 BSP-360 units	

Auto Discovery	Supports PLANET BSP-360	
Dashboard	Providing the at-a-glance view of system, power, traffic, system statistics and device event statuses	
Device List	Providing devices status overview and managed function	
Setup Wizard	Easy-to-use step-by-step guidance	
Node Discovery	Management is carried out once a BSP-360-powered device is detected	
App-like Device Viewing	App-like devices that are compliant with SNMP, MQTT, and Smart Discovery	
Event Table	The status of system can be reported via event alarm	
Alarm System	E-mail alerts for the administrator via the SMTP server	
Device Provisioning	Enabling BSP-360 to be configured and upgraded at the same time	
Site Map	Real-time site map of BSP-360 and IP cams on the user-defined map to optimize energy deployment	
Remote PoE control	Real-time remote PoE on/off to reboot connected devices	
User Control	Allowing on-demand account creation and user-defined access policy	
Scalability	Free system upgrade and BSP-360 firmware bulk upgrade capability	
Backup/Restoration	Provides system and profile backup/restoration	
Network Services		
Network	DDNS	Supports PLANET DDNS/Easy DDNS
	DHCP	Built-in DHCP Server for auto IP assignment to APs
	Management	Console; Telnet; SSL; Web browser (Chrome is recommended); SNMP v1, v2c, v3
	Discovery	Supports SNMP, ONVIF and PLANET Smart Discovery
Maintenance	Backup	System backup and restore to local or USB HDD
	Reboot	Provides system reboot manually or automatically per power schedule
	Diagnostic	Provides IPv4/IPv6 ping and trace route
Standards Conformance		
Regulatory Compliance	CE, FCC	
Standards Compliance	IEEE 802.3 10BASE-T IEEE 802.3u 100BASE-TX IEEE 802.3ab Gigabit 1000BASE-T	
[Remarks] Only support BSP-360 V2 version.		

3. Deployed Devices Monitored via NMS-360V Controller

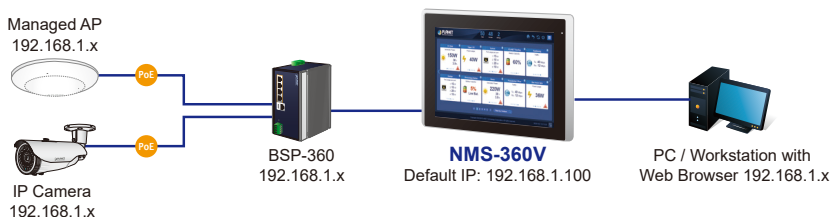
Prior installation

The NMS-360V is used to centrally manage a large number of BSP-360s(V2). Therefore, you need to upgrade the BSP-360(V2) firmware before using NMS-360V. Please download and use the latest BSP-360(V2) firmware from the website so that setting can be completed smoothly.

The NMS-360V incorporated in a workstation or PC can monitor the BSP-360s compliant with the **MQTT Protocol**, **SNMP Protocol**, **ONVIF Protocol** and **PLANET Smart Discovery** utility.

Follow the steps below to set up the NMS-360V and BSP-360(V2) accordingly.

Step 1. Connect the devices, NMS-360V Controller and your computer, to the same network.



Step 2. BSP-360: Log in to the Switch's Web User Interface and **enable** the **SNMP and NMS controller** functions.

SNMP Management

System Community

SNMP Agent	Enable
SNMP Read Community	public
SNMP Write Community	private

System Option

System Name	BSP-360
System Location	PLANET
Contact	Support@planet.com.tw

SNMP Trap Receiver Configuration

SNMP Trap	Disable
SNMP Trap Destination	192.168.0.99

Apply Reset

1

> System Information

Operation Mode

Time Zone

Geolocation

User Management

SNMP


Remote Management

Remote NMS Configuration

Remote NMS Enable PLANET NMS Controller - LAN

PLANET NMS Controller - LAN

NMS Controller IP address 10.1.19.160

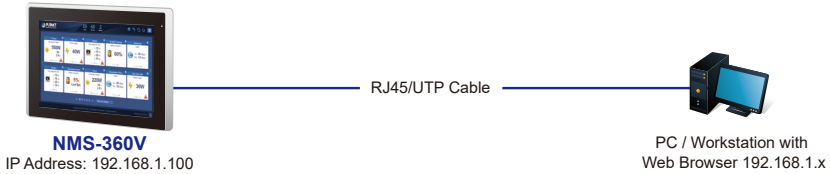
Authorization Status 

2

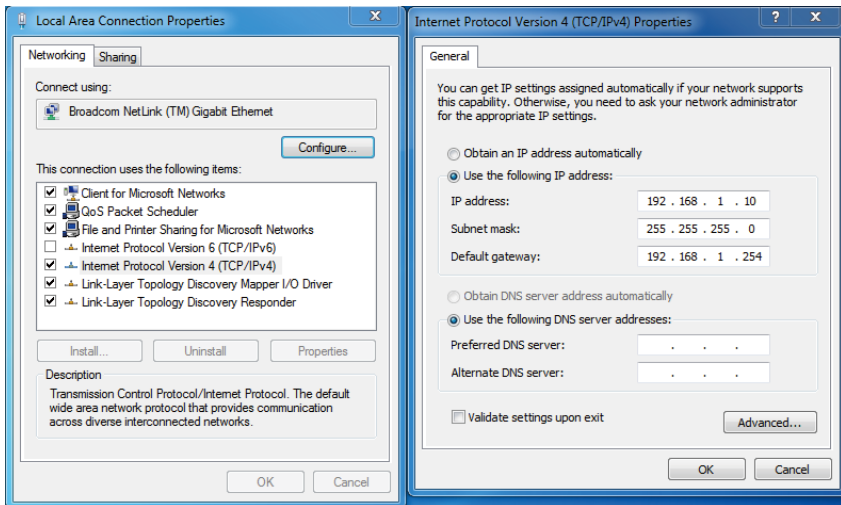
Apply Reset Unbind

4. Wired Network Configuration

A computer with wired Ethernet connection is required for the first-time configuration of the NMS-360V Controller.



1. Go to **"Control Panel-> Network and Sharing Center-> Change Adapter Settings"**.
2. Double-click **"Local Area Connection"**.
3. Select **"Internet Protocol version 4 (TCP/IPv4)"** and click **"Properties"**.
4. Select **"Use the following IP address"** and then click the **"OK"** button twice to save the configuration. For example, the default IP address of the NMS-360V Controller is **192.168.1.100**, then the manager PC should be set to **192.168.1.x** (where x is a number between 1 and 254, except 100), and the default subnet mask is 255.255.255.0.



5. Entering into the Web Management

Default IP Address: **192.168.1.100**
Default Management Port: **8888**
Default Username: **admin**
Default Password: **admin**

Launch the Web browser (Google Chrome with seamless mode is recommended.) and enter the default IP address "**https://192.168.1.100:8888**". Then, enter the default username and password shown above to log on to the system.

✳ **The secure login with SSL (HTTPS) prefix is required.**



After logging on, connect the NMS-360V Controller to the managed network to centrally control PLANET managed devices.

6. Setup Wizard

1. Account Modification: Set a new account and password for security.

Account Modification

	Configuration
User Name	admin123
Password	*****
Retype Password	*****

Please key in a new account, except using "admin"
New Password must be included at least 1'[a-z], 1'[A-Z], 1'[0-9], 1'[-_!@...] and must contain at least 6 character.

Next

Copyright © PLANET Technology Corporation. All rights reserved. 2020/02/13 15:51

2. IP Configuration Setting: Set the NMS-360V's IP into the same local network segment.

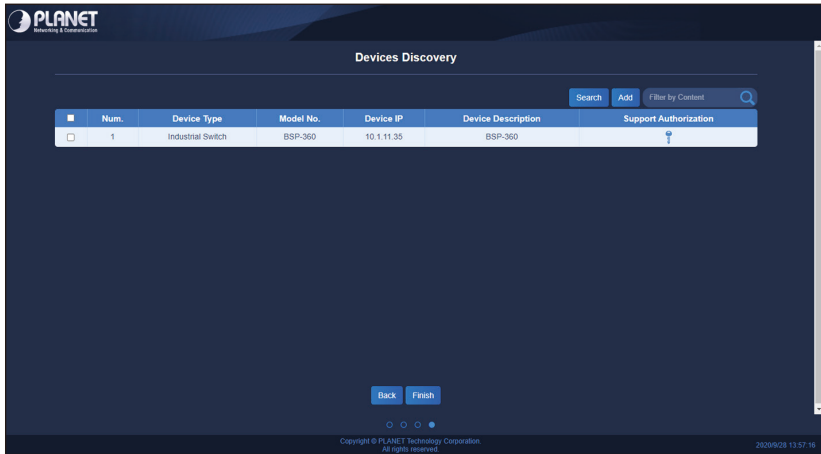
IP Configuration Setting

	Configuration	Status
Mode	Static IP	Static
IP Address	10.1.11.30	10.1.11.30
Subnet Mask	255.255.255.0	255.255.255.0
Default Gateway	10.1.11.254	10.1.11.254
DNS Server 1	10.1.1.2	
DNS Server 2	10.1.1.3	

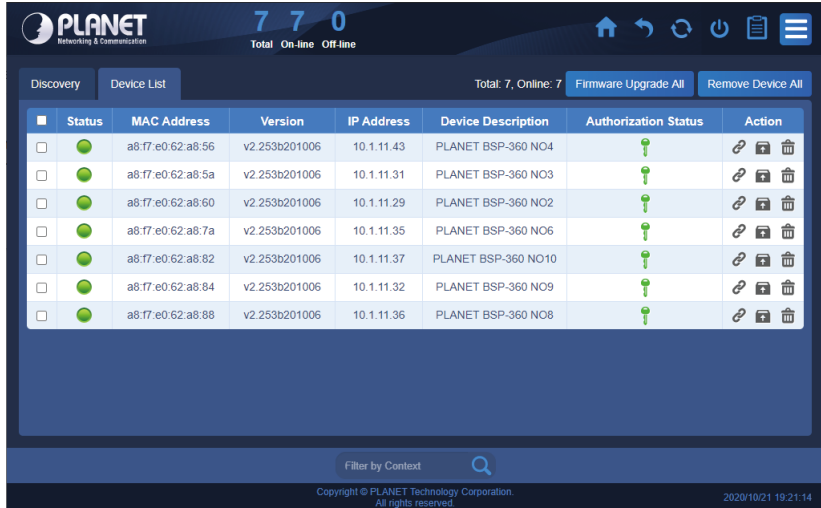
Back Next

Copyright © PLANET Technology Corporation. All rights reserved. 2020/02/13 15:51

3. Devices Discovery: Search the managed devices and add to list. (Finish Wizard)



4. If added devices are successful, you can see them in Device List / Management page.



Further Information

The above steps introduce the simple installations and configurations of the NMS-360V Controller. For further configurations of PLANET NMS, please refer to the user manual, which can be downloaded from the website.

PLANET online FAQs:

<http://www.planet.com.tw/en/support/faq>

Support team mail address:

support@planet.com.tw

User's Manual:

<https://www.planet.com.tw/en/support/downloads?&method=keyword&keyword=NMS-360V&view=3#list>



If you have further questions, please contact the local dealer or distributor where you purchased this product.

Copyright © PLANET Technology Corp. 2020.

Contents are subject to revision without prior notice.

PLANET is a registered trademark of PLANET Technology Corp.

All other trademarks belong to their respective owners.