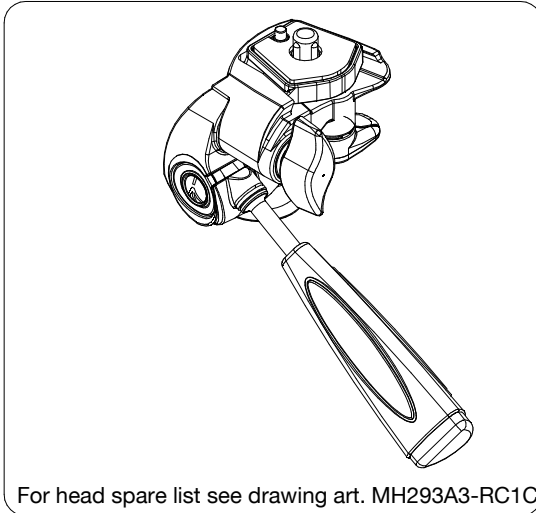
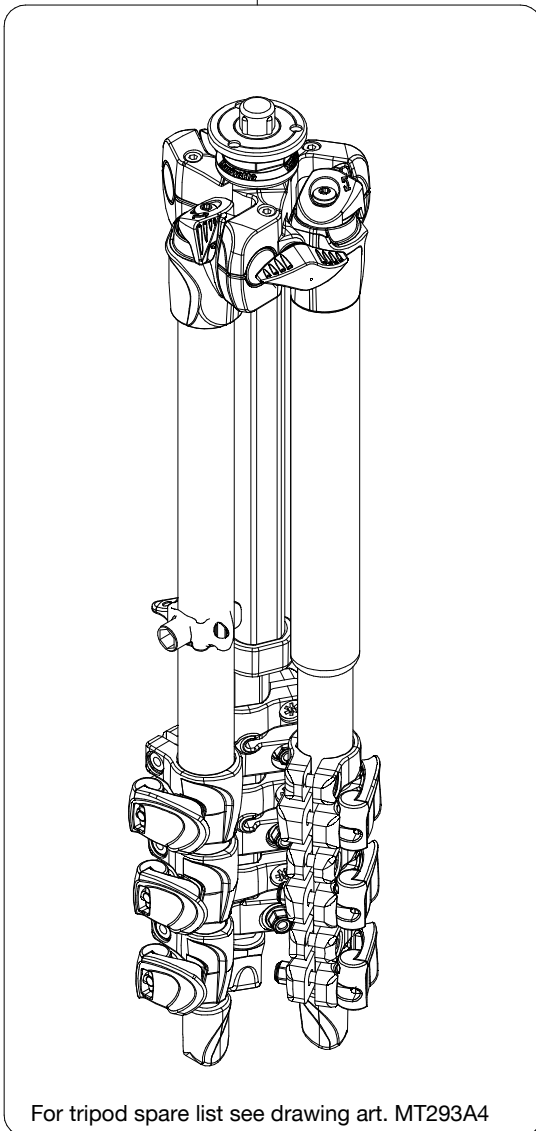


ART. MK293A4-A3RC1

For serial number  
from A2695143



For head spare list see drawing art. MH293A3-RC1C



For tripod spare list see drawing art. MT293A4