



## COMPACT CATALOG

## KOMPAKTKATALOG

- ◆ LED INDICATORS  
LED-ANZEIGEN
- ◆ ELECTRONIC BUTTONS  
ELEKTRONISCHE TASTER
- ◆ PHOTOELECTRIC SENSORS  
OPTISCHE SENSOREN
- ◆ INDUCTIVE PROXIMITY SWITCHES  
INDUKTIVE NÄHERUNGSSCHALTER
- ◆ CAPACITIVE PROXIMITY SWITCHES  
KAPAZITIVE NÄHERUNGSSCHALTER

# Proximity Switches, inductive Naherungsschalter, induktiv

- ▶ **Miniature,  $\varnothing 3$  mm... $\varnothing 5 \times 5$  mm**  
Miniatur,  $\varnothing 3$  mm... $\varnothing 5 \times 5$  mm
- ▶ High performance with up to  $4 \times S_n$   
Hochleistung mit bis zu  $4 \times S_n$
- ▶ Closed stainless steel housing with IP69k  
Geschlossene Edelstahlgehause mit IP69k
- ▶ High temperature proof versions up to 180 °C | 356 °F  
Hochtemperaturfeste Ausfuhungen bis 180 °C
- ▶ Low temperature  $-40$  °C |  $-40$  °F, food grade, IP69k  
Tiefemperatur  $-40$  °C, lebensmitteltauglich, IP69k
- ▶ Pressure proof versions up to 1000 bar | 14500 psi  
Druckfeste Ausfuhungen bis 1000 bar
- ▶ Devices with analog output  
Gerate mit Analogausgang
- ▶ 2-wire 10...55 V<sub>DC</sub> | 20...250 V<sub>AC</sub>  
2-Leiter 10...55 V<sub>DC</sub> | 20...250 V<sub>AC</sub>

>5000 different proximity switches



## Technical data (typ.)

Supply voltage	10...30 V <sub>DC</sub>
Reverse polarity protection	built-in
Current consumption	<10 mA
Current load capability	200 mA
Short circuit protection	built-in, self-resetting
Voltage drop	<1.2 V @ 200 mA
Switching indicator	LED, yellow
Operating temperature	$-20...+70$ °C   $-4...+158$ °F
IP code	IP67

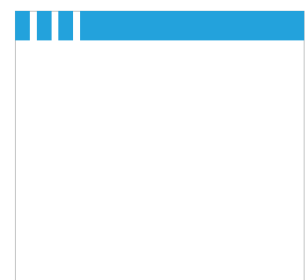
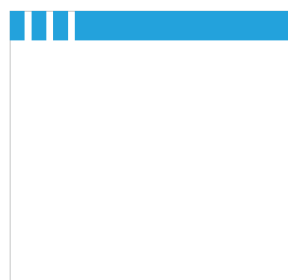
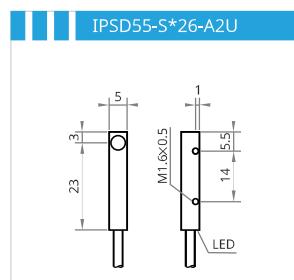
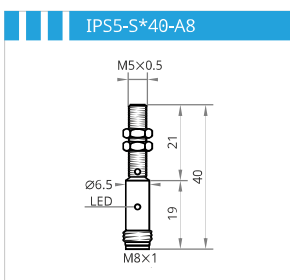
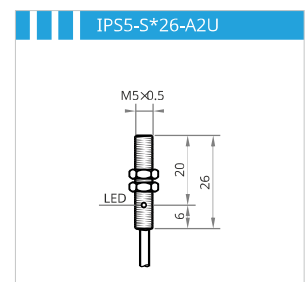
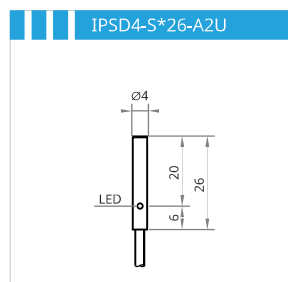
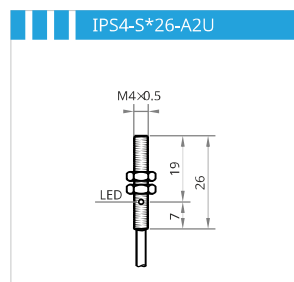
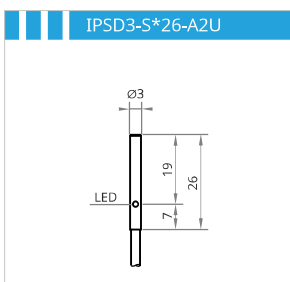
## Technische Daten (typ.)

Versorgungsspannung	10...30 V <sub>DC</sub>
Verpolungsschutz	integriert
Eigenstromaufnahme	<10 mA
Ausgangsbelastrbarkeit	200 mA
Kurzschlusschutz	integriert, selbst-ruckstellend
Spannungsabfall	<1,2 V @ 200 mA
Schaltanzeige	LED, gelb
Betriebstemperatur	$-20...+70$ °C
Schutzart	IP67



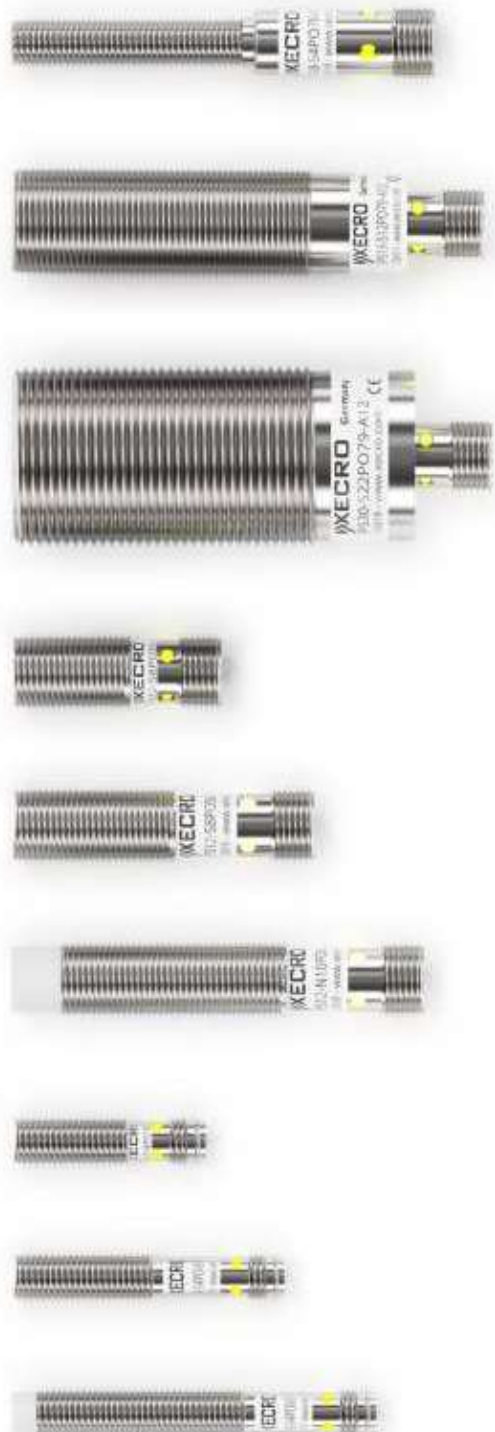
	Mounting Montage	S <sub>n</sub> [mm]	Connection Anschluss	Housing length · Gehäuselänge [mm]		Housing material Gehäusematerial	Switching frequency Schaltfrequenz
				18	40		
Ø3 mm	●	0.6	Cable 2 m, PUR	IPSD3-S06PO26-A2U		Stainless steel   Edelstahl	2000 Hz
			30 cm, PUR, M8	IPSD3-S06PO26-3U8		Stainless steel   Edelstahl	2000 Hz
		1	Cable 2 m, PUR	IPSD3-S1PO26-A2U		Stainless steel   Edelstahl	2000 Hz
			30 cm, PUR, M8	IPSD3-S1PO26-3U8		Stainless steel   Edelstahl	2000 Hz
M4x0.5	●	0.6	Cable 2 m, PUR	IPSD4-S06PO26-A2U		Stainless steel   Edelstahl	2000 Hz
			30 cm, PUR, M8	IPSD4-S06PO26-3U8		Stainless steel   Edelstahl	2000 Hz
		1	Cable 2 m, PUR	IPSD4-S1PO26-A2U		Stainless steel   Edelstahl	2000 Hz
			30 cm, PUR, M8	IPSD4-S1PO26-3U8		Stainless steel   Edelstahl	2000 Hz
Ø4 mm	●	0.8	Cable 2 m, PUR	IPSD4-S08PO26-A2U		Stainless steel   Edelstahl	2000 Hz
			30 cm, PUR, M8	IPSD4-S08PO26-3U8		Stainless steel   Edelstahl	2000 Hz
		1.5	Cable 2 m, PUR	IPSD4-S1.5PO26-A2U		Stainless steel   Edelstahl	2000 Hz
			30 cm, PUR, M8	IPSD4-S1.5PO26-3U8		Stainless steel   Edelstahl	2000 Hz
M5x0.5	●	0.8	Cable 2 m, PUR	IPSD5-S08PO26-A2U		Stainless steel   Edelstahl	2000 Hz
			30 cm, PUR, M8	IPSD5-S08PO26-3U8		Stainless steel   Edelstahl	2000 Hz
			Connector M8	IPSD5-S08PO40-A8		Stainless steel   Edelstahl	2000 Hz
		1.5	Cable 2 m, PUR	IPSD5-S1.5PO26-A2U		Stainless steel   Edelstahl	2000 Hz
			30 cm, PUR, M8	IPSD5-S1.5PO26-3U8		Stainless steel   Edelstahl	2000 Hz
			Connector M8	IPSD5-S1.5PO40-A8		Stainless steel   Edelstahl	2000 Hz
Ø5x5	●	0.8	Cable 2 m, PUR	IPSD5-S08PO26-A2U		Nickel plated brass   Messing vernickelt	2000 Hz
			30 cm, PUR, M8	IPSD5-S08PO26-3U8		Nickel plated brass   Messing vernickelt	2000 Hz
		1.5	Cable 2 m, PUR	IPSD5-S1.5PO26-A2U		Nickel plated brass   Messing vernickelt	2000 Hz
			30 cm, PUR, M8	IPSD5-S1.5PO26-3U8		Nickel plated brass   Messing vernickelt	2000 Hz

Order codes are valid for PNP, NO (PO) configuration. All devices also available in PNP, NC (PC), NPN, NO (NO), NPN, NC (NC) configuration. Bestellnummern gelten für PNP, NO (PO) Konfiguration. Alle Geräte auch erhältlich als PNP, NC (PC), NPN, NO (NO), NPN, NC (NC) Konfiguration.



# Proximity Switches, inductive Naherungsschalter, induktiv

- ▶ Miniature,  $\varnothing 3$  mm... $\varnothing 5 \times 5$  mm  
Miniatur,  $\varnothing 3$  mm... $\varnothing 5 \times 5$  mm
- ▶ **High performance with up to  $4 \times S_n$**   
**Hochleistung mit bis zu  $4 \times S_n$**
- ▶ Closed stainless steel housing with IP69k  
Geschlossene Edelstahlgehuse mit IP69k
- ▶ High temperature proof versions up to 180 °C | 356 °F  
Hochtemperaturfeste Ausfuhungen bis 180 °C
- ▶ Low temperature  $-40$  °C |  $-40$  °F, food grade, IP69k  
Tiefemperatur  $-40$  °C, lebensmitteltauglich, IP69k
- ▶ Pressure proof versions up to 1000 bar | 14500 psi  
Druckfeste Ausfuhungen bis 1000 bar
- ▶ Devices with analog output  
Gerate mit Analogausgang
- ▶ 2-wire 10...55 V<sub>DC</sub> | 20...250 V<sub>AC</sub>  
2-Leiter 10...55 V<sub>DC</sub> | 20...250 V<sub>AC</sub>



## Technical data (typ.)

Supply voltage	10...30 V <sub>DC</sub>
Reverse polarity protection	built-in
Current consumption	<10 mA
Current load capability	200 mA
Short circuit protection	built-in, self-resetting
Voltage drop	<1.2 V @ 200 mA
Switching indicator	LED, yellow
Operating temperature	$-20...+70$ °C   $-4...+158$ °F
IP code	IP67

## Technische Daten (typ.)

Versorgungsspannung	10...30 V <sub>DC</sub>
Verpolungsschutz	integriert
Eigenstromaufnahme	<10 mA
Ausgangsbelastrbarkeit	200 mA
Kurzschlusschutz	integriert, selbst-ruckstellend
Spannungsabfall	<1,2 V @ 200 mA
Schaltanzeige	LED, gelb
Betriebstemperatur	$-20...+70$ °C
Schutzart	IP67

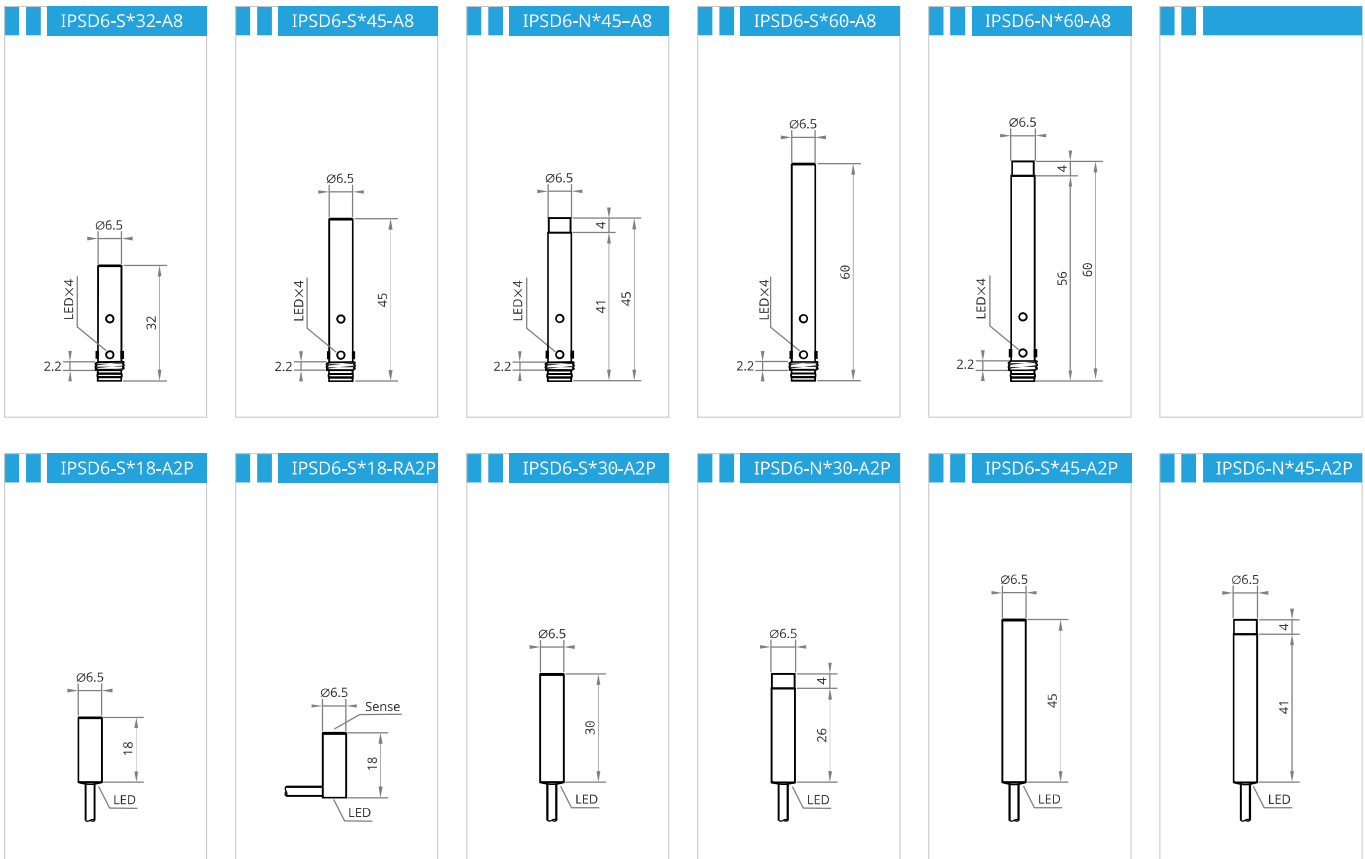


Ø 6.5 mm

	Mounting Montage	S <sub>n</sub> [mm]	Connection Anschluss	Housing length · Gehäuselänge [mm]					Switching frequency Schaltfrequenz
				18	30	32	45	60	
Standard	●	1	Cable 2 m, PVC		IPSD6-S1PO30-A2P		IPSD6-S1PO45-A2P		2000 Hz
			Connector M8				IPSD6-S1PO45-A8	IPSD6-S1PO60-A8	
	○	2	Cable 2 m, PVC		IPSD6-N2PO30-A2P		IPSD6-N2PO45-A2P		2000 Hz
			Connector M8				IPSD6-N2PO45-A8	IPSD6-N2PO60-A8	
Increased · Erhöht	●	2	Cable 2 m, PVC	IPSD6-S2PO18-A2P	IPSD6-S2PO30-A2P		IPSD6-S2PO45-A2P		2000 Hz
			Cable 2 m, radial	IPSD6-S2PO18-RA2P					
			30 cm, PUR, M8	IPSD6-S2PO18-3U8	IPSD6-S2PO30-3U8				
			30cm, M8, radial	IPSD6-S2PO18-R3U8					
			Connector M8			IPSD6-S2PO32-A8	IPSD6-S2PO45-A8	IPSD6-S2PO60-A8	
	○	4	Cable 2 m, PVC		IPSD6-N4PO30-A2P		IPSD6-N4PO45-A2P		1000 Hz
			Connector M8				IPSD6-N4PO45-A8	IPSD6-N4PO60-A8	
Extended · Erweitert	●	3	Cable 2 m, PVC	IPSD6-S3PO18-A2P	IPSD6-S3PO30-A2P		IPSD6-S3PO45-A2P		1000 Hz
			Cable 2 m, radial	IPSD6-S3PO18-RA2P					
			30 cm, PUR, M8	IPSD6-S3PO18-3U8	IPSD6-S3PO30-3U8				
			30 cm, M8, radial	IPSD6-S3PO18-R3U8					
			Connector M8			IPSD6-S3PO32-A8	IPSD6-S3PO45-A8	IPSD6-S3PO60-A8	
	○	6	Cable 2 m, PVC		IPSD6-N64PO30-A2P		IPSD6-N6PO45-A2P		500 Hz
Connector M8						IPSD6-N6PO45-A8	IPSD6-N6PO60-A8		

Selection from our range of products.  
Auszug aus unserem Lieferprogramm.

Order codes are valid for PNP, NO (PO) configuration. All devices also available in PNP, NC (PC), NPN, NO (NO), NPN, NC (NC) configuration.  
Bestellnummern gelten für PNP, NO (PO) Konfiguration. Alle Geräte auch erhältlich als PNP, NC (PC), NPN, NO (NO), NPN, NC (NC) Konfiguration.

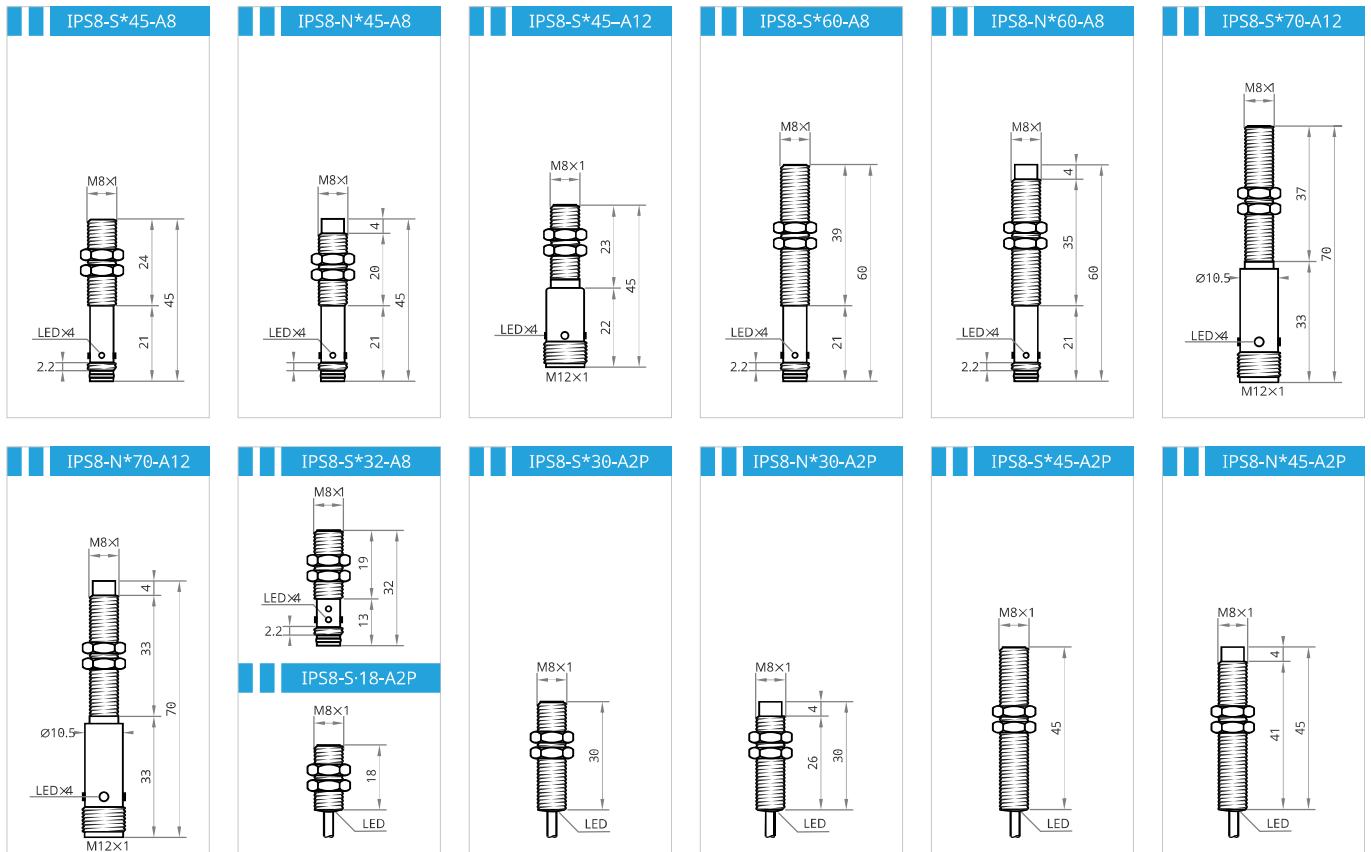


# M8x1

	Mounting Montage	S <sub>n</sub> [mm]	Connection Anschluss	Housing length · Gehäuselänge [mm]						
				18	30	32	45	60	70	
Standard	●	1	Cable 2 m, PVC Connector M8	IPS8-S1PO18-A2P	IPS8-S1PO30-A2P		IPS8-S1PO45-A2P			2000 Hz
	○	2	Cable 2 m, PVC Connector M8		IPS8-N2PO30-A2P		IPS8-N2PO45-A2P	IPS8-N2PO60-A8		2000 Hz
Increased · Erhöht	●	2	Cable 2 m, PVC	IPS8-S2PO18-A2P	IPS8-S2PO30-A2P		IPS8-S2PO45-A2P			2000 Hz
			30 cm, PUR, M8	IPS8-S2PO18-3U8						
			Connector M8			IPS8-S2PO32-A8	IPS8-S2PO45-A8	IPS8-S2PO60-A8		
	○	4	Cable 2 m, PVC Connector M8		IPS8-N4PO30-A2P		IPS8-N4PO45-A2P	IPS8-N4PO60-A8	IPS8-N4PO70-A12	1000 Hz
Extended · Erweitert	●	3	Cable 2 m, PVC	IPS8-S3PO18-A2P	IPS8-S3PO30-A2P		IPS8-S3PO45-A2P			1000 Hz
			30 cm, PUR, M8	IPS8-S3PO18-3U8						
			Connector M8			IPS8-S3PO32-A8	IPS8-S3PO45-A8	IPS8-S3PO60-A8		
	○	6	Cable 2 m, PVC Connector M8		IPS8-N6PO30-A2P		IPS8-N6PO45-A2P	IPS8-N6PO60-A8	IPS8-N6PO70-A12	500 Hz
Performance	●	4	Cable 2 m, PVC	IPS8-S4PO18-A2P	IPS8-S4PO30-A2P		IPS8-S4PO45-A2P			500 Hz
			30 cm, PUR, M8	IPS8-S4PO18-3U8						
			Connector M8			IPS8-S4PO32-A8	IPS8-S4PO45-A8	IPS8-S4PO60-A8		
			Connector M12				IPS8-S4PO45-A12	IPS8-S4PO70-A12		

Selection from our range of products.  
Auszug aus unserem Lieferprogramm.

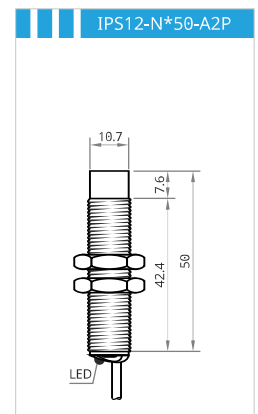
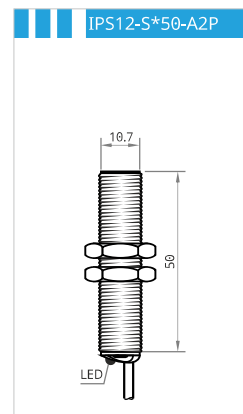
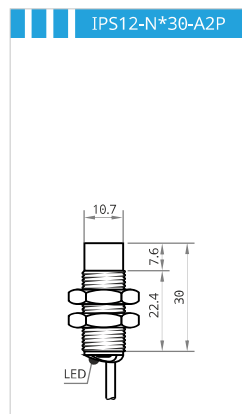
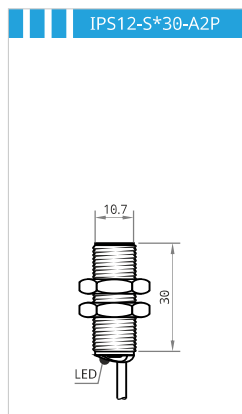
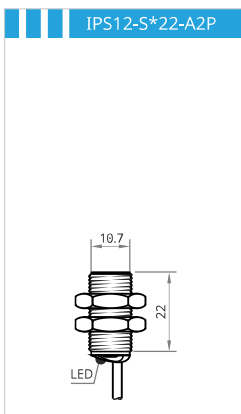
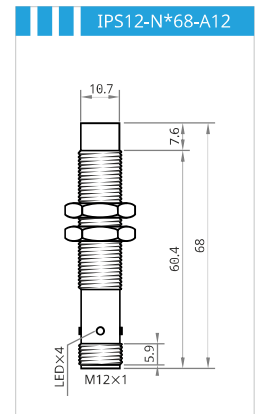
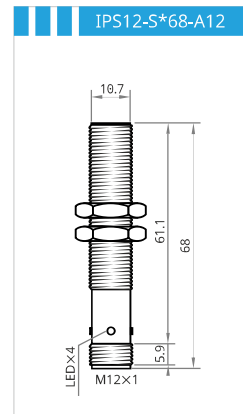
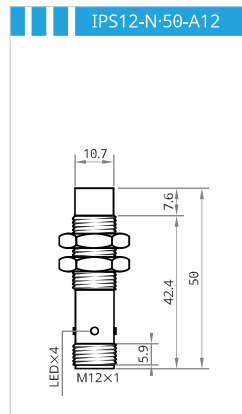
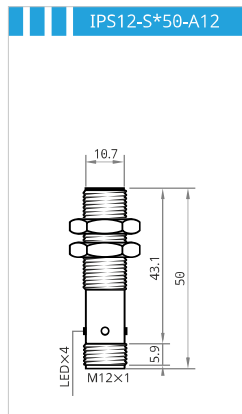
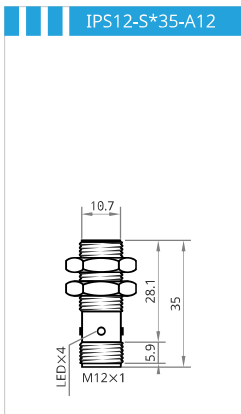
Order codes are valid for PNP, NO (PO) configuration. All devices also available in PNP, NC (PC), NPN, NO (NO), NPN, NC (NC) configuration.  
Bestellnummern gelten für PNP, NO (PO) Konfiguration. Alle Geräte auch erhältlich als PNP, NC (PC), NPN, NO (NO), NPN, NC (NC) Konfiguration.



	Mounting Montage	S <sub>n</sub> [mm]	Connection Anschluss	Housing length · Gehäuselänge [mm]					Switching frequency Schaltfrequenz
				22	30	35	50	68	
Standard	●	2	Cable 2 m, PVC		IPS12-S2PO30-A2P		IPS12-S2PO50-A2P		2000 Hz
			Connector M12				IPS12-S2PO50-A12	IPS12-S2PO68-A12	
	○	4	Cable 2 m, PVC		IPS12-N4PO30-A2P		IPS12-N4PO50-A2P		1000 Hz
			Connector M12				IPS12-N4PO50-A12	IPS12-N4PO68-A12	
Increased · Erhöht	●	4	Cable 2 m, PVC	IPS12-S4PO22-A2P	IPS12-S4PO30-A2P		IPS12-S4PO50-A2P		1000 Hz
			30 cm, PUR, M12	IPS12-S4PO22-3U12					
			Connector M12			IPS12-S4PO35-A12	IPS12-S4PO50-A12	IPS12-S4PO68-A12	
	○	8	Cable 2 m, PVC		IPS12-N8PO30-A2P		IPS12-N8PO50-A2P		500 Hz
Connector M12						IPS12-N8PO50-A12	IPS12-N8PO68-A12		
Extended · Erweitert	●	6	Cable 2 m, PVC	IPS12-S6PO22-A2P	IPS12-S6PO30-A2P		IPS12-S6PO50-A2P		800 Hz
			30 cm, PUR, M12	IPS12-S6PO22-3U12					
			Connector M12			IPS12-S6PO35-A12	IPS12-S6PO50-A12	IPS12-S6PO68-A12	
	○	10	Cable 2 m, PVC		IPS12-N10PO30-A2P		IPS12-N10PO50-A2P		400 Hz
Connector M12						IPS12-N10PO50-A12	IPS12-N10PO68-A12		
Performance	●	8	Cable 2 m, PVC	IPS12-S8PO22-A2P	IPS12-S8PO30-A2P		IPS12-S8PO50-A2P		500 Hz
			30 cm, PUR, M12	IPS12-S8PO22-3U12					
			Connector M12			IPS12-S8PO35-A12	IPS12-S8PO50-A12	IPS12-S8PO68-A12	

Selection from our range of products.  
Auszug aus unserem Lieferprogramm.

Order codes are valid for PNP, NO (PO) configuration. All devices also available in PNP, NC (PC), NPN, NO (NO), NPN, NC (NC) configuration.  
Bestellnummern gelten für PNP, NO (PO) Konfiguration. Alle Geräte auch erhältlich als PNP, NC (PC), NPN, NO (NO), NPN, NC (NC) Konfiguration.

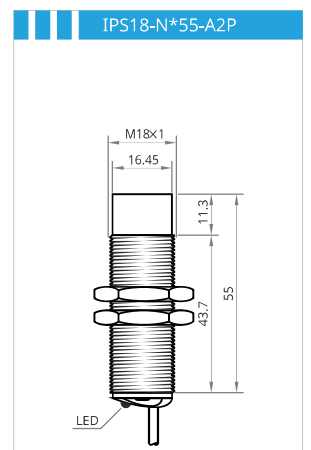
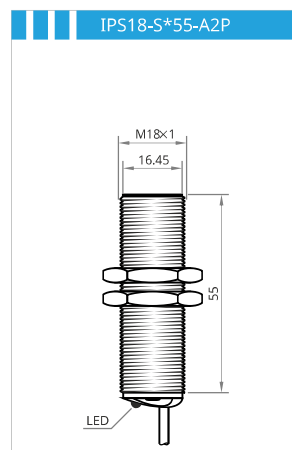
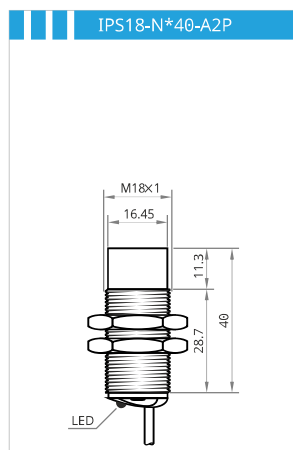
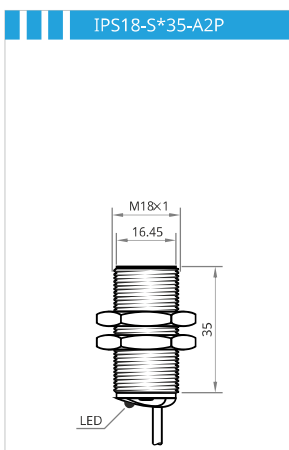
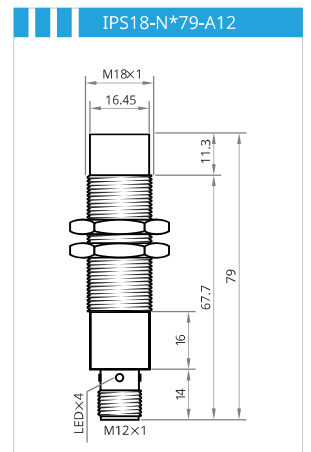
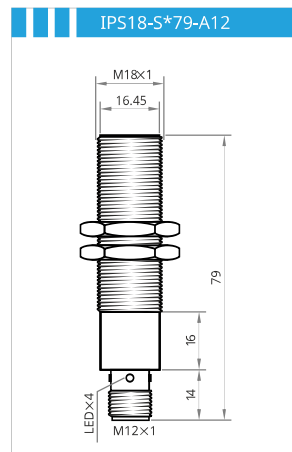
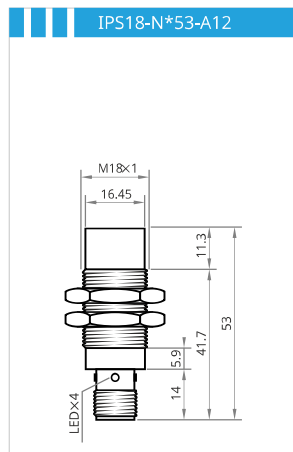
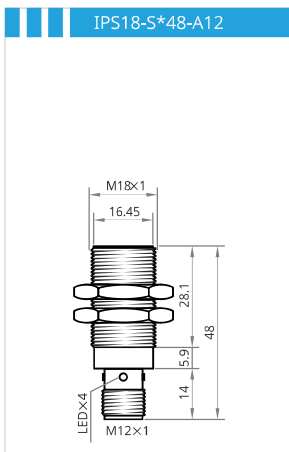


# M18x1

	Mounting Montage	S <sub>n</sub> [mm]	Connection Anschluss	Housing length · Gehäuselänge [mm]						
				35	40	48	53	55	79	
Standard	●	5	Cable 2 m, PVC	IPS18-S5PO35-A2P			IPS18-S5PO55-A2P			1000 Hz
			Connector M12	IPS18-S5PO48-A12			IPS18-S5PO79-A12			
	○	8	Cable 2 m, PVC	IPS18-N8PO40-A2P			IPS18-N8PO55-A2P			500 Hz
			Connector M12	IPS18-N8PO53-A12			IPS18-N8PO79-A12			
Increased · Erhöht	●	8	Cable 2 m, PVC	IPS18-S8PO35-A2P			IPS18-S8PO55-A2P			500 Hz
			Connector M12	IPS18-S8PO48-A12			IPS18-S8PO79-A12			
	○	16	Cable 2 m, PVC	IPS18-N16PO40-A2P			IPS18-N16PO55-A2P			150 Hz
			Connector M12	IPS18-N16PO53-A12			IPS18-N16PO79-A12			
Extended · Erweitert	●	12	Cable 2 m, PVC	IPS18-S12PO35-A2P			IPS18-S12PO55-A2P			300 Hz
			Connector M12	IPS18-S12PO48-A12			IPS18-S12PO79-A12			
	○	20	Cable 2 m, PVC	IPS18-N20PO40-A2P			IPS18-N20PO55-A2P			100 Hz
			Connector M12	IPS18-N20PO53-A12			IPS18-N20PO79-A12			

Selection from our range of products.  
Auszug aus unserem Lieferprogramm.

Order codes are valid for PNP, NO (PO) configuration. All devices also available in PNP, NC (PC), NPN, NO (NO), NPN, NC (NC) configuration.  
Bestellnummern gelten für PNP, NO (PO) Konfiguration. Alle Geräte auch erhältlich als PNP, NC (PC), NPN, NO (NO), NPN, NC (NC) Konfiguration.

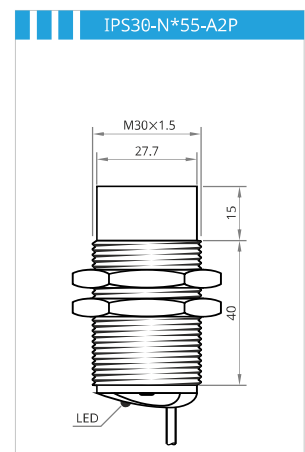
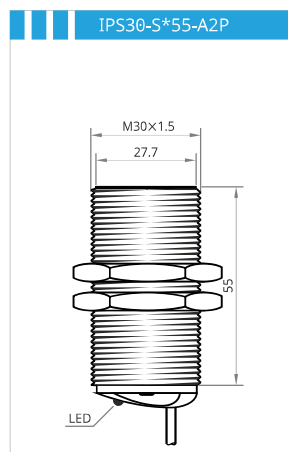
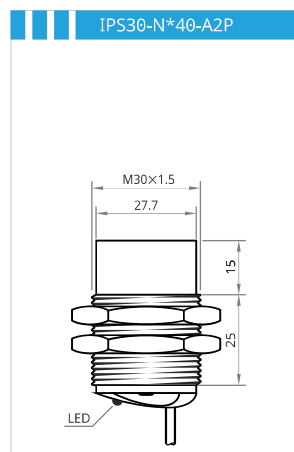
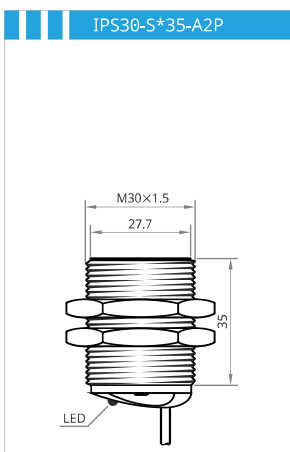
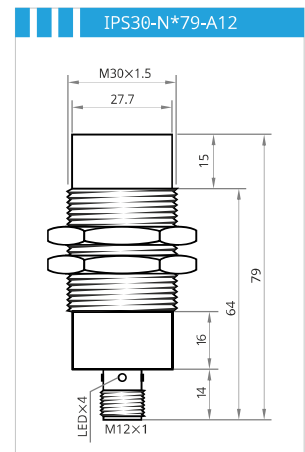
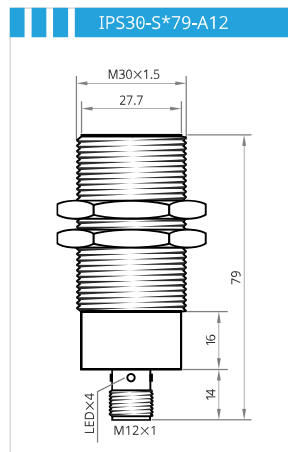
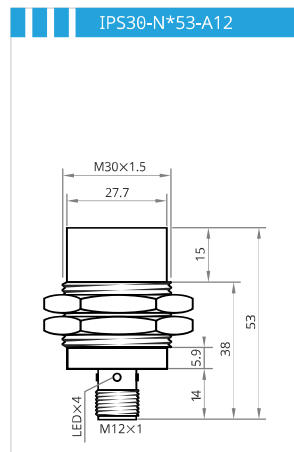
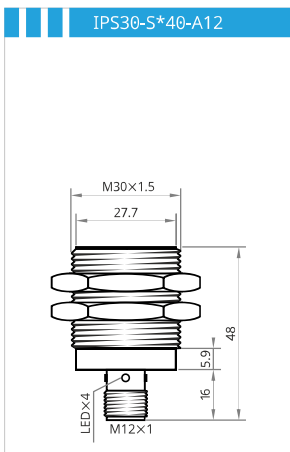




	Mounting Montage	S <sub>n</sub> [mm]	Connection Anschluss	Housing length · Gehäuselänge [mm]						
				35	40	48	53	55	79	
Standard	●	10	Cable 2 m, PVC	IPS30-S10PO35-A2P				IPS30-S10PO55-A2P		1000 Hz
			Connector M12			IPS30-S10PO48-A12		IPS30-S10PO79-A12		
	○	15	Cable 2 m, PVC	IPS30-N15PO40-A2P				IPS30-N15PO55-A2P		500 Hz
			Connector M12			IPS30-N15PO53-A12		IPS30-N15PO79-A12		
Increased · Erhöht	●	16	Cable 2 m, PVC	IPS30-S16PO35-A2P				IPS30-S16PO55-A2P		500 Hz
			Connector M12			IPS30-S16PO48-A12		IPS30-S16PO79-A12		
	○	25	Cable 2 m, PVC	IPS30-N25PO40-A2P				IPS30-N25PO55-A2P		150 Hz
			Connector M12			IPS30-N25PO53-A12		IPS30-N25PO79-A12		
Extended · Erweitert	●	22	Cable 2 m, PVC	IPS30-S22PO35-A2P				IPS30-S22PO55-A2P		300 Hz
			Connector M12			IPS30-S22PO48-A12		IPS30-S22PO79-A12		
	○	40	Cable 2 m, PVC	IPS30-N40PO40-A2P				IPS30-N40PO55-A2P		100 Hz
			Connector M12			IPS30-N40PO53-A12		IPS30-N40PO79-A12		
Performance	○	50	Cable 2 m, PVC	IPS30-N50PO40-A2P				IPS30-N50PO55-A2P		100 Hz
			Connector M12			IPS30-N50PO53-A12		IPS30-N50PO79-A12		

Selection from our range of products.  
Auszug aus unserem Lieferprogramm.

Order codes are valid for PNP, NO (PO) configuration. All devices also available in PNP, NC (PC), NPN, NO (NO), NPN, NC (NC) configuration.  
Bestellnummern gelten für PNP, NO (PO) Konfiguration. Alle Geräte auch erhältlich als PNP, NC (PC), NPN, NO (NO), NPN, NC (NC) Konfiguration.



# Proximity Switches, inductive Naherungsschalter, induktiv

- ▶ Miniature,  $\varnothing 3 \text{ mm} \dots \varnothing 5 \times 5 \text{ mm}$   
Miniatur,  $\varnothing 3 \text{ mm} \dots \varnothing 5 \times 5 \text{ mm}$
- ▶ High performance with up to  $4 \times S_n$   
Hochleistung mit bis zu  $4 \times S_n$
- ▶ **Closed stainless steel housing with IP69k**  
**Geschlossene Edelstahlgehuse mit IP69k**
- ▶ High temperature proof versions up to  $180 \text{ }^\circ\text{C}$  |  $356 \text{ }^\circ\text{F}$   
Hochtemperaturfeste Ausfuhungen bis  $180 \text{ }^\circ\text{C}$
- ▶ Low temperature  $-40 \text{ }^\circ\text{C}$  |  $-40 \text{ }^\circ\text{F}$ , food grade, IP69k  
Tiefemperatur  $-40 \text{ }^\circ\text{C}$ , lebensmitteltauglich, IP69k
- ▶ Pressure proof versions up to  $1000 \text{ bar}$  |  $14500 \text{ psi}$   
Druckfeste Ausfuhungen bis  $1000 \text{ bar}$
- ▶ Devices with analog output  
Gerate mit Analogausgang
- ▶ 2-wire  $10 \dots 55 \text{ V}_{\text{DC}}$  |  $20 \dots 250 \text{ V}_{\text{AC}}$   
2-Leiter  $10 \dots 55 \text{ V}_{\text{DC}}$  |  $20 \dots 250 \text{ V}_{\text{AC}}$



## Technical data (typ.)

Supply voltage	$10 \dots 30 \text{ V}_{\text{DC}}$
Reverse polarity protection	built-in
Current consumption	$< 10 \text{ mA}$
Short circuit protection	built-in, self-resetting
Voltage drop	$< 1.2 \text{ V @ } 200 \text{ mA}$
Switching indicator	LED, yellow
Operating temperature	$-20 \dots +70 \text{ }^\circ\text{C}$   $-4 \dots +158 \text{ }^\circ\text{F}$
IP code	IP67

## Technische Daten (typ.)

Versorgungsspannung	$10 \dots 30 \text{ V}_{\text{DC}}$
Verpolungsschutz	integriert
Eigenstromaufnahme	$< 10 \text{ mA}$
Kurzschlusschutz	integriert, selbst-ruckstellend
Spannungsabfall	$< 1.2 \text{ V @ } 200 \text{ mA}$
Schaltanzeige	LED, gelb
Betriebstemperatur	$-20 \dots +70 \text{ }^\circ\text{C}$
Schutzart	IP67



	Mounting Montage	S <sub>n</sub> [mm]	Connection Anschluss	Housing length · Gehäuselänge [mm]					
				30	45	50	60	68	70
M8X1	●	2	Cable 2 m, PVC	IMF8-S2PO30-A2P	IMF8-S2PO45-A2P				
			Connector M8		IMF8-S2PO45-A8		IMF8-S2PO60-A8		
			Connector M12						IMF8-S2PO70-A12
	○	3.5	Cable 2 m, PVC	IMF8-N4PO30-A2P	IMF8-N4PO45-A2P				
			Connector M8		IMF8-N4PO45-A8		IMF8-N4PO60-A8		
			Connector M12						IMF8-N4PO70-A12
M12X1	●	4	Cable 2 m, PVC	IMF12-S4PO30-A2P		IMF12-S4PO50-A2P			
			Connector M12			IMF12-S4PO50-A12		IMF12-S4PO68-A12	
	○	6	Cable 2 m, PVC	IMF12-N6PO30-A2P		IMF12-N6PO50-A2P			
			Connector M12			IMF12-N6PO50-A12		IMF12-N6PO68-A12	
					<b>35</b>	<b>48</b>	<b>53</b>	<b>55</b>	<b>79</b>
	M18X1	●	8	Cable 2 m, PVC	IMF18-S8PO35-A2P			IMF18-S8PO55-A2P	
Connector M12					IMF18-S8PO48-A12			IMF18-S8PO79-A12	
	○					not available · nicht erhältlich			
M30X1.5	●	10	Cable 2 m, PVC	IMF30-S10PO35-A2P			IMF30-S10PO55-A2P		
			Connector M12		IMF30-S10PO48-A12			IMF30-S10PO79-A12	
	○	15	Cable 2 m, PVC	IMF30-N15PO35-A2P			IMF30-N15PO55-A2P		
			Connector M12			IMF30-N15PO53-A12		IMF30-N15PO79-A12	

Order codes are valid for PNP, NO (PO) configuration. All devices also available in PNP, NC (PC), NPN, NO (NO), NPN, NC (NC) configuration. Bestellnummern gelten für PNP, NO (PO) Konfiguration. Alle Geräte auch erhältlich als PNP, NC (PC), NPN, NO (NO), NPN, NC (NC) Konfiguration.

**Inductive Metal Face**

The dimensions of the IMF series correspond to those of the IPS series on the pages 26–29.

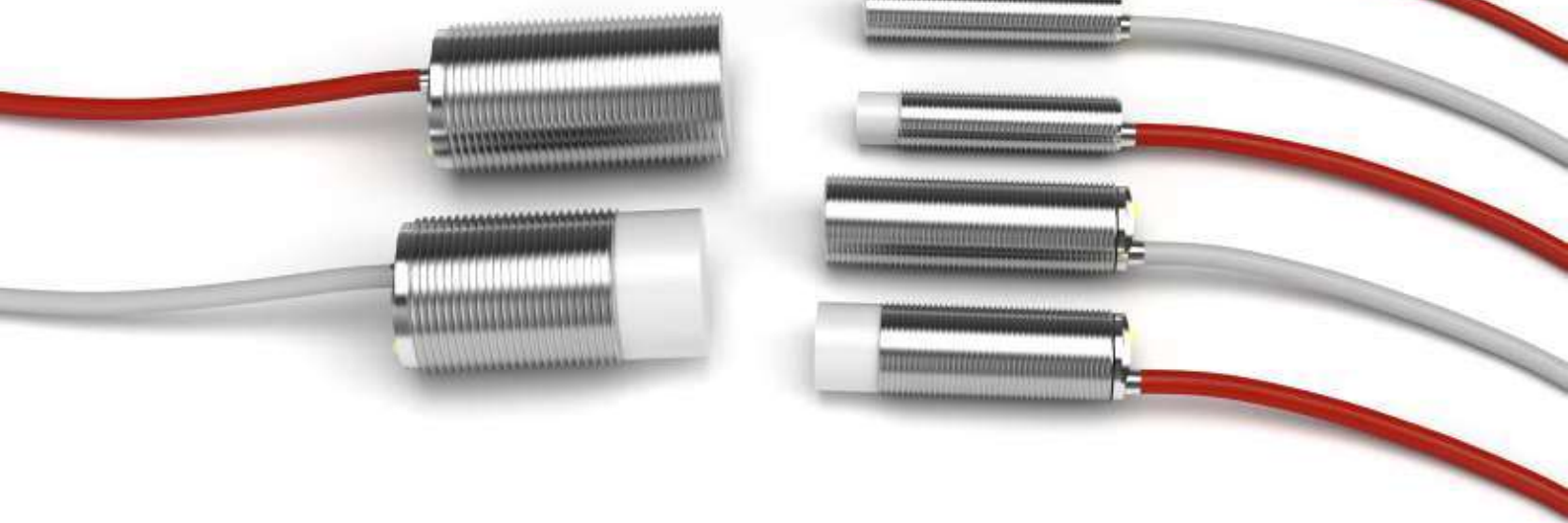
**Induktiv Vollmetall**

Die Abmessungen der IMF-Serie entsprechen denen der IPS-Serie auf den Seiten 26–29.

# Proximity Switches, inductive

## Näherungsschalter, induktiv

- ▶ Miniature, Ø3 mm...Ø5×5 mm  
Miniatur, Ø3 mm...Ø5×5 mm
- ▶ High performance with up to 4× S<sub>n</sub>  
Hochleistung mit bis zu 4× S<sub>n</sub>
- ▶ Closed stainless steel housing with IP69k  
Geschlossene Edelstahlgehäuse mit IP69k
- ▶ **High temperature proof versions up to 180 °C | 356 °F**  
**Hochtemperaturfeste Ausführungen bis 180 °C**
- ▶ Low temperature –40 °C | –40 °F, food grade, IP69k  
Tiefemperatur –40 °C, lebensmitteltauglich, IP69k
- ▶ Pressure proof versions up to 1000 bar | 14500 psi  
Druckfeste Ausführungen bis 1000 bar
- ▶ Devices with analog output  
Geräte mit Analogausgang
- ▶ 2-wire 10...55 V<sub>DC</sub> | 20...250 V<sub>AC</sub>  
2-Leiter 10...55 V<sub>DC</sub> | 20...250 V<sub>AC</sub>



### Technical data (typ.)

Supply voltage	10...30 V <sub>DC</sub>
Reverse polarity protection	built-in
Current consumption	<10 mA
Short circuit protection	built-in, self-resetting
Voltage drop	<1.2 V @ 200 mA
Switching indicator	on request
Operating temperature	–20... °C   –4... °F
IP code	IP67

#### Annotation:

To simplify mechanical setup, all high temperature proximity switches up to 150 °C can optionally be equipped with a LED to indicate the status of the switching output. High temperature can damage permanently this LED. However, the failure of the LED does not affect the function of the device.

A failure of the LED is no warranty case.

### Technische Daten (typ.)

Versorgungsspannung	10...30 V <sub>DC</sub>
Verpolungsschutz	integriert
Eigenstromaufnahme	<10 mA
Kurzschlusschutz	integriert, selbstrückstellend
Spannungsabfall	<1,2 V @ 200 mA
Schaltanzeige	auf Anfrage
Betriebstemperatur	–20... °C
Schutzart	IP67



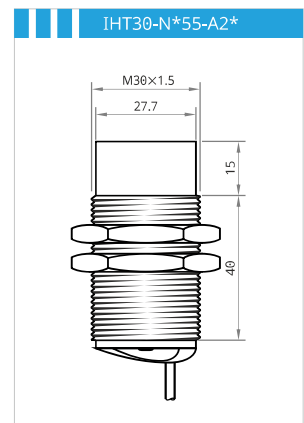
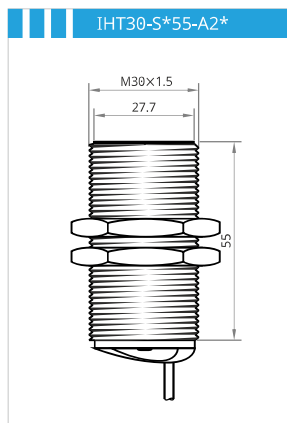
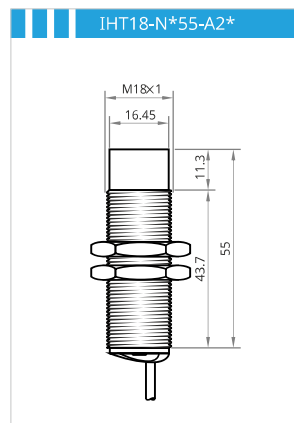
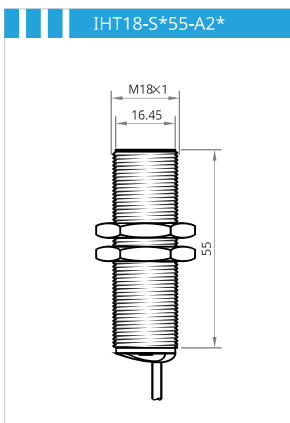
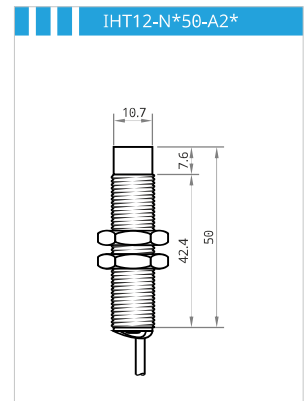
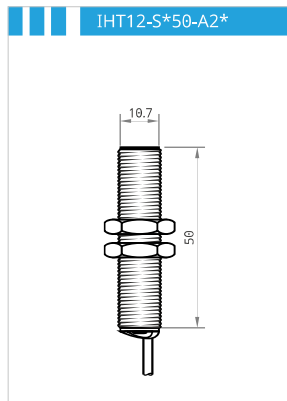
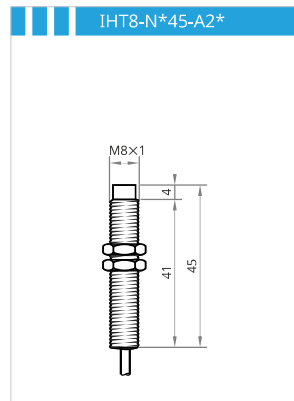
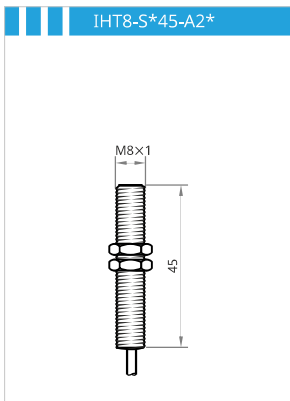
#### Anmerkung:

Zur Erleichterung der mechanischen Einrichtung können optional alle Hochtemperatur-Näherungsschalter bis 150 °C mit einer LED zur Anzeige des Schaltzustands ausgerüstet werden. Hohe Temperaturen werden diese LED ggf. dauerhaft schädigen. Der Ausfall der LED hat jedoch keinen Einfluss auf die Funktion des Gerätes.

Ein Ausfall der LED ist kein Garantiefall.

	Mounting Montage	S <sub>n</sub> [mm]	Connection Anschluss	Temperature · Temperatur [permanent]			Output load capability Ausgangsbelastbarkeit
				120 °C   250 °F	150 °C   300 °F	180 °C   355 °F	
M8X1	●	2	Cable 2 m, silicone	IHT8-S2APO45-N2S	IHT8-S2BPO45-N2S		<120 mA
			Cable 2 m, PTFE	IHT8-S2APO45-N2T	IHT8-S2BPO45-N2T		<120 mA
	○	4	Cable 2 m, silicone	IHT8-N4APO45-N2S	IHT8-N4BPO45-N2S		<120 mA
			Cable 2 m, PTFE	IHT8-N4APO45-N2T	IHT8-N4BPO45-N2T		<120 mA
M12X1	●	2	Cable 2 m, silicone	IHT12-S2APO50-N2S	IHT12-S2BPO50-N2S		<120 mA
			Cable 2 m, PTFE	IHT12-S2APO50-N2T	IHT12-S2BPO50-N2T		<120 mA
	○	4	Cable 2 m, silicone	IHT12-N4APO50-N2S	IHT12-N4BPO50-N2S		<120 mA
			Cable 2 m, PTFE	IHT12-N4APO50-N2T	IHT12-N4BPO50-N2T		<120 mA
	●	4	Cable 2 m, silicone	IHT12-S4APO50-N2S	IHT12-S4BPO50-N2S		<120 mA
			Cable 2 m, PTFE	IHT12-S4APO50-N2T	IHT12-S4BPO50-N2T		<120 mA
	○	8	Cable 2 m, silicone	IHT12-N8APO50-N2S	IHT12-N8BPO50-N2S		<120 mA
			Cable 2 m, PTFE	IHT12-N8APO50-N2T	IHT12-N8BPO50-N2T		<120 mA
M18X1	●	5	Cable 2 m, silicone	IHT18-S5APO55-N2S	IHT18-S5BPO55-N2S	IHT18-S5CPO55-N2S	<150 mA
			Cable 2 m, PTFE	IHT18-S5APO55-N2T	IHT18-S5BPO55-N2T	IHT18-S5CPO55-N2T	<150 mA
	○	8	Cable 2 m, silicone	IHT18-N8APO55-N2S	IHT18-N8BPO55-N2S	IHT18-N8CPO55-N2S	<150 mA
			Cable 2 m, PTFE	IHT18-N8APO55-N2T	IHT18-N8BPO55-N2T	IHT18-N8CPO55-N2T	<150 mA
M30X1.5	●	10	Cable 2 m, silicone	IHT30-S10APO55-N2S	IHT30-S10BPO55-N2S	IHT30-S10CPO55-N2S	<150 mA
			Cable 2 m, PTFE	IHT30-S10APO55-N2T	IHT30-S10BPO55-N2T	IHT30-S10CPO55-N2T	<150 mA
	○	15	Cable 2 m, silicone	IHT30-N15APO55-N2S	IHT30-N15BPO55-N2S	IHT30-N15CPO55-N2S	<150 mA
			Cable 2 m, PTFE	IHT30-N15APO55-N2T	IHT30-N15BPO55-N2T	IHT30-N15CPO55-N2T	<150 mA

Order codes are for PNP, NO (PO) configuration. All devices also available in PNP, NC (PC), NPN, NO (NO), NPN, NC (NC) configuration. Bestellnummern für PNP, NO (PO) Konfiguration. Alle Geräte auch erhältlich als PNP, NC (PC), NPN, NO (NO), NPN, NC (NC) Konfiguration.



# Proximity Switches, inductive

## Näherungsschalter, induktiv

- ▶ Miniature, Ø3 mm...Ø5×5 mm  
Miniatur, Ø3 mm...Ø5×5 mm
- ▶ High performance with up to  $4 \times S_n$   
Hochleistung mit bis zu  $4 \times S_n$
- ▶ Closed stainless steel housing with IP69k  
Geschlossene Edelstahlgehäuse mit IP69k
- ▶ High temperature proof versions up to 180 °C | 356 °F  
Hochtemperaturfeste Ausführungen bis 180 °C
- ▶ **Low temperature –40 °C | –40 °F, food grade, IP69k**  
**Tiefemperatur –40 °C, lebensmitteltauglich, IP69k**
- ▶ Pressure proof versions up to 1000 bar | 14500 psi  
Druckfeste Ausführungen bis 1000 bar
- ▶ Devices with analog output  
Geräte mit Analogausgang
- ▶ 2-wire 10...55 V<sub>DC</sub> | 20...250 V<sub>AC</sub>  
2-Leiter 10...55 V<sub>DC</sub> | 20...250 V<sub>AC</sub>



### Technical data (typ.)

Supply voltage	10...30 V <sub>DC</sub>
Reverse polarity protection	built-in
Current consumption	<10 mA
Short circuit protection	built-in, self-resetting
Voltage drop	<1.2 V @ 200 mA
Switching indicator	LED, yellow
Housing material	PBT
Operating temperature	–40...+70 °C   –40...+158 °F
IP code	IP69k / IP67

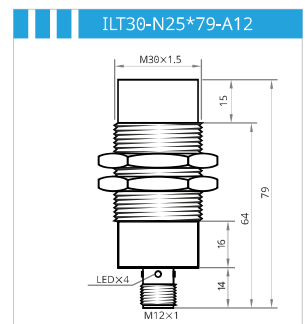
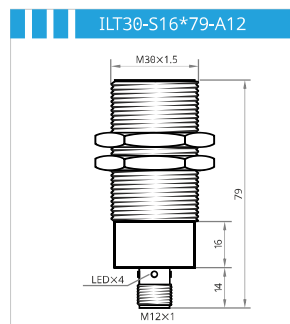
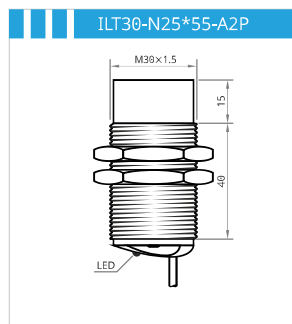
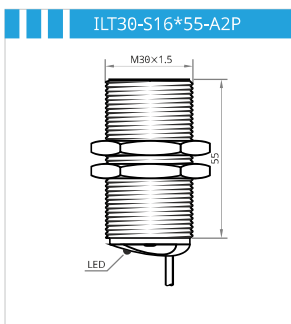
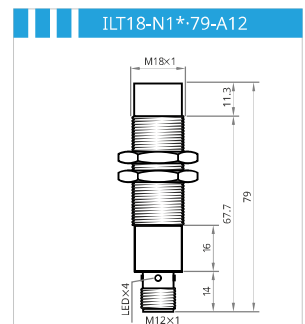
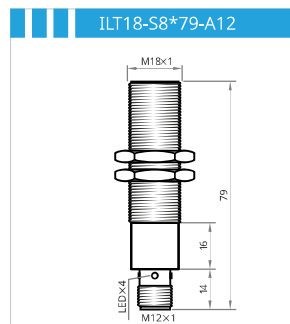
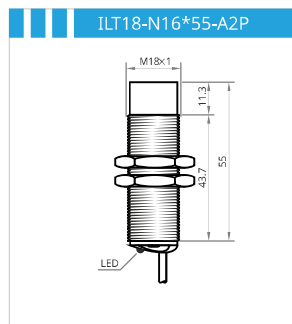
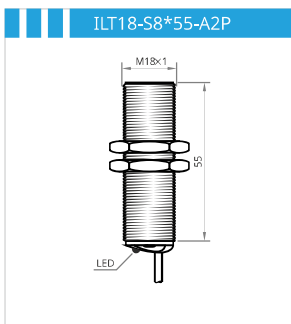
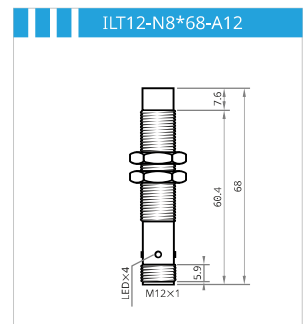
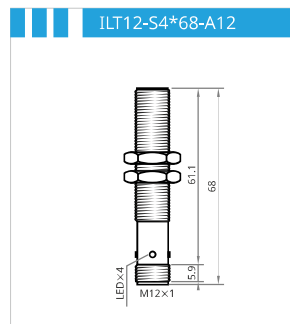
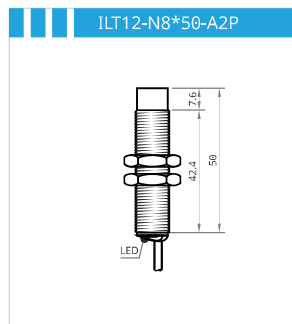
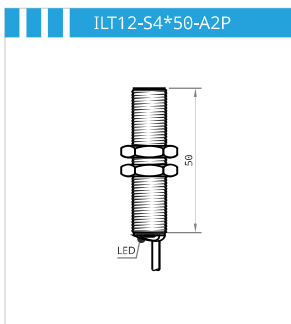
### Technische Daten (typ.)

Versorgungsspannung	10...30 V <sub>DC</sub>
Verpolungsschutz	integriert
Eigenstromaufnahme	<10 mA
Kurzschlusschutz	integriert, selbstrückstellend
Spannungsabfall	<1,2 V @ 200 mA
Schaltanzeige	LED, gelb
Gehäusematerial	PBT
Betriebstemperatur	–40...+70 °C
Schutzart	IP69k / IP67



	Mounting Montage	S <sub>n</sub> [mm]	Connection Anschluss	Output Ausgang	Housing length · Gehäuselänge [mm]				
					50	55	68	79	
M12x1	●	4	Cable 2 m, PVC		ILT12-S4PO50-A2P				1000 Hz
			Connector M12				ILT12-S4PO68-A12		
	○	8	Cable 2 m, PVC		ILT12-N8PO50-A2P				500 Hz
			Connector M12				ILT12-N8PO68-A12		
M18x1	●	8	Cable 2 m, PVC			ILT18-S8PO55-A2P			500 Hz
			Connector M12					ILT18-S8PO79-A12	
	○	16	Cable 2 m, PVC			ILT18-N16PO55-A2P			150 Hz
			Connector M12					ILT18-N25PO79-A12	
M30x1.5	●	16	Cable 2 m, PVC			ILT30-S16PO55-A2P			500 Hz
			Connector M12					ILT30-S16PO79-A12	
	○	25	Cable 2 m, PVC			ILT30-N25PO55-A2P			150 Hz
			Connector M12					ILT30-N16PO79-A12	

Order codes are for PNP, NO (PO) configuration. All devices also available in PNP, NC (PC), NPN, NO (NO), NPN, NC (NC) configuration.  
 Bestellnummern für PNP, NO (PO) Konfiguration. Alle Geräte auch erhältlich als PNP, NC (PC), NPN, NO (NO), NPN, NC (NC) Konfiguration.



# Proximity Switches, inductive Naherungsschalter, induktiv

- ▶ Miniature,  $\varnothing 3$  mm... $\varnothing 5 \times 5$  mm  
Miniatur,  $\varnothing 3$  mm... $\varnothing 5 \times 5$  mm
- ▶ High performance with up to  $4 \times S_n$   
Hochleistung mit bis zu  $4 \times S_n$
- ▶ Closed stainless steel housing with IP69k  
Geschlossene Edelstahlgehause mit IP69k
- ▶ High temperature proof versions up to 180 °C | 356 °F  
Hochtemperaturfeste Ausfuhungen bis 180 °C
- ▶ Low temperature  $-40$  °C |  $-40$  °F, food grade, IP69k  
Tiefemperatur  $-40$  °C, lebensmitteltauglich, IP69k
- ▶ **Pressure proof versions up to 1000 bar | 14500 psi**  
**Druckfeste Ausfuhungen bis 1000 bar**
- ▶ Devices with analog output  
Gerate mit Analogausgang
- ▶ 2-wire 10...55 V<sub>DC</sub> | 20...250 V<sub>AC</sub>  
2-Leiter 10...55 V<sub>DC</sub> | 20...250 V<sub>AC</sub>



## Technical data (typ.)

Supply voltage	10...30 V <sub>DC</sub>
Reverse polarity protection	built-in
Current consumption	<10 mA
Short circuit protection	built-in, self-resetting
Voltage drop	<1.2 V @ 200 mA
Switching indicator	LED, yellow — some models
Operating temperature	$-20...+70$ °C   $-4...+158$ °F
IP code	IP67

## Technische Daten (typ.)

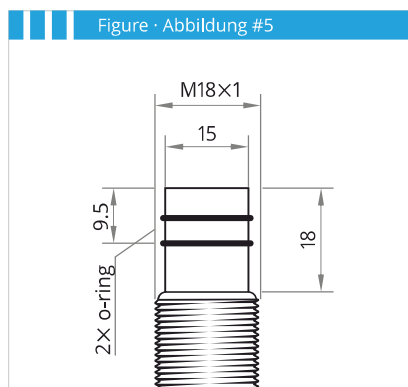
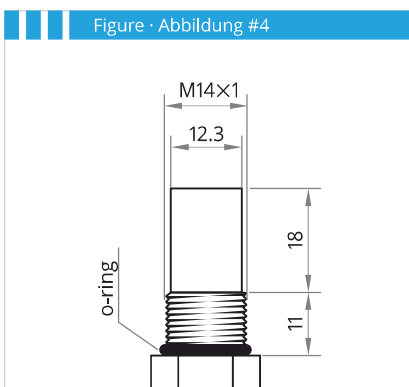
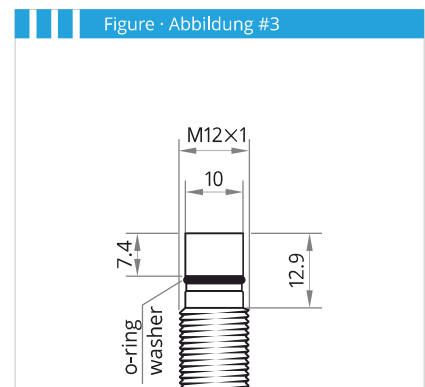
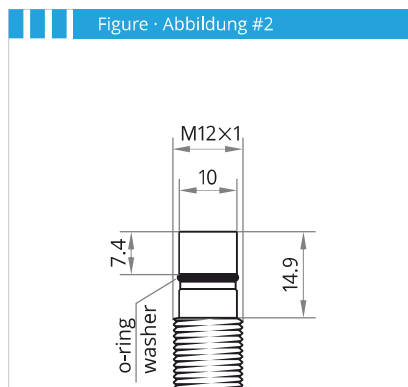
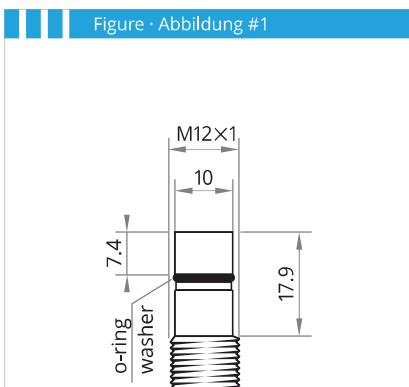
Versorgungsspannung	10...30 V <sub>DC</sub>
Verpolungsschutz	integriert
Eigenstromaufnahme	<10 mA
Kurzschlusschutz	integriert, selbstruckstellend
Spannungsabfall	<1,2 V @ 200 mA
Schaltanzeige	LED, gelb – einige Ausfuhungen
Betriebstemperatur	$-20...+70$ °C
Schutzart	IP67





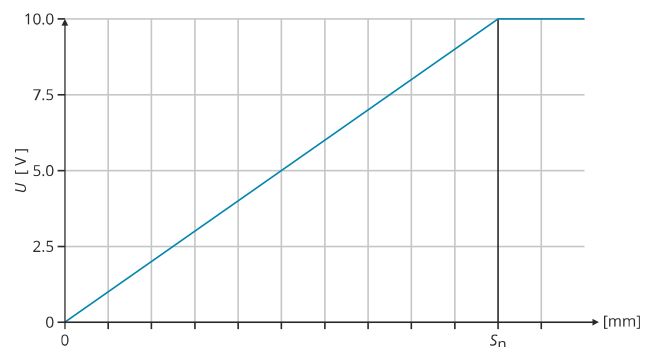
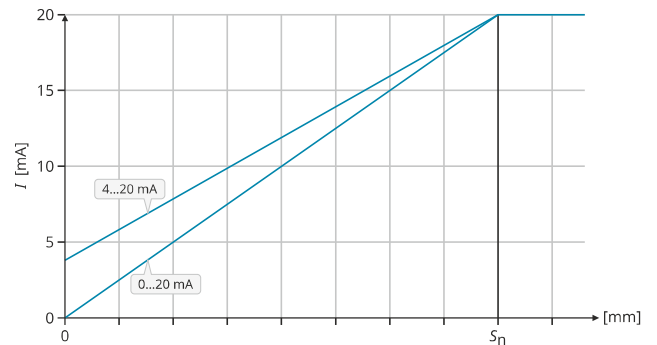
	S <sub>n</sub> [mm]	Connection Anschluss	Pressure proof Druckfest	Overall length [mm] Gesamtbaulänge [mm]	Switching indicator · Schaltanzeige		Figure Abbildung
					without · ohne	with · mit	
M12X1	1.5	Cable 2 m, PVC	500 bar   7251 psi	43	IHP12-S1.5PO43-N2P	IHP12-S1.5PO43-A2P	1
	1.5	Cable 2 m, PVC	500 bar   7251 psi	47	IHP12-S1.5PO47-N2P	IHP12-S1.5PO47-A2P	1
	1.5	Connector M12	500 bar   7251 psi	56	IHP12-S1.5PO56-N12		1
	1.5	Connector M12	500 bar   7251 psi	56	IHP12-S1.5PO57-N12		2
	1.5	Connector M12	500 bar   7251 psi	69	IHP12-S1.5PO69-N12	IHP12-S1.5PO69-A12	3
	1.5	Cable 2 m, PVC	500 bar   7251 psi	78	IHP12-S1.5PO78-N2P	IHP12-S1.5PO78-A2P	1
	1.5	Connector M12	500 bar   7251 psi	78	IHP12-S1.5PO78-N12	IHP12-S1.5PO78-A12	1
	1.5	Connector M12	500 bar   7251 psi	93	IHP12-S1.5PO93-N12	IHP12-S1.5PO93-A12	3
	1.5	Connector M12	500 bar   7251 psi	93	IHP12-S1.5PO94-N12	IHP12-S1.5PO94-A12	1
	1.5	Connector M12	500 bar   7251 psi	138	IHP12-S1.5PO138-N12	IHP12-S1.5PO138-A12	3
	2	Connector M12	500 bar   7251 psi	56	IHP12-S2PO56-N12	IHP12-S2PO56-A12	1
	2	Connector M12	500 bar   7251 psi	78	IHP12-S2PO78-N12	IHP12-S2PO78-A12	1
M14X1	3	Cable 2 m, PVC	500 bar   7251 psi	56	IHP14-S3PO56-N2P		4
	3	Connector M12	500 bar   7251 psi	65	IHP14-S3PO65-N12		4
	3	Cable 2 m, PVC	1000 bar   14500 psi	56	IHP14-S3PO56S-N2P		4
	3	Connector M12	1000 bar   14500 psi	65	IHP14-S3PO65S-N12		4
M18X1	3	Cable 2 m, PVC	500 bar   7251 psi	65	IHP18-S3PO65S-N2P	IHP18-S3PO65S-A2P	5
	3	Connector M12	1000 bar   14500 psi	79	IHP18-S3PO79S-N12	IHP18-S3PO79S-A12	5

Order codes are for PNP, NO (PO) configuration. All devices also available in PNP, NC (PC), NPN, NO (NO), NPN, NC (NC) configuration.  
 Bestellnummern für PNP, NO (PO) Konfiguration. Alle Geräte auch erhältlich als PNP, NC (PC), NPN, NO (NO), NPN, NC (NC) Konfiguration.



# Proximity Switches, inductive Näherungsschalter, induktiv

- ▶ Miniature, Ø3 mm...Ø5×5 mm  
Miniatur, Ø3 mm...Ø5×5 mm
- ▶ High performance with up to  $4 \times S_n$   
Hochleistung mit bis zu  $4 \times S_n$
- ▶ Closed stainless steel housing with IP69k  
Geschlossene Edelstahlgehäuse mit IP69k
- ▶ High temperature proof versions up to 180 °C | 356 °F  
Hochtemperaturfeste Ausführungen bis 180 °C
- ▶ Low temperature -40 °C | -40 °F, food grade, IP69k  
Tiefemperatur -40 °C, lebensmitteltauglich, IP69k
- ▶ Pressure proof versions up to 1000 bar | 14500 psi  
Druckfeste Ausführungen bis 1000 bar
- ▶ **Devices with analog output**  
**Geräte mit Analogausgang**
- ▶ 2-wire 10...55 V<sub>DC</sub> | 20...250 V<sub>AC</sub>  
2-Leiter 10...55 V<sub>DC</sub> | 20...250 V<sub>AC</sub>



## Technical data (typ.)

Supply voltage	18...35 V <sub>DC</sub>
Reverse polarity protection	built-in
Current consumption	<10 mA
Output, Pin 4, black	
Voltage	0...10 V
Current load capability	<7 mA
Bandwidth	500 Hz
Short circuit protection	built-in, self-resetting
Output, pin 2, white	
Current	0...20 mA
Bandwidth	500 Hz
Supply indicator	LED, green
Operating temperature	-20...+70 °C   -4...+158 °F
IP code	IP67

## Technische Daten (typ.)

Versorgungsspannung	18...35 V <sub>DC</sub>
Verpolungsschutz	integriert
Eigenstromaufnahme	<10 mA
Ausgang, Pin 4, schwarz	
Spannung	0...10 V
Strombelastbarkeit	<7 mA
Bandbreite	500 Hz
Kurzschlusschutz	integriert, selbstrückstellend
Ausgang, Pin 2, weiß	
Strom	0...20 mA
Bandbreite	500 Hz
Spannungsanzeige	LED, grün
Betriebstemperatur	-20...+70 °C
Schutzart	IP67



	Mounting Montage	S <sub>n</sub> [mm]	Connection Anschluss	Configuration Konfiguration	Housing length · Gehäuselänge [mm]					
					45	50	55	60	68	79
M8X1	●	2	Cable 2 m, PVC Connector M8	0...10 V 0...10 V	IA8-S2V-G2P			IA8-S2V-G8		
	○	4	Cable 2 m, PVC Connector M8	0...10 V 0...10 V	IA8-N4V-G2P			IA8-N4V-G8		
	●	3	Cable 2 m, PVC Connector M8	0...10 V 0...10 V	IA8-S3V-G2P			IA8-S3V-G8		
	○	6	Cable 2 m, PVC Connector M8	0...10 V 0...10 V	IA8-N6V-G2P			IA8-N6V-G8		
M12X1	●	4	Cable 2 m, PVC	0...10 V   0...20 mA 0...10 V   4...20 mA	IA12-S4VI0-G2P IA12-S4VI4-G2P					
			Connector M12	0...10 V   0...20 mA 0...10 V   4...20 mA				IA12-S4VI0-G12 IA12-S4VI4-G12		
	○	8	Cable 2 m, PVC	0...10 V   0...20 mA 0...10 V   4...20 mA	IA12-N8VI0-G2P IA12-N8VI4-G2P					
			Connector M12	0...10 V   0...20 mA 0...10 V   4...20 mA				IA12-N8VI0-G12 IA12-N8VI4-G12		
	●	6	Cable 2 m, PVC	0...10 V   0...20 mA 0...10 V   4...20 mA	IA12-S6VI0-G2P IA12-S6VI4-G2P					
			Connector M12	0...10 V   0...20 mA 0...10 V   4...20 mA				IA12-S6VI0-G12 IA12-S6VI4-G12		
	○	10	Cable 2 m, PVC	0...10 V   0...20 mA 0...10 V   4...20 mA	IA12-N10VI0-G2P IA12-N10VI4-G2P					
			Connector M12	0...10 V   0...20 mA 0...10 V   4...20 mA				IA12-N10VI0-G12 IA12-N10VI4-G12		
M18X1	●	8	Cable 2 m, PVC	0...10 V   0...20 mA 0...10 V   4...20 mA			IA18-S8VI0-G2P IA18-S8VI4-G2P			
			Connector M12	0...10 V   0...20 mA 0...10 V   4...20 mA					IA18-S8VI0-G12 IA18-S8VI4-G12	
	○	16	Cable 2 m, PVC	0...10 V   0...20 mA 0...10 V   4...20 mA			IA18-N16VI0-G2P IA18-N16VI4-G2P			
			Connector M12	0...10 V   0...20 mA 0...10 V   4...20 mA					IA18-N16VI0-G12 IA18-N16VI4-G12	
	●	12	Cable 2 m, PVC	0...10 V   0...20 mA 0...10 V   4...20 mA			IA18-S12VI0-G2P IA18-S12VI4-G2P			
			Connector M12	0...10 V   0...20 mA 0...10 V   4...20 mA					IA18-S12VI0-G12 IA18-S12VI4-G12	
	○	20	Cable 2 m, PVC	0...10 V   0...20 mA 0...10 V   4...20 mA			IA18-N20VI0-G2P IA18-N20VI4-G2P			
			Connector M12	0...10 V   0...20 mA 0...10 V   4...20 mA					IA18-N20VI0-G12 IA18-N20VI4-G12	
M30X1.5	●	16	Cable 2 m, PVC	0...10 V   0...20 mA 0...10 V   4...20 mA			IA30-S16VI0-G2P IA30-S16VI4-G2P			
			Connector M12	0...10 V   0...20 mA 0...10 V   4...20 mA					IA30-S16VI0-G12 IA30-S16VI4-G12	
	○	25	Cable 2 m, PVC	0...10 V   0...20 mA 0...10 V   4...20 mA			IA30-N25VI0-G2P IA30-N25VI4-G2P			
			Connector M12	0...10 V   0...20 mA 0...10 V   4...20 mA					IA30-N25VI0-G12 IA30-N25VI4-G12	
	●	20	Cable 2 m, PVC	0...10 V   0...20 mA 0...10 V   4...20 mA			IA30-S20VI0-G2P IA30-S20VI4-G2P			
			Connector M12	0...10 V   0...20 mA 0...10 V   4...20 mA					IA30-S20VI0-G12 IA30-S20VI4-G12	
	○	40	Cable 2 m, PVC	0...10 V   0...20 mA 0...10 V   4...20 mA			IA30-N40VI0-G2P IA30-N40VI4-G2P			
			Connector M12	0...10 V   0...20 mA 0...10 V   4...20 mA					IA30-N40VI0-G12 IA30-N40VI4-G12	

# Proximity Switches, inductive Naherungsschalter, induktiv

- ▶ Miniature,  $\varnothing 3 \text{ mm} \dots \varnothing 5 \times 5 \text{ mm}$   
Miniatur,  $\varnothing 3 \text{ mm} \dots \varnothing 5 \times 5 \text{ mm}$
- ▶ High performance with up to  $4 \times S_n$   
Hochleistung mit bis zu  $4 \times S_n$
- ▶ Closed stainless steel housing with IP69k  
Geschlossene Edelstahlgehuse mit IP69k
- ▶ High temperature proof versions up to  $180 \text{ }^\circ\text{C}$  |  $356 \text{ }^\circ\text{F}$   
Hochtemperaturfeste Ausfuhungen bis  $180 \text{ }^\circ\text{C}$
- ▶ Low temperature  $-40 \text{ }^\circ\text{C}$  |  $-40 \text{ }^\circ\text{F}$ , food grade, IP69k  
Tiefemperatur  $-40 \text{ }^\circ\text{C}$ , lebensmitteltauglich, IP69k
- ▶ Pressure proof versions up to 1000 bar | 14500 psi  
Druckfeste Ausfuhungen bis 1000 bar
- ▶ Devices with analog output  
Gerate mit Analogausgang
- ▶ **2-wire 10...55 V<sub>DC</sub> | 20...250 V<sub>AC</sub>**  
**2-Leiter 10...55 V<sub>DC</sub> | 20...250 V<sub>AC</sub>**



## Technical data (typ.)

Supply voltage	10...30 V <sub>DC</sub>
Reverse polarity protection	built-in
Current consumption	<10 mA
<b>10...55 V<sub>DC</sub></b>	
Reverse polarity protection	built-in
Current load capability	200 mA
Short circuit protection	built-in, self-resetting
Voltage drop	<1.5 V @ 200 mA
<b>20...255 V<sub>AC</sub></b>	
Reverse polarity protection	inherently
Current load capability	400 mA
Short circuit protection	none
Switching indicator	LED, yellow
Operating temperature	$-20 \dots +70 \text{ }^\circ\text{C}$   $-4 \dots +158 \text{ }^\circ\text{F}$
IP code	IP67

## Technische Daten (typ.)

Versorgungsspannung	10...30 V <sub>DC</sub>
Verpolungsschutz	integriert
Eigenstromaufnahme	<10 mA
<b>10...55 V<sub>DC</sub></b>	
Verpolungsschutz	integriert
Ausgangsbelastbarkeit	200 mA
Kurzschlusschutz	integriert, selbstruckstellend
Spannungsabfall	<1,5 V @ 200 mA
<b>20...255 V<sub>AC</sub></b>	
Verpolungsschutz	prinzipbedingt
Ausgangsbelastbarkeit	400 mA
Kurzschlusschutz	ohne
Schaltanzeige	LED, gelb
Betriebstemperatur	$-20 \dots +70 \text{ }^\circ\text{C}$
Schutzart	IP67



▶ 2-wire 10...55 V <sub>DC</sub>				Housing length · Gehäuselänge [mm]						
Mounting Montage	S <sub>n</sub> [mm]	Connection Anschluss	45	50	55	60	68	79		
M8X1	●	2	Cable 2 m, PVC	IPS8-S2DO45-A2P						2000 Hz
			Connector M8			IPS8-S2DO60-A8				
	○	4	Cable 2 m, PVC	IPS8-N4DO45-A2P						2000 Hz
			Connector M8			IPS8-N4DO60-A8				
M12X1	●	4	Cable 2 m, PVC		IPS12-S4DO50-A2P					1000 Hz
			Connector M12				IPS12-S4DO68-A12			
	○	8	Cable 2 m, PVC		IPS12-N8DO50-A2P					500 Hz
			Connector M12				IPS12-N8DO68-A12			
M18X1	●	8	Cable 2 m, PVC			IPS18-S8DO55-A2P				500 Hz
			Connector M12					IPS18-S8DO79-A12		
	○	16	Cable 2 m, PVC			IPS18-N16DO55-A2P				150 Hz
			Connector M12					IPS18-N16DO79-A12		
M30X1.5	●	16	Cable 2 m, PVC			IPS30-S16DO55-A2P				150 Hz
			Connector M12					IPS30-S16DO79-A12		
	○	25	Cable 2 m, PVC			IPS30-N25DO55-A2P				150 Hz
			Connector M12					IPS30-N25DO79-A12		

Selection from our range of products.  
Auszug aus unserem Lieferprogramm.

Order codes are valid for PNP, NO (PO) configuration. All devices also available in PNP, NC (PC), NPN, NO (NO), NPN, NC (NC) configuration.  
Bestellnummern gültig für PNP, NO (PO) Konfiguration. Alle Geräte auch erhältlich als PNP, NC (PC), NPN, NO (NO), NPN, NC (NC) Konfiguration.

▶ 2-wire 20...255 V <sub>AC</sub>				Housing length · Gehäuselänge [mm]				Switching frequency Schaltfrequenz
Mounting Montage	S <sub>n</sub> [mm]	Connection Anschluss	55	60	68	79		
M12X1	●	4	Cable 2 m, PVC		IPS12-S4AO60-A2P			25 Hz
			Connector M12			IPS12-S4AO68-A12		
	○	8	Cable 2 m, PVC		IPS12-N8DO60-A2P			25 Hz
			Connector M12			IPS12-N8AO68-A12		
M18X1	●	8	Cable 2 m, PVC	IPS18-S8AO55-A2P				25 Hz
			Connector M12				IPS18-S8AO79-A12	
	○	16	Cable 2 m, PVC	IPS18-N16AO55-A2P				25 Hz
			Connector M12				IPS18-N16AO79-A12	
M30X1.5	●	16	Cable 2 m, PVC	IPS30-S16AO55-A2P				25 Hz
			Connector M12				IPS30-S16AO79-A12	
	○	25	Cable 2 m, PVC	IPS30-N25AO55-A2P				25 Hz
			Connector M12				IPS30-N25AO79-A12	

Selection from our range of products.  
Auszug aus unserem Lieferprogramm.

Order codes are valid for PNP, NO (PO) configuration. All devices also available in PNP, NC (PC), NPN, NO (NO), NPN, NC (NC) configuration.  
Bestellnummern gelten für PNP, NO (PO) Konfiguration. Alle Geräte auch erhältlich als PNP, NC (PC), NPN, NO (NO), NPN, NC (NC) Konfiguration.



XECRO GmbH  
Siemensstr. 31 · 30827 Garbsen · Germany  
sales@xecro.com · <http://xecro.com>

