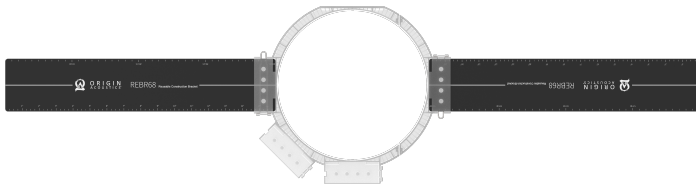


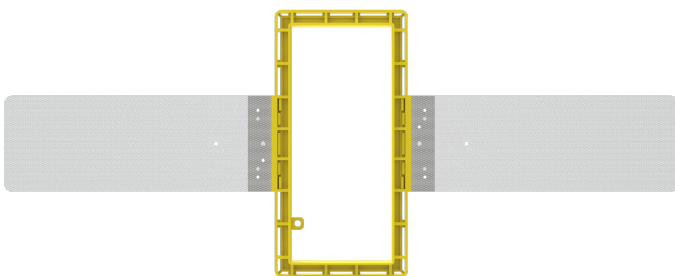
# SPKA-NCTP

## New-Construction Speaker Templates

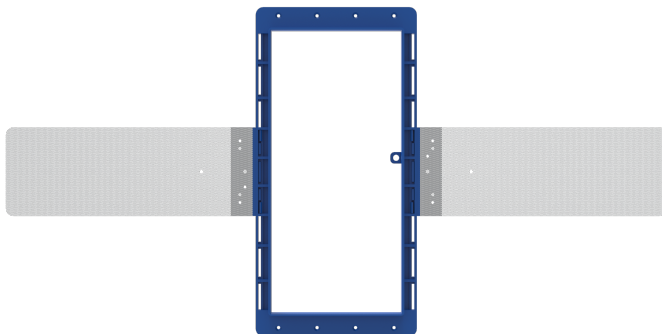
SPKA-NCTP-IC6/IC8



SPKA-NCTP-IW4X8



SPKA-NCTP-IWL62



- Provide a pre-construction placeholder for Crestron® Reference and Ultimate speakers made by Origin Acoustics
- Allow versatile positioning over wall studs and ceiling joists
- Speaker templates provide a guide for cutting speaker mounting holes

The speaker templates are designed to be attached to framing prior to the installation of drywall in preparation for the installation of Crestron® Reference and Ultimate speakers made by Origin Acoustics.

The speaker templates are designed to fit all sizes of Reference and Ultimate in-ceiling and in-wall speakers. Each template allows drywall to be installed over the template and acts as a guide for cutting speaker mounting holes.

Pre-construction speaker templates allow for versatile positioning over wall studs and ceiling joists.

## Specifications

### Dimensions

#### SPKA-NCTP-IC6/IC8

Length	40.94 in. (1040 mm)
Height	10.43 in. (265 mm)
Diameter (Bracket)	8.82 in. (224 mm)

#### SPKA-NCTP-IW4X8

Length	4.72 in. (120 mm)
Length (with wings)	31.77 in. (807 mm)
Height	12.60 in. (320 mm)

#### SPKA-NCTP-IWL62

Length	6.65 in. (169 mm)
Length (with wings)	33.74 in. (857 mm)
Height	16.81 in. (427 mm)

## Models

### SPKA-NCTP-IC6/IC8

New-Construction Speaker Templates for 6 in. or 8 in. Reference and Ultimate In-Ceiling Speakers, 10 Pack

### SPKA-NCTP-IW4X8

New-Construction Speaker Templates for Reference IW4X8 In-Wall Speakers, 1 Pair

### SPKA-NCTP-IWL62

New-Construction Speaker Templates for Ultimate IWLCR62 In-Wall Speakers, 1 Pair

This product may be purchased from select authorized Crestron dealers and distributors. To find a dealer or distributor, please contact the Crestron sales representative for your area. A list of sales representatives is available online at [www.crestron.com/How-To-Buy/Find-a-Representative](http://www.crestron.com/How-To-Buy/Find-a-Representative) or by calling 855-263-8754.

This product is covered under the Crestron standard limited warranty. Refer to [www.crestron.com/warranty](http://www.crestron.com/warranty) for full details.

The specific patents that cover Crestron products are listed online at [patents.crestron.com](http://patents.crestron.com).

Certain Crestron products contain open source software. For specific information, please visit [www.crestron.com/opensource](http://www.crestron.com/opensource).

Crestron and the Crestron logo are either trademarks or registered trademarks of Crestron Electronics, Inc. in the United States and/or other countries. Origin Acoustics is either a trademark or a registered trademark of Origin Acoustics, Inc. in the United States and/or other countries. Other trademarks, registered trademarks, and trade names may be used in this document to refer to either the entities claiming the marks and names or their products. Crestron disclaims any proprietary interest in the marks and names of others. Crestron is not responsible for errors in typography or photography. Specifications are subject to change without notice.

Specifications are subject to change without notice.

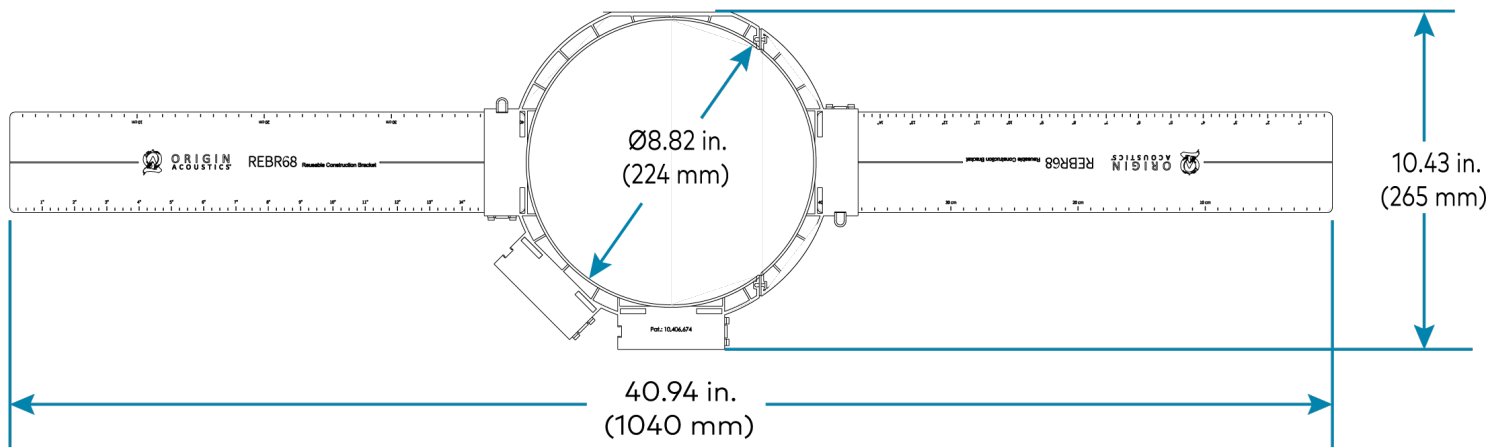
©2021 Crestron Electronics, Inc.

Rev 03/30/21

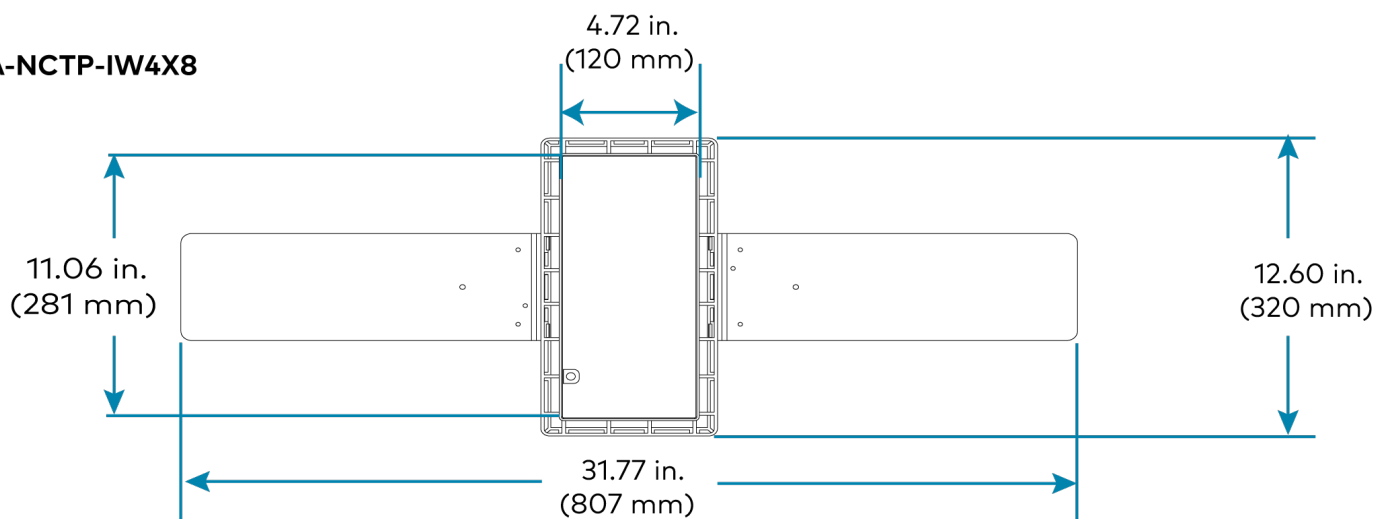
# SPKA-NCTP

## New-Construction Speaker Templates

### SPKA-NCTP-IC6/IC8



### SPKA-NCTP-IW4X8



### SPKA-NCTP-IWL62

