

1981  
2021

**°STELPRO**  
Product catalogue



# A WORD FROM THE PRESIDENT

Since 1981, Stelpro has offered its customers unmatched service by visiting them on construction sites, offering them personalized technical support and occasionally repairing their products free of charge. By taking a human approach, we have forged close ties with our partners and become North America's top manufacturer of electric heaters. Not only are we extremely proud to have achieved this status, we are thankful to have earned it by designing, developing and manufacturing our high-quality products right here in Quebec. Our key focus is to guarantee comfort for users in their daily life. We leverage high performance, safety, innovation and unique design to deliver a wide range of comfort solutions... 360° comfort! Finally, we believe that to adapt successful in times of crisis such as the current pandemic, it is essential to show solidarity and actively support our local economy.



**YVES CHABOT**  
PRESIDENT

## WE ARE COMMITTED.

We are committed to reinventing the electric heating industry so that choosing a system is no longer an obligation, but a conscientious choice.

## WE ARE PROUD.

We are proud to be the North American leader in comfort solutions that bring together design, performance and innovation to turn your spaces into unique environments.

## WE ARE DETERMINED.

We are determined to exceed the expectations of our customers and partners to create a world where responsible energy use is everyone's benchmark.

## WE ARE STELPRO.

We develop remarkable and innovative comfort solutions.

WELCOME TO OUR HOME.

**°STELPRO**

# TABLE OF CONTENTS

## SMART HOME










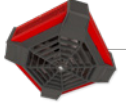
















### ALLIA

14

ECOSYSTEM AND APPLICATION





## HEATERS

	<b>SOR   ORLÉANS</b> HIGH-END CONVECTOR	18		<b>SKS</b> KICK SPACE HEATER	44
	<b>MIR   MIRAGE</b> CONVECTOR	20		<b>FI</b> FLOOR INSERT CONVECTOR	46
	<b>SHC</b> CONVECTOR	22		<b>FFI</b> FLOOR INSERT FAN HEATER	48
	<b>BA   BELLA</b> HIGH-END BASEBOARD	24		<b>SK   AIR CURTAIN</b> CEILING FAN HEATER	50
	<b>SPR   PRIMA</b> HIGH-END COMPACT BASEBOARD	28		<b>SGH   SPIDER</b> CEILING FAN HEATER	52
	<b>B   BRAVA</b> ELECTRIC BASEBOARD	32		<b>DR   DRAGON</b> CEILING FAN HEATER	54
	<b>SORB   ORLÉANS</b> HIGH-END WALL FAN HEATER	36		<b>SCH</b> PORTABLE MULTIPURPOSE HEATER	58
	<b>SOA   OASIS</b> WALL FAN HEATER	38		<b>ALUX1   ALUX</b> MINI ARCHITECTURAL ALUMINUM BASEBOARD	60
	<b>RWF   PULSAIR</b> WALL FAN HEATER	40		<b>ALUX2   ALUX</b> MINI ARCHITECTURAL ALUMINUM BASEBOARD	64
	<b>SCR   RADIANCE</b> COVE HEATER	42			

	<b>ALUX3   ALUX</b> ARCHITECTURAL ALUMINUM BASEBOARD	<b>68</b>		<b>WF</b> WALL FAN HEATER	<b>110</b>
	<b>ALUX4   ALUX</b> ARCHITECTURAL ALUMINUM BASEBOARD	<b>72</b>		<b>CBH</b> CABINET HEATER	<b>114</b>
	<b>DBI</b> ALUMINUM DRAFT BARRIER	<b>76</b>		<b>CF</b> CEILING FAN HEATER	<b>118</b>
	<b>SPDH</b> MINI PATIO DOOR HEATER	<b>80</b>		<b>SDC</b> COMMERCIAL AIR CURTAIN	<b>122</b>
	<b>PDH</b> PATIO DOOR HEATER	<b>83</b>		<b>RUH   OXFORD</b> COMMERCIAL AND RESIDENTIAL UNIT HEATER	<b>124</b>
	<b>SCA</b> ARCHITECTURAL BASEBOARD	<b>86</b>		<b>SFH   OXFORD</b> AGRICULTURAL UNIT HEATER	<b>126</b>
	<b>SCAS</b> SLOPED ARCHITECTURAL BASEBOARD	<b>89</b>		<b>SHU   OXFORD</b> COMMERCIAL AND INDUSTRIAL UNIT HEATER	<b>128</b>
	<b>CBF</b> COMMERCIAL BASEBOARD	<b>92</b>		<b>VUH   OXFORD</b> VERTICAL UNIT HEATER	<b>132</b>
	<b>CBB</b> SLOPED COMMERCIAL BASEBOARD	<b>95</b>		<b>SWU</b> WASHDOWN UNIT HEATER	<b>136</b>
	<b>CW750</b> ARCHITECTURAL CABINET	<b>98</b>		<b>SIRH   ZENITH</b> INFRARED RADIANT HEATER	<b>140</b>
	<b>CWS750</b> SLOPED ARCHITECTURAL CABINET	<b>100</b>		<b>EU   X-PRO</b> EXPLOSION-PROOF UNIT HEATER	<b>142</b>
	<b>CW1000</b> ARCHITECTURAL CABINET	<b>102</b>		<b>EC   X-PRO</b> EXPLOSION-PROOF CONVECTOR	<b>145</b>
	<b>CWS1000</b> SLOPED ARCHITECTURAL CABINET	<b>104</b>		<b>SFE/SFEX/SFECM   THE FURNACE</b> MODULATING ELECTRIC FURNACES WITH ELECTRONIC CONTROLS	<b>150</b>
	<b>WFA   ALUX</b> ALUMINUM WALL FAN HEATER	<b>106</b>			

## HEATING CABLES
















	<b>SCU</b> UNIVERSAL HEATING CABLE	156
	<b>SFM/SFMC   PERSIA</b> HEATING CABLE MAT	158
	<b>SECM</b> HEATING CABLE ON LATTICE FOR CONCRETE	162
	<b>SSC/SSCM</b> SNOW MELTING SYSTEM	164
	<b>PYROBOX</b> CONTROL PANELS FOR SNOW MELTING SYSTEMS	166

	<b>SCPT</b> CONSTANT WATTAGE PIPE FREEZE PROTECTION HEATING CABLE	168
	<b>SCRG</b> CONSTANT WATTAGE ROOF AND GUTTER DE-ICING HEATING CABLE	170
	<b>SSFP</b> SELF-REGULATING FREEZE PROTECTION PREASSEMBLED CABLE	172
	<b>SSFR</b> SELF-REGULATING FREEZE PROTECTION CABLE REEL	174

## CONTROLS

	<b>SAHUB001   ALLIA</b> SMART HOME HUB	181
	<b>SAT402ZB   ALLIA</b> SMART HOME THERMOSTAT	182
	<b>STZW402   KI Z-WAVE</b> ELECTRONIC THERMOSTAT FOR SMART HOME	184
	<b>STE403NP</b> ELECTRONIC THERMOSTAT - SINGLE PROGRAMMING	185
	<b>ST302P - ST402P</b> ELECTRONIC THERMOSTATS FOR BASEBOARDS AND CONVECTORS - PROGRAMMABLE	186

	<b>ST252NP - ST302NP - ST402NP</b> ELECTRONIC THERMOSTATS FOR BASEBOARDS AND CONVECTORS - NON-PROGRAMMABLE	187
	<b>ST402PFF</b> ELECTRONIC THERMOSTAT FOR FAN HEATERS - PROGRAMMABLE	188
	<b>ST252NPFF - ST402NPFF</b> ELECTRONIC THERMOSTAT FOR FAN HEATERS - NON-PROGRAMMABLE	191
	<b>STCNP</b> ELECTRONIC THERMOSTAT FOR HEATING FLOORS - SINGLE PROGRAMMING	192

	<b>STCP</b>	<b>193</b>		<b>T822K1034</b>	<b>198</b>
	ELECTRONIC THERMOSTAT FOR HEATING FLOORS – MULTIPLE PROGRAMMING			THERMOSTAT – LOW VOLTAGE / 24 V	
	<b>STE302R2+</b>	<b>194</b>		<b>T87K1015</b>	<b>198</b>
	ELECTRONIC DOUBLE POLE THERMOSTAT – SINGLE PROGRAMMING			THERMOSTAT – LOW VOLTAGE / 24 V	
	<b>TH140-28-01-B</b>	<b>195</b>		<b>SWT</b>	<b>199</b>
	ELECTRONIC THERMOSTAT – LINE AND LOW VOLTAGE – 7-DAY PROGRAMMABLE			MECHANICAL THERMOSTAT – LINE VOLTAGE	
	<b>TL116A1008</b>	<b>195</b>		<b>RJ32</b>	<b>199</b>
	ELECTRONIC THERMOSTAT – LINE VOLTAGE			MECHANICAL THERMOSTAT – LINE VOLTAGE	
	<b>STE241</b>	<b>196</b>		<b>RE25 – RE30</b>	<b>200</b>
	ELECTRONIC THERMOSTAT LOW VOLTAGE / 24 V – SINGLE PROGRAMMING			ELECTRONIC RELAY – LOW VOLTAGE	
	<b>D010</b>	<b>197</b>		<b>RE15</b>	<b>200</b>
	ELECTRONIC THERMOSTAT – LOW VOLTAGE / 24 V			ELECTRONIC RELAY – LOW VOLTAGE – SMALLER-SIZED	
	<b>ET180</b>	<b>197</b>		<b>RM</b>	<b>201</b>
	ELECTRONIC THERMOSTAT – LOW VOLTAGE / 24 V			ELECTROMECHANICAL RELAY – LOW VOLTAGE	
				<b>R841</b>	<b>202</b>
				ELECTROMECHANICAL RELAY – LOW VOLTAGE	
				<b>ACCESSORIES</b>	<b>203</b>

## HAND DRYERS

	<b>ELN   EL-NIÑO</b>	<b>206</b>		<b>LAN   LA-NIÑA</b>	<b>212</b>
	HAND DRYER			HAND DRYER	
	<b>SHDXL   XLERATOR</b>	<b>209</b>		<b>HAND DRYER CROSS-REFERENCE TABLE</b>	<b>214</b>
	HAND DRYER				

**USEFUL INFORMATION** 216

**CATEGORIES INDEX** 224

# HISTORY

The history of Stelpro since its foundation is first and foremost that of a visionary company that has anticipated the market's needs. Over the years, the company has earned the confidence of consumers, professionals and its partners and achieved the enviable status of being the number 1 manufacturer of electric heating appliances in North America. Stelpro continually reinvents the heating industry with its value-added philosophy based on design and technology that transcend the purely functional nature of the devices. It is firmly established in the smart home market with its range of connected products and is laying the groundwork to become a major energy transition player.

1981-1990



## KICK-OFF

Employees: from 1 to 30  
Square footage: 25,000  
Territory covered: Quebec

Armed with an undeniable flair for business, a desire for improvement and a marked desire for innovation, John Chabot founds Chalais Électrik, the company that will later become Stelpro, in Drummondville in 1981. From its early years, the company made its mark in the heating industry by developing and launching innovative products, like the first open element construction heater and the smallest and quietest recessable residential fan heater. The unit in question, the Pulsair/RWF, is still on the market, proving that the company was already at the forefront of its field at this time.

1991-2000



## EXPANSION AND ACQUISITION

Employees: 150  
Square footage: 46,000  
Territory covered: Canada

The 1990s are a time of growth and change. First, the company moves to Boucherville, then in 1994, it acquires its competitor, Stelpro Chauffage Itée, thereby opening the doors to the Canadian market. By the end of the decade, Yves Chabot and his brother, a second generation of entrepreneurs, have joined the company. On the commercial level, the company breaks new ground again with the launch of the Dragon ceiling fan heater.

2001-2004



## CONTINUED EXPANSION AND

Employees: 200  
Square footage: 118,000  
Territory covered: Canada

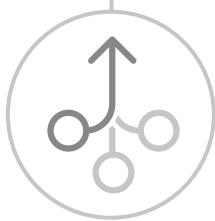
The beginning of the millennium marks a wind of change as the company continues to expand. A new head office and a state-of-the-art plant are built in St-Bruno-de-Montarville, and Chalais Électrik and Stelpro Chauffage merge to become Stelpro Design Inc. With an improved integrated production capacity that makes it the Canadian leader in its category, the new entity launches another phase of development by launching its heating cable division, always with a view to serving its customers well.



2005-2010

2011-2016

2016-...



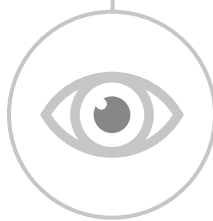
## CONSOLIDATION

Employees: 310

Square footage: 198,600

Territory covered: Canada and emerging onto the U.S. market

The two Chabot brothers take over as company Co-Presidents, consolidate the company's leadership position in Canada and enter the U.S. market. The creation of the Electronic Controls Division and the HVAC Division makes it possible for Stelpro to offer a full range of products that provide heating and control solutions for residential, commercial and institutional needs. These changes do not come at the expense of innovation. The company continues to reinvent the heating industry by launching the B baseboard, which is still a benchmark on the market, the sturdiest in its category and the first baseboard with a built-in electronic thermostat.



## NEW VISION

Employees: 430

Square footage: 216,600

Territory covered: North America

Yves Chabot becomes the sole president of Stelpro. Now a major player in the North American market, the company revamps its brand image and logo to better reflect its aspirations. "Stelpro, 360 Comfort" offers heating solutions tailored to each specific situation to ensure comfort for all.

**°STELPRO**  
360 comfort



## GROWTH

Employees: 490

Square footage: 286,000

Territory covered: North America

Stelpro, well established as a North American leader, continues its expansion across all its product divisions (heating, cables, HVAC and controls) and sales channels (electrical, HVAC and retail). The company keeps focusing on value-added design and technology to set itself apart and offer its customers still greater added value. Moreover, the launch of the Maestro ecosystem puts the company in an enviable position in the connected home world. Today, Stelpro remains a visionary company with a plan to become a major energy transition player in North America while continuing to create innovative and distinctive comfort solutions.





**October 31, 2019**

## FOUNDATION OF STELLO

Hilo by Hydro-Québec and Stelpro join forces to create the joint venture Stello, which specialises in smart home products.

**May 5, 2021**

## BEST MANAGED COMPANIES

Platinum Club winner in Canada's Best Managed Companies competition.



Platinum member

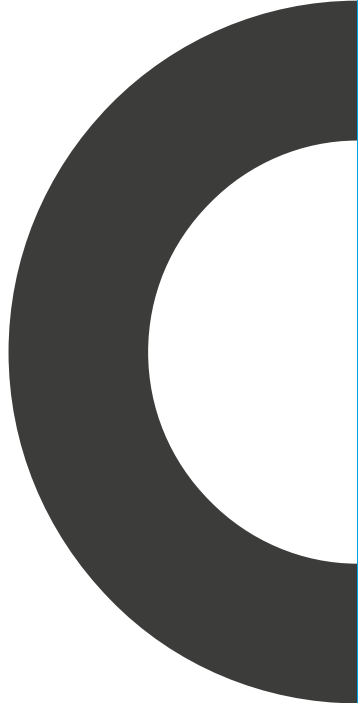
# 2021



**2018 to 2020**

## EXPANSION

Stelpro expands its plant in St-Bruno-de-Montarville by 65,000 sq. ft. This expansion has enabled it to pursue automation and robotisation projects while boosting its productivity and production capacity.



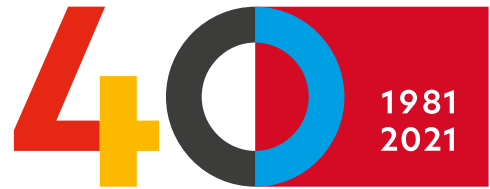
November 2, 2020

## ACQUISITION OF FLEXTHERM

Stelpro acquires Flextherm, a leader in the electric floor heating industry.

## STELPRO GETS INVOLVED

Since its foundation, Stelpro has supported many community organizations and foundations by offering services or monetary donations to support causes the family holds dear.



**Designing the future of comfort**



“Across North America, the future of heating will undoubtedly be electric, and we’re ready. Electricity has been part of our DNA for 40 years.”

**Yves Chabot**

# LET YOURSELF BE INSPIRED

From timeless classics to the latest trends, whether you want to create a relaxing or vibrant environment, Stelpro offers the largest colour assortment on the market. Let your imagination run wild!

## STANDARD COLOURS



## OPTIONAL COLOURS\*



## OPTIONAL PLUS COLOURS\*



## SPECIAL FINISH



Availability and price depending on models.

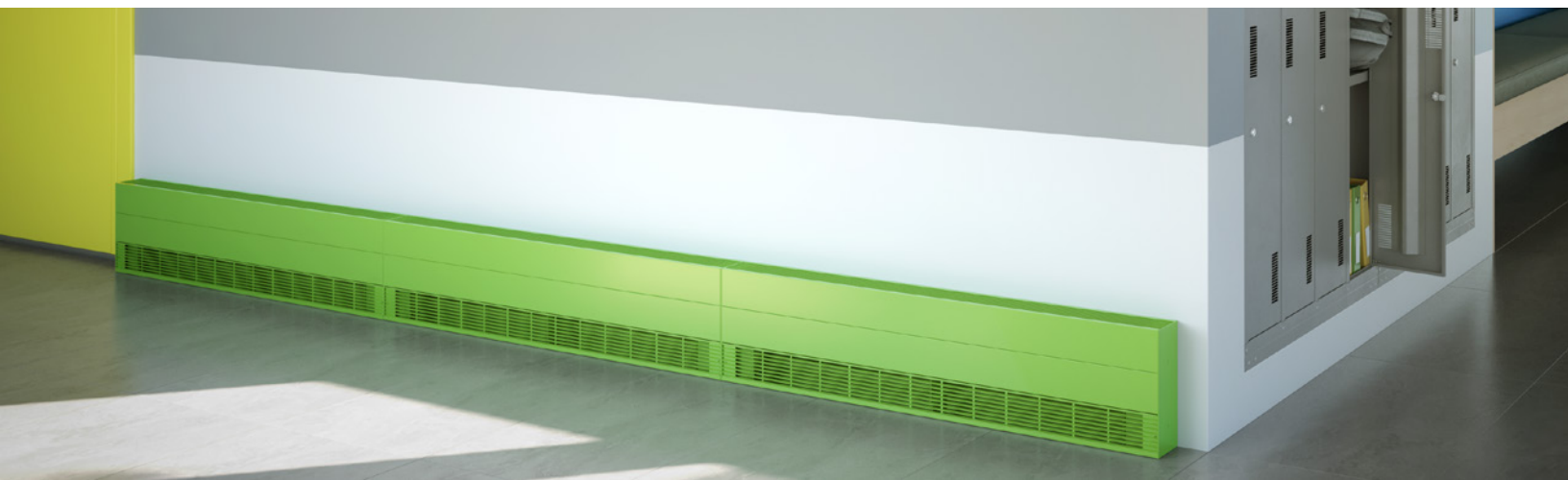
## CUSTOM COLOURS

YOUR HEART IS SET  
ON ANOTHER COLOUR?  
WE CAN REPLICATE ANY COLOUR!

Contact customer service to find out more.

\* Certain models are offered standard in these colours (ex. SHU, SGH and SCH Series). In such cases the colour premium and set up charge do not apply.

\*STELPRO reserves the right to modify description, manufacturing specifications or prices without prior notice. The premium applies to all painted units, no matter if there are different models of units or different colours. The set up charges are applicable for each ORORA or custom colour ordered. For further details on custom colours, whether chart or off-chart, contact your sales representative or customer service. These colours are only reproduced for information purposes. They may differ from the real colours. Some of them are metallic and cannot be accurately reproduced in print. **Returns are not accepted for orders of products with optional colours.** For all the latest models and updated prices, please refer to our website at [www.stelpro.com](http://www.stelpro.com).





# SMART HOME

At Stelpro, R&D is part of our DNA. Check out our full range of smart thermostats, including those for the Maestro ecosystem. Our thermostats can control temperatures remotely and customize heating management for optimal energy savings. Live the smart house experience with products specially designed for use in Quebec.



COMING SOON

# Allia

Smart home

## Welcome to your smart home

Allia is our “total comfort” connected ecosystem for the smart home. Entirely designed and manufactured in Canada, it includes a smart thermostat, a hub, a mobile application and a host of other connected products.

### How does it work?



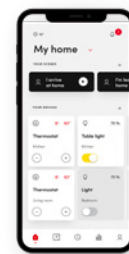
#### Install your hub

The Allia hub is the key component to create a smart home. It networks all compatible smart devices. Spec sheet: page 181.



#### Install your smart devices

Build your smart home at your own pace by adding a host of connected objects that are compatible with the Allia ecosystem. Discover them on [www.stelpro.com/en/Allia](http://www.stelpro.com/en/Allia) Spec sheet: page 182.



#### Control

Manage and control your entire smart home easily using the Allia mobile app or a voice assistant.

 amazon alexa

 Google Assistant



## Control at your fingertips with the Allia app

- Control your compatible smart devices no matter where you are
- Save on your electricity bill
- Group your devices by room based on your activities
- Build your comfort to suit your lifestyle







# HEATERS

Our residential, commercial and architectural electric heating products are designed and manufactured in Quebec to create comfortable environments during cold Canadian winters. Our heaters set themselves apart through their design, technology and price. No matter how complex the project, we deliver products tailored to your needs. Merge comfort and design today with Stelpro products.



# SOR | ORLÉANS™

## HIGH-END CONVECTOR



ORLÉANS™

Compatible with

Allia



## INNOVATION THAT MAXIMIZES YOUR COMFORT

With its unique design, the Orléans convector offers a faster temperature rise than any other convector on the market, ensuring optimal comfort in no time at all. The optional built-in thermostat is equipped with the Zigbee protocol and is smart home ready. In addition, the convector is available in optional colours exclusive to Stelpro, colours that will enhance even the simplest decor. Offering energy efficiency, connectivity, an adapted profile and a wide variety of models, the Orléans is now the benchmark for high-end convectors.

### STYLISH AND COMPACT DESIGN

30% SLIMMER CONVECTOR†

### OPTIMUM EFFICIENCY

25% FASTER TEMPERATURE RISE†

### BUILT-IN THERMOSTAT AVAILABLE (OPTIONAL)

COMPATIBLE WITH THE ALLIA ECOSYSTEM

### QUICK AND EASY INSTALLATION

EXCLUSIVE BRACKET SYSTEM

### TOTALLY QUIET

### COLOURS

- **standard:** white, soft white
- **Orora (optional):** refer to [www.stelpro.com/en-CA/Orora](http://www.stelpro.com/en-CA/Orora)

### FINISH

- epoxy-polyester powdercoat

### MANUFACTURING

- 20-gauge steel cabinet and front
- aluminum grille and sides
- bottom air intake and top air discharge
- the cabinet height improves the chimney effect
- safe, rounded corners
- easy access to controls
- thermal protection with automatic reset

### ELEMENTS

- aluminum extrusion
- two X-shaped elements to generate maximum heat

### CONTROL

- built-in smart thermostat featuring the Zigbee protocol (compatible with Allia and Maestro)
- colour-coded feedback for responsible energy consumption
- drastic temperature drop detection (open window function)

### INSTALLATION

- surface
- wall mounted at least 4 in. from the floor
- innovative mounting bracket for easy height adjustment
- back entry plate with cable clamps (included)

### WARRANTY

- five years, \*three years on electronic components

† Compared to similar convectors. Temperature rise is laboratory tested.

PATENTS PENDING

#### IDEAL FOR:

living room, kitchen, bedroom, office, hallway, basement, commercial space, waiting room, conference room




#### PART OF THE ORLÉANS FAMILY OF PRODUCTS

NEED A FAN HEATER FOR YOUR BATHROOM?

SORB



# TECHNICAL SPECIFICATIONS

BUILT-IN THERMOSTAT		WITHOUT THERMOSTAT		POWER	VOLTAGE	LENGTH		WEIGHT	
CODE	PRICE	CODE	PRICE	WATTS	VOLTS	MM	IN.	KG	LB
<b>STANDARD MODEL – HEIGHT OF 17 7/8 IN. (455 MM)</b> 									
SOR0502	398.00	SOR0502WC	309.00	500/375	240/208	457	18	4.8	10.7
SOR1002	424.00	SOR1002WC	335.00	1000/750	240/208	597	23 1/2	6	13.2
SOR1502	452.00	SOR1502WC	362.00	1500/1125	240/208	743	29 1/4	7.2	15.9
SOR2002	476.00	SOR2002WC	387.00	2000/1500	240/208	895	35 1/4	9.7	21.4
<b>HIGH MODEL – HEIGHT OF 27 7/8 IN. (708 MM)</b> 									
SORH1002	464.00	SORH1002WC	374.00	1000/750	240/208	457	18	6.8	15
SORH1502	488.00	SORH1502WC	400.00	1500/1125	240/208	623	24 1/2	8.8	19.4
SORH2002	514.00	SORH2002WC	425.00	2000/1500	240/208	768	30 1/4	10.5	23.2
<b>LOW MODEL – HEIGHT OF 13 IN. (330 MM)</b> 									
SORL1002	464.00	SORL1002WC	374.00	1000/750	240/208	750	29 1/2	5.2	11.5
SORL1502	488.00	SORL1502WC	400.00	1500/1125	240/208	1113	38 7/8	6.9	15.2
SORL2002	514.00	SORL2002WC	425.00	2000/1500	240/208	1276	50 1/4	8.3	18.3

Add W for white or SW for soft white (or consult the optional colour chart and contact your Stelpro representative for all other colours). Mechanical wall thermostats are not compatible with the without thermostat model (WC). An electronic thermostat is required.

## ACCESSORIES

PRODUCT	DESCRIPTION	PRICE
SORRE153*	built-in electronic low voltage relay [15 A @ 120 V-347 V]	66.50
SORRE153T*	built-in electronic low voltage relay c/w transformer 24 V [15 A @ 208 V-347 V]	85.25

Electronic relays can receive a PWM (pulsed width modulation) or digital (on/off) signal.  
\* Factory installed



## BUILT-IN THERMOSTAT

CONTROL THE TEMPERATURE OF YOUR HOME FROM YOUR SMARTPHONE, TABLET OR COMPUTER

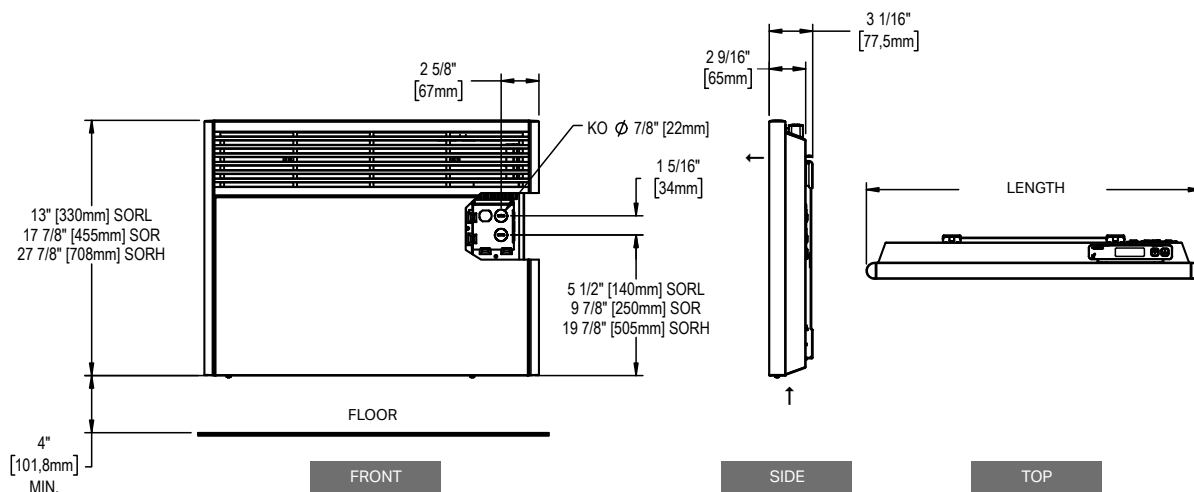


COMPATIBLE CONTROLLER REQUIRED

Compatible with **Allia**  **WORKS WITH SmartThings**

For home automated system compatibilities and instructions on connecting to your thermostat refer to [www.stelpro.com](http://www.stelpro.com).

## TECHNICAL DRAWINGS



# MIR | MIRAGE™

## CONVECTOR



## MIRAGE™

### THE MOST DISCREET ON THE MARKET!

The Mirage convector has a unique, modern and discreet look and offers unquestionable efficiency. Available with or without an ultra-precise integrated electronic thermostat and in several voltages, the Mirage is suitable for rooms in homes or businesses. With its simple facade and elegant design, the Mirage blends in with any decor.

#### BLENDS IN WITH ANY DECOR

#### STURDY ONE-PIECE FRONT PANEL

#### TOTALLY QUIET

#### BUILT-IN ELECTRONIC THERMOSTAT (OPTIONAL) WITH BACKLIT SCREEN

#### ADAPTS TO MULTIPLE MARKETS

AVAILABLE IN 120 V, 208 V, 240 V, 347 V AND 600 V

#### COLOURS

- **standard:** white, soft white
- **Orora (optional):** refer to [www.stelpro.com/en-CA/Orora](http://www.stelpro.com/en-CA/Orora)

#### FINISH

- epoxy-polyester powdercoat

#### MANUFACTURING

- 20-gauge steel cabinet and front
- the cabinet height improves the chimney effect
- bottom air intake and top air discharge
- 6 ft (2 m) 16 gage molded cable with 3-prong grounded, 120 V plug (MIR1501P model)

#### ELEMENTS

- two stainless steel tubular sheathed elements insulated with nylon sleeves reducing expansion and contraction noises

#### CONTROL

- electronic thermostat required: built-in electronic thermostat with LCD screen (optional) or electronic wall thermostat (not included)
- automatic temperature lowering at night (Automatic mode)
- maximum temperature setpoint lock option (Security mode)

#### INSTALLATION

- surface mounted only
- wall mounted at least 4 in. from the floor
- concealed mounting bracket (included)
- back entry plate with cable clamps (included)

#### WARRANTY

- five years, \*three years on electronic components



ALSO AVAILABLE  
EASY INSTALLATION WITH 120 V PLUG

#### IDEAL FOR:

kitchen, living room, bedroom, basement, commercial space, office

# TECHNICAL SPECIFICATIONS

BUILT-IN THERMOSTAT		WITHOUT THERMOSTAT		POWER	VOLTAGE	HEIGHT		LENGTH		WEIGHT	
CODE	PRICE	CODE	PRICE	WATTS	VOLTS	MM	IN.	MM	IN.	KG	LB
MIR0501	248.00	MIR0501WC	207.00	500	120	457	18	444	17 1/2	5.3	11.75
MIR0508	248.00	MIR0508WC	207.00	500	208	457	18	444	17 1/2	5.3	11.75
MIR0502	216.00	MIR0502WC	175.00	500/375	240/208	457	18	444	17 1/2	5.3	11.75
---	---	MIR0503WC	261.00	500	347	457	18	444	17 1/2	5.3	11.75
MIR1001	263.00	MIR1001WC	220.00	1000	120	457	18	597	23 1/2	6.7	14.75
MIR1008	263.00	MIR1008WC	221.00	1000	208	457	18	597	23 1/2	6.7	14.75
MIR1002	230.00	MIR1002WC	188.00	1000/750	240/208	457	18	597	23 1/2	6.7	14.75
---	---	MIR1003WC	275.00	1000	347	457	18	597	23 1/2	6.7	14.75
---	---	MIR1006WC	275.00	1000	600	457	18	597	23 1/2	6.7	14.75
MIR1501	274.00	MIR1501WC	232.00	1500	120	457	18	749	29 1/2	8	17.75
MIR1508	275.00	MIR1508WC	233.00	1500	208	457	18	749	29 1/2	8	17.75
MIR1502	242.00	MIR1502WC	199.00	1500/1125	240/208	457	18	749	29 1/2	8	17.75
---	---	MIR1503WC	286.00	1500	347	457	18	749	29 1/2	8	17.75
---	---	MIR1506WC	286.00	1500	600	457	18	749	29 1/2	8	17.75
MIR2008	287.00	MIR2008WC	244.00	2000	208	457	18	902	35 1/2	9.4	20.75
MIR2002	254.00	MIR2002WC	210.00	2000/1500	240/208	457	18	902	35 1/2	9.4	20.75
---	---	MIR2003WC	298.00	2000	347	457	18	902	35 1/2	9.4	20.75
---	---	MIR2006WC	298.00	2000	600	457	18	902	35 1/2	9.4	20.75
<b>MODEL WITH 120 V PLUG (RESIDENTIAL OUTLET)</b>											
MIR1501P*	292.00	---	---	1500	120	457	18	749	29 1/2	8	17.75

Add W for white or SW for soft white (or consult the optional colour chart and contact your Stelpro representative for all other colours).  
 Mechanical wall thermostats are not compatible with the without thermostat model (WC). An electronic thermostat is required. Models also available in 277 V and 480 V.  
 \* Available in white only  
 --- not available

## ACCESSORIES

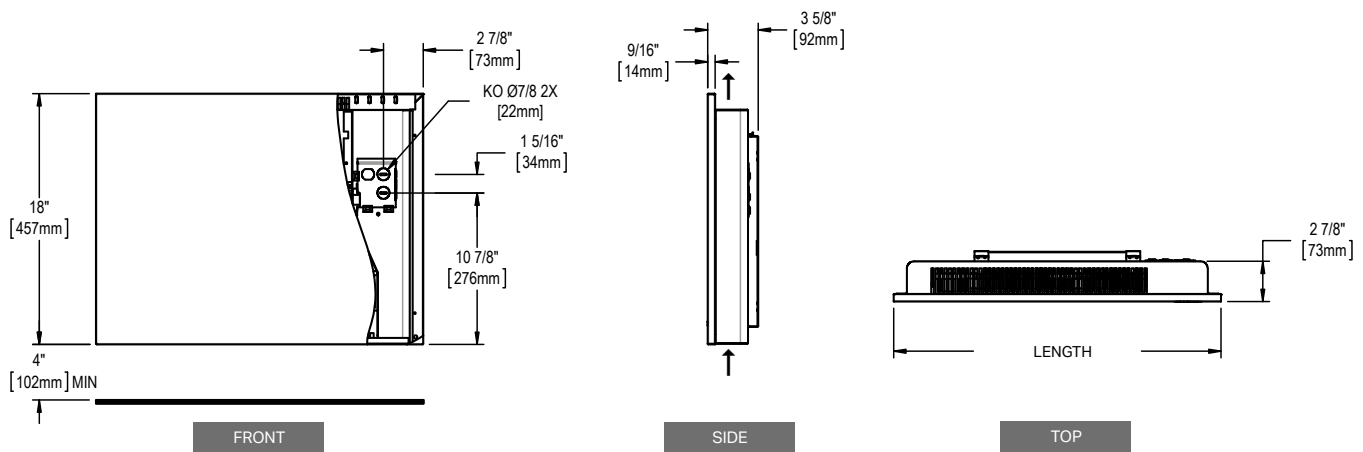
PRODUCT	DESCRIPTION	PRICE
MIRRE153*	built-in electronic low voltage relay [15 A @ 120 V-347 V]	63.75
MIRRE156*	built-in electronic low voltage relay [6 A @ 600 V]	103.00
MIRRE153T*	built-in electronic low voltage relay c/w transformer 24 V [15 A @ 208 V-347 V]	80.00

Electronic relays can receive a PWM (pulsed width modulation) or digital (on/off) signal.  
 \* Factory installed



**BUILT-IN ELECTRONIC THERMOSTAT AVAILABLE FOR THE 120 V TO 240 V MODELS**

## TECHNICAL DRAWINGS



# SHC

## CONVECTOR



## EFFICIENT HEATING

Our SHC convector has pleasing rounded sides and beautiful modern lines. It is available with or without an ultra-accurate built-in electronic thermostat, so you can choose the level of control you want. This attractive unit is available in two colours and many voltages making it suitable for both commercial and residential applications. A real gem!

### EXCELLENT VALUE

### TOTALLY QUIET

### BUILT-IN ELECTRONIC THERMOSTAT (OPTIONAL) WITH A BACKLIT SCREEN

### ADAPTS TO MULTIPLE MARKETS

AVAILABLE IN: 120 V, 208 V, 240 V, 347 V AND 600 V

### COLOURS

- **standard:** white, soft white
- **Orora (optional):** refer to [www.stelpro.com/en-CA/Orora](http://www.stelpro.com/en-CA/Orora)

### FINISH

- epoxy-polyester powdercoat

### MANUFACTURING

- 22-gauge steel cabinet and 20-gauge steel front
- the cabinet height improves the chimney effect
- bottom air intake and front air discharge
- 6 ft (2 m) 16 gage molded cable with 3-prong grounded, 120 V plug (SHC1501P model)

### ELEMENTS

- two stainless steel tubular sheathed elements insulated with nylon sleeves to reduce expansion and contraction noises

### CONTROL

- electronic thermostat required: built-in electronic thermostat with LCD screen (optional) or electronic wall thermostat (not included)

### INSTALLATION

- surface mounted only
- wall mounted at least 4 in. from the floor
- concealed mounting bracket (included)
- back entry plate with cable clamps (included)

### WARRANTY

- five years, \*three years on electronic components



ALSO AVAILABLE  
EASY INSTALLATION WITH 120 V PLUG

### IDEAL FOR:

kitchen, living room, bedroom, office, basement, commercial space

# TECHNICAL SPECIFICATIONS

BUILT-IN THERMOSTAT	PRICE	WITHOUT THERMOSTAT	PRICE	POWER	VOLTAGE	HEIGHT		LENGTH		WEIGHT	
CODE		CODE		WATTS	VOLTS	MM	IN.	MM	IN.	KG	LB
SHC0501	224.00	SHC0501WC	181.00	500	120	446	17 9/16	440	17 5/16	5.1	11.2
SHC0508	224.00	SHC0508WC	181.00	500	208	446	17 9/16	440	17 5/16	5.1	11.2
SHC0502	192.00	SHC0502WC	149.00	500/375	240/208	446	17 9/16	440	17 5/16	5.1	11.2
---	---	SHC0503WC	238.00	500	347	446	17 9/16	440	17 5/16	5.1	11.2
SHC1001	238.00	SHC1001WC	195.00	1000	120	446	17 9/16	581	22 7/8	6.0	13.3
SHC1008	238.00	SHC1008WC	195.00	1000	208	446	17 9/16	581	22 7/8	6.0	13.3
SHC1002	205.00	SHC1002WC	162.00	1000/750	240/208	446	17 9/16	581	22 7/8	6.0	13.3
---	---	SHC1003WC	251.00	1000	347	446	17 9/16	581	22 7/8	6.0	13.3
---	---	SHC1006WC	251.00	1000	600	446	17 9/16	581	22 7/8	6.0	13.3
SHC1501	249.00	SHC1501WC	206.00	1500	120	446	17 9/16	727	28 5/8	7.1	15.7
SHC1508	249.00	SHC1508WC	206.00	1500	208	446	17 9/16	727	28 5/8	7.1	15.7
SHC1502	217.00	SHC1502WC	174.00	1500/1125	240/208	446	17 9/16	727	28 5/8	7.1	15.7
---	---	SHC1503WC	263.00	1500	347	446	17 9/16	727	28 5/8	7.1	15.7
---	---	SHC1506WC	263.00	1500	600	446	17 9/16	727	28 5/8	7.1	15.7
SHC2008	271.00	SHC2008WC	228.00	2000	208	446	17 9/16	889	35	8.6	18.9
SHC2002	239.00	SHC2002WC	196.00	2000/1500	240/208	446	17 9/16	889	35	8.6	18.9
---	---	SHC2003WC	285.00	2000	347	446	17 9/16	889	35	8.6	18.9
---	---	SHC2006WC	285.00	2000	600	446	17 9/16	889	35	8.6	18.9
<b>MODEL WITH 120 V PLUG (RESIDENTIAL OUTLET)</b>											
SHC1501P*	269.00	---	---	1500	120	446	17 9/16	727	28 5/8	7.1	15.7

Add W for white or SW for soft white (consult the optional colours chart or contact your Stelpro representative for all other colours).

Mechanical wall thermostats are not compatible with the without thermostat model (WC). An electronic thermostat is required. Models also available in 277 V and 480 V.

\* Available in white only

--- not available

## ACCESSORIES

PRODUCT	DESCRIPTION	PRICE
SHCRE153*	built-in electronic low voltage relay [15 A @ 120 V-347 V]	63.75
SHCRE156*	built-in electronic low voltage relay [6 A @ 600 V]	103.00
SHCRE153T*	built-in electronic low voltage relay c/w transformer 24 V [15 A @ 208 V-347 V]	80.00

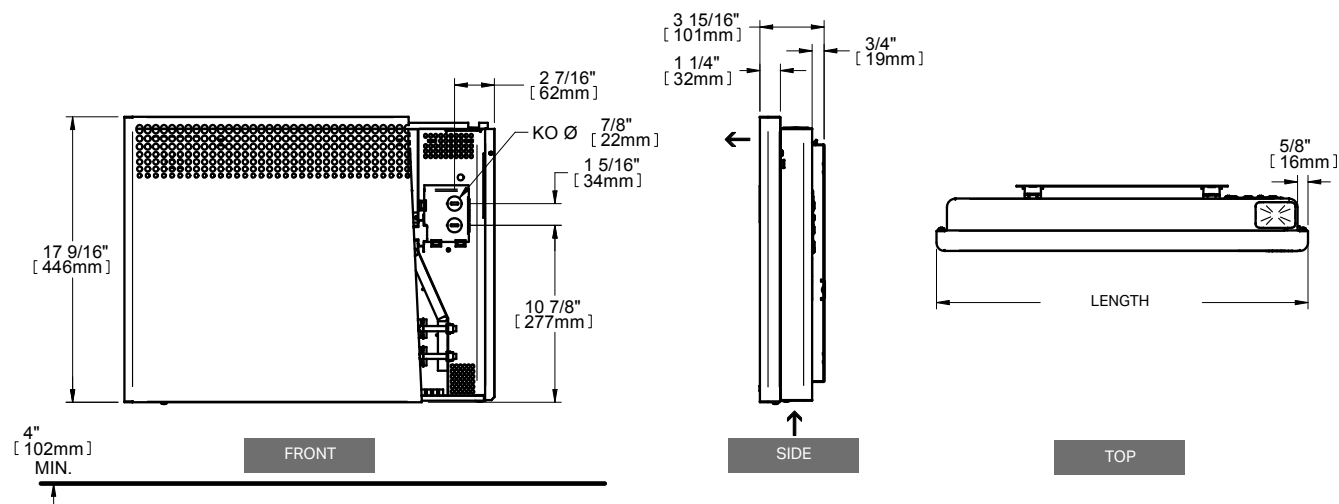
Electronic relays can receive a PWM (pulsed width modulation) or digital (on/off) signal.

\* Factory installed



**BUILT-IN ELECTRONIC THERMOSTAT AVAILABLE FOR THE 120 V TO 240 V MODELS**

## TECHNICAL DRAWINGS





# BA | BELLA™

## HIGH-END BASEBOARD



## LA DOLCE VITA WITH BELLA

The high-end Bella baseboard is undoubtedly the most beautiful offered on the market. Its breathtaking design and sturdy aluminum-extruded facade make it the ideal choice for residential and commercial locations. The Bella is available in two densities: 150 W or 250 W per linear foot.

### CLEAN AND HIGH-END FINISH

**EXTREMELY SOLID,  
IMPACT AND RUST RESISTANT**  
MADE OF EXTRUDED ALUMINUM

**FIT FOR RESIDENTIAL AND  
COMMERCIAL ENVIRONMENTS**

**TOTALLY QUIET**

### COLOURS

- **standard:** white
- **Orora (optional):** refer to [www.stelpro.com/en-CA/Orora](http://www.stelpro.com/en-CA/Orora)

### FINISH

- epoxy-polyester powdercoat

### MANUFACTURING

- 22-gauge steel cabinet
- 11-gauge equivalent extruded aluminum with molded and curved end-caps
- discreet air inlet: air enters through the front of the unit and exits from the top
- thermal protection with automatic reset
- full-length wireway

### ELEMENT

- single tubular, stainless steel sheathed element with boxed aluminum fins for improved heat dissipation; the element is securely fastened at its centre, floating in nylon sleeves at each end, eliminating expansion and contraction noises

### CONTROL

- wall thermostat (not included) – the use of an electronic thermostat is strongly recommended
- built-in mechanical single pole or double pole thermostat, installed in the left or right junction box (optional)
- low voltage relay kit installed in the left or right junction box (optional)
- disconnect switch (optional)

### INSTALLATION

- surface mounted
- wiring compartment at both ends of unit

### WARRANTY

- five years, \*lifetime warranty on the heating element (for original owner)

#### IDEAL FOR:

kitchen, living room, bedroom, basement, commercial space, office

# TECHNICAL SPECIFICATIONS

DENSITY OF 250 W PER LINEAR FOOT			DENSITY OF 150 W PER LINEAR FOOT			VOLTAGE	TOTAL LENGTH		WALL LENGTH		WEIGHT	
CODE	WATTS	PRICE	CODE	WATTS	PRICE	VOLTS	MM	IN.	MM	IN.	KG	LB
BA0301	300	173.00	---	---	---	120	529	20 13/16	516	20 5/16	2.3	5.1
BA0308	300	141.00	---	---	---	208	529	20 13/16	516	20 5/16	2.3	5.1
BA0302	300/225	142.00	---	---	---	240/208	529	20 13/16	516	20 5/16	2.3	5.1
---	300	---	---	---	---	347	529	20 13/16	516	20 5/16	2.3	5.1
---	300	---	---	---	---	600	529	20 13/16	516	20 5/16	2.3	5.1
BA0501	500	180.00	BAL0301	300	180.00	120	732	28 13/16	719	28 5/16	3.0	6.5
BA0508	500	148.00	BAL0308	300	148.00	208	732	28 13/16	719	28 5/16	3.0	6.5
BA0502	500/375	148.00	BAL0302	300/225	148.00	240/208	732	28 13/16	719	28 5/16	3.0	6.5
BA0503	500	180.00	---	300	---	347	732	28 13/16	719	28 5/16	3.0	6.5
---	500	---	---	300	---	600	732	28 13/16	719	28 5/16	3.0	6.5
BA0751	750	204.00	BAL0451	450	204.00	120	978	38 1/2	965	38	3.6	8.0
BA0758	750	167.00	BAL0458	450	167.00	208	978	38 1/2	965	38	3.6	8.0
BA0752	750/560	167.00	BAL0452	450/340	167.00	240/208	978	38 1/2	965	38	3.6	8.0
BA0753	750	204.00	BAL0453	450	204.00	347	978	38 1/2	965	38	3.6	8.0
BA0756	750	204.00	---	450	---	600	978	38 1/2	965	38	3.6	8.0
BA1001	1000	213.00	BAL0601	600	212.00	120	1229	48 3/8	1216	47 7/8	4.4	9.7
BA1008	1000	175.00	BAL0608	600	175.00	208	1229	48 3/8	1216	47 7/8	4.4	9.7
BA1002	1000/750	175.00	BAL0602	600/450	175.00	240/208	1229	48 3/8	1216	47 7/8	4.4	9.7
BA1003	1000	212.00	BAL0603	600	212.00	347	1229	48 3/8	1216	47 7/8	4.4	9.7
BA1006	1000	212.00	---	600	---	600	1229	48 3/8	1216	47 7/8	4.4	9.7
BA1251	1250	258.00	BAL0751	750	258.00	120	1478	58 3/16	1465	57 11/16	5.2	11.4
BA1258	1250	207.00	BAL0758	750	207.00	208	1478	58 3/16	1465	57 11/16	5.2	11.4
BA1252	1250/940	207.00	BAL0752	750/560	207.00	240/208	1478	58 3/16	1465	57 11/16	5.2	11.4
BA1253	1250	258.00	BAL0753	750	258.00	347	1478	58 3/16	1465	57 11/16	5.2	11.4
BA1256	1250	258.00	BAL0756	750	258.00	600	1478	58 3/16	1465	57 11/16	5.2	11.4
BA1501	1500	272.00	BAL0901	900	272.00	120	1707	67 3/16	1694	66 11/16	6.0	13.2
BA1508	1500	221.00	BAL0908	900	221.00	208	1707	67 3/16	1694	66 11/16	6.0	13.2
BA1502	1500/1125	222.00	BAL0902	900/675	221.00	240/208	1707	67 3/16	1694	66 11/16	6.0	13.2
BA1503	1500	272.00	BAL0903	900	272.00	347	1707	67 3/16	1694	66 11/16	6.0	13.2
BA1506	1500	272.00	BAL0906	900	272.00	600	1707	67 3/16	1694	66 11/16	6.0	13.2
---	1750	---	BAL1051	1050	321.00	120	1953	76 7/8	1940	76 3/8	6.8	15.0
BA1758	1750	265.00	BAL1058	1050	265.00	208	1953	76 7/8	1940	76 3/8	6.8	15.0
BA1752	1750/1310	266.00	BAL1052	1050/790	265.00	240/208	1953	76 7/8	1940	76 3/8	6.8	15.0
BA1753	1750	321.00	BAL1053	1050	321.00	347	1953	76 7/8	1940	76 3/8	6.8	15.0
BA1756	1750	321.00	BAL1056	1050	321.00	600	1953	76 7/8	1940	76 3/8	6.8	15.0
---	2000	---	BAL1201	1200	349.00	120	2154	84 13/16	2141	84 5/16	7.7	16.9
BA2008	2000	290.00	BAL1208	1200	290.00	208	2154	84 13/16	2141	84 5/16	7.7	16.9
BA2002	2000/1500	289.00	BAL1202	1200/900	290.00	240/208	2154	84 13/16	2141	84 5/16	7.7	16.9
BA2003	2000	349.00	BAL1203	1200	349.00	347	2154	84 13/16	2141	84 5/16	7.7	16.9
BA2006	2000	349.00	BAL1206	1200	349.00	600	2154	84 13/16	2141	84 5/16	7.7	16.9
---	2250	---	---	1350	---	120	2405	94 11/16	2392	94 3/16	8.6	18.8
BA2258	2250	322.00	BAL1358	1350	322.00	208	2405	94 11/16	2392	94 3/16	8.6	18.8
BA2252	2250/1690	322.00	BAL1352	1350/1010	322.00	240/208	2405	94 11/16	2392	94 3/16	8.6	18.8
BA2253	2250	384.00	BAL1353	1350	384.00	347	2405	94 11/16	2392	94 3/16	8.6	18.8
BA2256	2250	384.00	BAL1356	1350	384.00	600	2405	94 11/16	2392	94 3/16	8.6	18.8
---	2500	---	---	1500	---	120	2629	103 1/2	2616	103	9.4	20.7
BA2508	2500	344.00	BAL1508	1500	344.00	208	2629	103 1/2	2616	103	9.4	20.7
BA2502	2500/1875	344.00	BAL1502	1500/1125	344.00	240/208	2629	103 1/2	2616	103	9.4	20.7
BA2503	2500	410.00	BAL1503	1500	410.00	347	2629	103 1/2	2616	103	9.4	20.7
BA2506	2500	410.00	BAL1506	1500	410.00	600	2629	103 1/2	2616	103	9.4	20.7

Add W for white (consult the optional colours chart or contact your Stelpro representative for all other colours).  
 Models also available in 277 V and 480 V.  
 --- not available

# ACCESSORIES

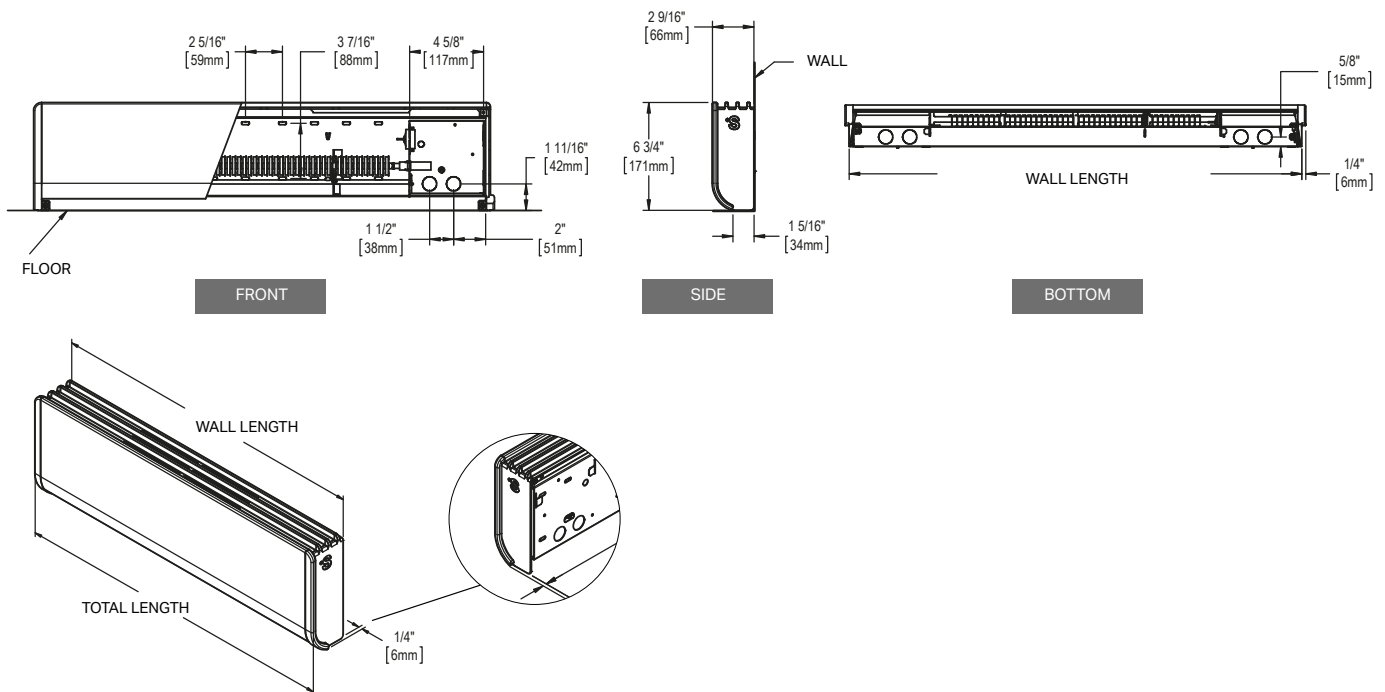
PRODUCT	DESCRIPTION	PRICE
<b>BA1T1W*</b>	built-in single pole thermostat [120 V-600 V]	<b>32.00</b>
<b>BA2T1W*</b>	built-in double pole thermostat [120 V-600 V]	<b>36.00</b>
<b>BARE153*</b>	built-in electronic low voltage relay [15 A @ 120 V-347 V]	<b>64.25</b>
<b>BARE156*</b>	built-in electronic low voltage relay [6 A @ 600 V]	<b>104.00</b>
<b>BARE153T*</b>	built-in electronic low voltage relay c/w transformer 24 V [15 A @ 208 V-347 V]	<b>80.75</b>
<b>BARM240T*</b>	built-in electromechanical relay c/w transformer 24 V [6000 W @ 240 V and 5200 W @ 208 V]	<b>89.00</b>
<b>BARM347T*</b>	built-in electromechanical relay c/w transformer 24 V [6000 W @ 347 V]	<b>96.50</b>
<b>BARM347C*</b>	built-in electromechanical relay w/o transformer 24 V [6000 W @ 120 V-347 V]	<b>72.00</b>
<b>BAR841D1036*</b>	built-in electromechanical low voltage relay w/o transformer 24 V [6000 W @ 600 V]	<b>113.00</b>
<b>BADIS*</b>	disconnect switch [up to 277 V max 15 A]	<b>103.00</b>
<b>BADIS6*</b>	disconnect switch [600 V]	<b>155.00</b>

Electronic relays can receive a PWM (pulsed width modulation) or digital (on/off) signal.

\* Factory installed

\* Factory installation is strongly recommended.

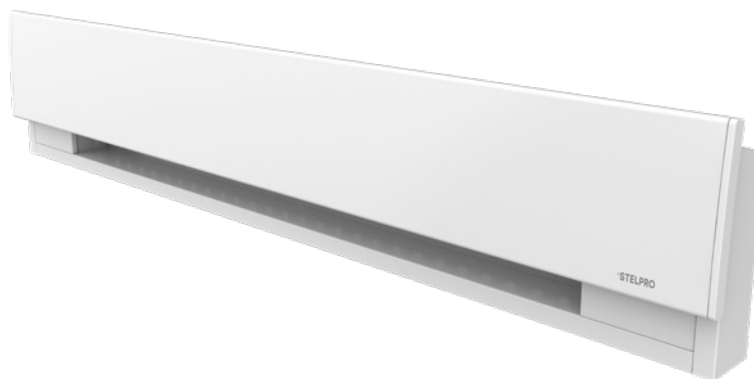
## TECHNICAL DRAWINGS





# SPR | PRIMA™

## HIGH-END COMPACT BASEBOARD



# PRIMA™

## ELEGANCE, DISCRETION AND EFFICIENCY

The Prima electric baseboard has a distinctive compact format that adapts to various applications without compromising on performance. Thanks to its safe and innovative housing design with concealed elements, it's easy to clean and maintain. Sleek and elegant, Prima adds a modern touch to any room.

### COMPACT AND EFFICIENT

UP TO 25% SHORTER THAN A TRADITIONAL BASEBOARD

### SAFER HOUSING

6 MM (1/4 IN.) OPENINGS BLOCK ACCESS TO ELEMENTS

### IMPACT RESISTANT

REINFORCED FRONT PANEL

### FAST AND EASY INSTALLATION

GUIDE MARKS TO FACILITATE MOUNTING TO WALL

### EASY TO CLEAN

TWO-CLICK REMOVABLE FRONT PANEL

### COLOURS

- **standard:** white
- **ORORA (optional):** refer to [www.stelpro.com/en-CA/orora](http://www.stelpro.com/en-CA/orora)

### FINISH

- epoxy-polyester powdercoat

### MANUFACTURING

- 22-gauge annealed galvanized steel housing and 20-gauge one-piece front panel that can support 99.8 kg (220 lbs) at the centre
- full-length thermal protection with automatic reset
- discreet air inlet; air exits from the top for maximum air circulation
- full-length wireway

### ELEMENT

- single tubular, stainless steel sheathed element with boxed aluminum fins for improved heat dissipation; the element is securely fastened at its centre, floating in nylon sleeves at each end, eliminating expansion and contraction noises during heat cycles

### CONTROL

- wall thermostat (not included) – use of a Stelpro electronic thermostat is strongly recommended
- built-in single pole electronic thermostat that can be installed in the right or left junction box (optional)
- low voltage relay kit and disconnect switch (optional)

### INSTALLATION

- surface mounted
- connection compartment at each end
- BX and clamp knockouts for the NMD cables located at each end, at the back and under the unit
- oblong mounting holes at 1-inch intervals (top and bottom) and marks every 8 inches to locate studs

### WARRANTY

- five years, \*three years on electronic components and lifetime warranty on heating element (for original owner)

#### IDEAL FOR:

living room, dining room, kitchen, bedroom, office

# TECHNICAL SPECIFICATIONS

325 W DENSITY PER LINEAR FOOT*			275 W DENSITY PER LINEAR FOOT*			VOLTAGE		TOTAL LENGTH		WALL LENGTH		WEIGHT	
CODE	WATTS	PRICE	CODE	WATTS	PRICE	VOLTS	MM	IN.	MM	IN.	KG	LB	
SPR0501	500	88.00	SPRM0371	375	94.00	120	566	22 1/4	556	21 7/8	2.6	5.7	
SPR0508	500	88.00	SPRM0378	375	94.00	208	566	22 1/4	556	21 7/8	2.6	5.7	
SPR0502	500/375	70.00	SPRM0372	375/280	77.00	240/208	566	22 1/4	556	21 7/8	2.6	5.7	
SPR0503	500	88.00	---	---	---	347	566	22 1/4	556	21 7/8	2.6	5.7	
SPR1001	1000	98.00	SPRM0751	750	105.00	120	916	36 1/16	906	35 11/16	3.5	7.7	
SPR1008	1000	98.00	SPRM0758	750	105.00	208	916	36 1/16	906	35 11/16	3.5	7.7	
SPR1002	1000/750	82.00	SPRM0752	750/560	89.00	240/208	916	36 1/16	906	35 11/16	3.5	7.7	
SPR1003	1000	98.00	SPRM0753	750	105.00	347	916	36 1/16	906	35 11/16	3.5	7.7	
SPR1501	1500	117.00	SPRM1251	1250	124.00	120	1267	49 7/8	1257	49 1/2	4.4	9.7	
SPR1508	1500	117.00	SPRM1258	1250	124.00	208	1267	49 7/8	1257	49 1/2	4.4	9.7	
SPR1502	1500/1125	99.00	SPRM1252	1250/940	107.00	240/208	1267	49 7/8	1257	49 1/2	4.4	9.7	
SPR1503	1500	117.00	SPRM1253	1250	124.00	347	1267	49 7/8	1257	49 1/2	4.4	9.7	
---	---	---	---	---	---	120	---	---	---	---	---	---	
SPR2008	2000	143.00	SPRM1758	1750	148.00	208	1618	63 11/16	1608	63 5/16	5.3	11.7	
SPR2002	2000/1500	125.00	SPRM1752	1750/1315	132.00	240/208	1618	63 11/16	1608	63 5/16	5.3	11.7	
SPR2003	2000	143.00	SPRM1753	1750	148.00	347	1618	63 11/16	1608	63 5/16	5.3	11.7	

Add W for white (consult the optional colours chart or contact your Stelpro representative for all other colours).

\*Densities are averages. --- not available

## ACCESSORIES

PRODUCT	DESCRIPTION	PRICE
SIBTE12C	built-in electronic thermostat – Celsius [120 V-240 V]	59.00
SIBTE13C	built-in electronic thermostat – Celsius [277 V-347 V]	78.25
SPRRE153*	built-in electronic low voltage relay [15 A @ 120 V-347 V]	54.75
SPRRE153T*	built-in electronic low voltage relay with 24 V transformer [15 A @ 208 V-347 V]	69.25
SPRRM120T*	built-in electromechanical relay with 24 V transformer [6000 W @ 120 V]	77.50
SPRRM240T*	built-in electromechanical relay with 24 V transformer [6000 W @ 240 V and 5200 W @ 208 V]	74.25
SPRRM347T*	built-in electromechanical relay with 24 V transformer [6000 W @ 347 V]	77.50
SPRRM347C*	built-in electromechanical relay without 24 V transformer [6000 W @ 120 V-347 V]	57.75

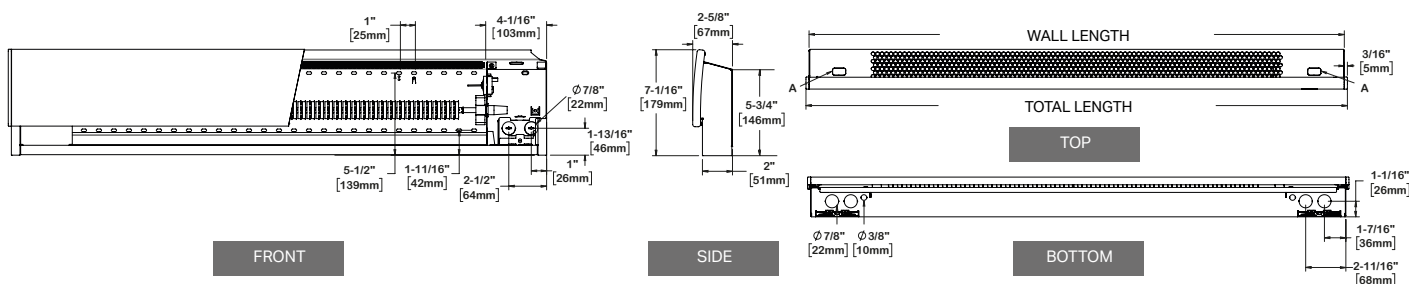
Electronic relays can receive a PWM (pulsed width modulation) or all-or-nothing (on/off) signal.

\*Factory installation only



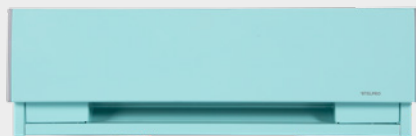
ULTRA PRECISE ELECTRONIC THERMOSTAT (OPTIONAL)

## TECHNICAL DRAWINGS



A = LOCATION OF BUILT-IN THERMOSTAT (OPTIONAL)

DISCOVER OUR RANGE OF COLOURS



TURQUOISE



MOSS GREEN



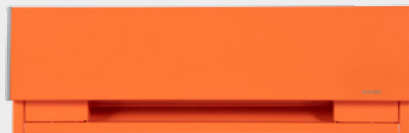
RED



DENIM BLUE



CHARCOAL



ORANGE







# B | BRAVA™

## ELECTRIC BASEBOARD



# BRAVA



## THE REFERENCE ON THE MARKET

The B baseboard's reputation is well established. It's simply the most recognized and sought-after baseboard on the market. Now known as the Brava, this strong and durable baseboard stands out thanks to its rounded corners and unique, no-end-cap, one-piece design.

### ROUNDED CORNERS

### QUICK AND EASY INSTALLATION

### STRONG CABINET ONE-PIECE CONSTRUCTION

### MAY BE CONTROLLED BY A BUILT-IN OR WALL THERMOSTAT

### COLOURS

- **standard:** white, soft white
- **Orora (optional):** refer to [www.stelpro.com/en-CA/orora](http://www.stelpro.com/en-CA/orora)

### FINISH

- epoxy-polyester powdercoat

### MANUFACTURING

- 22-gauge steel casing able to support 75 kg (165 lb) at its centre
- full-length thermal protection with automatic reset
- cabinet designed to ensure optimal hot air distribution
- full-length wireway

### ELEMENT

- single tubular, stainless steel sheathed element with boxed aluminum fins for improved heat dissipation; the element is securely fastened at its centre, floating in nylon sleeves at each end, eliminating expansion and contraction noises

### CONTROL

- built-in thermostat installed in the left or right junction box (optional)
- single pole electronic thermostat installed in the left or right junction box (optional)
- wall thermostat (not included) – the use of an electronic thermostat is strongly recommended
- low voltage relay kit installed in the left junction box only (optional)

### INSTALLATION

- surface mounted
- knockouts for the BX and clamps for the NMD cables located at each end
- mounting holes spaced at 1-inch intervals along the top and the bottom of the unit

### WARRANTY

- five years, \*three years on electronic components and lifetime warranty on heating element (for original owner)

#### IDEAL FOR:

kitchen, living room, bedroom, office, basement, commercial space

# TECHNICAL SPECIFICATIONS

DENSITY OF 250 W PER LINEAR FOOT	POWER	VOLTAGE	LENGTH		WEIGHT		PRICE
CODE	WATTS	VOLTS	MM	IN.	KG	LB	
<b>B0301</b>	300	120	505	19 7/8	2.0	5	<b>54.00</b>
<b>B0308</b>	300	208	505	19 7/8	2.0	5	<b>43.75</b>
<b>B0302</b>	300/225	240/208	505	19 7/8	2.0	5	<b>42.00</b>
---	300	347	505	19 7/8	2.0	5	---
---	300	600	505	19 7/8	2.0	5	---
<b>B0501</b>	500	120	708	27 7/8	3.0	7	<b>56.00</b>
<b>B0508</b>	500	208	708	27 7/8	3.0	7	<b>45.75</b>
<b>B0502</b>	500/375	240/208	708	27 7/8	3.0	7	<b>44.00</b>
<b>B0503</b>	500	347	708	27 7/8	3.0	7	<b>55.75</b>
---	500	600	708	27 7/8	3.0	7	---
<b>B0751</b>	750	120	956	37 5/8	4.1	9	<b>62.00</b>
<b>B0758</b>	750	208	956	37 5/8	4.1	9	<b>53.25</b>
<b>B0752</b>	750/560	240/208	956	37 5/8	4.1	9	<b>50.00</b>
<b>B0753</b>	750	347	956	37 5/8	4.1	9	<b>61.00</b>
<b>B0756</b>	750	600	956	37 5/8	4.1	9	<b>61.00</b>
<b>B1001</b>	1000	120	1207	47 1/2	5.1	11	<b>73.00</b>
<b>B1008</b>	1000	208	1207	47 1/2	5.1	11	<b>60.75</b>
<b>B1002</b>	1000/750	240/208	1207	47 1/2	5.1	11	<b>58.00</b>
<b>B1003</b>	1000	347	1207	47 1/2	5.1	11	<b>71.75</b>
<b>B1006</b>	1000	600	1207	47 1/2	5.1	11	<b>71.75</b>
<b>B1251</b>	1250	120	1454	57 1/4	6.2	14	<b>86.00</b>
<b>B1258</b>	1250	208	1454	57 1/4	6.2	14	<b>71.50</b>
<b>B1252</b>	1250/940	240/208	1454	57 1/4	6.2	14	<b>68.00</b>
<b>B1253</b>	1250	347	1454	57 1/4	6.2	14	<b>85.75</b>
<b>B1256</b>	1250	600	1454	57 1/4	6.2	14	<b>85.75</b>
<b>B1501</b>	1500	120	1683	66 1/4	7.2	16	<b>94.00</b>
<b>B1508</b>	1500	208	1683	66 1/4	7.2	16	<b>77.00</b>
<b>B1502</b>	1500/1125	240/208	1683	66 1/4	7.2	16	<b>75.00</b>
<b>B1503</b>	1500	347	1683	66 1/4	7.2	16	<b>93.25</b>
<b>B1506</b>	1500	600	1683	66 1/4	7.2	16	<b>93.25</b>
---	1750	120	1930	76	8.2	18	---
<b>B1758</b>	1750	208	1930	76	8.2	18	<b>92.00</b>
<b>B1752</b>	1750/1315	240/208	1930	76	8.2	18	<b>89.00</b>
<b>B1753</b>	1750	347	1930	76	8.2	18	<b>112.00</b>
<b>B1756</b>	1750	600	1930	76	8.2	18	<b>112.00</b>
---	2000	120	2130	83 7/8	9.1	20	---
<b>B2008</b>	2000	208	2130	83 7/8	9.1	20	<b>102.00</b>
<b>B2002</b>	2000/1500	240/208	2130	83 7/8	9.1	20	<b>98.00</b>
<b>B2003</b>	2000	347	2130	83 7/8	9.1	20	<b>127.00</b>
<b>B2006</b>	2000	600	2130	83 7/8	9.1	20	<b>127.00</b>
---	2250	120	2381	93 3/4	10.2	22	---
<b>B2258</b>	2250	208	2381	93 3/4	10.2	22	<b>111.00</b>
<b>B2252</b>	2250/1690	240/208	2381	93 3/4	10.2	22	<b>108.00</b>
<b>B2253</b>	2250	347	2381	93 3/4	10.2	22	<b>137.00</b>
<b>B2256</b>	2250	600	2381	93 3/4	10.2	22	<b>137.00</b>
---	2500	120	2607	102 5/8	11.1	24	---
<b>B2508</b>	2500	208	2607	102 5/8	11.1	24	<b>120.00</b>
<b>B2502</b>	2500/1875	240/208	2607	102 5/8	11.1	24	<b>117.00</b>
<b>B2503</b>	2500	347	2607	102 5/8	11.1	24	<b>150.00</b>
<b>B2506</b>	2500	600	2607	102 5/8	11.1	24	<b>150.00</b>

Add W for white or SW for soft white (consult the optional colours chart or contact your Stelpro representative for all other colours).

Models also available in 277 V and 480 V.

--- not available

Please note that the width of the units may vary by more or less 1/16 in. (0.15 cm).

# BUILT-IN THERMOSTATS



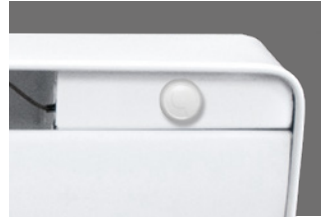
**SIBTE**  
ELECTRONIC  
NEW GENERATION



**SIBTx**  
MECHANICAL  
NEW GENERATION



**B1T1ER**  
ELECTRONIC  
OLD GENERATION<sup>†</sup>

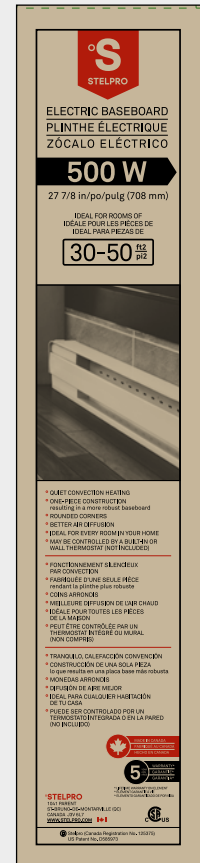


**BxT1**  
MECHANICAL  
OLD GENERATION<sup>†</sup>

ACCESSORIES		
PRODUCT	DESCRIPTION	PRICE
SIBTE12C	built-in electronic thermostat – Celsius [120 V-240 V]	59.00
SIBTE13C	built-in electronic thermostat – Celsius [277 V-347 V]	78.25
SIBT1*	built-in single pole thermostat [120 V-600 V]	26.00
SIBT2*	built-in double pole thermostat [120 V-600 V]	32.00
SIBT2TP*	built-in tamper-proof double pole thermostat [120 V-600 V]	45.75
BRE153*	built-in electronic low voltage relay [15 A @ 120 V-347 V]	54.75
BRE156*	built-in electronic low voltage relay [6 A @ 600 V]	91.25
BRE153T*	built-in electronic low voltage relay c/w transformer 24 V [15 A @ 208 V-347 V]	69.25
BP*	spray paint	37.00

Electronic relays can receive a PWM (pulsed width modulation) or digital (on/off) signal.  
\* Add W for white or SW for soft white.  
\* Factory installation

## THERMOSTATS COMPATIBILITY



**BRAVA**  
NEW  
GENERATION

✓

**B**  
OLD  
GENERATION<sup>†</sup>

✗

**SIBTE/SIBTx**  
NEW  
GENERATION

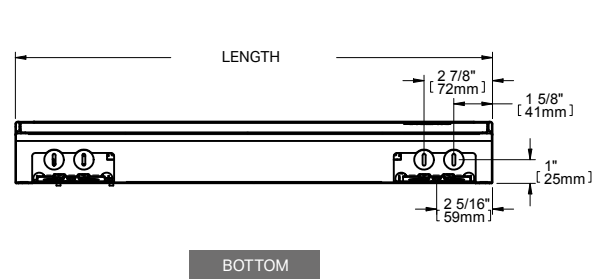
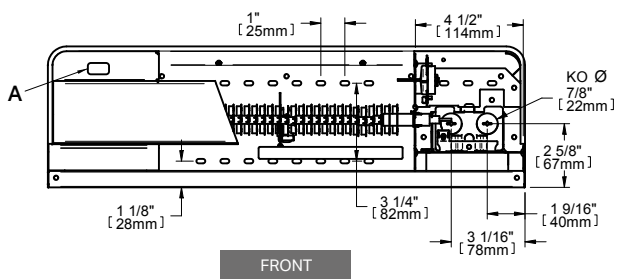
✓

**B1T1ER/BxT1**  
OLD  
GENERATION<sup>†</sup>

✓

<sup>†</sup> Old generation available while stocks last.

## TECHNICAL DRAWINGS



A = LOCATION OF BUILT-IN THERMOSTAT (OPTIONAL)



# SORB | ORLÉANS™

## HIGH-END WALL FAN HEATER



ORLÉANS™



### FOR FAST COMFORT!

The Stelpro family of high-end Orléans convectors is growing. Treat yourself to our brand-new Orléans high-end fan heater and enjoy a toasty warm bathroom even in winter. Thanks to its optimum heat output and rapid temperature rise, this model provides heat exactly when you need it. It is also the quietest fan heater in its category, allowing you to relax and enjoy some peace and quiet. Very similar to our Orléans high-end convector, this fan heater has an optional built-in, smart-home-ready thermostat.

#### THE QUIETEST FAN HEATER IN ITS CATEGORY

**HEAT "BOOST" MODE**  
FAST TEMPERATURE RISE  
(1000 W TO 2000 W)†

**STURDY, DURABLE AND RUST-RESISTANT**

**OPTIONAL BUILT-IN ELECTRONIC THERMOSTAT**  
PERFECT FOR THE SMART HOME

#### COLOURS

- **standard:** white, soft white
- **Orora (optional):** refer to [www.stelpro.com/en-CA/Orora](http://www.stelpro.com/en-CA/Orora)

#### FINISH

- epoxy-polyester powdercoat

#### MANUFACTURING

- high performance polymer cabinet, 20-gauge satin-finish steel front with moulded aluminum edges
- centrifugal fan that ensures a quiet and efficient airflow
- thermal protections with manual reset
- top front air intake and bottom front air discharge

#### ELEMENT

- high-quality nichrome element that generates instant heat

#### CONTROL

MODEL WITHOUT A THERMOSTAT:

- an electronic wall thermostat is recommended

MODEL WITH A BUILT-IN THERMOSTAT:

- built-in smart thermostat featuring the Zigbee protocol (compatible with Allia and Maestro)
- 1000 W to maintain temperature setpoint
- 2000 W when "boost" mode is activated (with a timer)
- colour-code feedback for responsible energy consumption
- drastic temperature drop detection (open window function)

#### INSTALLATION

- recessed or surface mounted – surface adaptor included
- on the wall, a minimum of 6 in. from the floor
- front easy to install with only one mounting screw
- power switch selector – 1000 W or 2000 W (model without a thermostat only)

#### WARRANTY

- five years, \*three years on electronic components

† 5°C (9°F) temperature rise within five minutes. (Tests performed with the 2000 W model in a 70 ft² room.)

#### IDEAL FOR:

bathroom, entrance, vestibule, hallway, living space

#### PART OF THE ORLÉANS FAMILY OF PRODUCTS

NEED A CONVECTOR?



SOR



DISCOVER OUR RANGE OF COLOURS

**ORORA**



MOSS GREEN



TURQUOISE



DENIM BLUE



MIDNIGHT BLUE



RED



CHARCOAL

All optional colours: [www.stelpro.com/en-CA/Orora](http://www.stelpro.com/en-CA/Orora)

## TECHNICAL SPECIFICATIONS

PRODUCT	THERMOSTAT HEATING	TIMER HEATING	WITHOUT THERMOSTAT	VOLTAGE	HEIGHT	LENGTH	WEIGHT	PRICE			
CODE	WATTS	WATTS	WATTS	VOLTS	MM	IN.	MM	IN.	KG	LB	
<b>SORB2002M</b>	1000/750	2000/1500	---	240/208	398	15 11/16	322	12 11/16	4.3	9.4	<b>507.00</b>
<b>SORB2002WC</b>	---	---	2000/1500 OR 1000/750*	240/208	398	15 11/16	322	12 11/16	4.3	9.4	<b>394.00</b>

Add W for white or SW for soft white (consult the optional colour chart and contact your Stelpro representative for all other colours).  
\* Selected when installed with a power switch

### BUILT-IN THERMOSTAT

CONTROL THE TEMPERATURE OF YOUR HOME FROM YOUR SMARTPHONE, TABLET OR COMPUTER

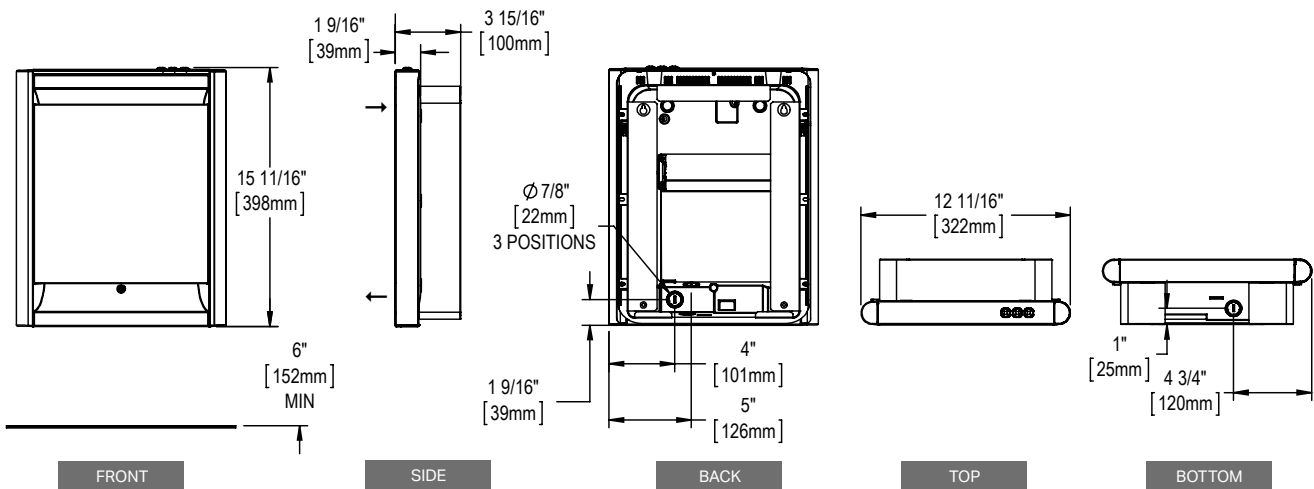


COMPATIBLE CONTROLLER REQUIRED

Compatible with **Allia** **WORKS WITH SmartThings**

For home automated system compatibilities and instructions on connecting to your thermostat refer to [www.stelpro.com](http://www.stelpro.com).

## TECHNICAL DRAWINGS



# SOA | OASIS™

## WALL FAN HEATER



oasis™

GRANDS  
PRIX  
DU DESIGN



## MAKE YOUR BATHROOM AN OASIS OF PEACE AND TRANQUILITY

The quiet and discreet Oasis bathroom fan heater provides all the comfort you need. It features a highly accurate electronic thermostat and optimal heat output, so you can easily and rapidly control the comfort-level of your rooms. Also offered without a thermostat, it's the perfect little device to heat small rooms like vestibules or hallways. In addition, its refined look and high-performance polymer finish blend in with any decor.

### ULTRA-QUIET FAN HEATER

### HEAT "BOOST" MODE

FAST TEMPERATURE INCREASE  
(1000 W TO 2000 W)†

### FEATURING HIGH-PERFORMANCE POLYMER AND SATIN-FINISH PAINTED STEEL

### OPTIONAL BUILT-IN ELECTRONIC THERMOSTAT

### COLOUR

- white

### FINISH

- epoxy-polyester powdercoat

### MANUFACTURING

- high performance polymer cabinet and front edges, 20-gauge satin-finish steel front
- centrifugal fan that ensures a quiet and efficient airflow
- thermal protections with manual reset
- top front air intake and bottom front air discharge
- 6 ft (2 m) 16 gage molded cable with 3-prong grounded, 120 V plug (SOA1501PW model)

### ELEMENT

- high-quality nichrome element that generates instant heat

### CONTROL

MODEL WITHOUT A THERMOSTAT:

- an electronic wall thermostat is recommended

MODEL WITH A BUILT-IN THERMOSTAT:

- built-in electronic thermostat
- 1000 W to maintain temperature setpoint
- 2000 W when "boost" mode is activated (with a timer)
- drastic temperature drop detection (open window function)

### INSTALLATION

- recessed or surface mounted – surface adapter not required
- on the wall, a minimum of 6 in. from the floor
- front easy to install with only one mounting screw
- power switch selector – 1000 W or 2000 W (model without a thermostat only)

### WARRANTY

- five years, \*three years on electronic components

† 5°C (9°F) temperature rise within five minutes. (Tests performed with the 2000 W model in a 70 ft² room.)



ALSO AVAILABLE  
EASY INSTALLATION WITH 120 V PLUG

### IDEAL FOR:

bathroom, entrance, vestibule, hallway, living space

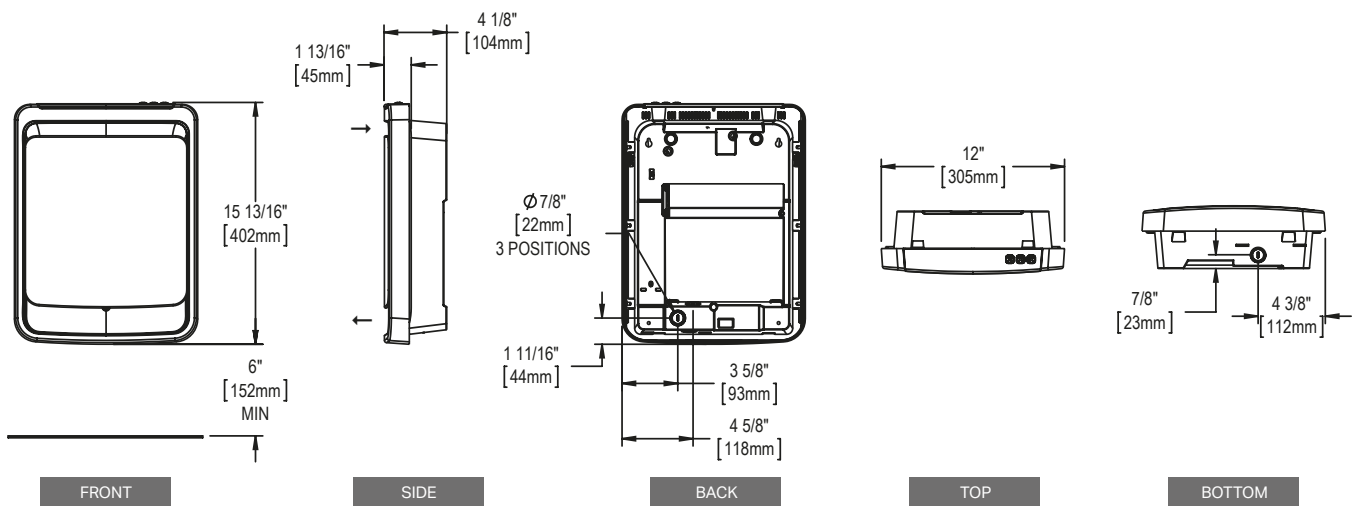


## TECHNICAL SPECIFICATIONS

PRODUCT	THERMOSTAT HEATING	TIMER HEATING	WITHOUT THERMOSTAT	VOLTAGE	HEIGHT	LENGTH	WEIGHT	PRICE			
CODE	WATTS	WATTS	WATTS	VOLTS	MM	IN.	MM	IN.	KG	LB	
<b>SOA2002W</b>	1000/750	2000/1500	---	240/208	402	15 13/16	305	12	3.6	7.9	<b>300.00</b>
<b>SOA2002WCW</b>	---	---	2000/1500 OR 1000/750*	240/208	402	15 13/16	305	12	3.6	7.9	<b>243.00</b>
<b>MODEL WITH 120 V PLUG (RESIDENTIAL OUTLET)</b>											
<b>SOA1501PW</b>	1000	1500	---	120	402	15 13/16	305	12	3.6	7.9	<b>333.00</b>

\* Select when installing with a power switch

## TECHNICAL DRAWINGS



Stelpro reserves the right to modify descriptions, manufacturing specifications or prices without prior notice. No returns accepted on optional-colour products. For all the latest models and prices, please refer to our website at [www.stelpro.com](http://www.stelpro.com).



# RWF | PULSAIR™

## WALL FAN HEATER



### THE CLASSIC FAN HEATER

You won't find anything better than this efficient, durable and low noise fan heater. The Pulsair is extremely popular for many reasons. First, it can be recessed or surface mounted with a surface adapter (optional). It can also be mounted vertically or horizontally so that air can flow either up and down or right and left. Finally, the slim-line Pulsair can be recessed into a wall thickness of 2 in. to 3 in. While it's a winning heating solution for hallways or bathrooms, it can also be installed anywhere in the house, such as the office, or in commercial spaces. Its nichrome element provides instant heat. Available from 500 W to 2000 W, and from 120 V to 347 V, the Pulsair is recognized and recommended by those in the know.

#### VERY QUIET FAN HEATER

#### THE MOST RESISTANT GRILLE ON THE MARKET

#### INSTANT HEAT NICHROME ELEMENT

#### MULTIPLE INSTALLATION OPTIONS RECESSED, SURFACE MOUNTED, HORIZONTAL OR VERTICAL

#### ADAPTS TO MULTIPLE MARKETS AVAILABLE IN: 120 V, 208 V, 240 V AND 347 V

#### COLOURS

- **standard:** white, soft white
- **Orora (optional):** refer to [www.stelpro.com/en-CA/Orora](http://www.stelpro.com/en-CA/Orora)

#### FINISH

- epoxy-polyester powdercoat

#### MANUFACTURING

- 20-gauge steel cabinet and 18-gauge steel grille
- quiet fan – 40 CFM (500 W to 1000 W models) – 75 CFM (1250 W to 2000 W models)
- thermal protection with automatic reset

#### ELEMENT

- nichrome element produces instant heat

#### CONTROL

- built-in thermostat (optional), 3 control knobs included (white, soft white and black)
- wall thermostat (not included) – the use of an electronic thermostat is strongly recommended

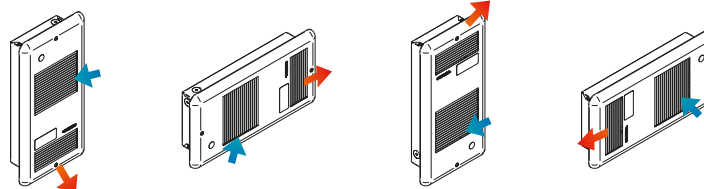
#### INSTALLATION

- wall mounted
- recessed (wall must have a depth of 2 3/8 in. minimum)
- surface mounted with surface adapter (optional)
- four installation positions

#### WARRANTY

- five years

#### FOUR INSTALLATION OPTIONS



#### IDEAL FOR:

hallway, bathroom, locker room, office

# TECHNICAL SPECIFICATIONS

WITHOUT CONTROL		BUILT-IN THERMOSTAT		24 V CONTROL		POWER	VOLTAGE	FLOW	THROW DISTANCE		HEAT RISE		WEIGHT	
CODE	PRICE	CODE	PRICE	CODE	PRICE	WATTS	VOLTS	CFM	M	FT.	°C	°F	KG	LB
RWF0501	173.00	---	---	---	---	500	120	40	2	6'6"	30	54	2.7	6
RWF0508	171.00	---	---	---	---	500	208	40	2	6'6"	30	54	2.7	6
RWF0502	170.00	---	---	---	---	500/375	240/208	40	2	6'6"	30	54	2.7	6
RWF0503	216.00	RWF0503T	249.00	RWF0503C24	267.00	500	347	40	2	6'6"	30	54	2.7	6
RWF0751	183.00	---	---	---	---	750	120	40	2	6'6"	67	121	2.7	6
RWF0758	179.00	---	---	---	---	750	208	40	2	6'6"	67	121	2.7	6
RWF0752	179.00	---	---	---	---	750/563	240/208	40	2	6'6"	67	121	2.7	6
RWF0753	224.00	RWF0753T	258.00	RWF0753C24	276.00	750	347	40	2	6'6"	67	121	2.7	6
RWF1001	185.00	---	---	---	---	1000	120	40	2	6'6"	76	136	2.7	6
RWF1008	182.00	---	---	---	---	1000	208	40	2	6'6"	76	136	2.7	6
RWF1002	182.00	---	---	---	---	1000/750	240/208	40	2	6'6"	76	136	2.7	6
RWF1003	227.00	RWF1003T	261.00	RWF1003C24	279.00	1000	347	40	2	6'6"	76	136	2.7	6
RWF1251	195.00	---	---	---	---	1250	120	75	2.1	6'10"	65	117	2.7	6
RWF1258	192.00	---	---	---	---	1250	208	75	2.1	6'10"	65	117	2.7	6
RWF1252	192.00	---	---	---	---	1250/938	240/208	75	2.1	6'10"	65	117	2.7	6
RWF1253	237.00	RWF1253T	270.00	RWF1253C24	288.00	1250	347	75	2.1	6'10"	65	117	2.7	6
RWF1501	199.00	---	---	---	---	1500	120	75	2.1	6'10"	79	141	2.7	6
RWF1508	195.00	---	---	---	---	1500	208	75	2.1	6'10"	79	141	2.7	6
RWF1502	195.00	---	---	---	---	1500/1125	240/208	75	2.1	6'10"	79	141	2.7	6
RWF1503	240.00	RWF1503T	273.00	RWF1503C24	291.00	1500	347	75	2.1	6'10"	79	141	2.7	6
---	---	---	---	---	---	2000	120	75	2.1	6'10"	111	199	2.7	6
RWF2002	212.00	---	---	---	---	2000/1500	240/208	75	2.1	6'10"	111	199	2.7	6
RWF2008	213.00	---	---	---	---	2000	208	75	2.1	6'10"	111	199	2.7	6
RWF2003	258.00	RWF2003T	291.00	RWF2003C24	309.00	2000	347	75	2.1	6'10"	111	199	2.7	6

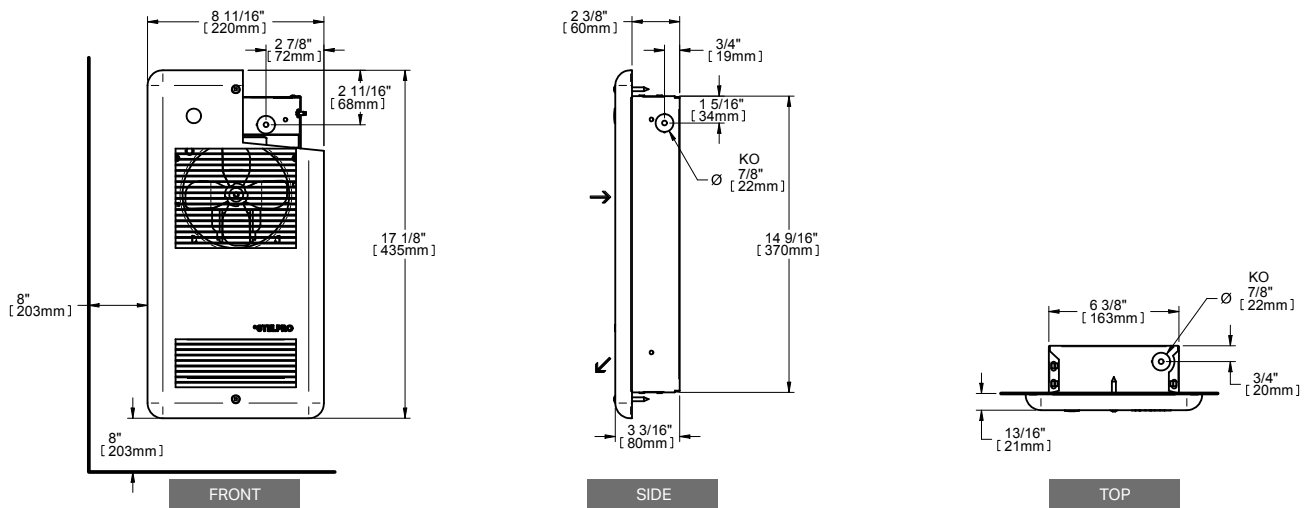
Add W for white or SW for soft white (consult the optional colours chart or contact your Stelpro representative for all other colours).  
Models also available in 277 V. --- not available

## ACCESSORIES

PRODUCT	DESCRIPTION	PRICE
RWFT1*	built-in single pole thermostat [120 V-347 V]	32.00
RWFT2	built-in double pole thermostat [120 V-347 V]	44.00
RWFSA*	surface adapter	45.00

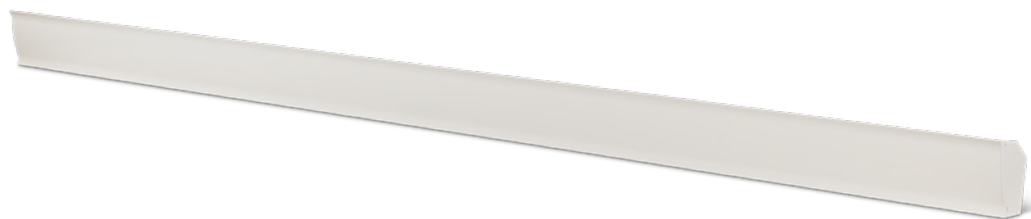
\* Add W for white or SW for soft white.

## TECHNICAL DRAWINGS



# SCR | RADIANCE™

## COVE HEATER



### INNOVATION AT THE HEIGHT OF YOUR EXPECTATIONS

The Radiance cove heater is one of the most efficient heating systems available today. Mounted near the ceiling, the Radiance directs heat downward across the room, without being blocked by furniture and other objects. Radiant heat warms people in the room directly, creating comfortable conditions similar to the sun. The Radiance also warms all inanimate objects in its path; these objects absorb the heat and in turn act as a "heat reserve," initiating a convection-type flow of heated air that further helps maintain the desired room temperature.

#### 15% GREATER ENERGY PERFORMANCE COMPARED TO OTHER RADIANT HEATERS

#### WALL MOUNTED 2.5 IN. FROM THE CEILING – OUT OF REACH OF CHILDREN AND FREES UP SPACE

#### IDEAL FOR PEOPLE WITH ALLERGIES NO FORCED-AIR MOVEMENT

#### COMPACT AND LIGHTWEIGHT IDEAL FOR NEW CONSTRUCTIONS AND RETROFITS

#### IDEAL FOR:

main heat source for any room, above a window or patio door, living space, daycare center, school, playroom, locker room, spa, rooms with limited space

#### COLOURS

- **standard:** soft white
- **Orora (optional):** anodized aluminum paint and black only (refer to [www.stelpro.com/en-CA/Orora](http://www.stelpro.com/en-CA/Orora))

#### FINISH

- front panel: high temperature, high emissivity paint coating for maximum thermal efficiency
- other parts: hybrid epoxy-polyester powder paint

#### MANUFACTURING

- aluminum front panel
- 18-gauge steel cabinet and back box
- aluminum end covers
- 24-gauge stainless steel reflector
- full-length wireway
- designed and assembled for reduced noise from the expansion and contraction of metal during heating cycles

#### ELEMENT

- tubular; stainless steel

#### CONTROL

- wall thermostat (not included) – the use of an electronic thermostat is strongly recommended
- built-in single pole bimetal thermostat installed in the left or right junction box (optional)

#### INSTALLATION

- wall mounted at a distance of 2.5 in. or more from the ceiling
- all flammable material must be 6 in. or more from the front of the unit

#### WARRANTY

- five years

### ACCESSORIES

PRODUCT	DESCRIPTION	PRICE
SCRSPSW	splice plate kit (for installing two units side by side)	34.50
SCRBTRS*	single pole bimetal thermostat with right side end cover	72.50
SCRBTLS*	single pole bimetal thermostat with left side end cover	72.50

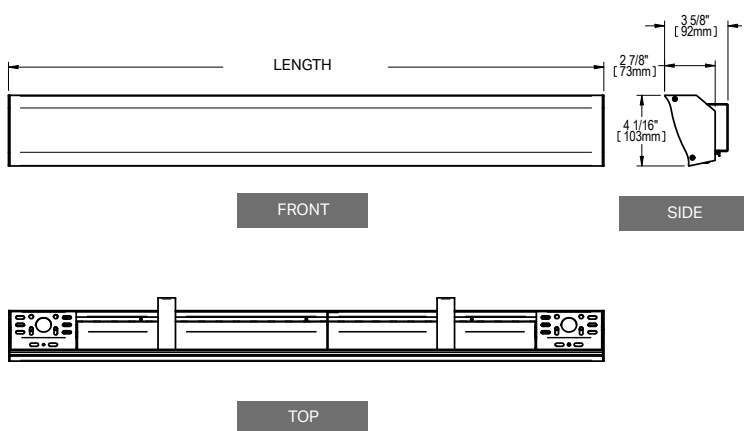
\* Factory installed

# TECHNICAL SPECIFICATIONS

PRODUCT	POWER	VOLTAGE	LENGTH		WEIGHT		PRICE
			MM	IN.	KG	LB	
CODE	WATTS	VOLTS	MM	IN.	KG	LB	
<b>SCR0451</b>	450	120	860	34	2.9	6.4	<b>226.00</b>
<b>SCR0458</b>	450	208	860	34	2.9	6.4	<b>226.00</b>
<b>SCR0452</b>	450/338	240/208	860	34	2.9	6.4	<b>226.00</b>
<b>SCR0453</b>	450	347	860	34	2.9	6.4	<b>273.00</b>
<b>SCR0601</b>	600	120	1190	47	4.0	8.9	<b>286.00</b>
<b>SCR0608</b>	600	208	1190	47	4.0	8.9	<b>286.00</b>
<b>SCR0602</b>	600/450	240/208	1190	47	4.0	8.9	<b>286.00</b>
<b>SCR0603</b>	600	347	1190	47	4.0	8.9	<b>333.00</b>
<b>SCR0751</b>	750	120	1500	59	5.0	11.1	<b>335.00</b>
<b>SCR0758</b>	750	208	1500	59	5.0	11.1	<b>335.00</b>
<b>SCR0752</b>	750/563	240/208	1500	59	5.0	11.1	<b>335.00</b>
<b>SCR0753</b>	750	347	1500	59	5.0	11.1	<b>381.00</b>
<b>SCR0756</b>	750	600	1500	59	5.0	11.1	<b>381.00</b>
<b>SCR0901</b>	900	120	1800	71	5.9	13.0	<b>369.00</b>
<b>SCR0908</b>	900	208	1800	71	5.9	13.0	<b>369.00</b>
<b>SCR0902</b>	900/675	240/208	1800	71	5.9	13.0	<b>369.00</b>
<b>SCR0903</b>	900	347	1800	71	5.9	13.0	<b>415.00</b>
<b>SCR0906</b>	900	600	1800	71	5.9	13.0	<b>415.00</b>
<b>SCR1051</b>	1050	120	2110	83	7.1	15.7	<b>403.00</b>
<b>SCR1058</b>	1050	208	2110	83	7.1	15.7	<b>403.00</b>
<b>SCR1052</b>	1050/788	240/208	2110	83	7.1	15.7	<b>403.00</b>
<b>SCR1053</b>	1050	347	2110	83	7.1	15.7	<b>447.00</b>
<b>SCR1056</b>	1050	600	2110	83	7.1	15.7	<b>447.00</b>
<b>SCR1201</b>	1200	120	2390	94	8.1	17.8	<b>456.00</b>
<b>SCR1208</b>	1200	208	2390	94	8.1	17.8	<b>456.00</b>
<b>SCR1202</b>	1200/900	240/208	2390	94	8.1	17.8	<b>456.00</b>
<b>SCR1203</b>	1200	347	2390	94	8.1	17.8	<b>501.00</b>
<b>SCR1206</b>	1200	600	2390	94	8.1	17.8	<b>501.00</b>
<b>SCR1508</b>	1500	208	2690	106	9.1	20.1	<b>531.00</b>
<b>SCR1502</b>	1500/1125	240/208	2690	106	9.1	20.1	<b>531.00</b>
<b>SCR1503</b>	1500	347	2690	106	9.1	20.1	<b>577.00</b>
<b>SCR1506</b>	1500	600	2690	106	9.1	20.1	<b>577.00</b>

Add SW for soft white (consult the optional colours chart or contact your Stelpro representative for all other colours).  
Models also available in 277 V and 480 V.

## TECHNICAL DRAWINGS



# SKS

## KICK SPACE HEATER



### HIDE 'N HEAT

"Hide 'n heat" is what the SKS kick space heater by Stelpro offers. Its sleek, redesigned grille is slimmer than ever for easy installation in narrow spaces under kitchen or bathroom cabinets or in stair risers. Enjoy comfortable forced-air heating from the most discreet fan heater on the market.

#### POWER SELECTOR SWITCH

#### EASY INSTALLATION

#### ATTRACTIVE GRILLE ONE-PIECE, FRAMELESS

#### COLOURS

- **standard:** white, soft white
- **Orora (optional):** refer to [www.stelpro.com/en-CA/Orora](http://www.stelpro.com/en-CA/Orora)

#### FINISH

- epoxy-polyester powdercoat

#### MANUFACTURING

- 22-gauge steel cabinet and 16-gauge steel front
- quiet, 50 CFM capacity
- thermal protection with automatic reset
- added protection provided by a fuse-link (must be replaced once activated)

#### WATTAGE AND VOLTAGE

- power selector switch

#### ELEMENT

- tubular element sheathed with spiral-wound fins for improved heat dissipation

#### CONTROL

- wall thermostat (not included) – the use of an electronic thermostat is strongly recommended
- built-in thermostat (optional), 3 control knobs included (white, soft white and black)

#### INSTALLATION

- recessed

#### WARRANTY

- five years, \*three years on electronic components

#### IDEAL FOR:

under a kitchen or bathroom cabinet, in a stair riser



## TECHNICAL SPECIFICATIONS

PRODUCT	POWER	VOLTAGE	THROW DISTANCE (IN FRONT)		HEAT RISE		WEIGHT		PRICE
			M	FT	°C	°F	KG	LB	
CODE	WATTS	VOLTS							
<b>SKS1001</b>	500 or 1000	120	1.2	4	55	99	4.5	10	<b>325.00</b>
<b>SKS1002</b>	500/375 or 1000/750	240/208	1.2	4	55	99	4.5	10	<b>325.00</b>

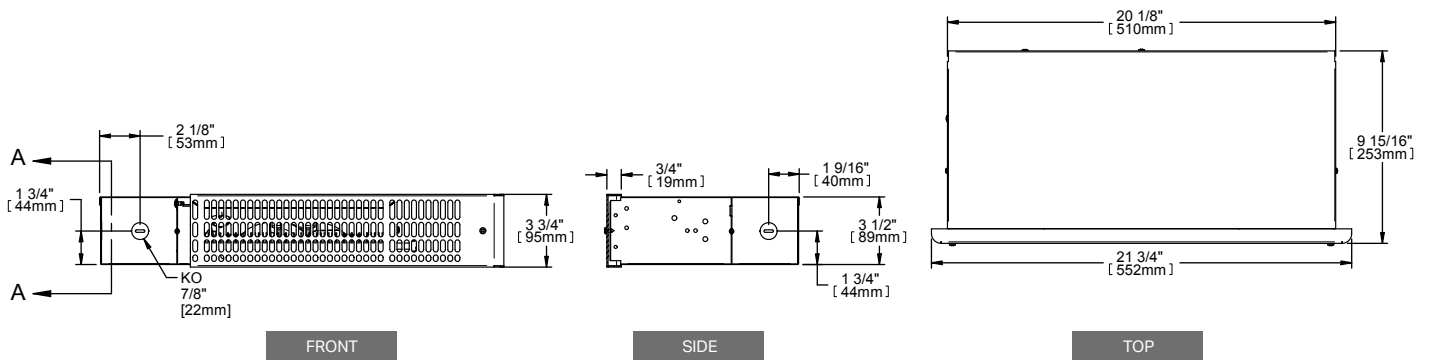
Add W for white or SW for soft white (consult the optional colours chart or contact your Stelpro representative for all other colours).

## ACCESSORIES

PRODUCT	DESCRIPTION	PRICE
<b>SKST1</b>	built-in single pole thermostat	<b>52.00</b>
<b>SKST2</b>	built-in double pole thermostat	<b>65.00</b>
<b>SKSR*</b>	extended grille (23 5/8 in. x 3 3/4 in. – 600 mm x 95 mm) allows to cover gaps or imperfections for a renovation project	<b>62.25</b>

\* Add W for white or SW for soft white.

## TECHNICAL DRAWINGS



# FI

## FLOOR INSERT CONVECTOR



### A CONVECTOR LIKE NO OTHER!

Just as its name indicates, the FI floor insert convector can be recessed into the floor and dissipates heat quietly by means of natural convection, without any fan noise. It can be installed into different types of floors, including wood and concrete, freeing up precious wall and window space. An great alternative to conventional baseboards, this versatile floor heater acts as a draft barrier, and can be recessed in front of large windows and sliding doors or serve as perimeter heating in a continuous, end-to-end fashion.

#### SILENT OPERATION

#### FLOOR DROP-IN UNIT

#### ATTRACTIVE AND ROBUST

9-GAUGE EXTRUDED ALUMINUM GRILLE WITH BORDER

#### TURNKEY PROJECTS AVAILABLE

FOR PERIPHERIC HEATING WITH BLANK SECTIONS AND OPTIONAL ADAPTABLE GRILLE(S)

#### COLOURS

- **standard:** white, soft white
- **Orora (optional):** refer to [www.stelpro.com/en-CA/Orora](http://www.stelpro.com/en-CA/Orora)

#### FINISH

- epoxy-polyester powdercoat

#### MANUFACTURING

- 18-gauge galvanized steel cabinet and 9-gauge extruded aluminum grille
- thermal protection with manual reset
- protective wire mesh to prevent foreign objects from entering the interior of the unit

#### ELEMENT

- single tubular, stainless steel sheathed element with boxed

aluminum fins for improved heat dissipation; the element is securely fastened at its centre, floating in nylon sleeves at each end, eliminating expansion and contraction noises

#### CONTROL

- wall thermostat (not included) – the use of an electronic thermostat is strongly recommended
- low voltage relay kit installed in the left or right junction box (optional)

#### INSTALLATION

- floor recessed
- parallel to floor joist

#### WARRANTY

- three years

#### IDEAL FOR:

office, school, hospital, commercial space, solarium



# TECHNICAL SPECIFICATIONS

DENSITY OF 250 W PER LINEAR FOOT		DENSITY OF 200 W PER LINEAR FOOT		DENSITY OF 150 W PER LINEAR FOOT		VOLTAGE	LENGTH A		LENGTH B		WEIGHT		PRICE
CODE	WATTS	CODE	WATTS	CODE	WATTS		MM	IN.	MM	IN.	KG	LB	
FI6051	500	FI6041	400	FI6031	300	120	600	23 5/8	558	22	6.4	14	813.00
FI6058	500	FI6048	400	FI6038	300	208	600	23 5/8	558	22	6.4	14	813.00
FI6052	500	FI6042	400	FI6032	300	240	600	23 5/8	558	22	6.4	14	813.00
FI6053	500	---	400	---	300	347	600	23 5/8	558	22	6.4	14	813.00
---	500	---	400	---	300	600	600	23 5/8	558	22	6.4	14	---
FI9071	750	FI9061	600	FI9041	450	120	900	35 7/16	858	33 13/16	10.0	22	926.00
FI9078	750	FI9068	600	FI9048	450	208	900	35 7/16	858	33 13/16	10.0	22	926.00
FI9072	750	FI9062	600	FI9042	450	240	900	35 7/16	858	33 13/16	10.0	22	926.00
FI9073	750	FI9063	600	FI9043	450	347	900	35 7/16	858	33 13/16	10.0	22	926.00
FI9076	750	---	600	---	450	600	900	35 7/16	858	33 13/16	10.0	22	926.00
FI12101	1000	FI12081	800	FI12061	600	120	1200	47 1/4	1158	45 5/8	13.6	30	1043.00
FI12108	1000	FI12088	800	FI12068	600	208	1200	47 1/4	1158	45 5/8	13.6	30	1043.00
FI12102	1000	FI12082	800	FI12062	600	240	1200	47 1/4	1158	45 5/8	13.6	30	1043.00
FI12103	1000	FI12083	800	FI12063	600	347	1200	47 1/4	1158	45 5/8	13.6	30	1043.00
FI12106	1000	FI12086	800	---	600	600	1200	47 1/4	1158	45 5/8	13.6	30	1043.00
FI15121	1250	FI15101	1000	FI15071	750	120	1500	59 1/16	1458	57 3/8	16.9	37	1201.00
FI15128	1250	FI15108	1000	FI15078	750	208	1500	59 1/16	1458	57 3/8	16.9	37	1201.00
FI15122	1250	FI15102	1000	FI15072	750	240	1500	59 1/16	1458	57 3/8	16.9	37	1201.00
FI15123	1250	FI15103	1000	FI15073	750	347	1500	59 1/16	1458	57 3/8	16.9	37	1201.00
FI15126	1250	FI15106	1000	FI15076	750	600	1500	59 1/16	1458	57 3/8	16.9	37	1201.00
FI18151	1500	FI18121	1200	FI18091	900	120	1800	70 7/8	1758	69 3/16	20.0	44	1351.00
FI18158	1500	FI18128	1200	FI18098	900	208	1800	70 7/8	1758	69 3/16	20.0	44	1351.00
FI18152	1500	FI18122	1200	FI18092	900	240	1800	70 7/8	1758	69 3/16	20.0	44	1351.00
FI18153	1500	FI18123	1200	FI18093	900	347	1800	70 7/8	1758	69 3/16	20.0	44	1351.00
FI18156	1500	FI18126	1200	FI18096	900	600	1800	70 7/8	1758	69 3/16	20.0	44	1351.00
---	1750	FI21141	1400	FI21101	1050	120	2100	82 11/16	2058	81	23.7	52	1549.00
FI21178	1750	FI21148	1400	FI21108	1050	208	2100	82 11/16	2058	81	23.7	52	1549.00
FI21172	1750	FI21142	1400	FI21102	1050	240	2100	82 11/16	2058	81	23.7	52	1549.00
FI21173	1750	FI21143	1400	FI21103	1050	347	2100	82 11/16	2058	81	23.7	52	1549.00
FI21176	1750	FI21146	1400	FI21106	1050	600	2100	82 11/16	2058	81	23.7	52	1549.00
---	2000	---	1600	FI24121	1200	120	2400	94 1/2	2358	92 13/16	26.7	59	1748.00
FI24208	2000	FI24168	1600	FI24128	1200	208	2400	94 1/2	2358	92 13/16	26.7	59	1748.00
FI24202	2000	FI24162	1600	FI24122	1200	240	2400	94 1/2	2358	92 13/16	26.7	59	1748.00
FI24203	2000	FI24163	1600	FI24123	1200	347	2400	94 1/2	2358	92 13/16	26.7	59	1748.00
FI24206	2000	FI24166	1600	FI24126	1200	600	2400	94 1/2	2358	92 13/16	26.7	59	1748.00

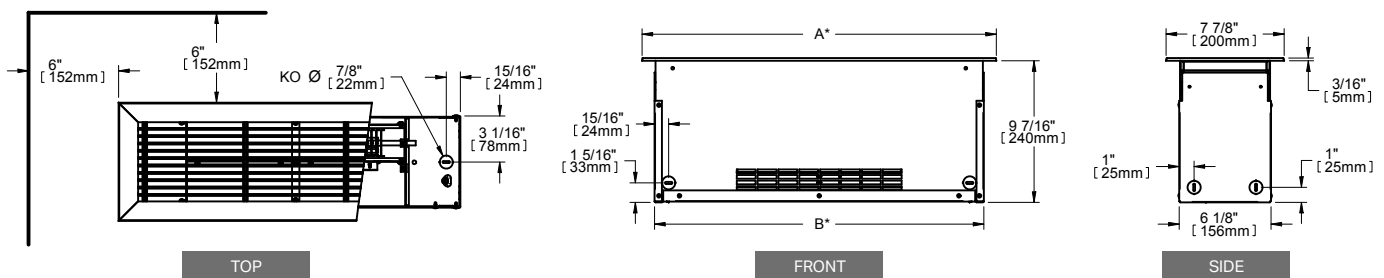
Add W for white or SW for soft white (consult the optional colours chart or contact your Stelpro representative for all other colours).  
 Models also available in 277 V and 480 V. --- not available

## ACCESSORIES

PRODUCT	DESCRIPTION	PRICE
FIRE153*	built-in electronic low voltage relay [15 A @ 120 V-347 V]	83.00
FIRE153T*	built-in electronic low voltage relay c/w transformer 24 V [15 A @ 208 V-347 V]	102.00
FIRE156*	built-in electronic low voltage relay [6 A @ 600 V]	130.00

Electronic relays can receive a PWM (pulsed width modulation) or digital (on/off) signal.  
 \* Factory installed

## TECHNICAL DRAWINGS





# FFI

## FLOOR INSERT FAN HEATER



### HEAT FROM AN UNEXPECTED PLACE

The FFI is the perfect solution when there's no wall space available, such as under low windows, bay windows and patio doors. It's also a great fit for offices, narrow entryways and bathrooms. It can be recessed between floor joists. Its grille is solidly constructed of rigid aluminum to withstand foot traffic. Installation at construction sites is easy thanks to its compact design. This floor insert fan heater can also be recessed into concrete floors.

#### DURABLE ALUMINUM GRILLE

#### EASILY CONCEALED

#### EASY INSTALLATION

#### CAN BE RECESSED INTO CONCRETE FLOORS

#### COLOURS

- **standard:** white, soft white
- **Orora (optional):** refer to [www.stelpro.com/en-CA/Orora](http://www.stelpro.com/en-CA/Orora)

#### FINISH

- epoxy-polyester powdercoat

#### MANUFACTURING

- durable 16-gauge steel cabinet and 9-gauge aluminum extruded grille
- protective wire mesh to prevent foreign objects from entering the interior of the unit
- 80 CFM capacity fan
- thermal protection with automatic reset

#### ELEMENT

- tubular element sheathed with spiral-wound fins for improved heat dissipation

#### CONTROL

- wall thermostat only (not included) – the use of an electronic thermostat is strongly recommended

#### INSTALLATION

- recessed between floor joists
- in a concrete floor without framing
- large wiring compartment

#### WARRANTY

- five years

#### IDEAL FOR:

in front of a patio door, office, narrow entryway, bathroom

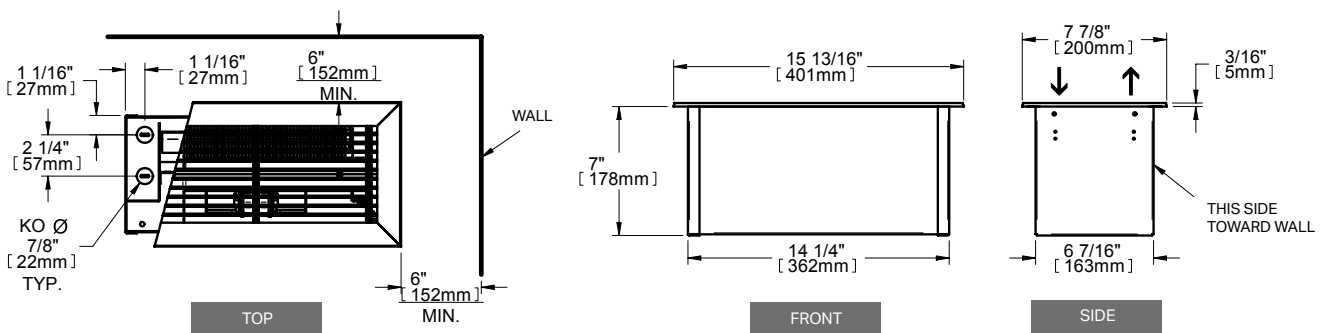


## TECHNICAL SPECIFICATIONS

PRODUCT	POWER	VOLTAGE	THROW DISTANCE		HEAT RISE		WEIGHT		PRICE
CODE	WATTS	VOLTS	M	FT	°C	°F	KG	LB	
<b>FFI1002</b>	1000/750	240/208	2	6'5"	60	108	8.1	18	<b>486.00</b>
<b>FFI1502</b>	1500/1125	240/208	2	6'5"	66	119	8.1	18	<b>501.00</b>

Add W for white or SW for soft white (consult the optional colours chart or contact your Stelpro representative for all other colours).

## TECHNICAL DRAWINGS



# SK | AIR CURTAIN™

## CEILING FAN HEATER



**AIR  
CURTAIN™**



## HEAT FROM ABOVE

The Air curtain ceiling fan heater silently beams down heat from above. This unique model is ideal for rooms where wall space is limited. In bathrooms, the Air curtain can be installed just outside the shower or bathtub. With its ceiling-recessed casing, the Air curtain is an excellent way to provide discreet air circulation. The result: uniform heating and air movement, and reduction in mirror and window fog. By adding a wall timer, you can use it on demand.

### CEILING MOUNTED

IDEAL FOR ROOMS WITH LIMITED WALL SPACE

### HEATING ON DEMAND

OPTIONAL WALL TIMER

### COMPACT AND QUIET

### 347 V MODEL AVAILABLE

### COLOURS

- **standard:** white, soft white
- **Orora (optional):** refer to [www.stelpro.com/en-CA/Orora](http://www.stelpro.com/en-CA/Orora)

### FINISH

- epoxy-polyester powdercoat

### MANUFACTURING

- 22-gauge steel cabinet and 1/4 in. (6.4 mm) deep 20-gauge steel front grille
- easy access for maintenance (no screws)

### THERMAL PROTECTION

- thermal protection with automatic reset

### ELEMENT

- nichrome element produces instant heat

### CONTROL

- built-in thermostat (optional)
- wall thermostat (not included) – the use of an electronic thermostat is strongly recommended
- 60 minute timer (optional)

### INSTALLATION

- ceiling mounted (recommended height 8 ft., maximum 9 ft.)
- surface mounted with surface adapter (optional)
- recessed or surface mounted with adapter for suspended ceiling (optional)
- unit can be mounted parallel or perpendicular to ceiling beams
- approved to be recessed in mineral wool; for all other materials please check with insulating product manufacturer

### WARRANTY

- five years

### IDEAL FOR:

bathroom, entryway, daycare centre, room with limited wall space

# TECHNICAL SPECIFICATIONS

WITHOUT CONTROL		BUILT-IN THERMOSTAT		24 V CONTROL		POWER	VOLTAGE	FLOW	THROW DISTANCE		HEAT RISE		WEIGHT	
CODE	PRICE	CODE	PRICE	CODE	PRICE	WATTS	VOLTS	CFM	M	FT.	°C	°F	KG	LB
SK0501	257.00	---	---	---	---	500	120	60	2.4	8	26	46	5	11
SK0508	258.00	---	---	---	---	500	208	60	2.4	8	26	46	5	11
SK0502	257.00	---	---	---	---	500/375	240/208	60	2.4	8	26	46	5	11
SK0503	314.00	SK0503T	394.00	SK0503C24	394.00	500	347	60	2.4	8	26	46	5	11
SK0751	257.00	---	---	---	---	750	120	60	2.4	8	42	75	5	11
SK0758	258.00	---	---	---	---	750	208	60	2.4	8	42	75	5	11
SK0752	257.00	---	---	---	---	750/560	240/208	60	2.4	8	42	75	5	11
SK0753	314.00	SK0753T	394.00	SK0753C24	394.00	750	347	60	2.4	8	42	75	5	11
SK1001	273.00	---	---	---	---	1000	120	60	2.4	8	54	97	5	11
SK1008	272.00	---	---	---	---	1000	208	60	2.4	8	54	97	5	11
SK1002	273.00	---	---	---	---	1000/750	240/208	60	2.4	8	54	97	5	11
SK1003	329.00	SK1003T	409.00	SK1003C24	409.00	1000	347	60	2.4	8	54	97	5	11
SK1251	287.00	---	---	---	---	1250	120	60	2.4	8	79	143	5	11
SK1258	287.00	---	---	---	---	1250	208	60	2.4	8	79	143	5	11
SK1252	287.00	---	---	---	---	1250/940	240/208	60	2.4	8	79	143	5	11
SK1253	344.00	SK1253T	424.00	SK1253C24	424.00	1250	347	60	2.4	8	79	143	5	11
SK1501	296.00	---	---	---	---	1500	120	60	2.4	8	102	184	5	11
SK1508	297.00	---	---	---	---	1500	208	60	2.4	8	102	184	5	11
SK1502	296.00	---	---	---	---	1500/1125	240/208	60	2.4	8	102	184	5	11
SK1503	353.00	SK1503T	433.00	SK1503C24	433.00	1500	347	60	2.4	8	102	184	5	11
---	---	---	---	---	---	2000	120	90	3.2	10'6"	109	196	5	11
---	---	---	---	---	---	2000	208	90	3.2	10'6"	109	196	5	11
SK2002	337.00	---	---	---	---	2000/1500	240/208	90	3.2	10'6"	109	196	5	11
SK2003	393.00	SK2003T	473.00	SK2003C24	473.00	2000	347	90	3.2	10'6"	109	196	5	11

Add W for white or SW for soft white (consult the optional colours chart or contact your Stelpro representative for all other colours).  
Models also available in 277 V.  
--- not available

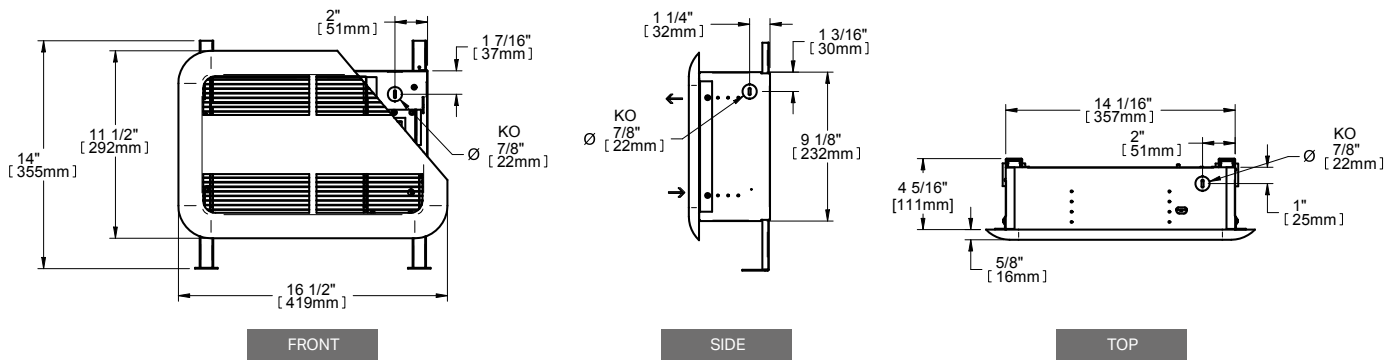
## ACCESSORIES

PRODUCT	DESCRIPTION	PRICE
SKT1*	tamper-proof built-in thermostat [120 V-347 V] (grille must be removed to access this type of thermostat)	71.25
SKTBA*	adapter for suspended ceiling (2 ft. x 2 ft.) – recessed or surface mounted with surface adapter (not included)	108.00
SKSA*	surface adapter (SK model)	94.00
FD60MCW70	60 minute wall timer [120 V-277 V]	70.75
SKRE153T*	built-in electronic low voltage relay c/w transformer 24 V [15 A @ 208 V-347 V]	117.00

\* Add W for white or SW for soft white.  
\* Factory installed



## TECHNICAL DRAWINGS



# SGH | SPIDER™

CEILING FAN HEATER



SPIDER™



## GET CAUGHT UP IN ITS COMFORT!

This stylish ceiling fan heater will be the highlight of your garage! The Spider ceiling fan heater combines optimum performance, instant heat and a low noise level, all this in a distinctive design.

### INNOVATIVE AND UNIQUE DESIGN

### DESIGNED SPECIFICALLY FOR RESIDENTIAL GARAGES

### CEILING INSTALLATION FREES UP FLOOR AND WALL SPACE

### COLOUR

- red

### FINISH

- epoxy-polyester powdercoat

### MANUFACTURING

- 22-gauge smooth steel housing
- quiet helicoidal fan
- thermal protection with automatic reset
- closed and permanently lubricated motor

### ELEMENT

- nichrome element producing instant heat

### CONTROL

- wall thermostat (not included) – the use of an electronic thermostat is strongly recommended

### INSTALLATION

- ceiling surface mounted with bracket
- from adjacent walls at a minimum of 12 in. (305 mm)
- from floor at a minimum of 8 ft. (2.4 m) and a maximum of 10 ft. (3 m)

### WARRANTY

- five years

### IDEAL FOR:

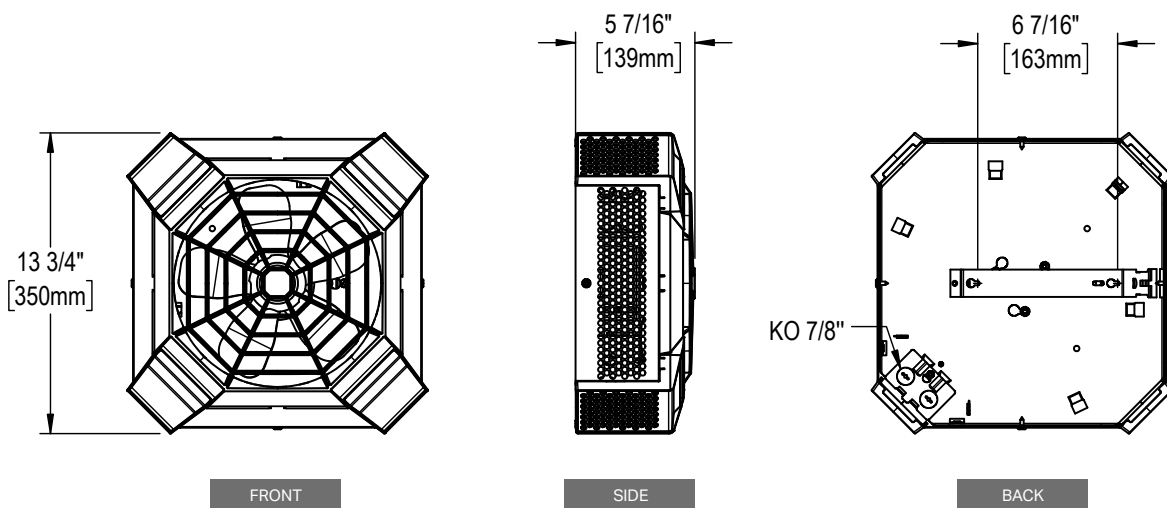
garage, workshop



## TECHNICAL SPECIFICATIONS

PRODUCT	POWER	VOLTAGE	COLOUR	HEAT RISE		WEIGHT		PRICE
CODE	WATTS	VOLTS		°C	°F	KG	LB	
<b>SGH4002R</b>	4000/3000	240/208	RED	46	83	4.5	10	<b>314.00</b>

## TECHNICAL DRAWINGS



# DR | DRAGON™

## CEILING FAN HEATER



### THE AUTHENTIC DRAGON!

The hallmark of the Dragon is that it recycles residual warm air that has accumulated at the ceiling, mixing it with the cooler air below. The result? Uniform air temperature and energy savings. The Dragon offers an output of 2000 W to 10 000 W, depending on the model, and offers voltages ranging from 208 V to 600 V. This unit can be ceiling surface mounted or ceiling recessed, suspended at a minimum of 8 feet from the floor. The Dragon is well suited for building entryways, stairwells, warehouses, garages, workshops and hallways. Nothing beats the power of the Dragon!

#### FAST TEMPERATURE RISE VIA HEAT RECOVERY

#### CHOICE OF 2000 W TO 10 000 W

#### STATE-OF-THE ART EFFICIENCY NICHROME ELEMENT

#### SURFACE MOUNTED OR RECESSED INSTALLATION

#### OPTIONAL OFS MODEL TO CONTROL FAN-ONLY MODE WITH WALL SWITCH

#### IDEAL FOR:

building entryway, warehouse, stairwell, garage, workshop

#### COLOURS

- **standard:** white, soft white
- **Orora (optional):** refer to [www.stelpro.com/en-CA/Orora](http://www.stelpro.com/en-CA/Orora)

#### FINISH

- epoxy-polyester powdercoat

#### MANUFACTURING

- 20-gauge steel cabinet and 14-gauge steel grille
- quiet helicoidal fan
- thermal protection with automatic reset
- totally enclosed, permanently lubricated motor

#### ELEMENT

- nichrome element produces instant heat

#### CONTROL

- wall thermostat (not included) – the use of an electronic thermostat is strongly recommended (up to 4000 W)
- fan-only mode for continuous air circulation, controlled by built-in selection switch

- fan-only mode available for use with wall mounted switch (optional OFS model, wall switch not provided)
- heating mode, confirmed by pilot light when heating is on
- connection of multiple units to the same thermostat is possible with a relay kit without a transformer (optional) and an external transformer (not provided)

#### INSTALLATION

- ceiling recessed in a T-bar (DRR model)
- ceiling surface mounted with bracket to support unit during wiring (DRI and DRII models) (included)
- install at a minimum distance from adjacent or surrounding walls: 12 in. (DRR or DRI models); 24 in. (DRII models)
- mounting heights: 8 ft. (2 kW or 3 kW units); 10 ft. (4 kW or 5 kW units); 12 ft. (7.5 kW or 10 kW units)
- 2 to 6 wires required for connections according to the selected control (see the connections table in the installation guide)

#### WARRANTY

- three years

# TECHNICAL SPECIFICATIONS

## DRI AND DRII MODELS (SURFACE MOUNTED INSTALLATION)

WITHOUT CONTROL		BUILT-IN THERMOSTAT		240 V CONTROL		24 V CONTROL		POWER	VOLTAGE	FLOW	WEIGHT	
CODE	PRICE	CODE	PRICE	CODE	PRICE	CODE	PRICE	WATTS	VOLTS	CFM	KG	LB
DRI0281	507.00	DRI0281T	578.00	---	---	DRI0281C24	636.00	2000	208	250	7.2	16
DRI0221	486.00	DRI0221T	578.00	---	---	DRI0221C24	636.00	2000	240	250	7.2	16
DRI0381	528.00	DRI0381T	600.00	---	---	DRI0381C24	656.00	3000	208	250	7.2	16
DRI0321	492.00	DRI0321T	600.00	---	---	DRI0321C24	656.00	3000	240	250	7.2	16
DRI0481	548.00	DRI0481T	620.00	---	---	DRI0481C24	678.00	4000	208	450	7.2	16
DRI0421	512.00	DRI0421T	620.00	---	---	DRI0421C24	678.00	4000	240	450	7.2	16
---	---	DRI0581T	628.00	---	---	DRI0581C24	684.00	5000	208	450	7.2	16
DRI0521	518.00	DRI0521T	628.00	---	---	DRI0521C24	684.00	5000	240	450	7.2	16
---	---	DRII0281T	763.00	DRII0281C	780.00	DRII0281C24	823.00	2000	208	450	20.4	45
---	---	DRII0283CT*	1052.00	DRII0283C*	993.00	DRII0283C24*	1038.00	2000	208	450	20.4	45
---	---	DRII0221T	763.00	DRII0221C	780.00	DRII0221C24	823.00	2000	240	450	20.4	45
---	---	DRII0231CT	1052.00	DRII0231C	993.00	DRII0231C24	1038.00	2000	347	450	20.4	45
---	---	DRII0261CT	1052.00	DRII0261C	993.00	DRII0261C24	1038.00	2000	600	450	20.4	45
---	---	DRII0263CT*	1052.00	DRII0263C*	993.00	DRII0263C24*	1038.00	2000	600	450	20.4	45
---	---	DRII0381T	768.00	DRII0381C	785.00	DRII0381C24	828.00	3000	208	450	20.4	45
---	---	DRII0383CT*	1052.00	DRII0383C*	997.00	DRII0383C24*	1040.00	3000	208	450	20.4	45
---	---	DRII0321T	768.00	DRII0321C	785.00	DRII0321C24	828.00	3000	240	450	20.4	45
---	---	DRII0331CT	1052.00	DRII0331C	997.00	DRII0331C24	1040.00	3000	347	450	20.4	45
---	---	DRII0361CT	1052.00	DRII0361C	997.00	DRII0361C24	1040.00	3000	600	450	20.4	45
---	---	DRII0363CT*	1052.00	DRII0363C*	997.00	DRII0363C24*	1040.00	3000	600	450	20.4	45
---	---	DRII0481T	779.00	DRII0481C	795.00	DRII0481C24	839.00	4000	208	450	20.4	45
---	---	DRII0483CT*	1065.00	DRII0483C*	1008.00	DRII0483C24*	1050.00	4000	208	450	20.4	45
---	---	DRII0421T	779.00	DRII0421C	795.00	DRII0421C24	839.00	4000	240	450	20.4	45
---	---	DRII0431CT	1065.00	DRII0431C	1008.00	DRII0431C24	1050.00	4000	347	450	20.4	45
---	---	DRII0461CT	1065.00	DRII0461C	1008.00	DRII0461C24	1050.00	4000	600	450	20.4	45
---	---	DRII0463CT*	1065.00	DRII0463C*	1008.00	DRII0463C24*	1050.00	4000	600	450	20.4	45
---	---	DRII0581T	787.00	DRII0581C	802.00	DRII0581C24	844.00	5000	208	450	20.4	45
---	---	DRII0583CT*	1070.00	DRII0583C*	1011.00	DRII0583C24*	1056.00	5000	208	450	20.4	45
---	---	DRII0521T	787.00	DRII0521C	802.00	DRII0521C24	844.00	5000	240	450	20.4	45
---	---	DRII0531CT	1070.00	DRII0531C	1011.00	DRII0531C24	1056.00	5000	347	450	20.4	45
---	---	DRII0561CT	1070.00	DRII0561C	1011.00	DRII0561C24	1056.00	5000	600	450	20.4	45
---	---	DRII0563CT*	1070.00	DRII0563C*	1011.00	DRII0563C24*	1056.00	5000	600	450	20.4	45
---	---	DRII0781CT	1554.00	DRII0781C	1496.00	DRII0781C24	1542.00	7500	208	700	20.4	45
---	---	DRII0783CT*	1554.00	DRII0783C*	1496.00	DRII0783C24*	1542.00	7500	208	700	20.4	45
---	---	DRII0721CT	1554.00	DRII0721C	1496.00	DRII0721C24	1542.00	7500	240	700	20.4	45
---	---	DRII0731CT	1554.00	DRII0731C	1496.00	DRII0731C24	1542.00	7500	347	700	20.4	45
---	---	DRII0761CT	1554.00	DRII0761C	1496.00	DRII0761C24	1542.00	7500	600	700	20.4	45
---	---	DRII0763CT*	1554.00	DRII0763C*	1496.00	DRII0763C24*	1542.00	7500	600	700	20.4	45
---	---	DRII1081CT	1621.00	DRII1081C	1561.00	DRII1081C24	1605.00	10 000	208	700	20.4	45
---	---	DRII1083CT*	1621.00	DRII1083C*	1561.00	DRII1083C24*	1605.00	10 000	208	700	20.4	45
---	---	DRII1021CT	1621.00	DRII1021C	1561.00	DRII1021C24	1605.00	10 000	240	700	20.4	45
---	---	DRII1031CT	1621.00	DRII1031C	1561.00	DRII1031C24	1605.00	10 000	347	700	20.4	45
---	---	DRII1061CT	1621.00	DRII1061C	1561.00	DRII1061C24	1605.00	10 000	600	700	20.4	45
---	---	DRII1063CT*	1621.00	DRII1063C*	1561.00	DRII1063C24*	1605.00	10 000	600	700	20.4	45

Add W for white or SW for soft white (consult the optional colours chart or contact your Stelpro representative for all other colours).

Add OFS to control fan-only mode with a wall switch (not provided).

\*Three-phase unit

Models also available in 277 V and 480 V.

--- not available



# TECHNICAL SPECIFICATIONS

## DRR MODELS (RECESSED INSTALLATION)

WITHOUT CONTROL		BUILT-IN THERMOSTAT		240 V CONTROL		24 V CONTROL		POWER	VOLTAGE	FLOW	WEIGHT	
CODE	PRICE	CODE	PRICE	CODE	PRICE	CODE	PRICE	WATTS	VOLTS	CFM	KG	LB
DRR0281	881.00	DRR0281T	939.00	DRR0281C	953.00	DRR0281C24	997.00	2000	208	250	13.6	30
---	---	DRR0283CT*	1213.00	DRR0283C*	1157.00	DRR0283C24*	1201.00	2000	208	250	13.6	30
DRR0221	881.00	DRR0221T	939.00	DRR0221C	953.00	DRR0221C24	997.00	2000	240	250	13.6	30
---	---	DRR0231CT	1213.00	DRR0231C	1157.00	DRR0231C24	1201.00	2000	347	250	13.6	30
---	---	DRR0261CT	1213.00	DRR0261C	1157.00	DRR0261C24	1201.00	2000	600	250	13.6	30
---	---	DRR0263CT*	1213.00	DRR0263C*	1157.00	DRR0263C24*	1201.00	2000	600	250	13.6	30
DRR0381	895.00	DRR0381T	953.00	DRR0381C	967.00	DRR0381C24	1010.00	3000	208	250	14.7	32.5
---	---	DRR0383CT*	1230.00	DRR0383C*	1171.00	DRR0383C24*	1213.00	3000	208	250	14.7	32.5
DRR0321	895.00	DRR0321T	953.00	DRR0321C	967.00	DRR0321C24	1010.00	3000	240	250	14.7	32.5
---	---	DRR0331CT	1230.00	DRR0331C	1171.00	DRR0331C24	1213.00	3000	347	250	14.7	32.5
---	---	DRR0361CT	1230.00	DRR0361C	1171.00	DRR0361C24	1213.00	3000	600	250	14.7	32.5
---	---	DRR0363CT*	1230.00	DRR0363C*	1171.00	DRR0363C24*	1213.00	3000	600	250	14.7	32.5
DRR0481	910.00	DRR0481T	967.00	DRR0481C	981.00	DRR0481C24	1027.00	4000	208	450	14.7	32.5
---	---	DRR0483CT*	1242.00	DRR0483C*	1183.00	DRR0483C24*	1230.00	4000	208	450	14.7	32.5
DRR0421	910.00	DRR0421T	967.00	DRR0421C	981.00	DRR0421C24	1027.00	4000	240	450	14.7	32.5
---	---	DRR0431CT	1242.00	DRR0431C	1183.00	DRR0431C24	1230.00	4000	347	450	14.7	32.5
---	---	DRR0461CT	1242.00	DRR0461C	1183.00	DRR0461C24	1230.00	4000	600	450	14.7	32.5
---	---	DRR0463CT*	1242.00	DRR0463C*	1183.00	DRR0463C24*	1230.00	4000	600	450	14.7	32.5
---	---	DRR0581T	981.00	DRR0581C	997.00	DRR0581C24	1039.00	5000	208	450	15.4	34
---	---	DRR0583CT*	1257.00	DRR0583C*	1201.00	DRR0583C24*	1242.00	5000	208	450	15.4	34
DRR0521	923.00	DRR0521T	981.00	DRR0521C	997.00	DRR0521C24	1039.00	5000	240	450	15.4	34
---	---	DRR0531CT	1257.00	DRR0531C	1201.00	DRR0531C24	1242.00	5000	347	450	15.4	34
---	---	DRR0561CT	1257.00	DRR0561C	1201.00	DRR0561C24	1242.00	5000	600	450	15.4	34
---	---	DRR0563CT*	1257.00	DRR0563C*	1201.00	DRR0563C24*	1242.00	5000	600	450	15.4	34

Add W for white or SW for soft white (consult the optional colours chart or contact your Stelpro representative for all other colours).  
Add OFS to control fan-only mode with a wall switch (not provided).

\*Three-phase unit  
Models also available in 277 V and 480 V.  
--- not available



### DRR MODEL (RECESSED)

A REVOLUTIONARY METHOD OF HEATING, THAT ELIMINATES THE NEED FOR A TRADITIONAL CEILING FAN. The Dragon recuperates the warm air that would otherwise accumulate at the ceiling and recirculates it throughout the room.



### DRRI MODEL (SURFACE MOUNTED)

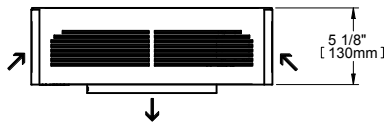
(PREVIOUS PAGE)

A UNIQUE SOURCE OF HEAT THAT OFFERS PERFORMANCE, STYLE, COMFORT AND ECONOMY! Ideal for garages, commercial entrances, factories and warehouses

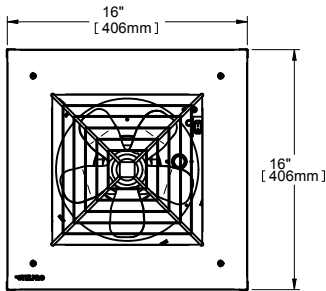
# TECHNICAL DRAWINGS

## DRI MODEL

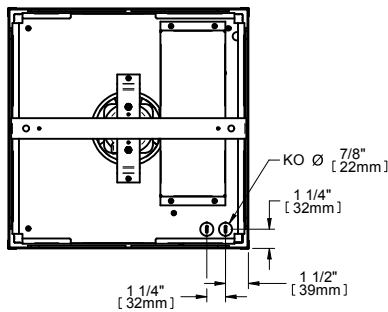
surface mounted



FRONT



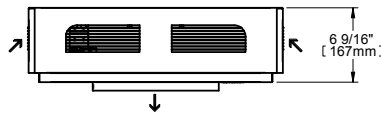
TOP



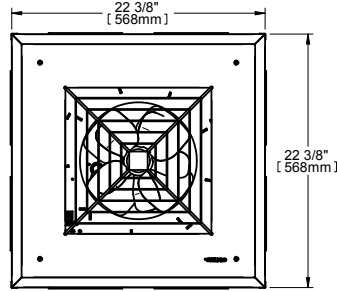
BOTTOM

## DRII MODEL

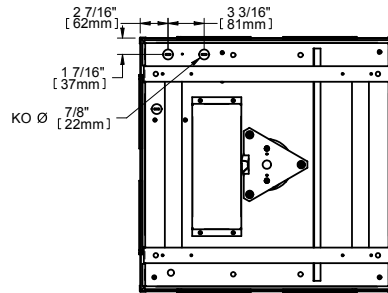
surface mounted



FRONT



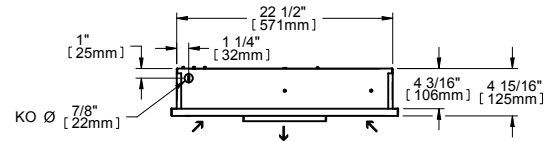
TOP



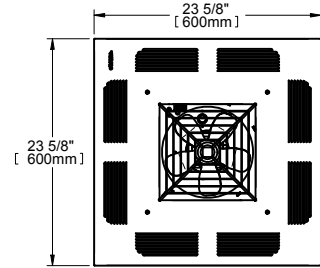
BOTTOM

## DRR MODEL

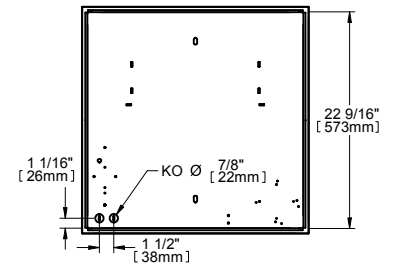
recessed



FRONT



TOP



BOTTOM

## THROW DISTANCE AND HEAT RISE

MODEL	UNITS		THROW DISTANCE		HEAT RISE	
	KW		M	FT	°C	°F
DRI	2		7	23	22	40
	3		7	23	25	45
	4		7	23	33	60
	5		7	23	40	72
	7.5	9.1	30	42	76	
DRII	2		7	23	21	38
	3		7	23	31	56
	4		7	23	41	74
	5		7	23	44	79
	10	9.1	30	59	106	
DRR	2		7	23	16	29
	3		7	23	18	32
	4		7	23	30	53
5		7	23	38	68	

## ACCESSORIES

PRODUCT	DESCRIPTION	PRICE
<b>DRT1</b>	built-in tamper-proof single pole thermostat (DRR, DRI or DRII models)	<b>59.25</b>
<b>DRITBA1*</b>	T-bar adapter (DRI models)	<b>120.00</b>
<b>DRIITBA1*</b>	T-bar adapter (DRII models)	<b>126.00</b>
<b>DRC24RX*</b>	relay kit without transformer 24 V (DRII or DRR models)	<b>136.00</b>
<b>DRIC24RX*</b>	relay kit without transformer 24 V (DRI models)	<b>143.00</b>

\* Add W for white or SW for soft white.

\* Factory installed

# SCH

## PORTABLE MULTIPURPOSE HEATER



### EFFICIENT, SAFE AND VERSATILE

Any construction worker will tell you that the SCH is the fast-acting heating unit most often found on construction sites, hence its nickname: “the construction heater.” Housed in a 20-gauge steel casing, it features a rugged protective grille and nichrome element for instant heat at start-up. Despite its small size, this heating powerhouse boasts 4800 W. The SCH can be placed on the ground or against a wall, using a support bracket, available as an option. This heater is right at home, on construction sites and in workshops and garages. Choose the SCH when you need rapid, reliable heat.

- SAFE AND RUGGED**  
20-GAUGE STEEL
- “COOL TOUCH” HOUSING**
- 4800 W HOUSED IN A SMALL UNIT**
- OPEN COIL GENERATES INSTANT HEAT**
- PERMANENTLY ENCLOSED LUBRICATED MOTOR (SCH4800T)**
- VERSATILE: PERMANENT OR TEMPORARY INSTALLATION WITH OPTIONAL SUPPORT BRACKET**

#### COLOURS

- **standard:** red (SCH48T models), canary yellow (SCH4800T)

#### FINISH

- epoxy-polyester powdercoat

#### MANUFACTURING

- 20-gauge steel cabinet
- sturdy handle for portability that also serves as cord rack and which adapts to the mounting bracket
- 6 ft. (2 m) 12 Awg. molded cable with 3-prong grounded, 30 A 250 V plug (except for SCH48TWBPL)
- 6 ft. (2 m) 12 Awg. molded cable for hard-wired connection (SCH48TWBPL)
- thermal protection with automatic reset

#### MOTOR

- 250 CFM fan (SCH48T models)
- permanently enclosed lubricated motor and 300 CFM fan (SCH4800T)

#### ELEMENT

- nichrome element ensuring increased comfort
- cone-shaped to concentrate the air around the element

#### CONTROL

- built-in thermostat with control knob protector

#### INSTALLATION

- connects to a standard 30 A 250 V grounded receptacle (except for SCH48TWBPL)
- hard-wired into a wall junction box (SCH48TWBPL)
- mounting bracket that can rotate at 360° while preventing the unit from tipping

#### WARRANTY

- three years (SCH4800T)
- two years (SCH48T models)

**IDEAL FOR:**  
construction site, garages

ACCESSORY		
PRODUCT	DESCRIPTION	PRICE
SCH-WBB	mounting bracket (models with plug)	43.00



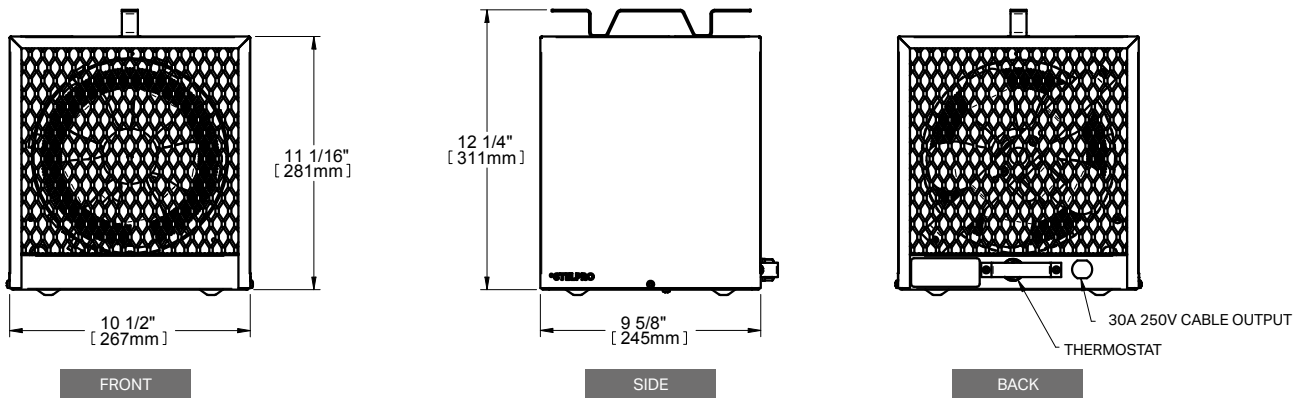
## TECHNICAL SPECIFICATIONS

PRODUCT	POWER	VOLTAGE	MOTOR		CONNECTION	MOUNTING BRACKET	COLOUR	WEIGHT		PRICE
CODE	WATTS	VOLTS	CFM					KG	LB	
SCH48T	4800/3600	240/208	250	---	30 A 250 V PLUG	NO	RED	5.9	13	133.00
SCH48TWB	4800/3600	240/208	250	---	30 A 250 V PLUG	YES	RED	5.9	13	176.00
SCH48TWBPL	4800/3600	240/208	250	---	HARD-WIRED	YES	RED	5.9	13	167.00
SCH4800T	4800/3600	240/208	300	PERMANENTLY ENCLOSED AND LUBRICATED	30 A 250 V PLUG	NO	CANARY YELLOW	5.9	13	176.00

## THROW DISTANCE AND HEAT RISE

MODEL	UNITS	THROW DISTANCE		HEAT RISE	
	KW	M	FT	°C	°F
SCH48T	4.8	5.9	19'4"	81	145
SCH4800T	4.8	6.4	21'	70	125

## TECHNICAL DRAWINGS



# ALUX1 | ALUX™

## MINI ARCHITECTURAL ALUMINUM BASEBOARD



### THE SMALLEST IN ITS CLASS

A mini baseboard that lives up to the great expectations of designers, architects and engineers alike. Only 4 1/2 in. high and 2 in. deep, the ALUX1 can be installed in locations previously thought impossible. Discreetly blending into the decor, the ALUX1 mini architectural baseboard heater is solid, powerful and elegant all at once. Even though it is compact in size, the ALUX1 conforms to the strictest standards.

**EXTRUDED ALUMINUM FRONT AND TOP COVER**  
WITH A UNIQUE, LUXURY DESIGN

**EXTREMELY SOLID, IMPACT AND RUST RESISTANT**

**VERSATILE**  
ADAPTS TO ANY BUILDING'S ARCHITECTURE

**PERSONALIZED INSTALLATION**  
BLANK SECTIONS, PEDESTALS AND CLEAN BACKS AVAILABLE

#### COLOURS

- **standard:** white, soft white
- **luxury finish:** anodized aluminum (see price list)
- **Orora (optional):** refer to [www.stelpro.com/en-CA/Orora](http://www.stelpro.com/en-CA/Orora)

#### FINISH

- epoxy-polyester powdercoat or anodized aluminum finish

#### MANUFACTURING

- 2 in. x 4 1/2 in. compact profile
- solid 20-gauge steel cabinet
- extremely resistant extruded aluminum front cover with a thickness equivalent to 10 gauge
- bottom air intake and top air discharge
- thermal protection with automatic reset
- full-length wireway

#### ELEMENT

- single tubular, stainless steel sheathed element with boxed aluminum fins for improved heat dissipation; the element is securely fastened at its centre, floating in nylon sleeves at each end, eliminating expansion and contraction noises

#### CONTROL

- wall thermostat (not included) – the use of an electronic thermostat is strongly recommended
- built-in tamper-proof thermostat accessible without removing front grille, installed in the left junction box only (optional)
- low voltage relay kit installed in the left junction box only (optional)

#### INSTALLATION

- surface mounted
- wall or floor mounted with or without pedestal kit (optional)
- at least 2 in. from the floor
- wiring compartment at both ends of unit
- for a continuous look, custom blank sections with a simple attachment system are available (optional)

#### WARRANTY

- three years

#### IDEAL FOR:

commercial building or shopping mall, hospital, office, private residence, hotel



## ACCESSORIES

PRODUCT	DESCRIPTION	PRICE
<b>ALUX1T12*</b>	built-in tamper-proof single pole thermostat (left side installation only)	<b>132.00</b>
<b>ALUX1RE153*</b>	built-in electronic low voltage relay [15 A @ 120 V-347 V]	<b>83.00</b>
<b>ALUX1RE156*</b>	built-in electronic low voltage relay [6 A @ 600 V]	<b>130.00</b>
<b>ALUX1RE153T*</b>	built-in electronic low voltage relay c/w transformer 24 V [15 A @ 208 V-347 V]	<b>102.00</b>
<b>PK4*</b>	pedestal kit – single (kit of two)	<b>128.00</b>
<b>PK4CAP</b>	anodized aluminum (paint) pedestal kit – single (kit of two)	<b>145.00</b>
<b>PK4D*</b>	pedestal kit – double (kit of two)	<b>208.00</b>
<b>PK4DCAP</b>	anodized aluminum (paint) pedestal kit – double (kit of two)	<b>232.00</b>
<b>ALUX1JS*</b>	joiner strip (2 in. – 51 mm)	<b>121.00</b>
<b>ALUX1JSCAP</b>	anodized aluminum (paint) joiner strip (2 in. – 51 mm)	<b>133.00</b>
<b>ALUX1IC90*</b>	inside corner (back measures 5 11/16 in. – 145 mm long on each side)	<b>420.00</b>
<b>ALUX1IC90CA</b>	anodized aluminum (finish) inside corner (back measures 5 11/16 in. – 145 mm long on each side)	<b>462.00</b>
<b>ALUX1OC90*</b>	outside corner (back measures 5 11/16 in. – 145 mm long on each side)	<b>420.00</b>
<b>ALUX1OC90CA</b>	anodized aluminum (finish) outside corner (back measures 5 11/16 in. – 145 mm long on each side)	<b>462.00</b>
<b>ALUX1CB**</b>	clean back (fully finished, no mounting holes or knockouts)	<b>177.00</b>

Electronic relays can receive a PWM (pulsed width modulation) or digital (on/off) signal.

\* Add W for white or SW for soft white.

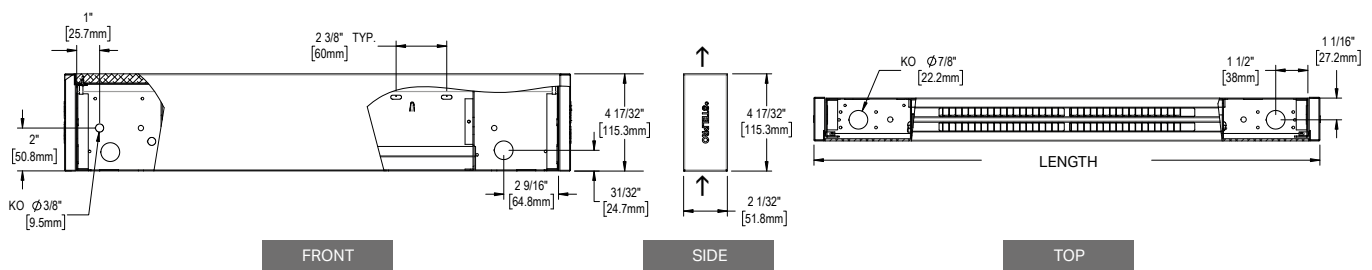
\* Factory installed

# TECHNICAL SPECIFICATIONS

DENSITY OF 150 W PER LINEAR FOOT		DENSITY OF 100 W PER LINEAR FOOT		VOLTAGE	LENGTH		WEIGHT		PRICE	
CODE	WATTS	CODE	WATTS	VOLTS	MM	IN.	KG	LB	W OR SW	CA
ALUX106031	300	---	---	120	600	23 5/8	2.9	6.4	434.00	490.00
ALUX106038	300	---	---	208	600	23 5/8	2.9	6.4	434.00	490.00
ALUX106032	300	---	---	240	600	23 5/8	2.9	6.4	434.00	490.00
---	300	---	---	347	600	23 5/8	2.9	6.4	---	---
---	300	---	---	600	600	23 5/8	2.9	6.4	---	---
ALUX109041	450	ALUX109031	300	120	900	35 7/16	4.2	9.1	488.00	545.00
ALUX109048	450	ALUX109038	300	208	900	35 7/16	4.2	9.1	488.00	545.00
ALUX109042	450	ALUX109032	300	240	900	35 7/16	4.2	9.1	488.00	545.00
ALUX109043	450	---	300	347	900	35 7/16	4.2	9.1	488.00	545.00
---	450	---	---	600	900	35 7/16	4.2	9.1	---	---
ALUX112061	600	ALUX112041	400	120	1200	47 1/4	6.2	13.6	544.00	601.00
ALUX112068	600	ALUX112048	400	208	1200	47 1/4	6.2	13.6	544.00	601.00
ALUX112062	600	ALUX112042	400	240	1200	47 1/4	6.2	13.6	544.00	601.00
ALUX112063	600	ALUX112043	400	347	1200	47 1/4	6.2	13.6	544.00	601.00
---	600	---	---	600	1200	47 1/4	6.2	13.6	---	---
ALUX115071	750	ALUX115051	500	120	1500	59 1/16	7.7	16.8	599.00	656.00
ALUX115078	750	ALUX115058	500	208	1500	59 1/16	7.7	16.8	599.00	656.00
ALUX115072	750	ALUX115052	500	240	1500	59 1/16	7.7	16.8	599.00	656.00
ALUX115073	750	ALUX115053	500	347	1500	59 1/16	7.7	16.8	599.00	656.00
ALUX115076	750	---	---	600	1500	59 1/16	7.7	16.8	599.00	656.00
ALUX118091	900	ALUX118061	600	120	1800	70 7/8	9.1	20.0	656.00	711.00
ALUX118098	900	ALUX118068	600	208	1800	70 7/8	9.1	20.0	656.00	711.00
ALUX118092	900	ALUX118062	600	240	1800	70 7/8	9.1	20.0	656.00	711.00
ALUX118093	900	ALUX118063	600	347	1800	70 7/8	9.1	20.0	656.00	711.00
ALUX118096	900	ALUX118066	600	600	1800	70 7/8	9.1	20.0	656.00	711.00
ALUX121101	1050	ALUX121071	700	120	2100	82 11/16	10.5	23.1	708.00	765.00
ALUX121108	1050	ALUX121078	700	208	2100	82 11/16	10.5	23.1	708.00	765.00
ALUX121102	1050	ALUX121072	700	240	2100	82 11/16	10.5	23.1	708.00	765.00
ALUX121103	1050	ALUX121073	700	347	2100	82 11/16	10.5	23.1	708.00	765.00
ALUX121106	1050	ALUX121076	700	600	2100	82 11/16	10.5	23.1	708.00	765.00
ALUX124121	1200	ALUX124081	800	120	2400	94 1/2	12.2	26.7	763.00	821.00
ALUX124128	1200	ALUX124088	800	208	2400	94 1/2	12.2	26.7	763.00	821.00
ALUX124122	1200	ALUX124082	800	240	2400	94 1/2	12.2	26.7	763.00	821.00
ALUX124123	1200	ALUX124083	800	347	2400	94 1/2	12.2	26.7	763.00	821.00
ALUX124126	1200	ALUX124086	800	600	2400	94 1/2	12.2	26.7	763.00	821.00
ALUX127138	1350	ALUX127098	900	208	2700	106 5/16	12.2	26.7	818.00	876.00
ALUX127132	1350	ALUX127092	900	240	2700	106 5/16	12.2	26.7	818.00	876.00
ALUX127133	1350	ALUX127093	900	347	2700	106 5/16	12.2	26.7	818.00	876.00
ALUX127136	1350	ALUX127096	900	600	2700	106 5/16	12.2	26.7	818.00	876.00

Add W for white, SW for soft white or CA for clear anodized (finish) (consult the optional colours chart or contact your Stelpro representative for all other colours).  
Models also available in 277 V and 480 V. --- not available

## TECHNICAL DRAWINGS







# ALUX2 | ALUX™

## MINI ARCHITECTURAL ALUMINUM BASEBOARD



### STYLE AND DURABILITY AT YOUR FEET

Here is a mini architectural baseboard you won't soon forget. The ALUX2 from the ALUX series, designed to be installed below large windows, patio doors or bay windows. In addition to not cluttering a room, it controls cold air infiltration and condensation since it acts as a hot air curtain. Its unique style and aluminum extrusion not only make it durable but also ensure it complements any room.

#### EXTRUDED ALUMINUM FRONT AND TOP COVER

WITH A UNIQUE, LUXURY DESIGN

#### EXTREMELY SOLID, IMPACT AND RUST RESISTANT

#### NO CONDENSATION BUILD-UP

#### BLANK SECTIONS AVAILABLE FOR A CONTINUOUS LOOK

#### COLOURS

- **standard:** white, soft white
- **luxury finish:** anodized aluminum (see price list)
- **Orora (optional):** refer to [www.stelpro.com/en-CA/Orora](http://www.stelpro.com/en-CA/Orora)

#### FINISH

- epoxy-polyester powdercoat or anodized aluminum finish

#### MANUFACTURING

- 3 in. x 3 in. compact profile
- solid 20-gauge steel cabinet
- extremely resistant extruded aluminum front cover with a thickness equivalent to 10 gauge
- thermal protection with automatic reset
- full-length wireway
- pencil-proof openings of less than 1/4 in. (6.7 mm) prevent foreign objects from entering the unit

#### ELEMENT

- single tubular, stainless steel sheathed element with boxed aluminum fins for improved heat dissipation; the element is securely fastened at its centre, floating in nylon sleeves at each end, eliminating expansion and contraction noises

#### CONTROL

- wall thermostat (not included) – the use of an electronic thermostat is strongly recommended
- built-in thermostat accessible without removing front grille, installed in the left junction box only (optional)
- low voltage relay kit installed in the left junction box only (optional)

#### INSTALLATION

- surface mounted
- wall or floor mounted with or without pedestal kit (optional)
- wiring compartment at both ends of unit
- for a continuous look, custom blank sections with a simple attachment system are available (optional)

#### WARRANTY

- three years

#### IDEAL FOR:

below large window, patio door or bay window, solarium



## ACCESSORIES

PRODUCT	DESCRIPTION	PRICE
ALUX2T12*	built-in tamper-proof single pole thermostat (left side installation only)	128.00
ALUX2RE153*	built-in electronic low voltage relay [15 A @ 120 V-347 V]	83.00
ALUX2RE156*	built-in electronic low voltage relay [6 A @ 600 V]	130.00
ALUX2RE153T*	built-in electronic low voltage relay c/w transformer 24 V [15 A @ 208 V-347 V]	102.00
PK5*	pedestal kit – single (kit of two)	128.00
PK5CAP	anodized aluminum (paint) pedestal kit – single (kit of two)	145.00
PK5D*	pedestal kit – double (kit of two)	208.00
PK5DCAP	anodized aluminum (paint) pedestal kit – double (kit of two)	232.00
ALUX2JS*	joiner strip (2 in. – 51 mm)	94.50
ALUX2JSCAP	anodized aluminum (paint) joiner strip (2 in. – 51 mm)	107.00
ALUX2IC90*	inside corner (back measures 6 7/16 in. – 164 mm long on each side)	330.00
ALUX2IC90CA	anodized aluminum (finish) inside corner (back measures 6 7/16 in. – 164 mm long on each side)	373.00
ALUX2OC90*	outside corner (back measures 6 7/16 in. – 164 mm long on each side)	330.00
ALUX2OC90CA	anodized aluminum (finish) outside corner (back measures 6 7/16 in. – 164 mm long on each side)	373.00
ALUX2CB**	clean back (fully finished, no mounting holes or knockouts)	140.00
ALUX2SA*	full-width flush-fit stand – height of 2 to 12 in. (51 to 305 mm)	---
ALUX2SR*	full-width recessed stand (39/64 in. – 16 mm) – height of 2 to 12 in. (51 to 305 mm)	---

Electronic relays can receive a PWM (pulsed width modulation) or digital (on/off) signal.

\* Add W for white or SW for soft white.

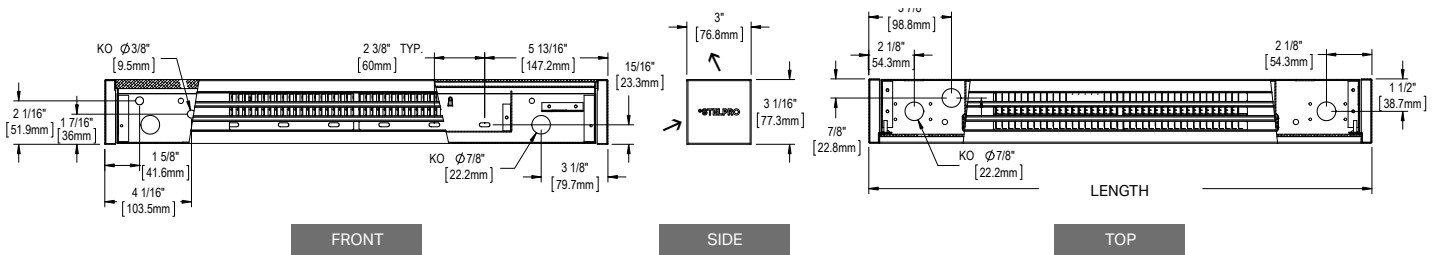
\* Factory installed

# TECHNICAL SPECIFICATIONS

DENSITY OF 150 W PER LINEAR FOOT		DENSITY OF 100 W PER LINEAR FOOT		VOLTAGE	LENGTH		WEIGHT		PRICE	
CODE	WATTS	CODE	WATTS	VOLTS	MM	IN.	KG	LB	W OR SW	CA
ALUX206031	300	---	---	120	600	23 5/8	2.4	5.2	326.00	386.00
ALUX206038	300	---	---	208	600	23 5/8	2.4	5.2	326.00	386.00
ALUX206032	300/225	---	---	240/208	600	23 5/8	2.4	5.2	326.00	386.00
---	300	---	---	347	600	23 5/8	2.4	5.2	---	---
---	300	---	---	600	600	23 5/8	2.4	5.2	---	---
ALUX209041	450	ALUX209031	300	120	900	35 7/16	3.5	7.8	375.00	435.00
ALUX209048	450	ALUX209038	300	208	900	35 7/16	3.5	7.8	375.00	435.00
ALUX209042	450/340	ALUX209032	300/225	240/208	900	35 7/16	3.5	7.8	375.00	435.00
ALUX209043	450	---	300	347	900	35 7/16	3.5	7.8	375.00	435.00
---	450	---	300	600	900	35 7/16	3.5	7.8	---	---
ALUX212061	600	ALUX212041	400	120	1200	47 1/4	4.7	10.4	422.00	482.00
ALUX212068	600	ALUX212048	400	208	1200	47 1/4	4.7	10.4	422.00	482.00
ALUX212062	600/450	ALUX212042	400/300	240/208	1200	47 1/4	4.7	10.4	422.00	482.00
ALUX212063	600	ALUX212043	400	347	1200	47 1/4	4.7	10.4	422.00	482.00
---	600	---	400	600	1200	47 1/4	4.7	10.4	---	---
ALUX215071	750	ALUX215051	500	120	1500	59 1/16	5.9	13	472.00	530.00
ALUX215078	750	ALUX215058	500	208	1500	59 1/16	5.9	13	472.00	530.00
ALUX215072	750/560	ALUX215052	500/375	240/208	1500	59 1/16	5.9	13	472.00	530.00
ALUX215073	750	ALUX215053	500	347	1500	59 1/16	5.9	13	472.00	530.00
ALUX215076	750	ALUX215056	500	600	1500	59 1/16	5.9	13	472.00	530.00
ALUX218091	900	ALUX218061	600	120	1800	70 7/8	7.1	15.5	520.00	579.00
ALUX218098	900	ALUX218068	600	208	1800	70 7/8	7.1	15.5	520.00	579.00
ALUX218092	900/675	ALUX218062	600/450	240/208	1800	70 7/8	7.1	15.5	520.00	579.00
ALUX218093	900	ALUX218063	600	347	1800	70 7/8	7.1	15.5	520.00	579.00
ALUX218096	900	ALUX218066	600	600	1800	70 7/8	7.1	15.5	520.00	579.00
ALUX221101	1050	ALUX221071	700	120	2100	82 11/16	8.2	18.1	566.00	628.00
ALUX221108	1050	ALUX221078	700	208	2100	82 11/16	8.2	18.1	566.00	628.00
ALUX221102	1050/790	ALUX221072	700/525	240/208	2100	82 11/16	8.2	18.1	566.00	628.00
ALUX221103	1050	ALUX221073	700	347	2100	82 11/16	8.2	18.1	566.00	628.00
ALUX221106	1050	ALUX221076	700	600	2100	82 11/16	8.2	18.1	566.00	628.00
ALUX224121	1200	ALUX224081	800	120	2400	94 1/2	9.4	20.7	615.00	676.00
ALUX224128	1200	ALUX224088	800	208	2400	94 1/2	9.4	20.7	615.00	676.00
ALUX224122	1200/900	ALUX224082	800/600	240/208	2400	94 1/2	9.4	20.7	615.00	676.00
ALUX224123	1200	ALUX224083	800	347	2400	94 1/2	9.4	20.7	615.00	676.00
ALUX224126	1200	ALUX224086	800	600	2400	94 1/2	9.4	20.7	615.00	676.00
ALUX227138	1350	ALUX227098	900	208	2700	106 5/16	10.6	23.3	663.00	724.00
ALUX227132	1350/1010	ALUX227092	900/675	240/208	2700	106 5/16	10.6	23.3	663.00	724.00
ALUX227133	1350	ALUX227093	900	347	2700	106 5/16	10.6	23.3	663.00	724.00
ALUX227136	1350	ALUX227096	900	600	2700	106 5/16	10.6	23.3	663.00	724.00

Add W for white, SW for soft white or CA for clear anodized (finish) (consult the optional colours chart or contact your Stelpro representative for all other colours).  
Models also available in 277 V and 480 V.  
--- not available

## TECHNICAL DRAWINGS





# ALUX3 | ALUX™

## ARCHITECTURAL ALUMINUM BASEBOARD



### THE ARCHITECTS' CHOICE

When aesthetics is a factor, the ALUX3 is the heating unit of choice. The ALUX3 features a winning combination of style and functionality with its extruded aluminum finish and choice of watt densities. The ALUX3 is practically indestructible thanks to the quality of construction of its aluminum front panel with a thickness equivalent to 10 gauge. What's more, it offers the option of adding blank sections for a seamless, uniform look. Offices, large windows and schools can all benefit from the special features of this baseboard heater.

**EXTRUDED ALUMINUM FRONT AND TOP COVER**  
WITH A UNIQUE, LUXURY DESIGN

**EXTREMELY SOLID, IMPACT AND RUST RESISTANT**

**OFFERED IN THREE WATT DENSITIES**

**PERSONALIZED INSTALLATION**  
BLANK SECTIONS, PEDESTALS AND CLEAN BACKS AVAILABLE

#### IDEAL FOR:

office, commercial space, hotel, lobby, solarium, school, hospital

#### COLOURS

- **standard:** white, soft white
- **luxury finish:** anodized aluminum (see price list)
- **Orora (optional):** refer to [www.stelpro.com/en-CA/Orora](http://www.stelpro.com/en-CA/Orora)

#### FINISH

- epoxy-polyester powdercoat or anodized aluminum finish

#### MANUFACTURING

- 3 in. x 4 in. compact profile
- solid 20-gauge steel cabinet
- extremely resistant extruded aluminum front cover with a thickness equivalent to 10 gauge
- thermal protection with automatic reset
- full-length wireway
- pencil-proof openings of less than 1/4 in. (6.7 mm) prevent foreign objects from entering the unit

#### ELEMENT

- single tubular, stainless steel sheathed element with boxed aluminum fins for improved heat dissipation; the element is securely fastened at its centre, floating in nylon sleeves at each end, eliminating expansion and contraction noises

#### CONTROL

- wall thermostat (not included) – the use of an electronic thermostat is strongly recommended
- built-in tamper-proof thermostat accessible without removing front grille, installed in the left junction box only (optional)
- low voltage relay kit installed in the left junction box only (optional)
- multiple integrated controls can be installed in the same baseboard inside one or two extensions (optional)

#### INSTALLATION

- surface mounted
- wall or floor mounted with or without pedestal kit (optional)
- at least 3 in. from the floor (models with BT option only)
- wiring compartments at both ends of unit
- for a continuous look, custom blank sections with a simple attachment system are available (optional)

#### WARRANTY

- three years



## ACCESSORIES

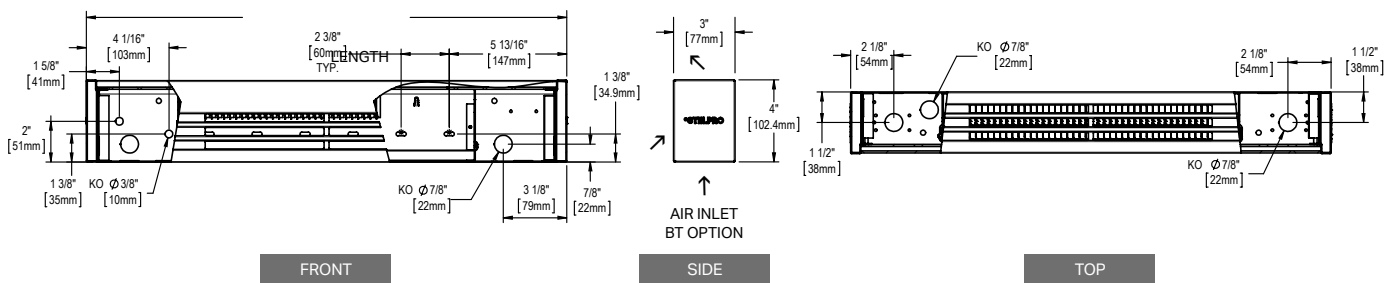
PRODUCT	DESCRIPTION	PRICE
<b>ALUX3T12*</b>	built-in tamper-proof single pole thermostat (left side installation only)	<b>132.00</b>
<b>ALUX3T22*</b>	built-in tamper-proof double pole thermostat (left side installation only)	<b>221.00</b>
<b>ALUX3RE153*</b>	built-in electronic low voltage relay [15 A @ 120 V-347 V]	<b>75.25</b>
<b>ALUX3RE156*</b>	built-in electronic low voltage relay [6 A @ 600 V]	<b>123.00</b>
<b>ALUX3RE153T*</b>	built-in electronic low voltage relay c/w transformer 24 V [15 A @ 208 V-347 V]	<b>94.50</b>
<b>ALUX3R841C1151*</b>	built-in electromechanical low voltage relay c/w transformer 24 V [6000 W @ 600 V]	<b>175.00</b>
<b>PK5*</b>	pedestal kit – single (kit of two)	<b>128.00</b>
<b>PK5CAP</b>	anodized aluminum (paint) pedestal kit – single (kit of two)	<b>145.00</b>
<b>PK5D*</b>	pedestal kit – double (kit of two)	<b>208.00</b>
<b>PK5DCAP</b>	anodized aluminum (paint) pedestal kit – double (kit of two)	<b>232.00</b>
<b>ALUX3JS*</b>	joiner strip (2 in. – 51 mm)	<b>119.00</b>
<b>ALUX3JSCAP</b>	anodized aluminum (paint) joiner strip (2 in. – 51 mm)	<b>131.00</b>
<b>ALUX3IC90*</b>	inside corner (back measures 6 7/16 in. – 164 mm long on each side)	<b>417.00</b>
<b>ALUX3IC90CA</b>	anodized aluminum (finish) inside corner (back measures 6 7/16 in. – 164 mm long on each side)	<b>459.00</b>
<b>ALUX3OC90*</b>	outside corner (back measures 6 7/16 in. – 164 mm long on each side)	<b>417.00</b>
<b>ALUX3OC90CA</b>	anodized aluminum (finish) outside corner (back measures 6 7/16 in. – 164 mm long on each side)	<b>459.00</b>
<b>ALUX3CB**</b>	clean back (fully finished, no mounting holes or knockouts)	<b>174.00</b>
<b>ALUX3BT*</b>	admission de l'air par le dessous/sortie par le dessus	---
<b>ALUX3SA*</b>	full-width flush-fit stand – height of 2 to 12 in. – 51 to 305 mm	---
<b>ALUX3SR*</b>	full-width recessed stand (39/64 in. – 16 mm) – height of 2 to 12 in. – 51 to 305 mm	---

Electronic relays can receive a PWM (pulsed width modulation) or digital (on/off) signal.

\* Add W for white or SW for soft white.

\* Factory installed

## TECHNICAL DRAWINGS



# TECHNICAL SPECIFICATIONS

DENSITY OF 250 W PER LINEAR FOOT		DENSITY OF 200 W PER LINEAR FOOT		DENSITY OF 150 W PER LINEAR FOOT		VOLTAGE	LENGTH		WEIGHT		PRICE	
CODE	WATTS	CODE	WATTS	CODE	WATTS	VOLTS	MM	IN.	KG	LB	W OR SW	CA
ALUX306051	500	ALUX306041	400	ALUX306031	300	120	600	23 5/8	3.1	6.7	432.00	489.00
ALUX306058	500	ALUX306048	400	ALUX306038	300	208	600	23 5/8	3.1	6.7	432.00	489.00
ALUX306052	500/375	ALUX306042	400/300	ALUX306032	300/225	240/208	600	23 5/8	3.1	6.7	432.00	489.00
ALUX306053	500	---	400	---	300	347	600	23 5/8	3.1	6.7	432.00	489.00
---	500	---	400	---	300	600	600	23 5/8	3.1	6.7	---	---
ALUX309071	750	ALUX309061	600	ALUX309041	450	120	900	35 7/16	4.6	10.1	486.00	542.00
ALUX309078	750	ALUX309068	600	ALUX309048	450	208	900	35 7/16	4.6	10.1	486.00	542.00
ALUX309072	750/560	ALUX309062	600/450	ALUX309042	450/340	240/208	900	35 7/16	4.6	10.1	486.00	542.00
ALUX309073	750	ALUX309063	600	ALUX309043	450	347	900	35 7/16	4.6	10.1	486.00	542.00
ALUX309076	750	---	600	---	450	600	900	35 7/16	4.6	10.1	486.00	542.00
ALUX312101	1000	ALUX312081	800	ALUX312061	600	120	1200	47 1/4	6.8	13.4	539.00	596.00
ALUX312108	1000	ALUX312088	800	ALUX312068	600	208	1200	47 1/4	6.8	13.4	539.00	596.00
ALUX312102	1000/750	ALUX312082	800/600	ALUX312062	600/450	240/208	1200	47 1/4	6.8	13.4	539.00	596.00
ALUX312103	1000	ALUX312083	800	ALUX312063	600	347	1200	47 1/4	6.8	13.4	539.00	596.00
ALUX312106	1000	ALUX312086	800	---	600	600	1200	47 1/4	6.8	13.4	539.00	596.00
ALUX315121	1250	ALUX315101	1000	ALUX315071	750	120	1500	59 1/16	7.6	16.8	592.00	650.00
ALUX315128	1250	ALUX315108	1000	ALUX315078	750	208	1500	59 1/16	7.6	16.8	592.00	650.00
ALUX315122	1250/940	ALUX315102	1000/750	ALUX315072	750/560	240/208	1500	59 1/16	7.6	16.8	592.00	650.00
ALUX315123	1250	ALUX315103	1000	ALUX315073	750	347	1500	59 1/16	7.6	16.8	592.00	650.00
ALUX315126	1250	ALUX315106	1000	ALUX315076	750	600	1500	59 1/16	7.6	16.8	592.00	650.00
ALUX318151	1500	ALUX318121	1200	ALUX318091	900	120	1800	70 7/8	9.1	20.1	646.00	704.00
ALUX318158	1500	ALUX318128	1200	ALUX318098	900	208	1800	70 7/8	9.1	20.1	646.00	704.00
ALUX318152	1500/1125	ALUX318122	1200/900	ALUX318092	900/675	240/208	1800	70 7/8	9.1	20.1	646.00	704.00
ALUX318153	1500	ALUX318123	1200	ALUX318093	900	347	1800	70 7/8	9.1	20.1	646.00	704.00
ALUX318156	1500	ALUX318126	1200	ALUX318096	900	600	1800	70 7/8	9.1	20.1	646.00	704.00
---	1750	ALUX321141	1400	ALUX321101	1050	120	2100	82 11/16	10.6	23.4	701.00	758.00
ALUX321178	1750	ALUX321148	1400	ALUX321108	1050	208	2100	82 11/16	10.6	23.4	701.00	758.00
ALUX321172	1750/1315	ALUX321142	1400/1050	ALUX321102	1050/790	240/208	2100	82 11/16	10.6	23.4	701.00	758.00
ALUX321173	1750	ALUX321143	1400	ALUX321103	1050	347	2100	82 11/16	10.6	23.4	701.00	758.00
ALUX321176	1750	ALUX321146	1400	ALUX321106	1050	600	2100	82 11/16	10.6	23.4	701.00	758.00
---	2000	---	1600	ALUX324121	1200	120	2400	94 1/2	12.2	26.8	754.00	810.00
ALUX324208	2000	ALUX324168	1600	ALUX324128	1200	208	2400	94 1/2	12.2	26.8	754.00	810.00
ALUX324202	2000/1500	ALUX324162	1600/1200	ALUX324122	1200/900	240/208	2400	94 1/2	12.2	26.8	754.00	810.00
ALUX324203	2000	ALUX324163	1600	ALUX324123	1200	347	2400	94 1/2	12.2	26.8	754.00	810.00
ALUX324206	2000	ALUX324166	1600	ALUX324126	1200	600	2400	94 1/2	12.2	26.8	754.00	810.00
---	2250	---	1800	---	1350	120	2700	106 5/16	13.6	30.1	---	---
ALUX327228	2250	ALUX327188	1800	ALUX327138	1350	208	2700	106 5/16	13.6	30.1	807.00	865.00
ALUX327222	2250/1690	ALUX327182	1800/1350	ALUX327132	1350/1010	240/208	2700	106 5/16	13.6	30.1	807.00	865.00
ALUX327223	2250	ALUX327183	1800	ALUX327133	1350	347	2700	106 5/16	13.6	30.1	807.00	865.00
ALUX327226	2250	ALUX327186	1800	ALUX327136	1350	600	2700	106 5/16	13.6	30.1	807.00	865.00
---	2500	---	2000	---	1500	120	2700	106 5/16	13.6	30.1	---	---
ALUX327258	2500	ALUX327208	2000	ALUX327158	1500	208	2700	106 5/16	13.6	30.1	807.00	865.00
ALUX327252	2500/1875	ALUX327202	2000/1500	ALUX327152	1500/1125	240/208	2700	106 5/16	13.6	30.1	807.00	865.00
ALUX327253	2500	ALUX327203	2000	ALUX327153	1500	347	2700	106 5/16	13.6	30.1	807.00	865.00
ALUX327256	2500	ALUX327206	2000	ALUX327156	1500	600	2700	106 5/16	13.6	30.1	807.00	865.00

Add W for white, SW for soft white or CA for clear anodized (finish) (consult the optional colours chart or contact your Stelpro representative for all other colours).  
 Models also available in 277 V and 480 V.  
 --- not available





# ALUX4 | ALUX™

## ARCHITECTURAL ALUMINUM BASEBOARD



### A HEATER WITH A LOT TO OFFER

The ALUX4 is an impressive blend of contemporary design and superior performance. Its durable steel cabinet is decorated with an elegant aluminum grille and offers a remarkable heat density of 500 W per linear foot. Its unique airflow configuration complements its appearance making it the leader in its class and a popular choice for professionals in the industry.

**EXTRUDED ALUMINUM FRONT AND TOP COVER**  
WITH A UNIQUE, LUXURY DESIGN

**EXTREMELY SOLID, IMPACT AND RUST RESISTANT**

**OFFERED IN THREE WATT DENSITIES**

**PERSONALIZED INSTALLATION**  
BLANK SECTIONS, PEDESTALS AND CLEAN BACKS AVAILABLE

#### COLOURS

- **standard:** white, soft white
- **luxury finish:** anodized aluminum (see price list)
- **Orora (optional):** refer to [www.stelpro.com/en-CA/Orora](http://www.stelpro.com/en-CA/Orora)

#### FINISH

- epoxy-polyester powdercoat or anodized aluminum finish

#### MANUFACTURING

- dimensions: 4 3/8 in. x 6 3/4 in.
- solid 20-gauge steel cabinet and extremely resistant extruded aluminum front cover with a thickness equivalent to 10 gauge
- front air intake and top air discharge (bottom air intake available on demand [BT])
- thermal protection with automatic reset
- full-length wireway
- pencil-proof openings of less than 1/4 in. (6.4 mm) prevent foreign objects from entering the unit

#### ELEMENTS

- double tubular elements, stainless steel sheathed with boxed aluminum fins for improved heat dissipation; the elements are securely fastened at their centres, floating in nylon sleeves at each end, eliminating expansion and contraction noises

#### CONTROL

- wall thermostat (not included) – the use of an electronic thermostat is strongly recommended
- built-in tamper-proof thermostat accessible without removing front grille, installed in the left or right junction box (optional)
- low voltage relay kit installed in the left or right junction box (optional)

#### INSTALLATION

- surface mounted
- wall or floor mounted with or without pedestal kit (optional)
- at least 3 in. from the floor (models with BT option only)
- wiring compartments at both ends of unit
- for a continuous look, custom blank sections with a simple attachment system are available (optional)

#### WARRANTY

- three years

#### IDEAL FOR:

shopping mall, hospital, office, hotel, lobby, hallway



## ACCESSORIES

PRODUCT	DESCRIPTION	PRICE
ALUX4T12*	built-in tamper-proof single pole thermostat	132.00
ALUX4T22*	built-in tamper-proof double pole thermostat	221.00
ALUX4RE153*	built-in electronic low voltage relay [15 A @ 120 V-347 V]	90.00
ALUX4RE156*	built-in electronic low voltage relay [6 A @ 600 V]	154.00
ALUX4RE153T*	built-in electronic low voltage relay c/w transformer 24 V [15 A @ 208 V-347 V]	109.00
ALUX4RM240T*	built-in electromechanical relay c/w transformer 24 V [5000 W @ 208 V/6000 W @ 240 V]	113.00
ALUX4RM347T*	built-in electromechanical relay c/w transformer 24 V [6000 W @ 347 V]	125.00
ALUX4RM347C*	built-in electromechanical relay w/o transformer 24 V [6000 W @ 120 V-347 V]	94.50
ALUX4R841C1151*	built-in electromechanical low voltage relay c/w transformer 24 V [6000 W @ 600 V]	197.00
ALUX4R841D1036*	built-in electromechanical low voltage relay w/o transformer 24 V [6000 W @ 600 V]	173.00
PK6*	pedestal kit – single (kit of two)	128.00
PK6CAP	anodized aluminum (paint) pedestal kit – single (kit of two)	145.00
PK6D*	pedestal kit – double (kit of two)	208.00
PK6DCAP	anodized aluminum (paint) pedestal kit – double (kit of two)	232.00
ALUX4JS*	joiner strip (2 in. – 51 mm)	152.00
ALUX4JSCAP	anodized aluminum (paint) joiner strip (2 in. – 51 mm)	162.00
ALUX4IC90*	inside corner (back measures 7 9/16 in. – 192 mm long on each side)	524.00
ALUX4IC90CA	anodized aluminum (finish) inside corner (back measures 7 9/16 in. – 192 mm long on each side)	565.00
ALUX4OC90*	outside corner (back measures 7 9/16 in. – 192 mm long on each side)	524.00
ALUX4OC90CA	anodized aluminum (finish) outside corner (back measures 7 9/16 in. – 192 mm long on each side)	565.00
ALUX4CB**	clean back (fully finished, no mounting holes or knockouts)	221.00
ALUX4BT*	air inlet from below/output from top	---
ALUX4SA*	full-width flush-fit stand – height of 2 to 12 in. – 51 to 305 mm	---
ALUX4SR*	full-width recessed stand (19/32 in. – 15 mm) – height of 2 to 12 in. – 51 to 305 mm	---

Electronic relays can receive a PWM (pulsed width modulation) or digital (on/off) signal.

\* Add W for white or SW for soft white.

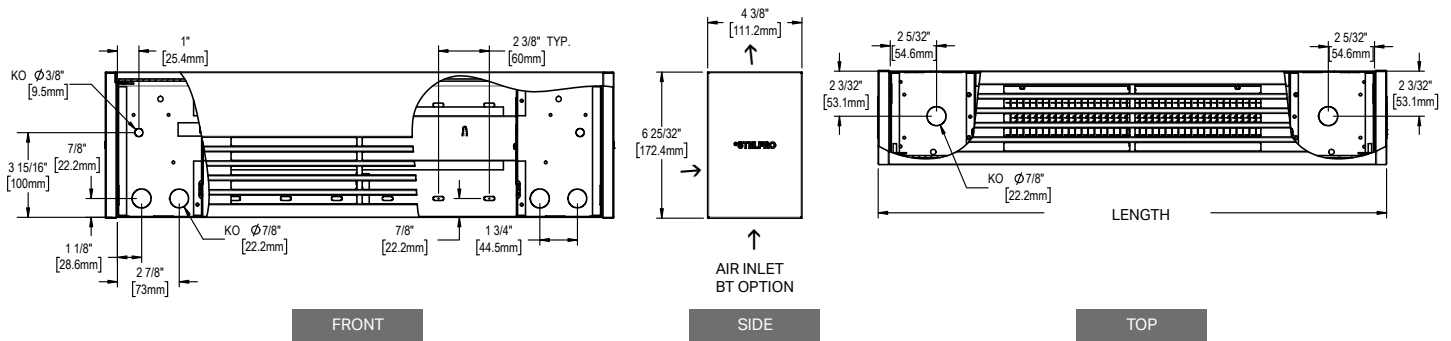
\* Factory installed

# TECHNICAL SPECIFICATIONS

DENSITY OF 500 W PER LINEAR FOOT		DENSITY OF 400 W PER LINEAR FOOT		DENSITY OF 300 W PER LINEAR FOOT		VOLTAGE	LENGTH		WEIGHT		PRICE	
CODE	WATTS	CODE	WATTS	CODE	WATTS	VOLTS	MM	IN.	KG	LB	W OR SW	CA
ALUX406108	1000	ALUX406088	800	ALUX406068	600	208	600	23 5/8	4.1	9	522.00	578.00
ALUX406102	1000	ALUX406082	800	ALUX406062	600	240	600	23 5/8	4.1	9	522.00	578.00
ALUX406103	1000	---	800	---	600	347	600	23 5/8	4.1	9	522.00	578.00
---	1000	---	800	---	600	600	600	23 5/8	4.1	9	---	---
ALUX409158	1500	ALUX409128	1200	ALUX409098	900	208	900	35 7/16	5.9	13	596.00	652.00
ALUX409152	1500	ALUX409122	1200	ALUX409092	900	240	900	35 7/16	5.9	13	596.00	652.00
ALUX409153	1500	ALUX409123	1200	ALUX409093	900	347	900	35 7/16	5.9	13	596.00	652.00
ALUX409156	1500	---	1200	---	900	600	900	35 7/16	5.9	13	596.00	652.00
ALUX412208	2000	ALUX412168	1600	ALUX412128	1200	208	1200	47 1/4	7.7	17	673.00	729.00
ALUX412202	2000	ALUX412162	1600	ALUX412122	1200	240	1200	47 1/4	7.7	17	673.00	729.00
ALUX412203	2000	ALUX412163	1600	ALUX412123	1200	347	1200	47 1/4	7.7	17	673.00	729.00
ALUX412206	2000	ALUX412166	1600	---	1200	600	1200	47 1/4	7.7	17	673.00	729.00
ALUX415258	2500	ALUX415208	2000	ALUX415158	1500	208	1500	59 1/16	9.1	20	748.00	805.00
ALUX415252	2500	ALUX415202	2000	ALUX415152	1500	240	1500	59 1/16	9.1	20	748.00	805.00
ALUX415253	2500	ALUX415203	2000	ALUX415153	1500	347	1500	59 1/16	9.1	20	748.00	805.00
ALUX415256	2500	ALUX415206	2000	ALUX415156	1500	600	1500	59 1/16	9.1	20	748.00	805.00
ALUX418308	3000	ALUX418248	2400	ALUX418188	1800	208	1800	70 7/8	11.3	25	822.00	879.00
ALUX418302	3000	ALUX418242	2400	ALUX418182	1800	240	1800	70 7/8	11.3	25	822.00	879.00
ALUX418303	3000	ALUX418243	2400	ALUX418183	1800	347	1800	70 7/8	11.3	25	822.00	879.00
ALUX418306	3000	ALUX418246	2400	ALUX418186	1800	600	1800	70 7/8	11.3	25	822.00	879.00
ALUX421358	3500	ALUX421288	2800	ALUX421218	2100	208	2100	82 11/16	13.2	29	900.00	956.00
ALUX421352	3500	ALUX421282	2800	ALUX421212	2100	240	2100	82 11/16	13.2	29	900.00	956.00
ALUX421353	3500	ALUX421283	2800	ALUX421213	2100	347	2100	82 11/16	13.2	29	900.00	956.00
ALUX421356	3500	ALUX421286	2800	ALUX421216	2100	600	2100	82 11/16	13.2	29	900.00	956.00
ALUX424408	4000	ALUX424328	3200	ALUX424248	2400	208	2400	94 1/2	15.4	34	976.00	1032.00
ALUX424402	4000	ALUX424322	3200	ALUX424242	2400	240	2400	94 1/2	15.4	34	976.00	1032.00
ALUX424403	4000	ALUX424323	3200	ALUX424243	2400	347	2400	94 1/2	15.4	34	976.00	1032.00
ALUX424406	4000	ALUX424326	3200	ALUX424246	2400	600	2400	94 1/2	15.4	34	976.00	1032.00

Add W for white, SW for soft white or CA for clear anodized (finish) (consult the optional colours chart or contact your Stelpro representative for all other colours).  
Models also available in 277 V and 480 V.  
--- not available

## TECHNICAL DRAWINGS





# DBI

## ALUMINUM DRAFT BARRIER



### DESIGN AND FUNCTIONALITY COMBINED

The DBI electric baseboard heater has clean, unobtrusive lines that are sure to meet the standards of decor aficionados. It can be wall mounted, placed on the floor or installed on a pedestal. Consider the DBI for use in offices, conference rooms, entryways, commercial buildings, schools or hospitals. Enjoy the benefits of heating efficiency without sacrificing aesthetics.

#### HIGH-QUALITY ALUMINUM

EXTRUDED ALUMINUM GRILLE WITH A THICKNESS EQUIVALENT TO 11 GAUGE

#### OFFERED IN THREE WATT DENSITIES

#### COMPACT SIZE

BLANK SECTIONS AVAILABLE FOR A CONTINUOUS LOOK

#### IDEAL FOR:

office, entryway, commercial space, school, hospital

#### COLOURS

- **standard:** white, soft white
- **luxury finish:** anodized aluminum (see price list)
- **Orora (optional):** refer to [www.stelpro.com/en-CA/Orora](http://www.stelpro.com/en-CA/Orora)

#### FINISH

- epoxy-polyester powdercoat or anodized aluminum finish

#### MANUFACTURING

- 18-gauge steel cabinet
- extruded aluminum front panel with a thickness equivalent to 11 gauge
- front air intake and top air discharge (bottom air intake available on demand [BT])
- thermal protection with automatic reset
- full-length wireway
- pencil-proof openings of less than 1/4 in. (6.4 mm) prevent foreign objects from entering the unit

#### ELEMENT

- single tubular, stainless steel sheathed element with boxed aluminum fins for improved heat dissipation; the element is securely fastened at its centre, floating in nylon sleeves at each end, eliminating expansion and contraction noises

#### CONTROL

- wall thermostat (not included) – the use of an electronic thermostat is strongly recommended
- built-in tamper-proof thermostat accessible without removing front grille, installed in the left junction box only (optional)
- low voltage relay kit installed in the left or right junction box (optional)
- built-in thermostat with button installed in the left junction box only (optional)

#### INSTALLATION

- surface mounted
- wall or floor mounted with or without pedestal kit (optional)
- wiring compartments at both ends of unit
- blank sections (custom lengths) and accessories are available for a continuous look (optional)

#### WARRANTY

- three years



## ACCESSORIES

PRODUCT	DESCRIPTION	PRICE
<b>DBIT12*</b>	built-in tamper-proof single pole thermostat	<b>132.00</b>
<b>DBIT22*</b>	built-in tamper-proof double pole thermostat	<b>221.00</b>
<b>DBIT12-BOUTON*</b>	built-in single pole thermostat with knob	<b>133.00</b>
<b>DBIRE153*</b>	built-in electronic low voltage relay [15 A @ 120 V-347 V]	<b>77.00</b>
<b>DBIRE156*</b>	built-in electronic low voltage relay [6 A @ 600 V]	<b>124.00</b>
<b>DBIRE153T*</b>	built-in electronic low voltage relay c/w transformer 24 V [15 A @ 208 V-347 V]	<b>96.00</b>
<b>DBIRM240T*</b>	built-in electromechanical relay c/w transformer 24 V [5000 W @ 208 V/6000 W @ 240 V]	<b>104.00</b>
<b>DBIRM347T*</b>	built-in electromechanical relay c/w transformer 24 V [6000 W @ 347 V]	<b>115.00</b>
<b>DBIRM347C*</b>	built-in electromechanical relay w/o transformer 24 V [6000 W @ 120 V-347 V]	<b>85.50</b>
<b>PK1*</b>	pedestal kit (kit of two)	<b>128.00</b>
<b>PK1CAP</b>	anodized aluminum (paint) pedestal kit (kit of two)	<b>145.00</b>
<b>DBIJS*</b>	joiner strip (2 in. – 51 mm)	<b>115.00</b>
<b>DBIJSCAP</b>	anodized aluminum (paint) joiner strip (2 in. – 51 mm)	<b>128.00</b>
<b>DBIIC90*</b>	inside corner (back measures 5 7/8 in. (149 mm) long on each side)	<b>402.00</b>
<b>DBIIC90CA</b>	anodized aluminum (finish) inside corner (back measures 5 7/8" (149 mm) long on each side)	<b>444.00</b>
<b>DBIOC90*</b>	outside corner (back measures 5 7/8 in. (149 mm) long on each side)	<b>402.00</b>
<b>DBIOC90CA</b>	anodized aluminum (finish) outside corner (back measures 5 7/8 in. (149 mm) long on each side)	<b>444.00</b>
<b>DBICB**</b>	clean back (fully finished, no mounting holes or knockouts)	<b>169.00</b>
<b>DBICBCAP*</b>	anodized aluminum (paint) clean back (fully finished, no mounting holes or knockouts)	<b>188.00</b>
<b>DBIBT*</b>	bottom air intake/top air discharge	<b>---</b>

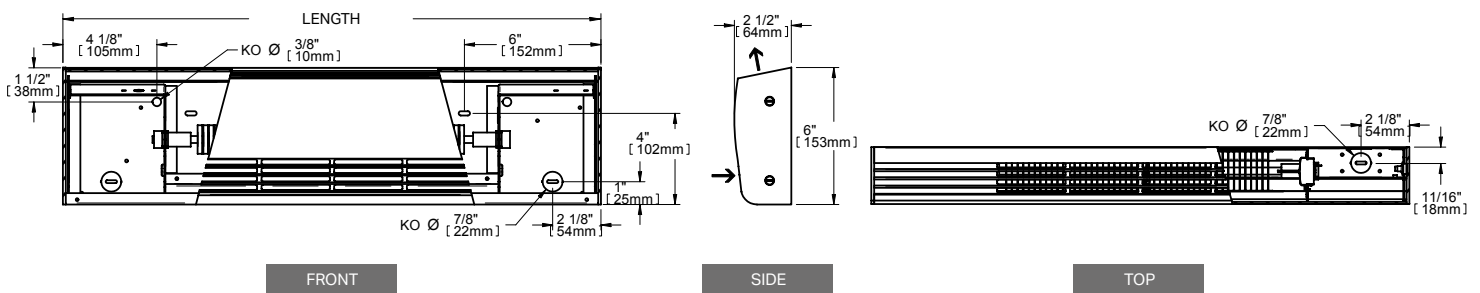
Electronic relays can receive a PWM (pulsed width modulation) or digital (on/off) signal.

\* Add W for white or SW for soft white.

\* Factory installed

\* Factory installation is strongly recommended.

## TECHNICAL DRAWINGS



# TECHNICAL SPECIFICATIONS

DENSITY OF 250 W PER LINEAR FOOT		DENSITY OF 200 W PER LINEAR FOOT		DENSITY OF 150 W PER LINEAR FOOT		VOLTAGE	LENGTH		WEIGHT		PRICE	
CODE	WATTS	CODE	WATTS	CODE	WATTS	VOLTS	MM	IN.	KG	LB	W OR SW	CA
DBI6051	500	DBI6041	400	DBI6031	300	120	600	23 5/8	3.1	6.7	405.00	466.00
DBI6058	500	DBI6048	400	DBI6038	300	208	600	23 5/8	3.1	6.7	405.00	466.00
DBI6052	500	DBI6042	400	DBI6032	300	240	600	23 5/8	3.1	6.7	405.00	466.00
DBI6053	500	---	400	---	300	347	600	23 5/8	3.1	6.7	405.00	466.00
---	500	---	400	---	300	600	600	23 5/8	3.1	6.7	---	---
DBI9071	750	DBI9061	600	DBI9041	450	120	900	35 7/16	4.6	10.1	462.00	522.00
DBI9078	750	DBI9068	600	DBI9048	450	208	900	35 7/16	4.6	10.1	462.00	522.00
DBI9072	750	DBI9062	600	DBI9042	450	240	900	35 7/16	4.6	10.1	462.00	522.00
DBI9073	750	DBI9063	600	DBI9043	450	347	900	35 7/16	4.6	10.1	462.00	522.00
DBI9076	750	---	600	---	450	600	900	35 7/16	4.6	10.1	462.00	522.00
DBI12101	1000	DBI12081	800	DBI12061	600	120	1200	47 1/4	6.8	13.4	517.00	579.00
DBI12108	1000	DBI12088	800	DBI12068	600	208	1200	47 1/4	6.8	13.4	517.00	579.00
DBI12102	1000	DBI12082	800	DBI12062	600	240	1200	47 1/4	6.8	13.4	517.00	579.00
DBI12103	1000	DBI12083	800	DBI12063	600	347	1200	47 1/4	6.8	13.4	517.00	579.00
DBI12106	1000	DBI12086	800	---	600	600	1200	47 1/4	6.8	13.4	517.00	579.00
DBI15121	1250	DBI15101	1000	DBI15071	750	120	1500	59 1/16	7.6	16.8	572.00	634.00
DBI15128	1250	DBI15108	1000	DBI15078	750	208	1500	59 1/16	7.6	16.8	572.00	634.00
DBI15122	1250	DBI15102	1000	DBI15072	750	240	1500	59 1/16	7.6	16.8	572.00	634.00
DBI15123	1250	DBI15103	1000	DBI15073	750	347	1500	59 1/16	7.6	16.8	572.00	634.00
DBI15126	1250	DBI15106	1000	DBI15076	750	600	1500	59 1/16	7.6	16.8	572.00	634.00
DBI18151	1500	DBI18121	1200	DBI18091	900	120	1800	70 7/8	9.1	20.1	628.00	689.00
DBI18158	1500	DBI18128	1200	DBI18098	900	208	1800	70 7/8	9.1	20.1	628.00	689.00
DBI18152	1500	DBI18122	1200	DBI18092	900	240	1800	70 7/8	9.1	20.1	628.00	689.00
DBI18153	1500	DBI18123	1200	DBI18093	900	347	1800	70 7/8	9.1	20.1	628.00	689.00
DBI18156	1500	DBI18126	1200	DBI18096	900	600	1800	70 7/8	9.1	20.1	628.00	689.00
---	1750	DBI21141	1400	DBI21101	1050	120	2100	82 11/16	10.6	23.4	684.00	744.00
DBI21178	1750	DBI21148	1400	DBI21108	1050	208	2100	82 11/16	10.6	23.4	684.00	744.00
DBI21172	1750	DBI21142	1400	DBI21102	1050	240	2100	82 11/16	10.6	23.4	684.00	744.00
DBI21173	1750	DBI21143	1400	DBI21103	1050	347	2100	82 11/16	10.6	23.4	684.00	744.00
DBI21176	1750	DBI21146	1400	DBI21106	1050	600	2100	82 11/16	10.6	23.4	684.00	744.00
---	2000	---	1600	DBI24121	1200	120	2400	94 1/2	12.2	26.8	738.00	798.00
DBI24208	2000	DBI24168	1600	DBI24128	1200	208	2400	94 1/2	12.2	26.8	738.00	798.00
DBI24202	2000	DBI24162	1600	DBI24122	1200	240	2400	94 1/2	12.2	26.8	738.00	798.00
DBI24203	2000	DBI24163	1600	DBI24123	1200	347	2400	94 1/2	12.2	26.8	738.00	798.00
DBI24206	2000	DBI24166	1600	DBI24126	1200	600	2400	94 1/2	12.2	26.8	738.00	798.00
---	2250	---	1800	---	1350	120	2700	106 5/16	13.6	30.1	---	---
DBI27228	2250	DBI27188	1800	DBI27138	1350	208	2700	106 5/16	13.6	30.1	795.00	856.00
DBI27222	2250	DBI27182	1800	DBI27132	1350	240	2700	106 5/16	13.6	30.1	795.00	856.00
DBI27223	2250	DBI27183	1800	DBI27133	1350	347	2700	106 5/16	13.6	30.1	795.00	856.00
DBI27226	2250	DBI27186	1800	DBI27136	1350	600	2700	106 5/16	13.6	30.1	795.00	856.00
---	2500	---	2000	---	1500	120	2700	106 5/16	13.6	30.1	---	---
DBI27258	2500	DBI27208	2000	DBI27158	1500	208	2700	106 5/16	13.6	30.1	795.00	856.00
DBI27252	2500	DBI27202	2000	DBI27152	1500	240	2700	106 5/16	13.6	30.1	795.00	856.00
DBI27253	2500	DBI27203	2000	DBI27153	1500	347	2700	106 5/16	13.6	30.1	795.00	856.00
DBI27256	2500	DBI27206	2000	DBI27156	1500	600	2700	106 5/16	13.6	30.1	795.00	856.00

Add W for white, SW for soft white or CA for anodized aluminum (finish) (consult the optional colours chart or contact your Stelpro representative for all other colours).  
 Models also available in 277 V and 480 V.  
 --- not available





# SPDH

## MINI PATIO DOOR HEATER



## STRENGTH AND SAFETY COMBINED

The SPDH model is the perfect example of a small electric baseboard heater that's a big hit in the world of heaters. The challenge: the patio door threshold. The accomplishment: traffic-resistant durability. At just 3 in. in both depth and height, the strength of the SPDH will surprise you. With its rounded front cover, this baseboard heater has a heat output of 150 W per linear foot.

### COMPACT AND ROBUST (3 IN. X 3 IN.)

PERFECT UNDER PATIO DOORS AND  
LARGE WINDOWS

### DENSITY OF 150 W PER LINEAR FOOT

### BLANK SECTIONS AVAILABLE FOR A CONTINUOUS LOOK



ROUNDED CORNERS

### IDEAL FOR:

below a patio door or a window, solarium

### COLOURS

- **standard:** white, soft white
- **Orora (optional):** refer to [www.stelpro.com/en-CA/Orora](http://www.stelpro.com/en-CA/Orora)

### FINISH

- epoxy-polyester powdercoat

### MANUFACTURING

- 3 in. x 3 in. compact profile
- solid, 18-gauge steel cabinet and front that may be used as a step
- thermal protection with automatic reset
- full-length wireway
- pencil-proof openings of less than 1/4 in. (6.4 mm) prevent foreign objects from entering the unit

### ELEMENT

- single tubular, stainless steel sheathed element with boxed aluminum fins for improved heat dissipation; the element is securely fastened at its centre, floating in nylon sleeves at each end, eliminating expansion and contraction noises

### CONTROL

- wall thermostat (not included) – the use of an electronic thermostat is strongly recommended
- built-in thermostat accessible without removing front grille, installed in the left junction box only (optional)
- low voltage relay kit installed in the left junction box only (optional)

### INSTALLATION

- surface mounted
- wall or floor mounted with or without pedestal kit (optional)
- wiring compartment at both ends of unit
- blank sections (custom lengths) and accessories are available for a continuous look (optional)

### WARRANTY

- three years

# TECHNICAL SPECIFICATIONS

150 W PER LINEAR FOOT		VOLTAGE	LENGTH		WEIGHT		PRICE
CODE	WATTS	VOLTS	MM	IN.	KG	LB	
<b>SPDH6031</b>	300	120	600	23 5/8	2.7	6	<b>225.00</b>
<b>SPDH6038</b>	300	208	600	23 5/8	2.7	6	<b>225.00</b>
<b>SPDH6032</b>	300/225	240/208	600	23 5/8	2.7	6	<b>225.00</b>
---	300	347	600	23 5/8	2.7	6	---
---	300	600	600	23 5/8	2.7	6	---
<b>SPDH9041</b>	450	120	900	35 7/16	3.6	8	<b>261.00</b>
<b>SPDH9048</b>	450	208	900	35 7/16	3.6	8	<b>261.00</b>
<b>SPDH9042</b>	450/340	240/208	900	35 7/16	3.6	8	<b>261.00</b>
<b>SPDH9043</b>	450	347	900	35 7/16	3.6	8	<b>261.00</b>
---	450	600	900	35 7/16	3.6	8	---
<b>SPDH12061</b>	600	120	1200	47 1/4	4.5	10	<b>297.00</b>
<b>SPDH12068</b>	600	208	1200	47 1/4	4.5	10	<b>297.00</b>
<b>SPDH12062</b>	600/450	240/208	1200	47 1/4	4.5	10	<b>297.00</b>
<b>SPDH12063</b>	600	347	1200	47 1/4	4.5	10	<b>297.00</b>
---	600	600	1200	47 1/4	4.5	10	---
<b>SPDH15071</b>	750	120	1500	59 1/16	5.4	12	<b>331.00</b>
<b>SPDH15078</b>	750	208	1500	59 1/16	5.4	12	<b>331.00</b>
<b>SPDH15072</b>	750/560	240/208	1500	59 1/16	5.4	12	<b>331.00</b>
<b>SPDH15073</b>	750	347	1500	59 1/16	5.4	12	<b>331.00</b>
<b>SPDH15076</b>	750	600	1500	59 1/16	5.4	12	<b>331.00</b>
<b>SPDH18091</b>	900	120	1800	70 7/8	6.8	15	<b>365.00</b>
<b>SPDH18098</b>	900	208	1800	70 7/8	6.8	15	<b>365.00</b>
<b>SPDH18092</b>	900/675	240/208	1800	70 7/8	6.8	15	<b>365.00</b>
<b>SPDH18093</b>	900	347	1800	70 7/8	6.8	15	<b>365.00</b>
<b>SPDH18096</b>	900	600	1800	70 7/8	6.8	15	<b>365.00</b>
<b>SPDH21101</b>	1050	120	2100	82 11/16	8.2	18	<b>401.00</b>
<b>SPDH21108</b>	1050	208	2100	82 11/16	8.2	18	<b>401.00</b>
<b>SPDH21102</b>	1050/790	240/208	2100	82 11/16	8.2	18	<b>401.00</b>
<b>SPDH21103</b>	1050	347	2100	82 11/16	8.2	18	<b>401.00</b>
<b>SPDH21106</b>	1050	600	2100	82 11/16	8.2	18	<b>401.00</b>
<b>SPDH24121</b>	1200	120	2400	94 1/2	9.5	21	<b>442.00</b>
<b>SPDH24128</b>	1200	208	2400	94 1/2	9.5	21	<b>442.00</b>
<b>SPDH24122</b>	1200/900	240/208	2400	94 1/2	9.5	21	<b>442.00</b>
<b>SPDH24123</b>	1200	347	2400	94 1/2	9.5	21	<b>442.00</b>
<b>SPDH24126</b>	1200	600	2400	94 1/2	9.5	21	<b>442.00</b>
<b>SPDH27138</b>	1350	208	2700	106 5/16	10.4	23	<b>484.00</b>
<b>SPDH27132</b>	1350/1010	240/208	2700	106 5/16	10.4	23	<b>484.00</b>
<b>SPDH27133</b>	1350	347	2700	106 5/16	10.4	23	<b>484.00</b>
<b>SPDH27136</b>	1350	600	2700	106 5/16	10.4	23	<b>484.00</b>

Add W for white or SW for soft white (consult the optional colours chart or contact your Stelpro representative for all other colours).

Models also available in 277 V and 480 V.

--- not available



## ACCESSORIES

PRODUCT	DESCRIPTION	PRICE
<b>SPDHT12*</b>	built-in tamper-proof single pole thermostat	<b>121.00</b>
<b>SPDHRE153*</b>	built-in electronic low voltage relay [15 A @ 120 V-347 V]	<b>90.00</b>
<b>SPDHRE156*</b>	built-in electronic low voltage relay [6 A @ 600 V]	<b>137.00</b>
<b>SPDHRE153T*</b>	built-in electronic low voltage relay c/w transformer 24 V [15 A @ 208 V-347 V]	<b>109.00</b>
<b>PK1*</b>	pedestal kit (kit of two)	<b>128.00</b>
<b>SPDHJS*</b>	joiner strip (2 in. – 51 mm)	<b>65.50</b>
<b>SPDHIC90*</b>	inside corner (back measures 5 7/8 in. (149 mm) long on each side)	<b>167.00</b>
<b>SPDHOC90*</b>	outside corner (back measures 5 7/8 in. (149 mm) long on each side)	<b>167.00</b>
<b>SPDHCB**</b>	clean back (fully finished, no mounting holes or knockouts)	<b>96.25</b>

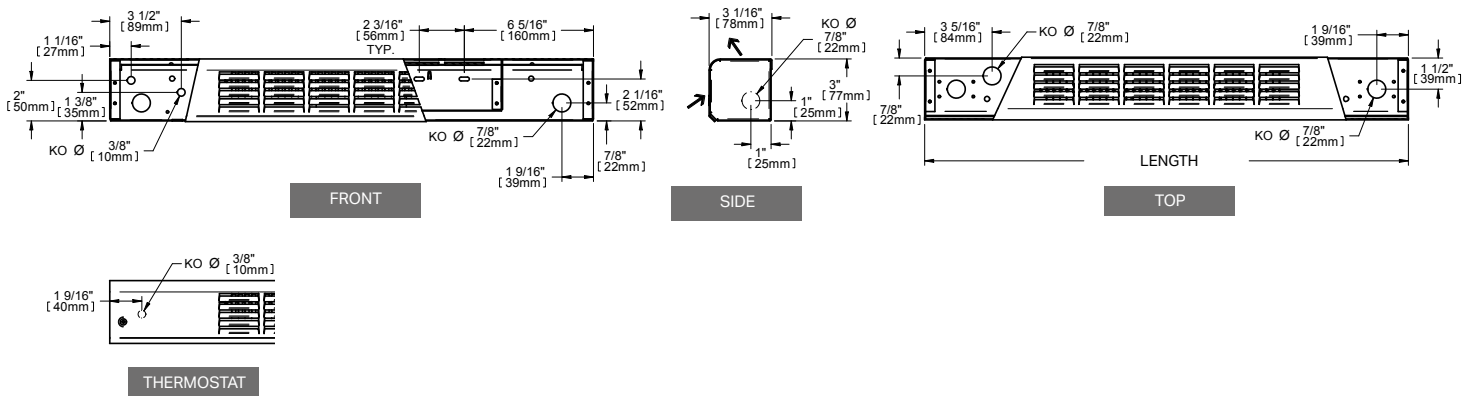
Electronic relays can receive a PWM (pulsed width modulation) or digital (on/off) signal.

\* Add W for white or SW for soft white.

\* Factory installed

\* Factory installation is strongly recommended.

## TECHNICAL DRAWINGS



# PDH

## PATIO DOOR HEATER



### SMALL IN SIZE, BIG ON HEAT

This baseboard heater was designed to provide a constant flow of heat near patio doors and bay windows. It creates a “curtain of air” that envelops the entire surface of the window, preventing condensation build-up and the introduction of cold air. Rugged and compact (4 in. x 4 in.), the PDH can act as a step at the door sill. The PDH generates tremendous heat, from 375 W to 2000 W. It can also be used in the kitchen, living room, solarium and basement.

**STURDY ENOUGH TO BE USED AS A STEP AT A DOOR SILL**  
THANKS TO ITS SOLID CONSTRUCTION

**DESIGNED SPECIFICALLY TO PREVENT COLD AIR ENTRY FROM PATIO DOORS**

**BLANK SECTIONS; PEDESTAL AND FINISHED BACKS AVAILABLE**

**FULL-LENGTH WIREWAY**

#### COLOURS

- **standard:** white, soft white
- **Orora (optional):** refer to [www.stelpro.com/en-CA/Orora](http://www.stelpro.com/en-CA/Orora)

#### FINISH

- epoxy-polyester powdercoat

#### MANUFACTURING

- 4 in. x 4 in. compact profile
- solid, 18-gauge steel cabinet and front that may be used as a step
- thermal protection with automatic reset
- full-length wireway
- pencil-proof openings of less than 1/4 in. (6.4 mm) prevent foreign objects from entering the unit

#### ELEMENT

- single tubular, stainless steel sheathed element with boxed aluminum fins for improved heat dissipation securely fastened at its centre, floating in nylon sleeves at each end, eliminating expansion and contraction noises

#### CONTROL

- wall thermostat (not included) – the use of an electronic thermostat is strongly recommended
- built-in thermostat accessible without removing front grille, installed in the left junction box only (optional)
- low voltage relay kit installed in the left or right junction box (optional)

#### INSTALLATION

- surface mounted
- wall or floor mounted with or without pedestal kit (optional)
- wiring compartment at both ends of unit
- blank sections (custom lengths) and accessories are available for a continuous look (optional)

#### WARRANTY

- three years

#### IDEAL FOR:

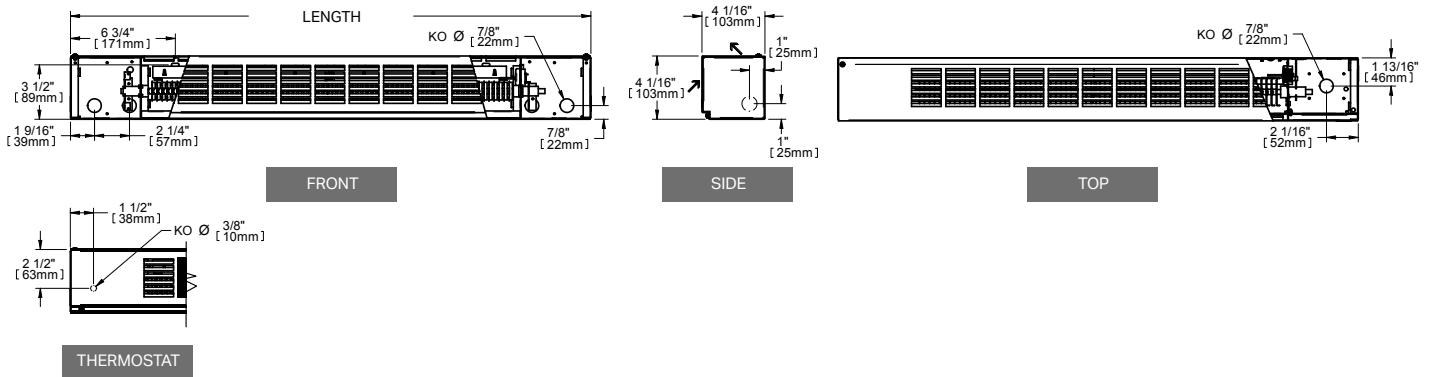
below a patio door or bay window, solarium

# TECHNICAL SPECIFICATIONS

200 W PER LINEAR FOOT		VOLTAGE	LENGTH		WEIGHT		PRICE
CODE	WATTS	VOLTS	MM	IN.	KG	LB	
<b>PDH0508</b>	500	208	851	33 1/2	5.9	13	<b>276.00</b>
<b>PDH0502</b>	500/375	240/208	851	33 1/2	5.9	13	<b>276.00</b>
<b>PDH0503</b>	500	347	851	33 1/2	5.9	13	<b>276.00</b>
---	500	600	851	33 1/2	5.9	13	---
<b>PDH0758</b>	750	208	1219	48	7.7	17	<b>306.00</b>
<b>PDH0752</b>	750/560	240/208	1219	48	7.7	17	<b>306.00</b>
<b>PDH0753</b>	750	347	1219	48	7.7	17	<b>306.00</b>
<b>PDH0756</b>	750	600	1219	48	7.7	17	<b>306.00</b>
<b>PDH1008</b>	1000	208	1524	60	9.0	20	<b>336.00</b>
<b>PDH1002</b>	1000/750	240/208	1524	60	9.0	20	<b>336.00</b>
<b>PDH1003</b>	1000	347	1524	60	9.0	20	<b>336.00</b>
<b>PDH1006</b>	1000	600	1524	60	9.0	20	<b>336.00</b>
<b>PDH1258</b>	1250	208	1829	72	11.0	25	<b>371.00</b>
<b>PDH1252</b>	1250/940	240/208	1829	72	11.0	25	<b>372.00</b>
<b>PDH1253</b>	1250	347	1829	72	11.0	25	<b>371.00</b>
<b>PDH1256</b>	1250	600	1829	72	11.0	25	<b>371.00</b>
<b>PDH1508</b>	1500	208	2204	86 7/8	14.1	31	<b>401.00</b>
<b>PDH1502</b>	1500/1125	240/208	2204	86 7/8	14.1	31	<b>401.00</b>
<b>PDH1503</b>	1500	347	2204	86 7/8	14.1	31	<b>401.00</b>
<b>PDH1506</b>	1500	600	2204	86 7/8	14.1	31	<b>401.00</b>
<b>PDH1758</b>	1750	208	2542	100 1/16	17.3	38	<b>435.00</b>
<b>PDH1752</b>	1750/1315	240/208	2542	100 1/16	17.3	38	<b>435.00</b>
<b>PDH1753</b>	1750	347	2542	100 1/16	17.3	38	<b>435.00</b>
<b>PDH1756</b>	1750	600	2542	100 1/16	17.3	38	<b>435.00</b>
<b>PDH2008</b>	2000	208	2879	113 3/8	18.6	41	<b>466.00</b>
<b>PDH2002</b>	2000/1500	240/208	2879	113 3/8	18.6	41	<b>466.00</b>
<b>PDH2003</b>	2000	347	2879	113 3/8	18.6	41	<b>466.00</b>
<b>PDH2006</b>	2000	600	2879	113 3/8	18.6	41	<b>466.00</b>

Add W for white or SW for soft white (consult the optional colours chart or contact your Stelpro representative for all other colours).  
 Models also available in 277 V and 480 V.  
 --- not available

## TECHNICAL DRAWINGS





## ACCESSORIES

PRODUCT	DESCRIPTION	PRICE
<b>PDHT12*</b>	built-in tamper-proof single pole thermostat	<b>115.00</b>
<b>PDHT22*</b>	built-in tamper-proof double pole thermostat	<b>164.00</b>
<b>PDHRE153*</b>	built-in electronic low voltage relay [15 A @ 120 V-347 V]	<b>85.00</b>
<b>PDHRE156*</b>	built-in electronic low voltage relay [6 A @ 600 V]	<b>129.00</b>
<b>PDHRE153T*</b>	built-in electronic low voltage relay c/w transformer 24 V [15 A @ 208 V-347 V]	<b>103.00</b>
<b>PK2*</b>	pedestal kit (kit of two)	<b>128.00</b>
<b>PDHJS*</b>	joiner strip (2 in. – 51 mm)	<b>67.75</b>
<b>PDHIC90*</b>	inside corner (back measures 7 7/8 in. (200 mm) on each side)	<b>170.00</b>
<b>PDHOC90*</b>	outside corner (back measures 7 7/8 in. (200 mm) on each side)	<b>170.00</b>
<b>PDHCB**</b>	clean back (fully finished, no mounting holes or knockouts)	<b>107.00</b>

Electronic relays can receive a PWM (pulsed width modulation) or digital (on/off) signal.

\* Add W for white or SW for soft white.

\* Factory installed

\* Factory installation is strongly recommended.

# SCA

## ARCHITECTURAL BASEBOARD



## PERIMETER HEATING WITH STYLE

Architectural in design, the SCA draft barrier is an excellent choice for complementary, perimeter heating. Office buildings will benefit from what the SCA has to offer: a low-profile design capable of efficiently heating perimeter, glassed surfaces. The SCA offers a wide range of installation possibilities and is custom-made for office spaces and adaptable to their future interior layouts. Available in white, soft white and other colours upon request, the SCA can blend in anywhere.

### PERFECT FOR PUBLIC PLACES

SCHOOLS, SHOPPING MALLS,  
HOSPITALS, ETC.

### OFFERED IN THREE WATT DENSITIES

BLANK SECTIONS AVAILABLE  
FOR A CONTINUOUS LOOK

### COLOURS

- **standard:** white, soft white
- **Orora (optional):** refer to [www.stelpro.com/en-CA/Orora](http://www.stelpro.com/en-CA/Orora)

### FINISH

- epoxy-polyester powdercoat

### MANUFACTURING

- 18-gauge steel cabinet and 16-gauge steel front panel
- front air intake and top air discharge
- thermal protection with automatic reset
- full-length wireway

### ELEMENT

- single tubular, stainless steel sheathed element with boxed aluminum fins for improved heat dissipation; the element is securely fastened at its centre, floating in nylon sleeves at each end, eliminating expansion and contraction noises

### CONTROL

- wall thermostat (not included) – the use of an electronic thermostat is strongly recommended
- built-in tamper-proof thermostat accessible without removing front grille, installed in the left junction box only (optional)
- low voltage relay kit installed in the left or right junction box (optional)

### INSTALLATION

- surface mounted
- wall or floor mounted with or without pedestal kit (optional)
- wiring compartments at both ends of unit
- blank sections (custom lengths) and accessories are available for a continuous look (optional)

### WARRANTY

- three years

### IDEAL FOR:

school, shopping mall, hospital

# TECHNICAL SPECIFICATIONS

DENSITY OF 250 W PER LINEAR FOOT		DENSITY OF 200 W PER LINEAR FOOT		DENSITY OF 150 W PER LINEAR FOOT		VOLTAGE	LENGTH		WEIGHT		PRICE
CODE	WATTS	CODE	WATTS	CODE	WATTS	VOLTS	MM	IN.	KG	LB	
SCA6051	500	SCA6041	400	SCA6031	300	120	600	23 5/8	4.1	9	313.00
SCA6058	500	SCA6048	400	SCA6038	300	208	600	23 5/8	4.1	9	313.00
SCA6052	500	SCA6042	400	SCA6032	300	240	600	23 5/8	4.1	9	313.00
SCA6053	500	---	400	---	300	347	600	23 5/8	4.1	9	313.00
---	500	---	400	---	300	600	600	23 5/8	4.1	9	---
SCA9071	750	SCA9061	600	SCA9041	450	120	900	35 7/16	9.1	13	363.00
SCA9078	750	SCA9068	600	SCA9048	450	208	900	35 7/16	9.1	13	363.00
SCA9072	750	SCA9062	600	SCA9042	450	240	900	35 7/16	9.1	13	363.00
SCA9073	750	SCA9063	600	SCA9043	450	347	900	35 7/16	9.1	13	363.00
SCA9076	750	---	600	---	450	600	900	35 7/16	9.1	13	363.00
SCA12101	1000	SCA12081	800	SCA12061	600	120	1200	47 1/4	8.0	17	411.00
SCA12108	1000	SCA12088	800	SCA12068	600	208	1200	47 1/4	8.0	17	411.00
SCA12102	1000	SCA12082	800	SCA12062	600	240	1200	47 1/4	8.0	17	411.00
SCA12103	1000	SCA12083	800	SCA12063	600	347	1200	47 1/4	8.0	17	411.00
SCA12106	1000	SCA12086	800	---	600	600	1200	47 1/4	8.0	17	411.00
SCA15121	1250	SCA15101	1000	SCA15071	750	120	1500	59 1/16	9.0	20	462.00
SCA15128	1250	SCA15108	1000	SCA15078	750	208	1500	59 1/16	9.0	20	462.00
SCA15122	1250	SCA15102	1000	SCA15072	750	240	1500	59 1/16	9.0	20	462.00
SCA15123	1250	SCA15103	1000	SCA15073	750	347	1500	59 1/16	9.0	20	462.00
SCA15126	1250	SCA15106	1000	SCA15076	750	600	1500	59 1/16	9.0	20	462.00
SCA18151	1500	SCA18121	1200	SCA18091	900	120	1800	70 7/8	11.0	25	510.00
SCA18158	1500	SCA18128	1200	SCA18098	900	208	1800	70 7/8	11.0	25	510.00
SCA18152	1500	SCA18122	1200	SCA18092	900	240	1800	70 7/8	11.0	25	510.00
SCA18153	1500	SCA18123	1200	SCA18093	900	347	1800	70 7/8	11.0	25	510.00
SCA18156	1500	SCA18126	1200	SCA18096	900	600	1800	70 7/8	11.0	25	510.00
---	1750	SCA21141	1400	SCA21101	1050	120	2100	82 11/16	13.0	29	559.00
SCA21178	1750	SCA21148	1400	SCA21108	1050	208	2100	82 11/16	13.0	29	559.00
SCA21172	1750	SCA21142	1400	SCA21102	1050	240	2100	82 11/16	13.0	29	559.00
SCA21173	1750	SCA21143	1400	SCA21103	1050	347	2100	82 11/16	13.0	29	559.00
SCA21176	1750	SCA21146	1400	SCA21106	1050	600	2100	82 11/16	13.0	29	559.00
---	2000	---	1600	SCA24121	1200	120	2400	94 1/2	16.0	34	608.00
SCA24208	2000	SCA24168	1600	SCA24128	1200	208	2400	94 1/2	16.0	34	608.00
SCA24202	2000	SCA24162	1600	SCA24122	1200	240	2400	94 1/2	16.0	34	608.00
SCA24203	2000	SCA24163	1600	SCA24123	1200	347	2400	94 1/2	16.0	34	608.00
SCA24206	2000	SCA24166	1600	SCA24126	1200	600	2400	94 1/2	16.0	34	608.00
---	2250	---	1800	---	1350	120	2700	106 5/16	17.0	37	---
SCA27228	2250	SCA27188	1800	SCA27138	1350	208	2700	106 5/16	17.0	37	657.00
SCA27222	2250	SCA27182	1800	SCA27132	1350	240	2700	106 5/16	17.0	37	657.00
SCA27223	2250	SCA27183	1800	SCA27133	1350	347	2700	106 5/16	17.0	37	657.00
SCA27226	2250	SCA27186	1800	SCA27136	1350	600	2700	106 5/16	17.0	37	657.00
---	2500	---	2000	---	1500	120	2700	106 5/16	17.0	37	---
SCA27258	2500	SCA27208	2000	SCA27158	1500	208	2700	106 5/16	17.0	37	657.00
SCA27252	2500	SCA27202	2000	SCA27152	1500	240	2700	106 5/16	17.0	37	657.00
SCA27253	2500	SCA27203	2000	SCA27153	1500	347	2700	106 5/16	17.0	37	657.00
SCA27256	2500	SCA27206	2000	SCA27156	1500	600	2700	106 5/16	17.0	37	657.00

Add W for white or SW for soft white (consult the optional colours chart or contact your Stelpro representative for all other colours).  
 Models also available in 277 V and 480 V.  
 --- not available





## ACCESSORIES

PRODUCT	DESCRIPTION	PRICE
SCAT12*	built-in tamper-proof single pole thermostat	132.00
SCAT22*	built-in tamper-proof double pole thermostat	221.00
SCARE153*	built-in electronic low voltage relay [15 A @ 120 V-347 V]	83.00
SCARE156*	built-in electronic low voltage relay [6 A @ 600 V]	130.00
SCARE153T*	built-in electronic low voltage relay c/w transformer 24 V [15 A @ 208 V-347 V]	102.00
SCARM240T*	built-in electromechanical relay c/w transformer 24 V [6000 W @ 240 V and 5200 W @ 208 V]	113.00
SCARM347T*	built-in electromechanical relay c/w transformer 24 V [6000 W @ 347 V]	125.00
SCARM347C*	built-in electromechanical relay w/o transformer 24 V [6000 W @ 120 V-347 V]	94.50
SCAR841D1036*	built-in electromechanical relay w/o transformer 24 V [6000 W @ 600 V]	167.00
SCAR841C1151*	built-in electromechanical low voltage relay c/w transformer 24 V [6000 W @ 600 V]	189.00
PK2*	pedestal kit (kit of two)	128.00
SCAJS*	joiner strip (2 in. – 51 mm)	93.00
SCAIC90*	inside corner (back measures 5 7/8 in. (149 mm) long on each side)	324.00
SCAOC90*	outside corner (back measures 5 7/8 in. (149 mm) long on each side)	324.00
SCACB*	clean back (fully finished, no mounting holes or knockouts)	136.00

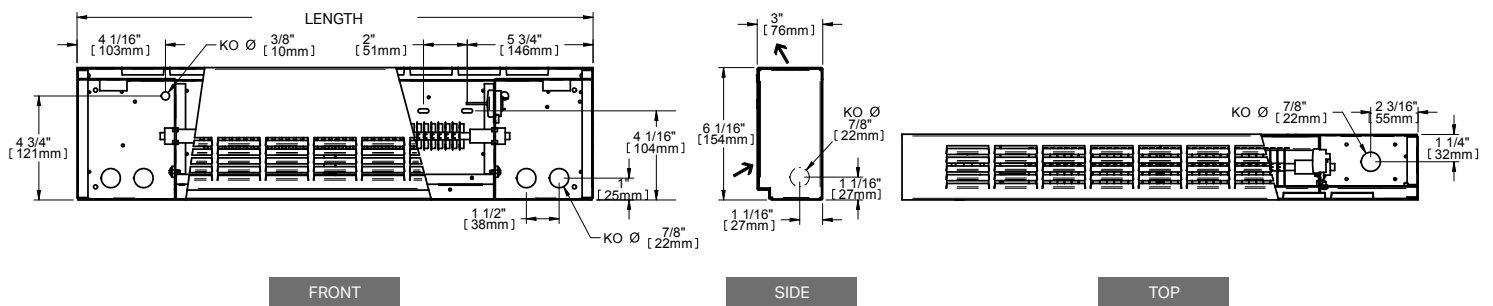
Electronic relays can receive a PWM (pulsed width modulation) or digital (on/off) signal.

\* Add W for white or SW for soft white.

\* Factory installed

\* Factory installation is strongly recommended.

## TECHNICAL DRAWINGS



# SCAS

## SLOPED ARCHITECTURAL BASEBOARD



### BE SURROUNDED BY HEAT!

The SCAS draft barrier is an excellent choice for complementary, perimeter heating. Modern office buildings will appreciate what the SCAS has to offer: a compact, sloped-top design capable of efficiently heating perimeter, glassed surfaces. The SCAS offers a wide array of installation possibilities and is adaptable to all office space layouts. Thanks to its sloped top, it is less likely to be sat on, stepped on or used as a shelf.

#### SLOPED TOP

MAKING IT LESS LIKELY TO BE SAT ON OR USED AS A SHELF

#### OFFERED IN THREE WATT DENSITIES

#### PERFECT FOR DAYCARE CENTRES

OPENINGS OF LESS THAN 1/4 IN.

#### BLANK SECTIONS AVAILABLE

FOR A CONTINUOUS LOOK

#### COLOURS

- **standard:** white, soft white
- **Orora (optional):** refer to [www.stelpro.com/en-CA/Orora](http://www.stelpro.com/en-CA/Orora)

#### FINISH

- epoxy-polyester powdercoat

#### MANUFACTURING

- 18-gauge steel cabinet and 16-gauge steel front panel
- front air intake and top air discharge
- thermal protection with automatic reset
- full-length wireway
- pencil-proof openings of less than 1/4 in. (6.4 mm) prevent foreign objects from entering the unit
- protective wire mesh available for front cover (optional)

#### ELEMENT

- single tubular, stainless steel sheathed element with boxed aluminum fins for improved heat dissipation; the element is securely fastened at its centre, floating in nylon sleeves at each end, eliminating expansion and contraction noises

#### CONTROL

- wall thermostat (not included) – the use of an electronic thermostat is strongly recommended
- built-in tamper-proof thermostat accessible without removing front grille, installed in the left junction box only (optional)
- low voltage relay kit installed in the left or right junction box (optional)

#### INSTALLATION

- surface mounted
- wall or floor mounted with or without pedestal kit (optional)
- wiring compartments at both ends of unit
- blank sections (custom lengths) and accessories are available for a continuous look (optional)

#### WARRANTY

- three years

#### IDEAL FOR:

school, shopping mall, hospital, daycare centre

# TECHNICAL SPECIFICATIONS

DENSITY OF 250 W PER LINEAR FOOT		DENSITY OF 200 W PER LINEAR FOOT		DENSITY OF 150 W PER LINEAR FOOT		VOLTAGE	LENGTH		WEIGHT		PRICE
CODE	WATTS	CODE	WATTS	CODE	WATTS	VOLTS	MM	IN.	KG	LB	
SCAS6051	500	SCAS6041	400	SCAS6031	300	120	600	23 5/8	4.1	9	313.00
SCAS6058	500	SCAS6048	400	SCAS6038	300	208	600	23 5/8	4.1	9	313.00
SCAS6052	500	SCAS6042	400	SCAS6032	300	240	600	23 5/8	4.1	9	313.00
SCAS6053	500	---	400	---	300	347	600	23 5/8	4.1	9	313.00
---	500	---	400	---	300	600	600	23 5/8	4.1	9	---
SCAS9071	750	SCAS9061	600	SCAS9041	450	120	900	35 7/16	5.9	13	363.00
SCAS9078	750	SCAS9068	600	SCAS9048	450	208	900	35 7/16	5.9	13	363.00
SCAS9072	750	SCAS9062	600	SCAS9042	450	240	900	35 7/16	5.9	13	363.00
SCAS9073	750	SCAS9063	600	SCAS9043	450	347	900	35 7/16	5.9	13	363.00
SCAS9076	750	---	600	---	450	600	900	35 7/16	5.9	13	363.00
SCAS12101	1000	SCAS12081	800	SCAS12061	600	120	1200	47 1/4	8.0	17	411.00
SCAS12108	1000	SCAS12088	800	SCAS12068	600	208	1200	47 1/4	8.0	17	411.00
SCAS12102	1000	SCAS12082	800	SCAS12062	600	240	1200	47 1/4	8.0	17	411.00
SCAS12103	1000	SCAS12083	800	SCAS12063	600	347	1200	47 1/4	8.0	17	411.00
SCAS12106	1000	SCAS12086	800	---	600	600	1200	47 1/4	8.0	17	411.00
SCAS15121	1250	SCAS15101	1000	SCAS15071	750	120	1500	59 1/16	9.0	20	462.00
SCAS15128	1250	SCAS15108	1000	SCAS15078	750	208	1500	59 1/16	9.0	20	462.00
SCAS15122	1250	SCAS15102	1000	SCAS15072	750	240	1500	59 1/16	9.0	20	462.00
SCAS15123	1250	SCAS15103	1000	SCAS15073	750	347	1500	59 1/16	9.0	20	462.00
SCAS15126	1250	SCAS15106	1000	SCAS15076	750	600	1500	59 1/16	9.0	20	462.00
SCAS18151	1500	SCAS18121	1200	SCAS18091	900	120	1800	70 7/8	11.0	25	510.00
SCAS18158	1500	SCAS18128	1200	SCAS18098	900	208	1800	70 7/8	11.0	25	510.00
SCAS18152	1500	SCAS18122	1200	SCAS18092	900	240	1800	70 7/8	11.0	25	510.00
SCAS18153	1500	SCAS18123	1200	SCAS18093	900	347	1800	70 7/8	11.0	25	510.00
SCAS18156	1500	SCAS18126	1200	SCAS18096	900	600	1800	70 7/8	11.0	25	510.00
---	1750	SCAS21141	1400	SCAS21101	1050	120	2100	82 11/16	13.0	29	559.00
SCAS21178	1750	SCAS21148	1400	SCAS21108	1050	208	2100	82 11/16	13.0	29	559.00
SCAS21172	1750	SCAS21142	1400	SCAS21102	1050	240	2100	82 11/16	13.0	29	559.00
SCAS21173	1750	SCAS21143	1400	SCAS21103	1050	347	2100	82 11/16	13.0	29	559.00
SCAS21176	1750	SCAS21146	1400	SCAS21106	1050	600	2100	82 11/16	13.0	29	559.00
---	2000	---	1600	SCAS24121	1200	120	2400	94 1/2	16.0	34	608.00
SCAS24208	2000	SCAS24168	1600	SCAS24128	1200	208	2400	94 1/2	16.0	34	608.00
SCAS24202	2000	SCAS24162	1600	SCAS24122	1200	240	2400	94 1/2	16.0	34	608.00
SCAS24203	2000	SCAS24163	1600	SCAS24123	1200	347	2400	94 1/2	16.0	34	608.00
SCAS24206	2000	SCAS24166	1600	SCAS24126	1200	600	2400	94 1/2	16.0	34	608.00
---	2250	---	1800	---	1350	120	2700	106 5/16	17.0	37	---
SCAS27228	2250	SCAS27188	1800	SCAS27138	1350	208	2700	106 5/16	17.0	37	657.00
SCAS27222	2250	SCAS27182	1800	SCAS27132	1350	240	2700	106 5/16	17.0	37	657.00
SCAS27223	2250	SCAS27183	1800	SCAS27133	1350	347	2700	106 5/16	17.0	37	657.00
SCAS27226	2250	SCAS27186	1800	SCAS27136	1350	600	2700	106 5/16	17.0	37	657.00
---	2500	---	2000	---	1500	120	2700	106 5/16	17.0	37	---
SCAS27258	2500	SCAS27208	2000	SCAS27158	1500	208	2700	106 5/16	17.0	37	657.00
SCAS27252	2500	SCAS27202	2000	SCAS27152	1500	240	2700	106 5/16	17.0	37	657.00
SCAS27253	2500	SCAS27203	2000	SCAS27153	1500	347	2700	106 5/16	17.0	37	657.00
SCAS27256	2500	SCAS27206	2000	SCAS27156	1500	600	2700	106 5/16	17.0	37	657.00

Add W for white or SW for soft white (consult the optional colours chart or contact your Stelpro representative for all other colours).  
 Models also available in 277 V and 480 V.  
 --- not available



## ACCESSORIES

PRODUCT	DESCRIPTION	PRICE
SCAST12*	built-in tamper-proof single pole thermostat	132.00
SCAST22*	built-in tamper-proof double pole thermostat	221.00
SCASRE153*	built-in electronic low voltage relay [15 A @ 120 V-347 V]	83.00
SCASRE156*	built-in electronic low voltage relay [6 A @ 600 V]	130.00
SCASRE153T*	built-in electronic low voltage relay c/w transformer 24 V [15 A @ 208 V-347 V]	102.00
SCASRM240T*	built-in electromechanical relay c/w transformer 24 V [6000 W @ 240 V and 5200 W @ 208 V]	113.00
SCASRM347T*	built-in electromechanical relay c/w transformer 24 V [6000 W @ 347 V]	125.00
SCASRM347C*	built-in electromechanical relay w/o transformer 24 V [6000 W @ 120 V-347 V]	94.50
SCASR841D1036*	built-in electromechanical relay w/o transformer 24 V [6000 W @ 600 V]	167.00
SCASR841C1151*	built-in electromechanical low voltage relay c/w transformer 24 V [6000 W @ 600 V]	189.00
PK2*	pedestal kit (kit of two)	128.00
SCASJS*	joiner strip (2 in. – 51 mm)	93.00
SCASIC90*	inside corner (back measures 5 7/8 in. (149 mm) long on each side)	324.00
SCASOC90*	outside corner (back measures 5 7/8 in. (149 mm) long on each side)	324.00
SCASCB**	clean back (fully finished, no mounting holes or knockouts)	136.00
SCASWM*-XXXXMM	protective wire mesh for front cover (units from 23 5/8 in. to 59 1/16 in. – 600 mm to 1500 mm)	60.25
	protective wire mesh for front cover (units from 70 7/8 in. to 106 5/16 in. – 1800 mm to 2700 mm)	87.50

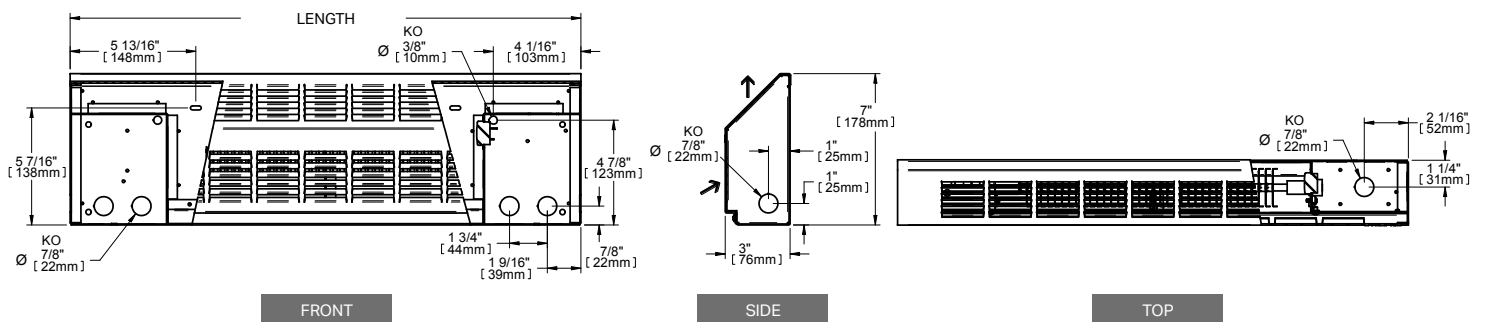
Electronic relays can receive a PWM (pulsed width modulation) or digital (on/off) signal.

\* Add W for white or SW for soft white.

\* Factory installed

\* Factory installation is strongly recommended.

## TECHNICAL DRAWINGS



# CBF

## COMMERCIAL BASEBOARD



### A STURDY BASEBOARD THAT CAN BE RECESSED

The CBF commercial baseboard heater is a suitable choice for commercial buildings, passageways and any other public establishment where wall space is precious and recessed installation is ideal. Surface mountable as well, this heater looks great on its own or installed one end to end in a continuous fashion around the perimeter of a room or corridor.

#### CAN BE RECESSED

DIRECTLY UNDER WINDOWS

#### OFFERED IN THREE WATT DENSITIES

BLANK SECTIONS AVAILABLE  
FOR A CONTINUOUS LOOK

#### COLOURS

- **standard:** white, soft white
- **Orora (optional):** refer to [www.stelpro.com/en-CA/Orora](http://www.stelpro.com/en-CA/Orora)

#### FINISH

- epoxy-polyester powdercoat

#### MANUFACTURING

- 18-gauge steel cabinet and 16-gauge steel front panel
- thermal protection with automatic reset
- full-length wireway
- pencil-proof openings of less than 1/4 in. (6.4 mm) prevent foreign objects from entering the unit

#### ELEMENT

- single tubular, stainless steel sheathed element with boxed aluminum fins for improved heat dissipation; the element is securely fastened at its centre, floating in nylon sleeves at each end, eliminating expansion and contraction noises

#### CONTROL

- wall thermostat (not included) – the use of an electronic thermostat is strongly recommended
- built-in tamper-proof thermostat accessible without removing front grille, installed in the left or right junction box (optional)
- low voltage relay kit installed in the left or right junction box (optional)

#### INSTALLATION

- surface mounted or wall recessed with four-piece trim frame (optional)
- wall or floor mounted with or without pedestal kit (optional)
- wiring compartments at both ends of unit
- blank sections (custom lengths) and accessories are available for a continuous look (optional)

#### WARRANTY

- three years

#### IDEAL FOR:

school, shopping mall, hospital

# TECHNICAL SPECIFICATIONS

DENSITY OF 250 W PER LINEAR FOOT		DENSITY OF 200 W PER LINEAR FOOT		DENSITY OF 150 W PER LINEAR FOOT		VOLTAGE	LENGTH		WEIGHT		PRICE
CODE	WATTS	CODE	WATTS	CODE	WATTS	VOLTS	MM	IN.	KG	LB	
CBF6051	500	CBF6041	400	CBF6031	300	120	600	23 5/8	6.4	14	402.00
CBF6058	500	CBF6048	400	CBF6038	300	208	600	23 5/8	6.4	14	402.00
CBF6052	500	CBF6042	400	CBF6032	300	240	600	23 5/8	6.4	14	402.00
CBF6053	500	---	400	---	300	347	600	23 5/8	6.4	14	402.00
---	500	---	400	---	300	600	600	23 5/8	6.4	14	---
CBF9071	750	CBF9061	600	CBF9041	450	120	900	35 7/16	9.1	20	457.00
CBF9078	750	CBF9068	600	CBF9048	450	208	900	35 7/16	9.1	20	457.00
CBF9072	750	CBF9062	600	CBF9042	450	240	900	35 7/16	9.1	20	457.00
CBF9073	750	CBF9063	600	CBF9043	450	347	900	35 7/16	9.1	20	457.00
CBF9076	750	---	600	---	450	600	900	35 7/16	9.1	20	457.00
CBF12101	1000	CBF12081	800	CBF12061	600	120	1200	47 1/4	13.6	30	523.00
CBF12108	1000	CBF12088	800	CBF12068	600	208	1200	47 1/4	13.6	30	523.00
CBF12102	1000	CBF12082	800	CBF12062	600	240	1200	47 1/4	13.6	30	523.00
CBF12103	1000	CBF12083	800	CBF12063	600	347	1200	47 1/4	13.6	30	523.00
CBF12106	1000	CBF12086	800	---	600	600	1200	47 1/4	13.6	30	523.00
CBF15121	1250	CBF15101	1000	CBF15071	750	120	1500	59 1/16	16.8	37	577.00
CBF15128	1250	CBF15108	1000	CBF15078	750	208	1500	59 1/16	16.8	37	577.00
CBF15122	1250	CBF15102	1000	CBF15072	750	240	1500	59 1/16	16.8	37	577.00
CBF15123	1250	CBF15103	1000	CBF15073	750	347	1500	59 1/16	16.8	37	577.00
CBF15126	1250	CBF15106	1000	CBF15076	750	600	1500	59 1/16	16.8	37	577.00
CBF18151	1500	CBF18121	1200	CBF18091	900	120	1800	70 7/8	20.0	44	634.00
CBF18158	1500	CBF18128	1200	CBF18098	900	208	1800	70 7/8	20.0	44	634.00
CBF18152	1500	CBF18122	1200	CBF18092	900	240	1800	70 7/8	20.0	44	634.00
CBF18153	1500	CBF18123	1200	CBF18093	900	347	1800	70 7/8	20.0	44	634.00
CBF18156	1500	CBF18126	1200	CBF18096	900	600	1800	70 7/8	20.0	44	634.00
---	1750	CBF21141	1400	CBF21101	1050	120	2100	82 11/16	23.1	51	690.00
CBF21178	1750	CBF21148	1400	CBF21108	1050	208	2100	82 11/16	23.1	51	690.00
CBF21172	1750	CBF21142	1400	CBF21102	1050	240	2100	82 11/16	23.1	51	690.00
CBF21173	1750	CBF21143	1400	CBF21103	1050	347	2100	82 11/16	23.1	51	690.00
CBF21176	1750	CBF21146	1400	CBF21106	1050	600	2100	82 11/16	23.1	51	690.00
---	2000	---	1600	CBF24121	1200	120	2400	94 1/2	26.8	59	745.00
CBF24208	2000	CBF24168	1600	CBF24128	1200	208	2400	94 1/2	26.8	59	745.00
CBF24202	2000	CBF24162	1600	CBF24122	1200	240	2400	94 1/2	26.8	59	745.00
CBF24203	2000	CBF24163	1600	CBF24123	1200	347	2400	94 1/2	26.8	59	745.00
CBF24206	2000	CBF24166	1600	CBF24126	1200	600	2400	94 1/2	26.8	59	745.00
---	2250	---	1800	---	1350	120	2700	106 5/16	27.7	61	---
CBF27228	2250	CBF27188	1800	CBF27138	1350	208	2700	106 5/16	27.7	61	803.00
CBF27222	2250	CBF27182	1800	CBF27132	1350	240	2700	106 5/16	27.7	61	803.00
CBF27223	2250	CBF27183	1800	CBF27133	1350	347	2700	106 5/16	27.7	61	803.00
CBF27226	2250	CBF27186	1800	CBF27136	1350	600	2700	106 5/16	27.7	61	803.00
---	2500	---	2000	---	1500	120	2700	106 5/16	27.7	61	---
CBF27258	2500	CBF27208	2000	CBF27158	1500	208	2700	106 5/16	27.7	61	803.00
CBF27252	2500	CBF27202	2000	CBF27152	1500	240	2700	106 5/16	27.7	61	803.00
CBF27253	2500	CBF27203	2000	CBF27153	1500	347	2700	106 5/16	27.7	61	803.00
CBF27256	2500	CBF27206	2000	CBF27156	1500	600	2700	106 5/16	27.7	61	803.00

Add W for white or SW for soft white (consult the optional colours chart or contact your Stelpro representative for all other colours).  
 Models also available in 277 V and 480 V.  
 --- not available

# ACCESSORIES

PRODUCT	DESCRIPTION	PRICE
CBFT12*	built-in tamper-proof single pole thermostat	132.00
CBFT22*	built-in tamper-proof double pole thermostat	221.00
CBFRE153*	built-in electronic low voltage relay [15 A @ 120 V-347 V]	77.00
CBFRE156*	built-in electronic low voltage relay [6 A @ 600 V]	124.00
CBFRE153T*	built-in electronic low voltage relay c/w transformer 24 V [15 A @ 208 V-347 V]	96.00
CBFRM240T*	built-in electromechanical relay c/w transformer 24 V [6000 W @ 240 V and 5200 W @ 208 V]	113.00
CBFRM347T*	built-in electromechanical relay c/w transformer 24 V [6000 W @ 347 V]	125.00
CBFRM347C*	built-in electromechanical relay w/o transformer 24 V [6000 W @ 120 V-347 V]	94.50
CBFR841D1036*	built-in electromechanical relay w/o transformer 24 V [6000 W @ 600 V]	154.00
CBFR841C1151*	built-in electromechanical low voltage relay c/w transformer 24 V [6000 W @ 600 V]	189.00
PK2*	pedestal kit (kit of two)	128.00
CBFJS*	joiner strip (2 in. – 51 mm)	114.00
CBFIC90*	inside corner (back measures 5 7/8 in. (149 mm) long on each side)	397.00
CBFOC90*	outside corner (back measures 5 7/8 in. (149 mm) long on each side)	397.00
CBFTB*	four-piece trim frame	118.00
CBFCB**	clean back (fully finished, no mounting holes or knockouts)	167.00

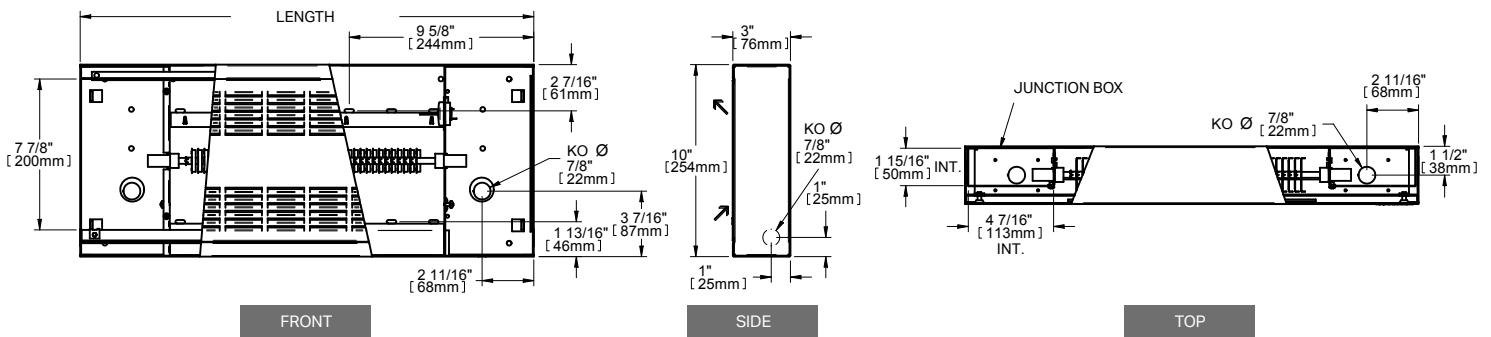
Electronic relays can receive a PWM (pulsed width modulation) or digital (on/off) signal.

\* Add W for white or SW for soft white.

\* Factory installed

\* Factory installation is strongly recommended.

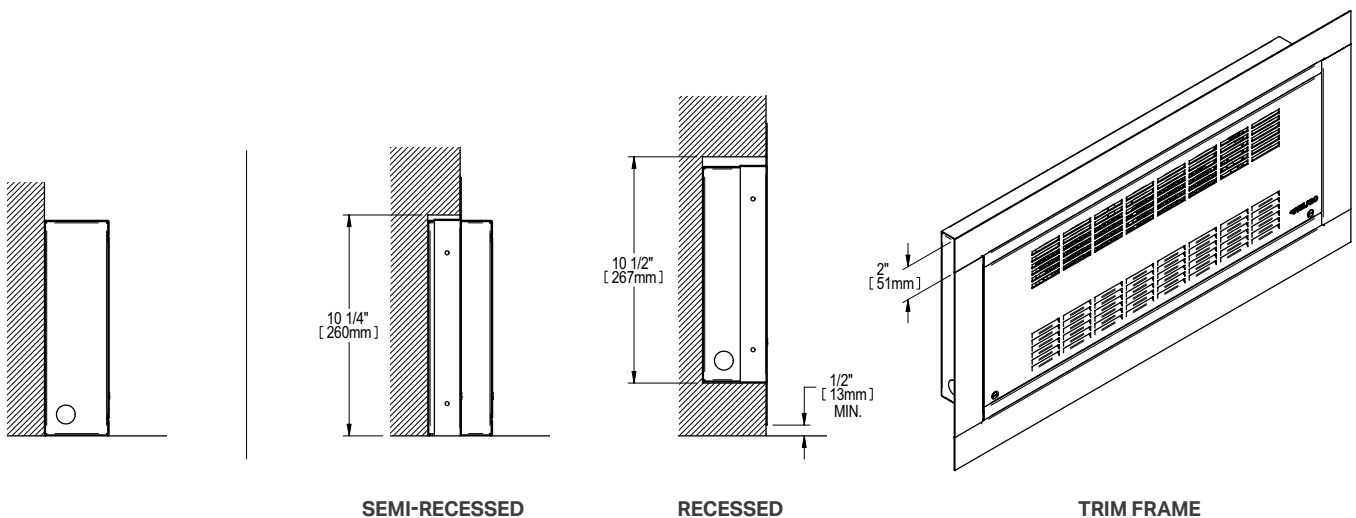
## TECHNICAL DRAWINGS



## INSTALLATION

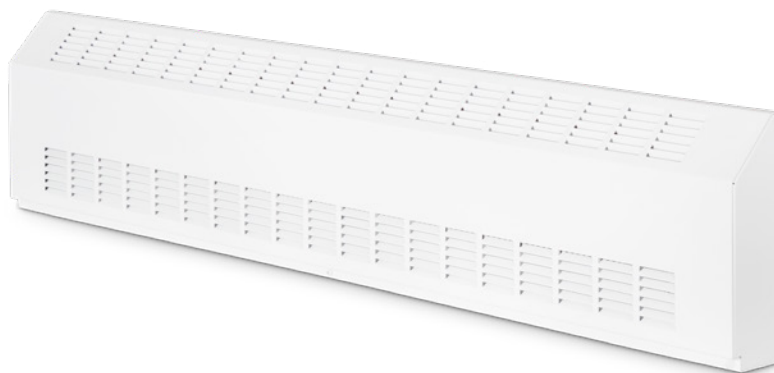
**SURFACE MOUNTED**

**RECESSED OR SEMI-RECESSED WITH FOUR-PIECE TRIM FRAME (OPTIONAL)**



# CBB

## SLOPED COMMERCIAL BASEBOARD



### TOP OF ITS CLASS

The CBB was designed to provide optimal heating output in public areas, such as shopping centres, schools, daycare centres, and hospitals. This high-profile baseboard heater is durable enough to meet the needs of schools and other densely populated buildings. The CBB is available in several watt densities. Nothing warms you like the CBB!

#### ROBUST CASING

SPECIALLY DESIGNED  
FOR HIGH-TRAFFIC AREAS

#### SLOPED TOP

MAKING IT LESS LIKELY TO  
BE SAT ON OR USED AS A SHELF

#### OFFERED IN THREE WATT DENSITIES

#### BLANK SECTIONS AVAILABLE

FOR A CONTINUOUS LOOK

#### COLOURS

- **standard:** white, soft white
- **Orora (optional):** refer to [www.stelpro.com/en-CA/Orora](http://www.stelpro.com/en-CA/Orora)

#### FINISH

- epoxy-polyester powdercoat

#### MANUFACTURING

- 18-gauge steel cabinet and 16-gauge front panel
- thermal protection with automatic reset
- full-length wireway
- pencil-proof openings of less than 1/4 in. (6.4 mm) prevent foreign objects from entering the unit
- protective wire mesh available for front cover (optional)

#### ELEMENT

- single tubular, stainless steel sheathed element with boxed aluminum fins for improved heat dissipation; the element is securely fastened at its centre, floating in nylon sleeves at each end, eliminating expansion and contraction noises

#### CONTROL

- wall thermostat (not included) – the use of an electronic thermostat is strongly recommended
- built-in tamper-proof thermostat accessible without removing front grille, installed in the left junction box only (optional)
- low voltage relay kit installed in the left or right junction box (optional)

#### INSTALLATION

- surface mounted
- wall or floor mounted with or without pedestal kit (optional)
- wiring compartments at both ends of unit
- blank sections (custom lengths) and accessories are available for a continuous look (optional)

#### WARRANTY

- three years

#### IDEAL FOR:

school, shopping centre, hospital, daycare centre



# TECHNICAL SPECIFICATIONS

DENSITY OF 250 W PER LINEAR FOOT		DENSITY OF 200 W PER LINEAR FOOT		DENSITY OF 150 W PER LINEAR FOOT		VOLTAGE	LENGTH		WEIGHT		PRICE
CODE	WATTS	CODE	WATTS	CODE	WATTS	VOLTS	MM	IN.	KG	LB	
CBB6051	500	CBB6041	400	CBB6031	300	120	600	23 5/8	6.4	14	402.00
CBB6058	500	CBB6048	400	CBB6038	300	208	600	23 5/8	6.4	14	402.00
CBB6052	500	CBB6042	400	CBB6032	300	240	600	23 5/8	6.4	14	402.00
CBB6053	500	---	400	---	300	347	600	23 5/8	6.4	14	402.00
---	500	---	400	---	300	600	600	23 5/8	6.4	14	---
CBB9071	750	CBB9061	600	CBB9041	450	120	900	35 7/16	9.1	20	457.00
CBB9078	750	CBB9068	600	CBB9048	450	208	900	35 7/16	9.1	20	457.00
CBB9072	750	CBB9062	600	CBB9042	450	240	900	35 7/16	9.1	20	457.00
CBB9073	750	CBB9063	600	CBB9043	450	347	900	35 7/16	9.1	20	457.00
CBB9076	750	---	600	---	450	600	900	35 7/16	9.1	20	457.00
CBB12101	1000	CBB12081	800	CBB12061	600	120	1200	47 1/4	13.6	30	523.00
CBB12108	1000	CBB12088	800	CBB12068	600	208	1200	47 1/4	13.6	30	523.00
CBB12102	1000	CBB12082	800	CBB12062	600	240	1200	47 1/4	13.6	30	523.00
CBB12103	1000	CBB12083	800	CBB12063	600	347	1200	47 1/4	13.6	30	523.00
CBB12106	1000	CBB12086	800	---	600	600	1200	47 1/4	13.6	30	523.00
CBB15121	1250	CBB15101	1000	CBB15071	750	120	1500	59 1/16	16.8	37	577.00
CBB15128	1250	CBB15108	1000	CBB15078	750	208	1500	59 1/16	16.8	37	577.00
CBB15122	1250	CBB15102	1000	CBB15072	750	240	1500	59 1/16	16.8	37	577.00
CBB15123	1250	CBB15103	1000	CBB15073	750	347	1500	59 1/16	16.8	37	577.00
CBB15126	1250	CBB15106	1000	CBB15076	750	600	1500	59 1/16	16.8	37	577.00
CBB18151	1500	CBB18121	1200	CBB18091	900	120	1800	70 7/8	20.0	44	634.00
CBB18158	1500	CBB18128	1200	CBB18098	900	208	1800	70 7/8	20.0	44	634.00
CBB18152	1500	CBB18122	1200	CBB18092	900	240	1800	70 7/8	20.0	44	634.00
CBB18153	1500	CBB18123	1200	CBB18093	900	347	1800	70 7/8	20.0	44	634.00
CBB18156	1500	CBB18126	1200	CBB18096	900	600	1800	70 7/8	20.0	44	634.00
---	1750	CBB21141	1400	CBB21101	1050	120	2100	82 11/16	23.1	51	690.00
CBB21178	1750	CBB21148	1400	CBB21108	1050	208	2100	82 11/16	23.1	51	690.00
CBB21172	1750	CBB21142	1400	CBB21102	1050	240	2100	82 11/16	23.1	51	690.00
CBB21173	1750	CBB21143	1400	CBB21103	1050	347	2100	82 11/16	23.1	51	690.00
CBB21176	1750	CBB21146	1400	CBB21106	1050	600	2100	82 11/16	23.1	51	690.00
---	2000	---	1600	CBB24121	1200	120	2400	94 1/2	26.7	59	745.00
CBB24208	2000	CBB24168	1600	CBB24128	1200	208	2400	94 1/2	26.7	59	745.00
CBB24202	2000	CBB24162	1600	CBB24122	1200	240	2400	94 1/2	26.7	59	745.00
CBB24203	2000	CBB24163	1600	CBB24123	1200	347	2400	94 1/2	26.7	59	745.00
CBB24206	2000	CBB24166	1600	CBB24126	1200	600	2400	94 1/2	26.7	59	745.00
---	2250	---	1800	---	1350	120	2700	106 5/16	27.6	61	---
CBB27228	2250	CBB27188	1800	CBB27138	1350	208	2700	106 5/16	27.6	61	803.00
CBB27222	2250	CBB27182	1800	CBB27132	1350	240	2700	106 5/16	27.6	61	803.00
CBB27223	2250	CBB27183	1800	CBB27133	1350	347	2700	106 5/16	27.6	61	803.00
CBB27226	2250	CBB27186	1800	CBB27136	1350	600	2700	106 5/16	27.6	61	803.00
---	2500	---	2000	---	1500	120	2700	106 5/16	27.6	61	---
CBB27258	2500	CBB27208	2000	CBB27158	1500	208	2700	106 5/16	27.6	61	803.00
CBB27252	2500	CBB27202	2000	CBB27152	1500	240	2700	106 5/16	27.6	61	803.00
CBB27253	2500	CBB27203	2000	CBB27153	1500	347	2700	106 5/16	27.6	61	803.00
CBB27256	2500	CBB27206	2000	CBB27156	1500	600	2700	106 5/16	27.6	61	803.00

Add W for white or SW for soft white (consult the optional colours chart or contact your Stelpro representative for all other colours).  
 Models also available in 277 V and 480 V.  
 --- not available



## ACCESSORIES

PRODUCT	DESCRIPTION	PRICE
<b>CBBT12*</b>	built-in tamper-proof single pole thermostat	<b>132.00</b>
<b>CBBT22*</b>	built-in tamper-proof double pole thermostat	<b>221.00</b>
<b>CBBRE153*</b>	built-in electronic low voltage relay [15 A @ 120 V-347 V]	<b>77.00</b>
<b>CBBRE156*</b>	built-in electronic low voltage relay [6 A @ 600 V]	<b>124.00</b>
<b>CBBRE153T*</b>	built-in electronic low voltage relay c/w transformer 24 V [15 A @ 208 V-347 V]	<b>96.00</b>
<b>CBBRM240T*</b>	built-in electromechanical relay c/w transformer 24 V [6000 W @ 240 V and 5200 W @ 208 V]	<b>113.00</b>
<b>CBBRM347T*</b>	built-in electromechanical relay c/w transformer 24 V [6000 W @ 347 V]	<b>125.00</b>
<b>CBBRM347C*</b>	built-in electromechanical relay w/o transformer 24 V [6000 W @ 120 V-347 V]	<b>94.50</b>
<b>CBBR841D1036*</b>	built-in electromechanical relay w/o transformer 24 V [6000 W @ 600 V]	<b>154.00</b>
<b>CBBR841C1151*</b>	built-in electromechanical low voltage relay c/w transformer 24 V [6000 W @ 600 V]	<b>189.00</b>
<b>PK2*</b>	pedestal kit (kit of two)	<b>128.00</b>
<b>CBBJS*</b>	joiner strip (2 in. – 51 mm)	<b>114.00</b>
<b>CBBIC90*</b>	inside corner (back measures 6 1/16 in. – 154 mm long on each side)	<b>397.00</b>
<b>CBBOC90*</b>	outside corner (back measures 6 1/16 in. – 154 mm long on each side)	<b>397.00</b>
<b>CBBCB**</b>	clean back (fully finished, no mounting holes or knockouts)	<b>167.00</b>
<b>CBBWM*-XXXXMM</b>	protective wire mesh for front cover (units from 23 5/8 in. to 59 1/16 in. – 600 mm to 1500 mm)	<b>60.25</b>
	protective wire mesh for front cover (units from 70 7/8 in. to 106 5/16 in. – 1800 mm to 2700 mm)	<b>87.50</b>

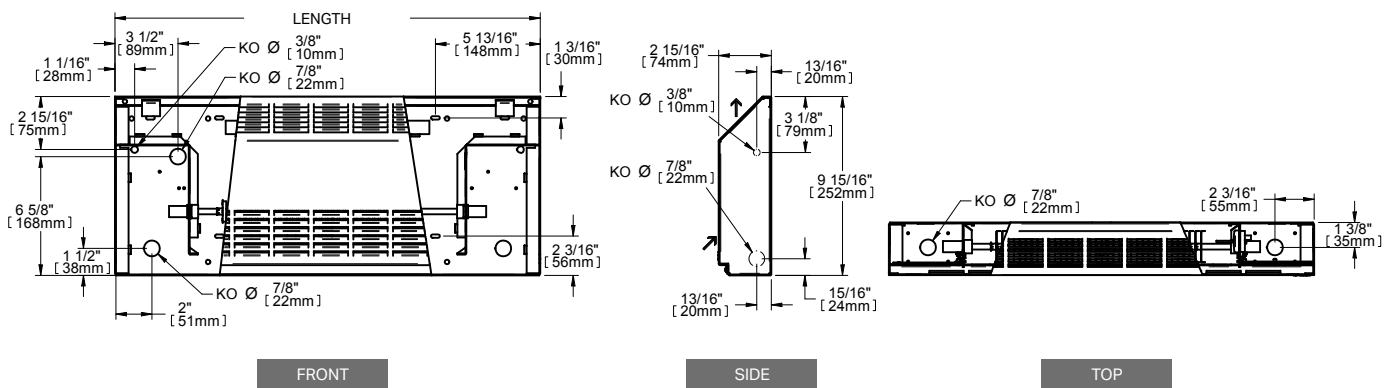
Electronic relays can receive a PWM (pulsed width modulation) or digital (on/off) signal.

\* Add W for white or SW for soft white.

\* Factory installed

\* Factory installation is strongly recommended.

## TECHNICAL DRAWINGS



# CW750

## ARCHITECTURAL CABINET



## PERFECT FOR LARGE SPACES

The CW750 architectural cabinet convector belongs to our range of unique-design high-watt-density heaters. This unit is ideal for locations that require a high heat output where the noise of a fan heater is undesirable, such as showrooms and museums. The CW750 is a convection heater that draws air in at the front and expels it at the top for effective heat distribution. It offers 750 W per linear foot.

### INCREDIBLE HEAT DENSITY

UP TO 750 W PER LINEAR FOOT

### ATTRACTIVE EXTRUDED ALUMINUM GRILLE

### PERFECT FOR PUBLIC PLACES

COMMERCIAL SPACES, PUBLIC INSTITUTIONS, ETC.

### BLANK SECTIONS AVAILABLE FOR A CONTINUOUS LOOK

### COLOURS

- **standard:** white, soft white
- **Orora (optional):** refer to [www.stelpro.com/en-CA/Orora](http://www.stelpro.com/en-CA/Orora)

### FINISH

- epoxy-polyester powdercoat

### MANUFACTURING

- 18-gauge steel cabinet, 16-gauge steel front panel and extruded aluminum grilles with a thickness equivalent to 13 gauge
- front air intake and top air discharge (front inlet and front outlet available\*)
- thermal protection with automatic reset
- full-length wireway

### ELEMENTS

- three tubular elements, stainless steel sheathed with boxed aluminum fins for improved heat dissipation; the elements are securely fastened at their centres, floating in nylon sleeves at each end, eliminating expansion and contraction noises

### CONTROL

- wall thermostat (not included) – the use of an electronic thermostat is strongly recommended
- built-in tamper-proof thermostat accessible without removing front grille, installed in the left or right junction box (optional)
- low voltage relay kit installed in the left or right junction box (optional)

### INSTALLATION

- surface mounted or wall recessed\* with four-piece trim frame (optional)
- wall or floor mounted with or without pedestal kit (optional)
- wiring compartments at both ends of unit
- blank sections (custom lengths) and accessories are available for a continuous look (optional)

### WARRANTY

- three years

\* Front inlet and front outlet [FF] version is available only in 450-W and 600-W densities per linear foot (see the technical specifications table).



This unit is intended for commercial use. Models with a density greater than 450 W/ft. can become very hot.

### IDEAL FOR:

shopping mall, hospital, lobby, corridor

# TECHNICAL SPECIFICATIONS

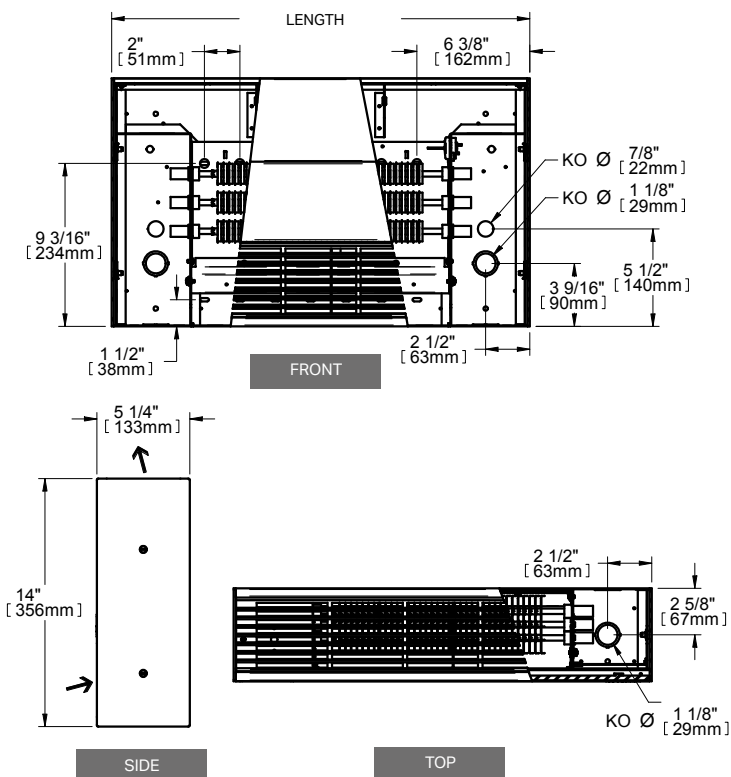
DENSITY OF 750 W PER LINEAR FOOT		DENSITY OF 600 W PER LINEAR FOOT		DENSITY OF 450 W PER LINEAR FOOT		VOLTAGE	LENGTH		WEIGHT		PRICE
CODE	WATTS	CODE	WATTS	CODE	WATTS	VOLTS	MM	IN.	KG	LB	
---	1500	CW7506128*	1200	CW7506098*	900	208	600	23 5/8	12.7	28	811.00
---	1500	CW7506122	1200	CW7506092	900	240	600	23 5/8	12.7	28	811.00
---	1500	CW7506123	1200	CW7506093	900	347	600	23 5/8	12.7	28	811.00
---	1500	CW7506126	1200	CW7506096	900	600	600	23 5/8	12.7	28	811.00
---	2250	CW7509188*	1800	CW7509138*	1350	208	900	35 7/16	17.7	39	912.00
---	2250	CW7509182	1800	CW7509132	1350	240	900	35 7/16	17.7	39	912.00
---	2250	CW7509183	1800	CW7509133	1350	347	900	35 7/16	17.7	39	912.00
---	2250	CW7509186*	1800	CW7509136	1350	600	900	35 7/16	17.7	39	912.00
---	3000	CW75012248*	2400	CW75012188*	1800	208	1200	47 1/4	24	53	1068.00
---	3000	CW75012242	2400	CW75012182	1800	240	1200	47 1/4	24	53	1068.00
---	3000	CW75012243	2400	CW75012183	1800	347	1200	47 1/4	24	53	1068.00
---	3000	CW75012246*	2400	CW75012186	1800	600	1200	47 1/4	24	53	1068.00
CW75015378*	3750	CW75015308*	3000	CW75015228*	2250	208	1500	59 1/16	29	64	1171.00
CW75015372	3750	CW75015302	3000	CW75015222	2250	240	1500	59 1/16	29	64	1171.00
CW75015373	3750	CW75015303	3000	CW75015223	2250	347	1500	59 1/16	29	64	1171.00
CW75015376*	3750	CW75015306*	3000	CW75015226*	2250	600	1500	59 1/16	29	64	1171.00
CW75018458*	4500	CW75018368*	3600	CW75018278*	2700	208	1800	70 7/8	33.6	74	1207.00
CW75018452	4500	CW75018362	3600	CW75018272	2700	240	1800	70 7/8	33.6	74	1207.00
CW75018453	4500	CW75018363	3600	CW75018273	2700	347	1800	70 7/8	33.6	74	1207.00
CW75018456*	4500	CW75018366*	3600	CW75018276*	2700	600	1800	70 7/8	33.6	74	1207.00
CW75021528*	5250	CW75021428*	4200	CW75021318*	3150	208	2100	82 11/16	38.6	85	1303.00
CW75021522	5250	CW75021422	4200	CW75021312	3150	240	2100	82 11/16	38.6	85	1303.00
CW75021523	5250	CW75021423	4200	CW75021313	3150	347	2100	82 11/16	38.6	85	1303.00
CW75021526*	5250	CW75021426*	4200	CW75021316*	3150	600	2100	82 11/16	38.6	85	1303.00
CW75024608*	6000	CW75024488*	4800	CW75024368*	3600	208	2400	94 1/2	43.5	96	1401.00
CW75024602	6000	CW75024482	4800	CW75024362	3600	240	2400	94 1/2	43.5	96	1401.00
CW75024603	6000	CW75024483	4800	CW75024363	3600	347	2400	94 1/2	43.5	96	1401.00
CW75024606*	6000	CW75024486*	4800	CW75024366*	3600	600	2400	94 1/2	43.5	96	1401.00

Add W for white or SW for soft white (consult the optional colours chart or contact your Stelpro representative for all other colours).

Add FF for front air outlet (available only in 450 W and 600 W densities per linear foot).

\* Add 3 (before the colour code) for three-phase model (available upon request). Models also available in 277 V and 480 V. --- not available

## TECHNICAL DRAWINGS



## ACCESSORIES

PRODUCT	DESCRIPTION	PRICE
CW750T12*	built-in tamper-proof single pole thermostat	157.00
CW750T22*	built-in tamper-proof double pole thermostat	262.00
CW750T33*	built-in tamper-proof triple pole thermostat (3 ph)	330.00
CW750RE153*	built-in electronic low voltage relay [15 A @ 120 V-347 V]	90.00
CW750RE156*	built-in electronic low voltage relay [6 A @ 600 V]	140.00
CW750RE153T*	built-in electronic low voltage relay c/w transformer 24 V [15 A @ 208 V-347 V]	109.00
CW750RM240T*	built-in electromechanical relay c/w transformer 24 V [5000 W @ 208 V / 6000 W @ 240 V]	113.00
CW750RM347T*	built-in electromechanical relay c/w transformer 24 V [6000 W @ 347 V]	125.00
CW750RM347C*	built-in electromechanical relay w/o transformer 24 V [6000 W @ 120 V-347 V]	94.50
CW750R841C1151*	built-in electromechanical relay c/w transformer 24 V [6000 W @ 600 V]	180.00
CW750R841D1036*	built-in electromechanical relay w/o transformer 24 V [6000 W @ 600 V]	160.00
PK3*	pedestal kit (kit of two)	128.00
CW750JS*	joiner strip (2 in. - 51 mm)	168.00
CW750TB*	4-piece trim frame	152.00
CW750CB**	clean back (fully finished, no mounting holes or knockouts)	181.00

Electronic relays can receive a PWM (pulsed width modulation) or digital (on/off) signal.

\* Add W for white or SW for soft white.

\* Factory installed. \* Factory installation is strongly recommended.

# CWS750

## SLOPED ARCHITECTURAL CABINET



### A PERFECT SLOPED TOP CABINET FOR LARGE SPACES

With an incredible 750 W per linear foot power capacity, the CWS750 architectural cabinet is the perfect unit for public institutions or any other commercial application that requires a high heat output. Its high performance and durability (extruded aluminum grille) have earned it an outstanding reputation. Its sloped top makes it less likely it will be sat on, stepped on or used as a shelf.

#### SLOPED TOP

MAKING IT LESS LIKELY TO BE SAT ON OR USED AS A SHELF

#### INCREDIBLE HEAT DENSITY

UP TO 750 W PER LINEAR FOOT

#### ATTRACTIVE EXTRUDED ALUMINUM GRILLE

PERFECT FOR PUBLIC PLACES  
CORRIDORS, HOSPITALS, ETC.

BLANK SECTIONS AVAILABLE  
FOR A CONTINUOUS LOOK

#### COLOURS

- **standard:** white, soft white
- **Orora (optional):** refer to [www.stelpro.com/en-CA/Orora](http://www.stelpro.com/en-CA/Orora)

#### FINISH

- epoxy-polyester powdercoat

#### MANUFACTURING

- 18-gauge steel cabinet, 16-gauge steel front panel and extruded aluminum grilles with a thickness equivalent to 13 gauge
- front air intake and top air discharge
- thermal protection with automatic reset
- full-length wireway

#### ELEMENTS

- three tubular elements, stainless steel sheathed with boxed aluminum fins for improved heat dissipation; the elements are securely fastened at their centres, floating in nylon sleeves at each end, eliminating expansion and contraction noises

#### CONTROL

- wall thermostat (not included) – the use of an electronic thermostat is strongly recommended
- built-in tamper-proof thermostat accessible without removing front grille, installed in the left or right junction box (optional)
- low voltage relay kit installed in the left or right junction box (optional)

#### INSTALLATION

- surface mounted
- wall or floor mounted with or without pedestal kit (optional)
- wiring compartments at both ends of unit
- blank sections (custom lengths) and accessories are available for a continuous look (optional)

#### WARRANTY

- three years



This unit is intended for commercial use. Models with a density greater than 450 W/ft. can become very hot.

#### IDEAL FOR:

shopping mall, hospital, lobby, corridor

# TECHNICAL SPECIFICATIONS

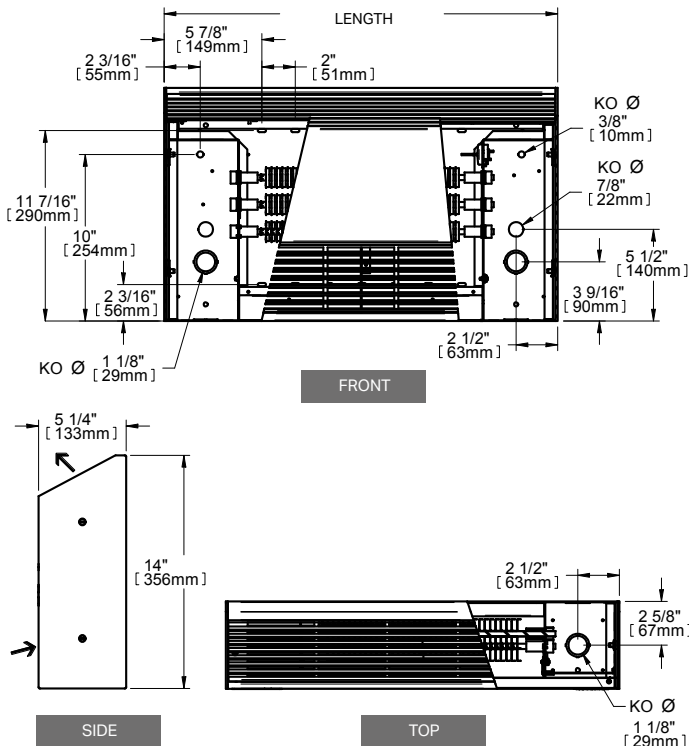
DENSITY OF 750 W PER LINEAR FOOT		DENSITY OF 600 W PER LINEAR FOOT		DENSITY OF 450 W PER LINEAR FOOT		VOLTAGE	LENGTH		WEIGHT		PRICE
CODE	WATTS	CODE	WATTS	CODE	WATTS	VOLTS	MM	IN.	KG	LB	
---	1500	CWS7506128*	1200	CWS7506098*	900	208	600	23 5/8	12.7	28	811.00
---	1500	CWS7506122	1200	CWS7506092	900	240	600	23 5/8	12.7	28	811.00
---	1500	CWS7506123	1200	CWS7506093	900	347	600	23 5/8	12.7	28	811.00
---	1500	CWS7506126	1200	CWS7506096	900	600	600	23 5/8	12.7	28	811.00
---	2250	CWS7509188*	1800	CWS7509138*	1350	208	900	35 7/16	17.7	39	912.00
---	2250	CWS7509182	1800	CWS7509132	1350	240	900	35 7/16	17.7	39	912.00
---	2250	CWS7509183	1800	CWS7509133	1350	347	900	35 7/16	17.7	39	912.00
---	2250	CWS7509186*	1800	CWS7509136	1350	600	900	35 7/16	17.7	39	912.00
---	3000	CWS75012248*	2400	CWS75012188*	1800	208	1200	47 1/4	24	53	1068.00
---	3000	CWS75012242	2400	CWS75012182	1800	240	1200	47 1/4	24	53	1068.00
---	3000	CWS75012243	2400	CWS75012183	1800	347	1200	47 1/4	24	53	1068.00
---	3000	CWS75012246*	2400	CWS75012186	1800	600	1200	47 1/4	24	53	1068.00
CWS75015378*	3750	CWS75015308*	3000	CWS75015228*	2250	208	1500	59 1/16	29	64	1171.00
CWS75015372	3750	CWS75015302	3000	CWS75015222	2250	240	1500	59 1/16	29	64	1171.00
CWS75015373	3750	CWS75015303	3000	CWS75015223	2250	347	1500	59 1/16	29	64	1171.00
CWS75015376*	3750	CWS75015306*	3000	CWS75015226*	2250	600	1500	59 1/16	29	64	1171.00
CWS75018458*	4500	CWS75018368*	3600	CWS75018278*	2700	208	1800	70 7/8	33.6	74	1207.00
CWS75018452	4500	CWS75018362	3600	CWS75018272	2700	240	1800	70 7/8	33.6	74	1207.00
CWS75018453	4500	CWS75018363	3600	CWS75018273	2700	347	1800	70 7/8	33.6	74	1207.00
CWS75018456*	4500	CWS75018366*	3600	CWS75018276*	2700	600	1800	70 7/8	33.6	74	1207.00
CWS75021528*	5250	CWS75021428*	4200	CWS75021318*	3150	208	2100	82 11/16	38.6	85	1303.00
CWS75021522	5250	CWS75021422	4200	CWS75021312	3150	240	2100	82 11/16	38.6	85	1303.00
CWS75021523	5250	CWS75021423	4200	CWS75021313	3150	347	2100	82 11/16	38.6	85	1303.00
CWS75021526*	5250	CWS75021426*	4200	CWS75021316*	3150	600	2100	82 11/16	38.6	85	1303.00
CWS75024608*	6000	CWS75024488*	4800	CWS75024368*	3600	208	2400	94 1/2	43.5	96	1401.00
CWS75024602	6000	CWS75024482	4800	CWS75024362	3600	240	2400	94 1/2	43.5	96	1401.00
CWS75024603	6000	CWS75024483	4800	CWS75024363	3600	347	2400	94 1/2	43.5	96	1401.00
CWS75024606*	6000	CWS75024486*	4800	CWS75024366*	3600	600	2400	94 1/2	43.5	96	1401.00

Add W for white or SW for soft white (consult the optional colours chart or contact your Stelpro representative for all other colours).

\* Add 3 (before the colour code) for three-phase model (available upon request).

Models also available in 277 V and 480 V. --- not available

## TECHNICAL DRAWINGS



## ACCESSORIES

PRODUCT	DESCRIPTION	PRICE
CWS750T12*	built-in tamper-proof single pole thermostat	157.00
CWS750T22*	built-in tamper-proof double pole thermostat	262.00
CWS750T33*	built-in tamper-proof triple pole thermostat (3 ph)	330.00
CWS750RE153*	built-in electronic low voltage relay [15 A @ 120 V-347 V]	90.00
CWS750RE156*	built-in electronic low voltage relay [6 A @ 600 V]	140.00
CWS750RE153T*	built-in electronic relay c/w transformer 24 V [15 A @ 208 V-347 V]	109.00
CWS750RM240T*	built-in electromechanical relay c/w transformer 24 V [5000 W @ 208 V / 6000 W @ 240 V]	113.00
CWS750RM347T*	built-in electromechanical relay c/w transformer 24 V [6000 W @ 347 V]	125.00
CWS750RM347C*	built-in electromechanical relay w/o transformer 24 V [6000 W @ 120 V-347 V]	94.50
CWS750R841C1151*	built-in electromechanical relay c/w transformer 24 V [6000 W @ 600 V]	180.00
CWS750R841D1036*	built-in electromechanical low voltage relay w/o transformer 24 V [6000 W @ 600 V]	160.00
PK3*	pedestal kit (kit of two)	128.00
CWS750JS*	joiner strip (2 in. - 51 mm)	168.00
CWS750CB**	clean back (fully finished, no mounting holes or knockouts)	181.00

Electronic relays can receive a PWM (pulsed width modulation) or digital (on/off) signal.

\* Add W for white or SW for soft white.

\* Factory installed \* Factory installation is strongly recommended.

# CW1000

## ARCHITECTURAL CABINET



## THE CABINET CONVECTOR POWERHOUSE

The CW1000 is a great option for heating large areas requiring higher than normal heat-loss recovery. With its high-density output of 1000 W per linear foot, engineers, architects and designers will no doubt appreciate this heater. It can heat large spaces that have little room to install heaters. Its versatile configuration options allow for front air entry and exit for recessed installation, or front entry and top exit for surface installation.

### INCREDIBLE HEAT DENSITY

UP TO 1000 W PER LINEAR FOOT

### ATTRACTIVE EXTRUDED ALUMINUM GRILLE

### PERFECT FOR PUBLIC PLACES

LARGE LOBBIES, SHOPPING MALLS, ETC.

### BLANK SECTIONS AVAILABLE FOR A CONTINUOUS LOOK

### COLOURS

- **standard:** white, soft white
- **Orora (optional):** refer to [www.stelpro.com/en-CA/Orora](http://www.stelpro.com/en-CA/Orora)

### FINISH

- epoxy-polyester powdercoat

### MANUFACTURING

- 18-gauge steel cabinet, 16-gauge steel front panel and extruded aluminum grilles with a thickness equivalent to 13 gauge
- front air intake and top air discharge (front inlet and front outlet available\*)
- thermal protection with automatic reset
- full-length wireway

### ELEMENTS

- four tubular elements, stainless steel sheathed with boxed aluminum fins for improved heat dissipation; the elements are securely fastened at their centres, floating in nylon sleeves at each end, eliminating expansion and contraction noises

### CONTROL

- wall thermostat (not included) – the use of an electronic thermostat is strongly recommended
- built-in tamper-proof thermostat accessible without removing front grille, installed in the left or right junction box (optional)
- low voltage relay kit installed in the left or right junction box (optional)

### INSTALLATION

- surface mounted or wall recessed\* with four-piece trim frame (optional)
- wall or floor mounted with or without pedestal kit (optional)
- wiring compartments at both ends of unit
- blank sections (custom lengths) and accessories are available for a continuous look (optional)

### WARRANTY

- three years

\*Front outlet [FF] for recessed installations available only in 600 W and 800 W densities per linear foot (see the technical specifications table).



This unit is intended for commercial use. Models with a density greater than 600 W/ft. can become very hot.

### IDEAL FOR:

shopping mall, hospital, lobby, corridor

# TECHNICAL SPECIFICATIONS

DENSITY OF 1000 W PER LINEAR FOOT		DENSITY OF 800 W PER LINEAR FOOT		DENSITY OF 600 W PER LINEAR FOOT		VOLTAGE	LENGTH		WEIGHT		PRICE
CODE	WATTS	CODE	WATTS	CODE	WATTS	VOLTS	MM	IN.	KG	LB	
---	2000	---	1600	<b>CW10006128</b>	1200	208	600	23 5/8	15.8	35	<b>992.00</b>
---	2000	---	1600	<b>CW10006122</b>	1200	240	600	23 5/8	15.8	35	<b>992.00</b>
---	2000	---	1600	<b>CW10006123</b>	1200	347	600	23 5/8	15.8	35	<b>992.00</b>
---	2000	---	1600	<b>CW10006126</b>	1200	600	600	23 5/8	15.8	35	<b>992.00</b>
<b>CW10009308</b>	3000	<b>CW10009248</b>	2400	<b>CW10009188</b>	1800	208	900	35 7/16	24	53	<b>1123.00</b>
<b>CW10009302</b>	3000	<b>CW10009242</b>	2400	<b>CW10009182</b>	1800	240	900	35 7/16	24	53	<b>1123.00</b>
<b>CW10009303</b>	3000	<b>CW10009243</b>	2400	<b>CW10009183</b>	1800	347	900	35 7/16	24	53	<b>1123.00</b>
<b>CW10009306</b>	3000	<b>CW10009246</b>	2400	<b>CW10009186</b>	1800	600	900	35 7/16	24	53	<b>1123.00</b>
<b>CW100012408</b>	4000	<b>CW100012328</b>	3200	<b>CW100012248</b>	2400	208	1200	47 1/4	31.3	69	<b>1254.00</b>
<b>CW100012402</b>	4000	<b>CW100012322</b>	3200	<b>CW100012242</b>	2400	240	1200	47 1/4	31.3	69	<b>1254.00</b>
<b>CW100012403</b>	4000	<b>CW100012323</b>	3200	<b>CW100012243</b>	2400	347	1200	47 1/4	31.3	69	<b>1254.00</b>
<b>CW100012406</b>	4000	<b>CW100012326</b>	3200	<b>CW100012246</b>	2400	600	1200	47 1/4	31.3	69	<b>1254.00</b>
<b>CW100015508</b>	5000	<b>CW100015408</b>	4000	<b>CW100015308</b>	3000	208	1500	59 1/16	38.1	84	<b>1386.00</b>
<b>CW100015502</b>	5000	<b>CW100015402</b>	4000	<b>CW100015302</b>	3000	240	1500	59 1/16	38.1	84	<b>1386.00</b>
<b>CW100015503</b>	5000	<b>CW100015403</b>	4000	<b>CW100015303</b>	3000	347	1500	59 1/16	38.1	84	<b>1386.00</b>
<b>CW100015506</b>	5000	<b>CW100015406</b>	4000	<b>CW100015306</b>	3000	600	1500	59 1/16	38.1	84	<b>1386.00</b>
<b>CW100018608</b>	6000	<b>CW100018488</b>	4800	<b>CW100018368</b>	3600	208	1800	70 7/8	44.5	98	<b>1517.00</b>
<b>CW100018602</b>	6000	<b>CW100018482</b>	4800	<b>CW100018362</b>	3600	240	1800	70 7/8	44.5	98	<b>1517.00</b>
<b>CW100018603</b>	6000	<b>CW100018483</b>	4800	<b>CW100018363</b>	3600	347	1800	70 7/8	44.5	98	<b>1517.00</b>
<b>CW100018606</b>	6000	<b>CW100018486</b>	4800	<b>CW100018366</b>	3600	600	1800	70 7/8	44.5	98	<b>1517.00</b>

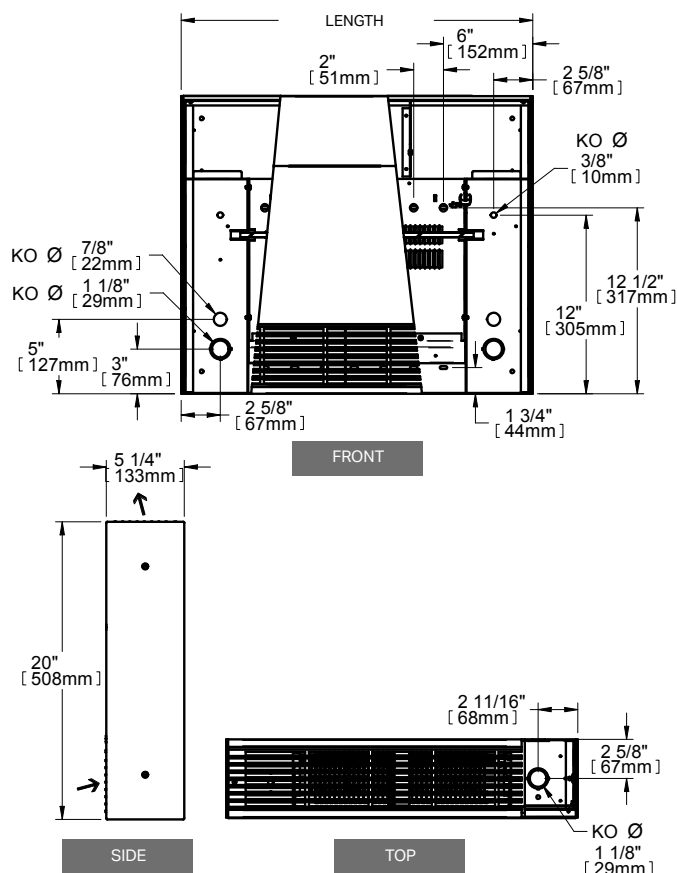
Add W for white or SW for soft white (consult the optional colours chart or contact your Stelpro representative for all other colours).  
 Add FF for front air outlet (available only in 600 W and 800 W densities per linear foot).  
 Models also available in 277 V and 480 V. --- not available

## ACCESSORIES

PRODUCT	DESCRIPTION	PRICE
<b>CW1000T12*</b>	built-in tamper-proof single pole thermostat	<b>157.00</b>
<b>CW1000T22*</b>	built-in tamper-proof double pole thermostat	<b>262.00</b>
<b>CW1000RE153*</b>	built-in electronic low voltage relay [15 A @ 120 V-347 V]	<b>90.00</b>
<b>CW1000RE156*</b>	built-in electronic low voltage relay [6 A @ 600 V]	<b>140.00</b>
<b>CW1000RE153T*</b>	built-in electronic low voltage relay c/w transformer 24 V [15 A @ 208 V-347 V]	<b>109.00</b>
<b>CW1000RM240T*</b>	built-in electromechanical relay c/w transformer 24 V [6000 W @ 240 V and 5200 W @ 208 V]	<b>113.00</b>
<b>CW1000RM347T*</b>	built-in electromechanical relay c/w transformer 24 V [6000 W @ 347 V]	<b>125.00</b>
<b>CW1000RM347C*</b>	built-in electromechanical relay w/o transformer 24 V [6000 W @ 120 V-347 V]	<b>94.50</b>
<b>CW1000R841C1151*</b>	built-in electromechanical relay c/w transformer 24 V [6000 W @ 600 V]	<b>193.00</b>
<b>CW1000R841D1036*</b>	built-in electromechanical relay w/o transformer 24 V [6000 W @ 600 V]	<b>165.00</b>
<b>PK3*</b>	pedestal kit (kit of two)	<b>128.00</b>
<b>CW1000JS*</b>	joiner strip (2 in. - 51 mm)	<b>210.00</b>
<b>CW1000TB*</b>	four-piece trim frame	<b>188.00</b>
<b>CW1000CB**</b>	clean back (fully finished, no mounting holes or knockouts)	<b>226.00</b>

Electronic relays can receive a PWM (pulsed width modulation) or digital (on/off) signal.  
 \* Add W for white or SW for soft white.  
 \* Factory installed \* Factory installation is strongly recommended.

## TECHNICAL DRAWINGS





# CWS1000

## SLOPED ARCHITECTURAL CABINET



### A POWERFUL SLOPED-TOP CABINET CONVECTOR

The CWS1000 is a great option for heating large areas requiring a higher than normal heat-loss recovery. It has a high power density of 1000 W per linear foot. Its sloped top adds dimension to an already dynamic design and makes it less likely it will be sat on, stepped on or used as a shelf. A powerful performer, the CWS1000 heats by natural convection, so you don't have to worry about noise.

#### INCREDIBLE HEAT DENSITY

UP TO 1000 W PER LINEAR FOOT

#### ATTRACTIVE EXTRUDED ALUMINUM GRILLE

#### SLOPED TOP

MAKING IT LESS LIKELY TO BE SAT ON OR USED AS A SHELF

#### PERFECT FOR PUBLIC PLACES

MUNICIPAL BUILDINGS, LOBBIES, ETC.

#### BLANK SECTIONS AVAILABLE

FOR A CONTINUOUS LOOK



This unit is intended for commercial use. Models with a density greater than 600 W/ft. can become very hot.

#### IDEAL FOR:

shopping mall, hospital, lobby, corridor

#### COLOURS

- **standard:** white, soft white
- **Orora (optional):** refer to [www.stelpro.com/en-CA/Orora](http://www.stelpro.com/en-CA/Orora)

#### FINISH

- epoxy-polyester powdercoat

#### MANUFACTURING

- 18-gauge steel cabinet, 16-gauge steel front panel and extruded aluminum grilles with a thickness equivalent to 13 gauge
- front air intake and top air discharge
- thermal protection with automatic reset
- full-length wireway

#### ELEMENTS

- four tubular elements, stainless steel sheathed with boxed aluminum fins for improved heat dissipation; the elements are securely fastened at their centres, floating in nylon sleeves at each end, eliminating expansion and contraction noises

#### CONTROL

- wall thermostat (not included) – the use of an electronic thermostat is strongly recommended
- built-in tamper-proof thermostat accessible without removing front grille, installed in the left or right junction box (optional)
- low voltage relay kit installed in the left or right junction box (optional)

#### INSTALLATION

- surface mounted
- wall or floor mounted with or without pedestal kit (optional)
- wiring compartment at both ends of unit
- blank sections (custom lengths) and accessories are available for a continuous look (optional)

#### WARRANTY

- three years

# TECHNICAL SPECIFICATIONS

DENSITY OF 1000 W PER LINEAR FOOT		DENSITY OF 800 W PER LINEAR FOOT		DENSITY OF 600 W PER LINEAR FOOT		VOLTAGE	LENGTH		WEIGHT		PRICE
CODE	WATTS	CODE	WATTS	CODE	WATTS	VOLTS	MM	IN.	KG	LB	
---	2000	---	1600	CWS10006128	1200	208	600	23 5/8	15.9	35	992.00
---	2000	---	1600	CWS10006122	1200	240	600	23 5/8	15.9	35	992.00
---	2000	---	1600	CWS10006123	1200	347	600	23 5/8	15.9	35	992.00
---	2000	---	1600	CWS10006126	1200	600	600	23 5/8	15.9	35	992.00
CWS10009308	3000	CWS10009248	2400	CWS10009188	1800	208	900	35 7/16	24	53	1123.00
CWS10009302	3000	CWS10009242	2400	CWS10009182	1800	240	900	35 7/16	24	53	1123.00
CWS10009303	3000	CWS10009243	2400	CWS10009183	1800	347	900	35 7/16	24	53	1123.00
CWS10009306	3000	CWS10009246	2400	CWS10009186	1800	600	900	35 7/16	24	53	1123.00
CWS100012408	4000	CWS100012328	3200	CWS100012248	2400	208	1200	47 1/4	31.3	69	1254.00
CWS100012402	4000	CWS100012322	3200	CWS100012242	2400	240	1200	47 1/4	31.3	69	1254.00
CWS100012403	4000	CWS100012323	3200	CWS100012243	2400	347	1200	47 1/4	31.3	69	1254.00
CWS100012406	4000	CWS100012326	3200	CWS100012246	2400	600	1200	47 1/4	31.3	69	1254.00
CWS100015508	5000	CWS100015408	4000	CWS100015308	3000	208	1500	59 1/16	38.1	84	1386.00
CWS100015502	5000	CWS100015402	4000	CWS100015302	3000	240	1500	59 1/16	38.1	84	1386.00
CWS100015503	5000	CWS100015403	4000	CWS100015303	3000	347	1500	59 1/16	38.1	84	1386.00
CWS100015506	5000	CWS100015406	4000	CWS100015306	3000	600	1500	59 1/16	38.1	84	1386.00
CWS100018608	6000	CWS100018488	4800	CWS100018368	3600	208	1800	70 7/8	44.5	98	1517.00
CWS100018602	6000	CWS100018482	4800	CWS100018362	3600	240	1800	70 7/8	44.5	98	1517.00
CWS100018603	6000	CWS100018483	4800	CWS100018363	3600	347	1800	70 7/8	44.5	98	1517.00
CWS100018606	6000	CWS100018486	4800	CWS100018366	3600	600	1800	70 7/8	44.5	98	1517.00

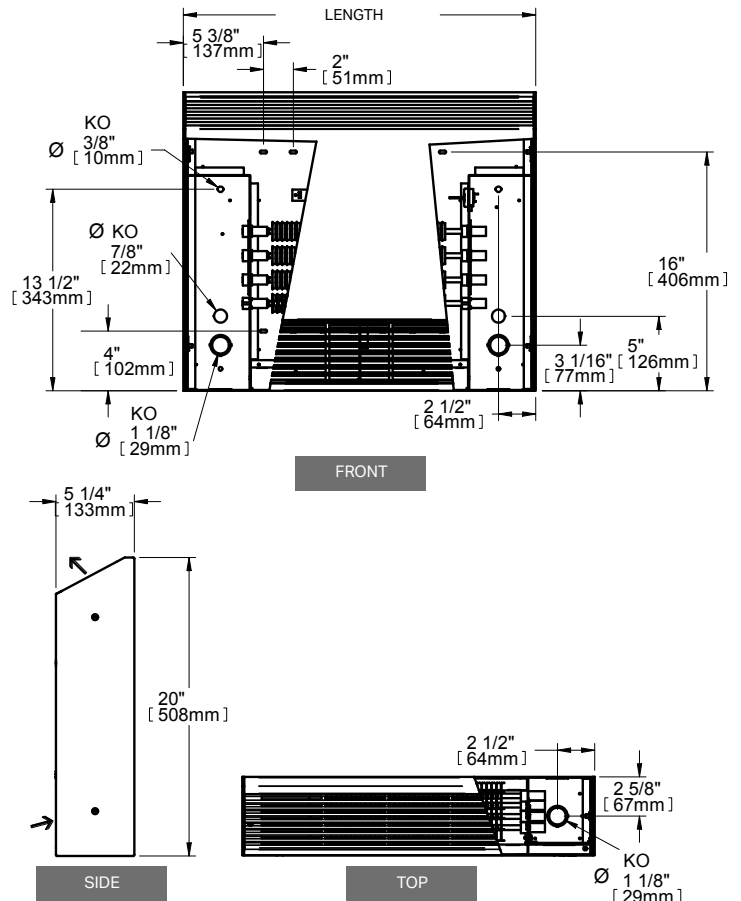
Add W for white or SW for soft white (consult the optional colours chart or contact your Stelpro representative for all other colours).  
Models also available in 277 V and 480 V. --- not available

## ACCESSORIES

PRODUCT	DESCRIPTION	PRICE
CWS1000T12*	built-in tamper-proof single pole thermostat	157.00
CWS1000T22*	built-in tamper-proof double pole thermostat	262.00
CWS1000RE153*	built-in electronic low voltage relay [15 A @ 120 V-347 V]	90.00
CWS1000RE156*	built-in electronic low voltage relay [6 A @ 600 V]	140.00
CWS1000RE153T*	built-in electronic relay c/w transformer 24 V [15 A @ 208 V-347 V]	109.00
CWS1000RM240T*	built-in electromechanical relay c/w transformer 24 V [6000 W @ 240 V and 5200 W @ 208 V]	113.00
CWS1000RM347T*	built-in electromechanical relay c/w transformer 24 V [6000 W @ 347 V]	125.00
CWS1000RM347C*	built-in electromechanical relay w/o transformer 24 V [6000 W @ 120 V-347 V]	94.50
CWS1000R841C1151*	built-in electromechanical relay c/w transformer 24 V [6000 W @ 600 V]	193.00
CWS1000R841D1036*	built-in electromechanical relay w/o transformer 24 V [6000 W @ 600 V]	165.00
PK3*	pedestal kit (kit of two)	128.00
CWS1000JS*	joiner strip (2 in. - 51 mm)	210.00
CWS1000CB**	clean back (fully finished, no mounting holes or knockouts)	226.00

Electronic relays can receive a PWM (pulsed width modulation) or digital (on/off) signal.  
\* Add W for white or SW for soft white.  
\* Factory installed \* Factory installation is strongly recommended.

## TECHNICAL DRAWINGS



# WFA | ALUX™

## ALUMINUM WALL FAN HEATER



### WHEN DURABILITY AND PERFORMANCE MEET DESIGN

In need of a solid, stylish heater to warm your clients in the lobby or entrance of your business? The Alux series wall fan heater (WFA) with its remarkable rush of warm air is the solution. It has an aluminum extrusion grille that is striking, modern and unbelievably resistant. Imagine no more dents or rust! The WFA is suitable for recessed installation or can be surface mounted on a wall and is available in a large array of wattages to meet all your needs.

#### EXTRUDED ALUMINUM PROFILE WITH A UNIQUE, LUXURY DESIGN

#### EXTREMELY SOLID, IMPACT AND RUST RESISTANT

#### WIDE RANGE OF MODELS AND HEATING CAPACITIES INCLUDING A SINGLE 4800 W MODEL

#### SIGNATURE NICHROME ELEMENT OFFERS SUPERIOR PERFORMANCE AND IMMEDIATE HEAT

#### COLOURS

- **standard:** white, soft white
- **Orora (optional):** refer to [www.stelpro.com/en-CA/Orora](http://www.stelpro.com/en-CA/Orora)

#### FINISH

- epoxy-polyester powdercoat

#### MANUFACTURING

- 22-gauge steel cabinet
- extruded aluminum grille with a thickness equivalent to 13 gauge
- top air intake with bottom air discharge
- quiet helicoidal fan: single unit 1 x 160 CFM – double unit 2 x 160 CFM – triple unit 3 x 160 CFM
- thermal protection with automatic reset
- totally enclosed, permanently lubricated motor

#### ELEMENT

- high-quality nichrome element producing instant heat

#### CONTROL

- connection of multiple units to the same thermostat is possible with a relay kit without transformer (optional) and an external transformer (not provided)
- built-in thermostat (optional), 3 control knobs included (white, soft white and black) for standard installation, without knob for tamper-proof installation

#### INSTALLATION

- wall mounted
- recessed or surface mounted with surface adapter (optional)

#### WARRANTY

- three years

#### IDEAL FOR:

lobby, entrance, corridor, factory, warehouse, stairwell

# TECHNICAL SPECIFICATIONS

WITHOUT CONTROL		BUILT-IN THERMOSTAT		240 V CONTROL	24 V CONTROL		POWER	VOLTAGE	WEIGHT		MODEL
CODE	PRICE	CODE	PRICE	CODE	CODE	PRICE	WATTS	VOLTS	KG	LB	UNIT
WFA1501	690.00	WFA1501T	742.00	---	WFA1501C24	852.00	1500	120	9.1	20	SINGLE
WFA1508	690.00	WFA1508T	742.00	WFA1508C	WFA1508C24	852.00	1500	208	9.1	20	SINGLE
WFA1502	690.00	WFA1502T	742.00	WFA1502C	WFA1502C24	852.00	1500/1125	240/208	9.1	20	SINGLE
WFA1503	945.00	WFA1503T	998.00	WFA1503C	WFA1503C24	1107.00	1500	347	9.1	20	SINGLE
---	---	WFA1506T	1042.00	WFA1506C	WFA1506C24	1152.00	1500	600	12	27	SINGLE
WFA2008	690.00	WFA2008T	742.00	WFA2008C	WFA2008C24	852.00	2000	208	10.4	23	SINGLE
WFA2002	690.00	WFA2002T	742.00	WFA2002C	WFA2002C24	852.00	2000/1500	240/208	10.4	23	SINGLE
WFA2003	945.00	WFA2003T	998.00	WFA2003C	WFA2003C24	1107.00	2000	347	10.4	23	SINGLE
---	---	WFA2006T	1042.00	WFA2006C	WFA2006C24	1152.00	2000	600	12	27	SINGLE
WFA3008	705.00	WFA3008T	755.00	WFA3008C	WFA3008C24	867.00	3000	208	10.4	23	SINGLE
WFA3002	705.00	WFA3002T	755.00	WFA3002C	WFA3002C24	867.00	3000/2250	240/208	10.4	23	SINGLE
WFA3003	962.00	WFA3003T	1014.00	WFA3003C	WFA3003C24	1123.00	3000	347	10.4	23	SINGLE
---	---	WFA3006T	1057.00	WFA3006C	WFA3006C24	1166.00	3000	600	12	27	SINGLE
WFA4008	750.00	WFA4008T	801.00	WFA4008C	WFA4008C24	910.00	4000	208	10.4	23	SINGLE
WFA4002	750.00	WFA4002T	801.00	WFA4002C	WFA4002C24	910.00	4000/3000	240/208	10.4	23	SINGLE
WFA4003	1004.00	WFA4003T	1057.00	WFA4003C	WFA4003C24	1166.00	4000	347	10.4	23	SINGLE
---	---	WFA4006T	1101.00	WFA4006C	WFA4006C24	1210.00	4000	600	12	27	SINGLE
WFA4808	779.00	WFA4808T	833.00	WFA4808C	WFA4808C24	949.00	4800	208	10.4	23	SINGLE
WFA4802	779.00	WFA4802T	833.00	WFA4802C	WFA4802C24	949.00	4800/3600	240/208	10.4	23	SINGLE
WFA4803	1048.00	WFA4803T	1102.00	WFA4803C	WFA4803C24	1217.00	4800	347	10.4	23	SINGLE
---	---	WFA4806T	1149.00	WFA4806C	WFA4806C24	1265.00	4800	600	12	27	SINGLE
---	---	WFA6008CT	1843.00	WFA6008C	WFA6008C24	1792.00	6000	208	20	44	DOUBLE
---	---	WFA6002T	1682.00	WFA6002C	WFA6002C24	1792.00	6000/4500	240/208	20	44	DOUBLE
---	---	WFA6003T	2120.00	WFA6003C	WFA6003C24	2230.00	6000	347	20	44	DOUBLE
---	---	WFA6006T	2120.00	WFA6006C	WFA6006C24	2230.00	6000	600	22	48	DOUBLE
---	---	WFA60083CT*	1907.00	WFA60083C*	WFA60083C24*	1856.00	6000	208	36	80	TRIPLE
---	---	WFA60063CT*	2346.00	WFA60063C*	WFA60063C24*	2296.00	6000	600	36	80	TRIPLE
---	---	WFA8008CT	1945.00	WFA8008C	WFA8008C24	1894.00	8000	208	20	44	DOUBLE
---	---	WFA8002CT	1945.00	WFA8002C	WFA8002C24	1894.00	8000/6000	240/208	20	44	DOUBLE
---	---	WFA8003CT	2553.00	WFA8003C	WFA8003C24	2503.00	8000	347	20	44	DOUBLE
---	---	WFA8006CT	2553.00	WFA8006C	WFA8006C24	2503.00	8000	600	22	48	DOUBLE
---	---	WFA90083CT*	2628.00	WFA90083C*	WFA90083C24*	2576.00	9000	208	36	80	TRIPLE
---	---	WFA90063CT*	3339.00	WFA90063C*	WFA90063C24*	3287.00	9000	600	36	80	TRIPLE
---	---	WFA12008CT	2847.00	WFA12008C	WFA12008C24	2796.00	12 000	208	36	80	TRIPLE
---	---	WFA12002CT	2847.00	WFA12002C	WFA12002C24	2796.00	12 000/9000	240/208	36	80	TRIPLE
---	---	WFA12003CT	3558.00	WFA12003C	WFA12003C24	3507.00	12 000	347	36	80	TRIPLE
---	---	WFA12006CT	3558.00	WFA12006C	WFA12006C24	3507.00	12 000	600	36	80	TRIPLE
---	---	WFA120083CT*	2847.00	WFA120083C*	WFA120083C24*	2796.00	12 000	208	36	80	TRIPLE
---	---	WFA120063CT*	3558.00	WFA120063C*	WFA120063C24*	3507.00	12 000	600	36	80	TRIPLE

Add W for white or SW for soft white (consult the optional colours chart or contact your Stelpro representative for all other colours).

\* Three-phase unit

Models also available in 277 V and 480 V. --- not available

## ACCESSORIES

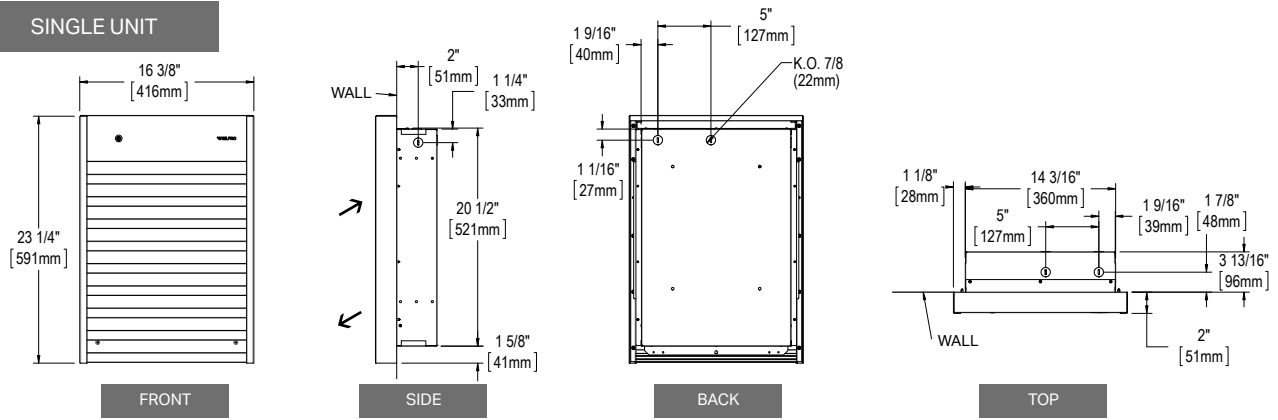
PRODUCT	DESCRIPTION	PRICE
WFAT1	built-in single pole thermostat [120 V-347 V] (standard or tamper-proof)	52.50
WFAT2	built-in double pole thermostat [120 V-347 V] (standard or tamper-proof)	66.75
WFASA1*	surface adapter (single unit)	110.00
WFASA2*	surface adapter (double unit)	224.00
WFASA3*	surface adapter (triple unit)	333.00
WFADIS-30*	disconnect switch kit 600 V/30 A, 2 poles	137.00
WFADIS-40*	disconnect switch kit 600 V/40 A, 2 poles/3 poles	162.00
WFADIS-60*	disconnect switch kit 600 V/60 A, 2 poles/3 poles	197.00
WFC24RX*	relay kit without transformer 24 V	143.00

\* Add W for white or SW for soft white.

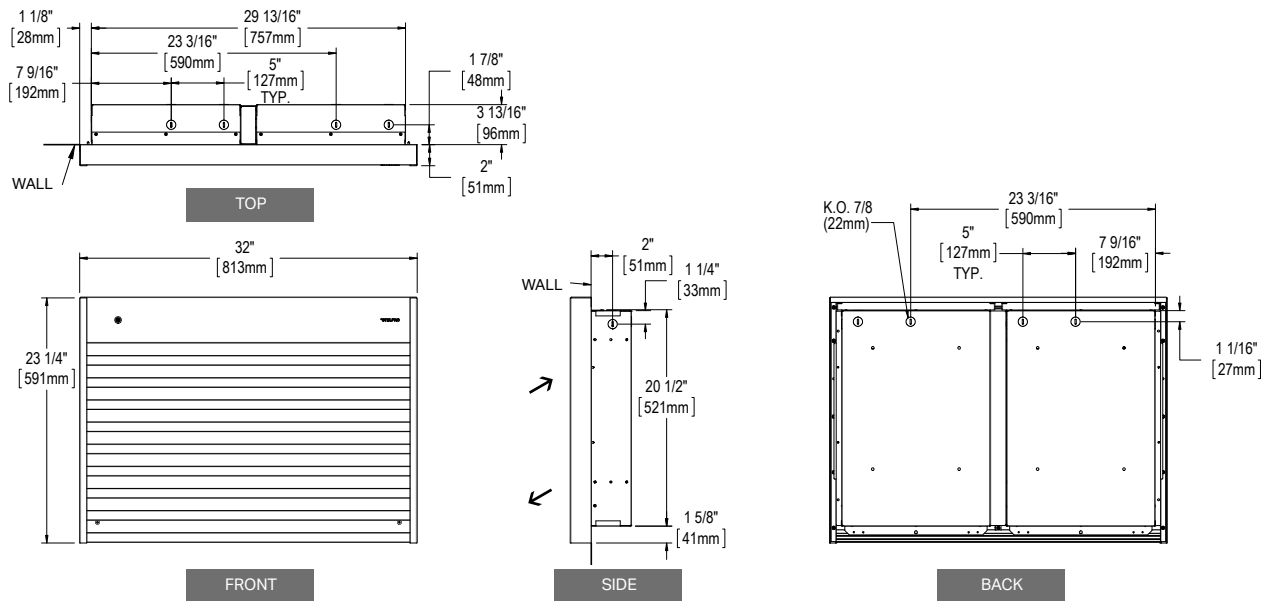
\* Factory installation

# TECHNICAL DRAWINGS

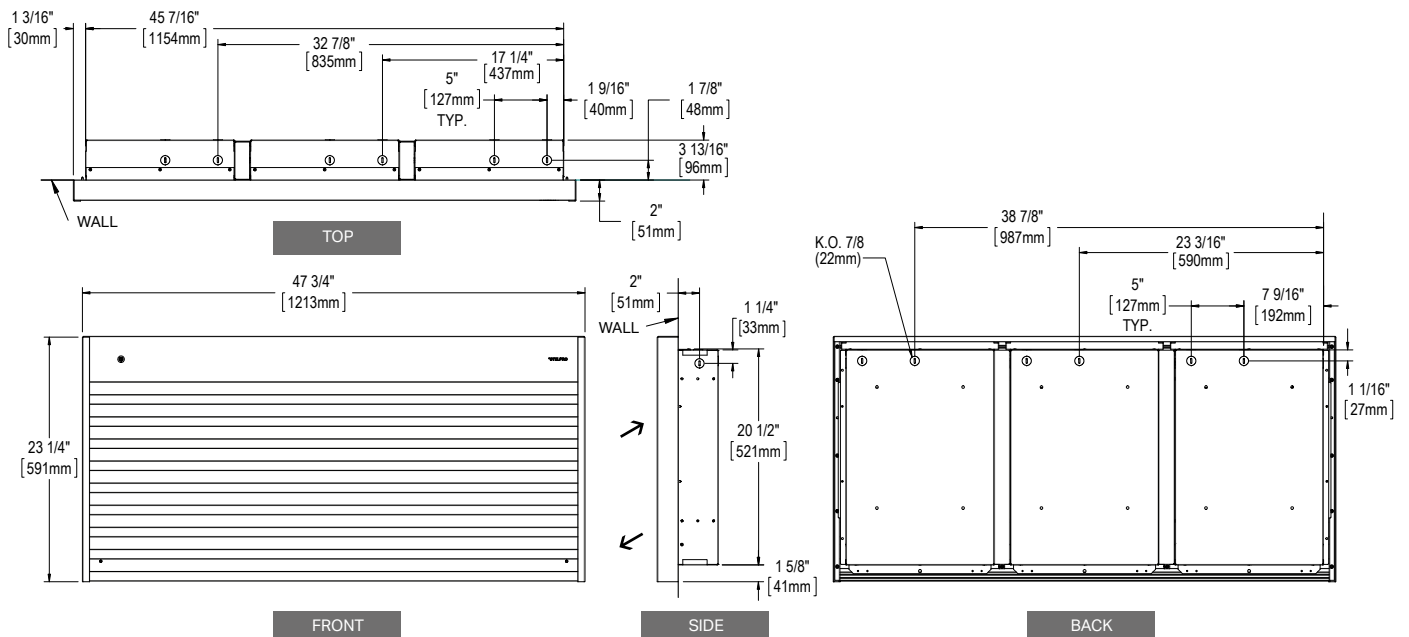
## SINGLE UNIT



## DOUBLE UNIT



## TRIPLE UNIT





# WF

## WALL FAN HEATER



### VERSATILITY IS THE NAME OF THE GAME!

The WF is a high-capacity fan heater that's ideal for building lobbies, long corridors, stairwells, workshops, factories and warehouses. Its electrical element is made of high-quality nichrome that provides an immediate surge of hot air. The various modes of wall installation make the WF heater one of the most versatile fan heaters on the market: it can be surface mounted or recessed, with a variety of models and heating capacities to choose from.

**GRILLE WITH ROUNDED SIDES**  
DURABLE AND STYLISH

**WIDE RANGE OF MODELS AND HEATING CAPACITIES**  
INCLUDING A SINGLE 4800 W MODEL

**NICHROME ELEMENT**  
ASSURING INSTANT HEAT

**OPTIONAL DISCONNECT SWITCH AVAILABLE**



ROUNDED SIDES

#### IDEAL FOR:

lobby, corridor, factory, warehouse, stairwell

#### COLOURS

- **standard:** white, soft white
- **Orora (optional):** refer to [www.stelpro.com/en-CA/Orora](http://www.stelpro.com/en-CA/Orora)

#### FINISH

- epoxy-polyester powdercoat

#### MANUFACTURING

- 20-gauge steel cabinet and 18-gauge steel grille
- top air intake with bottom air discharge
- quiet helicoidal fan: single unit 1 x 160 CFM – double unit 2 x 160 CFM – triple unit 3 x 160 CFM
- thermal protection with automatic reset
- totally enclosed, permanently lubricated motor

#### ELEMENT

- high-quality nichrome element producing instant heat

#### CONTROL

- connection of multiple units to the same thermostat is possible with a relay kit without transformer (optional) and an external transformer (not provided)
- built-in thermostat (optional), 3 control knobs included (white, soft white and black) for standard installation, without knob for tamper-proof installation

#### INSTALLATION

- wall mounted
- recessed or surface mounted with surface adapter (optional)

#### WARRANTY

- three years

# TECHNICAL SPECIFICATIONS

WITHOUT CONTROL		BUILT-IN THERMOSTAT		240 V CONTROL	24 V CONTROL		POWER	VOLTAGE	WEIGHT	MODEL	
CODE	PRICE	CODE	PRICE	CODE	CODE	PRICE	WATTS	VOLTS	KG	LB	UNIT
WF1501	565.00	WF1501T	617.00	---	WF1501C24	727.00	1500	120	9	20	SINGLE
WF1508	565.00	WF1508T	617.00	WF1508C	WF1508C24	727.00	1500	208	9	20	SINGLE
WF1502	565.00	WF1502T	617.00	WF1502C	WF1502C24	727.00	1500/1125	240/208	9	20	SINGLE
WF1503	824.00	WF1503T	876.00	WF1503C	WF1503C24	985.00	1500	347	9	20	SINGLE
---	---	WF1506T	919.00	WF1506C	WF1506C24	1031.00	1500	600	10	22	SINGLE
WF2008	565.00	WF2008T	617.00	WF2008C	WF2008C24	727.00	2000	208	9	20	SINGLE
WF2002	565.00	WF2002T	617.00	WF2002C	WF2002C24	727.00	2000/1500	240/208	9	20	SINGLE
WF2003	824.00	WF2003T	876.00	WF2003C	WF2003C24	985.00	2000	347	9	20	SINGLE
---	---	WF2006T	919.00	WF2006C	WF2006C24	1031.00	2000	600	10	22	SINGLE
WF3008	580.00	WF3008T	630.00	WF3008C	WF3008C24	743.00	3000	208	9	20	SINGLE
WF3002	580.00	WF3002T	630.00	WF3002C	WF3002C24	743.00	3000/2250	240/208	9	20	SINGLE
WF3003	838.00	WF3003T	892.00	WF3003C	WF3003C24	1002.00	3000	347	9	20	SINGLE
---	---	WF3006T	935.00	WF3006C	WF3006C24	1046.00	3000	600	10	22	SINGLE
WF4008	625.00	WF4008T	676.00	WF4008C	WF4008C24	787.00	4000	208	9	20	SINGLE
WF4002	625.00	WF4002T	676.00	WF4002C	WF4002C24	787.00	4000/3000	240/208	9	20	SINGLE
WF4003	882.00	WF4003T	935.00	WF4003C	WF4003C24	1046.00	4000	347	9	20	SINGLE
---	---	WF4006T	980.00	WF4006C	WF4006C24	1091.00	4000	600	10	22	SINGLE
WF4808	654.00	WF4808T	710.00	WF4808C	WF4808C24	826.00	4800	208	9	20	SINGLE
WF4802	654.00	WF4802T	710.00	WF4802C	WF4802C24	826.00	4800/3600	240/208	9	20	SINGLE
WF4803	927.00	WF4803T	981.00	WF4803C	WF4803C24	1098.00	4800	347	9	20	SINGLE
---	---	WF4806T	1028.00	WF4806C	WF4806C24	1145.00	4800	600	10	22	SINGLE
---	---	WF6008CT	1609.00	WF6008C	WF6008C24	1557.00	6000	208	18	40	DOUBLE
---	---	WF6002T	1445.00	WF6002C	WF6002C24	1557.00	6000/4500	240/208	18	40	DOUBLE
---	---	WF6003T	1889.00	WF6003C	WF6003C24	2001.00	6000	347	18	40	DOUBLE
---	---	WF6006T	1889.00	WF6006C	WF6006C24	2001.00	6000	600	20	44	DOUBLE
---	---	WF60083CT*	1609.00	WF60083C*	WF60083C24*	1557.00	6000	208	36	80	TRIPLE
---	---	WF60063CT*	2051.00	WF60063C*	WF60063C24*	2001.00	6000	600	36	80	TRIPLE
---	---	WF8008CT	1695.00	WF8008C	WF8008C24	1644.00	8000	208	18	40	DOUBLE
---	---	WF8002CT	1695.00	WF8002C	WF8002C24	1644.00	8000/6000	240/208	18	40	DOUBLE
---	---	WF8003CT	2303.00	WF8003C	WF8003C24	2254.00	8000	347	18	40	DOUBLE
---	---	WF8006CT	2303.00	WF8006C	WF8006C24	2254.00	8000	600	20	44	DOUBLE
---	---	WF90083CT*	2314.00	WF90083C*	WF90083C24*	2260.00	9000	208	36	80	TRIPLE
---	---	WF90063CT*	3024.00	WF90063C*	WF90063C24*	2971.00	9000	600	36	80	TRIPLE
---	---	WF12008CT	2556.00	WF12008C	WF12008C24	2506.00	12 000	208	36	80	TRIPLE
---	---	WF12002CT	2556.00	WF12002C	WF12002C24	2506.00	12 000/9000	240/208	36	80	TRIPLE
---	---	WF12003CT	3275.00	WF12003C	WF12003C24	3224.00	12 000	347	36	80	TRIPLE
---	---	WF12006CT	3275.00	WF12006C	WF12006C24	3224.00	12 000	600	36	80	TRIPLE
---	---	WF120083CT*	2556.00	WF120083C*	WF120083C24*	2506.00	12 000	208	36	80	TRIPLE
---	---	WF120063CT*	3275.00	WF120063C*	WF120063C24*	3224.00	12 000	600	36	80	TRIPLE

Add W for white or SW for soft white (consult the optional colours chart or contact your Stelpro representative for all other colours).

\* Three-phase unit

Models also available in 277 V and 480 V.

--- not available





## THROW DISTANCE AND HEAT RISE

UNITS	THROW DISTANCE		HEAT RISE	
	M	FT	°C	°F
1.5	4.1	13'7"	30	53
2	4.1	13'7"	42	75
3	4.1	13'7"	61	110
4	4.1	13'7"	74	133
4.8	4.1	13'7"	93	167
6	4.1	13'7"	61	110
8	4.1	13'7"	74	133
9	4.1	13'7"	61	110
12	4.1	13'7"	74	133

## ACCESSORIES

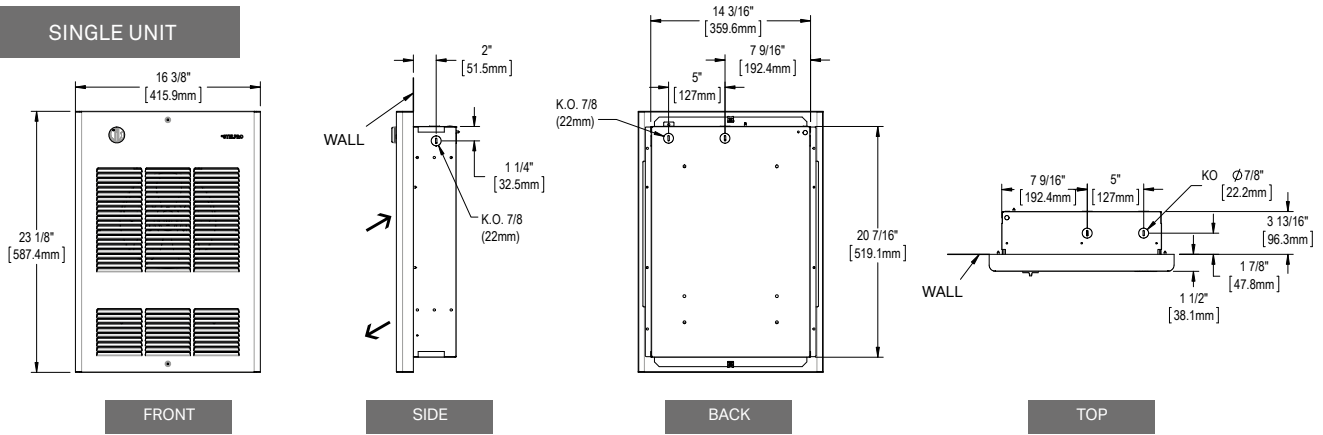
PRODUCT	DESCRIPTION	PRICE
WFT1	built-in single pole thermostat [120 V-600 V] (standard or tamper-proof)	52.50
WFT2	built-in double pole thermostat [120 V-600 V] (standard or tamper-proof)	66.75
WFSA1*	surface adapter (single unit)	69.75
WFSA2*	surface adapter (double unit)	143.00
WFSA3*	surface adapter (triple unit)	214.00
WFDIS-30*	disconnect switch kit 600 V/30 A, 2 poles	139.00
WFDIS-40*	disconnect switch kit 600 V/40 A, 2 poles/3 poles	164.00
WFDIS-60*	disconnect switch kit 600 V/60 A, 2 poles/3 poles	198.00
WFC24RX*	relay kit without transformer 24 V	143.00

\* Add W for white or SW for soft white.

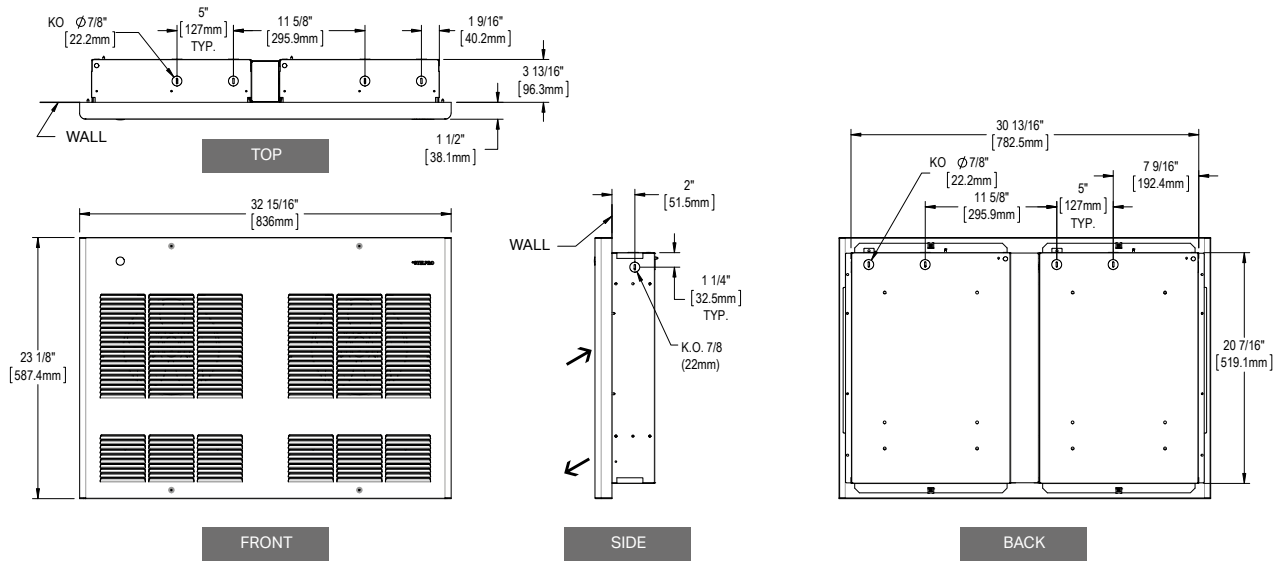
\* Factory installation

# TECHNICAL DRAWINGS

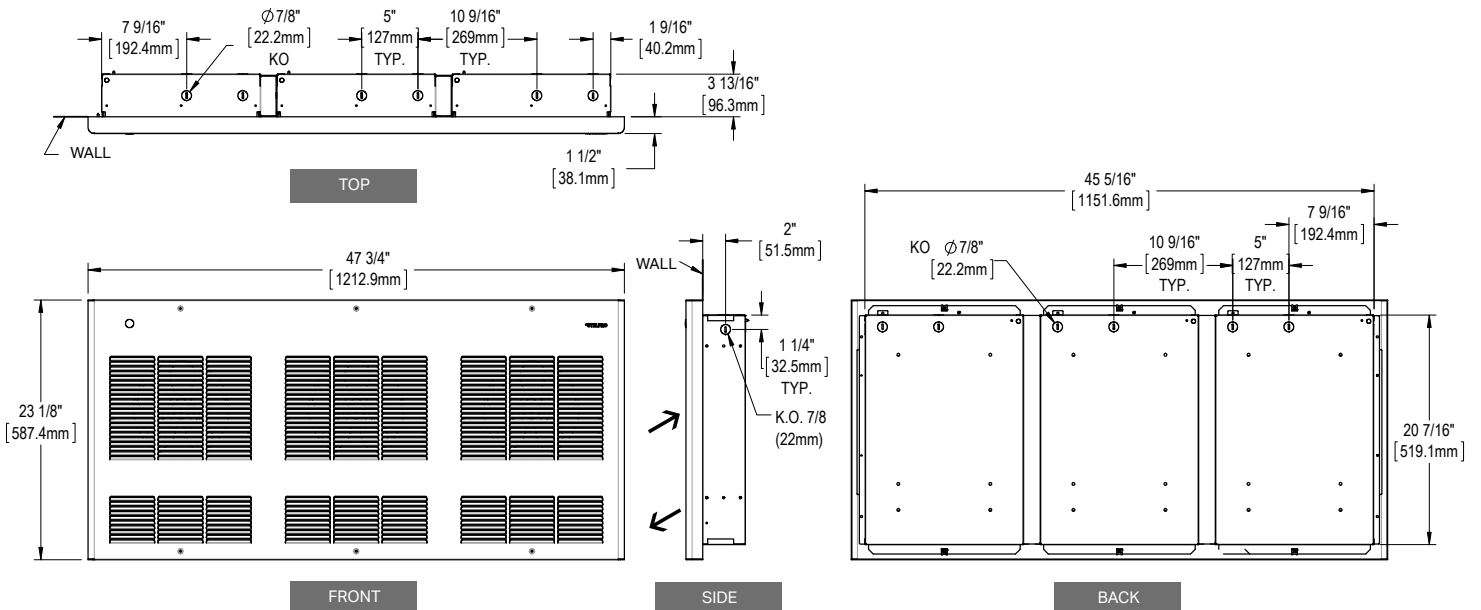
## SINGLE UNIT



## DOUBLE UNIT



## TRIPLE UNIT



# CBH

## CABINET HEATER



## POWERFUL HEATER, IMPRESSIVE RESULTS

When you need a lot of high-efficiency heating, the CBH is the right choice. Its resistant coating is well-suited to all types of commercial spaces and other high-traffic areas. This forced-air cabinet heater features unparalleled durability. It is also extremely versatile, with the option of recessed, semi-recessed or surface mounted installation, and a durable steel casing. The CBH unit can be ceiling mounted when wall mounting is not an option. The CBH ensures powerful, even air flow as the fan is coupled directly to the motor. The option of connecting it to a ventilation duct makes it even more adaptable. The CBH is your assurance of reliable heating for years to come.

### POWERFUL WITH BIG AIRFLOW

**MULTIPLE INSTALLATION OPTIONS**  
RECESSED, SEMI-RECESSED, SURFACE  
MOUNTED TO A CEILING OR WALL

### ROBUST AND DURABLE

### COLOURS

- **standard:** white, soft white
- **Orora (optional):** refer to [www.stelpro.com/en-CA/Orora](http://www.stelpro.com/en-CA/Orora)

### FINISH

- epoxy-polyester powdercoat

### MANUFACTURING

- 18-gauge steel cabinet and 16-gauge steel front panel
- powerful motor with squirrel-cage blower and time-delay relay
- 1/15 hp (2 kW to 12 kW units); 1/5 hp (15 kW to 20 kW units)
- large variety of airflow configurations which are adaptable on the construction site
- thermal protection with automatic reset
- high intensity (factory setting)
- low intensity available when manufactured with high/low selection switch (optional)

### ELEMENT

- nichrome element producing instant heat

### CONTROL

- high/low switch (heating and ventilation) (available from 4 kW)
- connection of multiple units to the same thermostat is possible with a relay kit without transformer (optional) and an external transformer (not provided)

### INSTALLATION

- wall mounted
- ceiling mounted (maximum 12 ft. in height)
- surface mounted
- recessed or semi-recessed with four-piece trim frame (optional)

### WARRANTY

- three years

### IDEAL FOR:

commercial space, hospital, shopping centre, school, sports arena

## TECHNICAL SPECIFICATIONS

BUILT-IN THERMOSTAT		240 V CONTROL	24 V CONTROL			
CODE	PRICE	CODE	CODE	PRICE	VOLTS	KW
<b>24 IN. (610 MM) MODELS (2 KW TO 6 KW) / CFM 300 / 34.9 KG (77 LB)</b>						
CBH0281CT	3622.00	CBH0281C	CBH0281C24	3482.00	208	2
CBH0283CT*	3622.00	CBH0283C*	CBH0283C24*	3482.00	208	2
CBH0221CT	3622.00	CBH0221C	CBH0221C24	3482.00	240	2
CBH0231CT	3622.00	CBH0231C	CBH0231C24	3482.00	347	2
CBH0261CT	3622.00	CBH0261C	CBH0261C24	3482.00	600	2
CBH0263CT*	3622.00	CBH0263C*	CBH0263C24*	3482.00	600	2
CBH0381CT	3829.00	CBH0381C	CBH0381C24	3690.00	208	3
CBH0383CT*	3829.00	CBH0383C*	CBH0383C24*	3690.00	208	3
CBH0321CT	3829.00	CBH0321C	CBH0321C24	3690.00	240	3
CBH0331CT	3829.00	CBH0331C	CBH0331C24	3690.00	347	3
CBH0361CT	3829.00	CBH0361C	CBH0361C24	3690.00	600	3
CBH0363CT*	3829.00	CBH0363C*	CBH0363C24*	3690.00	600	3
CBH0481CT	3977.00	CBH0481C	CBH0481C24	3835.00	208	4
CBH0483CT*	3977.00	CBH0483C*	CBH0483C24*	3835.00	208	4
CBH0421CT	3977.00	CBH0421C	CBH0421C24	3835.00	240	4
CBH0431CT	3977.00	CBH0431C	CBH0431C24	3835.00	347	4
CBH0461CT	3977.00	CBH0461C	CBH0461C24	3835.00	600	4
CBH0463CT*	3977.00	CBH0463C*	CBH0463C24*	3835.00	600	4
CBH0581CT	4295.00	CBH0581C	CBH0581C24	4155.00	208	5
CBH0583CT*	4295.00	CBH0583C*	CBH0583C24*	4155.00	208	5
CBH0521CT	4295.00	CBH0521C	CBH0521C24	4155.00	240	5
CBH0531CT	4295.00	CBH0531C	CBH0531C24	4155.00	347	5
CBH0561CT	4295.00	CBH0561C	CBH0561C24	4155.00	600	5
CBH0563CT*	4295.00	CBH0563C*	CBH0563C24*	4155.00	600	5
CBH0681CT	4337.00	CBH0681C	CBH0681C24	4197.00	208	6
CBH0683CT*	4337.00	CBH0683C*	CBH0683C24*	4197.00	208	6
CBH0621CT	4337.00	CBH0621C	CBH0621C24	4197.00	240	6
CBH0631CT	4337.00	CBH0631C	CBH0631C24	4197.00	347	6
CBH0661CT	4337.00	CBH0661C	CBH0661C24	4197.00	600	6
CBH0663CT*	4337.00	CBH0663C*	CBH0663C24*	4197.00	600	6

## TECHNICAL SPECIFICATIONS (CONT'D)

BUILT-IN THERMOSTAT		240 V CONTROL	24 V CONTROL			
CODE	PRICE	CODE	CODE	PRICE	VOLTS	KW
<b>36 IN. (914 MM) MODELS (8 KW TO 12 KW) / CFM 600 / 43 KG (95 LB)</b>						
CBH0881CT	4794.00	CBH0881C	CBH0881C24	4653.00	208	8
CBH0883CT*	4794.00	CBH0883C*	CBH0883C24*	4653.00	208	8
CBH0821CT	4794.00	CBH0821C	CBH0821C24	4653.00	240	8
CBH0831CT	4794.00	CBH0831C	CBH0831C24	4653.00	347	8
CBH0861CT	4794.00	CBH0861C	CBH0861C24	4653.00	600	8
CBH0863CT*	4794.00	CBH0863C*	CBH0863C24*	4653.00	600	8
CBH1081CT	5053.00	CBH1081C	CBH1081C24	4911.00	208	10
CBH1083CT*	5053.00	CBH1083C*	CBH1083C24*	4911.00	208	10
CBH1021CT	5053.00	CBH1021C	CBH1021C24	4911.00	240	10
CBH1031CT	5053.00	CBH1031C	CBH1031C24	4911.00	347	10
CBH1061CT	5053.00	CBH1061C	CBH1061C24	4911.00	600	10
CBH1063CT*	5053.00	CBH1063C*	CBH1063C24*	4911.00	600	10
CBH1283CT*	5277.00	CBH1283C*	CBH1283C24*	5137.00	208	12
CBH1221CT	5277.00	CBH1221C	CBH1221C24	5137.00	240	12
CBH1231CT	5277.00	CBH1231C	CBH1231C24	5137.00	347	12
CBH1263CT*	5277.00	CBH1263C*	CBH1263C24*	5137.00	600	12
<b>48 IN. (1219 MM) MODELS (15 KW TO 20 KW) / CFM 1000 / 50.7 KG (112 LB)</b>						
CBH1583CT*	8312.00	CBH1583C*	CBH1583C24*	8174.00	208	15
CBH1521CT	8312.00	CBH1521C	CBH1521C24	8174.00	240	15
CBH1531CT	8312.00	CBH1531C	CBH1531C24	8174.00	347	15
CBH1563CT*	8312.00	CBH1563C*	CBH1563C24*	8174.00	600	15
CBH1883CT*	8617.00	CBH1883C*	CBH1883C24*	8479.00	208	18
CBH1821CT	8617.00	CBH1821C	CBH1821C24	8479.00	240	18
CBH1831CT	8617.00	CBH1831C	CBH1831C24	8479.00	347	18
CBH1863CT*	8617.00	CBH1863C*	CBH1863C24*	8479.00	600	18
CBH2083CT*	9056.00	CBH2083C*	CBH2083C24*	8916.00	208	20
CBH2021CT	9056.00	CBH2021C	CBH2021C24	8916.00	240	20
CBH2031CT	9056.00	CBH2031C	CBH2031C24	8916.00	347	20
CBH2063CT*	9056.00	CBH2063C*	CBH2063C24*	8916.00	600	20

Add W for white or SW for soft white (consult the optional colours chart or contact your Stelpro representative for all other colours).  
Models also available in 277 V and 480 V. \* Three-phase unit

## HEAT RISE

UNITS	HEAT RISE	
KW	°C	°F
2	21	38
3	29	53
4	37	67
5	44	80
6	52	93
8	36	65
10	37	67
12	48	86
15	33	59
18	42	76
20	54	97

## AIRFLOW AND WEIGHT

UNITS	AIRFLOW	WEIGHT	
KW	CFM	KG	LB
<b>FROM 2 TO 6</b>	300	34.9	77
<b>FROM 8 TO 12</b>	600	43	95
<b>FROM 15 TO 20</b>	1000	50.7	112

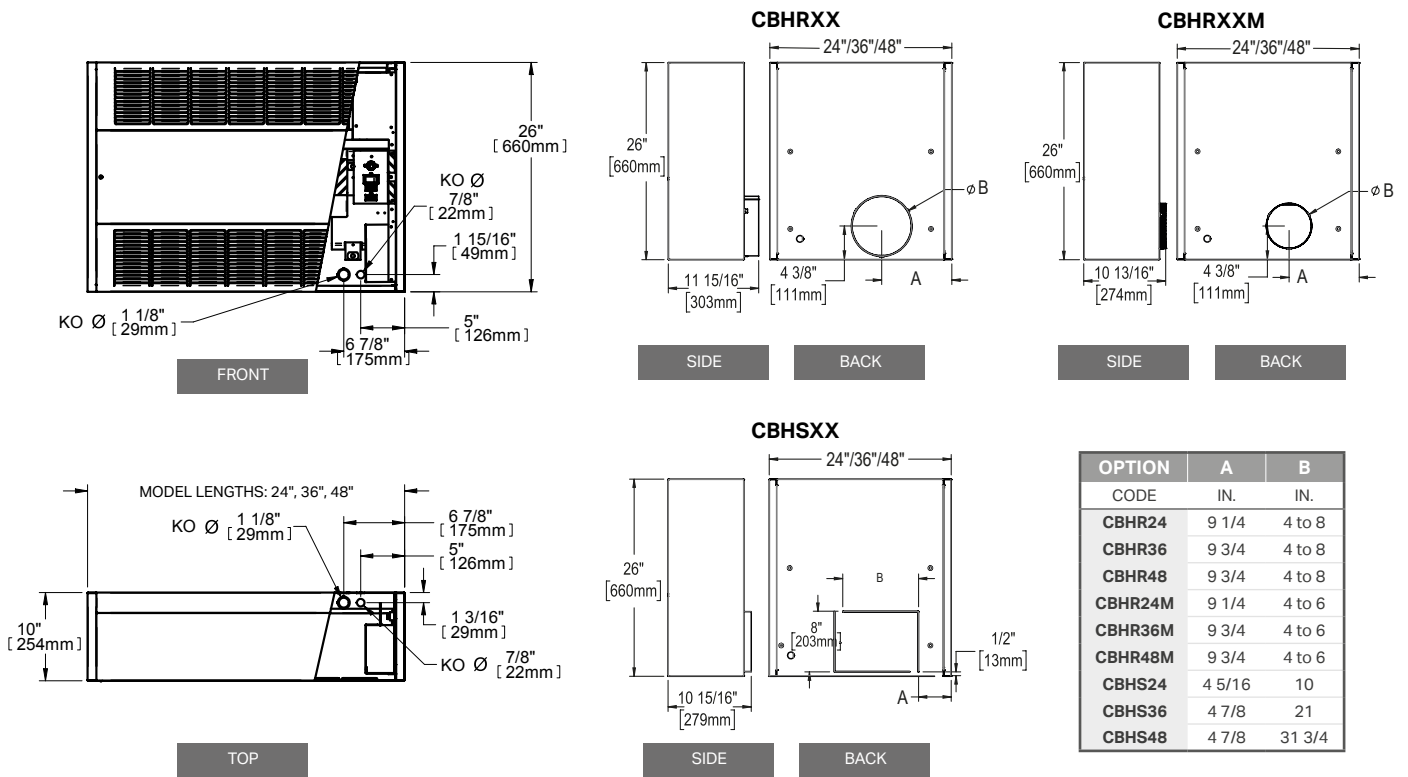


## ACCESSORIES

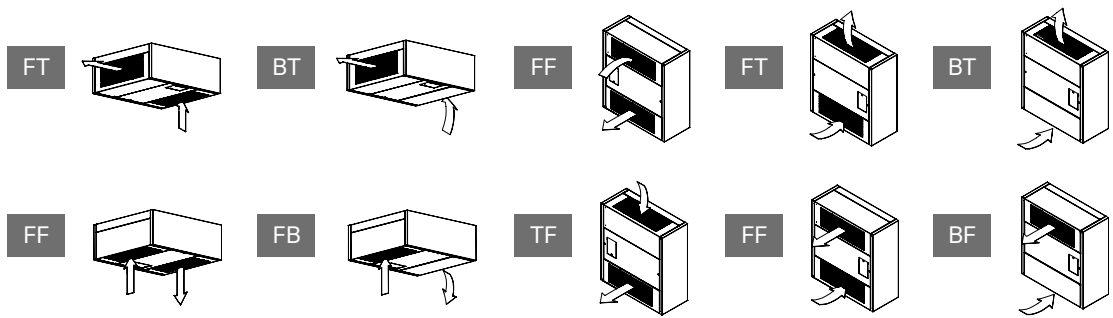
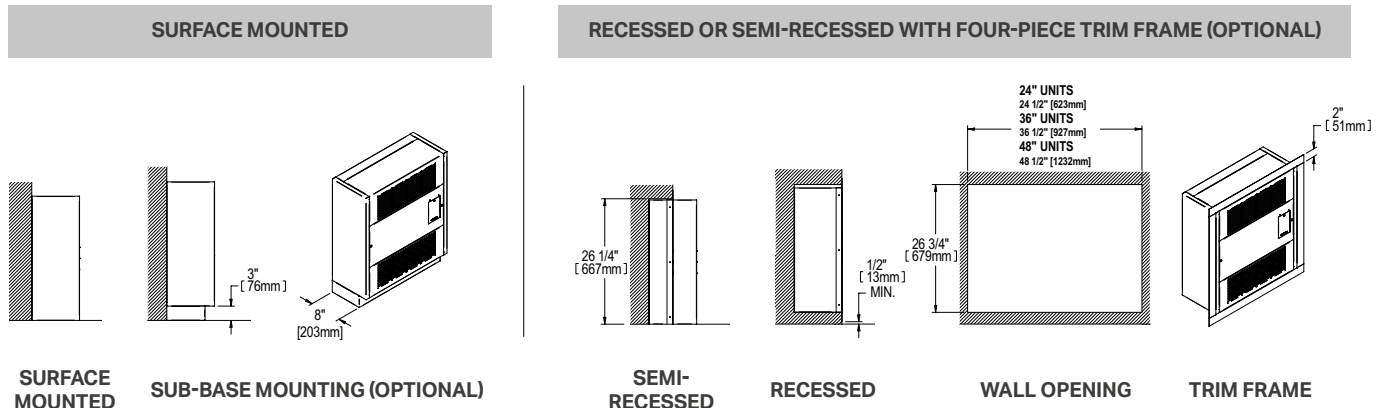
PRODUCT	DESCRIPTION	PRICE
<b>CBHT1</b>	built-in tamper-proof single pole thermostat	<b>141.00</b>
<b>CBHFS*</b>	fan switch	<b>257.00</b>
<b>CBHMS*</b>	on/off switch	<b>158.00</b>
<b>CBHHL*</b>	high/low switch (available from 4 kW)	<b>280.00</b>
<b>CBHTB24*</b>	four-piece trim frame (24 in. – 610 mm units)	<b>159.00</b>
<b>CBHTB36*</b>	four-piece trim frame (36 in. – 914 mm units)	<b>165.00</b>
<b>CBHTB48*</b>	four-piece trim frame (48 in. – 1219 mm units)	<b>173.00</b>
<b>CBHSB24*</b>	sub-base (24 in. – 610 mm units)	<b>164.00</b>
<b>CBHSB36*</b>	sub-base (36 in. – 914 mm units)	<b>170.00</b>
<b>CBHSB48*</b>	sub-base (48 in. – 1219 mm units)	<b>176.00</b>
<b>CBHCB24**</b>	clean back (fully finished, no mounting holes or knockouts) (24 in. – 610 mm units)	<b>500.00</b>
<b>CBHCB36**</b>	clean back (fully finished, no mounting holes or knockouts) (36 in. – 914 mm units)	<b>536.00</b>
<b>CBHCB48**</b>	clean back (fully finished, no mounting holes or knockouts) (48 in. – 1219 mm units)	<b>573.00</b>
<b>CBHC24RX*</b>	relay kit without transformer 24 V	<b>143.00</b>
<b>CBHDIS 80A*</b>	built-in disconnect switch [80 A]	<b>301.00</b>
<b>CBHR24M*</b>	motorized fresh air damper for 24 inch unit – round collar (4 to 6 in.) (for FF, FT or FB configurations only)	<b>758.00</b>
<b>CBHR36M*</b>	motorized fresh air damper for 36 inch unit – round collar (4 to 6 in.) (for FF, FT or FB configurations only)	<b>769.00</b>
<b>CBHR48M*</b>	motorized fresh air damper for 48 inch unit – round collar (4 to 6 in.) (for FF, FT or FB configurations only)	<b>849.00</b>
<b>CBHS24*</b>	fresh air inlet for 24 inch unit – square collar (max 10 in. L x 8 in. H)	<b>453.00</b>
<b>CBHS36*</b>	fresh air inlet for 36 inch unit – square collar (max 21 in. L x 8 in. H)	<b>480.00</b>
<b>CBHS48*</b>	fresh air inlet for 48 inch unit – square collar (max 31 3/4 in. L x 8 in. H)	<b>565.00</b>
<b>CBHR24*</b>	fresh air inlet for 24 inch unit – round collar (4 to 8 in.)	<b>453.00</b>
<b>CBHR36*</b>	fresh air inlet for 36 inch unit – round collar (4 to 8 in.)	<b>480.00</b>
<b>CBHR48*</b>	fresh air inlet for 48 inch unit – round collar (4 to 8 in.)	<b>565.00</b>

\* Add W for white or SW for soft white. \* Factory installed

# TECHNICAL DRAWINGS



# INSTALLATION



SEVERAL AIRFLOW CONFIGURATIONS ARE POSSIBLE AND ADAPTABLE ON CONSTRUCTION SITE:  
 F = FRONT, T = TOP, B = BOTTOM

# CF

## CEILING FAN HEATER



### THE SPACE-SAVER

Stelpro has the perfect space-saving solution for heating small entryways, hallways and lobbies: the sturdy, reliable CF ceiling fan heater. Built to last, the CF pushes heat downward so that it mixes with the cold air below. It can be surface mounted or recessed into conventional ceilings or recessed in suspended ceilings. Whether installed in an entryway or hallway, the CF provides all the heat you need in an enclosed space.

**GRILLE WITH ROUNDED SIDES**  
DURABLE AND STYLISH

**THE PERFECT SOLUTION FOR ENTRYWAYS AND HALLWAYS**

**CEILING MOUNTED**  
PREVENTS VANDALISM

**MULTIPLE INSTALLATION OPTIONS**  
CAN BE SURFACE MOUNTED OR RECESSED – OR RECESSED IN A SUSPENDED CEILING

**OPTIONAL DISCONNECT SWITCH AVAILABLE**



ROUNDED SIDES

#### IDEAL FOR:

entryway, hallway, corridor, office building

#### COLOURS

- **standard:** white, soft white
- **Orora (optional):** refer to [www.stelpro.com/en-CA/Orora](http://www.stelpro.com/en-CA/Orora)

#### FINISH

- epoxy-polyester powdercoat

#### MANUFACTURING

- 20-gauge steel cabinet and 18-gauge steel grille
- fan: 1 x 160 CFM (single unit) – 2 x 160 CFM (double unit)
- thermal protection with automatic reset

#### ELEMENT

- nichrome element producing instant heat

#### CONTROL

- connection of multiple units to the same thermostat is possible with a relay kit without transformer (optional) and an external transformer (not provided)
- built-in thermostat (optional), 3 control knobs included (white, soft white and black) for standard installation, without knob for tamper-proof installation

#### INSTALLATION

- ceiling
- recessed or surface mounted with surface adapter (optional)
- T-Bar adapter (optional)

#### WARRANTY

- three years

## TECHNICAL SPECIFICATIONS

WITHOUT CONTROL		BUILT-IN THERMOSTAT		240 V CONTROL	24 V CONTROL		POWER	VOLTAGE	WEIGHT		MODEL
CODE	PRICE	CODE	PRICE	CODE	CODE	PRICE	WATTS	VOLTS	KG	LB	UNIT
CF1501	595.00	CF1501T	646.00	---	CF1501C24	756.00	1500	120	9	20	SINGLE
CF1508	595.00	CF1508T	646.00	CF1508C	CF1508C24	756.00	1500	208	9	20	SINGLE
CF1502	595.00	CF1502T	646.00	CF1502C	CF1502C24	756.00	1500/1125	240/208	9	20	SINGLE
CF1503	852.00	CF1503T	903.00	CF1503C	CF1503C24	1013.00	1500	347	9	20	SINGLE
---	---	CF1506T	947.00	CF1506C	CF1506C24	1057.00	1500	600	10	22	SINGLE
CF2008	595.00	CF2008T	646.00	CF2008C	CF2008C24	756.00	2000	208	9	20	SINGLE
CF2002	595.00	CF2002T	646.00	CF2002C	CF2002C24	756.00	2000/1500	240/208	9	20	SINGLE
CF2003	852.00	CF2003T	903.00	CF2003C	CF2003C24	1013.00	2000	347	9	20	SINGLE
---	---	CF2006T	947.00	CF2006C	CF2006C24	1057.00	2000	600	10	22	SINGLE
CF3008	611.00	CF3008T	661.00	CF3008C	CF3008C24	772.00	3000	208	9	20	SINGLE
CF3002	611.00	CF3002T	661.00	CF3002C	CF3002C24	772.00	3000/2250	240/208	9	20	SINGLE
CF3003	867.00	CF3003T	919.00	CF3003C	CF3003C24	1027.00	3000	347	9	20	SINGLE
---	---	CF3006T	962.00	CF3006C	CF3006C24	1071.00	3000	600	10	22	SINGLE
CF4008	655.00	CF4008T	705.00	CF4008C	CF4008C24	815.00	4000	208	9	20	SINGLE
CF4002	655.00	CF4002T	705.00	CF4002C	CF4002C24	815.00	4000/3000	240/208	9	20	SINGLE
CF4003	910.00	CF4003T	962.00	CF4003C	CF4003C24	1071.00	4000	347	9	20	SINGLE
---	---	CF4006T	1005.00	CF4006C	CF4006C24	1116.00	4000	600	10	22	SINGLE
---	---	CF6008CT	1630.00	CF6008C	CF6008C24	1578.00	6000	208	18	40	DOUBLE
---	---	CF6002T	1467.00	CF6002C	CF6002C24	1578.00	6000/4500	240/208	18	40	DOUBLE
---	---	CF6003T	1906.00	CF6003C	CF6003C24	2016.00	6000	347	18	40	DOUBLE
---	---	CF6006T	1906.00	CF6006C	CF6006C24	2016.00	6000	600	20	44	DOUBLE
---	---	CF8008CT	1731.00	CF8008C	CF8008C24	1680.00	8000	208	18	40	DOUBLE
---	---	CF8002CT	1731.00	CF8002C	CF8002C24	1680.00	8000/6000	240/208	18	40	DOUBLE
---	---	CF8003CT	2339.00	CF8003C	CF8003C24	2289.00	8000	347	18	40	DOUBLE
---	---	CF8006CT	2339.00	CF8006C	CF8006C24	2289.00	8000	600	20	44	DOUBLE

Add W for white or SW for soft white (consult the optional colours chart or contact your Stelpro representative for all other colours).

Models also available in 277 V and 480 V.

--- not available

## ACCESSORIES

PRODUCT	DESCRIPTION	PRICE
WFT1	built-in single pole thermostat [120 V-600 V] (standard or tamper-proof)	52.50
WFT2	built-in double pole thermostat [120 V-600 V] (standard or tamper-proof)	66.75
WFSA1*	surface adapter (single unit)	69.75
WFSA2*	surface adapter (double unit)	143.00
WFDIS-30*	disconnect switch kit 600 V/30 A, 2 poles	139.00
WFDIS-40*	disconnect switch kit 600 V/40 A, 2 poles/3 poles	164.00
WFDIS-60*	disconnect switch kit 600 V/60 A, 2 poles/3 poles	198.00
CFTBA1*	T-Bar adapter (single unit)	78.75
CFTBA2*	T-Bar adapter (double unit)	143.00
WFC24RX*	relay kit without transformer 24 V	143.00

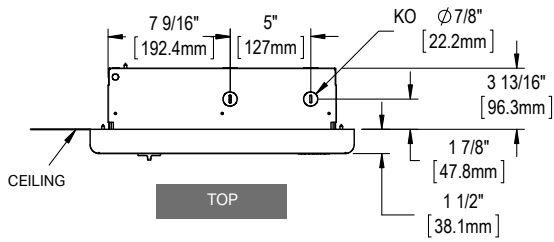
\* Add W for white or SW for soft white.

\* Factory installation

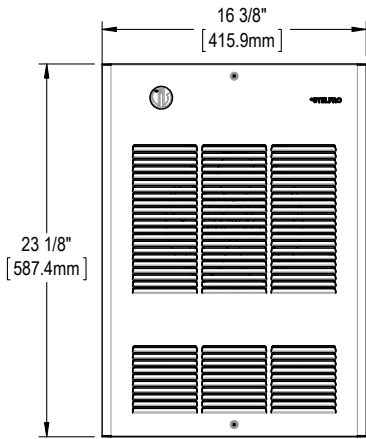


# TECHNICAL DRAWINGS

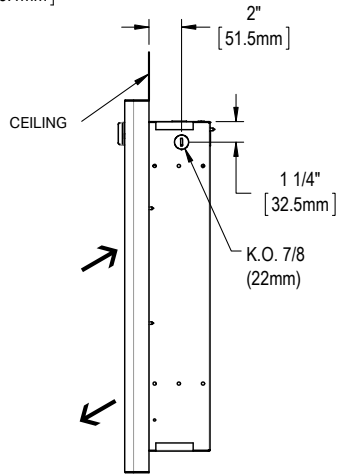
## SINGLE UNIT



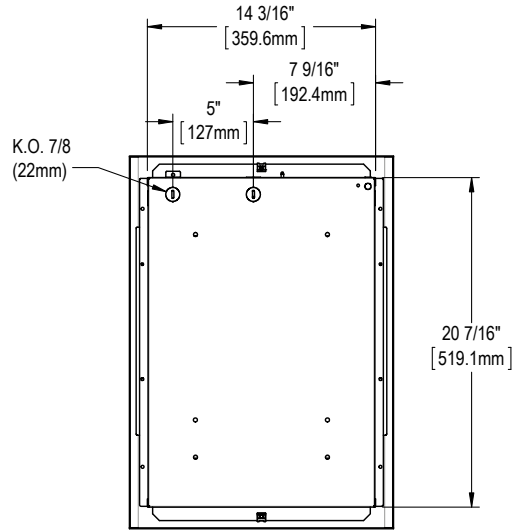
TOP



FRONT

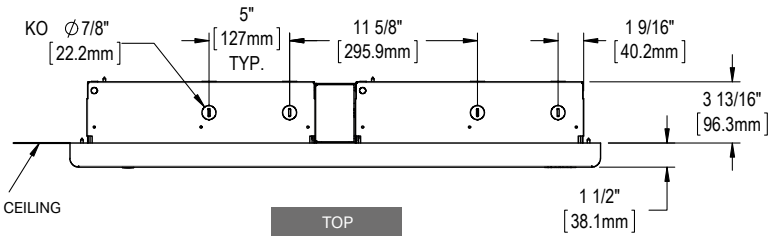


SIDE

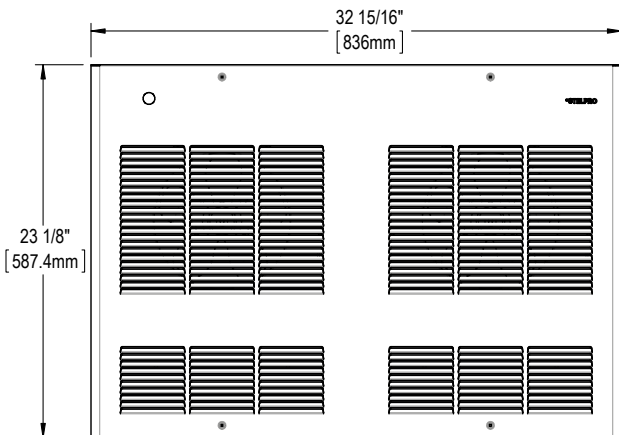


BACK

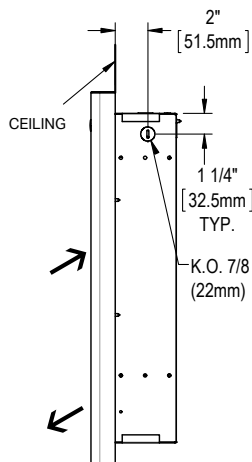
## DOUBLE UNIT



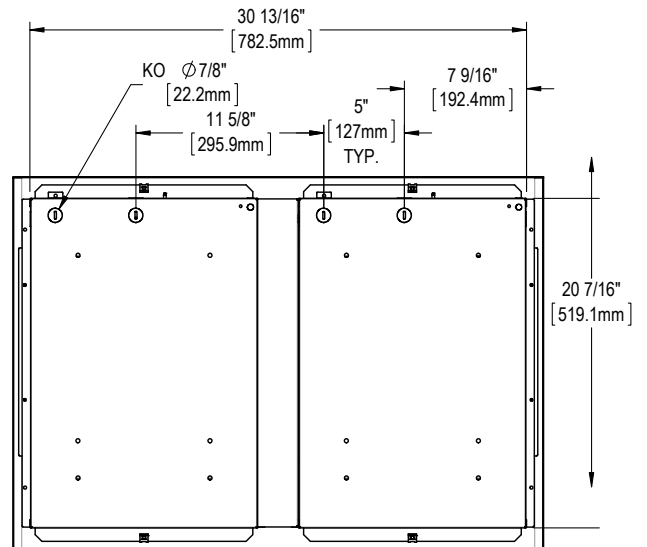
TOP



FRONT



SIDE



BACK



# SDC

## COMMERCIAL AIR CURTAIN



### BIG ON COMFORT, BIG ON LOOKS!

Installed above sliding windows, the SDC's "air curtain" is the perfect solution for restaurant drive-throughs across Canada. The SDC puts instant heating control at your fingertips! It's ideal for commercial buildings and restaurant lobbies, and it's particularly suited for the special heating requirements of hospitals and schools. High-intensity heating capacity, even air flow and overall efficiency are its hallmarks, with an output of 1500 LFM powered by 5000 W. It's a heating powerhouse!

#### PERFECT FOR RESTAURANT DRIVE-THROUGHS

#### "AIR CURTAIN" PREVENTS INTRODUCTION OF COLD AIR

#### HIGH-CAPACITY (1500 LFM) YET SMALL

#### EASY MAINTENANCE

#### EASILY ACCESSIBLE CONTROLS

#### COLOURS

- **standard:** white, soft white
- **Orora (optional):** refer to [www.stelpro.com/en-CA/Orora](http://www.stelpro.com/en-CA/Orora)

#### FINISH

- epoxy-polyester powdercoat

#### MANUFACTURING

- 18-gauge steel cabinet
- easy access to all components and easy maintenance via the front cover
- centrifugal fan
- thermal protection with automatic reset

#### ELEMENT

- nichrome element producing instant heat

#### CONTROL

- high/low switch
- on/off switch
- fan/heat or fan only switch
- 24V circuit (included with the C24 series) can be used with an external low voltage door contact (not provided)
- built-in thermostat (included with CT series)

#### INSTALLATION

- wall mounted (mounting bracket included)
- suspended with four 3/8 in. (9.5 mm) threaded rods (not provided)

#### WARRANTY

- three years



Periodic maintenance of air vents is highly recommended to ensure the maximum performance of the device.

#### IDEAL FOR:

restaurant drive-through, lobby, hospital, commercial space

# TECHNICAL SPECIFICATIONS

BUILT-IN THERMOSTAT		240 V CONTROL		24 V CONTROL		POWER HIGH/LOW	VOLTAGE	PHASE	LENGTH		WEIGHT		AIR SPEED
CODE	PRICE	CODE	PRICE	CODE	PRICE	WATTS	VOLTS	NB	MM	IN.	KG	LB	LFM
SDC0581CT	2747.00	SDC0581C	2612.00	SDC0581C24	2612.00	5000/2500	208	1	613	24 1/8	23.6	52	1500
SDC0583CT	2747.00	SDC0583C	2612.00	SDC0583C24	2612.00	5000/2500	208	3	613	24 1/8	23.6	52	1500
SDC0521CT	2747.00	SDC0521C	2612.00	SDC0521C24	2612.00	5000/2500	240	1	613	24 1/8	23.6	52	1500
SDC0531CT	2747.00	SDC0531C	2612.00	SDC0531C24	2612.00	5000/2500	347	1	613	24 1/8	23.6	52	1500
SDC0561CT	2747.00	SDC0561C	2612.00	SDC0561C24	2612.00	5000/2500	600	1	613	24 1/8	23.6	52	1500
SDC0563CT	2747.00	SDC0563C	2612.00	SDC0563C24	2612.00	5000/2500	600	3	613	24 1/8	23.6	52	1500

Add W for white or SW for soft white (consult the optional colours chart or contact your Stelpro representative for all other colours).  
Models also available in 277 V and 480 V.

## THROW DISTANCE AND HEAT RISE

UNITS	THROW DISTANCE		HEAT RISE	
	M	FT	°C	°F
5	12.2	40	69	125

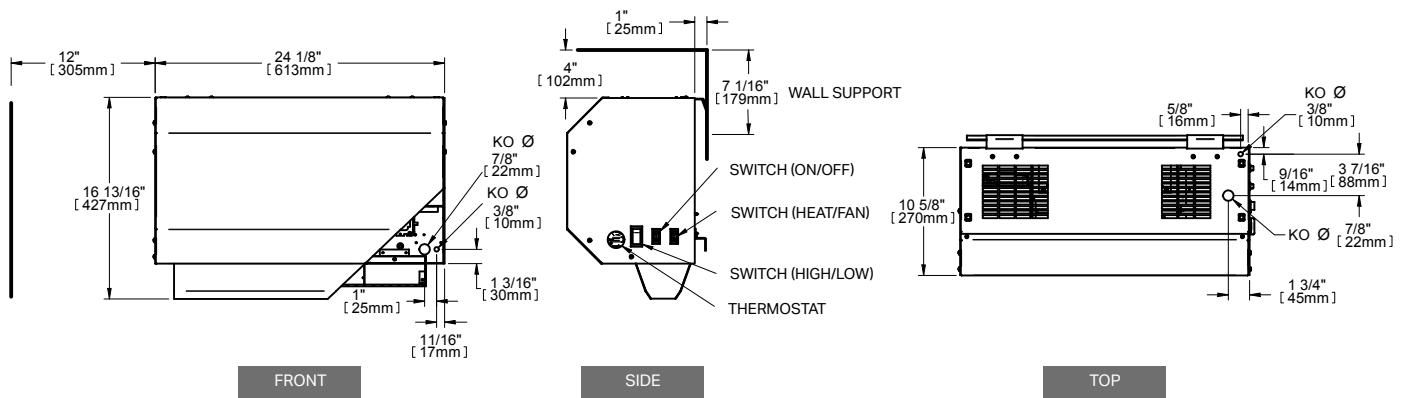


**FOR A CAPACITY OF MORE THAN 5 KW**  
multiple units may be installed side-by-side



**INCOMPARABLE AIR OUTPUT**  
a curtain of air blocking cold air streams

## TECHNICAL DRAWINGS



# RUH | OXFORD™

## COMMERCIAL AND RESIDENTIAL UNIT HEATER



**OXFORD™**  
SERIES | SÉRIE



## A VERSATILE WORKHORSE

The RUH unit heater is small on price and big on heat. These heavy-duty units are well suited to situations where large amounts of heat must be provided in wide open spaces such as garages, workshops, commercial warehouses and construction sites. This unit has a powerful output up to 5000 W with a voltage of 240/208. The RUH has adjustable louvers that allow you to direct heat right from the source. With or without a built-in thermostat, it provides instant heat. Quiet, lightweight and easy-to-install with a universal wall or ceiling mounting bracket, this unit heater is everything you expect for less. Guaranteed productivity!

### INSTANT HEAT

### ADJUSTABLE LOUVERS ALLOW YOU TO DIRECT HEAT

### WALL OR CEILING INSTALLATION SUPPORT BRACKET INCLUDED

### ENCLOSED AND PERMANENTLY LUBRICATED MOTOR

### 2 KW TO 5 KW MODELS AVAILABLE

### COLOUR

- charcoal

### FINISH

- epoxy-polyester powdercoat

### MANUFACTURING

- 20-gauge steel cabinet
- totally enclosed and factory lubricated motor
- 350 CFM quiet helicoidal fan
- adjustable louvers
- thermal protection with automatic reset

### ELEMENT

- nichrome element produces instant heat

### CONTROL

- built-in thermostat (included with T series)
- wall thermostat (not included)

### INSTALLATION

- wall or ceiling mounted with universal mounting bracket (included with unit)

### WARRANTY

- three years

### IDEAL FOR:

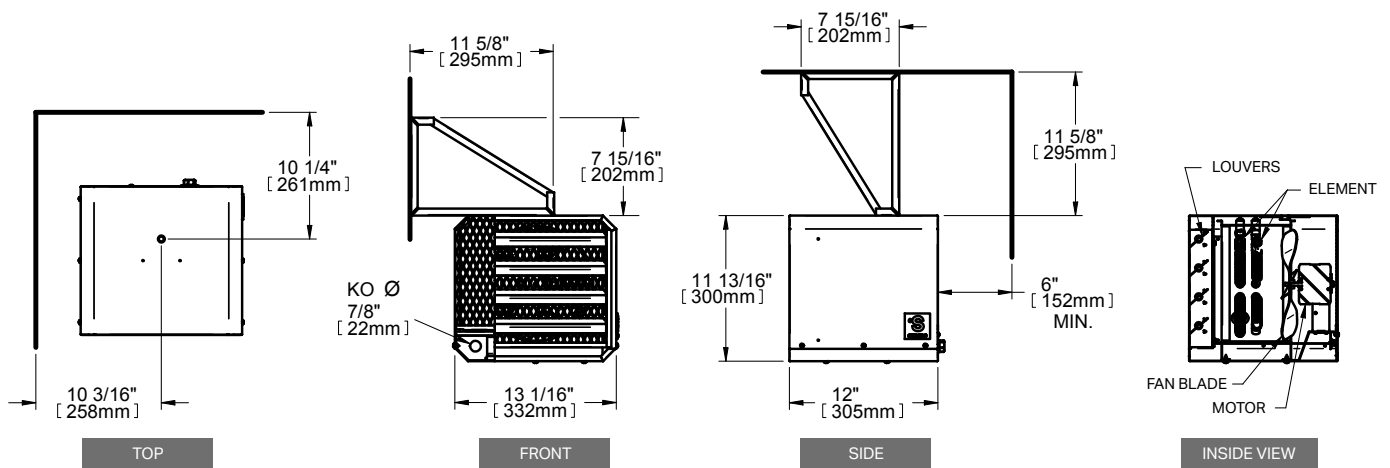
construction site, garage, workshop, small commercial space



## TECHNICAL SPECIFICATIONS

WITHOUT CONTROL		BUILT-IN THERMOSTAT		24 V CONTROL		POWER	VOLTAGE	FLOW	THROW DISTANCE		HEAT RISE		WEIGHT	
CODE	PRICE	CODE	PRICE	CODE	PRICE	WATT S	VOLTS	CFM	M	FT	°C	°F	KG	LB
RUH2CHAR	397.00	RUH2TCHAR	411.00	RUH2C24CHAR	445.00	2000/1500	240/208	350	3	10	27	48	9	20
RUH3CHAR	403.00	RUH3TCHAR	417.00	RUH3C24CHAR	451.00	3000/2250	240/208	350	3	10	34	60	9	20
RUH4CHAR	411.00	RUH4TCHAR	424.00	RUH4C24CHAR	458.00	4000/3000	240/208	350	3	10	46	82	9	20
RUH5CHAR	416.00	RUH5TCHAR	429.00	RUH5C24CHAR	464.00	5000/3750	240/208	350	3	10	64	114	9	20

## TECHNICAL DRAWINGS



# SFH | OXFORD™

## AGRICULTURAL UNIT HEATER



**OXFORD™**  
SERIES | SÉRIE



## THE PREMIER CHOICE FOR AGRICULTURE

The SFH is specially designed to meet the needs of agricultural buildings, such as henhouses, stables, barns and dairies. It's built to last thanks to its satin coat finish, resistant to humidity and corrosion. Moreover, the watertight control components are isolated in a NEMA 4X enclosure, which is also watertight. The SFH's low density element assures heating power without over-heating. In addition, its motor is sealed and lubricated for life, making it maintenance-free.

### HUMIDITY AND CORROSION RESISTANT

NEMA 4X WATERTIGHT CONTROL ENCLOSURE AND BALL-BEARING MOTOR SEALED AND LUBRICATED FOR LIFE

### EASY TO INSTALL

COMPACT AND 40% LIGHTER THAN THE COMPETITION

### SAFE AND EFFICIENT HEATING

ENCLOSED LOW DENSITY ELEMENTS

### EASY MAINTENANCE

HOSEDOWN UNIT

### APPROVED

FOR USE IN CATEGORY 1 AND 2 LOCATIONS (CANADIAN ELECTRICAL CODE)

### IDEAL FOR:

agricultural building, dairy, barn, cow shed, stable, henhouse, category 1 and 2 spaces (where hazardous vapors, liquid or excessive humidity are present – article 22-002 of the Canadian Electrical Code)

### COLOUR

- charcoal

### FINISH

- satin coat steel cabinet, coated with a high-quality epoxy powder paint making it 10 times more resistant to corrosion

### MANUFACTURING

- robust, 18-gauge satin coat steel cabinet
- NEMA 4X watertight control enclosure made of recyclable polypropylene
- front-facing louvers set at 45° for optimal heat flow and safety wire mesh
- thermal protection with automatic reset
- pilot light indicates when thermal protection has been activated

### MOTOR

- lubricated for life and totally enclosed ball-bearing motor

### CERTIFICATIONS

- CSA C22.2 46, UL2021
- corrosion requirements CSA C22.2 94
- hose-down requirements CSA C22.2 94 Type 4X

### ELEMENT

- nickel-plated and sealed with silicone to prevent corrosion
- enclosed low density element without fins helps to keep cabinet temperature lower than that of a conventional heater

### FAN

- switch allows the unit to operate as a FAN only
- fan delay allows the unit to cool down before shutting off

### CONTROL

- double pole built-in thermostat (T model)
- wall thermostat compatible with device and its environment (not included)

### INSTALLATION

- wall or ceiling at least 6 feet (1.8 m) and up to 10 feet (3 m) from the ground with universal mounting bracket (included)

### WARRANTY

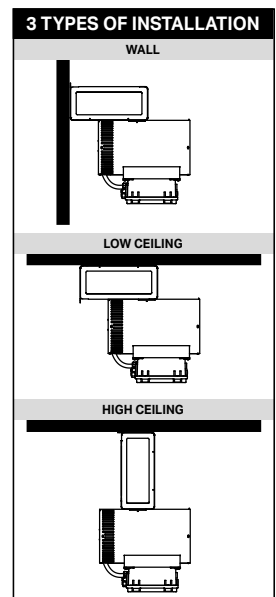
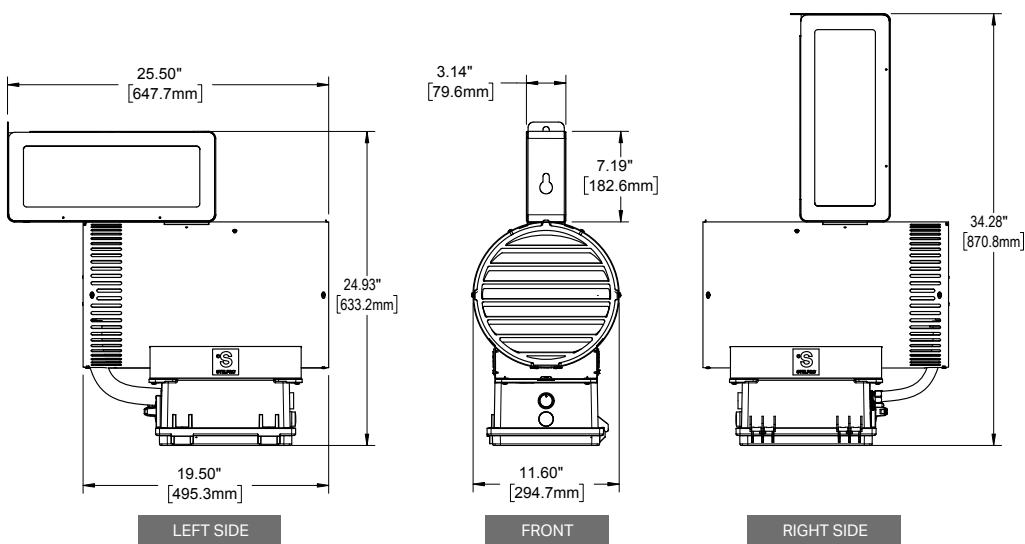
- three years



## TECHNICAL SPECIFICATIONS

WITHOUT CONTROL	BUILT-IN THERMOSTAT	POWER	VOLTAGE	THROW DISTANCE	FLOW	HEAT RISE	WEIGHT	PRICE			
CODE	CODE	WATTS	VOLTS	M	FT	CFM	°C	°F	KG	LB	
SFH0521DISCHAR	SFH0521TDISCHAR	5000/3750	240/208	3	10	450	38	68	16	35	1587.00

## TECHNICAL DRAWINGS





# SHU | OXFORD™

## COMMERCIAL AND INDUSTRIAL UNIT HEATER



**OXFORD™**  
SERIES | SÉRIE



### THE POWER OF DISPERSION

Stelpro designs heaters for all circumstances. Take the SHU, the large volume heater that is distinguished by its appealing appearance, its manufacturing and its sturdy composition. It is usually installed in large garages, but it is not uncommon for it to be seen in warehouses or any other kind of commercial construction site requiring a generous volume of heat. The SHU works with great ease and has an incredible power scale from 2 kW to 60 kW. What could be better!

#### INSTANT HEAT

#### PERMANENTLY LUBRICATED MOTOR

#### WIDE RANGE OF POWER: 2 KW TO 60 KW

#### WALL OR CEILING INSTALLATION BRACKET INCLUDED

#### COLOUR

- charcoal

#### FINISH

- epoxy-polyester powdercoat

#### MANUFACTURING

- heavy-duty, 18-gauge steel cabinet
- adjustable louvers and protective screen
- thermal protection with automatic reset

#### MOTOR

- permanently enclosed lubricated ball bearing motor for long-lasting operation

#### ELEMENT

- nichrome element produces instant heat

#### CONTROL

- connection of multiple units to the same thermostat is possible with a relay kit without transformer (optional) and an external transformer (not provided)

#### INSTALLATION

- wall or ceiling mounted with universal mounting bracket (included)
- minimum distance from adjacent walls: 6 in. (2 kW to 30 kW units), 12 in. (40 kW to 60 kW units)
- maximum mounting heights: 8 ft. (2 kW to 10 kW units), 10 ft. (15 kW to 30 kW units), 15 ft. (40 kW to 60 kW units)

#### WARRANTY

- three years

#### IDEAL FOR:

warehouse, factory, indoor parking garage, large industrial and commercial spaces

# TECHNICAL SPECIFICATIONS

WITHOUT CONTROL		BUILT-IN THERMOSTAT		240 V CONTROL		24 V CONTROL		VOLTAGE	POWER	FLOW
CODE	PRICE	CODE	PRICE	CODE	PRICE	CODE	PRICE	VOLTS	KW	CFM
SHU0281CHAR	1059.00	SHU0281TCHAR	1134.00	SHU0281CCHAR	1150.00	SHU0281C24CHAR	1197.00	208	2	250
---	---	SHU0283CTCHAR*	1226.00	SHU0283CCHAR*	1150.00	SHU0283C24CHAR*	1197.00	208	2	250
SHU0221CHAR	1059.00	SHU0221TCHAR	1134.00	SHU0221CCHAR	1150.00	SHU0221C24CHAR	1197.00	240/208	2/1.5	250
---	---	SHU0231CTCHAR	1436.00	SHU0231CCHAR	1360.00	SHU0231C24CHAR	1405.00	347	2	250
---	---	SHU0261CTCHAR	1436.00	SHU0261CCHAR	1360.00	SHU0261C24CHAR	1405.00	600	2	250
---	---	SHU0263CTCHAR*	1436.00	SHU0263CCHAR*	1360.00	SHU0263C24CHAR*	1405.00	600	2	250
SHU0381CHAR	1059.00	SHU0381TCHAR	1134.00	SHU0381CCHAR	1150.00	SHU0381C24CHAR	1197.00	208	3	250
---	---	SHU0383CTCHAR*	1226.00	SHU0383CCHAR*	1150.00	SHU0383C24CHAR*	1197.00	208	3	250
SHU0321CHAR	1059.00	SHU0321TCHAR	1134.00	SHU0321CCHAR	1150.00	SHU0321C24CHAR	1197.00	240/208	3/2.3	250
---	---	SHU0331CTCHAR	1480.00	SHU0331CCHAR	1403.00	SHU0331C24CHAR	1449.00	347	3	250
---	---	SHU0361CTCHAR	1480.00	SHU0361CCHAR	1403.00	SHU0361C24CHAR	1449.00	600	3	250
---	---	SHU0363CTCHAR*	1480.00	SHU0363CCHAR*	1403.00	SHU0363C24CHAR*	1449.00	600	3	250
SHU0481CHAR	1068.00	SHU0481TCHAR	1145.00	SHU0481CCHAR	1159.00	SHU0481C24CHAR	1207.00	208	4	250
---	---	SHU0483CTCHAR*	1237.00	SHU0483CCHAR*	1159.00	SHU0483C24CHAR*	1207.00	208	4	250
SHU0421CHAR	1068.00	SHU0421TCHAR	1145.00	SHU0421CCHAR	1159.00	SHU0421C24CHAR	1207.00	240/208	4/3	250
---	---	SHU0431CTCHAR	1512.00	SHU0431CCHAR	1436.00	SHU0431C24CHAR	1483.00	347	4	250
---	---	SHU0461CTCHAR	1512.00	SHU0461CCHAR	1436.00	SHU0461C24CHAR	1483.00	600	4	250
---	---	SHU0463CTCHAR*	1512.00	SHU0463CCHAR*	1436.00	SHU0463C24CHAR*	1483.00	600	4	250
---	---	SHU0581TCHAR	1318.00	SHU0581CCHAR	1334.00	SHU0581C24CHAR	1379.00	208	5	450
---	---	SHU0583CTCHAR*	1411.00	SHU0583CCHAR*	1334.00	SHU0583C24CHAR*	1379.00	208	5	450
SHU0521CHAR	1242.00	SHU0521TCHAR	1318.00	SHU0521CCHAR	1334.00	SHU0521C24CHAR	1379.00	240/208	5/3.8	450
---	---	SHU0531CTCHAR	1561.00	SHU0531CCHAR	1485.00	SHU0531C24CHAR	1530.00	347	5	450
---	---	SHU0561CTCHAR	1561.00	SHU0561CCHAR	1485.00	SHU0561C24CHAR	1530.00	600	5	450
---	---	SHU0563CTCHAR*	1562.00	SHU0563CCHAR*	1485.00	SHU0563C24CHAR*	1530.00	600	5	450
---	---	SHU0781CTCHAR	1985.00	SHU0781CCHAR	1909.00	SHU0781C24CHAR	1955.00	208	7.5	700
---	---	SHU0783CTCHAR*	1985.00	SHU0783CCHAR*	1909.00	SHU0783C24CHAR*	1955.00	208	7.5	700
---	---	SHU0721CTCHAR	1985.00	SHU0721CCHAR	1909.00	SHU0721C24CHAR	1955.00	240/208	7.5/5.6	700
---	---	SHU0731CTCHAR	2230.00	SHU0731CCHAR	2153.00	SHU0731C24CHAR	2199.00	347	7.5	700
---	---	SHU0761CTCHAR	2230.00	SHU0761CCHAR	2153.00	SHU0761C24CHAR	2199.00	600	7.5	700
---	---	SHU0763CTCHAR*	2230.00	SHU0763CCHAR*	2153.00	SHU0763C24CHAR*	2199.00	600	7.5	700

\* Three-phase unit that can be field-converted to a single phase unit  
 \* Three-phase unit  
 Models also available in 277 V and 480 V.  
 --- not available

# ACCESSORIES

PRODUCT	DESCRIPTION	PRICE
SHUT1	built-in single pole thermostat (capillary)	91.75
SHUT2	built-in double pole thermostat (capillary)	139.00
SHUFS*	fan switch	69.75
SHUDIS*	disconnect switch [80 A]	198.00
SHUC24RX*	relay kit without transformer 24 V (For all SHU, except SHU0521/SHU0581 VOLTS and less)	144.00
SHUFS-RCV*	remote control circuit for ventilation mode 240 V	69.75

\* Factory installed

# TECHNICAL SPECIFICATIONS

BUILT-IN THERMOSTAT		240 V CONTROL		24 V CONTROL		VOLTAGE	POWER	FLOW
CODE	PRICE	CODE	PRICE	CODE	PRICE	VOLTS	KW	CFM
SHU1081CTCHAR	2086.00	SHU1081CCHAR	2009.00	SHU1081C24CHAR	2055.00	208	10	700
SHU1083CTCHAR*	2086.00	SHU1083CCHAR*	2009.00	SHU1083C24CHAR*	2055.00	208	10	700
SHU1021CTCHAR	2086.00	SHU1021CCHAR	2009.00	SHU1021C24CHAR	2055.00	240/208	10/7.5	700
SHU1031CTCHAR	2259.00	SHU1031CCHAR	2179.00	SHU1031C24CHAR	2226.00	347	10	700
SHU1061CTCHAR	2259.00	SHU1061CCHAR	2179.00	SHU1061C24CHAR	2226.00	600	10	700
SHU1063CTCHAR*	2259.00	SHU1063CCHAR*	2179.00	SHU1063C24CHAR*	2226.00	600	10	700
SHU1581CTCHAR	2779.00	SHU1581CCHAR	2704.00	SHU1581C24CHAR	2796.00	208	15	1300
SHU1583CTCHAR*	2779.00	SHU1583CCHAR*	2704.00	SHU1583C24CHAR*	2796.00	208	15	1300
SHU1521CTCHAR	2779.00	SHU1521CCHAR	2704.00	SHU1521C24CHAR	2796.00	240/208	15/11.3	1300
SHU1531CTCHAR	2779.00	SHU1531CCHAR	2704.00	SHU1531C24CHAR	2796.00	347	15	1300
SHU1561CTCHAR	2779.00	SHU1561CCHAR	2704.00	SHU1561C24CHAR	2796.00	600	15	1300
SHU1563CTCHAR*	2779.00	SHU1563CCHAR*	2704.00	SHU1563C24CHAR*	2796.00	600	15	1300
SHU2081CTCHAR	3051.00	SHU2081CCHAR	2973.00	SHU2081C24CHAR	3065.00	208	20	1300
SHU2083CTCHAR*	3051.00	SHU2083CCHAR*	2973.00	SHU2083C24CHAR*	3065.00	208	20	1300
SHU2021CTCHAR	3051.00	SHU2021CCHAR	2973.00	SHU2021C24CHAR	3065.00	240/208	20/15	1300
SHU2031CTCHAR	3051.00	SHU2031CCHAR	2973.00	SHU2031C24CHAR	3065.00	347	20	1300
SHU2063CTCHAR*	3051.00	SHU2063CCHAR*	2973.00	SHU2063C24CHAR*	3065.00	600	20	1300
SHU2583CTCHAR*	3515.00	SHU2583CCHAR*	3437.00	SHU2583C24CHAR*	3528.00	208	25	1300
SHU2563CTCHAR*	3515.00	SHU2563CCHAR*	3437.00	SHU2563C24CHAR*	3528.00	600	25	1300
SHU3083CTCHAR*	3579.00	SHU3083CCHAR*	3500.00	SHU3083C24CHAR*	3593.00	208	30	1400
SHU3063CTCHAR*	3579.00	SHU3063CCHAR*	3500.00	SHU3063C24CHAR*	3593.00	600	30	1400
SHU4063CTCHAR*	4693.00	SHU4063CCHAR*	4616.00	SHU4063C24CHAR*	4771.00	600	40	2100
SHU5063CTCHAR*	4996.00	SHU5063CCHAR*	4918.00	SHU5063C24CHAR*	5072.00	600	50	2100
SHU6063CTCHAR*	5487.00	SHU6063CCHAR*	5411.00	SHU6063C24CHAR*	5563.00	600	60	2100

\* Three-phase unit that can be field-converted to a single phase unit.  
 \* Three-phase unit  
 Models also available in 277 V and 480 V.  
 --- not available

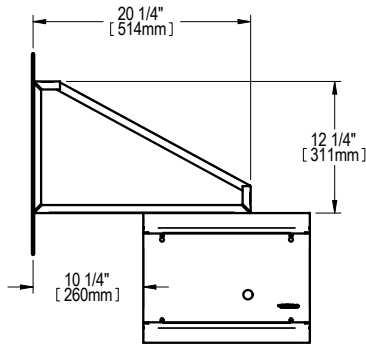
## THROW DISTANCE AND HEAT RISE

UNITS	THROW DISTANCE		HEAT RISE	
	M	FT	°C	°F
2	8.5	28	17	31
3	8.5	28	35	62
4	8.5	28	52	93
5	9.4	31	55	99
7.5	9.4	31	54	97
10	9.4	31	85	153
15	10.7	35	52	93
20	11.3	37	89	160
25	10.2	33'6"	133	240
30	10.7	35	135	243
40	10.7	35	132	237
50	10.7	35	141	254
60	10.7	35	156	280

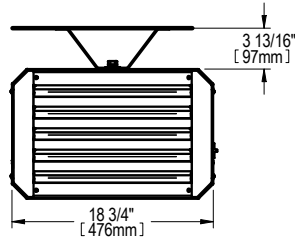
# TECHNICAL DRAWINGS

## 2 KW TO 10 KW UNITS

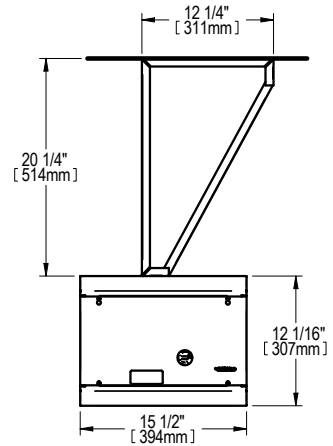
weight: approx. 40 lb (18 kg)



LEFT SIDE



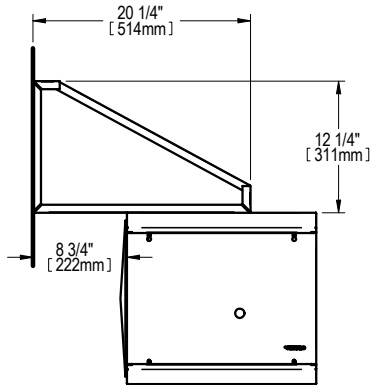
FRONT



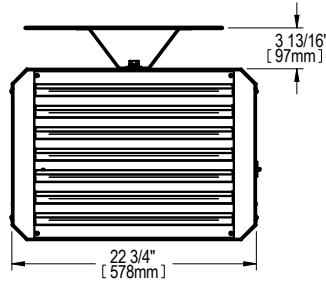
RIGHT SIDE

## 15 KW TO 30 KW UNITS

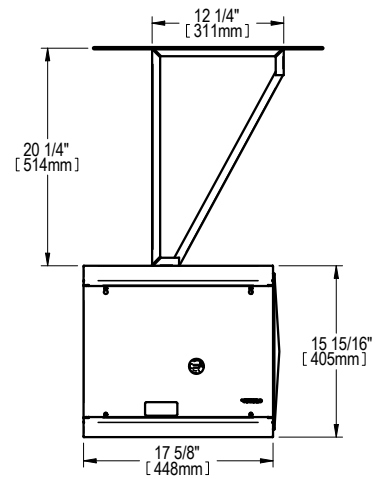
weight: approx. 67 lb (30 kg)



LEFT SIDE



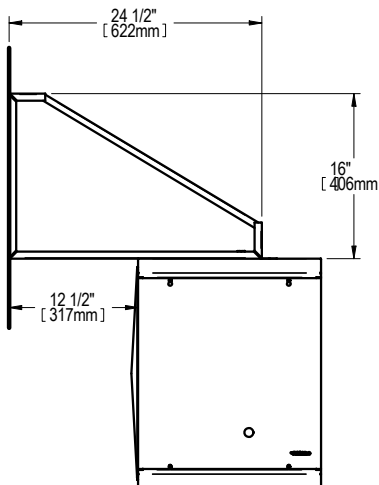
FRONT



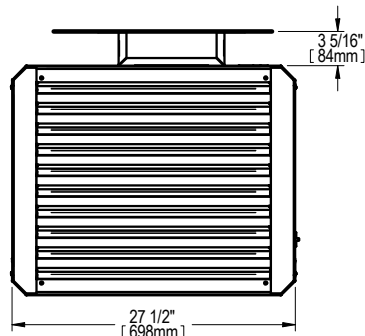
RIGHT SIDE

## 40 KW TO 60 KW UNITS

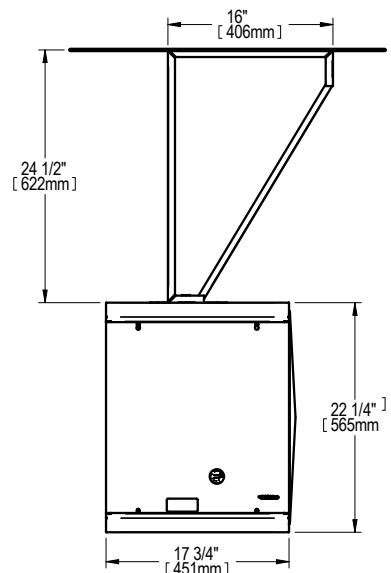
weight: approx. 100 lb (45 kg)



LEFT SIDE



FRONT



RIGHT SIDE

# VUH | OXFORD™

## VERTICAL UNIT HEATER



**OXFORD™**  
SERIES | SÉRIE

TRIPLE CONE UNIT  
(OPTIONAL CONE)



## A MAMMOTH TO HEAT LARGE AREAS

The VUH not only impresses with its good looks but also its great, powerful and uncompromising operation. The greatest strength of this unit is its mode of operation; it is designed to circulate air continuously. The unit is responsible for recirculating the warm air that is often trapped near the ceiling and masterfully redirects it down 360°. The VUH, available from 5 kW to 60 kW, is an excellent choice for heating large areas.

### HEAT RECYCLING SYSTEM

DRAWS IN THE WARM AIR AT THE CEILING AND REDIRECTS IT WHERE IT IS NEEDED MOST

### OPTIONAL CONE DIFFUSERS

THREE SIZES AVAILABLE FOR BETTER AIR DISTRIBUTION

### FULLY ENCLOSED MOTOR

WITH BALL BEARINGS

### PERFECT FOR LARGE SPACES WITH HIGH CEILINGS

### COLOUR

- charcoal

### FINISH

- epoxy-polyester powdercoat

### MANUFACTURING

- heavy-duty, 16-gauge steel cabinet
- three sizes of cone diffusers available for better air distribution
- thermal protection with automatic reset

### MOTOR

- totally enclosed with ball bearings

### ELEMENT

- tubular element sheathed with spiral-wound fins for improved heat dissipation

### CONTROL

- 24 V, 120 V or 240 V control circuit
- terminal block for remote fan control
- all units have factory installed contactors
- connection of multiple units to the same thermostat is possible with a relay kit without transformer (optional) and an external transformer (not provided)

### INSTALLATION

- 4 1/2 in. (12.7 mm) mounting holes (5 kW to 10 kW units) for threaded rods (13-thread) (threaded rods not provided)
- four eyebolts for chain suspension (15 kW to 60 kW units)

### WARRANTY

- three years

### IDEAL FOR:

warehouse, factory, indoor parking garage, large industrial and commercial spaces

# TECHNICAL SPECIFICATIONS

240 V CONTROL		24 V CONTROL	120 V CONTROL		POWER	VOLTAGE	PHASE	FLOW	MOTOR	HEAT RISE		WEIGHT	
CODE	PRICE	CODE	CODE	PRICE	KILOWATTS	VOLTS	NB.	CFM	HP	°C	°F	KG	LB
VUH0581CCHAR	2640.00	VUH0581C24CHAR	VUH0581C120CHAR	2808.00	5	208	1	450	1/25	27	49	34.0	75
VUH0583CCHAR	2640.00	VUH0583C24CHAR	VUH0583C120CHAR	2808.00	5	208	3	450	1/25	27	49	34.0	75
VUH0521CCHAR	2640.00	VUH0521C24CHAR	VUH0521C120CHAR	2808.00	5/3.75	240/208	1	450	1/25	27	49	34.0	75
VUH0531CCHAR	2721.00	VUH0531C24CHAR	VUH0531C120CHAR	2890.00	5	347	1	450	1/25	27	49	34.0	75
VUH0563CCHAR	2721.00	VUH0563C24CHAR	VUH0563C120CHAR	2890.00	5	600	3	450	1/25	27	49	34.0	75
VUH0783CCHAR	2679.00	VUH0783C24CHAR	VUH0783C120CHAR	2847.00	7.5	208	3	600	1/25	20	36	34.0	75
VUH0721CCHAR	2679.00	VUH0721C24CHAR	VUH0721C120CHAR	2847.00	7.5/5.63	240/208	1	600	1/25	20	36	34.0	75
VUH0731CCHAR	2760.00	VUH0731C24CHAR	VUH0731C120CHAR	2931.00	7.5	347	1	600	1/25	20	36	34.0	75
VUH0763CCHAR	2760.00	VUH0763C24CHAR	VUH0763C120CHAR	2931.00	7.5	600	3	600	1/25	20	36	34.0	75
VUH1083CCHAR	2733.00	VUH1083C24CHAR	VUH1083C120CHAR	2901.00	10	208	3	750	1/25	28	50	34.0	75
VUH1021CCHAR	2733.00	VUH1021C24CHAR	VUH1021C120CHAR	2901.00	10/7.5	240/208	1	750	1/25	28	50	34.0	75
VUH1031CCHAR	2816.00	VUH1031C24CHAR	VUH1031C120CHAR	2986.00	10	347	1	750	1/25	28	50	34.0	75
VUH1063CCHAR	2816.00	VUH1063C24CHAR	VUH1063C120CHAR	2986.00	10	600	3	750	1/25	28	50	34.0	75
VUH1583CCHAR	4501.00	VUH1583C24CHAR	VUH1583C120CHAR	4672.00	15	208	3	1200	1/3	18	32	47.6	105
VUH1521CCHAR	4501.00	VUH1521C24CHAR	VUH1521C120CHAR	4672.00	15/11.25	240/208	1	1200	1/3	18	32	47.6	105
VUH1563CCHAR	4633.00	VUH1563C24CHAR	VUH1563C120CHAR	4802.00	15	600	3	1200	1/3	18	32	47.6	105
VUH2083CCHAR	4654.00	VUH2083C24CHAR	VUH2083C120CHAR	4823.00	20	208	3	1600	1/3	21	38	47.6	105
VUH2021CCHAR	4654.00	VUH2021C24CHAR	VUH2021C120CHAR	4823.00	20/15	240/208	1	1600	1/3	21	38	47.6	105
VUH2063CCHAR	4796.00	VUH2063C24CHAR	VUH2063C120CHAR	4966.00	20	600	3	1600	1/3	21	38	47.6	105
VUH2583CCHAR	4746.00	VUH2583C24CHAR	VUH2583C120CHAR	4917.00	25	208	3	2000	1/3	29	53	47.6	105
VUH2521CCHAR	4746.00	VUH2521C24CHAR	VUH2521C120CHAR	4917.00	25/18.75	240/208	1	2000	1/3	29	53	47.6	105
VUH2563CCHAR	4895.00	VUH2563C24CHAR	VUH2563C120CHAR	5065.00	25	600	3	2000	1/3	29	53	47.6	105
VUH3083CCHAR	4833.00	VUH3083C24CHAR	VUH3083C120CHAR	5004.00	30	208	3	2300	1/3	36	65	47.6	105
VUH3021CCHAR	4833.00	VUH3021C24CHAR	VUH3021C120CHAR	5004.00	30/22.5	240/208	1	2300	1/3	36	65	47.6	105
VUH3063CCHAR	4981.00	VUH3063C24CHAR	VUH3063C120CHAR	5151.00	30	600	3	2300	1/3	36	65	47.6	105
VUH4063CCHAR	6542.00	VUH4063C24CHAR	VUH4063C120CHAR	6712.00	40	600	3	4000	3/4	28	50	90.7	200
VUH5063CCHAR	7331.00	VUH5063C24CHAR	VUH5063C120CHAR	7500.00	50	600	3	4000	3/4	32	58	90.7	200
VUH6063CCHAR	8067.00	VUH6063C24CHAR	VUH6063C120CHAR	8235.00	60	600	3	4800	3/4	33	59	90.7	200

The C24 code applies only to the thermostat. The fan remains energized at 240 V.

## ACCESSORIES

PRODUCT	DESCRIPTION	PRICE
VUHFS*	fan switch	66.75
VUHC24RX*	relay kit without transformer 24 V	143.00
VUHDIS80CHAR*	disconnect switch [80 A]	369.00
VUHDIS100CHAR*	disconnect switch [100 A]	651.00
VUHDIS200CHAR*	disconnect switch [200 A]	1231.00

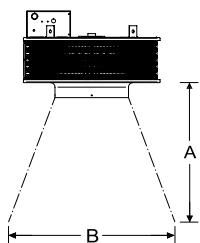
\* Factory installed



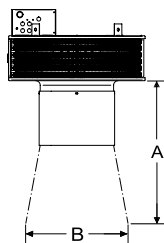
## CONE DIFFUSERS AND THROW DISTANCES

PRODUCT	TYPE	POWER	WEIGHT		SURFACE A		SURFACE B		PRICE
			KILOWATTS	KG	LB	M	FT.	M	
---	WITHOUT CONE	5-10	---	---	3.7	12	5.8	19	---
---	WITHOUT CONE	15-30	---	---	6.1	20	8.3	27	---
---	WITHOUT CONE	40-60	---	---	9.1	30	14.0	46	---
VUHJC1CHAR	JET	5-10	2.3	5	4.3	14	4.9	16	116.00
VUHJC2CHAR	JET	15-30	2.3	5	6.7	22	6.1	20	153.00
VUHJC3CHAR	JET	40-60	2.3	5	9.8	32	9.1	30	215.00
VUHSC1CHAR	SINGLE	5-10	5	11	3.1	10	6.9	22	579.00
VUHSC2CHAR	SINGLE	15-30	5	11	3.7	12	9.5	31	612.00
VUHSC3CHAR	SINGLE	40-60	5	11	4.9	16	10.0	33	963.00
VUH3C1CHAR	TRIPLE	5-10	10	22	3.1	10	9.5	31	774.00
VUH3C2CHAR	TRIPLE	15-30	10	22	4.2	15	14.0	46	973.00
VUH3C3CHAR	TRIPLE	40-60	10	22	6.1	20	15.0	49	1524.00
VUH4C1CHAR	QUADRUPLE	5-10	15	33	3.1	10	10.4	34	974.00
VUH4C2CHAR	QUADRUPLE	15-30	15	33	4.2	15	15.3	50	1228.00
VUH4C3CHAR	QUADRUPLE	40-60	15	33	6.1	20	17.1	56	1931.00

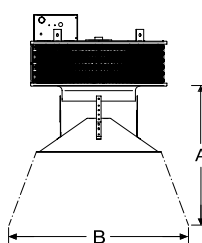
WITHOUT CONE



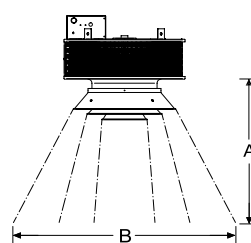
JET CONE



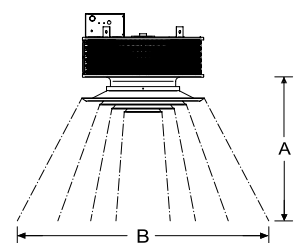
SINGLE CONE



TRIPLE CONE

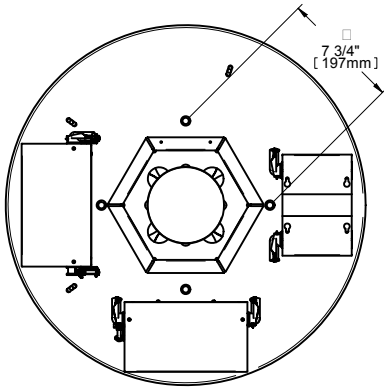


QUADRUPLE CONE

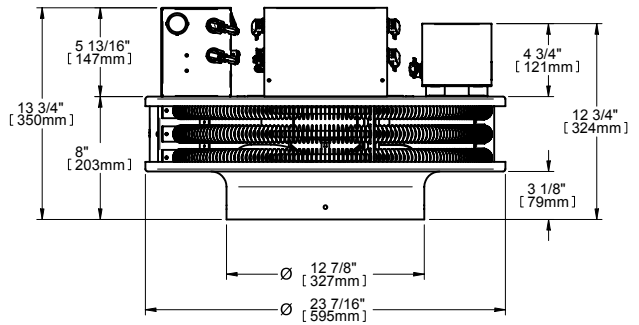


# TECHNICAL DRAWINGS

## 5 KW TO 10 KW UNITS

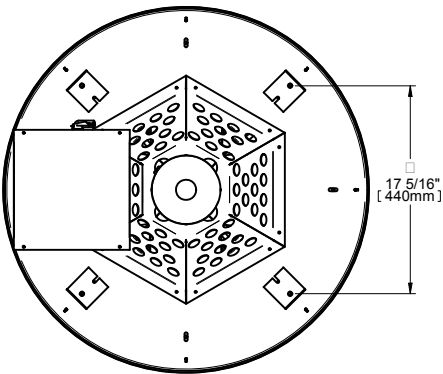


TOP

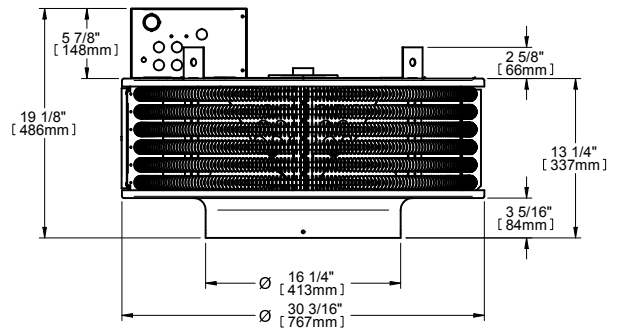


FRONT

## 15 KW TO 30 KW UNITS

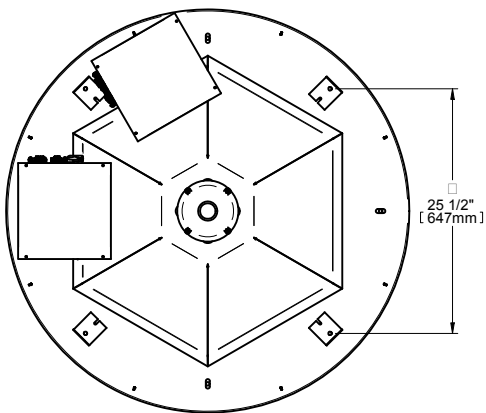


TOP

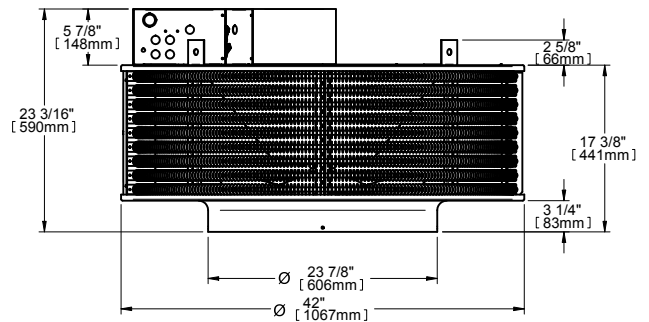


FRONT

## 40 KW TO 60 KW UNITS



TOP



FRONT



# SWU

## WASHDOWN UNIT HEATER



### RELIABLE, RESISTANT AND SELF-CONTAINED

The Stelpro SWU washdown unit heater is the perfect solution to the problem of comfort heating in environments where moisture and corrosion exist. The washdown heater is corrosion resistant, totally enclosed and watertight making it ideal for industrial heating applications. Available in several wattages (2 kW to 47 kW) and voltages (120 V, 208 V, 240 V and 600 V) this rugged unit will meet your toughest needs.

#### DESIGNED FOR HEATING LOCATIONS WHERE MOISTURE AND CORROSION EXIST

#### CORROSION-RESISTANT STAINLESS STEEL CONSTRUCTION

#### WASHABLE WATERTIGHT CONSTRUCTION

#### LARGE SELECTION OF MODELS SEVERAL WATTAGES, VOLTAGES AND PHASES

#### FINISH

- stainless steel

#### MANUFACTURING

- heavy 16-gauge stainless steel housing
- adjustable stainless steel louvers (can be rotated 90°)
- non-metallic control enclosure (meets NEMA 4X hose-down requirements)
- thermal protection with automatic reset

#### MOTOR

- totally enclosed, epoxy-coated and permanently lubricated ball bearing motor
- powder-coated aluminum fan blade

#### ELEMENTS

- industrial grade, type 316 stainless steel tubular elements with stainless steel fins

#### CONTROL

- factory mounted
- housed in a non-metallic enclosure
- includes a thermal protection with automatic reset, fan delay relay, controlling contactor transformer for 24 V control circuit, terminal block for field wiring and a separate motor contactor that can be used when required

#### INSTALLATION

- wall or ceiling mounted with stainless steel swivel mounting bracket (included)
- ceiling mounted with 4 3/8-16 threaded rods (not provided – if the swivel mounting bracket is not required, choose the SWU-B or SWU-B1 options)

#### WARRANTY

- one year

#### IDEAL FOR:

car wash, steel mill and foundry, cement plant, wood finishing plant, dairy, food processing plant, marine installation, power station, wastewater treatment plant, swimming pool area

# TECHNICAL SPECIFICATIONS

WITHOUT CONTROL		BUILT-IN THERMOSTAT		POWER	VOLTAGE	PHASE	AMPERAGE	MOTOR	APPROX. AIR TEMPERATURE RISE (DELTA ΔT)	
CODE	PRICE	CODE	PRICE	KW	VOLTS	NB.	AMPERES	HP	°C	°F
SWU0211	4460.00	SWU0211-T	4769.00	2	120	1	21	1/4	5	9
SWU0281	4460.00	SWU0281-T	4769.00	2	208	1	12	1/4	5	9
SWU0221	4460.00	SWU0221-T	4769.00	2	240	1	11	1/4	5	9
SWU0311	4460.00	SWU0311-T	4769.00	3	120	1	29	1/4	8	14
SWU0381	4460.00	SWU0381-T	4769.00	3	208	1	17	1/4	8	14
SWU0321	4460.00	SWU0321-T	4769.00	3	240	1	15	1/4	8	14
SWU0383	4460.00	SWU0383-T	4769.00	3	208	3	8	1/4	8	14
SWU0323	4460.00	SWU0323-T	4769.00	3	240	3	11	1/4	8	14
SWU0363	4460.00	SWU0363-T	4769.00	3	600	3	4	1/4	8	14
SWU0581	4511.00	SWU0581-T	4821.00	5	208	1	27	1/4	13	24
SWU0521	4511.00	SWU0521-T	4821.00	5	240	1	23	1/4	13	24
SWU0583	4511.00	SWU0583-T	4821.00	5	208	3	12	1/4	13	24
SWU0523	4511.00	SWU0523-T	4821.00	5	240	3	16	1/4	13	24
SWU0563	4511.00	SWU0563-T	4821.00	5	600	3	8	1/4	13	24
SWU0881	4620.00	SWU0881-T	4929.00	7.5	208	1	39	1/4	19	35
SWU0821	4620.00	SWU0821-T	4929.00	7.5	240	1	34	1/4	19	35
SWU0883	4620.00	SWU0883-T	4929.00	7.5	208	3	23	1/4	19	35
SWU0823	4620.00	SWU0823-T	4929.00	7.5	240	3	21	1/4	19	35
SWU0863	4620.00	SWU0863-T	4929.00	7.5	600	3	9	1/4	19	35
SWU0981	4738.00	SWU0981-T	5047.00	9	208	1	46	1/4	11	20
SWU0921	4738.00	SWU0921-T	5047.00	9	240	1	40	1/4	11	20
SWU0983	4738.00	SWU0983-T	5047.00	9	208	3	28	1/4	11	20
SWU0923	4738.00	SWU0923-T	5047.00	9	240	3	24	1/4	11	20
SWU0963	4738.00	SWU0963-T	5047.00	9	600	3	10	1/4	11	20
SWU1021	4849.00	SWU1021-T	5161.00	10	240	1	44	1/4	12	22
SWU1083	4849.00	SWU1083-T	5161.00	10	208	3	22	1/4	12	22
SWU1023	4849.00	SWU1023-T	5161.00	10	240	3	27	1/4	12	22
SWU1063	4849.00	SWU1063-T	5161.00	10	600	3	11	1/4	12	22
SWU1283	4893.00	SWU1283-T	5203.00	12	208	3	36	1/4	14	26
SWU1223	4893.00	SWU1223-T	5203.00	12	240	3	32	1/4	14	26
SWU1263	4893.00	SWU1263-T	5203.00	12	600	3	13	1/4	14	26
SWU1383	6654.00	SWU1383-T	6966.00	12.5	208	3	37	1/4	9	17
SWU1323	6654.00	SWU1323-T	6966.00	12.5	240	3	33	1/4	9	17
SWU1363	6654.00	SWU1363-T	6966.00	12.5	600	3	14	1/4	9	17
SWU1583	6724.00	SWU1583-T	7036.00	15	208	3	44	1/4	12	21
SWU1523	6724.00	SWU1523-T	7036.00	15	240	3	39	1/4	12	21
SWU1563	6724.00	SWU1563-T	7036.00	15	600	3	16	1/4	12	21
SWU2063	6790.00	SWU2063-T	7102.00	20	600	3	21	1/4	16	28
SWU2563	6806.00	SWU2563-T	7116.00	25	600	3	26	1/4	19	35
SWU3063	6912.00	SWU3063-T	7224.00	30	600	3	31	1/4	23	42
SWU3563	6961.00	SWU3563-T	7271.00	35	600	3	35	1/4	27	48
SWU3863	7032.00	SWU3863-T	7342.00	38.4	600	3	38	1/4	30	54
SWU4763	7365.00	SWU4763-T	7676.00	47	600	3	47	1/4	36	64

Models also available in 277 V and 480 V.

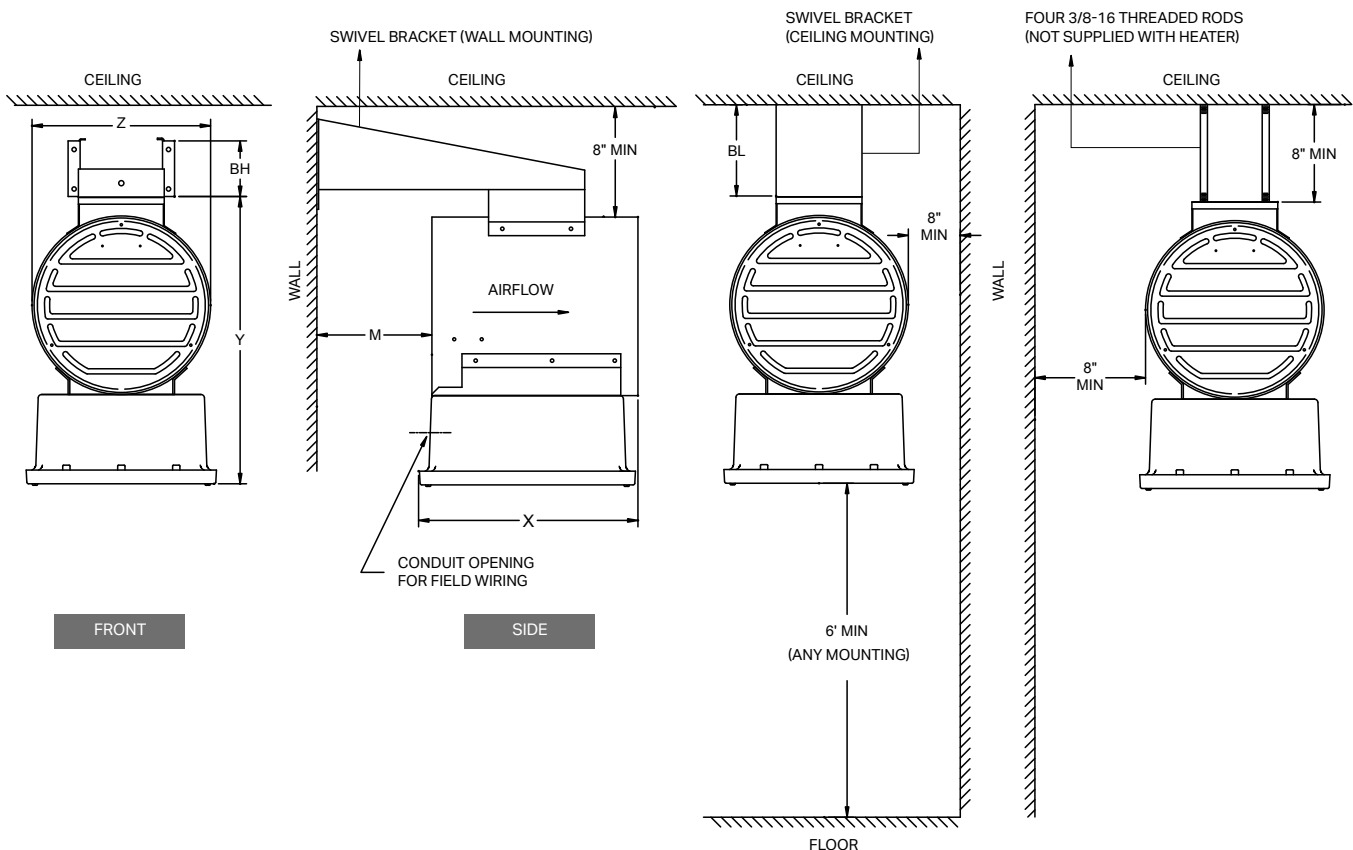
DIMENSIONS, AIRFLOWS AND WEIGHT		KW		
		FROM 2 TO 7.5	FROM 7.6 TO 12	FROM 12.1 TO 47
OVERALL HEATER DIMENSIONS	"X" INCH (CM)	15.5 (39)	15.5 (39)	26 (66)
	"Y" INCH (CM)	21.5 (55)	21.5 (55)	28 (71)
	"Z" INCH (CM)	13 (33)	13 (33)	20 (51)
MOUNTING HOLE DIMENSIONS	"BH" INCH (CM)	4.25 (11)	4.25 (11)	7.125 (18)
	"BL" INCH (CM)	19.5 (50)	19.5 (50)	22.25 (57)
	"M" INCH (CM)	8.5 (22)	8.5 (22)	3.25 (8)
AIRFLOW CHARACTERISTICS	AIR VOLUME CFM (CUBIC METERS/HR)	700 (1189)	1450 (2463)	2400 (4077)
	AIR THROW FEET (M)	26 (8)	43 (13)	50 (15)
	OUTLET VELOCITY FPM (METERS/MIN)	760 (232)	1575 (481)	1200 (366)
WEIGHT	NET LB (KG)	56 (25)	56 (25)	115 (52)
	SHIPPING LB (KG)	70 (32)	70 (32)	130 (60)

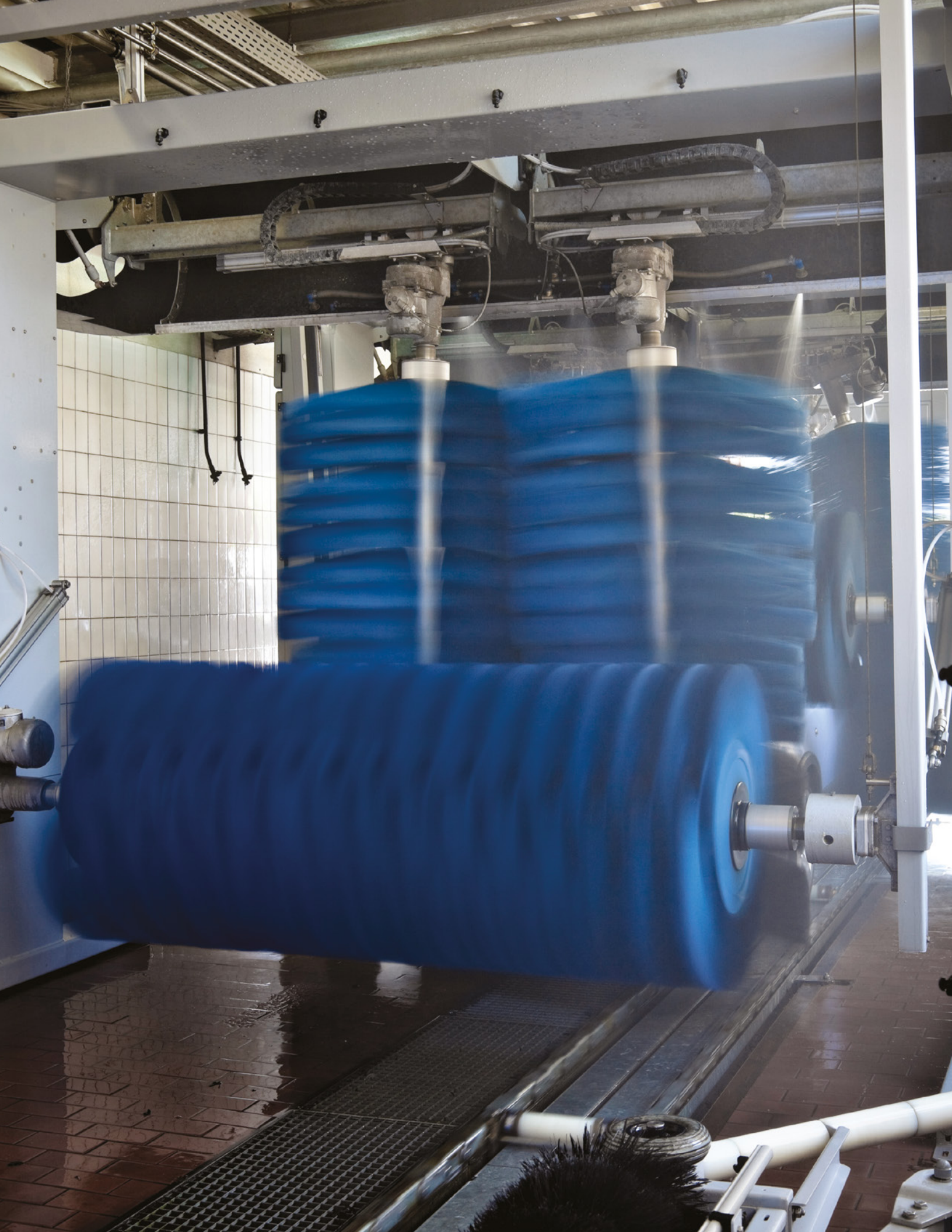
## OPTIONS AND ACCESSORIES

CODE	DESCRIPTION	PRICE
SWU-B	swivel mounting bracket not included; option when field furnished threaded rods are used for units up to 12 kW	---
SWU-B1	swivel mounting bracket not included; option when field furnished threaded rods are used for units over 12 kW	---
SWU-D*	power disconnect switch	655.00
SWU-L*	"heater on" pilot light	414.00
SWU-M*	secondary manual reset/thermal protection	414.00
SWU-S*	three-position selector switch (heater-standby-fan)	604.00
SWU-V*	120 volt control circuit	353.00
SWUT1	washdown/corrosion resistant wall-mounted thermostat for non-hazardous locations 4°C-38°C (40°F-100°F) range	462.00
SWU-E*	monel finned tubular elements (up to 20 kW)	957.00
SWU-E1*	monel finned tubular elements (25 kW to 47 kW)	3068.00

\* Factory installed

## TECHNICAL DRAWINGS AND INSTALLATION





# SIRH | ZENITH™

## INFRARED RADIANT HEATER

# ZENITH™



## COMFORTABLY RADIANT!

Warm up your summer nights and autumn days with our Zenith infrared radiant heater. It's perfect for terraces, outdoor waiting areas, arenas and spas. It can even be used in hard-to-heat areas such as factories. With its 14-gauge aluminum cabinet and stainless steel grille, the Zenith is lightweight yet rugged. Now, you can create your own comfortable environment, any time of the year.

### GENERATES INSTANT HEAT

### COMPACT, LIGHTWEIGHT, STURDY AND EASY TO INSTALL

### CLEAN ELECTRICAL ENERGY WITH NO AIR DISPLACEMENT

### WEATHER-RESISTANT MODELS AVAILABLE

### 347 V MODEL AVAILABLE

### COLOUR

- black

### FINISH

- super-resistant polyester powdercoat

### MANUFACTURING

- 14-gauge aluminum housing
- stainless steel grille
- specialized embossed aluminum reflectors that optimize radiant efficiency and reduce glare
- standard mounting bracket (included)

### LAMP

- quartz lamp with glare-reducing filter and tungsten filament produces short-wave infrared heat
- 80% radiant efficiency

### CONTROL

- electronic dimmer with timer (optional) (SIRHC402-1 or independent switch\*)

### INSTALLATION

- on wall or ceiling with mounting bracket (included) or pole mounted (adaptor not provided), in accordance with clearances and installation heights as specified in the installation manual

### WARRANTY

- three years

\* The power feeding the units can be reduced using controls that meet the following requirements: the controls must be able to handle inductive and resistive loads. They must also have circuits to regulate the start-up current since this type of appliance generates a high start-up current.

### IDEAL FOR:

terrace, warehouse, factory, outdoor waiting area, spa

### FOR MAXIMUM EFFICIENCY

**ELECTRONIC DIMMER WITH TIMER (OPTIONAL)  
SIRHC402-1**



# TECHNICAL SPECIFICATIONS

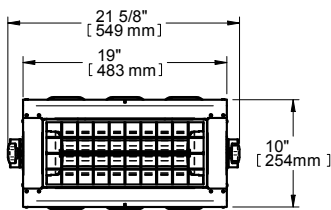
PRODUCT		WEATHER-RESISTANT		POWER	VOLTAGE	FREQUENCY	LENGTH		HEIGHT		DEPTH		WEIGHT	
CODE	PRICE	CODE	PRICE	WATTS	VOLTS	HZ	MM	IN.	MM	IN.	MM	IN.	KG	LB
SIRH1501W	716.00	SIRH1501WR	824.00	1500	120	60	483	19	254	10	143	5 5/8	5	11
SIRH2002W	716.00	SIRH2002WR	824.00	2000/1600	240/208	60	483	19	254	10	143	5 5/8	5	11
SIRH4002W	886.00	SIRH4002WR	995.00	4000/3200	240/208	60	483	19	403	15 7/8	143	5 5/8	6.25	13.8
SIRH4203W	1079.00	SIRH4203WR	1189.00	4180	347	60	483	19	554	21 13/16	143	5 5/8	7.4	16.3
SIRH6002W	1152.00	SIRH6002WR	1259.00	6000/4800	240/208	60	483	19	554	21 13/16	143	5 5/8	7.4	16.3

# ACCESSORIES

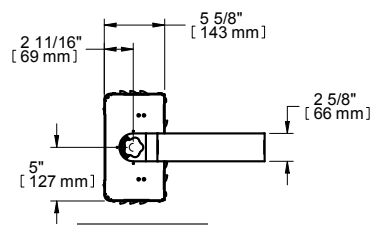
PRODUCT	DESCRIPTION	PRICE
KIT-ESIRH151	infrared replacement element 1500 W @ 120 V (SIRH1501 and SIRH4203 model)	81.25
KIT-ESIRH202	infrared replacement element 2000 W/1600 W @ 240 V/208 V	81.25
KIT-SIRH-SUP1	expandable support from 20 in. to 34 in. – 508 mm to 864 mm	280.00
SIRHC402-1	electronic dimmer with timer (silver), 4000 W/3300 W/2000 W @ 240 V/208 V/120 V max	185.00

## TECHNICAL DRAWINGS

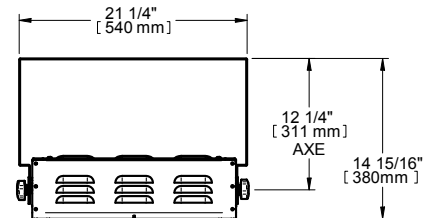
### 1500 W AND 2000 W MODELS



FRONT

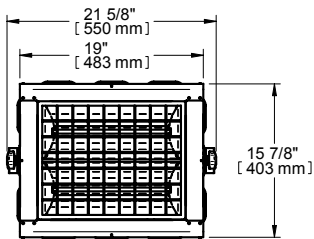


SIDE

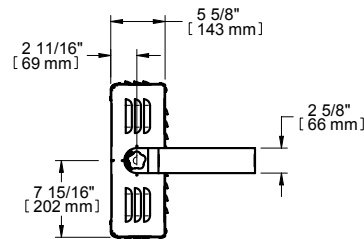


TOP

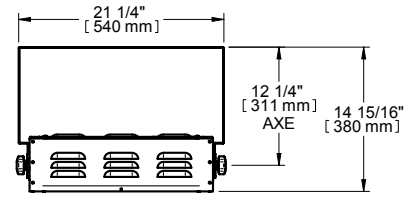
### 4000 W MODEL



FRONT

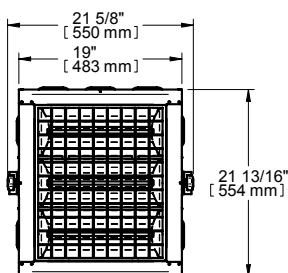


SIDE

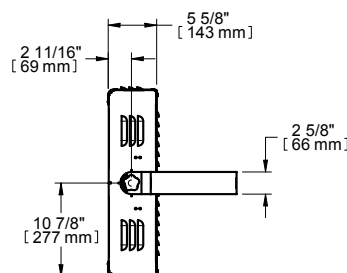


TOP

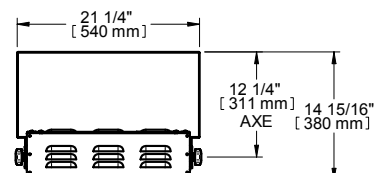
### 4180 W AND 6000 W MODELS



FRONT



SIDE



TOP

# EU | X-PRO

## EXPLOSION-PROOF UNIT HEATER



**X-PRO**  
SÉRIE/SERIES



### A SAFE WAY TO HEAT

The explosion-proof unit heater from Stelpro's X-pro series is the proven choice for hazardous locations at risk of fire or explosion due to the presence of flammable and hazardous substances. Available with an array of characteristics and options, this explosion-proof unit heater is designed with both safety and versatility in mind.

#### DESIGNED FOR HEATING LOCATIONS CONSIDERED HAZARDOUS

#### LOWEST IGNITION TEMPERATURE CODE RATING IN THE INDUSTRY: T3C, 160°C

#### NON-TOXIC, INHIBITED, PROPYLENE GLYCOL HEAT TRANSFER FLUID

#### LOW 70 PSIG PRESSURE RELIEF VALVE SETTING

#### STAINLESS STEEL OPTION CORROSION-RESISTANT

#### VAST RANGE OF POWERS AVAILABLE

#### COLOUR

- beige

#### FINISH

- powdercoat

#### MANUFACTURING

- robust, 14-gauge galvanized steel cabinet
- adjustable louvers (with minimum opening safety stops)
- thermal protection with automatic reset
- thermal protection with manual reset

#### MOTOR

- explosion-proof double-shielded permanently lubricated ball bearing motor (with automatic reset)
- aluminum fan blade

#### ELEMENTS

- elements immersed in non toxic, inhibited, propylene glycol heat transfer fluid
- low 70 PSIG pressure relief valve

#### CONTROL

- factory mounted
- housed in a NEMA 7 or 9 cast aluminum enclosure
- automatic and manual reset overtemperature cutouts, controlling magnetic contactor and 24 V control circuit transformer included with standard built-in controls

#### INSTALLATION

- wall, ceiling or pole installation using mounting brackets (not included but mandatory; see the accessories table)
- approved installation locations:
  - Class I, Divisions 1 and 2, Groups C and D
  - Class II, Divisions 1 and 2, Groups E (optional), F and G
  - Class I, Zones 1 and 2, Group IIB
  - Temperature code T3C, 160 °C (320 °F)

#### WARRANTY

- one year

#### IDEAL FOR:

HAZARDOUS ENVIRONMENTS\* SUCH AS:

aircraft hangar / service area, chemical storage-handling area, coal preparation plant, compressor station, grain elevator, oil refinery and rig, paint storage area, petrochemical plant, sewage pumping station / treatment plant, paint-spraying booth

\* Please consult your process engineer for proper class division, groups and temperature code needed for your application.

## OPTIONS AND ACCESSORIES DESCRIPTION

CODE	DESCRIPTION
C1	<u>316 STAINLESS STEEL CORROSION-RESISTANT CONSTRUCTION (WASTEWATER TREATMENT PLANTS)</u> 316 stainless steel heat exchanger with aluminum fins, 316 stainless steel cabinet; aluminum fan blade; cast aluminum NEMA 7 or 9 control enclosure; corrosion resistant hardware; corrosion-resistant protective-coated motor, which has passed the ASTM B117 salt-spray test.
C2	<u>DIRTY DUTY CORROSION-RESISTANT CONSTRUCTION (CHEMICAL PLANTS)</u> Heresite®, coated heat exchanger, cabinet and fan blade; cast aluminum NEMA 7 or 9 control enclosure; corrosion-resistant hardware; corrosion-resistant protective-coated motor that has passed the ASTM B117 salt-spray test. For installation in chemical treatment plants where chlorine is present.
D	<u>DISCONNECT SWITCH</u> Factory installed on the unit heater above the control switch located on the unit. Meets NEC/CEC requirements for a disconnect.
E	<u>GROUP E (METAL DUST) CONSTRUCTION</u> Class II, Group E (metal dust), construction temperature code T3C, 160 °C (320 °F).
K	<u>"WARNING" PILOT LIGHT</u> Indicates when the thermal cutouts have tripped and the unit heater needs servicing.
L	<u>"HEATER ON" PILOT LIGHT</u> Indicates when the electric heating elements are energized.
M	<u>THERMAL PROTECTION WITH MANUAL RESET, WITH BACKUP CONTACTOR</u> A pilot duty thermal protection with manual reset with a backup contactor is provided for independent secondary overtemperature protection. This option cannot be provided if option codes S or V are also specified.
S	<u>AUTO/FAN SELECTOR SWITCH</u> A two-position switch wired to the control circuit for auto (automatic heat) and fan only control. This selector switch cannot be provided if option codes M or V are also specified.
T	<u>ADJUSTABLE THERMOSTAT</u> Factory installed and prewired to the control enclosure. Thermostat is adjustable from the 10 °C to 32 °C (50 °F to 90 °F) range.
V	<u>120 VOLT CONTROL CIRCUIT, FUSED SECONDARY AND GROUNDED</u> Can be provided when required for special external thermostat circuit. This option cannot be provided if option codes S or M are also specified nor can both K and L be specified.

## ACCESSORIES

PRODUCT	DESCRIPTION	PRICE
EU-C1	stainless steel construction – anti corrosion for wastewater treatment plants	4017.00
EU-C2	dirty duty corrosion resistant for chemical plants	5275.00
EU-CMK	ceiling mounting kit – standard	195.00
EU-PMK	pole mounting kit – standard	347.00
EU-WMK	wall mounting kit – standard	347.00
EU-CMK-SS	corrosion-resistant ceiling mounting kit (stainless steel – for C1 or C2 options)	790.00
EU-PMK-SS	corrosion-resistant pole mounting kit (stainless steel – for C1 or C2 options)	790.00
EU-WMK-SS	corrosion-resistant wall mounting kit (stainless steel – for C1 or C2 options)	790.00
EU-D15	disconnect switch factory installed up to 480 V max 15 A (1 and 3 phases)	1477.00
EU-D30	disconnect switch factory installed up to 277 V max 30 A (1 phase)	1477.00
EU-D60	disconnect switch factory installed up to 600 V max 60 A (1 and 3 phases)	2164.00
EU-E	group E construction (metal dust)	918.00
EU-K	warning pilot light	918.00
EU-L	heater on pilot light	918.00
EU-M	secondary thermal protection with manual reset and backup contactor	352.00
EU-S	auto/fan selector switch	1008.00
EU-V	120 V control circuit, fused, secondary, grounded	264.00
ST-XPROEU	wall-mounted 24 V thermostat [125 V-277 V @ 22 A]; Classes I and II, Divisions 1 and 2, Groups C, D, E, F and G; 10-32 °C	568.00



# TECHNICAL SPECIFICATIONS

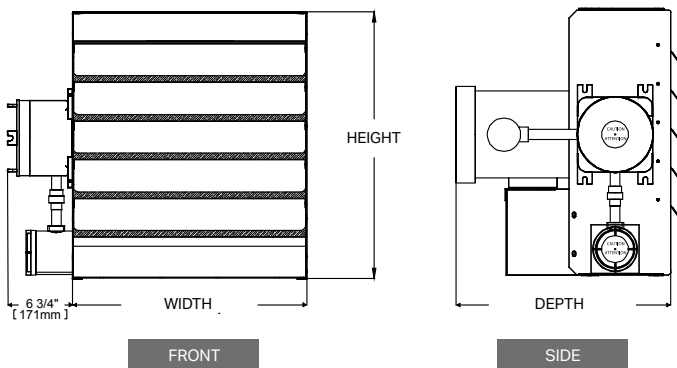
WITHOUT CONTROL		BUILT-IN THERMOSTAT		POWER	VOLTAGE	PHASE	AMPERAGE	AIR FLOW	THROW DISTANCE	MOTOR	FREQUENCY	APPROX. AIR TEMPERATURE RISE ( $\Delta T$ )	
CODE	PRICE	CODE	PRICE	KILOWATTS	VOLTS	NB.	AMPERES	CFM	M	FT.	HP	HZ	$^{\circ}\text{C}$ ( $^{\circ}\text{F}$ )
EU233-CA-0036C	5563.00	EU233-CA-0036C-T	6130.00	3	208	1	17	650	4.6	15	1/4	60	8 (15)
EU233-CA-0036J	5563.00	EU233-CA-0036J-T	6130.00	3	240	1	15	650	4.6	15	1/4	60	8 (15)
EU233-CA-0036D	5563.00	EU233-CA-0036D-T	6130.00	3	208	3	10	650	4.6	15	1/4	60	8 (15)
EU233-CA-0036K	5563.00	EU233-CA-0036K-T	6130.00	3	240	3	9	650	4.6	15	1/4	60	8 (15)
EU233-CA-0036Z	5563.00	EU233-CA-0036Z-T	6130.00	3	600	3	4	650	4.6	15	1/4	60	8 (15)
EU233-CA-0056C	5765.00	EU233-CA-0056C-T	6335.00	5	208	1	26	650	4.6	15	1/4	60	13 (25)
EU233-CA-0056J	5765.00	EU233-CA-0056J-T	6335.00	5	240	1	23	650	4.6	15	1/4	60	13 (25)
EU233-CA-0056D	5765.00	EU233-CA-0056D-T	6335.00	5	208	3	16	650	4.6	15	1/4	60	13 (25)
EU233-CA-0056K	5765.00	EU233-CA-0056K-T	6335.00	5	240	3	14	650	4.6	15	1/4	60	13 (25)
EU233-CA-0056Z	5765.00	EU233-CA-0056Z-T	6335.00	5	600	3	6	650	4.6	15	1/4	60	13 (25)
EU233-CA-0086C	6179.00	EU233-CA-0086C-T	6748.00	7.5	208	1	38	850	7.6	25	1/4	60	16 (28)
EU233-CA-0086J	6179.00	EU233-CA-0086J-T	6748.00	7.5	240	1	34	850	7.6	25	1/4	60	16 (28)
EU233-CA-0086D	6179.00	EU233-CA-0086D-T	6748.00	7.5	208	3	23	850	7.6	25	1/4	60	16 (28)
EU233-CA-0086K	6179.00	EU233-CA-0086K-T	6748.00	7.5	240	3	20	850	7.6	25	1/4	60	16 (28)
EU233-CA-0086Z	6179.00	EU233-CA-0086Z-T	6748.00	7.5	600	3	9	850	7.6	25	1/4	60	16 (28)
EU233-CA-0106J	6601.00	EU233-CA-0106J-T	7166.00	10	240	1	44	850	7.6	25	1/4	60	21 (38)
EU233-CA-0106D	6601.00	EU233-CA-0106D-T	7166.00	10	208	3	30	850	7.6	25	1/4	60	21 (38)
EU233-CA-0106K	6601.00	EU233-CA-0106K-T	7166.00	10	240	3	26	850	7.6	25	1/4	60	21 (38)
EU233-CA-0106Z	6601.00	EU233-CA-0106Z-T	7166.00	10	600	3	11	850	7.6	25	1/4	60	21 (38)
EU233-CB-0156D	6809.00	EU233-CB-0156D-T	7375.00	15	208	3	44	1800	13.7	45	1/4	60	15 (27)
EU233-CB-0156K	6809.00	EU233-CB-0156K-T	7375.00	15	240	3	38	1800	13.7	45	1/4	60	15 (27)
EU233-CB-0156Z	6809.00	EU233-CB-0156Z-T	7375.00	15	600	3	16	1800	13.7	45	1/4	60	15 (27)
EU233-CB-0206Z	7234.00	EU233-CB-0206Z-T	7799.00	20	600	3	21	1800	13.7	45	1/4	60	19 (35)
EU233-CC-0256Z	7919.00	EU233-CC-0256Z-T	8487.00	25	600	3	25	3110	19.8	65	1/2	60	14 (26)
EU233-CC-0306Z	8404.00	EU233-CC-0306Z-T	8973.00	30	600	3	30	3850	22.9	75	1/2	60	13 (25)

Models also available in 480 V.

## DIMENSIONS AND WEIGHT

UNITS OF	WIDTH		HEIGHT		DEPTH		WEIGHT	
	CM	IN.	CM	IN.	CM	IN.	KG	LB
KILOWATTS								
<b>3 TO 10</b>	40.8	16 1/16	49.2	19 3/8	55.2	21 3/4	49.9	110
<b>15 TO 20</b>	51.3	20 3/16	59.4	23 3/8	55.2	21 3/4	68.0	150
<b>25 TO 30</b>	61.4	24 3/16	69.5	27 3/8	53	20 7/8	86.2	190

## TECHNICAL DRAWINGS



# EC | X-PRO

## EXPLOSION-PROOF CONVECTOR



**X-PRO**  
SÉRIE/SERIES



## YOUR ALLY IN HAZARDOUS LOCATIONS

Stelpro's X-pro series explosion-proof convector is the unit best suited to hazardous locations at risk of fire or explosion and is available in many different wattages (from 0.5 kW to 9.5 kW) and voltages (120 V to 600 V). With many controls and options available, this heavy-duty unit is designed to meet all your needs.

### DESIGNED FOR HEATING LOCATIONS CONSIDERED HAZARDOUS

### THREE CLASSIFICATIONS: TWO FOR DANGEROUS GASES AND VAPORS AND ONE FOR PARTICLES OF DUST

### IRIDITE COATING TREATMENT FOR CABINET AVAILABLE FOR NEMA3 WET LOCATIONS (OPTION EC-C1)

### LARGE SELECTION OF MODELS SEVERAL WATTAGES, VOLTAGES AND PHASES

### SLOPED TOP MAKING IT LESS LIKELY TO BE SAT ON OR USED AS A SHELF

### COLOUR

- beige

### FINISH

- powdercoat

### MANUFACTURING

- 18-gauge robust galvanized steel cabinet
- corrosion resistant (EC-C1 and EC-C2 options)
- air enters at the bottom of the unit and exits at the top
- thermal protection with automatic reset
- sealed junction box

### ELEMENTS

- copper tube elements with large aluminum fins

### CONTROL

- wall thermostat (optional)
- built-in contactor and transformer included with single-phase units of more than 277 V or more than 22 A and for three-phase units (optional for all other units, except size 1 units)

### INSTALLATION

- wall (wall support included)
- minimum distance from floor: 6 in. (152 mm)
- approved locations:
  - Class I, Divisions 1 and 2, Groups B, C and D
  - Class II, Divisions 1 and 2, Groups E, F and G
  - Class I, Zones 1 and 2, Groups IIB + H2

### WARRANTY

- one year

### IDEAL FOR:

HAZARDOUS ENVIRONMENTS\* SUCH AS:  
battery storage area, chemical handling/storage area, coal preparation plant, dry cleaning plant, gasoline storage area, grain elevator, oil refinery, paint spraying/storage area, petrochemical plant

\* Please consult your process engineer for proper class division and groups needed for your application.

## OPTIONS AND ACCESSORIES DESCRIPTION

CODE	DESCRIPTION
<b>B2*</b>	<u>ELECTRIC CONTROL (WITHOUT THERMOSTAT)</u> Class I and II, Groups B, C, E, D, F and G, includes a contactor and a transformer (according to specifications). Required for single-phase units of more than 22 A or 277 V and three-phase units.
<b>B2/S1*</b>	<u>THERMOSTAT AND CONTROLS</u> Class I and II, Groups C, D, E, F and G includes a thermostat, a contactor and a transformer (according to specifications).
<b>B3*</b>	<u>THERMOSTAT AND CONTROLS (GROUP B)</u> Class I and II, Groups B, C, D, E, F and G includes a thermostat, a contactor and a transformer (according to specifications). The thermostat has an internal setpoint.
<b>S1*</b>	<u>THERMOSTAT ONLY</u> Class I and II, Groups C, D, E, F and G for single-phase units from maximum 22 A to 120 V-277 V. Use the ST-XPROEC wall thermostat for size 1 units.
<b>S2*</b>	<u>THERMOSTAT ONLY (GROUP B)</u> Class I and II, Groups B, C, D, E, F and G for single-phase units from maximum 22 A to 120 V-277 V. The thermostat has an internal setpoint. Use the ST-XPROEC wall thermostat for size 1 units.
<b>EC-C1*</b>	<u>G90 GALVANIZED STEEL UNIT RESISTANT TO WET AREAS (NEMA 3)</u> G90 galvanized steel cabinet resistant to wet areas with a baked on powder coating. Elements have a chromate coating, and unit has a gasketed terminal box cover (O ring). This option is not available for S1, B2/S1 and S2 thermostat options.
<b>EC-C2*</b>	<u>STAINLESS STEEL UNIT RESISTANT TO WET AND CORROSIVE AREAS (NEMA 3)</u> Stainless steel cabinet resistant to wet and corrosive areas. Elements have a chromate coating, and unit has a gasketed terminal box cover (O ring). This option is not available for S1, B2/S1 and S2 thermostat options.

\* These options are not available for size 1 units.

\* Units ordered with these options require a longer delay in delivery.

## ACCESSORIES

PRODUCT	DESCRIPTION	PRICE
<b>EC-C1</b>	G90 galvanized steel cabinet resistant to wet areas	<b>1171.00</b>
<b>EC-C2</b>	stainless steel unit resistant to wet and corrosive areas	<b>1705.00</b>
<b>ST-XPROEC</b>	wall-mounted 24 V thermostat (with low voltage control option B2) 125-277 V @ 22 A (10-32°C) – groups C, D, E, F and G	<b>1726.00</b>
<b>ST-XPROEC-1*</b>	wall-mounted 24 V thermostat (with low voltage control option B2) 120-240 V @ 25 A and 277 V @ 22 A (4-48°C) – groups B, C, D, E, F and G	<b>1726.00</b>
<b>ST-XPROEC-2*</b>	wall-mounted 24 V thermostat resistant to corrosion (with low voltage control option B2) 120-240 V @ 25 A and 277 V @ 22 A (4-48 °C) – groups B, C, D, E, F and G	<b>1726.00</b>

\* With bulb, capillary and internal setpoint adjustment

CLASS I, DIVISIONS 1 AND 2, GROUPS B, C AND D – CLASS I, ZONES 1 AND 2, GROUP IIB + H2  
IGNITION TEMPERATURE CODE: T2A, 280 °C (536 °F)

## TECHNICAL SPECIFICATIONS

PRODUCT	DIMENSION AND WEIGHT*	POWER	VOLTAGE	PHASE	CONTROL INCLUDED	AMPERAGE	PRICE
CODE		KILOWATTS	VOLTS	NB.		AMPERES	
<b>EC254-C0310052B</b>	1	0.5	120	1	---	4.2	<b>2481.00</b>
<b>EC254-C0310052C</b>	1	0.5	208	1	---	2.4	<b>2481.00</b>
<b>EC254-C0310052J</b>	1	0.5	240	1	---	2.1	<b>2481.00</b>
<b>EC254-C0310102B</b>	1	1	120	1	---	8.3	<b>2894.00</b>
<b>EC254-C0310102C</b>	1	1	208	1	---	4.8	<b>2894.00</b>
<b>EC254-C0310102J</b>	1	1	240	1	---	4.2	<b>2894.00</b>
<b>EC254-C0320182B</b>	2	1.8	120	1	---	15.0	<b>3140.00</b>
<b>EC254-C0320182B-S2</b>	2	1.8	120	1	S2	15.0	<b>4875.00</b>
<b>EC254-C0320182C</b>	2	1.8	208	1	---	8.7	<b>3140.00</b>
<b>EC254-C0320182C-S2</b>	2	1.8	208	1	S2	8.7	<b>4875.00</b>
<b>EC254-C0320182J</b>	2	1.8	240	1	---	7.5	<b>3140.00</b>
<b>EC254-C0320182J-S2</b>	2	1.8	240	1	S2	7.5	<b>4875.00</b>
<b>EC254-C0320182I-B2</b>	2	1.8	347	1	B2	5.2	<b>6941.00</b>
<b>EC254-C0320182I-B3</b>	2	1.8	347	1	B3	5.2	<b>8676.00</b>
<b>EC254-C0320182Z-B2</b>	2	1.8	600	3	B2	1.7	<b>7271.00</b>
<b>EC254-C0320182Z-B3</b>	2	1.8	600	3	B3	1.7	<b>9004.00</b>

\* Consult the dimensions and weight table.  
Models also available in 480 V.

## TECHNICAL SPECIFICATIONS (CONT'D)

PRODUCT	DIMENSION AND WEIGHT*	POWER	VOLTAGE	PHASE	CONTROL INCLUDED	AMPERAGE	PRICE
CODE		KILOWATTS	VOLTS	NB.		AMPERES	
EC254-C0320252C	2	2.5	208	1	---	12.0	3662.00
EC254-C0320252C-S2	2	2.5	208	1	S2	12.0	5394.00
EC254-C0320252D-B2	2	2.5	208	3	B2	6.9	6059.00
EC254-C0320252D-B3	2	2.5	208	3	B3	6.9	7793.00
EC254-C0320252J	2	2.5	240	1	---	10.4	3662.00
EC254-C0320252J-S2	2	2.5	240	1	S2	10.4	5394.00
EC254-C0320252I-B2	2	2.5	347	1	B2	7.2	7271.00
EC254-C0320252I-B3	2	2.5	347	1	B3	7.2	9004.00
EC254-C0320252Z-B2	2	2.5	600	3	B2	2.4	7271.00
EC254-C0320252Z-B3	2	2.5	600	3	B3	2.4	9004.00
EC254-C0330362C	3	3.6	208	1	---	17.3	4081.00
EC254-C0330362C-S2	3	3.6	208	1	S2	17.3	7551.00
EC254-C0330362D-B2	3	3.6	208	3	B2	10.0	7271.00
EC254-C0330362D-B3	3	3.6	208	3	B3	10.0	9004.00
EC254-C0330362J	3	3.6	240	1	---	15.0	4081.00
EC254-C0330362J-S2	3	3.6	240	1	S2	15.0	7551.00
EC254-C0330362I-B2	3	3.6	347	1	B2	10.4	7271.00
EC254-C0330362I-B3	3	3.6	347	1	B3	10.4	9004.00
EC254-C0330362Z-B2	3	3.6	600	3	B2	3.5	7271.00
EC254-C0330362Z-B3	3	3.6	600	3	B3	3.5	9004.00
EC254-C0330442C	3	4.4	208	1	---	21.2	4958.00
EC254-C0330442C-S2	3	4.4	208	1	S2	21.2	8427.00
EC254-C0330442D-B2	3	4.4	208	3	B2	12.2	7438.00
EC254-C0330442D-B3	3	4.4	208	3	B3	12.2	9171.00
EC254-C0330442J	3	4.4	240	1	---	18.3	4958.00
EC254-C0330442J-S2	3	4.4	240	1	S2	18.3	8427.00
EC254-C0330442I-B2	3	4.4	347	1	B2	12.7	7438.00
EC254-C0330442I-B3	3	4.4	347	1	B3	12.7	9171.00
EC254-C0330442Z-B2	3	4.4	600	3	B2	4.2	7438.00
EC254-C0330442Z-B3	3	4.4	600	3	B3	4.2	9171.00
EC254-C0340652D-B2	4	6.5	208	3	B2	18.1	8678.00
EC254-C0340652D-B3	4	6.5	208	3	B3	18.1	10411.00
EC254-C0340652J-B2	4	6.5	240	1	B2	27.1	8678.00
EC254-C0340652J-B3	4	6.5	240	1	B3	27.1	10411.00
EC254-C0340652I-B2	4	6.5	347	1	B2	18.7	8678.00
EC254-C0340652I-B3	4	6.5	347	1	B3	18.7	10411.00
EC254-C0340652Z-B2	4	6.5	600	3	B2	6.3	8678.00
EC254-C0340652Z-B3	4	6.5	600	3	B3	6.3	10411.00
EC254-C0340752D-B2	4	7.5	208	3	B2	20.8	9090.00
EC254-C0340752D-B3	4	7.5	208	3	B3	20.8	10822.00
EC254-C0340752J-B2	4	7.5	240	1	B2	31.3	9090.00
EC254-C0340752J-B3	4	7.5	240	1	B3	31.3	10822.00
EC254-C0340752I-B2	4	7.5	347	1	B2	21.6	9090.00
EC254-C0340752I-B3	4	7.5	347	1	B3	21.6	10822.00
EC254-C0340752Z-B2	4	7.5	600	3	B2	7.2	9090.00
EC254-C0340752Z-B3	4	7.5	600	3	B3	7.2	10822.00
EC254-C0340952D-B2	4	9.5	208	3	B2	26.4	10212.00
EC254-C0340952D-B3	4	9.5	208	3	B3	26.4	11948.00
EC254-C0340952J-B2	4	9.5	240	1	B2	39.6	9652.00
EC254-C0340952J-B3	4	9.5	240	1	B3	39.6	11384.00
EC254-C0340952I-B2	4	9.5	347	1	B2	27.4	10429.00
EC254-C0340952I-B3	4	9.5	347	1	B3	27.4	12165.00
EC254-C0340952Z-B2	4	9.5	600	3	B2	9.2	10212.00
EC254-C0340952Z-B3	4	9.5	600	3	B3	9.2	11948.00

\* Consult the dimensions and weight table.  
Models also available in 480 V.

CLASS I, DIVISIONS 1 AND 2, GROUPS B, C AND D – CLASS I, ZONES 1 AND 2, GROUP IIB + H2  
IGNITION TEMPERATURE CODE: T3A, 180 °C (356 °F)

## TECHNICAL SPECIFICATIONS

PRODUCT	DIMENSION AND WEIGHT*	POWER	VOLTAGE	PHASE	CONTROL INCLUDED	AMPERAGE	PRICE
CODE		KILOWATTS	VOLTS	NB.		AMPERES	
EC254-C0610052B	1	0.5	120	1	---	4.2	3140.00
EC254-C0610052C	1	0.5	208	1	---	2.4	3140.00
EC254-C0610052J	1	0.5	240	1	---	2.1	3140.00
EC254-C0620142B	2	1.4	120	1	---	11.7	4133.00
EC254-C0620142B-S2	2	1.4	120	1	S2	11.7	5867.00
EC254-C0620142C	2	1.4	208	1	---	6.7	4133.00
EC254-C0620142C-S2	2	1.4	208	1	S2	6.7	5867.00
EC254-C0620142J	2	1.4	240	1	---	5.8	4133.00
EC254-C0620142J-S2	2	1.4	240	1	S2	5.8	5867.00
EC254-C0620142I	2	1.4	347	1	B2	4.0	6033.00
EC254-C0620142I-B3	2	1.4	347	1	B3	4.0	7766.00
EC254-C0630232B	3	2.3	120	1	---	19.2	4958.00
EC254-C0630232B-S2	3	2.3	120	1	S2	19.2	6692.00
EC254-C0630232C	3	2.3	208	1	---	11.1	4958.00
EC254-C0630232C-S2	3	2.3	208	1	S2	11.1	6692.00
EC254-C0630232D-B2	3	2.3	208	3	B2	6.4	7308.00
EC254-C0630232D-B3	3	2.3	208	3	B3	6.4	9040.00
EC254-C0630232J	3	2.3	240	1	---	9.6	6446.00
EC254-C0630232J-S2	3	2.3	240	1	S2	9.6	8179.00
EC254-C0630232I-B2	3	2.3	347	1	B2	6.6	6446.00
EC254-C0630232I-B3	3	2.3	347	1	B3	6.6	8179.00
EC254-C0630232Z-B2	3	2.3	600	3	B2	2.2	7308.00
EC254-C0630232Z-B3	3	2.3	600	3	B3	2.2	9040.00
EC254-C0640322C	4	3.2	208	1	---	15.4	6446.00
EC254-C0640322C-S2	4	3.2	208	1	S2	15.4	8179.00
EC254-C0640322D-B2	4	3.2	208	3	B2	8.9	8263.00
EC254-C0640322D-B3	4	3.2	208	3	B3	8.9	9997.00
EC254-C0640322J	4	3.2	240	1	---	13.3	6612.00
EC254-C0640322J-S2	4	3.2	240	1	S2	13.3	8344.00
EC254-C0640322I-B2	4	3.2	347	1	B2	9.2	8263.00
EC254-C0640322I-B3	4	3.2	347	1	B3	9.2	9997.00
EC254-C0640322Z-B2	4	3.2	600	3	B2	3.1	8263.00
EC254-C0640322Z-B3	4	3.2	600	3	B3	3.1	9997.00
EC254-C0640502D-B2	4	5	208	3	B2	13.9	9988.00
EC254-C0640502D-B3	4	5	208	3	B3	13.9	11721.00
EC254-C0640502J	4	5	240	1	---	20.8	7601.00
EC254-C0640502J-S2	4	5	240	1	S2	20.8	9336.00
EC254-C0640502I-B2	4	5	347	1	B2	14.4	9670.00
EC254-C0640502I-B3	4	5	347	1	B3	14.4	11403.00
EC254-C0640502Z-B2	4	5	600	3	B2	4.8	9988.00
EC254-C0640502Z-B3	4	5	600	3	B3	4.8	11721.00

\* Consult the dimensions and weight table.  
Models also available in 480 V.  
--- not available

CLASS II, DIVISIONS 1 AND 2, GROUPS E, F AND G  
IGNITION TEMPERATURE CODE: T3C, 160 °C (320 °F)

## TECHNICAL SPECIFICATIONS

PRODUCT	DIMENSION AND WEIGHT*	POWER	VOLTAGE	PHASE	CONTROL INCLUDED	AMPERAGE	PRICE
CODE		KILOWATTS	VOLTS	NB.		AMPERES	
EC254-C0810054B	1	0.5	120	1	---	4.2	3225.00
EC254-C0810054C	1	0.5	208	1	---	2.4	3225.00
EC254-C0810054J	1	0.5	240	1	---	2.1	3225.00
EC254-C0820104B	2	1	120	1	---	8.3	4380.00
EC254-C0820104B-S2	2	1	120	1	S2	8.3	6114.00
EC254-C0820104C	2	1	208	1	---	4.8	4380.00
EC254-C0820104C-S2	2	1	208	1	S2	4.8	6114.00
EC254-C0820104J	2	1	240	1	---	4.2	4380.00
EC254-C0820104J-S2	2	1	240	1	S2	4.2	6114.00
EC254-C0820104I-B2	2	1	347	1	B2	2.9	6763.00
EC254-C0820104I-B3	2	1	347	1	B3	2.9	8497.00
EC254-C0830174B	3	1.7	120	1	---	14.2	5288.00
EC254-C0830174B-S2	3	1.7	120	1	S2	14.2	7022.00
EC254-C0830174C	3	1.7	208	1	---	8.2	5288.00
EC254-C0830174C-S2	3	1.7	208	1	S2	8.2	7022.00
EC254-C0830174J	3	1.7	240	1	---	7.1	5288.00
EC254-C0830174J-S2	3	1.7	240	1	S2	7.1	7022.00
EC254-C0830174I-B2	3	1.7	347	1	B2	4.9	7649.00
EC254-C0830174I-B3	3	1.7	347	1	B3	4.9	9383.00
EC254-C0830174Z-B2	3	1.7	600	3	B2	1.6	7649.00
EC254-C0830174Z-B3	3	1.7	600	3	B3	1.6	9383.00
EC254-C0840324C	4	3.2	208	1	---	15.4	6941.00
EC254-C0840324C-S2	4	3.2	208	1	S2	15.4	8676.00
EC254-C0840324D-B2	4	3.2	208	3	B2	8.9	8756.00
EC254-C0840324D-B3	4	3.2	208	3	B3	8.9	10493.00
EC254-C0840324J	4	3.2	240	1	---	13.3	6941.00
EC254-C0840324J-S2	4	3.2	240	1	S2	13.3	8676.00
EC254-C0840324I-B2	4	3.2	347	1	B2	9.2	8756.00
EC254-C0840324I-B3	4	3.2	347	1	B3	9.2	10493.00
EC254-C0840324Z-B2	4	3.2	600	3	B2	3.1	8756.00
EC254-C0840324Z-B3	4	3.2	600	3	B3	3.1	10493.00

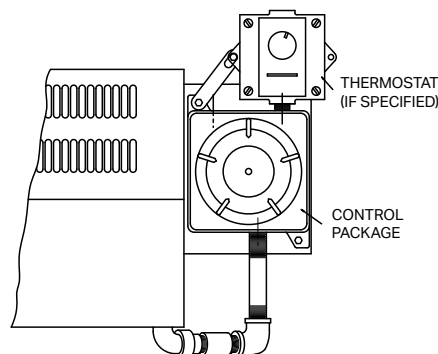
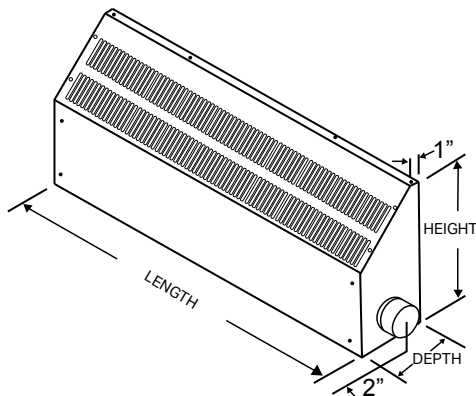
\* Consult the dimensions and weight table  
Models also available in 480 V.  
--- not available

## DIMENSIONS AND WEIGHT

UNIT SIZE	LENGTH		HEIGHT		DEPTH		WEIGHT*	
	CM	IN.	CM	IN.	CM	IN.	LB	KG
1	66	26	15	6	11	4.5	13	5.9
2	66	26	41	16	20	8	27	12.2
3	99	39	41	16	20	8	36	16.3
4	171	67.5	41	16	20	8	60	27.2

\* Without controls

## TECHNICAL DRAWINGS



Stelpro reserves the right to modify descriptions, manufacturing specifications or prices without prior notice. No returns accepted on optional-colour products.  
For all the latest models and prices, please refer to our website at [www.stelpro.com](http://www.stelpro.com).

# SFE/SFEX/SFECM | THE FURNACE

MODULATING ELECTRIC FURNACES WITH ELECTRONIC CONTROLS



**THE FURNACE**



## THE ALL-INCLUSIVE FURNACE

At last, Stelpro has designed an electric furnace that meets all your expectations. Our The furnace products are the only ones on the market that come equipped with a built-in temperature sensor, making installation much easier. You can say goodbye to undesirable variances in temperature thanks to their state-of-the-art electronic controls! Moreover, a new model, the SFEX, has been added to our product line. Powered by an ECM motor, it meets all performance requirements and provides additional energy savings. Simply choose the model that best suits your needs!

### NEW ELECTRONIC BOARD PROGRAMMING

COMPATIBLE WITH HEAT PUMP INSTALLATIONS

### BUILT-IN TEMPERATURE SENSOR

MAINTAINS MINIMUM HEATED AIR AT ALL TIMES

### STATE-OF-THE-ART ELECTRONIC CONTROLS

ECO MODE FOR INCREASED SAVINGS

### ECM MOTOR

GUARANTEES SAVINGS, CONSTANT AIRFLOW AND GREATER EFFICIENCY (SFECM MODEL)

### 1 HP MOTOR AVAILABLE

STARTING FROM 20 KW

### PRE-DRILLED PANELS

SIMPLIFY INSTALLATION AND CONNECTION

### FINISH

- powder coat (charcoal)

### MANUFACTURING

- robust galvanized steel cabinet
- easy access to electronic board to adjust the various potentiometers
- 20 in. x 20 in. air filter opening (filter not included)
- circuits composed exclusively of reliable relays

### ELEMENTS

- modulating elements for increased comfort and separately framed allowing for quick and easy replacement

### MOTOR

- totally enclosed, permanently lubricated motor
- ECM – preset motor speed (SFEX model)
- ECM – variable motor speed (SFECM model)

### CONTROL

- electronic board that compensates when heat pump is in defrost mode
- easy-to-use modes
- continuous ventilation button (low or high speed)
- continuous heating button (min or max)
- simplified connection system
- mechanical relays allowing for easy and low-cost maintenance

### INSTALLATION

- three possible installation positions: upflow, downflow or horizontal
- installation directly against a wall ("zero inch" clearance)
- three conductor installation possible

### WARRANTY

- five years

# TECHNICAL SPECIFICATIONS

PRODUCT	POWER AND VOLTAGE		AMPERAGE	MOTOR POWER	WEIGHT		PRICE
CODE	KILOWATTS	VOLTS	AMPERES	HP	KG	LB	
<b>SFE SERIES</b> (Models available in Quebec only)							
<b>SFE1021</b>	10/7.5	240/208	44/38	1/3	45	100	<b>1328.00</b>
<b>SFE1521</b>	15/11.2	240/208	65/56	1/3	45	100	<b>1394.00</b>
<b>SFE1821</b>	17.5/13.2	240/208	75/66	1/3	45	100	<b>1421.00</b>
<b>SFE2021</b>	20/15	240/208	85/74	1/3	45	100	<b>1421.00</b>
<b>SFE2321</b>	22.5/16.9	240/208	96/84	1/3	45	100	<b>1485.00</b>
<b>SFE2721</b>	27.5/20.7	240/208	119/104	1	48	105	<b>1953.00</b>
<b>SFE3021</b>	30/22.5	240/208	130/113	1	48	105	<b>2006.00</b>
<b>SFE20211HP</b>	20/15	240/208	88/77	1	48	105	<b>1677.00</b>
<b>SFE23211HP</b>	22.5/16.9	240/208	99/87	1	48	105	<b>1738.00</b>
<b>SFEX SERIES</b>							
<b>SFEX1021</b>	10/7.5	240/208	44/38	1/3	45	100	<b>1685.00</b>
<b>SFEX1521</b>	15/11.2	240/208	65/56	1/3	45	100	<b>1742.00</b>
<b>SFEX1821</b>	17.5/13.2	240/208	75/66	1/3	45	100	<b>1779.00</b>
<b>SFEX2021</b>	20/15	240/208	85/74	1/3	45	100	<b>1789.00</b>
<b>SFEX2321</b>	22.5/16.9	240/208	96/84	1/3	45	100	<b>1852.00</b>
<b>SFEX2721</b>	27.5/20.7	240/208	119/104	3/4	52	115	<b>2210.00</b>
<b>SFEX3021</b>	30/22.5	240/208	130/113	3/4	52	115	<b>2257.00</b>
<b>SFEX2021HP</b>	20/15	240/208	88/77	3/4	52	115	<b>2044.00</b>
<b>SFEX2321HP</b>	22.5/16.9	240/208	99/87	3/4	52	115	<b>2106.00</b>
<b>SFECM SERIES</b>							
<b>SFECM1021</b>	10/7.5	240/208	44/38	1/2	45	100	<b>1984.00</b>
<b>SFECM1521</b>	15/11.2	240/208	65/56	1/2	45	100	<b>2106.00</b>
<b>SFECM1821</b>	17.5/13.2	240/208	75/66	1/2	45	100	<b>2156.00</b>
<b>SFECM2021</b>	20/15	240/208	85/74	1/2	45	100	<b>2183.00</b>
<b>SFECM2321</b>	22.5/16.9	240/208	96/84	1/2	45	100	<b>2303.00</b>
<b>SFECM2721</b>	27.5/20.7	240/208	119/104	1	48	105	<b>2773.00</b>
<b>SFECM3021</b>	30/22.5	240/208	130/113	1	48	105	<b>2850.00</b>
<b>SFECM20211HP</b>	20/15	240/208	88/77	1	48	105	<b>2573.00</b>
<b>SFECM23211HP</b>	22.5/16.9	240/208	99/87	1	48	105	<b>2696.00</b>

See user guide for all technical specifications.

# ACCESSORIES

PRODUCT	DESCRIPTION	PRICE
<b>FSB2</b>	SFE furnace downflow adaptor	<b>140.00</b>
<b>SCOND</b>	neutral terminal for third conductor	<b>42.75</b>



# ECM MOTOR – ELECTRONICALLY COMMUTATED MOTOR

COMFORT, EFFICIENCY, RELIABILITY AND SECURITY ARE AT THE HEART OF THE ECM

**COMFORT**

Comfort level can be increased if a variable speed motor is installed. This level cannot be reached with any other method. It also allows the user to select the low speed with the desired airflow in recirculation.

**EFFICIENCY**

Since it combines electronic circuits and a BLDC motor, it is the most efficient motor on the HVAC market. It can reach up to twice the capacity of a PSC motor.

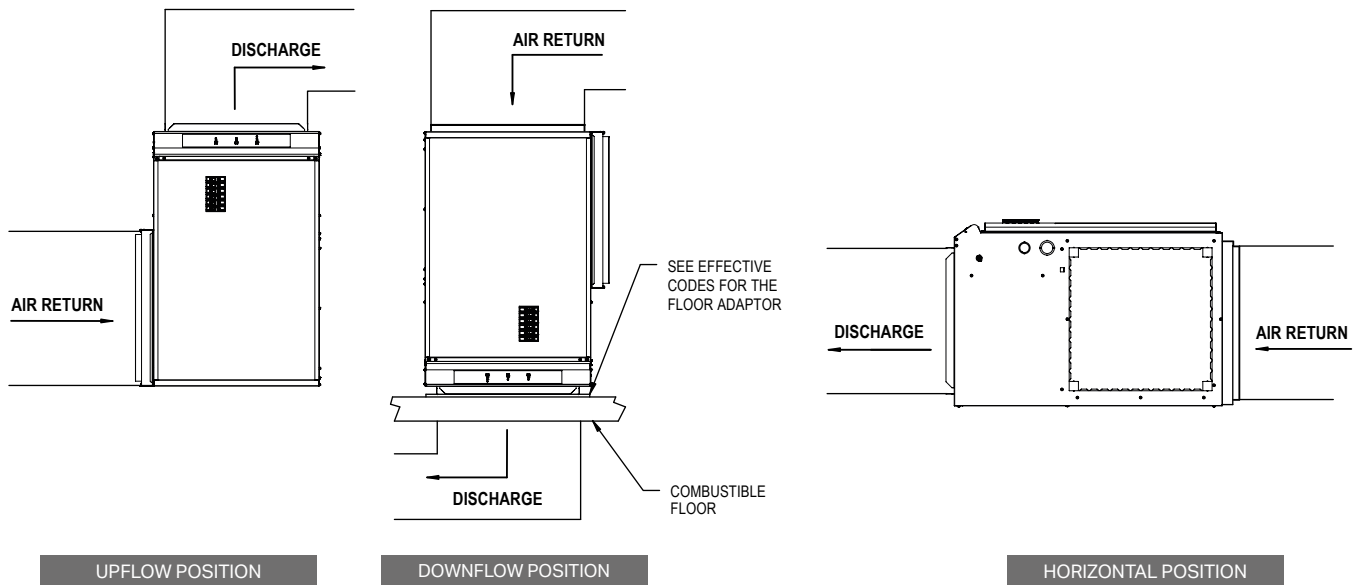
**RELIABILITY**

All its electronic circuits are protected against condensation. Thanks to its design and materials, such as silicone elastomer, it is one of the most reliable motors on the market.

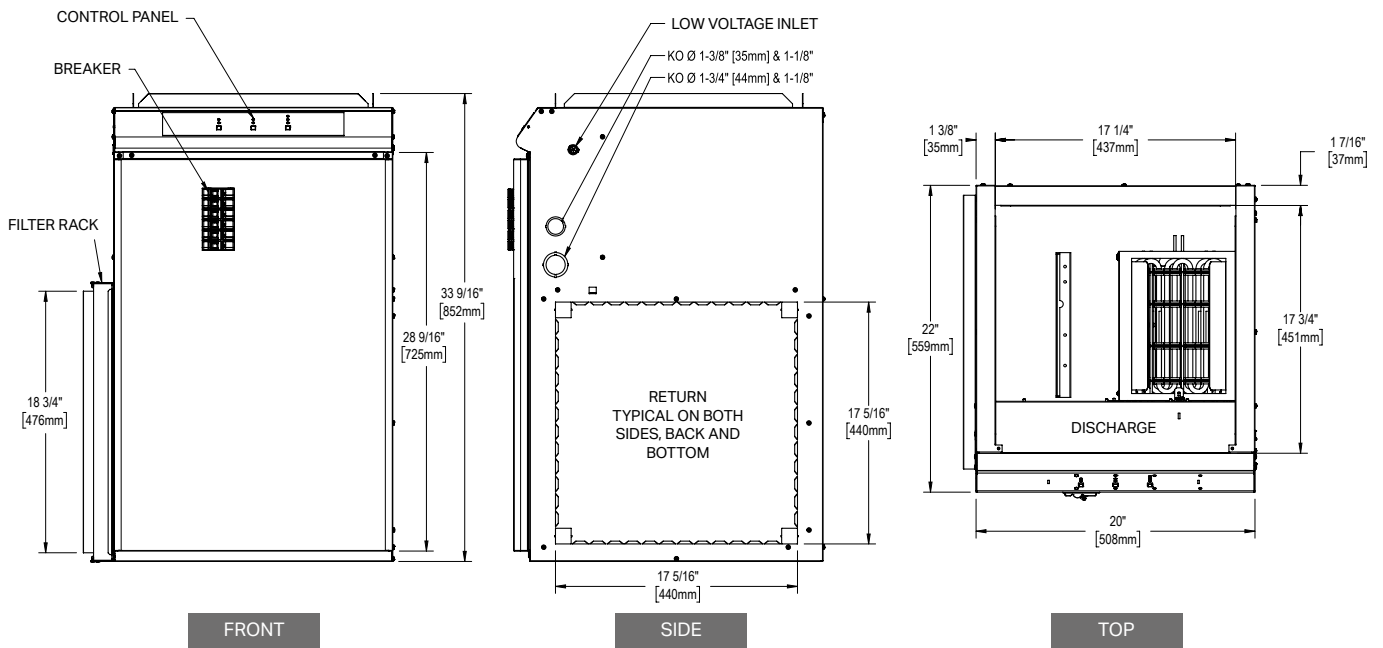
**SECURITY**

Its electronic system is protected by MOVs (metal oxide varistors) against lightning overvoltages.

## INSTALLATION



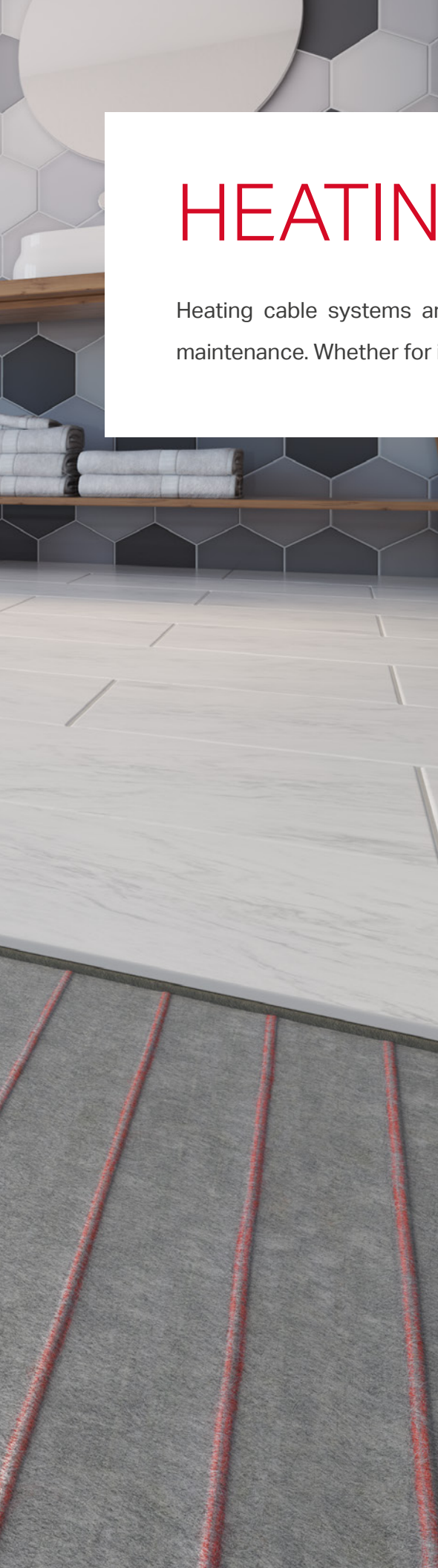
# TECHNICAL DRAWINGS





# HEATING CABLES

Heating cable systems are an energy-efficient, safe and durable choice that requires no maintenance. Whether for indoor or outdoor use, our heating cables distribute heat evenly.



# SCU

## UNIVERSAL HEATING CABLE



### CHOOSE OPTIMAL AND UNIFORM HEAT

Enjoy the unparalleled comfort of a heated floor with the SCU series universal heating cable. The heating cable is a safe, durable and maintenance-free heating solution that provides uniform heat over the entire floor surface. This universal product is easy to install either with an uncoupling membrane or directly on plywood. Ideal for any room of the house, especially difficult-to-heat spots, it's compatible with most floor coverings and makes more space available for furniture and interior décor elements.

#### SILENT, ECONOMICAL AND SAFE

#### EASY TO INSTALL

CABLE SPACER OR UNCOUPLING MEMBRANE INSTALLATION

#### FLEXIBLE, EASY-TO-HANDLE CABLE

#### PROVIDES OPTIMAL COMFORT BY HEATING FROM THE FLOOR UP

#### COMPLETE KIT, INCLUDING:

HEATING CABLE, GLUE STICKS, CABLE SPACERS AND INSTALLATION GUIDE

#### UNCOUPLING MEMBRANE AVAILABLE TO EASE INSTALLATION OF CERAMIC FLOOR

#### MANUFACTURING

- diameter suitable for use with an uncoupling membrane
- heating elements sheathed in thermoplastic polymer insulation
- dual heating element that allows for a return to the thermostat inside the cable (therefore, cable route planning doesn't need to include a return to the thermostat)
- tin-plated copper braiding for better corrosion resistance

#### WATTAGE

- 12 W/ft<sup>2</sup> – 3 spaces (with a membrane or cable spacers)
- 9 W/ft<sup>2</sup> – 4 spaces (cable spacers)

#### CONTROL

- electronic thermostat for floor heating (sold separately)

Note: a temperature sensor is included with the SCU product and another with the Stelpro electronic thermostat.

#### INSTALLATION

- with any uncoupling membrane
- directly on concrete (slab or basement floor) using the cable spacers (included with the product)
- directly on plywood using the cable spacers (included with the product)
- glue sticks included
- under most floor coverings\*, so long as the heating cable is completely covered with self-leveling mortar

#### WARRANTY

- twenty-five years

\*For more information on floor coverings that can be installed over a heating cable, we strongly recommend that you check with the floor covering manufacturers in question.

#### IDEAL FOR:

bathroom, kitchen, living room, bedroom, basement, hallway, day care centre, locker room, small space

#### FOR MAXIMUM EFFICIENCY

#### ELECTRONIC THERMOSTATS FOR HEATING CABLE

SINGLE PROGRAMMING



MULTIPLE PROGRAMMING



# TECHNICAL SPECIFICATIONS

PRODUCT	AMPERAGE	LENGTH	POWER	MEMBRANE		CABLE SPACER*		PRICE
				SPACING : 3 WALL CLEARANCE : 3		SPACING : 3 OR 4 WALL CLEARANCE : 3 IN.		
				DENSITY : 12 W/FT <sup>2</sup> 3 spaces = 3,63 in. (92 mm)	DENSITY : 12 W/FT <sup>2</sup> 3 spaces = 3,75 in. (95,3 mm)	DENSITY : 12 W/FT <sup>2</sup> 3 spaces = 3,63 in. (92 mm)	DENSITY : 9 W/FT <sup>2</sup> 4 spaces = 4,83 in. (122,7 mm)	
CODE	AMP	FT	WATTS	SURFACE FT <sup>2</sup>				
<b>240/208 VOLTS</b>								
SCU2W0135S013	0.6/0.5	35.3	135/101	12.9	13.5	12.5	16.6	163.00
SCU2W0203S019	0.8/0.7	53.1	203/152	18.7	19.5	18.2	24.2	196.00
SCU2W0270S025	1.1/1.0	70.5	270/203	24.5	25.4	23.9	31.7	244.00
SCU2W0338S030	1.4/1.2	88.2	338/254	29.6	31.3	29.5	39.3	279.00
SCU2W0405S036	1.7/1.5	105.8	405/304	35.8	37.1	35.1	46.7	310.00
SCU2W0475S042	2.0/1.7	124.1	475/356	41.6	43.3	40.8	54.3	319.00
SCU2W0540S047	2.3/1.9	141.0	540/405	47.0	48.8	46.2	61.4	327.00
SCU2W0675S058	2.8/2.4	176.3	675/506	58.2	60.3	57.0	76.1	385.00
SCU2W0810S069	3.4/2.9	211.6	810/608	69.3	71.8	68.3	90.9	437.00
SCU2W0950S081	4.0/3.4	248.2	950/713	80.8	83.8	79.7	106.0	475.00
SCU2W1080S091	4.5/3.9	282.1	1080/810	91.4	94.7	90.3	120.0	494.00
SCU2W1300S109	5.4/4.7	339.4	1300/975	109.3	113.2	108.1	143.7	536.00
SCU2W1630S136	6.8/5.9	425.8	1630/1223	136.2	141.0	134.9	179.3	645.00
SCU2W1840S153	7.7/6.6	480.5	1840/1380	153.2	158.5	151.8	201.7	724.00
SCU2W2110S175	8.8/7.6	551.0	2110/1583	175.1	181.3	173.7	230.4	829.00
SCU2W2320S192	9.7/8.4	605.9	2320/1740	192.2	198.9	190.7	253.2	839.00
SCU2W2580S213	10.8/9.3	673.8	2580/1935	213.1	220.6	211.5	281.1	912.00
SCU2W2850S235	11.9/10.3	744.4	2850/2138	234.9	243.1	234.6	310.2	1007.00
SCU2W3400S279	14.2/12.3	888.0	3400/2550	279.3	289.0	277.5	368.7	1195.00
<b>120 VOLTS</b>								
SCU1W0135S013	1.1	35.3	135	12.9	13.5	12.5	16.6	163.00
SCU1W0203S019	1.7	52.9	203	18.7	19.5	18.2	24.2	196.00
SCU1W0270S024	2.3	70.5	270	24.5	25.4	23.9	31.7	244.00
SCU1W0338S030	2.8	88.2	338	29.6	31.3	29.5	39.3	279.00
SCU1W0405S036	3.4	105.8	405	35.8	37.1	35.1	46.7	310.00
SCU1W0475S042	4.0	124.1	475	41.6	43.3	40.8	54.3	319.00
SCU1W0540S047	4.5	141.1	540	47.0	48.8	46.2	61.4	327.00
SCU1W0650S056	5.4	169.8	650	56.1	58.2	55.0	73.4	379.00
SCU1W0815S070	6.8	212.9	815	69.7	72.2	68.7	91.5	396.00
SCU1W0920S078	7.7	240.2	920	78.3	81.1	77.2	102.7	422.00
SCU1W1055S089	8.8	275.5	1055	89.3	92.5	88.2	117.4	473.00
SCU1W1160S098	9.7	303.0	1160	97.9	101.4	96.8	128.8	508.00
SCU1W1290S109	10.8	336.9	1290	108.5	112.4	107.3	142.8	553.00
SCU1W1425S120	11.9	372.2	1425	119.5	123.7	118.3	157.2	608.00
SCU1W1700S142	14.2	444.0	1700	141.8	146.9	140.5	186.7	719.00

\*Included with the product  
<sup>1</sup>Density for 240 V and 120 V

# ACCESSORIES

PRODUCT	DESCRIPTION	PRICE
STCNPW5	single programming electronic thermostat	162.00
STCPW5	multiple programming electronic thermostat	207.00
TH115F12VDC	master thermostat for use with relay (120 V/240 V) in large areas [12 V]	250.00
CT230GA	relay for use with master thermostat in large areas [15 A @ 120 V-240 V, 50/60 Hz]	215.00
STSCC	thermostat sensor for heating cable	24.25
SCU-MEM-054	membrane for SCU floor heating cable – 3.3 x 16.4 ft = 53.8 ft <sup>2</sup> (5 x 1 m = 5m <sup>2</sup> )	182.00
SCU-MEM-162	membrane for SCU floor heating cable – 3.3 x 49.5 ft = 161 ft <sup>2</sup> (15 x 1 m = 15m <sup>2</sup> )	497.00
SCU-STRIP-01	plastic cable spacers for installation (pack of 24)	24.00
SCURK	repair kit	39.25
SCU-PROBAND-1530	Proband roll 6 in. X 98 ft 5 in.	196.00

Stelpro reserves the right to modify descriptions, manufacturing specifications or prices without prior notice. No returns accepted on optional-colour products.  
 For all the latest models and prices, please refer to our website at [www.stelpro.com](http://www.stelpro.com).

# SFM/SFMC | PERSIA™

## HEATING CABLE MAT



PERSIA™  
CUSTOM PERSIA™



### A HEATED FLOOR THAT OFFERS COMFORT AKIN TO WARM SAND

Stelpro's innovative heating cable mat adds comfort and a touch of luxury to your home. Silent, efficient and unobtrusive, the Persia mat is the ideal floor heating system. It can be installed with most types of floor coverings and is available in a wide range of standard and custom sizes. Furthermore, the electromagnetic fields are almost non-existent with the Persia heating cable mat, meaning it is safe for toddlers and the whole family. Unique to Stelpro, the membrane is made from a durable, non-woven fabric that's easy to install and protects the cable from damage from tools during installation. This feature sets Persia apart from all other heating mats on the market.

#### STANDARD AND CUSTOM SIZES FOR ANY TYPE OF PROJECT

#### QUICK, SAFE AND EASY INSTALLATION

#### HEATING FROM THE GROUND UP FOR OPTIMAL COMFORT

#### PERFECT FOR PEOPLE WITH ALLERGIES NO AIR MOVEMENT, NO DUST AND NO SMELL

#### MANUFACTURING

- twin heating cables sheathed in high-quality thermoplastic polymers and laminated on both sides with a durable, non-woven fabric
- very thin (less than 1/8 in. [3.2 mm] thick)
- standard length of 10 feet (3 m) for the power lead wires (other lengths available by special order)

#### WATTAGE

- 12 W/sq.ft. (at 120 V or 240 V)
- 9 W/sq.ft. (at 208 V)

#### CONTROL

- electronic thermostat for heating cable (optional, floor sensor included with thermostat)

#### INSTALLATION

- can be installed on either side, in any direction
- concrete slab or plywood subflooring
- compatible with all types of mortar, adhesive mortar, polymer-modified mortar (thinset) and self-levelling mortar typically used for floor coverings (see the installation guide)
- can be installed under most types of floor coverings\* (ceramic tiles, slate, marble, granite, engineered flooring, laminate flooring, vinyl tiles, linoleum, carpet, etc.)

#### WARRANTY

- twenty-five years

\*For more information about the types of floor coverings under which you can safely install a heating cable mat, we strongly recommend you contact the relevant floor covering manufacturers.

#### IDEAL FOR:

bathroom, kitchen, living room, bedroom, basement, hallway, daycare centre, locker room, small space

#### FOR MAXIMUM EFFICIENCY

#### ELECTRONIC THERMOSTATS FOR HEATING CABLE

SINGLE  
PROGRAMMING



MULTIPLE  
PROGRAMMING



# STANDARD MODELS

## TECHNICAL SPECIFICATIONS

PRODUCT	DIMENSIONS (IN.)		SURFACE AREA	POWER	AMPERAGE	WEIGHT		PRICE
CODE	LENGTH	WIDTH	FT²	WATTS	AMPERES	KG	LB	
<b>240/208 VOLTS</b>								
SFM2W0147D042042	42	42	12.3	147/110	0.6/0.5	3.3	7.3	<b>292.00</b>
SFM2W0144D048036	48	36	12.0	144/108	0.6/0.5	3.1	6.8	<b>270.00</b>
SFM2W0168D048042	48	42	14.0	168/126	0.7/0.6	3.3	7.3	<b>310.00</b>
SFM2W0192D048048	48	48	16.0	192/144	0.8/0.7	4.1	9.0	<b>322.00</b>
SFM2W0150D060030	60	30	12.5	150/113	0.6/0.5	2.9	6.4	<b>270.00</b>
SFM2W0180D060036	60	36	15.0	180/135	0.8/0.7	3.4	7.5	<b>286.00</b>
SFM2W0210D060042	60	42	17.5	210/158	0.9/0.8	3.9	8.6	<b>308.00</b>
SFM2W0240D060048	60	48	20.0	240/180	1.0/0.9	4.6	10.1	<b>339.00</b>
SFM2W0300D060060	60	60	25.0	300/225	1.3/1.1	5.1	11.2	<b>395.00</b>
SFM2W0180D072030	72	30	15.0	180/135	0.8/0.7	3.2	7.1	<b>286.00</b>
SFM2W0216D072036	72	36	18.0	216/162	0.9/0.8	3.7	8.2	<b>319.00</b>
SFM2W0252D072042	72	42	21.0	252/189	1.1/0.9	4.4	9.7	<b>355.00</b>
SFM2W0288D072048	72	48	24.0	288/216	1.2/1.0	4.5	9.9	<b>383.00</b>
SFM2W0360D072060	72	60	30.0	360/270	1.5/1.3	5.6	12.3	<b>439.00</b>
SFM2W0432D072072	72	72	36.0	432/324	1.8/1.6	7.3	16.1	<b>468.00</b>
SFM2W0168D084024	84	24	14.0	168/126	0.7/0.6	2.8	6.2	<b>267.00</b>
SFM2W0210D084030	84	30	17.5	210/158	0.9/0.8	3.5	7.7	<b>313.00</b>
SFM2W0252D084036	84	36	21.0	252/189	1.1/0.9	3.9	8.6	<b>355.00</b>
SFM2W0294D084042	84	42	24.5	294/221	1.2/1.1	4.7	10.4	<b>388.00</b>
SFM2W0336D084048	84	48	28.0	336/252	1.4/1.2	5.3	11.7	<b>423.00</b>
SFM2W0420D084060	84	60	35.0	420/315	1.8/1.5	6.1	13.4	<b>460.00</b>
SFM2W0504D084072	84	72	42.0	504/379	2.1/1.8	7.1	15.7	<b>529.00</b>
SFM2W0588D084084	84	84	49.0	588/442	2.5/2.1	7.6	16.8	<b>589.00</b>
SFM2W0192D096024	96	24	16.0	192/144	0.8/0.7	3.0	6.6	<b>268.00</b>
SFM2W0240D096030	96	30	20.0	240/180	1.0/0.9	3.7	8.2	<b>339.00</b>
SFM2W0288D096036	96	36	24.0	288/216	1.2/1.0	4.1	9.0	<b>383.00</b>
SFM2W0336D096042	96	42	28.0	336/252	1.4/1.2	5.2	11.5	<b>423.00</b>
SFM2W0384D096048	96	48	32.0	384/288	1.6/1.4	5.3	11.7	<b>439.00</b>
SFM2W0480D096060	96	60	40.0	480/361	2.0/1.7	6.8	15.0	<b>503.00</b>
SFM2W0576D096072	96	72	48.0	576/433	2.4/2.1	8.2	18.1	<b>578.00</b>
SFM2W0672D096084	96	84	56.0	672/505	2.8/2.4	9.0	19.8	<b>669.00</b>
SFM2W0768D096096	96	96	64.0	768/577	3.2/2.8	8.9	19.6	<b>716.00</b>
SFM2W0240D120024	120	24	20.0	240/180	1.0/0.9	3.6	7.9	<b>334.00</b>
SFM2W0300D120030	120	30	25.0	300/225	1.3/1.1	4.4	9.7	<b>385.00</b>
SFM2W0360D120036	120	36	30.0	360/270	1.5/1.3	5.0	11.0	<b>430.00</b>
SFM2W0420D120042	120	42	35.0	420/315	1.8/1.5	5.7	12.6	<b>454.00</b>
SFM2W0480D120048	120	48	40.0	480/361	2.0/1.7	6.5	14.3	<b>503.00</b>
SFM2W0600D120060	120	60	50.0	600/451	2.5/2.2	7.8	17.2	<b>589.00</b>
SFM2W0720D120072	120	72	60.0	720/541	3.0/2.6	9.5	20.9	<b>693.00</b>
SFM2W0840D120084	120	84	70.0	840/631	3.5/3.0	9.9	21.8	<b>750.00</b>
SFM2W0960D120096	120	96	80.0	960/721	4.0/3.5	11.3	24.9	<b>826.00</b>
SFM2W1200D120120	120	120	100.0	1200/901	5.0/4.3	13.8	30.4	<b>977.00</b>
SFM2W0432D144036	144	36	36.0	432/324	1.8/1.6	5.5	11.1	<b>454.00</b>
SFM2W0720D144060	144	60	60.0	720/541	3.0/2.6	9.1	20.1	<b>613.00</b>
SFM2W0864D144072	144	72	72.0	864/649	3.6/3.1	10.4	22.9	<b>723.00</b>
SFM2W1152D144096	144	96	96.0	1152/865	4.8/4.2	13.5	29.8	<b>888.00</b>
SFM2W1440D144120	144	120	120.0	1440/1082	6.0/5.2	16.0	35.3	<b>1012.00</b>
SFM2W1728D144144	144	144	144.0	1728/1298	7.2/6.2	18.3	40.3	<b>1075.00</b>



# STANDARD MODELS

## TECHNICAL SPECIFICATIONS

PRODUCT	DIMENSIONS (IN.)		SURFACE AREA	POWER	AMPERAGE	WEIGHT		PRICE
CODE	LENGTH	WIDTH	FT <sup>2</sup>	WATTS	AMPERES	KG	LB	
<b>120 VOLTS</b>								
SFM1W0095D042027	42	27	7.9	95	0.8	2.8	6.2	224.00
SFM1W0112D042032	42	32	9.3	112	0.9	2.9	6.4	230.00
SFM1W0147D042042	42	42	12.3	147	1.2	3.1	6.8	244.00
SFM1W0096D048024	48	24	8.0	96	0.8	3.1	6.8	227.00
SFM1W0120D048030	48	30	10.0	120	1.0	3.1	6.8	242.00
SFM1W0144D048036	48	36	12.0	144	1.2	3.1	6.8	253.00
SFM1W0168D048042	48	42	14.0	168	1.4	3.5	7.7	264.00
SFM1W0192D048048	48	48	16.0	192	1.6	4.0	8.8	302.00
SFM1W0120D060024	60	24	10.0	120	1.0	2.5	5.5	242.00
SFM1W0150D060030	60	30	12.5	150	1.3	3.0	6.6	259.00
SFM1W0180D060036	60	36	15.0	180	1.5	3.3	7.3	285.00
SFM1W0210D060042	60	42	17.5	210	1.8	3.8	8.4	308.00
SFM1W0240D060048	60	48	20.0	240	2.0	4.3	9.5	339.00
SFM1W0300D060060	60	60	25.0	300	2.5	5.1	11.2	394.00
SFM1W0144D072024	72	24	12.0	144	1.2	2.6	5.7	253.00
SFM1W0180D072030	72	30	15.0	180	1.5	3.2	7.0	285.00
SFM1W0216D072036	72	36	18.0	216	1.8	3.6	7.9	323.00
SFM1W0252D072042	72	42	21.0	252	2.1	4.1	9.0	356.00
SFM1W0288D072048	72	48	24.0	288	2.4	4.8	10.6	384.00
SFM1W0360D072060	72	60	30.0	360	3.0	5.7	12.5	437.00
SFM1W0432D072072	72	72	36.0	432	3.6	7.3	16	469.00
SFM1W0168D084024	84	24	14.0	168	1.4	3.0	6.6	268.00
SFM1W0210D084030	84	30	17.5	210	1.8	3.5	7.7	313.00
SFM1W0252D084036	84	36	21.0	252	2.1	3.9	8.6	356.00
SFM1W0294D084042	84	42	24.5	294	2.5	4.7	10.3	387.00
SFM1W0336D084048	84	48	28.0	336	2.8	5.5	12.1	422.00
SFM1W0420D084060	84	60	35.0	420	3.5	6.2	13.6	460.00
SFM1W0504D084072	84	72	42.0	504	4.2	7.1	15.6	529.00
SFM1W0588D084084	84	84	49.0	588	4.9	7.7	16.9	589.00
SFM1W0192D096024	96	24	16.0	192	1.6	2.9	6.4	305.00
SFM1W0240D096030	96	30	20.0	240	2.0	3.8	8.4	339.00
SFM1W0288D096036	96	36	24.0	288	2.4	4.5	9.9	384.00
SFM1W0336D096042	96	42	28.0	336	2.8	5.4	11.9	422.00
SFM1W0384D096048	96	48	32.0	384	3.2	5.4	11.9	439.00
SFM1W0480D096060	96	60	40.0	480	4.0	6.8	15.0	505.00
SFM1W0576D096072	96	72	48.0	576	4.8	8.3	18.3	579.00
SFM1W0672D096084	96	84	56.0	672	5.6	8.9	19.6	669.00
SFM1W0768D096096	96	96	64.0	768	6.4	9.0	19.8	718.00
SFM1W0240D120024	120	24	20.0	240	2.0	3.6	7.9	337.00
SFM1W0300D120030	120	30	25.0	300	2.5	4.3	9.5	387.00
SFM1W0360D120036	120	36	30.0	360	3.0	5.1	11.2	433.00
SFM1W0420D120042	120	42	35.0	420	3.5	5.8	12.8	454.00
SFM1W0480D120048	120	48	40.0	480	4.0	6.6	14.5	500.00
SFM1W0600D120060	120	60	50.0	600	5.0	7.9	17.4	589.00
SFM1W0720D120072	120	72	60.0	720	6.0	9.5	20.9	689.00
SFM1W0840D120084	120	84	70.0	840	7.0	9.8	21.6	747.00
SFM1W0960D120096	120	96	80.0	960	8.0	11.4	25.1	825.00

## ACCESSORIES

PRODUCT	DESCRIPTION	PRICE
STCNPW5	single programming electronic thermostat	162.00
STCPW5	multiple programming electronic thermostat	207.00
TH115F12VDC	master thermostat for use with relay (120 V/240 V) in large areas [12 V]	250.00
CT230GA	relay for use with master thermostat in large areas [15 A @ 120 V-240 V, 50/60 Hz]	215.00
STSCC	thermostat sensor for heating cable	24.25
SFMRK	repair kit	74.00

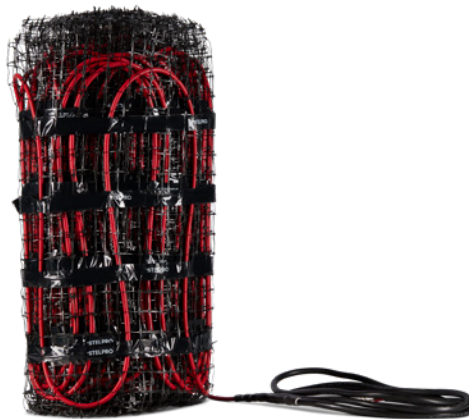
## TECHNICAL SPECIFICATIONS

PRODUCT	MINIMUM SURFACE AREA	MAXIMUM SURFACE AREA	PRICE
CODE	FT <sup>2</sup>	FT <sup>2</sup>	
<b>240 VOLTS</b>			
SFMC2S015020	15	20	465.00
SFMC2S021030	21	30	597.00
SFMC2S031040	31	40	698.00
SFMC2S041050	41	50	839.00
SFMC2S051060	51	60	980.00
SFMC2S061070	61	70	1081.00
SFMC2S071080	71	80	1192.00
SFMC2S081090	81	90	1313.00
SFMC2S091100	91	100	1455.00
SFMC2S101110	101	110	1596.00
SFMC2S111120	111	120	1747.00
SFMC2S121130	121	130	1869.00
SFMC2S131140	131	140	1909.00
SFMC2S141150	141	150	1979.00
SFMC2S151160	151	160	2040.00
SFMC2S161170	161	170	2080.00
SFMC2S171180	171	180	2121.00
SFMC2S181190	181	190	2242.00
SFMC2S191200	191	200	2363.00
<b>120 VOLTS</b>			
SFMC1S007010	7.5	10	385.00
SFMC1S011020	11	20	445.00
SFMC1S021030	21	30	597.00
SFMC1S031040	31	40	698.00
SFMC1S041050	41	50	839.00
SFMC1S051060	51	60	980.00
SFMC1S061070	61	70	1081.00
SFMC1S071080	71	80	1192.00
SFMC1S081090	81	90	1313.00
SFMC1S091100	91	100	1455.00



# SECM

## HEATING CABLE ON LATTICE FOR CONCRETE



### THE OPTIMAL UNIFORM HEATING SOLUTION

More economical and easier to install than a hydronic system, our heating cable on lattice for concrete is ideal for residential and commercial renovation projects. Furthermore, no maintenance costs are required. It's a concrete solution for floor heating!

#### EASIER TO INSTALL AND USE THAN A HYDRONIC SYSTEM

#### CONCRETE SLAB HEATING WITH NO LIQUID OR PUMP

#### PERFECT FOR PEOPLE WITH ALLERGIES NO AIR MOVEMENT, NO DUST AND NO SMELL

#### WIDE VARIETY OF LENGTHS

#### MANUFACTURING

- double conductor heating cable fastened to a plastic lattice with negligible magnetic emissions
- 24 in. wide (0.6 m) lattice available in several lengths
- 9 ft cold lead included

#### WATTAGE

- 12 W/ft<sup>2</sup> (at 240 V)
- 9 W/ft<sup>2</sup> (at 208 V)

#### CONTROL

- electronic thermostat for heated floor (optional floor sensor included with thermostat)

Note: This product must be used with a ground fault circuit interrupter (GFCI) unless this is not required by the national or local code in the region where it is being installed.

#### INSTALLATION

- never cut the cable
- for indoor residential and commercial applications only
- can be installed under a 4 to 6 in. (10 to 15 cm) concrete slab or under a 1.5 to 4 in. (4 to 10 cm) concrete floor covering
- compatible with most floor coverings\*
- can be installed with or without a metal frame for reinforced concrete
- supplied materials: plastic floor staples, 15 ft (4.5 m) floor sensor, warranty card and electrical panel label

#### WARRANTY

- twenty years

\*For more information about the types of floor coverings under which you can safely install a heating cable, we strongly recommend you contact the relevant floor covering manufacturers.

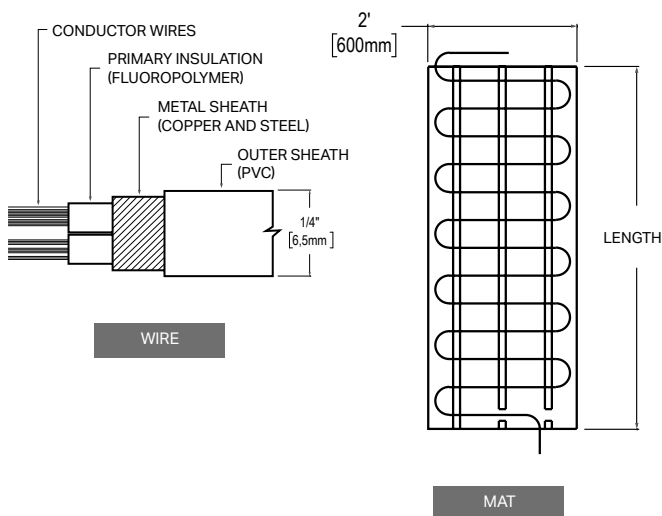
#### IDEAL FOR:

basement, garage, bathroom, dining room, kitchen, living room, workshop, pool, shower, vestibule, hospital, hotel, factory, commercial space, restaurant, solarium, greenhouse

# TECHNICAL SPECIFICATIONS

PRODUCT	DIMENSIONS (FT)		AREA	POWER	AMPERAGE	WEIGHT		PRICE
CODE	WIDTH	LENGTH	FT <sup>2</sup>	WATTS	AMPERAGE	KG	LB	
<b>240/208 VOLTS</b>								
SECM2W0150S012	2	6	12	150/113	0.6/0.5	1.2	2.6	<b>227.00</b>
SECM2W0300S025	2	13	25	300/225	1.3/1.1	1.8	4.1	<b>237.00</b>
SECM2W0400S033	2	17	33	400/300	1.7/1.4	2.3	5.1	<b>250.00</b>
SECM2W0500S042	2	21	42	500/375	2.1/1.8	2.7	6.0	<b>284.00</b>
SECM2W0600S050	2	25	50	600/450	2.5/2.2	3.2	7.0	<b>301.00</b>
SECM2W0750S063	2	31	63	750/563	3.1/2.7	3.8	8.5	<b>312.00</b>
SECM2W0850S071	2	35	71	850/638	3.5/3.1	4.3	9.4	<b>334.00</b>
SECM2W1000S083	2	42	83	1000/750	4.2/3.6	5.0	10.9	<b>351.00</b>
SECM2W1100S092	2	46	92	1100/825	4.6/4	5.4	12.0	<b>390.00</b>
SECM2W1250S104	2	52	104	1250/938	5.2/4.5	6.1	13.3	<b>408.00</b>
SECM2W1375S115	2	57	115	1375/1031	5.7/5	6.6	14.5	<b>437.00</b>
SECM2W1500S125	2	63	125	1500/1125	6.3/5.4	7.2	15.9	<b>458.00</b>
SECM2W1750S146	2	73	146	1750/1313	7.3/6.3	8.4	18.5	<b>487.00</b>
SECM2W2000S167	2	83	167	2000/1500	8.3/7.2	9.3	20.6	<b>543.00</b>
SECM2W2250S188	2	94	188	2250/1688	9.4/8.1	10.5	23.1	<b>572.00</b>
SECM2W2400S200	2	100	200	2400/1800	10.0/8.7	11.2	24.6	<b>600.00</b>
SECM2W2500S208	2	104	208	2500/1875	10.4/9	11.7	25.6	<b>617.00</b>
SECM2W2625S219	2	109	219	2625/1969	10.9/9.5	12.3	27.0	<b>626.00</b>
SECM2W2750S229	2	115	229	2750/2063	11.5/9.9	12.8	28.2	<b>634.00</b>
SECM2W2875S240	2	120	240	2875/2156	12.0/10.4	13.5	29.6	<b>668.00</b>
SECM2W3000S250	2	125	250	3000/2250	12.5/10.8	14.0	30.9	<b>702.00</b>
SECM2W3250S271	2	135	271	3250/2438	13.5/11.7	15.3	33.6	<b>736.00</b>
SECM2W3500S292	2	146	292	3500/2625	14.6/12.6	16.6	36.4	<b>769.00</b>

## TECHNICAL DRAWINGS



## ACCESSORIES

PRODUCT	DESCRIPTION	PRICE
STCNPW5	single programming thermostat for heating cable	<b>162.00</b>
STCPW5	multiple prog. thermostat for heating cable	<b>207.00</b>
TH115F12VDC	master thermostat with (120 V/240 V) relay for large surfaces (12 V)	<b>250.00</b>
CT230GA	relay to be used with master thermostat for large surfaces [15 A @ 120 V-240 V, 50/60 Hz]	<b>215.00</b>
STSCC	thermostat sensor for heating cable	<b>24.25</b>
SECRK	repair kit	<b>35.25</b>
P-BE-00	plastic staple (pack of 25)	<b>10.75</b>
SECMS	cable stapler	<b>694.00</b>

## FOR MAXIMUM EFFICIENCY

**ELECTRONIC THERMOSTATS FOR HEATING CABLE**

SINGLE PROGRAMMING



MULTIPLE PROGRAMMING



# SSC/SSCM

## SNOW MELTING SYSTEM



### EXPERIENCE WINTER IN A WHOLE NEW WAY!

Have you ever wished snow could melt from exterior surfaces all on its own? With Stelpro's brand-new snow melting system, your wish is granted! Perfect for residential and commercial outdoor locations, it reduces snow and ice build-up on the ground. Available as a carpet or as a cable for driveways, walkways, sidewalks or stairs, it can be installed under concrete, asphalt and pavers. This year, experience winter a whole new way with Stelpro's snow melting system.

#### MAT AND CABLE MODELS AVAILABLE

**LONGER INFRASTRUCTURE LIFESPAN**  
GUARDS AGAINST DAMAGE DUE TO ABRASIVES, CHEMICALS AND SNOW REMOVAL EQUIPMENT

**CLEARER PATHS AND DRIVEWAY**  
PREVENTS FALLS AND ACCIDENTS

**LESS HOUSEHOLD MAINTENANCE INDOORS**  
REDUCES THE NEED FOR CHEMICALS AND ABRASIVES

#### MANUFACTURING

- fluoropolymer-insulated double heating element
- PVC-coated insulated conductor with coiled copper shielding
- ultra-resistant thermoplastic-coated sheath

#### WATTAGE

- 50 W/ft<sup>2</sup> at 240 V and 347 V (3 in. spacing)
- 37.5 W/ft<sup>2</sup> at 208 V (3 in. spacing)

#### CONTROL

- snow melting system control (optional)

#### INSTALLATION

- never cut the cable
- suitable for residential or commercial outdoor use only
- can be installed under asphalt, concrete and pavers

#### WARRANTY

- ten years

#### IDEAL FOR:

driveway, stairs, sidewalk, walkway, pavers, terrace, public thoroughfare, garage entryway, parking lot, loading bay



## TECHNICAL SPECIFICATIONS

PRODUCT	VOLTAGE	DIMENSIONS (FT)		AREA	POWER	AMPERAGE	POWER DENSITY	PRICE
CODE	VOLTS	WIDTH	LENGTH	FT <sup>2</sup>	WATTS	AMPS	W/FT <sup>2</sup>	
<b>240/208 VOLTS</b>								
SSCM2W0500L2S010	240/208	2	5	10	500/375	2.1/1.8	50/37.5	179.00
SSCM2W1000L2S020	240/208	2	10	20	1000/750	4.2/3.6	50/37.5	298.00
SSCM2W1500L2S030	240/208	2	15	30	1500/1125	6.3/5.4	50/37.5	412.00
SSCM2W2000L2S040	240/208	2	20	40	2000/1500	8.3/7.2	50/37.5	532.00
SSCM2W2500L2S050	240/208	2	25	50	2500/1875	10.4/9.0	50/37.5	646.00
SSCM2W3000L2S060	240/208	2	30	60	3000/2250	12.5/10.8	50/37.5	765.00
SSCM2W3500L2S070	240/208	2	35	70	3500/2625	14.6/12.6	50/37.5	906.00
SSCM2W4000L2S080	240/208	2	40	80	4000/3000	16.7/14.4	50/37.5	999.00
SSCM2W4500L2S090	240/208	2	45	90	4500/3375	18.8/16.2	50/37.5	1165.00
SSCM2W5000L2S100	240/208	2	50	100	5000/3750	20.8/18.0	50/37.5	1236.00
SSCM2W6000L2S120	240/208	2	60	120	6000/4500	25.0/21.6	50/37.5	1470.00
SSCM2W1500L3S030	240/208	3	10	30	1500/1125	6.3/5.4	50/37.5	401.00
SSCM2W3000L3S060	240/208	3	20	60	3000/2250	12.5/10.8	50/37.5	749.00
SSCM2W3750L3S075	240/208	3	25	75	3750/2813	15.6/13.5	50/37.5	971.00
SSCM2W4500L3S090	240/208	3	30	90	4500/3375	18.8/16.2	50/37.5	1091.00
SSCM2W6000L3S120	240/208	3	40	120	6000/4500	25.0/21.6	50/37.5	1431.00
<b>347 VOLTS</b>								
SSCM3W4000L2S080	347	2	40	80	4000	11.5	50	999.00
SSCM3W5000L2S100	347	2	50	100	5000	14.4	50	1236.00
SSCM3W6000L2S120	347	2	60	120	6000	17.3	50	1470.00
SSCM3W3000L3S060	347	3	20	60	3000	8.6	50	749.00
SSCM3W4500L3S090	347	3	30	90	4500	13.0	50	1091.00
SSCM3W6000L3S120	347	3	40	120	6000	17.3	50	1431.00

## CABLE

(3 in. spacing)

## TECHNICAL SPECIFICATIONS

PRODUCT	VOLTAGE	DIMENSIONS (FT)		AREA	POWER	AMPERAGE	POWER DENSITY	PRICE
CODE	VOLTS	LENGTH		FT <sup>2</sup>	WATTS	AMPS	W/FT <sup>2</sup>	
<b>240/208 VOLTS</b>								
SSC2W0450S009	240/208	37		9	450/338	1.9/1.6	50/37.5	161.00
SSC2W1000S020	240/208	84		20	1000/750	4.2/3.6	50/37.5	268.00
SSC2W1400S028	240/208	118		28	1400/1050	5.8/5.0	50/37.5	369.00
SSC2W2000S040	240/208	168		40	2000/1500	8.3/7.2	50/37.5	476.00
SSC2W2500S050	240/208	209		50	2500/1875	10.4/9.0	50/37.5	579.00
SSC2W3000S060	240/208	251		60	3000/2250	12.5/10.8	50/37.5	685.00
SSC2W4000S080	240/208	335		80	4000/3000	16.7/14.4	50/37.5	896.00
SSC2W4500S090	240/208	375		90	4500/3375	18.8/16.2	50/37.5	1100.00
SSC2W5000S100	240/208	420		100	5000/3750	20.8/18.0	50/37.5	1109.00
SSC2W6000S120	240/208	500		120	6000/4500	25.0/21.6	50/37.5	1317.00

# PYROBOX

## CONTROL PANELS FOR SNOW MELTING SYSTEMS



DESIGNED FOR: SSC/SSCM



**THREE MODELS AVAILABLE**  
FOR MAXIMUM COMPATIBILITY  
BASED ON REQUIRED VOLTAGE

**CABLE PASS-THROUGH HOLES UNDER THE PANEL**  
MAKE INSTALLATION EASIER  
FOR THE ELECTRICIAN

**EASY TO OPERATE**  
EASY TO USE AND PROGRAM  
CONTROLLER

**MULTI-ZONE CONTROL**  
FIVE ZONES POSSIBLE THANKS  
TO SEQUENTIAL CONTROL

**COMPATIBLE WITH SIT-6E**  
PAVER SENSOR

### COLOUR

- grey

### MANUFACTURING

- built-in adjustable GFCI
- IP20 enclosure protection for Indoor installation

### APPLICATIONS

- driveways
- sidewalks
- loading docks
- stairs and pavement

### CONTROL

- electronic with adjustable parameters for customized installations
- test mode to perform a quick system check

- a third-party terminal is available to connect a SIT-6E™ sensor and control some or all zones
- sequencing zone option: enables larger snow melting area with reduced power consumption on site
- multiple snow sensor input (optional)
- energy efficient algorithm
- adjustable setpoints: upper and lower limit temperature, hold ON/OFF delay, manual ON and time splitting between zones

### WARRANTY

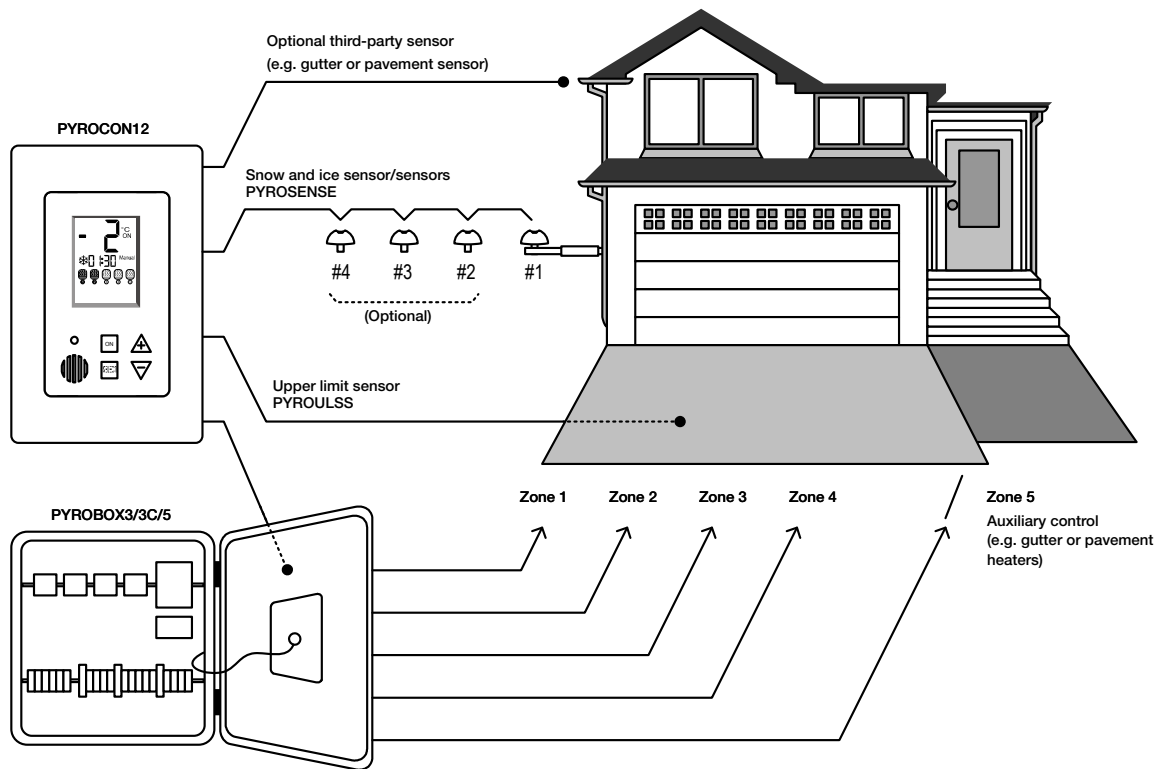
- two years

## TECHNICAL SPECIFICATIONS

PRODUCT	NUMBER OF CONTACTORS	POLES PER CONTACTOR	TOTAL AMPERAGE	MAXIMUM VOLTAGE	PRICE
CODE			AMPS	VOLTS	
PYROBOX3	4	2P	120	277	5018.00
PYROBOX3C	3	2X3P + 1X2P	330	600	6292.00
PYROBOX5	5	4X3P + 1X2P	600	600	6916.00

Dimensions: **PYROBOX5**: 20x20x8 in. (500x500x200 mm), **PYROBOX 3 and 3C**: 15x12x6 in. (380x300x155 mm)





## PYROSENSE

### SNOW AND TEMPERATURE SENSOR

- 30-foot connection cable
- Shaped to avoid snow build-up
- Four spikes to keep birds away
- Easy to configure with the controller



## PYROSB

### RUSTPROOF METAL SUPPORT DESIGNED FOR THE PYROSENSE SENSOR

- Adjustable length (up to 24 inches)
- Holes on the side to secure the PYROSENSE cable with cable ties



## PYROULS

### TEMPERATURE SENSOR

- Measures ground temperature to prevent the cable from heating if the ground is already warm
- 30 feet in length

## ACCESSORIES

PRODUCT	DESCRIPTION	PRICE
PYROSENSE	electronic snow and ice sensor for PYROBOX with 30 ft wire	728.00
PYROSB	wall-mounted adjustable metal bracket for the PYROSENSE	188.00
PYROULS	30 ft upper limit temperature sensor for PYROBOX	156.00



# SCPT

## CONSTANT WATTAGE PIPE FREEZE PROTECTION HEATING CABLE



### SAY GOODBYE TO FROZEN PIPES

This preassembled heating cable is designed to prevent pipes from freezing and avoid water damage. The cable is easy to install thanks to its 120 V plug, and the integrated thermostat triggers heat only when necessary. The cable is installed on pipes under insulation and protects against freezing down to -40 °C (-40 °F). Ideal for metal or plastic pipes up to 1.5 in. (3.81 cm) in diameter.\*

#### PREVENTS PIPE BREAKAGE AND WATER DAMAGE

#### IDEAL FOR PLASTIC OR METAL PIPES

#### LIGHTED PLUG POWER INDICATOR

#### INTEGRATED THERMOSTAT THAT TRIGGERS AT 3 °C (37 °F) TO PREVENT FREEZING

#### MANUFACTURING

- tough XLPE inner insulation
- AL foil and continuous ground braid
- weather resistant PVC (high-low temperature) out jacket
- twin conductor
- bending radius of 1 inch
- 2 ft cold lead with plug

#### WATTAGE

- 7 W/ft

#### CONTROL

- built-in thermostat

#### INSTALLATION

- install at a temperature above -10 °C (14 °F)

#### WARRANTY

- two years

\*The cable must never cross over itself. Plastic pipes must always be filled with water.



QUICK PLUG-IN INTO RESIDENTIAL 120 V OUTLET

#### IDEAL FOR:

pipes at risk of freezing

# TECHNICAL SPECIFICATIONS

PRODUCT	LENGTH	POWER	AMPERAGE	PRICE
CODE	FT	WATTS	AMPS	
<b>120 VOLTS</b>				
SCPT1W0021L0003	3	21	0.2	37.00
SCPT1W0042L0006	6	42	0.4	41.00
SCPT1W0063L0009	9	63	0.5	43.00
SCPT1W0084L0012	12	84	0.7	47.00
SCPT1W0105L0015	15	105	0.9	55.00
SCPT1W0126L0018	18	126	1.1	61.00
SCPT1W0168L0024	24	168	1.4	69.00
SCPT1W0210L0030	30	210	1.8	77.00
SCPT1W0280L0040	40	280	2.3	99.00
SCPT1W0420L0060	60	420	3.5	122.00



# SCRG

## CONSTANT WATTAGE ROOF AND GUTTER DE-ICING HEATING CABLE



### LESS WEIGHT ON YOUR ROOF

This preassembled heating cable is designed to prevent ice damming on roofs and gutters, which could be harmful to the roof and dangerous for passers-by.\* The roof and gutter de-icing cable creates a path that allows water to flow normally through the gutters. It's easy to install on any type of inclined roof. It can also be installed in metal or plastic gutters.

#### PREVENT ROOF DAMAGE AND LEAKING

#### KEEP GUTTERS AND DOWNSPOUTS FLOWING

#### PREASSEMBLED READY TO INSTALL

#### THERMOSTAT WITH TEMPERATURE AND MOISTURE SENSORS (OPTIONAL)

#### MANUFACTURING

- tough XLPE inner insulation
- continuous ground braid
- weather resistant PVC (high-low temperature) out jacket
- twin conductor
- bending radius of 1 inch
- 6 ft cold lead with plug

#### WATTAGE

- 5 W/ft

#### CONTROL

- controller with moisture and ambient temperature sensors (optional)

#### INSTALLATION

- install at a temperature above 0 °C (32 °F)

#### WARRANTY

- two years

\*Never install on a flat roof. This cable is not designed to remove all the snow from a roof.



QUICK PLUG-IN INTO RESIDENTIAL 120 V OUTLET

#### IDEAL FOR:

roofs and gutters with ice damming problems

### FOR MAXIMUM EFFICIENCY

#### CONTROLLER WITH MOISTURE AND AMBIENT TEMPERATURE SENSORS (OPTIONAL)

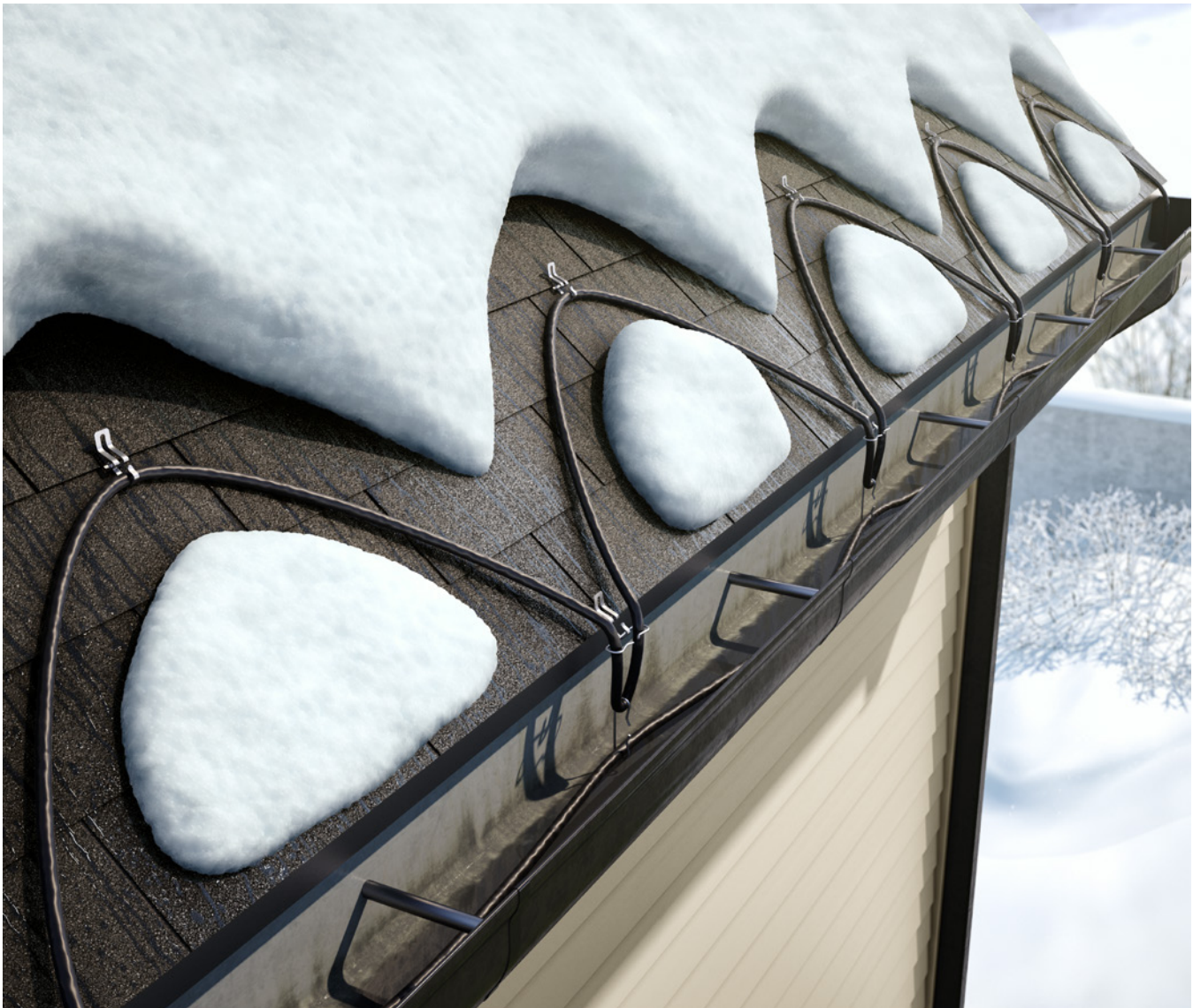


## TECHNICAL SPECIFICATIONS

PRODUCT	LENGTH	POWER	AMPERAGE	PRICE
CODE	FT	WATTS	AMPS	
<b>120 VOLTS</b>				
SCRG1W0150L0030	30	150	1.3	<b>57.00</b>
SCRG1W0300L0060	60	300	2.5	<b>87.00</b>
SCRG1W0400L0080	80	400	3.3	<b>116.00</b>
SCRG1W0500L0100	100	500	4.2	<b>144.00</b>
SCRG1W0600L0120	120	600	5.0	<b>152.00</b>
SCRG1W0800L0160	160	800	6.7	<b>190.00</b>
SCRG1W1000L0200	200	1000	8.3	<b>209.00</b>
SCRG1W1200L0240	240	1200	10.0	<b>243.00</b>

## ACCESSORY

PRODUCT	DESCRIPTION	PRICE
SCRG-CONTROL	control for SCRG cable with moisture and ambient temperature sensors (120 V @ 10 A)	<b>130.00</b>



# SSFP

## SELF-REGULATING FREEZE PROTECTION PREASSEMBLED CABLE



### MELT AWAY YOUR WORRIES

This heating cable protects pipes, roofs and gutter systems from damage due to freezing and can be used in residential and light commercial applications. The self-regulating freeze protection cable automatically adjusts its heat output according to the ambient temperature conditions. Under cooler conditions, the heat output increases, and as the temperature rises, the output decreases to save on energy. This product comes preassembled in various lengths and is available in 120 V and 240 V.

#### SELF-REGULATING PREASSEMBLED CABLE

#### FOR RESIDENTIAL AND COMMERCIAL APPLICATIONS

#### 240 V MODELS AVAILABLE WITH THREE-WIRE PIGTAIL

#### WIDE VARIETY OF LENGTHS

#### MANUFACTURING

- normal cable width 0.42 in. (10.6 mm)
- normal cable thickness 0.23 in. (5.8 mm)
- cable bus wire gauge 16 AWG
- cold lead length 6 ft (1.8 m)

#### WATTAGE

- 5 W/ft at 50°F (10°C)

#### INSTALLATION

- minimum circuit breaker size is 15 amps
- maximum exposure temperature is 85°C (185°F)
- electrical classification: nonhazardous

#### WARRANTY

- two years



**ALSO AVAILABLE**  
EASY INSTALLATION WITH 120 V PLUG

#### IDEAL FOR:

pipes at risk of freezing and roofs and gutters with ice damming problems



# TECHNICAL SPECIFICATIONS

PRODUCT	LENGTH	REFERENCE	COLD LEAD WITH PLUG	POWER OUTPUT ON PIPE			PRICE
				WATTS @ 10°C (50°F)	WATTS @ 5°C (40°F)	WATTS @ 0°C (32°F)	
CODE	FT		AWG				
<b>120 VOLTS</b>							
SSFP1W05L0006	6	A	18	30	36	60	106.00
SSFP1W05L0012	12	B	18	60	72	120	123.00
SSFP1W05L0018	18	C	18	90	108	180	147.00
SSFP1W05L0024	24	D	18	120	144	240	172.00
SSFP1W05L0036	36	E	18	180	216	360	210.00
SSFP1W05L0050	50	F	16	250	300	500	250.00
SSFP1W05L0075	75	G	16	375	450	750	305.00
SSFP1W05L0100	100	H	16	500	600	1000	415.00
SSFP1W05L0125	125	I	14	625	750	1250	516.00
SSFP1W05L0150	150	J	14	750	900	1500	609.00
<b>240 VOLTS</b>							
SSFP2W05L0036	36	E	18	180	216	360	210.00
SSFP2W05L0050	50	F	16	250	300	500	250.00
SSFP2W05L0075	75	G	16	375	450	750	305.00
SSFP2W05L0100	100	H	16	500	600	1000	415.00
SSFP2W05L0125	125	I	14	625	750	1250	516.00
SSFP2W05L0150	150	J	14	750	900	1500	609.00

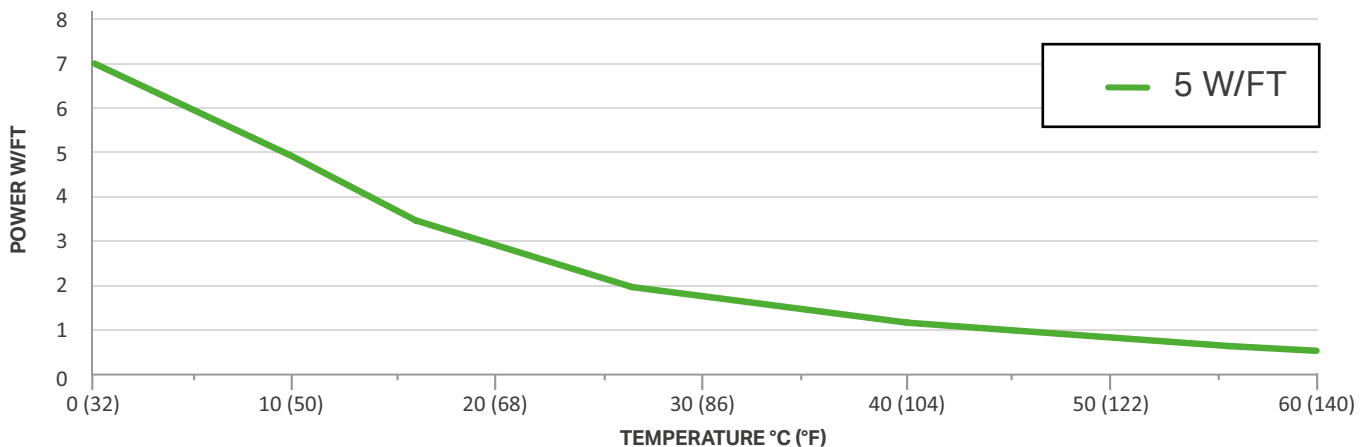
# PIPE CABLE SELECTION

TYPE OF PIPE	PIPE DIAMETER (IN.)	PIPE LENGTH (FT)																								
		5	10	15	20	25	30	35	40	45	50	55	60	65	70	75	80	85	90	95	100	110	120	130	140	150
METAL	½	A	B	C	D	E	E	E	F	F	F	G	G	G	G	G	H	H	H	H	H	I	I	J	J	J
	1	A	B	C	D	E	E	E	F	F	F	G	G	G	G	G	H	H	H	H	H	I	I	J	J	J
	1½	A	B	C	D	E	E	E	F	F	F	G	G	G	G	G	H	H	H	H	H	I	I	J	J	J
	2	A	B	C	D	E	E	E	F	F	G	G	G	G	G	H	H	H	H	H	I	I	J	J	J	-
	2½	A	B	C	D	E	E	E	F	F	G	G	G	G	G	H	H	H	H	H	I	I	J	J	J	-
PLASTIC	½	A	B	C	D	E	E	E	F	F	G	G	G	G	G	H	H	H	H	H	I	I	J	J	J	J
	1	B	B	C	D	E	E	E	F	F	G	G	G	G	G	H	H	H	H	H	I	I	J	J	J	-
	1½	B	C	D	E	E	F	F	G	G	G	H	H	H	H	I	I	I	J	J	J	-	-	-	-	-
	2	B	C	E	F	F	G	G	G	H	H	H	I	I	J	J	-	-	-	-	-	-	-	-	-	-
	2½	B	D	E	F	G	G	G	H	H	I	I	J	J	-	-	-	-	-	-	-	-	-	-	-	-

NOTE: For each valve or spigot on pipe, an additional foot of cable is needed. When the cable is longer than the pipe, spiral the excess cable around the pipe length evenly.

# POWER OUTPUT CURVES

Nominal power output at 240 V when SSFR heating cable is installed on insulated metal pipes.



# SSFR

## SELF-REGULATING FREEZE PROTECTION CABLE REEL



### MELT AWAY YOUR WORRIES

SSFR heating cable increases or decreases the heat output in a self-regulating way depending on changes in the ambient temperature, so a thermostat may not be necessary in some applications. It will never overheat or burn out even when overlapped. This heating cable reel is available with optional termination, power connection, splice and tee kits to reduce installation time and require no special tools.

#### ENERGY EFFICIENT

AUTOMATICALLY VARIES ITS POWER OUTPUT IN RESPONSE TO TEMPERATURE CHANGES

#### EASY TO INSTALL

CAN BE CUT TO ANY LENGTH (UP TO MAXIMUM CIRCUIT LENGTH) REQUIRED ON SITE WITH NO WASTED CABLE

#### SAFE

EVEN WHEN OVERLAPPED

#### POWER CONNECTION, SPLICE, TEE AND END SEAL KIT

REDUCES INSTALLATION TIME

#### MANUFACTURING

- normal cable width 0.42 in. (10.6 mm)
- normal cable thickness 0.23 in. (5.8 mm)
- cable bus wire gauge 16 AWG

#### WATTAGE

- 5 W/ft, 8 W/ft, 10 W/ft

#### INSTALLATION

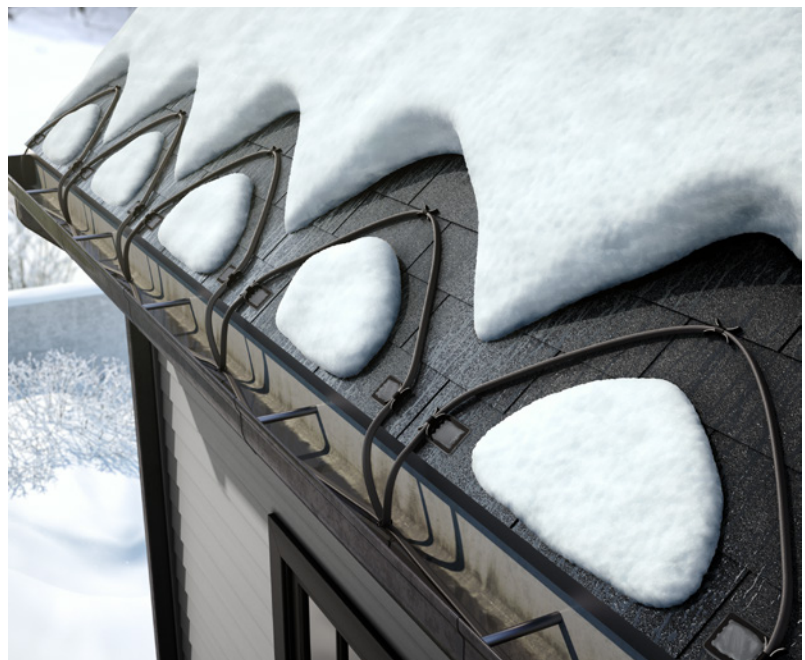
- maximum exposure temperature is 85 °C (185 °F)
- Minimum installation temperature -40 °C (-40 °F)

#### WARRANTY

- two years

#### IDEAL FOR:

pipes at risk of freezing and roofs and gutters with ice damming problems

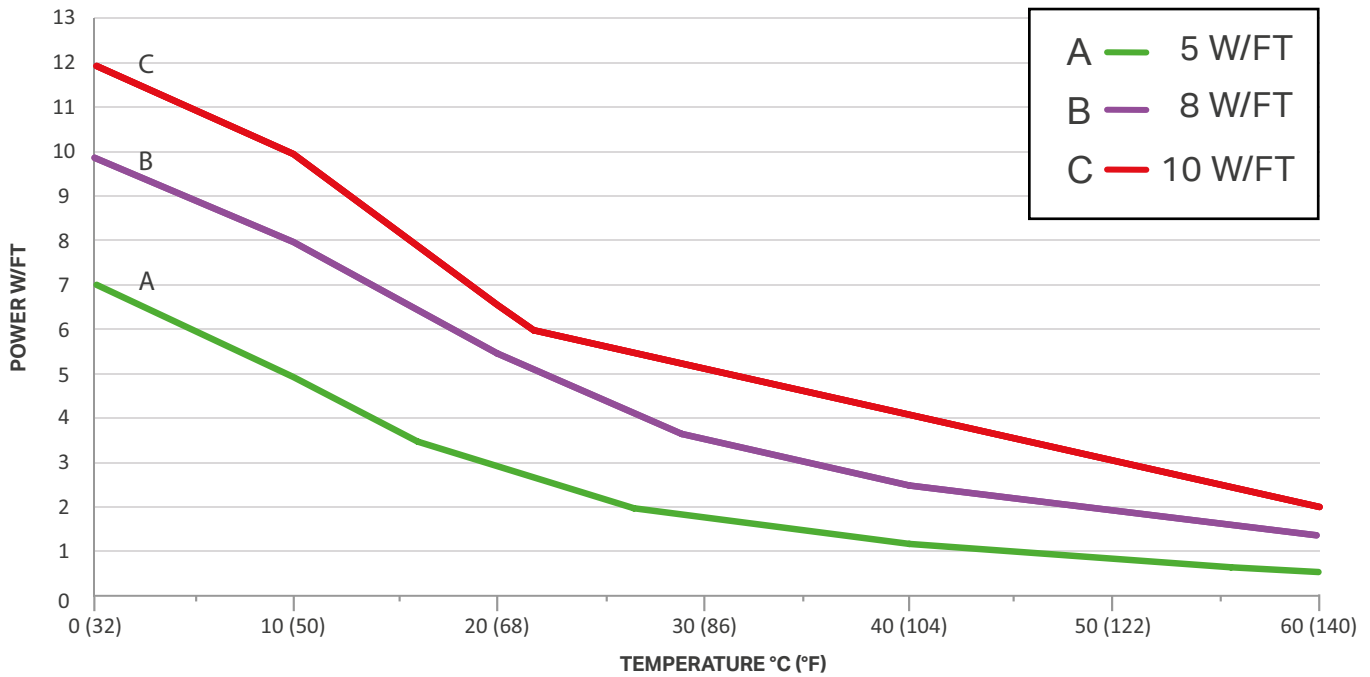


## TECHNICAL SPECIFICATIONS

PRODUCT	LENGTH	POWER OUTPUT	PRICE
CODE	FT	WATTS	
<b>120 VOLTS</b>			
SSFR1W05L1000	1000	5	5668.00
SSFR1W08L1000	1000	8	5668.00
SSFR1W05L0500	500	5	2999.00
SSFR1W08L0500	500	8	2999.00
<b>240 VOLTS</b>			
SSFR2W05L1000	1000	5	5668.00
SSFR2W08L1000	1000	8	5668.00
SSFR2W10L1000	1000	10	5668.00
SSFR2W05L0500	500	5	2999.00
SSFR2W08L0500	500	8	2999.00
SSFR2W10L0500	500	10	2999.00

## POWER OUTPUT CURVES

Nominal power output at nominal voltage (120 V or 240 V) when SSFR heating cable installed on insulated metal pipes.



## ADJUSTMENT FACTORS

POWER	POWER OUTPUT		CIRCUIT LENGTH	
	208 V	277 V	208 V	277 V
5	0.85	1.12	0.94	1.09
8	0.89	1.08	0.93	1.11
10	0.89	1.08	0.92	1.11



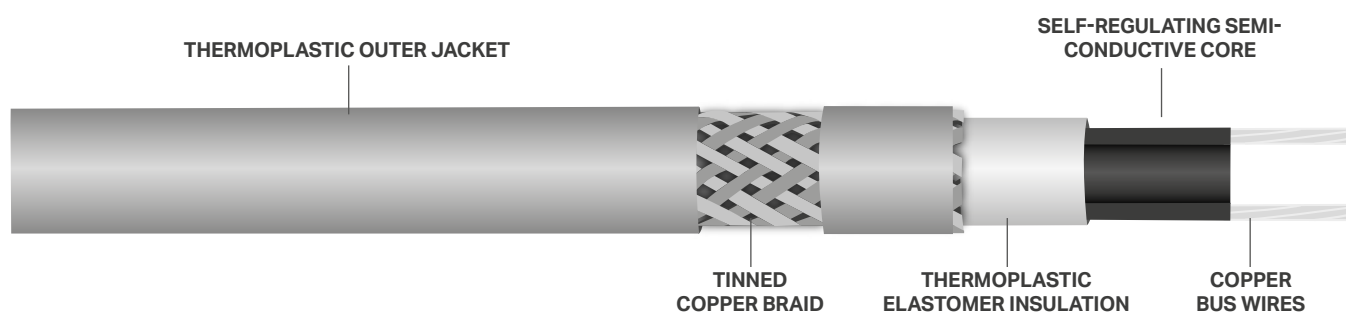
## MAXIMUM CIRCUIT LENGTH PER CIRCUIT BREAKER

POWER	AMBIENT TEMPERATURE AT START-UP		120 V				240 V			
			15 A	20 A	30 A	40 A	15 A	20 A	30 A	40 A
W/FT	°F	°C	FT				FT			
5	50	10	230	270	270	270	460	540	540	540
	32	0	230	270	270	270	460	540	540	540
	14	-10	180	210	270	270	360	420	540	540
	0	-18	140	190	270	270	285	380	540	540
	-20	-29	125	165	250	270	250	330	500	540
	-40	-40	110	145	220	270	220	295	420	540
8	50	10	150	200	210	210	300	400	420	420
	32	0	150	200	210	210	300	400	420	420
	14	-10	140	150	205	210	280	300	410	420
	0	-18	100	130	200	210	200	265	400	420
	-20	-29	85	115	175	210	175	235	350	420
	-40	-40	80	105	155	210	155	210	315	420
10	50	10	---	---	---	---	240	315	360	360
	32	0	---	---	---	---	210	280	340	360
	14	-10	---	---	---	---	190	250	330	360
	0	-18	---	---	---	---	160	215	325	360
	-20	-29	---	---	---	---	145	190	285	360
	-40	-40	---	---	---	---	125	170	255	340

## ACCESSORIES

PRODUCT	DESCRIPTION	PRICE
<b>SSFR-ALUTAPE</b>	aluminum adhesive foil tape	<b>30.75</b>
<b>SSFR-FIBTAPE</b>	fiberglass adhesive tape	<b>41.00</b>
<b>SSFR00</b>	power connection kit for SSFR cable	<b>66.50</b>
<b>SSFR03</b>	fiberglass adhesive tape and warning labels	<b>46.00</b>
<b>SSFR08</b>	plug-in power connection with GFCI kit for SSFR cable	<b>92.00</b>
<b>SSFR10</b>	splice and tee kit for SSFR cable	<b>46.00</b>
<b>SSFR12</b>	end seal kit for SSFR cable	<b>26.75</b>
<b>SSFR13</b>	roof clips for SSFP/SSFR cables (Kit of 10)	<b>33.75</b>
<b>SSFR14</b>	roof clips for SSFP/SSFR cables (Kit of 50)	<b>123.00</b>
<b>SSFR15</b>	downspout cable hanger bracket for SSFP/SSFR cables	<b>19.50</b>
<b>SSFR-ENDSEAL</b>	commercial end seal kit for SSFR cable	<b>30.75</b>
<b>SSFR-SPLICE</b>	commercial splice connection kit for SSFR cable	<b>81.75</b>
<b>SSFR-TEE</b>	commercial tee connection kit for SSFR cable	<b>81.75</b>
<b>SSFR-JBOX</b>	commercial junction box for SSFR cable	<b>276.00</b>
<b>FPT130</b>	electronic controller NEMA 4, 30 A @ 100V - 277 V with GFI 30 mA, setpoint selection -1 °C, 3 °C, 7 °C ou 10 °C (30 °F, 38 °F, 45 °F or 50 °F) awith 20 ft (6 m) sensor	<b>1451.00</b>
<b>TPR-L1N-3X-Q10</b>	thermostat NEMA 4, 22 A resistive @ 125 V/250 V/480 V, fixed setpoint at 4 °C (40 °F) with 3 ft (0.9 m) tin plated copper capillary	<b>365.00</b>
<b>TRF115-005</b>	thermostat NEMA 4, 25 A resistive @ 120 V/208 V/240 V/277 V, -18 °C to 49 °C (0 °F to 120 °F) with 5 ft (1.5 m) stainless steel capillary	<b>129.00</b>
<b>GFPRO</b>	electronic controller NEMA 4, 30 A @ 100 V - 277 V resistive with GFI 30 mA, 2 sensor inputs for GIT-1 sensor	<b>1451.00</b>
<b>PDPRO</b>	electronic controller NEMA 4, 30 A @ 100 V - 277 V resistive, 2 sensor inputs for GIT-1 sensor	<b>1243.00</b>
<b>GIT-1</b>	roof and gutter temperature and moisture sensor for GFPRO and PDPRO, setpoint at 3 °C (38 °F)	<b>754.00</b>
<b>DS-8C</b>	controller with aerial temperature and moisture deported 10 ft (3 m) sensor, 30 A @ 100 - 277 V	<b>601.00</b>
<b>DS-9C</b>	controller with aerial temperature and moisture deported 10 ft (3 m) sensor, 2 circuits of 30 A @ 100 - 277 V	<b>656.00</b>

# TECHNICAL DRAWINGS





# CONTROLS

Stelpro has developed a wide selection of smart controls that range from simple programmable electronic thermostats to remotely connected models. Manufactured and tested in Quebec, they are perfectly adapted to our electric room heating systems that features baseboards, convectors and fan heaters. Easy to install and safe to use, they can yield up to 25% in energy savings. Take control of your comfort!





# SAHUB001 | ALLIA™

SMART HOME HUB

Allia  
ECOSYSTEM  
PRODUCT



## CONNECT WITH THE ALLIA HUB

Allia is our “total comfort” connected ecosystem for the smart home. Entirely designed and manufactured in Quebec, it includes a smart thermostat, a hub, a mobile application and a host of connected products. The hub is the focal point of the ecosystem. It is the hub that allows you to create your smart home by linking all other connected products through a single mobile app. The application has a number of features specifically designed to ensure your comfort and save you money on your electricity bill. Allia is more than just an ecosystem that allows you to control your heating smartly; it covers your entire home, from lighting to load controllers. Make Allia your ally!



### SMART HOME

CONTROL YOUR HEATING, LIGHTING, SMOKE DETECTOR AND MORE



### CREATE SCENES

FOR 360° COMFORT IN ALL THE ROOMS OF YOUR HOME



### MESH NETWORK

EACH OF THE CONNECTED PRODUCTS REPEATS THE ZIGBEE SIGNAL AND EXTENDS IT THROUGHOUT THE HOME



### CONNECT UP TO 65 COMPATIBLE ZIGBEE DEVICES

### COLOUR

- white

### FINISH

- molded plastic

### INSTALLATION

- 120 V outlet (3 ft/1 m)
- Ethernet cable (3 ft/1 m)

### COMMUNICATION ANTENNAS

- Zigbee 3.0
- SEP 1.1b (Hilo compatible)

### CONNECTIVITY REQUIREMENTS

- Ethernet connection
- iOS 11.0 or Android 6.0 and above smartphone
- Stelpro's Allia app

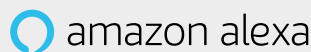
### MAXIMUM NUMBER OF DEVICES

- 20 thermostats
- 10 dimmers
- 10 light bulbs
- 25 smart switches and sockets (in combination)

### WARRANTY

- three years

### COMPATIBLE WITH THESE PRODUCTS AND VOICE ASSISTANTS:



To find out which home automation systems are compatible with your Allia thermostat, visit [www.stelpro.com/allia](http://www.stelpro.com/allia).

## TECHNICAL SPECIFICATIONS

PRODUCT	VOLTAGE	FREQUENCY	UNIT PRICE
CODE	VOLTS	HZ	
SAHUB001	120	60	129.00

Dimensions: 5 1/8" (130 mm) wide, 5 1/8" (130 mm) high and 1 1/4" (33 mm) deep

# SAT402ZB | ALLIA™

SMART HOME THERMOSTAT



4000 W



## CONNECT WITH THE ALLIA THERMOSTAT

Allia is our “total comfort” connected ecosystem for the smart home. Entirely designed and manufactured in Quebec, it includes a smart thermostat, a hub, a mobile application and a host of other connected products. By connecting your thermostat to your hub, you can control the temperature of your room precisely from your phone, no matter where you are. The Allia thermostat is your best ally for unmatched comfort!



**CONTROL AT THE TOUCH OF YOUR FINGERTIPS WITH THE ALLIA APP**  
BY CONNECTING THE THERMOSTAT TO THE ALLIA HUB



**UNPARALLELED ACCURACY**  
FOR COMFORT WITHOUT TEMPERATURE FLUCTUATIONS



**ENERGY CONSUMPTION REPORTS\***  
TO MAKE ENERGY-EFFICIENT CHOICES



**SUITABLE FOR ALL ELECTRIC HEATERS**  
BASEBOARDS, CONVECTORS AND FAN HEATERS



**ELECTRICITY SAVINGS**  
ENERGY SAVINGS UP TO 25%  
DEPENDING ON USE\*

### COMPATIBILITY

- Allia, Hilo or Zigbee hub required
- Maestro controller-thermostat

### COMMUNICATION ANTENNA

- Zigbee 3.0

### COLOUR

- white

### FINISH

- molded plastic

### WATTAGE AND VOLTAGE

- 150 W to 2000 W @ 120 V
- 260 W to 3400 W @ 208 V
- 300 W to 4000 W @ 240 V

### CONTROL

- display lock
- sleep mode – 2 intensity levels

- open window feature – freeze protection (5°C-41°F) if a drastic temperature drop is detected
- lobby mode for fan heaters – maintains the setpoint if a rapid drop in temperature is detected

### ACCURACY

- accurately controls the ambient temperature to ± 0.5°C (1°F)
- CSA C828-19
- thermistor temperature reading

### TEMPERATURE RANGE

- 5 to 30 °C (41 to 86 °F)

### WARRANTY

- three years

† with the Allia ecosystem  
\* study carried out by an independent university team

**COMPATIBLE WITH THESE PRODUCTS:**

To find out which home automation systems are compatible with your Allia thermostat, visit [www.stelpro.com/allia](http://www.stelpro.com/allia).

TECHNICAL SPECIFICATIONS							
PRODUCT	WATTS		VOLTAGE	AMPERAGE	FREQUENCY	PACKAGING	UNIT PRICE
CODE	MINIMUM	MAXIMUM	VOLTS	AMPERES	HZ		
SAT402ZB	150	2000	120	16.7	60	BOX	109.00
	260	3400	208				
	300	4000	240				

Dimensions: 5 3/8 in. (137 mm) wide, 5 3/8 in. (137 mm) high and 1 1/4 in. (32 mm) deep







# STZW402 | KI™ Z-WAVE

ELECTRONIC THERMOSTAT FOR SMART HOME

4000 W



## CONNECTED COMFORT

KI Z-Wave thermostats can easily be integrated into your home's **Z-Wave** network, so you can adjust the temperature setpoint of rooms in your home from a distance.



**INTEGRATES EASILY WITH A SMART HOME HUB**



**CONTROL WITH A MOBILE APPLICATION**  
DEPENDING ON THE HUB



**ELECTRICITY SAVINGS**  
ENERGY SAVINGS OF 10-15%  
DEPENDING ON USE\*

COMPATIBLE WITH



WORKS WITH  
**SmartThings**

For home automated system compatibilities and instructions on connecting to your KI thermostat, visit [www.stelpro.com](http://www.stelpro.com).

### COMPATIBILITY

- Z-Wave hub required
- Z-Wave Plus certified

### COLOUR

- white

### FINISH

- molded plastic

### WATTAGE AND VOLTAGE

- 150 W to 2000 W @ 120 V
- 300 W to 4000 W @ 240 V

### CONTROL

- two functions available: comfort and economy
- two- or four-wire connection
- outdoor temperature display†
- frost-free warning
- display in Celsius or Fahrenheit
- backlit screen with adjustable intensity

### ACCURACY

- accurate ambient temperature control of  $\pm 0.5$  °C (1 °F)
- CSA C828-13
- temperature sensing with thermistor

### TEMPERATURE RANGE

- 5 to 30 °C (41 to 86 °F)

### WARRANTY

- three years

\*independent study

† depending on the central controller and its application

## TECHNICAL SPECIFICATIONS

PRODUCT	WATTS		VOLTAGE	AMPERAGE	FREQUENCY	PACKAGING	UNIT PRICE
CODE	MINIMUM	MAXIMUM	VOLTS	AMPERES	HZ		
STZW402WB+	150/300	2000/4000	120/240	16.7	50/60	BOX	99.00

Dimensions: 4 7/8 in. (124 mm) wide, 4 7/8 in. (124 mm) high and 1 3/8 in. (29 mm) deep

# STE403NP

## ELECTRONIC THERMOSTAT – SINGLE PROGRAMMING

**5750 W**



### PRACTICAL AND EFFICIENT!

The STE403NP electronic thermostat allows you to precisely control the temperature. It has a Security mode that lets you program a maximum temperature setpoint. It's simple and safe!



**SIMPLE TO USE AND INSTALL**



**GREAT POWER**  
5750W @ 347V



**INCREASED SAVINGS AND COMFORT**  
INCOMPARABLE ACCURACY



**ELECTRICITY SAVINGS**  
ENERGY SAVINGS OF 10-15%  
DEPENDING ON USE\*

#### COLOUR

- white

#### FINISH

- molded plastic

#### WATTAGE AND VOLTAGE

- 150 W to 2000 W @ 120 V
- 260 W to 3475 W @ 208 V
- 300 W to 4000 W @ 240 V
- 350 W to 4600 W @ 277 V
- 400 W to 5750 W @ 347 V

#### CONTROL

- acts like a programmable thermostat by automatically lowering the temperature once per 24-hour period (Single programming mode)
- compatible with forced-air units (Fan mode)

- frost-free warning
- lock option at a maximum temperature setpoint (Security mode)
- display in Celsius or Fahrenheit

#### ACCURACY

- accurate ambient temperature control of  $\pm 0.5$  °C (1 °F)
- CSA C828-13
- temperature sensing with thermistor

#### TEMPERATURE RANGE

- 3 to 30 °C (37 to 86 °F)

#### WARRANTY

- three years
- \*independent study

### TECHNICAL SPECIFICATIONS

PRODUCT	WATTS		VOLTAGE	AMPERAGE	FREQUENCY	PACKAGING	UNIT PRICE
	CODE	MINIMUM	MAXIMUM	VOLTS	AMPERES		
<b>STE403NPW24</b>	150/260/300/350/400	2000/3475/4000/4600/5750	120/208/240/277/347	16.7	50/60	BOX	<b>114.00</b>

Dimensions: 4 1/2 in. (114 mm) wide, 4 7/8 in. (124 mm) high and 1 3/8 in. (35 mm) deep

# ST302P – ST402P

## ELECTRONIC THERMOSTATS FOR BASEBOARDS AND CONVECTORS

PROGRAMMABLE



3000 W

4000 W



### CUSTOMIZED COMFORT IN THREE EASY STEPS

Harmonious design, superior technology and safe operation merge in Stelpro's all-new programmable electronic thermostats for baseboards and convectors. With simple three-step programming, you can manage your home's comfort while enjoying energy savings up to 20% compared to a mechanical thermostat and up to 8%\* compared to a non-programmable thermostat.

#### ENERGY SAVINGS UP TO 20%\*

#### SIMPLE THREE-STEP PROGRAMMING

#### UNBEATABLE ACCURACY

QUALITY SENSORS AND ADVANCED ALGORITHMS

#### SAFE DESIGN

SEALED HOUSING

#### S<sup>3</sup> MOUNTING PLATE

STURDY, SIMPLE AND SAFE INSTALLATION

#### COLOUR

- white

#### FINISH

- molded plastic

#### WATTAGE AND VOLTAGE

##### ST302P

- 150 W to 1500 W @ 120 V
- 260 W to 2600 W @ 208 V
- 300 W to 3000 W @ 240 V

##### ST402P

- 150 W to 2000 W @ 120 V
- 260 W to 3475 W @ 208 V
- 300 W to 4000 W @ 240 V

#### CONTROL

- two-wire connection
- possibility of four events on weekdays and two events on weekends
- protection against power failure (two hours)
- display in Celsius or Fahrenheit

#### ACCURACY

- accurate ambient temperature control of  $\pm 0.5$  °C (1°F)
- CSA C828-19
- temperature sensing with thermistor

#### TEMPERATURE RANGE

- 5 to 30 °C (41 to 86 °F)

#### WARRANTY

- three years
- \*independent study

### TECHNICAL SPECIFICATIONS

PRODUCT	WATTS		VOLTAGE	MAX. AMPERAGE	FREQUENCY	PACKAGING	UNIT PRICE
CODE	MINIMUM	MAXIMUM	VOLTS	AMPERES	HZ		
ST302P	150/260/300	1500/2600/3000	120/208/240	12.5	60	BOX	47.00
ST402P	150/260/300	2000/3475/4000	120/208/240	16.7	60	BOX	49.00

DIMENSIONS ST302P: 4,35 in. (110,5 mm) wide, 4,94 in. (125,5 mm) high and 1,38 in. (35 mm) deep  
 DIMENSIONS ST402P: 4,94 in. (125,5 mm) wide, 4,94 in. (125,5 mm) high and 1,38 in. (35 mm) deep

# ST252NP – ST302NP – ST402NP

## ELECTRONIC THERMOSTATS FOR BASEBOARDS AND CONVECTORS

NON-PROGRAMMABLE



2500 W

3000 W

4000 W



## COMFORT MADE SIMPLE

Stelpro's all-new non-programmable electronic thermostats for baseboards and convectors will meet all your needs. Harmonious design, superior technology and safe operation merge to ensure your comfort in all circumstances. Thanks to their advanced technology, you'll enjoy energy savings up to 12% compared to a mechanical thermostat.

### ENERGY SAVINGS UP TO 12%\*

### ECO MODE

ONE-CLICK TEMPERATURE SETBACK

### UNBEATABLE ACCURACY

QUALITY SENSORS AND ADVANCED ALGORITHMS

### SAFE DESIGN

SEALED HOUSING

### S<sup>3</sup> MOUNTING PLATE

STURDY, SIMPLE AND SAFE INSTALLATION

### COLOUR

- white

### FINISH

- molded plastic

### WATTAGE AND VOLTAGE

#### ST252NP

- 150 W to 1250 W @ 120 V
- 260 W to 2160 W @ 208 V
- 300 W to 2500 W @ 240 V

#### ST302NP

- 150 W to 1500 W @ 120 V
- 260 W to 2600 W @ 208 V
- 300 W to 3000 W @ 240 V

#### ST402NP

- 150 W to 2000 W @ 120 V
- 260 W to 3475 W @ 208 V
- 300 W to 4000 W @ 240 V

### CONTROL

- two-wire connection
- eco mode: One-click temperature setback
- display in Celsius or Fahrenheit

### ACCURACY

- accurate ambient temperature control of  $\pm 0.5$  °C (1°F)
- CSA C828-19
- temperature sensing with thermistor

### TEMPERATURE RANGE

- 5 to 30 °C (41 to 86 °F)

### WARRANTY

- three years

\* independent study

## TECHNICAL SPECIFICATIONS

PRODUCT	WATTS		VOLTAGE	MAX. AMPERAGE	FREQUENCY	PACKAGING	UNIT PRICE
	CODE	MINIMUM	MAXIMUM	VOLTS	AMPERES		
ST252NP	150/260/300	1250/2160/2500	120/208/240	10.4	60	BOX	37.00
ST302NP	150/260/300	1500/2600/3000	120/208/240	12.5	60	BOX	40.00
ST402NP	150/260/300	2000/3475/4000	120/208/240	16.7	60	BOX	43.00

DIMENSIONS ST252NP - ST302NP : 4,35 in. (110,5 mm) wide, 4,94 in. (125,5 mm) high and 1,38 in. (35 mm) deep  
 DIMENSIONS ST402NP : 4,94 in. (125,5 mm) wide, 4,94 in. (125,5 mm) high and 1,38 in. (35 mm) deep

# ST402PFF

## ELECTRONIC THERMOSTAT FOR FAN HEATERS

PROGRAMMABLE



4000 W



### STAY IN TUNE WITH THE TIMES!

This new programmable electronic thermostat designed specifically for fan heaters lets you make the most of your comfort thanks to advanced features such as "Boost" and "Lobby" modes. With simple three-step programming, you can manage your home's comfort while enjoying energy savings up to 20% compared to a mechanical thermostat.

#### ENERGY SAVINGS UP TO 20%\*

#### SIMPLE THREE-STEP PROGRAMMING

#### HEAT "BOOST" FEATURE QUICK TEMPERATURE RISE

#### "LOBBY" MODE COMPENSATES FOR FAST TEMPERATURE DROPS

#### SAFE DESIGN SEALED HOUSING

#### S<sup>3</sup> MOUNTING PLATE STURDY, SIMPLE AND SAFE INSTALLATION

#### COLOUR

- white

#### FINISH

- molded plastic

#### WATTAGE AND VOLTAGE

- 150 W to 2000 W @ 120 V
- 260 W to 3475 W @ 208 V
- 300 W to 4000 W @ 240 V

#### CONTROL

- three-wire connection
- maximum power when "boost" mode is activated (with a timer)
- possibility of four events on weekdays and two events on weekends
- protection against power failure (two hours)
- display in Celsius or Fahrenheit

#### ACCURACY

- accurate ambient temperature control of  $\pm 0.5$  °C (1°F)
- CSA C828-19
- temperature sensing with thermistor

#### TEMPERATURE RANGE

- 5 to 30 °C (41 to 86 °F)

#### WARRANTY

- three years
- \*independent study

### TECHNICAL SPECIFICATIONS

PRODUCT	WATTS		VOLTAGE	MAX. AMPERAGE	FREQUENCY	PACKAGING	UNIT PRICE
	CODE	MINIMUM	MAXIMUM	VOLTS	AMPERES		
ST402PFF	150/260/300	2000/3475/4000	120/208/240	16.7	60	BOX	49.00

DIMENSIONS ST402PFF : 4,94 in. (125,5 mm) wide, 4,94 in. (125,5 mm) high and 1,38 in. (35 mm) deep





# ST252NPFF – ST402NPFF

## ELECTRONIC THERMOSTAT FOR FAN HEATERS

NON-PROGRAMMABLE



2500 W

4000 W



### A WIND OF CHANGE!

Stelpro's all-new non-programmable electronic thermostats designed specifically for fan heaters let you make the most of your comfort thanks to advanced features such as "Boost" and "Lobby" modes. Harmonious design, superior technology and safe operation merge to ensure your comfort in all circumstances.

#### ENERGY SAVINGS UP TO 12%\*

#### ECO MODE

ONE-CLICK TEMPERATURE SETBACK

#### HEAT "BOOST" FEATURE

RAPID TEMPERATURE RISE

#### LOBBY MODE

COMPENSATES FOR FAST TEMPERATURE DROPS

#### SAFE DESIGN

SEALED HOUSING

#### S<sup>3</sup> MOUNTING PLATE

STURDY, SIMPLE AND SAFE INSTALLATION

#### COLOUR

- white

#### FINISH

- molded plastic

#### WATTAGE AND VOLTAGE

##### ST252NPFF

- 150 W to 1250 W @ 120 V
- 260 W to 2160 W @ 208 V
- 300 W to 2500 W @ 240 V

##### ST402NPFF

- 150 W to 2000 W @ 120 V
- 260 W to 3475 W @ 208 V
- 300 W to 4000 W @ 240 V

#### CONTROL

- three-wire connection
- compatible with forced-air units
- eco mode: One-click temperature setback
- maximum power when "boost" mode is activated (with a timer)
- display in Celsius or Fahrenheit

#### ACCURACY

- accurate ambient temperature control of  $\pm 0.5$  °C (1°F)
- CSA C828-19
- temperature sensing with thermistor

#### TEMPERATURE RANGE

- 5 to 30 °C (41 to 86 °F)

#### WARRANTY

- three years
- \*independent study

### TECHNICAL SPECIFICATIONS

PRODUCT	WATTS		VOLTAGE	MAX. AMPERAGE	FREQUENCY	PACKAGING	UNIT PRICE
CODE	MINIMUM	MAXIMUM	VOLTS	AMPERES	HZ		
ST252NPFF	150/260/300	1250/2160/2500	120/208/240	10.4	60	BOX	37.00
ST402NPFF	150/260/300	2000/3475/4000	120/208/240	16.7	60	BOX	43.00

DIMENSIONS ST252NPFF: 4,35 in. (110,5 mm) wide, 4,94 in. (125,5 mm) high and 1,38 in. (35 mm) deep

DIMENSIONS ST402NPFF : 4,94 in. (125,5 mm) wide, 4,94 in. (125,5 mm) high and 1,38 in. (35 mm) deep



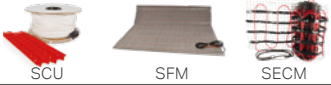
# STCNP

## ELECTRONIC THERMOSTAT FOR HEATING FLOORS – SINGLE PROGRAMMING

**3840 W**



DESIGNED FOR:



### CONTROL YOU CAN DEPEND ON TO HEAT YOUR FLOORS

The STCNP is a floor heating system thermostat that can read floor or ambient air temperature. The thermostat can be locked to prevent it from exceeding the selected temperature.



#### SIMPLE TO USE AND INSTALL



#### INCREASED SAVINGS AND COMFORT INCOMPARABLE ACCURACY



#### CHOICE OF FLOOR OR AMBIENT TEMPERATURE CONTROL



#### BACKLIT SCREEN CAN BE USED AS A NIGHTLIGHT

#### COLOUR

- white

#### FINISH

- molded plastic

#### MANUFACTURING

- built-in GFCI and pilot light (test)
- four-wire connection/DPST with bipolar tripping
- 13 ft. (4 m) floor sensor included\*

#### WATTAGE AND VOLTAGE

- maximum of 1920 W @ 120 V
- maximum of 3330 W @ 208 V
- maximum of 3840 W @ 240 V

#### CONTROL

- acts like a programmable thermostat by automatically lowering the temperature once per 24-hour period (Single programming mode)

- advanced floor or ambient temperature control
- protection against power failures (two hours)
- lock option at a maximum temperature setpoint (Security mode)
- display in Celsius or Fahrenheit

#### ACCURACY

- accurate ambient temperature control of  $\pm 0.5^\circ\text{C}$  ( $1^\circ\text{F}$ )
- temperature sensing with thermistor

#### TEMPERATURE RANGE

- Ambient mode: 3 to 35 °C (37 to 95 °F)
- Floor mode: 3 to 28 °C (37 to 82 °F)

#### WARRANTY

- three years

\* This thermostat is compatible with some floor sensors sold by other manufacturers.

### TECHNICAL SPECIFICATIONS

PRODUCT	WATTS	VOLTAGE	AMPERAGE	FREQUENCY	GFCI	PRICE
CODE	MAXIMUM	VOLTS	AMPERES	HZ	MA	
<b>STCNPW5*</b>	1920/3330/3840	120/208/240	16	50/60	5	<b>162.00</b>

\* 5 mA thermostats have an integral Ground-Fault Circuit Interrupter (GFCI) (mandatory in bathrooms and similar room types). Please refer to the electrical and building codes in effect in your region to choose the best thermostat to suit your needs. Dimensions: 3 3/8 in. (86 mm) wide, 4 7/8 in. (124 mm) high and 1 in. (25 mm) deep (total depth: 2 3/16 in. (56 mm))

# STCP

## ELECTRONIC THERMOSTAT FOR HEATING FLOORS – MULTIPLE PROGRAMMING

**3840 W**



### PROGRAMMING THE COMFORT OF YOUR FEET

This thermostat, specifically designed for heated floor systems, can read floor or ambient temperature. A booklet with more than 250 preset programs is included that can be set by simply pressing the front buttons. The STCP acts like a small computer designed to provide maximum comfort.

**252 EASY PROGRAMMING**  
INCLUDES 252 PRESET PROGRAMS IN "PRE-PROG" MODE

**± 0.5°C INCREASED SAVINGS AND COMFORT**  
INCOMPARABLE ACCURACY

**ANTICIPATED START**  
REACH THE TEMPERATURE SETPOINT PRECISELY AT THE PROGRAMMED TIME

**7 7-DAY PROGRAMMING**

**CHOICE OF FLOOR OR AMBIENT TEMPERATURE CONTROL**

**BACKLIT SCREEN**

#### COLOUR

- white

#### FINISH

- molded plastic

#### MANUFACTURING

- built-in GFCI and pilot light (test)
- four-wire connection/DPST with bipolar tripping
- 13 ft. (4 m) floor sensor included\*

#### WATTAGE AND VOLTAGE

- maximum of 1920 W @ 120 V
- maximum of 3330 W @ 208 V
- maximum of 3840 W @ 240 V

#### CONTROL

- possibility of four events on weekdays and four events on weekends
- anticipated start (the thermostat reaches the desired temperature at the requested time)
- advanced floor or ambient temperature control (your choice)

- protection against power failures (two hours)
- lock option at a maximum temperature setpoint (Security mode)
- display in Celsius or Fahrenheit

#### ACCURACY

- accurate ambient temperature control of ± 0.5 °C (1 °F)
- temperature sensing with thermistor

#### TEMPERATURE RANGE

- Ambient mode: 3 to 35 °C (37 to 95 °F)
- Floor mode: 3 to 28 °C (37 to 82 °F)

#### WARRANTY

- three years

\* This thermostat is compatible with some floor sensors sold by other manufacturers.

### TECHNICAL SPECIFICATIONS

PRODUCT	WATTS	VOLTAGE	AMPERAGE	FREQUENCY	GFCI	PRICE
CODE	MAXIMUM	VOLTS	AMPERES	HZ	MA	
STCPW5*	1920/3330/3840	120/208/240	16	50/60	5	207.00

\* 5 mA thermostats have an integral Ground-Fault Circuit Interrupter (GFCI) (mandatory in bathrooms and similar room types). Please refer to the electrical and building codes in effect in your region in order to choose the best thermostat to suit your needs. Dimensions: 3 3/8 in. (86 mm) wide, 4 7/8 in. (124 mm) high and 1 in. (25 mm) deep (total depth: 2 3/16 in. (56 mm))

# STE302R2+

ELECTRONIC DOUBLE POLE THERMOSTAT – SINGLE PROGRAMMING

3000 W



## COMFORT AND SAVINGS

The STE302R2+ double-pole thermostat fits perfectly with any style. It has a useful backlit screen, can be used to control electric heating units, with or without and lets you lower the temperature at a specific time of the day.



**SIMPLE TO USE AND INSTALL**



**INCREASED SAVINGS AND COMFORT**  
INCOMPARABLE ACCURACY



**BACKLIT SCREEN**  
CAN BE USED AS A NIGHTLIGHT



**ELECTRICITY SAVINGS**  
ENERGY SAVINGS OF 10-15%  
DEPENDING ON USE\*

### COLOUR

- white

### FINISH

- molded plastic

### WATTAGE AND VOLTAGE

- 150 W to 1500 W @ 120 V
- 260 W to 2600 W @ 208 V
- 300 W to 3000 W @ 240 V

### CONTROL

- four-wire connection
- acts like a programmable thermostat by automatically lowering the temperature once per 24-hour period (Single programming mode)
- compatible with forced-air units (Fan mode)
- frost-free warning
- lock option at a maximum temperature setpoint (Security mode)
- display in Celsius or Fahrenheit

### ACCURACY

- accurate ambient temperature control  $\pm 0.5^\circ\text{C}$  (1 °F)
- CSA C828-13
- temperature sensing with thermistor

### TEMPERATURE RANGE

- 3 to 30 °C (37 to 86 °F)

### WARRANTY

- three years

\*independent study

## TECHNICAL SPECIFICATIONS

PRODUCT	WATTS		VOLTAGE	AMPERAGE	FREQUENCY	PACKAGING	PRICE
	CODE	MINIMUM	MAXIMUM	VOLTS	AMPERES		
STE302R2W+	150/260/300	1500/2600/3000	120/208/240	12.5	50/60	BOX	61.00

Dimensions: 3 3/8 in. (86 mm) wide, 4 7/8 in. (124 mm) high and 1 in. (25 mm) deep (total depth: 2 3/16 in. (56 mm))

# TH140-28-01-B

## ELECTRONIC THERMOSTAT – LINE AND LOW VOLTAGE – 7-DAY PROGRAMMABLE

### COLOUR

- white

### FINISH

- molded plastic

### VOLTAGE

- Max: 5 A @ 24 V – 240 V resistive
- Max: 2 A @ 24 V – 240 V inductive

### CONTROL

- versatile thermostat that controls systems from millivolts to 240 V and is also well-suited for hot water heating
- battery powered (2 AA alkaline batteries)
- terminals R, W (X, C optional remote input)
- temperature sensing with thermistor

### TEMPERATURE RANGE

- 5 to 30°C (40 to 85°F)

### WARRANTY

- one year



PRODUCT	DESCRIPTION	PRICE
TH140-28-01-B	ELECTRONIC PROG. THERMOSTAT, MILLIVOLT TO 240V, 5A RES. 2A IND.	84.25

Dimensions: 3 13/16 in. (97 mm) wide, 5 in. (127 mm) high and 1 in. (26 mm) deep



# TL116A1008

## ELECTRONIC THERMOSTAT – LINE VOLTAGE

### COLOUR

- white

### FINISH

- molded plastic

### VOLTAGE

- Min: 1.5 A @ 120 V – 240 V
- Max: 12.5 A @ 120 V – 240 V

### CONTROL

- two-wire connection (single-pole model)
- temperature in degrees Celsius
- temperature sensing with thermistor

### TEMPERATURE RANGE

- 5 to 27°C (40 to 81°F)

### WARRANTY

- one year



PRODUCT	DESCRIPTION	PRICE
TL116A1008	NON PROG. ELECTRONIC THERMOSTAT 3000W @ 240V	29.75

Dimensions: 3 1/32 in. (77 mm) wide, 5 in. (127 mm) high and 2 22/64 in. (60 mm) deep



# STE241

ELECTRONIC THERMOSTAT LOW VOLTAGE / 24 V – SINGLE PROGRAMMING

24 V



DESIGNED FOR:



## EFFICIENT RELAY CONTROL

The STE241 series low voltage (24 V) electronic thermostat is designed to control electric furnaces and Stelpro "RE" series heating relays. It is compatible with either convection-mode or forced-air heating units as the cycles of this thermostat can be modified accordingly.



**SIMPLE TO USE AND INSTALL**



**INCREASED SAVINGS AND COMFORT**  
INCOMPARABLE ACCURACY



**BACKLIT SCREEN**  
CAN BE USED AS A NIGHTLIGHT



**ELECTRICITY SAVINGS**  
ENERGY SAVINGS OF 10-15%  
DEPENDING ON USE\*

### COLOUR

- white

### FINISH

- molded plastic

### VOLTAGE

- 0.5 A @ 24 Vac

### CONTROL

- three-wire connection
- compatible with electric furnaces (R, C, W connections) and Stelpro "RE" series heating relays
- adjustable cycles to accommodate both convection and forced-air heating modes. Attention: not compatible with solely inductive loads.
- acts like a programmable thermostat by automatically lowering the temperature once per 24-hour period (Single programming mode)
- frost-free warning
- lock option at a maximum temperature setpoint (Security mode)
- display in Celsius or Fahrenheit

### ACCURACY

- accurate ambient temperature control  $\pm 0.5^\circ\text{C}$  (1 °F)
- temperature sensing with thermistor

### TEMPERATURE RANGE

- 3 to 30 °C (37 to 86 °F)

### WARRANTY

- three years
- \*independent study

## TECHNICAL SPECIFICATIONS

PRODUCT	VOLTAGE	FREQUENCY	PACKAGING	PRICE
CODE	VOLTS	HZ		
STE241WB+	24 VAC	50/60	BOX	49.25

Dimensions : 3 1/4 in. (83 mm) wide, 4 3/4 in. (121 mm) high and surface 1 in. (25 mm) deep (total depth: 1 3/8 in. (35 mm))

# D010

## ELECTRONIC THERMOSTAT – LOW VOLTAGE / 24 V

### COLOUR

- off-white

### VOLTAGE

- 1 A @ 24 Vac

### CONTROL

- three-wire connection
- all or nothing @ 24 Vac
- compatible with all RE, RM and R841D1036 model relays
- temperature in degrees Celsius and Fahrenheit

### TEMPERATURE RANGE

- 10 to 30 °C (50 to 86 °F)

### WARRANTY

- one year



PRODUCT	DESCRIPTION	PRICE
D010	24 V THERMOSTAT	26.75

Dimensions : 3.54 in. x 3.54 in. x 1.57 in. (89.9 mm x 89.9 mm x 39.9 mm)

# ET180

## ELECTRONIC THERMOSTAT – LOW VOLTAGE / 24 V

### COLOUR

- off-white

### VOLTAGE

- 1 A @ 24 Vac
- display powered by batteries (2 X AAA – not provided)

### CONTROL

- two-wire connection
- all or nothing (NO or NC)
- compatible with all RE, RM and R841 model relays
- temperature in degrees Celsius and Fahrenheit

### TEMPERATURE RANGE

- 5 to 35 °C (40 to 95 °F)

### WARRANTY

- one year



PRODUCT	DESCRIPTION	PRICE
ET180	24 V ELECTRONIC THERMOSTAT	37.50

Dimensions : 3.27 in. x 3.27 in. x 1.19 in. (83.1 mm x 83.1 mm x 30.2 mm)

# T822K1034

## THERMOSTAT – LOW VOLTAGE / 24 V

### COLOUR

- white

### VOLTAGE

- 1.2 A @ 24 Vac

### CONTROL

- two-wire connection
- all or nothing (on/off) @ 24 Vac
- compatible with all RE, RM and R841 model relays
- temperature in degrees Celsius

### TEMPERATURE RANGE

- 10 to 30 °C (50 to 86 °F)

### WARRANTY

- one year



PRODUCT	DESCRIPTION	PRICE
<b>T822K1034</b>	LOW VOLTAGE THERMOSTAT (24 V)	<b>42.00</b>

Dimensions: 2.83 in. x 4.75 in. x 1.46 in. (71.9 mm x 120.7 mm x 37.1 mm)



# T87K1015

## THERMOSTAT – LOW VOLTAGE / 24 V

### COLOUR

- white

### VOLTAGE

- 1 A @ 24 Vac

### CONTROL

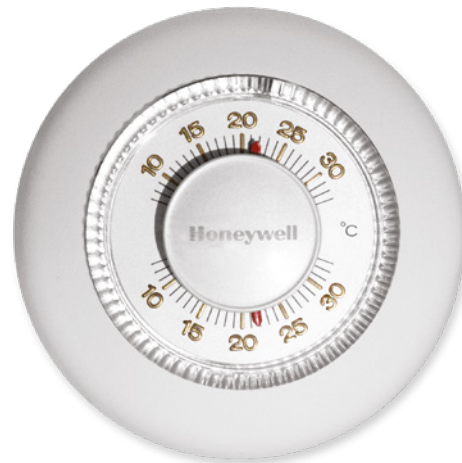
- two-wire connection
- all or nothing (on/off) @ 24 Vac
- compatible with all RE, RM and R841 model relays
- temperature in degrees Celsius

### TEMPERATURE RANGE

- 10 to 30 °C (50 to 86 °F)

### WARRANTY

- one year



PRODUCT	DESCRIPTION	PRICE
<b>T87K1015</b>	LOW VOLTAGE THERMOSTAT (24 V)	<b>87.75</b>

Dimensions: 3 11/16 in. diameter x 1 3/4 in. (93.7 mm diameter x 44.5 mm)



# SWT

## MECHANICAL THERMOSTAT – LINE VOLTAGE

### COLOURS

- white, soft white

### FINISH

- molded plastic

### VOLTAGE

- 22 A @ 120-277 Vac
- 1/2 hp

### CONTROL

- two-wire connection (single pole model) or four-wire connection (double pole model)
- temperature in degrees Celsius
- off position (double pole model)

### TEMPERATURE RANGE

- 10 to 30 °C (50 to 90 °F)

### WARRANTY

- one year



PRODUCT	DESCRIPTION	PRICE
<b>SWT1C*</b>	SINGLE POLE THERMOSTAT (CELSIUS)	<b>16.00</b>
<b>SWT2C</b>	DOUBLE POLE THERMOSTAT (CELSIUS)	<b>23.00</b>

\*Add SW for soft white.  
Dimensions: 2 29/32 in. (74 mm) wide, 4 37/64 in. (116 mm) high and 1 9/64 in. (29 mm) deep



# RJ32

## MECHANICAL THERMOSTAT – LINE VOLTAGE

### COLOUR

- white

### VOLTAGE

- 22 A @ 120, 208 or 240 Vac / 19 A @ 277 Vac

### CONTROL

- two-wire connection (single pole model)  
or four-wire connection (double pole model)
- temperature in degrees Celsius

### TEMPERATURE RANGE

- 5 to 32 °C (41 to 90 °F)

### WARRANTY

- one year



PRODUCT	DESCRIPTION	PRICE
<b>RJ32W1</b>	SINGLE POLE THERMOSTAT	<b>19.25</b>
<b>RJ32W2</b>	DOUBLE POLE THERMOSTAT	<b>26.75</b>

Dimensions: 4 1/2 in. (114.3 mm) wide, 2 3/4 in. (69.9 mm) high and 2 1/4 in. (57.2 mm) deep





# RE25 – RE30

## ELECTRONIC RELAY – LOW VOLTAGE

### CONTROL

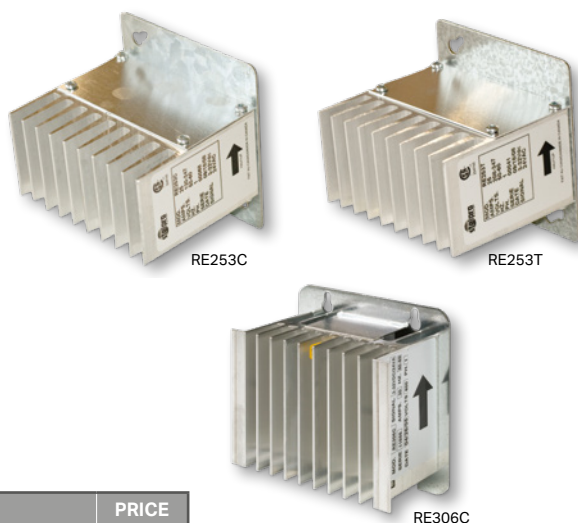
- pulsed signal (PWM) or all or nothing (on/off) at 24 Vac, 3-32 Vdc signal
- with a transformer (RE253T)
- compatible with the STE241, T822K1034, T87K1015, D010 and ET180 thermostats
- two additional relays without transformers can be added to the same control circuit as a relay with a transformer
- installing more than four relays without transformers to the same thermostat is not recommended

### INSTALLATION

- the relay must be installed in an external junction box

### WARRANTY

- three years



PRODUCT	DESCRIPTION	PRICE
<b>RE253C</b>	ELECTRONIC LOW VOLTAGE RELAY [25 A @ 120 V, 208 V, 240 V, 277 V OR 347 V]	<b>95.75</b>
<b>RE253T</b>	ELECTRONIC LOW VOLTAGE RELAY [25 A @ 208 V, 240 V, 277 V OR 347 V] (W/TRANSFORMER)	<b>95.75</b>
<b>RE306C</b>	ELECTRONIC LOW VOLTAGE RELAY [30 A @ 120 V-600 V]	<b>125.00</b>

Dimensions: RE253: 4.10 in. x 4.10 in. x 2.10 in. (104.1 mm x 104.1 mm x 53.3 mm) / RE306C: 4.76 in. x 4.70 in. x 3 in. (120.9 mm x 119.4 mm x 76.2 mm)



# RE15

## ELECTRONIC RELAY – LOW VOLTAGE – SMALLER-SIZED

### CONTROL

- pulsed signal (PWM) or all or nothing (on/off) at 24 Vac, 3-32 Vdc signal
- with a transformer (RE153T)
- compatible with the STE241, T822K1034, T87K1015, D010 and ET180 thermostats
- two additional relays without transformers can be added to the same control circuit as a relay with a transformer
- installing more than four relays without transformers to the same thermostat is not recommended

### INSTALLATION

- the relays must be installed inside the junction box of the heating unit

### WARRANTY

- three years



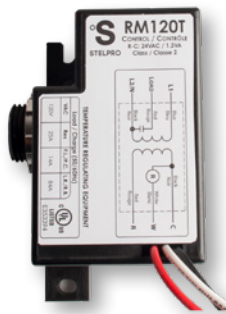
PRODUCT	DESCRIPTION	PRICE
<b>RE153</b>	ELECTRONIC LOW VOLTAGE RELAY [15 A @ 120 V-347 V]	<b>51.00</b>
<b>RE156</b>	ELECTRONIC LOW VOLTAGE RELAY [6 A @ 120 V-600 V]	<b>83.25</b>
<b>RE153T</b>	ELECTRONIC LOW VOLTAGE RELAY [15 A @ 208 V-347 V] (W/TRANSFORMER)	<b>62.50</b>

Dimensions: RE153 and RE156: 3.31 in. x 2.17 in. x 0.89 in. (84.1 mm x 55.1 mm x 22.6 mm) / RE153T: 3.31 in. x 2.17 in. x 1.5 in. (84.1 mm x 55.1 mm x 38.1 mm)

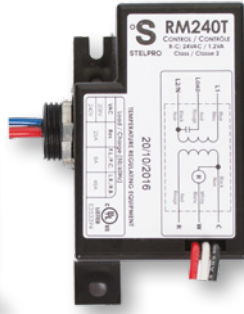


# RM

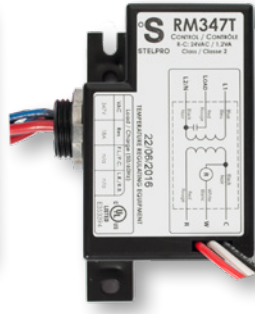
## ELECTROMECHANICAL RELAY – LOW VOLTAGE



RM120T



RM240T



RM347T



RM347C



### CONTROL

- all or nothing (on/off)
- with a 24 V transformer (with exception of the RM347C w/o transformer)
- compatible with the T822K1034, T87K1015 and ET180 thermostats (the RM347C w/o a transformer is also compatible with the STE241 and D010 thermostats)
- installing more than four relays without a transformer to the same thermostat is not recommended (two relays without a transformer if connected to a STE241 thermostat)
- no additional relay can be connected to the same control circuit as a relay with a transformer

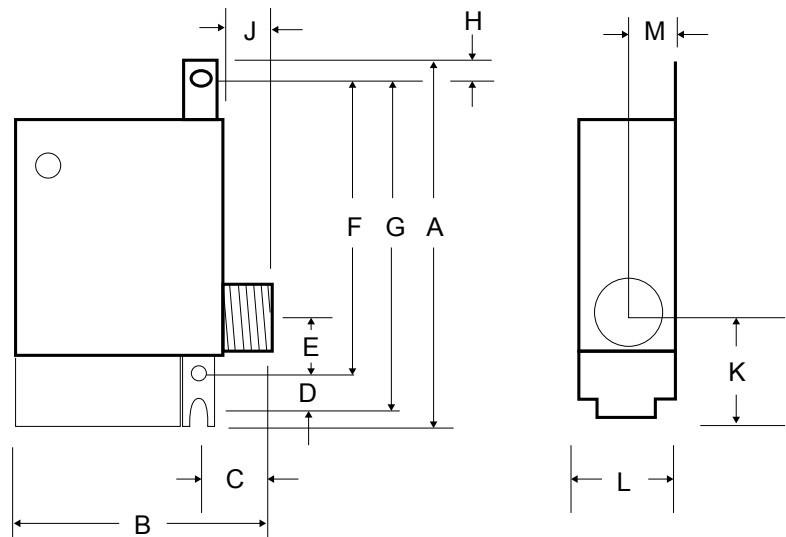
### INSTALLATION

- these relays can be installed in an external junction box
- these relays may or may not be installed in the junction box of the heating unit (see the accessories table for the heating unit)

### WARRANTY

- one year

### TECHNICAL DRAWINGS



PRODUCT	DESCRIPTION	PRICE
RM120T	ELECTROMECHANICAL RELAY WITH TRANSFORMER 24 V [3000 W @ 120 V]	57.75
RM240T	ELECTROMECHANICAL RELAY C/W TRANSFORMER 24 V [6000 W @ 240 V AND 5200 W @ 208 V]	55.50
RM347T	ELECTROMECHANICAL RELAY C/W TRANSFORMER 24 V [6000 W @ 347 V]	60.75
RM347C	ELECTROMECHANICAL RELAY W/O TRANSFORMER 24 V [6000 W @ 120 V-347 V]	44.75

DIMENSIONS													
PRODUCT	KEY	A	B	C	D	E	F	G	H	J	K	L	M
RM...T	MM	100	67	18	11	19	74	84	10	10	35	41	16
	IN.	3 15/16	2 21/32	23/32	27/64	3/4	2 57/64	3 21/64	13/32	25/64	1 3/8	1 5/8	5/8
RM...C	MM	76	51	18	11	19	74	84	10	10	35	41	16
	IN.	3 3/4	2 1/2	23/32	27/64	3/4	2 57/64	3 21/64	13/32	25/64	1 3/8	1 5/8	5/8

# R841

## ELECTROMECHANICAL RELAY – LOW VOLTAGE



R841C1151



### CONTROL

- all or nothing (on/off)
- with a 24 V transformer (except the R841D1036 w/o a transformer)
- compatible with the T822K1034, T87K1015 and ET180 thermostats (the R841D1036 w/o a transformer is also compatible with the STE241 and D010 thermostats)
- installing more than four relays without a transformer to the same thermostat is not recommended (two relays without a transformer if connected to a STE241 thermostat)
- no additional relay can be connected to the same control circuit as a relay with a transformer

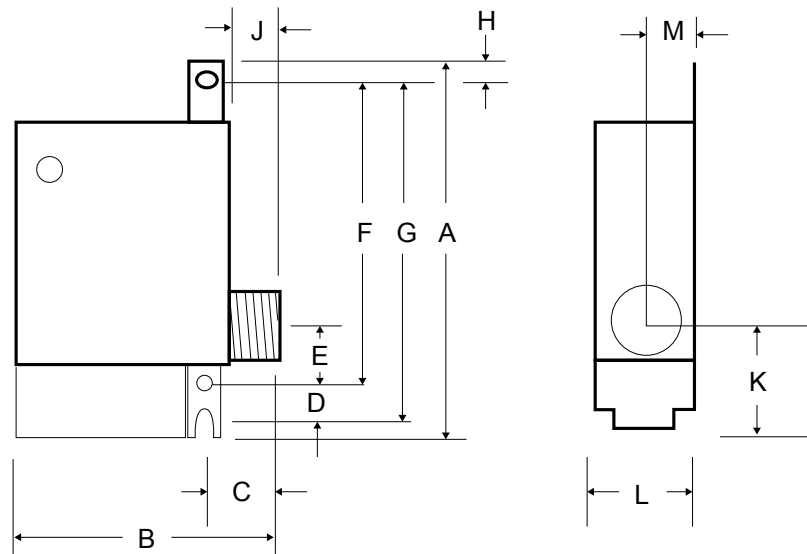
### INSTALLATION

- these relays can be installed in an external junction box
- these relays may or may not be installed in the junction box of the heating unit (see the accessories table for the heating unit)

### WARRANTY

- one year

### TECHNICAL DRAWINGS



PRODUCT	DESCRIPTION	PRICE
R841C1151	ELECTROMECHANICAL RELAY C/W TRANSFORMER 24 V [6000 W @ 600 V]	98.00
R841D1036	ELECTROMECHANICAL RELAY W/O TRANSFORMER 24 V [6000 W @ 600 V]	78.50

DIMENSIONS												
KEY	A	B	C	D	E	F	G	H	J	K	L	M
MM (NOMINAL)	95	65	20	10	20	75	85	5	10	35	40	15
IN.	3 1/4	2 3/8	3/4	15/32	3/4	2 29/32	3 3/8	1/4	7/16	1 15/32	1 1/2	5/8



# TG511A1000

## UNIVERSAL THERMOSTAT GUARD

### MANUFACTURING

- clear plastic
- compatible with all thermostats sold by Stelpro
- features a tumbler lock (keys included)
- can be installed without removing the thermostat from the wall

- protection against vandalism, damage and unauthorized tampering of settings

### WARRANTY

- one year



PRODUCT	DESCRIPTION	PRICE
TG511A1000	UNIVERSAL THERMOSTAT GUARD	39.50

Inside dimensions: 6 1/16 in. x 5 1/16 in. x 2 15/16 in. (154 mm x 128.6 mm x 74.6 mm)



### KEYS (INCLUDED)

The ambient temperature can only be changed by the key owner.



# F29

## THERMOSTAT GUARD

### MANUFACTURING

- clear plastic (F290143) or metal (F290193)
- compatible with the STCNP, STCP, STE302R2+, STE241, T822K1034, T87K1015, D010 and ET180 thermostats
- features a tumbler lock (keys included)

- protection against vandalism, damage and unauthorized tampering of settings

### WARRANTY

- one year



F290143



F290193

PRODUCT	DESCRIPTION	PRICE
F290143	CLEAR PLASTIC THERMOSTAT GUARD	39.50
F290193	METAL THERMOSTAT GUARD	59.75

Inside dimensions: F290143: ring base of 3 1/2 in. x 6 3/8 in. x 3 1/4 in. (88.9 mm x 161.9 mm x 82.6 mm), solid base of 3 1/2 in. x 6 3/8 in. x 3 in. (88.9 mm x 161.9 mm x 76.2 mm)  
F290193: 3 13/16 in. x 6 in. x 3 1/8 in. (96.8 mm x 152.4 mm x 79.4 mm)



### KEYS (INCLUDED)

The ambient temperature can only be changed by the key owner.



# FD60M

## MECHANICAL TIMER

### COLOUR

- white

### VOLTAGE

- 20 A @ 120 Vac / 10 A @ 240 and 277 Vac

### INSTALLATION

- wall mounted with wall plate (not provided)

### CONTROL

- 60-minute timer
- used to control forced-air units such as: SK, RWF, SKS

### WARRANTY

- one year



PRODUCT	DESCRIPTION	PRICE
FD60MCW70	60-MINUTE TIMER	70.75

Dimensions: 1.6 in. x 2.79 in. x 1.19 in. (40.6 mm x 70.9 mm x 30.2 mm)





# HAND DRYERS

Stelpro hand dryers were developed to be efficient, customizable and eco-friendly. From design to manufacturing, our ultimate goal is to offer multi-purpose hand dryers that can meet all your needs, no matter the conditions of use.



# ELN | EL-NIÑO™

## HAND DRYER



### THE PERFECT COMBINATION OF POWER AND STYLE

The El-Niño is absolutely incredible; you have to try it to believe it. This powerful hand dryer dries hands completely in only ten seconds. The El-Niño is a quiet, energy-efficient solution that combines quick drying with overall savings. This state-of-the-art hand dryer offers four personalized operating modes to meet your needs. Save time and money with the stylish El-Niño!

#### NOISE LEVEL AND HEAT CONTROL

FOUR PERSONALIZED MODES

#### ENERGY EFFICIENT IN ECONOMICAL AND HARMONY MODES

#### HEAVY-DUTY DIE-CAST ALUMINUM ALLOY SHELL

#### STYLISH AND COMPACT

#### SEMI-RECESSED INSTALLATION LESS THAN 4 INCHES

#### COLOURS

- **standard:** white
- **luxury finish:** brushed chrome (surcharge)
- **Orora (optional):** refer to [www.stelpro.com/en-CA/Orora](http://www.stelpro.com/en-CA/Orora)

#### FINISH

- epoxy-polyester powdercoat or chrome-plated

#### MANUFACTURING

- rib reinforced shell, solidly constructed of die-cast aluminum alloy
- lightweight, heavy duty and rustproof shell
- wall bracket with two chrome-plated tamper-proof bolts

#### ELEMENT

- nichrome element located in motor section

#### CONTROL

- four personalized operating modes to meet your needs
- infrared optical sensor located next to the air outlet activates and deactivates the hand dryer
- 60-second lockout feature is activated if hands are not removed before this time

#### INSTALLATION

- surface mounted
- optional semi-recessed installation with depth of 4 inches or less; meets ADA standards (Americans with Disabilities Act)

#### WARRANTY

- five years,\* three years on electronic components

### TECHNICAL SPECIFICATIONS

















PRODUCT	POWER (WATTS)*			VOLTAGE	AMPERAGE	WEIGHT		PRICE	
	CODE	ELEMENT	MOTOR			TOTAL	VOLTS	AMPERES	KG
ELNV0901A	900	550	1450	120	10	4.4	9.8	782.00	913.00
ELNV0902A	900	550	1450	240	5.8	4.4	9.8	782.00	913.00
ELNV0908A	900	550	1450	208	5	4.4	9.8	781.00	913.00

Add W for white or BC for brushed chrome (consult the optional colours chart or contact your Stelpro representative for all other colours).

\*Data obtained in Normal/High mode

# OPERATING MODES

The El-Niño's built-in electronic control lets you personalize your unit to meet all your needs.

MODE	ENERGY SAVINGS	AIR SPEED OR AIR FLOW	HEATING POWER	NOISE LEVEL	DRYING TIME
<b>ULTIMATE – Normal/High mode</b> High air speed and full heating power for quick drying <b>Ideal for:</b> stadiums, arenas, theatres, public places and warehouses	---				
<b>COMFORT – Normal/Low mode</b> Reduced air speed and moderate heating power for comfortable noise level and heat range <b>Ideal for:</b> libraries, small restaurants and coffee shops	---				
<b>ECONOMICAL – Eco/High mode</b> High air speed without heat for quick drying with energy and cost savings <b>Ideal for:</b> schools, universities, amusement parks, warehouses and large restaurants			---		
<b>HARMONY – Eco/Low mode</b> Reduced air speed without heat for energy savings and a moderate noise level <b>Ideal for:</b> hospitals, libraries, daycares, small restaurants and coffee shops			---		

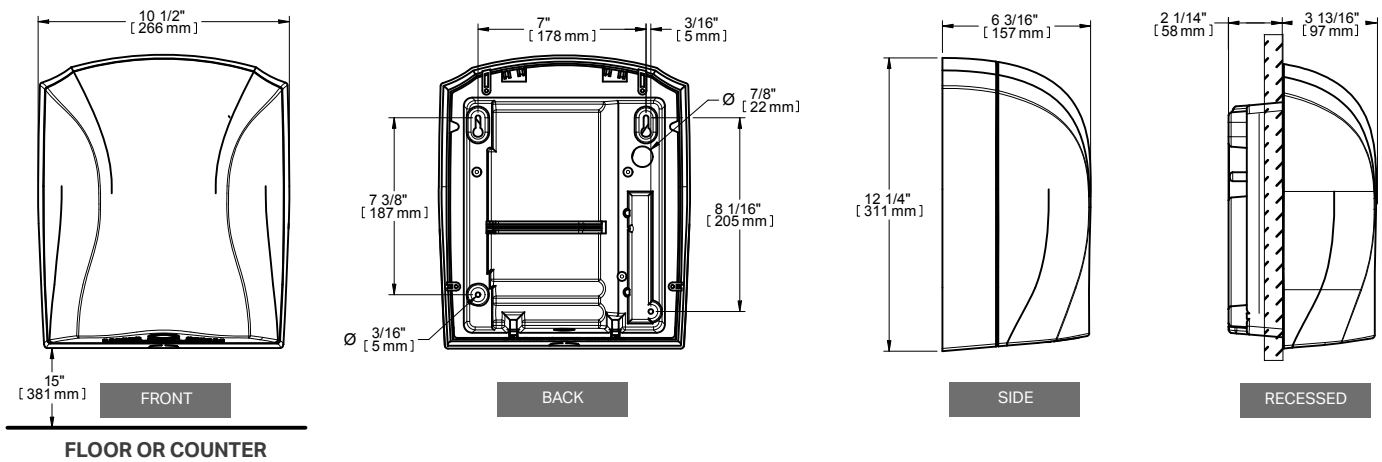
MODE	AIR SPEED (LFM)		TOTAL POWER WATTS	NOISE LEVEL (DB)	
	AT AIR OUTLET	AT HAND LEVEL*		WITHOUT HANDS	WITH HANDS
<b>ULTIMATE</b>	19 000	16 000	1450	77	90
<b>COMFORT</b>	11 400	9600	1175	72	85
<b>ECONOMICAL</b>	19 000	16 000	550	77	90
<b>HARMONY</b>	11 400	9600	465	72	85

\*4 inches below





# TECHNICAL DRAWINGS



## RECOMMENDED INSTALLATION HEIGHTS

Distance between floor and bottom of hand dryer

MEN	WOMEN	TEENAGERS	CHILDREN	HANDICAPPED
45 in. (115 cm)	43 in. (110 cm)	41 in. (105 cm)	35 in. (90 cm)	37 in. (95 cm)

### 3 LEVELS OF DETECTION

Adjust the sensitivity level of your hand dryer to meet usage requirements.

Detection distances may vary depending on lighting conditions.



**MAXIMAL DETECTION – STANDARD (APPROX. 4 IN. – 10 CM)**

**MEDIUM DETECTION – DECREASED (APPROX. 3 IN. – 7.6 CM)**

**MINIMAL DETECTION – MINIMUM (APPROX. 2 IN. – 5 CM)**

## ACCESSORIES

### PRE-DRILLED SLEEVE FOR ELECTRICAL CONNECTION

The pre-drilled sleeve allows for an electrical connection to the top of the unit in the case when access to the junction box from inside the wall or the bottom of the unit is problematic or not required (only available for surface mounted installation).



### WALL GUARD

The wall guard protects the wall under the hand dryer from drops of water due to wet hands being blown dry and makes cleaning easier.



PRODUCT	DESCRIPTION	PRICE
<b>ELNKOE</b>	Pre-drilled sleeve for electrical connection	<b>39.75</b>
<b>SHDXL-89W</b>	Wall guard - white (15 3/4 in. x 31 3/4 in. x 1/16 in. – 40 cm x 81 cm x 0.16 cm) – set of two	<b>307.00</b>
<b>SHDXL-89B</b>	Wall guard - black (15 3/4 in. x 31 3/4 in. x 1/16 in. – 40 cm x 81 cm x 0.16 cm) – set of two	<b>307.00</b>
<b>SHDXL-89S</b>	Wall guard - stainless steel (15 3/4 in. x 31 3/4 in. x 1/16 in. – 40 cm x 81 cm x 0.16 cm) – set of two	<b>488.00</b>

# SHDXL | XLERATOR™

HAND DRYER



XLERATOR

## THE STANDARD IN HIGH VELOCITY

The first high velocity hand dryer on the market, the Xlerator sets the standard for quality and performance in its category. The Xlerator dries hands in seconds, making it the ultimate choice in washrooms with high traffic, such as stadiums, arenas and public places. Its reinforced, die-cast zinc alloy shell make it virtually unbreakable. The first choice for LEED® buildings, the Xlerator is the ideal high velocity hand dryer!

**DRIES HANDS IN ONLY 8 SECONDS†!**

**LED WARNING LIGHT IN CASE OF PROBLEMS**

**PERFECT FOR LEED® BUILDINGS**

**CHOICE OF 5 COLOURS AND CUSTOMIZATION WITH YOUR LOGO**

### COLOURS

- **standard:** white, white polymer BMC
- **luxurious finish:** chrome, graphite or brushed stainless steel (surcharge)

### FINISH

- epoxy-polyester powdercoat

### MANUFACTURING

- rib reinforced shell, solidly constructed of die-cast zinc alloy
- lightweight, unbreakable and rustproof
- secured to its supporting wall bracket with two chrome-plated, tamper-proof bolts

### SOUND LEVEL

- 71 dBA (81 dBA with hands)

### ELEMENT

- nichrome element producing instant heat

### CONTROL

- infrared optical sensor located next to the air outlet activates hand dryer
- 35-second lockout feature is activated if hands are not removed before this time

### INSTALLATION

- wall mounted

### WARRANTY









- five years, \*three years on electronic components

† Dry time and energy use testing performed by SGS International on standard XLERATOR Hand Dryer with 0.8 in. nozzle to 0.25 g or less of residual moisture, pursuant to the UL Environment Global Product Category Rules (PCR) for Hand Dryers.

## TECHNICAL SPECIFICATIONS

PRODUCT	POWER (WATTS)			VOLTAGE	AMPERAGE	WEIGHT		PRICE			
	CODE	ELEMENT	MOTOR	TOTAL	VOLTS	AMPERES	KG	LB	W	BW	GR
SHDXLAS1	1000	500	1500	120	12.5	7.3	16	1030.00	940.00	1088.00	1179.00
SHDXLAS2	1000	500	1500	208-240-277	6.5	7.3	16	1030.00	940.00	1088.00	1179.00

Add W for white, BW for white polymer BMC, CH for chrome, SS for brushed stainless steel or GR for graphite.

	ENERGY SAVINGS	AIR SPEED OR AIR FLOW	HEATING POWER	NOISE LEVEL	DRYING TIME
<b>ADJUSTABLE PARAMETERS: HEAT, MOTOR AND RANGE</b> <b>Ideal for:</b> schools, arenas, stadiums and busy public places		 <b>ADJUSTABLE</b>			
					
					
					

\*At maximum capacity

### RECOMMENDED INSTALLATION HEIGHTS

Distance between floor and bottom of hand dryer

MEN	WOMEN	TEENAGERS	CHILDREN	HANDICAPPED
45 in. (115 cm)	43 in. (110 cm)	41 in. (105 cm)	35 in. (90 cm)	37 in. (95 cm)

### CHOICE OF 5 COLOURS



# PERSONALIZATION

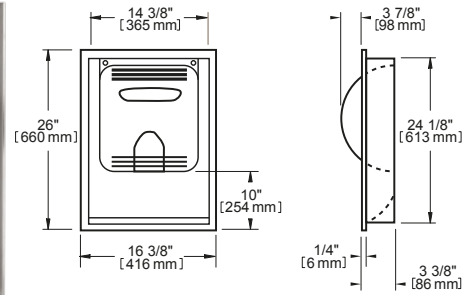


Create a memorable impact by personalizing your hand dryer. Choose your colour and have your company logo printed right on the dryer. For more details, contact your Stelpro representative.

# ACCESSORIES

## RECESS KIT

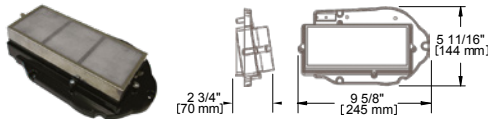
The recess kit is comprised of a stainless steel, satin finish wall box and mounting plate. When installed with the recess kit, the XLERATOR takes up less than 4 in. (10 cm) of wall depth, meeting ADA Protrusion Requirements (*Americans with Disabilities Act*).



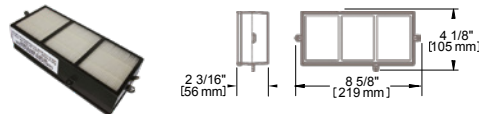
## HEPA FILTRATION SYSTEM

Stelpro offers the only certified HEPA filtration system proven to remove 99.97% of bacteria and particles from the air.

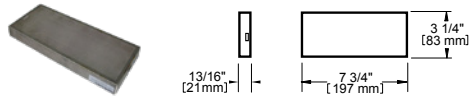
HEPA FILTER KIT



HEPA REPLACEMENT FILTER



PRE-FILTER



## WALL GUARD

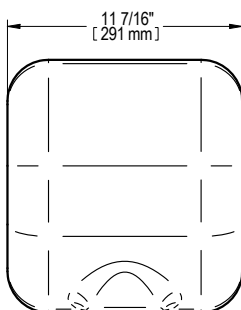
The wall guard protects the wall under the hand dryer from drops of water due to wet hands being blown dry, keeping bacteria from forming on the wall.



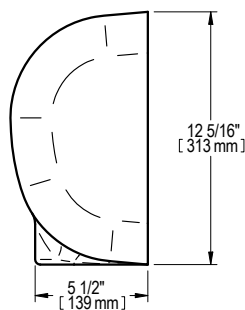
- WHITE
- BLACK
- STAINLESS STEEL

PRODUCT	DESCRIPTION	PRICE
SHDXL-40525	HEPA filter kit	367.00
SHDXL-40520	HEPA replacement filter	197.00
SHDXL-94	Replacement pre-filter with stainless steel mesh screen	61.75
SHDXL-40502	Stainless steel recess kit	391.00
SHDXL-89W	Wall guard - white (15 3/4 in. x 31 3/4 in. x 1/16 in. – 40 cm x 81 cm x 0.16 cm) – set of two	307.00
SHDXL-89B	Wall guard - black (15 3/4 in. x 31 3/4 in. x 1/16 in. – 40 cm x 81 cm x 0.16 cm) – set of two	307.00
SHDXL-89S	Wall guard - stainless steel (15 3/4 in. x 31 3/4 in. x 1/16 in. – 40 cm x 81 cm x 0.16 cm) – set of two	488.00

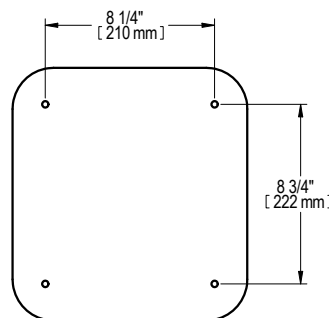
## TECHNICAL DRAWINGS



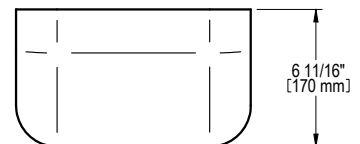
FRONT



SIDE



BACK



TOP

# LAN | LA-NIÑA™

## HAND DRYER



### VERSATILITY WITHIN REACH

Count on La-Niña not to disappoint. With one model that comes in three voltages, its versatility will amaze you! This multi-voltage hand dryer can be used in many different environments due to its four personalized operating modes. The La-Niña hand dryer takes up very little wall space, as it's only 4 in. (10 cm) deep! La-Niña is a winner!

#### NOISE LEVEL AND HEAT CONTROL

FOUR PERSONALIZED MODES

#### ENERGY EFFICIENT

IN ECONOMICAL AND HARMONY MODES

#### ONLY ONE MODEL FOR ALL USES

#### STYLISH AND COMPACT

LESS THAN 4 INCHES DEEP

#### COLOURS

- **standard:** white
- **luxurious finish:** brushed chrome (surcharge)

#### MANUFACTURING

- Lexan rib reinforced shell; lightweight and impact resistant
- secured to wall bracket with two stainless steel tamper-proof bolts

#### WATTAGE AND VOLTAGE

- multi-voltage
- see technical specifications table

#### ELEMENT

- nichrome element located in the motor section

#### CONTROL

- four personalized operating modes to meet your needs
- infrared optical sensor located next to the air outlet activates and deactivates the hand dryer
- 60-second lockout feature is activated if hands are not removed before this time

#### INSTALLATION

- surface mounted: depth of 4 in. (10 cm) or less; meets ADA standards (*Americans with Disabilities Act*)

#### WARRANTY

- three years

### TECHNICAL SPECIFICATIONS

PRODUCT	POWER	VOLTAGE	AMPERAGE	WEIGHT		PRICE	
CODE	WATTS*	VOLTS	AMPERES	KG	LB	W	BC
LANV1200A	1350	120/208/240	11	2.5	5.5	517.00	566.00

Add W for white or BC for brushed chrome.

\*Data obtained in Ultimate mode.

This hand dryer is multi-voltage for 120V/208V/240V and will automatically adjust power to optimize performance.

# OPERATING MODES

The La-Niña's built-in electronic control lets you personalize your unit to meet all your needs. The unit is controlled by an internal circuit board.

MODE	ENERGY SAVINGS	AIR SPEED OR AIR FLOW	HEATING POWER	NOISE LEVEL	DRYING TIME
<b>ULTIMATE – Normal/High mode</b> High air speed and full heating power for quick drying <b>Ideal for:</b> stadiums, arenas, theatres, public places and warehouses	---				
<b>COMFORT – Normal/Low mode</b> Reduced air speed and moderate heating power for comfortable noise level and heat range <b>Ideal for:</b> libraries, small restaurants and coffee shops	---				
<b>ECONOMICAL – Eco/High mode</b> High air speed without heat for quick drying with energy and cost savings <b>Ideal for:</b> schools, universities, amusement parks, warehouses and large restaurants			---		
<b>HARMONY – Eco/Low mode</b> Reduced air speed without heat for energy savings and a moderate noise level <b>Ideal for:</b> hospitals, libraries, daycares, small restaurants and coffee shops			---		

MODE	AIR FLOW	TOTAL POWER	NOISE LEVEL
	CFM	WATTS	DB
<b>ULTIMATE</b>	108	1350	69
<b>COMFORT</b>	78	910	63
<b>ECONOMICAL</b>	108	135	69
<b>HARMONY</b>	78	65	63

RECOMMENDED INSTALLATION HEIGHTS				
Distance between floor and bottom of hand dryer				
MEN	WOMEN	TEENAGERS	CHILDREN	HANDICAPPED
45 in. (115 cm)	43 in. (110 cm)	41 in. (105 cm)	35 in. (90 cm)	37 in. (95 cm)

## 3 LEVELS OF DETECTION

Adjust the sensitivity level of your hand dryer to meet usage requirements.

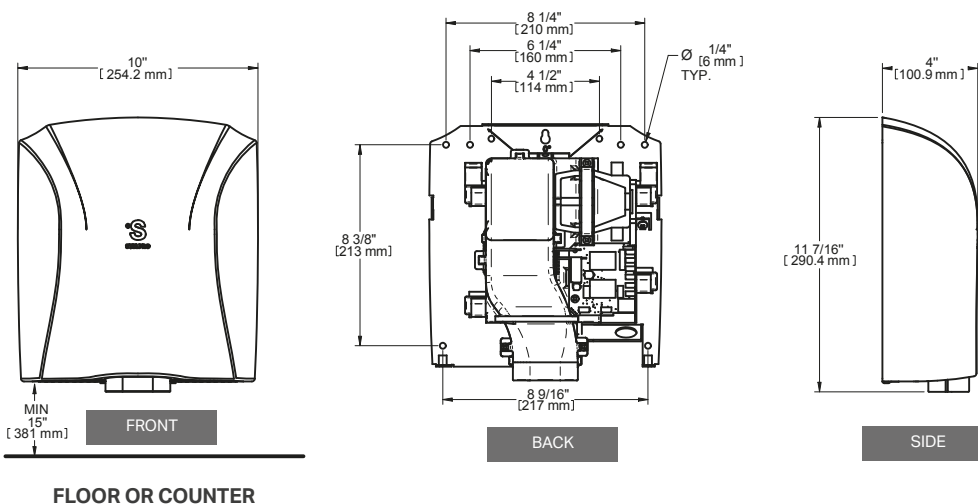
Detection distances may vary depending on lighting conditions.

**MAXIMAL DETECTION – STANDARD (APPROX. 4 IN. – 10 CM)**





































**MEDIUM DETECTION – DECREASED (APPROX. 3 IN. – 7.6 CM)**

**MINIMAL DETECTION – MINIMUM (APPROX. 2 IN. – 5 CM)**

## TECHNICAL DRAWINGS



# HAND DRYER CROSS-REFERENCE TABLE

	ENERGY SAVINGS	AIR SPEED OR AIR FLOW	HEATING POWER	NOISE LEVEL	DRYING TIME	ON/OFF OPERATION	WARRANTY	
<b>HIGH VELOCITY</b>	<b>EL-NIÑO™</b> Ultimate Mode	---					AUTOMATIC WITH THREE DETECTION LEVELS	
	<b>EL-NIÑO™</b> Comfort Mode	---						
	<b>EL-NIÑO™</b> Economical Mode			---				
	<b>EL-NIÑO™</b> Harmony Mode			---				
<b>XLERATOR™</b> Adjustable parameters: heat, motor and range		 ADJUSTABLE			 <sup>†</sup>	AUTOMATIC WITH ADJUSTABLE DETECTION LEVELS		
								
								
			---					
<b>STANDARD VELOCITY</b>	<b>LA-NIÑA™</b> Ultimate mode	---					AUTOMATIC WITH THREE DETECTION LEVELS	
	<b>LA-NIÑA™</b> Comfort mode	---						
	<b>LA-NIÑA™</b> Economical mode			---				
	<b>LA-NIÑA™</b> Harmony mode			---				

\*Three years on electronic components  
† At maximum capacity





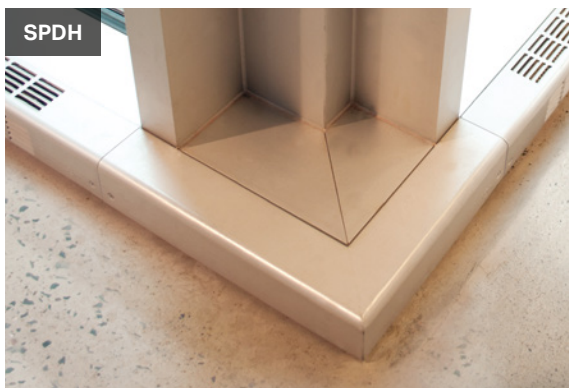


# USEFUL INFORMATION



# CUSTOM PROJECTS

(contact your Stelpro representative for exact specifications)



# COMPATIBILITY OF THERMOSTATS AND RELAYS

## SUGGESTED THERMOSTATS AND RELAYS

MODEL	SAT402ZB	STZW402	ST252NP	ST252NPFF	ST302NP ST302P	ST402NP ST402P	ST402NPFF ST402PFF	STE403NP	STE302R2+	STCNP STCP	STE241 A/RELAIS RE, RM347C OR R841D1036	ET180 A/RELAIS* RE, RM347T, RM240T, R841 OR CIRCUIT C24	TH115AF A/RELAIS CT230GA	SWT1C SWT1F	OTHER
ALUX1	X	X	X		X	X		X	X		X	X		X	
ALUX2	X	X	X		X	X		X	X		X	X		X	
ALUX3	X	X	X		X	X		X	X		X	X		X	
ALUX4	X	X	X		X	X		X	X		X	X		X	
B	X	X	X		X	X		X	X		X	X		X	
BA	X	X	X		X	X		X	X		X	X		X	
CBB	X	X	X		X	X		X	X		X	X		X	
CBF	X	X	X		X	X		X	X		X	X		X	
CBH	X			X			X	X	X		X	X		X	
CF	X			X			X	X	X		X	X		X	
CW1000	X	X	X		X	X		X	X		X	X		X	
CW750	X	X	X		X	X		X	X		X	X		X	
CWS1000	X	X	X		X	X		X	X		X	X		X	
CWS750	X	X	X		X	X		X	X		X	X		X	
DBI	X	X	X		X	X		X	X		X	X		X	
DR	X			X			X	X			X	X		X	
EC															ST-XPROEC
EU															ST-XPROEU
FFI	X			X			X	X	X		X	X		X	
FI	X	X	X		X	X		X	X		X	X		X	
MIR	X	X	X		X	X		X	X		X				
PDH	X	X	X		X	X		X	X		X	X		X	
RUH	X			X			X	X	X		X	X		X	
RWF	X			X			X	X	X		X	X		X	
SCA	X	X	X		X	X		X	X		X	X		X	
SCAS	X	X	X		X	X		X	X		X	X		X	
SCPT															X
SCR	X	X	X		X	X		X	X		X	X		X	
SCRG															X
SCU										X			X		
SDC												X		X	
SECM										X			X		
SFM										X			X		
SGH	X						X	X	X		X	X		X	
SHC	X	X	X		X	X		X			X				
SHU	X		X		X	X			X		X	X		X	
SIRH															SIRHC402-1
SK	X	X		X			X	X	X		X	X		X	
SKS	X			X			X	X	X		X	X		X	
SOA	X			X			X	X	X						
SOR	X	X	X		X	X		X			X				
SORB	X			X			X	X	X						
SPDH	X	X	X		X	X		X	X		X	X		X	
SPR	X	X	X		X	X		X	X		X	X		X	
SSFP															X
SSFR															X
SSC/SSCM															X
SWU															SWUT1
VUH											X	X		X	
WF	X			X			X	X	X		X	X		X	
WFA	X			X			X	X	X		X	X		X	

The suggested thermostats may not be compatible with certain voltages, powers and control circuits. Consult the thermostat's user's guide for more information on compatibility.  
 \* For SHU, VUH, CBH and SDC models, please consult customer service for the exceptions.

# NOMENCLATURE

## STANDARD MODELS

B		050		2		W	
<b>SERIES</b>		<b>POWER</b>		<b>VOLTAGE</b>		<b>COLOUR</b>	
SOR		500 W	050	120 V	1	WHITE	W
MIR		750 W	075	208 V	8	SOFT WHITE	SW
SHC		1000 W	100	240 V	2	ALMOND	A
BA		1250 W	125	347 V	3	ANODIZED ALUMINUM PAINT	CAP
SPR		1500 W	150	600 V	6	GRAVEL GRAY	GG
B		1750 W	175			CHARCOAL	CHAR
SORB		2000 W	200			ESPRESSO	ES
SOA		2250 W	225			BLACK	BK
RWF*		2500 W	250			MIDNIGHT BLUE	MB
SCR						DENIM BLUE	DB
SKS						TURQUOISE	TQ
FFI						MOSS GREEN	MG
SK*						CANARY YELLOW	Y
SGH						ORANGE	O
PDH						RED	R
WFA*							
WF*							
CF*							
SIRH							

\* See the exceptions in the technical specifications table of each product.

## COMMERCIAL/INDUSTRIAL MODELS

CBH	05	6	3	CT	W
<b>SERIES</b>	<b>POWER (KW)</b>	<b>VOLTAGE</b>	<b>PHASE</b>	<b>CONTROL</b>	<b>COLOUR</b>

This nomenclature applies to the following series: DR, CBH, SDC, SHU, VUH.

## ARCHITECTURAL MODELS

DBI	24	20	3	W
<b>SERIES</b>	<b>LENGTH</b>	<b>POWER</b>	<b>VOLTAGE</b>	<b>COLOUR</b>
	X 100 = MM	X 100 = W		

This nomenclature applies to the following series: SPDH, CBB, CBF, SCA, SCAS, DBI, FI, CW750, CWS750, CW1000, CWS1000, ALUX1, ALUX2, ALUX3, ALUX4.

# CROSS-REFERENCE TABLE

SERIES	STELPRO	PAGE	OUELLET	DIMPLEX
SOR	high-end convector	18	OCE/OCT	PPC/DLX/DTX
MIR	electronic convector	20	ONC	PPC/DLX/DTX
SHC	electronic convector	22	OEC/ONC	PPC/DLX/DTX
BA	high-end baseboard	24	ODL	-
SPR	high-end compact baseboard	28	-	LC/LCL/LCM
B	electric baseboard	32	OFM	BN/BL
SORB	high-end fan heater	36	OVN	PCH
SOA	fan heater for bathrooms	38	OVN/OVE	PCH/EF
RWF	wall fan heater	40	OVR/OVS	TWH
SCR	cove heater	42	ORC	-
SKS	kick space heater	44	OCP	CKHA
FI	floor insert convector	46	-	-
FFI	floor insert fan heater	48	OFH	FFIH
SK	ceiling fan heater	50	OVRP	-
SGH	ceiling fan heater	52	-	-
DR	ceiling fan heater	54	ODS	CMH
SCH	multipurpose portable heater	58	OCC	DCH/EMC/DGWH
ALUX1	mini architectural baseboard aluminum	60	OMB	-
ALUX2	mini architectural baseboard aluminum	64	-	-
ALUX3	architectural baseboard aluminum	68	OCB/ODB	-
ALUX4	architectural baseboard aluminum	72	OHB	-
DBI	aluminum draft barrier	76	ODB/ODI	-
SPDH	mini patio door heater	80	OPPM	-
PDH	patio door heater	83	OPP	-
SCA	architectural baseboard	86	ODBA	-
SCAS	sloped architectural baseboard	89	ODIA	-
CBF	commercial baseboard	92	-	-
CBB	sloped commercial baseboard	95	OPR	-
CW750	architectural cabinet	98	OPA	-
CWS750	sloped architectural cabinet	100	OPI	-
CW1000	architectural cabinet	102	OLA	-
CWS1000	sloped architectural cabinet	104	OLI	-
WFA	aluminum wall fan heater	106	OAWH	-
WF	wall fan heater	110	OAC	RFI/RFV/RFF/EWA
CBH	cabinet heater	114	OCA	CH
CF	ceiling fan heater	118	OACP	RFI/RFV/RFF
SDC	commercial air curtain	122	ORA	-
RUH	commercial and residential unit heater	124	OAE	DGWH/CUH
SFH	agricultural unit heater	126	OAU	-
SHU	commercial and industrial unit heater	128	OAS	EUH/EUL/EUS
VUH	vertical unit heater	132	OAV	VUB
SWU	washdown unit heater	136	OWD	DX-234
SIRH	infrared radiant heater	140	UFO-/OCF	DIR
EU	explosion-proof unit heater (X-PRO series)	142	OHX	DX-233
EC	explosion-proof convector (X-PRO series)	145	OPX	DX-254
SFE	electric furnace modulating with electronic controls	150	OFE-B/OFE-D/OFE-C/OFE-A	-
SFEX	electric furnace modulating with electronic controls	150	OFE-A-VV/OFE-ECM	-
SFECM	electric furnace modulating with electronic controls	150	-	-
SCU	twisted pair heating cable	156	OTR/OWF-R	-
SFM/SFMC	heating cable mat	158	OTM	-
SECM	heating cable on lattice for concrete	162	OWC	-
SSC/SSCM	snow melting system	164	OWS-T	-
SCPT	constant wattage pipe freeze protection heating cable	168	-	-
SCRG	constant wattage roof and gutter de-icing heating cable	170	-	-
SSFP	self-regulating freeze protection preassembled cable	172	OSR-PI	-
SSFR	self-regulating freeze protection cable reel	174	OSR-NA	-
RE253C	low voltage electronic relay	200	RT850	-
RE253T	low voltage electronic relay	200	RT850T	-
RE306C	low voltage electronic relay	200	CCT-30-1-C2	-
RM240T	electromechanical relay c/w transformer 24 V	201	RC840T-240	-
RM347T	electromechanical relay c/w transformer 24 V	201	RC840T-347	-
RM347C	electromechanical relay w/o transformer 24 V	201	RC840	-

# AMPERAGE CHART

POWER (KW)	VOLTS (PH)												
	120 V (1)	208 V (1)	208 V (3)	240 V (1)	240 V (3)	277 V (1)	347 V (1)	416 V (1)	416 V (3)	480 V (1)	480 V (3)	600 V (1)	600V (3)
0.3	2.50	1.45	0.83	1.25	0.72	1.09	0.87	0.73	0.42	0.63	0.36	0.50	0.29
0.4	3.34	1.92	1.11	1.67	0.97	1.45	1.16	0.97	0.56	0.84	0.49	0.67	0.39
0.5	4.17	2.41	1.39	2.09	1.21	1.81	1.44	1.21	0.70	1.05	0.61	0.84	0.49
0.6	5.00	2.89	1.66	2.50	1.45	2.17	1.73	1.45	0.84	1.25	0.72	1.00	0.58
0.75	6.25	3.61	2.09	3.13	1.81	2.71	2.17	1.81	1.05	1.57	0.91	1.25	0.72
0.8	6.67	3.85	2.23	3.34	1.93	2.89	2.31	1.93	1.12	1.67	0.97	1.34	0.77
1.0	8.34	4.81	2.78	4.17	2.41	3.61	2.89	2.41	1.39	2.09	1.21	1.67	0.97
1.2	10.00	5.77	3.34	5.00	2.89	4.34	3.46	2.89	1.67	2.50	1.45	2.00	1.16
1.25	10.42	6.01	3.47	5.21	3.01	4.52	3.61	3.01	1.74	2.61	1.51	2.09	1.21
1.4	11.67	6.73	3.89	5.84	3.38	5.06	4.04	3.37	1.95	2.92	1.40	2.34	1.35
1.5	12.50	7.22	4.17	6.25	3.61	5.42	4.33	3.61	2.09	3.13	1.81	2.50	1.45
1.6	13.34	7.70	4.45	6.67	3.86	5.78	4.61	3.85	2.23	3.34	1.93	2.67	1.54
1.75	14.59	8.42	4.87	7.30	4.22	6.32	5.05	4.21	2.43	3.65	2.11	2.92	1.69
2.0	16.67	9.62	5.56	8.34	4.82	7.22	5.77	4.81	2.78	4.17	2.41	3.34	1.93
2.25	18.75	10.82	6.25	9.38	5.42	8.13	6.49	5.41	3.13	4.69	2.71	3.75	2.17
2.5	20.84	12.02	6.95	10.42	6.02	9.03	7.21	6.01	3.47	5.21	3.01	4.17	2.41
3.0	25.00	14.43	8.34	12.50	7.23	10.83	8.65	7.22	4.17	6.25	3.61	5.00	2.89
4.0	33.34	19.23	11.12	16.67	9.64	14.44	11.53	9.62	5.56	8.34	4.82	6.67	3.86
4.5	37.50	21.64	12.50	18.75	10.84	16.25	12.97	10.82	6.25	9.38	5.42	7.50	4.34
4.8	40.00	23.08	13.34	20.00	11.56	17.33	13.83	11.54	6.67	10.00	5.78	8.00	4.62
5.0	41.67	24.04	13.90	20.84	12.05	18.05	14.41	12.02	6.95	10.42	6.02	8.34	4.82
6.0	50.00	28.85	16.68	25.00	14.45	21.66	17.30	14.43	8.34	12.50	7.23	10.00	5.78
7.5	62.50	36.06	20.84	31.25	18.06	27.08	21.62	18.03	10.42	15.63	9.03	12.50	7.23
8.0	66.67	38.47	22.23	33.34	19.27	28.88	23.06	19.23	11.12	16.67	9.64	13.34	7.71
9.0	75.00	43.27	25.01	37.50	21.68	32.49	25.94	21.64	12.51	18.75	10.84	15.00	8.67
10.0	83.34	48.08	27.79	41.67	24.09	36.11	28.82	24.04	13.90	20.84	12.05	16.67	9.64
12.0	100.00	57.70	33.25	50.00	28.90	43.33	34.59	28.85	16.68	25.00	14.45	20.00	11.56
14.0	116.67	67.31	38.91	58.33	33.72	50.54	40.35	33.65	19.45	29.17	16.86	23.33	13.49
15.0	125.00	72.12	41.69	62.50	36.13	54.16	43.23	36.06	20.84	31.25	18.06	25.00	14.45
18.0	150.00	86.54	50.02	75.00	43.35	64.99	51.88	43.27	25.01	37.50	21.68	30.00	17.34
20.0	166.67	96.16	55.58	83.34	48.17	72.21	57.64	48.00	27.75	41.67	24.09	33.34	19.27
24.0	200.00	115.39	66.69	100.00	57.80	86.65	69.17	57.70	33.35	50.00	28.90	40.00	23.12
25.0	208.34	120.20	69.48	104.17	60.21	90.26	72.05	60.10	34.74	52.09	30.11	41.67	24.09
30.0	250.00	144.23	83.37	125.00	72.25	108.31	86.46	72.12	41.69	62.50	36.13	50.00	28.90
35.0	291.67	168.27	97.27	145.84	84.30	126.36	100.87	84.14	48.64	72.92	42.15	58.34	33.72
40.0	333.34	192.31	111.16	166.67	96.34	144.41	115.28	96.16	55.58	83.34	48.17	66.67	38.54
45.0	375.00	216.35	125.06	187.50	108.38	162.46	129.69	108.18	62.53	93.75	54.19	75.00	43.35
50.0	416.67	240.39	138.95	208.34	120.43	180.51	144.10	120.20	69.48	104.17	60.21	83.34	48.17
55.0	458.34	264.43	152.85	229.17	132.47	198.56	158.51	132.22	76.43	114.59	66.24	91.67	52.99
60.0	500.00	288.47	166.75	250.00	144.51	216.61	172.91	144.23	83.37	125.00	72.25	100.00	57.80

SINGLE PHASE AMPS

THREE PHASE AMPS

OHMS

$$\frac{\text{Watts}}{\text{Volts}} = \text{Amps}$$

$$\frac{\text{Watts}}{\text{Volts} \times 1.73} = \text{Amps}$$

$$\frac{\text{Volts}^2}{\text{Watts}} = \text{Ohms}$$

OR

$$\frac{\text{Volts} \times \text{Volts}}{\text{Watts}} = \text{Ohms}$$

# CERTIFICATIONS

Stelpro products are manufactured to meet all safety and performance standards required for CSA certification for sale and installation in Canada.

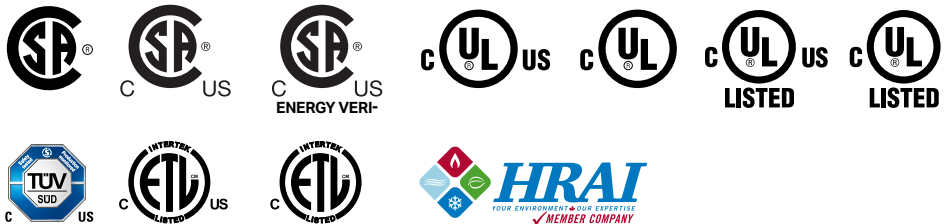
All products in this catalogue are approved by either CSA, UL or ETL certified laboratories, which certify products to applicable safety or performance standards.

Moreover, our products are manufactured to meet at least one of the two required standards for North America: UL for the United States and CSA for Canada. As a result, products are labelled cCSAus, cULus or cETLus for both Canada and USA, or CSA, cUL or cETL for Canada only.

## SAFETY STANDARDS



## CERTIFICATIONS



# MERCHANDISE RETURNS

Authorization requests for merchandise can be submitted via our new website at [www.stelpro/rma](http://www.stelpro/rma) or by email. To request a return via our website, please fill out the web form. For email requests, send your request to [rma@stelpro.com](mailto:rma@stelpro.com) including the order number and the reason for the return. In either case a return merchandise authorization number (RMA) will be sent to you. The authorization number must be indicated clearly on all packages of returned merchandise. Merchandise must be packaged properly so that it is returned to us in excellent condition. The sender is responsible for all shipping costs.

Charges apply on all returns. A product cannot be returned if it meets one or more of the following criteria: special colour, custom product, assembly with low-demand options, etc.

# WARRANTY POLICY

**STELPRO WARRANTS ITS PRODUCTS AGAINST DEFECTS IN MATERIAL AND WORKMANSHIP FOR A MINIMUM PERIOD OF ONE YEAR FOLLOWING THE DATE OF PURCHASE.**

This warranty does not apply to damages resulting from misuse, abuse, improper installation, field alteration or accidents of any kind. Stelpro will not guarantee nor be held responsible for damages resulting from products that have been modified. Stelpro's responsibility is limited to the repair and/or replacement of parts deemed to be defective. Additional installation and/or transportation costs are not covered under the terms of this warranty. For individual extended warranties, please refer to the product's page.



# CATEGORIES INDEX

## AIR CURTAIN

SDC 122

## BASEBOARDS

ALUX1|ALUX 60

ALUX2|ALUX 64

ALUX3|ALUX 68

ALUX4|ALUX 72

B|BRAVA 32

BA|BELLA 24

CBB 95

CBF 92

DBI 76

PDH 83

SCA 86

SCAS 89

SPDH 80

SPR|PRIMA 28

## CABINETS

CBH 114

CW750 98

CW1000 102

CWS750 100

CWS1000 104

## CONVECTORS

FI 46

MIR|MIRAGE 20

SHC 22

SOR|ORLÉANS 18

## FAN HEATERS

CF 118

DR|DRAGON 54

FFI 48

RWF|PULSAIR 40

SGH|SPIDER 52

SK|RIDEAU D'AIR 50

SKS 44

SOA|OASIS 38

SORB|ORLÉANS 36

WF 110

WFA|ALUX 106

## FURNACES

SFE/SFEX/SFECM|THE FURNACE 150

## HAND DRYERS

ELN|EL-NIÑO 206

LAN|LA-NIÑA 212

SHDXL|XLERATOR 209

## HEATING CABLES

PYROBOX 166

SCPT 168

SCRG 170

SCU 156

SECM 162

SFM/SFMC|PERSIA 158

SSC/SSCM 164

SSFP 172

SSFR 174

## RADIANT HEATERS

SCR|RADIANCE 42

SIRH|ZENITH 140

## RELAYS

R841 202

RE15 200

RE25 - RE30 200

RM 201

## THERMOSTATS, ELECTRONIC

ST252NPFF - ST402NPFF 191

ST252NP - ST302NP - ST402NP 187

ST302P - ST402P 186

ST402PFF 188

STE302R2+ 194

STE403NP 185

TH140-28-01-B 195

TL116A1008 195

## THERMOSTATS, HEATING CABLES

STCNP 192

STCP 193

## THERMOSTATS, LOW VOLTAGE / 24 V

D010 197

ET180 197

STE241 196

T87K1015 198

T822K1034 198

## THERMOSTATS, MECHANICAL

RJ32 199

SWT 199

## THERMOSTATS, SMART

SAHUB001|ALLIA 181

SAT402ZB|ALLIA 182

STZW402|KI Z-WAVE 184

## UNIT HEATERS

EC|X-PRO 145

EU|X-PRO 142

RUH|OXFORD 124

SFH|OXFORD 126

SHU|OXFORD 128

VUH|OXFORD 132

CONTACT US



1-844-STELPRO



WWW.STELPRO.COM





## Designing the future of comfort



Platinum  
member

**STELPRO.COM**

1041 PARENT ST. | SAINT-BRUNO-DE-MONTARVILLE, QC | J3V 6L7 | CANADA



AUGUST 2021 PRICES  
WEB VERSION ONLY