

FALCON

*Falcon
Monarch
Dor-O-Matic*

Monarch 17 Series Parts Manual

Touch Bar Exit Device

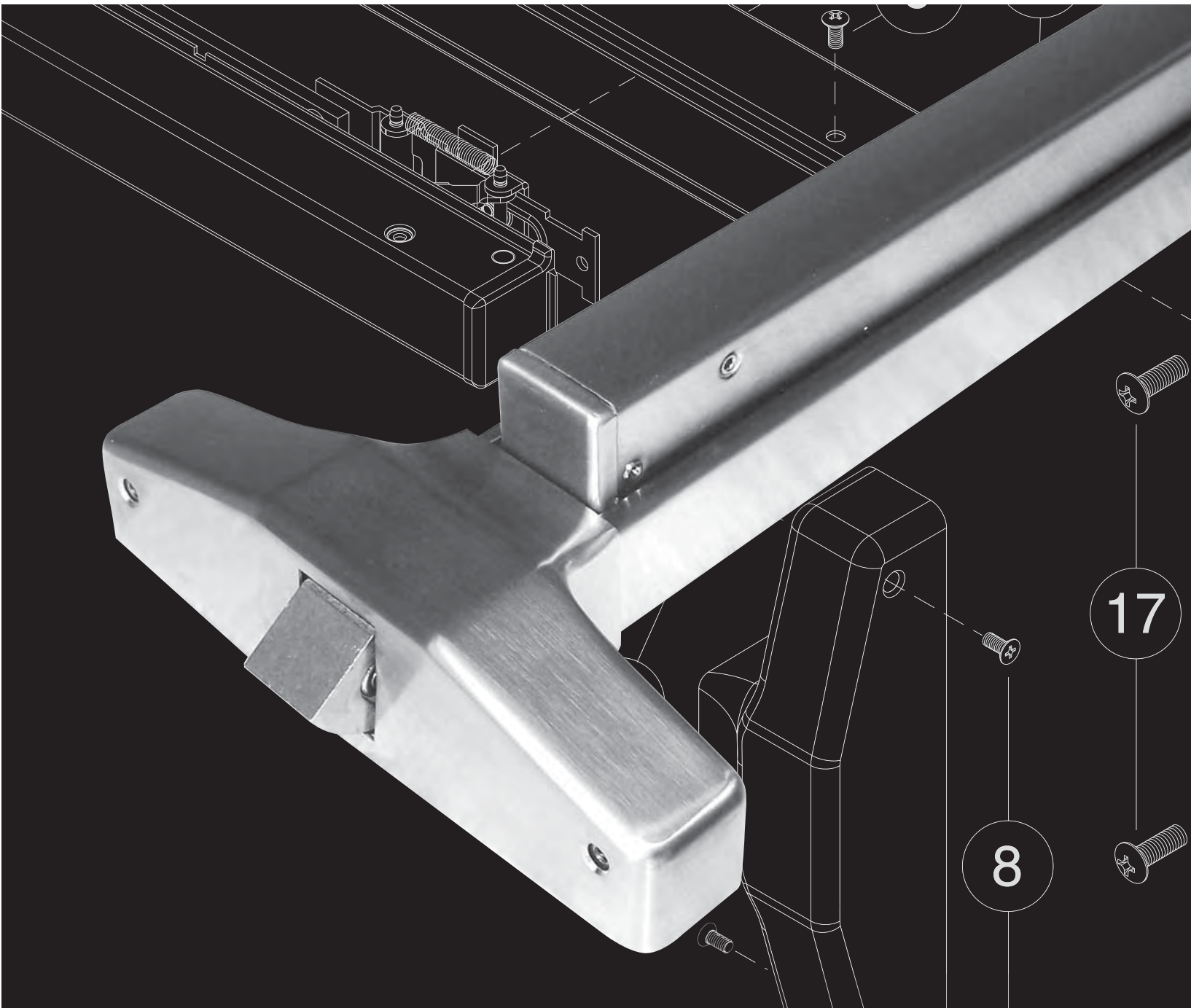


Table of Contents

17 Rim Exit Device - Panic.....4-5
F-17 Rim Exit Device - Fire..... 6-7
17-V Surface Vertical Rod Exit Device - Panic and Fire..... 8-9
17-V Surface Vertical Rods & Latches - Panic and Fire..... 10-11
17-C Concealed Vertical Rod Exit Device - Panic and Fire..... 12-13
17-C Concealed Vertical Rods & Latches - Panic and Fire..... 14-15
17-C Concealed Vertical Top Latches and Plates - Wood and Metal Door, Panic and Fire.....16-17
17 Series Optional Equipment.....18

Introduction

This manual contains a listing of replaceable parts and assemblies for the 17 series exit device.

How to Order

Some parts are sold separately. Other parts are available as part of a kit or multiple quantity package. For the best possible service when ordering replacement parts or assemblies, please provide the following information:

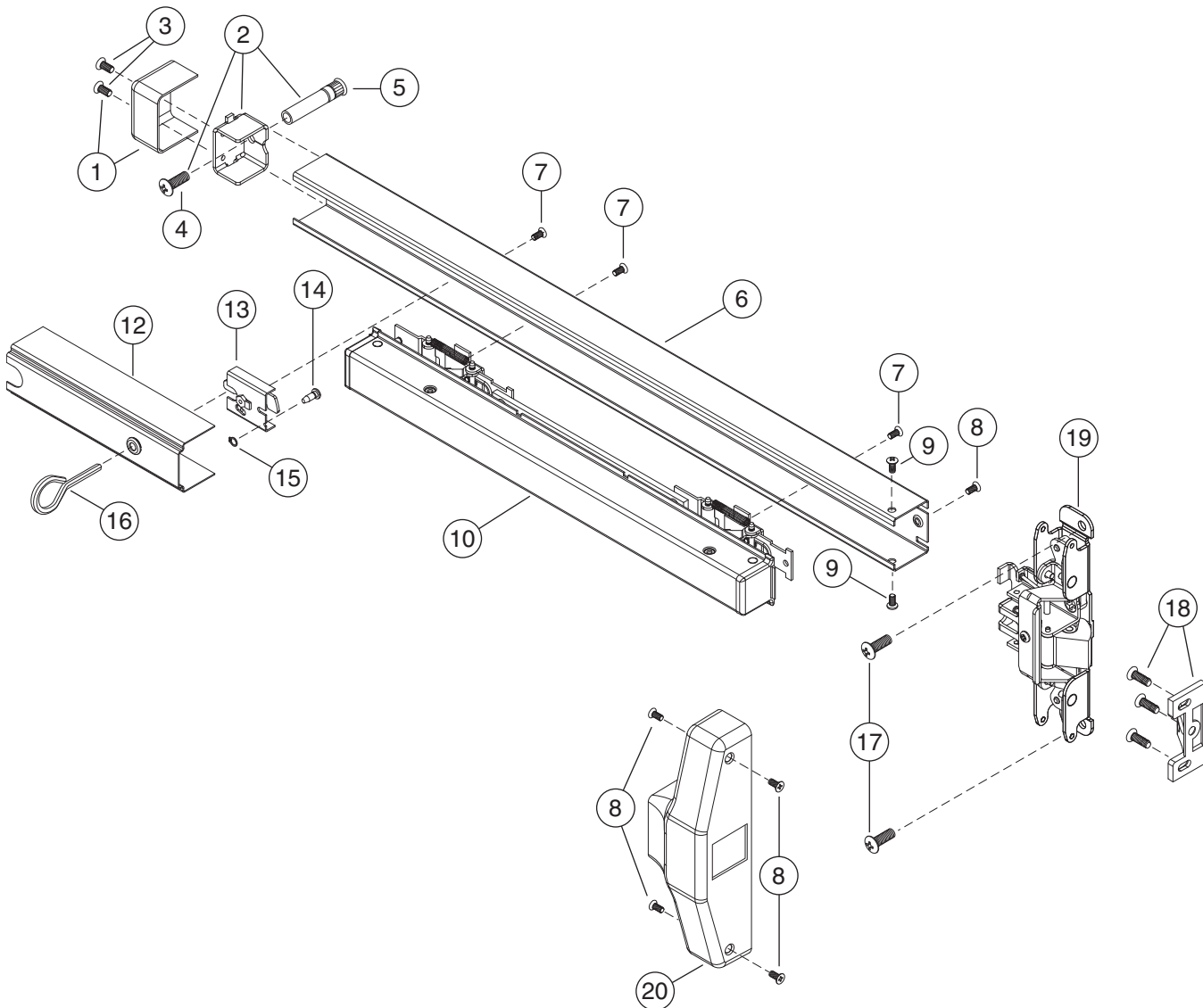
- Part number or assembly number
- Description
- Quantity needed
- Finish desired (if available finish)

Part Number Changes

This manual reflects the product as sold in November 2007. Because of changes to the product and/or manufacturing processes, part numbers can change.

17 Rim Exit Device

Panic



17 Rim Exit Device

Panic

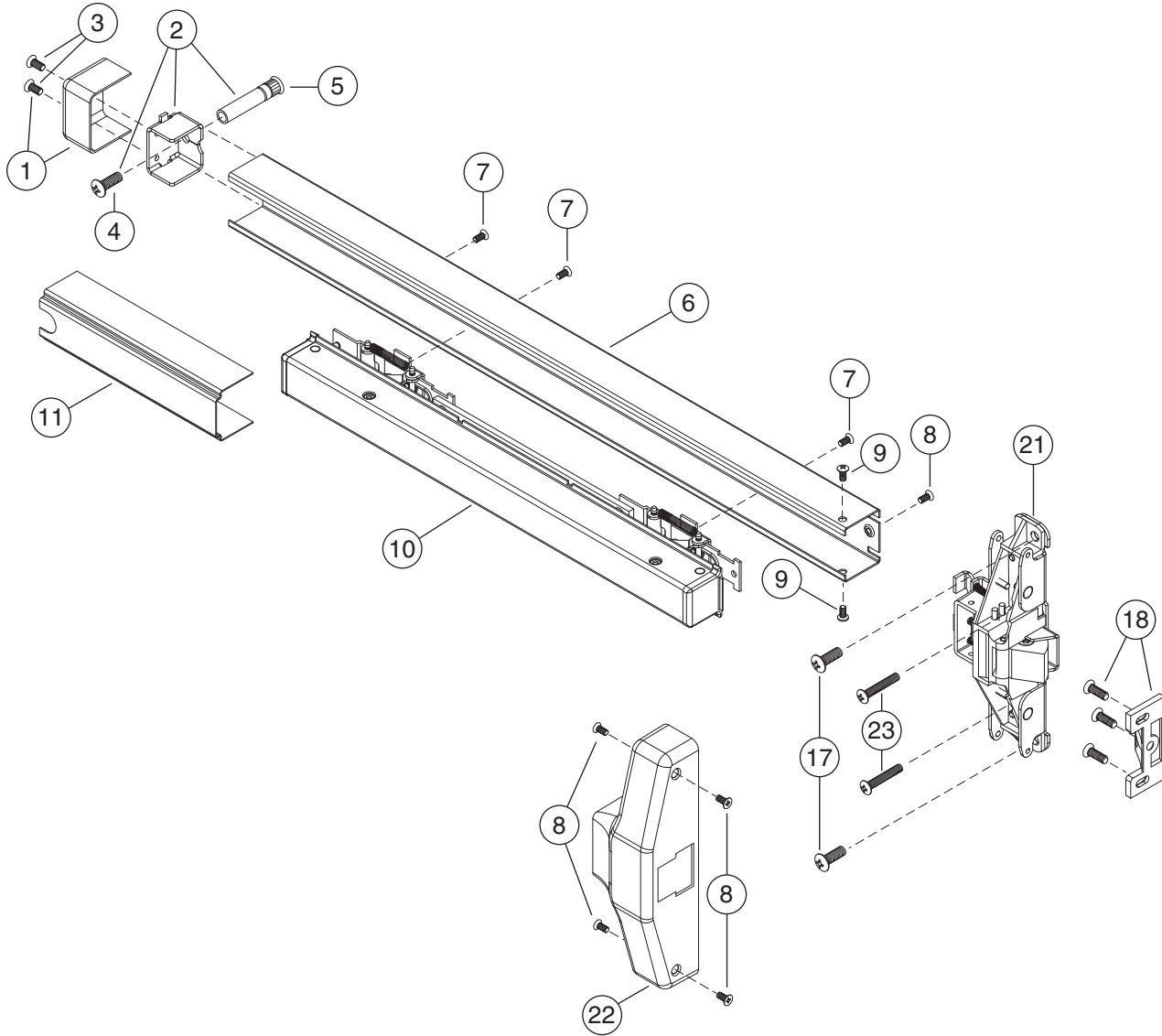
Item No.	Qty.	Part No.	Description	Notes
1	1	600148	Channel End Cap Pkg	A
2	1	600108	End Cap Mounting Bracket with SNB	
3	2	660085	#10-24 x 3/8" PPHMS with Nylon Patch	A
4	1	660047	1/4"-20 x 3/4" TPHMS Screw	
5	1	4122	1/4"-20 Sex Bolt	A
6	1	6195	Channel 2' Door	A
6	1	6196	Channel 2'5" Door	A
6	1	4107	Channel 3' Door	A
6	1	4108	Channel 4' Door	A
7	3	600184	#8-32 x 3/8" UFPHMS with Nylon Patch	A
8	5	600140	#8-32 x 1/4" UFPHMS (Pkg of 4)	A
9	2	660120	#8-32 x 1/4" PPHMS	
10	1	610277	Touch Bar Sub Assembly 2' Door (9")	A
10	1	610278	Touch Bar Sub Assembly 2'5" Door (14")	A
10	1	180	Touch Bar Sub Assembly 3' Door (20")	A
10	1	181	Touch Bar Sub Assembly 4' Door (26")	A
12	1	610279	Dogging Cover Sub Assembly 2' & 2'5" Door	A
12	1	185	Dogging Cover Sub Assembly 3' Door	A
12	1	184	Dogging Cover Sub Assembly 4' Door	A
13	1	193	Dogging Sub Assembly	
14	1	4086	Dogging Pin Shaft	
15	1	660443	Retaining Ring	
16	1	2789	7/32" Hex Key	
17	2	660046	1/4"-20 x 3/4" PPHMS	
17	2	660011	#14 x 1" PPHSMS	
18	1	630015	Roller Strike for Panic and Fire - Standard	
19	1	785	17 Panic Center Case Assembly	
19	1	F785	17-DL Panic Center Case Assembly	
20	1	4387	17 Panic Center Case Cover	A
*	1	600118	(F)17-R Mounting Pkg	

* Item(s) not shown.

A. Specify by finish: US-3, US-4, US-10, US-10B, US-26, US-26D, US-32, US-32D.

F-17 Rim Exit Device

Fire



F-17 Rim Exit Device

Fire

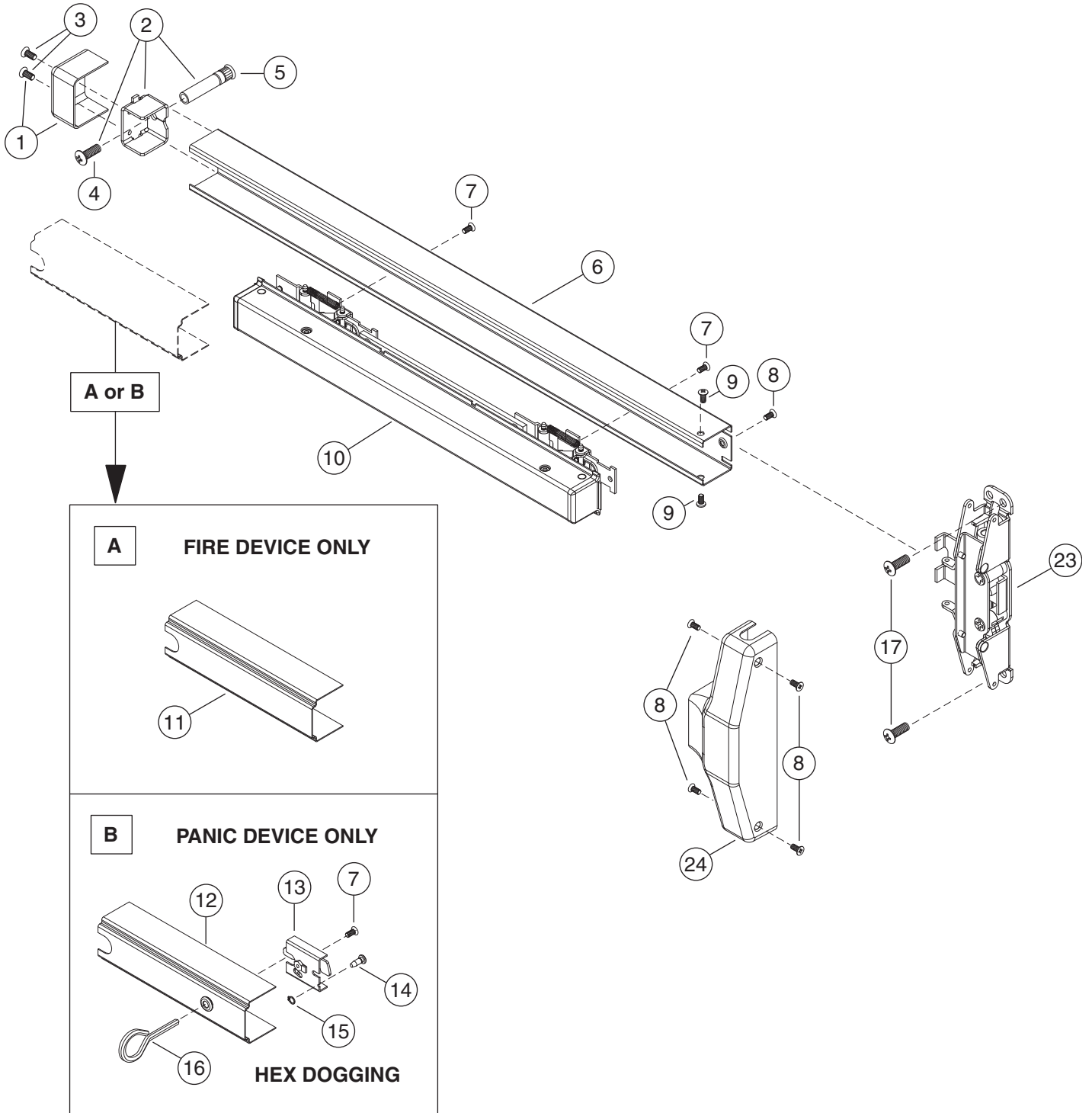
Item No.	Qty.	Part No.	Description	Notes
1	1	600148	Channel End Cap Pkg	A
2	1	600108	End Cap Mounting Bracket with SNB	
3	2	660085	#10-24 x 3/8" PPHMS with Nylon Patch	A
4	1	660047	1/4"-20 x 3/4" TPHMS Screw	
5	1	4122	1/4"-20 Sex Bolt	A
6	1	6195	Channel 2' Door	A
6	1	6196	Channel 2'5" Door	A
6	1	4107	Channel 3' Door	A
6	1	4108	Channel 4' Door	A
7	3	600184	#8-32 x 3/8" UFPHMS with Nylon Patch	A
8	5	600140	#8-32 x 1/4" UFPHMS (Pkg of 4)	A
9	2	660120	#8-32 x 1/4" PPHMS	
10	1	610277	Touch Bar Sub Assembly 2' Door (9")	A
10	1	610278	Touch Bar Sub Assembly 2'5" Door (14")	A
10	1	180	Touch Bar Sub Assembly 3' Door (20")	A
10	1	181	Touch Bar Sub Assembly 4' Door (26")	A
11	1	6184	Channel Cover 3' Door (Fire Device Only)	A
11	1	6185	Channel Cover 2', 2'5", and 4' Door (Fire Device Only)	A
17	2	660004	1/4"-20 x 3/4" PPHMS	
18	1	630015	Roller Strike for Panic and Fire - Standard	
21	1	F785	17 Fire Center Case Assembly	
22	1	4388	17 Fire Center Case Cover	A
23	2	660062	10-24 x 1-1/2" PPHMS	
*	1	600118	(F)17-R Mounting Pkg	

* Item(s) not shown.

A. Specify by finish: US-3, US-4, US-10, US-10B, US-26, US-26D, US-32, US-32D.

17-V & F-17-V Surface Vertical Rod Exit Device

Panic and Fire



17-V & F-17-V Surface Vertical Rod Exit Device

Panic and Fire

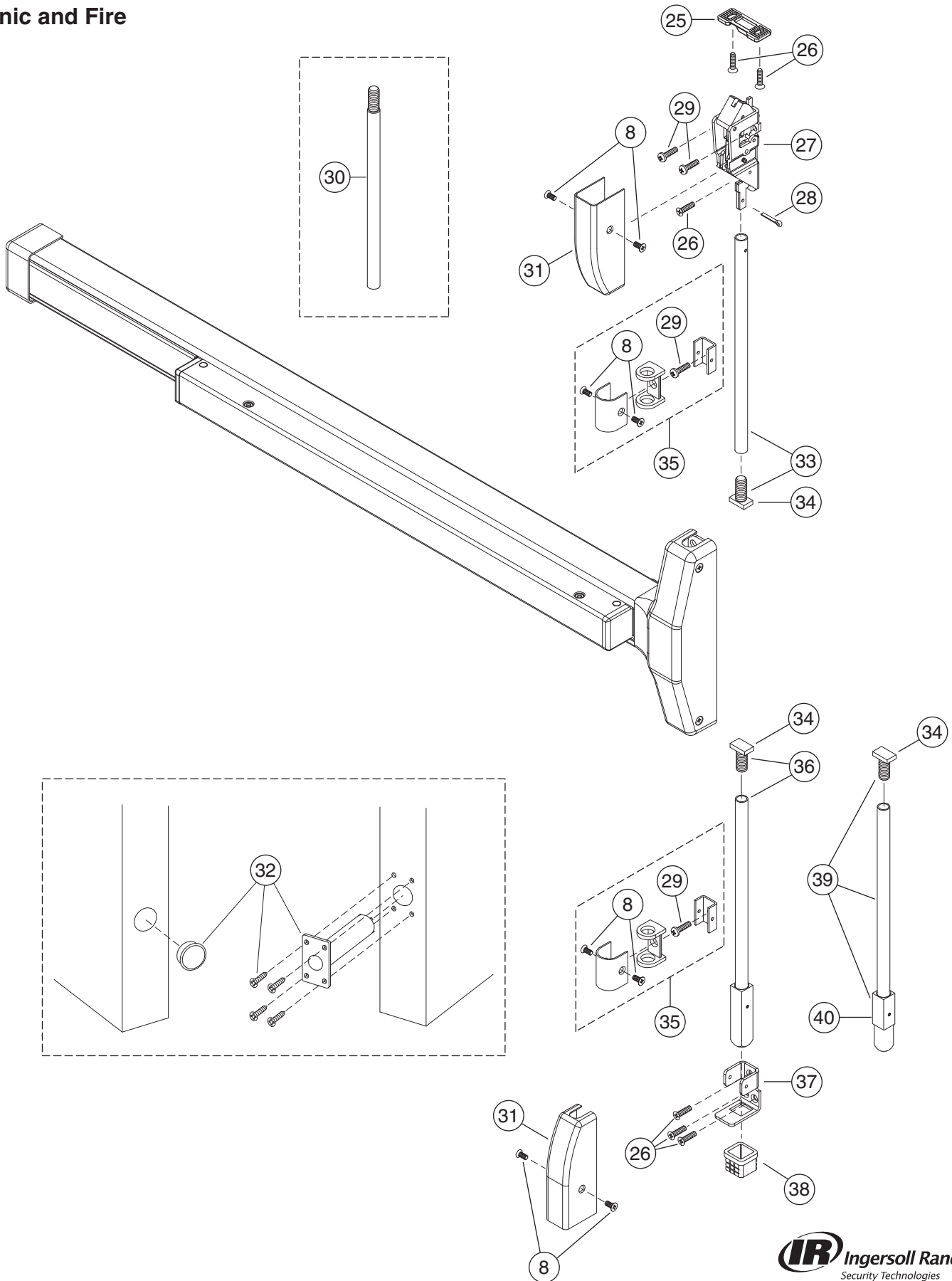
Item No.	Qty.	Part No.	Description	Notes
1	1	600148	Channel End Cap Pkg	A
2	1	600108	End Cap Mounting Bracket with SNB	
3	2	660085	#10-24 x 3/8" PPHMS with Nylon Patch	A
4	1	660047	1/4"-20 x 3/4" TPHMS Screw	
5	1	4122	1/4"-20 Sex Bolt	A
6	1	6195	Channel 2' Door	A
6	1	6196	Channel 2'5" Door	A
6	1	4107	Channel 3' Door	A
6	1	4108	Channel 4' Door	A
7	3	600184	#8-32 x 3/8" UFPHMS with Nylon Patch	A
8	5	600140	#8-32 x 1/4" UFPHMS (Pkg of 4)	A
9	2	660120	#8-32 x 1/4" PPHMS	
10	1	610277	Touch Bar Sub Assembly 2' Door (9")	A
10	1	610278	Touch Bar Sub Assembly 2'5" Door (14")	A
10	1	180	Touch Bar Sub Assembly 3' Door (20")	A
10	1	181	Touch Bar Sub Assembly 4' Door (26")	A
11	1	6184	Channel Cover 3' Door (Fire Device Only)	A
11	1	6185	Channel Cover 2', 2'5", and 4' Door (Fire Device Only)	A
12	1	610279	Dogging Cover Sub Assembly 2' & 2'5" Door	A
12	1	185	Dogging Cover Sub Assembly 3' Door (Panic Device Only)	A
12	1	184	Dogging Cover Sub Assembly 4' Door (Panic Device Only)	A
13	1	193	Dogging Sub Assembly (Panic Device Only)	
14	1	4086	Dogging Pin Shaft	
15	1	660443	Retaining Ring	
16	1	2789	7/32" Hex Key	
17	4	660046	1/4"-20 x 3/4" PPHMS	
23	1	787	17 Surface Vertical Center Case Assembly	
24	1	4386	17 Surface Vertical Center Case Cover	A
*	1	600119	17-V Mounting Pkg	
*	1	600120	F-17-V Mounting Pkg	

* Item(s) not shown.

A. Specify by finish: US-3, US-4, US-10, US-10B, US-26, US-26D, US-32, US-32D.

17-V & F-17-V Surface Vertical Rods & Latches

Panic and Fire



17-V & F-17-V Surface Vertical Rods & Latches

Panic and Fire

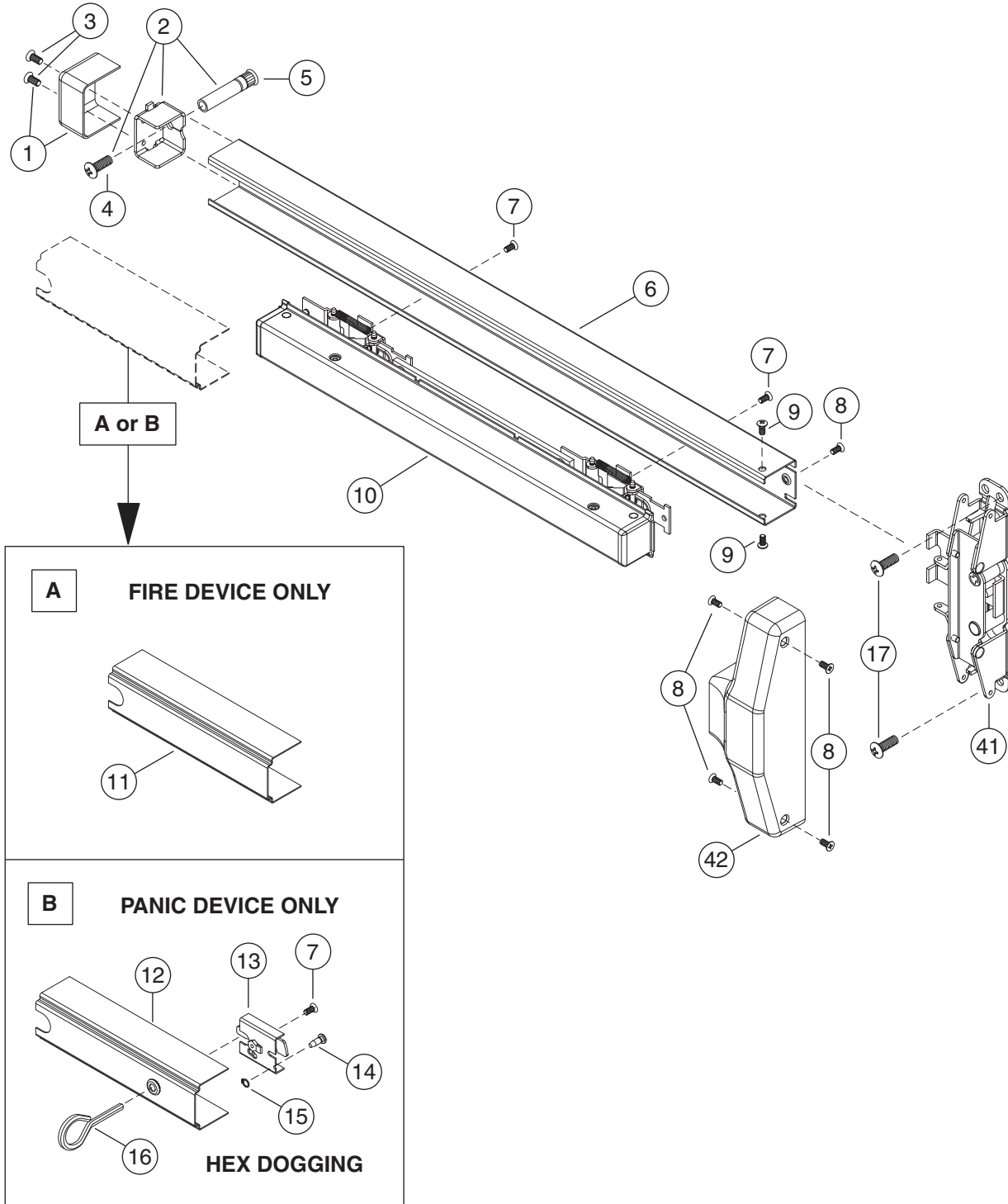
Item No.	Qty.	Part No.	Description	Notes
25	1	630010	3788 Strike - Surface Vertical Rod Panic and Fire Devices - Standard	
26	5	660002	#10 x 1-1/4" FPHSMS	
26	5	660078	#10-24 x 3/4" FPHMS (Fire)	
27	1	588	Surface Vertical Top Latch Case Sub Assembly - Panic	
27	1	F588	Surface Vertical Top Latch Case Sub Assembly - Fire	
28	1	661102	1/8" x 3/4" Cotter Key	
29	4	660004	#10 x 1-1/4" PPHSMS	
29	4	660081	#10-24 x 3/4" PPHMS (Fire)	
30	1	650006	Vertical Extension Rod 12"	A
30	1	650007	Vertical Extension Rod 24"	A
30	1	650008	Vertical Extension Rod 36"	A
31	2	3781	Latch Case Cover	A
32	1	5494	Auxiliary Fire Latch (Fire - Less Bottom Rod Only)	
33	1	4450	Surface Vertical Top Rod Sub Assembly	
34	2	4400	Surface Vertical Rod Adjustment Screw	
35	2	590	Rod Guide and Support	A
36	1	610056	Surface Vertical Bottom Bolt and Rod Assembly	
37	1	610069	Surface Vertical Bottom Guide Assembly	A
38	1	630013	2130 Strike - Surface and Concealed for Panic or Fire - Standard	
39	1	610225	17-V Round Bottom Bolt Rod Assembly	A
40	1	610227	17-V Round Bottom Bolt	
*	1	600119	17-V Mounting Package	
*	1	600120	F-17-V Mounting Package	

* Item(s) not shown.

A. Specify by finish: US-3, US-4, US-10, US-10B, US-26, US-26D, US-32, US-32D.

17-C & F-17-C Concealed Vertical Rod Exit Device

Panic and Fire



17-C & F-17-C Concealed Vertical Rod Exit Device

Panic and Fire

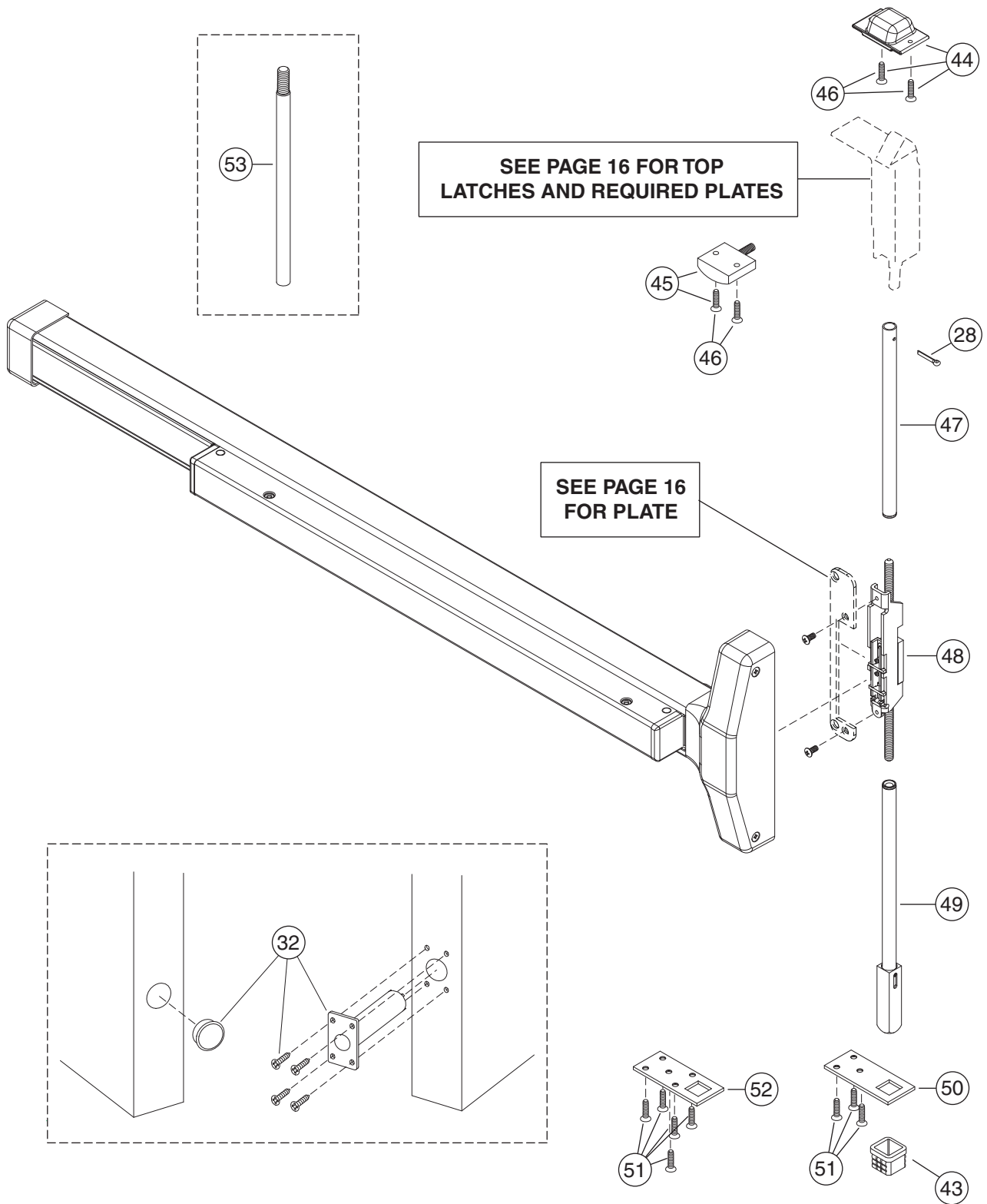
Item No.	Qty.	Part No.	Description	Notes
1	1	600148	Channel End Cap Pkg	A
2	1	600108	End Cap Mounting Bracket with SNB	
3	2	660085	#10-24 x 3/8" PPHMS with Nylon Patch	A
4	1	660047	1/4"-20 x 3/4" TPHMS Screw	
5	1	4122	1/4"-20 Sex Bolt	A
6	1	6195	Channel 2' Door	A
6	1	6196	Channel 2'5" Door	A
6	1	4107	Channel 3' Door	A
6	1	4108	Channel 4' Door	A
7	3	600184	#8-32 x 3/8" UFPHMS with Nylon Patch	A
8	5	600140	#8-32 x 1/4" UFPHMS (Pkg of 4)	A
9	2	660120	#8-32 x 1/4" PPHMS	
10	1	610277	Touch Bar Sub Assembly 2' Door (9")	A
10	1	610278	Touch Bar Sub Assembly 2'5" Door (14")	A
10	1	180	Touch Bar Sub Assembly 3' Door (20")	A
10	1	181	Touch Bar Sub Assembly 4' Door (26")	A
11	1	6184	Channel Cover 3' Door (Fire Device Only)	A
11	1	6185	Channel Cover 2', 2'5", and 4' Door (Fire Device Only)	A
12	1	610279	Dogging Cover Sub Assembly 2' & 2'5" Door	A
12	1	185	Dogging Cover Sub Assembly 3' Door (Panic Device Only)	A
12	1	184	Dogging Cover Sub Assembly 4' Door (Panic Device Only)	A
13	1	193	Dogging Sub Assembly (Panic Device Only)	
14	1	4086	Dogging Pin Shaft	
15	1	660443	Retaining Ring	
16	1	2789	7/32" Hex Key	
17	4	660046	1/4"-20 x 3/4" PPHMS	
41	1	789	17 Concealed Vertical Center Case Assembly	
42	1	4343	17 Concealed Vertical Center Case Cover	A
*	1	600105	17-C Device Mounting Package	
*	1	600104	F-17-C Device Mounting Package	
*	1	600121	17-WDC Device Mounting Package	A
*	1	600137	F-17-WDC (20 Minute) Device Mounting Package	A
*	1	600122	F-17-WDC (90 Minute) Device Mounting Package	

* Item(s) not shown.

A. Specify by finish: US-3, US-4, US-10, US-10B, US-26, US-26D, US-32, US-32D.

17-C & F-17-C Concealed Vertical Rods and Latches

Panic and Fire



17-C & F-17-C Concealed Vertical Rods and Latches

Panic and Fire

Item No.	Qty.	Part No.	Description	Notes
28	1	661102	1/8" x 3/4" Cotter Key	
32	1	5494	Auxiliary Fire Latch (Fire - Less Bottom Rod Only)	
43	1	630013	2130 Strike - Surface and Concealed for Panic or Fire - Standard	
44	1	630012	4188 Strike - Concealed Vertical Rod Panic and Fire Devices - Standard	
45	1	600144	Top Latch Release Sub Assembly	A
46	2	660078	#10-24 x 3/4" FPHMS	A
47	1	610061	Top Rod Sub Assembly	
48	1	610043	Center Slide Sub Assembly	
49	1	610057	Bottom Rod Sub Assembly	
50	1	4567	Bottom Bolt Guide	
51	8	660002	#10 x 1-1/4" FPHSMS (Panic or Wood)	A
51	9	660078	#10-24 x 3/4" FPHMS (Fire)	A
52	1	4835	Bottom Bolt Guide - WDC	
53	1	650017	Concealed Vertical Extension Rod 12"	
53	1	650018	Concealed Vertical Extension Rod 24"	
53	1	650019	Concealed Vertical Extension Rod 36"	
*	1	600105	17-C Device Mounting Package	
*	1	600104	F-17-C Device Mounting Package	
*	1	600121	17-WDC Device Mounting Package	A
*	1	600137	F-17-WDC (20 Minute) Device Mounting Package	A
*	1	600122	F-17-WDC (90 Minute) Device Mounting Package	

* Item(s) not shown.

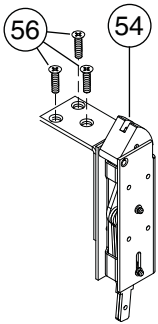
A. Specify by finish: US-3, US-4, US-10, US-10B, US-26, US-26D, US-32, US-32D.

17-C & F-17-C Concealed Vertical Top Latches and Plates

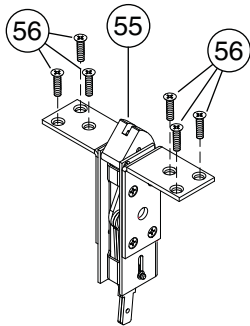
Wood and Metal Door, Panic and Fire

Metal Door

PANIC DEVICE

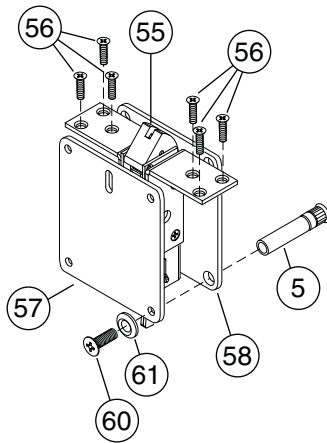


FIRE DEVICE

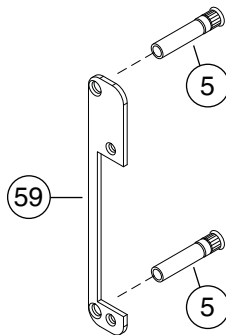
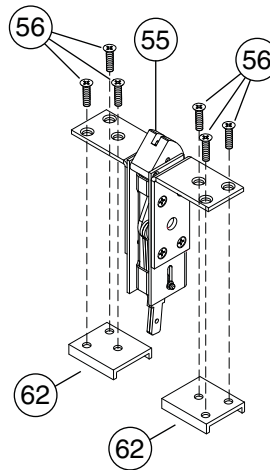


Wood Door

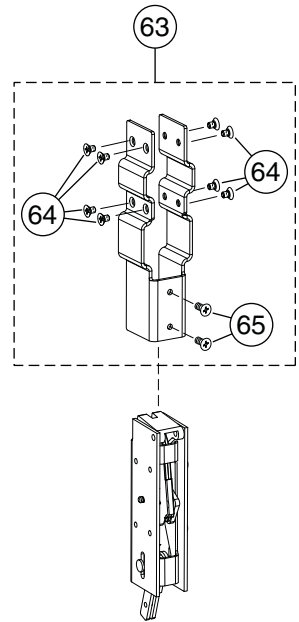
PANIC DEVICE & 20 MINUTE FIRE DEVICE



90 MINUTE FIRE DEVICE



Aluminum Door



17-C & F-17-C Concealed Vertical Top Latches and Plates

Wood and Metal Door, Panic and Fire

Item No.	Qty.	Part No.	Description	Notes
5	6	4122	1/4"-20 Sex Bolt	A
54	1	603	Concealed Top Latch Case Sub Assembly (Panic)	
55	1	F603	Concealed Top Latch Case Sub Assembly (Fire)	
56	6	660078	#10-24 x 3/4" FPHMS	
57	1	4834	Top Reinforcement Plate with Access Hole	A
58	1	4833	Top Reinforcement Plate	A
59	1	4832	Center Slide Reinforcement Plate	
60	4	660044	1/4"-20 x 3/4" FPHMS	A
61	4	600185	1/4" CSK Finish Washer	A
62	2	4694	Latch Bracket	
63	1	600174	Aluminum Door Bracket Package	
64	8	660121	#8-32 x 1/4" PPHMS with Nylon Patch	
65	2	660066	#10-24 x 1/2" FPHMS	

A. Specify by finish: US-3, US-4, US-10, US-10B, US-26, US-26D, US-32, US-32D.

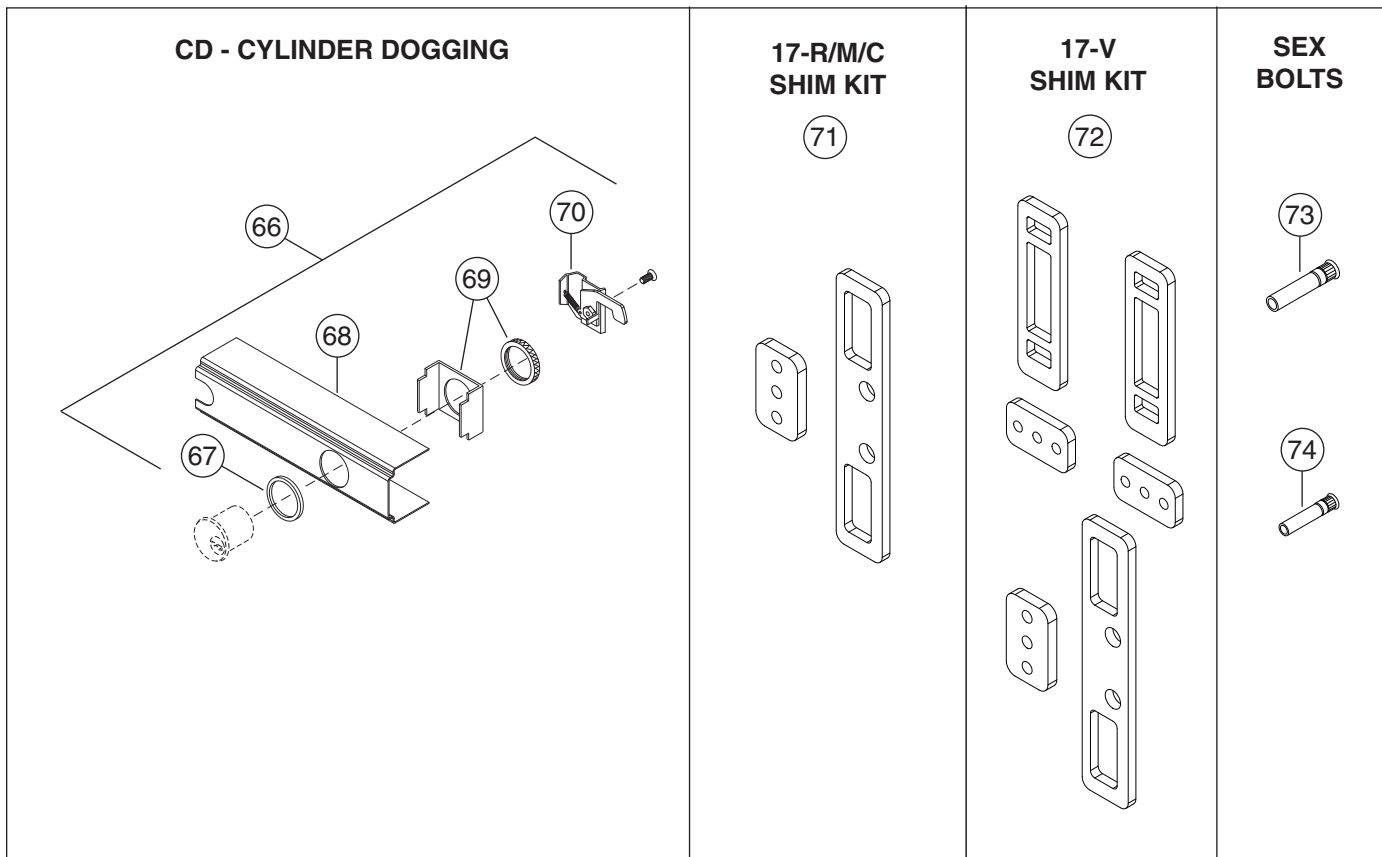
17 Series Optional Equipment

Item No.	Qty.	Part No.	Description	Notes
66	1	650058	17 CD Kit 3' (items 63-66)	A
66	1	650061	17 CD Kit 4' (items 63-66)	A
67	1	3917	CD Cylinder Collar	A
68	1	6188	17 CD Cover Plate 3'	A
68	1	6189	17 CD Cover Plate 4'	A
69	1	600146	CD Cylinder Retaining Bracket Package	
70	1	610106	CD Dogging Sub Assembly	
71	1	650024	17-R/M/C 1/4" Shim Kit	
72	1	650025	17-V 1/4" Shim Kit	
73	1	4122	1/4"-20 Sex Bolt**	A
74	1	2729	#10-24 Sex Bolt***	A

** Sold individually, for center case (2), reinforcing plate (2), or WDC latch (4)

***Sold individually, for surface vertical latches (3)

A. Specify by finish: US-3, US-4, US-10, US-10B, US-26, US-26D, US-32, US-32D.





Ingersoll Rand's Security Technologies Sector is a leading global provider of products and services that make environments safe, secure and productive. The Sector's market-leading products include electronic and biometric access control systems; time and attendance and personnel scheduling systems; mechanical locks and portable security, door closers and exit devices, steel doors and frames, architectural hardware and technologies and services for global security markets.

800.266.4456 Locks
800.826.5792 Exit Devices
800.815.1517 Closers

www.falcon.ingersollrand.com www.ingersollrand.com

FALCON

Falcon
Monarch
Dor-O-Matic

Monarch 18 Series Parts Manual

Touch Bar Exit Device

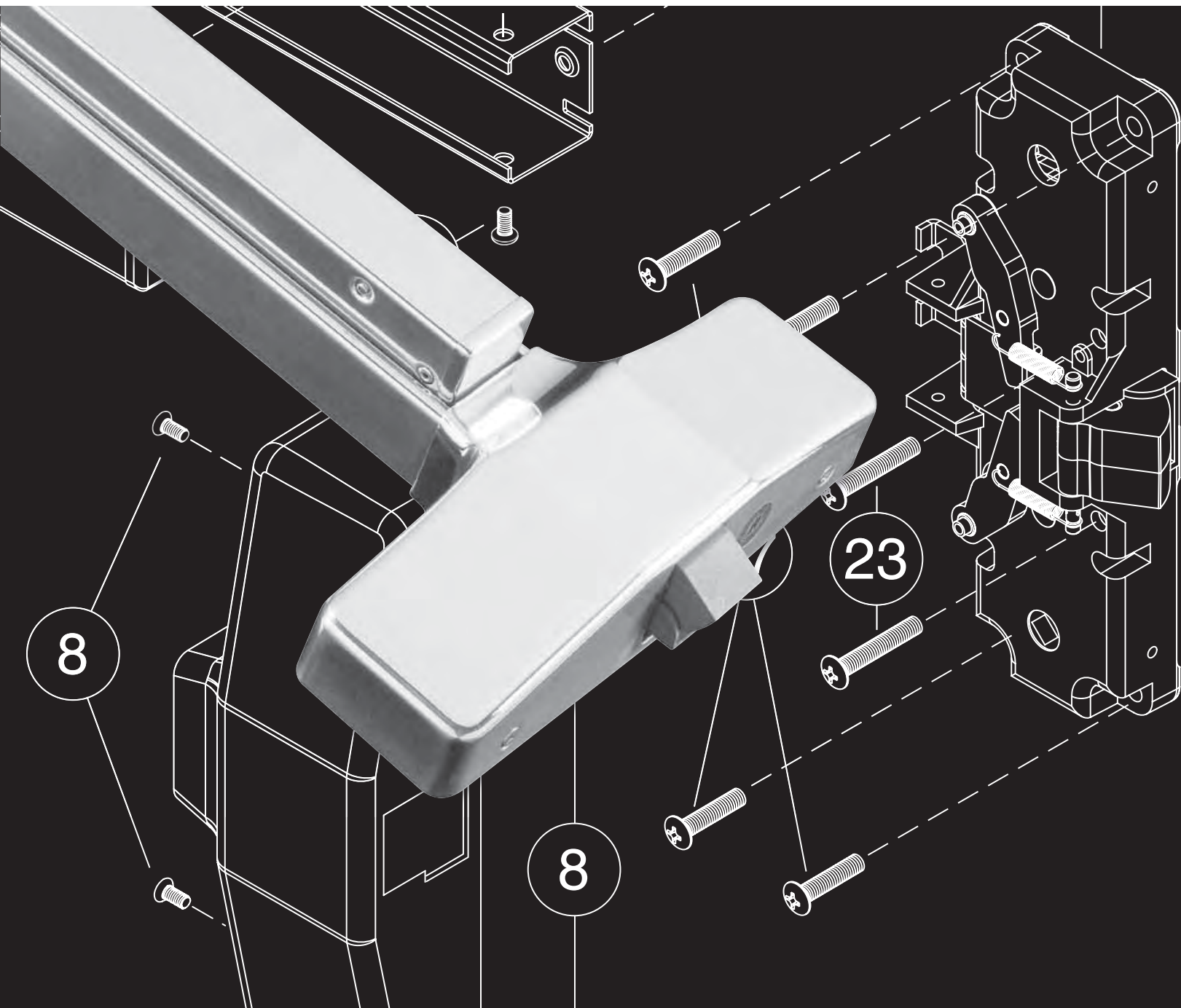


Table of Contents

18 Rim Exit Device - Panic.....	4-5
F-18 Rim Exit Device - Fire.....	6-7
(F)18 Rim Center Case - Panic and Fire.....	8-9
(F)18-V Surface Vertical Rod Exit Device - Panic and Fire.....	10-11
(F)18-V Surface Vertical Rods a& Latches - Panic and Fire.....	12-13
(F)18-V Surface Vertical Center Case - Panic and Fire.....	14-15
(F)18-C Concealed Vertical Rod Exit Device - Panic and Fire.....	16-17
(F)18-C Concealed Vertical Rods & Latches - Panic and Fire.....	18-19
(F)18-C Concealed Vertical Top Latches and Plates - Wood and Metal Door, Panic and Fire.....	20
(F)18-C Concealed Vertical Center Case - Panic and Fire.....	21
(F)18-M Mortise Exit Device - Panic and Fire.....	22-23
(F)18-M Mortise Lock - Panic and Fire.....	24-25
(F)18-M Mortise Center Case - Panic and Fire.....	26-27
(F)18-TPL Three Point Latch Exit Device - Panic and Fire.....	28-29
(F)18-TPL Three Point Latch Rods & Latches - Panic and Fire.....	30-31
(F)18 Three Point Latch Center Case - Panic and Fire.....	32
18 Series Optional Equipment.....	33

Introduction

This manual contains a listing of replaceable parts and assemblies for the 18 series exit device.

How to Order

Some parts are sold separately. Other parts are available as part of a kit or multiple quantity package. For the best possible service when ordering replacement parts or assemblies, please provide the following information:

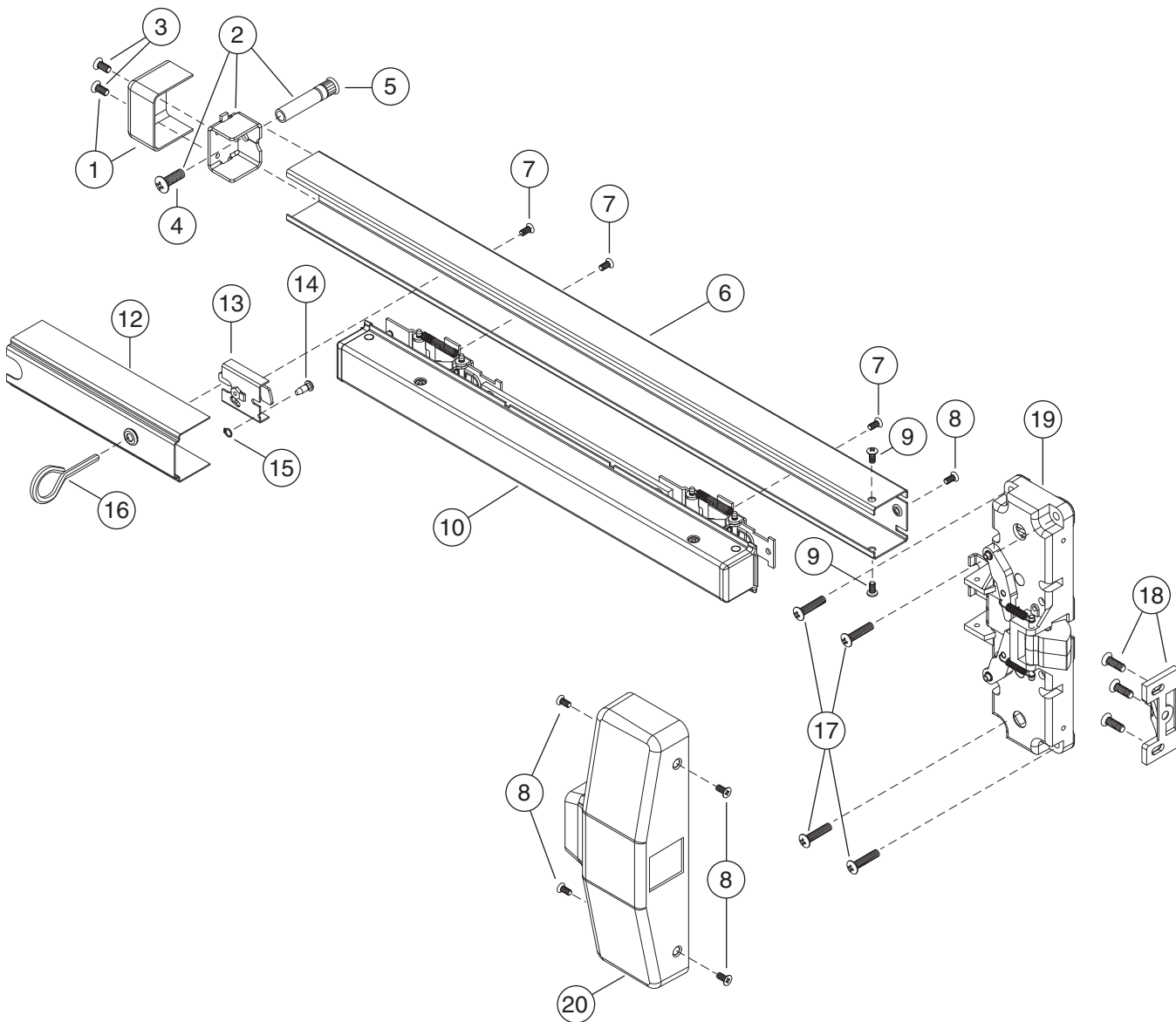
- Part number or assembly number
- Description
- Quantity needed
- Finish desired (if available finish)

Part Number Changes

This manual reflects the product as sold in November 2007. Because of changes to the product and/or manufacturing processes, part numbers can change.

18 Rim Exit Device

Panic



18 Rim Exit Device

Panic

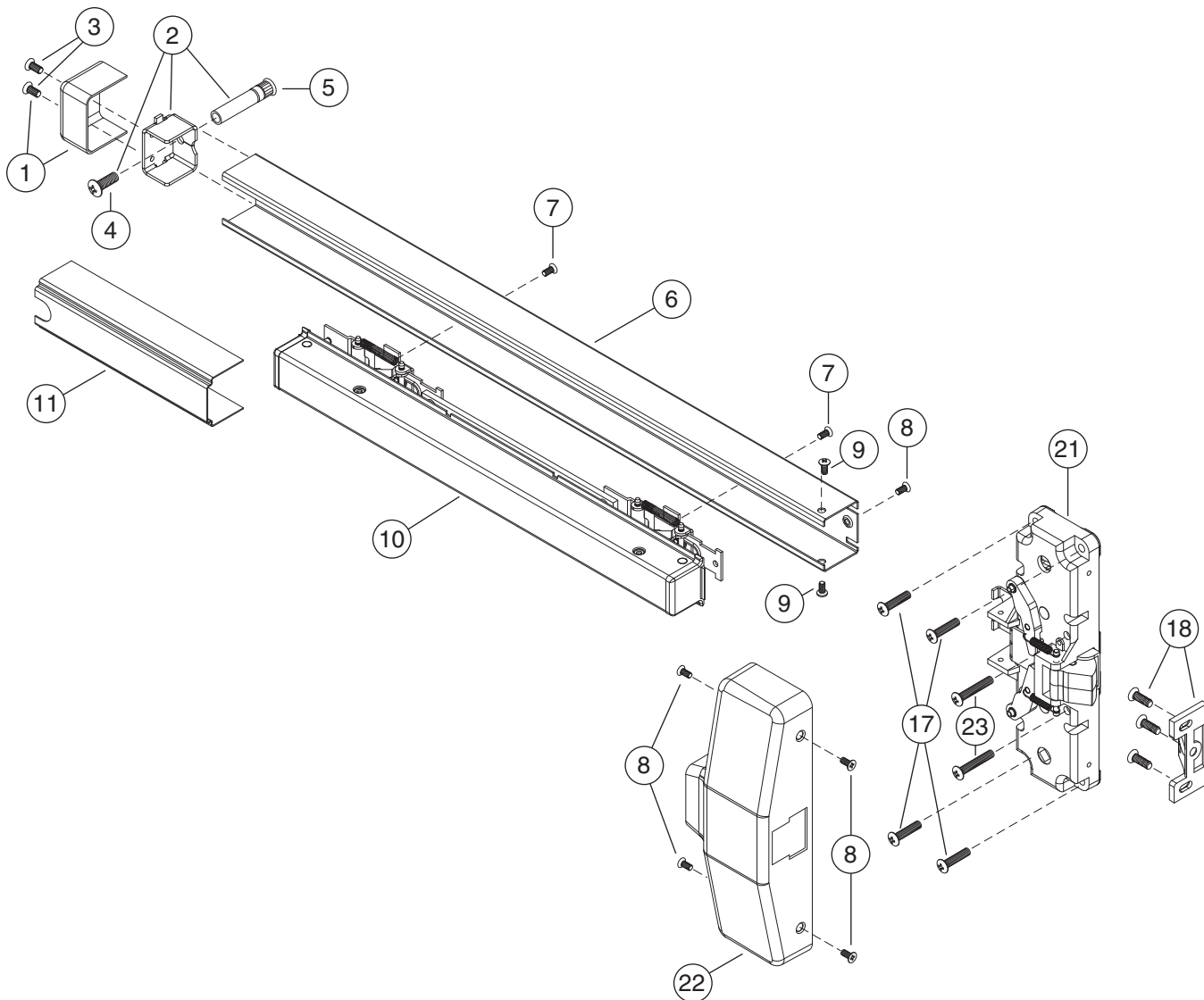
Item No.	Qty.	Part No.	Description	Notes
1	1	600148	Channel End Cap Pkg	A
2	1	600108	End Cap Mounting Bracket with SNB	
3	2	660085	#10-24 x 3/8" PPHMS with Nylon Patch	A
4	1	660047	1/4"-20 x 3/4" TPHMS Screw	
5	1	4122	1/4"-20 Sex Bolt	A
6	1	6195	Channel 2' Door	A
6	1	6196	Channel 2'5" Door	A
6	1	4107	Channel 3' Door	A
6	1	4108	Channel 4' Door	A
7	3	600184	#8-32 x 3/8" UFPHMS with Nylon Patch	A
8	5	600140	#8-32 x 1/4" UFPHMS (Pkg of 4)	A
9	2	660120	#8-32 x 1/4" PPHMS	
10	1	610277	Touch Bar Sub Assembly 2' Door (9")	A
10	1	610278	Touch Bar Sub Assembly 2'5" Door (14")	A
10	1	180	Touch Bar Sub Assembly 3' Door (20")	A
10	1	181	Touch Bar Sub Assembly 4' Door (26")	A
12	1	610279	Dogging Cover Sub Assembly 2' & 2'5" Door	A
12	1	185	Dogging Cover Sub Assembly 3' Door	A
12	1	184	Dogging Cover Sub Assembly 4' Door	A
13	1	193	Dogging Sub Assembly	
14	1	4086	Dogging Pin Shaft	
15	1	660443	Retaining Ring	
16	1	2789	7/32" Hex Key	
17	4	660004	#10-24 x 1-1/4" PPHSMS	
18	1	630015	Roller Strike for Panic and Fire - Standard	
19	1	182	18 Panic Center Case Assembly (EO Function)	
19	1	610246	18-K/L Center Case RHR (Lever/Knob)	
19	1	610247	18-K/L Center Case LHR (Lever/Knob)	
19	1	650095	18-K/L-2 Center Case RHR (Lever/Knob with Double Cylinder)	
19	1	650096	18-K/L-2 Center Case LHR (Lever/Knob with Double Cylinder)	
19	1	610254	FSA-18-K/L Center Case RHR (Lever/Knob)	
19	1	610269	FSA-18-K/L Center Case LHR (Lever/Knob)	
19	1	610271	FSE-18-K/L Center Case RHR (Lever/Knob)	
19	1	610261	FSE-18-K/L Center Case LHR (Lever/Knob)	
20	1	4222	18 Panic Center Case Cover	A
20	1	4764R	18-2 Center Case Cover RHR	A
20	1	4764L	18-2 Center Case Cover LHR	A
*	1	600101	18-R Mounting Pkg	

* Item(s) not shown.

A. Specify by finish: US-3, US-4, US-10, US-10B, US-26, US-26D, US-32, US-32D.

F-18 Rim Exit Device

Fire



F-18 Rim Exit Device

Fire

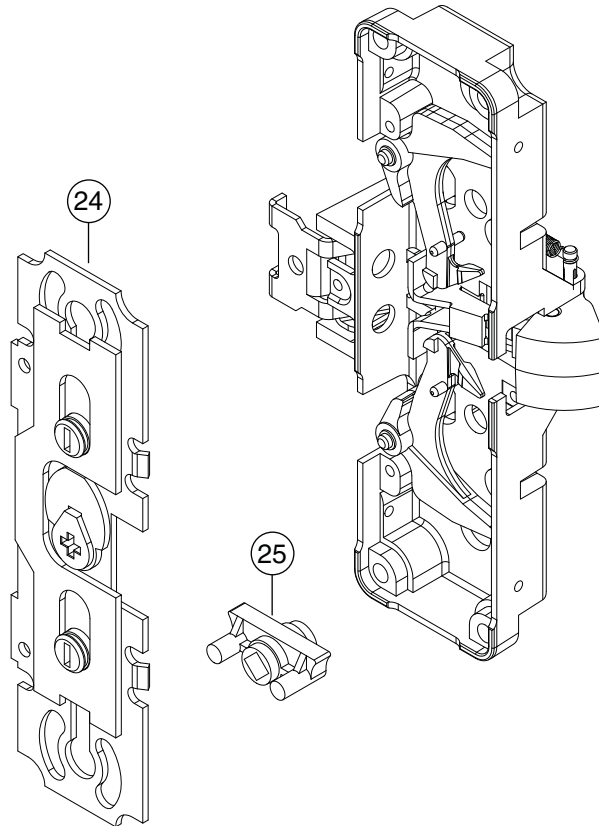
Item No.	Qty.	Part No.	Description	Notes
1	1	600148	Channel End Cap Pkg	A
2	1	600108	End Cap Mounting Bracket with SNB	
3	2	660085	#10-24 x 3/8" PPHMS with Nylon Patch	A
4	1	660047	1/4"-20 x 3/4" TPHMS Screw	
5	1	4122	1/4"-20 Sex Bolt	A
6	1	6195	Channel 2' Door	A
6	1	6196	Channel 2'5" Door	A
6	1	4107	Channel 3' Door	A
6	1	4108	Channel 4' Door	A
7	3	600184	#8-32 x 3/8" UFPHMS with Nylon Patch	A
8	5	600140	#8-32 x 1/4" UFPHMS (Pkg of 4)	A
9	2	660120	#8-32 x 1/4" PPHMS	
10	1	610277	Touch Bar Sub Assembly 2' Door (9")	A
10	1	610278	Touch Bar Sub Assembly 2'5" Door (14")	A
10	1	180	Touch Bar Sub Assembly 3' Door (20")	A
10	1	181	Touch Bar Sub Assembly 4' Door (26")	A
11	1	4955	Channel Cover 3' Door (Fire Device Only)	A
11	1	4956	Channel Cover 2', 2'5", and 4' Door (Fire Device Only)	A
17	4	660004	#10-24 x 1-1/4" PPHSMS	
18	1	630015	F-570 Roller Strike for Panic and Fire - Standard	
21	1	885	F-18-R-EO Center Case Assembly	
21	1	610248	F-18-R-K/L Center Case Assembly RHR	
21	1	610249	F-18-R-K/L Center Case Assembly LHR	
22	1	4223	18 Fire Center Case Cover	A
23	2	660062	10-24 x 1-1/2" PPHMS	
*	1	600100	F-18-R Mounting Pkg	

* Item(s) not shown.

A. Specify by finish: US-3, US-4, US-10, US-10B, US-26, US-26D, US-32, US-32D.

(F)18 Rim Center Case

Panic and Fire



(F)18 Rim Center Case

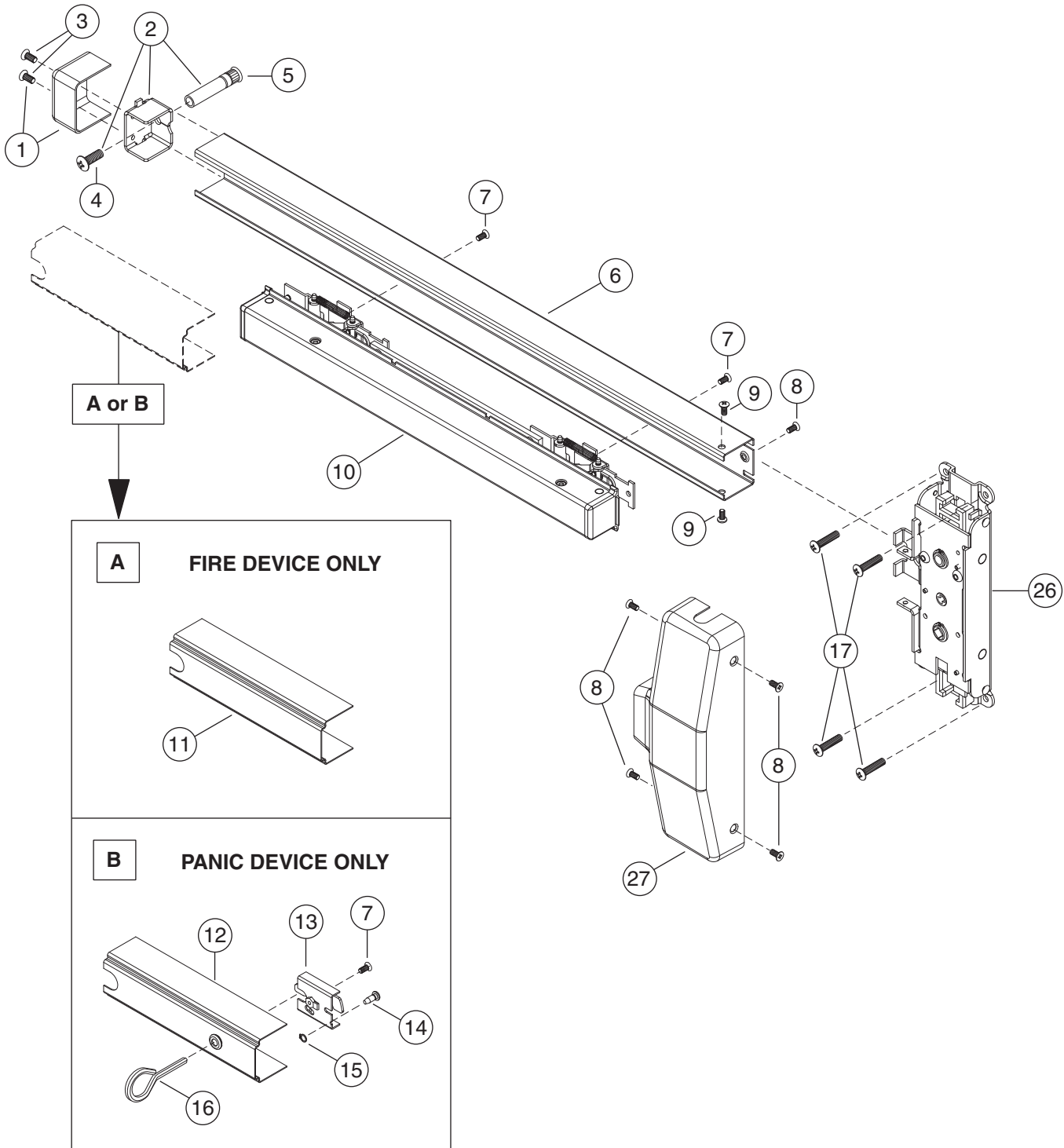
Panic and Fire

Item No.	Qty.	Part No.	Description	Notes
24	1	610070	18 Rim Back Cover Assembly	
25	1	3755	K-Hub	B

B. Used in K/L functions only.

(F)18-V Surface Vertical Rod Exit Device

Panic and Fire



(F)18-V Surface Vertical Rod Exit Device

Panic and Fire

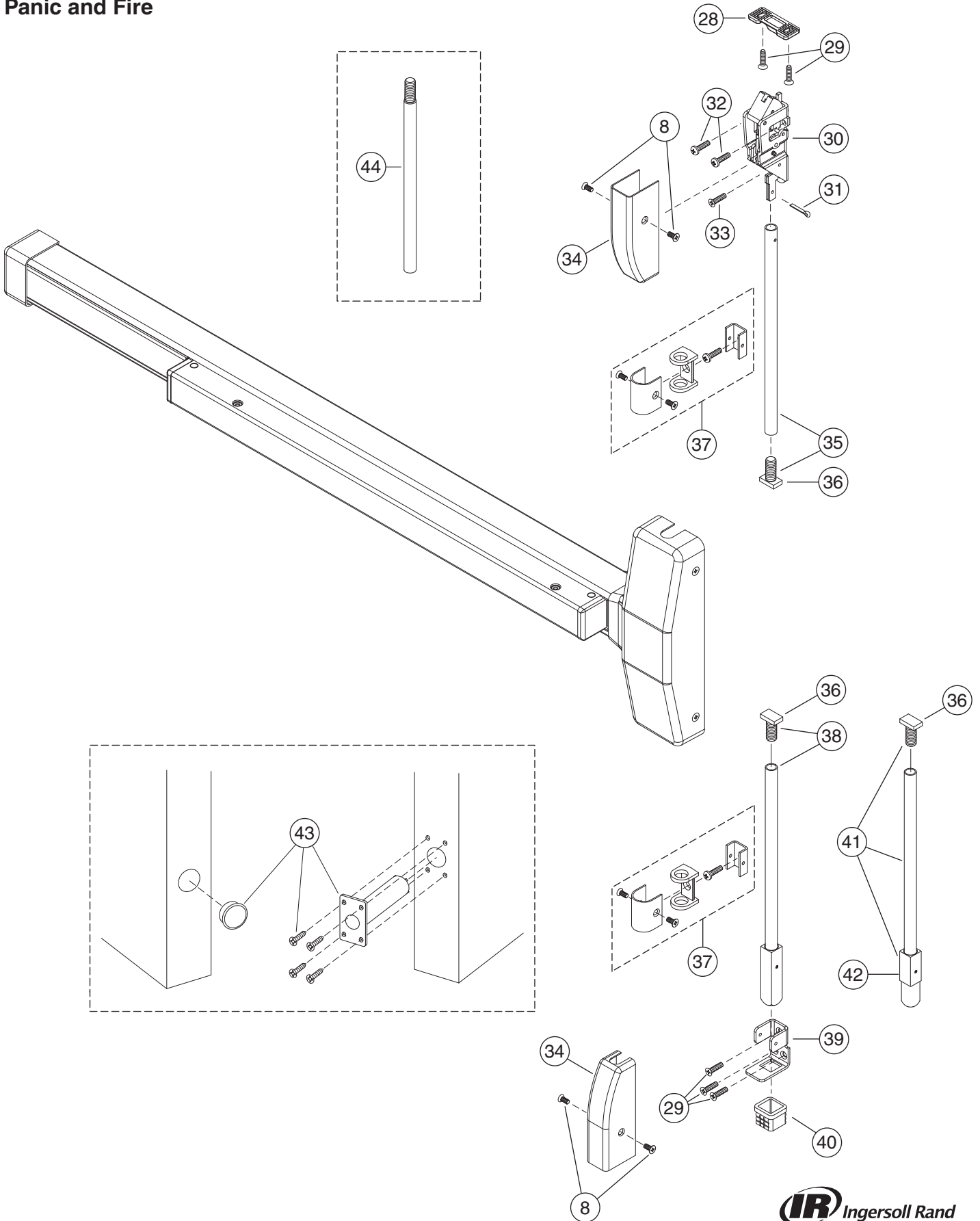
Item No.	Qty.	Part No.	Description	Notes
1	1	600148	Channel End Cap Pkg	A
2	1	600108	End Cap Mounting Bracket with SNB	
3	2	660085	#10-24 x 3/8" PPHMS with Nylon Patch	A
4	1	660047	1/4"-20 x 3/4" TPHMS Screw	
5	1	4122	1/4"-20 Sex Bolt	A
6	1	6195	Channel 2' Door	A
6	1	6196	Channel 2'5" Door	A
6	1	4107	Channel 3' Door	A
6	1	4108	Channel 4' Door	A
7	3	600184	#8-32 x 3/8" UFPHMS with Nylon Patch	A
8	5	600140	#8-32 x 1/4" UFPHMS (Pkg of 4)	A
9	2	660120	#8-32 x 1/4" PPHMS	
10	1	610277	Touch Bar Sub Assembly 2' Door (9")	A
10	1	610278	Touch Bar Sub Assembly 2'5" Door (14")	A
10	1	180	Touch Bar Sub Assembly 3' Door (20")	A
10	1	181	Touch Bar Sub Assembly 4' Door (26")	A
11	1	4955	Channel Cover 3' Door (Fire Device Only)	A
11	1	4956	Channel Cover 2', 2'5", and 4' Door (Fire Device Only)	A
12	1	610279	Dogging Cover Sub Assembly 2' & 2'5" Door	A
12	1	185	Dogging Cover Sub Assembly 3' Door	A
12	1	184	Dogging Cover Sub Assembly 4' Door	A
13	1	193	Dogging Sub Assembly	
14	1	4086	Dogging Pin Shaft	
15	1	660443	Retaining Ring	
16	1	2789	7/32" Hex Key	
17	4	660004	#10-24 x 1-1/4" PPHSMS	
26	1	883L	18 LHR Surface Vertical Center Case Sub Assembly "EO"	
26	1	883R	18 RHR Surface Vertical Center Case Sub Assembly "EO"	
27	1	4221	18 Surface Vertical Center Case Cover	A
*	1	600102	18-V Mounting Pkg	
*	1	600103	F-18-V Mounting Pkg	

* Item(s) not shown.

A. Specify by finish: US-3, US-4, US-10, US-10B, US-26, US-26D, US-32, US-32D.

(F)18-V Surface Vertical Rods & Latches

Panic and Fire



(F)18-V Surface Vertical Rods & Latches
Panic and Fire

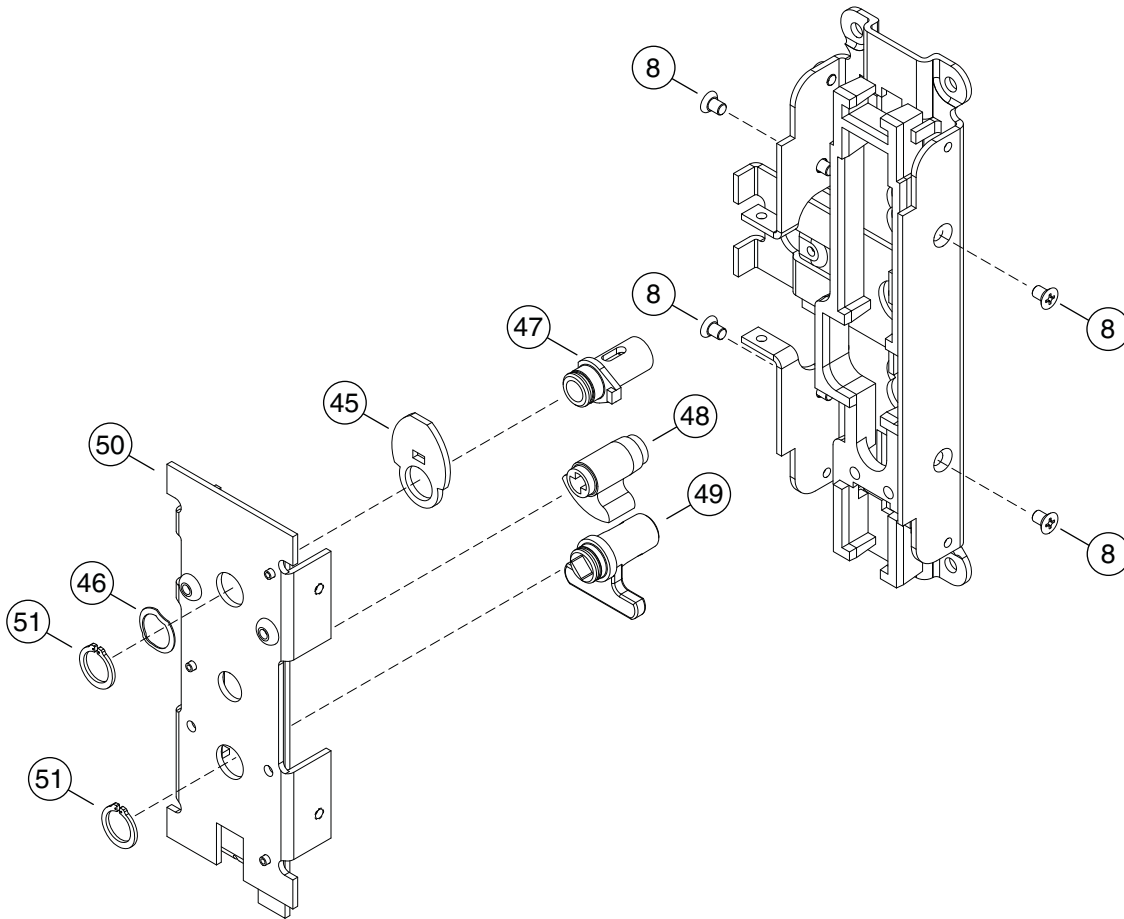
Item No.	Qty.	Part No.	Description	Notes
8	2	600140	#8-32 x 1/4" UFPHMS (Pkg of 4)	A
28	1	630010	3788 Strike - Surface Vertical Rod Panic and Fire Devices - Standard	
29	2	660002	#10 x 1-1/4" FPHSMS	
29	2	660078	#10-24 x 3/4" FPHMS (Fire)	
30	1	588	Surface Vertical Top Latch Case Sub Assembly - Panic	
30	1	F588	Surface Vertical Top Latch Case Sub Assembly - Fire	
31	1	661102	1/8" x 3/4" Cotter Key	
32	2	660004	#10 x 1-1/4" PPHSMS	
32	2	660081	#10-24 x 3/4" PPHMS (Fire)	
33	2	660002	#10 x 1-1/4" FPHSMS	
33	2	660078	#10-24 x 3/4" FPHMS (Fire)	
34	2	3781	Latch Case Cover	A
35	1	3777	Surface Vertical Top Rod Sub Assembly	
36	2	4400	Surface Vertical Rod Adjustment Screw	
37	2	590	Rod Guide and Support	A
38	1	610034	Surface Vertical Bottom Bolt and Rod Assembly	
39	1	610035	Surface Vertical Bottom Guide Assembly	A
40	1	2130	2130 Strike - Surface and Concealed for Panic or Fire - Standard	
41	1	610225	18-V Round Bottom Bolt Rod Assembly	A
42	1	610227	18-V Round Bottom Bolt	
43	1	5494	Auxiliary Fire Latch (Fire - Less Bottom Rod Only)	
44	1	650006	Vertical Extension Rod 12"	A
44	1	650007	Vertical Extension Rod 24"	A
44	1	650008	Vertical Extension Rod 36"	A
*	1	600102	18-V Mounting Pkg	
*	1	600103	F-18-V Mounting Pkg	

* Item(s) not shown.

A. Specify by finish: US-3, US-4, US-10, US-10B, US-26, US-26D, US-32, US-32D.

(F)18-V Surface Vertical Center Case

Panic and Fire



(F)18-V Surface Vertical Center Case**Panic and Fire**

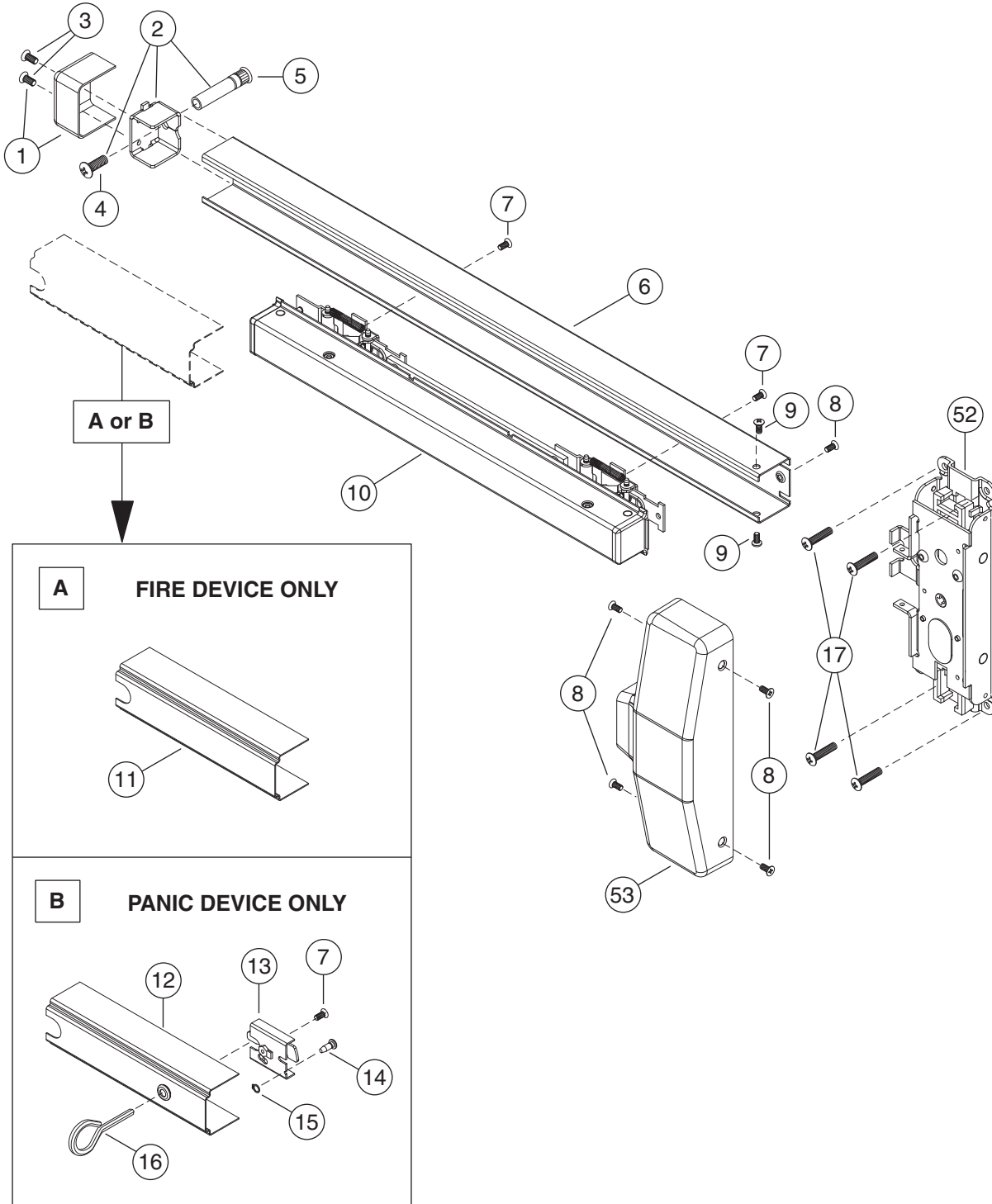
Item No.	Qty.	Part No.	Description	Notes
8	5	600140	#8-32 x 1/4" UFPHMS	
45	1	3762	18 Locking Cam	C
46	1	4299101024	Wave Washer	
47	1	4233	18 Locking Cam Operator	C
48	1	4231	18 Main Cam	
49	1	4232	18 K Hub	B
50	1	610033	18 Surface Vertical Cover Plate Sub Assembly	
51	2	660441	Retaining Ring	C

B. Used in K/L trim functions only.

C. Omit for "BE" trim function.

(F)18-C Concealed Vertical Rod Exit Device

Fire and Panic



(F)18-C Concealed Vertical Rod Exit Device

Fire and Panic

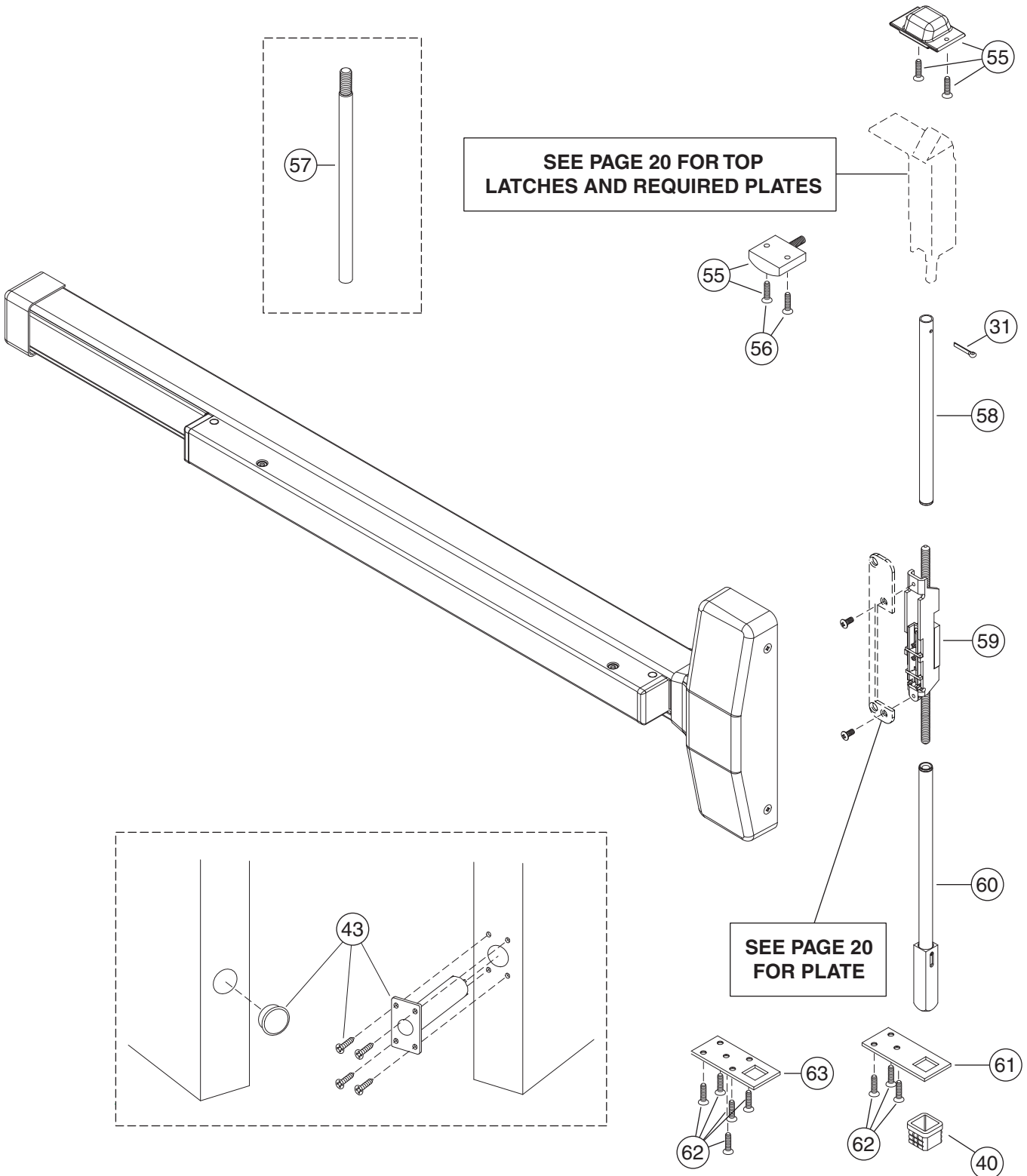
Item No.	Qty.	Part No.	Description	Notes
1	1	600148	Channel End Cap Pkg	A
2	1	600108	End Cap Mounting Bracket with SNB	
3	2	660085	#10-24 x 3/8" PPHMS with Nylon Patch	A
4	1	660047	1/4"-20 x 3/4" TPHMS Screw	
5	1	4122	1/4"-20 Sex Bolt	A
6	1	6195	Channel 2' Door	A
6	1	6196	Channel 2'5" Door	A
6	1	4107	Channel 3' Door	A
6	1	4108	Channel 4' Door	A
7	3	600184	#8-32 x 3/8" UFPHMS with Nylon Patch	A
8	5	600140	#8-32 x 1/4" UFPHMS (Pkg of 4)	A
9	2	660120	#8-32 x 1/4" PPHMS	
10	1	610277	Touch Bar Sub Assembly 2' Door (9")	A
10	1	610278	Touch Bar Sub Assembly 2'5" Door (14")	A
10	1	180	Touch Bar Sub Assembly 3' Door (20")	A
10	1	181	Touch Bar Sub Assembly 4' Door (26")	A
11	1	4955	Channel Cover 3' Door (Fire Device Only)	A
11	1	4956	Channel Cover 2', 2'5", and 4' Door (Fire Device Only)	A
12	1	610279	Dogging Cover Sub Assembly 2' & 2'5" Door	A
12	1	185	Dogging Cover Sub Assembly 3' Door	A
12	1	184	Dogging Cover Sub Assembly 4' Door	A
13	1	193	Dogging Sub Assembly	
14	1	4086	Dogging Pin Shaft	
15	1	660443	Retaining Ring	
16	1	2789	7/32" Hex Key	
17	4	660004	#10-24 x 1-1/4" PPHSMS	
52	1	889	18 Concealed Vertical Center Case Sub Assembly "EO"	
53	1	4220	18 Concealed Vertical Center Case Cover	
*	1	600105	18-C Device Mounting Package	
*	1	600104	F-18-C Device Mounting Package	
*	1	600111	18-WDC Device Mounting Package	A
*	1	600109	F-18-WDC (20 Minute) Device Mounting Package	A
*	1	600110	F-18-WDC (90 Minute) Device Mounting Package	

* Item(s) not shown.

A. Specify by finish: US-3, US-4, US-10, US-10B, US-26, US-26D, US-32, US-32D.

(F)18-C Concealed Vertical Rods & Latches

Fire and Panic



(F)18-C Concealed Vertical Rods & Latches

Fire and Panic

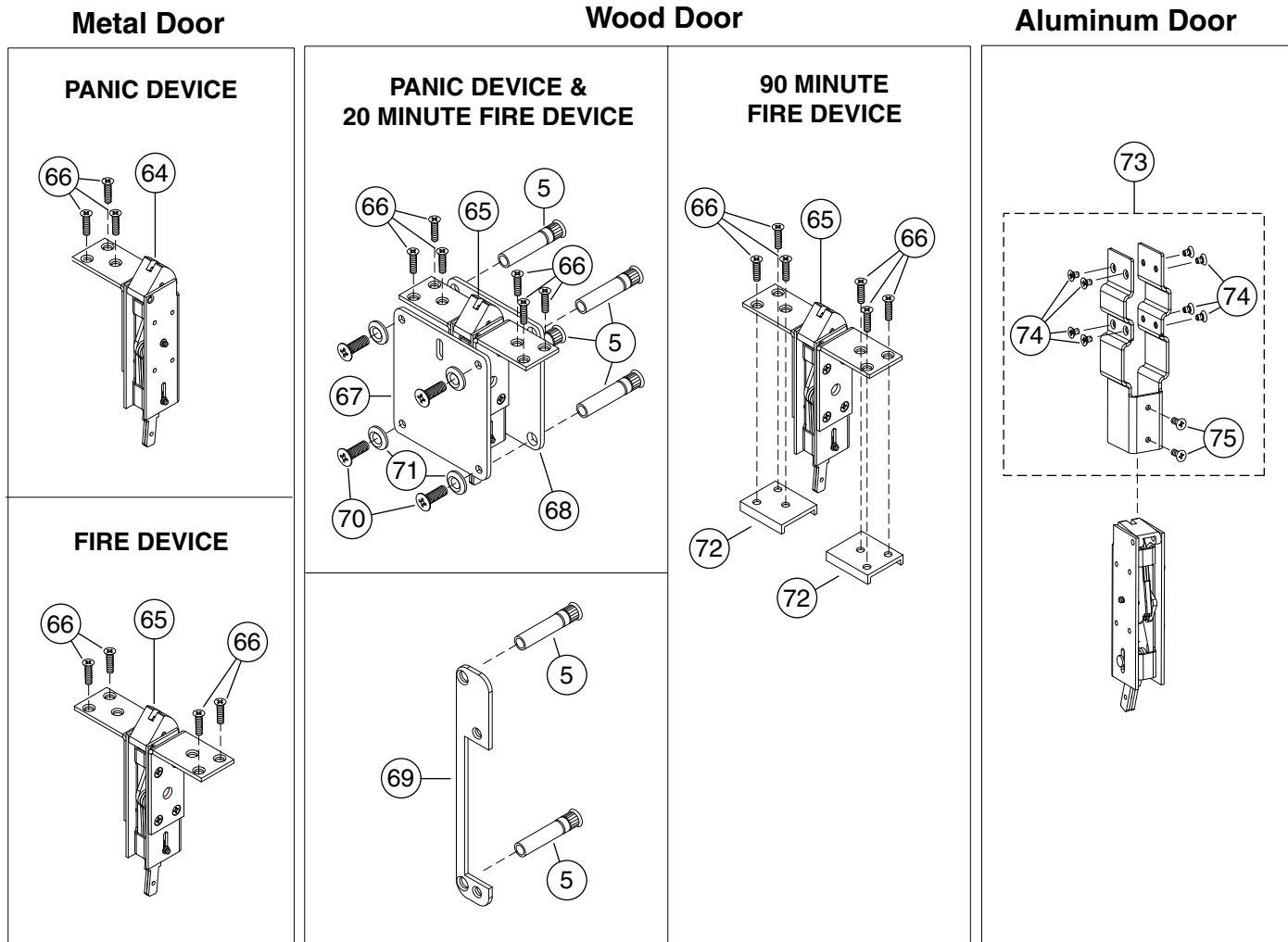
Item No.	Qty.	Part No.	Description	Notes
40	1	630013	2130 Strike - Surface and Concealed for Panic or Fire - Standard	
43	1	5494	Auxiliary Fire Latch (Fire - Less Bottom Rod Only)	
54	1	630012	4188 Strike - Concealed Vertical Rod Panic and Fire Devices - Standard	
55	1	600144	Top Latch Release Sub Assembly	A
56	2	660078	#10-24 x 3/4" FPHMS	A
57	1	650017	Concealed Vertical Extension Rod 12"	
57	1	650018	Concealed Vertical Extension Rod 24"	
57	1	650019	Concealed Vertical Extension Rod 36"	
58	1	610061	Top Rod Sub Assembly	
59	1	610043	Center Slide Sub Assembly	
60	1	610057	Bottom Rod Sub Assembly	
61	1	4567	Bottom Bolt Guide	
62	8	660002	#10 x 1-1/4" FPHSMS (Panic or Wood)	A
62	9	660078	#10-24 x 3/4" FPHMS (Fire)	A
63	1	4835	Bottom Bolt Guide - WDC	
*	1	600105	18-C Device Mounting Package	
*	1	600104	F-18-C Device Mounting Package	
*	1	600111	18-WDC Device Mounting Package	A
*	1	600109	F-18-WDC (20 Minute) Device Mounting Package	A
*	1	600110	F-18-WDC (90 Minute) Device Mounting Package	

* Item(s) not shown.

A. Specify by finish: US-3, US-4, US-10, US-10B, US-26, US-26D, US-32, US-32D.

(F)18-C Concealed Vertical Top Latches and Plates

Wood and Metal Door, Panic and Fire

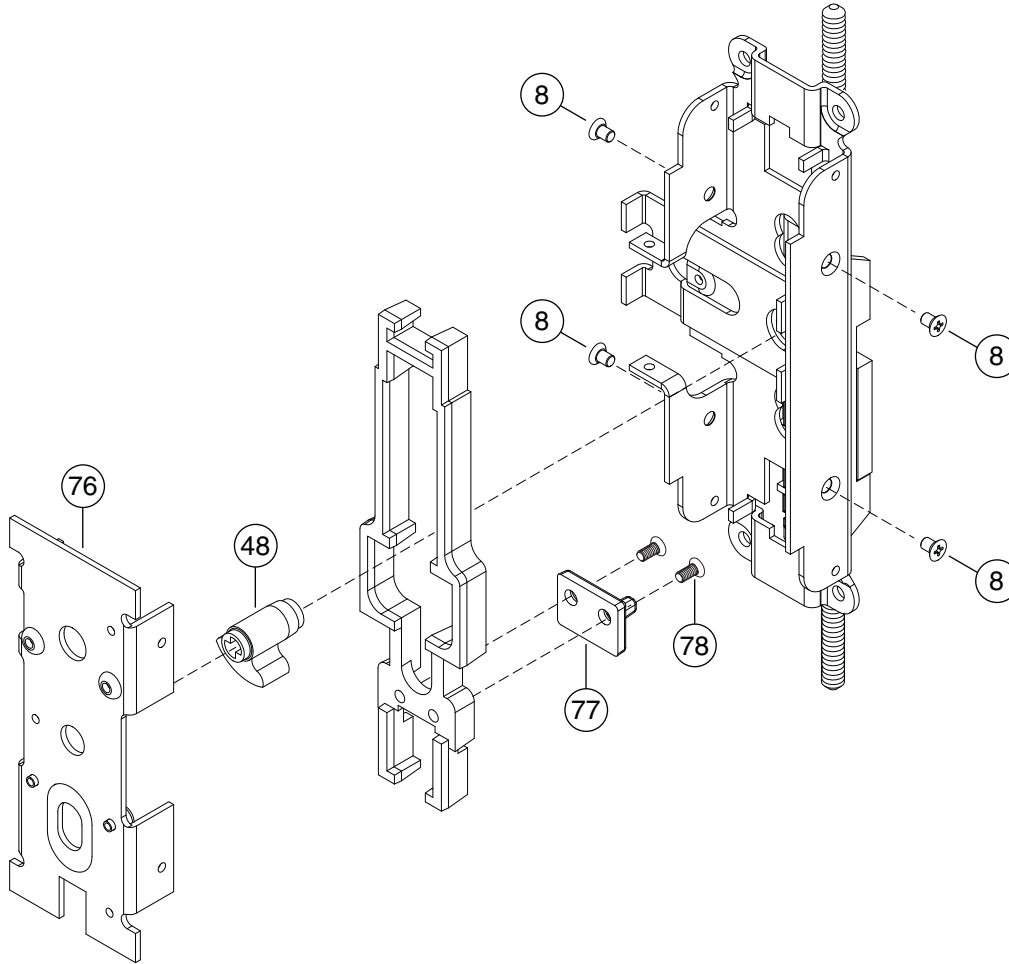


Item No.	Qty.	Part No.	Description	Notes
5	6	4122	1/4"-20 Sex Bolt	A
64	1	603	Concealed Top Latch Case Sub Assembly (Panic)	
65	1	F603	Concealed Top Latch Case Sub Assembly (Fire)	
66	6	660078	#10-24 x 3/4" FPHMS	
67	1	4834	Top Reinforcement Plate with Access Hole	A
68	1	4833	Top Reinforcement Plate	A
69	1	4832	Center Slide Reinforcement Plate	
70	4	660044	1/4"-20 x 3/4" FPHMS	A
71	4	600185	1/4" CSK Finish Washer	A
72	2	4694	Latch Bracket	
73	1	600174	Aluminum Door Bracket Package	
74	8	660121	#8-32 x 1/4" PPHMS with Nylon Patch	
75	2	660066	#10-24 x 1/2" FPHMS	

A. Specify by finish: US-3, US-4, US-10, US-10B, US-26, US-26D, US-32, US-32D.

(F)18-C Concealed Vertical Rod Center Case

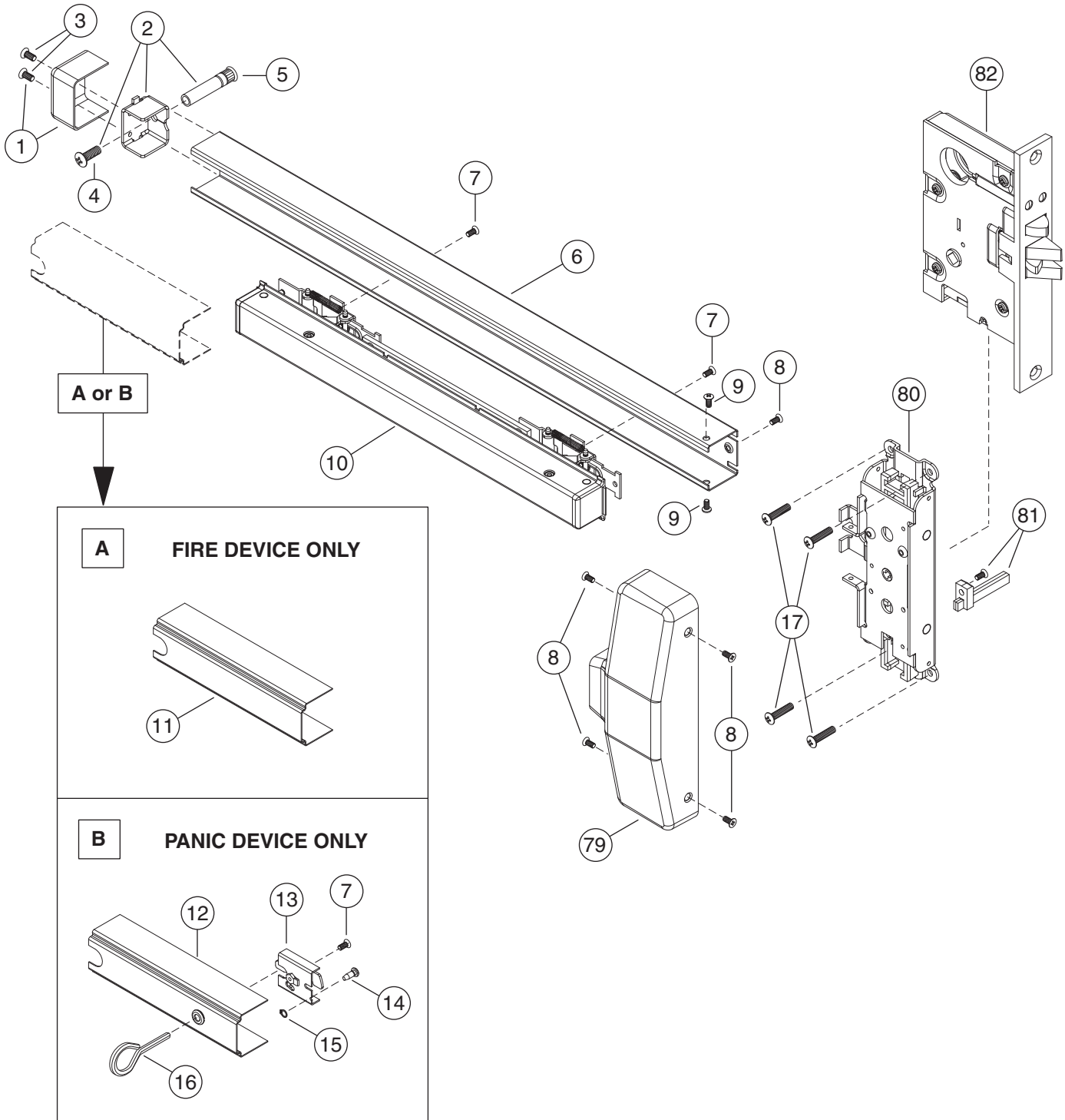
Panic and Fire



Item No.	Qty.	Part No.	Description	Notes
8	5	600140	#8-32 x 1/4" UFPHMS	
48	1	4231	18 Main Cam	
76	1	610071	18 Concealed Cover Plate Sub Assembly	
77	1	4246	Lift Finger	
78	2	660065	#10-24 x 1/2" FPHMS with Nylon Patch	

(F)18-M Mortise Exit Device

Panic and Fire



(F)18-M Mortise Exit Device

Panic and Fire

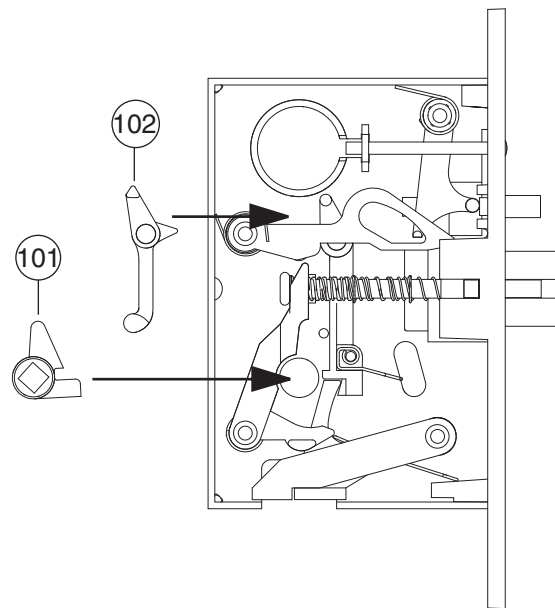
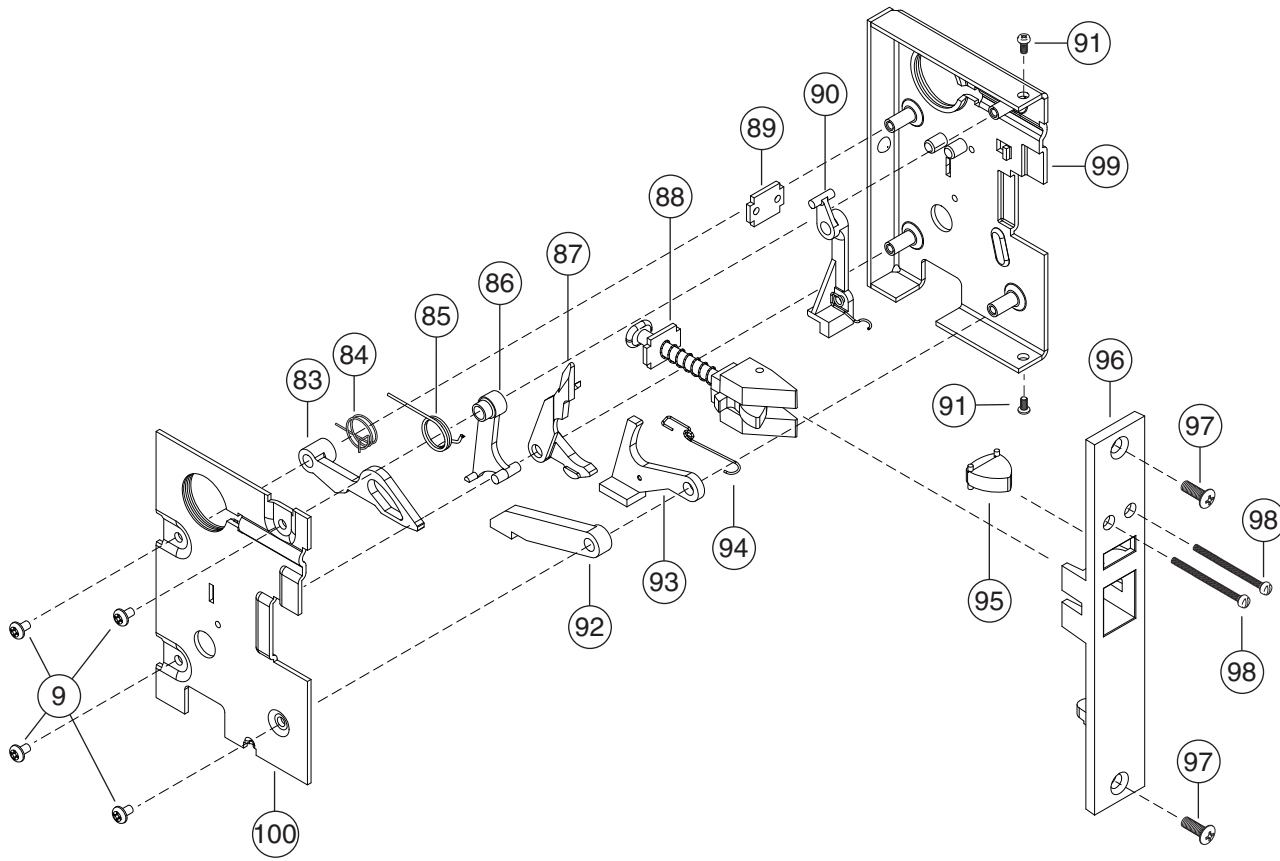
Item No.	Qty.	Part No.	Description	Notes
1	1	600148	Channel End Cap Pkg	A
2	1	600108	End Cap Mounting Bracket with SNB	
3	2	660085	#10-24 x 3/8" PPHMS with Nylon Patch	A
4	1	660047	1/4"-20 x 3/4" TPHMS Screw	
5	1	4122	1/4"-20 Sex Bolt	A
6	1	6195	Channel 2' Door	A
6	1	6196	Channel 2'5" Door	A
6	1	4107	Channel 3' Door	A
6	1	4108	Channel 4' Door	A
7	3	600184	#8-32 x 3/8" UFPHMS with Nylon Patch	A
8	5	600140	#8-32 x 1/4" UFPHMS (Pkg of 4)	A
9	2	660120	#8-32 x 1/4" PPHMS	
10	1	610277	Touch Bar Sub Assembly 2' Door (9")	A
10	1	610278	Touch Bar Sub Assembly 2'5" Door (14")	A
10	1	180	Touch Bar Sub Assembly 3' Door (20")	A
10	1	181	Touch Bar Sub Assembly 4' Door (26")	A
11	1	4955	Channel Cover 3' Door (Fire Device Only)	A
11	1	4956	Channel Cover 2', 2'5", and 4' Door (Fire Device Only)	A
12	1	610279	Dogging Cover Sub Assembly 2' & 2'5" Door	A
12	1	185	Dogging Cover Sub Assembly 3' Door	A
12	1	184	Dogging Cover Sub Assembly 4' Door	A
13	1	193	Dogging Sub Assembly	
14	1	4086	Dogging Pin Shaft	
15	1	660443	Retaining Ring	
16	1	2789	7/32" Hex Key	
17	4	660004	#10-24 x 1-1/4" PPHSMS	
79	1	4220	18 Mortise Center Case Cover	A
80	1	887	18 Mortise Center Case Assembly	
81	1	600117	Lift Finger with Mounting Screw	
82	1		Mortise Lock - 8500 x Function x Handing	A
*	1	600106	18-M Device Mounting Package	
*	1	600107	F-18-M Device Mounting Package	

* Item(s) not shown.

A. Specify by finish: US-3, US-4, US-10, US-10B, US-26, US-26D, US-32, US-32D.

(F)18-M Mortise Lock

Panic and Fire



(F)18-M Mortise Lock

Panic and Fire

Item No.	Qty.	Part No.	Description	Notes
9	2	660120	#8-32 x 1/4" PPHMS	
83	1	3532	Dead Locking Arm	
84	1	3518	Dead Lock Arm Spring	D
85	1	3531	Auxiliary Bolt Spring	
86	1	3530	Auxiliary Bolt Actuator	
87	1	3521	Actuating Arm	
88	1	610041	Mortise Latch Bolt Assembly	
89	1	4025	Cylinder Screw Retainer	C
90	1	610042	Locking Arm and Spring Assembly	C & D
91	2	660068	#10-24 x 1/2" PPHMS Type "F"	
92	1	3522	Main Lift	
93	1	3523	T-Lift	
94	1	3516	T-Lift Spring	
95	1	3529	Auxiliary Bolt	
96	1	3515	Mortise Lock Face	E
97	2	660068	#10-24 x 1/2" PPHMS	E
98	2	660128	#8-32 x 2" FIL HD MS (US-26, US-26D)	E
98	2	660129	#8-32 x 2" FIL HD MS (US-3, US-4, US-10, US-10B)	E
99	1	610067	Mortise Lock Housing Assembly	
100	1	3540	Mortise Back Cover	
101	1	3519	Mortise K-Hub	B & C
102	1	3542	Clinder Operating Arm	C & F

A. Specify by finish: US-3, US-4, US-10, US-10B, US-26, US-26D, US-32, US-32D.

B. Used in K/L trim functions only.

C. Omit for "BE" trim function.

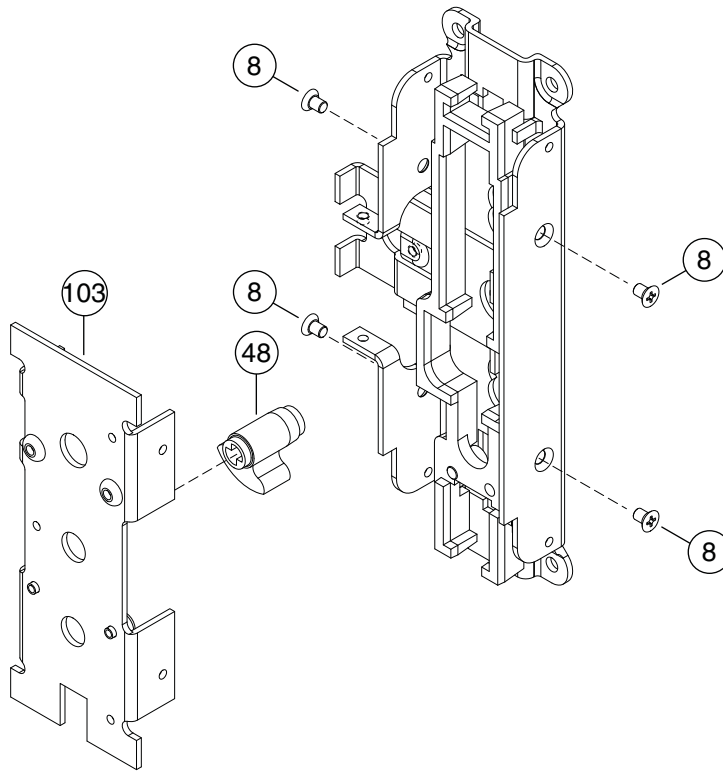
D. Dead lock arm spring (Part No. 3518) required for NL function. Remove existing spring and screw from locking arm for NL.

E. Available only in US-3, US-4, US-10, US-10B, US-26, US-26D.

F. Used in NL function only.

(F)18-M Mortise Center Case

Panic and Fire

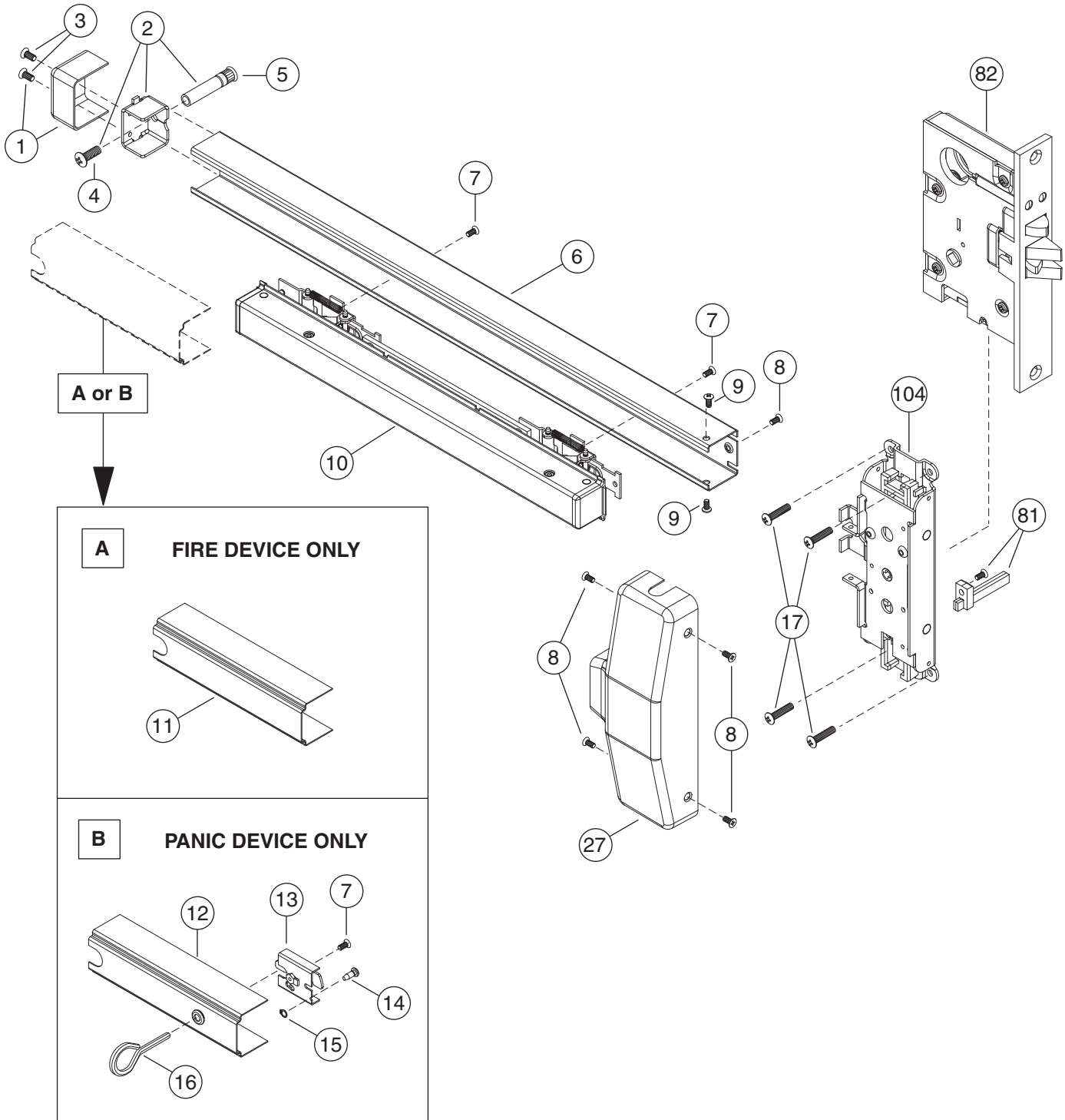


(F)18-M Mortise Center Case**Panic and Fire**

Item No.	Qty.	Part No.	Description	Notes
8	5	600140	#8-32 x 1/4" UFPHMS	
48	1	4231	18 Main Cam	
103	1	610078	18 Mortise Cover Plate Sub Assembly	

(F)18-TPL Three Point Latch Exit Device

Panic and Fire



(F)18-TPL Three Point Latch Exit Device

Panic and Fire

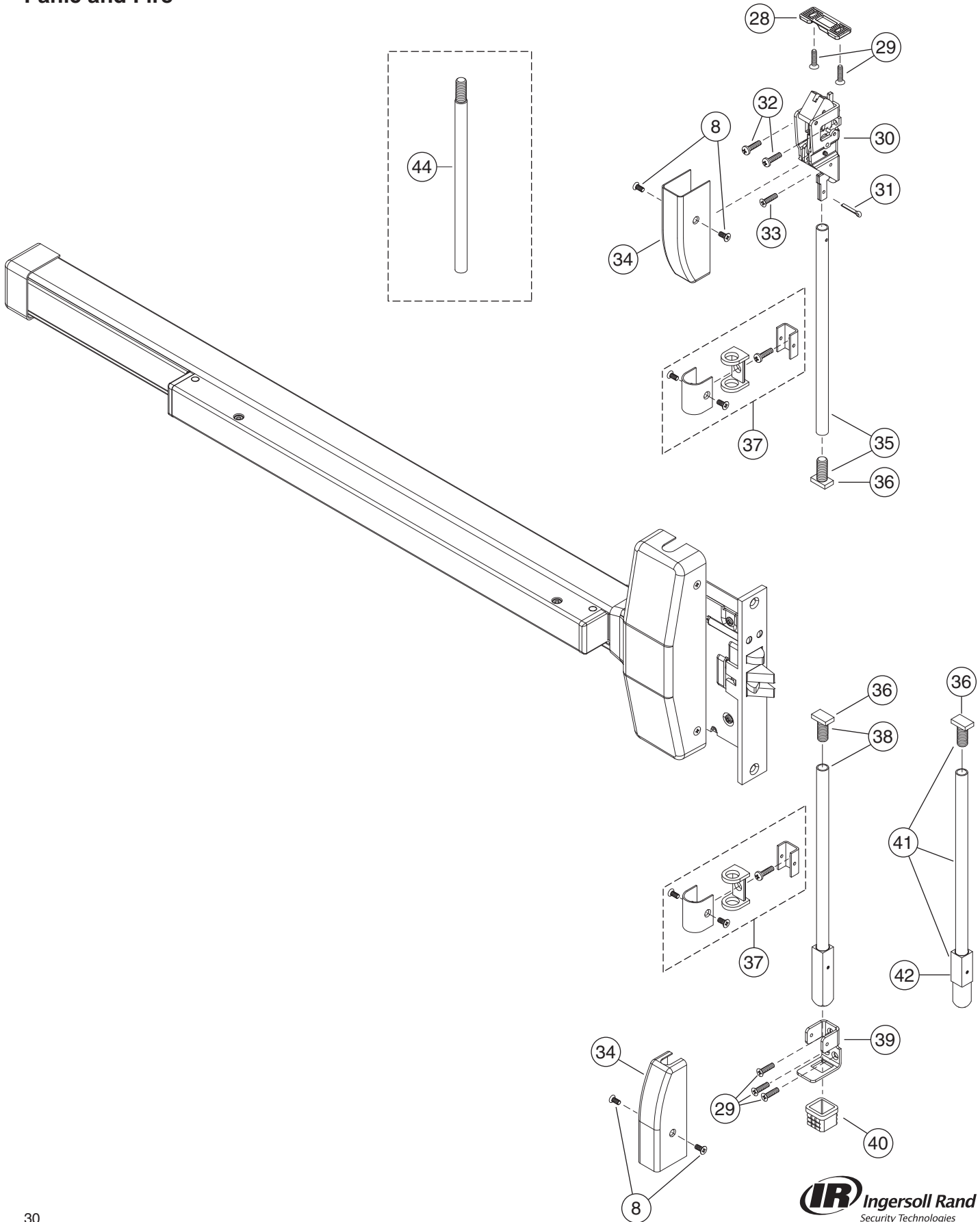
Item No.	Qty.	Part No.	Description	Notes
1	1	600148	Channel End Cap Pkg	A
2	1	600108	End Cap Mounting Bracket with SNB	
3	2	660085	#10-24 x 3/8" PPHMS with Nylon Patch	A
4	1	660047	1/4"-20 x 3/4" TPHMS Screw	
5	1	4122	1/4"-20 Sex Bolt	A
6	1	6195	Channel 2' Door	A
6	1	6196	Channel 2'5" Door	A
6	1	4107	Channel 3' Door	A
6	1	4108	Channel 4' Door	A
7	3	600184	#8-32 x 3/8" UFPHMS with Nylon Patch	A
8	5	600140	#8-32 x 1/4" UFPHMS (Pkg of 4)	A
9	2	660120	#8-32 x 1/4" PPHMS	
10	1	610277	Touch Bar Sub Assembly 2' Door (9")	A
10	1	610278	Touch Bar Sub Assembly 2'5" Door (14")	A
10	1	180	Touch Bar Sub Assembly 3' Door (20")	A
10	1	181	Touch Bar Sub Assembly 4' Door (26")	A
11	1	4955	Channel Cover 3' Door (Fire Device Only)	A
11	1	4956	Channel Cover 2', 2'5", and 4' Door (Fire Device Only)	A
12	1	610279	Dogging Cover Sub Assembly 2' & 2'5" Door	A
12	1	185	Dogging Cover Sub Assembly 3' Door	A
12	1	184	Dogging Cover Sub Assembly 4' Door	A
13	1	193	Dogging Sub Assembly	
14	1	4086	Dogging Pin Shaft	
15	1	660443	Retaining Ring	
16	1	2789	7/32" Hex Key	
17	4	660004	#10-24 x 1-1/4" PPHSMS	
27	1	4221	18 Surface Vertical Center Case Cover	A
81	1	600117	Lift Finger with Mounting Screw	
82	1		Mortise Lock - 8500 x Function x Handing	A
104	1	650098	(F)18-TPL Center Case Assembly RHR	
104	1	650098	(F)18-TPL Center Case Assembly LHR	

* Item(s) not shown.

A. Specify by finish: US-3, US-4, US-10, US-10B, US-26, US-26D, US-32, US-32D.

(F)18-TPL Three Point Latch Rods & Latches

Panic and Fire



(F)18-TPL Three Point Latch Rods & Latches
Panic and Fire

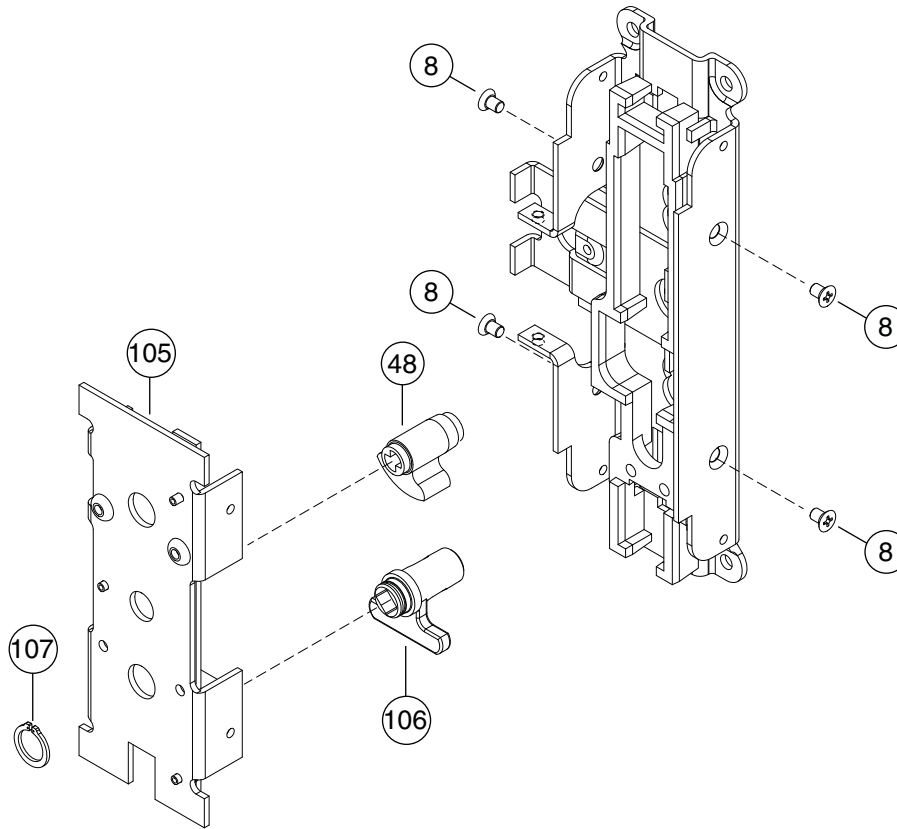
Item No.	Qty.	Part No.	Description	Notes
8	2	600140	#8-32 x 1/4" UFPHMS (Pkg of 4)	A
28	1	630010	3788 Strike - Surface Vertical Rod Panic and Fire Devices - Standard	
29	2	660002	#10 x 1-1/4" FPHSMS	C
29	2	660078	#10-24 x 3/4" FPHMS (Fire)	
30	1	588	Surface Vertical Top Latch Case Sub Assembly - Panic	
30	1	F588	Surface Vertical Top Latch Case Sub Assembly - Fire	
31	1	661102	1/8" x 3/4" Cotter Key	
32	2	660004	#10 x 1-1/4" PPHSMS	
32	2	660081	#10-24 x 3/4" PPHMS (Fire)	
33	2	660002	#10 x 1-1/4" FPHSMS	
33	2	660078	#10-24 x 3/4" FPHMS (Fire)	
34	2	3781	Latch Case Cover	A
35	1	3777	Surface Vertical Top Rod Sub Assembly	
36	2	4400	Surface Vertical Rod Adjustment Screw	
37	2	590	Rod Guide and Support	A
38	1	610034	Surface Vertical Bottom Bolt and Rod Assembly	
39	1	610035	Surface Vertical Bottom Guide Assembly	A
40	1	2130	2130 Strike - Surface and Concealed for Panic or Fire - Standard	
41	1	610225	18-V Round Bottom Bolt Rod Assembly	A
42	1	610227	18-V Round Bottom Bolt	
44	1	650006	Vertical Extension Rod 12"	A
44	1	650007	Vertical Extension Rod 24"	A
44	1	650008	Vertical Extension Rod 36"	A
*	1	600102	18-TPL Mounting Pkg	
*	1	600103	F-18-TPL Mounting Pkg	

* Item(s) not shown.

A. Specify by finish: US-3, US-4, US-10, US-10B, US-26, US-26D, US-32, US-32D.

(F)18-TPL Three Point Latch Center Case

Panic and Fire



Item No.	Qty.	Part No.	Description	Notes
8	5	600140	#8-32 x 1/4" UFPHMS	
48	1	4231	18 Main Cam	
105	1	4235	18 TPL Cover Plate Sub Assembly	
106	1	4232	K-Hub	
107	1	660442	Retaining Ring	

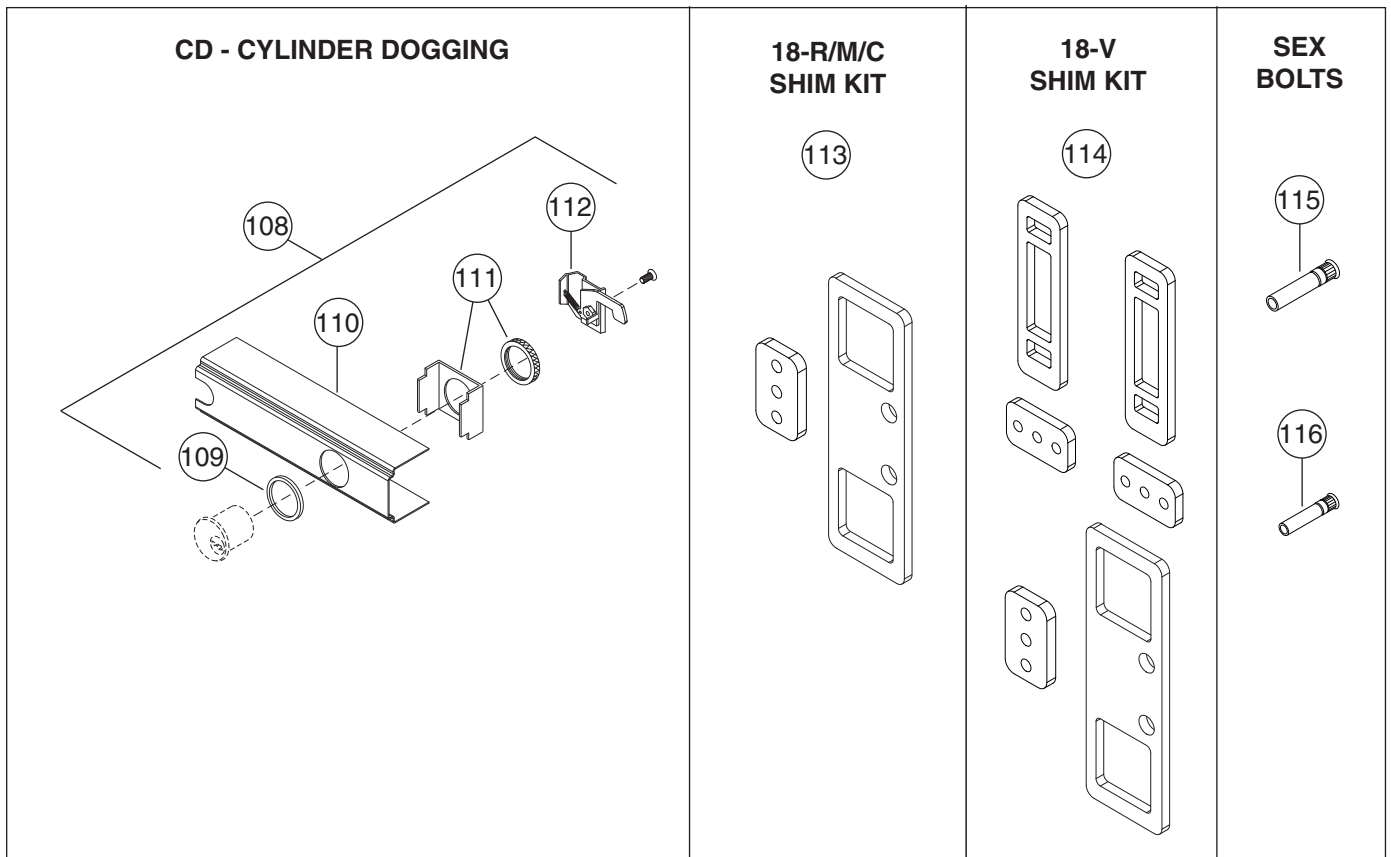
18 Series Optional Equipment

Item No.	Qty.	Part No.	Description	Notes
108	1	650059	18 CD Kit 3' (items 63-66)	A
108	1	650062	18 CD Kit 4' (items 63-66)	A
109	1	3917	CD Cylinder Collar	A
110	1	4950	18 CD Cover Plate 3'	A
110	1	4951	18 CD Cover Plate 4'	A
111	1	600146	CD Cylinder Retaining Bracket Package	
112	1	610106	CD Dogging Sub Assembly	
113	1	650020	18-R/M/C 1/4" Shim Kit	
114	1	650021	18-V 1/4" Shim Kit	
115	1	4122	1/4"-20 Sex Bolt**	
116	1	2729	#10-24 Sex Bolt***	

** Sold individually, for reinforcing plate (2), or WDC latch (4)

***Sold individually, for center case (4), or surface vertical latches (3)

A. Specify by finish: US-3, US-4, US-10, US-10B, US-26, US-26D, US-32, US-32D.





Ingersoll Rand's Security Technologies Sector is a leading global provider of products and services that make environments safe, secure and productive. The Sector's market-leading products include electronic and biometric access control systems; time and attendance and personnel scheduling systems; mechanical locks and portable security, door closers and exit devices, steel doors and frames, architectural hardware and technologies and services for global security markets.

800.266.4456 Locks
800.826.5792 Exit Devices
800.815.1517 Closers

www.falcon.ingersollrand.com www.ingersollrand.com

FALCON

*Falcon
Monarch
Dor-O-Matic*

Monarch 19 Series Parts Manual

Touch Bar Exit Device

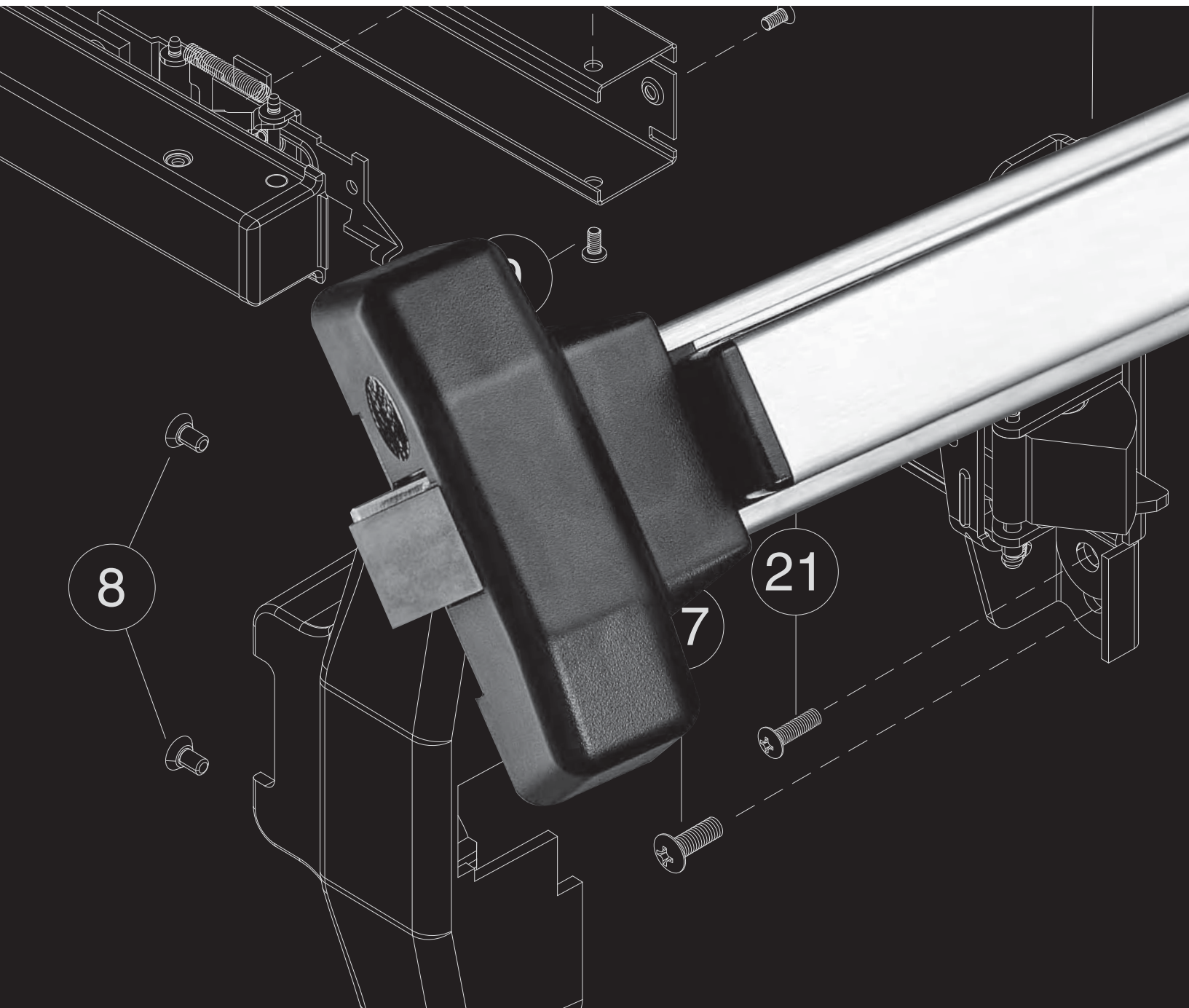


Table of Contents

19 Rim Exit Device - Panic and Fire.....	4-5
19 Surface Vertical Rod Exit Device - Panic and Fire.....	6-7
19 Surface Vertical Rods and Latch Cases - Panic and Fire.....	8-9
19 Series Optional Equipment.....	10

Introduction

This manual contains a listing of replaceable parts and assemblies for the 19 series exit device.

How to Order

Some parts are sold separately. Other parts are available as part of a kit or multiple quantity package. For the best possible service when ordering replacement parts or assemblies, please provide the following information:

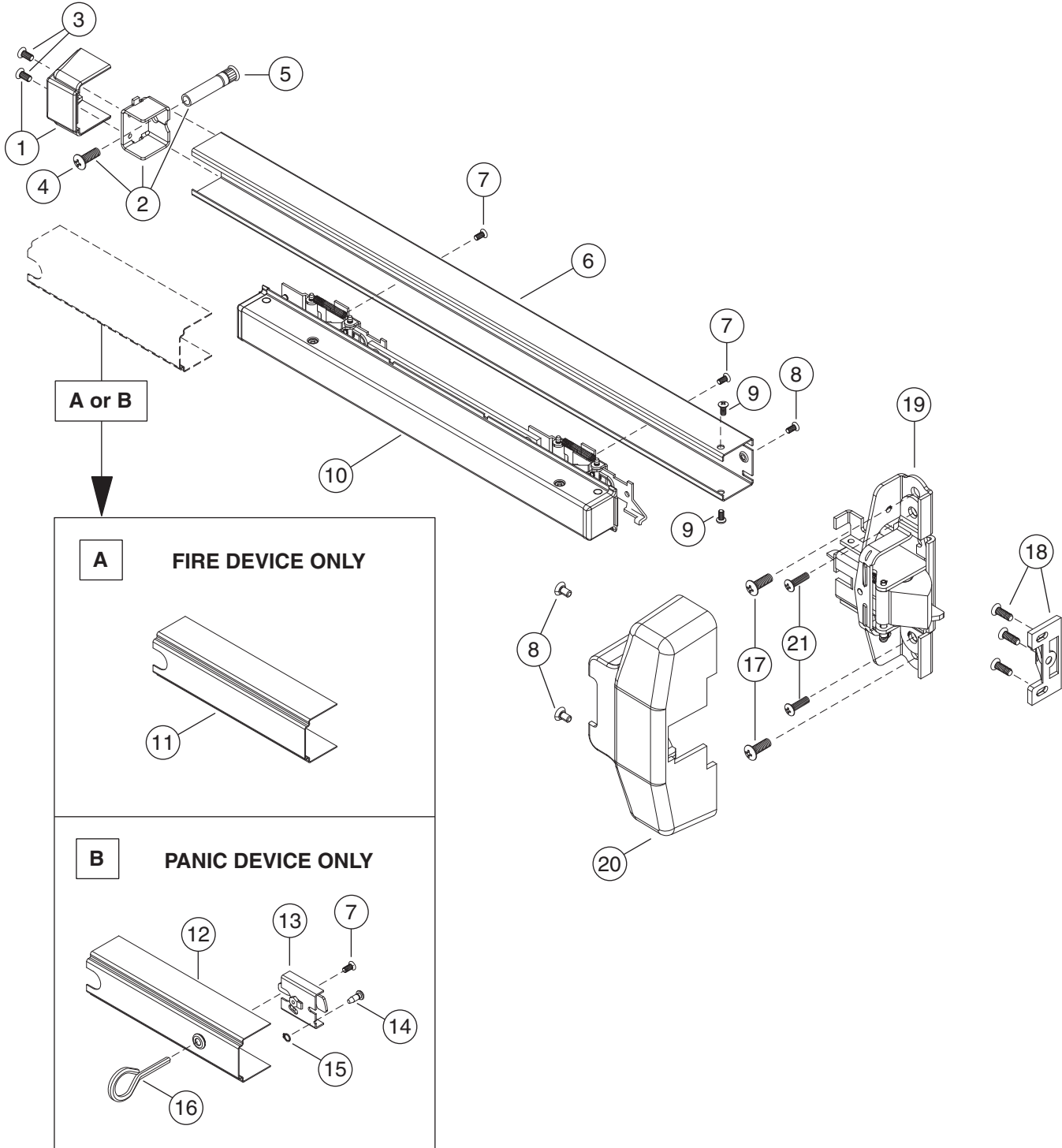
- Part number or assembly number
- Description
- Quantity needed
- Finish desired (if available finish)

Part Number Changes

This manual reflects the product as sold in November 2007. Because of changes to the product and/or manufacturing processes, part numbers can change.

19 & F-19 Rim Exit Device

Fire and Panic



19 & F-19 Rim Exit Device

Panic and Fire

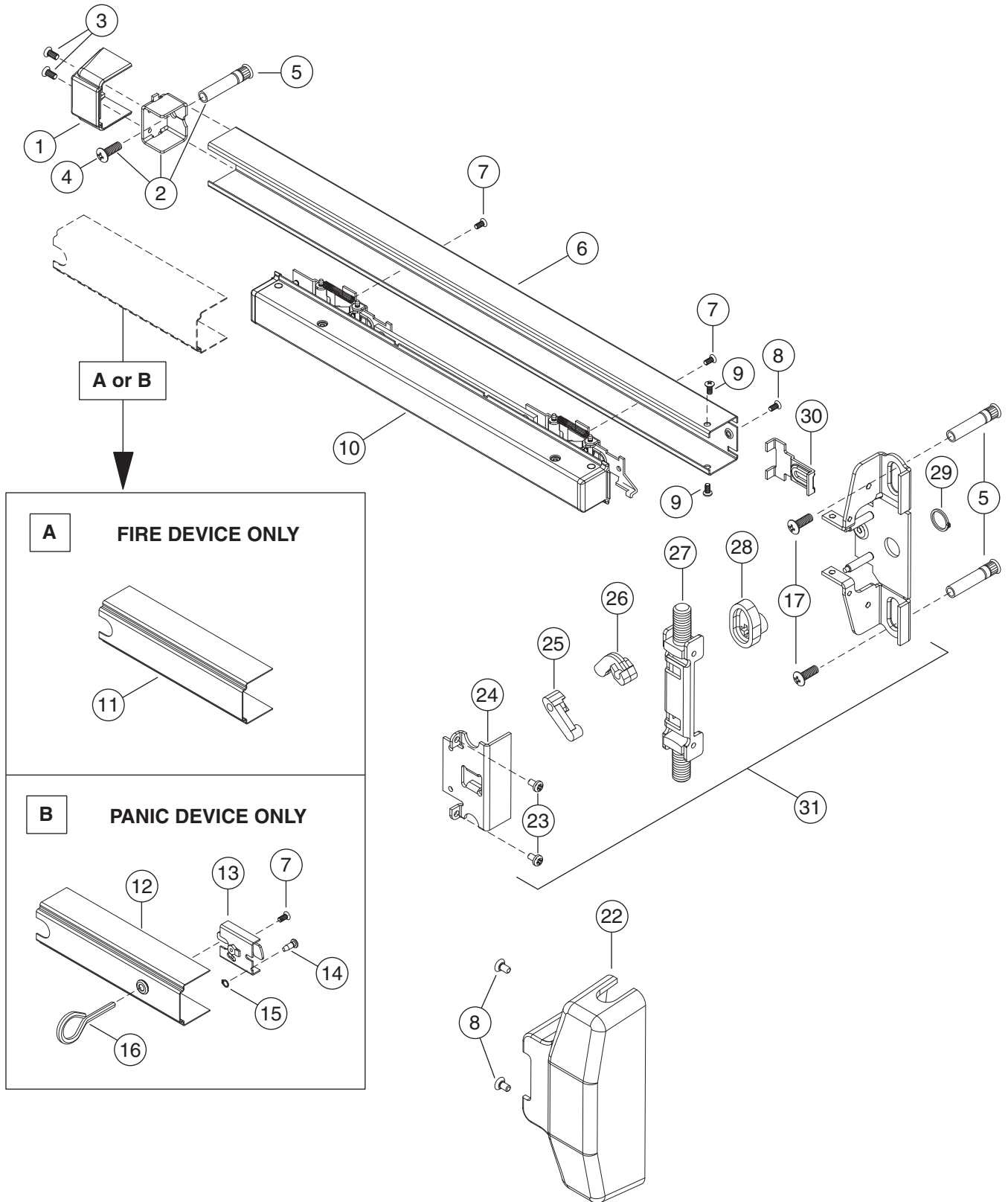
Item No.	Qty.	Part No.	Description	Notes
1	1	600151	Channel End Cap Package	
2	1	600108	End Cap Mounting Bracket with SNB	
3	2	660090	#10-24 x 3/8" UFPHMS with Nylon Patch (Pkg of 2)	A
4	1	660047	1/4"-20 x 3/4" TPHMS Screw	
5	1	4122	1/4"-20 Sex Bolt	A
6	1	6195	Channel 2' Door	A
6	1	6196	Channel 2'5" Door	A
6	1	4107	Channel 3' Door	A
6	1	4108	Channel 4' Door	A
7	3	600184	#8-32 x 3/8" UFPHMS with Nylon Patch	A
8	5	600140	#8-32 x 1/4" UFPHMS (Pkg of 4)	A
9	2	660144	#8-32 x 1/4" PPHMS	
10	1	610277	Touch Bar Sub Assembly 2' Door (9")	A
10	1	610278	Touch Bar Sub Assembly 2'5" Door (14")	A
10	1	190	Touch Bar Sub Assembly 3' Door (20")	A
10	1	191	Touch Bar Sub Assembly 4' Door (26")	A
11	1	4955	Channel Cover 3' Door (Fire Device Only)	A
11	1	4956	Channel Cover 4' Door (Fire Device Only)	A
12	1	184	Dogging Cover Sub Assembly 4' Door (Panic Device Only)	A
12	1	185	Dogging Cover Sub Assembly 3' Door (Panic Device Only)	A
13	1	193	Dogging Sub Assembly (Panic Device Only)	
14	1	4086	Dogging Pin Shaft (Panic Device Only)	
15	1	660443	Retaining Ring (Panic Device Only)	
16	1	2789	7/32" Hex Key (Panic Device Only)	
17	2	660004	1/4"-20 x 3/4" PPHMS	
18	1	630015	F-570 Roller Strike for Panic and Fire - Standard	
19	1	192	19 Rim Center Case Assembly	
20	1	6133	19 Rim Center Case Cover	
21	2	660081	#10-24 x 3/4" PPHMS (Fire Device Only)	
*	1	600123	19-R EO Mounting Pkg	
*	1	600124	F-19-R EO Mounting Pkg	

* Item(s) not shown.

A. Specify by finish: US-32D or SP28/SP313.

19-V & F-19-V Surface Vertical Rod Exit Device

Panic and Fire



19-V & F-19-V Surface Vertical Rod Exit Device

Panic and Fire

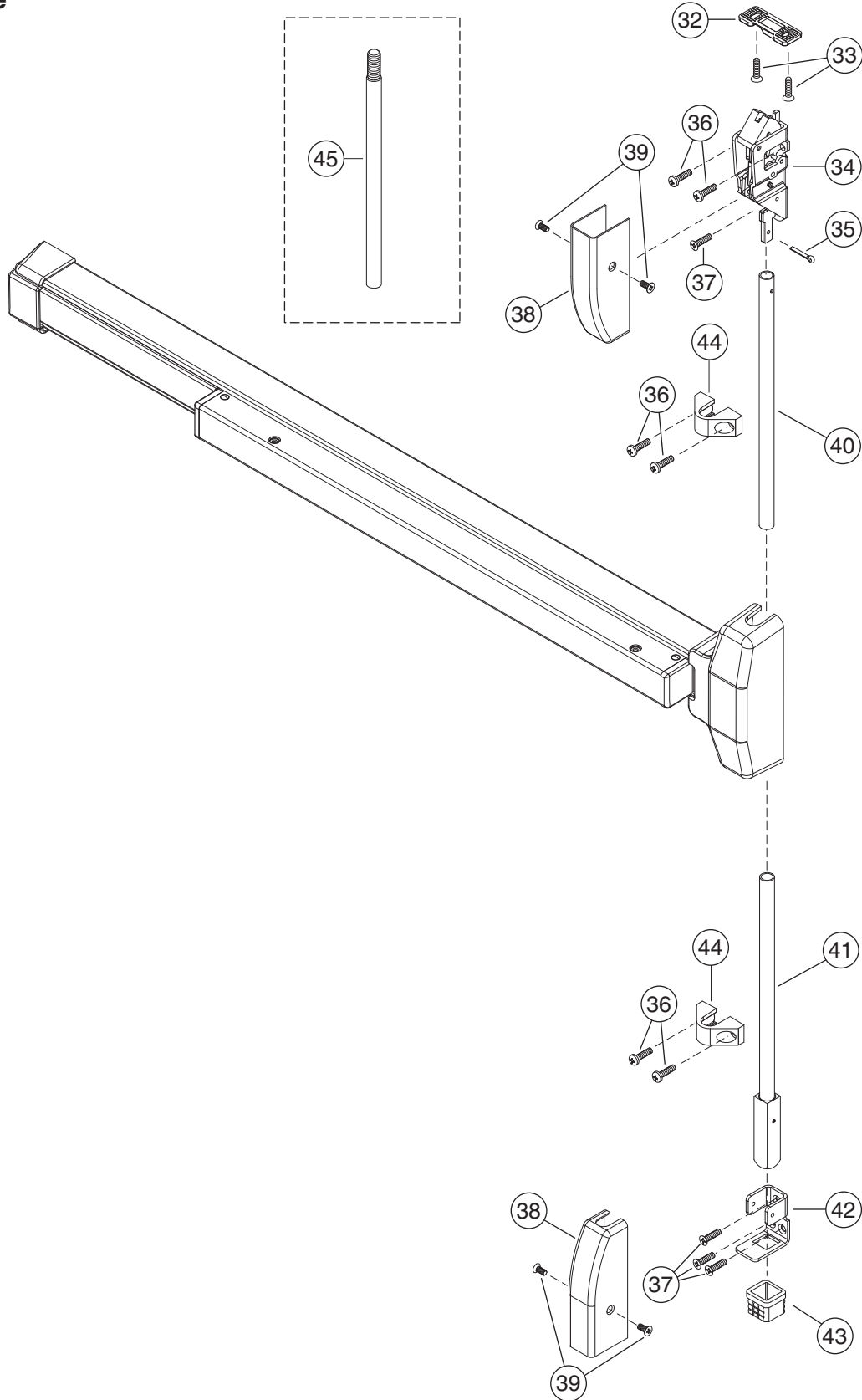
Item No.	Qty.	Part No.	Description	Notes
1	1	600151	Channel End Cap Package	
2	1	600108	End Cap Mounting Bracket with SNB	
3	2	660090	#10-24 x 3/8" UFPHMS with Nylon Patch (Pkg of 2)	A
4	1	660047	1/4"-20 x 3/4" TPHMS Screw	
5	1	4122	1/4"-20 Sex Bolt	A
6	1	6195	Channel 2' Door	A
6	1	6196	Channel 2'5" Door	A
6	1	4107	Channel 3' Door	A
6	1	4108	Channel 4' Door	A
7	3	600184	#8-32 x 3/8" UFPHMS with Nylon Patch	A
8	5	600140	#8-32 x 1/4" UFPHMS (Pkg of 4)	A
9	2	660144	#8-32 x 1/4" PPHMS	
10	1	610277	Touch Bar Sub Assembly 2' Door (9")	A
10	1	610278	Touch Bar Sub Assembly 2'5" Door (14")	A
10	1	190	Touch Bar Sub Assembly 3' Door (20")	A
10	1	191	Touch Bar Sub Assembly 4' Door (26")	A
11	1	4955	Channel Cover 3' Door (Fire Device Only)	A
11	1	4956	Channel Cover 4' Door (Fire Device Only)	A
12	1	184	Dogging Cover Sub Assembly 4' Door (Panic Device Only)	A
12	1	185	Dogging Cover Sub Assembly 3' Door (Panic Device Only)	A
13	1	193	Dogging Sub Assembly (Panic Device Only)	
14	1	4086	Dogging Pin Shaft (Panic Device Only)	
15	1	660443	Retaining Ring (Panic Device Only)	
16	1	2789	7/32" Hex Key (Panic Device Only)	
17	2	660004	1/4"-20 x 3/4" PPHMS	
22	1	6134	19 Vertical Center Case Cover	
23	2	660116	#6-32 x 1/4" PPHMS	
24	1	4144	19 Vertical Housing	
25	1	4152	19 Slidebar Lever	
26	1	4151	19 Drawbar Lever	
27	1	610282	Vertical Slidebar Assembly	
28	1	4161	Retractor Cam	
29	1	660444	Retaining Ring	
30	1	4147	Vertical Drawbar	
31	1	196L	19-R Left Handed Center Case Assembly (Items 23-29)	
31	1	196R	19-R Right Handed Center Case Assembly (Items 23-29)	
*	1	600125	19-V Mounting Pkg	
*	1	600126	F-19-V Mounting Pkg	

* Item(s) not shown.

A. Specify by finish: US-32D or SP28/SP313.

19-V & F-19-V Surface Vertical Rods and Latch Cases

Panic and Fire



19-V & F-19-V Surface Vertical Rods and Latch Cases

Panic and Fire

Item No.	Qty.	Part No.	Description	Notes
32	1	630010	3788 Strike - Surface Vertical Rod Panic and Fire Devices - Standard	
33	5	660002	#10 x 1-1/4" FPHSMS	
33	5	660078	#10-24 x 3/4" FPHMS (Fire)	
34	1	588	Surface Vertical Top Latch Case Sub Assembly - Panic	
34	1	F588	Surface Vertical Top Latch Case Sub Assembly - Fire	
35	1	661102	1/8" x 3/4" Cotter Key	
36	6	660004	#10 x 1-1/4" PPHSMS	
36	6	660081	#10-24 x 3/4" PPHMS (Fire)	
37	5	660002	#10 x 1-1/4" FPHSMS	
37	5	660078	#10-24 x 3/4" FPHMS (Fire)	
38	2	3781	Latch Case Cover	A
39	8	660125	#8-32 x 1/4" UFPHMS	
40	1	3777	Surface Vertical Top Rod Sub Assembly	
41	1	610034	Surface Vertical Bottom Bolt and Rod Assembly	
42	1	610035	Surface Vertical Bottom Guide Assembly	A
43	1	2130	2130 Strike - Surface and Concealed for Panic or Fire - Standard	
44	2	4783	19 Rod Guide	
45	1	650006	Vertical Extension Rod 12"	A
45	1	650007	Vertical Extension Rod 24"	A
45	1	650008	Vertical Extension Rod 36"	A

A. Specify by finish: US-32D or SP28/SP313

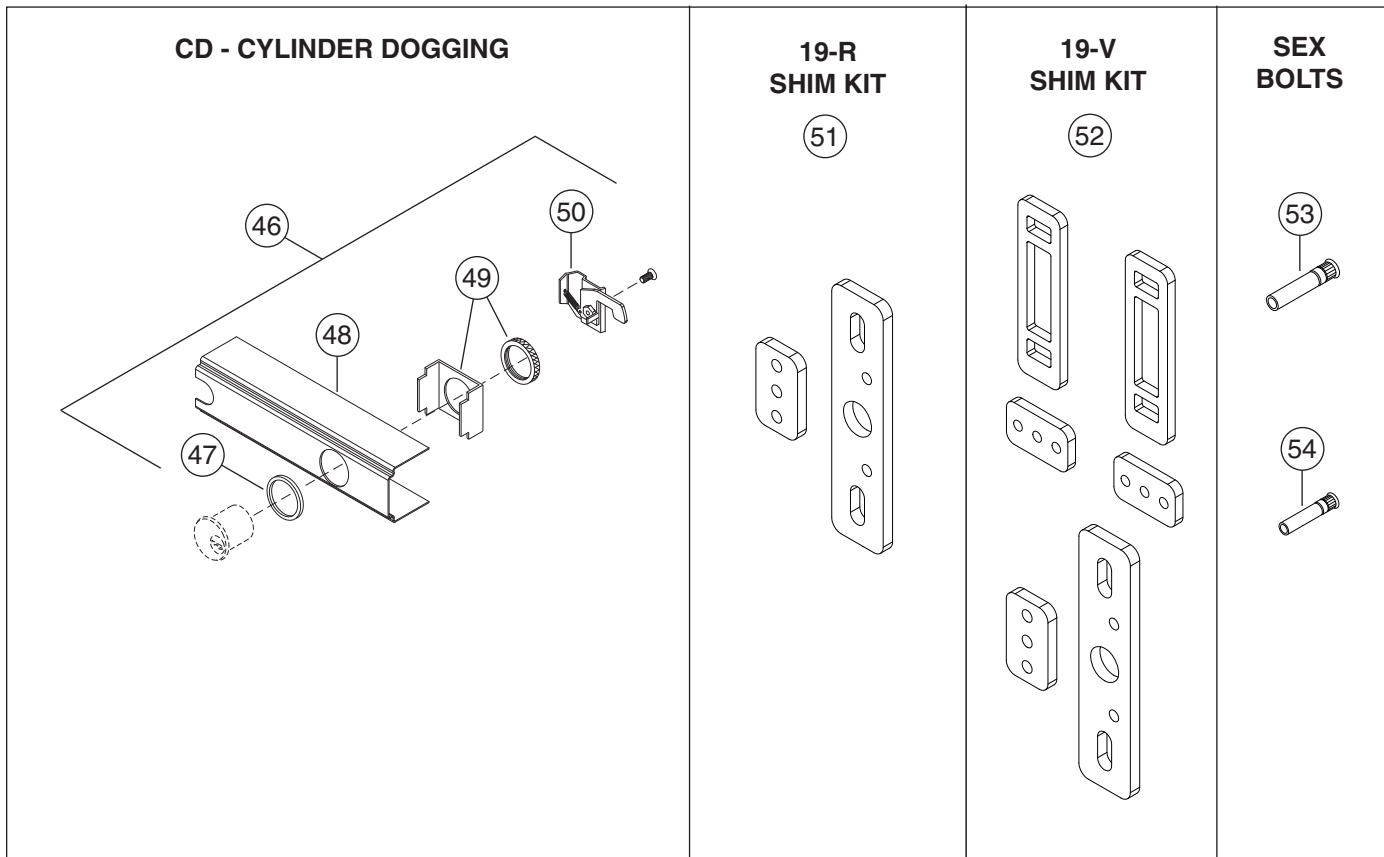
19 Series Optional Equipment

Item No.	Qty.	Part No.	Description	Notes
46	1	650060	19 CD Kit 3' (items 63-66) SP28/SP313 Finish	
46	1	650059	19 CD Kit 3' (items 63-66) US32D	
46	1	650063	19 CD Kit 4' (items 63-66) SP28/SP313 Finish	
46	1	650062	19 CD Kit 4' (items 63-66) US32D	
47	1	3917	CD Cylinder Collar	A
48	1	4950	19 CD Cover Plate 3'	A
48	1	4951	19 CD Cover Plate 4'	A
49	1	600146	CD Cylinder Retaining Bracket Package	
50	1	610106	CD Dogging Sub Assembly	
51	1	650022	19-R 1/4" Shim Kit	
52	1	650023	19-V 1/4" Shim Kit	
53	1	4122	1/4"-20 Sex Bolt**	A
54	1	2729	#10-24 Sex Bolt***	A

** Sold individually, for center case (2)

***Sold individually, for surface vertical latches (3)

A. Specify by finish: US-32D or SP28/SP313





Ingersoll Rand's Security Technologies Sector is a leading global provider of products and services that make environments safe, secure and productive. The Sector's market-leading products include electronic and biometric access control systems; time and attendance and personnel scheduling systems; mechanical locks and portable security, door closers and exit devices, steel doors and frames, architectural hardware and technologies and services for global security markets.

800.266.4456 Locks
800.826.5792 Exit Devices
800.815.1517 Closers

www.falcon.ingersollrand.com www.ingersollrand.com

FALCON

Falcon
Monarch
Dor-O-Matic

Monarch XX Series Parts Manual

Touch Bar Exit Device

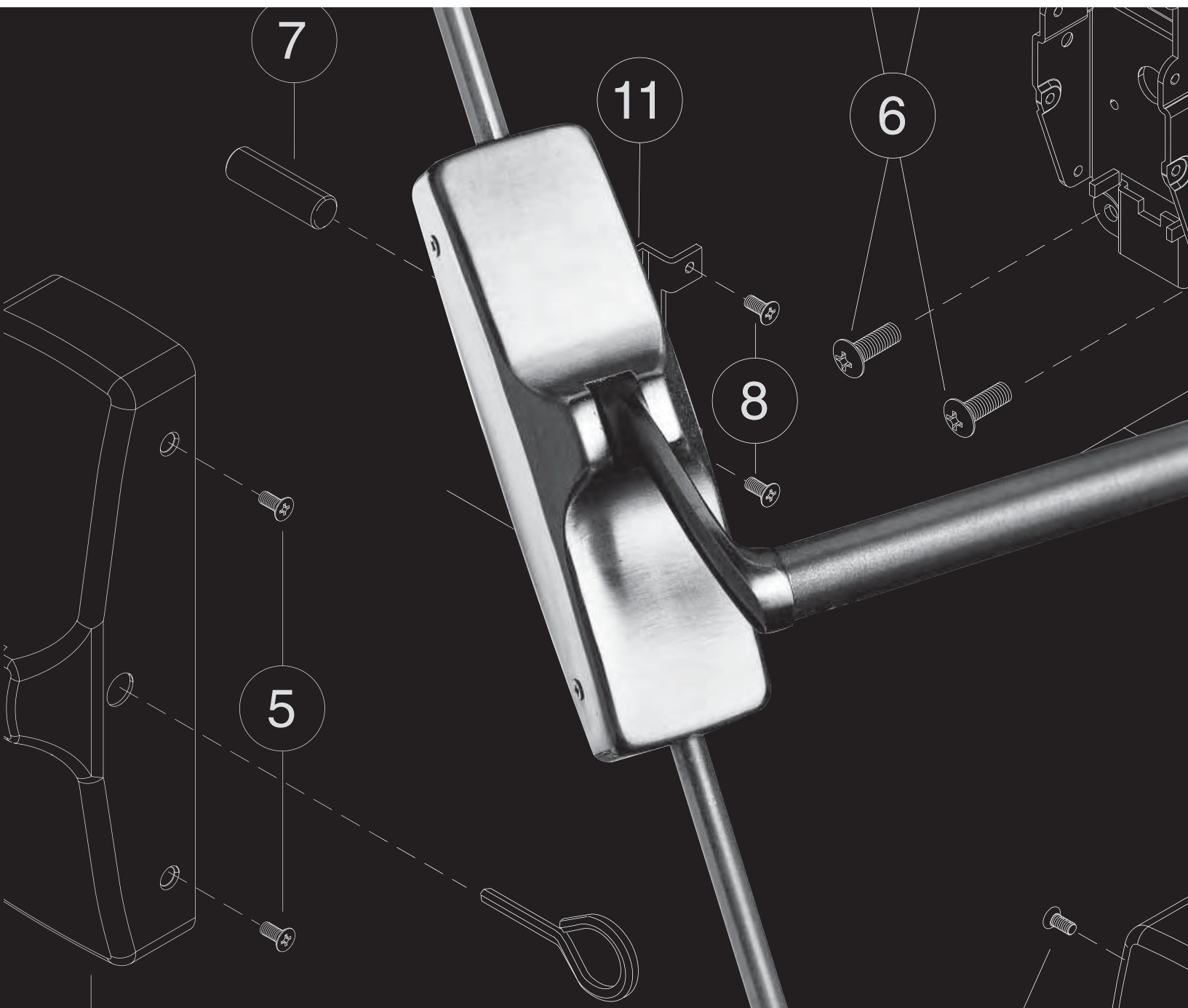


Table of Contents

XX Rim Exit Device - Panic.....	4-5
F-XX Rim Exit Device - Fire.....	6-7
(F)XX Rim Center Case - Panic and Fire.....	8-9
XX-V Surface Vertical Rod Exit Device - Panic.....	10-11
F-XX-V Surface Vertical Rod Exit Device - Fire.....	12-13
(F)XX-V Surface Vertical Rods and Latches - Panic and Fire.....	14-15
XX-C Concealed Vertical Rod Exit Device - Panic.....	16-17
F-XX-C Concealed Vertical Rod Exit Device - Fire.....	18-19
(F)XX-C Concealed Vertical Rods and Latches - Panic and Fire.....	20-21
(F)XX-C Concealed Vertical Top Latches and Plates - Wood and Metal Door, Panic and Fire.....	22-23
XX-M Mortise Exit Device - Panic.....	24-25
F-XX-M Mortise Exit Device - Fire.....	26-27
(F)XX-M Mortise Lock - Panic and Fire.....	28-29

Introduction

This manual contains a listing of replaceable parts and assemblies for the XX series exit device.

How to Order

Some parts are sold separately. Other parts are available as part of a kit or multiple quantity package. For the best possible service when ordering replacement parts or assemblies, please provide the following information:

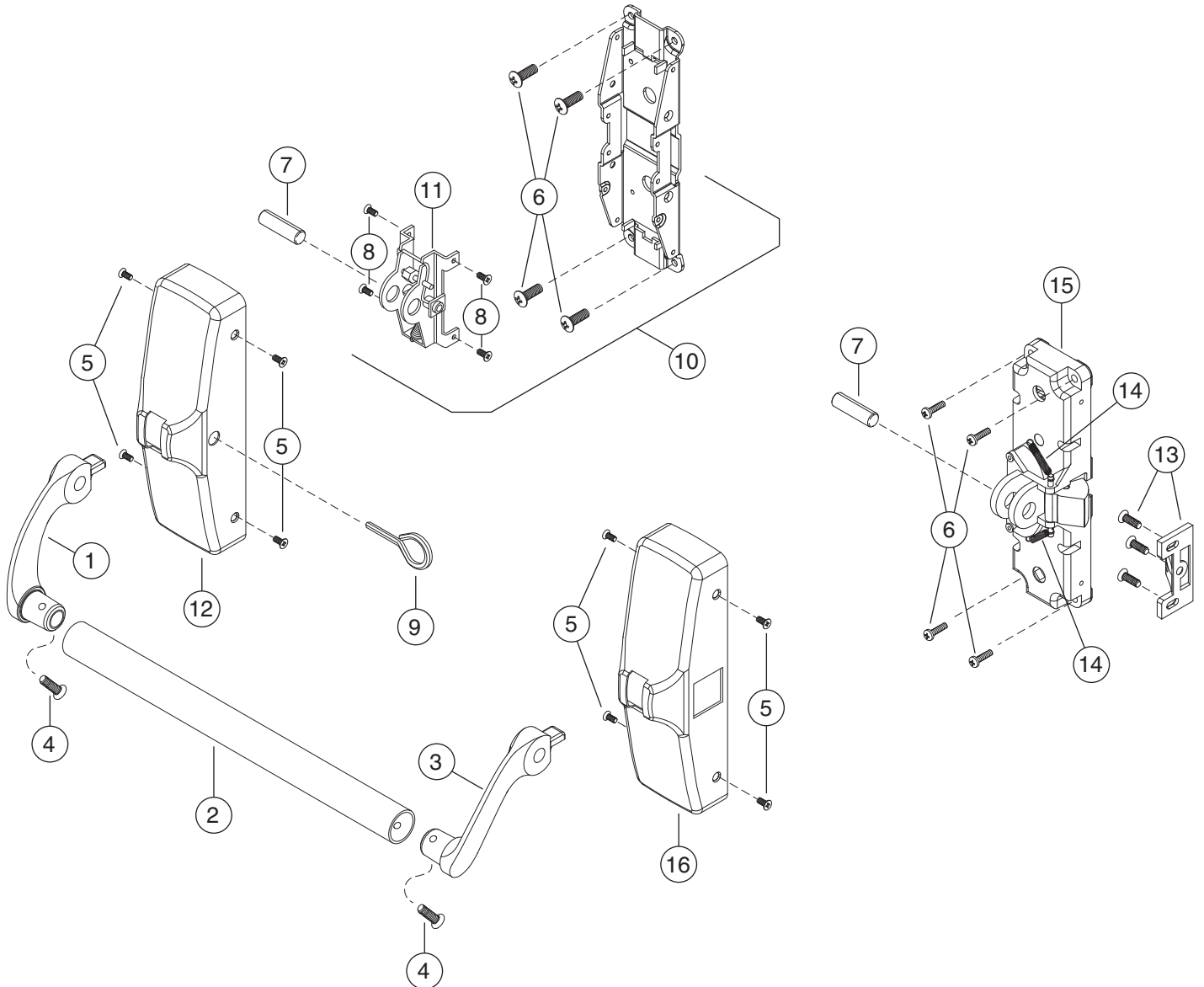
- Part number or assembly number
- Description
- Quantity needed
- Finish desired (if available finish)

Part Number Changes

This manual reflects the product as sold in November 2007. Because of changes to the product and/or manufacturing processes, part numbers can change.

XX Rim Exit Device

Panic



XX Rim Exit Device

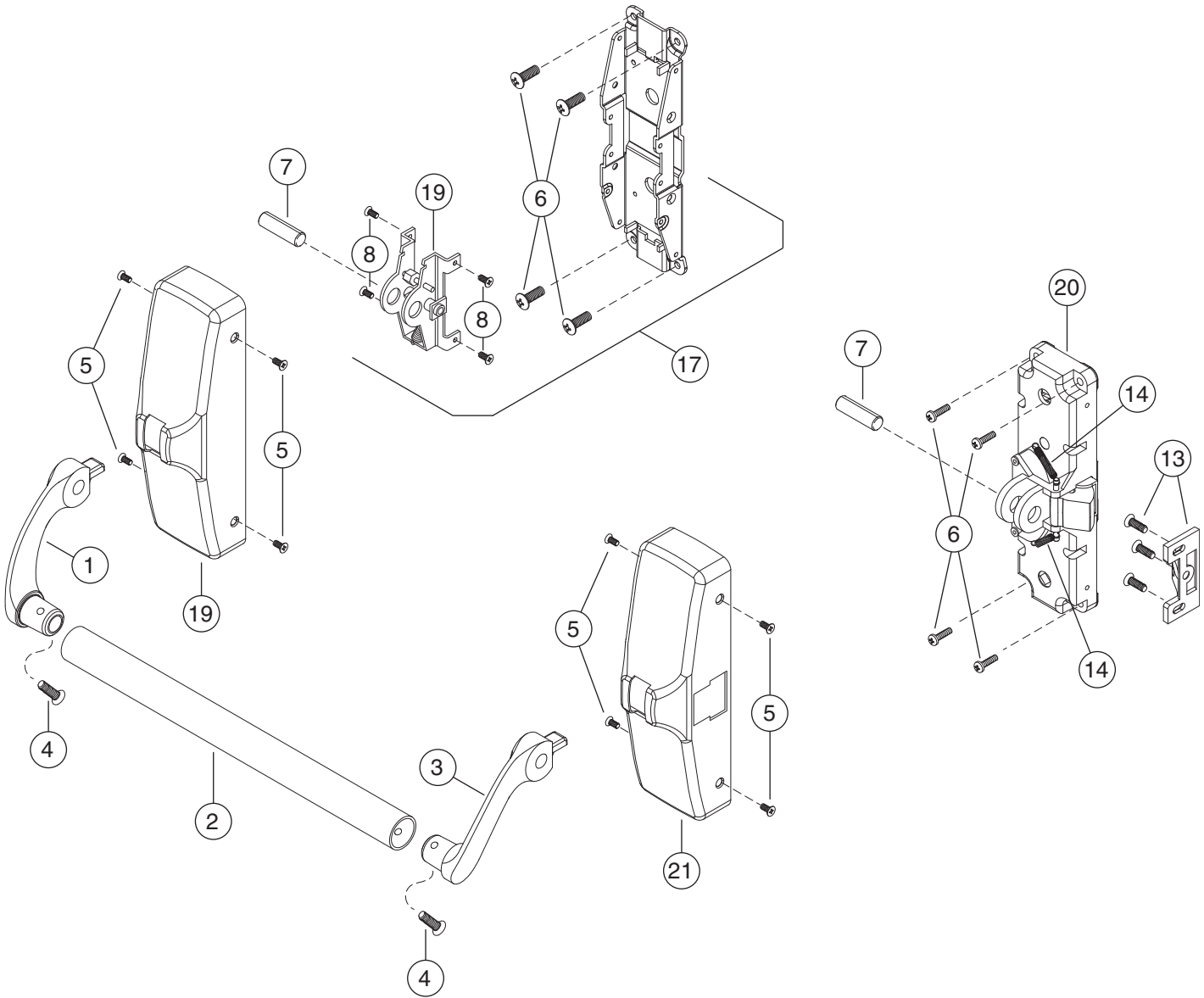
Panic

Item No.	Qty.	Part No.	Description	Notes
1	1	3747	XX Lever Arm Left Hand	A
2	1	3767	XX Crossbar	A
3	1	3746	XX Lever Arm Right Hand	A
4	2	660025	1/4"-20 x 1/2" Crossbar Retaining Screw	
5	8	600140	#8-32 x 1/4" UFPHMS	A
6	8	660004	#10 x 1-1/4" PPHSMS	
7	2	3749	XX Axle	
8	4	660123	#8-32 x 1/4" UFPHMS	
9	1	2789	7/32" Hex Key	
10	1	584	XX End Case	
11	1	610044	Axle Support Assembly	
12	1	3741	XX End Case Cover	A
13	1	630015	F570 Roller Strike for Panic and Fire - Standard	
14	2	3770	Main Cam Springs	
15	1	585	XX Center Case Assembly ("EO" Function)	
16	1	3740	XX Center Case Cover	A

A. Specify by finish: US-3, US-4, US-10, US-10B, US-26, US-26D, US-32, US-32D.

F-XX Rim Exit Device

Fire



F-XX Rim Exit Device

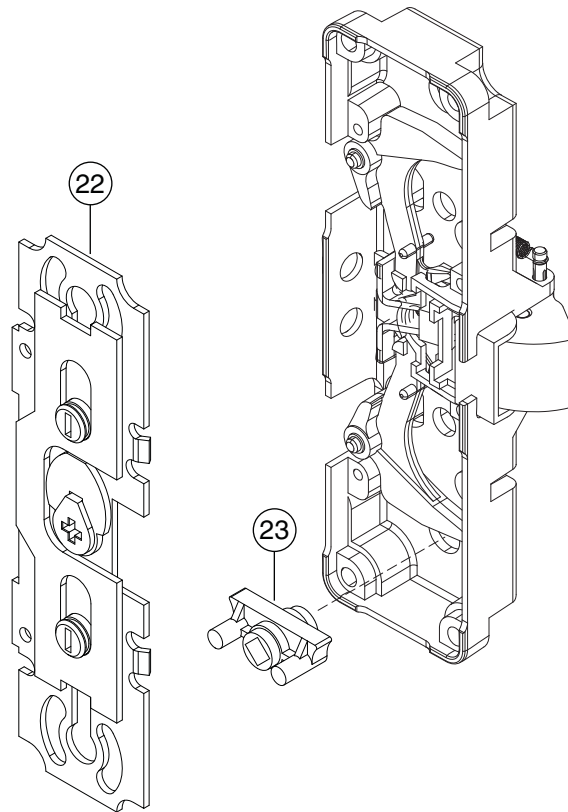
Fire

Item No.	Qty.	Part No.	Description	Notes
1	1	3747	XX Lever Arm Left Hand	A
2	1	3767	XX Crossbar	A
3	1	3746	XX Lever Arm Right Hand	A
4	2	660025	1/4"-20 x 1/2" Crossbar Retaining Screw	
5	8	600140	#8-32 x 1/4" UFPHMS	A
6	8	660004	#10 x 1-1/4" PPHSMS	
7	2	3749	XX Axle	
8	4	660123	#8-32 x 1/4" UFPHMS	
13	1	630015	F570 Roller Strike for Panic and Fire - Standard	
14	2	3770	Main Cam Springs	
17	1	684	XX End Case - Fire	
18	1	610214	Axle Support Assembly - Fire	
19	1	3741	XX End Case Cover - Fire	A
20	1	685	XX Center Case Assembly - Fire	
21	1	4009	XX Center Case Cover - Fire	A

A. Specify by finish: US-3, US-4, US-10, US-10B, US-26, US-26D, US-32, US-32D.

(F)XX Rim Center Case

Panic and Fire



(F)XX Rim Center Case

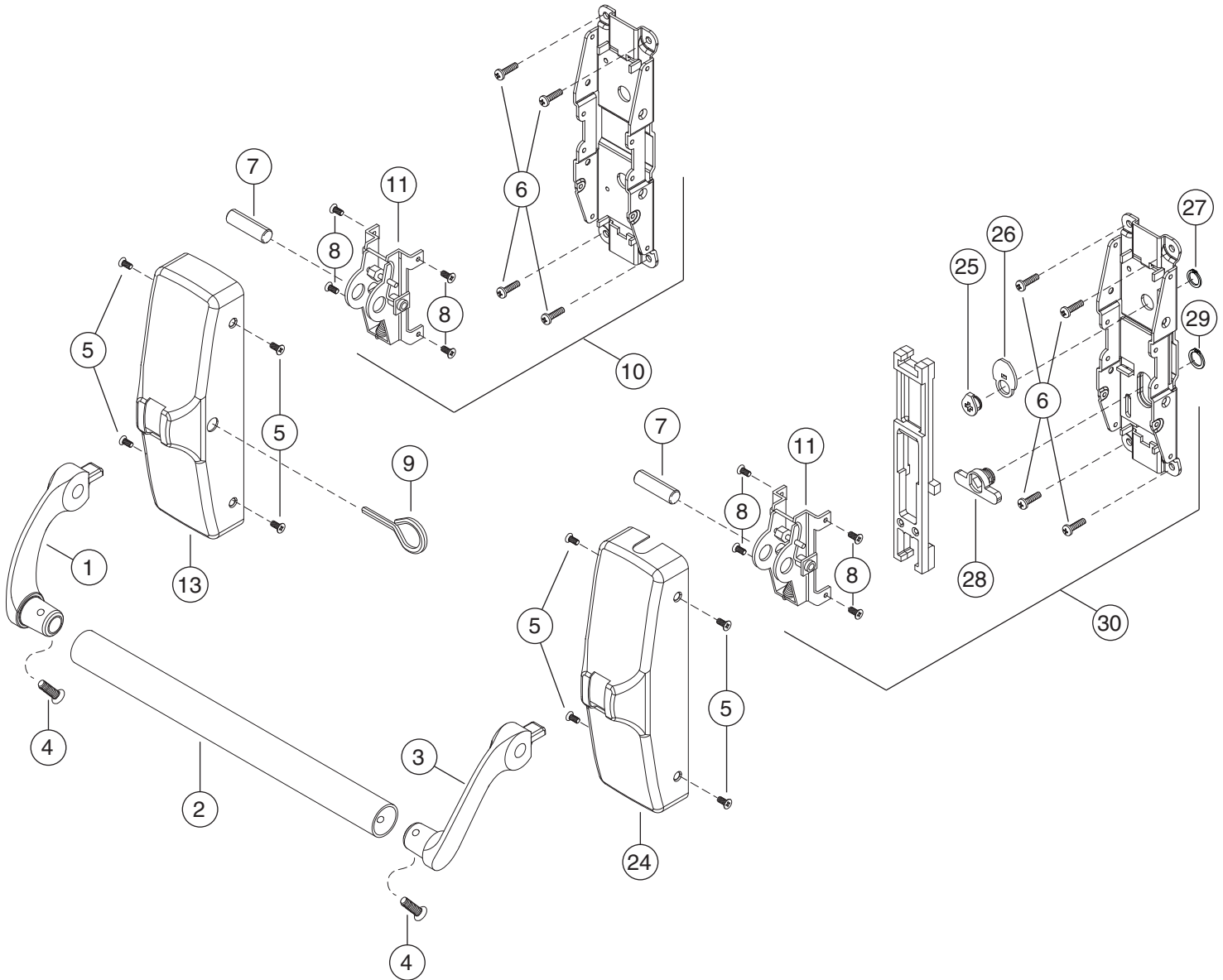
Panic and Fire

Item No.	Qty.	Part No.	Description	Notes
22	1	610070	18 Rim Back Cover Assembly	
23	1	3755	K-Hub	B

B. Used in K/L functions only.

XX-V Surface Vertical Rod Exit Device

Panic



XX-V Surface Vertical Rod Exit Device

Panic

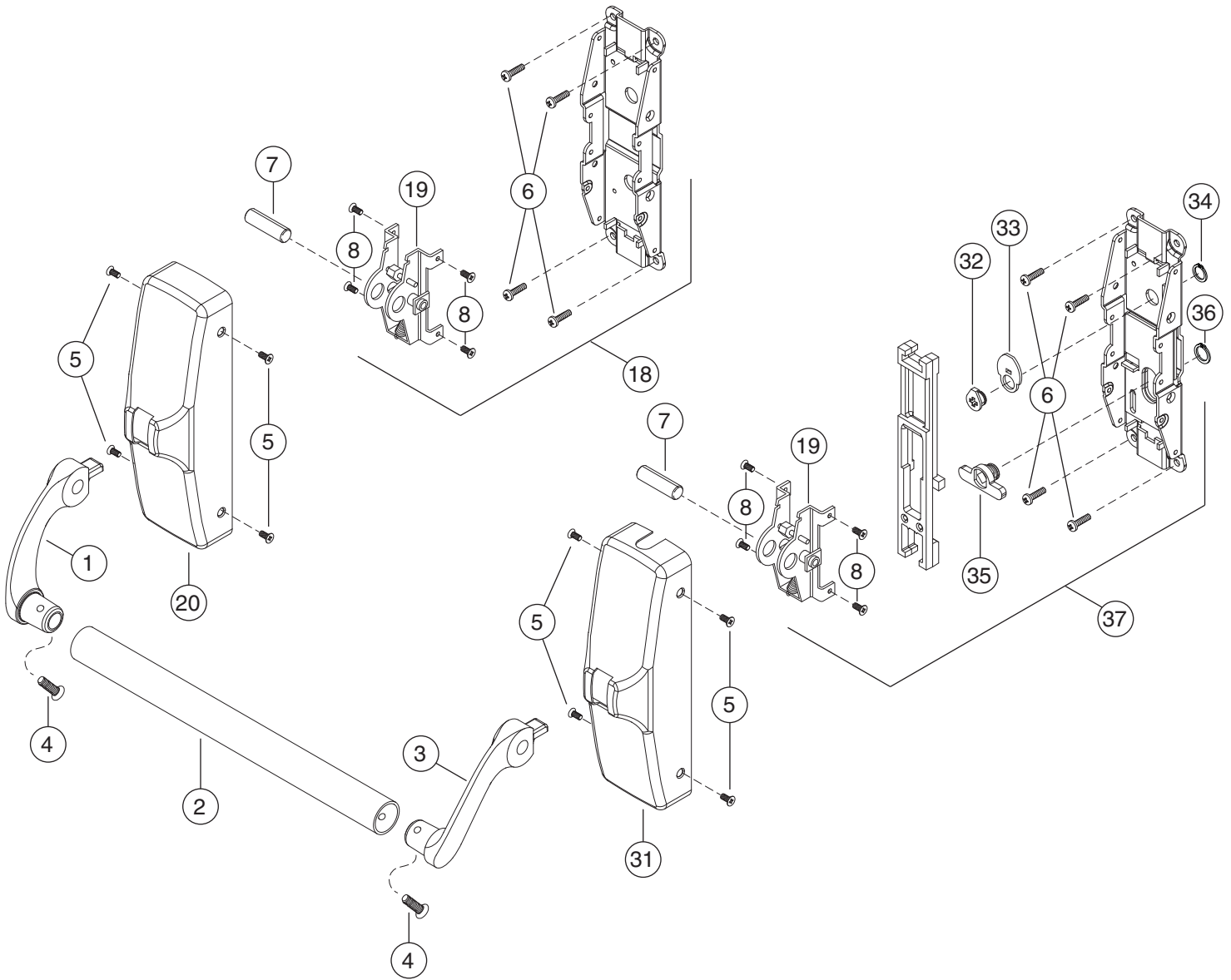
Item No.	Qty.	Part No.	Description	Notes
1	1	3747	XX Lever Arm Left Hand	A
2	1	3767	XX Crossbar	A
3	1	3746	XX Lever Arm Right Hand	A
4	2	660025	1/4"-20 x 1/2" Crossbar Retaining Screw	
5	8	600140	#8-32 x 1/4" UFPHMS	A
6	8	660004	#10 x 1-1/4" PPHSMS	
7	2	3749	XX Axle	
8	4	660123	#8-32 x 1/4" UFPHMS	
9	1	2789	7/32" Hex Key	
10	1	584	XX End Case	
11	1	610044	Axle Support Assembly	
12	1	3741	XX End Case Cover	A
24	1	3742	XX Vertical Active Center Case Cover	
25	1	3566	Locking Cam Operator	
26	1	3762	Locking Cam	
27	1	660442	Retaining Ring	
28	1	3755	K-Hub	B
29	1	660446	Retaining Ring	
30	1	587	XX Vertical Active Center Case Assembly - Panic	

A. Specify by finish: US-3, US-4, US-10, US-10B, US-26, US-26D, US-32, US-32D.

B. Used in K/L function only.

F-XX-V Surface Vertical Rod Exit Device

Fire



F-XX-V Surface Vertical Rod Exit Device

Fire

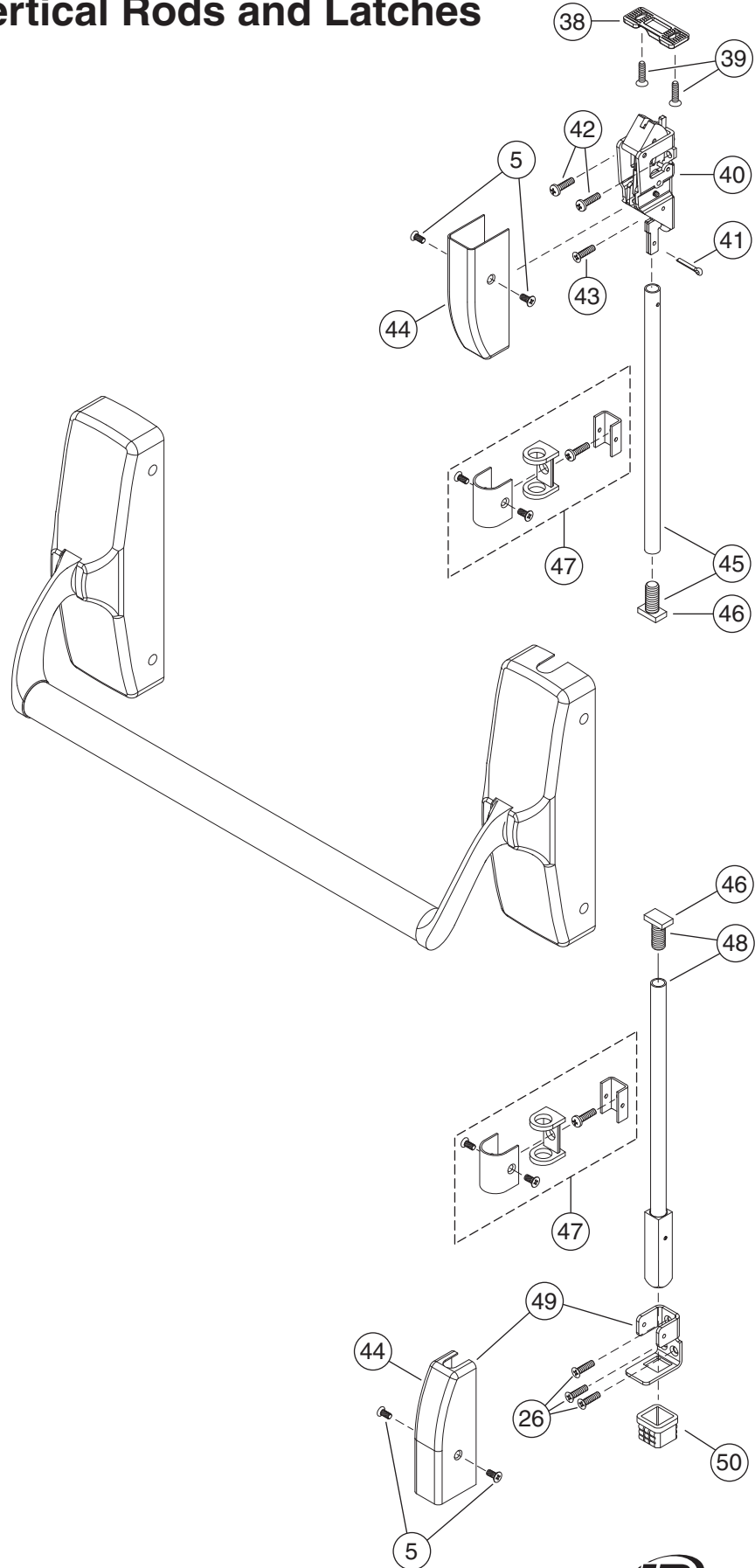
Item No.	Qty.	Part No.	Description	Notes
1	1	3747	XX Lever Arm Left Hand	A
2	1	3767	XX Crossbar	A
3	1	3746	XX Lever Arm Right Hand	A
4	2	660025	1/4"-20 x 1/2" Crossbar Retaining Screw	
5	8	600140	#8-32 x 1/4" UFPHMS	A
6	8	660004	#10 x 1-1/4" PPHSMS	
7	2	3749	XX Axle	
8	4	660123	#8-32 x 1/4" UFPHMS	
11	1	610044	Axle Support Assembly	
12	1	3741	XX End Case Cover	A
17	1	684	XX End Case - Fire	
18	1	610214	Axle Support Assembly - Fire	
19	1	3741	XX End Case Cover - Fire	A
31	1	3742	XX Vertical Active Center Case Cover	
32	1	3566	Locking Cam Operator	
33	1	3762	Locking Cam	
34	1	660442	Retaining Ring	
35	1	3755	K-Hub	B
36	1	660446	Retaining Ring	
37	1	587	XX Vertical Active Center Case Assembly - Fire	

A. Specify by finish: US-3, US-4, US-10, US-10B, US-26, US-26D, US-32, US-32D.

B. Used in K/L function only.

(F)XX-V Surface Vertical Rods and Latches

Panic and Fire



(F)XX-V Surface Vertical Rods and Latches

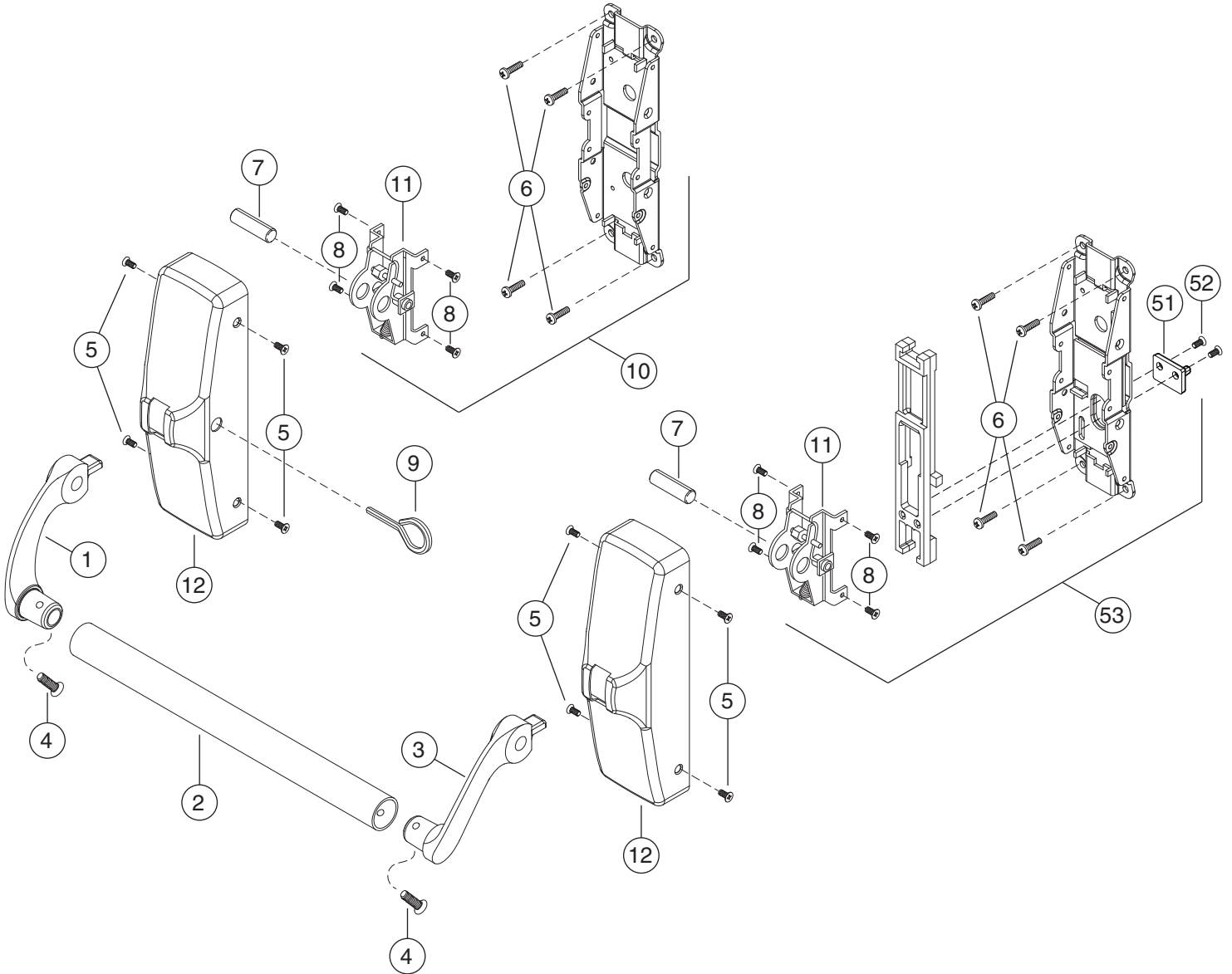
Panic and Fire

Item No.	Qty.	Part No.	Description	Notes
5	8	600140	#8-32 x 1/4" UFPHMS	A
38	1	630010	3788 Strike - Surface Vertical Rod Panic and Fire Devices - Standard	
39	2	660002	#10 x 1-1/4" FPHSMS	
39	2	660078	#10-24 x 3/4" FPHMS (Fire)	
40	1	588	Surface Vertical Top Latch Case Sub Assembly - Panic	
40	1	F588	Surface Vertical Top Latch Case Sub Assembly - Fire	
41	1	661102	1/8" x 3/4" Cotter Key	
42	2	660004	#10 x 1-1/4" PPHSMS	
42	2	660081	#10-24 x 3/4" PPHMS (Fire)	
43	2	660002	#10 x 1-1/4" FPHSMS	
43	2	660078	#10-24 x 3/4" FPHMS (Fire)	
44	2	3781	Latch Case Cover	A
45	1	3777	Surface Vertical Top Rod Sub Assembly	
46	2	4400	Surface Vertical Rod Adjustment Screw	
47	2	590	Rod Guide and Support	A
48	1	610034	Surface Vertical Bottom Bolt and Rod Assembly	
49	1	610035	Surface Vertical Bottom Guide Assembly	A
50	1	630013	2130 Strike - Surface and Concealed for Panic or Fire - Standard	

A. Specify by finish: US-3, US-4, US-10, US-10B, US-26, US-26D, US-32, US-32D

XX-C Concealed Vertical Rod Exit Device

Panic



XX-C Concealed Vertical Rod Exit Device

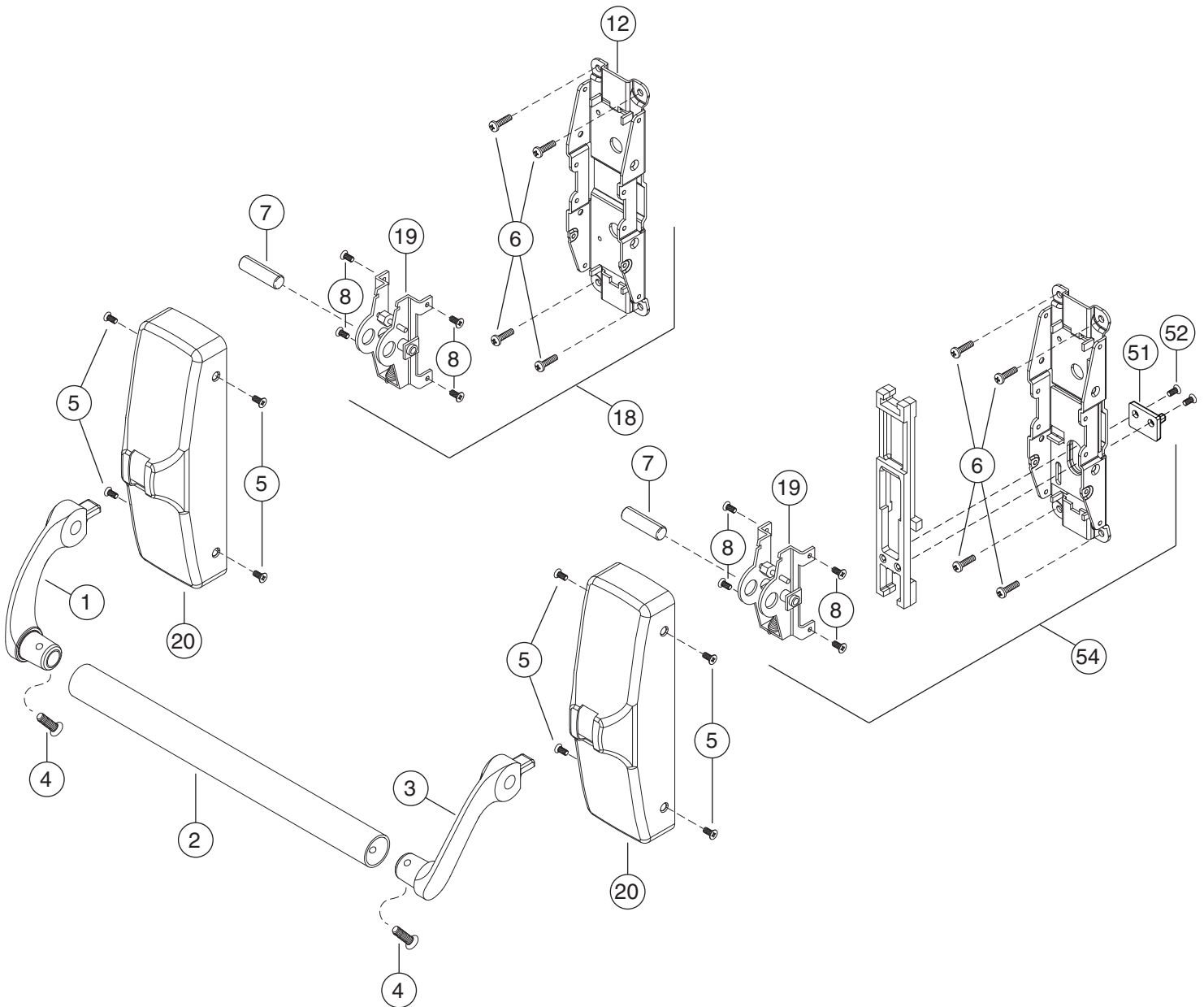
Panic

Item No.	Qty.	Part No.	Description	Notes
1	1	3747	XX Lever Arm Left Hand	A
2	1	3767	XX Crossbar	A
3	1	3746	XX Lever Arm Right Hand	A
4	2	660025	1/4"-20 x 1/2" Crossbar Retaining Screw	
5	8	600140	#8-32 x 1/4" UFPHMS	A
6	8	660004	#10 x 1-1/4" PPHSMS	
7	2	3749	XX Axle	
8	4	660123	#8-32 x 1/4" UFPHMS	
9	1	2789	7/32" Hex Key	
10	1	584	XX End Case	
11	1	610044	Axle Support Assembly	
12	1	3741	XX End Case Cover	A
51	1	4246	Lift Finger	
52	2	660065	#10-24 x 1/2" with Nylon Patch	
53	1	591	Active Center Case Assembly - Panic	

A. Specify by finish: US-3, US-4, US-10, US-10B, US-26, US-26D, US-32, US-32D.

F-XX-C Concealed Vertical Rod Exit Device

Fire



F-XX-C Concealed Vertical Rod Exit Device

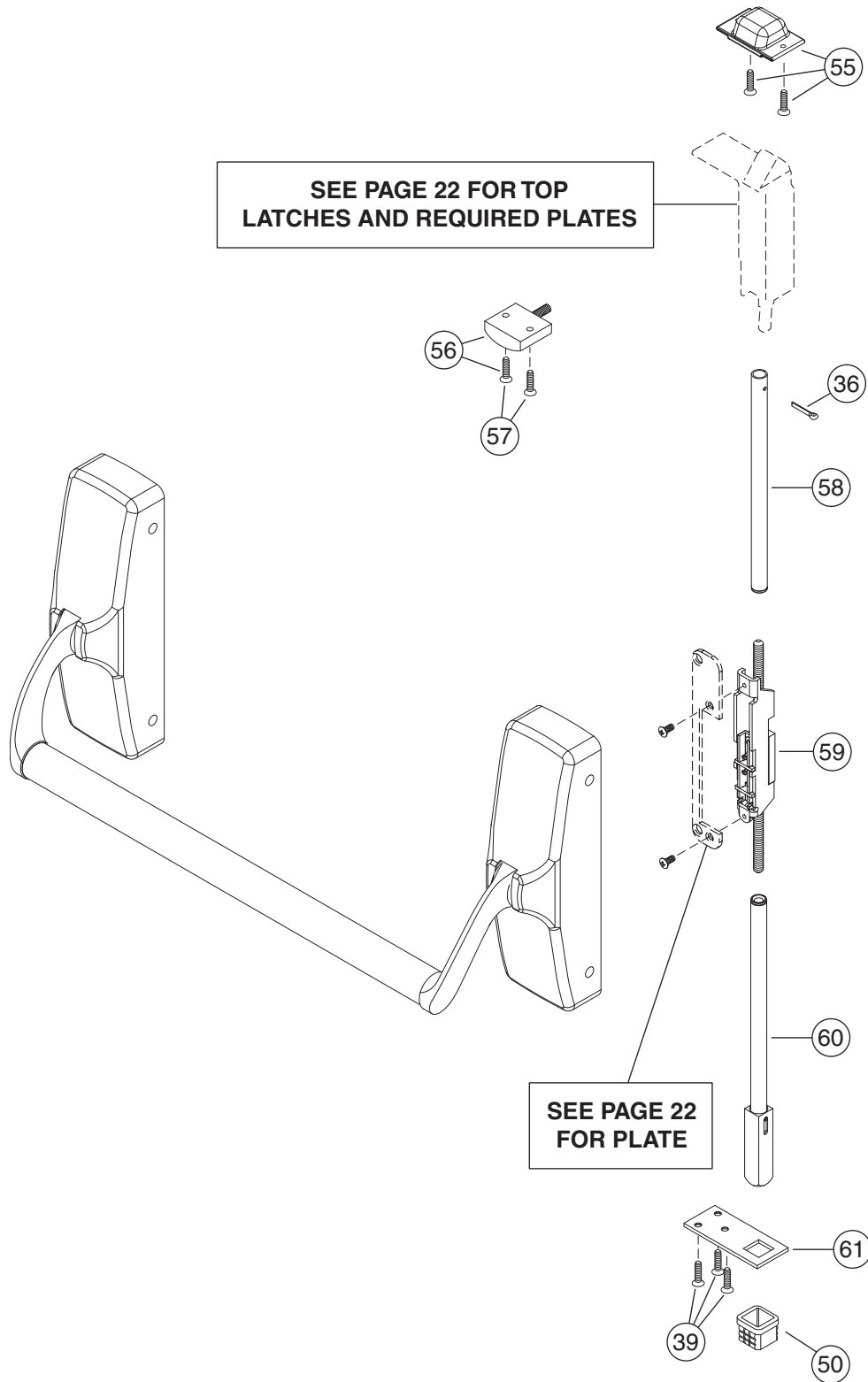
Fire

Item No.	Qty.	Part No.	Description	Notes
1	1	3747	XX Lever Arm Left Hand	A
2	1	3767	XX Crossbar	A
3	1	3746	XX Lever Arm Right Hand	A
4	2	660025	1/4"-20 x 1/2" Crossbar Retaining Screw	
5	8	600140	#8-32 x 1/4" UFPHMS	A
6	8	660004	#10 x 1-1/4" PPHSMS	
7	2	3749	XX Axle	
8	4	660123	#8-32 x 1/4" UFPHMS	
12	1	4128	Inactive End Case	
18	1	684	Inactive End Case Assembly	
19	1	610214	Axle Support Assembly - Fire	
20	1	3741	XX End Case Cover - Fire	A
51	1	4246	Lift Finger	
52	2	660065	#10-24 x 1/2" with Nylon Patch	
54	1	691	Active Center Case Assembly - Fire	

A. Specify by finish: US-3, US-4, US-10, US-10B, US-26, US-26D, US-32, US-32D.

(F)XX-C Concealed Vertical Rods and Latches

Panic and Fire



(F)XX-C Concealed Vertical Rods and Latches

Panic and Fire

36	1	661102	1/8" x 3/4" Cotter Key	
39	3	660002	#10 x 1-1/4" FPHSMS	
39	3	660078	#10-24 x 3/4" FPHMS (Fire)	
50	1	630013	2130 Strike - Surface and Concealed for Panic or Fire - Standard	
55	1	630012	4188 Strike - Concealed Vertical Rod Panic and Fire Devices - Standard	
56	1	610040	Top Latch Release Sub Assembly	A
57	2	660078	#10-24 x 3/4" FPHMS	A
58	1	610038	Top Rod Sub Assembly	
59	1	610037	Center Slide Sub Assembly	
60	1	610057	Bottom Rod Sub Assembly	
61	1	4567	Bottom Bolt Guide	

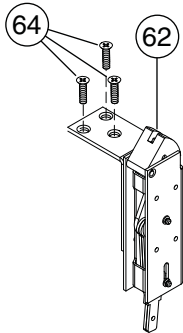
A. Specify by finish: US-3, US-4, US-10, US-10B, US-26, US-26D, US-32, US-32D.

(F)XX-C Concealed Vertical Top Latches and Plates

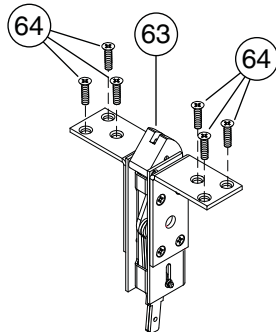
Wood and Metal Door, Panic and Fire

Metal Door

PANIC DEVICE

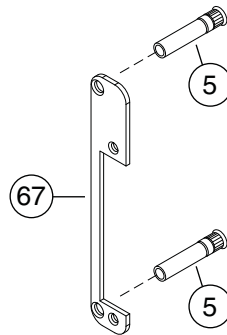
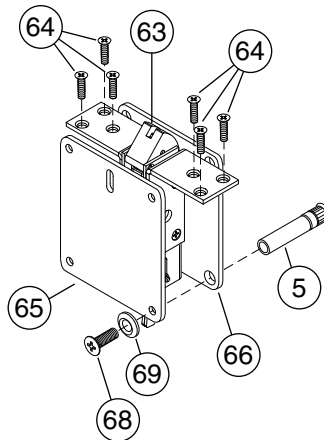


FIRE DEVICE

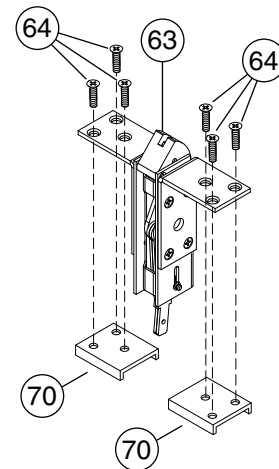


Wood Door

PANIC DEVICE & 20 MINUTE FIRE DEVICE



90 MINUTE FIRE DEVICE



(F)XX-C Concealed Vertical Top Latches and Plates

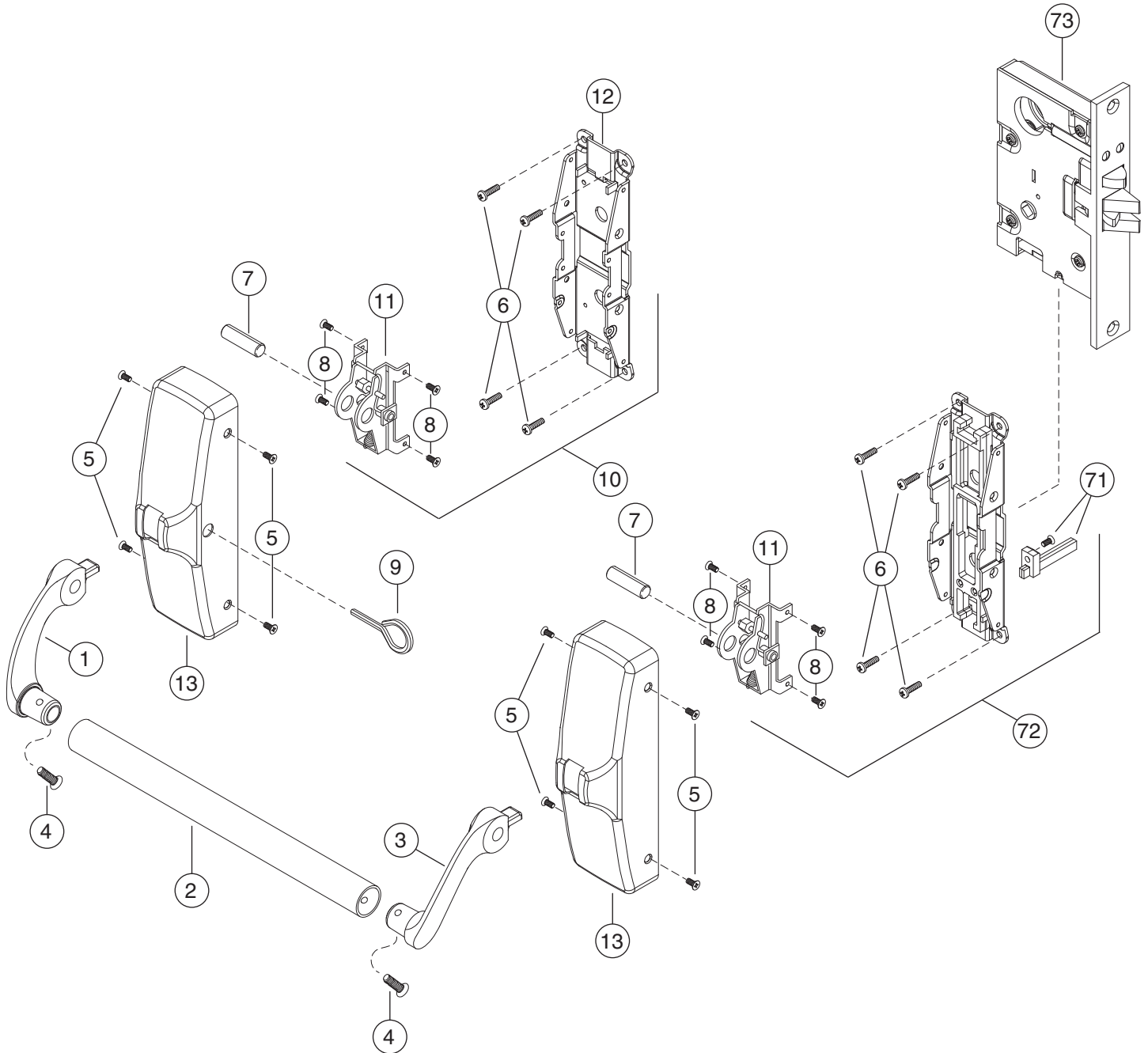
Wood and Metal Door, Panic and Fire

Item No.	Qty.	Part No.	Description	Notes
5	6	4122	1/4"-20 Sex Bolt	A
62	1	603	Concealed Top Latch Case Sub Assembly (Panic)	
63	1	F603	Concealed Top Latch Case Sub Assembly (Fire)	
64	6	660078	#10-24 x 3/4" FPHMS	
65	1	4834	Top Reinforcement Plate with Access Hole	A
66	1	4833	Top Reinforcement Plate	A
67	1	4832	Center Slide Reinforcement Plate	
68	4	660044	1/4"-20 x 3/4" FPHMS	A
69	4	660429	1/4" CSK Finish Washer	A
70	2	4694	Latch Bracket	

A. Specify by finish: US-3, US-4, US-10, US-10B, US-26, US-26D, US-32, US-32D.

XX-M Mortise Exit Device

Panic



XX-M Mortise Exit Device

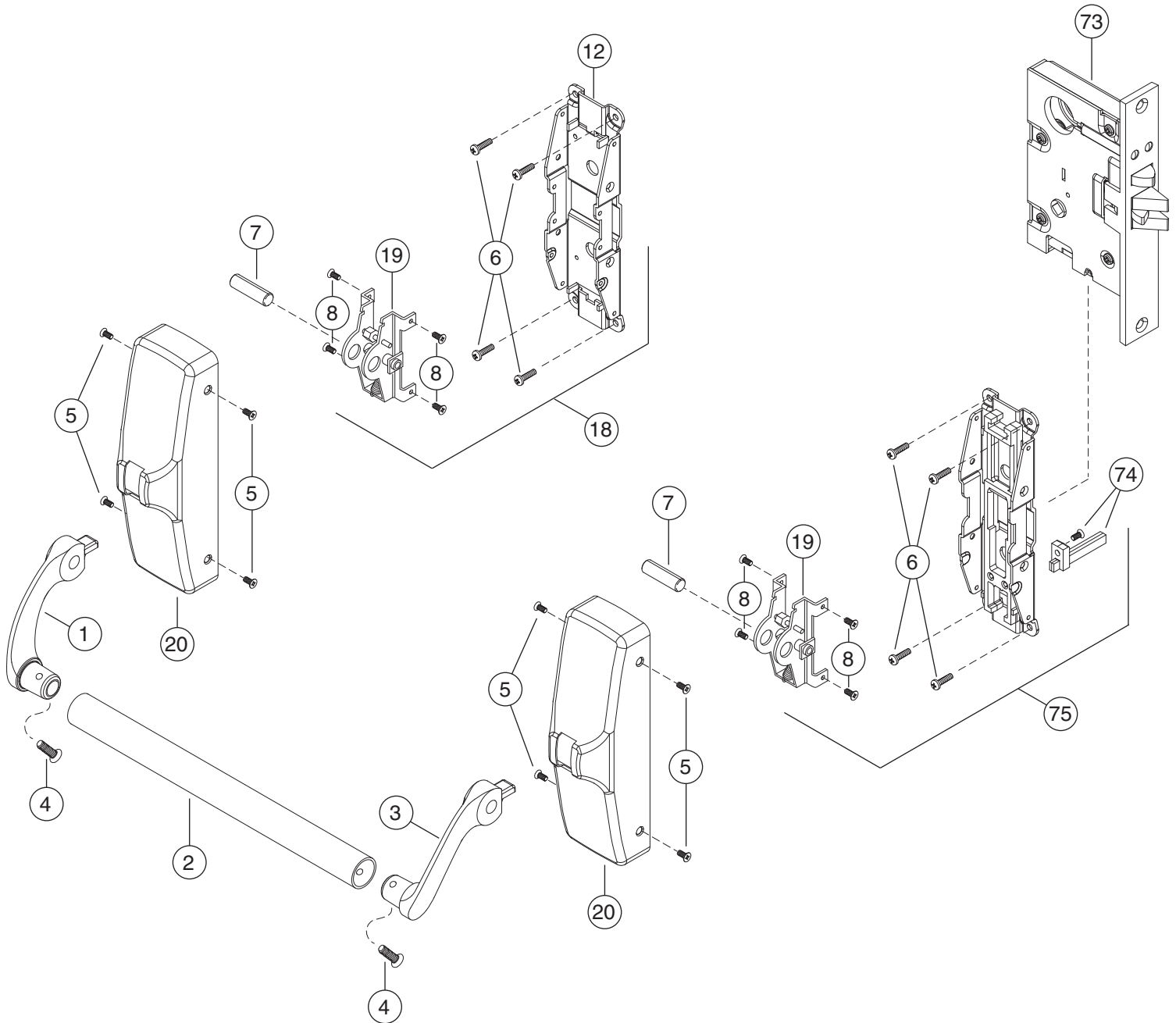
Panic

Item No.	Qty.	Part No.	Description	Notes
1	1	3747	XX Lever Arm Left Hand	A
2	1	3767	XX Crossbar	A
3	1	3746	XX Lever Arm Right Hand	A
4	2	660025	1/4"-20 x 1/2" Crossbar Retaining Screw	
5	8	600140	#8-32 x 1/4" UFPHMS	A
6	8	660004	#10 x 1-1/4" PPHSMS	
7	2	3749	XX Axle	
8	4	660123	#8-32 x 1/4" UFPHMS	
9	1	2789	7/32" Hex Key	
10	1	584	XX End Case	
11	1	610044	Axle Support Assembly	
12	1	3741	XX End Case Cover	A
13	1	630015	F570 Roller Strike for Panic and Fire - Standard	
71	1	600117	Lift Finger with Mounting Screws (Panic Device Only)	
72	1	586	XX Mortise Active Center Case Assembly - Panic	
73	1		Mortise Lock - 8500 x Function x Handing	A

A. Specify by finish: US-3, US-4, US-10, US-10B, US-26, US-26D, US-32, US-32D.

F-XX-M Mortise Exit Device

Fire



F-XX-M Mortise Exit Device

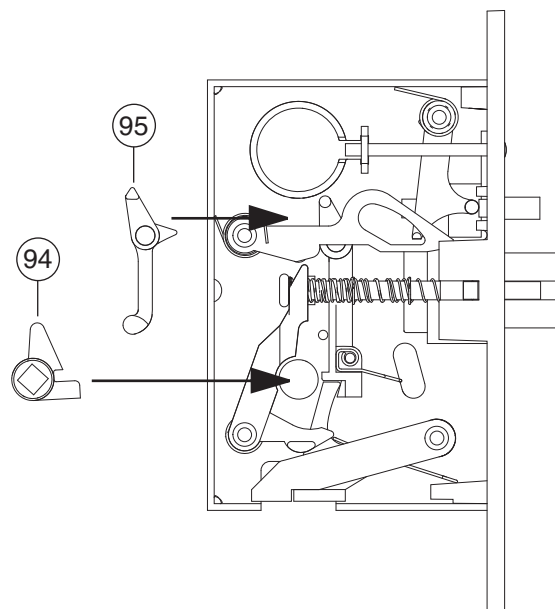
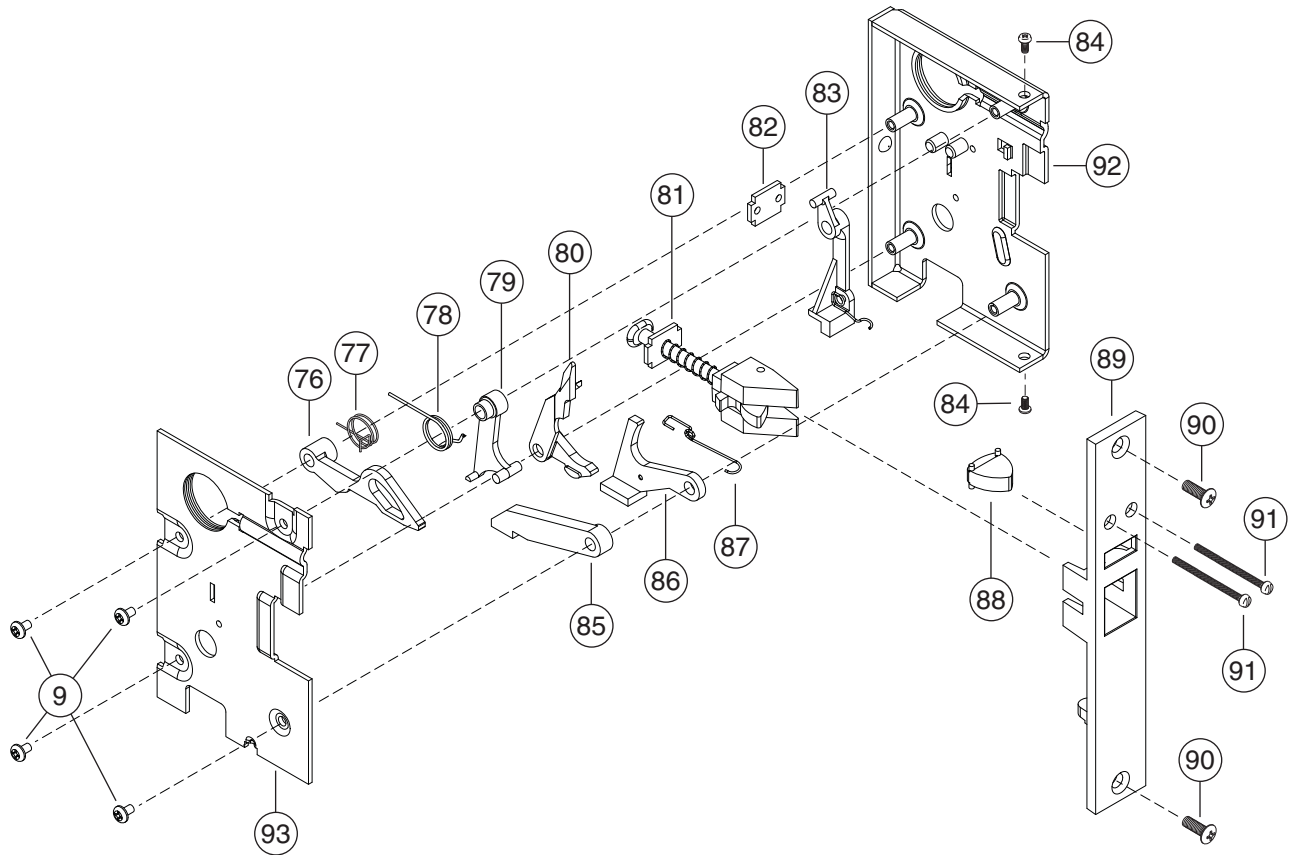
Fire

Item No.	Qty.	Part No.	Description	Notes
1	1	3747	XX Lever Arm Left Hand	A
2	1	3767	XX Crossbar	A
3	1	3746	XX Lever Arm Right Hand	A
4	2	660025	1/4"-20 x 1/2" Crossbar Retaining Screw	
5	8	600140	#8-32 x 1/4" UFPHMS	A
6	8	660004	#10 x 1-1/4" PPHSMS	
7	2	3749	XX Axle	
8	4	660123	#8-32 x 1/4" UFPHMS	
18	1	684	Inactive End Case Assembly	
19	1	610214	Axle Support Assembly - Fire	
20	1	3741	XX End Case Cover - Fire	A
73	1		Mortise Lock	A
74	1	600107	Lift Finger with Mounting Screws (Fire Device Only)	
75	1	686	XX Mortise Active Center Case Assembly - Fire	

A. Specify by finish: US-3, US-4, US-10, US-10B, US-26, US-26D, US-32, US-32D.

(F)XX-M Mortise Lock

Panic and Fire



(F)XX-M Mortise Lock

Panic and Fire

Item No.	Qty.	Part No.	Description	Notes
9	2	660120	#8-32 x 1/4" PPHMS	
76	1	3532	Dead Locking Arm	
77	1	3518	Dead Lock Arm Spring	D
78	1	3531	Auxiliary Bolt Spring	
79	1	3530	Auxiliary Bolt Actuator	
80	1	3521	Actuating Arm	
81	1	610041	Mortise Latch Bolt Assembly	
82	1	4025	Cylinder Screw Retainer	C
83	1	610042	Locking Arm and Spring Assembly	C & D
84	2	660068	#10-24 x 1/2" PPHMS Type "F"	
85	1	3522	Main Lift	
86	1	3523	T-Lift	
87	1	3516	T-Lift Spring	
88	1	3529	Auxiliary Bolt	
89	1	3515	Mortise Lock Face	E
90	2	660068	#10-24 x 1/2" PPHMS	E
91	2	660128	#8-32 x 2" FIL HD MS (US-26, US-26D)	E
91	2	660129	#8-32 x 2" FIL HD MS (US-3, US-4, US-10, US-10B)	E
92	1	610067	Mortise Lock Housing Assembly	
93	1	3540	Mortise Back Cover	
94	1	3519	Mortise K-Hub	B & C
95	1	3542	Cylinder Operating Arm	C & F

A. Specify by finish: US-3, US-4, US-10, US-10B, US-26, US-26D, US-32, US-32D.

B. Used in K/L trim functions only.

C. Omit for "BE" trim function.

D. Dead lock arm spring (Part No. 3518) required for NL function. Remove existing spring and screw from locking arm for NL.

E. Available only in US-3, US-4, US-10, US-10B, US-26, US-26D.

F. Used in NL function only.



Ingersoll Rand's Security Technologies Sector is a leading global provider of products and services that make environments safe, secure and productive. The Sector's market-leading products include electronic and biometric access control systems; time and attendance and personnel scheduling systems; mechanical locks and portable security, door closers and exit devices, steel doors and frames, architectural hardware and technologies and services for global security markets.

800.266.4456 Locks
800.826.5792 Exit Devices
800.815.1517 Closers

www.falcon.ingersollrand.com www.ingersollrand.com

FALCON

24 Series and 25 Series Service Manual

Touch Bar Exit Device

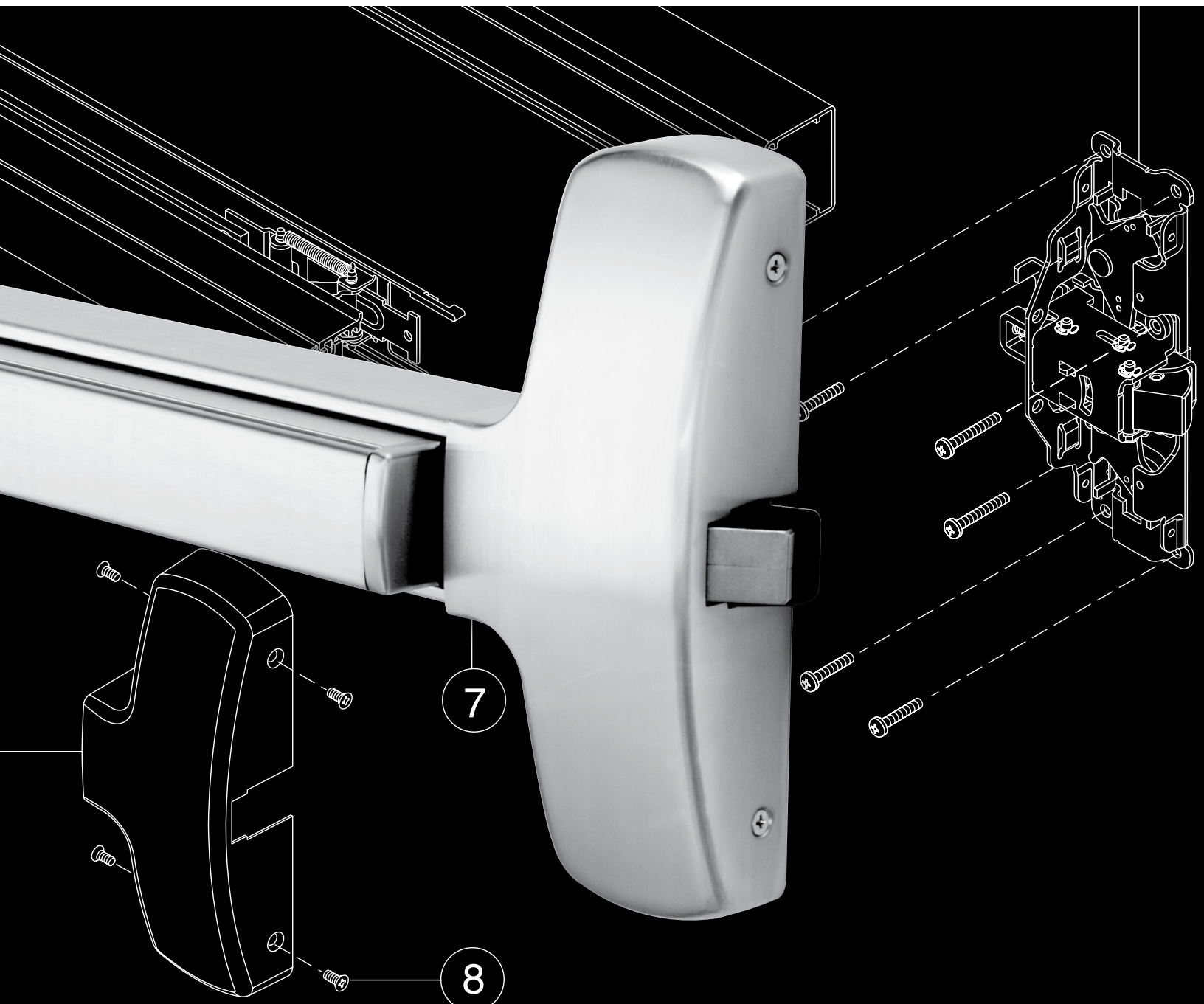


Table of Contents

Introduction	5
(F)25 Rim Exit Device	6-7
(F)25-V Surface Vertical Rod Exit Device	8-9
(F)25-V Surface Vertical Rods and Latches	10-11
(F)25-C Concealed Vertical Rod Exit Device.	12-13
(F)25-C, F-25-C-WDC-90 Concealed Vertical Rods & Latches.	14-15
25-C-WDC, F-25-C-WDC-20 Concealed Vertical Rods & Latches	16-17
(F)25-M Mortise Exit Device	18-19
25 Series Trim: Lever (510), VR Lever (511), Knob (513)	20-21
25 Series Trim: Lever (510), Knob (513)	22-23
25 Series Trim: Thumbpiece (512).	24-27
25 Series Trim: Delta Pull	28-29
(F)24 Rim Exit Device	30-31
(F)24-V Surface Vertical Rod Exit Device	32-33
(F)24-V Surface Vertical Rods and Latches	34-35
(F)24-C Concealed Vertical Rod Exit Device.	36-37
(F)24-C, F-24-C-WDC-90 Concealed Vertical Rods & Latches.	38-39
24-C-WDC, F-24-C-WDC-20 Concealed Vertical Rods & Latches	40-41
24 Series: Knob (711) & Lever (712) Trim—Rim/Vertical Device	42-43
24 Series: Knob (711) & Lever (712) Trim—Concealed Device	44-45
24 Series: Knob (711) & Lever (712) Dummy Trim for Rim, Vertical and Concealed Device	46-47
24 Series: Athena (715) Pull & Delta Pull (717, 718) Trim for Rim and Vertical Device	48-49
24 Series: Delta Pull (717, 718) Trim for Concealed Devices.	50-51
24 Series: Delta (718) Trim for Rim and Vertical Device.	52-53
24 Series: Delta (718) Trim for Concealed Device	54-55
24 Series: Control Pull Trim (710) for Rim or Vertical Device	56
24 Series: Control Thumbpiece (710) Trim - Rim/Vertical Device	57
24 Series: Delta Thumbpiece (718) Trim - Rim/Vertical Device	58-59
24 Series: Delta Thumbpiece (718) Trim - Concealed Device	60-61
24 Series: Turn Lever (719) Trim for Surface Vertical Device	62-63
24 Series: Turn Lever (719) Trim for Concealed Vertical Device.	64-65
24/25 Series Channel Cover Options	66
24/25 Series Strikes	67
24/25 Series Electrical Options.	68-69
24/25 Series Miscellaneous Kits.	70
24/25 Series Miscellaneous Kits and Parts	71
24/25 Series Maintenance Kit.	72

Introduction

This manual contains a listing of replaceable parts and assemblies for the 24 and 25 series exit devices. All products listed meet ANSI A156.3 Grade 1 standards.

How to Order

Some parts are sold separately. Other parts are available as part of a kit or multiple quantity package. For the best possible service when ordering replacement parts or assemblies, please provide the following information:

- Part number or assembly number
- Description
- Quantity needed
- Finish desired

BHMA	US	Finish Description
605	US3	Brass, bright
606	US4	Brass, satin
612	US10	Bronze, satin
625	US26	Chromium, bright
626	US26D	Chromium, satin

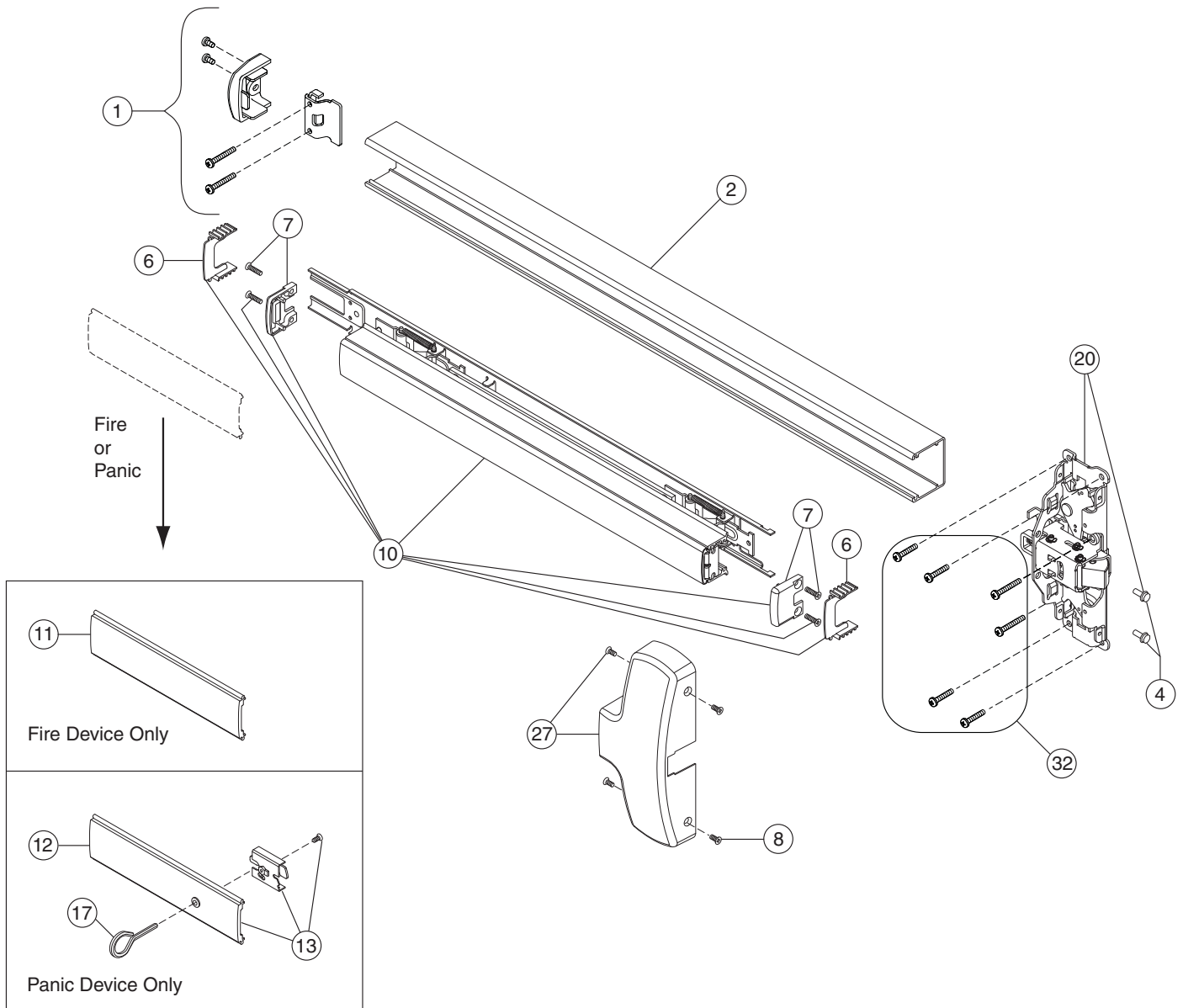
BHMA	US	Finish Description
628	US28	Anodized Aluminum
629	US32	Stainless Steel, polished
630	US32D	Stainless Steel, satin
710	313AN	Anodized Duranodic

Part Number Changes

This manual reflects the product as sold in May 2009. Because of changes to the product and/or manufacturing processes, part numbers can change.

(F)25 Rim Exit Device

Panic and Fire



(F)25 Rim Exit Device

Panic and Fire

Item No.	Qty.	Part No.	Description	Pkg Contents	Notes
1	1	600270	Channel Endcap Pkg 1¾" Door	1- Channel Endcap 2- #10-24 x ⅜" PPHMS 1- Channel Endcap Bracket 2- #10 x 1¼" PPHSMS 2- #10-24 x 1" PPHMS	A
2	1	661412	Channel 3'		A
		661413	Channel 4'		
4	1	600305	Channel Screw Pkg	10- #10-16 x ½" Hex Washer Head Taptite	
		600306		2- #10-16 x ½" Hex Washer Head Taptite	
6	1	600319	Pushbar Guide Pkg	2- Pushbar Guide	
7	1	600310	Pushbar Endcap Pkg	2- Pushbar Endcap 4- #8-18 x ¾" FPHSMS	A
8	1	600307	Center Case Cover Screw Pkg	4- #8-18 x ⅜" UFPHSMS	A
10	1	610472	Pushbar Assembly 3'	1- Pushbar Assembly 2- Pushbar Guides	A
		610473	Pushbar Assembly 4'	2- #10-16 x ½" Hex Washer Head Taptite 2- Pushbar Endcap	
11	1	661420	Fire Channel Cover 3'		A
		661421	Fire Channel Cover 4'		
12	1	661428	Panic Channel Cover 3'		A, B
		661429	Panic Channel Cover 4'		
13	1	650191	Hex Dogging Kit 3'	1- Panic Channel Cover 1- Dogging Subassembly	A
		650192	Hex Dogging Kit 4'	1- #8-32 x ⅜" UFPHMS	
17	1	600209	⅞" Hex Key Pkg		
20	1	650239	25-R Center Case Kit, Panic	1- Center Case	
		650240	F-25-R Center Case Kit, Fire	2- #10-16 x ½" Hex Washer Head Taptite	
27	1	650255	(F)25-R Center Case Cover Kit	1- Head Cover 4- #8-18 x ⅜" UFPHSMS	A
32	1	600213	(F)25-R Mounting Pkg 1¾" Door	6- #10 x 1¼" PPHSMS 4- #10-24 x ¾" PPHMS 2- #10-24 x 1" PPHMS 1- Tailpiece Guide	*
		600214	(F)25-R Mounting Pkg 2¼" Door	6- #10 x 1¼" PPHSMS 4- #10-24 x 1¼" PPHMS 2- #10-24 x 1½" PPHMS 1- Tailpiece Guide	*

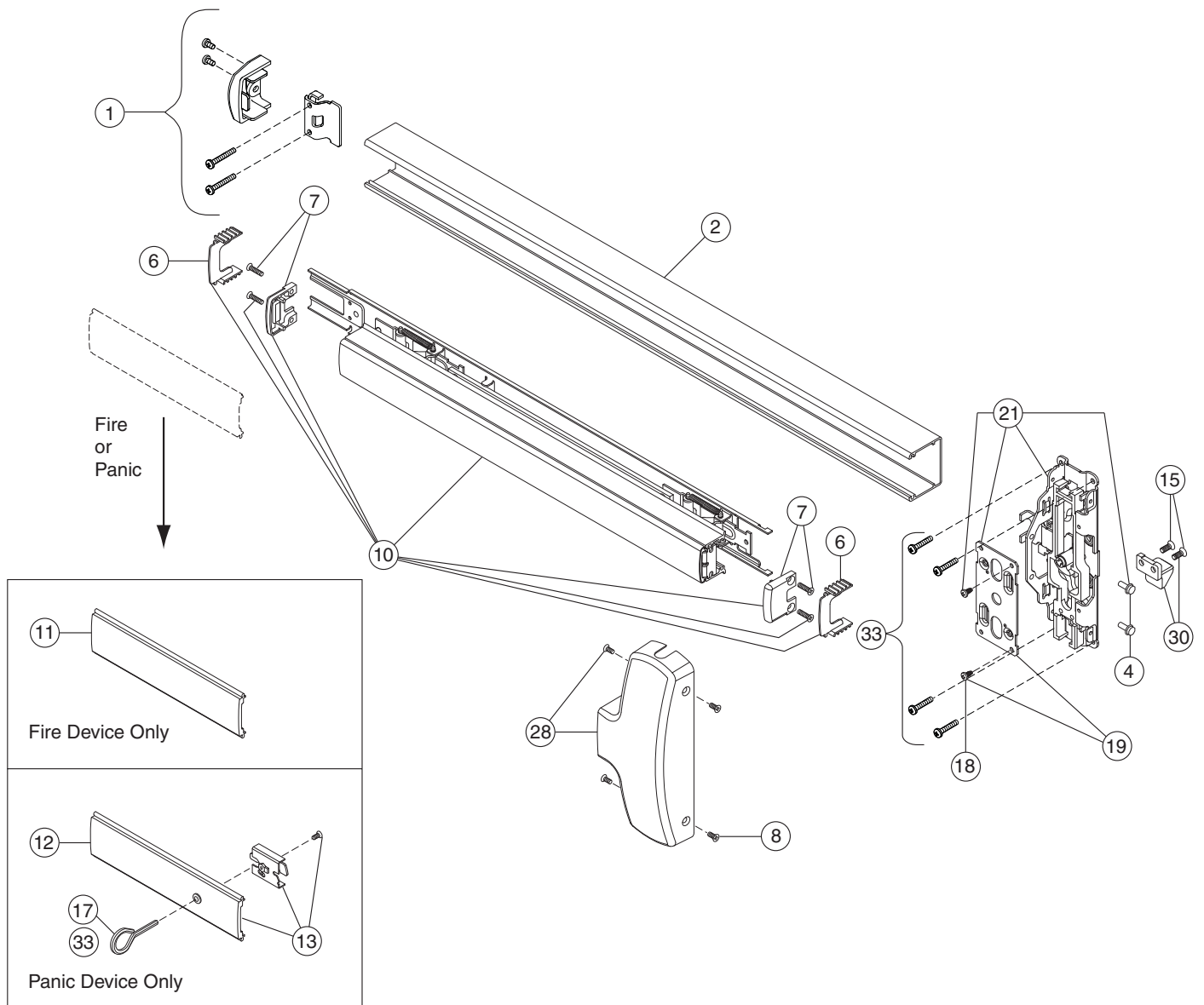
* Item(s) not shown.

A Specify by finish: US3, US4, US10, SP313, US26, US32, US26D, US32D, US28

B Channel Covers for CD, EA, HWEA, KOR, see page 68

(F)25-V Surface Vertical Rod Exit Device

Panic and Fire



(F)25-V Surface Vertical Rod Exit Device

Panic and Fire

Item No.	Qty.	Part No.	Description	Pkg Contents	Notes
1	1	600270	Channel Endcap Pkg 1¾" Door	1- Channel Endcap 2- #10-24 x ¾" PPHMS 1- Channel Endcap Bracket 2- #10-24 x 1" PPHMS 2- #10 x 1¼" PPHSMS	A
2	1	661412	Channel 3'		A
		661413	Channel 4'		
4	1	600305	Channel Screw Pkg	10- #10-16 x ½" Hex Washer Head Taptite	
		600306		2- #10-16 x ½" Hex Washer Head Taptite	
6	1	600319	Pushbar Guide Pkg	2- Pushbar Guide	
7	1	600310	Pushbar Endcap Pkg	2- Pushbar Endcap 4- #8-18 x ¾" FPHSMS	A
8	1	600307	Center Case Cover Screw Pkg	4- #8-18 x ¾" UFPHMS	A
10	1	610472	Pushbar Assembly 3'	1- Pushbar Assembly 2- Pushbar Guides	A
		610473	Pushbar Assembly 4'	2- #10-16 x ½" Hex Washer Head Taptite 2- Pushbar Endcap	
11	1	661420	Fire Channel Cover 3'		A
		661421	Fire Channel Cover 4'		
12	1	661428	Panic Channel Cover 3'		A, B
		661429	Panic Channel Cover 4'		
13	1	650191	Hex Dogging Kit 3'	1- Panic Channel Cover 1- Dogging Subassembly	A
		650192	Hex Dogging Kit 4'	1- #8-32 x ¾" UFPHMS	
15	1	600309	25 Finger Screw Pkg	2- #10-24 x ¾" UFPHMS	
17	1	600209	7/32" Hex Key		
18	1	600308	Vertical Housing Screw Pkg	2- #8-32 x ¾" PPHMS Trilob	
19	1	650261	Vertical Housing Kit	2- #8-32 x ¾" PPHMS Trilob 1- Vertical Housing	
21	1	650242	(F)25-V Center Case Kit	1- Center Case 2- #10-16 x ½" Hex Washer Head Taptite	
28	1	650257	(F)25-V Center Case Cover Kit	1- Head Cover 4- #8-18 x ¾" UFPHMS	A
30	1	650262	25-V Finger Kit	2- #10-24 x ¾" UFPHMS 1- Vertical Finger	
33	1	600102	25-V Mounting Pkg 1¾" and 2¼" Door	6- #10 x 1¼" PPHSMS 4- #10 x 1¼" FPHSMS 1- ½ x 1" Cotter Key 1- Dogging Key	* * *
		600103	F-25-V Mounting Pkg 1¾" Door	6- #10-24 x ¾" PPHMS 4- #10-24 x ¾" FPHMS 1- ½ x 1" Cotter Key	* *
		600232	F-25-V Mounting Pkg 2¼" Door	6- #10-24 x 1¼" PPHMS 4- #10-24 x 1¼" FPHMS 1- ½" x 1" Cotter Key	* * *

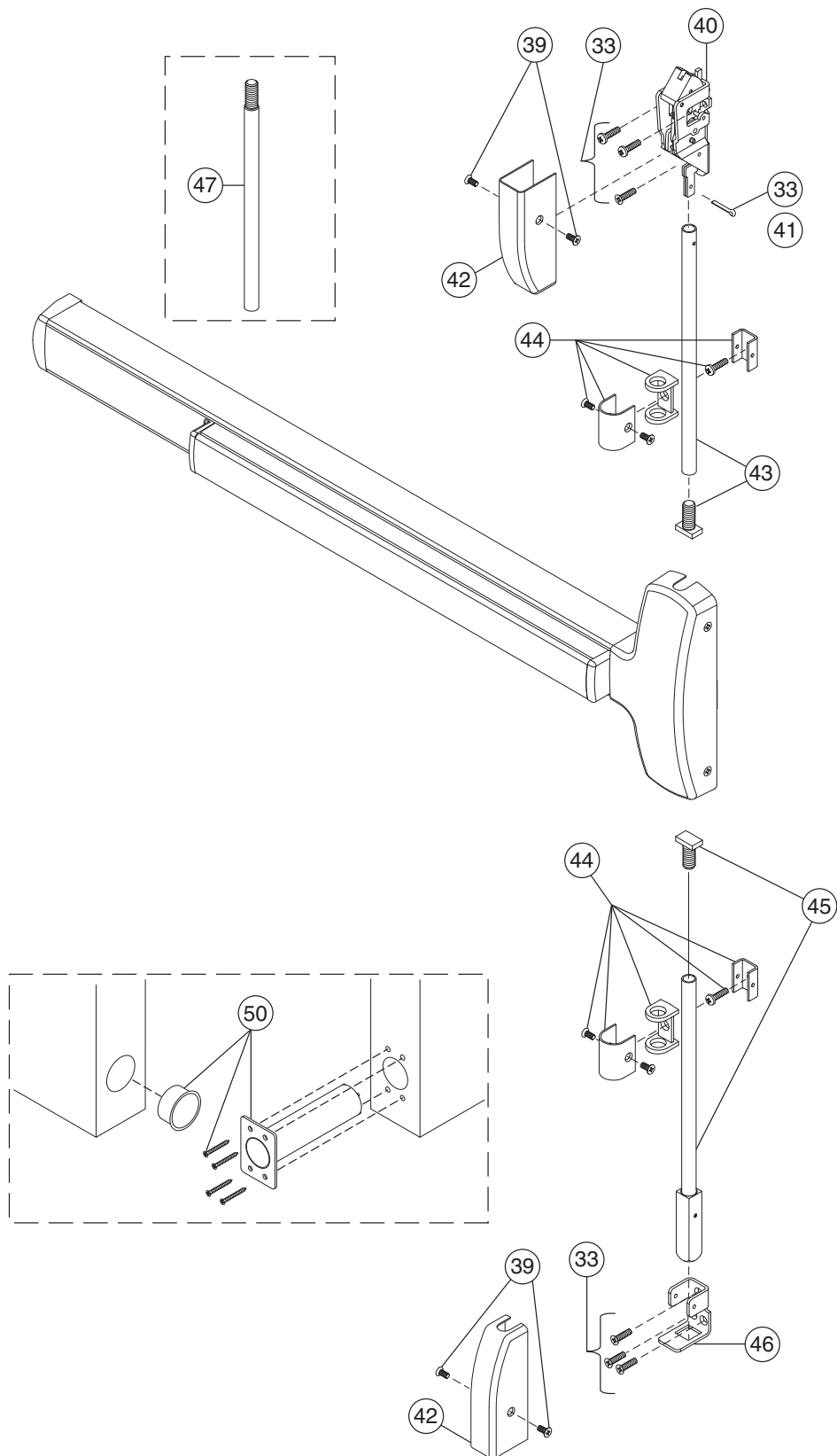
* Item(s) not shown.

A Specify by finish: US3, US4, US10, SP313, US26, US32, US26D, US32D, US28

B Channel Covers for CD, EA, HWEA, KOR, see page 68

(F)25-V Surface Vertical Rods and Latches

Panic and Fire



(F)25-V Surface Vertical Rods and Latches

Panic and Fire

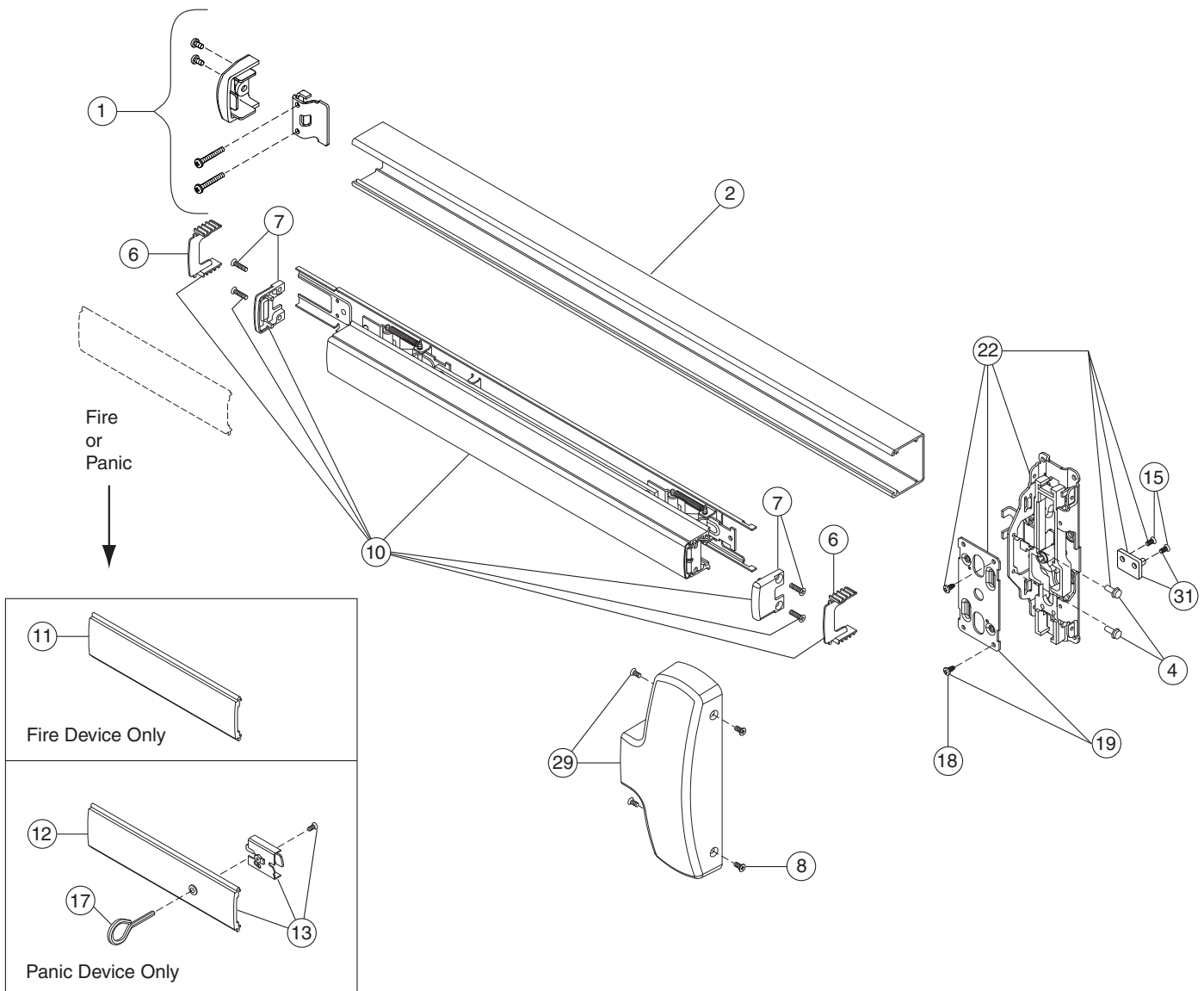
Item No.	Qty.	Part No.	Description	Pkg Contents	Notes
33	1	600102	25-V Mounting Pkg 1¾" and 2¼" Door	4- #10 x 1¼" FPHSMS 6- #10 x 1¼" PPHSMS 1- ½ x 1" Cotter Key 1- Dogging Key	* * *
		600103	F-25-V Mounting Pkg 1¾" Door	4- #10-24 x ¾" FPHMS 6- #10-24 x ¾" PPHMS 1- ½ x 1" Cotter Key	*
		600232	F-25-V Mounting Pkg 2¼" Door	4- #10-24 x 1¼" FPHMS 6- #10-24 x 1¼" PPHMS 1- ½" x 1" Cotter Key	* *
39	1	660125	Latch Case Cover Screw Pkg	4- #8-32 x ¼" UFPHMS	
40	1	588	Surface Vertical Top Latch Case Subassembly - Panic		
		F588	Surface Vertical Top Latch Case Subassembly - Fire		
41	1	661102	½" x 1" Cotter Key		
42	2	3781	Latch Case Cover		A
43	1	3777	Top Rod Subassembly		A
44	2	590	Rod Guide and Support Pkg		A
45	1	610034	Bottom Bolt and Rod Assembly		A
46	1	610035	Bottom Guide Assembly		A
47	1	650006	Vertical Extension Rod 12"		A
		650007	Vertical Extension Rod 24"		
		650008	Vertical Extension Rod 36"		
50	1	5494	Auxiliary Fire Latch Kit (Less Bottom Rod application only)		

* Item(s) not shown.

A Specify by finish: US3, US4, US10, SP313, US26, US32, US26D, US32D, US28

(F)25-C Concealed Vertical Rod Exit Device

Panic and Fire



NOTE: (F)25-C Mounting Package(s) shown on page 39

(F)25-C Concealed Vertical Rod Exit Device

Panic and Fire

Item No.	Qty.	Part No.	Description	Pkg Contents	Notes
1	1	600270	Channel Endcap Pkg 1¾" Door	1- Channel Endcap 2- #10-24 x ¾" PPHMS 1- Channel Endcap Bracket 2- #10-24 x 1" PPHMS 2- #10 x 1¼" PPHSMS	A
2	1	661412	Channel 3'		A
		661413	Channel 4'		
4	1	600305	Channel Screw Pkg	10- #10-16 x ½" Hex Washer Head Taptite 2- #10-16 x ½" Hex Washer Head Taptite	
		600306			
6	1	600319	Pushbar Guide Pkg	2- Pushbar Guide	
7	1	600310	Pushbar Endcap Pkg	2- Pushbar Endcap 4- #8-18 x ¾" FPHSMS	A
8	1	600307	Center Case Cover Screw Pkg	4- #8-18 - ¾" UFPHMS	A
10	1	610472	Pushbar Assembly 3'	1- Pushbar Assembly 2- Pushbar Guides 2- #10-16 x ½" Hex Washer Head Taptite 2- Pushbar Endcap	A
		610473	Pushbar Assembly 4'		
11	1	661420	Fire Channel Cover 3'		A
		661421	Fire Channel Cover 4'		
12	1	661428	Panic Channel Cover 3'		A, B
		661429	Panic Channel Cover 4'		
13	1	650191	Hex Dogging Kit 3'	1- Panic Channel Cover 1- Dogging Subassembly 1- #8-32 x ¾" UFPHMS	A
		650192	Hex Dogging Kit 4'		
15	1	600309	25 Finger Screw Pkg	2- #10-24 x ¾" UFPHMS	
17	1	600209	7/32" Hex Key		
18	1	600308	Vertical Housing Screw Pkg	2- #8-32 x ¾" PPHMS Trilob Housing	
19	1	650261	Vertical Housing Kit	2- #8-32 x ¾" PPHMS Trilob Housing 1- Vertical Housing	
22	1	650244	25-C Center Case Kit	1- Center Case 2- #10-16 x ½" Hex Washer Head Taptite	
29	1	650259	(F)25-C Center Case Cover Kit	1- Center Case 4- #8-18 - ¾" UFPHMS	A
31	1	650263	25-C Finger Kit	2- #10-24 x ¾" UFPHMS 1- Concealed Finger	

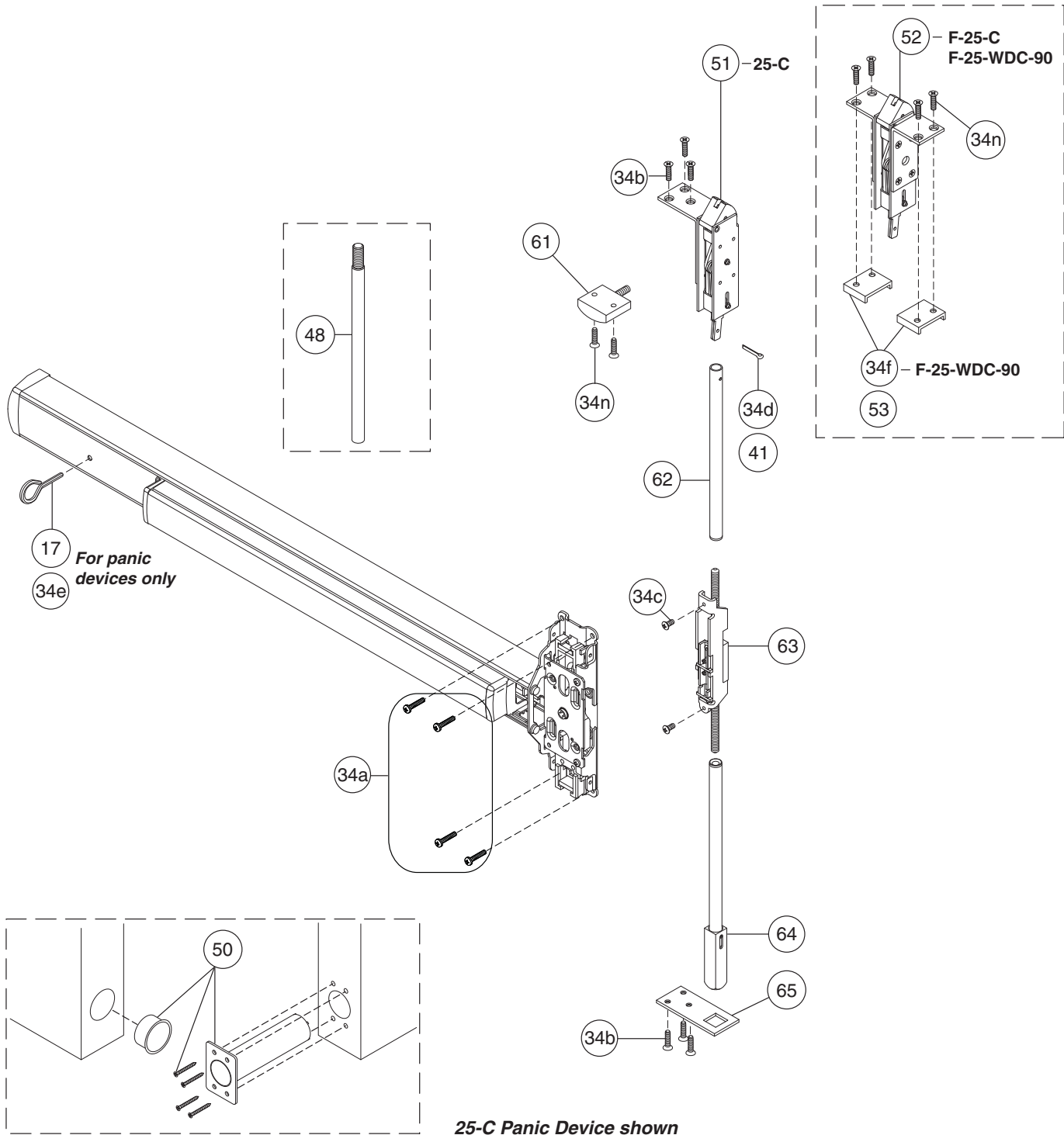
* Item(s) not shown.

A Specify by finish: US3, US4, US10, SP313, US26, US32, US26D, US32D, US28

B Channel Covers for CD, EA, HWEA, KOR, see page 68

(F)25-C, F-25-C-WDC-90 Concealed Vertical Rods & Latches

Metal Door—Panic and Fire, Wood Door—90 Minute Fire Device



(F)25-C, F-25-C-WDC-90 Concealed Vertical Rods & Latches

Metal Door—Panic and Fire, Wood Door—90 Minute Fire Device

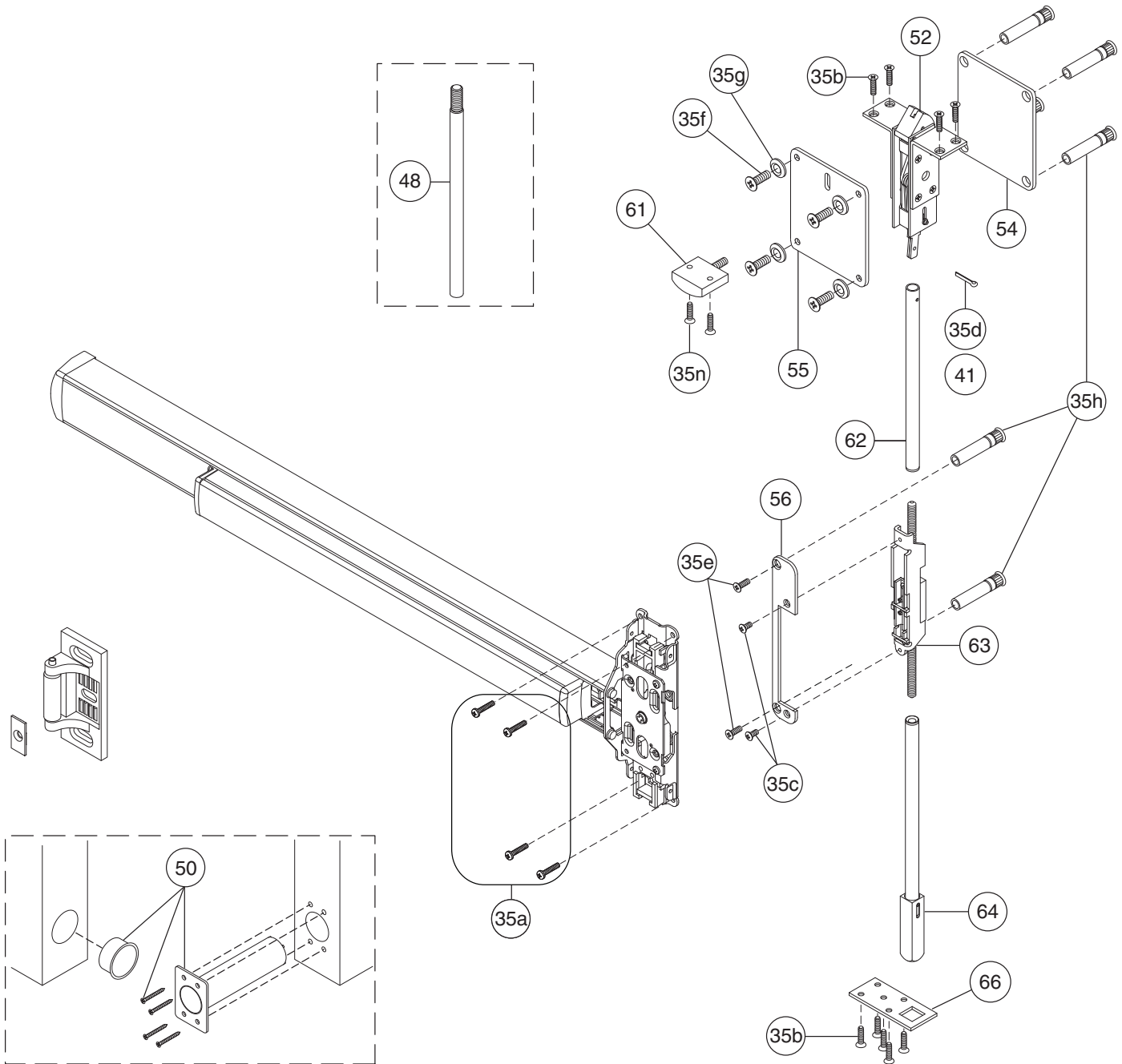
Item No.	Qty.	Part No.	Description	Pkg Contents		Notes
17	1	600209	7/32" Hex Key Pkg (panic devices only)			
34	1	600104	F-25-C Mounting Pkg 1¾" Door	34a	8- #10-24 x ¾" PPHMS	*
				34b	7- #10-24 x ¾" FPHMS	
				34c	2- #8-32 x ¾" UFPHMS	
				34d	1- ½ x 1" Cotter Key	
				—	2- 1/4-20 x ¾" PPHMS	
		600105	25-C Mounting Pkg 1¾" Door	34a	8- #10 x 1¼" PPHSMS	*
				34b	6- #10-24 x ¾" FPHMS	
				34c	2- #8-32 x ¾" UFPHMS	
				34d	1- ½ x 1" Cotter Key	
				34e	1- Dogging Key	
				—	2- #14 x 1" PPHSMS	*
		600110	F-25-CWDC 90 Minute Mounting Pkg 1¾" Door	34a	4- #10 x 1¼" PPHSMS	*
				34a	8- #10-24 x ¾" PPHMS	*
				34b	3- #10 x 1¼" FPHSMS	
				34c	2- #8-32 x ¾" UFPHMS	
				34d	1- ½ x 1" Cotter Key	
				34f	2- Latch Bracket	
				34n	6- #10-24 x ¾" FPHMS	
		600220	25-C Mounting Pkg 2¼" Door	34a	8- #10 x 1¼" PPHSMS	*
				34b	6- #10-24 x 1¼" FPHMS	
				34c	2- #8-32 x ¾" UFPHMS	
				34d	1- ½ x 1" Cotter Key	
				34e	1- Dogging Key	
				—	2- #14 x 1" PPHSMS	*
		600221	F-25-C Mounting Pkg 2¼" Door	34a	8- #10-24 x 1¼" PPHMS	*
				34b	7- #10-24 x 1¼" FPHMS	
				34c	2- #8-32 x ¾" UFPHMS	
				34d	1- ½ x 1" Cotter Key	
				—	2- 1/4-20 x 1¼" PPHMS	
41	1	661102	½ x 1" Cotter Key			
48	1	650017	Concealed Vertical Extension Rod 12"			
		650018	Concealed Vertical Extension Rod 24"			
		650019	Concealed Vertical Extension Rod 36"			
50	1	5494	Auxiliary Fire Latch Kit (Less Bottom Rod application only)			
51	1	603	Concealed Top Latch Case Subassembly (Panic)			
52	1	F603	Concealed Top Latch Case Subassembly (Fire)			
53	2	4694	Latch Bracket			
61	1	600144	Top Latch Release Subassembly			A
62	1	610061	Top Rod Subassembly			
63	1	610373	Center Slide Subassembly			
64	1	610057	Bottom Rod Subassembly			
65	1	4567	Bottom Bolt Guide			

* Items for 24 Series devices only, not shown.

A Specify by finish: US3, US4, US10, SP313, US26, US32, US26D, US32D, US28

25-C-WDC, F-25-C-WDC-20 Concealed Vertical Rods & Latches

Wood Door—Panic Devices, Wood Door—20 Minute Fire Device



F-25-C-WDC-20 Device shown

25-C-WDC, F-25-C-WDC-20 Concealed Vertical Rods & Latches

Wood Door—Panic Devices, Wood Door—20 Minute Fire Device

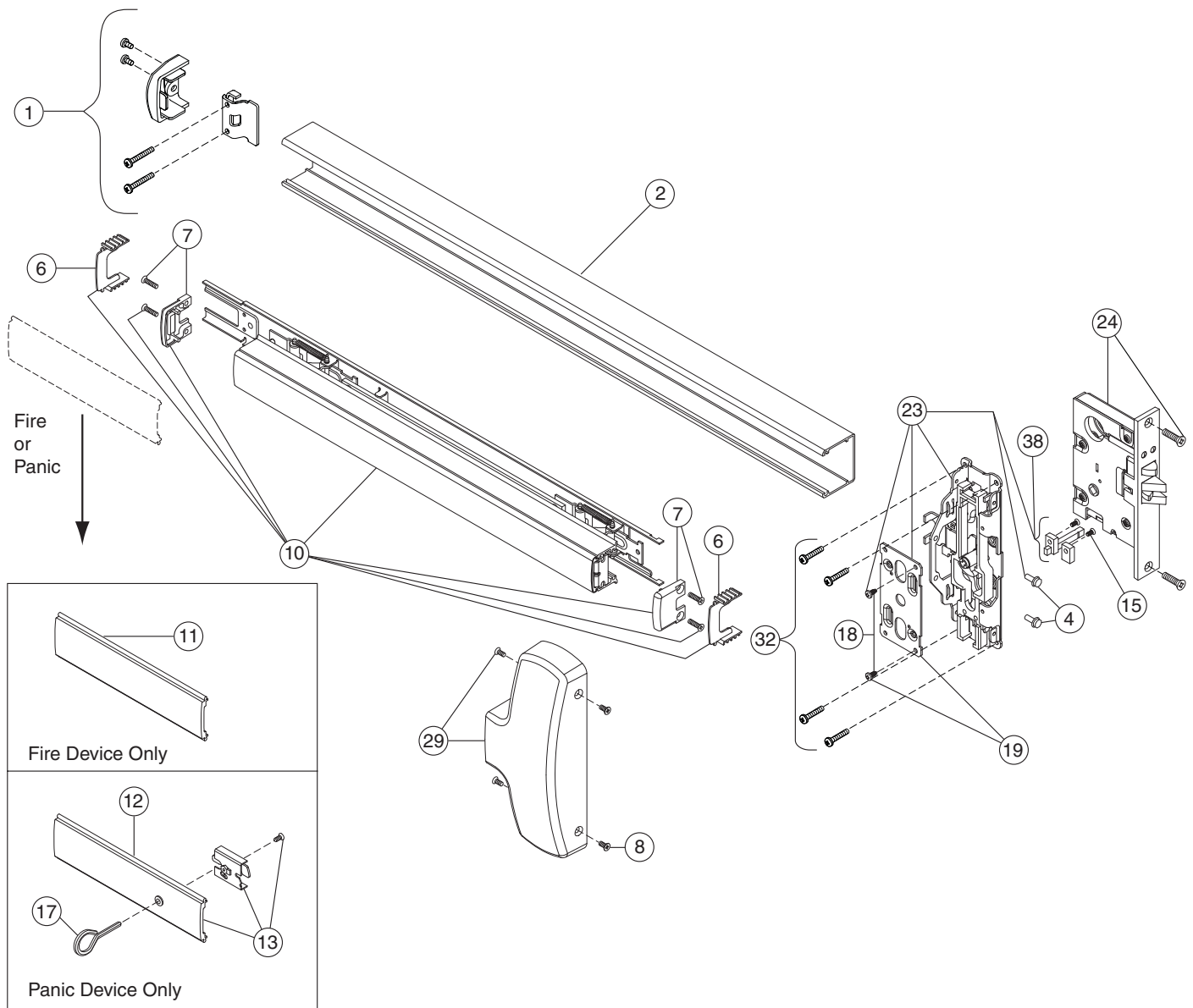
Item No.	Qty.	Part No.	Description	Pkg Contents	Notes
17	1	600209	7/32" Hex Key Pkg (panic devices only)		
35	1	600109	F-25-CWDC 20 Minute Mounting Pkg 1¾" Door	35a 8- #10 x 1¼" PPHSMS — 4- #10-24 x 1" PPHMS 35b 11- #10 x 1¼" FPHSMS 35c 2- #8-32 x 3/8" UFPHMS 35d 1- ½ x 1" Cotter Key 35e 2- ¾" CS Plate Mtg Screw 35f 4- 1/4-20 x ¾" FPHMS 35g 4- ¼" CS Washer 35h 6- 1/4-20 Sexbolt 35n 4- #10-24 x ¾" FPHMS	A
		600111	25-CWDC Mounting Pkg 1¾" Door	35a 8- #10 x 1¼" PPHSMS — 4- #10-24 x 1" PPHMS 35b 11- #10 x 1¼" FPHSMS 35c 2- #8-32 x 3/8" UFPHMS 35d 1- ½ x 1" Cotter Key 35e 2- ¾" CS Plate Mtg Screw 35f 4- 1/4-20 x ¾" FPHMS 35g 4- ¼" CS Finish Washer 35h 6- 1/4-20 Sexbolt 35k 1- Dogging Key * 35n 2- #10-24 x ¾" FPHMS — 2- #10-24 x ¾" FPHMS	A
		600237	25-CWDC Mounting Pkg 2¼" Door	35a 8- #10 x 1¼" PPHSMS — 4- #10-24 x 1½" PPHMS 35b 11- #10 x 1¼" FPHSMS 35c 2- #8-32 x 3/8" UFPHMS 35d 1- ½ x 1" Cotter Key 35e 2- ¾" CS Plate Mtg Screw 35f 4- 1/4-20 x 1¼" FPHMS 35g 4- ¼" CS Finish Washer 35h 6- 1/4-20 Sexbolt 35n 2- #10-24 x ¾" FPHMS	A
41	1	661102	½ x 1" Cotter Key		
48	1	650017	Concealed Vertical Extension Rod 12"		
		650018	Concealed Vertical Extension Rod 24"		
		650019	Concealed Vertical Extension Rod 36"		
49	1	WF603	F-C-WDC Top Latch Kit		*
50	1	5494	Auxiliary Fire Latch Kit (Less Bottom Rod application only)		
52	1	F603	Concealed Top Latch Case Subassembly (Fire)		
54	1	4833	Top Reinforcement Plate		A
55	1	4834	Top Reinforcement Plate with Access Hole		A
56	1	4832	Center Slide Reinforcement Plate		
61	1	600144	Top Latch Release Subassembly		A
62	1	610061	Top Rod Subassembly		
63	1	610373	Center Slide Subassembly		
64	1	610057	Bottom Rod Subassembly		
66	1	4835	WDC Bottom Bolt Guide		

* Item(s) not shown.

A Specify by finish: US3, US4, US10, SP313, US26, US26D, US32, US32D, US28

(F)25-M Mortise Exit Device

Panic and Fire



(F)25-M Mortise Exit Device

Panic and Fire

Item No.	Qty.	Part No.	Description	Pkg Contents	Notes
1	1	600270	Channel Endcap Pkg 1¾" Door	1- Channel Endcap 2- #10-24 x ¾" PPHMS 1- Channel Endcap Bracket 2- #10-24 x 1" PPHMS 2- #10 x 1¼" PPHSMS	A
2	1	661412	Channel 3'		A
		661413	Channel 4'		
4	1	600305	Channel Screw Pkg	10- #10-16 x ½" Hex Washer Head Taptite	
		600306		2- #10-16 x ½" Hex Washer Head Taptite	
6	1	600319	Pushbar Guide Pkg	2- Pushbar Guide	
7	1	600310	Pushbar Endcap Pkg	2- Pushbar Endcap 4- #8-18 x ¾" FPHSMS	A
8	1	600307	Center Case Cover Screw Pkg	4- #8-18 x ¾" UFPHMS	A
10	1	610472	Pushbar Assembly 3'	1- Pushbar Assembly 2- Pushbar Guide	A
		610473	Pushbar Assembly 4'	2- #10-16 x ½" Hex Washer Head Taptite 2- Pushbar Endcap	
11	1	661420	Fire Channel Cover 3'		A
		661421	Fire Channel Cover 4'		
12	1	661428	Panic Channel Cover 3'		A, B
		661429	Panic Channel Cover 4'		
13	1	650191	Hex Dogging Kit 3'	1- Panic Channel Cover 1- Dogging Subassembly	A
		650192	Hex Dogging Kit 4'	1- #8-32 x ¾" UFPHMS	
15	1	600309	25 Finger Screw Pkg	2- #10-24 x ¾" UFPHMS	
17	1	600209	7/32" Hex Key Pkg		
18	1	600308	Vertical Housing Screw Pkg	2- #8-32 x ¾" PPHMS Trilob	
19	1	650261	Vertical Housing Kit	2- #8-32 x ¾" PPHMS Trilob 1- Vertical Housing	
23	1	650246	(F)25-M Center Case Kit	1- Center Case 2- #10-16 x ½" Hex Washer Head Taptite 1- Mortise Finger 1- Mortise Block 2- #10-24 x ¾" UFPHMS	
24	1	650275	Mortise Lock LHR	1- Mortise Lock	A
		650276	Mortise Lock RHR	2- #12-24 x ½" UFPHMS	
29	1	650259	(F)25-M Center Case Cover Kit	1- Center Case Cover 4- #8-18 x ¾" UFPHMS	A
32	1	600213	(F)25-M Mounting Pkg 1¾" Door	6- #10 x 1¼" PPHSMS 4- #10-24 x ¾" PPHMS 2- #10-24 x 1" PPHMS 1- Tailpiece Guide	* * *
		600214	(F)25-M Mounting Pkg 2¼" Door	6- #10 x 1¼" PPHSMS 4- #10-24 x 1¼" PPHMS 2- #10-24 x 1½" PPHMS 1- Tailpiece Guide	* * *
38	1	650268	25-M Finger Kit	1- Mortise Finger 1- Mortise Block 2- #10-24 x ¾" UFPHMS	

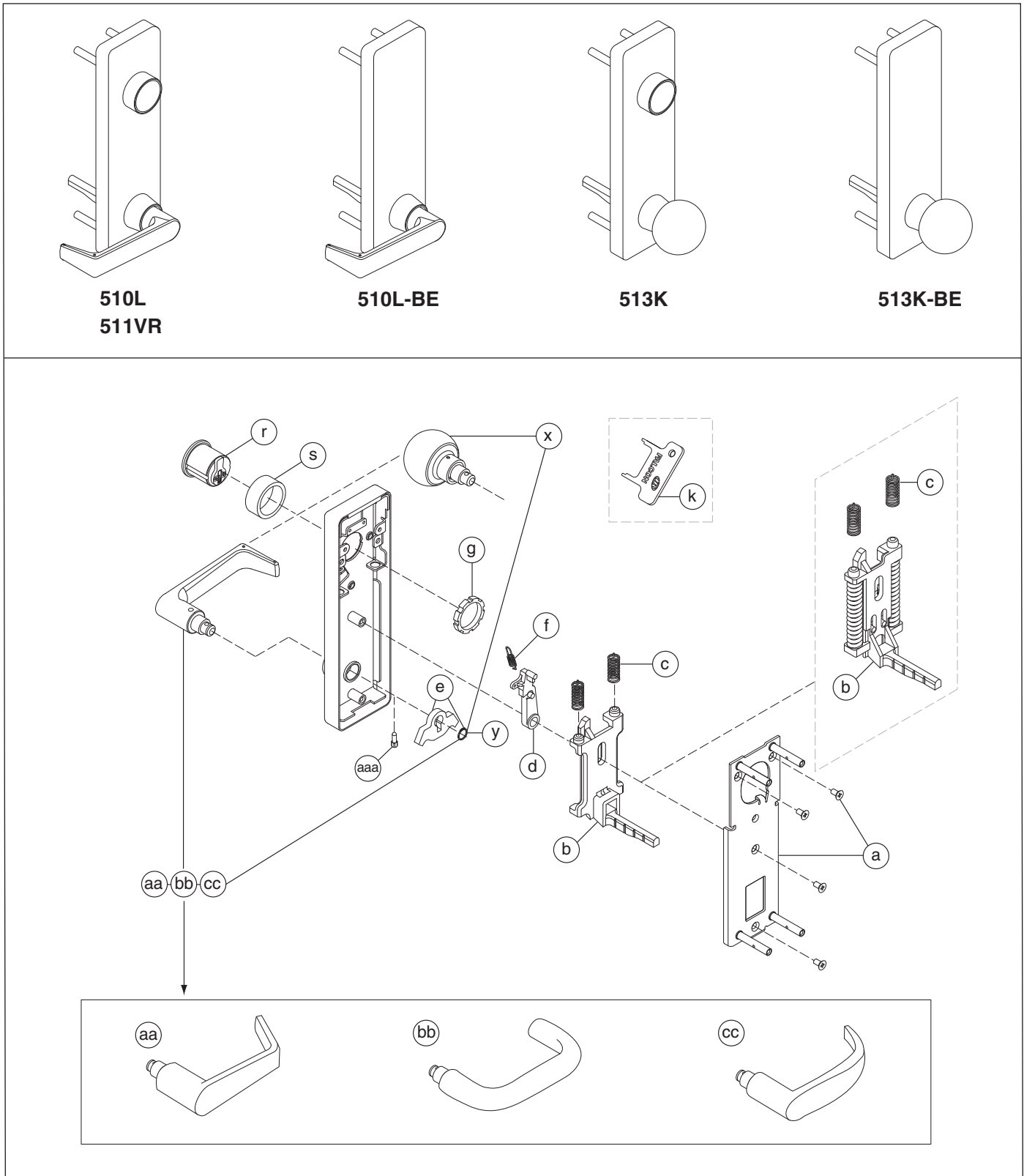
* Item(s) not shown.

A Specify by finish: US3, US4, US10, SP313, US26, US32, US26D, US32D, US28

B Channel Covers for CD, EA, HWEA, KOR, see page 68

25 Series Trim: Lever (510), VR Lever (511), Knob (513)

510L, 510L-BE, 513K, 513K-BE, 511L



25 Series Trim: Lever (510), VR Lever (511), Knob (513)

510L, 510L-BE, 513K, 513K-BE, 511L

Item No.	Qty.	Part No.	Description	Pkg Contents	Notes
a	1	600272	Backplate Assembly	1- Backplate Assy 4- #10-24 x 3/8" UFPHMS	
b	1	600273	Standard Lift Block Pkg		
		600282	VR Slider Assembly Pkg		
c	1	600274	L Springs Pkg	2- L Springs	
		600284	K/T Springs Pkg	2- K/T Springs	
d	1	600275	Locking Hook Pkg		
e	1	600276	Spindle Cam Pkg	1- Spindle Cam 1- Spindle Cam Retaining Ring	
f	1	090041	Hook Spring Pkg		
g	1	600278	Cylinder Lock Nut Pkg		
k	1	600279	Cylinder Nut Tool Pkg	5- Cylinder Nut Tools	
r	1	986	1 1/4" Mortise Cylinder		A
s	1	600296	Security Collar Pkg		A
x	1	600298	Knob Assembly	1- Knob Assembly 1- Retaining Ring	A
y	1	600277	Spindle Cam Retaining Ring Pkg	10- Retaining Rings	
aa	1	600299	Dane Lever Assembly Pkg	1- Lever Assembly 1- Retaining Ring	A
bb	1	600300	Sutro Lever Assembly Pkg		
cc	1	600301	Quantum Lever Assembly Pkg		
dd	1	600302	Dane VR Lever Assembly Pkg	1- VR Lever Assembly 1- Retaining Ring	A*
ee	1	600303	Sutro VR Lever Assembly Pkg		
ff	1	600304	Quantum VR Lever Assembly Pkg		
aaa	1	650267	Shear Pin Pkg	10- Shear Pin	
		600283	VR Shear Pin Pkg	5- Shear Pin	

* Item(s) not shown

A Specify by finish: US3, US4, US10, SP313, US26, US32, US26D, US32D, US28

Note:

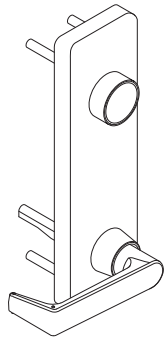
Vandal Resistant Lever Trims are available on rim, vertical, mortise and concealed devices, and work with all electric lock and unlock functions.

Specifications:

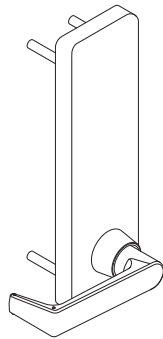
Escutcheon: 2 3/4" x 9 3/4"
 Knob Projection: 3 3/8"
 Lever Projection: Dane 2 13/16"
 Quantum 3 1/2"
 Sutro 3 13/16"

25 Series Trim: Lever (510), Knob (513)

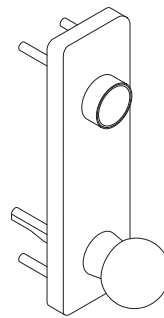
510L-NL, 510L-DT, 513K-NL, 513K-DT



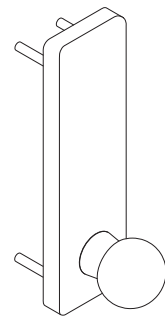
510L-NL



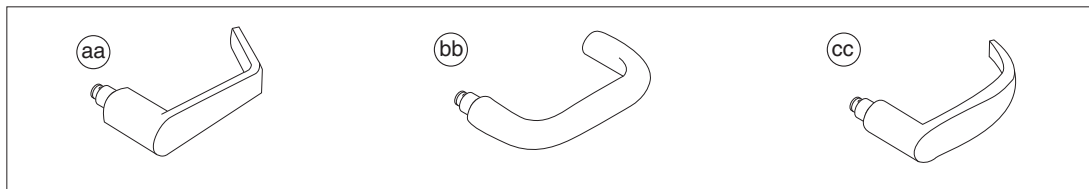
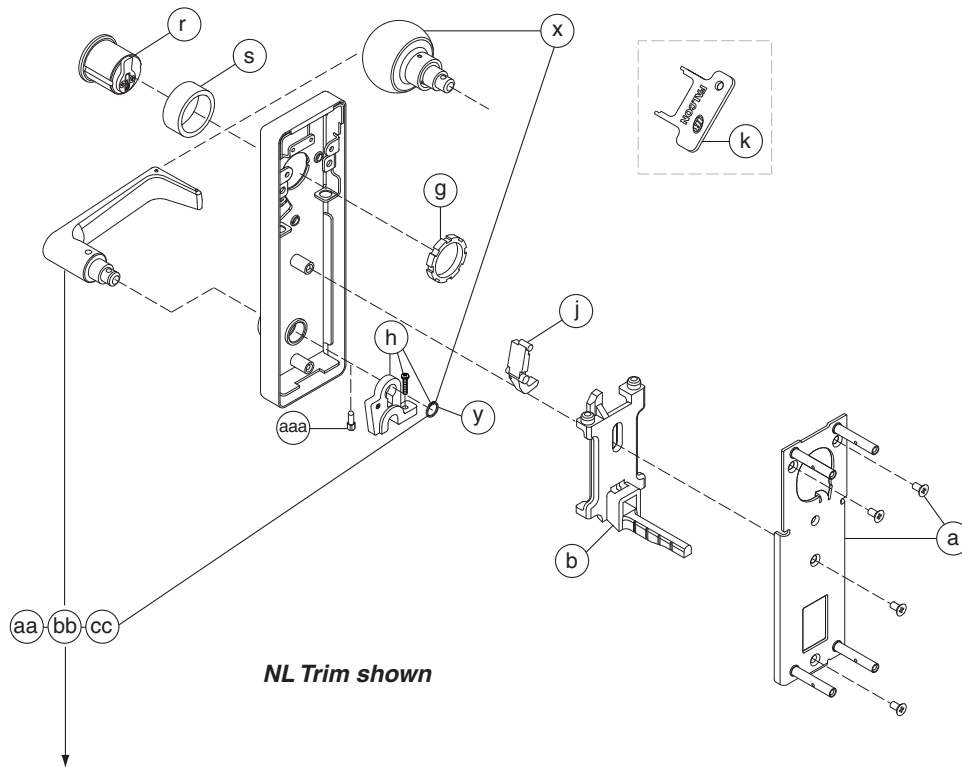
510L-DT



513K-NL



513K-DT



25 Series Trim: Lever (510), Knob (513)

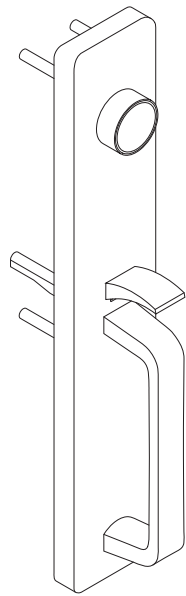
510L-NL, 510L-DT, 513K-NL, 513K-DT

Item No.	Qty.	Part No.	Description	Pkg Contents	Notes
a	1	600272	Backplate Assembly	1- Backplate Assy 4- #10-24 x 3/8" UFPHMS	
b	1	600273	Lift Block Pkg		
g	1	600278	Cylinder Lock Nut Pkg		
h	1	600280	Dummy Spindle Cam Pkg	1- Spindle Cam Dummy 1- Spindle Cam Retaining Ring 1- #10-24 x 3/4" PPHMS	
j	1	600281	NL Cam Pkg		
k	1	600279	Cylinder Nut Tool Pkg	5- Cylinder Nut Tools	
r	1	986	1 1/4" Mortise Cylinder		A
s	1	600296	Security Collar Pkg		A
x	1	600298	Knob Assembly	1- Knob Assembly 1- Retaining Ring	A
y	1	600277	Spindle Cam Retaining Ring Pkg	10- Retaining Rings	
aa	1	600299	Dane Lever Assembly Pkg	1- Lever Assembly 1- Retaining Ring	A
bb	1	600300	Sutro Lever Assembly Pkg		
cc	1	600301	Quantum Lever Assembly Pkg		
aaa	1	650267	Shear Pin Pkg	10- Shear Pin	

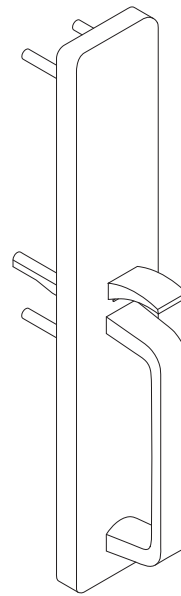
A Specify by finish: US3, US4, US10, SP313, US26, US32, US26D, US32D, US28

25 Series Trim: Thumbpiece (512)

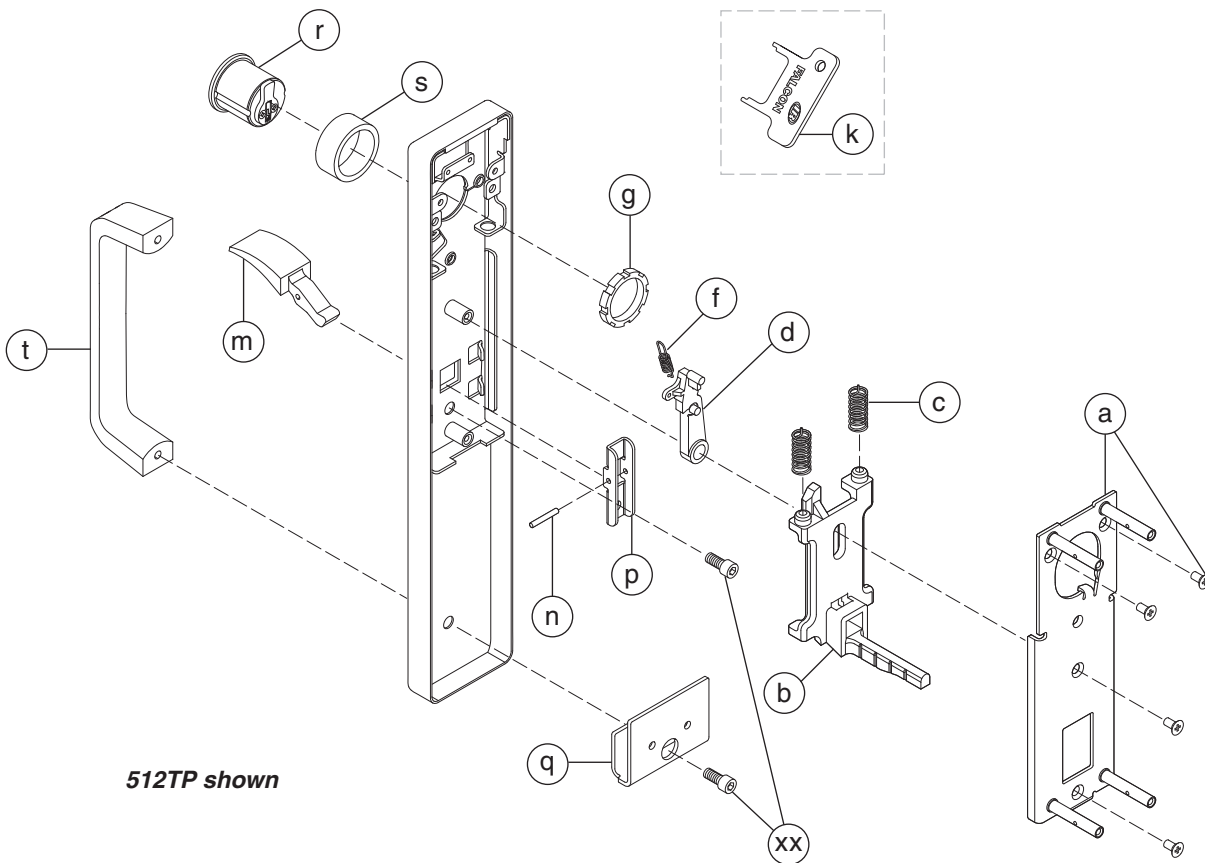
512-TP, 512-TP-BE



512TP



512TP-BE



512TP shown

25 Series Trim: Thumbpiece (512)

512-TP, 512-TP-BE

Item No.	Qty.	Part No.	Description	Pkg Contents	Notes
a	1	600272	Backplate Assembly	1– Backplate Assy 4– #10-24 x 3/8" UFPHMS	
b	1	600273	Lift Block Pkg		
c	1	600284	K/T Springs Pkg	2– K/T Springs	
d	1	600275	Locking Hook Pkg		
f	1	090041	Hook Spring Pkg		
g	1	600278	Cylinder Lock Nut Pkg		
k	1	600279	Cylinder Nut Tool Pkg	5– Cylinder Nut Tools	
m	1	600285	Thumbpiece Pkg		A
n	1	600286	Thumbpiece Pivot Pin Pkg		
p	1	600287	Thumbpiece Bracket Pkg		
q	1	600289	Lower Pull Bracket Pkg 1 3/4" Door	1– Lower Pull Bracket 1– 1/4-20 x 2 1/4" FPHMS * 1– Finish Washer *	A
		600290	Lower Pull Bracket Pkg 2 1/4" Door	1– Lower Pull Bracket 1– 1/4-20 x 2 3/4" FPHMS * 1– Finish Washer *	
r	1	986	1 1/4" Mortise Cylinder		A
s	1	600296	Security Collar Pkg		A
t	1	600297	Vanguard Pull Package		A
xx	1	600288	Pull Grip Screws Pkg	10– 1/4-20 x 1/2" Hex Socket Head Cap Screw	

* Item(s) not shown

A Specify by finish: US3, US4, US10, SP313, US26, US32, US26D, US32D, US28

Specifications:

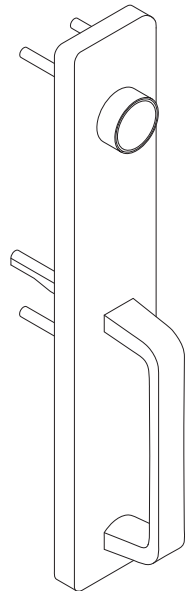
Escutcheon: 2 3/4" x 16"

Grip: 6 1/4" C-C

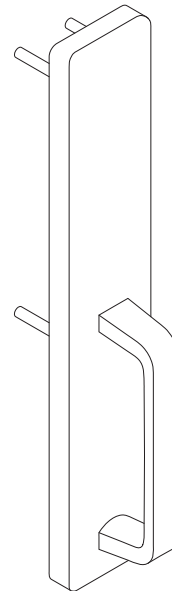
Projection: 2 11/16"

25 Series Trim: Thumbpiece (512)

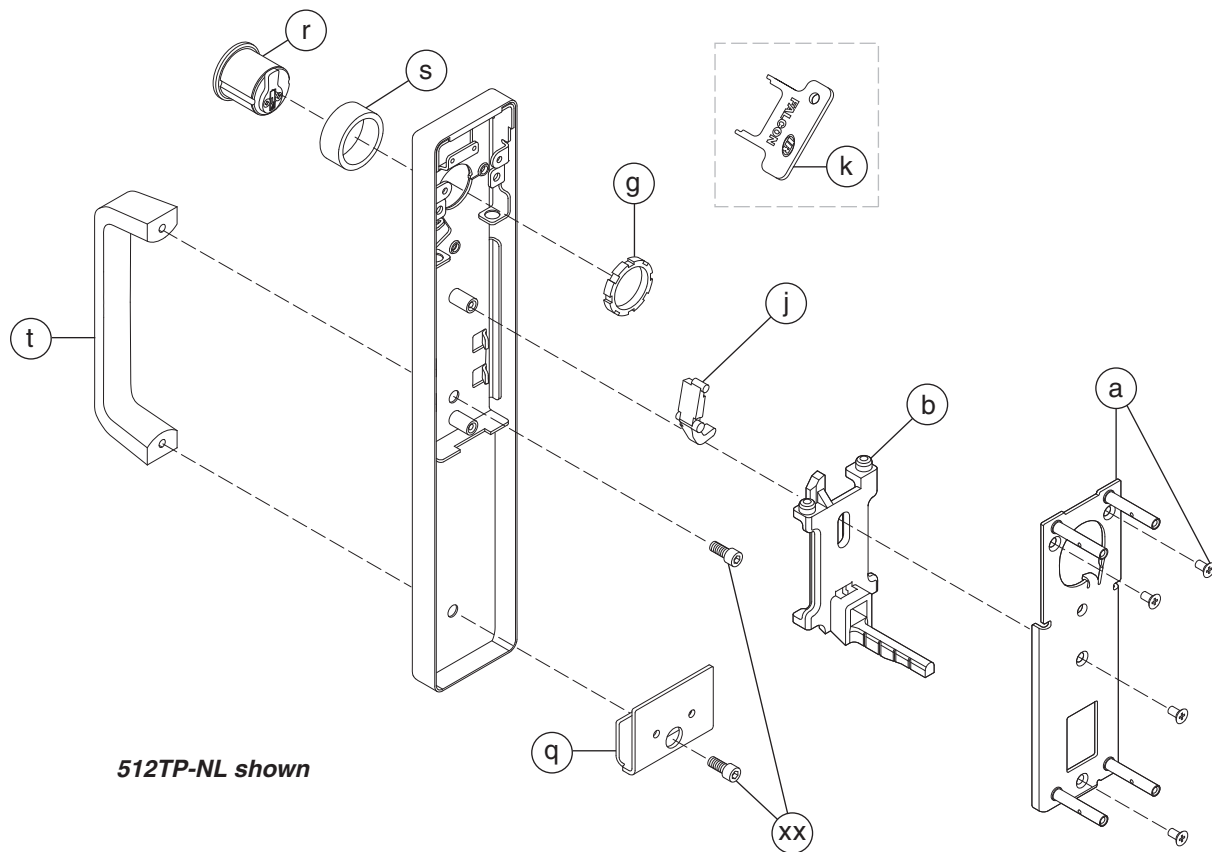
512-TP-NL, 512-TP-DT



512TP-NL



512TP-DT



512TP-NL shown

25 Series Trim: Thumbpiece (512)

512TP-NL, 512TP-DT

Item No.	Qty.	Part No.	Description	Pkg Contents	Notes
a	1	600272	Backplate Assembly	1- Backplate Assy 4- #10-24 x 3/8" UFPHMS	
b	1	600273	Lift Block Pkg (for NL only)		
g	1	600278	Cylinder Lock Nut Pkg		
j	1	600281	NL Cam Package		
k	1	600279	Cylinder Nut Tool Pkg	5- Cylinder Nut Tools	
q	1	600289	Lower Pull Bracket Pkg 1 3/4" Door	1- Lower Pull Bracket 1- 1/4-20 x 2 1/4" FPHMS * 1- Finish Washer *	A
		600290	Lower Pull Bracket Pkg 2 1/4" Door	1- Lower Pull Bracket 1- 1/4-20 x 2 3/4" FPHMS * 1- Finish Washer *	
r	1	986	1 1/4" Mortise Cylinder		A
s	1	600296	Security Collar Pkg		A
t	1	600297	Vanguard Pull Package		A
xx	1	600288	Pull Grip Screws Pkg	10- 1/4-20 x 1/2" Hex Socket Head Cap Screw	

* Item(s) not shown

A Specify by finish: US3, US4, US10, SP313, US26, US26D, US32, US32D, US28

Specifications:

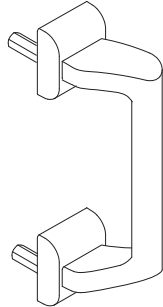
Escutcheon: 2 3/4" x 16"

Grip: 6 1/4" C-C

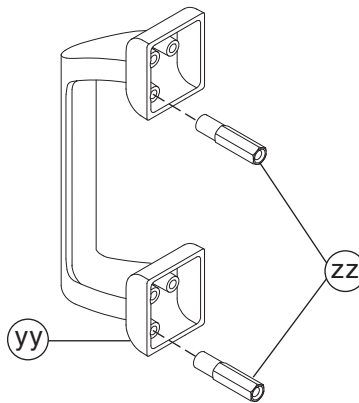
Projection: 2 11/16"

25 Series Trim: Delta Pull

717-DT



717DT



Item No.	Qty.	Part No.	Description	Pkg Contents	Notes
yy	2	600289	Lower Pull Bracket Pkg, 1¾" Door	1– Lower Pull Bracket 2– 1/4-20 x 2¼" FPHMS 1– Finish Washer	A * *
		600290	Lower Pull Bracket Pkg, 2¼" Door	1– Lower Pull Bracket 2– 1/4-20 x 2¾" FPHMS 1– Finish Washer	A * *
zz	2	4270	Hex Stud		

* Item(s) not shown. Specify finish when ordering.

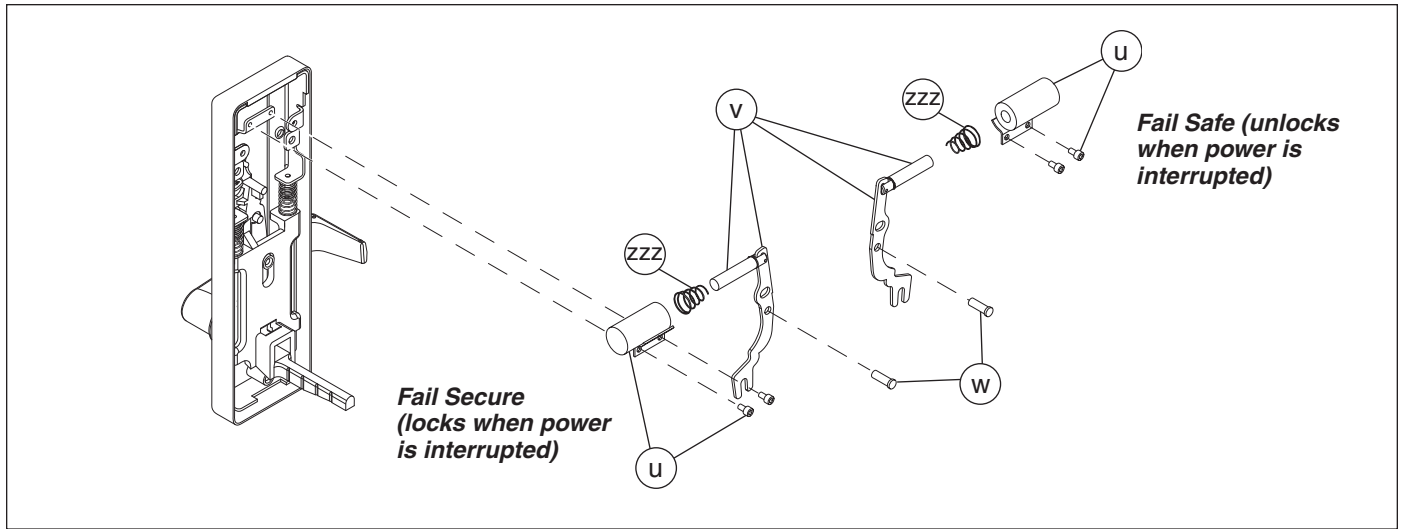
A Specify by finish: US3, US4, US10, SP313, US26, US26D, US32, US32D, US28

Specifications:

Grip: 6¼"

Projection: 2"

25 Series Trim: FSA/FSE, Electric Lock/Unlock



Item No.	Qty.	Part No.	Description	Pkg Contents	Notes
u	1	600293	E Trim Solenoid Pkg	1- E-Trim Solenoid 2- #6-32 x 1/4" Socket Hex Head Cap Screw	
v	1	600294	E Trim Solenoid Plunger Pkg	1- E-Trim Link 1- E-Trim Plunger 1- Spirol Pin	*
w	1	600295	Pivot Pin - FSA/FSE Pkg		
zzz	1	650278	E-Trim Solenoid Spring Pkg		

* Item(s) not shown

Specifications:

Solenoid rated for continuous duty at 24V DC 0.34 Amps.

Power transfer hinge 2-wire minimum rated 1/2 Amp.

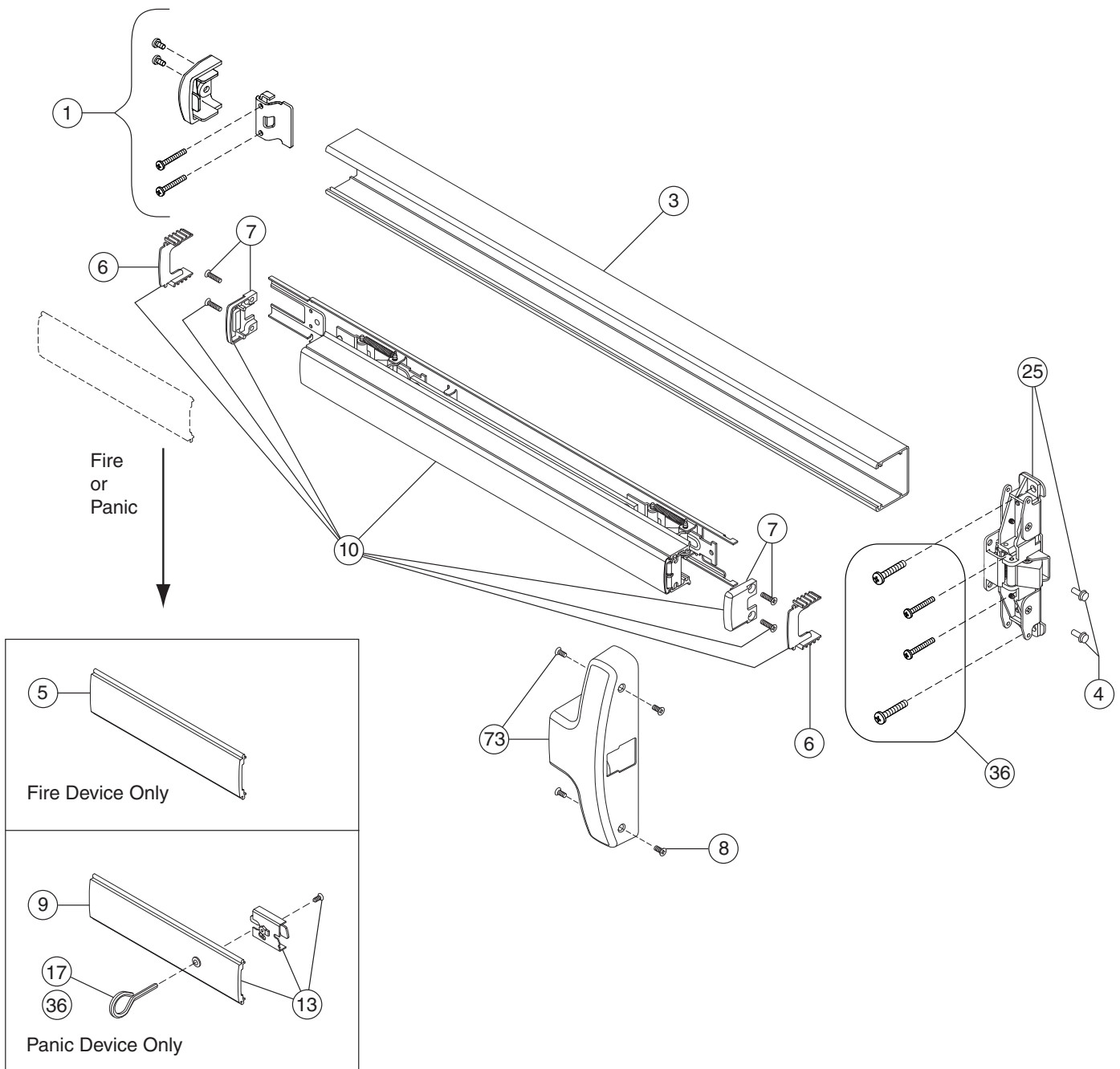
Wire Guage Requirement:

0-500 foot wire run — 18 AWG

501-700 foot wire run — 16 AWG

(F)24 Rim Exit Device

Panic and Fire



(F)24 Rim Exit Device

Panic and Fire

Item No.	Qty.	Part No.	Description	Pkg Contents	Notes
1	1	600270	Channel Endcap Pkg 1¾" Door	1- Channel Endcap 2- #10-24 x ¾" PPHMS 1- Channel Endcap Bracket 2- #10 x 1¼" PPHSMS 2- #10-24 x 1" PPHMS	A
3	1	661408	Channel 3'		A
		661409	Channel 4'		
4	1	600305	Channel Screw Pkg	10- #10-16 x ½" Hex Washer Head Taptite 2- #10-16 x ½" Hex Washer Head Taptite	
		600306			
5	1	661416	Fire Channel Cover 3'		A
		661417	Fire Channel Cover 4'		
6	1	600319	Pushbar Guide Pkg	2- Pushbar Guide	
7	1	600310	Pushbar Endcap Pkg	2- Pushbar Endcap 4- #8-18 x ¾" FPHSMS	A
8	1	600307	Center Case Cover Screw Pkg	4- #8-18 x ¾" UFPHSMS	A
9	1	661424	Panic Channel Cover 3'		A, B
		661425	Panic Channel Cover 4'		
10	1	610472	Pushbar Assembly 3'	1- Pushbar Assembly 2- Pushbar Guide	A
		610473	Pushbar Assembly 4'	2- #10-16 x ½" Hex Washer Head Taptite 2- Pushbar Endcap	
13	1	650187	Hex Dogging Kit 3'	1- Panic Channel Cover 1- Dogging Subassembly	A
		650188	Hex Dogging Kit 4'	1- #8-32 x ¾" UFPHMS	
17	1	600209	7/32" Hex Key Pkg		
25	1	650233	24-R Center Case Kit	1- Center Case	
		650234	F-24-R Center Case Kit	2- #10-16 x ½" Hex Washer Head Taptite	
36	1	600118	(F)24-R Mounting Pkg 1¾" Door	2- #10 x 1¼" PPHSMS 2- #14 x 1" PPHSMS 2- 1/4 - 20 x ¾" PPHMS 2- 10-24 x 1½" PPHMS 1- Dogging Key	* *
36	1	600212	(F)24-R Mounting Pkg 2¼" Door	2- #10 x 1¼" PPHSMS 2- #14 x 1" PPHSMS 2- 1/4 - 20 x 1¼" PPHMS 2- #10-24 x 2" PPHMS	* * * *
73	1	650247	24-R Center Case Cover Kit	1- Center Case Cover	A*
		650249	F-24-R Center Case Cover Kit	4- #8-18 x ¾" UFPHSMS	A

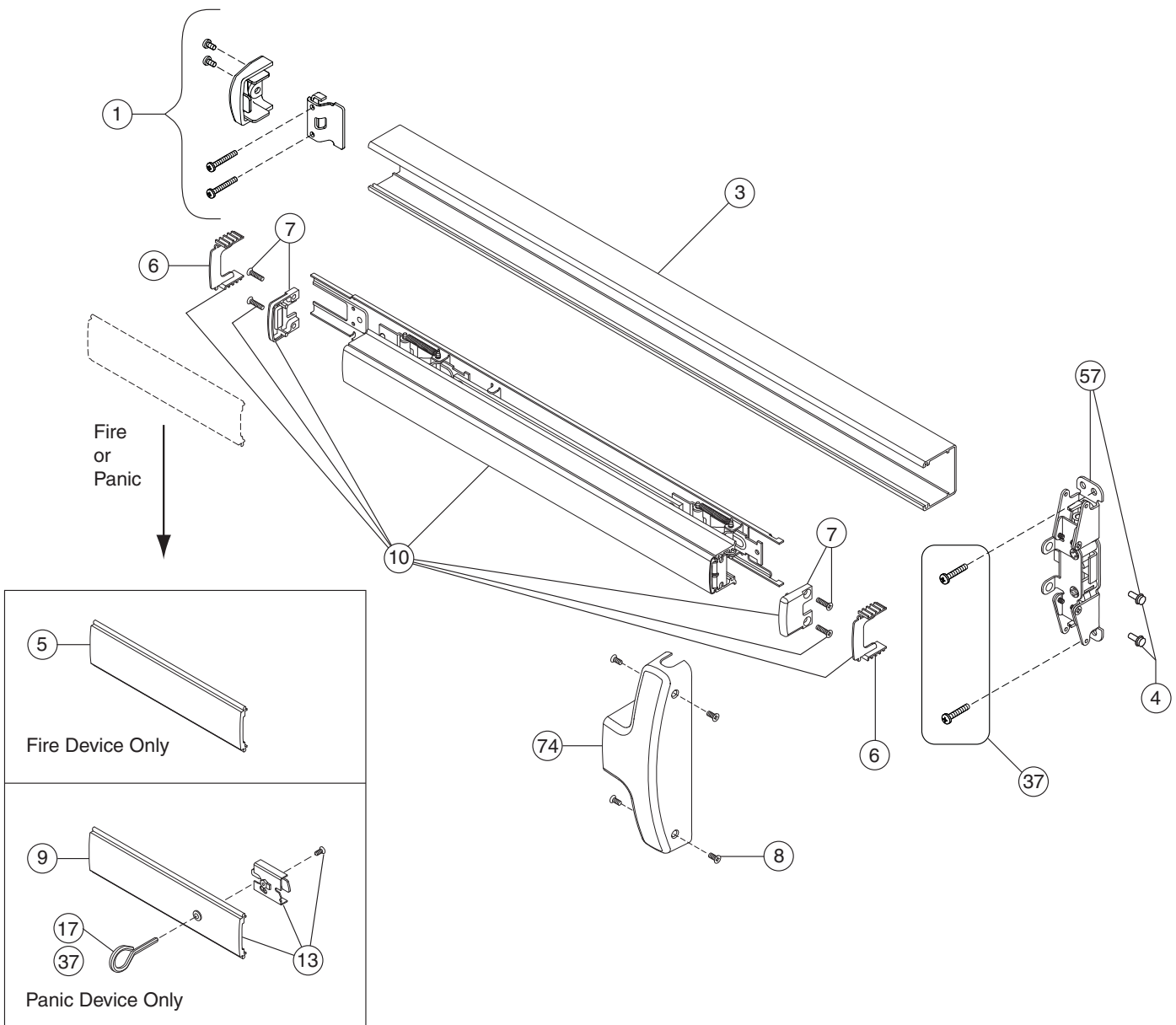
* Item(s) not shown.

A Specify by finish: US3, US4, US10, SP313, US26, US32, US26D, US32D, US28

B Channel Covers for CD, EA, HWEA, KOR, see page 68

(F)24-V Surface Vertical Rod Exit Device

Panic and Fire



(F)24-V Surface Vertical Rod Exit Device

Panic and Fire

Item No.	Qty.	Part No.	Description	Pkg Contents	Notes
1	1	600270	Channel Endcap Pkg 1¾" Door	1- Channel Endcap 2- #10-24 x ¾" PPHMS 1- Channel Endcap Bracket 2- #10-24 x 1" PPHMS 2- #10 x 1¼" PPHSMS	A
3	1	661408	Channel 3'		A
		661409	Channel 4'		
4	1	600305	Channel Screw Pkg	10- #10-16 x ½" Hex Washer Head Taptite 2- #10-16 x ½" Hex Washer Head Taptite	
		600306			
5	1	661416	Fire Channel Cover 3'		A
		661417	Fire Channel Cover 4'		A
6	1	600319	Pushbar Guide Pkg	2- Pushbar Guide	
7	1	600310	Pushbar Endcap Pkg	2- Pushbar Endcap 4- #8-18 x ¾" FPHSMS	A
8	1	600307	Center Case Cover Screw Pkg	4- #8-18 x ¾" UFPHMS	A
9	1	661424	Panic Channel Cover 3'		A, B
		661425	Panic Channel Cover 4'		
10	1	610472	Pushbar Assembly 3'	1- Pushbar Assembly 2- Pushbar Guide	A
		610473	Pushbar Assembly 4'	2- #10-16 x ½" Hex Washer Head Taptite 2- Pushbar Endcap	
13	1	650187	Hex Dogging Kit 3'	1- Panic Channel Cover 1- Dogging Subassembly	A
		650188	Hex Dogging Kit 4'	1- #8-32 x ¾" UFPHMS	
17	1	600209	7/32" Hex Key Pkg		
37	1	600119	24-V Mounting Pkg 1¾" and 2¼" Door	4- #10 x 1¼" PPHSMS 2- #10 x 1¼" FPHSMS 2- #14 x 1" PPHSMS 1- ⅝ x 1" Cotter Key 1- Dogging Key	* * * *
		600120	F-24-V Mounting Pkg 1¾" Door	2- #10-24 x ¾" PPHMS 4- #10-24 x ¾" FPHMS 2- 1/4-20 x ¾" PPHMS 1- ⅝ x 1" Cotter Key	* * *
		600218	F-24-V Mounting Pkg 2¼" Door	2- #10-24 x 1¼" PPHMS 4- #10-24 x 1¼" FPHMS 2- 1/4-20 x 1¼" PPHMS 1- ⅝" x 1" Cotter Key	* * * *
57	1	650236	(F)24-V Center Case Kit	1- Center Case 2- #10-16 x ½" Hex Washer Head Taptite	
74	1	650251	(F)24-V Center Case Cover Kit	1- Center Case Cover 4- #8-18 x ¾" UFPHMS	A

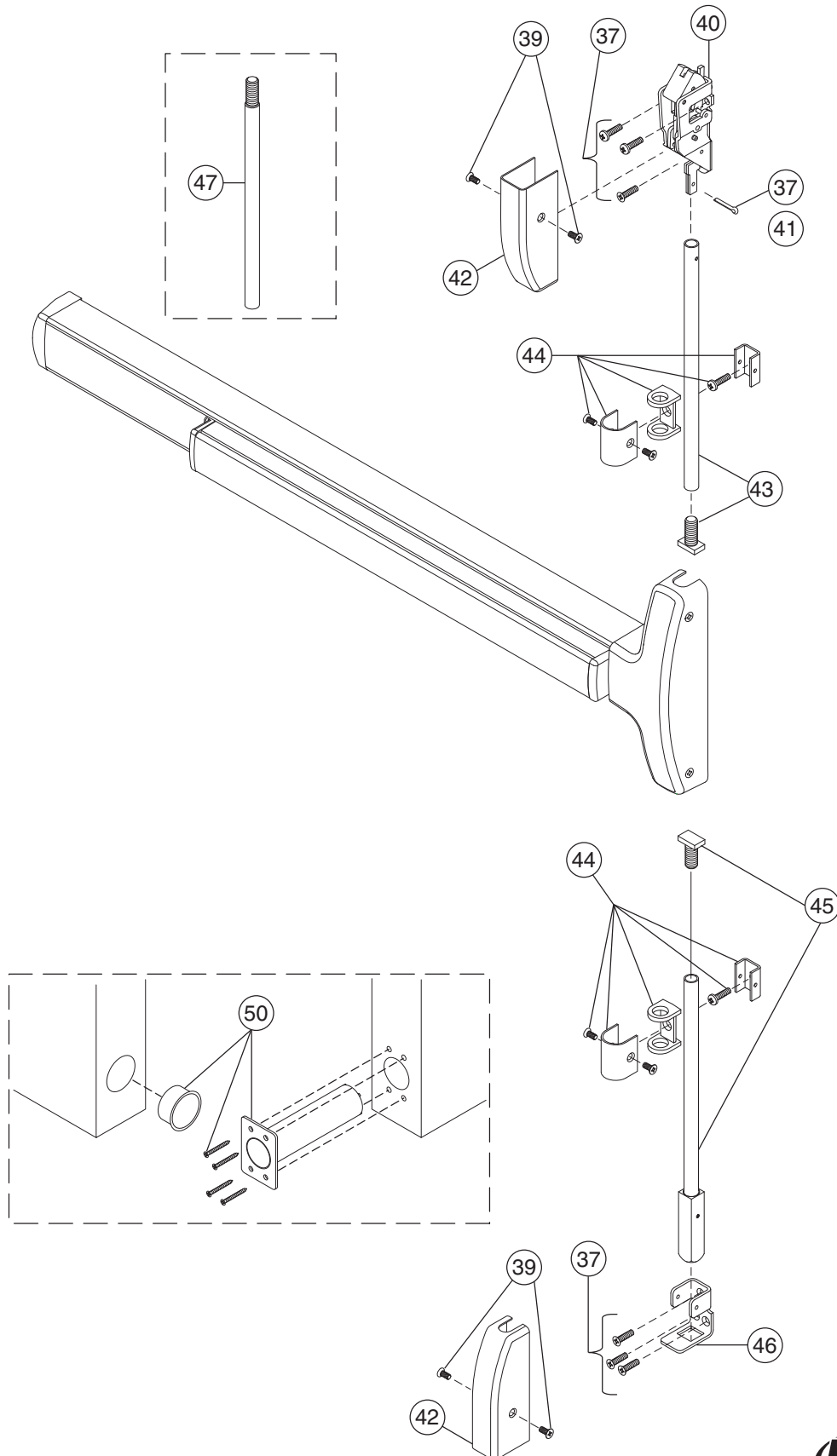
* Item(s) not shown.

A Specify by finish: US3, US4, US10, SP313, US26, US32, US26D, US32D, US28

B Channel Covers for CD, EA, HWEA, KOR, see page 68

(F)24-V Surface Vertical Rods and Latches

Panic and Fire



(F)24-V Surface Vertical Rods and Latches

Panic and Fire

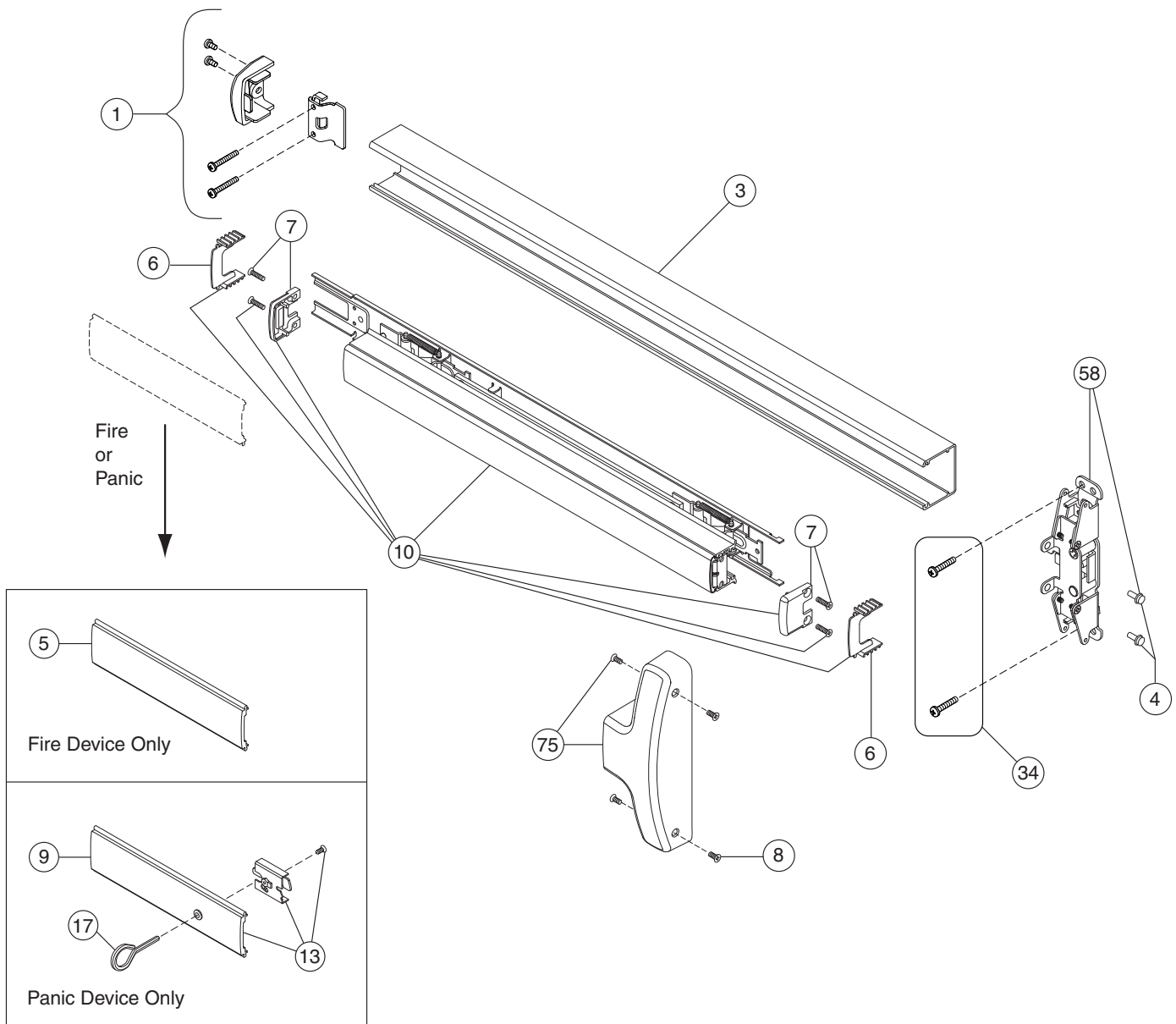
Item No.	Qty.	Part No.	Description	Pkg Contents	Notes
37	1	600119	24-V Mounting Pkg	2- #10 x 1¼" PPHSMS 4- #10 x 1¼" FPHSMS 2- #14 x 1" PPHSMS 1- ½ x 1" Cotter Key 1- Dogging Key	*
		600120	F-24-V Mounting Pkg 1¾" Door	2- #10-24 x ¾" PPHMS 4- #10-24 x ¾" FPHMS 2-1/4-20 x ¾" PPHMS 1- ½ x 1" Cotter Key	*
		600218	F-24-V Mounting Pkg 2¼" Door	2- #10-24 x 1¼" PPHMS 4- #10-24 x 1¼" FPHMS 2-1/4-20 x 1¾" PPHMS 1- ½ x 1" Cotter Key	*
39	1	660125	Latch Case Cover Screw Pkg	4- #8-32 x ¼" UFPHMS	
40	1	588	Surface Vertical Top Latch Case Subassembly - Panic		
		F588	Surface Vertical Top Latch Case Subassembly - Fire		
41	1	661102	½" x 1" Cotter Key		
42	2	3781	Latch Case Cover		A
43	1	4450	Top Rod Subassembly		A
44	2	590	Rod Guide and Support Pkg		A
45	1	610046	Bottom Bolt and Rod Assembly		A
46	1	650026	Bottom Guide Assembly		A
47	1	650006	Vertical Extension Rod 12"		A
		650007	Vertical Extension Rod 24"		
		650008	Vertical Extension Rod 36"		
50	1	5494	Auxiliary Fire Latch Kit (Less Bottom Rod applications only)		

* Item(s) not shown.

A Specify by finish: US3, US4, US10, SP313, US26, US32, US26D, US32D, US28

(F)24-C Concealed Vertical Rod Exit Device

Panic and Fire



NOTE: (F)24-C Mounting Package(s) shown on page 39

(F)24-C Concealed Vertical Rod Exit Device

Panic and Fire

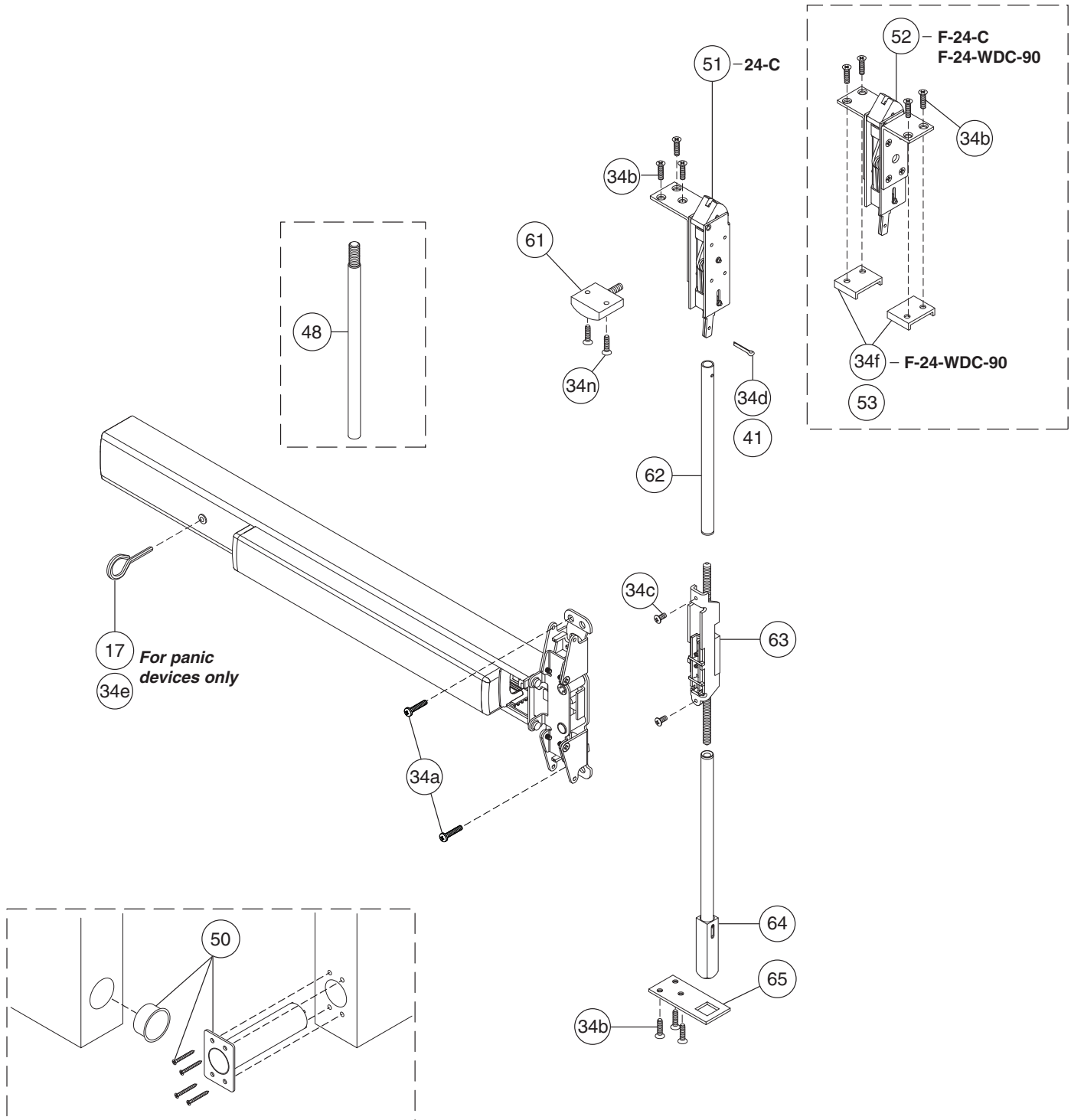
Item No.	Qty.	Part No.	Description	Pkg Contents	Notes
1	1	600270	Channel Endcap Pkg	1- Channel Endcap 2- #10-24 x 3/8" PPHMS 1- Channel Endcap Bracket 2- #10-24 x 1" PPHMS 2- #10 x 1 1/4" PPHSMS	A
3	1	661408	Channel 3'		A
		661409	Channel 4'		
4	1	600305	Channel Screw Pkg	10- #10-16 x 1/2" Hex Washer Head Taptite 2- #10-16 x 1/2" Hex Washer Head Taptite	
		600306			
5	1	661416	Fire Channel Cover 3'		A
		661417	Fire Channel Cover 4'		
6	1	600319	Pushbar Guide Pkg	2- Pushbar Guide	
7	1	600310	Pushbar Endcap Pkg	2- Pushbar Endcap 4- #8-18 x 3/4" FPHSMS	A
8	1	600307	Center Case Cover Screw Pkg	4- #8-18 x 3/8" UFPHMS	A
9	1	661424	Panic Channel Cover 3'		A, B
		661425	Panic Channel Cover 4'		
10	1	610472	Pushbar Assembly 3'	1- Pushbar Assembly 2- Pushbar Guides	A
		610473	Pushbar Assembly 4'	2- #10-16 x 1/2" Hex Washer Head Taptite 2- Pushbar Endcap	
13	1	650187	Hex Dogging Kit 3'	1- Panic Channel Cover 1- Dogging Subassembly	A
		650188	Hex Dogging Kit 4'	1- #8-32 x 3/8" UFPHMS	
17	1	600209	7/32" Hex Key Pkg		
58	1	650238	(F)24-C Center Case Kit	1- Center Case 2- #10-16 x 1/2" Hex Washer Head Taptite	
75	1	650253	(F)24-C Center Case Cover Kit	1- Center Case 4- #8-18 x 3/8" UFPHMS	A

A Specify by finish: US3, US4, US10, SP313, US26, US32, US26D, US32D, US28

B Channel Covers for CD, EA, HWEA, KOR, see page 68

(F)24-C, F-24-C-WDC-90 Concealed Vertical Rods & Latches

Metal Door—Panic and Fire, Wood Door—90 Minute Fire Device



(F)24-C, F-24-C-WDC-90 Concealed Vertical Rods & Latches

Metal Door—Panic and Fire, Wood Door—90 Minute Fire Device

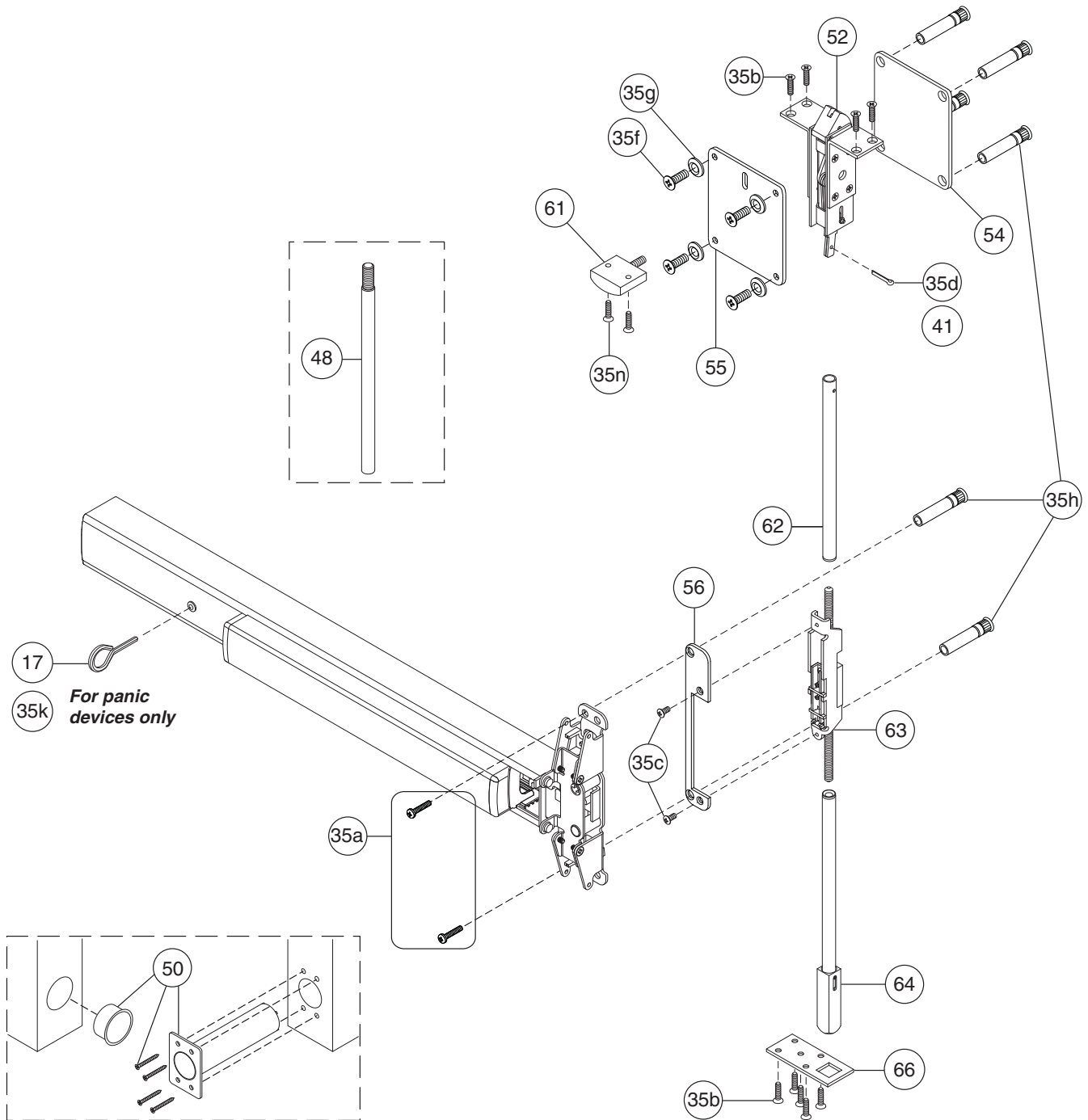
Item No.	Qty.	Part No.	Description	Pkg Contents	Notes
17	1	600209	7/32" Hex Key Pkg (panic device only)		
34	1	600104	F-24-C Mounting Pkg 1¾" Door	34a 8- #10-24 x ¾" PPHMS 34b 7- #10-24 x ¾" FPHMS 34c 2- #8-32 x ⅜" UFPHMS 34d 1- ⅜ x 1" Cotter Key — 2- 1/4-20 x ¾" PPHMS	*
		600105	24-C Mounting Pkg 1¾" Door	34a 8- #10 x 1¼" PPHSMS 34b 6- #10-24 x ¾" FPHMS 34c 2- #8-32 x ⅜" UFPHMS 34d 1- ⅜ x 1" Cotter Key 34e 1- Dogging Key — 2- #14 x 1" PPHSMS	*
		600122	F-24-CWDC 90 Minute Mounting Pkg 1¾" Door	34a 4- #10 x 1¼" PPHSMS 34b 3- #10 x 1¼" FPHSMS 34c 2- #8-32 x ⅜" UFPHMS 34d 1- ⅜ x 1" Cotter Key 34f 2- Latch Bracket — 2- 1/4-20 x ¾" PPHMS 34n 6- #10-24 x ¾" FPHMS	*
		600220	24-C Mounting Pkg 2¼" Door	34a 8- #10 x 1¼" PPHSMS 34b 6- #10-24 x 1¼" FPHMS 34c 2- #8-32 x ⅜" UFPHMS 34d 1- ⅜ x 1" Cotter Key 34e 1- Dogging Key — 2- #14 x 1" PPHSMS	*
		600221	F-24-C Mounting Pkg 2¼" Door	34a 8- #10-24 x 1¼" PPHMS 34b 7- #10-24 x 1¼" FPHMS 34c 2- #8-32 x ⅜" UFPHMS 34d 1- ⅜ x 1" Cotter Key — 2- 1/4-20 x 1¼" PPHMS	*
41	1	661102	⅜ x 1" Cotter Key		
48	1	650017	Concealed Vertical Extension Rod 12"		
		650018	Concealed Vertical Extension Rod 24"		
		650019	Concealed Vertical Extension Rod 36"		
50	1	5494	Auxiliary Fire Latch Kit (Less Bottom Rod application only)		
51	1	603	Concealed Top Latch Case Subassembly (Panic)		
52	1	F603	Concealed Top Latch Case Subassembly (Fire)		
53	2	4694	Latch Bracket		
61	1	600144	Top Latch Release Subassembly		A
62	1	610061	Top Rod Subassembly		
63	1	610043	Center Slide Subassembly		
64	1	610057	Bottom Rod Subassembly		
65	1	4567	Bottom Bolt Guide		

* Item(s) not shown.

A Specify by finish: US3, US4, US10, SP313, US26, US32, US26D, US32D, SP28

24-C-WDC, F-24-C-WDC-20 Concealed Vertical Rods & Latches

Wood Door—Panic Devices, Wood Door—20 Minute Fire Device



Item No.	Qty.	Part No.	Description	Pkg Contents	Notes
17	1	600209	7/32" Hex Key Pkg (panic device only)		
35	1	600121	25-CWDC Mounting Pkg 1 3/4" Door	35a 2- 1/4-20 x 3/4" PPHMS — 4- #10-24 x 1" PPHMS * 35b 11- #10 x 1 1/4" FPHSMS	A

24-C-WDC, F-24-C-WDC-20 Concealed Vertical Rods & Latches

Wood Door—Panic Devices, Wood Door—20 Minute Fire Device

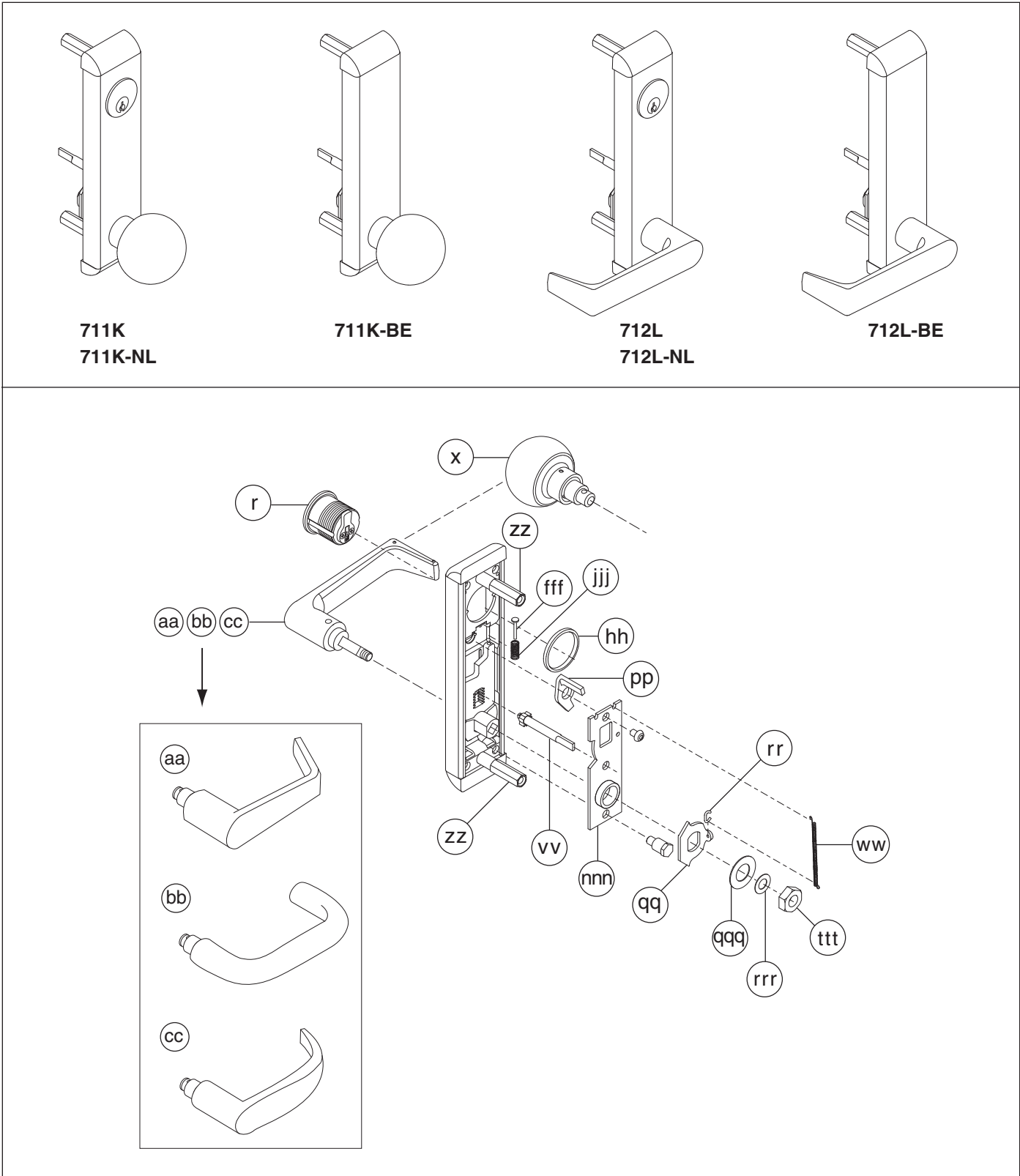
Item No.	Qty.	Part No.	Description	Pkg Contents	Notes
35	1	600121	25-CWDC Mounting Pkg 1¾" Door	35c 2– #8-32 x ¾" UFPHMS — 2– ¾" CS Plate Mtg Screw * 35d 1– ½ x 1" Cotter Key 35f 4– ¼" CS Finish Washer 35g 4– 1/4-20 x ¾" FPHMS 35h 6– 1/4-20 Sexbolt 35k 1– Dogging Key 35n 2– #10-24 x ¾" FPHMS — 2– #10-24 x ¾" FPHMS *	A
		600137	F-24-CWDC 20 Minute Mounting Pkg 1¾" Door	35a 2– 1/4-20 x ¾" PPHMS 35b 11– #10 x 1¼" FPHSMS 35c 2– #8-32 x ¾" UFPHMS 35d 1– ½ x 1" Cotter Key — 2– ¾" CS Plate Mtg Screw * 35f 4– ¼" CS Finish Washer 35g 4– 1/4-20 x ¾" FPHMS 35h 6– 1/4-20 Sexbolt — 4– #10-24 x 1" PPHMS * 35n 2– #10-24 x ¾" FPHMS — 2– #10-24 x ¾" FPHMS *	A
		600238	24-CWDC Mounting Pkg 2¼" Door	35a 2– 1/4-20 x 1¼" PPHMS — 4– #10-24 x 1" PPHMS * 35b 11– #10 x 1¼" FPHSMS 35c 2– #8-32 x ¾" UFPHMS — 2– #8-32 x ¾" UFPHMS * 35d 1– ½ x 1" Cotter Key — 2– ¾" CS Plate Mtg Screw * 35f 4– 1/4-20 x 1¼" FPHMS 35g 4– ¼" CS Finish Washer 35h 6– 1/4-20 Sexbolt 35n 2– #10-24 x ¾" FPHMS	A
41	1	661102	½ x 1" Cotter Key		
48	1	650017	Concealed Vertical Extension Rod 12"		
		650018	Concealed Vertical Extension Rod 24"		
		650019	Concealed Vertical Extension Rod 36"		
49	1	WF603	F-C-WDC Top Latch Case Subassembly		*
50	1	5494	Auxiliary Fire Latch Kit (Less Bottom Rod application only)		
52	1	F603	Concealed Top Latch Case Subassembly (Fire)		
54	1	4833	Top Reinforcement Plate		A
55	1	4834	Top Reinforcement Plate with Access Hole		A
56	1	4832	Center Slide Reinforcement Plate		
61	1	610040	Top Latch Release Subassembly		A
62	1	610061	Top Rod Subassembly		
63	1	610043	Center Slide Subassembly		
64	1	610057	Bottom Rod Subassembly		
66	1	4835	WDC Bottom Bolt Guide		

* Item(s) not shown.

A Specify by finish: US3, US4, US10, SP313, US26, US26D, US32, US32D

24 Series: Knob (711) & Lever (712) Trim—Rim/Vertical Device

711K, 711K-BE, 711K-NL, 712L, 712L-BE and 712L-NL



24 Series: Knob (711) & Lever (712) Trim—Rim/Vertical Device

711K, 711K-BE, 711K-NL, 712L, 712L-BE and 712L-NL

Item No.	Qty.	Part No.	Description	Notes
r	1	986	1¼" Mortise Cylinder (US3, US4, US10, US26D, SP313)	B
x	1	610119	Knob Assembly	A
aa	1	610125	Dane Lever Assembly Pkg	A
bb	1	610126	Sutro Lever Assembly Pkg	A
cc	1	610128	Quantum Lever Assembly Pkg	A
hh	1	3894	Cylinder Nut	
pp	1	4268	Locking Plate	
qq	1	4275	Spring Plate	
rr	1	4326	Lever Spring Clip	
vv	1	610197	Actuator Shaft Assembly	
ww	1	4841	Lever Return Spring	
zz	2	4270	Hex Stud	
fff	1	660471	Rivet	
jjj	1	4605	Spring	
nnn	1	610200	Retainer Plate Subassembly	
qqq	1	4218	Lever Washer Nylon	
rrr	1	660456	Washer	
ttt	1	660459	⅜" - 16 Locknut	

A Specify by finish: US3, US4, US10, SP313, US26, US32, US26D, US32D, US28

B Specify by finish shown

Specifications:

Escutcheon: 1¾" x 7¼"

Knob Projection: 4"

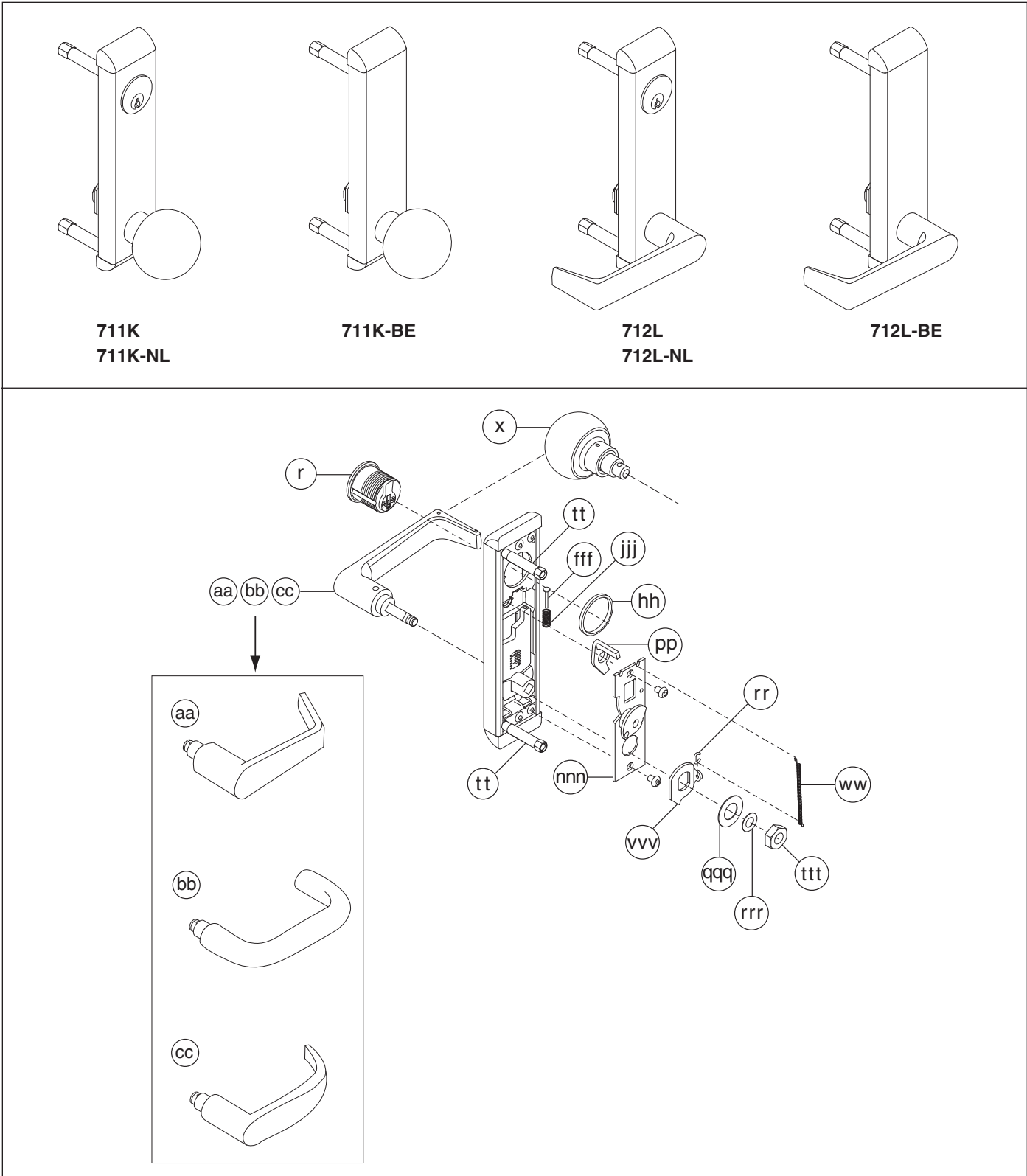
Lever Projection: Dane 2¼"

Quantum 3⅛"

Sutro 2¹³/₁₆"

24 Series: Knob (711) & Lever (712) Trim—Concealed Device

711K, 711K-BE, 712L and 712L-BE



24 Series: Knob (711) & Lever (712) Trim—Concealed Device

711K, 711K-BE, 712L and 712L-BE

Item No.	Qty.	Part No.	Description	Notes
r	1	986	1¼" Mortise Cylinder (US3, US4, US10, US26D, SP313)	B
x	1	610119	Knob Assembly	A
aa	1	610125	Dane Lever Assembly Pkg	A
bb	1	610126	Sutro Lever Assembly Pkg	A
cc	1	610128	Quantum Lever Assembly Pkg	A
hh	1	3894	Cylinder Nut	
pp	1	4268	Locking Plate	
rr	1	4326	Lever Spring Clip	
tt	2	4349	Control Hex Stud	
ww	1	4841	Lever Return Spring	
fff	1	660471	Rivet	
jjj	1	4605	Spring	
nnn	1	610205	Retainer Plate Subassembly	
qqq	1	4218	Lever Washer Nylon	
rrr	1	660456	Washer	
ttt	1	660459	¾" - 16 Locknut	
vvv	1	4408	Spring Stop Plate (handed)	

A Specify by finish: US3, US4, US10, SP313, US26, US32, US26D, US32D, US28

B Specify by finish shown

Specifications:

Escutcheon: 1¾" x 7¼"

Knob Projection: 4"

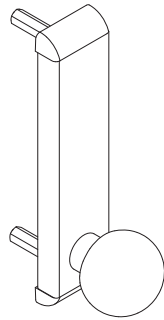
Lever Projection: Dane 2¼"

Quantum 3⅛"

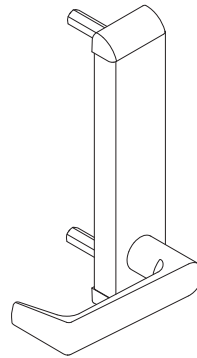
Sutro 2¹³/₁₆"

24 Series: Knob (711) & Lever (712) Dummy Trim for Rim, Vertical and Concealed Device

711K-DT and 712L-DT



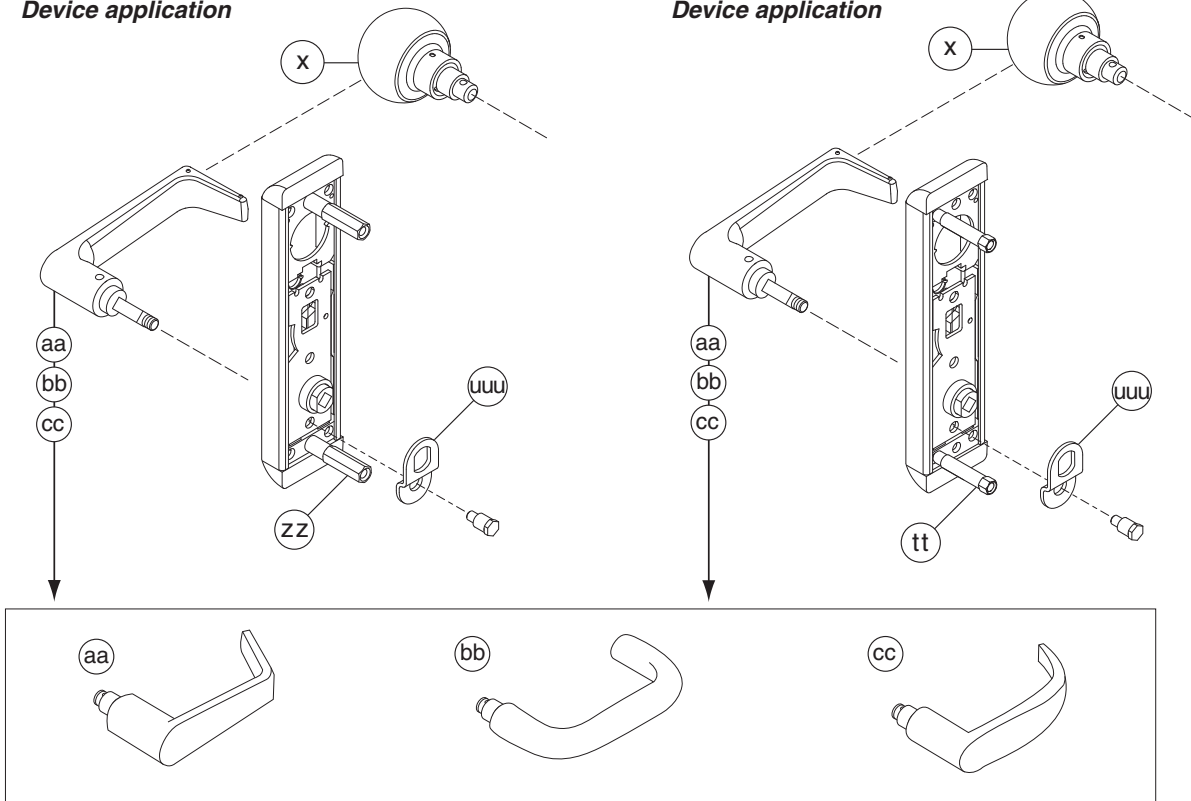
711K-DT



712L-DT

Rim or Surface Vertical Device application

Concealed Vertical Device application



24 Series: Knob (711) & Lever (712) Dummy Trim for Rim, Vertical and Concealed Device

711K-DT and 712L-DT

Item No.	Qty.	Part No.	Description	Notes
x	1	610119	Knob Assembly	A
aa	1	610125	Dane Lever Assembly Pkg	A
bb	1	610126	Sutro Lever Assembly Pkg	A
cc	1	610128	Quantum Lever Assembly Pkg	A
tt	2	4349	Control Hex Stud	
zz	2	4270	Hex Stud	
uuu	1	4302	L-DT Lever Plate	

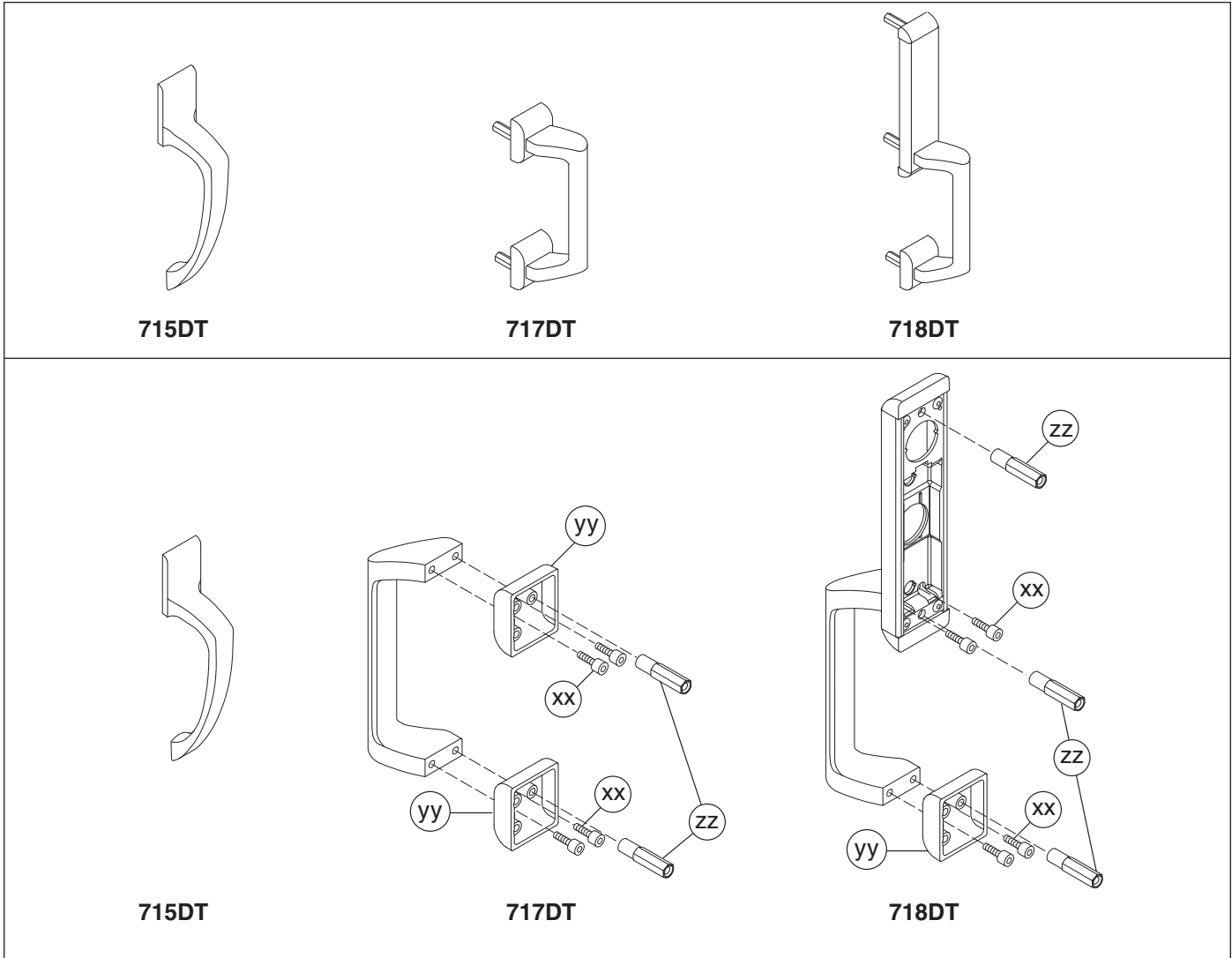
A Specify by finish: US3, US4, US10, SP313, US26, US32, US26D, US32D, US28

Specifications:

Escutcheon: 1¾" x 7¼"
 Knob Projection: 4"
 Lever Projection: Dane 2¼"
 Quantum 3⅛"
 Sutro 2⅓/16"

24 Series: Athena (715) Pull & Delta Pull (717, 718) Trim for Rim and Vertical Device

715DT, 717DT and 718DT



24 Series: Athena (715) Pull & Delta Pull (717, 718) Trim for Rim and Vertical Device

715DT, 717DT and 718DT

Item No.	Qty.	Part No.	Description	Pkg Contents	Notes
xx	1	600288	Pull Grip Screws Pkg	10– 1/4-20 x 1/2" Hex Socket Head Cap Screw	
yy	2	600289	Lower Pull Bracket Pkg, 1 3/4" Door	1– Lower Pull Bracket 2– 1/4-20 x 2 1/4" FPHMS 1– Finish Washer	A * *
		600290	Lower Pull Bracket Pkg, 2 1/4" Door	1– Lower Pull Bracket 2– 1/4-20 x 2 3/4" FPHMS 1– Finish Washer	A * *
zz	3	4270	Hex Stud		

* Item(s) not shown. Specify finish when ordering.

A Specify by finish: US3, US4, US10, SP313, US26, US26D, US32, US32D, US28

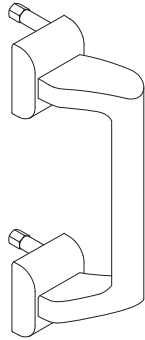
Note: Athena (715DT) trim not available in US32 or US32D finish.

Specifications:

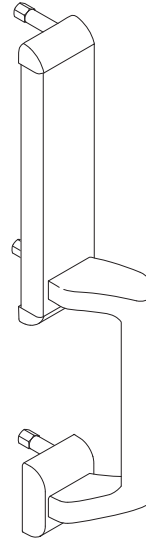
- 715DT Grip Overall: 1 5/8" x 9"
- 715DT Pull: 6 1/4" C - C
- 715DT Projection: 2 1/4"
- Delta Pull Projection: 2"
- 718DT Escutcheon: 1 3/4" x 7 1/4"
- 718DT Overall Length: 13"

24 Series: Delta Pull (717, 718) Trim for Concealed Devices

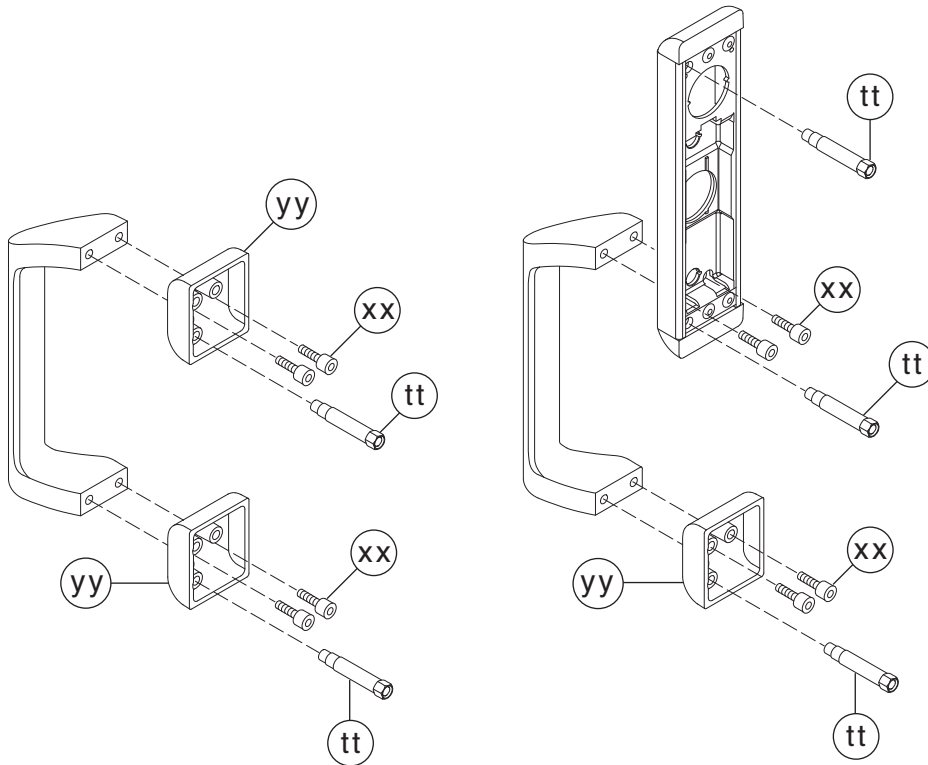
717DT and 718DT



717DT



718DT



24 Series: Delta Pull (717, 718) Trim for Concealed Devices

717DT and 718DT

Item No.	Qty.	Part No.	Description	Pkg Contents	Notes
tt	3	4349	Control Hex Stud		
xx	1	600288	Pull Grip Screws Pkg	10– 1/4-20 x 1/2" Hex Socket Head Cap Screw	
yy	2	600289	Lower Pull Bracket Pkg, 1 3/4" Door	1– Lower Pull Bracket 2– 1/4-20 x 2 1/4" FPHMS 1– Finish Washer	A * *
		600290	Lower Pull Bracket Pkg, 2 1/4" Door	1– Lower Pull Bracket 2– 1/4-20 x 2 3/4" FPHMS 1– Finish Washer	A * *

* Item(s) not shown. Specify finish when ordering.

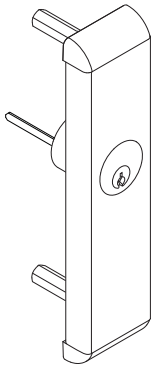
A Specify by finish: US3, US4, US10, SP313, US26, US26D, US32, US32D, US28

Specifications:

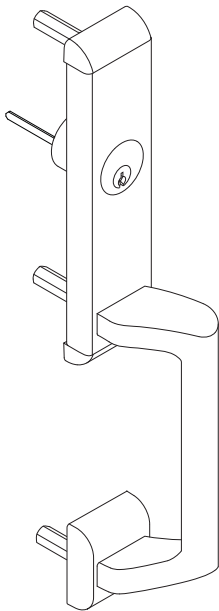
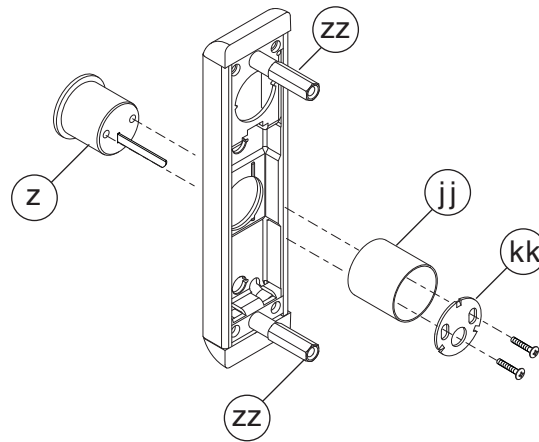
Delta Pull Projection: 2"
 718DT Escutcheon: 1 3/4" x 7 1/4"
 718DT Overall Length: 13"

24 Series: Delta (718) Trim for Rim and Vertical Device

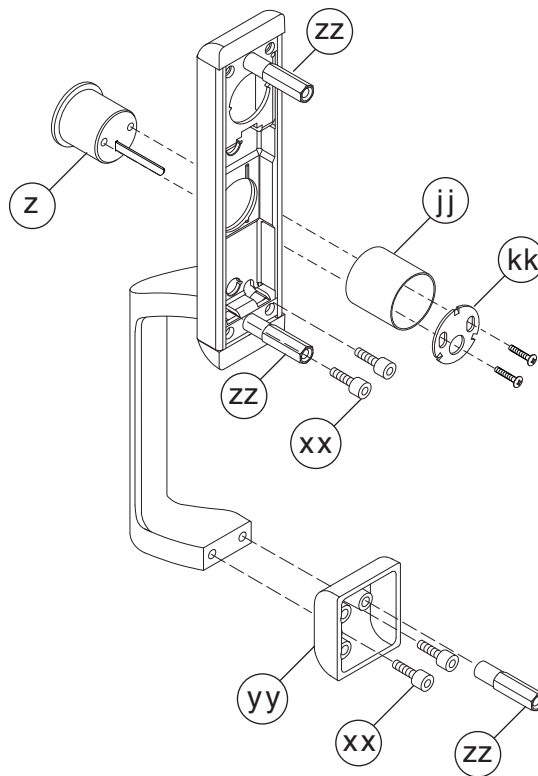
718C and 718-NL



718C



718NL



24 Series: Delta (718) Trim for Rim and Vertical Device

718C and 718-NL

Item No.	Qty.	Part No.	Description	Pkg Contents	Notes
z	1	951	Rim Cylinder (US3, US4, US10, US26D, SP313)		B
jj	1	4120	Cylinder Spacer Collar		
kk	1	4121	Cylinder Anchor Plate		
xx	1	600288	Pull Grip Screws Pkg	10- 1/4-20 x 1/2" Hex Socket Head Cap Screw	
yy	1	600289	Lower Pull Bracket Pkg, 1 3/4" Door	1- Lower Pull Bracket 2- 1/4-20 x 2 1/4" FPHMS 1- Finish Washer	A * *
		600290	Lower Pull Bracket Pkg, 2 1/4" Door	1- Lower Pull Bracket 2- 1/4-20 x 2 3/4" FPHMS 1- Finish Washer	A * *
zz	3	4270	Hex Stud		

* Item(s) not shown. Specify finish when ordering.

A Specify by finish: US3, US4, US10, SP313, US26, US26D, US32, US32D, US28

B Specify by finish shown.

Specifications:

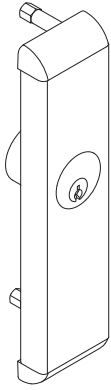
Escutcheon: 1 3/4" x 7 1/4"

Projection: 2"

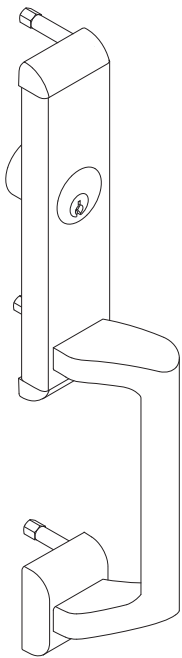
Overall Length: 13"

24 Series: Delta (718) Trim for Concealed Device

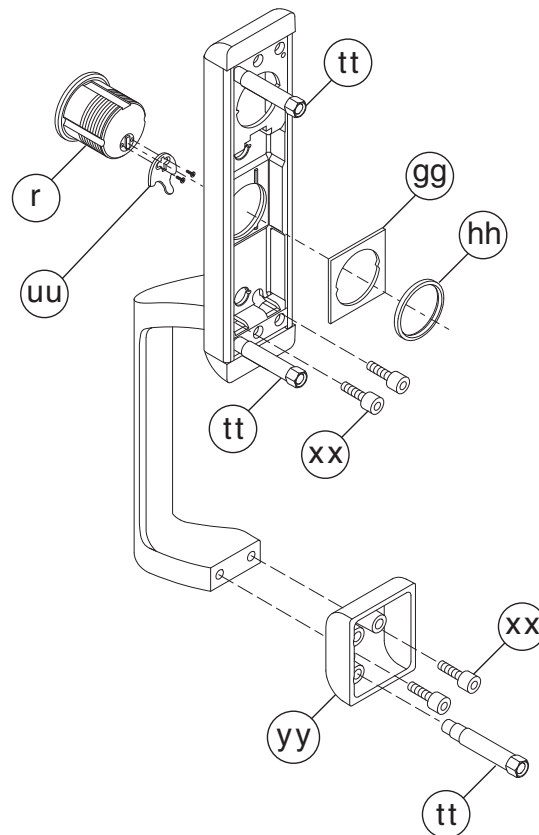
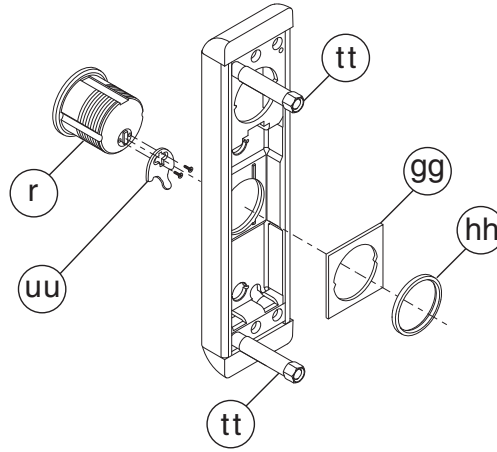
718C and 718-NL



718C



718NL



24 Series: Delta (718) Trim for Concealed Device

718C and 718-NL

Item No.	Qty.	Part No.	Description	Pkg Contents	Notes
r	1	985	1½" Mortise Cylinder x ½" Blocking Ring with supplied cam (US3, US4, US10, US26D, SP313)		B
gg	1	4131	Cylinder Retaining Bracket		
hh	1	3894	Cylinder Nut		
tt	3	4349	Control Hex Stud		
uu	1	4831	Falcon Cam NL Concealed		
xx	1	600288	Pull Grip Screws Pkg	10– 1/4-20 x ½" Hex Socket Head Cap Screw	
yy	1	600289	Lower Pull Bracket Pkg, 1¾" Door	1– Lower Pull Bracket 2– 1/4-20 x 2¼" FPHMS 1– Finish Washer	A * *
		600290	Lower Pull Bracket Pkg, 2¼" Door	1– Lower Pull Bracket 2– 1/4-20 x 2¾" FPHMS 1– Finish Washer	A * *

* Item(s) not shown. Specify finish when ordering.

A Specify by finish: US3, US4, US10, SP313, US26, US26D, US32, US32D, US28

B Specify by finish shown.

Specifications:

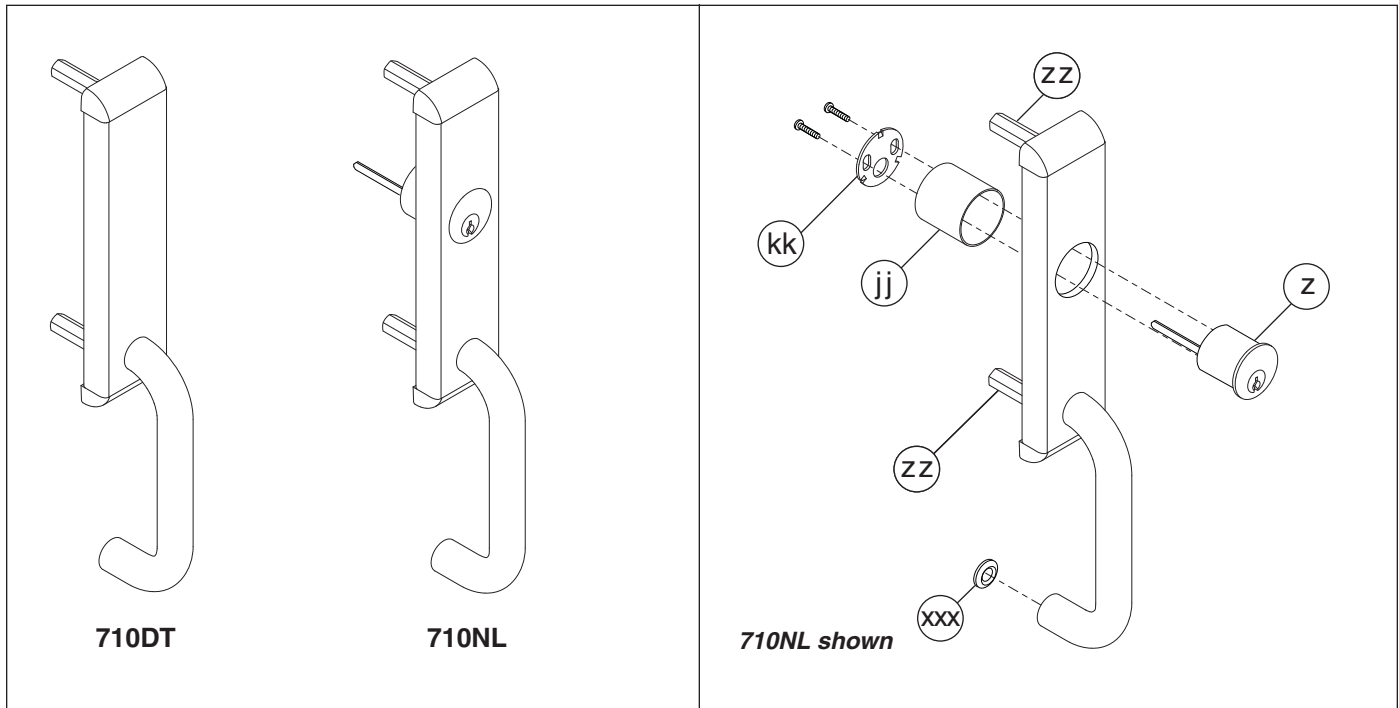
Escutcheon: 1¾" x 7¼"

Projection: 2"

Overall Length: 13"

24 Series: Control Pull Trim (710) for Rim or Vertical Device

710-DT and 710-NL



Item No.	Qty.	Part No.	Description	Notes
z	1	951	Rim Cylinder (US3, US4, US10, US26D, SP313)	B
jj	1	4120	Cylinder Spacer Collar	
kk	1	4121	Cylinder Anchor Plate	
zz	2	4270	Hex Stud	
xxx	1	660428	Finished Countersink Washer (US3, US4, US10)	B
		660429	Finished Countersink Washer (US26, US26D, US32, US32D, SP28)	B
		660430	Finished Countersink Washer (SP313)	

B Specify by finish shown

Specifications:

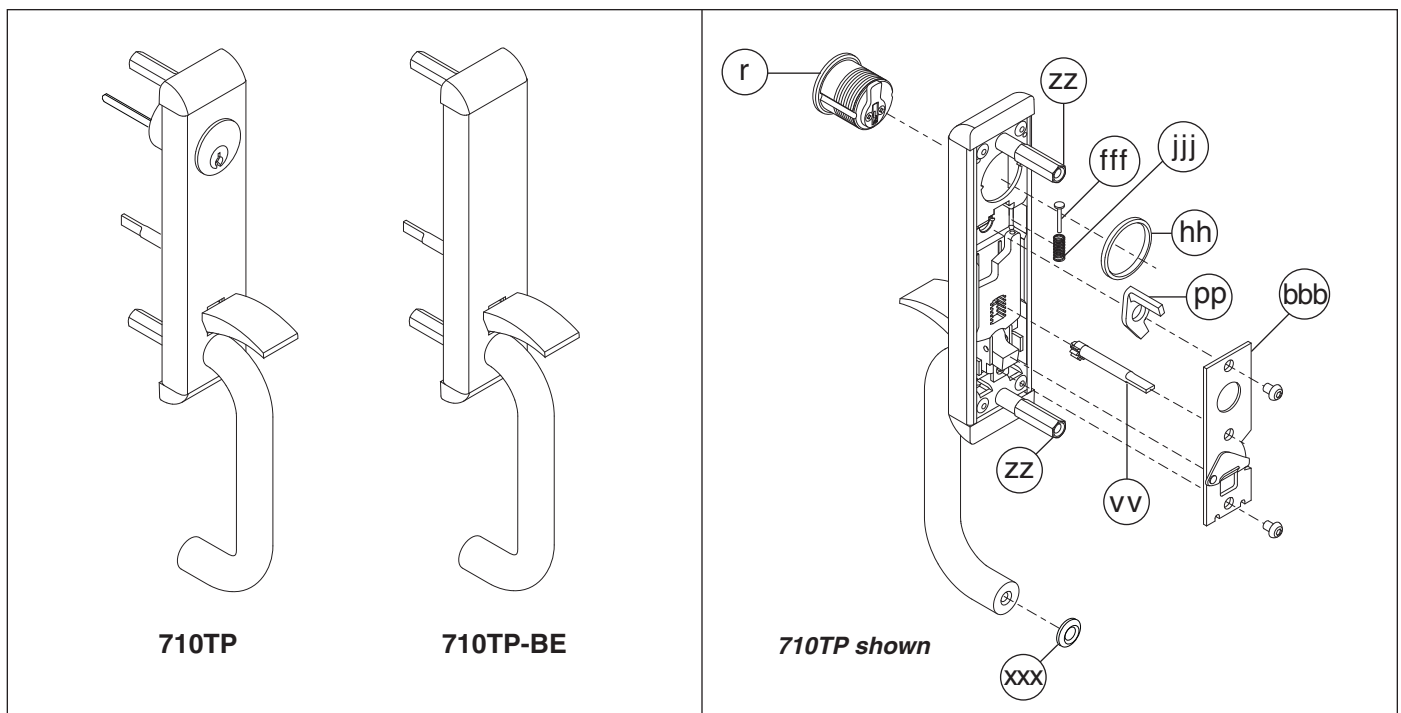
Escutcheon: 1¾" x 7¼"

Projection: 2¼"

Overall Length: 11¾"

24 Series: Control Thumbpiece (710) Trim - Rim/Vertical Device

710TP and 710TP-BE



Item No.	Qty.	Part No.	Description	Notes
r	1	986	1¼" Mortise Cylinder (US3, US4, US10, US26D, SP313)	B
hh	1	3894	Cylinder Nut	
pp	1	4268	Locking Plate	
vv	1	610197	Actuator Shaft Assembly	
zz	2	4270	Hex Stud	
bbb	1	610199	TP Retainer Plate Subassembly	
fff	1	660471	Rivet	
jjj	1	4605	Spring	
xxx	1	660428	Finished Countersink Washer (US3, US4, US10)	B
		660429	Finished Countersink Washer (US26, US26D, US32, US32D, SP28)	B
		660439	Finished Countersink Washer (SP313)	

B Specify by finish shown

Specifications:

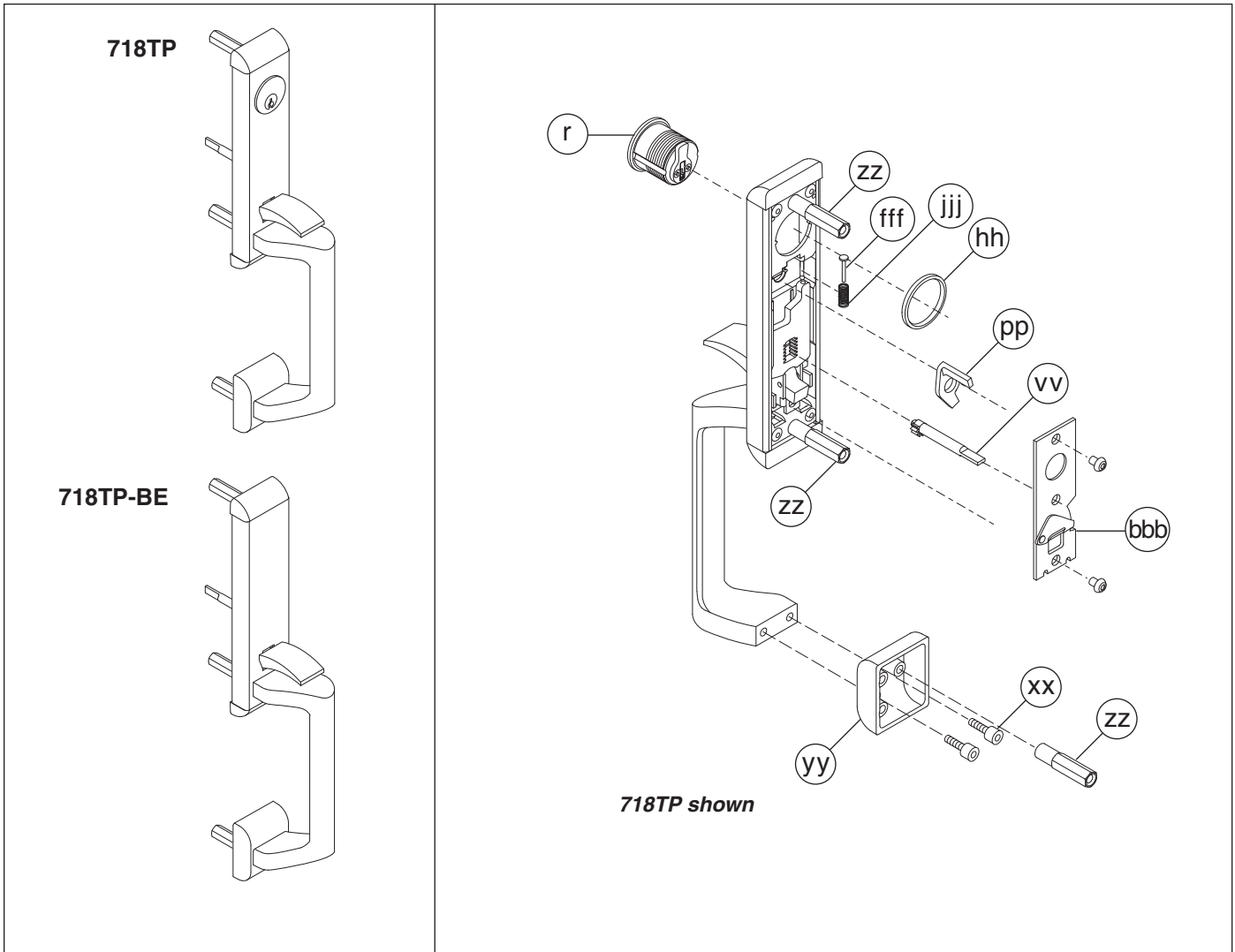
Escutcheon: 1¾" x 7¼"

Projection: 2¼"

Overall Length: 11¾"

24 Series: Delta Thumbpiece (718) Trim - Rim/Vertical Device

718TP and 718TP-BE



24 Series: Delta Thumbpiece (718) Trim - Rim/Vertical Device

718TP and 718TP-BE

Item No.	Qty.	Part No.	Description	Pkg Contents	Notes
r	1	986	1½" Mortise Cylinder (US3, US4, US10, US26D, SP313)		B
hh	1	3894	Cylinder Nut		
pp	1	4268	Locking Plate		
vv	1	610197	Actuator Shaft Assembly		
xx	1	600288	Pull Grips Screws Pkg	10– 1/4-20 x ½" Hex Socket Head Cap Screw	
yy	1	600289	Lower Pull Bracket Pkg, 1¾" Door	1– Lower Pull Bracket 2– 1/4-20 x 2¼" FPHMS 1– Finish Washer	A * *
		600290	Lower Pull Bracket Pkg, 2¼" Door	1– Lower Pull Bracket 2– 1/4-20 x 2¾" FPHMS 1– Finish Washer	A * *
zz	3	4270	Hex Stud		
bbb	1	610199	TP Retainer Plate Subassembly		
fff	1	660471	Rivet		
jjj	1	4605	Spring		

* Item(s) not shown. Specify finish when ordering.

A Specify by finish: US3, US4, US10, SP313, US26, US26D, US32, US32D, US28

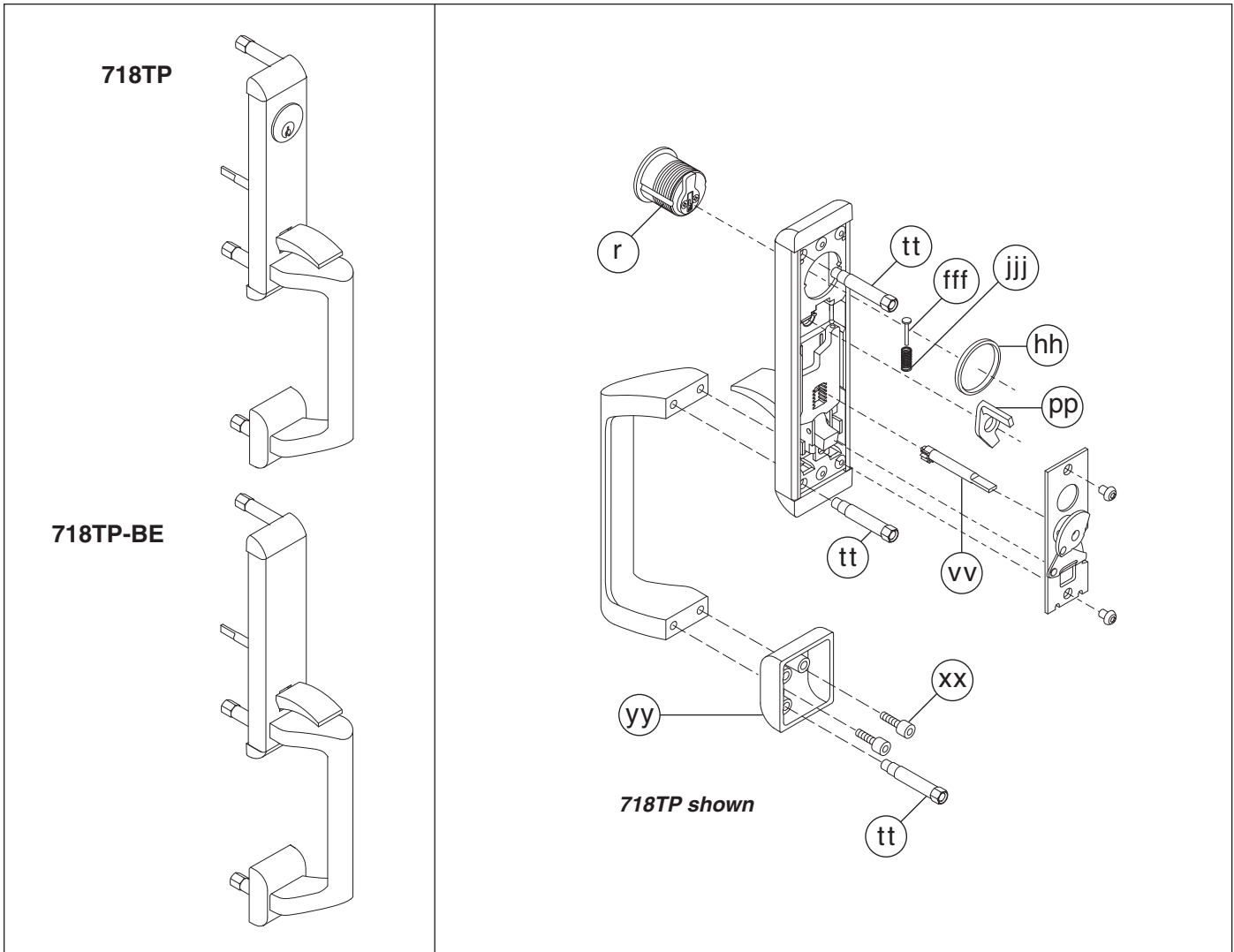
B Specify by finish shown

Specifications:

Escutcheon: 1¾" x 7¼"
 Projection: 2"
 Overall Length: 13"

24 Series: Delta Thumbpiece (718) Trim - Concealed Device

718TP and 718TP-BE



24 Series: Delta Thumbpiece (718) Trim - Concealed Device

718TP and 718TP-BE

Item No.	Qty.	Part No.	Description	Pkg Contents	Notes
r	1	986	1½" Mortise Cylinder (US3, US4, US10, US26D, SP313)		B
hh	1	3894	Cylinder Nut		
pp	1	4268	Locking Plate		
tt	3	4349	Control Hex Stud		
vv	1	610197	Actuator Shaft Assembly		
xx	1	600288	Pull Grips Screws Pkg	10– 1/4-20 x ½" Hex Socket Head Cap Screw	
yy	1	600289	Lower Pull Bracket Pkg, 1¾" Door	1– Lower Pull Bracket 2– 1/4-20 x 2¼" FPHMS 1– Finish Washer	A * *
		600290	Lower Pull Bracket Pkg, 2¼" Door	1– Lower Pull Bracket 2– 1/4-20 x 2¾" FPHMS 1– Finish Washer	A * *
fff	1	660471	Rivet		
jjj	1	4605	Spring		

* Item(s) not shown. Specify finish when ordering.

A Specify by finish: US3, US4, US10, SP313, US26, US26D, US32, US32D, US28

B Specify by finish shown.

Specifications:

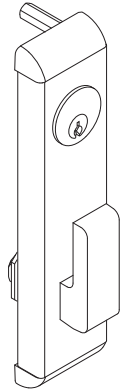
Escutcheon: 1¾" x 7¼"

Projection: 2"

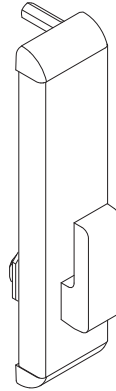
Overall Length: 13"

24 Series: Turn Lever (719) Trim for Surface Vertical Device

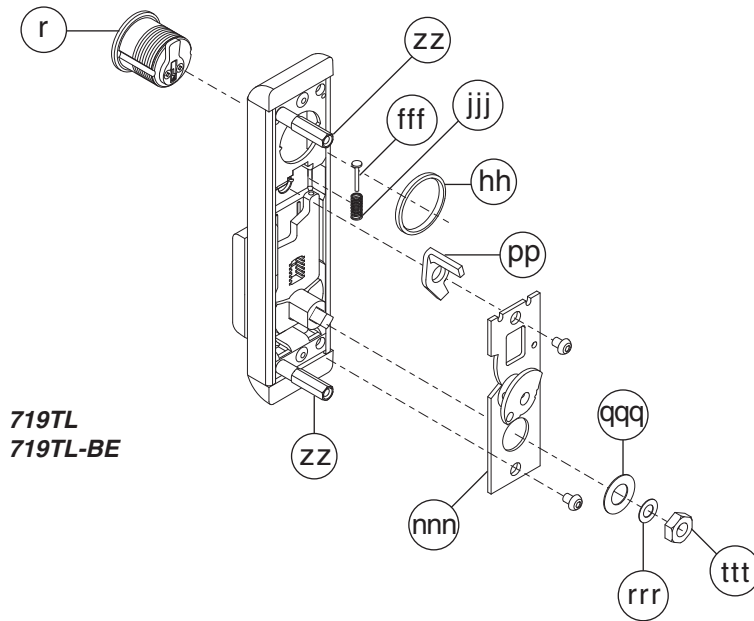
719TL and 719TL-BE



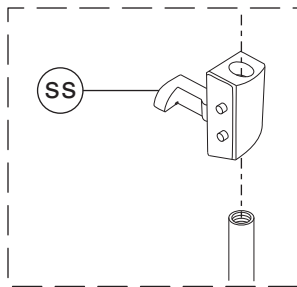
719TL



719TL-BE



**719TL
719TL-BE**



**Rod Member for 719TL, 719TL-BE
24-V application**

24 Series: Turn Lever (719) Trim for Surface Vertical Device

719TL and 719TL-BE

Item No.	Qty.	Part No.	Description	Notes
r	1	986	1¼" Mortise Cylinder (US3, US4, US10, US26D, SP313)	B
hh	1	3894	Cylinder Nut	
pp	1	4268	Locking Plate	
ss	1	600267	Rod Member (includes 2 set screws)	A
zz	2	4270	Hex Stud	
fff	1	660471	Rivet	
jjj	1	4605	Spring	
nnn	1	610205	Retainer Plate Subassembly	
qqq	1	4218	Lever Washer Nylon	
rrr	1	660456	Washer	
ttt	1	660459	¾" - 16 Locknut	

A Specify by finish: US3, US4, US10, US10B, US26, US26D, US32, US32D

B Specify by finish shown

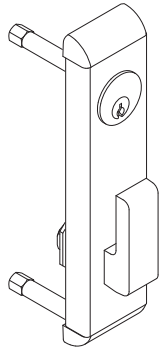
Specifications:

Escutcheon: 1¾" x 7¼"

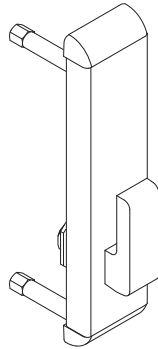
Projection: 1¾"

24 Series: Turn Lever (719) Trim for Concealed Vertical Device

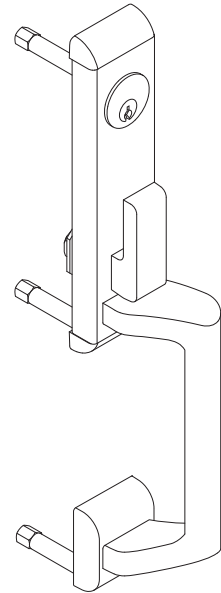
719TL, 719TL-BE and 719TLP



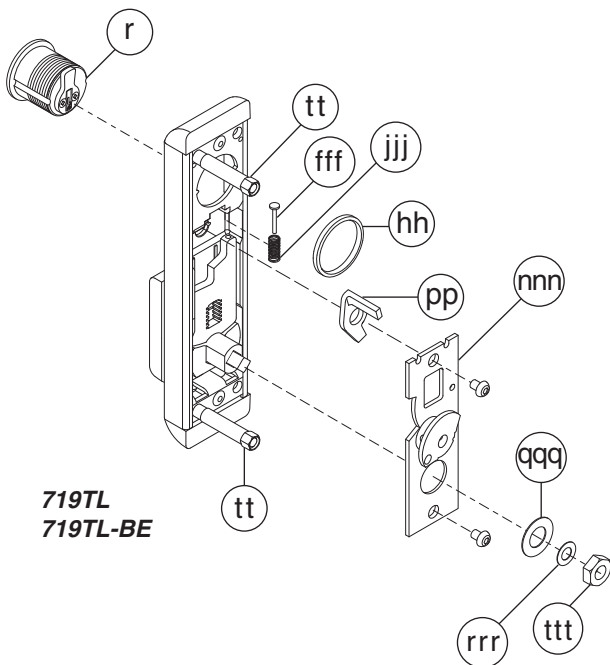
719TL



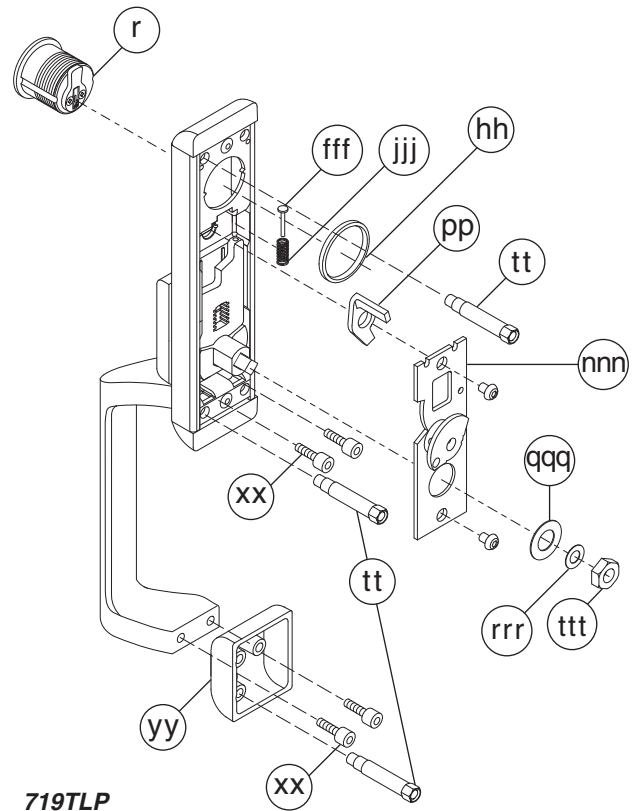
719TL-BE



719TLP



719TL
719TL-BE



719TLP

24 Series: Turn Lever (719) Trim for Concealed Vertical Device

719TL, 719TL-BE and 719TLP

Item No.	Qty.	Part No.	Description	Pkg Contents	Notes
r	1	986	1¼" Mortise Cylinder (US3, US4, US10, US26D, SP313)		B
hh	1	3894	Cylinder Nut		
pp	1	4268	Locking Plate		
tt	3	4349	Control Hex Stud		
xx	1	600288	Pull Grips Screws Pkg	10– 1/4-20 x ½" Hex Socket Head Cap Screw	
yy	1	600289	Lower Pull Bracket Pkg, 1¾" Door	1– Lower Pull Bracket 2– 1/4-20 x 2¼" FPHMS 1– Finish Washer	A * *
		600290	Lower Pull Bracket Pkg, 2¼" Door	1– Lower Pull Bracket 2– 1/4-20 x 2¾" FPHiMS 1– Finish Washer	A * *
fff	1	660471	Rivet		
jjj	1	4605	Spring		
nnn	1	610205	Retainer Plate Subassembly		
qqq	1	4218	Lever Washer Nylon		
rrr	1	660456	Washer		
ttt	1	660459	⅜" - 16 Locknut		

* Item(s) not shown. Specify finish when ordering.

A Specify by finish: US3, US4, US10, SP313, US26, US26D, US32, US32D, US28

B Specify by finish shown.

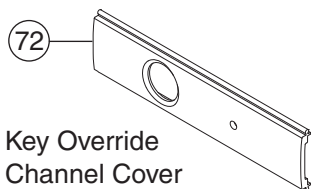
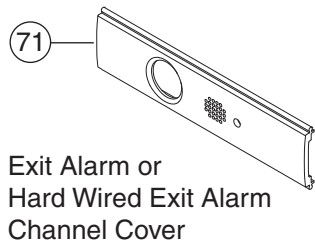
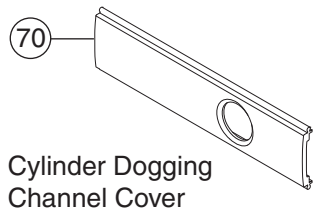
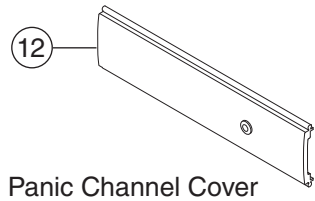
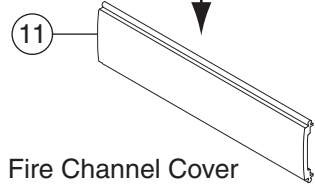
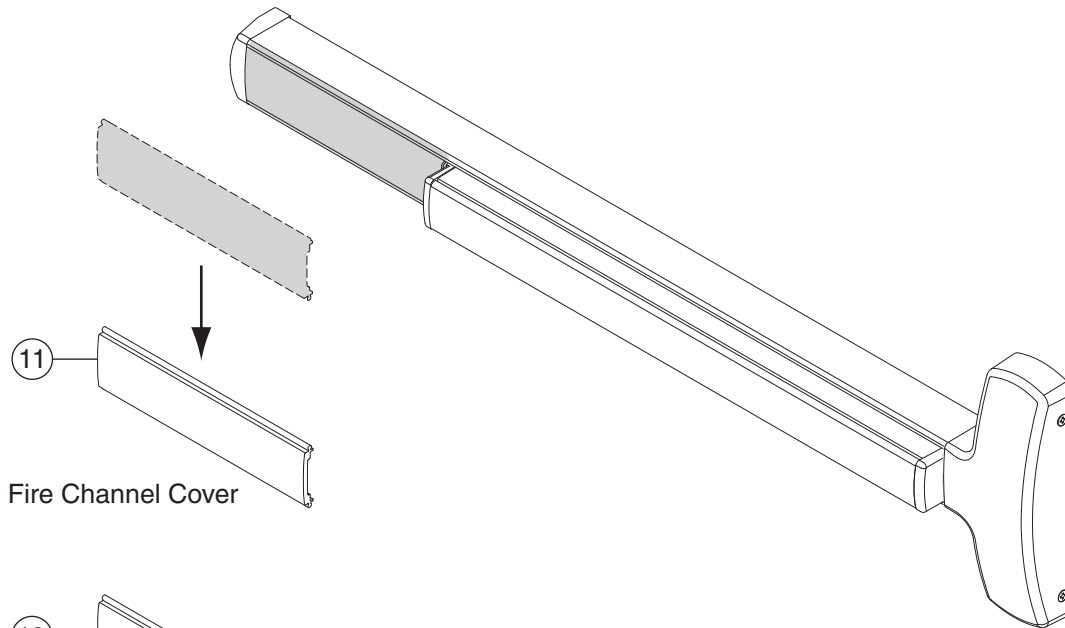
Specifications:

Escutcheon: 1¾" x 7¼"

Projection: 1¾"

Overall Length: 13"

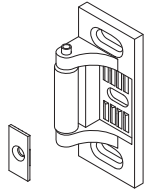
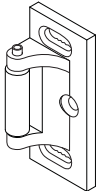
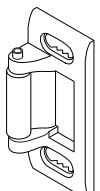
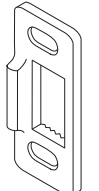
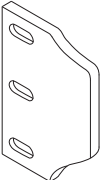
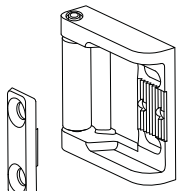
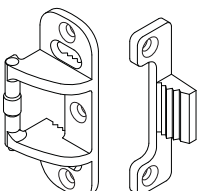
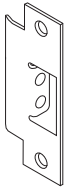
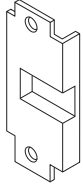
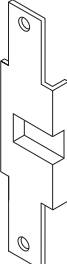
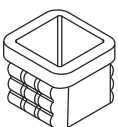
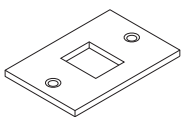
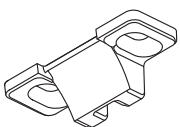
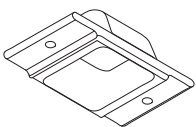
24/25 Series Channel Cover Options



Item No.	Qty.	Part No.	Description	Notes
11	1	661420	25 Series Fire Channel Cover 3'	A
	1	661421	25 Series Fire Channel Cover 4'	
	1	661416	24 Series Fire Channel Cover 3'	
	1	661417	24 Series Fire Channel Cover 4'	
12	1	661428	25 Series Panic Channel Cover 3'	
	1	661429	25 Series Panic Channel Cover 4'	
	1	661424	24 Series Panic Channel Cover 3'	
	1	661425	24 Series Panic Channel Cover 4'	
70	1	650119	25 Series CD Channel Cover 3'	
	1	650120	25 Series CD Channel Cover 4'	
	1	650115	24 Series CD Channel Cover 3'	
	1	650116	24 Series CD Channel Cover 4'	
71	1	650135	25 Series EA/HWEA Channel Cover 3'	
	1	650136	25 Series EA/HWEA Channel Cover 4'	
	1	650131	24 Series EA/HWEA Channel Cover 3'	
	1	650132	24 Series EA/HWEA Channel Cover 4'	
72	1	650143	25 Series KOR Channel Cover 3'	
	1	650144	25 Series KOR Channel Cover 4'	
	1	650139	24 Series KOR Channel Cover 3'	
	1	650140	24 Series KOR Channel Cover 4'	

A Specify by finish: US3, US4, US10, SP313, US26, US32D, US26D, US32D, US28

24/25 Series Strikes

<p>299 Standard Rim Panic Devices Single or Double Door</p> 	<p>299F Standard Rim Fire Devices Single or Double Door</p> 	<p>264 Optional Rim Panic Devices Single or Double Door</p> 	<p>1606 Optional Rim Panic Devices Single or Double Door</p> 	<p>1609 Optional 25 Rim Devices Double Doors</p> 
<p>1439 Optional Rim Panic Devices Single or Double Door</p> 	<p>499F Optional 25 Rim Fire Devices w/Mullion</p> 	<p>1279 Standard Mortise Panic and Fire Device</p> 	<p>F1280 Optional Mortise Fire Device</p> 	<p>1281 Optional Mortise Panic Device</p> 
<p>2130 Bottom Strike, Std. Surface & Concealed Vertical Panic or Fire Devices</p> 	<p>4155 Bottom Strike, Opt. Surface & Concealed Vertical Panic or Fire Devices</p> 		<p>3788 Top Strike, Standard Surface Vertical Panic or Fire Devices</p> 	<p>4188 Top Strike, Standard Concealed Vertical Panic or Fire Devices</p>  <p><i>Optional 4188 NS (narrow stile) available for 24-C and 24-CWDC devices (not shown)</i></p>

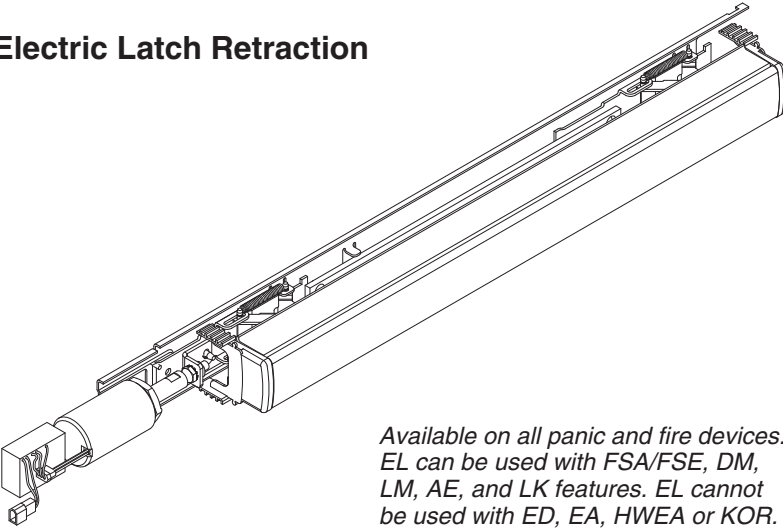
Strike Finishes

Strike(s)	Available Finishes
264	US3, US19 (BHMA 622, Matte Black), US26
299, 299F, 1609	US3, US4, US10, US10B, US19, US26, US26D, US32D
499F	US4, US10, US10B, US19, US26D, US32D
1281, 4155	US4, US10, US10B, US26D, US32D
1439, 1606, 1279, 1280, 2130, 3788, 4188	Unfinished

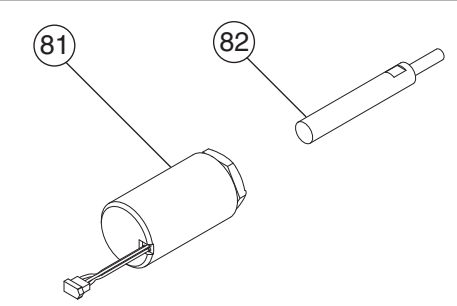
24/25 Series Electrical Options

Electric Latch Retraction (EL), Exit Alarm (EA), Hard Wired Exit Alarm (HWEA)

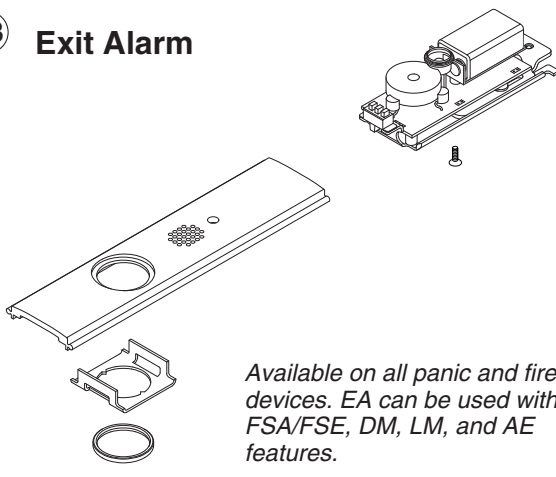
80 Electric Latch Retraction



Available on all panic and fire devices. EL can be used with FSA/FSE, DM, LM, AE, and LK features. EL cannot be used with ED, EA, HWEA or KOR.

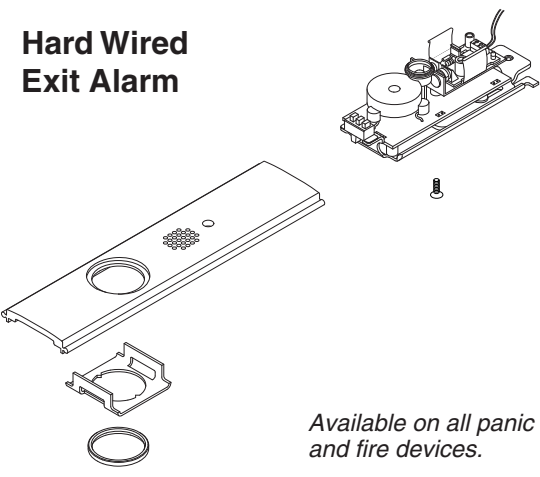


83 Exit Alarm



Available on all panic and fire devices. EA can be used with FSA/FSE, DM, LM, and AE features.

84 Hard Wired Exit Alarm



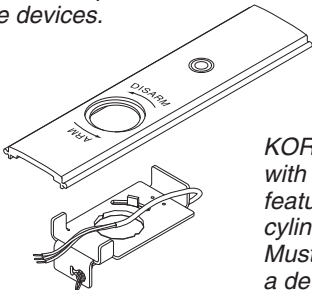
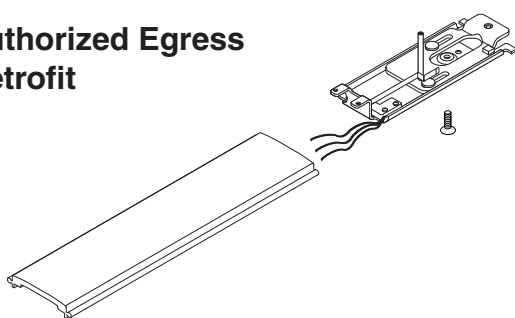
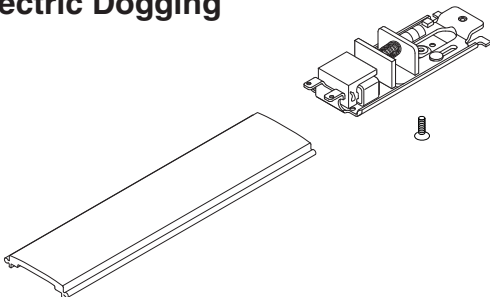
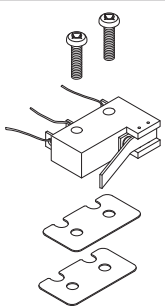
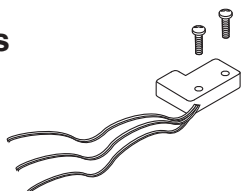
Available on all panic and fire devices.

Item No.	Qty.	Part No.	Description	Notes
80	1	650147	Electric Latch Retraction (EL) Conversion Kit 3'	A
		650148	Electric Latch Retraction (EL) Conversion Kit 4'	
81	1	600320	Solenoid Body Pkg	
82	1	600321	Solenoid Plunger Pkg	
83	1	650167	25 Series Exit Alarm (EA) Conversion Kit 3'	A
		650168	25 Series Exit Alarm (EA) Conversion Kit 4'	
		650163	24 Series Exit Alarm (EA) Conversion Kit 3'	
		650164	24 Series Exit Alarm (EA) Conversion Kit 4'	
84	1	650175	25 Series Hard Wired Exit Alarm (HWEA) Conversion Kit 3' (US3, US26, US32)	A
		650176	25 Series Hard Wired Exit Alarm (HWEA) Conversion Kit 4' (US3, US26, US32)	
		650171	24 Series Hard Wired Exit Alarm (HWEA) Conversion Kit 3'	
		650172	24 Series Hard Wired Exit Alarm (HWEA) Conversion Kit 4'	

A Specify by finish: US3, US4, US10, SP313, US26, US32D, US26D, US32D, US28

24/25 Series Electrical Options

Key Override (KOR), Electric Dogging (ED), Authorized Egress (AE) Retrofit, Latch Monitoring (LM) Switch, Device Monitoring (DM) Switch, Authorized Egress (AE) Switch

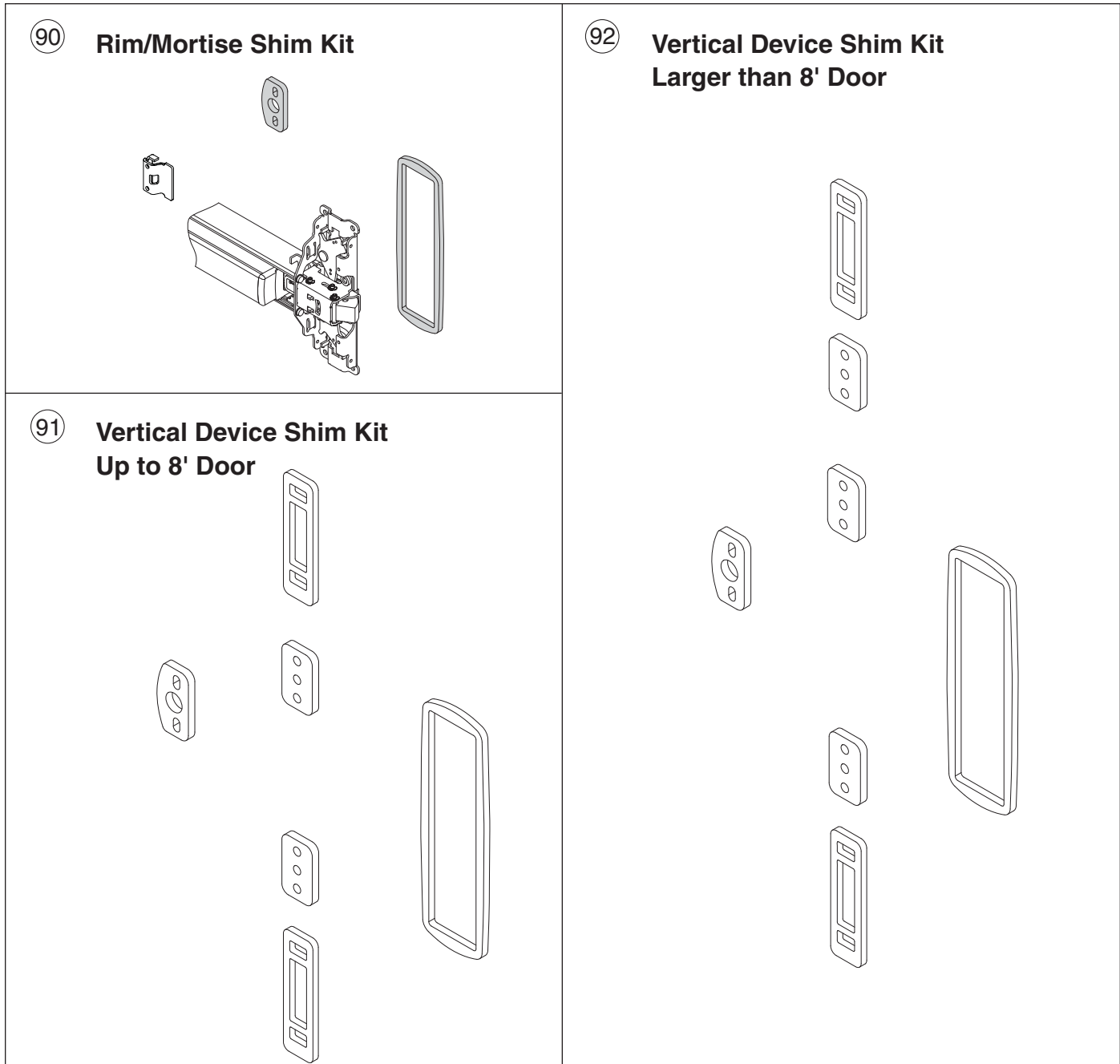
<p>85 Key Override Retrofit Available on all panic and fire devices.</p>  <p><i>KOR is not available with EA or HWEA feature, or with cylinder dogging. Must be used with a device monitoring switch.</i></p>	<p>87 Authorized Egress Retrofit</p> 
<p>86 Electric Dogging</p>  <p><i>Available on all panic or fire devices. ED cannot be used with EA, HWEA, KOR, or EL. If used with fire-rated device, must be tied into fire alarm panel.</i></p>	<p>88 Latch Monitoring Device Monitoring</p>  <p><i>Not available with 24 Fire Rim devices. DM cannot be used with LM.</i></p>
	<p>89 Authorized Egress Switch</p> 

Item No.	Qty.	Part No.	Description	Pkg Contents	Notes
85	1	650289	25 Series Key Override (KOR) w/Standard Dogging Kit 3'	1- Channel Cover KOR 1- KOR Switch Assembly	A
		650290	25 Series Key Override (KOR) w/Standard Dogging Kit 4'		
		650291	24 Series Key Override (KOR) w/Standard Dogging Kit 3'		
		650292	24 Series Key Override (KOR) w/Standard Dogging Kit 4'		
86	1	650199	25 Series Electric Dogging (ED) Kit 3'	1- Channel Cover Fire 1- #8-32 x 3/8" UFPHMS 1- ED Dogging Assembly	A
		650200	25 Series Electric Dogging (ED) Kit 4'		
		650195	24 Series Electric Dogging (ED) Kit 3'		
		650196	24 Series Electric Dogging (ED) Kit 4'		
87	1	650229	25 Series Authorized Egress (AE) Retrofit Kit 3'	1- Channel Cover Fire 1- AE Retrofit Assembly 1- #8-32 x 3/8" UFPHMS	A
		650230	25 Series Authorized Egress (AE) Retrofit Kit 4'		
		650225	24 Series Authorized Egress (AE) Retrofit Kit 3'		
		650226	24 Series Authorized Egress (AE) Retrofit Kit 4'		
88	1	650210	Latch Monitoring (LM) Switch Service Kit	1- LM Switch Assembly 2- #2-56 x 3/8" PPHMS 2- Switch Insulator	
		650264	Device Monitoring (DM) Switch Service Kit	1- DM Switch Assembly 2- #2-56 x 3/8" PPHMS 2- Switch Insulator	
89	1	650203	Authorized Egress (AE) Switch Kit	1- AE Switch Assembly 2- #2-56 x 3/4" PPHMS	

A Specify by finish: US3, US4, US10, SP313, US26, US32D, US26D, US32D, US28

24/25 Series Miscellaneous Kits

Glass Bead Kit (GBK), Shim Kits

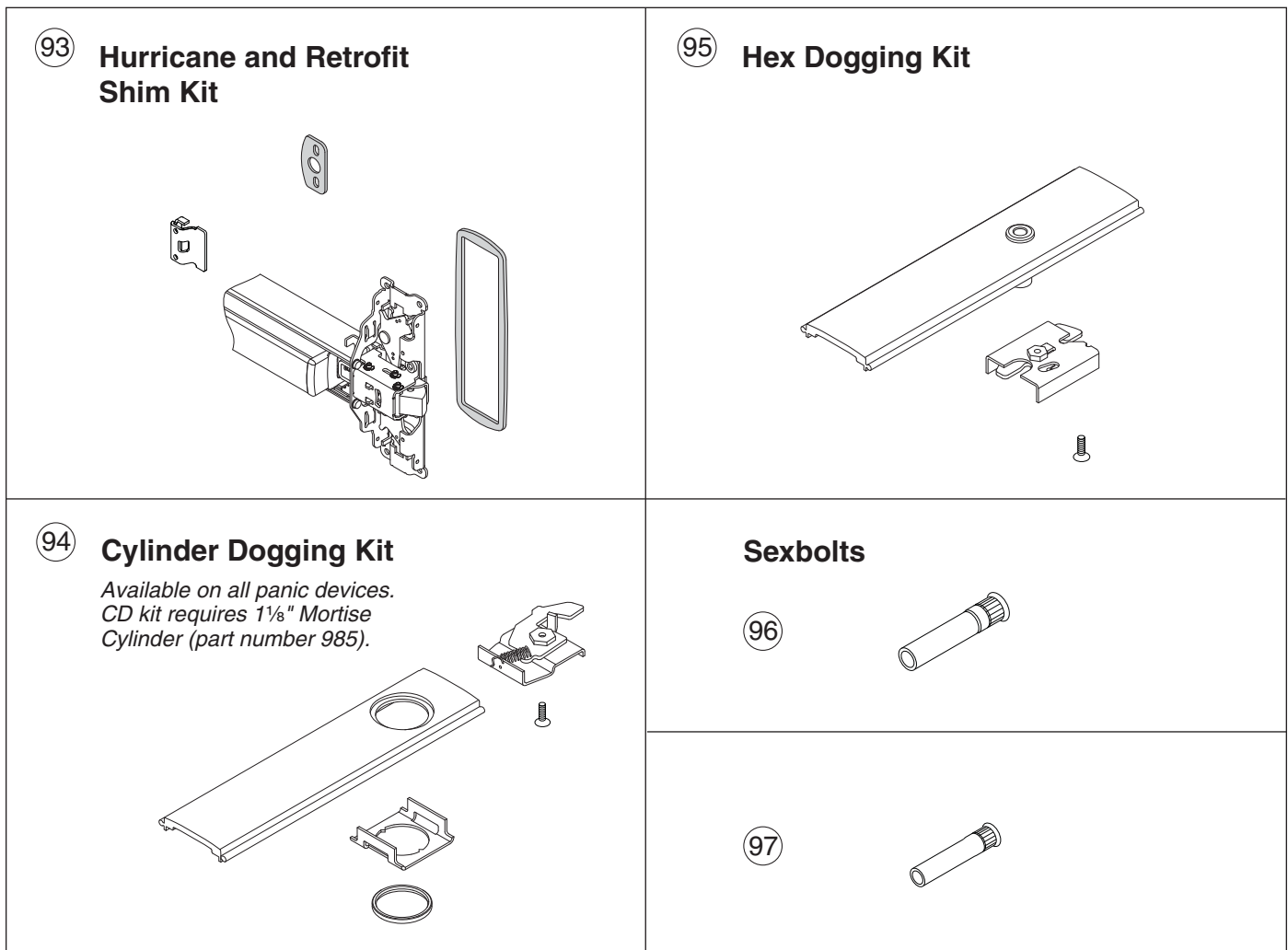


Item No.	Qty.	Part No.	Description	Notes
90	1	650107	25 Series Rim/Mortise Device Shim Service Kit	
		650109	24 Series Rim Device Shim Service Kit	*
91	1	650108	25 Series Vertical Device Shim Service Kit < 8' Door	
		650110	24 Series Vertical Device Shim Service Kit < 8' Door	*
92	1	650266	25 Series Vertical Device Shim Service Kit > 8' Door	
		650208	24 Series Vertical Device Shim Service Kit > 8' Door	*

* Item(s) not shown.

24/25 Series Miscellaneous Kits and Parts

Hurricane and Retrofit Shim Kit, Cylinder Dogging (CD) Kit, Hex Dogging (HD) Kit, Sexbolts



Item No.	Qty.	Part No.	Description	Pkg Contents	Notes
93	1	650106	Hurricane and Retrofit Shim Kit		
94	1	650159	25 Series Cylinder Dogging (CD) Kit 3'	1- CD Channel Cover	A
		650160	25 Series Cylinder Dogging (CD) Kit 4'	1- CD Dogging Subassembly	
		650155	24 Series Cylinder Dogging (CD) Kit 3'	1- #8-32 x 3/8" UFPHMS	
		650156	24 Series Cylinder Dogging (CD) Kit 4'	1- Cylinder Retaining Bracket 1- Cylinder Collar	
95	1	650191	25 Series Hex Dogging (HD) Kit 3'	1- Panic Channel Cover	A
		650192	25 Series Hex Dogging (HD) Kit 4'	1- Dogging Subassembly	
		650187	24 Series Hex Dogging (HD) Kit 3'	1- #8-32 x 3/8" UFPHMS	
		650188	24 Series Hex Dogging (HD) Kit 4'		
96	2	325	1/4-20 Sexbolt		* A
97	2	425	#10-24 Sexbolt		* A

* Sold separately

A Specify by finish: US3, US4, US10, SP313, US26, US32D, US26D, US32D, US28

24/25 Series Maintenance Kit

Order by Part Number 650277-00

Part No.	Description	Qty	WHERE USED															
			Devices								Trims							
			24R	24V	24C	25R	25M	25V	25C	510	511	512	513	711	712	718	719	
590	Rod Guide Pkg US32D/US26D	6		•					•									
	Rod Guide Pkg SP28	2		•					•									
	Rod Guide Pkg	2		•					•									
2789	Dogging Key	10	•	•	•	•	•	•	•	•								
3894	Cylinder Nut	10											•	•	•	•		
4208	Cylinder Retainer Bracket	30	•	•	•	•	•	•	•	•								
4218	Lever Washer	10													•			
4275	712 Spring Plate	10													•			
4326	Lever Spring Clip	10													•			
4841	Lever Return Spring	10													•			
600210	Trim Screw 1 3/4" US3, US4, US10	2													•			
	Trim Screw 1 3/4" SP313	2													•			
	Trim Screw 1 3/4" US26/US32/US26D/US32D/SP28	6													•			
600222	End Cap Mtg Pkg 1 3/4" US32D	6	•	•	•	•	•	•	•	•	•							
	End Cap Mtg Pkg 1 3/4" 313AN	1	•	•	•	•	•	•	•	•	•							
	End Cap Mtg Pkg 1 3/4" US26D	2	•	•	•	•	•	•	•	•	•							
	End Cap Mtg Pkg 1 3/4" SP28	1	•	•	•	•	•	•	•	•	•							
640001	24 Plastic Mounting Template	2	•	•	•													
640002	25 Plastic Mounting Template	2				•	•	•	•	•								
660068	#10-24 x 1/2" PPHMS	20						•										
660078	#10-24 x 3/4" FPHMS	50		•	•					•	•							
660081	#10-24 x 3/4" PPHMS	32		•	•					•	•							
660089	#10-24 x 3/8" UFPHMS	50								•	•	•	•					
660090	#10-24 x 3/8" UFPHMS	20						•	•	•								
660099	#12-24 x 1/2" UFPHMS US3/US4/US10	20						•										
	#12-24 x 1/2" UFPHMS SP313	20						•										
	#12-24 x 1/2" UFPHMS US26/US32/US26D/US32D/SP28	20						•										
660120	#8-32 x 1/4" PPHMS	50						•										
660123	#8-32 x 1/4" UFPHMS	50	•	•	•	•	•	•	•	•								
660125	#8-32 x 1/4" UFPHMS US3, US4, US10	50		•						•								
	#8-32 x 1/4" UFPHMS SP313	50		•						•								
	#8-32 x 1/4" UFPHMS Black	50		•						•								
660133	#8-32 x 3/8" UFPHMS	50	•	•	•	•	•	•	•	•								
660151	#10-24 x 3/4" PPHMS w/Nyl	20									•		•					
660459	3/8" - 16 Lock Nut	10											•	•			•	
660485	#10-16 x 1/2" Hex Washer Head Taptite	32	•	•	•	•	•	•	•	•								
661102	Cotter Key 1/8" x 1"	50		•	•					•	•							
661277	Cylinder Nut Tool	10									•	•	•	•				
661317	FSA/FSE Pivot Pin	20	•	•	•	•	•	•	•	•								
661326	Pushbar Guide	20	•	•	•	•	•	•	•	•								
661401	Key Cylinder Locknut	10									•	•	•	•				
963914	#10-24 x 3/4" PPHMS	50						•	•	•	•							
963917	#8-32 x 3/8" UFPHMS Thread Cutting, Typ F	50	•	•	•													
963940	#10-24 x 1" PPHMS	50	•	•	•	•	•	•	•	•								
964080	#6-32 x 1/4" SHCS	50									•	•	•	•				
964266	Head Cover Screw Pkg US3	50	•	•	•	•	•	•	•	•								
	Head Cover Screw Pkg US4	50	•	•	•	•	•	•	•	•								
	Head Cover Screw Pkg US10	50	•	•	•	•	•	•	•	•								
	Head Cover Screw Pkg SP313	50	•	•	•	•	•	•	•	•								
	Head Cover Screw Pkg US26/US32/US26D/US32D/SP28	50	•	•	•	•	•	•	•	•								
964285	Retaining Ring	25									•	•		•				
964390	#8-32 x 3/8" PPHMS	20							•	•	•							
970321	299 Strike Shim	20	•	•	•	•	•	•	•	•								
650267	Standard Shear Pin (Pkg of 10)	3									•		•					
600283	VR Shear Pin (Pkg of 5)	6										•						
030298622	299 Strike Black	5	•	•	•	•	•	•	•	•								
325	Sex Bolt Assembly 1/4" -20 thread (Pkg of 2)	10	•	•	•	•	•	•	•	•								
425	Sex Bolt Assembly #10-24 thread (Pkg of 2)	10	•	•	•	•	•	•	•	•								



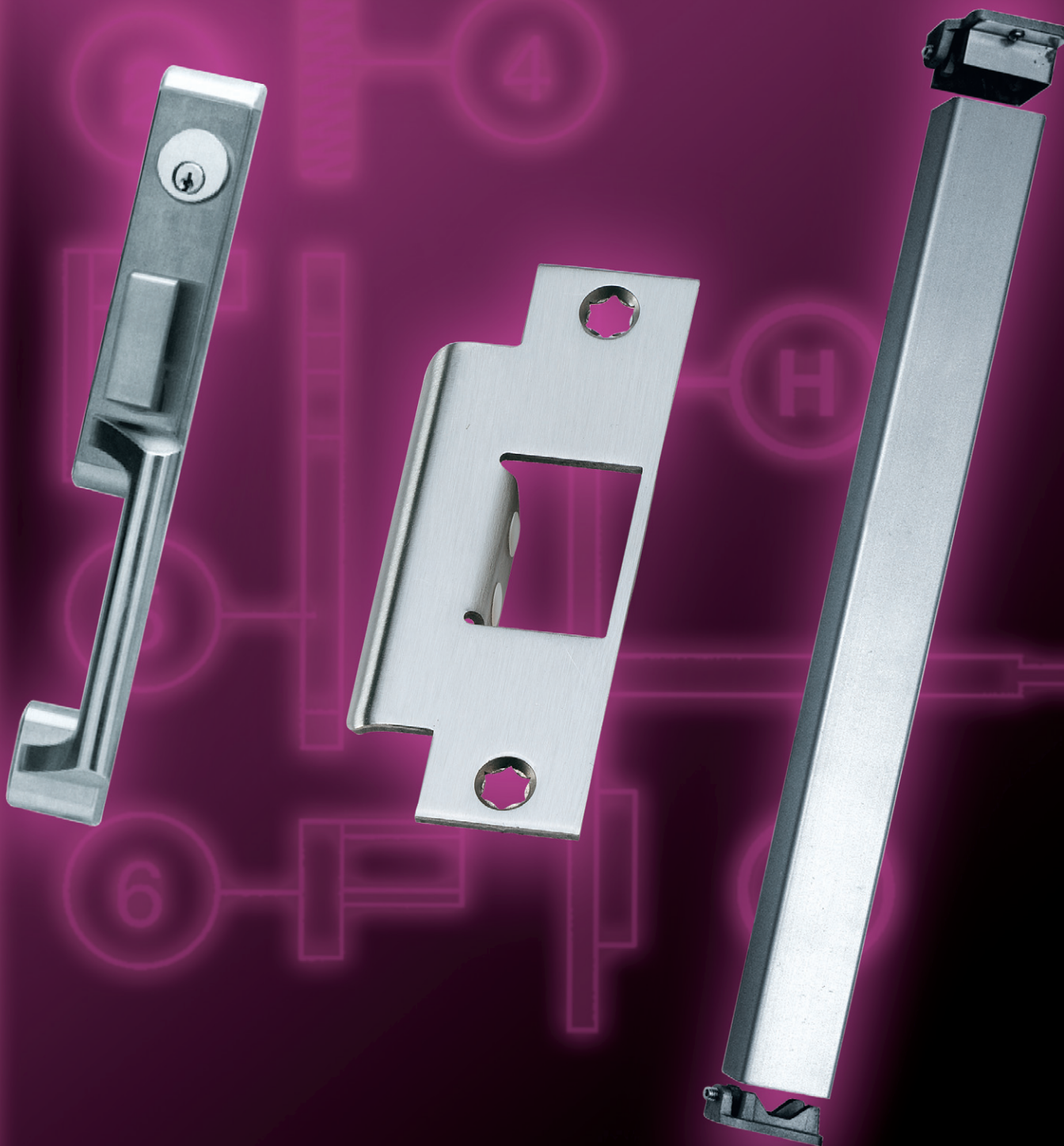
Ingersoll Rand's Security Technologies Sector is a leading global provider of products and services that make environments safe, secure and productive. The Sector's market-leading products include electronic and biometric access control systems; time and attendance and personnel scheduling systems; mechanical locks and portable security, door closers and exit devices, steel doors and frames, architectural hardware and technologies and services for global security markets.

800.266.4456

www.falcon.ingersollrand.com

MONARCH®

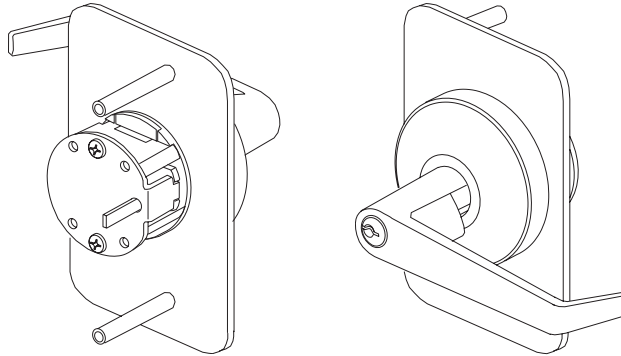
Trims, Strikes & Mullions Parts Manual



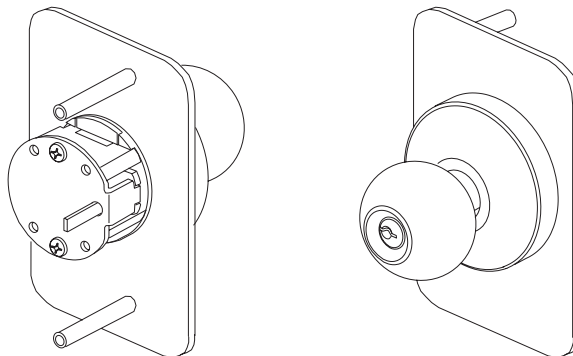
Trim Illustrations

These illustrations are for identification purposes only for the following trim.

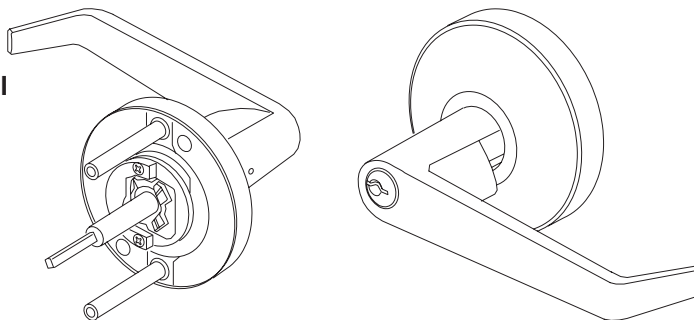
2400 KIL
For 19 Series Devices



2410 KIK
For 19 Series Devices



2030 KIL
For 18/XX Rim/18 Vertical
Series Devices



Please note that parts are not available for Monarch trim.

Table of Contents

Sections	Page
Table of Contents	2
Trim	3-30
Strikes	31-33
Mullions	34-37

19 Series	Page
K, K-NL, K-(LS/LK) and K-DT Knob Control.	3
T, T-NL, T-(LS/LK) and T-DT Thumbpiece Control Trim... 4	
DT and P Control Trim	5
L, L-NL, L-(LS/LK) & L-DT Lever Control Trim & Parts . 6-7	
Trident and Centron Trim	8
Cover Plates	9

XX/18 Series	Page
T, DT and P Standard Trim	10
T, DT and P Apollo Trim	11
T DT, P and Vanguard Trim	12
T, DT, P and Zephyr Trim	13
K, K-(LS/LK) and K-DT Knob Trim	14
L, L-(LS/LK) and L-DT Lever Trim	15
L, L-(LS/LK) and L-DT Lever Trim Parts	16
K, K-NL, K-(LS/LK) and K-DT Concealed Knob Trim... 17	

XX/18 Series	Page
T, T-NL, T-(LS/LK) and T-DT Concealed Delta Thumbpiece Trim	18
C, DT and P Concealed Delta Trim	19
SL, SL-NL, SLP-NL, SL-(LS/LK), SLP and SLP-(LS/LK) Concealed Delta Trim	20
L, L-NL, L-(LS/LK) & L-DT Concealed Lever Trim . .	21-22
SL, SL-NL and SL-(LS/LK) Control Trim (Surface Vertical) .	30

17 Series	Page
K, K-NL, K-(LS/LK) and K-DT Control Trim	23
T, T-NL, T-(LS/LK) and T-DT Delta Thumbpiece Trim ..	24
L, L-NL, L-(LS/LK) and L-DT Lever Control Trim	25
DT and P Control Trim	27
DT and P Standard Trim	12
DT and P Zephyr Trim	15
T, T-NL and T-(LS/LK) Control Thumbpiece Trim ...	28
C, DT and P Delta Trim	29
SL, SL-NL, SL-(LS/LK) Delta Trim (Surface Vertical) ..	30
K, K-NL, K-(LS/LK) and K-DT Concealed Knob Trim.. 17	
T, T-NL, T-(LS/LK) and T-DT Concealed Delta Thumbpiece Trim	18
C, DT and P Concealed Delta Trim	19
SL, SL-(LS/LK), SLP and SLP-(LS/LK), SL-NL, SLP-NL Concealed Delta Trim	20
L, L-NL, L-(LS/LK) & L-DT Concealed Lever Trim... 26	

Mullions	Page
2923 Mullion	34
F4023 and 4023 Mullion	36
4423 Mullion	35
CR4023, CRF4023, CR4023 Retrofit Kit CRF4023 Retrofit Kit	37

Glossary of Terms	
K, KE	Knob Trim
L, LE	Lever Trim
P	Cylinder Operator with Pull Trim
T	Thumbpiece
SL	Thumbturn Trim
C	Cylinder Operator
KIK	Key-in-Knob Trim
KIL	Key-in-Lever Trim
(LS/LK)	Less Locking
DT	Dummy Trim
Series R	Rim Device
Services V	Surface Vertical Rod Device
Series M	Mortise Device
Series C	Concealed Vertical Rod Device
Series TPL	Mortise X Surface Vertical Rod Device
CR	Cylinder Removable Mullion
NL	Night Latch

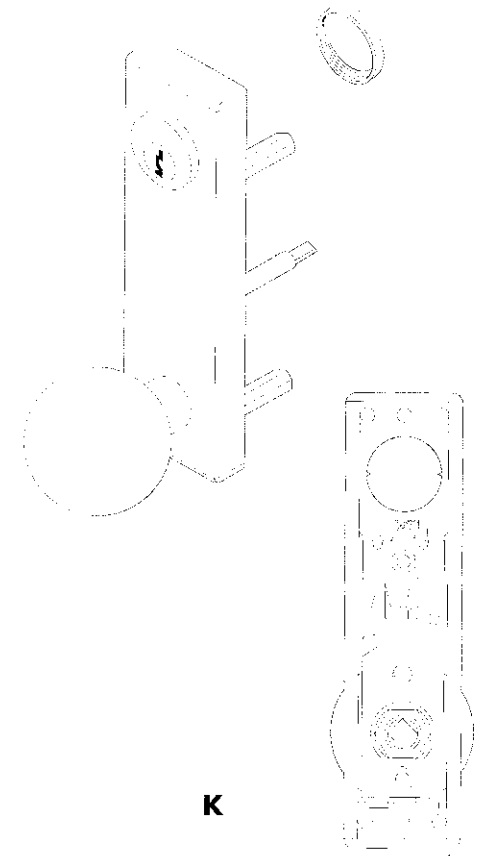
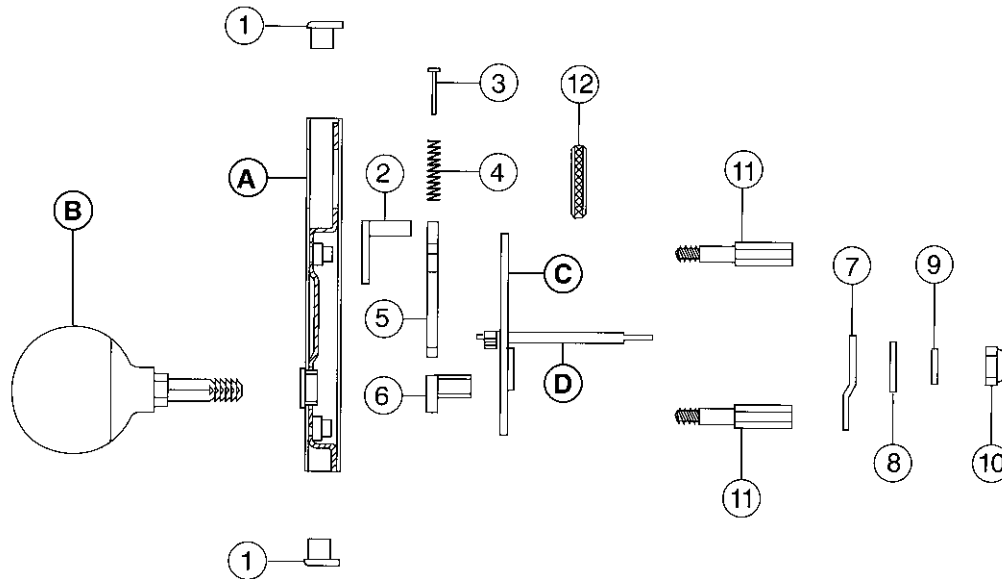
Control Trim

19 Series

K (1907), K-(LS/LK) (1927),
K-NL (1907NL) and K-DT (1937)

Item	Quantity				Part No.	Description	Finish
	K	K-(LS/LK)	K-NL	K-DT			
A	1		1		900231	Control Housing Sub Assembly	◆
		1		1	900232	Control Housing Sub Assembly	◆
B	1	1	1	1	900529	Hana Knob Sub Assembly	◆
C	1	1	1	1	900236	Retaining Plate Sub Assembly	
D	1	1	1		942670	Actuator Shaft Sub Assembly	
1	2	2	2	2	4583	Plastic End Caps	
2	1		1		4268	Locking Plate	
3	1	1	1		709239	3/32" x 3/4" Solid Rivet	
4	1	1	1		4605	Actuator Spring	
5	1	1	1		4265	Actuator Plate	
6	1	1		1	4274	Knob Hub	
7				1	4302	Rigid Lever Plate	
8				1	709149	Flat Washer	
9				1	709202	Flat Washer	
10	1	1	1	1	709157	3/8" - 16 ESNA Lock Nut	
11	2	2	2	2	4270	Hex Stud	
12	1		1		3894	Cylinder Nut	
Part not Shown			1		6166	NL Spring	

1. Items marked ◆ specify by finish: MAL, M13, SS/26D.



Control Trim

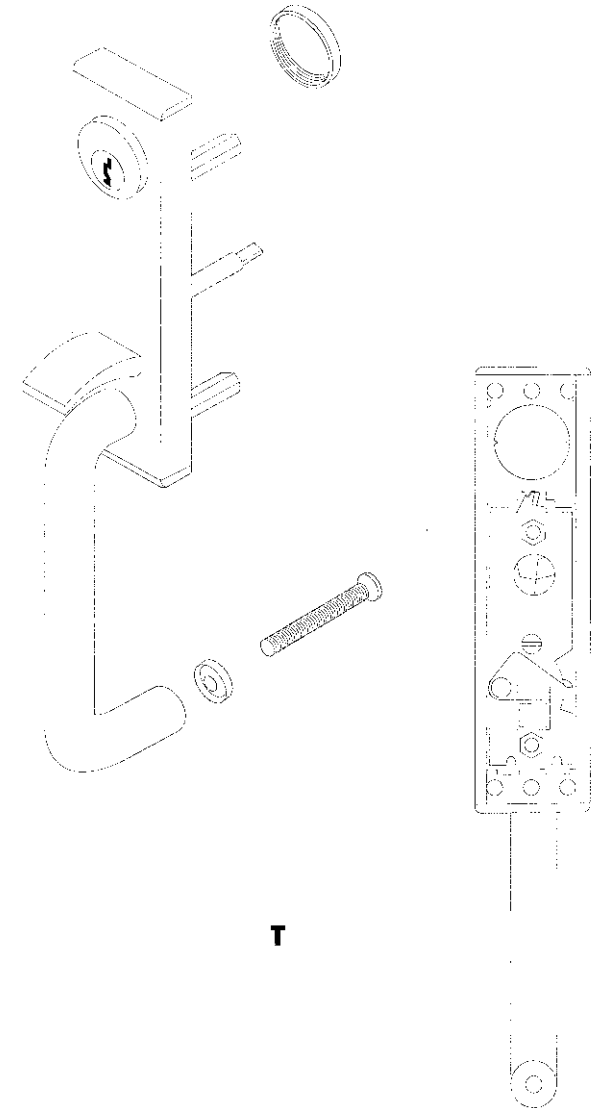
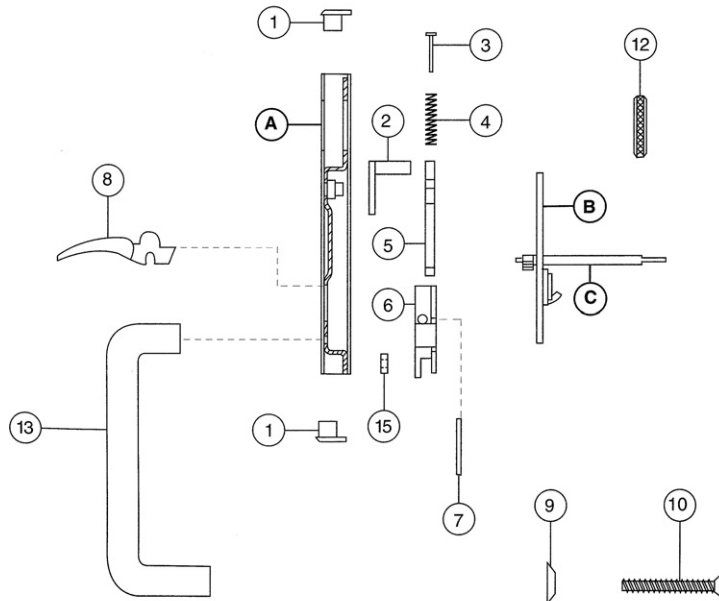
19 Series

T (1906), T-(LS/LK) (1926)
and T-NL (1906-NL)

Item	Quantity			Part No.	Description	Finish	Remarks
	T	T-NL	T-(LS/LK)				
A	1	1		900367	Control Housing Sub Assembly	◆	
			1	900368	Control Housing Sub Assembly	◆	
B	1	1	1	900235	Retaining Plate Sub Assembly		
C	1	1	1	942670	Actuator Sub Assembly		
1	2	2	2	4583	Plastic End Caps		
2	1	1		4268	Locking Plate		
3	1	1	1	709239	3/32" x 3/4" Solid Rivet		
4	1	1	1	4605	Actuator Spring		
5	1	1	1	4265	Actuator Plate		
6	1	1	1	4603	Thumbpiece Bracket		
7	1	1	1	709104	1/8" x1 1-1/4" Pin Type "C"		
8	1	1	1	4602	Thumbpiece	◆	
9	1	1	1		1/4" CSK Finish Washer	◆	See Note #2
10	1	1	1		1/4" - 20 x 2-1/4" FPHMS	◆	See Note #2
11	1	1	1	4270	Hex Stud		
12	1	1		3894	Cylinder Nut		
13	1	1	1	4256	Pull Grip	◆	
14	1	1	1	4201	Hex Stud		
15	1	1	1	4861	Spacer		
Part not Shown		1		6166	NL Spring		

1. Items marked ◆ specify by finish: MAL, M13, SS/26D.

2. Items without part number specify by description and finish.



Control Trim

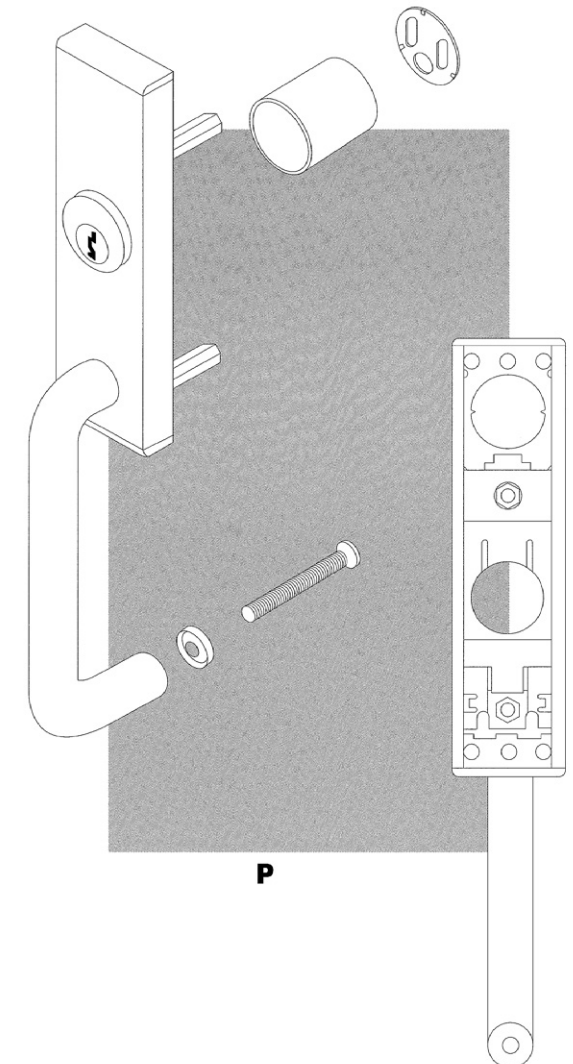
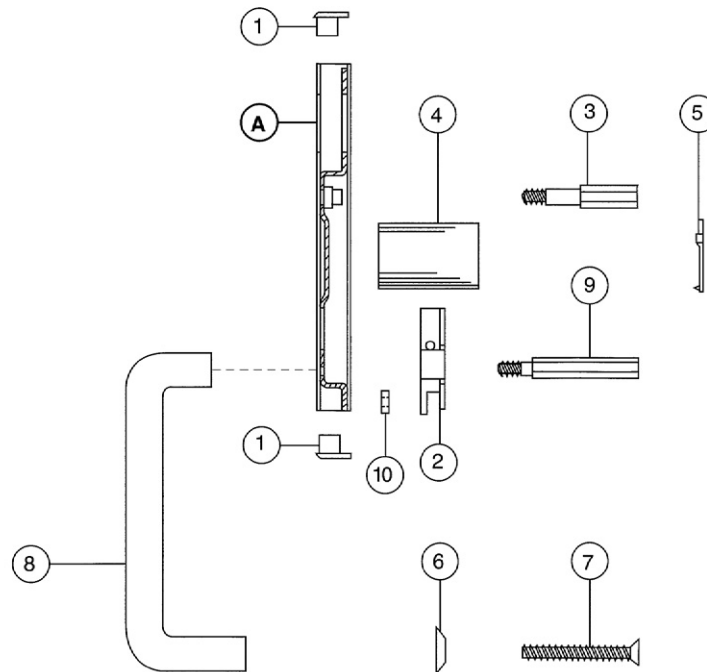
19 Series

DT (1908) and P (1909)

Item	Quantity		Part No.	Description	Finish	Remarks
	DT	P				
A		1	900369	Control Housing Sub Assembly	◆	
	1		900370	Control Housing Sub Assembly	◆	
1	2	2	4583	Plastic End Caps		
2	1	1	4603	Thumbpiece Bracket		
3	1	1	4270	Hex Stud		
4		1	4120	Cylinder Spacer Collar		
5		1	4121	Cylinder Anchor Plate		
6	1	1		1/4" CSK Finish Washer	◆	See Note #2
7	1	1		1/4" - 20 x 2-1/4" FPHMS	◆	See Note #2
8	1	1	4256	Pull Grip	◆	
9	1	1	4201	Hex Stud		
10	1	1	4861	Spacer		

1. Items marked ◆ specify by finish: MAL, M13, SS/26D.

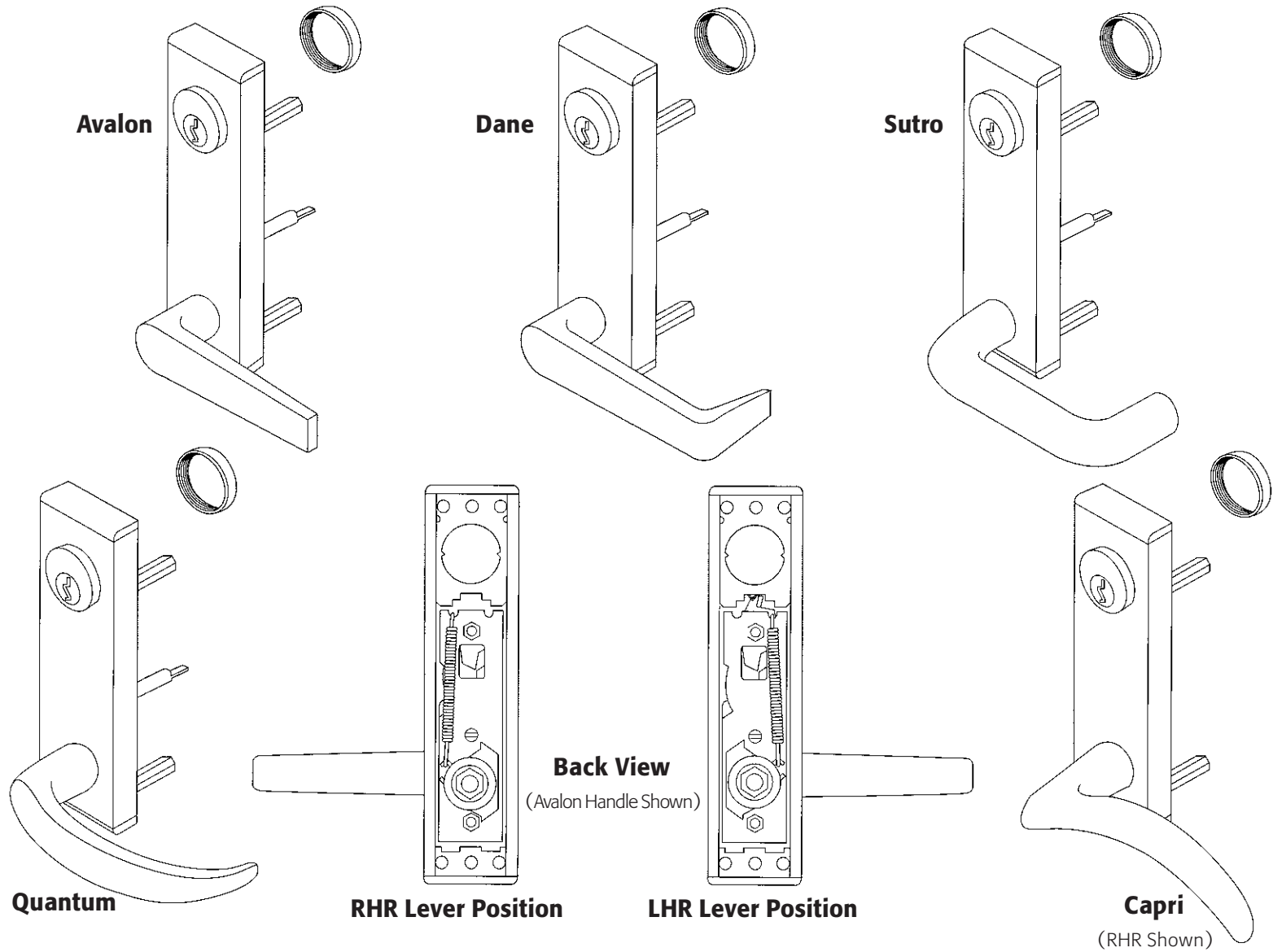
2. Items without part number specify by description and finish.



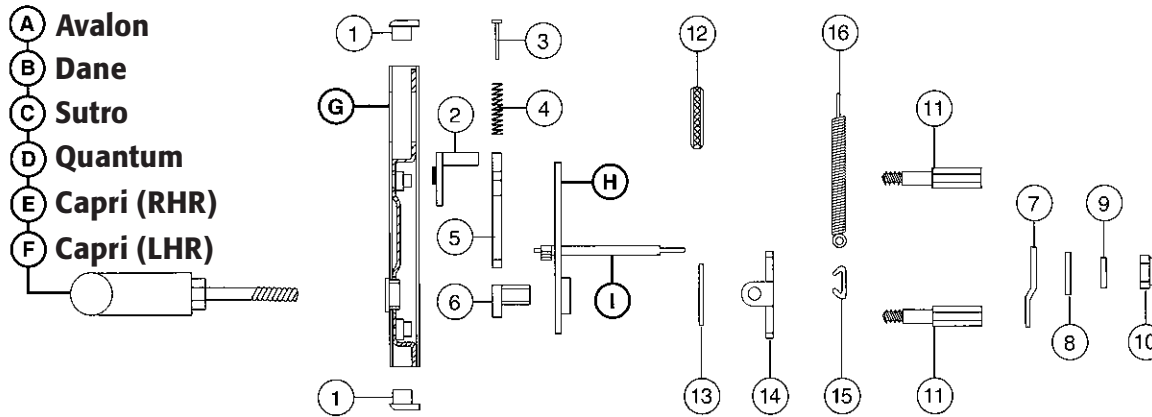
Lever Control Trim

19 Series

L, L-(LS/LK), L-NL and L-DT



L Control 19 Series Parts List



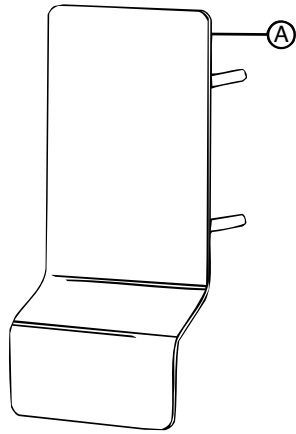
Model Information Chart						
Trim	Avalon	Dane	Sutro	Quantum	Capri (RHR)	Capri (LHR)
L	1911	1910	1912	1919	1923	1924
L-(LS/LK)	1921	1920	1922	1929	1933	1934
L-DT	1931	1930	1932	1939	1943	1944
L-NL	1911NL	1910NL	1912NL	1919NL	1943NL	1944NL

Item	Avalon				Dane				Sutro				Quantum				Capri (RHR)				Capri (LHR)				Part No.	Description	Finish	Remarks
	L	L-NL	L-(LS/LK)	L-DT	L	L-NL	L-(LS/LK)	L-DT	L	L-NL	L-(LS/LK)	L-DT	L	L-NL	L-(LS/LK)	L-DT	L	L-NL	L-(LS/LK)	L-DT	L	L-NL	L-(LS/LK)	L-DT				
A	1	1	1	1																					900173	Avalon Lever Sub Assembly	◆	
B					1	1	1	1																	900020	Dane Lever Sub Assembly	◆	
C									1	1	1	1													900175	Sutro Lever Sub Assembly	◆	
D													1	1	1	1									900443	Quantum Lever Sub Assembly	◆	
E																	1	1	1	1					900446	Capri (RHR) Lever Sub Assembly	◆	
F																					1	1	1	1	900445	Capri (LHR) Lever Sub Assembly	◆	
G	1	1			1	1			1	1			1	1			1	1			1	1	1	1	900231	Control Housing Sub Assembly	◆	
H	1	1	1	1	1	1	1	1	1	1	1	1	1	1	1	1	1	1	1	1	1	1	1	1	900232	Control Housing Sub Assembly	◆	
H	1	1	1	1	1	1	1	1	1	1	1	1	1	1	1	1	1	1	1	1	1	1	1	1	900236	Retaining Plate Sub Assembly		
I	1	1	1		1	1	1		1	1	1		1	1	1		1	1	1		1	1	1		942670	Actuator Sub Assembly		
1	2	2	2	2	2	2	2	2	2	2	2	2	2	2	2	2	2	2	2	2	2	2	2	2	4583	Plastic End Caps		
2	1	1			1	1			1	1			1	1			1	1			1	1		1	4268	Locking Plate		
3	1	1	1		1	1	1		1	1	1		1	1	1		1	1	1		1	1	1		709239	3/32" x 3/4" Solid Rivet		
4	1	1	1		1	1	1		1	1	1		1	1	1		1	1	1		1	1	1		4605	Actuator Spring		
5	1	1	1		1	1	1		1	1	1		1	1	1		1	1	1		1	1	1		4265	Actuator Plate		
6	1	1	1	1	1	1	1	1	1	1	1	1	1	1	1	1	1	1	1	1	1	1	1	1	4274	Knob Hub		
7				1				1				1				1				1				1	4302	Rigid Lever Plate		
8	1	1	1	1	1	1	1	1	1	1	1	1	1	1	1	1	1	1	1	1	1	1	1	1	709149	Flat Washer		
9	1	1	1	1	1	1	1	1	1	1	1	1	1	1	1	1	1	1	1	1	1	1	1	1	709202	Flat Washer		
10	1	1	1	1	1	1	1	1	1	1	1	1	1	1	1	1	1	1	1	1	1	1	1	1	709157	3/8" - 16" ESNA Lock Nut		
11	2	2	2	2	2	2	2	2	2	2	2	2	2	2	2	2	2	2	2	2	2	2	2	2	4270	Hex Stud		
12	1	1			1	1			1	1			1	1			1	1			1	1			3894	Cylinder Nut		
13	1	1	1		1	1	1		1	1	1		1	1	1		1	1	1		1	1	1		4218	Nylon Lever Washer		
14	1	1	1		1	1	1		1	1	1		1	1	1		1	1	1		1	1	1		4275	Spring Stop Plate		
15	1	1	1		1	1	1		1	1	1		1	1	1		1	1	1		1	1	1		4326	Lever Spring Clip		
16	1	1	1		1	1	1		1	1	1		1	1	1		1	1	1		1	1	1		4841	Lever Return Spring		
Part not Shown	1					1				1				1				1							6166	NL Spring		

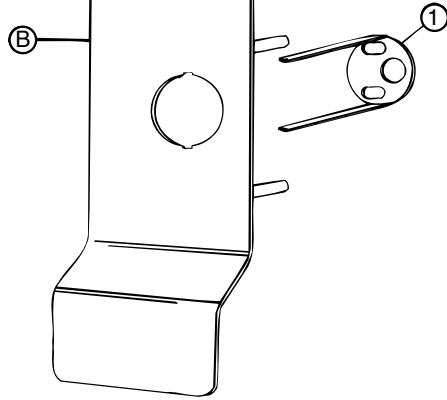
1. Items marked ◆ specify by finish: MAL, M13, SS/26D.

Trident and Centron Trim 19 Series

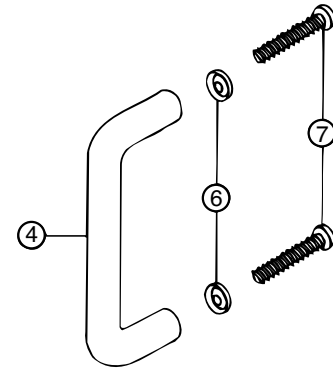
Trident Trim



DT 1953

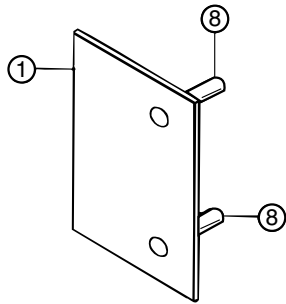


P 1955

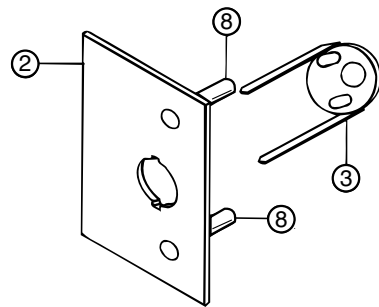


1904
(Pull Only)

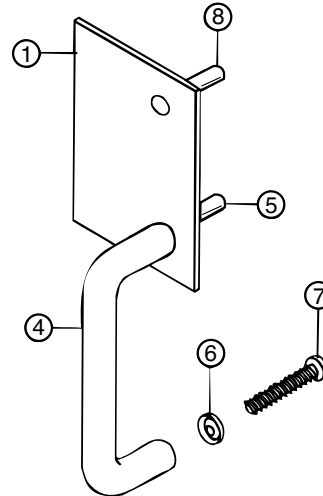
Centron Trim



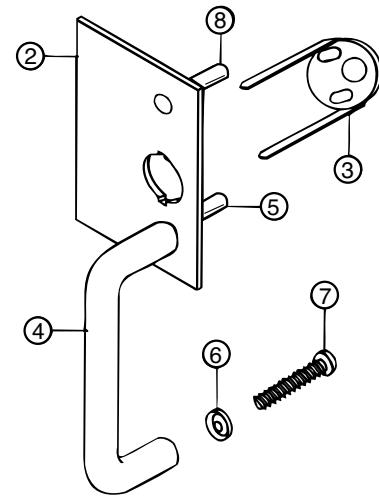
BE 2301



C 2302



DT 2303



P 2305

Trident and Centron Trim, and Cover Plates

19 Series

Trident Trim Parts

Item	Quantity				Part No.	Description	Finish	Remarks
	1953 (RHR)	1953 (LHR)	1955 (RHR)	1955 (LHR)				
A	1				4877	Pull Plate (RHR)	◆	
		1			4875	Pull Plate (LHR)	◆	
B			1		4876	Pull Plate (RHR)	◆	
				1	4874	Pull Plate (LHR)	◆	
1			1	1	4873	Cylinder Anchor		

1. Items marked ◆ specify by finish: MAL, M13.

Centron Trim Parts

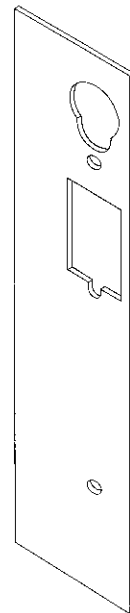
Item	Part No.	Description	Finish	Remarks
1	4118	NL (P) 5" Plate	◆	
2	4119	NL (P) 5" Plate w/Cylinder Hole	◆	
3	4873	Cylinder Anchor		
4	4072	Pull Grip	◆	
5	4270	Hex Stud		
6		1/4" CSK Finish Washer	◆	See Note #3
7		1/4" - 20 x 2-1/4" FPHMS	◆	See Note #3
8	4122	1/4" - 20 Sex Bolt	◆	See Note #2

1. Items marked ◆ specify by finish: MAL, M13, SS/26D.
 2. Supplied with device in screw pack.
 3. Items without part numbers specify by description and finish.

19 Series

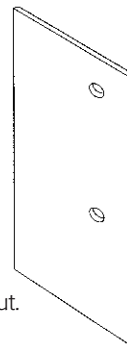
Cover Plates

Specify by finish: MAL, M13, SS/26D.



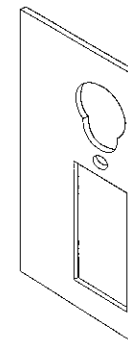
4167

Used with T control and DT control. Covers 161 and 86 cutout.



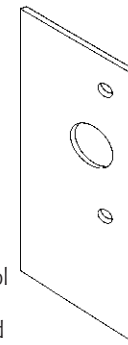
4168

Used with BA device to cover 86 cutout for mortise lock.



4170

Used with K control, DT/K control, L control or DT/L control. Covers 161 and 86 cutout.



4174

Inside cover plate for type 86 cutout.

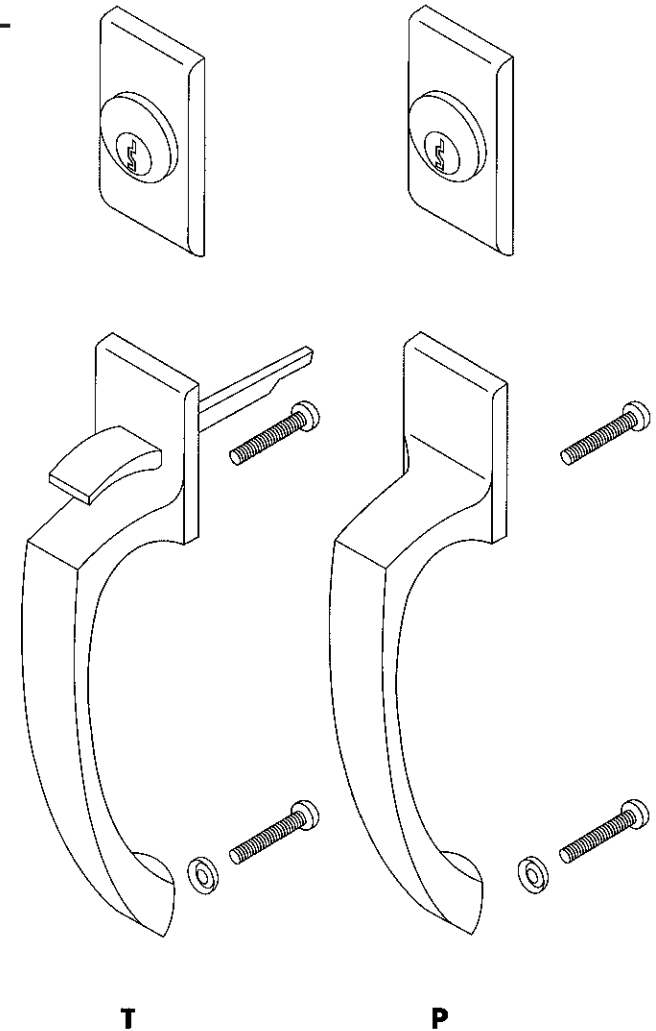
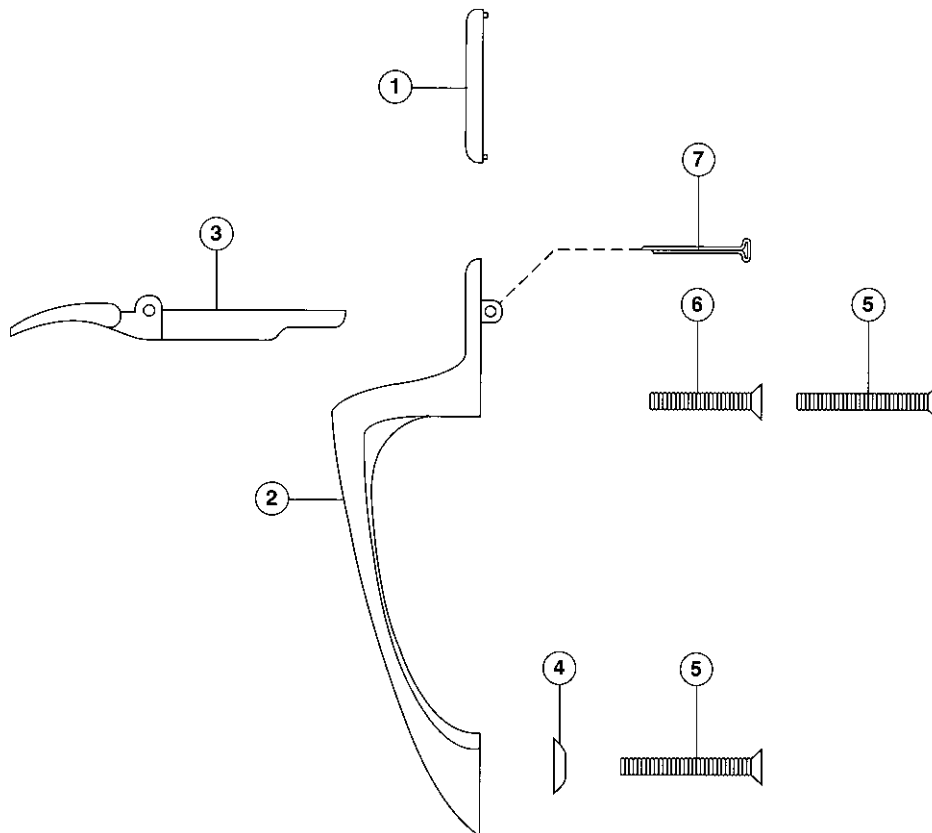
Standard Trim 17, 18 and XX Series

Standard Trim – 17 Series
DT (1303) and P (1304)
Standard Trim – 18/XX Series
T (1302), DT (1300) and P (1301)

Item	Quantity					Part No.	Description	Finish	Remarks
	1302 T	1300 DT	1301 P	1303 DT	1304 P				
1	1		1		1	3577	Cylinder Rose	◆	
2	1					3580	Standard Pull	◆	
		1	1	1	1	3579	Standard Pull	◆	
3	1					3507	Thumbpiece	◆	
4	1	1	1	1	1		1/4" CSK Finish Washer	◆	See Note #2
5	1	1	1	2	2		1/4" - 20 x 2-1/4" FPHMS	◆	See Note #2
6	1	1	1			709002	1/4" - 20 x 2" FPHMS		
7	1					709129	1/8" x 1" Cotter Key		

1. Items marked ◆ specify by finish: US-3, US-4, US-10, US-10B, US-26, and US-26D.

2. Items without part numbers specify by description and finish.

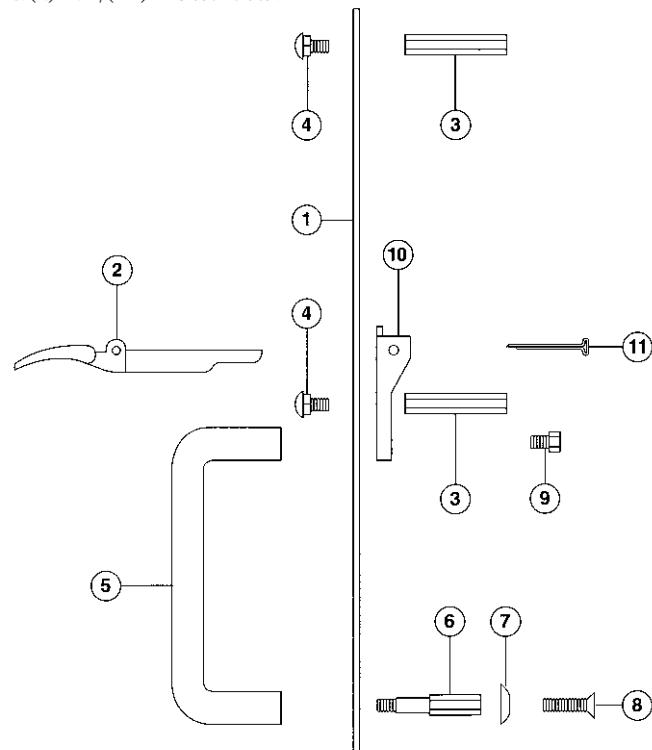


Apollo Trim XX and 18 Series

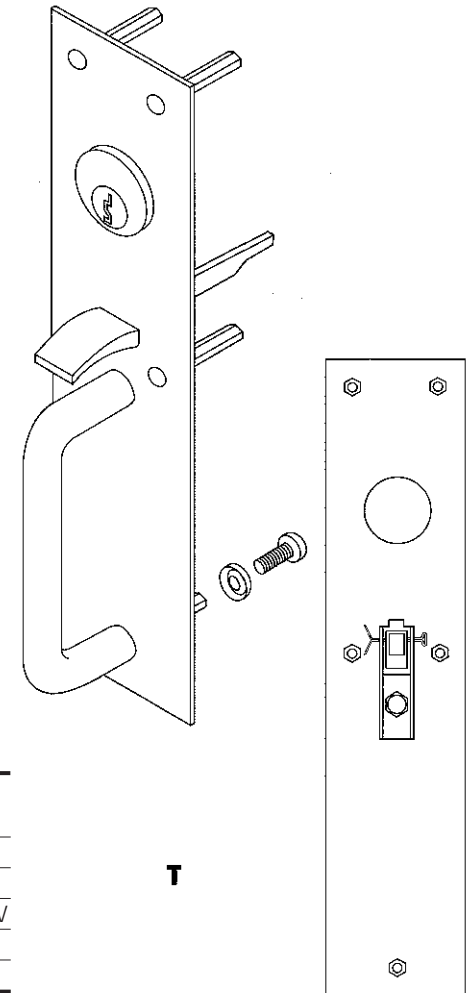
T^(R) (1446R), T^(MV) (1446MV),
T-(LS/LK) (1446LK), DT (1444)
and P (1445)

Item	Quantity					Part No.	Description	Finish	Remarks
	T ^(R)	T ^(MV)	T-(LS/LK)	DT	P				
1	1		1			4041	T Apollo Plate	◆	For Rim Device
		1				4042	T Apollo Plate	◆	For All Devices
				1		4043	T Apollo Plate	◆	For Vert/Mort Device
					1	4038	DT Apollo Plate	◆	
					1	4040	P Apollo Plate	◆	
2	1	1	1			3507	Thumbpiece	◆	
3	4	4	4	4	4	4027	Hex Extension		
4	4	4	4	4	4		# 10 - 24 x 1/2" Carriage Bolt	◆	See Note #2
5	1	1	1	1	1	4072	Apollo Pull	◆	
6	1	1	1	1	1	4270	Hex Stud		
7	1	1	1	1	1		1/4" CSK Finish Washer	◆	See Note #2
8	1	1	1	1	1		1/4" - 20 x 3/4" FPHMS	◆	See Note #2
9	1	1	1	1	1	709065	1/4" - 20 x 1/4" Hex Head MS		
10	1	1	1			4004	Thumbpiece Bracket		
11	1	1	1			709129	1/8" x 1" Cotter Key		

- Items marked ◆ specify by finish: US-3, US-4, S-10, US-10B, US-26, US-32 and US-32D.
- Items without part numbers specify by description and finish.
- (R)=Rim, (MV)=Mortise Vertical.



Model Information Chart		
Trim	Model No.	Application
T ^(R) Apollo	1446R	XX/18-R
T ^(MV) Apollo	1446MV	XX/18-M, XX/18-V
T-(LS/LK)	1446LK	XX/18-R, XX/18-M, XX/18-V
DT Apollo	1445	All Devices
P Apollo	1444	XX/18-R, XX/18-M



Vanguard Trim XX and 18 Series

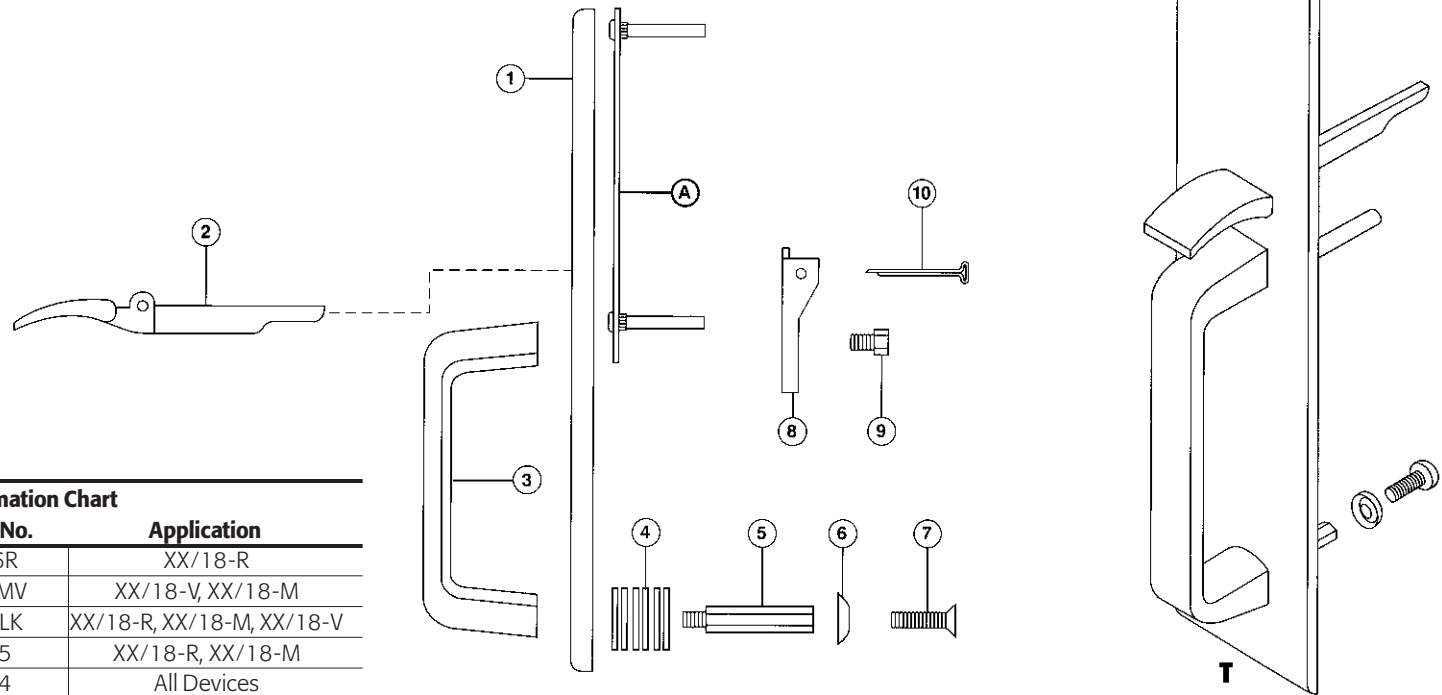
T^(R) (1346R), T^(MV) (1346MV),
T-(LS/LK) (1346LK), DT (1344)
and P (1345)

Item	Quantity					Part No.	Description	Finish	Remarks
	T ^(R)	T ^(MV)	P	T-(LS/LK)	DT				
A	1	1	1	1	1	V111	Vanguard Trim Back Plate Assembly		
				1		3820	T Vanguard Cover Plate (all Devices)	◆	
1	1					3822	T Vanguard Cover Plate (R)	◆	
		1				3825	T Vanguard Cover Plate (MV)	◆	
			1			3824	P Vanguard Cover Plate	◆	
				1		3823	DT Vanguard Cover Plate	◆	
2	1	1		1		3507	Thumbpiece	◆	
3	1	1	1	1	1	3638	Vanguard Pull	◆	
4	6	6	6	6	6	709064	Flat Washer		
5	1	1	1	1	1	4026	Hex Stud		
6	1	1	1	1	1		1/4" CSK Finish Washer	◆	See Note #2
7	1	1	1	1	1		1/4" - 20 x 3/4" FPHMS	◆	See Note #2
8	1	1		1		4004	Thumbpiece Bracket		
9	1	1	1	1	1	709065	1/4" - 20 x 1/4" Hex Head MS		
10	1	1		1		709129	1/8" x 1" Cotter Key		

1. Items marked ◆ specify by finish: US-3, US-4, US-10, US-10B, US-26, US-26D, US-32 and US-32D.

2. Items without part numbers specify by description and finish.

3. (R)=Rim, (MV)=Mortise Vertical.



Model Information Chart

Trim	Model No.	Application
T ^(R) Vanguard	1346R	XX/18-R
T ^(MV) Vanguard	1346MV	XX/18-V, XX/18-M
T-(LS/LK) Vanguard	1346LK	XX/18-R, XX/18-M, XX/18-V
P Vanguard	1345	XX/18-R, XX/18-M
DT Vanguard	1344	All Devices

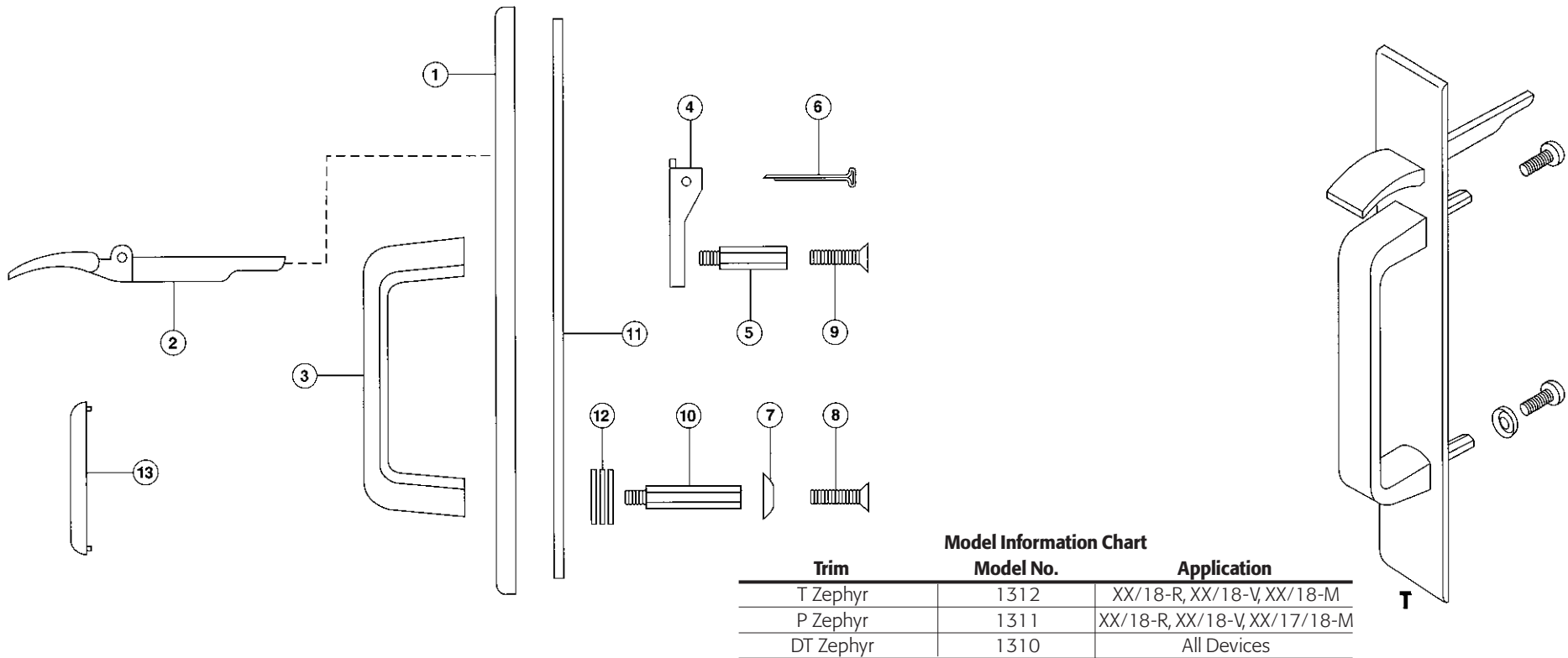
Zephyr Trim

XX, 18 and 17 Series

T (1312), DT (1310) and P (1311)

Item	Quantity			Part No.	Description	Finish	Remarks
	T	P	DT				
1	1			4436	Trim Cover Plate (T)	◆	
		1	1	4437	Trim Cover Plate (P/DT)	◆	
2	1			3507	Thumbpiece	◆	
3	1	1	1	3638	Pull Grip		
4	1			4004	Thumbpiece Bracket		
5	1	1	1	4177	Hex Stud		
6	1			709129	1/8" x 1" Cotter Key		
7	1	1	1		1/4" CSK Finish Washer	◆	See Note #2
8	1	1	1		1/4" - 20 x 3/4" FPHMS	◆	See Note #2
9	1	1	1	709032	1/4" - 20 x 1-1/4" FPHMS		
10	1	1	1	4026	Hex Stud		
11	1	1	1	3578	Trim Back Plate		
12	3	3	3	709064	Flat Washer		
13	1	1		3577	Cylinder Rose	◆	

1. Items marked ◆ specify by finish: US-3, US-4, S-10, US-10B, US-26, US-26D, US-32 and US-32D.
 2. Items without part numbers specify by description and finish.



Model Information Chart

Trim	Model No.	Application
T Zephyr	1312	XX/18-R, XX/18-V, XX/18-M
P Zephyr	1311	XX/18-R, XX/18-V, XX/17/18-M
DT Zephyr	1310	All Devices

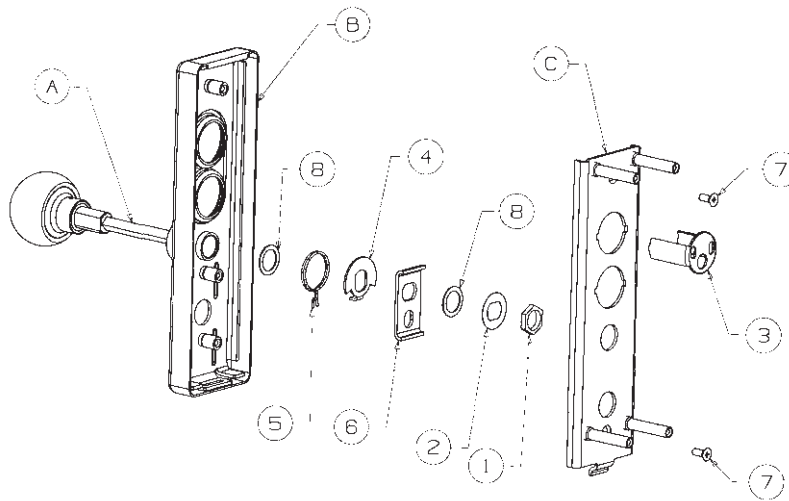
Knob Trim

XX and 18 Series

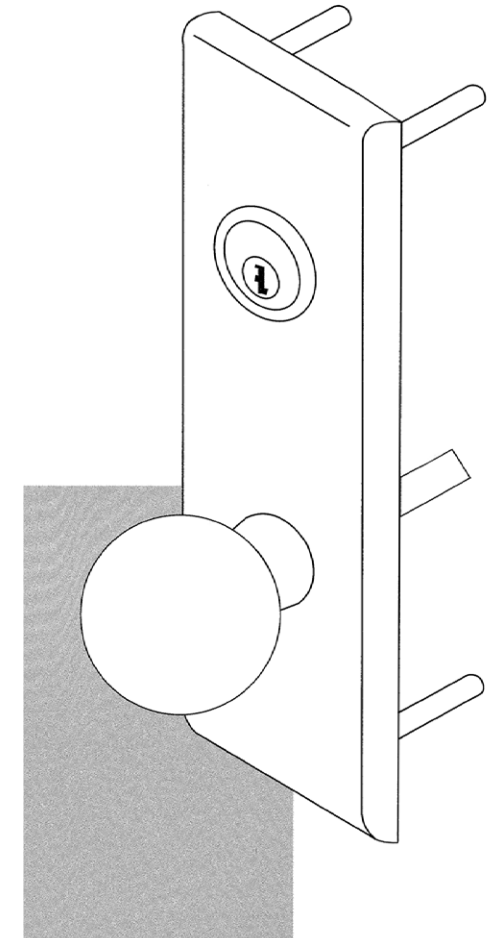
K, K (LS/LK) and K-DT

Item	K ^(R)	K (LS/LK) ^(R)	Quantity			K- DT ^(MV)	Part No.	Description	Finish
			K ^(MV)	K (LS/LK) ^(MV)	K- DT ^(R)				
A			1			1	900527	K Knob Assembly (DT)	◆
A	1	1		1	1		901362	K Knob Assembly	◆
B	1						901336	Trim Escutcheon Sub Assembly	◆
B		1	1				901337	Trim Escutcheon Sub Assembly	◆
B				1			901338	Trim Escutcheon Sub Assembly	◆
B					1	1	900339	Trim Escutcheon Sub Assembly	◆
C	1	1	1	1	1	1	901375	Backplate Assembly	
1	1	1	1	1	1	1	4280	Lever Nut	
2	1	1	1	1	1	1	4497	Lever Lock Washer	
3	1			1			4873	Cylinder Anchor	
4	1	1		1	1		6116	Spring Plate	
5	1	1		1	1		6118	K Return Spring	
6			1			1	6428	Rigid Lever Plate	
7	2	2	2	2	2	2	709562	# 10-24 x 3/8" UFPHMS	
8	2	2	2	2	2	2	709564	Nylon Washer	

- Items marked ◆ specify by finish: US-3, US-4, US-10, US-10B, US-26, US-26D, US-32 and US-32D.
- Items without part numbers specify by description and finish.
- (R)=Rim, (MV)=Mortise Vertical.



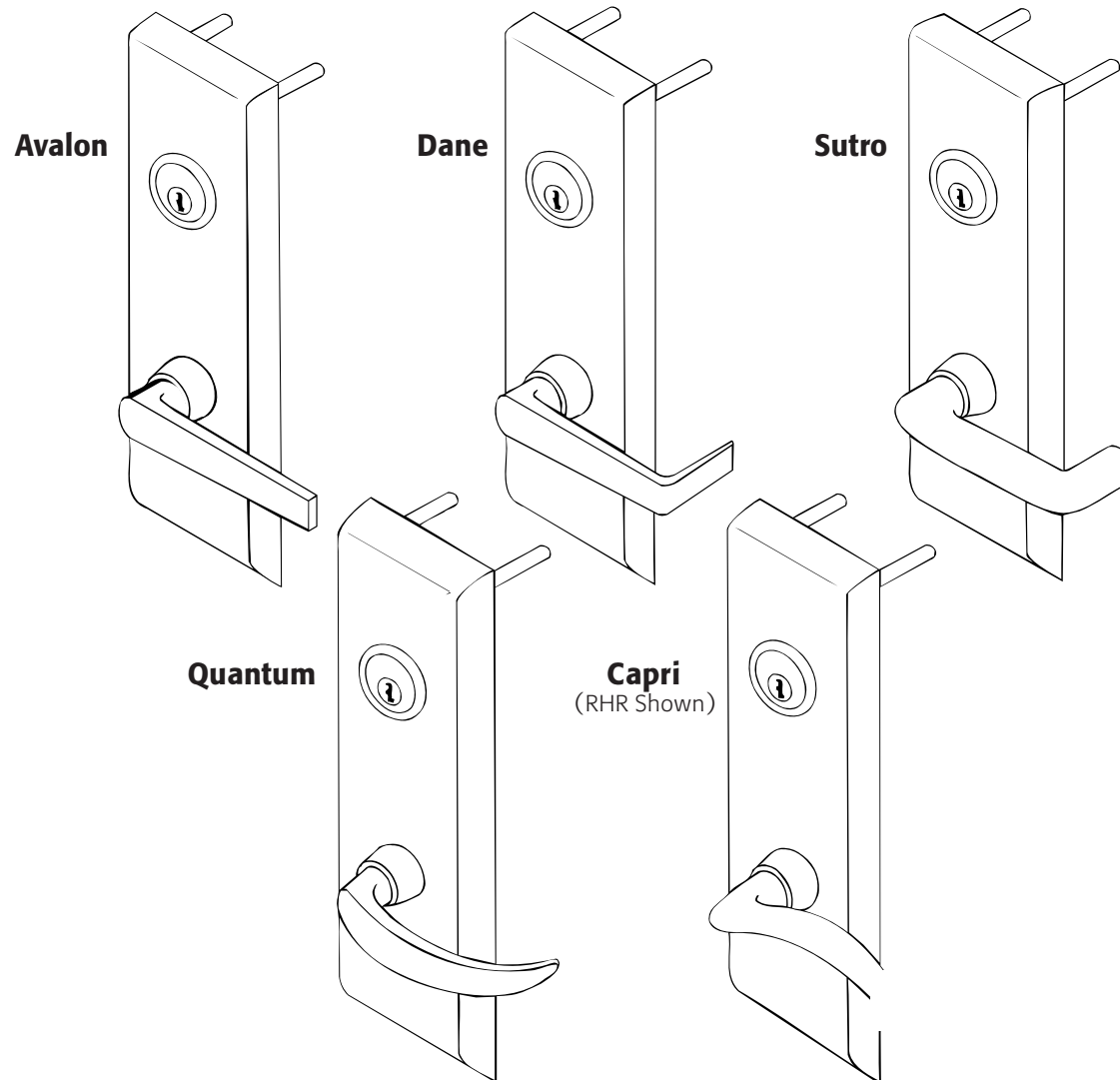
Trim Model No.			Application
K	K(LS/LK)	K-DT	
1811R	1812R	1810R	18-R/XX-R
1811MV	1812MV	1810MV	18-V/XX-V 18-M/XX-M 18-TPL/XX-TPL



Lever Trim

XX and 18 Series

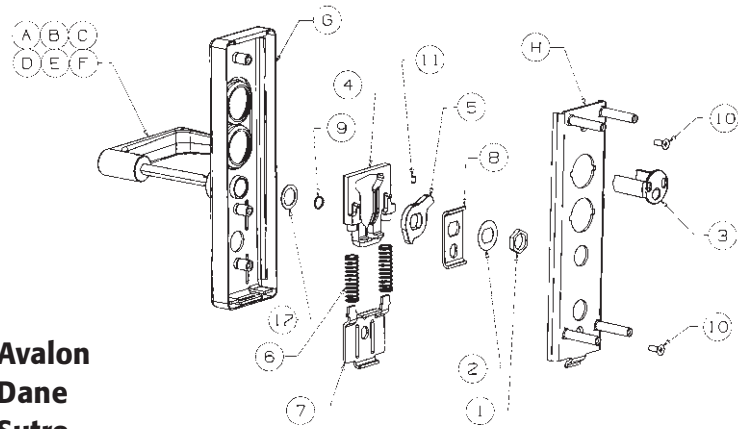
L, L-(LS/LK) and L-DT



Lever Trim Parts List

XX and 18 Series

L, L (LS/LK) and L-DT



Avalon
Dane
Sutro
Quantum
Capri (RHR)
Capri (LHR)

Model Information Chart

Avalon L	Dane L	Sutro L	Quantum L	Capri L (RHR)	Capri L (LHR)	Application
1851R	1821R	1830R	1841R	1891R	1896R	18/XX-R
1851MV	1821MV	1830MV	1841MV	1891MV	1896MV	18/XX-R-M/V/TPL
Avalon L-DT	Dane L-DT	Sutro L-DT	Quantum L-DT	Capri L-DT (RHR)	Capri L-DT (LHR)	Application
1850R	1820R	1831R	1840R	1890R	1895R	18/XX-R
1850MV	1820MV	1831MV	1840MV	1890MV	1895MV	18/XX-R-M/V/TPL
Avalon L (LS/LK)	Dane L (LS/LK)	Sutro L (LS/LK)	Quantum L (LS/LK)	Capri L (RHR) (LS/LK)	Capri L (LHR) (LS/LK)	Application
1852R	1822R	1832R	1842R	1892R	1897R	18/XX-R
1852MV	1822MV	1832MV	1842MV	1892MV	1897MV	18/XX-R-M/V/TPL

Item	Quantity																		Part No.	Description	Finish	Remarks
	Avalon			Dane			Quantum			Sutro			Capri (RHR)		Capri (LHR)							
L	L-(LS/LK)	L-DT	L	L-(LS/LK)	L-DT	L	L-(LS/LK)	L-DT	L	L-(LS/LK)	L-DT	L	L-(LS/LK)	L-DT	L	L-(LS/LK)	L-DT					
A				1	1													901346	Dane Lever Sub Assembly	◆		
								1										901345	Dane Lever Sub Assembly(DT)	◆		
B										1	1							901352	Sutro Lever Sub Assembly	◆		
												1						901351	Sutro Lever Sub Assembly(DT)	◆		
C	1	1																901349	Avalon Lever Sub Assembly	◆		
			1															901348	Avalon Lever Sub Assembly(DT)	◆		
D										1	1							901355	Quantum Lever Sub Assembly	◆		
												1						901354	Quantum Lever Sub Assembly (DT)	◆		
E													1	1				901358	Capri (RHR) Lever Sub Assembly	◆		
														1				901357	Capri (RHR) Lever Sub Assembly (DT)	◆		
F															1	1		901361	Capri (LHR) Lever Sub Assembly	◆		
																1		901360	Capri (LHR) Lever Sub Assembly (DT)	◆		
G	1			1			1		1			1			1			901336	Trim Escutcheon Sub Assembly	◆	18/XX-R Only	
	1	1	1	1	1	1	1	1	1	1	1	1	1	1	1	1	1	901337	Trim Escutcheon Sub Assembly	◆	18/XX-R Only	
	1	1	1	1	1	1	1	1	1	1	1	1	1	1	1	1	1	901338	Trim Escutcheon Sub Assembly	◆	18/XX-M/V/TPL Only	
	1	1	1	1	1	1	1	1	1	1	1	1	1	1	1	1	1	901339	Trim Escutcheon Sub Assembly (LS/LK, DT)	◆	18/XX-M/V/TPL Only	
H	1	1	1	1	1	1	1	1	1	1	1	1	1	1	1	1	1	901375	Backplate Assembly			
1			1															4280	Lever Nut			
2			1															4497	Lever Lock Washer			
3	1			1			1		1			1			1			4873	Cylinder Anchor			
4	1	1		1	1		1	1	1	1		1	1		1	1		6221	Slider			
5	1	1		1	1		1	1	1	1		1	1		1	1		6222	Cam			
6	2	2		2	2		2	2	2	2		2	2		2	2		6223	Spring			
7	1	1		1	1		1	1	1	1		1	1		1	1		6225	V/M trim Stop		18/XX-M/V/TPL Only	
8			1								1						1	6248	Rigid Lever Plate			
9	1	1		1	1		1	1	1	1		1	1		1	1		709560	5100-62 Waldes Truarc Ring			
10	2	2	2	2	2	2	2	2	2	2	2	2	2	2	2	2	2	709562	# 10-24x3/8" UFPHMS			
11	1	1		1	1		1	1	1	1		1	1		1	1		709563	# 8-32x3/8 Set Screw			
12	1	1	1	1	1	1	1	1	1	1	1	1	1	1	1	1	1	709564	Nylon Washer			

1. Items marked ◆ specify by finish: US-3, US-4, US-10, US-10B, US-26, US-26D, US-32 and US-32D.

2. Items without part numbers specify by description and finish.

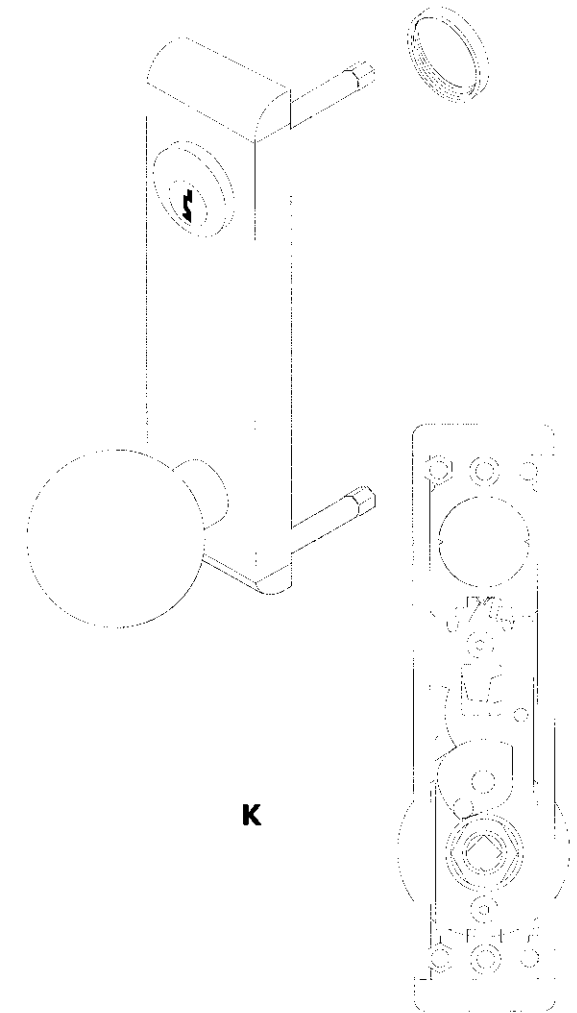
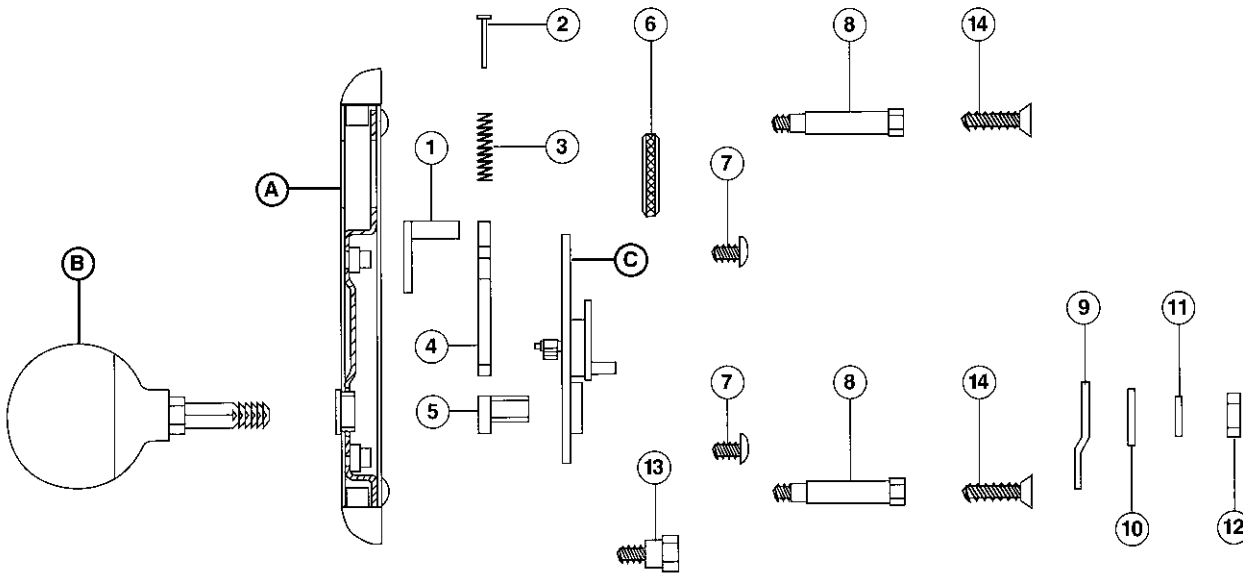
3. (R)=Rim, (MV)=Mortise Vertical.

Knob Trim- Concealed XX, 18 and 17 Series

(Concealed Only)
K (1764), K-(LS/LK) (1774),
K-NL (1764NL) and K-DT (1784)

Item	Quantity				Part No.	Description	Finish	Remarks
	K	K-NL	K-(LS/LK)	K-DT				
A	1	1			900229	Housing Sub Assembly	◆	
			1	1	900234	Housing Sub Assembly	◆	
B	1	1	1	1	900263	Hana Knob Sub Assembly	◆	
C	1	1	1		900060	Retainer Plate Sub Assembly	◆	
1	1	1			4268	Locking Plate		
2	1	1	1		709239	3/32" x 3/4" Solid Rivet		
3	1	1	1		4605	Actuator Spring		
4	1	1	1		4265	Actuator Plate		
5	1	1	1		4274	Knob Hub		
6	1	1			3894	Cylinder Nut		
7	2	2	2	1	709229	1/4" - 20 x 5/16" Button Head Cap Screw		
8	2	2	2	2	4349	Hex Stud		
9				1	4302	Rigid Lever Plate		
10				1	709149	Flat Washer		
11				1	709202	Flat Washer		
12	1	1	1	1	709148	3/8" - 16 Hex Jam Nut		
13				1	4354	Stop Post		
14	2	2	2	2	709118	1/4" - 20 x 3/4" FPHMS		See Note #2
Part not Shown		1			6166	NL Spring		

1. Items marked ◆ specify by finish: US-3, US-4, US-10, US-10B, US-26, US-26D, US-32 and US-32D.
2. Omit item for 17 Series device trim.



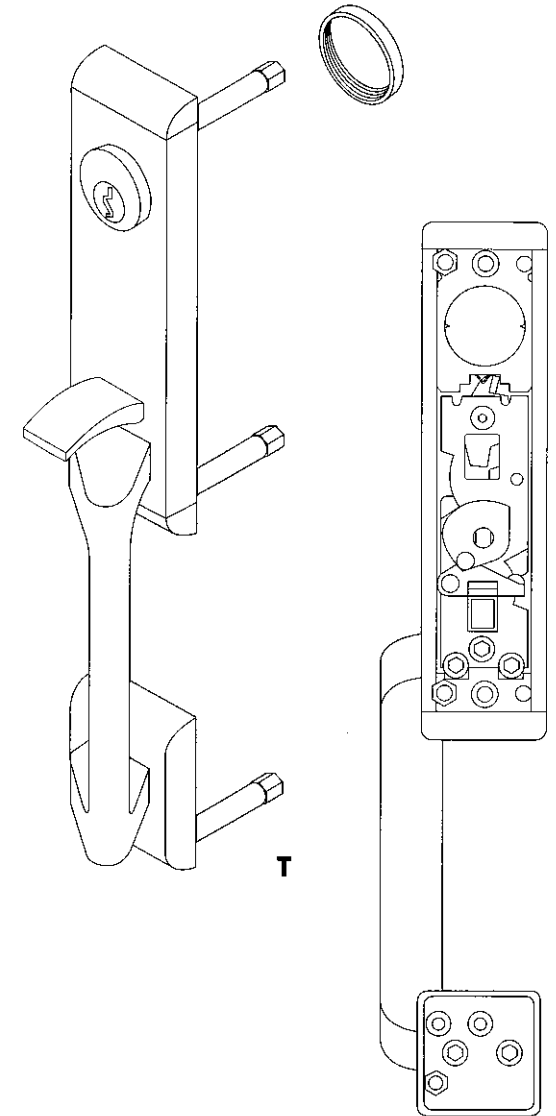
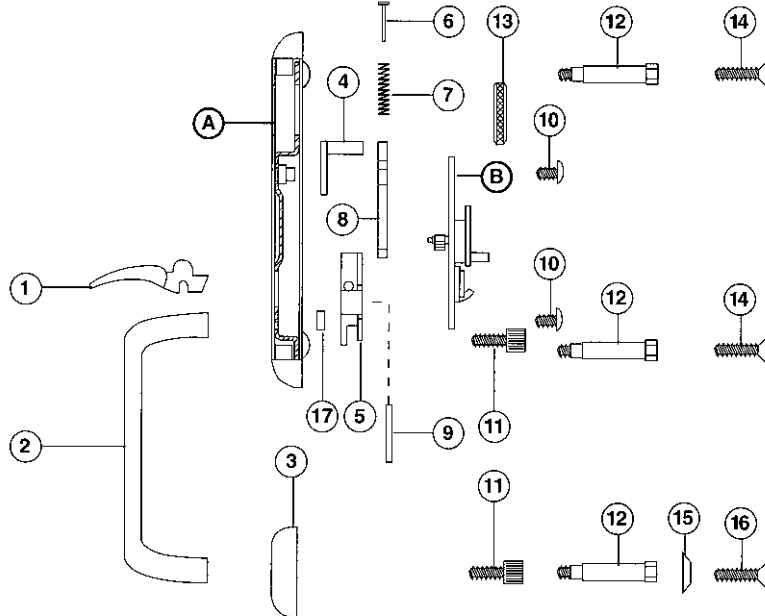
Delta Trim- Concealed XX, 18 and 17 Series (Concealed Only) T (1741), T-(LS/LK) (1742), T-NL (1741NL) and T-DT (1743)

Item	T	Quantity			Part No.	Description	Finish	Remarks
		T-NL	T-(LS/LK)	T-DT				
A	1	1			900400	Housing Sub Assembly (T)	◆	
			1		900401	Housing Sub Assembly (T-(LS/LK))	◆	
				1	900402	Housing Sub Assembly (T-DT)	◆	
B	1	1	1		900022	Retainer Plate Sub Assembly		
1	1	1	1		4602	Thumbpiece	◆	
2	1	1	1	1	4377	Pull Grip	◆	
3	1	1	1	1	4313	Pull Pad	◆	
4	1	1			4268	Locking Plate		
5	1	1	1		4603	Thumbpiece Bracket		
6	1	1	1		709239	3/32" x 3/4" Solid Rivet		
7	1	1	1		4605	Actuator Spring		
8	1	1	1		4265	Actuator Plate		
9	1	1	1		709104	1/8" x 1-1/4" Pin Type "C"		
10	2	2	2		709229	1/4" - 20 x 5/16" Button Head Cap Screw		
11	4	4	4	4	709078	1/4" - 20 x 1/2" Hex Cap Screw		
12	3	3	3	3	4349	Hex Stud		
13	1	1			3894	Cylinder Nut		
14	2	2	2	2	709118	1/4" - 20 x 3/4" FPHMS		See Note #2
15	1	1	1	1		1/4" CSK Finish Washer	◆	See Note #3
16	1	1	1	1		1/4" - 20 x 3/4" FPHMS	◆	See Note #3
17	1	1	1		709254	1/4" Square Nut		
Part not Shown		1			6166	NL Spring		

1. Items marked ◆ specify by finish: US-3, US-4, US-10, US-10B, US-26, US-26D, US-32 and US-32D.

2. Omit item for 17 Series device trim.

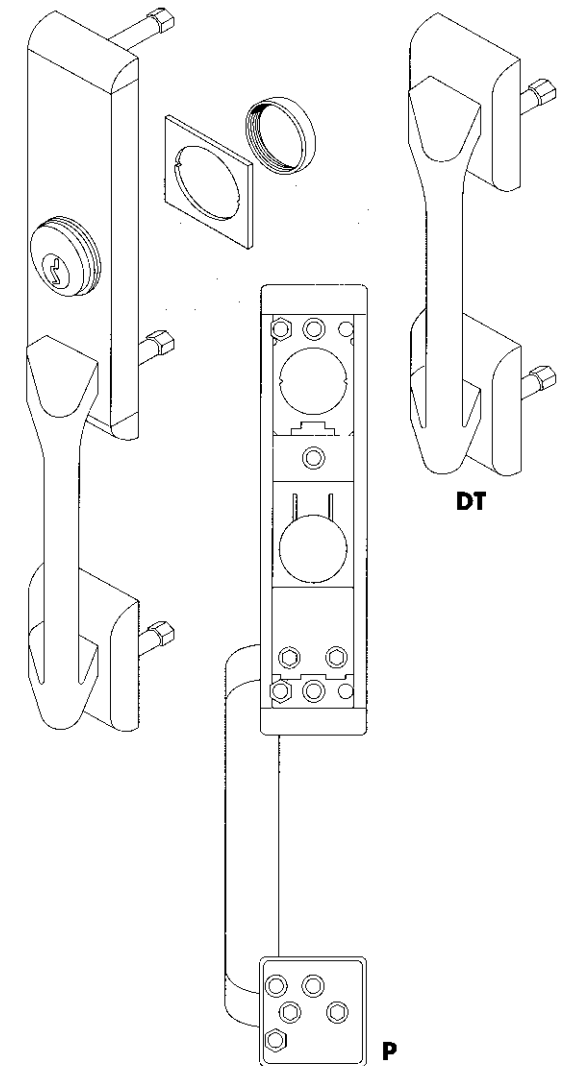
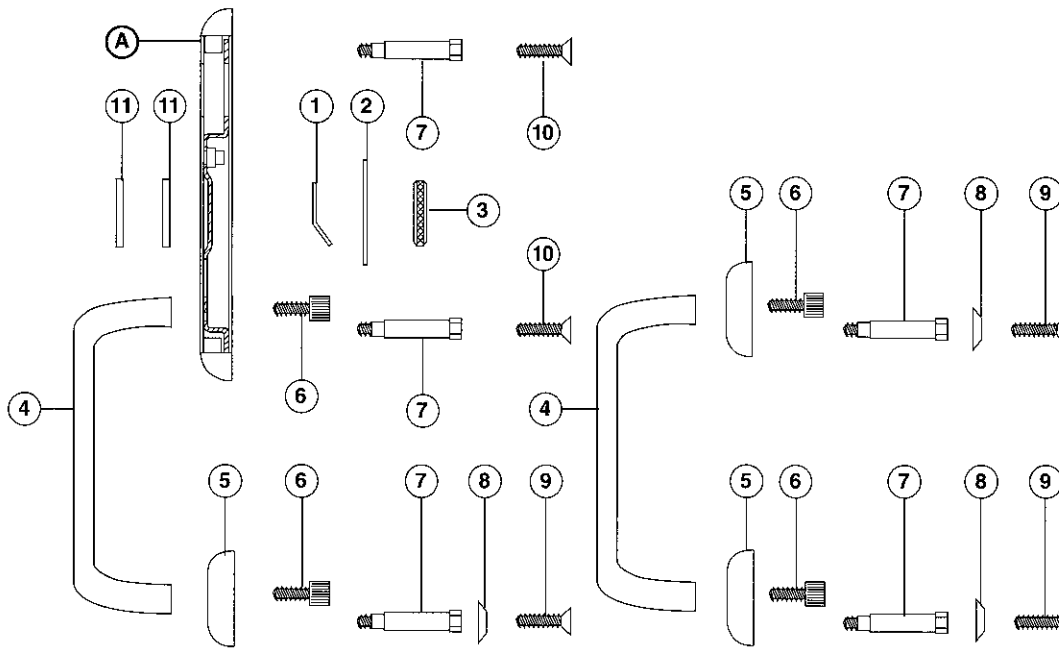
3. Items without part numbers specify by description and finish.



Delta Trim- Concealed XX, 18 and 17 Series (Concealed Only) C (1713), DT (1760) and P (1740)

Item	Quantity			Part No.	Description	Finish	Remarks
	C	DT	P				
A	1			900452	Housing Sub Assembly	◆	
			1	900453	Housing Sub Assembly	◆	
1	1		1	4831	Special Cam (Mortise Cylinder)		
2	1		1	4131	Cylinder Retaining Plate		
3	1		1	3894	Cylinder Nut		
4		1	1	4377	Pull Grip	◆	
5		2	1	4313	Pull Pad	◆	
6		4	4	709078	1/4" - 20 x 1/2" Hex Cap Screws		
7	2	2	3	4349	Hex Stud		
8		2	1		1/4" CSK Finish Washer	◆	See Note #2
9		2	1		1/4" - 20 x 3/4" FPHMS	◆	See Note #2
10	2		2	709188	1/4" - 20 x 3/4" FPHMS		See Note #3
11	2		2	3917	Cylinder Spacer	◆	

- Items marked ◆ specify by finish: US-3, US-4, US-10, US-10B, US-26, US-26D, US-32 and US-32D.
- Items without part numbers specify by description and finish.
- Omit item for 17 Series device trim.



Delta Trim- Concealed

XX, 18 and 17 Series (Concealed Only)

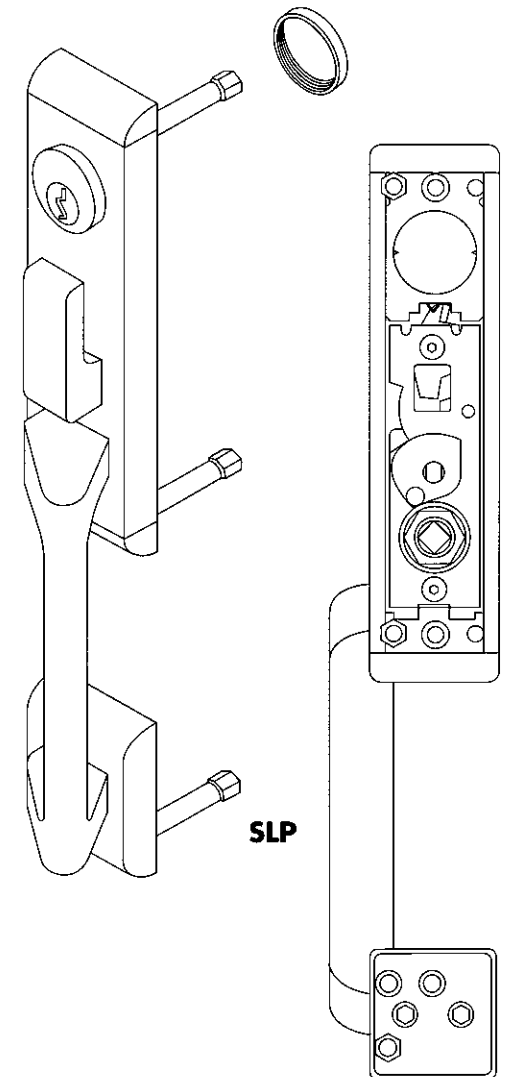
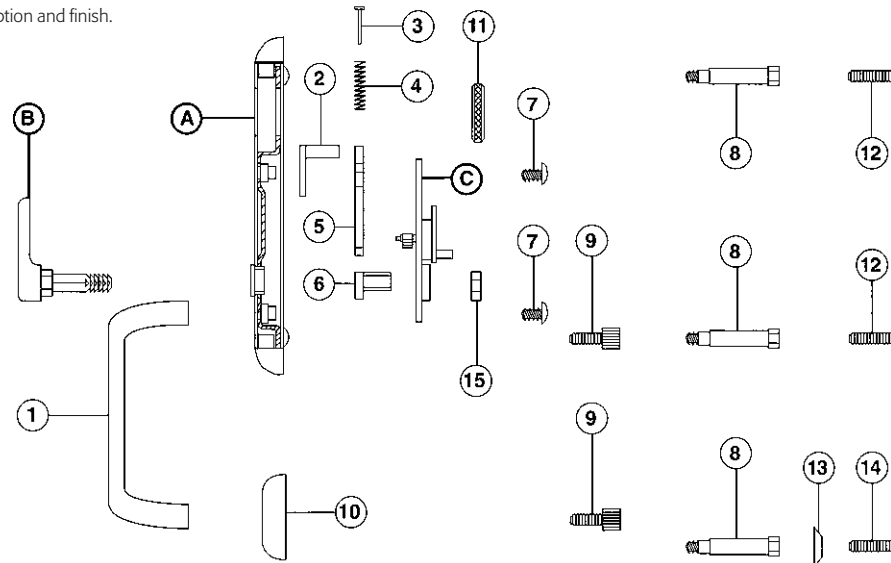
SL (1738), SL-(LS/LK) (1718), SLP (1728),
SL-NL (1738NL), SLP-NL (1728NL) and SLP-(LS/LK) (1708)

Item	Quantity						Part No.	Description	Finish	Remarks
	SL	SL-NL	SL (LS/LK)	SLP	SLP-NL	SLP (LS/LK)				
A	1	1					900229	Housing Sub Assembly	◆	
			1				900234	Housing Sub Assembly	◆	
				1	1		900404	Housing Sub Assembly	◆	
						1	900405	Housing Sub Assembly	◆	
B	1	1	1	1	1	1	900289	SL Sub Assembly	◆	
C	1	1	1	1	1	1	900060	Retainer Plate Sub Assembly		
1				1	1	1	4377	Pull Grip	◆	
2	1	1		1	1		4268	Locking Plate		
3	1	1	1	1	1	1	709239	3/32" x 3/4" Solid Rivet		
4	1	1	1	1	1	1	4605	Actuator Plate		
5	1	1	1	1	1	1	4265	Actuator Plate		
6	1	1	1	1	1	1	4274	Knob Hub		
7	2	2	2	2	2	2	709229	1/4" - 20 x 5/16" Button Head Cap Screw		
8	2	2	2	3	3	3	4349	Hex Stud		
9				4	4	4	709078	1/4" - 20 x 1/2" Hex Cap Screw		
10				1	1	1	4313	Pull Pad	◆	
11	1	1		1	1		3894	Cylinder Nut		
12	2	2	2	2	2	2	709118	1/4" - 20 x 3/4" FPHMS		See Note #2
13				1	1	1		1/4" CSK Finish Washer	◆	See Note #3
14				1	1	1		1/4" - 20 x 3/4" FPHMS	◆	See Note #3
15	1	1	1	1	1	1	709148	3/8" - 16 Hex Jam Nut		
Part not Shown		1			1		6116	NL Spring		

1. Items marked ◆ specify by finish: US-3, US-4, US-10, US-10B, US-26, US-26D, US-32 and US-32D.

2. Omit item for 17 Series device trim.

3. Items without part numbers specify by description and finish.

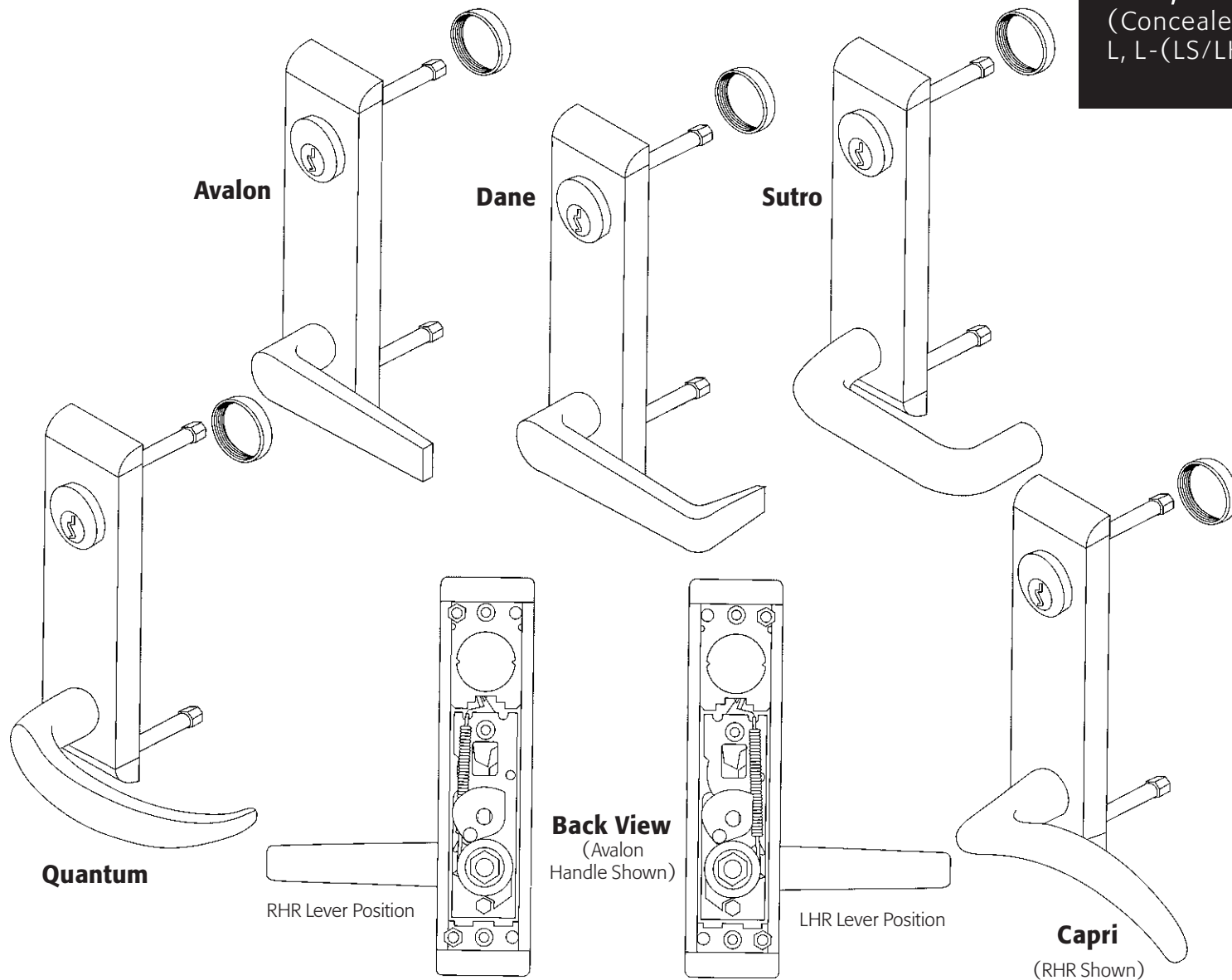


Lever Trim- Concealed

XX, 18 and 17 Series

(Concealed Only)

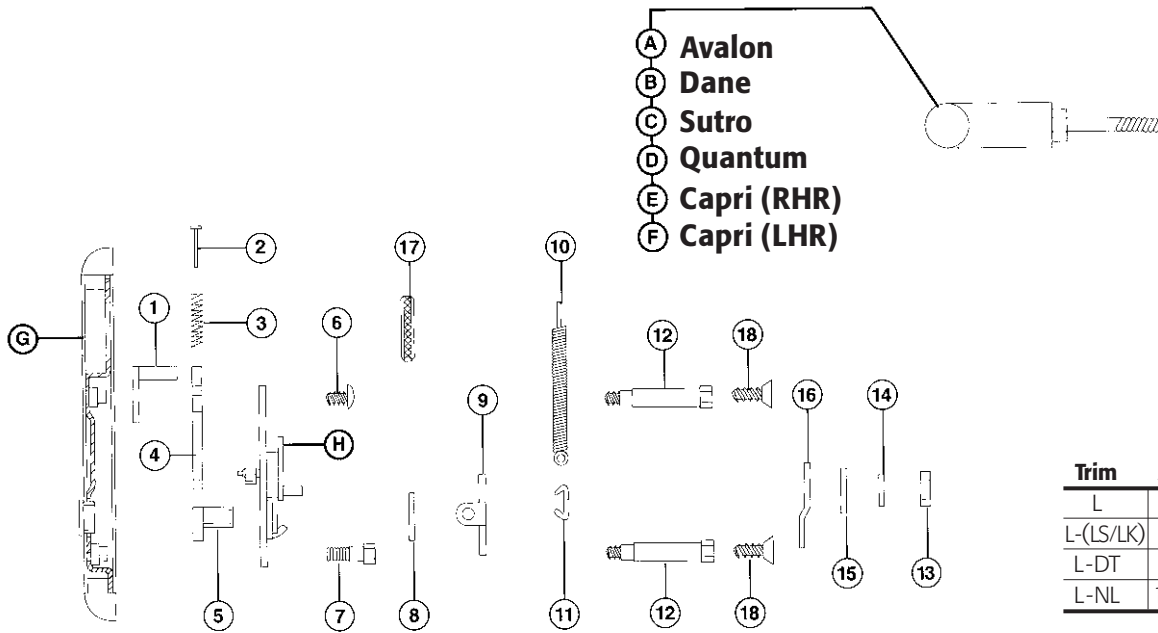
L, L-(LS/LK), L-NL and L-DT



Lever Trim- Concealed

XX, 18 and 17 Series

L & L-NL, L-(LS/LK) and L-DT



Model Information Chart

Trim	Avalon	Dane	Sutro	Quantum	Capri (RHR)	Capri (LHR)
L	1765	1766	1767	1768	1861	1862
L-(LS/LK)	1775	1776	1777	1778	1871	1872
L-DT	1785	1786	1787	1788	1881	1882
L-NL	1765NL	1766NL	1767NL	1768NL	1861NL	1862NL

Item	Quantity																				Part No.	Description	Finish	Remarks				
	Avalon				Dane				Sutro				Quantum				Capri (RHR)								Capri (LHR)			
	L	L-NL	L-(LS/LK)	L-DT	L	L-NL	L-(LS/LK)	L-DT	L	L-NL	L-(LS/LK)	L-DT	L	L-NL	L-(LS/LK)	L-DT	L	L-NL	L-(LS/LK)	L-DT	L	L-NL	L-(LS/LK)	L-DT				
A	1	1	1																						900267	Avalon Lever Sub Assembly	◆	
B																									900270	Dane Lever Sub Assembly	◆	
C					1	1	1	1	1	1	1	1													900273	Sutro Lever Sub Assembly	◆	
D													1	1	1	1									900443	Quantum Lever Sub Assembly	◆	
E																	1	1	1	1					900446	Capri (RHR) Lever Sub Assembly	◆	
F																					1	1	1	1	900445	Capri (LHR) Lever Sub Assembly	◆	
G	1	1			1	1			1	1			1	1			1	1			1	1	1	1	900229	Housing sub Assembly	◆	
H	1	1	1		1	1	1	1	1	1	1	1	1	1	1	1	1	1	1	1	1	1	1	1	900234	Housing Sub Assembly	◆	
				1				1				1				1				1				1	900060	Retainer Plate Sub Assembly		
																									900236	Retainer Plate Sub Assembly		
1	1	1			1	1			1	1			1	1			1	1			1	1			4268	Locking Plate		
2	1	1	1		1	1	1		1	1	1		1	1	1		1	1	1		1	1	1		709239	3/32" x 3/4" Solid Rivet		
3	1	1	1		1	1	1		1	1	1		1	1	1		1	1	1		1	1	1		4605	Actuator Spring		
4	1	1	1		1	1	1		1	1	1		1	1	1		1	1	1		1	1	1		4265	Actuator Plate		
5	1	1	1		1	1	1	1	1	1	1	1	1	1	1	1	1	1	1	1	1	1	1	1	4274	Knob Hub		
6	1	1	1	1	1	1	1	1	1	1	1	1	1	1	1	1	1	1	1	1	1	1	1	1	709229	1/4" - 20 x 5/16" Button Head Cap Screw		
7	1	1	1	1	1	1	1	1	1	1	1	1	1	1	1	1	1	1	1	1	1	1	1	1	4354	Stop Post		
8	1	1	1		1	1	1		1	1	1		1	1	1		1	1	1		1	1	1		4218	Nylon Lever Washer		
9	1	1	1		1	1	1		1	1	1		1	1	1		1	1	1		1	1	1		4408	Spring Stop Plate		
10	1	1	1		1	1	1		1	1	1		1	1	1		1	1	1		1	1	1		4841	Lever Return Spring		
11	1	1	1		1	1	1		1	1	1		1	1	1		1	1	1		1	1	1		4326	Lever Spring Clip		
12	2	2	2	2	2	2	2	2	2	2	2	2	2	2	2	2	2	2	2	2	2	2	2	2	4349	Hex Stud		
13	1	1	1	1	1	1	1	1	1	1	1	1	1	1	1	1	1	1	1	1	1	1	1	1	709148	3/8" - 16 Hex Jam Nut		
14	1	1	1	1	1	1	1	1	1	1	1	1	1	1	1	1	1	1	1	1	1	1	1	1	709202	Flat Washer		
15	1	1	1	1	1	1	1	1	1	1	1	1	1	1	1	1	1	1	1	1	1	1	1	1	709149	Flat Washer		
16				1				1				1				1				1				1	4302	Rigid Lever Plate		
17	1	1			1	1			1	1			1	1			1	1			1	1			3894	Cylinder Nut		
18	2	2	2	2	2	2	2	2	2	2	2	2	2	2	2	2	2	2	2	2	2	2	2	2	709118	1/4" x 20 x 3/4" FPHMS		See Note #2
Part not Shown				1				1				1				1				1				1	6116	NL Spring		

1. Items marked ◆ specify by finish: US-3, US-4, US-10, US-10B, US-26, US-26D, US-32 and US-32D.

2. Omit item for 17 Series device trim.

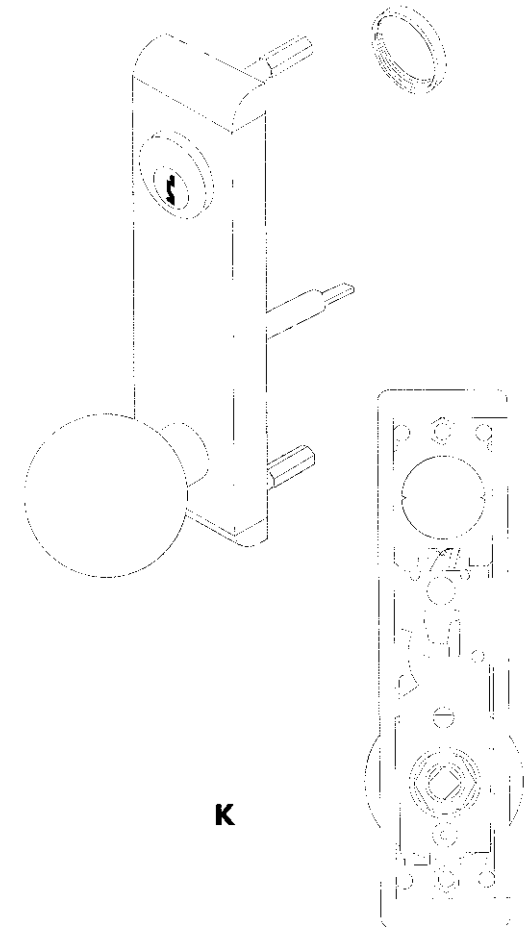
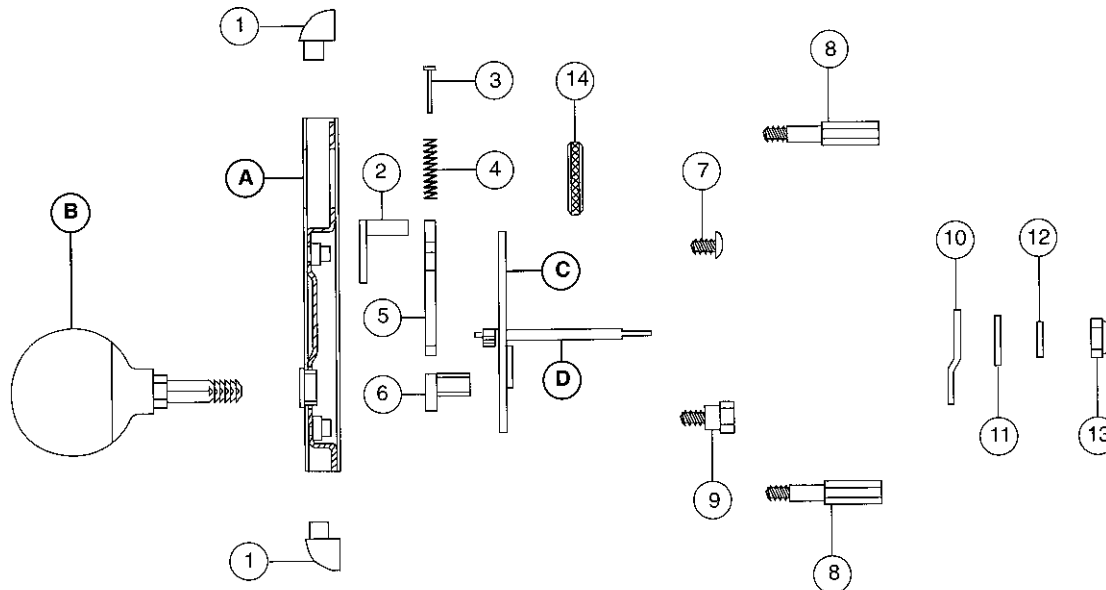
Control Trim

17 Series

K, K-(LS/LK), K-NL and K-DT

Item	Quantity K				Part No.	Description	Finish
	K	K-NL	(LS/LK)	K-DT			
A	1	1			900406	Housing Sub Assembly	◆
			1	1	900407	Housing Sub Assembly	◆
B	1	1	1	1	900263	Hana Knob Sub Assembly	◆
C	1	1	1	1	900236	Retainer Plate Sub Assembly	
D	1	1	1		943250	Actuator Shaft Sub Assembly	
1	2	2	2	2	4582	Forged End Caps	◆
2	1	1			4268	Locking Plate	
3	1	1	1		709239	3/32" x 3/4" Solid Rivet	
4	1	1	1		4605	Actuator Spring	
5	1	1	1		4265	Actuator Plate	
6	1	1	1	1	4274	Knob Hub	
7	2	2	2	1	709229	1/4" - 20 x 5/16" Button Head Cap Screw	
8	2	2	2	2	4270	Hex Stud	
9				1	4354	Stop Post	
10				1	4302	Rigid Lever Plate	
11				1	709149	Flat Washer	
12				1	709202	Flat Washer	
13	1	1	1	1	709157	3/8" - 16 ESNA Lock Nut	
14	1	1			3894	Cylinder Nut	
Part not Shown		1			6116	NL Spring	

1. Items marked ◆ specify by finish: US-3, US-4, US-10, US-10B, US-26, US-26D, US-32 and US-32D.



Trim Model No.				Application
K	K-NL	K-(LS/LK)	K-DT	
1604	1604NL	1614	1624	17-R, 17-V

MONARCH
Exit Devices & Door Hardware

Questions? Call: 800-826-5792 / FAX: 800-924-3551
Monarch Hardware 805 N. Buckman Shepherdsville KY 40165 / Visit us on the Internet at www.monarchhardware.com

IR Security & Safety

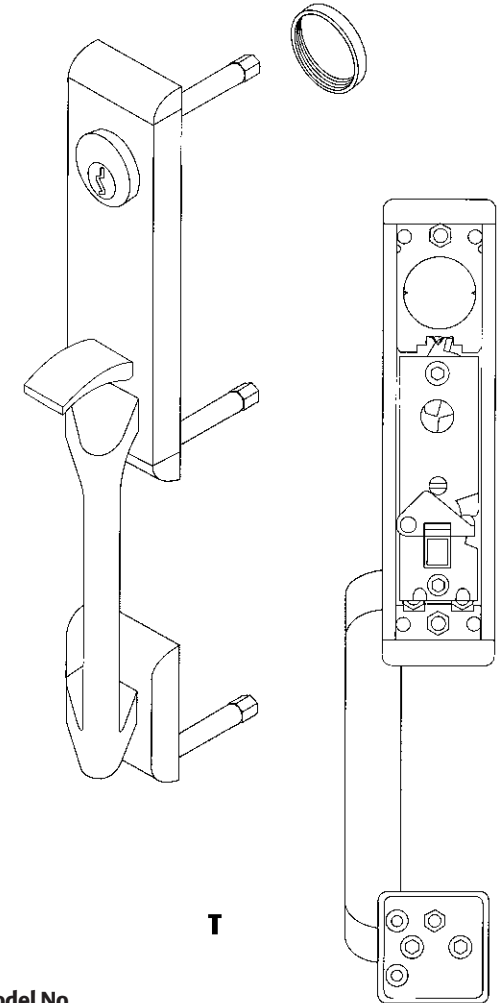
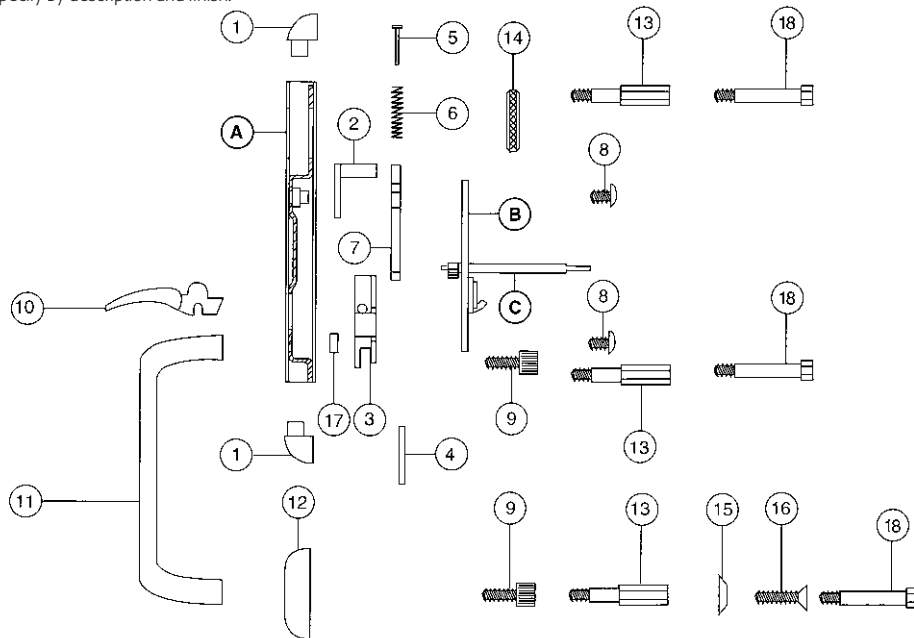
Delta Trim

17 Series

T, T-NL, T-(LS/LK) and T-DT

Item	Quantity					Part No.	Description	Finish	Remarks
	T	T-NL	T-(LS/LK)	T-DT(R/V)	T-DT(M)				
A	1	1				900413	Housing Sub Assembly	◆	
			1			900414	Housing Sub Assembly	◆	
				1	1	900415	Housing Sub Assembly	◆	
B	1	1	1			900235	Retainer Plate Sub Assembly		
C	1	1	1			943250	Actuator Shaft Sub Assembly		
1	2	2	2	2	2	4582	Forged End Caps	◆	
2	1	1				4268	Locking Plate		
3	1	1	1			4603	Thumbpiece Bracket		
4	1	1	1			709104	1/8" x 1-1/4" Pin Type "C"		
5	1	1	1			709239	3/32" x 3/4" Solid Rivet		
6	1	1	1			4605	Actuator Spring		
7	1	1	1			4265	Actuator Plate		
8	2	2	2			709229	1/4" - 20 x 5/16" Button Head Cap Screw		
9	4	4	4	4	4	709078	1/4" - 20 x 1/2" Hex Cap Screw		
10	1	1	1			4602	Thumbpiece	◆	
11	1	1	1	1	1	4377	Pull Grip	◆	
12	1	1	1	1	1	4313	Pull Pad	◆	
13	3	3	3	3		4270	Hex Stud		
14	1	1				3894	Cylinder Nut		
15	1	1	1	1	1		1/4" CSK Finish Washer	◆	See Note #2
16	1	1	1	1	1		1/4" - 20 x 3/4" FPHMS	◆	See Note #2
17	1	1	1			709254	1/4" Square Nut		
18					3	4349	Hex Stnd, used on 17-M		
Part not Shown		1				6116	NL Spring		

- Items marked ◆ specify by finish: US-3, US-4, US-10, US-10B, US-26, US-26D, US-32 and US-32D.
- Items without part numbers specify by description and finish.



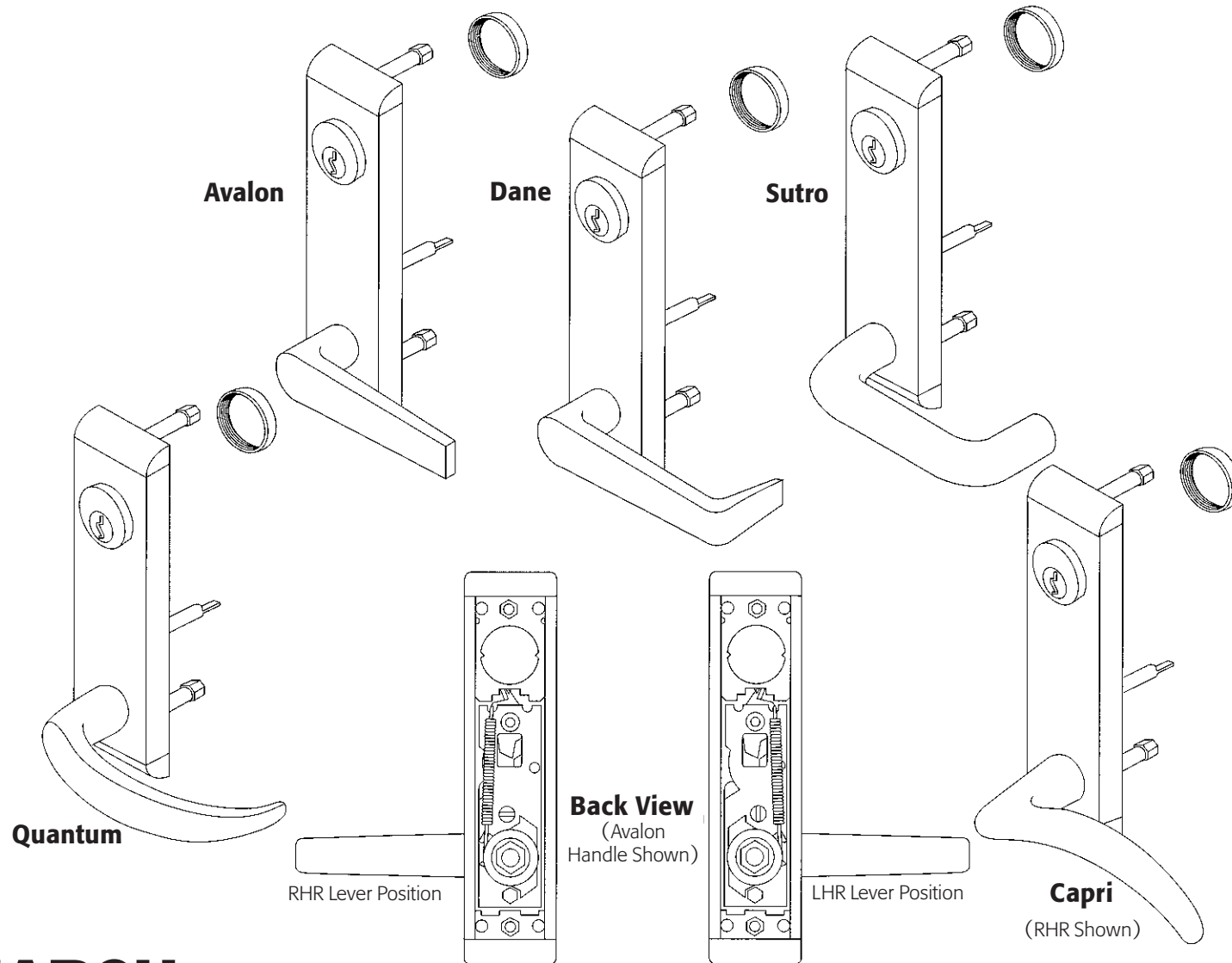
Trim Model No.

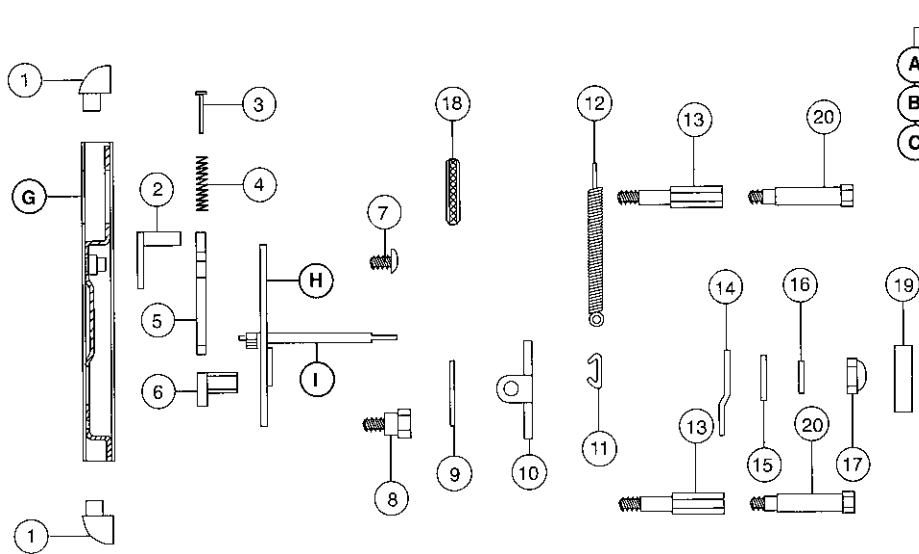
T	T-NL	T-(LS/LK)	T-DT	Application
1602	1602NL	1612	1622RV	17-R, 17-V
-	-	-	1622M	17-M

Lever Control Trim

17 Series

L, L-(LS/LK), L-NL and L-DT





Lever Trim- Concealed

17 Series

L & L-NL, L-(LS/LK) and L-DT

Model Information Chart

Trim	Avalon	Dane	Sutro	Quantum	Capri (RHR)	Capri (LHR)	Application
L	1605	1606	1607	1508	1502	1503	17-R, 17-V
L	1635	1636	1637	1538	1532	1533	17-M
L-(LS/LK)	1615	1616	1617	1518	1512	1513	17-R, 17-V
L-(LS/LK)	1645	1646	1647	1548	1542	1543	17-M
L-DT	1625	1626	1627	1528	1522	1523	17-R, 17-V
L-DT	1655	1656	1657	1558	1552	1553	17-M
L-NL	1605NL	1606NL	1607NL	1508NL	1502NL	1503NL	17-R, 17-V
L-NL	1635NL	1636NL	1637NL	1538NL	1532NL	1533NL	17-M

Item	Quantity																Part No.	Description	Finish	Remarks								
	Avalon				Dane				Sutro				Quantum								Capri (RHR)				Capri (LHR)			
	L	L-NL	L-(LS/LK)	L-DT	L	L-NL	L-(LS/LK)	L-DT	L	L-NL	L-(LS/LK)	L-DT	L	L-NL	L-(LS/LK)	L-DT	L	L-NL	L-(LS/LK)	L-DT	L	L-NL	L-(LS/LK)	L-DT	L	L-NL	L-(LS/LK)	L-DT
A	1	1	1	1																					900267	Avalon Lever Sub Assembly	◆	
B					1	1	1	1																	900270	Dane Lever Sub Assembly	◆	
C									1	1	1	1													900273	Sutro Lever Sub Assembly	◆	
D													1	1	1	1									900443	Quantum Lever Sub Assembly	◆	
E																	1	1	1	1					900446	Capri (RHR) Lever Sub Assembly	◆	
F																					1	1	1	1	900445	Capri (LHR) Lever Sub Assembly	◆	
G	1	1			1	1			1	1			1	1			1	1			1	1			900406	Housing Sub Assembly	◆	
H	1	1	1	1	1	1	1	1	1	1	1	1	1	1	1	1	1	1	1	1	1	1	1	1	900236	Retainer Plate Sub Assembly	◆	
I	1	1	1	1	1	1	1	1	1	1	1	1	1	1	1	1	1	1	1	1	1	1	1	1	943250	Actuator Shaft Sub Assembly	◆	
1	2	2	2	2	2	2	2	2	2	2	2	2	2	2	2	2	2	2	2	2	2	2	2	2	4582	Forged End Caps	◆	
2	1	1			1	1			1	1			1	1			1	1			1	1			4268	Locking Plate		See Note #4
3	1	1	1		1	1	1		1	1	1		1	1	1		1	1	1		1	1	1		709239	3/32" x 3/4" Solid Rivet		
4	1	1	1		1	1	1		1	1	1		1	1	1		1	1	1		1	1	1		4605	Actuator Spring		
5	1	1	1		1	1	1		1	1	1		1	1	1		1	1	1		1	1	1		4265	Actuator Plate		
6	1	1	1		1	1	1		1	1	1		1	1	1		1	1	1		1	1	1		4274	Knob Hub		
7	1	1	1	1	1	1	1	1	1	1	1	1	1	1	1	1	1	1	1	1	1	1	1	1	709229	1/4" - 20 x 5/16" Button Head Cap Screw		
8	1	1	1	1	1	1	1	1	1	1	1	1	1	1	1	1	1	1	1	1	1	1	1	1	4354	Stop Post		
9	1	1	1		1	1	1		1	1	1		1	1	1		1	1	1		1	1	1		4218	Nylon Lever Washer		
10	1	1	1		1	1	1		1	1	1		1	1	1		1	1	1		1	1	1		4275	Spring Stop Plate		
11	1	1	1		1	1	1		1	1	1		1	1	1		1	1	1		1	1	1		4326	Lever Spring Clip		
12	1	1	1	1	1	1	1	1	1	1	1	1	1	1	1	1	1	1	1	1	1	1	1	1	4841	Lever Return Spring		
13	2	2	2	2	2	2	2	2	2	2	2	2	2	2	2	2	2	2	2	2	2	2	2	2	4270	Hex Stud		See Note #5
14				1				1				1				1				1				1	4302	Rigid Lever Plate		
15	1	1	1	1	1	1	1	1	1	1	1	1	1	1	1	1	1	1	1	1	1	1	1	1	709149	Flat Washer		
16	1	1	1	1	1	1	1	1	1	1	1	1	1	1	1	1	1	1	1	1	1	1	1	1	709202	Flat Washer		
17	1	1	1	1	1	1	1	1	1	1	1	1	1	1	1	1	1	1	1	1	1	1	1	1	709157	3/8" - 16 ESNA Lock Nut		See Note #2
18	1	1			1	1			1	1			1	1			1	1			1	1			3894	Cylinder Nut		
19	1	1	1	1	1	1	1	1	1	1	1	1	1	1	1	1	1	1	1	1	1	1	1	1	4415	Retainer		See Note #3
20	2	2	2	2	2	2	2	2	2	2	2	2	2	2	2	2	2	2	2	2	2	2	2	2	4349	Hex Stud		See Note #3
Part not Shown																									6116	NL Spring		

1. Items marked ◆ specify by finish: US-3, US-4, US-10, US-10B, US-26, US-26D, US-32 and US-32D.

2. Used on rim and vertical trim only.

3. Used on mortise trim only.

4. Item is modified for mortise device application.

5. For mortise device use item 20.

Control Trim

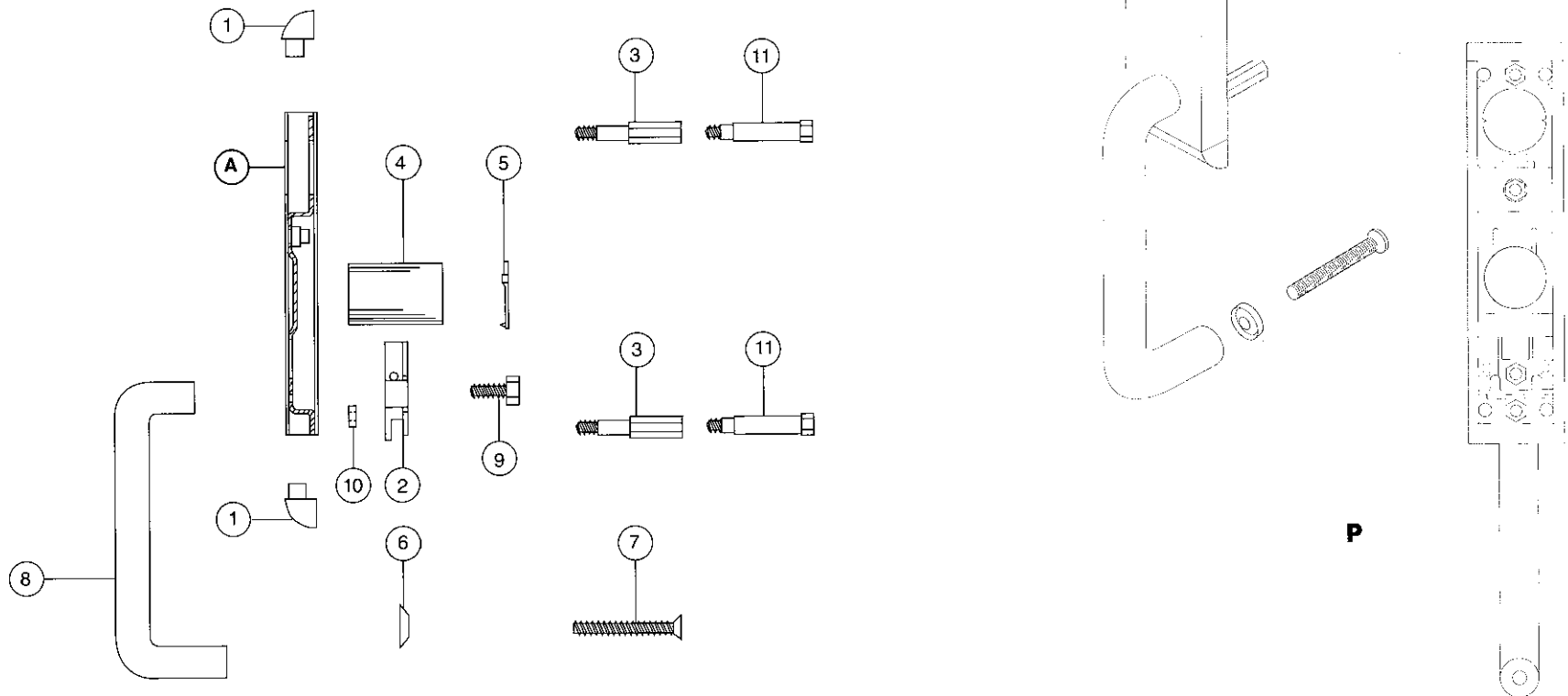
17 Series

DT Rim & Vertical (1797RV),
DT Mortise (1798M) and P (1799RV)

Item	Quantity			Part No.	Description	Finish	Remarks
	DT(RV)	P	DT(M)				
A		1		900411	Housing Sub Assembly (P)	◆	
	1		1	900412	Housing Sub Assembly (DT)	◆	
1	2	2	2	4582	Forged End Caps	◆	
2	1	1	1	4603	Thumbpiece Bracket		
3	2	2		4270	Hex Stud		
4		1		4120	Cylinder Spacer Collar		
5		1		4121	Cylinder Anchor Plate		
6	1	1	1		1/4" CSK Finish Washer	◆	See Note #2
7	1	1	1		1/4" - 20 x 2-1/4" FPHMS	◆	See Note #2
8	1	1	1	4256	Apollo Pull Grip	◆	
9	1	1	1	709224	1/4" - 20 x 1" Hex Head MS		
10	1	1	1	4861	Spacer		
11			2	4349	Hex Stud		

1. Items marked ◆ specify by finish: US-3, US-4, US-10, US-10B, US-26, US-26D, US-32 and US-32D.

2. Items without part numbers specify by description and finish.



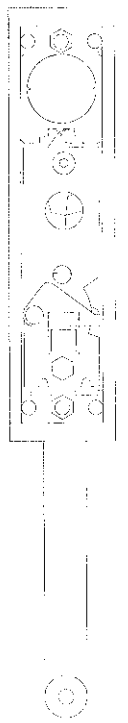
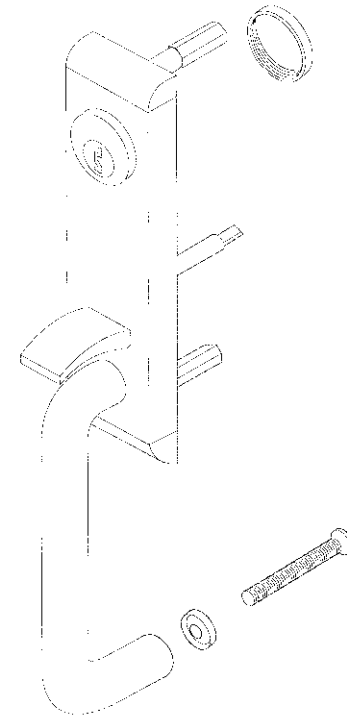
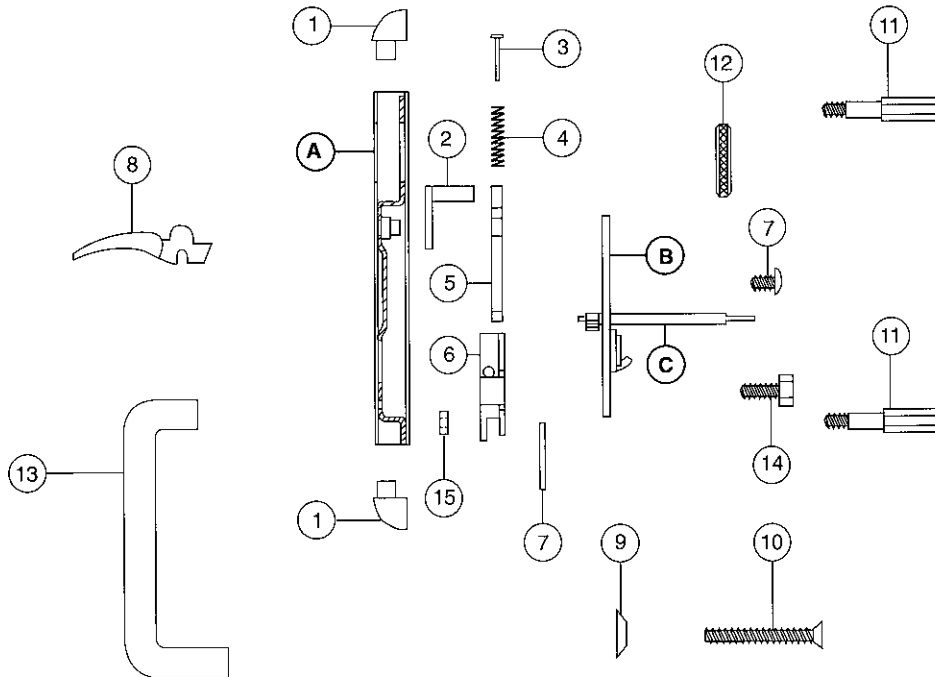
Control Trim

17 Series

T, T-NL and T-(LS/LK)

Item	Quantity			Part No.	Description	Finish	Remarks
	T	T-NL	T-(LS/LK)				
A	1	1		900408	Housing Sub Assembly	◆	
			1	900409	Housing Sub Assembly	◆	
B	1	1	1	900235	Retainer Plate Sub Assembly		
C	1	1	1	943250	Actuator Sub Assembly		
1	2	2	2	4582	Forged End Caps	◆	
2	1	1		4268	Locking Plate		
3	1	1	1	709239	3/32" x 3/4" Solid Rivet		
4	1	1	1	4605	Actuator Spring		
5	1	1	1	4265	Actuator Plate		
6	1	1	1	4603	Thumbpiece Bracket		
7	1	1	1	709104	1/8" x 1-1/4" Pin type "C"		
8	1	1	1	4602	Thumbpiece	◆	
9	1	1	1		1/4" CSK Finish Washer	◆	See Note #2
10	1	1	1		1/4" - 20 x 2-1/4" FPHMS	◆	See Note #2
11	2	2	2	4270	Hex Stud		
12	1	1		3894	Cylinder Nut		
13	1	1	1	4256	Pull Grip	◆	
14	1	1	1	709224	1/4" - 20 x 1" Hex Head MS		
15	1	1	1	4861	Spacer		
Part not Shown		1		6116	NL Spring		

1. Items marked ◆ specify by finish: US-3, US-4, UUS-10, US-10B, US-26, US-26D, US-32 and US-32D.
2. Omit item for 17 Series device trim.



Model Information Chart

Trim Model No.			
T	T-NL	T-(LS/LK)	Application
1796	1796NL	1793	17-R, 17-V

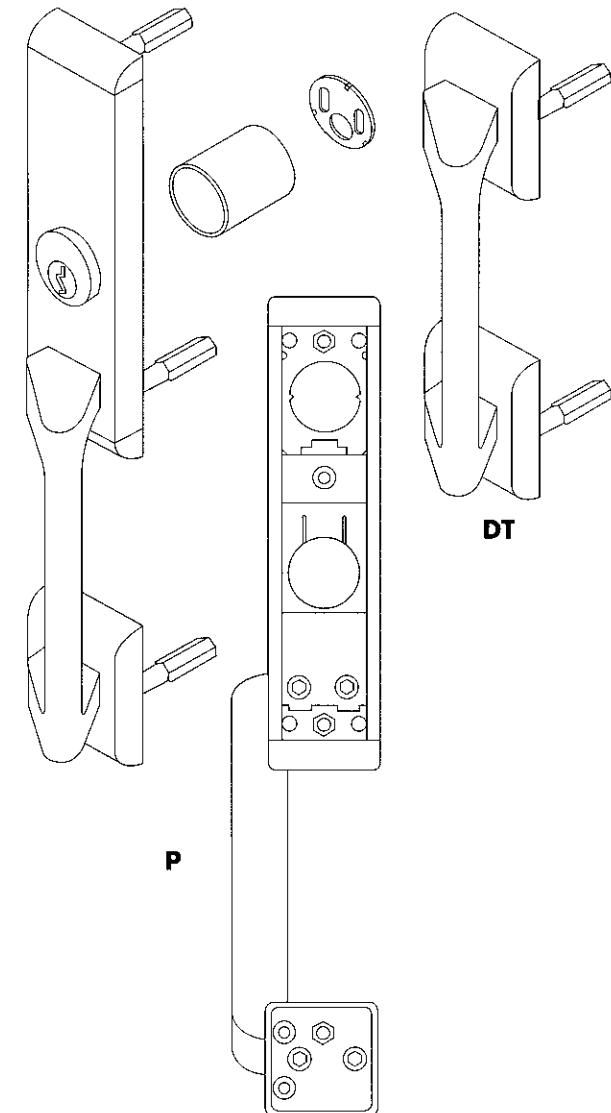
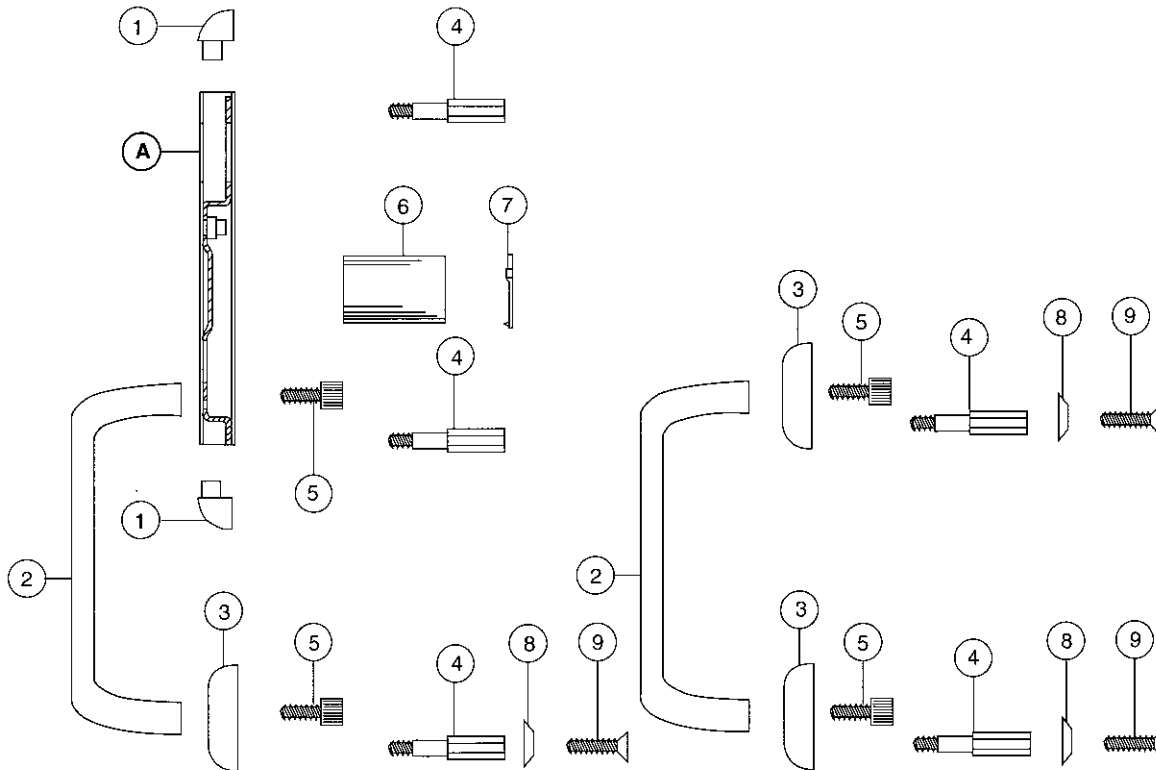
Delta Trim

17 Series

C (1603), DT (1600) and P (1601)

Item	Quantity			Part No.	Description	Finish	Remarks
	C	DT	P				
A	1			900416	Housing Sub Assembly	◆	
			1	900417	Housing Sub Assembly	◆	
1	2		2	4582	Forged End Caps	◆	
2		1	1	4377	Pull Grip	◆	
3		2	1	4313	Pull Pad	◆	
4	2	2	3	4270	Hex Stud		
5		2	4	709078	1/4" - 20 x 1/2" Hex Cap Screw		
6	1		1	4120	Cylinder Spacer Collar		
7	1		1	4121	Cylinder Anchor Plate		
8		2	1		1/4" CSK Finish Washer	◆	See Note #2
9		2	1		1/4" - 20 x 3/4" FPHMS	◆	See Note #2

1. Items marked ◆ specify by finish: US-3, US-4, US-10, US-10B, US-26, US-26D, US-32 and US-32D.
 2. Items without part numbers specify by description and finish.



MONARCH
Exit Devices & Door Hardware

Questions? Call: 800-826-5792 / FAX: 800-924-3551
 Monarch Hardware 805 N. Buckman Shepherdsville KY 40165 / Visit us on the Internet at www.monarchhardware.com

IR Security & Safety

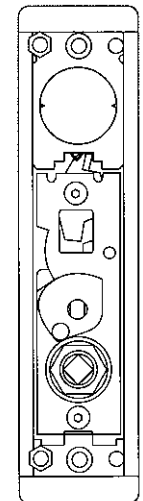
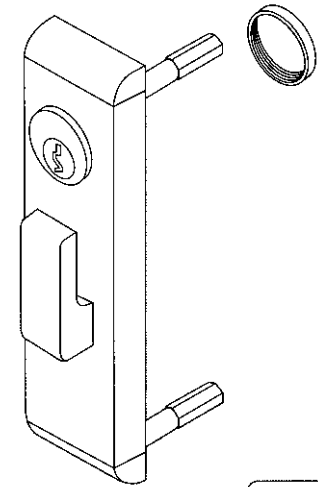
Delta SL- Surface Vertical Only

XX, 18 and 17 Series

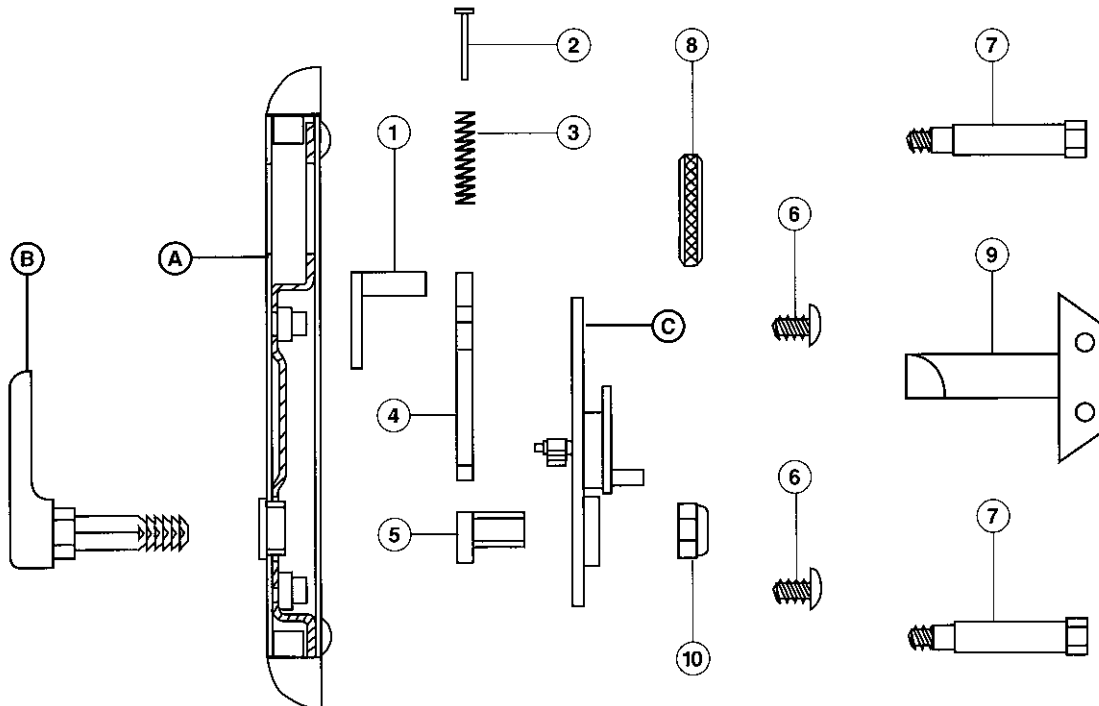
SL (1618), SL-(LS/LK) (1658)
and SL-NL (1619)

Item	Quantity			Part No.	Description	Finish	Remarks
	SL	SL-NL	SL-(LS/LK)				
A	1	1		900229	Housing Sub Assembly	◆	
			1	900234	Housing Sub Assembly	◆	
B	1	1	1	900289	SL Sub Assembly	◆	
C	1	1	1	900060	Retainer Plate Sub Assembly		
1	1	1		4268	Locking Plate		
2	1	1	1	709239	3/32" x 3/4" Solid Rivet		
3	1	1	1	4605	Actuator Spring		
4	1	1	1	4265	Actuator Plate		
5	1	1	1	4274	Knob Hub		
6	2	2	2	709229	1/4" - 20 x 5/16" Button HD Cap Screw		
7	2	2	2	4270	Hex Stud		
8	1	1		3894	Cylinder Nut		
9	1	1	1	4342	Lift Block	◆	See Note #2
10	1	1	1	709157	3/8" - 16 ESNA Lock Nut		
Part not Shown		1		6116	NL Spring		

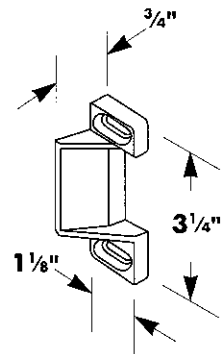
- Items marked ◆ specify by finish: US-3, US-4, US-10, US-10B, US-26, US-26D, US-32 and US-32D.
- Item is attached to surface vertical rod.



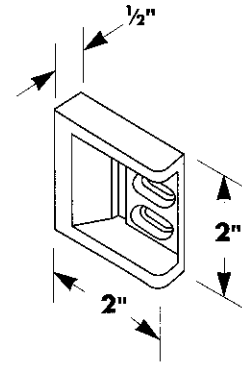
SL



Strikes



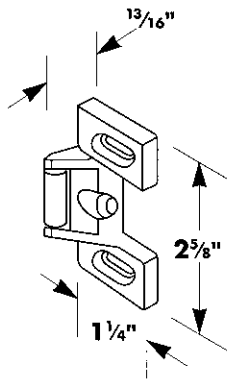
560*



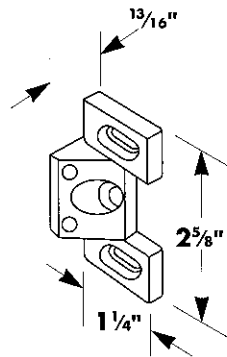
565*

See page 35 for Strikes Application Chart.

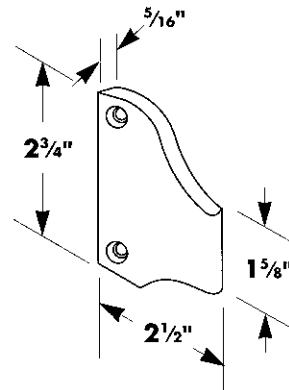
*Strike is available in device finish.



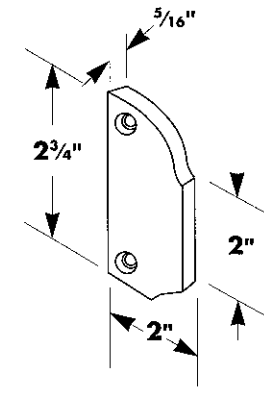
F490
490



F570
570



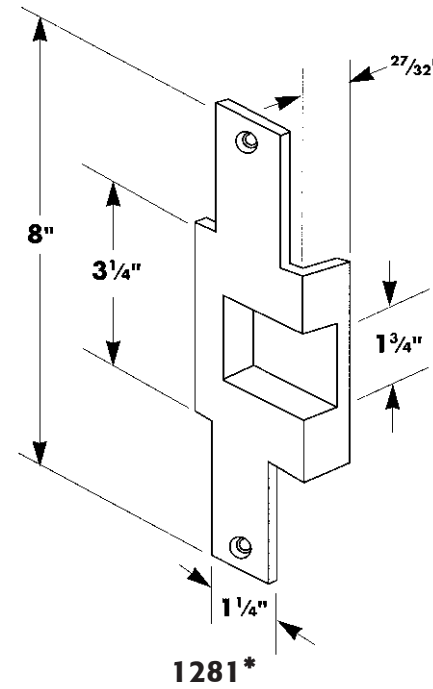
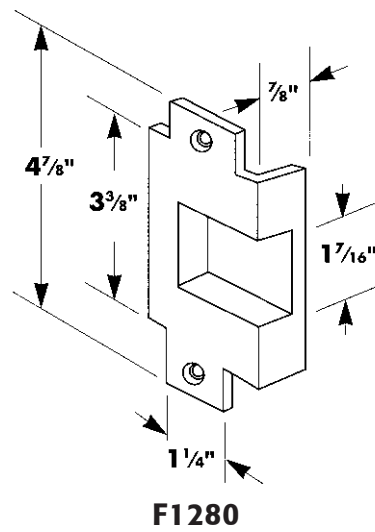
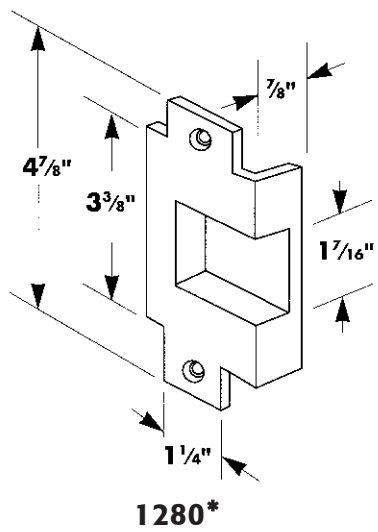
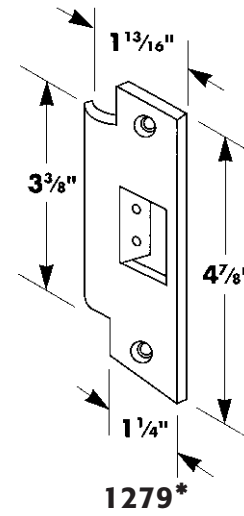
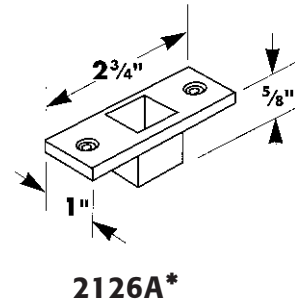
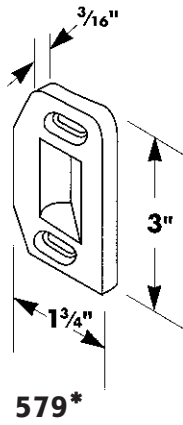
571*



571A*

Strikes

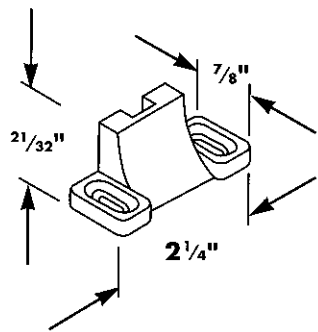
See page 35 for Strikes Application Chart.
*Strike is available in device finish.



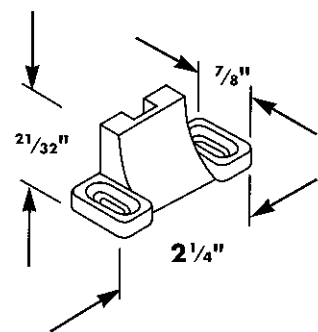
Strikes

Application Chart

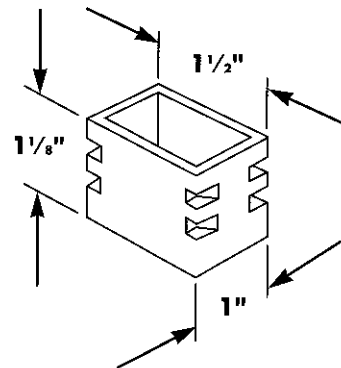
	19 Series				XX/18 Series								17 Series									
	Rim Device		Vertical Device		Rim Device		Vertical Device		Mortise Device		Concealed Device		Three Point Latch		Rim Device		Vertical Device		Mortise Device		Concealed Device	
	Panic	Fire	Panic	Fire	Panic	Fire	Panic	Fire	Panic	Fire	Panic	Fire	Panic	Fire	Panic	Fire	Panic	Fire	Panic	Fire	Panic	Fire
F490		♦				♦										♦						
490	♦					♦										♦						
570						♦										♦						
F570		♦					♦										♦					
571	♦					♦										♦						
571A	♦					♦										♦						
579						♦										♦						
565	♦					♦										♦						
560	♦																					
1279									♦	♦				♦	♦				♦	♦		
1280									♦	♦				♦	♦				♦	♦		
F1280										♦										♦		
1281									♦	♦				♦	♦				♦	♦		
3788				♦					♦									♦				
4188												♦	♦							♦	♦	
2126A			♦					♦						♦				♦			♦	♦
2130			♦	♦				♦	♦					♦	♦			♦	♦		♦	♦
4155			♦					♦						♦				♦			♦	♦
4163			♦					♦						♦				♦			♦	♦



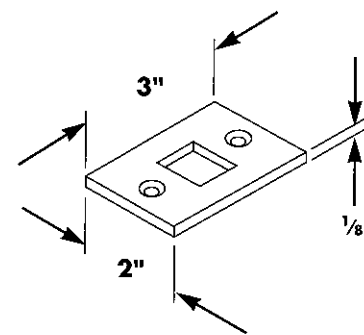
3788
(Fire)



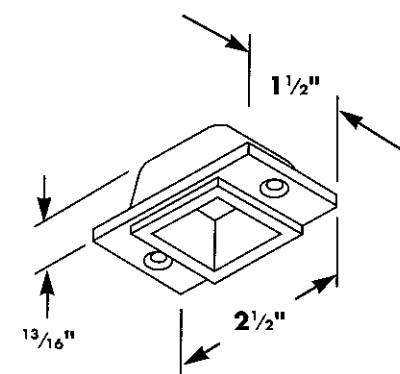
4163*
(Panic)



2130



4155*



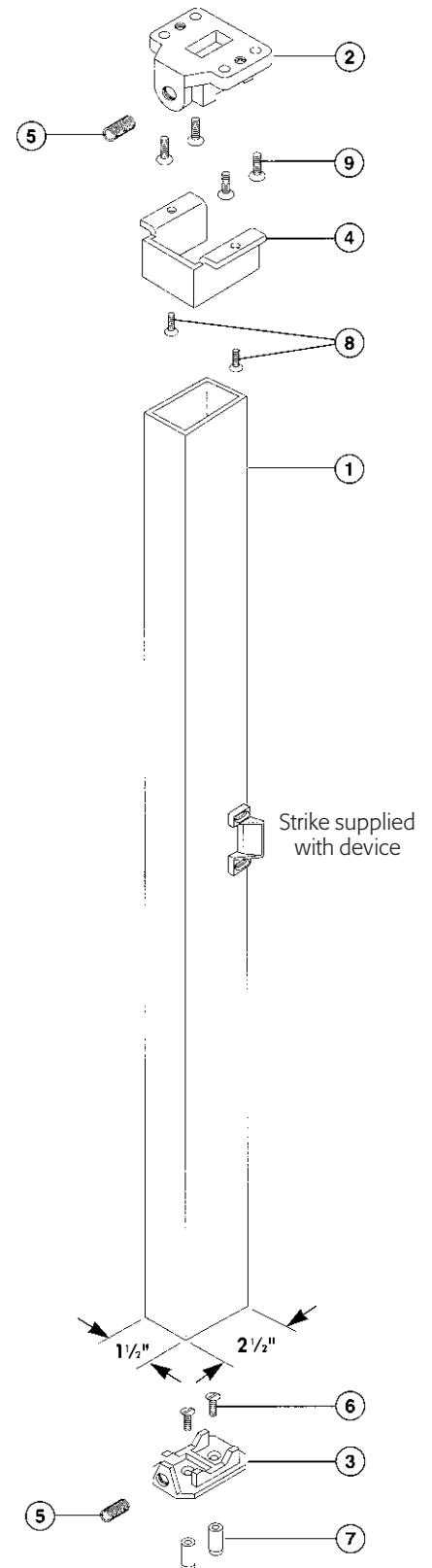
4188

Mullions

2923

MONARCH
Exit Devices & Door Hardware

Item	Quantity	Part No.	Description
1	1	2923	Mullion
2	1	4180	Top Fitting
3	1	4179	Bottom Fitting
4	1	4181	Top Fitting Clamp
5	2	709146	3/8" - 16 x 1/2" Set Screw
6	2	709032	1/4" - 20 x 1-1/4" FPHMS
7	2	709036	1/4" - 20 Lead Anchor
8	2	709196	#10 - 24 x 1/4" PPHMS
9	4	709023	#10 - 24 x 3/4" FPHMS

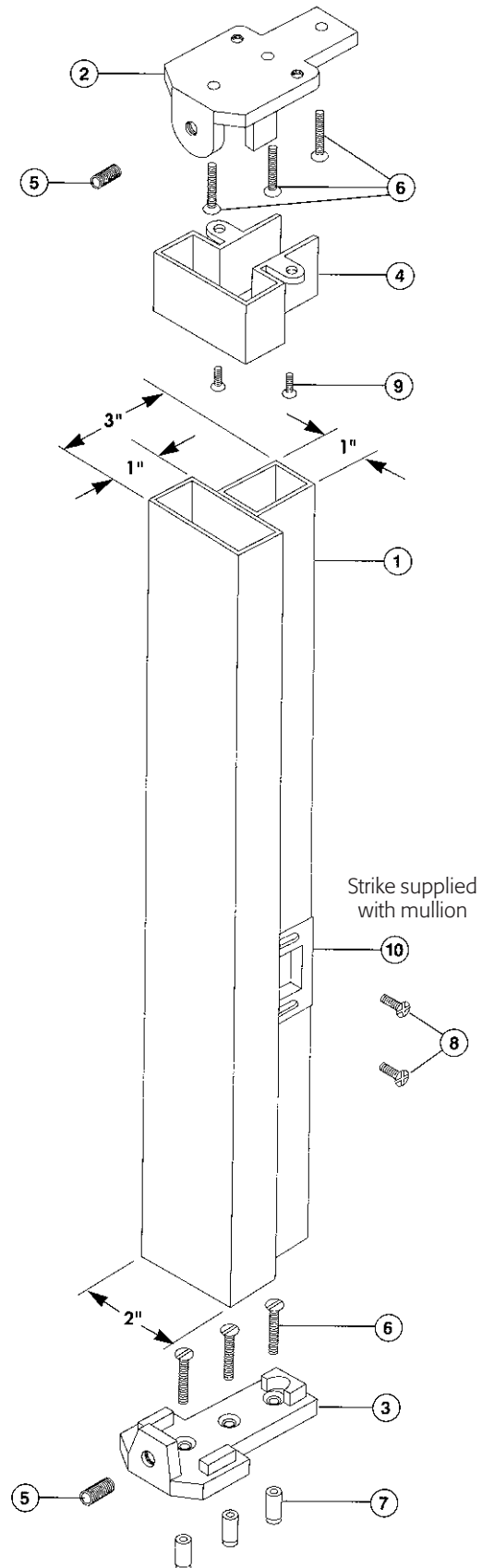


Mullions


4423

MONARCH Exit Devices & Door Hardware

Item	Quantity	Part No.	Description
1	1	4423	Mullion
2	1	4393	Top Fitting
3	1	4392	Bottom Fitting
4	1	4394	Top Fitting Clamp
5	2	709146	3/8" - 16 x 1/2" Set Screw
6	6	709032	1/4" - 20 x 1-1/4" FPHMS
7	3	709036	1/4" - 20 Lead Anchor
8	4	709051	# 10 - 24 x 1/2" FPHMS
9	2	709196	# 10 - 24 x 1/4" PPHMS
10	2	4396	4396 Strike



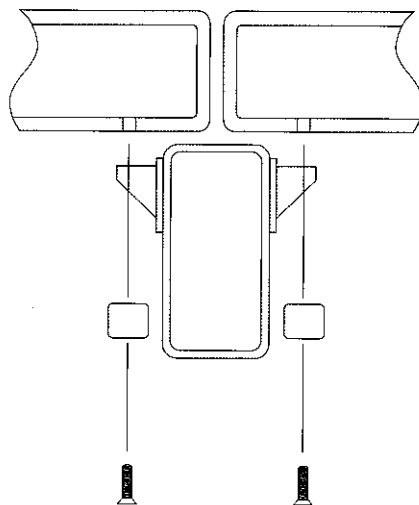
Mullions

 F4023 and 4023

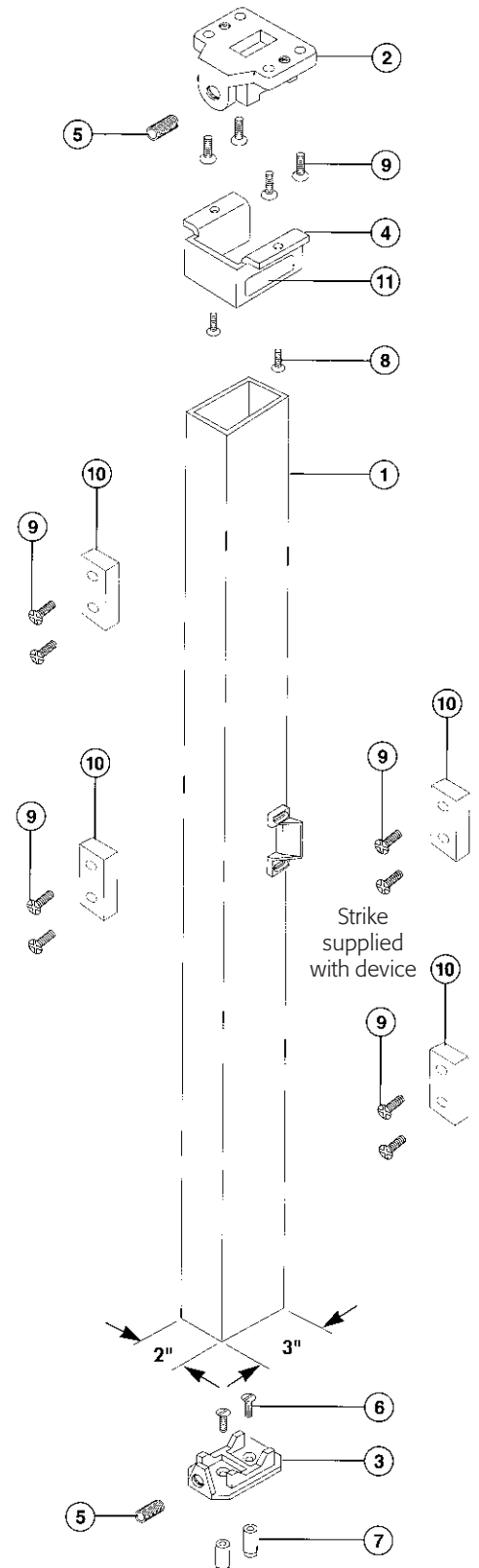
MONARCH

Exit Devices & Door Hardware

Item	Quantity		Part No.	Description
	F4023	4023		
1	1	1	4023	Mullion
2	1	1	4001	Top Fitting
3	1	1	4003	Bottom Fitting
4	1	1	4002	Top Fitting Clamp
5	2	2	709095	3/8" - 16 x 3/4" Set Screw
6	2	2	709094	3/8" - 16 x 1-1/4" FPHMS
7	2	2	709075	3/8" - 16 Steel Anchor
8	2	2	709093	1/4" - 20 x 3/8" PPHMS
9	12	4	709118	1/4" - 20 x 3/4" FPHMS
10	4		4051	Stabilizer Block
11	1		4050	U.L. Fire Label



**Top View Showing
Stabilizer Block
Installation**



Mullions



CRF-4023, CR-4023,

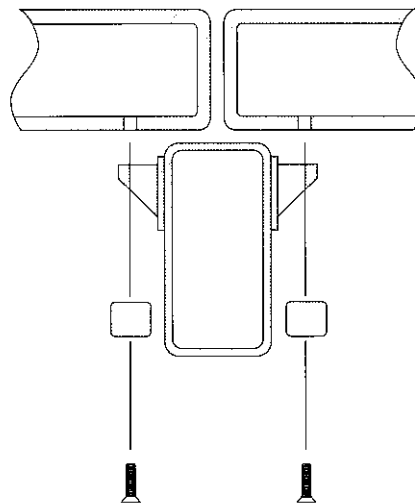


CRF-4023 Retrofit Kit,
CR-4023 Retrofit Kit

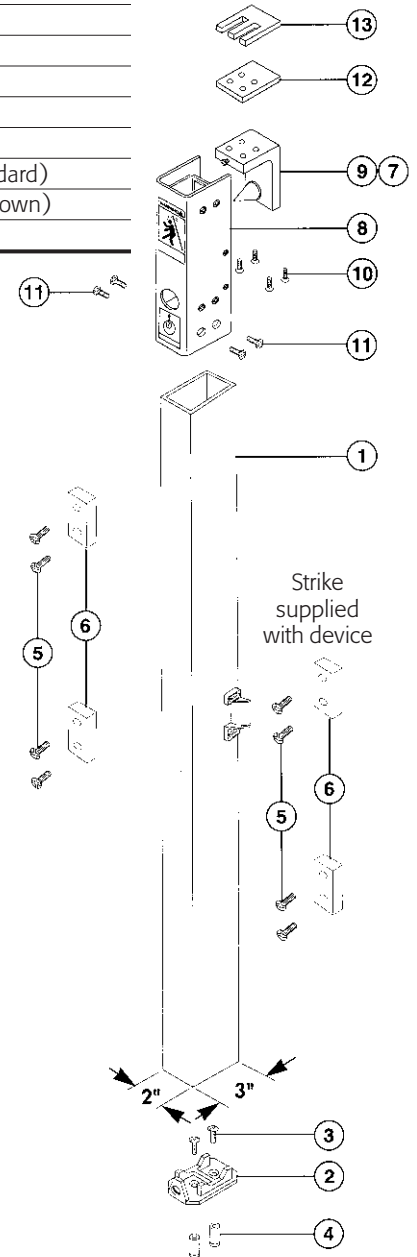
MONARCH

Exit Devices & Door Hardware

Item	Quantity				Part No.	Description
	CRF-4023	CR-4023	CRF-4023 Retrofit Kit	CR-4023 Retrofit Kit		
1	1	1			4023	Mullion
2	1	1			4003	Bottom Fitting
3	2	2			709094	3/8" - 16 x 1-1/4" FPMS
4	2	2			709075	3/8" - 16 Steel Anchor
5	8				709118	1/4" - 20 x 3/4" FPHMS
6	4				4051	Stabilizer Block
7	1		1		4050	U.L. Fire Label (On Item #9)
8	1	1	1	1	900549	Cylinder Removable Mullion Unit
9	1	1	1	1	900547	Top Mullion Fitting (CRM)
10	4	4	4	4	709318	1/4" - 20 x 2" PPHMS
11	4	4	4	4	709313	1/4" - 20 x 3/4" UFPHMS
12	1	1	1	1	4970	Top Mullion Fitting Shim
13	1	1	1	1	4988	Adjustment Shim (1 Shipped Standard)
	1	1	1	1	4966	Cylinder Mounting Bracket (Not Shown)
	1	1	1	1	3894	Cylinder Nut (Not Shown)



**Top View Showing
Stabilizer Block
Installation**



MONARCH®

Trims, Strikes & Mullions Parts Manual

International Offices

Canada / Latin America Caribbean / Mexico

IR Security & Safety
1076 Lakeshore Road East
Mississauga, Ontario
L5E 1E4, Canada
(905) 403-1800
(905) 278-1413 FAX
(877) 590-4734

China

IR Security & Safety
7F, Xuhuiyuan Building,
1089 Zhong Shan Nan 2 Road
Shanghai 200030, P.R.China
+(86) 21 5452-9898
+(86) 21 5410-1110 FAX
www.irco.com.cn

North-East Asia

IR Security & Safety
23/F, 625 King's Road
Northpoint, Hong Kong
+(852) 2235-0600
+(852) 2565-1409 FAX

South Asia

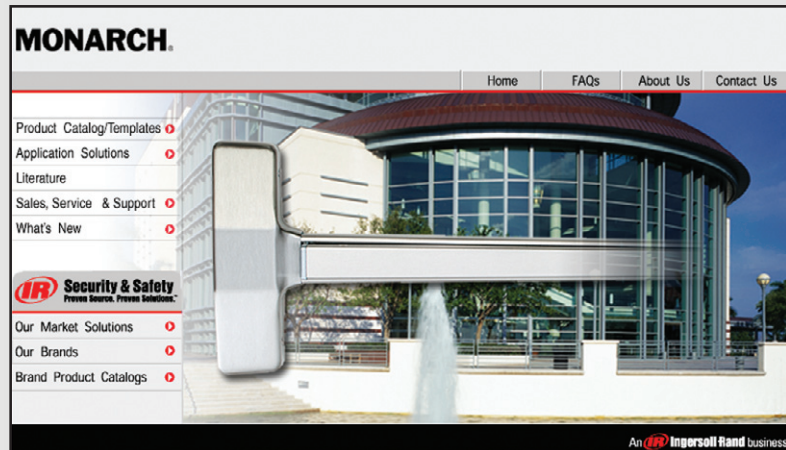
Ingersoll-Rand South East Asia (Pte) Ltd.
42 Benoi Road
Singapore 629903
+65 6860-6850
+65 6861-9563 FAX

Australia / NZ

IR Architectural Hardware Ltd.
P.O. Box 19-347
437 Rosebank Road,
Avondale, Auckland, New Zealand
+64 (0) 9-829-0550
+64 (0) 9-829-0552 FAX
www.irarchitecturalhardware.co.nz

Europe / Middle-East / Africa

IR Security & Safety Ltd.
Bescot Crescent
Walsall, West Midlands WS1 4DL
United Kingdom
+44 (0)1922 707400
+44 (0)1922 646303 FAX
www.irsecurityandsafety.co.uk



Visit Monarch on the web
www.monarchhardware.com

or contact an
IR Security & Safety Consultant
1-800-924-3551



MONARCH

Exit Devices & Door Hardware
805 N. Buckman Street
Shepherdsville, KY 40165
800-826-5792
800-999-0328 Fax
www.monarchhardware.com

An **IR Ingersoll Rand** business