

(12) **United States Patent**  
**Henry et al.**

(10) **Patent No.:** **US 9,973,299 B2**  
(45) **Date of Patent:** **\*May 15, 2018**

(54) **METHOD AND APPARATUS FOR ADJUSTING A MODE OF COMMUNICATION IN A COMMUNICATION NETWORK**

(58) **Field of Classification Search**  
CPC ..... H04L 1/0025; H04L 1/0023; H04B 3/52; H04B 3/54; H04B 2203/5425;  
(Continued)

(71) Applicant: **AT&T Intellectual Property I, LP**,  
Atlanta, GA (US)

(56) **References Cited**

(72) Inventors: **Paul Shala Henry**, Holmdel, NJ (US);  
**Robert Bennett**, Southold, NY (US);  
**Irwin Gerszberg**, Kendall Park, NY (US);  
**Farhad Barzegar**, Branchburg, NJ (US);  
**Donald J. Barnickel**, Flemington, NJ (US);  
**Thomas M. Willis, III**, Tinton Falls, NJ (US)

U.S. PATENT DOCUMENTS  
529,290 A 11/1894 Harry et al.  
1,721,785 A 7/1929 Meyer  
(Continued)

(73) Assignee: **AT&T Intellectual Property I, L.P.**,  
Atlanta, GA (US)

FOREIGN PATENT DOCUMENTS  
AU 565039 B2 9/1987  
AU 7261000 A 4/2001  
(Continued)

(\* ) Notice: Subject to any disclaimer, the term of this patent is extended or adjusted under 35 U.S.C. 154(b) by 0 days. days.  
This patent is subject to a terminal disclaimer.

OTHER PUBLICATIONS  
U.S. Appl. No. 15/176,207, filed Jun. 8 2016.\*  
(Continued)

(21) Appl. No.: **14/513,246**

*Primary Examiner* — **Phuong Phu**

(22) Filed: **Oct. 14, 2014**

(74) *Attorney, Agent, or Firm* — **Guntin & Gust, PLC;**  
**Robert Gingham**

(65) **Prior Publication Data**  
US 2016/0105255 A1 Apr. 14, 2016

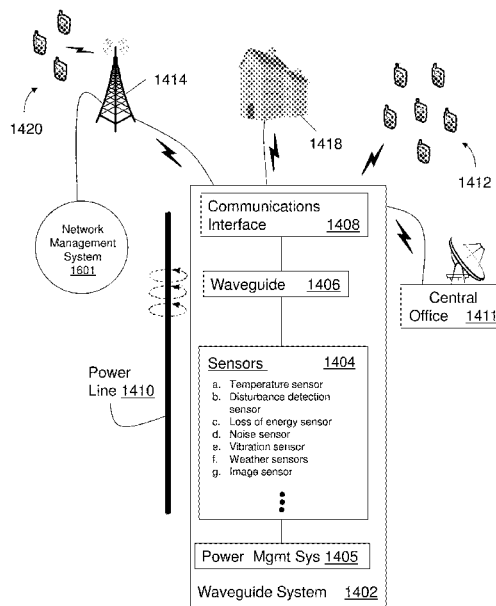
(57) **ABSTRACT**

(51) **Int. Cl.**  
**H04B 3/00** (2006.01)  
**H04L 25/00** (2006.01)  
(Continued)

Aspects of the subject disclosure may include, for example, a waveguide system for detecting a condition that adversely affects a propagation of electromagnetic waves generated by the waveguide system on a surface of the wire, and adjusting characteristics of the electromagnetic waves generated by the waveguide system to reduce adverse effects caused by the condition. Other embodiments are disclosed.

(52) **U.S. Cl.**  
CPC ..... **H04L 1/0025** (2013.01); **G01R 31/021** (2013.01); **G01R 31/08** (2013.01);  
(Continued)

**24 Claims, 26 Drawing Sheets**



(51)	<b>Int. Cl.</b>		2,806,972 A	9/1957	Sensiper
	<b>H04L 1/00</b>	(2006.01)	2,810,111 A	10/1957	Cohn
	<b>H04B 3/52</b>	(2006.01)	2,819,451 A	1/1958	Sims et al.
	<b>G01R 31/02</b>	(2006.01)	2,820,083 A	1/1958	Hendrix
	<b>G01R 31/08</b>	(2006.01)	2,825,060 A	2/1958	Ruze et al.
	<b>H02J 13/00</b>	(2006.01)	2,835,871 A	5/1958	Raabe
	<b>H04B 3/54</b>	(2006.01)	2,867,776 A	1/1959	Wilkinson, Jr.
	<b>H04W 72/04</b>	(2009.01)	2,912,695 A	11/1959	Cutler
(52)	<b>U.S. Cl.</b>		2,914,741 A	11/1959	Unger
	CPC .....	<b>H02J 13/002</b> (2013.01); <b>H04B 3/52</b>	2,921,277 A	1/1960	Goubau
		(2013.01); <b>H04B 3/54</b> (2013.01); <b>H04W</b>	2,925,458 A	2/1960	Lester et al.
		<b>72/0453</b> (2013.01); <b>H04B 2203/5425</b>	2,949,589 A	8/1960	Hafner
		(2013.01); <b>Y02E 60/7815</b> (2013.01); <b>Y02E</b>	2,960,670 A	11/1960	Marcatili et al.
		<b>60/7892</b> (2013.01); <b>Y04S 40/121</b> (2013.01);	2,972,148 A	2/1961	Rupp et al.
		<b>Y04S 40/146</b> (2013.01)	2,974,297 A	3/1961	Ros
(58)	<b>Field of Classification Search</b>		2,981,949 A	4/1961	Elliot et al.
	CPC .....	<b>G01R 31/021</b> ; <b>G01R 31/08</b> ; <b>H02J 13/002</b> ;	2,993,205 A	7/1961	Cooper et al.
		<b>H04W 72/0453</b> ; <b>Y04S 40/121</b> ; <b>Y04S</b>	3,025,478 A	3/1962	Marcatili et al.
		<b>40/146</b> ; <b>Y02E 60/7815</b> ; <b>Y02E 60/7892</b>	3,040,278 A	6/1962	Griemsmann et al.
	USPC .....	<b>375/257</b> , <b>296</b> , <b>346</b>	3,047,822 A	7/1962	Emory et al.
	See application file for complete search history.		3,072,870 A	1/1963	Walker
(56)	<b>References Cited</b>		3,077,569 A	2/1963	Ikraht et al.
	U.S. PATENT DOCUMENTS		3,101,472 A	8/1963	Goubau
	1,860,123 A	5/1932 Yagi	3,109,175 A	10/1963	Lloyd
	2,129,711 A	9/1938 Southworth	3,129,356 A	4/1964	Phillips
	2,147,717 A	2/1939 Schelkunoff	3,134,951 A	5/1964	Huber et al.
	2,187,908 A	1/1940 McCreary	3,146,297 A	8/1964	Hahne
	2,199,083 A	4/1940 Schelkunoff	3,146,453 A	8/1964	Hagaman
	2,232,179 A	2/1941 King	3,201,724 A	8/1965	Hafner
	2,283,935 A	5/1942 King	3,205,462 A	9/1965	Meinke
	2,398,095 A	4/1946 Katzin	3,218,384 A	11/1965	Shaw
	2,402,622 A	6/1946 Hansen	3,234,559 A	2/1966	Bartholoma et al.
	2,407,068 A	9/1946 Fiske et al.	3,255,454 A	6/1966	Walter et al.
	2,407,069 A	9/1946 Fiske	3,296,364 A	1/1967	Jefferson et al.
	2,411,338 A	11/1946 Roberts	3,296,685 A	1/1967	Menaheem et al.
	2,415,089 A	2/1947 Feldman et al.	3,420,596 A	1/1967	Osterberg
	2,415,807 A	2/1947 Barrow et al.	3,316,344 A	4/1967	Toms et al.
	2,420,007 A	5/1947 Olden	3,316,345 A	4/1967	Toms et al.
	2,422,058 A	6/1947 Whinnery	3,321,763 A	5/1967	Ikraht et al.
	2,432,134 A	12/1947 Bagnall	3,329,958 A	7/1967	Anderson et al.
	2,461,005 A	2/1949 Southworth	3,389,394 A	6/1968	Lewis et al.
	2,471,021 A	5/1949 Bradley	3,392,395 A	7/1968	Hannan
	2,488,400 A	11/1949 Harder	3,411,112 A	11/1968	Honig et al.
	2,513,205 A	6/1950 Roberts et al.	3,413,642 A	11/1968	Cook
	2,514,679 A	7/1950 Southworth	3,414,903 A	12/1968	Bartlett et al.
	2,519,603 A	8/1950 Reber	3,427,573 A	2/1969	White et al.
	2,540,839 A	2/1951 Southworth	3,448,455 A	6/1969	Alfandari et al.
	2,542,980 A	2/1951 Barrow	3,459,873 A	8/1969	Harris et al.
	2,557,110 A	6/1951 Jaynes	3,465,346 A	9/1969	Patterson et al.
	2,562,281 A	7/1951 Mumford	3,487,158 A	12/1969	Killian
	2,596,190 A	5/1952 Wiley	3,500,422 A	3/1970	Grady et al.
	2,599,864 A	6/1952 Robertson et al.	3,509,463 A	4/1970	Woodward et al.
	2,659,817 A	11/1953 Cutler et al.	3,522,560 A	8/1970	Hayany
	2,677,055 A	4/1954 Allen	3,524,192 A	8/1970	Sakiotis et al.
	2,685,068 A	7/1954 Goubau	3,529,205 A	9/1970	Miller
	2,688,732 A	9/1954 Kock	3,530,481 A	9/1970	Tanaka et al.
	2,691,766 A	10/1954 Clapp	3,531,803 A	9/1970	Hudspeth et al.
	2,706,279 A	4/1955 Aron	3,555,553 A	1/1971	Boyns
	2,711,514 A	6/1955 Rines	3,557,341 A	1/1971	Sochilin et al.
	2,723,378 A	11/1955 Clavier et al.	3,588,754 A	6/1971	Hafner
	2,727,232 A	12/1955 Pryga	3,589,121 A	6/1971	Mulvey
	2,740,826 A	4/1956 Bondon	3,603,904 A	9/1971	Hafner
	2,745,101 A	5/1956 Marie	3,609,247 A	9/1971	Halstead
	2,748,350 A	5/1956 Miller et al.	3,623,114 A	11/1971	Seaton
	2,749,545 A	6/1956 Kostriza	3,668,459 A	6/1972	Symons et al.
	2,754,513 A	7/1956 Goubau	3,668,574 A	6/1972	Barlow
	2,761,137 A	8/1956 Atta et al.	3,672,202 A	6/1972	Barber et al.
	2,769,147 A	10/1956 Black et al.	3,686,596 A	8/1972	Albee
	2,769,148 A	10/1956 Clogston et al.	3,699,574 A	10/1972	Plunk et al.
	2,794,959 A	6/1957 Fox	3,703,690 A	11/1972	Ravenscroft et al.
	2,805,415 A	9/1957 Berkowitz	3,725,937 A	4/1973	Schreiber
			3,760,127 A	9/1973	Grossi et al.
			3,772,528 A	11/1973	Anderson et al.
			3,796,970 A	3/1974	Snell
			3,806,931 A	4/1974	Wright
			3,833,909 A	9/1974	Schaufelberger
			3,835,407 A	9/1974	Yariv et al.
			3,845,426 A	10/1974	Barlow
			3,896,380 A	7/1975	Martin

(56)

## References Cited

## U.S. PATENT DOCUMENTS

3,911,415	A	10/1975	Whyte	4,680,558	A	7/1987	Ghosh et al.
3,935,577	A	1/1976	Hansen et al.	4,694,599	A	9/1987	Hart et al.
3,936,838	A	2/1976	Foldes et al.	4,704,611	A	11/1987	Edwards et al.
3,959,794	A	5/1976	Chrepta et al.	4,715,695	A	12/1987	Nishimura et al.
3,973,087	A	8/1976	Fong et al.	4,717,974	A	1/1988	Baumeister et al.
3,973,240	A	8/1976	Fong et al.	4,730,172	A	3/1988	Bengeult
3,983,560	A	9/1976	MacDougall et al.	4,730,888	A	3/1988	Darcie et al.
4,010,799	A	3/1977	Kern et al.	4,731,810	A	3/1988	Watkins
4,020,431	A	4/1977	Saunders et al.	4,735,097	A	4/1988	Lynnworth et al.
4,026,632	A	5/1977	Hill et al.	4,743,916	A	5/1988	Bengeult
4,030,048	A	6/1977	Foldes et al.	4,745,377	A	5/1988	Stern et al.
4,035,054	A	7/1977	Lattanzi et al.	4,746,241	A	5/1988	Burbank, III et al.
4,047,180	A	9/1977	Kuo et al.	4,749,244	A	6/1988	Luh
4,080,600	A	3/1978	Toman et al.	4,758,962	A	7/1988	Fernandes
4,099,184	A	7/1978	Rapshys et al.	4,764,738	A	8/1988	Fried et al.
4,123,759	A	10/1978	Hines et al.	4,772,891	A	9/1988	Svy
4,125,768	A	11/1978	Jackson et al.	4,777,457	A	10/1988	Ghosh et al.
4,149,170	A	4/1979	Campbell et al.	4,786,913	A	11/1988	Barendregt et al.
4,156,241	A	5/1979	Mobley et al.	4,788,553	A	11/1988	Phillips et al.
4,175,257	A	11/1979	Smith et al.	4,792,771	A	12/1988	Siu et al.
4,188,595	A	2/1980	Cronson et al.	4,792,812	A	12/1988	Rinehart et al.
4,190,137	A	2/1980	Shimada et al.	4,799,031	A	1/1989	Lang et al.
4,195,302	A	3/1980	Leupelt et al.	4,801,937	A	1/1989	Fernandes
4,210,357	A	7/1980	Adachi et al.	4,818,963	A	4/1989	Green et al.
4,216,449	A	8/1980	Kach	4,818,990	A	4/1989	Fernandes
4,234,753	A	11/1980	Clutter	4,829,310	A	5/1989	Losee et al.
4,238,974	A	12/1980	Fawcett et al.	4,829,314	A	5/1989	Barbier et al.
4,246,584	A	1/1981	Noerpel et al.	4,831,346	A	5/1989	Brooker et al.
4,250,489	A	2/1981	Dudash et al.	4,832,148	A	5/1989	Becker et al.
4,274,097	A	6/1981	Krall et al.	4,835,517	A	5/1989	Van et al.
4,278,955	A	7/1981	Lunden et al.	4,845,508	A	7/1989	Krall et al.
4,293,833	A	10/1981	Popa et al.	4,849,611	A	7/1989	Whitney et al.
4,307,938	A	12/1981	Dyott et al.	4,851,788	A	7/1989	Ives et al.
4,316,646	A	2/1982	Siebens et al.	4,866,454	A	9/1989	Droessler et al.
4,319,074	A	3/1982	Yaste et al.	4,873,534	A	10/1989	Wohlleben et al.
4,329,690	A	5/1982	Parker et al.	4,879,544	A	11/1989	Maki et al.
4,333,082	A	6/1982	Susman et al.	4,881,028	A	11/1989	Bright et al.
4,336,719	A	6/1982	Lynnworth	4,886,980	A	12/1989	Fernandes et al.
4,345,256	A	8/1982	Rainwater et al.	4,897,663	A	1/1990	Kusano et al.
4,366,565	A	12/1982	Herskowitz	4,904,996	A	2/1990	Fernandes
4,367,446	A	1/1983	Hall et al.	4,915,468	A	4/1990	Kim et al.
4,378,143	A	3/1983	Winzer et al.	4,929,962	A	5/1990	Begout et al.
4,384,289	A	5/1983	Fernandes et al.	4,931,808	A	6/1990	Munson et al.
4,398,058	A	8/1983	Gerth et al.	4,946,202	A	8/1990	Perricone et al.
4,398,121	A	8/1983	Chodorow et al.	4,977,618	A	12/1990	Allen
4,447,811	A	5/1984	Hamid et al.	5,003,318	A	3/1991	Hall et al.
4,463,329	A	7/1984	Suzuki et al.	5,006,846	A	4/1991	Granville et al.
4,475,209	A	10/1984	Udren	5,006,859	A	4/1991	Wong et al.
4,477,814	A	10/1984	Brumbaugh et al.	5,015,914	A	5/1991	Ives et al.
4,482,899	A	11/1984	Dragone et al.	5,017,936	A	5/1991	Massey
4,488,156	A	12/1984	DuFort et al.	5,017,937	A	5/1991	Newham et al.
4,491,386	A	1/1985	Negishi et al.	5,018,180	A	5/1991	Shoulders
4,525,432	A	6/1985	Saito et al.	5,019,832	A	5/1991	Ekdahl et al.
4,525,693	A	6/1985	Suzuki et al.	5,042,903	A	8/1991	Jakubowski et al.
4,533,875	A	8/1985	Lau et al.	5,043,538	A	8/1991	Hughey et al.
4,541,303	A	9/1985	Kuzunishi et al.	5,043,629	A	8/1991	Doane et al.
4,550,271	A	10/1985	Lau et al.	5,044,722	A	9/1991	Voser et al.
4,553,112	A	11/1985	Saad et al.	5,045,820	A	9/1991	Oehlerking et al.
4,556,271	A	12/1985	Hubbard	5,072,228	A	12/1991	Kuwahara et al.
4,558,325	A	12/1985	Stroem et al.	5,082,349	A	1/1992	Cordova-Plaza et al.
4,566,012	A	1/1986	Choung et al.	5,086,467	A	2/1992	Malek
4,567,401	A	1/1986	Barnett et al.	5,107,231	A	4/1992	Knox et al.
4,573,215	A	2/1986	Oates et al.	5,109,232	A	4/1992	Monte et al.
4,589,424	A	5/1986	Vaguine et al.	5,117,237	A	5/1992	Legg
4,598,262	A	7/1986	Chen et al.	5,126,750	A	6/1992	Wang et al.
4,599,598	A	7/1986	Komoda et al.	5,132,968	A	7/1992	Cephus
4,604,627	A	8/1986	Saad et al.	5,134,251	A	7/1992	Martin et al.
4,636,753	A	1/1987	Geller et al.	5,134,965	A	8/1992	Tokuda et al.
4,638,322	A	1/1987	Lamberty et al.	5,142,767	A	9/1992	Adams et al.
4,641,916	A	2/1987	Oestreich et al.	5,148,509	A	9/1992	Kannabiran et al.
4,644,365	A	2/1987	Horning et al.	5,153,676	A	10/1992	Bergh et al.
4,660,050	A	4/1987	Phillips et al.	5,166,698	A	11/1992	Ashbaugh et al.
4,665,660	A	5/1987	Krall et al.	5,174,164	A	12/1992	Wilhelm et al.
4,672,384	A	6/1987	Roy et al.	5,182,427	A	1/1993	McGaffigan et al.
4,673,943	A	6/1987	Hannan	5,187,409	A	2/1993	Ito et al.
				5,198,823	A	3/1993	Litchford et al.
				5,212,755	A	5/1993	Holmberg et al.
				5,214,394	A	5/1993	Wong et al.
				5,214,438	A	5/1993	Smith et al.

(56)

## References Cited

## U.S. PATENT DOCUMENTS

5,235,662	A	8/1993	Prince et al.	5,870,060	A	2/1999	Chen et al.
5,239,537	A	8/1993	Sakauchi	5,873,324	A	2/1999	Kaddas et al.
5,241,321	A	8/1993	Tsao et al.	5,890,055	A	3/1999	Chu et al.
5,241,701	A	8/1993	Andoh et al.	5,898,133	A	4/1999	Bleich et al.
5,248,876	A	9/1993	Kerstens et al.	5,898,830	A	4/1999	Wesinger, Jr. et al.
5,254,809	A	10/1993	Martin	5,900,847	A	5/1999	Ishikawa et al.
5,265,266	A	11/1993	Trinh	5,903,373	A	5/1999	Welch et al.
5,266,961	A	11/1993	Milroy et al.	5,905,949	A	5/1999	Hawkes et al.
5,276,455	A	1/1994	Fitzsimmons et al.	5,917,977	A	6/1999	Barrett et al.
5,278,687	A	1/1994	Jannson et al.	5,926,128	A	7/1999	Brash et al.
5,280,297	A	1/1994	Profera et al.	5,933,422	A	8/1999	Suzuki et al.
5,291,211	A	3/1994	Tropper et al.	5,936,589	A	8/1999	Kawahata
5,304,999	A	4/1994	Roberts et al.	5,948,044	A	9/1999	Varley et al.
5,311,596	A	5/1994	Scott et al.	5,948,108	A	9/1999	Lu et al.
5,327,149	A	7/1994	Kuffer et al.	5,952,964	A	9/1999	Chan et al.
5,329,285	A	7/1994	McCandless et al.	5,952,972	A	9/1999	Ittipiboon et al.
5,341,088	A	8/1994	David	5,952,984	A	9/1999	Kuramoto et al.
5,345,522	A	9/1994	Vali et al.	5,959,578	A	9/1999	Kreutel et al.
5,371,623	A	12/1994	Eastmond et al.	5,959,590	A	9/1999	Sanford et al.
5,380,224	A	1/1995	DiCicco	5,977,650	A	11/1999	Rickard et al.
5,389,442	A	2/1995	Kathiresan et al.	5,982,276	A	11/1999	Stewart
5,410,318	A	4/1995	Wong et al.	5,986,331	A	11/1999	Letavic et al.
5,412,654	A	5/1995	Perkins	5,994,984	A	11/1999	Stancil et al.
5,434,575	A	7/1995	Jelinek et al.	5,994,998	A	11/1999	Fisher et al.
5,440,660	A	8/1995	Dombrowski et al.	6,005,758	A	12/1999	Spencer et al.
5,451,969	A	9/1995	Toth et al.	6,009,124	A	12/1999	Smith
5,479,176	A	12/1995	Zavrel et al.	6,011,520	A	1/2000	Howell et al.
5,481,268	A	1/1996	Higgins	6,011,524	A	1/2000	Jervis et al.
5,482,525	A	1/1996	Kajioka et al.	6,014,110	A	1/2000	Bridges et al.
5,486,839	A	1/1996	Rodeffer et al.	6,023,619	A	2/2000	Kaminsky
5,488,380	A	1/1996	Harvey et al.	6,026,173	A	2/2000	Svenson et al.
5,495,546	A	2/1996	Bottoms et al.	6,026,208	A	2/2000	Will et al.
5,499,308	A	3/1996	Arai et al.	6,026,331	A	2/2000	Feldberg et al.
5,499,311	A	3/1996	DeCusatis et al.	6,034,638	A	3/2000	Thiel et al.
5,512,906	A	4/1996	Speciale et al.	6,037,894	A	3/2000	Pfizenmaier et al.
5,513,176	A	4/1996	Dean et al.	6,038,425	A	3/2000	Jeffrey et al.
5,515,059	A	5/1996	How et al.	6,049,647	A	4/2000	Register et al.
5,528,208	A	6/1996	Kobayashi et al.	6,061,035	A	5/2000	Kinasewitz et al.
5,543,000	A	8/1996	Lique	6,063,234	A	5/2000	Chen et al.
5,559,359	A	9/1996	Reyes	6,078,297	A	6/2000	Kormanyos et al.
5,566,022	A	10/1996	Segev	6,088,001	A	7/2000	Burger et al.
5,566,196	A	10/1996	Scifres	6,095,820	A	8/2000	Luxon et al.
5,576,721	A	11/1996	Hwang et al.	6,100,846	A	8/2000	Li et al.
5,592,183	A	1/1997	Henf	6,103,031	A	8/2000	Aeschbacher et al.
5,600,630	A	2/1997	Takahashi et al.	6,107,897	A	8/2000	Hewett et al.
5,603,089	A	2/1997	Searle et al.	6,114,998	A	9/2000	Scheffe et al.
5,619,015	A	4/1997	Kirma	6,122,753	A	9/2000	Masuo et al.
5,637,521	A	6/1997	Rhodes et al.	6,140,911	A	10/2000	Fisher et al.
5,640,168	A	6/1997	Heger et al.	6,140,976	A	10/2000	Locke et al.
5,646,936	A	7/1997	Shah et al.	6,146,330	A	11/2000	Tujino et al.
5,650,788	A	7/1997	Jha	6,150,612	A	11/2000	Grandy et al.
5,652,554	A	7/1997	Krieg et al.	6,151,145	A	11/2000	Srivastava et al.
5,671,304	A	9/1997	Duguay	6,154,488	A	11/2000	Hunt
5,677,909	A	10/1997	Heide	6,158,383	A	12/2000	Watanabe et al.
5,680,139	A	10/1997	Huguenin et al.	6,166,694	A	12/2000	Ying et al.
5,682,256	A	10/1997	Motley et al.	6,167,055	A	12/2000	Ganek et al.
5,684,495	A	11/1997	Dyott et al.	6,175,917	B1	1/2001	Arrow et al.
5,724,168	A	3/1998	Oschmann et al.	6,184,828	B1	2/2001	Shoki et al.
5,726,980	A	3/1998	Rickard et al.	6,195,058	B1	2/2001	Nakamura et al.
5,757,323	A	5/1998	Spencer et al.	6,195,395	B1	2/2001	Frodsham et al.
5,767,807	A	6/1998	Pritchett et al.	6,208,161	B1	3/2001	Suda et al.
5,769,879	A	6/1998	Levay et al.	6,208,903	B1	3/2001	Richards et al.
5,784,033	A	7/1998	Boldissar, Jr.	6,211,836	B1	4/2001	Manasson et al.
5,784,683	A	7/1998	Sistanizadeh et al.	6,211,837	B1	4/2001	Crouch et al.
5,793,334	A	8/1998	Harrison et al.	6,215,443	B1	4/2001	Komatsu et al.
5,805,983	A	9/1998	Naidu et al.	6,222,503	B1	4/2001	Gietema et al.
5,812,524	A	9/1998	Moran et al.	6,225,960	B1	5/2001	Collins et al.
5,818,396	A	10/1998	Harrison et al.	6,229,327	B1	5/2001	Boll et al.
5,818,512	A	10/1998	Fuller	6,239,377	B1	5/2001	Nishikawa et al.
5,848,054	A	12/1998	Mosebrook et al.	6,239,379	B1	5/2001	Cotter et al.
5,850,199	A	12/1998	Wan et al.	6,243,049	B1	6/2001	Chandler et al.
5,854,608	A	12/1998	Leisten	6,246,821	B1	6/2001	Hemken et al.
5,859,618	A	1/1999	Miller, II et al.	6,252,553	B1	6/2001	Solomon et al.
5,861,843	A	1/1999	Sorace et al.	6,259,337	B1	7/2001	Wen et al.
5,867,763	A	2/1999	Dean et al.	6,266,025	B1	7/2001	Popa et al.
				6,271,790	B2	8/2001	Smith et al.
				6,271,799	B1	8/2001	Rief et al.
				6,271,952	B1	8/2001	Epworth et al.
				6,278,357	B1	8/2001	Croushore et al.



(56)

## References Cited

## U.S. PATENT DOCUMENTS

6,281,855	B1	8/2001	Aoki et al.	6,731,649	B1	5/2004	Silverman
6,282,354	B1	8/2001	Jones et al.	6,741,705	B1	5/2004	Nelson et al.
6,292,139	B1	9/2001	Yamamoto et al.	6,750,827	B2	6/2004	Manasson et al.
6,292,143	B1	9/2001	Romanofsky et al.	6,756,538	B1	6/2004	Murga-Gonzalez et al.
6,301,420	B1	10/2001	Greenaway et al.	6,765,479	B2	7/2004	Stewart et al.
6,311,288	B1	10/2001	Heeren et al.	6,768,456	B1	7/2004	Lalezari et al.
6,317,092	B1	11/2001	de Schweinitz et al.	6,768,471	B2	7/2004	Bostwick et al.
6,320,509	B1	11/2001	Brady et al.	6,768,474	B2	7/2004	Hunt et al.
6,323,819	B1	11/2001	Ergene et al.	6,771,216	B2	8/2004	Patel et al.
6,329,959	B1	12/2001	Varadan et al.	6,771,225	B2	8/2004	Tits et al.
6,348,683	B1	2/2002	Verghese et al.	6,771,739	B1	8/2004	Beamon et al.
6,351,247	B1	2/2002	Linstrom et al.	6,774,859	B2	8/2004	Schantz et al.
6,362,789	B1	3/2002	Trumbull et al.	6,788,865	B2	9/2004	Kawanishi et al.
6,366,238	B1	4/2002	DeMore et al.	6,788,951	B2	9/2004	Aoki et al.
6,373,436	B1	4/2002	Chen et al.	6,789,119	B1	9/2004	Zhu et al.
6,396,440	B1	5/2002	Chen et al.	6,809,633	B2	10/2004	Cern et al.
6,404,773	B1	6/2002	Williams et al.	6,809,695	B2	10/2004	Le Bayon et al.
6,421,021	B1	7/2002	Rupp et al.	6,812,895	B2	11/2004	Anderson et al.
6,433,736	B1	8/2002	Timothy et al.	6,822,615	B2	11/2004	Quan et al.
6,436,536	B2	8/2002	Peruzzotti et al.	6,839,032	B2	1/2005	Teshirogi et al.
6,445,351	B1	9/2002	Baker et al.	6,839,160	B2	1/2005	Tsuda et al.
6,445,774	B1	9/2002	Kidder et al.	6,839,846	B2	1/2005	Mangold et al.
6,452,467	B1	9/2002	McEwan	6,842,157	B2	1/2005	Phelan et al.
6,452,923	B1	9/2002	Gerszberg et al.	6,842,430	B1	1/2005	Melnik et al.
6,455,769	B1	9/2002	Belli et al.	6,850,128	B2	2/2005	Park
6,456,251	B1	9/2002	Rao et al.	6,859,185	B2	2/2005	Royalty et al.
6,462,700	B1	10/2002	Schmidt et al.	6,859,187	B2	2/2005	Ohlsson et al.
6,463,295	B1	10/2002	Yun et al.	6,859,590	B1	2/2005	Zaccone
6,469,676	B1	10/2002	Fehrenbach et al.	6,864,851	B2	3/2005	McGrath et al.
6,473,049	B2	10/2002	Takeuchi et al.	6,867,744	B2	3/2005	Toncich et al.
6,483,470	B1	11/2002	Hohnstein et al.	6,868,258	B2	3/2005	Hayata et al.
6,489,928	B2	12/2002	Sakurada	6,870,465	B1	3/2005	Song et al.
6,489,931	B2	12/2002	Liu et al.	6,885,674	B2	4/2005	Hunt et al.
6,501,433	B2	12/2002	Popa et al.	6,886,065	B2	4/2005	Sides et al.
6,507,573	B1	1/2003	Brandt et al.	6,888,623	B2	5/2005	Clements
6,510,152	B1	1/2003	Gerszberg et al.	6,901,064	B2	5/2005	Billhartz et al.
6,515,635	B2	2/2003	Chiang et al.	6,904,218	B2	6/2005	Sun et al.
6,522,305	B2	2/2003	Sharman et al.	6,906,676	B2	6/2005	Killen et al.
6,531,991	B2	3/2003	Adachi et al.	6,906,681	B2	6/2005	Hoppenstein et al.
6,542,739	B1	4/2003	Garner	6,909,893	B2	6/2005	Aoki et al.
6,549,106	B2	4/2003	Martin et al.	2,005,016	A1	7/2005	Lang et al.
6,549,173	B1	4/2003	King et al.	6,917,974	B1	7/2005	Stytz et al.
6,552,693	B1	4/2003	Leisten et al.	6,920,289	B2	7/2005	Zimmerman et al.
6,563,981	B2	5/2003	Weisberg et al.	6,920,315	B1	7/2005	Wilcox et al.
6,567,573	B1	5/2003	Domash et al.	6,922,135	B2	7/2005	Abraham et al.
6,573,803	B1	6/2003	Ziegner et al.	6,933,887	B2	8/2005	Regnier et al.
6,573,813	B1	6/2003	Joannopoulos et al.	6,934,655	B2	8/2005	Jones et al.
6,580,295	B2	6/2003	Takekuma et al.	6,937,595	B2	8/2005	Barzegar et al.
6,584,252	B1	6/2003	Schier et al.	6,943,553	B2	9/2005	Zimmermann et al.
6,587,077	B2	7/2003	Vail et al.	6,944,555	B2	9/2005	Blackett et al.
6,593,893	B2	7/2003	Hou et al.	6,947,635	B2	9/2005	Kohns et al.
6,596,944	B1	7/2003	Clark et al.	6,950,567	B2	9/2005	Kline et al.
6,606,066	B1	8/2003	Fawcett et al.	6,952,183	B2	10/2005	Yuanzhu et al.
6,606,077	B2	8/2003	Ebling et al.	6,958,729	B1	10/2005	Metz et al.
6,631,229	B1	10/2003	Norris et al.	6,965,302	B2	11/2005	Mollenkopf et al.
6,639,484	B2	10/2003	Tzuang et al.	6,965,355	B1	11/2005	Durham et al.
6,639,566	B2	10/2003	Knop et al.	6,965,784	B2	11/2005	Kanamaluru et al.
6,642,887	B2	11/2003	Owechko et al.	6,970,502	B2	11/2005	Kim et al.
6,643,254	B1	11/2003	Abe et al.	6,972,729	B2	12/2005	Wang et al.
6,650,296	B2	11/2003	Wong et al.	6,980,091	B2	12/2005	White, II et al.
6,653,598	B2	11/2003	Sullivan et al.	6,982,611	B2	1/2006	Cope et al.
6,659,655	B2	12/2003	Dair et al.	6,982,679	B2	1/2006	Kralovec et al.
6,661,391	B2	12/2003	Ohara et al.	6,983,174	B2	1/2006	Hoppenstein et al.
6,671,824	B1	12/2003	Hyland et al.	6,985,118	B2	1/2006	Killen et al.
6,677,899	B1	1/2004	Lee et al.	6,992,639	B1	1/2006	Lier et al.
6,683,580	B2	1/2004	Kuramoto	6,999,667	B2	2/2006	Jang et al.
6,686,832	B2	2/2004	Abraham et al.	7,008,120	B2	3/2006	Zaborsky et al.
6,686,873	B2	2/2004	Patel et al.	7,009,471	B2	3/2006	Elmore
6,686,875	B1	2/2004	Wolfson et al.	7,012,489	B2	3/2006	Fisher et al.
6,697,030	B2	2/2004	Gleener	7,012,572	B1	3/2006	Schaffner et al.
6,703,981	B2	3/2004	Meitzler et al.	7,016,585	B2	3/2006	Diggie, III et al.
6,714,165	B2	3/2004	Verstraeten	7,019,704	B2	3/2006	Weiss et al.
6,720,935	B2	4/2004	Lamensdorf et al.	7,023,400	B2	4/2006	Hill et al.
6,727,470	B2	4/2004	Reichle et al.	7,027,003	B2	4/2006	Sasaki et al.
6,728,439	B2	4/2004	Weisberg et al.	7,032,016	B2	4/2006	Cerami et al.
				7,039,048	B1	5/2006	Monta et al.
				7,042,403	B2	5/2006	Sievenpiper et al.
				7,042,416	B2	5/2006	Kingsley et al.
				7,042,420	B2	5/2006	Ebling et al.

(56)

## References Cited

## U.S. PATENT DOCUMENTS

7,054,286	B2	5/2006	Ertel et al.	7,297,869	B2	11/2007	Hiller et al.
7,054,376	B1	5/2006	Rubinstain et al.	7,301,440	B2	11/2007	Mollenkopf
7,054,513	B2	5/2006	Herz et al.	7,307,357	B2	12/2007	Kopp et al.
7,055,148	B2	5/2006	Marsh et al.	7,307,596	B1	12/2007	West et al.
7,057,558	B2	6/2006	Yasuhō et al.	7,308,264	B2	12/2007	Stern-Berkowitz et al.
7,061,370	B2	6/2006	Cern et al.	7,308,370	B2	12/2007	Mason, Jr. et al.
7,061,891	B1	6/2006	Kilfoyle et al.	7,310,335	B1	12/2007	Garcia-Luna-Aceves et al.
7,068,998	B2	6/2006	Zavidniak et al.	7,311,605	B2	12/2007	Moser
7,075,414	B2	7/2006	Giannini et al.	7,312,686	B2	12/2007	Bruno
7,075,485	B2	7/2006	Song et al.	7,313,087	B2	12/2007	Patil et al.
7,075,496	B2	7/2006	Hidai et al.	7,313,312	B2	12/2007	Kimball et al.
7,082,321	B2	7/2006	Kuwahara et al.	7,315,678	B2	1/2008	Siegel
7,088,306	B2	8/2006	Chiang et al.	7,318,564	B1	1/2008	Marshall et al.
7,098,405	B2	8/2006	Glew et al.	7,319,717	B2	1/2008	Zitting et al.
7,098,773	B2	8/2006	Berkman et al.	7,321,291	B2	1/2008	Gidge et al.
7,102,581	B1	9/2006	West et al.	7,321,707	B2	1/2008	Noda et al.
7,106,265	B2	9/2006	Robertson et al.	7,324,046	B1	1/2008	Wu et al.
7,113,002	B2	9/2006	Otsuka et al.	7,324,817	B2	1/2008	Iacono et al.
7,113,134	B1	9/2006	Berkman et al.	7,329,815	B2	2/2008	Johnston et al.
7,119,755	B2	10/2006	Harvey et al.	7,333,064	B1	2/2008	Timothy et al.
7,120,345	B2	10/2006	Naitou et al.	7,333,593	B2	2/2008	Beamon et al.
7,122,012	B2	10/2006	Bouton et al.	7,339,466	B2	3/2008	Mansfield et al.
7,123,801	B2	10/2006	Fitz et al.	7,339,897	B2	3/2008	Larsson et al.
7,126,711	B2	10/2006	Fruth	7,340,768	B2	3/2008	Rosenberger et al.
7,130,516	B2	10/2006	Wu et al.	7,345,623	B2	3/2008	McEwan et al.
7,132,950	B2	11/2006	Stewart et al.	7,346,244	B2	3/2008	Gowan et al.
7,133,930	B2	11/2006	Sabio et al.	7,346,359	B2	3/2008	Damarla et al.
7,134,012	B2	11/2006	Doyle et al.	7,353,293	B2	4/2008	Hipfinger
7,134,135	B2	11/2006	Cerami et al.	7,355,560	B2	4/2008	Nagai et al.
7,136,397	B2	11/2006	Sharma et al.	7,358,808	B2	4/2008	Berkman et al.
7,137,605	B1	11/2006	Guertler et al.	7,358,921	B2	4/2008	Snyder et al.
7,138,767	B2	11/2006	Chen et al.	7,369,085	B1	5/2008	Jacomb-Hood et al.
7,145,440	B2	12/2006	Gerszberg et al.	7,380,272	B2	5/2008	Sharp et al.
7,151,497	B2	12/2006	Crystal et al.	7,381,089	B2	6/2008	Hosler, Sr.
7,161,934	B2	1/2007	Buchsbaum et al.	7,382,232	B2	6/2008	Gidge et al.
7,167,139	B2	1/2007	Kim et al.	7,383,577	B2	6/2008	Hrastar et al.
7,171,087	B2	1/2007	Takahashi et al.	7,388,450	B2	6/2008	Camiade et al.
7,171,493	B2	1/2007	Shu et al.	7,397,422	B2	7/2008	Tekawy et al.
7,176,589	B2	2/2007	Rouquette et al.	7,398,946	B1	7/2008	Marshall
7,180,459	B2	2/2007	Damini et al.	7,400,304	B2	7/2008	Lewis et al.
7,180,467	B2	2/2007	Fabrega-Sanchez	7,406,337	B2	7/2008	Kim et al.
7,183,991	B2	2/2007	Bhattacharyya et al.	7,408,426	B2	8/2008	Broyde et al.
7,193,562	B2	3/2007	Kish et al.	7,408,923	B1	8/2008	Khan et al.
7,194,528	B1	3/2007	Davidow et al.	7,417,587	B2	8/2008	Iskander et al.
7,199,680	B2	4/2007	Fukunaga et al.	7,418,178	B2	8/2008	Kudou et al.
7,200,391	B2	4/2007	Chung et al.	7,420,474	B1	9/2008	Elks et al.
7,200,658	B2	4/2007	Goeller et al.	7,420,525	B2	9/2008	Colburn et al.
7,205,950	B2	4/2007	Imai et al.	7,430,257	B1	9/2008	Shattil et al.
7,212,163	B2	5/2007	Huang et al.	7,430,932	B2	10/2008	Mekhanoshin et al.
7,215,220	B1	5/2007	Jia et al.	7,443,334	B2	10/2008	Rees et al.
7,215,928	B2	5/2007	Gage et al.	7,444,404	B2	10/2008	Wetherall et al.
7,218,285	B2	5/2007	Davis et al.	7,446,567	B2	11/2008	Otsuka et al.
7,224,170	B2	5/2007	Graham et al.	7,450,001	B2	11/2008	Berkman
7,224,243	B2	5/2007	Cope et al.	7,453,352	B2	11/2008	Kline et al.
7,224,272	B2	5/2007	White, II et al.	7,453,393	B2	11/2008	Duivendoorden et al.
7,224,320	B2	5/2007	Cook et al.	7,456,650	B2	11/2008	Lee et al.
7,228,123	B2	6/2007	Moursund et al.	7,459,834	B2	12/2008	Knowles et al.
7,234,413	B2	6/2007	Suzuki et al.	7,460,834	B2	12/2008	Johnson et al.
7,234,895	B2	6/2007	Richardson et al.	7,463,877	B2	12/2008	Iwamura
7,239,284	B1	7/2007	Staal et al.	7,465,879	B2	12/2008	Glew et al.
7,243,610	B2	7/2007	Ishii et al.	7,466,225	B2	12/2008	White, II et al.
7,248,148	B2	7/2007	Kline et al.	7,468,657	B2	12/2008	Yaney
7,259,657	B2	8/2007	Mollenkopf et al.	7,479,841	B2	1/2009	Stenger et al.
7,260,424	B2	8/2007	Schmidt et al.	7,492,317	B2	2/2009	Tinsley et al.
7,266,154	B2	9/2007	Gundrum et al.	7,496,674	B2	2/2009	Jorgensen et al.
7,266,275	B2	9/2007	Hansen et al.	7,508,834	B2	3/2009	Berkman et al.
7,272,281	B2	9/2007	Stahulak et al.	7,509,009	B2	3/2009	Suzuki et al.
7,272,362	B2	9/2007	Jeong et al.	7,509,675	B2	3/2009	Aaron et al.
7,274,305	B1	9/2007	Luttrell	7,512,090	B2	3/2009	Benitez Pelaez et al.
7,274,936	B2	9/2007	Stern-Berkowitz et al.	7,516,487	B1	4/2009	Szeto et al.
7,276,990	B2	10/2007	Sievenpiper et al.	7,518,529	B2	4/2009	O'Sullivan et al.
7,280,033	B2	10/2007	Berkman et al.	7,518,952	B1	4/2009	Padden et al.
7,289,704	B1	10/2007	Wagman et al.	7,522,115	B2	4/2009	Waltman et al.
7,289,828	B2	10/2007	Cha et al.	7,522,812	B2	4/2009	Zitting
7,295,161	B2	11/2007	Gaucher et al.	7,525,501	B2	4/2009	Black et al.
				7,531,803	B2	5/2009	Mittleman et al.
				7,532,792	B2	5/2009	Skovgaard et al.
				7,535,867	B1	5/2009	Kilfoyle et al.
				7,539,381	B2	5/2009	Li et al.

(56)

References Cited

U.S. PATENT DOCUMENTS

7,545,818 B2	6/2009	Chen et al.	7,792,016 B2	9/2010	Arai et al.
7,546,214 B2	6/2009	Rivers, Jr. et al.	7,795,877 B2	9/2010	Radtko et al.
7,554,998 B2	6/2009	Simonsson et al.	7,795,994 B2	9/2010	Radtko et al.
7,555,182 B2	6/2009	Martin et al.	7,796,025 B2	9/2010	Berkman et al.
7,555,186 B2	6/2009	De Montmorillon et al.	7,796,890 B1	9/2010	Johnson
7,555,187 B2	6/2009	Bickham et al.	7,805,029 B2	9/2010	Bayindir et al.
7,557,563 B2	7/2009	Cowan et al.	7,808,441 B2	10/2010	Parsche et al.
7,561,025 B2	7/2009	Gerszberg et al.	7,809,223 B2	10/2010	Miyabe et al.
7,567,154 B2	7/2009	Elmore	7,812,686 B2	10/2010	Woods et al.
7,567,740 B2	7/2009	Bayindir et al.	7,812,778 B2	10/2010	Hasegawa et al.
7,570,137 B2	8/2009	Kintis et al.	7,813,344 B2	10/2010	Cheswick
7,570,470 B2	8/2009	Holley	7,817,063 B2	10/2010	Hawkins et al.
7,580,643 B2	8/2009	Moore et al.	7,825,793 B1	11/2010	Spillman et al.
7,581,702 B2	9/2009	Wheeler et al.	7,825,867 B2	11/2010	Tuttle et al.
7,583,074 B1	9/2009	Lynch et al.	7,826,602 B1	11/2010	Hunyady et al.
7,584,470 B2	9/2009	Barker et al.	7,827,610 B2	11/2010	Wang et al.
7,589,686 B2	9/2009	Balzovsky et al.	7,830,228 B2	11/2010	Evans et al.
7,590,404 B1	9/2009	Johnson	7,835,128 B2	11/2010	Divan et al.
7,591,020 B2	9/2009	Kammer et al.	7,835,600 B1	11/2010	Yap et al.
7,591,792 B2	9/2009	Bouton et al.	7,843,375 B1	11/2010	Rennie et al.
7,596,222 B2	9/2009	Jonas et al.	7,848,517 B2	12/2010	Britz et al.
7,598,844 B2	10/2009	Corcoran et al.	7,852,837 B1	12/2010	Au et al.
7,602,333 B2	10/2009	Hiramatsu et al.	7,855,612 B2	12/2010	Zienkewicz et al.
7,602,815 B2	10/2009	Houghton et al.	7,856,007 B2	12/2010	Corcoran et al.
7,620,370 B2	11/2009	Barak et al.	7,869,391 B2	1/2011	Lee et al.
7,625,131 B2	12/2009	Zienkewicz et al.	7,872,610 B2	1/2011	Motzer et al.
7,626,489 B2	12/2009	Berkman et al.	7,873,249 B2	1/2011	Kachmar et al.
7,626,542 B2	12/2009	Kober et al.	7,876,174 B2	1/2011	Radtko et al.
7,627,300 B2	12/2009	Abramov et al.	7,884,285 B2	2/2011	Spencer
7,634,250 B1	12/2009	Prasad et al.	7,884,648 B2	2/2011	Broyde et al.
7,639,201 B2	12/2009	Marklein et al.	7,885,542 B2	2/2011	Riggsby et al.
7,640,562 B2	12/2009	Bouilloux-Lafont et al.	7,889,129 B2	2/2011	Fox et al.
7,640,581 B1	12/2009	Brenton et al.	7,889,148 B2	2/2011	Diaz et al.
7,653,363 B2	1/2010	Karr et al.	7,889,149 B2	2/2011	Peebles et al.
RE41,147 E	2/2010	Pang et al.	7,890,053 B2	2/2011	Washiro
7,656,167 B1	2/2010	McLean et al.	7,893,789 B2	2/2011	Paynter et al.
7,660,252 B1	2/2010	Huang et al.	7,894,770 B2	2/2011	Washiro et al.
7,660,328 B1	2/2010	Oz et al.	7,903,918 B1	3/2011	Bickham et al.
7,664,117 B2	2/2010	Lou et al.	7,903,972 B2	3/2011	Riggsby et al.
7,669,049 B2	2/2010	Wang et al.	7,915,980 B2	3/2011	Hardacker et al.
7,671,701 B2	3/2010	Radtko	7,916,081 B2	3/2011	Lakkis et al.
7,671,820 B2	3/2010	Tokoro et al.	7,929,940 B1	4/2011	Dianda et al.
7,676,679 B2	3/2010	Weis et al.	7,930,750 B1	4/2011	Gauvin et al.
7,680,478 B2	3/2010	Willars et al.	7,937,699 B2	5/2011	Schneider et al.
7,680,516 B2	3/2010	Lovberg et al.	7,940,207 B1	5/2011	Kienzle et al.
7,680,561 B2	3/2010	Rodgers et al.	7,940,731 B2	5/2011	Gao et al.
7,683,848 B2	3/2010	Musch et al.	7,956,818 B1	6/2011	Hsu et al.
7,684,383 B1	3/2010	Thompson et al.	7,958,120 B2	6/2011	Muntz et al.
7,693,079 B2	4/2010	Cerami et al.	7,962,957 B2	6/2011	Keohane et al.
7,693,162 B2	4/2010	McKenna et al.	7,965,842 B2	6/2011	Whelan et al.
7,693,939 B2	4/2010	Wu et al.	7,970,365 B2	6/2011	Martin et al.
7,701,931 B2	4/2010	Kajiwar	7,970,937 B2	6/2011	Shuster et al.
7,705,747 B2	4/2010	Twitcheil, Jr.	7,971,053 B2	6/2011	Gibson, Sr. et al.
7,714,536 B1	5/2010	Silberg et al.	7,974,387 B2	7/2011	Lutz et al.
7,715,672 B2	5/2010	Dong et al.	7,983,740 B2	7/2011	Culver et al.
7,716,660 B2	5/2010	Mackay et al.	7,986,711 B2	7/2011	Horvath et al.
7,724,782 B2	5/2010	Wang et al.	7,990,329 B2	8/2011	Deng et al.
7,728,772 B2	6/2010	Mortazawi et al.	7,991,877 B2	8/2011	Keohane et al.
7,733,094 B2	6/2010	Bright et al.	7,992,014 B2	8/2011	Langgood et al.
7,734,717 B2	6/2010	Saaramäki et al.	7,994,996 B2	8/2011	Rebeiz et al.
7,743,403 B2	6/2010	McCarty et al.	7,994,999 B2	8/2011	Maeda et al.
7,747,356 B2	6/2010	Andarawis et al.	8,013,694 B2	9/2011	Sagala et al.
7,747,774 B2	6/2010	Aaron	8,019,288 B2	9/2011	Yu et al.
7,750,244 B1	7/2010	Melding	8,022,885 B2	9/2011	Smoyer et al.
7,750,763 B2	7/2010	Praßmayer et al.	8,022,887 B1	9/2011	Zarnaghi et al.
7,760,978 B2	7/2010	Fishteyn et al.	8,027,391 B2	9/2011	Matsubara et al.
7,761,079 B2	7/2010	Mollenkopf et al.	8,036,207 B2	10/2011	Chen et al.
7,764,943 B2	7/2010	Radtko et al.	8,049,576 B2	11/2011	Broyde et al.
7,773,664 B2	8/2010	Myers et al.	8,059,576 B2	11/2011	Vavik et al.
7,782,156 B2	8/2010	Woods et al.	8,059,593 B2	11/2011	Shih et al.
7,783,195 B2	8/2010	Riggsby et al.	8,064,944 B2	11/2011	Yun et al.
7,786,894 B2	8/2010	Polk et al.	8,065,099 B2	11/2011	Gibala et al.
7,786,945 B2	8/2010	Baldauf et al.	8,069,483 B1	11/2011	Matlock et al.
7,786,946 B2	8/2010	Diaz et al.	8,072,323 B2	12/2011	Kodama et al.
7,791,549 B2	9/2010	Clymer et al.	8,072,386 B2	12/2011	Lier et al.
			8,073,810 B2	12/2011	Maes
			8,077,049 B2	12/2011	Yaney et al.
			8,081,854 B2	12/2011	Yoon et al.
			8,089,404 B2	1/2012	Nichols et al.

(56)

## References Cited

## U.S. PATENT DOCUMENTS

8,089,952 B2	1/2012	Spade et al.	8,373,095 B2	2/2013	Huynh et al.
8,090,379 B2	1/2012	Lambert et al.	8,373,597 B2	2/2013	Schadler et al.
8,094,081 B1	1/2012	Boone et al.	8,374,821 B2	2/2013	Rousselle et al.
8,094,985 B2	1/2012	Imamura et al.	8,384,600 B2	2/2013	Huang et al.
8,098,198 B2	1/2012	Thiesen et al.	8,385,978 B2	2/2013	Leung et al.
8,102,324 B2	1/2012	Tuau et al.	8,386,198 B2	2/2013	Lancaster
8,102,779 B2	1/2012	Kim et al.	8,390,402 B2	3/2013	Kunes et al.
RE43,163 E	2/2012	Anderson	8,405,567 B2	3/2013	Park et al.
8,111,148 B2	2/2012	Parker et al.	8,406,239 B2	3/2013	Hurwitz et al.
8,120,488 B2	2/2012	Bloy et al.	8,406,593 B2	3/2013	Molin et al.
8,121,624 B2	2/2012	Cai et al.	8,407,687 B2	3/2013	Moshir et al.
8,125,399 B2	2/2012	McKinzie et al.	8,412,130 B2	4/2013	Suematsu et al.
8,126,393 B2	2/2012	Wu et al.	8,414,326 B2	4/2013	Bowman
8,129,817 B2	3/2012	Jou et al.	8,415,884 B2	4/2013	Chen et al.
8,131,125 B2	3/2012	Molin et al.	8,428,033 B2	4/2013	Hettstedt et al.
8,131,266 B2	3/2012	Cai et al.	8,433,168 B2	4/2013	Filippov et al.
8,132,239 B2	3/2012	Wahl	8,434,103 B2	4/2013	Tsuchida et al.
8,134,424 B2	3/2012	Kato et al.	8,437,383 B2	5/2013	Wiwel et al.
8,134,458 B2	3/2012	Lund	8,457,027 B2	6/2013	Dougherty et al.
8,140,113 B2	3/2012	Rofougaran et al.	8,458,453 B1	6/2013	Mahalingaiah et al.
8,150,311 B2	4/2012	Hart et al.	8,462,063 B2	6/2013	Gummalla et al.
8,151,306 B2	4/2012	Rakib	8,467,363 B2	6/2013	Lea et al.
8,156,520 B2	4/2012	Casagrande et al.	8,468,244 B2	6/2013	Redlich et al.
8,159,316 B2	4/2012	Miyazato et al.	8,484,511 B2	7/2013	Tidwell et al.
8,159,385 B2	4/2012	Farneth et al.	8,495,718 B2	7/2013	Han et al.
8,159,394 B2	4/2012	Hayes et al.	8,497,749 B2	7/2013	Elmore
8,159,742 B2	4/2012	McKay et al.	8,503,845 B2	8/2013	Winzer et al.
8,159,933 B2	4/2012	Henry	8,505,057 B2	8/2013	Rogers
8,159,955 B2	4/2012	Larsson et al.	8,509,114 B1	8/2013	Szajdecki
8,160,064 B2	4/2012	Kokernak et al.	8,514,980 B2	8/2013	Kuhtz
8,160,530 B2	4/2012	Corman et al.	8,515,383 B2	8/2013	Prince et al.
8,160,825 B1	4/2012	Roe, Jr. et al.	8,516,470 B1	8/2013	Joshi et al.
8,164,531 B2	4/2012	Lier et al.	8,516,474 B2	8/2013	Lamba et al.
8,171,146 B2	5/2012	Chen et al.	8,519,892 B2	8/2013	Ding et al.
8,172,173 B2	5/2012	Carlson et al.	8,520,578 B2	8/2013	Rayment et al.
8,173,943 B2	5/2012	Vilo et al.	8,520,636 B2	8/2013	Xu
8,175,649 B2	5/2012	Harel et al.	8,528,059 B1	9/2013	Saluzzo et al.
8,180,917 B1	5/2012	Yan et al.	8,532,023 B2	9/2013	Buddhikot et al.
8,184,015 B2	5/2012	Lilien et al.	8,532,046 B2	9/2013	Hu et al.
8,184,059 B2	5/2012	Bunch et al.	8,532,492 B2	9/2013	Sadowski et al.
8,184,311 B2	5/2012	Sakai	8,536,857 B2	9/2013	Nero, Jr. et al.
8,185,062 B2	5/2012	Rofougaran et al.	8,537,068 B2	9/2013	Call et al.
8,188,855 B2	5/2012	Sharma et al.	8,537,705 B2	9/2013	Afkhamie et al.
8,199,762 B2	6/2012	Michelson et al.	8,539,540 B2	9/2013	Zenoni
8,203,501 B2	6/2012	Kim et al.	8,539,569 B2	9/2013	Mansour
8,212,635 B2	7/2012	Miller, II et al.	8,542,968 B2	9/2013	Dong et al.
8,212,722 B2	7/2012	Ngo et al.	8,548,294 B2	10/2013	Toge et al.
8,213,758 B2	7/2012	Dong et al.	8,553,646 B2	10/2013	Kumar
8,218,929 B2	7/2012	Bickham et al.	8,561,104 B1	10/2013	Dow et al.
8,222,919 B2	7/2012	Broyde et al.	8,561,181 B1	10/2013	Sobel et al.
8,222,977 B2	7/2012	Oyama et al.	8,565,568 B2	10/2013	Bigot-Astruc et al.
8,225,379 B2	7/2012	Van et al.	8,572,247 B2	10/2013	Larson et al.
8,233,905 B2	7/2012	Vaswani et al.	8,572,639 B2	10/2013	Ficco
8,237,617 B1	8/2012	Johnson	8,572,661 B2	10/2013	Strong et al.
8,238,824 B2	8/2012	Washiro	8,578,076 B2	11/2013	van der Linden et al.
8,242,358 B2	8/2012	Park et al.	8,578,486 B2	11/2013	Lifliand et al.
8,243,603 B2	8/2012	Gossain et al.	8,582,502 B2	11/2013	Conte et al.
8,249,028 B2	8/2012	Porras et al.	8,584,195 B2	11/2013	Sherlock et al.
8,251,307 B2	8/2012	Goossen et al.	8,587,490 B2	11/2013	Niver et al.
8,253,516 B2	8/2012	Miller, II et al.	8,587,492 B2	11/2013	Runyon et al.
8,255,952 B2	8/2012	Boylan, III et al.	8,588,567 B2	11/2013	Kamps et al.
8,258,743 B2	9/2012	Tyler et al.	8,588,840 B2	11/2013	Truong et al.
8,264,417 B2	9/2012	Snow et al.	8,588,991 B1	11/2013	Forbes, Jr.
8,269,583 B2	9/2012	Miller, II et al.	8,593,238 B2	11/2013	Miller, II et al.
8,295,301 B2	10/2012	Yonge, III et al.	8,594,956 B2	11/2013	McBee et al.
8,300,538 B2	10/2012	Kim et al.	8,600,602 B1	12/2013	Watson et al.
8,300,640 B2	10/2012	Al-Banna et al.	8,604,982 B2	12/2013	Gummalla et al.
8,316,228 B2	11/2012	Winslow et al.	8,604,999 B2	12/2013	Abumrad et al.
8,316,364 B2	11/2012	Stein et al.	8,605,579 B2	12/2013	Abraham et al.
8,324,990 B2	12/2012	Vouloumanos	8,612,550 B2	12/2013	Yoo et al.
8,325,693 B2	12/2012	Binder et al.	8,613,020 B2	12/2013	Knudson et al.
8,343,145 B2	1/2013	Brannan et al.	8,615,190 B2	12/2013	Lu
8,344,829 B2	1/2013	Miller, II et al.	8,625,547 B1	1/2014	Miller et al.
8,363,313 B2	1/2013	Nakaguma et al.	8,629,811 B2	1/2014	Gaynor et al.
8,369,667 B2	2/2013	Rose et al.	8,639,934 B2	1/2014	Kruglick
			8,644,219 B2	2/2014	Nishizaka et al.
			8,653,906 B2	2/2014	Mahon et al.
			8,655,396 B2	2/2014	Malladi et al.
			8,656,458 B2	2/2014	Heffez et al.

(56)

References Cited

U.S. PATENT DOCUMENTS

8,660,526	B1	2/2014	Heiderscheit et al.	8,901,916	B2	12/2014	Rodriguez et al.
8,660,698	B2	2/2014	Phillips et al.	8,903,214	B2	12/2014	Alkeskjold
8,665,102	B2	3/2014	Salewske et al.	8,907,222	B2	12/2014	Stranskky
8,666,553	B2	3/2014	Phillips et al.	8,907,845	B2	12/2014	Jones
8,674,630	B1	3/2014	Cornelius et al.	8,908,573	B1	12/2014	Wang et al.
8,676,186	B2	3/2014	Niu	8,913,862	B1	12/2014	Emmerich et al.
8,680,450	B2	3/2014	Pritchard et al.	8,915,079	B2	12/2014	Miyake et al.
8,681,463	B2	3/2014	Franks et al.	8,917,210	B2	12/2014	Shamim et al.
8,686,911	B2	4/2014	Kim et al.	8,917,215	B2	12/2014	Pohl
8,687,650	B2	4/2014	King	8,917,964	B2	12/2014	Blew et al.
8,688,153	B2	4/2014	Komori et al.	8,918,108	B2	12/2014	Van Heeswyk et al.
8,699,454	B2	4/2014	Hapsari et al.	8,918,135	B2	12/2014	Kang et al.
8,699,461	B2	4/2014	Qian et al.	8,934,747	B2	1/2015	Smith et al.
8,705,925	B2	4/2014	Terada et al.	8,937,577	B2	1/2015	Gerini et al.
8,706,026	B2	4/2014	Truong et al.	8,938,144	B2	1/2015	Hennink et al.
8,707,432	B1	4/2014	Rathi et al.	8,938,255	B2	1/2015	Dalla et al.
8,711,732	B2	4/2014	Johnson et al.	8,941,912	B2	1/2015	Ichii et al.
8,711,806	B2	4/2014	Lim et al.	8,947,258	B2	2/2015	Reid et al.
8,711,857	B2	4/2014	Jackson et al.	8,952,678	B2	2/2015	Giboney et al.
8,712,200	B1	4/2014	Abernathy et al.	8,955,051	B2	2/2015	Marzii
8,719,938	B2	5/2014	Demeter et al.	8,955,075	B2	2/2015	Smith et al.
8,723,730	B2	5/2014	Lu et al.	8,957,818	B2	2/2015	Chen et al.
8,731,358	B2	5/2014	Pare et al.	8,958,665	B2	2/2015	Ziari et al.
8,732,476	B1	5/2014	Van et al.	8,958,812	B2	2/2015	Weiguo
8,737,793	B2	5/2014	Imamura et al.	8,963,790	B2	2/2015	Brown et al.
8,738,318	B2	5/2014	Spillane	8,964,433	B2	2/2015	Hai-Maharsi
8,743,004	B2	6/2014	Haziza	8,966,609	B2	2/2015	Lee et al.
8,749,449	B2	6/2014	Caldwell et al.	8,970,438	B2	3/2015	Hager et al.
8,750,664	B2	6/2014	Huang et al.	8,984,113	B2	3/2015	Li et al.
8,755,659	B2	6/2014	Imamura et al.	8,989,788	B2	3/2015	Kim et al.
8,760,354	B2	6/2014	Flannery et al.	8,994,473	B2	3/2015	Levi et al.
8,761,792	B2	6/2014	Sennett et al.	8,994,474	B2	3/2015	Mahon et al.
8,763,097	B2	6/2014	Bhatnagar et al.	8,996,188	B2	3/2015	Frader-Thompson et al.
8,767,071	B1	7/2014	Marshall	8,996,728	B2	3/2015	Cochinwala et al.
8,769,622	B2	7/2014	Chang et al.	9,000,353	B2	4/2015	Seo et al.
8,780,012	B2	7/2014	Llombart Juan et al.	9,001,689	B1	4/2015	Ponnampalam et al.
8,782,195	B2	7/2014	Foti	9,001,717	B2	4/2015	Chun et al.
8,786,284	B2	7/2014	Sirigiri et al.	9,003,492	B2	4/2015	Katar
8,786,514	B2	7/2014	Dickie et al.	9,008,208	B2	4/2015	Khandani
8,789,091	B2	7/2014	Eldering et al.	9,008,513	B2	4/2015	Kim et al.
8,792,760	B2	7/2014	Choi et al.	9,009,460	B2	4/2015	Chen
8,792,933	B2	7/2014	Chen et al.	9,015,467	B2	4/2015	Buer
8,793,363	B2	7/2014	Sater et al.	9,019,164	B2	4/2015	Syed et al.
8,793,742	B2	7/2014	Macrae et al.	9,019,595	B2	4/2015	Jain et al.
8,797,207	B2	8/2014	Kienzle et al.	9,019,892	B2	4/2015	Zhou et al.
8,804,667	B2	8/2014	Wang	9,020,555	B2	4/2015	Sheikh et al.
8,806,202	B2	8/2014	Shoemake et al.	9,021,251	B2	4/2015	Chawla
8,810,404	B2	8/2014	Bertoncini et al.	9,021,575	B2	4/2015	Martini
8,810,421	B2	8/2014	Deaver, Sr. et al.	9,037,516	B2	5/2015	Abhyanker
8,810,468	B2	8/2014	Cannon et al.	9,042,812	B1	5/2015	Bennett et al.
8,811,278	B2	8/2014	Hori et al.	9,054,782	B2 *	6/2015	Hunter ..... H04B 3/462
8,812,154	B2	8/2014	Vian et al.	9,070,962	B2	6/2015	Kobayashi
8,817,741	B2	8/2014	Shaheen	9,082,307	B2	7/2015	Sharawi
8,824,380	B2	9/2014	Jetcheva et al.	9,094,407	B1	7/2015	Matthieu
8,830,112	B1	9/2014	Buehler et al.	9,098,325	B2	8/2015	Reddin
8,831,506	B2	9/2014	Claret et al.	9,099,787	B2	8/2015	Blech
8,836,607	B2	9/2014	Cook et al.	9,103,864	B2	8/2015	Ali et al.
8,839,350	B1	9/2014	Shapcott et al.	9,106,617	B2	8/2015	Kshirsagar et al.
8,847,840	B1	9/2014	Diaz et al.	9,113,347	B2	8/2015	Henry
8,847,846	B1	9/2014	Diaz et al.	9,119,127	B1	8/2015	Henry
8,856,239	B1	10/2014	Oliver et al.	9,128,941	B2	9/2015	Shulman
8,856,530	B2	10/2014	Lamberg et al.	9,134,945	B2	9/2015	Husain
8,863,245	B1	10/2014	Abhyanker	9,137,485	B2	9/2015	Bar-Niv et al.
8,866,691	B2	10/2014	Montgomery et al.	9,142,334	B2	9/2015	Muto et al.
8,867,226	B2	10/2014	Colomb et al.	9,143,084	B2	9/2015	Perez et al.
8,872,032	B2	10/2014	Su et al.	9,167,535	B2	10/2015	Christoffersson et al.
8,875,224	B2	10/2014	Gross et al.	9,173,217	B2	10/2015	Teng et al.
8,878,740	B2	11/2014	Coupland et al.	9,202,371	B2	12/2015	Jain
8,881,588	B2	11/2014	Baer et al.	9,204,418	B2	12/2015	Siomina et al.
8,885,689	B2	11/2014	Blasco et al.	9,209,902	B2	12/2015	Willis, III et al.
8,887,212	B2	11/2014	Dua	9,219,594	B2	12/2015	Khlat
8,890,759	B2	11/2014	Pantea et al.	9,260,244	B1	2/2016	Cohn
8,893,246	B2	11/2014	El-Moussa et al.	9,264,204	B2	2/2016	Seo et al.
8,897,215	B2	11/2014	Hazani et al.	9,265,078	B2	2/2016	Lim et al.
8,897,697	B1	11/2014	Willis, III et al.	9,270,013	B2	2/2016	Ley
				9,271,185	B2	2/2016	Abdelmonem et al.
				9,276,303	B2	3/2016	Chang et al.
				9,276,304	B2	3/2016	Behan
				9,282,144	B2	3/2016	Tebay et al.

(56)

References Cited

U.S. PATENT DOCUMENTS

9,287,605 B2	3/2016	Daughenbaugh, Jr. et al.	2004/0198228 A1	10/2004	Raghothaman et al.	
9,293,801 B2	3/2016	Courtney et al.	2004/0212481 A1	10/2004	Abraham et al.	
9,302,770 B2	4/2016	Cohen et al.	2004/0213147 A1	10/2004	Wiese et al.	
9,306,682 B2	4/2016	Singh	2004/0213189 A1	10/2004	Alspaugh et al.	
9,312,929 B2	4/2016	Forenza et al.	2004/0213294 A1	10/2004	Hughes et al.	
9,324,020 B2	4/2016	Nazarov	2004/0250069 A1	12/2004	Kosamo et al.	
9,325,067 B2	4/2016	Ali et al.	2005/0005854 A1	1/2005	Suzuki et al.	
9,326,316 B2	4/2016	Yonge et al.	2005/0017825 A1	1/2005	Hansen	
9,334,052 B2	5/2016	Ubhi et al.	2005/0063422 A1	3/2005	Lazar et al.	
9,338,823 B2	5/2016	Saban et al.	2005/0068223 A1	3/2005	Vavik et al.	
9,346,560 B2	5/2016	Wang	2005/0069321 A1	3/2005	Sullivan et al.	
9,350,063 B2	5/2016	Herbsommer et al.	2005/0074208 A1	4/2005	Badcock et al.	
9,351,182 B2	5/2016	Elliott et al.	2005/0097396 A1	5/2005	Wood	
9,362,629 B2	6/2016	Miller et al.	2005/0102185 A1	5/2005	Barker et al.	
9,363,690 B1	6/2016	Suthar et al.	2005/0111533 A1	5/2005	Berkman et al.	
9,363,761 B2	6/2016	Venkatraman	2005/0143868 A1	6/2005	Whelan et al.	
9,368,275 B2	6/2016	McBee et al.	2005/0151659 A1	7/2005	Donovan et al.	
9,379,556 B2	6/2016	Haensgen et al.	2005/0168326 A1	8/2005	White et al.	
9,380,857 B2	7/2016	Davis et al.	2005/0169056 A1	8/2005	Berkman et al.	
9,393,683 B2	7/2016	Kimberlin et al.	2005/0169401 A1	8/2005	Abraham et al.	
9,397,380 B2	7/2016	Kudela et al.	2005/0177463 A1	8/2005	Crutchfield et al.	
9,421,869 B1	8/2016	Ananthanarayanan et al.	2005/0190101 A1	9/2005	Hiramatsu et al.	
9,422,139 B1	8/2016	Bialkowski et al.	2005/0208949 A1	9/2005	Chiueh et al.	
9,439,092 B1	9/2016	Chukka et al.	2005/0212626 A1	9/2005	Takamatsu et al.	
9,461,706 B1	10/2016	Bennett et al.	2005/0219135 A1	10/2005	Lee et al.	
9,467,219 B2	10/2016	Vilhar	2005/0226353 A1*	10/2005	Gebara ..... H01Q 1/521 375/346	
2001/0030789 A1	10/2001	Jiang et al.	2005/0249245 A1	11/2005	Hazani et al.	
2002/0002040 A1	1/2002	Kline et al.	2005/0258920 A1*	11/2005	Elmore ..... H01P 3/10 333/240	
2002/0008672 A1	1/2002	Gothard et al.	2006/0034724 A1	2/2006	Hamano et al.	
2002/0021716 A1	2/2002	Terk et al.	2006/0053486 A1	3/2006	Wesinger et al.	
2002/0024424 A1	2/2002	Burns et al.	2006/0082516 A1	4/2006	Strickland et al.	
2002/0027481 A1	3/2002	Fiedziuszko et al.	2006/0111047 A1	5/2006	Louberg et al.	
2002/0040439 A1	4/2002	Kellum et al.	2006/0113425 A1	6/2006	Rader et al.	
2002/0057223 A1	5/2002	Hook	2006/0114925 A1	6/2006	Gerszberg et al.	
2002/0069417 A1	6/2002	Kliger et al.	2006/0119528 A1	6/2006	Bhattacharyya et al.	
2002/0083194 A1	6/2002	Bak et al.	2006/0120399 A1	6/2006	Claret et al.	
2002/0099949 A1	7/2002	Fries et al.	2006/0153878 A1	7/2006	Savarino	
2002/0101852 A1	8/2002	Say et al.	2006/0181394 A1	8/2006	Clarke et al.	
2002/0111997 A1	8/2002	Herlihy et al.	2006/0187023 A1	8/2006	Iwamura et al.	
2002/0156917 A1	10/2002	Nye et al.	2006/0192672 A1*	8/2006	Gidge ..... H04B 3/58 340/538.11	
2002/0186694 A1	12/2002	Mahajan et al.	2006/0220833 A1	10/2006	Berkman et al.	
2002/0197979 A1	12/2002	Vanderveen et al.	2006/0232493 A1	10/2006	Huang et al.	
2003/0002125 A1	1/2003	Fuse et al.	2006/0239501 A1	10/2006	Petrovic et al.	
2003/0002476 A1	1/2003	Chung et al.	2006/0244672 A1	11/2006	Avakian et al.	
2003/0010528 A1	1/2003	Niles	2006/0249622 A1	11/2006	Steele et al.	
2003/0038753 A1	2/2003	Mahon et al.	2006/0286927 A1	12/2006	Berkman et al.	
2003/0049003 A1	3/2003	Ahmad et al.	2007/0022475 A1	1/2007	Rossi et al.	
2003/0054793 A1	3/2003	Manis et al.	2007/0025265 A1	2/2007	Marcotullio et al.	
2003/0061346 A1	3/2003	Pekary et al.	2007/0025386 A1	2/2007	Riedel et al.	
2003/0095208 A1	5/2003	Chouraqui et al.	2007/0041464 A1	2/2007	Kim et al.	
2003/0137464 A1	7/2003	Foti et al.	2007/0041554 A1	2/2007	Newman	
2003/0152331 A1	8/2003	Dair et al.	2007/0054622 A1	3/2007	Berkman	
2003/0164794 A1	9/2003	Haynes et al.	2007/0090185 A1	4/2007	Lewkowitz et al.	
2003/0188308 A1	10/2003	Kizuka	2007/0105508 A1	5/2007	Tong et al.	
2003/0189947 A1	10/2003	Ferry et al.	2007/0135044 A1	6/2007	Rhodes et al.	
2003/0190110 A1	10/2003	Kline et al.	2007/0144779 A1	6/2007	Vicente et al.	
2003/0202756 A1	10/2003	Hurley et al.	2007/0189182 A1	8/2007	Berkman et al.	
2003/0210197 A1	11/2003	Cencich et al.	2007/0216596 A1	9/2007	Lewis et al.	
2004/0015725 A1	1/2004	Boneh et al.	2007/0226779 A1	9/2007	Yokomitsu et al.	
2004/0023640 A1	2/2004	Ballai et al.	2007/0252998 A1	11/2007	Berthold et al.	
2004/0024913 A1	2/2004	Ikeda et al.	2007/0257858 A1	11/2007	Liu et al.	
2004/0048596 A1	3/2004	Wyrzykowska et al.	2007/0268124 A1	11/2007	Berkman et al.	
2004/0054425 A1	3/2004	Elmore	2007/0268846 A1	11/2007	Proctor et al.	
2004/0085153 A1	5/2004	Fukunaga et al.	2007/0300280 A1	12/2007	Turner et al.	
2004/0090312 A1	5/2004	Manis et al.	2008/0003872 A1	1/2008	Chen et al.	
2004/0091032 A1	5/2004	Duchi et al.	2008/0007416 A1	1/2008	Cern et al.	
2004/0100343 A1	5/2004	Tsu et al.	2008/0043655 A1	2/2008	Lee et al.	
2004/0104410 A1	6/2004	Gilbert et al.	2008/0055149 A1	3/2008	Rees et al.	
2004/0113757 A1	6/2004	White, II et al.	2008/0060832 A1	3/2008	Razavi et al.	
2004/0119564 A1	6/2004	Itoh et al.	2008/0064331 A1	3/2008	Washiro et al.	
2004/0131310 A1	7/2004	Walker et al.	2008/0077336 A1	3/2008	Fernandes et al.	
2004/0163135 A1	8/2004	Giaccherini et al.	2008/0080389 A1	4/2008	Hart et al.	
2004/0165669 A1	8/2004	Otsuka et al.	2008/0084937 A1	4/2008	Barthold et al.	
2004/0169572 A1	9/2004	Elmore et al.	2008/0120667 A1	5/2008	Zaltsman	
2004/0196784 A1	10/2004	Larsson et al.	2008/0122723 A1	5/2008	Rofougaran et al.	
			2008/0130639 A1	6/2008	Costa-Requena et al.	

(56)

References Cited

U.S. PATENT DOCUMENTS

2008/0143491	A1	6/2008	Deaver et al.	2010/0266063	A1	10/2010	Harel et al.
2008/0150790	A1	6/2008	Voigtlaender et al.	2010/0283693	A1	11/2010	Xie et al.
2008/0153416	A1	6/2008	Washiro et al.	2010/0284446	A1	11/2010	Mu et al.
2008/0191851	A1	8/2008	Koga et al.	2010/0319068	A1	12/2010	Abbadessa et al.
2008/0211727	A1*	9/2008	Elmore ..... H01P 3/10 343/773	2011/0018704	A1	1/2011	Burrows et al.
2008/0247716	A1	10/2008	Thomas et al.	2011/0040861	A1	2/2011	Van Der Merwe et al.
2008/0252522	A1	10/2008	Asbridge et al.	2011/0042120	A1	2/2011	Otsuka et al.
2008/0253723	A1	10/2008	Stokes et al.	2011/0043051	A1	2/2011	Meskens et al.
2008/0255782	A1	10/2008	Bilac et al.	2011/0053498	A1	3/2011	Nogueira-Nine
2008/0258993	A1	10/2008	Gummalla et al.	2011/0068893	A1	3/2011	Lahiri et al.
2008/0267076	A1	10/2008	Laperi et al.	2011/0068988	A1	3/2011	Monte et al.
2008/0279199	A1	11/2008	Park et al.	2011/0107364	A1	5/2011	Lajoie et al.
2008/0280574	A1	11/2008	Rofougaran et al.	2011/0109936	A1	5/2011	Coffee et al.
2008/0313691	A1	12/2008	Cholas	2011/0110404	A1	5/2011	Washiro
2009/0002137	A1	1/2009	Radtke et al.	2011/0118888	A1	5/2011	White et al.
2009/0007189	A1	1/2009	Gutknecht	2011/0132658	A1	6/2011	Miller, II et al.
2009/0007194	A1	1/2009	Brady, Jr. et al.	2011/0133865	A1	6/2011	Miller, II et al.
2009/0009408	A1	1/2009	Rofougaran et al.	2011/0136432	A1	6/2011	Miller, II et al.
2009/0015239	A1	1/2009	Georgiou et al.	2011/0140911	A1*	6/2011	Pant ..... H04B 3/546 340/870.02
2009/0054737	A1	2/2009	Magar et al.	2011/0141555	A1	6/2011	Fermann et al.
2009/0061940	A1	3/2009	Scheinert et al.	2011/0148578	A1	6/2011	Aloi et al.
2009/0067441	A1	3/2009	Ansari et al.	2011/0164514	A1	7/2011	Afkhamie et al.
2009/0079660	A1	3/2009	Elmore	2011/0165847	A1	7/2011	Kawasaki et al.
2009/0085726	A1	4/2009	Radtke et al.	2011/0172000	A1	7/2011	Quigley et al.
2009/0093267	A1	4/2009	Ariyur et al.	2011/0173447	A1	7/2011	Zhang et al.
2009/0109981	A1	4/2009	Keselman	2011/0187578	A1	8/2011	Farneth et al.
2009/0129301	A1	5/2009	Belimpasakis et al.	2011/0199265	A1	8/2011	Lin et al.
2009/0138931	A1	5/2009	Lin et al.	2011/0214176	A1	9/2011	Burch et al.
2009/0140852	A1	6/2009	Stolarczyk et al.	2011/0219402	A1	9/2011	Candelore et al.
2009/0144417	A1	6/2009	Kisel et al.	2011/0220394	A1	9/2011	Szylakowski et al.
2009/0171780	A1	7/2009	Aldrey et al.	2011/0225046	A1	9/2011	Eldering et al.
2009/0201133	A1	8/2009	Bruns et al.	2011/0228814	A1	9/2011	Washiro et al.
2009/0202020	A1	8/2009	Hafeez et al.	2011/0268085	A1	11/2011	Barany et al.
2009/0210901	A1	8/2009	Hawkins et al.	2011/0274396	A1	11/2011	Nakajima et al.
2009/0250449	A1	10/2009	Petrenko et al.	2011/0291878	A1	12/2011	McLaughlin et al.
2009/0254971	A1	10/2009	Herz et al.	2011/0294509	A1	12/2011	Kim et al.
2009/0258652	A1	10/2009	Lambert et al.	2011/0311231	A1	12/2011	Ridgway et al.
2009/0284435	A1	11/2009	Elmore et al.	2012/0002973	A1	1/2012	Bruzzi et al.
2009/0286482	A1	11/2009	Gorokhov et al.	2012/0015654	A1	1/2012	Palanki et al.
2009/0311960	A1	12/2009	Farahani et al.	2012/0019420	A1	1/2012	Caimi et al.
2009/0315668	A1	12/2009	Leete, III et al.	2012/0038520	A1	2/2012	Cornwell et al.
2009/0325479	A1	12/2009	Chakrabarti et al.	2012/0039366	A1	2/2012	Wood et al.
2009/0325628	A1	12/2009	Becker et al.	2012/0046891	A1	2/2012	Yaney et al.
2010/0002618	A1	1/2010	Eichinger et al.	2012/0068903	A1	3/2012	Thevenard et al.
2010/0002731	A1	1/2010	Kimura et al.	2012/0077485	A1	3/2012	Shin et al.
2010/0026607	A1	2/2010	Imai et al.	2012/0078452	A1	3/2012	Daum et al.
2010/0039339	A1	2/2010	Kuroda et al.	2012/0084807	A1	4/2012	Thompson et al.
2010/0045447	A1	2/2010	Mollenkopf et al.	2012/0091820	A1	4/2012	Campanella et al.
2010/0052799	A1	3/2010	Watanabe et al.	2012/0092161	A1	4/2012	West et al.
2010/0053019	A1	3/2010	Ikawa et al.	2012/0093078	A1	4/2012	Perlman et al.
2010/0057894	A1	3/2010	Glasser	2012/0102568	A1	4/2012	Tarbotton et al.
2010/0080203	A1	4/2010	Reynolds et al.	2012/0105246	A1	5/2012	Sexton et al.
2010/0085036	A1	4/2010	Banting et al.	2012/0105637	A1	5/2012	Yousefi et al.
2010/0090887	A1	4/2010	Cooper et al.	2012/0117584	A1	5/2012	Gordon
2010/0100918	A1	4/2010	Egan, Jr. et al.	2012/0129566	A1	5/2012	Lee et al.
2010/0111521	A1	5/2010	Kim et al.	2012/0133373	A1	5/2012	Bhuiyan et al.
2010/0119234	A1	5/2010	Suematsu et al.	2012/0144420	A1	6/2012	Del Sordo et al.
2010/0121945	A1	5/2010	Gerber et al.	2012/0153087	A1	6/2012	Collette et al.
2010/0142435	A1	6/2010	Kim et al.	2012/0154239	A1	6/2012	Bar-Sade et al.
2010/0150215	A1	6/2010	Black et al.	2012/0161543	A1	6/2012	Reuven et al.
2010/0153990	A1	6/2010	Ress et al.	2012/0181258	A1	7/2012	Shan et al.
2010/0169937	A1	7/2010	Atwal et al.	2012/0197558	A1	8/2012	Henig et al.
2010/0175080	A1	7/2010	Yuen et al.	2012/0201145	A1	8/2012	Ree et al.
2010/0176894	A1	7/2010	Tahara et al.	2012/0214538	A1	8/2012	Kim et al.
2010/0177894	A1	7/2010	Yasuma et al.	2012/0224807	A1	9/2012	Winzer et al.
2010/0185614	A1	7/2010	O'Brien et al.	2012/0226394	A1	9/2012	Marcus et al.
2010/0201313	A1	8/2010	Vorenkamp et al.	2012/0235864	A1	9/2012	Lu et al.
2010/0214183	A1	8/2010	Stoneback et al.	2012/0235881	A1	9/2012	Pan et al.
2010/0214185	A1	8/2010	Sammoura et al.	2012/0250752	A1	10/2012	McHann et al.
2010/0224732	A1	9/2010	Olson et al.	2012/0263152	A1	10/2012	Fischer et al.
2010/0232539	A1	9/2010	Han et al.	2012/0268340	A1	10/2012	Capozzoli et al.
2010/0243633	A1	9/2010	Huynh et al.	2012/0272741	A1	11/2012	Xiao et al.
2010/0253450	A1	10/2010	Kim et al.	2012/0287922	A1	11/2012	Heck et al.
2010/0265877	A1	10/2010	Lau et al.	2012/0299671	A1	11/2012	Ikeda et al.
				2012/0304294	A1	11/2012	Fujiwara et al.
				2012/0306587	A1	12/2012	Strid et al.
				2012/0306708	A1	12/2012	Henderson et al.
				2012/0322492	A1	12/2012	Koo et al.

(56)

References Cited

U.S. PATENT DOCUMENTS

2012/0324018	A1	12/2012	Metcalf et al.	2014/0077995	A1	3/2014	Artemenko et al.
2012/0327908	A1	12/2012	Gupta et al.	2014/0086080	A1	3/2014	Hui et al.
2012/0329523	A1	12/2012	Stewart et al.	2014/0086152	A1	3/2014	Bontu et al.
2012/0330756	A1	12/2012	Morris et al.	2014/0124236	A1	5/2014	Vu et al.
2013/0002409	A1	1/2013	Molina et al.	2014/0126914	A1	5/2014	Berlin et al.
2013/0003876	A1	1/2013	Bennett	2014/0130111	A1	5/2014	Nulty et al.
2013/0010679	A1	1/2013	Ma et al.	2014/0132728	A1	5/2014	Verano et al.
2013/0015922	A1	1/2013	Liu et al.	2014/0139375	A1	5/2014	Faragher et al.
2013/0016022	A1	1/2013	Heiks et al.	2014/0143055	A1	5/2014	Johnson
2013/0039624	A1	2/2013	Scherer et al.	2014/0155054	A1	6/2014	Willis, III et al.
2013/0064178	A1	3/2013	CS et al.	2014/0165145	A1	6/2014	Baentsch et al.
2013/0064311	A1	3/2013	Turner et al.	2014/0189677	A1	7/2014	Curzi et al.
2013/0070621	A1	3/2013	Marzetta et al.	2014/0189732	A1	7/2014	Shkedi et al.
2013/0077664	A1	3/2013	Lee et al.	2014/0191913	A1	7/2014	Ge et al.
2013/0080290	A1	3/2013	Kamm	2014/0204754	A1	7/2014	Jeong et al.
2013/0086639	A1	4/2013	Sondhi et al.	2014/0207844	A1	7/2014	Mayo et al.
2013/0093638	A1	4/2013	Shoemaker et al.	2014/0208272	A1	7/2014	Vats et al.
2013/0095875	A1	4/2013	Reuven et al.	2014/0211883	A1*	7/2014	Chai ..... H04L 1/0034 375/296
2013/0108206	A1	5/2013	Sasaoka et al.	2014/0222997	A1	8/2014	Mermoud et al.
2013/0117852	A1	5/2013	Stute et al.	2014/0223527	A1	8/2014	Bortz et al.
2013/0122828	A1	5/2013	Choi et al.	2014/0225129	A1	8/2014	Inoue et al.
2013/0124365	A1	5/2013	Pradeep	2014/0227905	A1	8/2014	Knott et al.
2013/0127678	A1	5/2013	Chandler et al.	2014/0227966	A1	8/2014	Artemenko et al.
2013/0136410	A1	5/2013	Sasaoka et al.	2014/0233900	A1	8/2014	Hugonnot et al.
2013/0144750	A1	6/2013	Brown	2014/0254516	A1	9/2014	Lee et al.
2013/0159856	A1	6/2013	Ferren	2014/0254896	A1	9/2014	Zhou et al.
2013/0160122	A1	6/2013	Choi et al.	2014/0254979	A1	9/2014	Zhang et al.
2013/0162490	A1	6/2013	Blech et al.	2014/0269260	A1	9/2014	Xue et al.
2013/0166690	A1	6/2013	Shatzkamer et al.	2014/0269972	A1	9/2014	Rada et al.
2013/0169499	A1	7/2013	Lin et al.	2014/0285277	A1	9/2014	Herbsommer et al.
2013/0182804	A1	7/2013	Yutaka et al.	2014/0285293	A1	9/2014	Schuppener et al.
2013/0187636	A1	7/2013	Kast et al.	2014/0285389	A1	9/2014	Fakharzadeh et al.
2013/0201904	A1	8/2013	Toskala et al.	2014/0286189	A1	9/2014	Kang et al.
2013/0207859	A1	8/2013	Legay et al.	2014/0287702	A1	9/2014	Schuppener et al.
2013/0234904	A1	9/2013	Blech et al.	2014/0299349	A1	10/2014	Yamaguchi et al.
2013/0235845	A1	9/2013	Kovvali et al.	2014/0304498	A1	10/2014	Gonuguntla et al.
2013/0235871	A1	9/2013	Brzozowski et al.	2014/0317229	A1	10/2014	Hughes et al.
2013/0262656	A1	10/2013	Cao et al.	2014/0320364	A1	10/2014	Gu et al.
2013/0262857	A1	10/2013	Neuman et al.	2014/0321273	A1	10/2014	Morrill et al.
2013/0263263	A1	10/2013	Narkolayev et al.	2014/0334773	A1	11/2014	Mathai et al.
2013/0265732	A1	10/2013	Herbsommer et al.	2014/0334789	A1	11/2014	Matsuo et al.
2013/0279523	A1	10/2013	Denney et al.	2014/0351571	A1	11/2014	Jacobs
2013/0279561	A1	10/2013	Jin et al.	2014/0355525	A1	12/2014	Barzegar et al.
2013/0279868	A1	10/2013	Zhang et al.	2014/0355989	A1	12/2014	Finkelstein
2013/0305369	A1	11/2013	Karta et al.	2014/0357269	A1	12/2014	Zhou et al.
2013/0306351	A1	11/2013	Lambert et al.	2014/0359275	A1	12/2014	Murugesan et al.
2013/0311661	A1	11/2013	McPhee	2014/0362374	A1	12/2014	Santori
2013/0314182	A1	11/2013	Takeda et al.	2014/0362694	A1	12/2014	Rodriques
2013/0321225	A1	12/2013	Pettus et al.	2014/0369430	A1	12/2014	Parnell et al.
2013/0326063	A1	12/2013	Burch et al.	2014/0376655	A1	12/2014	Ruan et al.
2013/0326494	A1	12/2013	Nunez et al.	2015/0008996	A1	1/2015	Jessup et al.
2013/0330050	A1	12/2013	Yang et al.	2015/0009089	A1	1/2015	Pesa
2013/0335165	A1	12/2013	Arnold et al.	2015/0016260	A1	1/2015	Chow et al.
2013/0341094	A1	12/2013	Taherian et al.	2015/0017473	A1	1/2015	Verhoeven et al.
2013/0342287	A1	12/2013	Randall et al.	2015/0022399	A1	1/2015	Clymer et al.
2013/0343213	A1	12/2013	Reynolds et al.	2015/0026460	A1	1/2015	Walton
2013/0343351	A1	12/2013	Sambhwani et al.	2015/0029065	A1	1/2015	Cheng
2014/0003394	A1	1/2014	Rubin et al.	2015/0036610	A1	2/2015	Kim et al.
2014/0003775	A1	1/2014	Ko et al.	2015/0042526	A1	2/2015	Zeine
2014/0007076	A1	1/2014	Kim et al.	2015/0048238	A1	2/2015	Kawai
2014/0009270	A1	1/2014	Yamazaki et al.	2015/0061859	A1	3/2015	Matsuoka et al.
2014/0009822	A1	1/2014	Dong et al.	2015/0065166	A1	3/2015	Ward et al.
2014/0019576	A1	1/2014	Lobo et al.	2015/0070231	A1	3/2015	Park et al.
2014/0028184	A1	1/2014	Voronin et al.	2015/0071594	A1	3/2015	Register
2014/0028190	A1	1/2014	Voronin et al.	2015/0073594	A1	3/2015	Trujillo et al.
2014/0028532	A1	1/2014	Ehrenberg et al.	2015/0077740	A1	3/2015	Fuse
2014/0032005	A1	1/2014	Iwamura	2015/0084703	A1	3/2015	Sanduleanu
2014/0036694	A1	2/2014	Courtice et al.	2015/0084814	A1	3/2015	Rojanski et al.
2014/0041925	A1	2/2014	Siripurapu et al.	2015/0091650	A1	4/2015	Nobbe
2014/0043189	A1	2/2014	Lee et al.	2015/0094104	A1	4/2015	Wilmhoff et al.
2014/0043977	A1	2/2014	Wiley et al.	2015/0099555	A1	4/2015	Krishnaswamy et al.
2014/0044139	A1	2/2014	Dong et al.	2015/0102972	A1	4/2015	Scire-Scappuzzo et al.
2014/0052810	A1	2/2014	Osorio et al.	2015/0104005	A1	4/2015	Holman
2014/0071818	A1	3/2014	Wang et al.	2015/0116154	A1	4/2015	Artemenko
2014/0072299	A1	3/2014	Stapleton et al.	2015/1269178	A1	4/2015	Hyde et al.
				2015/0122886	A1	5/2015	Koch
				2015/0126107	A1	5/2015	Bennett et al.
				2015/0130675	A1	5/2015	Parsche



(56)

References Cited

U.S. PATENT DOCUMENTS

2015/0138022 A1 5/2015 Takahashi  
 2015/0153248 A1 6/2015 Hayward et al.  
 2015/0156266 A1 6/2015 Gupta  
 2015/0162988 A1 6/2015 Willis, III et al.  
 2015/0172036 A1 6/2015 Katar et al.  
 2015/0181449 A1 6/2015 Didenko et al.  
 2015/0195349 A1 7/2015 Cardamore  
 2015/0195719 A1 7/2015 Rahman  
 2015/0201228 A1 7/2015 Hasek  
 2015/0207527 A1 7/2015 Eliaz et al.  
 2015/0214615 A1 7/2015 Patel et al.  
 2015/0215268 A1 7/2015 Dinha  
 2015/0223078 A1 8/2015 Bennett et al.  
 2015/0223113 A1 8/2015 Matsunaga  
 2015/0236778 A1 8/2015 Jalali  
 2015/0236779 A1 8/2015 Jalali  
 2015/0249965 A1 9/2015 Dussmann et al.  
 2015/0271830 A1 9/2015 Shin et al.  
 2015/0276577 A1 10/2015 Ruege et al.  
 2015/0280328 A1 10/2015 Sanford et al.  
 2015/0284079 A1 10/2015 Matsuda  
 2015/0304045 A1 10/2015 Henry et al.  
 2015/0304869 A1 10/2015 Johnson et al.  
 2015/0312774 A1 10/2015 Lau  
 2015/0318610 A1 11/2015 Lee et al.  
 2015/0326274 A1 11/2015 Flood et al.  
 2015/0333804 A1 11/2015 Yang et al.  
 2015/0339912 A1 11/2015 Farrand et al.  
 2015/0344136 A1 12/2015 Dahlstrom  
 2015/0356482 A1 12/2015 Whipple et al.  
 2015/0370251 A1 12/2015 Siegel et al.  
 2015/0373557 A1 12/2015 Bennett et al.  
 2016/0006129 A1 1/2016 Haziza  
 2016/0014749 A1 1/2016 Kang et al.  
 2016/0038074 A1 2/2016 Brown et al.  
 2016/0050028 A1 2/2016 Henry et al.  
 2016/0063642 A1 3/2016 Luciani et al.  
 2016/0064794 A1 3/2016 Henry et al.  
 2016/0065252 A1 3/2016 Preschutti  
 2016/0065335 A1 3/2016 Koo et al.  
 2016/0066191 A1 3/2016 Li  
 2016/0068265 A1 3/2016 Hoareau et al.  
 2016/0068277 A1 3/2016 Manitta  
 2016/0069934 A1 3/2016 Saxby et al.  
 2016/0069935 A1 3/2016 Kreikebaum et al.  
 2016/0070265 A1 3/2016 Liu et al.  
 2016/0079769 A1 3/2016 Corum et al.  
 2016/0079809 A1 3/2016 Corum et al.  
 2016/0080035 A1 3/2016 Fuchs et al.  
 2016/0080839 A1 3/2016 Fuchs et al.  
 2016/0082460 A1 3/2016 McMaster et al.  
 2016/0087344 A1 3/2016 Artemenko et al.  
 2016/0088498 A1 3/2016 Sharawi  
 2016/0094420 A1 3/2016 Clemm et al.  
 2016/0094879 A1 3/2016 Gerszberg et al.  
 2016/0099749 A1 4/2016 Bennett  
 2016/0100314 A1 4/2016 Henry et al.  
 2016/0105218 A1 4/2016 Henry et al.  
 2016/0105233 A1 4/2016 Jalali  
 2016/0105239 A1 4/2016 Henry et al.  
 2016/0105255 A1 4/2016 Henry et al.  
 2016/0112092 A1 4/2016 Henry  
 2016/0112093 A1 4/2016 Henry et al.  
 2016/0112094 A1 4/2016 Stuckman et al.  
 2016/0112115 A1 4/2016 Henry et al.  
 2016/0112133 A1 4/2016 Henry et al.  
 2016/0112135 A1 4/2016 Henry et al.  
 2016/0112263 A1 4/2016 Henry et al.  
 2016/0116914 A1 4/2016 Mucci  
 2016/0112132 A1 5/2016 Henry et al.  
 2016/0134006 A1 5/2016 Ness et al.  
 2016/0137311 A1 5/2016 Peverill et al.  
 2016/0149312 A1 5/2016 Henry et al.  
 2016/0149614 A1 5/2016 Barzegar  
 2016/0149636 A1 5/2016 Gerszberg et al.

2016/0149665 A1 5/2016 Henry et al.  
 2016/0149731 A1 5/2016 Henry et al.  
 2016/0149753 A1 5/2016 Gerszberg et al.  
 2016/0150427 A1 5/2016 Ramanath  
 2016/0164571 A1 6/2016 Bennett et al.  
 2016/0164573 A1 6/2016 Birk et al.  
 2016/0165472 A1 6/2016 Gopalakrishnan et al.  
 2016/0165478 A1 6/2016 Yao et al.  
 2016/0181701 A1 6/2016 Sangaran et al.  
 2016/0182161 A1 6/2016 Barzegar  
 2016/0182981 A1 6/2016 Minarik et al.  
 2016/0189101 A1 6/2016 Kantor et al.  
 2016/0197392 A1 7/2016 Henry et al.  
 2016/0197409 A1 7/2016 Henry et al.  
 2016/0197630 A1 7/2016 Kawasaki  
 2016/0197642 A1 7/2016 Henry et al.  
 2016/0207627 A1 7/2016 Hoareau et al.  
 2016/0214717 A1 7/2016 De Silva  
 2016/0218407 A1 7/2016 Henry et al.  
 2016/0221039 A1 8/2016 Fuchs et al.  
 2016/0226681 A1 8/2016 Henry et al.  
 2016/0244165 A1 8/2016 Patrick et al.  
 2016/0248165 A1 8/2016 Henry  
 2016/0248509 A1 8/2016 Henry  
 2016/0261309 A1 9/2016 Henry  
 2016/0261310 A1 9/2016 Fuchs et al.  
 2016/0261312 A1 9/2016 Fuchs et al.  
 2016/0269156 A1 9/2016 Barzegar et al.  
 2016/0276725 A1 9/2016 Barnickel et al.  
 2016/0285508 A1 9/2016 Bennett et al.  
 2016/0285512 A1 9/2016 Henry et al.  
 2016/0294444 A1 10/2016 Gerszberg et al.  
 2016/0294517 A1 10/2016 Barzegar et al.  
 2016/0295431 A1 10/2016 Henry et al.

FOREIGN PATENT DOCUMENTS

AU 2005227368 B2 2/2009  
 AU 2010101079 A4 11/2010  
 AU 2014200748 A1 3/2014  
 CA 1136267 A1 11/1982  
 CA 1328009 C 3/1994  
 CA 2260380 C 12/2000  
 CA 2449596 A1 6/2005  
 CA 2515560 A1 2/2007  
 CA 2467988 C 11/2010  
 CA 2777147 A1 4/2011  
 CA 2787580 A1 2/2013  
 CA 2927054 A1 5/2015  
 CN 1155354 C 1/1997  
 CN 1288717 A 1/1997  
 CN 1833397 A 9/2006  
 CN 1885736 A 12/2006  
 CN 201048157 Y 4/2008  
 CN 201146495 Y 11/2008  
 CN 100502181 C 6/2009  
 CN 201282193 Y 7/2009  
 CN 101834011 U 4/2010  
 CN 1823275 B 5/2010  
 CN 1820482 B 12/2010  
 CN 1010757020 B 2/2011  
 CN 102130698 A 7/2011  
 CN 102136634 A 7/2011  
 CN 102208716 A 10/2011  
 CN 102280704 A 12/2011  
 CN 202093126 U 12/2011  
 CN 102351415 A 2/2012  
 CN 202253536 U 5/2012  
 CN 102694351 A 9/2012  
 CN 101662076 B 11/2012  
 CN 102017692 B 4/2013  
 CN 103078673 A 5/2013  
 CN 103117118 A 5/2013  
 CN 103163881 A 6/2013  
 CN 203204743 U 9/2013  
 CN 103700442 4/2014  
 CN 103700442 A 4/2014  
 CN 103943925 A 7/2014  
 CN 104052742 A 9/2014

(56)

## References Cited

## FOREIGN PATENT DOCUMENTS

CN	203813973	U	9/2014	FR	2214161	A1	8/1974
CN	104091987	A	10/2014	FR	2691602	A1	11/1993
CN	203931626	U	11/2014	FR	2849728	A1	7/2004
CN	203950607	U	11/2014	FR	2946466	B1	3/2012
CN	204760545	U	11/2015	FR	2986376	B1	10/2014
CN	205265924		1/2016	GB	462804	A	3/1937
CN	105359572	A	2/2016	GB	529290	A	11/1940
CN	105453340		3/2016	GB	640181	A	7/1950
CN	105594138	A	5/2016	GB	663166	A	12/1951
DE	3504546	A1	8/1986	GB	682817	A	11/1952
DE	3533204	A1	3/1987	GB	731473	A	6/1955
DE	3533211	A1	3/1987	GB	746111	A	3/1956
DE	3827956	A1	3/1989	GB	751153	A	6/1956
DE	19501448	A1	7/1996	GB	767506	A	2/1957
DE	102007049914	A1	4/2009	GB	835976	A	6/1960
DE	102012203816	A1	9/2013	GB	845492	A	8/1960
EP	0102846		3/1984	GB	859951	A	1/1961
EP	0110478		6/1984	GB	889856	A	2/1962
EP	0136818		4/1985	GB	993561	A	5/1965
EP	0280379		8/1988	GB	1004318	A	9/1965
EP	0330303		8/1989	GB	1076772	A	7/1967
EP	0331248		9/1989	GB	1141390	A	1/1969
EP	0342149		11/1989	GB	1298387	A	11/1972
EP	0391719		4/1990	GB	1383549	A	2/1974
EP	425979	A2	5/1991	GB	1370669	A	10/1974
EP	0485467		5/1992	GB	1422956	A	1/1976
EP	0651487		10/1994	GB	1468310	A	3/1977
EP	0371660		4/1996	GB	1527228	A	10/1978
EP	0756392		1/1997	GB	2010528	A	6/1979
EP	834722	A2	1/1998	GB	2045055	A	10/1980
EP	0840464		5/1998	GB	1580627	A	12/1980
EP	0871241	B1	10/1998	GB	2368468	A	5/2002
EP	0890132		1/1999	GB	2393370	A	3/2004
EP	755092	A3	4/1999	GB	2394364	B	6/2005
EP	0896380		10/1999	GB	2414862	A	12/2005
EP	676648	B1	5/2000	GB	2411554	B	1/2006
EP	1085599	A2	3/2001	GB	705192	D	4/2007
EP	0907983	B1	6/2001	GB	714974	D0	9/2007
EP	0756786		8/2001	GB	718597	D	10/2007
EP	1127283	A1	8/2001	GB	2474037	A	4/2011
EP	1129550	A1	9/2001	GB	2485355	A	5/2012
EP	1184930	A1	3/2002	GB	2507269	A	4/2014
EP	1195847	A2	4/2002	IN	7352/CHENP/2015	A	7/2016
EP	1296146	A1	3/2003	IN	201647015348	A	8/2016
EP	0772061		7/2003	JP	S50109642		9/1975
EP	1346431	A1	9/2003	JP	55124303	U	9/1980
EP	1249056	B1	1/2004	JP	55138902	U	10/1980
EP	1376755	A1	1/2004	JP	574601		1/1982
EP	1401048	A1	3/2004	JP	61178682	U	11/1986
EP	1237303	A2	9/2004	JP	61260702	A	11/1986
EP	1454422	A1	9/2004	JP	03167906	A	7/1991
EP	1488397	A1	12/2004	JP	0653894		8/1991
EP	1509970		3/2005	JP	3001844	U	9/1994
EP	1371108	B1	6/2005	JP	7212126		8/1995
EP	1550327	A2	7/2005	JP	08167810	A	6/1996
EP	1341255	B8	8/2005	JP	08196022	A	7/1996
EP	1577687	A1	9/2005	JP	08316918	A	11/1996
EP	1608110	A1	12/2005	JP	2595339	B2	4/1997
EP	1624685	A2	2/2006	JP	2639531	B2	8/1997
EP	1642468	A2	4/2006	JP	11239085	A	8/1999
EP	1608110	B1	10/2006	JP	11313022	A	11/1999
EP	1793508	A1	6/2007	JP	2000077889	A	3/2000
EP	1898532	A2	3/2008	JP	2000216623	A	8/2000
EP	1930982	A1	6/2008	JP	2002029247	A	1/2002
EP	2165550	A1	3/2010	JP	2003008336	A	1/2003
EP	1166599	B1	5/2010	JP	2003057464	A	2/2003
EP	2404347	A2	1/2012	JP	3411428	B2	6/2003
EP	2472671	A1	1/2012	JP	2003324309	A	11/2003
EP	2568528	A2	3/2013	JP	3480153	B2	12/2003
EP	2472737	B1	9/2013	JP	2004521379	A	7/2004
EP	2016643	B1	7/2014	JP	2004253853	A	9/2004
EP	2760081	A1	7/2014	JP	2004297107	A	10/2004
EP	2854361	A1	4/2015	JP	2004304659	A	10/2004
EP	2870802	A1	5/2015	JP	2005110231	A	4/2005
FR	2119804	A1	8/1972	JP	3734975	B2	1/2006
				JP	2006153878	A	6/2006
				JP	2006166399	A	6/2006
				JP	2007174017	A	7/2007
				JP	2007259001	A	10/2007

(56)

## References Cited

## FOREIGN PATENT DOCUMENTS

JP	2008021483	A	1/2008	WO	2007031435	A1	3/2007
JP	4072280	B2	4/2008	WO	2007071797	A1	6/2007
JP	2009004986	A	1/2009	WO	2007148097	A2	12/2007
JP	4252573	B2	4/2009	WO	2008003939	A1	1/2008
JP	4259760	B2	4/2009	WO	2008061107	A2	5/2008
JP	2009124229	A	6/2009	WO	2008070957	A1	6/2008
JP	2010045471	A	2/2010	WO	2008117973	A1	10/2008
JP	2010192992	A	9/2010	WO	2009014704	A1	1/2009
JP	2010541468	A	12/2010	WO	2007098061	A3	2/2009
JP	201209024	A	5/2012	WO	2009035285	A2	3/2009
JP	2012205104	A	10/2012	WO	2009090602	A1	7/2009
JP	2013046412	A	3/2013	WO	2009123404	A4	10/2009
JP	2013110503	A	6/2013	WO	2010017549	A1	2/2010
JP	5475475	B2	4/2014	WO	2010147806	A1	12/2010
JP	2014045237	A	4/2014	WO	2011032605	A1	3/2011
JP	5497348	B2	5/2014	WO	2011137793	A1	11/2011
JP	2015188174		10/2015	WO	2012/007831		1/2012
KR	20000074034		12/2000	WO	2012038816	A1	3/2012
KR	200425873	Y1	9/2006	WO	2012172565	A1	12/2012
KR	100636388	B1	10/2006	WO	2013013162	A2	1/2013
KR	100849702	B1	4/2008	WO	WO 2013/017822		2/2013
KR	100952976	B1	4/2010	WO	2013035110	A2	3/2013
KR	100989064	B1	10/2010	WO	2013073548	A1	5/2013
KR	101060584	B1	8/2011	WO	2013100912	A1	7/2013
KR	101070364	B1	9/2011	WO	2013115802	A1	8/2013
KR	101212354	B1	12/2012	WO	2013123445	A1	8/2013
KR	101288770	B1	7/2013	WO	2014/045236		9/2013
KR	20140104097	A	8/2014	WO	2013136213	A1	9/2013
KR	101435538	B1	9/2014	WO	2013138627	A1	9/2013
KR	101447809	B1	10/2014	WO	2013157978	A1	10/2013
KR	20150087455		7/2015	WO	2014011438	A1	1/2014
KR	200479199	Y1	12/2015	WO	2014018434	A2	1/2014
KR	101606803		1/2016	WO	2014065952	A1	5/2014
NL	69072		1/1945	WO	2014069941	A1	5/2014
RU	2129746	C1	4/1999	WO	2014083500	A1	6/2014
RU	2432647	C1	10/2011	WO	2014099340	A2	6/2014
WO	8301711	A1	5/1983	WO	2013076499	A3	7/2014
WO	9116770	A1	10/1991	WO	2014128253	A1	8/2014
WO	9210014		6/1992	WO	2014145862	A2	9/2014
WO	9323928		11/1993	WO	2014197926	A1	12/2014
WO	9424467	A1	10/1994	WO	2015002658	A1	1/2015
WO	9529537		11/1995	WO	2015006636	A1	1/2015
WO	9529537	A1	11/1995	WO	2015027033	A1	2/2015
WO	199619089		6/1996	WO	2015035463	A1	3/2015
WO	WO 96/41157		12/1996	WO	2015/055230		4/2015
WO	9735387	A1	9/1997	WO	2015052478		4/2015
WO	9737445	A1	10/1997	WO	2015052480		4/2015
WO	9859254	A1	12/1998	WO	2015069431	A2	5/2015
WO	WO 98/57207		12/1998	WO	2015077644		5/2015
WO	9948230	A1	9/1999	WO	2015120626		8/2015
WO	9967903	A1	12/1999	WO	2016003291	A1	1/2016
WO	0070891	A1	11/2000	WO	2016009402	A2	1/2016
WO	00/74428	A1	12/2000	WO	WO 280016/012889		1/2016
WO	WO0114985	A1	3/2001	WO	2016/043949		3/2016
WO	0131746	A1	5/2001	WO	2016032592	A1	3/2016
WO	0145206	A1	6/2001	WO	2016043949	A1	3/2016
WO	02061467	A2	8/2002	WO	2016048214	A1	3/2016
WO	2003009083		1/2003	WO	2016053572	A1	4/2016
WO	200326166		3/2003	WO	2016060761	A1	4/2016
WO	03044981	A1	5/2003	WO	2016060762	A1	4/2016
WO	03088418		10/2003	WO	2016061021	A1	4/2016
WO	03099740	A1	12/2003	WO	2016064505	A1	4/2016
WO	2004011995	A1	2/2004	WO	2016064516	A1	4/2016
WO	2004038891	A2	5/2004	WO	WO 2016/064502		4/2016
WO	2004051804	A1	6/2004	WO	2016073072	A1	5/2016
WO	2004054159	A2	6/2004	WO	2016081128		5/2016
WO	2004077746	A1	9/2004	WO	2016081134		5/2016
WO	2005015686	A1	2/2005	WO	2016081136		5/2016
WO	2005072469	A2	8/2005	WO	20160811250		5/2016
WO	2006012610	A2	2/2006	WO	2015090382		6/2016
WO	2006085804	A1	8/2006	WO	2016089491		6/2016
WO	2006111809	A1	10/2006	WO	2016089492	A1	6/2016
WO	2006116396	A2	11/2006	WO	2016096029	A1	6/2016
WO	2006125279	A1	11/2006	WO	WO 2016/125161		8/2016
WO	2006050331	A3	3/2007	WO	WO 2016/133509		8/2016

(56) **References Cited**

## FOREIGN PATENT DOCUMENTS

WO	2016145411	9/2016
WO	WO 2016/137982	9/2016

## OTHER PUBLICATIONS

“A New Approach to Outdoor DAS Network Physical Layer Using E-Line Technology”, Corridor Systems, Mar. 2011, 5 pages.

“Cisco IP VSAT Satellite WAN Network Module for Cisco Integrated Services Routers”, [http://www.cisco.com/c/en/us/products/collateral/interfaces-modules/ip-vsatsatellite-wan-module/product\\_data\\_sheet0900aecd804bbf6f.html](http://www.cisco.com/c/en/us/products/collateral/interfaces-modules/ip-vsatsatellite-wan-module/product_data_sheet0900aecd804bbf6f.html), Jul. 23, 2014.

“Exacter Outage-Avoidance System”, <http://www.epri.com/abstracts/Pages/ProductAbstract.aspx?ProductId=00000000001020393>, Nov. 30, 2009.

“Ipitek All-Optical Sensors”, <http://www.ipitek.com/solutions-by-industry/all-optical-sensors>; Jun. 2, 2014.

“RF Sensor Node Development Platform for 6LoWPAN and 2.4 GHz Applications”, <http://www.ti.com/tool/TIDM-RF-SENSORNODE>, Jun. 2, 2014.

“Wireless powerline sensor”, wikipedia.org, [http://en.wikipedia.org/wiki/Wireless\\_powerline\\_sensor](http://en.wikipedia.org/wiki/Wireless_powerline_sensor), 2014, 3 pages.

Bach, Christian, “Current Sensor—Power Line Monitoring for Energy Demand Control”, Application Note 308, [http://www.enocean.com/fileadmin/redaktion/pdf/app\\_notes/AN308\\_CURRENT\\_SENSOR\\_Jan09.pdf](http://www.enocean.com/fileadmin/redaktion/pdf/app_notes/AN308_CURRENT_SENSOR_Jan09.pdf), Jan. 2009, 4 pages.

Chiba, Jiro, “Experimental Studies of the Losses and Radiations Due to Bends in the Goubau Line”, IEEE Transactions on Microwave Theory and Techniques, Feb. 1977, 94-100.

Chiba, Jiro, “On the Equivalent Circuit for the G-Line Above Ground”, International Wroclaw Symposium on Electromagnetic Compatibility, 1998, 78-82.

Elmore, Glenn, “Introduction to the Propagating Wave on a Single Conductor”, [www.corridor.biz](http://www.corridor.biz), Jul. 27, 2009, 30 pages.

Friedman, M. et al., “Low-Loss RF Transport Over Long Distances”, IEEE Transactions on Microwave Theory and Techniques, vol. 49, No. 2, Feb. 2001, 341-348.

Izumiyama, Hidetaka et al., “Multicast over satellite”, Applications and the Internet, 2002.(SAINT 2002). Proceedings. 2002 Symposium on. IEEE, 2002.

Jawhar, Imad et al., “A hierarchical and topological classification of linear sensor networks”, Wireless Telecommunications Symposium, WTS, IEEE, [http://faculty.uaeu.ac.ae/Nader\\_M/papers/WTS2009.pdf](http://faculty.uaeu.ac.ae/Nader_M/papers/WTS2009.pdf), 2009, 8 pages.

Jee, George et al., “Demonstration of the Technical Viability of PLC Systems on Medium- and Low-Voltage Lines in the United States”, Broadband is Power: Internet Access Via Power Line Networks, IEEE Communication Magazine, May 2003, 5 pages.

Kuhn, Marc et al., “Power Line Enhanced Cooperative Wireless Communications”, IEEE Journal on Selected Areas in Communications, vol. 24, No. 7, Jul. 2006, 10 pages.

Patel, Shwetak N. et al., “The Design and Evaluation of an End-User-Deployable, Whole House, Contactless Power Consumption Sensor”, CHI 2010: Domestic Life, Apr. 2010, 10 pages.

Rappaport, Theodore S. et al., “Mobile’s Millimeter-Wave Makeover”, Spectrum.IEEE.Org; Sep. 2014.

Sagar, Nishant, “Powerline Communications Systems: Overview and Analysis”, Thesis, May 2011, 80 pages.

Sarafi, Angeliki M. et al., “Hybrid Wireless-Broadband over Power Lines: A Promising Broadband Solution in Rural Areas”, IEEE Communications Magazine, Nov. 2009, 8 pages.

Sommerfeld, A., “On the propagation of electrodynamic waves along a wire”, Annals of Physics and Chemistry New Edition, vol. 67, No. 2, 1899, 72 pages.

Yang, “Power Line Sensor Networks for Enhancing Power Line Reliability and Utilization”, Georgia Institute of Technology, [https://smartechnology.gatech.edu/bitstream/handle/1853/41087/Yang\\_Yi\\_201108\\_phd.pdf](https://smartechnology.gatech.edu/bitstream/handle/1853/41087/Yang_Yi_201108_phd.pdf), Apr. 26, 2011, 264 pages.

Yang, et al., “Power line sensornet—a new concept for power grid monitoring”, IEEE Power Engineering Society General Meeting, 2006, pp. 8.

Zhao, et al., “Energy harvesting for a wireless-monitoring system of overhead high-voltage power lines”, IET Generation, Transmission & Distribution 7, IEEE Xplore Abstract, 2013, 2 pages.

“24 Volt D.C Flashing Light With Built-in Antenna 433Mhz, DEA+ Product Guide” Meteor electrical, meteorlectrical.com, Code: LUMY/24A, Jul. 28, 2010.

“An Improved Solid Dielectric Lens Impulse Radiating Antenna,” SBIR/STTR, DoD, [sbr.gov](http://sbr.gov), 2004.

“Boost: The world’s first WI-FI extending led bulb,” Sengled, [www.sengled.com](http://www.sengled.com), Dec. 2014 [http://www.sengled.com/sites/default/files/field/product/downloads/manual/a01-a60\\_na\\_user\\_manual\\_20141223.pdf](http://www.sengled.com/sites/default/files/field/product/downloads/manual/a01-a60_na_user_manual_20141223.pdf).

“Cband & L/Sband Telemetry Horn Antennas,” mWAVE, [www.mwavelc.com](http://www.mwavelc.com), Jul. 6, 2012, <http://www.mwavelc.com/custom-Band-LS—BandTelemetryHornAntennas.php>.

“Dielectric Antenna,” Microwave Technologies, Ind., [www.microwavetechnologiesinc.co.in](http://www.microwavetechnologiesinc.co.in)

[www.microwavetechnologiesinc.co.in/microwavetechnologyproducts.html](http://www.microwavetechnologiesinc.co.in/microwavetechnologyproducts.html)/dielectricantenna, May 21, 2015.

“Examples of Cell Antennas,” RF Check®, [rfcheck.com](http://rfcheck.com), Feb. 1, 2010 <https://web.archive.org/web/20100201214318/http://www.rfcheck.com/Examplesof-Cell-Antennas.php>.

“FLASHING LIGHT : IR.LAMP,” Beninca®, [www.beninca.com](http://www.beninca.com), Feb. 23, 2015 <http://www.beninca.com/en/news/2015/02/23/lampe-giante-irlamp.html>.

“Horn Antennas,” Steatite QPar Antennas, [www.steatiteqparantennas.co.uk](http://www.steatiteqparantennas.co.uk), [http://www.steatiteqparantennas.co.uk/products\\_hornantennas.html](http://www.steatiteqparantennas.co.uk/products_hornantennas.html) <http://www.steatiteqparantennas.co.uk/consultancy/customhornantennas/>, May 21, 2015.

“How is ELine Different?,” ELine Corridor Systems, [www.corridor.biz](http://www.corridor.biz), [http://www.corridor.biz/ELine\\_is\\_different.html](http://www.corridor.biz/ELine_is_different.html), Apr. 23, 2015.

“Identity Management,” Tuomas Aura CSE-C3400 Information Security, Aalto University, Autumn 2014, 33 pgs.

“Integrated Radio Masts Fully camouflaged Outdoor-Wi-Fi APs in GRP-lamp poles,” Brown-ipposs, [www.brown-ipposs.com](http://www.brown-ipposs.com), Mar. 21, 2014.

“New Wi-Fi antenna enhances wireless coverage,” ScienceDaily®, [sciencedaily.com](http://sciencedaily.com), May 29, 2015.

“Power Communication,” Communication Power Solutions, Inc., [www.cpspower.biz](http://www.cpspower.biz), <http://www.cpspower.biz/services/powercommunications/>, Oct. 2013.

“Power Line Communications,” Atmel®, [www.atmel.com](http://www.atmel.com), <http://www.atmel.com/products/smartenergy/powerlinecommunications/default.aspx>, 2015.

“Power line communications: An overview Part I.” King Fahd University of Petroleum and Minerals, Dhahran, KSA, 2008.

“Powerline Communication,” Cypress Perform, [www.cypress.com](http://www.cypress.com), <http://www.cypress.com/?id=2330>, Apr. 23, 2015.

“Products: GSM Micro Repeater.” L-TEL: QUANZHOU L-TEL COMMUNICATION EQUIPMENT CO., LTD., [l-tel.com](http://l-tel.com), Apr. 24, 2015.

“Waveguide-fed Conical Horn,” Antenna Magus, [antennamagus.com](http://antennamagus.com), © 2015, accessed: Aug. 2015.

“Product Abstract—Program on Technology Innovation: Study on the Integration of High Temperature Superconducting DC Cables Within the Eastern and West urn North American Power Grids.” EPRI—Electronic Power Research Institute, [epri.com](http://epri.com), Product ID:10203, Nov. 25, 2009.

“About Firelight Media Group”, [http://www.insurancetechnologies.com/Products/Products\\_firelight\\_overview.s.html](http://www.insurancetechnologies.com/Products/Products_firelight_overview.s.html), Firelight®, Insurance Technologies, LLC., Apr. 19, 2015.

“Asahi Multi-Core Fiber Cable”, Industrial Fiberoptics, [i-fiberoptics.com](http://i-fiberoptics.com), <http://i-fiberoptics.com/multi-core-fiber-cable>, Apr. 26, 2015.

“Denso”, Winn & Coales (Denso) Ltd. UK, [www.denso.net/voidfiller/voidpump.htm](http://www.denso.net/voidfiller/voidpump.htm), 2015, 1 page.

“Detecting and Preventing MAC Spoofing”, Detecting and Preventing MAC Spoofing I Network Access Control Solutions, infoexpress, 2014.

(56)

## References Cited

## OTHER PUBLICATIONS

- “Electronic Business Fulfillment FireLight ®”, Firelight Media Group LLC, firelightmedia.net <http://www.firelightmedia.net/fmg/index.php/home>, Apr. 19, 2015, 2 pages.
- “Elliptical Polarization”, “Elliptical Polarization” Wikipedia, <[http://en.wikipedia.org/wiki/Elliptical\\_polarization](http://en.wikipedia.org/wiki/Elliptical_polarization)>, Apr. 21, 2015, 3 pgs.
- “How To Use STUF”, STUF Page Link Info, crossdevices.com, [http://www.crossdevices.com/cross\\_devices\\_010.htm](http://www.crossdevices.com/cross_devices_010.htm), 2015, 1 page.
- “Network technology”, nbnTM, nbnco.com.au, Jun. 27, 2014.
- “Powerline—Juice Up Your Network With Powerline”, Netgear®, netgear.com <http://www.netgear.com/home/products/networking/powerline/>, Apr. 21, 2015, 3 pages.
- “Resilience to Smart Meter Disconnect Attacks”, ADSC Illinois at Singapore PTE, LTD., publish.illinois.edu <http://publish.illinois.edu/integrativesecurityassessment/resiliencetosmartmeterdisconnectattacks/>, 2015.
- “Tapered waveguide”, Lumerical Solutions, Inc., docs.lumerical.com, 2010.
- “Tapered Waveguides Improve Fiber Light Coupling Efficiency”, Tech Briefs, techbriefs.com, Jan. 1, 2006, Molex Inc., Downers Grove, Illinois and Kilo.Lambda Technologies Ltd., Tel Aviv, Israel.
- Akiba, Shigeyuki et al., “Photonic Architecture for Beam Forming of RF Phased Array Antenna”, Optical Fiber Communication Conference. Optical Society of America, 2014.
- Alam, M.N. et al., “Novel surface wave exciters for power line fault detection and communications.” Antennas and Propagation (APSURSI), 2011 IEEE International Symposium on. IEEE, 2011.
- Ali, Muhammad Q. et al., “Randomizing AMI configuration for proactive defense in smart grid”, Smart Grid Communications (SmartGridComm), 2013 IEEE International Conference on. IEEE, <http://ieeexplore.ieee.org/xpl/login.jsp?tp=&number=6688027>, 2013.
- Angove, Alex , “Direct Bury Duct Assemblies, MPB 302 3+—Rib-bonet Microducts”, Ericsson, archive.ericsson.net, Jul. 30, 2014.
- Angove, Alex , “How the NBN Differs from ADSL2+, Cable and Wireless”, Whistle Out, whistleout.com.au, Jul. 30, 2014.
- Arage, Alebel et al., “Measurement of wet antenna effects on millimetre wave propagation”, Radar, 2006 IEEE Conference on IEEE, 2006.
- Arthur, Joseph Kweku , “Improving QoS in UMTS Network in ACCRA Business District Using Tower-Less Towers”, IPASJ International Journal of Electrical Engineering (IJEE), vol. 2, Issue 11, Nov. 2014.
- Asadollahi, Sina et al., “Performance comparison of CSMA/CA Advanced Infrared (Atr) and a new point-to-multipoint optical MAC protocol.” Wireless Communications and Mobile Computing Conference.(IWCMC), 2012 8th International. IEEE, 2012.
- Atwater, Harry A. , “The promise of plasmonics.” Scientific American 296.4 (2007): 56-62.
- Barron, Ashleigh L. , “Integrated Multicore Fibre Devices for Optical Trapping”, Diss. Heriot-Watt University, 2014, 11-15.
- Beal, J.C. et al., “Coaxial-slot surface-wave launcher”, Electronics Letters 4.25 (1968): 557-559.
- Bhushan, Naga , “Network densification: the dominant theme for wireless evolution into 5G”, Communications Magazine, IEEE 52.2 (2014): 82-89.
- Bing, Benny , “Ubiquitous Broadband Access Networks with Peer-to-Peer Application Support”, Evolving the Access Network, 2006, 27-36.
- Bock, James et al., “Optical coupling.” Journal of Physics: Conference Series. vol. 155. No. 1. IOP Publishing, 2009.
- Bowen, Leland H. et al., “A Solid Dielectric Lens Impulse Radiating Antenna with High Dielectric Constant Surrounded by a Cylindrical Shroud,” Sensor and Simulation Note 498, Apr. 2005.
- Bridges, Greg E. et al., “Plane wave coupling to multiple conductor transmission lines above a lossy earth”, Compatibility, IEEE Transactions on 31.1, 1989, 21-33.
- Brooke, Gary H. , Properties of surface waveguides with discontinuities and perturbations in cross-section. Diss. University of British Columbia, 1977.
- Brown, J. et al., “The launching of radial cylindrical surface waves by a circumferential slot”, Proceedings of the IEE Part B: Radio and Electronic Engineering 106.26 (1959): 1231-28.
- Bruno, Joseph , “Interference Reduction in Wireless Networks”, Computing Research Topics, Computing Sciences Department, Villanova University, Nov. 14, 2007, 8 pages.
- Burkhart, Martin et al., “Does Topology Control Reduce Interference?”, Department of Computer Science, ETH Zurich, Proceedings of the 5th ACM international symposium on Mobile ad hoc networking and computing, ACM, 2004, 11 pages.
- Callis, et al., “An In-Line Power Monitor for HE11 Low Loss Transmission Lines”, Proceedings of the 29th International Conference on Infrared and Millimeter Waves (IRMMW), Karlsruhe, Germany, 2004.
- Carroll, John M. et al., “Developing the Blacksburg electronic village”, Communications of the ACM 39.12 (1996): 69-74.
- Chen, Dong et al., “A trust management model based on fuzzy reputation for internet of things”, Computer Science and Information Systems 8.4 (2011): 12071228.
- Chen, Yingying , “Detecting and Localizing Wireless Spoofing Attacks”, Sensor, Mesh and Ad Hoc Communications and Networks, 2007, SECON’07. 4th Annual IEEE Communications Society Conference on IEEE, 2007, 10 pages.
- Cimini, Carlos Alberto et al., “Temperature profile of progressive damaged overhead electrical conductors”, Journal of Electrical Power & Energy Systems 49 (2013): 280-286.
- Covington, Michael J. et al., “Threat implications of the internet of things”, Cyber Conflict (CyCon), 2013 5th International Conference on. IEEE, 2013.
- Crane, Robert K. , “Analysis of the effects of water on the ACTS propagation terminal antenna”, Antennas and Propagation, IEEE Transactions on 50.7 (2002): 9549-65.
- Feng, Taiming et al., “Design of a survivable hybrid wireless-optical broadband-access network”, Journal of Optical Communications and Networking 3.5, 2011, 458-464.
- Fenye, Bao et al., “Dynamic trust management for internet of things applications”, Proceedings of the 2012 international workshop on Self-aware internet of things. ACM, 2012.
- Freyer, Dan , “Combating The Challenges Of Ka-Band Signal Degradation”, SatMagazine, satmagazine.com, Sep. 2014.
- Fromm, W. et al., “A new microwave rotary joint,” 1958 IRE International Convention Record, Mar. 21-25, 1966, 6:78-82.
- Ghazisaidi, Navid et al., “Survivability analysis of next-generation passive optical networks and fiber-wireless access networks”, Reliability, IEEE Transactions on 60.2, 2011, 479-492.
- Gomes, Nathan J. et al., “Radio-over-fiber transport for the support of wireless broadband services”, Journal of Optical Networking 8.2 (2009): 156-178.
- Gonthier, François et al., “Mode coupling in nonuniform fibers: comparison between coupled-mode theory and finite-difference beam-propagation method simulations”, JOSA B 8.2 (1991): 4164-21.
- Han, Chong et al., “crosslayer communication module for the Internet of Things”, Computer Networks 57.3 (2013): 622-633.
- Haroun, Ibrahim et al., “WLANs meet fiber optics-Evaluating 802.11 A WLANs over fiber optics links”, RF Des. Mag (2003): 36-39.
- Hassan, Karim , “Fabrication and characterization of thermo-plasmonic routers for telecom applications”, Diss. Univ. de Bourgogne, 2014.
- Hassan, Maaly A. , “Interference reduction in mobile ad hoc and sensor networks”, Journal of Engineering and Computer Innovations vol.2(7), Sep. 2011, 138-154.
- Hassani, Alireza et al., “Porous polymer fibers for low-loss Terahertz guiding.” Optics express 16.9 (2008): 6340-6351.
- Hoss, R.J. et al., “Manufacturing Methods and Technology Program for Ruggedized Tactical Fiber Optic Cable”, No. ITT-80-03-078. ITT.Electrooptical Products DIV Roanoke VA, 1980.

(56)

## References Cited

## OTHER PUBLICATIONS

- Ippolito, Louis J. , "Propagation effects handbook for satellite systems design. A summary of propagation impairments on 10 to 100.GHz satellite links with techniques for system design", 1989.
- Jackson, Mark , "Timico CTO Hit by Slow FTTC Broadband Speeds After Copper Corrosion", ISP review, ispreview.co.uk, Mar. 5, 2013.
- Jaeger, Raymond et al., "Radiation Performance of Germanium Phosphosilicate Optical Fibers." RADC-TR-81-69: Final Technical Report, Galileo Electro-Optical Corp. (May 1981).
- James, J.R. et al., "Investigations and Comparisons of New Types of Millimetre-Wave Planar Arrays Using Microstrip and Dielectric Structures", Royal Military Coll of Science Shrivenham (England), 1985.
- Jang, Hung-Chin , "Applications of Geometric Algorithms to Reduce Interference in Wireless Mesh Network", Journal on Applications of Graph Theory in Wireless Ad hoc Networks and Sensor Networks (JGRAPH-HOC) vol. 2, No. 1, Mar. 2010.
- Jeong, et al., "Study of elliptical polarization requirement of KSTAR 84-GHz ECH system", Journal-Korean Physical Society 49, 2006.
- Jin, , "Quasi-optical mode converter for a coaxial cavity gyrotron", Forschungszentrum, 2007.
- Kang, , "Chapter 6: Array Antennas," IHS Engineering360, globalspec.com, <http://www.globalspec.com/reference/75109/203279/chapter-6-array-antennas>, Apr. 22, 2015.
- Khan, , "Dual polarized dielectric resonator antennas", Chalmers University of Technology, 2010.
- Kikuchi, H. et al., "Hybrid transmission mode of Goubau lines", J. Inst.Electr.Comm.Engrs., Japan.vol. 43, pp. 39-45,1960.
- Kirkham, H. et al., "Power system applications of fiber optics (Jet Propulsion Lab." JPL Publication 84-28, Electric Energy Systems Division, U.S. DoE, p. 180, (1984).
- Koshiba, Masanori et al., "Analytical expression of average power-coupling coefficients for estimating intercore crosstalk in multicore fibers", Photonics Journal, IEEE 4.5, 2012, 1987-1995.
- Kroon, Barnard et al., "Steady state RF fingerprinting for identity verification: one class classifier versus customized ensemble." Artificial Intelligence and Cognitive Science. Springer Berlin Heidelberg, 2010. 198206.
- Kroyer, Thomas , "A Waveguide High Order Mode Reflectometer for the Large Hadron Collider Beam-pipe", Diss. TU Wien, 2003.
- Lappgroupusa, "Selection Of Number Of Cable Cores With Emphasis On Sizing Parameters", Industrial Cable & Connector Technology News, lappconnect.blogspot.com, [http://lappconnect.blogspot.com/2014\\_10\\_01\\_archive.html](http://lappconnect.blogspot.com/2014_10_01_archive.html), Oct. 30, 2014.
- Leech, Jamie et al., "Experimental investigation of a low-cost, high performance focal-plane horn array." Terahertz Science and Technology, IEEE Transactions on 2.1 (2012): 61-70.
- Li, Xiang-Yang et al., "Interference-Aware Topology Control for Wireless Sensor Networks", SECON. vol. 5, 2005.
- Li, Xiaowei et al., "Integrated plasmonic semi-circular launcher for dielectric-loaded surface plasmonpolariton waveguide", Optics express 19.7 (2011): 65416548.
- Li, Xu et al., "Smart community: an internet of things application", Communications Magazine, IEEE 49.11 (2011): 68-75.
- Lier, E. et al., "Simple hybrid mode horn feed loaded with a dielectric cone," Electronics Letters 21.13 (1985): 563564.
- Lim, Christina et al., "Fiber-wireless networks and subsystem technologies", Lightwave Technology, Journal of 28.4 (2010): 390-405.
- Lou, Tiancheng , "Minimizing Average Interference through Topology Control", Algorithms for Sensor Systems, Springer Berlin Heidelberg, 2012, 115-129.
- Luo, Qi et al., "Circularly polarized antennas", John Wiley & Sons, 2013.
- Mahato, Suvranshu Sekhar , Studies on an Infrared Sensor Based Wireless Mesh Network. Diss. 2010.
- Maier, Martin et al., "The audacity of fiberwireless (FiWi) networks", AccessNets. Springer Berlin Heidelberg, 2009. 16-35.
- Marcatili, E.A. et al., "Hollow Metallic and Dielectric Waveguides for Long Distance Optical Transmission and Lasers", Bell System Technical Journal 43(4), 1964, 1783-1809.
- McAllister, M.W. et al., "Resonant hemispherical dielectric antenna," Electronics Letters 20.16 (1984): 657659.
- Meng, H. et al., "A transmission line model for high-frequency power line communication channel", Power System Technology, PowerCon 2002. International Conference on. vol. 2. IEEE, 2002. [http://infocom.uniroma1.it/""enzobac/MengChen02.pdf](http://infocom.uniroma1.it/), 2002.
- Menon, S.S. et al., "Propagation characteristics of guided modes in a solid dielectric pyramidal horn," Proceedings of the 2012 International Conference on Communication Systems and Network Technologies. IEEE Computer Society, 2012.
- Mitchell, John E. , "Integrated Wireless Backhaul Over Optical Access Networks", Journal of Lightwave Technology 32.20, 2014, 3373-3382.
- Miyagi, M. , "Bending losses in hollow and dielectric tube leaky waveguides", Applied Optics 20(7), 1981, 1221-1229.
- Moaveni-Nejad, Kousha et al., "Low-Interference Topology Control for Wireless Ad Hoc Networks", Department of Computer Science, Illinois Institute of Technology, Ad Hoc & Sensor Wireless Networks 1.1-2, 2005, 41-64.
- Moisan, M. et al., "Plasma sources based on the propagation of electromagnetic surface waves", Journal of Physics D: Applied Physics 24.7 (1991): 1025.
- Morse, T.F. , "Research Support for the Laboratory for Lightwave Technology." Brown Univ Providence RI Div of Engineering, 1992.
- Mruk, Joseph Rene , "Wideband monolithically integrated frontend subsystems and components", Diss. University of Colorado, 2011.
- Nachiketh, P. et al., "Optimizing public-key encryption for wireless clients", Proceedings of the IEEE International Conference on Communications (ICC 2002). No. 1. 2002.
- Narayanan, Arvind , "Fingerprinting of RFID Tags and HighTech Stalking." 33 Bits of Entropy, 33bits.org, Oct. 4, 2011.
- Nassa, Vinay Kumar , "Wireless Communications: Past, Present and Future", Dronacharya Research Journal: 50. vol. III, Issue-II, Jul.-Dec. 2011.
- Nibarger, John P. , "An 84 pixel all-silicon corrugated feedhorn for CMB measurements." Journal of Low Temperature Physics 167.3-4 (2012): 522-527.
- Nuvotronics, "PolyStrata—Phased Arrays & Antennas", Nuvotronics, nuvotronics.com <http://www.nuvotronics.com/antennas.php>, Apr. 26, 2015.
- Olver, A. D. , "Microwave horns and feeds," vol. 39. IET, 1994.
- Olver, A.D. et al., "Dielectric cone loaded horn antennas," Microwaves, Antennas and Propagation, IEE Proceedings H. vol. 135. No. 3. IET, 1988.
- Pahlavan, Kaveh et al., "Wireless data communications", Proceedings of the IEEE 82.9 (1994): 1398-1430.
- Perkons, Alfred R. et al., "TM surface-wave power combining by a planar active-lens amplifier", Microwave Theory and Techniques, IEEE Transactions on 46.6 (1998): 775783.
- Péter, Zsolt et al., "Assessment of the current intensity for preventing ice accretion on overhead conductors", Power Delivery, IEEE Transactions on 22.1 (2007): 565-574.
- Petrovsky, Oleg , "The Internet of Things: A Security Overview", w.druva.com, Mar. 31, 2015.
- Pham, Tien-Thang et al., "A WDM-PON-compatible system for simultaneous distribution of gigabit baseband and wireless ultrawideband services with flexible bandwidth allocation", Photonics Journal, IEEE 3.1, 2011, 13-19.
- Plagemann, Thomas et al., "Infrastructures for community networks", Content Delivery Networks. Springer Berlin Heidelberg, 2008. 367-388.
- Pohl, , "A dielectric lens-based antenna concept for high-precision industrial radar measurements at 24GHz," Radar Conference (EuRAD), 2012 9th European, IEEE, 2012.
- Prashant, R.R. et al., "Detecting and Identifying the Location of Multiple Spoofing Adversaries in Wireless Network", International Journal of Computer Science and Mobile Applications, vol. 2 Issue. 5, May 2014, 1-6.

(56)

## References Cited

## OTHER PUBLICATIONS

- Rahim, S. K. A. et al., "Measurement of wet antenna losses on 26 GHz terrestrial microwave link in Malaysia", *Wireless Personal Communications* 64.2 (2012): 225231.
- Rambabu, K. et al., "Compact single-channel rotary joint using ridged waveguide sections for phase adjustment," *IEEE Transactions on Microwave Theory and Techniques* (Aug. 2003) 51(8):1982-1986.
- Raychaudhuri, Dipankar et al., "Emerging Wireless Technologies and the Future Mobile Internet", Cambridge University Press, Mar. 2011.
- Raychem, "Wire and Cable", *Dimensions* 2 (1996): 1.
- Reynet, Olivier et al., "Effect of the magnetic properties of the inclusions on the high-frequency dielectric response of diluted composites." *Physical Review B* 66.9 (2002): 094412.
- Rouse, Margaret , "Transport Layer Security (TLS)", TechTarget, searchsecurity.techtarget.com, Jul. 2006.
- Roze, Mathieu et al., "Suspended core subwavelength fibers: towards practical designs for low-loss terahertz guidance." *Optics express* 19.10 (2011): 9127-9138.
- Sagues, Mikel et al., "Multi-tap complex-coefficient incoherent microwave photonic filters based on optical single-sideband modulation and narrow band optical filtering." *Optics express* 16.1 (2008): 295-303.
- Saied, Yosra Ben et al., "Trust management system design for the internet of things: a contextaware and multiservice approach", *Computers & Security* 39 (2013): 351365.
- Salema, Carlos et al., "Solid dielectric horn antennas," Artech House Publishers, 1998, Amazon.
- Sarafi, A. et al., "Hybrid wireless-broadband over power lines: a promising broadband solution in rural areas." *Communications Magazine, IEEE* 47.11 (2009): 140-147.
- Sarnecki, Joseph et al., "Microcell design principles", *Communications Magazine, IEEE* 31.4 (1993): 76-82.
- Saruhan, Ibrahim Halil , "Detecting and Preventing Rogue Devices on the Network", SANS Institute InfoSec Reading Room, sans.org, Aug. 8, 2007.
- Shafi, Mansoor et al., "Advances in Propagation Modeling for Wireless Systems", *EURASIP Journal on Wireless Communications and Networking*, Hindawi Publishing Corp, 2009, p. 5.
- Shimabukuko, F.I. et al., "Attenuation measurement of very low-loss dielectric waveguides by the cavity resonator method in the millimeter/submillimeter wavelength range." No. TR-0086A (2925-06)-1. Aerospace Corp El Segundo CA Electronics Research Lab, 1989.
- Shindo, Shuichi et al., "Attenuation measurement of cylindrical dielectric-rod waveguide." *Electronics Letters* 12.5 (1976): 117-118.
- Shumate, Paul W. et al., "Evolution of fiber in the residential loop plant." *IEEE Communications Magazine* 29.3 (1991): 68-74.
- Striely, M.E. et al., "Television transmission over wire lines." *American Institute of Electrical Engineers, Transactions of the* 60.12 (1941): 1090-1096.
- Szabó, Csaba A. , "European Broadband Initiatives with Public Participation", *Broadband Services* (2005): 255.
- Taboada, John M. et al., "Thermo-optically tuned cascaded polymer waveguide taps." *Applied physics letters* 75.2 (1999): 163-165.
- Templeton, Steven J. et al., "Detecting Spoofed Packets", DARPA Information Survivability Conference and Exposition, vol. 1, IEEE, 2003.
- Theoleyr, Fabrice , "Internet of Things and M2M Communications", books.google.com, ISBN13: 9788792982483, Apr. 17, 2013.
- Valladares, Cindy , "20 Critical Security Controls: Control 7—Wireless Device Control", *Tripwire—The State of Security*, tripwire.com, Mar. 21, 2013.
- Vogelgesang, Ralf et al., "Plasmonic nanostructures in aperture-less scanning near-field optical microscopy (aSNOM)", *physica status solidi (b)* 245.10 (2008): 22552260.
- Volat, C. et al., "De-icing/anti-icing techniques for power lines: current methods and future direction", *Proceedings of the 11th International Workshop on Atmospheric Icing of Structures*, Montreal, Canada. 2005.
- Wagter, Herman , "Fiber-to-the-X: the economics of last-mile fiber", *ARS Technica*, arstechnica.com Mar. 31, 2010.
- Wake, David et al., "Radio over fiber link design for next generation wireless systems", *Lightwave Technology, Journal of* 28.16 (2010): 2456-2464.
- Wang, Jing et al., "The influence of optical fiber bundle parameters on the transmission of laser speckle patterns", *Optics express* 22.8, 2014, 8908-8918.
- Wilkins, George A. , "Fiber Optic Telemetry in Ocean Cable Systems", Chapter in new edition of *Handbook of Oceanographic Winch, Wire and Cable Technology*, Alan H. Driscoll, Ed., (to be published by University of Rhode Island) (1986).
- Xia, Cen et al., "Supermodes for optical transmission", *Optics express* 19.17, 2011, 16653-16664.
- Yeh, C. et al., "Ceramic Waveguides." *Interplanetary Network Progress Report* 141.26 (2000): 1.
- Yu, Shui et al., "Predicted packet padding for anonymous web browsing against traffic analysis attacks", *Information Forensics and Security, IEEE Transactions on* 7.4, <http://nsp.org.au/syu/papers/tifs12.pdf>, 2012, 1381-1393.
- Zelby, Leon W. , "Propagation Modes on a Dielectric Coated Wire", *J. The Franklin Institute*, vol. 274(2), pp. 85-97, Aug. 1962.
- Zheng, Zhu et al., "Efficient coupling of propagating broadband terahertz radial beams to metal wires", *Optics express* 21.9 (2013): 1064210650.
- Zucker, , "Surface-wave antennas", *Antenna engineering handbook* 4, 2007.
- Alam, M N et al., "Novel surface wave exciters for power line fault detection and communications", *Antennas and Propagation (APSURSI), 2011 IEEE International Symposium on*, IEEE, Jul. 3, 2011, pp. 1139-1142.
- Doelitzscher, et al., "ViteraaS: Virtual cluster as a service." *Cloud Computing Technology and Science (CloudCom), 2011 IEEE Third International Conference on*. IEEE, 2011.
- Golrezaei, Negin et al., "FemtoCaching: Wireless Video Content Delivery through Distributed Caching Helpers", *INFOCOM, 2012 Proceedings IEEE*.
- Gritzalis, Dimitris et al., "The Sphinx enigma in critical VoIP infrastructures: Human or botnet?." *Information, Intelligence, Systems and Applications (IISA), 2013 Fourth International Conference, IEEE, 2013*.
- Hautakorpi, Jani et al., "Requirements from Session Initiation Protocol (SIP) Session Border Control (SBC) Deployments." *RFC5853, IETF* (2010).
- Hawrylyshen, A. et al., "SIPPING Working Group J. Hautakorpi, Ed. Internet-Draft G. Camarillo Intended status: Informational Ericsson Expires: Dec. 18, 2008 R. Penfield Acme Packet." (2008).
- Jin, Yu et al., "NEVERMIND, the Problem Is Already Fixed: Proactively Detecting and Troubleshooting Customer DSL Problems", *ACM CoNEXT, Philadelphia, USA, Nov.-Dec. 2010*, 12 pages.
- Kamilaris, et al., "Exploring the Use of DNS as a Search Engine for the Web of Things." *Internet of Things (WF-IoT), 2014 IEEE World Forum on*. IEEE, 2014.
- Mokhtarian, Kianoosh et al., "Caching in Video CDNs: Building Strong Lines of Defense", *EuroSys 2014, Apr. 13-16, 2014, Amsterdam, Netherlands*.
- Paul, Sanjoy et al., "The Cache-And-Forward Network Architecture for Efficient Mobile Content Delivery Services in the Future Internet", *Innovations in NGN: Future Network and Services, 2008. K-INGN 2008. First ITU-T Kaleidoscope Academic Conference*.
- De Sabata, Aldo et al., "Universitatea" Politehnica, din Timisoara Facultatea de Electronica si Telecomunicatii, 2012.
- Doane, J.L. et al., "Oversized rectangular waveguides with modefree bends and twists for broadband applications", *Microwave Journal* 32(3), 1989, 153-160.
- Dostert, Klaus , "Frequency-hopping spread-spectrum modulation for digital communications over electrical power lines." *Selected Areas in Communications, IEEE Journal on* 8.4 (1990): 700-710.

(56)

## References Cited

## OTHER PUBLICATIONS

- Dragoo, R.E. et al., "Fiber Optic Data Bus for the AN/GYQ21(V)," Harris Corp, U.S. Communications Syst. Div. Chart, Microcopy Resolution Test, 1980.
- Dutton, Harry Jr., "Understanding Optical Communications", International Technical Support Organization, SG24-5230-00, Sep. 1998.
- Erickson, Katherine, "Conductive cylindrical surface waveguides." (2012). [https://www.ideals.illinois.edu/bitstream/handle/2142/30914/Erickson\\_Katherine.pdf?sequence=1](https://www.ideals.illinois.edu/bitstream/handle/2142/30914/Erickson_Katherine.pdf?sequence=1).
- Eskelinen, Harri, "DFM (A)-aspects for a horn antenna design," Lappeenranta University of Technology, 2004.
- Eskelinen, P. , "A low-cost microwave rotary joint," International Radar Conference, Oct. 13-17, 2014, p. 1-4.
- "A Dielectric Lens Antenna with Enhanced Aperture Efficiency for Industrial Radar Applications", Computer Simulation Technology, cst.com, May 10, 2011.
- "Bi-Axial PA Horn with Gimbal Mount", Atlas Sound, MCM Electronics, mcmelectronics.com, MCM Part #555-13580, 2011.
- "Broadband Negligible Loss Metamaterials", Computer Electromagnetics and Antennas Research Laboratory, cearl.ee.psu.edu, May 15, 2012.
- "Cloud Management", Cisco Meraki, cisco.com, Sep. 11, 2015.
- "Decryption: Identify & Control Encrypted Traffic", Palo Alto Networks, paloaltonetworks.com, Mar. 7, 2011.
- "GM-12 Gimbal Mount", Newmark System, Inc, newmarksystems.com, 2015.
- "HiveManager Network Management System", Aerohive® Networks, aerohive.com, accessed: Sep. 2015.
- "Home", Darktrace, darktrace.com, Jul. 10, 2014.
- "Installing Satellite Accessories", ACE®, acehardware.com, Aug. 5, 2006.
- "mmWave Axial Choke Horn Antenna with Lens", Feko, Sep. 24, 2013.
- "Norse Appliance™: Block attacks before they target your network, and dramatically improve the ROI on your entire security infrastructure", norsecorp.com, 2015.
- "Out-of-Band Mgmt", Cradle Point, cradlepoint.com, accessed: Sep. 2015.
- "Out-of-Band Security Solution", Gigamon®, gigamon.com, Aug. 3, 2014.
- "PRO 600 SIRIUS XM Radio Amplified Outdoor Antenna", Pixel Technologies, Oct. 3, 2014.
- "Product Overview: Introducing SilentDefense", Security Matters, secmatters.com, Nov. 9, 2013.
- "Quickly identify malicious traffics: Detect", Lancopé®, lancopé.com, Mar. 15, 2015.
- "radar at st Andrews", mmwaves.epr, st-andrews.ac.uk, Feb. 4, 2011.
- "Smart Out-Of-Band Management", Open Gear, opengear.com, accessed: Sep. 2015.
- Costantine, Joseph et al., "The analysis of a reconfigurable antenna with a rotating feed using graph models", Antennas and Wireless Propagation Letters 8 (2009): 943-946.
- Dini, Gianluca et al., "MADAM: A Multilevel Anomaly Detector for Android Malware", MMMACNS. vol. 12, 2012.
- Dooley, Kevin , "Out-of-Band Management", auvik, auvik.com, May 12, 2014.
- Ehyaie, Danial , "Novel Approaches to the Design of Phased Array Antennas," Diss. The University of Michigan, 2011.
- Erickson, Katherine , "Conductive cylindrical surface waveguides", 2012.
- García-Etxarri, Aitzol et al., "A combination of concave/convex surfaces for fieldenhancement optimization: the indented nanocone", Optics express 20.23, 2012, 2520125212.
- Katkovnik, Vladimir et al., "High-resolution signal processing for a switch antenna array FMCW radar with a single channel receiver", Sensor Array and Multichannel Signal Processing Workshop Proceedings, 2002. IEEE, 2002.
- Kumar, Sailesh , "Survey of Current Network Intrusion Detection Techniques", Washington Univ. in St. Louis, Dec. 2007.
- Lucyszyn, S. et al., "Novel RF MEMS Switches", Microwave Conference, 2007. APMC 2007. Asia-Pacific. IEEE, 2007.
- Lucyszyn, Stepan et al., "RF MEMS for antenna applications", Antennas and Propagation (EuCAP), 2013 7th European Conference on. IEEE, 2013.
- Nicholson, Basil J. , "Microwave Rotary Joints for X-, C-, and S-band", Battelle Memorial Inst Columbus OH, 1965.
- Orfanidis, Sophocles J. , "Electromagnetic waves and antennas," Rutgers University, 2002.
- Piksa, Petr et al., "Elliptic and hyperbolic dielectric lens antennas in mmwaves", Radioengineering 20.1, 2011, 271.
- Pranonsatit, S. et al., "Sectorised horn antenna array using an RF MEMS rotary switch", Asia-Pacific Microwave Conf., APMC. 2010.
- Pranonsatit, Suneat et al., "Single-pole eight-throw RF MEMS rotary switch", Microelectromechanical Systems, Journal of 15.6 (2006): 1735-1744.
- Salema, Carlos et al., "Solid dielectric horn antennas," Artech House Publishers, 1998.
- Scarfone, Karen et al., "Technical Guide to Information Security Testing and Assessment", National Institute of Standards and Technology, csrc.nist.gov, Special Publication, Sep. 2008, 800-115.
- Shafai, Lotfollah , "Dielectric Loaded Antennas", John Wiley & Sons, Inc., [http://www.researchgate.net/publication/227998803\\_Dielectric\\_Loaded\\_Antennas](http://www.researchgate.net/publication/227998803_Dielectric_Loaded_Antennas), Apr. 15, 2005.
- Sievenpiper, D.F. et al., "Two-dimensional beam steering using an electrically tunable impedance surface," in Antennas and Propagation, IEEE Transactions on , vol. 51, No. 10, pp. 2713-2722, Oct. 2003.
- Strahler, Olivier , "Network Based VPNs", SANS Institute InfoSec Reading Room, sans.org, Aug. 2002.
- Thornton, John et al., "Modern lens antennas for communications engineering", vol. 39, 2013.
- Wolff, Christian , "Phased Array Antenna" Radar Tutorial, web.archive.org, radartutorial.eu, Oct. 21, 2014.
- Wu, Xidong et al., "Design and characterization of singleand multiplebeam mmwave circularly polarized substrate lens antennas for wireless communications", Microwave Theory and Techniques, IEEE Transactions on 49.3, 2001, 431-441.
- Xi, Liu Xiao , "Security services in SoftLayer", Sep. 21, 2015.
- "International Preliminary Report on Patentability", PCT/US2014/039746, dated Dec. 10, 2015.
- "International Search Report & Written Opinion", PCT/US2015/034827, dated Sep. 30, 2015.
- "International Search Report & Written Opinion", PCT/US2015/056316, dated Jan. 21, 2016.
- "International Search Report & Written Opinion", PCT/US2015/056320, dated Jan. 29, 2016.
- "International Search Report & Written Opinion", PCT/US2015/056365, dated Jan. 22, 2016.
- "International Search Report & Written Opinion", PCT/US2015/056368, dated Jan. 25, 2016.
- "International Search Report & Written Opinion", PCT/US2015/056598, dated Jan. 28, 2016.
- "International Search Report & Written Opinion", PCT/US2015/056615, dated Jan. 21, 2016.
- "International Search Report & Written Opinion", PCT/US2015/056626, dated Jan. 21, 2016.
- "International Search Report & Written Opinion", PCT/US2015/056632, dated Jan. 26, 2016.
- "International Search Report & Written Opinion", PCT/US2016/013988, dated Apr. 8, 2016.
- "International Search Report & Written Opinion", PCT/US2014/039746, dated Jan. 12, 2015.
- "International Search Report & Written Opinion", PCT/US2014/060841, dated Jan. 7, 2015.
- "International Search Report & Written Opinion", PCT/US2015/039848, dated Oct. 20, 2015.
- "International Search Report & Written Opinion", PCT/US2015/047315, dated Oct. 30, 2015.



(56)

**References Cited**

## OTHER PUBLICATIONS

- "International Search Report & Written Opinion", PCT/US2015/048454, dated Nov. 11, 2015.
- "International Search Report & Written Opinion", PCT/US2015/049928, dated Nov. 16, 2015.
- "International Search Report & Written Opinion", PCT/US2015/049932, dated Nov. 16, 2015.
- "International Search Report & Written Opinion", PCT/US2015/049927, dated Nov. 24, 2015.
- "International Search Report & Written Opinion", PCT/US2015/051193, dated Nov. 27, 2015.
- "International Search Report & Written Opinion", PCT/US2015/051146, dated Dec. 15, 2015.
- "International Search Report & Written Opinion", PCT/US2015/051183, dated Dec. 15, 2015.
- "International Search Report & Written Opinion", PCT/US2015/051194, dated Dec. 15, 2015.
- "International Search Report & Written Opinion", PCT/US2015/051578, dated Dec. 17, 2015.
- "International Search Report & Written Opinion", PCT/US2015/051583, dated Dec. 21, 2015.
- "International Search Report & Written Opinion", PCT/US2015/048458, dated Dec. 23, 2015.
- "International Search Report & Written Opinion", PCT/US2015/051213, dated Dec. 4, 2015.
- "International Search Report & Written Opinion", PCT/US2015/051163, dated Dec. 7, 2015.
- "International Search Report & Written Opinion", PCT/US2014/061445, dated Feb. 10, 2015.
- "International Search Report & Written Opinion", PCT/US2016/015501, dated Apr. 29, 2016, 11 pages.
- "International Search Report & Written Opinion", PCT/US2015/047225, dated Nov. 6, 2015, Nov. 6, 2015.
- "Transducer", IEEE Std 100-2000, dated Sep. 21, 2015, 1154.
- Laforte, J.L. et al., "State-of-the-art on power line de-icing", Atmospheric Research 46, 143-158, 1998.
- Ponchak, George E. et al., "A New Model for Broadband Waveguide to Microstrip Transition Design", NASA TM-88905, dated Dec. 1, 1986, 18 pgs.
- International Search Report and Written Opinion in PCT/US2016/028417, dated Jul. 5, 2016, 13 pages, Authorized officer Brigitte Bettiol.
- International Search Report PCT/US2016/036292 dated Sep. 13, 2016.
- PCT/US16/027397 International Search Report & Written Opinion dated Jun. 24, 2016.
- PCT/US16/027398 International Search Report and Written Opinion dated Jun. 24, 2016.
- PCT/US16/027403 International Search Report & Written Opinion dated Jun. 22, 2016.
- PCT/US16/028395 International Search Report and Written Opinion dated Jun. 29, 2016.
- PCT/US16/032441 International Search Report and Written Opinion dated Jul. 7, 2016.
- PCT/US16/036284 International Search Report & Written Opinion dated Sep. 8, 2016.
- PCT/US16/036388 International Search Report and Written Opinion dated Aug. 30, 2016.
- PCT/US2016/036285 International Search Report and Written Opinion dated Aug. 23, 2016.
- PCT/US2016/036288 International Search Report & Written Opinion dated Sep. 1, 2016.
- PCT/US2016/036290 International Search Report & Written Opinion dated Aug. 11, 2016.
- PCT/US2016/036293 International Search Report & Written Opinion dated Sep. 25, 2016.
- "Alternative Local Loop Technologies: A Review", Organisation for Economic Co-Operation and Development, Paris, OCDE/GD(96)181, <https://www.oecd.org/sti/2090965.pdf>, 1996.
- "Broadband Over Power Lines (BPL): Developments and Policy Issues", Organisation for Economic Co-operation and Development, Directorate for Science, Technology and Industry, Committee for Information, Computer and Communications Policy, Jun. 2, 2009, 35 pages.
- "Broadband: Bringing Home the Bits: Chapter 4 Technology Options and Economic Factors", The National Academies Press, nap.edu, 2002.
- "Delivering broadband over existing wiring", Cabling Installation & Maintenance, cablinginstall.com, May 1, 2002.
- "Doubly-fed Cage-cone Combined Broadband Antennas for Marine Applications", <http://www.edatop.com/down/paper/antenna/%E5%A4%A9%E7%BA%BF%E8%AE%BE%E8%AE%A1-890w5nebp5ilpq.pdf>, 2007.
- "Energy-Harvesting Power Supply", <http://sdpm.arizona.edu/projects/project-publi/upid/38a8cf3b42f35576de25de1f6dcc20f3>, Discloses a project to harvest energy from a power line and that a device was built that clamps onto a power line., 2016.
- "Fast Numerical Modeling of a Conical Horns Lens Antenna", Comsol, comsol.com, Application ID: 18695, Sep. 16, 2016.
- "Harvest energy from powerline", <https://www.physicsforums.com/threads/harvest-energy-from-powerline.685148/>, Discussion thread about harvesting power from powerlines that includes the suggestion of clamping a device to the power line., 2013.
- "International Preliminary Report on Patentability", PCT/US2014/060841, dated May 19, 2016, 8 pages.
- "International Preliminary Report on Patentability & Written Opinion", PCT/US2014/061445, dated Jun. 23, 2016, 9 pages.
- "International Search Report & Written Opinion", PCT/US2016/020001, dated May 23, 2016.
- "International Search Report & Written Opinion", PCT/US2016/026860, dated Jun. 1, 2016.
- "International Search Report & Written Opinion", PCT/US2016/026318, dated Jun. 15, 2016.
- "International Search Report & Written Opinion", PCT/US2016/028412, dated Jun. 27, 2016.
- "International Search Report & Written Opinion", PCT/US2016/028206, dated Jun. 29, 2016.
- "International Search Report & Written Opinion", PCT/US16/033182, dated Jul. 12, 2016.
- "International Search Report & Written Opinion", PCT/US2016/036551, dated Aug. 11, 2016.
- "International Search Report & Written Opinion", PCT/US2016/036798, dated Aug. 11, 2016.
- "International Search Report & Written Opinion", PCT/US2016/028205, dated Aug. 16, 2016.
- "International Search Report & Written Opinion", PCT/US2016/032460, dated Aug. 17, 2016.
- "International Search Report & Written Opinion", PCT/US2016/036303, dated Aug. 24, 2016.
- "International Search Report & Written Opinion", PCT/2016/035383, dated Sep. 2, 2016.
- "International Search Report & Written Opinion", PCT/US2016/036286, dated Sep. 13, 2016.
- "International Search Report & Written Opinion", PCT/US16/28207, dated Jun. 15, 2016.
- "International Search Report and Written Opinion", PCT/US2016/028197, dated Jun. 24, 2016.
- "International Search Report and Written Opinion", PCT/US2016/036289, dated Aug. 11, 2016.
- "International Search Report and Written Opinion", PCT/US2016/036295, dated Aug. 30, 2016.
- "International Search Report and Written Opinion", PCT/US2016/030964, dated Aug. 4, 2016.
- "International Search Report and Written Opinion", PCT/US2016/036553, dated Aug. 30, 2016, 1-14.
- "International Search Report and Written opinion", PCT/US2016/036556, dated Sep. 22, 2016.
- "International Searching Authority", International Search Report and Written Opinion, dated Sep. 28, 2016, 1-12.
- "Invitation to Pay Additional Fees & Partial Search Report", PCT/US2016/028205, dated Jun. 22, 2016.

(56)

## References Cited

## OTHER PUBLICATIONS

- "Invitation to Pay Additional Fees & Partial Search Report", PCT/US2016/032430, dated Jun. 22, 2016.
- "Invitation to Pay Additional Fees and, Where Applicable, Protest Fee", PCT/US2016/035384, dated Aug. 31, 2016, 7 pages.
- "Lens Antennas", Altair, feko.info, dated Jun. 30, 2014, 2 pages.
- "Micromem Demonstrates UAV Installation of Power Line Monitoring Mounting System", MicroMem, micromem.com, dated Mar. 4, 2015, 1-3.
- "Parabolic focus pattern fed reflector with shroud", AntennaMagus, antennamagus.com, dated Jul. 4, 2014.
- "PCT International Search Report & Written Opinion", PCT/US2016/026193, dated Jun. 1, 2016.
- "PCT Search Report and Written opinion", PCT/US2016/036297, dated Sep. 5, 2016.
- "Prime Focus Antenna (QRP series)", QuinStar technology, Inc., quinstar.com, dated Aug. 19, 2016.
- "Troubleshooting Problems Affecting Radio Frequency Communication", cisco.com, dated Oct. 19, 2009.
- "Waveguide Bragg Microcavity", lumerical.com, dated Sep. 2016.
- Adabo, Geraldo J. , "Long Range Unmanned Aircraft System for Power Line Inspection of Brazilian Electrical System", Journal of Energy and Power Engineering 8 (2014), dated Feb. 28, 2014, 394-398.
- Alam, M. N. et al., "Novel Surface Wave Exciters for Power Line Fault Detection and Communications", Department of Electrical Engineering, University of South Carolina, Antennas and Propagation (APSURSI), 2011 IEEE International Symposium, IEEE, 2011, 1-4.
- Ali, Tariq et al., "Diagonal and Vertical Routing Protocol for Underwater Wireless Sensor Network." Procedia-Social and Behavioral Sciences 129 (2014): 372-379.
- Ares-Pena, Francisco J. et al., "A simple alternative for beam reconfiguration of array antennas", Progress in Electromagnetics Research 88, 2008, 227-240.
- Babakhani, Aydin, "Direct antenna modulation (DAM) for on-chip mm-wave transceivers", Diss. California Institute of Technology, 2008.
- Barlow, H. M. et al., "Surface Waves", 621.396.11 : 538.566, Paper No. 1482 Radio Section, 1953, pp. 329-341.
- Benevent, EVANGÉLINE, "Transmission lines in MMIC technology", Università Mediterranea di Reggio Calabria, Jan. 28, 2010.
- Berweger, Samuel et al., "Light on the Tip of a Needle: Plasmonic Nanofocusing for Spectroscopy on the Nanoscale", The Journal of Physical Chemistry Letters; pubs.acs.org/JPLCL, 2012, 945-952.
- Blattenberger, Kirt, "DroneBased Field Measurement System (dBFMS)", RF Cafe, rfcafe.com, Jul. 29, 2014.
- Brambilla, Gilberto et al., "Ultra-low-loss optical fiber nanotapers", Optoelectronics Research Centre, University of Southampton; <http://www.orc.soton.ac.uk>, vol. 12, No. 10, May 7, 2004, 2258-2263.
- Campista, Miguel E. et al., "Improving the Data Transmission Throughput Over the Home Electrical Wiring", The IEEE Conference on Local Computer Networks 30th Anniversary, 2005, 1-8.
- Capece, P. et al., "FDTD Analysis of a Circular Coaxial Feeder for Reflector Antenna", Antennas and Propagation Society International Symposium, IEEE Digest, vol. 3, 1997, pp. 1570-1573.
- Chandra, Shekar, "Transmission Line Fault Detection & Indication through GSM", IRD India, ISSN (Online): 2347-2812, vol. 2, Iss. 5, 2014.
- Choudhury, Romit R., "Utilizing Beamforming Antennas for Wireless Multi-hop Networks", www.slideserve.com, Sep. 20, 2012.
- Chu, Eunmi et al., "Self-organizing and self-healing mechanisms in cooperative small cell networks", PIMRC, 2013.
- Cliff, Oliver M. et al., "Online localization of radio-tagged wildlife with an autonomous aerial robot system", Proceedings of Robotics Science and Systems XI, 2015, 1317.
- Crosswell, "Aperture excited dielectric antennas", <http://ntrs.nasa.gov/archive/nasa/casi.ntrs.nasa.gov/19740017567.pdf>, 1974.
- Daniel, Kai et al., "Using Public Network Infrastructures for UAV Remote Sensing in Civilian Security Operations", Homeland Security Affairs, Supplement 3, Mar. 2011, 11 pages.
- De Freitas, Carvalho et al., "Unmanned Air Vehicle Based Localization and Range Estimation of WiFi Nodes", 2014.
- Debord, Benoit et al., "Generation and confinement of microwave gas-plasma in photonic dielectric microstructure", Optics express 21.21, 2013, 25509-25516.
- Deilmann, Michael, "Silicon oxide permeation barrier coating and sterilization of PET bottles by pulsed low-pressure microwave plasmas", Diss, 2008.
- Deng, Chuang et al., "Unmanned Aerial Vehicles for Power Line Inspection: A Cooperative Way in Platforms and Communications", Journal of Communications vol. No. 9, No. 9, Sep. 2014, 687-692.
- Doshi, D.A. et al., "Real Time Fault Failure Detection in Power Distribution Line using Power Line Communication", International Journal of Engineering Science 4834, 2016.
- Elmore, Glenn et al., "A Surface Wave Transmission Line", QEX, May/Jun. 2012, pp. 3-9.
- Eom, Seung-Hyun et al., "Pattern switchable antenna system using inkjet-printed directional bow-tie for bi-direction sensing applications", Sensors 15.12, 2015, 31171-31179.
- Erickson, Katherine, "Conductive cylindrical surface waveguides", www.ideals.illinois.edu/bitstream/handle/2142/30914, 2012.
- Farzaneh, Masoud et al., "Systems for Prediction and Monitoring of Ice Shedding, Anti-Icing and De-Icing for Power Line Conductors and Ground Wires", Dec. 1, 2010, 1-100.
- Feng, Wei et al., "Downlink power allocation for distributed antenna systems in a multi-cell environment", 2009 5th International Conference on Wireless Communications, Networking and Mobile Computing. IEEE, 2009.
- Fenn, Alan J. et al., "A Terrestrial Air Link for Evaluating Dual-Polarization Techniques in Satellite Communications", vol. 9, No. 1, The Lincoln Laboratory Journal, 1996, 3-18.
- Fitzgerald, William D. , "A 35-GHz Beam Waveguide System for the Millimeter-Wave Radar", The Lincoln Laboratory Journal, vol. 5, No. 2, 1992, 245-272.
- Ford, Steven, "AT&T's new antenna system will boost cellular coverage at Walt Disney World", Orlando Sentinel, orlandosentinel.com, Mar. 9, 2014.
- Friedman, M et al., "Low-Loss RF Transport Over Long Distances", IEEE Transactions on Microwave Theory and Techniques, vol. 49, No. 2, Feb. 2001, 8 pages.
- Geterud, Erik , "Design and Optimization of Wideband Hat-Fed Reflector Antenna with Radome for Satellite Earth Station", <http://publications.lib.chalmers.se/records/fulltext/163718.pdf>, Discloses Frequency Selective Surfaces for antenna coverings for weather protection (table of materials on p. 29-30; pp. 37-46)., 2012.
- Gloeckler, R., "Phased Array for Millimeter Wave Frequencies", International Journal of Infrared and Millimeter Waves, Springer, vol. 11, No. 2, Feb. 1, 1990.
- Hadi, Ghazali S. et al., "Autonomous UAV System Development for Payload Dropping Mission", The Journal of Instrumentation, Automation and Systems, vol. 1, No. 2, 2014, pp. 72-22.
- Haider, Muhammad Kumail et al., "Mobility resilience and overhead constrained adaptation in directional 60 GHz WLANs: protocol design and system implementation", Proceedings of the 17th ACM International Symposium on Mobile Ad Hoc Networking and Computing. ACM, 2016.
- Hanashi, Abdalla M. et al., "Effect of the Dish Angle on the Wet Antenna Attenuation", IEEE, 2014, 1-4.
- Hays, Phillip, "SPG-49 Tracking Radar", <http://web.archive.org/web/20150314053758/http://www.okieboat.com/SPG-49%20description.html>, 2015.
- Heo, Joon et al., "Identity-Based Mutual Device Authentication Schemes for PLC Systems", IEEE International Symposium on Power Line Communications and Its Applications, 2008, pp. 47-51.
- Howard, Courtney, "UAV command, control & communications", Military & Aerospace Electronics, militaryaerospace.com, Jul. 11, 2013, 15 pages.
- Huth, G. K., "Integrated source and channel encoded digital communication system design study", <http://ntrs.nasa.gov/archive/nasa/casi.ntrs.nasa.gov/19750003064.pdf>, 1974.

(56)

## References Cited

## OTHER PUBLICATIONS

- Islam, M. T., "Coplanar Waveguide Fed Microstrip Patch Antenna", *Information Technology Journal* 9.2 (2010):367-370., 2010, 367-370.
- James, J. R. et al., "Investigations and Comparisons of New Types of Millimetre-Wave Planar Arrays Using Microstrip and Dielectric Structures", *Royal Military College of Science*, Apr. 1985, 122 pages.
- Jones, Jr., Howard S., "Conformal and Small Antenna Designs", U.S. Army Electronics Research and Development Command, Harry Diamond Laboratories, Apr. 1981, 32 pages.
- Karbowiak, A. E. et al., "Characteristics of Waveguides for Long-Distance Transmission", *Journal of Research of the National Bureau of Standards*, vol. 65D, No. 1, Jan.-Feb. 1961, May 23, 1960, 75-88.
- Katrasnik, Jaka, "New Robot for Power Line Inspection", 2008 IEEE Conference on Robotics, Automation and Mechatronics, 2008, 1-6.
- Kima, Yi-Gon et al., "Generating and detecting torsional guided waves using magnetostrictive sensors of crossed coils", *Chonnam National University*, Republic of Korea, Elsevier Ltd., 2010.
- Kliros, George, "Dielectric-EBG covered conical antenna for UWB applications", [https://www.researchgate.net/profile/George\\_Kliros/publication/235322849\\_Dielectric-EBG\\_covered\\_conical\\_antenna\\_for\\_UWB\\_applications/links/54329e410cf225bddcc7c037.pdf](https://www.researchgate.net/profile/George_Kliros/publication/235322849_Dielectric-EBG_covered_conical_antenna_for_UWB_applications/links/54329e410cf225bddcc7c037.pdf), Disclosing a quasi-planar wideband conical antenna coated with alternating high- and low-permittivity dielectric spherical shells (Section 2; Figure 1 on the 3rd Page), 2010.
- Koga, Hisao et al., "High-Speed Power Line Communication System Based on Wavelet OFDM", 7th International Symposium on Power-Line Communications and Its Applications, Mar. 26-28, 2003, 226-231.
- Kune, Denis F. et al., "Ghost Talk: Mitigating EMI Signal Injection Attacks against Analog Sensors", 2013 IEEE Symposium on Security and Privacy, 145-159.
- Lazaropoulos, Athanasios G., "Wireless sensor network design for transmission line monitoring, metering, and controlling: introducing broadband over power lines-enhanced network model (BPLeNM)." *ISRN Power Engineering* 2014 (2014).
- Lee, Joseph C., "A Compact Q-/K-Band Dual Frequency Feed Horn", No. TR-645, Massachusetts Institute of Technology, Lincoln Laboratory, May 3, 1983, 40 pages.
- Li, Xi et al., "A FCM-Based peer grouping scheme for node failure recovery in wireless P2P file sharing. 2009 IEEE International Conference on Communications. IEEE, 2009., 2009.
- Liu, et al., "A 25 Gb/s (/km<sup>2</sup>) urban wireless network beyond IMT-Advanced. *IEEE Communications Magazine* 49.2 (2011): 122-129.
- Matsukawa, et al., "A dynamic channel assignment scheme for distributed antenna networks. *Vehicular Technology Conference (VTC Spring)*, 2012 IEEE 75th. IEEE, 2012.
- Meessen, A., "Production of EM Surface Waves by Superconducting Spheres: A New Type of Harmonic Oscillators", *Progress in Electromagnetics Research Symposium Proceedings, Moscow, Russia*, Aug. 19-23, 2012, pp. 529-533.
- Miller, Ashley et al., "Pathway to Ubiquitous Broadband: Environments, Policies, and Technologies to Implementation Josh Winn Matthew Burch." accessed: Oct. 2016.
- Miller, David A., "Establishing Optimal Wave Communication Channels Automatically", *Journal of Lightwave Technology*, vol. 31, No. 24, Dec. 15, 2013, 3987-3994.
- Mishra, Sumita et al., "Load Balancing Optimization in LTE/LTE-A Cellular Networks: A Review", *arXiv preprint arXiv:1412.7273* (2014), 2014, 1-7.
- Mori, a. et al., "The Power Line Transmission Characteristics for an OFDM Signal", *Progress in Electromagnetics Research, PIER* 61, Musashi Institute of Technology, 2006, 279-290.
- Mushref, Muhammad, "Matrix solution to electromagnetic scattering by a conducting cylinder with an eccentric metamaterial coating", <http://www.sciencedirect.com/science/article/pii/S0022247X06011450/pdf?md5=4823be0348a3771b5c99fb7f326c2c&pid=1-s2.0-S0022247X06011450-main.pdf>, Discloses controlling antenna radiation pattern with coatings, 2007.
- Nakano, Hisamatsu, "[http://repo.lib.hosei.ac.jp/bitstream/10114/3835/1/31\\_TAP\(Low-Profile\).pdf](http://repo.lib.hosei.ac.jp/bitstream/10114/3835/1/31_TAP(Low-Profile).pdf)", Discloses affecting radiation patterns with alternating high-and low-permittivity dielectric shell coatings and formulae for determining the results (Figures 2-5 on p. 1865), 2000.
- Nandi, Somen et al., "Computing for rural empowerment: enabled by last-mile telecommunications." *IEEE Communications Magazine* 54.6 (2016): 102-109.
- Nikitin, A. Y. et al., "Efficient Coupling of Light to Graphene Plasmons by Compressing Surface Polaritons with Tapered Bulk Materials", *NanoLetters*; [pubs.acs.org/NanoLett](https://pubs.acs.org/NanoLett), Apr. 28, 2014, 2896-2901.
- Nikitin, Pavel V. et al., "Propagation Model for the HVAC Duct as a Communication Channel", *IEEE Transactions on Antennas and Propagation* 51.5, 2003.
- Pato, et al., "On building a distributed antenna system with joint signal processing for next generation wireless access networks: The FUTON approach. 7th Conference on Telecommunications, Portugal. 2008.
- Pike, Kevin J. et al., "A spectrometer designed for 6.7 and 14.1 T DNP-enhanced solid-state MAS NMR using quasi-optical microwave transmission", *Journal of Magnetic Resonance*, 2012, 9 pages.
- Rangan, Sundeep et al., "Millimeter-Wave Cellular Wireless Networks: Potentials and Challenges", *Proceedings of the IEEE*, vol. 102, No. 3, Mar. 2014, 366-385.
- Rangel, Rodrigo K. et al., "Sistema de Inspecao de Linhas de Transmissao de Energia Electrica Utilizando Veiculos Aereos Nao-Tripulados", Sep. 14-16, 2009, 1-9.
- Ren-Bin, Zhong et al., "Surface plasmon wave propagation along single metal wire", *Chin. Phys. B*, vol. 21, No. 11, May 2, 2012, 9 pages.
- Rosenberg, Uwe et al., "A novel frequency-selective power combiner/divider in single-layer substrate integrated waveguide technology", *IEEE Microwave and Wireless Components Letters*, vol. 23, No. 8, Aug. 2013, 406-408.
- Scerri, Paul et al., "Geolocation of RF emitters by many UAVs," *AIAA Infotech@Aerospace 2007 Conference and Exhibit*, 2007.
- Shankland, Steven, "Lowly DSL poised for gigabit speed boost", *CINet*, [cnet.com](http://cnet.com), Oct. 21, 2014.
- Shila, Devu M., "Load-Aware Traffic Engineering for Mesh Networks", *Computer Communications* 31.7, 2008, 1460-1469.
- Silver, Ralph U., "Local Loop Overview", *National Communications System (NCS)*, *BellSouth Network Training*, [newnetworks.com](http://newnetworks.com), Aug. 2016.
- Simons, Rainee N., "Coplanar Waveguide Feeds for Phased Array Antennas", *Solid State Technology Branch of NASA Lewis Research Center Fourth Annual Digest* (1992): 61., Conference on Advanced Space Exploration Initiative Technologies cosponsored by AIAA, NASA and OAI, Sep. 4-6, 1991, 1-9.
- Singh, Seema M. et al., "Broadband Over Power Lines A White Paper." State of New Jersey, Division of the Ratepayer Advocate, NJ, accessed: Oct. 2016.
- Spencer, D G., "Novel Millimeter ACC Antenna Feed", *IEEE Colloquium on Antennas for Automobiles*, Mar. 10, 2000.
- Stancil, Daniel D. et al., "High-speed internet access via HVAC ducts: a new approach", *Global Telecommunications Conference, IEEE*, vol. 6., 2001.
- Sundqvist, Lassi, "Cellular Controlled Drone Experiment: Evaluation of Network Requirements," (2015).
- Sung-Woo, Lee, "Mutual Coupling Considerations in the Development of Multi-feed Antenna Systems", <http://ntrs.nasa.gov/archive/nasa/casi.ntrs.nasa.gov/19750003064.pdf>, 2008.
- Szczys, Mike, "Cameras Perch on Power Lines, Steal Electricity", <http://hackaday.com/2010/06/28/cameras-perch-on-power-lines-steal-electricity/>, Discloses cameras that clamp on to power lines and use induction as a power source., 2010.
- Talbot, David, "Adapting Old-Style Phone Wires for Superfast Internet", *Adapting Old-Style Phone Wires for Superfast Internet*, Jul. 30, 2013.

(56)

**References Cited**

## OTHER PUBLICATIONS

Tantawi, Sami G. et al., "High-power multimode X-band rf pulse compression system for future linear colliders", *Physical Review Special Topics-Accelerators and Beams*, 1098-4402/05/8(4)/042002, 2005, 19 pages.

Teng, Ervin et al., "Aerial Sensing and Characterization of Three Dimensional RF Fields," Univ. at Buffalo, cse.buffalo.edu, accessed: Sep. 2016.

Thota, Saigopal et al., "Computing for Rural Empowerment: Enabled by Last-Mile Telecommunications (Extended Version)." Technical Report, (2013).

Wade, Paul, "Multiple Reflector Dish Antennas", [http://www.w1ghz.org/antbook/conf/Multiple\\_reflector\\_antennas.pdf](http://www.w1ghz.org/antbook/conf/Multiple_reflector_antennas.pdf), 2004.

Wang, Wei, "Optimization Design of an Inductive Energy Harvesting Device for Wireless Power Supply System Overhead High-Voltage Power Lines", <https://pdfs.semanticscholar.org/3941/601af7a21d55e8b57ab0c50d5f1d9f9f6868.pdf>, Discloses an induction based energy harvesting device that takes energy from overhead powerlines (Figure 4), 2016.

Wang, Xingfu et al., "Zigzag coverage scheme algorithm & analysis for wireless sensor networks." *Network Protocols and Algorithms* 5.4 (2013): 19-38.

Wenger, N., "The launching of surface waves on an axial-cylindrical reactive surface." *IEEE Transactions on Antennas and Propagation* 13.1 (1965): 126-134.

Werner, Louis B. et al., "Operation Greenhouse", Scientific Director's Report of Atomic Weapon Tests at Eniwetok, Annex 6.7 Contamination-Decontamination Studies Naval Radiological Defense Lab, 1951.

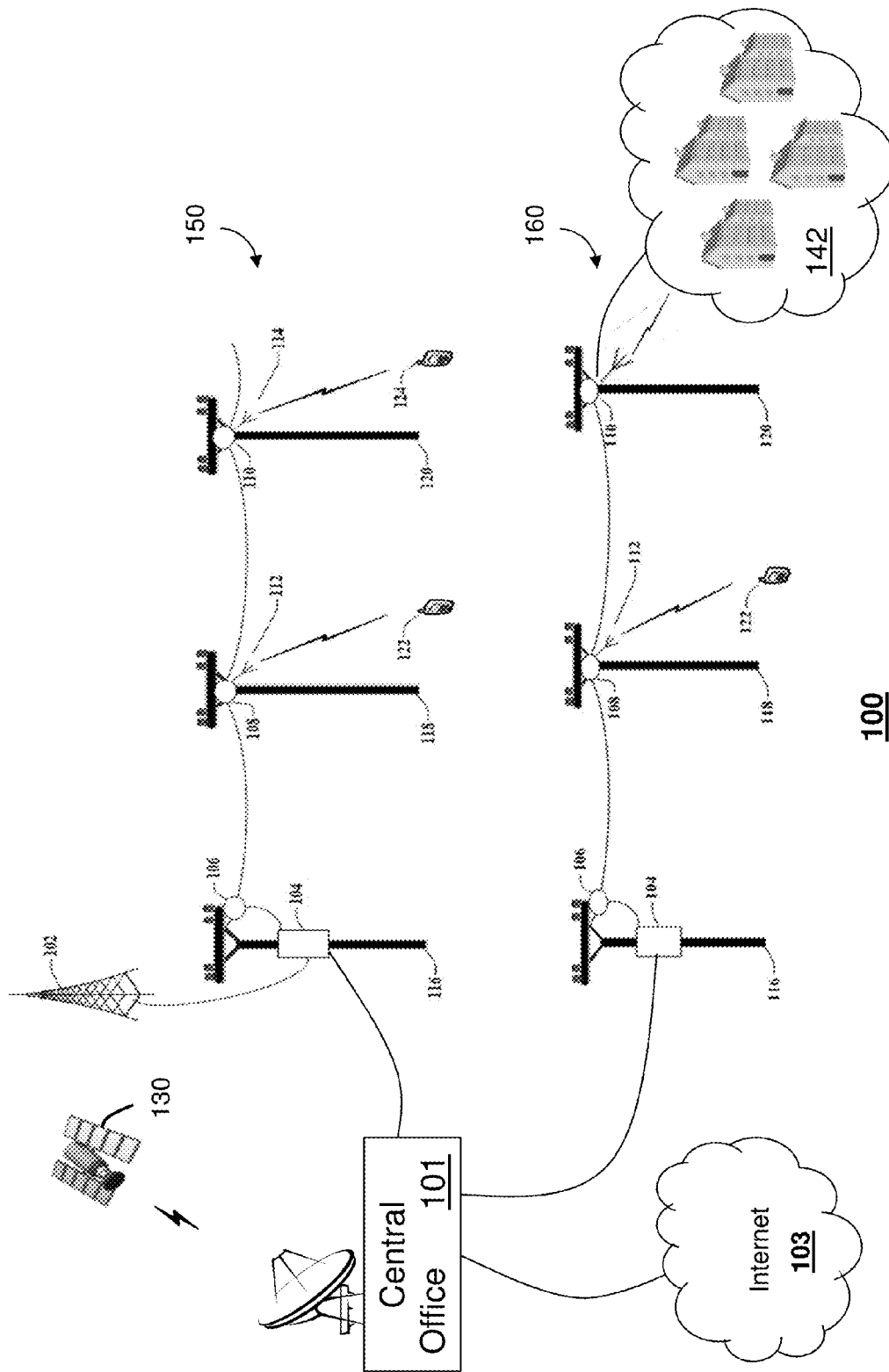
Wolfe, Victor et al., "Feasibility Study of Utilizing 4G LTE Signals in Combination With Unmanned Aerial Vehicles for the Purpose of Search and Rescue of Avalanche Victims (Increment 1)", University of Colorado at Boulder, Research Report, 2014, 26 pages.

Yeh, C. et al., "Thin-Ribbon Tapered Coupler for Dielectric Waveguides", 5/151994, 42-48..

Yilmaz, et al., Self-optimization of coverage and capacity in LTE using adaptive antenna systems. Diss. Aalto University, 2010.

Patent Cooperation Treaty (PCT), "International Preliminary Report on Patentability", dated Apr. 27, 2017, Application No. PCT/US2015/049928, pp. 1-9.

\* cited by examiner



**100**  
**FIG. 1**

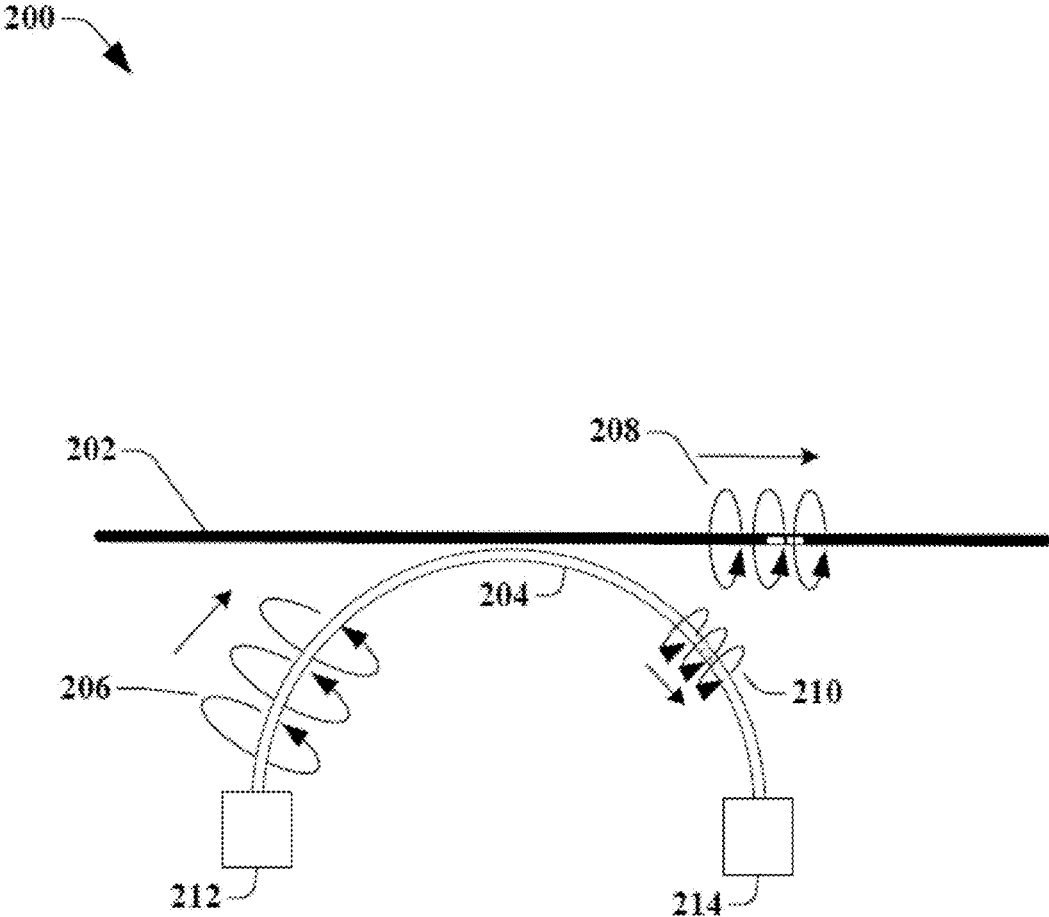


FIG. 2

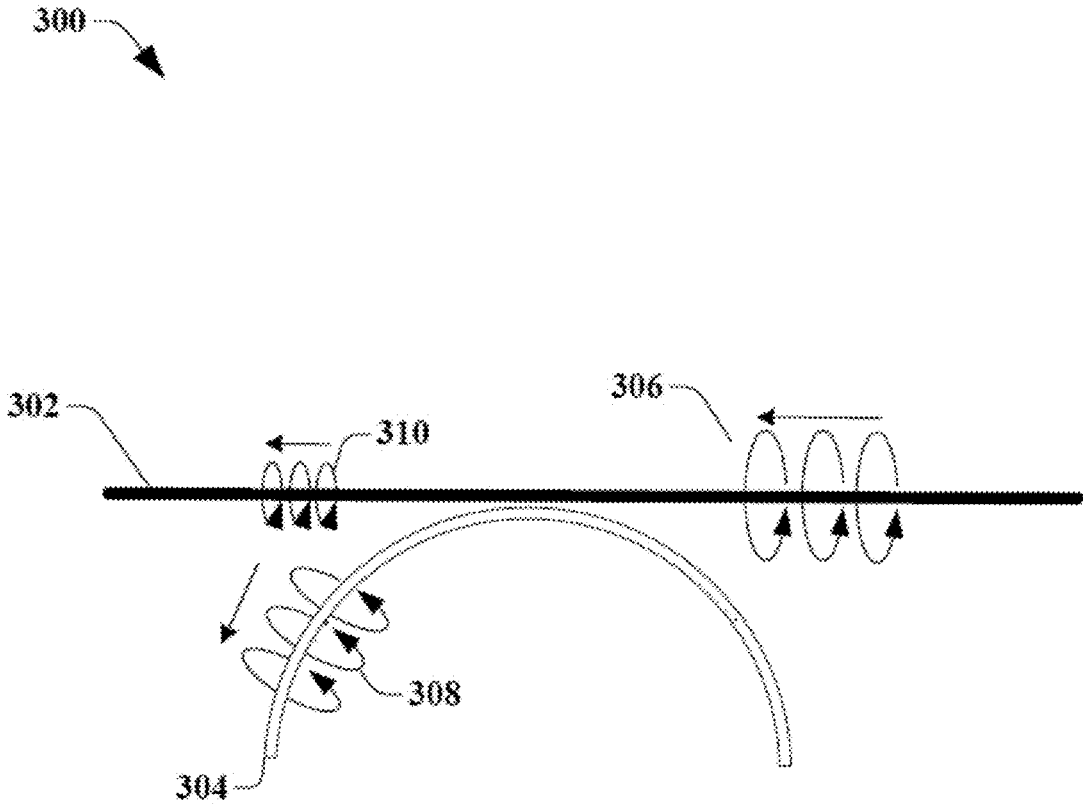


FIG. 3

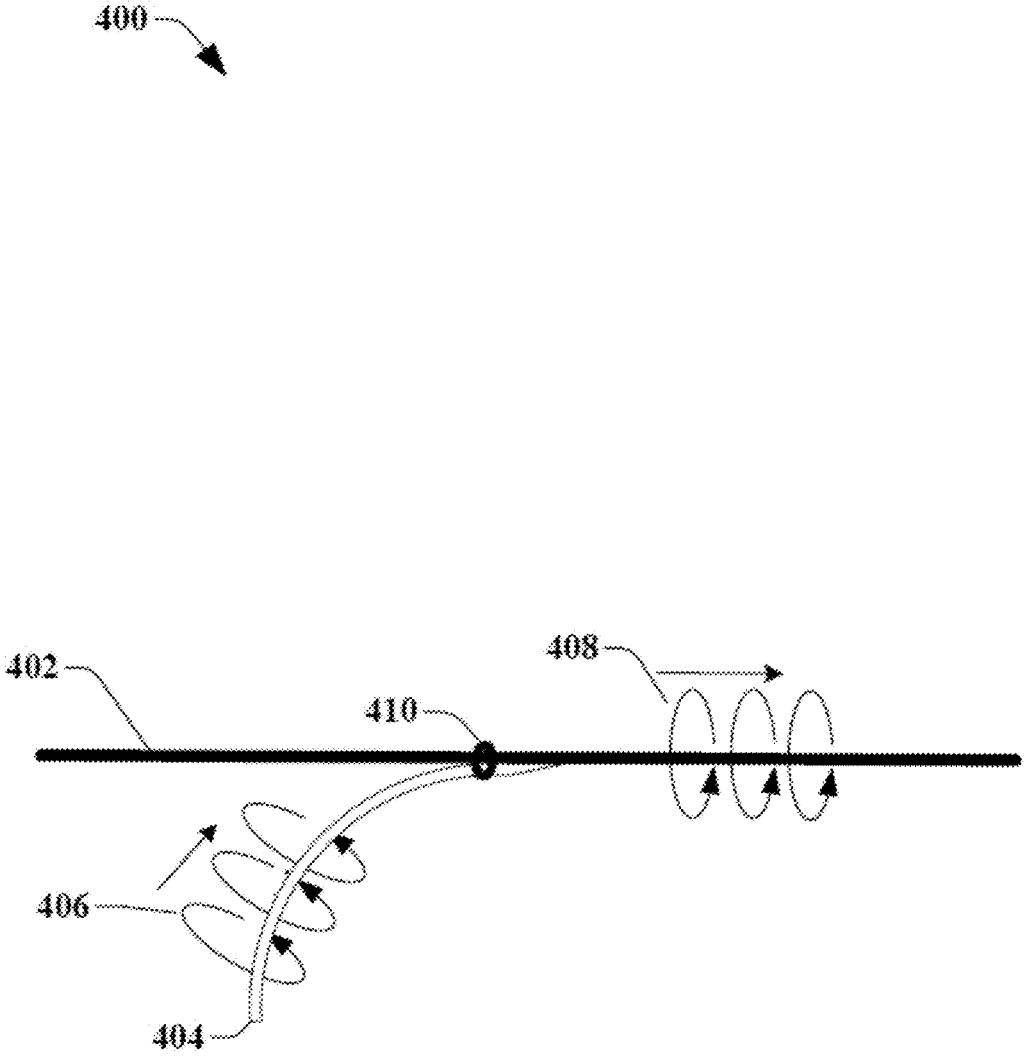


FIG. 4



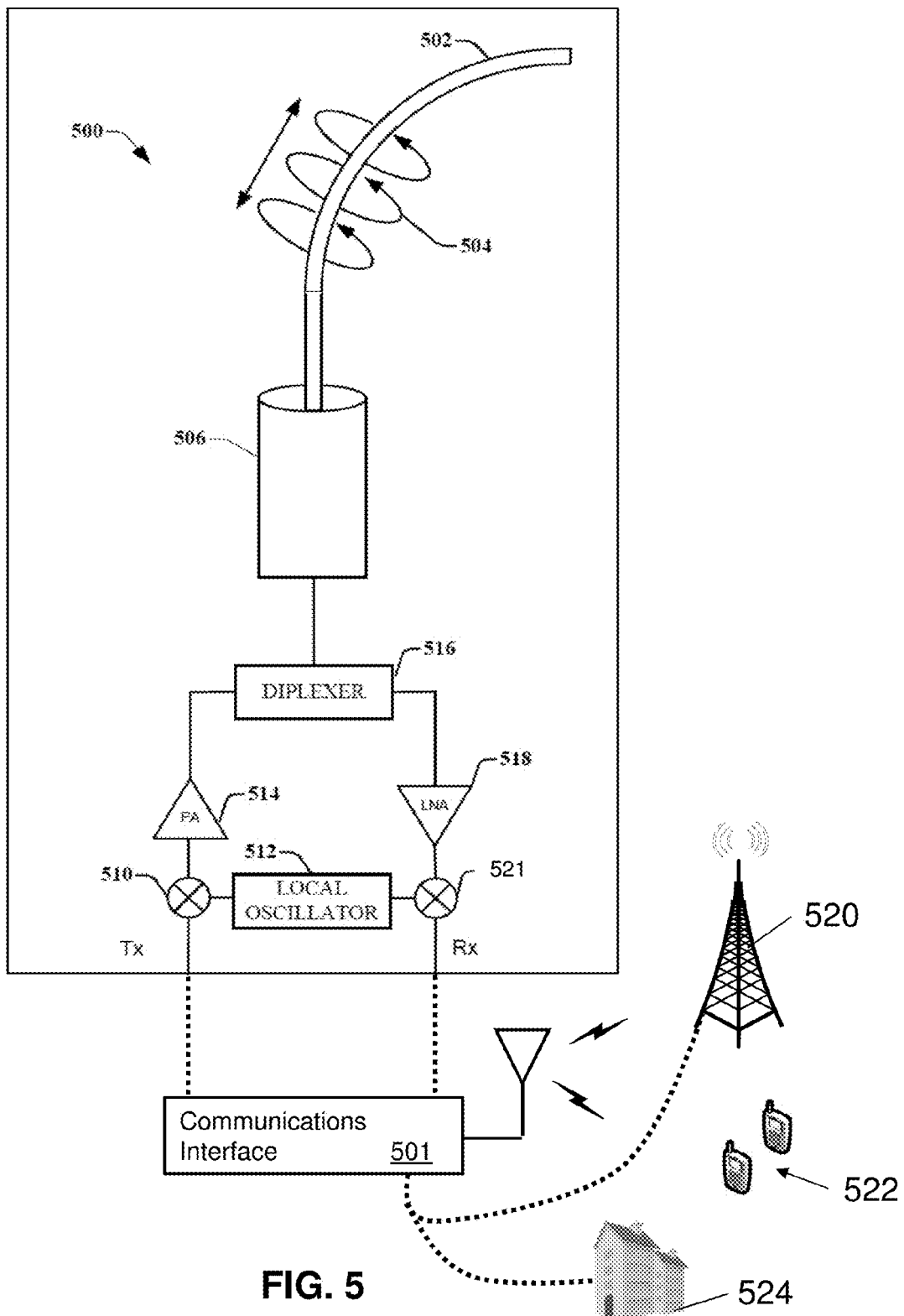


FIG. 5

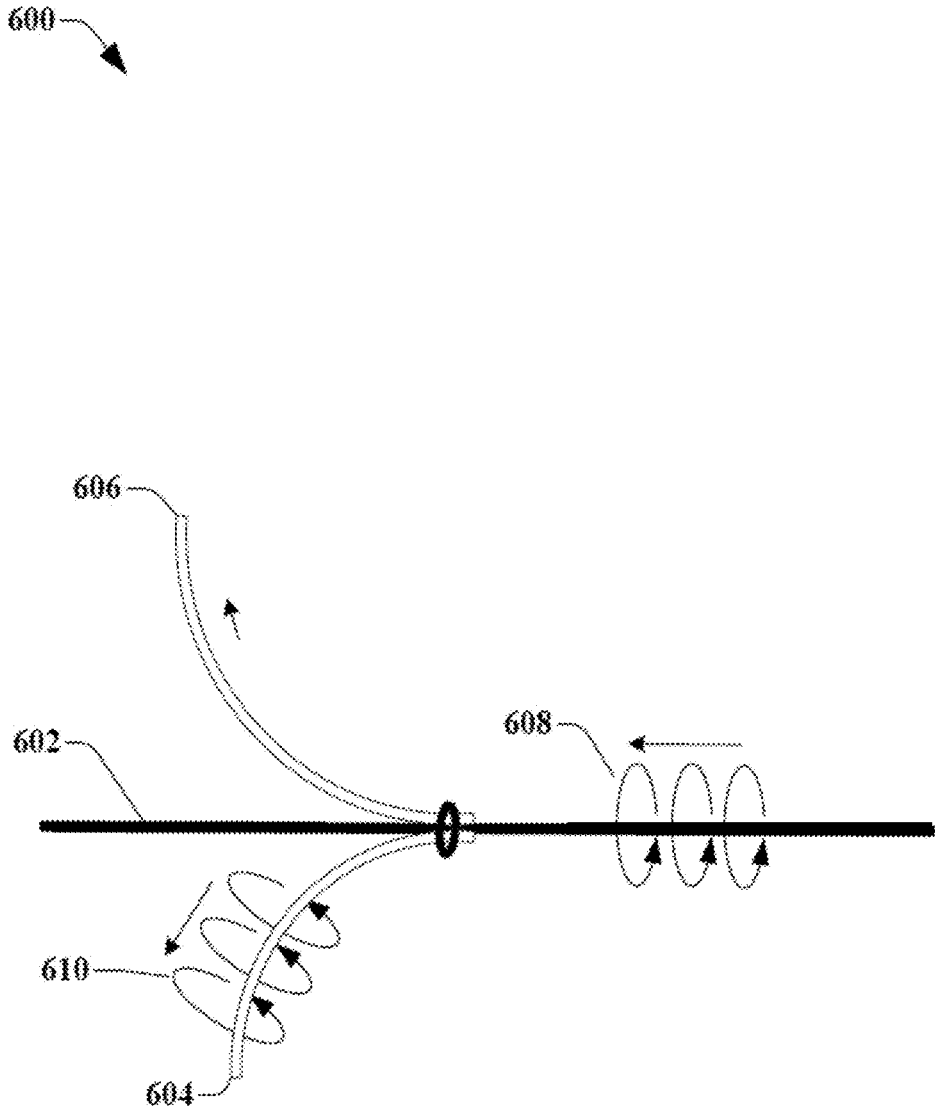


FIG. 6

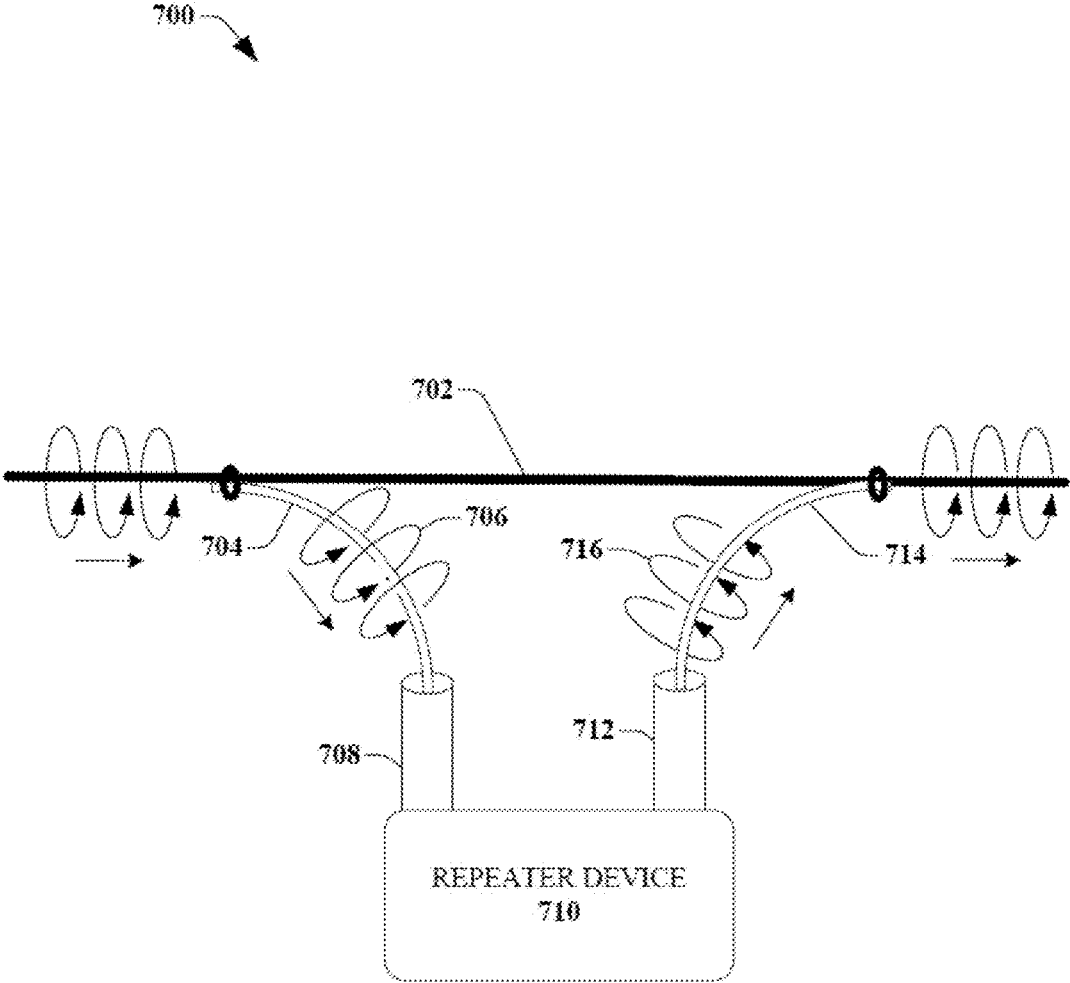


FIG. 7

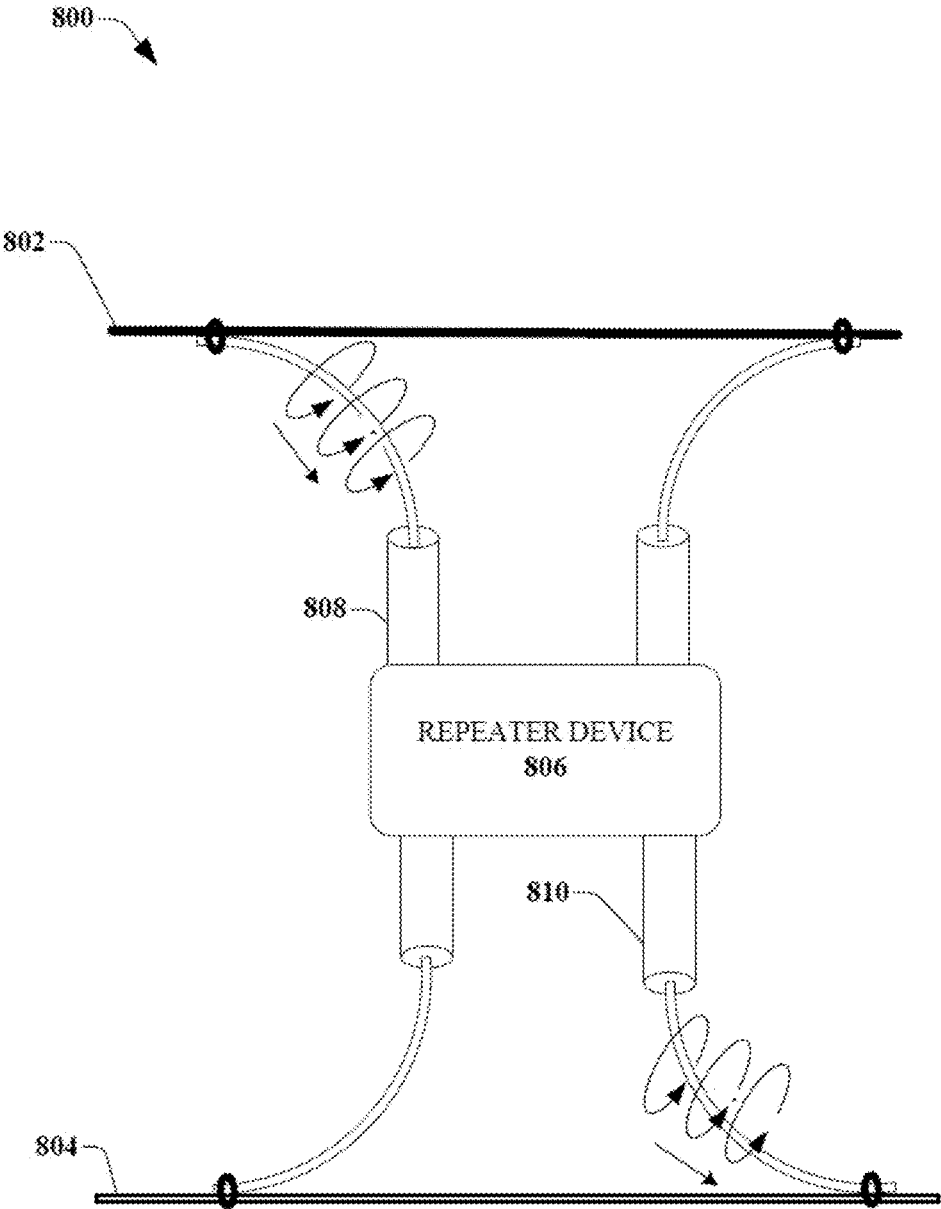


FIG. 8

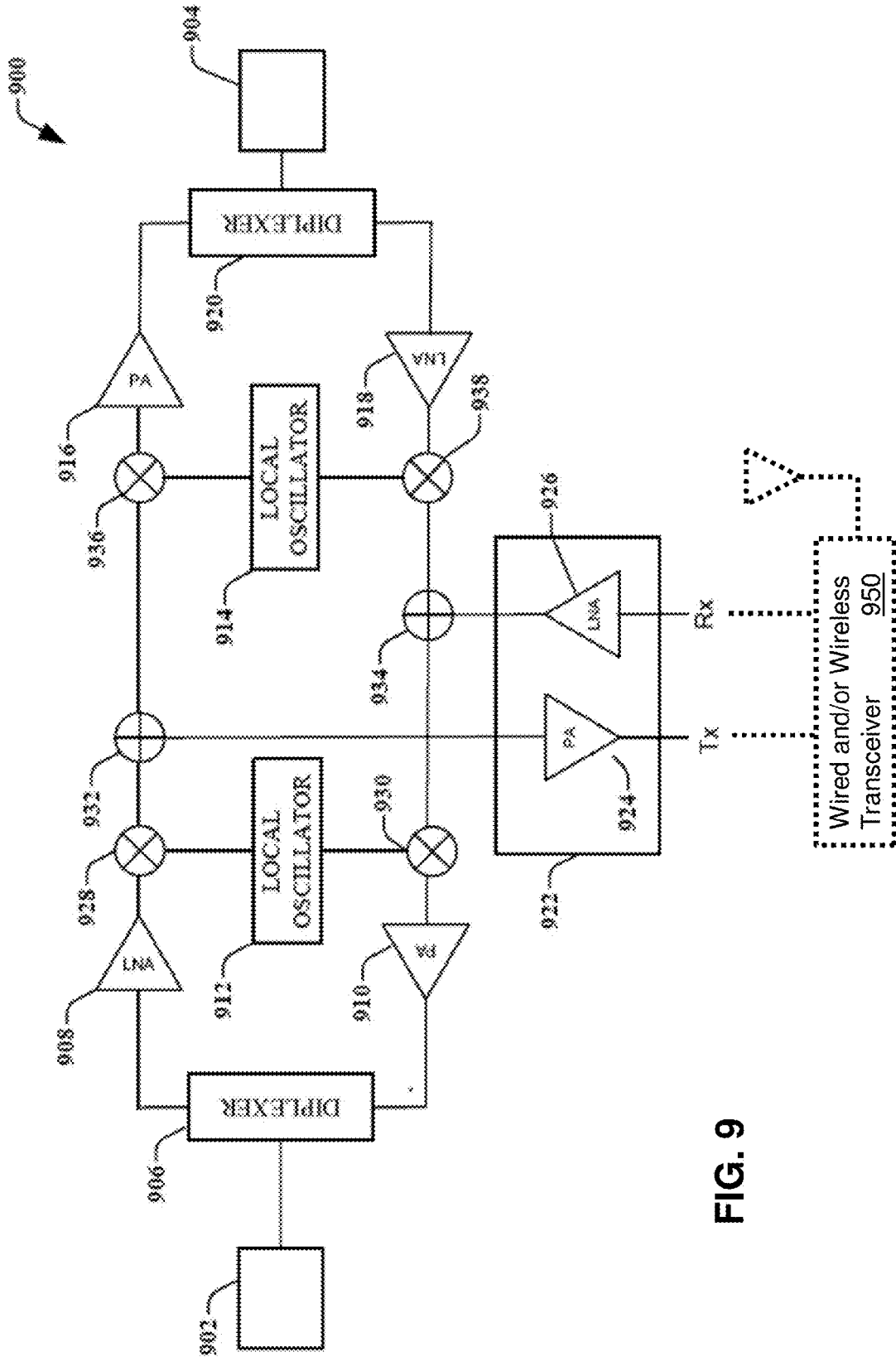


FIG. 9

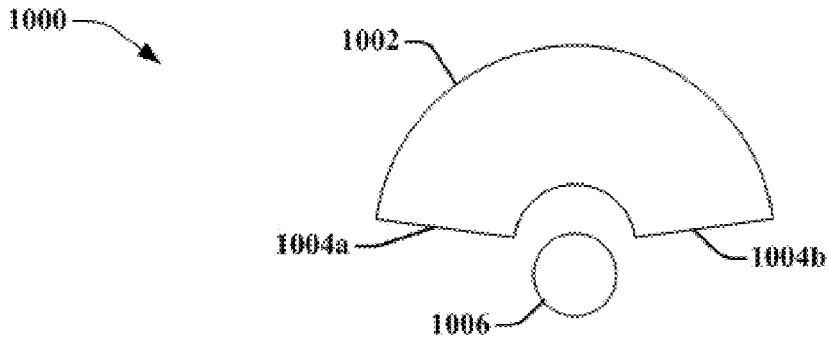


FIG. 10A

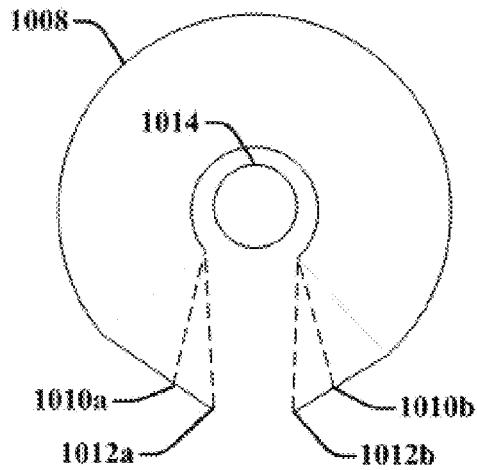


FIG. 10B

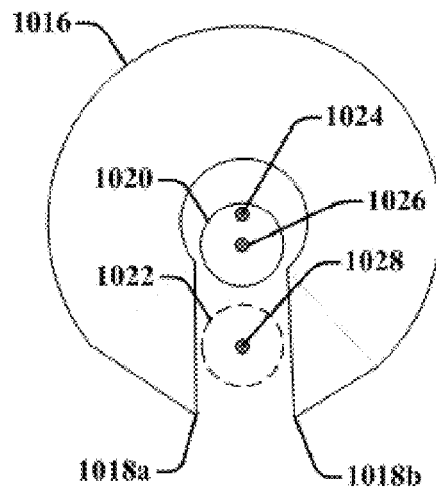


FIG. 10C

1100

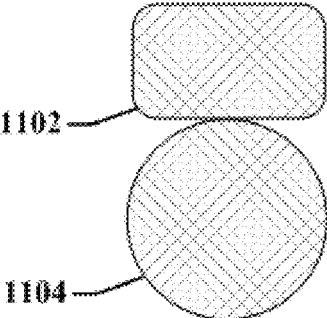


FIG. 11

1200

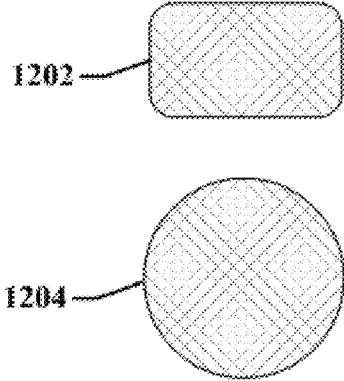


FIG. 12

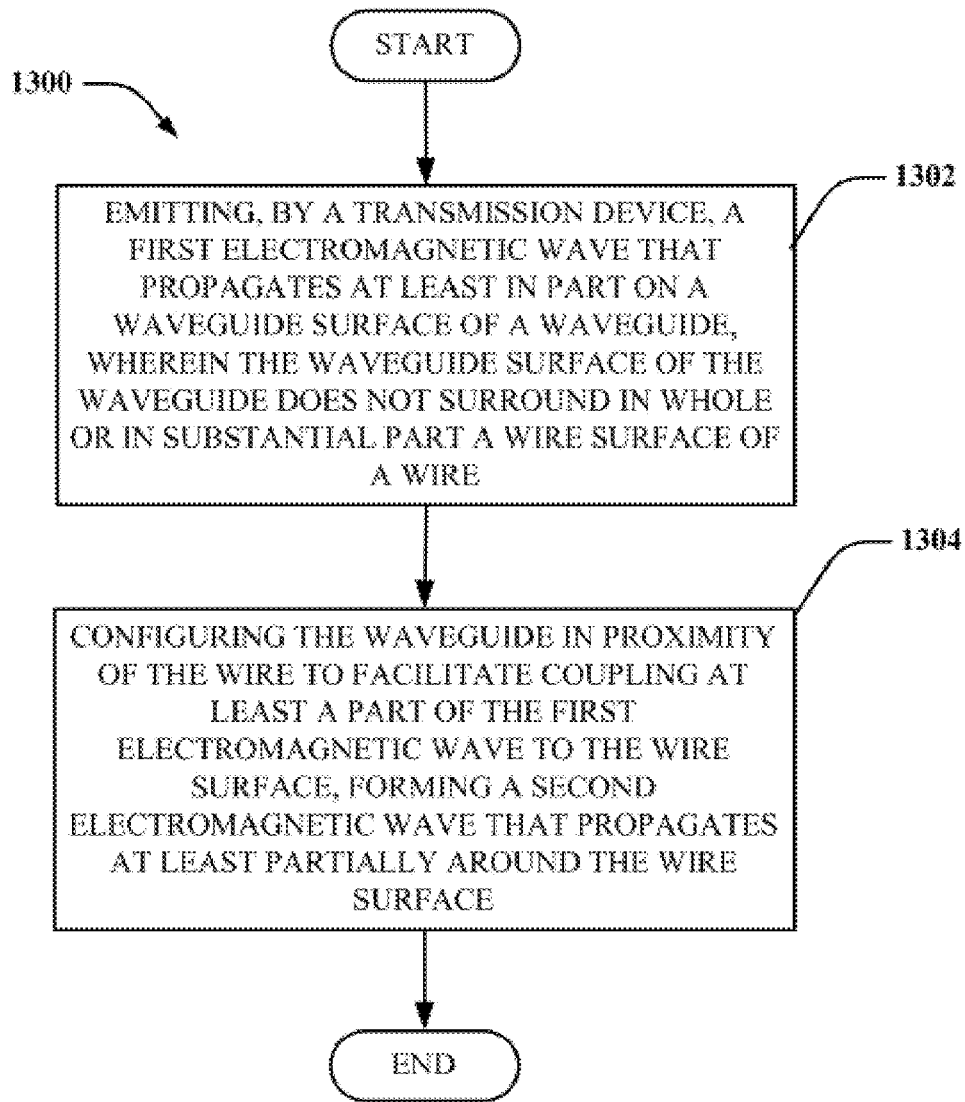


FIG. 13



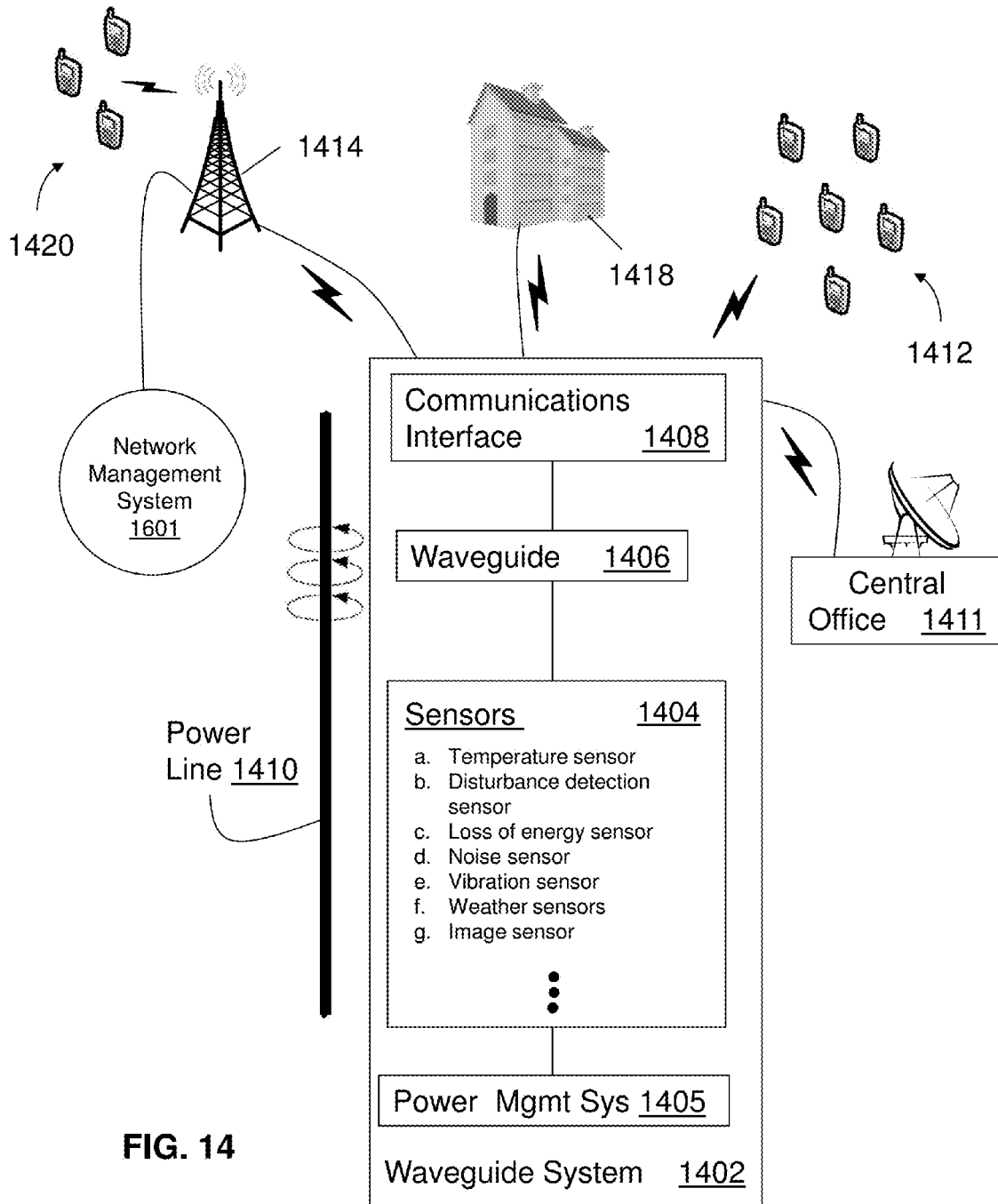


FIG. 14

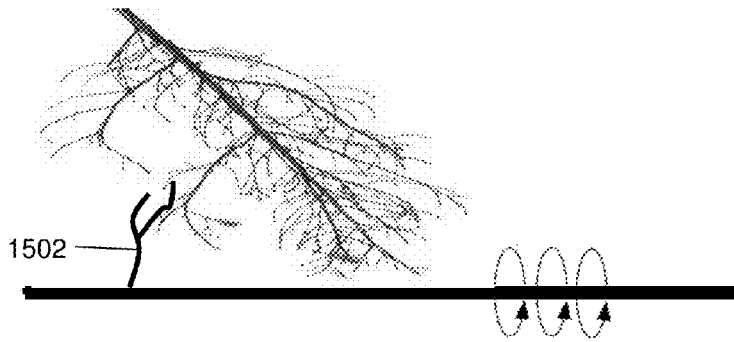


FIG. 15(A)

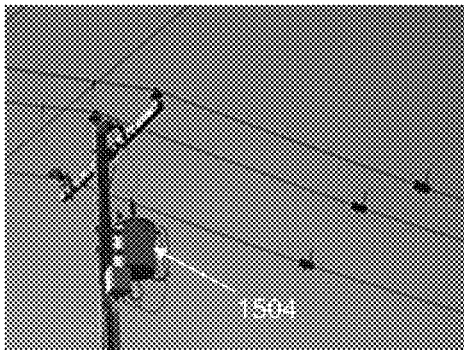


FIG. 15(B)

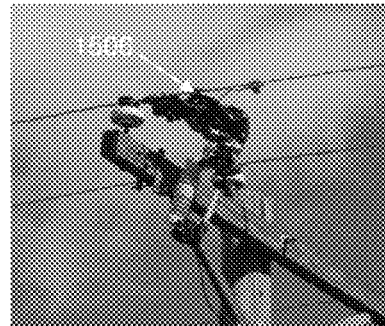


FIG. 15(C)

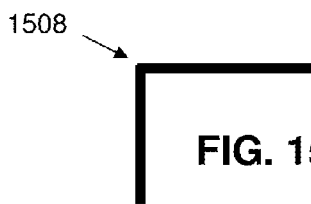


FIG. 15(D)

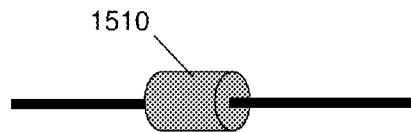


FIG. 15(E)

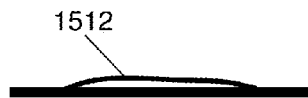
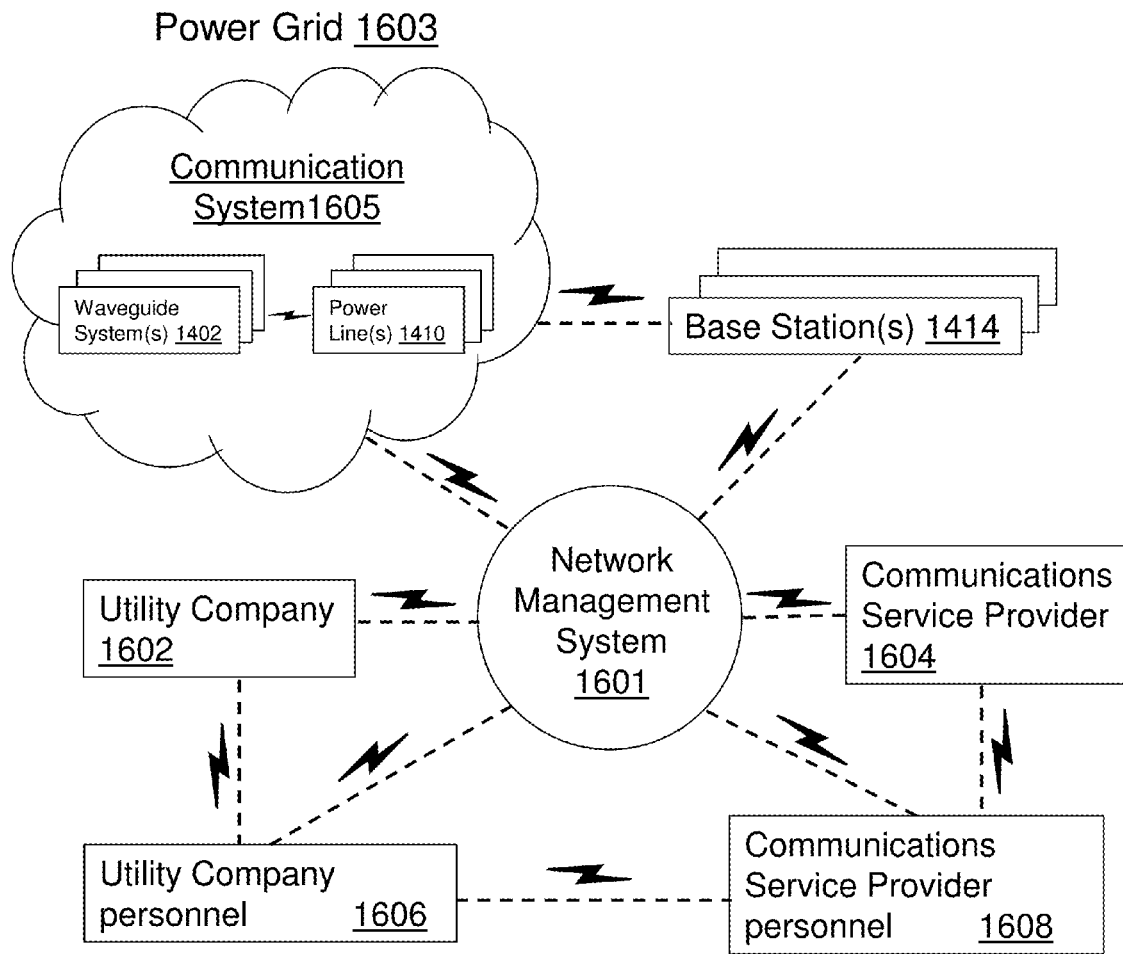


FIG. 15(F)

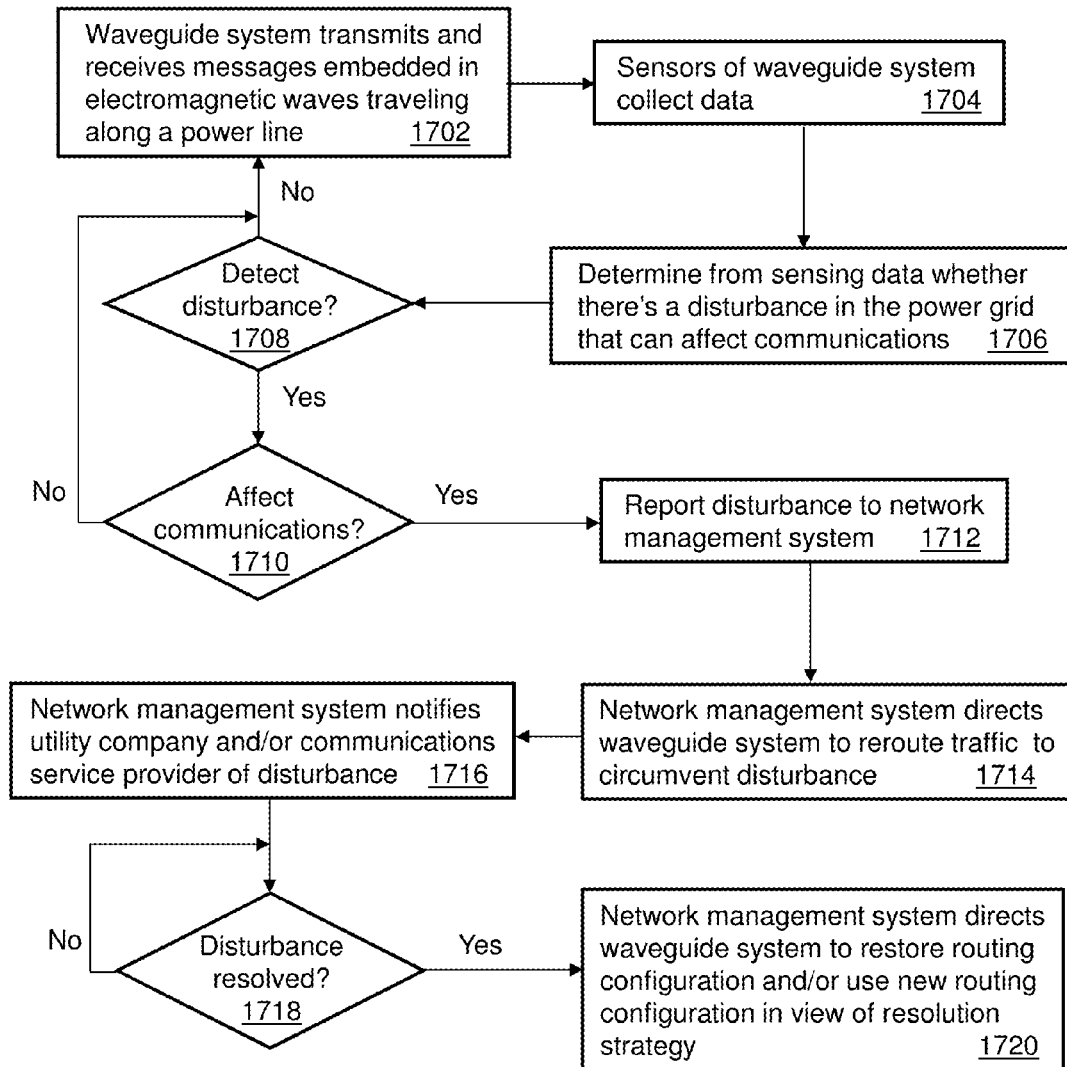


FIG. 15(G)

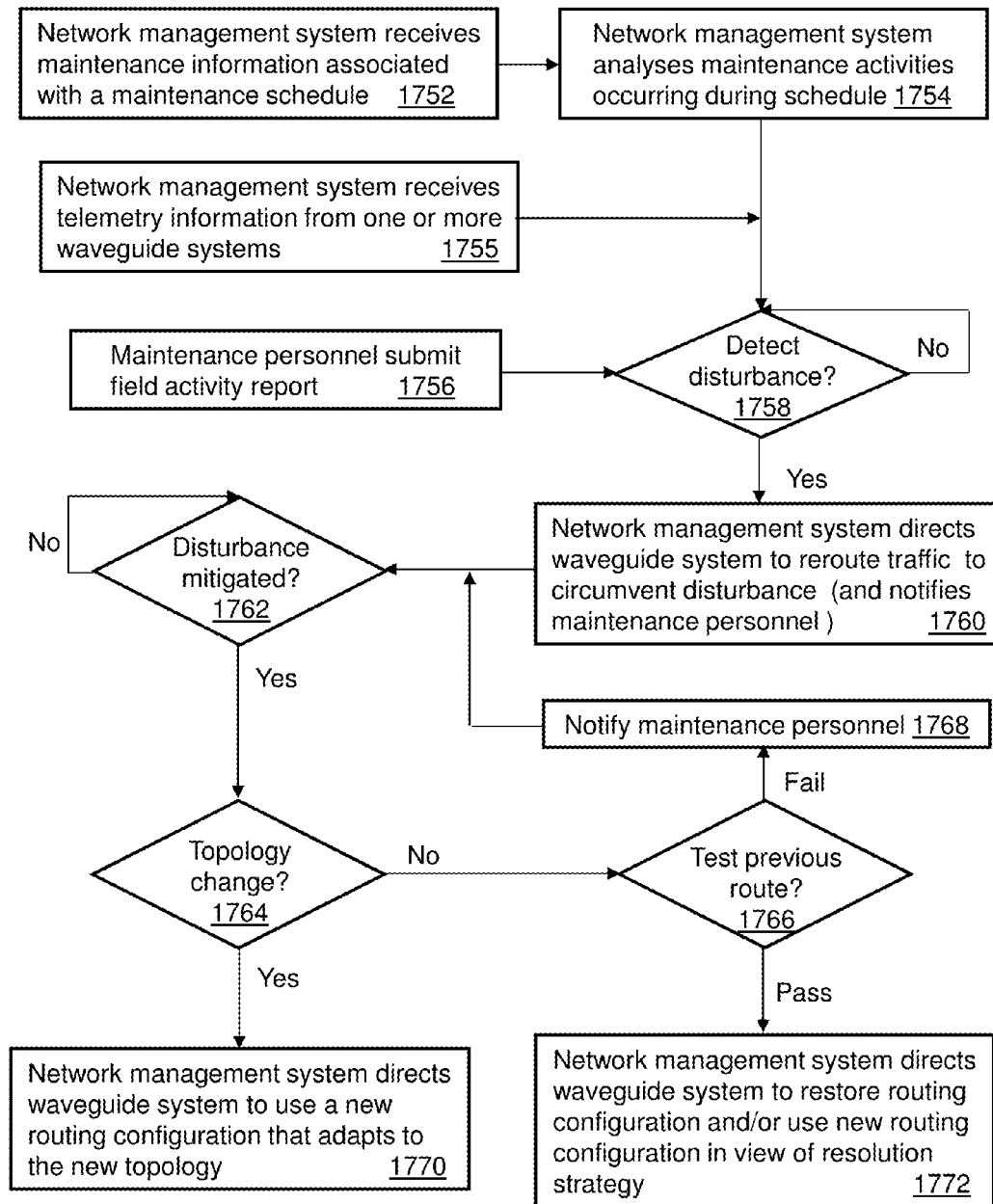


1600

FIG. 16



1700  
FIG. 17A



1750  
FIG. 17B

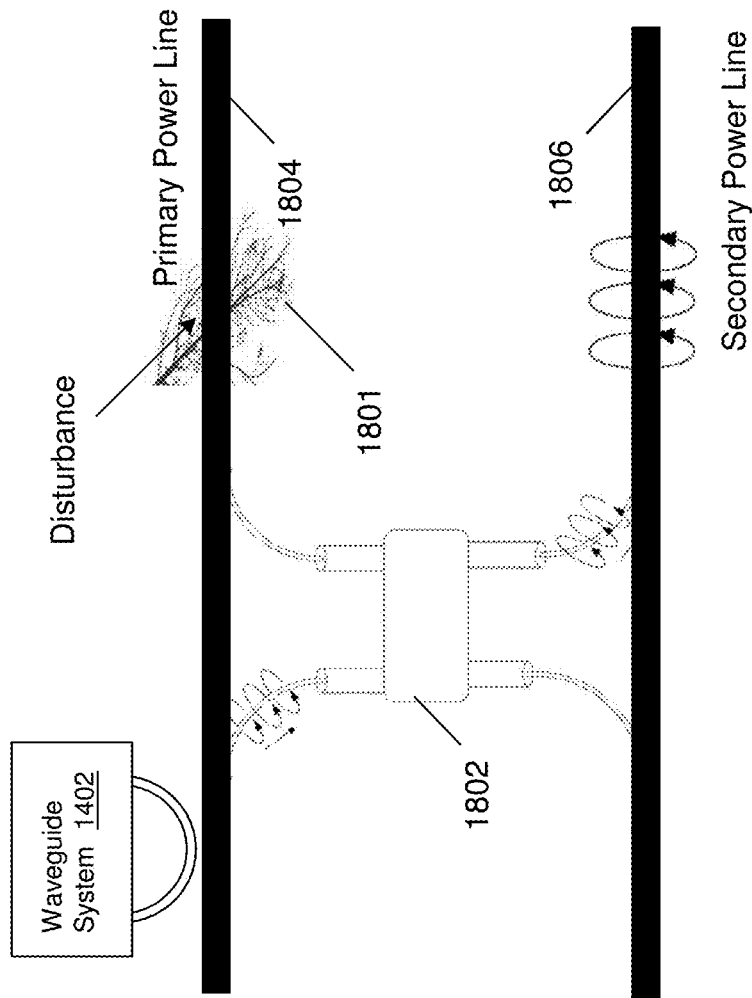


FIG. 18A

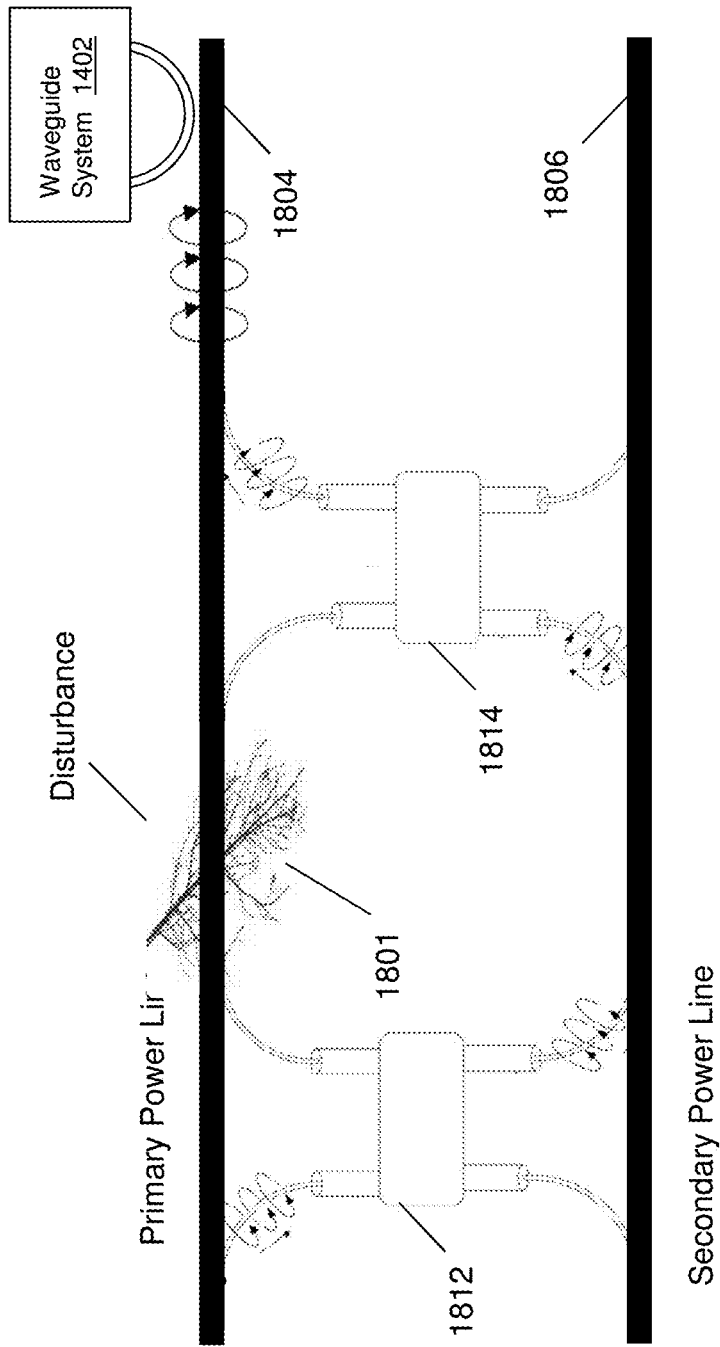
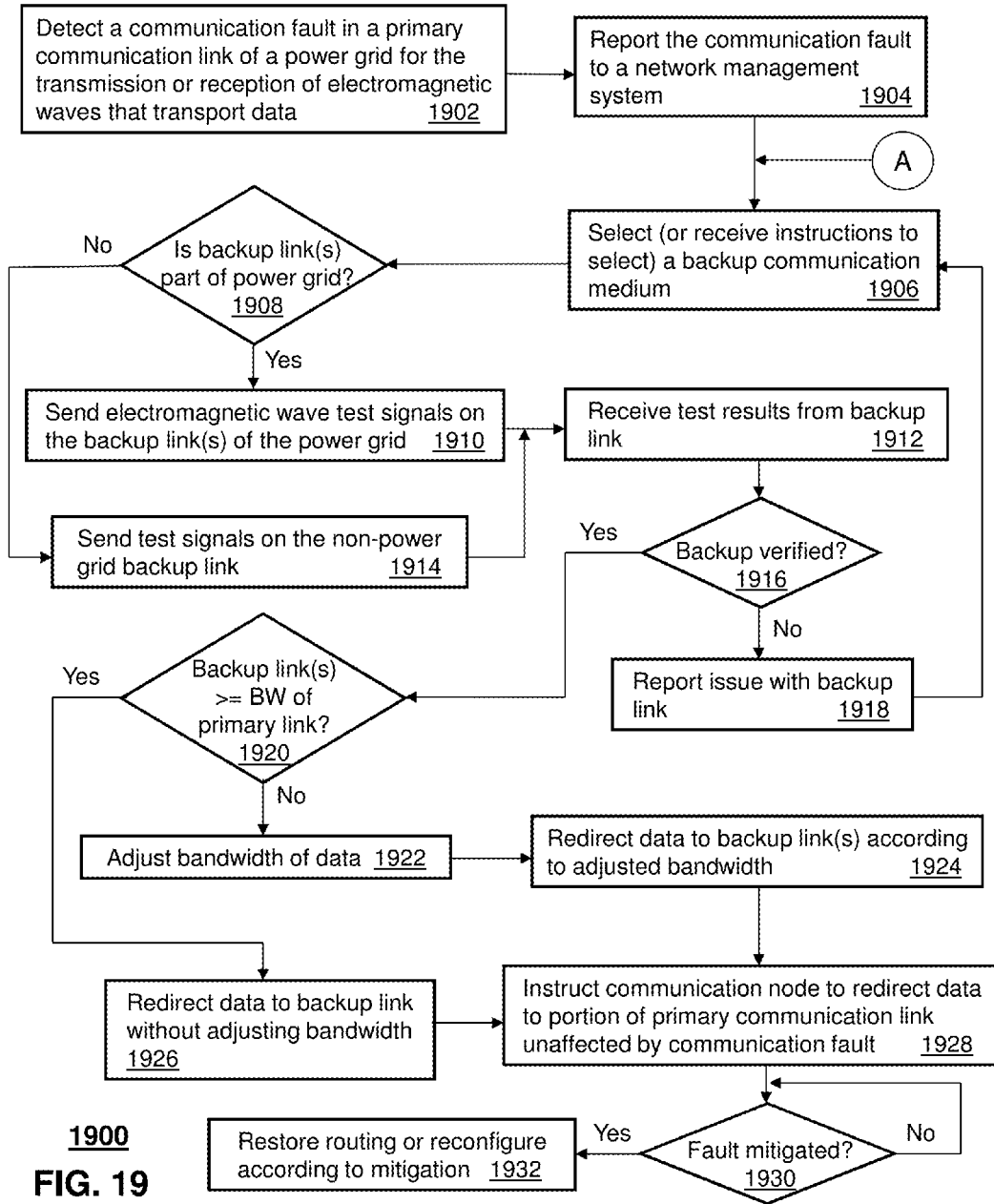


FIG. 18B



1900  
FIG. 19



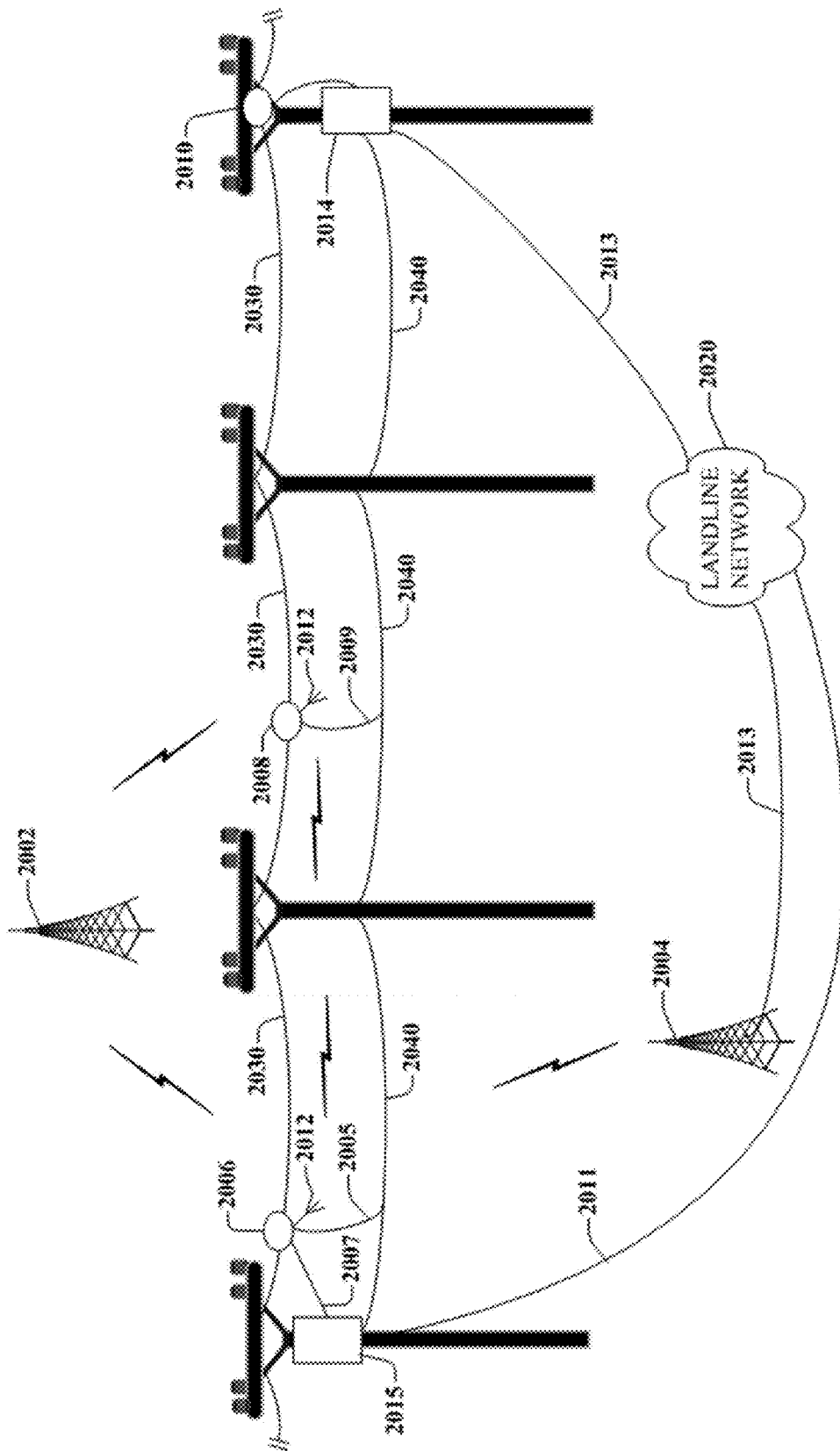
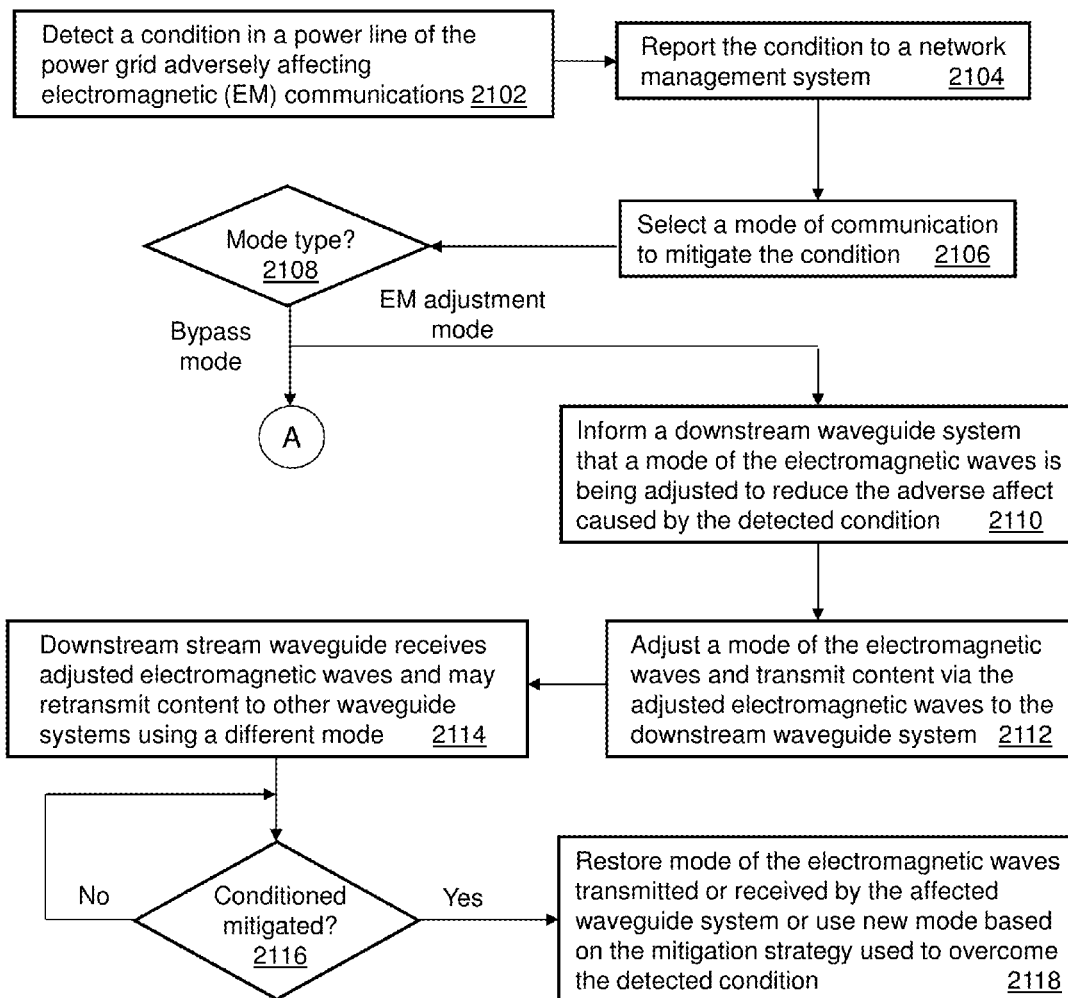


FIG. 20



2100  
FIG. 21

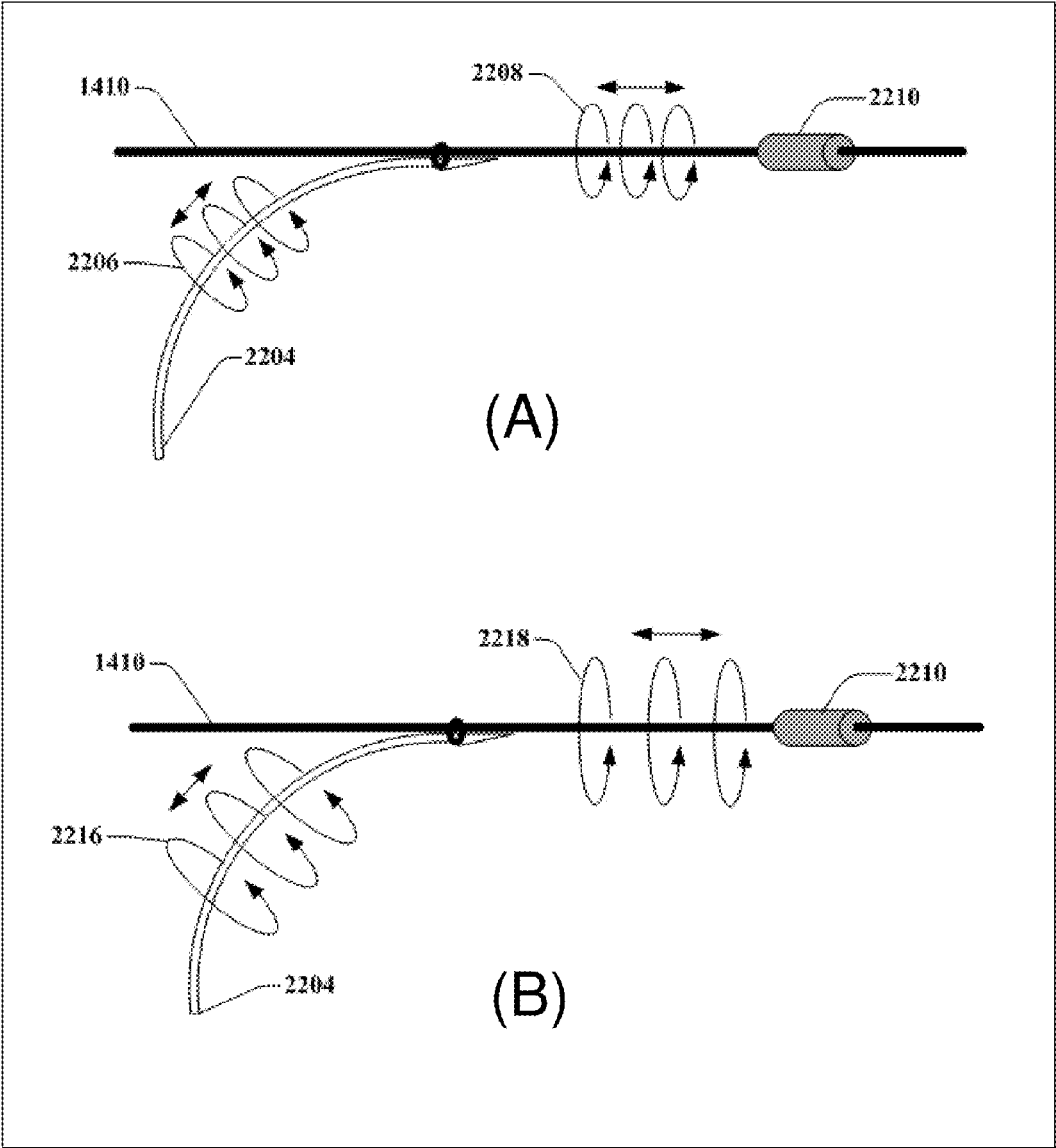


FIG. 22

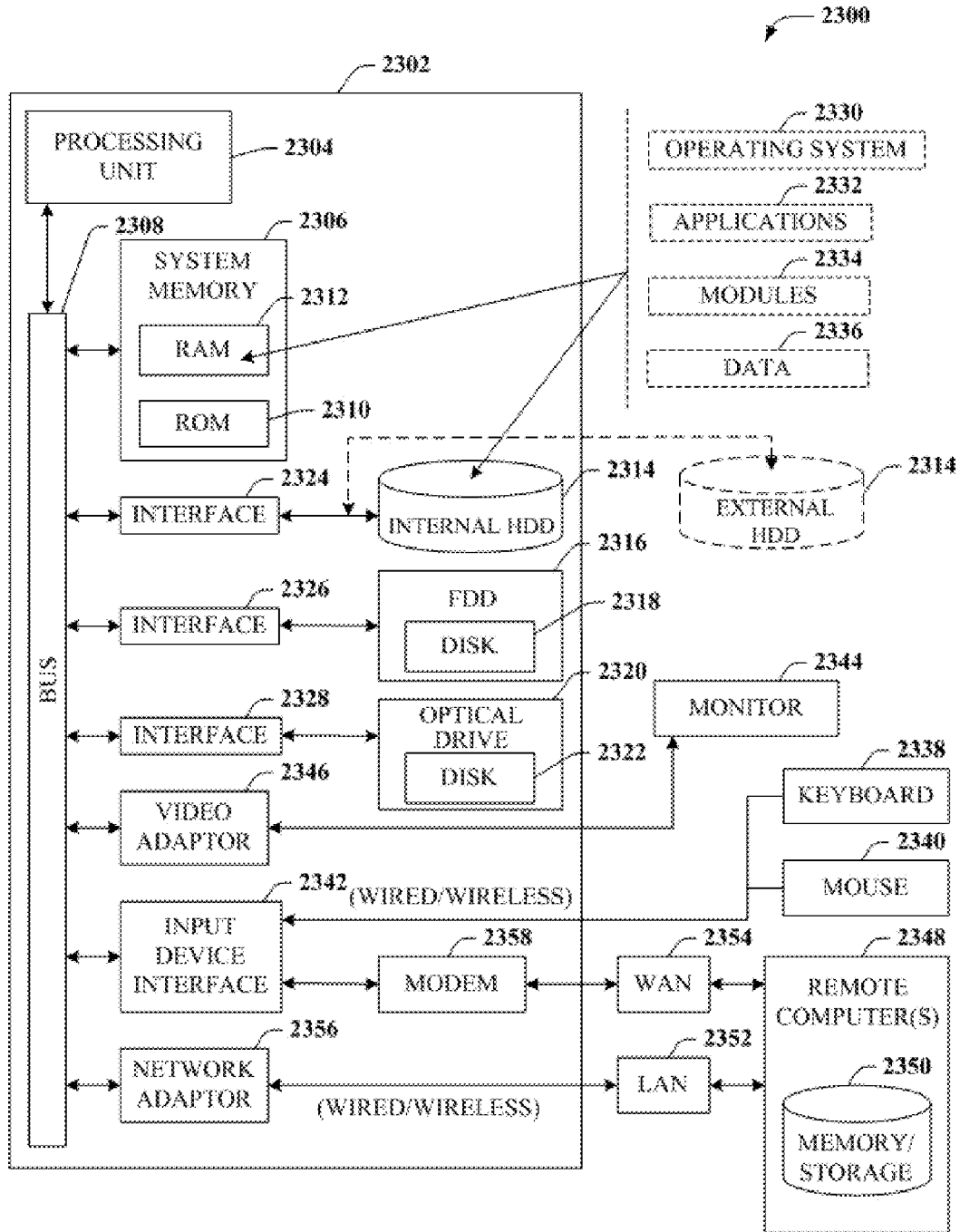


FIG. 23

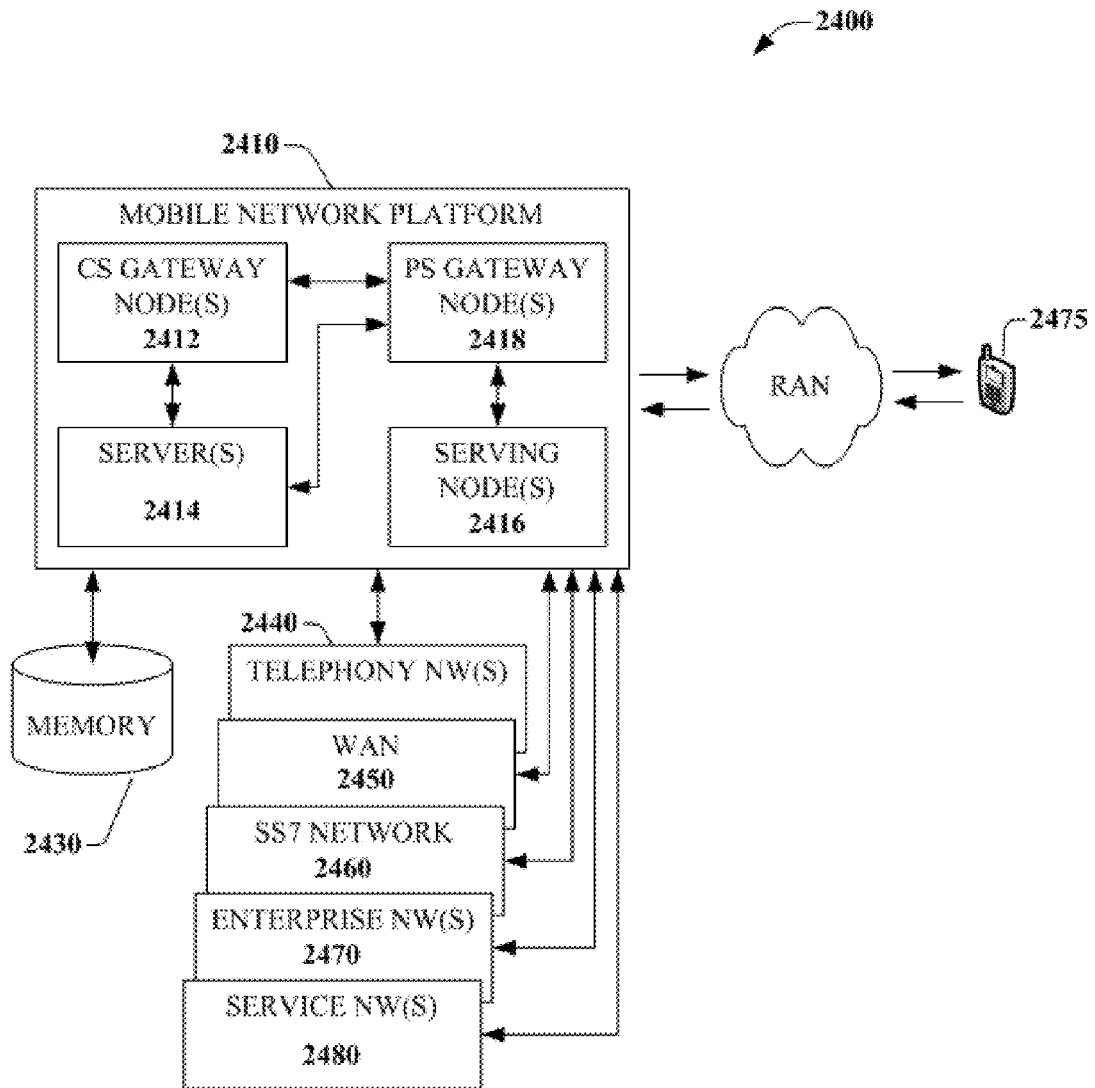
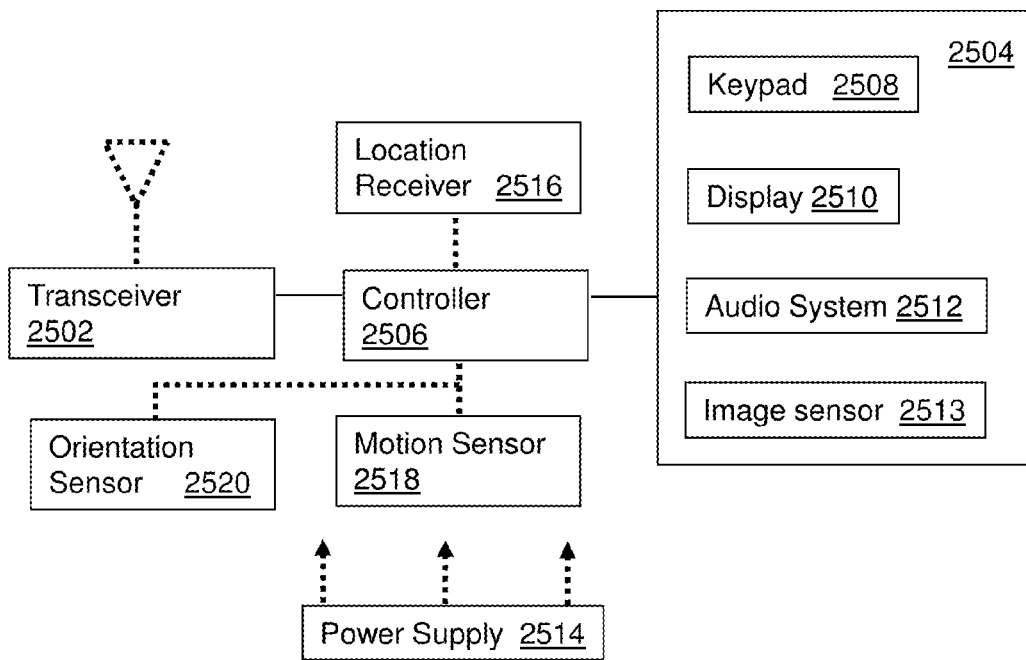


FIG. 24



**2500**  
**FIG. 25**

1

## METHOD AND APPARATUS FOR ADJUSTING A MODE OF COMMUNICATION IN A COMMUNICATION NETWORK

### FIELD OF THE DISCLOSURE

The subject disclosure relates to a method and apparatus for adjusting a mode of communication in a communication network.

### BACKGROUND

As smart phones and other portable devices increasingly become ubiquitous, and data usage increases, macrocell base station devices and existing wireless infrastructure in turn require higher bandwidth capability in order to address the increased demand. To provide additional mobile bandwidth, small cell deployment is being pursued, with microcells and picocells providing coverage for much smaller areas than traditional macrocells.

### BRIEF DESCRIPTION OF THE DRAWINGS

Reference will now be made to the accompanying drawings, which are not necessarily drawn to scale, and wherein:

FIG. 1 is a block diagram illustrating an example, non-limiting embodiment of a guided wave communications system in accordance with various aspects described herein.

FIG. 2 is a block diagram illustrating an example, non-limiting embodiment of a dielectric waveguide coupler in accordance with various aspects described herein.

FIG. 3 is a block diagram illustrating an example, non-limiting embodiment of a dielectric waveguide coupler in accordance with various aspects described herein.

FIG. 4 is a block diagram illustrating an example, non-limiting embodiment of a dielectric waveguide coupler in accordance with various aspects described herein.

FIG. 5 is a block diagram illustrating an example, non-limiting embodiment of a dielectric waveguide coupler and transceiver in accordance with various aspects described herein.

FIG. 6 is a block diagram illustrating an example, non-limiting embodiment of a dual dielectric waveguide coupler in accordance with various aspects described herein.

FIG. 7 is a block diagram illustrating an example, non-limiting embodiment of a bidirectional dielectric waveguide coupler in accordance with various aspects described herein.

FIG. 8 illustrates a block diagram illustrating an example, non-limiting embodiment of a bidirectional dielectric waveguide coupler in accordance with various aspects described herein.

FIG. 9 illustrates a block diagram illustrating an example, non-limiting embodiment of a bidirectional repeater system in accordance with various aspects described herein.

FIGS. 10A, 10B, and 10C are block diagrams illustrating example, non-limiting embodiments of a slotted waveguide coupler in accordance with various aspects described herein.

FIG. 11 is a block diagram illustrating an example, non-limiting embodiment of a waveguide coupling system in accordance with various aspects described herein.

FIG. 12 is a block diagram illustrating an example, non-limiting embodiment of a waveguide coupling system in accordance with various aspects described herein.

FIG. 13 illustrates a flow diagram of an example, non-limiting embodiment of a method for transmitting a transmission with a dielectric waveguide coupler as described herein.

2

FIG. 14 is a block diagram illustrating an example, non-limiting embodiment of a waveguide system in accordance with various aspects described herein.

FIGS. 15A, 15B, 15C, 15D, 15E, 15F, and 15G illustrate example, non-limiting embodiments of sources for disturbances detectable by the waveguide system of FIG. 14 as described herein.

FIG. 16 is a block diagram illustrating an example, non-limiting embodiment of a system for managing a power grid communication system in accordance with various aspects described herein.

FIG. 17A illustrates a flow diagram of an example, non-limiting embodiment of a method for detecting and mitigating disturbances occurring in a communication network of the system of FIG. 16.

FIG. 17B illustrates a flow diagram of an example, non-limiting embodiment of a method for detecting and mitigating disturbances occurring in a communication network of the system of FIG. 16.

FIG. 18A illustrates an example, non-limiting embodiment for mitigating a disturbance detected by the waveguide system of FIG. 14 as described herein.

FIG. 18B illustrates another example, non-limiting embodiment for mitigating a disturbance detected by the waveguide system of FIG. 14 as described herein.

FIG. 19 illustrates a flow diagram of an example, non-limiting embodiment of a method for mitigating communication faults in a communication system of FIG. 20.

FIG. 20 is a block diagram of an example, non-limiting embodiment of a communication system in accordance with various aspects described herein.

FIG. 21 illustrates a flow diagram of an example, non-limiting embodiment of a method for adjusting a communication mode in a communication system.

FIGS. 22A-22B are block diagrams of example, non-limiting embodiments of a waveguide system that adjusts a communication mode in accordance with various aspects described herein.

FIG. 23 is a block diagram of an example, non-limiting embodiment of a computing environment in accordance with various aspects described herein.

FIG. 24 is a block diagram of an example, non-limiting embodiment of a mobile network platform in accordance with various aspects described herein.

FIG. 25 is a block diagram of an example, non-limiting embodiment of a communication device in accordance with various aspects described herein.

### DETAILED DESCRIPTION

One or more embodiments are now described with reference to the drawings, wherein like reference numerals are used to refer to like elements throughout. In the following description, for purposes of explanation, numerous details are set forth in order to provide a thorough understanding of the various embodiments. It is evident, however, that the various embodiments can be practiced without these details (and without applying to any particular networked environment or standard).

To provide network connectivity to additional base station devices, the backhaul network that links the communication cells (e.g., microcells and macrocells) to network devices of the core network correspondingly expands. Similarly, to provide network connectivity to a distributed antenna system, an extended communication system that links base station devices and their distributed antennas is desirable. A guided wave communication system can be provided to

enable alternative, increased or additional network connectivity and a waveguide coupling system can be provided to transmit and/or receive guided wave (e.g., surface wave) communications on a wire, such as a wire that operates as a single-wire transmission line (e.g., a utility line), that operates as a waveguide and/or that otherwise operates to guide the transmission of an electromagnetic wave.

In an embodiment, a waveguide coupler that is utilized in a waveguide coupling system can be made of a dielectric material, or other low-loss insulator (e.g., Teflon, polyethylene and etc.), or even be made of a conducting (e.g., metallic, non-metallic, etc.) material, or any combination of the foregoing materials. Reference throughout the detailed description to “dielectric waveguide” is for illustration purposes and does not limit embodiments to being constructed solely of dielectric materials. In other embodiments, other dielectric or insulating materials are possible. It will be appreciated that a variety of transmission media can be utilized with guided wave communications without departing from example embodiments. Examples of such transmission media can include one or more of the following, either alone or in one or more combinations: wires, whether insulated or not, and whether single-stranded or multi-stranded; conductors of other shapes or configurations including wire bundles, cables, rods, rails, pipes; non-conductors such as dielectric pipes, rods, rails, or other dielectric members; combinations of conductors and dielectric materials; or other guided wave transmission media.

For these and/or other considerations, in one or more embodiments, an apparatus comprises a waveguide that facilitates propagation of a first electromagnetic wave at least in part on a waveguide surface, wherein the waveguide surface does not surround in whole or in substantial part a wire surface of a wire, and, in response to the waveguide being positioned with respect to the wire, the first electromagnetic wave couples at least in part to the wire surface and travels at least partially around the wire surface as a second electromagnetic wave, and wherein the second electromagnetic wave has at least one wave propagation mode for propagating longitudinally along the wire.

In another embodiment, an apparatus comprises a waveguide that has a waveguide surface that defines a cross sectional area of the waveguide wherein a wire is positioned outside of the cross-sectional area of the waveguide such that a first electromagnetic wave, traveling along the wire at least in part on the wire surface, couples at least in part to the waveguide surface and travels at least partially around the waveguide surface as a second electromagnetic wave.

In an embodiment, a method comprises emitting, by a transmission device, a first electromagnetic wave that propagates at least in part on a waveguide surface of a waveguide, wherein the waveguide is not coaxially aligned with a wire. The method can also include configuring the waveguide in proximity of the wire to facilitate coupling of at least a part of the first electromagnetic wave to a wire surface, forming a second electromagnetic wave that propagates longitudinally along the wire and at least partially around the wire surface.

In another embodiment, an apparatus comprises, in one or more embodiments, a waveguide having a slot formed by opposing slot surfaces that are non-parallel, wherein the opposing slot surfaces are separated by a distance that enables insertion of a wire in the slot, wherein the waveguide facilitates propagation of a first electromagnetic wave at least in part on a waveguide surface, and, in response to the waveguide being positioned with respect to the wire, the first electromagnetic wave couples at least in part to a wire

surface of the wire and travels at least partially around the wire surface as a second electromagnetic wave for propagating longitudinally along the wire, and wherein the second electromagnetic wave has at least one wave propagation mode.

In another embodiment, an apparatus comprises, in one or more embodiments, a waveguide, wherein the waveguide comprises a material that is not electrically conductive and is suitable for propagating electromagnetic waves on a waveguide surface of the waveguide, wherein the waveguide facilitates propagation of a first electromagnetic wave at least in part on the waveguide surface, and, in response to the waveguide being positioned with respect to a wire, the first electromagnetic wave couples at least in part to a wire surface of the wire and travels at least partially around the wire surface as a second electromagnetic wave, and wherein the second electromagnetic wave has at least one wave propagation mode for propagating longitudinally along the wire.

One embodiment of the subject disclosure includes an apparatus having a waveguide that facilitates transmission or reception of electromagnetic waves along a surface of a wire of a power grid that also facilitates delivery of electric energy to devices. The apparatus can further include one or more sensors that facilitate sensing of a disturbance that is adverse to the waveguide, the wire, the transmission or reception of electromagnetic waves that propagate along the surface or waveguide surface, or any combination thereof.

One embodiment of the subject disclosure includes a method for transmitting, by an apparatus having a waveguide and a sensor, electromagnetic waves that propagate along a surface of a wire that facilitates delivery of electric energy to devices, and sensing, by the sensor, a disturbance that is adverse to the electromagnetic waves that propagate along the surface.

One embodiment of the subject disclosure includes a machine-readable (e.g., computer-readable, processor-readable, etc.) storage medium having executable instructions that, when executed by a processor, facilitate performance of operations, including inducing with or via a waveguide, electromagnetic waves guided along a surface of a transmission medium, and collecting sensing data from a sensor, the sensing data associated with a disturbance that is adverse to the electromagnetic waves guided along the surface of the transmission medium.

One embodiment of the subject disclosure includes an apparatus having a processor and a memory. The processor can perform an operation of receiving telemetry information from a waveguide system coupled to a sensor, detecting from the telemetry information a disturbance that is adverse to one of operations of the waveguide system, the transmission or reception of the electromagnetic waves along the wire surface or the waveguide surface, or a combination thereof, and reporting the disturbance. The waveguide system can comprise a waveguide that can be positioned with respect to a wire of a power grid that facilitates delivery of electric energy to devices. The waveguide can also facilitate transmission or reception of electromagnetic waves along a wire surface of the wire, while the sensor can facilitate sensing disturbances adverse to electromagnetic waves.

One embodiment of the subject disclosure includes a method for receiving, by a network element comprising a processor, telemetry information from a waveguide system, determining, by the network element, a disturbance from sensing data included in the telemetry information, and transmitting, by the network element, instructions to the waveguide system to adjust a route of the electromagnetic



5

waves to avoid or compensate for the disturbance determined. The waveguide system can facilitate transmission of electromagnetic waves along a surface of a wire of a power grid and sensing of disturbances adverse to the transmission or reception of the electromagnetic waves.

One embodiment of the subject disclosure includes a machine-readable (e.g., computer-readable, processor-readable, etc.) storage medium having executable instructions that, when executed by a processor, facilitate performance of operations, including receiving telemetry information from an apparatus that induces electromagnetic waves on a surface of a wire of a power grid for delivery of communication signals to a recipient communication device coupled to the power grid, and detecting a disturbance from the telemetry information that is adverse to a delivery of the communication signals to the recipient communication device.

One embodiment of the subject disclosure includes a waveguide system comprising a first waveguide, a second waveguide, and a memory including instructions executable by a processor. The first waveguide can be positioned with respect to a first wire of a power grid that facilitates delivery of electric power to devices. The first waveguide facilitates transmission or reception of electromagnetic waves that propagate along a first surface of the first wire for transporting communications data. The second waveguide can be positioned with respect to a second wire of the power grid for facilitating transmission or reception of electromagnetic waves that propagate along a second surface of the second wire. In an example embodiment, the first wire corresponds to a primary communication link of the power grid, while the second wire corresponds to a secondary communication link of the power grid. The processor can perform operations including detecting a communication fault in the primary communication link that is adverse to the transmission or reception of electromagnetic waves that transport the communications data, and redirecting via the second waveguide the transmission or reception of electromagnetic waves transporting the communications data to the secondary communication link responsive to detecting the communication fault.

One embodiment of the subject disclosure includes a communication system comprising a plurality of waveguide systems and a memory including instructions executable by a processor. Each of the plurality of waveguide systems can facilitate transmission or reception of electromagnetic waves that transport communications data directed to a recipient device and that propagate along surfaces of a first wire or a second wire of a power grid. In an example embodiment, the first wire of the power grid is used as a primary communication link, while the second wire of the power grid is used as a backup communication link. The processor can perform operations including instructing a first waveguide system of the plurality of waveguide systems to redirect transmission or reception of electromagnetic waves transporting the communications data to the backup communication link responsive to detecting a communication fault in the primary communication link.

One embodiment of the subject disclosure includes a method for detecting a communication fault in a first wire of a power grid that affects a transmission or reception of electromagnetic waves that transport data and that propagate along surfaces of the first wire, selecting a backup communication medium from a plurality of backup communication mediums according to selection criteria, and redirecting the transmission or reception of electromagnetic waves that transport the data to the backup communication medium to circumvent the communication fault.

6

One embodiment of the subject disclosure includes a method for detecting an impairment, the impairment adversely affecting a propagation of electromagnetic waves on a surface of a wire, and adjusting a mode of communication for transmitting or receiving electromagnetic waves on the surface of the wire to mitigate the impairment.

One embodiment of the subject disclosure includes a waveguide system including a waveguide that facilitates transmission or reception of electromagnetic waves that propagate along a surface of a wire, a memory that stores instructions, and a processor coupled thereto. The processor can perform operations including detecting a condition that adversely affects a propagation of electromagnetic waves on a surface of a wire, and adjusting a wave propagation mode of the electromagnetic waves transmitted or received by the waveguide to reduce adverse effects caused by the condition.

One embodiment of the subject disclosure includes a machine-readable device, including instructions. Responsive to executing the instructions, a processor can perform operations including detecting a source of signal degradation wire that adversely affects a propagation of electromagnetic waves generated by a waveguide system on a surface of a wire, and adjusting characteristics of the electromagnetic waves generated by the waveguide system to reduce adverse effects caused by the source of signal interference.

Various embodiments described herein relate to a waveguide coupling system for launching and extracting guided wave (e.g., surface wave communications that are electromagnetic waves) transmissions from a wire. At millimeter-wave frequencies (e.g., 30 to 300 GHz), wherein the wavelength can be small compared to the size of the equipment, transmissions can propagate as waves guided by a waveguide, such as a strip or length of dielectric material or other coupler. The electromagnetic field structure of the guided wave can be inside and/or outside of the waveguide. When this waveguide is brought into close proximity to a wire (e.g., a utility line or other transmission line), at least a portion of the guided waves decouples from the waveguide and couples to the wire, and continue to propagate as guided waves, such as surface waves about the surface of the wire.

According to an example embodiment, a surface wave is a type of guided wave that is guided by a surface of the wire, which can include an exterior or outer surface of the wire, or another surface of the wire that is adjacent to or exposed to another type of medium having different properties (e.g., dielectric properties). Indeed, in an example embodiment, a surface of the wire that guides a surface wave can represent a transitional surface between two different types of media. For example, in the case of a bare or uninsulated wire, the surface of the wire can be the outer or exterior conductive surface of the bare or uninsulated wire that is exposed to air or free space. As another example, in the case of insulated wire, the surface of the wire can be the conductive portion of the wire that meets the insulator portion of the wire, or can otherwise be the insulator surface of the wire that is exposed to air or free space, or can otherwise be any material region between the insulator surface of the wire and the conductive portion of the wire that meets the insulator portion of the wire, depending upon the relative differences in the properties (e.g., dielectric properties) of the insulator, air, and/or the conductor and further dependent on the frequency and propagation mode or modes of the guided wave.

According to an example embodiment, guided waves such as surface waves can be contrasted with radio transmissions over free space/air or conventional propagation of electrical power or signals through the conductor of the wire. Indeed, with surface wave or guided wave systems described

herein, conventional electrical power or signals can still propagate or be transmitted through the conductor of the wire, while guided waves (including surface waves and other electromagnetic waves) can propagate or be transmitted about the surface of the wire, according to an example embodiment. In an embodiment, a surface wave can have a field structure (e.g., an electromagnetic field structure) that lies primarily or substantially outside of the line, wire, or transmission medium that serves to guide the surface wave.

According to an example embodiment, the electromagnetic waves traveling along the wire and around the outer surface of the wire are induced by other electromagnetic waves traveling along a waveguide in proximity to the wire. The inducement of the electromagnetic waves can be independent of any electrical potential, charge or current that is injected or otherwise transmitted through the wires as part of an electrical circuit. It is to be appreciated that while a small current in the wire may be formed in response to the propagation of the electromagnetic wave along the wire, this can be due to the propagation of the electromagnetic wave along the wire surface, and is not formed in response to electrical potential, charge or current that is injected into the wire as part of an electrical circuit. The electromagnetic waves traveling on the wire therefore do not require a circuit to propagate along the wire surface. The wire therefore is a single wire transmission line that is not part of a circuit. Also, in some embodiments, a wire is not necessary, and the electromagnetic waves can propagate along a single line transmission medium that is not a wire.

According to an example embodiment, the term “about” a wire used in conjunction with a guided wave (e.g., surface wave) can include fundamental wave propagation modes and other guided waves having a circular or substantially circular field distribution (e.g., electric field, magnetic field, electromagnetic field, etc.) at least partially around a wire or other transmission medium. In addition, when a guided wave propagates “about” a wire or other transmission medium, it can do so according to a wave propagation mode that includes not only the fundamental wave propagation modes (e.g., zero order modes), but additionally or alternatively other non-fundamental wave propagation modes such as higher-order guided wave modes (e.g., 1<sup>st</sup> order modes, 2<sup>nd</sup> order modes, etc.), asymmetrical modes and/or other guided (e.g., surface) waves that have non-circular field distributions around a wire or other transmission medium.

For example, such non-circular field distributions can be unilateral or multi-lateral with one or more axial lobes characterized by relatively higher field strength and/or one or more nulls or null regions characterized by relatively low-field strength, zero-field strength or substantially zero field strength. Further, the field distribution can otherwise vary as a function of a longitudinal axial orientation around the wire such that one or more regions of axial orientation around the wire have an electric or magnetic field strength (or combination thereof) that is higher than one or more other regions of axial orientation, according to an example embodiment. It will be appreciated that the relative positions of the wave higher order modes or asymmetrical modes can vary as the guided wave travels along the wire.

Referring now to FIG. 1, a block diagram illustrating an example, non-limiting embodiment of a guided wave communication system 100 is shown. Guided wave communication system 100 depicts an exemplary environment in which a dielectric waveguide coupling system can be used.

Guided wave communication system 100 can comprise a first instance of a distributed system 150 that includes one or more base station devices (e.g., base station device 104) that

are communicably coupled to a central office 101 and/or a macrocell site 102. Base station device 104 can be connected by a wired (e.g., fiber and/or cable), or by a wireless (e.g., microwave wireless) connection to the macrocell site 102 and the central office 101. A second instance of the distributed system 160 can be used to provide wireless voice and data services to mobile device 122 and to residential and/or commercial establishments 142 (herein referred to as establishments 142). System 100 can have additional instances of the distribution systems 150 and 160 for providing voice and/or data services to mobile devices 122-124 and establishments 142 as shown in FIG. 1.

Macrocells such as macrocell site 102 can have dedicated connections to the mobile network and base station device 104 can share and/or otherwise use macrocell site 102's connection. Central office 101 can be used to distribute media content and/or provide internet service provider (ISP) services to mobile devices 122-124 and establishments 142. The central office 101 can receive media content from a constellation of satellites 130 (one of which is shown in FIG. 1) or other sources of content, and distribute such content to mobile devices 122-124 and establishments 142 via the first and second instances of the distribution system 15 and 160. The central office 101 can also be communicatively coupled to the Internet 103 for providing internet data services to mobile devices 122-124 and establishments 142.

Base station device 104 can be mounted on, or attached to, utility pole 116. In other embodiments, base station device 104 can be near transformers and/or other locations situated nearby a power line. Base station device 104 can facilitate connectivity to a mobile network for mobile devices 122 and 124. Antennas 112 and 114, mounted on or near utility poles 118 and 120, respectively, can receive signals from base station device 104 and transmit those signals to mobile devices 122 and 124 over a much wider area than if the antennas 112 and 114 were located at or near base station device 104.

It is noted that FIG. 1 displays three utility poles, in each instance of the distribution systems 150 and 160, with one base station device, for purposes of simplicity. In other embodiments, utility pole 116 can have more base station devices, and more utility poles with distributed antennas and/or tethered connections to establishments 142.

A dielectric waveguide coupling device 106 can transmit the signal from base station device 104 to antennas 112 and 114 via utility or power line(s) that connect the utility poles 116, 118, and 120. To transmit the signal, radio source and/or coupler 106 upconverts the signal (e.g., via frequency mixing) from base station device 104 or otherwise converts the signal from the base station device 104 to a millimeter-wave band signal and the dielectric waveguide coupling device 106 launches a millimeter-wave band wave that propagates as a guided wave (e.g., surface wave or other electromagnetic wave) traveling along the utility line or other wire. At utility pole 118, another dielectric waveguide coupling device 108 receives the guided wave (and optionally can amplify it as needed or desired or operate as a digital repeater to receive it and regenerate it) and sends it forward as a guided wave (e.g., surface wave or other electromagnetic wave) on the utility line or other wire. The dielectric waveguide coupling device 108 can also extract a signal from the millimeter-wave band guided wave and shift it down in frequency or otherwise convert it to its original cellular band frequency (e.g., 1.9 GHz or other defined cellular frequency) or another cellular (or non-cellular) band frequency. An antenna 112 can transmit (e.g., wirelessly transmit) the downshifted signal to mobile device 122. The

process can be repeated by dielectric waveguide coupling device **110**, antenna **114** and mobile device **124**, as necessary or desirable.

Transmissions from mobile devices **122** and **124** can also be received by antennas **112** and **114** respectively. Repeaters on dielectric waveguide coupling devices **108** and **110** can upshift or otherwise convert the cellular band signals to millimeter-wave band and transmit the signals as guided wave (e.g., surface wave or other electromagnetic wave) transmissions over the power line(s) to base station device **104**.

Media content received by the central office **101** can be supplied to the second instance of the distribution system **160** via the base station device **104** for distribution to mobile devices **122** and establishments **142**. The dielectric waveguide coupling device **110** can be tethered to the establishments **142** by one or more wired connections or a wireless interface. The one or more wired connections, may include without limitation, a power line, a coaxial cable, a fiber cable, a twisted pair cable, or other suitable wired mediums for distribution of media content and/or for providing internet services. In an example embodiment, the wired connections from the waveguide coupling device **110** can be communicatively coupled to one or more very high bit rate digital subscriber line (VDSL) modems located at one or more corresponding service area interfaces (SAIs—not shown), each SAI providing services to a portion of the establishments **142**. The VDSL modems can be used to selectively distribute media content and/or provide internet services to gateways (not shown) located in the establishments **142**. The SAIs can also be communicatively coupled to the establishments **142** over a wired medium such as a power line, a coaxial cable, a fiber cable, a twisted pair cable, or other suitable wired mediums. In other example embodiments, the waveguide coupling device **110** can be communicatively coupled directly to establishments **142** without intermediate interfaces such as the SAIs.

In another example embodiment, system **100** can employ diversity paths, where two or more utility lines or other wires are strung between the utility poles **116**, **118**, and **120** (e.g., for example, two or more wires between poles **116** and **120**) and redundant transmissions from base station **104** are transmitted as guided waves down the surface of the utility lines or other wires. The utility lines or other wires can be either insulated or uninsulated, and depending on the environmental conditions that cause transmission losses, the coupling devices can selectively receive signals from the insulated or uninsulated utility lines or other wires. The selection can be based on measurements of the signal-to-noise ratio of the wires, or based on determined weather/environmental conditions (e.g., moisture detectors, weather forecasts, etc.). The use of diversity paths with system **100** can enable alternate routing capabilities, load balancing, increased load handling, concurrent bi-directional or synchronous communications, spread spectrum communications, etc. (See FIG. **8** for more illustrative details).

It is noted that the use of the dielectric waveguide coupling devices **106**, **108**, and **110** in FIG. **1** are by way of example only, and that in other embodiments, other uses are possible. For instance, dielectric waveguide coupling devices can be used in a backhaul communication system, providing network connectivity to base station devices. Dielectric waveguide coupling devices can be used in many circumstances where it is desirable to transmit guided wave communications over a wire, whether insulated or not insulated. Dielectric waveguide coupling devices are improvements over other coupling devices due to no contact or

limited physical and/or electrical contact with the wires that may carry high voltages. With dielectric waveguide coupling devices, the apparatus can be located away from the wire (e.g., spaced apart from the wire) and/or located on the wire so long as it is not electrically in contact with the wire, as the dielectric acts as an insulator, allowing for cheap, easy, and/or less complex installation. However, as previously noted conducting or non-dielectric couplers can be employed, for example in configurations where the wires correspond to a telephone network, cable television network, broadband data service, fiber optic communications system or other network employing low voltages or having insulated transmission lines.

It is further noted, that while base station device **104** and macrocell site **102** are illustrated in an embodiment, other network configurations are likewise possible. For example, devices such as access points or other wireless gateways can be employed in a similar fashion to extend the reach of other networks such as a wireless local area network, a wireless personal area network or other wireless network that operates in accordance with a communication protocol such as a 802.11 protocol, WIMAX protocol, UltraWideband protocol, Bluetooth protocol, Zigbee protocol or other wireless protocol.

Turning now to FIG. **2**, illustrated is a block diagram of an example, non-limiting embodiment of a dielectric waveguide coupling system **200** in accordance with various aspects described herein. System **200** comprises a dielectric waveguide **204** that has a wave **206** propagating as a guided wave about a waveguide surface of the dielectric waveguide **204**. In an embodiment, the dielectric waveguide **204** is curved, and at least a portion of the waveguide **204** can be placed near a wire **202** in order to facilitate coupling between the waveguide **204** and the wire **202**, as described herein. The dielectric waveguide **204** can be placed such that a portion of the curved dielectric waveguide **204** is parallel or substantially parallel to the wire **202**. The portion of the dielectric waveguide **204** that is parallel to the wire can be an apex of the curve, or any point where a tangent of the curve is parallel to the wire **202**. When the dielectric waveguide **204** is positioned or placed thusly, the wave **206** travelling along the dielectric waveguide **204** couples, at least in part, to the wire **202**, and propagates as guided wave **208** around or about the wire surface of the wire **202** and longitudinally along the wire **202**. The guided wave **208** can be characterized as a surface wave or other electromagnetic wave, although other types of guided waves **208** can be supported as well without departing from example embodiments. A portion of the wave **206** that does not couple to the wire **202** propagates as wave **210** along the dielectric waveguide **204**. It will be appreciated that the dielectric waveguide **204** can be configured and arranged in a variety of positions in relation to the wire **202** to achieve a desired level of coupling or non-coupling of the wave **206** to the wire **202**. For example, the curvature and/or length of the dielectric waveguide **204** that is parallel or substantially parallel, as well as its separation distance (which can include zero separation distance in an embodiment), to the wire **202** can be varied without departing for example embodiments. Likewise, the arrangement of dielectric waveguide **204** in relation to the wire **202** may be varied based upon considerations of the respective intrinsic characteristics (e.g., thickness, composition, electromagnetic properties, etc.) of the wire **202** and the dielectric waveguide **204**, as well as the characteristics (e.g., frequency, energy level, etc.) of the waves **206** and **208**.

The guided wave **208** stays parallel or substantially parallel to the wire **202**, even as the wire **202** bends and flexes. Bends in the wire **202** can increase transmission losses, which are also dependent on wire diameters, frequency, and materials. If the dimensions of the dielectric waveguide **204** are chosen for efficient power transfer, most of the power in the wave **206** is transferred to the wire **202**, with little power remaining in wave **210**. It will be appreciated that the guided wave **208** can still be multi-modal in nature (discussed herein), including having modes that are non-fundamental or asymmetric, while traveling along a path that is parallel or substantially parallel to the wire **202**, with or without a fundamental transmission mode. In an embodiment, non-fundamental or asymmetric modes can be utilized to minimize transmission losses and/or obtain increased propagation distances.

It is noted that the term parallel is generally a geometric construct which often is not exactly achievable in real systems. Accordingly, the term parallel as utilized in the subject disclosure represents an approximation rather than an exact configuration when used to describe embodiments disclosed in the subject disclosure. In an embodiment, substantially parallel can include approximations that are within 30 degrees of true parallel in all dimensions.

In an embodiment, the wave **206** can exhibit one or more wave propagation modes. The dielectric waveguide modes can be dependent on the shape and/or design of the waveguide **204**. The one or more dielectric waveguide modes of wave **206** can generate, influence, or impact one or more wave propagation modes of the guided wave **208** propagating along wire **202**. In an embodiment, the wave propagation modes on the wire **202** can be similar to the dielectric waveguide modes since both waves **206** and **208** propagate about the outside of the dielectric waveguide **204** and wire **202** respectively. In some embodiments, as the wave **206** couples to the wire **202**, the modes can change form, or new modes can be created or generated, due to the coupling between the dielectric waveguide **204** and the wire **202**. For example, differences in size, material, and/or impedances of the dielectric waveguide **204** and wire **202** may create additional modes not present in the dielectric waveguide modes and/or suppress some of the dielectric waveguide modes. The wave propagation modes can comprise the fundamental transverse electromagnetic mode (Quasi-TEM<sub>00</sub>), where only small electric and/or magnetic fields extend in the direction of propagation, and the electric and magnetic fields extend radially outwards while the guided wave propagates along the wire. This guided wave mode can be donut shaped, where few of the electromagnetic fields exist within the dielectric waveguide **204** or wire **202**.

Waves **206** and **208** can comprise a fundamental TEM mode where the fields extend radially outwards, and also comprise other, non-fundamental (e.g., asymmetric, higher-level, etc.) modes. While particular wave propagation modes are discussed above, other wave propagation modes are likewise possible such as transverse electric (TE) and transverse magnetic (TM) modes, based on the frequencies employed, the design of the dielectric waveguide **204**, the dimensions and composition of the wire **202**, as well as its surface characteristics, its optional insulation, the electromagnetic properties of the surrounding environment, etc. It should be noted that, depending on the frequency, the electrical and physical characteristics of the wire **202** and the particular wave propagation modes that are generated, guided wave **208** can travel along the conductive surface of

an oxidized uninsulated wire, an unoxidized uninsulated wire, an insulated wire and/or along the insulating surface of an insulated wire.

In an embodiment, a diameter of the dielectric waveguide **204** is smaller than the diameter of the wire **202**. For the millimeter-band wavelength being used, the dielectric waveguide **204** supports a single waveguide mode that makes up wave **206**. This single waveguide mode can change as it couples to the wire **202** as surface **208**. If the dielectric waveguide **204** were larger, more than one waveguide mode can be supported, but these additional waveguide modes may not couple to the wire **202** as efficiently, and higher coupling losses can result. However, in some alternative embodiments, the diameter of the dielectric waveguide **204** can be equal to or larger than the diameter of the wire **202**, for example, where higher coupling losses are desirable or when used in conjunction with other techniques to otherwise reduce coupling losses (e.g., impedance matching with tapering, etc.).

In an embodiment, the wavelength of the waves **206** and **208** are comparable in size, or smaller than a circumference of the dielectric waveguide **204** and the wire **202**. In an example, if the wire **202** has a diameter of 0.5 cm, and a corresponding circumference of around 1.5 cm, the wavelength of the transmission is around 1.5 cm or less, corresponding to a frequency of 20 GHz or greater. In another embodiment, a suitable frequency of the transmission and the carrier-wave signal is in the range of 30-100 GHz, perhaps around 30-60 GHz, and around 38 GHz in one example. In an embodiment, when the circumference of the dielectric waveguide **204** and wire **202** is comparable in size to, or greater, than a wavelength of the transmission, the waves **206** and **208** can exhibit multiple wave propagation modes including fundamental and/or non-fundamental (symmetric and/or asymmetric) modes that propagate over sufficient distances to support various communication systems described herein. The waves **206** and **208** can therefore comprise more than one type of electric and magnetic field configuration. In an embodiment, as the guided wave **208** propagates down the wire **202**, the electrical and magnetic field configurations will remain the same from end to end of the wire **202**. In other embodiments, as the guided wave **208** encounters interference or loses energy due to transmission losses, the electric and magnetic field configurations can change as the guided wave **208** propagates down wire **202**.

In an embodiment, the dielectric waveguide **204** can be composed of nylon, Teflon, polyethylene, a polyamide, or other plastics. In other embodiments, other dielectric materials are possible. The wire surface of wire **202** can be metallic with either a bare metallic surface, or can be insulated using plastic, dielectric, insulator or other sheathing. In an embodiment, a dielectric or otherwise non-conducting/insulated waveguide can be paired with either a bare/metallic wire or insulated wire. In other embodiments, a metallic and/or conductive waveguide can be paired with a bare/metallic wire or insulated wire. In an embodiment, an oxidation layer on the bare metallic surface of the wire **202** (e.g., resulting from exposure of the bare metallic surface to oxygen/air) can also provide insulating or dielectric properties similar to those provided by some insulators or sheathings.

It is noted that the graphical representations of waves **206**, **208** and **210** are presented merely to illustrate the principles that wave **206** induces or otherwise launches a guided wave **208** on a wire **202** that operates, for example, as a single wire transmission line. Wave **210** represents the portion of wave **206** that remains on the dielectric waveguide **204** after the

generation of guided wave **208**. The actual electric and magnetic fields generated as a result of such wave propagation may vary depending on the frequencies employed, the particular wave propagation mode or modes, the design of the dielectric waveguide **204**, the dimensions and composition of the wire **202**, as well as its surface characteristics, its optional insulation, the electromagnetic properties of the surrounding environment, etc.

It is noted that dielectric waveguide **204** can include a termination circuit or damper **214** at the end of the dielectric waveguide **204** that can absorb leftover radiation or energy from wave **210**. The termination circuit or damper **214** can prevent and/or minimize the leftover radiation or energy from wave **210** reflecting back toward transmitter circuit **212**. In an embodiment, the termination circuit or damper **214** can include termination resistors, and/or other components that perform impedance matching to attenuate reflection. In some embodiments, if the coupling efficiencies are high enough, and/or wave **210** is sufficiently small, it may not be necessary to use a termination circuit or damper **214**. For the sake of simplicity, these transmitter and termination circuits or dampers **212** and **214** are not depicted in the other figures, but in those embodiments, transmitter and termination circuits or dampers may possibly be used.

Further, while a single dielectric waveguide **204** is presented that generates a single guided wave **208**, multiple dielectric waveguides **204** placed at different points along the wire **202** and/or at different axial orientations about the wire can be employed to generate and receive multiple guided waves **208** at the same or different frequencies, at the same or different phases, at the same or different wave propagation modes. The guided wave or waves **208** can be modulated to convey data via a modulation technique such as phase shift keying, frequency shift keying, quadrature amplitude modulation, amplitude modulation, multi-carrier modulation and via multiple access techniques such as frequency division multiplexing, time division multiplexing, code division multiplexing, multiplexing via differing wave propagation modes and via other modulation and access strategies.

Turning now to FIG. 3, illustrated is a block diagram of an example, non-limiting embodiment of a dielectric waveguide coupling system **300** in accordance with various aspects described herein. System **300** comprises a dielectric waveguide **304** and a wire **302** that has a wave **306** propagating as a guided wave about a wire surface of the wire **302**. In an example embodiment, the wave **306** can be characterized as a surface wave or other electromagnetic wave.

In an example embodiment, the dielectric waveguide **304** is curved or otherwise has a curvature, and can be placed near a wire **302** such that a portion of the curved dielectric waveguide **304** is parallel or substantially parallel to the wire **302**. The portion of the dielectric waveguide **304** that is parallel to the wire can be an apex of the curve, or any point where a tangent of the curve is parallel to the wire **302**. When the dielectric waveguide **304** is near the wire, the guided wave **306** travelling along the wire **302** can couple to the dielectric waveguide **304** and propagate as guided wave **308** about the dielectric waveguide **304**. A portion of the guided wave **306** that does not couple to the dielectric waveguide **304** propagates as guided wave **310** (e.g., surface wave or other electromagnetic wave) along the wire **302**.

The guided waves **306** and **308** stay parallel to the wire **302** and dielectric waveguide **304**, respectively, even as the wire **302** and dielectric waveguide **304** bend and flex. Bends can increase transmission losses, which are also dependent on wire diameters, frequency, and materials. If the dimen-

sions of the dielectric waveguide **304** are chosen for efficient power transfer, most of the energy in the guided wave **306** is coupled to the dielectric waveguide **304** and little remains in guided wave **310**.

In an embodiment, a receiver circuit can be placed on the end of waveguide **304** in order to receive wave **308**. A termination circuit can be placed on the opposite end of the waveguide **304** in order to receive guided waves traveling in the opposite direction to guided wave **306** that couple to the waveguide **304**. The termination circuit would thus prevent and/or minimize reflections being received by the receiver circuit. If the reflections are small, the termination circuit may not be necessary.

It is noted that the dielectric waveguide **304** can be configured such that selected polarizations of the surface wave **306** are coupled to the dielectric waveguide **304** as guided wave **308**. For instance, if guided wave **306** is made up of guided waves or wave propagation modes with respective polarizations, dielectric waveguide **304** can be configured to receive one or more guided waves of selected polarization(s). Guided wave **308** that couples to the dielectric waveguide **304** is thus the set of guided waves that correspond to one or more of the selected polarization(s), and further guided wave **310** can comprise the guided waves that do not match the selected polarization(s).

The dielectric waveguide **304** can be configured to receive guided waves of a particular polarization based on an angle/rotation around the wire **302** that the dielectric waveguide **304** is placed. For instance, if the guided wave **306** is polarized horizontally, most of the guided wave **306** transfers to the dielectric waveguide as wave **308**. As the dielectric waveguide **304** is rotated 90 degrees around the wire **302**, though, most of the energy from guided wave **306** would remain coupled to the wire as guided wave **310**, and only a small portion would couple to the wire **302** as wave **308**.

It is noted that waves **306**, **308**, and **310** are shown using three circular symbols in FIG. 3 and in other figures in the specification. These symbols are used to represent a general guided wave, but do not imply that the waves **306**, **308**, and **310** are necessarily circularly polarized or otherwise circularly oriented. In fact, waves **306**, **308**, and **310** can comprise a fundamental TEM mode where the fields extend radially outwards, and also comprise other, non-fundamental (e.g. higher-level, etc.) modes. These modes can be asymmetric (e.g., radial, bilateral, trilateral, quadrilateral, etc.) in nature as well.

It is noted also that guided wave communications over wires can be full duplex, allowing simultaneous communications in both directions. Waves traveling one direction can pass through waves traveling in an opposite direction. Electromagnetic fields may cancel out at certain points and for short times due to the superposition principle as applied to waves. The waves traveling in opposite directions propagate as if the other waves weren't there, but the composite effect to an observer may be a stationary standing wave pattern. As the guided waves pass through each other and are no longer in a state of superposition, the interference subsides. As a guided wave (e.g., surface wave or other electromagnetic wave) couples to a waveguide and move away from the wire, any interference due to other guided waves (e.g., surface waves or other electromagnetic wave) decreases. In an embodiment, as guided wave **306** (e.g., surface wave or other electromagnetic wave) approaches dielectric waveguide **304**, another guided wave (e.g., surface wave or other electromagnetic wave) (not shown) traveling from left to right on the wire **302** passes by causing local interference.

As guided wave **306** couples to dielectric waveguide **304** as wave **308**, and moves away from the wire **302**, any interference due to the passing guided wave subsides.

It is noted that the graphical representations of waves **306**, **308** and **310** are presented merely to illustrate the principles that guided wave **306** induces or otherwise launches a wave **308** on a dielectric waveguide **304**. Guided wave **310** represents the portion of guided wave **306** that remains on the wire **302** after the generation of wave **308**. The actual electric and magnetic fields generated as a result of such guided wave propagation may vary depending on one or more of the shape and/or design of the dielectric waveguide, the relative position of the dielectric waveguide to the wire, the frequencies employed, the design of the dielectric waveguide **304**, the dimensions and composition of the wire **302**, as well as its surface characteristics, its optional insulation, the electromagnetic properties of the surrounding environment, etc.

Turning now to FIG. 4, illustrated is a block diagram of an example, non-limiting embodiment of a dielectric waveguide coupling system **400** in accordance with various aspects described herein. System **400** comprises a dielectric waveguide **404** that has a wave **406** propagating as a guided wave about a waveguide surface of the dielectric waveguide **404**. In an embodiment, the dielectric waveguide **404** is curved, and an end of the dielectric waveguide **404** can be tied, fastened, or otherwise mechanically coupled to a wire **402**. When the end of the dielectric waveguide **404** is fastened to the wire **402**, the end of the dielectric waveguide **404** is parallel or substantially parallel to the wire **402**. Alternatively, another portion of the dielectric waveguide beyond an end can be fastened or coupled to wire **402** such that the fastened or coupled portion is parallel or substantially parallel to the wire **402**. The coupling device **410** can be a nylon cable tie or other type of non-conducting/dielectric material that is either separate from the dielectric waveguide **404** or constructed as an integrated component of the dielectric waveguide **404**. The dielectric waveguide **404** can be adjacent to the wire **402** without surrounding the wire **402**.

When the dielectric waveguide **404** is placed with the end parallel to the wire **402**, the guided wave **406** travelling along the dielectric waveguide **404** couples to the wire **402**, and propagates as guided wave **408** about the wire surface of the wire **402**. In an example embodiment, the guided wave **408** can be characterized as a surface wave or other electromagnetic wave.

It is noted that the graphical representations of waves **406** and **408** are presented merely to illustrate the principles that wave **406** induces or otherwise launches a guided wave **408** on a wire **402** that operates, for example, as a single wire transmission line. The actual electric and magnetic fields generated as a result of such wave propagation may vary depending on one or more of the shape and/or design of the dielectric waveguide, the relative position of the dielectric waveguide to the wire, the frequencies employed, the design of the dielectric waveguide **404**, the dimensions and composition of the wire **402**, as well as its surface characteristics, its optional insulation, the electromagnetic properties of the surrounding environment, etc.

In an embodiment, an end of dielectric waveguide **404** can taper towards the wire **402** in order to increase coupling efficiencies. Indeed, the tapering of the end of the dielectric waveguide **404** can provide impedance matching to the wire **402**, according to an example embodiment of the subject disclosure. For example, an end of the dielectric waveguide

**404** can be gradually tapered in order to obtain a desired level of coupling between waves **406** and **408** as illustrated in FIG. 4.

In an embodiment, the coupling device **410** can be placed such that there is a short length of the dielectric waveguide **404** between the coupling device **410** and an end of the dielectric waveguide **404**. Maximum coupling efficiencies are realized when the length of the end of the dielectric waveguide **404** that is beyond the coupling device **410** is at least several wavelengths long for whatever frequency is being transmitted.

Turning now to FIG. 5, illustrated is a block diagram of an example, non-limiting embodiment of a dielectric waveguide coupler and transceiver system **500** (referred to herein collectively as system **500**) in accordance with various aspects described herein. System **500** comprises a transmitter/receiver device **506** that launches and receives waves (e.g., guided wave **504** onto dielectric waveguide **502**). The guided waves **504** can be used to transport signals received from and sent to a base station **520**, mobile devices **522**, or a building **524** by way of a communications interface **501**. The communications interface **501** can be an integral part of system **500**. Alternatively, the communications interface **501** can be tethered to system **500**. The communications interface **501** can comprise a wireless interface for interfacing to the base station **520**, the mobile devices **522**, or building **524** utilizing any of various wireless signaling protocols (e.g., LTE, WiFi, WiMAX, IEEE 802.xx, etc.). The communications interface **501** can also comprise a wired interface such as a fiber optic line, coaxial cable, twisted pair, or other suitable wired mediums for transmitting signals to the base station **520** or building **524**. For embodiments where system **500** functions as a repeater, the communications interface **501** may not be necessary.

The output signals (e.g., Tx) of the communications interface **501** can be combined with a millimeter-wave carrier wave generated by a local oscillator **512** at frequency mixer **510**. Frequency mixer **510** can use heterodyning techniques or other frequency shifting techniques to frequency shift the output signals from communications interface **501**. For example, signals sent to and from the communications interface **501** can be modulated signals such as orthogonal frequency division multiplexed (OFDM) signals formatted in accordance with a Long-Term Evolution (LTE) wireless protocol or other wireless 3G, 4G, 5G or higher voice and data protocol, a Zigbee, WIMAX, UltraWideband or IEEE 802.11 wireless protocol or other wireless protocol. In an example embodiment, this frequency conversion can be done in the analog domain, and as a result, the frequency shifting can be done without regard to the type of communications protocol that the base station **520**, mobile devices **522**, or in-building devices **524** use. As new communications technologies are developed, the communications interface **501** can be upgraded or replaced and the frequency shifting and transmission apparatus can remain, simplifying upgrades. The carrier wave can then be sent to a power amplifier ("PA") **514** and can be transmitted via the transmitter receiver device **506** via the diplexer **516**.

Signals received from the transmitter/receiver device **506** that are directed towards the communications interface **501** can be separated from other signals via diplexer **516**. The transmission can then be sent to low noise amplifier ("LNA") **518** for amplification. A frequency mixer **521**, with help from local oscillator **512** can downshift the transmission (which is in the millimeter-wave band or around 38 GHz in some embodiments) to the native frequency. The

communications interface **501** can then receive the transmission at an input port (Rx).

In an embodiment, transmitter/receiver device **506** can include a cylindrical or non-cylindrical metal (which, for example, can be hollow in an embodiment, but not necessarily drawn to scale) or other conducting or non-conducting waveguide and an end of the dielectric waveguide **502** can be placed in or in proximity to the waveguide or the transmitter/receiver device **506** such that when the transmitter/receiver device **506** generates a transmission, the guided wave couples to dielectric waveguide **502** and propagates as a guided wave **504** about the waveguide surface of the dielectric waveguide **502**. Similarly, if guided wave **504** is incoming (coupled to the dielectric waveguide **502** from a wire), guided wave **504** then enters the transmitter/receiver device **506** and couples to the cylindrical waveguide or conducting waveguide. While transmitter/receiver device **506** is shown to include a separate waveguide—an antenna, cavity resonator, klystron, magnetron, travelling wave tube, or other radiating element can be employed to induce a guided wave on the waveguide **502**, without the separate waveguide.

In an embodiment, dielectric waveguide **502** can be wholly constructed of a dielectric material (or another suitable insulating material), without any metallic or otherwise conducting materials therein. Dielectric waveguide **502** can be composed of nylon, Teflon, polyethylene, a polyamide, other plastics, or other materials that are non-conducting and suitable for facilitating transmission of electromagnetic waves on an outer surface of such materials. In another embodiment, dielectric waveguide **502** can include a core that is conducting/metallic, and have an exterior dielectric surface. Similarly, a transmission medium that couples to the dielectric waveguide **502** for propagating electromagnetic waves induced by the dielectric waveguide **502** or for supplying electromagnetic waves to the dielectric waveguide **502** can be wholly constructed of a dielectric material (or another suitable insulating material), without any metallic or otherwise conducting materials therein.

It is noted that although FIG. **5** shows that the opening of transmitter receiver device **506** is much wider than the dielectric waveguide **502**, this is not to scale, and that in other embodiments the width of the dielectric waveguide **502** is comparable or slightly smaller than the opening of the hollow waveguide. It is also not shown, but in an embodiment, an end of the waveguide **502** that is inserted into the transmitter/receiver device **506** tapers down in order to reduce reflection and increase coupling efficiencies.

The transmitter/receiver device **506** can be communicably coupled to a communications interface **501**, and alternatively, transmitter/receiver device **506** can also be communicably coupled to the one or more distributed antennas **112** and **114** shown in FIG. **1**. In other embodiments, transmitter receiver device **506** can comprise part of a repeater system for a backhaul network.

Before coupling to the dielectric waveguide **502**, the one or more waveguide modes of the guided wave generated by the transmitter/receiver device **506** can couple to one or more wave propagation modes of the guided wave **504**. The wave propagation modes can be different than the hollow metal waveguide modes due to the different characteristics of the hollow metal waveguide and the dielectric waveguide. For instance, wave propagation modes can comprise the fundamental transverse electromagnetic mode (Quasi-TEM<sub>00</sub>), where only small electrical and/or magnetic fields extend in the direction of propagation, and the electric and magnetic fields extend radially outwards from the dielectric

waveguide **502** while the guided waves propagate along the dielectric waveguide **502**. The fundamental transverse electromagnetic mode wave propagation mode does not exist inside a waveguide that is hollow. Therefore, the hollow metal waveguide modes that are used by transmitter/receiver device **506** are waveguide modes that can couple effectively and efficiently to wave propagation modes of dielectric waveguide **502**.

Turning now to FIG. **6**, illustrated is a block diagram illustrating an example, non-limiting embodiment of a dual dielectric waveguide coupling system **600** in accordance with various aspects described herein. In an embodiment, two or more dielectric waveguides (e.g., **604** and **606**) can be positioned around a wire **602** in order to receive guided wave **608**. In an embodiment, the guided wave **608** can be characterized as a surface wave or other electromagnetic wave. In an embodiment, one dielectric waveguide is enough to receive the guided wave **608**. In that case, guided wave **608** couples to dielectric waveguide **604** and propagates as guided wave **610**. If the field structure of the guided wave **608** oscillates or undulates around the wire **602** due to various outside factors, then dielectric waveguide **606** can be placed such that guided wave **608** couples to dielectric waveguide **606**. In some embodiments, four or more dielectric waveguides can be placed around a portion of the wire **602**, e.g., at 90 degrees or another spacing with respect to each other, in order to receive guided waves that may oscillate or rotate around the wire **602**, that have been induced at different axial orientations or that have non-fundamental or higher order modes that, for example, have lobes and/or nulls or other asymmetries that are orientation dependent. However, it will be appreciated that there may be less than or more than four dielectric waveguides placed around a portion of the wire **602** without departing from example embodiments. It will also be appreciated that while some example embodiments have presented a plurality of dielectric waveguides around at least a portion of a wire **602**, this plurality of dielectric waveguides can also be considered as part of a single dielectric waveguide system having multiple dielectric waveguide subcomponents. For example, two or more dielectric waveguides can be manufactured as single system that can be installed around a wire in a single installation such that the dielectric waveguides are either pre-positioned or adjustable relative to each other (either manually or automatically) in accordance with the single system. Receivers coupled to dielectric waveguides **606** and **604** can use diversity combining to combine signals received from both dielectric waveguides **606** and **604** in order to maximize the signal quality. In other embodiments, if one or the other of a dielectric waveguides **604** and **606** receive a transmission that is above a predetermined threshold, receivers can use selection diversity when deciding which signal to use.

It is noted that the graphical representations of waves **608** and **610** are presented merely to illustrate the principles that guided wave **608** induces or otherwise launches a wave **610** on a dielectric waveguide **604**. The actual electric and magnetic fields generated as a result of such wave propagation may vary depending on the frequencies employed, the design of the dielectric waveguide **604**, the dimensions and composition of the wire **602**, as well as its surface characteristics, its optional insulation, the electromagnetic properties of the surrounding environment, etc.

Turning now to FIG. **7**, illustrated is a block diagram of an example, non-limiting embodiment of a bidirectional dielectric waveguide coupling system **700** in accordance with various aspects described herein. In system **700**, two



19

dielectric waveguides **704** and **714** can be placed near a wire **702** such that guided waves (e.g., surface waves or other electromagnetic waves) propagating along the wire **702** are coupled to dielectric waveguide **704** as wave **706**, and then are boosted or repeated by repeater device **710** and launched as a guided wave **716** onto dielectric waveguide **714**. The guided wave **716** can then couple to wire **702** and continue to propagate along the wire **702**. In an embodiment, the repeater device **710** can receive at least a portion of the power utilized for boosting or repeating through magnetic coupling with the wire **702**, which can be a power line.

In some embodiments, repeater device **710** can repeat the transmission associated with wave **706**, and in other embodiments, repeater device **710** can be associated with a distributed antenna system and/or base station device located near the repeater device **710**. Receiver waveguide **708** can receive the wave **706** from the dielectric waveguide **704** and transmitter waveguide **712** can launch guided wave **716** onto dielectric waveguide **714**. Between receiver waveguide **708** and transmitter waveguide **712**, the signal can be amplified to correct for signal loss and other inefficiencies associated with guided wave communications or the signal can be received and processed to extract the data contained therein and regenerated for transmission. In an embodiment, a signal can be extracted from the transmission and processed and otherwise emitted to mobile devices nearby via distributed antennas communicably coupled to the repeater device **710**. Similarly, signals and/or communications received by the distributed antennas can be inserted into the transmission that is generated and launched onto dielectric waveguide **714** by transmitter waveguide **712**. Accordingly, the repeater system **700** depicted in FIG. 7 can be comparable in function to the dielectric waveguide coupling device **108** and **110** in FIG. 1.

It is noted that although FIG. 7 shows guided wave transmissions **706** and **716** entering from the left and exiting to the right respectively, this is merely a simplification and is not intended to be limiting. In other embodiments, receiver waveguide **708** and transmitter waveguide **712** can also function as transmitters and receivers respectively, allowing the repeater device **710** to be bi-directional.

In an embodiment, repeater device **710** can be placed at locations where there are discontinuities or obstacles on the wire **702**. These obstacles can include transformers, connections, utility poles, and other such power line devices. The repeater device **710** can help the guided (e.g., surface) waves jump over these obstacles on the line and boost the transmission power at the same time. In other embodiments, a dielectric waveguide can be used to jump over the obstacle without the use of a repeater device. In that embodiment, both ends of the dielectric waveguide can be tied or fastened to the wire, thus providing a path for the guided wave to travel without being blocked by the obstacle.

Turning now to FIG. 8, illustrated is a block diagram of an example, non-limiting embodiment of a bidirectional dielectric waveguide coupler **800** in accordance with various aspects described herein. The bidirectional dielectric waveguide coupler **800** can employ diversity paths in the case of when two or more wires are strung between utility poles. Since guided wave transmissions have different transmission efficiencies and coupling efficiencies for insulated wires and un-insulated wires based on weather, precipitation and atmospheric conditions, it can be advantageous to selectively transmit on either an insulated wire or un-insulated wire at certain times.

In the embodiment shown in FIG. 8, repeater device uses a receiver waveguide **808** to receive a guided wave traveling

20

along un-insulated wire **802** and repeats the transmission using transmitter waveguide **810** as a guided wave along insulated wire **804**. In other embodiments, repeater device can switch from the insulated wire **804** to the un-insulated wire **802**, or can repeat the transmissions along the same paths. Repeater device **806** can include sensors, or be in communication with sensors that indicate conditions that can affect the transmission. Based on the feedback received from the sensors, the repeater device **806** can make the determination about whether to keep the transmission along the same wire, or transfer the transmission to the other wire.

Turning now to FIG. 9, illustrated is a block diagram illustrating an example, non-limiting embodiment of a bidirectional repeater system **900**. Bidirectional repeater system **900** includes waveguide coupling devices **902** and **904** that receive and transmit transmissions from other coupling devices located in a distributed antenna system or backhaul system.

In various embodiments, waveguide coupling device **902** can receive a transmission from another waveguide coupling device, wherein the transmission has a plurality of subcarriers. Diplexer **906** can separate the transmission from other transmissions, and direct the transmission to low-noise amplifier (“LNA”) **908**. A frequency mixer **928**, with help from a local oscillator **912**, can downshift the transmission (which is in the millimeter-wave band or around 38 GHz in some embodiments) to a lower frequency, whether it is a cellular band (~1.9 GHz) for a distributed antenna system, a native frequency, or other frequency for a backhaul system. An extractor **932** can extract the signal on the subcarrier that corresponds to antenna or other output component **922** and direct the signal to the output component **922**. For the signals that are not being extracted at this antenna location, extractor **932** can redirect them to another frequency mixer **936**, where the signals are used to modulate a carrier wave generated by local oscillator **914**. The carrier wave, with its subcarriers, is directed to a power amplifier (“PA”) **916** and is retransmitted by waveguide coupling device **904** to another repeater system, via diplexer **920**.

At the output device **922** (antenna in a distributed antenna system), a PA **924** can boost the signal for transmission to the mobile device. An LNA **926** can be used to amplify weak signals that are received from the mobile device and then send the signal to a multiplexer **934** which merges the signal with signals that have been received from waveguide coupling device **904**. The signals received from coupling device **904** have been split by diplexer **920**, and then passed through LNA **918**, and downshifted in frequency by frequency mixer **938**. When the signals are combined by multiplexer **934**, they are upshifted in frequency by frequency mixer **930**, and then boosted by PA **910**, and transmitted back to the launcher or on to another repeater by waveguide coupling device **902**. In an embodiment bidirectional repeater system **900** can be just a repeater without the antenna/output device **922**. It will be appreciated that in some embodiments, a bidirectional repeater system **900** could also be implemented using two distinct and separate uni-directional repeaters. In an alternative embodiment, a bidirectional repeater system **900** could also be a booster or otherwise perform retransmissions without downshifting and upshifting. Indeed in example embodiment, the retransmissions can be based upon receiving a signal or guided wave and performing some signal or guided wave processing or reshaping, filtering, and/or amplification, prior to retransmission of the signal or guided wave.

Turning now to FIGS. 10A, 10B, and 10C, illustrated are block diagrams of example, non-limiting embodiments of a



## 21

slotted waveguide coupler system **1000** in accordance with various aspects described herein. In FIG. **10A**, the waveguide coupler system comprises a wire **1006** that is positioned with respect to a waveguide **1002**, such that the wire **1006** fits within or near a slot formed in the waveguide **1002** that runs longitudinally with respect to the wire **1004**. The opposing ends **1004a** and **1004b** of the waveguide **1002**, and the waveguide **1002** itself, surrounds less than 180 degrees of the wire surface of the wire **1006**.

In FIG. **10B** the waveguide coupler system comprises a wire **1014** that is positioned with respect to a waveguide **1008**, such that the wire **1014** fits within or near a slot formed in the waveguide **1008** that runs longitudinally with respect to the wire **1004**. The slot surfaces of the waveguide **1008** can be non parallel, and two different exemplary embodiments are shown in FIG. **10B**. In the first, slot surfaces **1010a** and **1010b** can be non parallel and aim outwards, slightly wider than the width of the wire **1014**. In the other embodiment, the slots surfaces **1012a** and **1012b** can still be non-parallel, but narrow to form a slot opening smaller than a width of the wire **1014**. Any range of angles of the non parallel slot surfaces are possible, of which these are two exemplary embodiments.

In FIG. **10C**, the waveguide coupler system shows a wire **1020** that fits within a slot formed in waveguide **1016**. The slot surfaces **1018a** and **1018b** in this exemplary embodiment can be parallel, but the axis **1026** of the wire **1020** is not aligned with the axis **1024** of the waveguide **1016**. The waveguide **1016** and the wire **1020** are therefore not coaxially aligned. In another embodiment, shown, a possible position of the wire at **1022** also has an axis **1028** that is not aligned with the axis **1024** of the waveguide **1016**.

It is to be appreciated that while three different embodiments showing a) waveguide surfaces that surround less than 180 degrees of the wire, b) non parallel slot surfaces, and c) coaxially unaligned wires and waveguide were shown separately in FIGS. **10A**, **10B**, and **10C**, in various embodiments, diverse combinations of the listed features are possible.

Turning now to FIG. **11**, illustrated is an example, non-limiting embodiment of a waveguide coupling system **1100** in accordance with various aspects described herein. FIG. **11** depicts a cross sectional representation of the waveguide and wire embodiments shown in FIGS. **2**, **3**, **4**, and etc. As can be seen in **1100**, the wire **1104** can be positioned directly next to and touching waveguide **1102**. In other embodiments, as shown in waveguide coupling system **1200** in FIG. **12**, the wire **1204** can still be placed near, but not actually touching waveguide strip **1202**. In both cases, electromagnetic waves traveling along the waveguides can induce other electromagnetic waves on to the wires and vice versa. Also, in both embodiments, the wires **1104** and **1204** are placed outside the cross-sectional area defined by the outer surfaces of waveguides **1102** and **1202**.

For the purposes of this disclosure, a waveguide does not surround, in substantial part, a wire surface of a wire when the waveguide does not surround an axial region of the surface, when viewed in cross-section, of more than 180 degrees. For avoidance of doubt, a waveguide does not surround, in substantial part a surface of a wire when the waveguide surrounds an axial region of the surface, when viewed in cross-section, of 180 degrees or less.

It is to be appreciated that while FIGS. **11** and **12** show wires **1104** and **1204** having a circular shape and waveguides **1102** and **1202** having rectangular shapes, this is not meant to be limiting. In other embodiments, wires and waveguides can have a variety of shapes, sizes, and con-

## 22

figurations. The shapes can include, but not be limited to: ovals or other ellipsoid shapes, octagons, quadrilaterals or other polygons with either sharp or rounded edges, or other shapes. Additionally, in some embodiments, the wires **1104** and **1204** can be stranded wires comprising smaller gauge wires, such as a helical strand, braid or other coupling of individual strands into a single wire. Any of wires and waveguides shown in the figures and described throughout this disclosure can include one or more of these embodiments.

FIG. **13** illustrates a process in connection with the aforementioned systems. The process in FIG. **13** can be implemented for example by systems **100**, **200**, **300**, **400**, **500**, **600**, **700**, **800**, and **900** illustrated in FIGS. **1-9** respectively. While for purposes of simplicity of explanation, the process is shown and described as a series of blocks, it is to be understood and appreciated that the claimed subject matter is not limited by the order of the blocks, as some blocks may occur in different orders and/or concurrently with other blocks from what is depicted and described herein. Moreover, not all illustrated blocks may be required to implement the methods described hereinafter.

FIG. **13** illustrates a flow diagram of an example, non-limiting embodiment of a method for transmitting a transmission with a dielectric waveguide coupler as described herein. Method **1300** can begin at **1302** where a first electromagnetic wave is emitted by a transmission device as a guided wave that propagates at least in part on a waveguide surface of a waveguide, wherein the waveguide surface of the waveguide does not surround in whole or in substantial part a wire surface of a wire. The transmission that is generated by a transmitter can be based on a signal received from a base station device, access point, network, a mobile device, or other signal source.

At **1304**, based upon configuring or positioning the waveguide in proximity of the wire, the guided wave then couples at least a part of the first electromagnetic wave to a wire surface, forming a second electromagnetic wave (e.g., a surface wave) that propagates at least partially around the wire surface, wherein the wire is in proximity to the waveguide. This can be done in response to positioning a portion of the dielectric waveguide (e.g., a tangent of a curve of the dielectric waveguide) near and parallel to the wire, wherein a wavelength of the electromagnetic wave is smaller than a circumference of the wire and the dielectric waveguide. The guided wave, or surface wave, stays parallel to the wire even as the wire bends and flexes. Bends can increase transmission losses, which are also dependent on wire diameters, frequency, and materials. The coupling interface between the wire and the waveguide can also be configured to achieve the desired level of coupling, as described herein, which can include tapering an end of the waveguide to improve impedance matching between the waveguide and the wire.

The transmission that is emitted by the transmitter can exhibit one or more waveguide modes. The waveguide modes can be dependent on the shape and/or design of the waveguide. The propagation modes on the wire can be different than the waveguide modes due to the different characteristics of the waveguide and the wire. When the circumference of the wire is comparable in size to, or greater, than a wavelength of the transmission, the guided wave exhibits multiple wave propagation modes. The guided wave can therefore comprise more than one type of electric and magnetic field configuration. As the guided wave (e.g., surface wave) propagates down the wire, the electrical and magnetic field configurations may remain

substantially the same from end to end of the wire or vary as the transmission traverses the wave by rotation, dispersion, attenuation or other effects.

FIG. 14 is a block diagram illustrating an example, non-limiting embodiment of a waveguide system 1402 in accordance with various aspects described herein. The waveguide system 1402 can comprise sensors 1404, a power management system 1405, a waveguide 1406, and a communications interface 1408.

The waveguide system 1402 can be coupled to a power line 1410 for facilitating data communications in accordance with embodiments described in the subject disclosure. In an example embodiment, the waveguide 1406 can comprise all or part of the system 500, such as shown in FIG. 5, for inducing electromagnetic waves on a surface of the power line 1410 that longitudinally propagate along the surface of the power line 1410 as described in the subject disclosure. Non-limiting techniques for coupling the waveguide 1406 to the power line 1410 are shown in FIGS. 2-4 and 6. The waveguide 1406 can also serve as a repeater for retransmitting electromagnetic waves on the same power line 1410 or for routing electromagnetic waves between power lines 1410 as shown in FIGS. 7-8.

The communications interface 1408 can comprise the communications interface 501 shown in FIG. 5, in an example embodiment. The communications interface 1408 couples to the waveguide 1406 for up-converting signals operating at an original frequency to electromagnetic waves operating at a carrier frequency that propagate on a surface of a coupling device of the waveguide 1406, such as the dielectric 502 of FIG. 5, and that induce corresponding electromagnetic waves that propagate on a surface of the power line 1410. The power line 1410 can be a wire (e.g., single stranded or multi-stranded) having a conducting surface or insulated surface. The communications interface 1408 can also receive signals from the waveguide 1406 that have been down-converted from electromagnetic waves operating at a carrier frequency to signals at their original frequency.

Signals received by the communications interface 1408 for up-conversion can include without limitation signals supplied by a central office 1411 over a wired or wireless interface of the communications interface 1408, a base station 1414 over a wired or wireless interface of the communications interface 1408, wireless signals transmitted by mobile devices 1420 to the base station 1414 for delivery over the wired or wireless interface of the communications interface 1408, signals supplied by in-building communication devices 1418 over the wired or wireless interface of the communications interface 1408, and/or wireless signals supplied by mobile devices 1412 roaming in a wireless communication range of the communications interface 1408. In embodiments where the waveguide system 1402 functions as a repeater, such as shown in FIGS. 7-8, the communications interface 1408 may not be included in the waveguide system 1402.

The electromagnetic waves propagating along the surface of the power 1410 can be modulated and formatted to include packets or frames of data that include a data payload and further include networking information (such as header information for identifying one or more destination waveguide systems 1402). The networking information may be provided by the waveguide system 1402 or an originating device such as the central office 1411, the base station 1414, mobile devices 1420, or in-building devices 1418, or a combination thereof. Additionally, the modulated electromagnetic waves can include error correction data for miti-

gating signal disturbances. The networking information and error correction data can be used by a destination waveguide system 1402 for detecting transmissions directed to it, and for down-converting and processing with error correction data transmissions that include voice and/or data signals directed to recipient communication devices communicatively coupled to the destination waveguide system 1402.

Referring now to the sensors 1404 of the waveguide system 1402, the sensors 1404 can comprise one or more of a temperature sensor 1404a, a disturbance detection sensor 1404b, a loss of energy sensor 1404c, a noise sensor 1404d, a vibration sensor 1404e, an environmental (e.g., weather) sensor 1404f, and/or an image sensor 1404g. The temperature sensor 1404a can be used to measure ambient temperature, a temperature of the waveguide 1406, a temperature of the power line 1410, temperature differentials (e.g., compared to a setpoint or baseline, between 1406 and 1410, etc.), or any combination thereof. In one embodiment, temperature metrics can be collected and reported periodically to a network management system 1601 by way of the base station 1414.

The disturbance detection sensor 1404b can perform measurements on the power line 1410 to detect disturbances such as signal reflections, which may indicate a presence of a downstream disturbance that may impede the propagation of electromagnetic waves on the power line 1410. A signal reflection can represent a distortion resulting from, for example, an electromagnetic wave transmitted on the power line 1410 by the waveguide 1406 that reflects in whole or in part back to the waveguide 1406 from a disturbance in the power line 1410 located downstream from the waveguide 1406.

Signal reflections can be caused by obstructions on the power line 1410. For example, a tree limb shown in FIG. 15(A) may cause electromagnetic wave reflections when the tree limb is lying on the power line 1410, or is in close proximity to the power line 1410 which may cause a corona discharge 1502. Other illustrations of obstructions that can cause electromagnetic wave reflections can include without limitation an object 1506 that has been entangled on the power line 1410 as shown in FIG. 15(C) (e.g., clothing, a shoe wrapped around a power line 1410 with a shoe string, etc.), a corroded build-up 1512 on the power line 1410 as shown in FIG. 15(F), or an ice build-up 1514 as shown in FIG. 15(G). Power grid components may also interfere with the transmission of electromagnetic waves on the surface of power lines 1410. Illustrations of power grid components that may cause signal reflections include without limitation a transformer 1504 illustrated in FIG. 15(B) and a joint 1510 for connecting spliced power lines such as illustrated in FIG. 15(E). A sharp angle 1508 on a power line 1410, as shown in FIG. 15(D), may also cause electromagnetic wave reflections.

The disturbance detection sensor 1404b can comprise a circuit to compare magnitudes of electromagnetic wave reflections to magnitudes of original electromagnetic waves transmitted by the waveguide 1406 to determine how much a downstream disturbance in the power line 1410 attenuates transmissions. The disturbance detection sensor 1404b can further comprise a spectral analyzer circuit for performing spectral analysis on the reflected waves. The spectral data generated by the spectral analyzer circuit can be compared with spectral profiles via pattern recognition, an expert system, curve fitting, matched filtering or other artificial intelligence, classification or comparison technique to identify a type of disturbance based on, for example, the spectral profile that most closely matches the spectral data. The

spectral profiles can be stored in a memory of the disturbance detection sensor **1404b** or may be remotely accessible by the disturbance detection sensor **1404b**. The profiles can comprise spectral data that models different disturbances that may be encountered on power lines **1410** to enable the disturbance detection sensor **1404b** to identify disturbances locally. An identification of the disturbance if known can be reported to the network management system **1601** by way of the base station **1414**. The disturbance detection sensor **1404b** can also utilize the waveguide **1406** to transmit electromagnetic waves as test signals to determine a round-trip time for an electromagnetic wave reflection. The round trip time measured by the disturbance detection sensor **1404b** can be used to calculate a distance traveled by the electromagnetic wave up to a point where the reflection takes place, which enables the disturbance detection sensor **1404b** to calculate a distance from the waveguide **1406** to the downstream disturbance on the power line **1410**.

The distance calculated can be reported to the network management system **1601** by way of the base station **1414**. In one embodiment, the location of the waveguide system **1402** on the power line **1410** may be known to the network management system **1601**, which the network management system **1601** can use to determine a location of the disturbance on the power line **1410** based on a known topology of the power grid. In another embodiment, the waveguide system **1402** can provide its location to the network management system **1601** to assist in the determination of the location of the disturbance on the power line **1410**. The location of the waveguide system **1402** can be obtained by the waveguide system **1402** from a pre-programmed location of the waveguide system **1402** stored in a memory of the waveguide system **1402**, or the waveguide system **1402** can determine its location using a GPS receiver (not shown) included in the waveguide system **1402**.

The power management system **1405** provides energy to the aforementioned components of the waveguide system **1402**. The power management system **1405** can receive energy from solar cells, or from a transformer (not shown) coupled to the power line **1410**, or by inductive coupling to the power line **1410** or another nearby power line. The power management system **1405** can also include a backup battery and/or a super capacitor or other capacitor circuit for providing the waveguide system **1402** with temporary power. The loss of energy sensor **1404c** can be used to detect when the waveguide system **1402** has a loss of power condition and/or the occurrence of some other malfunction. For example, the loss of energy sensor **1404c** can detect when there is a loss of power due to defective solar cells, an obstruction on the solar cells that causes them to malfunction, loss of power on the power line **1410**, and/or when the backup power system malfunctions due to expiration of a backup battery, or a detectable defect in a super capacitor. When a malfunction and/or loss of power occurs, the loss of energy sensor **1404c** can notify the network management system **1601** by way of the base station **1414**.

The noise sensor **1404d** can be used to measure noise on the power line **1410** that may adversely affect transmission of electromagnetic waves on the power line **1410**. The noise sensor **1404d** can sense unexpected electromagnetic interference, noise bursts, or other sources of disturbances that may interrupt transmission of modulated electromagnetic waves on a surface of a power line **1410**. A noise burst can be caused by, for example, a corona discharge, or other source of noise. The noise sensor **1404d** can compare the measured noise to a noise profile obtained by the waveguide system **1402** from an internal database of noise profiles or

from a remotely located database that stores noise profiles via pattern recognition, an expert system, curve fitting, matched filtering or other artificial intelligence, classification or comparison technique. From the comparison, the noise sensor **1404d** may identify a noise source (e.g., corona discharge or otherwise) based on, for example, the noise profile that provides the closest match to the measured noise. The noise sensor **1404d** can also detect how noise affects transmissions by measuring transmission metrics such as bit error rate, packet loss rate, jitter, packet retransmission requests, etc. The noise sensor **1404d** can report to the network management system **1601** by way of the base station **1414** the identity of noise sources, their time of occurrence, and transmission metrics, among other things.

The vibration sensor **1404e** can include accelerometers and/or gyroscopes to detect 2D or 3D vibrations on the power line **1410**. The vibrations can be compared to vibration profiles that can be stored locally in the waveguide system **1402**, or obtained by the waveguide system **1402** from a remote database via pattern recognition, an expert system, curve fitting, matched filtering or other artificial intelligence, classification or comparison technique. Vibration profiles can be used, for example, to distinguish fallen trees from wind gusts based on, for example, the vibration profile that provides the closest match to the measured vibrations. The results of this analysis can be reported by the vibration sensor **1404e** to the network management system **1601** by way of the base station **1414**.

The environmental sensor **1404f** can include a barometer for measuring atmospheric pressure, ambient temperature (which can be provided by the temperature sensor **1404a**), wind speed, humidity, wind direction, and rainfall, among other things. The environmental sensor **1404f** can collect raw information and process this information by comparing it to environmental profiles that can be obtained from a memory of the waveguide system **1402** or a remote database to predict weather conditions before they arise via pattern recognition, an expert system, knowledge-based system or other artificial intelligence, classification or other weather modeling and prediction technique. The environmental sensor **1404f** can report raw data as well as its analysis to the network management system **1601**.

The image sensor **1404g** can be a digital camera (e.g., a charged coupled device or CCD imager, infrared camera, etc.) for capturing images in a vicinity of the waveguide system **1402**. The image sensor **1404g** can include an electromechanical mechanism to control movement (e.g., actual position or focal points/zooms) of the camera for inspecting the power line **1410** from multiple perspectives (e.g., top surface, bottom surface, left surface, right surface and so on). Alternatively, the image sensor **1404g** can be designed such that no electromechanical mechanism is needed in order to obtain the multiple perspectives. The collection and retrieval of imaging data generated by the image sensor **1404g** can be controlled by the network management system **1601**, or can be autonomously collected and reported by the image sensor **1404g** to the network management system **1601**.

Other sensors that may be suitable for collecting telemetry information associated with the waveguide system **1402** and/or the power lines **1410** for purposes of detecting, predicting and/or mitigating disturbances that can impede electromagnetic wave transmissions on power lines **1410** (or any other form of a transmission medium of electromagnetic waves) may be utilized by the waveguide system **1402**.

FIG. **16** is a block diagram illustrating an example, non-limiting embodiment of a system **1600** for managing a

power grid **1603** and a communication system **1605** embedded therein in accordance with various aspects described herein. The communication system **1605** comprises a plurality of waveguide systems **1402** coupled to power lines **1410** of the power grid **1603**. At least a portion of the waveguide systems **1402** used in the communication system **1605** can be in direct communication with a base station **1414** and/or the network management system **1601**. Waveguide systems **1402** not directly connected to a base station **1414** or the network management system **1601** can engage in communication sessions with either a base station **1414** or the network management system **1601** by way of other downstream waveguide systems **1402** connected to a base station **1414** or the network management system **1601**.

The network management system **1601** can be communicatively coupled to equipment of a utility company **1602** and equipment of a communications service provider **1604** for providing each entity, status information associated with the power grid **1603** and the communication system **1605**, respectively. The network management system **1601**, the equipment of the utility company **1602**, and the communications service provider **1604** can access communication devices utilized by utility company personnel **1606** and/or communication devices utilized by communications service provider personnel **1608** for purposes of providing status information and/or for directing such personnel in the management of the power grid **1603** and/or communication system **1605**.

FIG. **17A** illustrates a flow diagram of an example, non-limiting embodiment of a method **1700** for detecting and mitigating disturbances occurring in a communication network of the system **1600** of FIG. **16**. Method **1700** can begin with step **1702** where a waveguide system **1402** transmits and receives messages embedded in, or forming part of, modulated electromagnetic waves or another type of electromagnetic waves traveling along a surface of a power line **1410**. The messages can be voice messages, streaming video, and/or other data/information exchanged between communication devices communicatively coupled to the communication system **1605**. At step **1704** the sensors **1404** of the waveguide system **1402** can collect sensing data. In an embodiment, the sensing data can be collected in step **1704** prior to, during, or after the transmission and/or receipt of messages in step **1702**. At step **1706** the waveguide system **1402** (or the sensors **1404** themselves) can determine from the sensing data an actual or predicted occurrence of a disturbance in the communication system **1605** that can affect communications originating from (e.g., transmitted by) or received by the waveguide system **1402**. The waveguide system **1402** (or the sensors **1404**) can process temperature data, signal reflection data, loss of energy data, noise data, vibration data, environmental data, or any combination thereof to make this determination. The waveguide system **1402** (or the sensors **1404**) may also detect, identify, estimate, or predict the source of the disturbance and/or its location in the communication system **1605**. If a disturbance is neither detected/identified nor predicted/estimated at step **1708**, the waveguide system **1402** can proceed to step **1702** where it continues to transmit and receive messages embedded in, or forming part of, modulated electromagnetic waves traveling along a surface of the power line **1410**.

If at step **1708** a disturbance is detected/identified or predicted/estimated to occur, the waveguide system **1402** proceeds to step **1710** to determine if the disturbance adversely affects (or alternatively, is likely to adversely affect or the extent to which it may adversely affect) transmission or reception of messages in the communication

system **1605**. In one embodiment, a duration threshold and a frequency of occurrence threshold can be used at step **1710** to determine when a disturbance adversely affects communications in the communication system **1605**. For illustration purposes only, assume a duration threshold is set to 500 ms, while a frequency of occurrence threshold is set to 5 disturbances occurring in an observation period of 10 sec. Thus, a disturbance having a duration greater than 500 ms will trigger the duration threshold. Additionally, any disturbance occurring more than 5 times in a 10 sec time interval will trigger the frequency of occurrence threshold.

In one embodiment, a disturbance may be considered to adversely affect signal integrity in the communication systems **1605** when the duration threshold alone is exceeded. In another embodiment, a disturbance may be considered as adversely affecting signal integrity in the communication systems **1605** when both the duration threshold and the frequency of occurrence threshold are exceeded. The latter embodiment is thus more conservative than the former embodiment for classifying disturbances that adversely affect signal integrity in the communication system **1605**. It will be appreciated that many other algorithms and associated parameters and thresholds can be utilized for step **1710** in accordance with example embodiments.

Referring back to method **1700**, if at step **1710** the disturbance detected at step **1708** does not meet the condition for adversely affected communications (e.g., neither exceeds the duration threshold nor the frequency of occurrence threshold), the waveguide system **1402** may proceed to step **1702** and continue processing messages. For instance, if the disturbance detected in step **1708** has a duration of 1 ms with a single occurrence in a 10 sec time period, then neither threshold will be exceeded. Consequently, such a disturbance may be considered as having a nominal effect on signal integrity in the communication system **1605** and thus would not be flagged as a disturbance requiring mitigation. Although not flagged, the occurrence of the disturbance, its time of occurrence, its frequency of occurrence, spectral data, and/or other useful information, may be reported to the network management system **1601** as telemetry data for monitoring purposes.

Referring back to step **1710**, if on the other hand the disturbance satisfies the condition for adversely affected communications (e.g., exceeds either or both thresholds), the waveguide system **1402** can proceed to step **1712** and report the incident to the network management system **1601**. The report can include raw sensing data collected by the sensors **1404**, a description of the disturbance if known by the waveguide system **1402**, a time of occurrence of the disturbance, a frequency of occurrence of the disturbance, a location associated with the disturbance, parameters readings such as bit error rate, packet loss rate, retransmission requests, jitter, latency and so on. If the disturbance is based on a prediction by one or more sensors of the waveguide system **1402**, the report can include a type of disturbance expected, and if predictable, an expected time occurrence of the disturbance, and an expected frequency of occurrence of the predicted disturbance when the prediction is based on historical sensing data collected by the sensors **1404** of the waveguide system **1402**.

At step **1714**, the network management system **1601** can determine a mitigation, circumvention, or correction technique, which may include directing the waveguide system **1402** to reroute traffic to circumvent the disturbance if the location of the disturbance can be determined. In one embodiment, the waveguide system **1402** detecting the disturbance may direct a repeater **1802** such as the one

29

shown in FIG. 18A to connect the waveguide system 1402 from a primary power line 1804 affected by the disturbance to a secondary power line 1806 to enable the waveguide system 1402 to reroute traffic to a different transmission medium and avoid the disturbance 1801. In an embodiment where the waveguide system 1402 is configured as a repeater, such as repeater 1802, the waveguide system 1402 can itself perform the rerouting of traffic from the primary power line 1804 to the secondary power line 1806. It is further noted that for bidirectional communications (e.g., full or half-duplex communications), the repeater 1802 can be configured to reroute traffic from the secondary power line 1806 back to the primary power line 1804 for processing by the waveguide system 1402.

In another embodiment, the waveguide system 1402 can redirect traffic by instructing a first repeater 1812 situated upstream of the disturbance and a second repeater 1814 situated downstream of the disturbance to redirect traffic from a primary power line 1804 temporarily to a secondary power line 1806 and back to the primary power line 1804 in a manner that avoids the disturbance 1801 as shown in FIG. 18B. It is further noted that for bidirectional communications (e.g., full or half-duplex communications), the repeaters 1812 and 1814 can be configured to reroute traffic from the secondary power line 1806 back to the primary power line 1804.

To avoid interrupting existing communication sessions occurring on a secondary power line 1806, the network management system 1601 may direct the waveguide system 1402 (in the embodiments of FIGS. 18A-18B) to instruct repeater(s) to utilize unused time slot(s) and/or frequency band(s) of the secondary power line 1806 for redirecting data and/or voice traffic away from the primary power line 1804 to circumvent the disturbance 1801.

At step 1716, while traffic is being rerouted to avoid the disturbance, the network management system 1601 can notify equipment of the utility company 1602 and/or equipment of the communications service provider 1604, which in turn may notify personnel of the utility company 1606 and/or personnel of the communications service provider 1608 of the detected disturbance and its location if known. Field personnel from either party can attend to resolving the disturbance at a determined location of the disturbance. Once the disturbance is removed or otherwise mitigated by personnel of the utility company and/or personnel of the communications service provider, such personnel can notify their respective companies and/or the network management system 1601 utilizing field equipment (e.g., a laptop computer, smartphone, etc.) communicatively coupled to network management system 1601, and/or equipment of the utility company and/or the communications service provider. The notification can include a description of how the disturbance was mitigated and any changes to the power lines 1410 that may change a topology of the communication system 1605.

Once the disturbance has been resolved, the network management system 1601 can direct the waveguide system 1402 at step 1720 to restore the previous routing configuration used by the waveguide system 1402 or route traffic according to a new routing configuration if the restoration strategy used to mitigate the disturbance resulted in a new network topology of the communication system 1605. In another embodiment, the waveguide system 1402 can be configured to monitor mitigation of the disturbance by transmitting test signals on the power line 1410 to determine when the disturbance has been removed. Once the waveguide 1402 detects an absence of the disturbance it can

30

autonomously restore its routing configuration without assistance by the network management system 1601 if it determines the network topology of the communication system 1605 has not changed, or it can utilize a new routing configuration that adapts to a detected new network topology.

FIG. 17B illustrates a flow diagram of an example, non-limiting embodiment of a method 1750 for detecting and mitigating disturbances occurring in a communication network of the system 1600 of FIG. 16. In one embodiment, method 1750 can begin with step 1752 where a network management system 1601 receives from equipment of the utility company 1602 or equipment of the communications service provider 1604 maintenance information associated with a maintenance schedule. The network management system 1601 can at step 1754 identify from the maintenance information, maintenance activities to be performed during the maintenance schedule. From these activities, the network management system 1601 can detect a disturbance resulting from the maintenance (e.g., scheduled replacement of a power line 1410, scheduled replacement of a waveguide system 1402 on the power line 1410, scheduled reconfiguration of power lines 1410 in the power grid 1603, etc.).

In another embodiment, the network management system 1601 can receive at step 1755 telemetry information from one or more waveguide systems 1402. The telemetry information can include among other things an identity of each waveguide system 1402 submitting the telemetry information, measurements taken by sensors 1404 of each waveguide system 1402, information relating to predicted, estimated, or actual disturbances detected by the sensors 1404 of each waveguide system 1402, location information associated with each waveguide system 1402, an estimated location of a detected disturbance, an identification of the disturbance, and so on. The network management system 1601 can determine from the telemetry information a type of disturbance that may be adverse to operations of the waveguide, transmission of the electromagnetic waves along the wire surface, or both. The network management system 1601 can also use telemetry information from multiple waveguide systems 1402 to isolate and identify the disturbance. Additionally, the network management system 1601 can request telemetry information from waveguide systems 1402 in a vicinity of an affected waveguide system 1402 to triangulate a location of the disturbance and/or validate an identification of the disturbance by receiving similar telemetry information from other waveguide systems 1402.

In yet another embodiment, the network management system 1601 can receive at step 1756 an unscheduled activity report from maintenance field personnel. Unscheduled maintenance may occur as result of field calls that are unplanned or as a result of unexpected field issues discovered during field calls or scheduled maintenance activities. The activity report can identify changes to a topology configuration of the power grid 1603 resulting from field personnel addressing discovered issues in the communication system 1605 and/or power grid 1603, changes to one or more waveguide systems 1402 (such as replacement or repair thereof), mitigation of disturbances performed if any, and so on.

At step 1758, the network management system 1601 can determine from reports received according to steps 1752 through 1756 if a disturbance will occur based on a maintenance schedule, or if a disturbance has occurred or is predicted to occur based on telemetry data, or if a disturbance has occurred due to an unplanned maintenance identified in a field activity report. From any of these reports, the

network management system **1601** can determine whether a detected or predicted disturbance requires rerouting of traffic by the affected waveguide systems **1402** or other waveguide systems **1402** of the communication system **1605**.

When a disturbance is detected or predicted at step **1758**, the network management system **1601** can proceed to step **1760** where it can direct one or more waveguide systems **1402** to reroute traffic to circumvent the disturbance similar to the illustrations of FIG. **18A** or **18B**. When the disturbance is permanent due to a permanent topology change of the power grid **1603**, the network management system **1601** can proceed to step **1770** and skip steps **1762**, **1764**, **1766**, and **1772**. At step **1770**, the network management system **1601** can direct one or more waveguide systems **1402** to use a new routing configuration that adapts to the new topology. However, when the disturbance has been detected from telemetry information supplied by one or more waveguide systems **1402**, the network management system **1601** can notify maintenance personnel of the utility company **1606** or the communications service provider **1608** of a location of the disturbance, a type of disturbance if known, and related information that may be helpful to such personnel to mitigate the disturbance. When a disturbance is expected due to maintenance activities, the network management system **1601** can direct one or more waveguide systems **1402** to reconfigure traffic routes at a given schedule (consistent with the maintenance schedule) to avoid disturbances caused by the maintenance activities during the maintenance schedule.

Returning back step **1760** and upon its completion, the process can continue with step **1762**. At step **1762**, the network management system **1601** can monitor when the disturbance(s) have been mitigated by field personnel. Mitigation of a disturbance can be detected at step **1762** by analyzing field reports submitted to the network management system **1601** by field personnel over a communications network (e.g., cellular communication system) utilizing field equipment (e.g., a laptop computer or handheld computer/device). If field personnel have reported that a disturbance has been mitigated, the network management system **1601** can proceed to step **1764** to determine from the field report whether a topology change was required to mitigate the disturbance. A topology change can include rerouting a power line **1410**, reconfiguring a waveguide system **1402** to utilize a different power line **1410**, otherwise utilizing an alternative link to bypass the disturbance and so on. If a topology change has taken place, the network management system **1601** can direct at step **1770** one or more waveguide systems **1402** to use a new routing configuration that adapts to the new topology.

If, however, a topology change has not been reported by field personnel, the network management system **1601** can proceed to step **1766** where it can direct one or more waveguide systems **1402** to send test signals to test a routing configuration that had been used prior to the detected disturbance(s). Test signals can be sent to affected waveguide systems **1402** in a vicinity of the disturbance. The test signals can be used to determine if signal disturbances (e.g., electromagnetic wave reflections) are detected by any of the waveguide systems **1402**. If the test signals confirm that a prior routing configuration is no longer subject to previously detected disturbance(s), then the network management system **1601** can at step **1772** direct the affected waveguide systems **1402** to restore a previous routing configuration. If, however, test signals analyzed by one or more waveguide systems **1402** and reported to the network management system **1601** indicate that the disturbance(s) or new disturbance(s) are present, then the network management system

**1601** will proceed to step **1768** and report this information to field personnel to further address field issues. The network management system **1601** can in this situation continue to monitor mitigation of the disturbance(s) at step **1762**.

In the aforementioned embodiments, the waveguide systems **1402** can be configured to be self-adapting to changes in the power grid **1603** and/or to mitigation of disturbances. That is, one or more affected waveguide systems **1402** can be configured to self monitor mitigation of disturbances and reconfigure traffic routes without requiring instructions to be sent to them by the network management system **1601**. In this embodiment, the one or more waveguide systems **1402** that are self-configurable can inform the network management system **1601** of its routing choices so that the network management system **1601** can maintain a macro-level view of the communication topology of the communication system **1605**.

While for purposes of simplicity of explanation, the respective processes are shown and described as a series of blocks in FIGS. **17A** and **17B**, respectively, it is to be understood and appreciated that the claimed subject matter is not limited by the order of the blocks, as some blocks may occur in different orders and/or concurrently with other blocks from what is depicted and described herein. Moreover, not all illustrated blocks may be required to implement the methods described herein.

FIG. **19** illustrates a flow diagram of an example, non-limiting embodiment of a method **1900** for mitigating faults in a communication system of FIG. **20**. Method **1900** can begin at step **1902** where a waveguide system such as shown in FIG. **14** detects a fault in a primary communication link depicted by reference **2030** of FIG. **20** (herein referred to as primary communication link **2030**). For long-haul communications, the primary communication link **2030** can represent a high voltage power line (e.g., 100 kV-138 kV), an extra high voltage power line (e.g., 230 kV-800 kV), or an ultra high voltage power line (e.g., >800 kV) of the power grid. Generally, such power lines are placed at a high altitude on utility poles in one embodiment for safety reasons and to reduce a likelihood of obstructions from tree limbs. For short-haul communications (e.g., urban, suburban, or rural areas), the primary communication link **2030** can represent a medium voltage power line (e.g., 4 kV to 69 kV), which are generally positioned above lower voltage power lines, telephone lines, and/or coaxial cable lines. Thus it will be appreciated that the primary communication link **2030** can include non-high-voltage (e.g., medium or low voltage) power lines as well at various positions on utility poles without departing from example embodiments.

However, obstructions from tree limbs can happen with such power lines, which as was described previously can be sensed by sensors of the waveguide system described in FIG. **14**. Generally, a fault can represent any disturbance sensed or detected by the sensors of the waveguide system that can adversely affect the transmission or reception of electromagnetic waves that transport data and that propagate on a surface of the primary communication link **2030**. A non-limiting illustration of data can include voice communication services, internet services, broadcast video services, control data for controlling the distribution of content and/or for establishing voice and/or data communication sessions, voice or data communications from other networks, or other types of data services in any combination thereof.

At step **1904**, the waveguide system **1402** can report the fault, or information associated therewith, to a network management system **1601** such as shown in FIGS. **14** and **16**. For example, the waveguide system **1402** can identify a

type of fault, a location of the fault, quality metrics (described herein) and/or other communication parameter information associated with a fault including signal strength, signal loss, latency, packet loss, etc. In one embodiment, the network management system **1601** can take evasive action by instructing the waveguide system **1402** to select at step **1906** one or more backup communication mediums or links that provide backup communication services in the event of a fault at the primary communication link **2030**. In another embodiment, the waveguide system **1402** can autonomously take evasive action to maintain communication services active by selecting at step **1906** one or more backup communication mediums or link. The waveguide system **1402** can be configured to select a backup communication medium or link based on selection criteria. The selection criteria can include quality metrics that can be used to verify that the backup communication medium is suitable for backup communication services. Quality metrics can include without limitation a desired communications bandwidth, a desired Quality of Service (QoS), a desired signal to noise ratio, a desired bit error rate performance, a desired packet loss performance, a desired data throughput, a desired jitter performance, a desired latency performance, and so on.

The waveguide system, which can be represented by any of references **2006**, **2008**, or **2010** of FIG. **20** (herein referred to as waveguide systems **2006**, **2008**, or **2010**) can have multiple options for initiating backup communication services. For example, waveguide system **2006** can have an antenna **2012** that can be coupled to a communications interface such as reference **1408** of FIG. **14** to enable the waveguide system **2006** to engage in wireless communications (e.g., LTE, WiFi, 4/5G, or otherwise) with base station **2002**, base station **2004**, or other waveguide systems such as waveguide system **2008** deploying a wireless communications interface with an antenna **2012**. Waveguide system **2006** can thus redirect data to base station **2002** over a first wireless link. Base station **2002** can in turn redirect the data to waveguide system **2008** over a second wireless link. Waveguide system **2008** can then retransmit the data using electromagnetic waves that propagate on the primary link **2030**.

Similarly, waveguide system **2006** can redirect data to base station **2004** over a first wireless link. Base station **2004** in turn can redirect the data to a landline network **2020** over a high speed wired link **2013** (e.g., fiber). The landline network **2020** can also redirect the data to a local base station **2014** (e.g., a microcell) over another high speed link **2013**. The local base station **2014** can then supply the data to waveguide system **2010** which retransmits the data using electromagnetic waves that propagate on the primary communication link **2030**. Additionally, waveguide system **2006** can redirect data to waveguide system **2008** over a wireless link. Waveguide system **2008** can then retransmit the data using electromagnetic waves that propagate on the primary communication link **2030**.

In each of the above example embodiments, the data is sent by the waveguide system **2006** to the backup communication medium or link, which redirects it back to a portion of the primary communication link **2030** unaffected by the fault. Unaffected portions of the primary communication link **2030** can be identified by the network management system **1601**. The network management system **1601** can in turn coordinate the flow of traffic with communication nodes of the backup communication medium selected by waveguide system **2006** to redirect data back to unaffected portions of the primary communication link **2030**.

Using a wireless link to connect to any of the backup communication mediums or link may, however, in some embodiments result in less bandwidth than the original bandwidth capacity of the affected primary communication link **2030**. In such embodiments, waveguide system **2006** may need to adjust the bandwidth of the data to accommodate retransmission over a selected backup communication medium as will be addressed by method **1900** at steps **1920**, **1922** and **1924**. To reduce or eliminate the need for bandwidth adjustments, the waveguide system **2006** can select multiple wireless backup communication mediums to mitigate the need for adjusting the bandwidth of the data by distributing portions of the data between the selected backup communication mediums.

In addition to wireless backup links, the waveguide system **2006** can use a waveguide **2005** (incorporated in waveguide system **2006**) that can couple to an unaffected line in its vicinity such as line **2040**, which can serve as secondary communication link (herein referred to as secondary communication link **2040**) for providing backup communication services. For long-haul communications, the secondary communication link **2040** can represent another high power line if more than one high power line is available, or a medium voltage power line if available. For short-haul communications (e.g., urban, suburban, or rural areas), the secondary communication link **2040** can represent a low voltage power line (e.g., less than 1000 volts such as 240V) for distributing electrical power to commercial and/or residential establishments, telephone lines, or coaxial cable lines. For illustration purposes, line **2040** will be assumed to be a power line, and thus referred to herein as power line **2040**. However, it is noted that line **2040** can be a non-power line such as a telephone line, or a coaxial cable accessible to the waveguide system **2006**. It is further noted that the low voltage power line, telephone lines, or coaxial cable lines are generally positioned below the medium voltage power line and thus may be more susceptible to obstructions such as tree limbs that may cause a disturbance that adversely affects the transmission or reception of electromagnetic waves on a surface of secondary communication link **2040**.

Secondary communication link **2040** enables waveguide system **2006** to communicate with waveguide system **2008**, which also has a waveguide **2009** incorporated therein and coupled to the secondary communication link **2040**. In this configuration, the secondary communication link **2040** can be used to bypass a fault in the primary communication link **2030** that may be occurring between waveguide system **2006** and waveguide system **2008**. In this illustration, waveguide system **2008** can reestablish communication services back to a portion of the primary communication link **2030** that is unaffected by the fault detected by waveguide system **2006**. If, however, the fault on the primary communication link **2030** affects both waveguide system **2006** and waveguide system **2008**, waveguide system **2006** can use the secondary communication link **2040** to communicate with the local base station **2014**, which can be configured with a waveguide system of its own such as shown in FIG. **14** to receive and transmit electromagnetic waves that transport the data and that propagate on a surface of the secondary communication link **2040**. The local base station **2014** can in turn supply the data to waveguide system **2010** which can redirect its transmission to the primary communication link **2030** to downstream waveguide systems (not shown).

It is further noted that data can be redirected to the secondary communication link **2040** in several ways. In one embodiment, electromagnetic waves propagating on the primary communication link **2030** can be redirected to the



secondary communication link **2040**. This can be accomplished by connecting one end of waveguide **2005** to the secondary communication link **2040** and the other end of waveguide **2005** to an unaffected portion of the primary communication link **2030**. In this configuration, electromagnetic waves flowing on the primary communication link **2030** can be redirected by the waveguide **2005** to the secondary communication link **2040**, and electromagnetic waves flowing on the secondary communication link **2030** can be redirected by the waveguide **2005** to the primary communication link **2040**.

In one embodiment, the electromagnetic waves propagating through the waveguide **2005** in a direction of the primary communication link **2030** or in a direction of the secondary communication link **2040** can be unamplified. For instance, the waveguide **2005** can be a passive dielectric waveguide device coupled to both ends of the primary and secondary communication links **2030** and **2040**, respectively, having no active circuitry for modifying the electromagnetic waves flowing through the waveguide **2005** in either direction. Alternatively, one or more amplifiers can be added to the waveguide **2005** to amplify the electromagnetic waves propagating through the waveguide **2005** in a direction of the primary communication link **2030** and/or in a direction of the secondary communication link **2040**. For example, the waveguide **2005** can include active circuits that amplify the electromagnetic waves propagating in a direction of the primary communication link **2030** and/or active circuits that amplify electromagnetic waves propagating in a direction of the secondary communication link **2040**.

In yet another embodiment, the waveguide device **2005** can be represented by a repeater such as shown in FIG. **8** which can utilize active circuitry such as shown in FIG. **9** to extract the data included in the electromagnetic waves propagating in the primary communication link **2030**, and retransmitting the same data with new electromagnetic waves that are sent to the secondary communication link **2040**. Similarly, the circuitry of FIG. **9** can be used to extract data included in the electromagnetic waves propagating in the secondary communication link **2040**, and retransmitting the same data with new electromagnetic waves that are sent to the primary communication link **2030**.

In yet another embodiment, the waveguide system **2006** can also include a link **2007** that couples the waveguide system **2006** to a local base station **2015** (e.g., a microcell). Link **2007** can represent a high speed communication link such as a fiber link enabling the waveguide system **2006** to redirect data to the local base station **2015**, which in turn can direct data to a landline network **2020** that in turn supplies the data to another local base station **2014** that can present such signals to waveguide system **2010** for redirecting the data back to the primary communication link **2030**.

Based on the above illustrations, the waveguide system **2006** has several options for selecting at step **1906** one or more backup communication mediums or links depending on its bandwidth needs, which include: (1) a wired connection to local base station **2015** via high speed link **2007** which enables waveguide system **2006** to redirect data back to the primary communication link **2030** via waveguide system **2010**, (2) a connection to secondary communication link **2040** via waveguide **2005** of the waveguide system **2006** which enables waveguide system **2006** to redirect data back to the primary communication link **2030** via waveguide system **2008**, (3) a connection to secondary communication link **2040** via waveguide **2005** of the waveguide system **2006** which also enables waveguide system **2006** to redirect data back to the primary communication link **2030** via

waveguide system **2010** using the local base station **2014**, (4) a wireless link to base station **2002** which enables waveguide system **2006** to redirect data back to the primary communication link **2030** via waveguide system **2008**, (5) a wireless link to base station **2004** which enables waveguide system **2006** to redirect data back to the primary communication link **2030** via waveguide system **2010** using the local base station **2014**, and (6) a wireless link to waveguide system **2008** which can redirect data back to the primary communication link **2030**.

Once waveguide system **2006** has selected one or more backup communication links, it can proceed to step **1908** where it can determine whether a particular backup communication link is part of the power grid or otherwise (e.g., wireless link or wired link to a local base station). Since it is possible that more than one backup communication link can be selected by waveguide system **2006**, steps **1910** and **1914** may be invoked simultaneously or in sequence for each instance of a backup link of the power grid, a backup wireless link, and/or a backup wired link to a local base station.

For backup links of the power grid, the waveguide system **2006** can be configured to transmit electromagnetic wave test signals on the secondary communication link **2040**. The electromagnetic wave test signals can be received by waveguide system **2008** and/or local base station **2014** (assuming it has an integrated waveguide system). The test signals can be analyzed by the waveguide system **2008** and/or the local base station **2014**. The test signals can be measured, for example, for signal to noise ratio, data throughput, bit error rate, packet loss rate, jitter, latency, and other metrics that can be compared to the selection criteria by waveguide system **2006**. The test results can be transmitted back at step **1912** to waveguide system **2006** by waveguide system **2008** and/or by the local base station **2014** over the secondary communication link **2040**, or in the case of waveguide system **2008** over a wireless link, and in the case of local base station **2014** over wired links **2013** and **2011**. In addition to analyzing test results sent back from waveguide system **2008** and/or local base station **2014** according to the selection criteria, waveguide system **2006** can also perform autonomous tests on the secondary communication link **2040** such as signal reflection measurements and other measurements described in the subject disclosure.

For non-power grid backup links, the waveguide system **2006** can send test signals appropriate for the type of transmission medium being used. In the case of wireless links, the waveguide system **2006** can send wireless test signals to base station **2002**, base station **2004**, and/or waveguide system **2008**. The waveguide system **2006** can determine a received signal strength indication (RSSI) for each wireless link, signal to noise ratios for each wireless link, data throughputs, bit error rates, packet loss rates, and other measurements applicable to the selection criteria for determining the suitability of each wireless link. Test results can also be received at step **1912** by waveguide system **2006** from base station **2002**, **2004**, and/or waveguide system **2008** over the wireless link. In the case of a wired (non-power grid) link such as link **2007**, the waveguide **2006** can send test signals for testing communications with waveguide system **2010**. Similarly, test results can be received back from waveguide system **2010** and/or intermediate nodes (e.g., landline network **2020** and/or local base station **2015**) for comparison to the selection criteria.

At step **1916**, the waveguide system **2006** can assess whether a backup link is suitable for backup communication services in accordance with the selection criteria used by the



waveguide system **2006**. If a backup link is not available or suitable for backup communication services, the waveguide system **2006** can proceed to step **1918** and report this issue to the network management system **1601** via an available backup link, and proceed to select another backup link (if available) at step **1906**. If another backup link is selected, the waveguide system **2006** can perform steps **1908-1912** as previously described. If one or more backup links have been verified at step **1916** to be suitable for backup communication services, then the waveguide system **2006** can proceed to step **1920** to determine if the backup link(s) provide sufficient bandwidth to support the bandwidth being used in the primary communication link **2030** to transport the data.

If the backup link(s) cannot support the bandwidth originally used for transmission of the data on the primary communication link **2030**, the waveguide system **2006** can proceed to step **1922** to adjust the bandwidth of the data so that it is suitable for the backup link(s). If real-time transmissions are present, for example, real-time audio or video signals, a transcoder can transcode these real-time signals to reduce the bit rate to conform to the adjusted bandwidth. In another embodiment, the transmission rate of non-real-time signals can be reduced to preserve the quality of service associated with real-time signals included in the data. In this step, the waveguide system **2006** can inform the network management system **1601** via an available backup link that the bandwidth of the data will be adjusted. The network management system **1601** can in one embodiment inform devices affected by the fault (via, for example, backup links) that communications bandwidth must be adjusted to accommodate backup services. Alternatively, the waveguide system **2006** can notify the affected devices via the backup link(s) of the change in bandwidth.

Once bandwidth has been adjusted at step **1922**, the waveguide system **2006** can proceed to step **1924** and begin to redirect data via the backup link(s). If bandwidth adjustment is not necessary, the waveguide system **2006** can proceed to step **1926** and redirect data according to its original bandwidth. In another embodiment, if the bandwidth capacity of the backup link(s) cannot support the bandwidth originally used for transmission of the data on the primary communication link **2030**, the waveguide system **2006** can proceed to step **1906** to select a different backup link.

In one embodiment, the backup link(s) (i.e., secondary communication links) may be shared with other communication devices (e.g., waveguide systems or other communication nodes). In one embodiment, the waveguide system **2006** can be configured to select an operating frequency for transmitting and receiving data over the backup link(s) that differs from the operating frequency used by the other communication devices. In another embodiment, the waveguide system **2006** can be configured to select time slot assignments for transmitting and receiving data over the backup link(s) that differs from time slot assignments used by the other communication devices. In yet another embodiment, the waveguide system **2006** can be configured to select a combination of one or more operating frequencies and one or more time slot assignments for transmitting and receiving data over the backup link(s) that differ from one or more operating frequencies and one or more time slot assignments used by the other communication devices.

In instances where the backup link(s) have communication access to the power grid at a point where the primary communication link **2030** is unaffected by the fault, the waveguide system **2006** can instruct at step **1928** one or more communication nodes in the backup link(s) to redirect

the data back to the primary communication link **2030** at an unaffected location in the power grid determined by the waveguide system **2006** or at an unaffected location identified by the network management system **1601** and conveyed to the waveguide system **2006**, thereby circumventing the fault.

While the backup link(s) are in use, the network management system **1601** can be directing personnel of a power utility or communications company to resolve the fault as previously described in the subject disclosure. Once the fault has been resolved at step **1930**, the network management system **1601** can instruct at step **1932** the waveguide system **2006** (and other communication nodes in the backup link(s)) to restore or reconfigure routing of the data according a mitigation strategy used to resolve the fault. Alternatively, the waveguide system **2006** can monitor the power grid for mitigation of the fault, and autonomously determine whether it can reuse a prior routing configuration or whether it must use a new routing configuration based on a detectable change in the network topology of the power grid. It will be appreciated that faults detected by one or more waveguide systems **2006** can be the result of power outages due to broken power lines caused by weather conditions, malfunctioning transformers, or otherwise. The network management system **1601** can also be used to coordinate mitigation of power outages based on fault notices sent to the network management system **1601** by one or more waveguide systems **2006**. It is also appreciated that secondary communication links (e.g., backup links) can also be represented by underground transmission mediums such as conduits, underground power lines, and so on.

While for purposes of simplicity of explanation, the respective processes are shown and described as a series of blocks in FIG. **19**, it is to be understood and appreciated that the claimed subject matter is not limited by the order of the blocks, as some blocks may occur in different orders and/or concurrently with other blocks from what is depicted and described herein. Moreover, not all illustrated blocks may be required to implement the methods described herein. It is further noted that the processes of FIG. **19** can be further modified to perform any of the embodiments described in the subject disclosure, such as, for example, embodiments relating to circumventing disturbances in a power grid such as shown in FIGS. **18A** and **18B**.

FIG. **21** illustrates a flow diagram of an example, non-limiting embodiment of a method **2100** for adjusting a communication mode in a communication system such as the communication system **1605** of FIG. **16**. Method **2100** can begin with step **2102** in which a condition in a power line **1410** is detected by a waveguide system **1402**, the condition adversely affecting electromagnetic wave communications on the power line **1410**. Conditions that may adversely affect electromagnetic (EM) wave communications on the power line **1410** may include, without limitation, impairments detectable by the sensors **1404** of the waveguide system **1402** such as the obstructions depicted in FIG. **15**, scheduled maintenance of the power line **1410** by field personnel, ad hoc maintenance performed by field personnel, or other conditions detectable or determinable by the waveguide system **1402** and/or the network management system **1601**. When adverse condition(s) are detected or determined by the waveguide system **1402** (referred to herein as the affected waveguide system **1402**) they can be reported at step **2104** to the network management system **1601** by the affected network management system **1402** and possibly by other neighboring waveguide systems detecting or determining the same condition(s).

At step 2106 a mode of communication can be selected autonomously by the affected waveguide system 1402 according to the adverse condition it has detected or determining at step 2102, or the affected waveguide system 1402 can select the mode of communication based according to instructions given by the network management system 1601. In instances where the adverse condition cannot be remedied without repairs by field personnel and the condition severely or materially affects communications between the affected waveguide system 1402 and other waveguide systems (e.g., a down power line), the type of communication mode selected at step 2108 may be a bypass mode to avoid the affected power line 1410, or portion thereof, altogether. The bypass mode can be implemented according to method 1900 of FIG. 19, in which a secondary communication link (or backup link) is used to bypass the adverse condition detected at step 2102. If, however, the adverse condition can be remedied at least in part by the affected waveguide system 1402 without a bypass mode (e.g., EM adjustment mode), the waveguide system 1402 can instead select a mode of communication at step 2106 that involves adjusting characteristics of electromagnetic waves transmitted or received by the affected waveguide system 1402 (including adjusting characteristics of the waveguide system 1402 performing the transmission or reception).

FIG. 22A illustrates by way of example an obstruction 2210 (e.g., a joint for connecting spliced power lines) which can degrade or impair transmission or reception of electromagnetic waves 2208 propagating on an outer surface of the power line 1410. As described herein, when the waveguide system 1402 is in an operational mode that involves transmitting electromagnetic waves, it begins with the generation of electromagnetic waves 2206 propagating on an outer surface of the waveguide 2204 which in turn couple onto an outer surface of the power line 1410 to form electromagnetic waves 2208. On the other hand, when the waveguide system 1402 is in an operational mode for receiving electromagnetic waves, the electromagnetic waves 2208 propagating on the power line 1410 couple onto an outer surface of the waveguide 2204 to form electromagnetic waves 2206 also described herein.

In each mode of operation, the obstruction 2210 shown in FIG. 22A can adversely affect the propagation of the electromagnetic waves by attenuating the electromagnetic waves, causing electromagnetic wave reflections, or otherwise degrading, impairing or altering the electromagnetic waves in a manner that may cause propagation losses, or other harmful effects which can reduce a quality of communication services in the communication system 1605 of FIG. 16. To remedy these effects, the affected waveguide system 1402 can be configured to adjust characteristics of the electromagnetic waves transmitted or received thereby. For example, the affected waveguide system 1402 can adjust a wave propagation mode of the electromagnetic waves transmitted or received thereby. In one embodiment, the affected waveguide system 1402 can adjust the wave propagation mode by adjusting a wavelength of the electromagnetic waves (and thus, the corresponding frequency) to generate adjusted electromagnetic waves 2216 on the waveguide 2204 which in turn couple onto the outer surface of the power line 2202 as electromagnetic waves 2218 having similar wavelengths. The affected waveguide system 1402, for example, can increase the wavelength of the electromagnetic waves to make the electromagnetic waves propagating on the power line 1410 less susceptible to attenuation by the impairment 2210 as depicted in FIG. 22B.

It will be appreciated that due to multiple effects caused by the impairment 2210 there may be circumstances when decreasing the wavelength of the electromagnetic waves may improve the propagation of the electromagnetic waves through the impairment 2210. The affected waveguide system 1410 may therefore engage in testing whether increasing or decreasing the wavelength of the electromagnetic waves improves communications.

It will be further appreciated that the affected waveguide system 1402 can also be configured to adjust the wave propagation mode of the electromagnetic waves by adjusting a fundamental mode of the electromagnetic waves, one or more asymmetric modes of the electromagnetic waves, spatial orientations of the one or more asymmetric modes (e.g., non-fundamental modes) of the electromagnetic waves, or any combination thereof. Adjusting the fundamental mode, asymmetric modes, or spatial orientations of the asymmetric modes may further include adjusting the wavelength of these modes. Additionally, other characteristics of the electromagnetic waves can be adjusted by the affected waveguide system 1402 such as, for example, amplitude, phase, energy level, carrier frequency, modulation techniques, and so on. Similarly, error correction techniques used in conjunction with data transported by the electromagnetic waves can be adjusted by the affected waveguide system 1402 to improve the ability to reconstruct portions of data corrupted by the impairment 2210. Thus, any combination of the aforementioned adjustments of the electromagnetic waves and adjustments in error correction schemes can be performed by the affected waveguide system 1402 to mitigate, eliminate and/or reduce adverse condition(s) detected at step 2102.

To validate any of the above adjustments, the affected waveguide system 1402 can be configured to transmit electromagnetic wave test signals on the power line 1410 to determine, for example, whether increasing or decreasing the wavelength of the electromagnetic waves, adjusting the fundamental and/or asymmetric modes, adjusting the error correction scheme, and/or adjusting other wave/signal characteristics improves communications on the affected power line 1410. Testing can be performed in coordination with a downstream waveguide system using loop back techniques whereby, for example, the downstream waveguide system loops back the test signals sent by the affected waveguide system 1402 so that the affected waveguide system 1402 can analyze these signals. Alternatively, the downstream waveguide system can change its termination impedance to intentionally cause signal reflections of the test signals which enables the waveguide system 1402 to analyze such signals. In yet another embodiment, the downstream waveguide system can perform measurements and communicate such measurements back to the affected waveguide system 1402 as feedback data for analysis. In other embodiments, the analysis can also be based upon analyzing the non-receipt of the test signals, or loss associated therewith. Furthermore, predictive analytics or inferential analysis can be utilized in analyzing the receipt or non-receipt of the test signals, or information associated therewith.

Returning now to FIG. 21, once the waveguide system 1402 has chosen a mitigation strategy for adjusting the electromagnetic waves based on the above tests, the affected waveguide system 1402 can inform the downstream waveguide system at step 2110 how it intends to transmit signals. The notice provided to the downstream waveguide system (e.g., a configuration, protocol, and/or handshake signal) can include information associated with parameters of the electromagnetic waves that are being adjusted by the affected

41

waveguide system **1402** (e.g., changes to wavelength, fundamental mode, asymmetric modes, spatial orientation of asymmetric modes, carrier frequency, magnitude, phase, error correction, etc.). Once this information has been communicated to or otherwise coordinated with the downstream waveguide system, the affected waveguide system **1402** can begin at step **2112** to transmit or receive the adjusted electromagnetic waves, thereby resuming communications with the downstream waveguide system at step **2114**.

In one embodiment, if the downstream waveguide system is located after the impairment **2210**, the downstream waveguide system can receive the adjusted electromagnetic waves from the affected waveguide system **1402** and thereafter retransmit data retrieved from the adjusted electromagnetic waves with a different mode of communication for transmitting or receiving electromagnetic waves with other waveguide systems. The mode of communication chosen by the downstream waveguide system to communicate with other waveguide systems may be similar to or the same as the mode of communication previously used by the affected waveguide system **1402**. It will be appreciated that in alternative embodiments, the downstream waveguide system can also retransmit data to other waveguide systems using the same mode of communication as that received with the adjusted electromagnetic waves. Indeed, the adjustment in step **2110** may apply to multiple downstream or neighboring waveguide systems without departing from example embodiments.

While the affected waveguide system **1402** is using the new mode of communication to mitigate the adverse condition detected at step **2102**, the affected waveguide system **1402** can periodically monitor at step **2116** whether the adverse condition detected at step **2102** has been mitigated. This step can be the result of the network management system **1601** receiving information from field personnel indicating that the condition has been addressed, eliminated, removed, modified or otherwise mitigated, and then informing the affected waveguide system **1402** of this change. Alternatively, or in combination, the affected waveguide system **1402** can perform testing (via test signals sent thereby) to determine if the adverse condition has been addressed, eliminated, removed, modified or otherwise mitigated. If the adjusted mode of communication used by the affected waveguide system **1402** restores a quality of communication services that is considered satisfactory by the network management system **1601**, then steps **2116-2118** may not be necessary, and any alarm condition raised by the affected waveguide system **1402** may be removed locally and at the network management system **1601**.

When a source of degradation, disruption or impairment on power line **1410**, such as impairment **2210**, requiring repair, field personnel may utilize a passive waveguide having no active circuits (e.g., a cylindrical or rectangular strip of dielectric material) to address or remedy the effects of impairment **2210**. Opposite ends of the passive waveguide can be coupled to unaffected portions of the power line **1410** located at opposite ends of the impairment **2210** to cause the electromagnetic waves to bypass the impairment **2210** and thereby propagate on an outer surface of the passive waveguide. Alternatively, a repeater **710** having active circuits such as shown in FIGS. **7** and **9** can be placed at opposite ends of the impairment **2210** to bypass the impairment. In yet another embodiment, a dielectric sleeve can be placed around the impairment **2210** so that electromagnetic waves travel on an outer surface of the sleeve. In another embodiment, field personnel can apply dielectric material on the impairment **2210** with a spray that emits a

42

dielectric material that adheres to the impairment **2210**, or by manually applying a compound of dielectric material that adheres to the impairment **2210**. It will be appreciated that other materials that can be applied to the impairment **2210** to reduce propagation losses or reflections of electromagnetic waves when transitioning through the impairment **2210** can be used. For example, a material having a suspension of conductive particles in a binder may be used. It will be further appreciated that an impairment may also be repaired by field personnel with metallic jumpers. It will also be appreciated that if the impairment is not caused by the affected power line **1410**, such as a fallen tree branch or other obstructions, then removal of the obstruction would be the mitigation strategy likely chosen by field personnel.

Once the adverse condition detected at step **2102** has been addressed, eliminated, removed, modified or otherwise mitigated by any of the techniques described in the subject disclosure, the affected waveguide system **1402** can restore at step **2118** an original mode of communication used by the affected waveguide system **1402** for transmitting and receiving electromagnetic waves, or a new mode of communication maybe chosen by the affected waveguide system **1402** as a result of the mitigation strategy calling for a modification of the electromagnetic wave characteristics and/or a route of communications in the power grid **1603**. The change in mode of communication may be determined by testing performed by the affected waveguide system **1402** and/or in response to instructions provided by the network management system **1601** to the affected waveguide system **1402**.

It will be appreciated that other conditions may adversely affect electromagnetic wave communications on a transmission medium such as a power line. For example, water droplets can accumulate on an uninsulated power line (i.e., bare wire) due to rain and/or excessive humidity. Water droplets may be present on a top side or bottom side of an outer surface of the uninsulated power line. The accumulated droplets may in turn cause an attenuation of the electromagnetic waves traveling on the outer surface of the uninsulated power line and/or cause other distortions that may result in propagation losses and/or signal distortions. The embodiments of method **2100** of FIG. **21** can be used to reduce the adverse effects of water droplets, such as by, for example, adjusting the wavelength of the electromagnetic waves. The affected waveguide system **1402** can also adjust the phase and/or magnitude of the electromagnetic waves singly or in combination with adjusting the wavelength.

Generally, electromagnetic waves on an uninsulated power line are symmetric electromagnetic waves operating according to a fundamental mode. However, the water droplets may cause asymmetric modes to arise. The affected waveguide system **1402** can take advantage of the asymmetric modes and use multiple instances of dielectric waveguides **2204** having different spatial positions (e.g., northeast, southeast, southwest and northwest) to in turn cause a spatial positioning of the asymmetric modes in a manner that may avoid water droplets located on a topside and/or bottom side of the uninsulated power line. The affected waveguide system **1402** can test one dielectric waveguide **2204** at a time, or multiple dielectric waveguides **2204** simultaneously. The affected waveguide system **1402** can also utilize an electromechanical system having, for example, linear motors that can rotate the multiple dielectric waveguides **2204** about the uninsulated power line. Additionally, a downstream waveguide system can have the same or similar configuration as the affected waveguide system **1402** (e.g., multiple and rotatable dielectric waveguides **2204**). The

affected waveguide system **1402** can communicate with the downstream waveguide system and coordinate any of the above tests by exchanging messages over a control channel of the affected power line **1410** (if possible), a wireless link between waveguide systems shown in FIG. **20**, or by way of base station **2002**.

Other or similar techniques described in the subject disclosure can be used to mitigate conditions that may be adverse to the transmission and/or reception of electromagnetic waves propagating on a surface of a transmission medium such as, without limitation, an insulated or uninsulated wire, underground wires, above or below ground conduits with a dielectric surface, and so on. It will be appreciated that a detectable condition, impairment, or degradation can result in an adverse effect on the transmission or reception of electromagnetic waves on a surface of a transmission medium. However, the terms condition, impairment, and degradation as utilized in the subject disclosure can in some embodiments differ from each other and in other instances lead to a similar result.

For example, a condition can be detected that identifies a future maintenance schedule, a predicted change in weather conditions, or otherwise which is expected will adversely affect transmitting or receiving electromagnetic waves on a surface of a transmission medium. Hence, a condition may adversely affect transmitting or receiving electromagnetic waves on a surface of a transmission medium at a future time, not necessarily a present time. An impairment, on the other hand, can be caused by a disturbance source that continuously (or at periodic or random intervals) adversely affects transmitting or receiving electromagnetic waves on a surface of a transmission medium. A degradation can lead to an impairment, but is not necessarily an impairment from its onset. For example, a deterioration of an insulator on the transmission medium, a slow accumulation of water droplets, and so on, may degrade performance factors associated with transmitting or receiving electromagnetic waves on a surface of a transmission medium. However, such degradation may be considered insufficient to be classified as an impairment if data and/or voice communication services remain unaffected or nominally impacted.

Referring now to FIG. **23**, there is illustrated a block diagram of a computing environment in accordance with various aspects described herein. In order to provide additional context for various embodiments of the embodiments described herein, FIG. **23** and the following discussion are intended to provide a brief, general description of a suitable computing environment **2300** in which the various embodiments of the subject disclosure can be implemented. While the embodiments have been described above in the general context of computer-executable instructions that can run on one or more computers, those skilled in the art will recognize that the embodiments can be also implemented in combination with other program modules and/or as a combination of hardware and software.

Generally, program modules comprise routines, programs, components, data structures, etc., that perform particular tasks or implement particular abstract data types. Moreover, those skilled in the art will appreciate that the inventive methods can be practiced with other computer system configurations, comprising single-processor or multiprocessor computer systems, minicomputers, mainframe computers, as well as personal computers, hand-held computing devices, microprocessor-based or programmable consumer electronics, and the like, each of which can be operatively coupled to one or more associated devices.

The terms “first,” “second,” “third,” and so forth, as used in the claims, unless otherwise clear by context, is for clarity only and doesn’t otherwise indicate or imply any order in time. For instance, “a first determination,” “a second determination,” and “a third determination,” does not indicate or imply that the first determination is to be made before the second determination, or vice versa, etc.

The illustrated embodiments of the embodiments herein can be also practiced in distributed computing environments where certain tasks are performed by remote processing devices that are linked through a communications network. In a distributed computing environment, program modules can be located in both local and remote memory storage devices.

Computing devices typically comprise a variety of media, which can comprise computer-readable storage media and/or communications media, which two terms are used herein differently from one another as follows. Computer-readable storage media can be any available storage media that can be accessed by the computer and comprises both volatile and nonvolatile media, removable and non-removable media. By way of example, and not limitation, computer-readable storage media can be implemented in connection with any method or technology for storage of information such as computer-readable instructions, program modules, structured data or unstructured data.

Computer-readable storage media can comprise, but are not limited to, random access memory (RAM), read only memory (ROM), electrically erasable programmable read only memory (EEPROM), flash memory or other memory technology, compact disk read only memory (CD-ROM), digital versatile disk (DVD) or other optical disk storage, magnetic cassettes, magnetic tape, magnetic disk storage or other magnetic storage devices or other tangible and/or non-transitory media which can be used to store desired information. In this regard, the terms “tangible” or “non-transitory” herein as applied to storage, memory or computer-readable media, are to be understood to exclude only propagating transitory signals per se as modifiers and do not relinquish rights to all standard storage, memory or computer-readable media that are not only propagating transitory signals per se.

Computer-readable storage media can be accessed by one or more local or remote computing devices, e.g., via access requests, queries or other data retrieval protocols, for a variety of operations with respect to the information stored by the medium.

Communications media typically embody computer-readable instructions, data structures, program modules or other structured or unstructured data in a data signal such as a modulated data signal, e.g., a carrier wave or other transport mechanism, and comprises any information delivery or transport media. The term “modulated data signal” or signals refers to a signal that has one or more of its characteristics set or changed in such a manner as to encode information in one or more signals. By way of example, and not limitation, communication media comprise wired media, such as a wired network or direct-wired connection, and wireless media such as acoustic, RF, infrared and other wireless media.

With reference again to FIG. **23**, the example environment **2300** for transmitting and receiving signals via or forming at least part of a base station (e.g., base station devices **102**, **104**, or **520**) or central office (e.g., central office **101**, **1411**, or **2000**). At least a portion of the example environment **2300** can also be used for repeater devices (e.g., repeater devices **710**, or **806**). The example environment can com-

prise a computer **2302**, the computer **2302** comprising a processing unit **2304**, a system memory **2306** and a system bus **2308**. The system bus **2308** couples system components including, but not limited to, the system memory **2306** to the processing unit **2304**. The processing unit **2304** can be any of various commercially available processors. Dual micro-processors and other multi-processor architectures can also be employed as the processing unit **2304**.

The system bus **2308** can be any of several types of bus structure that can further interconnect to a memory bus (with or without a memory controller), a peripheral bus, and a local bus using any of a variety of commercially available bus architectures. The system memory **2306** comprises ROM **2310** and RAM **2312**. A basic input/output system (BIOS) can be stored in a non-volatile memory such as ROM, erasable programmable read only memory (EPROM), EEPROM, which BIOS contains the basic routines that help to transfer information between elements within the computer **2302**, such as during startup. The RAM **2312** can also comprise a high-speed RAM such as static RAM for caching data.

The computer **2302** further comprises an internal hard disk drive (HDD) **2314** (e.g., EIDE, SATA), which internal hard disk drive **2314** can also be configured for external use in a suitable chassis (not shown), a magnetic floppy disk drive (FDD) **2316**, (e.g., to read from or write to a removable diskette **2318**) and an optical disk drive **2320**, (e.g., reading a CD-ROM disk **2322** or, to read from or write to other high capacity optical media such as the DVD). The hard disk drive **2314**, magnetic disk drive **2316** and optical disk drive **2320** can be connected to the system bus **2308** by a hard disk drive interface **2324**, a magnetic disk drive interface **2326** and an optical drive interface **2328**, respectively. The interface **2324** for external drive implementations comprises at least one or both of Universal Serial Bus (USB) and Institute of Electrical and Electronics Engineers (IEEE) 1394 interface technologies. Other external drive connection technologies are within contemplation of the embodiments described herein.

The drives and their associated computer-readable storage media provide nonvolatile storage of data, data structures, computer-executable instructions, and so forth. For the computer **2302**, the drives and storage media accommodate the storage of any data in a suitable digital format. Although the description of computer-readable storage media above refers to a hard disk drive (HDD), a removable magnetic diskette, and a removable optical media such as a CD or DVD, it should be appreciated by those skilled in the art that other types of storage media which are readable by a computer, such as zip drives, magnetic cassettes, flash memory cards, cartridges, and the like, can also be used in the example operating environment, and further, that any such storage media can contain computer-executable instructions for performing the methods described herein.

A number of program modules can be stored in the drives and RAM **2312**, comprising an operating system **2330**, one or more application programs **2332**, other program modules **2334** and program data **2336**. All or portions of the operating system, applications, modules, and/or data can also be cached in the RAM **2312**. The systems and methods described herein can be implemented utilizing various commercially available operating systems or combinations of operating systems. Examples of application programs **2332** that can be implemented and otherwise executed by processing unit **2304** include the diversity selection determining performed by repeater device **806**. Base station device **508** shown in FIG. 5, also has stored on memory many appli-

cations and programs that can be executed by processing unit **2304** in this exemplary computing environment **2300**.

A user can enter commands and information into the computer **2302** through one or more wired/wireless input devices, e.g., a keyboard **2338** and a pointing device, such as a mouse **2340**. Other input devices (not shown) can comprise a microphone, an infrared (IR) remote control, a joystick, a game pad, a stylus pen, touch screen or the like. These and other input devices are often connected to the processing unit **2304** through an input device interface **2342** that can be coupled to the system bus **2308**, but can be connected by other interfaces, such as a parallel port, an IEEE 1394 serial port, a game port, a universal serial bus (USB) port, an IR interface, etc.

A monitor **2344** or other type of display device can be also connected to the system bus **2308** via an interface, such as a video adapter **2346**. It will also be appreciated that in alternative embodiments, a monitor **2344** can also be any display device (e.g., another computer having a display, a smart phone, a tablet computer, etc.) for receiving display information associated with computer **2302** via any communication means, including via the Internet and cloud-based networks. In addition to the monitor **2344**, a computer typically comprises other peripheral output devices (not shown), such as speakers, printers, etc.

The computer **2302** can operate in a networked environment using logical connections via wired and/or wireless communications to one or more remote computers, such as a remote computer(s) **2348**. The remote computer(s) **2348** can be a workstation, a server computer, a router, a personal computer, portable computer, microprocessor-based entertainment appliance, a peer device or other common network node, and typically comprises many or all of the elements described relative to the computer **2302**, although, for purposes of brevity, only a memory/storage device **2350** is illustrated. The logical connections depicted comprise wired/wireless connectivity to a local area network (LAN) **2352** and/or larger networks, e.g., a wide area network (WAN) **2354**. Such LAN and WAN networking environments are commonplace in offices and companies, and facilitate enterprise-wide computer networks, such as intranets, all of which can connect to a global communications network, e.g., the Internet.

When used in a LAN networking environment, the computer **2302** can be connected to the local network **2352** through a wired and/or wireless communication network interface or adapter **2356**. The adapter **2356** can facilitate wired or wireless communication to the LAN **2352**, which can also comprise a wireless AP disposed thereon for communicating with the wireless adapter **2356**.

When used in a WAN networking environment, the computer **2302** can comprise a modem **2358** or can be connected to a communications server on the WAN **2354** or has other means for establishing communications over the WAN **2354**, such as by way of the Internet. The modem **2358**, which can be internal or external and a wired or wireless device, can be connected to the system bus **2308** via the input device interface **2342**. In a networked environment, program modules depicted relative to the computer **2302** or portions thereof, can be stored in the remote memory/storage device **2350**. It will be appreciated that the network connections shown are example and other means of establishing a communications link between the computers can be used.

The computer **2302** can be operable to communicate with any wireless devices or entities operatively disposed in wireless communication, e.g., a printer, scanner, desktop

and/or portable computer, portable data assistant, communications satellite, any piece of equipment or location associated with a wirelessly detectable tag (e.g., a kiosk, news stand, restroom), and telephone. This can comprise Wireless Fidelity (Wi-Fi) and BLUETOOTH® wireless technologies. Thus, the communication can be a predefined structure as with a conventional network or simply an ad hoc communication between at least two devices.

Wi-Fi can allow connection to the Internet from a couch at home, a bed in a hotel room or a conference room at work, without wires. Wi-Fi is a wireless technology similar to that used in a cell phone that enables such devices, e.g., computers, to send and receive data indoors and out; anywhere within the range of a base station. Wi-Fi networks use radio technologies called IEEE 802.11 (a, b, g, n, ac, etc.) to provide secure, reliable, fast wireless connectivity. A Wi-Fi network can be used to connect computers to each other, to the Internet, and to wired networks (which can use IEEE 802.3 or Ethernet). Wi-Fi networks operate in the unlicensed 2.4 and 5 GHz radio bands for example or with products that contain both bands (dual band), so the networks can provide real-world performance similar to the basic 10 BaseT wired Ethernet networks used in many offices.

FIG. 24 presents an example embodiment 2400 of a mobile network platform 2410 that can implement and exploit one or more aspects of the disclosed subject matter described herein. In one or more embodiments, the mobile network platform 2410 can generate and receive signals transmitted and received by base stations (e.g., base station devices 102, 104 or 520), central office (e.g., central office 101, 1411, or 2000), or repeater devices (e.g., repeater devices 710, or 806) associated with the disclosed subject matter. Generally, wireless network platform 2410 can comprise components, e.g., nodes, gateways, interfaces, servers, or disparate platforms, that facilitate both packet-switched (PS) (e.g., internet protocol (IP), frame relay, asynchronous transfer mode (ATM)) and circuit-switched (CS) traffic (e.g., voice and data), as well as control generation for networked wireless telecommunication. As a non-limiting example, wireless network platform 2410 can be included in telecommunications carrier networks, and can be considered carrier-side components as discussed elsewhere herein. Mobile network platform 2410 comprises CS gateway node(s) 2412 which can interface CS traffic received from legacy networks like telephony network(s) 2440 (e.g., public switched telephone network (PSTN)), or public land mobile network (PLMN)) or a signaling system #7 (SS7) network 2470. Circuit switched gateway node(s) 2412 can authorize and authenticate traffic (e.g., voice) arising from such networks. Additionally, CS gateway node(s) 2412 can access mobility, or roaming, data generated through SS7 network 2470; for instance, mobility data stored in a visited location register (VLR), which can reside in memory 2430. Moreover, CS gateway node(s) 2412 interfaces CS-based traffic and signaling and PS gateway node(s) 2418. As an example, in a 3GPP UMTS network, CS gateway node(s) 2412 can be realized at least in part in gateway GPRS support node(s) (GGSN). It should be appreciated that functionality and specific operation of CS gateway node(s) 2412, PS gateway node(s) 2418, and serving node(s) 2416, is provided and dictated by radio technology(ies) utilized by mobile network platform 2410 for telecommunication.

In addition to receiving and processing CS-switched traffic and signaling, PS gateway node(s) 2418 can authorize and authenticate PS-based data sessions with served mobile devices. Data sessions can comprise traffic, or content(s), exchanged with networks external to the wireless network

platform 2410, like wide area network(s) (WANs) 2450, enterprise network(s) 2470, and service network(s) 2480, which can be embodied in local area network(s) (LANs), can also be interfaced with mobile network platform 2410 through PS gateway node(s) 2418. It is to be noted that WANs 2450 and enterprise network(s) 2460 can embody, at least in part, a service network(s) like IP multimedia sub-system (IMS). Based on radio technology layer(s) available in technology resource(s) 2417, packet-switched gateway node(s) 2418 can generate packet data protocol contexts when a data session is established; other data structures that facilitate routing of packetized data also can be generated. To that end, in an aspect, PS gateway node(s) 2418 can comprise a tunnel interface (e.g., tunnel termination gateway (TTG) in 3GPP UMTS network(s) (not shown)) which can facilitate packetized communication with disparate wireless network(s), such as Wi-Fi networks.

In embodiment 2400, wireless network platform 2410 also comprises serving node(s) 2416 that, based upon available radio technology layer(s) within technology resource(s) 2417, convey the various packetized flows of data streams received through PS gateway node(s) 2418. It is to be noted that for technology resource(s) 2417 that rely primarily on CS communication, server node(s) can deliver traffic without reliance on PS gateway node(s) 2418; for example, server node(s) can embody at least in part a mobile switching center. As an example, in a 3GPP UMTS network, serving node(s) 2416 can be embodied in serving GPRS support node(s) (SGSN).

For radio technologies that exploit packetized communication, server(s) 2414 in wireless network platform 2410 can execute numerous applications that can generate multiple disparate packetized data streams or flows, and manage (e.g., schedule, queue, format . . . ) such flows. Such application(s) can comprise add-on features to standard services (for example, provisioning, billing, customer support . . . ) provided by wireless network platform 2410. Data streams (e.g., content(s) that are part of a voice call or data session) can be conveyed to PS gateway node(s) 2418 for authorization/authentication and initiation of a data session, and to serving node(s) 2416 for communication thereafter. In addition to application server, server(s) 2414 can comprise utility server(s), a utility server can comprise a provisioning server, an operations and maintenance server, a security server that can implement at least in part a certificate authority and firewalls as well as other security mechanisms, and the like. In an aspect, security server(s) secure communication served through wireless network platform 2410 to ensure network's operation and data integrity in addition to authorization and authentication procedures that CS gateway node(s) 2412 and PS gateway node(s) 2418 can enact. Moreover, provisioning server(s) can provision services from external network(s) like networks operated by a disparate service provider; for instance, WAN 2450 or Global Positioning System (GPS) network(s) (not shown). Provisioning server(s) can also provision coverage through networks associated to wireless network platform 2410 (e.g., deployed and operated by the same service provider), such as the distributed antennas networks shown in FIG. 1(s) that enhance wireless service coverage by providing more network coverage. Repeater devices such as those shown in FIGS. 7, 8, and 9 also improve network coverage in order to enhance subscriber service experience by way of UE 2475.

It is to be noted that server(s) 2414 can comprise one or more processors configured to confer at least in part the functionality of macro network platform 2410. To that end, the one or more processor can execute code instructions

stored in memory **2430**, for example. It should be appreciated that server(s) **2414** can comprise a content manager **2415**, which operates in substantially the same manner as described hereinbefore.

In example embodiment **2400**, memory **2430** can store information related to operation of wireless network platform **2410**. Other operational information can comprise provisioning information of mobile devices served through wireless platform network **2410**, subscriber databases; application intelligence, pricing schemes, e.g., promotional rates, flat-rate programs, couponing campaigns; technical specification(s) consistent with telecommunication protocols for operation of disparate radio, or wireless, technology layers; and so forth. Memory **2430** can also store information from at least one of telephony network(s) **2440**, WAN **2450**, enterprise network(s) **2460**, or SS7 network **2470**. In an aspect, memory **2430** can be, for example, accessed as part of a data store component or as a remotely connected memory store.

In order to provide a context for the various aspects of the disclosed subject matter, FIG. **24**, and the following discussion, are intended to provide a brief, general description of a suitable environment in which the various aspects of the disclosed subject matter can be implemented. While the subject matter has been described above in the general context of computer-executable instructions of a computer program that runs on a computer and/or computers, those skilled in the art will recognize that the disclosed subject matter also can be implemented in combination with other program modules. Generally, program modules comprise routines, programs, components, data structures, etc. that perform particular tasks and/or implement particular abstract data types.

FIG. **25** depicts an illustrative embodiment of a communication device **2500**. The communication device **2500** can serve as an illustrative embodiment of devices such as mobile devices and in-building devices referred to by the subject disclosure (e.g., in FIGS. **1** and **14**).

The communication device **2500** can comprise a wireline and/or wireless transceiver **2502** (herein transceiver **2502**), a user interface (UI) **2504**, a power supply **2514**, a location receiver **2516**, a motion sensor **2518**, an orientation sensor **2520**, and a controller **2506** for managing operations thereof. The transceiver **2502** can support short-range or long-range wireless access technologies such as Bluetooth®, ZigBee®, WiFi, DECT, or cellular communication technologies, just to mention a few (Bluetooth® and ZigBee® are trademarks registered by the Bluetooth® Special Interest Group and the ZigBee® Alliance, respectively). Cellular technologies can include, for example, CDMA-1x, UMTS/HSDPA, GSM/GPRS, TDMA/EDGE, EV/DO, WiMAX, SDR, LTE, as well as other next generation wireless communication technologies as they arise. The transceiver **2502** can also be adapted to support circuit-switched wireline access technologies (such as PSTN), packet-switched wireline access technologies (such as TCP/IP, VoIP, etc.), and combinations thereof.

The UI **2504** can include a depressible or touch-sensitive keypad **2508** with a navigation mechanism such as a roller ball, a joystick, a mouse, or a navigation disk for manipulating operations of the communication device **2500**. The keypad **2508** can be an integral part of a housing assembly of the communication device **2500** or an independent device operably coupled thereto by a tethered wireline interface (such as a USB cable) or a wireless interface supporting for example Bluetooth®. The keypad **2508** can represent a numeric keypad commonly used by phones, and/or a

QWERTY keypad with alphanumeric keys. The UI **2504** can further include a display **2510** such as monochrome or color LCD (Liquid Crystal Display), OLED (Organic Light Emitting Diode) or other suitable display technology for conveying images to an end user of the communication device **2500**. In an embodiment where the display **2510** is touch-sensitive, a portion or all of the keypad **2508** can be presented by way of the display **2510** with navigation features.

The display **2510** can use touch screen technology to also serve as a user interface for detecting user input. As a touch screen display, the communication device **2500** can be adapted to present a user interface having graphical user interface (GUI) elements that can be selected by a user with a touch of a finger. The touch screen display **2510** can be equipped with capacitive, resistive or other forms of sensing technology to detect how much surface area of a user's finger has been placed on a portion of the touch screen display. This sensing information can be used to control the manipulation of the GUI elements or other functions of the user interface. The display **2510** can be an integral part of the housing assembly of the communication device **2500** or an independent device communicatively coupled thereto by a tethered wireline interface (such as a cable) or a wireless interface.

The UI **2504** can also include an audio system **2512** that utilizes audio technology for conveying low volume audio (such as audio heard in proximity of a human ear) and high volume audio (such as speakerphone for hands free operation). The audio system **2512** can further include a microphone for receiving audible signals of an end user. The audio system **2512** can also be used for voice recognition applications. The UI **2504** can further include an image sensor **2513** such as a charged coupled device (CCD) camera for capturing still or moving images.

The power supply **2514** can utilize common power management technologies such as replaceable and rechargeable batteries, supply regulation technologies, and/or charging system technologies for supplying energy to the components of the communication device **2500** to facilitate long-range or short-range portable communications. Alternatively, or in combination, the charging system can utilize external power sources such as DC power supplied over a physical interface such as a USB port or other suitable tethering technologies.

The location receiver **2516** can utilize location technology such as a global positioning system (GPS) receiver capable of assisted GPS for identifying a location of the communication device **2500** based on signals generated by a constellation of GPS satellites, which can be used for facilitating location services such as navigation. The motion sensor **2518** can utilize motion sensing technology such as an accelerometer, a gyroscope, or other suitable motion sensing technology to detect motion of the communication device **2500** in three-dimensional space. The orientation sensor **2520** can utilize orientation sensing technology such as a magnetometer to detect the orientation of the communication device **2500** (north, south, west, and east, as well as combined orientations in degrees, minutes, or other suitable orientation metrics).

The communication device **2500** can use the transceiver **2502** to also determine a proximity to a cellular, WiFi, Bluetooth®, or other wireless access points by sensing techniques such as utilizing a received signal strength indicator (RSSI) and/or signal time of arrival (TOA) or time of flight (TOF) measurements. The controller **2506** can utilize computing technologies such as a microprocessor, a digital signal processor (DSP), programmable gate arrays, applica-



tion specific integrated circuits, and/or a video processor with associated storage memory such as Flash, ROM, RAM, SRAM, DRAM or other storage technologies for executing computer instructions, controlling, and processing data supplied by the aforementioned components of the communication device **2500**.

Other components not shown in FIG. **25** can be used in one or more embodiments of the subject disclosure. For instance, the communication device **2500** can include a slot for adding or removing an identity module such as a Subscriber Identity Module (SIM) card or Universal Integrated Circuit Card (UICC). SIM or UICC cards can be used for identifying subscriber services, executing programs, storing subscriber data, and so on.

In the subject specification, terms such as “store,” “storage,” “data store,” data storage,” “database,” and substantially any other information storage component relevant to operation and functionality of a component, refer to “memory components,” or entities embodied in a “memory” or components comprising the memory. It will be appreciated that the memory components described herein can be either volatile memory or nonvolatile memory, or can comprise both volatile and nonvolatile memory, by way of illustration, and not limitation, volatile memory, non-volatile memory, disk storage, and memory storage. Further, non-volatile memory can be included in read only memory (ROM), programmable ROM (PROM), electrically programmable ROM (EPROM), electrically erasable ROM (EEPROM), or flash memory. Volatile memory can comprise random access memory (RAM), which acts as external cache memory. By way of illustration and not limitation, RAM is available in many forms such as synchronous RAM (SRAM), dynamic RAM (DRAM), synchronous DRAM (SDRAM), double data rate SDRAM (DDR SDRAM), enhanced SDRAM (ESDRAM), Synchlink DRAM (SLDRAM), and direct Rambus RAM (DRRAM). Additionally, the disclosed memory components of systems or methods herein are intended to comprise, without being limited to comprising, these and any other suitable types of memory.

Moreover, it will be noted that the disclosed subject matter can be practiced with other computer system configurations, comprising single-processor or multiprocessor computer systems, mini-computing devices, mainframe computers, as well as personal computers, hand-held computing devices (e.g., PDA, phone, watch, tablet computers, netbook computers, etc.), microprocessor-based or programmable consumer or industrial electronics, and the like. The illustrated aspects can also be practiced in distributed computing environments where tasks are performed by remote processing devices that are linked through a communications network; however, some if not all aspects of the subject disclosure can be practiced on stand-alone computers. In a distributed computing environment, program modules can be located in both local and remote memory storage devices.

Some of the embodiments described herein can also employ artificial intelligence (AI) to facilitate automating one or more features described herein. For example, artificial intelligence can be used to determine positions around a wire that dielectric waveguides **604** and **606** should be placed in order to maximize transfer efficiency. The embodiments (e.g., in connection with automatically identifying acquired cell sites that provide a maximum value/benefit after addition to an existing communication network) can employ various AI-based schemes for carrying out various embodiments thereof. Moreover, the classifier can be employed to determine a ranking or priority of the each cell

site of the acquired network. A classifier is a function that maps an input attribute vector,  $x=(x_1, x_2, x_3, x_4, \dots, x_n)$ , to a confidence that the input belongs to a class, that is,  $f(x)=\text{confidence}(\text{class})$ . Such classification can employ a probabilistic and/or statistical-based analysis (e.g., factoring into the analysis utilities and costs) to prognose or infer an action that a user desires to be automatically performed. A support vector machine (SVM) is an example of a classifier that can be employed. The SVM operates by finding a hypersurface in the space of possible inputs, which the hypersurface attempts to split the triggering criteria from the non-triggering events. Intuitively, this makes the classification correct for testing data that is near, but not identical to training data. Other directed and undirected model classification approaches comprise, e.g., naïve Bayes, Bayesian networks, decision trees, neural networks, fuzzy logic models, and probabilistic classification models providing different patterns of independence can be employed. Classification as used herein also is inclusive of statistical regression that is utilized to develop models of priority.

As will be readily appreciated, one or more of the embodiments can employ classifiers that are explicitly trained (e.g., via a generic training data) as well as implicitly trained (e.g., via observing UE behavior, operator preferences, historical information, receiving extrinsic information). For example, SVMs can be configured via a learning or training phase within a classifier constructor and feature selection module. Thus, the classifier(s) can be used to automatically learn and perform a number of functions, including but not limited to determining according to a predetermined criteria which of the acquired cell sites will benefit a maximum number of subscribers and/or which of the acquired cell sites will add minimum value to the existing communication network coverage, etc.

As used in some contexts in this application, in some embodiments, the terms “component,” “system” and the like are intended to refer to, or comprise, a computer-related entity or an entity related to an operational apparatus with one or more specific functionalities, wherein the entity can be either hardware, a combination of hardware and software, software, or software in execution. As an example, a component may be, but is not limited to being, a process running on a processor, a processor, an object, an executable, a thread of execution, computer-executable instructions, a program, and/or a computer. By way of illustration and not limitation, both an application running on a server and the server can be a component. One or more components may reside within a process and/or thread of execution and a component may be localized on one computer and/or distributed between two or more computers. In addition, these components can execute from various computer readable media having various data structures stored thereon. The components may communicate via local and/or remote processes such as in accordance with a signal having one or more data packets (e.g., data from one component interacting with another component in a local system, distributed system, and/or across a network such as the Internet with other systems via the signal). As another example, a component can be an apparatus with specific functionality provided by mechanical parts operated by electric or electronic circuitry, which is operated by a software or firmware application executed by a processor, wherein the processor can be internal or external to the apparatus and executes at least a part of the software or firmware application. As yet another example, a component can be an apparatus that provides specific functionality through electronic components without mechanical parts, the electronic components



can comprise a processor therein to execute software or firmware that confers at least in part the functionality of the electronic components. While various components have been illustrated as separate components, it will be appreciated that multiple components can be implemented as a single component, or a single component can be implemented as multiple components, without departing from example embodiments.

Further, the various embodiments can be implemented as a method, apparatus or article of manufacture using standard programming and/or engineering techniques to produce software, firmware, hardware or any combination thereof to control a computer to implement the disclosed subject matter. The term "article of manufacture" as used herein is intended to encompass a computer program accessible from any computer-readable device or computer-readable storage/communications media. For example, computer readable storage media can include, but are not limited to, magnetic storage devices (e.g., hard disk, floppy disk, magnetic strips), optical disks (e.g., compact disk (CD), digital versatile disk (DVD)), smart cards, and flash memory devices (e.g., card, stick, key drive). Of course, those skilled in the art will recognize many modifications can be made to this configuration without departing from the scope or spirit of the various embodiments.

In addition, the words "example" and "exemplary" are used herein to mean serving as an instance or illustration. Any embodiment or design described herein as "example" or "exemplary" is not necessarily to be construed as preferred or advantageous over other embodiments or designs. Rather, use of the word example or exemplary is intended to present concepts in a concrete fashion. As used in this application, the term "or" is intended to mean an inclusive "or" rather than an exclusive "or". That is, unless specified otherwise or clear from context, "X employs A or B" is intended to mean any of the natural inclusive permutations. That is, if X employs A; X employs B; or X employs both A and B, then "X employs A or B" is satisfied under any of the foregoing instances. In addition, the articles "a" and "an" as used in this application and the appended claims should generally be construed to mean "one or more" unless specified otherwise or clear from context to be directed to a singular form.

Moreover, terms such as "user equipment," "mobile station," "mobile," "subscriber station," "access terminal," "terminal," "handset," "mobile device" (and/or terms representing similar terminology) can refer to a wireless device utilized by a subscriber or user of a wireless communication service to receive or convey data, control, voice, video, sound, gaming or substantially any data-stream or signaling-stream. The foregoing terms are utilized interchangeably herein and with reference to the related drawings.

Furthermore, the terms "user," "subscriber," "customer," "consumer" and the like are employed interchangeably throughout, unless context warrants particular distinctions among the terms. It should be appreciated that such terms can refer to human entities or automated components supported through artificial intelligence (e.g., a capacity to make inference based, at least, on complex mathematical formalisms), which can provide simulated vision, sound recognition and so forth.

As employed herein, the term "processor" can refer to substantially any computing processing unit or device comprising, but not limited to comprising, single-core processors; single-processors with software multithread execution capability; multi-core processors; multi-core processors with software multithread execution capability; multi-core

processors with hardware multithread technology; parallel platforms; and parallel platforms with distributed shared memory. Additionally, a processor can refer to an integrated circuit, an application specific integrated circuit (ASIC), a digital signal processor (DSP), a field programmable gate array (FPGA), a programmable logic controller (PLC), a complex programmable logic device (CPLD), a discrete gate or transistor logic, discrete hardware components or any combination thereof designed to perform the functions described herein. Processors can exploit nano-scale architectures such as, but not limited to, molecular and quantum-dot based transistors, switches and gates, in order to optimize space usage or enhance performance of user equipment. A processor can also be implemented as a combination of computing processing units.

As used herein, terms such as "data storage," "data storage," "database," and substantially any other information storage component relevant to operation and functionality of a component, refer to "memory components," or entities embodied in a "memory" or components comprising the memory. It will be appreciated that the memory components or computer-readable storage media, described herein can be either volatile memory or nonvolatile memory or can include both volatile and nonvolatile memory.

What has been described above includes mere examples of various embodiments. It is, of course, not possible to describe every conceivable combination of components or methodologies for purposes of describing these examples, but one of ordinary skill in the art can recognize that many further combinations and permutations of the present embodiments are possible. Accordingly, the embodiments disclosed and/or claimed herein are intended to embrace all such alterations, modifications and variations that fall within the spirit and scope of the appended claims. Furthermore, to the extent that the term "includes" is used in either the detailed description or the claims, such term is intended to be inclusive in a manner similar to the term "comprising" as "comprising" is interpreted when employed as a transitional word in a claim.

What is claimed is:

1. A method, comprising:

detecting, by a first waveguide system comprising a processor, an impairment, wherein the impairment is a physical discontinuity present on a surface of a first wire that adversely affects a propagation of electromagnetic waves along the first wire;

adjusting, by the first waveguide system, a mode of communication for transmitting or receiving electromagnetic waves guided by the wire to mitigate an adverse effect of the impairment; and

notifying, by the first waveguide system, a second waveguide system of the adjustment of the mode of communication for transmitting or receiving the electromagnetic waves.

2. The method of claim 1, wherein the adjusting of the mode of communication comprises adjusting a wave propagation mode for transmitting or receiving the electromagnetic waves.

3. The method of claim 2, wherein the adjusting of the wave propagation mode comprises adjusting a wavelength of the electromagnetic waves.

4. The method of claim 3, wherein the adjusting of the wavelength of the electromagnetic waves comprises increasing the wavelength of the electromagnetic waves.

5. The method of claim 1, wherein the second waveguide system receives electromagnetic waves from the first wave-

55

guide system according to the mode of communication adjusted by the first waveguide system.

6. The method of claim 5, wherein the second waveguide system is coupled to the wire and positioned after the impairment of the wire.

7. The method of claim 6, wherein the second waveguide system retrieves content from the electromagnetic waves received from the first waveguide system and retransmits the content to other waveguide systems based on other electromagnetic waves that use a different mode of communication.

8. The method of claim 1, wherein the adjusting of the mode of communication comprises rerouting the electromagnetic waves to bypass the impairment of the first wire.

9. The method of claim 8, wherein the rerouting of the electromagnetic waves comprises routing the electromagnetic waves to a second wire.

10. The method of claim 1, further comprising:

detecting, by the first waveguide system, that the impairment has been modified; and

restoring, by the first waveguide system, an original mode of communication used by the first waveguide system for transmitting or receiving the electromagnetic waves.

11. The method of claim 10, wherein the impairment is modified by placement of a jumper between ends of the impairment, wherein the jumper enables the electromagnetic waves to bypass the impairment by propagating on a surface of the jumper.

12. The method of claim 10, wherein the impairment is modified by placement of a sleeve around the impairment, wherein the sleeve enables the electromagnetic waves to bypass the impairment by propagating on a surface of the sleeve.

13. The method of claim 10, wherein the impairment is modified with an application of an insulating or conducting material on the impairment, wherein the insulating or conducting material enables the electromagnetic waves to bypass the impairment by propagating on a surface of the insulating or conducting material.

14. A waveguide system, comprising:

a waveguide, wherein the waveguide is positioned with respect to a wire, wherein the waveguide facilitates transmission or reception of electromagnetic waves that propagate along a surface of the wire;

a memory that stores instructions; and

a processor coupled to the memory, wherein responsive to executing the instructions, the processor performs operations comprising:

detecting a physical discontinuity present on a surface of the wire that adversely affects a propagation of electromagnetic waves along the wire;

adjusting a wave propagation mode of the electromagnetic waves transmitted or received by the waveguide to reduce adverse effects caused by the physical discontinuity; and

notifying another waveguide system of the adjustment of the wave propagation mode for transmitting or receiving the electromagnetic waves.

56

15. The waveguide system of claim 14, wherein the adjusting of the wave propagation mode comprises adjusting a wavelength of the electromagnetic waves.

16. The waveguide system of claim 14, wherein the adjusting of the wave propagation mode comprises adjusting a fundamental mode of the electromagnetic waves.

17. The waveguide system of claim 14, wherein the adjusting of the wave propagation mode comprises adjusting an asymmetric mode of the electromagnetic waves.

18. A machine-readable device, comprising instructions, which when executed by a processor, cause the processor to perform operations comprising:

detecting a source of signal degradation that adversely affects a propagation of electromagnetic waves generated by a waveguide system, wherein the propagation of the electromagnetic waves are guided by a surface of a wire, and wherein the source of signal degradation comprises a physical discontinuity present on the surface of the wire;

adjusting characteristics of the electromagnetic waves generated by the waveguide system to reduce adverse effects caused by the source of signal degradation; and notifying another waveguide system of the adjustment of the characteristics of the electromagnetic waves.

19. The machine-readable device of claim 18, wherein the adjusting of the characteristics of the electromagnetic waves comprises adjusting a wavelength of the electromagnetic waves.

20. The machine-readable device of claim 19, wherein the adjusting of the wavelength of the electromagnetic waves comprises increasing the wavelength of the electromagnetic waves.

21. The machine-readable device of claim 18, wherein the adjusting of the characteristics of the electromagnetic waves comprises adjusting a wave propagation mode of the electromagnetic waves.

22. The machine-readable device of claim 18, wherein the adjusting of the characteristics of the electromagnetic waves comprises adjusting a fundamental mode of the electromagnetic waves.

23. The machine-readable device of claim 18, wherein the adjusting of the characteristics of the electromagnetic waves comprises adjusting an asymmetric mode of the electromagnetic waves.

24. A method, comprising

detecting, by a waveguide system comprising a processor, an impairment, wherein the impairment is a physical discontinuity present on a surface of a wire that adversely affects a propagation of electromagnetic waves guided by the wire;

adjusting, by the waveguide system, a mode of communication for transmitting or receiving electromagnetic waves along the wire to mitigate adverse effects of the impairment;

detecting, by the waveguide system, that the impairment has been modified; and restoring, by the waveguide system, an original mode of communication used by the waveguide system for transmitting or receiving the electromagnetic waves.

\* \* \* \* \*