

Body-Solid®

Built for Life

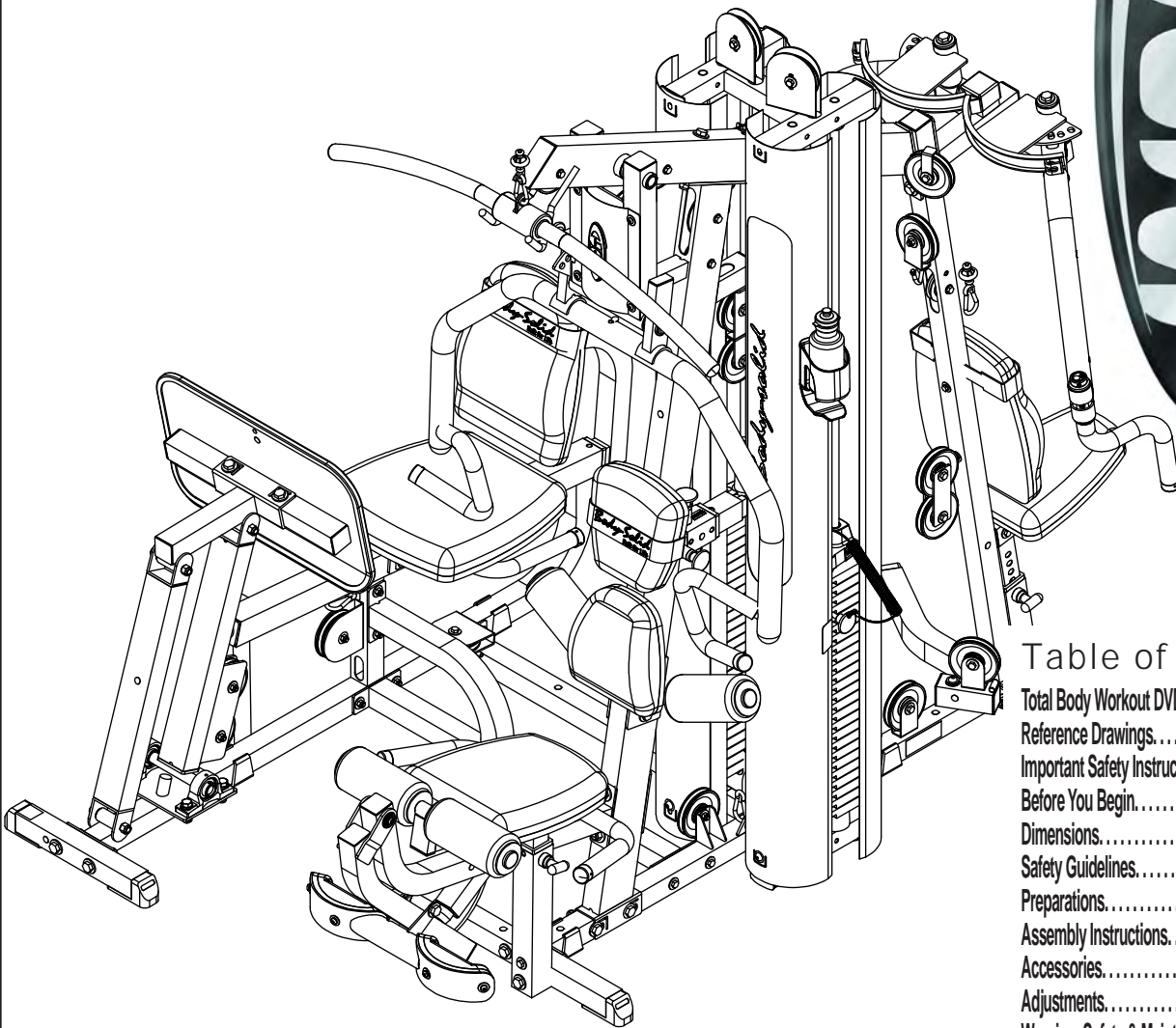


Table of Contents

Total Body Workout DVD.....	p. 2
Reference Drawings.....	p. 3
Important Safety Instructions.....	p. 4
Before You Begin.....	p. 5
Dimensions.....	p. 6
Safety Guidelines.....	p. 7
Preparations.....	p. 8
Assembly Instructions.....	p. 9-53
Accessories.....	p. 54-55
Adjustments.....	p. 56-59
Warning, Safety & Maintenance.....	p. 60-63
Exercise Tips.....	p. 64-86
Weight Ratios.....	p. 87
Mainframe Parts List.....	p. 88-89
Hardware List.....	p. 90-93
Logo List.....	p. 94-101
Hardware (To Scale).....	p. 102-107
Exploded View Diagram.....	p. 108-109
Notes.....	p. 110-111

Assembly & Instructions

OWNER'S & MANUAL

Total Body Workout DVD

Follow the lead of international fitness presenter Geoff Bagshaw as he guides you step by step through a total health and conditioning program. Includes thorough explanations and demonstrations of over 50 exercises targeting all major muscle groups. The Body-Solid Total Body Workout is a “must have” for anyone truly serious about in-home training.



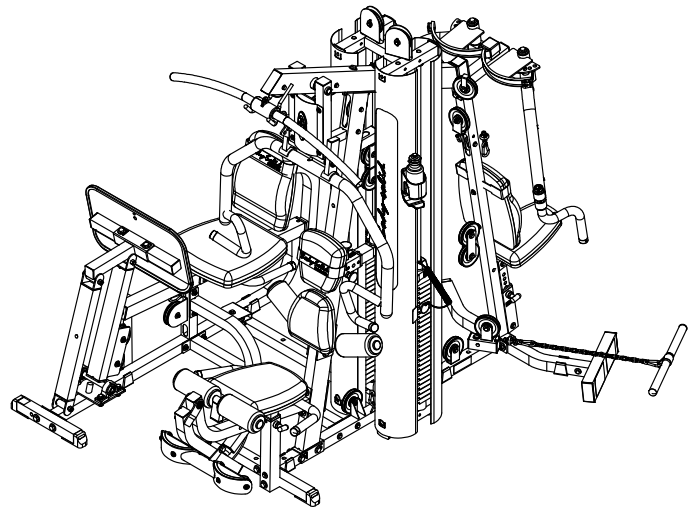
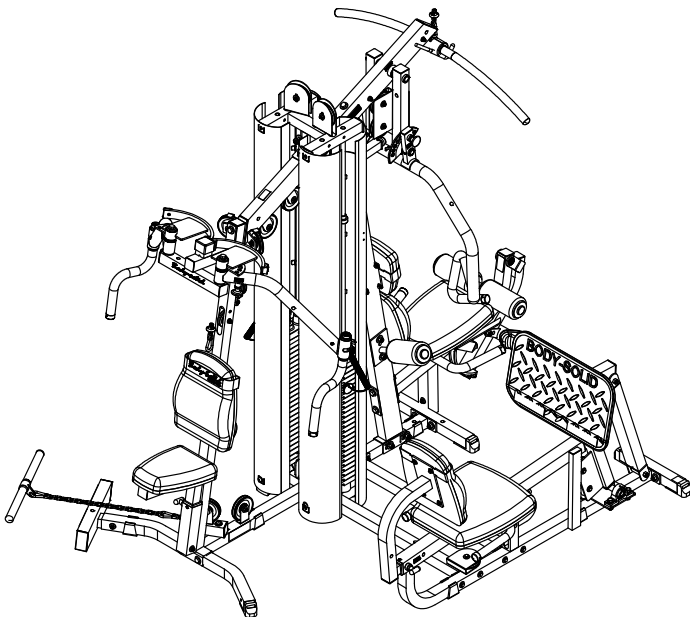
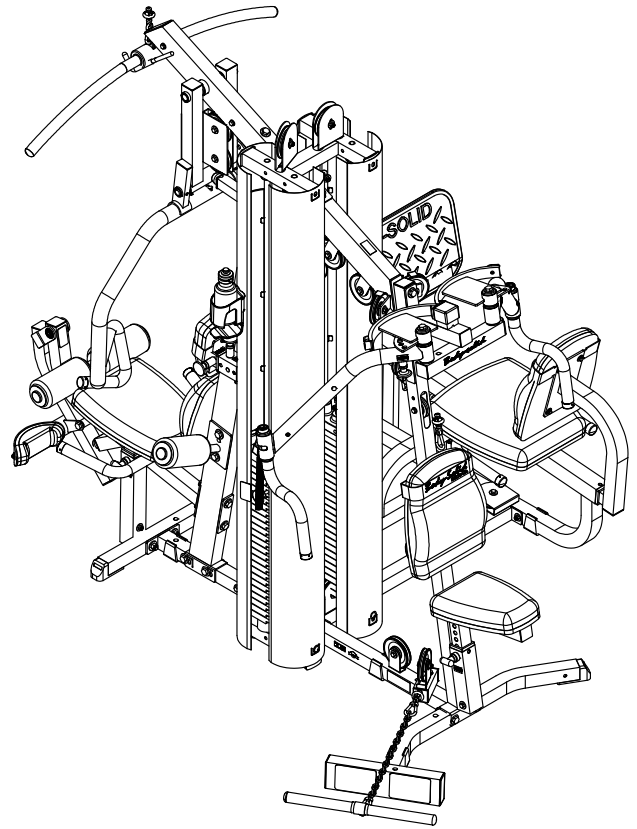
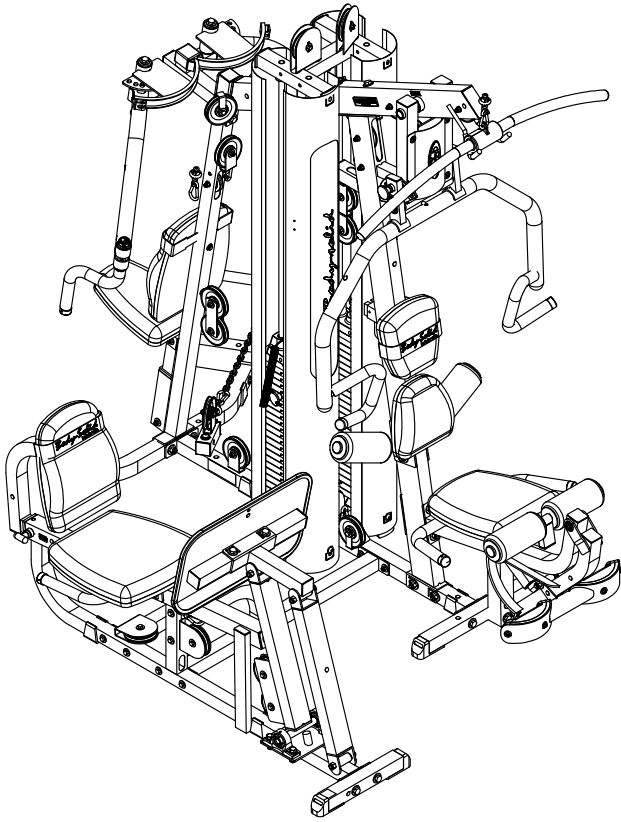
Also includes:

- Complete stretching routine
- Importance of cardio training
- Body-Solid company profile

Body-Solid[®]
Built for Life

Total Body Workout DVD

G9U Reference Drawings



Note: Due to continuing product improvements, specifications and designs are subject to change without notice.

Even though we have prepared this manual with extreme care, neither the publisher nor the author can accept responsibility for any errors in, or omission from, the information given.

Important Safety Instructions

Before beginning any fitness program, you should obtain a complete physical examination from your physician.

*Il est conseillé de subir un examen médical complet avant d'entreprendre tout programme d'exercice.
Si vous avez des étourdissements ou des faiblesses, arrêtez les exercices immédiatement.*

Antes de comenzar cualquier programa de ejercicios, deberías tener un examen físico con su doctor.

When using exercise equipment, you should always take basic precautions, including the following:

- Read all instructions before using the G9U. These instructions are written to ensure your safety and to protect the unit.
- Do not allow children on or near the equipment.
- Use the equipment only for its intended purpose as described in this guide. Do not use accessory attachments that are not recommended by the manufacturer. Such attachments might cause injuries.
- Wear proper exercise clothing and shoes for your workout, no loose clothing.
- Use care when getting on or off the unit.
- Do not overexert yourself or work to exhaustion.
- If you feel any pain or abnormal symptoms, stop your workout immediately and consult your physician.
- Never operate unit when it has been dropped or damaged. Return the equipment to a service center for examination and repair.
- Never drop or insert objects into any opening in the equipment.
- Always check the unit and its cables before each use. Make sure that all fasteners and cables are secure and in good working condition.
- Do not use the equipment outdoors or near water.

Personal Safety During Assembly

- It is strongly recommended that a qualified dealer assemble the equipment.
Assistance is required.
- Before beginning assembly, please take the time to read the instructions thoroughly.
- Read each step in the assembly instructions and follow the steps in sequence. Do not skip ahead. If you skip ahead, you may learn later that you have to disassemble components and that you may have damaged the equipment.
- Assemble and operate the G9U on a solid, level surface. Locate the unit a few feet from the walls or furniture to provide easy access.

The G9U is designed for your enjoyment. By following these precautions and using common sense, you will have many safe and pleasurable hours of healthful exercise with your Body-Solid G9U.

After assembly, you should check all functions to ensure correct operation. If you experience problems, first re-check the assembly instructions to locate any possible errors made during assembly. If you are unable to correct the problem, call the dealer from whom you purchased the machine or call 1-800-556-3113 for the dealer nearest you.

Obtaining Service

Please use this Owner's Manual to make sure that all parts have been included in your shipment. When ordering parts, you must use the part number and description from this Owner's Manual. Use only Body-Solid replacement parts when servicing this machine. Failure to do so will void your warranty and could result in personal injury.

For information about product operation or service, check out the official Body-Solid website at www.bodysolid.com or contact an authorized Body-Solid dealer or a Body-Solid factory-authorized service company or contact Body-Solid customer service at one of the following:

Toll Free: 1-800-556-3113
Phone: 1-708-427-3555
Fax: 1-708-427-3556
Hours: M-F 8:30-5:00 CST
E-Mail: service@bodysolid.com

Or write to: Body-Solid, Inc.
Service Department
1900 S. Des Plaines Ave.
Forest Park, IL 60130 USA

Retain this Owner's Manual for future reference. Part numbers are required when ordering replacement parts.

Before You Begin

Thank you for purchasing the G9U. This gym is part of the Body-Solid line of quality strength training machines, which let you target specific muscle groups to achieve better muscle tone and overall body conditioning. To maximize your use of the equipment please study this Owner's Manual thoroughly.

Unpacking the Equipment

The G9U is carefully tested and inspected before shipment. Body-Solid ships the unit in several pieces that require assembly. Ask for assistance during the assembly process.

Carefully unpack the boxes and lay the pieces on the floor near the area where you plan to use the equipment.

You will notice that most of the main frame parts are color coded with yellow, red and blue dots on the individual pieces. These colored dots refer to different sides of the gym:

*Yellow Dots = Pec Dec Section
Red Dots = Leg Extension/Chest Press Section
Blue Dots = Leg Press Section*

Pay special attention to the colored dots on the pads. They will help you to quickly place the pads in their correct position.

After you have completely assembled the G9U you can remove all colored dots.

Be careful to assemble all components in the sequence presented in this guide.

If any items are missing, contact the dealer from whom you purchased the unit or call 1-800-556-3113 for the dealer nearest you.

OPTIONAL Equipment

Optional equipment that you can purchase through your dealer:

GKR9 - *Vertical Knee Raise Station*
GIOT - *Inner Outer Thigh Station.*

Body-Solid continually seeks ways to improve the performance, specifications and product manuals in order to ensure that only superior products are released from our factories. Please take the time to carefully read through this manual thoroughly. Instructions contained in this document are not intended to cover all details or variations possible with Body-Solid equipment, or to cover every contingency that may be met in conjunction with installation, operation, maintenance or troubleshooting of the equipment. Even though we have prepared this manual with extreme care, neither the publisher nor the author can accept responsibility for any errors in, or omission from, the information given. Should additional information be required, or should situations arise that are not covered by this manual, the matter should be directed to your local Body-Solid representative, or the Service Department at Body-Solid Inc. in Forest Park, Illinois.

Any Questions?
Call (800) 556-3113

Dimensions

The room layout diagram below will help you decide the best placement for your G9U.

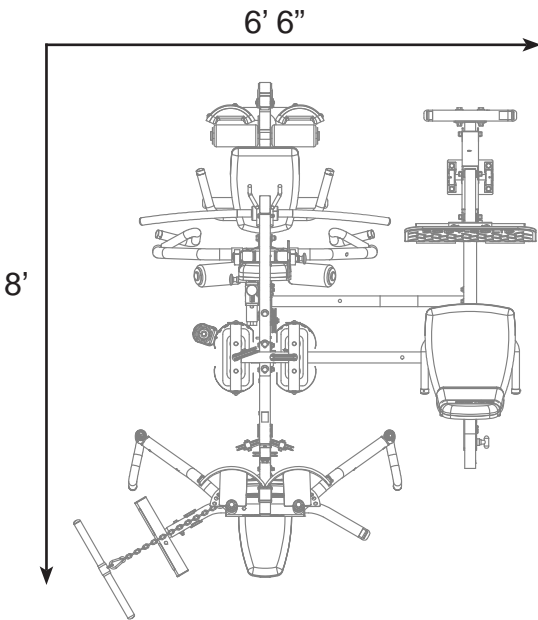
The dimensions of the G9U are: Width 6' 6" X Length 8'. The ceiling height requirement for the G9U is 7'.

The usage space is: Width 9' 6" X Length 11' 10" (The usage space is the overall space needed for operation).

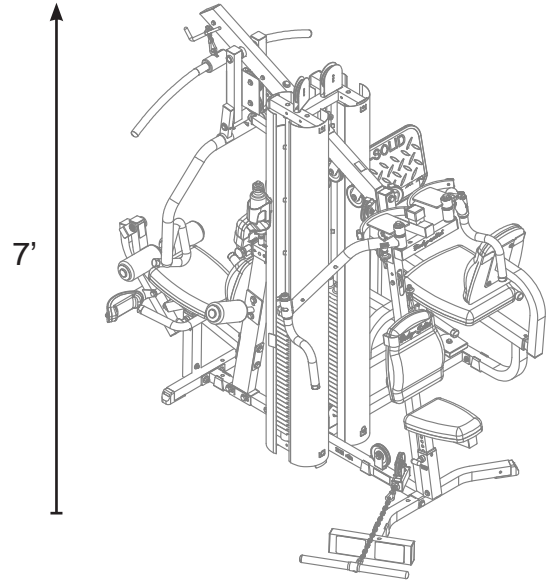
The usage space needed for the G9U could be more, depending on the user. Allow enough room for the Low Row Station.

The diagrams below are without the optional Vertical Knee Raise Station GKR9.

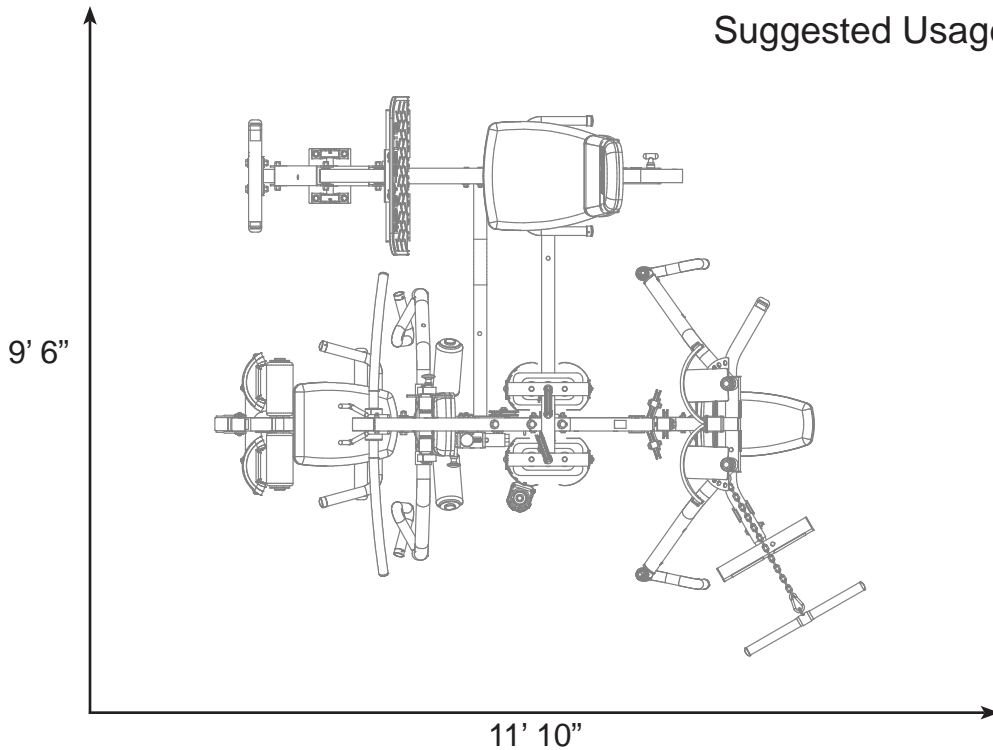
Dimensions



Height



Suggested Usage Space



Safety Guidelines

Successful resistance training programs have one prominent feature in common... safety. Resistance training has some inherent dangers, as do all physical activities. The chance of injury can be greatly reduced or completely removed by using correct lifting techniques, proper breathing, maintaining equipment in good working condition, and by wearing the appropriate clothing.

- **It is highly recommended that you consult your physician before beginning any exercise program. This is especially important for individuals over the age of 35, or persons with pre-existing health problems.**
- **Always warm up before starting a workout. Try to do a total body warm up before you start. It is especially important to warm up the specific muscle groups you are going to be using. This can be as simple as performing a warm up set of high repetitions and light weight for each exercise.**
- **Use proper form. Focus on only working the muscle groups intended for the exercise you are doing. If there is strain elsewhere, you may need to re-evaluate the amount of weight that is involved with the lift. Keeping proper form also includes maintaining control through an entire range of motion.**
- **Breathe properly. Inhale during the eccentric phase of the exercise, and exhale during the lifting, or concentric phase. Never hold your breath during any part of an exercise.**
- **Always wear the appropriate clothing and shoes when exercising. Wearing comfortable athletic shoes with good support and loose fitting, breathable clothing will reduce the risk of injury.**
- **Maintaining equipment in proper operating condition is of utmost importance for a safe resistance training program. Pulleys and cables should be checked for wear frequently and replaced as needed. Equipment should be lubricated as indicated by the manufacturer.**
- **Read and study all warning labels on this machine. It is absolutely necessary that you familiarize yourself and all others with the proper operation of this machine prior to use.**
- **Keep hands, limbs, loose clothing and long hair well out of the way of all moving parts.**
- **Do not attempt to lift more weight than you can control safely.**
- **Inspect the machine daily for loose or worn parts. If a problem is found do not allow the machine to be used until all parts are tightened or worn or defective parts are repaired or replaced.**

Preparations

CAUTION: To set up this unit, you will need assistance. Do not attempt assembly by yourself.

You must review and follow the instructions in this Owner's Manual. If you do not assemble and use the G9U according to these guidelines, you could void the Body-Solid warranty.

Required Tools

The basic tools that you must obtain before assembling the G9U include but are not limited to:

- Metric Allen Key Set
- Standard Allen Key Set
- Standard Wrench Set
- Metric Wrench Set
- Adjustable Wrench
- Screwdriver (standard and/or phillips)
- Rubber Mallet
- Silicone Spray Oil

CAUTION: Obtain assistance! Do not attempt to assemble the G9U by yourself. Review the Installation Requirements before proceeding with the following steps.

The G9U unit comes in seven boxes. Be careful to assemble components in the sequence presented in this guide.

NOTE: With so many assembled parts, proper alignment and adjustment is critical. While tightening the nuts and bolts, be sure to leave room for adjustments.

Installation Requirements

Follow these installation requirements when assembling the G9U:

Set up the G9U on a solid, flat surface. A smooth, flat surface under the machine helps keep it level. A level machine has fewer malfunctions.

Provide ample space around the machine. Open space around the machine allows for easier access.

Insert all bolts in the same direction. For aesthetic purposes, insert all bolts in the same direction unless specified (in text or illustrations) to do otherwise.

Leave room for adjustments. Tighten fasteners such as bolts, nuts, and screws so the unit is stable, but leave room for adjustments. Do not fully tighten fasteners until instructed in the assembly steps to do so.

Fill out and mail the warranty card.

Assembly Instructions

Assembly of the G9U takes professional installers about 3-5 hours to complete. If this is the first time you have assembled this type of equipment, plan on significantly more time.

Professional installers are highly recommended!

However, if you acquire the appropriate tools, obtain assistance, and follow the assembly steps sequentially, the process will take time, but is fairly easy.

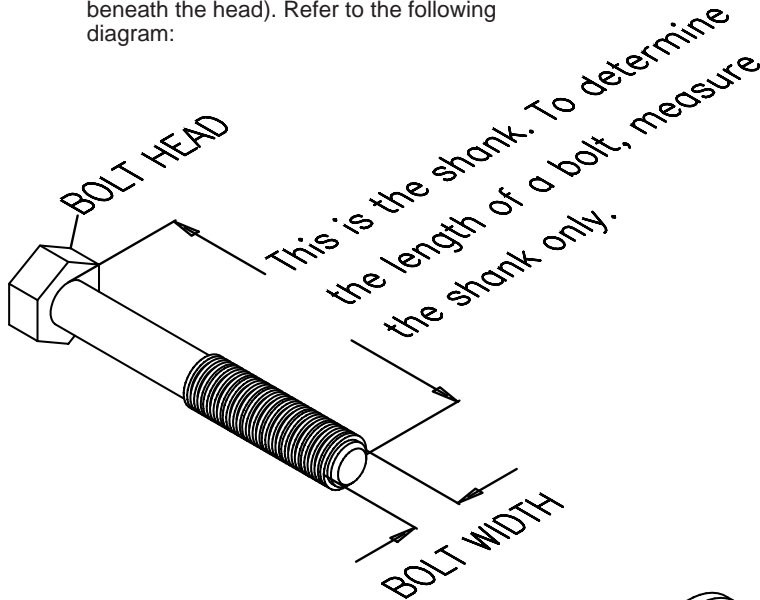
Assembly Tips

Read all "Notes" on each page before beginning each step.

While you may be able to assemble the G9U using the illustrations only, important safety notes and other tips are included in the text.

Some pieces may have extra holes that you will not use. Use only those holes indicated in the instructions and illustrations.

NOTE: To find out the length of a particular bolt, measure its shank (the long, narrow part beneath the head). Refer to the following diagram:

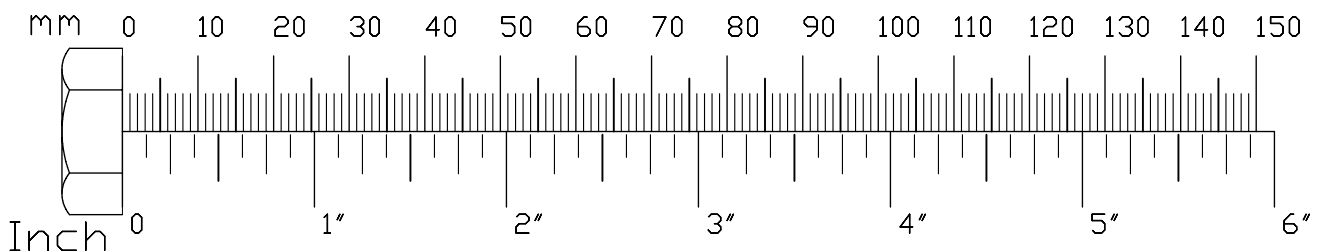
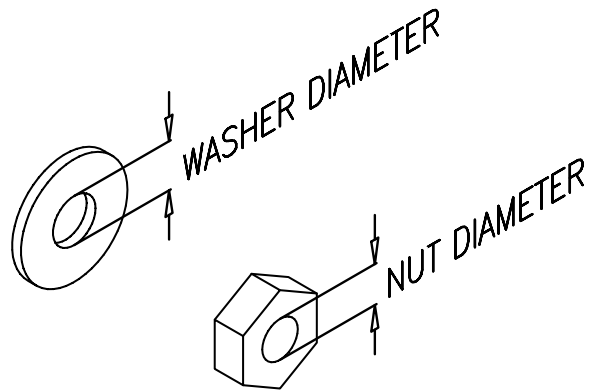


IMPORTANT!

Before you begin you should look at the quick reference guide that shows all hardware parts (in actual size) along with the corresponding key numbers on the assembly instructions.

Do not fully tighten bolts until instructed to do so.

Note: After assembly, you should check all functions to ensure correct operation. If you experience **problems, first recheck the assembly instructions** to locate any possible errors made during assembly. If you are unable to correct the problem, call the dealer from whom you purchased the machine or call 1-800-556-3113 for the dealer nearest you.



STEP

1

Be careful to assemble all components in the sequence they are presented.

NOTE: Finger tighten all hardware in this step unless otherwise noted.
Use the hardware package labeled Step 1 to complete this step.
Do Not wrench tighten until Step 5.

- A. Insert two Weight Stack Shims (28) to the bottom of Main Base Frame (A), and two Weight Stack Shims (28) to the bottom of Side Base Frame (B).
- B. Install two Frame Levellers (25) onto Main Base Frame (A) at the positions shown.
- C. Connect Main Base Frame (A) to Side Base Frame (B) using:
Two 73 ($\frac{3}{8}$ " x 2 $\frac{3}{4}$ " hex head bolt)
Four 94 ($\frac{3}{8}$ " washer)
Two 91 ($\frac{3}{8}$ " nylon lock nut)

NOTE: Make sure the assembly is on a level surface and wrench tighten Step 1 Section C only.
This junction cannot be tightened or retightened during later steps.

- D. Insert two Foot Caps (19) to the ends of Front Base Frame (C).
- E. Connect Front Base Frame (C) to Main Base Frame (A) using:
One 65 ($\frac{1}{2}$ " x 3" hex head bolt)
Two 93 ($\frac{1}{2}$ " washer)
One 90 ($\frac{1}{2}$ " nylon lock nut)

NOTE: Only one bolt (65) is used for this assembly as shown in the diagram. The remaining bolt hole will remain open for installation in Step 5.

- F. NOTE: Depending on how much space you have available, and the configuration of your room, you can assemble the G9 with the low pulley station on either side.

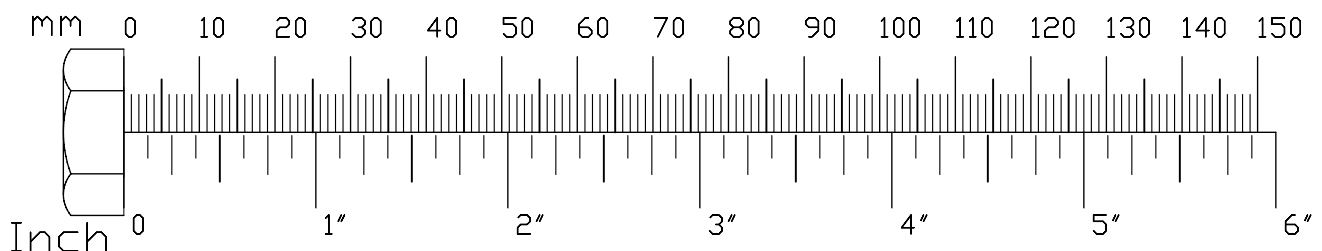
Insert one Foot Cap (19) to one end of Rear Base Frame (D) as shown in the diagram.

- G. Connect Frame Leveler (25) to Rear Base Frame (D) at the position shown.

NOTE: Leave the other side open (depending on which side of the gym will have Low Pulley Station installed).

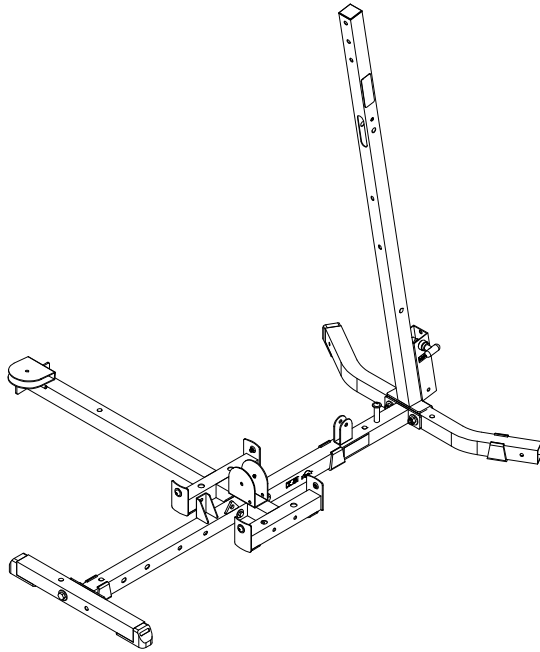
- H. Connect Rear Base Frame (D) and Rear Vertical Frame (E) to Main Base Frame (A) using:
Two 64 ($\frac{1}{2}$ " x 3 $\frac{1}{4}$ " hex head bolt)
Four 93 ($\frac{1}{2}$ " washer)
Two 90 ($\frac{1}{2}$ " nylon lock nut)

- I. Insert End Cap (13) to the top of Rear Vertical Frame (E).

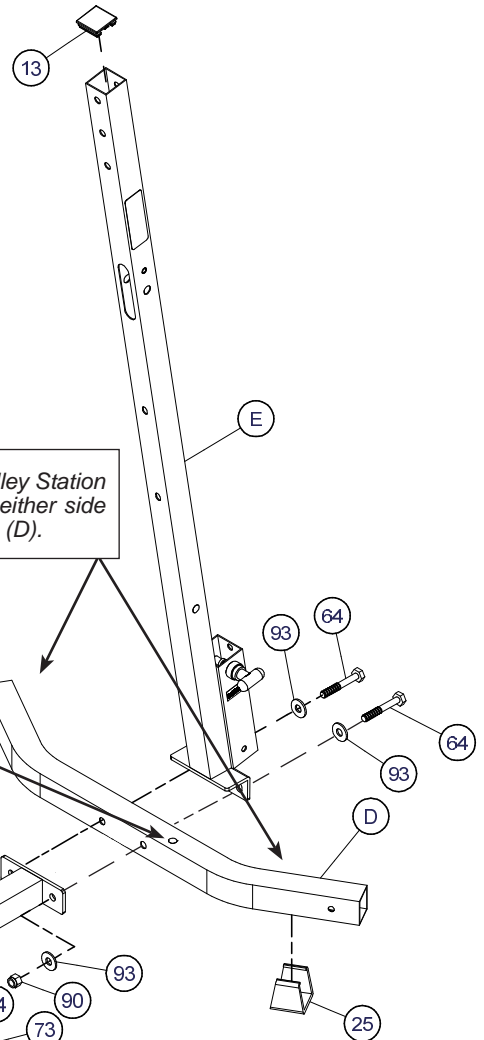


Step 1 - Hardware Bag Contents

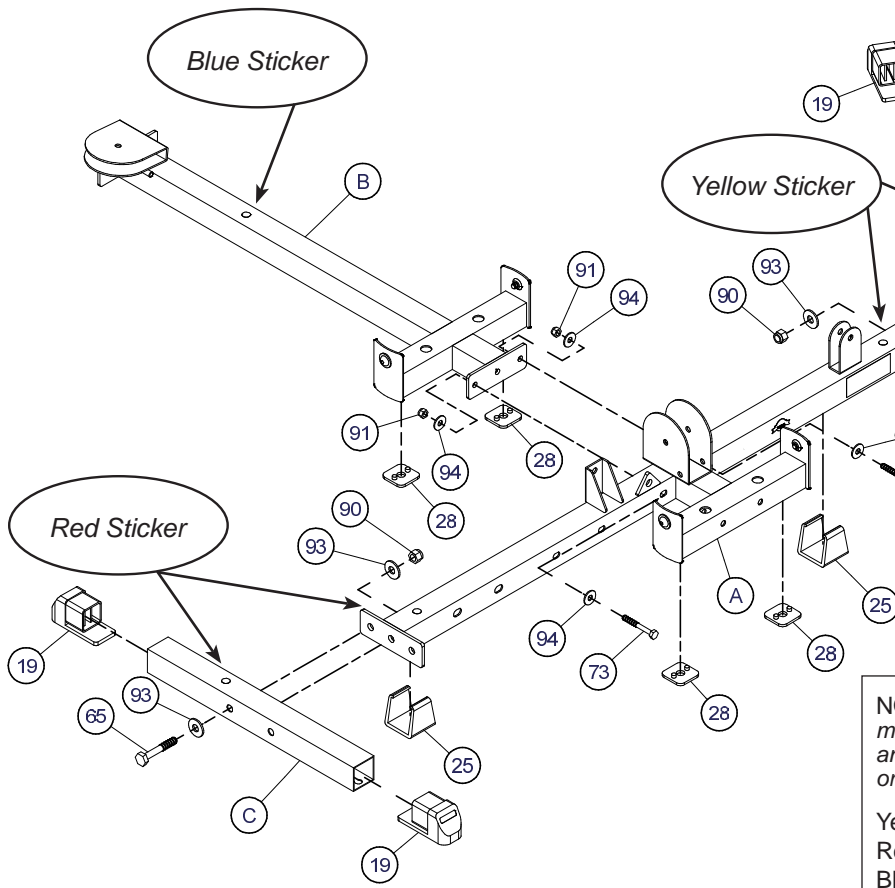
Component	Specification	Quantity
Hex Head Bolt	1/2" x 3"	1
Hex Head Bolt	1/2" x 3 1/4"	2
Hex Head Bolt	3/8" x 2 3/4"	2
Washer	1/2"	6
Washer	3/8"	4
Nylon Nut	1/2"	3
Nylon Nut	3/8"	2



Above shows Step 1 assembled and completed.



NOTE: The Low Pulley Station can be installed on either side of Rear Base Frame (D).



NOTE: The installer will notice that most of the main frame parts are color coded with yellow, red and blue dots on the individual pieces. These colored dots refer to different sides of the gym:

Yellow Dots = Pec Dec Station
 Red Dots = Leg Extension/Chest Press Station
 Blue Dots = Leg Press Station

STEP**2**

Be careful to assemble all components in the sequence they are presented.

NOTE:

Finger tighten all hardware in this step unless otherwise noted.
Use the hardware package labeled Step 2 to complete this step.
Do Not wrench tighten until Step 5.

- A. Connect one 4 ¼" Pulley (26) to the narrow pulley flange on Main Base Frame (A) and one 4 ¼" Pulley (26) onto Side Base Frame (B) as shown using for each pulley:
One 76 (¾" x 1 ¾" hex head bolt)
Two 94 (¾" washer)
One 91 (¾" nylon nut)
- B. Connect two 4 ¼" Pulleys (137) to the wide pulley flange on Main Base Frame (A) as shown using:
One 72 (¾" x 3" hex head bolt)
Two 94 (¾" washer)
Two 91 (¾" nylon nut)
- C. Connect one 4 ¼" Pulley (26) and Pulley Cable Guide (7) to the middle of Main Base Frame (A) as shown using:
One 76 (¾" x 1 ¾" hex head bolt)
Two 94 (¾" washer)
One 91 (¾" nylon nut)
- D. Connect Front Vertical Frame (F) to Main Base Frame (A) as shown using:
Two 64 (½" x 3 ¼" hex head bolt)
Four 93 (½" washer)
Two 90 (½" nylon nut)

NOTE: Assistance is required for this assembly.

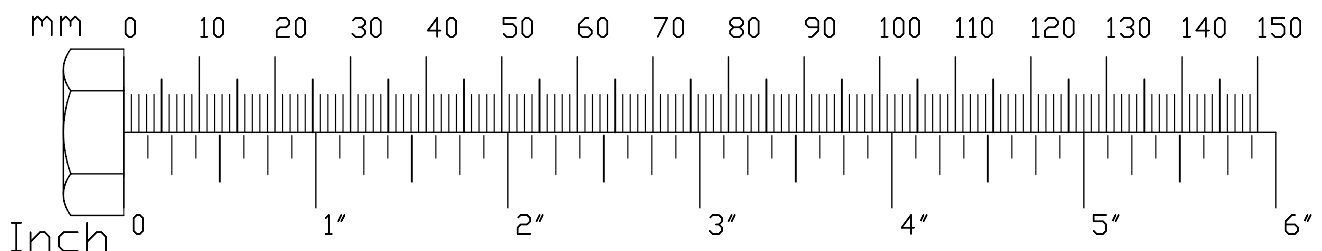
- E. Connect Top Main Frame (G) to Front Vertical Frame (F) as shown using only one bolt:
One 62 (½" x 5" hex head bolt)
Two 93 (½" washer)
One 90 (½" nylon nut)

NOTE: Assistance is required for this assembly.

- F. Connect Top Main Frame (G) and Pec Dec Frame (H) to Rear Vertical Frame (E) using:
One 65 (½" x 3" hex head bolt)
One 64 (½" x 3 ¼" hex head bolt)
Three 93 (½" washer)
One 90 (½" nylon nut)

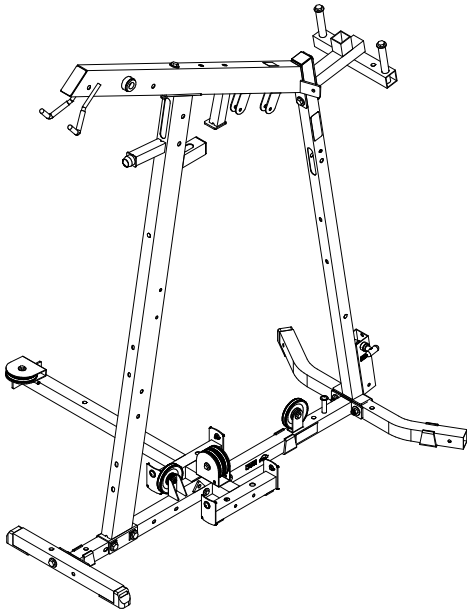
NOTE: Top bolt (65) goes into an internally threaded nut inside Top Main Frame (G).
Assistance is required for this assembly.

- G. Insert End Cap (14) to Front Vertical Frame (F) as shown in the diagram.

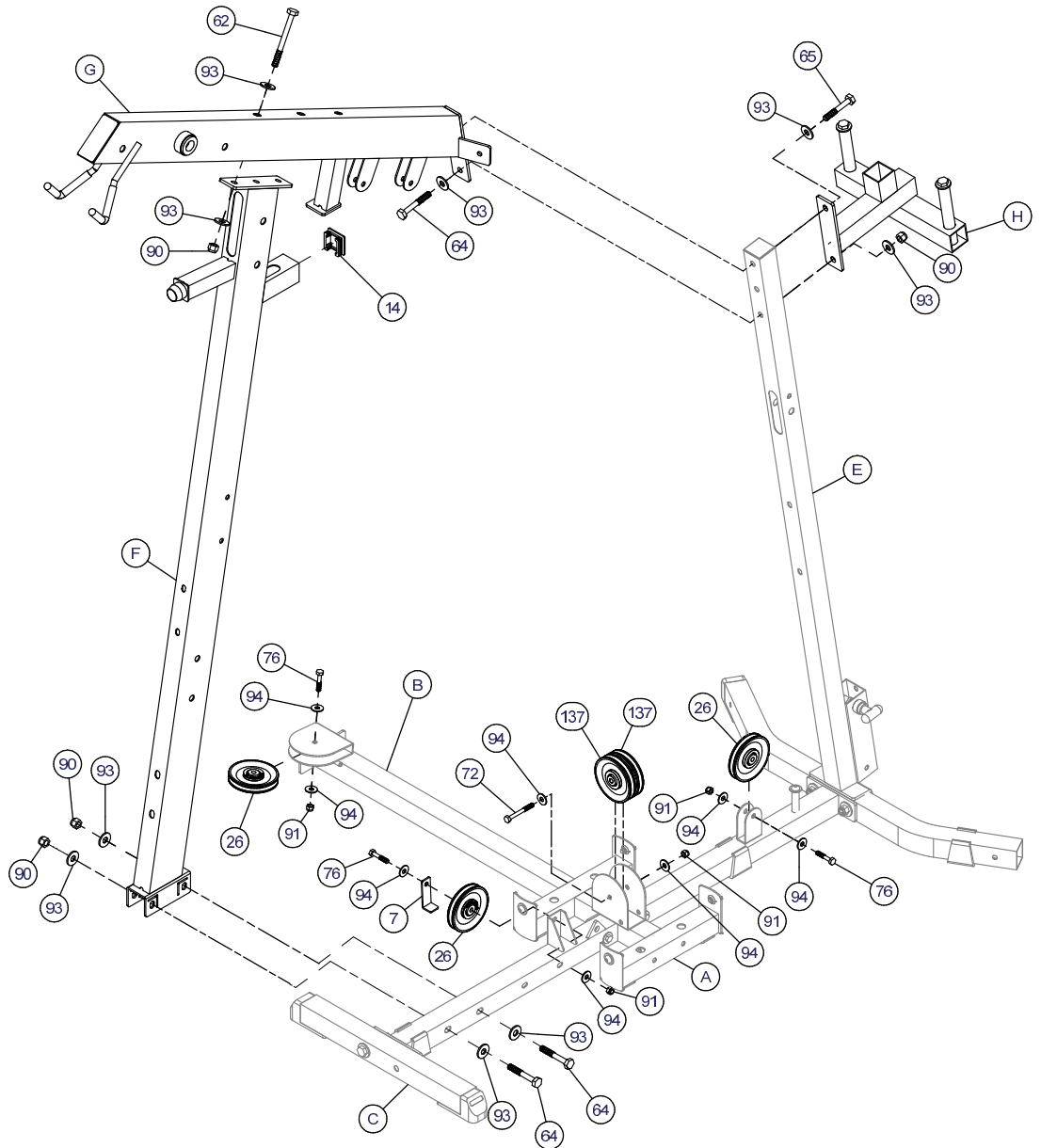


Step 2 - Hardware Bag Contents

Component	Specification	Quantity
Hex Head Bolt	1/2" x 5"	1
Hex Head Bolt	1/2" x 3"	1
Hex Head Bolt	1/2" x 3 1/4"	3
Hex Head Bolt	3/8" x 3"	1
Hex Head Bolt	3/8" x 1 3/4"	3
Washer	1/2"	9
Washer	3/8"	9
Nylon Nut	1/2"	4
Nylon Nut	3/8"	4



Above shows Step 2 assembled and completed.



STEP**3**

Be careful to assemble all components in the sequence they are presented.

NOTE:

Finger tighten all hardware in this step unless otherwise noted.
Use the hardware package labeled Step 3 to complete this step.
Do Not wrench tighten until Step 5.

NOTE: For the installation below, use Weight Stack Risers (55) if you have a 210 lb weight stack.
If you have a 260 lb weight stack you will not need Weight Stack Risers (55). See the diagrams on the following page.

A. Place two Weight Stack Risers (55) and two Rubber Donuts (31) onto Main Base Frame (A) as shown. Slide two Guide Rods (J) through Rubber Donuts (31), Weight Stack Risers (55), and into Main Base Frame (A).

B. Slide Weight Stack Plates (51) onto two Guide Rods (J). Make sure the opening on each Weight Stack Plate, for Weight Stack Pin (1), is facing outward.

NOTE: Use twenty 10 lb plates for a 210 lb weight stack.
Use twenty-five 10 lb plates for a 260 lb weight stack.

C. Connect Top Plate (8) to Selector Rod (6) on Main Base Frame (A) using:
One 77 ($\frac{3}{8}$ " x 2" flat allen head)
One 100 ($\frac{3}{8}$ " spring washer)

D. Slide Top Plate (8) and Selector Rod (6) onto Guide Rods (J).

E. Place two Weight Stack Risers (55) and two Rubber Donuts (31) onto Side Base Frame (B) as shown. Slide two Guide Rods (J) through Rubber Donuts (31), Weight Stack Risers (55) and into Side Base Frame (B).

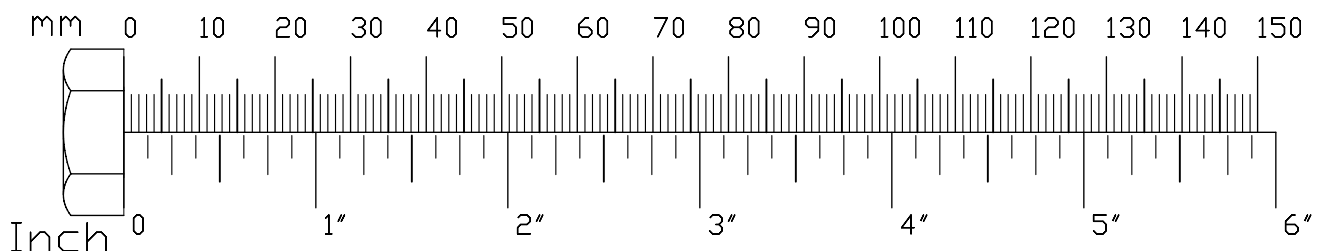
NOTE: Use Weight Stack Risers (55) if you have a 210 lb weight stack.
If you have a 260 lb weight stack you will not need Weight Stack Risers (55).

F. Slide Weight Stack Plates (51) onto Guide Rods (J). Make sure the opening on each Weight Stack Plate, for Weight Stack Pin (1), is facing outward.

NOTE: Use twenty 10 lb plates for a 210 lb weight stack.
Use twenty-five 10 lb plates for a 260 lb weight stack.

G. Connect Top Plate (8) to Selector Rod (6) on Side Base Frame (B) using:
One 77 ($\frac{3}{8}$ " x 2" flat allen head)
One 100 ($\frac{3}{8}$ " spring washer)

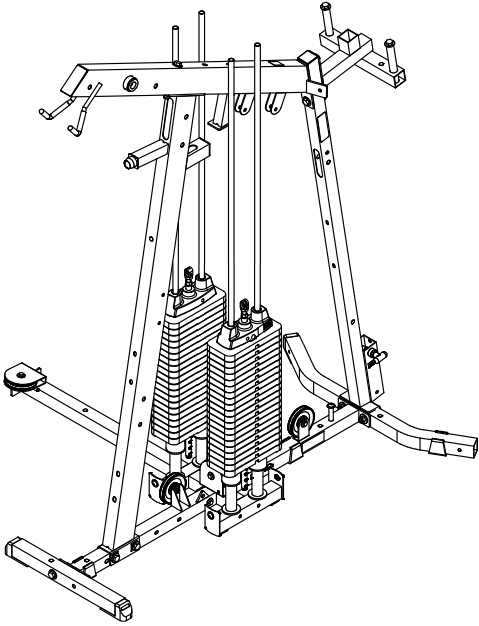
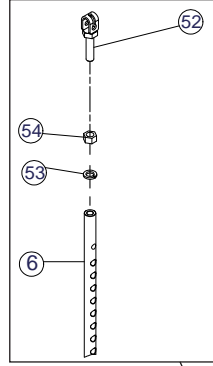
H. Slide Top Plate (8) and Selector Rod (6) onto Guide Rods (J).



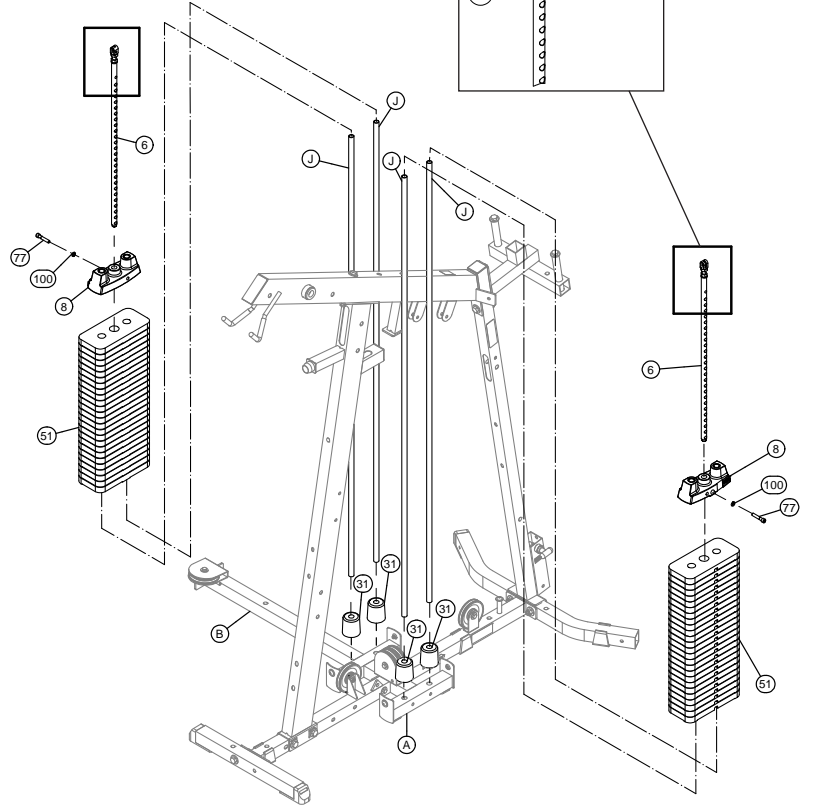
STEP 3

Step 3 - Hardware Bag Contents

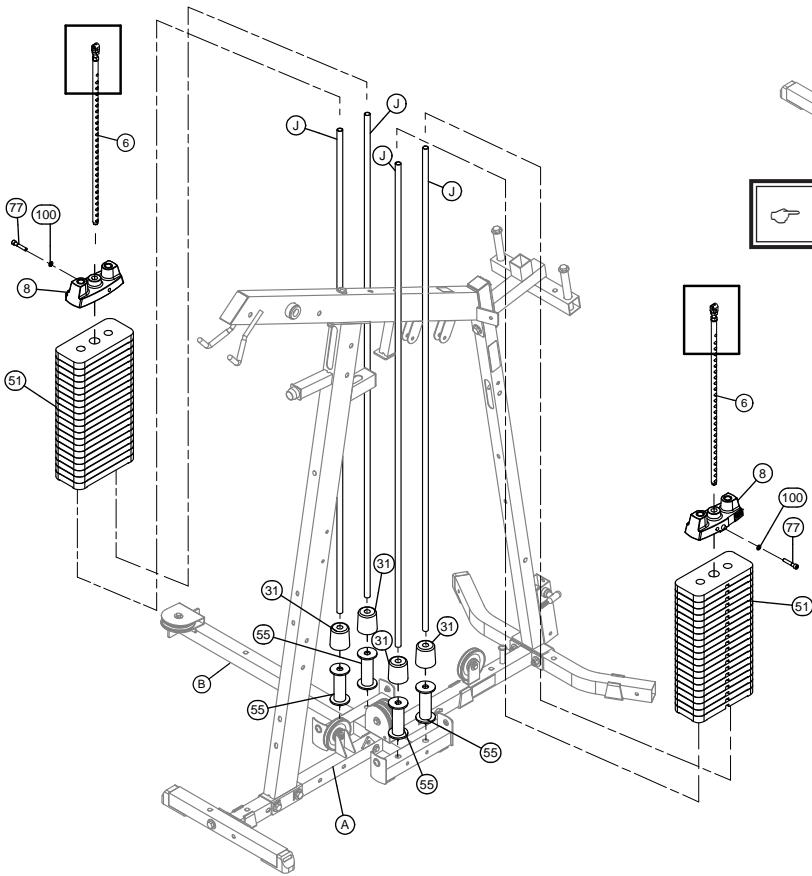
Component	Specification	Quantity
Allen Head Bolt	3/8" x 2"	2
Spring Washer	3"	2



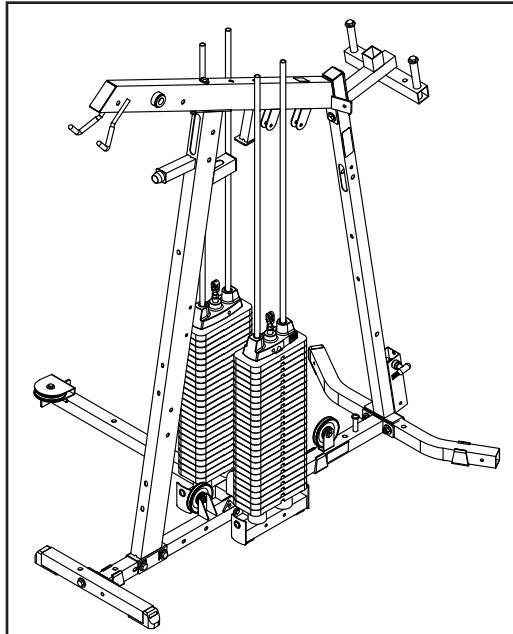
Above shows Step 3 assembled and completed using the 210 Lb Weight Stack.



For 260 lb Weight Omit Weight Stack Risers (55) as shown above.



For 210 lb Weight Use Weight Stack Risers (55) as shown above.



Above shows Step 3 assembled and completed using the 260 Lb Weight Stack.

STEP**4**

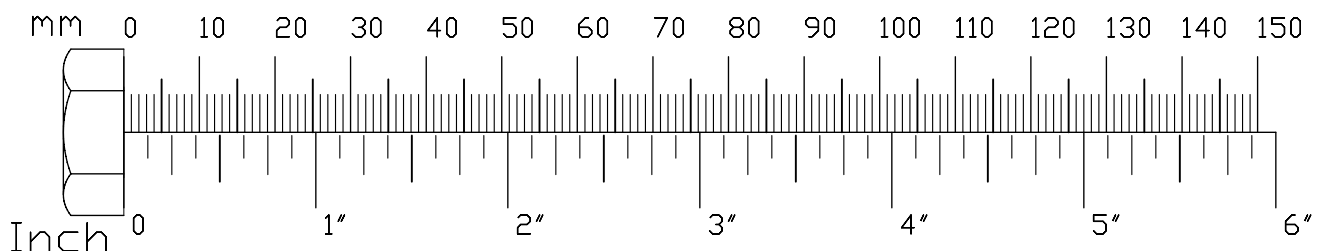
Be careful to assemble all components in the sequence they are presented.

NOTE: Finger tighten all hardware in this step unless otherwise noted.
Use the hardware package labeled Step 4 to complete this step.
Do Not wrench tighten until Step 5.

- A. Slide four Shaft Collars (22) onto the top of four Guide Rods (J).
- B. Connect Top Pulley Frame (K) to Top Main Frame (G), Front Vertical Frame (F), and onto Guide Rods (J) as shown using:
 - One 61 ($\frac{1}{2}$ " x 5 $\frac{1}{4}$ " hex head bolt)
 - One 62 ($\frac{1}{2}$ " x 5" hex head bolt)
 - Four 93 ($\frac{1}{2}$ " washer)
 - Two 90 ($\frac{1}{2}$ " nylon nut)
- C. Insert the top of Shaft Collars (22) into Top Pulley Frame (K) and turn so Shaft Collars (22) do not slide down. Tighten Allen Screws (88) in each Shaft Collar (22).
- D. Insert two 4 $\frac{1}{4}$ " Pulleys (26) into Front Vertical Frame (F) as shown using:
 - Four 10 ($\frac{9}{16}$ " OD x $\frac{3}{8}$ " ID x $\frac{5}{8}$ " L pulley spacer)
 - Two 73 ($\frac{3}{8}$ " x 2 $\frac{3}{4}$ " hex head bolt)
 - Two 91 ($\frac{3}{8}$ " nylon nut)
- E. Insert two 4 $\frac{1}{4}$ " Pulleys (26) into Top Pulley Frame (K) using:
 - Two 76 ($\frac{3}{8}$ " x 1 $\frac{3}{4}$ " hex head bolt)
 - Four 94 ($\frac{3}{8}$ " washer)
 - Two 91 ($\frac{3}{8}$ " nylon nut)

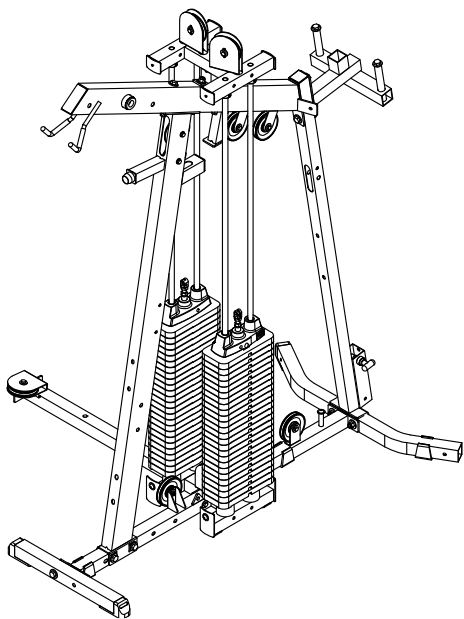
NOTE: The pulleys may be positioned into any of the Top Pulley Frame (K) holes.
The final position may be adjusted later in the Adjustments section of the manual.

- F. Insert two 4 $\frac{1}{4}$ " Pulleys (26) into the pulley covers on Top Main Frame (G) using:
 - Two 76 ($\frac{3}{8}$ " x 1 $\frac{3}{4}$ " hex head bolt)
 - Four 94 ($\frac{3}{8}$ " washer)
 - Two 91 ($\frac{3}{8}$ " nylon nut)

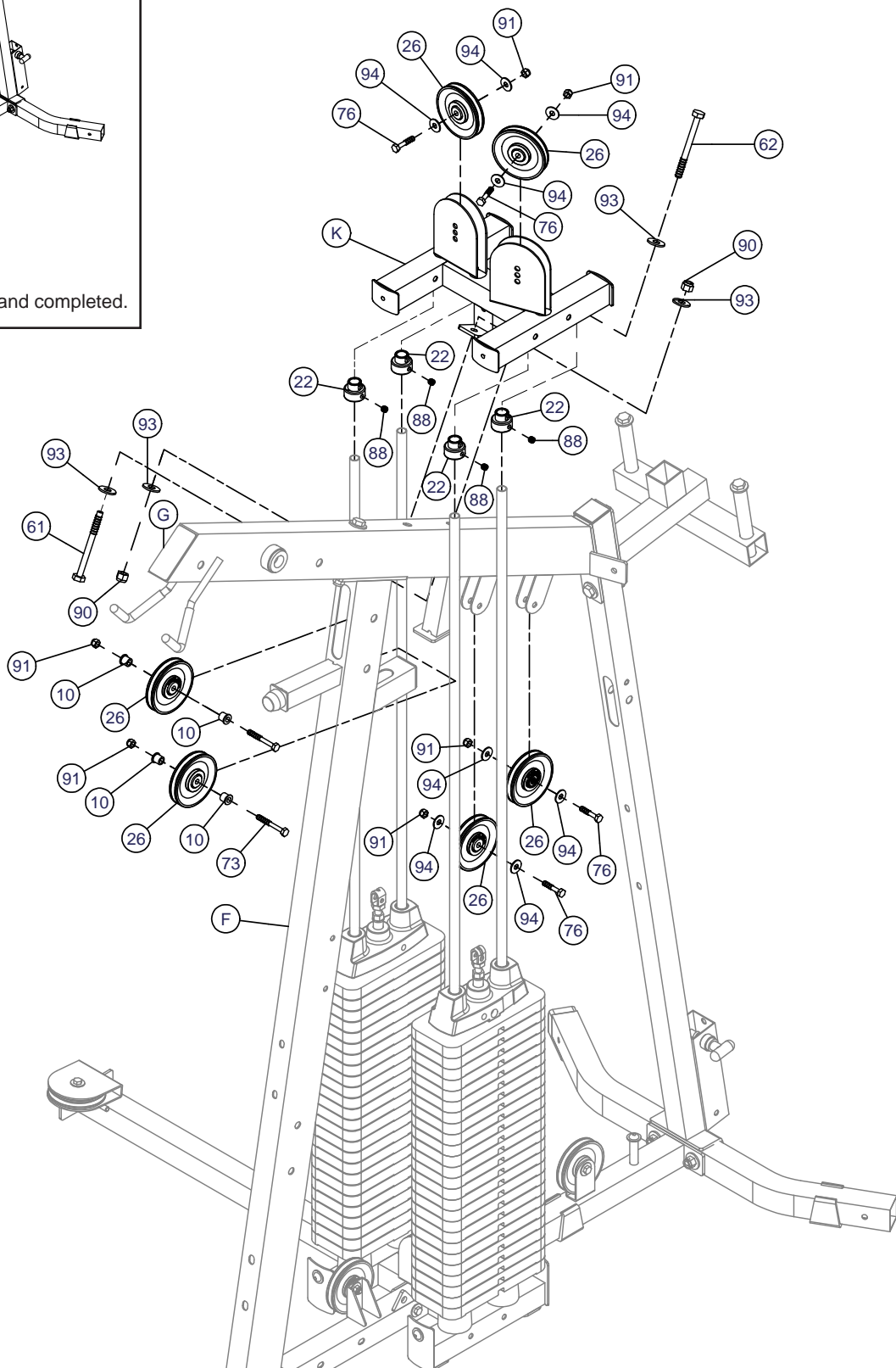


Step 4 - Hardware Bag Contents

Component	Specification	Quantity
Hex Head Bolt	1/2" x 5/4"	1
Hex Head Bolt	1/2" x 5"	1
Hex Head Bolt	3/8" x 2 3/4"	2
Hex Head Bolt	3/8" x 1 3/4"	4
Washer	1/2"	4
Washer	3/8"	8
Nylon Nut	1/2"	2
Nylon Nut	3/8"	6



Above shows Step 4 assembled and completed.



STEP

5

Be careful to assemble all components in the sequence they are presented.

NOTE: Leg Extension Seat Pad Frame (S) and Leg Extension Frame (L) are pre-assembled as one piece.

Use the hardware package labeled Step 5 to complete this step.

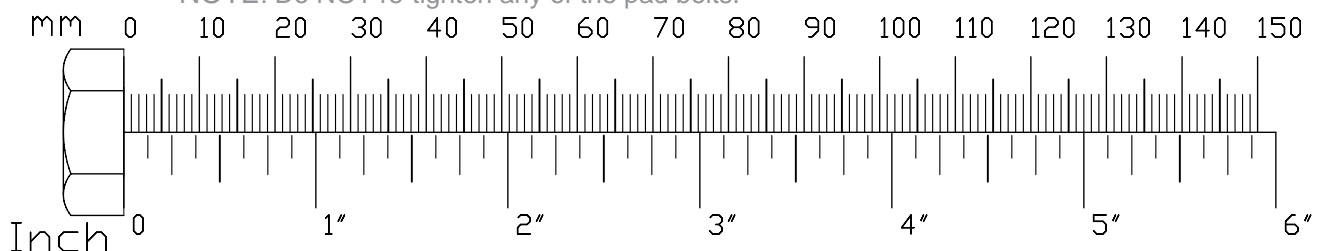
Most of the Mainframe parts in this step will have RED dots.

- A. Connect Leg Extension Frame (L) and 2" x 6" Plate (M) to Front Vertical Frame (F) using:
 - Two 61 ($\frac{1}{2}$ " x 5 $\frac{1}{4}$ " hex head bolt)
 - Four 93 ($\frac{1}{2}$ " washer)
 - Two 90 ($\frac{1}{2}$ " nylon nut)
- B. Connect the bottom of Leg Extension Frame (L) to Front Base Frame (C), through the opening left from Step 1 using:
 - One 60 ($\frac{1}{2}$ " x 5 $\frac{1}{2}$ " hex head bolt)
 - Two 93 ($\frac{1}{2}$ " washer)
 - One 90 ($\frac{1}{2}$ " nylon nut)
- C. Loosen pre-installed Allen Screws (88) in Leg Extension Frame (L).
- D. Connect Leg Extension Arm (N) to Leg Extension Frame (L) using:
 - One P (2" shaft) - PREINSTALLED
 - Two 49 ($\frac{1}{2}$ " ID x $\frac{3}{4}$ " OD oilite bushings) - PREINSTALLED
 - Two 97 (M8 washer)
 - Two 86 (M8x15 round allen head bolt)
- E. Wrench tighten both Allen Screws (88) only, to lock down 2" Shaft (P) in Leg Extension Frame (L).
- F. Insert one End Cap (14) into the top of Leg Extension Frame (L) observing the orientation as shown.
- G. Insert one End Cap (14) into the top of Leg Extension Arm (N).
- H. Insert End Cap (13) into the back of Leg Extension Seat Pad Frame (S).
- I. Insert End Cap (15) into the front of Leg Extension Seat Pad Frame (S).
- J. Connect two Leg Pads (R) to Leg Extension Pad Holder (Q) using:
 - Four 89 ($\frac{5}{16}$ " x $\frac{3}{4}$ " round bolt)
 - Four 96 ($\frac{5}{16}$ " spring washer)
 - Four 95 ($\frac{5}{16}$ " washer)

NOTE: Do Not over-tighten these bolts. Tighten these bolts until the spring washer is flat.
Over-tightening these bolts will cause T-Nuts in pads to strip out.
- K. Connect Leg Extension Pad Holder (Q) to Leg Extension Arm (N) using:
 - One 63 ($\frac{1}{2}$ " x 3 $\frac{1}{2}$ " hex head bolt)
 - Two 93 ($\frac{1}{2}$ " washer)
 - One 90 ($\frac{1}{2}$ " nylon nut)

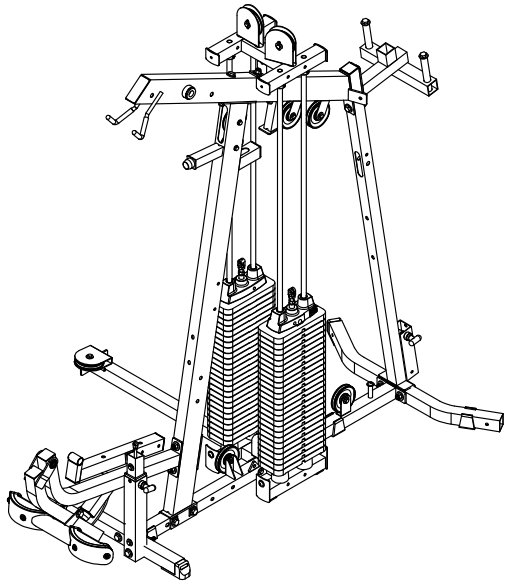
NOTE: Bronze bushing (100) has been pre-installed inside Leg Extension Arm (N).
- L. At this point you must make sure that the gym is level, stable and in the right location. You should now wrench tighten all bolts and nuts on the mainframe unit only. Also, leave all pulley bolts finger-tight until after Step 20.

NOTE: Do NOT re-tighten any of the pad bolts.

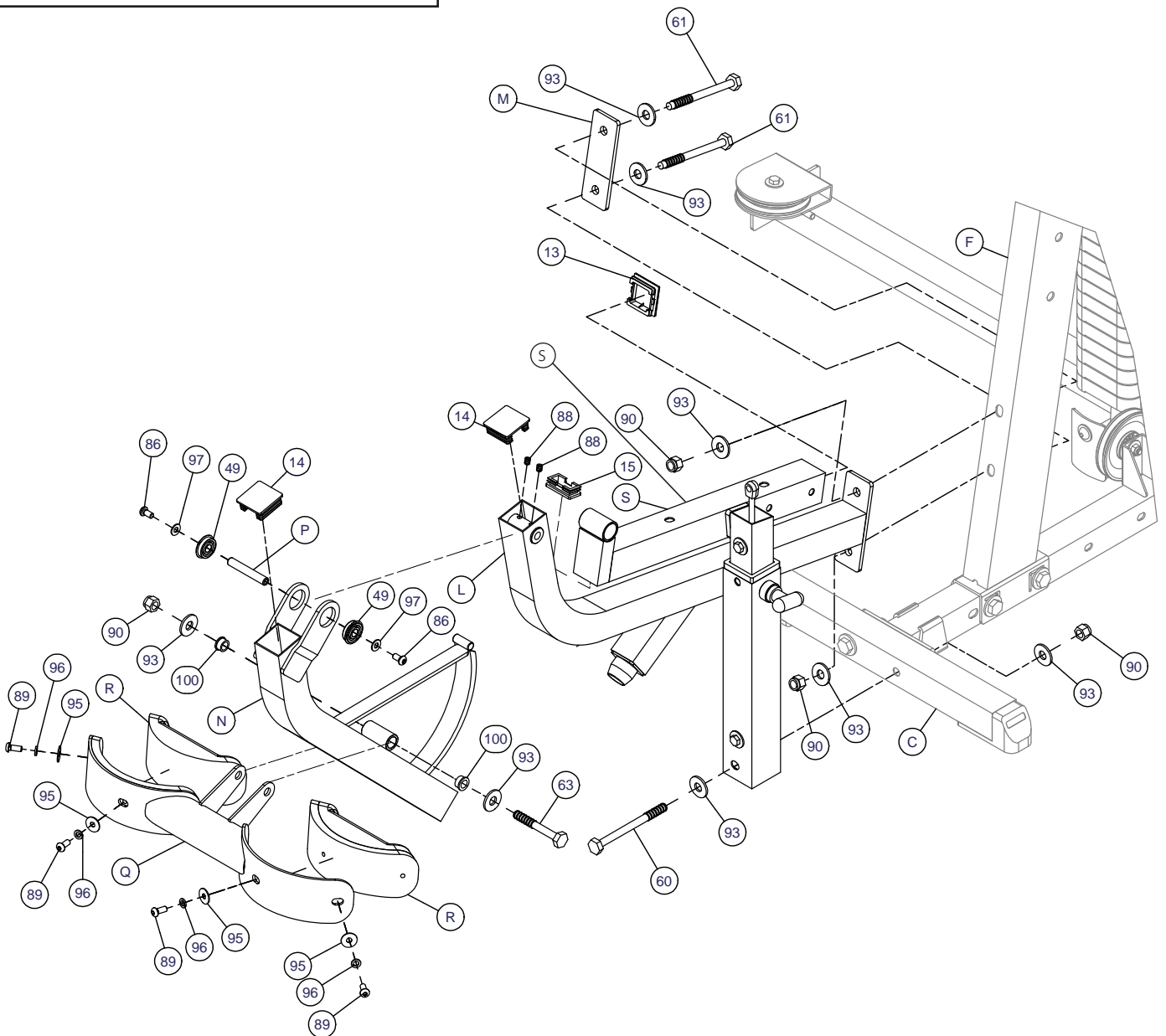


Step 5 - Hardware Bag Contents

Component	Specification	Quantity
Hex Head Bolt	1/2" x 5 1/2"	1
Hex Head Bolt	1/2" x 5 1/4"	2
Hex Head Bolt	1/2" x 3 1/2"	1
Round Allen Head	3/16" x 3/4"	4
Washer	1/2"	8
Washer	5/16"	4
Spring Washer	3/16"	4
Nylon Nut	1/2"	4



Above shows Step 5 assembled and completed.



STEP**6**

Be careful to assemble all components in the sequence they are presented.

NOTE: Use the hardware package labeled Step 6 to complete this step.

Most of the Mainframe parts in this step will have RED dots.

- A. Connect both Leg Extension Handles (U) to Leg Extension Seat Pad Frame (S) using:
Two 72 ($\frac{3}{8}$ " x 3" hex head bolt)
Four 94 ($\frac{3}{8}$ " washer)
Two 91 ($\frac{3}{8}$ " nylon nut)

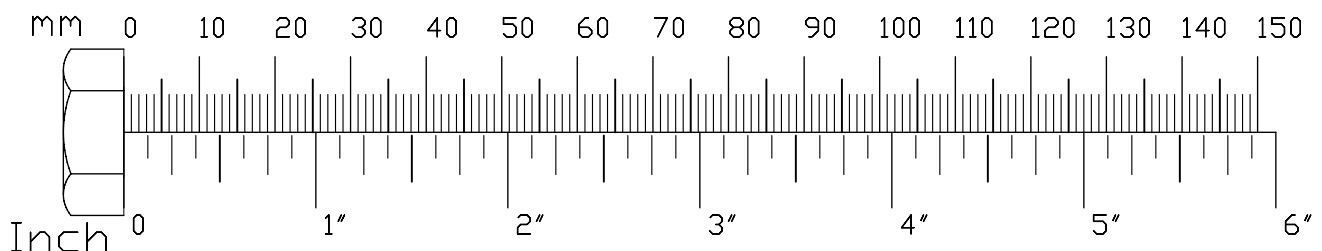
- B. Connect Leg Extension Seat Pad (V) to Leg Extension Seat Pad Frame (S) using:
Two 82 ($\frac{5}{16}$ " x 2 $\frac{3}{4}$ " hex head bolt)
Two 96 ($\frac{5}{16}$ " spring washer)
Two 95 ($\frac{5}{16}$ " washer)

NOTE: Do Not over-tighten these bolts. Tighten these bolts until the spring washer is flat.
Over-tightening these bolts will cause the T-Nuts in pads to strip out.

- C. Slide Foam Roller Bar (W) into Leg Extension Seat Pad Frame (S).
- D. Slide two 3" Plastic Washers (5) onto both sides of Foam Roller Bar (W).
- E. Slide two Foam Rollers (12) onto both sides of Foam Roller Bar (W).
- F. Slide another two 3" Plastic Washers (5) onto both sides of Foam Roller Bar (W).
- G. Secure the Leg Extension assembly in place with two Chrome Roller End Caps (18) placed on the outer ends of Foam Roller Bar (W) as shown.

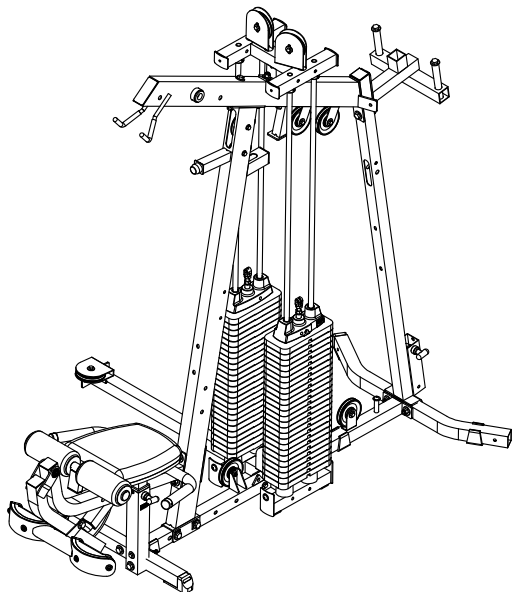
NOTE: A rubber mallet may be used to aid the installation of Chrome Roller End Cap (18).

NOTE: You should now wrench tighten all bolts and nuts on the mainframe unit only.
Do NOT re-tighten any of the pad bolts.
Also, leave all pulley bolts finger-tight until after Step 20.

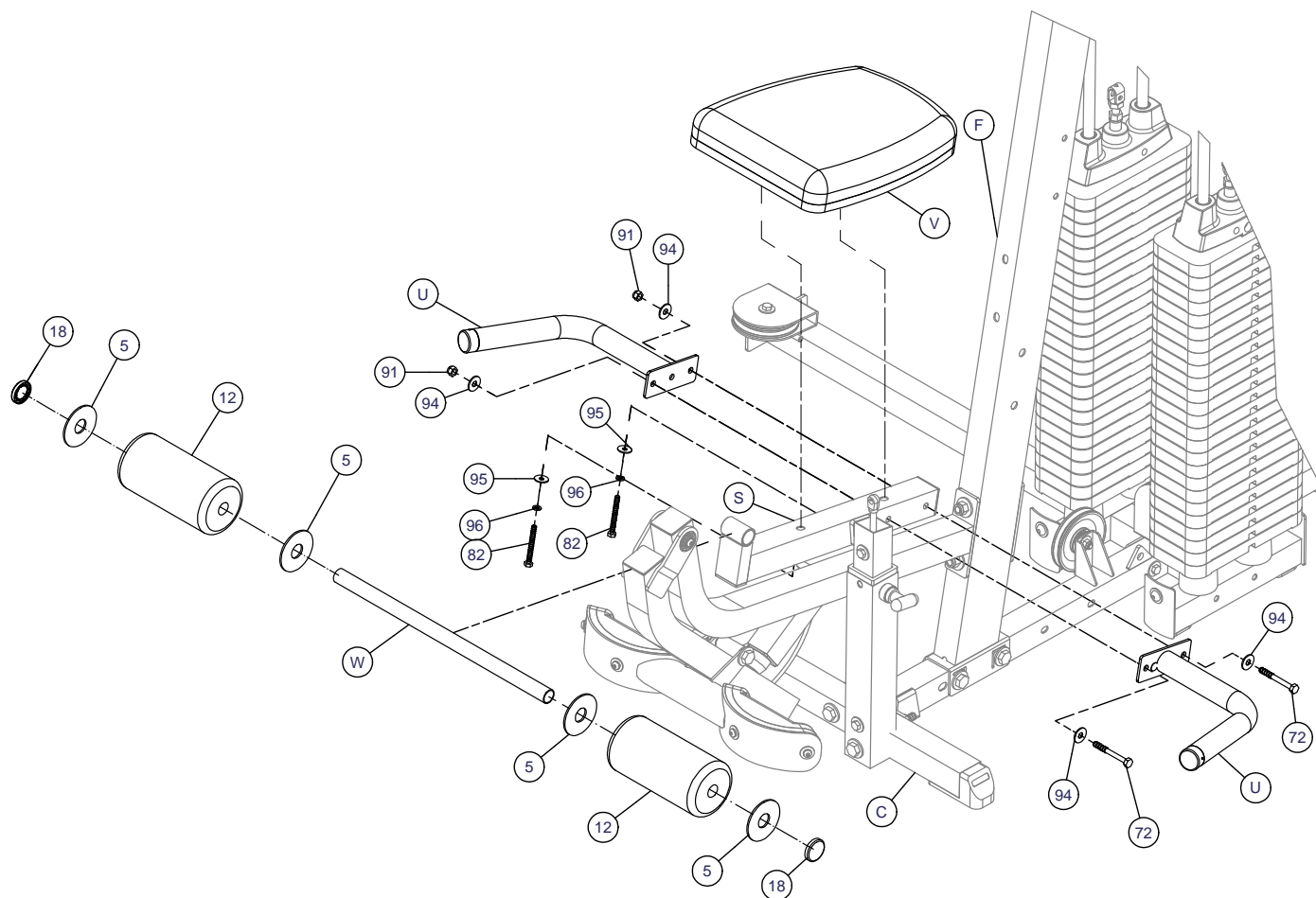


Step 6 - Hardware Bag Contents

Component	Specification	Quantity
Hex Head Bolt	3/8" x 3"	2
Hex Head Bolt	5/16" x 2 3/4"	2
Washer	3/8"	4
Washer	5/16"	2
Spring Washer	5/16"	2
Nylon Nut	3/8"	2



Above shows Step 6 assembled and completed.



STEP

7

Be careful to assemble all components in the sequence they are presented.

NOTE: Use the hardware package labeled Step 7 to complete this step.

Most of the Mainframe parts in this step will have RED dots.

- A. Connect two Leg Hold Downs (X) to Front Vertical Frame (F) using:
Two 64 ($\frac{1}{2}$ " x 3 $\frac{1}{4}$ " hex head bolt)
Four 93 ($\frac{1}{2}$ " washer)
Two 90 ($\frac{1}{2}$ " nylon lock nut)
- B. Slide two Foam Rollers (12) onto both Leg Hold Downs (X).
- C. Slide two 3" Plastic Washers (5) onto both Leg Hold Downs (X).
- D. Slide two Chrome Roller End Caps (18) onto both sides of Leg Hold Downs (X) as shown.
- E. Connect Lower Back Pad (ZC) to Front Vertical Frame (F) using:
Two 80 ($\frac{5}{16}$ " x 5" hex head bolt)*
Two 96 ($\frac{5}{16}$ " spring lock washer)
Two 95 ($\frac{5}{16}$ " washer)

NOTE: Do not over-tighten these bolts.

Tighten these bolts until the spring washer is flat.

Over-tightening these bolts will cause the T-nuts inside the pads to strip out.

- F. Loosen $\frac{3}{8}$ " x 1" Hex Head Bolt (112) and $\frac{3}{8}$ " Lock Nut (113) from Back Pad Holder (Y).
- G. Insert two plastic bushings (21) into Back Pad Holder (Y) in the orientation shown for a secure fit.
- H. Connect Back Pad Holder (Y) to Front Vertical Frame (F) using:
Two 73 ($\frac{3}{8}$ " x 2 $\frac{3}{4}$ " hex head bolt)
Four 94 ($\frac{3}{8}$ " washer)
Two 91 ($\frac{3}{8}$ " nylon nut)
- I. Slide Back Pad Adjuster (Z) into Back Pad Holder (Y) and hold in place with Ball Head Pop Pin (56), $\frac{3}{8}$ " x 1" Hex Head Bolt (112) and $\frac{3}{8}$ " Lock Nut (113).
- J. Connect Upper Back Pad (ZA) to Back Pad Insert (ZB) using:
Four 83 ($\frac{5}{16}$ " x 1" hex head bolt)*
Four 96 ($\frac{5}{16}$ " spring lock washer)
Four 95 ($\frac{5}{16}$ " washer)
- K. Slide Back Pad Insert (ZB) into Back Pad Adjuster (Z) and secure using Ball Head Pop Pin (56), $\frac{3}{8}$ " x 1" Hex Head Bolt (112) and $\frac{3}{8}$ " Lock Nut (113) as shown in the diagram.

NOTE: Do not over-tighten Hex Head Bolt (112) and adjust Hex Head Bolt (112) so it will stop Back Pad Adjuster (Z) from sliding out, but will not interfere with Back Pad Insert (ZB).

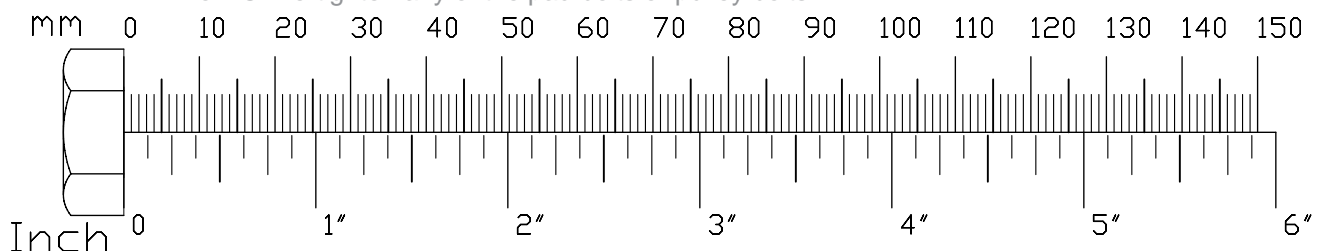
NOTE: Do not over-tighten these bolts.

Tighten these bolts until the spring washer is flat.

Over-tightening these bolts will cause the T-nuts inside the pads to strip out.

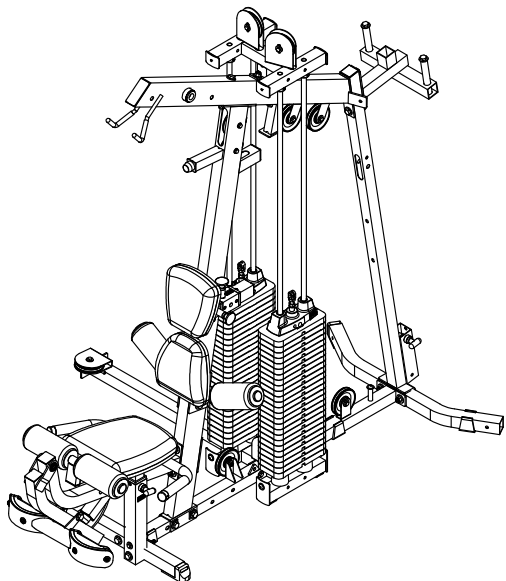
NOTE: You should now wrench tighten all bolts and nuts in this step.

Do NOT re-tighten any of the pad bolts or pulley bolts.

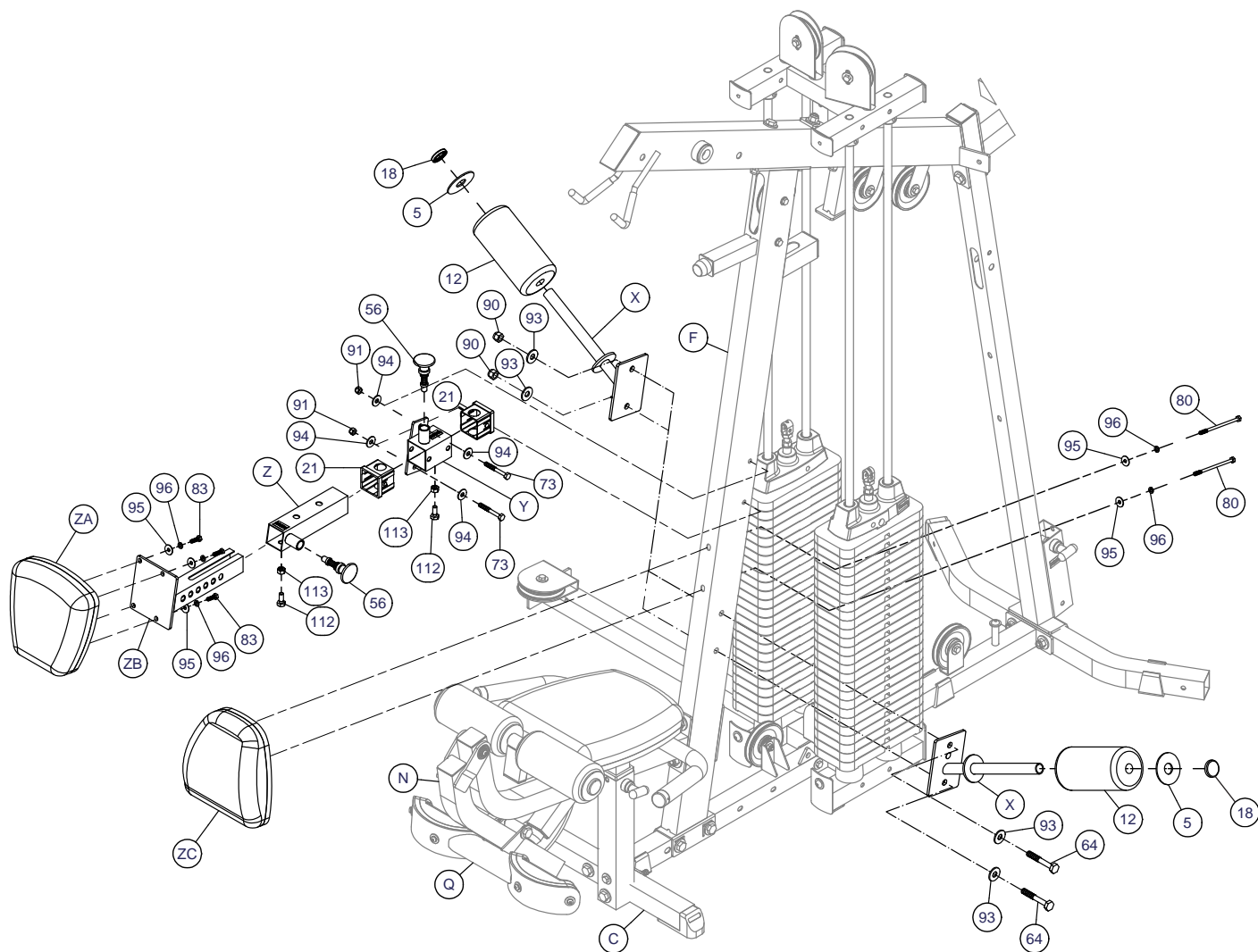


Step 7 - Hardware Bag Contents

Component	Specification	Quantity
Hex Head Bolt	5/16" x 5"	2
Hex Head Bolt	5/16" x 1"	4
Hex Head Bolt	1/2" x 3 1/4"	2
Hex Head Bolt	3/8" x 2 3/4"	2
Washer	5/16"	6
Washer	3/8"	4
Washer	1/2"	4
Spring Washer	5/16"	6
Nylon Nut	3/8"	2
Nylon Nut	1/2"	2



Above shows Step 7 assembled and completed.



STEP

8

Be careful to assemble all components in the sequence they are presented.

NOTE: Use the hardware package labeled Step 8 to complete this step.

Most of the Mainframe parts in this step will have RED dots.

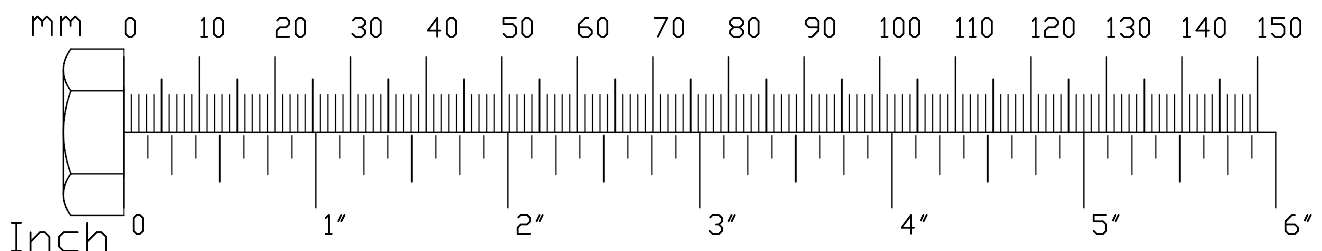
NOTE: You will need to loosen two Allen Screws (88) inside Seated Press Arm Support (AA), in order to remove 9" Shaft (AB).

- A. Connect Seated Press Arm Support (AA) to Top Main Frame (G) with 9" Shaft (AB).
- B. Tighten both Allen Screws (88) in Seated Press Arm Support (AA).
- C. Connect two 4 ¼" Pulleys (26) to Seated Press Arm Support (AA) using:
Two 76 (¾" x 1 ¾" hex head bolt)
Four 94 (¾" washer)
Two 91 (¾" nylon lock nut)

NOTE: You will need to loosen two Allen Screws (88), inside Seated Press Arm (AC), in order to remove 11 ¾" Shaft (AD).

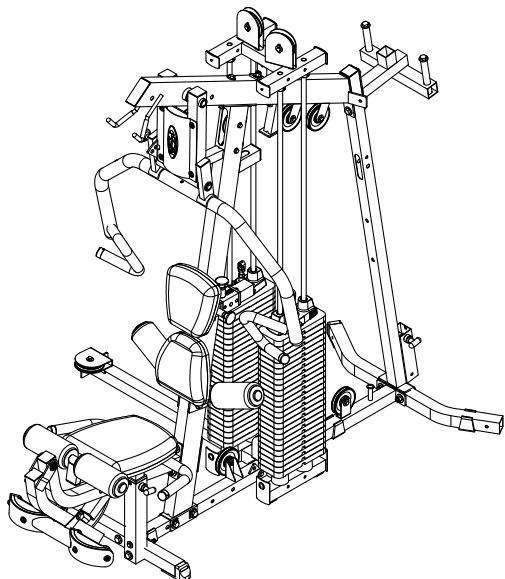
- D. Insert Frame Hole Cap (17) into Seated Press Arm (AC).
- E. Connect Seated Press Arm (AC) to Seated Press Arm Support (AA) with 11 ¾" Shaft (AD).
- F. Tighten both Allen Screws (88) in Seated Press Arm (AC).
- G. Insert two End Caps (14) to the top of Seated Press Arm Support (AA) observing the orientation as shown.
- H. Insert two End Caps (15) to the top of Seated Press Arm (AC).
- I. Insert two End Caps (24) to the bottom of Seated Press Arm (AC).
- J. Connect Small Shroud (AE) to Seated Press Arm Support (AA) using:
Four 86 (⅝" x ⅞" round allen head) (pre-installed)
Four 97 (⅝" washer) (pre-installed)

NOTE: You should now wrench tighten all bolts and nuts in this step.
Do NOT re-tighten any of the pad bolts or pulley bolts.

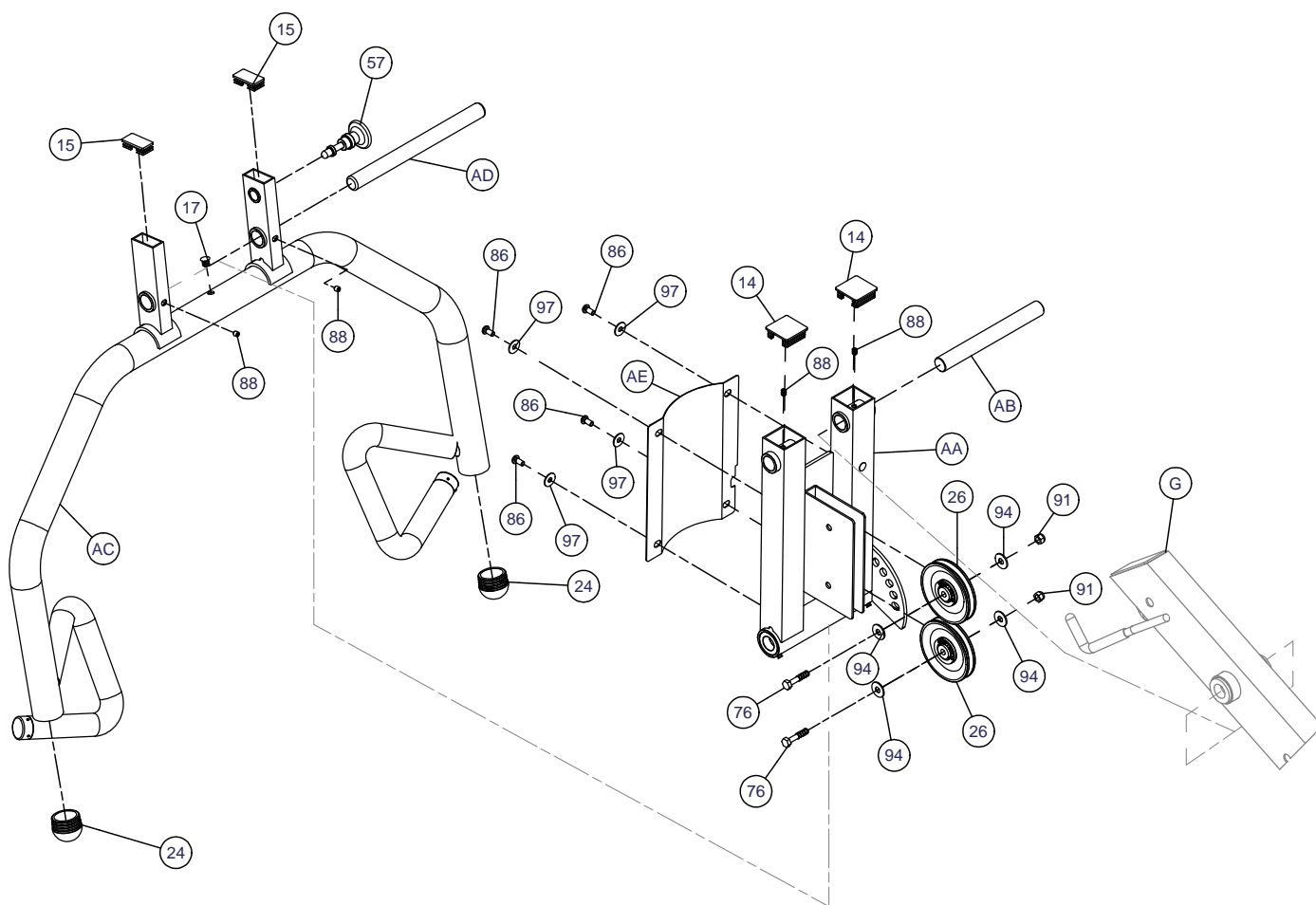


Step 8 - Hardware Bag Contents

Component	Specification	Quantity
Hex Head Bolt	3/8" x 1 3/4"	2
Washer	3/8"	4
Nylon Nut	3/8"	2



Above shows Step 8 assembled and completed.



STEP

9

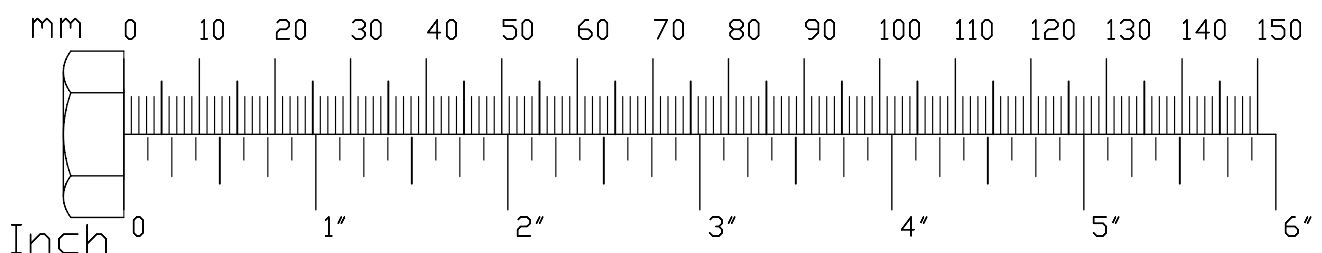
Be careful to assemble all components in the sequence they are presented.

NOTE: Use the hardware package labeled Step 9 to complete this step.

Most of the Mainframe parts in this step will have YELLOW dots.

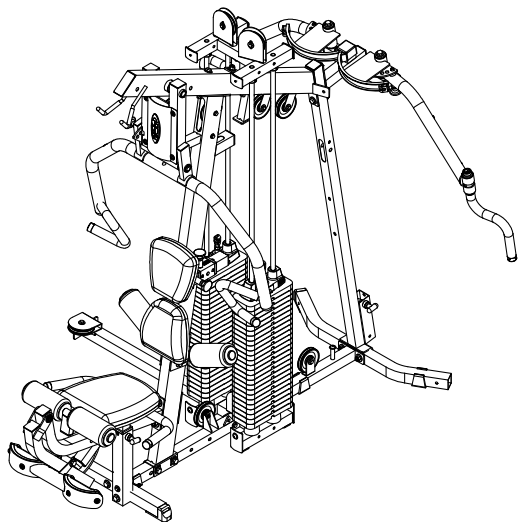
- A. Insert two End Caps (13) to the sides of Pec Dec Frame (H) in the orientation shown for a secure fit.
- B. Insert End Cap (13) to the front of Pec Dec Frame (H).
- C. Insert Square Rubber Cap (32) onto the top of the Pec Dec Frame (H).
- D. Remove Ball Head Pop Pin (50) which is pre-installed onto Right Pec Dec Arm (AK).
- E. Slide Oilite Washer (9), Right Pec Dec Arm (AK) and Left Pec Dec Cam (AL) onto the right side of Pec Dec Frame (H) and secure using:
One 59 ($\frac{1}{2}$ " x 1" hex head bolt) (pre-installed)
One 93 ($\frac{1}{2}$ " washer) (pre-installed)
- F. Re-install Ball Head Pop Pin (50) onto Right Pec Dec Arm (AK).
- G. Remove Chrome Collar (106) from Right Pec Dec Handle (AM) by loosening Allen Screw (88).
- H. Connect Right Pec Dec Handle (AM) to Right Pec Dec Arm (AK) using:
One 85 ($\frac{5}{16}$ " x $\frac{3}{4}$ " **flat allen head**) (pre-installed)
One 96 ($\frac{5}{16}$ " spring lock washer) (pre-installed)
NOTE: Left Pec Dec Handle (AM) should bend out, away from the gym, as shown.
- I. Re-install Chrome Collar (106) onto Right Pec Dec Handle (AM) and tighten Allen Screw (88).
- J. Remove Ball Head Pop Pin (50) which is pre-installed onto Left Pec Dec Arm (AP).
- K. Slide Oilite Washer (9), Left Pec Dec Arm (AP) and Left Pec Dec Cam (AQ) onto the left side of Pec Dec Frame (H) and secure using:
One 59 ($\frac{1}{2}$ " x 1" hex head bolt) (pre-installed)
One 93 ($\frac{1}{2}$ " washer) (pre-installed)
- L. Re-install Ball Head Pop Pin (50).
- M. Remove Chrome Collar (106) form Left Pec Dec Handle (AR) by loosening Allen Screw (88).
- N. Connect Left Pec Dec Handle (AR) to Left Pec Dec Arm (AP) using:
One 85 ($\frac{5}{16}$ " x $\frac{3}{4}$ " **flat allen head**) (pre-installed)
One 96 ($\frac{5}{16}$ " spring lock washer) (pre-installed)
NOTE: Right Pec Dec Handle (AR) should bend out, away from the gym, as shown.
- O. Re-install Chrome Collar (106) onto Left Pec Dec Handle (AR) and tighten Allen Screw (88).

NOTE: You should now wrench tighten all bolts and nuts in this step.
Do NOT re-tighten any of the pad bolts or pulley bolts.

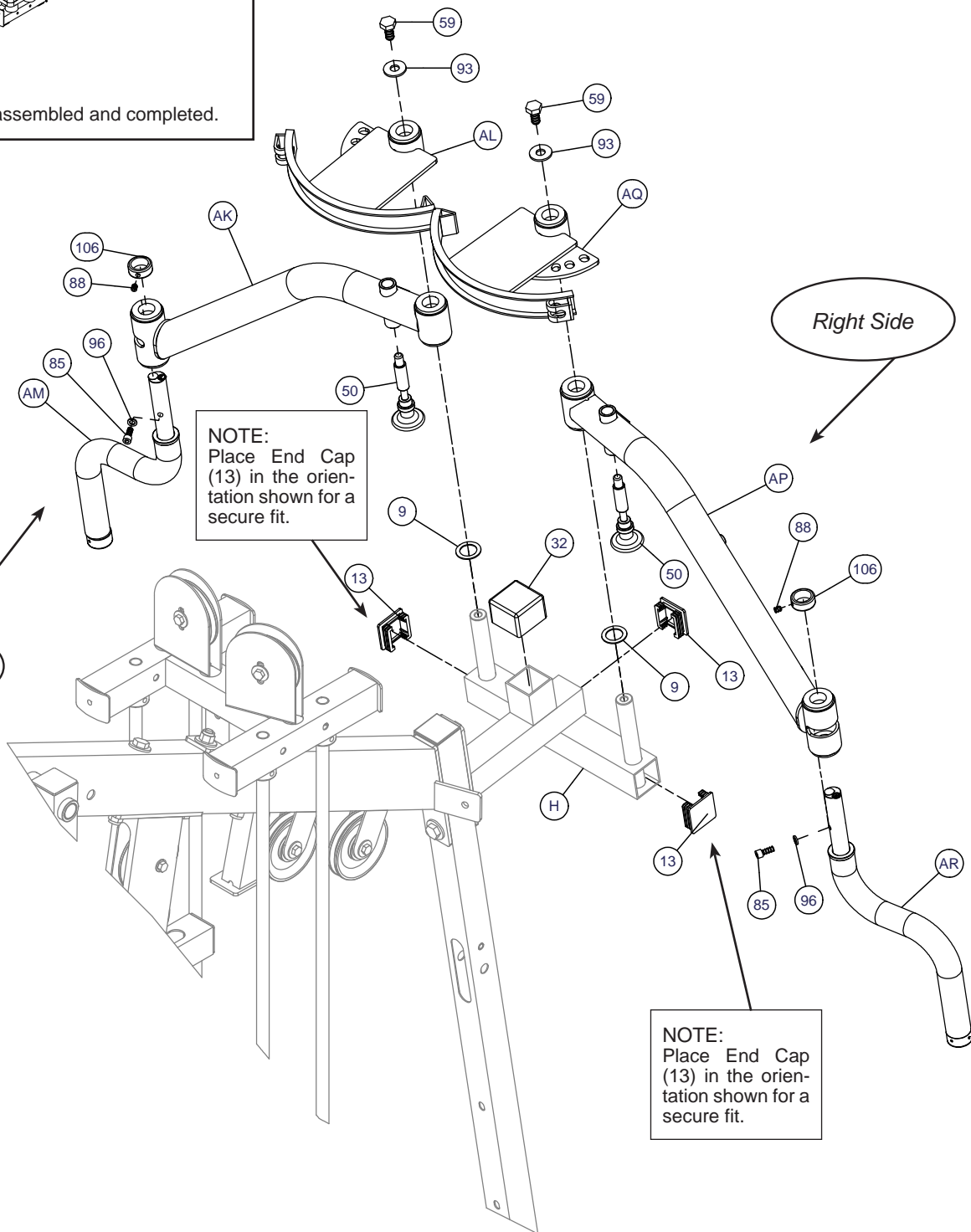


Step 9 - Hardware Bag Contents

There is not a Step 9 Hardware Bag



Above shows Step 9 assembled and completed.



STEP

10

Be careful to assemble all components in the sequence they are presented.

NOTE: Use the hardware package labeled Step 10 to complete this step.

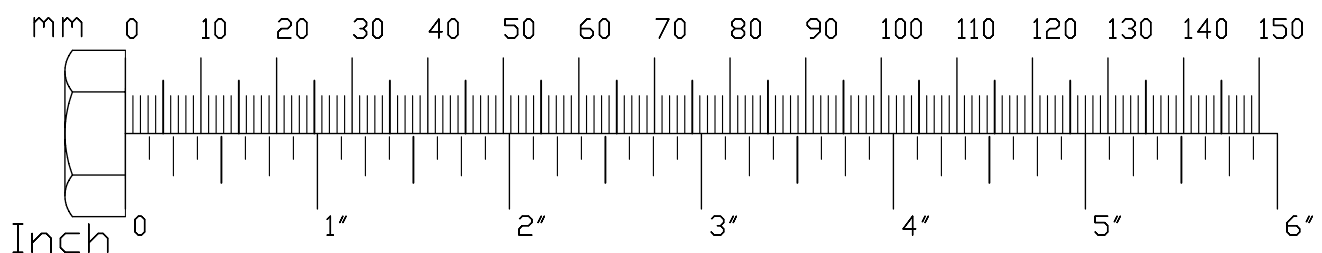
Most of the Mainframe parts in this step will have YELLOW dots.

- A. Remove T-Shaped Pop Pin (48) from the threaded opening in the receptacle at the bottom of the Rear Vertical Frame (E).
- B. Slide Plastic Bushing (23) into the receptacle at the bottom of the Rear Vertical Frame (E) in the orientation shown for a secure fit.
- C. Insert two End Caps (14) to the front and back of Seat Pad Frame (AV).
- D. Connect Hydraulic Seat Adjuster (AU) to Seat Pad Frame (AV) using:
 - One 74 ($\frac{3}{8}$ " x 2 $\frac{1}{2}$ " hex head bolt)
 - Two 94 ($\frac{3}{8}$ " washer)
 - One 91 ($\frac{3}{8}$ " nylon lock nut)
- E. Slide Seat Pad Frame (AV) into the receptacle at the bottom of Rear Vertical Frame (E) and secure Hydraulic Seat Adjuster (AU) using:
 - One 72 ($\frac{3}{8}$ " x 3" hex head bolt)
 - Two 94 ($\frac{3}{8}$ " washer)
 - One 91 ($\frac{3}{8}$ " nylon lock nut)
- F. Insert T-Shaped Pop Pin (48) into the threaded opening in the receptacle at the bottom of the Rear Vertical Frame (E).
- G. Connect Seat Pad (AW) to Seat Pad Frame (AV) using:
 - Two 82 ($\frac{5}{16}$ " x 2 $\frac{3}{4}$ " hex head bolt)
 - Two 96 ($\frac{5}{16}$ " spring lock washer)
 - Two 95 ($\frac{5}{16}$ " washer)

NOTE: Do not over-tighten these bolts.
Tighten these bolts until the spring washer is flat.
Over-tightening these bolts will cause the T-nuts inside the pads to strip out.
- H. Connect Back Pad (AX) to Rear Vertical Frame (E) using:
 - Two 82 ($\frac{5}{16}$ " x 2 $\frac{3}{4}$ " hex head bolt)
 - Two 96 ($\frac{5}{16}$ " spring lock washer)
 - Two 95 ($\frac{5}{16}$ " washer)

NOTE: Do not over-tighten these bolts.
Tighten these bolts until the spring washer is flat.
Over-tightening these bolts will cause the T-nuts inside the pads to strip out.

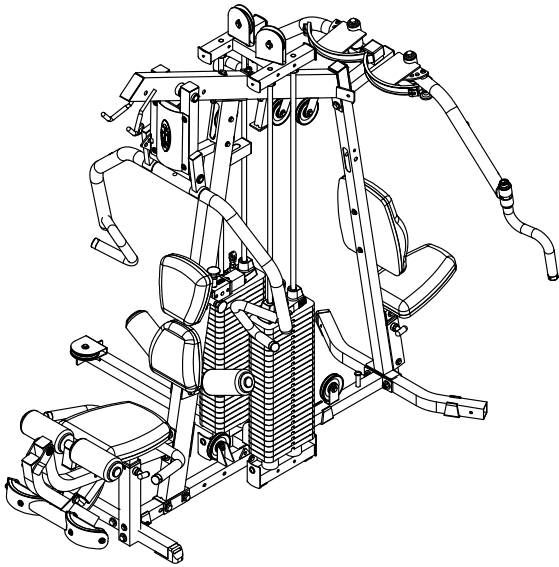
NOTE: You should now wrench tighten all bolts and nuts in this step.
Do NOT re-tighten any of the pad bolts or pulley bolts.



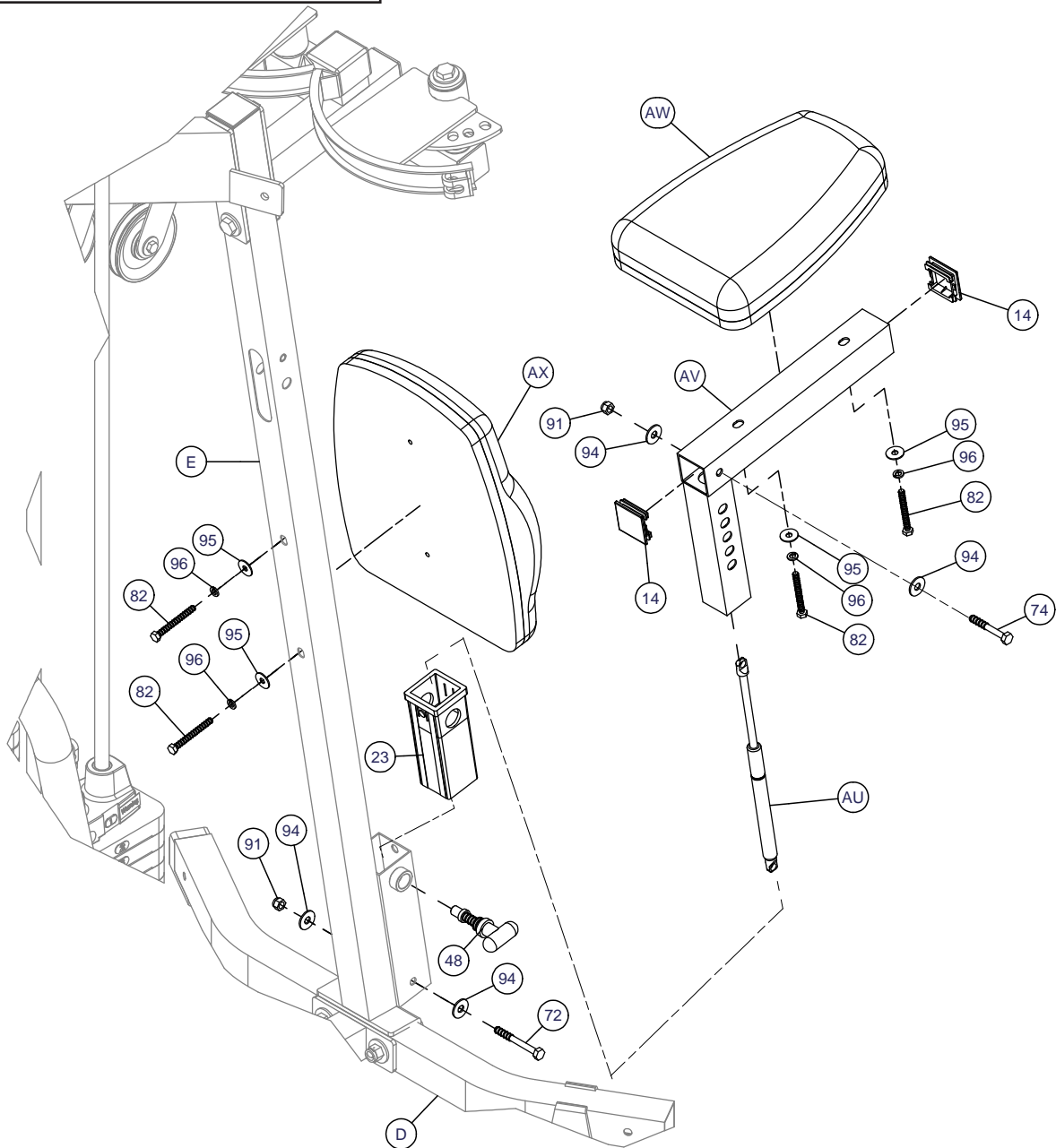
STEP 10

Step 10 - Hardware Bag Contents

Component	Specification	Quantity
Hex Head Bolt	$\frac{3}{8}$ " x 3"	1
Hex Head Bolt	$\frac{3}{8}$ " x 2 $\frac{1}{2}$ "	1
Hex Head Bolt	$\frac{5}{16}$ " x 2 $\frac{3}{4}$ "	4
Washer	$\frac{3}{8}$ "	4
Washer	$\frac{5}{16}$ "	4
Spring Washer	$\frac{5}{16}$ "	4
Nylon Nut	$\frac{3}{8}$ "	2



Above shows Step 10 assembled and completed.



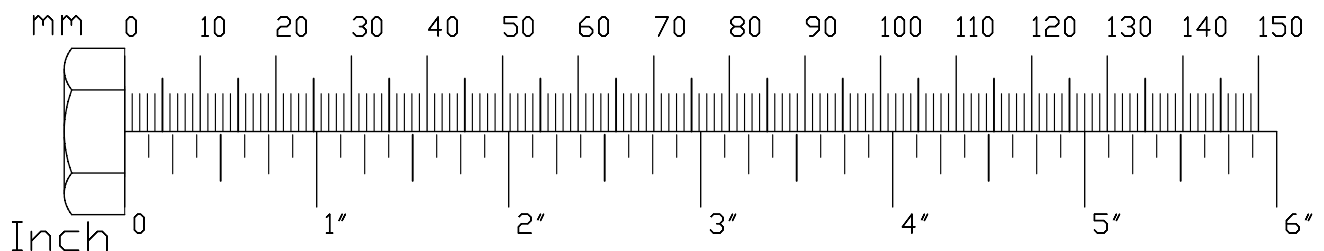
STEP**11**

Be careful to assemble all components in the sequence they are presented.

NOTE: Use the hardware package labeled Step 11 to complete this step.

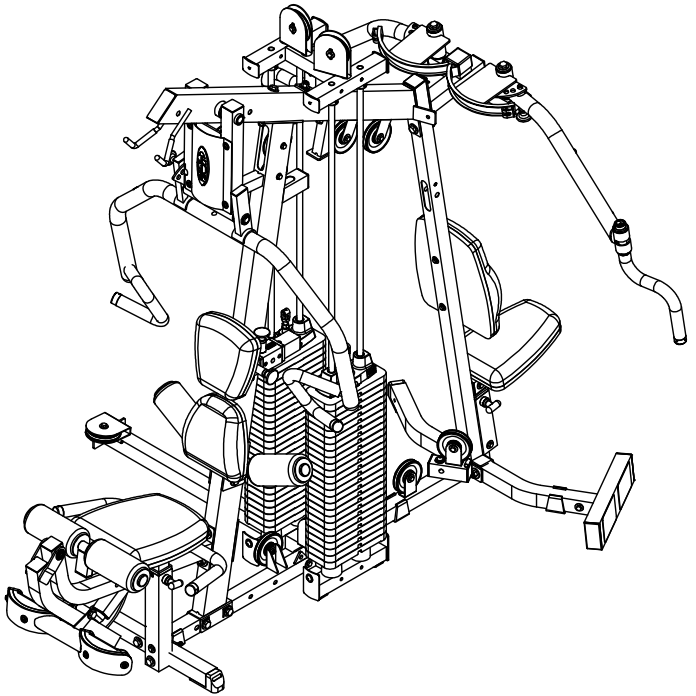
- A. Insert two End Caps (13) to the ends of Low Pulley Frame (AY) in the orientation shown for a secure fit.
- B. Connect Low Pulley Frame (AY) to Main Base Frame (A) using:
One 87 ($\frac{3}{8}$ " x $\frac{5}{8}$ " round allen head) (pre-installed)
One 98 ($\frac{3}{8}$ " washer) (pre-installed)
- C. Insert two End Caps (16) to Foot Brace (AZ).
- D. Attach Grip Tape (33) to Foot Brace (AZ) as shown.
- E. Connect Foot Brace (AZ) to the open side of Rear Base Frame (D) using:
One 73 ($\frac{3}{8}$ " x 2 $\frac{3}{4}$ " hex head bolt)
Two 94 ($\frac{3}{8}$ " washer)
One 91 ($\frac{3}{8}$ " nylon lock nut)
- F. Connect 4 $\frac{1}{4}$ " Pulley (26) to the flange on Low Pulley Frame (AY) using:
One 76 ($\frac{3}{8}$ " x 1 $\frac{3}{4}$ " hex head bolt)
Two 94 ($\frac{3}{8}$ " washer)
One 91 ($\frac{3}{8}$ " nylon lock nut)

NOTE: You should now wrench tighten all bolts and nuts in this step.
Do NOT re-tighten any of the pad bolts or pulley bolts.

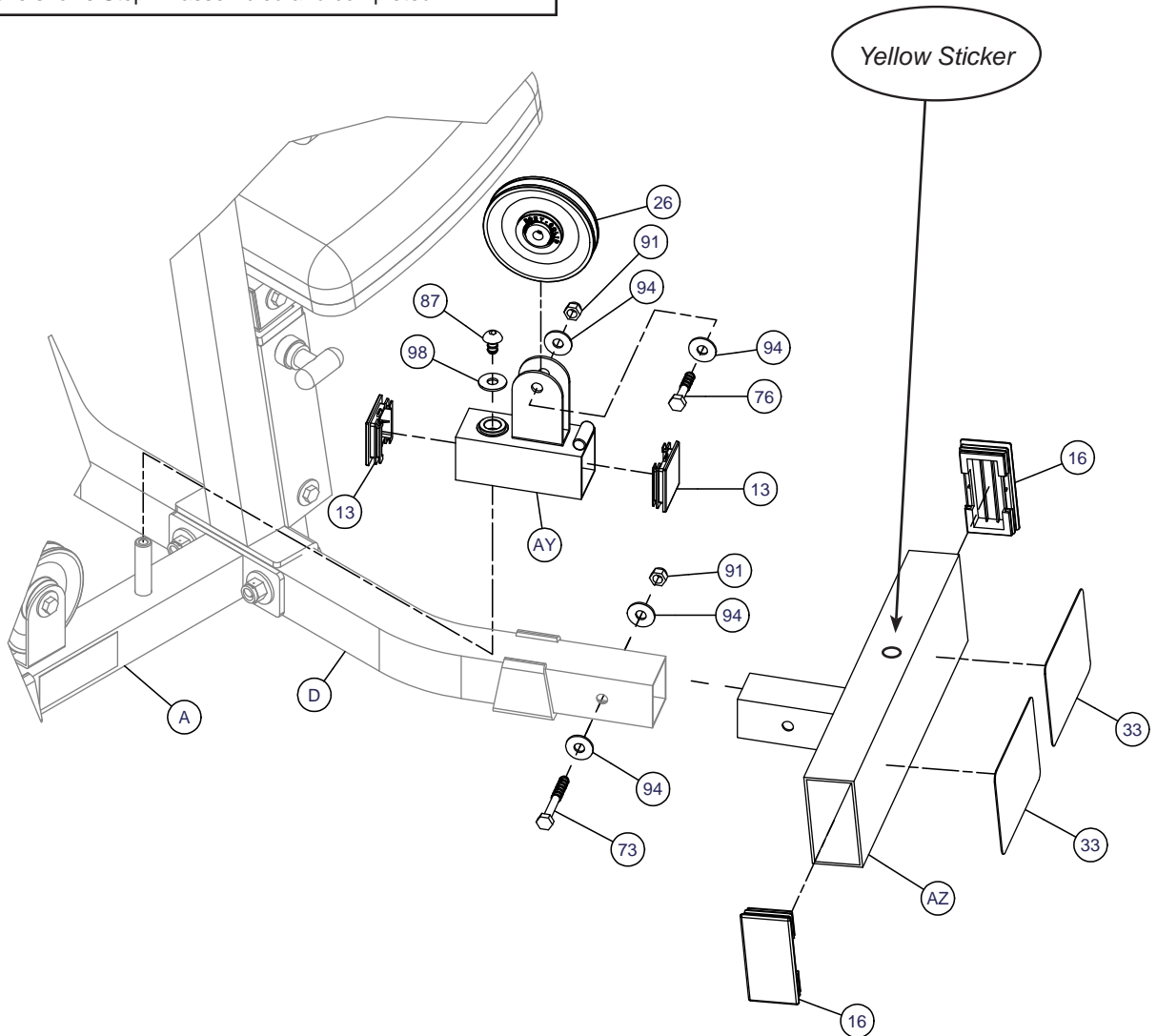


Step 11 - Hardware Bag Contents

Component	Specification	Quantity
Hex Head Bolt	3/8" x 2 3/4"	1
Hex Head Bolt	3/8" x 1 3/4"	1
Washer	3/8"	4
Nylon Nut	3/8"	2



Above shows Step 11 assembled and completed.



STEP**12**

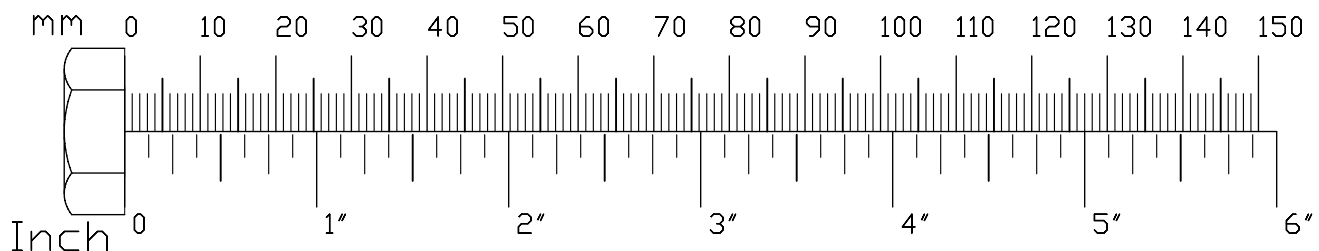
Be careful to assemble all components in the sequence they are presented.

NOTE: Use the hardware package labeled Step 12 to complete this step.

Most of the Mainframe parts in this step will have BLUE dots.

- A. Connect Leg Press Support (BA) to Main Base Frame (A) using:
Two 73 ($\frac{3}{8}$ " x 2 $\frac{3}{4}$ " hex head bolt)
Four 94 ($\frac{3}{8}$ " washer)
Two 91 ($\frac{3}{8}$ " nylon lock nut)
- B. Insert End Cap (15) into the top of Leg Press Main Frame (BB).
- C. Attach two Frame Levelers (25) to the bottom of Leg Press Main Frame (BB) as shown.
- D. Insert two Foot Caps (20) into each end of the Leg Press Front (BC).
- E. Connect Leg Press Front (BC) to the front of Leg Press Main Frame (BB) using:
Two 65 ($\frac{1}{2}$ " x 3" hex head bolt)
Four 93 ($\frac{1}{2}$ " washer)
Two 90 ($\frac{1}{2}$ " nylon lock nut)
- F. Connect Leg Press Main Frame (BB) to Leg Press Support (BA) using:
Four 73 ($\frac{3}{8}$ " x 2 $\frac{3}{4}$ " hex head bolt)
Eight 94 ($\frac{3}{8}$ " washer)
Four 91 ($\frac{3}{8}$ " nylon lock nut)
- G. Connect Leg Press Main Frame (BB) to Side Base Frame (B) using:
Two 73 ($\frac{3}{8}$ " x 2 $\frac{3}{4}$ " hex head bolt)
Four 94 ($\frac{3}{8}$ " washer)
Two 91 ($\frac{3}{8}$ " nylon lock nut)
- H. Connect 4 $\frac{1}{4}$ " Pulley (26) to the flange on Leg Press Main Frame (BB) using:
One 76 ($\frac{3}{8}$ " x 1 $\frac{3}{4}$ " hex head bolt)
Two 94 ($\frac{3}{8}$ " washer)
One 91 ($\frac{3}{8}$ " nylon lock nut)

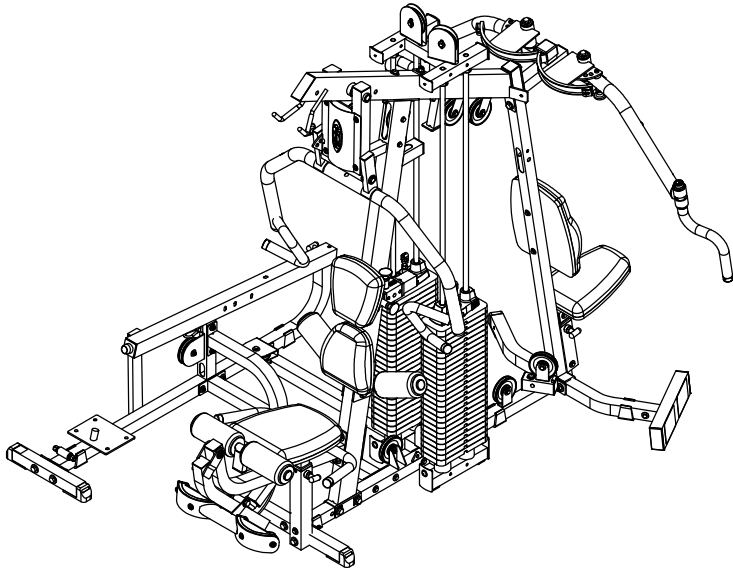
NOTE: You should now wrench tighten all bolts and nuts in this step.
Do NOT re-tighten any of the pad bolts or pulley bolts.



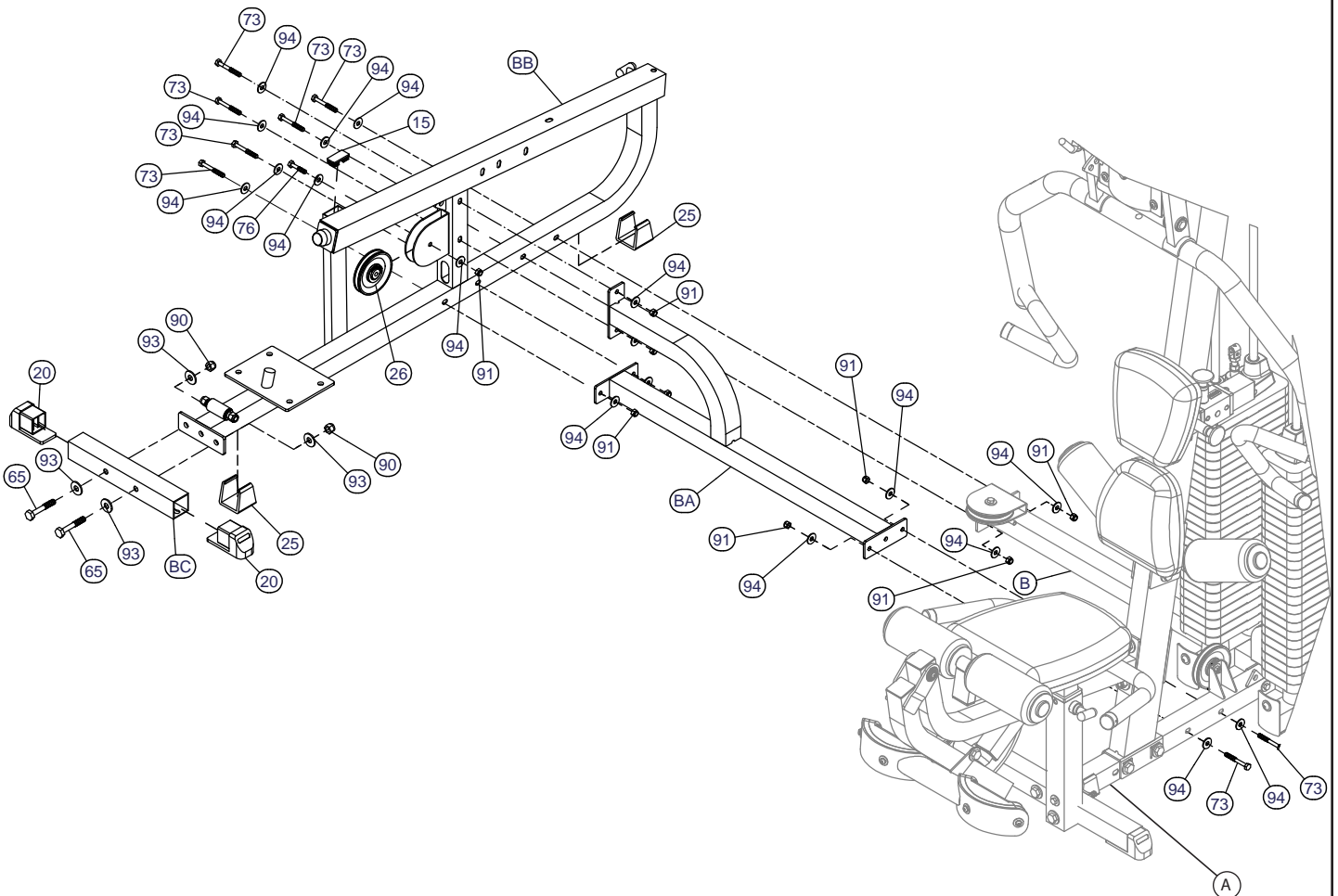
STEP 12

Step 12 - Hardware Bag Contents

Component	Specification	Quantity
Hex Head Bolt	1/2" x 3"	2
Hex Head Bolt	3/8" x 2 3/4"	8
Hex Head Bolt	3/8" x 1 3/4"	1
Washer	3/8"	18
Washer	1/2"	4
Nylon Nut	1/2"	2
Nylon Nut	3/8"	9



Above shows Step 12 assembled and completed.



Be careful to assemble all components in the sequence they are presented.

NOTE: Use the hardware package labeled Step 13 to complete this step.
This package may contain extra hardware that may be used in following steps.

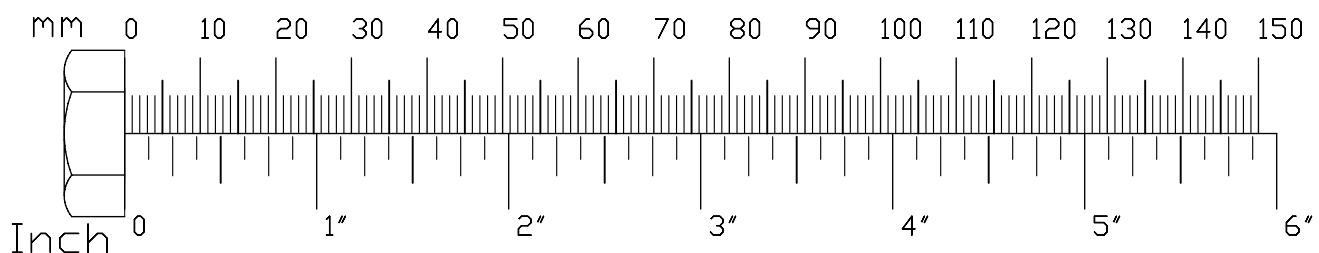
Most of the Mainframe parts in this step will have BLUE dots.

- A. Slide two Pillow Block Bearings (45) onto the lower shaft on Main Leg Press Pivot (BD) and leave the Allen Set Screws loose.

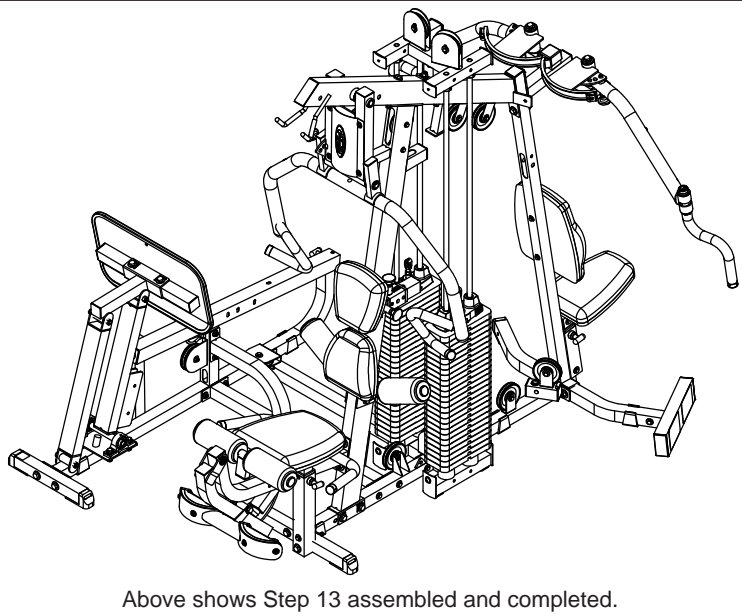
NOTE: The Allen Set Screws in the two Pillow Block Bearings are both connected on the component. See NOTE on following page for detailed information.

- B. Connect two Pillow Block Bearings (45) to the plate at the front of Leg Press Frame (BB) using:
Four 66 ($\frac{1}{2}$ " x 1 $\frac{3}{4}$ " hex head bolt)
Eight 93 ($\frac{1}{2}$ " washer)
Four 90 ($\frac{1}{2}$ " nylon lock nut)
- C. Connect Front Leg Press Pivot (BE) and pre-installed 3" Shaft (BF) to Leg Press Frame (BB) as using:
Two 41 (leg press oilite bushing) (pre-installed)
Two 90 ($\frac{1}{2}$ " nylon lock nut) (pre-installed)
- D. Connect Foot Plate T-Frame (BG) and pre-installed 3" Shaft (BF) to Front Leg Press Pivot (BE) using:
Two 41 (leg press oilite bushing) (pre-installed)
Two 90 ($\frac{1}{2}$ " nylon lock nut) (pre-installed)
- E. Connect Foot Plate T-Frame (BG) and pre-installed 3" Shaft (BF) to Main Leg Press Pivot (BD) using:
Two 41 (leg press oilite bushing) (pre-installed)
Two 90 ($\frac{1}{2}$ " nylon lock nut) (pre-installed)
- F. Connect Foot Plate (BR) to Foot Plate T-Frame (BG) using:
Two 64 ($\frac{1}{2}$ " x 3 $\frac{1}{4}$ " hex head bolt)
Four 93 ($\frac{1}{2}$ " washer)
Two 90 ($\frac{1}{2}$ " nylon lock nut)
- G. Insert one End Cap (14) into left side and one End Cap (14) to the right side of Foot Plate (BR).
- H. Insert End Cap (14) into the front of Foot Plate T-Frame (BG).

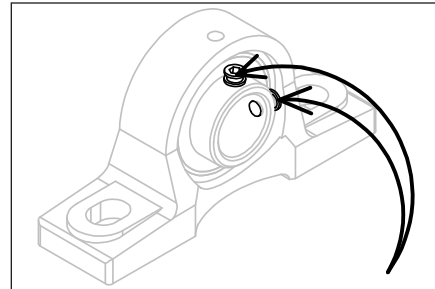
NOTE: You should now wrench tighten all bolts and nuts in this step.
Do NOT re-tighten any of the pad bolts or pulley bolts.



STEP 13



Above shows Step 13 assembled and completed.

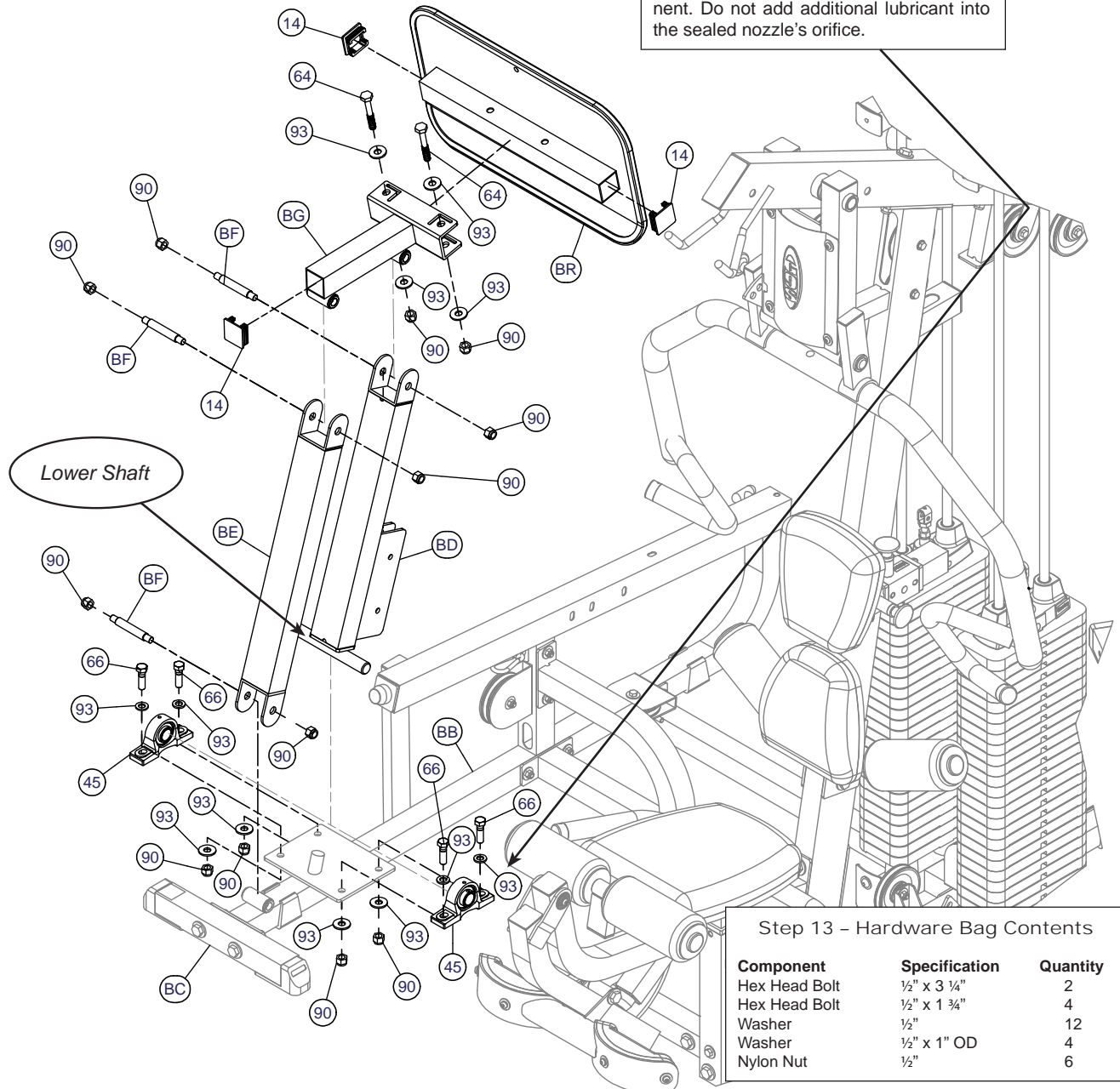


NOTE: There are two small Allen Set Screws in each Pillow Block Bearing (45).

For best alignment of this system, you should loosen all Allen Set Screws before installing Pillow Block Bearings (45).

The final step of the assembly process is to wrench tighten all of the Allen Set Screws in all the Pillow Block Bearings (45).

Pillow Block Bearings (45) are permanently lubricated for the lifetime of the component. Do not add additional lubricant into the sealed nozzle's orifice.



Step 13 - Hardware Bag Contents

Component	Specification	Quantity
Hex Head Bolt	1/2" x 3 1/4"	2
Hex Head Bolt	1/2" x 1 3/4"	4
Washer	1/2"	12
Washer	1/2" x 1" OD	4
Nylon Nut	1/2"	6

STEP**14**

Be careful to assemble all components in the sequence they are presented.

NOTE: Use the hardware package labeled Step 14 to complete this step.

Most of the Mainframe parts in this step will have BLUE dots.

- A. Connect Leg Press Handles (BH) onto Leg Press Frame (BB) using:
Two 71 ($\frac{3}{8}$ " x 3 $\frac{1}{4}$ " hex head bolt)
Four 94 ($\frac{3}{8}$ " washer)
Two 91 ($\frac{3}{8}$ " nylon lock nut)
- B. Connect two Seat Pad Flanges (BL) to Leg Press Frame (BB) using:
One 70 ($\frac{3}{8}$ " x 3 $\frac{1}{2}$ " hex head bolt)
Two 94 ($\frac{3}{8}$ " washer)
One 91 ($\frac{3}{8}$ " nylon lock nut)
- C. Connect Leg Press Seat Pad (BM) to the two Seat Pad Flanges (BL) using:
Two 83 ($\frac{5}{16}$ " x 1" hex head bolt)
Two 96 ($\frac{5}{16}$ " spring lock washer)
Two 95 ($\frac{5}{16}$ " washer)

NOTE: Do not over-tighten these bolts.

Tighten these bolts until the spring washer is flat.

Over-tightening these bolts will cause the T-nuts inside the pads to strip out.

- D. Connect Leg Press Seat Pad (BM) to Leg Press Frame (BB) using:
One 81 ($\frac{5}{16}$ " x 3 $\frac{1}{4}$ " hex head bolt)
One 96 ($\frac{5}{16}$ " spring lock washer)
One 95 ($\frac{5}{16}$ " washer)

NOTE: Do not over-tighten these bolts.

Tighten these bolts until the spring washer is flat.

Over-tightening these bolts will cause the T-nuts inside the pads to strip out.

- E. Remove pre-installed Pop Pin (48).
- F. Slide Plastic Bushing (23) into Leg Press Frame (BB) in the orientation shown for a secure fit.
- G. Slide Leg Press Back Pad Frame (BP) into Plastic Bushing (23) and secure in place by threading T-Shaped Pop Pin (48).
- H. Insert End Cap (14) to the bottom of Leg Press Back Pad Frame (BP).
- I. Connect Leg Press Back Pad (BQ) to Leg Press Back Pad Frame (BP) using:
Four 83 ($\frac{5}{16}$ " x 1" hex head bolt)
Four 96 ($\frac{5}{16}$ " spring lock washer)
Four 95 ($\frac{5}{16}$ " washer)

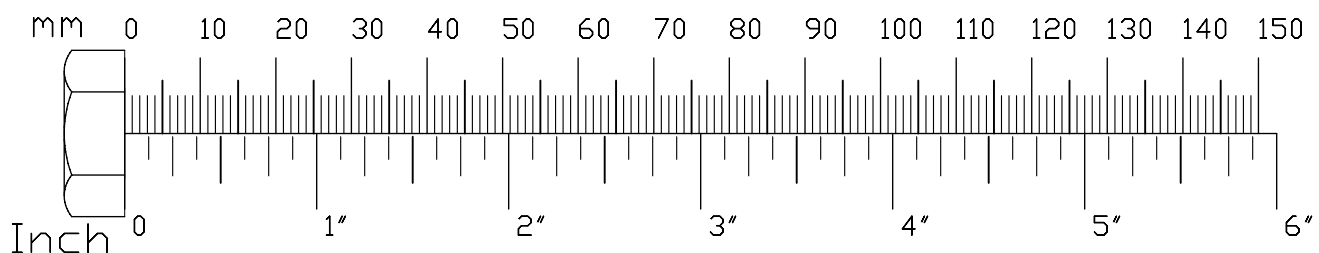
NOTE: Tighten both Hex Head Bolts (83) to secure Leg Press Seat Pad (BM) before securing the assembly to (BB). Do not over-tighten these bolts.

Tighten these bolts until the spring washer is flat.

Over-tightening these bolts will cause the T-nuts inside the pads to strip out.

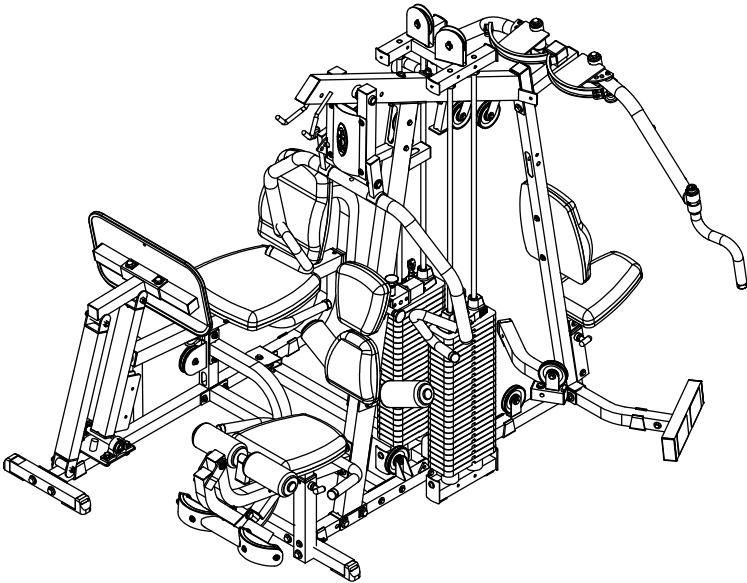
NOTE: You should now wrench tighten all bolts and nuts in this step.

Do NOT re-tighten any of the pad bolts or pulley bolts.

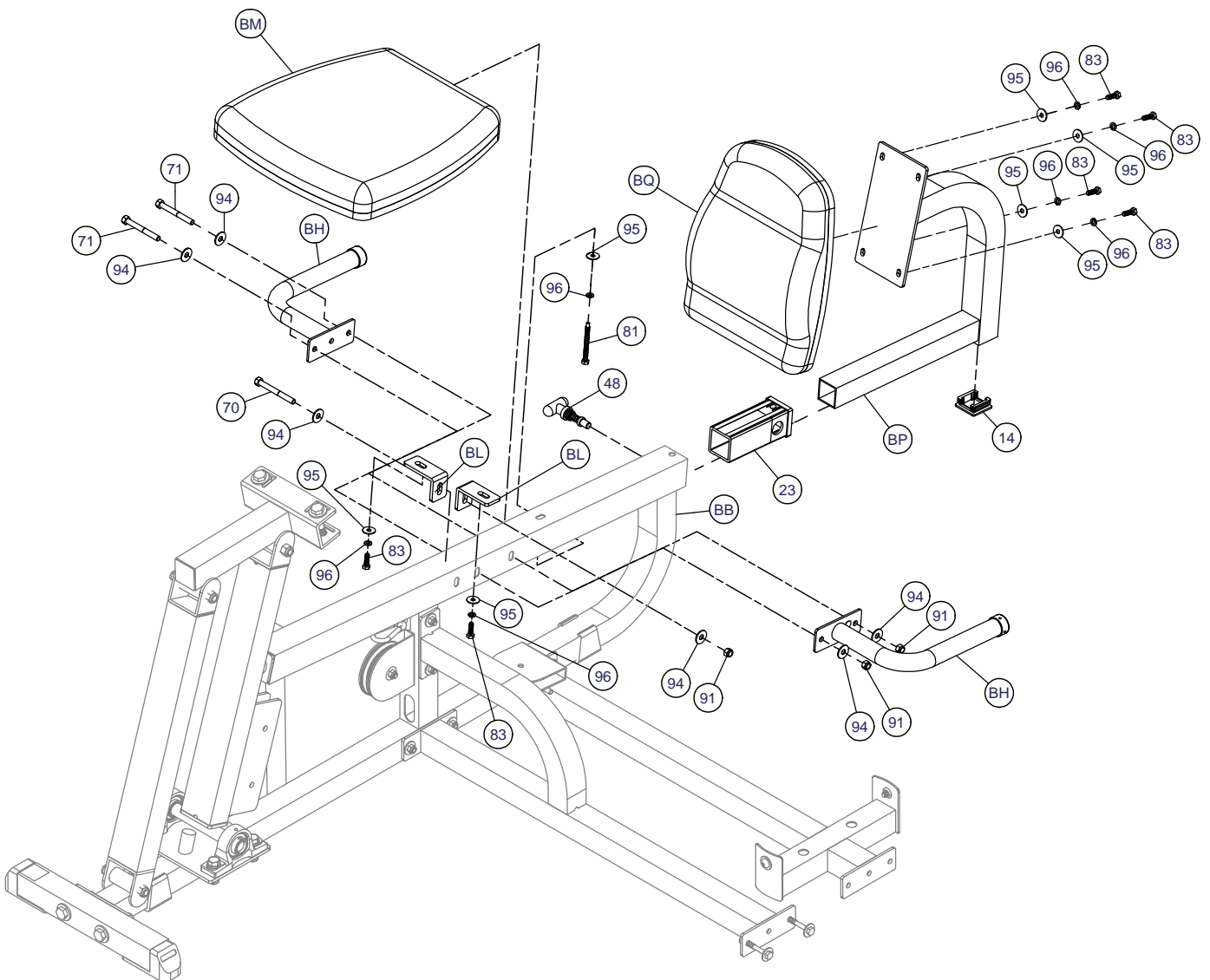


Step 14 - Hardware Bag Contents

Component	Specification	Quantity
Hex Head Bolt	3/8" x 3 1/2"	1
Hex Head Bolt	3/8" x 3 1/4"	2
Hex Head Bolt	5/16" x 3 1/4"	1
Hex Head Bolt	5/16" x 1"	6
Washer	3/8"	6
Washer	5/16"	7
Spring Washer	5/16"	7
Nylon Nut	3/8"	3



Above shows Step 14 assembled and completed.

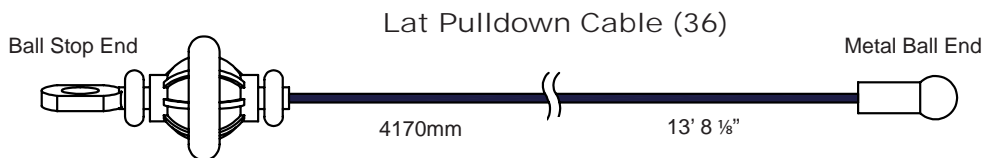


STEP

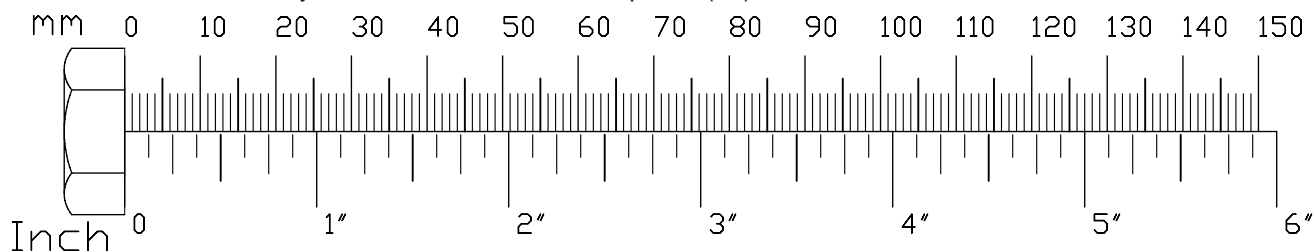
15

Be careful to assemble all components in the sequence they are presented.

NOTE: All pulleys are 4 1/4" diameter, except where noted.
Use the hardware package labeled Step 15 to complete this step.

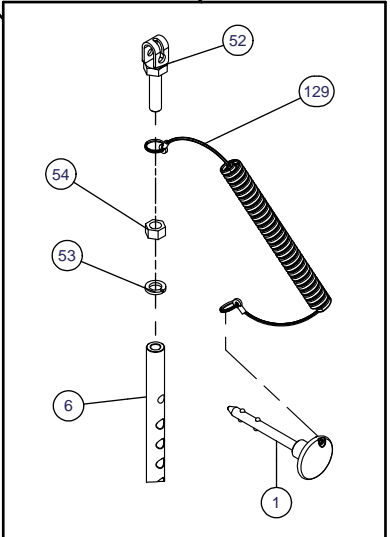
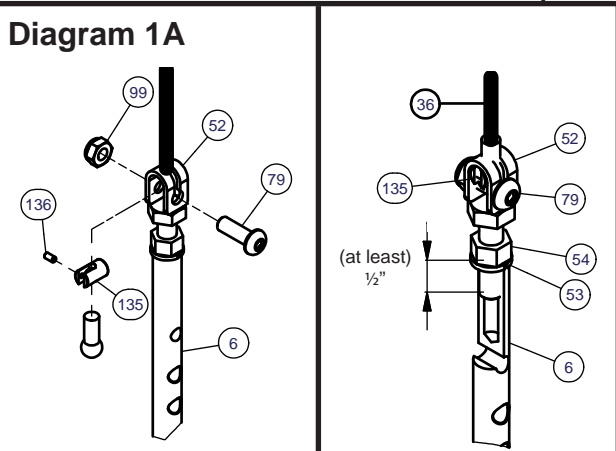
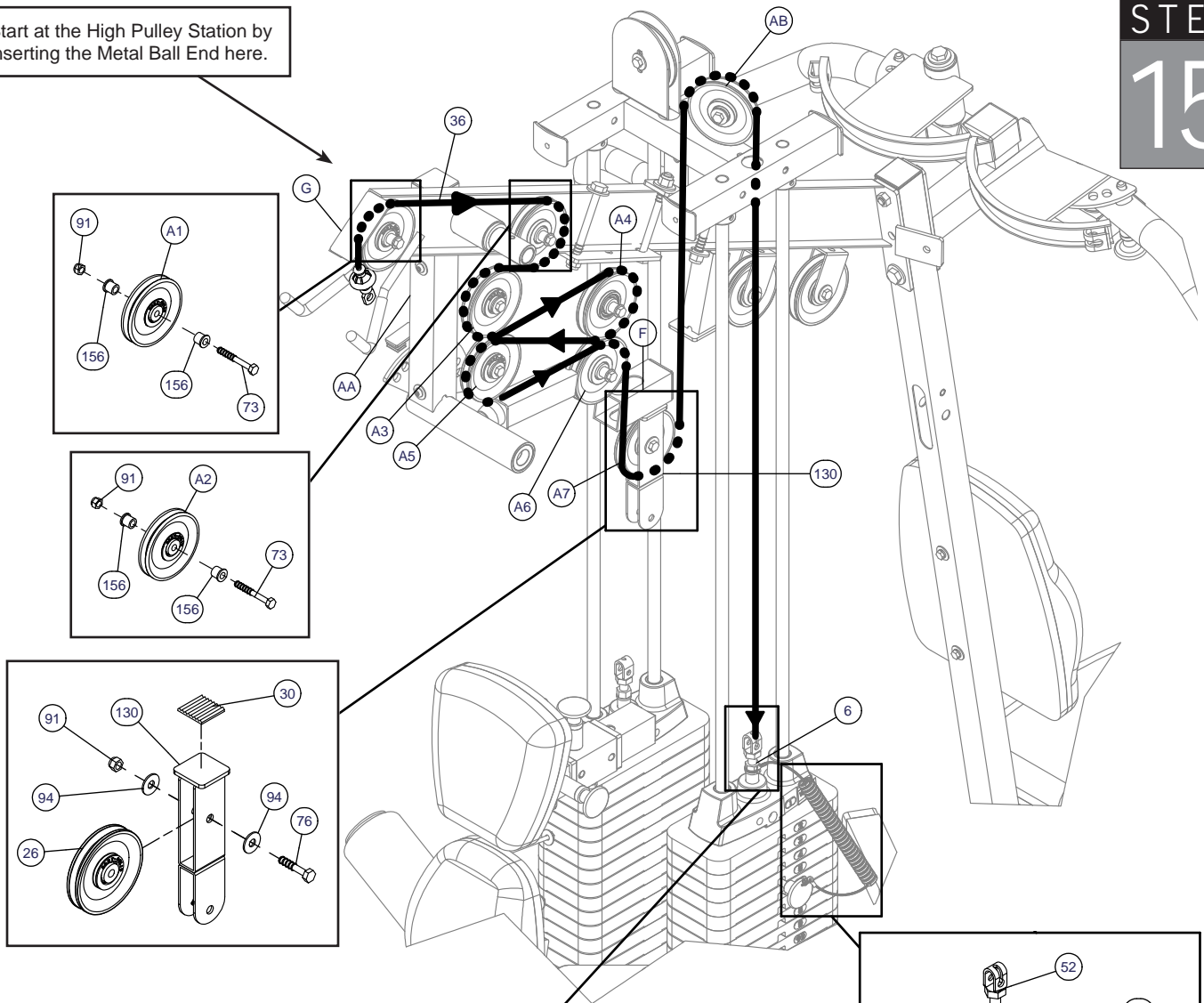


- A. Start at the front of the gym. Insert the Metal Ball End of Lat Pulldown Cable (36) into Top Main Frame (G), through the frame and out through the second opening. Pull the entire length of Lat Pulldown Cable (36) all the way through. Install 4 1/4" Pulley (A1) into the first opening, and 4 1/4" Pulley (A2) into the second opening. Be sure that Lat Pulldown Cable (36) rides on top of these pulleys. Install each 4 1/4" pulley using:
One 73 (3/8" x 2 3/4" hex head bolt)
Two 10 (pulley spacer)
One 91 (3/8" nylon lock nut)
- B. Remove 4 1/4" Pulley (A3), route Lat Pulldown Cable (36) inside pulley housing as shown, and re-install 4 1/4" Pulley (A3).
- C. Remove 4 1/4" Pulley (A4), route Lat Pulldown Cable (36) around 4 1/4" Pulley (A4) as shown, and re-install 4 1/4" Pulley (A4).
- D. Remove 4 1/4" Pulley (A5), route Lat Pulldown Cable (36) inside the pulley housing as shown, and re-install 4 1/4" Pulley (A5).
- E. Route Lat Pulldown Cable (36) over 4 1/4" Pulley (A6). Route Cable Lat Pulldown (36) down through the opening in the small arm sticking out of the Front Vertical Frame (F). Pull the entire length of Lat Pulldown Cable (36) through.
- F. Install Rubber Pad (30) onto Double Pulley Holder (130) then, route Lat Pulldown Cable (36) through Double Pulley Holder (130) as shown and install 4 1/4" Pulley (A7) using:
One 76 (3/8" x 1 3/4" hex head bolt)
Two 94 (3/8" washer)
One 91 (3/8" nylon lock nut)
- G. Route Lat Pulldown Cable (36) up and over 4 1/4" Pulley (A8) and then down toward weight stack as shown.
NOTE: Leave the bolt going through 4 1/4" Pulley (A8) hand tight until the end of Cable Adjustments in Step 21.
- H. Slide Lat Pulldown Cable (36) through Selector Rod Top Bolt (52). Attach Cable End Shaft (135) and tighten Allen Screw (136). Pull Cable Lat Pulldown (36) tight, so Cable End Shaft (135) fits inside Selector Rod Top Bolt (52). Install Round Allen Head Bolt (79) and Nylon Nut (99) in Selector Rod Top Bolt (52) and wrench tighten to secure the cable assembly.
- I. Connect Weight Stack Pin (1) to the Weight Stack Lanyard using the Large Weight Stack Lanyard Ring. Connect the Small Weight Stack Lanyard Ring to the opposite side of the Weight Stack Lanyard and to Selector Rod Top Bolt (52) as shown.



STEP 15

Start at the High Pulley Station by inserting the Metal Ball End here.



Step 15 - Hardware Bag Contents

Component	Specification	Quantity
Hex Head Bolt	3/8" x 2 3/4"	2
Hex Head Bolt	3/8" x 1 3/4"	1
Round Allen Head Bolt	M10x30	1
Washer	3/8"	2
Nylon Nut	3/8"	3
Nylon Nut	M10	1
Cable End Shaft	3/4"	1
Allen Screw w/ Wrench	1/8" x 1/4"	1
Selector Pin Assembly Kit		1

! WARNING !

Selector Rod Top Bolt (52) must be threaded a minimum of 1/2" into Selector Rod (6), and Jam Nut (54) tightened securely against Spring Lock Washer (53) to ensure proper connection. Check Jam Nut (54) once a week to make sure it is tight.

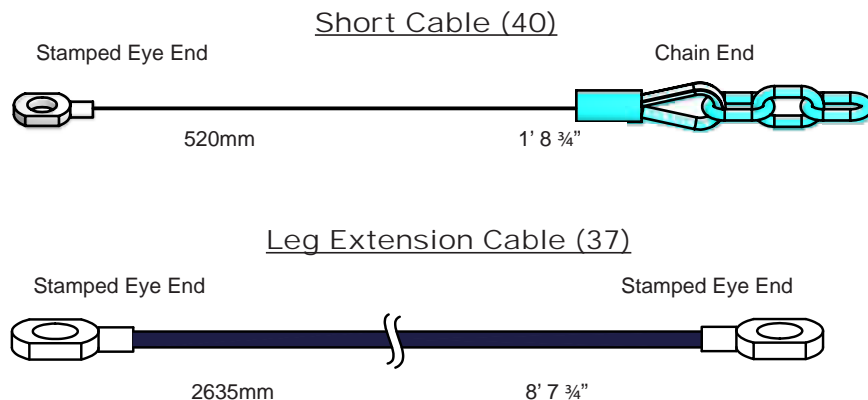
STEP

16

Be careful to assemble all components in the sequence they are presented.

NOTE: All pulleys are 4 1/4" diameter, except where noted.

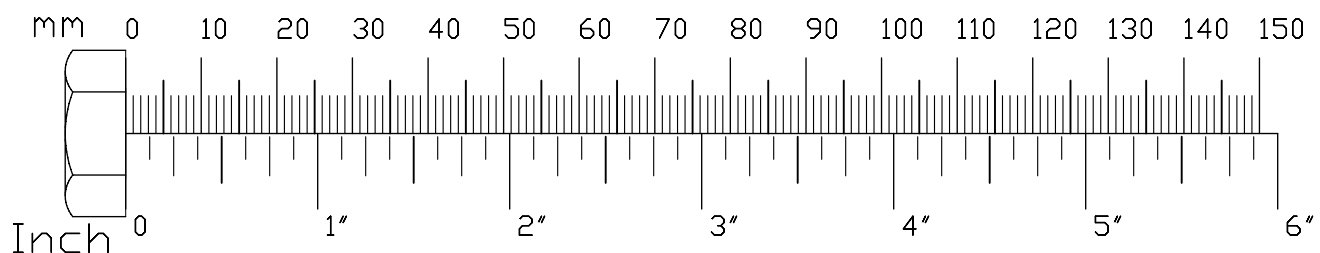
Use the hardware package labeled Step 16 to complete this step.



- A. Connect either Stamped Eye End of Leg Extension Cable (37) to Leg Extension Arm (N) using:
 One 84 (5/16" x 1 1/2" **flat allen head**)
 Two 4 (3/4" steel bushing)
 One 2 (1/2" steel sleeve)
 One 92 (5/16" nylon lock nut)

NOTE: Steel Sleeve (2) is inserted into the Stamped Eye End of Leg Extension Cable (37).
 Steel Bushings (4) overlaps Steel Sleeve (2) on both sides.

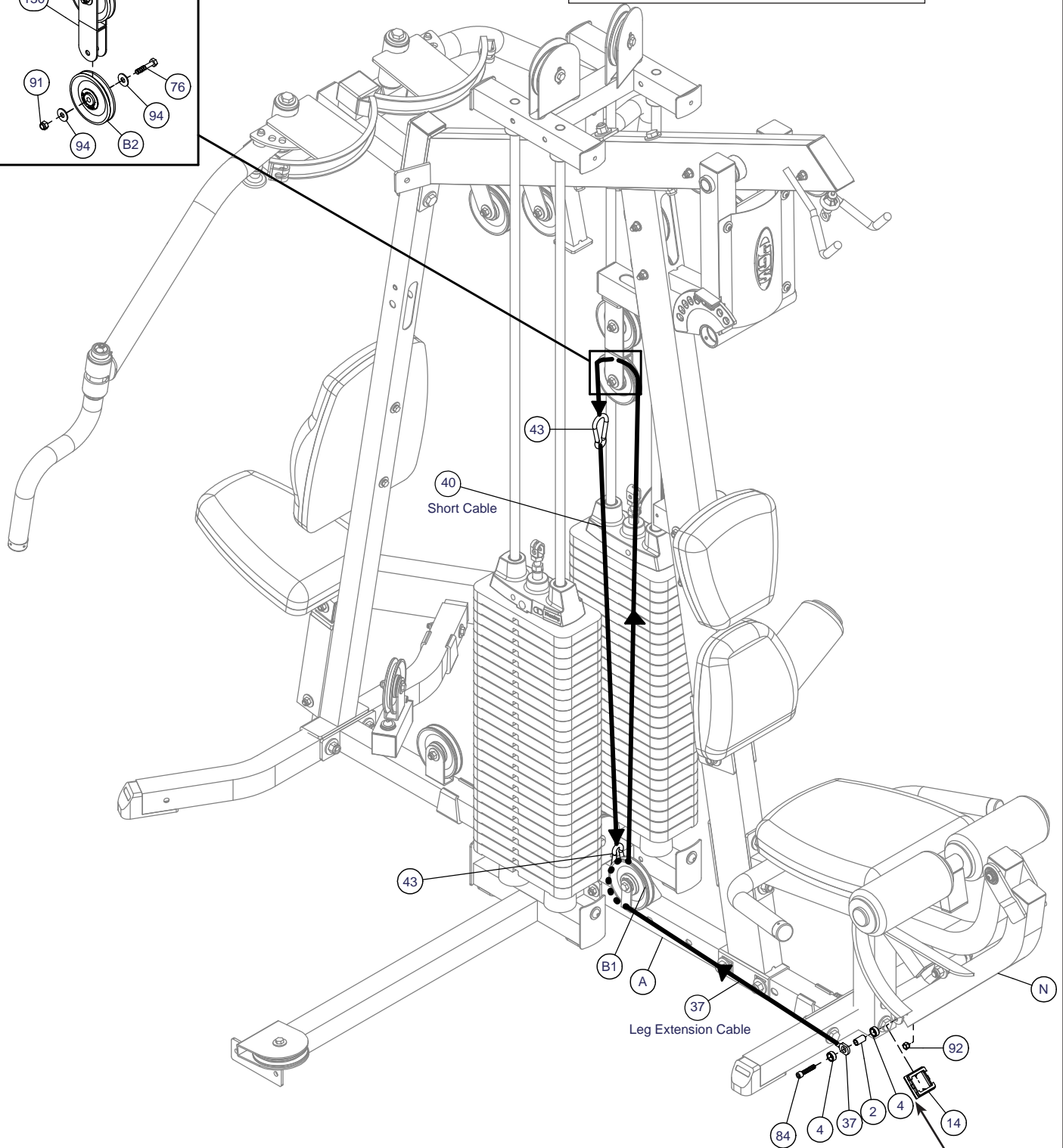
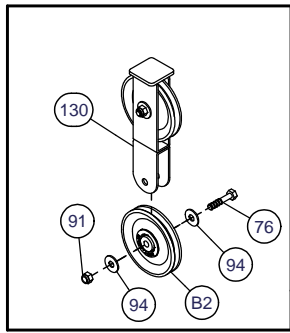
- B. Insert End Cap (14) into Leg Extension Arm (N).
- C. Route Leg Extension Cable (37) under 4 1/4" Pulley (B1) and up toward Double Pulley Holder (52).
- D. Route Leg Extension Cable (37) inside the bottom portion of Double Pulley Holder (132) as shown, and install 4 1/4" Pulley (B2) using:
 One 76 (3/8" x 1 3/4" hex head bolt)
 Two 94 (3/8" washer)
 One 91 (3/8" nylon lock nut)
- E. Connect the Stamped Eye End of Short Cable (40) to Leg Extension Cable (37) using Snap Link (43).
- F. Connect the Chain End of Short Cable (40) to Main Base Frame (A) using another Snap Link (43).



STEP 16

Step 16 - Hardware Bag Contents

Component	Specification	Quantity
Hex Head Bolt	3/8" x 1 3/4"	1
Flat Allen Head Bolt	5/16" x 1 1/2"	1
Washer	3/8"	2
Nylon Nut	3/8"	1
Nylon Nut	5/16"	1
Steel Bushing	5/16"	1



Start at the Leg Extension Arm by inserting the Stamped Eye End here.

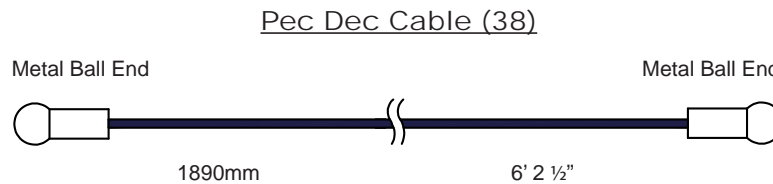
STEP

17

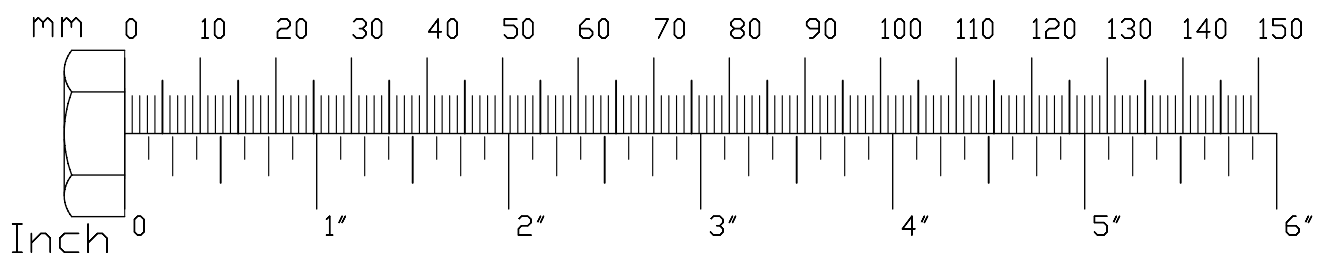
Be careful to assemble all components in the sequence they are presented.

NOTE: All pulleys are 4 1/4" diameter, except where noted.

Use the hardware package labeled Step 17 to complete this step.



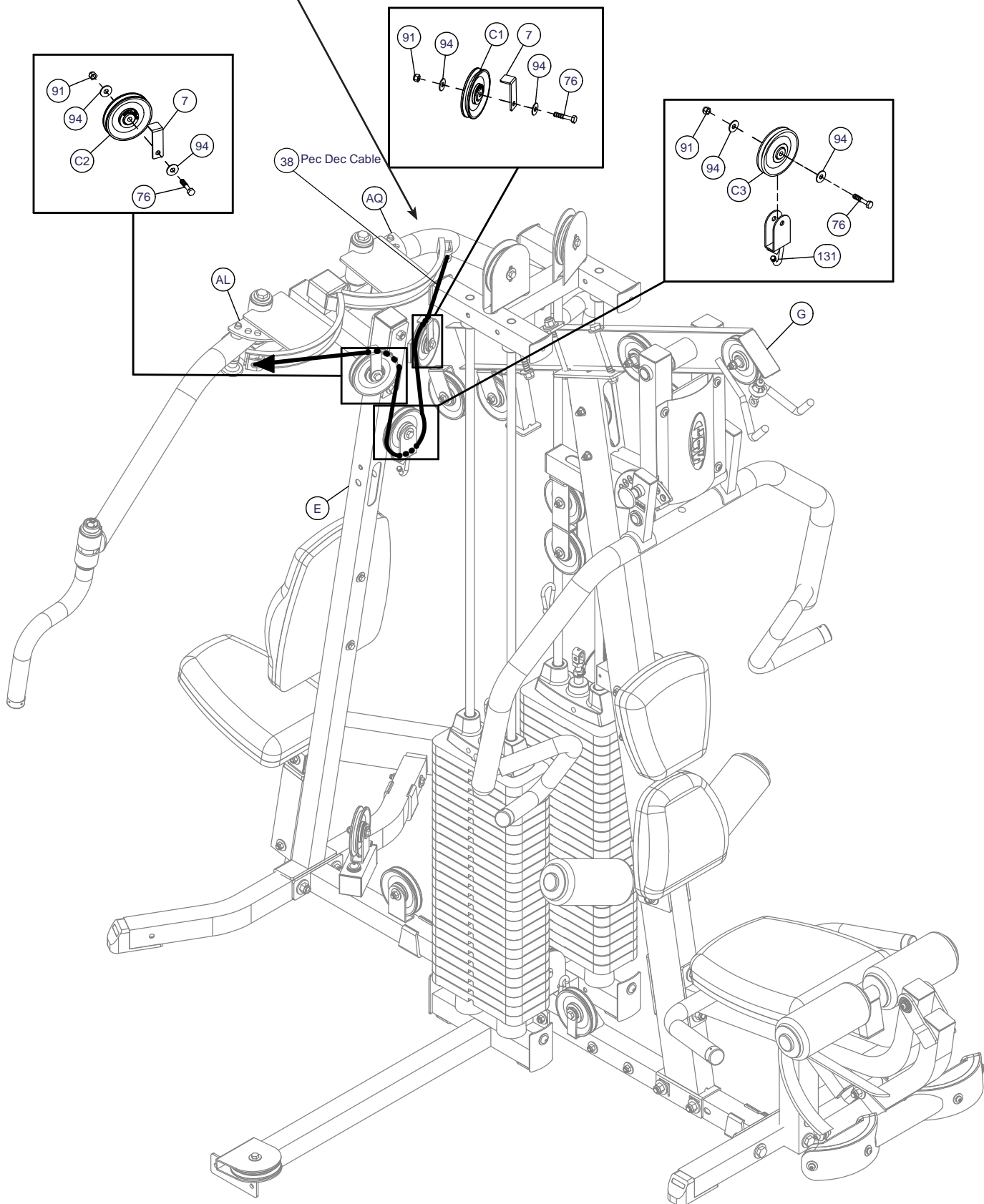
- A. Connect a Metal Ball End of Pec Dec Cable (38) to Left Pec Dec Cam (AQ) and route under Top Main Frame (G).
- B. Connect the other Metal Ball End of Cable (38) to Right Pec Dec Cam (AL).
- C. Connect 4 1/4" Pulley (C1) to the flange on Top Main Frame (G) behind Left Pec Dec Cam (AQ) using:
 - One 76 (3/8" x 1 3/4" hex head bolt)
 - One 7 (3" pulley cable guide)
 - Two 94 (3/8" washer)
 - One 91 (3/8" nylon lock nut)
- D. Route Pec Dec Cable (38) over 4 1/4" Pulley (C1).
- E. Connect 4 1/4" Pulley (C2) to the flange on Top Main Frame (G) behind Right Pec Dec Cam (AL) using:
 - One 76 (3/8" x 1 3/4" hex head bolt)
 - One 7 (3" pulley cable guide)
 - Two 94 (3/8" washer)
 - One 91 (3/8" nylon lock nut)
- F. Route Pec Dec Cable (38) over 4 1/4" Pulley (C2).
- G. Hang Pec Dec Pulley Holder (131) on Pec Dec Cable (38) as shown and install 4 1/4" Pulley (C3) using:
 - One 76 (3/8" x 1 3/4" hex head bolt)
 - Two 94 (3/8" washer)
 - One 91 (3/8" nylon lock nut)



Step 17 - Hardware Bag Contents

Component	Specification	Quantity
Hex Head Bolt	$\frac{3}{8}$ " x 1 $\frac{3}{4}$ "	3
Washer	$\frac{3}{8}$ "	6
Nylon Nut	$\frac{3}{8}$ "	3

Start at the Pec Dec Station by inserting the Metal Ball End here.



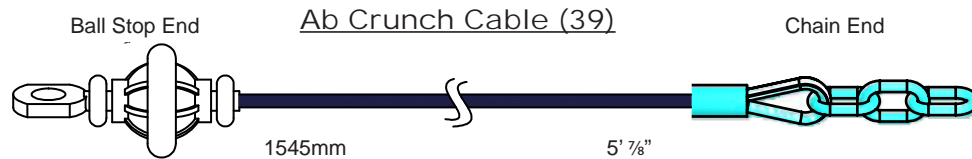
STEP

18

Be careful to assemble all components in the sequence they are presented.

NOTE: All pulleys are 4 1/4" diameter, except where noted.

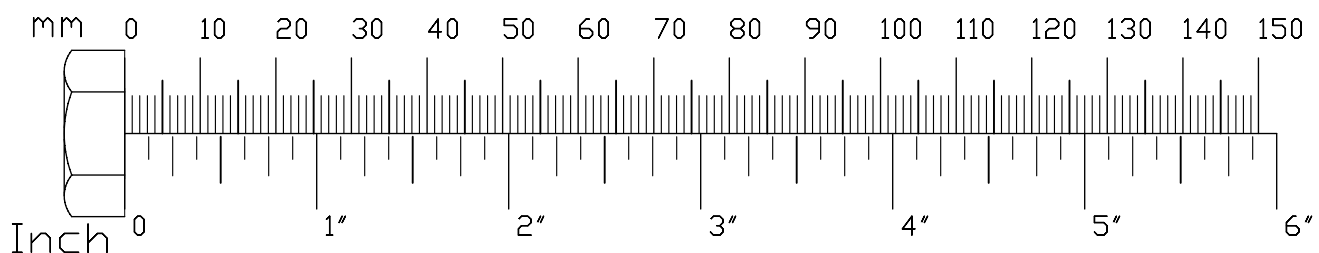
Use the hardware package labeled Step 18 to complete this step.



- A. Insert the Chain End of Ab Crunch Cable (39) into the opening above Back Pad (AX), and pull the entire length through.

NOTE: You will now need 3" diameter Pulley (27) for the next step.

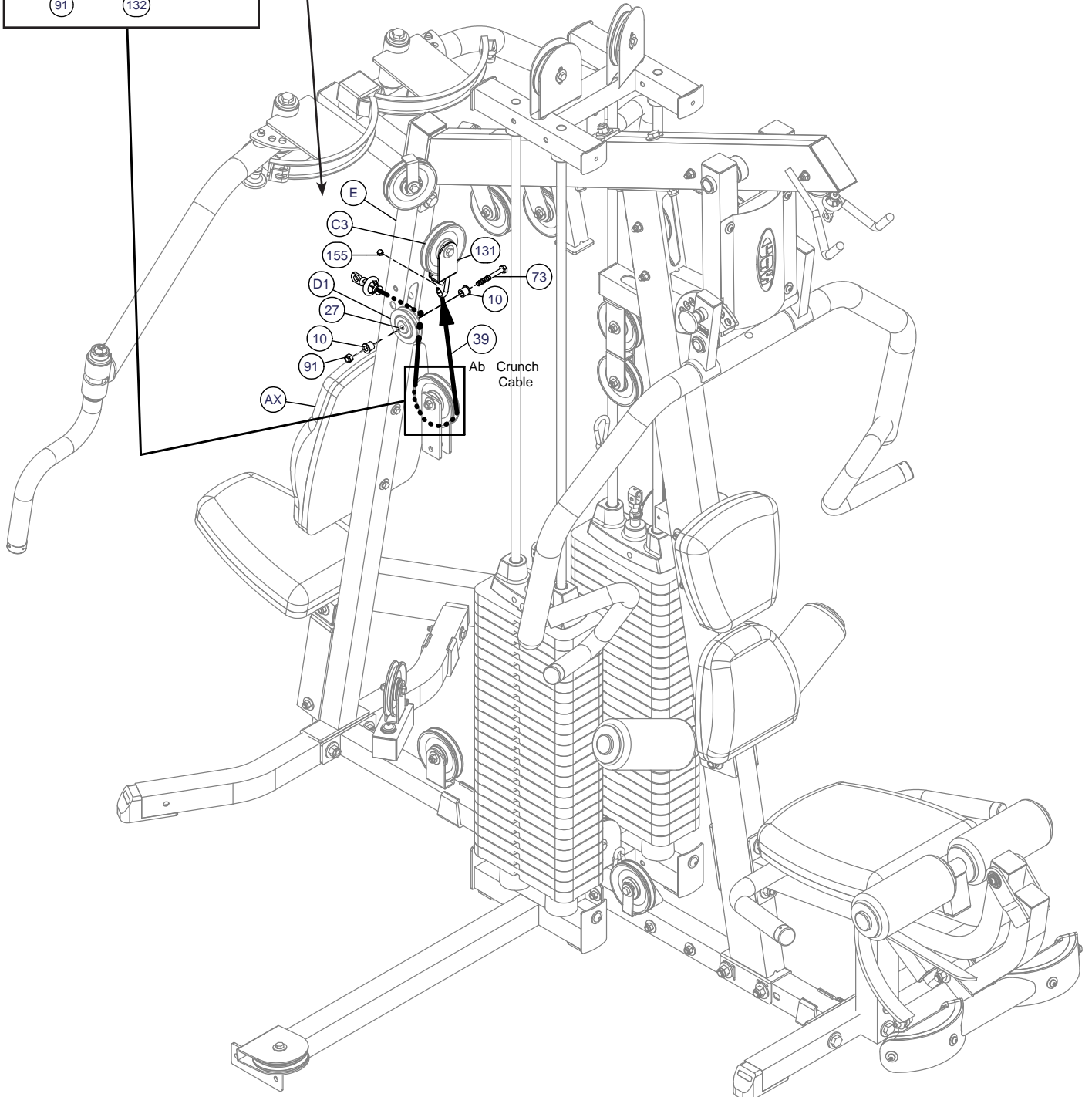
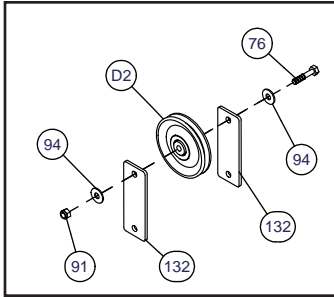
- B. Insert 3" Pulley (27) into Rear Vertical Frame (E) under Cable (39) using:
 Two 10 (pulley spacer)
 One 73 (3/8" x 2 3/4" hex head bolt)
 One 91 (3/8" nylon lock nut)
- C. Connect the Chain End of Ab Crunch Cable (39) to the bottom of Pec Dec Pulley Holder (131) and secure using Acorn Cap Nut (155).
- D. Hang 4 1/4" Pulley (D2) onto Ab Crunch Cable (39) as shown using two Pulley Plates (132) and:
 One 76 (3/8" x 1 3/4" hex head bolt)
 Two 94 (3/8" washer)
 One 91 (3/8" nylon lock nut)



Start at the Ab Crunch Station by inserting the Chain End here.

Step 18 - Hardware Bag Contents

Component	Specification	Quantity
Hex Head Bolt	3/8" x 2 3/4"	1
Hex Head Bolt	3/8" x 1 3/4"	1
Washer	3/8"	2
Nylon Nut	3/8"	2

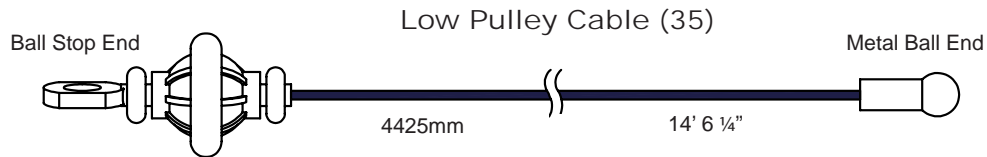


STEP

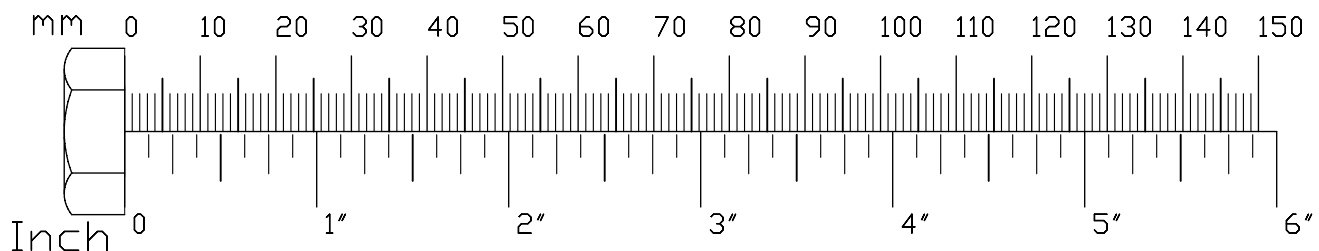
19

Be careful to assemble all components in the sequence they are presented.

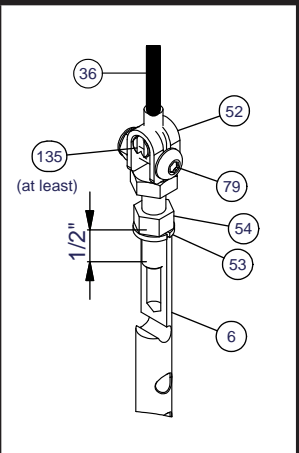
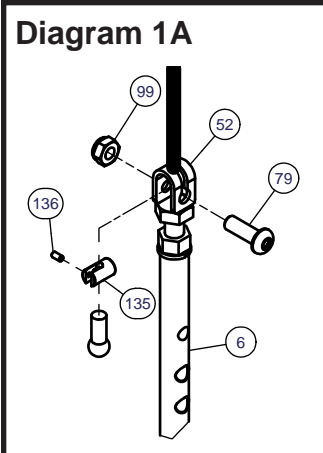
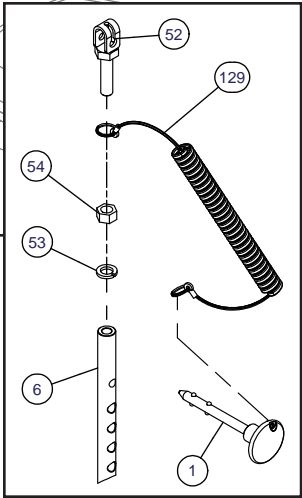
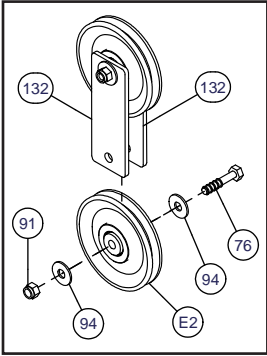
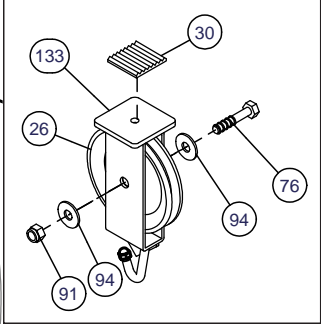
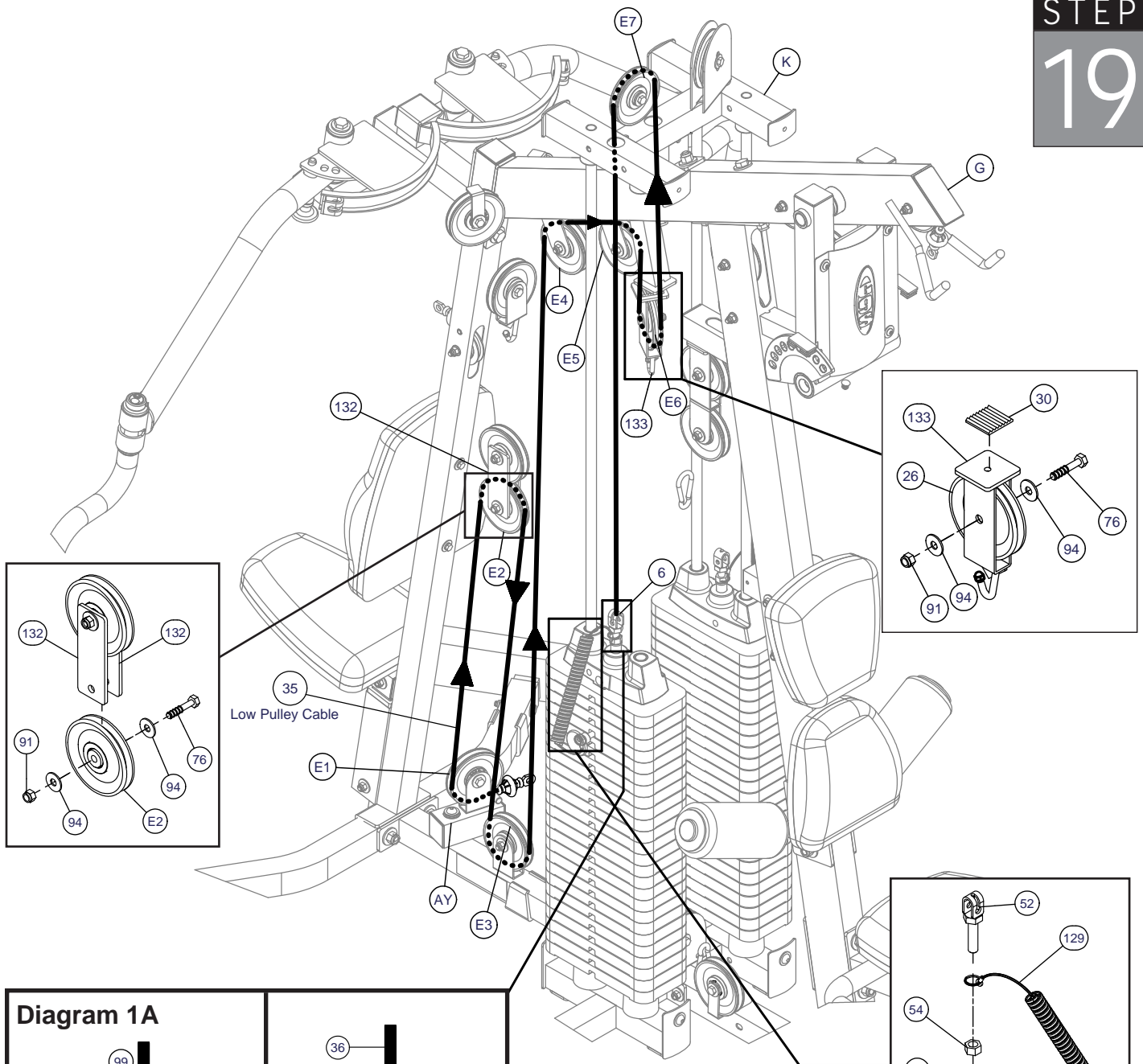
NOTE: All pulleys are 4 1/4" diameter, except where noted.
Use the hardware package labeled Step 19 to complete this step.



- A. Insert the Metal Ball End of Low Pulley Cable (35) at the Low Pulley Frame (AY) position.
- B. Insert the Metal Ball End of Cable (35) under 4 1/4" Pulley (E1).
- C. Route Low Pulley Cable (35) over 4 1/4" Pulley (E2), and attach 4 1/4" Pulley (E2) to the bottom of Pulley Plates (132) using:
 - One 76 (3/8" x 1 3/4" hex head bolt)
 - Two 94 (3/8" washer)
 - One 91 (3/8" nylon lock nut)
- D. Route Low Pulley Cable (35) under 4 1/4" Pulley (E3).
- E. Bring Low Pulley Cable (35) over 4 1/4" Pulleys (E4) and (E5).
- F. Attach Rubber Pad (30) to Pulley Holder With Hook (133).
- G. Route Low Pulley Cable (35) through Pulley Holder With Hook (133).
- H. Install 4 1/4" Pulley (E6) using:
 - One 76 (3/8" x 1 3/4" hex head bolt)
 - Two 94 (3/8" washer)
 - One 91 (3/8" nylon lock nut)
- I. Remove 4 1/4" Pulley (E7) from the pulley housing.
- J. Insert Low Pulley Cable (35) into pulley housing as shown and reinstall 4 1/4" Pulley (E7).
NOTE: Leave the bolt going through 4 1/4" Pulley (E7) hand tight until the end of Cable Adjustments in Step 21.
- K. See Diagram 1A. Slide Low Pulley Cable (36) through Selector Rod Top Bolt (52). Attach Cable End Shaft (135) and tighten Allen Screw (136). Pull Low Pulley Cable (36) tight, so Cable End Shaft (135) fits inside Selector Rod Top Bolt (52). Install Round Allen Head Bolt (79) and Nylon Nut (99) in Selector Rod Top Bolt (52) to secure the cable assembly.
- L. Connect Weight Stack Pin (1) to the Weight Stack Lanyard using the Large Weight Stack Lanyard Ring. Connect the Small Weight Stack Lanyard Ring to the opposite side of the Weight Stack Lanyard and to Selector Rod Top Bolt (52) as shown.



STEP 19



! WARNING !

Selector Rod Top Bolt (52) must be threaded a minimum of 1/2" into Selector Rod (6), and Jam Nut (54) tightened securely against Spring Lock Washer (53) to ensure proper connection. Check Jam Nut (54) once a week to make sure it is tight.

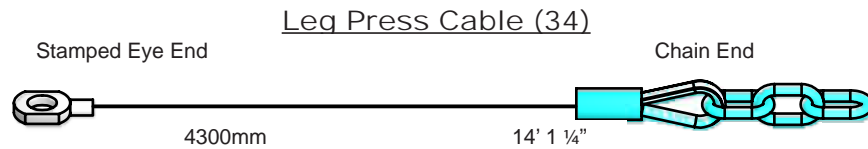
Step 19 - Hardware Bag Contents

Component	Specification	Quantity
Hex Head Bolt	3/8" x 1 3/4"	2
Round Allen Head Bolt	M10x30	1
Washer	3/8"	4
Nylon Nut	3/8"	2
Nylon Nut	M10	1
Cable End Shaft	3/4"	1
Allen Screw w/ Wrench	1/8" x 1/4"	1
Selector Pin Assembly Kit		1

Be careful to assemble all components in the sequence they are presented.

NOTE: All pulleys are 4 1/4" diameter, except where noted.

Use the hardware package labeled Step 20 to complete this step.

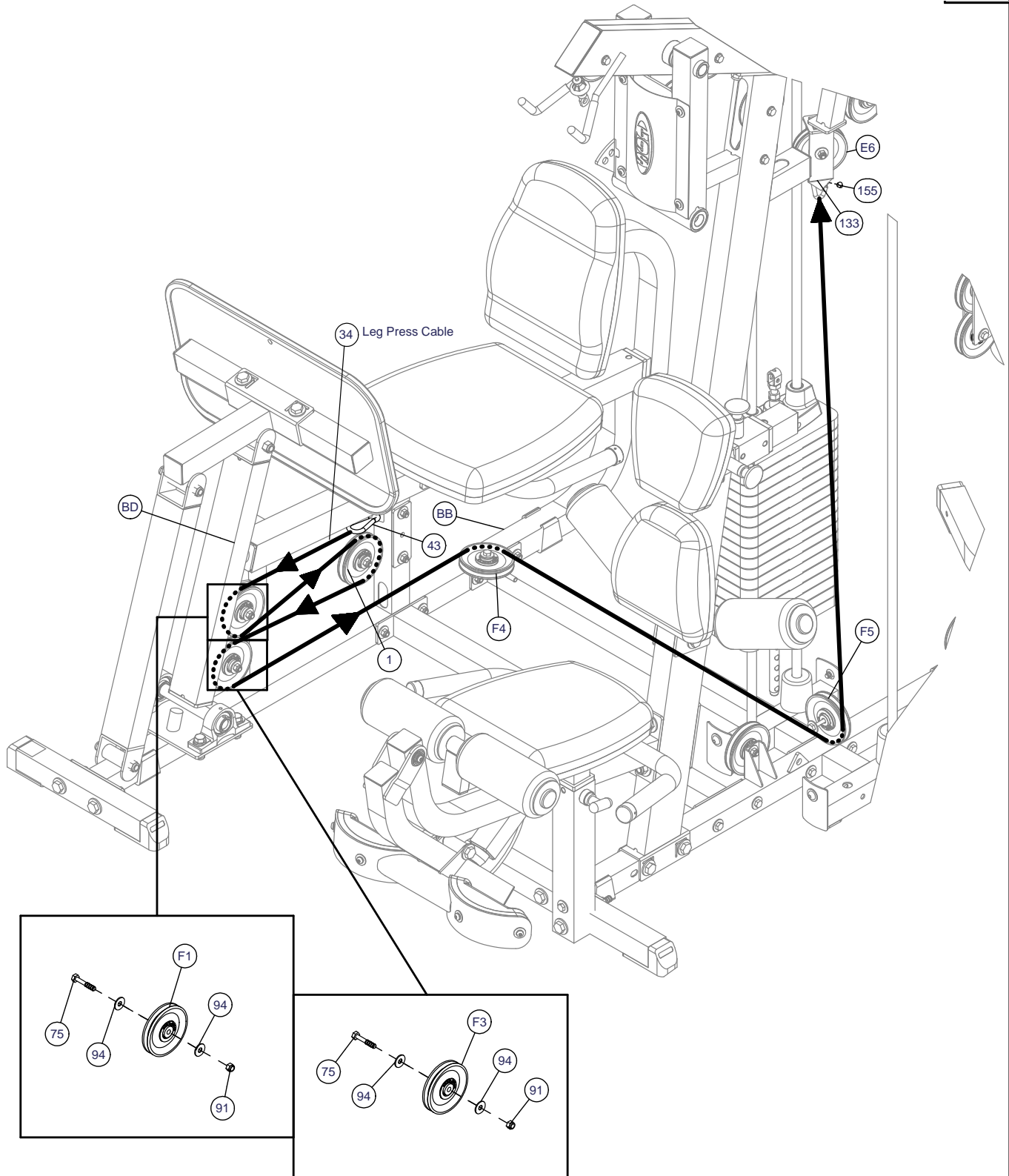


- A. Connect the Chain End of Leg Press Cable (34) to Leg Press Frame (BB) with Snap Link (43).
- B. Route Leg Press Cable (34) into the top pulley housing in Leg Press Pivot (BD) as shown and install Pulley (F1) using:
 - One 75 (3/8" x 2" hex head bolt)
 - Two 94 (3/8" washer)
 - One 91 (3/8" nylon lock nut)
- C. Route Leg Press Cable (34) over Pulley (F2) as shown.
- D. Route Leg Press Cable (34) back into the bottom pulley housing in Leg Press Pivot (BD) and bring Leg Press Cable (34) over Pulley (F3).
- E. Install Pulley (F3) using:
 - One 75 (3/8" x 2" hex head bolt)
 - Two 94 (3/8" washer)
 - One 91 (3/8" nylon lock nut)
- F. Route Leg Press Cable (34) through the opening in the support column of Leg Press Frame (BB) and pull the entire length of Leg Press Cable (34) through.
- G. Route Leg Press Cable (34) around Pulley (F4), toward Pulley (F5) as shown.
- H. Route Leg Press Cable (34) under Pulley (F5) and up to the bottom of Pulley Holder With Hook (133).
- I. Attach Leg Press Cable (34) to Pulley Holder With Hook (133) and secure using Acorn Cap Nut (155).

NOTE: You should now wrench tighten all bolts and nuts.
Do NOT re-tighten any of the pad bolts or pulley bolts.

Step 20 - Hardware Bag Contents

Component	Specification	Quantity
Hex Head Bolt	3/8" x 2"	2
Washer	3/8"	4
Nylon Nut	3/8"	2



CABLE ADJUSTMENTS

After cable installation is complete you must check all cables for proper tension.

Obvious signs that cable tension problems exist include:

- Top Plates (8) do not rest directly on the top of Weight Stack Plates (51).
- The holes in Selector Rod (6) do not line up with holes in Weight Stack Plates (51).
- Cable(s) are sloppy and there is no resistance from the weight stack for the first few inches of the exercise.

There are TEN areas for cable adjustment on the G9U:

- TWO Selector Rod Top Bolts (52).
- THREE Rubber Stops (42).
- THREE Adjustable Chains on Leg Press Cable (34), Ab Crunch Cable (39), Short Cable (40).
- TWO adjustments in pulley housing on Top Pulley Frame (K).

If there is *too much tension*, and Top Plate (8) is not resting directly on the top of Weight Stack Plates (51):

- Turn and tighten Rubber Stop (B).
- Move Snap Link (C) to add a link on any of the Adjustable Chains on Leg Press Cable (34), Ab Crunch Cable (39), Short Cable (40).
- Move pulley down to a lower hole in pulley housing on Top Pulley Frame (K).

If there is *too much play* or excessive slack:

- Turn and loosen Rubber Stop (B).
- Move Snap Link (C) to remove a link on any of the Adjustable Chains on Leg Press Cable (34), Ab Crunch Cable (39), Short Cable (40).
- Move pulley up to a higher hole in pulley housing on Top Pulley Frame (K).
- Screw the Selector Bar Top Bolt (52) farther into the Selector Bar (6) of the Weight Stack.

NOTE: Cables should be inspected daily and adjusted periodically to ensure safe and smooth operation.

Before beginning final cable adjustments, be sure that both of these pulley housings are positioned as close as possible to the welded stops on the frame pieces.

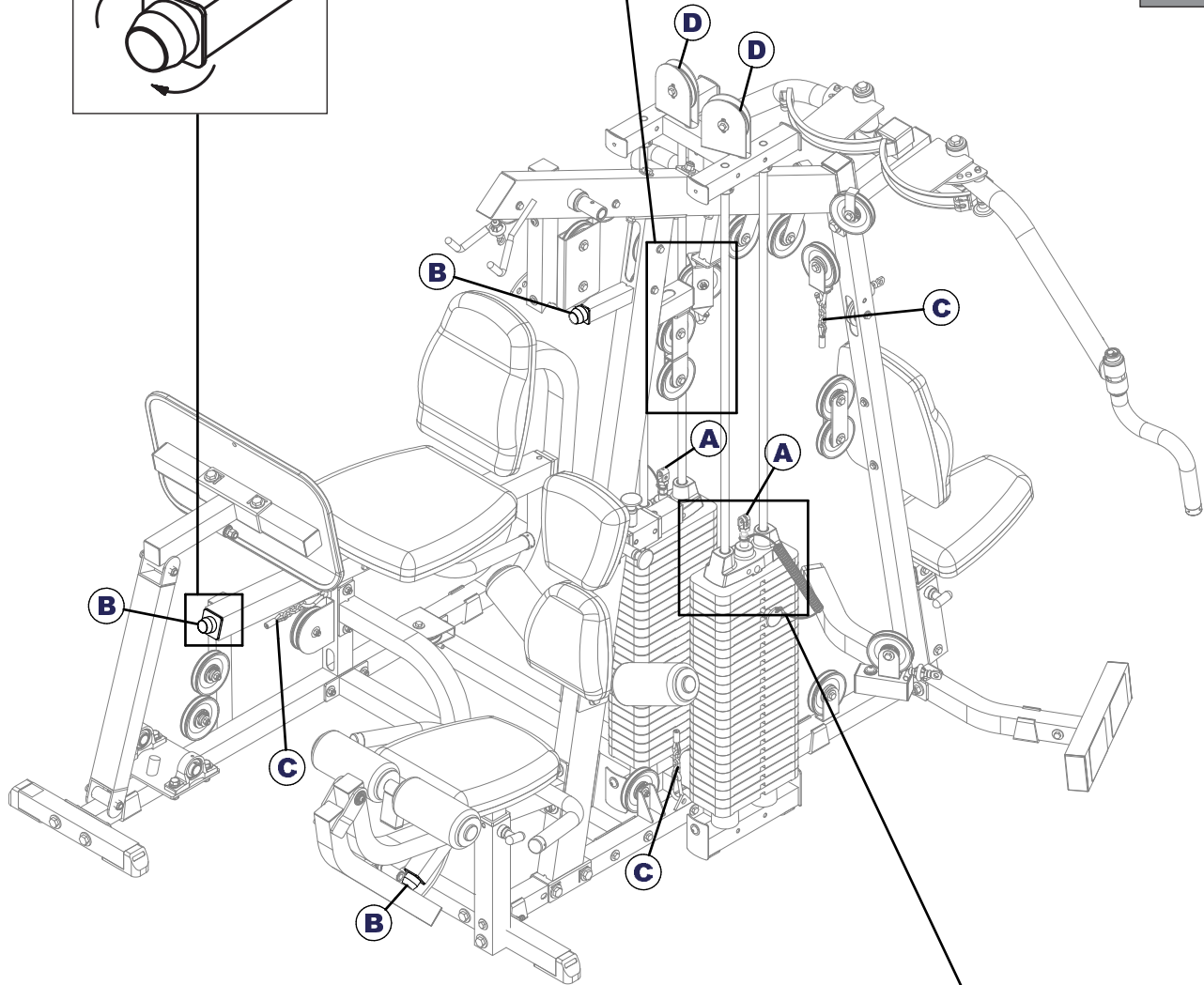
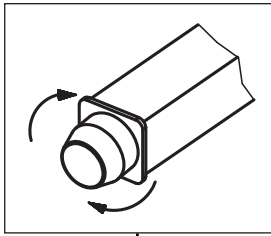
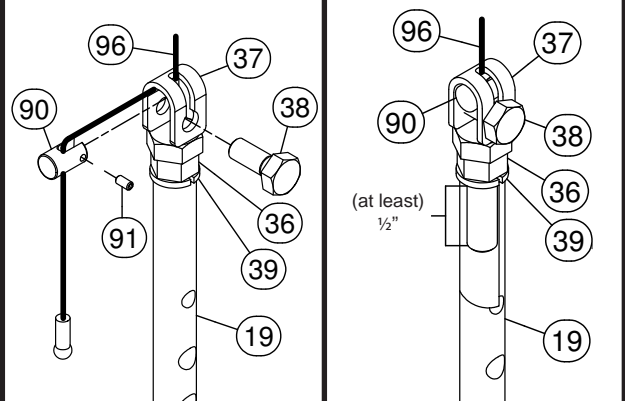


Diagram 1A



! WARNING !

Selector Rod Top Bolt (52) must be threaded a minimum of 1/2" into the Selector Rod (6), and Jam Nut (54) tightened securely against Spring Lock Washer (39) to ensure proper connection. Check Jam Nut (54) once a week to make sure it is tight.

Be careful to assemble all components in the sequence they are presented.

NOTE: Hardware for this step is included with the Water Bottle package.

- A. Apply Weight Stack Stickers (140) to weight stack Top Plate (8) and each Weight Stack Plate (51) as shown. Start at Top Plate (8) with number 1 and continue placing the weight stack stickers in sequential order down through the stack.
- B. Connect Weight Stack Shroud (CA) to the side of the weight stack and secure onto Side Base Frame (B) and Top Pulley Frame (K) using:
Two 87 (3/8" x 5/8" round allen head)
Two 98 (3/8" washer)

NOTE: Weight Stack Shroud (CA) is pre-assembled with Shroud Insert (CB).

- C. Connect Weight Stack Shroud (CC) to the other side of this weight stack using:
Two 87 (3/8" x 5/8" round allen head)
Two 98 (3/8" washer)
- D. Connect Water Bottle Bracket (145) to Weight Stack Shroud (CD) and secure using:
Two 142 (M4x12 screw)
Four 143 (M4 washer)
Two 144 (M4 lock nut)
- E. Connect Weight Stack Shroud (CD) to the side of the weight stack and secure onto Main Base Frame (A) and Top Pulley Frame (K) Using:
Two 87 (3/8" x 5/8" round allen head)
Two 98 (3/8" washer)

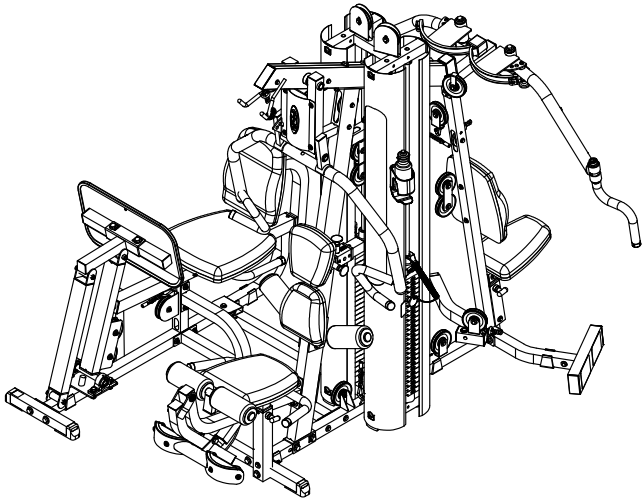
NOTE: Weight Stack Shroud (CD) is pre-assembled with Shroud Insert (CE).

- F. Connect Weight Stack Shroud (CF) to the other side of this weight stack using:
Two 87 (3/8" x 5/8" round allen head)
Two 98 (3/8" washer)
- G. Insert Water Bottle Holder (146) onto Water Bottle Bracket (145).
- H. Insert Water Bottle (147) into Water Bottle Holder (146).

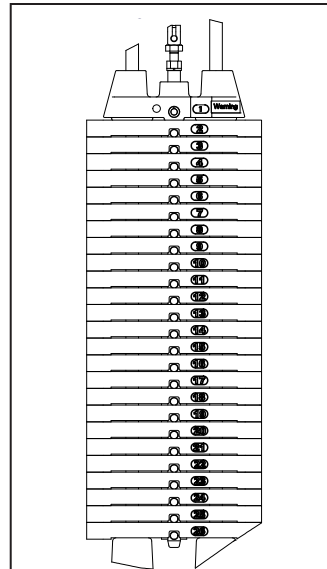
Step 22 - Hardware Bag Contents

Component	Specification	Quantity
Screw	M4x12	2
Washer	M4	4
Nylon Nut	M4	2

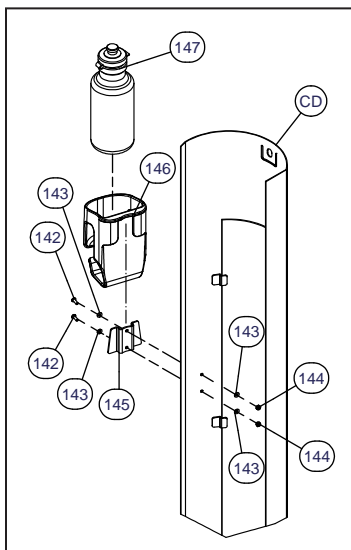
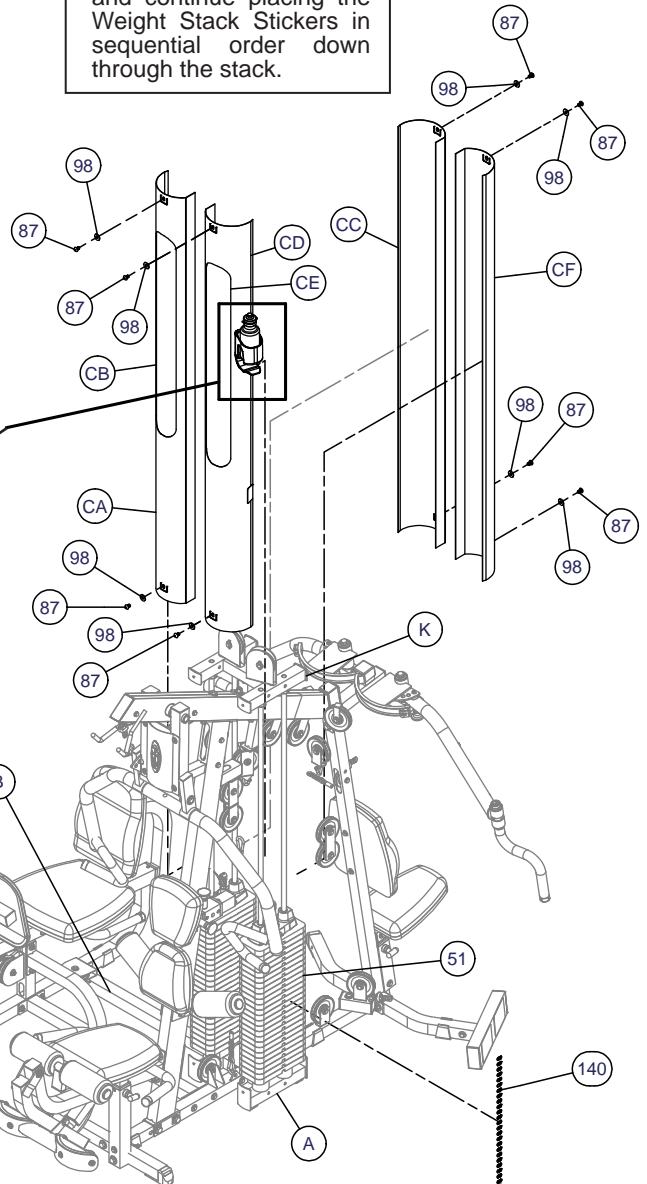
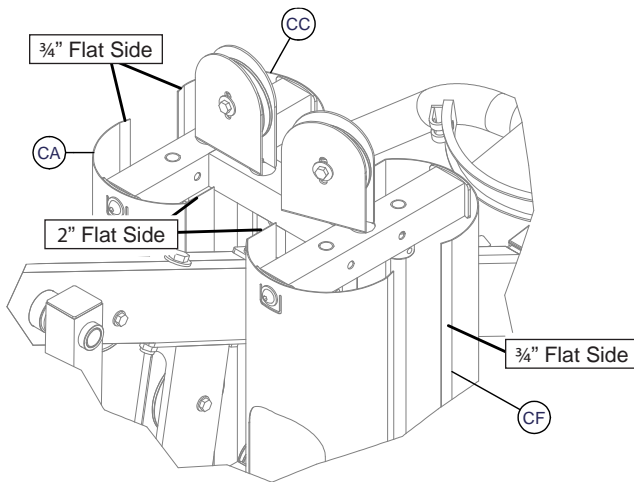
STEP
22



Above shows Step 22 assembled and completed.



Apply Weight Stack Stickers (140) to Weight Stack Plates (51). Start at Top Plate (8) with number 1 and continue placing the Weight Stack Stickers in sequential order down through the stack.



Accessories

Accessory Installation

The G9U comes equipped with 4 accessories:

- 1) Ab/Tricep Strap (123).
- 2) Low Row Bar (121) - Insert End Caps (29) into Low Row Bar (121) as shown in the diagram.
- 3) Lat Bar - Insert End Caps (29) into Lat Bar (120) as shown in the diagram.
- 4) Ankle Strap (122).

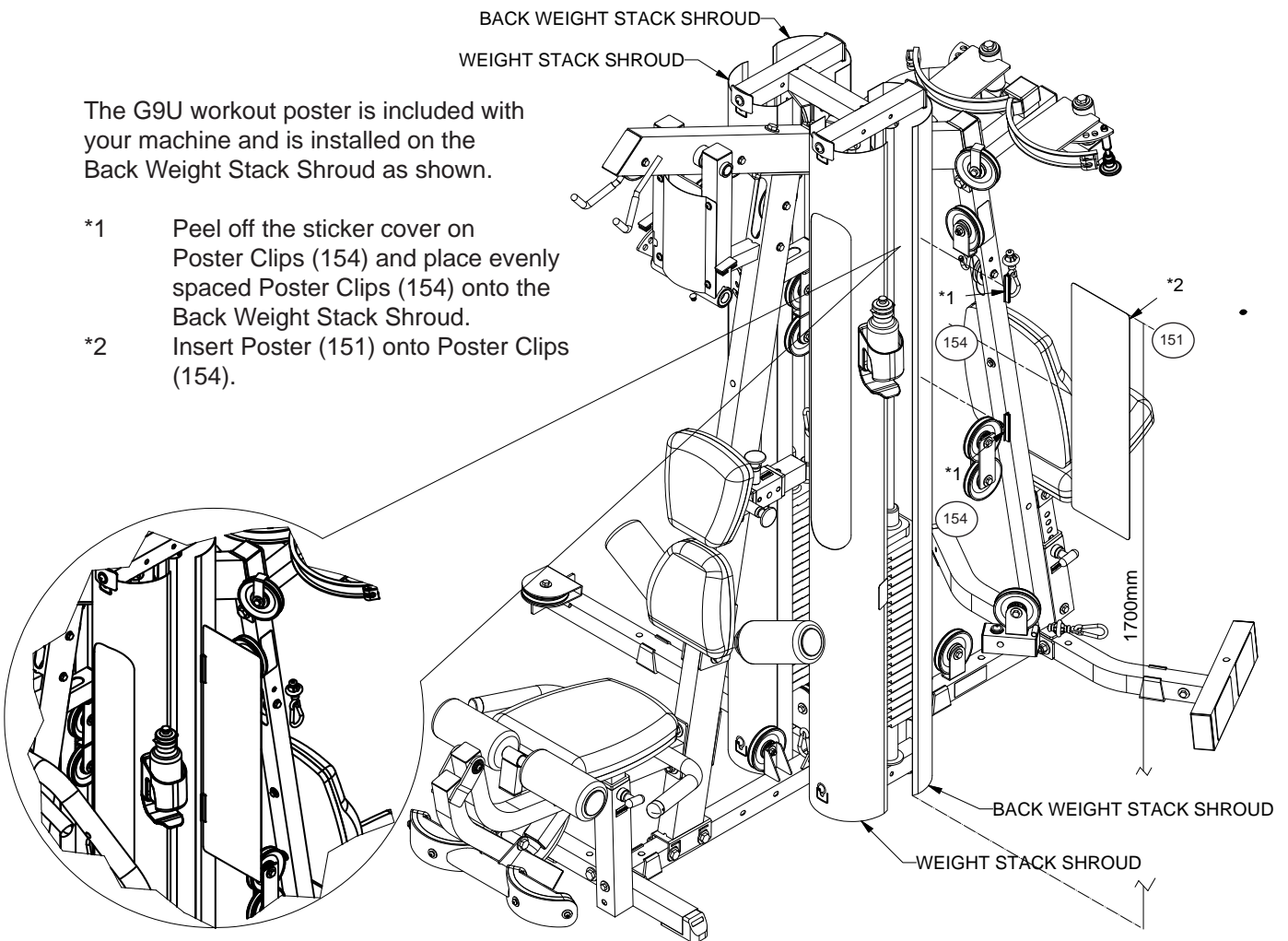
The diagrams on the following page show the proper installation of the above accessories.

Use the provided Snap Links (43) and Chain (3) to properly connect the accessories to your BodySolid gym.

Three BodySolid Seat Bands have also been included with the unit. The BodySolid Seat Band is installed by simply slipping it over the Seat Pad.

The G9U workout poster is included with your machine and is installed on the Back Weight Stack Shroud as shown.

- *1 Peel off the sticker cover on Poster Clips (154) and place evenly spaced Poster Clips (154) onto the Back Weight Stack Shroud.
- *2 Insert Poster (151) onto Poster Clips (154).



Congratulations! You are done. After assembly, you should check all functions to ensure correct operation. If you experience problems, first recheck the assembly instructions to locate any possible errors made during assembly. If you are unable to correct the problem, call the dealer from whom you purchased the machine or call 1-800-556-3113 for the dealer nearest you.

NOTE: If any bolts seem to loosen periodically, use Loctite 242 for a long-term cure.

This gym is capable of a variety of different exercises, as well as, smooth and user-friendly adjustment features. The following page of adjustments will help you to familiarize yourself with your new gym. We hope you are completely satisfied with this product and wish you many years of enjoyment.

Accessories

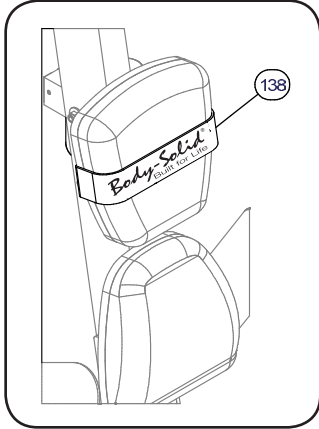


Diagram 1
Bench Press
Seat Band Installation

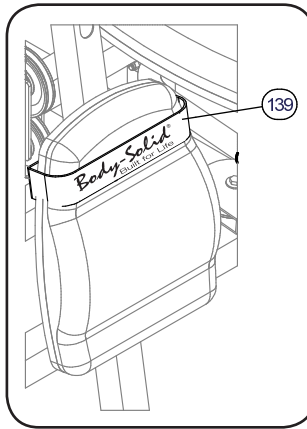


Diagram 2
Pec Dec
Seat Band Installation

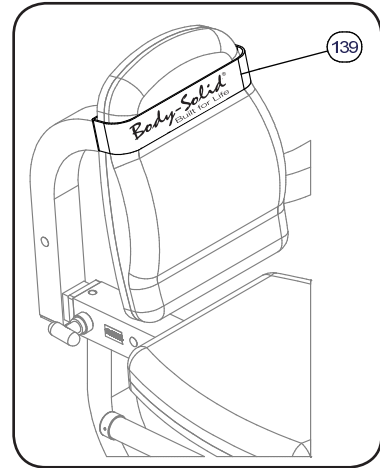


Diagram 3
Leg Press
Seat Band Installation

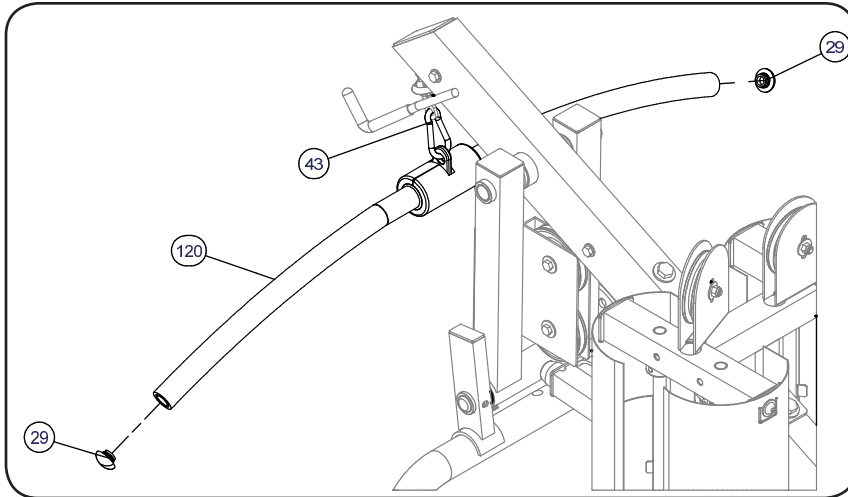


Diagram 4
Lat Bar Installation

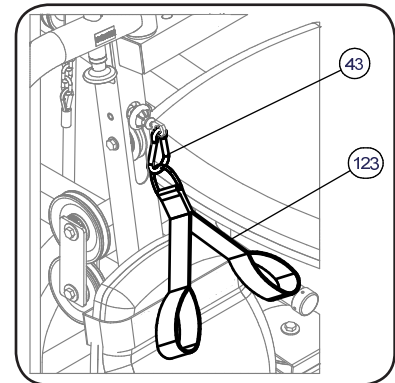


Diagram 5
Ab/Tricep Strap Installation

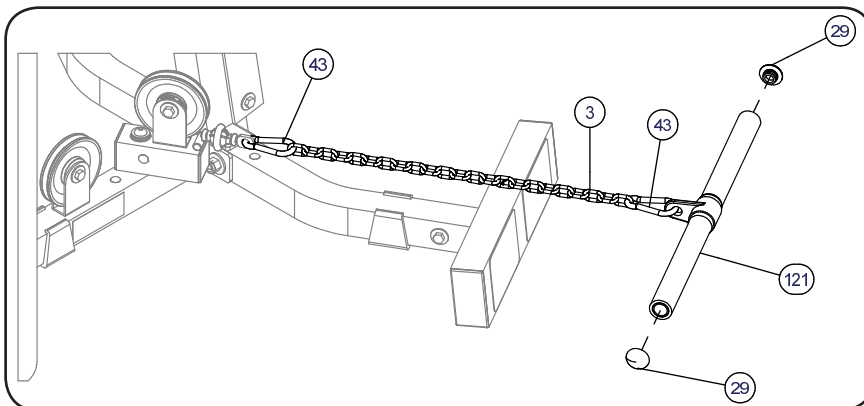


Diagram 6
Low Row Bar Installation

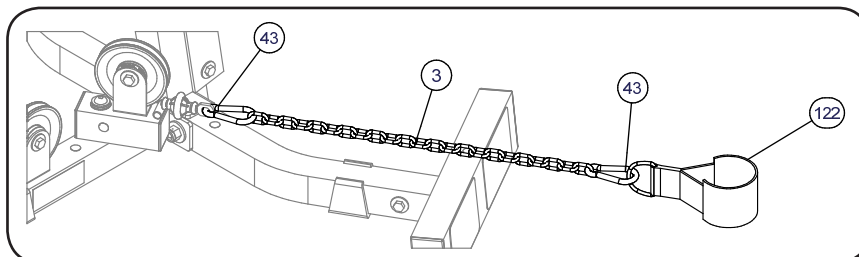


Diagram 7
Ankle Strap Installation

SEATED PRESS ARMS (AC) ADJUSTMENT

- Grasp Seated Press Arm (AC) with your left hand.
- Pull Ball Head Pop Pin (57) with your right hand to release Seated Press Arm (AC).
- Adjust Seated Press Arm (AC) to the desired position (depending on the exercise you are performing).
- Release Ball Head Pop Pin (57), and make sure it is fully engaged into the selector hole.

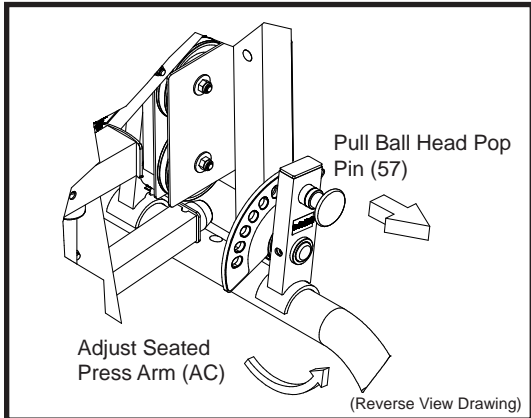
UPPER BACK PAD (ZA) ADJUSTMENT

- Grasp Upper Back Pad (ZA).
- Pull Ball Head Pop Pin (56) on top of Back Pad Holder (Y) to release Back Pad Adjuster (Z).
There are two adjustment positions.
- For certain exercises you may wish to fine tune your adjustment by pulling Ball Head Pop Pin (56) on the side of Back Pad Adjuster (Z), this will release Back Pad Insert (ZB).
There are six additional adjustment positions.
- Adjust Upper Back Pad (ZA) to the desired position.
- Release Ball Head Pop Pin(s) (56) and make sure they are fully engaged into the selector hole(s) of Back Pad Insert(s) (ZB).

LEG EXTENSION SEAT PAD (V) ADJUSTMENT

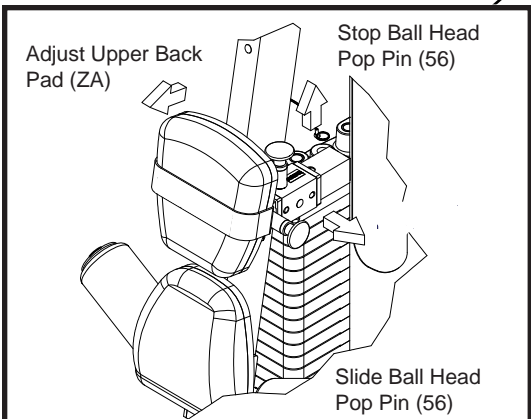
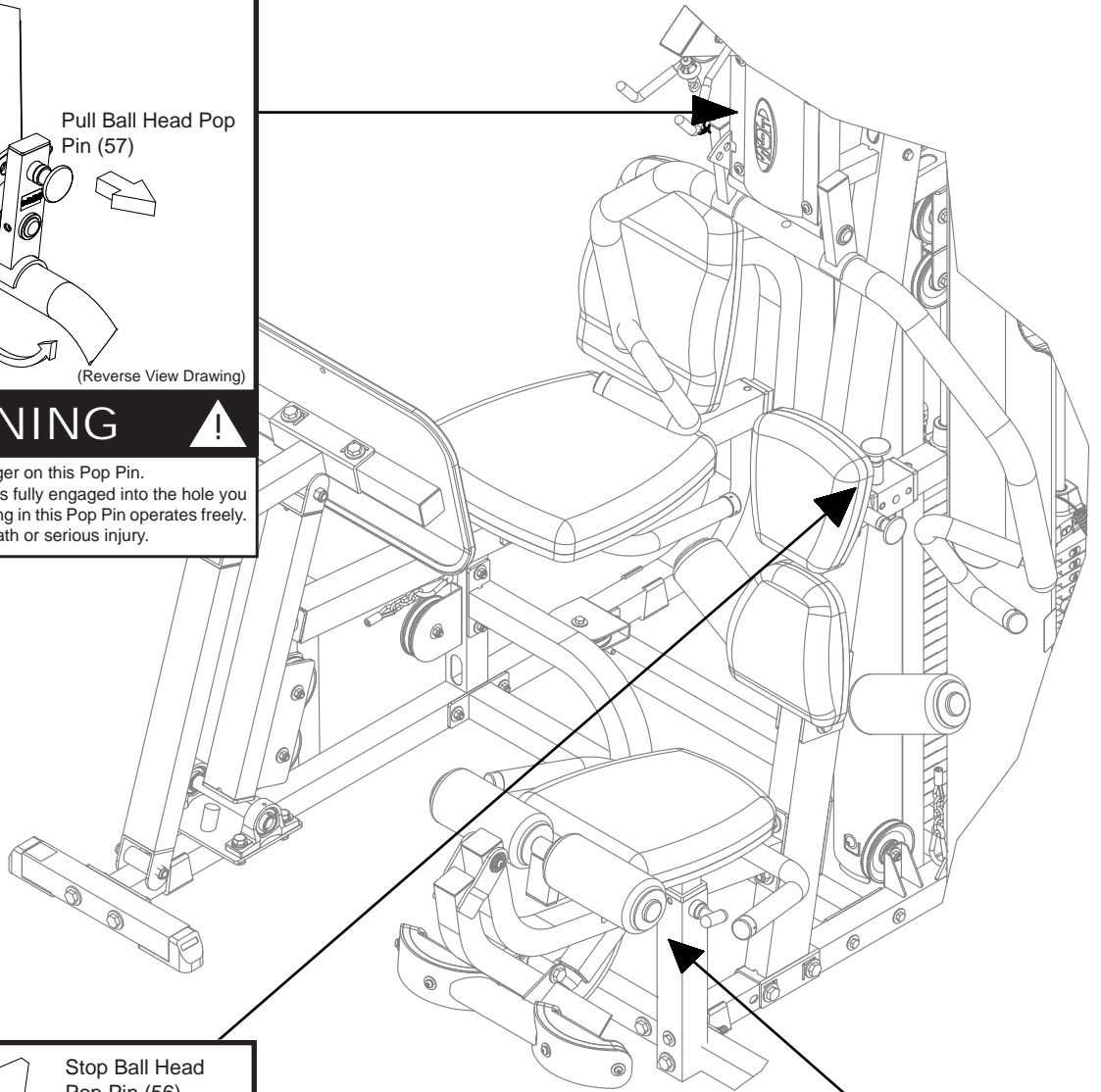
- Grasp Leg Extension Seat Pad (V).
- Turn T-Shaped Pop Pin (48) counter-clockwise to unlock it, and then pull T-Shaped Pop Pin (48) to release Leg Extension Seat Pad (V).
- Adjust Leg Extension Seat Pad (V) to the desired position.
- Release T-Shaped Pop Pin (48) and make sure it is fully engaged into the selector hole of Leg Extension Seat Pad Frame (S). Turn T-Shaped Pop Pin (48) clockwise to lock it in place.

Adjustments



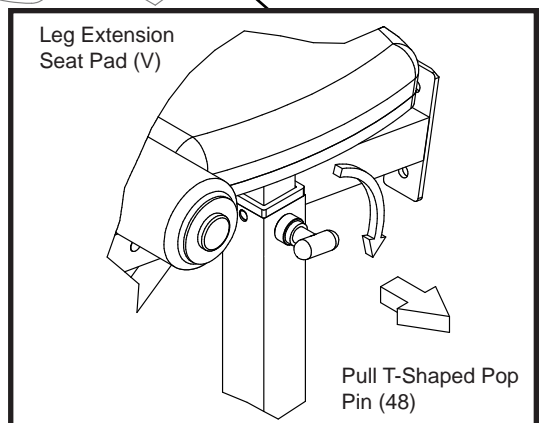
! WARNING !

Pay special attention to the plunger on this Pop Pin. Always be sure that the plunger is fully engaged into the hole you select. Also, be sure that the spring in this Pop Pin operates freely. Failure to do so may result in death or serious injury.



! WARNING !

Pay special attention to the plunger on both Pop Pins. Always be sure that the plunger is fully engaged into the hole you select. Also, be sure that the spring in both Pop Pins operates freely. Failure to do so may result in death or serious injury.



! WARNING !

Pay special attention to the plunger on this Pop Pin. Always be sure that the plunger is fully engaged into the hole you select. Also, be sure that the spring in this Pop Pin operates freely. Failure to do so may result in death or serious injury.

A d j u s t m e n t s

PEC DEC ARM (AK) or (AP) ADJUSTMENT

- Grasp Left Pec Dec Arm (AK) or Right Pec Dec Arm (AP).
- Pull Ball Head Pop Pin (50) to release Left Pec Dec Arm (AK) or Right Pec Dec Arm (AP).
- Adjust Left Pec Dec Arm (AK) or Right Pec Dec Arm (AP) to the desired position.
- Release Ball Head Pop Pin (50) and make sure that it is fully engaged into the selector hole.

PEC DEC SEAT PAD (AW) ADJUSTMENT

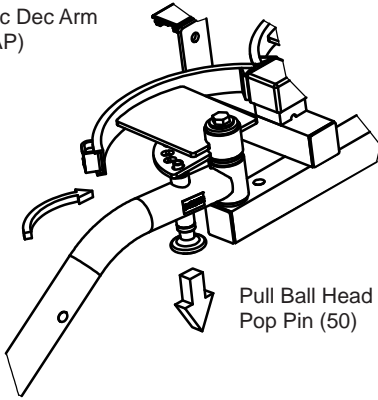
- Grasp Pec Dec Seat Pad (AW).
- Turn T-Shaped Pop Pin (48) counter-clockwise to unlock it, then pull to release Pec Dec Seat Pad (AW).
- Adjust Pec Dec Seat Pad (AW) to the desired position.
- Release T-Shaped Pop Pin (48) and make sure that it is fully engaged into Pec Dec Seat Frame (AV). Turn clockwise to lock T-Shaped Pop Pin (48) in place.

LEG PRESS BACK PAD (BQ) ADJUSTMENT

- Grasp Leg Press Back Pad (BQ).
- Turn T-Shaped Pop Pin (48) counter-clockwise to unlock it, then pull to release Leg Press Back Pad (BQ).
- Adjust Leg Press Back Pad (BQ) to the desired position.
- Release T-Shaped Pop Pin (48) and make sure that it is fully engaged into the selector hole in the Leg Press Back Pad Frame (BP). Turn clockwise to lock T-Shaped Pop Pin (48) in place.

Adjustments

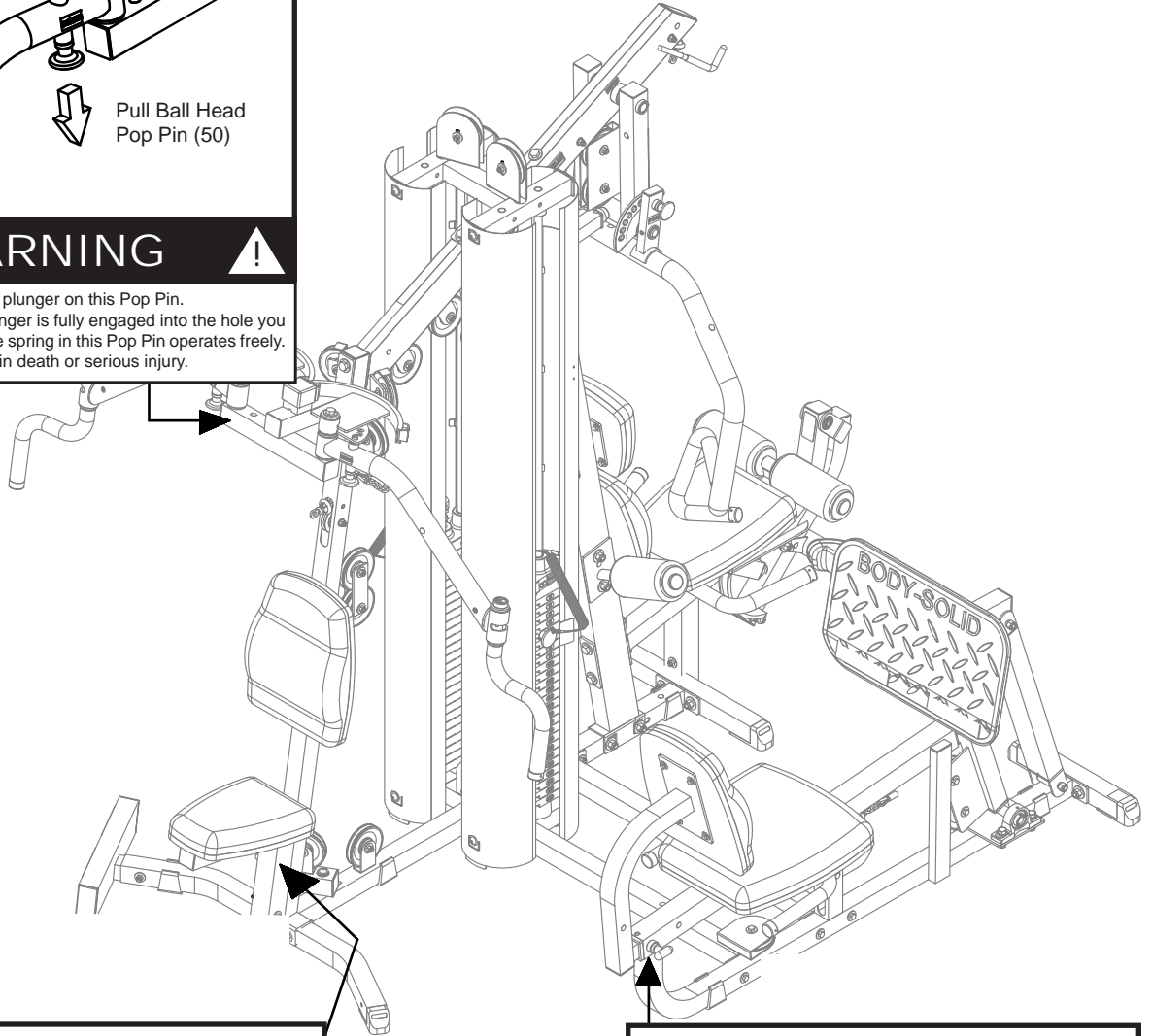
Adjust Pec Dec Arm (AK) or (AP)



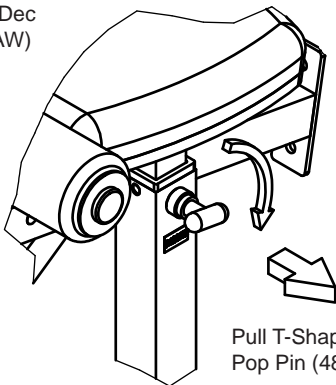
Pull Ball Head Pop Pin (50)

! WARNING !

Pay special attention to the plunger on this Pop Pin. Always be sure that the plunger is fully engaged into the hole you select. Also, be sure that the spring in this Pop Pin operates freely. Failure to do so may result in death or serious injury.



Adjust Pec Dec Seat Pad (AW)

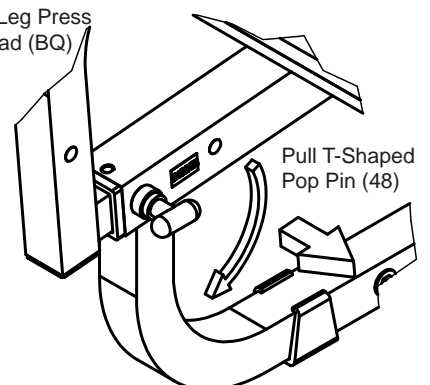


Pull T-Shaped Pop Pin (48)

! WARNING !

Pay special attention to the plunger on this Pop Pin. Always be sure that the plunger is fully engaged into the hole you select. Also, be sure that the spring in this Pop Pin operates freely. Failure to do so may result in death or serious injury.

Adjust Leg Press Back Pad (BQ)



Pull T-Shaped Pop Pin (48)

! WARNING !

Pay special attention to the plunger on this Pop Pin. Always be sure that the plunger is fully engaged into the hole you select. Also, be sure that the spring in this Pop Pin operates freely. Failure to do so may result in death or serious injury.

Be sure that all users carefully read and understand all warning, safety and maintenance labels on the machine before each use. Failure to do so may result in death or serious injury.

It is imperative that you retain this Owner's Manual and be sure all warning labels are legible and intact. Replacement Owner's Manuals and warning labels are available from your local Body-Solid dealer.

If you have any questions about the operation, set up or maintenance of this machine please call our customer service department at 1 (800) 556-3113.

MAINTENANCE SCHEDULE		D A I L Y	W E E K L Y
Check the function and integrity of the following components. As noted, inspect equipment before each workout. Replace all damaged, broken or worn components immediately.			
Cables:	Check tension, end fittings, and coating	✓	
	Check that locking nut at weight stack is tight		✓
Upholstery:	Wipe down and dry	✓	
	Clean and condition		✓
Frame:	Wipe down and dry	✓	
	Polish / Wax		✓
Chrome:	Wipe down and dry	✓	
	Polish / Lubricate		✓
Nuts / Bolts / Fasteners:	Tighten and / or adjust as needed		✓
Guide Rods:	Lubricate and clean		✓
Linear Rods:	Lubricate and clean		✓
Seat Sleeves:	Lubricate and clean		✓
Adjustments / Locking Pins / Tightening Knobs			✓
Weight Stack Pins			✓
Warning Instruction Labels			✓
Springs / Pop Pins		✓	
Anti Skid Surfaces			✓
Hand Grips / Rollers			✓
For Body-Solid Customer Service Call 1-800-556-3113 #MSSTK00803			

Warning Label for Maintenance

THERE IS A RISK ASSUMED BY INDIVIDUALS WHO USE THIS TYPE OF EQUIPMENT. TO MINIMIZE RISK, YOU MUST FOLLOW THESE RULES:

1. Inspect equipment before each workout. Check that all nuts, bolts, screws and pop pins are in place and fully tightened. Also, before use, check cables for signs of wear. Replace all worn parts immediately. Never use machine if any parts are damaged or missing.
FAILURE TO FOLLOW THESE RULES MAY RESULT IN SERIOUS INJURY.
2. Keep clear of the cables and all moving parts when the machine is in use.
3. Always make sure all Snap Links are closed when doing any cable/pulley/strap exercises.
4. Exercise with care. Perform your exercises at a smooth moderate pace; never perform jerky or uncoordinated movements that may cause injury.
5. It is recommended that you should workout with a training partner.
6. Do not allow children or minors to play on or around this equipment.
7. If unsure of proper use of equipment, call your local Body-Solid distributor or the Body-Solid customer service department at 1-800-556-3113.
8. **WARNING:** Consult your physician before starting your exercise program. For your own safety, do not begin any exercise program without proper instruction. RAL8-6-03

Warning Label for Rules

Although Body-Solid provides the highest quality of materials and workmanship in its products, the fact remains that component parts eventually wear out over time and with use. **This is particularly true with reference to pliable moving parts such as cables.** In spite of any expressed and/or implied warranties, intervening factors such as improper use, unusually heavy use, improper installation, improper alignment, poor maintenance, etc. serve to drastically reduce the usable life and safety of cables.

Be advised that dangerous conditions can arise even during warranty periods and that any expressed and/or implied warranties **Do Not Negate** the owner's responsibility to thoroughly, carefully and daily inspect all cables on this machine.

Serious injury can occur if you are struck by falling weights or moving parts. The risk that you assume by using this type of equipment can be reduced by following a few simple steps:

Cable inspection should be performed daily. Inspect all cables, the nylon coating on all cables and the area near the fittings at each end of each cable. **Replace any damaged or worn cables immediately.** Do not allow the machine to be used until damaged or worn cables are replaced.

Important: Cables are wear items. It is your responsibility to prevent unexpected breakage. The actual wire strands, the fittings and the nylon coating itself must all be scrutinized. Using or allowing a machine to be used with a suspect cable can result in death or serious injury.

The nylon coating on a cable is essential for cable life and safety. Visually inspect all cables and pulleys. Look at the cables as they travel around the cams and pulleys. A cable that is wearing may exhibit a "ballooned" or broken coating in the area that passes over the pulley. Damage to the coating is an early warning signal. A cable should be replaced if the nylon coating is missing, is damaged in anyway, has pulled or shrunk from the fittings at the end of the cables, or if it is discolored. Discoloration of the cable coating is an early indication of internal problems such as wear or fraying.

Annual cable replacement (semiannual in multi-user settings) is strongly recommended as an additional precaution. The rate at which cables wear depends on many factors including: number of users, number of repetitions, weight setting, misuse, abuse, etc. Because of this, periodic cable replacement is not a sufficient safeguard against unexpected breakage.

Nothing short of a thorough, careful, daily inspection constitutes an adequate safety program.

WARNING

**Safety and Maintenance
of Cables**

IMPORTANT: Cables are wear items. It is your responsibility to prevent unexpected breakage. **Cable inspection should be performed daily.** Inspect all cables, the nylon coating on all cables, and the area near the fitting at each end of each cable. **Replace any damaged or worn cable immediately.** Do not allow the machine to be used until damaged or worn cables are replaced. Using or allowing a machine to be used with a suspect cable can result in serious injury. See Owner's Manual for more information.

For Body-Solid Customer Service
Call 1-800-556-3113

Warning, Safety & Maintenance

Precision craftsmanship assures Body-Solid's ability to consistently deliver products of the highest standards. Our products have been carefully designed to ensure safe, efficient long term operation.

However, it must be realized that safe use of this equipment requires that owners carefully read and follow the Body-Solid use recommendations, warnings, and maintenance guidelines in this Owners Manual.

Routine inspection and maintenance is of critical importance to ensure maximum safety and performance. Body-Solid uses the highest quality materials available, but wear is inevitable. Therefore, you must carefully inspect your equipment as outlined in the Maintenance Schedule.

Be advised that dangerous conditions can arise even during a warranty period. A warranty does not negate the owner's responsibility to thoroughly, carefully and daily inspect the machine.

Including maintaining the equipment, the owner's responsibility is also to:

- Be sure to always provide adequate supervision to all end-users.
- Be sure to instruct all end-users of proper usage.
- Be sure all supervisors and personal trainers who instruct end-users on equipment use are properly trained and know the function and importance of every adjustment and setting. Also, be sure these trainers provide proper instruction to end-users on the fundamentals of strength training.

CABLES:

- While the machine is not in use, carefully run your fingers along the cable to feel for thinning or bulging areas. Replace cables immediately at the first sign of damage or wear. Do not use equipment until damaged cable has been replaced.
- Visually inspect the cables for fraying, cracking, peeling or discoloration.
- Check slack in cables and re-adjust cable tension if needed.
- Check that the jam nut on the selector rod top bolt is tight.

UPHOLSTERY:

- Wipe down after every workout.
- Periodically take the time to use a mild soap or a mild vinyl upholstery cleaner. Avoid using any abrasive cleaner not intended for use on vinyl.
- Keep sharp or pointed objects out of your pockets and clear of all upholstery.

NUTS/BOLTS/FASTENERS:

- Periodically inspect all nuts and bolts. Tighten if needed. If bolts seem to loosen periodically, use Loctite 242 for a long-term cure.
- Go through a re-tightening sequence periodically to ensure that all hardware is properly tensioned.

GUIDE RODS:

- Wipe clean with a dust free rag. Lubricate with a Silicon or Teflon based lubricant.

ADJUSTMENTS / LOCKING PINS / TIGHTENING KNOBS:

- Check all pieces for signs of visible wear or damage.
- Check springs in Snap Links and Pop Pins for proper tension and alignment.
- If the spring sticks or has lost its rigidity, replace it immediately.

ANTI-SKID SURFACES:

- Replace if they appear worn or become slippery.

WARNING INSTRUCTION LABELS:

- Inspect and familiarize yourself with all safety warnings and other user information on decals.

Warning, Safety & Maintenance

MAINTENANCE SCHEDULE	DAILY	WEEKLY	LATEST DATE ENTRY						
CABLES: CHECK TENSION, END FITTINGS, AND COATING. CHECK THAT JAM NUT ON THE SELECTOR ROD TOP BOLT IS TIGHT.	✓								
UPHOLSTERY: WIPE DOWN AND DRY CLEAN AND CONDITION.	✓	✓							
FRAME: WIPE DOWN AND DRY POLISH/WAX	✓	✓							
CHROME: WIPE DOWN AND DRY POLISH/LUBRICATE	✓	✓							
NUTS/BOLTS/FASTENERS: TIGHTEN AND/OR ADJUST AS NEEDED		✓							
GUIDE RODS: LUBRICATE AND CLEAN		✓							
LINEAR RODS: LUBRICATE AND CLEAN		✓							
SEAT SLEEVES: LUBRICATE AND CLEAN		✓							
ADJUSTMENTS / LOCKING PINS / TIGHTENING KNOBS		✓							
WEIGHT STACK PINS		✓							
WARNING INSTRUCTION LABELS		✓							
SPRINGS / POP PINS	✓								
ANTI-SKID SURFACES		✓							
HAND GRIPS / ROLLERS		✓							

FOR BODY-SOLID CUSTOMER SERVICE:
1-800-556-3113

*Make several copies of this page to keep track of your maintenance.
You can print more copies of this page by going to:
<http://www.bodysolid.com/support/docs.html>

PHRASES, TERMS, TIPS & GUIDELINES



BEGINNER'S GUIDELINES

- Work out at least two times a week.
- Include six to eight exercises that train major muscle groups.
- Perform two or three sets of at least eight to 12 repetitions.

AEROBIC

Exercise that primarily uses oxygen to burn fuel at low to moderate levels of intensity. Running and jogging are examples of aerobic exercise.

ANAEROBIC

Exercise that primarily uses the body's stored fuel for energy. Intense weightlifting is an example of an anaerobic exercise.

ATROPHY

Decrease of a muscle caused by the decrease in the size of its cells because of inactivity.

BALLISTIC STRETCHING

A stretching technique that involves a bouncing or bobbing movement during the stretch. The final position is not held. This is not a recommended stretching technique.

BREATHING

Never hold your breath during any part of an exercise. Holding your breath may cause severe intra-thoracic pressure and raise blood pressure leading to dizziness, blackout or other complications. The rule of thumb is to exhale on exertion and inhale on the return part of the exercise.

CARDIOVASCULAR

Referring to the heart, lungs, and other periphery systems involved in the transport of oxygen throughout the body.

CHALLENGE YOUR MUSCLES

All strength training should progress gradually, using increases in weight until your goals are reached. Then, change your workout to include increased reps or a higher weight resistance. Alter the order of your exercises, perform multiple sets or different exercises to maintain results or reach new goals.

CHANGE ROUTINE

Beginner's please note: If you want to make changes in the exercise routine that you do, wait until about the six to eight week point. Advanced lifters may want to change routines to avoid plateaus in gaining size or strength.

CIRCUIT TRAINING

Exercise stations that consist of various combinations of weight training, flexibility, calisthenics, and aerobic exercise.

CONCENTRIC MUSCLE ACTION

The muscle shortens while contracting against resistance.

ECCENTRIC MUSCLE ACTION

The muscle lengthens while contracting against resistance.

EXERCISE FREQUENCY

Exercise each muscle group 2-3 times per week. Allow a minimum of 48 hours rest for each muscle group worked. If you are doing a total-body workout, three training sessions per week, performed on every second day, is adequate.

EXERCISE LARGE MUSCLES FIRST

You should work your large muscle groups first (ie. squat, bench press, lat pulldown) before you exercise your small muscle groups (ie. bicep curls, tricep pressdowns, lateral raises).

EXERCISE PROGRAM DURATION

A weight training routine should take anywhere from 45 minutes to one hour to complete. Add another 20 to 60 minutes when you include stretching, warm-up, aerobics and cool-down.

GIVE YOUR MUSCLES A REST

You'll get the most out of strength training if you give your muscles at least 48 hours rest to recover and rebuild between strength training workouts.

HYPERTROPHY

Enlargement of a muscle caused by an increase in the size of its cells in response to weight training.

INTENSITY

The degree to which the body is worked during exercise.

ISOKINETIC EXERCISE

Resistance is given at a fixed velocity of movement with accommodating intensity. A machine that moves you through an entire range of motion at a preset speed and will not change no matter how much pressure is put forth by the individual.

ISOMETRIC EXERCISE

Contracts the muscle statically without changing its length. Example: Attempting to lift a weight heavier than you can handle, but cannot move.

ISOTONIC EXERCISE

Shortens and lengthens the muscle through a complete range of motion. This defines weight training with full range of motion.

MUSCLE FATIGUE

Fatigue is when you can't possibly do another rep without sacrificing form.

MUSCULAR ENDURANCE

The ability to perform repetitive muscular contractions against some resistance.

MUSCULAR STRENGTH

The maximum force that can be applied by a muscle during a single maximum contraction.

OSTEOPOROSIS

A decrease in bone density.

PLYOMETRIC EXERCISE

A technique that includes specific exercises which encompass a rapid stretch of a muscle eccentrically, followed immediately by a rapid concentric contraction of that muscle for the purpose of facilitating and developing a forceful explosive movement over a short period of time. Examples of these are using medicine balls for upper extremity and depth jumping for lower extremity.

PHRASES, TERMS, TIPS & GUIDELINES

STARTING RESISTANCE LEVEL

If you begin weight training at too high a level, you risk serious injury. You will also develop poor form, which will hinder your efforts and discourage you. Use this as a guideline: if you cannot lift the weight eight times with proper form, the weight is too heavy. Similarly, don't choose too light a weight; the last two or three repetitions of your set should be difficult.



POWER

Power is the rate of performing work. Power during a repetition is defined as the weight lifted times the vertical distance the weight is lifted divided by the time to complete the repetition. Power during a repetition can be increased by lifting the same weight the same vertical distance in a shorter period of time. Power can also be increased by lifting a heavier resistance the same vertical distance in the same period of time as a lighter resistance.

PROGRESS GRADUALLY

Increase reps before increasing resistance. Reduce rest intervals between sets to increase intensity.

PROGRESSIVE RESISTANCE

The principle of continually adding more weight to a specific exercise as your muscles become stronger to adapt to the heavier weights.

PROPER FORM

Focus on the proper motion of the exercise and concentrate on the specific muscles being used. Do not sacrifice proper form to lift heavier weight or to perform more repetitions. Proper form also means lifting in a smooth, fluid motion. If you feel strain elsewhere, you should re-evaluate the amount of weight you are lifting or have a qualified professional critique your exercise motion.

PROPER POSTURE

Maintaining proper posture will greatly reduce chances of injury and maximize exercise benefit. When standing always keep your feet shoulder-width apart. Do not lock your knees. Locking your knees can put unnecessary strain on them. Keep your back flat and straight, making sure not to twist or arch it in order to complete a repetition.

PROPER TECHNIQUE

To get the most out of strength training and to reduce the chance of injury, use proper weight training techniques. These include working your muscles through their full range of motion (but not locking any joints), lifting at a speed at which you can control the weight and stop easily if necessary.

RANGE OF MOTION

Moving through a complete range of motion (ROM) allows the muscles to stretch before contraction and increases the number of muscle fibers being recruited. This produces maximum contraction and force. By working the full ROM, flexibility will be maintained and possibly increased.

REPETITION

A repetition is one complete movement of an exercise. It normally consists of two phases: the concentric muscle action, or lifting of the resistance, and the eccentric muscle action, or lowering of the resistance.

REPETITION MAXIMUM (RM)

This is the maximum number of repetitions per set that can be performed at a given resistance with proper lifting technique. Thus, a set at a certain RM implies the set is performed to momentary voluntary fatigue. 1RM is the heaviest resistance that can be used for one complete repetition of an exercise. 10 RM is a lighter resistance that allows completion of 10 (but not 11) repetitions with proper exercise technique.

REST INTERVAL

Allow a brief pause between sets to give your muscles a chance to partially recover before working them again. For power and muscle size development allow a 3 to 4 minute rest interval between sets. For muscular endurance and definition allow a 30 second rest interval. For strength training allow a 60 to 90 second rest interval.

RISK SHOULD NOT EXCEED BENEFIT

If the risk of a specific exercise exceeds its potential benefit, it is best to stay on the conservative side. There are several ways to work specific muscle groups. Choose those that provide minimal risk. Ask a fitness professional for guidance.

ROUTINE

The specific exercises, sets, reps and weight for a specific body part.

SET

This is a group of repetitions performed continuously without stopping. While a set can be made up of any number of repetitions, sets typically range from 1 to 15 repetitions.

SMALL MUSCLE GROUP EXERCISE

Single joint movement and isolation exercises (i.e. bicep curls, tricep pressdowns and leg extensions).

SPEED OF MOVEMENT

Strength training movements should be slow and controlled. Do not use momentum to complete an exercise movement. Momentum puts unnecessary stress on tendons, ligaments and joints. Using momentum in your exercise movements does not develop increased strength.

STATIC STRETCHING

A stretching technique that involves holding a specific muscle or muscle group at a desired length for a certain period of time. This type of stretching is highly recommended.

STOP TRAINING IF YOU FEEL PAIN

If you feel pain during a specific exercise stop immediately. Any continuation may aggravate an existing injury. Re-evaluate your routine to make sure that you are doing a proper warm up. Decrease the amount of weight you are lifting. Talk to a qualified personal trainer, health professional or your doctor.

STRENGTH

Strength is the maximal amount of force a muscle or muscle group can generate in a specified movement pattern at a specified velocity of movement.

WARM UP

This cannot be stressed enough. Many workout-related injuries can be avoided by a proper warm up routine. Try to do a total body warm up before you start training. A good example of a total body warm up is using a stationary bike, treadmill, elliptical, rowing or skiing machine. It is especially important to warm up specific muscle groups you are going to be using. Your muscles need a 5 to 15 minute warm up as well as a brief cool down. This can be as simple as performing a warm up set of high repetitions and light weight (25% to 50% of your training weight) for each exercise.

WORKOUT

The routine, specific exercises, weights, sets, and reps for one or more body parts.

NUTRITION



Good nutrition is a diet in which foods are eaten in proper quantities and with the needed distribution of nutrients to maintain good health. Malnutrition, on the other hand, is the result of a diet in which there is an underconsumption, overconsumption, or unbalanced consumption of nutrients that leads to disease or an increased susceptibility to disease. What is stated in the above definitions is the fact that proper nutrition is essential to good health. A history of poor nutritional choices will eventually lead to poor health consequences.

There are many substances necessary for the proper functioning of the body. Nutrients are the substances that the body requires for the maintenance of health, growth, and to repair tissues. Nutrients can be divided into six classes: carbohydrates, fats, proteins, vitamins, minerals and water. Carbohydrates, or "carbs", are nutrients that are composed of carbon, hydrogen and oxygen, and are essential sources of energy in the body. Grains, vegetables, and fruits are excellent sources of carbohydrates. It is recommended that at least 55% to 60% of the total number of calories consumed come from carbohydrates (American Diabetes Association, *Diabetes & Exercise*, 1990). It is further recommended that 10% or less of the total calories consumed come from simple sugars like a candy bar.

One of the many benefits of consuming foods that are high in complex carbohydrates, such as rice, pasta, and whole grain breads, is that they also typically contain dietary fiber. Dietary fiber is a term used when referring to substances found in plants that cannot be broken down by the human digestive system. Although fiber cannot be digested, it is important in helping to avoid cancers of the digestive system, hemorrhoids, constipation, and diverticular disease because it helps food move quickly and easily through the digestive system. It is recommended that people consume 20 to 30 grams of fiber per day (American Diabetes Association, *Diabetes & Exercise*, 1990). Excellent sources of dietary fiber are grains, vegetables, legumes, and fruit.

Fats are an essential part of a healthy diet and serve vital functions in the human body. Among the functions performed by fats are temperature regulation, protection of vital organs, distribution of some vitamins, energy production, and formation of component parts of cell membranes. Like carbohydrates, fats are composed of carbon, hydrogen, and oxygen. However, their chemical structure is different.

Both animals and plants provide sources of fat. Saturated fats come primarily from animal sources and are typically solid at room temperature. Plant sources of saturated fats are palm oil, coconut oil, and cocoa butter. A high intake of saturated fats is

directly related to increased cardiovascular disease. Unsaturated fats are typically liquid at room temperature. Corn, peanut, canola, and soybean oil are sources of unsaturated fats. It is recommended that no more than 30% of one's diet be composed of fats. Ten percent or less of the total calories consumed should come from saturated fats. One way to reduce saturated fat intake would be to substitute margarine for butter.

Proteins are substances composed of carbon, hydrogen, oxygen, and nitrogen. Proteins are made by combining amino acids. Amino acids are nitrogen-containing building blocks for proteins that can be used for energy. Amino acids can combine in innumerable ways to form proteins, and it is estimated that tens of thousands of different types of proteins exist in the body. It is the ordering of the amino acids that provides the unique structure and function of proteins.

There are proteins in both meat products and plant products. Animal sources of protein such as milk, meat and eggs contain the eight essential amino acids (amino acids that the body cannot synthesize and therefore must be ingested). Plant sources of protein such as beans, starchy vegetables, nuts, and grains do not always contain all eight amino acids. Because of this, vegetarians must consume a variety of protein-containing foods. It is recommended that proteins make up 10% to 15% of one's daily calories. This will ensure adequate protein for growth, maintenance, and the repair of cells. Protein requirements for adults are not as high as those recommended for infants, children, and young adults. Note: individuals who are training intensely will have an increase in their protein requirements.

Vitamins are organic substances that are essential to the normal functioning of the human body. Although vitamins do not contain energy to be used by the body, these substances are essential in the metabolism of fats, carbohydrates and proteins. Because of the critical role vitamins play, it is necessary that they exist in proper quantities in the body.

Minerals are inorganic molecules that serve a variety of functions in the human body. The minerals that appear in the largest quantities (calcium, phosphorus, potassium, sulfur, sodium, chloride, and magnesium) are often called macrominerals. Other minerals are also essential to normal functioning of the body, but because they exist in smaller quantities (chromium, iron, copper, fluoride, iodine, manganese, molybdenum, selenium, and zinc) they are called microminerals.

A mineral that is often consumed in inadequate amounts by Americans is calcium. Calcium is a mineral important in the mineralization of bone, muscle contraction, and the transmission of nerve impulses. Osteoporosis is a disease characterized by

a decrease in the total amount of bone mineral in the body and by a decrease in strength of the remaining bone. This condition is most common in the elderly but may also exist in younger people who have diets inadequate in calcium or vitamin D or both.

Iron is another mineral that is often underconsumed by Americans. This is especially true of women. The oxygen-carrying properties of hemoglobin (blood) depend on the presence of iron. Anemia is a condition characterized by a decreased capacity to transport oxygen in the blood, and is also common in those lacking a sufficient amount of iron intake. Red meat and eggs are excellent sources of iron. Additionally spinach, lima and navy beans, and prune juice are excellent vegetarian sources of iron.

Sodium, on the other hand, is a mineral that many Americans over-consume. High sodium intake has been linked with hypertension, as well as high blood pressure. People can substantially reduce their sodium intake by limiting consumption of processed foods and decreasing the amount of salt added to foods when cooking.

In conclusion...don't forget hydration. Water is considered an essential nutrient because of its vital role in the normal functioning of the body. Water contributes approximately 60% of the total body weight and is essential in creating an environment in which all metabolic processes occur. Water is necessary to regulate temperature and to transport substances throughout the body.

FOLLOW THESE BASIC NUTRITIONAL GUIDELINES FOR GAINS IN STRENGTH AND LEAN MUSCLE MASS:

- 1. Choose your foods carefully. Try getting your carbohydrates from sources such as rice, vegetables, beans, whole grains, pasta and fruit. Good protein sources include fish, chicken, turkey, lean meat and low-fat or nonfat dairy products.**
- 2. Minimize your fat intake.**
- 3. Drink a minimum of 10 eight-ounce glasses of water each day.**
- 4. Eat four to six small meals a day, about three hours apart. Small meals are more easily digested and result in greater nutrition absorption.**
- 5. Avoid eating junk food and fast food.**
- 6. Time your protein intake of 40-55 grams approximately 75 minutes after your workout.**
- 7. Immediately following your workout, replenish your glycogen stores with approximately 50-75 grams of carbohydrates.**

For more information on nutrition visit your local library or book store. There are many excellent books available.

EXERCISE PRESCRIPTION



Sets

Sets are defined as a combination of any number of reps of one exercise. The number of sets used in a workout is directly related to training results. Typically, two to three sets are used by intermediate and advanced lifters to achieve optimum gains in strength. Experts agree that multiple-set systems work best for the development of strength and muscular endurance. Gains will be made at a faster rate by using a multiple-set system than gains achieved through a single-set system. The use of a single set of an exercise is recommended and very effective for individuals who are untrained or just beginning a resistance training program. One-set programs might also be used for simple maintenance once you are in shape. It is important to note that low-volume set programs will increase strength in untrained individuals, but more complex physiological adaptations, such as gains in muscle mass, tone, size, and performance usually requires higher-volume set training for the best results. Multiple sets of an exercise present a more intense training stimulus to the muscles during each set. Once your desired initial fitness level has been achieved, multiple-set performances of the exercise using the proper resistance (with specific rest periods between sets) will take you to the next level of strength training, endurance, and muscular development.

Resistance Used

The amount of resistance used for a specific exercise is probably the most important variable in resistance training. When designing a resistance training program, a weight for each exercise must be chosen. The use of repetition maximums (RM): the exact resistance that allows only a specific number of repetitions to be performed, is probably the easiest method for determining a resistance. Typically, one uses a training RM target or a RM target zone. Example: If your RM zone is 8 to 12 repetitions and you cannot lift the weight at least 8 times using proper form, the weight is too heavy. On the other hand, if you can easily lift the weight 12 times, the weight is too light. In either case, the weight needs to be changed. As the strength level of the lifter changes over time, the resistance is adjusted so a true RM target or target zone resistance is used.

Rest Periods Between Sets and Exercises

One frequently overlooked variable in exercise prescription is the length of the rest period between sets and between different exercises. Your desired fitness goals will normally determine the amount of time you allow your body to rest. Exercises involving high repetitions (15 to 20) and a high number of sets (3 to 4) with short rest periods (30 seconds) between sets will raise metabolic demands. This in turn will burn excess body fat and increase muscular endurance. Short rest periods are a characteristic of circuit weight training, and the resistances used are typically lighter. This type of workout is best for trimming body fat and toning muscle. Exercises with heavier resistance and fewer sets usually have a longer resting period between sets. The results of using this method are normally increased muscular strength and mass. If the desired outcome is to gain overall muscle mass, your exercise prescription should lean toward a higher weight resistance doing 2 to 6 repetitions per set, with a rest period of 3 to 4 minutes between each set.

Rest Periods Between Workouts

The amount of rest between training sessions depends on the recovery ability of the individual. Most experts agree that three workouts per week with one day of rest between sessions allows adequate recovery, especially for the beginner. If the resistance training is not excessive, only moderate amounts of delayed muscular soreness should be experienced one day after the session. As the lifter advances and his or her body is better able to tolerate and recuperate from the resistance exercise sessions, the frequency of training can be increased. Well-conditioned athletes may be capable of, and need training frequencies of 4 to 5 days in a row to improve significantly and achieve their desired goals. When consecutive-training-day sequences are used, it is usually beneficial to do different exercises for the same muscle groups and use different resistances for the exercises. When training is performed on consecutive days, it often involves the use of a split routine (different body parts exercised each day), or a split program (different exercises for the same body part performed each day). There are many books available at the library or your local book store for the intermediate and advanced weight training enthusiast. It is also recommended that you work with a qualified personal trainer to achieve your ultimate goals.

Order of Exercise

Leaders in the field of strength and conditioning believe that working the larger muscle groups first (chest, back, legs), should take priority over training the smaller muscle groups (biceps, triceps, deltoids, calves). The reason behind this exercise order is that the exercises performed in the beginning of the workout are the ones that are going to require the greatest amount of muscle mass to perform. Hence, exercising the smaller muscle groups first will deplete the body of the energy necessary to stimulate the larger muscle groups. Arm-to-leg ordering allows for some recovery of the arm muscles while the leg muscles are exercised. "Stacking" exercises is a common practice among body builders as a way to attempt to bring about muscle hypertrophy. Stacking is loading up different exercises on the same muscle group (ie. standing bicep curls, preacher curls, one arm concentration curls). The exercise order will have a significant impact on the training stimulus stress level in a training session.

Scheduling Training

Finding the time to do it is one of the most difficult aspects of a training program. Once you have established a time to workout you should plan a training routine based on what muscles to involve on which day. As previously discussed, the larger muscle groups such as the chest, back, and legs should take priority over working the smaller muscle groups. Give your muscles at least 48 hours (but no more than 72 hours) of rest in between sessions.

TRAINING TIPS FOR BEGINNER'S

ARE YOU A "BEGINNER" ?

A beginner can be classified as someone who has never touched a weight, may have lifted for a while, but has taken a substantial amount of time off, or has not consistently trained over the last six months. If you happen to fall into any of these categories, pay close attention, because the following information will be detrimental to the start of your training program.



As a beginner, one of the most common mistakes is doing too much. Because beginners often make good gains quickly, many fall into the trap of thinking that more is better. This may be true later in the training equation, but not for the novice. Some of the most common injuries occur as a result of taking on too much, too soon.

One of the questions most frequently asked is, "How much weight should I use?" Determining the weight for each exercise will vary from person to person. The weight for each exercise will be lifted in sets and repetitions. Repetition is defined as one execution of any exercise. A set is a combination of any number of repetitions of one exercise.

Experimentation at each exercise station is a good technique for determining the starting weight for an individual. Take the chest press exercise for example. Performing this exercise with a weight that can be pressed 30 times with ease will not help you achieve any particular goals. Adding the appropriate amount of weight that will allow you to perform a maximum of 8 to 12 repetitions will help you obtain the results you desire.

On the other hand, if you put too much weight on the press bar and press it 4 or 5 times, then common sense will tell you to reduce the weight, wait a few minutes, then try again. Remember, never sacrifice perfect form just for the sake of lifting heavier weight. This is a sure-fire, one-way trip down the road to injury. Making muscles work hard, with proper form is the name of the game.

Now that you understand how to test each station for your starting amount of resistance, you should know which muscles to train first. Training the large muscles groups first, such as your chest, legs, and back, should be done before training your small muscle groups like the arms, shoulders, and calves.

Starting with the large muscle groups will help you achieve and maintain quicker gains. The large muscles groups will require more stimulation and a higher intensity level than the smaller muscle groups. Training your arms with all-out intensity and training your chest immediately afterwards will not leave you with enough energy necessary to properly stimulate the muscle fibers in your chest. Moreover, because the triceps are required in chest press movements, your arm muscles will fail much more quickly than your chest muscles, which will also hold back your chest training.

As a beginner, you will find that your gains will come quickly. The excitement and enthusiasm that comes with these gains may cause you to spend even more time on your gym. Take it easy! Remember, just as too little exercise won't stimulate muscle growth...too much exercise won't either.

You need to give your body plenty of rest, especially if you're still sore from the last workout. This will keep you fresh and growing stronger. **NEVER TRAIN A BODY PART THAT IS STILL SORE FROM THE PREVIOUS WORKOUT.** Performing some flexibility exercises is a good way to keep the blood flowing through the sore area, but do not train these muscles again until you are feeling recovered.

Speaking of soreness, there is something else that you, as a beginner, should be aware of: If you work out - your muscles will get sore. The majority of muscle soreness comes from microtears and a build up of lactic acid in the muscle fibers. This is the result of intense exercise. Muscle soreness can become a problem when the body is pushed too fast and too quickly. As a beginner, tendons, ligaments, joints and tissues have not yet developed the ability necessary to recover from high intensity exercise. A general warm up of stretching and light calisthenics prior to exercise can possibly reduce the amount of post-exercise muscle soreness. A good cool down of stretching and cardio work may also decrease muscle soreness.

Now that we have laid a good foundation of the "do's and don'ts", let's get into something a little more specific. The Beginner's Strength Training Program. One of the best beginner's programs is the three-days-a-week routine. For example, do a whole-body workout on Monday, Wednesday and Friday. Use the other days for rest and recuperation. As previously discussed, you want to start with the large muscle groups first, then move on to the small muscle groups. Perform one exercise per muscle group that consists of 2 or 3 sets of 8 to 12 repetitions. Follow this routine for at least six to eight weeks in order for your body to establish the proper stimulation for growth.

One or two exercises per muscle group may not sound like enough to produce any results, but if you're a beginner - it most definitely will. As you continue to train and your body adapts to your exercise routine and recuperative demands you place upon it, you'll be able to add more sets and exercises to your routine.

Another point that is highly recommended is the assistance of a personal trainer. Through the use of a personal trainer you can learn the mechanics and techniques of exercise, how to use proper form to avoid injury and details on proper nutrition. A good trainer will also provide MOTIVATION.

When choosing a personal trainer, here are some tips: Choose an individual that is certified through an accredited association. This is a good way to ensure that he or she is qualified to give you what you need. Also, take a look at what kind of shape they are in. If you want to be in great shape, look for a trainer who is in great shape. They will know what it takes to get results. Here are a few recommended organizations:

- National Strength & Conditioning (719) 632-6722
- American College of Sports Medicine (317) 637-9200
- National Academy of Sports Medicine (312) 929-5101

SAMPLE WORKOUT ROUTINE WHEN TRAINING FOR STRENGTH

Exercises	Reps	Sets
Leg Press / Squat	8 to 12	2 or 3
Leg Extension	8 to 12	2 or 3
Leg Curl	8 to 12	2 or 3
Calf Raise	8 to 12	2 or 3
Bench / Chest Press	8 to 12	2 or 3
Incline Press	8 to 12	2 or 3
Incline Pec Fly	8 to 12	2 or 3
Lat Pulldown	8 to 12	2 or 3
Seated Row	8 to 12	2 or 3
Military Press	8 to 12	2 or 3
Upright Row	8 to 12	2 or 3
Bicep Curl	8 to 12	2 or 3
Tricep Pressdown	8 to 12	2 or 3
Tricep Extension	8 to 12	2 or 3
Resistance Ab Crunch	20 to 30	2 or 3
Resistance Oblique Crunch	20 to 30	2 or 3

Rest period between sets should be about 60 to 90 seconds.

COMMON TRAINING MISTAKES



1. Lack of Adequate Warm-Up and Inadequate Flexibility

A warmed muscle is a more flexible muscle that's better able to lift heavier weights and work in a full range of motion. Those warmed muscles also greatly reduce your chance of training injuries.

2. Improper Form

The use of improper form is a good way to keep you out of the gym. Not only does improper form cause injuries, it also doesn't allow for adequate muscle-fiber stimulation.

3. Too Much Weight

Overloading the muscles is a good way to promote muscular growth, but packing on too much weight can cause a snowball effect of improper form, injuries, and down time from your routine.

4. Not Enough Weight

Not lifting enough weight will prohibit the stimulation necessary for muscular growth. Keep challenging yourself to lift heavier weights on a progressive basis always maintaining proper form.

5. Not Enough Rest Between Workouts

If you're still sore from your previous workout, you don't have to go back at it just because it's your scheduled day. Give your body an extra day off to fully recover so when you return you will be able to give 100%.

6. Overtraining

It's not how much time you spend working out, but what you accomplish that really matters. Try to keep your resistance workouts within 45 to 60 minutes per session.

7. Poor Diet and Supplementation

Eating the right combination of foods, along with good supplementation, will greatly promote your success. Make your diet 50 percent carbohydrate, 35 percent protein, 15 percent fat, and take a good multivitamin and protein / carbohydrate supplement. Don't forget the water- at least 80 ounces a day! Hydration is critical.

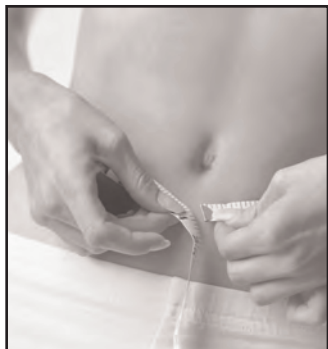
8. Stale Routines

Your body adapts very quickly to the demands placed upon it. That's why you should have a variety of exercises and routines that you can do. To keep your body growing, you've got to keep it off-guard. Changing your exercises and routines is a sure way to do it.

SETTING UP YOUR PERSONAL PROGRAM



It is important to first establish specific and realistic goals. You should determine your long term goal and then set a series of short term goals that will help you attain your long term goal. The most common goals are:



Muscular Endurance & Definition



Increase Strength



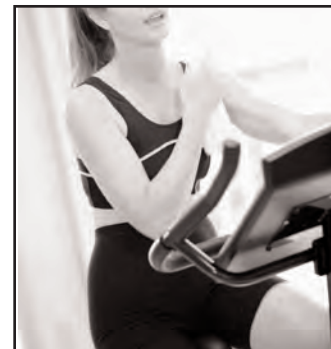
Increase Power & Muscle Mass

If your personal goals involve losing a considerable amount of body fat you will need to focus more on aerobic exercise and weight training for muscular endurance and definition. If your goals involve a large increase in muscle size you will need to focus on power and muscle mass weight training. Depending on your goals, you will have different nutritional requirements.

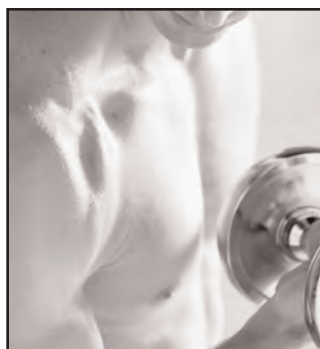
Once you have determined your personal goals, you will need to set up a schedule that helps you attain them. Set up a schedule that includes the number of workouts per week, the type of workout activity, the time of day for each workout, and the actual workout program. Don't forget to factor in the warm up and cool down periods. You may have to modify your current lifestyle to accommodate your new schedule. It's very important to include the following basic components to achieve successful results:



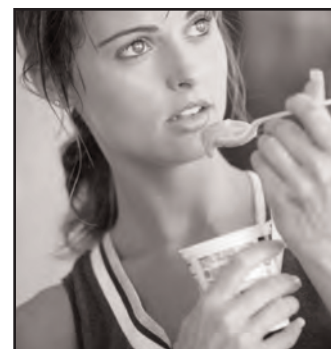
Stretching



Aerobic Exercise



Weight Training



Nutrition

DETERMINE YOUR TRAINING METHOD



There are three basic types of weight training methods:

1. Training for muscular endurance and definition
2. Training for strength
3. Training for power and muscle mass

You should select a training method that reflects both your present fitness level and your long term goals. You should begin carefully and with proper professional guidance. You can always move from one training method to another as you progress.

If you are beginner, you should start slowly and carefully, gradually increasing the frequency and intensity of your training. Always play it safe – be realistic about your goals and your schedule. Realistic goals are safer and easier to follow.

Which is the right training method for you? First, take a look at your present physique and determine your objectives. Do you want a trim, toned, well-defined body? Are you involved in a sport where speed, strength and power are most important? Maybe you want bulging muscles and a terrific V-shape torso so you look great on the beach. Once you make a decision on what the final results should be, you can set up your personal program using the proper training method to achieve your goals.

Which training method is right for you?

FOR MUSCULAR ENDURANCE & DEFINITION

This training method incorporates achieving and maintaining a high cardiovascular (heart) rate and helps burn away excess fatty tissue. It also adds muscle definition and muscular endurance to your entire body. Exercises are most commonly performed for 15 to 20 repetitions and 3 to 4 sets using a light to moderate weight. The rest period between sets should be about 30 seconds. These short rest intervals will help maintain an elevated heart rate and prevent the muscles from cooling down.

FOR STRENGTH

This type of training is the most popular of the three and is designed specifically for increasing strength throughout the muscle and the muscle-tendon junction. This type of training is especially important for athletes. Normally, exercises are performed using moderate to heavy weight for 8 to 12 repetitions and 2 to 3 sets. The rest period between sets should be from 60 to 90 seconds. This allows a degree of muscle recovery before you hit them again.

FOR POWER AND MUSCLE MASS

This is the method most often used by bodybuilders and is recommended only for the intermediate and advanced lifter. The weights used are heavy — this shocks the muscles and stimulates a more rapid increase in muscle size. Usually exercises are performed for 2 to 6 repetitions and 3 to 4 sets using very heavy weight. The rest period between sets should be from 3 to 4 minutes. The prolonged rest periods allow ample time for recovery between sets.

DESIGNING YOUR PERSONAL ROUTINE

FIRST:

You need to decide which of the above training methods is best suited to accomplish your personal goals.

SECOND:

Study the exercise poster that came with your Body-Solid machine and select one or two exercises per body part (body parts are listed to the left of the exercise pictures). Be sure to include exercises for all body parts. If you leave out certain body parts your exercise routine and your body will not be balanced. If you are trying to increase muscle mass or increase strength to a muscle group it is alright to add extra exercises to the area you are particularly concerned about.

THIRD:

Coordinate your body part exercise program and your personal schedule. If you select one exercise per body part you can normally do your entire routine in the same workout. If you choose to do more than 12 exercises you may decide to divide your workout routine into upper and lower body exercises. You can split your schedule to work upper body one day and lower body the next day. Remember to rest each particular muscle group 48 hours before working it again.

FOURTH:

Order the exercises in your routine so you are working the large muscle groups first and the small muscle groups last.

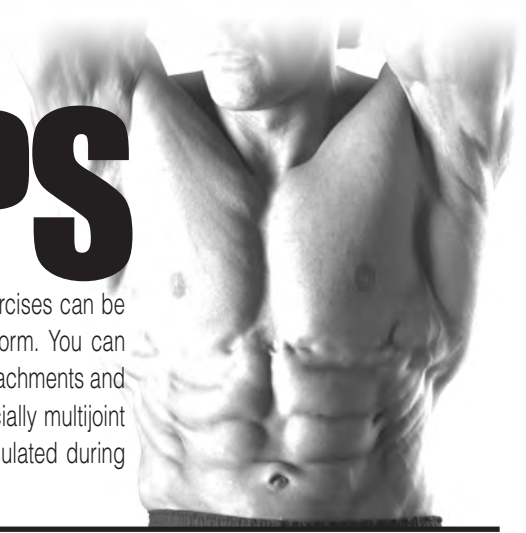
FIFTH:

Keep a record! Write down the exercises, number of sets, number of reps and the amount of resistance (weight).

BEGINNER'S SAMPLE WORKOUT ROUTINE WHEN TRAINING FOR DEFINITION

Exercise	Reps	Sets
Bench / Chest Press	15 to 20	3 or 4
Lat Pulldown	15 to 20	3 or 4
Shoulder Press	15 to 20	3 or 4
Tricep Pressdown	15 to 20	3 or 4
Bicep Curl	15 to 20	3 or 4
Leg Press/Squat	15 to 20	3 or 4
Leg Extension	15 to 20	3 or 4
Leg Curl	15 to 20	3 or 4
Calf Raise	15 to 20	3 or 4

EXERCISE TIPS



Listed below are Body-Solid's picks of the best exercises you can do for each body part. These exercises can be done using free weights, machines and multi-station gyms. Learn to do each exercise in proper form. You can make substitutions in your training and try variations of each using different Body-Solid grips, cable attachments and accessories to slightly change the emphasis of a particular exercise. Note: Many movements, especially multijoint exercises, work more than one muscle group. For example, your front deltoids and triceps are stimulated during bench / chest pressing movements.

CHEST

This powerful muscle group is the cornerstone of a well-developed upper body. To most thoroughly work your pecs, include both pressing and fly movements and vary the angle of the bench from decline to flat to incline.

BENCH / CHEST PRESS

INCLINE PRESS

DECLINE PRESS

PEC FLY

INCLINE FLY

DECLINE FLY

CABLE CROSSOVER

DIPS

SHOULDERS

The shoulder joint, which has the greatest range of motion of all joints in the body, is best worked by training all three deltoid heads. Include a pressing movement followed by a raise for each of the three heads.

SHOULDER PRESS

BEHIND THE NECK PRESS

FRONT DELTOID RAISE

LATERAL (SIDE) DELTOID RAISE

BENT-OVER LATERAL DELTOID RAISE

REVERSE PEC-FLY

UPPER BACK

A powerful upper back is marked by both middle-back thickness and width (the sought-after V-taper). This is best achieved by combining various rows with pull-downs and pull-ups. Remember to vary your grip to slightly change the stimulus.

PULL UP

UPRIGHT ROW

LAT PULLDOWN

SEATED ROW

BENT OVER ROW

HIGH ROW

REVERSE GRIP PULLDOWN

TRAPS

A signature muscle of a strong upper back, well-developed traps help prevent neck injury. Shrug movements should be done with heavy weights in a straight up-and-down motion.

STRAIGHT BAR SHRUG

DUMBBELL SHRUG

BEHIND THE BACK SHRUG

UPRIGHT ROW

LOWER BACK

Important not only for spinal protection but also because it's the seat of power for many exercises. If you spend a great deal of time crunching for abs, you need to balance your training for complete development and muscular balance.

PULL UP

UPRIGHT ROW

LAT PULLDOWN

SEATED ROW

BENT OVER ROW

HIGH ROW

REVERSE GRIP PULLDOWN

TRICEPS

This three-headed muscle on the back of your arm is involved in extension of the elbow. Like the biceps, the triceps cross the elbow and shoulder joints. Because of this, you can and should work the triceps through a variety of angles to ensure complete development.

LYING TRICEPS EXTENSION

CABLE TRICEPS EXTENSION

CABLE TRICEPS PRESSDOWN

CLOSE-GRIP BENCH PRESS

REVERSE-GRIP PRESSDOWN

TRICEPS PRESS

DIPS

BICEPS / FOREARMS

A two-headed muscle, the biceps' primary focus is to flex your elbow and supinate your wrist. The ability to build your biceps peak is largely genetic, but exercises that maximally stress the short head will help.

BICEPS

STANDING BICEP CURL

SEATED BICEP CURL

INCLINE CURL

PREACHER CURL

CONCENTRATION CURL

ONE-ARM CABLE CURL

FOREARMS

WRIST CURL

REVERSE WRIST CURL

ABDOMINALS

The rectus abdominus has upper and lower regions, but you can't isolate one area over the other. Still, include both upper and lower ab movement to more strongly emphasize those areas, and do twisting movements to work the obliques for complete development.

UPPER AB REGION

CABLE AB CRUNCH

DECLINE BENCH CRUNCH

LOWER AB REGION

REVERSE CRUNCH

HANGING KNEE RAISE

HIP THRUST

OBLIQUES

CABLE SIDE BEND

OBLIQUE CRUNCH

THIGHS / GLUTES

The main muscles of the thighs are the quadriceps which are composed of four muscles. You have several others near the hip joint, including the body's largest muscle group, the gluteals. Multijoint movements (in which action occurs at both the hip and knee joints) are your best choice to work these muscles.

BACK SQUAT

FRONT SQUAT

LEG PRESS

LUNGE

REVERSE LUNGE

STEP-UP

LEG EXTENSION (does not work glutes)

HAMSTRINGS

On the back of the thighs, the hamstrings balance the quads and allow for a wide range of movement. Good exercise choices include those that work the hamstrings and both the hip and knee joints.

DEADLIFT

STIFF-LEGGED DEADLIFT

GOOD MORNING

LYING LEG CURL

SEATED LEG CURL

ONE-LEGGED STANDING LEG CURL

CALVES

Calves consist of two major muscles, the gastrocnemius and soleus. The latter is best worked when the knee is flexed, as in the seated calf raise.

STANDING CALF RAISE

SEATED CALF RAISE

DONKEY CALF RAISE

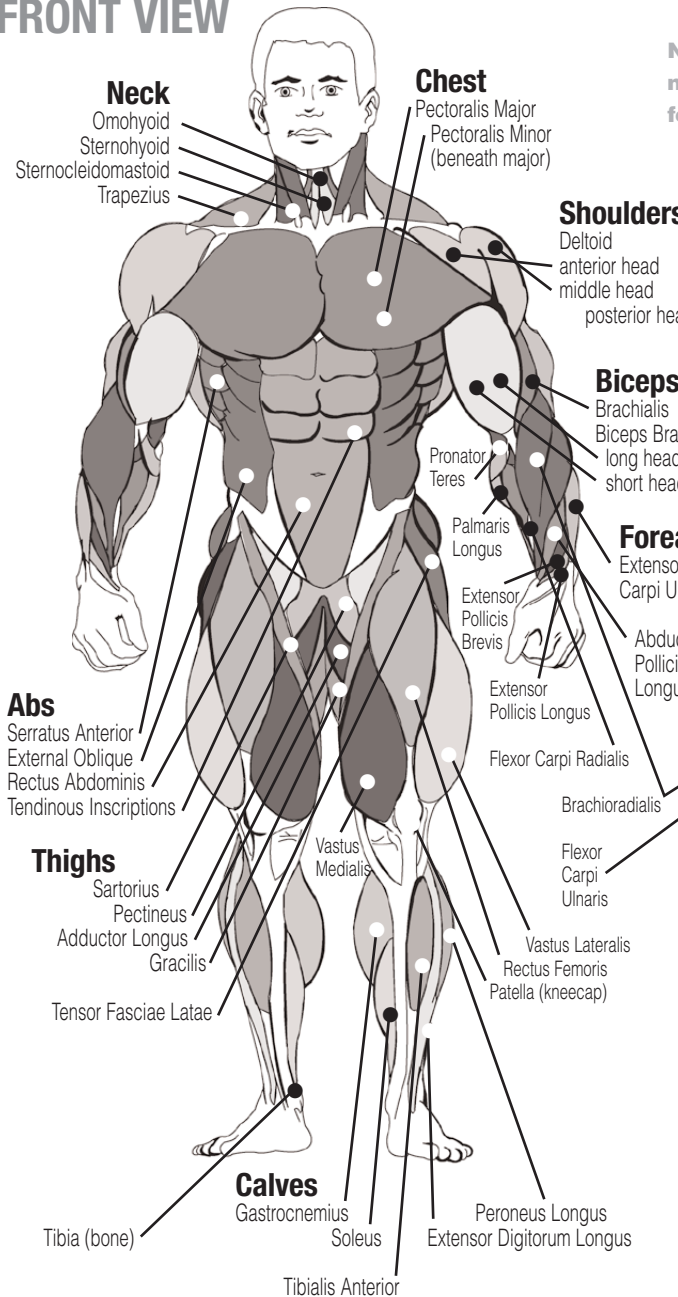
LEG PRESS CALF RAISE

HACK SQUAT CALF RAISE

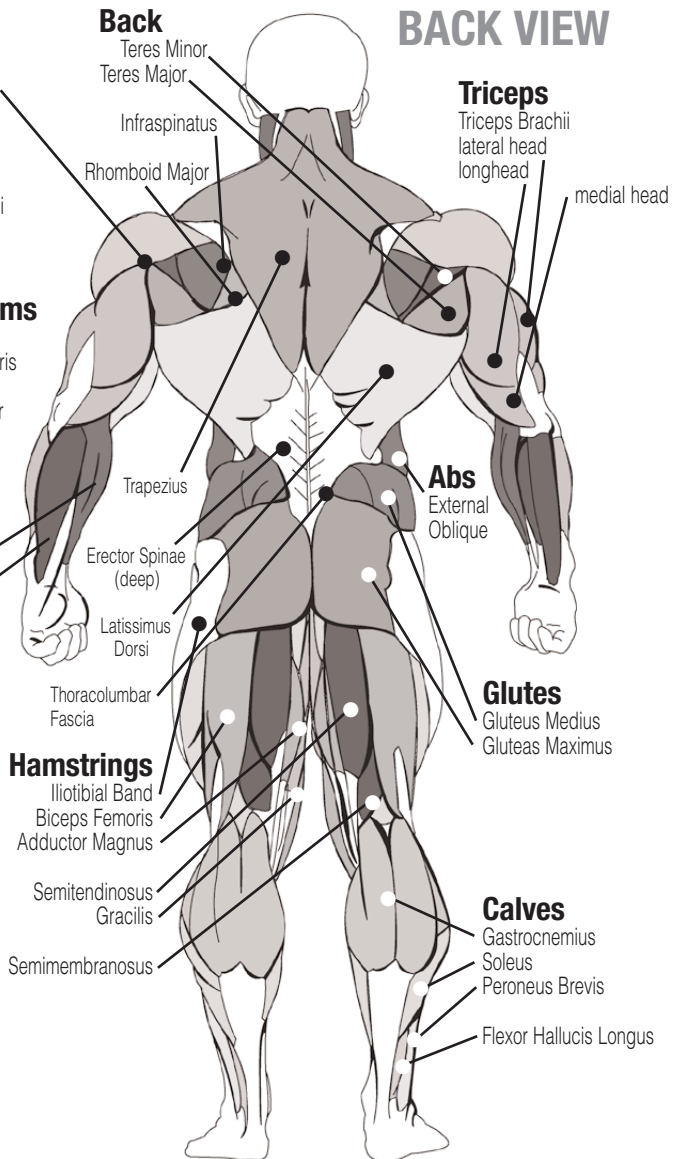
ANATOMY CHART



FRONT VIEW



Note: These illustrations depicting exaggerated musculature are not in the textbook anatomical position. As such, they are inexact for medical purposes but are useful for a general understanding.



FITNESS GOALS*



SHORT-TERM GOALS

Date Set _____ Date Accomplished _____

Goal _____

Reward** _____

Date Set _____ Date Accomplished _____

Goal _____

Reward** _____

Date Set _____ Date Accomplished _____

Goal _____

Reward** _____

LONG-TERM GOALS

Goal _____

Reward! _____

* Make several copies of this page to keep track of your goals and accomplishments.
** Don't forget to reward yourself for a job well-done!

WEIGHT TRAINING EXERCISE LOG



Date	S			R			W					
	S	R	W	S	R	W	S	R	W			
Exercise												
LEG PRESS / SQUAT												
LEG EXTENSION												
LEG CURL												
CALF RAISE												
BENCH / CHEST PRESS												
INCLINE PRESS												
INCLINE PEC FLY												
LAT PULLDOWN												
SEATED ROW												
MILITARY PRESS												
UPRIGHT ROW												
BICEP CURL												
TRICEP PRESSDOWN												
TRICEP EXTENSION												
RESISTANCE AB CRUNCH												
RESISTANCE OBLIQUE CRUNCH												
TOTALS												

S = Sets
R = Repetitions per set
W = Weight used

SAMPLE WORKOUT ROUTINE WHEN TRAINING FOR STRENGTH

Keep track of your changes and improvements. It's a great motivational tool!*

STRETCHING & FLEXIBILITY



Flexibility is an important component of physical fitness and needs to be addressed in a resistance training program. The two main purposes for stretching are injury prevention and a faster rate of recovery from exercise. Stretching should be performed in both the warm up and cool down phases of a training session. A good general guideline is that each workout session should be preceded by 5 to 15 minutes of general warm up, followed by 8 to 12 minutes of stretching, and concluded with 4 to 5 minutes of post-exercise stretching.

A regular stretching program will loosen muscle tissue, allowing an increased range of motion. This helps prevent microtears at the muscle-tendon junction. Almost 90% of all injuries from muscle strain occur at the muscle-tendon junction. Repeated injury at this junction can lead to a build-up of scar tissue, which impedes range of motion and adds stress to the joints.

Begin by stretching the major muscle groups first. Move in and out of your stretches with smooth, slow, controlled motion. Hold the stretch for at least 10 seconds when you feel you have reached your muscle's maximum distance. Do not use fast, hurried or reckless motions when stretching. Fast and bouncy motions will increase the risk of injury.

The most common and most popular type of stretching is the **static stretching** technique. This form of stretching involves voluntary, complete relaxation of the muscles while they are elongated. A static stretch is a constant, steady stretch in which the end position is held for 10 to 30 seconds. This technique is popular because it is easy to learn, effective, and accompanied by minimal soreness with the least risk of injury.

Ballistic stretching involves a bouncing or bobbing movement during the stretch. The final position in the movement is not held. Ballistic stretching is unpopular because of the increased amount of delayed muscle soreness and the possibility of injury during the stretching exercise. Ballistic stretching is not recommended.

A dynamic stretch involves flexibility during sport specific movements. **Dynamic stretching** is similar to ballistic stretching in that it utilizes movement, but dynamic stretching includes movements that may be specific to a sport or movement pattern. Dynamic stretching is most common among track and field athletes, but is also used in other sports, such as basketball and volleyball. An example of dynamic stretching would be a track sprinter performing high knees with an emphasis on knee height and arm action, not on horizontal speed.

The following pages show illustrations with descriptions of static stretching for warm up and post-exercise cool down. Remember... stretch your large muscle groups first and do all stretches in a smooth, slow, controlled manner.

STRETCHING WARM-UP/COOL-DOWN



UPPER BACK

Cross Arm in Front of Chest

MUSCLE(S) AFFECTED: *latissimus dorsi and teres major*

1. Stand or sit with the right arm slightly flexed (15° to 30°) and adducted across the chest.
2. Grasp the upper arm just above the elbow, placing the left hand on the posterior side of the upper arm.
3. Pull the right arm across the chest (toward the left) with the left hand.
4. Hold for 10 seconds.
5. Repeat with the left arm.



Stretching the upper back

UPPER BACK

Arms Straight Up Above Head (Pillar)

MUSCLE(S) AFFECTED: *latissimus dorsi and wrist flexors*

1. Stand with arms in front of torso, fingers interlocked with palms facing each other.
2. Slowly straighten the arms above the head with palms up.
3. Continue to reach upward with hands and arms.
4. While continuing to reach upward, slowly reach slightly backward.
5. Hold for 10 seconds.



Stretching the shoulders, chest and upper back

LOWER BACK

Spinal Twist (Pretzel)

MUSCLE(S) AFFECTED: *internal oblique, external oblique and spinal erectors*

1. Sitting with legs straight and upper body nearly vertical, place right foot on left side of left knee.
2. Place back of left elbow on right side of right knee, which is now bent.
3. Place right palm on floor 12 to 16 inches behind hips.
4. Push right knee to the left with left elbow while turning shoulders and head to the right as far as possible. Try to look behind the back.
5. Hold for 10 seconds.
6. Repeat with left leg.



Stretching the low back and sides

LOWER BACK

Semi-Leg Straddle

MUSCLE(S) AFFECTED: *spinal erectors*

1. Sitting, knees flexed 30 to 50 degrees, let the legs totally relax.
2. Point the knees outward; the lateral side of the knees may or may not touch the floor.
3. Lean forward from waist and reach forward with extended arms. Hold position for 10 to 15 seconds.
4. Bending and relaxing legs decreases hamstring involvement and increases lower back stretch.



Stretching the low back from seated position

STRETCHING WARM-UP/COOL-DOWN



SIDES

Side Bend with Straight Arms

MUSCLE(S) AFFECTED: *external oblique, latissimus dorsi and serratus anterior*

1. Stand with feet 14 to 16 inches apart.
2. Interlace the fingers with palms facing each other.
3. Reach upward with straight arms.
4. Keeping arms straight, lean from waist to left side.
Do not bend knees.
5. After moving as far as possible, hold for 10 seconds.
6. Repeat to the left side.



Stretching
the sides, upper
back and shoulders

SHOULDER

Seated Lean-Back

MUSCLE(S) AFFECTED: *deltoids and pectoralis major*

1. Sitting with legs straight and arms extended, place palms on floor about 12 inches behind hips.
2. Point fingers away (backward) from body.
3. Slide hands backward and lean backward.
4. Hold for 10 seconds.



Stretching shoulder
joints—sitting

CHEST

Straight Arms Behind Back

MUSCLE(S) AFFECTED: *deltoids and pectoralis major*

1. Standing, place both arms behind back.
2. Interlock fingers with palms facing each other.
3. Straighten arms fully.
4. Slowly raise the straight arms.
5. Hold for 10 to 15 seconds.
6. Keep head upright and neck relaxed.



Stretching the chest

Remember... do all stretches in a smooth, slow, controlled manner.

STRETCHING WARM-UP/COOL-DOWN

POSTERIOR OF THIGH

Sitting Toe Touch

MUSCLE(S) AFFECTED: hamstrings, spinal erectors and gastrocnemius

1. Sit with the upper body nearly vertical and legs straight.
2. Lean forward from waist and grasp toes with each hand, slightly pull toes towards the upper body, and pull chest towards leg. (If you are very stiff, try to grasp the ankles.) Hold for 10 seconds.
3. Release toes and relax foot.
4. Grasp ankles and continue to pull chest towards legs. Hold for 10 seconds.
5. Still grasping the ankles, point away from body and continue to pull chest towards legs. Hold for 10 seconds.



Stretching the hamstrings with emphasis on insertion of the hamstrings and calves.



Stretching the hamstrings with emphasis on the middle portion.



Stretching the hamstrings with emphasis on the upper portion.

GROIN

Butterfly

MUSCLE(S) AFFECTED: adductors and sartorius

1. Sitting with the upper body nearly vertical and legs straight, flex both knees as the soles of the feet come together.
2. Pull feet toward body.
3. Place hands on feet and elbows on legs.
4. Pull torso slightly forward as elbows push legs down.
5. Hold for 10 to 15 seconds.



Stretching the groin



STRETCHING WARM-UP/COOL-DOWN

GROIN

Straddle (Spread Eagle)

MUSCLE(S) AFFECTED: *gastrocnemius, hamstrings, spinal erectors, adductors and sartorius*

1. Sit with the upper body nearly vertical and legs straight, and spread legs as far as possible.
2. With right hand, grasp toes of right foot and pull on toes slightly, while pulling chest toward right leg. Hold for 10 seconds.
3. Release toes and relax foot.
4. Grasp ankle and continue to pull chest toward right leg. Hold for 10 seconds.
5. Point toes away from body and continue to pull chest toward right leg. Hold for 10 seconds.
6. Repeat process with the left leg.
7. Repeat process by grasping right toes with right hand and left toes with left hand. Move the torso forward and toward the ground.



Stretching the hamstrings and groin with emphasis on insertion of the hamstrings and calves



Stretching the hamstrings and groin with emphasis on the upper portion



Stretching the groin, low back and hamstrings



STRETCHING WARM-UP/COOL-DOWN

POSTERIOR OF LOWER LEG

Step Stretch

MUSCLE(S) AFFECTED: *gastrocnemius and soleus; also, achilles tendon*

1. Have ready a step or board 3 to 4 inches high.
2. Place balls of both feet on the step or board, 1 inch from its edge.
3. With straight legs, lower heels as far as possible.
4. Hold for 10 to 15 seconds.
5. To stretch achilles tendon, raise heels slightly. Slightly flex the knees and then lower the heels.
This stretch will be felt in the achilles tendon.
6. Hold for 10 to 15 seconds.
7. For a more intense and individualized stretch, perform this stretch with one leg at a time.



**Stretching the calves
standing on a step**



**Preparing to stretch
the achilles tendon by
slightly bending the knee**



**Stretching the
achilles tendon by
lowering the heel**

G9U WORKOUT

C H E S T



Horizontal Grip Chest Press
(Pectorals)

1. Insert pin into weight stack at desired resistance level.
2. Adjust seat pad, back pad and press arm pivot point so that when seated the horizontal press handles bisect the Chest (pectoral) muscles.
3. Sit comfortably on the seat pad with your back flat against the back pad.
4. Grasp horizontal press handles with your arms bent and palms facing down.
5. Keeping your elbows out and below your shoulders, extend your arms forward at a smooth, moderate pace throughout the exercise movement.
6. Pause for a moment, then slowly return to the starting position. Repeat movement.
7. Exhale on exertion, inhale on return motion.



Incline Press
(Upper Pectorals)

1. Insert pin into weight stack at desired resistance level.
2. Set Press Arms to the Incline Press position and set back pad to the Incline Press position.
3. Adjust seat pad height so that when seated the horizontal press handles bisect the upper chest (pectoral) muscles.
4. Sit comfortably on the seat pad with your back flat against the back pad.
5. Grasp horizontal bench handles with your arms bent and palms facing downward.
6. Keeping your elbows out and below your shoulders, extend your arms forward at a smooth, moderate pace throughout the exercise movement.
7. Pause for a moment, then slowly return to the starting position. Repeat movement.
8. Exhale on exertion, inhale on return motion.



Cable Crossover
(Pectorals)

1. Insert pin into weight stack at desired resistance level.
2. Attach utility strap to low pulley cable.
3. Stand with your right side facing the low pulley and your feet set shoulder width apart. Grasp the handle with your right hand. Bend slightly at the waist and maintain this torso angle throughout the exercise movement.
4. Keeping your palm facing toward your body and arm slightly bent, pull strap upward and across your body in a semicircular arc until it is approximately level with your shoulder.
5. Pause for a moment, then slowly return the strap, back along the same arc, to the starting position. Repeat movement.
6. Exhale on exertion, inhale on return motion.
7. Turn around and repeat with opposite arm.



Pectoral Fly
(Pectorals)

1. Insert pin into weight stack at desired resistance level.
2. Adjust seat pad height so that when seated and grasping handles your upper arms are parallel with the floor.
3. Sit comfortably on the seat pad facing away from the machine and your back flat against the back pad.
4. Grasp handles with arms slightly bent and upper arms parallel with the floor.
5. Use Chest (pectoral) muscles to bring your arms forward and inward until the pec arms touch.
6. Pause for a moment, then slowly return to the starting position. Repeat movement.
7. Exhale on exertion, inhale on return motion.

B A C K



Lat Pulldown
(Latissimus Dorsi)

1. Insert pin into weight stack at desired resistance level.
2. Attach Lat Bar to high pulley cable and adjust press arms out of the way.
3. Adjust seat pad so your knees fit comfortably under leg hold-down rollers. Sit on seat pad facing into machine.
4. Grasp Lat Bar 3 to 6 inches wider than your shoulders, on each side.
5. Keeping your elbows back during movement, slowly pull the Bar down toward your chest until it lightly touches the upper part of your chest.
6. Pause for a moment, then slowly return to the starting position. Repeat movement.
7. Exhale on exertion, inhale on return motion.



Shrugs
(Trapezius)

1. Insert pin into weight stack at desired resistance level.
2. Attach Straight Bar to low pulley cable.
3. Stand facing the low pulley with your feet set shoulder width apart.
4. Grasp the Straight Bar and stand erect with your arms extended straight down and the Bar resting across your thighs. Allow the weight to pull your shoulders forward and downward.
5. Use Trapezius strength to "shrug" your shoulders upward and backward as far as possible.
6. Pause for a moment, then slowly return to the starting position. Repeat movement.
7. Exhale on exertion, inhale on return motion.



Chest Supported Mid Row
(Latissimus Dorsi)

1. Insert pin into weight stack at desired resistance level.
2. Adjust seat height so that when seated the Press Arm handles pivot to slightly below your chest area. Adjust chest pad and Press Arm handles to match arm length for full stretch.
3. Sit facing machine. Lock your legs under rollers. Keep chest flat against pad throughout movement.
4. Grasp the handles with both hands allowing the weight to gently stretch your Lats.
5. Using back strength pull the handles toward you being sure to keep your elbows close to your sides. Continue to pull the Bar until it is even with your midsection.
6. Pause for a moment, then slowly return to the starting position. Repeat movement.
7. Exhale on exertion, inhale on return motion.



Seated Row
(Latissimus Dorsi)

1. Insert pin into weight stack at desired resistance level.
2. Attach Straight Bar to low pulley cable.
3. Sit on the floor with your knees slightly bent and your feet placed firmly against the foot brace.
4. Grasp the Bar in both hands. Straighten your arms and lean towards the pulley to gently stretch your Lats.
5. Simultaneously pull the Bar toward you and sit erect, being sure to keep your elbows close to your sides. Continue to pull the Bar until it touches your midsection.
6. Pause for a moment, then slowly return to the starting position. Repeat movement.
7. Exhale on exertion, inhale on return motion.

G9U WORKOUT

A R M S



Standing Bicep Curl
(Biceps)

1. Insert pin into weight stack at desired resistance level.
2. Attach Straight Bar to low pulley cable.
3. Take an underhand grasp on the Bar. Stand erect with your feet set at shoulder width, approximately 1 to 2 feet away from pulley. Your arms should be down at your sides with the Bar resting on your thighs.
4. Keeping your upper arms locked against the sides of your torso, use Bicep strength to curl the Bar upward and forward in a semicircular arc to a position beneath your chin.
5. Pause for a moment, then slowly return the Bar back along the same arc, to the starting position. Repeat movement.
6. Exhale on exertion, inhale on return motion.



Concentration Curl
(Biceps)

1. Insert pin into weight stack at desired resistance level.
2. Attach a short handle strap to low pulley.
3. Stand with your left side facing the machine with the low pulley in front of you and just to your left.
4. Bend forward at the hips and knees and position your right hand just above your right knee where it will remain throughout the exercise movement.
5. Grasp the handle in your left hand, palm up. Keeping your left elbow anchored between your right hand and your left knee, slowly raise the handle upward in a semicircular arc until it lightly touches your chest.
6. Pause for a moment, then slowly return along the same arc to the starting position and repeat movement.
7. Exhale on exertion, inhale on the return motion.
8. Turn around and repeat with right arm.



Triceps Press Down
(Triceps)

1. Insert pin into weight stack at desired resistance level.
2. Attach Straight Bar to high pulley cable.
3. Stand erect with your feet set at shoulder width. Take an overhand grasp of the Straight Bar with your hands set 3 to 5 inches apart.
4. Pull the Bar down and lock your upper arms against the sides of your torso where they must remain throughout the exercise movement. Lean slightly forward at the waist.
5. Moving only your forearms, use Triceps strength to press the Bar downward in a semicircular arc to a position below your waist.
6. Pause for a moment, then slowly return the Bar back along the same arc, to the starting position. Repeat movement.
7. Exhale on exertion, inhale on return motion.



Seated Triceps Extension
(Triceps)

1. Insert pin into weight stack at desired resistance level.
2. Attach Tricep Strap to middle pulley cable. Adjust seat pad to a comfortable position.
3. Sit comfortably on seat pad, facing away from the machine. Reach behind your head and secure your hands into the loops of the Tricep Strap.
4. Bend at the waist so that your torso is at an approximate 45° angle from the machine. Keep your hands behind your head and your arms bent with your elbows facing forward.
5. Keeping your upper arms motionless, use triceps strength to move the Strap forward and outward in an arcing motion until your arms are fully extended.
6. Pause for a moment, then slowly return the Strap back along the same arc, to the starting position. Repeat movement.
7. Exhale on exertion, inhale on return motion.

L E G S



Leg Press
(Quadriceps & Hamstrings)

1. Insert pin into weight stack at desired resistance level.
2. Adjust back pad to desired position.
3. Sit comfortably against seat pad with your back against the back pad and your feet against the press plate.
4. Grasp the handles at your sides for support.
5. Using leg muscles, slowly press the foot plate until your legs are extended. *Do not lock out your knees.*
6. Pause for a moment, then slowly return to the starting position. Repeat movement.
7. Exhale on exertion, inhale on return motion.



Calf Press
(Gastrocnemius)

1. Insert pin into weight stack at desired resistance level.
2. Adjust back pad to desired position.
3. Sit comfortably on seat pad with your back flat against the back pad and the balls of your feet securely against the bottom portion of the press plate.
4. Grasp the handles at your sides for balance and stability.
5. Extend your legs and hold them in this position throughout the exercise.
6. Extend your feet forward as far as you comfortably can, hold that position for a moment and then return your feet to the furthest back position you comfortably can. Repeat movement.
7. Exhale on exertion, inhale on return motion.



Leg Extension
(Quadriceps)

1. Insert pin into weight stack at desired resistance level.
2. Adjust seat pad, back pad and each set of rollers so that your knee joints line up with the pivot point and your ankles fit comfortably under the leg pads.
3. Using Quadricep strength, extend your feet outward and upward until your legs are extended.
4. Pause for a moment, then slowly return your feet back along the same arc, to the starting position. Repeat movement.
5. Exhale on exertion, inhale on return motion.



Standing Leg Curl
(Hamstrings)

1. Insert pin into weight stack at desired resistance level.
2. Stand facing machine and hook your left heel under the bottom leg pad with left knee positioned slightly below the top roller pad. Grasp bench handles for stability.
3. Use hamstring strength to pull and curl your left foot upward, bending your knee as much as possible.
4. Pause for a moment, then slowly return your foot back along the same arc, to the starting position. Repeat movement.
5. Exhale on exertion, inhale on return motion.
6. Change sides and repeat with opposite leg.

G9U WORKOUT

SHOULDERS



Shoulder Press
(Deltoids)

1. Insert pin into weight stack at desired resistance level.
2. Set Press Arms to the Shoulder Press position and set back pad to the Shoulder Press position.
3. Adjust seat pad height so that when seated the horizontal press handles bisect the shoulder (deltoid) muscles.
4. Sit comfortably on the seat pad with your back flat against the back pad.
5. Grasp horizontal bench handles with your arms bent and palms facing downward.
6. Keeping your elbows out, extend your arms forward at a smooth, moderate pace throughout the exercise movement.
7. Pause for a moment, then slowly return to the starting position. Repeat movement.
8. Exhale on exertion, inhale on return motion.



Side Deltoid Raise
(Deltoids)

1. Insert pin into weight stack at desired resistance level.
2. Attach Utility Strap or the Tricep/Ab Strap to the low pulley cable.
3. Stand with your right side facing the machine.
4. Securely grasp the Strap with your left hand and your palm facing down.
5. Using shoulder muscle strength, slowly raise the Strap upward and outward in a semicircular arc until it is in a position slightly above shoulder level.
6. Pause for a moment, then slowly return the Strap along the same arc, back to the starting position. Repeat movement.
7. Exhale on exertion, inhale on return motion.
8. Change hands, turn around and repeat with opposite arm.



Upright Row
(Deltoids & Trapezius)

1. Insert pin into weight stack at desired resistance level.
2. Attach Straight Bar to low pulley cable.
3. Stand erect, facing machine, with your feet approximately shoulder width apart and grasp the Bar with your hands set approximately 6 inches apart and your palms facing down.
4. Straighten your arms and allow the weight to pull your arms straight down.
5. Keeping your elbows above your hands at all times, slowly pull the Bar upward until the back of your hands lightly touch your chin.
6. Pause for a moment, then slowly return to the starting position. Repeat movement.
7. Exhale on exertion, inhale on return motion.



Rear Deltoid Fly
(Deltoids & Trapezius)

1. Insert pin into weight stack at desired resistance level.
2. Adjust seat pad height so that when seated and rasing handles your upper arms are parallel with the floor.
3. Sit comfortably on the seat pad facing the machine with your back straight.
4. Grasp handles with arms slightly bent and upper arms parallel with the floor.
5. Using rear Deltoid muscle strength, pull the pec arms backward toward each other as far as you comfortably can.
6. Pause for a moment, then slowly return to the starting position. Repeat movement.
7. Exhale on exertion, inhale on return motion.

H I P S



Leg Abduction
(Outer Thighs)

1. Insert pin into weight stack at desired resistance level.
2. Attach Utility Strap to left ankle and low pulley cable. Stand 1 to 2 feet away from the pulley with your right side toward the machine.
3. Keeping your legs straight and your body balanced, allow the weight to pull your leg across your body and toward the machine. Be sure to keep hands away from all moving parts.
4. Using Outer Thigh strength, slowly pull your left leg across and away from your body as far as comfortably possible.
5. Pause for a moment, then slowly return along the same arc, to the starting position. Repeat movement.
6. Exhale on exertion, inhale on return motion.
7. Turn around and repeat with opposite leg.



Leg Adduction
(Inner Thighs)

1. Insert pin into weight stack at desired resistance level.
2. Attach Utility Strap to right ankle and low pulley cable. Stand 1 to 2 feet away from the pulley with your right side toward machine.
3. Keeping your legs straight and your body balanced, allow the weight to pull your leg away from your body and toward the machine. Be sure to keep hands away from all moving parts.
4. Using Inner Thigh strength, slowly pull your right leg across your body as far as comfortably possible.
5. Pause for a moment, then slowly return along the same arc, to the starting position. Repeat movement.
6. Exhale on exertion, inhale on return motion.
7. Turn around and repeat with opposite leg.



Glute Kickback
(Glutes)

1. Insert pin into weight stack at desired resistance level.
2. Attach the utility strap to the low pulley and then to your left ankle.
3. Stand facing the machine with your left foot in front of the low pulley.
4. Keeping your legs straight and your body balanced, slowly pull your left leg toward the machine. Hold the back pad for balance.
5. Keeping both legs straight and using Gluteal strength, slowly pull your left leg backward and behind your body as far as comfortably as possible.
6. Pause for a moment, then slowly return along the same arc to the starting position and repeat movement.
7. Exhale on exertion, inhale on the return motion.
8. Attach utility strap to your right ankle and repeat above steps with your right leg.



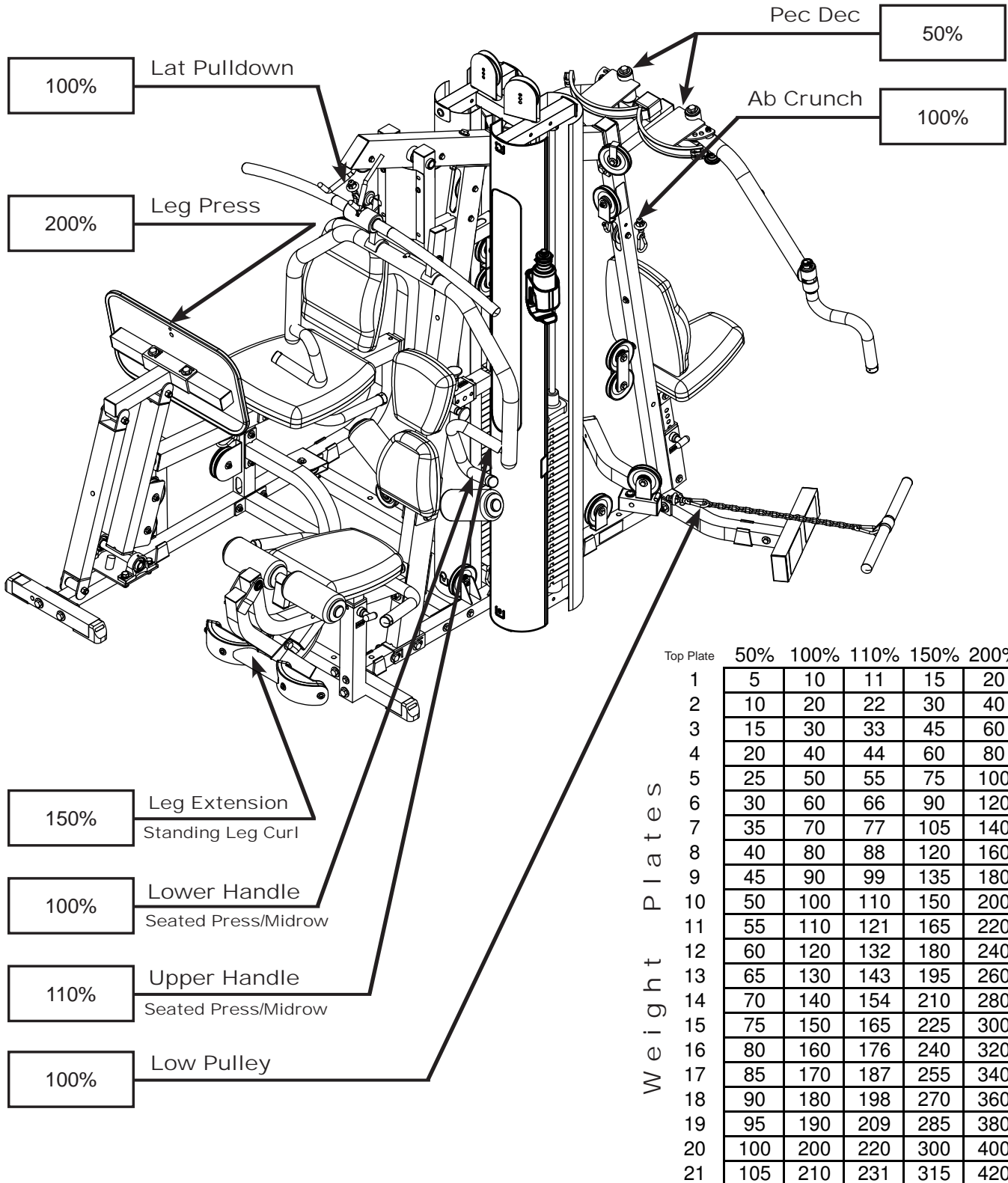
Resistance Ab Crunch
(Abdominals)

1. Insert pin into weight stack at desired resistance level and adjust Press Arms to Storage position.
2. Attach Tricep / Ab Strap to middle pulley cable and adjust back pad to Chest Press position.
3. Sit on seat pad with your back resting against back pad. Grasp the Strap and place it securely over your shoulders, keeping your hands planted firmly on your upper chest throughout the entire exercise movement.
4. Using Abdominal muscle strength, slowly bend forward at the waist as far as possible.
5. Pause for a moment, then slowly return back to the starting position. Repeat movement.
6. Exhale on exertion, inhale on return motion.

A B S

Weight Ratios

Below is a description of the different weight ratios for your selectorized gym. This chart shows actual weight being lifted according to the exercise performed. To use the chart below, count the number of selected plates, locate the plate number on the chart and move across to the correct weight ratio. The resulting value is the actual weight being lifted during the exercise.



Mainframe Parts List

Part#	Qty	Description	
A	1	MAIN BASE FRAME	
B	1	SIDE BASE FRAME	
C	1	FRONT BASE FRAME	
D	1	REAR BASE FRAME	
E	1	REAR VERTICAL FRAME	
F	1	FRONT VERTICAL FRAME	
G	1	TOP MAIN FRAME	
H	1	PEC DEC FRAME	
J	4	GUIDE ROD	
K	1	TOP PULLEY FRAME	
L	1	LEG EXTENSION FRAME	
M	1	PLATE	2" x 6"
N	1	LEG EXTENSION ARM	
P	1	SHAFT	2"
Q	1	LEG EXTENSION PAD HOLDER	
S	1	LEG EXTENSION SEAT PAD FRAME	
T	1	HYDRAULIC SEAT ADJUSTER	- PREINSTALLED
U	2	LEG EXTENSION HANDLES	
W	1	FOAM ROLLER BAR	
X	2	LEG HOLD DOWN	
Y	1	BACK PAD HOLDER	
Z	1	BACK PAD ADJUSTER	

Part numbers are required when ordering parts.

Mainframe Parts List

Part#	Qty	Description	
ZB	1	BACK PAD INSERT	
AA	1	SEATED PRESS ARM SUPPORT	
AB	1	SHAFT	9"
AC	1	SEATED PRESS ARMS	
AD	1	SHAFT	11 3/4"
AK	1	RIGHT PEC DEC ARM	
AL	1	RIGHT PEC DEC CAM	
AM	1	RIGHT PEC DEC HANDLE	
AP	1	LEFT PEC DEC ARM	
AQ	1	LEFT PEC DEC CAM	
AR	1	LEFT PEC DEC HANDLE	
AU	1	HYDRAULIC SEAT ADJUSTER	
AV	1	PEC DEC SEAT FRAME	
AY	1	LOW PULLEY FRAME	
AZ	1	FOOT BRACE	
BA	1	LEG PRESS CONNECTION	
BB	1	LEG PRESS FRAME	
BC	1	LEG PRESS FRONT	
BD	1	LEG PRESS PIVOT	
BE	1	FRONT LEG PRESS PIVOT	
BF	3	SHAFT	3"
BG	1	FOOT PLATE T-FRAME	
BH	2	LEG PRESS HANDLES	
BL	2	SEAT PAD FLANGE	
BP	1	LEG PRESS BACK PAD FRAME	
BR	1	FOOT PLATE	

Part numbers are required when ordering parts.

Hardware List

Part#	Qty	Description		
1	2	WEIGHT STACK PIN	4 1/4" L x 7/16" W	
2	1	STEEL SLEEVE	1/2" OD x 5/16" ID x 3/4" L	
3	2	STEEL CHAIN	3/16"	
4	2	STEEL BUSHING	3/4" OD x 1/2" ID x 5/16" W	
5	6	PLASTIC WASHER	3" OD x 1" ID	
6	2	SELECTOR ROD	25 selector holes	
7	3	PULLEY CABLE GUIDE	3" L x 1" W	
8	2	TOP PLATE	10 Lb	
9	2	OILITE WASHER	1 3/8" OD x 1" ID	
10	10	PULLEY SPACER	9/16" OD x 3/8" ID x 5/8" L	
12	4	FOAM ROLLER	4" x 8"	
13	6	PLASTIC END CAP	50mm x 50mm x 1.8mm T	
14	13	PLASTIC END CAP	50mm x 50mm x 2.5mm T	
15	4	PLASTIC END CAP	1" x 2"	
16	2	PLASTIC END CAP	50mm x 100mm	
17	1	FRAME HOLE CAP	Ø 3/8"	
18	4	CHROME ROLLER END CAP	1"	
19	3	FOOT CAP	50mm x 50mm x 1.8mm T	
20	2	FOOT CAP	50mm x 50mm x 2.5mm T	
21	2	PLASTIC BUSHING	50mm x 50mm x 50mm L	
22	4	SHAFT COLLAR	1 3/8" OD x 3/4" ID x 1 1/2" L	
23	3	PLASTIC BUSHING	50mm x 50mm x 160mm L	
24	2	PLASTIC BALL END CAP	2"	
25	5	FRAME LEVELER	50mm x 50mm	
26	25	PLASTIC PULLEY	110mm x 22mm W	
27	1	PLASTIC PULLEY	75mm x 22mm W	
28	4	WEIGHT STACK SHIMS	50mm x 50mm	
29	4	ROUND END CAP	1 1/2"	
30	2	RUBBER PAD		
31	4	RUBBER DONUT	65mm OD x 70mm L	
32	1	SQUARE RUBBER CAP	50mm x 50mm	
33	2	GRIP TAPE	95mm x 140mm	
34	2	PLASTIC PULLEY	4 1/4" x 1" W	
41	6	OILITE BUSHING	7/8" OD x 5/8" ID (LEG PRESS)	
42	3	RUBBER STOP	1 1/2"	
43	7	SNAP LINK		
45	2	PILLOW BLOCK BEARING	1" ID	
47	1	RUBBER FOOT PLATE GUARD		- PREINSTALLED
48	3	T-SHAPED POP PIN	3" L	
49	2	OILITE BUSHING	1/2" ID x 3/4" OD	(LEG EXTENSION)
50	2	BALL HEAD POP PIN	5 1/2" L	(PEC DEC)
51	*	WEIGHT STACK PLATE	10 Lb	*(40-G9S/50-G9U)
52	2	SELECTOR ROD TOP BOLT	1/2" x 2"	FULL THREAD
53	2	SPRING LOCK WASHER	1/2"	
54	2	JAM NUT	1/2"	
55	4	WEIGHT STACK RISERS	4 7/8" L	
56	2	BALL HEAD POP PIN	3 13/16" L	(BACK SUPPORT)
57	1	BALL HEAD POP PIN	3 11/16" L	(SEATED PRESS)
59	2	HEX HEAD BOLT	1/2" x 1"	FULL THREAD
60	2	HEX HEAD BOLT	1/2" x 5 1/2"	PARTIAL THREAD
61	3	HEX HEAD BOLT	1/2" x 5 1/4"	PARTIAL THREAD

Part numbers are required when ordering parts.

Hardware List (continued)

Part#	Qty	Description		
62	1	HEX HEAD BOLT	1/2" x 5"	PARTIAL THREAD
63	1	HEX HEAD BOLT	1/2" x 3 1/2"	PARTIAL THREAD
64	9	HEX HEAD BOLT	1/2" x 3 1/4"	PARTIAL THREAD
65	4	HEX HEAD BOLT	1/2" x 3"	PARTIAL THREAD
66	4	HEX HEAD BOLT	1/2" x 1 3/4"	FULL THREAD
70	1	HEX HEAD BOLT	3/8" x 3 1/2"	PARTIAL THREAD
71	2	HEX HEAD BOLT	3/8" x 3 1/4"	PARTIAL THREAD
72	6	HEX HEAD BOLT	3/8" x 3"	PARTIAL THREAD
73	16	HEX HEAD BOLT	3/8" x 2 3/4"	PARTIAL THREAD
74	1	HEX HEAD BOLT	3/8" x 2 1/2"	PARTIAL THREAD
75	2	HEX HEAD BOLT	3/8" x 2"	PARTIAL THREAD
76	19	HEX HEAD BOLT	3/8" x 1 3/4"	PARTIAL THREAD
77	2	FLAT ALLEN HEAD	3/8" x 2"	FULL THREAD
78	2	HEX HEAD BOLT	3/8" x 7/8"	FULL THREAD
79	2	ROUND ALLEN HEAD	M10x30	FULL THREAD
80	2	HEX HEAD BOLT	5/16" x 5"	PARTIAL THREAD
81	1	HEX HEAD BOLT	5/16" x 3 1/4"	PARTIAL THREAD
82	6	HEX HEAD BOLT	5/16" x 2 3/4"	FULL THREAD
83	10	HEX HEAD BOLT	5/16" x 1"	FULL THREAD
84	1	FLAT ALLEN HEAD	5/16" x 1 1/2"	FULL THREAD
85	2	FLAT ALLEN HEAD	5/16" x 3/4"	FULL THREAD
86	6	ROUND ALLEN HEAD	M8x15	FULL THREAD
87	9	ROUND ALLEN HEAD	M10x16	FULL THREAD
88	14	ALLEN SCREW	5/16" x 5/16"	FULL THREAD
89	4	ROUND ALLEN HEAD	5/16" x 3/4"	FULL THREAD
90	29	NYLON LOCK NUT	1/2"	
91	51	NYLON LOCK NUT	3/8"	
92	4	NYLON LOCK NUT	5/16"	
93	49	WASHER	1/2"	
94	86	WASHER	3/8"	
95	23	WASHER	5/16"	
96	25	SPRING LOCK WASHER	5/16"	
97	6	WASHER	M8	(8 mm shrouds)
98	9	WASHER	M10	(10 mm shrouds)
99	2	NYLON LOCK NUT	M10	
100	2	SPRING LOCK WASHER	3/8"	
101	16	ALLEN SCREW	3/16" x 3/16"	- PREINSTALLED
102	8	CHROME END CAP	1 3/8" OD x 1" ID x 3/4" L	- PREINSTALLED
103	2	BEARING	(37 OD x 12 ID x 10 L) mm	(LEG EXTENSION) - PREINSTALLED
104	2	OILITE BUSHING	1 3/4" OD 1" ID	(SEATED PRESS) - PREINSTALLED
105	2	OILITE BUSHING	7/8" OD 5/8" ID	(LOW ROW) - PREINSTALLED
106	2	CHROME COLLAR	1 7/16" OD x 1" ID	
107	12	OILITE BUSHING	1 3/4" OD 1" ID	(PEC DEC) - PREINSTALLED
108	3	LOCK NUT	3/16" ID	- PREINSTALLED
112	2	HEX HEAD BOLT	3/8" x 1"	(ADJUSTMENT BOLT) FULL THREAD
113	5	LOCK NUT	3/8"	
114	2	STEEL BUSHING	1 3/4" OD 1" ID	(SEATED PRESS) - PREINSTALLED
115	2	RETAINING RING	1 3/4" OD 1" ID	(SEATED PRESS) - PREINSTALLED
129	2	WEIGHT STACK PIN LANYARD		

Part numbers are required when ordering parts.

Hardware List (continued)

Part#	Qty	Description	
130	1	DOUBLE PULLEY HOLDER	
131	1	PEC DEC PULLEY HOLDER	
132	2	PULLEY PLATE	
133	1	PULLEY HOLDER WITH HOOK	
135	2	CABLE END SHAFT	3/4" L
136	2	ALLEN SCREW	M4x8
137	2	PLASTIC PULLEY	110mm x 25mm W
140	2	WEIGHT STACK STICKERS	(1-25)
142	2	SCREW	M4x12
143	4	WASHER	M4
144	2	LOCK NUT	M4
145	1	WATER BOTTLE BRACKET	
146	1	WATER BOTTLE HOLDER	
147	1	WATER BOTTLE	
155	2	ACORN CAP NUT	1/4"

Part numbers are required when ordering parts.

Shroud List

Part#	Qty	Description
AE	1	SEATED PRESS HINGE SHROUD
CA	1	WEIGHT STACK SHROUD
CB	1	SHROUD INSERT
CC	1	WEIGHT STACK SHROUD
CD	1	WEIGHT STACK SHROUD
CE	1	SHROUD INSERT
CF	1	WEIGHT STACK SHROUD

Pad List

R	2	LEG PAD
V	1	LEG EXTENSION SEAT PAD
ZA	1	UPPER BACK PAD
ZC	1	LOWER BACK PAD
AW	1	PEC DEC SEAT PAD
AX	1	PEC DEC BACK PAD
BM	1	LEG PRESS SEAT PAD
BQ	1	LEG PRESS BACK PAD

Cable List

34	1	LEG PRESS CABLE	4300 mm	(14' 1 1/4")
35	1	LOW PULLEY CABLE	4425 mm	(14' 6 1/4")
36	1	LAT PULLDOWN CABLE	4170 mm	(13' 8 1/8")
37	1	LEG EXTENSION CABLE	2635 mm	(8' 7 3/4")
38	1	PEC DEC CABLE	1890 mm	(6' 2 1/2")
39	1	AB CRUNCH CABLE	1545 mm	(5' 7/8")
40	1	SHORT CABLE	520 mm	(1' 8 3/4")

Accessories List

120	1	LAT BAR		
121	1	LOW ROW BAR		
122	1	ANKLE STRAP		
123	1	AB CRUNCH HARNESS		
124	2	FOAM GRIP	1 1/2" OD X 18" L	- PREINSTALLED
125	2	FOAM GRIP	1 1/2" OD X 8 3/8" L	- PREINSTALLED
126	2	FOAM GRIP	1 1/2" OD X 17 1/4" L	- PREINSTALLED
127	2	FOAM GRIP	1 1/2" OD X 24" L	- PREINSTALLED
128	4	FOAM GRIP	1 1/2" OD X 17" L	- PREINSTALLED
138	1	BODYSOLID SEAT BAND		(9630-059)
139	2	BODYSOLID SEAT BAND		(9630-056)
149	1	TOUCH-UP PAINT	DARK GREY	
150	1	TOUCH-UP PAINT	SILVER	
151	1	TOUCH UP PAINT	GRAY	
152	1	WORKOUT POSTER		
153	1	BODYSOLID PLASTIC PLATE		
154	1	BODYSOLID WORKOUT DVD		
156	2	POSTER CLIPS		

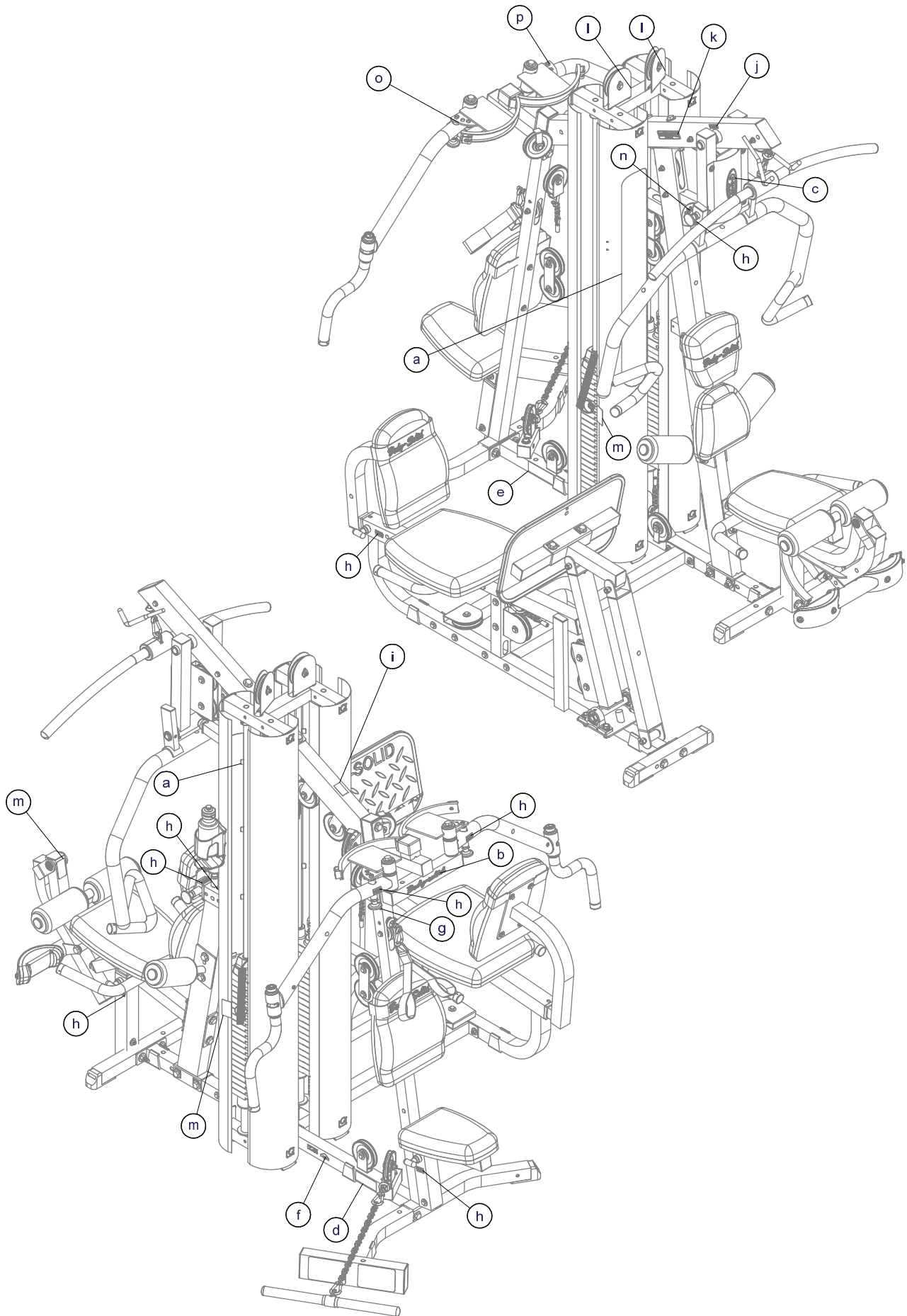
Part numbers are required when ordering parts.

Logo List

Please reference the logo diagrams on the following pages while referring to the logo list below.

Part#	Qty	Description	
a	2	BODYSOLID LOGO	(9440-028)
b	1	BODYSOLID LOGO	(9440-027)
c	1	G9U LOGO	(9440-132)
d	1	WARNING STICKER	(9440-105)
e	1	MAINTENANCE LABEL	(9440-103)
f	1	COUNTRY OF ORIGIN STICKER	(9440-055)
g	1	CABLE WARNING STICKER	(9440-113)
h	8	POP PIN CAUTION STICKER	(9440-055)
i	1	PATENT STICKER	(9440-090)
j	1	ATTENTION LABEL	(9440-026)
k	1	BODYSOLID PLATE	(9440-199)
l	2	ADJUST CABLE HERE STICKER	(9440-115)
m	3	PINCH POINT STICKER	(9440-117)
n	1	PRESS ARM STICKER	(9440-100)
o	1	ADJUSTMENT STICKER	(9440-138)
p	1	ADJUSTMENT STICKER	(9440-142)

Part numbers are required when ordering parts.



MAINTENANCE SCHEDULE		D	W
Check the function and integrity of the following components. As noted, inspect equipment before each workout. Replace all damaged, broken or worn components immediately.		A	E
		I	K
		L	L
		Y	Y
Cables:	Check tension, end fittings, and coating	✓	
	Check that locking nut at weight stack is tight		✓
Upholstery:	Wipe down and dry	✓	
	Clean and condition		✓
Frame:	Wipe down and dry	✓	
	Polish / Wax		✓
Chrome:	Wipe down and dry	✓	
	Polish / Lubricate		✓
Nuts / Bolts / Fasteners:	Tighten and / or adjust as needed		✓
Guide Rods:	Lubricate and clean		✓
Linear Rods:	Lubricate and clean		✓
Seat Sleeves:	Lubricate and clean		✓
Adjustments / Locking Pins / Tightening Knobs			✓
Weight Stack Pins			✓
Warning Instruction Labels			✓
Springs / Pop Pins		✓	
Anti Skid Surfaces			✓
Hand Grips / Rollers			✓
For Body-Solid Customer Service Call 1-800-556-3113 <small>#MSSTKR0803</small>			

Part# e

Maintenance Label

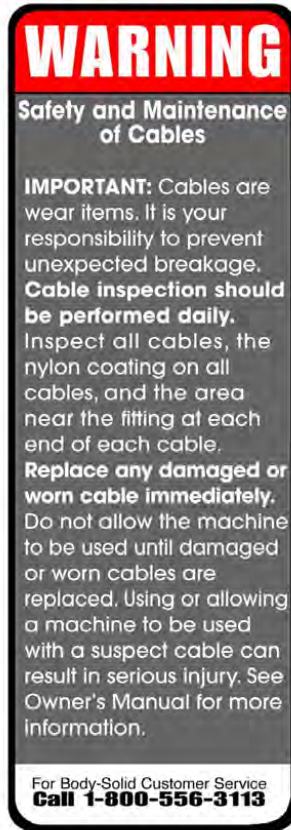
Qty. 1



Part# f

Country of Origin Sticker

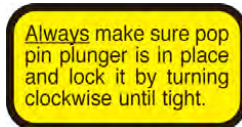
Qty. 1



Part# g

Cable Warning Sticker

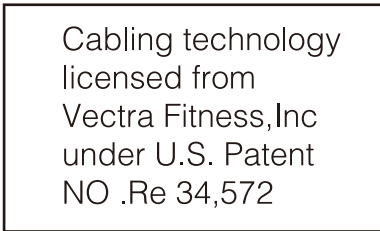
Qty. 1



Part# h

Pop Pin Caution Sticker

Qty. 8



Part# i

Patent Sticker

Qty. 1

ATTENTION!

Inverted "Y" Bracket welded
to Back Support member
must straddle round chrome
pivot bar when bench is
used in Flat position.

Part# j

Attention Label

Qty. 1

www.bodysolid.com

1900 S. Des Plaines Ave. • Forest Park, IL 60130

1.800.833.1227

Part# k

BodySolid Plate

Qty. 1



Part# l

Adjust Cable Here Sticker

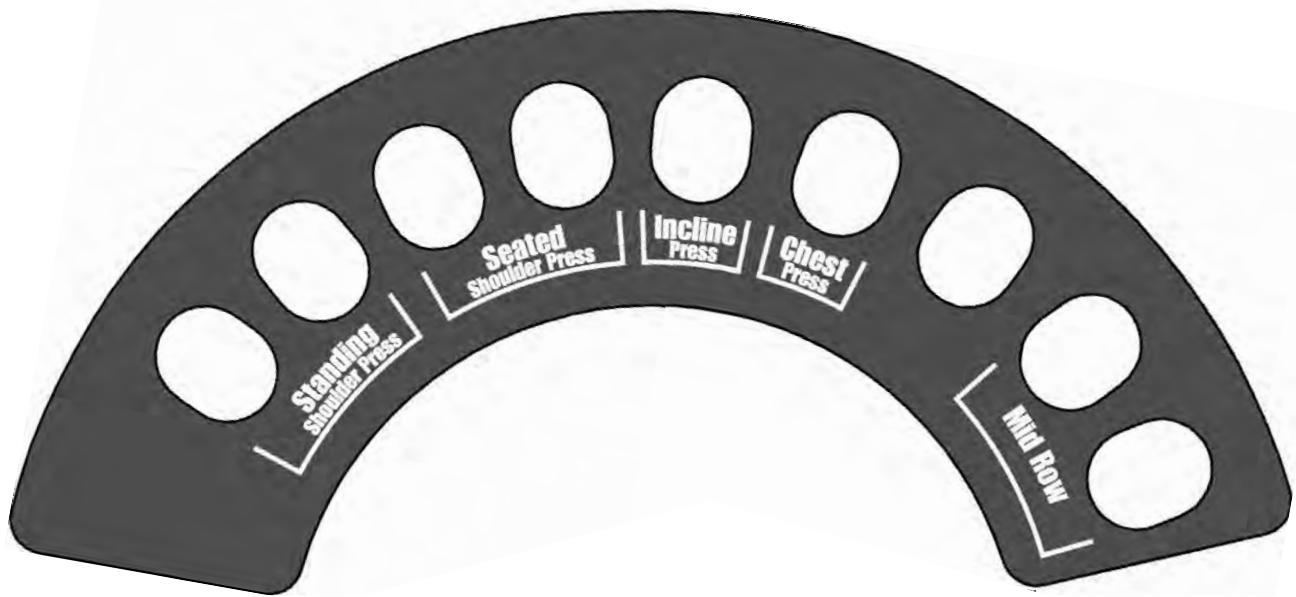
Qty. 2



Part# m

Pinch Point Sticker

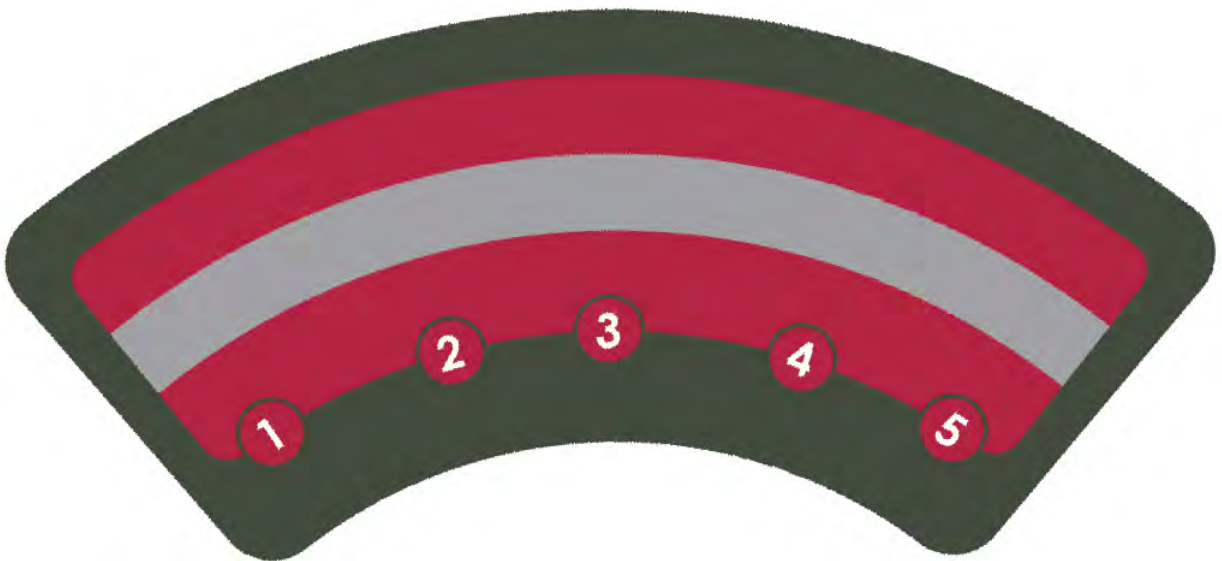
Qty. 3



Part# n

Press Arm Sticker

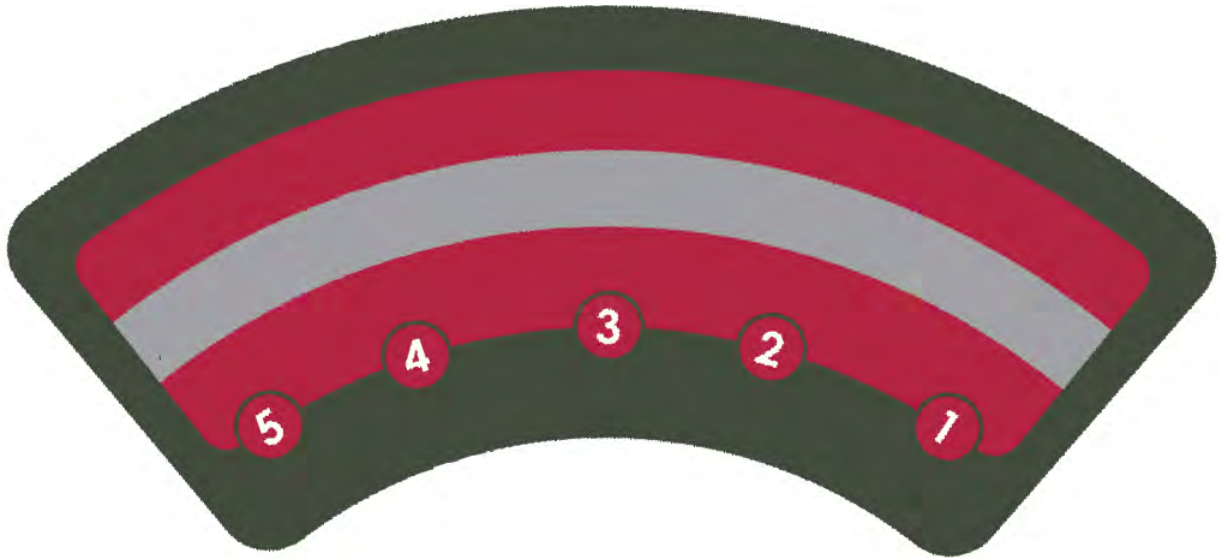
Qty. 1



Part# o

Adjustment Sticker

Qty. 1

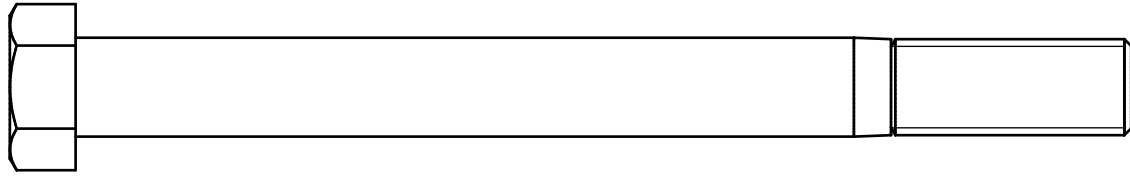


Part# p

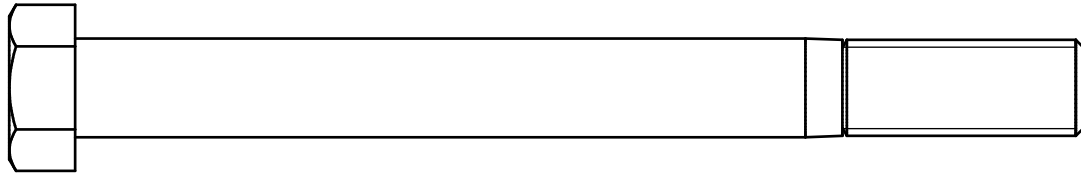
Adjustment Sticker

Qty. 1

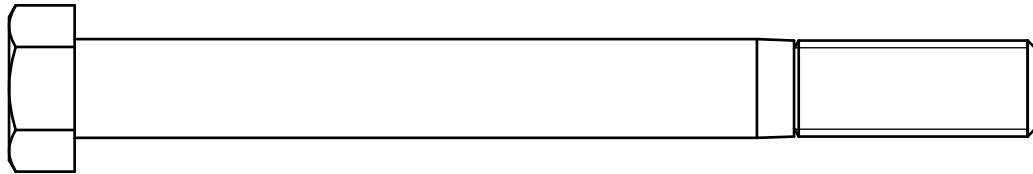
Hardware (To Scale)



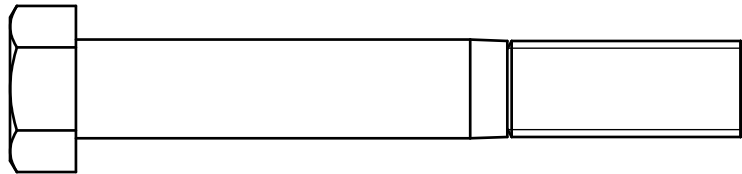
Part# 60 ½" x 5 ½" Hex Head Bolt Partial Thread Qty. 1



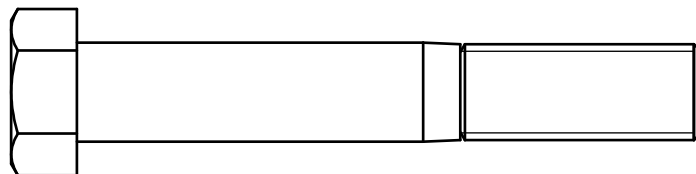
Part# 61 ½" x 5 ¼" Hex Head Bolt Partial Thread Qty. 3



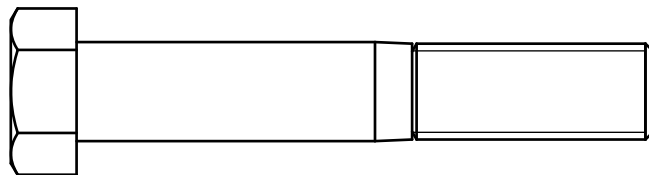
Part# 62 ½" x 5" Hex Head Bolt Partial Thread Qty. 1



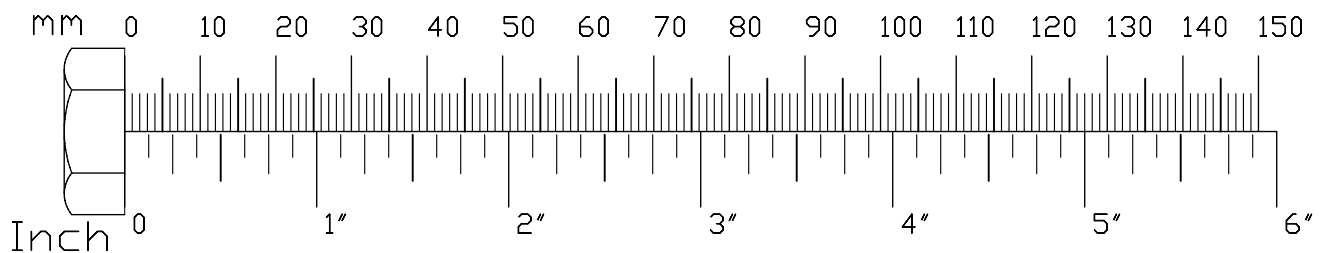
Part# 63 ½" x 3 ½" Hex Head Bolt Partial Thread Qty. 1



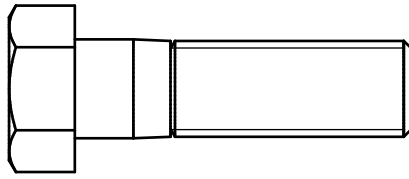
Part# 64 ½" x 3 ¼" Hex Head Bolt Partial Thread Qty. 9



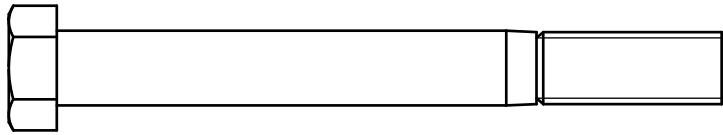
Part# 65 ½" x 3" Hex Head Bolt Partial Thread Qty. 4



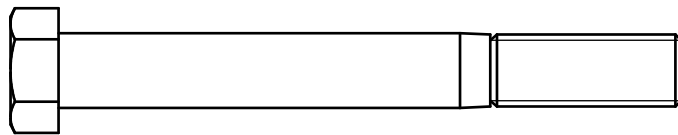
Hardware (To Scale)



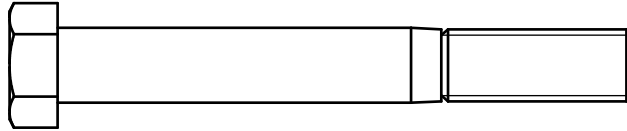
Part# 66 $\frac{1}{2}$ " x $1 \frac{3}{4}$ " Hex Head Bolt Partial Thread Qty. 4



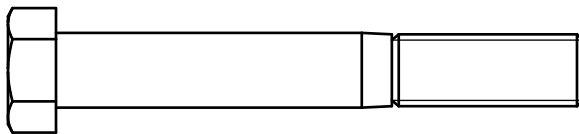
Part# 70 $\frac{3}{8}$ " x $3 \frac{1}{2}$ " Hex Head Bolt Partial Thread Qty. 1



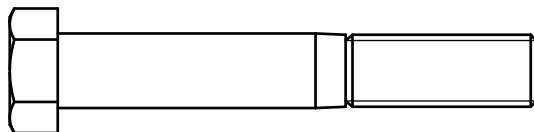
Part# 71 $\frac{3}{8}$ " x $3 \frac{1}{4}$ " Hex Head Bolt Partial Thread Qty. 2



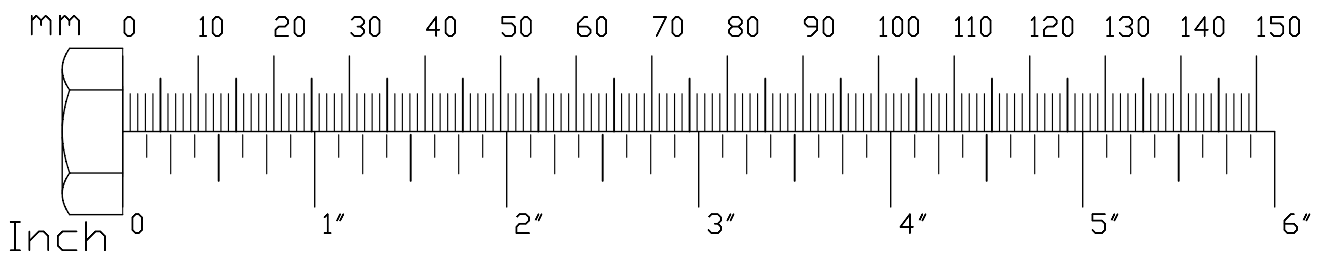
Part# 72 $\frac{3}{8}$ " x 3" Hex Head Bolt Partial Thread Qty. 6



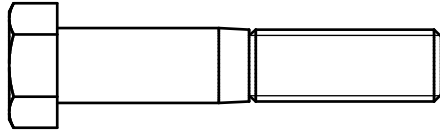
Part# 73 $\frac{3}{8}$ " x $2 \frac{3}{4}$ " Hex Head Bolt Partial Thread Qty. 16



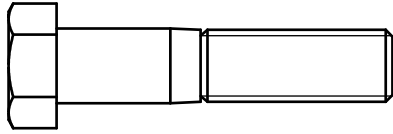
Part# 74 $\frac{3}{8}$ " x $2 \frac{1}{2}$ " Hex Head Bolt Partial Thread Qty. 1



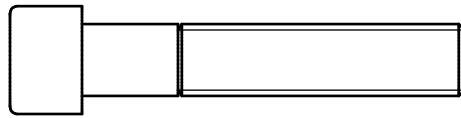
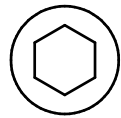
Hardware (To Scale)



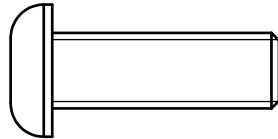
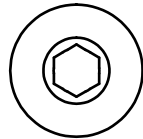
Part# 75 $\frac{3}{8}$ " x 2" Hex Head Bolt Partial Thread Qty. 2



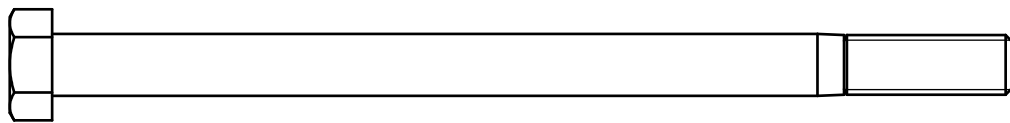
Part# 76 $\frac{3}{8}$ " x 1 $\frac{3}{4}$ " Hex Head Bolt Partial Thread Qty. 19



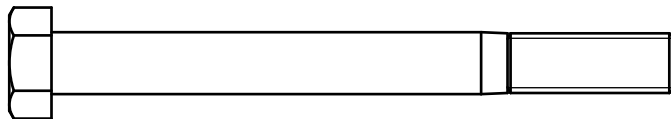
Part# 77 $\frac{3}{8}$ " x 2" Flat Allen Head Full Thread Qty. 2



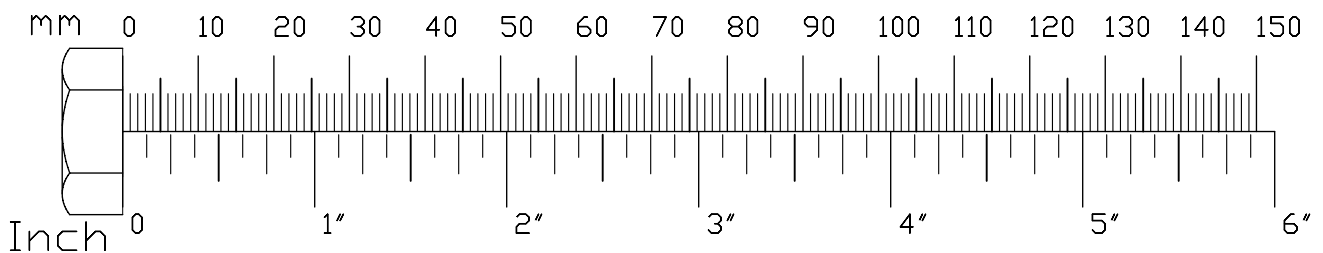
Part# 79 M10x30 Round Allen Head Full Thread Qty. 2



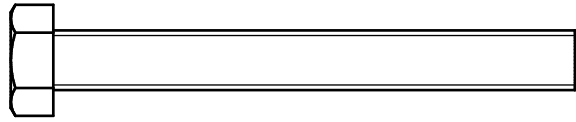
Part# 80 $\frac{5}{16}$ " x 5" Hex Head Bolt Partial Thread Qty. 2



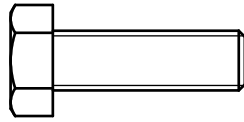
Part# 81 $\frac{5}{16}$ " x 3 $\frac{1}{4}$ " Hex Head Bolt Partial Thread Qty. 1



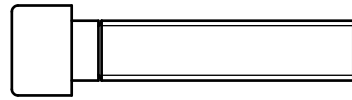
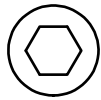
Hardware (To Scale)



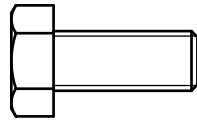
Part# 82 $\frac{5}{16}$ " x 2 $\frac{3}{4}$ " Hex Head Bolt Full Thread Qty. 6



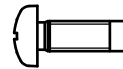
Part# 83 $\frac{5}{16}$ " x 1" Hex Head Bolt Full Thread Qty. 10



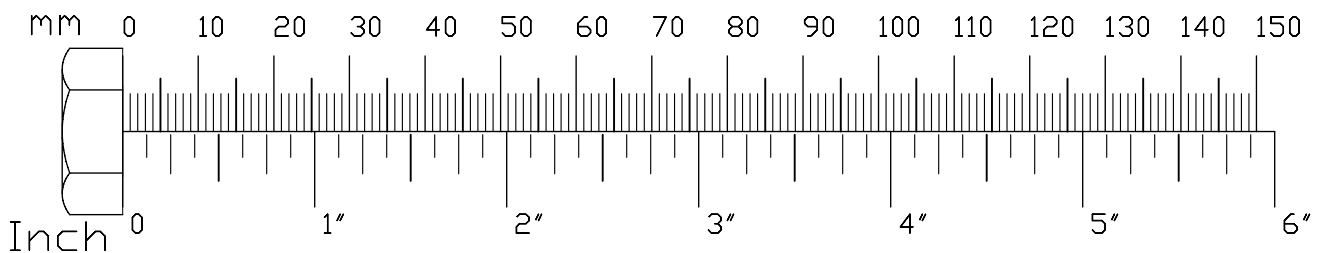
Part# 84 $\frac{5}{16}$ " x 1 $\frac{1}{2}$ " Flat Allen Head Full Thread Qty. 1



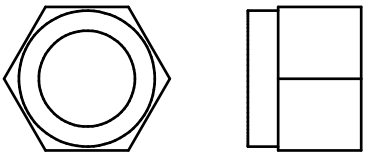
Part# 85 $\frac{5}{16}$ " x $\frac{3}{4}$ " Hex Head Bolt Full Thread Qty. 2




Part# 142 M4x12 Screw Full Thread Qty. 2



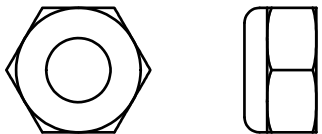
Hardware (To Scale)

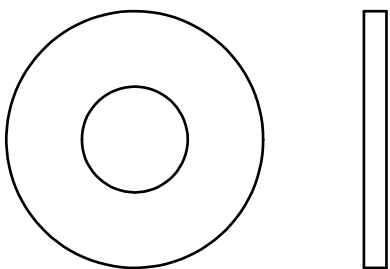
			
Part# 90	1/2"	Nylon Lock Nut	Qty. 29

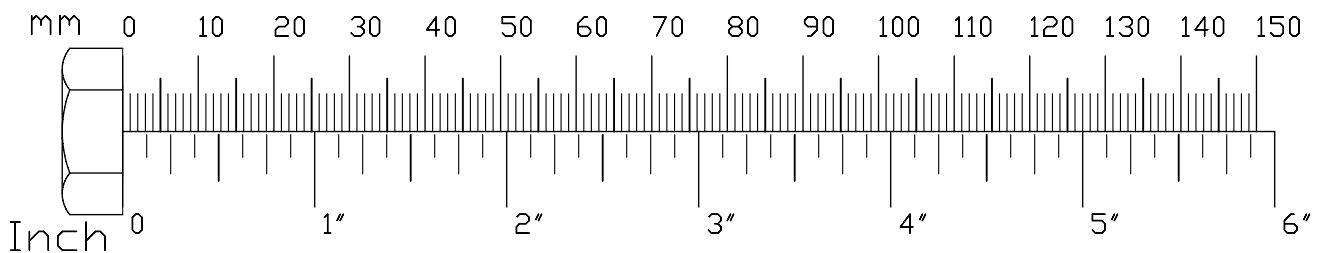
			
Part# 92	5/16"	Nylon Lock Nut	Qty. 4

			
Part# 144	M4	Nylon Lock Nut	Qty. 2

			
Part# 91	3/8"	Nylon Lock Nut	Qty. 51

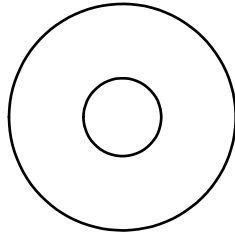
			
Part# 99	M10	Nylon Lock Nut	Qty. 2

			
Part# 93	1/2"	Washer	Qty. 49

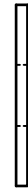
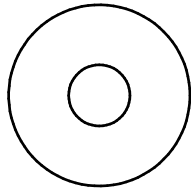


Hardware (To Scale)

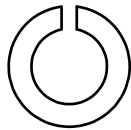
Part# 94 $\frac{3}{8}$ " Washer Qty. 86



Part# 95 $\frac{5}{16}$ " Washer Qty. 23



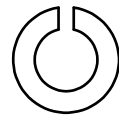
Part# 100 $\frac{3}{8}$ " Spring Lock Washer Qty. 2



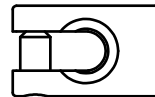
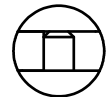
Part# 143 M4 Washer Qty. 4



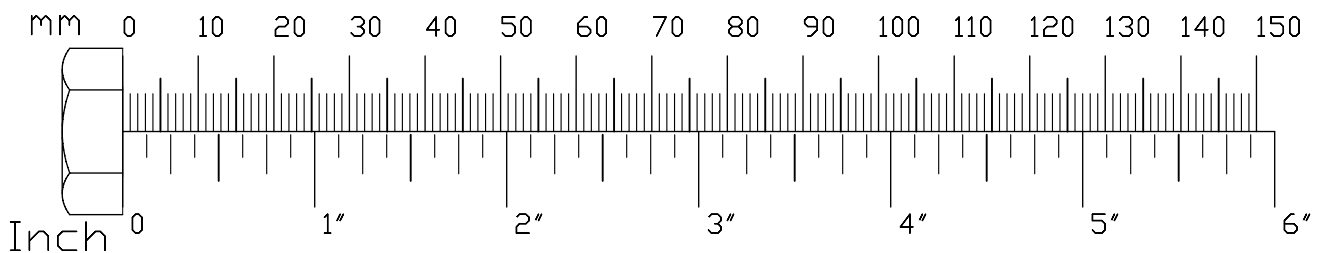
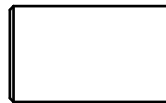
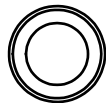
Part# 96 $\frac{5}{16}$ " Spring Lock Washer Qty. 25



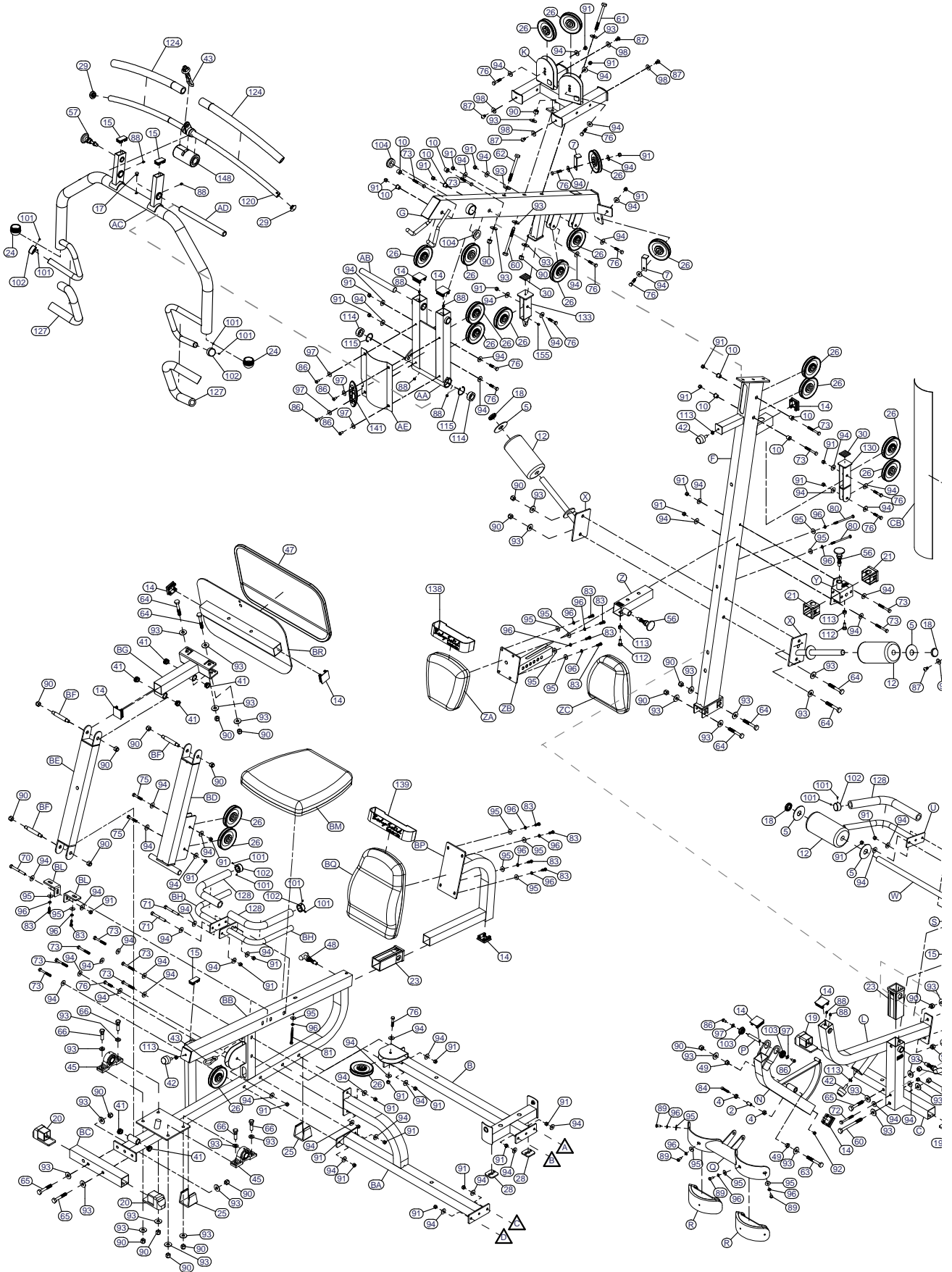
Part# 135 $\frac{3}{4}$ " L Cable End Shaft Qty. 2



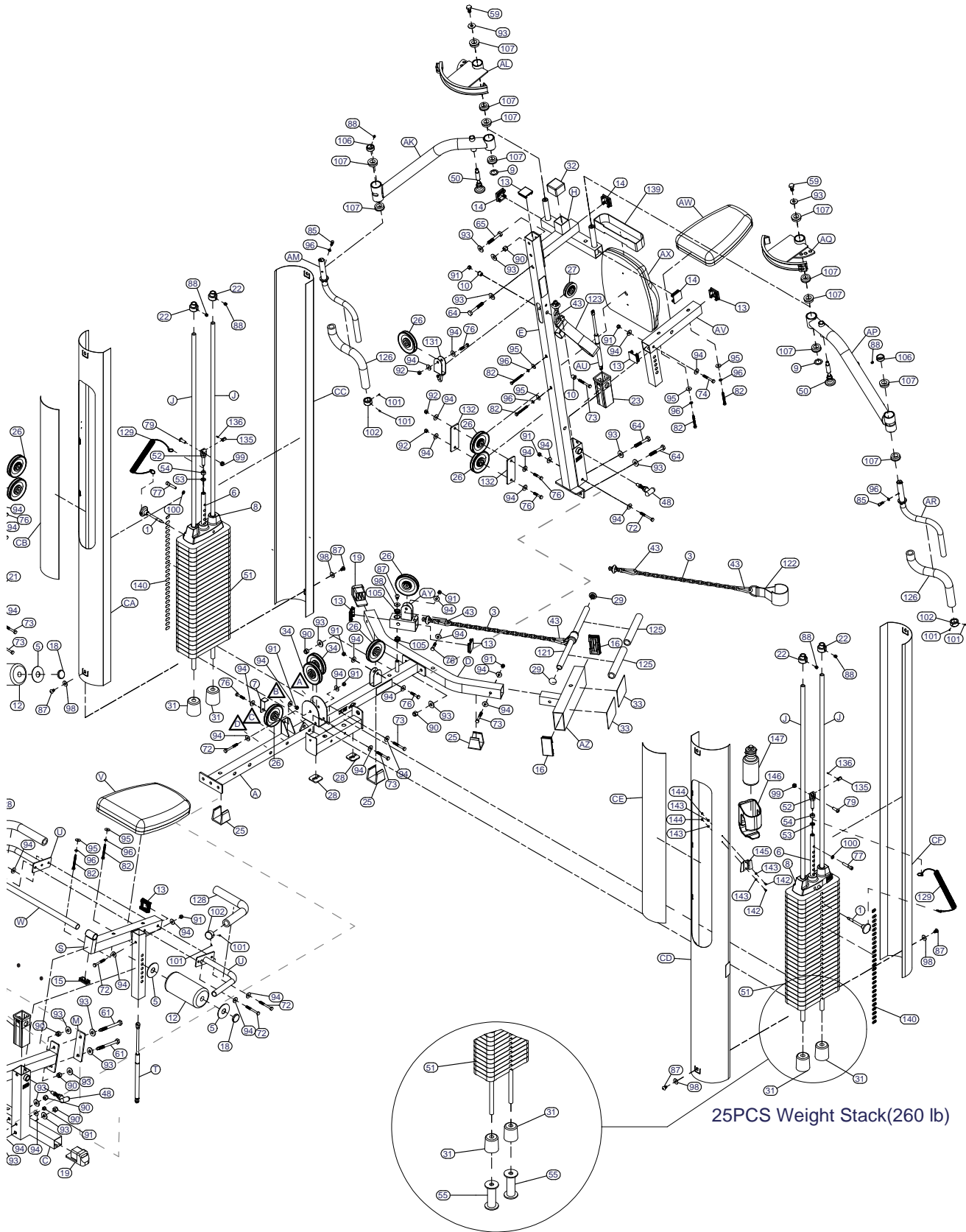
Part# 2 $\frac{1}{2}$ " OD x $\frac{5}{16}$ " ID x $\frac{3}{4}$ " L" Steel Sleeve Qty. 1



Exploded View Diagram



Exploded View Diagram



25PCS Weight Stack(260 lb)

20PCS Weight Stack(210 lb)

Body-Solid[®]
Built for Life

1900 S. Des Plaines Ave.
Forest Park, IL 60130
1 (800) 556-3113
Hours: M-F 8:30 - 5:00

www.bodysolid.com