

CATALOG



> Safety



Information in this publication is provided to guide customers in the choice of products in DATALOGIC portfolio. It has to be considered indicative and concise. For the correct use of safety components described, please always refer to additional information you can find on products datasheets and manuals, as well as to the legislation in force at the moment and in the country of their use.

You can find more detailed informations (manuals and datasheets) about products described in this reference guide on the DATALOGIC website (www.datalogic.com).

DATALOGIC: SOLUTIONS FOR INDUSTRIAL AUTOMATION

Datalogic Industrial Automation is an industry-leader in products and solutions for material handling, traceability, inspection and detection applications.

With the acquisitions of Accu-Sort and PPT Vision in 2012, the company offers a comprehensive portfolio of products, technologies and solutions delivered by a team of skilled professionals dedicated in providing superior service to customers.

Datalogic is the partner of choice for organizations in the Industrial Automation market.

Factory Automation

- AUTOMOTIVE
- ELECTRONICS
- FOOD & BEVERAGE
- GENERAL MANUFACTURING
- HEALTHCARE - PHARMACEUTICAL

Transportation & Logistics

- AIRPORTS
- COURIER, EXPRESS PARCEL (CEP)
- POSTAL
- RETAIL DISTRIBUTION

Product portfolio

Datalogic Industrial Automation has the most comprehensive offering of products and solutions for traceability, inspection and detection applications in factory automation and logistics processes: industrial LASER scanners, cameras and vision systems, sensors, machine safety devices and LASER markers.

Identification

Even the most demanding and efficient automation of identification processes can leverage Datalogic Industrial Automation's leadership in the market. We manufacture the world's most comprehensive family of fixed-mount line and omnidirectional scanners.

We also offer the latest CCD vision technology with the world's largest installed base of CCD systems for bar code reading and dimensioning.

All of our AUTO-ID products and solutions leverage the broadest decoding library that has been developed through the years. Datalogic's comprehensive AUTO-ID portfolio is used in a wide range of applications and machines which are behind many of the everyday processes that keeps the global economy running.

Sensors & Safety

Datalogic Industrial Automation offers a best-in-class, comprehensive product portfolio of photoelectric and proximity sensors, rotary encoders, temperature controllers and measurement devices, as well as type 2 and type 4 safety light curtains.

These product lines provide solutions for applications involving color, contrast and luminescence, label detection, dimensional and distance measurement, in addition to machine safeguarding and access control in dangerous areas.

Machine Vision

The Datalogic Industrial Automation machine vision product line encompasses both hardware and software while covering a wide range of performance and price point requirements. The vision portfolio of products and solutions ranges from simple vision sensors to smart cameras and embedded vision systems.

Laser Marking

Laser Marking sources and systems provide value driven marking solutions for automotive, metal tools, medical, electronics and packaging. Datalogic Industrial Automation offers an extensive range of state-of-the-art technology, excellent performance and high reliability marking equipment.



SAFETY

Datalogic has more than 40 years of experience in the sensors and safety sector, developing their first product, a **Photoelectric Sensor**, in 1972. Today, Datalogic is one of the largest manufacturers of sensor and safety products worldwide.

Datalogic is the market leader in Italy for photoelectric sensors and safety light curtains, ranking among the **top-10 manufacturers** in Europe by market share*

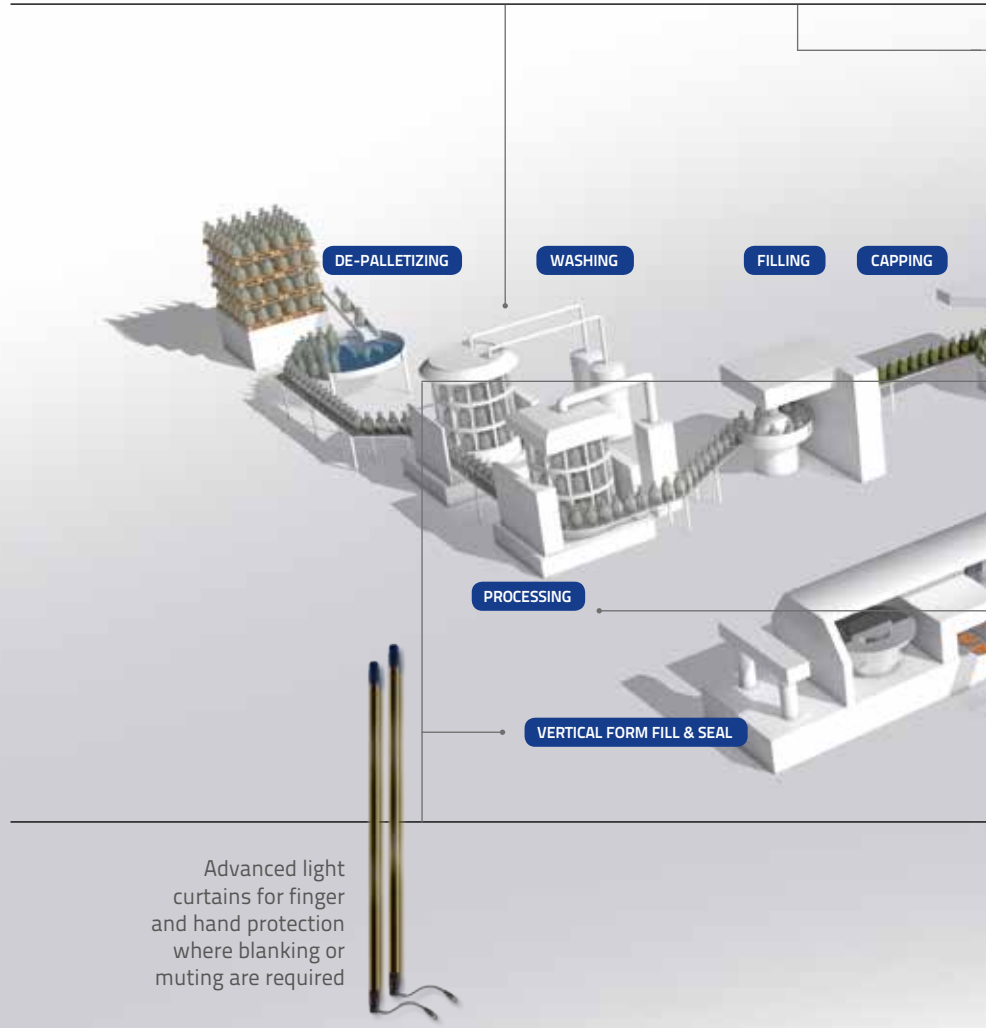
Datalogic's **Sensors and Safety** portfolio solves customer applications in **Factory Automation**, specializing in Processing and Packaging machinery, and Automated Material Handling Systems related to Manufacturing Industries such as Automotive, Electronics, Pharmaceutical, Food & Beverage, Paper and Printing, Woodworking, Ceramics, Glass, Textiles etc.

* (source: based on VDC 2010 - 2011)

APPLICATIONS	De-Palletizing	Storage & Retrieval
	Washing	Cartoning
	Filling	Wrapping
	Capping	Vertical Form Fill & Seal
	Labeling	Processing
	Case Packing	
	Stretch-wrapping	
	Palletizing	



High performance protection tube for harsh environments



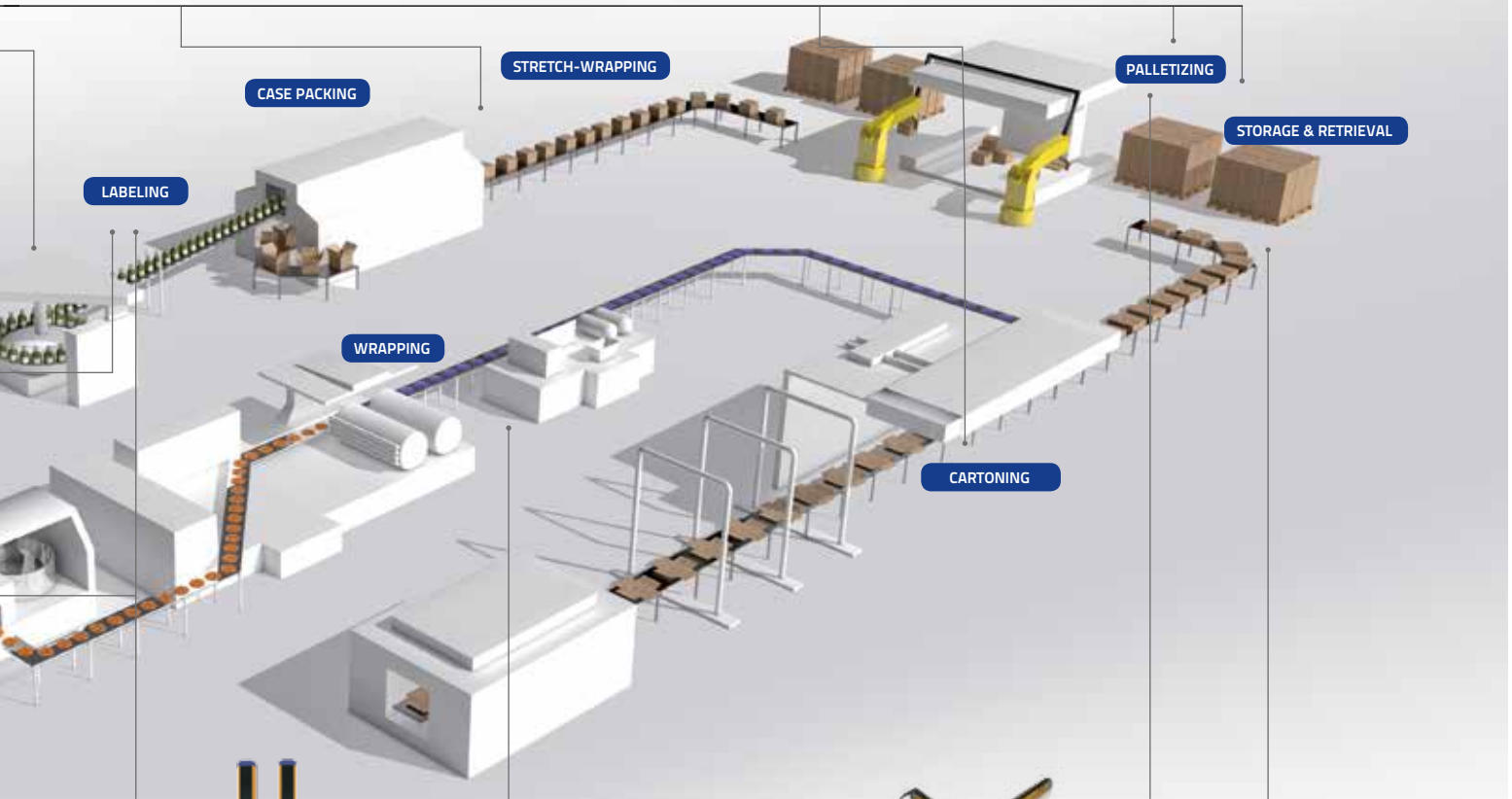
Interfaces between light curtains and safety system



Long distance light curtains, stands and mirrors for perimetral protection



Operator interfaces to control light curtains and indicate muting status



Finger or hand protection light curtain to reach close distance to the working point



Safety Light curtains for body protection with Muting function



SAFETY PRODUCTS

SAFETY PRODUCT RANGE



- other safety products
- Controllers
 - Single beam sensors
 - Relay units
 - Accessories

SELECTION GUIDE

8

SELECTION GUIDE	10
· Performance level (pl)	
· Type	
· Detection capability (or resolution)	
· Detection zone	
· Retroreflective light curtains	
· Cascading	
· Response time	
· Manual or automatic restart	
· External device monitoring (edm)	
· Muting	
· Override	
· Blanking	
· Software configuration	
SELECTION TABLE	18

SAFETY SENSORS

20

	SG2 BASE	22
	SG2 EXTENDED	
	SG4 BASE	
	SG4-H	28
	SLIM	32
	SG BODY COMPACT BASE	38
	SG BODY COMPACT MUTING	
	SG BODY BIG BASE	44
	SG BODY BIG MUTING	
	SG BODY REFLECTOR BASE	50
	SG BODY REFLECTOR MUTING	
	SG2 MUTING	58
	SG4 EXTENDED	
	SINGLE BEAM SAFETY SENSORS	64
	SAFETY CONTROL UNITS	



BRACKETS 70

- Metal angled brackets
- Plastic angled brackets
- Cascade brackets
- Rear brackets
- Rotative brackets



MIRRORS AND STANDS 76

- Stands with adjustable mirrors
- Mirrors
- Single beam mirror
- Stands
- Mounting kits for mirrors



ACCESSORIES FOR MUTING 82

- Muting arms, brackets, cables
- Muting lamps



SG-M 86

- SG-M muting kit, SG-M connection box
- SG-M-ARM, SG-M bracket



SAFETY UNITS AND INTERFACES 94

- Connection boxes



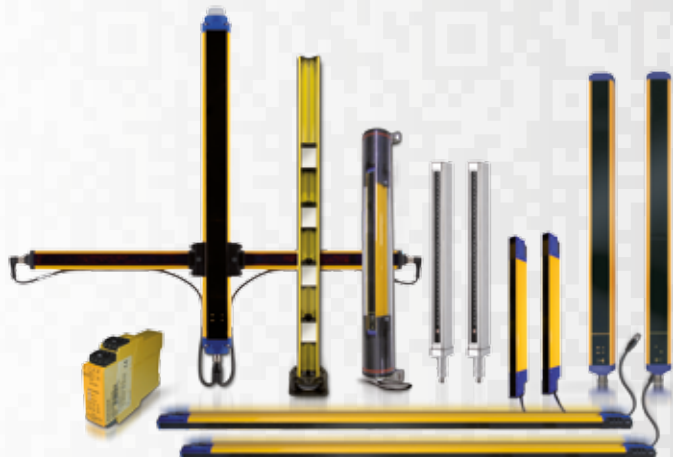
OTHER ACCESSORIES 98

- Protection tubes
- Lens shields
- Laser pointer
- Communication interface
- Test pieces

SAFETY STANDARDS REFERENCE LIST 106

DEFINITIONS 107

SAFETY DISTANCE CALCULATION 108



SELECTION GUIDE



SELECTION GUIDE

SELECTION GUIDE

SELECTION GUIDE

The selection of safety sensors for use in machinery is part of the overall risk reduction process, which starts with the analysis and evaluation of all possible risks the machine presents and ends with the validation and testing of the safety system. The sensors chosen should fulfill any safety requirements specific to the machine they will be mounted on. If there are no machine-specific requirements, the safety system should be designed to comply with all general safety and health standards. The overall system design dictates the parameters the safety sensors must meet. The following list of parameters and functions related to safety sensors can serve as a checklist to help in the selection process.

NUMBER	DEFINITION	VALUES				
		a	b	c	d	e
1	Performance level required	a	b	c	d	e
2	Type	2			4	
3	DETECTION CAPABILITY					
	Finger protection	14 mm				
	Hand protection	14 mm	24 mm	30 mm	34 mm	
	Arm protection/Presence				50 mm	90 mm
	Body protection	2 beams 500 mm		3 beams 800 mm	4 beams 900 mm	4 beams 1200 mm
4	DETECTION ZONE					
	Height	from 150 mm to 1800 mm				
	Operating range	from 0.2 m to 60 m				
	Zero dead zone	yes			no	
5	Retroreflective light curtains	yes			no	
6	Cascading	yes			no	
7	Response time	from 7 ms to 33 ms				
8	Manual or automatic restart	Manual			Automatic	
9	External Device Monitoring (EDM)	yes			no	
10	MUTING					
	Type of muting	T			L	
	Integrated muting lamp	yes			no	
	Partial muting	yes			no	
11	Override	yes			no	
12	BLANKING					
	Fixed Blanking	yes			no	
	Floating Blanking	yes			no	
	Reduced resolution	yes			no	
13	Software configuration	yes			no	

SELECTION GUIDE

1. Performance Level (PL) and required Performance Level (PLr)

Performance level is one of five discrete levels (a, b, c, d, e) that specify the ability of the safety-related part of a control system to perform a specific safety function. The performance level depends on the system design, the reliability of components used, the diagnostic coverage of dangerous faults, and on the ability of the safety parts to avoid common cause and systematic faults.

The minimum required Performance Level (PLr) to reduce a risk is determined by following the diagram in fig. 1, which takes into account three factors: the severity of injury, the frequency of exposure to hazard, and the possibility to avoid the hazard. Performance level and its calculation methods are described in EN ISO 13849-1.

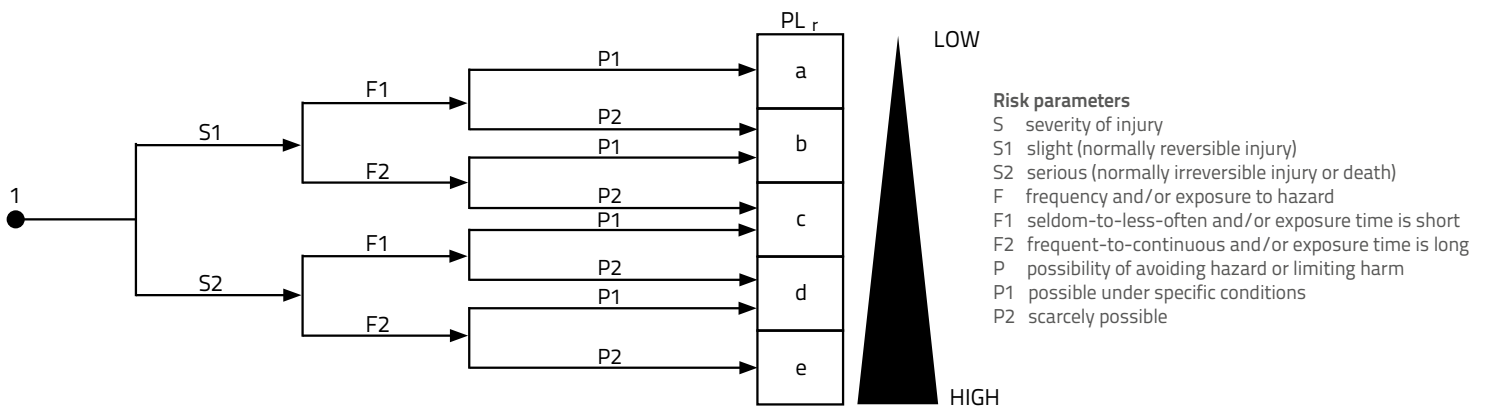


Fig. 1 Required Performance Level

2. Type

Safety sensors whose function is to detect the interruption of beams by an object are called Active Optoelectronic Protective Devices (AOPD). AOPDs are classified in two Types (Type 2 and Type 4) depending on their design and optical performance.

The optical performance is dependent on the maximum limit of the effective aperture angle (EAA), that is $-/+5^\circ$ for Type 2, and $-/+2.5^\circ$ for Type 4. A lower EAA results in a more focused beam.

Type and Performance Level are directly correlated.

The maximum PL that can be reached for a safety function that includes the use of a Type 2 AOPD is PL c, while for a Type 4 AOPD, the maximum is PL e.

Based on these considerations, to reduce the highest risks on machines, Type 4 AOPDs should be used (see Fig. 2).

Active optoelectronic protective devices and corresponding Types are described in IEC 61496-1 and IEC 61496-2.

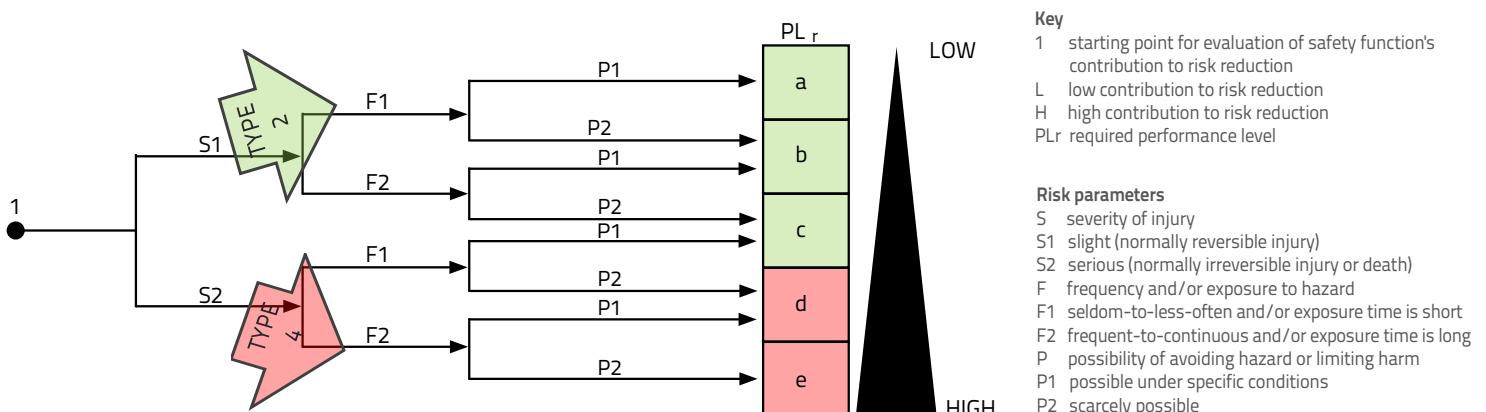


Fig. 2 AOPD Type and Performance Level

SELECTION GUIDE

3. Detection Capability (or Resolution)

The detection capability of a light curtain is the diameter of the smaller object that will activate the device when it's placed in any point of the detection zone.

The value of the detection capability, together with response time, is crucial to calculating the minimum safety distance required between the light curtain and the dangerous zone.

For single light beam sensors and for multiple light beams sensors (2, 3 or 4 beams), in place of detection capability, it's common to use the number of light beams. In this case, their purpose is to provide 'body protection', detecting the passage of the entire body of a person.

For an introduction to the minimum safety distance calculation rules (described in EN 13855) see page 94 and the light curtain's technical documentation.

4. Detection zone

The detection zone is the area where any object whose dimensions are at least equal to the detection capability activates the light curtain.

It is defined by its **height** and by the distance between the emitter and the receiver element ("**operating range**").

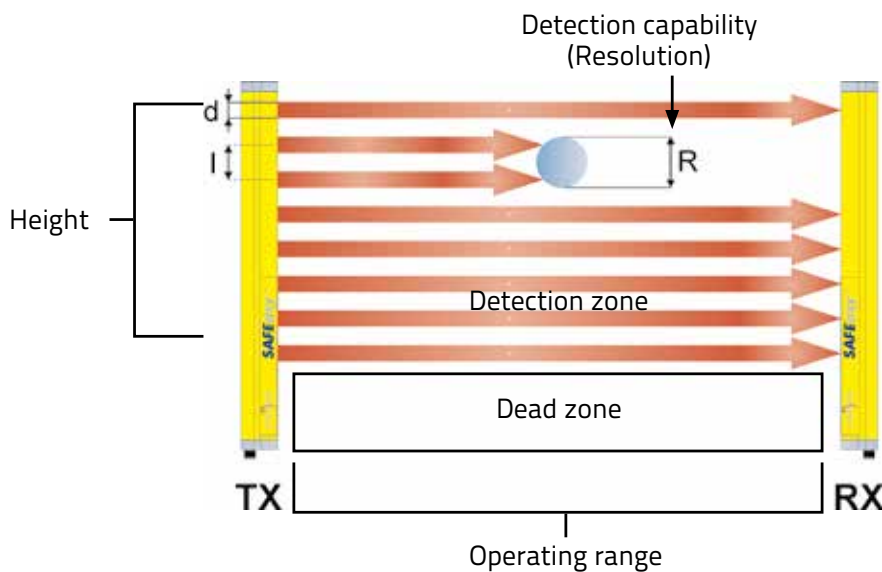


Fig. 3 Detection Zone

If the light curtain is retroreflective, the operating range is the distance between the active and the passive element. Light curtains can have a 'dead zone', in which they are not able to detect the object due to the absence of beams. When it is required that the dimension of the light curtain corresponds exactly to the height of its detection zone, the light curtain is said to have **zero dead zone**.

SELECTION GUIDE

5. Retroreflective light curtains

2, 3 and 4 beams light curtains can be manufactured with all emitters and receivers on one side, and passive elements (mirrors) on the other side. The advantage of using a retroreflective light curtain is that only one side needs to be powered on.

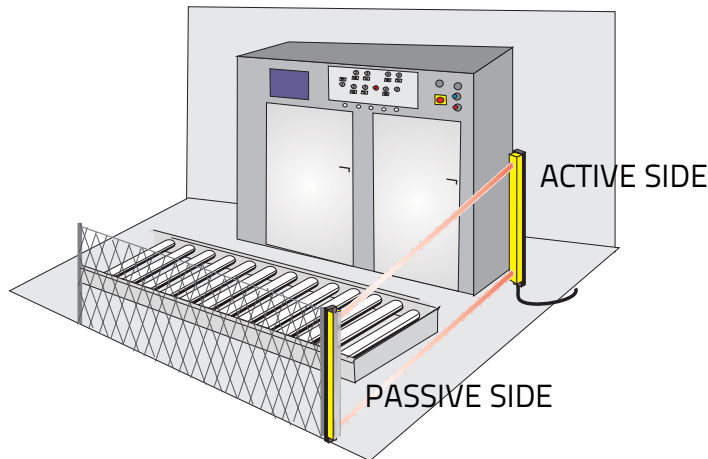


Fig. 4 Retroreflective Light Curtain

6. Cascading

Cascading is when two or more light curtains are connected to each other, resulting in one system that functions as a single light curtain.

Advantages of cascading are: better monitoring of dangerous areas with presence detection beyond the vertical detection zone and space and cost savings by using a single safety unit.

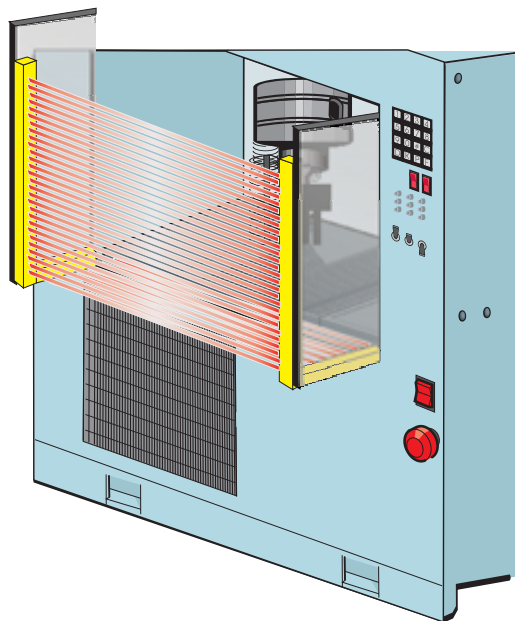


Fig. 5 Cascading

SELECTION GUIDE

7. Response time

The response time is the maximum time occurring between the detection of the test object in the detection zone and the activation of the light curtain's outputs.

It is a safety relevant parameter, and its value must be taken in account when calculating the position in which the safety sensor will be placed in relation to the dangerous area.

8. Manual or automatic restart

Depending on the initial risk analysis of the machine, a start or restart interlock can be a safety requirement of the control system. It prevents an automatic restart of the machine during a dangerous part of the operating cycle after activation of the sensing device, or when the electrical supply of the sensor is switched on or restored after interruption. This interlock can be implemented by a manual restart of the safety controller or by the light curtain itself.

9. External Device Monitoring (EDM)

EDM is a function that allows the electro-sensitive protective equipment (ESPE) to monitor the state of control devices (i.e. contactors, actuators) that are driven by its outputs.

This function can be achieved by the safety controller or directly by the light curtain.

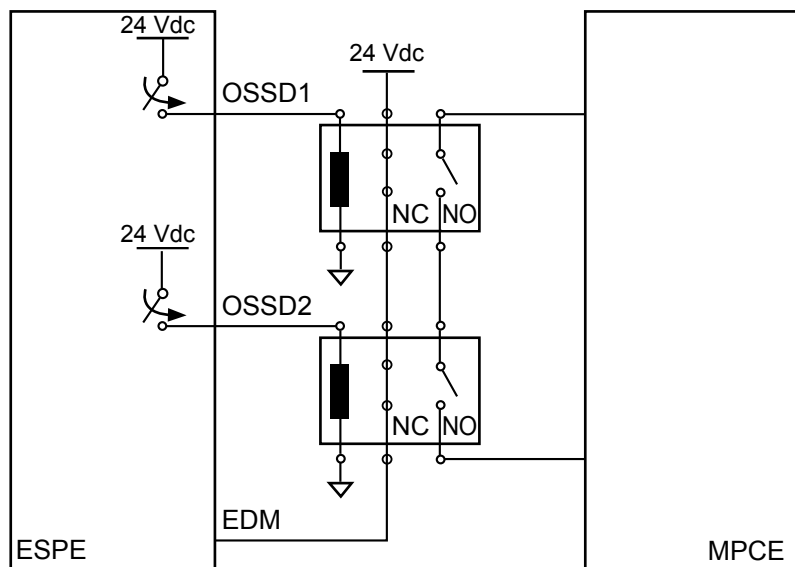


Fig. 6 External Device Monitoring wiring diagram

SELECTION GUIDE

10. Muting

Muting is the temporary automatic suspension of a safety function. When a light curtain is muted, its outputs will remain ON even if an object is detected in the detection zone.

Because muting suspends a safety function, it must be implemented with all necessary precautions and in compliance with the machine-specific safety requirements.

T muting is a specific kind of muting that can be used to allow the passage of material through an opening in direction of the dangerous area or in both directions. L muting can be used only if material exits the dangerous area.

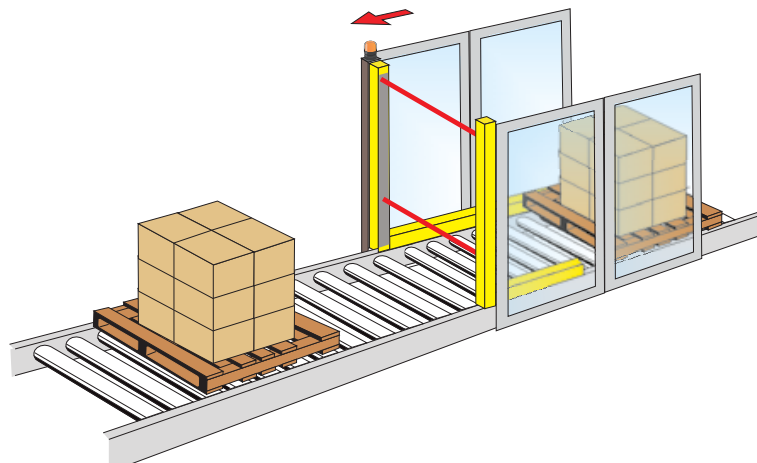


Fig. 7 Safety Light Curtain with Integrated L muting actuator

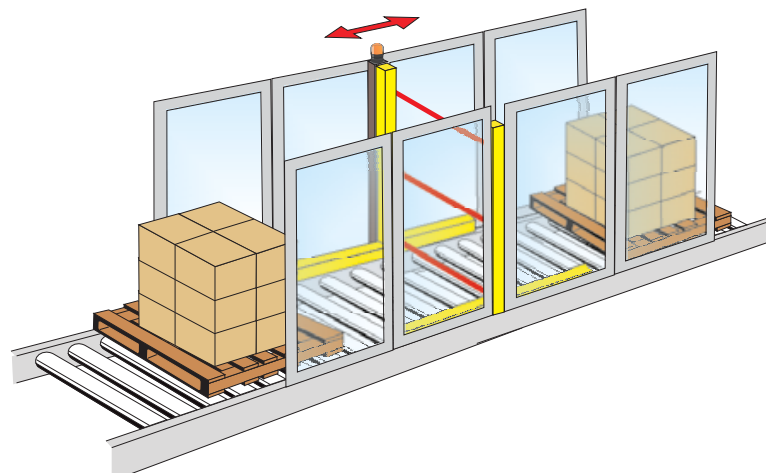


Fig. 8 Safety Light Curtain with Integrated T muting actuator

Light curtains can be provided with muting arms, with pre-wired sensors detecting the passage of material, or can be used with external muting sensors.

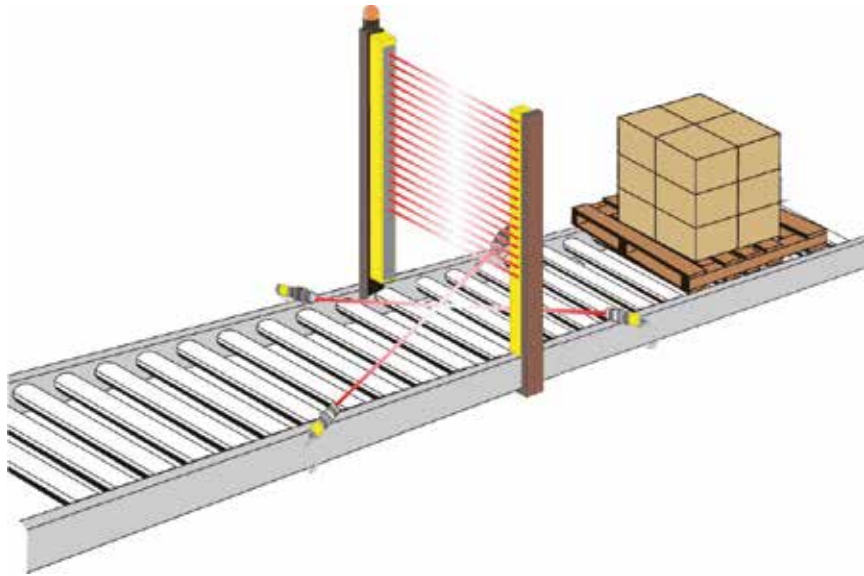


Fig. 9 Safety light curtain with external crossed beams muting sensors

Muting lamps integrated in the light curtains, or installed external to them, are designed to flash as long as the muting is active.



Fig. 10 Integrated muting lamps

To maintain the safety of the application, light curtains can be configured to perform the muting function only on the number of beams needed for the passage of the material (**Partial Muting**), keeping the others active.

11. Override

Override function is a mute dependent bypass of the light curtain, that can be provided for some applications (for example conveyor and packaging machinery) in order to clear a blockage in the area of the machine where sensors are located. The activation of the bypass function should be possible for a limited amount of time, only when at least one muting sensor is activated, and will require the use of a device located where operator can see the point of hazard.

SELECTION GUIDE

12. Blanking

The blanking function is used when an object detected in a defined part of the detection zone must not cause an OFF-state of the light curtains outputs.

Blanked beams are monitored so that the absence or a change in the size or location of the object causes the light curtain's outputs to go to the OFF-state.

Fixed blanking is when the object must remain in a fixed position, with a given tolerance.

Floating blanking is when the object can move along the detection zone.

Depending on the configuration of the light curtain, in floating blanking the object can also leave the detection zone or not.

Reduced resolution is a particular kind of floating blanking, with light curtain outputs going OFF-state only when a pre-defined number of beams adjacent are interrupted, in any position along the light curtain. When reduced resolution is active, more than one small object can interrupt the light curtain beams without its output going OFF.

Blanking can affect the detection capability of the light curtain and can result in a recalculation of the minimum safety distance.

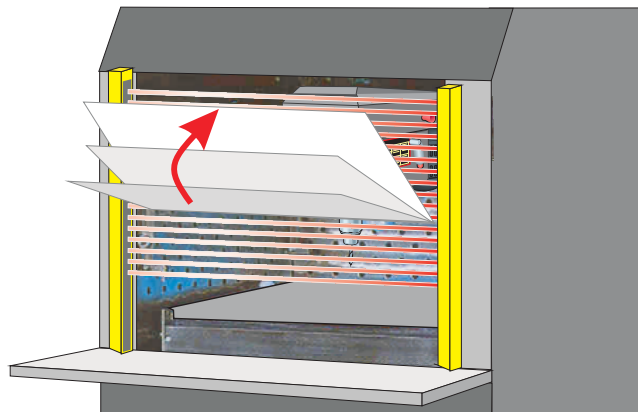


Fig. 11 Floating blanking

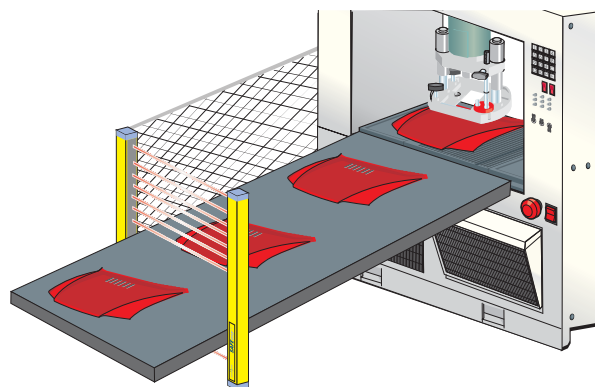


Fig. 12 Fixed blanking with tolerance

13. Software configuration

Setting DIP-Switch or through wiring, it is possible to set typical parameters like manual or auto reset, EDM enable or disable, muting type selection, as well as auto-teach blanking function.

A software configurator (**Graphic User Interface, GUI**) is required for more advanced functionality, such as setting the muting timeout with 1-second steps, or designing complex patterns for floating or fixed blanking.

SELECTION TABLE

Resolution (mm)	Type	Range (m)	Height (mm)
14	2/4	0.2 ... 6	150 ... 1200
	4	0.2 ... 6	150 ... 1800
		0.2 ... 7	300 ... 1800
		0.2 ... 6	150 ... 450
24	2/4	0.2 ... 6	150 ... 1200
30	2	0.2 ... 19	150 ... 1800
		0.2 ... 19	150 ... 1800
		0.2 ... 20	300 ... 1800
	4	0.2 ... 19	150 ... 1800
0.2 ... 20		300 ... 1800	
34	2/4	0.2 ... 6	150 ... 1200
40	4	6 ... 60	660/960/1260
50/90	2	0.2 ... 19	150 ... 1800
		0.2 ... 19	150 ... 1800
2/3/4 beams	2/4	0.5 ... 50	500/800/900/1200
		0.5 ... 50 0.5 ... 3* 0.5 ... 7**	500/800/900/1200
		0.5 ... 60	500/800/900/1200
		0.5 ... 60 0.5 ... 3* 0.5 ... 7**	500/800/900/1200
		0.5 ... 8	500/800/900/1200
		0.5 ... 8 0.5 ... 3*	500/800/900/1200
		0 ... 8*** 0 ... 40***	flexible

NOTES

- * With retroreflective muting arms
- ** With emitter / receiver muting arms
- *** Depending on models

SELECTION TABLE

Functions	Additional HW features	Family	Page
Manual / Auto Restart External Device Monitoring (EDM)	Zero dead zone Cascade	SLIM	32
Manual / Auto Restart External Device Monitoring (EDM)		SG4 BASE	22
Manual / Auto Restart External Device Monitoring (EDM) T, L Muting function Partial Muting Override Fixed blanking Floating Blanking	Zero dead zone Cascade Advanced Programmable Configuration Monitoring via Ethernet/IP Error logging	SG4 EXTENDED	58
Auto restart	Stainless stees housing Glass window	SG4-H (PHARMA)	28
Manual / Auto Restart External Device Monitoring (EDM)	Zero dead zone Cascade	SLIM	32
Auto restart		SG2 BASE	22
Manual / Auto Restart External Device Monitoring (EDM)		SG2 EXTENDED	22
Manual / Auto Restart External Device Monitoring (EDM) T, L Muting function Partial Muting Override	Zero dead zone	SG2 MUTING	58
Manual / Auto Restart External Device Monitoring (EDM)		SG4 BASE	58
Manual / Auto Restart External Device Monitoring (EDM) T, L Muting function Partial Muting Override Fixed blanking Floating Blanking	Zero dead zone Cascade Advanced Programmable Configuration Monitoring via Ethernet/IP Error logging	SG4 EXTENDED	58
Manual / Auto Restart External Device Monitoring (EDM)	Zero dead zone Cascade	SLIM	32
Manual / Auto Restart External Device Monitoring (EDM)		SG4 LONG RANGE BASE	44
Auto restart		SG2 BASE	22
Manual / Auto Restart External Device Monitoring (EDM)		SG2 EXTENDED	22
Manual / Auto Restart External Device Monitoring (EDM)		SG BODY COMPACT BASE	38
Manual / Auto Restart External Device Monitoring (EDM) T, L Muting function Override	Integrated muting lamp Integrated muting arms***	SG BODY COMPACT MUTING	38
Manual / Auto Restart External Device Monitoring (EDM)		SG BODY BIG BASE	44
Manual / Auto Restart External Device Monitoring (EDM) T, L Muting function Override	Integrated muting lamp	SG BODY BIG MUTING	44
Manual / Auto Restart External Device Monitoring (EDM)	Retroreflective	SG BODY REFLECTOR BASE	50
Manual / Auto Restart External Device Monitoring (EDM) T, L Muting function Override	Retroreflective Integrated muting lamp Integrated mutin arms***	SG BODY REFLECTOR MUTING	50
Manual / Auto Restart External Device Monitoring (EDM) T, L Muting function Override	Double muting function Low temperature Defogging Separated control unit	SINGLE BEAM SENSORS	64

SAFETY SENSORS



SAFETY SENSORS



High reliability
Easy installation and alignment
Cost effective

- Finger, hand, arm detection with basic functions
- 90 mm version for presence detection
- Up to 19 m operating distance
- Compact dimensions (32.3 x 36.9 mm section)
- Anti-interference coding
- IP65 Protection; IP69K with optional tube
- Unshielded cables
- Rotating and anti-vibration brackets



SAFETY

APPLICATIONS

- Automatic machines: cutting, packaging, material handling and storing.
- Automatic and semi-automatic assembling lines;
- Milling, lathe and shearing machines
- Bending and metal-working machines



INDUSTRIES

Food & Beverage, Textile, Wood, Ceramic, Metal, Automotive, Electronics.

	FINGER	HAND	ARM	BODY
TYPE 2		▪	▪	
TYPE 4	▪	▪		

SG2-30-015-00-E

TYPE	
2	Type 2
4	Type 4

RESOLUTION	
14	Finger: 14 mm
30	Hand: 30 mm
50	Arm: 50 mm (only Type 2)
90	Arm: 90 mm (only Type 2)

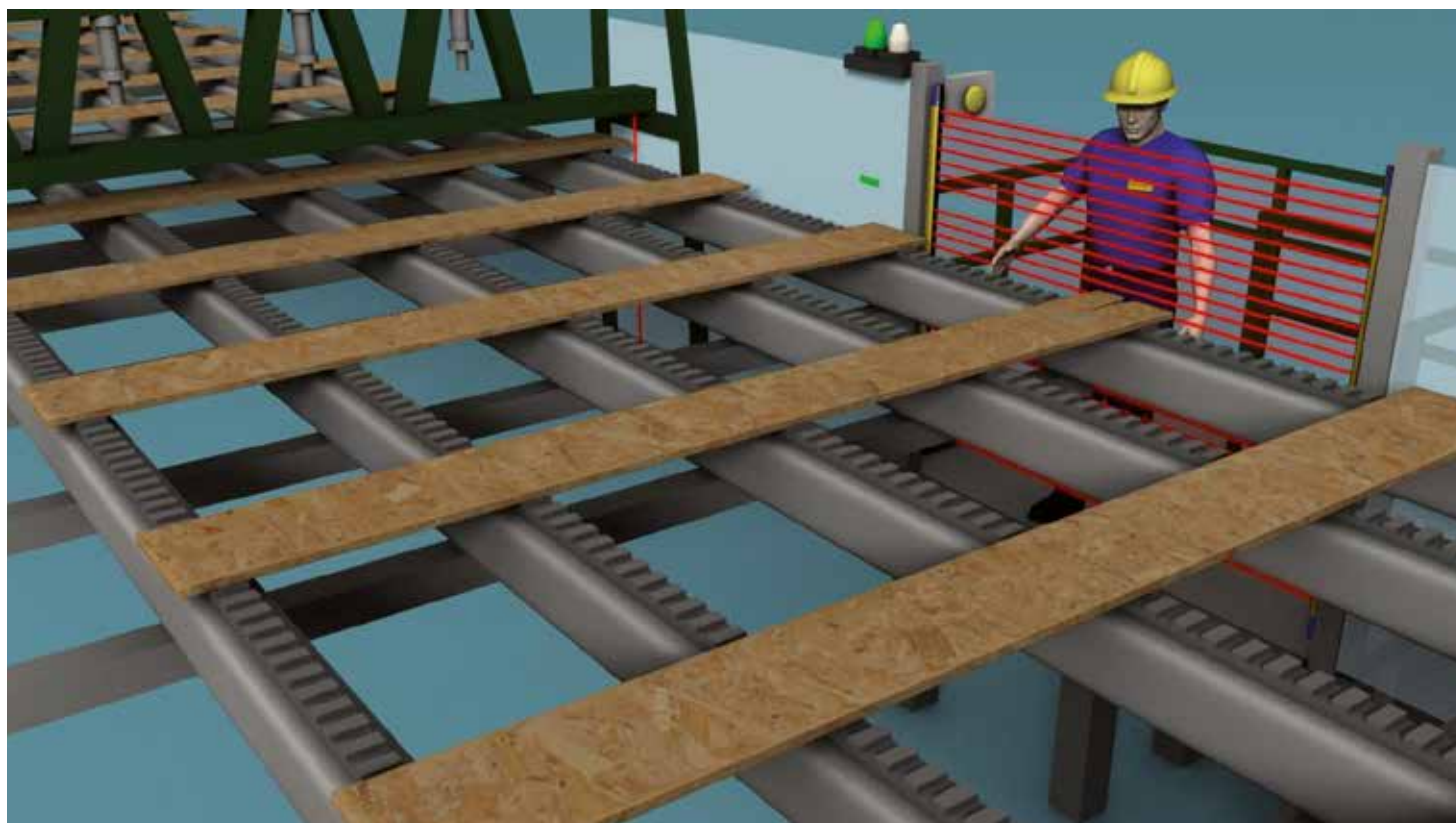
MONITORED HEIGHT	
15	150 mm
30	300 mm
...	...
180	1800mm

VERSION	
E	Type4, EDM, Coded
E-C	Type2, EDM, Coded
X	Basic Function

TECHNICAL DATA

	SG2 BASE [SG2-xx-xxx-00-X]	SG2 EXTENDED [SG2-xx-xxx-00-E-C]	SG4 BASE [SG4-xx-xxx-00-X]	SG4 BASE [SG4-xx-xxx-00-E]
GENERAL DATA				
Type (EN61496-1)	2		4	
PL (EN ISO 13849-1)	c		e	
SIL (IEC 61508)	1		3	
Resolution	30 - 50 - 90 mm		14 - 30 mm	
Protected height	150 ...1800 mm (with 150 mm steps)			
Operating distance	0.2 ...19 m		0.2 ... 6 m (resolution 14 mm) 0.2 ...19 m (resolution 30 mm)	
ELECTRICAL DATA				
Power supply (Vdd)	24 Vdc ± 20			
Outputs	2 PNP			
Output current	0.5 A max / each output			
Capacitive load	2.2 µF @ 24Vdc max			
Response time	8 ... 19 ms depending on model *			
Cables length (for power supply)	50 m max			
MECHANICAL AND ENVIRONMENTAL DATA				
Operating temperature	-10 ...+55 °C		0 ...+55 °C	
Humidity	15 ... 95 % (no condensation)			
Mechanical protection	IP 65 (EN 60529)			
FUNCTIONS				
Test Input	On Receiver	On Emitter	N/A	On Emitter
Restart	Automatic	Manual / Automatic	Automatic	Manual / Automatic
EDM (External Device Monitoring)	N/A	On Receiver	N/A	On Receiver
Selectable Operating Distance	N/A	On Emitter	N/A	

* For detailed informations refer to related Manual



CONNECTION

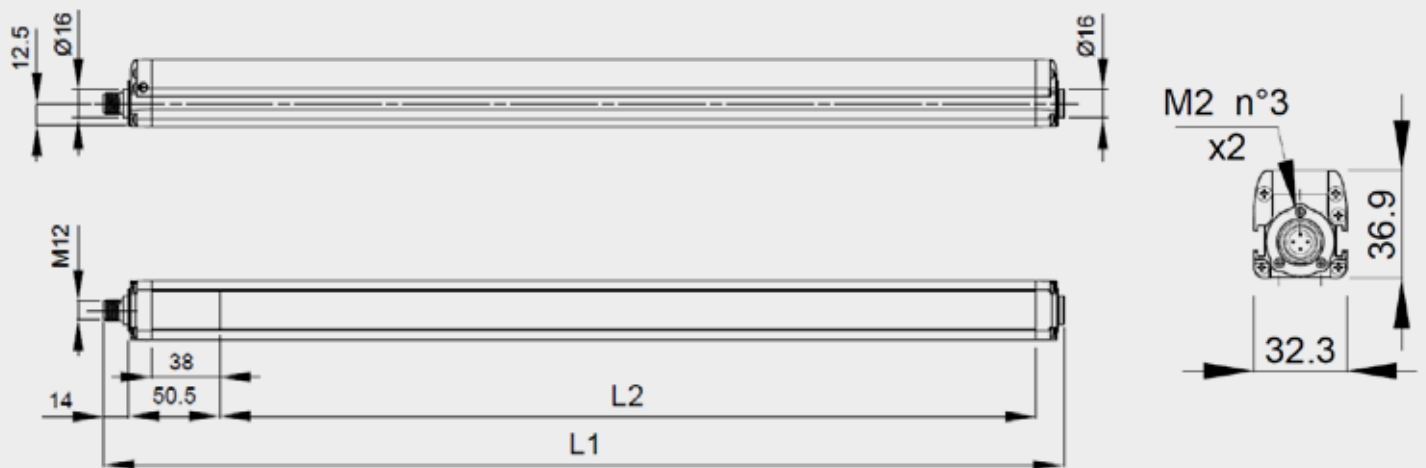
	SG2 BASE [SG2-XX-XXX-00-X]	SG4 BASE [SG4-XX-XXX-00-X]
EMITTER		
RECEIVER		
	SG2 EXTENDED [SG2-XX-XXX-00-E-C]	SG4 BASE [SG4-XX-XXX-00-E]
EMITTER		
RECEIVER		

NOTES

To set manual restart, connect Pin 8 (MAN/AUTO) with Pin 6 (OSSD2)

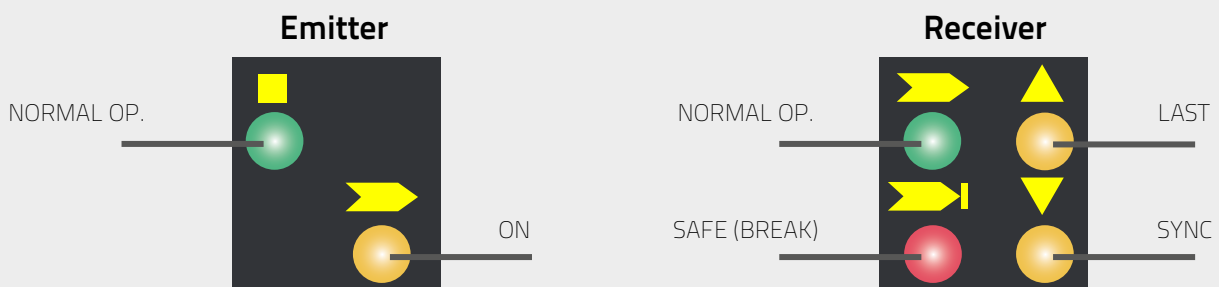
To deactivate EDM function, connect Rx Pin 3 to 24Vdc on Receiver

DIMENSIONS



MODEL	L1 (MM)	L2 (MM)
SGx-yy-150-00-kkk	233.3	153.3
SGx-yy-030-00-kkk	383.2	303.2
SGx-yy-045-00-kkk	533.2	453.3
SGx-yy-060-00-kkk	683.2	603.2
SGx-yy-075-00-kkk	833.2	753.3
SGx-yy-090-00-kkk	983.2	903.2
SGx-yy-105-00-kkk	1133.2	1053.2
SGx-yy-120-00-kkk	1283.3	1203.3
SGx-yy-135-00-kkk	1433.2	1353.2
SGx-yy-150-00-kkk	1583.3	1503.3
SGx-yy-165-00-kkk	1733.3	1653.3
SGx-yy-180-00-kkk	1883.3	1803.3

INDICATORS



MODEL SELECTION AND ORDER INFORMATION

	SG2 BASE [SG2-XX-XXX-00-X]	ORDER CODE	SG2 EXTENDED [SG2-XX-XXX-00-E-C]	ORDER CODE	SG4-XX-XXX-00-X	ORDER CODE	SG4 BASE [SG4-XX-XXX-00-E]	ORDER CODE
FINGER PROTECTION	---	---	---	---	SG4-14-015-00-X	957901460	SG4-14-015-00-E	957901000
	---	---	---	---	SG4-14-030-00-X	957901470	SG4-14-030-00-E	957901010
	---	---	---	---	SG4-14-045-00-X	957901480	SG4-14-045-00-E	957901020
	---	---	---	---	SG4-14-060-00-X	957901490	SG4-14-060-00-E	957901030
	---	---	---	---	SG4-14-075-00-X	957901500	SG4-14-075-00-E	957901040
	---	---	---	---	SG4-14-090-00-X	957901510	SG4-14-090-00-E	957901050
	---	---	---	---	SG4-14-105-00-X	957901520	SG4-14-105-00-E	957901060
	---	---	---	---	SG4-14-120-00-X	957901530	SG4-14-120-00-E	957901070
	---	---	---	---	SG4-14-135-00-X	957901540	SG4-14-135-00-E	957901080
	---	---	---	---	SG4-14-150-00-X	957901550	SG4-14-150-00-E	957901090
	---	---	---	---	SG4-14-165-00-X	957901560	SG4-14-165-00-E	957901100
---	---	---	---	SG4-14-180-00-X	957901570	SG4-14-180-00-E	957901110	
HAND PROTECTION	SG2-30-015-00-X	957801000	SG2-30-015-00-E-C	957801340	SG4-30-015-00-X	957901690	SG4-30-015-00-E	957901120
	SG2-30-030-00-X	957801010	SG2-30-030-00-E-C	957801350	SG4-30-030-00-X	957901580	SG4-30-030-00-E	957901130
	SG2-30-045-00-X	957801020	SG2-30-045-00-E-C	957801360	SG4-30-045-00-X	957901590	SG4-30-045-00-E	957901140
	SG2-30-060-00-X	957801030	SG2-30-060-00-E-C	957801370	SG4-30-060-00-X	957901600	SG4-30-060-00-E	957901150
	SG2-30-075-00-X	957801040	SG2-30-075-00-E-C	957801380	SG4-30-075-00-X	957901610	SG4-30-075-00-E	957901160
	SG2-30-090-00-X	957801050	SG2-30-090-00-E-C	957801390	SG4-30-090-00-X	957901620	SG4-30-090-00-E	957901170
	SG2-30-105-00-X	957801060	SG2-30-105-00-E-C	957801400	SG4-30-105-00-X	957901630	SG4-30-105-00-E	957901180
	SG2-30-120-00-X	957801070	SG2-30-120-00-E-C	957801410	SG4-30-120-00-X	957901640	SG4-30-120-00-E	957901190
	SG2-30-135-00-X	957801080	SG2-30-135-00-E-C	957801420	SG4-30-135-00-X	957901650	SG4-30-135-00-E	957901200
	SG2-30-150-00-X	957801090	SG2-30-150-00-E-C	957801430	SG4-30-150-00-X	957901660	SG4-30-150-00-E	957901210
	SG2-30-165-00-X	957801100	SG2-30-165-00-E-C	957801440	SG4-30-165-00-X	957901670	SG4-30-165-00-E	957901220
SG2-30-180-00-X	957801110	SG2-30-180-00-E-C	957801450	SG4-30-180-00-X	957901680	SG4-30-180-00-E	957901230	
PRESENCE / ARM DETECTION	SG2-50-030-00-X	957801120	SG2-50-030-00-E-C	957801460	---	---	---	---
	SG2-50-045-00-X	957801130	SG2-50-045-00-E-C	957801470	---	---	---	---
	SG2-50-060-00-X	957801140	SG2-50-060-00-E-C	957801480	---	---	---	---
	SG2-50-075-00-X	957801150	SG2-50-075-00-E-C	957801490	---	---	---	---
	SG2-50-090-00-X	957801160	SG2-50-090-00-E-C	957801500	---	---	---	---
	SG2-50-105-00-X	957801170	SG2-50-105-00-E-C	957801510	---	---	---	---
	SG2-50-120-00-X	957801180	SG2-50-120-00-E-C	957801520	---	---	---	---
	SG2-50-135-00-X	957801190	SG2-50-135-00-E-C	957801530	---	---	---	---
	SG2-50-150-00-X	957801200	SG2-50-150-00-E-C	957801540	---	---	---	---
	SG2-50-165-00-X	957801210	SG2-50-165-00-E-C	957801550	---	---	---	---
	SG2-50-180-00-X	957801220	SG2-50-180-00-E-C	957801560	---	---	---	---
	SG2-90-030-00-X	957801230	SG2-90-030-00-E-C	957801570	---	---	---	---
	SG2-90-045-00-X	957801240	SG2-90-045-00-E-C	957801580	---	---	---	---
	SG2-90-060-00-X	957801250	SG2-90-060-00-E-C	957801590	---	---	---	---
	SG2-90-075-00-X	957801260	SG2-90-075-00-E-C	957801600	---	---	---	---
	SG2-90-090-00-X	957801270	SG2-90-090-00-E-C	957801610	---	---	---	---
	SG2-90-105-00-X	957801280	SG2-90-105-00-E-C	957801620	---	---	---	---
	SG2-90-120-00-X	957801290	SG2-90-120-00-E-C	957801630	---	---	---	---
	SG2-90-135-00-X	957801300	SG2-90-135-00-E-C	957801640	---	---	---	---
	SG2-90-150-00-X	957801310	SG2-90-150-00-E-C	957801650	---	---	---	---
SG2-90-165-00-X	957801320	SG2-90-165-00-E-C	957801660	---	---	---	---	
SG2-90-180-00-X	957801330	SG2-90-180-00-E-C	957801670	---	---	---	---	

CABLES

	POLES	TRANSMITTER CABLE	LENGTH (M)	ORDER CODE
SG2 BASE [SG2-xx-xxx-00-X]	4	CS-A1-02-U-03	3	95ASE1120
		CS-A1-02-U-05	5	95ASE1130
		CS-A1-02-U-10	10	95ASE1140
		CS-A1-02-U-15	15	95ASE1150
SG2 EXTENDED [SG2-xx-xxx-00-E-C]	4			
SG4 BASE [SG4-xx-xxx-00-X] [SG4-xx-xxx-00-E]		CS-A1-02-U-25	25	95ASE1160
		RECEIVER CABLE	LENGTH (M)	ORDER CODE
SG4 BASE [SG4-xx-xxx-00-X]	4	CS-A1-02-U-03	3	95ASE1120
		CS-A1-02-U-05	5	95ASE1130
		CS-A1-02-U-10	10	95ASE1140
		CS-A1-02-U-15	15	95ASE1150
SG2 BASE [SG2-xx-xxx-00-X]	5	CS-A1-03-U-03	3	95ASE1170
		CS-A1-03-U-05	5	95ASE1180
		CS-A1-03-U-10	10	95ASE1190
		CS-A1-03-U-15	15	95ASE1200
		CS-A1-03-U-25	25	95ASE1210
SG2 EXTENDED [SG2-xx-xxx-00-E-C] SG4 BASE [SG4-xx-xxx-00-E]	8	CS-A1-06-U-03	3	95ASE1220
		CS-A1-06-U-05	5	95ASE1230
		CS-A1-06-U-10	10	95ASE1240
		CS-A1-06-U-15	15	95ASE1250
		CS-A1-06-U-25	25	95ASE1260

NOTE
All cables have axial connectors

ACCESSORIES

	SG2 BASE [SG2-xx-xxx-00-X]	SG2 EXTENDED [SG2-xx-xxx-00-E-C]	SG4 BASE [SG4-xx-xxx-00-X]	SG4 BASE [SG4-xx-xxx-00-E]
BRACKETS				
Standard angled brackets	ST-KSTD (outfit for SG2 Base and SG4 Base)			
Rotating brackets	ST-K4ROT (outfit for SG2 Extended)			
Antivibration support (4 pcs / 6 pcs)*	ST-K4AV ST-K6AV			
Plastic brackets (4 pcs / 6 pcs)*	ST-KP4MP ST-KP6MP			
PROTECTION TUBES AND STANDS				
IP67/IP69K Tubes	SG-IP69K series			
Protective Stands	SG-PSB series			
Stand Plate for SG-PSB	SG-P			
Protective Stands Mounting Brackets (4 pcs / 6 pcs)*	ST-PS4-SG-SE ST-PS6-SG-SE			
Floor Columns	SE-S Series			
MIRRORS				
Deviating Mirrors	SG-DM Series			
Deviating Mirrors mounting kit for SG-PSB	ST-PS-DM			
Mirror Mounting Bracket	ST-DM			
SAFETY UNITS				
Safety Unit	SE-SR2			
EDM Relay Box**	-----	CS ME-03VU24-Y14	-----	CS ME-03VU24-Y14
Safety control unit for single beams and SLC	SG-BWS-T4-MT			
ALIGNMENT TOOL				
LASER Pointer	SG-LP			

NOTES

* Use 6 brackets for light curtains with length \geq 1200 mm

** When using EDM Relay Box or Muting connection box, connect EDM input, and be sure EDM function is active on the safety light curtain

For accessories part number, please refer to [Safety Reference Guide](#)

Stainless steel housing
Hygienic design
No need for additional protection tubes

- IP69K full protection
- Housing: AISI316L stainless steel with roughness under 0.8 micron
- Window: Optical glass
- Rounded surfaces with no gaps or sharp edges
- No labels: All information laser marked
- Maximum safety: Type 4, finger resolution
- Three protection heights: 150, 300 and 450 mm
- 50 x 30 mm profile
- 4 LEDs and 7-segment display alignment aiding



SAFETY

APPLICATIONS

- Primary packaging and filling machinery
- Liquid aseptic processing: syringe filling
- Solid dose processing: tablet blistering
- RABS (Restricted Access Barrier Systems)

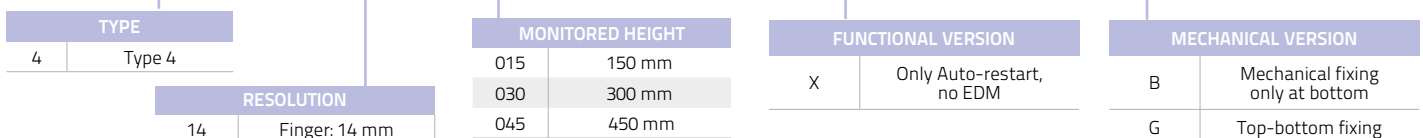


INDUSTRIES

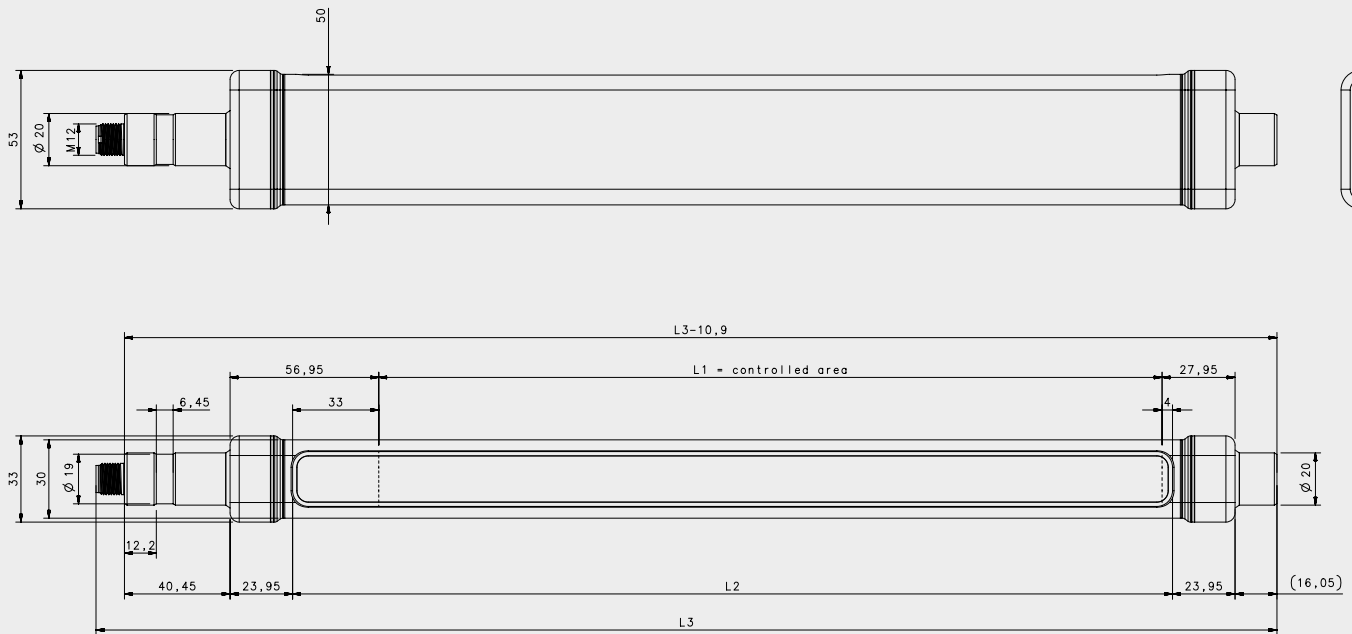
Pharmaceutical Industry

	FINGER	HAND	ARM	BODY
TYPE 2				
TYPE 4	▪			

SG4-H14-015-00-X-B



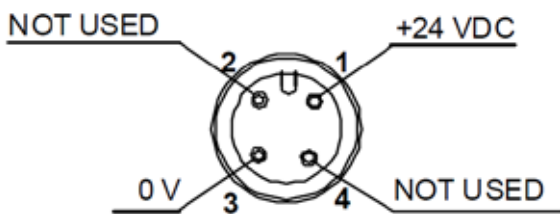
DIMENSIONS SG4-14-xxx-00-X-G



SG4-H	L1 (mm)	L2 (mm)	L3 (mm)
SG4-14-150-00-X-B	150	187	290.6
SG4-14-300-00-X-B	300	337	440.6
SG4-14-450-00-X-B	450	487	590.6
SG4-14-150-00-X-G	150	187	302.3
SG4-14-300-00-X-G	300	337	487
SG4-14-450-00-X-G	450	487	602.3

CONNECTION

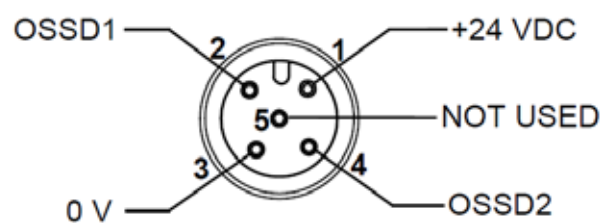
EMITTER



M12, 4 poles, male

1 = brown = 24Vdc
3 = blue = 0V

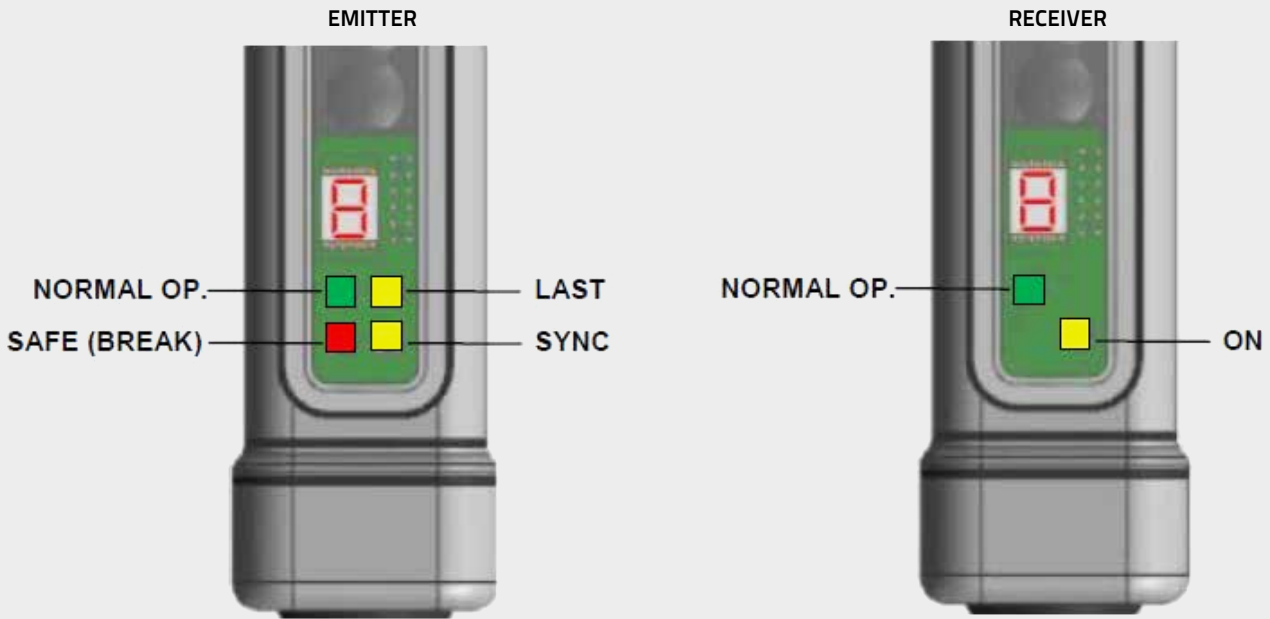
RECEIVER



M12, 5 poles, male

1 = brown = 24Vdc
2 = blue = OSSD1
3 = white = 0V
4 = green = OSSD2

INDICATORS



MODEL SELECTION AND ORDER INFORMATION

DESCRIPTION	ORDER No.
SG4-H14-015-00-X-B	957901760
SG4-H14-030-00-X-B	957901700
SG4-H14-045-00-X-B	957901710
SG4-H14-015-00-X-G	957902330
SG4-H14-030-00-X-G	957901720
SG4-H14-045-00-X-G	957901730

ACCESSORIES SELECTION AND ORDER INFORMATION

BRACKETS	
SG4-H-14-XXX-00-X-x is sold without brackets. Its bottom and top shape is designed to be hold by a cylindrical holder.	
MIRRORS	
Deviating Mirrors	SG-DM Series
SAFETY UNITS AND INTERFACES	
Safety Unit	SE-SR2
OTHERS	
Test Piece	TP-14

CABLES

	TRANSMITTER/RECEIVER CABLE	DESCRIPTION*	LENGTH (m)	ORDER CODE
SG4-H	CS-A1-02-U-03	M12, 4 Poles	3	95ASE1120
	CS-A1-02-U-05	M12, 4 Poles	5	95ASE1130
	CS-A1-02-U-10	M12, 4 Poles	10	95ASE1140
	CS-A1-02-U-15	M12, 4 Poles	15	95ASE1150
	CS-A1-02-U-25	M12, 4 Poles	25	95ASE1160

NOTE

* M12 connector has a fifth hole not used, in order to be compatible with 5 pins connectors

Highest mechanical flexibility for a perfect fit into machine structures
Simple commissioning and maintenance
High functional performance

- SLIM profile: 15 x 32 mm
- Pigtail cable with 5-pole M12 connectors
- Same cable for Emitter and Receiver
- No Dead Zone
- 14, 24 and 34 mm resolution
- 34 different protection lengths, with 30 mm modularity
- 3 different brackets shapes
- Cascadable up to 3 units
- Auto/Manual restart and EDM function configuration by wiring
- LED display messages diagnosis



SAFETY

APPLICATIONS

- Primary packaging machinery (packing, filling, labelling, etc...)
- Cutting machinery
- Automatic assembly machines and lines
- Automatic and semi-automatic quality inspection machinery
- Material handling machinery
- Bending and metal-working machinery
- Process lines



INDUSTRIES

Food & Beverage
 Electronics
 Automotive
 Metal working

	FINGER	HAND	ARM	BODY
TYPE 2	▪	▪		
TYPE 4	▪	▪		

SL2 - 14 - 0150 - E

TYPE	
2	Type 2
4	Type 4

RESOLUTION	
14	Finger: 14 mm
24	Hand: 24 mm
34	Hand: 34 mm

MONITORED HEIGHT	
0150	150 mm
0210	210 mm
0270	270 mm
0300	300 mm
...	
1200	1200 mm

VERSION	
E	EDM, Restart

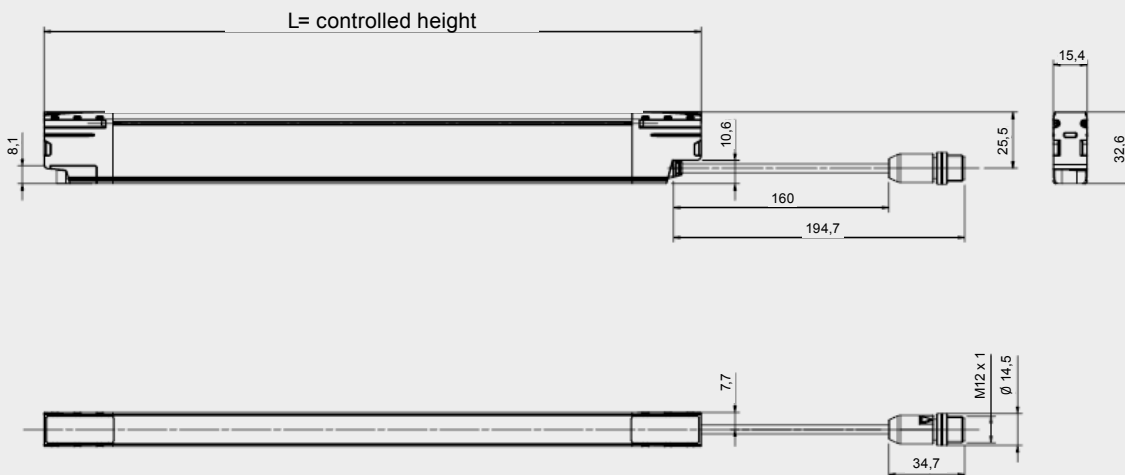
TECHNICAL DATA

	SL2 [SL2-xx-xxxx-E]	SL4 [SL4-xx-xxx-E]
GENERAL DATA		
Type (EN61496-1)	2	4
PL (EN ISO 13849-1)	c	e
SIL (IEC 61508)	1	3
Resolution	14 - 24 - 34 mm	
Protected heights	150 210 270 ... 1200 (with 30 mm steps)	
Operating distance	0.2 ... 6 m	
ELECTRICAL DATA		
Power supply (V _{dd})	24 Vdc ± 20%	
Outputs	2 PNP	
Output current	0.3 A max / each output	
Capacitive load	1 uF @ 24Vdc max	
Response time*	RT = 7 ... 17 ms (14 mm resolution) RT = 7 ... 13 ms (24 mm resolution) RT = 7 ... 15 ms (34 mm resolution) Cascade Response time (up to 3 units) ≤ 20ms	
Cables length (for power supply)	20 m max	
MECHANICAL AND ENVIRONMENTAL DATA		
Operating temperature	-10 ... +55 °C	
Storage temperature	-25° ... 70°C	
Humidity	15 ... 95 % (no condensation)	
Mechanical protection	IP65 (EN 60529)	
FUNCTIONS		
	Manual/Automatic restart	
	External Device Monitoring (EDM)	
	Alignment mode	

NOTE

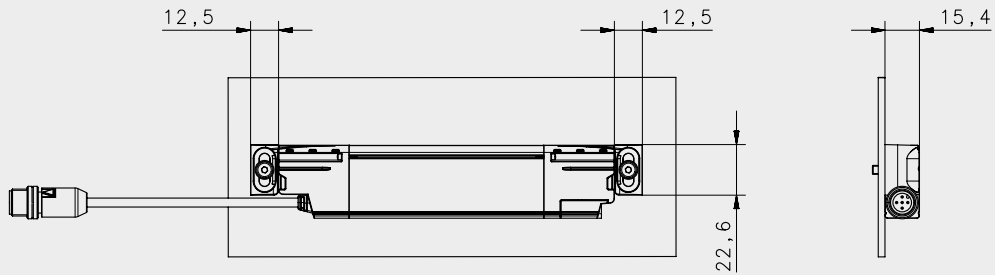
* Response time is dependent on height: for more details refer to product manual

DIMENSIONS

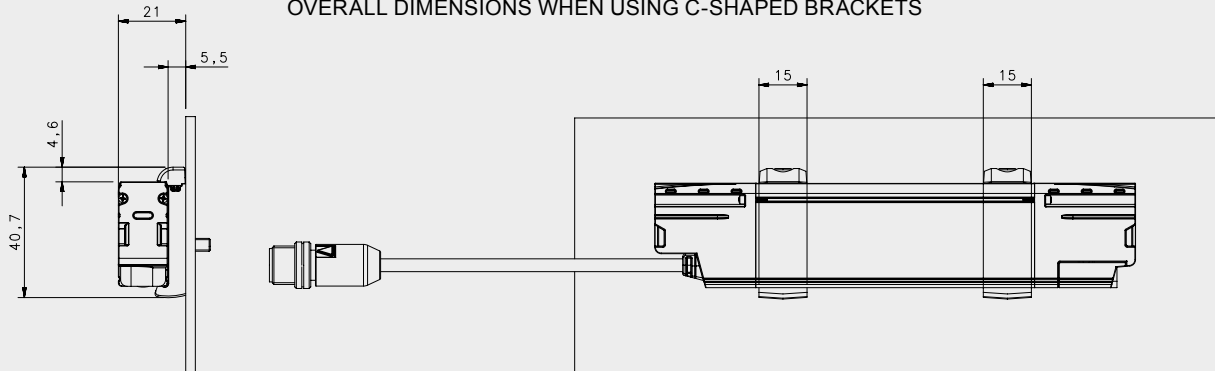


Model	L (mm)
SLx-yy-0150-E	150
SLx-yy-0210-E	210
SLx-yy-0270-E	270
SLx-yy-0300-E	300
SLx-yy-0330-E	330
SLx-yy-0360-E	360
SLx-yy-0390-E	390
SLx-yy-0420-E	420
SLx-yy-0450-E	450
SLx-yy-0480-E	480
SLx-yy-0510-E	510
SLx-yy-0540-E	540
SLx-yy-0570-E	570
SLx-yy-0600-E	600
SLx-yy-0630-E	630
SLx-yy-0660-E	660
SLx-yy-0690-E	690
SLx-yy-0720-E	720
SLx-yy-0750-E	750
SLx-yy-0780-E	780
SLx-yy-0810-E	810
SLx-yy-0840-E	840
SLx-yy-0870-E	870
SLx-yy-0900-E	900
SLx-yy-0930-E	930
SLx-yy-0960-E	960
SLx-yy-0990-E	990
SLx-yy-1020-E	1020
SLx-yy-1050-E	1050
SLx-yy-1080-E	1080
SLx-yy-1110-E	1110
SLx-yy-1140-E	1140
SLx-yy-1170-E	1170
SLx-yy-1200-E	1200

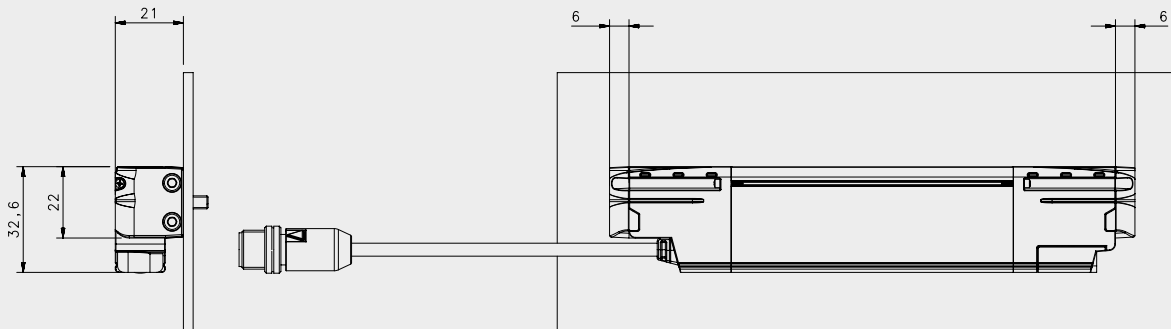
OVERALL DIMENSIONS WHEN USING O-SHAPED BRACKETS



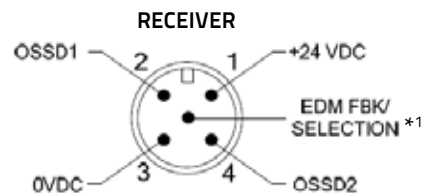
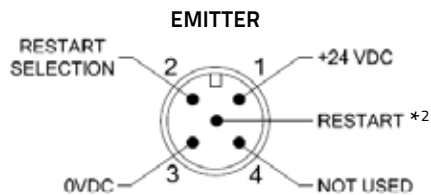
OVERALL DIMENSIONS WHEN USING C-SHAPED BRACKETS



OVERALL DIMENSIONS WHEN USING L-SHAPED BRACKETS



CONNECTIONS



NOTES:

1. EDM: If connected to NC contact of a forced-guided relay, EDM function is ON; if connected to OSSD1, EDM function is OFF.
2. RESTART: if connected through NC contact to 24Vdc: MANUAL RESTART; if connected to RESTART SELECTION: AUTOMATIC RESTART; if left unconnected (floating): ALIGNMENT MODE.

INDICATORS

RECEIVER



TRANSMITTER



MODEL SELECTION AND ORDER INFORMATION

	FINGER PROTECTION - 14 mm RESOLUTION		HAND PROTECTION - 24 mm RESOLUTION		HAND PROTECTION - 34 mm RESOLUTION	
	SL2 [SL2-14-xxxx-E]	Order number	SL2 [SL2-24-xxxx-E]	Order number	SL2 [SL2-34-xxxx-E]	Order number
TYPE 2	SL2-14-0150-E	957911020	SL2-24-0150-E	957911360	SL2-34-0150-E	957911700
	SL2-14-0210-E	957911030	SL2-24-0210-E	957911370	SL2-34-0210-E	957911710
	SL2-14-0270-E	957911040	SL2-24-0270-E	957911380	SL2-34-0270-E	957911720
	SL2-14-0300-E	957911050	SL2-24-0300-E	957911390	SL2-34-0300-E	957911730
	SL2-14-0330-E	957911060	SL2-24-0330-E	957911400	SL2-34-0330-E	957911740
	SL2-14-0360-E	957911070	SL2-24-0360-E	957911410	SL2-34-0360-E	957911750
	SL2-14-0390-E	957911080	SL2-24-0390-E	957911420	SL2-34-0390-E	957911760
	SL2-14-0420-E	957911090	SL2-24-0420-E	957911430	SL2-34-0420-E	957911770
	SL2-14-0450-E	957911100	SL2-24-0450-E	957911440	SL2-34-0450-E	957911780
	SL2-14-0480-E	957911110	SL2-24-0480-E	957911450	SL2-34-0480-E	957911790
	SL2-14-0510-E	957911120	SL2-24-0510-E	957911460	SL2-34-0510-E	957911800
	SL2-14-0540-E	957911130	SL2-24-0540-E	957911470	SL2-34-0540-E	957911810
	SL2-14-0570-E	957911140	SL2-24-0570-E	957911480	SL2-34-0570-E	957911820
	SL2-14-0600-E	957911150	SL2-24-0600-E	957911490	SL2-34-0600-E	957911830
	SL2-14-0630-E	957911160	SL2-24-0630-E	957911500	SL2-34-0630-E	957911840
	SL2-14-0660-E	957911170	SL2-24-0660-E	957911510	SL2-34-0660-E	957911850
	SL2-14-0690-E	957911180	SL2-24-0690-E	957911520	SL2-34-0690-E	957911860
	SL2-14-0720-E	957911190	SL2-24-0720-E	957911530	SL2-34-0720-E	957911870
	SL2-14-0750-E	957911200	SL2-24-0750-E	957911540	SL2-34-0750-E	957911880
	SL2-14-0780-E	957911210	SL2-24-0780-E	957911550	SL2-34-0780-E	957911890
	SL2-14-0810-E	957911220	SL2-24-0810-E	957911560	SL2-34-0810-E	957911900
	SL2-14-0840-E	957911230	SL2-24-0840-E	957911570	SL2-34-0840-E	957911910
	SL2-14-0870-E	957911240	SL2-24-0870-E	957911580	SL2-34-0870-E	957911920
	SL2-14-0900-E	957911250	SL2-24-0900-E	957911590	SL2-34-0900-E	957911930
	SL2-14-0930-E	957911260	SL2-24-0930-E	957911600	SL2-34-0930-E	957911940
	SL2-14-0960-E	957911270	SL2-24-0960-E	957911610	SL2-34-0960-E	957911950
	SL2-14-0990-E	957911280	SL2-24-0990-E	957911620	SL2-34-0990-E	957911960
	SL2-14-1020-E	957911290	SL2-24-1020-E	957911630	SL2-34-1020-E	957911970
	SL2-14-1050-E	957911300	SL2-24-1050-E	957911640	SL2-34-1050-E	957911980
	SL2-14-1080-E	957911310	SL2-24-1080-E	957911650	SL2-34-1080-E	957911990
SL2-14-1110-E	957911320	SL2-24-1110-E	957911660	SL2-34-1110-E	957912000	
SL2-14-1140-E	957911330	SL2-24-1140-E	957911670	SL2-34-1140-E	957912010	
SL2-14-1170-E	957911340	SL2-24-1170-E	957911680	SL2-34-1170-E	957912020	
SL2-14-1200-E	957911350	SL2-24-1200-E	957911690	SL2-34-1200-E	957912030	
TYPE 4	SL4 [SL4-14-xxxx-E]	Order number	SL4 [SL4-24-xxxx-E]	Order number	SL4 [SL4-34-xxxx-E]	Order number
	SL4-14-0150-E	957910000	SL4-24-0150-E	957910340	SL4-34-0150-E	957910680
	SL4-14-0210-E	957910010	SL4-24-0210-E	957910350	SL4-34-0210-E	957910690
	SL4-14-0270-E	957910020	SL4-24-0270-E	957910360	SL4-34-0270-E	957910700
	SL4-14-0300-E	957910030	SL4-24-0300-E	957910370	SL4-34-0300-E	957910710
	SL4-14-0330-E	957910040	SL4-24-0330-E	957910380	SL4-34-0330-E	957910720
	SL4-14-0360-E	957910050	SL4-24-0360-E	957910390	SL4-34-0360-E	957910730
	SL4-14-0390-E	957910060	SL4-24-0390-E	957910400	SL4-34-0390-E	957910740
	SL4-14-0420-E	957910070	SL4-24-0420-E	957910410	SL4-34-0420-E	957910750
	SL4-14-0450-E	957910080	SL4-24-0450-E	957910420	SL4-34-0450-E	957910760
	SL4-14-0480-E	957910090	SL4-24-0480-E	957910430	SL4-34-0480-E	957910770
	SL4-14-0510-E	957910100	SL4-24-0510-E	957910440	SL4-34-0510-E	957910780
	SL4-14-0540-E	957910110	SL4-24-0540-E	957910450	SL4-34-0540-E	957910790
	SL4-14-0570-E	957910120	SL4-24-0570-E	957910460	SL4-34-0570-E	957910800
	SL4-14-0600-E	957910130	SL4-24-0600-E	957910470	SL4-34-0600-E	957910810
	SL4-14-0630-E	957910140	SL4-24-0630-E	957910480	SL4-34-0630-E	957910820
	SL4-14-0660-E	957910150	SL4-24-0660-E	957910490	SL4-34-0660-E	957910830
	SL4-14-0690-E	957910160	SL4-24-0690-E	957910500	SL4-34-0690-E	957910840
	SL4-14-0720-E	957910170	SL4-24-0720-E	957910510	SL4-34-0720-E	957910850
	SL4-14-0750-E	957910180	SL4-24-0750-E	957910520	SL4-34-0750-E	957910860
	SL4-14-0780-E	957910190	SL4-24-0780-E	957910530	SL4-34-0780-E	957910870
	SL4-14-0810-E	957910200	SL4-24-0810-E	957910540	SL4-34-0810-E	957910880
	SL4-14-0840-E	957910210	SL4-24-0840-E	957910550	SL4-34-0840-E	957910890
	SL4-14-0870-E	957910220	SL4-24-0870-E	957910560	SL4-34-0870-E	957910900
	SL4-14-0900-E	957910230	SL4-24-0900-E	957910570	SL4-34-0900-E	957910910
	SL4-14-0930-E	957910240	SL4-24-0930-E	957910580	SL4-34-0930-E	957910920
	SL4-14-0960-E	957910250	SL4-24-0960-E	957910590	SL4-34-0960-E	957910930
	SL4-14-0990-E	957910260	SL4-24-0990-E	957910600	SL4-34-0990-E	957910940
	SL4-14-1020-E	957910270	SL4-24-1020-E	957910610	SL4-34-1020-E	957910950
	SL4-14-1050-E	957910280	SL4-24-1050-E	957910620	SL4-34-1050-E	957910960
SL4-14-1080-E	957910290	SL4-24-1080-E	957910630	SL4-34-1080-E	957910970	
SL4-14-1110-E	957910300	SL4-24-1110-E	957910640	SL4-34-1110-E	957910980	
SL4-14-1140-E	957910310	SL4-24-1140-E	957910650	SL4-34-1140-E	957910990	
SL4-14-1170-E	957910320	SL4-24-1170-E	957910660	SL4-34-1170-E	957911000	
SL4-14-1200-E	957910330	SL4-24-1200-E	957910670	SL4-34-1200-E	957911010	

ACCESSORIES SELECTION AND ORDER INFORMATION

BRACKETS		ORDER NUMBER
C-shaped Brackets (included): 2 pcs kit	ST-K2-SL-C	95ASE2510
O-shaped Brackets (included): 4 pcs kit	ST-K4-SL-O	95ASE2520
L-shaped Brackets: 2 pcs kit	ST-K2-SL-L	95ASE2540
C-shaped Orientable Brackets: 2 pcs kit	ST-K2-SL-C-OR	95ASE2530
MIRRORS		
Deviating Mirrors	SG-DM Series	See NOTE 1
Deviating Mirrors mounting kit for SG-PSB	ST-P5-DM	See NOTE 1
Mirror Mounting Bracket	ST-DM	See NOTE 1
SAFETY UNITS		
Safety Unit	SE-SR2	95ACC6170
EDM Relay Box**	CS-ME	95ASE1270
Safety control unit for single beams and SLC (with muting)	SG-BWS-T4-MT	957051010
TEST PIECES		
Test Piece 14mm L=300mm	TP-14	95ACC1630
Test Piece 24mm L=200mm	TP-24	95ASE2570
Test Piece 34mm L=200mm	TP-34	95ASE2580

NOTES

NOTE 1 : For order numbers of these accessories refer to SAFETY REFERENCE GUIDE or to datasheets of SG-DM accessories

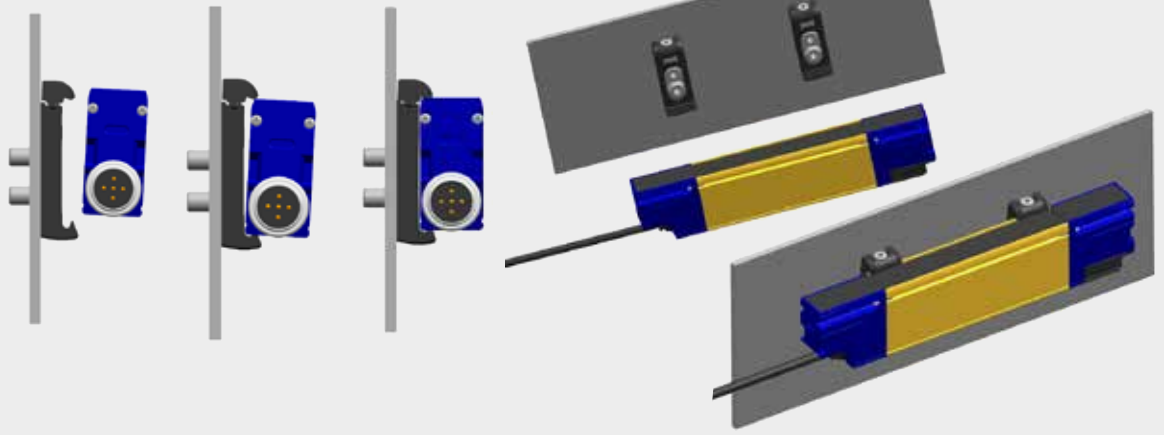
NOTE 2 : When using EDM Relay Box or Muting connection box, connect EDM input, and be sure EDM function is active on the safety light curtain

BRACKETS

C-shaped bracket



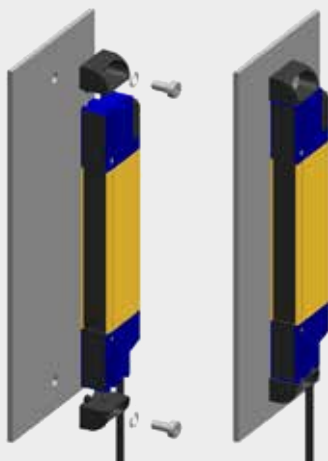
C-shaped brackets fixing



O-shaped bracket



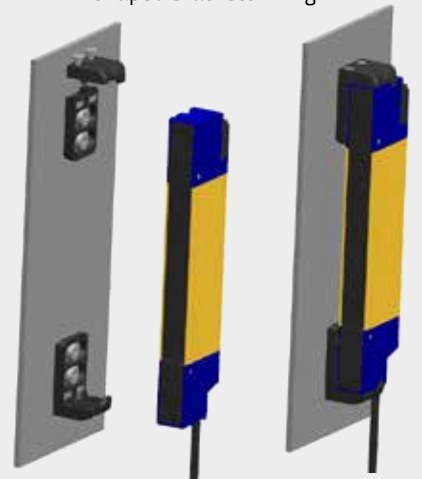
O-shaped brackets fixing



L-shaped bracket



L-shaped brackets fixing



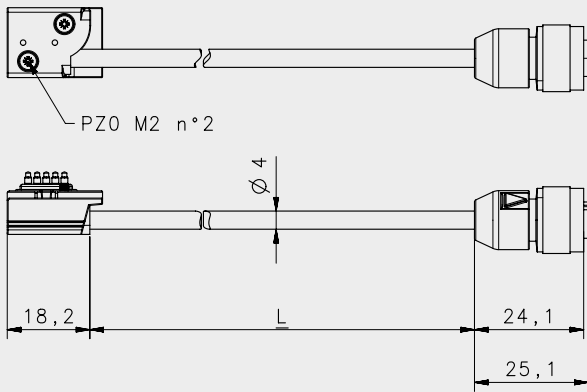
CABLES

	RECEIVER/TRANSMITTER CABLE	LENGTH (M)	ORDER NUMBER
SL2/SL4 [SLx-xx-xxxx-E]	CS-A1-03-U-03	3	95ASE1170
	CS-A1-03-U-05	5	95ASE1180
	CS-A1-03-U-10	10	95ASE1190
	CS-A1-03-U-15	15	95ASE1200
	CASCADE CABLES	LENGTH (m)	ORDER NUMBER
SL2/SL4 [SLx-xx-xxxx-E]	CS-H1-03-B-001	0.1	95A252950
	CS-H1-03-B-005	0.5	95A252550
	CS-H1-03-B-01	1	95A252560

NOTE

All cables have axial connectors

CASCADE CABLE DIMENSIONS



CASCADE CABLES	L +/- 10 (mm)
CS-H1-03-B-001	90
CS-H1-03-B-005	490
CS-H1-03-B-01	990

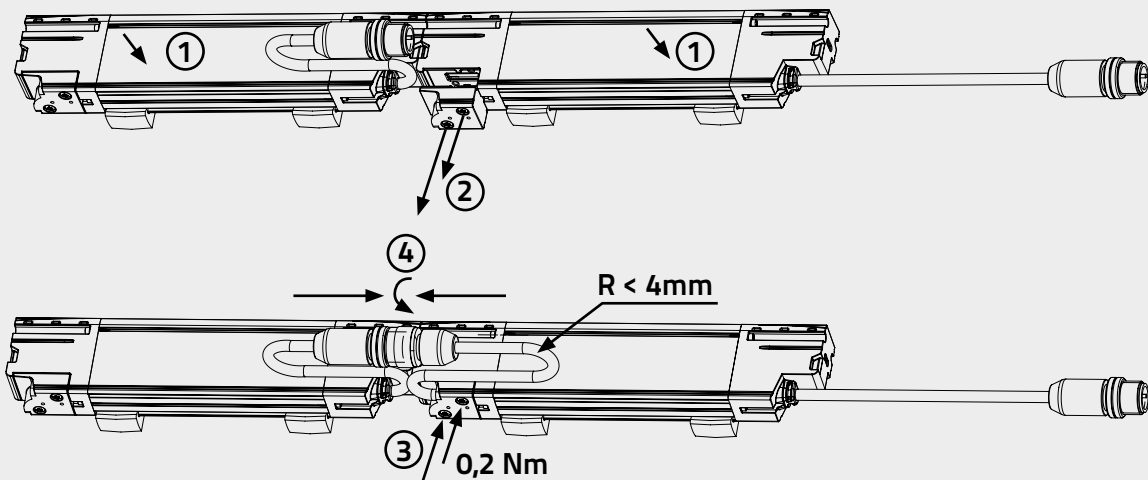
To connect cascade unit:

Fix all cascade units with proper brackets. (1)

Remove Terminator Caps at the end of Master by loosening the two fixing screws for both emitter and receiver. (2)

Fasten the cascade cables in place of removed terminator caps, ensure all cables bend radius it's not less than 4mm. (3)

Connect Slaves M12 male connectors to M12 Female connectors from cascade cables. (4)



SG BODY COMPACT BASE SG BODY COMPACT MUTING

SAFETY

Body access detection

Perimeter control

Rapid solution for access control with muting

Easy installation and alignment

L and T muting models provided with Retroreflective Muting Arms

- Two, three or four beams for body protection
- Controlled heights of 500, 800, 900 and 1200 mm
- Long operating distance: up to 50 m
- Simple configuration through DIP switches
- Integrated muting lamp (only on muting models)



APPLICATIONS

- Automatic machines
- Robots
- Automatic assembly lines
- Palletizers and depalletizers
- Material handling



INDUSTRIES

Food & Beverage, Metalworking, Automotive, Wood, Ceramics

	FINGER	HAND	ARM	BODY
TYPE 2				•
TYPE 4				•

SG2-S2-050-PP-E

TYPE	
2	Type 2
4	Type 4

BEAMS AND MUTING ARMS	
S2	2 Beams
S3	3 Beams
S4	4 Beams
T2	2 Beams with T muting arms (RRX)
T3	3 Beams with T muting arms (RRX)
L2	2 Beams with L muting arms (RRX)
L3	3 Beams with L muting arms (RRX)

MONITORED HEIGHT	
050	500 mm (2 beams)
080	800 mm (3 beams)
090	900 mm (4 beams)
120	1200 mm (4 beams)

VERSION	
X	Base: only automatic restart
E	Base: auto/man restart, EDM
W	Muting: with muting function

SG BODY COMPACT BASE SG BODY COMPACT MUTING

TECHNICAL DATA

	SG2 BODY COMPACT BASE [SG2-Sx-xxx-PP-E]	SG2 BODY COMPACT MUTING [SG2-S/L/Tx-xxx-PP-W]	SG4 BODY COMPACT BASE [SG4-Sx-xxx-PP-X]	SG4 BODY COMPACT BASE [SG4-Sx-xxx-PP-E]	SG4 BODY COMPACT MUTING [SG4-S/L/Tx-xxx-PP-W]
GENERAL DATA					
Type (EN61496-1)		2			4
PL (EN ISO 13849-1)		c			e
SIL (IEC 61508)		1			3
Resolution			315 mm (4 beams) 415 mm (3 and 4 beams) 515 mm (2 beams)		
Protected height			515 mm (2 beams) 815 mm (3 beams) 915 mm or 1215 (4 beams)		
Operating distance			0.5 ... 50 m		
Retroreflective muting arms operating distance (included in L and T versions)	-----	0.5 ... 3 m		-----	0.5 ... 3 m
Emitter-Receiver muting arms operating distance	-----	0.5 ... 7 m		-----	0.5 ... 7 m
ELECTRICAL DATA					
Power supply (Vdd)	24 Vdc ± 20%				
Outputs	2 PNP				
Output current	0.5 A max / each output				
Capacitive load	65 nF max at 25°C				
Response time	14 ... 16 ms depending on model *				
Cables length (for power supply)	50 m max.				
MECHANICAL AND ENVIRONMENTAL DATA					
Operating temperature	0 ... +55 °C				
Humidity	15 ... 95 % (no condensation)				
Mechanical protection	IP 65 (EN 60529)				
FUNCTIONS					
Test Input	On Receiver		N/A	On Receiver	
Restart	Automatic / Manual		Automatic	Automatic / Manual	
EDM (External Device Monitoring)	On Receiver		N/A	On Receiver	
Muting type (Selectable with DIP-sw)*	-----	T-Muting / L-Muting	N/A	-----	T-Muting / L-Muting
Muting time-out (Selectable with DIP-sw)*	-----	10 min. or ∞	N/A	-----	10 min. or ∞
Override	-----	On Receiver	N/A	-----	On Receiver

NOTES

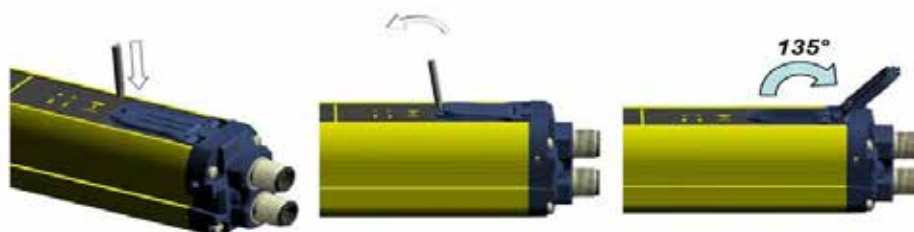
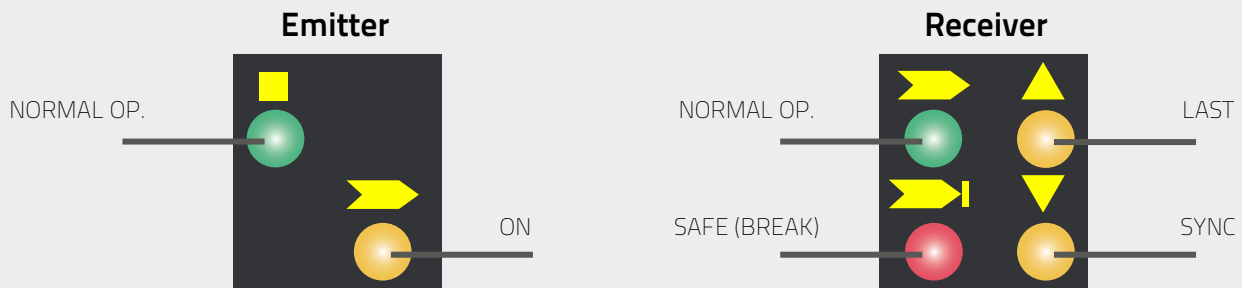
* For detailed informations refer to related Product Manual



CONNECTIONS

	SG4 BODY COMPACT BASE [SG4-SX-XXX-PP-X]	SG2 BODY COMPACT BASE [SG2-SX-XXX-PP-E] SG4 BODY COMPACT BASE [SG4-SX-XXX-PP-E]	SG2 BODY COMPACT MUTING [SG2-S/L/TX-XXX-PP-W]	SG4 BODY COMPACT MUTING [SG4-S/L/TX-XXX-PP-W]
EMITTER MAIN CONNECTOR		M12, 4 poles, male 1 = Brown = 24Vdc 3 = Blue = 0 V		
EMITTER SECONDARY CONNECTOR			M12, 5 poles, male 1 = Brown = 24 Vdc 3 = Blue = 0 V	
RECEIVER MAIN CONNECTOR	M12, 5 poles, male 1 = Brown = 24Vdc 2 = White = OSSD1 3 = Blue = 0 V 4 = Black = OSSD2	M12, 8 poles, male 1 = white = TEST /START 2 = brown = 24 Vdc 4 = yellow = EDM 5 = grey = OSSD 1 6 = pink = OSSD 2 7 = blue = 0V	M12, 8 poles, male 1 = white = TEST /START 2 = brown = 24 VDC 3 = green = OVERRIDE 1 4 = yellow = EDM 5 = grey = OSSD 1 6 = pink = OSSD 2 7 = blue = 0V 8 = red = OVERRIDE 2	
EMITTER SECONDARY CONNECTOR			M12, 5 poles, male 1 = Brown = 24 Vdc 2 = White = MUTING2 3 = Blue = 0 V 4 = Black = MUTING1	

INDICATORS AND DIP SWITCHES

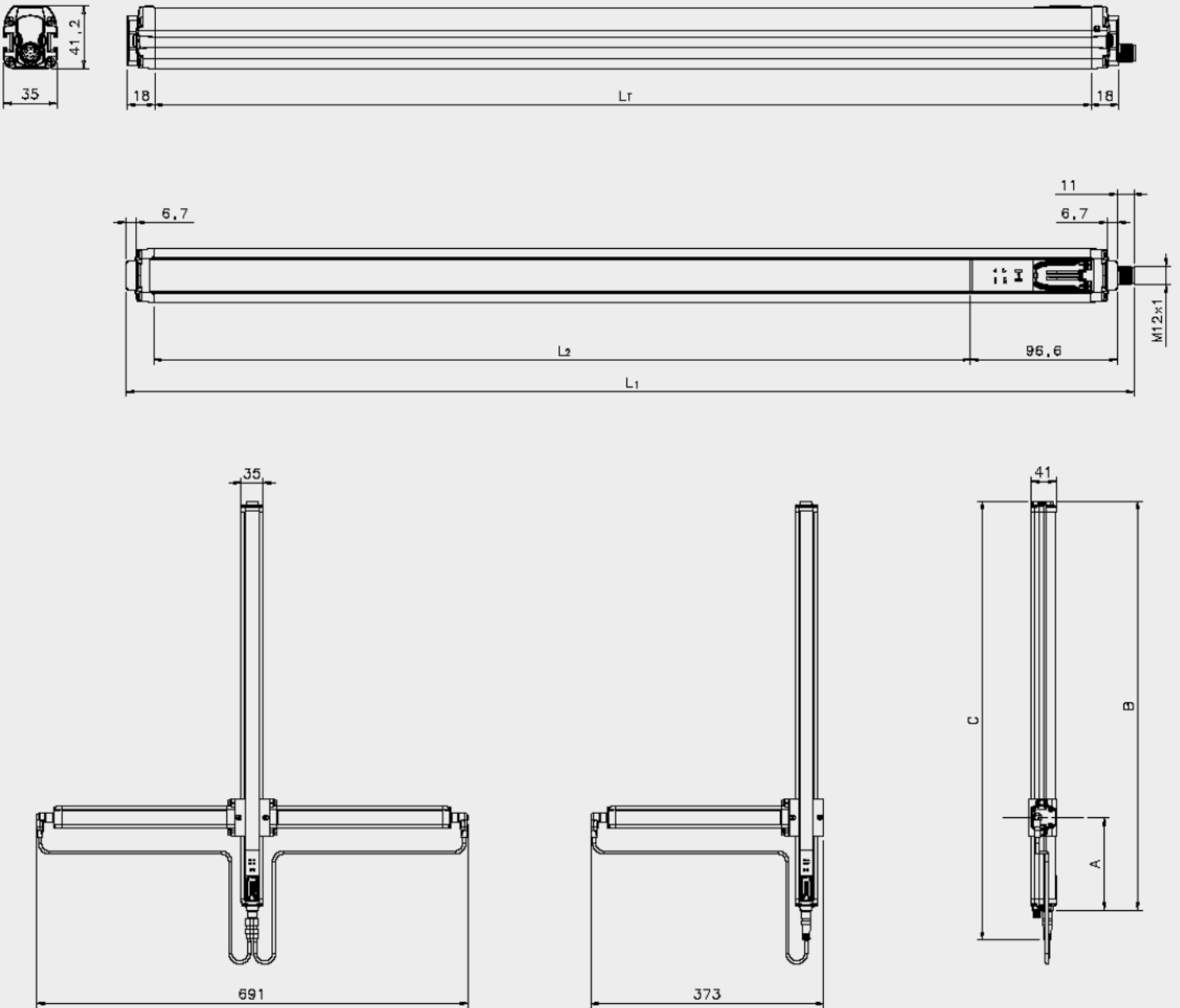


DIP-SW	FUNCTION	ON	OFF
1, 5			
2, 6			
3, 7	EDM	Deactivated	Activated
4, 8	Restart	Automatic	Manual

NOTE

DIP SW are not present on SG4 BODY COMPACT BASE models with -X final: [SGx-Sx-xxx-PP-X]

DIMENSIONS



MODEL	L1 (MM)	L2 (MM)	A (MM)	B (MM)	C (MM)
SGx-S/L/Tx-050-PP-x	662	538.4	120-260	653	700
SGx-S/L/Tx-080-PP-x	962	838.4	120-260	953	1000
SGx-S/L/Tx-090-PP-x	1062.5	938.4	120-260	1053	1100
SGx-S/L/Tx-120-PP-x	1362.5	1238.4	120-260	1353	1400

MODEL SELECTION AND ORDER INFORMATION

	SG2 BODY COMPACT BASE [SG2-SX-XXX-PP-E]	ORDER CODE	SG4 BODY COMPACT BASE [SG4-SX-XXX-PP-E]	ORDER CODE	
ONLY AUTOMATIC RESTART NO EDM			SG4-S2-050-PP-X	957851600	
			SG4-S3-080-PP-X	957851610	
			SG4-S4-090-PP-X	957851620	
			SG4-S4-120-PP-X	957851630	
WITH EDM AND MANUAL RESTART	SG2-S2-050-PP-E	957851000	SG4-S2-050-PP-E	957851040	
	SG2-S3-080-PP-E	957851010	SG4-S3-080-PP-E	957851050	
	SG2-S4-090-PP-E	957851020	SG4-S4-090-PP-E	957851060	
	SG2-S4-120-PP-E	957851030	SG4-S4-120-PP-E	957851070	
WITH INTEGRATED MUTING	WITHOUT MUTING ARMS	SG2 BODY COMPACT MUTING [SG2-S/L/TX-XXX-PP-W]	ORDER CODE	SG4 BODY COMPACT MUTING [SG4-S/L/TX-XXX-PP-W]	ORDER CODE
		SG2-S2-050-PP-W	957851080	SG4-S2-050-PP-W	957851160
		SG2-S3-080-PP-W	957851090	SG4-S3-080-PP-W	957851170
		SG2-S4-090-PP-W	957851100	SG4-S4-090-PP-W	957851180
	SG2-S4-120-PP-W	957851110	SG4-S4-120-PP-W	957851190	
	WITH L MUTING ARMS	SG2-L2-050-PP-W	957851120	SG4-L2-050-PP-W	957851200
		SG2-L3-080-PP-W	957851130	SG4-L3-080-PP-W	957851210
	WITH T MUTING ARMS	SG2-T2-050-PP-W	957851140	SG4-T2-050-PP-W	957851220
		SG2-T3-080-PP-W	957851150	SG4-T3-080-PP-W	957851230

CABLES

	POLES	CONNECTOR	LENGTH (M)	MODEL	ORDER NUMBER
SG BODY COMPACT BASE EMITTER MAIN CONNECTOR [SG2\4-SX-XXX-PP-X\E] SG BODY COMPACT BASE RECEIVER MAIN CONNECTOR [SG2\4-SX-XXX-PP-X]	4	Axial	3	CV-A1-22-B-03	95ACC1480
			5	CV-A1-22-B-05	95ACC1490
			10	CV-A1-22-B-10	95ACC1500
			15	CV-A1-22-B-15	95ACC2070
			25	CV-A1-22-B-25	95ACC2090
SG BODY COMPACT MUTING EMITTER AND RECEIVER MAIN CONNECTORS [SG2\4-S/L/TX-XXX-PP-W]		Radial	3	CV-A2-22-B-03	95ACC1540
			5	CV-A2-22-B-05	95ACC1550
			10	CV-A2-22-B-10	95ACC1560
SG BODY COMPACT BASE [SG2-SX-XXX-PP-E] [SG4-SX-XXX-PP-E] SG BODY COMPACT MUTING [SG2-S/L/TX-XXX-PP-W] [SG4-S/L/TX-XXX-PP-W]	8	Axial	3	CV-A1-26-B-03	95ACC1510
			5	CV-A1-26-B-05	95ACC1520
			10	CV-A1-26-B-10	95ACC1530
			15	CV-A1-26-B-15	95ACC2080
			25	CV-A1-26-B-25	95ACC2100
		Radial	3	CV-A2-26-B-03	95ACC1600
			5	CV-A2-26-B-05	95ACC1610
			10	CV-A2-26-B-10	95ACC1620
SG BODY COMPACT MUTING (LINEAR) [SG2-SX-XXX-PP-W] [SG4-SX-XXX-PP-W]	5	Axial	3	CS-A1-03-U-03	95ASE1170
			5	CS-A1-03-U-05	95ASE1180
			10	CS-A1-03-U-10	95ASE1190
			15	CS-A1-03-U-15	95ASE1200
			25	CS-A1-03-U-25	95ASE1210

NOTES

* For detailed informations refer to related Product Manual

ACCESSORIES

	SG4 BODY COMPACT BASE [SG4-SX-XXX-PP-X]	SG2 BODY COMPACT BASE SG4 BODY COMPACT BASE [SG2/4-SX-XXX-PP-E]	SG2 BODY COMPACT MUTING SG4 BODY COMPACT MUTING [SG2/4-S/L/TX-XXX-PP-W]
BRACKETS			
Standard angled brackets (4 pcs) ¹		ST-KSTD (included)	
Rotating brackets (4 pcs)		ST-K4ROT-SG BODY COMPACT	
Antivibration support (4 Pcs / 6 pcs) ³		ST-K4AV ST-K6AV	
Orientable support (4 pcs / 6 pcs) ³		ST-K4OR ST-K6OR	
Plastic brackets (4 pcs / 6 pcs) ³		ST-KP4MP ST-KP6MP	
PROTECTION TUBES AND STANDS			
IP67/IP69K tubes		-----	
Protective stands		SG-PSB series ²	
Stand plate for SG-PSB		SG-P	
Protective stands mounting brackets (4 pcs / 6 pcs) ³		ST-PS4-SG-SE ST-PS6-SG-SE	
Floor columns		SE-S Series	
MIRRORS			
Protective stands with single mirrors		SG-PSM series	
Deviating mirrors mounting kit for SG-PSB		ST-PS-DM	
Deviating mirrors		SG-DM series	
Mirror mounting bracket		ST-DM	
SAFETY UNITS			
Safety unit		SE-SR2	
Edm relay box ⁴	---	CS ME-03VU24-Y14	
Safety control unit for single beams and SLC		SG-BWS-T4-MT	
ALIGNMENT TOOL			
Laser pointer		P	
ACCESSORIES FOR MUTING			
Muting arms, brackets and cables	---	See page 77 of safety reference guide	
Muting connection box	---	SG-SRT-1 ⁴	
External muting lamps	---	LMS Series	

NOTES

¹ 1200 mm models are provided with 6 pcs standard brackets

² Not possible with T or L muting arms mounted

³ Use 6 brackets for light curtains with length \geq 1200 mm

⁴ When using EDM Relay Box or Muting connection box, connect EDM input, and be sure EDM function is active on the safety light curtain

*Robust housing for harsh environments
Long operating range for perimeter control
Rapid solution for access control with muting
Easy installation and alignment*

- 2, 3, 4 beams for body protection
- 40 mm resolution for arm protection and presence detection
- Controlled heights 500, 800, 900 and 1200 mm
- Long operating distance: up to 60 m
- Simple configuration through DIP switches
- Integrated muting lamp (only muting models)
- Anti-interference coding
- External muting enable signal
- Edged or triggered muting dependent override



SAFETY

APPLICATIONS

- Automatic machines
- Robots
- Automatic assembling lines
- Palletizers and Depalletizers
- Automatic warehouses
- Protecting perimeter areas



INDUSTRIES

Food & Beverage, Metalworking, Automotive, Wood, Ceramics

	FINGER	HAND	ARM	BODY
TYPE 2				▪
TYPE 4			▪	▪

SG2-B2-050-00-E

TYPE	
2	Type 2
4	Type 4

MONITORED HEIGHT	
050	500 mm (2 beams)
080	800 mm (3 beams)
090	900 mm (4beams)
120	1200 mm (4 beams)

VERSION	
E	Base: without muting function
W-C	Muting: with integrated muting function

BEAMS AND RANGE	
B2	2 Beams
B3	3 Beams
B4	4 Beams
BSR2	2 Beams Short Range (only type 4)
BSR3	3 Beams Short Range (only type 4)
BSR4	4 Beams Short Range (only type 4)
BLR2	2 Beams Long Range (only type 4)
BLR3	3 Beams Long Range (only type 4)
BLR4	4 Beams Long Range (only type 4)

SG4-40-060-00-E

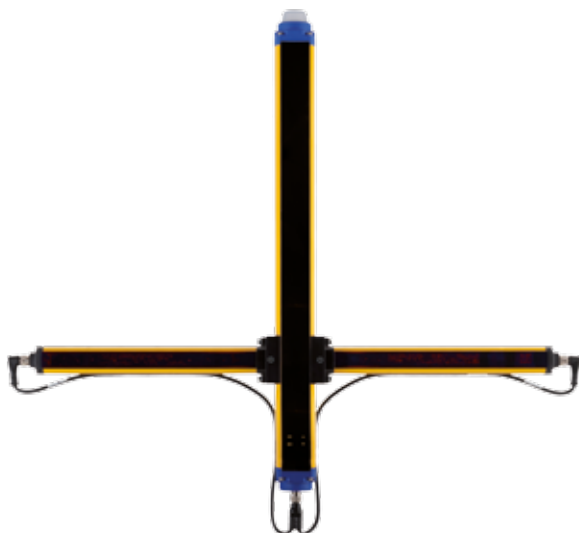
MONITORED HEIGHT	
060	660 mm
090	960 mm
120	1260 mm

TECHNICAL DATA

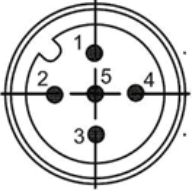
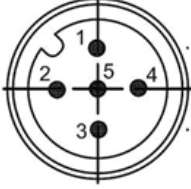
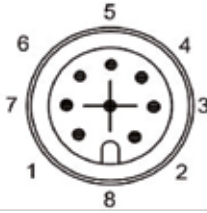
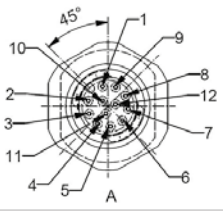
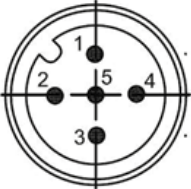
	SG2 BODY BIG BASE [SG2-Bx-xxx-00-E]	SG2 BODY BIG MUTING [SG2-Bxxx-xxx-00-W-C]	SG4 BODY BIG BASE [SG4-Bx-xxx-00-E]	SG4 BODY BIG MUTING [SG4-Bxxx-xxx-00-W-C]	SG4 LONG RANGE BASE [SG4-40-xxx-00-E]
GENERAL DATA					
Type (EN61496-1-2)	2		4		
PL (EN ISO 13849-1)	c		e		
SIL (IEC 61508)	1		3		
Resolution	319,75 mm (4 beams) 419,75 mm (3 and 4 beams) 519,75 mm (2 beams)				40 mm
Operating distance	0.5 ... 60 m		6 ... 60 m	0.5 ... 30 m (Short Range model) 6 ... 60 m (Long Range model)	6 ... 60 m
Retroreflective muting arms operating distance (not included)	---	0.5 ... 3 m	---	0.5 ... 3 m (Only for Short Range model)	---
Emitter-Receiver muting arms operating distance	---	0.5 ... 7 m	---	0.5 ... 7 m	---
Protected height	500 mm (2 beams) 800 mm (3 beams) 900 mm or 1200 (4 beams)				660 mm 960 mm 1260 mm
ELECTRICAL DATA					
Power supply (Vdd)	24 Vdc ± 20%				
Outputs	2 PNP				
Output current	0.5 A max/each output				
Capacitive load	2,2 uF max at 25°C				
Response time	11 ... 24 ms depending on model ^A				20 ... 24 ms depending on model ^A
Cables length (for power supply)	70 m max.				
MECHANICAL AND ENVIRONMENTAL DATA					
Operating temperature	0 ... +55 °C				
Humidity	15 ... 95 % (no condensation)				
Mechanical protection	IP 65 (EN 60529)				
FUNCTIONS					
	Test input				
	Manual/Automatic restart				
	External Device Monitoring (EDM)				
	Coding selection with DIP-SW				
	---	T-Muting/L-Muting	---	T-Muting/L-Muting	---
	---	Muting timeout: 10 min. or ∞	---	Muting timeout: 10 min. or ∞	---
	---	Integrated muting lamp	---	Integrated muting lamp	---
	---	Override	---	Override	---
	---	Muting enable input	---	Muting enable input	---
	---	Override status output	---	Override status output	---
	---	Muting lamp output	---	Muting lamp output	---

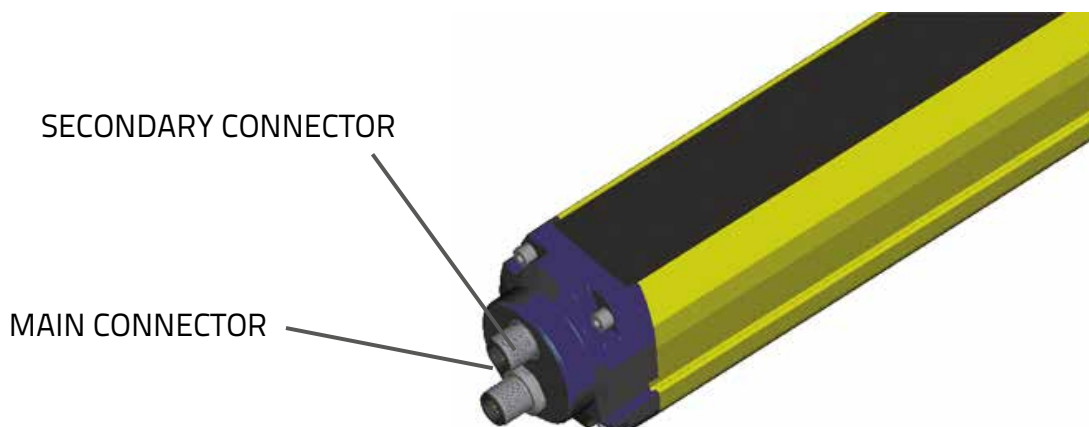
NOTES

^A For detailed informations refer to related Product Datasheet or Manual



CONNECTIONS

	SG BODY BIG BASE [SG2/4-Bx-xxx-00-E] SG4 LONG RANGE BASE [SG4-40-xxx-00-E]	SG BODY BIG MUTING [SG2/4-Bxxx-xxx-00-W-C]
	M12, 5 poles, male 1 = brown = 24Vdc; 2 = white = TEST; 3 = blue = 0V; 4 = black = EARTH	
EMITTER MAIN CONNECTOR		
EMITTER SECONDARY CONNECTOR	---	M12, 5 poles, male 1 = brown = 24Vdc; 3 = blue = 0V 
RECEIVER MAIN CONNECTOR	M12, 8 poles, male 1 = white = RESET/RESTART/RESTART MODE; 2 = brown = 24Vdc; 3 = green = EDM ENABLE; 4 = yellow = EDM; 5 = grey = OSSD1; 6 = pink = OSSD2; 7 = blue = 0V; 8 = red = EARTH 	M12 12-pole connector 1 = Brown = 24Vdc; 2 = Blue = 0V; 3 = White = RESET/RESTART/RESTART MODE; 4 = Green = OVERRIDE 1; 5 = Pink = OSSD 2; 6 = Yellow = EDM; 7 = Black = MUTING ENABLE; 8 = Grey = OSSD 1; 9 = Red = OVERRIDE 2; 10 = Violet = LAMP OUTPUT; 11 = Grey-Pink = OVERRIDE STATUS; 12 = Red-Blue = EARTH 
RECEIVER SECONDARY CONNECTOR	---	M12, 5 poles, male 1 = brown = 24Vdc; 2 = white = MUTING2; 3 = blue = 0V; 4 = black = MUTING 1 



ACCESSORIES

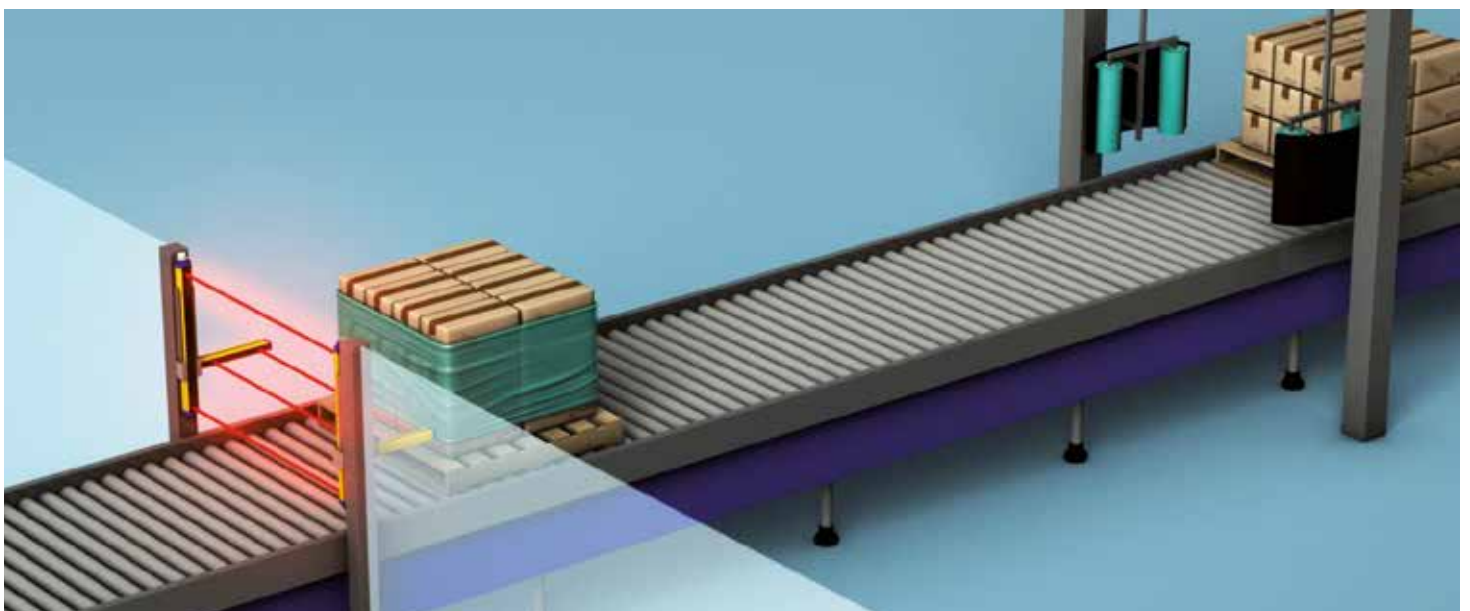
	SG BODY BIG BASE [SG2/4-Bx-xxx-00-E]	SG BODY BIG MUTING [SG2/4-Bxxx-xxx-00-W-C]	SG4 LONG RANGE BASE [SG4-40-xxx-00-E]
BRACKETS			
Included with the light curtain		None	
Standard angled brackets (4 pcs)		ST-K4STD-SG-BODY BIG	
Rear fixing bracket mounting (4 pcs)		ST-K4REAR-SG BODY BIG	
Rotating brackets (4 pcs)		ST-K4ROT-SG BODY BIG	
Antivibration support (4 pcs/6 pcs) ^c		ST-K4AV ST-K6AV	
Plastic brackets (4 pcs/6 pcs) ^c		ST-KP4MP ST-KP6MP	
PROTECTION TUBES, STANDS			
IP67/IP69K tubes		---	
Protective stands		SG-PSB series ^B	
Stand plate for SG-PSB		SG-P	
Protective stands mounting brackets (4 Pcs/6 pcs) ^c		ST-PS4-SG BODY ST-PS6-SG BODY	
Floor columns		SE-S Series	
MIRRORS			
Protective stands with single mirrors	SG-PSM series		---
Deviating mirrors mounting kit for SG-PSB		ST-PS-DM	
Deviating mirrors		SG-DM series	
Mirror mounting bracket		ST-DM	
SAFETY UNIT			
Safety unit		SE-SR2	
Edm relay box ^d		CS ME-03VU24-Y14	
Safety control unit for single beams and SLC		SG-BWS-T4-MT	
ALIGNMENT TOOL			
Laser pointer		SG-LP	
ACCESSORIES FOR MUTING			
Muting arms, brackets and cables	---	See page 70	---
Muting connection box ^d	---	SG-SRT-1	---
External muting lamps	---	LMS series	---

NOTES

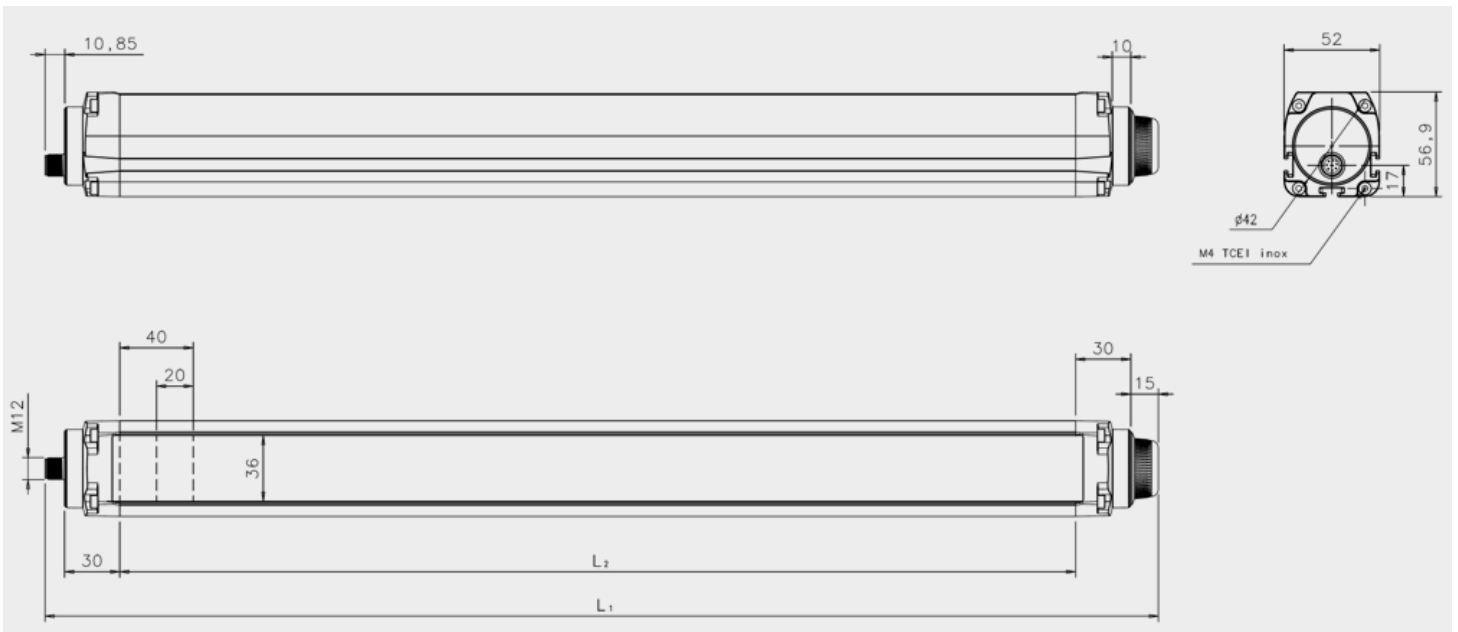
^B Not possible with T or L muting arms mounted

^C Use 6 brackets for light curtains with length \geq 1200 mm

^D When using EDM Relay Box or Muting connection box, connect EDM input, and be sure EDM function is active on the safety light curtain

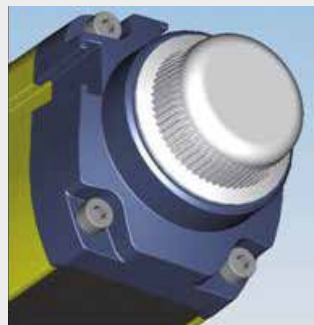
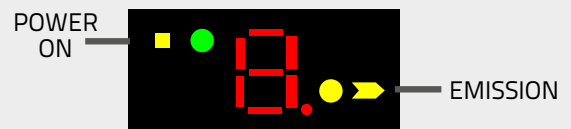
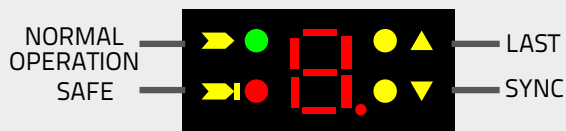


DIMENSIONS (mm)



MODEL	L1 [mm]	L2 [mm]
SGx-B2-050-00-E	606,35	520,5
SGx-B3-080-00-E	906,35	820,5
SGx-B4-090-00-E	1006,35	920,5
SGx-B4-120-00-E	1306,35	1220,5
SG4-40-060-00-E	783,35	700,5
SG4-40-090-00-E	1083,35	1000,5
SG4-40-120-00-E	1383,35	1300,5
SGx-Byy2-050-00-W-C	609,35	520,5
SGx-Byy3-080-00-W-C	909,35	820,5
SGx-Byy4-090-00-W-C	1009,35	920,5
SGx-Byy4-120-00-W-C	1309,35	1220,5

INDICATORS



MODEL SELECTION AND ORDER INFORMATION

BODY PROTECTION					ARM PROTECTION PRESENCE DETECTION				
WITHOUT MUTING	SG2 BODY BIG BASE [SG2-BX-XXX-00-E]	ORDER CODE	WITHOUT MUTING	SG4 BODY BIG BASE [SG4-BX-XXX-00-E]	ORDER CODE	LONG RANGE	SG4 LONG RANGE BASE [SG4-40-XXX-00-E]	ORDER CODE	
		SG2-B2-050-00-E		957851240			SG4-B2-050-00-E	957851280	
	SG2-B3-080-00-E	957851250		SG4-B3-080-00-E	957851290		SG4-40-090-00-E	957851580	
	SG2-B4-090-00-E	957851260		SG4-B4-090-00-E	957851300		SG4-40-120-00-E	957851590	
	SG2-B4-120-00-E	957851270		SG4-B4-120-00-E	957851310		---	---	
WITH INTEGRATED MUTING	SG2 BODY BIG MUTING [SG2-BXXX-XXX-00-W-C]	ORDER CODE	SHORT RANGE	SG4 BODY BIG MUTING [SG4-BXXX-XXX-00-W-C]	ORDER CODE				
		SG2-B2-050-00-W-C		957851320	SG4-B5R2-050-00-W-C	957851400		---	---
		SG2-B3-080-00-W-C		957851330	SG4-B5R3-080-00-W-C	957851410		---	---
		SG2-B4-090-00-W-C		957851340	SG4-B5R4-090-00-W-C	957851420		---	---
		SG2-B4-120-00-W-C	957851350	SG4-B5R4-120-00-W-C	957851430		---	---	
		---	---	LONG RANGE	SG4-BLR2-050-00-W-C	957851360		---	---
		---	---		SG4-BLR3-080-00-W-C	957851370		---	---
		---	---		SG4-BLR4-090-00-W-C	957851380		---	---
	---	---	SG4-BLR4-120-00-W-C		957851390		---	---	

CABLES

	TRANSMITTER CABLE (MAIN CONNECTOR)	LENGTH (m)	ORDER CODE	
SG BODY BIG BASE [SG2-Bx-xxx-00-E] [SG4-Bx-xxx-00-E]	CS -A1-03-U-03	3	95ASE 1170	
	CS -A1-03-U-05	5	95ASE 1180	
SG4 LONG RANGE BASE [SG4-40-xxx-00-E]	CS -A1-03-U-10	10	95ASE 1190	
	CS -A1-03-U-15	15	95ASE 1200	
SG BODY BIG MUTING [SG2-Bx-xxx-00-W-C] [SG4-Bxxx-xxx-00-W-C]	CS -A1-03-U-25	25	95ASE 1210	
	CS -A1-03-U-50	50	95A252700	
	RECEIVER CABLE (MAIN CONNECTOR)	LENGTH (m)	ORDER CODE	
SG BODY BIG BASE [SG2-Bx-xxx-00-E] [SG4-Bx-xxx-00-E]	CS -A1-06-U-03	3	95ASE1220	
	CS -A1-06-U-05	5	95ASE1230	
	CS -A1-06-U-10	10	95ASE1240	
SG4 LONG RANGE BASE [SG4-40-xxx-00-E]	CS -A1-06-U-15	15	95ASE1250	
	CS -A1-06-U-25	25	95ASE1260	
	CS -A1-06-U-50	50	95A252710	
SG BODY BIG MUTING [SG2-Bx-xxx-00-W-C] [SG4-Bxxx-xxx-00-W-C]	CS -A1-10-U-03	3	95A252720	
	CS -A1-10-U-05	5	95A252730	
	CS -A1-10-U-10	10	95A252740	
	CS -A1-10-U-15	15	95A252750	
	CS -A1-10-U-25	25	95A252760	
	CS -A1-10-U-50	50	95A252770	
	TRANSMITTER CABLE (SECONDARY CONNECTOR)	RECEIVER CABLE (SECONDARY CONNECTOR)	LENGTH (m)	ORDER CODE
SG BODY BIG MUTING [SG2-Bx-xxx-00-W-C] [SG4-Bxxx-xxx-00-W-C]	CS -A1-03-U-03		3	95ASE 1170
	CS -A1-03-U-05		5	95ASE 1180
	CS -A1-03-U-10		10	95ASE 1190
	CS -A1-03-U-15		15	95ASE 1200
	CS -A1-03-U-25		25	95ASE 1210
	CS -A1-03-U-50		50	95A252700

NOTES

All cables have axial connectors

SG BODY REFLECTOR BASE SG BODY REFLECTOR MUTING



One active and one passive unit to reduce wiring and installation costs
Robust housing for harsh environments
Easy installation and alignment
Reflective muting arms included in L and T muting version
All advanced features associated to muting function

- 2, 3, 4 beams for body protection
- Controlled heights 500, 800, 900 and 1200 mm
- Up to 8 m operating distance
- Simple configuration through DIP switches
- Integrated muting lamp (muting models)
- Anti-interference coding
- External muting enable signal
- Edged or triggered muting dependent override



SAFETY

APPLICATIONS

- Automatic machines
- Robots
- Automatic assembling lines
- Palletizers and Depalletizers



INDUSTRIES

Food & Beverage, Metalworking, Automotive, Wood, Ceramics

	FINGER	HAND	ARM	BODY
TYPE 2				
TYPE 4				•

Active unit

SG4-RB2L-050-00-W

TYPE		MUTING ARMS		MONITORED HEIGHT		VERSION	
4	Type 4	---	Linear version: no muting arms included	050	500 mm (2 beams)	E	Base: without integrated muting function
		L	L muting arms included	080	800 mm (3 beams)	W	Muting: with integrated muting function
		T	T muting arms included	090	900 mm (4beams)		
				120	1200 mm (4 beams)		

Passive unit

SG4-RDB2L-090

TYPE		BEAMS AND RANGE		MUTING ARMS		MONITORED HEIGHT	
4	Type 4	2	2 Beams	---	Linear version: no muting arms included	---	500 mm (2 beams) or 800 mm (3 beams)
		3	3 Beams	L	L muting arms included	090	900 mm (4 beams)
		4	4 Beams	T	T muting arms included	120	1200 mm (4 beams)

SG BODY REFLECTOR BASE SG BODY REFLECTOR MUTING



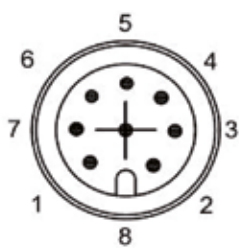
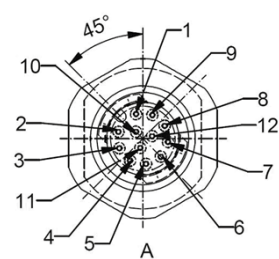
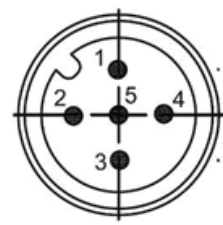
TECHNICAL DATA

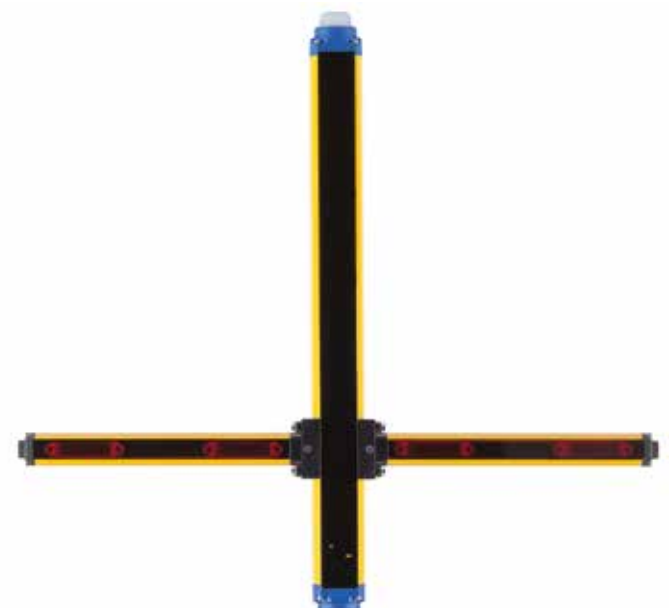
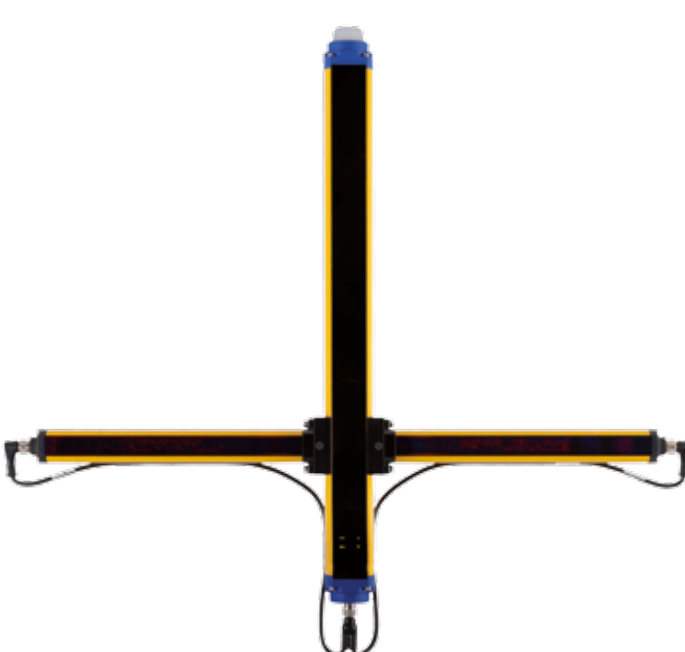
	SG BODY REFLECTOR BASE [SG4-RBx-xxx-00-E] + [SG4-RDBx]	SG BODY REFLECTOR MUTING [SG4-RBx-xxx-00-W] + [SG4-RDBx] [SG4-RBxL/T-xxx-00-W] + [SG4-RDBxL/T]
GENERAL DATA		
Type (EN61496-1)	4	
PL (EN ISO 13849-1)	e	
SIL (IEC 61508)	3	
Resolution	319,75 mm (4 beams) 419,75 mm (3 and 4 beams) 519,75 mm (2 beams)	
Protected height	500 mm (2 beams) 800 mm (3 beams) 900 mm or 1200 (4 beams)	
Operating distance	0.5 ... 8 m 0.5 ... 6.5 m (for SG4-RB4-090-00-E)	0.5 ... 8 m (for SG4-RBx-xxx-00-W) 0.5 ... 6.5 m (for SG4-RB4-090-00-W) 0.5 ... 3 m (for SG4-RBxL/T-00-W)
Retroreflective muting arms operating distance (included in T and L models)		0.5 ... 3 m
Emitter-Receiver muting arms operating distance (not included)	---	0.5 ... 7 m
ELECTRICAL DATA		
Power supply (Vdd)	24 Vdc ± 20%	
Outputs	2 PNP	
Output current	0.5 A max/each output	
Capacitive load	2,2 uF max at 25°C	
Response time	11 ... 12 ms depending on model ^A	
Cables length (for power supply)	70 m max.	
MECHANICAL AND ENVIRONMENTAL DATA		
Operating temperature	0 ... +55 °C	
Humidity	15 ... 95 % (no condensation)	
Mechanical protection	IP 65 (EN 60529)	
FUNCTIONS		
	Manual/Automatic restart	
	External Device Monitoring (EDM)	
	Coding selection with DIP-SW	
	---	T-Muting/L-Muting
		Integrated muting lamp
	---	Muting timeout: 10 min. or ∞
		Integrated muting lamp
	---	Override
	---	Muting enable input
	---	Override status output
	---	Muting filter
	---	Externa muting lamp output

NOTES

^A For detailed informations refer to related Product Datasheet or Manual

CONNECTIONS

	SG BODY REFLECTOR BASE [SG4-RBX-XXX-00-E]	SG BODY REFLECTOR MUTING [SG4-RBX-XXX-00-W] [SG4-RBXL/T-XXX-00-W]
ACTIVE UNIT MAIN CONNECTOR	<p>M12, 8 poles, male</p> <p>1 = white = RESET/RESTART/RESTART MODE 2 = brown = 24V 3 = green = EDM ENABLE 4 = yellow = EDM 5 = grey = OSSD1 6 = pink = OSSD2 7 = blue = 0V 8 = red = EARTH</p> 	<p>M12, 12 poles, male</p> <p>1 = brown = 24Vdc 2 = blue = 0V 3 = white = RESET/RESTART/RESTART MODE 4 = green = OVERRIDE1 5 = pink = OSSD2 6 = yellow = EDM 7 = black = MUTING ENABLE 8 = grey = OSSD1 9 = red = OVERRIDE2 10 = violet = LAMP INPUT 11 = grey-pink = OVERRIDE STATUS 12 = red-blue = EARTH</p> 
ACTIVE UNIT SECONDARY CONNECTOR	<p>---</p> <p>---</p>	<p>M12, 5 poles, male</p> <p>1 = brown = 24Vdc 2 = white = MUTING2 3 = blue = 0V 4 = black = MUTING1</p> 



ACCESSORIES

	SG BODY REFLECTOR BASE [SG4-RBX-XXX-00-E] + [SG4-RDBX]	SG BODY REFLECTOR MUTING [SG4-RBX-XXX-00-W] + [SG4-RDBX] [SG4-RBXL/T-XXX-00-W] + [SG4-RDBXL/T]
BRACKETS		
Included with the light curtain		None
Standard angled brackets (4 pcs)		ST-K4STD-SG-BODY BIG
Rear fixing bracket mounting (4 pcs)		ST-K4REAR-SG BODY BIG
Rotating brackets (4 pcs)		ST-K4ROT-SG BODY BIG
Antivibration support (4 pcs/6 pcs) ^B		ST-K4AV ST-K6AV
Plastic brackets (4 pcs/6 pcs) ^B		ST-KP4MP ST-KP6MP
PROTECTION TUBES, STANDS		
IP67/IP69K Tubes		---
Protective Stands		SG-PSB series ^A
Stand Plate for SG-PSB		SG-P
Protective Stands Mounting Brackets (4 pcs/6 pcs) ^B		ST-PS4-SG BODY ST-PS6-SG BODY
Floor columns		SE-S Series
SAFETY UNITS		
Safety Unit		SE-SR2
EDM Relay Box ^C		CS ME-03VU24-Y14
Safety control unit for single beams and SLC		SG-BWS-T4-MT
ALIGNMENT TOOL		
LASER Pointer		SG-LP
ACCESSORIES FOR MUTING		
Muting arms, brackets and cables	---	See page 70
Muting Connection box ^C	---	SG-SRT-1 or SG-SRT-2
External muting lamps	---	LMS Series

NOTES

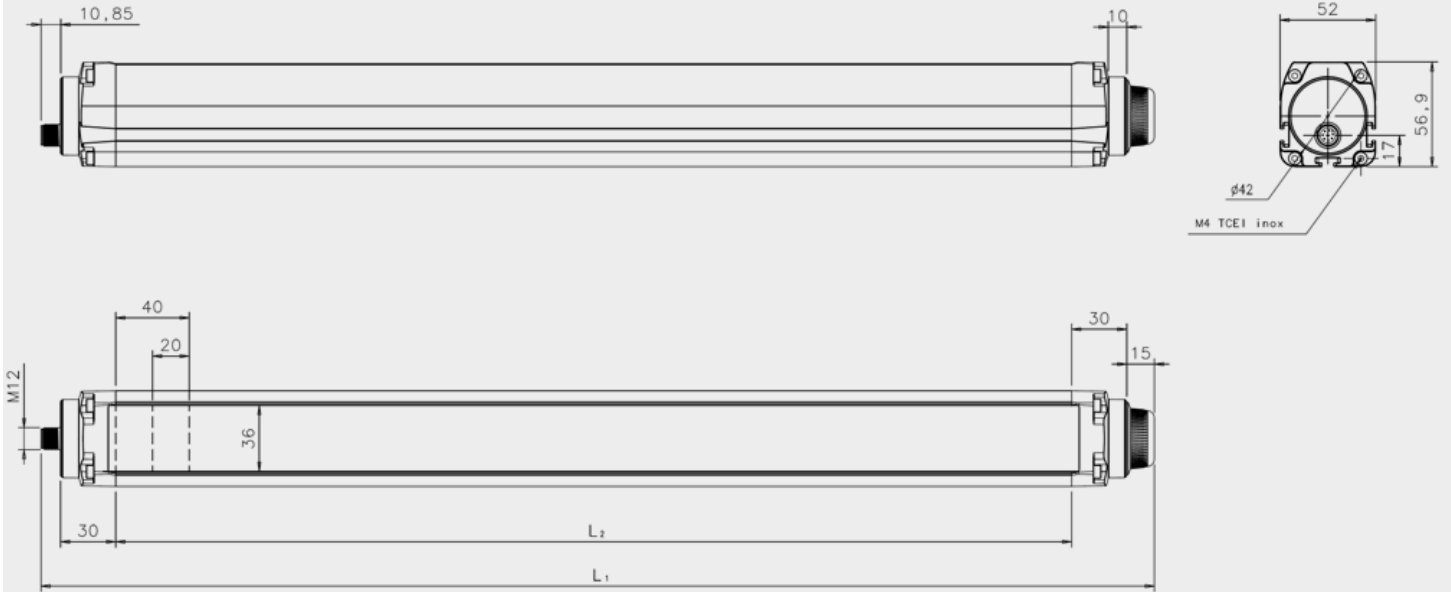
^A Not possible with T or L muting arms mounted

^B Use 6 brackets for light curtains with length \geq 1200 mm

^C When using EDM Relay Box or Muting connection boxes, connect EDM input, and be sure EDM function is active on the safety light curtain

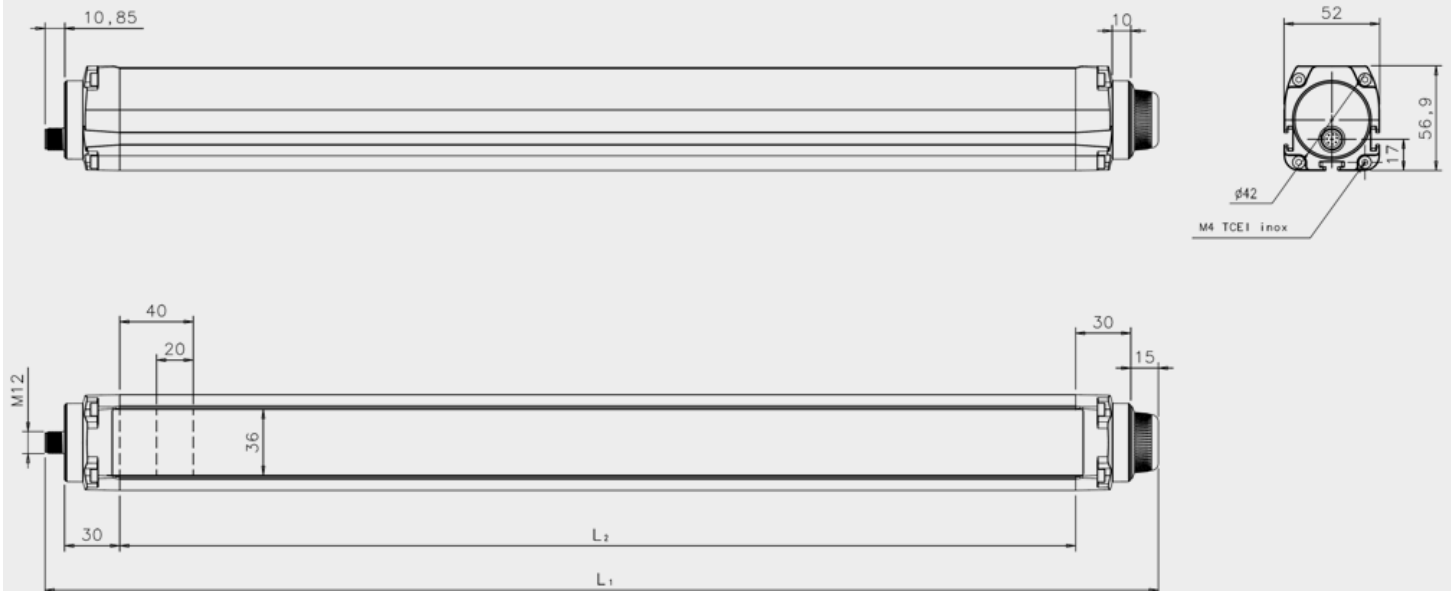
DIMENSIONS

SG BODY REFLECTOR BASE - ACTIVE UNIT



MODEL	L1 [mm]	L2 [mm]
SGx-RB2-050-00-E	606,35	520,5
SGx-RB3-080-00-E	906,35	820,5
SGx-RB4-090-00-E	1006,35	920,5
SGx-RB4-120-00-E	1306,35	1220,5

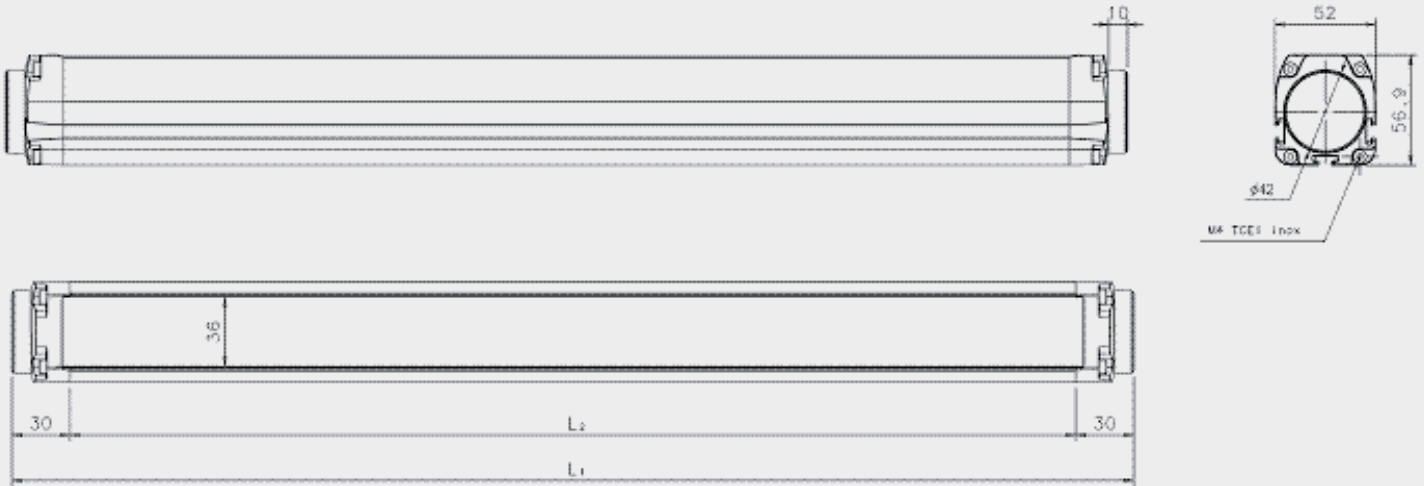
SG BODY REFLECTOR MUTING - ACTIVE UNIT



MODEL	L1 [mm]	L2 [mm]
SGx-RB2y-050-00-W	609,35	520,5
SGx-RB3y-080-00-W	909,35	820,5
SGx-RB4y-090-00-W	1009,35	920,5
SGx-RB4y-120-00-W	1309,35	1220,5

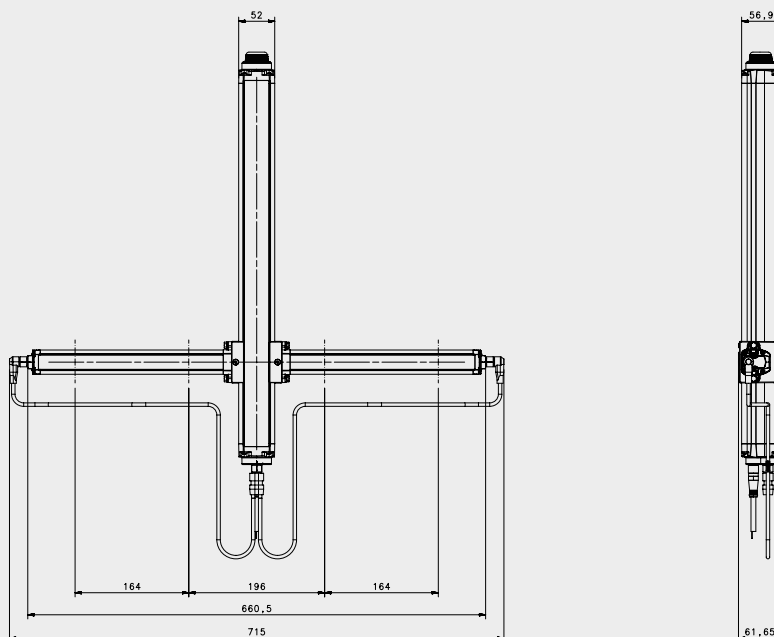
DIMENSIONS

SG BODY REFLECTOR BASE - PASSIVE UNIT ■ SG BODY REFLECTOR MUTING - PASSIVE UNIT



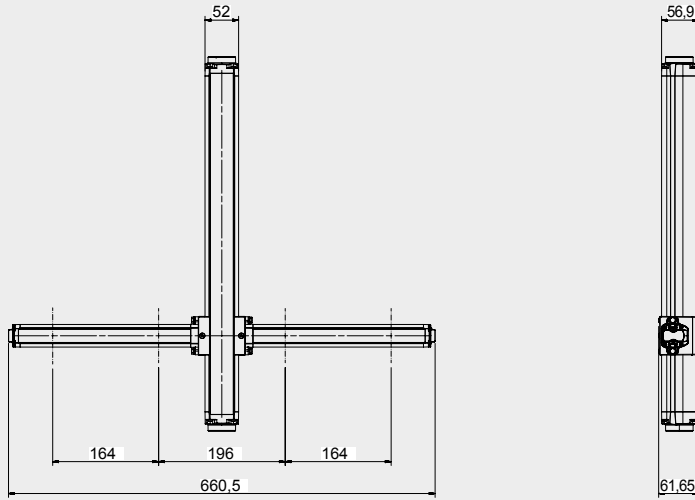
MODEL	L1 [mm]	L2 [mm]
SG4-RDB2	580,5	520,5
SG4-RDB2L	580,5	520,5
SG4-RDB2T	580,5	520,5
SG4-RDB3	880,5	820,5
SG4-RDB3L	880,5	820,5
SG4-RDB3T	880,5	820,5
SG4-RDB4-090	980,5	920,5
SG4-RDB4-120	1280,5	1220,5

SG BODY REFLECTOR BASE WITH T MUTING ARMS - ACTIVE SIDE



DIMENSIONS

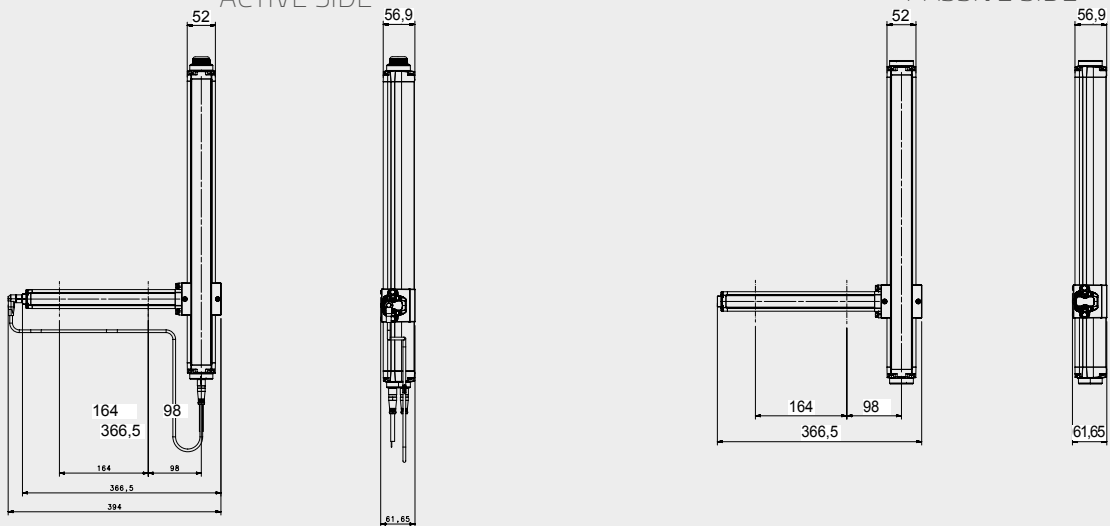
SG BODY REFLECTOR MUTING WITH T MUTING ARMS - PASSIVE SIDE



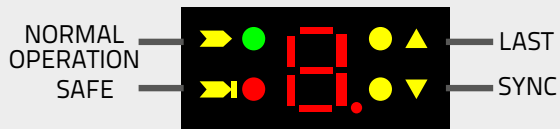
SG BODY REFLECTOR MUTING WITH L MUTING ARM

ACTIVE SIDE

PASSIVE SIDE



INDICATORS



SG BODY REFLECTOR BASE SG BODY REFLECTOR MUTING

MODEL SELECTION AND ORDER INFORMATION

SG4 BODY REFLECTOR BASE [SG4-RBX-XXX-00-E]		ORDER NUMBER	SG4 BODY REFLECTOR MUTING [SG4-RBX-XXX-00-W]		ORDER NUMBER
ACTIVE SIDE	SG4-RB2-050-00-E	957951000	LINEAR (WITHOUT MUTING ARMS)		
	SG4-RB3-080-00-E	957951010	SG4-RB2-050-00-W		957951030
	SG4-RB4-090-00-E	957951190	SG4-RB3-080-00-W		957951040
	SG4-RB4-120-00-E	957951020	SG4-RB4-090-00-W		957951180
	---	---	SG4-RB4-120-00-W		957951050
	---	---	WITH T MUTING ARMS		
	---	---	SG4-RB2T-050-00-W		957951080
	---	---	SG4-RB3T-080-00-W		957951090
	---	---	WITH L MUTING ARMS		
	---	---	SG4-RB2L-050-00-W		957951060
---	---	SG4-RB3L-080-00-W		957951070	
PASSIVE SIDE	SG4 BODY REFLECTOR BASE [SG4-RDBX] [SG4-RDBX-XXX]		SG4 BODY BIG MUTING [SG4-RDBX] [SG4-RDBXL/T]		ORDER CODE
			LINEAR (WITHOUT MUTING ARMS)		
	SG4-RDB2	957951100	SG4-RDB2		957951100
	SG4-RDB3	957951110	SG4-RDB3		957951110
	SG4-RDB4-090	957951170	SG4-RDB4-090		957951170
	SG4-RDB4-120	957951120	SG4-RDB4-120		957951120
	---	---	WITH T MUTING ARMS		
	---	---	SG4-RDB2T		957951150
	---	---	SG4-RDB3T		957951160
	---	---	WITH L MUTING ARMS		
---	---	SG4-RDB2L		957951130	
---	---	SG4-RDB3L		957951140	

IMPORTANT NOTES

- 1) Active and passive sides must be ordered separately
- 2) Brackets are not included in the SG4 BODY REFLECTOR packing and must be ordered separately (see accessories table)

CABLES

	ACTIVE UNIT (MAIN CONNECTOR)	LENGTH (m)	ORDER CODE
SG4 BODY REFLECTOR BASE [SG4-RBx-xxx-00-E]	CS-A1-06-U-03	3	95ASE1220
	CS-A1-06-U-05	5	95ASE1230
	CS-A1-06-U-10	10	95ASE1240
	CS-A1-06-U-15	15	95ASE1250
	CS-A1-06-U-25	25	95ASE1260
	CS-A1-06-U-50	50	95A252710
SG4 BODY REFLECTOR MUTING [SG4-RBx-xxx-00-W]	CS-A1-10-U-03	3	95A252720
	CS-A1-10-U-05	5	95A252730
	CS-A1-10-U-10	10	95A252740
	CS-A1-10-U-15	15	95A252750
	CS-A1-10-U-25	25	95A252760
	CS-A1-10-U-50	50	95A252770
SG4 BODY REFLECTOR MUTING [SG4-RBx-xxx-00-W]	ACTIVE UNIT (SECONDARY CONNECTOR)	LENGTH (m)	ORDER CODE
	CS-A1-03-U-03	3	95ASE1170
	CS-A1-03-U-05	5	95ASE1180
	CS-A1-03-U-10	10	95ASE1190
	CS-A1-03-U-15	15	95ASE1200
	CS-A1-03-U-25	25	95ASE1210
CS-A1-03-U-50	50	95A252700	

NOTES

All cables have axial connectors

State-of-the-art technology and versatility
Easily adaptable to the machine structure
Maximum application flexibility with
configurable advanced functions
Complete diagnostic and monitoring online

- No dead zone
- Pigtail cable with M12 connector
- Cascade connection of up to 3 units
- Up to 20m operating range and 1800m protected height
- Compact dimensions (35 x 41 mm section)
- Anti-interference coding
- Integrated Muting function
- Floating Blanking, Fixed Blanking and Reduced Resolution
- Configurable with
 - Autoteaching
 - Pushbuttons for common configuration
 - Graphic User Interface for complete parametrisation
- Ethernet Interface for programming, monitoring and error logging



SAFETY

APPLICATIONS

- Automatic machines
- Robots
- Automatic assembling lines
- Palletizers and Depalletizers

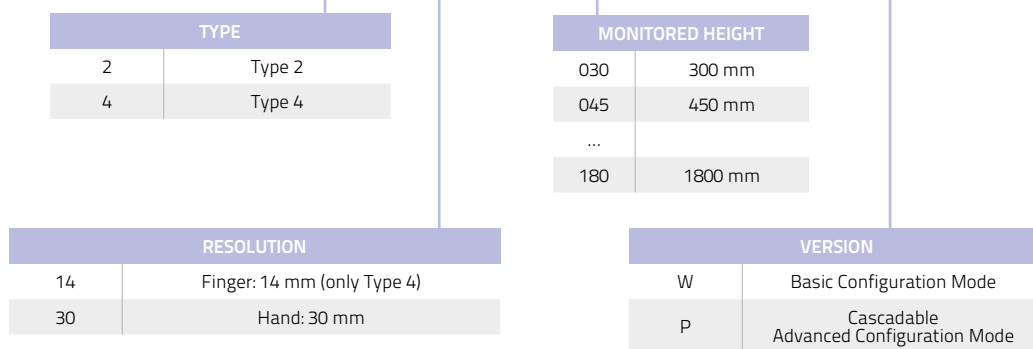


INDUSTRIES

Food & Beverage, Metalworking, Automotive, Wood, Ceramics

	FINGER	HAND	ARM	BODY
TYPE 2		▪		
TYPE 4	▪	▪		

SG4-14-030-00-P



TECHNICAL DATA

	SG2 MUTING [SG2-30-xxx-00-W]	SG4 EXTENDED [SG4-xx-xxx-00-P]
GENERAL DATA		
Type (EN61496-1-2)	2	4
PL (EN ISO 13849-1)	c	e
SIL (IEC 61508)	1	3
Resolution	30 mm	14, 30 mm
Protected height	300 ... 1800 mm (with 150 mm steps)	
Operating distance	0.2 ... 20 m	0.2 ... 7 m (14 mm resolution) 0.2 ... 20 m (30 mm resolution)
Dead Zone	No dead zone	
Cascade connection	---	Up to 3 units ^B
ELECTRICAL DATA		
Power supply (Vdd)	24 Vdc ± 20	
Outputs	2 PNP, with short circuit protection 2 PNP	
Output current	0.5 A max/each output	
Capacitive load	2.2 µF @ 24Vdc max	
Response time	13 ... 22 ms depending on model ^A	13 ... 33 ms depending on model ^A
Cables length (for power supply)	50 m max	
MECHANICAL AND ENVIRONMENTAL DATA		
Operating temperature	0 ... +50 °C	
Humidity	15 ... 95 % (no condensation)	
Mechanical protection	IP 65 (EN 60529)	
FUNCTIONS		
	Test input	
	Manual/Automatic Restart	
	External Device Monitoring (EDM)	
	---	Anti-interference coding
	Range reduction	
	T Muting/L Muting	
	---	Partial Muting
	---	Filter on muting signals
	Muting dependent Override	
	---	Floating Blanking
	---	Fixed Blanking
Max. Number of Blanking Areas	---	5
	---	Reduced Resolution

NOTES

^A The response time depends on model; when a cascaded system is used, depends also on the number of units connected.
For detailed informations refer to related Product Datasheet or Manual.

^B The three units can be one "master" and two "slaves". The maximum "slaves" length can't exceed 1200 mm. The maximum number of beams of the overall system is 160 beams for 30 mm resolution, and 320 beams for 14 mm resolution.

IMPORTANT NOTES:

- 1) The use of any type of blanking is not compatible with the use of Muting and Muting dependent Override.
- 2) In order to use Muting or Blanking with SG4 EXTENDED, the correct pigtail cable must be used (see accessories table)

CONNECTIONS

	SG2 MUTING [SG2-30-XXX-00-W]	SG4 EXTENDED [SG4-XX-XXX-00-P] CONFIGURATION FOR MUTING	SG4 EXTENDED [SG4-XX-XXX-00-P] CONFIGURATION FOR BLANKING
PIGTAIL CABLE FOR EMITTER*		CS-G1-50-B-002 (Order Number 95A252820)	
EMITTER		<p>M12, 5 poles, male</p> <p>1 = brown = 24Vdc; 2 = white = TEST; 3 = blue = 0V; 4 = black = EARTH; 5 = grey = RANGE REDUCTION.</p>	
PIGTAIL CABLE FOR RECEIVER A	CS -R1-75-B-002 (Order Number 95A252810)		CS -G1-70-B-002 (Order Number 95A252830)
RECEIVER MAIN CONNECTOR	<p>M12, 12 poles, male</p> <p>1 = brown = 24Vdc 2 = blue = 0V 3 = white = RESET/RESTART/ALIGN 4 = green = OVERRIDE1 5 = pink = OSSD2 6 = yellow = EDM 7 = black = MUTING DISABLE 8 = grey = OSSD1 9 = red = OVERRIDE2 10 = violet = MUTING LAMP 11 = grey-pink = OVERRIDE STATUS 12 = red-blue = EARTH</p>		<p>M12, 12 poles, male</p> <p>1 = brown = 24Vdc 2 = blue = 0V 3 = white = RESET/RESTART/ALIGN 4 = green = TEACH IN 5 = pink = OSSD2 6 = yellow = EDM 8 = grey = OSSD1 9 = red = TOLERANCE 10 = violet = LAMP 12 = red-blue = EARTH</p>
RECEIVER SECONDARY CONNECTOR		<p>M12, 5 poles, male</p> <p>1 = brown = 24Vdc 2 = white = MUTING2 3 = blue = 0V 4 = black = MUTING1</p>	

A IMPORTANT NOTES

- 1) The light curtain is sold without pigtail cables: they must be ordered separately for Transmitter and Receiver.
- 2) In case of SG4 EXTENDED, the choice of the Receiver pigtail determines if it will work in Muting configuration or in Blanking configuration.
- 3) In case the SG4 EXTENDED will be installed together with the programming and monitoring interface (DONGLE), the pigtail cable for Receiver isn't needed.
See accessories table for more informations about DONGLE

ACCESSORIES

	SG2 MUTING [SG2-30-XXX-00-W]	SG4 EXTENDED [SG4-XX-XXX-00-P]
BRACKETS		
Standard angled brackets (included)		ST-KSTD
Antivibration support (4 pcs/6 pcs) ^A		ST-K4AV ST-K6AV
Plastic brackets (4 pcs/6 pcs) ^A		ST-KP4MP ST-KP6MP
Orientable brackets (4 pcs/6 pcs) ^A		ST-K4OR ST-K6OR
STANDS		
Protective Stands		SG-PSB series
Stand Plate for SG-PSB		SG-P
Protective Stands Mounting Brackets (4 pcs/6 pcs) ^A		ST-PS4-SG-SE ST-PS6-SG-SE
Floor columns		SE-S Series
MIRRORS		
Deviating Mirrors		SG-DM Series
Deviating Mirrors mounting kit for SG-PSB		ST-PS-DM
Mirror Mounting Bracket		ST-DM
SAFETY UNITS		
Safety Unit		SE-SR2
EDM Relay Box ^B		CS ME-03VU24-Y14
Safety control unit for single beams and SLC		SG-BWS-T4-MT
ALIGNMENT TOOL		
LASER Pointer		SG-LP
COMMUNICATION TOOLS		
Ethernet Adaptor (Dongle)	---	SG4-DONGLE
Ethernet Cable	---	CAB-ETH-M01
CONFIGURATION SOFTWARE		
Monitoring and Programming Software ^C		SG EXTENDED Graphic User Interface ^C
MUTING ACCESSORIES		
External muting lamps		LMS series
Muting arms, brackets and cables		See muting accessories section

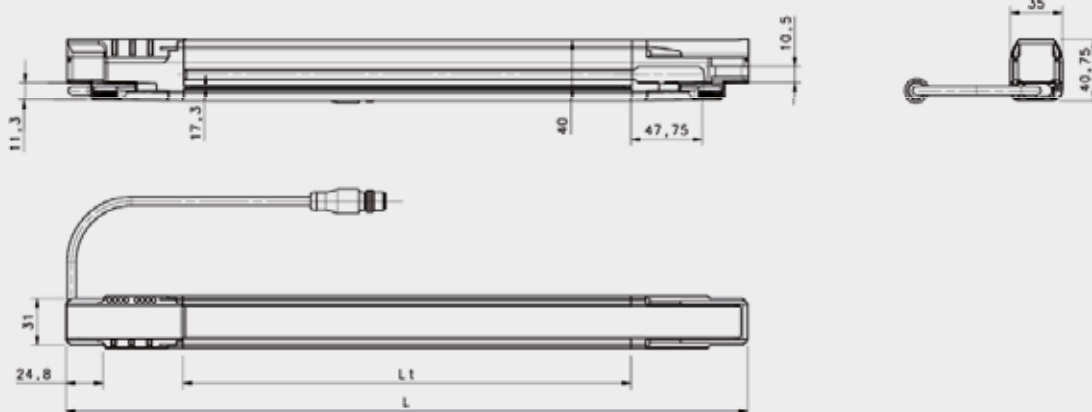
NOTES

^A Use 6 brackets for light curtains with length ≥ 1200 mm

^B When using EDM Relay Box, connect EDM input, and be sure EDM function is active on the safety light curtain

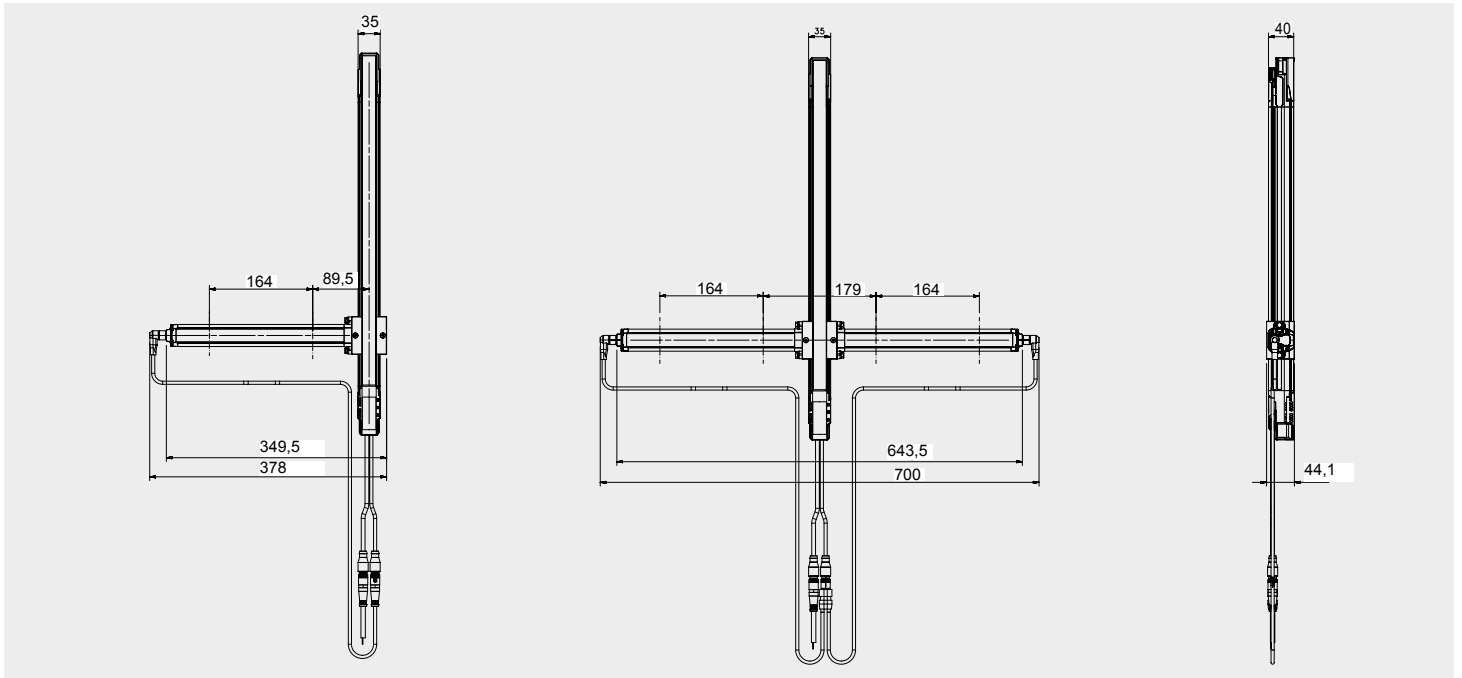
^C SG EXTENDED GUI is available from DATALOGIC website

DIMENSIONS

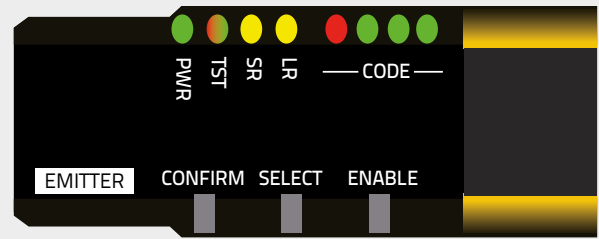
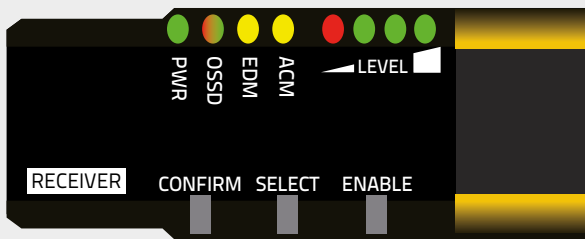


SG2 MUTING	SG4 EXTENDED	Lt (mm)	L (mm)
SG2-xx-030-00-W	SG4-xx-030-00-P	150	306,3
SG2-xx-045-00-W	SG4-xx-045-00-P	300	456,3
SG2-xx-060-00-W	SG4-xx-060-00-P	450	606,3
SG2-xx-075-00-W	SG4-xx-075-00-P	600	756,3
SG2-xx-090-00-W	SG4-xx-090-00-P	750	906,3
SG2-xx-105-00-W	SG4-xx-105-00-P	900	1056,3
SG2-xx-120-00-W	SG4-xx-120-00-P	1050	1206,3
SG2-xx-135-00-W	SG4-xx-135-00-P	1200	1356,3
SG2-xx-150-00-W	SG4-xx-150-00-P	1350	1506,3
SG2-xx-165-00-W	SG4-xx-165-00-P	1500	1656,3
SG2-xx-180-00-W	SG4-xx-180-00-P	1650	1806,3

SG2 MUTING SG4 EXTENDED



INDICATORS



AVAILABLE MODELS AND ORDER CODES

	SG2 MUTING [SG2-30-XXX-00-W]	ORDER NUMBER	SG4 EXTENDED [SG4-XX-XXX-00-P]	ORDER NUMBER
FINGER PROTECTION	---		SG4-14-030-00-P	957901240
	---		SG4-14-045-00-P	957901250
	---		SG4-14-060-00-P	957901260
	---		SG4-14-075-00-P	957901270
	---		SG4-14-090-00-P	957901280
	---		SG4-14-105-00-P	957901290
	---		SG4-14-120-00-P	957901300
	---		SG4-14-135-00-P	957901310
	---		SG4-14-150-00-P	957901320
	---		SG4-14-165-00-P	957901330
HAND PROTECTION	---		SG4-14-180-00-P	957901340
	SG2-30-030-00-W	957801700	SG4-30-030-00-P	957901350
	SG2-30-045-00-W	957801710	SG4-30-045-00-P	957901360
	SG2-30-060-00-W	957801720	SG4-30-060-00-P	957901370
	SG2-30-075-00-W	957801730	SG4-30-075-00-P	957901380
	SG2-30-090-00-W	957801740	SG4-30-090-00-P	957901390
	SG2-30-105-00-W	957801750	SG4-30-105-00-P	957901400
	SG2-30-120-00-W	957801760	SG4-30-120-00-P	957901410
	SG2-30-135-00-W	957801770	SG4-30-135-00-P	957901420
	SG2-30-150-00-W	957801780	SG4-30-150-00-P	957901430
SG2-30-165-00-W	957801790	SG4-30-165-00-P	957901440	
SG2-30-180-00-W	957801800	SG4-30-180-00-P	957901450	

NOTES

^A The light curtain is sold without pigtail cables: they must be ordered separately for Transmitter and Receiver. In case of SG4 EXTENDED, the choice of the Receiver pigtail determines in Muting configuration or Blanking configuration. For cascade configurations, other cables are available to connect the cascaded units: refer to the accessories table.

CABLE ORDER CODES

PIGTAIL CABLES/INTERFACE SELECTION TABLE					
		PIGTAIL CABLE/INTERFACE	LENGTH (m)	ORDER CODE	
SG2 MUTING [SG2-30-XXX-00-W]	TRANSMITTER	CS-G1-50-B-002	0.2	95A252820	
	RECEIVER	CS-R1-75-B-002	0.2	95A252810	
SG4 EXTENDED [SG4-XX-XXX-00-P]	TRANSMITTER	CS-G1-50-B-002	0.2	95A252820	
		BLANKING CONFIGURATION			
	RECEIVER	CS-G1-70-B-002	0.2	95A252830	
		MUTING CONFIGURATION			
		CS-R1-75-B-002	0.2	95A252810	
		DONGLE			
	SG4-DONGLE	---	95ASE2080		

NOTES

- 1) The light curtain is sold without pigtail cables: they must be ordered separately for Transmitter and Receiver.
- 2) For SG4 EXTENDED, the pigtail cable used determines if the light curtain will work in Muting configuration or in Blanking configuration. If, in place of the pigtail cable, the Dongle is used for receiver, the light curtain can work in both configurations. When muting and blanking are not needed, Dongle or pigtail cable CS-G1-70-B-002 are suggested.
- 3) If SG4 EXTENDED receiver is connected to the programming and monitoring interface (DONGLE), the pigtail cable for Receiver isn't needed.
- 4) In order to install SG4 EXTENDED or SG2 MUTING in place of SE series safety light curtains, without changing any wiring, it can be used the cable CS-G1-60-B-002 (order n. 95A252910) for receiver. All functions of SE will be available, except Override.



CS-G1-50-B-002



CS-G1-70-B-002



CS-R1-75-B-002

CABLES SELECTION TABLE					
	TRANSMITTER/RECEIVER SECONDARY CONNECTOR	LENGTH (m)	ORDER CODE		
SG2 MUTING [SG2-30-xxx-00-W] SG4 EXTENDED [SG4-xx-xxx-00-P]	CS-A1-03-U-03	3	95ASE1170		
	CS-A1-03-U-05	5	95ASE1180		
	CS-A1-03-U-10	10	95ASE1190		
	CS-A1-03-U-15	15	95ASE1200		
	CS-A1-03-U-25	25	95ASE1210		
	CS-A1-03-U-50	50	95A252700		
	RECEIVER MAIN CONNECTOR		LENGTH (m)	ORDER CODE	
		CS-A1-10-U-03	3	95A252720	
		CS-A1-10-U-05	5	95A252730	
		CS-A1-10-U-10	10	95A252740	
		CS-A1-10-U-15	15	95A252750	
		CS-A1-10-U-25	25	95A252760	
	CS-A1-10-U-50	50	95A252770		

CASCADE CABLES			
MODEL	LENGTH (m)	ORDER CODE	
CS-F1-80-B-01	1	95A252840	
CS-F1-80-B-005	0.5	95A252850	
CS-F1-80-B-0005	0.05	95A252860	



ETHERNET CABLES			
MODEL	LENGTH (m)	ORDER CODE	
CAB-ETH-M01 M12-IP67	1	93A051346	
CAB-ETH-M03 M12-IP67	3	93A051347	
CAB-ETH-M05 M12-IP67	5	93A051348	



SINGLE BEAM SAFETY SENSORS SAFETY CONTROL UNITS



Installation Flexibility

Long distance

Low temperature with defogging function

4 safety areas controlled with one unit

Double muting



SAFETY

SENSORS:

- Emitter-receiver photocells with test input
- Type 2 and Type 4 models
- Plastic tubular and MAXI formats
- Up to 50m operating distance
- Class 1 red laser emission models up to 40
- Standard M12 connectors

CONTROL UNITS:

- Integrated control of 4 single beams and 2 light curtains
- Simple DIP Switch configuration
- Muting functions can be assigned to light curtains or single beams



APPLICATIONS

- Robots
- Automatic assembling lines
- Palletizers and Depalletizers

INDUSTRIES

Food & Beverage, Metalworking, Automotive, Wood, Ceramics



S5-5-G8-62-SG-ST2

EMITTER/RECEIVER		TYPE	
G8-62	Emitter	2	Type 2
F8-92	Receiver	4	Type 4

SL5-5-G-82-SG-ST4

EMITTER/RECEIVER	
G-82	Emitter
F-92	Receiver

S300-PR-5-G00-EX-M-SG-ST2

EMITTER/RECEIVER		DEFOGGING FUNCTION		TYPE	
G00-EX	Emitter	...	Standard	2	Type 2
F00-OC	Receiver	M	Defogging	4	Type 4

SINGLE BEAM SAFETY SENSORS SAFETY CONTROL UNITS



TECHNICAL DATA

	S5	SL5	S300
GENERAL DATA			
Format	M18 Tubular		Rectangular
Light Emission	Infrared LED 880 nm	Class 1 Red laser (650 nm)	Infrared LED 880 nm
Type (EN61496-1)	2/4 depending on model	4	2/4 depending on model
Effective Aperture Angle (EN61496-2)	-/+ 2.5° for Type 4 models -/+ 5° for Type 2 models		
Operating distance	0 ... 8 m	0 ... 40 m	0 ... 50 m (S300...ST2) 9 ... 40 m (S300...ST4)
ELECTRICAL DATA			
Power supply (Vdc)	24 Vdc ± 15%		
Outputs	PNP (short circuit protection)		
Output current	100 mA max.		
Response time	1 ms max.		
MECHANICAL AND ENVIRONMENTAL DATA			
Operating temperature	-25 ... 55°C	-10 ... 50 °C	-40 ... 55 °C
Mechanical protection (EN 60529)	IP 67		

	SG-BWS-T4	SG-BWS-T4-MT
GENERAL DATA		
PL (EN ISO 13849-1)	e	
SIL (IEC 61508)	3	
ELECTRICAL DATA		
Power supply	24 Vdc -15/+10%	
INPUTS		
PNP Outputs from S5/SL5/S300	4	4
OSSDs couples from SLC	---	2
Muting inputs	---	4
Test, Reset, Override, EDM, Muting enable, Auto/Man Selector	3	9
OUTPUTS		
Safety outputs	2 PNP	2 NO
Muting lamps	---	2
Test outputs	4	4
Response time ^A	29 ms	39 ms
MECHANICAL AND ENVIRONMENTAL DATA		
Operating temperature	0 ... +55°C	
Humidity	15 ... 95 % (no condensation)	
Mechanical protection	IP20	
FUNCTIONS ^B		
	Automatic/Manual reset	
	External Device Monitoring	
	---	L/T Muting
	---	Double muting
	---	Muting Enable
	---	Muting timeout
	---	Override
COMPATIBILITY		
Single beam photocells	S5/SL5/S300	
Safety light curtains	---	All DATALOGIC SLC

NOTES

^A includes response time of photocells

^B Functions setting is done through DIP switches in SG-BWS-T4-MT and through wiring in SG-BWS-T4

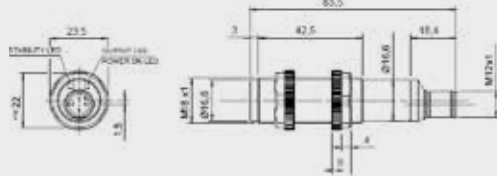
CONNECTIONS

	EMITTER	RECEIVER
S5 SL5 S300		

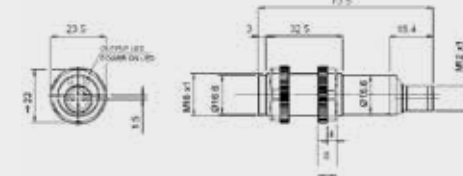
DIMENSIONS (mm)

S5

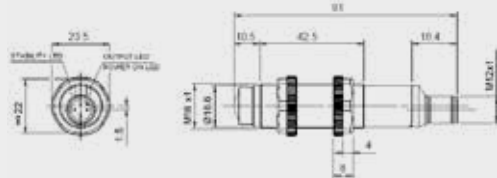
S5-5-F8-SG-ST2



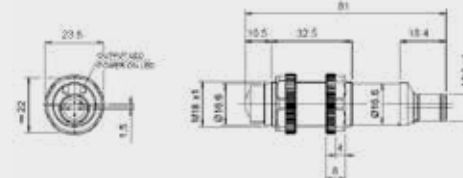
S5-5-G8-62-SG-ST2



S5-5-F8-92-SG-ST4



S5-5-G8-62-SG-ST4

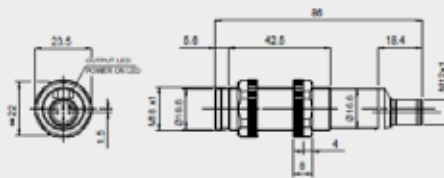


SL5

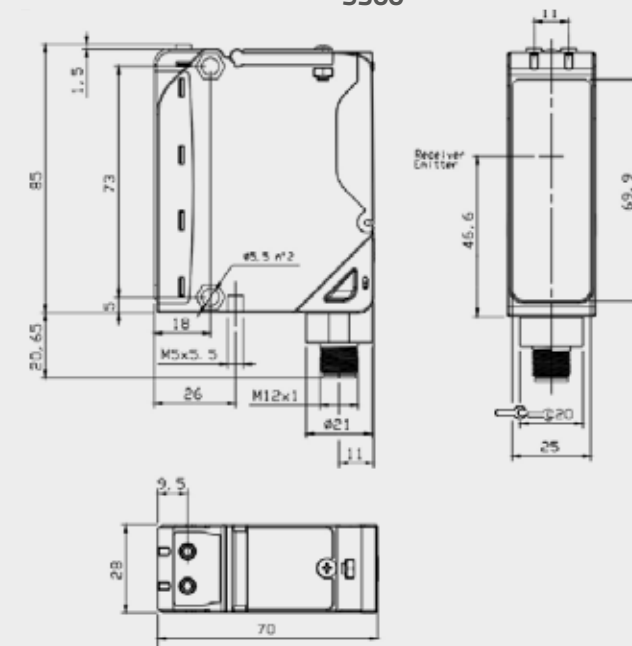
SL5-5-F-92-SG-ST4



SL5-5-G-82-SG-ST4



S300



SINGLE BEAM SAFETY SENSORS SAFETY CONTROL UNITS

ACCESSORIES

MODEL	DESCRIPTION	ORDER NUMBER
SP-40	Fixed support for tubular M18 sensors	95ACC1370
SWING-18	Adjustable support for plastic tubular M18 sensors	895000006
MICRO-18	Support with micrometric regulation for tubular M18 sensors	95ACC1380
ST-5099	S300 Fixed bracket	95ACC2830
ST-5100	S300 Fixed bracket	95ACC2840
DataVS-MK-01	S300 Mounting kit	95A901380

ORDER CODES

SAFETY CONTROL UNITS

MODEL	DESCRIPTION	ORDER NUMBER
SG-BWS-T4	Safety control unit pl=e auto/man edm	957051000
SG-BWS-T4-MT	Safety control unit pl=e double muting	957051010

SINGLE BEAM SAFETY SENSORS

	TYPE	MODEL	EMITTER/RECEIVER	ORDER NUMBER
S5	2	S5-5-G8-62-SG-ST2	Emitter	952051870
		S5-5-F8-92-SG-ST2	Receiver	952051890
	4	S5-5-G8-62-SG-ST4	Emitter	952051910
		S5-5-F8-92-SG-ST4	Receiver	952051930
SL5	4	SL5-5-G-82-SG-ST4	Emitter	952501160
		SL5-5-F-92-SG-ST4	Receiver	952501170
S300	2	S300-PR-5-G00-EX-SG-ST2	Emitter	951451320
		S300-PR-5-F00-OC-SG-ST2	Receiver	951451340
	4	S300-PR-5-G00-EX-SG-ST4	Emitter	951451360
		S300-PR-5-F00-OC-SG-ST4	Receiver	951451380
S300 DEFOGGING	2	S300-PR-5-G00-EX-M-SG-ST2	Emitter	951451330
		S300-PR-5-F00-OC-M-SG-ST2	Receiver	951451350
	4	S300-PR-5-F00-OC-M-SG-ST4	Emitter	951451390
		S300-PR-5-G00-EX-M-SG-ST4	Receiver	951451370

NOTES

1) The photocells listed above are certified and must be used only with safety control units SG-BWS-T4 and SG-BWS-T4-MT. Neither technical and functioning compatibility nor certifications are guaranteed if they are used with other brand control units or old/obsolete DATALOGIC control units.

CABLE ORDER CODES

MODEL	DESCRIPTION	ORDER NUMBER
CS -A1-02-U-03	4-pole M12 cable (axial) 3 m	95ASE 1120
CS -A1-02-U-05	4-pole M12 cable (axial) 5 m	95ASE 1130
CS -A1-02-U-10	4-pole M12 cable (axial) 10 m	95ASE 1140
CS -A1-02-U-15	4-pole M12 cable (axial) 15 m	95ASE 1150
CS -A1-02-U-25	4-pole M12 cable (axial) 25 m	95ASE 1160

ACCESSORIES



ACCESSORIES



ACCESSORIES

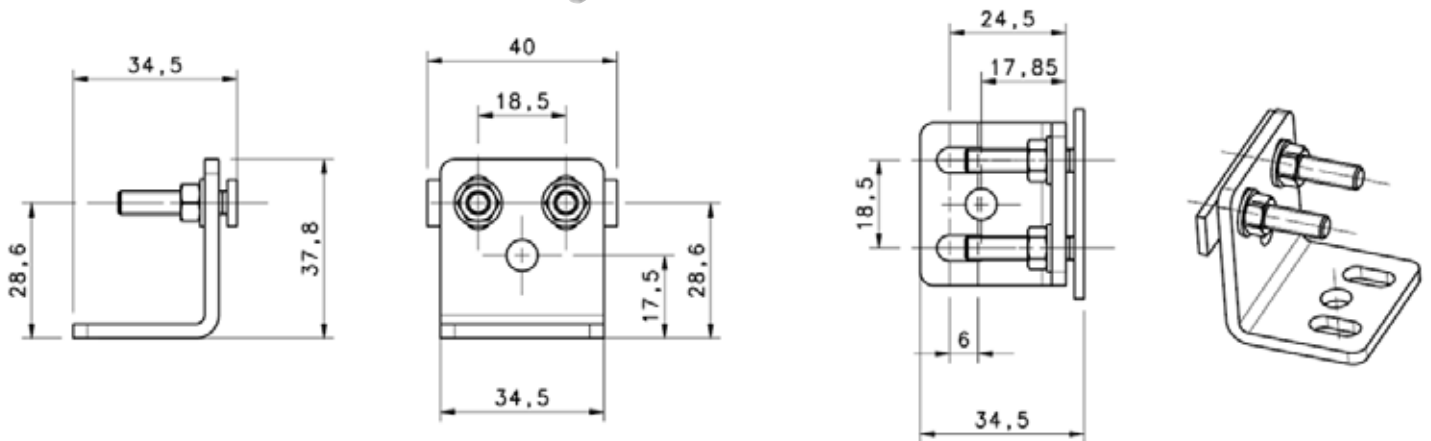
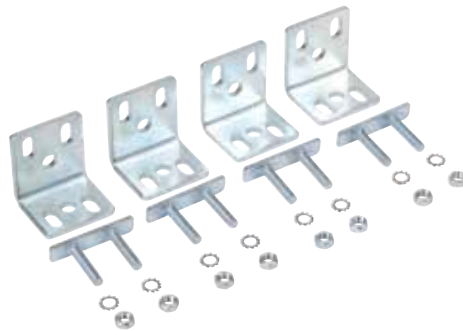
BRACKETS

Metal angled brackets

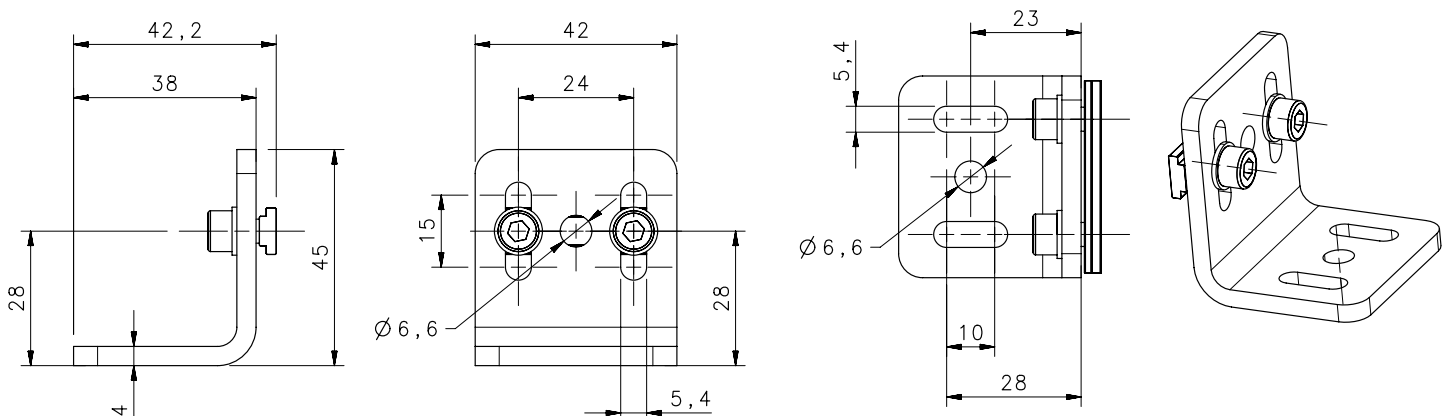
MODEL	DESCRIPTION	ORDER NUMBER
ST-KSTD	Fixing brackets (4 pcs kit)	95ACC1670
COMPATIBILITY		
SG2 BASE, SG4 BASE SG2 EXTENDED, SG4 EXTENDED SG2/4 COMPACT BODY SG2 MUTING SG2/4 BODY BIG, SG4 BODY REFLECTOR, SG4 LONG RANGE BASE.		

NOTES

They can be used in combination with orientable (ST-K4OR/K6OR) or antivibration (ST-K4AV/K6AV) supports.



MODEL	DESCRIPTION	ORDER NUMBER
ST-K4STD-SG BODY BIG	Fixing brackets (4 pcs kit) for SG BODY BIG	95ASE1950
COMPATIBILITY		
SG BODY BIG		



ACCESSORIES | BRACKETS

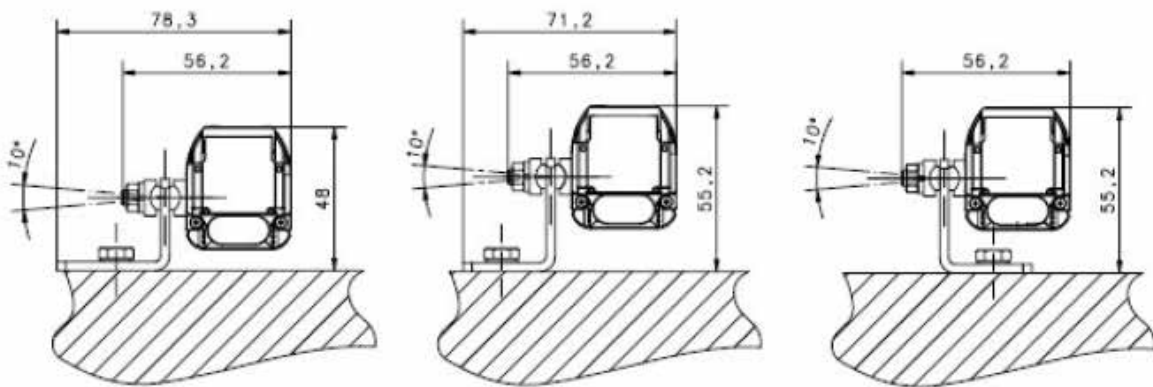
MODEL	DESCRIPTION	ORDER NUMBER
ST-K4OR	Orientable supports (4 pcs kit)	95ACC1680
ST-K6OR	Orientable supports (6 pcs kit)	95ACC1690

COMPATIBILITY

SG2 BASE, SG4 BASE
 SG2 EXTENDED, SG4 EXTENDED
 SG2/4 COMPACT BODY
 SG2 MUTING
 SG2/4 BODY BIG,
 SG4 BODY REFLECTOR,
 SG4 LONG RANGE BASE.

NOTES

They can be used together with metal angled fixing brackets (ST-KSTD) or plastic angled mounting brackets (ST-KP4MP/KP6MP), also in combination with antivibration supports (ST-K4AV/K6AV)



Angled mounting bracket

NOTE: the dimensions are related to SG4 EXTENDED. For other models of light curtains, refer to their manual.

MODEL	DESCRIPTION	ORDER NUMBER
ST-K4AV	Anti-vibration supports (4 pcs kit)	95ACC1700
ST-K6AV	Anti-vibration supports (6 pcs kit)	95ACC1710

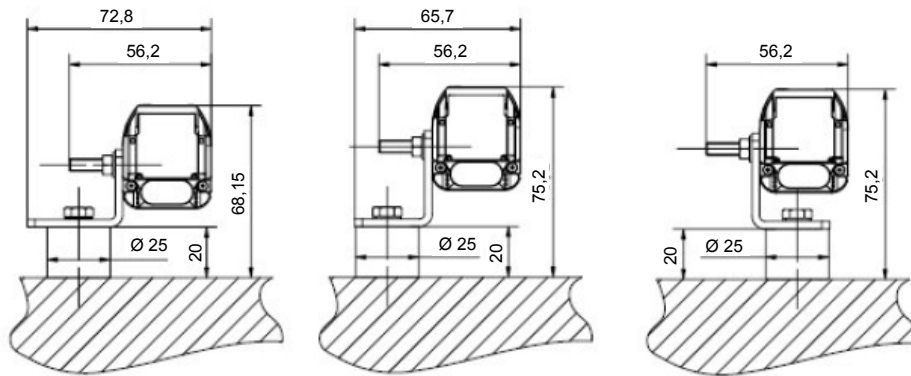
COMPATIBILITY

SG2 BASE, SG4 BASE
 SG2 EXTENDED, SG4 EXTENDED
 SG2/4 COMPACT BODY
 SG2 MUTING
 SG2/4 BODY BIG,
 SG4 BODY REFLECTOR,
 SG4 LONG RANGE BASE.

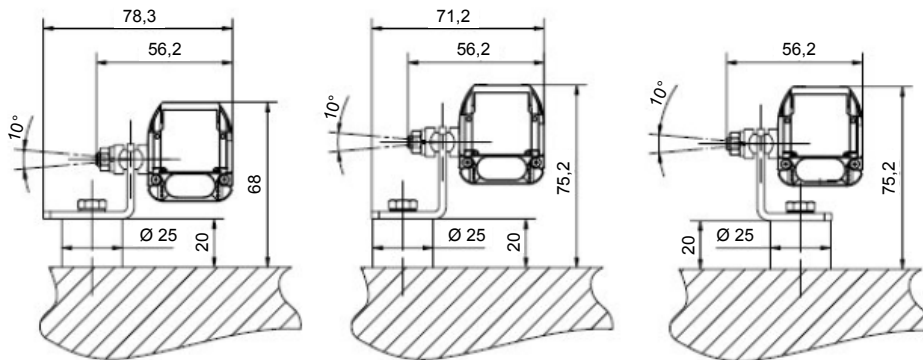
NOTES

Anti-vibration supports to be used together with metal angled mounting brackets (ST-KSTD, ST-K4STD-SG BODY BIG) or plastic angled mounting brackets (ST-KP4MP/KP6MP), also in combination with orientable supports (ST-K4OR/K6OR).





Angled fixing bracket + Antivibration support



Angled mounting bracket + Orientable support + Anti-vibration support

NOTE: the dimensions (mm) are related to SG4 EXTENDED. For other models of light curtains, refer to their manual.

Plastic angled brackets

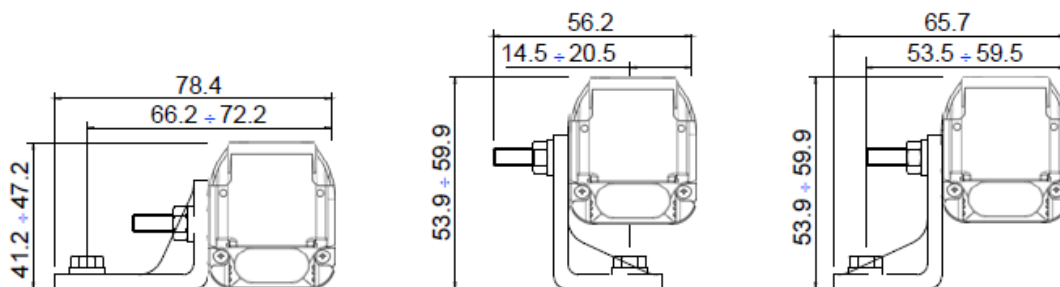
MODEL	DESCRIPTION	ORDER NUMBER
ST-KP4MP	Fixing brackets (4 pcs kit)	95ASE1100
ST-KP6MP	Fixing brackets (6 pcs kit)	95ASE1110

COMPATIBILITY

- SG2 BASE, SG4 BASE
- SG2 EXTENDED, SG4 EXTENDED
- SG2/4 BODY COMPACT
- SG2 MUTING
- SG2/4 BODY BIG
- SG4 BODY REFLECTOR
- SG4 LONG RANGE BASE.

NOTES

They can be used in combination with orientable (ST-K4OR/K6OR) or antivibration (ST-K4AV/K6AV) supports.

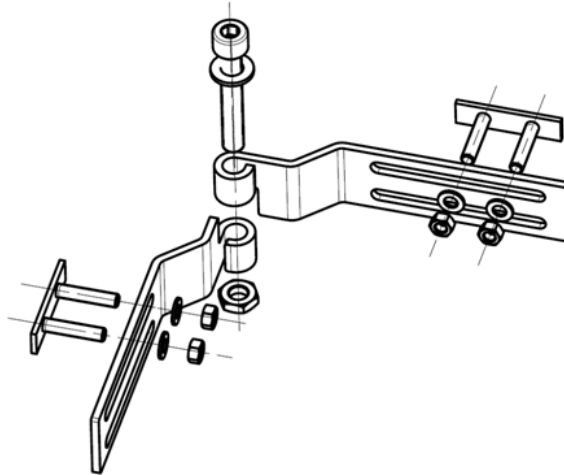


NOTE: the dimensions (mm) are related to SG4 EXTENDED. For other models of light curtains, refer to their manual.

ACCESSORIES | BRACKETS

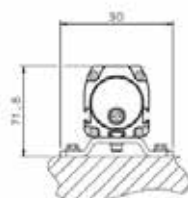
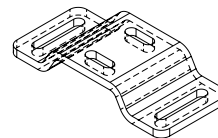
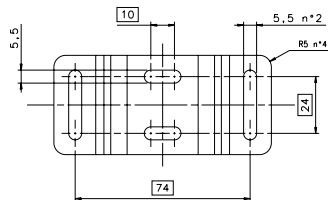
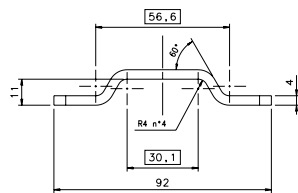
Cascade brackets

MODEL	DESCRIPTION	ORDER NUMBER
ST-KCASCADE-SG EXTENDED	Connection Bracket for SG4 EXTENDED Cascade	95ASE2110
COMPATIBILITY		
SG4 EXTENDED		



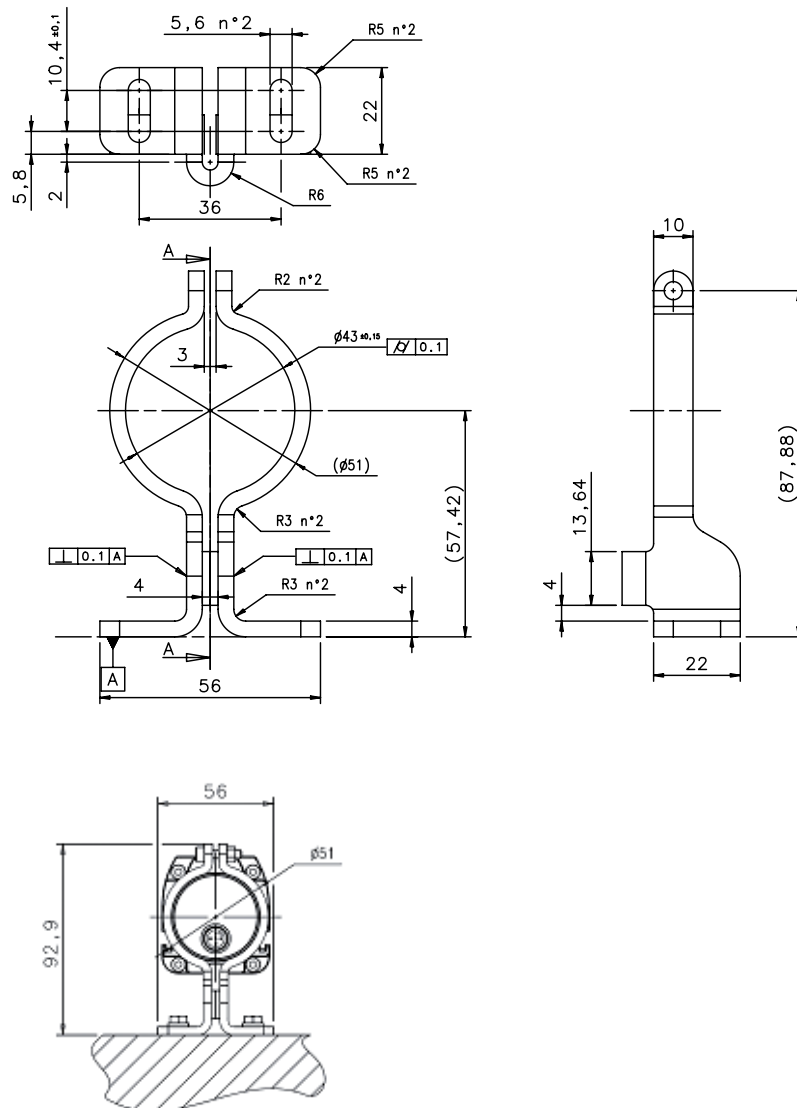
Rear brackets

MODEL	DESCRIPTION	ORDER NUMBER
ST-K4REAR-SG BODY BIG	Metal rear bracket mounting kit (4 brackets)	95ASE1970
COMPATIBILITY		
SG BODY BIG SG BODY REFLECTOR SG4 LONG RANGE BASE.		



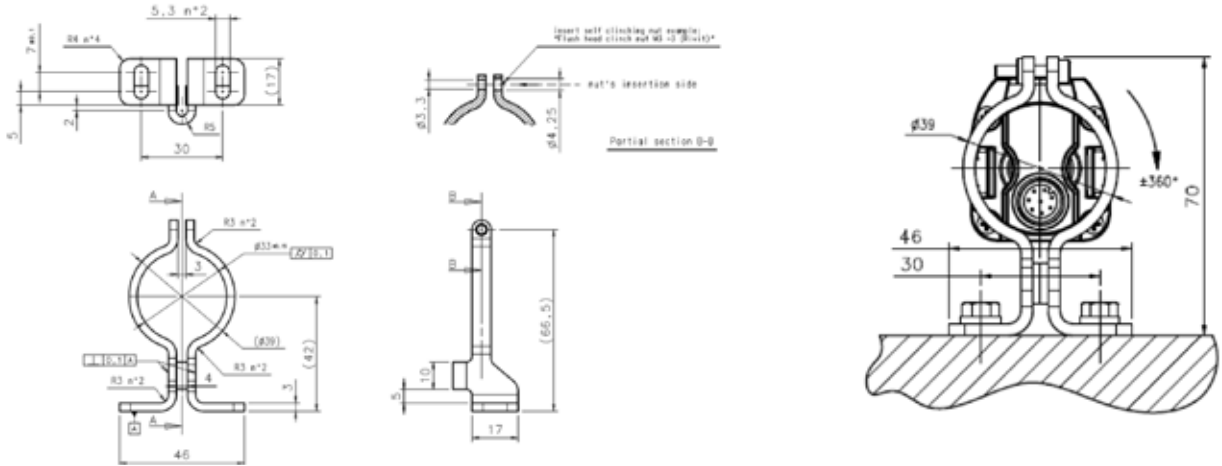
Rotative brackets

MODEL	DESCRIPTION	ORDER NUMBER
ST-K4ROT-SG BODY BIG	Metal top-bottom rotative fixing bracket mounting kit (4 brackets)	95ASE1960
COMPATIBILITY		
	SG BODY BIG SG BODY REFLECTOR SG4 LONG RANGE BASE.	

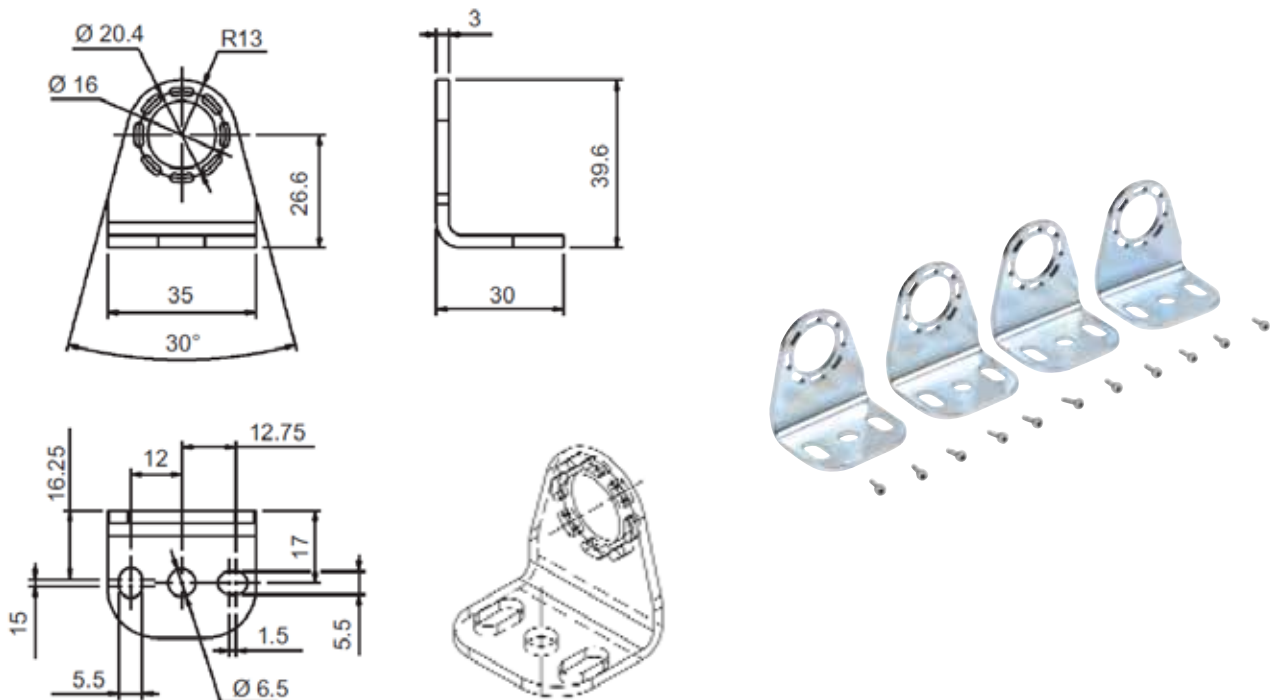


ACCESSORIES | BRACKETS

MODEL	DESCRIPTION	ORDER NUMBER
ST-K4ROT-SG BODY COMPACT	Metal top-bottom rotative bracket mounting kit (4 brackets)	95ASE2040
COMPATIBILITY		
SG BODY COMPACT		



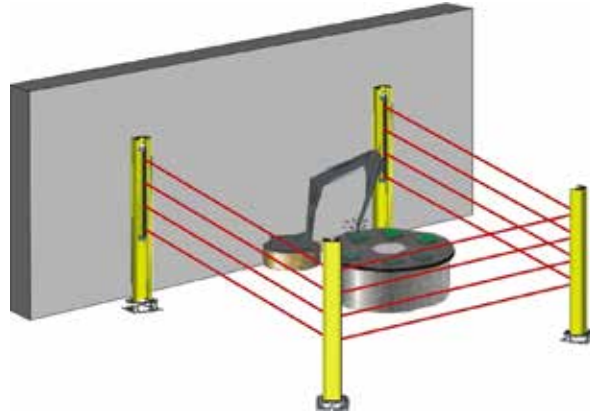
MODEL	DESCRIPTION	ORDER NUMBER
ST-K4ROT	Metal top-bottom rotating brackets kit (4 brackets)	95ASE1280
COMPATIBILITY		
SG2 BASE SG4 BASE SG2 EXTENDED		



MIRRORS AND STANDS

In applications where the monitoring of an area is required, safety light curtains can be used together with mirror for perimetral protection.

DATALOGIC offers a series of stands with adjustable mirrors already in place for 2, 3, 4 beam safety light curtains (SG-PSM), or the option to build a configuration, applying SG-DM mirrors to SE-S or SG-PSB stands.



GUIDELINE FOR THE USE OF MIRRORS WITH SAFETY LIGHT CURTAINS

The alignment of safety light curtains can sometimes be critical because of the long distance that beams have to cover or because of environmental conditions like for example the presence of dust or the irregularity of the floor on which the stands are placed.

The reason behind this difficulty is that the beams of a safety light curtain can span in an angle that must be, for safety reasons, limited to values defined by technical standards, harmonized with Machine Directive (i.e. at 3 meters, the angle is 2.5° for a Type 4 safety light curtain).

If mirrors are used to deflect the beams between emitter and receiver, the intensity of the beams is reduced, and by consequence also the maximum reachable distance. Moreover, for inevitable tolerances in opto-mechanical assembly, it's not possible to guarantee that all light curtains beams are parallel to each other, and the use of mirrors always amplifies those unevennesses.

By consequence, the higher is the number of the beams, the bigger is the risk to lose alignment of one of them and, even if alignment is reached, to have an unstable alignment: if the light curtain or a mirror is hit, the alignment can be lost. Finger and hand protection safety light curtains have so many beams that in case of several mirrors reflections, the risk of losing alignment is extremely high.

For all these reasons, since for finger or hand protection safety light curtains it is impossible to guarantee a stable alignment with more than one mirror, we exclude in these cases the use of more than one mirror.

The use of more than one mirror is possible only for body protection safety light curtains (that is, with 2, 3 or 4 beams), and when the mirrors used are belonging to DATALOGIC SG-PSM series, that allow the orientation of each single mirror independently.

The correct operating distance calculation (i.e. the maximum trajectory length of the beams between emitter and receiver, passing by the mirrors, in condition of perfect alignment and without presence of dust and fog), must consider a reflection factor of 80%, like in the following table:

MIRRORS	RANGE BETWEEN TRANSMITTER AND RECEIVER					
	FINGER/HAND RESOLUTION (SG-DM MIRRORS USED)			BODY RESOLUTION (SG-PSM MIRRORS USED)		
0	6,0	7,0	19,0	20,0	50,0	60,0
1	4,8	5,6	15,2	16,0	40,0	48,0
2	N/A	N/A	N/A	N/A	32,0	38,4
3	N/A	N/A	N/A	N/A	25,6	30,7

ACCESSORIES | MIRRORS AND STANDS

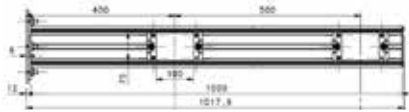
Stands with adjustable mirrors (SG-PSM)

Stands with adjustable pre-mounted mirrors, to protect them from accidental collisions. An industrial steel base made with 2 plates, dowels and spheric level for adjustment of the vertical axis, slots for angular adjustment.

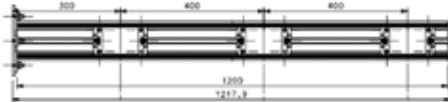
The effect of collisions, vibrations and uneven floor surfaces can be compensated by using SG-P plate kit (to be ordered separately).

MODEL	DESCRIPTION	ORDER NUMBER
SG-PSM-2-500	Protective stand with 2 mirrors H=500 mm	95ASE2300
SG-PSM-3-800	Protective stand with 3 mirrors H=800 mm	95ASE2310
SG-PSM-4-900	Protective stand with 4 mirrors H=900 mm	95ASE2320
SG-PSM-4-1200	Protective stand with 4 mirrors H=1200 mm	95ASE2330

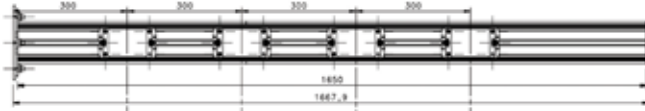
SG-PSM-2-500



SG-PSM-3-800



SG-PSM-4-900



SG-PSM-4-1200

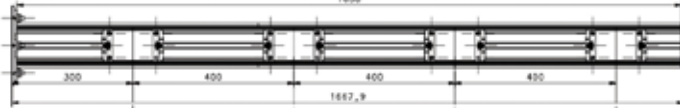


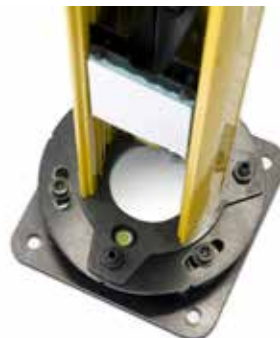
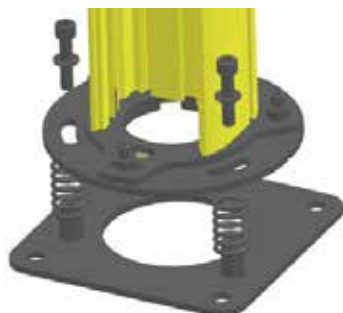
PLATE KIT SG-P

MODEL	DESCRIPTION	ORDER NUMBER
SG-P	Plate kit for protective stands	95ASE2290
COMPATIBILITY		
	protection stands SG-PSB mirror stands SG-PSM	

NOTES

The kit includes two plates and three springs, to compensate the effect of collisions, vibrations and uneven floor surfaces.

The plate kit can be used with protection stands SG-PSB and with mirror stands SG-PSM



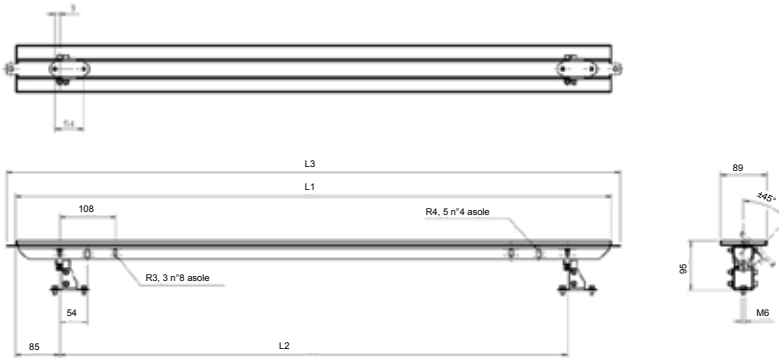
Mirrors

MIRRORS FOR FINGER AND HAND PROTECTION SAFETY LIGHT CURTAINS (SG-DM)

MODEL	DESCRIPTION	ORDER NUMBER
SG-DM 600	Deviating mirror version 600 mm	95ASE1680
SG-DM 900	Deviating mirror version 900 mm	95ASE1690
SG-DM 1200	Deviating mirror version 1200 mm	95ASE1700
SG-DM 1650	Deviating mirror version 1650 mm	95ASE1710
SG-DM 1900	Deviating mirror version 1900 mm	95ASE1720

NOTES

1. To mount these mirrors into the stands SG-PSB, order ST-PS-DM mounting kit
2. To mount these mirrors to columns SE-S, order one ST-DM mounting kit
3. The mirror length has to be at least 100 mm greater than the length of the light curtain's protected area.
Ex. For a SG2-30-090-00-E (protection height = 900 mm), choose a SG-DM 1200



The image includes the mirror SG-DM and the bracket mounting kits ST-DM that includes two brackets.



	L1 (mm)	L2 (mm)	L3 (mm)
SG -DM 600	545	376	580
SG -DM 900	845	676	880
SG -DM 1200	1145	976	1180
SG -DM 1650	1595	1426	1630
SG -DM 1900	1845	1676	1880

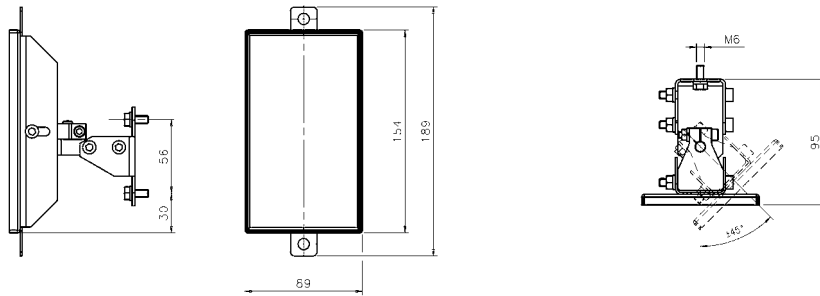
ACCESSORIES | MIRRORS AND STANDS

SINGLE BEAM MIRROR

MODEL	DESCRIPTION	ORDER NUMBER
SG-DM 150	Deviating mirror version 150 mm	95ASE1670

NOTES

1. To mount this mirror into the stands SG-PSB order ST-PS-DM mounting kit
2. To mount this mirrors to columns SE-S, order ST-DM mounting kit



Stands

PROTECTIVE STANDS (SG-PSB) AND ACCESSORIES

MODEL	DESCRIPTION	ORDER NUMBER
SG-PSB 600	Protective Stand H=600 mm	95ASE2240
SG-PSB 1000	Protective Stand H=1000 mm	95ASE2250
SG-PSB 1200	Protective Stand H=1200 mm	95ASE2260
SG-PSB 1650	Protective Stand H=1650 mm	95ASE2270
SG-PSB 1900	Protective Stand H=1900 mm	95ASE2280

COMPATIBILITY

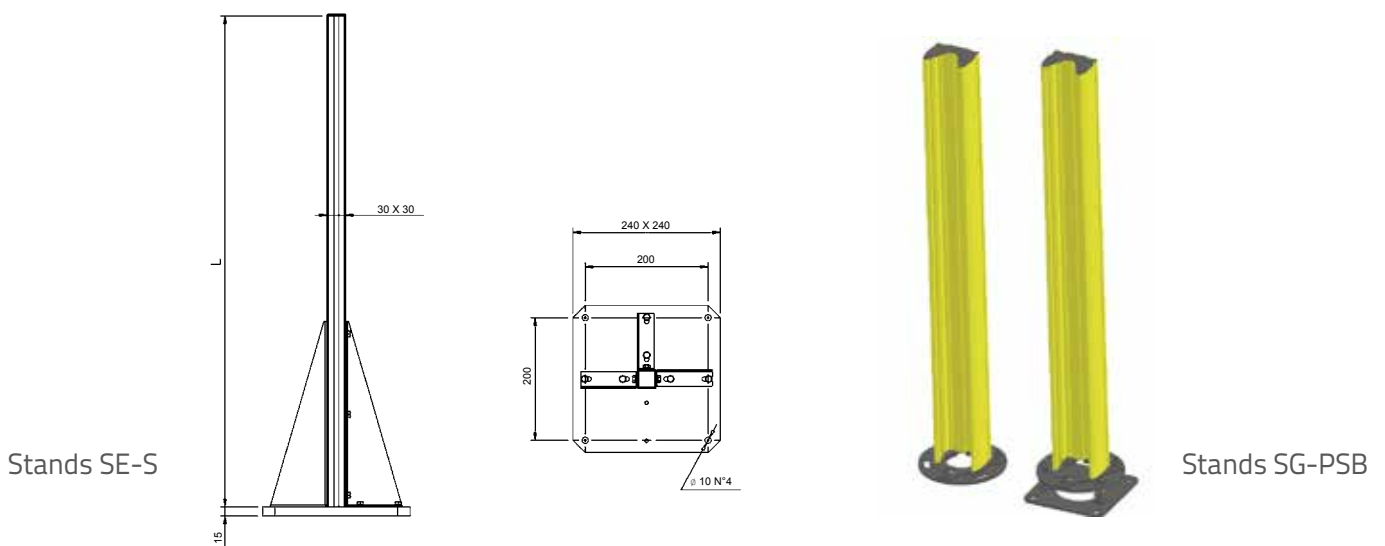
All SG Series Light Curtains SG-DM Mirrors

FLOOR COLUMNS (SE-S) AND ACCESSORIES

MODEL	DESCRIPTION	ORDER NUMBER
SE-S 800	Column and floor stand H = 800 mm	95ACC1730
SE-S 1000	Column and floor stand H = 1000 mm	95ACC1740
SE-S 1200	Column and floor stand H = 1200 mm	95ACC1750
SE-S 1500	Column and floor stand H = 1500 mm	95ACC1760
SE-S 1800	Column and floor stand H = 1800 mm	95ACC1770

COMPATIBILITY

All SG Series Light Curtains SG-DM Mirrors



ACCESSORIES | MIRRORS AND STANDS

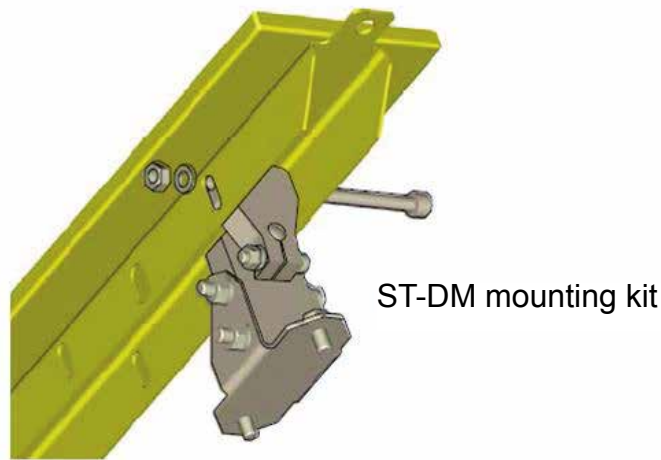
Mounting kits for mirrors

MOUNTING KIT FOR SG-DM MIRRORS ON SE-S FLOOR COLUMNS

MODEL	DESCRIPTION	ORDER NUMBER
ST-DM	Deviating mirror SG-DM mounting kit	95ASE1940
COMPATIBILITY		
SG-DM Mirrors on SE-S floor columns		

NOTE

For each mirror (SG-DMxxx) order 1 kit.

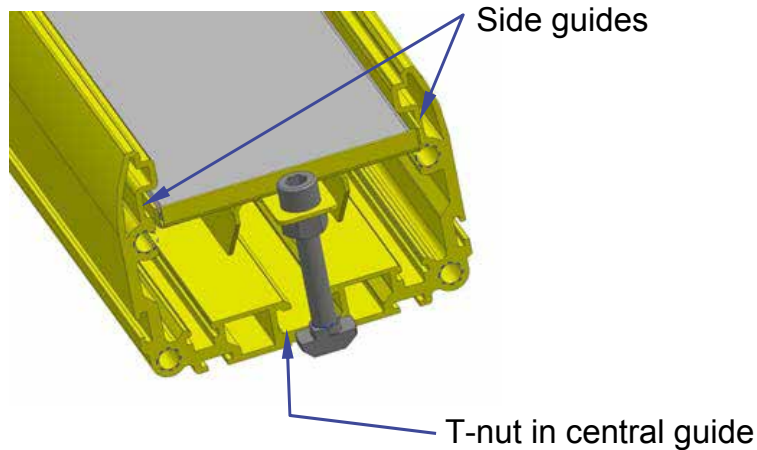


MOUNTING KIT FOR SG-DM MIRRORS AND SG-PSB PROTECTIVE STANDS

MODEL	DESCRIPTION	ORDER NUMBER
ST-PS-DM	Deviating mirror mounting kit (contains 2 T-nuts)	95ASE1770
COMPATIBILITY		
SG-DM Mirrors in SG-PSB protective stands		

NOTE

For each mirror (SG-DM xxx) order 1 kit.



ACCESSORIES | MIRRORS AND STANDS

Mounting kits for safety light curtains

MODEL	DESCRIPTION	ORDER NUMBER
ST-PS4-SG BODY	Protective stand mounting kit for SG BODY BIG (4 brackets)	95ASE1730
ST-PS6-SG BODY	Protective stand mounting kit for SG BODY BIG (6 brackets)	95ASE1740
ST-PS4-SG-SE	Protective stands mounting kit for SG/SE (4 brackets)	95ASE1750
ST-PS6-SG-SE	Protective stands mounting kit for SG/SE (6 brackets)	95ASE1760
COMPATIBILITY		
ST-PSx-SG-SE	SG2 BASE SG2 EXTENDED SG2 MUTING SG4 BASE SG4 EXTENDED SG BODY COMPACT	
ST-PSx-SG BODY	SG BODY BIG SG BODY REFLECTOR	

NOTES

- 1) Each kit allows to install an element (emitter or receiver, active part or passive part) of a light curtain.
To install both elements of the light curtain, order 2 kits of the same type.
- 2) For light curtains with height ≥ 1200 mm, order the 6 brackets kits (ST-PS6-SG xxxx)

ACCESSORIES FOR MUTING

Some models of Safety Light Curtains series SG BODY COMPACT MUTING and SG BODY REFLECTOR MUTING are provided with active/passive muting arms in the packaging, but it's also possible to add muting arms as accessories (if the light curtain has integrated muting function).

Instead of using the active/passive arm couple, in which on side is an active sensor, and the other is a passive reflector, in order to reach longer operating distance or to contrast the effect of environmental conditions, is possible to order also 'F/G' muting arm couples, composed by an emitter and a receiver arm.

IMPORTANT NOTICE: For safety reasons, L muting arms should be used only for openings through which goods must exit from the dangerous area: for openings in which goods must enter the dangerous area, as well as for bi-directional movements, use T muting arms.



Integrated Muting Arms

ACTIVE/PASSIVE ARMS

MODEL	DESCRIPTION	ORDER NUMBER
SG-L-ARMS V2	Active/Passive arms Couple for L muting	95ASE1861
SG-T-ARMS V2	Active/Passive arms Couple for T muting	95ASE1871
SG-AS-ARM V2	Active sensor single arm	95ASE1841
SG-PR-ARM V2	Passive reflector single arm	95ASE1851

EMITTER/RECEIVER ARMS

SG-F1-G1-ARMS	Emitter/Receiver arms couple (first couple)	95ASE1880
SG-F2-G2-ARMS	Emitter/Receiver arms couple (second couple)	95ASE1890



SG-L-ARMS



SG-T-ARMS

ACCESSORIES | ACCESSORIES FOR MUTING

BRACKETS AND CABLES

MODEL	DESCRIPTION	ORDER NUMBER
SG-CB-B	Muting arms mounting bracket kit for BIG series	95ASE1920
SG-CB-C	Muting arms mounting bracket kit for COMPACT series	95ASE1930
CV-Y1-02-B-007	M12 4 pole T muting cable	95ACC2560
CV-L1-02-B-007	M12 4 pole L muting cable	95ACC2570



CV-L1-02-B-007



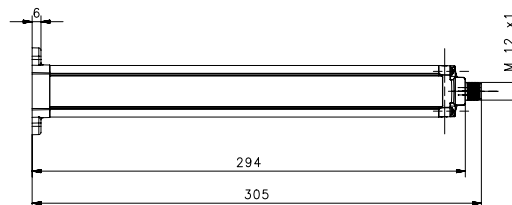
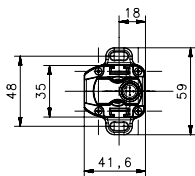
CV-Y1-02-B-007

COMPATIBILITY AND OPERATING DISTANCES

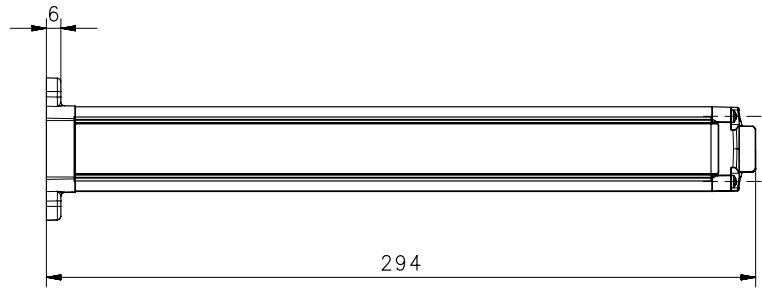
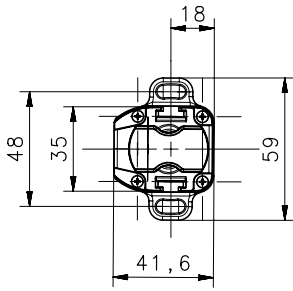
MUTING ARM	LIGHT CURTAIN	OPERATING DISTANCE
SG-L-ARMS V2 SG-T-ARMS V2	SG BODY COMPACT MUTING SG2 MUTING SG4 EXTENDED	0.5 ... 3 m
SG-AS-ARM V2 SG-PR-ARM V2	SG BODY COMPACT MUTING SG BODY REFLECTOR MUTING SG2 MUTING SG4 EXTENDED SG4 BODY BIG MUTING SHORT RANGE ^A	0.5 ... 3 m
SG-F1-G1-ARMS SG-F2-G2-ARMS	SG2 BODY BIG MUTING SG4 BODY BIG MUTING SHORT RANGE ^A SG BODY COMPACT MUTING	0.5 ... 7 m

NOTES

^A SG4 BODY MUTING LONG RANGE (whose operating range is 6 ... 60 m) can't be used in combination with muting arms.

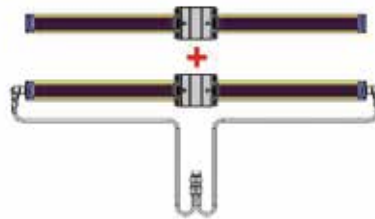


SG-AS-ARM V2

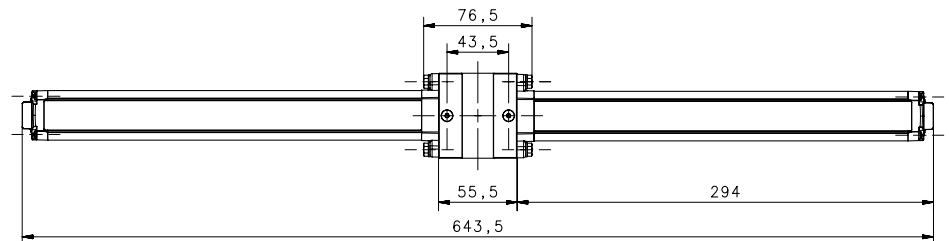
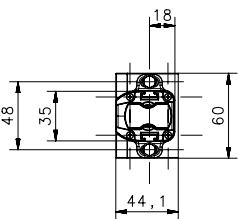
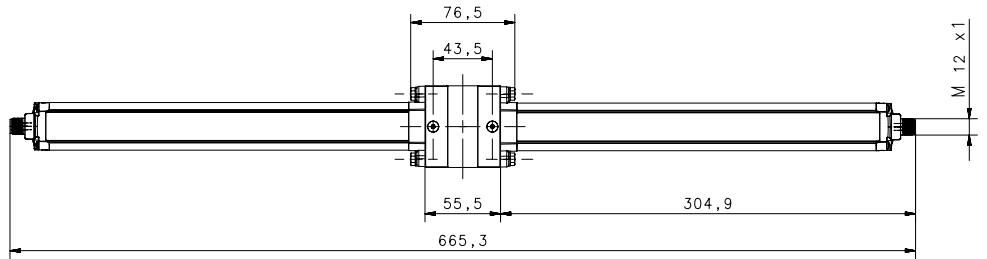
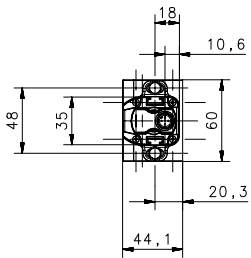
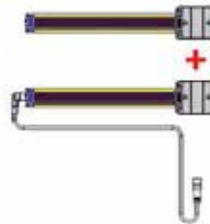


SG-PR-ARM V2

SG-T-ARMS
T COUPLE ARMS
95ASE1871

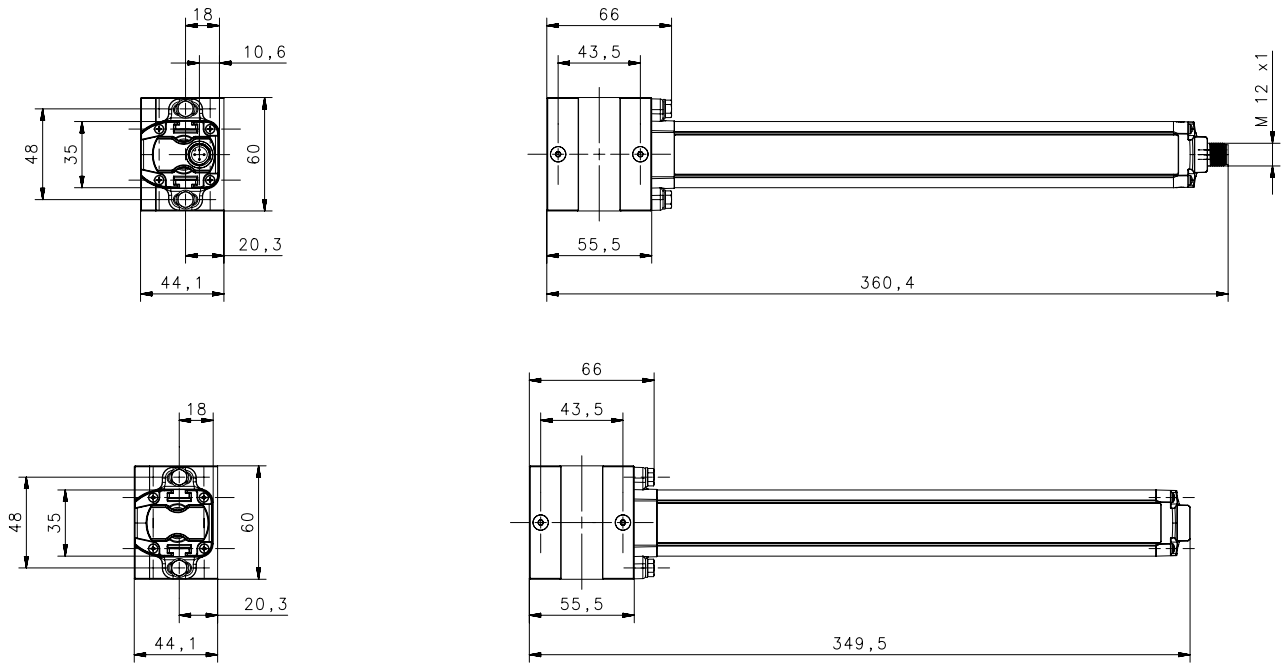


SG-L-ARMS
L COUPLE ARMS
95ASE1861



SG-PR-ARM V2 (T muting cable CV-Y1-02-B-007 is included)

ACCESSORIES | ACCESSORIES FOR MUTING



SG-L-ARMS V2 (L muting cable CV-L1-02-B-007 is included)

ORDERING SUMMARY TABLE FOR MUTING ACCESSORIES

SAFETY LIGHT CURTAIN	MUTING	TYPE	SG-L-ARMS V2	SG-T-ARMS V2	SG-AS-ARM V2	SG-PR-ARM V2	SG-CB-B	SG-CB-C	CV-L1-02-B-007	CV-Y1-02-B-007	SG-F1G1-ARMS	SG-F2G2-ARMS
SG BODY BIG MUTING	L	RRX			1	1	2		1			
	T	RRX			2	2	2			1		
	L	F/G					2		2		1	
	T	F/G					2			2	1	1
SG BODY REFLECTOR (ACTIVE AND PASSIVE SIDES)	L	RRX			1	1	2		1			
	T	RRX			2	2	2			1		
SG BODY COMPACT MUTING	L	RRX	1									
	L	RRX			1	1		2	1			
	T	RRX		1								
	T	RRX			2	2		2		1		
	L	F/G						2	2		1	
	T	F/G						2		2	1	1
SG2 MUTING SG4 EXTENDED	L	RRX	1									
	T	RRX		1								

NOTES

RRX = Active/Passive retroreflective muting arms
 F/G = Emitter/Receiver muting arms

EXAMPLES

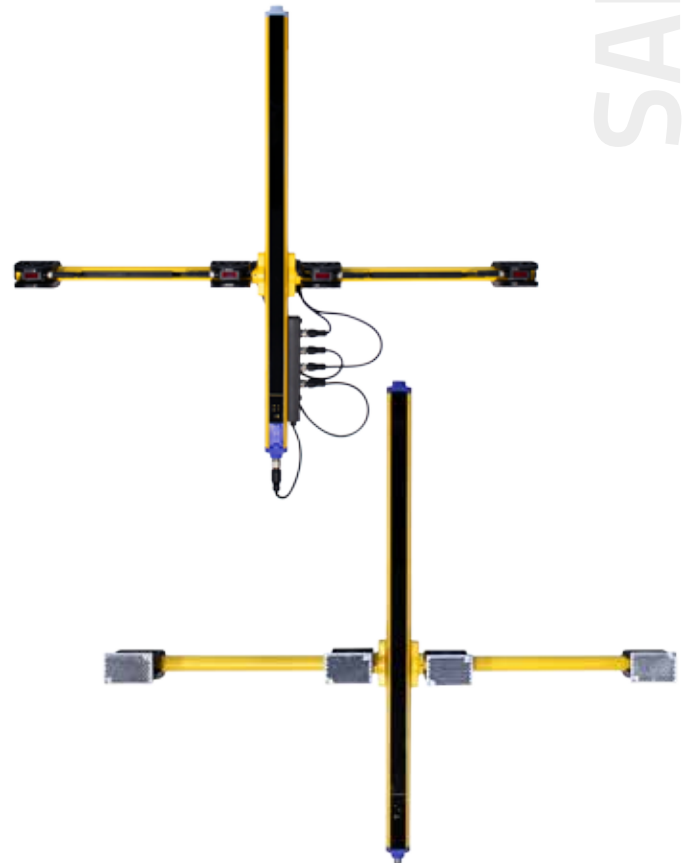
- 1) To realize an L muting with retroreflective arms starting from a SG BODY COMPACT MUTING, order the complete kit SG-L-ARMS or, in alternative, the following: 1x SG-AS-ARM, 1x SG-PR-ARM, 2x SG-CB-C, 1x CV-L1-02-B-007 .
- 2) To realize a T muting with emitter/receiver arms, starting from a SG BODY BIG MUTING, order the following: 2x SG-CB-B, 2x CV-Y1-02-B-007, 1x SG-F1G1-ARMS, 1x SG-F2G2-ARMS.

EXTERNAL SENSORS MUTING ARMS: SG-M

Modular, ready-to-use muting sensor kit for flexible installation

The SG-M muting sensors kit regulates the position and orientation of muting beams in order to adapt quickly and easily to any kind of situation.

- Ready-to-use muting kits with pre-installed sensors
- T or X configuration (bi-directional) and L configuration (mono-directional)
- Retroreflective, dark-on photocells, with the ability to regulate the intensity of the beam
- Maximum reachable distance: 3 m
- Sensors and reflectors can be positioned along the arms and orientated both horizontally and vertically
- Fast connection of up to 4 sensors to one safety light curtain through a connection box with M12 connectors
- 700 mm or 2000 mm cables for installation of the kit on the light curtains or on protective stands



SAFETY

APPLICATIONS

- Palletizers / Depalletizers
- Conveyor lines

INDUSTRIES

Material Handling, Food & Beverage, Metal working, Automotive, Wood, Ceramics



SG-M L - S8 - 200 - L

MUTING CONFIGURATION	
L	L configuration: 2 sensors, 2 reflectors. Parallel beams. Monodirectional (Exit only).
T	T configuration: 4 sensors, 4 reflectors. Parallel beams. Bidirectional.
X	X configuration: 2 sensors, 2 reflectors. Crossed beams. Bidirectional.

CABLE LENGTH	
--	700 mm
200	2000 mm

MUTING SENSOR	
S8	2 x S8-PR-5-B01-PP
S100	2 x S100-PR-5-B10-PK

ARM ORIENTATION	
L	Left: the muting arm is to the left, looking at light curtain receiver
R	Right: muting arm is to the right, looking at light curtain receiver

A FLEXIBLE SOLUTION FOR MUTING

In some access guarding applications, like in palletizing/depalletizing machines, safety light curtains are muted while a load passes through their monitored area.

When the load has an irregular shape, or has holes in it, muting can end before the load has completely passed the light curtain, causing the unnecessary stop of the machine. In cases like this, the ability to regulate the position and orientation the position and orientation of muting beams with increased flexibility, allows the system to adapt quickly and easily to any kind of situation. To simplify the installation of muting sensors in these kind of applications, Datalogic has developed the new SG-M muting sensors modular Kits. The SG-M includes retroreflective photocells as muting sensors, reflectors, cylindrical metallic arms, orientable plastic brackets, cables with M12 connectors, and a connection box for the quick wiring of the sensor outputs to the safety light curtain dedicated muting connector.

The SG-M is the newest addition to a safety portfolio that includes integrated muting arms (SG-T-ARM and SG-L-ARM).

The arms with external sensors can be attached directly to the light curtains of SG Series (fig. 1) or to their protective stands SG-PSB (fig. 2).

With SG-M, three standard configurations for muting beams can be easily installed: T Muting (fig.3), L Muting (fig. 4 and 5) and X Muting (fig. 6).

Sensors provided with the kit are retroreflective, dark on photocells, and come in two versions:

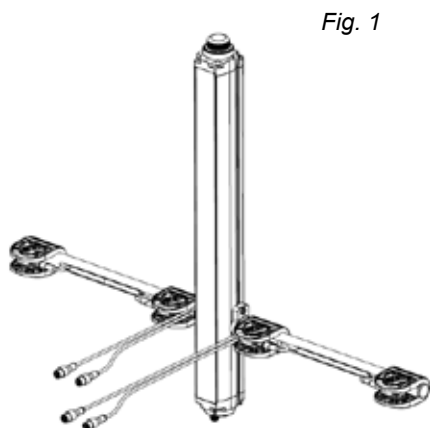
- S100-PR-5-B10-PK, for standard applications with no specific requirements
- S8-PR-5-B01-PP for applications where beam intensity regulation is required.

On the opposite side of the sensors, an R6 reflector is mounted.

Sensors and reflectors can be positioned along the arms and orientated both horizontally and vertically thanks to their brackets shape.

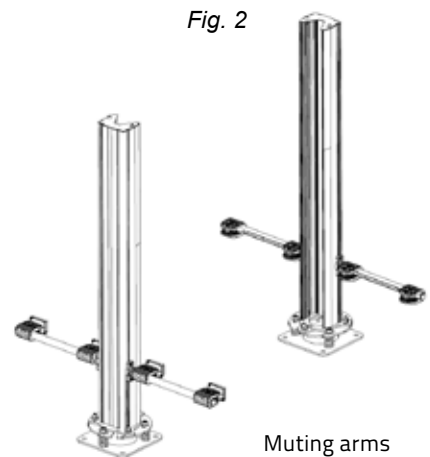
Sensors have detachable cables (in T and L muting kits) or pigtails. Both cables have an M12 connector M12 connector, for a quick connection to the safety light curtains through a dedicated connection box (SG-M-CB), or to an external safety controller through normal cables.

The cables are protected inside the metallic arms and have different lengths (700 and 2000 mm), for easy installation on the light curtains, or on the protective stands.



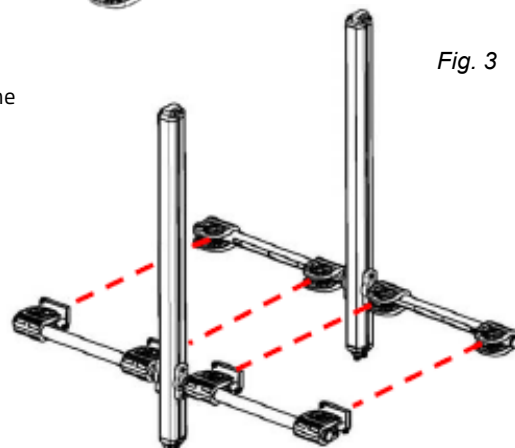
Muting arms attached on the light curtain

Fig. 1



Muting arms attached to the protective stands

Fig. 2



T muting configuration

Fig. 3

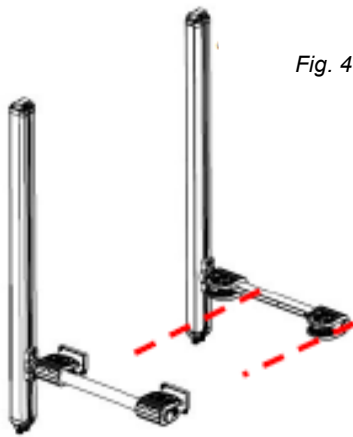


Fig. 4

L muting configuration with orientation to the right.

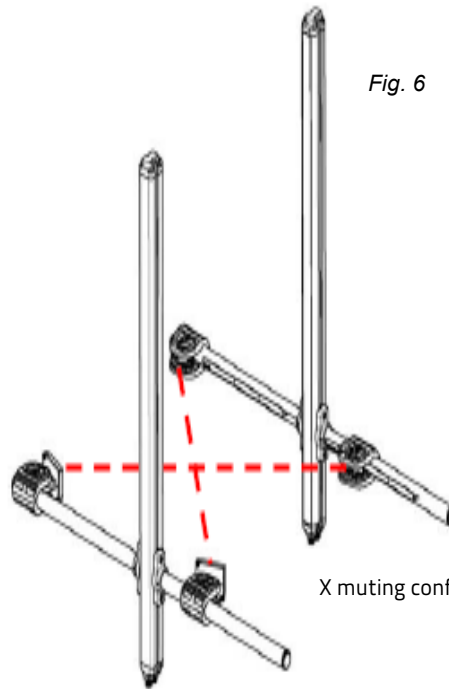


Fig. 6

X muting configuration

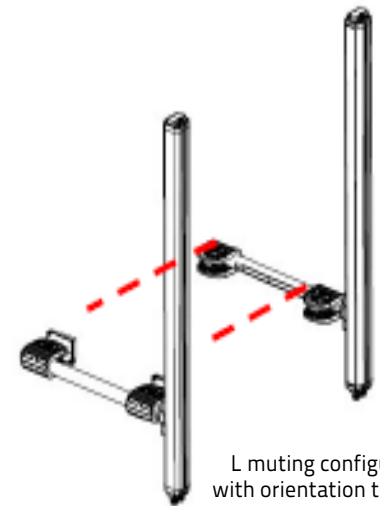


Fig. 5

L muting configuration with orientation to the left

SG-M MUTING KITS

MUTING CONFIGURATION	MODEL	DIRECTION ^{*1}	SENSOR ADJUSTMENT TRIMMER	MIN/MAX DISTANCE ^{*4}	SENSORS ^{*2}	CABLES ^{*3}	ORDER NUMBER
L Muting	SG-ML-S100-L	left side	No	0.2 ... 3 m	2 x S100-PR-5-B10-PK	2 x CS-M1-02-B-007 (700 mm)	95ASE2620
	SG-ML-S100-R	right side	No	0.2 ... 3 m	2 x S100-PR-5-B10-PK	2 x CS-M1-02-B-007 (700 mm)	95ASE2430
	SG-ML-S100-200-L	left side	No	0.2 ... 3 m	2 x S100-PR-5-B10-PK	2 x CS-M1-02-B-02 (2000 mm)	95ASE2610
	SG-ML-S100-200-R	right side	No	0.2 ... 3 m	2 x S100-PR-5-B10-PK	2 x CS-M1-02-B-02 (2000 mm)	95ASE2400
	SG-ML-S8-L	left side	Yes	0.2 ... 3 m	2 x S8-PR-5-B01-PP	2 x CS-M1-02-B-007 (700 mm)	95ASE2600
	SG-ML-S8-R	right side	Yes	0.2 ... 3 m	2 x S8-PR-5-B01-PP	2 x CS-M1-02-B-007 (700 mm)	95ASE2370
	SG-ML-S8-200-L	left side	Yes	0.2 ... 3 m	2 x S8-PR-5-B01-PP	2 x CS-M1-02-B-02 (2000 mm)	95ASE2590
	SG-ML-S8-200-R	right side	Yes	0.2 ... 3 m	2 x S8-PR-5-B01-PP	2 x CS-M1-02-B-02 (2000 mm)	95ASE2340
T Muting	SG-MT-S100		No	0.2 ... 3 m	4 x S100-PR-5-B10-PK	4 x CS-M1-02-B-007 (700 mm)	95ASE2440
	SG-MT-S100-200		No	0.2 ... 3 m	4 x S100-PR-5-B10-PK	4 x CS-M1-02-B-02 (2000 mm)	95ASE2410
	SG-MT-S8		Yes	0.2 ... 3 m	4 x S8-PR-5-B01-PP	4 x CS-M1-02-B-007 (700 mm)	95ASE2380
	SG-MT-S8-200		Yes	0.2 ... 3 m	4 x S8-PR-5-B01-PP	4 x CS-M1-02-B-02 (2000 mm)	95ASE2350
X Muting	SG-MX-S100		No	0.45 ... 3 m	2 x S100-PR-2-B10-PK SV4973	pigtail 700 mm	95ASE2450
	SG-MX-S100-200		No	0.45 ... 3 m	2 x S100-PR-2-B10-PK SV4974	pigtail 2000 mm	95ASE2420
	SG-MX-S8		Yes	0.6 ... 3 m	2 x S8-PR-5-B01-PP SV4973	pigtail 700 mm	95ASE2390
	SG-MX-S8-200		Yes	0.6 ... 3 m	2 x S8-PR-5-B01-PP SV4974	pigtail 2000 mm	95ASE2360

NOTE

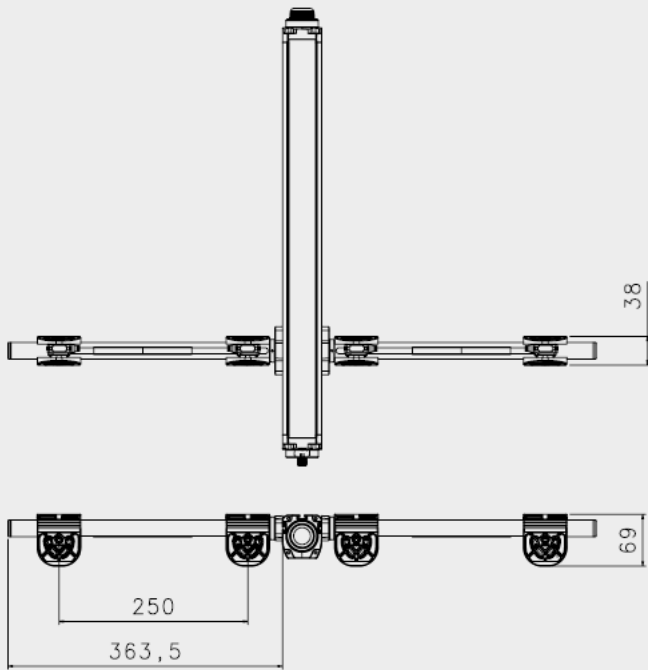
- *1 "Left side" and "Right side", related to L muting kits, refers to the position of the arm looking towards the receiver of the light curtain.
- "Left side" and "Right side" kits differ only mechanically, in order to keep the regulating screws upside.
- *2 In X Muting Kits, special versions of photocells with pigtails and M12 connectors have been used.
- *3 Cables used in T and L muting kits have M8 connectors on the sensors side, and M12 connectors at the external side.
- *4 Minimum distance of 0.2 m is determined by the light curtain. Maximum distance of 3 m is to avoid interferences between muting sensors

COMPATIBILITY

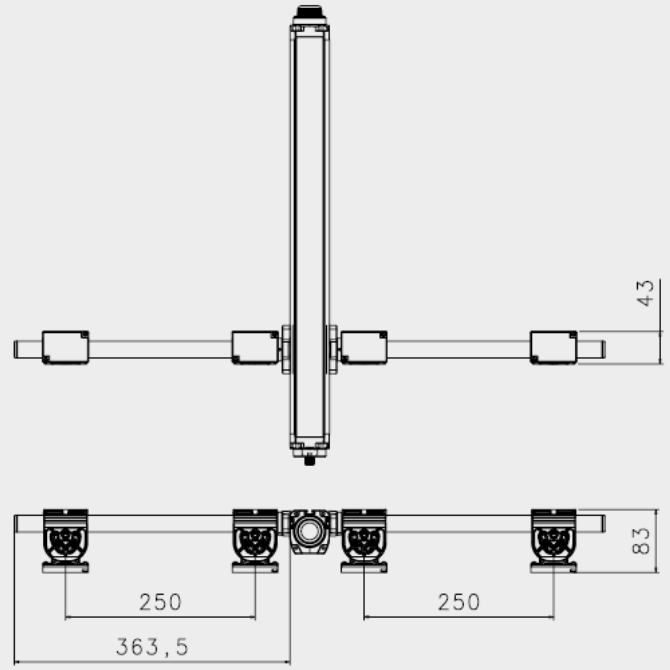
SG BODY COMPACT MUTING
 SG BODY BIG MUTING
 SG BODY REFLECTOR MUTING
 SG2 MUTING
 SG4 EXTENDED
 SG-PSB (only models with 2000 mm cables (SG-Mx-xxx-200-x))

DIMENSIONS

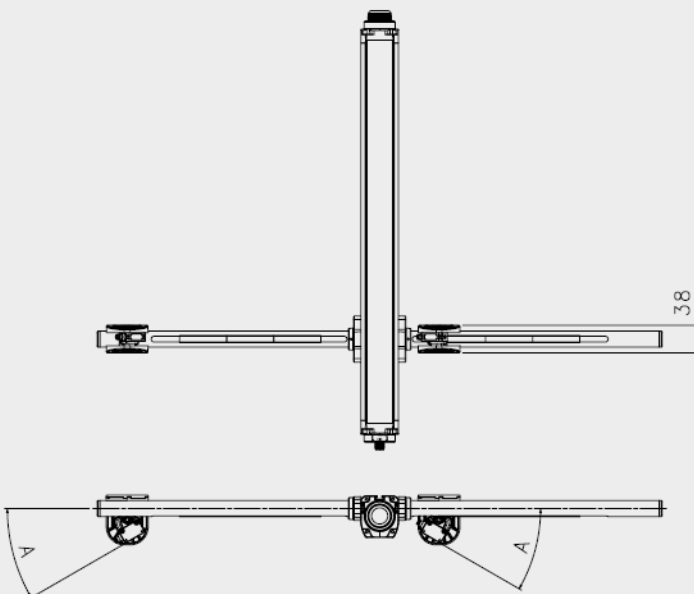
SG-M-T Active Side



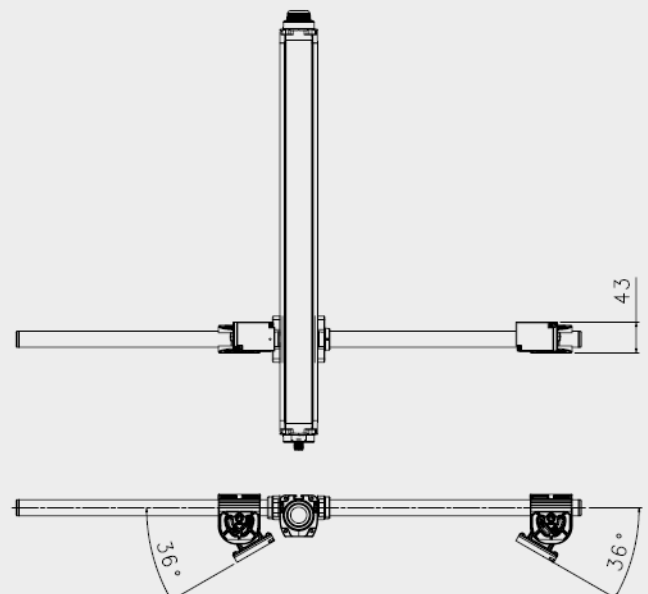
SG-M-T Passive Side



SG-M-X Active Side



SG-M-X Passive Side



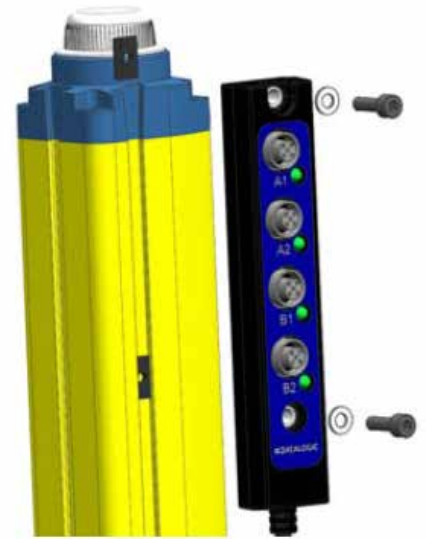
Angle/Sensor Type	S100	S8
A	38°	31°

SG-M CONNECTION BOX

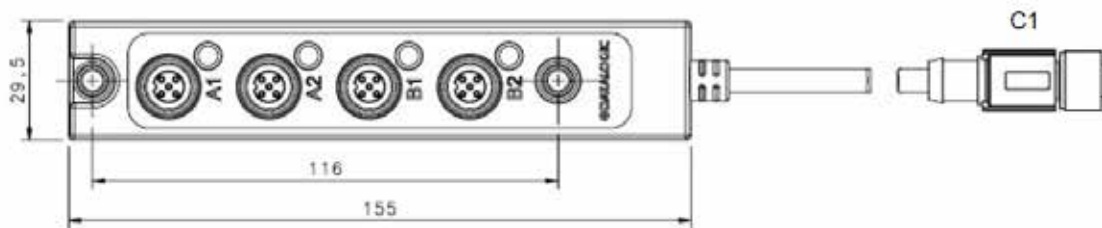
The SG-M connection box has 4 M12 connectors on board, one for each muting sensor to be connected to an SG Series light curtain. Unused connectors need to be covered by a cap, in order to maintain IP65 protection.

A green LED indicator signals when the muting sensor is generating the corresponding muting signal towards the safety light curtain.

Inside the connection box, signals are put in parallel: A1 with A2 and B1 with B2, and forwarded to the pigtail connector, that has to be inserted into the muting connector of the light curtain.



MODEL	DESCRIPTION	ORDER NUMBER
SG-M-CB	Connection Box for SG-M kits	95ASE2500
SG-M-CB-KIT	SG-M-CB Mounting Kit	95ASE2830
COMPATIBILITY		
SG BODY COMPACT MUTING SG BODY BIG MUTING SG BODY REFLECTOR MUTING SG2 MUTING SG4 EXTENDED SG-PSB		



PIN #	S8	S100
1		+24 Vdc
2	Alarm output	Light/Dark selection
3		0 Vdc
4		PnP Output

S100 AND S8 SENSORS

MODEL	CHARACTERISTICS	REGULATIONS	MAX. OPERATING DISTANCE	CONNECTION	ORDER NUMBER
S100-PR-5-B10-PK	Polarized retroreflective, red LED, PnP Output, Plastic	Dark/Light	6 m	M8	950811310
S100-PR-2-B10-PK SV4972				400 mm pigtail M12	950815060
S100-PR-2-B10-PK SV4973				700 mm pigtail M12	950815070
S100-PR-2-B10-PK SV4974				2000 mm pigtail M12	950815080
S8-PR-5-B01-PP				M8	950801160
S8-PR-5-B01-PP SV4972	Dark/Light Mono-turn sensitivity adjustment trimmer	7 m	400 mm pigtail M12	950805340	
S8-PR-5-B01-PP SV4973			700 mm pigtail M12	950805350	
S8-PR-5-B01-PP SV4974			2000 mm pigtail M12	950805360	

NOTES

1* With reflector R6

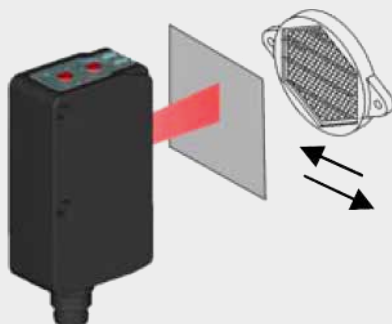
For more detailed technical information about the sensors, refer to Datasheet of S100 or S8 families.

S8 SETTINGS

DARK



Rotate trimmer in a clockwise direction to set the DARK mode (output ON in presence of the object).



Position the sensor in front of its reflector



If needed, regulate the intensity of the beam by rotating the adjustment trimmer

SPARE PARTS

MODEL	NOTES	ORDER NUMBER
SG-M-ARM	Cylindrical Metallic Arm	95ASE2460
CS-M1-02-B-004	4 poles M8 female M12 male cable 400mm	95ASE2470
CS-M1-02-B-007	4 poles M8 female M12 male 700mm	95ASE2480
CS-M1-02-B-02	4 poles M8 female M12 male 2000mm	95ASE2490
SG-M BRACKET	Single plastic orientable bracket, to mount S8, S100, or R6	95ASE2630
R6	Prismatic reflector 36 x 55 mm - plastic support 40.5 x 60 mm	95A151350

Muting lamps

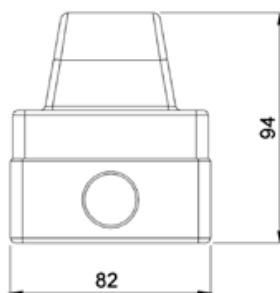
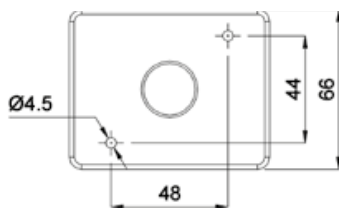
Depending on the risk assessment, an indicator to show when the muting function is active can be necessary. This indicator shows that the normal protective function of the light curtain is temporary suspended. The muting indicator should have sufficient brightness and be installed so as to be readily visible from any foreseeable position where a person can attempt to access the hazard zone.



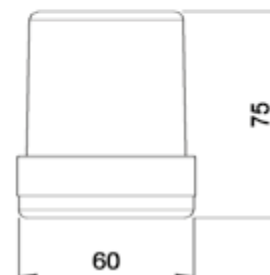
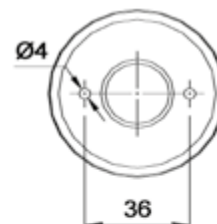
MODEL	DESCRIPTION	ORDER NUMBER
LMS	Muting lamp	95ASE1830
LMS-1	Modular Muting lamp	95ACC1990
LMS-2	Muting lamp - horizontal mounting	95ACC2000
LMS-3	Muting lamp - vertical mounting	95ACC2010
SU-LMS-1A	Basic support for LMS-1	95ACC2020
SU-LMS-1B	Tower module for LMS-1	95ACC2030

NOTES

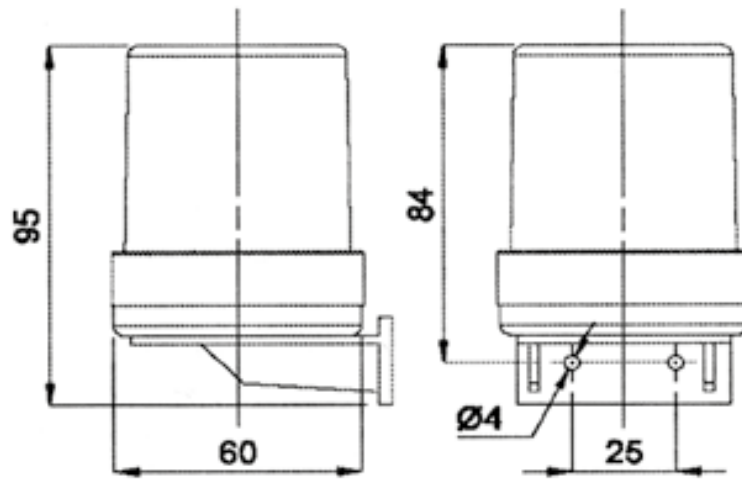
- 1) LMS, LMS-1, LMS-2 and LMS-3 are provided with incandescent light bulbs (3W, 24V)
- 2) LMS-1 has to be ordered with one of the two supports: SU-LMS-1A or SU-LMS-1B
- 3) External muting lamp is also available con Muting Connection Box SG-SRT2



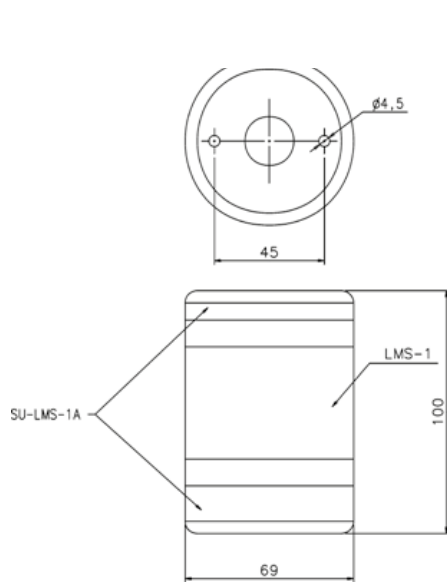
LAMP LMS



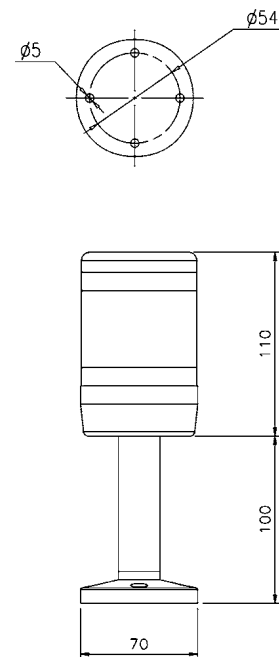
LAMP LMS-2



LAMP LMS-3



SUPPORT SU-LMS-1A
LAMP LMS-1



SUPPORT SU-LMS-1B
LAMP LMS-1

SAFETY UNITS AND INTERFACES

SE-SR2 is a safety unit that can be used in combination with every DATALOGIC Safety Light Curtains.

It provides dual-channel operation without detection of shorts across contacts.

Short circuits and earth faults in the pushbutton circuit are detected.

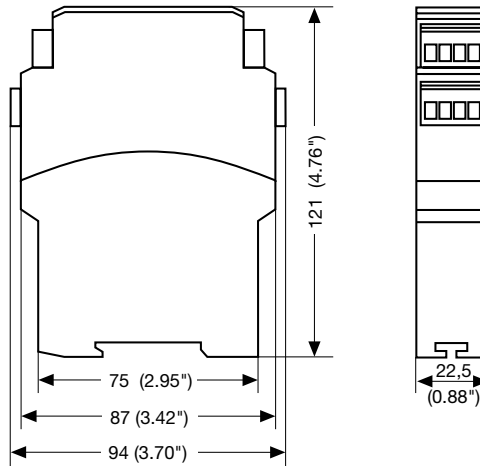
CS-ME is an interface with two forcibly guided relays, providing 3 NO contacts. The diagnostic function must be performed by the Safety Light Curtains through External Device Monitoring function.



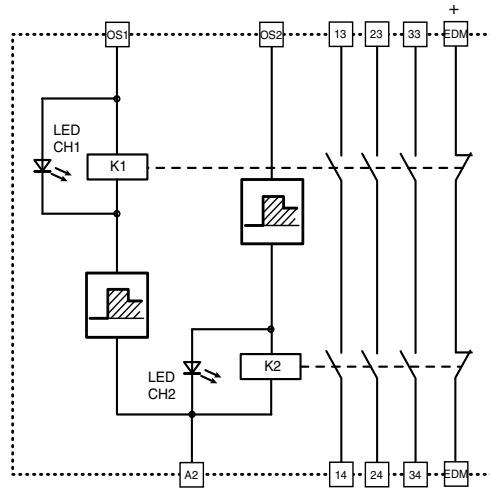
	SE-SR2	CS-ME
GENERAL DATA		
PL (EN ISO 13849-1)	e	up to e (depending on ESPE)
SIL (IEC 61508)	3	up to 3 (depending on ESPE)
ELECTRICAL DATA		
Power supply	24 Vdc -15/+10%	24 Vdc -/+20%
Outputs		
Safe outputs (Cat. 4)	3 NO	3 NO
Auxiliary outputs	1 NC	1 NC
Response time		
Following input going OFF	typ. 10 ms, max. 20 ms	15 ms
With power failure	typ. 70 ms, max. 120 ms	15 ms
Recovery time		
Following inputs going ON	50 ms	40 ms
After power on	150 ms	40 ms
MECHANICAL AND ENVIRONMENTAL DATA		
Operating temperature	-10 ... +55°C	-25 ... +55°C
Humidity	15 ... 95 % (no condensation)	15 ... 95 % (no condensation)
Mechanical protection	IP20	IP20
FUNCTIONS		
Reset modes	Automatic/Manual/Monitored	Automatic
External Device Monitoring	Available on SE-SR2	Must be activated on Safety Light Curtain (ESPE)
COMPATIBILITY		
	All DATALOGIC Safety Light Curtains	All DATALOGIC Safety Light Curtains with EDM function: SG2 EXTENDED SG2 MUTING SG2 BASE, SG4 BASE SG BODY COMPACT SG BODY BIG SG BODY REFLECTOR SG BODY COMPACT SG4 EXTENDED SLIM

ACCESSORIES | SAFETY UNITS AND INTERFACES

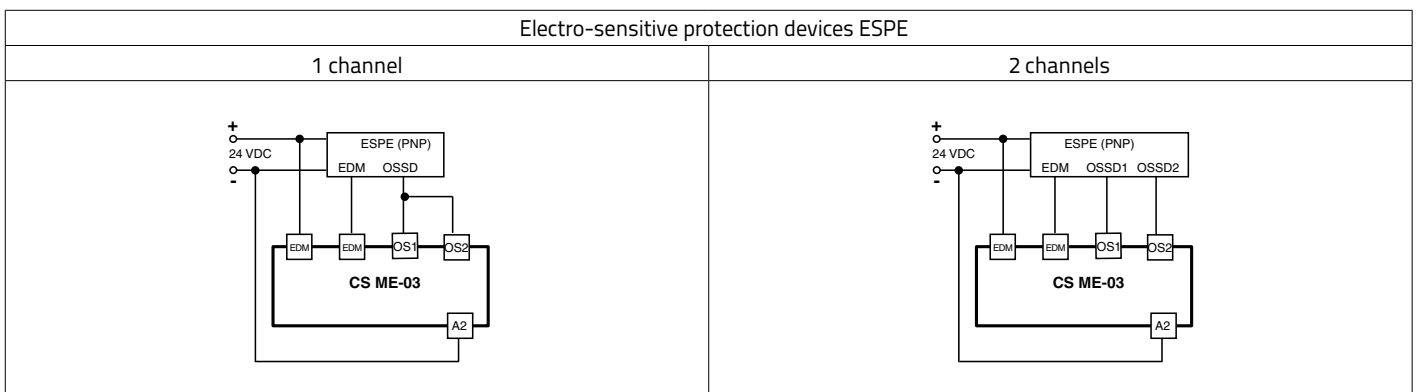
SE-SR2 DIMENSIONS



CS-ME INTERNAL DIAGRAM



CS-ME WIRING DIAGRAM



MODEL	DESCRIPTION	ORDER NUMBER
SE-SR2	Safety Unit	95ACC6170
CSME-03VU24-Y14	Forcibly guided relay interface	95ASE1270

Connection Boxes

SG-SRT1 and SG-SRT2 are interfaces provided with redundant forcibly guided relays, supplying a ready operator interface to restart or override the Safety Light Curtain, and have muting indication.



SG-SRT-1



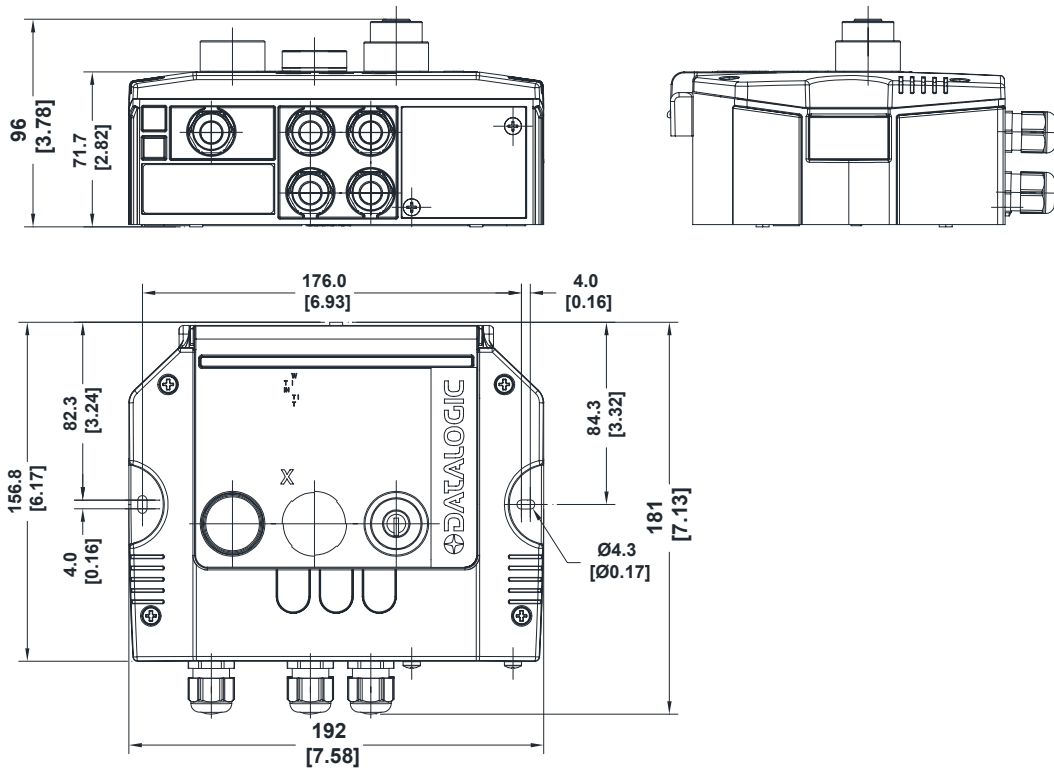
SG-SRT-2

	SG-SRT1	SG-SRT2
ELECTRICAL DATA		
Power supply	24 Vdc +/- 20%	
Safe outputs	2 NO	
Max. switchable voltage	250 Vac	
Max. switchable current	2 A	
FUNCTIONS		
Reset mode	Automatic/Manual	
	Test	
	Reset	
	Restart	
	Override	
	---	Muting state indication
COMPATIBILITY		
	SG BODY COMPACT MUTING SG BODY BIG MUTING SG BODY REFLECTOR MUTING	SG BODY BIG MUTING SG BODY REFLECTOR MUTING

NOTE

SG-SRT1 and SG-SRT2 provide internal or external EDM signal to the Safety Light Curtain: to operate safely, EDM monitoring function must be activated on the Safety Light Curtain and correct wiring must be followed.
For further information refer to SG-SRT1/2 manual and the used Safety Light Curtain manual.

ACCESSORIES | SAFETY UNITS AND INTERFACES



MODEL	DESCRIPTION	ORDER NUMBER
SG -SRT-1	Muting connection box	95ASE2050
SG -SRT-2	Muting connection box with lamp	95ASE2060

ACCESSORIES

OTHER ACCESSORIES

Protection tubes

SG-IP69K are PMMA acrylic tubes used to protect and seal safety light curtains.

The IP protection of the safety light curtain is increased to IP67, IP68 and IP69K.

A Gore-Tex membrane on the caps prevents water or dirt entering as well as internal condensation.

MODEL	DESCRIPTION	ORDER NUMBER
SG -IP69K 150	Tubular IP69K H=150mm	95ASE 1290
SG -IP69K 300	Tubular IP69K H=300mm	95ASE 1300
SG -IP69K 450	Tubular IP69K H=450mm	95ASE 1310
SG -IP69K 600	Tubular IP69K H=600mm	95ASE 1320
SG -IP69K 750	Tubular IP69K H=750mm	95ASE 1330
SG -IP69K 900	Tubular IP69K H=900mm	95ASE 1340
SG -IP69K 1050	Tubular IP69K H=1050mm	95ASE 1350
SG -IP69K 1200	Tubular IP69K H=1200mm	95ASE 1360
SG -IP69K 1350	Tubular IP69K H=1350mm	95ASE 1370
SG -IP69K 1500	Tubular IP69K H=1500mm	95ASE 1380
SG -IP69K 1650	Tubular IP69K H=1650mm	95ASE 1390
SG -IP69K 1800	Tubular IP69K H=1800mm	95ASE 1400
COMPATIBILITY		
	SG2 BASE, SG2 EXTENDED, SG4 BASE	
MODEL	DESCRIPTION	ORDER NUMBER
SG-IP69K-2-050	Tubular IP69K H=500mm	95ASE1410
SG-IP69K-3-080	Tubular IP69K H=800mm	95ASE1420
SG-IP69K-4-090	Tubular IP69K H=900mm	95ASE1430
SG-IP69K-4-120	Tubular IP69K H=1200mm z	95ASE1440
COMPATIBILITY		
	SG BODY COMPACT	
NOTES		

1) Each package contains the necessary to protect a single unit (emitter or receiver).

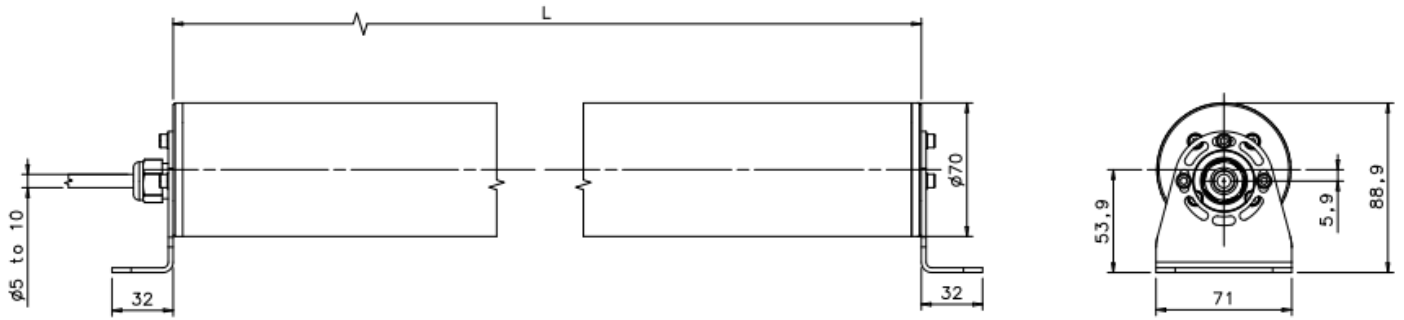
To protect both elements of a couple, order two pieces

2) Tubular PMMA POLICRIL material chemical resistance table is available on product's datasheet.



ACCESSORIES | OTHER ACCESSORIES

DIMENSIONS



MODEL	L (mm)
SG-IP69K 150	373.5
SG-IP69K 300	520.7
SG-IP69K 450	670.8
SG-IP69K 600	820.7
SG-IP69K 750	970.8
SG-IP69K 900	1120.7
SG-IP69K 1050	1270.7
SG-IP69K 1200	1420.8
SG-IP69K 1350	1570.7
SG-IP69K 1500	1720.8
SG-IP69K 1650	1870.8
SG-IP69K 1800	2020.8
SG-IP69K-2-050	808
SG-IP69K-3-080	1108
SG-IP69K-4-090	1208.5
SG-IP69K-4-120	1508.5

Lens shields

The LENS SHIELD accessory for safety light curtains is composed of a PMMA Altuglas plate that can be mounted on the front glass of the safety light, ensuring an effective protection against dust, chips and incandescent drops deriving from material working near the safety light curtain.



MODEL	DESCRIPTION	ORDER NUMBER
SG -LS 150	Lens shield 150 mm	95ASE 1450
SG -LS 300	Lens shield 300 mm	95ASE 1460
SG -LS 450	Lens shield 450 mm	95ASE 1470
SG -LS 600	Lens shield 600 mm	95ASE 1480
SG -LS 750	Lens shield 750 mm	95ASE 1490
SG -LS 900	Lens shield 900 mm	95ASE 1500
SG -LS 1050	Lens shield 1050 mm	95ASE 1510
SG -LS 1200	Lens shield 1200 mm	95ASE 1520
SG -LS 1350	Lens shield 1350 mm	95ASE 1530
SG -LS 1500	Lens shield 1500 mm	95ASE 1540
SG -LS 1650	Lens shield 1650 mm	95ASE 1550
SG -LS 1800	Lens shield 1800 mm	95ASE 1560
SG -LS 2	Lens shield 2 beams 500 mm	95ASE 1570
SG -LS 3	Lens shield 3 beams 800 mm	95ASE 1580
SG -LS 4-900	Lens shield 4 beams 900 mm	95ASE 1590
SG -LS 4-120	Lens shield 4 beams 1200 mm	95ASE 1600
SG -LS-MC 4	Elastic fastner for lens shield (kit 4pcs.)	95ASE 1810
COMPATIBILITY		
	SG-LS xxxx	SG2 BASE SG2 EXTENDED SG4 BASE
	SG-LS 2 SG-LS 3 SG-LS 4-900 SG-LS 4-120	SG BODY COMPACT

NOTES

- 1) Each package contains the necessary to protect a single unit (emitter or receiver). To protect both elements of a couple, order two pieces
- 2) Five plates are supplied in the package for replacements
- 3) The length indicated in the description is the height of the light curtains that can be used with the lens shield, for the actual dimension, refer to the technical datasheet.

ACCESSORIES | OTHER ACCESSORIES

Laser pointer



LASER POINTER

MODEL	DESCRIPTION	ORDER NUMBER
SG-LP	Laser pointer	95ASE5590
COMPATIBILITY		All SG Series Safety Light Curtains except SG4-H and SLIM

Communication interface

DONGLE



MODEL	DESCRIPTION	ORDER NUMBER
SG4-DONGLE	Ethernet adaptor	95ASE2080
FUNCTIONS		
1) Ethernet connection (TCP/IP) to Monitoring and Configuration Software SG4-E GUI. 2) Configuration cloning 3) Error logging 4) Configuration logging		
NOTE		
To connect SG-DONGLE directly to a PC, order Ethernet cable CAB-ETH-M01		
COMPATIBILITY		
	SG4 EXTENDED	

DONGLE - PC ETHERNET CABLE



MODEL	DESCRIPTION	ORDER NUMBER
CAB-ETH-M01	M12-IP67 ETHERNET CAB. (1M)	93A051346
CAB-ETH-M03	M12-IP67 ETHERNET CAB. (3M)	93A051347
CAB-ETH-M05	M12-IP67 ETHERNET CAB. (5M)	93A051348

Test pieces



MODEL	DESCRIPTION	ORDER NUMBER
TP-14	Test piece Ø 14 mm	95ACC 1630
TP-20	Test piece Ø 20 mm	95ACC 1640
TP-24	Test piece Ø 24 mm	95ASE2570
TP-30	Test Piece Ø 30 mm	95ACC 1650
TP-34	Test Piece Ø 34mm	95ASE2580
TP-35	Test piece Ø 35 mm	95ACC 1660

COMPATIBILITY

All Safety Light Curtains with corresponding resolution

ACCESSORIES | OTHER ACCESSORIES

CABLES

MODEL	DESCRIPTION	START	END	#POLES	LENGTH (m)	SHIELD	ORDER NUMBER
CABLES FOR EMITTERS/RECEIVERS							
CS-A1-02-U-03	CS Cable 4-p axial 3m	M12 axial F	free wires	4	3	No	95ASE1120
CS-A1-02-U-05	CS Cable 4-p axial 5m	M12 axial F	free wires	4	5	No	95ASE1130
CS-A1-02-U-10	CS Cable 4-p axial 10m	M12 axial F	free wires	4	10	No	95ASE1140
CS-A1-02-U-15	CS Cable 4-p axial 15m	M12 axial F	free wires	4	15	No	95ASE1150
CS-A1-02-U-25	CS Cable 4-p axial 25m	M12 axial F	free wires	4	25	No	95ASE1160
CS-A1-03-U-03	CS Cable 5-p axial 3m	M12 axial F	free wires	5	3	No	95ASE1170
CS-A1-03-U-05	CS Cable 5-p axial 5m	M12 axial F	free wires	5	5	No	95ASE1180
CS-A1-03-U-10	CS Cable 5-p axial 10m	M12 axial F	free wires	5	10	No	95ASE1190
CS-A1-03-U-15	CS Cable 5-p axial 15m	M12 axial F	free wires	5	15	No	95ASE1200
CS-A1-03-U-25	CS Cable 5-p axial 25m	M12 axial F	free wires	5	25	No	95ASE1210
CS-A1-06-U-03	CS Cable 8-p axial 3m	M12 axial F	free wires	8	3	No	95ASE1220
CS-A1-06-U-05	CS Cable 8-p axial 5m	M12 axial F	free wires	8	5	No	95ASE1230
CS-A1-06-U-10	CS Cable 8-p axial 10m	M12 axial F	free wires	8	10	No	95ASE1240
CS-A1-06-U-15	CS Cable 8-p axial 15m	M12 axial F	free wires	8	15	No	95ASE1250
CS-A1-06-U-25	CS Cable 8-p axial 25m	M12 axial F	free wires	8	25	No	95ASE1260
CS-A1-10-U-03	CS Cable 12-p axial 3m	M12 axial F	free wires	12	3	No	95A252720
CS-A1-10-U-05	CS Cable 12-p axial 5m	M12 axial F	free wires	12	5	No	95A252730
CS-A1-10-U-10	CS Cable 12-p axial 10m	M12 axial F	free wires	12	10	No	95A252740
CS-A1-10-U-15	CS Cable 12-p axial 15m	M12 axial F	free wires	12	15	No	95A252750
CS-A1-10-U-25	CS Cable 12-p axial 25m	M12 axial F	free wires	12	25	No	95A252760
CV-A1-22-B-03	CV Cable 4-p axial 3m	M12 axial F	free wires	4	3	Yes	95ACC1480
CV-A1-22-B-05	CV Cable 4-p axial 5m	M12 axial F	free wires	4	5	Yes	95ACC1490
CV-A1-22-B-10	CV Cable 4-p axial 10m	M12 axial F	free wires	4	10	Yes	95ACC1500
CV-A1-22-B-15	CV Cable 4-p axial 15m	M12 axial F	free wires	4	15	Yes	95ACC2070
CV-A1-22-B-25	CV Cable 4-p axial 25m	M12 axial F	free wires	4	25	Yes	95ACC2090
CV-A1-23-B-005-2F	CV Cable 5-p axial 0,5m	M12 axial F	free wires	5	0,5	Yes	95ACC2440
CV-A1-23-B-01-2F	CV Cable 5-p axial 1m	M12 axial F	free wires	5	1	Yes	95ACC2450
CV-A1-26-B-03	CV Cable 8-p axial 3m	M12 axial F	free wires	8	3	Yes	95ACC1510
CV-A1-26-B-05	CV Cable 8-p axial 5m	M12 axial F	free wires	8	5	Yes	95ACC1520
CV-A1-26-B-10	CV Cable 8-p axial 10m	M12 axial F	free wires	8	10	Yes	95ACC1530
CV-A1-26-B-15	CV Cable 8-p axial 15m	M12 axial F	free wires	8	15	Yes	95ACC2080
CV-A1-26-B-25	CV Cable 8-p axial 25m	M12 axial F	free wires	8	25	Yes	95ACC2100
CV-A2-22-B-03	CV Cable 4-p radial 3m	M12 radial F	free wires	4	3	Yes	95ACC1540
CV-A2-22-B-05	CV Cable 4-p radial 5m	M12 radial F	free wires	4	5	Yes	95ACC1550
CV-A2-22-B-10	CV Cable 4-p radial 10m	M12 radial F	free wires	4	10	Yes	95ACC1560
CV-A2-26-B-03	CV Cable 8-p radial 3m	M12 radial F	free wires	8	3	Yes	95ACC1600
CV-A2-26-B-05	CV Cable 8-p radial 5m	M12 radial F	free wires	8	5	Yes	95ACC1610
CV-A2-26-B-10	CV Cable 8-p radial 10m	M12 radial F	free wires	8	10	Yes	95ACC1620
CASCADING CABLES							
CS-F1-80-B-0005SG	SG EXTENDED Cascade cable 0.05m	custom	custom	N/A	0,05	No	95A252860
CS-F1-80-B-005	SG EXTENDED Cascade cable 0.5m	custom	custom	N/A	0,5	No	95A252850
CS-F1-80-B-01	SG EXTENDED Cascade cable 1m	custom	custom	N/A	1	No	95A252840
CS-H1-03-B-001	SLIM Cascade cable 0.1m	custom	M12 axial F	5	0,1	No	95A252950
CS-H1-03-B-005	SLIM Cascade cable 0.5m	custom	M12 axial F	5	0,5	No	95ASE2550
CS-H1-03-B-01	SLIM Cascade cable 1m	custom	M12 axial F	5	1	No	95ASE2560
SG EXTENDED PIGTAIL CABLES							
CS-G1-50-B-002	SG EXTENDED TX 0,2m	custom	M12 axial M	5	0,2	No	95A252820
CS-G1-70-B-002	SG EXTENDED BLANK RX 0,2m	custom	M12 axial M	12	0,2	No	95A252830
CS-R1-75-B-002	SG EXTENDED MUTING RX 0,2	custom	2x M12 axial M	5 + 12	0,2	No	95A252810
MUTING SYSTEMS CABLES							
CS-M1-02-B-004	Cable 4 poles, unshielded, black, M8 F straight, M12 M straight, 400mm	M8 axial F	M12 axial M	4	0,4	No	95ASE2470
CS-M1-02-B-007	Cable 4 poles, unshielded, black, M8 F straight, M12 M straight, 700mm	M8 axial F	M12 axial M	4	0,7	No	95ASE2480
CS-M1-02-B-02	Cable 4 poles, unshielded, black, M8 F straight, M12 M straight, 2000mm	M8 axial F	M12 axial M	4	2	No	95ASE2490
CV-L1-02-B-007	M12 4-pole L Muting cable	M12 axial F	M12 radial F	4	0,7	No	95ACC2570
CV-Y1-02-B-007	M12 4-pole T Muting cable	M12 axial F	2x M12 radial F	4	0,7	No	95ACC2560

APPENDIX



APPENDIX



SAFETY STANDARDS REFERENCE LIST

The following is a list of international standards for Safety of Machinery and correct design use of safety systems.

1. General principles

EN ISO 12100: 2010 Safety of machinery – General principles for design – Risk assessment and risk reduction.

2. Safety systems design and validation

EN ISO 13849-1: 2008 Safety of machinery – Safety-related parts of control systems. Part 1: General principles for design

EN ISO 13849-2: 2012 Safety of machinery – Safety-related parts of control systems. Part 2: Validation.

EN 62061 / AC 2010 Safety of machinery. Functional safety of safety-related electrical/electronic/programmable electronic control systems.

3. Electrosensitive protective equipment

EN 61496-1 / AC: 2010 Safety of machinery: electrosensitive protective equipment. Part 1: General prescriptions and tests.

IEC 61496-2: 2006 Safety of machinery: electrosensitive protective equipment - Part 2: Particular requirements for equipment using active optoelectronic protective devices.

4. Safety distances

EN ISO 13855: 2010 Safety of machinery – Positioning of safeguards with respect to the approach speeds of parts of the human body.

DEFINITIONS

1. AOPD: Active Optoelectronic Protective Device

Device whose sensing function is performed by opto-electronic emitting and receiving elements detecting the interruption of optical radiations generated, within the device, by an opaque object present in the specified detection zone (or for a light beam device, on the axis of the light beam).

2. EAA: Effective Aperture Angle

Maximum angle of deviation from the optical alignment of the emitting element(s) and the receiving element(s) within which the AOPD continues in normal operation.

3. EDM: External Device Monitoring

Means by which the electro-sensitive protective equipment (ESPE) monitors the state of control devices which are external to the ESPE.

4. ESPE: Electro-Sensitive Protective Equipment

Assembly of devices and/or components working together for protective tripping or presence sensing purposes and comprising as a minimum

- a sensing device;
- controlling/monitoring devices;
- output signal switching devices and/or a safety-related data interface.

5. Light curtain

AOPD comprising an integrated assembly of one or more emitting element(s) and one or more receiving element(s) forming a detection zone with a detection capability specified by the supplier. A light curtain with a large detection capability is sometimes referred to as a light grid.

6. OSSD: Output Signal Switching Device

Component of the electro-sensitive protective equipment (ESPE) connected to the machine control system which, when the sensing device is actuated during normal operation, responds by going to the OFF-state.

7. PL: Performance Level

Discrete level used to specify the ability of safety-related parts of control systems to perform a safety function under foreseeable conditions.

8. Response time

Maximum time between the occurrence of the event leading to the actuation of the sensing device and the output signal switching devices (OSSD) achieving the OFF-state.

9. SIL: Safety Integrity Level

Discrete level for specifying the safety integrity requirements of the safety functions to be allocated to the Electric / Electronic / Programmable Electronic safety-related systems, where safety integrity level 4 has the highest level of safety integrity and safety integrity level 1 has the lowest.

SAFETY DISTANCE CALCULATION



- Properly install the light curtains in accordance with the user manual and applicable local safety regulations (OSHA, ANSI, European standards as EN ISO 13855 'Safety of Machinery - Positioning of safeguards with respect to the approach speeds of parts of the human body").
- Consult DLIA Technical support before installing light curtains if you have questions, need information or assistance about the products.

Failure to comply with these instructions could result serious injury

The positioning of light curtains and light grids must comply with the international standard EN ISO13855, that provides a methodology to determine the minimum distance to a hazard zone from the detection zone, based on values for approach speeds of parts of the human body.

If a type-C standard exists for the machine, the distance specified should be used. If there is no type-C standard, the equations in EN ISO 13855 can be used to calculate it.

The factors to be taken in account are:

T1	Response time of the light curtain
T2	Machine stopping time
d	Resolution of the light curtain
K	Speed of the body or parts of the body (parameter given by the standard)

1. Vertical installation

1.1 Equation for the calculation of the minimum distance

The detection zone is horthogonal to the direction of approach to the hazard zone

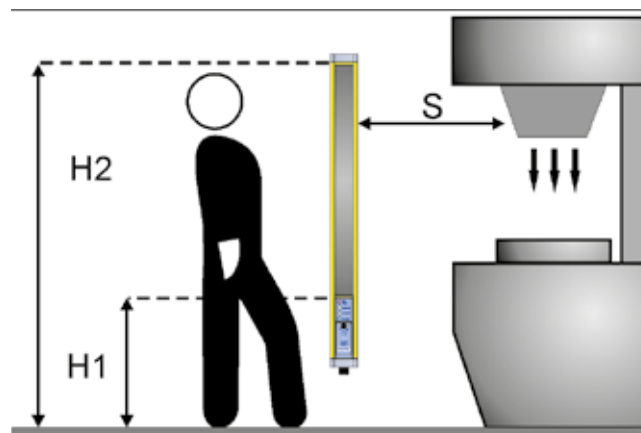


Fig. 3 – Minimum installation distance (vertical)

APPENDIX

For light curtains with detection capability $d \leq 40$ mm, the equation used to calculate the minimum distance S from a vertical detection zone horthogonal to the direction of approach to the hazard zone is:

$$S = K (T1 + T2) + C$$

Where C is an additional intrusion distance:

$$C = 8 (d - 14) \text{ mm if resolution } \leq 40 \text{ mm}$$

$$C = 850 \text{ mm if resolution } > 40 \text{ mm}$$

The equation must be first calculated using $K = 2000$ mm/s.

If the result $S > 500$ mm, it can be recalculated with $K = 1600$ mm/s.

The result S must in any case be:

$$S \geq 100 \text{ mm if } K = 2000 \text{ mm/s is used;}$$

$$S \geq 500 \text{ mm if } K = 1600 \text{ mm/s is used}$$

For light curtains with detection capability $d > 40$ mm and multiple separate beams (body detection) the following values can be used:

$$C = 850 \text{ mm}$$

$$K = 1600 \text{ mm/s}$$

1.2 Positions of the beams above reference plane

When the safeguard is used only for the detection of whole body access:

a) the height of the lowest beam shall be ≤ 300 mm to prevent access under the detection zone

b) the height of the uppermost beam shall be ≥ 900 mm to prevent stepping over the detection zone.

EN13855 states that the heights for 2, 3 and 4 beams given in the following table have been found to be the best compromise between an adequate risk reduction and the most practical in application.

Further protective measures to prevent access to the hazard zone can be required. For the lowest beam 400 mm can only be used when the risk assessment allows it.

NUMBERS OF BEAMS	HEIGHTS ABOVE REFERENCE PLANE (MM)
4	300, 600, 900, 1200
3	300, 700, 1100
2	400, 900

1.3 Circumventing of ESPE by reaching over the detection zone

If access to the hazard zone by reaching over the detection zone of vertically mounted electro-sensitive protective equipment cannot be excluded, an additional distance must be applied, depending on the height of the hazard zone and the height of upper edge of the ESPE detection zone. For reference, apply EN ISO 13855 Par. 6.5.

APPENDIX

2. Horizontal installation

2.1 Equation for the calculation of the minimum distance

The detection zone is parallel to the direction of approach to the hazard zone

If the safety light curtain must be mounted in a horizontal position (Fig. 4), the distance between the dangerous area and the most distant optical beam must be equal to the value calculated using the following equation:

$$S = 1600 \text{ mm/s} (T1 + T2) + (1200 \text{ mm} - 0.4 H)$$

where:

T1 = Response time of the ESPE in seconds

T2 = Machine stopping time in seconds.

H = Beam height from ground

H shall not be greater than 1000 mm, and however for values greater than 300 mm the risk of an undetected access beneath the detection zone shall be taken in account during the risk assessment.

Furthermore, the lowest allowable height of the detection zone must satisfy this equation:

$$H_{\text{min}} = 15 (d - 50)$$

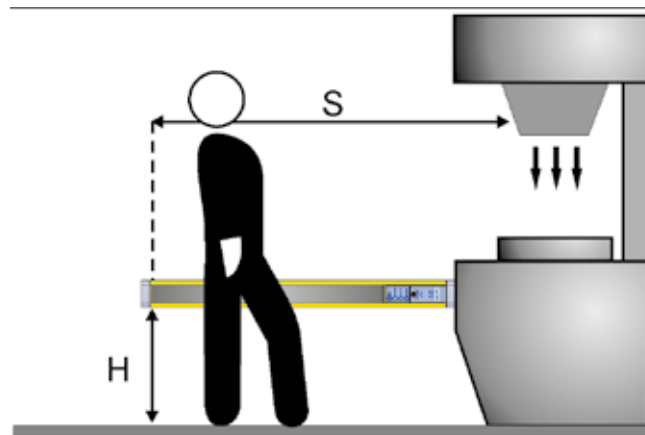


Fig. 4 – Minimum installation distance (horizontal)

ANALYTICAL INDEX

AOPD: Active Optoelectronic Protective Device	107	SG4-RBx-xxx-OO-E (SG BODY REFLECTOR BASE active side)	51
Automatic restart	14	SG4-RBx-xxx-OO-W (SG BODY REFLECTOR MUTING active side)	51
Blanking	17	SG4-RDBx (SG BODY REFLECTOR BASE passive side)	51
CAB-ETH-M01	102	SG4-RDBx (SG BODY REFLECTOR MUTING passive side)	51
Cascading	13	SG4-RDBxL/T (SG BODY REFLECTOR MUTING passive side)	51
CS -A1-10-U-xx	57,63,103	SG4-xx-xxx-OO-E (SG4 BASE)	23
CS-A1-02-U-xx	27,31,103	SG4-xx-xxx-OO-P (SG4 EXTENDED)	59
CS-A1-03-U-xx	63,103	SG-AS-ARM	82,83,85
CS-A1-06-U-xx	27,57,103	SG-BWS-T4	65
CS-F1-80-B-xxxx	63,103	SG-BWS-T4-MT	65
CS-G1-50-B-002	60,63,103	SG-CB-B	83,85
CS-G1-xx-B-002	63	SG-CB-C	83,85
CS-H1-03-B-xxx	37,103	SG-DM	78
CS-M1-02-B-xxx	88,91,103	SG-F1-G1-ARMS	82
CS-ME	36,94,95	SG-F2-G2-ARMS	82
CS-R1-75-B-002	63,103	SG-IP69K	98
CV-A1-22-B-xx	42,103	SG-L-ARMS	82
CV-A1-26-B-xx	42,103	SG-LP	61
CV-L1-02-B-007	83,85,103	SG-LS	100
CV-Y1-02-B-007	83,84,85,103	SG-M	86
DataVS-MK-01	67	SG-Mx-S100 -x (SG-M)	88
Detection capability	12	SG-Mx-S100 -200-x (SG-M)	88
Detection zone	12	SG-Mx-S8 -x (SG-M)	88
EAA: Effective Aperture Angle	11,107	SG-Mx-S8 -200-x (SG-M)	88
EDM	14	SG-M-ARM	91
ESPE: Electro-sensitive protective equipment	107	SG-M BRACKET	91
External device monitoring	14	SG-M-CB	90
GUI (Graphical User Interface)	17	SG-M-CB-KIT	90
LMS	92	SG-P	77
Manual restart	14	SG-PR-ARM	82
MICRO-18	67	SG-PSB	79
Muting	15	SG-PSM	77
OSSD: Output Signal Switching Device	107	SG-SRT1	96
Override	16	SG-SRT2	96
Performance level	11	SG-T-ARMS	82
PL (Performance level)	11	SGx-Bx-xxx-OO-E (SG BODY BIG BASE)	45
R6	87	SGx-Bxxx-xxx-OO-W-C (SG BODY BIG MUTING)	45
Resolution	12	SGx-S/L/Tx-xxx-PP-W (SG BODY COMPACT MUTING)	39
Response time	93	SGx-Sx-xxx-PP-E (SG BODY COMPACT BASE)	39
Retroreflective light curtain	13	SIL: Safety Integrity Level	107
S100-PR-x-PK	87,88,91	SINGLE BEAM SENSORS	64
S5	64	SL5	64
S8-PR-x-PK	87,88,91	SLIM	32
SE-S	79	SLx-xxxx-OO-E (SLIM)	33
SE-SR2	94	SP-40	67
SG BODY BIG BASE	44	ST-5099	67
SG BODY BIG MUTING	44	ST-5100	67
SG BODY COMPACT BASE	38	ST-DM	78
SG BODY COMPACT MUTING	38	ST-K4REAR-SG BODY BIG	73
SG BODY REFLECTOR BASE	50	ST-K4ROT	75
SG BODY REFLECTOR MUTING	50	ST-K4ROT-SG BODY BIG	74
SG2 BASE	22	ST-K4ROT-SG BODY COMPACT	75
SG2 EXTENDED	22	ST-KCASCADE-SG EXTENDED	73
SG2 MUTING	58	ST-KPxMP	72
SG2-30-xxx-OO-W (SG2 MUTING)	59	ST-KSTD	70
SG2-xx-xxx-OO-E-C (SG2 EXTENDED)	23	ST-KxAV	71
SG2-xx-xxx-OO-X (SG2 BASE)	23	ST-KxOR	71
SG4 BASE	22	ST-PS-DM	80
SG4 EXTENDED	58	ST-PSx-SG BODY	81
SG4 LONG RANGE BASE	44	ST-PSx-SG-SE	81
SG4-40-xxx-OO-E (SG4 LONG RANGE BASE)	45	SU-LMS-1A	92
SG4-DONGLE	101	SU-LMS-1B	92
SG4-H	28	SWING-18	67
SG4-H14-xxx-X-x (SG4-H)	29	TPxx	102
SG4-RBxL/T-xxx-OO-W (SG BODY REFLECTOR MUTING active side)	51	Type	11

HEADQUARTERS

Datalogic Automation Srl

Via Lavino, 265
40050 Monte San Pietro - Bologna - Italy
Tel: +39 051/6765611
info.automation.it@datalogic.com

BRANCHES AND SALES OFFICES

EUROPE

BENELUX

Datalogic Automation Benelux

Newtonweg 3
4104 BK Culemborg - The Netherlands
Tel. +31 345/589489
info.automation.nl@datalogic.com

FRANCE

Datalogic Automation Srl

Succursale en France
Le Parc Technologique de Lyon
333 cours du 3ème Millénaire - Le Pôle
69800 Saint Priest
Tél. +33 (0)4/72476180
info.automation.fr@datalogic.com

GERMANY

Datalogic Automation Srl

Niederlassung Central Europe
Gottlieb-Stoll-Straße 1,
73271 Holzmaden
Tel. +49 7023 7453-100
info.automation.de@datalogic.com

ITALY

Datalogic Automation Italy

Via Lavino, 265
40050 Monte San Pietro - Bologna
Tel. +39 051/6765611
info.automation.it@datalogic.com

Via Taormina 1
20093 - Cologno Monzese (MI) Italy
Tel. +39 02 25151211
info.automation.it@datalogic.com

Via Le Gorrey, 10 11020, Donnas - Aosta
Tel. +39-0125-8128201
info.automation.it@datalogic.com

SPAIN

Datalogic Automation Iberia

Sucursal en España
C/ Frederic Mompou 4 esc A, 4º puerta 3ª
08960 Sant Just Desvern - Barcelona
Tel. +34 (0)93/4772059

NORDIC

Datalogic Automation ab

Höjdrodergatan 21
21239 Malmö - Sweden
Tel. +46 (0)40/385000
info.automation.se@datalogic.com

UNITED KINGDOM

Datalogic Automation UK

Datalogic House
Dunstable Road, Redbourn - Hertfordshire
AL3 7PR
Tel. +44 (0) 1582 791750
info.automation.uk@datalogic.com

TURKEY

Datalogic ADC Turkey

Merkezi İtalya İstanbul Merkez Şubesi Süleyman
Seba Cad. No:48 BJK Plaza A. Blok Kat:4 D.44
34357 - İstanbul - Turkey
Tel. +90 212 396 1550
info.adc.tr@datalogic.com

NORTH AMERICA

Datalogic Automation Inc

511 School House Road
Telford, PA 18969-1196 - United States
Tel. +1-800-BAR-CODE or +1-215-723-0981
info.automation.us@datalogic.com

Datalogic Automation Inc

MACHINE VISION
5775 W Old Shakopee Rd
STE 160, Bloomington, MN 55437
United States
Tel. +1-952-996-9500
info.automation.us@datalogic.com

SOUTH AMERICA

Datalogic Brazil

Avenida Olivio Roncoletta, 465
Bairro Vila Hortolandia Jundiá (SP), Brazil
Tel. +55 11 29232600
info.automation.br@datalogic.com

APAC

Australia-New Zealand

Datalogic Automation Pty Ltd

Unit 130, 45 Gilby Road
Mt Waverley - Victoria, 3149 - Australia
Tel. +61 (0)3/95589299
info.automation.au@datalogic.com

CHINA

Datalogic Automation Asia

2nd Floor, 10 Building, Dayuan Industrial Zone,
No.1, Pingshan 1st Road,
Liuxuan Blvd. Xili, Nanshan District,
518054, Shenzhen, China
Tel: +86 (0)755-8629 6779
info.automation.cn@datalogic.com

R206, 2F, No. 1288 Longdong Avenue,
Pudong New Area,
Shanghai, 201203
Tel: +86 (0)21-5836 6692
info.automation.cn@datalogic.com

Floor 20, Room 2019, Building 2,
16 West Nan San Huan Road
Fengtai District, Beijing
Tel: +86 (0)10-8757 6375
info.automation.cn@datalogic.com

1202, Excellence Build, 128 Yanji Road,
Shibei District, Qingdao, China
Tel: +86 (0)532 55787889

JAPAN

Idec Auto-Id Solutions Corporation

8-10, Shioe 5-chome, Amagasaki Hyogo,
Japan 661-0976
Tel. +81-6-7711-8880
www.idec.com

Rev. 05, 05/2016



9C514200E

Product and Company names and logos referenced may be either trademarks or registered trademarks of their respective companies. We reserve the right to make modifications and improvements.



www.datalogic.com