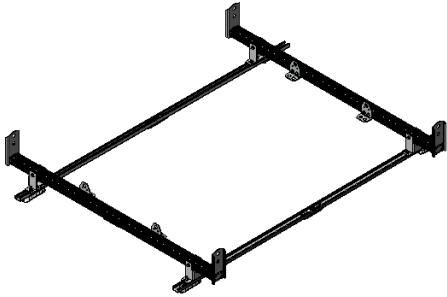
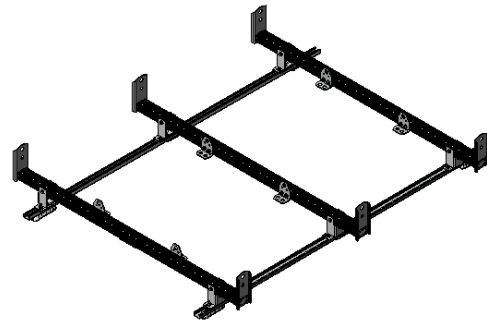


# INSTALLATION GUIDE

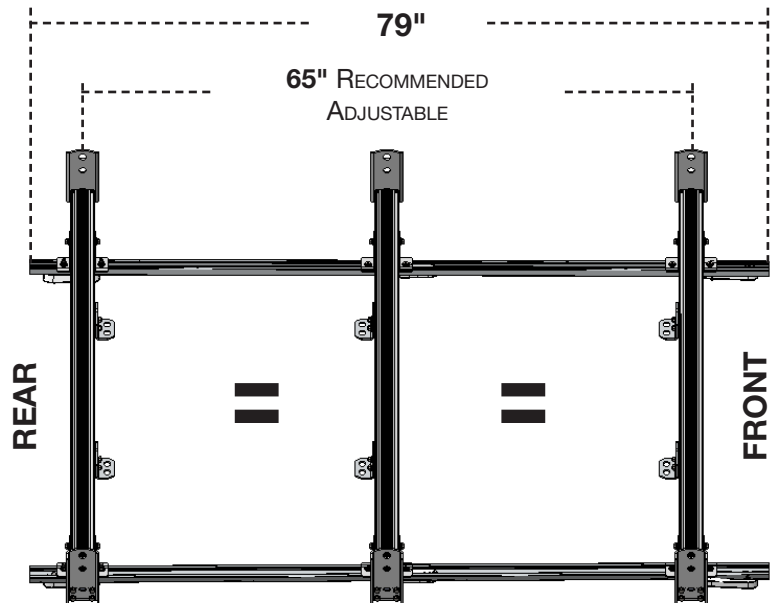
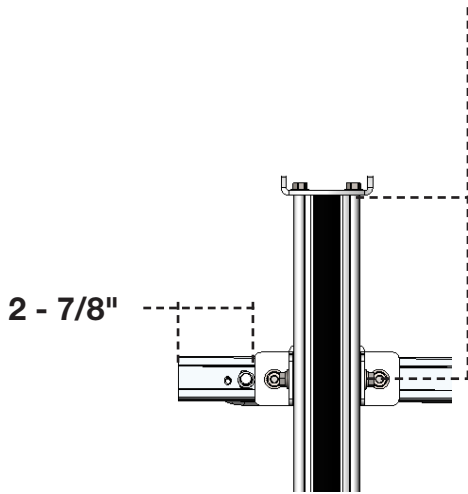
1605-PC



1605-PC3



7 - 1/4" ( CENTER OF THE FEET TO THE END OF THE CROSSBAR )



18" RECOMMENDED  
ADJUSTABLE

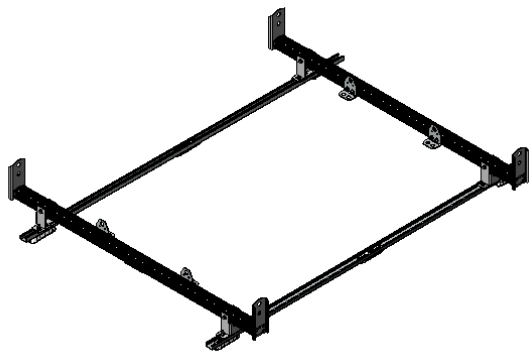


## 1605-PC OR 1605-PC3 CARGO RACK

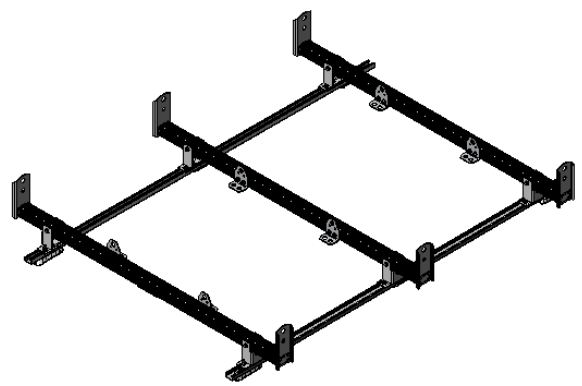
Promaster City



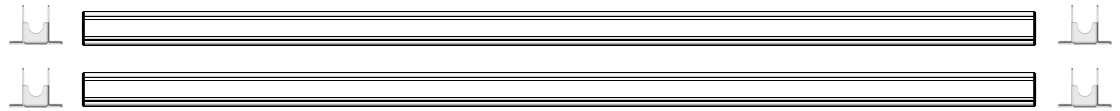
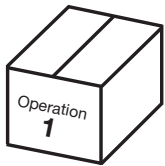
1605-PC



1605-PC3

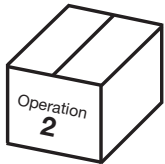


16-UCD60



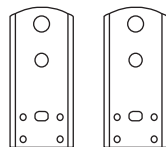
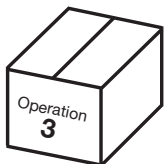
Applicable only for 3 bars rack ( 1605-PC3 ).

16-UCS60

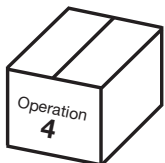


1 Cargo Rack kit for 1 crossbar

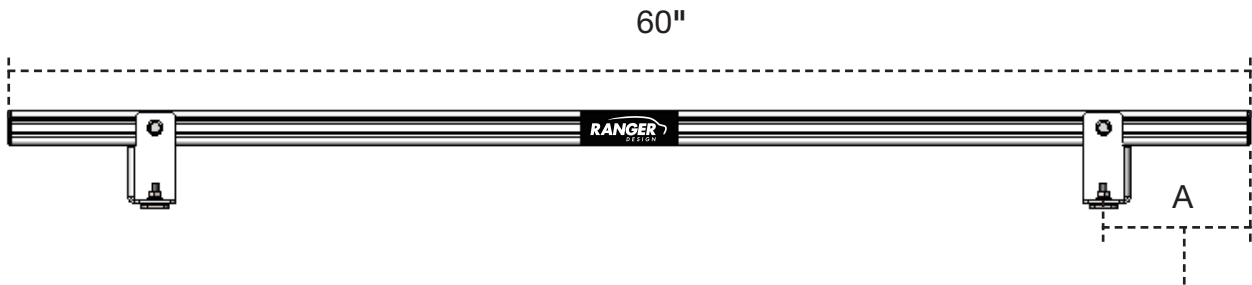
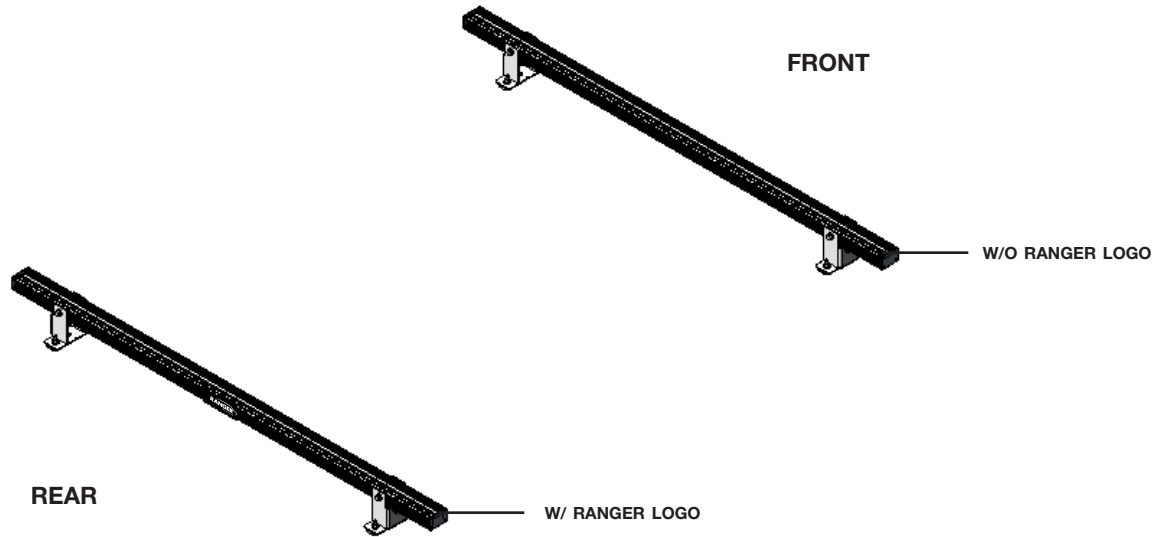
16-U0005



18-U0045



# INSTALLATION GUIDE



## FOOT PLACEMENT GUIDE

VEHICLE	DIMENSION ( A )
---------	-----------------

PROMASTER CITY	6 - 7/8"
----------------	----------

TRANSIT CONNECT	6 - 3/4"
-----------------	----------

NV200	7 - 3/4"
-------	----------

## 16-UCD60 Crossbar

2 BARS ( 60" )



# QUICK START GUIDE

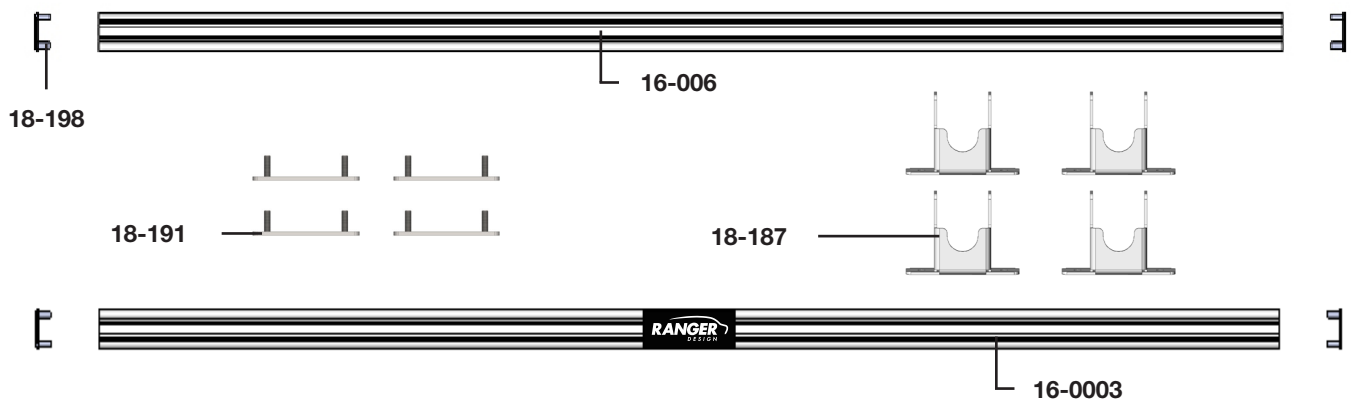
## Phase 1 - Assembly

- ☐ 1.1.1 SETUP ( VERIFY ALL PARTS ARE PRESENT )..... 2
- ☐ 1.2.1 ASSEMBLY ( PUT THE CROSSBAR IN THE TABLE )..... 3

## PHASE 1 – ASSEMBLY

### 1.1 SETUP

1.1.1 Verify all parts are present.



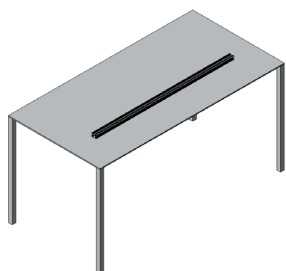
#### BILL OF MATERIALS

Item No.	Description	Qty.
18-187	Foot	4
16-006	Crossbar 60"	1
16-0003	Crossbar 60" w/ Ranger Logo	1
18-198	End Plastic Plug	4
18-191	Stud Plate	4
94-1806	Fastener kit	1

## PHASE 1 – ASSEMBLY

### 1.2 PREPARATION

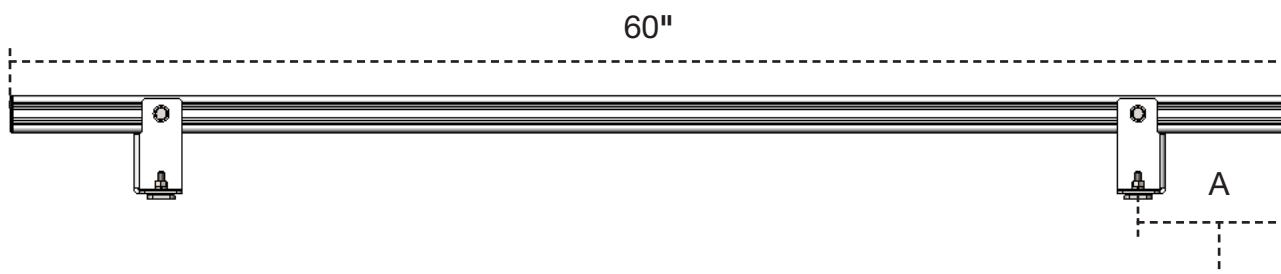
1.2.1 Remove one crossbar from the box and put the crossbar on the table.



**NOTE:**

OPEN THE NEXT BOX AND FOLLOW THE INSTALL GUIDE INSIDE THE BOX ON HOW TO ASSEMBLED YOU RACK.

# INSTALLATION GUIDE



FOOT PLACEMENT GUIDE	
VEHICLE	DIMENSION ( A )
PROMASTER CITY	6 - 7/8"
TRANSIT CONNECT	6 - 3/4"
NV200	7 - 3/4"

## 16-UCS60 Crossbar

1 BAR ( 60" )



# QUICK START GUIDE

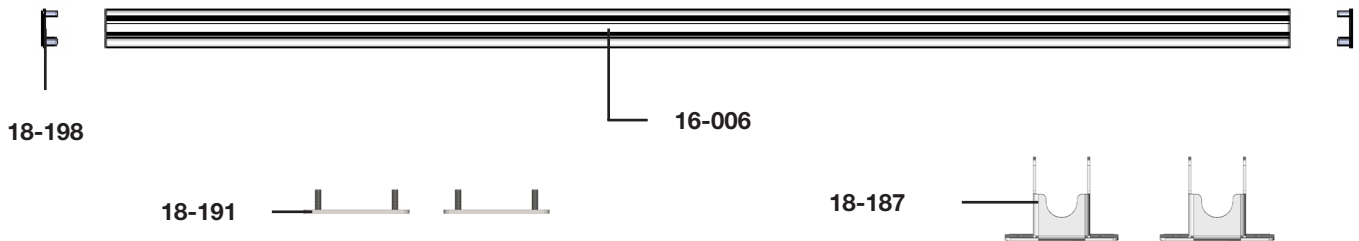
## Phase 1 - Assembly

- 1.1.1 SETUP (VERIFY ALL PARTS ARE PRESENT)..... 2
- 1.2.1 ASSEMBLY (PUT THE CROSSBAR IN THE TABLE)..... 3

## PHASE 1 – ASSEMBLY

### 1.1 SETUP

1.1.1 Verify all parts are present.



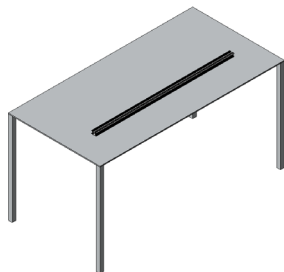
#### BILL OF MATERIALS

Item No.	Description	Qty.
18-187	Foot	2
16-006	Crossbar 60"	1
18-198	End Plastic Plug	2
18-191	Stud Plate	2
96-1805	Fastener kit	1

## PHASE 1 – ASSEMBLY

### 1.2 PREPARATION

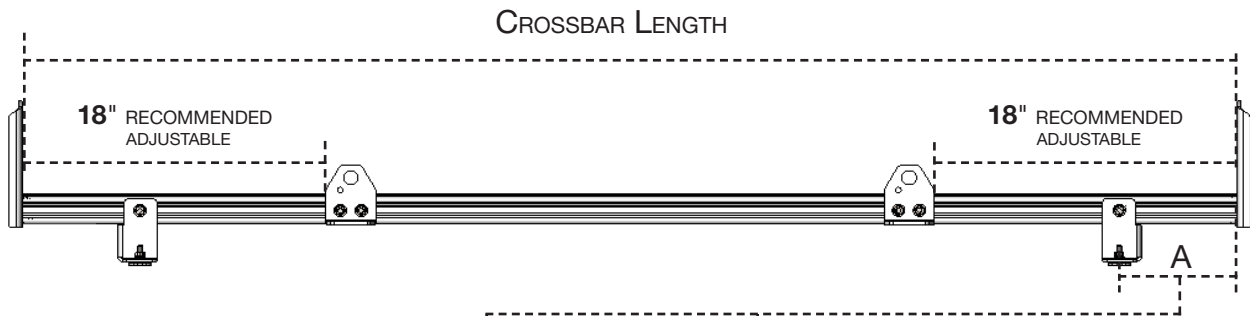
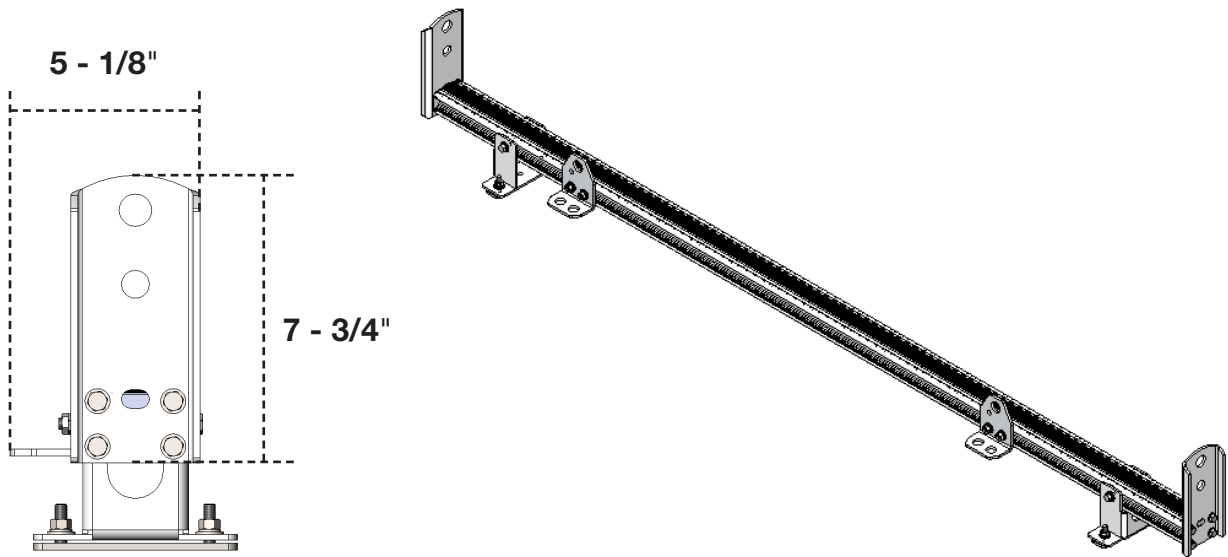
1.2.1 Remove crossbar from the box and put the crossbar on the table.



**NOTE:**

OPEN THE NEXT BOX AND FOLLOW THE INSTALL GUIDE INSIDE THE BOX ON HOW TO ASSEMBLED YOU RACK.

# INSTALLATION GUIDE



FOOT PLACEMENT GUIDE	
VEHICLE	DIMENSION ( A )
NISSAN NV	7"
SPRINTER	10" HR, 6 - 1/2" LF
TRANSIT	8 - 7/8"
PROMASTER	7 - 1/16"

FOOT PLACEMENT GUIDE	
VEHICLE	DIMENSION ( A )
METRIS	6 - 1/4"
PROMASTER CITY	6 - 7/8"
TRANSIT CONNECT	6 - 3/4"
NV200	7 - 3/4"

## 16-U0005 CARGO RACK KIT - SINGLE CROSSBAR

Crossbar not included in the Kit

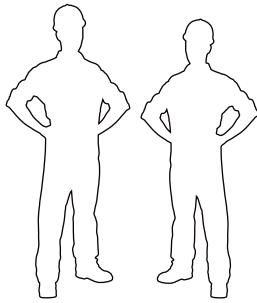


# QUICK START GUIDE

## Phase 1 - Assembly

- 1.1.1 SETUP ( VERIFY ALL PARTS ARE PRESENT )..... 2 TO 4
- 1.2.1 ASSEMBLY ( ATTACH TIE DOWNS, BRACKET - SIDE AND TRACK PLUG )..... 5
- 1.2.2 ASSEMBLY ( ATTACH CROSSBAR TO THE MOUNTING TRACK )..... 6 - 7

## REQUIRED ITEMS



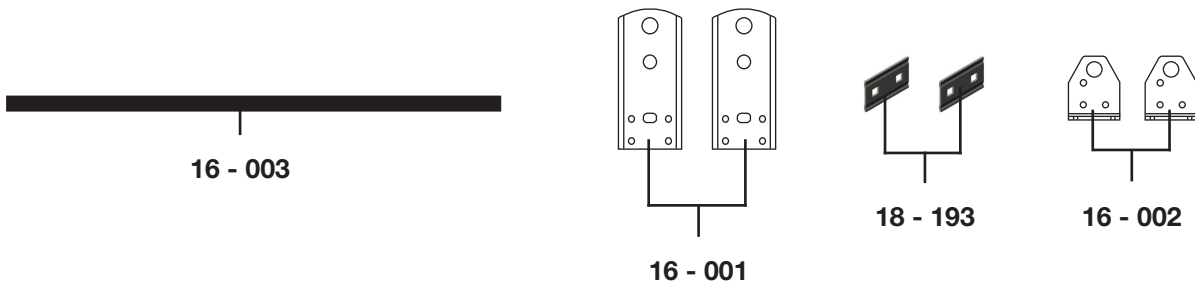
**2  
PERSONS**

- Cordless Impact
- Ratchet
- Tape Measure
- Marker
- Ladder
- 1/2" Wrench
- 1/2" Socket

## PHASE 1 – ASSEMBLY

### 1.1 SETUP

1.1.1 Verify all parts are present.



#### VERIFY ALL PARTS ARE PRESENT

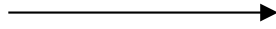
Item No.	Description	Qty.
16-001	BRACKET - SIDE, CARGO	2
16-002	TIE DOWN	2
16-003	TRACK PLUG ( 72" )	1
18-193	INSERT PLATE	2
96-4805	CUSTOMER INSTALL FASTENER KIT	1



**VERIFY ALL PARTS ARE PRESENT**

FASTENER BAGS.

**96-4805**



**Fastener Assembly**

8x



# 90-998

Hex Bolt  
5/16" - 18 x 3/4"  
SS304

4x



# 90-491

Carriage Bolt  
5/16"-18 x 1"  
SS304

4x



# 94-105

Hex Nut  
5/16"  
SS316 WAX

4x



# 98-117

Flat Washer  
5/16" OD, 3/4"  
SS18-8

4x



# 98-123

Lock Washer  
5/16"  
SS304

8x



#90-998 Hex Bolt 3/4"

4x



#90-491 Hex Bolt 1"



#98-123 Lock Washer



#98-117 Flat Washer



#94-105 Hex Nut

### 3 DIFFERENT WAYS TO ATTACH TIE DOWN.

#### RECOMENDED SETUP



#### FOR LADDER



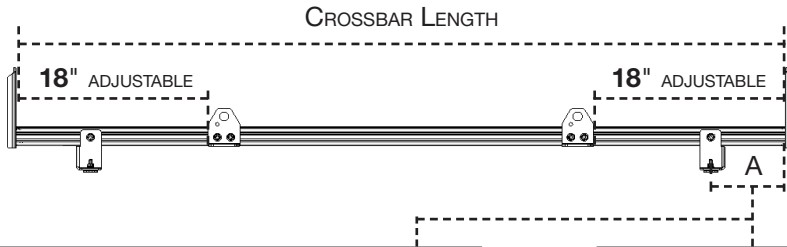
#### TOP FLUSHED



# PHASE 1 – ASSEMBLY

## 1.2 ASSEMBLY

1.2.1 Attach tie downs, bracket - side, track plug and feet to the crossbar.



**NOTE:**

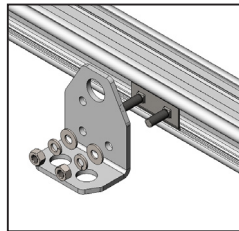
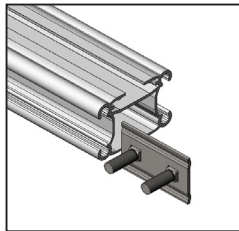
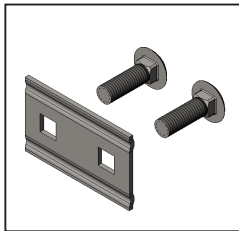
- Attach the track plug on top of the crossbar from end to end.
- Attach tie downs 1st followed by the feet and then the bracket - end.

FOOT PLACEMENT GUIDE	
VEHICLE	DIMENSION ( A )
NISSAN NV	7"
SPRINTER	10" HR, 6 - 1/2" LF
TRANSIT	8 - 7/8"
PROMASTER	7 - 1/16"

FOOT PLACEMENT GUIDE	
VEHICLE	DIMENSION ( A )
METRIS	6 - 1/4"
PROMASTER CITY	6 - 7/8"
TRANSIT CONNECT	6 - 3/4"
NV200	7 - 3/4"

**TOOLS**

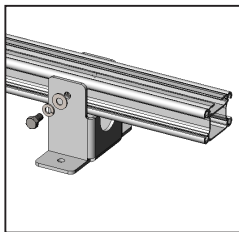
- Ratchet
- 1/2" Socket



**FASTENERS USED**

**4x ( 17 ft • lbs )**

- #90-491 Hex Bolt 1"
- #98-123 Lock Washer
- #98-117 Flat Washer
- #94-105 Hex Nut



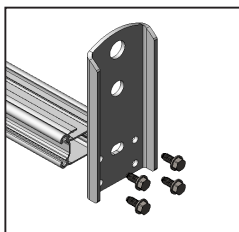
**TOOLS**

- Cordless Impact
- 1/2" Socket

**FASTENERS USED**

**4x ( CROSSBAR FASTENER KIT ) ( 17 ft • lbs )**

- #90-203 Hex Bolt 5/8"
- #98-123 Lock Washer 5/16"
- #98-117 Flat Washer 5/16"
- #94-250 Channel Nut 5/16"



**TOOLS**

- Cordless Impact
- 1/2" Socket

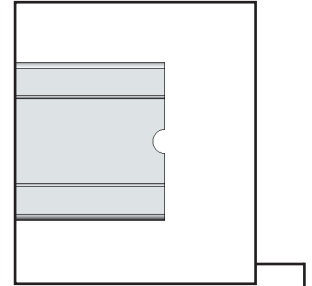
**FASTENERS USED**

**8x ( 17 ft • lbs )**

- #90-998 Hex Bolt 3/4"



# INSTALLATION GUIDE

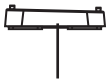
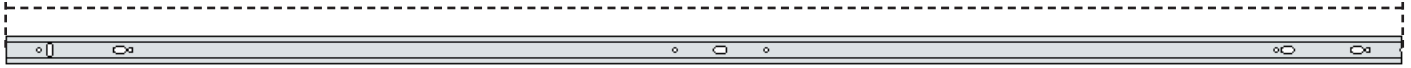


REAR

FRONT



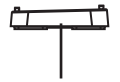
79"



ANGLE PAD



STRAIGHT PAD



ANGLE PAD

## 18-U0045 MOUNTING TRACK

PROMASTER CITY



# QUICK START GUIDE

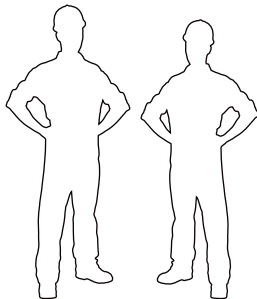
## PHASE 1 - ASSEMBLY

- 1.1.1 SETUP ( VERIFY ALL PARTS ARE PRESENT )..... 2 TO 3

## PHASE 2 - INSTALLATION

- 2.1.1 INSTALLATION ( INSTALL THE MOUNTING TRACK WITH PADS ON THE ROOF )..... 4

## REQUIRED ITEMS



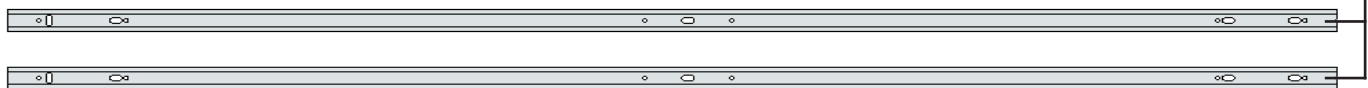
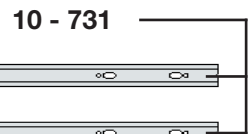
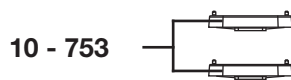
**2  
PERSONS**

- Cordless Impact
- Tape Measure
- Ladder
- 10MM Socket

# PHASE 1 – ASSEMBLY

## 1.1 SETUP

1.1.1 Verify all parts are present.



### VERIFY ALL PARTS ARE PRESENT

Item No.	Description	Qty.
10-730	MOUNTING TRACK	2
10-750	ANGLE PAD	4
10-753	STRAIGHT PAD	2
96-1031	CUSTOMER INSTALL FASTENER KIT	1

**VERIFY ALL PARTS ARE PRESENT**


FASTENER BAGS.

**96-1031**



**Fastener Assembly**

**8x**  **# 90-841** Hex Bolt  
M6-1.0 x 50MM  
SS304

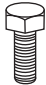





**2x**  **# 90-837** Hex Bolt  
M6-1.0 x 40MM  
SS304

**10x**  **# 10-764** Neoprene Spacer  
1/16" Thick

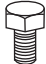





**10x**  **# 98-113** Flat Washer  
1/4"

**10x**  **# 98-119** Lock Washer  
1/4"

**8x**

	#90-841 Hex Bolt M6 x 50MM
	#98-119 LOCK WASHER
	#98-113 FLAT WASHER
	MOUNTING TRACK
	ANGLE PAD
	#10-764 NEOPRENE SPACER

**2x**

	#90-837 Hex Bolt M6 x 40MM
	#98-119 LOCK WASHER
	#98-113 FLAT WASHER
	MOUNTING TRACK
	STRAIGHT PAD
	#10-764 NEOPRENE SPACER

# PHASE 2 – INSTALLATION

## 2.1 INSTALLATION

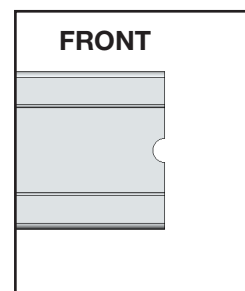
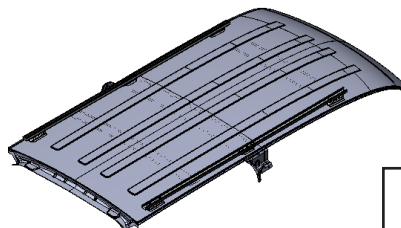
2.1.1 Install the mounting track with pads.

**NOTE:**

- Slide stud plate on both ends of the mounting track before installing the mounting track.
- Slide 3 stud plates if you have 3 bar racks.



**NOTE:** APPLY A BEAD OF SILICONE AROUND EACH HOLE, THEN FASTEN THE TRACKS TO THE ROOF.

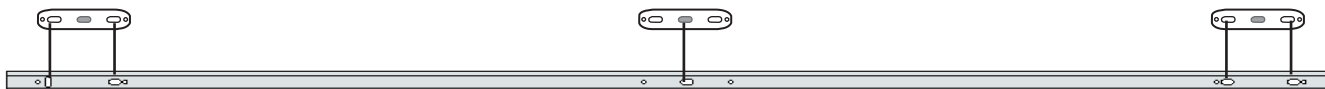


REAR

MIDDLE

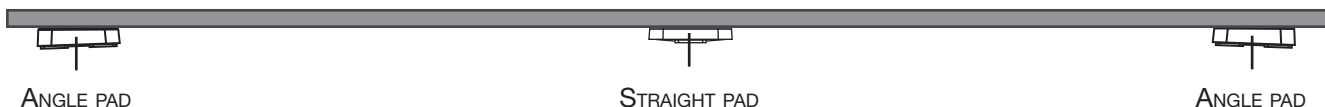
TOP VIEW

SHOWING WHAT HOLES YOU WILL USE



SIDE VIEW

SHOWING THE POSITION OF THE PADS

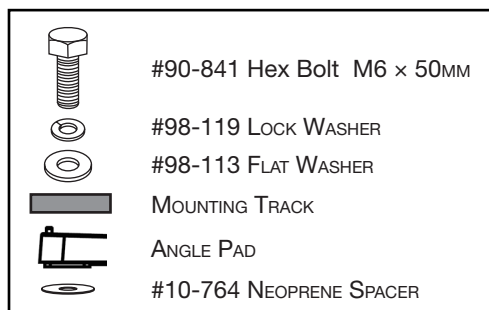


### TOOLS

- Cordless Impact
- 10MM Socket

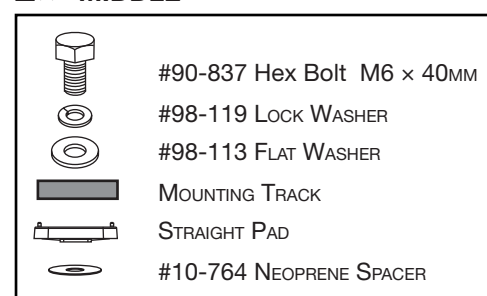
### FASTENERS USED

8x FRONT & REAR

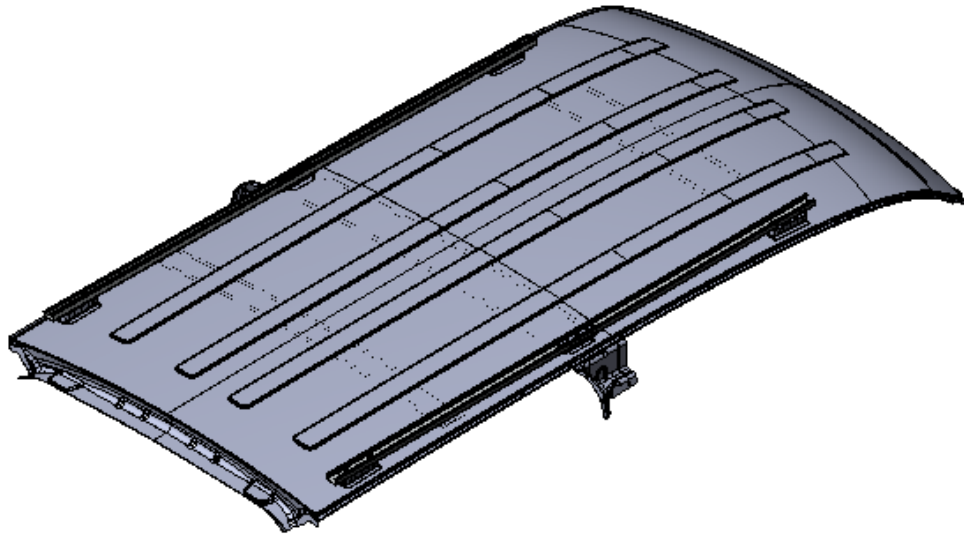


### FASTENERS USED

2x MIDDLE







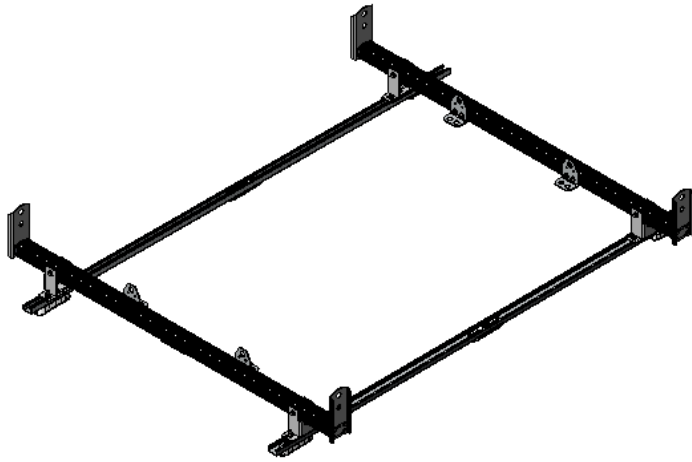
**“Congratulations, you have successfully installed your  
Mounting Track on your vehicle!”**

**Thank you for doing business with us.”**

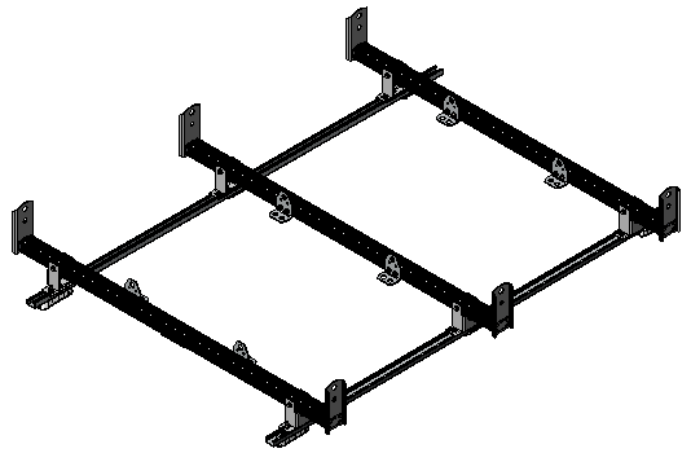
For any feedback or suggestions you might have, please contact: [cs@rangerdesign.com](mailto:cs@rangerdesign.com)



1605-PC



1605-PC3



**“Congratulations, you have successfully installed your  
Cargo Rack on your vehicle!”**

**Thank you for doing business with us.”**

For any feedback or suggestions you might have, please contact: [cs@rangerdesign.com](mailto:cs@rangerdesign.com)

