



salton[®]
ice maker



Instruction Booklet

Model IM2096

IMPORTANT SAFEGUARDS

When using electrical appliances, basic safety precautions should always be followed including the following:

1. Read all instructions.
2. Do not touch hot surfaces. Use handles or knobs.
3. To protect against electrical hazards, do not immerse cord, plugs, or the appliance in water or other liquid.
4. This appliance is not intended for use by persons (including children) with reduced physical, sensory or mental capabilities or lack of experience and knowledge, unless they have been given supervision or instruction concerning the use of the appliance by a person responsible for their safety.
5. Close supervision is necessary when any appliance is used by or near children. Children should be supervised to ensure that they do not play with the appliance.
6. Unplug from outlet when not in use and before cleaning or servicing.
7. Do not operate any appliance with a damaged cord or plug or after the appliance malfunctions, or is dropped or damaged in any manner. Return appliance to the manufacturer for examination, repair or electrical or mechanical adjustment. All servicing should be performed by an authorized service representative. See Warranty section.
8. The use of accessories or attachments not recommended by Salton may cause hazards.
9. Do not use outdoors.
10. Do not let cord hang over edge of table or counter, or touch hot surfaces. Do not let the power cord cross over carpeting or other heat insulators. Do not cover the cord.
11. Do not place on or near a hot gas or electric burner, or in a heated oven.
12. Always attach plug to appliance first, then plug cord into the wall outlet. To disconnect, turn any control to 'OFF', then remove plug from wall outlet.
13. Do not use appliance for other than intended use.
14. Do not leave unit unattended while in use.
15. Plug the Ice Maker into an exclusive grounded 3-prong outlet. No other appliance should be plugged into the same outlet. Be sure that the plug is fully inserted into the receptacle.
16. If the Ice Maker is brought in from outside in wintertime, do not use for a few hours, allowing the unit to warm up to the room temperature before operating.
17. Do not clean your Ice Maker with any flammable fluids. The fumes may create a fire hazard or explosion.

18. **WARNING:** Do not touch the Evaporator when the Ice Maker is making ice, it may burn your skin.

SAVE THESE INSTRUCTIONS

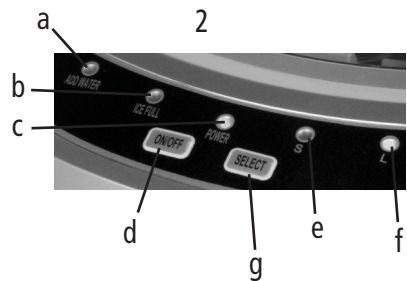
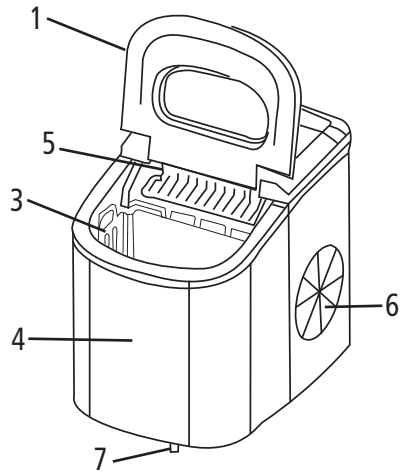
HOUSEHOLD USE ONLY

GROUNDING PLUG

To reduce the risk of electric shock this appliance has a grounded plug. (2 blades and 1 pin) If the plug does not fit fully into the electrical outlet contact a qualified electrician. Do not modify the plug in any way or use an adaptor.

DESCRIPTION OF PARTS

1. Cover
2. Control Panel
 - a. Add Water Button
 - b. Ice Full Button
 - c. Power Indicator Light
 - d. On/Off Button
 - e. 'S' Small Ice Size Indicator Light
 - f. 'L' Large Ice Size Indicator Light
 - g. Select Button – to choose ice size
3. Ice Basket
4. Water Reservoir (below Ice Basket)
5. Ice Shovel and Evaporator Fingers (behind Ice Shovel)
6. Air Outlet
7. Drain Plug
8. Ice Scoop (not shown)
9. Water Tube Screen (not shown) in bottom of water reservoir



BEFORE FIRST USE

1. Remove all packaging and tape. Make sure that you have the Ice Basket, Ice Scoop and Water Tube Screen before discarding packaging.
2. Place the Ice Maker on a solid level surface, away from direct sunlight and other sources of heat, such as a stove, furnace and or radiators.
3. Position the Ice Maker so that it is 4" (10 cm) away from the wall on all sides and that the plug is accessible.
4. After positioning the Ice Maker, wait 1 hour before starting the ice maker to allow the refrigerant fluid to settle.
5. Wash the interior, Ice Basket and Ice Scoop. See the Care and Cleaning section. Place the Water Tube Screen over the Water Tube opening if it has been dislodged.
6. Make 2 batches of ice and discard. NOTE: It is possible that the 1st and 2nd batch will have a slight odour because of the manufacturing process. Subsequent batches will not be affected.

IMPORTANT NOTE:

In the event that the power to the Ice Maker is inadvertently disconnected during the ice making cycle or there are alarm lights blinking on the control panel, press the Power Button once so that it is blinking, then unplug the unit. Wait a few minutes until the Ice Maker warms up and the ice has fallen from the Evaporator Fingers. Empty the Water Tray by following the directions in the Care and Cleaning Section. Wait 3 minutes then plug the Ice Maker into the wall outlet. Follow the directions in the How to Use section.

HOW TO USE

1. Ensure that the Drain Plug underneath the front of the unit is closed and the Water Tube Screen is in place.
2. Plug the Ice Maker into the wall outlet and the green power indicator light will blink (approximately every 5 seconds).
3. Open the Cover and remove the Ice Basket.
4. Fill the Water Reservoir. NOTE: Do not fill above the MAX water level mark at the back of the Water Reservoir.
5. Replace the Ice Basket and close the Cover.
6. Press the Power Button and the green indicator light will remain on. To change between either the small or large ice size, press the Select Button until the light is lit up beside the desired ice size.
7. The first ice making cycle will last approximately 6 - 13 minutes depending on the ice size that is selected. The ice making cycle starts with water being pumped into the Water Tray situated below the Evaporator Fingers. Over the next 6 - 13 minutes ice forms on the Evaporator Fingers. Once this has completed, the Ice Tray will tilt backwards and the remaining water in the Ice Tray is drained back into the Water Reservoir. The ice cubes are then dropped from the Evaporator Fingers and pushed forward into the Ice Basket by the Ice Shovel. The Ice Tray will automatically move back into position under the Evaporator Fingers and start the next cycle.
8. The 'Ice Full' LED light will light up when the ice basket is full and the Ice Maker will stop the ice making cycle automatically. Gently remove the ice from the Ice Basket with the Ice Scoop. Once the Ice Basket has been emptied and the Cover closed, the Ice Maker will restart its ice making function automatically. **IMPORTANT:** Wait 3 minutes then press the Power Button to restart the ice making function.
9. The 'Add Water' LED light will light up when there is no more water in the Water Reservoir and the ice making cycle will stop automatically. Press the Power Button once (the Power Button will flash every 5 seconds). Remove the Ice Basket and add water to the Water Reservoir. NOTE: Do not fill above the MAX water level mark at the back of the Water Reservoir. Replace the Ice Basket and close the Cover. **IMPORTANT:** Wait 3 minutes then press the Power Button to restart the ice making function.
10. When you have finished making ice, transfer the ice to a freezer. NOTE: The ice will last in the Ice Maker for up to a 18 hour period, depending on the ambient temperature. Stop the ice making cycle by pressing the Power Button. Unplug the unit from the wall outlet. Open the Cover and allow the Ice Maker to reach room temperature

HELPFUL HINTS

1. To ensure the cleanliness of the ice cubes, water in the Water Reservoir should be replaced every 24 hours.
2. If the compressor stops for any reason such as water shortage, too much ice, power outage, etc., wait 3 minutes before restarting.
3. Clean your Ice Maker regularly. See the 'Care and Cleaning' section.
4. Do not leave the Ice Maker Cover open for extended periods of time when making ice.
5. Due to fast freezing, ice cubes may appear cloudy. This is trapped air in the water and it will not affect the quality or taste of the ice.
6. The recommended room temperature when making ice is between 50 - 100°F (10 - 38°C)

CARE AND CLEANING

1. Stop the Ice Making Cycle by pressing the Power Button and the green LED light will go out. Unplug the Ice Maker from the wall outlet. Allow the unit to warm up to room temperature.
2. If the Water Tray is not in the vertical position behind the Evaporator Fingers, gently push the Water Tray back so that all water drains into the Water Reservoir.
3. Open the Drain Plug to drain out excess water.
4. Remove the Ice Basket.
5. Remove the Water Tube Screen and rinse under running water.
6. Clean the Ice Maker interior with a soft cloth dampened in warm water and vinegar. Rinse with a clean damp cloth.
7. Replace the Drain Plug and the Water Tube Screen. Wash the Ice Basket and Ice Scoop in warm soapy water. Rinse and dry.
8. Clean the exterior of the Ice Maker with a soft damp cloth. Use a mild dishwashing soap, if necessary.
9. **IMPORTANT NOTE:** Do not clean the Evaporator Fingers.

TROUBLESHOOTING GUIDE

PROBLEM	SOLUTION
'Add Water' LED light is on	<ul style="list-style-type: none">- Lack of water. Press the Power Button to stop the unit. Fill up with water then wait 3 minutes before restarting.- If there is sufficient water, try cleaning the Water Filter (see the Care and Cleaning section)
'Ice' LED light is on	<ul style="list-style-type: none">- The Ice Basket is full. Gently remove ice from the Ice Basket with the Ice Scoop.
Indicator lights on the display are not on	<ul style="list-style-type: none">- Press the Power Button (see Description of Parts)- Ensure that the fuse has not blown or the circuit breaker is in the 'On' position on your home electrical panel.
Ice making cycle is normal but no ice is made	<ul style="list-style-type: none">- Refrigerant liquid has leaked or cooling system pipe is blocked. Verify by a qualified technician. See Warranty.
Ice Shovel is jammed	<ul style="list-style-type: none">- Do not allow the Ice Basket to overflow. The Ice Shovel can become jammed if ice cubes get caught underneath. Allow ice to melt and restart the ice maker.
Water is not filling the water tray	<ul style="list-style-type: none">- Clean the Water Tube Screen

A short supply cord is provided to reduce the hazards of becoming entangled in or tripping over a long cord. Extension cords may be used if care is exercised in their use. If an extension cord is used, the marked electrical rating of the detachable power-supply cord or extension cord should be at least as great as the electrical rating of the appliance. If the appliance is of the grounded type, the extension cord should be a grounded 3-wire cord. The extension cord should be arranged so that it will not drape over the counter top or table top, where it can be pulled on by children or tripped over.

LIMITED WARRANTY

SWG Canada warrants that this appliance shall be free from defects in material and workmanship for a period of one year from the date of purchase. During this 'in-warranty' period, defective products will be repaired or replaced at the discretion of the retailer and/or SWG Canada. This warranty covers normal domestic usage and does not cover damage which occurs in shipment or failure which results from alteration, accident, misuse, abuse, glass breakage, neglect, commercial use or improper maintenance.

A defective product should be returned to the original place of purchase within the retailer's stipulated return/exchange period*. If you are unable to have a defective product replaced under warranty by the retailer, please check our website at "www.salton.com" for the service centre nearest you. You may also contact us for assistance by mail, e-mail, fax or telephone as listed below.

To ensure prompt 'in-warranty' service securely package and return the product to us prepaid. Be sure to include the original proof of purchase and a description of the defect along with your address and postal code.

For repairs not covered by the warranty, please contact us for assistance.

salton[®]

SWG CANADA - Division of Salton Appliances (1985) Corp.

Customer Service Department

81A Brunswick

Dollard-des-Ormeaux

Quebec, Canada H9B 2J5

Website: www.salton.com

E-mail: service@salton.com

Fax: 514-685-8300

Tel: 514-685-3660 Ext. 226

* Return/exchange policies at each retailer vary and may differ from the SWG Canada 1 year limited warranty period.