



## Food Waste Disposers

### Submittal Sheet

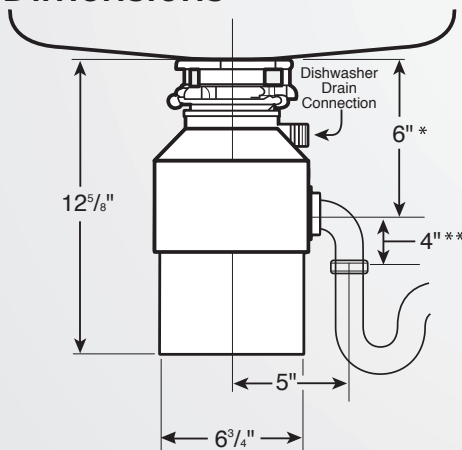
This popular model offers the following features and benefits:

- 3/4 Horsepower Heavy Duty Motor (Quiet Dura-Drive® Induction Motor)
- *We Come To You*® 3-Year In-Home Limited Warranty
- Stainless Steel Grind Components
- Polished Stainless Steel Flange with 1-piece Stainless Steel Stopper
- Space-Saving Compact Design

### Specifications

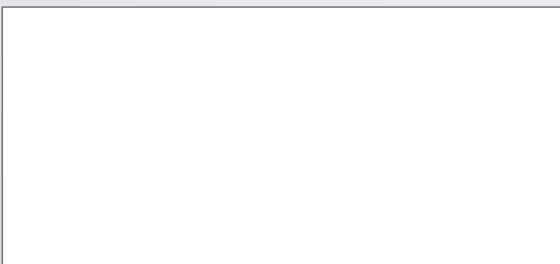
Type of Feed	Continuous
On/Off Control	Wall Switch
Motor	Single Phase
HP	3/4
Volts	120
HZ	60
RPM	1725
Amp. (Avg. Load)	9.5
Time Rating	Intermittent
Lubrication	Permanently Lubricated Upper & Lower Bearings
Shipping Weight (Approx.)	16 lbs. 4 oz.
Unit Finish	Black
Overall Height	12-5/8"
Grind Chamber Capacity	26 oz.
Motor Protection	Manual Reset Overload
Average Water Usage	Approx. 1 Gallon per Person Per Day
Average Electrical Usage	3-4 KWh per Year
Drain Connection	1-1/2" Cushioned Slip Joint
Dishwasher Drain Connection	Yes

### Dimensions



- \* Distance from bottom of sink to center line of disposer outlet. Add 1/2" when stainless steel sinks are used.
  - \*\* Length of tailpipe from center line of disposer outlet to end of tailpipe.
- NOTE: Plumb waste line to prevent standing water in disposer motor housing.

### Job Specifications



### Sample Specification

Food Waste Disposer(s) shall be InSinkErator Badger® 900, continuous feed, with 3/4 H.P. motor, Stainless Steel grind components with two Stainless Steel 360° swivel lugs. Self-service wrench.

**Limited Warranty:**  
3-Year parts and in-home service.

\* The complete InSinkErator warranty is included in the Care & Use Booklet packed with each unit.



Food waste disposers provide an environmentally responsible alternative to transporting food waste to landfills. And they can help reduce greenhouse gas emissions. At capable wastewater treatment plants, food waste can be converted to biosolids and used as fertilizer. Capable plants can also capture methane gas and recycle it as an energy source. (Check the plant in your area.)



The Emerson logo is a trademark and service mark of Emerson Electric Co. The mounting collar configuration is a trademark of Emerson Electric Co.

1-800-558-5700  
www.insinkerator.com

InSinkErator may make improvements and/or changes in the specifications at any time, in its sole discretion, without notice or obligation and further reserves the right to change or discontinue models.