



WALKER

Illustrated Parts Manual

Collection Deck and Carrier Frame Assemblies

DC36R

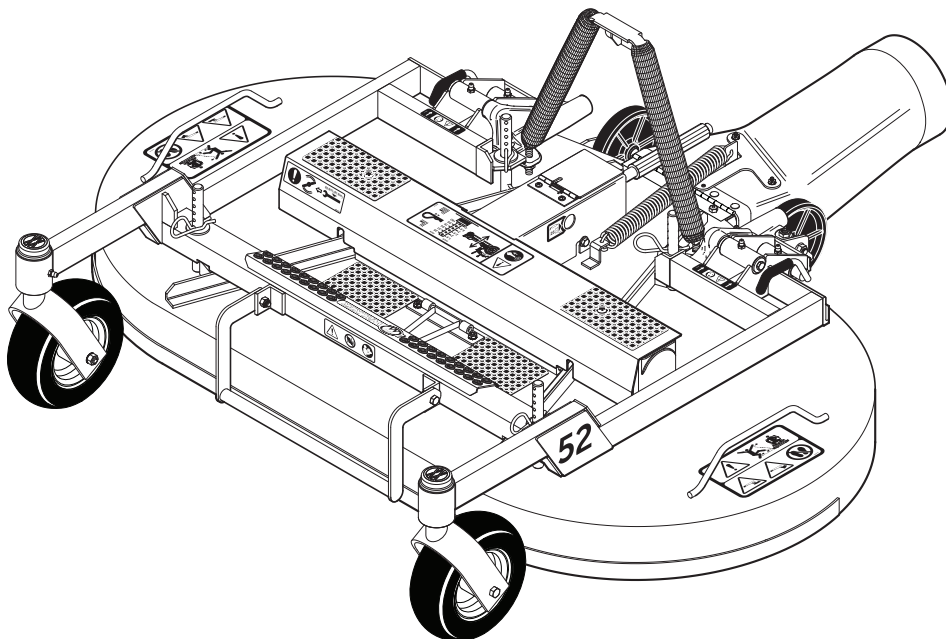
DC42

DC42R

DC48

DC48R

DC52R



Effective Date: 12.04.18
P/N 5000-47

KEY TO ABBREVIATIONS USED IN THIS MANUAL

| <i>Abbreviation</i> | <i>What it Represents</i> |
|---------------------|--|
| ° (Dimension) | Degrees (Angle) |
| " (Dimension) | inches |
| (-) | Negative (Polarity) |
| (+) | Positive (Polarity) |
| AT | All-Terrain |
| CCW | Counter-clockwise |
| Conn | Connector |
| CW | Clockwise |
| D | Diameter |
| DC | Deck, Collection (number refers to size in inches) |
| DM | Deck, Mulching (number refers to size in inches) |
| DR | Deck, Rear Discharge (number refers to size in inches) |
| DS | Deck, Side Discharge (number refers to size in inches) |
| DU | Garlock (Bearing) |
| ESNA (Fastener) | Nylon Insert Locknut |
| FSC | Forward Speed Control |
| GA | Gauge |
| gal | gallon |
| GHS | Grass Handling System |
| GR (Fastener) | Grade |
| HD | Heavy Duty |
| HP | Horse Power |
| ID | Identification or Inside Diameter |
| L | Length |
| LH | Left Hand (orientated with operator on seat) |
| LP | Low Profile |
| mm (Dimension) | millimeters |
| MS (Fastener) | Machine Screw |
| NS (as part number) | Item is not sold by Walker Manufacturing |
| OD | Outside Diameter |
| oz | ounce |
| PFH (Fastener) | Phillips Flat Head |
| P/N | Part Number |
| PPH (Fastener) | Phillips Pan Head |
| PTH (Fastener) | Phillips Truss Head |
| PTO | Power Take-Off |
| QKS | Quick Slide |
| qt | quart |
| RH | Right Hand (orientated with operator on seat) |
| SAE (Fastener) | Society of Automotive Engineers |
| SBH (Fastener) | Socket Button Head (Bolt) |
| SD | Side Discharge |
| SFH (Fastener) | Slotted Flat Head |
| SHC (Fastener) | Socket Head Cap |
| SHL (Fastener) | Shoulder (Bolt) |
| SM (Fastener) | Sheet Metal (Screw) |
| S/N | Serial Number |
| Spg | Spring |
| SQH (Fastener) | Square Head |
| SS (Fastener) | Stainless Steel |
| ST (Fastener) | Self-Tapping (Screw) |
| Term | Terminal |
| V | Volts |

NOTE: In some instances, combinations of abbreviations may be used (e.g. PPHMS - Phillips Pan Head Machine Screw).

ILLUSTRATED PARTS LIST

| <i>Section of Deck Covered</i> | <i>Page</i> | <i>Section of Deck Covered</i> | <i>Page</i> |
|--|-------------|--|-------------|
| Decals & Paint | | Maintenance | |
| 36", 42", 48" & 52" Deck Decals / Touch-Up Paint | 2 | Fastener Loctite® Application & Torque Instructions | 28 |
| Deck and Carrier Frame Assemblies | | Lubrication Points | 30 |
| 36R Inch Complete Carrier Frame Assembly | 4 | Blade Usage Chart..... | 31 |
| DC36R Deck Assembly..... | 6 | Maintenance And Service Record Sheet..... | 32 |
| 42 Inch Complete Carrier Frame Assembly..... | 8 | Deck / Tractor Compatibility Chart..... | 32 |
| DC42 Deck Assembly | 10 | | |
| 42R Inch Complete Carrier Frame Assembly | 12 | Warranty | |
| DC42R Deck Assembly..... | 14 | Limited Warranty..... | 33 |
| 48 Inch Complete Carrier Frame Assembly..... | 16 | | |
| DC48 Deck Assembly | 18 | | |
| 48R Inch Complete Carrier Frame Assembly | 20 | | |
| DC48R Deck Assembly | 22 | | |
| 52R Inch Complete Carrier Frame Assembly | 24 | | |
| DC52R Deck Assembly..... | 26 | | |

36", 42", 48" & 52" DECK DECALS / TOUCH-UP PAINT

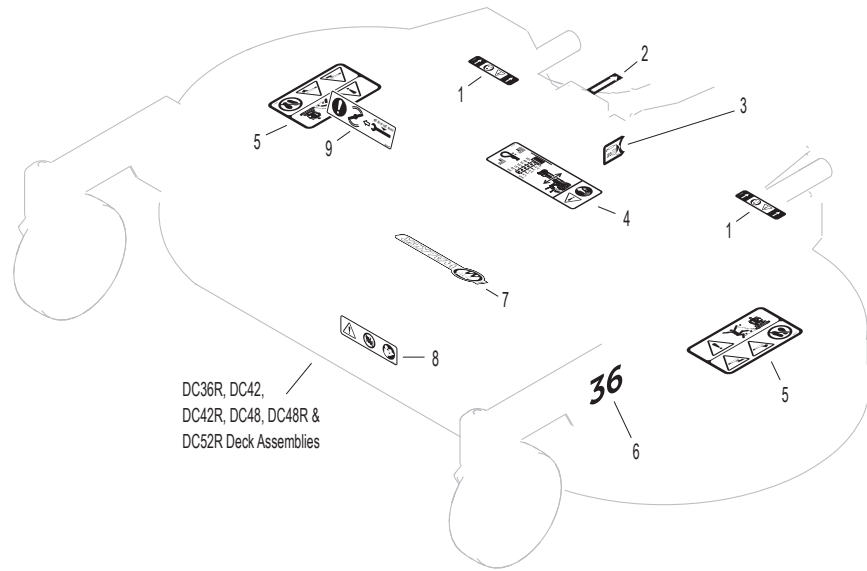
| ITEM NO. | PART NO. | DESCRIPTION | LOCATION | NO. REQ'D |
|--|----------|---------------------------|--------------------------------|-----------|
| DC36R, DC42, DC42R, DC48, DC48R & DC52R Deck Decals | | | | |
| 1 | 8600-15 | Caution, Pivot Joint | Carrier Frame | 2 |
| 2 | 6875 | PTO Alignment Arrow | Universal Joint Shaft Assembly | 1 |
| 3 | 5846-1 | Grease Fitting | PTO Shaft Guard | 1 |
| 4 | 8600-39 | Cutting Height Adjustment | Gearbox Cover | 1 |
| 5 | 8600-28 | Danger, Rotating Blades | Deck Housing (one on each end) | 2 |
| 6 | 8821-14 | Decal (36") | Carrier Frame | 1 |
| | 8821-15 | Decal (42") | Carrier Frame | 1 |
| | 8821-16 | Decal (48") | Carrier Frame | 1 |
| | 8821-17 | Decal (52") | Carrier Frame | 1 |
| 7 | 5809-2 | Decal, Walker | Carrier Frame | 1 |
| 8 | 8600-14 | Danger, Tilt-Up | Carrier Frame, Front | 1 |
| 9 | 8600-9 | Blade Mounting Torque | Gearbox Cover | 1 |

Touch-Up Paint

| | | | | |
|----|------|---|--|--|
| 10 | 5866 | Touch-Up Paint, Yellow (12 oz. Aerosol) | | |
|----|------|---|--|--|

NOTE: All parts requiring decals are shipped with decals applied.

36", 42", 48" & 52" DECK DECALS / TOUCH-UP PAINT



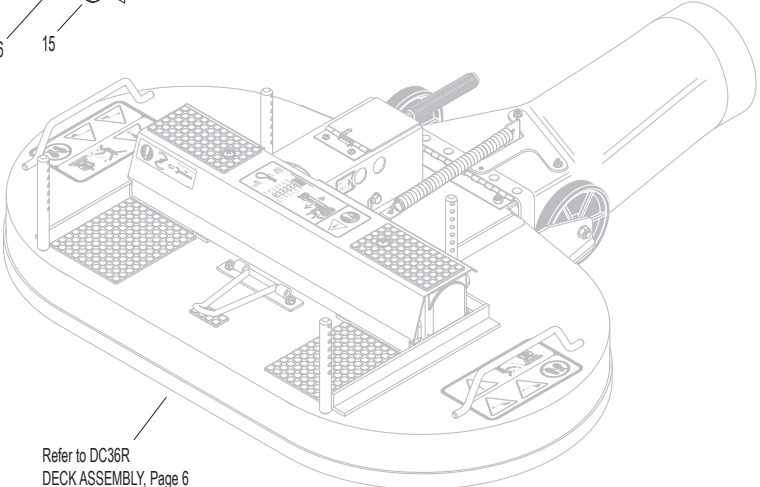
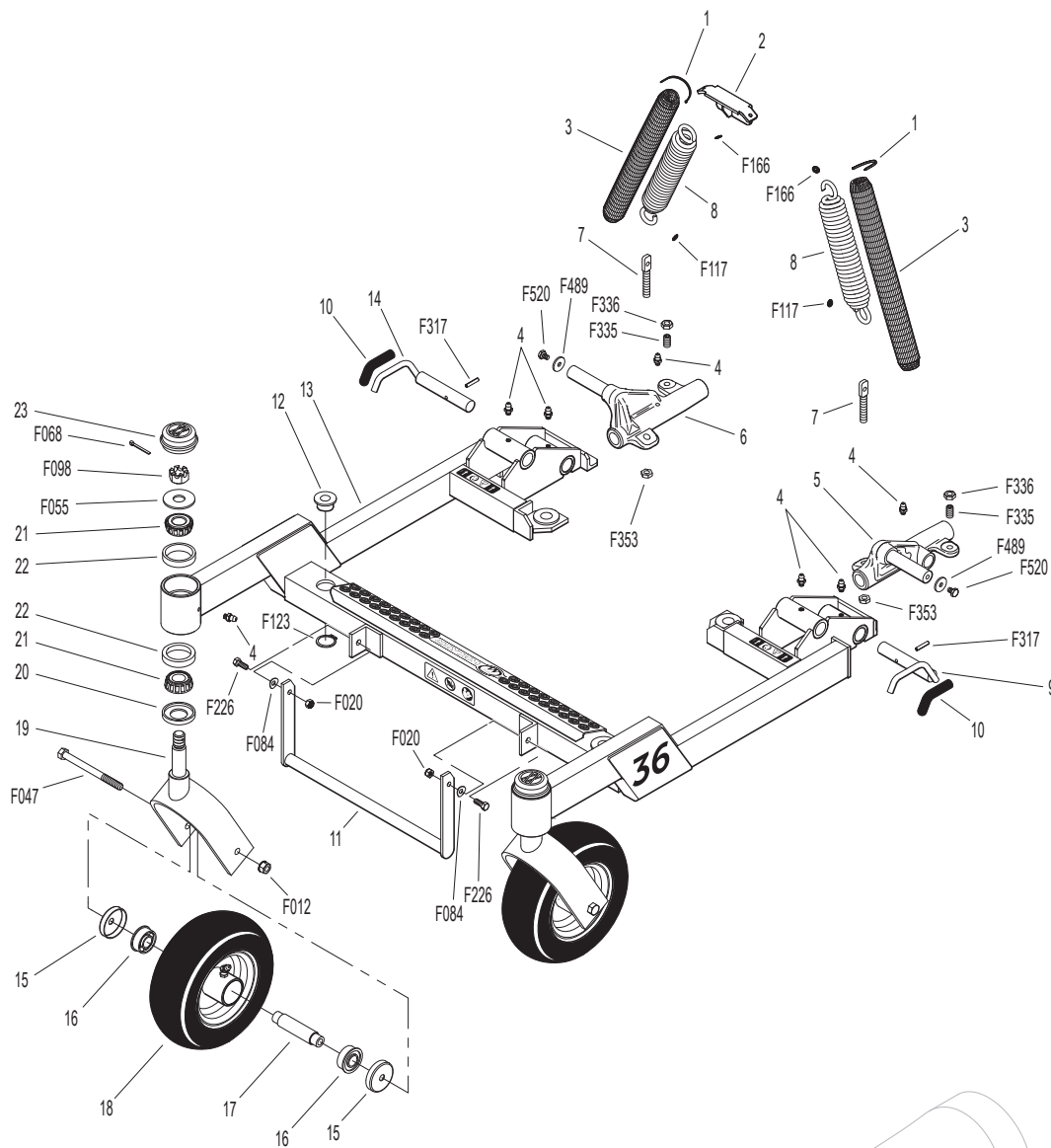
DC36R, DC42,
DC42R, DC48, DC48R &
DC52R Deck Assemblies



36R INCH COMPLETE CARRIER FRAME ASSEMBLY

| ITEM NO. | PART NO. | DESCRIPTION | NO. REQ'D | ITEM NO. | PART NO. | DESCRIPTION | NO. REQ'D |
|--|----------|---|-----------|---------------------|----------|----------------------------|-----------|
| Spring and Pivot Mount Components | | | | Fasteners | | | |
| 1 | 5975-3 | Cable Tie (50# x 7") | 4 | F012 | | 3/8-16 Keps Nut | 2 |
| 2 | 5744-1 | Spring Clip Bracket | 1 | F020 | | 5/16-18 ESNA Nut | 2 |
| 3 | 5743-1 | Spring Cover | 2 | F047 | | 3/8-16 x 4-1/2 Hex Bolt | 2 |
| 4 | 5830 | Grease Fitting | 8 | F055 | | 5/8 SAE Washer | 2 |
| 5 | 8667-3 | Pivot Mount Assembly, LH/Adj. (Includes Items # 4, F353, F489 & F520) | * | F068 | | 1/8 x 1 Cotter Pin | 2 |
| 6 | 8667-4 | Pivot Mount Assembly, RH/Adj. (Includes Items # 4, F353, F489 & F520) | * | F084 | | 5/16 Wave Spring Washer | 2 |
| 7 | 5743-4 | Eyebolt (3/8-16 x 2-3/4) | 2 | F098 | | 5/8-18 Slotted Hex Nut | 2 |
| 8 | 5743-8 | Extension Spring (1-1/2 x 7-3/4) (Includes Items # 1, F117 & F166) | 2 | F117 | | Retainer Ring | 2 |
| | | | | F123 | | 1" External Snap Ring | 4 |
| | | | | F166 | | Retainer Ring | 2 |
| | | | | F226 | | 5/16-18 x 7/8 Hex Bolt | 2 |
| | | | | F317 | | 3/16 x 1 Split Spring Pin | 2 |
| | | | | F335 | | 3/8-16 x 7/8 Set Screw, SS | 2 |
| | | | | F336 | | 3/8-16 Jam Nut | 2 |
| | | | | F353 | | 3/8-16 ESNA LP Nut | 2 |
| | | | | F489 | | Washer 1/4 x 7/8 x .090 | 2 |
| | | | | F520 | | 1/4-28 x 3/8 Hex Bolt | 2 |
| Carrier Frame Components | | | | * Service Part Only | | | |
| 9 | 8674-11 | Lever, Deck Lock, LH | 1 | | | | |
| 10 | 7406-1 | Handle Grip (Red) | 2 | | | | |
| 11 | 8669 | Lift Handle | 1 | | | | |
| 12 | 5740-2 | Deck Pin Bushing (5/8) | 4 | | | | |
| 13 | 5708-6 | 36" Carrier Frame (Less Pivots) | 1 | | | | |
| | 5708-1 | 36" Carrier Frame W/Forks (Less Pivots) (Includes Items # 19-21, 23, F055, F068 & F098) | * | | | | |
| 14 | 8674-10 | Lever, Deck Lock, RH | 1 | | | | |
| Caster Wheel Components | | | | | | | |
| 15 | 8769-11 | Bearing Cup (3/8 ID) | 4 | | | | |
| 16 | 5714-11 | Bearing | 4 | | | | |
| 17 | 5714-10 | Axle Tube (3.417) | 2 | | | | |
| 18 | 5715-23 | Caster Wheel & Tire/No-Flat (8 x 3.00-4) W/Cups (Includes Items # 15-17) | 2 | | | | |
| | 5715-16 | Tire, Caster Wheel/No-Flat (8 x 3.00-4) | * | | | | |
| 19 | 5770-1 | Caster Wheel Fork | 2 | | | | |
| 20 | 8768-1 | Seal (1-3/4 x 1-1/8) | 2 | | | | |
| 21 | 8037 | Bearing Cone (3/4 ID) | 4 | | | | |
| 22 | 8769-1 | Bearing Cup (1-3/4 x 1-7/16) | 4 | | | | |
| 23 | 8769-10 | Dust Cap, Deck Caster | 2 | | | | |

36R INCH COMPLETE CARRIER FRAME ASSEMBLY



Refer to DC36R
DECK ASSEMBLY, Page 6

Refer to LUBRICATION POINTS, Page 30.

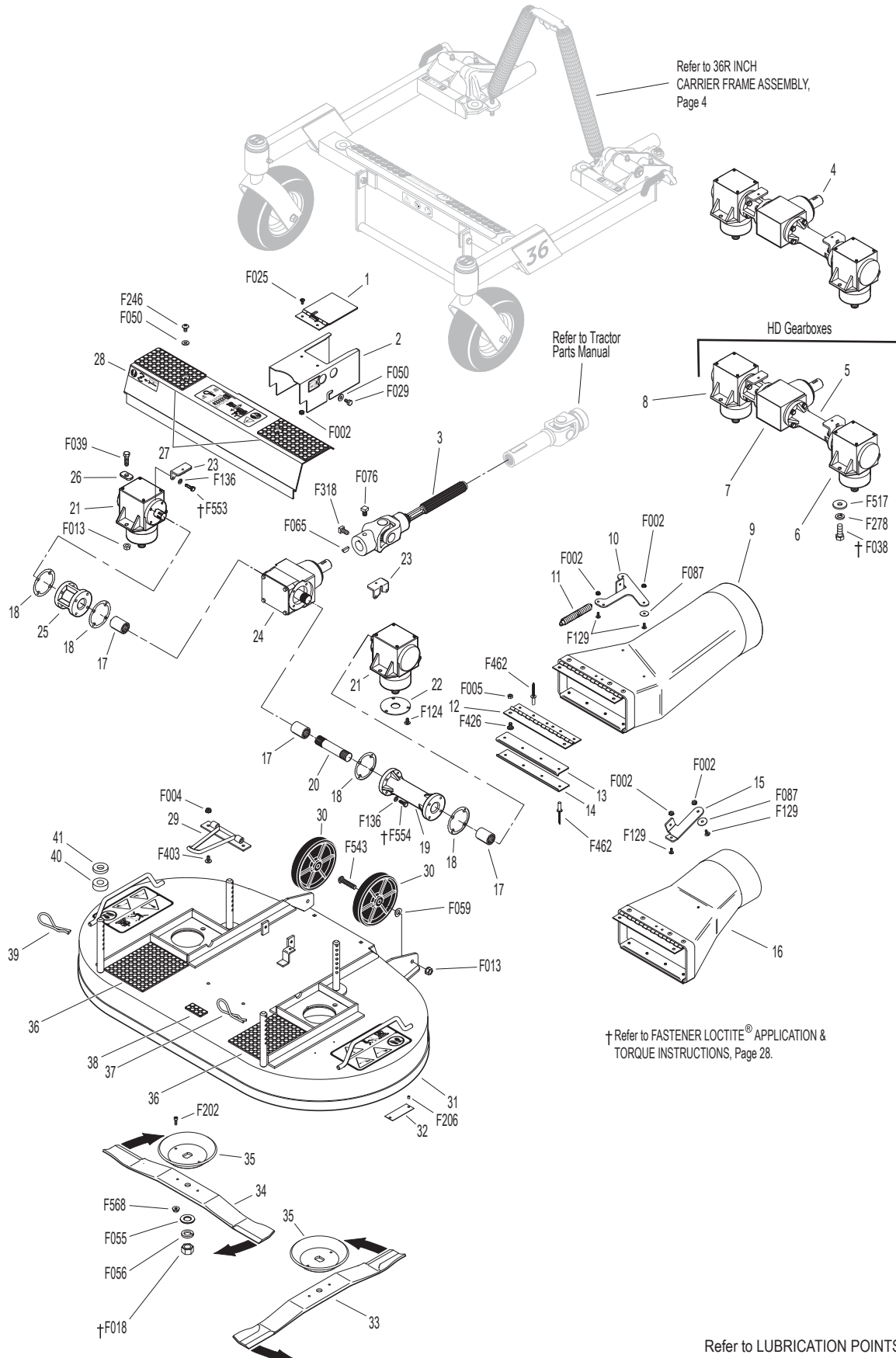
DC36R DECK ASSEMBLY

INCL. OPTIONAL HD GEARBOXES

| ITEM NO. | PART NO. | DESCRIPTION | NO. REQ'D | ITEM NO. | PART NO. | DESCRIPTION | NO. REQ'D |
|-------------------------------------|----------|---|-----------------|---|--|------------------------------|-----------|
| Gearbox and Drive Components | | | | 35 | 5706 | Blade Hub & Trash Guard | 2 |
| 1 | 8618-1 | Cover, PTO Shaft Guard | 1 | 36 | 8735-10 | Rubber Mat (5 x 6) | 2 |
| 2 | 8619 | PTO Shaft Guard | 1 | 37 | 7775-1 | Hitch Pin, LH (Silver) #6 | 2 |
| | 8618 | PTO Shaft Guard Assembly (Includes Items # 1, 2, F002 & F025) | * | 38 | 8788-1 | Rubber Mat (1 x 2) | 1 |
| 3 | 5285-5 | U-Joint Shaft Assembly (90 Degree) Spline, Keyed (Includes Items # F065, F076 & F318) | 1 | 39 | 7775-2 | Hitch Pin, RH (Gold) #6 | 2 |
| 4 | 6704-54 | Gearbox and Tube Assembly (Includes Items # 17-25, F124, F136, F553 & F554) | * | 40 | 7434-1 | Washer 1-3/8 x 5/8-1/2 Thick | 4 |
| 5 | 6711-1 | HD Gearbox and Tube Assembly (Includes Items # 6-8, 17-20, 23, 25, F136, F553 & F554) | ** | 41 | 5727-1 | Washer Shim (5/8 ID) | 4 |
| 6 | 5053-9 | Gearbox, HD (1:1.2) CW-CW | ** | Fasteners | | | |
| 7 | 5051-5 | HD Tee Gearbox (1:1) CW-CW & CCW | ** | F002 | 10-24 Keps Nut | | 6 |
| 8 | 5052-9 | Gearbox, HD (1:1.2) CCW-CCW | ** | F004 | 1/4-20 Keps Nut | | 2 |
| 9 | 5794 | Discharge Chute W/O Spring Mount (Includes Items # 12-14 & F462) | 1 | F005 | 1/4-20 ESNA Nut | | 2 |
| | 5794-1 | Discharge Chute With Spring Mount (Includes Items # 9, 10, 12-14 & F462) | * | F013 | 3/8-16 Whiz Locknut | | 6 |
| 10 | 8678 | Spring Mount, Chute | 1 | F018 | 5/8-18 Hex Nut | | 2 |
| 11 | 8677 | Extension Spring (1 x 6-1/16) | 1 | F025 | 10-24 x 3/8 PPHMS | | 2 |
| 12 | 5726 | Chute Hinge (2 x 8) | 1 | F029 | 1/4-20 x 1/2 Hex Bolt | | 2 |
| 13 | 5755-2 | Chute Lip, Top | 1 | F038 | 3/8-16 x 1 Hex Bolt | | 4*** |
| 14 | 5755-3 | Chute Lip, Bottom | 1 | F039 | 3/8-16 x 1-1/4 Hex Bolt | | 4 |
| 15 | 8678-4 | Spring Mount, Chute | 1 ^Δ | F050 | 1/4 SAE Washer | | 4 |
| 16 | 5794-3 | Discharge Chute With Spring Mount (Includes Items # 12-15 & F462) | 1 ^Δ | F055 | 5/8 SAE Washer | | 2 |
| 17 | 6054 | Spline Coupling | 3 | F056 | 5/8 Split Lock Washer | | 2 |
| 18 | P007 | Gasket, Cap (Peerless #788030) | 4 | F059 | 3/8 Wave Spring Washer | | 2 |
| 19 | 5065 | Gearbox Connector Tube (7-11/16) | 1 | F065 | 3/16 x 3/4 Woodruff Key (#606) | | 1 |
| 20 | 6733-4 | Connecting Shaft (5-5/16) | 1 | F076 | 3/8-16 x 5/8 SQH Set Screw | | 1 |
| 21 | 5052-11 | Gearbox, LH (1:1.2) | 2 | F087 | #10 x 7/8 Fender Washer | | 2 |
| 22 | 5706-4 | Seal Protector Plate | 2 ^{ΔΔ} | F124 | 10-32 x 3/8 Taptite Machine Screw | | 6 |
| 23 | 5704-1 | Gearbox Cover Support | 2 | F129 | 10-24 x 1/2 PTHMS | | 4 |
| 24 | 5051-2 | Tee Gearbox, Keyed (7/8" Dia. Shaft) | 1 | F136 | AN960C416L Washer | | 16 |
| 25 | 5060 | Gearbox Connector Tube (2-5/16) | 1 | F202 | 10-24 x 5/8 SHC Screw, GR5 SS | | 4 |
| 26 | 5052-3 | 1.375 x .750 x .187 Washer | 4 ^{ΔΔ} | F206 | #2 x 3/16 Drive Pin | | 2 |
| 27 | 5747-11 | Rubber Mat (3 x 6) | 2 | F246 | 1/4-20 x 1/2 PTHMS | | 2 |
| 28 | 5746-6 | 36 Gearbox Cover (Includes Item # 27) | 1 | F278 | 3/8 Split Lock Washer | | 4*** |
| Deck Housing Components | | | | F318 | 3/8-16 x 3/4 SQH Set Screw | | 1 |
| 29 | 8670 | Tilt-Up Hook | 1 | F403 | 1/4-20 x 1/2 PTHMS, SS | | 2 |
| 30 | 5162-12 | Roller Wheel (5" Poly) (Includes Items # F013, F059 & F543) | 2 | F426 | 1/4-20 x 1/2 Carriage Bolt | | 2 |
| 31 | 5710-6 | DC36R Deck Housing (Includes Items # 36 & 38) | 1 | F462 | 3/16 x .468 (+/- .010) Semi-Tube Rivet | | 8 |
| 32 | NS | Deck Serial Number Plate | 1 | F517 | Washer 3/8 x 1-1/8 x 1/8 | | 4*** |
| 33 | 5705-36 | Blade, 19" (RH Rotation) | 1 | F543 | 3/8-16 x 1-1/2 BH Cap Screw | | 2 |
| 34 | 5705-35 | Blade, 19" (LH Rotation) | 1 | F553 | 1/4-20 x 1 Hex Bolt W/Loctite | | 4 |
| | | | | F554 | 1/4-20 x 7/8 Hex Bolt W/Loctite | | 12 |
| | | | | F568 | 10-24 Flange Top Lock Nut | | 4 |
| | | | | * Service Part Only | | | |
| | | | | ** Item(s) used on the HD version of standard gearboxes. The HD cast iron gearboxes are interchangeable with standard aluminum gearboxes. | | | |
| | | | | *** Used on HD gearbox configuration. | | | |
| | | | | Δ Item used on Model S14 only | | | |
| | | | | ΔΔ Used on standard aluminum gearbox configuration. | | | |

DC36R DECK ASSEMBLY

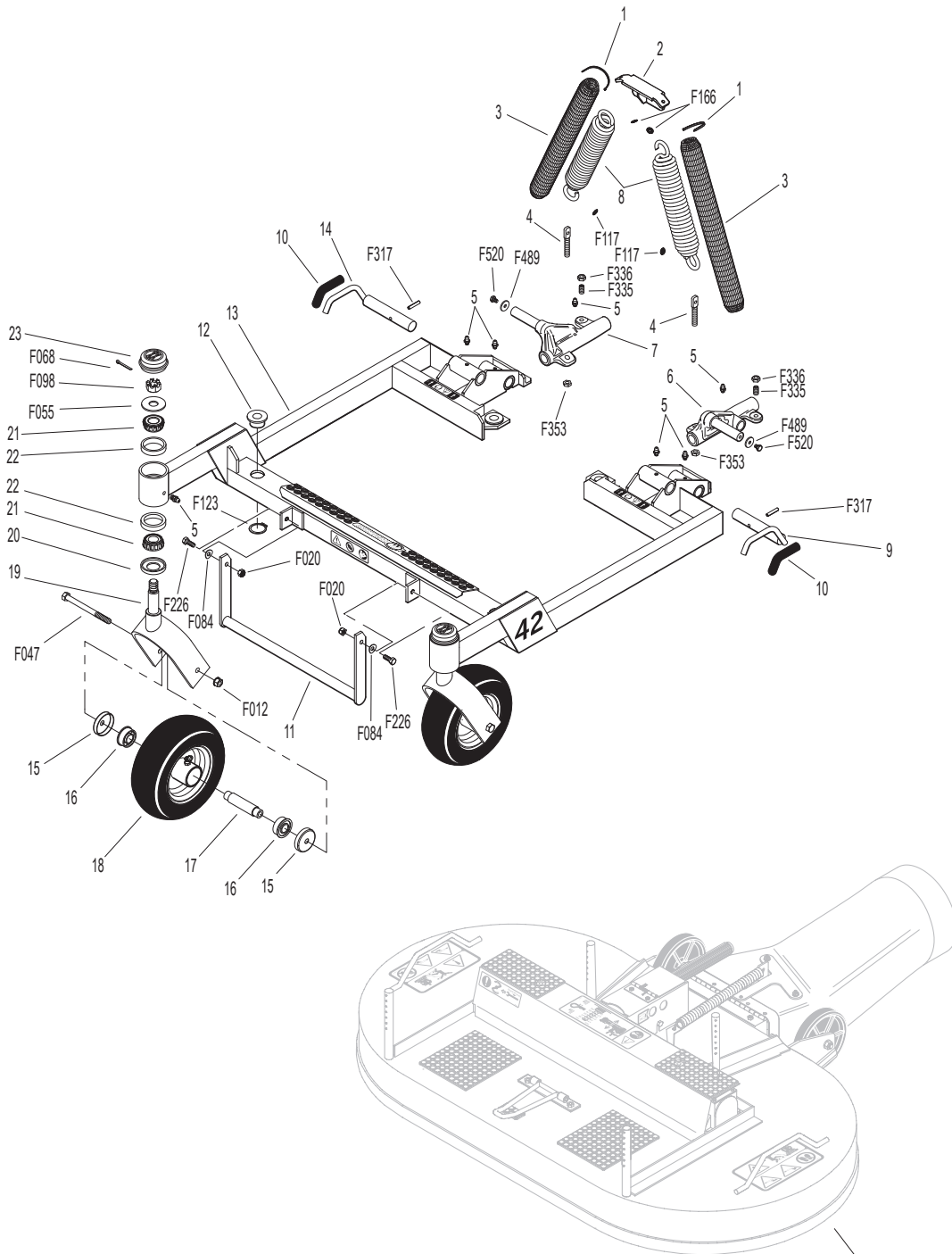
INCL. OPTIONAL HD GEARBOXES



42 INCH COMPLETE CARRIER FRAME ASSEMBLY

| ITEM NO. | PART NO. | DESCRIPTION | NO. REQ'D | ITEM NO. | PART NO. | DESCRIPTION | NO. REQ'D |
|--|----------|---|-----------|---------------------|----------|----------------------------|-----------|
| Spring and Pivot Mount Components | | | | Fasteners | | | |
| 1 | 5975-3 | Cable Tie (50# x 7") | 4 | F012 | | 3/8-16 Keps Nut | 2 |
| 2 | 5744-1 | Spring Clip Bracket | 1 | F020 | | 5/16-18 ESNA Nut | 2 |
| 3 | 5743-1 | Spring Cover | 2 | F047 | | 3/8-16 x 4-1/2 Hex Bolt | 2 |
| 4 | 5743-4 | Eyebolt (3/8-16 x 2-3/4) | 2 | F055 | | 5/8 SAE Washer | 2 |
| 5 | 5830 | Grease Fitting | 8 | F068 | | 1/8 x 1 Cotter Pin | 2 |
| 6 | 8667-3 | Pivot Mount Assembly, LH/Adj. (Includes Items # 5, F353, F489 & F520) | * | F084 | | 5/16 Wave Spring Washer | 2 |
| 7 | 8667-4 | Pivot Mount Assembly, RH/Adj. (Includes Items # 5, F353, F489 & F520) | * | F098 | | 5/8-18 Slotted Hex Nut | 2 |
| 8 | 5743-8 | Extension Spring (1-1/2 x 7-3/4) (Includes Items # 1, F117 & F166) | 2 | F117 | | Retainer Ring | 2 |
| | | | | F123 | | 1" External Snap Ring | 4 |
| | | | | F166 | | Retainer Ring | 2 |
| | | | | F226 | | 5/16-18 x 7/8 Hex Bolt | 2 |
| | | | | F317 | | 3/16 x 1 Split Spring Pin | 2 |
| | | | | F335 | | 3/8-16 x 7/8 Set Screw, SS | 2 |
| | | | | F336 | | 3/8-16 Jam Nut | 2 |
| | | | | F353 | | 3/8-16 ESNA LP Nut | 2 |
| | | | | F489 | | Washer 1/4 x 7/8 x .090 | 2 |
| | | | | F520 | | 1/4-28 x 3/8 Hex Bolt | 2 |
| Carrier Frame Components | | | | * Service Part Only | | | |
| 9 | 8674-11 | Lever, Deck Lock, LH | 1 | | | | |
| 10 | 7406-1 | Handle Grip (Red) | 2 | | | | |
| 11 | 8669 | Lift Handle | 1 | | | | |
| 12 | 5740-2 | Deck Pin Bushing (5/8) | 4 | | | | |
| 13 | 8660-13 | 42" Carrier Frame (Less Pivots) | 1 | | | | |
| | 8660-12 | 42" Carrier Frame W/Forks (Less Pivots) (Includes Items # 19-21, 23, F055, F068 & F098) | * | | | | |
| 14 | 8674-10 | Lever, Deck Lock, RH | 1 | | | | |
| Caster Wheel Components | | | | | | | |
| 15 | 8769-11 | Bearing Cup (3/8 ID) | 4 | | | | |
| 16 | 5714-11 | Bearing | 4 | | | | |
| 17 | 5714-10 | Axle Tube (3.417) | 2 | | | | |
| 18 | 5715-23 | Caster Wheel & Tire/No-Flat (8 x 3.00-4) W/Cups (Includes Items # 15-17) | 2 | | | | |
| | 5715-16 | Tire, Caster Wheel/No-Flat (8 x 3.00-4) | * | | | | |
| 19 | 5770-1 | Caster Wheel Fork | 2 | | | | |
| 20 | 8768-1 | Seal (1-3/4 x 1-1/8) | 2 | | | | |
| 21 | 8037 | Bearing Cone (3/4 ID) | 4 | | | | |
| 22 | 8769-1 | Bearing Cup (1-3/4 x 1-7/16) | 4 | | | | |
| 23 | 8769-10 | Dust Cap, Deck Caster | 2 | | | | |

42 INCH COMPLETE CARRIER FRAME ASSEMBLY



Refer to DC42
DECK ASSEMBLY, Page 10

Refer to LUBRICATION POINTS, Page 30.

DC42 DECK ASSEMBLY

INCL. OPTIONAL HD GEARBOXES

| ITEM NO. | PART NO. | DESCRIPTION | NO. REQ'D | ITEM NO. | PART NO. | DESCRIPTION | NO. REQ'D |
|-------------------------------------|----------|---|-----------------|------------------|--|---|-----------|
| Gearbox and Drive Components | | | | 36 | 8735-10 | Rubber Mat (5 x 6) | 2 |
| 1 | 8618-1 | Cover, PTO Shaft Guard | 1 | 37 | 7775-1 | Hitch Pin, LH (Silver) #6 | 2 |
| 2 | 8619 | PTO Shaft Guard | 1 | 38 | 8788-1 | Rubber Mat (1 x 2) | 1 |
| | 8618 | PTO Shaft Guard Assembly (Includes Items # 1, 2, F002 & F025) | * | 39 | 5704-4 | 42 GHS Deck Housing (Includes Items # 36 & 38) | 1 |
| 3 | 5285-5 | U-Joint Shaft Assembly (90 Degree) Spline, Keyed (Includes Items # F065, F076 & F318) | 1 | 40 | 7775-2 | Hitch Pin, RH (Gold) #6 | 2 |
| 4 | 6704-8 | Gearbox and Tube Assembly (Includes Items # 17-26, F124, F136, F553 & F554) | 1 | 41 | 7434-1 | Washer 1-3/8 x 5/8-1/2 Thick | 4 |
| 5 | 6711-5 | HD Gearbox and Tube Assembly (Includes Items # 6-8, 17-20, 23, 25, 26, F136, F553 & F554) | ** | 42 | 5727-1 | Washer Shim (5/8 ID) | 4 |
| 6 | 5052-13 | Gearbox, HD (1:1) CCW-CCW | ** | Fasteners | | | |
| 7 | 5051-5 | HD Tee Gearbox (1:1) CW-CW & CCW | ** | F002 | 10-24 Keps Nut | | 6 |
| 8 | 5053-13 | Gearbox, HD (1:1) CW-CW | ** | F004 | 1/4-20 Keps Nut | | 2 |
| 9 | 5794 | Discharge Chute W/O Spring Mount (Includes Items # 9, 12-14 & F462) | 1 | F005 | 1/4-20 ESNA Nut | | 2 |
| | 5794-1 | Discharge Chute With Spring Mount (Includes Items # 9, 10, 12-14 & F462) | * | F013 | 3/8-16 Whiz Locknut | | 6 |
| 10 | 8678 | Spring Mount, Chute | 1 | F018 | 5/8-18 Hex Nut | | 2 |
| 11 | 8677 | Extension Spring (1 x 6-1/16) | 1 | F025 | 10-24 x 3/8 PPHMS | | 2 |
| 12 | 5726 | Chute Hinge (2 x 8) | 1 | F029 | 1/4-20 x 1/2 Hex Bolt | | 2 |
| 13 | 5755-2 | Chute Lip, Top | 1 | F038 | 3/8-16 x 1 Hex Bolt | | 4*** |
| 14 | 5755-3 | Chute Lip, Bottom | 1 | F039 | 3/8-16 x 1-1/4 Hex Bolt | | 4 |
| 15 | 8678-4 | Spring Mount, Chute | 1 ^Δ | F050 | 1/4 SAE Washer | | 4 |
| 16 | 5794-3 | Discharge Chute With Spring Mount (Includes Items # 12-15 & F462) | 1 ^Δ | F055 | 5/8 SAE Washer | | 2 |
| 17 | 6054 | Spline Coupling | 4 | F056 | 5/8 Split Lock Washer | | 2 |
| 18 | P007 | Gasket, Cap (Peerless #788030) | 4 | F059 | 3/8 Wave Spring Washer | | 2 |
| 19 | 5063 | Gearbox Connector Tube (8-5/8) | 1 | F065 | 3/16 x 3/4 Woodruff Key (#606) | | 1 |
| 20 | 6733-3 | Connecting Shaft (6-1/4) | 1 | F076 | 3/8-16 x 5/8 SQH Set Screw | | 1 |
| 21 | 5052-1 | Gearbox (LH Rotation) | 2 | F087 | #10 x 7/8 Fender Washer | | 2 |
| 22 | 5706-4 | Seal Protector Plate | 2 ^{ΔΔ} | F124 | 10-32 x 3/8 Taptite Machine Screw | | 6 |
| 23 | 5704-1 | Gearbox Cover Support | 2 | F129 | 10-24 x 1/2 PTHMS | | 4 |
| 24 | 5051-2 | Tee Gearbox, Keyed (7/8" Dia. Shaft) | 1 | F136 | AN960C416L Washer | | 16 |
| 25 | 6733-1 | Connecting Shaft (2") | 1 | F202 | 10-24 x 5/8 SHC Screw, GR5 SS | | 4 |
| 26 | 5062 | Gearbox Connector Tube (4-3/8) | 1 | F206 | #2 x 3/16 Drive Pin | | 2 |
| 27 | 5052-3 | 1.375 x .750 x .187 Washer | 4 ^{ΔΔ} | F246 | 1/4-20 x 1/2 PTHMS | | 2 |
| 28 | 5747-11 | Rubber Mat (3 x 6) | 2 | F278 | 3/8 Split Lock Washer | | 4*** |
| 29 | 5785-5 | 42" Gearbox Cover (Includes Item # 28) | 1 | F318 | 3/8-16 x 3/4 SQH Set Screw | | 1 |
| Deck Housing Components | | | | F403 | 1/4-20 x 1/2 PTHMS, SS | | 2 |
| 30 | 8670 | Tilt-Up Hook | 1 | F426 | 1/4-20 x 1/2 Carriage Bolt | | 2 |
| 31 | 5162-12 | Roller Wheel (5" Poly) (Includes Items # F013, F059 & F543) | 2 | F462 | 3/16 x .468 (+/- .010) Semi-Tube Rivet | | 8 |
| 32 | NS | Deck Serial Number Plate | 1 | F517 | Washer 3/8 x 1-1/8 x 1/8 | | 4*** |
| 33 | 5705-3 | Blade, 22" (RH Rotation) | 1 | F543 | 3/8-16 x 1-1/2 BH Cap Screw | | 2 |
| 34 | 5706 | Blade Hub & Trash Guard | 2 | F553 | 1/4-20 x 1 Hex Bolt W/Loctite | | 4 |
| 35 | 5705-4 | Blade, 22" (LH Rotation) | 1 | F554 | 1/4-20 x 7/8 Hex Bolt W/Loctite | | 12 |
| | 5705-8 | 42 GHS Blade Set With Hubs (Includes Items # 33-35, F202 & F568) | * | F568 | 10-24 Flange Top Lock Nut | | 4 |

* Service Part Only

** Item(s) used on the HD version of standard gearboxes. The HD cast iron gearboxes are interchangeable with standard aluminum gearboxes.

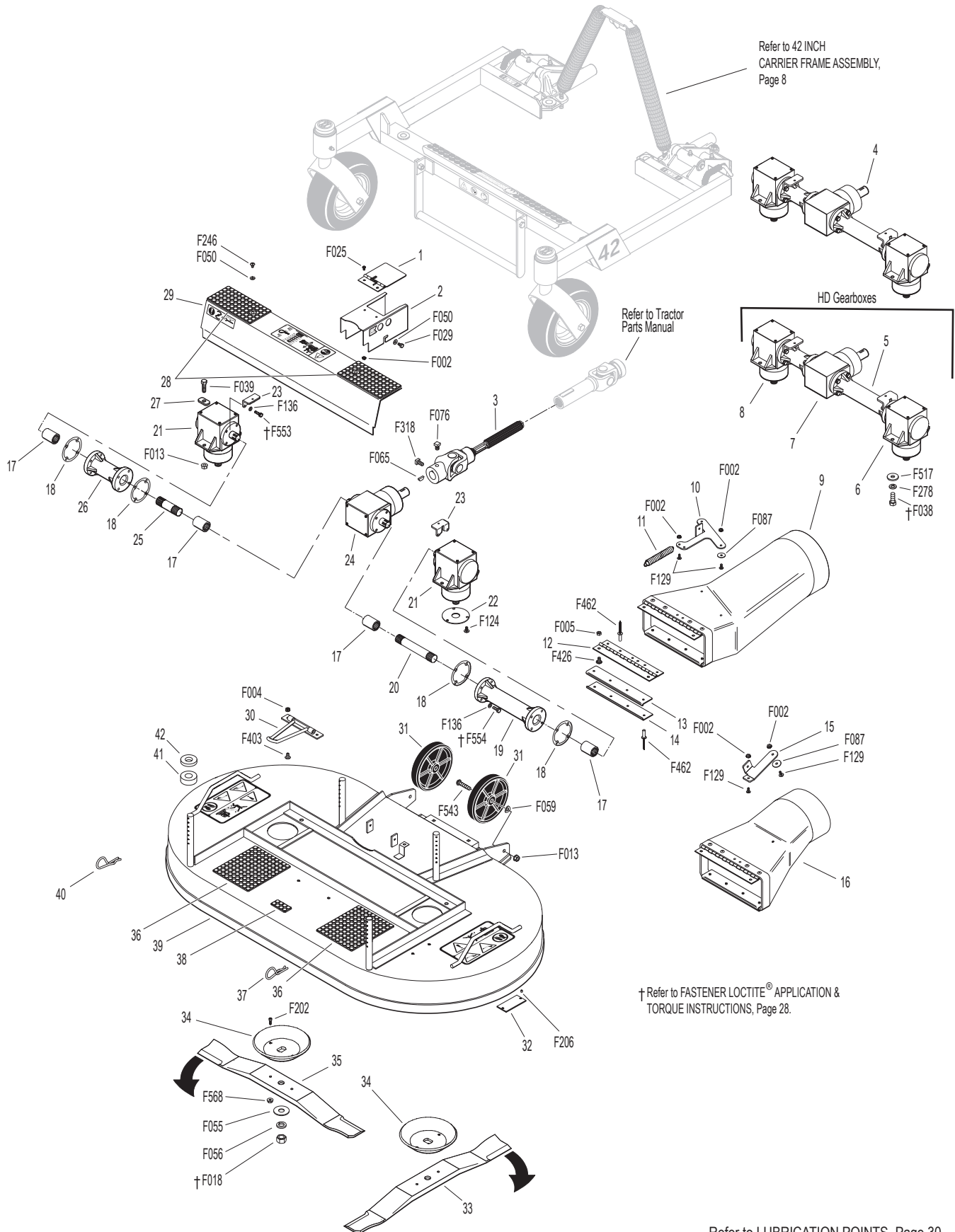
*** Used on HD gearbox configuration.

Δ Item used on Model S14 only

ΔΔ Used on standard aluminum gearbox configuration.

DC42 DECK ASSEMBLY

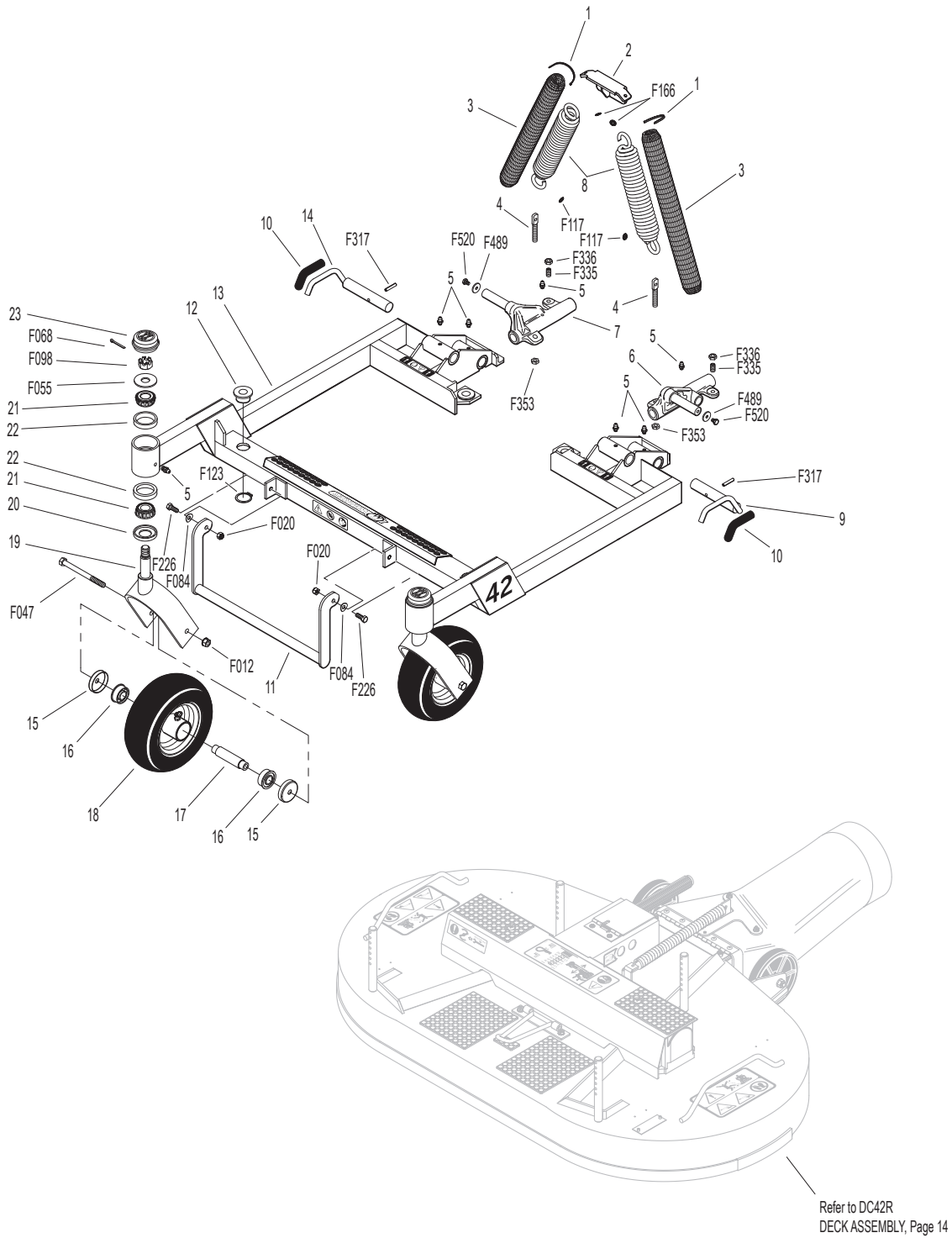
INCL. OPTIONAL HD GEARBOXES



42R INCH COMPLETE CARRIER FRAME ASSEMBLY

| ITEM NO. | PART NO. | DESCRIPTION | NO. REQ'D | ITEM NO. | PART NO. | DESCRIPTION | NO. REQ'D |
|--|----------|---|-----------|---------------------|----------|----------------------------|-----------|
| Spring and Pivot Mount Components | | | | Fasteners | | | |
| 1 | 5975-3 | Cable Tie (50# x 7") | 4 | F012 | | 3/8-16 Keps Nut | 2 |
| 2 | 5744-1 | Spring Clip Bracket | 1 | F020 | | 5/16-18 ESNA Nut | 2 |
| 3 | 5743-1 | Spring Cover | 2 | F047 | | 3/8-16 x 4-1/2 Hex Bolt | 2 |
| 4 | 5743-4 | Eyebolt (3/8-16 x 2-3/4) | 2 | F055 | | 5/8 SAE Washer | 2 |
| 5 | 5830 | Grease Fitting | 8 | F068 | | 1/8 x 1 Cotter Pin | 2 |
| 6 | 8667-3 | Pivot Mount Assembly, LH/Adj. (Includes Items # 5, F353, F489 & F520) | * | F084 | | 5/16 Wave Spring Washer | 2 |
| 7 | 8667-4 | Pivot Mount Assembly, RH/Adj. (Includes Items # 5, F353, F489 & F520) | * | F098 | | 5/8-18 Slotted Hex Nut | 2 |
| 8 | 5743-8 | Extension Spring (1-1/2 x 7-3/4) (Includes Items # 1, F117 & F166) | 2 | F117 | | Retainer Ring | 2 |
| | | | | F123 | | 1" External Snap Ring | 4 |
| | | | | F166 | | Retainer Ring | 2 |
| | | | | F226 | | 5/16-18 x 7/8 Hex Bolt | 2 |
| | | | | F317 | | 3/16 x 1 Split Spring Pin | 2 |
| | | | | F335 | | 3/8-16 x 7/8 Set Screw, SS | 2 |
| | | | | F336 | | 3/8-16 Jam Nut | 2 |
| | | | | F353 | | 3/8-16 ESNA LP Nut | 2 |
| | | | | F489 | | Washer 1/4 x 7/8 x .090 | 2 |
| | | | | F520 | | 1/4-28 x 3/8 Hex Bolt | 2 |
| Carrier Frame Components | | | | * Service Part Only | | | |
| 9 | 8674-11 | Lever, Deck Lock, LH | 1 | | | | |
| 10 | 7406-1 | Handle Grip (Red) | 2 | | | | |
| 11 | 8669-5 | Lift Handle | 1 | | | | |
| 12 | 5740-2 | Deck Pin Bushing (5/8) | 4 | | | | |
| 13 | 8660-24 | 42R Carrier Frame (Less Pivots) | 1 | | | | |
| | 8660-29 | 42R Carrier Frame W/Forks (Less Pivots) (Includes Items # 19-21, 23, F055, F068 & F098) | * | | | | |
| 14 | 8674-10 | Lever, Deck Lock, RH | 1 | | | | |
| Caster Wheel Components | | | | | | | |
| 15 | 8769-11 | Bearing Cup (3/8 ID) | 4 | | | | |
| 16 | 5714-11 | Bearing | 4 | | | | |
| 17 | 5714-10 | Axle Tube (3.417) | 2 | | | | |
| 18 | 5715-23 | Caster Wheel & Tire/No-Flat (8 x 3.00-4) W/Cups (Includes Items # 15-17) | 2 | | | | |
| | 5715-16 | Tire, Caster Wheel/No-Flat (8 x 3.00-4) | * | | | | |
| 19 | 5770-1 | Caster Wheel Fork | 2 | | | | |
| 20 | 8768-1 | Seal (1-3/4 x 1-1/8) | 2 | | | | |
| 21 | 8037 | Bearing Cone (3/4 ID) | 4 | | | | |
| 22 | 8769-1 | Bearing Cup (1-3/4 x 1-7/16) | 4 | | | | |
| 23 | 8769-10 | Dust Cap, Deck Caster | 2 | | | | |

42R INCH COMPLETE CARRIER FRAME ASSEMBLY



Refer to LUBRICATION POINTS, Page 30.

DC42R DECK ASSEMBLY

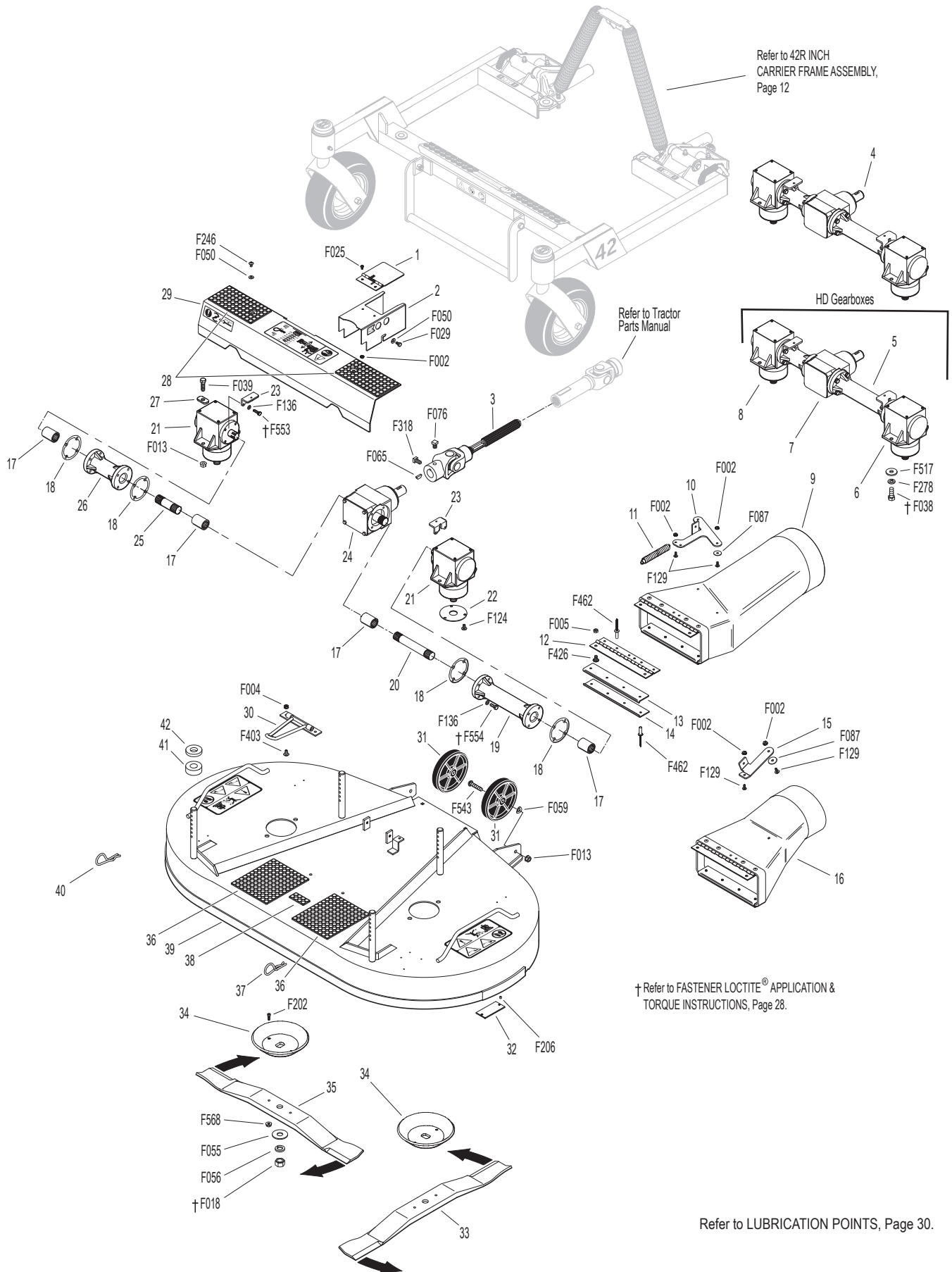
INCL. OPTIONAL HD GEARBOXES

| ITEM NO. | PART NO. | DESCRIPTION | NO. REQ'D | ITEM NO. | PART NO. | DESCRIPTION | NO. REQ'D |
|-------------------------------------|----------|---|-----------------|------------------|--|--|-----------|
| Gearbox and Drive Components | | | | 36 | 8735-10 | Rubber Mat (5 x 6) | 2 |
| 1 | 8618-1 | Cover, PTO Shaft Guard | 1 | 37 | 7775-1 | Hitch Pin, LH (Silver) #6 | 2 |
| 2 | 8619 | PTO Shaft Guard | 1 | 38 | 8788-1 | Rubber Mat (1 x 2) | 1 |
| | 8618 | PTO Shaft Guard Assembly (Includes Items # 1, 2, F002 & F025) | * | 39 | 5703-19 | DC42R Deck Housing (Includes Items # 36 & 38) | 1 |
| 3 | 7285-4 | U-Joint Shaft Assembly, Splined (Keyed) (Includes Items # F065, F076 & F318) | 1 | 40 | 7775-2 | Hitch Pin, RH (Gold) #6 | 2 |
| 4 | 6704-20 | Gearbox and Tube Assembly (Includes Items # 17-26, F124, F136, F553 & F554) | 1 | 41 | 7434-1 | Washer 1-3/8 x 5/8-1/2 Thick | 4 |
| 5 | 6711-4 | HD Gearbox and Tube Assembly (Includes Items # 6-8, 17-20, 23, 25, 26, F136, F553 & F554) | ** | 42 | 5727-1 | Washer Shim (5/8 ID) | 4 |
| 6 | 5053-13 | Gearbox, HD (1:1) CW-CW | ** | Fasteners | | | |
| 7 | 5051-5 | HD Tee Gearbox (1:1) CW-CW & CCW | ** | F002 | 10-24 Keps Nut | | 6 |
| 8 | 5052-13 | Gearbox, HD (1:1) CCW-CCW | ** | F004 | 1/4-20 Keps Nut | | 2 |
| 9 | 5794 | Discharge Chute W/O Spring Mount (Includes Items # 9, 12-14 & F462) | 1 | F005 | 1/4-20 ESNA Nut | | 2 |
| | 5794-1 | Discharge Chute With Spring Mount (Includes Items # 9, 10, 12-14 & F462) | * | F013 | 3/8-16 Whiz Locknut | | 6 |
| 10 | 8678 | Spring Mount, Chute | 1 | F018 | 5/8-18 Hex Nut | | 2 |
| 11 | 8677 | Extension Spring (1 x 6-1/16) | 1 | F025 | 10-24 x 3/8 PPHMS | | 2 |
| 12 | 5726 | Chute Hinge (2 x 8) | 1 | F029 | 1/4-20 x 1/2 Hex Bolt | | 2 |
| 13 | 5755-2 | Chute Lip, Top | 1 | F038 | 3/8-16 x 1 Hex Bolt | | 4*** |
| 14 | 5755-3 | Chute Lip, Bottom | 1 | F039 | 3/8-16 x 1-1/4 Hex Bolt | | 4 |
| 15 | 8678-4 | Spring Mount, Chute | 1 ^Δ | F050 | 1/4 SAE Washer | | 4 |
| 16 | 5794-3 | Discharge Chute With Spring Mount (Includes Items # 12-15 & F462) | 1 ^Δ | F055 | 5/8 SAE Washer | | 2 |
| 17 | 6054 | Spline Coupling | 4 | F056 | 5/8 Split Lock Washer | | 2 |
| 18 | P007 | Gasket, Cap (Peerless #788030) | 4 | F059 | 3/8 Wave Spring Washer | | 2 |
| 19 | 5063 | Gearbox Connector Tube (8-5/8) | 1 | F065 | 3/16 x 3/4 Woodruff Key (#606) | | 1 |
| 20 | 6733-3 | Connecting Shaft (6-1/4) | 1 | F076 | 3/8-16 x 5/8 SQH Set Screw | | 1 |
| 21 | 5052-1 | Gearbox (LH Rotation) | 2 | F087 | #10 x 7/8 Fender Washer | | 2 |
| 22 | 5706-4 | Seal Protector Plate | 2 ^{ΔΔ} | F124 | 10-32 x 3/8 Taptite Machine Screw | | 6 |
| 23 | 5704-1 | Gearbox Cover Support | 2 | F129 | 10-24 x 1/2 PTHMS | | 4 |
| 24 | 5051-13 | Tee Gearbox, Keyed Reversed (7/8" Dia. Shaft) | 1 | F136 | AN960C416L Washer | | 16 |
| 25 | 6733-1 | Connecting Shaft (2") | 1 | F202 | 10-24 x 5/8 SHC Screw, GR5 SS | | 4 |
| 26 | 5062 | Gearbox Connector Tube (4-3/8) | 1 | F206 | #2 x 3/16 Drive Pin | | 2 |
| 27 | 5052-3 | 1.375 x .750 x .187 Washer | 4 ^{ΔΔ} | F246 | 1/4-20 x 1/2 PTHMS | | 2 |
| 28 | 5747-11 | Rubber Mat (3 x 6) | 2 | F278 | 3/8 Split Lock Washer | | 4*** |
| 29 | 8629-3 | 42RV Gearbox Cover (Includes Item # 28) | 1 | F318 | 3/8-16 x 3/4 SQH Set Screw | | 1 |
| Deck Housing Components | | | | F403 | 1/4-20 x 1/2 PTHMS, SS | | 2 |
| 30 | 8670 | Tilt-Up Hook | 1 | F426 | 1/4-20 x 1/2 Carriage Bolt | | 2 |
| 31 | 5162-12 | Roller Wheel (5" Poly) (Includes Items # F013, F059 & F543) | 2 | F462 | 3/16 x .468 (+/- .010) Semi-Tube Rivet | | 8 |
| 32 | NS | Deck Serial Number Plate | 1 | F517 | Washer 3/8 x 1-1/8 x 1/8 | | 4*** |
| 33 | 5705-4 | Blade, 22" (LH Rotation) | 1 | F543 | 3/8-16 x 1-1/2 BH Cap Screw | | 2 |
| 34 | 5706 | Blade Hub & Trash Guard | 2 | F553 | 1/4-20 x 1 Hex Bolt W/Loctite | | 4 |
| 35 | 5705-3 | Blade, 22" (RH Rotation) | 1 | F554 | 1/4-20 x 7/8 Hex Bolt W/Loctite | | 12 |
| | 5705-8 | 42 GHS Blade Set With Hubs (Includes Items # 33-35, F202 & F568) | * | F568 | 10-24 Flange Top Lock Nut | | 4 |

- * Service Part Only
- ** Item(s) used on the HD version of standard gearboxes. The HD cast iron gearboxes are interchangeable with standard aluminum gearboxes.
- *** Used on HD gearbox configuration.
- Δ Item used on Model S14 only
- ΔΔ Used on standard aluminum gearbox configuration.

DC42R DECK ASSEMBLY

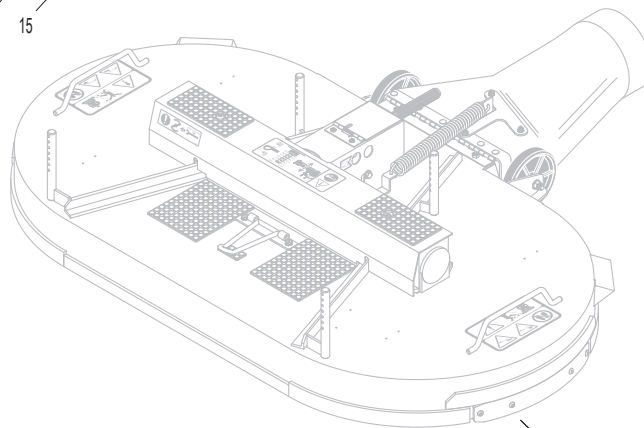
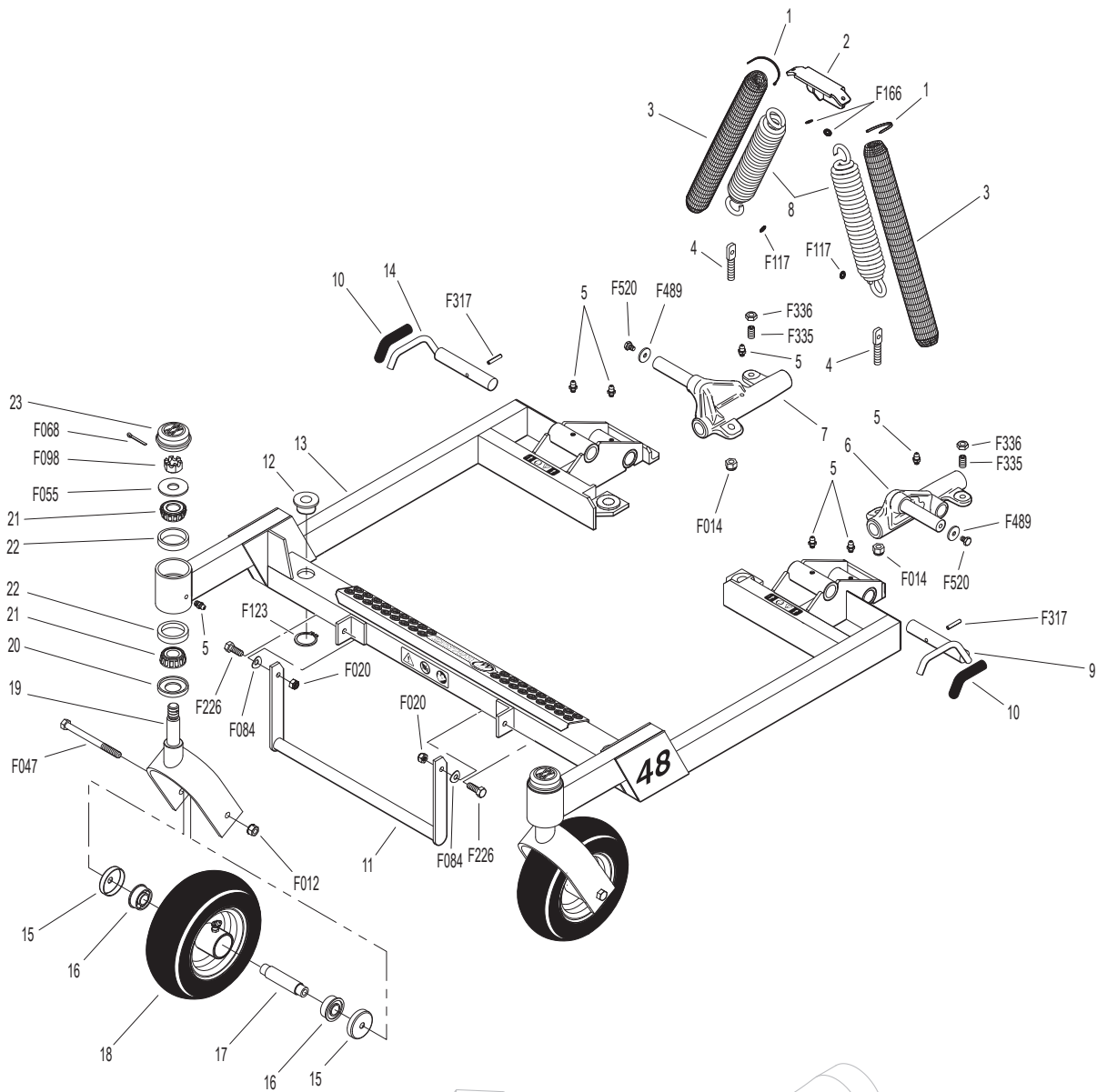
INCL. OPTIONAL HD GEARBOXES



48 INCH COMPLETE CARRIER FRAME ASSEMBLY

| ITEM NO. | PART NO. | DESCRIPTION | NO. REQ'D | ITEM NO. | PART NO. | DESCRIPTION | NO. REQ'D |
|--|----------|---|-----------|---------------------|----------|----------------------------|-----------|
| Spring and Pivot Mount Components | | | | Fasteners | | | |
| 1 | 5975-3 | Cable Tie (50# x 7") | 4 | F012 | | 3/8-16 Keps Nut | 2 |
| 2 | 5744-1 | Spring Clip Bracket | 1 | F014 | | 3/8-16 ESNA Nut | 2 |
| 3 | 5743-1 | Spring Cover | 2 | F020 | | 5/16-18 ESNA Nut | 2 |
| 4 | 5743-3 | Eyebolt (3/8-16 x 2) | 2 | F047 | | 3/8-16 x 4-1/2 Hex Bolt | 2 |
| 5 | 5830 | Grease Fitting | 8 | F055 | | 5/8 SAE Washer | 2 |
| 6 | 8667-3 | Pivot Mount Assembly, LH/Adj. (Includes Items # 5, F014, F489 & F520) | * | F068 | | 1/8 x 1 Cotter Pin | 2 |
| 7 | 8667-4 | Pivot Mount Assembly, RH/Adj. (Includes Items # 5, F014, F489 & F520) | * | F084 | | 5/16 Wave Spring Washer | 2 |
| 8 | 5743-6 | Extension Spring (1-1/2 x 7-3/4) (Includes Items # 1, F117 & F166) | 2 | F098 | | 5/8-18 Slotted Hex Nut | 2 |
| Carrier Frame Components | | | | F117 | | Retainer Ring | 2 |
| 9 | 8674-11 | Lever, Deck Lock, LH | 1 | F123 | | 1" External Snap Ring | 4 |
| 10 | 7406-1 | Handle Grip (Red) | 2 | F166 | | Retainer Ring | 2 |
| 11 | 8669 | Lift Handle | 1 | F226 | | 5/16-18 x 7/8 Hex Bolt | 2 |
| 12 | 5740-2 | Deck Pin Bushing (5/8) | 4 | F317 | | 3/16 x 1 Split Spring Pin | 2 |
| 13 | 8661-2 | 48" Carrier Frame (Less Pivots) | 1 | F335 | | 3/8-16 x 7/8 Set Screw, SS | 2 |
| | 8661-1 | 48" Carrier Frame W/Forks (Less Pivots) (Includes Items # 19-21, 23, F055, F068 & F098) | * | F336 | | 3/8-16 Jam Nut | 2 |
| 14 | 8674-10 | Lever, Deck Lock, RH | 1 | F489 | | Washer 1/4 x 7/8 x .090 | 2 |
| Caster Wheel Components | | | | F520 | | 1/4-28 x 3/8 Hex Bolt | 2 |
| 15 | 8769-11 | Bearing Cup (3/8 ID) | 4 | * Service Part Only | | | |
| 16 | 5714-11 | Bearing | 4 | | | | |
| 17 | 5714-10 | Axle Tube (3.417) | 2 | | | | |
| 18 | 5715-23 | Caster Wheel & Tire/No-Flat (8 x 3.00-4) W/Cups (Includes Items # 15-17) | 2 | | | | |
| | 5715-16 | Tire, Caster Wheel/No-Flat (8 x 3.00-4) | * | | | | |
| 19 | 5770-1 | Caster Wheel Fork | 2 | | | | |
| 20 | 8768-1 | Seal (1-3/4 x 1-1/8) | 2 | | | | |
| 21 | 8037 | Bearing Cone (3/4 ID) | 4 | | | | |
| 22 | 8769-1 | Bearing Cup (1-3/4 x 1-7/16) | 4 | | | | |
| 23 | 8769-10 | Dust Cap, Deck Caster | 2 | | | | |

48 INCH COMPLETE CARRIER FRAME ASSEMBLY



Refer to DC48
DECK ASSEMBLY,
Page 18

Refer to LUBRICATION POINTS, Page 30.

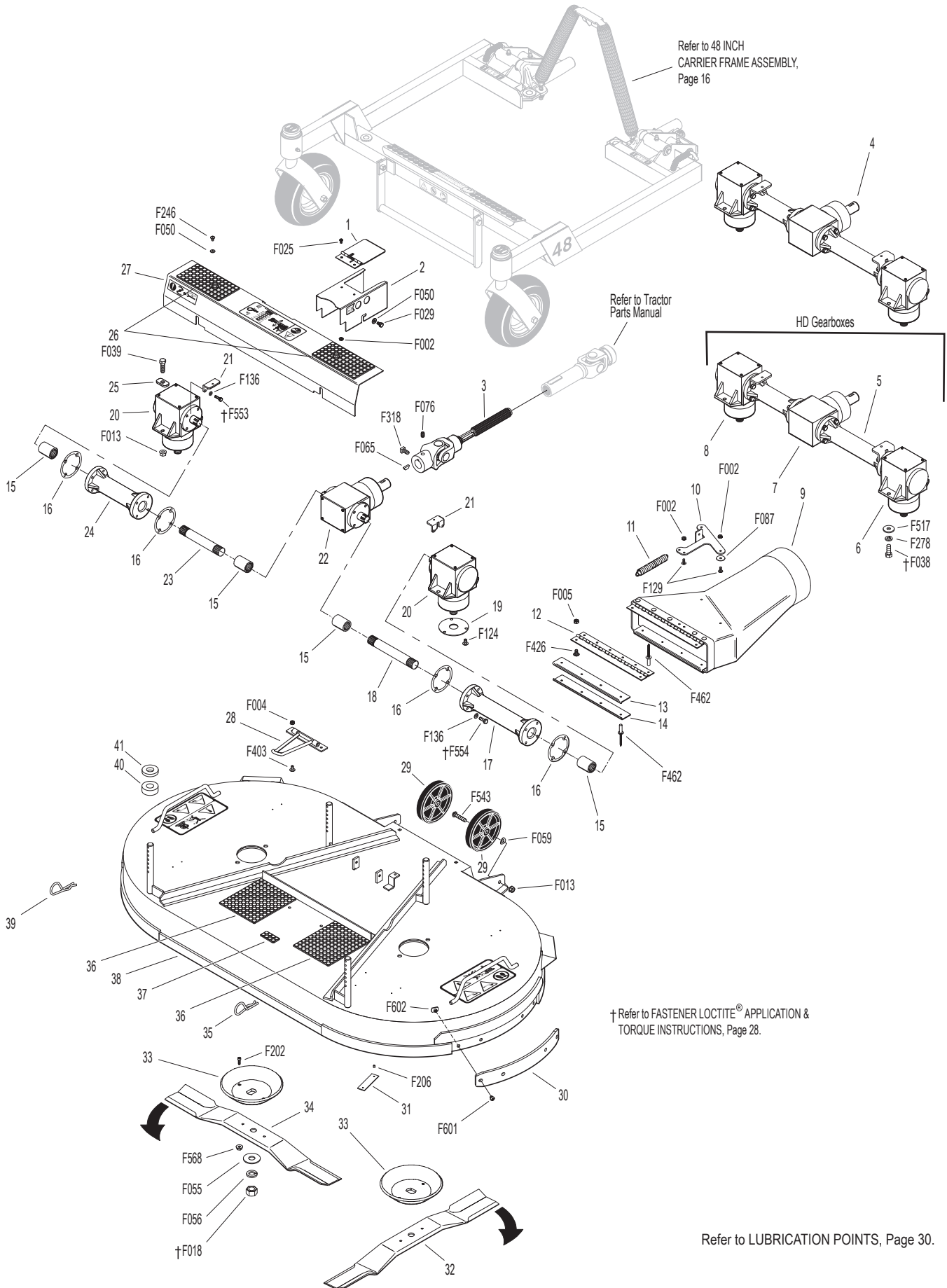
DC48 DECK ASSEMBLY

INCL. OPTIONAL HD GEARBOXES

| ITEM NO. | PART NO. | DESCRIPTION | NO. REQ'D | ITEM NO. | PART NO. | DESCRIPTION | NO. REQ'D |
|-------------------------------------|----------|--|----------------|---|--|---|-----------|
| Gearbox and Drive Components | | | | 35 | 7775-1 | Hitch Pin, LH (Silver) #6 | 2 |
| 1 | 8618-1 | Cover, PTO Shaft Guard | 1 | 36 | 8735-10 | Rubber Mat (5 x 6) | 2 |
| 2 | 8619 | PTO Shaft Guard | 1 | 37 | 8788-1 | Rubber Mat (1 x 2) | 1 |
| | 8618 | PTO Shaft Guard Assembly (Includes Items # 1, 2, F002 & F025) | * | 38 | 7702-17 | 48 GHS Deck Housing (Includes Items # 30, 36, 37, F601 & F602) | 1 |
| 3 | 7285-5 | U-Joint Shaft Assembly, Spline (Keyed) (Includes Items # F065, F076 & F318) | 1 | 39 | 7775-2 | Hitch Pin, RH (Gold) #6 | 2 |
| 4 | 6704-17 | Gearbox and Tube Assembly (Includes Items # 15-24, F124, F136, F553 & F554) | 1 | 40 | 7434-1 | Washer 1-3/8 x 5/8-1/2 Thick | 4 |
| 5 | 6711-10 | HD Gearbox and Tube Assembly (Includes Items # 6-8, 15-18, 21, 23, 24, F136, F553 & F554) | ** | 41 | 5727-1 | Washer Shim (5/8 ID) | 4 |
| 6 | 5052-13 | Gearbox, HD (1:1) CCW-CCW | ** | Fasteners | | | |
| 7 | 7751-11 | HD Tee Gearbox, Keyed (1.2:1) | ** | F002 | 10-24 Keps Nut | | 6 |
| 8 | 5053-13 | Gearbox, HD (1:1) CW-CW | ** | F004 | 1/4-20 Keps Nut | | 2 |
| 9 | 7794 | 48 GHS Discharge Chute W/O Spring (Includes Items # 9, 12-14 & F462) | 1 | F005 | 1/4-20 ESNA Nut | | 2 |
| | 7794-1 | Discharge Chute Assembly With Spring Mount (Includes Items # 9, 10, 12-14 & F462) | * | F013 | 3/8-16 Whiz Locknut | | 6 |
| 10 | 8678 | Spring Mount, Chute | 1 | F018 | 5/8-18 Hex Nut | | 2 |
| 11 | 8677 | Extension Spring (1 x 6-1/16) | 1 | F025 | 10-24 x 3/8 PPHMS | | 2 |
| 12 | 7726 | Chute Hinge (2 x 11) | 1 | F029 | 1/4-20 x 1/2 Hex Bolt | | 2 |
| 13 | 7755-1 | Chute Lip, Top | 1 | F038 | 3/8-16 x 1 Hex Bolt | | 4*** |
| 14 | 7755-2 | Chute Lip, Bottom | 1 | F039 | 3/8-16 x 1-1/4 Hex Bolt | | 4 |
| 15 | 6054 | Spline Coupling | 4 | F050 | 1/4 SAE Washer | | 4 |
| 16 | P007 | Gasket, Cap (Peerless #788030) | 4 | F055 | 5/8 SAE Washer | | 2 |
| 17 | 5066 | Gearbox Connector Tube (9-5/16) | 1 | F056 | 5/8 Split Lock Washer | | 2 |
| 18 | 6733-6 | Connecting Shaft (7") | 1 | F059 | 3/8 Wave Spring Washer | | 2 |
| 19 | 5706-4 | Seal Protector Plate | 2 ^Δ | F065 | 3/16 x 3/4 Woodruff Key (#606) | | 1 |
| 20 | 5052-1 | Gearbox (LH Rotation) | 2 | F076 | 3/8-16 x 5/8 SQH Set Screw | | 1 |
| 21 | 5704-1 | Gearbox Cover Support | 2 | F087 | #10 x 7/8 Fender Washer | | 2 |
| 22 | 7751-17 | Tee Gearbox, Keyed (1.2:1 Ratio) | 1 | F124 | 10-32 x 3/8 Taptite Machine Screw | | 6 |
| 23 | 6733-2 | Connecting Shaft (4-1/8) | 1 | F129 | 10-24 x 1/2 PTHMS | | 4 |
| 24 | 5061 | Gearbox Connector Tube (6-11/16) | 1 | F136 | AN960C416L Washer | | 16 |
| 25 | 5052-3 | 1.375 x .750 x .187 Washer | 4 ^Δ | F202 | 10-24 x 5/8 SHC Screw, GR5 SS | | 4 |
| 26 | 5747-12 | Rubber Mat (3 x 6) | 2 | F206 | #2 x 3/16 Drive Pin | | 2 |
| 27 | 7785-3 | 48" Gearbox Cover (Includes Item # 26) | 1 | F246 | 1/4-20 x 1/2 PTHMS | | 2 |
| Deck Housing Components | | | | F278 | 3/8 Split Lock Washer | | 4*** |
| 28 | 8670 | Tilt-Up Hook | 1 | F318 | 3/8-16 x 3/4 SQH Set Screw | | 1 |
| 29 | 5162-12 | Roller Wheel (5" Poly) (Includes Items # F013, F059 & F543) | 2 | F403 | 1/4-20 x 1/2 PTHMS, SS | | 2 |
| 30 | 7703-1 | Replaceable Wear Edge | 2 | F426 | 1/4-20 x 1/2 Carriage Bolt | | 2 |
| 31 | NS | Deck Serial Number Plate | 1 | F462 | 3/16 x .468 (+/- .010) Semi-Tube Rivet | | 8 |
| 32 | 7705-1 | Blade, 25" (RH Rotation) | 1 | F517 | Washer 3/8 x 1-1/8 x 1/8 | | 4*** |
| 33 | 5706 | Blade Hub & Trash Guard | 2 | F543 | 3/8-16 x 1-1/2 BH Cap Screw | | 2 |
| 34 | 7705-2 | Blade, 25" (LH Rotation) | 1 | F553 | 1/4-20 x 1 Hex Bolt W/Loctite | | 4 |
| | 7705-3 | 48 GHS Blade Set With Hubs (Includes Items # 32-34, F202 & F568) | * | F554 | 1/4-20 x 7/8 Hex Bolt W/Loctite | | 12 |
| | | | | F568 | 10-24 Flange Top Lock Nut | | 4 |
| | | | | F601 | 1/4-20 x 3/8 Torx Button Head | | 8 |
| | | | | F602 | 1/4-20 x 1/4 T-Nut | | 8 |
| | | | | * Service Part Only | | | |
| | | | | ** Item(s) used on the HD version of standard gearboxes. The HD cast iron gearboxes are interchangeable with standard aluminum gearboxes. | | | |
| | | | | *** Used on HD gearbox configuration. | | | |
| | | | | Δ Used on standard aluminum gearbox configuration. | | | |

DC48 DECK ASSEMBLY

INCL. OPTIONAL HD GEARBOXES

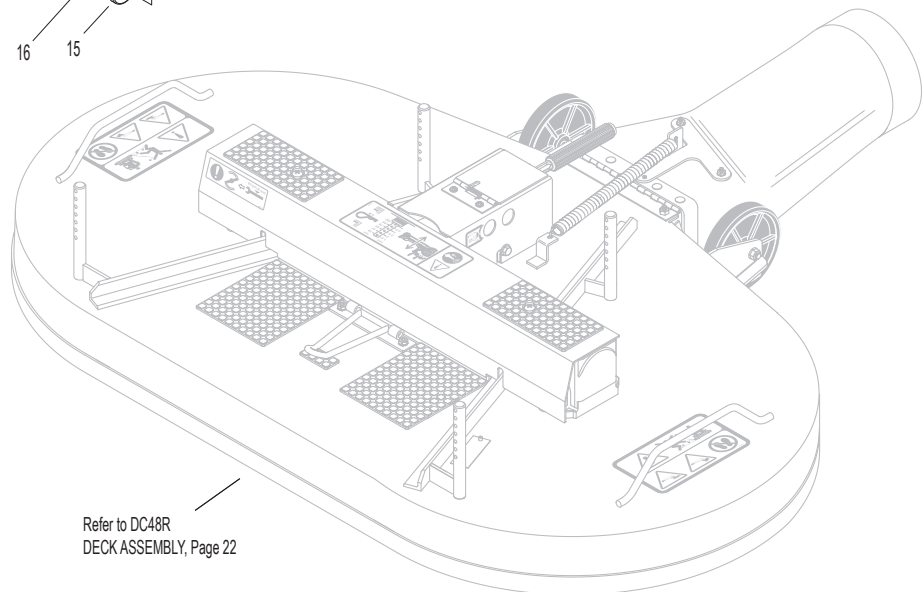
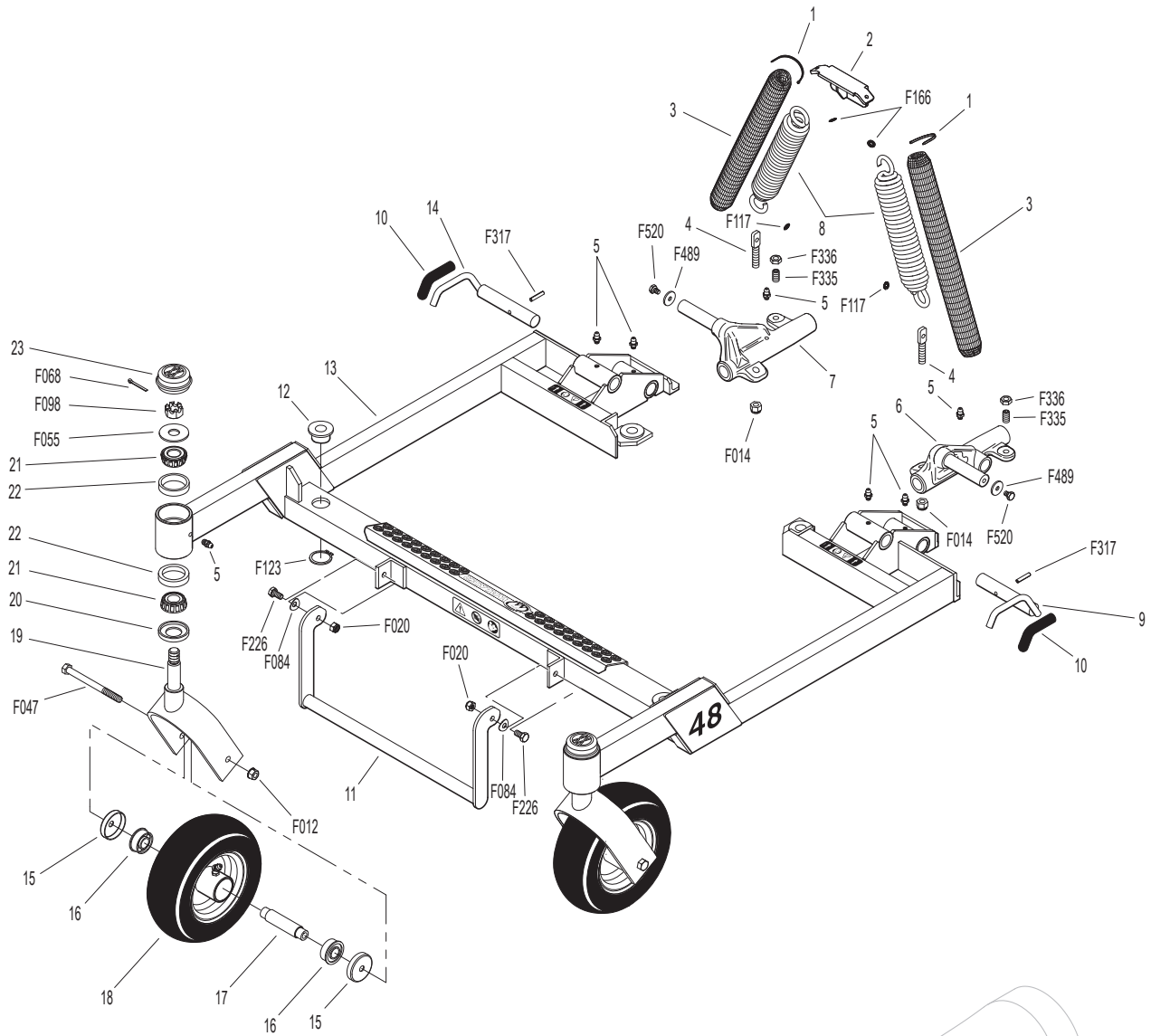


Effective Date 12-04-18
 Use only genuine Walker® replacement parts.

48R INCH COMPLETE CARRIER FRAME ASSEMBLY

| ITEM NO. | PART NO. | DESCRIPTION | NO. REQ'D | ITEM NO. | PART NO. | DESCRIPTION | NO. REQ'D |
|--|----------|---|-----------|---------------------|----------|----------------------------|-----------|
| Spring and Pivot Mount Components | | | | Fasteners | | | |
| 1 | 5975-3 | Cable Tie (50# x 7") | 4 | F012 | | 3/8-16 Keps Nut | 2 |
| 2 | 5744-1 | Spring Clip Bracket | 1 | F014 | | 3/8-16 ESNA Nut | 2 |
| 3 | 5743-1 | Spring Cover | 2 | F020 | | 5/16-18 ESNA Nut | 2 |
| 4 | 5743-3 | Eyebolt (3/8-16 x 2) | 2 | F047 | | 3/8-16 x 4-1/2 Hex Bolt | 2 |
| 5 | 5830 | Grease Fitting | 8 | F055 | | 5/8 SAE Washer | 2 |
| 6 | 8667-3 | Pivot Mount Assembly, LH/Adj. (Includes Items # 5, F014, F489 & F520) | * | F068 | | 1/8 x 1 Cotter Pin | 2 |
| 7 | 8667-4 | Pivot Mount Assembly, RH/Adj. (Includes Items # 5, F014, F489 & F520) | * | F084 | | 5/16 Wave Spring Washer | 2 |
| 8 | 5743-6 | Extension Spring (1-1/2 x 7-3/4) (Includes Items # 1, F117 & F166) | 2 | F098 | | 5/8-18 Slotted Hex Nut | 2 |
| Carrier Frame Components | | | | F117 | | Retainer Ring | 2 |
| 9 | 8674-11 | Lever, Deck Lock, LH | 1 | F123 | | 1" External Snap Ring | 4 |
| 10 | 7406-1 | Handle Grip (Red) | 2 | F166 | | Retainer Ring | 2 |
| 11 | 8669-5 | Lift Handle | 1 | F226 | | 5/16-18 x 7/8 Hex Bolt | 2 |
| 12 | 5740-2 | Deck Pin Bushing (5/8) | 4 | F317 | | 3/16 x 1 Split Spring Pin | 2 |
| 13 | 8661-7 | 48R Carrier Frame (Less Pivots) | 1 | F335 | | 3/8-16 x 7/8 Set Screw, SS | 2 |
| | 8661-6 | 48R Carrier Frame W/Forks (Less Pivots) (Includes Items # 19-21, 23, F055, F068 & F098) | * | F336 | | 3/8-16 Jam Nut | 2 |
| 14 | 8674-10 | Lever, Deck Lock, RH | 1 | F489 | | Washer 1/4 x 7/8 x .090 | 2 |
| Caster Wheel Components | | | | F520 | | 1/4-28 x 3/8 Hex Bolt | 2 |
| 15 | 8769-11 | Bearing Cup (3/8 ID) | 4 | * Service Part Only | | | |
| 16 | 5714-11 | Bearing | 4 | | | | |
| 17 | 5714-10 | Axle Tube (3.417) | 2 | | | | |
| 18 | 5715-23 | Caster Wheel & Tire/No-Flat (8 x 3.00-4) W/Cups (Includes Items # 15-17) | 2 | | | | |
| | 5715-16 | Tire, Caster Wheel/No-Flat (8 x 3.00-4) | * | | | | |
| 19 | 5770-1 | Caster Wheel Fork | 2 | | | | |
| 20 | 8768-1 | Seal (1-3/4 x 1-1/8) | 2 | | | | |
| 21 | 8037 | Bearing Cone (3/4 ID) | 4 | | | | |
| 22 | 8769-1 | Bearing Cup (1-3/4 x 1-7/16) | 4 | | | | |
| 23 | 8769-10 | Dust Cap, Deck Caster | 2 | | | | |

48R INCH COMPLETE CARRIER FRAME ASSEMBLY



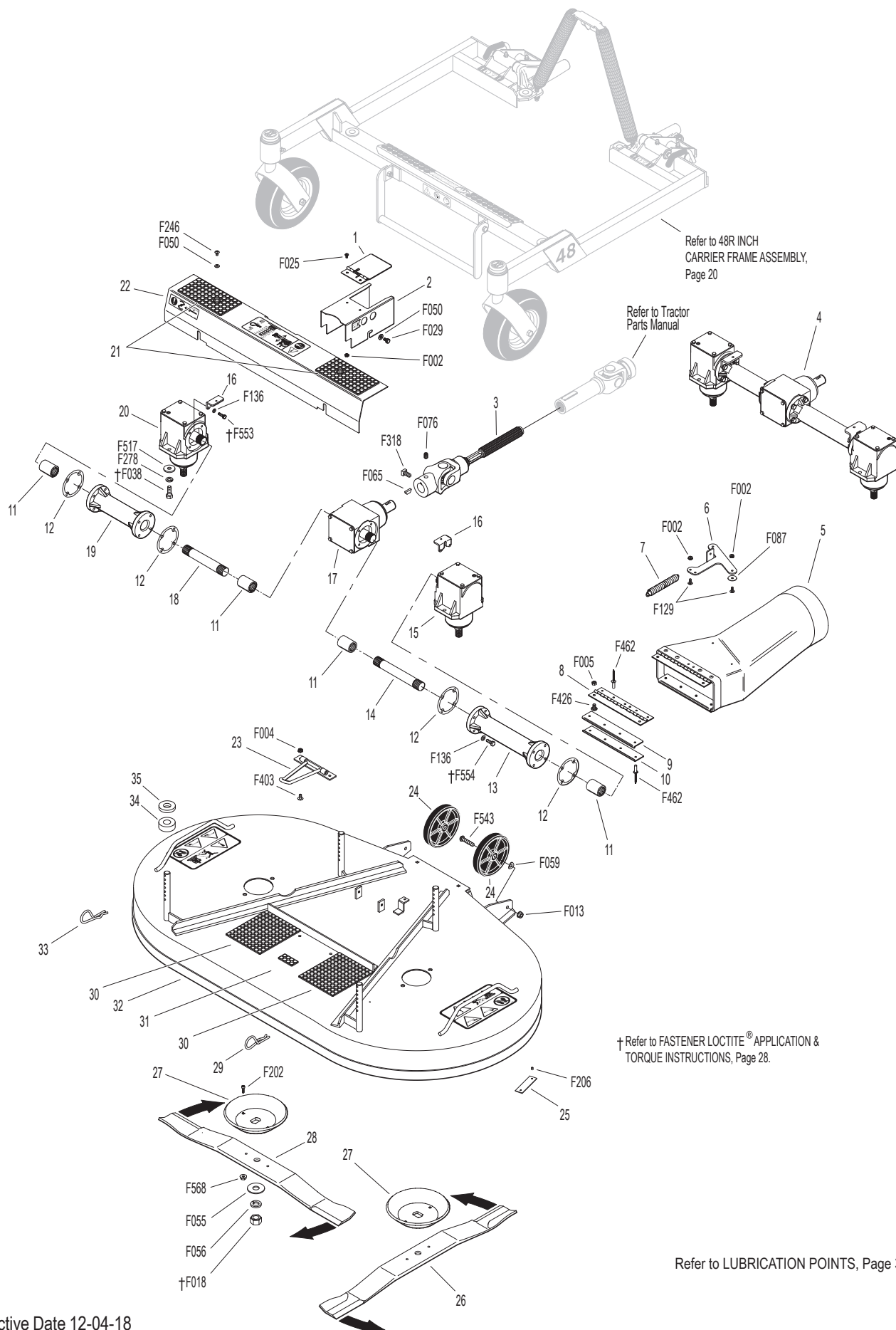
Refer to DC48R
DECK ASSEMBLY, Page 22

Refer to LUBRICATION POINTS, Page 30.

DC48R DECK ASSEMBLY

| ITEM NO. | PART NO. | DESCRIPTION | NO. REQ'D | ITEM NO. | PART NO. | DESCRIPTION | NO. REQ'D |
|-------------------------------------|----------|--|-----------|---------------------|--|--|-----------|
| Gearbox and Drive Components | | | | 27 | 5706 | Blade Hub & Trash Guard | 2 |
| 1 | 8618-1 | Cover, PTO Shaft Guard | 1 | 28 | 7705-1 | Blade, 25" (RH Rotation) | 1 |
| 2 | 8619 | PTO Shaft Guard | 1 | 29 | 7775-1 | Hitch Pin, LH (Silver) #6 | 2 |
| | 8618 | PTO Shaft Guard Assembly (Includes Items # 1, 2, F002 & F025) | * | 30 | 8735-10 | Rubber Mat (5 x 6) | 2 |
| 3 | 7285-5 | U-Joint Shaft Assembly, Spline (Keyed) (Includes Items # F065, F076 & F318) | 1 | 31 | 8788-1 | Rubber Mat (1 x 2) | 1 |
| 4 | 6711-9 | HD Gearbox and Tube Assembly (Includes Items # 11-19, F136, F553 & F554) | 1 | 32 | 7702-6 | 48R GHS Deck Housing (Includes Items # 30 & 31) | 1 |
| 5 | 5794 | Discharge Chute W/O Spring Mount (Includes Items # 5, 8-10 & F462) | 1 | 33 | 7775-2 | Hitch Pin, RH (Gold) #6 | 2 |
| | 5794-1 | Discharge Chute With Spring Mount (Includes Items # 5, 6, 8-10 & F462) | * | 34 | 7434-1 | Washer 1-3/8 x 5/8-1/2 Thick | 4 |
| 6 | 8678 | Spring Mount, Chute | 1 | 35 | 5727-1 | Washer Shim (5/8 ID) | 4 |
| 7 | 8677 | Extension Spring (1 x 6-1/16) | 1 | Fasteners | | | |
| 8 | 5726 | Chute Hinge (2 x 8) | 1 | F002 | 10-24 Keps Nut | | 6 |
| 9 | 5755-2 | Chute Lip, Top | 1 | F004 | 1/4-20 Keps Nut | | 2 |
| 10 | 5755-3 | Chute Lip, Bottom | 1 | F005 | 1/4-20 ESNA Nut | | 2 |
| 11 | 6054 | Spline Coupling | 4 | F013 | 3/8-16 Whiz Locknut | | 2 |
| 12 | P007 | Gasket, Cap (Peerless #788030) | 4 | F018 | 5/8-18 Hex Nut | | 2 |
| 13 | 5066 | Gearbox Connector Tube (9-5/16) | 1 | F025 | 10-24 x 3/8 PPHMS | | 2 |
| 14 | 6733-6 | Connecting Shaft (7") | 1 | F029 | 1/4-20 x 1/2 Hex Bolt | | 2 |
| 15 | 5053-13 | HD Gearbox (1:1) CW-CW | 1 | F038 | 3/8-16 x 1 Hex Bolt | | 4 |
| 16 | 5704-1 | Gearbox Cover Support | 2 | F050 | 1/4 SAE Washer | | 4 |
| 17 | 7751-18 | HD Tee Gearbox, Keyed (1.2:1) Input (CW-CCW & CW) | 1 | F055 | 5/8 SAE Washer | | 2 |
| 18 | 6733-2 | Connecting Shaft (4-1/8) | 1 | F056 | 5/8 Split Lock Washer | | 2 |
| 19 | 5061 | Gearbox Connector Tube (6-11/16) | 1 | F059 | 3/8 Wave Spring Washer | | 2 |
| 20 | 5052-13 | HD Gearbox (1:1) CCW-CCW | 1 | F065 | 3/16 x 3/4 Woodruff Key (#606) | | 1 |
| 21 | 5747-12 | Rubber Mat (3 x 6) | 2 | F076 | 3/8-16 x 5/8 SQH Set Screw | | 1 |
| 22 | 7785-3 | 48" Gearbox Cover (Includes Item # 21) | 1 | F087 | #10 x 7/8 Fender Washer | | 2 |
| Deck Housing Components | | | | F129 | 10-24 x 1/2 PTHMS | | 4 |
| 23 | 8670-9 | Tilt-Up Hook | 1 | F136 | AN960C416L Washer | | 16 |
| 24 | 5162-12 | Roller Wheel (5" Poly) (Includes Items # F013, F059 & F543) | 2 | F202 | 10-24 x 5/8 SHC Screw, GR5 SS | | 4 |
| 25 | NS | Deck Serial Number Plate | 1 | F206 | #2 x 3/16 Drive Pin | | 2 |
| 26 | 7705-2 | Blade, 25" (LH Rotation) | 1 | F246 | 1/4-20 x 1/2 PTHMS | | 2 |
| | 7705-3 | 48 GHS Blade Set With Hubs (Includes Items # 26-28, F202 & F568) | * | F278 | 3/8 Split Lock Washer | | 4 |
| | | | | F318 | 3/8-16 x 3/4 SQH Set Screw | | 1 |
| | | | | F403 | 1/4-20 x 1/2 PTHMS, SS | | 2 |
| | | | | F426 | 1/4-20 x 1/2 Carriage Bolt | | 2 |
| | | | | F462 | 3/16 x .468 (+/- .010) Semi-Tube Rivet | | 8 |
| | | | | F517 | Washer 3/8 x 1-1/8 x 1/8 | | 4 |
| | | | | F543 | 3/8-16 x 1-1/2 BH Cap Screw | | 2 |
| | | | | F553 | 1/4-20 x 1 Hex Bolt W/Loctite | | 4 |
| | | | | F554 | 1/4-20 x 7/8 Hex Bolt W/Loctite | | 12 |
| | | | | F568 | 10-24 Flange Top Lock Nut | | 4 |
| | | | | * Service Part Only | | | |

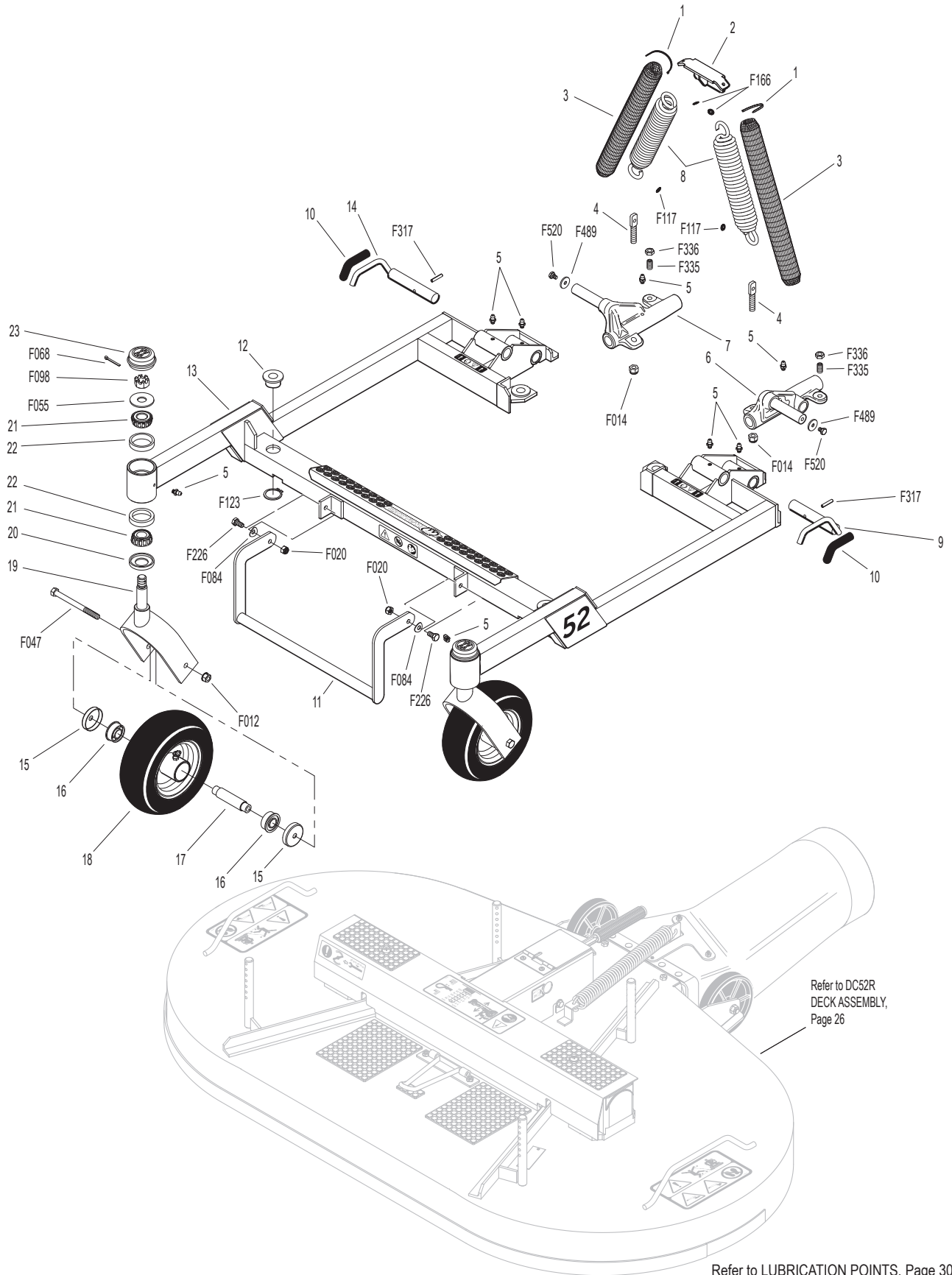
DC48R DECK ASSEMBLY



52R INCH COMPLETE CARRIER FRAME ASSEMBLY

| ITEM NO. | PART NO. | DESCRIPTION | NO. REQ'D | ITEM NO. | PART NO. | DESCRIPTION | NO. REQ'D |
|--|----------|--|-----------|---------------------|----------|----------------------------|-----------|
| Spring and Pivot Mount Components | | | | Fasteners | | | |
| 1 | 5975-3 | Cable Tie (50# x 7") | 4 | F012 | | 3/8-16 Keps Nut | 2 |
| 2 | 5744-1 | Spring Clip Bracket | 1 | F014 | | 3/8-16 ESNA Nut | 2 |
| 3 | 5743-1 | Spring Cover | 2 | F020 | | 5/16-18 ESNA Nut | 2 |
| 4 | 5743-3 | Eyebolt (3/8-16 x 2) | 2 | F047 | | 3/8-16 x 4-1/2 Hex Bolt | 2 |
| 5 | 5830 | Grease Fitting | 8 | F055 | | 5/8 SAE Washer | 2 |
| 6 | 8667-3 | Pivot Mount Assembly, LH/Adj. (Includes Items # 5, F014, F489 & F520) | * | F068 | | 1/8 x 1 Cotter Pin | 2 |
| 7 | 8667-4 | Pivot Mount Assembly, RH/Adj. (Includes Items # 5, F014, F489 & F520) | * | F084 | | 5/16 Wave Spring Washer | 2 |
| 8 | 5743-6 | Extension Spring (1-1/2 x 7-3/4) (Includes Items # 1, F117 & F166) | 2 | F098 | | 5/8-18 Slotted Hex Nut | 2 |
| Carrier Frame Components | | | | F117 | | Retainer Ring | 2 |
| 9 | 8674-11 | Lever, Deck Lock, LH | 1 | F123 | | 1" External Snap Ring | 4 |
| 10 | 7406-1 | Handle Grip (Red) | 2 | F166 | | Retainer Ring | 2 |
| 11 | 8669-4 | Lift Handle | 1 | F226 | | 5/16-18 x 7/8 Hex Bolt | 2 |
| 12 | 5740-2 | Deck Pin Bushing (5/8) | 4 | F317 | | 3/16 x 1 Split Spring Pin | 2 |
| 13 | 8811-3 | 52GHS Carrier Frame | 1 | F335 | | 3/8-16 x 7/8 Set Screw, SS | 2 |
| | 8811-2 | 52GHS Carrier Frame W/Pivots (Includes Items # 19-21, 23, F055, F068 & F098) | * | F336 | | 3/8-16 Jam Nut | 2 |
| 14 | 8674-10 | Lever, Deck Lock, RH | 1 | F489 | | Washer 1/4 x 7/8 x .090 | 2 |
| Caster Wheel Components | | | | F520 | | 1/4-28 x 3/8 Hex Bolt | 2 |
| 15 | 8769-11 | Bearing Cup (3/8 ID) | 4 | * Service Part Only | | | |
| 16 | 5714-11 | Bearing | 4 | | | | |
| 17 | 5714-10 | Axle Tube (3.417) | 2 | | | | |
| 18 | 5715-23 | Caster Wheel & Tire/No-Flat (8 x 3.00-4) W/Cups (Includes Items # 15-17) | 2 | | | | |
| | 5715-16 | Tire, Caster Wheel/No-Flat (8 x 3.00-4) | * | | | | |
| 19 | 5770-1 | Caster Wheel Fork | 2 | | | | |
| 20 | 8768-1 | Seal (1-3/4 x 1-1/8) | 2 | | | | |
| 21 | 8037 | Bearing Cone (3/4 ID) | 4 | | | | |
| 22 | 8769-1 | Bearing Cup (1-3/4 x 1-7/16) | 4 | | | | |
| 23 | 8769-10 | Dust Cap, Deck Caster | 2 | | | | |

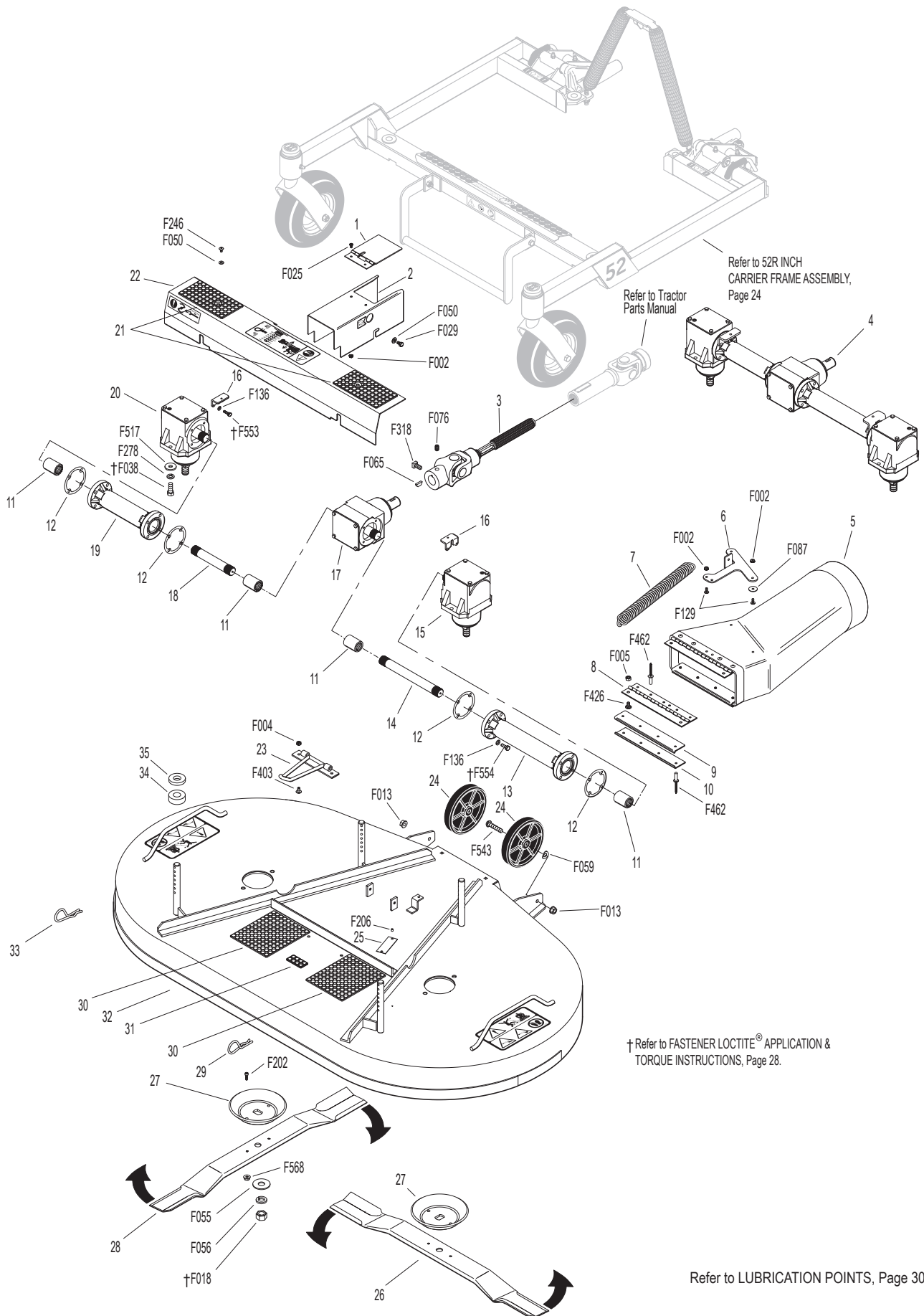
52R INCH COMPLETE CARRIER FRAME ASSEMBLY



DC52R DECK ASSEMBLY

| ITEM NO. | PART NO. | DESCRIPTION | NO. REQ'D | ITEM NO. | PART NO. | DESCRIPTION | NO. REQ'D |
|-------------------------------------|----------|--|-----------|---------------------|--|---|-----------|
| Gearbox and Drive Components | | | | 29 | 7775-1 | Hitch Pin, LH (Silver) #6 | 2 |
| 1 | 8618-1 | Cover, PTO Shaft Guard | 1 | 30 | 8735-10 | Rubber Mat (5 x 6) | 2 |
| 2 | 8619-3 | PTO Shaft Guard, 52GHS | 1 | 31 | 8788-1 | Rubber Mat (1 x 2) | 1 |
| | 8618-4 | PTO Shaft Guard Assembly/52 (Includes Items # 1, 2, F002 & F025) | * | 32 | 8810-2 | 52 GHS Deck Housing (Includes Items # 30 & 31) | 1 |
| 3 | 7285-5 | U-Joint Shaft Assembly, Spline (Keyed) (Includes Items # F065, F076 & F318) | 1 | 33 | 7775-2 | Hitch Pin, RH (Gold) #6 | 2 |
| 4 | 6711-14 | DC52R Gearbox and Tube Assembly (Includes Items # 11-20, F136, F553 & F554) | 1 | 34 | 7434-1 | Washer 1-3/8 x 5/8-1/2 Thick | 4 |
| 5 | 5794 | Discharge Chute W/O Spring Mount (Includes Items # 5, 8-10 & F462) | 1 | 35 | 5727-1 | Washer Shim (5/8 ID) | 4 |
| | 5794-1 | Discharge Chute With Spring Mount (Includes Items # 5, 6, 8-10 & F462) | * | Fasteners | | | |
| 6 | 8678 | Spring Mount, Chute | 1 | F002 | 10-24 Keps Nut | | 6 |
| 7 | 8677 | Extension Spring (1 x 6-1/16) | 1 | F004 | 1/4-20 Keps Nut | | 2 |
| 8 | 5726 | Chute Hinge (2 x 8) | 1 | F005 | 1/4-20 ESNA Nut | | 2 |
| 9 | 5755-2 | Chute Lip, Top | 1 | F013 | 3/8-16 Whiz Locknut | | 2 |
| 10 | 5755-3 | Chute Lip, Bottom | 1 | F018 | 5/8-18 Hex Nut | | 2 |
| 11 | 6054 | Spline Coupling | 4 | F025 | 10-24 x 3/8 PPHMS | | 2 |
| 12 | P007 | Gasket, Cap (Peerless #788030) | 4 | F029 | 1/4-20 x 1/2 Hex Bolt | | 2 |
| 13 | 5068-3 | Connector Tube (10-5/16) | 1 | F038 | 3/8-16 x 1 Hex Bolt | | 4 |
| 14 | 6733-10 | Connecting Shaft (8-1/32) | 1 | F050 | 1/4 SAE Washer | | 4 |
| 15 | 5053-13 | Gearbox, HD (1:1) CW-CW | 1 | F055 | 5/8 SAE Washer | | 2 |
| 16 | 5704-1 | Gearbox Cover Support | 2 | F056 | 5/8 Split Lock Washer | | 2 |
| 17 | 7751-18 | HD Tee Gearbox, Keyed (1.2:1) Input (CW-CCW & CW) | 1 | F059 | 3/8 Wave Spring Washer | | 2 |
| 18 | 6733-4 | Connecting Shaft (5-5/16) | 1 | F065 | 3/16 x 3/4 Woodruff Key (#606) | | 1 |
| 19 | 5065 | Connector Tube (7-11/16) | 1 | F076 | 3/8-16 x 5/8 SQH Set Screw | | 1 |
| 20 | 5052-13 | Gearbox, HD (1:1) CCW-CCW | 1 | F087 | #10 x 7/8 Fender Washer | | 2 |
| 21 | 5747-12 | Rubber Mat (3 x 6) | 2 | F129 | 10-24 x 1/2 PTHMS | | 4 |
| 22 | 6786-2 | 52 GHS Gearbox Cover (Includes Item # 21) | 1 | F136 | AN960C416L Washer | | 16 |
| Deck Housing Components | | | | F202 | 10-24 x 5/8 SHC Screw, GR5 SS | | 4 |
| 23 | 8670-9 | Tilt-Up Hook | 1 | F206 | #2 x 3/16 Drive Pin | | 2 |
| 24 | 5162-12 | Roller Wheel (5" Poly) (Includes Items # F013, F059 & F543) | 2 | F246 | 1/4-20 x 1/2 PTHMS | | 2 |
| 25 | NS | Deck Serial Number Plate | 1 | F278 | 3/8 Split Lock Washer | | 4 |
| 26 | 7705-7 | Blade 27" (LH Rotation) | 1 | F318 | 3/8-16 x 3/4 SQH Set Screw | | 1 |
| 27 | 5706 | Blade Hub & Trash Guard | 2 | F403 | 1/4-20 x 1/2 PTHMS, SS | | 2 |
| 28 | 7705-6 | Blade 27" (RH Rotation) | 1 | F426 | 1/4-20 x 1/2 Carriage Bolt | | 2 |
| | 7705-9 | 52 GHS Blade Set With Hubs (Includes Items # 26-28, F202 & F568) | * | F462 | 3/16 x .468 (+/- .010) Semi-Tube Rivet | | 8 |
| | | | | F517 | Washer 3/8 x 1-1/8 x 1/8 | | 4 |
| | | | | F543 | 3/8-16 x 1-1/2 BH Cap Screw | | 2 |
| | | | | F553 | 1/4-20 x 1 Hex Bolt W/Loctite | | 4 |
| | | | | F554 | 1/4-20 x 7/8 Hex Bolt W/Loctite | | 12 |
| | | | | F568 | 10-24 Flange Top Lock Nut | | 4 |
| | | | | * Service Part Only | | | |

DC52R DECK ASSEMBLY



FASTENER LOCTITE® APPLICATION & TORQUE INSTRUCTIONS

| ITEM NO. | DESCRIPTION |
|----------|-------------|
|----------|-------------|

DC HD Gear Drive Assemblies

- 1 **Apply** Loctite® Threadlocker # 242 (Blue) to P/N F038 (3/8-16 x 1 Hex Bolt, used on Gearbox Mounting Hardware) prior to assembly. Torque to 115 lb·in. (13.0 N·m).
- 2 **Torque** P/N F553 (1/4-20 x 1 Hex Bolt W/Loctite, used on Gearbox Connector Tubes) and F554 (1/4-20 x 7/8 Hex Bolt W/Loctite, used on Gearbox Connector Tubes) to 115 lb·in. (13.0 N·m).

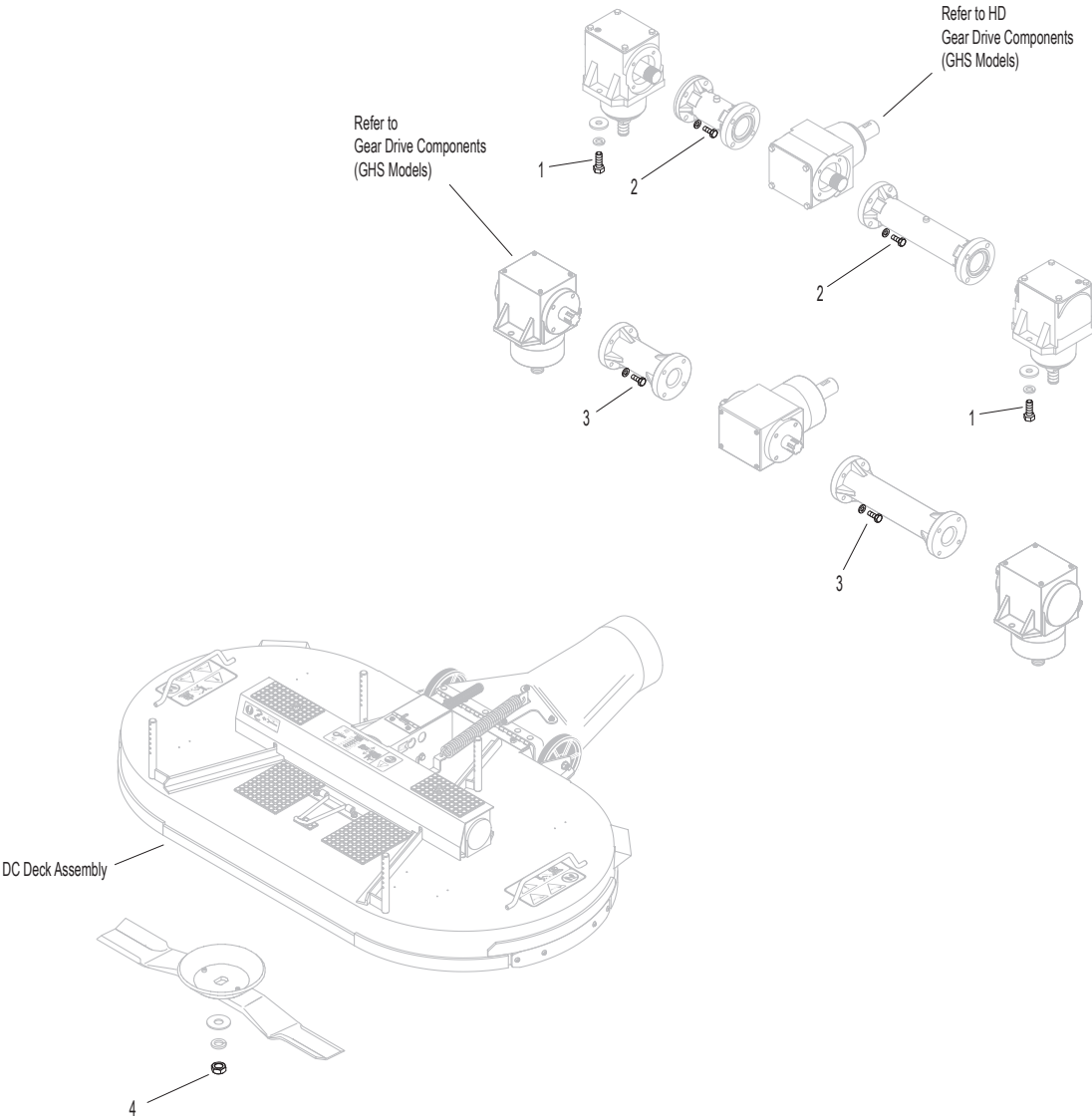
| ITEM NO. | DESCRIPTION |
|----------|-------------|
|----------|-------------|

DC Deck Assembly

- 3 **Torque** P/N F553 (1/4-20 x 1 Hex Bolt W/Loctite, used on Gearbox Connector Tubes) and F554 (1/4-20 x 7/8 Hex Bolt W/Loctite, used on Gearbox Connector Tubes) to 90 lb·in. (10.2 N·m).
- 4 **Torque** P/N F018 (5/8-18 Hex Nut) to 60 lb·ft (81.4 N·m). **DO NOT** apply Loctite®.

NOTE: Model DC48 is shown here. Refer to individual deck assemblies for exact locations and quantities of items listed above.

FASTENER LOCTITE® APPLICATION & TORQUE INSTRUCTIONS



LUBRICATION POINTS

| ITEM NO. | LOCATION | LUBRICATION TYPE | NO. PLACES |
|----------|----------|------------------|------------|
|----------|----------|------------------|------------|

| ITEM NO. | LOCATION | LUBRICATION TYPE | NO. PLACES |
|----------|----------|------------------|------------|
|----------|----------|------------------|------------|

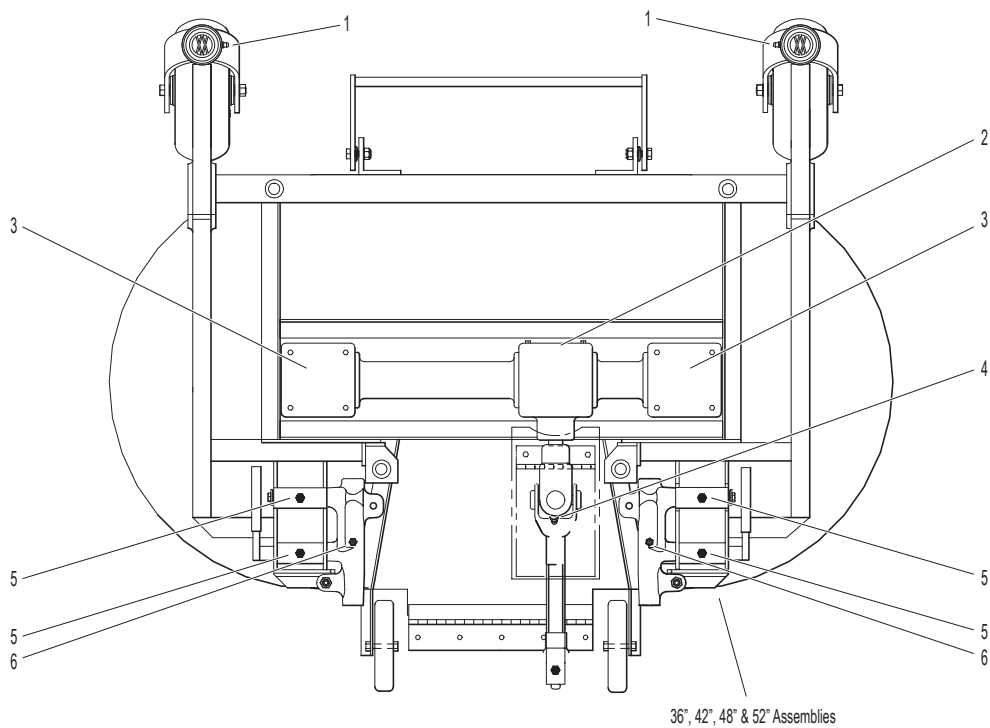
36", 42", 48" & 52" Assemblies

| | | | |
|---|--------------------------------|----------|---|
| 1 | Deck Caster Wheel Fork Pivot | Grease | 2 |
| 2 | Tee Gearbox, Deck | Oil* | 1 |
| 3 | Blade Drive Gearbox | Oil* | 2 |
| 4 | Universal Joint Shaft Assembly | Grease** | 1 |
| 5 | Pivot Assembly, Tilt-Up Deck | Grease | 4 |
| 6 | Deck Support Arm Socket | Grease | 2 |

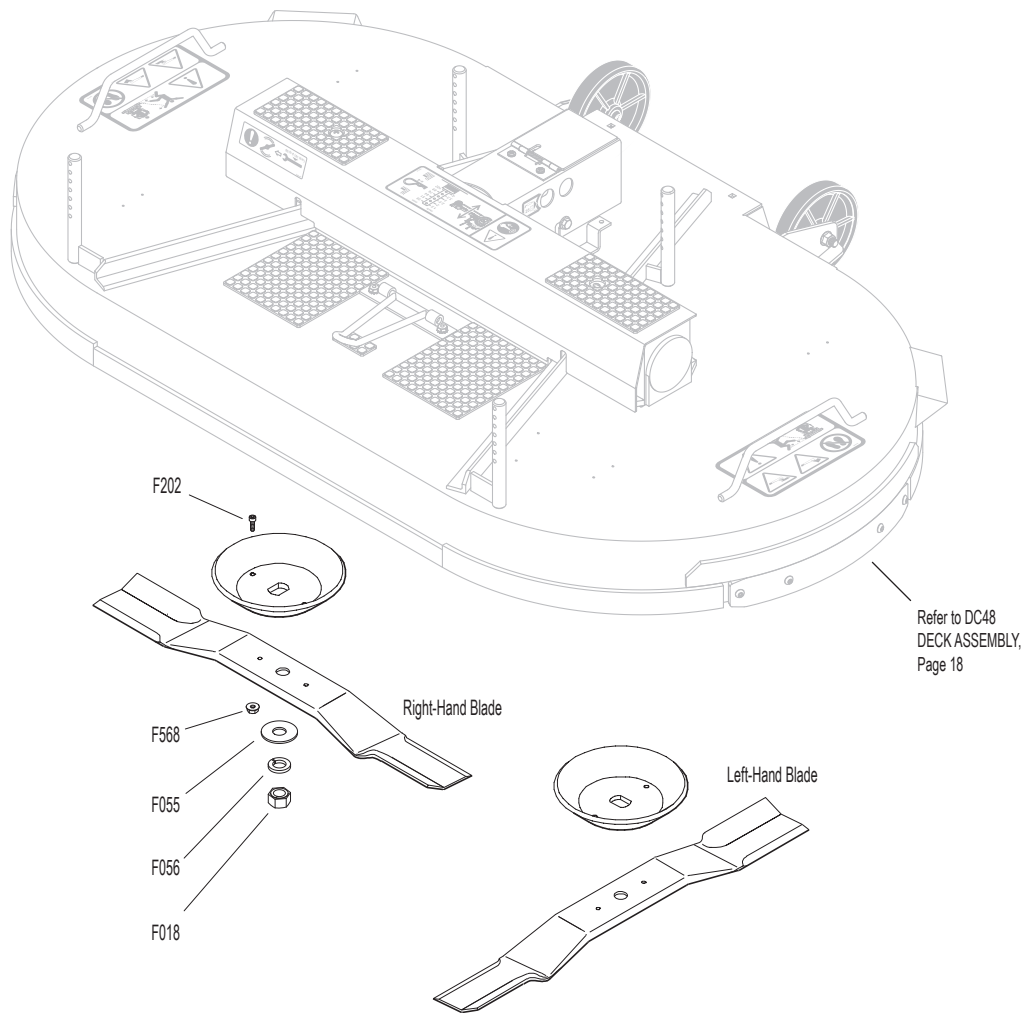
* Gearboxes are permanently lubricated and sealed requiring no scheduled lubrication. Oil level should be checked only when an oil leak is noted.

** Grease every 25 hours.

NOTE: Exact location of some Lubrication Points may vary slightly from those shown in the illustration. Decks shown in the illustration are for reference only; for further information on location of parts not shown here, refer to the parts listings for individual Carrier Frames and Deck Assemblies.



BLADE USAGE CHART



| TWO BLADE DECKS | RH BLADE | LH BLADE | BLADE SET |
|-----------------|----------|----------|-----------|
| DC36R | 5705-36 | 5705-35 | |
| DC42 | 5705-4 | 5705-3 | 5705-8 |
| DC42R | 5705-3 | 5705-4 | 5705-8 |
| DC48 | 7705-2 | 7705-1 | 7705-3 |
| DC48R | 7705-1 | 7705-2 | 7705-3 |
| DC52R | 7705-6 | 7705-7 | 7705-9 |

Right hand and left hand orientated with operator on seat.

All blade sets include 5706 (Blade Hub & Trash Guard), F202 & F568 unless otherwise specified.

MAINTENANCE AND SERVICE RECORD SHEET

| DATE | SERVICE ITEM | ENGINE HOURS |
|------|-----------------|-----------------|
| | | |
| | | |
| | | |
| | | |
| | | |
| | | |
| | | |
| | | |
| | | |
| | | |
| | | |
| | | |
| | | |
| | | |
| | | |
| | | |
| | | |
| | | |
| | | |
| | | |
| | | |

| DECK / TRACTOR COMPATIBILITY CHART | | | | | | |
|---|--|------|-------|------|-------|-------|
| | DC36R | DC42 | DC42R | DC48 | DC48R | DC52R |
| S14 GHS | * | X | X | | | |
| S14i GHS | * | X | X | | | |
| S18 GHS | * | X | X | | X | |
| C19 GHS | * | X | X | X | X | X |
| C19i GHS | * | X | X | X | X | X |
| T23 GHS | * | X | X | X | X | X |
| T25i GHS | * | X | X | X | X | X |
| T27i GHS | * | X | X | X | X | X |
| T30i GHS | * | X | X | X | X | X |
| D21d GHS | * | X | X | X | X | X |
| X * | Deck and tractor are fully compatible. Requires narrow drive tires. | | | | | |

LIMITED WARRANTY FOR WALKER COMMERCIAL RIDER MOWER

1. WHAT THIS WARRANTY COVERS, AND FOR HOW LONG:

Walker Manufacturing company will, at its option, repair or replace, without charge, any part covered by this warranty which is found to be defective in material and/or workmanship within two (2) years after the date of sale to the original retail purchaser unless the product is used for rental purposes, in which case this warranty is limited to ninety (90) days. At Walker's request, customer will make the defective part available for inspection by Walker and/or return the defective part to Walker, transportation charges prepaid. All parts and components of the Walker Mower are covered by this warranty.

2. WHAT THIS WARRANTY DOES NOT COVER:

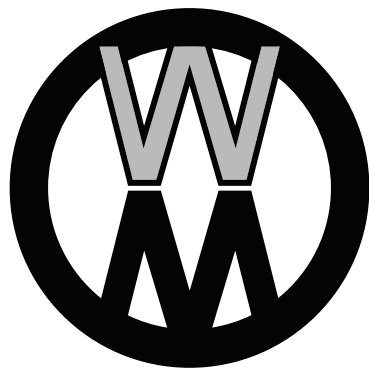
- A. This warranty does not cover defects caused by depreciation or damage caused by normal wear, accidents, improper maintenance, improper use or abuse of the product, alterations, or failure to follow the instructions contained in the Operator's Manual for operation and maintenance.
- B. The customer shall pay any charges for making service calls and/or for transporting the mower to and from the place where the inspection and/or warranty work is performed.

3. HOW TO OBTAIN SERVICE UNDER THIS WARRANTY:

Warranty service can be arranged by contacting the dealer where you purchased the mower or by contacting Walker Manufacturing Company, 5925 East Harmony Road, Ft. Collins, CO 80528. Proof of the date of purchase may be required to verify warranty coverage.

4. WARRANTY LIMITATION:

- A. **THERE IS NO OTHER EXPRESS WARRANTY. ANY WARRANTY THAT MAY BE IMPLIED FROM THIS PURCHASE INCLUDING MERCHANTABILITY AND FITNESS FOR A PARTICULAR PURPOSE IS HEREBY LIMITED TO THE DURATION OF THIS WARRANTY AND TO THE EXTENT PERMITTED BY LAW ANY AND ALL IMPLIED WARRANTIES ARE EXCLUDED.** Some states do not allow limitations on how long an implied warranty lasts, so the above limitations may not apply to you.
- B. **WALKER WILL NOT BE LIABLE FOR ANY INCIDENTAL, CONSEQUENTIAL, OR SPECIAL DAMAGES AND/OR EXPENSES IN CONNECTION WITH THE PURCHASE OR USE OF THE MOWER.** Some states do not allow the exclusion or limitation of incidental or consequential damages, so the above limitation(s) or exclusion(s) may not apply to you.
- C. Only the warranty expressed in this limited warranty shall apply and no dealer, distributor, or individual is authorized to amend, modify, or extend this warranty in any way. Accordingly, additional statements such as dealer advertising or presentations, whether oral or written, do not constitute warranties by Walker, and should not be relied upon.
- D. This warranty gives you specific legal rights, and you may also have other rights which vary from state to state.



WALKER

WALKER MFG. CO. • 5925 E. HARMONY ROAD, FORT COLLINS, CO 80528 • (970) 221-5614
FORM NO. 111219 PRINTED IN USA www.walker.com ©2019 WALKER MFG. CO