

KBD-RACK



Security Systems

EN | Instruction Manual
Rack Mount Kit

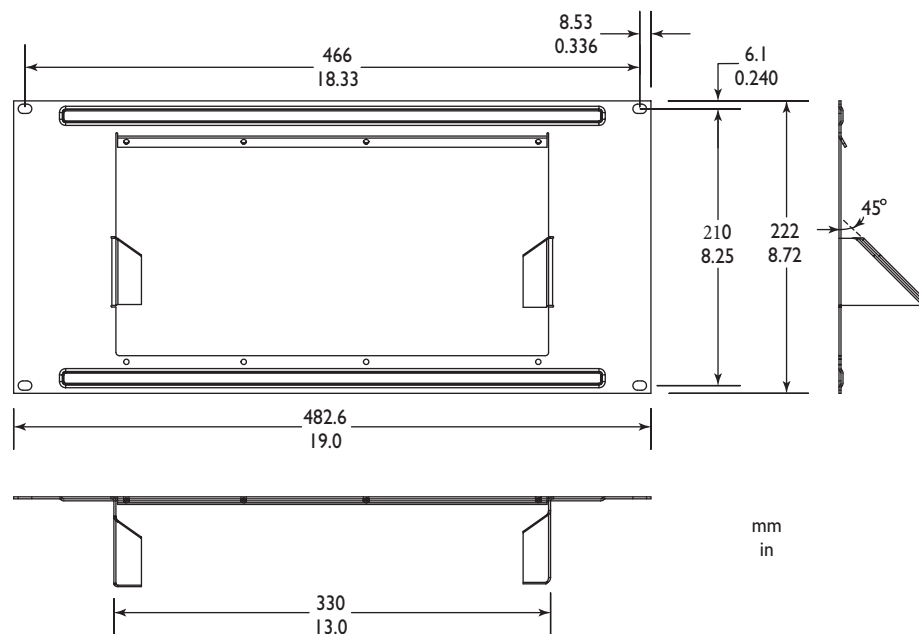
BOSCH

FOR RACK MOUNTING INTUIKEY SERIES KEYBOARDS (KBD-UNIVERSAL, KBD-DIGITAL, AND KBD-MUX)

1 UNPACKING

Check for the following items:

- Mounting Panel (1)
- Accessory Kit:
 - 6-18 x 7/8-inch thread forming screw (4)
 - #6 external tooth lockwasher (4)
 - 10-32 x 5/8-inch machine screw (4)
 - 10-32 capture nut fastener (4)

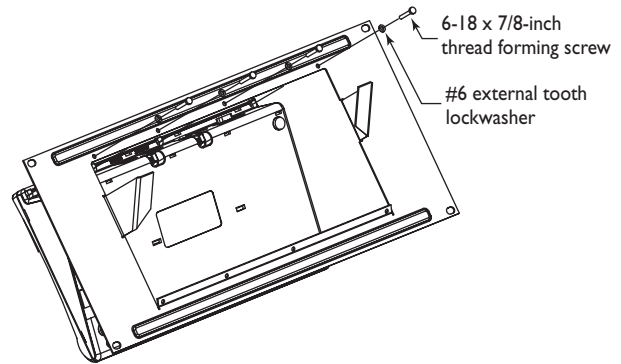
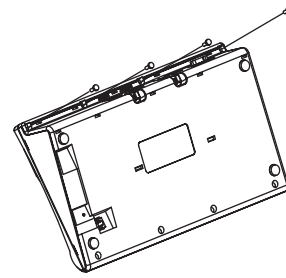


Tools Required (Not Included)

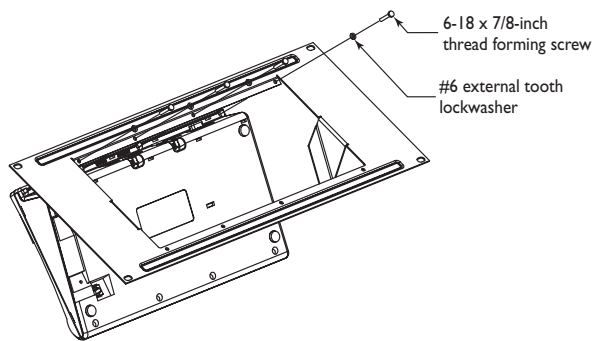
Small and medium sized Phillips screwdrivers.

2 INSTALLATION

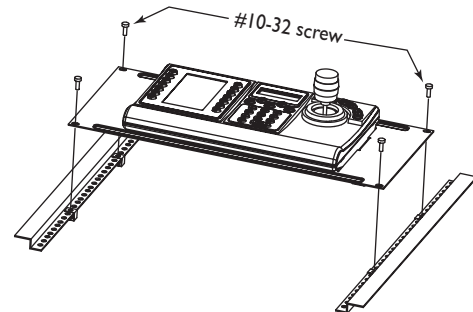
1. Remove the four (4) machine screws located along the back edge of the keyboard bottom as shown in the figure at right.
2. Position the mounting panel over the keyboard. Align the screw holes on the back edge of the keyboard bottom with the mounting holes corresponding to the desired keyboard orientation.
3. Attach the keyboard to the mounting panel with the four (4) 6-18 x 7/8-inch thread forming screws and lockwashers as shown in the respective figure.



Horizontal and Vertical Positions

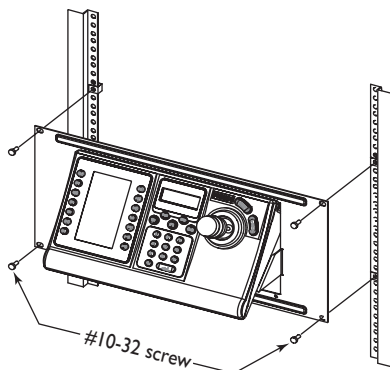


4. Plug the keyboard cord into the modular jack connection located at the back edge of the keyboard bottom.
5. Align the panel mounting holes with those on a rack at the desired mounting location. Secure the assembly with the four (4) 10-32 machine screws.

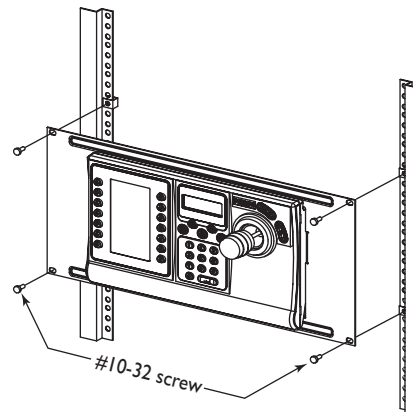


Horizontal Position

NOTE: If the rack does not have threaded mounting holes, clip the four (4) 10-32 captured nut fasteners over the corresponding mounting hole locations.



Inclined Vertical Position



Vertical Position

Bosch Security Systems, Inc.
1706 Hempstead Road
Lancaster, PA 17601 EE.UU.
Tel: 800-326-3270
Fax: 1-717-735-6560
www.boschsecuritysystems.com

Robert Bosch GmbH
Geschäftsbereich
Postfach 10 60 50
70049 Stuttgart
Telefax (07 11) 8 11-12 34

Bosch Security Systems B.V.
P.O. Box 80002
5600 JB Eindhoven
The Netherlands
Tele +31 40 27 80000

© 2003 Bosch Security Systems GmbH
3935 890 36512 03-50 | Updated February 12, 2016 | Data subject to change without notice.

BOSCH