



THE SOURCE FOR
MARITIME
SAFETY SOLUTIONS

The VIKING Maritime Safety Catalogue

VIKING LIFE-SAVING EQUIPMENT
- Protecting people and business



Welcome to the

Life-saving equipment is serious business

Choosing the right maritime safety equipment for protecting people and business is one of the most important tasks for any shipowner, fleet manager or offshore asset owner.

That's why, when it comes to maritime safety equipment, you need a partner that will be there for the long haul - and one that has the product range, the experience and the ability to competently serve you.



VIKING advantage

Local access to global knowledge

Each of our customers has their own, unique priorities and preferences. But with more than 55 years in the maritime industry, and serving several thousand customers from a wide variety of marine sectors both locally and globally, we already know a lot about the opportunities – and the challenges – you face.

Second-to-none global resources

To help you, we've put together a comprehensive list of everything you'll need in safety equipment. We've made sure it's easily available and supported wherever in the world you sail. This way, we always stand ready to help you make sound and future-proof investments in the best safety equipment and solutions for your particular needs.



VIKING solves the global safety servicing puzzle

Put our know-how to work for your business

Deciding on marine safety equipment and servicing plans is no easy task. That's why it's best to talk to someone who has every piece of the puzzle.

Today, VIKING offers the widest choice of fixed price safety solutions and product packages on the market.

We already manage 1000 flexible safety servicing agreements for shipowners with some of the largest fleets in the world.

To find out more, contact your local VIKING branch office.



VIKING LIFE-SAVING EQUIPMENT
Protecting people and business

WWW.VIKING-LIFE.COM

About VIKING	05
Safety Packages.	06
Global Safety Product Agreement	08
Marine Evacuation Systems	10
Liferafts, Lifeboats, Hooks, Davits and Accessories.	14
Personal Protective Equipment.	27
Lifebuoys and Line Throwing Devices	38
Lights and Signals	42
Pyrotechnics.	46
Transfer, Descent and Recovery.	48
Polar Solutions.	52
Marine Fire Safety Equipment	56
Breathing Apparatus	78
Chemical and Gas Detection	83
Medical Equipment	87
Occupational Safety	91
Ship Security Equipment	94
Navigation	98
Communication.	103
Storage Boxes	106
Survival Kits	108
Signs and Posters.	110
Global Service	116
Product indexes.	125
Addresses	127

Products in this catalogue are sold by VIKING Life-Saving Equipment A/S, and manufactured by VIKING and others. Only those products explicitly called VIKING in the product name are manufactured by VIKING. Product specifications are subject to change without notice. Actual products or manufacturer may differ from those pictured in the catalogue. Some products may not be available and others may be available upon request.

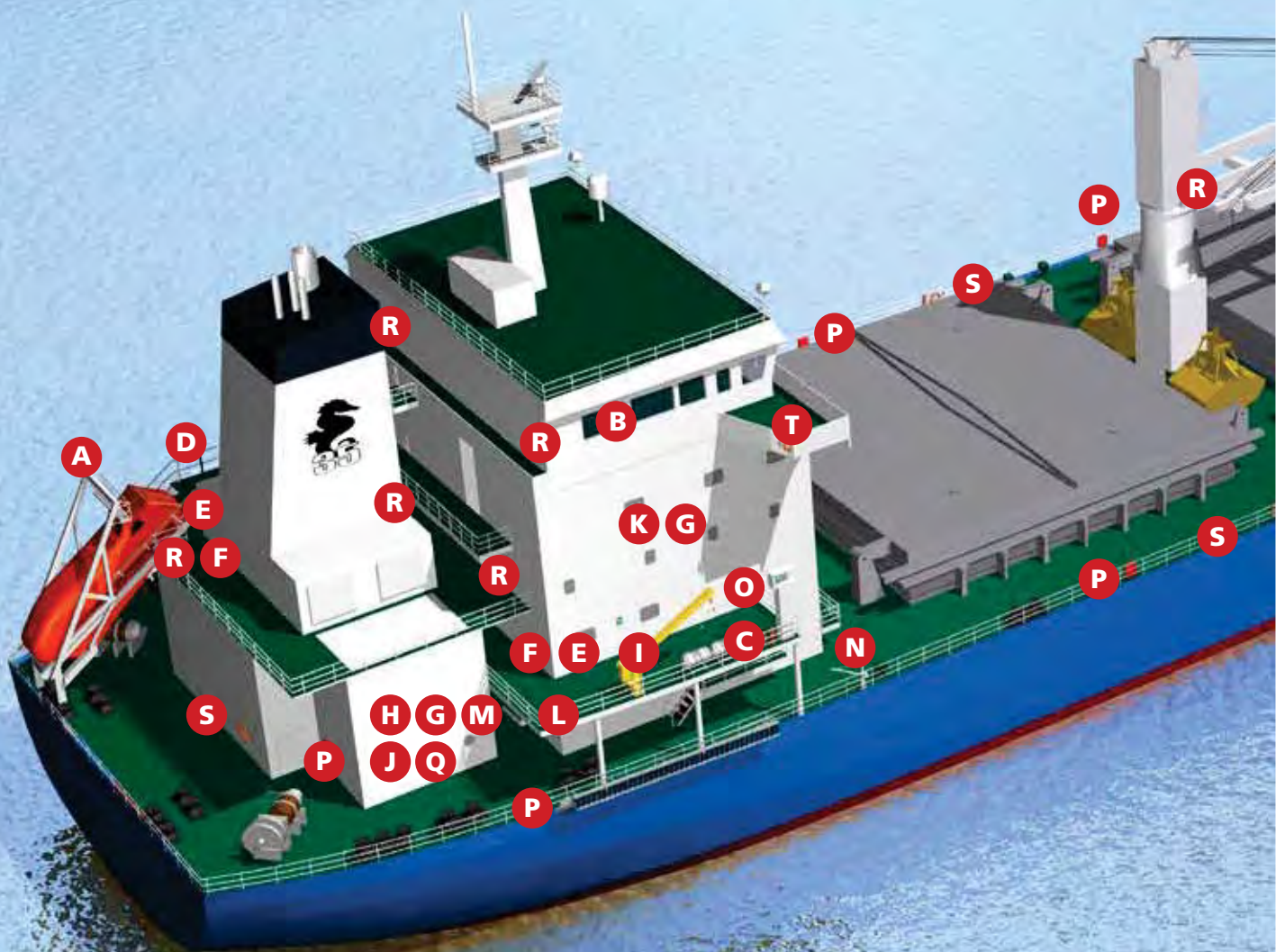
© 2016 VIKING Life-Saving Equipment A/S, all rights reserved. TM VIKING and VIKING Life-Saving Equipment logo are trademarks of VIKING Life-Saving Equipment A/S. Reproduction is prohibited without prior permission.

DuPont™, Nomex® and Kevlar® are registered trademarks or trademarks of E.I. du Pont de Nemours and Company or its affiliates. Hainsworth® TITAN is a registered trademark of A W Hainsworth & Sons Ltd. TenCate Advance™ is a trademark of Koninklijke Ten Cate nv and/or its subsidiaries. GORE-TEX®, GORE-TEX® Pazifik™, PBI® Matrix is a registered trademark of PBI Performance Products, Inc. CORDURA® is a registered trademark of INVISTA for durable fabrics. Hammar® is a registered trademark of CM Hammar AB. Halkey Roberts® is a registered trademark of the Halkey-Roberts Corporation. RESCUEFORM® is a registered trademark of B.u.W Schmidt GmbH. Lifeforce™ is a registered trademark of Martek Marine Ltd. VELCRO® is a registered trademark of Velcro Industries B.V. GlobalFix™ PathFinder™ 3 and ResQLink™ are registered trademarks of ACR Electronics, Inc. THERMAX® is a registered trademark of Seirus Innovative Accessories, Inc.

Safety Packages

VIKING can supply full ship packages with products and related accessories. Here are some of the products that can be supplied.

Let our experts help you put together the optimal safety package for your operation.



Lifeboats
Only upon request



Pyrotechnics
Page 46-47



Liferafts
Page 16-17



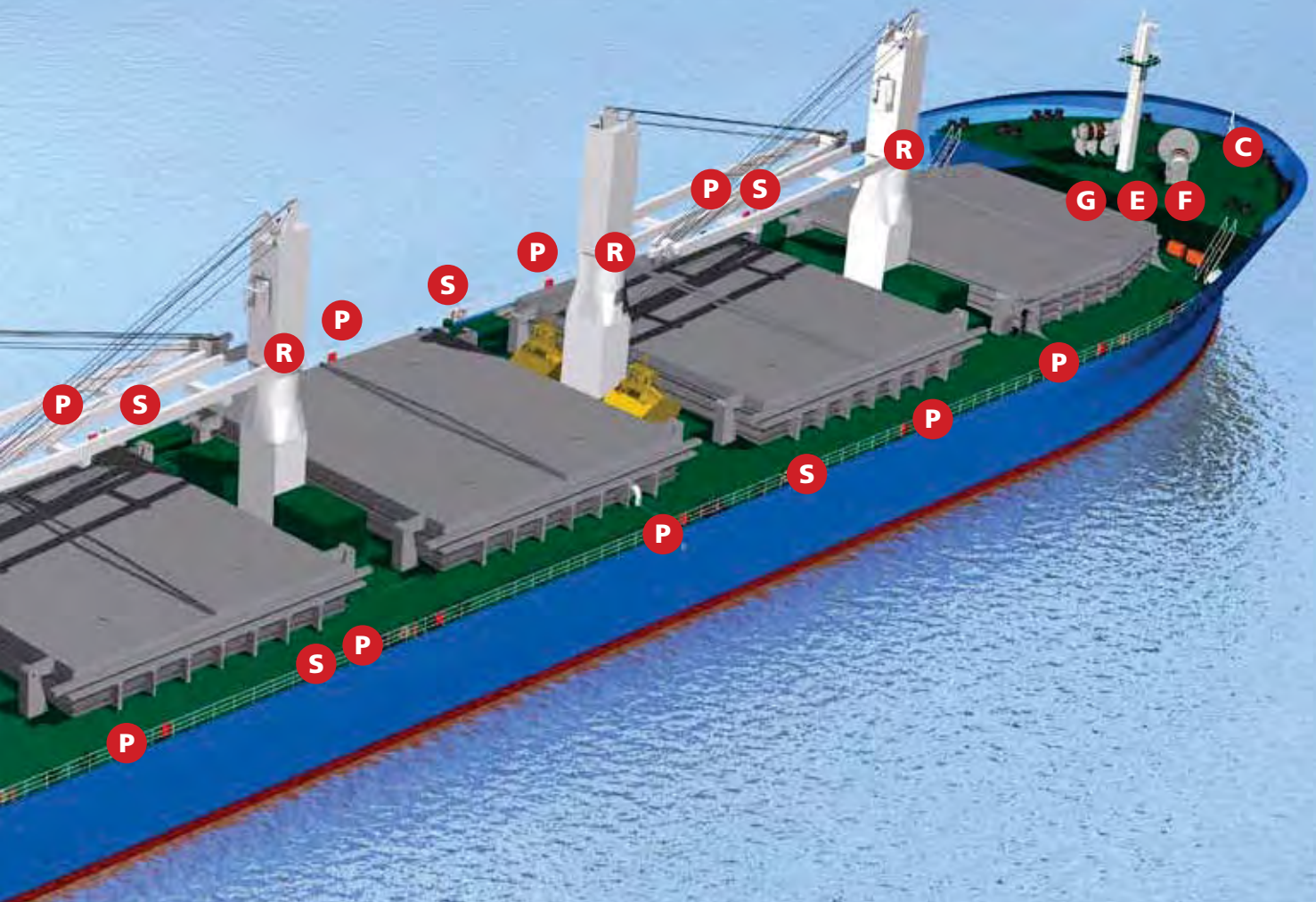
Boats and Hooks
Page 23-25



Immersion Suits
Page 28-31



Lifejackets
Page 34-37



EEDBs
Page 81



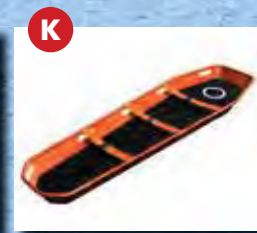
Chemical Protection
Page 83-86



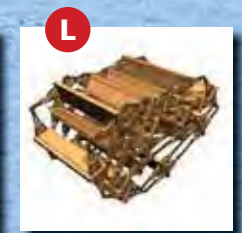
Slewing Davits
Page 25



Fire Safety Equipment
Page 57-77



Stretchers
Page 88-89



Ladders
Page 49



Fire Safety Equipment
Page 57-77



Emergency Showers
Page 86



Signs
Page 111-115



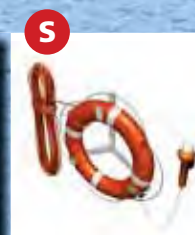
Fire Safety Equipment
Page 57-77



Fire Extinguishers
Page 62-66



Fire Extinguishers
Page 62-66

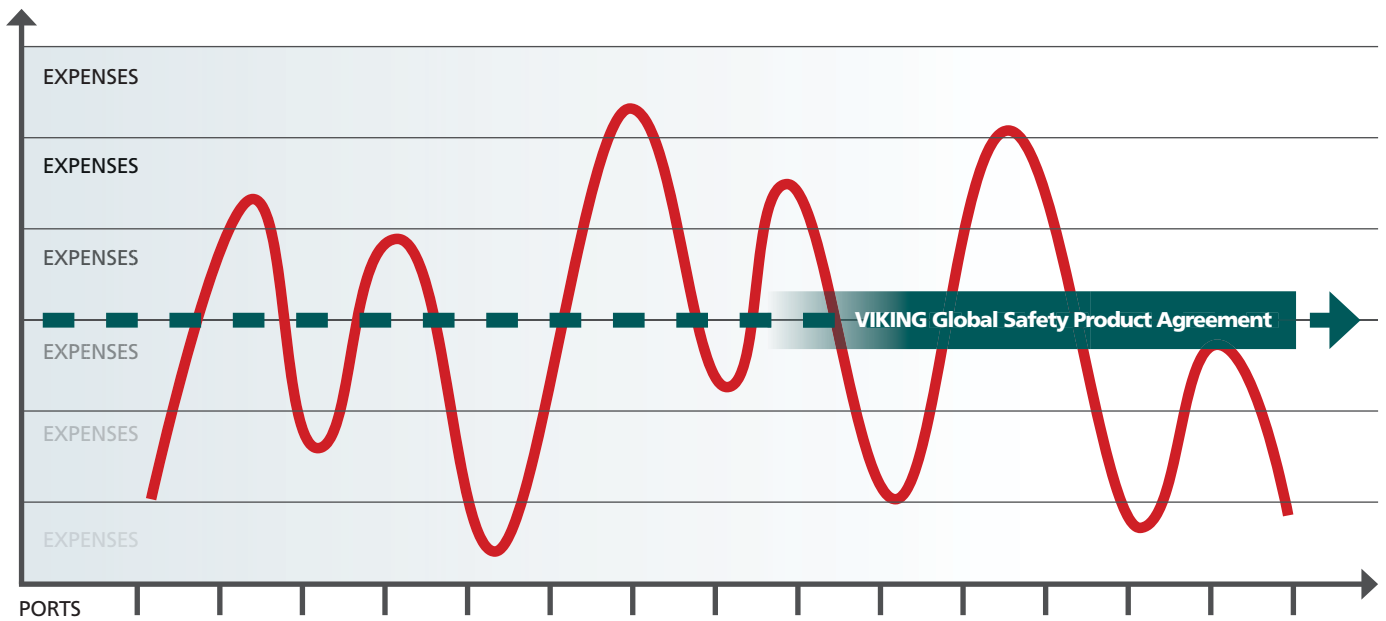


Lifebuoys and Accessories
Page 38-41



Lifebuoys and Accessories
Page 38-41

Remove the ups and downs of **port-to-port procurement** of your safety products



Current cost fluctuations from one port to another versus a VIKING Global Safety Product Agreement.

A VIKING Global Safety Product Agreement ensures easy, instant availability of more than 50 products in pre-determined ports at fixed prices, consistent quality and full compliance.

The hidden costs of port-to-port procurement

Anyone whose vessels sail among multiple ports is familiar with the problem: A routine purchase decision is made to replace pyrotechnics, an EEBD or other item needed to ensure safety – and safety rules compliance – on board a vessel. While the item itself may only be a modest expense, its true cost also includes the time and resources it takes to procure it and deliver it to the vessel.

Over a period of time, these hidden costs can inflate your total safety equipment investment. Worse still, varying local conditions can mean you have to buy products whose pricing, quality and compliance fluctuates widely from port to port.

All the advantages of centralized procurement with dependable, local availability

A VIKING Global Safety Product Agreement solves these problems by ensuring your vessels have global access to more than 50 products in pre-determined ports at annually fixed prices, consistent quality and full compliance.

And to ease administration, we've included single-point-of-contact management as well as easily accessible reports that provide an overview of key procurement data.

What you need.

VIKING offers a long, multi-brand list of marine and occupational safety equipment – all at competitive prices.

Highly efficient shipping operations carefully specify the types of equipment that make the best business sense for their fleet – and which ensure proper protection for crew and passengers.

Working with local marine suppliers to match these specifications takes time and effort. And you can't be

sure a similar product is available in terms of quality, compliance or price.

With a VIKING Global Safety Product Agreement, you can get exactly the products and brands you need at pre-determined annual prices.

Where you need it.

VIKING's global representation and worldwide stockpoints give your vessels convenient access to quality safety products in key ports.

We'll work with you to define specific ports and products from our list of most frequently used ports,, creating an optimal solution for your needs.

And we're constantly expanding our distribution infrastructure to bring the advantages of a VIKING Global Safety Product Agreement to even more ports around the world.

When you need it.

A VIKING Global Safety Product Agreement speeds up the procurement process, making sure your vessels won't risk being delayed in port while waiting for vital safety equipment to arrive.

VIKING is known around the world for its fast and flexible delivery. And because you'll be working with a single point of contact for all the equipment on your list, it's easy to get the latest status on product orders whenever you need to.





The world-leader in marine evacuation systems



VIKING LifeCraft

A revolutionary hybrid that combines the advantages of lifeboats and liferafts in a single solution.

The VIKING LifeCraft™ is a complete high-capacity evacuation solution for all weather conditions and evacuation heights.

The system consists of two main elements: The LifeCraft™ itself - a self-propelled inflatable vessel with four engines for a high degree of maneuverability and safety; and a storing and launching unit which is, either placed on deck or built in. Each system contains up to four LifeCraft™ vessels capable of evacuating 200 persons each - for a total capacity of 800 persons.

Today's larger and wider vessels mean that the number of passengers and the variation in trim height and list conditions can be enormous in a distress situation. Only a hugely flexible evacuation system can cope with such extremes.

Experience VIKING's wide range of evacuation systems on the following pages.

Marine Evacuation Systems by VIKING

VIKING marine evacuation systems (MES) are designed to evacuate passengers and crew as quickly and as safely as possible.

VIKING provides tailor made or standard marine evacuation systems to suit the individual customer's requirements.

The wide range of evacuation chutes, minichutes and slides means that VIKING is unique in providing evacuation systems to suit every type of vessel.



VIKING Evacuation Dual Chute (VEDC)

The evacuation dual chute, VEDC, is VIKING's highest capacity chute system with an evacuation capacity of 908 people in 30 minutes. It is combined with 153 person liferafts for safe, rapid evacuation from large passenger carrying vessels.

This unique design combines the highest evacuation capacity with discreet, compact and self-contained design for maximum safety and relatively little deck disruption.

Each VEDC system contains two 153 person liferafts. Capacity can be increased to suit the exact ship requirements with additional drop liferafts.

EP Patent No. 2029239B1 - Patent Pending, NO
US Patent No. 8312967B2
EP Patent No. 2076316B1



VIKING Evacuation MiniChute (VEMC)

This system can be used by vessels with embarkation heights from 5-20 m.

Although it was originally designed for small and medium sized vessels, its flexible design means that it can also be used for larger vessels.

The MiniChute has a pre-incorporated 101 person liferaft and can evacuate 582 people in 30 minutes.

EP Patent No. 1490261B2
US Patent No. 7159527B2



VIKING Evacuation Slide (VES)

The slide is a stable, efficient dry-shod evacuation system that can evacuate over 657 people in 30 minutes. It can be tailor-made to suit all types of vessels and is available with self-righting 25, 51 or 101 person liferaft combinations.

The 30° angle between slide and ship absorbs the movement of the sea and means that the system can be installed at extreme forward and aft positions. The slide is fitted with lines that allow for access up the slide, allowing it to also function as a means of rescue.



SOLAS liferaft system with slide (VELS+SMS)

This MiniSlide system is designed for low embarkation vessels with independent slide and liferaft. The system requires only one crew member to operate and oversee evacuation.

The new brake cushion system gives evacuees a clear stopping point at the bottom of the slide and a soft stop.

The MiniSlide system has a 153 person liferaft, available with or without canopy to suit both open sea and protected waters. The systems can evacuate 501 people in 30 minutes and 303 people in 17 minutes and 40 seconds.

EP Patent No.1790565B1 - NO Patent No. 330482B1



VIKING Automatic Slide (VAS)

VIKING has developed a 153 person open reversible liferaft and minislide system packed into a single aluminum stowage box. The real magic of this system lies in its one-button, one-person release and operation.

The VAS system is designed and certified for vessels on domestic voyages such as ferries sailing in protected waters. It enables crew to evacuate up to 153 people in one go and is designed for evacuation heights between 1.5 - 3.65 m.

The VAS system is very easy to install. It comes in a box that is placed flush with the ship side, bolted to the deck and ready to go. No bowing lines or welded connection points on the ship side are necessary.



VIKING Evacuation Mini Slide (VEMS)

This system is designed for small vessels operating in any sea condition. It is available with either a 101 person open reversible liferaft for vessels operating in sheltered waters or a SOLAS compliant 101 person self-righting canopied liferaft for vessels operating at sea.

It is packed in a container the size of a standard liferaft container, simple to operate and fully operational within 2 minutes. The VEMS can evacuate 303 people in 17 minutes and 40 seconds and 501 people in 30 minutes.



VIKING Evacuation Chute (VEC)

The telescopic nature of the evacuation chute reinforced with aramid ensures a safe descent path and compensates for ship and sea movements so that evacuation is not obstructed. This system has the additional advantage of protecting evacuees from environmental hazards such as severe weather conditions during evacuation and is fitted with a protective cover.

The system has two or three pre-incorporated 101 person liferafts for ease of operation.

It is designed for installation heights of 5-20 m and has an evacuation capacity of 565 people in 30 minutes.



Davit-launchable liferafts (DKF, DKFS)

Davit launched liferafts are designed to be inflated and boarded at deck level, and then lowered into the water. They are available as self-righting canopied liferafts or standard canopied liferafts.

They are designed to carry 12, 25, 35 or 39 persons and are an effective means of dry-shod evacuation and can either be an alternative to chute or slide systems or a supplement.



Throw-overboard liferafts

Throw overboard liferafts are designed to be dropped overboard in their container and inflated in the water.

Self-righting canopied rafts are available in four sizes; 25, 51, 101 and 153 persons. Standard canopied rafts are available in eight sizes; 6, 8, 10, 12, 16, 20, 25 and 35 persons. Open reversible liferafts, for use in sheltered waters are available for: 6, 12, 20, 25, 51, 101 and 153 persons.

Liferafts with capacities of 25 and above can be used as supplementary liferafts to all VIKING marine evacuation systems.



Direct boarding liferafts ((DKS, DKR, IBA)

Direct boarding liferafts are typically used on-board small passenger ferries. They are available either as open reversible large capacity liferafts or as self-righting canopied liferafts.

Both types are available in 25, 51, 101, and 153 person sizes.

They are mounted on racks on-board the ship and normally released from their cradles with a remote release system. They are then bowsed to the ship for direct evacuation from the deck to the liferaft.



VIKING Undertun

Designed for small ferries and high speed crafts and is approved for evacuation heights up to 2.5 m from waterline.

It is a lightweight aluminium system that is easy to install and easy to operate. The system requires only one person to operate and can also be operated from the vessel bridge.

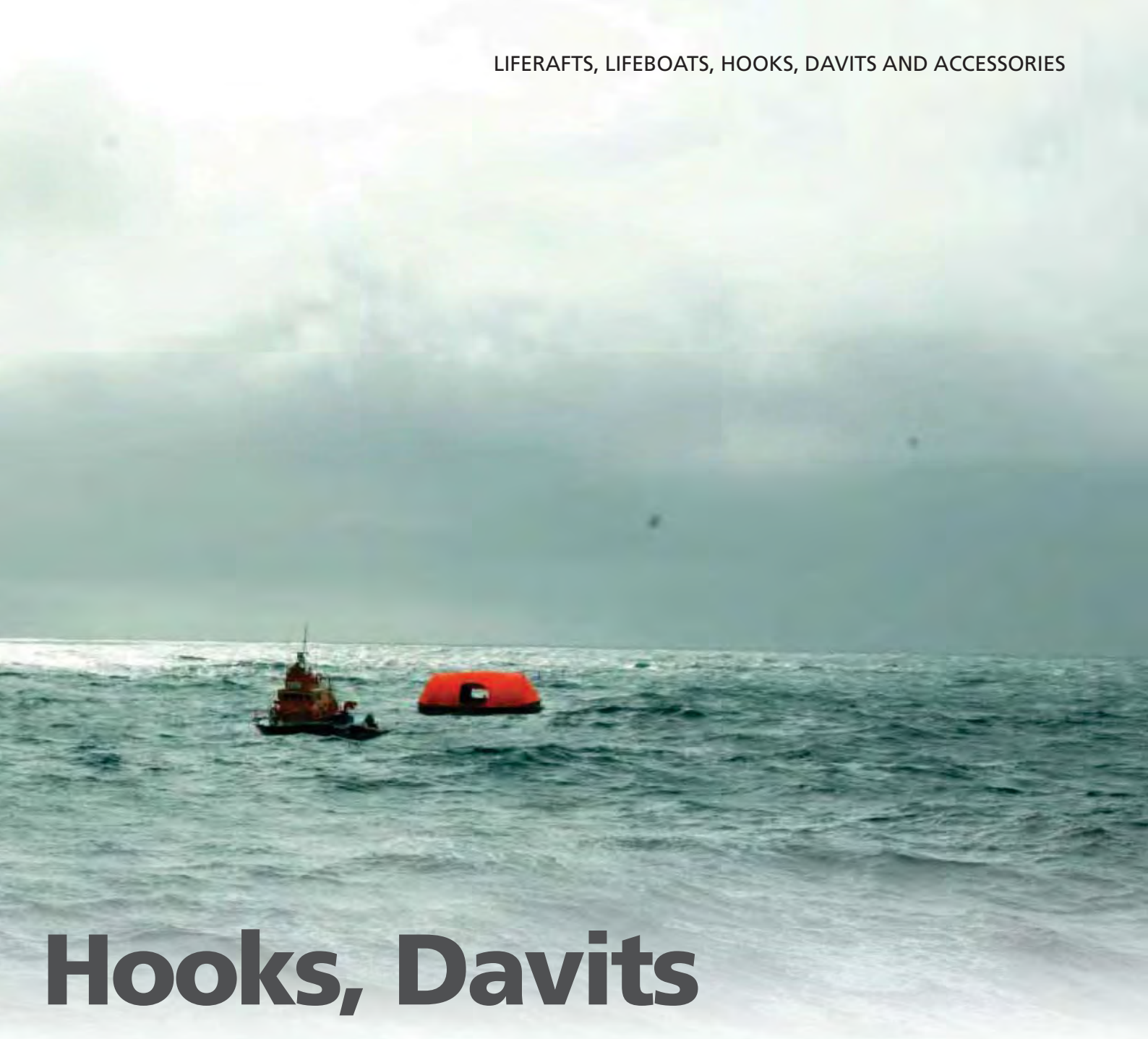
This system is also compact, with a small built-in size and is available with self-righting, canopied liferafts in sizes 39 or 50 persons, or with an open reversible liferaft for 50 persons.



Liferafts, Lifeboats, and Accessories

VIKING liferafts are designed in accordance with SOLAS Chapter III and LSA Code requirements, and are MED, RMRS, Canadian Coast Guard and AMSA approved.

Our wide range of throw-overboard and davit-launchable liferafts are available in a standard version and a top of the line automatically self-righting version with storage heights of up to 60 m. VIKING also supplies cradles, hooks, davits, racks and ramps.



Hooks, Davits

The proven self-righting liferafts ensure that no matter how a liferaft lands in the water, it will always right itself ready for boarding. Liferafts can also be equipped with a hydrostatic release unit so they inflate automatically if they have not been released manually. VIKING liferafts are subjected to rough sea trials, wind velocity tests at forces of 30 m per second and deployed at extremely low temperatures.

For lifeboats, VIKING offers the Nadiro Drop-in-Ball™ hook system, a unique and patented solution that minimizes the risks associated with lifeboat operations. It is available in three versions covering lifeboat capacities up to 150 people and can be fitted or retrofitted on most makes of lifeboats and fast rescue craft.



Liferafts and Accessories

VIKING Throw-overboard Liferaft

- Type VIKING DK+
- Strong durability with an expected lifespan of 15-20 years
- Exceptionally stable even in extremely rough seas. Can be deployed at temperatures as low as -30°C
- Two individual buoyancy chambers, each carrying capacity weight, so a puncture in one tube will not cause destabilisation
- Sizes: 6-39 persons



VARIANTS	
L006D00	6 person throw-overboard liferaft
L008D00	8 person throw-overboard liferaft
L010D00	10 person throw-overboard liferaft
L012D00	12 person throw-overboard liferaft
L016D00	16 person throw-overboard liferaft
L020D00	20 person throw-overboard liferaft
L025D00	25 person throw-overboard liferaft
L025DS0	25 person self-righting throw-overboard liferaft
L035D00	35 person throw-overboard liferaft
L039DS0	39 person self-righting throw-overboard liferaft
RELATED PRODUCTS	
-	-

VIKING Davit-launchable Liferaft

- Type VIKING DKF+
- High durability with an expected lifespan of 15-20 years
- Designed to be inflated on deck level and while connected to the davit lowered to water level
- Provides safe and effective means of dry-shod evacuation and is suitable for all types of vessels, regardless of deck height or hull shape
- Sizes: 12-39 persons



VARIANTS	
L012DF00	12 person davit-launchable liferaft
L016DF00	16 person davit-launchable liferaft
L020DF00	20 person davit-launchable liferaft
L025DF00	25 person davit-launchable liferaft
L035DF00	35 person davit-launchable liferaft
L025DFS0	25 person self-righting davit-launchable liferaft
L039DFS0	39 person davit-launchable liferaft, self-righting
RELATED PRODUCTS	
1006148	Liferaft davit for 12 - 16 person liferaft, type SCM 14-3.5L
1006149	Liferaft davit for 20 - 25 person liferaft, type SCM 21-4.0L
1006150	Liferaft davit for 35 - 39 person liferaft, type SCM 33-4.0L
1006553	Release hook for rescue boats and liferafts, max. SWL: 3500

Open Reversible Liferaft/Inflatable Buoyant Apparatus



- Type VIKING DKR / VIKING IBA
- Open reversible liferaft type mainly used for coastal and inland waters. The floor is placed in between the two buoyancy chambers and a boarding ramp is mounted on each tube making the liferaft fully reversible
- The open reversible liferaft is not a SOLAS approved solution but is approved according to local authorities and flag states
- The DKR liferaft are available in standard round rigid fibreglass container (all sizes) or in low profile fibreglass containers (up to and including the 50 DKR)

VARIANTS	
12-150 PERSON	DKR
6-150 PERSON	IBA, USCG approved
25, 50 PERSON	RDV, TC Canada approved
RELATED PRODUCTS	
-	-

Deck Cradle For Throw-overboard Liferaft

- Galvanized steel
- Delivered complete with lashings
- Cradles are available for throw-overboard liferafts (4-25 persons)



VARIANTS	
1000012	Galvanized deck cradle for 4-8 person throw-overboard liferafts
1000013	Galvanized deck cradle for 10-16 person throw-overboard liferafts
1000053	Galvanized deck cradle for 20-25 person throw-overboard liferafts
RELATED PRODUCTS	
1015772	Ramp for 2x16, 2x20 or 2x25 DK or DKF liferafts (DK lashing item no.1004164, DKF lashing item no.1015780)
1015750	Rack for one 16, 20 or 25 person DK liferaft (lashing item no. 1003994)

Several other ramp and rack options available

Polar Liferaft

VIKING was the first to supply a liferaft designed and tested for Polar conditions



- Fully functional at temperatures as low as -50°C
- Efficient heater system ensures that the liferaft always inflates
- IP68 certified for use in blast proof areas

According to IMO Polar guidelines and Russian winterization regulations. Certified by DNV, TC Canada, RMRS and USCG. VIKING Polar Liferaft has the following patents: DK Patent No. 176716B1, CN Patent No. 101795934B Patent Pending EP



VARIANTS	
-	6, 8,12,16,18, 20, 25 or 35 person throw-overboard Polar liferaft and type DK12,16, 20, 25 or 35 person davit-launchable Polar liferaft, type DKF
RELATED PRODUCTS	
A Polar liferaft package typically consists of liferafts along with relays, cables and boxes suited for polar conditions.	
1042425	Complete set of cables and HRU for Polar liferaft
1056143	Thermal control box for up to 2 containers
1056183	Thermal control box for up to 3 containers

Deck Cradle For Davit-launched Liferaft

- Delivered complete with lashings
- Cradles are available for davit-launched liferafts (12-35 persons)



VARIANTS	
1002727	Galvanized deck cradle for 12 person davit-launchable liferaft
1000014	Galvanized deck cradle for 16-25 person davit-launchable liferaft
1004327	Galvanized deck cradle for 35 person davit-launchable liferaft
1002923	Stainless steel deck cradle for 20-25 person davit-launchable liferaft
1035686	Stainless steel deck cradle for 35 person davit-launchable liferaft
RELATED PRODUCTS	
-	-

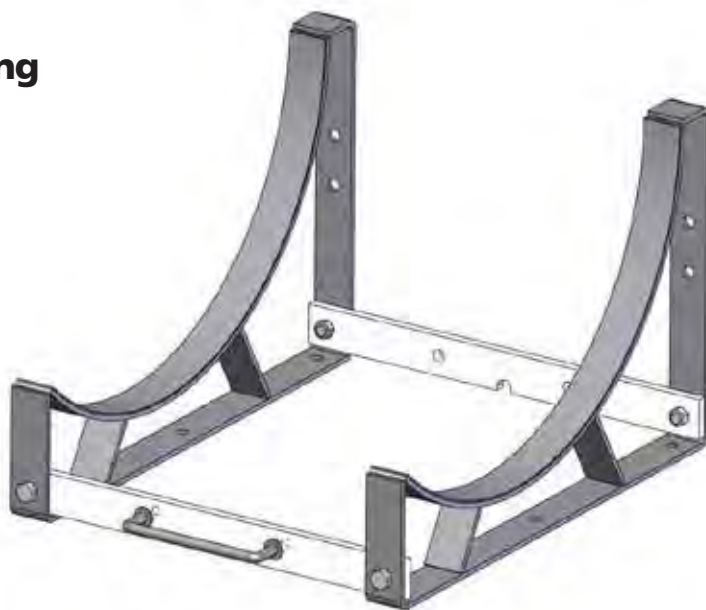
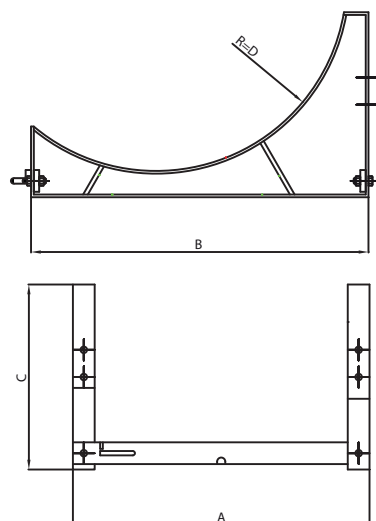
Emergency Pack Contents

See the contents needed for SOLAS A Pack according to liferaft size

SOLAS A Pack liferaft																
Contents	6	8	10	12	16	20	25	35	37	39	50	51	100	101	150	153
Emergency pack equipment																
Parachute rocket signals	4	4	4	4	4	4	4	4	4	4	4	4	4	4	4	4
Handflares	6	6	6	6	6	6	6	6	6	6	6	6	6	6	6	6
Signal lamp	1	1	1	1	1	1	1	1	1	1	1	1	1	1	1	1
Dry cell (spare) for signal lamp	2	2	2	2	2	2	2	2	2	2	2	2	2	2	2	2
Bulb (spare) for signal lamp	1	1	1	1	1	1	1	1	1	1	1	1	1	1	1	1
Whistle	1	1	1	1	1	1	1	1	1	1	1	1	1	1	1	1
Signalling mirror	1	1	1	1	1	1	1	1	1	1	1	1	1	1	1	1
Emergency ration (kg)	3	4	5	6	8	10	12.5	17.5	18.5	19.5	25	25.5	50	50.5	75	76,5
Drinking water (ltr)	9.5	12.5	15.5	18.5	24.5	30.5	38	53	55.5	58.5	79	79	150	151.5	225.5	230
Drinking cup	1	1	1	1	1	1	1	1	1	1	1	1	1	1	1	1
Safety tin opener	3	3	3	3	3	3	3	3	3	3	3	3	3	3	3	3
Fishing tackle	1	1	1	1	1	1	1	1	1	1	1	1	1	1	1	1
First aid kit	1	1	1	1	1	1	1	1	1	1	1	1	1	1	1	1
Anti-seasickness tablets	36	48	60	72	96	120	150	210	222	234	300	306	600	606	900	918
Bailer	1	1	1	1	2	2	2	2	2	2	2	2	2	2	2	2
Sponges	2	2	2	2	2	2	2	2	2	2	2	2	2	2	2	2
Instructions for survival	1	1	1	1	1	1	1	1	1	1	1	1	1	1	1	1
Table of life-saving signals	1	1	1	1	1	1	1	1	1	1	1	1	1	1	1	1
Sea anchor and cord	1	1	1	1	1	1	1	1	1	1	1	1	1	1	1	1
Scissors	1	1	1	1	1	1	1	1	1	1	1	1	1	1	1	1
Smoke signals	2	2	2	2	2	2	2	2	2	2	2	2	2	2	2	2
Seasickness bags	6	8	10	12	16	20	25	35	37	39	50	51	100	101	150	153
Survival bags	2	2	2	2	2	2	3	4	4	4	5	6	10	11	15	16
Buoyant safety knife	1	1	1	1	1	1	1	1	1	1	1	1	1	1	1	1
Liferaft equipment																
Bailer	-	-	-	-	1	1	1	1	1	1	1	1	1	1	1	1
Radar reflector	1	1	1	1	1	1	1	1	1	1	1	1	1	1	1	1
Operational instructions	1	1	1	1	1	1	1	1	1	1	1	1	1	1	1	1
Sea anchor and cord	1	1	1	1	1	1	1	1	1	1	1	1	1	1	1	1
Buoyant safety knife	1	1	1	1	1	1	1	2	2	3	3	3	4	4	4	4
Paddles (pcs)	2	2	2	2	2	2	2	2	2	2	2	2	4	4	4	4
Repair kit	1	1	1	1	1	1	1	1	1	1	1	1	1	1	1	1
Bellows	1	1	1	1	1	1	1	1	1	1	2	2	2	2	2	2
Rescue quoit and line	1	1	1	1	1	1	1	2	2	2	2	1	1	1	2	1
Water bags (set)	1	1	1	1	1	1	1	1	1	1	1	1	1	1	1	1
Desalter	-	-	-	-	-	-	+1	-	-	-	-	+1	-	+1	-	+1

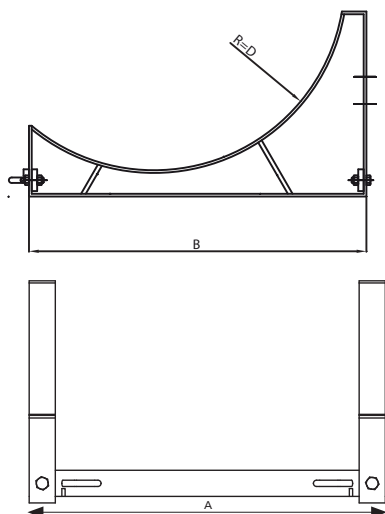
Cradles

Flexible storage and easy handling



Cradle for 4-25 DK Throw-overboard Liferaft

Part no.	Cradle incl. Lashing no.	Container type	A	B	C	D	Pack type	Surface	Weight
1014758	1000053	20-25 DK	545	620	340	360	A+B	Galvanized	11 kg
1015847	1000013	10-12-16 DK	500	550	340	310	A+B	Galvanized	10 kg
1015846	1000012	4-6-8 DK	435	520	340	275	A+B	Galvanized	10 kg

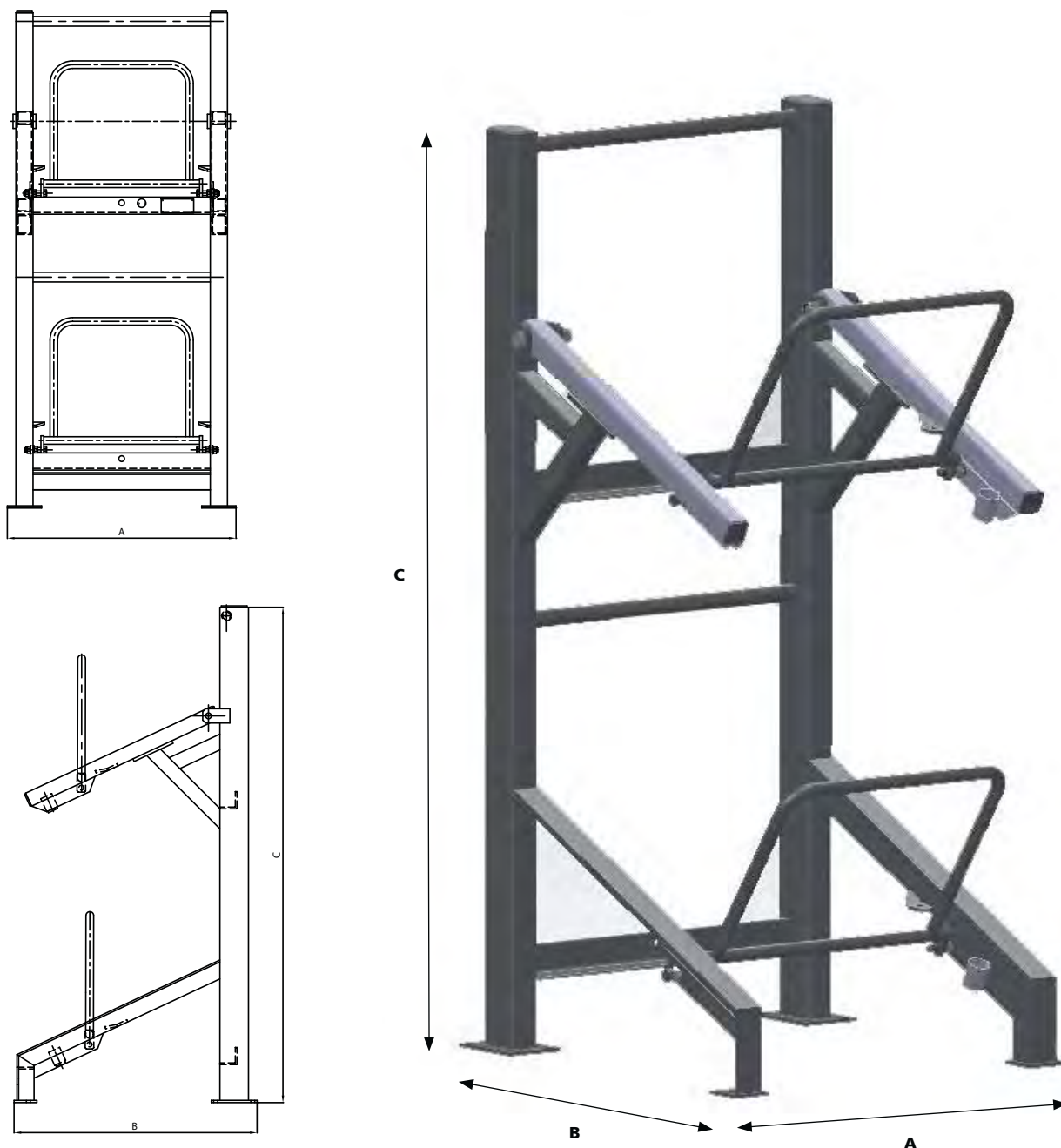


Cradle for 12-35 DKF Davit-launchable Liferaft

Part no.	Cradle incl. Lashing no.	Container type	A	B	C	D	Pack type	Surface	Weight
1014188	1004327	35DKF	635	740	430	410	A	Galvanized	14 kg
1011919	1011920	35DKF	690	620	340	360	B	Galvanized	11 kg
1004361	1000014	16-20-25 DKF	545	620	340	360	A+B	Galvanized	11 kg
1004360	1002727	12DKF	545	550	340	310	A+B	Galvanized	10 kg

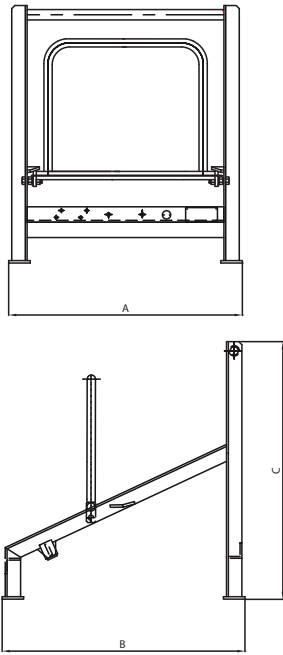
Column Racks

A wide range of racks offering flexible integration with modern ship design, for several possible installation locations



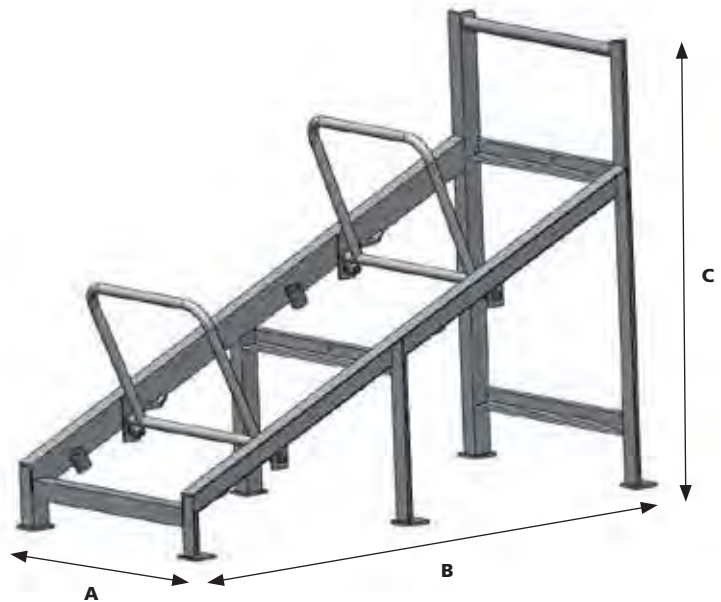
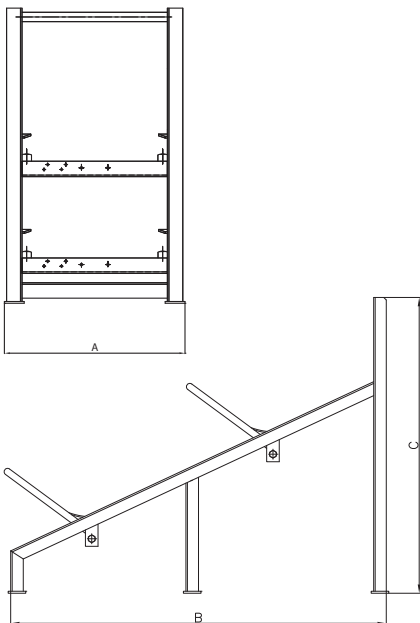
Column Racks

Part no.	Lashing no.	Container type	A	B	C	Pack type	Surface	Weight
1014868	1014867	35 DK/DKS/DKF	830	906	2200	A+B	Galvanized	200 kg
1014765	1015784	10-12-16-20-25 DK/DKF	800	850	1742	A+B	Galvanized	110 kg



Single Rack

Part no.	Lashing no.	Container type	A	B	C	Pack type	Surface	Weight
1015750	1004208	25 DKS-35 DK/DKF	820	920	958	A+B	Galvanized	52 kg
1015199	1000013	16-20-25 DK/DKF	760	790	838	A+B	Galvanized	35 kg



Double Rack

Part no.	Lashing no.	Container type	A	B	C	Pack type	Surface	Weight
1014756	1014459	50 DKS-35 DK/DKS	820	1840	1340	A+B	Galvanized	105 kg
1014756	1026580	35 DKF	820	1840	1340	A+B	Galvanized	105 kg
1015772	1004164	12-16-20-25 DK/DKF	760	1510	1174	A+B	Galvanized	68 kg

Ramp for Two Liferrafts

- For 16, 20 or 25 person liferaft containers

ITEM NO.: 1004147



VARIANTS	
1015772	Ramp for two liferafts
1003987	Rack for one liferaft
1004191	Ramp for two liferafts
RELATED PRODUCTS	
1004164	Lashings

Hydrostatic Release Unit For Liferaft

- The Hammar® H20 releases at any angle and needs only the required water pressure to activate
- Designed to activate release at depths of between 1.5-4 m
- No spare parts or service required, but needs replacement every other year
- Simple to install and clearly marked with an expiry date



ITEM NO.: 1003641

VARIANTS	
1038306	Hydrostatic release unit for EPIRB, Hammar® H20, MCA and USCG approved
RELATED PRODUCTS	
-	-



VIKING offers a variety of unique training liferafts made for use at training facilities. All these liferafts are identical to the original product with only slight modifications to reinforce them for continuous use.

Get more information from our training liferaft datasheet.



Boats, Hooks, Davits and Accessories

Palfinger RSQ475G MOB Boat, Inboard Diesel



- Fully equipped according to SOLAS regulations
- Rigid rescue boat, made of fibreglass (E-glass)
- Double hull construction filled with polyurethane foam
- Includes equipment according to regulations
- Lifting arrangement: Sling or hoist frame (optional)
- 32 HP inboard diesel engine (alternative 59 HP)
- Boat cover available upon request
- Different fender types available upon request
- Dimensions: L 495 x W 193 x H 215 cm
- Weight: 1,565 kg. (with a 32 HP engine)

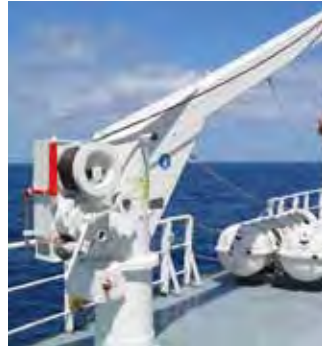


ITEM NO.: 1050547

VARIANTS	
-	Palfinger RSQ 475 A (aluminium) MOB boat
1055421	Palfinger RSQ 450 G rigid MOB boat
1050547	Palfinger RSQ 475 G rigid MOB boat w. 32 HP diesel engine
RELATED PRODUCTS	
-	-

Liferaft Davit

- Palfinger Ned-Deck type SCM 21-4.0L
- Suitable for 20 - 25 person liferafts
- SWL: 23kN
- Manual slewing
- Outreach: 4 metres



ITEM NO.: 1006149



VARIANTS	
1006148	Liferaft davit, SWL: 15kN for 16 person liferafts, SCM 14-3.5 L
1006150	Liferaft davit, SWL: 36kN for 35-39 person liferafts, SCM 33-4.0 L
RELATED PRODUCTS	
1008295	Davit pedestal, 400 mm
1008296	Davit pedestal, 520 mm
1006553	Release hook for rescue boats and liferafts, max. SWL: 3500
1029228	3 layers of paint in end colour for slewing davits
1027117	Quick return unit - for use when lowering more than one liferaft

Combi Davit

- Palfinger Ned-Deck type SCH 23/17-4.0 LR
- SWL 23kN Liferaft - 17kN rescue boat
- Hydraulic slewing
- Outreach: 3.5 metres



ITEM NO.: -



VARIANTS	
-	-
RELATED PRODUCTS	
1008296	Pedestal, 520 mm
1006553	Release hook for rescue boats and liferafts, max. SWL: 3500 3500 3500
1029228	3 layers of paint in end colour for slewing davits

Rescue Boat Davit

- Palfinger Ned-Deck type SCH 12-3.5 R
- SWL 12kN
- Hydraulic slewing
- Outreach: 3.5 metres



ITEM NO.: 1006147



VARIANTS	
1006146	Rescue boat davit, SWL 10kN, SCM 10-3.5 R, manual slewing
1010312	Rescue boat davit, SWL 10kN, SCM 10-5.2 R, manual slewing
HYDRAULIC SLEWING DAVIT:	
-	Rescue boat davit, SWL 10kN, SCH 10-3.5 R, hydraulic slewing
-	Rescue boat davit, SWL 10kN, SCH 10-5.2 R, hydraulic slewing
1007771	Rescue boat davit, SWL 15kN, SCH 15-4.0 R, hydraulic slewing
	Rescue boat davit, SWL 17kN SCH 17-4.0 R, hydraulic slewing
RELATED PRODUCTS	
1008295	Davit pedestal, 400 mm
1008296	Davit pedestal, 520 mm
1006553	Release hook for rescue boats and liferafts, max. SWL: 3500
1029228	3 layers of paint in end colour for slewing davits
1027117	Quick return unit - for use when lowering more than one liferaft

Release Hook for Rescue Boats CAR 35

- Approved davit release hook for use with davit-launched liferafts and rescue boats
- Off load release hook
- Max. SWL: 36kN
- Weight: Approx. 7,3 kg
- Dimensions (without lanyard): H 28.5 x L 26 x D 7 cm



ITEM NO.: 1006553



VARIANTS	
-	-
RELATED PRODUCTS	
-	-

VIKING Nadiro Drop-In-Ball™ Hook System

The unique Drop-In-Ball™ hook system design minimises the risk associated with accidents during lifeboat operations.

Key advantages

- Intuitive re-hooking with a safe and easy click-in system
- Can be fitted or retrofitted on lifeboats of all makes and capacities
- Hydraulic powered release
- Gravitational forces keep the hook closed
- Easy user interface inside the lifeboat
- Requires minimal crew and time to operate
- Back-up release mechanism ensures reliability
- Compliant with IMO regulations Res. MSC.320 (89) and the LSA Code
- Available as single and double fall hook system in 3.2 t, 7.5 t and 12.5 t hook capacity versions



	DIB 32	DIB 75	DIB 125
Hook capacity	3250 kg/hook	7635 kg/hook	12725 kg/hook
Dimensions hook (L x H x W)	260 x 400 x 130 mm	300 x 440 x 160 mm	370 x 550 x 200 mm
Approvals	DNV-GL, USCG	DNV-GL	DNV-GL
ITEM NO.:	RELATED PRODUCTS		
-	Link plates / connection pendant		
-	Foul weather recovery straps		
-	Spare parts		
-	Cups		
-	Cylinder protection		
-	1 year / 5 year service kits		

DIB single hook arrangement

DIB 32

DIB 75

DIB 125



Get the ultimate Buyer's Guide to immersion suits

Whether you have a single vessel with a specific requirement or an entire fleet with a complex diversity of immersion suit needs, our Buyer's Guide will give you vital answers to important questions about the different types of materials, quality, durability, costs, delivery and servicing.

Making the right choice from the outset has long term impact on safety and economy.

Get a free copy at: www.VIKING-life.com or contact your local VIKING office.



Outstanding!

VIKING PPE products are the essential emergency clothing everyone wants to be seen in.

We're constantly in touch with the latest research on visibility at sea - and we have made it our business to bring outstanding developments to our customers.

The new high visibility yellow outer material, is aimed at making your chances of being noticed in even the most harsh sea conditions better than ever.

Personal Protective Equipment

VIKING offers a wide range of protective suits and lifejackets for all needs and weather conditions. We work closely with our customers around the globe to bring them the right solution for every challenge.

Immersion and Constant Wear Suits

Manufactured to withstand the harshest conditions, VIKING offers a wide range of immersion suits and constant wear suits including combined immersion and fire suits, constant wear suits for MOB/FRB boat crew and work suits. The latest models offer high quality, high visibility fabrics made of GORE-TEX®.

VIKING's neoprene and PU coated Nylon immersion suits are made to the highest standards one would expect from a world leading life-saving equipment manufacturer.

Lifejackets

VIKING's lifejackets combine comfort with maximum personal protection at sea. Choose from a wide range specially designed for commercial vessels, i.e. with extra buoyancy for situations where the user carries extra weight, such as equipment belts, or with heat-resistant covers for welders.



VIKING's multi-layer immersion suit concept provides the best performance possible with a PU coated Nylon outer fabric and a separate quilted thermal liner for insulation. This combination provides optimal dynamics between safety, thermal performance, durability and comfort – even in the most extreme situations.

- SOLAS approved solutions
- Quality materials in high visibility yellow
- Quilted thermal liners
- Fire retardant materials
- SOLAS reflective tape
- Oversized fit
- Extended zipper to side of face for the best comfort and minimal water ingress
- Loose gloves for easy donning of the suit and a lifejacket

Immersion Suits in PU Coated Nylon



**Approved
without a
lifejacket**

VIKING PU Coated Nylon Immersion Suit

A premium immersion suit based on a multi-layer system with double thermal insulation to protect in the harshest conditions. Built-in buoyancy provides superior freeboard. Therefore, no lifejacket is required, which ensures the fastest donning time in an emergency.

- SOLAS approved multi-layer system
- Built-in buoyancy foam
- Extra thermal insulating liner
- Interior braces for adjustable sizing
- Detachable gloves for easy donning
- Lifting becket, buddy line and emergency light
- Air tight packing optional
- Weight 5 kg
- Dimensions: H 67 x W 50 x D 24 cm (packed)



ITEM NO.: PS5002

VARIANTS

PS5019	Premium VIKING immersion suit. One size with built-in buoyancy, lifting becket, buddy line, whistle and emergency line
---------------	--

RELATED PRODUCTS

-	-
---	---



VIKING Immersion Suit, SOLAS Immersion Rescue II

Top of the line, multi-layer immersion suit for increased thermal protection

- Must be worn with lifejacket
- Optional lifting becket, buddy line, whistle and emergency light
- Interior braces for adjustable sizing
- Fabric selection ensures long lifespan of the suit
- Weight 3.16 kg
- Dimensions: H 70 x W 50 x D 15 cm (packed)
- Air-tight packing optional
- Included in the VIKING Shipowner Agreement for fixed fee service exchange



ITEM NO.: PS5006

VARIANTS	
PS5019	Top of the line VIKING immersion suit with extra durability and extended protection
RELATED PRODUCTS	
PV9520	VIKING SOLAS solid lifejacket
PV9320	Inflatable lifejacket, symmetrical 180N, configurable
PV9360	Inflatable lifejacket, symmetrical 275N, configurable
PV9361	Inflatable lifejacket, asymmetrical 275N, configurable
1038974	Personal Locator Beacon (PLB)



VIKING Offshore Immersion Suit - Self-righting, 275N

- Integrated 275N buoyancy for superior self-righting capabilities
- Interior braces for adjustable sizing
- Lifting becket, buddy line and emergency light
- Detachable gloves
- Easy donning and adjustment
- Sizes: Universal 140-200 cm
Over-size 190-210 cm
- Weight: 5.18 kg
- Dimensions: H 67 x W 50 x D 24 cm (packed)
- Air-tight packing optional

ITEM NO.: PS5026

Fulfills NMD requirements



VARIANTS	
-	-
RELATED PRODUCTS	
-	-



Neoprene Immersion Suits

VIKING Neoprene immersion suits are made of high quality, durable fabrics.

Thermal protective performance is combined with high visibility colours to help increase your chance of survival in critical situations. Suits comply with SOLAS regulations and provide excellent thermal protection, flame retardancy together with a good, ergonomic fit.

Key features include extended zippers for comfort and minimal water ingress, detachable gloves to ease donning and reinforced anti-slip soles for durability and safety.

Optional integrated buoyancy, lifting beackets and packaging types are available.

Contact your local VIKING office for more information.



VIKING Neoprene Immersion Suit

- Standard model, must be worn with an approved lifejacket
- 6-hour SOLAS approval
- Detachable gloves
- Sizes: Universal 140-200 cm
Over-size 170-210 cm
- Included in the VIKING Shipowner Agreement for fixed fee service exchange



ITEM NO.: PS2014



VARIANTS	
-	-
RELATED PRODUCTS	
PV9320	Inflatable lifejacket, symmetrical 180N, configurable
PV9360	Inflatable lifejacket, symmetrical 275N, configurable
PV9361	Inflatable lifejacket, asymmetrical 275N, configurable
PV9520	VIKING SOLAS solid lifejacket

VIKING Insulated Immersion Suit

- 6-hour SOLAS approval
- Detachable gloves
- Can be used without lifejacket
- Lifting becket, buddy line, emergency light, and whistle
- Sizes: Universal 140-200 cm
Over-size 190-210 cm



ITEM NO.: PS2007

VARIANTS	
-	-
RELATED PRODUCTS	
PV9320	Inflatable lifejacket, symmetrical 180N, configurable
PV9360	Inflatable lifejacket, symmetrical 275N, configurable
PV9361	Inflatable lifejacket, asymmetrical 275N, configurable
PV9520	VIKING SOLAS solid lifejacket

VIKING Neoprene Immersion Suit

- 6-hour SOLAS approval
- Zip-placement on side for a tight seal and better safety
- Extended zipper for easy donning
- Standard model, must be worn with an approved lifejacket
- Detachable gloves
- Optional emergency light, buddy line and lifting becket
- Sizes: One-size 140-200 cm
Over-size 170-210 cm



ITEM NO.: PS2004

VARIANTS	
-	-
RELATED PRODUCTS	
PV9320	Inflatable lifejacket, symmetrical 180N, configurable
PV9360	Inflatable lifejacket, symmetrical 275N, configurable
PV9361	Inflatable lifejacket, asymmetrical 275N, configurable
PV9520	VIKING SOLAS solid lifejacket

VIKING USCG/SOLAS Insulated Immersion Suit

- Neoprene suit with buoyancy head support
- 6-hour SOLAS approval and USCG approval
- Fixed gloves with straps for easy adjustment
- Optional emergency light
- Lifting strap and buddy line included
- Sizes: Small 140-170 cm
Universal 150-200 cm
Jumbo 170-220 cm



ITEM NO.: PS2006

VARIANTS	
-	-
RELATED PRODUCTS	
-	-



VIKING's new generation, highly flexible anti-exposure and immersion suit for constant wear lets you work hard and stay safe under extreme maritime conditions.

Anti-exposure Suits

The dual-approved, fitted and ergonomically enhanced suit is designed to perform across multiple marine applications - and beyond excellent protection, it offers great comfort, functionality and freedom of movement.

- Specifically designed for maritime work applications
- Available with (PS4191) or without (PS4190) ergonomically enhanced and fully integrated inflatable buoyancy
- SOLAS and ISO approved as anti-exposure and immersion suit
- Ideal for operations in both cold and warmer climates with a choice of detachable liner systems for 1 or 6 hour thermal protection against hypothermia and cold shock
- Made from waterproof and breathable GORE-TEX® PAZIFIK™ with stretchy fabric panels for enhanced ergonomics, comfort and freedom of movement
- Knees reinforced with CORDURA® and DuPont™ Kevlar®
- Choice of gloves and hood, attached rubber safety boots with steel caps and steel soles
- Lifting becket, buddy line, emergency light and whistle
- Host of design extras, i.e. print on back, embroidered patches etc.
- Enhanced fit and visual appearance
- High-visibility yellow enhances your chance of being spotted by SAR crews in case of a MOB emergency

Variants for use with, or without, a lifejacket



ITEM NO.: PS4190/4191



VARIANTS	
PS4170	VIKING anti-exposure and immersion suit
PS4180	VIKING anti-exposure suit with U-shaped zipper
PS4115	VIKING dual-approved SOLAS/ISO constant wear suit
PS4185	VIKING immersion suit with built in buoyancy
RELATED PRODUCTS	
PV9320	Inflatable lifejacket, symmetrical 180N, dual-approved
PV9360	Inflatable lifejacket, symmetrical 275N, configurable
PV9361	Inflatable lifejacket, asymmetrical 275N, configurable
PV9340	VIKING constant wear lifejacket

VIKING SOLAS Immersion/Anti-Exposure Suit for MOB/FRB Boat Crew

- Ideal for operations in both cold and warmer climates
- Choice of 1 or 6-hour zip-in thermal liner systems with integrated buoyancy foam
- Lifting becket, buddy line, light and whistle
- Choice of footwear, gloves and hood
- Host of design extras, i.e. print on back, embroidered patches etc.
- Specially designed to comply with the latest SOLAS requirements and maximize protection against hypothermia and cold shock

ITEM NO.: PS4170



VARIANTS	
PS4180	VIKING SOLAS anti-exposure suit with U-shaped zipper
PS4185	VIKING immersion suit with build in buoyancy
RELATED PRODUCTS	
PV9320	Inflatable lifejacket, symmetrical 180N, configurable
PV9360	Inflatable lifejacket, symmetrical 275N, configurable
PV9361	Inflatable lifejacket, asymmetrical 275N, configurable



**BREATHABLE
GORE-TEX®
PAZIFIK™**



VIKING Super Lightweight, Non-insulated Constant Wear Work Suit

This lightweight suit delivers tailored protection and is perfect for extended wear, enabling users to focus on their work rather than their protective clothing. The snug design prevents friction and snag hazards.

- SOLAS and ISO approved
- Outer fabric GORE-TEX® PAZIFIK™
- Superlight shell with low friction and high tear-strength
- Reinforcements of Silicone Kevlar® and CORDURA®
- Pockets: for radio, microphone, phone, equipment, gloves etc.
- Suitable for most harness types
- Retro-reflective piping
- Available in S, M, L, XL, 2XL and 3XL
- Integrated watertight socks and boots

ITEM NO.: PS4115



VARIANTS	
PS4180	VIKING Constant wear suit with U-shaped zipper
PS4170	VIKING Constant wear suit
RELATED PRODUCTS	
PV9340	VIKING Constant wear lifejacket



Constant Wear Lifejackets

Our constant wear lifejackets are designed for tough marine and offshore work applications, combining superior in-water performance, durability and a comfortable, ergonomic design. They feature low-profile compact cover – in a choice of Cordura® or wipe clean fabrics for a durable, yet comfortable, exterior of the jacket. The uniquely designed buoyancy chamber with integrated cleat attachment system ensures best in-water performance and safer recovery.

VIKING Constant Wear Lifejacket

- Choice of Cordura® or wipe clean covers
- Options of 180N or 275N double compartment buoyancy chambers
- Belt-style waist with an integrated, padded back panel
- Optional sprayhood
- Option of Halkey Roberts® or Hammar® inflation systems
- Water-activated lifejacket light
- Front buckle systems (with or without D-ring)
- Dual crotch strap
- Integrated neck support/comfort padding
- Convenient re-packing solutions available



ITEM NO.: PV9340

VARIANTS	
PV9320	Inflatable lifejacket symmetrical 180N, configurable
PV9360	Inflatable lifejacket symmetrical 275N, configurable
PV9361	Inflatable lifejacket asymmetrical 275N, configurable
RELATED PRODUCTS	
-	-

Your choice of features

VIKING makes it easy

Do you need extra buoyancy? Does your job require special cover material? You can even choose the buckle style, inflation system and add a light. Finally you have the option to add a sprayhood, a PLB (personal locator beacon) or both.

Custom features

- Buoyancy
- Cover material
- Closure (buckle style)
- Inflation system
- Light

Optional items

- Sprayhood
- PLB pocket
- PLB

All VIKING inflatable SOLAS lifejackets come with a whistle, reflective tape, lifting strap and crotch strap. The crotch strap ensures that the lifejacket stays in position, and helps maintain a correct flotation angle.



Custom features explained

Buoyancy

Symmetrical: The higher the Newton number (N), the higher the buoyancy. For general use, select 180N. For situations when extra weight is carried, select 275N.

Asymmetrical: As asymmetrical chambers offer faster and better turning capabilities, select a 275N asymmetrical where extra weight is carried, e.g. heavy tool belts.

Cover material

Cordura®: A heavy duty 500 denier Cordura® fabric provides super durability. This material is also used for body armour because of its superior abrasion and tear strength. Perfect for constant wear lifejackets used for working in tough marine environments.

Wipe clean: Repellent, yet soft to the touch and extremely hard wearing. After use simply wipe clean with a damp or wet cloth. Choose from four matte colours ranging from the brightest bright to black.

Typical use: Ideal for heavy industrial environments, e.g. offshore and fishing

Aluminium for welding: Durable aluminium coated Preox/Para-Aramid cover offers both radiant heat and spark resistance.

Typical use: Ideal for all severe heat environments, e.g. for welders and offshore personnel working in production areas.

Always approved

No matter how you design your VIKING inflatable lifejacket it always fulfils existing SOLAS requirements.

Example of 275N wipe clean lifejacket with snap lock "Salsa" closure and harness.

VIKING Constant Wear Lifejacket for Harsh Maritime Environments



- Cover: Black or red Cordura®
- Buoyancy: 180N, symmetrical
- Closure: Side closing, plastic
- Release: Halkey Roberts®
- Light: Dan M

ITEM NO.: PV9320



VARIANTS	
PV9340	VIKING constant wear lifejacket with several options
PV9320	Inflatable lifejacket symmetrical 180N, configurable
PV9360	Inflatable lifejacket symmetrical 275N, configurable
RELATED PRODUCTS	
PS4170	VIKING SOLAS approved anti-exposure/immersion suit
PS2014	VIKING SOLAS neoprene immersion suit

VIKING Constant Wear Lifejacket for Harsh Maritime Environments



- Cover: Red or black Cordura®
- Buoyancy: 175N, symmetrical
- Closure: Side closing, plastic
- Release: Halkey Roberts®
- Light: Dan M

ITEM NO.: PV9360



VARIANTS	
PV9340	VIKING constant wear lifejacket with several options
PV9320	Inflatable lifejacket symmetrical 180N, configurable
PV9360	Inflatable lifejacket symmetrical 275N, configurable
RELATED PRODUCTS	
PS4170	VIKING SOLAS approved anti-exposure/immersion suit
PS2014	VIKING SOLAS neoprene immersion suit

VIKING Inflatable RescYou™ Conquest Lifejacket with Harness, Work Vest

- Chamber can be automatically, manually or orally inflated
- Fitted with lifting becket, safety harness, whistle, strap for light and toggles for attachment
- Easy donning and doffing with front buckle closing system
- Available in black and red

ITEM NO.: PV9273

Approved according to EN ISO 12402-3/12402-6



VARIANTS	
-	-
RELATED PRODUCTS	
R6200002	Manually activated lifejacket light
R6200006	Water activated lifejacket light
1035411	Sprayhood

VIKING RescYou™ Atlantic Inflatable 150N Work Vest

- Extremely lightweight for superior comfort in work situations
- Chamber can be automatically, manually or orally inflated
- Fitted with lifting becket and whistle
- Single-hand operated release buckle for easy adjustment to get a perfect fit

ITEM NO.: PV9274

Approved according to EN ISO 12402-3/12402-6



VARIANTS	
-	-
RELATED PRODUCTS	
R6200002	Manually activated lifejacket light
R6200006	Water activated lifejacket light

VIKING SOLAS Solid Lifejacket

Extremely compact 140N solid lifejacket

- Superior in-water performance
- Orange or high visibility yellow
- Emergency light (optional), whistle, buddy line and lifting hand grip
- Low profile front panels for increased mobility and field of vision
- Back panel for comfortable fit and easy donning and doffing
- Available in multi approved versions: USCG, TC, MED. Itemno. PV9521



ITEM NO.: PV9520

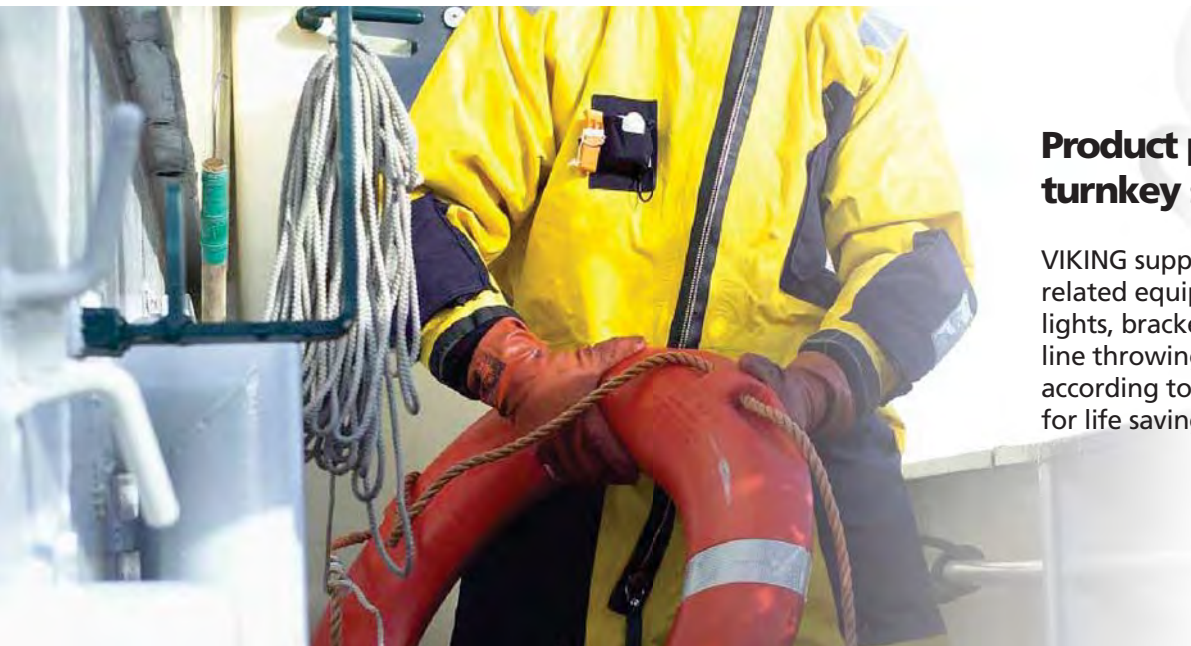
96/98/EC and MSC-81(70) approved, MSC-207(81) and MSC-200(80) compliant



VARIANTS	
PV9508	VIKING SOLAS lifejacket, child
PV9506	VIKING SOLAS lifejacket, infant
RELATED PRODUCTS	
1040398	Integrated lifejacket light for use with VIKING PV9520 lifejacket, water activated (WR3)
1057890	Fully automatic recessed light for use with all SOLAS solid life jackets



- Wide range of immersion suits in PU coated Nylon and Neoprene
- VIKING Exchange Agreements are available for our most popular suits. Eliminates all the servicing hassles with one instant transaction at pier, no waiting
- Certified servicing in more than 120 key ports around the world
- Quality manufacturer of SOLAS-approved immersion suits for more than 25 years



Product packages and turnkey solutions

VIKING supplies lifebuoys and related equipment, including lights, brackets, release units, line throwing devices and line, according to SOLAS regulations for life saving appliances.

Lifebuoys and Line Throwing Devices

Lifebuoy Package, 2.5 kg



PRODUCTS	
1022623	Lifebuoy, 2.5 kg, VIKING
1022628	Floating line for lifebuoy 30 m
1001213	Lifebuoy light L90
1006513	Bracket for lifebuoy light L90
1034664	Bracket for lifebuoy, stainless steel

Lifebuoy Package, 4.3 kg



PRODUCTS	
1022624	Lifebuoy, 4.3 kg, VIKING
1038349	Quick release for MOB system, stainless steel
1008636	MOB signal and bracket
1022628	Floating line for lifebuoy 30 m
1010967	Lifeline per m (up to 200 m)

VIKING Lifebuoy, 2.5 kg

- Outer diameter: 72 cm
- Reflective tape
- Grab line

ITEM NO.: 1022623



VARIANTS	
1036588	Lifebuoy 2.5 kg, 75 cm, Redding
1043195	Lifebuoy 2.5 kg, Datrex, USCG approved
RELATED PRODUCTS	
1022628	Floating line for lifebuoy, 30m
1050970	Lifebuoy light including bracket
1011252	Storage cabinet for lifebuoy

VIKING Lifebuoy, 4.3 kg

- Outer diameter: 72 cm
- Reflective tape
- Grab line

ITEM NO.: 1022624



VARIANTS	
1036590	Lifebuoy 4.5 kg, 75 cm, Redding
1043196	Lifebuoy 4.5 kg, Datrex, USCG approved
RELATED PRODUCTS	
1008636	Light smoke signal comes with bracket
1038349	Quick release for lifebuoys, st. steel

Lifebuoy Bracket

- For 72 cm lifebuoy
- Stainless steel (type SS 316)

ITEM NO.: 1034664



VARIANTS	
1022625	Lifebuoy bracket for 75 cm, stainless steel (type SS 316)
1009246	Lifebuoy bracket for 72-75 cm, stainless steel (type SS 316)
RELATED PRODUCTS	
1022623	Lifebuoy, 2.5 kg, VIKING
1036588	Lifebuoy, 2.5 kg, Redding
1022624	Lifebuoy, 4.3 kg, VIKING
1036590	Lifebuoy, 4.3 kg, Redding

Floating Line for Lifebuoy

- Diameter: 8 mm
- Length: 30 m

ITEM NO.: 1022628



VARIANTS	
1057947	Floating line for lifebuoy 30 m in plastic tube for lifebuoy
1010967	Floating line for lifebuoy per m (up to 200 m)
1039669	Floating line for lifebuoy 45 m
1039670	Floating line for lifebuoy 60 m
RELATED PRODUCTS	
1022623	Lifebuoy, 2.5 kg, VIKING
1036588	Lifebuoy, 2.5 kg, Redding
1036588	Lifebuoy, 4.3 kg, VIKING
1036590	Lifebuoy, 4.3 kg, Redding

Quick Release for MOB System

- Stainless steel
- Quick release case

ITEM NO.: 1038349



VARIANTS	
1043428	Quick release, material GRP
1043429	Mounting set for GRP quick release
RELATED PRODUCTS	
1036590	Lifebuoy 4.5 kg, 75 cm, Redding
1022624	Lifebuoy 4.3 kg, VIKING

Quick Release for MOB System, GRP

- Lightweight / made of GRP
- White colour

ITEM NO.: 1043428



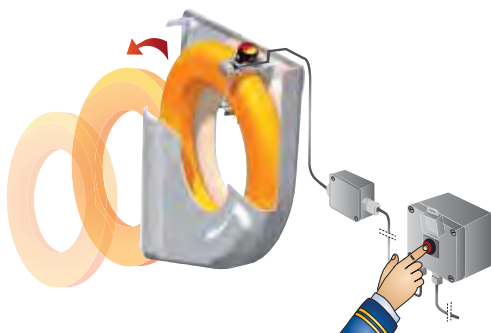
Mounting set 1043429 is required

VARIANTS	
1038349	Quick Release for MOB system, stainless steel
RELATED PRODUCTS	
1043429	Mounting set for GRP quick release
1036590	Lifebuoy 4.5 kg, 75 cm, Redding
1022624	Lifebuoy 4.3 kg, VIKING

Lifebuoy Remote Release System

- Safe and fast operation
- Electric activation from the bridge
- One complete package
- Easy and quick installation
- Economical solution
- Weight: 18 kg
- Dimensions GRP holder: H 95.8 x W 78 x D 19 cm

ITEM NO.: 1037568



VARIANTS	
-	-
RELATED PRODUCTS	
-	-

Storage Cabinet For Lifebuoy

- Model Jo Bird JB15
- Dimensions:
H 1150 x W 1060
x D 200 mm
- For lifebuoys with a diameter of up to 762 mm
- Approved rain and dust protection according to IP 56

ITEM NO.: 1011252

IP 56 approval



VARIANTS	
-	-
RELATED PRODUCTS	
1022623	Lifebuoy, 2.5 kg, VIKING
1036588	Lifebuoy, 4.3 kg, VIKING
1022624	Lifebuoy, 2.5 kg, Redding
1036590	Lifebuoy, 4.3 kg, Redding

Pneumatic Line Thrower PLT Rescue 230 Basic

- Operates on compressed air, non-pyrotechnics version
- 4-6 multiple high precision shots before recharging
- 7 types of projectile also available
- No expiry date
- Basic PLT package complying with SOLAS/MED
- Includes: 4 projectiles with 250 m line, launching unit, and launching tube
- Weight: 15 kg
- Dimensions: L 1410 x H 415 x D 159 mm (in container)

ITEM NO.: -

MED-B-6519, type approval LB-427, USCG approval 160.040/EC0575/6519



VARIANTS	
1020222	Pneumatic line thrower, PLT Rescue 230
RELATED PRODUCTS	
1038617	Storage container PLT Rescue 230, complete set

PLT 150 Pneumatic Line Thrower, 140 m, Complete Set

- Operates on compressed air, non-pyrotechnics version
- Delivered with two projectiles
- Other projectiles and configurations available
- Used for various mooring operations

ITEM NO.: 1038617



VARIANTS	
1038608	PLT 75 pneumatic line thrower, 90 m, complete set
1022326	PLT Mini pneumatic line thrower, 90 m, complete set
RELATED PRODUCTS	
1054753	Storage container PLT Mini for PLT 75, PLT 125 and PLT 150 models

Offshore operations:

SHIP TO SHIP MADE SAFER WITH THE PLT®

The PLT® increases safety and efficiency during ship to ship transfer.
With an Upgrade the PLT® complies with SOLAS LTA requirements.

- 1** Set up the PLT® at location.
- 2** Launch the rubber ball up to the vessel.
- 3** Safely and efficiently connect.

RESTECH NORWAY

PLT®
Pneumatic Line Throwers

www.restech.no

Restech Norway AS | Phone: +47 755 42 440 | E-mail: restech@restech.no



Lights and Signals

Lifejacket Light Daniamant WR3

- Single compact flashing light water activated
- Water and manually activated
- Recessed version of W3
- Light without clips for mounting



ITEM NO.: 1061654

Approved according to USCG

VARIANTS	
1060868	Clips for lifejacket light Daniamant WR3 (1061654)
1065013	Lifejacket light, Daniamant M3 (manually activated)
1064996	Lifejacket light, Daniamant W3 (water activated)
1065012	Clips for lifejacket light Daniamant M3 and W3 (1065013/1064996)
1061461	Lifejacket light, Daniamant W4-A (Water activated, Alkaline battery)
1063068	Clip for lifejacket light Daniamant W4-A (1061461)
RELATED PRODUCTS	
PV9320	Inflatable lifejacket, symmetrical 180N, configurable
PV9360	Inflatable lifejacket, symmetrical 275N, configurable
PV9361	Inflatable lifejacket, asymmetrical 275N, configurable
PV9520	VIKING SOLAS solid lifejacket

Lifejacket Light 6-EX

- Lightweight, compact and robust flashing light with mounting clip
- Manually activated

ITEM NO.: 1049880

Approved according to SOLAS/MED, USCG and ATEX



VARIANTS	
-	-
RELATED PRODUCTS	
PV9320	Inflatable lifejacket, symmetrical 180N, configurable
PV9360	Inflatable lifejacket, symmetrical 275N, configurable
PV9520	VIKING SOLAS solid lifejacket

Torch Light

- Splash proof
- Morse key
- Rubber coating
- Hand loop
- 2 x R20 batteries required

ITEM NO.: 1048365



VARIANTS	
-	-
RELATED PRODUCTS	
1004258	Battery, type R20
1045912	Bulb for torch light

Hand Lamp

- Swivel handle
- 1 Watt LED light
- Includes battery and charger

ITEM NO.: 1045894



VARIANTS	
-	-
RELATED PRODUCTS	
1004258	Battery, type R20

Torch Light

- High quality Peli 3315 LED zone 0 torch light
- Delivered with 3 pcs. AAA batteries
- Compact light with very high performance
- Clip for helmet mounting available
- Rating: II 1 G Ex ia IIC T4 Ga, II 1 D Ex ia IIIC T130°C Da

ITEM NO.: 1058219

ATEX approved



VARIANTS	
1039701	Angled torch light, Peli 3610 "Little Ed" LED zone 0
RELATED PRODUCTS	
1048364	Battery type R14

Safety Lamp HE 9 Basic

- Intrinsically safe T4
- Protection category IP65
- Halogen bulb
- Polyamide, black
- Incl. Li-on-battery 3.75 V / 4.8 Ah

ITEM NO.: 1052669

ATEX approved



VARIANTS	
-	-
RELATED PRODUCTS	
1052670	Charger for HE 9 Basic
1048391	Halogen bulb for HE 9 Basic

Lifebuoy Light Daniamant L90

- Batteries included
- Bracket ordered separately
- Drop height of 60 m

ITEM NO.: 101213



VARIANTS	
1050970	Lifebuoy light with bracket and batteries, MED approved
1036722	Lifebuoy light L162, MED and USCG approved
1036945	Lifebuoy light L160, MED approved
RELATED PRODUCTS	
1004258	Batteries for lifebuoy light L90
1003219	Bulb for lifebuoy light L90
1037632	Dome for lifebuoy light L90
1048302	Sealing ring for lifebuoy light L90
1022623	Lifebuoy 2.5 kg, VIKING
1036588	Lifebuoy 2.5 kg, 75 cm, Redding

Day Signals

- Cloth type
- Foldable



PRODUCTS	
1043835	Signal ball black 60 x 120 cm
1043837	Signal diamond black 60 x120 cm
1043839	Signal cylinder black 60 x120 cm
1043841	Signal cone black, 60 x 60 cm
RELATED PRODUCTS	
-	-

Explosion Proof Lifebuoy Light Daniamant, L161

- Intrinsically safe lifebuoy light for use in explosive environments
- Drop height of 76 m
- Five year storage life without maintenance

ITEM NO.: 1036721



VARIANTS	
1036947	Lifebuoy light L163, approved according to MED, ATEX, IECEx, USCG and ETL listed
RELATED PRODUCTS	
1022623	Lifebuoy, 2.5 kg, VIKING
1036588	Lifebuoy 2.5 kg, 75 cm, Redding

Call Sign Flags

- 4 call sign flags
- 50 x 60 cm

ITEM NO.:1046059



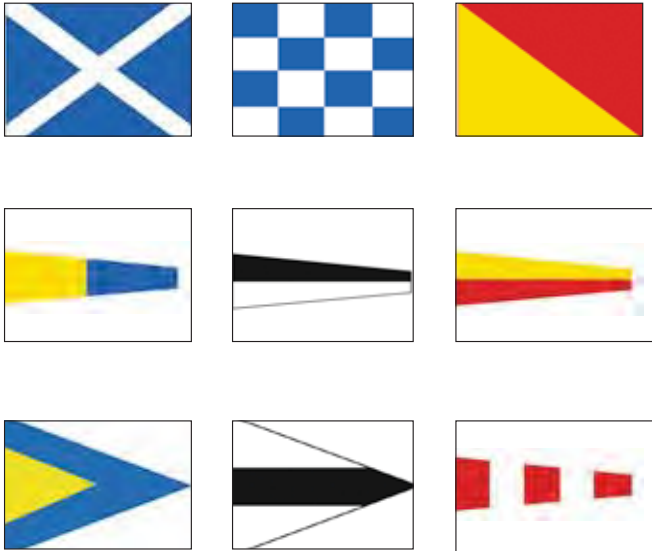
VARIANTS	
-	-
RELATED PRODUCTS	
1046045	Flag line 6 mm, 220 m reel, polypropylene
1046046	Flag line 10 mm, 220 m reel, polypropylene
1048478	Flag hooks, 1 set (2 pcs.), brass

International Signal Flags

Set of 40 flags, including:

- 26 signal flags with letters
- 10 signal flags with digits
- 3 substitutes
- 1 answering pennant
- Flag dimensions: 100 x 120 cm

ITEM NO.: 1046054



VARIANTS	
1048479	International signal flags 70 x 84 cm
RELATED PRODUCTS	
1046045	Flag line 6 mm, 220 m reel, polypropylene
1046046	Flag line 10 mm, 220 m reel, polypropylene
1048478	Flag hook, 1 set (2 pcs.), brass

Flag Line

- Polypropylene
- 6 mm, 220 mm reel

ITEM NO.: 1046045



VARIANTS	
1046046	Flag line 10 mm, 220 m reel, polypropylene
RELATED PRODUCTS	
-	-

Flag Hook

- Brass
- 1 set = 2 pcs.

ITEM NO.: 1048478



VARIANTS	
-	-
RELATED PRODUCTS	
-	-



Due to the serious nature of pyrotechnic products, VIKING supplies exclusively recognized brands known for their reliability.

Products are available worldwide through our extensive network.

Pyrotechnics

Parachute Rocket Signal

- Burn time: 40 sec
- Light intensity: 30,000 candela
- Manufacturer: Comet

ITEM NO.: 1000321



VARIANTS	
-	-
RELATED PRODUCTS	
1000320	Handflare signal, Comet
1000323	Smoke signal, Comet
1001205	Plastic watertight container for pyrotechnics

Smoke Signal

- Burn time: 4 min
- Manufacturer: Comet

ITEM NO.: 1000323



VARIANTS	
-	-
RELATED PRODUCTS	
1000320	Handflare signal, Comet
1000321	Parachute rocket signal, Comet

Handflare Signal

- Burn time: 60 sec
- Light intensity: 15,000 candela
- Manufacturer: Comet

ITEM NO.: 1000320



VARIANTS	
-	-
RELATED PRODUCTS	
1000321	Parachute rocket signal, Comet
1000323	Smoke signal, Comet
1001205	Plastic watertight container for pyrotechnics

Single Shot Line-throwing Device

- 1 rocket
- 1 line
- Throwing range: 250 m
- Manufacturer: Comet

ITEM NO.: 1031187



VARIANTS	
1024768	Single shot line-throwing device, Hansson PyroTech
1020222	Single shot line-throwing device, Restech PLT R-230
1029676	Single shot line-throwing device, Restech PLT M-150
RELATED PRODUCTS	
1002371	Replacement rocket for line-throwing device
1010635	Line-throwing device without rocket, Comet
1029830	Replacement rocket for line-throwing device, Hansson PyroTech model

Light Smoke Signal (MOB)

- Used with lifebuoys in MOB situations
- Includes lithium battery
- Burn time: 2 hours
- Light intensity: 2 candela
- Incl. mounting bracket
- Manufacturer: Comet

ITEM NO.: 1008636



VARIANTS	
1024767	Light smoke signal (MOB), Hansson PyroTech
RELATED PRODUCTS	
-	-





Transfer, Descent and Recovery



Gangway Net - Green

- Material: Polypropylene
- Rim rope: diameter 12 mm
- Rope: diameter 4.5 mm
- Mesh: 100 mm
- Available in various sizes

VARIANTS	
1046015	Gangway net 300 x 600 cm, green
1046029	Gangway net 600 x 1200 cm, green
RELATED PRODUCTS	
-	-

Embarkation Ladder

- Aluminium clamps, polyamid wedges and reinforced wooden steps
- Available in various lengths

Approved according to MED



VARIANTS

1026189	Embarkation ladder, 3 m
1026193	Embarkation ladder, 4 m
1026188	Embarkation ladder, 5 m
1024305	Embarkation ladder, 6 m
1026190	Embarkation ladder, 7 m
1026191	Embarkation ladder, 8 m
1022380	Embarkation ladder, 10 m
1026194	Embarkation ladder, 11 m
1020998	Embarkation ladder, 12 m
1020999	Embarkation ladder, 14 m
1026198	Embarkation ladder, 15 m
1021000	Embarkation ladder, 16 m
1026200	Embarkation ladder, 17 m
1021002	Embarkation ladder, 18 m
1026202	Embarkation ladder, 19 m
1021003	Embarkation ladder, 20 m
1026205	Embarkation ladder, 22 m
1029732	Embarkation ladder, 27 m

RELATED PRODUCTS

-	-
---	---

Pilot Ladder

- Wooden steps, rubber steps and spreaders
- Available in various lengths

Approved according to MED



VARIANTS

1026210	Pilot ladder, 3 m
1022435	Pilot ladder, 4 m
1026212	Pilot ladder, 5 m
1010434	Pilot ladder, 6 m
1020995	Pilot ladder, 7 m
1020996	Pilot ladder, 8 m
1010435	Pilot ladder, 9 m
1026217	Pilot ladder, 10 m
1023812	Pilot ladder, 14 m
1023813	Pilot ladder, 16 m
1023814	Pilot ladder, 18 m
1026226	Pilot ladder, 19 m
1023815	Pilot ladder, 20 m

RELATED PRODUCTS

-	-
---	---

Regulations for pilot and embarkation ladders

Pilot and embarkation ladders must be approved according to MED.
All VIKING pilot and embarkation ladders have the necessary approvals.

Dacon Rescue Frame

- Manual recovery system for FRC and smaller craft
- 5 year warranty
- No mandatory service intervals
- Compact storage in PVC cover
- Intuitive and easy to use

ITEM NO.: -



VARIANTS	
-	1.8 m horizontal length, maximum 0.6 m freeboard
-	1.2 m horizontal length, maximum 0.6 m freeboard
-	1.8 m horizontal length, maximum 1.2 m freeboard
-	1.2 m horizontal length, maximum 1.2 m freeboard
RELATED PRODUCTS	
-	-

* Almost any dimension available, please contact us for a model that suits your needs

Dacon Rescue Dummy

- Realistic size and weight, 85 kg / 190 cm
- Robust and built to last
- Adjustable floating position

ITEM NO.: -



VARIANTS	
-	Dacon Rescue Dummy with PVC coverall
-	Dacon Rescue Dummy with PVC coverall, submersible model for rescue divers
RELATED PRODUCTS	
-	-



Man-over-board recovery systems FOR ERRV, OFFSHORE WIND AND SAR VESSELS



Dacon Rescue Scoop

- Power-assisted method of recovering able or disabled persons from the sea
- Standard equipment on most Standby vessels in the North Sea and North Atlantic
- Provides a means of recovery in rough weather with limited risk for the crew



Dacon Scrambling Nets

- Rigid, non-slip climbing aid that allows able persons to board quickly from the sea or FRC
- Optional fold-over installation frames suspend the nets 250 mm from the ship side to meet UKOOA requirements
- Hauling lines for assisted recovery of exhausted survivors unable to scramble to safety



Dacon Rescue Basket

- Efficient equipment in situations with multiple persons in distress
- Easy "float in" entry into the basket
- Heavy duty materials for long service life
- Satisfies class & flag state requirements for "temporary refuge in the sea"



DACON AS, NORWAY

▪ www.dacon.no ▪ rescue@dacon.no ▪ Tel.: +47 2106 3510

New SOLAS regulation

Recovery of persons from the water SOLAS Chap. III Regulation 17-1

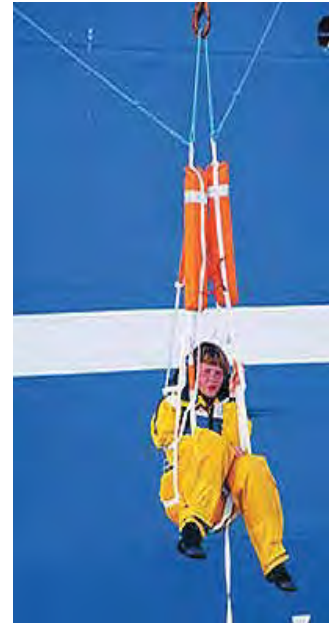
According to the SOLAS regulation, all vessels are required to have plans and procedures for recovery of persons from the water describing the equipment the vessel will use.

VIKING can help you find the most suitable solution for your vessel.

Markusnet

- MOB recovery system for 10 m freeboard

ITEM NO.: 1008077



VARIANTS	
1008078	Lifenet for 20 m freeboard
1030881	Lifenet for 30 m freeboard
1029312	Lifenet for 40 m freeboard
RELATED PRODUCTS	
-	-

Descent Device for Marine

- Donut M 46 m tape - 150N/LES
- For use with a liferaft on commercial vessels
- Direct boarding down to a liferaft
- Last means of escape

ITEM NO.: 1035294



VARIANTS	
-	-
RELATED PRODUCTS	
-	-

Jason's Cradle

- World renowned recovery system
- Simply to affix to deck or rail for quick deployment
- Made from high tensile plastic, polyethylene and stainless steel
- Suitable for most vessels up to 4.5 m freeboard
- Available in various length and widths



VARIANTS	
1043135	Jason's Cradle, L 229 x W 71 cm – 1 m freeboard
1043137	Jason's Cradle, L 286 x W 71 cm – 1 to 1,5 m freeboard
1043138	Jason's Cradle, L 343 x W 71cm – 1,5 to 2 m freeboard
1006020	Jason's Cradle, L 400 x W 71 cm – 2 to 2,5 m freeboard
RELATED PRODUCTS	
1043125	Jasons's Cradle, L 400 x W 71 cm – 2 to 2,5 m



Polar Solutions

VIKING offers a full range of safety products specially designed for frozen waters and harsh arctic environments.

Severe winters can limit rescue operations. Fog makes evacuation by helicopter dangerous and winter ice makes the use of free fall lifeboats impossible.

Many safety products require special features to function reliably in extremely low temperatures. VIKING offers a full portfolio of products suitable for Polar conditions.

Heated Cabinets

- VIKING supplies a full range of heated cabinets
- Protected heater box keeps suits, lifejackets etc. from freezing or accumulating ice
- Various sizes and wattage is available
- Can be supplied for all cabinets
- ATEX approved



VARIANTS

-	-
---	---

RELATED PRODUCTS

-	-
---	---

MSC recommended Personal Survival Kit (PSK)

- Contents: Head protection, neck and face protection, hand protection (mitts and gloves), foot protection (socks and boots), insulation suit, immersion suit, thermal underwear, handwarmers, sunglasses, survival candle, matches, whistle, drinking mug, pen knife, handbook (polar survival) carrying bag

ITEM NO.: S-5900096

According to IMO guideline MSC/Circ. 1056



For more information about the contents, see page 108

VARIANTS

S-5900096	Personal Survival Kit (PSK), oversize immersion suit
------------------	--

RELATED PRODUCTS

1051160	Group Survival Kit (GSK)
----------------	--------------------------

Helilift Marin Hypothermia Stretcher

- Floating version with buoyancy device and weights
- Hypothermia blanket set
- Easy to manoeuvre through narrow corridors and emergency exits
- Temperature limits -40°C to +70°C

ITEM NO.: 1035507



VARIANTS

-	-
---	---

RELATED PRODUCTS

-	-
---	---

MSC recommended Group Survival Kit (GSK)

- Contents: Tent, air mattresses, sleeping bags, stove, stove fuel, fuel paste, matches, pan, fortified health drink, flashlights, candle and holder, snow shovel, tarpaulin, foot protection booties, container (dry bag)
- Further spare personal equipment is included: Head protection, neck and face protection, hand protection mitts and gloves, foot protection boots and socks, insulated suit, thermal underwear, handwarmers, sunglasses, whistle and a drinking mug
- 3 dry bags plus one set of spare personal equipment
- 1st bag - Dimensions: 60 x 70 x 40 cm
Weight: 25 kg
- 2nd bag - Dimensions: 60 x 70 x 40 cm
Weight: 10 kg
- 3rd bag - Dimensions: 60 x 70 x 40 cm
Weight: 11 kg
- 4th bag - Dimensions: 65 x 60 x 25 cm
Weight: 7 kg



ITEM NO.: 1051160

According to IMO guideline MSC/Circ. 1056

For more information about the contents, see page 109

VARIANTS

-	-
---	---

RELATED PRODUCTS

S-5900096	Personal Survival Kit (PSK)
------------------	-----------------------------

Polar Liferaft Heated Container

- Fully functional at temperatures as low as -50°C
- Efficient heating system ensures that the liferaft inflates despite extreme temperatures
- IP68 certified for blast proof areas



ITEM NO.: L025D0014AC5

According to IMO Polar guidelines and Russian winterization guidelines. Certified by DNV, USCG, TC Canada, ATEX and RMRS.

VARIANTS	
-	6 person throw-overboard liferaft, polar
-	8 person throw-overboard liferaft, polar
-	10 person throw-overboard liferaft, polar
-	12 person throw-overboard liferaft, polar
-	16 person throw-overboard liferaft, polar
-	16 person davit-launched liferaft, polar
-	20 person throw-overboard liferaft, polar
-	20 person davit-launched liferaft, polar
-	25 person throw-overboard liferaft, polar
-	25 person davit-launched liferaft, polar
-	35 person throw-overboard liferaft, polar
-	35 person davit-launched liferaft, polar
RELATED PRODUCTS	
A Polar liferaft package typically consists of liferafts along with specially selected cradles, relays, cables and boxes suited for polar conditions.	
1056143	Control box supply for up to 2 adjacent containers
1056183	Control box supply for up to 3 adjacent containers
1042425	Hammar® HRU, heated



- 1** Built-in silicone rubber heating mats inside the container prevent over-icing.
- 2** Heated hydrostatic release unit.
- 3** The exterior supply box can heat up to three containers simultaneously. Its built-in short circuit protection and power indicator provide total reliability.

When the ambient temperature rises above approx. 5°C, the heater automatically deactivates.

VIKING Polar Liferrafts hold the following patents:
 DK Patent No. 176716B1
 CN Patent No. 101795934B
 Patent Pending EP

VIKING Polar Immersion Suit

Top of the line model with extra durability and extended protection.

- Built-in buoyancy
- Extra thermal barrier (twice that of a standard immersion suit)
- Interior braces for adjustable length
- Detachable gloves
- Lifting becket, buddy line and emergency light
- 6-hour SOLAS approval
- Airtight packaging optional
- Sizes: Universal 140-200 cm
Over-size 190-210 cm



Top of the line

ITEM NO.: PS5002



VARIANTS	
PS5019	Top of the line VIKING immersion suit. One size with built-in buoyancy, lifting becket, buddy line, whistle and emergency line
PS5006	VIKING PU coated Nylon immersion suit. Standard model with detachable gloves and optional buddy line and lifting becket. Must be worn with a lifejacket
RELATED PRODUCTS	
-	-

VIKING SOLAS Immersion/Anti-Exposure Suit for MOB/FRB Boat Crew

- Ideal for operations in both cold and warmer climates
- Choice of 1 or 6-hour zip-in thermal liner systems with integrated buoyancy foam
- Lifting becket, buddy line, light and whistle
- Choice of footwear, gloves and hood
- Host of design extras, i.e. print on back, embroidered patches etc.
- Specially designed to comply with the latest SOLAS requirements and maximize protection against hypothermia and cold shock



BREATHABLE GORE-TEX® PAZIFIK™

ITEM NO.: PS4170



VARIANTS	
PS4180	VIKING SOLAS anti-exposure suit with U-shaped zipper
PS4185	VIKING immersion suit with build in buoyancy
RELATED PRODUCTS	
PV9320	Inflatable lifejacket, symmetrical 180N, configurable
PV9360	Inflatable lifejacket, symmetrical 275N, configurable
PV9361	Inflatable lifejacket, asymmetrical 275N, configurable

VIKING PPE Servicing



Servicing and repairs are carried out with meticulous care and attention to detail. VIKING offers global exchange and servicing packages as well as customised fleet solutions.

VIKING Thermal SOLAS Lifejacket

- 140N lifejacket with integrated neoprene torso
- Snug fit with thermal capabilities, fits all sizes
- Emergency light, whistle, buddy line and lifting becket

ITEM NO.: PV9700

96/98/EC and MSC-81(70) approved MSC-207(81) and MSC-200(80) compliant and Circular 922 for thermal lifejackets.



VARIANTS	
-	-
RELATED PRODUCTS	
-	-



Marine Fire Safety Equipment

VIKING supplies complete packages of approved fire suits and on board fire safety equipment according to the latest regulations.

VIKING manufactures fire suits from top of the line combined immersion and fire suits, to traditional fire suits according to both EN469 and NFPA standards.



Fire Suits

VIKING Coverall Fire Suit

- Extremely lightweight and breathable fire suit according to EN469 Level 2
- Nomex® III outer shell available in orange and navy blue
- Triple trim reflective tape package
- Sizes: S, M, L, XL, XXL, SPL
- Weight: 2.89 kg
- Dimensions: H 50 x W 43 x D 4 cm (packed)



ITEM NO.: PS6581

CE approved according to EN469/2005 and 96/98/EC SOLAS

VARIANTS	
PS659810	VIKING Nomex® fire suit, orange
PS6881	VIKING coverall Nomex® TITAN fire suit, blue
RELATED PRODUCTS	
S-5260360xx	Firefighter boots
101479XX	Firefighter gloves
1054203	Visor for firefighter helmet

VIKING Aramid® Multi-layer Fire Suit

- Approved for structural firefighting
- Quality fire suit with insulation for extra protection against radiant heat
- Complete outfit with two piece fire suit, gloves, helmet and boots
- Sizes: S, M, L, XL, XXL
- Weight: 7.26 kg
- Dimensions: H 55 x W 46 x D 23 cm (packed)



ITEM NO.: PS3789

CE approved according to EN469/2005 and 96/98/EC SOLAS

- Complete outfit with two piece fire suit, gloves, helmet and boots

VARIANTS	
PS6573	VIKING Aramid® fire suit
RELATED PRODUCTS	
1054203	Visor for firefighter helmet
1024862	Neck protection for firefighter helmet 1065914



VIKING Two Piece Nomex® Fire Suit

- Quality fire suit with insulation for extra protection against radiant heat
- High performing towards EN469 level 2
- Good comfort for extended wear
- Approved for structural firefighting
- Reflective trim, removable knee pads, radio and box pockets
- Sizes: S, M, L, XL, XXL, SPL

ITEM NO.: PS6598

CE approved according to EN469/2005 and 96/98EC SOLAS



VARIANTS	
PS7161	VIKING Hainsworth® TITAN two piece fire suit
RELATED PRODUCTS	
S-5260360xx	Firefighter boots
1017949	Firefighter gloves
1054203	Visor for firefighter helmet

VIKING USCG/NFPA Offshore Fire Suit

- Lightweight and flexible fire suit with thermal protection exceeding new NFPA 1971-2013 standards
- Available in Hainsworth® TITAN, Nomex®, Advance® or PBI® Matrix fabrics
- Durable quality with raglan sleeves for exceptional comfort and freedom of movement
- Double stitching in all seams, heavy duty VELCRO® in closures
- Extra thermal liner in shoulders to protect against compression burns
- Reflective trim, radio pocket and microphone loop
- Sizes: S, M, L, XL, XXL, XXXL
- Pants
Weight: 2 kg
Dimensions: H 40 x W 37 x D 17 cm
- Jacket
Weight: 3 kg
Dimensions: H 41 x W 46 x D 11 cm (packed)

ITEM NO.: PS1126 (JACKET), PS1160 (PANTS)

NFPA approved according to NFPA 1971 – 2013 edition



VARIANTS	
PS1162/PS1122	Lightweight NFPA garment with sewn in liner system
RELATED PRODUCTS	
-	-

SOLAS Marine Fire Safety Package

There are specific SOLAS/MED requirements for marine fire-fighting as well as flag state approval requirements. VIKING can supply a full package of approved products as needed for your fleet.

**COMPLIES WITH
IMO REGULATION,
SOLAS II-2/10**



UHF Hand Held Radio
Item No.: 1063619
See page 104



Firefighter Hood
Item No.: PS383567
See page 60



Torch Light
Item No.: 1058219
See page 43



Compressor
Item No.: 1045777
See page 79

Fire Proof Safety Line
Item No.: 1042277
See page 60



Firefighter Helmet
Item No.: 1065914
See page 61

Visor for Firefighter Helmet
Item No.: 1054203
See page 61

Neck Protection for Firefighter Helmet
Item No.: 1024862
See page 61

Self-contained Breathing Apparatus (SCBA) (Incl. cylinder)
Item No.: 1056036
See page 78

Spare Cylinder for SCBA
Item No.: 1045656
See page 79

Firefighter Waist Belt
Item No.: 1043103
See page 61

Pouch for Firefighter Axe
Item No.: 1020780
See page 61

Firefighter Gloves
Item No.: 10179xx
See page 60

Short Firefighter Axe
Item No.: 1048027
See page 61

Long Handled Firefighter Axe
Item No.: 1017940
See page 61

Firefighter Suit
Item No.: PS6561
See page 57

Firefighter Boots
Item No.: S-5260360xx
See page 60

Firefighter Accessories

Firefighter Gloves

- Black leather gloves
- Waterproof and fire resistant
- Sizes: 7-12
- Weight: 366-422 g
- Dimensions:
H 18 x W 33 x D 5 cm
(packed size 7)



ITEM NO.: 10179XX

CE approved according to EN659 and 96/98/EC SOLAS



VARIANTS	
1027424	Shelby NFPA gloves, model 5228
1039XXX	VIKING firefighter gloves (Helios 8008-E)
RELATED PRODUCTS	
-	-

Firefighter Boots

- Comfortable boots with reinforced toes and midsole
- Heat and oil resistant rubber sole with protection against penetrating nails
- Sizes: 36-50
- Weight: 2.8 - 3.69 kg
- Dimensions:
H 44 x L 33 x W 12 cm
(packed size 45)



ITEM NO.: S-5260360XX

Approved according to EN345-2 and SOLAS/MED



VARIANTS	
S-5260170XX	NFPA firefighter boots (rubber)
RELATED PRODUCTS	
PS3789	VIKING Aramid® multi-layer fire suit
1054203	Visor for firefighter helmet

Firefighter Hood

- 2 layer in DuPont™ Nomex® viscose
- Colour: grey
- One size

ITEM NO.: PS383567

Approved according to EN13911



VARIANTS	
-	-
RELATED PRODUCTS	
1065914	Firefighter helmet

Fire Proof Safety Line

- 30 m safety line complete with snap hook at both ends

ITEM NO.: 1042277

Approved according to SOLAS/MED



VARIANTS	
1022936	40 m safety line with one snap hook. SOLAS/MED
1010788	30 m fireproof safety line, Herkules, without snap hook, SOLAS/MED
RELATED PRODUCTS	
1010832	Snap hook for safety line

Firefighter Helmet

- Material: Fibreglass
- Size: Adjustable one size
- Weight: 744 g
- Dimensions:
L 31 x W 25 x H 17 cm

ITEM NO.: 1065914

Approved according to EN443 and SOLAS/MED



VARIANTS	
1027490	Bullard LTX NFPA firefighter helmet
1063566	Firefighter helmet MAGMA
RELATED PRODUCTS	
1054203	Visor for firefighter helmet 1065914
1024862	Neck protection for firefighter helmet xxxx
PS383567	Firefighter hood, EN13911 approved

Short Handled Firefighter Axe

- Weight: 1.05 kg
- Dimensions:
L 32 x W 15 x D 3 cm

ITEM NO.: 1048027



VARIANTS	
1001236	Short handled firefighter axe
1017940	Long handled firefighter axe
RELATED PRODUCTS	
1020780	Pouch for short handled firefighter axe

Waist Belt, Heat Resistant

- Comes with a safety line, D ring and carabiner hook
- Black Polyester, flame-retardant
- Belt dimensions: L 160 x W 8.5 cm

ITEM NO.: 1043103

Approved according to EN358



VARIANTS	
1025302	Safety belt with 2 D-rings, without safety line
1010833	Safety belt with 2 D-rings, incl. safety line. EN approved
1037279	Heat resistant waist belt, Kevlar® size L/XL
1063988	Heat resistant waist belt, Kevlar® size S/M
RELATED PRODUCTS	
1042277	Fire proof safety line
1043083	Full harness AG10/MAS10 with D-ring

Long Handled Firefighter Axe

- Wooden handle
- Weight: 3 kg
- Dimensions:
L 90 x W 20 x D 5 cm

ITEM NO.: 1017940



VARIANTS	
1021766	Long handled firefighter axe, insulated
RELATED PRODUCTS	
1006019	Cover for long handled firefighter axe 1017940 and 1021766



Fire Extinguishers

Safe and efficient fire fighting operations require the readiness of approved and effective fire-fighting equipment according to SOLAS regulations.

VIKING offers a complete range of highly efficient fire extinguishers for all types of fires.

For detailed information about the different fire classifications and the suitable agents please check to the right.

VIKING also supplies a range of suitable cabinets for portable extinguishers. See the section on storage boxes on page 106.



Fire Classification A

Fires with solid substances mainly of organic nature, naturally causing glowing fires e.g. wood, paper, textiles, coals, some plastics. Extinguishing agent: powder, foam, water.



Fire Classification B

Fires of liquid substances or substances becoming liquid, e.g. petrol, fats, oils, varnishes, resins, tar, waxes and the majority of plastics. Extinguishing agent: powder, foam, CO₂.



Fire Classification C

Gas fires, e.g. methane, natural gas, hydrogen, propane. Extinguishing agent: powder.



Fire Classification D

Metal fires, e.g. magnesium, aluminium, sodium and their alloys. Extinguishing agent: powder



Fire Classification F

Fires involving deep fried oils and fats, e.g.: in restaurant kitchens etc. Extinguishing agent: water and additive

Portable Fire Extinguisher, A.B.S.

Fire Extinguisher, Foam

- Cartridge operated A.B.S.
- 9 L AFFF foam
- Suitable for fire classes A, B and F

ITEM NO.: 1038577



VARIANTS

1061989	Fire Extinguisher, Foam, 6 L, Stored Pressure, Class ABF, A.B.S.
1060126	Fire Extinguisher, Foam, 9 L, Stored Pressure, Class ABF, A.B.S.
1060811	Fire Extinguisher, Foam, 6 L, Cartridge, Class ABF, A.B.S.
1061988	Fire Extinguisher, Foam, 9 L, Class AB, A.B.S.

RELATED PRODUCTS

-	Brackets, agents and cartridges can be found on page 66
---	---

Fire Extinguisher, Powder

- Cartridge Operated A.B.S.
- 6 kg ABC powder
- Suitable for fire classes A, B and C

ITEM NO.: 1060125



VARIANTS

1060128	9 kg ABC powder, cartridge operated fire extinguisher A.B.S.
1060127	12 kg ABC powder, cartridge operated fire extinguisher A.B.S.
1060130	2 kg ABC powder, stored pressure fire extinguisher A.B.S.
1060133	4 kg ABC powder, stored pressure fire extinguisher A.B.S.
1059855	6 kg ABC powder, stored pressure fire extinguisher A.B.S.
1060131	9 kg ABC powder, stored pressure fire extinguisher A.B.S.
1059278	12 kg ABC powder, stored pressure fire extinguisher A.B.S.

RELATED PRODUCTS

-	Brackets, agents and cartridges can be found on page 66
---	---

Fire Extinguisher, CO₂

- Extinguisher A.B.S.
- 5 kg CO₂
- Suitable for fire class B

ITEM NO.: 1059857



VARIANTS

1059857	2 kg CO ₂ extinguisher A.B.S.
----------------	--

RELATED PRODUCTS

-	Brackets, agents and cartridges can be found on page 66
---	---

Fire Extinguisher, Water

- Stored pressure A.B.S.
- 9 l water extinguisher
- Suitable for fire class A

ITEM NO.: 1060132



VARIANTS

-	-
---	---

RELATED PRODUCTS

-	Brackets, agents and cartridges can be found on page 66
---	---

Portable Fire Extinguishers, SRI

Fire Extinguisher, Foam

- Cartridge operated SRI
- 9 l AFFF foam
- Suitable for fire classes A and B

ITEM NO.: 1041548



VARIANTS	
1065710	Fire extinguisher foam, 9 l, stored pressure SRI
RELATED PRODUCTS	
-	Brackets, agents and cartridges can be found on page 66

Fire Extinguisher, Powder

- Cartridge operated SRI
- 6 kg ABC powder
- Suitable for fire classes A, B and C

ITEM NO.: 1041530



VARIANTS	
1065696	2 kg ABC powder, stored pressure fire extinguisher SRI
1041559	4 kg ABC powder, stored pressure fire extinguisher SRI
1065697	6 kg ABC powder, stored pressure fire extinguisher SRI
1065698	9 kg ABC powder, stored pressure fire extinguisher SRI
1041536	9 kg ABC powder, cartridge operated fire extinguisher SRI
1041540	12 kg ABC powder, cartridge operated fire extinguisher SRI
RELATED PRODUCTS	
-	Brackets, agents and cartridges can be found on page 66

Fire Extinguisher, CO₂

- Extinguisher SRI
- 5 kg CO₂
- Suitable for fire class B

ITEM NO.: 1041552



VARIANTS	
-	-
RELATED PRODUCTS	
-	Brackets, agents and cartridges can be found on page 66

Fire Extinguisher, Water

- Cartridge operated SRI
- 9 l water extinguisher
- Suitable for fire class A

ITEM NO.: 1041553



VARIANTS	
1065699	9 l water, stored pressure fire extinguisher SRI
RELATED PRODUCTS	
-	Brackets, agents and cartridges can be found on page 66

Wheeled Fire Extinguishers

Wheeled Fire Extinguisher, Foam

- Cartridge operated
- 50 l AFFF foam
- Suitable for fire classes A and B

ITEM NO.: 1036968



VARIANTS	
1060502	50 l AFFF wheeled foam stored pressure fire extinguisher
1036969	150 l AFFF wheeled foam fire extinguisher
RELATED PRODUCTS	
-	Agents can be found on page 66

Wheeled Fire Extinguisher, Powder

- Cartridge operated
- 50 kg ABC powder
- Suitable for fire classes A, B and C

ITEM NO.: 1036965



VARIANTS	
1060501	50 kg ABC powder stored pressure, wheeled fire extinguisher
1036971	25 kg ABC powder cartridge operated, wheeled fire extinguisher
1060385	25 kg ABC powder stored pressure, wheeled fire extinguisher
RELATED PRODUCTS	
-	Agents can be found on page 66

Wheeled Fire Extinguisher, CO₂

- Steel cylinder
- 20 kg CO₂
- Suitable for fire class B

ITEM NO.: 1036972



VARIANTS	
1037154	10 kg CO ₂ wheeled fire extinguisher
1039101	30 kg CO ₂ wheeled fire extinguisher
1055745	50 kg CO ₂ wheeled fire extinguisher
RELATED PRODUCTS	
-	Agents can be found on page 66

Service of marine fire safety equipment

VIKING can service stationary and portable fire equipment from several global locations.

Contact your local VIKING office or distributor for your nearest certified servicing station for marine fire safety equipment.



Marine Brackets for Portable Fire Extinguishers

- Brackets are available in several sizes
- Made of steel
- Incl. fixing strap



VARIANTS	
1055374	Marine bracket for SRI ABC powder 2 kg extinguisher A.B.S.
1035457	Marine bracket for 5 kg CO ₂ extinguisher SRI and A.B.S.
1050891	Marine bracket for 6 kg, stored pressure SRI and A.B.S.
1062406	Marine bracket for 5 kg CO ₂ extinguisher SRI and A.B.S.
1035459	Marine bracket for 9 or 12 kg/l SRI and A.B.S or 6 kg cartridge A.B.S.
1062407	Marine bracket for 9 kg/l stored pressure SRI and A.B.S.
RELATED PRODUCTS	
-	-

ABC Powder

- For use as spare part for ABC powder fire extinguishers



VARIANTS	
1060583	ABC dry powder 30%, 6 kg carton
1022671	ABC dry powder, 9 kg carton
1022672	ABC dry powder, 12 kg carton
1022008	ABC dry powder, 25 kg carton
RELATED PRODUCTS	
-	-

Cartridges for Fire Extinguishers

- For use as spare part for cartridge operated fire extinguishers
- Made of steel



VARIANTS	
1041535	Cartridge for 6 kg ABC powder fire extinguisher SRI (110 g CO ₂ cartridge)
1060046	Cartridge for 6 kg ABC powder fire extinguisher A.B.S. (110 g CO ₂ cartridge)
1060812	Cartridge for 6 l foam fire extinguisher A.B.S (55 g CO ₂ cartridge)
1041539	Cartridge for 9/12 kg ABC powder fire extinguisher SRI (150 g CO ₂ cartridge)
1060047	Cartridge for 9/12 kg ABC powder fire extinguisher A.B.S. (150 g CO ₂ cartridge)
1041554	Cartridge for 9 l water fire extinguisher SRI (55 g CO ₂ cartridge)
1041550	Cartridge for 9 l foam fire extinguisher SRI (110 g CO ₂ cartridge)
1060045	Cartridge for 9 l foam fire extinguisher A.B.S. (110 g CO ₂ cartridge)
1037009	Cartridge for 50 l foam and 25 kg ABC powder fire extinguisher A.B.S (1,3 kg CO ₂ cartridge)
1037010	Cartridge for 150 l foam fire extinguisher A.B.S. (3,2 kg CO ₂ cartridge)
RELATED PRODUCTS	
-	-

Foam Concentrate

- For use as spare for foam fire extinguishers or foam applicator units



VARIANTS	
1041549	0,9 l AFFF foam concentrate 6% for 9 l SRI fire extinguisher
1060063	0,9 l AFFF foam concentrate 3% for 9 l A.B.S. fire extinguisher
1038081	2,7 l AFFF foam concentrate 2% for 50 l A.B.S. fire extinguisher
1038009	9,46 l AFFF foam concentrate 2% for 150 l A.B.S. fire extinguisher
1038582	20 l AFFF foam concentrate 6% for foam applicator unit
1060535	20 l AFFF foam concentrate 3% for foam applicator unit
RELATED PRODUCTS	
-	-

Fire Hoses, Branch Pipes, Foam Applicators, Couplings and Adaptors

Standard Fire Hose with Storz Couplings

- 100% synthetic yarn (outer material), synthetic rubber (liner)
- Diameter: 1.5-2.5"
- Colour: White
- Other lengths and couplings available upon request

Due to new regulations 2.5" no longer holds MED approval



VARIANTS	
1034662	Fire hose, standard 1.5", 15 m Storz 38 aluminium
1032437	Fire hose, standard 1.5", 15 m Storz 38 brass
1032436	Fire hose, standard 1.5", 20 m Storz 38 brass
1032873	Fire hose, standard 1.5", 20 m Storz C brass
1022680	Fire hose, standard 2", 15 m, Storz C aluminium
1022683	Fire hose, standard 2", 15 m, Storz C brass
1021188	Fire hose, standard 2", 20 m Storz C aluminium
1022684	Fire hose, standard 2", 20 m, Storz C brass
1022681	Fire hose, standard 2", 25 m, Storz C aluminium
1022685	Fire hose, standard 2", 25 m, Storz C brass
1022686	Fire hose, standard 2.5", 15 m, Storz 65 aluminium
1022689	Fire hose, standard 2.5", 15 m, Storz 65 brass
1022687	Fire hose, standard 2.5", 20 m, Storz 65 aluminium
1022690	Fire hose, standard 2.5", 20 m, Storz 65 brass
1022688	Fire hose, standard 2.5", 25 m, Storz 65 aluminium
1022691	Fire hose, standard 2.5", 25 m, Storz 65 brass
RELATED PRODUCTS	
1038295	Fire hose, standard 2", 60 m without couplings
1038296	Fire hose, standard 2.5", 60 m without couplings

Heavy Duty Fire Hose with Storz Couplings

- Synthetic Polydur
- High resistance to acids, salt solutions, oil and fuel
- Diameter: 1.5-2.5"
- Colour: Red
- Other lengths and couplings available upon request

Due to new regulations 2.5" no longer holds MED approval



VARIANTS	
1032874	Fire hose, Polydur 1.5", 15 m Storz C brass
1032875	Fire hose, Polydur 1.5", 20 m Storz C brass
1025076	Fire hose, Polydur 2", 15 m, Storz C brass
1025077	Fire hose, Polydur 2", 20 m, Storz C brass
1025078	Fire hose, Polydur 2", 25 m, Storz C brass
1025079	Fire hose, Polydur 2.5", 15 m, Storz 65 brass
1025080	Fire hose, Polydur 2.5", 20 m, Storz 65 brass
1025081	Fire hose, Polydur 2.5", 25 m, Storz 65 brass
RELATED PRODUCTS	
1025417	Fire hose, Polydur 2", 60 m without couplings
1025418	Fire hose, Polydur 2.5", 60 m without couplings

Fire Hose Packages

Complete with all parts required

VIKING can supply individual items or complete packages, such as hydrants, adaptors, blanking caps, fire hoses, nozzles, spanners and cabinets. Specify the standards, sizes and material for the equipment you need, and VIKING can provide a complete quotation.



1023759 - Coupling spanner
1036084 - Fire hose cabinet, left side opening

Product description	Hydrant	Blanking cap	Fire hose standard 20 m	Dual purpose nozzle
Brass Storz C	1025085 - 2"	1025102	1022684 - 2"	1011223
Aluminium Storz C	1025084 - 2"	1025101	1021188 - 2"	1022676
Brass Storz 65	1034607 - 2.5"	1025104	1022690 - 2.5"	1022678
Aluminium Storz 65	1034608 - 2.5"	1025103	1045347 - 2.5"	1022677

Hose Reel Cabinet

- 1" rubber hose
- Steel door frame in colour 3000
- 1" water inlet ball valve of brass PN16 plus gauge for water supply connection
- Fixed with 1" full jet spray nozzle
- Certified to MED requirements
- EN671 approved



ITEM NO.: -



VARIANTS			
1062913	68 x 68 x 23 cm	36 kg	20 m hose
1062914	68 x 68 x 23 cm	37 kg	25 m hose
1062915	70 x 70 x 30 cm	42 kg	30 m hose
RELATED PRODUCTS			
-	-	-	-

Fire Hydrant/Landing Valve with Male Thread Inlet

- BSP male thread inlets
- Brass hydrant with angled outlet
- Various sizes and adaptor configurations available



ITEM NO.: -

VARIANTS	
1025084	Hydrant 2" with Storz C aluminium adaptor
1025088	Storz C aluminium for 2" fire hose
1025089	Storz C brass for 2" fire hose
1025090	Storz 65 aluminium for 2" fire hose
1025093	Storz 65 brass for 2" fire hose
1025094	Storz 65 aluminium for 2.5" fire hose
1025096	Storz 65 brass for 2.5" fire hose
1020791	International shore connection, C=52
RELATED PRODUCTS	
-	-

International Shore Connection

- 2" with Storz C adaptor brass
- Complete with bolts and gaskets
- Other adaptors available upon request

ITEM NO.: 1022692



VARIANTS	
1020791	International shore connection with 2" male thread without coupling
1030890	International shore connection, 2.5" Storz 65 brass adaptor with bolts and gasket
RELATED PRODUCTS	
1046159	Spare nuts and bolts for international shore connection
1046160	Spare sealing for international shore connection

Fire Hydrant/Landing Valve with Flange Inlet

- BSP male thread inlets
- Brass hydrant with angled outlet
- Various sizes and adaptor configurations available

ITEM NO.: -



VARIANTS	
1047959	Hydrant, 90° DN50, inlet PN 16, outlet Storz C brass
1047960	Hydrant, 90°, DN50, inlet PN 16, outlet 2" BSP thread
1047955	Hydrant, straight, DN50, inlet PN 16, outlet Storz C brass
1047956	Hydrant, straight, DN50, inlet PN 16, outlet 2" BSP thread
RELATED PRODUCTS	
-	-

Coupling Spanner

- For Storz type
- Size: 75-65-52 = Storz B/C

ITEM NO.: 1023759



VARIANTS	
1045104	Coupling spanner Storz B/C, painted red
1011220	Coupling spanner Storz 38, insulated handle
1045108	Coupling spanner Storz A/B/C, temper cast
1045109	Coupling spanner Nakajima DN40
1045111	Coupling spanner Nakajima DN65
RELATED PRODUCTS	
-	-

Water Fog Applicator

- Length: 2035 mm
- 45° bend with Storz C aluminium adaptor

ITEM NO.: 1030281



VARIANTS	
1031238	Water fog applicator with 2" BSP male thread without adaptor
1031239	Water fog applicator with Storz C brass adaptor
1031250	Water fog applicator with Storz 65 aluminium adaptor
RELATED PRODUCTS	
1021188	Standard fire hose with Storz couplings

Multi-purpose Branch Pipe

- 16 mm nozzle
- Aluminium
- With Storz C aluminium adaptor
- Also available in 12 and 19 mm upon request
- Water curtain

ITEM NO: 1045269



VARIANTS	
1045270	16 mm nozzle brass with Storz C brass adaptor
1045293	16 mm nozzle aluminium with 2" BSP male thread
1045139	16 mm nozzle brass with 2" BSP male thread
RELATED PRODUCTS	
-	-

Turbo Nozzle

- Flow rate: 130/235/400 L/Min
- Throw distance, full jet: 26-32-40 m
- Throw distance, spray jet: 11-14-16 m
- Easy to operate
- Complete with Storz C aluminium adaptor
- Weight: 2.4 kg
- MED approval

ITEM NO.: 1062916



VARIANTS	
1011224	Turbo nozzle, Awg 2130, Storz C aluminium
1031253	Turbo nozzle, Awg 2235, Storz C brass
1031255	Turbo nozzle, Awg 2235, Storz 65 brass
1047531	Turbo nozzle, Akron, 1720, 1,5" nh female - MED app.
1056936	Turbo nozzle, Akron, 3020, 1,5" nh female - USCG app.
1060893	Turbo nozzle, Akron, 1702 with Storz C - MED app.
RELATED PRODUCTS	
-	-

Jet Spray Nozzle

- Body of Polyoxymethylene (POM)
- Operating head of rubber (NBR)
- Corrosion and high impact resistant
- Inlet connection: 2" BSP male thread
- Delivered with various types of adaptors on request
- AWG and Navutec brands available

ITEM NO: -



VARIANTS	
1042278	Jet/spray nozzle, 12 mm without adaptor, Navutec
1050704	Jet/spray nozzle, 12 mm without adaptor, AWG
1042280	Jet/spray nozzle, 16 mm without adaptor, Navutec
1050702	Jet/spray nozzle, 16 mm without adaptor, AWG
1042283	Jet/spray nozzle, 19 mm without adaptor, Navutec
1045125	Jet/spray nozzle, 20 mm without adaptor, AWG
RELATED PRODUCTS	
1021188	Fire hose, standard, 2", 20 m, Storz C aluminium

Fire Hose Packages



1036852 - Box for foam packages
Weight: 10 kg
Dimensions: L 100 x H 30 x W 40 cm



Product description	Fire hose 25 metre	Mixer	Pick up hose	Foam canister 20 litre	Fire hose 10 metre	Foam branch pipe
Storz C - Brass	1022685 (2" hose)	1022641 (200 litre)	1011237	1038582 x 2	1022682 (2" hose)	1022636 (200 litre)
Storz C - Aluminium	1022681 (2" hose)	1011238 (200 litre)	1022635	1038582 x 2	1022679 (2" hose)	1011227 (200 litre)
Storz 65 - Brass	1022691 (2.5" hose)	1022643 (200 litre)	1011237	1038582 x 2	1032745 (2.5" hose)	1037572 (200 litre)
Storz 65 - Aluminium	1022688 (2.5" hose)	1022642 (200 litre)	1022635	1038582 x 2	1038587 (2.5" hose)	1037573 (200 litre)
Storz C - Brass	1022685 (2" hose)	1022645 (400 litre)	1011237	1038582 x 2	1022682 (2" hose)	1022639 (400 litre)
Storz C - Aluminium	1022681 (2" hose)	1022644 (400 litre)	1022635	1038582 x 2	1022679 (2" hose)	1022639 (400 litre)
Storz 65 - Brass	1022691 (2.5" hose)	1022646 (400 litre)	1011237	1038582 x 2	1032745 (2.5" hose)	1037574 (400 litre)
Storz 65 - Aluminium	1022688 (2.5" hose)	1022702 (400 litre)	1022635	1038582 x 2	1038587 (2.5" hose)	1022640 (400 litre)

Foam Inductor Package - self-inducing



1036852 - Box for foam packages

Photo shows self-inducing branch pipe from Delta



Product description	Fire hose 25 m	Self inducing branch pipe	Foam canister 20 litre
Storz C - Brass	1022685 (2" hose)	1062887 (200 litre) with ball valve (ABS)	1038582 x 2
Storz C - Aluminium	1022681 (2" hose)	1062880 (200 litre) without ball valve (ABS)	1038582 x 2
Storz 65 - Brass	1022691 (2.5" hose)	1062883 (200 litre) without ball valve (ABS)	1038582 x 2
Storz 65 - Aluminium	1022688 (2.5" hose)	1062889 (200 litre) with ball valve (ABS)	1038582 x 2
Storz C - Brass	1022685 (2" hose)	1037576 (400 litre) without ball valve (Delta)	1038582 x 2
Storz C - Aluminium	1022681 (2" hose)	1022712 (400 litre) without ball valve (Delta)	1038582 x 2
Storz 65 - Brass	1022691 (2.5" hose)	1037577 (400 litre) without ball valve (Delta)	1038582 x 2
Storz 65 - Aluminium	1022688 (2.5" hose)	1037578 (400 litre) without ball valve (Delta)	1038582 x 2
Storz C - Brass	1022685 (2" hose)	1038429 (400 litre) HV450, with ball valve (Delta)	1038582 x 2

Storz Couplings and Adaptors

On the following pages you will find a selection of the most popular couplings. Other sizes are available upon request.

VIKING supplies all common international couplings and its accessories, e.g. sealing rings and coupling spanners.



Suction Hose Coupling



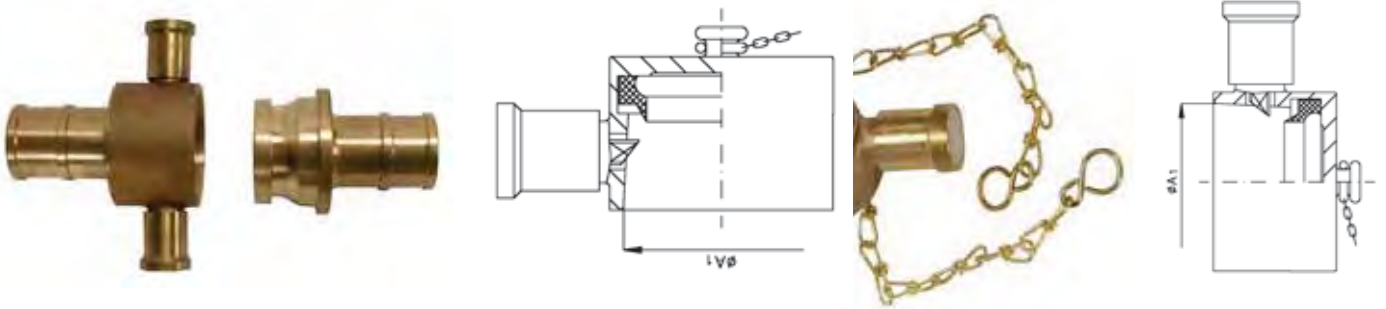
Adaptor



Blank Cap with Chain

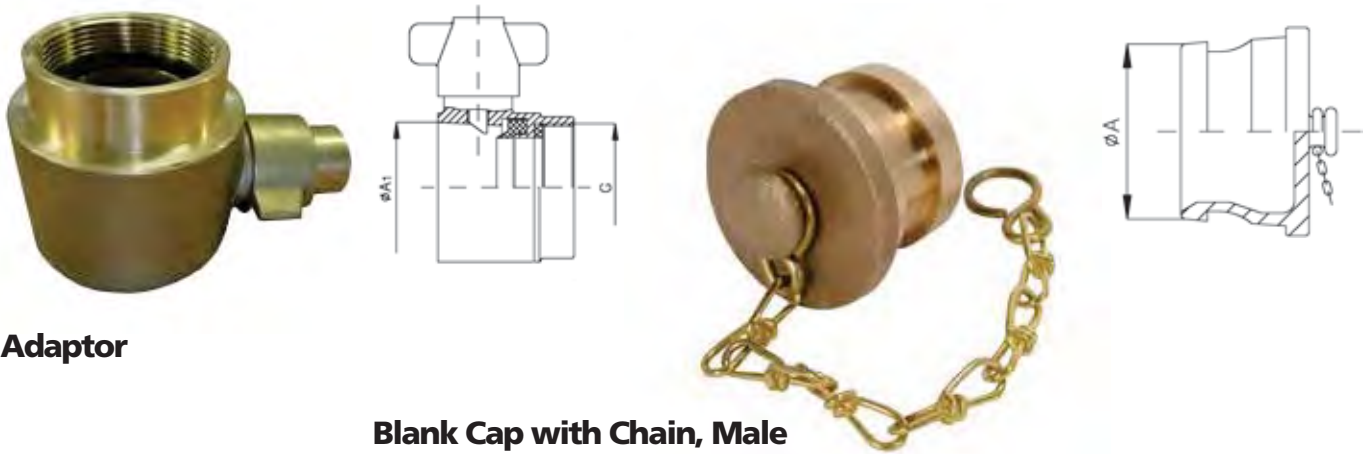
Suction hose coupling	Size / material	A (mm)	B (mm)	L (mm)
1038389	38 / aluminium	51	38	90
1038390	38 / brass	51	38	90
1025088	C-52 / aluminium	66	52	90
1025089	C-52 / brass	66	52	90
1025090	65 / aluminium	81	65	90
1025096	65 / brass	81	65	90
Adaptors	Size / material	A (mm)	G (inch BSP, female)	
1030415	38 / aluminium	51	2"	
1032435	38 / brass	51	2"	
1025097	C-52 / aluminium	66	2"	
1025098	C-52 / brass	66	2"	
1025099	65 / aluminium	81	2"	
1025100	65 / aluminium	81	2"	
1047856	65 / brass	81	2 1/2"	
1033837	65 / brass	81	2"	
Blank caps with chain	Size / material	A (mm)		
1047842	38 / aluminium	51		
1038567	38 / brass	51		
1025101	C-52 / aluminium	66		
1025102	C-52 / brass	66		
1047846	65 / aluminium	81		
1025104	65 / brass	81		
Sealing rings	Size			
1047871	38			
1047872	C-52			
1047873	65			

UK - Instantaneous



Delivery Hose Coupling

Blank Cap with Chain, Female



Adaptor

Blank Cap with Chain, Male

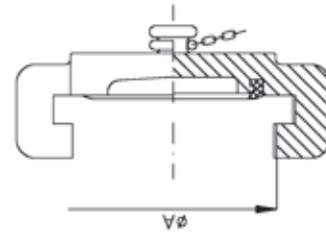
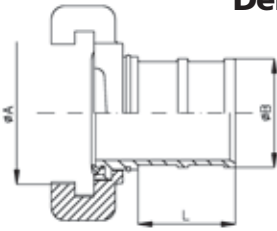
Delivery hose coupling	Size	A (mm)	A1 (mm)	B (mm)	L (mm)
1047875	DN 1 ½" / brass	44	48	38	50
1047876	DN 2 ½" / brass	71	74.8	38	70
1047877	DN 2 ½" / brass	71	74.8	52	70
1047878	DN 2 ½" / brass	71	74.8	64	70
Adaptors	Size	A1 (mm)	G (inch BSP, female)		
1045202	DN 1 ½" / brass	48	2"		
1047884	DN 2 ½" / brass	74.8	2"		
Blank caps with chain (female)	Size	A (mm)			
1045201	DN 2 ½" / brass	71			
Blank caps with chain (male)	Size	A (mm)			
1047879	DN 2 ½" / brass	71			
Sealing rings	Size				
1045206	DN 1 ½"				
1047885	DN 2 ½"				

Nakajima

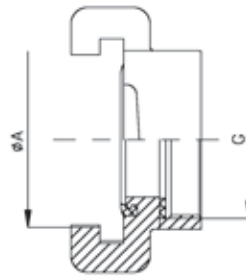
Blank Cap with Chain



Delivery Hose Couplings



Adaptor



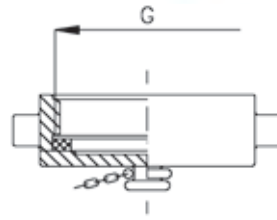
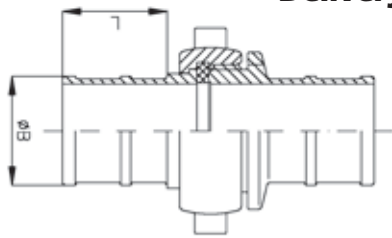
Delivery hose coupling	Size	A (mm)	B (mm)	L (mm)
1047923	DN 40 / brass	61	38	45
1047710	DN 50 / brass	74	52	55
1047925	DN 65 / brass	92	38	58
1047926	DN 65 / brass	92	52	58
1047927	DN 65 / brass	92	64	58
Adaptors	Size	A1 (mm)	G (inch BSP, female)	
1047930	DN 40 / brass	61	1 1/2"	
1045235	DN 40 / brass	61	2"	
1045236	DN 50 / brass	74	2"	
1047931	DN 65 / brass	92	2"	
1047932	DN 65 / brass	92	2 1/2"	
Blank caps with chain	Size	A (mm)		
1045234	DN 40 / brass	61		
1047928	DN 50 / brass	74		
1047929	DN 65 / brass	92		
Sealing rings	Size			
1047933	DN 40 / brass			
1047934	DN 50 / brass			
1047935	DN 65 / brass			

US - Standard

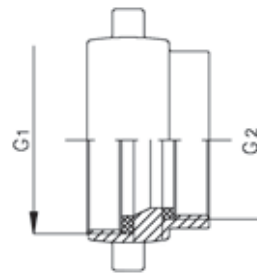
Blank Cap with Chain



Delivery Hose Coupling



Adaptor



Delivery hose coupling	Size	B (mm)	L (mm)
1047894	DN 1 1/2" / brass	38	60
1047895	DN 2 1/2" / brass	52	60
1047897	DN 2 1/2" / brass	64	80
Adaptors (female x female)	G1 (inch) NH	G (inch) BSP, female	
1047899	DN 1 1/2" / brass	2"	
1047900	DN 2 1/2" / brass	2"	
Blank caps with chain	Size	G (inch)	
1045208	DN 1 1/2" / brass	1 1/2"	
1047898	DN 2 1/2" / brass	2 1/2"	
Sealing rings	Size		
1047946	DN 1 1/2" / brass		
1047945	DN 2 1/2" / brass		

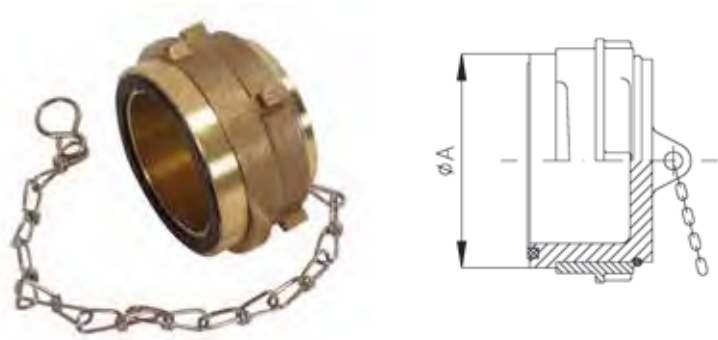
VIKING offers a complete range of country specific couplings, adaptors and blank caps.

Guillemin

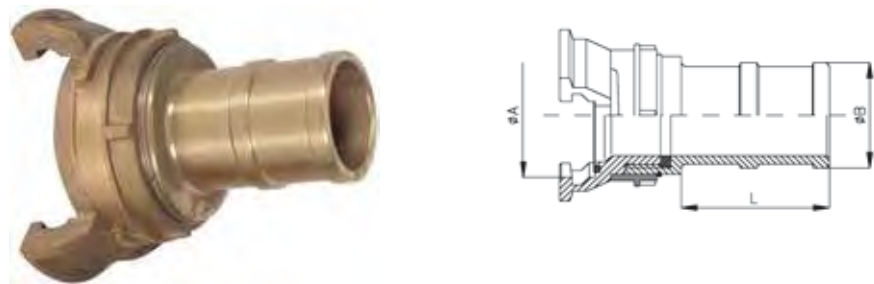
Adapter



Blank Cap with Chain



Delivery Hose Coupling



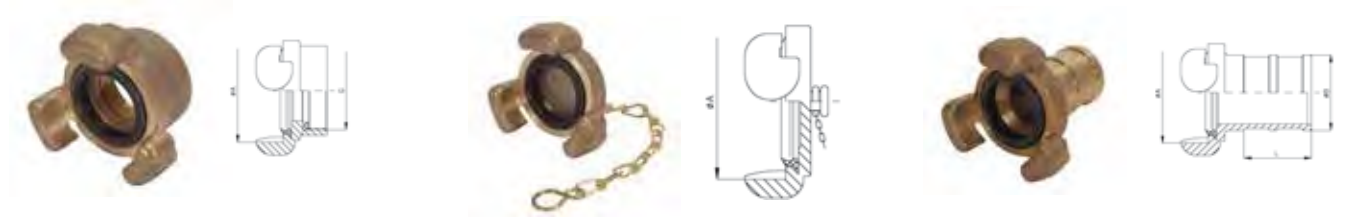
Delivery hose coupling	Size	A (mm)	B (mm)	L (mm)
1047901	DN 40 / brass	55	44	64
1045300	DN 50 / brass	69	50	45
1047903	DN 65 / brass	84	64	70
1047904	DN 65 / brass	84	70	70
Adaptors	Size	A1 (mm)	G (inch BSP, female)	
1047908	DN 40 / brass	55	1 1/2"	
1055552	DN 40 / brass	55	2"	
1045223	DN 50 / brass	69	2"	
1047907	DN 65 / brass	84	2"	
1047909	DN 65 / brass	84	2 1/2"	
Blank caps with chain	Size	A (mm)		
1045219	DN 40 / brass	55		
1045220	DN 50 / brass	69		
1047905	DN 65 / brass	84		
Sealing rings	Size			
1047947	DN 40 / brass			
1047910	DN 65 / brass			

Barcelona

Adapter

Blank Cap with Chain

Delivery Hose Coupling



Delivery hose coupling	Size	A (mm)	B (mm)	L (mm)
1047936	DN 45 / brass	62	38	46
1047937	DN 70 / brass	85	64	54
Adaptors	Size	A1 (mm)	G (inch BSP, female)	
1045247	DN 45 / brass	62	2"	
1045248	DN 70 / brass	85	2"	
Blank caps with chain	Size	A (mm)		
1045249	DN 45 / brass	62		
Sealing rings	Size			
1047938	DN 45 / brass			

NOR

Adapter

Blank Cap with Chain

Delivery Hose Coupling



Delivery hose coupling	Size	A (mm)	B (mm)	L (mm)
1047911	DN 1 1/2" / brass	50	38	60
1047913	DN 2" / brass	66	52	60
1047912	DN 2 1/2" / brass	83	68	60
1047914	DN 2 1/2" / brass	83	64	60
Adaptors	Size	A1 (mm)	G (inch BSP, female)	
1047917	DN 1 1/2" / brass	50	DN 1 1/2"	
1047919	DN 2" / brass	66	DN 2"	
1047920	DN 2 1/2" / brass	83	DN 2"	
Blank caps with chain	Size	A (mm)		
1045228	DN 1 1/2" / brass	50		
1047915	DN 2" / brass	66		
1047916	DN 2 1/2" / brass	83		
Sealing rings	Size			
1045231	DN 1 1/2" / brass			
1047921	DN 2" / brass			
1047922	DN 2 1/2" / brass			



Breathing Apparatus



Face mask interface with mic and speaker.



Lapel mic PPT assembly C-C500. Variant depends on radio type.



Face mask with Sabrecom 2 communication system installed.

A hand-held radio can be integrated with the Scott SCBA using the Scott Sabrecom 2 interface. The interface varies depending on radio type and brand.

Self-Contained Breathing Apparatus Scott Safety, SIGMA-2

- Complete BA set incl. mask (Panaseal), backplate, harness and regulator, excl. cylinder (must be ordered separately)
- Can be used with steel or composite cylinders
- Can be equipped with an integrated radio communication unit
- Weight without cylinder: 3 kg
- Dimensions: H 600 x W 278 x D 200 mm



ITEM NO: 1056036

VARIANTS	
-	-
RELATED PRODUCTS	
1055530	Scott Sabrecom 2 radio communications face mask interface
1063872	Face mask for Scott SCBA, type Promask, for radio integration
-	Scott PPT assembly for Sabrecom 2 (variant depends on radio type)
1039805	Scott cylinder 6 l/300 bar, steel, empty
1045656	Scott cylinder, 6 l/300 bar, steel, filled
1045689	Scott cylinder, 6.8 l/300 bar, composite, filled
1045659	Panaseal mask for Scott BA

Self-Contained Breathing Apparatus Dräger, PAS Lite

- Complete BA set incl. backplate, harness and regulator
- Delivered without mask (must be ordered separately)
- Face mask recommended: Dräger Panorama Nova
- Can be used with steel or composite cylinders
- Delivered without cylinder
- Weight: 3.4 kg
- Dimensions:
H 66 x W 33 x D 18 cm



ITEM NO: 1051273

Approved according to EN137 (type 2) and SOLAS/MED

VARIANTS	
-	PSS3000 - individually configured upon request
-	PSS5000 - individually configured upon request
-	PSS7000 - individually configured upon request
-	Dräger PAS Micro - available upon request
-	Dräger PAS Colt - available upon request
RELATED PRODUCTS	
1045642	Dräger Panorama Nova mask for Dräger BA sets
1034140	Dräger FPS 7000 mask for Dräger BA sets
1050199	Dräger FPS-COM 5000 communication unit for Dräger FPS 7000 mask
1055466	Dräger MS-COM radio communication for Panorama Nova mask
-	Dräger C-C440 Push-To-Talk (PTT) unit (variant depends on radio type)

Air Compressor, L&W

- LW 100 E ECO, 3-phase, 400 V, 50Hz, 300 bar
- Lightweight, reliable and ideal for mobile use
- Cylinder and crankshaft bores machined in one process
- Efficient cooling for extended filter life
- Weight: 43 kg
- Dimensions:
H 40 x W 40 x D 67 cm



ITEM NO.: 1034401

VARIANTS	
1022700	Air compressor 225 l/min. type LW 225 E, 400V / 3 phase / 50 Hz
RELATED PRODUCTS	
-	-

Cylinders for Self-Contained Breathing Apparatus

- Can be refilled with an air compressor that has a working pressure of 300 bar
- Weight and dimensions vary depending on the material, capacity and content (filled / empty)



VARIANTS	
1039805	Scott cylinder 6 l/300 bar, steel, empty
1045656	Scott cylinder 6 l/300 bar, steel, filled
1045689	Scott cylinder 6.8 l/300 bar, composite, filled
1045716	Dräger cylinder 6 l/300 bar, steel, filled
1052127	Dräger cylinder 6.8 l/300 bar, composite, filled
1061220	Dräger cylinder 6,8 l/composite, empty
RELATED PRODUCTS	
-	-

Air Compressor, Bauer

- Junior II-E, 3-phase, 440 V, 50Hz, 300 bar
- Durable, long-life compressor block using tempered cylinders
- Piston rings made of high-tech synthetic material
- Stainless steel filling hose with swiveling outlet, safety filling connectors and integrated link protection
- Fitted with "B-TIMER" mini-computer indicating usage and maintenance needs
- Weight: 46 kg
- Dimensions:
H 42 x W 36 x D 66 cm



ITEM NO.: 1045777

VARIANTS	
-	Complete range of Bauer products are available upon request
RELATED PRODUCTS	
-	-

Escape Hood, COGO

- Protects against smoke and carbon monoxide inhalation
- Easy and quick donning
- One size fits all
- Weight: 650 g
- Package dimensions: 14 x 12 x 10 cm

ITEM NO.: 1024164

Complies with EN403



VARIANTS	
-	-
RELATED PRODUCTS	
1029336	Pouch for escape hood

Escape Hood, Dräger PARAT 5500 Series

- Replaces the popular PARAT C
- For protection against toxic fire-related gasses, vapors, and particles
- Filter: CO P2 filter
- Approval: According to EN 403:2004 for fire escape hoods, also tested for use against H2S in accordance with DIN 58647-7
- Packing types: Hard case, soft pack and single pack
- Filter lifetime: 8 years

ITEM NO.: -



VARIANTS	
1058686	Escape hood, PARAT 5510, single pack
1058684	Escape hood, PARAT 5520, soft pack
1058685	Escape hood, PARAT 5530, hard case
RELATED PRODUCTS	
-	-

We make it easy to choose

VIKING offers the flexibility to choose the EEBD that best suits your needs! Contact your local VIKING representative for assistance today.

TIME IS UP!
Ocenco EEBDs purchased in 2002 will soon need replacing!

Ocenco M-20.2

If you prioritize a truly hassle-free EEBD with minimum handling, then the M-20.2 is the right choice.

It's the smallest, lightest and most compact EEBD on the market. And uniquely, the M-20.2 is maintenance-free throughout its 15-year lifetime.



The M-20.2 is included in your VIKING Global Safety Product Agreement (GSPA) for easy availability at globally fixed prices in key ports.

Or request delivery directly from a VIKING global stock point to avoid the hassle of dangerous goods transportation.



Scott Safety ELSA

Prefer to keep the up-front investment to a minimum, but don't want to sacrifice quality?

Then the competitive entry price of Scott Safety's air-pressured ELSA EEBD delivers exactly what you need.

The highly reliable ELSA has been in service for over 30 years. And, while a 5-year hydrostatic cylinder test is mandatory, service isn't required until year 10. If the need arises, ELSA gives you the breathing room to escape hazardous situations with confidence.



**15 YEAR
MAINTENANCE
FREE**



EEBD Escape Set, Ocenco M - 20.2

- No additional service charges such as service fees and costs related to hydrostatic testing
- Very low incidence of leakage compare to compressed air devices
- Completely water tight sealed case protects all of the components from mold, vermin, salt spray, etc.
- Can be worn on the belt during inspections or other work related situations
- Meets all national and international standards
- For one-time use only. The OCENCO training unit must be used for training exercises
- Solid track record since 2001

ITEM NO.: 1008018



VARIANTS	
1043554	EEBD Escape Set Dräger SAVER CF 15
1042498	EEBD Escape Set Scott ELSA 15B
RELATED PRODUCTS	
1008020	Steel bracket for EEBD Ocenco

Training model for Emergency Escape Breathing Device with Video and Manual (Ocenco)

- Training set for Ocenco EEBD including 2 extra mouth pieces, instruction manual and training video
- Weight: 2.3 kg
- Dimensions: H 34 x W 33.5 x D 14 cm

ITEM NO.: 1008021



VARIANTS	
-	-
RELATED PRODUCTS	
1008020	Steel bracket for EEBD

EEBD Escape Set, Scott Safety ELSA 15B

- 15 minutes breathing protection
- Rapid, automatic fire activation
- Weight: 7 kg
- Dimensions: L 52 x W 13.5 x H 34 cm

ITEM NO.: 1042498



VARIANTS	
1008018	EEBD escape set Ocenco M - 20.2
1043554	EEBD escape set Dräger SAVER CF 15
RELATED PRODUCTS	
1043583	Spare cylinder for Scott ELSA 15B

**LET'S FACE THE WORK
AHEAD TOGETHER.**

LET'S WORK.



SMART. DURABLE. PROTECTION.

At Scott Safety, we do more than design and build safety equipment. We create smart solutions based on how you work. Our personal respiratory and gas detection solutions give you the protection and confidence to complete your work, safely.

TO LEARN MORE VISIT: SCOTTSAFETY.COM

**SCOTT
SAFETY**



Chemical and Gas Detection

Gas Tight Chemical Suit Type 1B-ET

- One-piece protective suit with form rubber seal in the hood, gloves and boots size 46
- BA set worn outside the suit
- Polyamide matrix base fabric coated with high-performance elastomers
- Colour: Orange
- Size: XL (180-190 cm)
- Mask not included



ITEM NO.: 1022114

Approved according to EN943-2:2002

VARIANTS	
1022115	Gas tight chemical suit, Type 1B-ET, 100% para-aramide base fabric coated with high-performance elastomers, XL
1034771	Limited life gas tight chemical suit, Type 1A-ET, BA set worn inside the suit, L
RELATED PRODUCTS	
1042936	Repair kit for 1022114
1030698	Repair kit for 1022115
1046487	Full face mask, GEMINI PS
1056036	Self-contained breathing apparatus, Scott Safety, SIGMA-2

Gas Tight Chemical Suit Type 1B

- One-piece protective suit with form rubber seal in the hood, gloves and boots size 46
- BA set worn outside the suit
- Polyamide matrix base fabric coated on both sides with POLYRAN
- Colour: Yellow
- Size: L (170-185 cm)
- BA set not included



ITEM NO.: 1042005

Approved according to EN943-1:2002

VARIANTS	
1042202	Gas tight chemical suit Type 1B, XL
RELATED PRODUCTS	
1046487	Full face mask, GEMINI PS
1056036	Self-contained breathing apparatus, Scott Safety, SIGMA-2

Chemical Boiler Suit Type 3 and 4

- One-piece protective suit liquid tight and spray tight
- Double sided PVC coated polyester fabric
- High frequency welded seams
- Elastic windcuff at wrist and ankles
- Colour: Green
- Size: L



ITEM NO.: 1042193

Approved according to EN466:1995 and EN465:1995

VARIANTS	
1042194	Chemical boiler suit type 3 and 4, XL
1042196	Chemical boiler suit type 3 and 4, XXL
RELATED PRODUCTS	
1042990	Chemical protective boots, size 45
1022615	Chemical protective gloves, L
1042956	Chemical protective goggles
1042963	Chemical protective face shield
1048016	Chemical protective safety helmet, yellow
1042950	Chemical protective apron

Chemical Protective Boots

- Excellent resistance to acids, oil and fuel
- Antistatic
- With safety toe cap and anti-perforation mid-sole
- Size: 45
- Other sizes are available upon request



ITEM NO.: 1042990

Approved according to EN20345 S5

VARIANTS	
-	-
RELATED PRODUCTS	
1042193	Chemical boiler suit type 3 and 4, L
1022615	Chemical protective gloves, L
1042956	Chemical protective goggles
1042963	Chemical protective face shield
1048016	Chemical protective safety helmet, yellow
1042950	Chemical protective apron

Chemical Protective Gloves

- Acid-proof nitrite gloves
- Length: 33 cm
- Size: L



ITEM NO.: 1062356

Approved according to EN388 and EN374

VARIANTS	
1062158	Acid-proof gloves (XL) - length 33 cm
1062159	Acid-proof gloves (XXL) - length 33 cm
RELATED PRODUCTS	
1042193	Chemical boiler suit type 3 and 4, L
1042990	Chemical protective boots, size 45
1042956	Chemical protective goggles
1042963	Chemical protective face shield
1048016	Chemical protective safety helmet, yellow
104295	Chemical protective apron

Chemical Protective Goggles

- Multipurpose goggles with soft PVC
- Protect against liquids, coarse dust and mechanical risks



ITEM NO.: 1042956

Approved according to EN166

VARIANTS	
-	-
RELATED PRODUCTS	
1042193	Chemical boiler suit type 3 and 4
1042990	Chemical protective boots, size 45
1022615	Chemical protective gloves, L
1042963	Chemical protective face shield
1048016	Chemical protective safety helmet, yellow
104295	Chemical protective apron

Chemical Resistant Safety Helmet

- With 6-point terylene harness and sweatband
- Colour: Yellow

ITEM NO.: 1048016

Approved according to EN397



VARIANTS	
-	-
RELATED PRODUCTS	
1042963	Chemical protective face shield

Oil Spill Response Kit

- According to IMO A535/13 and OPA of 1990, Section 4202
- 7 barrel - 1100 l
- Stored in watertight GRP lockable box
- Dimensions: L 114 x W 70 x H 82 cm
- Spare parts available upon request

ITEM NO.: 1046404



VARIANTS	
1049464	Oil spill response kit according to USCG, 7 barrel (1100 l)
1049465	Oil spill response kit according to USCG, 12 barrel (1900 l)
RELATED PRODUCTS	
-	-



NEW REGULATION

Multi-Gas Detector with Integrated Pump

- Martek Marine-4
- Measures LEL for vapor and combustible gases, O₂, CO and H₂S
- Integral sampling pump and 3 m hose for pre-entry test
- Charger included
- Waterproof down to 1 m (IP 67)
- Dimensions: 121 x 59 x 32 mm
- Weight: 230 g



ITEM NO.: 1061615

Complies with SOLAS regulation XI-1/7.
Approved according to MED and ATEX IIC

VARIANTS	
1052356	Dräger X-AM 5000 EX, O ₂ , CO, H ₂ S
1054730	Dräger X-AM 2500 EX, O ₂ , CO, H ₂ S (8323918), incl. battery and charger
1043748	BW Multi Gas Alert, Max XT II
1043749	BW Multi Gas Alert, Micro Clip XL
RELATED PRODUCTS	
1061616	Calibration Unit for 1061615
1061617	Calibration Gas, Marine-4
1061618	Demand flow regulator
1061619	25 M Tube for Marine-4
1061620	Spare Sensor, O ₂
1061621	Spare Sensor, H ₂ S/CO
1061622	Spare Sensor, LEL

Eyewash Station

- Hughes STD-45 G
- Other models are available upon request

ITEM NO.: 1023833



VARIANTS	
-	-
RELATED PRODUCTS	
1021970	Safety shower and eyewash station (indoor)
1023828	Safety shower and eyewash station (outdoor)

Safety Shower and Eyewash Station (Indoor)

- Hughes EXP-18 G/45 G
- Other models are available upon request

ITEM NO.: 1021970



VARIANTS	
1023828	Safety shower and eyewash station (outdoor)
RELATED PRODUCTS	
1023833	Eyewash station

Eyewash

- 2 x 500 ml bottles of sterile saline solution
- 2 x sterile eye pads
- 1 x acrylic mirror

ITEM NO.: 1052628



VARIANTS	
1042964	Eyewash liquid without holder, 1 x 500 ml
1057437	Eyewash liquid with holder, 1 x 500 ml
RELATED PRODUCTS	
1021970	Safety shower and eyewash station (indoor)
1023828	Safety shower and eyewash station (outdoor)
1023833	Eyewash station

Tank Shower with 1200 Litre Tank

- Shower activated by the panic bar or foot panel
- Several material and colour options
- Available in several sizes
- Optional heated polar version
- Weight: 320 kg (standard version, without water)
- Dimensions: H 353 x W 150 x D 137 cm

ITEM NO.: 1031691



VARIANTS	
-	Contact your local VIKING representative
RELATED PRODUCTS	
-	-



Medical Equipment



Basket Stretcher

- Rigid one piece stretcher
- 4 restraining straps
- Lifting bridles (1008915) must be ordered separately
- Weight: 13.5 kg
- Dimensions: W 2150 x D 185 x L 2070 mm

ITEM NO.: 1008912

VARIANTS	
1008910	Twin shell basket stretcher
RELATED PRODUCTS	
1008914	Floating device for basket stretcher
1008915	Lifting bridles for basket stretcher
1008913	Carrying case
1029757	Resistant belt for basket stretcher
1057095	Wall fixing kit
1031026	Cabinet for basket stretcher or spine board
1043851	Basket stretcher, RESCUEFORM® Type 5035, includes special equipment

Spine Board Stretcher

- Immobilising stretcher
- Model: B-bak pin
- Made of high density completely recyclable polyethylene
- X-Ray compatible



ITEM NO.: 1027587

VARIANTS	
1008916	Spine board stretcher (Model: Rock), floatable
RELATED PRODUCTS	
1008917	Rock straps, immobilizing system for Spencer spine boards
1008919	Head immobilizer Super Blue, Spencer
1031026	Cabinet for basket stretcher or spine board
1025303	Fracture kit, flexible neoprene splints with a lumbar inlay for arms and legs (5 pcs)

Paraguard Stretcher

- Immobilising stretcher
- Compact for versatility (foldable and can be packed into a bag)
- Can be used for helicopter rescue with lifting eyes and the optional lifting harness
- Weight: 14 kg
- Dimensions: W 320 x D 210 x L 1000 mm (folded)



ITEM NO.: 1020716

VARIANTS	
-	-
RELATED PRODUCTS	
1020727	Lifting harness for paraguard stretcher
1053410	Shoulder harness for paraguard stretcher
1053208	Carrying handles for paraguard stretcher
1053407	Foul weather sheet for paraguard stretcher

Scoop Stretcher

- Enables gentle manoeuvring of the patient on to the stretcher
- Adjustable to different lengths
- Made of aluminium
- Three fixation belts with quick release buckle
- Weight: 9.5 kg
- Dimensions: W 435 x D 65 x L 1200 mm (folded)



ITEM NO.: 1020725

VARIANTS	
-	-
RELATED PRODUCTS	
1008919	Head immobiliser, blue
1025303	Fracture kit, flexible neoprene splints with a lumbar inlay for arms and legs (5 pcs)

Stretcher, Neil Robertson Type

- Immobilising stretcher
- For hoisting in confined spaces
- Wood strips

ITEM NO.: 1022622



VARIANTS	
1020724	Stretcher, Neil Robertson type, UK version bamboo wood
1020722	Stretcher, Neil Robertsen type, (Spencer)
RELATED PRODUCTS	
1011284	Cabinet for stretcher, Neil Robertson type

Floating Device for Basket Stretcher

- Two buoyancy tubes that can be attached to a basket stretcher or twin shell basket stretcher

ITEM NO.: 1008914



VARIANTS	
-	-
RELATED PRODUCTS	
1008912	Basket stretcher
1008910	Twin shell basket stretcher

Defibrillator (AED), Lifeforce™

- Battery life typically 5 years
- Battery and pads replaced by user
- Easy to use audio and visual instructions
- 8 year warranty

ITEM NO.:1057868

Type approved by GL



VARIANTS	
-	-
RELATED PRODUCTS	
1034905	Battery pack for Lifeforce™ defibrillator
1034908	Defibrillator pad package

SOLAS First Aid Kit I & Kit II

- Complete medical outfitting for lifeboats
- Both Kit I (1056105: medication only) and Kit II (1056106: equipment only) required to be fully compliant

ITEM NO.: 1056105 (KIT I), 1056106 (KIT II)

SOLAS and Lloyd's Register approved



VARIANTS	
-	-
RELATED PRODUCTS	
-	-

First Aid Kit

- For use in workplaces with 1-50 persons. An extra kit is needed for each additional 50 persons
- Includes wall bracket

ITEM NO.: 1061019

Compliant with HSE 1981



VARIANTS	
1043822	First aid kit DIN13157 incl. bracket
RELATED PRODUCTS	
-	-



Portable Oxygen Respirator according to MFAG

- 2 x oxygen cylinders light metal, filled
- Volume: 2 l
- Pressure: 200 bar
- Content per cylinder: 400 l
- Incl. oxygen masks, a pressure reducer (4 l/min)
- Carrying bag included

ITEM NO.: 1043508

VARIANTS	
1025082	Resuscitator pack, 1 x 2 l oxygen cylinder, empty
1010759	Spare oxygen cylinder for 1025082, 2 l, empty, (Spencer)
1024257	Erie Medical Emergency Oxygen, empty
1024949	Erie Oxygen spare cylinder, empty
RELATED PRODUCTS	
1043510	Spare oxygen cylinder
1043508	Filled 2 l/200 bar

Emergency Ration

- Weighs 500 g per box

ITEM NO.: 1000315



VARIANTS	
-	-
RELATED PRODUCTS	
-	-

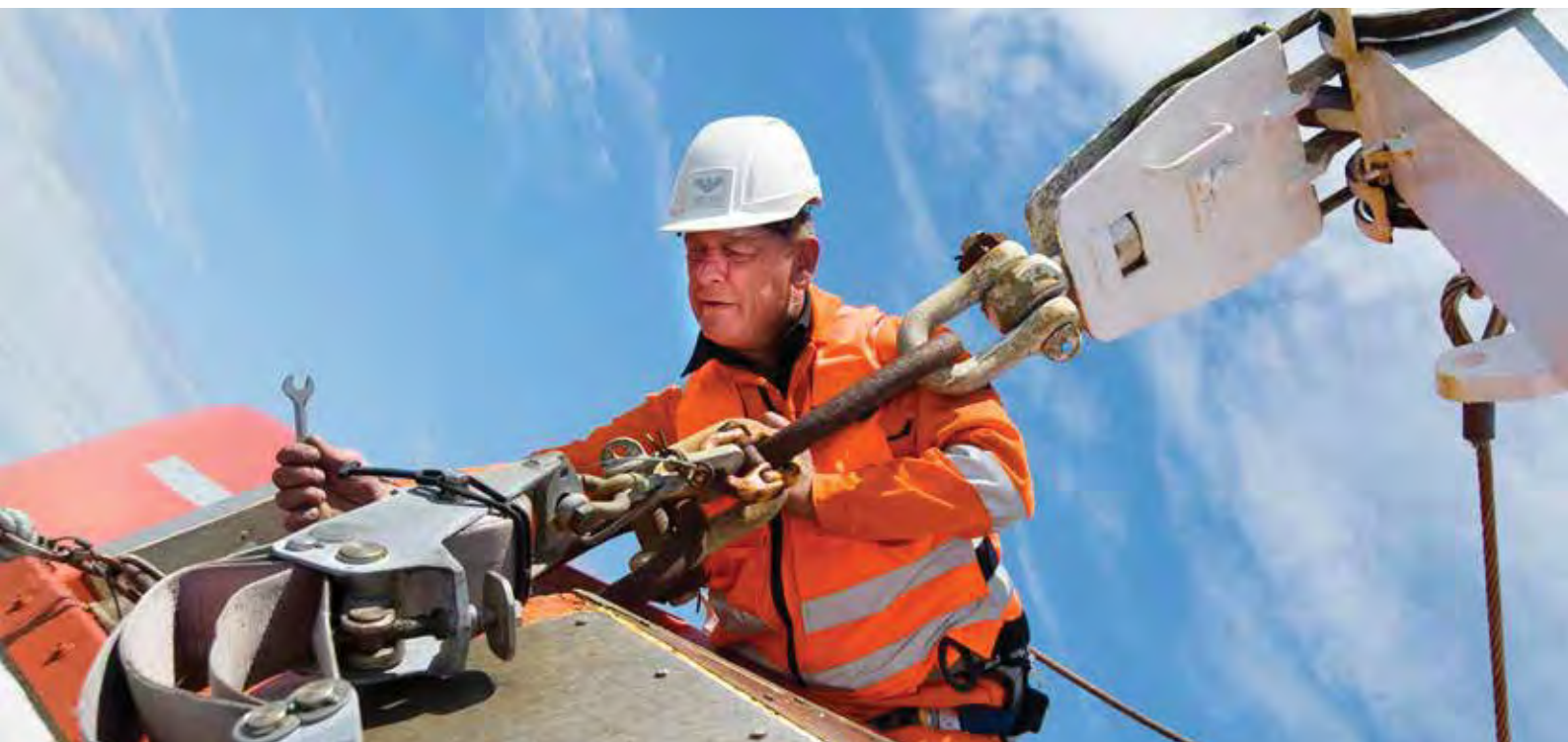
Emergency Drinking Water

- Contains 1/2 l water per bag

ITEM NO.: 1000313



VARIANTS	
-	-
RELATED PRODUCTS	
-	-



Occupational Safety

Safety Helmet

- With adjustable harness and sweatband
- Colour: Red

ITEM NO.: 1048015

Approved according to EN397



VARIANTS	
1048016	Safety helmet, yellow
1048017	Safety helmet, white
1048019	Safety helmet, orange
RELATED PRODUCTS	
1048020	Sweatband for safety helmet
1048024	Hat guard for safety helmet synthetic
1065256	Chemical protective face shield
1042932	Face protection shield, head mounted

Protective Goggles

- Side protection
- Ventilation slot

ITEM NO.: 1042954



VARIANTS	
1042956	Protective goggles without ventilation, antifog
RELATED PRODUCTS	
-	-

Full Face Mask GEMINI PS

- Black neoprene
- Thread connector 40 mm
- 5 point head harness
- Can be combined with safety helmet

ITEM NO.: 1046487



VARIANTS	
1045641	Full face mask panorama, Nova standard
1046492	Half mask profile 40 EN140
RELATED PRODUCTS	
1046488	Filter P3 EN141 Screwfilter 40 mm
1046489	Filter A2P3 EN141 Screwfilter 40 mm
1046491	Filter A2B2E2K2P3 EN141 Screwfilter

Half Mask PROFILE 40

- Silicon
- Thread connector 40 mm

ITEM NO.: 1046492

Approved according to EN140, EN14387, EN143



VARIANTS	
1046487	Full face mask GEMINI PS
1045641	Full mask panorama Nova standard
RELATED PRODUCTS	
1046488	Filter P3 EN141 Screwfilter 40 mm
1046489	Filter A2P3 EN141 Screwfilter 40 mm
1046493	Filter A2B2E1P3 EN14387 cartridge

Full Harness AGU 10

- D-ring in the back
- Leg loops
- 45 mm polyester strap
- Size 1

ITEM NO.: 1043083



VARIANTS	
1043081	Safety harness PRO102 with D-ring
1034772	Safety harness Felexa - AB101E
1061643	Full Harness AGU 10, size 2
RELATED PRODUCTS	
1048396	Shock absorber rope, polyamide 1.5 m
1048397	Shock absorber rope, polyamide 2 m

Rope-down Escape Device

- Type ABS 3 – 25 m
- Complete with lap belt GS16
- Without rope
- Adjustable speed of descent

ITEM NO.: 1052777



VARIANTS	
-	-
RELATED PRODUCTS	
-	-

Waist Belt

- 1300 mm
- 85 mm polyamid strap
- Twin tang buckle
- Two fixed eyes

ITEM NO.: 1043092



VARIANTS	
1043094	Waist belt, 1400 mm, twin tang buckle
1043096	Waist belt, 1500 mm, twin tang buckle
1043098	Waist belt, 1600 mm, twin tang buckle
RELATED PRODUCTS	
-	-

Fall Arrester

- Steel housing (powder coated)
- Length: 20 m
- Breaking load: >12 KN

ITEM NO.: 1043080

Approved according to DIN EN360



VARIANTS	
1043078	Fall arrester 15m
1043079	Fall arrester 10m
RELATED PRODUCTS	
-	-

Waist Belt with Rope/Snap Hook

- 1300 mm
- 1m rope with snaphook
- 85 mm polyamid strap
- Twin tang buckle
- Two fixed eyes

ITEM NO.: 1043093



VARIANTS	
1043094	Waist belt, 1400 mm, twin tang buckle
1043096	Waist belt, 1500 mm, twin tang buckle
1043098	Waist belt, 1600 mm, twin tang buckle
RELATED PRODUCTS	
-	-



Ship Security Equipment

Single-Use Handcuffs

- Material: Nylon
- Package of 10 pcs

ITEM NO.: 1042873



VARIANTS	
-	-
RELATED PRODUCTS	
1046617	Handcuff, stainless steel

Security Belt (Fully Equipped)

- Handcuffs
- Tonfa baton length 60 cm
- Case for handcuffs
- Holster for baton

ITEM NO.: 1046619



VARIANTS	
-	-
RELATED PRODUCTS	
1046617	Handcuffs, stainless steel
1047718	Leather case for handcuffs
1042872	Tonfa baton, hard plastic, length 60 cm
1042921	Holster for Tonfa baton

Stab Resistant Vest

- 2.2 mm plastic plates
- VELCRO® fasteners on shoulders and sides
- Additional aluminium plates on front and back
- Weight 1.5 kg
- Colour: Black

ITEM NO.: 1046671



VARIANTS	
-	-
RELATED PRODUCTS	
-	-

Search Mirror with Lamp

- 110-220 cm telescopic handle
- Mirror diameter 150 mm, convex
- Mirrorhead 135° rotation

ITEM NO.: 1042871



VARIANTS	
-	-
RELATED PRODUCTS	
-	-

Digital Nightvision Ranger 5 X 42

- View range: 250 m
- Eye relief: 12 mm
- Resolution: 40 lp/mm
- Weight: 650 g
- Dimensions: 170 x 116 x 76 mm

ITEM NO.: 1042869



VARIANTS	
-	-
RELATED PRODUCTS	
-	-

Halogen Searchlight

- Comes with stand
- 55W H-3 bulb
- 6V rechargeable battery
- Includes 12V and 220V battery charging leads

ITEM NO.: 1045894



VARIANTS	
1045897	Search light for lifeboat/rescue boat
RELATED PRODUCTS	
1048368	Battery R20/Ni Cd, rechargeable 1.2 V
1048375	Battery charger 230V for monocells

Sealing Tong for Affixing Seals

- For plastic seal Ø 9 mm

ITEM NO.: 1046688



VARIANTS	
-	-
RELATED PRODUCTS	
1046685	Sealing wire 1.1 mm, galvanized
1046687	Seal, plastic, 9 mm (1000 pcs. as one)
1046685	Sealing

Fix Strip Seal

- Material: Plastic
- Length: 200 mm
- Imprinted with "Do Not Remove"
- Consecutively numbered
- Package of 100 pieces

ITEM NO.: 1046619



VARIANTS	
1046684	Strip seal, plastic, L 125 mm, 100 pcs
RELATED PRODUCTS	
1046682	Strip seal, plastic, L 380 mm, 100 pcs
1046616	Security seal, self-adhesive, 10 pcs

Visitor Log Book

- 95 pages

ITEM NO.: 1046655



VARIANTS	
1046657	Key register
RELATED PRODUCTS	
-	-

Alcohol Tester

- Dräger Alcohol test 5510
- Fast and accurate breath analysis
- Compact, handheld and user-friendly
- Can be configured to user specific needs upon request
- Language: English (configurable)
- Measuring unit: Blood alcohol level (configurable)

ITEM NO.: 1057843



VARIANTS	
1050251	Dräger alcohol tester, breath, type 6810
RELATED PRODUCTS	
1043590	Mouthpiece for Dräger alcohol tester

Metal Detector, Hand-held

- Sound alert and LED indicator
- Low power consumption and low battery indication

ITEM NO.: 1056257



VARIANTS	
-	-
RELATED PRODUCTS	
1046712	9V Battery

Set of Padlocks

- 12 padlocks 50 mm
- 2 keys per padlock
- 3 master keys

ITEM NO.: 1046673



VARIANTS	
1046674	Set of padlocks, 10 padlocks
RELATED PRODUCTS	
-	-

Warning Vest, Security

- Colour: Orange
- Material: Mixed cotton fabric with reflective panels
- Inscription on the back: SECURITY

ITEM NO.: 1046623



VARIANTS	
1022631	Warning vest, yellow, no print, one-size
RELATED PRODUCTS	
-	-

Warning Tape

- Colour: Red/white
- Lettering: SECURITY CHECK
- Length: 50 m per roll
- Width: 50 mm

ITEM NO.: 1042875



VARIANTS	
-	-
RELATED PRODUCTS	
-	-



Navigation

Anemometer

- Hand-held
- With clear plastic protective cap
- Measuring ranges:
 - 0 - 120 km / h
 - 1 - 12 Beaufort
 - 0 - 35 m / sec
 - 0 - 66 knots

ITEM NO.: 1048182



VARIANTS	
-	-
RELATED PRODUCTS	
-	-

Port Light

- Red, double lens
- Matte black polyamide and polycarbonate housing, reinforced with fibreglass
- Polycarbonate lens, shock resistant and interchangeable
- All other materials are corrosion-free, seawater resistant and non-magnetic

ITEM NO.: 1046358



VARIANTS	
1046360	Starboard light, green, double lens type
1046356	Masthead light, double lens type
1046371	Anchor light, white, double lens type
1046367	Signaling light, red
1046372	Anchor light, white
RELATED PRODUCTS	
-	-

Chart Magnifier

- Diameter: 90 mm

ITEM NO.: 1048114



VARIANTS	
-	-
RELATED PRODUCTS	
-	-

Chart Divider

- Length 180 mm
- High gloss finish, chrome-plated

ITEM NO.: 1048116



VARIANTS	
-	-
RELATED PRODUCTS	
-	-

Protractor Triangle

- With grip
- Base length: 340 mm
- Three coloured imprint, white ground
- Acrylic glass 3 mm

ITEM NO.: 1048120



VARIANTS	
-	-
RELATED PRODUCTS	
-	-

Parallel Ruler

- Length 305 mm / 12"
- Transparent plastic

ITEM NO.: 1048121



VARIANTS	
1048123	Parallel ruler, length 457 mm / 18"
1048124	Parallel ruler, length 610 mm / 24"
RELATED PRODUCTS	
1046509	Ruler, transparent plastic 300 mm
1048124	Ruler, transparent plastic 610 mm

Drum Sextant

- With lighting
- Measuring range -5° C to +130° C
- Stored in mahogany carrying case
- Weight: 1.2 kg

ITEM NO.: 1048154



VARIANTS	
-	-
RELATED PRODUCTS	
-	-

Ship Clock with Radio Sector

- Quartz movement with start-stop switch
- Brass body polished with hinge and shutter with alarm
- Outer diameter: 220 mm
- Scale diameter: 150 mm

ITEM NO.: 1048176



VARIANTS	
1048174	Ship clock with radio sector, outer diameter 150 mm, scale diameter 100 mm
1048175	Ship clock with radio sector, outer diameter 180 mm, scale diameter 125 mm
RELATED PRODUCTS	
-	-

Binoculars

- 7 x 50
- Day/night
- Fully coated optics
- Partially rubber coated
- Weight 770 g
- Comes with neck strap and case

ITEM NO.: 1048136



VARIANTS	
1046520	Binoculars with HD-compass 7 x 50
RELATED PRODUCTS	
-	-

Digital Stop Watch

- 1/100 seconds digital
- LCD display 7 digit
- Plastic housing
- Times up to 10 hours
- Weight: 62 g

ITEM NO.: 1048181



VARIANTS	
-	-
RELATED PRODUCTS	
-	-

Aneroid Barometer

- Brass body polished
- With hinge and shutter
- Outer diameter: 155 mm
- Scale diameter: 118 mm

ITEM NO.: 1048110



VARIANTS	
1048112	Aneroid barometer, outer diameter 220 mm, scale diameter 150 mm
1048111	Aneroid barometer, outer diameter. 180 mm, scale diameter 125 mm
RELATED PRODUCTS	
-	-

Dip-Can Thermometer

- To measure water temperature and take water samples
- Measuring range -10° C to +40° C
- Scale division 0.5° C
- With bucket and rope

ITEM NO.: 1048161



VARIANTS	
-	-
RELATED PRODUCTS	
1046539	Spare thermometer

Marine Barograph

- Aneroid
- Adjusted
- Weekly recording
- Quartz movement
- Incl. record sheets for 1 year
- PVC case dimensions: L 240 x W 150 H 150 mm

ITEM NO.: 1048107



VARIANTS	
-	-
RELATED PRODUCTS	
1046342	Spare paper for marine barograph

Wet and Dry Psychrometer / Hygrometer

- Plastic body
- Wall mounting
- Spare wicks
- Measuring range 5° C to +50° C
- Dimensions: 330 x 80 mm

ITEM NO.: 1057690



VARIANTS	
-	-
RELATED PRODUCTS	
-	-

Whirling Psychrometer

- Plastic body with folding handle
- Spare wicks
- Plastic tank
- Measuring range: -5° C to +50° C
- Dimensions: 230 x 50 mm

ITEM NO.: 1048171



VARIANTS	
-	-
RELATED PRODUCTS	
-	-

Salinometer for Seawater (Deck)

- Material: Glass
- 1.000 - 1.040 g / ml
- Graduation: 0.001
- Standard temperature: 15° C

ITEM NO.: 1048134



VARIANTS	
1048135	Salinometer engine (boiler)
RELATED PRODUCTS	
-	-

Fluid Level Clinometer

- Duplex graduation
- Transparent plastic
- Range -5° C to +5° C / -30° C to +30° C
- Dimensions: 100 x 80 mm

ITEM NO.: 1048148



VARIANTS	
-	-
RELATED PRODUCTS	
-	-

Pendulum Clinometer

- Polished brass body
- Oil damping
- Range: - 40° C to + 40° C
- Outer diameter: 155 mm
- Scale diameter: 118 mm

ITEM NO.: 1048150



VARIANTS	
1048151	Navy pendulum clinometer, outer diameter 200 mm, scale diameter 175 mm
RELATED PRODUCTS	
-	-



Communication

SOLAS regulations apply to all vessels over 300 gross tons engaged on international voyages, where a Global Maritime Distress Safety System (GMDSS) is required.

These safety systems require:

- **EPIRB**
- **SART**
- **VHF**
- **Lifejacket lights**
- **MOB marker lights**

VIKING offers a variety of options which comply with SOLAS GMDSS standards.

ACR GlobalFix™ GPS EPIRB, Float Free

- Professional grade GMDSS Cat-1 406 EPIRB
- Powerful 6.4 watt 406 MHz frequency
- 66 Channel GPS to pinpointing position
- Includes category 1 sea shelter and automatic
- Hydrostatic release (ACR HRU)
- 6 year battery life
- 5 year warranty on EPIRB (2 year on HRU)
- Requires programming with MMSI#



ITEM NO.: 1038878



VARIANTS	
-	ACR GlobalFix™ GPS EPIRB, with mounting bracket
1023438	GME MT403, manual and water activated
1023439	GME MT403G with GPS, manual and water activated
1033250	GME MT403, manual and water activated, with float free function
RELATED PRODUCTS	
-	-

SART

- ACR Pathfinder™ Pro
- Compact size
- Replaceable battery with a 5 year life span, non-hazardous
- 96 hour stand-by and over 12 hours operational life
- Waterproof up to 10 metres (33 ft)



ITEM NO.: 1063885

VARIANTS	
1010606	SevenStar S.701-L/R SART for use in liferafts
1050965	ACR Pathfinder™ 3, 2714NH, SART (non-hazardous)
1010607	SevenStar S.701-C/O SART incl. bracket
RELATED PRODUCTS	
1010609	Battery for SART 1010606 and 1010607

VHF Handheld Radio

- 21 channel survival radio
- Model SR203 (ACR #2827) for emergency use only
- Delivered with non-replaceable lithium battery
- Marine grade high impact case
- High contrast/backlit digital display and keypad
- More than 16 hours continuous operation
- 5 year battery life



ITEM NO.: 1052710

VARIANTS	
1052710	VHF SR203 (2828) hand-held survival radio with rechargeable battery kit, for every day and emergency use
RELATED PRODUCTS	
1029531	Spare lithium battery (ACR #1061) for SR203 (2827)
1057322	Spare lithium battery, rechargeable (ACR #1062) for SR203 (2828)

UHF Hand-Held Radio

- Model SP3560
- Submersible to IP67 (1 M for 1 hour)
- 15 pre-programmed maritime channels
- Charger included



ITEM NO.: 1063619

Complies to IMO regulation, SOLAS II-2/10

**COMPLIES WITH
IMO REGULATION,
SOLAS II-2/10**

VARIANTS	
-	UHF hand-held radio, ATEX, ENTEL HT-982
1057897	UHF hand-held radio, ATEX, ENTEL HT-883
1054412	UHF hand-held radio, ATEX, ENTEL HT-983
1057898	VHF hand-held radio, ATEX, ENTEL HT-844
1057640	VHF hand-held radio, ATEX, ENTEL HT-944
RELATED PRODUCTS	
-	Headset

New Regulation for Fire Fighting Packages

SOLAS REGULATION II - 2/10

A SOLAS amendment requires that ships built before 1st July 2014 carry "A minimum of two two-way portable radiotelephone apparatus for each fire party for fire-fighter's communication. Those two-way portable radiotelephone apparatus shall be of an explosion-proof type or intrinsically safe."

Make sure your fire fighting packages are up to date with explosion-proof radios!

ACR Personal Locator Beacon (PLB), ResQLink+

- Model 2881 ResQLink (TM)+
- 406 MHz and 121.5 MHz homing signal
- GPS position update
- 5 year battery lifetime after placed in service
- Battery performance after activation of 30 hours down to -20°C



ITEM NO.: 1050462

VARIANTS	
-	-
RELATED PRODUCTS	
-	-

Personal Locator Beacon (PLB)

- Model AU9-X from Sea Marshall
- Zone 2 ATEX intrinsically safe approved
- Works with a MRT Sartfinder base unit
- Lightweight and easily fits a lifejacket or PFD
- LED strobe on antenna for visual tracking
- Automatic low battery indicator



ITEM NO.: 1026080

ATEX approved



VARIANTS	
R6200304	PBL Sea Marshall AU9-WF long range unit for remote locations
R6200302	PBL Sea Marshall AU9-WF helicopter transit unit
1050462	ACR PLB ResQLink™+ (ACR 2881)
1026925	GME PLB MT410 406 MHz
1026926	GME PLB MT410G 406 MHz with GPS
RELATED PRODUCTS	
-	-

The next generation in 24/7 onboard e-training and competency management



ASK ABOUT OUR STCW REFRESHER PACKAGES!

Now there's an effective onboard e-training system your crew can use to train at any time – whether they're at sea or on shore, online or offline. This unique system even lets you track, assess and schedule training any time and anywhere, too.

Our 24/7 onboard solution provides the most cost-effective training and real-time overview of crew certifications and training status including:

- OODTP for ERRV
- STCW onboard refreshment
- Your own, fully customizable courses



VIKING Saatsea
ONBOARD TRAINING
www.saatsea.com

Storage Boxes

Equipment Cabinet with Roller Shutter Closing

- Model Jo Bird RS300FE
- Stores 2 x firefighter outfits with SCBA's on hangers
- Made of 3-4 mm GRP
- Weight: 80 kg
- Dimensions: H 2015 x W 1385 x D 460



ITEM NO.: 1011261

Lloyds Register type test approval

VARIANTS	
-	-
RELATED PRODUCTS	
-	-

Storage Box for Safety Equipment

- Material: Fibreglass
- Typically used for storing fireman's outfit
- For indoor use
- Dimensions: H 50 X W 100 D 50 cm

ITEM NO.: 1036851



VARIANTS	
1036852	Storage box for foam inductor packages Dimensions: H 30 X W 100 X D 40 cm
1044993	Box for international shore connection
RELATED PRODUCTS	
-	-

Cabinet for Fire Extinguisher

- Model Jo Bird JB01
- Cabinet for 12 kg / 12 l, or 5 kg CO₂ fire extinguisher
- IP56 rated
- Weight: 10 kg
- Dimensions: H 970 x W 470 x D 345 mm



ITEM NO.: 1026131

Lloyds Register type test approval

VARIANTS	
1026156	Cabinet for 5 kg CO ₂ extinguisher, H 1080 x W 440 x D 335 mm
1026156	Cabinet for 5 kg CO ₂ extinguisher, JB28
1045019	Cabinet for all portable fire extinguishers from VIKING
RELATED PRODUCTS	
-	-

Cabinet for Fire Hose

- Material: GRP
- Colour: Red
- Includes hanger for hose and nozzle
- Left side opening
- Dimensions: H 640 x W 560 x D 190 mm

ITEM NO.: 1036084



VARIANTS	
1044985	Fire hose box, GRP for indoor use
1044982	Fire hose box, GRP for outdoor use
RELATED PRODUCTS	
1011271	Fire hose cabinet, SOS11
1032877	Fire hose bracket w. nozzle holder for 1.5" collapsible hose
1032878	Fire hose bracket w. nozzle holder for 2" collapsible hose

Storage Chest for Immersion Suits

- Model Jo Bird SOS501
- Typically stores up to 3 x PV9520 solid lifejackets or up to 3 immersion suits
- Weight: 8 kg
- Dimensions: H 57 x W 65 x D 50 cm

ITEM NO.: 1031664



VARIANTS	
-	-
RELATED PRODUCTS	
1011293	Cabinet model PBIS for lifejackets with lift-off lid. Dimensions: H 510 x W 970 x D 625 mm

Chest for 13 Lifejackets Type PV9509

- Model Jo Bird SOS510
- Stackable to reduce cost, when transporting more than one box
- Can be moved with a fork lift
- Optional lettering
- Weight: 27.5 kg
- Dimensions: H 737 x W 1030 x D 982 mm

ITEM NO.: 1035517



VARIANTS	
1031664	Chest for immersion suit, Jo Bird SOS502
1005030	Box for lifejackets/ immersion suits, 300 l, orange
1005032	Box for lifejackets/ immersion suits, 400 l, orange
1015747	Box for lifejackets/ immersion suits, 800 l, orange
RELATED PRODUCTS	
-	-

Stretcher Cabinet

- Model Jo Bird JB38
- For basket stretchers
- Made of fibreglass
- Weight: 32 kg
- Dimensions: H 2347 x W 766 x D 282 mm

ITEM NO.: 1031026

Lloyd's Register type test approval



VARIANTS	
1011284	Cabinet for Neil Robertson stretcher, Model Jo Bird JB37
RELATED PRODUCTS	
1008912	Basket stretcher
1027587	Spine board stretcher
1008916	Spine board stretcher (Rock)
1020725	Scoop stretcher

Storage Box for EEBD

- Polyethylene
- Dimensions: L 674 x W 313 x H 255 mm

ITEM NO.: 1044967

Lloyd's Register type test approval



VARIANTS	
1047705	Storage box for EEBD, Jo Bird JB12
RELATED PRODUCTS	
1011286	Storage box for SCBA

MSC Recommended Personal Survival Kit (PSK)

**COMPLETE PACKAGE
ITEM NO.: S-5900096**

VIKING offers complete packages for passengers and crew travelling in Polar and ice-covered waters



Head Protection

- Made of 3 layered THERMAX®
- Transports sweat away from head
- Traps air to keep in heat
- 55% polyester/23% modal/22% cotton
- 260 g/m²
- Size: M
- Colour: Marine

Vacuum packed



Thermal Underwear set

- With zipper
- Transports sweat away from the body
- Cool dry wool

Vacuum packed



Thermal Underwear

- Round neck
- Long sleeves
- Cool dry wool

Vacuum packed



Work Socks

- Keeps feet warm and dry
- Seam free
- Wool, acrylic, polyamid, Lycra
- Colour: Blue

Vacuum packed



Safety Sunglasses

- Modern design and fit
- Ultra lightweight and wide visual field
- Strong, adjustable frame with comfort zones
- Easy to replace lenses
- Matte side protectors
- Pk 1/5
- Lenses: Blue (mirror)
- Sun/UV 5-2.5, Optidur 3000 UV
- Colour: Black



Neck and Face Protection Woolen Balaclava

Balaclava with flexible single opening that can cover entire face except the eyes, or can be pulled back to uncover nose or mouth and nose.

- Long neck for extra coverage
- 70% Merino wool
- 30% polyamid
- One size
- Colour: Black

Vacuum packed



Hand Protection

Lionsafe Quebec insulating magic knitted gloves

- Close fit
- Seam free
- Ideal for use under outer gloves
- Unique insulation properties
- Transports sweat away from hand
- Colour: Blue

Vacuum packed



Hand Protection

Swehand M80 winter glove

- Thinsulate lining

Vacuum packed



Survival Candle



Whistle (orange)



Drinking Mug
Plastic drinking mug



Matches

- Waterproof packaging
- Box of 40 (240 hours)



Pen Knife

Floating knife, B 97 BR



Survival Handbook
Survival manual



Foot Protection Winter Boots

With zipper and reinforced toe

- Water-repelling grain side leather
- Warm fleece lining
- Internal zipper
- Cold resistant
- Without hydroflex GEL
- With nail protector



Carry Bag



Hand Warmers



**PS5002 VIKING
PU Coated Nylon
Immersion Suit**

Top of the line model with extra durability and extended protection.

Approved for use without a lifejacket.

Lifting becket, buddy line, emergency light and detachable gloves.

Sizes:
Universal size: 140-200 cm
Over-size: 190-210 cm

**COMPLETE PACKAGE
ITEM NO.: 1051160**

MSC Recommended Group Survival Kit (GSK)

Delivered in 4 bags
- 3 dry bags and one
non-dry bag for spare
personal equipment set



Snow knife



Fuel



Fuel Paste



6 person Tent



Single Airbed with



Sleeping Bags
Vacuum packed



**Cooking system
incl. plastic Mug,
Water Bottle, Cup
with Lid, Cooker,
Belt Pouch, Flint
and Striker**



Matches



**Foot Protection
Boots**



**Fortified Health
Drinks**



Flashlights



Candles



Snow shovel



Snow saw



Tarpaulin

Spare Personal Equipment



Vacuum packed

**Head
Protection**



Vacuum packed

**Neck and Face
Protection**



Vacuum packed

**Hand
Protection
- Mitts**



Vacuum packed

**Hand
Protection
- Gloves**



Vacuum packed

**Foot
Protection
- Socks**



Vacuum packed

**Foot
Protection
- Boots**



Vacuum packed

**Insulated
Suit**



Vacuum packed

**Thermal
Underwear**



Hand Warmers



Sunglasses



Whistle



Drinking Mug



Signs and Posters

Mandatory, hazard, safety, fire, first aid and IMO signs and escape route marking are compulsory for commercial vessels. They must be clear, visible and approved by the IMO.

Signs are colour coded according to their purpose and must either be lit by low level emergency lighting or photo luminescent for at least 60 minutes after the termination of external light sources.

Multi-lingual signs and additional sizes are available upon request.

All signs are approved according to the IMO and are manufactured in high photo luminescent quality.

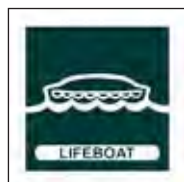
Go to www.VIKINGSafetyshop.com to find more information about the scope of safety signs.

IMO Symbols

Self-adhesive - photoluminescent



Lifeboat
150 x 150 mm
ITEM NO. 1048729



Lifeboat - large
300 x 300 mm
ITEM NO. 1048730



Rescue boat
150 x 150 mm
ITEM NO. 1048731



Liferaft
150 x 150 mm
ITEM NO. 1048732



Liferaft - large
300 x 300 mm
ITEM NO. 1044114



Davit-launched liferaft
150 x 150 mm
ITEM NO. 1048733



Embarkation ladder
150 x 150 mm
ITEM NO. 1048734



Evacuation slide
150 x 150 mm
ITEM NO. 1048735



Evacuation slide - large
300 x 300 mm
ITEM NO. 1044118



Lifebuoy
150 x 150 mm
ITEM NO. 1048736



Lifebuoy with line
150 x 150 mm
ITEM NO. 1048737



Lifebuoy with light
150 x 150 mm
ITEM NO. 1048738



Lifebuoy light and smoke
150 x 150 mm
ITEM NO. 1048739



Lifejacket
150x150 mm
ITEM NO. 1037800



Child lifejacket
150x150 mm
ITEM NO. 1048741



Immersion suit
150 x 150 mm
ITEM NO. 1048742



Survival craft portable...
150 x 150 mm
ITEM NO. 1048743



EPIRB
150 x 150 mm
ITEM NO. 1048744



Radio transponder
150x150 mm
ITEM NO. 1048745



Survival craft distress
150x150 mm
ITEM NO. 1048746



Rocket parachute flares
150 x 150 mm
ITEM NO. 1048747



Line-throwing appliance
150 x 150 mm
ITEM NO. 1048748



Assembly station
150 x 150 mm
ITEM NO. 1048749



Assembly station - large
150 x 150 mm
ITEM NO. 1048750



Vertical evacuation chute
150 x 150 mm
ITEM NO. 1044119



Stretcher
150 x 150 mm
ITEM NO. 1048753



Thermal protective aid
150 x 150 mm
ITEM NO. 1044129



Anti-exposure suit (A.E.S.)
150 x 150 mm
ITEM NO. 1044130



Medical locker
150 x 150 mm
ITEM NO. 1044481



EEBD
150 x 150 mm
ITEM NO. 1044229

Direction Signs



Lifeboat with arrow up on right
100 x 130 mm
ITEM NO. 1048817



Lifeboat with arrow diagonally
down left - 100 x 130 mm
ITEM NO. 1048799



Assembly station with arrow up left
100 x 130 mm
ITEM NO. 1048813



Assembly station with arrow diagonally down
left - 150 x 150 mm



Exit with arrow diagonally up left
130 x 390 mm
ITEM NO. 1048792

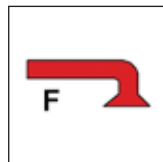


Exit with arrow diagonally down right
130 x 390 mm
ITEM NO. 1048787

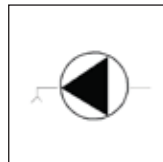
Fire Control Signs



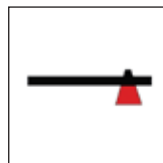
Space protected by halon
150 x 150 mm
ITEM NO. 1048641



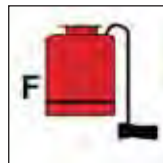
Space protected by foam
150 x 150 mm
ITEM NO. 1048673



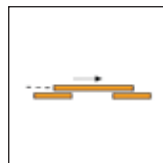
Bilge pump
150 x 150 mm
ITEM NO. 1048660



Fire axe
150 x 150 mm
ITEM NO. 1048662



Portable foam applicator
150 x 150 mm
ITEM NO. 1048651



B class fire door self-closing
150 x 150 mm
ITEM NO. 1048690

Fire Signs



Fire extinguisher
300 x 300 mm
ITEM NO. 1048851



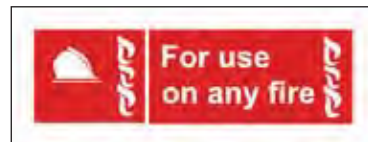
Fire hose
300 x 300 mm
ITEM NO. 1048826



Fire blanket
300 x 300 mm
ITEM NO. 1048844



Foam inlet
300 x 300 mm
ITEM NO. 1048855



For use on any fire
300 x 300 mm
ITEM NO. 1044902



Number: 0
100 x 100 mm. ITEM NO. 1044800
150 x 150 mm. ITEM NO. 1044161



Number: 5
100 x 100 mm. ITEM NO. 1044175
150 x 150 mm. ITEM NO. 1044174

VIKING offers a complete range of signs and posters.

Deck and Engine Room



Machinery space
300 x 300 mm
ITEM NO. 1043965



Warning open slowly -
photoluminescent
200 x 150 mm
ITEM NO. 1044524



Oxygen - photoluminescent
100 x 300 mm
ITEM NO. 1044527



Smoking area - photoluminescent
100 x 300 mm
ITEM NO. 1044250



Acetylene - photoluminescent
100 x 300 mm
ITEM NO. 1044531



No entry except authorised personnel -
photoluminescent - 100 x 300 mm
ITEM NO. 1044330



Drinking water - photoluminescent
100 x 300 mm
ITEM NO. 1048770

Galley and Accommodation



Danger Hot
100 x 300 mm
ITEM NO. 1044418



Do not leave garbage here
100 x 300 mm
ITEM NO. 1044392



Plastic only
100 x 300 mm
ITEM NO. 1046610



Incineration only
100 x 300 mm
ITEM NO. 1046612



Hand wash only
200 x 150 mm
ITEM NO. 1044362



Utensil wash only
200 x 150 mm
ITEM NO. 1044831

Safety Signs



Safe for entry
100 x 300 mm
ITEM NO. 1044248



Drinking water
100 x 300 mm
ITEM NO. 1048770



Smoking area
100 x 300 mm
ITEM NO. 1044250



First aid
100 x 300 mm
ITEM NO. 1048772



Emergency shower
100 x 300 mm
ITEM NO. 1048774



Pollution control equipment
100 x 300 mm
ITEM NO. 1044269



Eating and drinking area
100 x 300 mm
ITEM NO. 1044267

Temporary Tie Tags



Caution
Pack of 10
ITEM NO. 1044498



Irritant
Pack of 10
ITEM NO. 1044929



Gas
Pack of 10
ITEM NO. 1044932



Defective equipment
Pack of 10
ITEM NO. 1044511

Hazard Signs



Danger
200 x 150 mm
ITEM NO. 1044424



Danger under maintenance
200 x 150 mm
ITEM NO. 1044237



Hazardous area
200 x 150 mm
ITEM NO. 1044421



Mind your head
200 x 150 mm
ITEM NO. 1044430



Caution explosion risk
200 x 150 mm
ITEM NO. 1044445

Mandatory Signs



This is a safety helmet area
200 x 150 mm
ITEM NO. 1044350



Close this door at night
150 x 150 mm
ITEM NO. 1048872



Automatic fire door
200 x 150 mm
ITEM NO. 1048860



Keep locked when not in use
200 x 150 mm
ITEM NO. 1048907



Automatic watertight door
200 x 150 mm
ITEM NO. 1044328



Ventilation to be used prior to entry
100 x 300 mm
ITEM NO. 1048901

Prohibition Signs



Do not enter
100 x 300 mm
ITEM NO. 1048941



Do not touch
100 x 300 mm
ITEM NO. 1048936



Do not operate
100 x 130 mm
ITEM NO. 1048937



Do not open
100 x 300 mm
ITEM NO. 1048934



No smoking...
100 x 400 mm
ITEM NO. 1048950



Do not switch on...
100 x 400 mm
ITEM NO. 1044390

Combination Signs



Danger step ladders
200 x 300 mm
ITEM NO. 1043958



Gas under pressure
200 x 300 mm
ITEM NO. 1044437



Danger explosion risk
300 x 300 mm
ITEM NO. 1043967



No smoking/ no naked lights
200 x 300 mm
ITEM NO. 1044325



Beware vehicle fumes...
200 x 300 mm
ITEM NO. 1057047

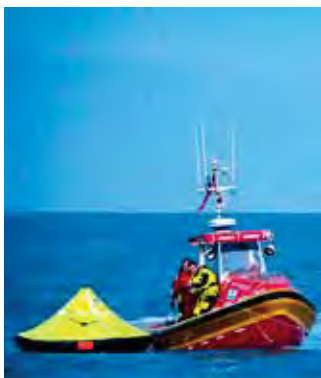


Danger non-ionizing...
200 x 300 mm
ITEM NO. 1043971





Streamlining all your saf - from one point of contact



Liferafts

Certified liferaft servicing, including annual IMO-required servicing to the highest safety standards and fully manufacturer-approved. For especially fast turnaround, we offer fixed-price liferaft exchange.



Personal Protective Equipment (PPE)

Efficient servicing and repairs of suits and lifejackets. Optional equipment exchange and customised fleet solutions with optimal conditions.



Marine Fire

Supply, service and re-certification of a wide variety of extinguisher systems and other stationary or portable fire-fighting equipment.



Evacuation Systems

Certified servicing stations perform thorough servicing of marine evacuation systems when and where you need it.



ety servicing

Flexible, all-in-one servicing agreements

Given the amount of safety equipment on board that needs to be serviced, there are significant advantages to choosing one company that can do it all.

Streamline your operations with a VIKING Shipowner Agreement:

- Multiple brands
- Fixed prices
- Flexible contracts
- Financing
- Over 260 locations worldwide

Choose from...

- A comprehensive Shipowner Agreement
- Fixed-price Exchange (swap with freshly serviced products at pier)
- Managed Service (competitive day-to-day pricing).

...or find the right mix of servicing concepts across your fleet.



Lifeboats, Hooks and Davits

Consolidated, multi-brand servicing in full compliance with applicable regulations, including annual or 5-year inspections.

For hook retrofits, we take care of everything from overhaul assessment to installation and performance testing.



Let **VIKING's** experts manage your service

Service booking

- Keep focus on ship schedule
- Notifications on upcoming service
- Find appropriate service station
- Coordinate and book service with multiple partners

Follow up

- Evaluate performance
- Monitor invoices

Station monitoring

- Monitor servicing station performance
- Inspect stations

VIKING Managed Service

Global safety servicing of all products and brands from a local point of contact

VIKING's unique network makes it possible for us to cover all your servicing needs from a single point of contact at your local VIKING branch office. Servicing is carried out at a VIKING servicing station or at one of our carefully selected partners.

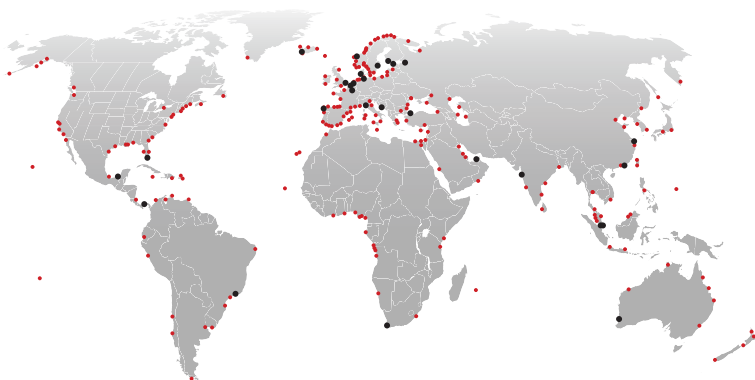
- Liferafts
- Lifeboats, hooks and davits
- Immersion suits and lifejackets
- Marine fire equipment
Fire extinguisher, fixed systems, gas detection, EEBD, breathing apparatus
- Other lifesaving appliances

Convenient servicing of your safety equipment

VIKING offers several options to suit any fleet's particular needs including special global agreements to help manage fleet servicing needs effectively. To help keep servicing schedules, VIKING offers notifications at customer chosen times before service due dates.

Right quality, right price

Our dedicated planners arrange and book service at any location for consolidated servicing of your multi-brand safety equipment on board. We also perform service visits and ensure that you get quality servicing at the right price.



• VIKING Subsidiaries
• VIKING Network Total



**Jasmin Puri, VIKING GERMANY,
Customer Service Planner**

Consistent service

"My German customers especially appreciate to hand over me the efficient planning and performance of all their safety equipment products, that needs to be serviced. They know with 100-percent confidence, that we are to meet their deadlines at the most cost-conscious and suitable ways.

Our customers also value us as partners, because we offer professional and competent consulting service and are always able to provide them with satisfactory solutions."



**Evren Sahin, VIKING Turkey,
Customer Service Planner**

Turkish Shipowners can reach me 24/7

"Our customers choose us because we offer reliable global service planning and can get in touch with all other parts of the world in an instant."



**Ailyn Gonzalez, VIKING Americas,
Customer Service Planner**

Smooth routine

"My North American customers love that they don't have to worry about managing their safety equipment service because they know that I am keeping an eye on things. I let them know when it's time to have equipment serviced and suggest the most convenient and cost-efficient way to consolidate servicing."

Liferaft Service

Quality service with attention to detail



Documentation

- Liferaft is received and registered
- Logbook in the liferaft is completed (proof that the liferaft has been opened and tested)
- Inspection is performed using VIKING approved inspection checklist
- Certificate of re-inspection is issued
- Full documentation for service is archived according to regulations
- Detailed invoice is issued

Service

- Liferaft is removed from the container and the inflation system dismantled
- Container shell is cleaned and fibreglass is repaired if needed
- Container is relabelled
- Liferaft is inspected inside and out
- Emergency pack is checked and items replaced if expired according to regulations
- Liferaft equipment is inspected and replaced if needed
- Cylinder operating head, valve, knife and release wire is inspected
- CO₂ cylinder is checked for correct content level

- Inflation systems and high pressure hoses are inspected
- Liferaft is deflated, repacked in the container and prepared for despatch

Testing

- Liferaft is inflated with compressed air and pressure tested including a 60 min. working pressure test of the lower buoyancy chamber, upper buoyancy chamber and arch chamber
- If the liferaft is equipped with an inflatable floor, this is pressure tested for 60 min.

Liferaft is subjected to specific tests at various intervals according to international regulations.

- Gas inflation test (GI) is conducted every 5 years using the liferaft's CO₂ cylinder to inflate the liferaft
- Necessary additional pressure test (NAP) at double the working pressure rate is conducted at 11 years end then annually thereafter
- Floor seam test (FS) is performed to check the seams of the internal floor and is conducted at 11 years and then annually thereafter

Lifeboats, Hooks and Davits

Cost-effective and convenient servicing

Correct maintenance of release gear requires knowledgeable service for optimal performance in emergency situations, to increase durability and limit lifetime costs.



Annual inspections can reduce maintenance costs in the long run and a properly trained crew can reduce the risk of casualties during evacuation.

Global network

VIKING offers consolidated servicing and inspection for all your safety equipment on board including service for lifeboats, release and recovery systems (LRRS). Our global network VIKING owned servicing stations can perform inspections according to IMO MSC.1/Circ. 1206/Rev.1.

As a quality manufacturer of marine safety equipment and an independent service provider of lifeboats, launching appliances and release gear service, we offer full service coverage across the world at all key locations/ports and fixed prices.

Marine Fire Service

Certified servicing of marine firefighting and fire safety equipment

The advantages of correct servicing

Making sure your equipment is correctly serviced is important for several reasons. The most obvious is that your marine fire equipment is essential for situations involving a fire and it must work immediately when you need it.

However, proper servicing is also a cost-efficient means of ensuring that you get the most out of your equipment. It can improve the durability and lower the risk of costly repairs in the long run.

Choosing the right servicing partner is just as important as choosing the right equipment.

Experienced technicians and quality control make the difference

VIKING technicians are carefully selected professionals trained at the highest standards and we work together with the leading manufacturers of marine fire equipment.

Fixed price
or Managed
Service
available



VIKING is class approved by the IACS and we service your marine fire equipment according to MSC/Circ.850, MSC.1/Circ.1318.



Dry-docking? Hook up with VIKING Nadiro

Fast, competitively priced installation wherever you are

Looking for a hook retrofit supplier that can deliver an ultra-safe, turnkey installation? Someone who can install almost anywhere in the world with 4 weeks notice or less? And need flexibility if your schedule should suddenly change?

Our patented VIKING Nadiro Drop-in-Ball™ can be fitted or retrofitted on most makes of lifeboats and fast rescue craft.

With few moving parts, it's light on procurement, installation, and service costs - and can be fully customized, too.



Mandatory changes

Lifeboat Release and Retrieval Systems (LRRS) are the focus of the IMO's MSC.1/Circ.1392 circular, that calls for major and mandatory improvements to safeguard lives both during lifeboat drills and in genuine evacuation emergencies at sea.

The time is now

The IMO regulations state that all LRRS systems that have been found non-compliant must be replaced or modified before 1st July, 2019.

Get on top of the new regulations

VIKING can take care of the entire replacement task:

- Managing the overhaul examination
- Planning and project management
- Physical replacement
- Performance testing

Which LRRS is best?

A list of compliant LRRS was published on 1st July, 2013 (in the IMO GISIS database).

As a preferred service provider of leading LRRS manufacturers, we can offer full service coverage across the world at all key locations/ports and fixed prices.

See the Drop-in-Ball™ system in action at www.nadiro.com and ask for a quote for complete installation and service.



VIKING Nadiro

DROP-IN-BALL™ HOOK SYSTEM

WWW.NADIRO.COM - WWW.VIKING-LIFE.COM

VIKING Nadiro
Drop-in-Ball™

EP Patent No. 2303681B1
CN Patent No. 102119100B, CN Patent No. 102803061B
KR Patent No. 101632682B1, Patent Pending KR
SG Patent No. 167386B1, SG Patent No. 176935B1
US Patent No. 8561566B, US Patent No. 8667921B

PPE Servicing

Flexible and cost-efficient options for smooth operations

VIKING performs high quality servicing of immersion suits and lifejackets at our dedicated stations all across the globe. You can choose between attractive day-to-day rates or customizable fixed price exchange agreements.

Our exchange agreements are an excellent option for shipowners and operators wanting to avoid the hassles and potential cost-fluctuations of PPE servicing. With an exchange agreement, immersion suits due for service are simply swapped with freshly serviced suits, directly at pier, for a fixed price per suits. No need to wait for servicing that can cause costly delays.

Immersion suit models available with the exchange agreement option include the top of the line PS5006 suit made of PU coated Nylon and the high quality Neoprene suit PS2014.



Evacuation Systems

Evacuation systems and other safety equipment need regular maintenance



Specially trained service engineers in the VIKING network offer the highest level of service with exclusive use of quality parts and equipment. Original VIKING certification and re-certification for servicing helps avoid potentially costly problems with classification surveyors.

Service agreements

VIKING Life-Saving Equipment offers service agreements for maintenance, re-certification of boarding platforms, liferafts etc. Choose a full service package or have VIKING tailor a solution to fit your needs.

Certification and re-certification

Servicing of evacuation systems is regulated by IMO SOLAS 1974, as amended, Chapter III, Regulation 20.8, and IMO Resolution A.761(18). Re-certification of system liferafts and boarding platforms must be carried out by certified personnel at a VIKING certified servicing station.

Product Index by Alphabet

- A**
 Adaptors 72, 73, 74, 75, 76, 77
 Air Compressor 79
 Axes 61
- B**
 Belt, Fire 61
 Blanket, Helilift 53
 Boats, MOB 23, 24
 Boots, Chemical 84
 Boots, Fireman 60
 Bracket, Lifebuoy 39
 Branch Pipe 70
 Breathing Apparatus 78, 79, 80, 81
- C**
 Cabinets 53, 106, 107
 Cabinets for Stretchers 107
 Chemical Suit Accessories 84, 85
 Chemical Suits 83, 84
 Chute Systems 12, 13
 Compressor 79
 Couplings and Adaptors 72, 73, 74, 75, 76, 77
 Cradles 17, 19, 51
- D**
 Davits 24
 Deck Cradles for Liferrafts 17
 Defibrillator 89
 Descent Device for Marine 51
- E**
 EEBD and Accessories 81
 Embarkation and Pilot Ladder 49
 Emergency Pack Contents 18
 Emergency Ration and Drinking Water 90
 EPIRB 103
 Evacuation System, Marine 12, 13
 Eyewash and Eyewash Station 86
- F**
 Face Masks 92
 Face Shield, Chemical 63
 Fall Arrester 93
 Fire Accessories 60, 61
 Fire Extinguishers 62, 63, 64, 65
 Fire Extinguishers, Portable 63, 64
 Fire Extinguishers, Wheeled 65
 Fire Hose Package 68, 71
 Fire Hoses 67, 68, 71
 Fire Storage Box 106
 Fire Storage Cabinets 106
 Fire Suits 57, 58
 Fire, Adaptors 72, 73, 74, 75, 76, 77
 Fire, Couplings 72, 73, 74, 75, 76, 77
 First Aid Kits 89
 Flag Hook 45
 Flag Line 45
 Flags, Call Signs 44, 45
 Floating Line, Lifebuoy 39
 Foam Inductor Packages 71
- G**
 Gangway Nets 48
 Gas Detection 83
 Gloves, Chemical 84
 Gloves, Fireman 89
 Goggles 84, 91
 Group Survival Kit (GSK) 53, 109
- H**
 Hand Held Radio 100
 Hand Lamps 43
 Harness 92
 Heated Cabinets and Containers 53, 54
 Helilift Stretcher 53
 Helmet, Chemical 85
 Helmet, Fire 61
 High visibility Lifejackets
 and Immersion Suits 27, 28, 29, 30, 31, 32,
 33, 34, 35, 36, 37, 55
 Hood, Fire 62
 Hook, Flag 45
 Hook Retrofit 25
 Hoses, Fire 67, 68, 71
 Hydrostatic Release Unit for Liferrafts 22
- I**
 Immersion Suit, Polar 55
 Immersion Suits 27, 28, 29, 30, 31, 32, 33,
 55
 Immersion Suits Storage Chest 107
 IMO Symbols 107, 108, 109, 110, 111
 Jason's Cradle 51
 Personal Survival Kit (PSK) 52, 108
- L**
 Ladders, Embarkation and Pilot 49
 Lamps 43
 Lifebuoy Lights 44
 Lifebuoys 38, 39
 Lifejacket Lights 42
 Lifejacket, Thermal 55
 Lifejackets 34, 35, 36, 37
 Lifejackets, Constant Wear 34, 35, 36
 Liferrafts 16, 17
 Lights, Lifebuoy 44
 Lights, Lifejacket 42
 Lights, Torch 43
 Line, Fire 60
 Line, Flag 45
- M**
 Marine Evacuation Systems 12, 13
 Marine Fire Package 59
 Marine Fire Service, 121
 Markusnet 51
 MOB Boats 23, 24, 25
- N**
 Nadiro Drop-In-Ball 25
 Navigation Equipment 98, 99, 100, 101, 102
 Neck protection 61
- P**
 Personal Locator Beacon (PLB) 105
 Pilot Ladder 49
 Pipe 70
 Pneumatic Line Throwers 41
 Polar Immersion Suit 55
 Polar Liferrafts 54
 Portable Oxygen Respirator 90
 PPE Service 124
 Protective Goggles 91
 Pyrotechnics 46, 47
- Q**
 Quick Release Systems 40
- R**
 Racks 20, 21, 22
 Radio 104
 Ration, Emergency 90
 Recovery Systems 50, 51
- S**
 Safety Helmet 91
 Safety Line 60
 Safety Showers 86
 SART 104
 Self-Contained Breathing Apparatus 78, 79
 Service 117, 118, 119, 120, 121
 Service, Liferaft 120
 Service, Marine Fire 121
 Service, PPE 124
 Ship Security Equipment 94, 95, 96, 97
 Signs and posters 110, 111, 112, 113, 114, 115
 Slide Systems 12, 13
 Smoke Hood 80
 SOLAS Marine Fire Package 59
 Storage Box and Cabinets for
 Fire Equipment 106
 Storage Box for EEBD 107
 Storage Boxes 107
 Storage Chest for Immersion Suits
 and Lifejackets 107
 Stretcher, Helilift 53
 Stretchers 53, 87, 88, 89
 Suits, Immersion and
 Constant Wear 28, 29, 30, 31, 32, 33, 55
 Suits, Chemical 83, 84
 Suits, Fire 57, 58
 Survival Kit, Group 53, 109
 Survival Kit, Personal 53, 108
 Symbols, IMO 111, 112, 113, 114, 115
- T**
 Thermal Lifejacket 55
 Torch Lights 43
 VHF Hand Held 104
- W**
 Waist Belts, Fire 61, 93
 Water, Emergency Drinking 90

Product Index by Category

Boats, Davits and Hooks

Davits	24
Engines	24
MOB Boats	23, 24
Nadiro Drop-In-Ball	25

Breathing Apparatus

Compressor	89
EEBD and Accessories	81
Self-Contained Breathing Apparatus	78, 79
Smoke Hood	80

Chemical and Gas Detection

Chemical Suits	83, 84
Chemical Suit Accessories	85, 86
Eyewash and Eyewash Station	86
Safety Showers	86

Communication

EPIRB 99	103
Hand Held Radio	104
PLB	105
SART	104

Evacuation Systems

Chute Systems	12, 13
Slide Systems	12, 13

Lifebuys and Line Throwing Devices

Bracket, Lifebuoy	39
Floating Line, Lifebuoy	39
Lifebuoys	38, 39
Pneumatic Line Throwers	41
Quick Release Systems	40

Liferafts and Accesories

Cradles	19
Deck Cradles for Liferafts	17
Emergency Pack Contents	18
Hydrostatic Release-Unit for Liferafts	22
Liferafts	16, 17
Racks	20, 21, 22

Lights and Signals

Flag Line and Hook	45
Flags, Call Signs	44, 45
Hand Lamps	43
Lifejacket Lights	42
Lifebuoy Lights	44
Torch Lights	43

Marine Fire Safety Equipment

Accessories for Fire Extinguishers	66
Branch Pipe	70
Couplings and Adaptors	72, 73, 74, 75, 76, 77
Fire Accessories	60,61
Fire Extinguishers, Portable	63,64
Fire Extinguishers, Wheeled	65
Fire Hoses	67,68,71
Fire Suits	57, 58
Foam Inductor Packages	71
SOLAS Marine Fire Package	59

Medical Equipment

Defibrillator	89
Emergency Ration and Drinking Water	90
First Aid Kits	89
Portable Oxygen Respirator	90
Stretchers	87, 88

Navigation

Navigation Equipment	98,99,100,101,102
----------------------	-------------------

Occupational Safety

Face Masks	92
Fall Arrester	93
Harness	92
Protective Goggles	91
Safety Helmet	91
Waist Belts	93

Personal Protective Equipment

Constant Wear Lifejackets	34, 35, 36
Constant Wear Suits	32, 33
Immersion Suits	28, 29, 30, 31

Polar Solutions

Heated Cabinets and Containers	53, 54
Helilift Stretcher	53
Polar Immersion Suits	55
Survival Kit, Group	53
Survival Kit, Personal	53
Thermal Lifejacket	55

Pyrotechnics

Pyrotechnics	46, 47
--------------	--------

Ship Security Equipment

Ship Security Equipment	94,95,96,97
-------------------------	-------------

Signs and Posters

IMO Symbols	111,112,113,114,115
-------------	---------------------

Storage Boxes

Cabinets for Stretchers	107
Storage Box and Cabinets for Fire Equipment	106
Storage Box for EEBD	107
Storage Box for Suits and Lifejackets	107

Survival Kits

Group Survival Kit (GSK)	53,109
Personal Survival Kit (PSK)	53,108

Transfer, Descent and Recovery

Gangway Nets	48
Pilot Ladder	49
Embarkation Ladder	49
Recovery Systems	50, 51

Products in this catalogue are sold by VIKING Life-Saving Equipment A/S, and manufactured by VIKING and others. Only those products explicitly named VIKING in the product name are manufactured by VIKING. Product specifications are subject to change without notice. Actual products or manufacturer may differ from those pictured in the catalogue. Some products may not always be available. Other products may only be available upon request.

© 2016 VIKING Life-Saving Equipment A/S, All rights reserved.
 TM VIKING and the VIKING Life-Saving Equipment logo are trademarks of VIKING Life-Saving Equipment A/S. Reproduction is prohibited without prior permission.

VIKING Global Network

VIKING LIFE-SAVING EQUIPMENT A/S

(Headquarters)
Saedding Ringvej 13
6710 Esbjerg V
Denmark

Tel: +45 76 11 81 00
e-mail: VIKING@VIKING-life.com
www.VIKING-life.com

VIKING LIFE-SAVING EQUIPMENT Pty Ltd

20 Mews Road
Fremantle W.A. 6160
Australia

Tel: +61 1300 287 845
Fax: +61 1800 287 846

VIKING LIFE-SAVING EQUIPMENT Pty Ltd

52 Exploration Drive, Gap Ridge
Karratha W.A. 6174
Australia

Tel: +61 1300 287 845
Fax: +61 1800 287 846
e-mail: jbal@viking-life.com

VIKING LIFE-SAVING EQUIPMENT Brasil LTDA

Av. Rio Branco 45 – 19th floor
20090-003 Centro Rio de Janeiro
Brazil

Tel: +5521 2516 5005
e-mail: viking-br@viking-life.com

VIKING LIFE-SAVING EQUIPMENT PRODUCTION BG LTD.

BG4202
195-198 Vtora Str., Radinovo
Bulgaria

VIKING LIFE-SAVING EQUIPMENT China

Building 3, 1456 Xin Tanwa Highway
Pudong District
201321 Shanghai
PR China

Tel: +86 21 6289 9922
Fax: +86 21 5815 6010
e-mail: viking-ch@viking-life.com

VIKING LIFE-SAVING EQUIPMENT Estonia AS

Helgi tee 3
Peetri alevik, Rae vald,
75312 Harjumaa.
Estonia

Tel: +372 606 93 93
Fax: +372 606 93 99
e-mail: viking-ee@viking-life.com

VIKING LIFE-SAVING EQUIPMENT Oy, Finland

Pääskykalliontie 13
F-21420 Lieto
Finland

Tel: +358-(0)2-489 500
Fax: +358-(0)2 489 5011
e-mail: viking-fi@viking-life.com

VIKING LIFE-SAVING EQUIPMENT France S.a.r.l.

41, Rue Michel Ange
91026 Evry Cedex
France

Tel: +33 (0) 160 87 09 00
Fax: +33 (0) 160 87 09 01
e-mail: viking-f@viking-life.com

VIKING LIFE-SAVING EQUIPMENT GmbH & Co. KG

König-Georg-Stieg 5
D-21107 Hamburg
Germany

Tel: +49 (0) 40 73 10 53 0
Fax: +49 (0) 40 73 10 53 10
e-mail: viking-d@viking-life.com

VIKING LIFE-SAVING EQUIPMENT Hong Kong Ltd.

G/F, Chiap Luen Industrial Building
30-32, Kung Yip Street
Kwai Chung, New Territories
Hong Kong

Tel: +852 2429 7878
Fax: +852 2423 6228
e-mail: viking-hk@viking-life.com

VIKING LIFE-SAVING EQUIPMENT Ltd. Aberdeen

Unit 19, Ocean Trade Centre
Minto Avenue, Altens
AB12 3JZ, Aberdeen
Great Britain

Tel: +44 (0) 1224 898969
Fax: +44 (0) 1224 894565
e-mail: vikingabz@viking-life.com

VIKING LIFE-SAVING EQUIPMENT Ltd.

Gt Yarmouth
South Denes Road
Gt Yarmouth, Norfolk – NR30 3 PJ
Great Britain

Tel: +44 (0) 1493 850250
Fax: +44 (0) 1493 851222
e-mail: vikingldn@viking-life.com

VIKING LIFE-SAVING EQUIPMENT Ltd. Liverpool

Unit 31, Wellington Employment Park
Dunes Way
L5 9RJ Liverpool
Great Britain

Tel: +44 (0) 151 207 3030
Fax: +44 (0) 151 207 3807
e-mail: vikingliv@viking-life.com

VIKING LIFE-SAVING EQUIPMENT Ltd. Southampton

Hamble Court, Hamble Lane
SO31 4QL Southampton, Hampshire
Great Britain

Tel: +44 (0) 2380 454184
Fax: +44 (0) 2380 454284
e-mail: vikingsth@viking-life.com

VIKING LIFE-SAVING EQUIPMENT Iceland ehf.

Ishella 7
IS-221 Hafnarfjörður
Iceland

Tel: +354-544-2270
Fax: +354-544-2271
e-mail: viking-is@viking-life.com

VIKING LIFE-SAVING EQUIPMENT Mumbai Pvt. Ltd.

Plot no W-9, T.T.C. Industrial Area, MIDC Pawane
400 705 Thane
India

Tel: +91(0) 22 27689309
Fax: +91(0) 22 27689709

VIKING LIFE-SAVING EQUIPMENT Italia s.r.l.

Via Delle Pianazze, 170
19136 – La Spezia
Italy

Tel: +39 (0) 187-981322
Fax: +39 0 187-982499
e-mail: pedrotti@viking-life.com

VIKING LIFE-SAVING EQUIPMENT B.V.

P.O. Box 266
3330 AG Zwijndrecht
The Netherlands

Tel: +31 (0) 88 008 05 00
Fax: +31 (0) 88 008 05 95
e-mail: viking-nl@viking-life.com

VIKING LIFE-SAVING EQUIPMENT Norway AS

Idrettsveien
Straume Næringspark
NO-5353 Straume (Bergen)
Norway

Tel: +47-815-00- 325
Fax: +47-56-32 61 10
e-mail: bergen@viking-life.com

VIKING LIFE-SAVING EQUIPMENT Norway AS

Oluf Onsumsvei 11
N-0680 Oslo
Norway

Tel: +47-815-00- 325
Fax: +47-22-68 84 80
e-mail: viking-n@viking-life.com

VIKING LIFE-SAVING EQUIPMENT

ISTANBUL DENIZCILIK TICARET AS
Aydinli mah., Istanbul Anadolu Yakasi OSB.
4. Sokak. No 12
TR 34953 Tuzla-Istanbul
Turkey

Tel: +90 216 593 31 79
Fax: +90 216 593 31 78
e-mail: vikingistanbul@viking-life.com

VIKING LIFE-SAVING EQUIPMENT Russia

Promzona Gorelovo, Quarter 2
Volkhonskoe Shosse, Bldg. 2B, korp. 15
Lomonosovskiy Rajon
188508 Leningrad oblast,
Russia

Tel.: +7 812 493 59 24
Fax: +7 812 493 59 22
e-mail: viking-ru@viking-life.com

VIKING LIFE-SAVING EQUIPMENT Pte LTD

14 Loyang Way 4
507601 Singapore
Singapore

Tel: +65 64 24 92 00
Fax: +65 64 24 92 10
e-mail: viking-sg@viking-life.com

VIKING LIFE-SAVING EQUIPMENT (SA) (Pty) Ltd

C/o Neptune & Carlisle Street
Paarden Eiland 7420, P.O. Box 257
7420 Parden Eiland, Cape Town
South Africa

Tel: +27 21 514 5160 / +27 21 514 5178
Fax: +27 (0)86 403 4211
e-mail: viking-sa@viking-life.com

VIKING LIFE-SAVING EQUIPMENT (SA) (Pty) Ltd

Units No.2 Seebrook Park
210 Chamberlain Road
4026 Jacobs, Durban
South Africa

Tel: +27 31 4681261
Fax: +27 31 4681251
e-mail: vikingdbn@viking-life.com

VIKING LIFE-SAVING EQUIPMENT Korea

217-17 Shinsun-Ro
Nam-Gu 48553 Busan
South Korea

Tel.: +82 51 714 0831
Fax: +82 51 714 0833

VIKING LIFE-SAVING EQUIPMENT Iberica S.A.

Camino Rosposeira, 34 – Nave 2
36214 Vigo
Spain

Tel: +34-98-6421445
Fax: +34-98-6419286
e-mail: viking-e@viking-life.com

VIKING LIFE-SAVING EQUIPMENT Sweden AB

Grustagsvägen 5
138 40 Älta, Stockholm
Sweden

Tel.: +46 8 408 907 00
e-mail: viking-se@viking-life.com

VIKING LIFE-SAVING EQUIPMENT (Middle East)

Al Jadaf Shipdocking Yard
P.O. Box 13448
Dubai

UAE (United Arab Emirates)

Tel: +971-4-324 3555
Fax: +971-4-324 3444
e-mail: viking-uae@viking-life.com

VIKING LIFE-SAVING EQUIPMENT (America), Inc.

11255 NW 106 St. Suite 1
Miami, Florida 33178
U.S.A.

Tel.: +1 786 513 9900
Fax: +1 786 513 9910
e-mail: usasales@viking-life.com



One **safety** solution. One **global** partner.

Expertise and convenience on a global scale

Fluctuating servicing costs for safety equipment make forecasting of safety equipment servicing more difficult than it needs to be.

On top of the servicing fees, it's the unexpected expenses for transportation and overtime at local servicing stations as well as all the hidden costs of the resources used to find servicing locations, make bookings, and handle administration and follow-up.

A VIKING Shipowner Agreement incorporates safety products, global servicing and financing in a variety of fixed price structures.

Whether you prefer standard service or equipment exchange, it's a long-term solution with a range of options to fit your operation.

Choose a solution that moves with your business. Clear and truly fixed prices simplify budgeting, and built-in flexibility such as transparent exit fees during the contract period accommodate changes in your fleet.

Talk to the experts

Contact your local VIKING branch office and hear why more shipowners and ship management companies choose to make an agreement with VIKING.

VIKING LIFE-SAVING EQUIPMENT

Saedding Ringvej 13 · DK-6710 Esbjerg V · Denmark
Tel +45 76 11 81 00 · VIKING@VIKING.life.com · www.VIKING-life.com