

16644PLAY



Call Us First!

DO NOT RETURN TO STORE.

For immediate help with assembly or product information
call our toll-free number:

1-800-844-9273

or email:

customerservice@backyardproductsllc.com

Our staff is ready to provide assistance.

April through October M - F 8:00 AM to 7:00 PM EST

Saturday 8:30 AM to 4:30 PM EST

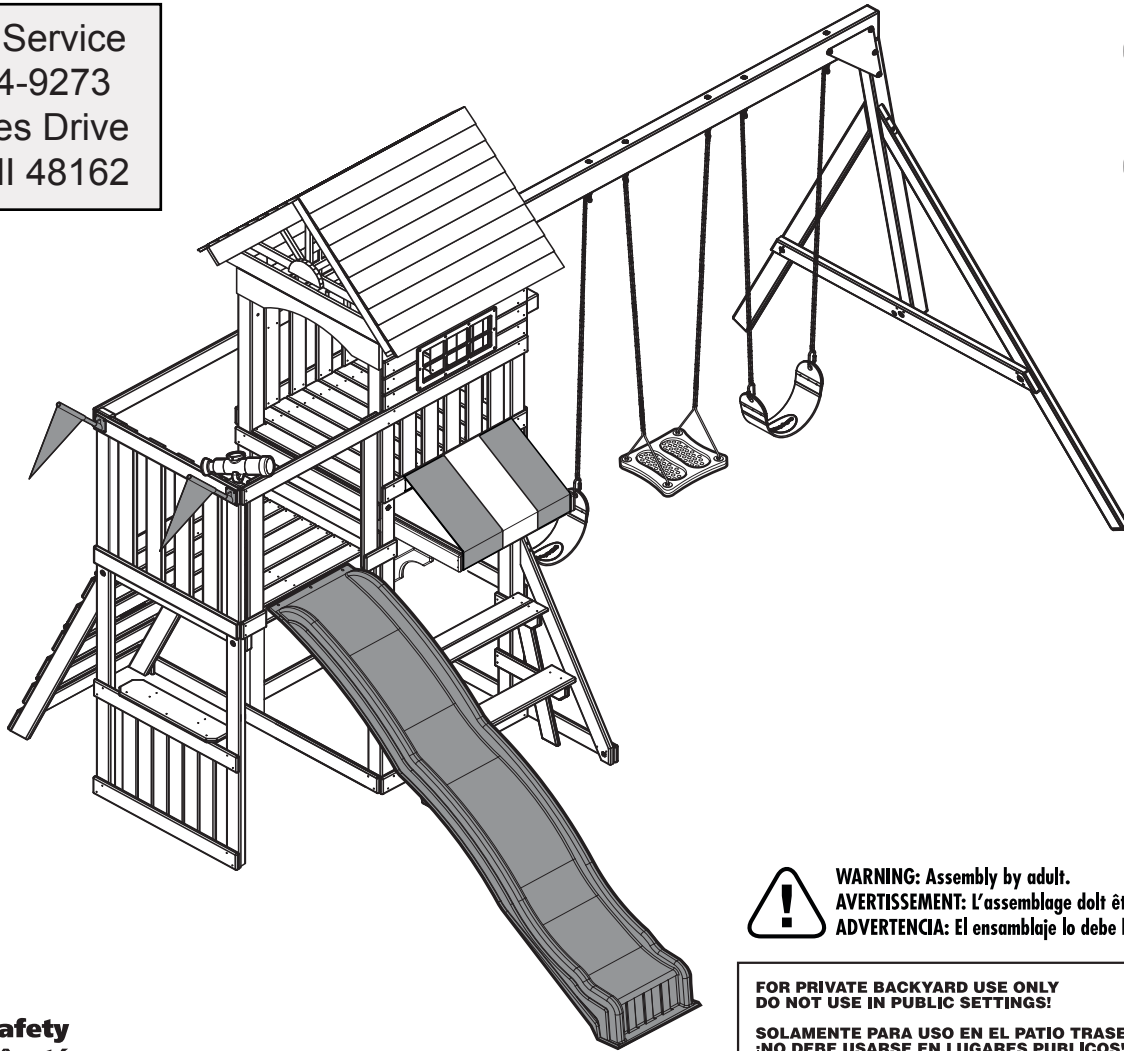
November through March M - F 8:00 AM to 5:00 PM EST



A Backyard Products Company

Customer Service
1-800-844-9273
1000 Ternes Drive
Monroe, MI 48162

**Model: 4276
4369
6007
6192**



**WARNING: Assembly by adult.
AVERTISSEMENT: L'assemblage doit être exécuté par un adulte.
ADVERTENCIA: El ensamble lo debe hacer un adulto.**



**Safety
Sûreté
Seguridad**

**FOR PRIVATE BACKYARD USE ONLY
DO NOT USE IN PUBLIC SETTINGS!**

**SOLAMENTE PARA USO EN EL PATIO TRASERO PRIVADO
¡NO DEBE USARSE EN LUGARES PUBLICOS!**

**PRODUIT NON-CONÇU POUR UNE UTILISATION COMMERCIALE
UTILISEZ UNIQUEMENT EN RÉSIDENCES PRIVÉES!**

IMPORTANT!!

PLEASE READ BEFORE BEGINNING ASSEMBLY!!

Please make sure all lumber, hardware and accessory parts are accounted for.
If you are missing anything, please **DO NOT RETURN** to the store where purchased.
Please call our Customer Service Department at the number below.

ASSEMBLY INSTRUCTIONS

Email us at: customerservice@yardline.net or call us at 1-800-844-9273



A Backyard Products Company

Safety Checklist for Play Sets and Accessories

Observing the following statements and warnings reduces the likelihood of serious or fatal injury

- This playset has been designed for use by a maximum of eleven (11) occupants at one time having a combined weight of 1,155 pounds.
- This playset is intended for use by children from (2) to (10) years of age.
- On-site adult supervision for children of all ages is recommended.
- Instruct children not to walk close to, in front of, behind, or between moving items.
- Instruct children not to twist swing chains or ropes or loop them over the top support bar since this may reduce the strength of the chain or rope.
- Instruct children to avoid swinging empty seats.
- Teach children to sit in the center of the swings with their full weight on the seats.
- Instruct children not to use the equipment in a manner other than intended.
- Instruct children not to get off equipment while it is in motion.
- Do not allow children to wear inappropriate items, such as but not limited to, loose fitting clothing, hood and neck drawstrings, scarves, cord-connected items, capes and ponchos. These items can cause death by strangulation.
- Instruct children not to climb when the equipment is wet. Slippery surfaces may cause a hazard.
- Verify that suspended climbing ropes, chain, or cable are secured at both ends.
- Verify that suspended climbing ropes, chain, or cable cannot be looped back on itself.
- Instruct children not to attach items to the playground equipment that are not specifically designed for use with the equipment, such as, but not limited to, jump ropes, clothesline, pet leashes, cables and chain as they may cause a strangulation hazard.
- Instruct children to remove their bike or other sports helmet before playing on the playground equipment.
- Dress children with well-fitting and full foot enclosing footwear. Examples of inappropriate footwear are clogs, flip flops, and sandals.
- Instruct children to not walk or run up slides.
- Instruct children to not pick up slides or ramps as this may cause damage or breakage.
- Place the equipment on level ground not less than six (6) feet from any obstructions. Be sure to look overhead for any obstructions above the playset.
- Do not use the equipment until fully erected per this playset instruction manual, bolts tightened and the playset is anchored to the ground.

IMPORTANT!

This product is intended for single family home/residential use only and not intended for use in any public setting. Placement in any public setting constitutes a misuse of this product.

PLAYSET MAINTENANCE

Cosmetic defects that do not affect the structural integrity of the product, or natural defects of wood such as warping, splitting, checking, twisting, shrinkage, swelling or any other physical properties of wood that do not present a safety hazard, are not covered by our warranty.

To help minimize these natural defects we recommend applying a sealer or stain every two or three years, or more often as the climate dictates. Power washing, sanding or other preparatory methods should be used prior to sealing or staining.

Periodic maintenance is required to ensure safe enjoyment of your playset and accessories. Read and follow the Playset Checklist below to reduce the likelihood of serious or fatal injury. Use the checklists as a guide for proper playset care and maintenance.

PLAYSET CHECKLIST

At the beginning of each play season:

- Tighten all hardware.
- Lubricate all metallic moving parts per manufacturer's instructions.
- Check all protective coverings on bolts, pipes, edges, and corners. Replace if they are loose, cracked, or missing.
- Check all moving parts including swing seats, ropes, cables, and chains for wear, rust, or other deterioration. Replace as needed.
- Check metal parts for rust. If found, sand and repaint using a nonleaded-based paint meeting the requirements of 16 CFR 1303.
- Check all wood members for deterioration and splinters. Sand down splinters and replace deteriorating wood members.
- Reinstall any plastic parts, such as swing seats or any other items that were removed for the cold season.
- Rake and check depth of loose fill protective surfacing materials to prevent compaction and to maintain appropriate depth. Replace as necessary.

Twice a month during play season:

- Tighten all hardware.
- Check all protective coverings on bolts, pipes, edges, and corners. Replace if they are loose, cracked, or missing.
- Rake and check depth of loose fill protective surfacing materials to prevent compaction and to maintain appropriate depth. Replace as necessary.

Once a month during play season:

- Lubricate all metallic moving parts per manufacturer's instructions.
- Check all moving parts including swing seats, ropes, cables, and chains for wear, rust, or other deterioration. Replace as needed.

At the end of each play season or when the temperature drops below 10°F:

- Remove plastic swing seats, tents, sandbox cover, tire swing, slide and other items as specified by the manufacturer and take indoors or do not use.
- Rake and check depth of loose fill protective surfacing materials to prevent compaction and to maintain appropriate depth. Replace as necessary.
- Owner shall be responsible for maintaining the legibility of warning labels.

When you are ready to dispose of your playset, make sure that all metal, plastic and wood components are disposed of in accordance with local waste ordinances.

Buyer and/or owner should disassemble and dispose of the playground equipment in such a way that no unreasonable hazards will exist at the time the swing set is discarded. Do not burn your playset's preserved wood.

For further information on playground safety, the Consumer Product Safety Commission (CPSC) publishes the Outdoor Home Playground Safety Handbook which can be downloaded for free from www.cpsc.gov. An additional resource is the American Society of Testing and Materials (ASTM) Standard Consumer Safety Performance Specification for Home Playground Equipment (ASTM F1148) which can be purchased and downloaded from www.astm.org.

PLAYGROUND SURFACING MATERIALS

SECTION 4 OF THE CONSUMER PRODUCT SAFETY COMMISSION'S OUTDOOR HOME PLAYGROUND SAFETY HANDBOOK⁹

Select Protective Surfacing

One of the most important things you can do to reduce the likelihood of serious head injuries is to install shock-absorbing protective surfacing under and around your play equipment. The protective surfacing should be applied to a depth that is suitable for the equipment height in accordance with ASTM Specification F 1292. There are different types of surfacing to choose from; whichever product you select, follow these guidelines:

NOTE: Do not install home playground equipment over concrete, asphalt, or any other hard surface. A fall onto a hard surface can result in serious injury to the equipment user. Grass and dirt are not considered protective surfacing because wear and environmental factors can reduce their shock absorbing effectiveness. Carpeting and thin mats are generally not adequate protective surfacing. Ground level equipment - such as a sandbox, activity wall, playhouse or other equipment that has no elevated play surface - does not need any protective surfacing.

Maximum fall height for this playset is 83".

Loose-Fill Materials:

- Maintain a minimum depth of 9 inches of loose-fill materials such as wood mulch/chips, engineered wood fiber (EWF), or shredded/recycled rubber mulch for equipment up to 8 feet high; and 9 inches of sand or pea gravel for equipment up to 5 feet high. NOTE: An initial fill level of 12 inches will compress to about a 9-inch depth of surfacing over time. The surfacing will also compact, displace, and settle, and should be periodically refilled to maintain at least a 9-inch depth.
- Use a minimum of 6 inches of protective surfacing for play equipment less than 4 feet in height. If maintained properly, this should be adequate. (At depths less than 6 inches, the protective material is too easily displaced or compacted.)
- Use containment, such as digging out around the perimeter and/or lining the perimeter with landscape edging. Don't forget to account for water drainage.
- Check and maintain the depth of the loose-fill surfacing material. To maintain the right amount of loose-fill materials, mark the correct level on play equipment support posts. That way you can easily see when to replenish and/or redistribute the surfacing.
- Do not** install loose fill surfacing over hard surfaces such as concrete or asphalt.

Poured-In-Place Surfaces or Pre-Manufactured Rubber Tiles:

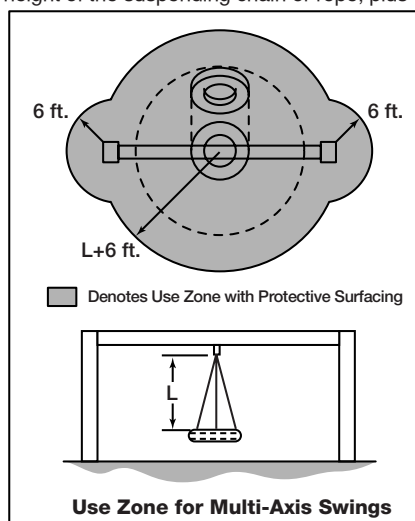
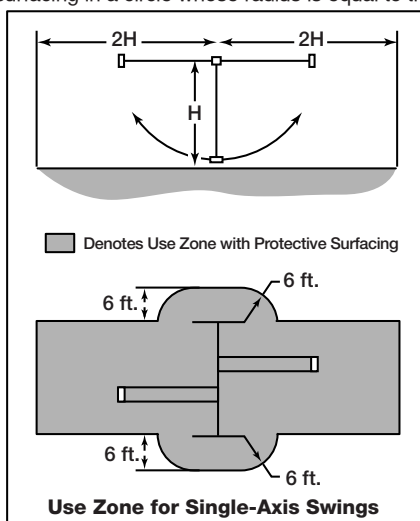
You may be interested in using surfacing other than loose-fill materials - like rubber tiles or poured-in-place surfaces.

- Installations of these surfaces generally require a professional and are not "do-it-yourself" projects.
- Review surface specifications before purchasing this type of surfacing. Ask the installer/manufacturer for a report showing that the product has been tested to the following safety standard: ASTM F 1292 Standard Specification for Impact Attenuation of Surfacing Materials within the Use Zone of Playground Equipment. This report should show the specific height for which the surface is intended to protect against serious head injury. This height should be equal to or greater than the fall height - vertical distance between a designated play surface (elevated surface for standing, sitting, or climbing) and the protective surfacing below - of your play equipment.
- Check the protective surfacing frequently for wear.

Placement

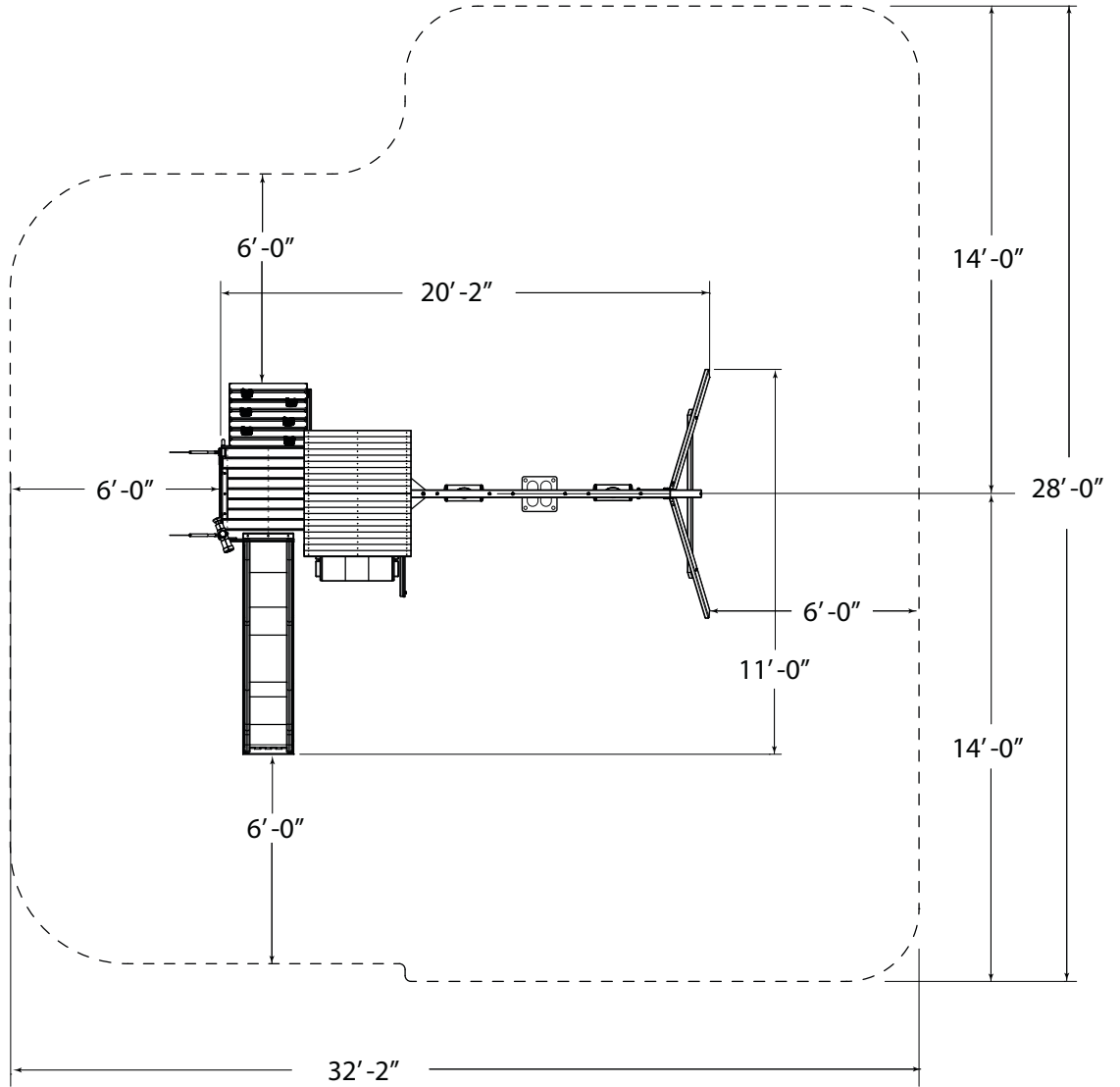
Proper placement and maintenance of protective surfacing is essential. Be sure to

- Extend surfacing at least 6 feet from the equipment in all directions.
- For to-fro swings, extend protective surfacing in front of and behind the swing to a distance equal to twice the height of the top bar from which the swing is suspended.
- For tire swings, extend surfacing in a circle whose radius is equal to the height of the suspending chain or rope, plus 6 feet in all directions.



⁹ This information has been extracted from the CPSC publications "Playground Surfacing-Technical Information Guide" and "Handbook for Public Playground Safety". Copies of these reports can be obtained by sending a postcard to the: Office of Public Affairs, U.S. Consumer Product Safety Commission, Washington, D.C., 20207 or call the toll-free hotline: 1-800-638-2772

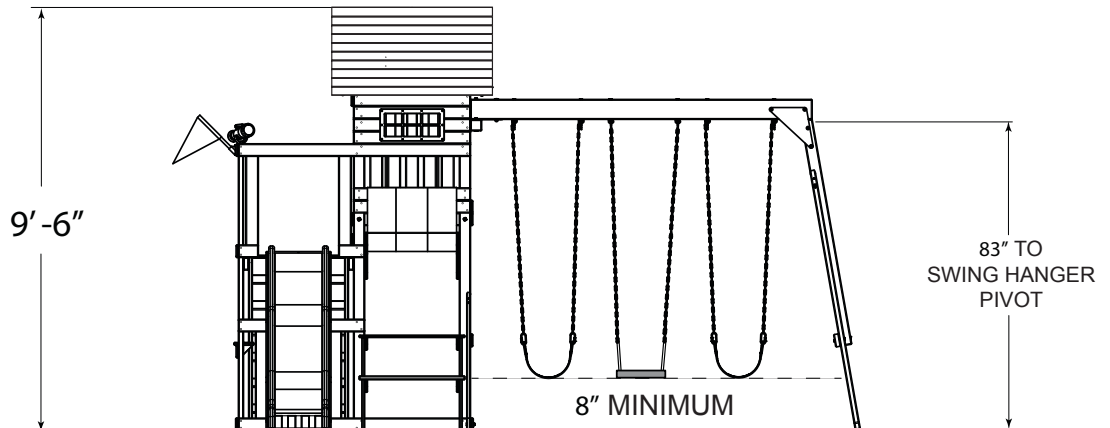
DIMENSIONS



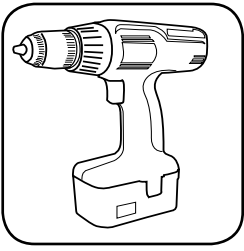
MINIMUM USE ZONE FOR PLAY EQUIPMENT SHALL EXTEND NO LESS THAN 72" FROM ALL SIDES OF THE PLAY STRUCTURE.

SWING USE ZONE EXTENDS NO LESS THAN 168".

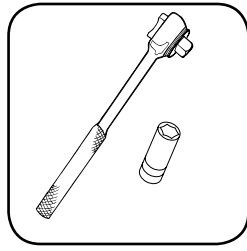
SWINGS MUST HAVE A MINIMUM CLEARANCE OF 8" ABOVE THE PROTECTIVE SURFACING.



TOOLS REQUIRED



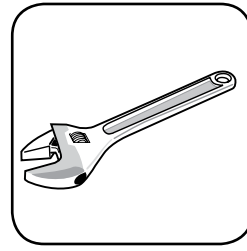
DRILL



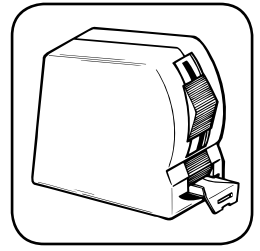
1/2" & 7/16" SOCKETS & WRENCH



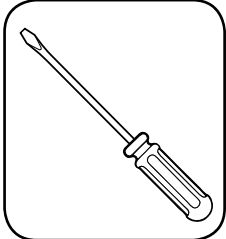
HAMMER



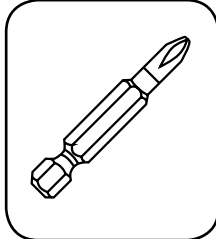
ADJUSTABLE WRENCH



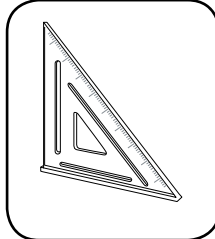
TAPE MEASURE



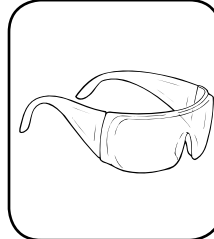
SCREWDRIVER



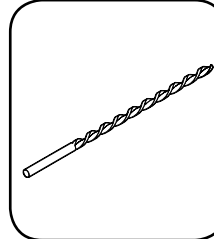
PHILLIPS BIT



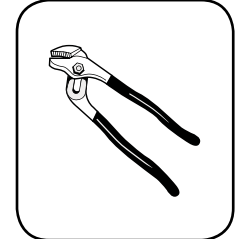
CARPENTER SQUARE



SAFETY GLASSES

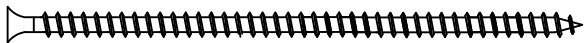


1/8" DRILL BIT

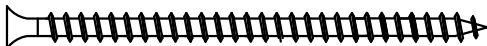


PLIERS

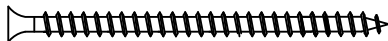
INCLUDED HARDWARE



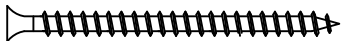
3" Deck Screw (x9)



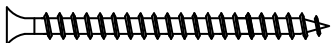
2-1/2" Deck Screw (x170)



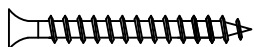
2" Deck Screw (x105)



1-3/4" Deck Screw (x155)



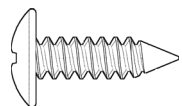
1-5/8" Deck Screw (x12)



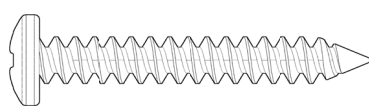
1-1/4" Deck Screw (x16)



3/4" Flat Head Screw (x18)



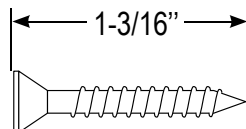
#12 x 3/4" Pan Screw (x6)



1/4" x 1-3/4" Pan Screw (x2)



#14 x 1-3/4" Truss Screw (x6)



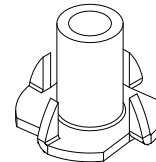
30mm Deck Screw (x320)



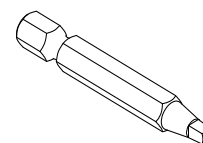
5/16" Loc Nut (x10)



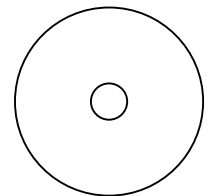
5/16" Wood Loc Washer (x3)



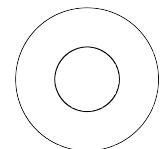
5/16-18 T-Nut (x18) Small



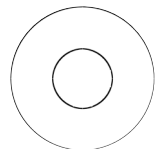
Square Bit (x1)



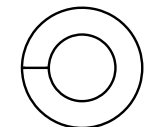
3/16" Tarp Washer (x6)



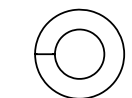
5/16" Washer (x39)



1/4" Washer (x18)



5/16" Loc Washer (x18)

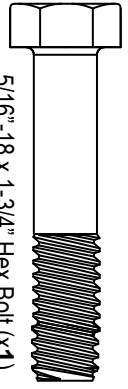


1/4" Loc Washer (x16)

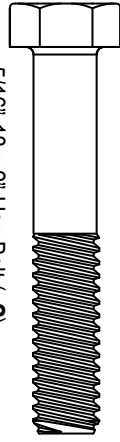
HARDWARE



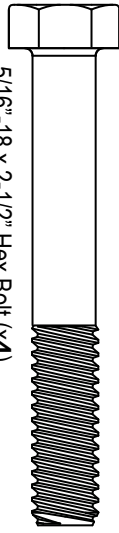
1/4" -20 x 1-1/4" Hex Bolt (x12)



5/16" -18 x 1-3/4" Hex Bolt (x1)



5/16" -18 x 2" Hex Bolt (x2)



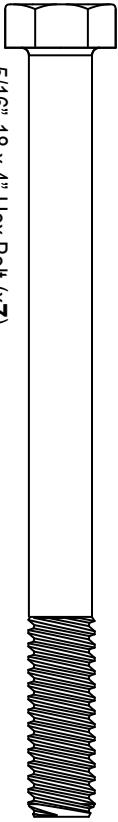
5/16" -18 x 2-1/2" Hex Bolt (x4)



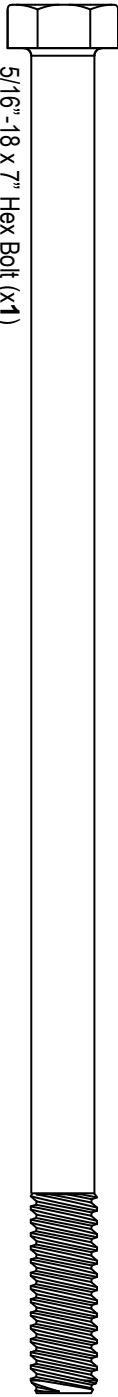
5/16" -18 x 3-1/4" Hex Bolt (x2)



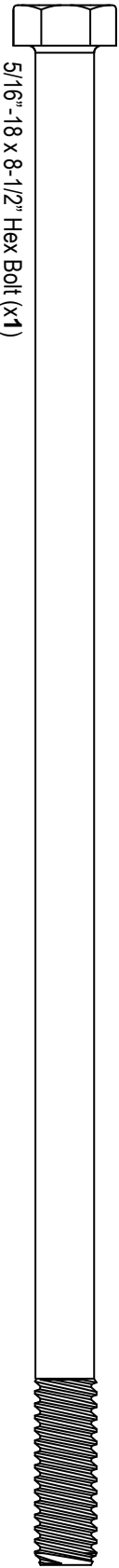
5/16" -18 x 3-1/2" Hex Bolt (x4)



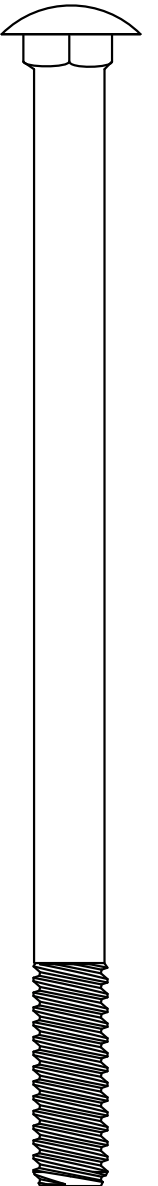
5/16" -18 x 4" Hex Bolt (x7)



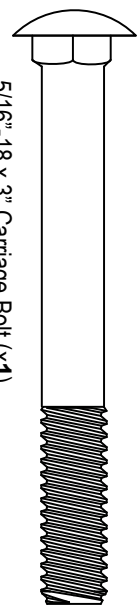
5/16" -18 x 7" Hex Bolt (x1)



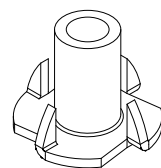
5/16" -18 x 8-1/2" Hex Bolt (x1)



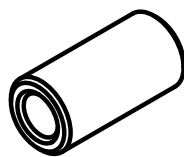
5/16" -18 x 6" Carriage Bolt (x3)



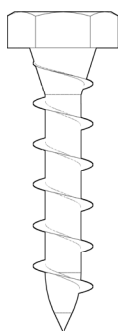
5/16" -18 x 3" Carriage Bolt (x1)



1/4 -18 T-Nut (x12)
Small



Steering Wheel Spacer (x1)



5/16" x 1-1/2" Lag Screw (x4)

SA6066 BOX 1 of 2

BOARD LIST



(2) [PF 6325] 3" x 3" x 94-1/4"



(2) [PF 6324] 3" x 3" x 94-1/4"



(1) [PF 6323] 3" x 3" x 31-1/2" TOWER BEAM SUPPORT



(1) [PF 6298] 2-11/16" x 3" x 62" SWING BEAM SUPPORT



(1) [PF 6299] 2-5/8" x 5-3/8" x 93" SWING BEAM



(2) [PF 6315] 1" x 3-3/8" x 53"



(1) [PF 6314] 1" x 3-3/8" x 31-1/2"



(2) [PF 6300] 3/4" x 3-3/8" x 15-3/4"



(2) [PF 6317] 5/8" x 1-3/8" x 12"



(1) [PF 6302] 3/4" x 3-3/8" x 9-3/4"



(1) [PF 6311] 3/4" x 5-3/8" x 21-1/2"



(2) [PF 6319] 5/8" x 2" x 28"



(1) [PF 6309] 5/8" x 3-3/8" x 35"



(1) [PF 6331] 5/8" x 3-3/8" x 31-1/2"



(1) [PF 6338] 3/4" x 3-3/8" x 31-1/2"



(1) [PF 6346] 5/8" x 3-3/8" x 31-1/2"



(2) [PF 6303] 5/8" x 3-3/8" x 30"



(1) [PF 6310] 5/8" x 3-3/8" x 8-5/16"



(1) [PF 6322] 1" x 5-3/8" x 28-1/2"



(1) [PF 6339] 5/8" x 5-3/8" x 31-1/2"












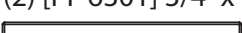
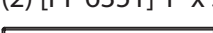

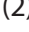
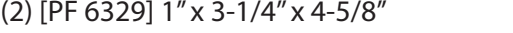
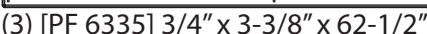
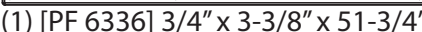





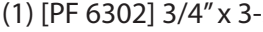


(1) [PF 6340] 5/8" x 5-3/8" x 26-7/8"



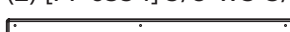
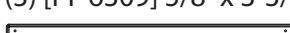
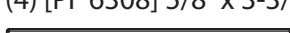
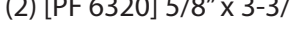




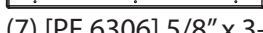
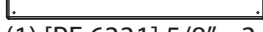





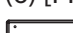


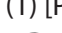
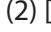
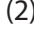


(6) [PF 6341] 5/8" x 5-3/8" x 26-7/8"

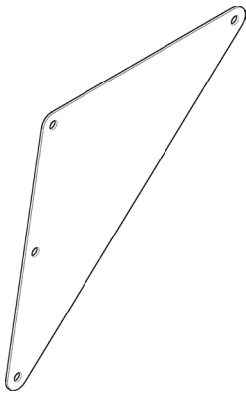
SA6065 BOX 2 of 2

BOARD LIST

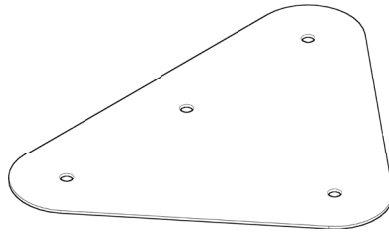
- 
(2) [PF 6297] 1-3/8" x 3-3/8" x 83" A-FRAME
- 
(1) [PF 6296] 1-3/8" x 3-3/8" x 58" A-FRAME SUPPORT
- 
(2) [PF 6352] 1-3/8" x 3-3/8" x 31-1/2"
- 
(2) [PF 6295] 1-3/8" x 3-3/8" x 17-1/4" SLIDE STAKE
- 
(2) [PF 6334] 1-3/8" x 3-3/8" x 8"
- 
(2) [PF 6313] 1-3/8" x 3" x 77-1/4"
- 
(1) [PF 6326] 1" x 3-3/8" x 42"
- 
(1) [PF 6314] 1" x 3-3/8" x 31-1/2"
- 
(2) [PF 6301] 3/4" x 3-3/8" x 26-7/8"
- 
(2) [PF 6351] 1" x 3-3/8" x 29-1/8"
- 
(2) [PF 6350] 1" x 3-3/8" x 26"
- 
(2) [PF 6305] 5/8" x 3-3/8" x 25-3/8"
- 
(2) [PF 6329] 1" x 3-1/4" x 4-5/8"
- 
(3) [PF 6335] 3/4" x 3-3/8" x 62-1/2"
- 
(1) [PF 6336] 3/4" x 3-3/8" x 51-3/4"
- 
(1) [PF 6337] 3/4" x 3-3/8" x 51-1/4"
- 
(1) [PF 6338] 3/4" x 3-3/8" x 31-1/2"
- 
(1) [PF 6316] 3/4" x 3-3/8" x 24"
- 
(2) [PF 6333] 3/4" x 3-3/8" x 15-1/2"
- 
(2) [PF 6332] 3/4" x 3-3/8" x 13"
- 
(1) [PF 6302] 3/4" x 3-3/8" x 9-3/4"
- 
(2) [PF 6312] 1-3/8" x 1-3/8" x 31-1/2"
- 
(2) [PF 6355] 1-3/8" x 1-3/8" x 27-3/4"
- 
(4) [PF 6318] 5/8" x 1-3/8" x 8"

- 
(20) [PF 6330] 1/2" x 3-5/16" x 36-3/4" SHINGLE
- 
(2) [PF 6354] 5/8" x 3-3/8" x 37-3/8"
- 
(3) [PF 6309] 5/8" x 3-3/8" x 35"
- 
(4) [PF 6308] 5/8" x 3-3/8" x 35"
- 
(2) [PF 6320] 5/8" x 3-3/8" x 34-3/4"
- 
(1) [PF 6345] 5/8" x 3-3/8" x 34"
- 
(8) [PF 6347] 5/8" x 3-3/8" x 31-1/2"
- 
(1) [PF 6346] 5/8" x 3-3/8" x 31-1/2"
- 
(2) [PF 6307] 5/8" x 3-3/8" x 31-1/2"
- 
(7) [PF 6306] 5/8" x 3-3/8" x 31-3/8"
- 
(1) [PF 6331] 5/8" x 3-3/8" x 31-1/2"
- 
(7) [PF 6348] 5/8" x 3-3/8" x 30-7/8"
- 
(6) [PF 6303] 5/8" x 3-3/8" x 30"
- 
(2) [PF 6349] 5/8" x 3-3/8" x 29-1/2"
- 
(2) [PF 6328] 5/8" x 3-3/8" x 28-1/2"
- 
(6) [PF 6327] 5/8" x 3-3/8" x 23"
- 
(5) [PF 6304] 5/8" x 3-3/8" x 17"
- 
(1) [PF 6310] 5/8" x 3-3/8" x 8-5/16"
- 
(1) [PF 6342] 5/8" x 3-3/8" x 7"
- 
(2) [PF 6321] 5/8" x 3-3/8" x 6-3/4" SUNBURST
- 
(2) [PF 6343] 5/8" x 3-3/8" x 6-3/8"
- 
(1) [PF 6344] 5/8" x 3-3/8" x 5-3/8"
- 
(1) [PF 6353] 5/8" x 3-3/8" x 3"

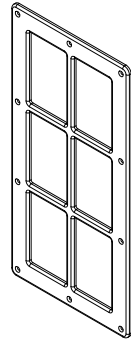
COMPONENTS



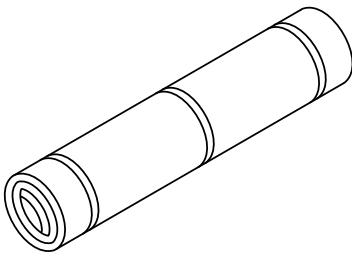
Swing Beam Bracket (x2)



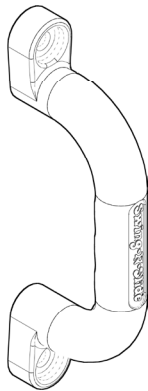
Beam Brace (x1)



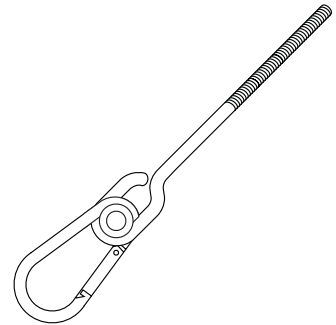
Window Pane (x1)



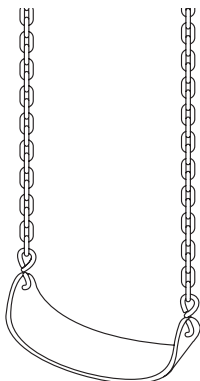
Tarp (x1)



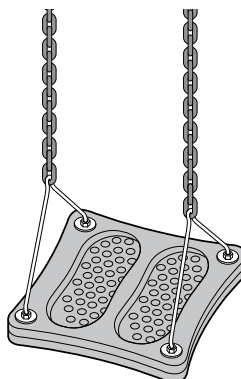
Play Handle (x2)



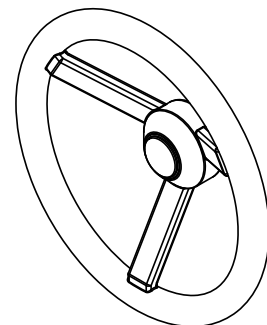
3/8" x 5-1/2" 2631
Bag of (x6) Swing Hangers



Swing Seat (x2)

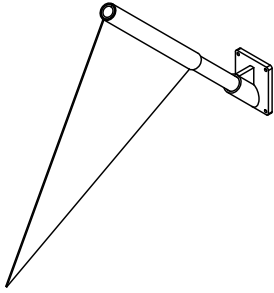


Standing Swing (x1)

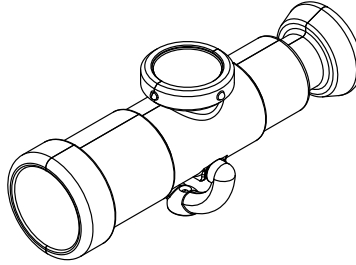


Steering Wheel (x1)

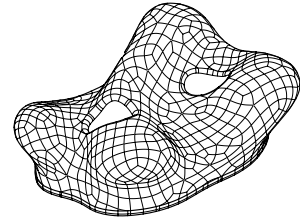
COMPONENTS



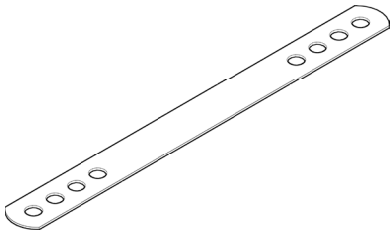
Flag Assembly (x2)



Telescope (x1)



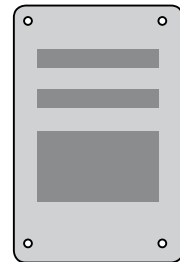
Climbing Rock (x6)



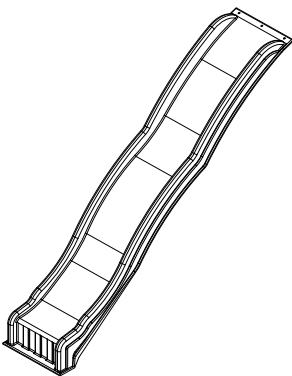
Anchor It Strap (x4)



Anchor It (x4)



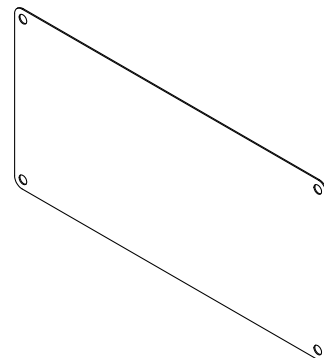
Warning Plate (x1)



Coolwave Slide (x1)

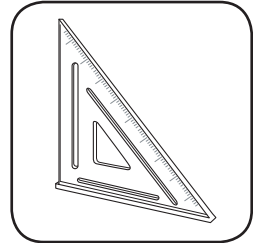


Plan (x1)

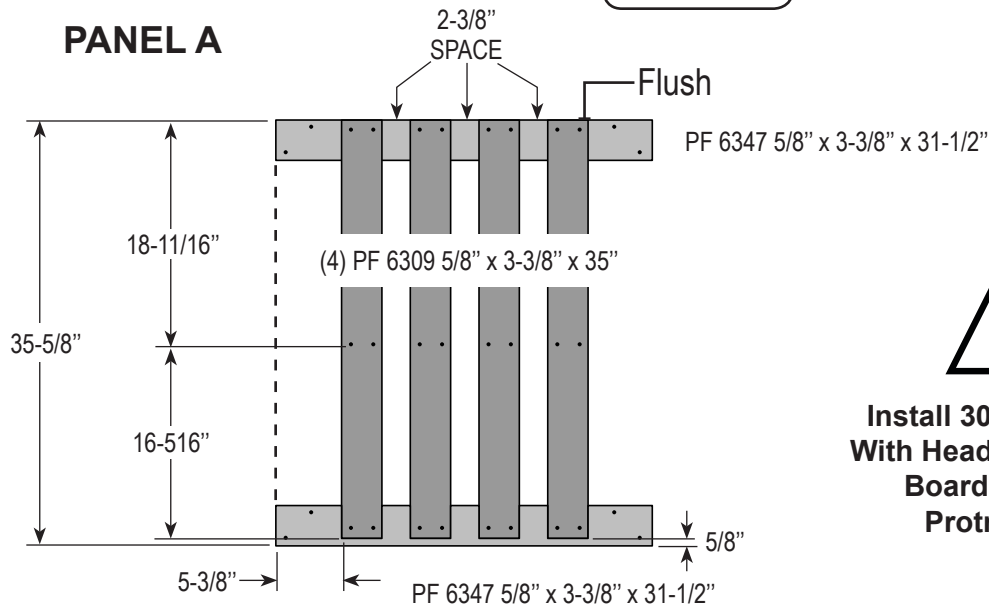


ID Tag (x1)

STEP 1

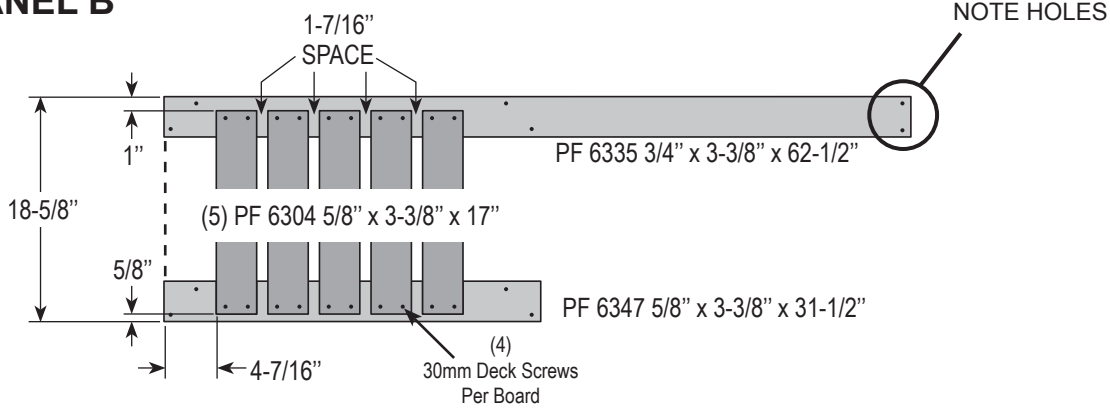


Check to make sure structure is square

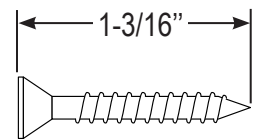
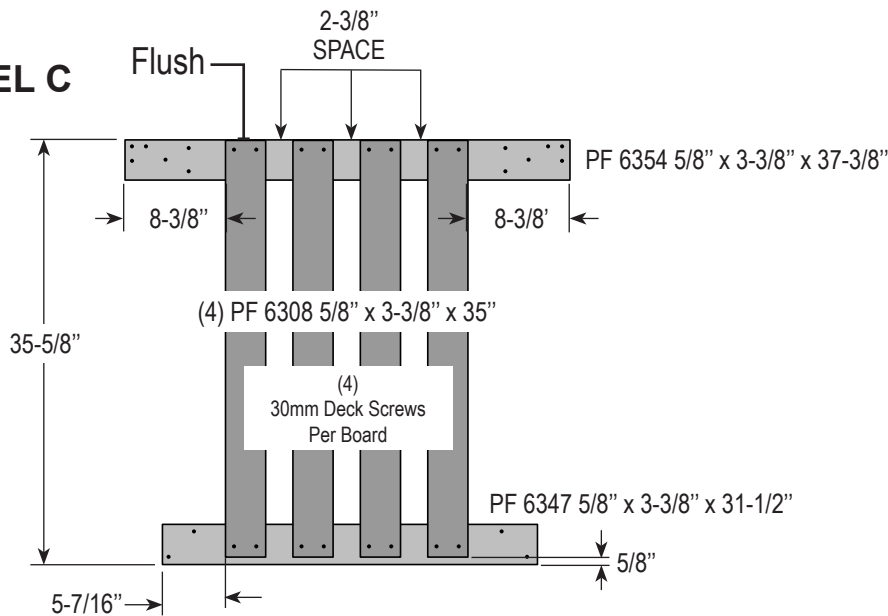


**Install 30mm Screws
With Heads Flushed To
Board To Avoid
Protrusions.**

PANEL B



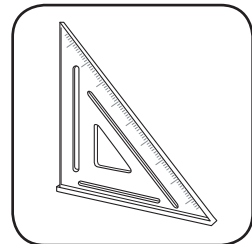
PANEL C



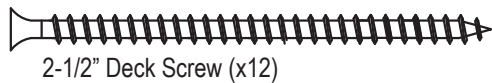
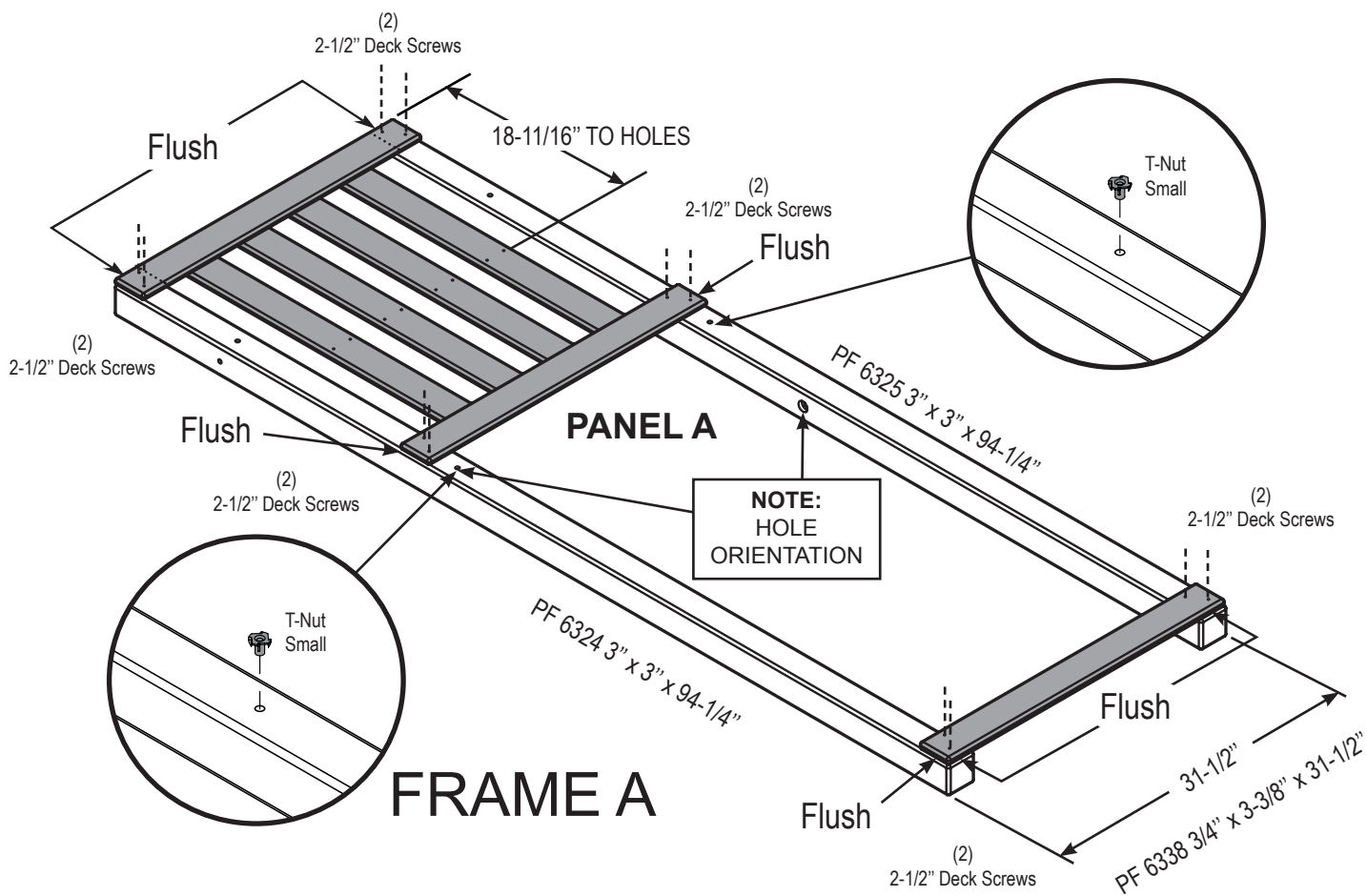
30mm Deck Screw (x42)

1. Assemble Panel A, Panel B and Panel C as shown.
2. Mark panels A, B and C.

STEP 2



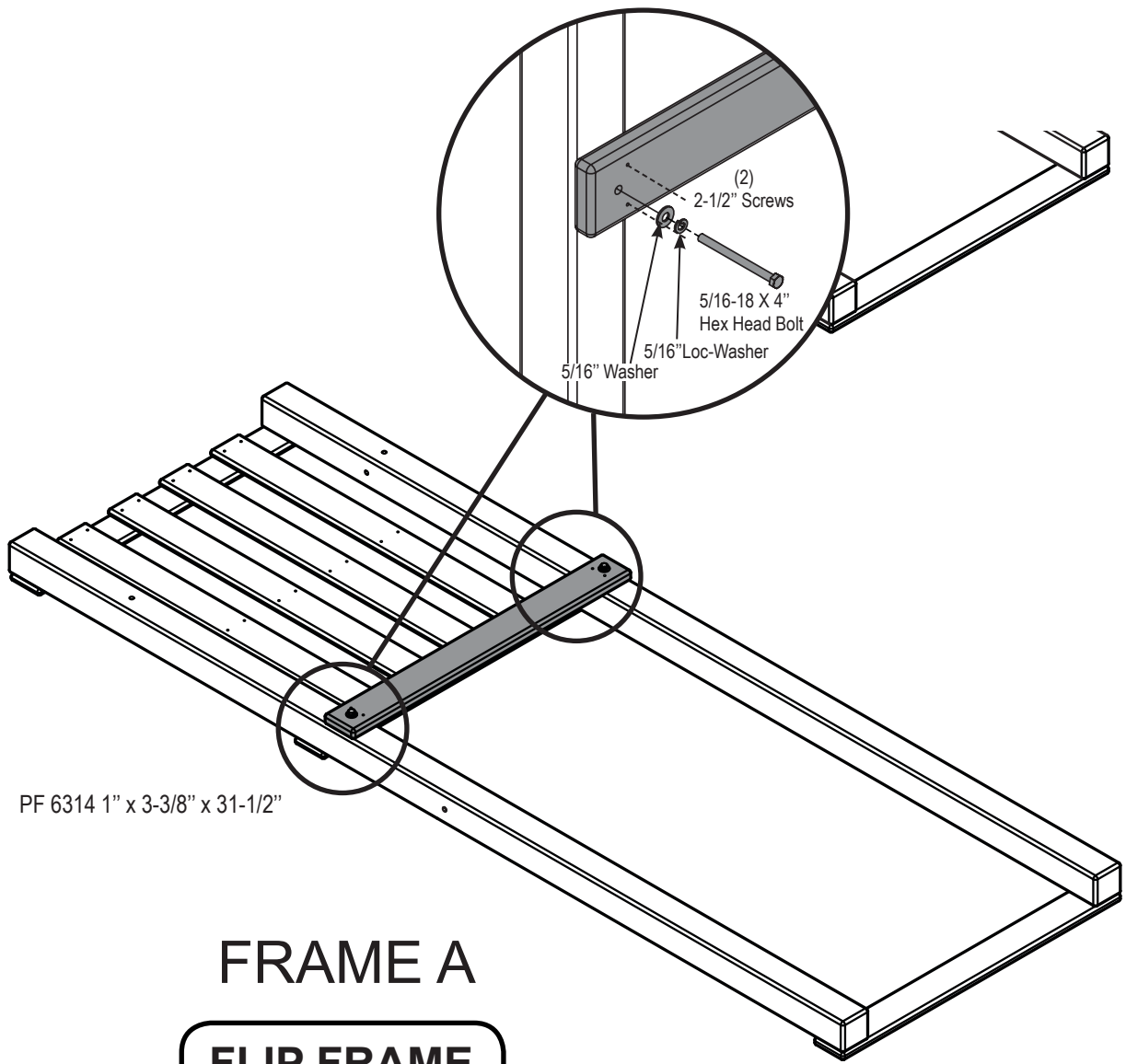
Check to make sure structure is square



1. Assemble Frame A as shown.

Note: Tap each T-Nut into its pre-drilled hole until the metal tangs sink fully into the wood.

STEP 3



PF 6314 1" x 3-3/8" x 31-1/2"

FRAME A

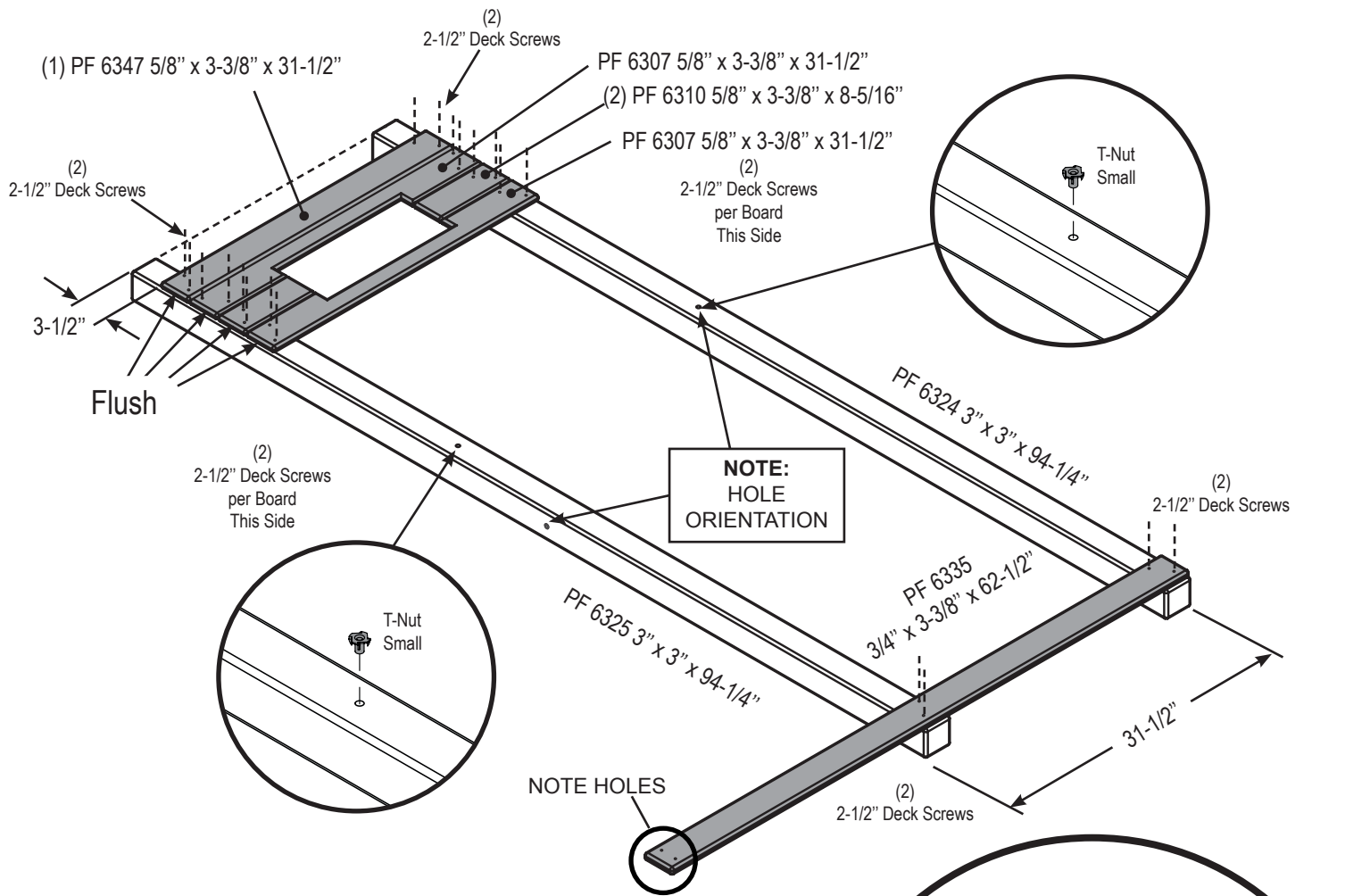
**FLIP FRAME
OVER**



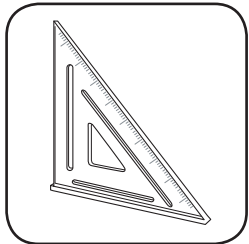
2-1/2" Deck Screw (x4)

1. Flip frame over and Attach Frame Support Board as shown.

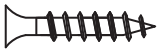
STEP 4



FRAME B



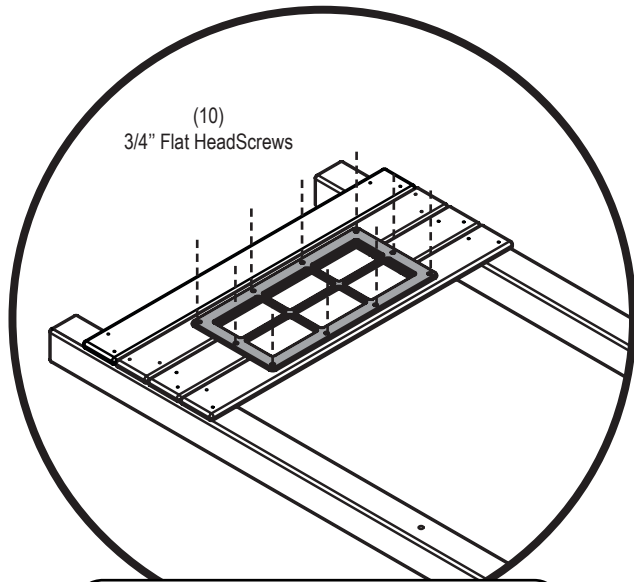
Check to make sure structure is square



3/4" Flat Head Screw (x10)



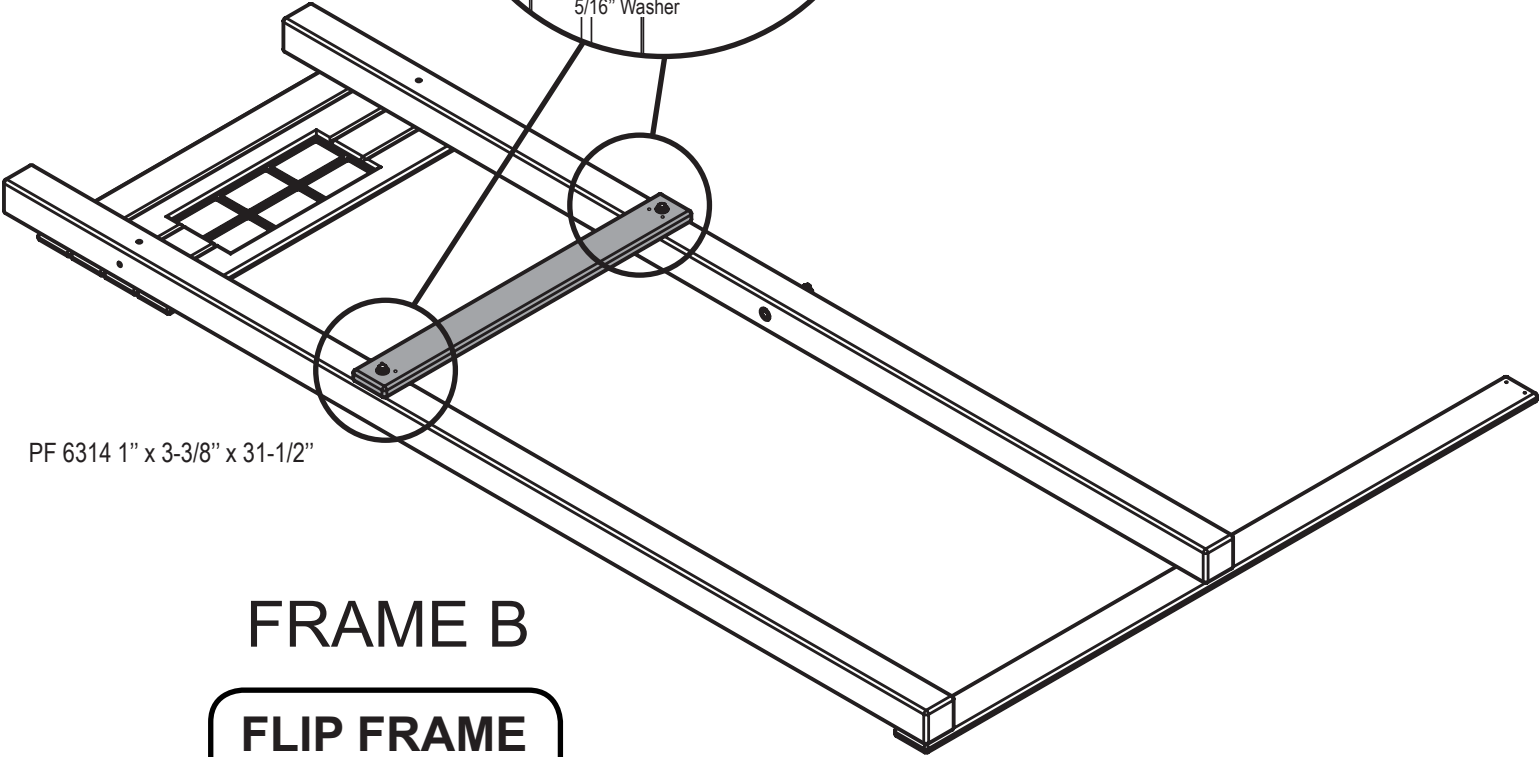
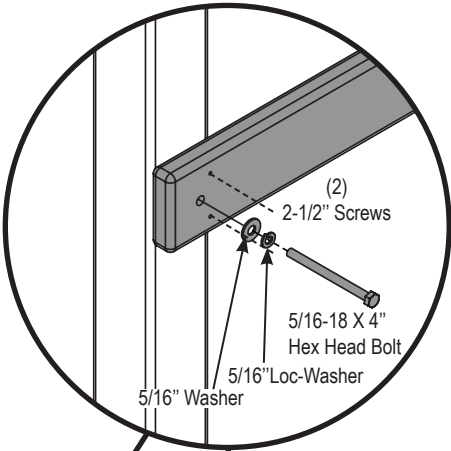
2-1/2" Deck Screw (x20)



WINDOW PANE INSTALL

1. Assemble Frame B as shown.
Note: Tap each T-Nut into its pre-drilled hole until the metal tangs sink fully into the wood.
2. Install Window Pane as shown.

STEP 5



PF 6314 1" x 3-3/8" x 31-1/2"

FRAME B

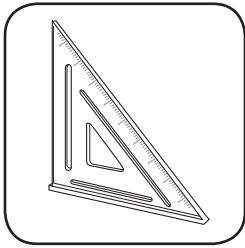
**FLIP FRAME
OVER**



2-1/2" Deck Screw (x4)

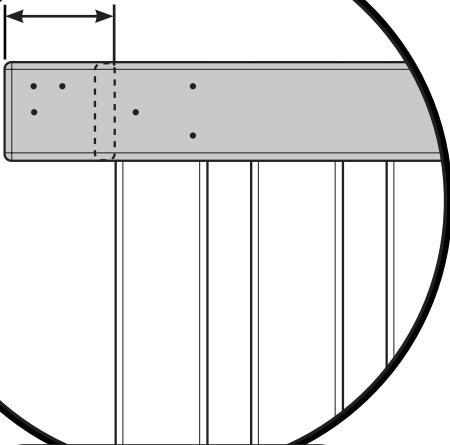
- 1. Flip frame over and Attach Frame Support Board as shown above.

STEP 6



Check to make sure structure is square

3" From outside of post To end of horizontal support.



Side View of Tower

3" From Outside of Post
Flush
(3) 2-1/2" Screws

PANEL C

Flush
(3) 2-1/2" Screws
(2) 2-1/2" Screws

PF 6354 5/8" x 3-3/8" x 37-3/8"

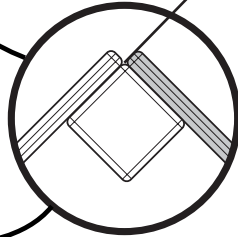
(2) 2-1/2" Screws

Flush

PF 6339 3/4" x 5-3/8" x 31-1/2"

PANEL A
Flush to outside edge of 3"x 3"

Flush



PF 6337
Flush to outside edge of 3"x 3"

94-1/4"

20-1/4"

(2) 2-1/2" Screws

FRAME A

(2) 2-1/2" Screws

PF 6336 3/4" x 3-3/8" x 51-3/4"

PF 6337 3/4" x 3-3/8" x 51-1/4"

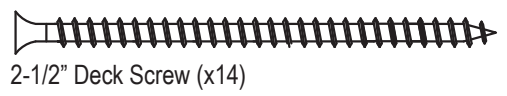
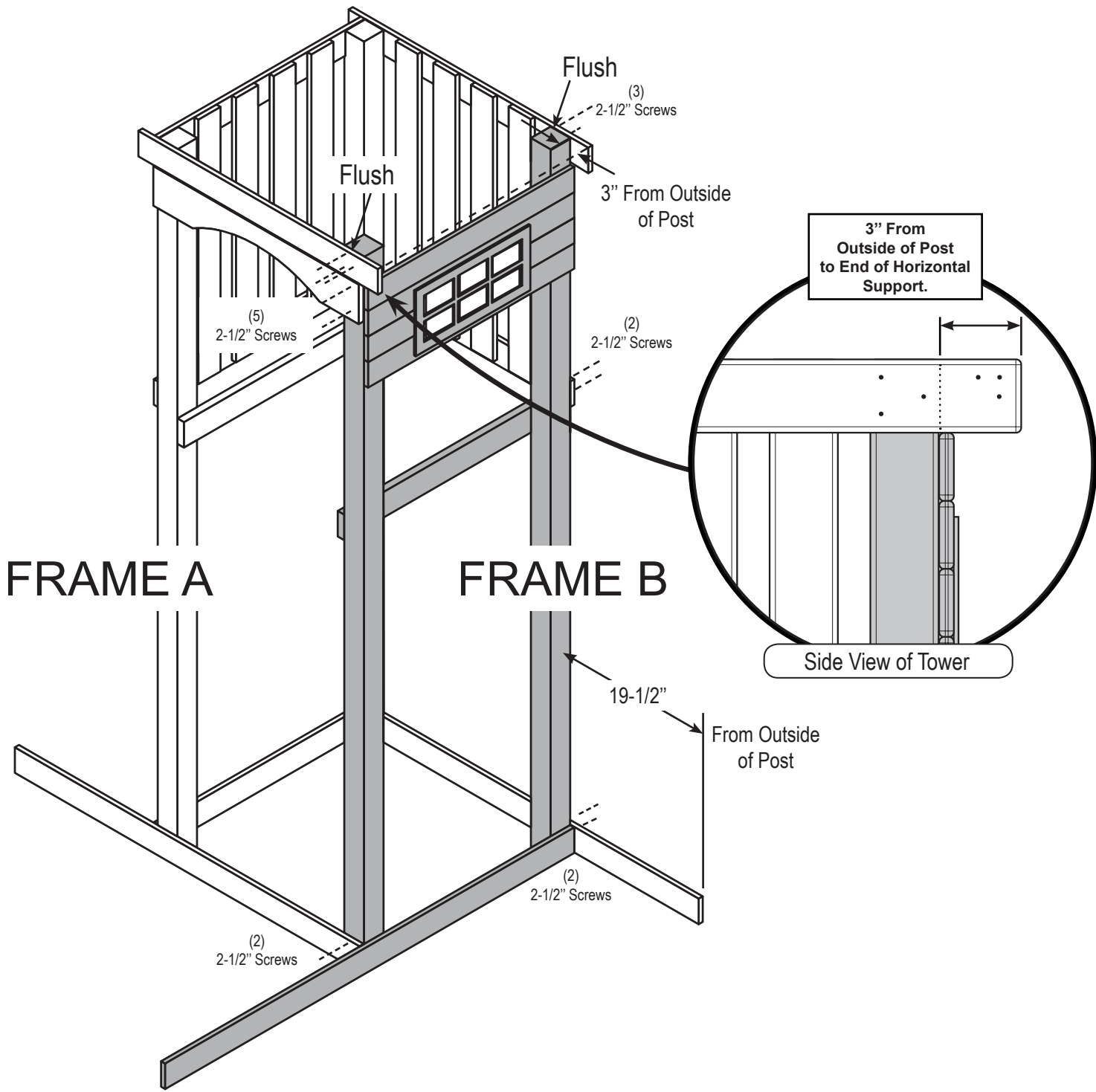
NOTE HOLE LOCATION



2-1/2" Deck Screw (x14)

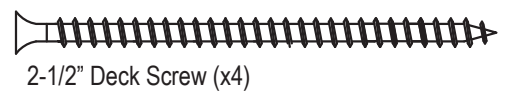
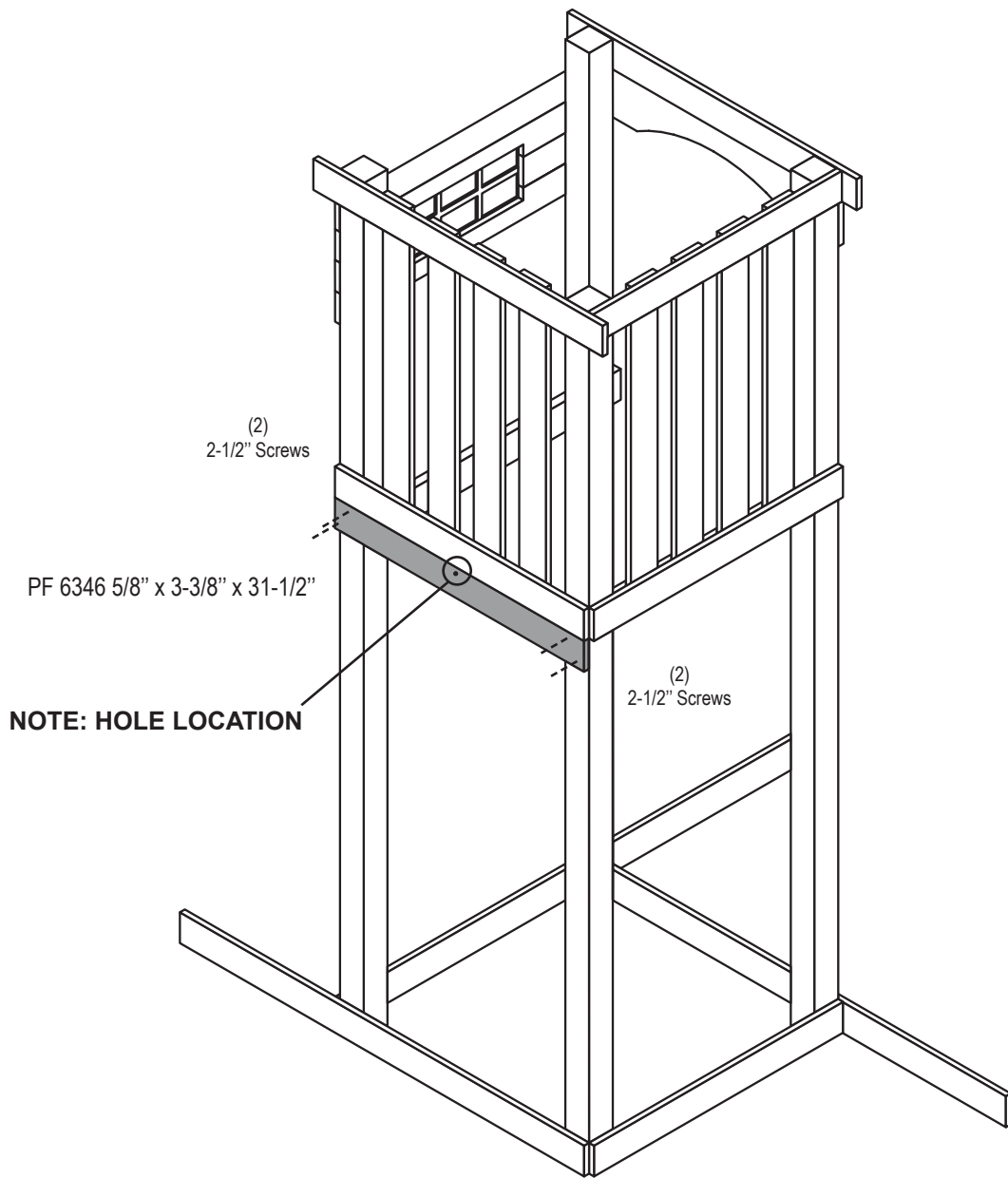
1. Attach frame Support Boards and Panel A to Frame A as shown above.

STEP 7



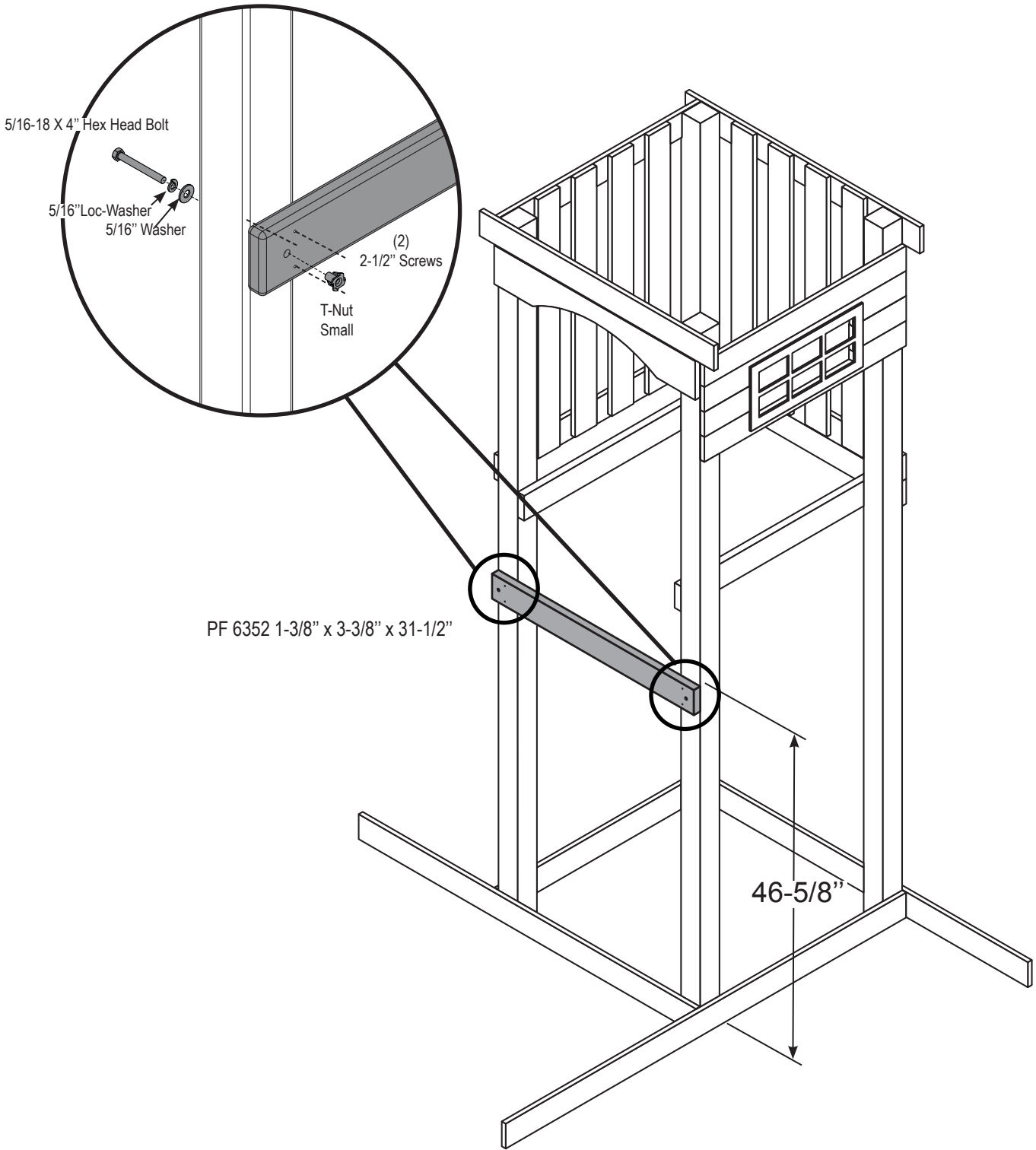
1. Attach Frame B to Frame A as shown.

STEP 8



1. Attach Tower Support Board as shown.

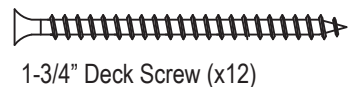
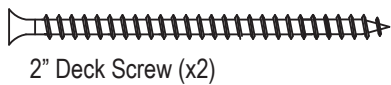
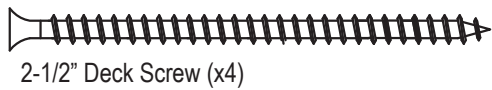
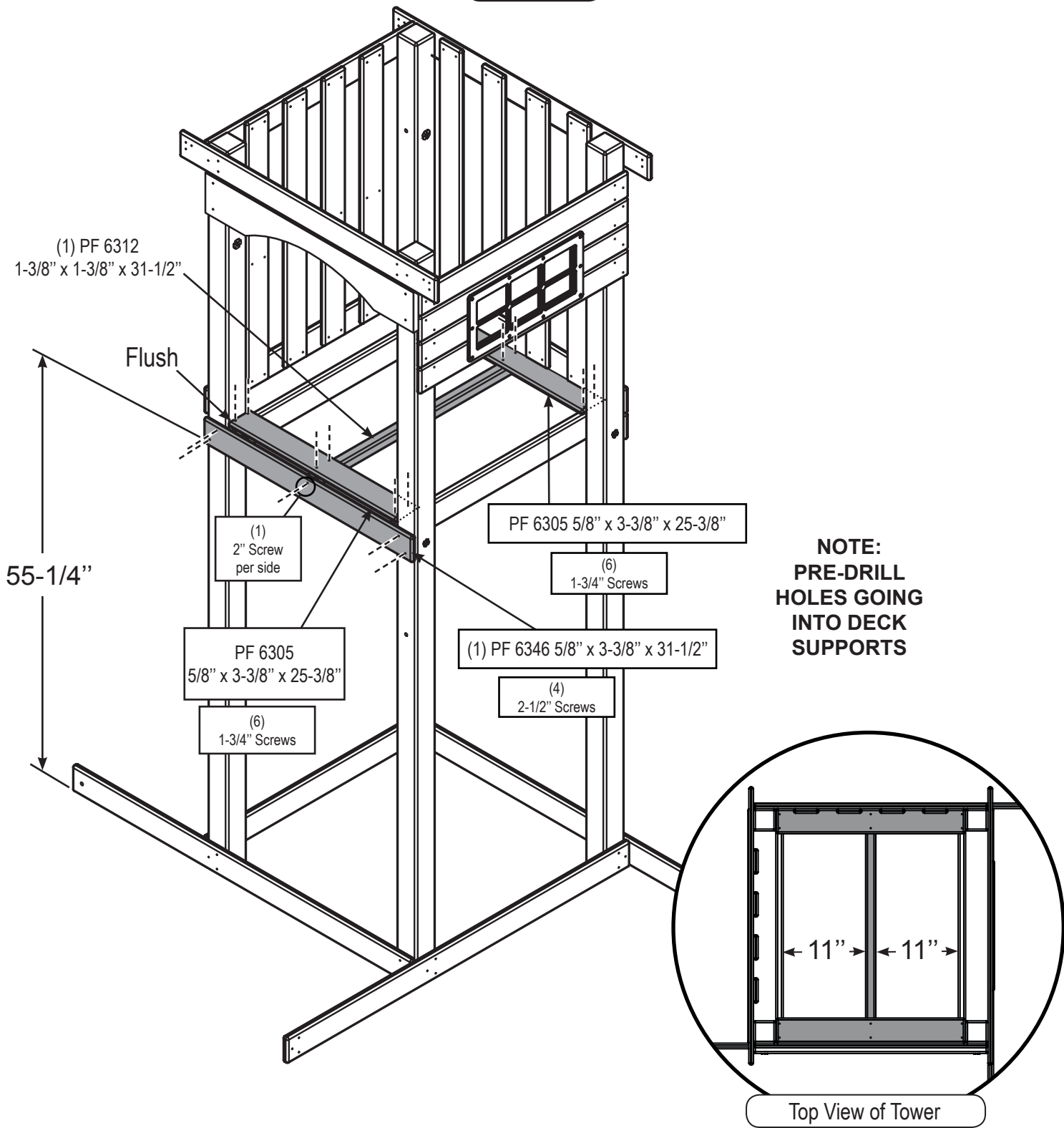
STEP 9



2-1/2" Deck Screw (x4)

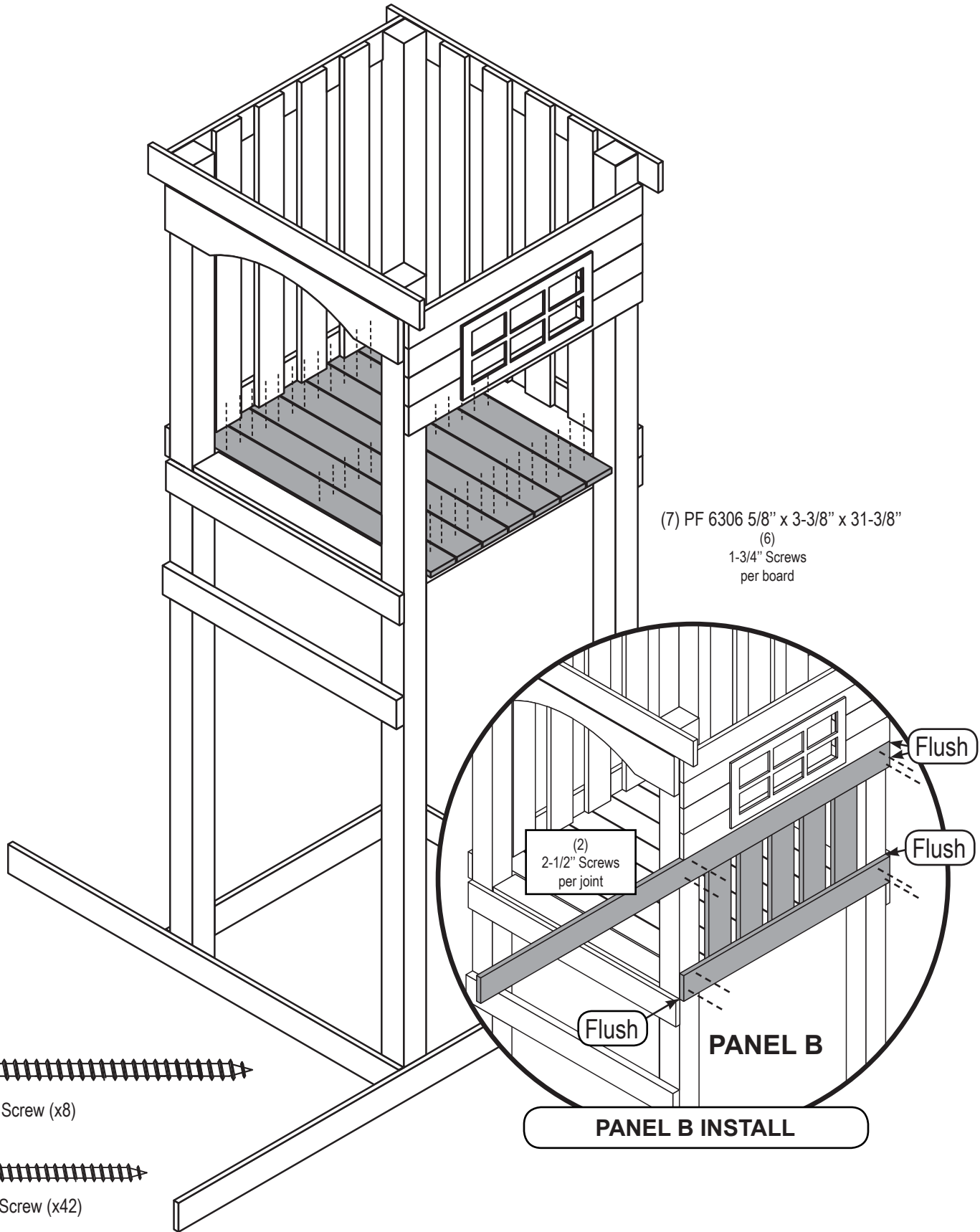
1. Attach Frame Support Board as shown.

STEP 10



1. Attach Deck Boards and Deck Support Boards as shown.

STEP 11



(7) PF 6306 5/8" x 3-3/8" x 31-3/8"
(6)
1-3/4" Screws
per board

(2)
2-1/2" Screws
per joint

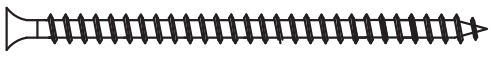
Flush

Flush

Flush

PANEL B

PANEL B INSTALL



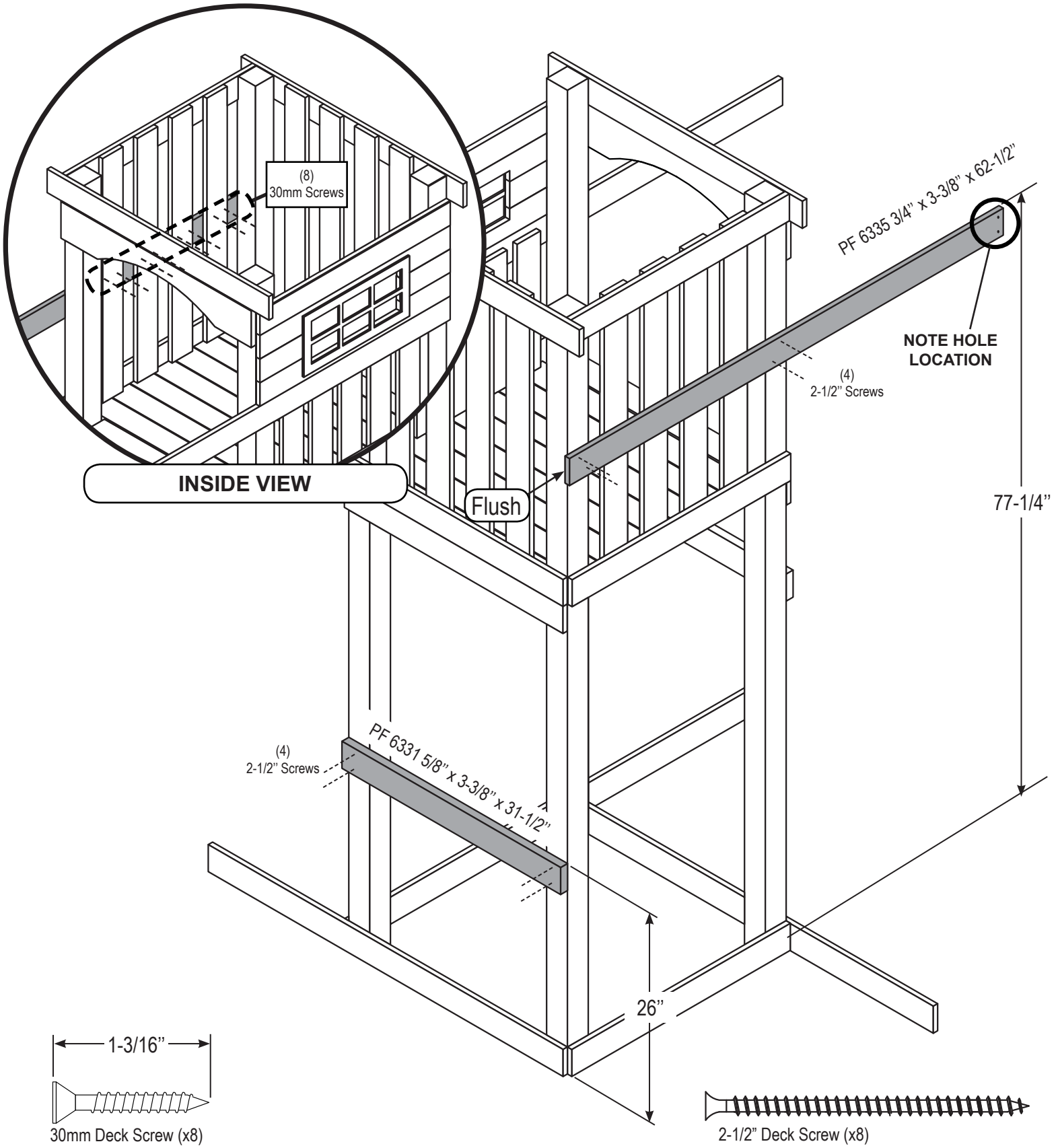
2-1/2" Deck Screw (x8)



1-3/4" Deck Screw (x42)

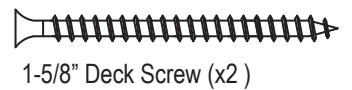
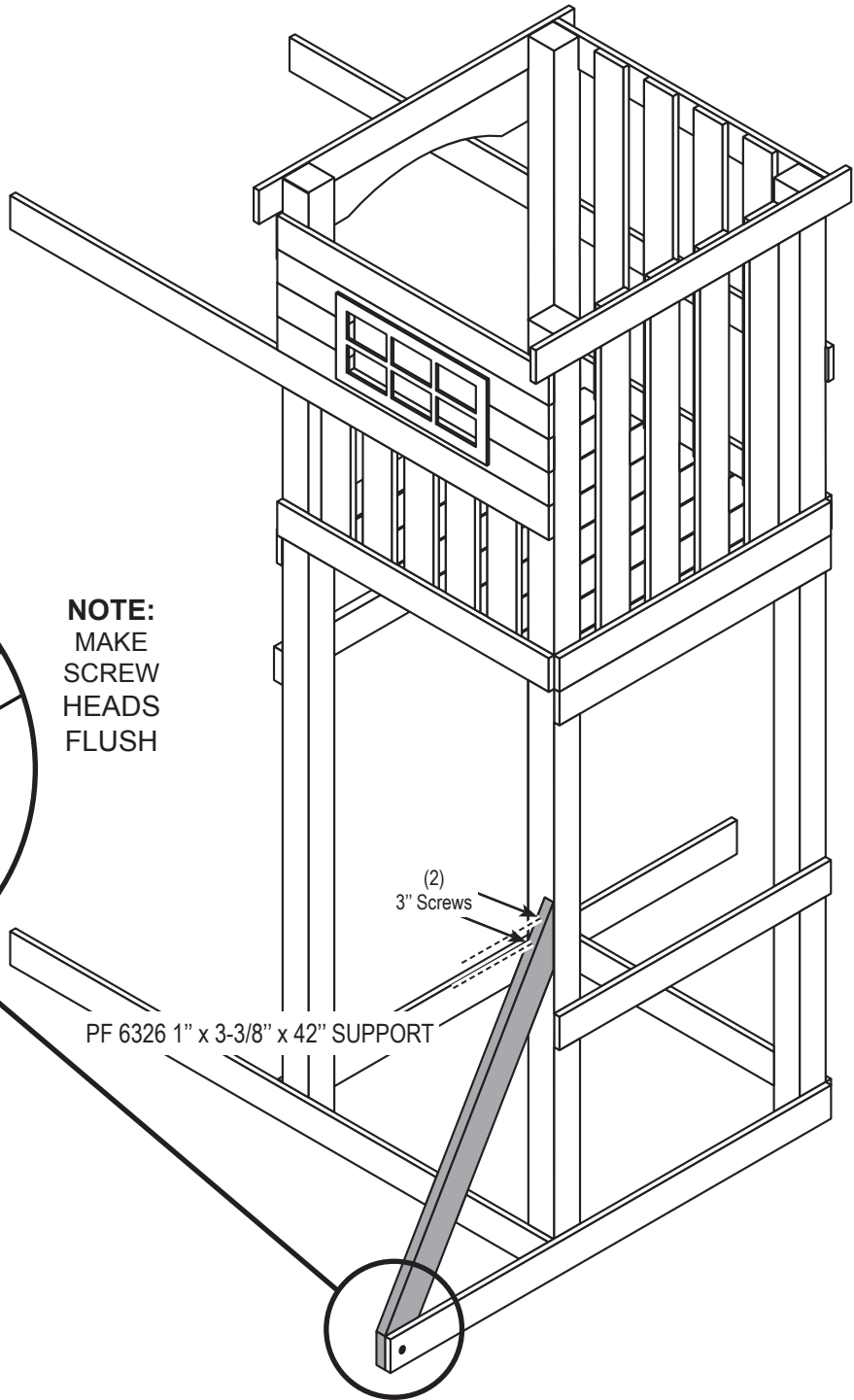
1. Install Deck Boards as shown.
NOTE: Standard gap between deck boards is 1/8".
2. Install Panel B as shown.

STEP 12



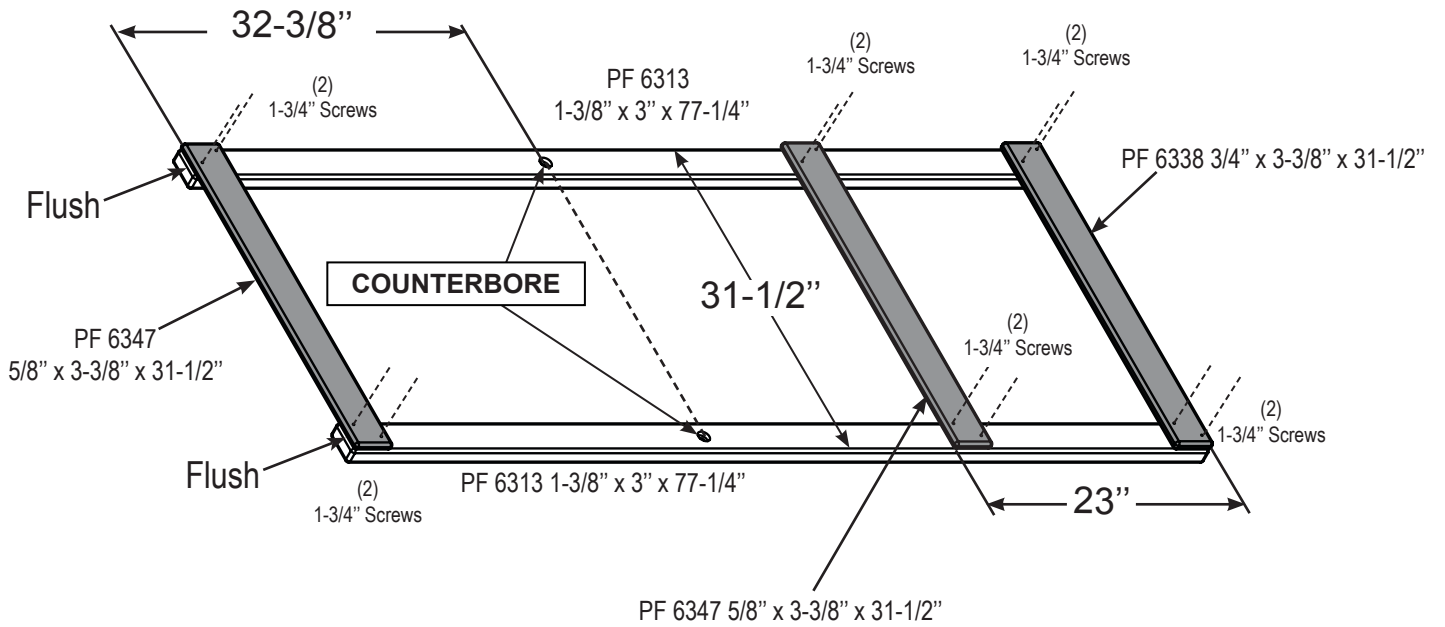
1. Attach Barrier Support Board and Safety Board as shown.
NOTE: Secure Barrier Board from inside barrier as shown.

STEP 13



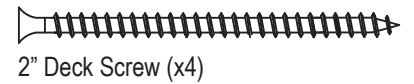
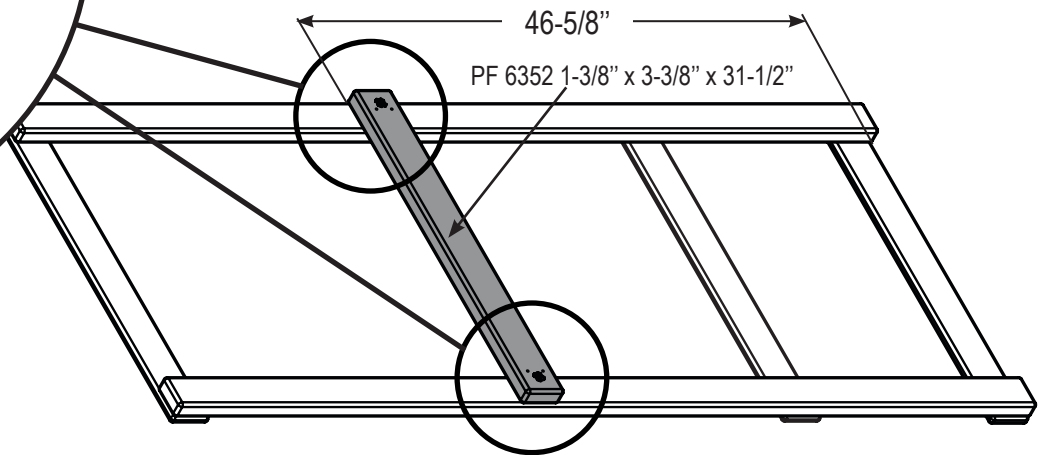
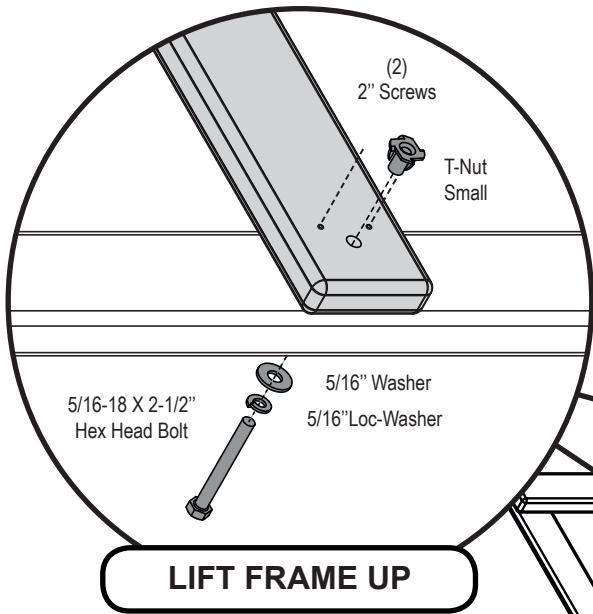
1. Attach Tower Support Board as shown.

STEP 14



FRAME C

FLIP FRAME OVER



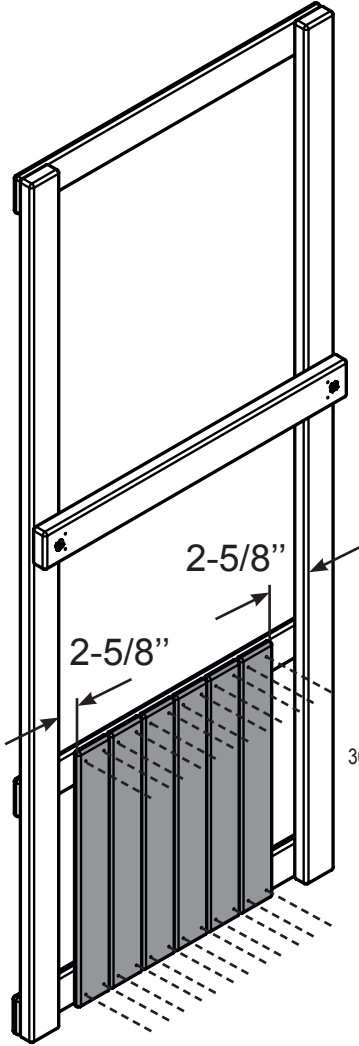
1. Assemble Frame C as shown above.

Note: Tap each T-Nut into its pre-drilled hole until the metal tangs sink fully into the wood.

STEP 15

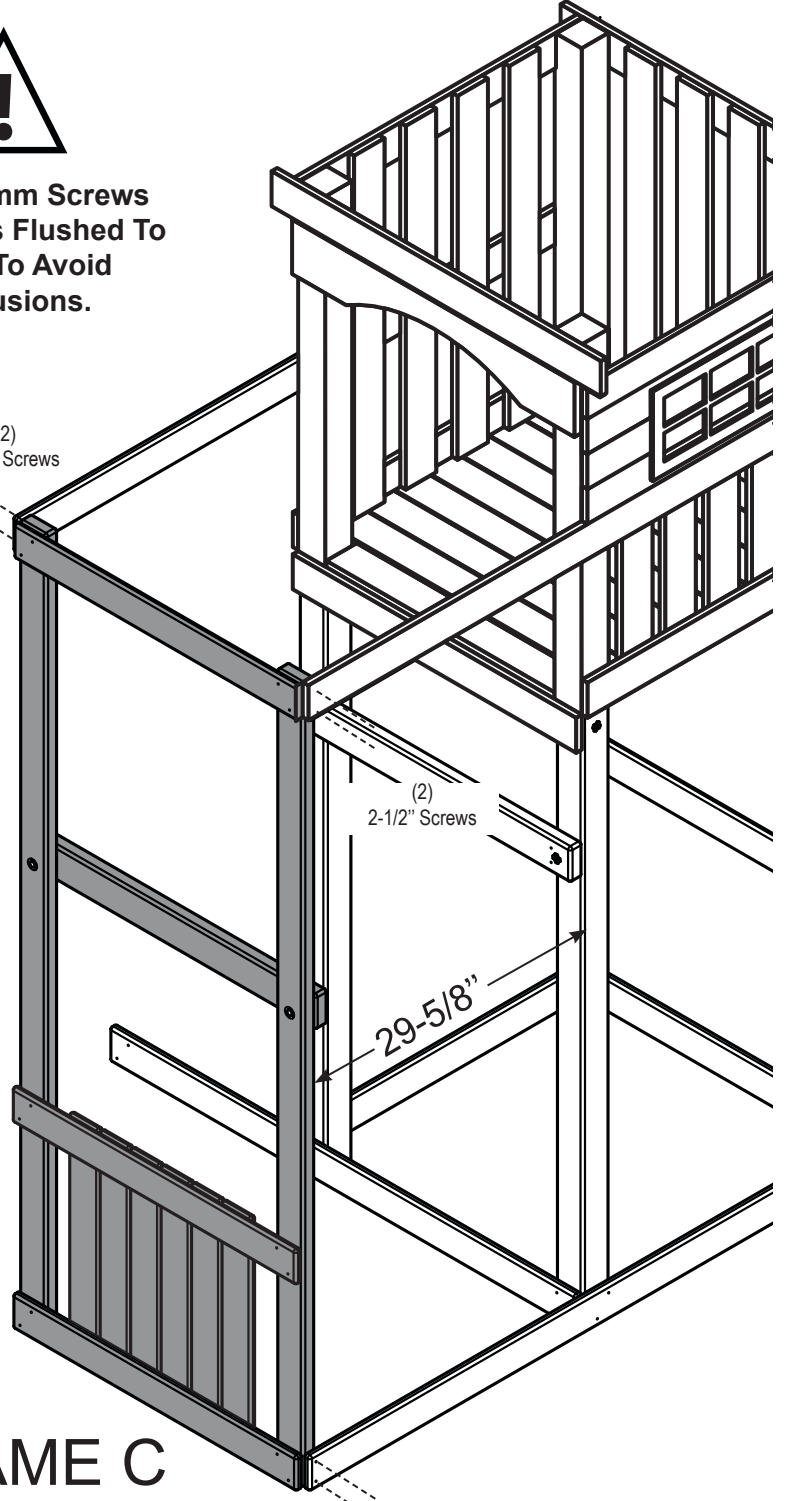


Install 30mm Screws
With Heads Flushed To
Board To Avoid
Protrusions.

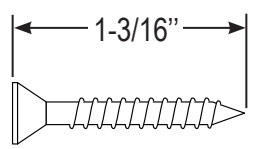


(6) PF 6327 5/8" x 3-3/8" x 23"

FRAME C



FRAME C



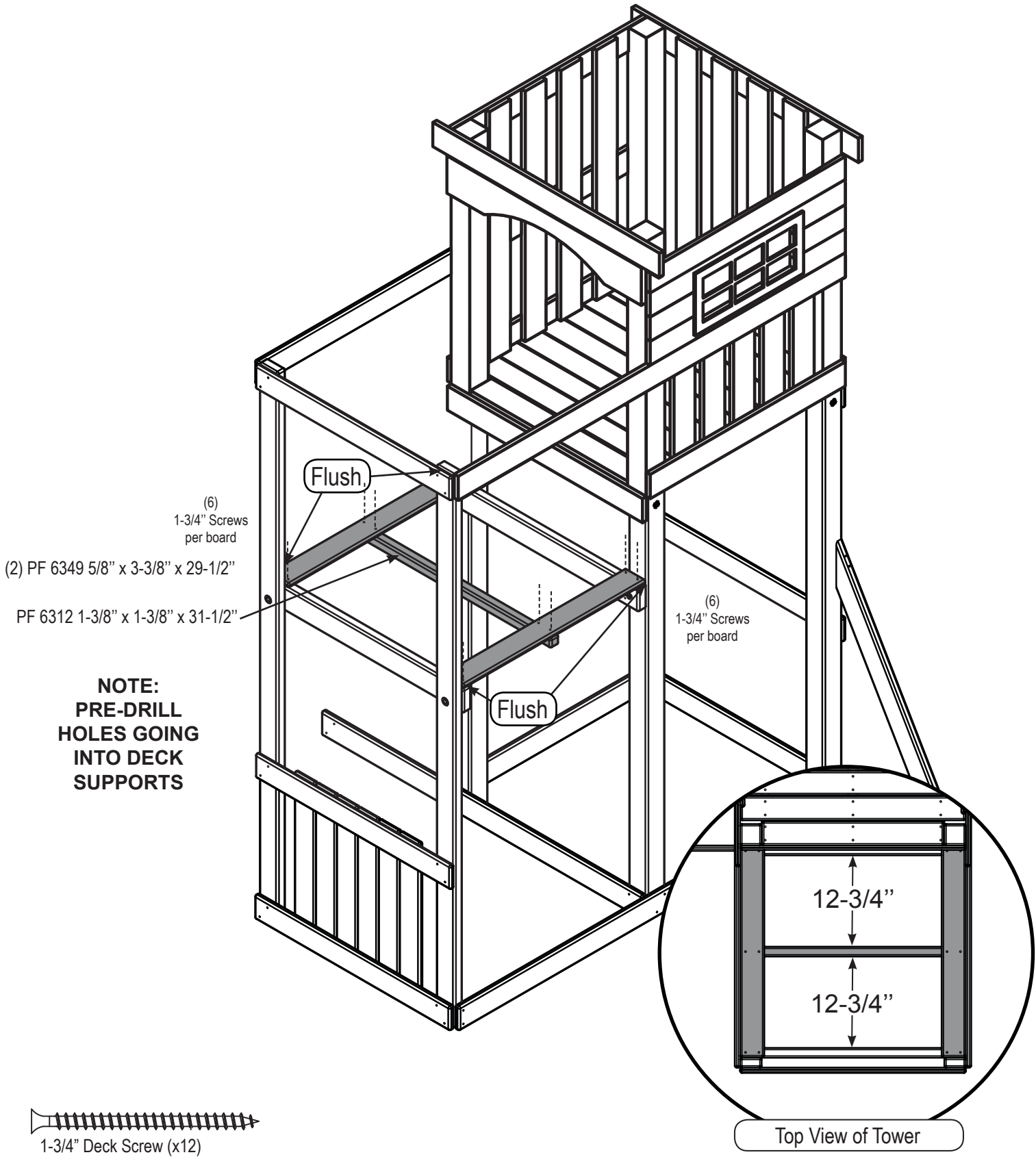
30mm Deck Screw (x32)



2-1/2" Deck Screw (x6)

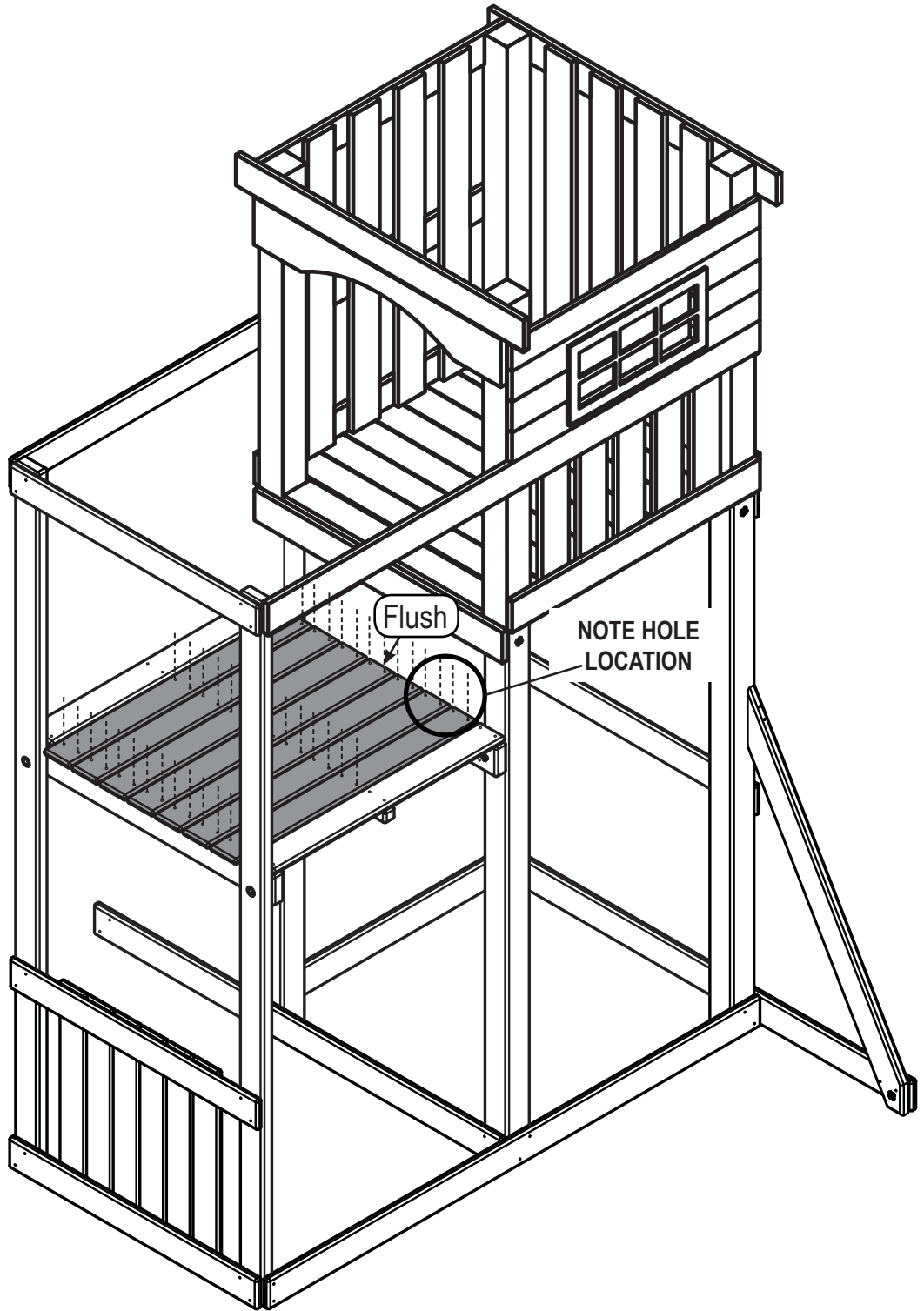
1. Attach Barrier Boards to Frame C.
2. Attach Frame C to Tower as shown.

STEP 16



1. Attach Deck Boards and Deck Support Board as shown.

STEP 17



(7) PF 6348 5/8" x 3-3/8" x 30-7/8"
(6)
1-3/4" Screws
per board

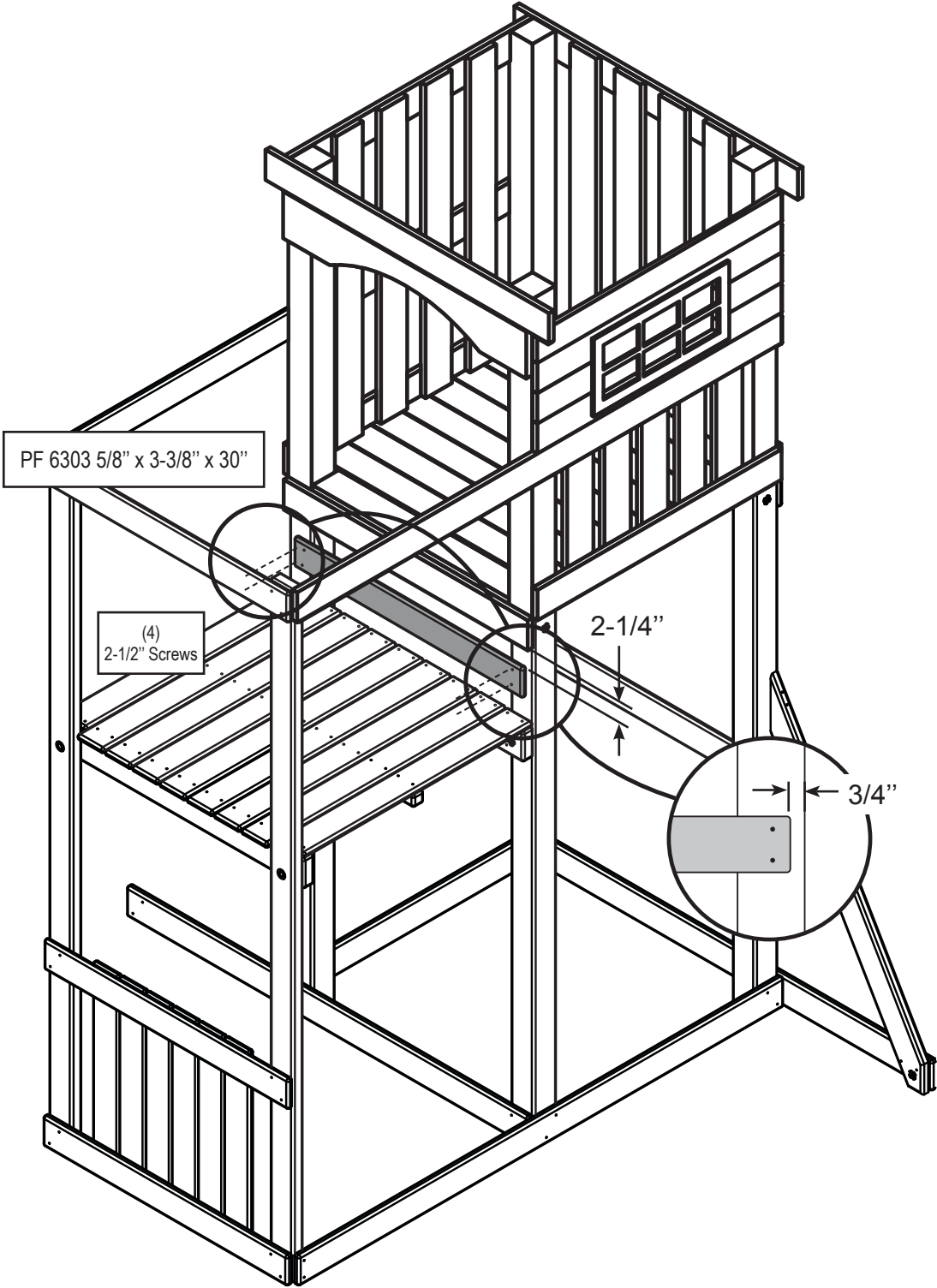


1-3/4" Deck Screw (x42)

1. Install Deck Boards as shown.

NOTE: Standard gap between deck boards is 1/8".

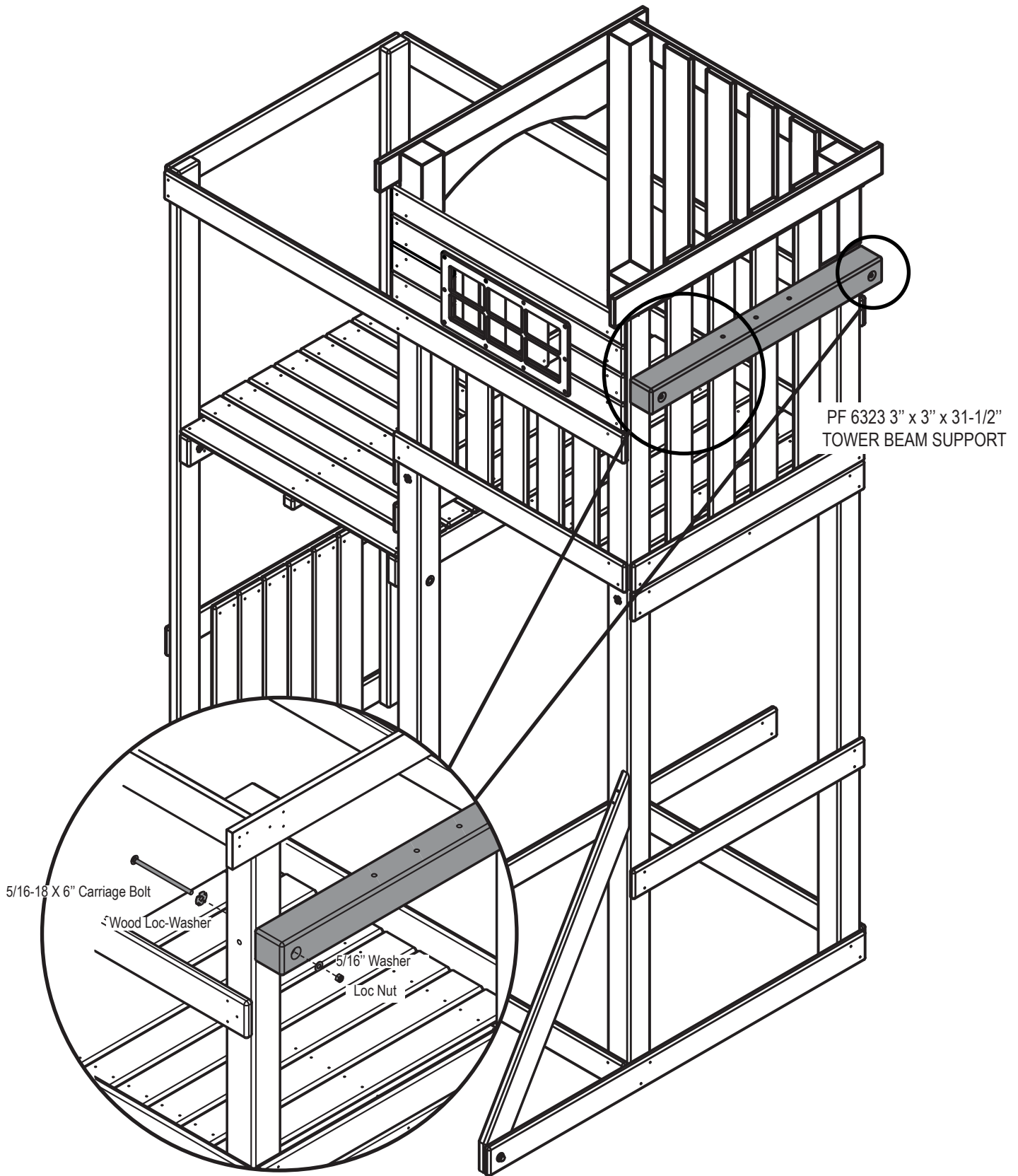
STEP 18



2-1/2" Deck Screw (x4)

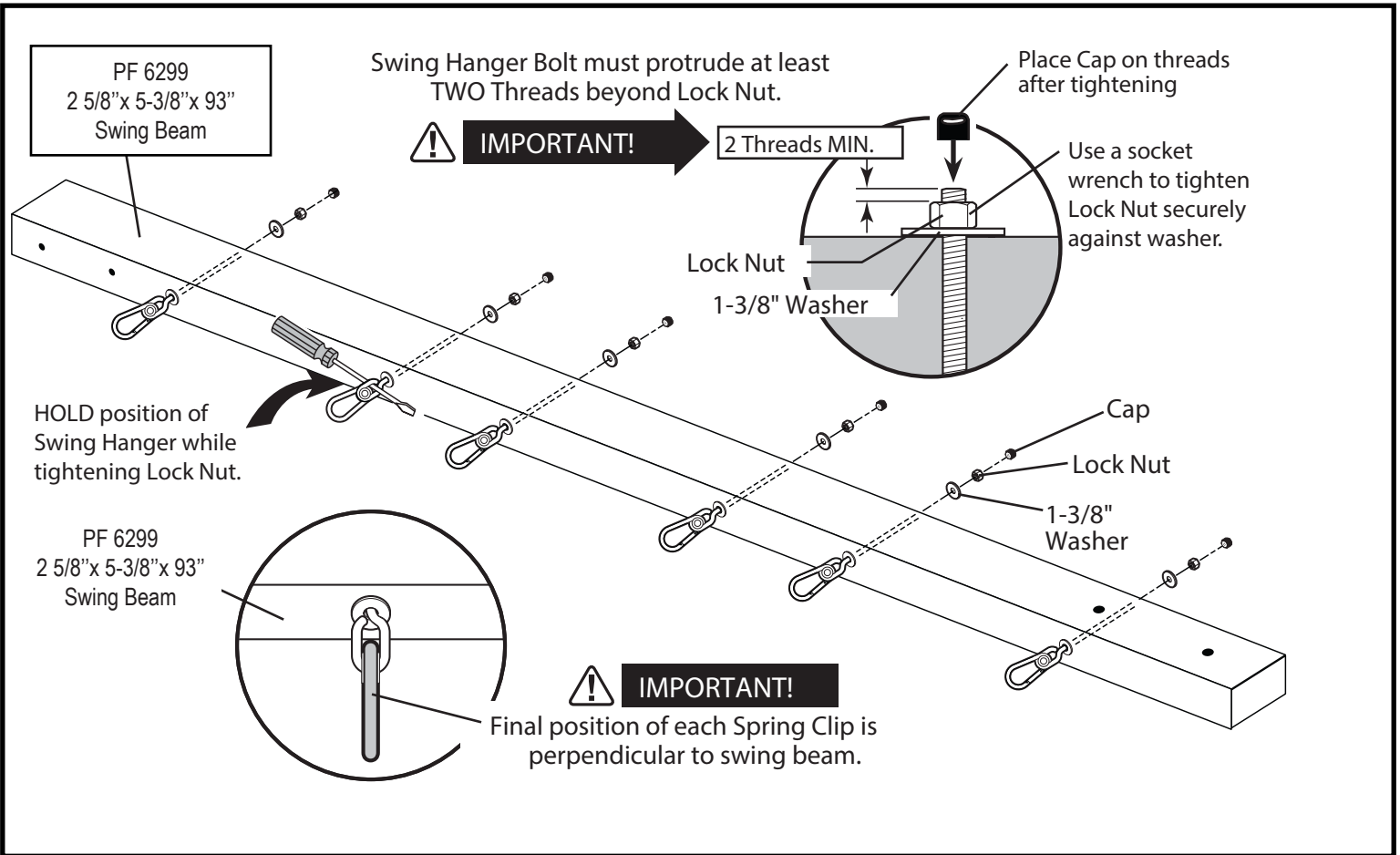
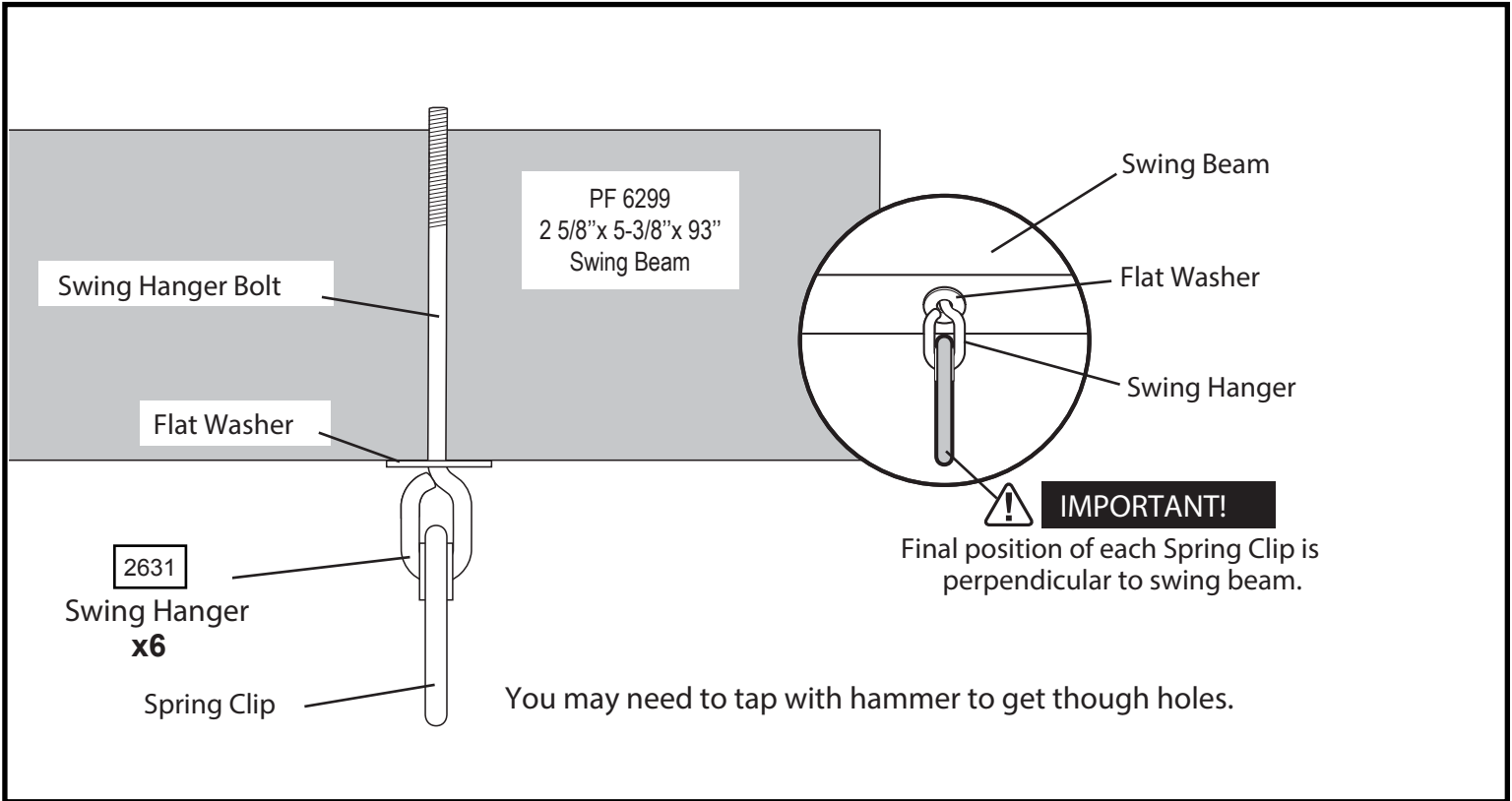
1. Attach Spacer Board as shown.

STEP 19



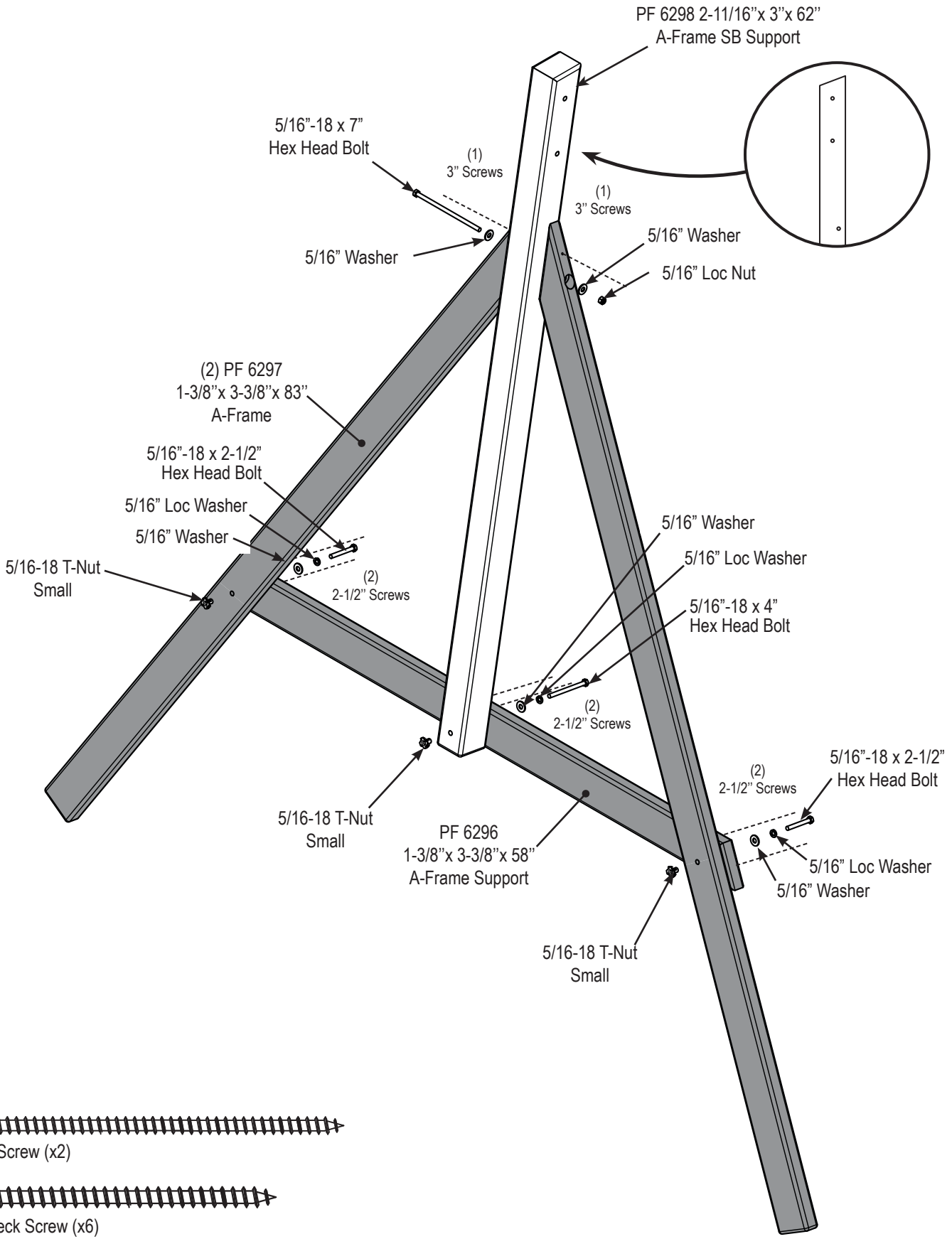
1. Attach Tower Beam Support Board as shown.

STEP 20



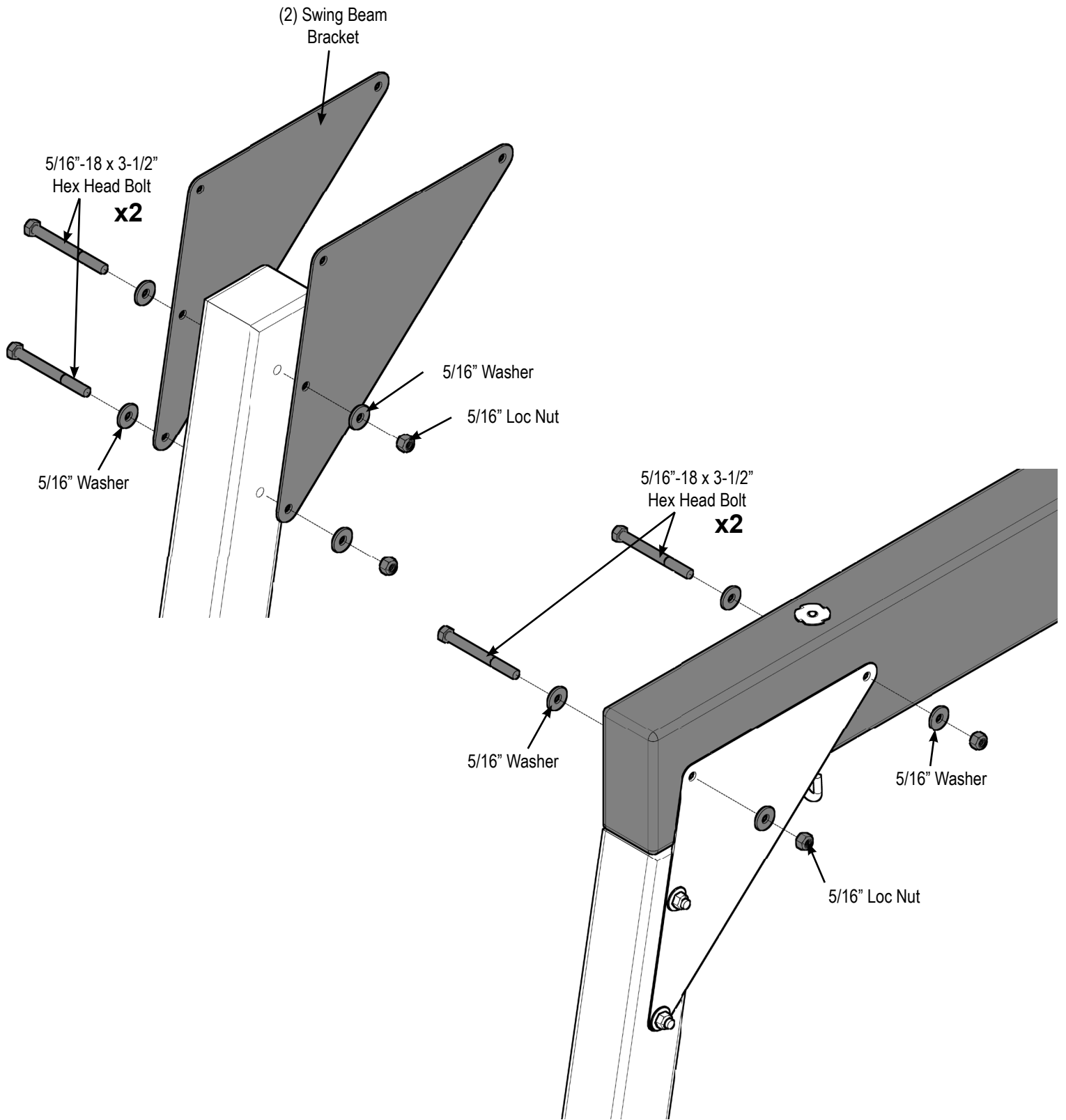
1. Attach Swing Hanger(s) to swing beam as shown.

STEP 21



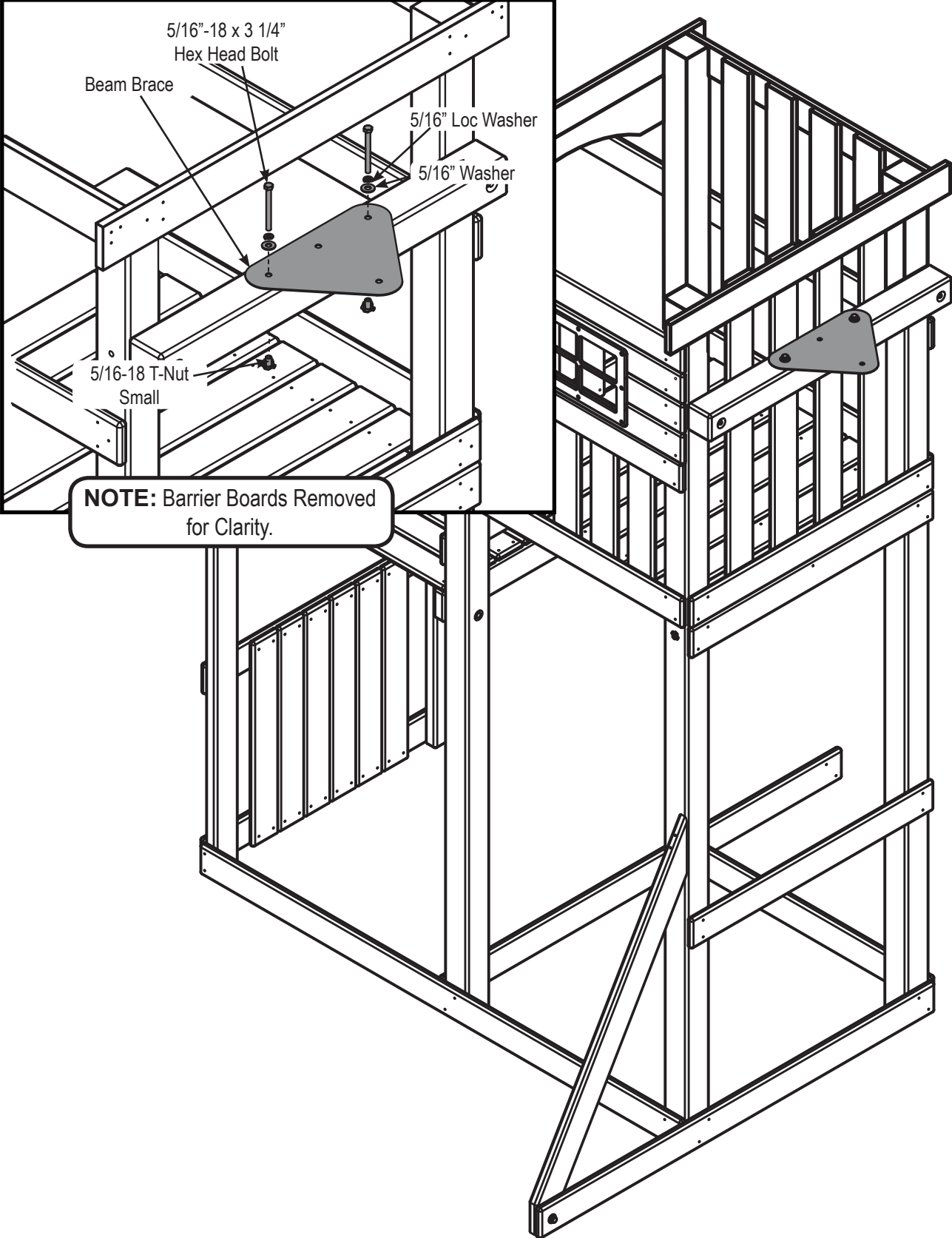
1. Assemble A-Frame as shown.

STEP 22



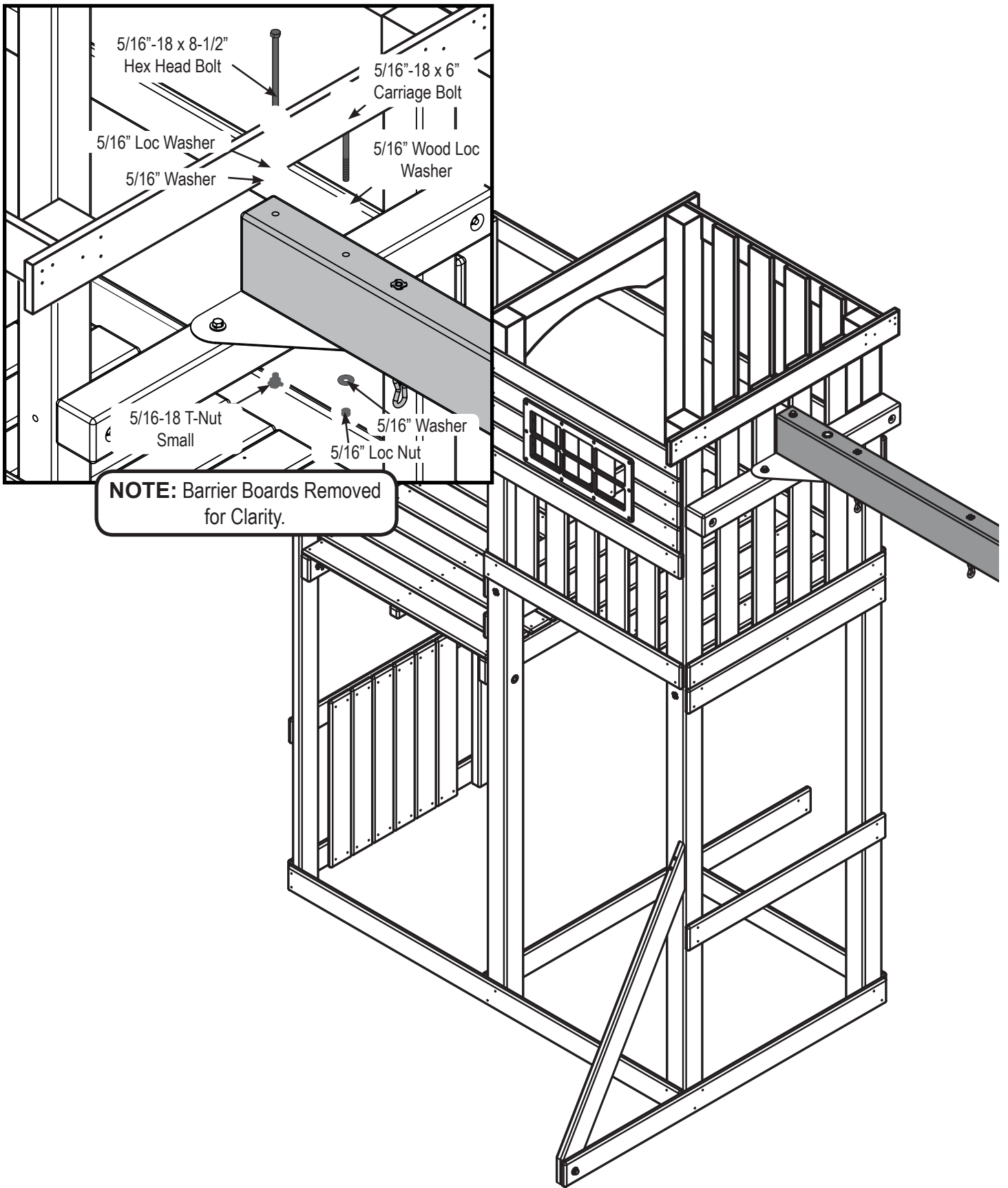
1. Attach Swing Beam Bracket to A-Frame & Swing Beam as shown.

STEP 23



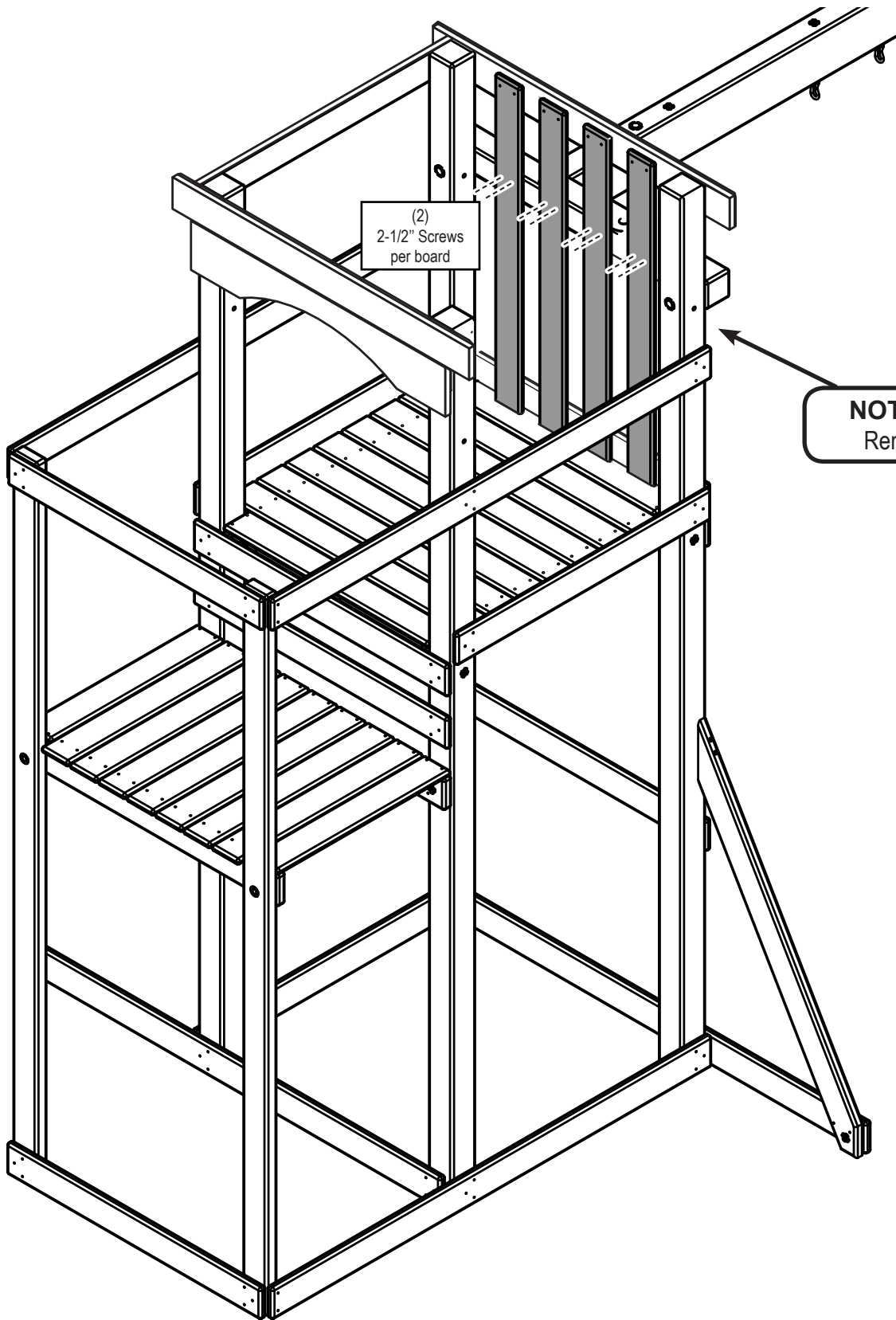
1. Install Swing Beam Brace as shown.

STEP 24

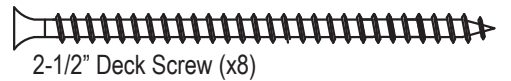


1. Install Swing Beam as shown.

STEP 25

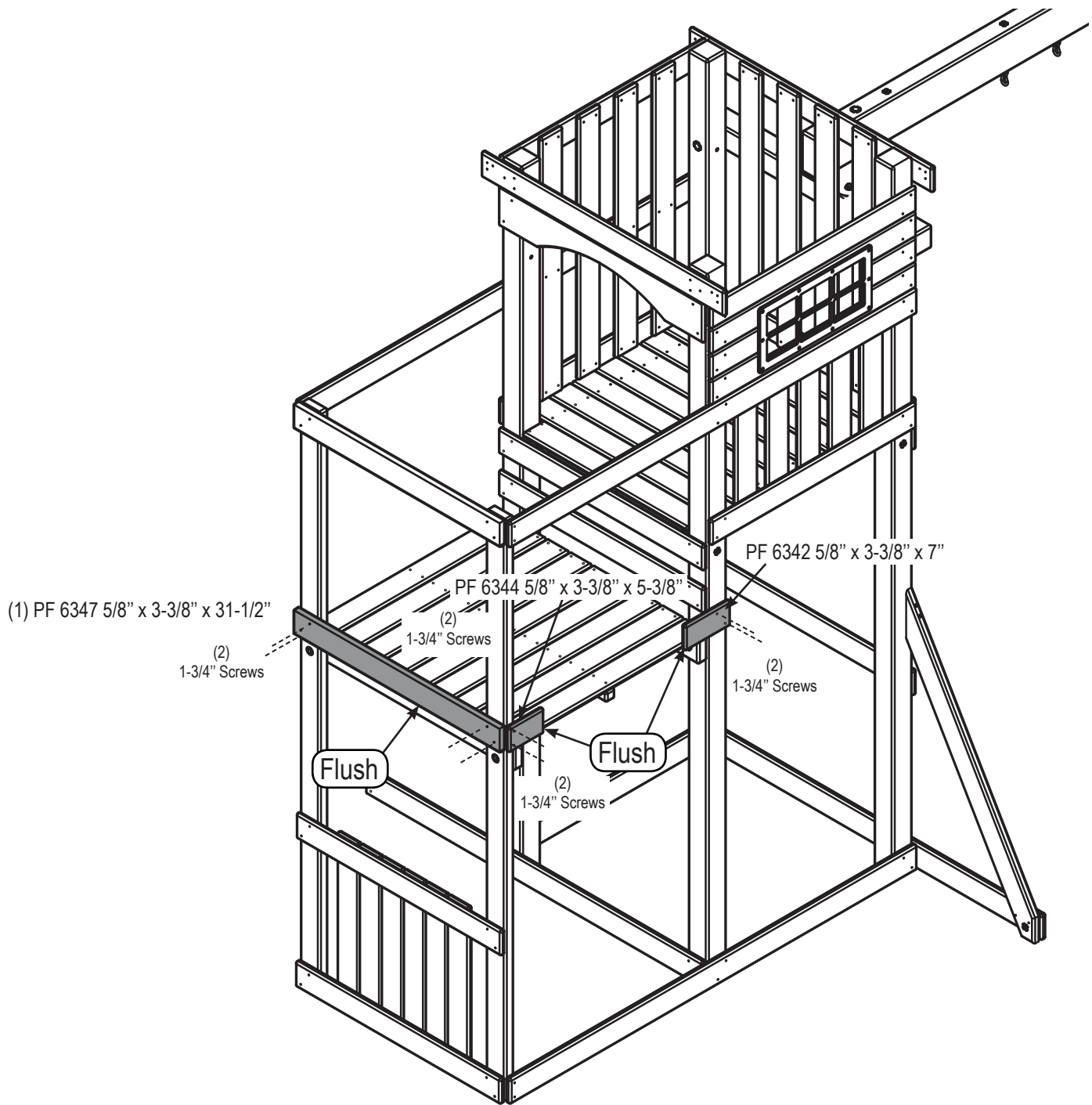


NOTE: Window Panel
Removed for Clarity.



1. Secure Barrier Boards to Swing Beam Support as shown.

STEP 26



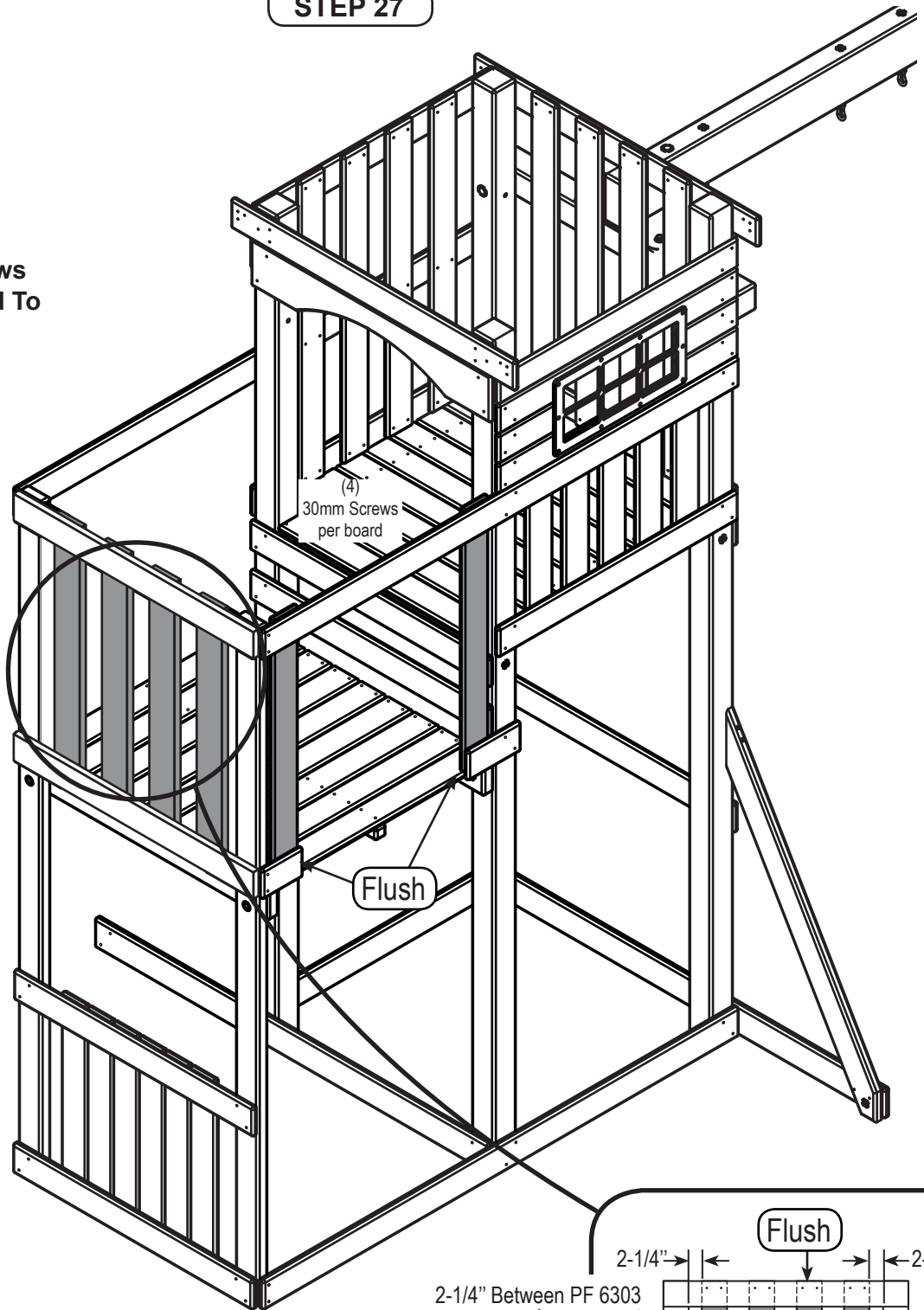
1-3/4" Deck Screw (x8)

1. Attach Barrier Support Boards flush to bottom of deck as shown.

STEP 27



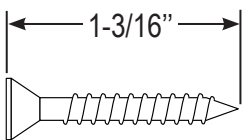
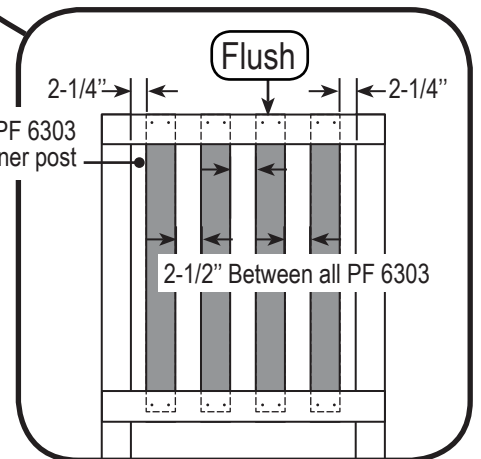
Install 30mm Screws
With Heads Flushed To
Board To Avoid
Protrusions.



(6) PF 6303 5/8" x 3-3/8" x 30"

(4)
30mm Screws
per board

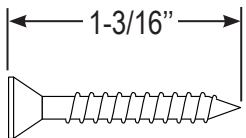
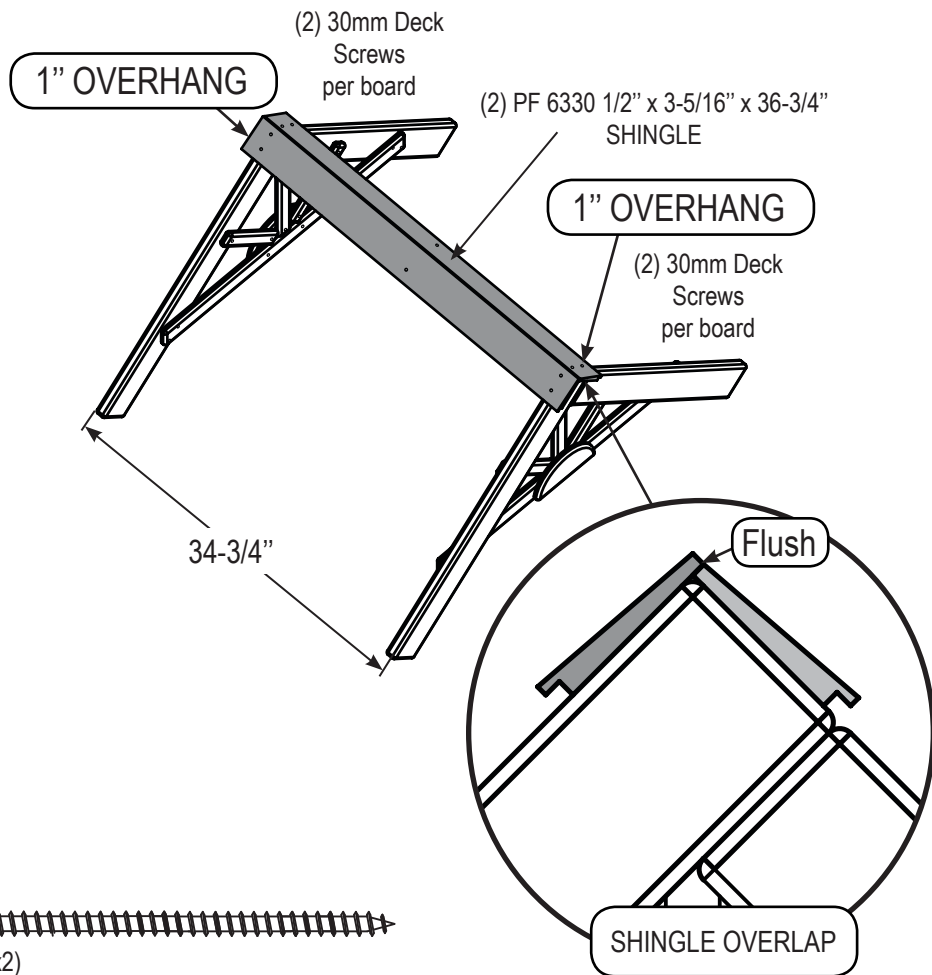
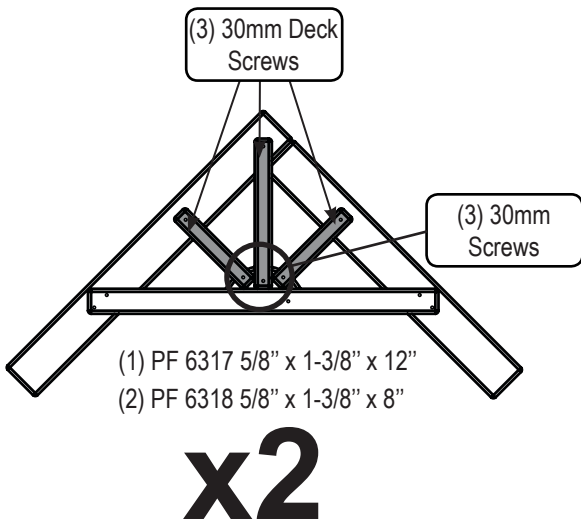
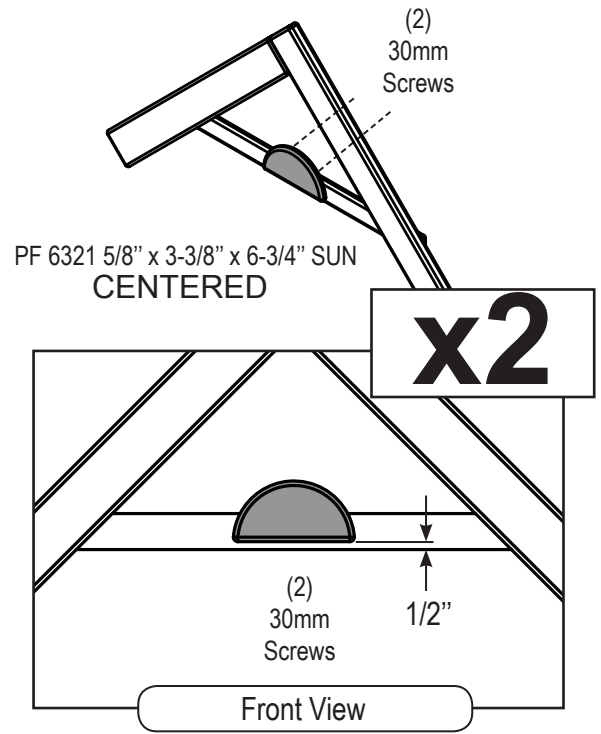
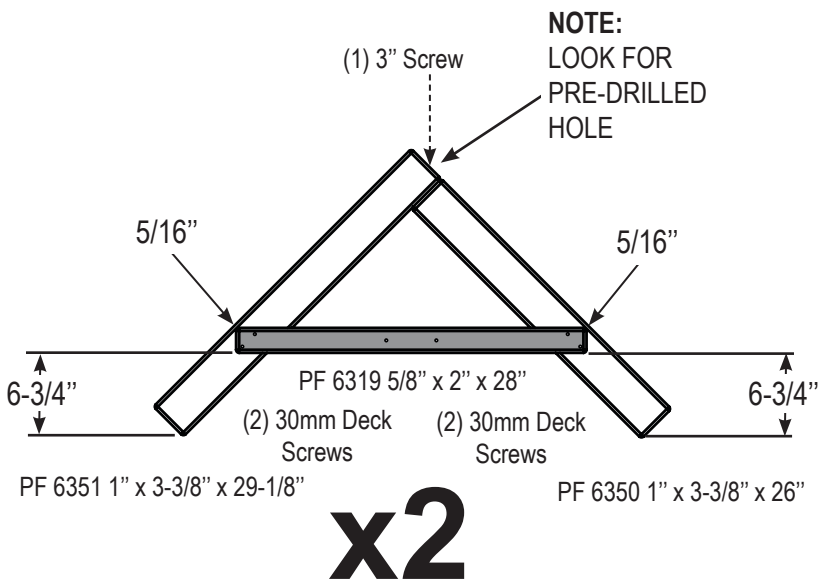
Flush



30mm Deck Screw (x24)

1. Attach Terrace Barrier Boards as shown.

STEP 28



30mm Deck Screw (x40)

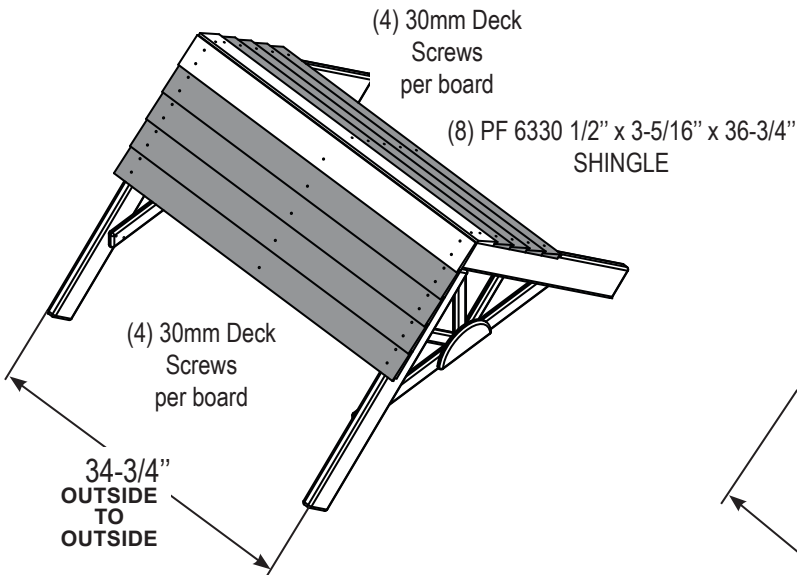


3" Deck Screw (x2)

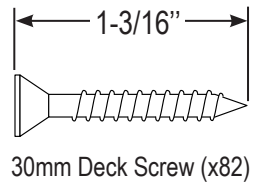
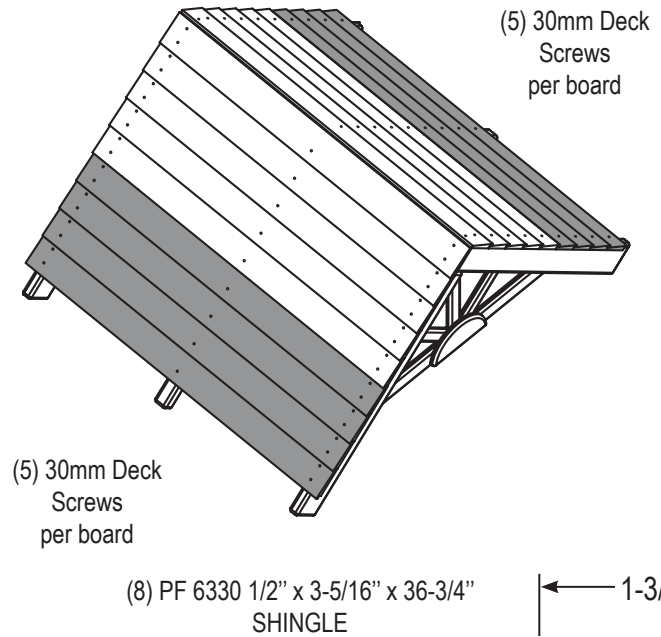
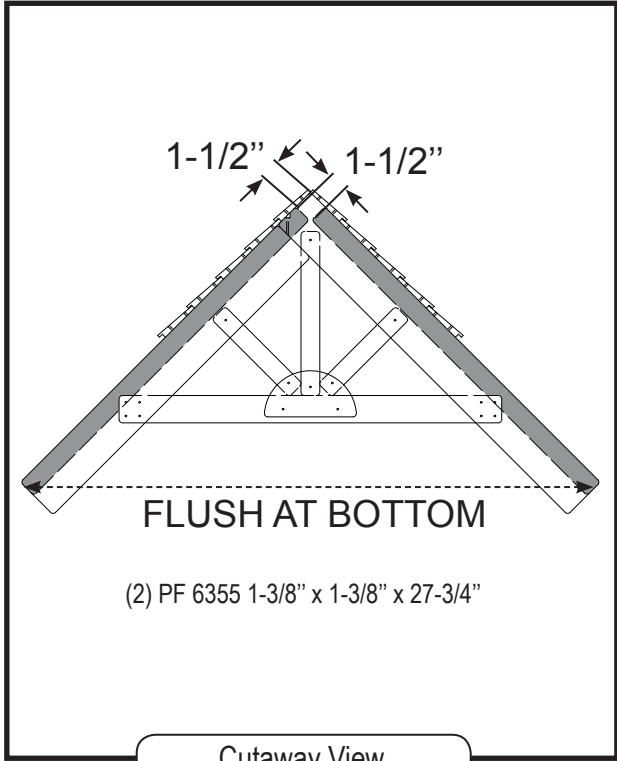
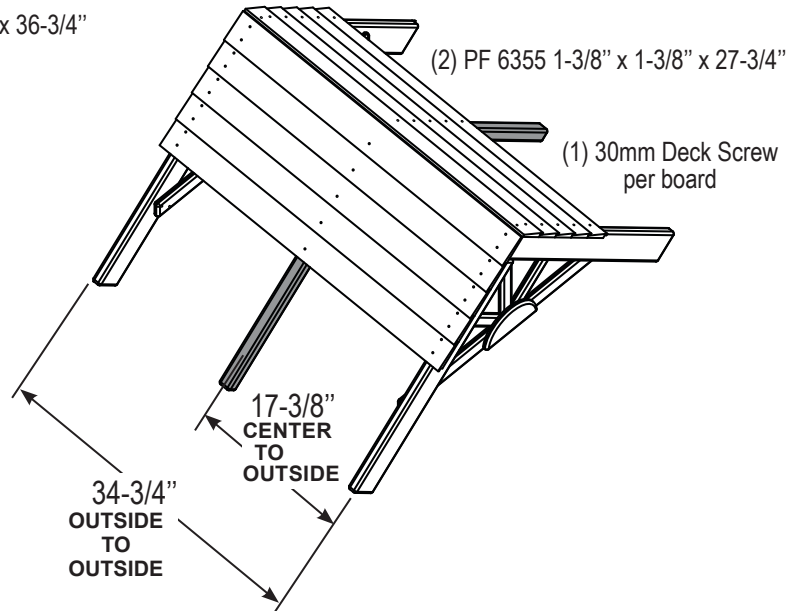
1. Assemble Roof Frame as shown.
NOTE: Overlap Shingles as shown.

STEP 29

NOTE:
SHINGLES OVERHANG RAFTERS 1"



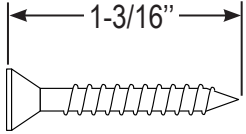
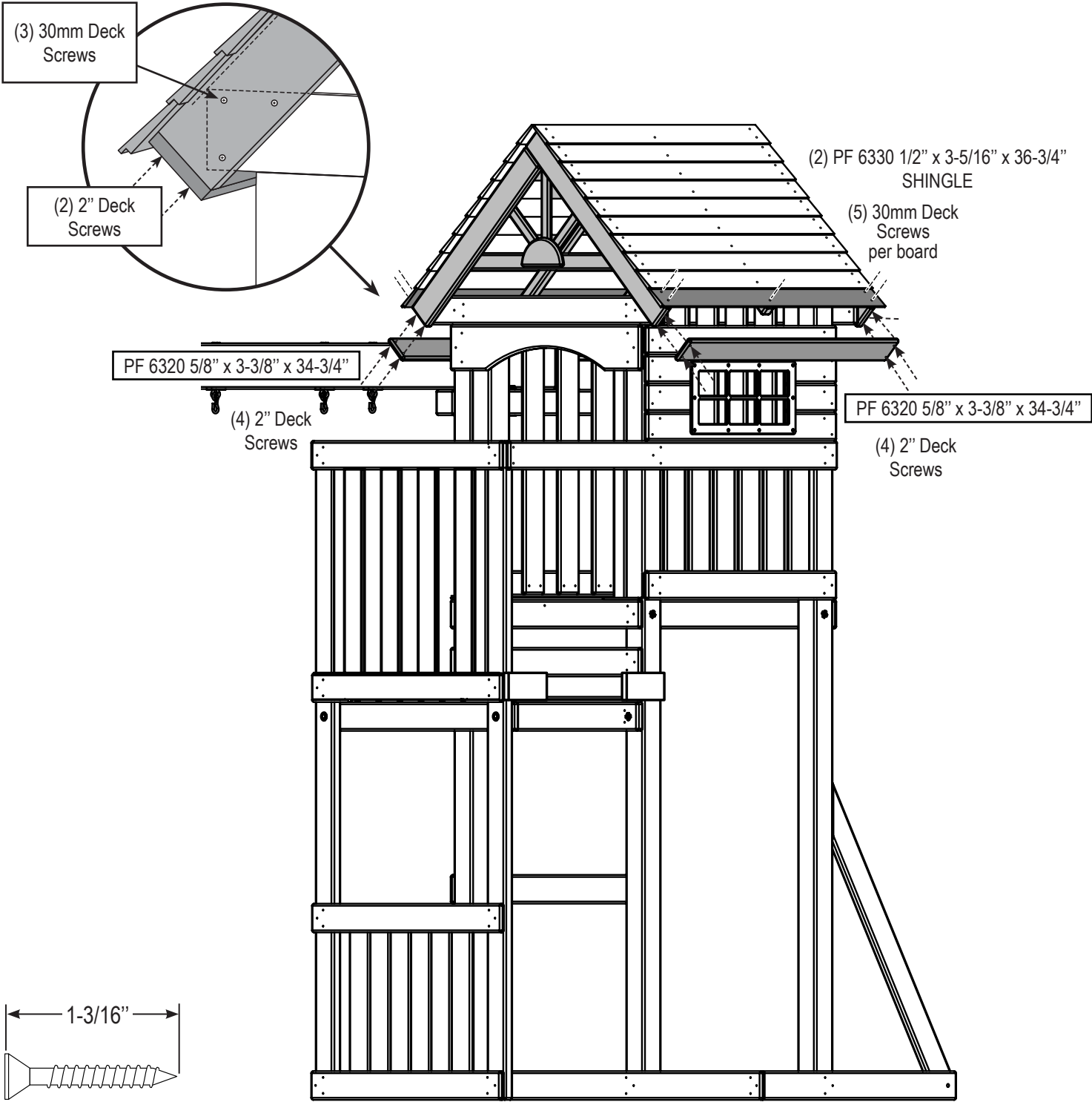
NOTE:
TURN ROOF ASSEMBLY ON END.
CENTER AND CLAMP PF 6355
BEFORE INSTALLING SCREWS.



30mm Deck Screw (x82)

1. Complete Roof Assembly as shown.

STEP 30



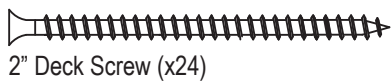
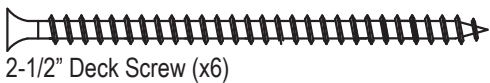
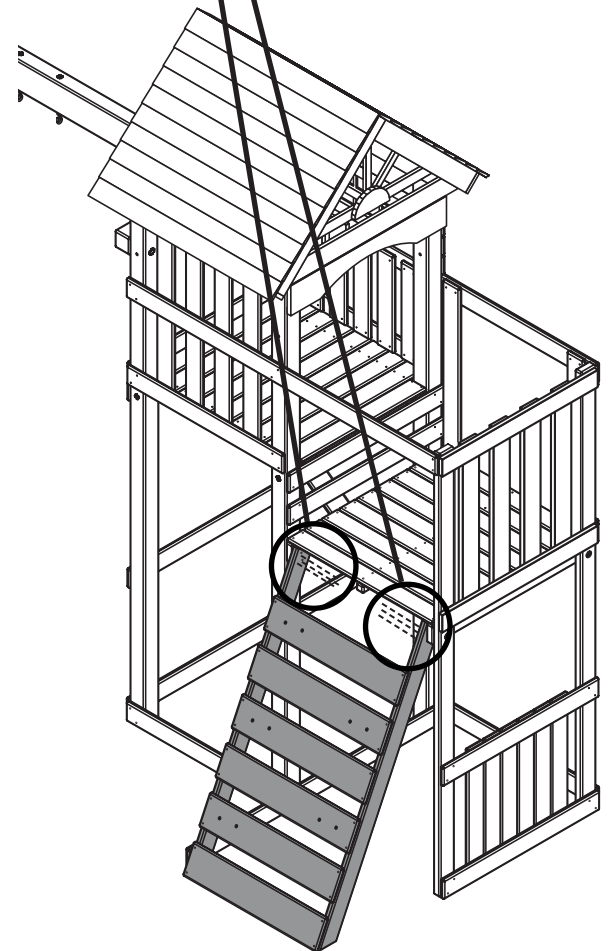
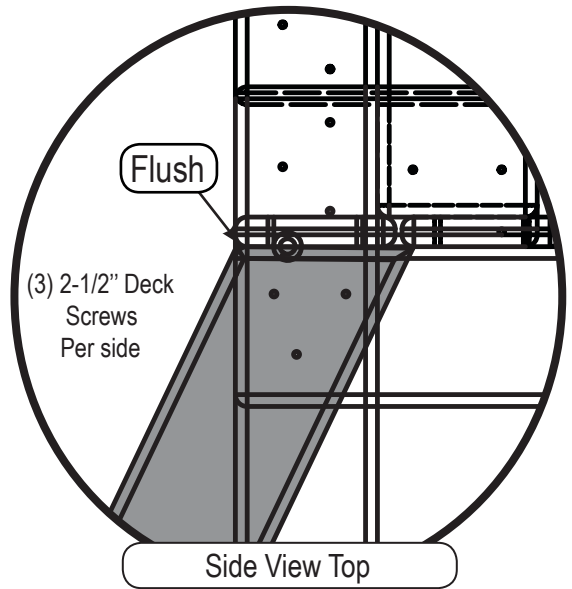
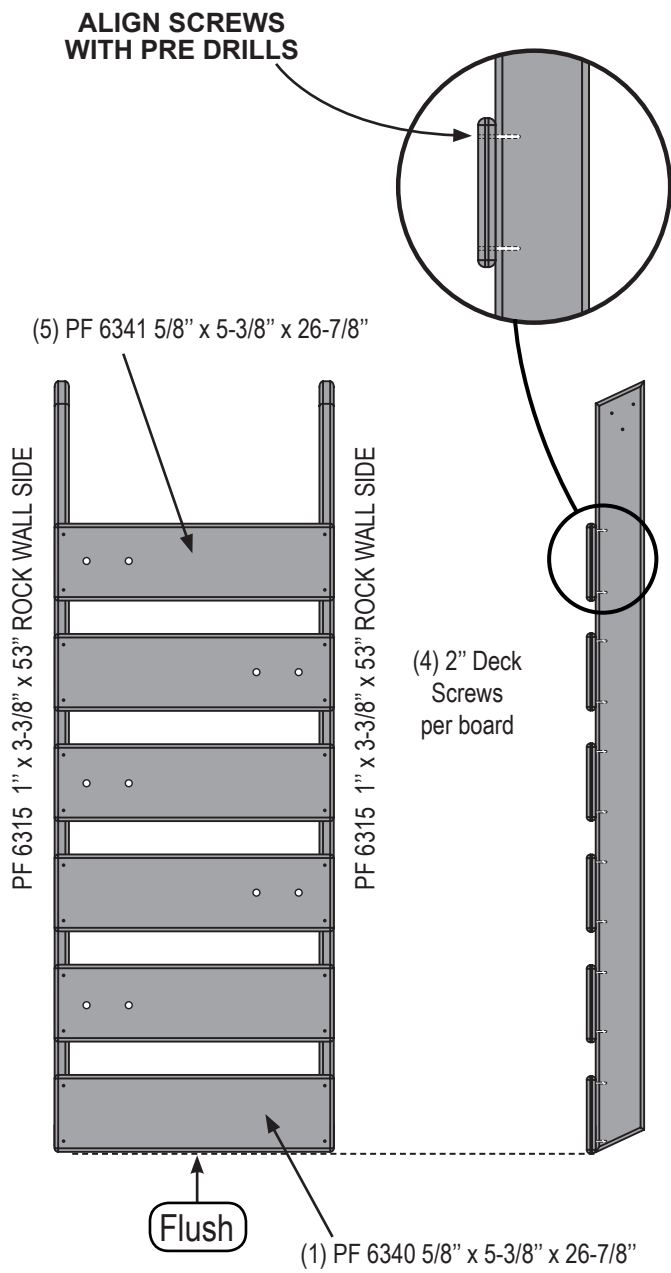
30mm Deck Screw (x22)



2" Deck Screw (x8)

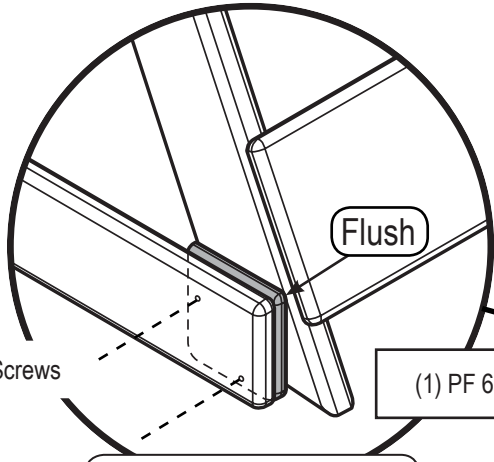
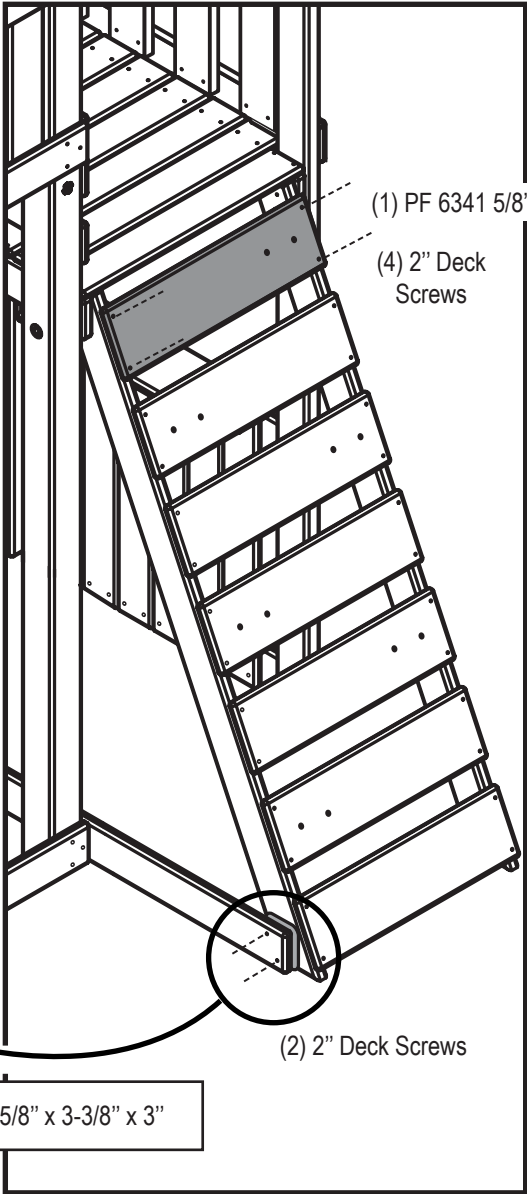
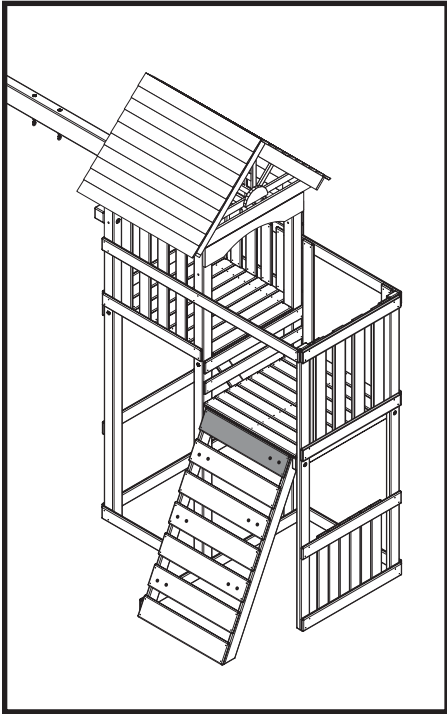
1. Attach roof as shown.
2. Attach (2) shingles.
3. Attach (2) end roof boards.

STEP 31



1. Align and install rock wall boards to the image above.
2. Attach rock wall to frame as shown

STEP 32



Side View Bottom

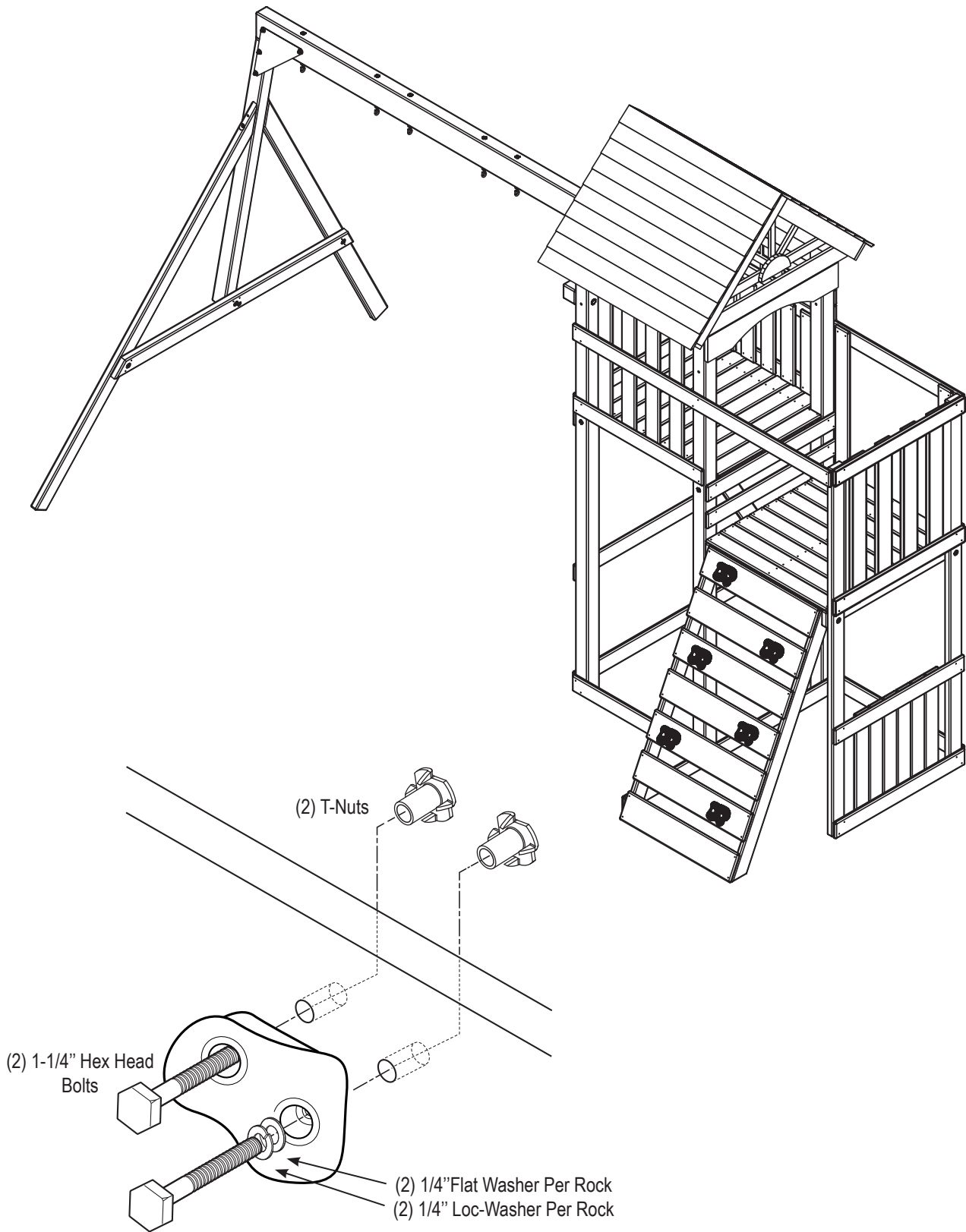
(1) PF 6353 5/8" x 3-3/8" x 3"



2" Deck Screw (x6)

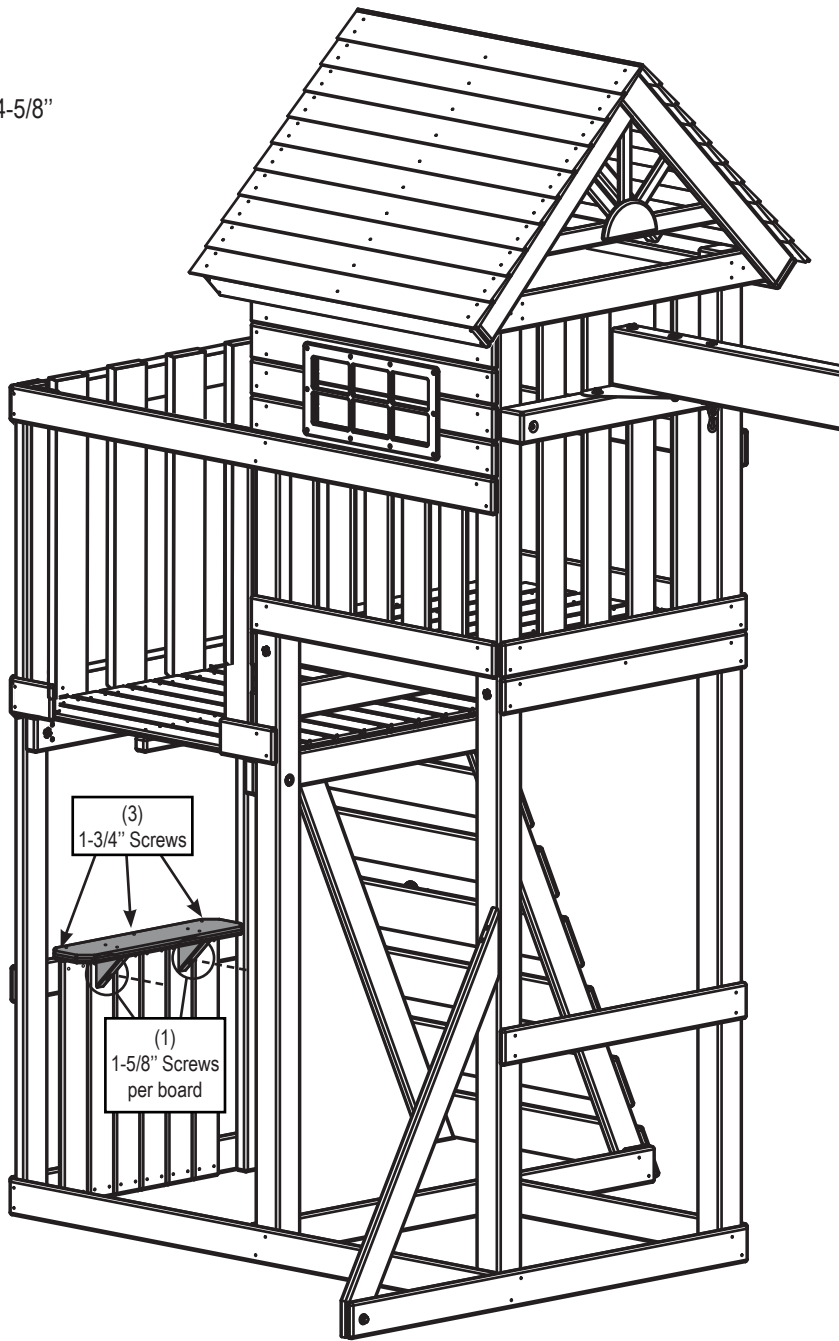
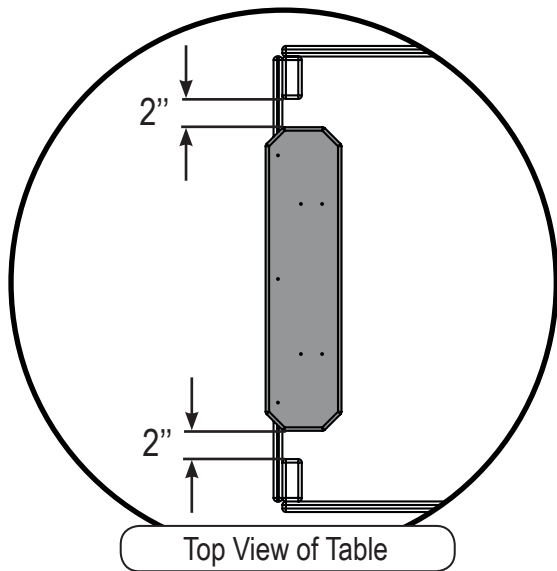
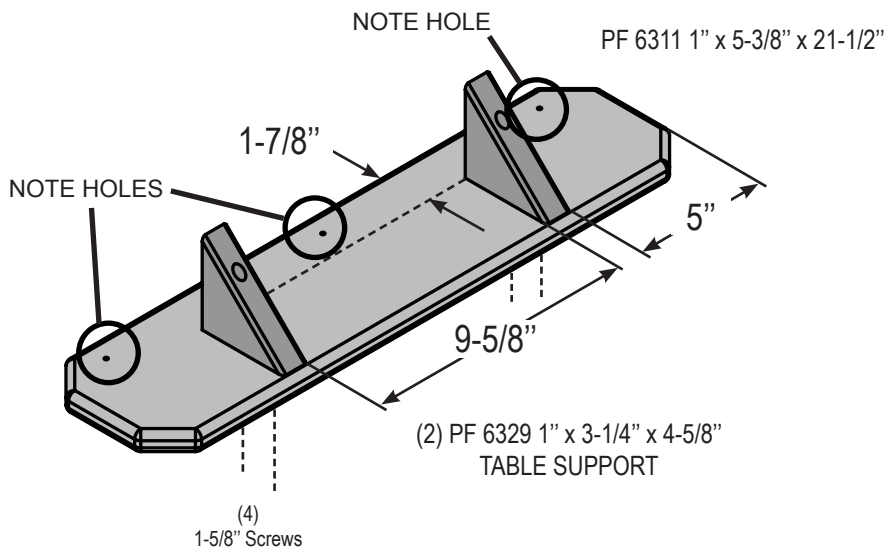
1. Attach rock wall board and spacer as shown.

STEP 33

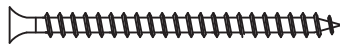


1. Attach Climbing Rocks as shown.

STEP 34



1-5/8" Deck Screw (x6)

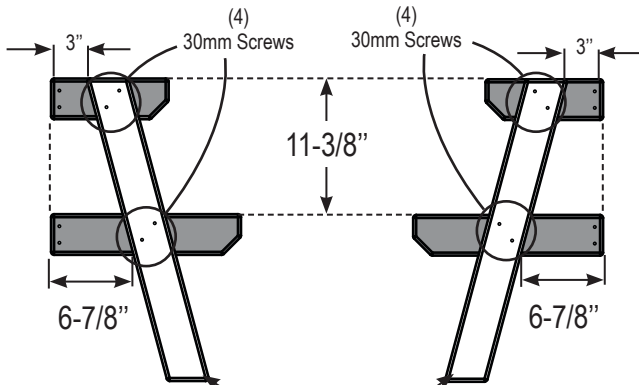


1-3/4" Deck Screw (x3)

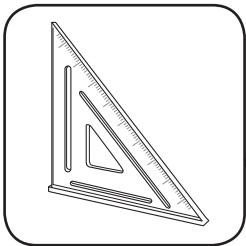
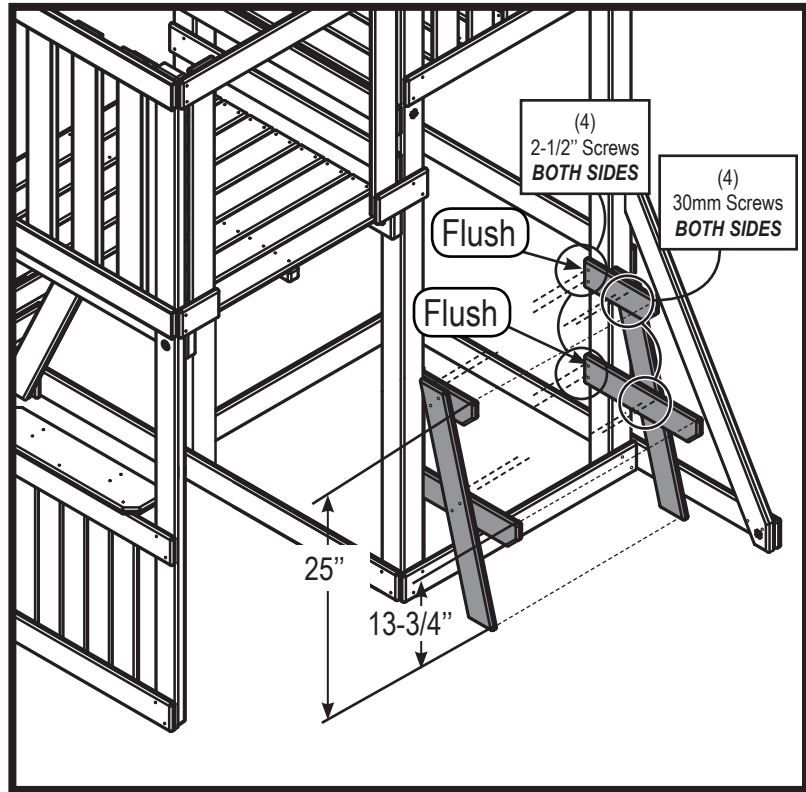
1. Assemble Table and attach to barrier as shown.

STEP 35

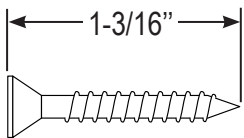
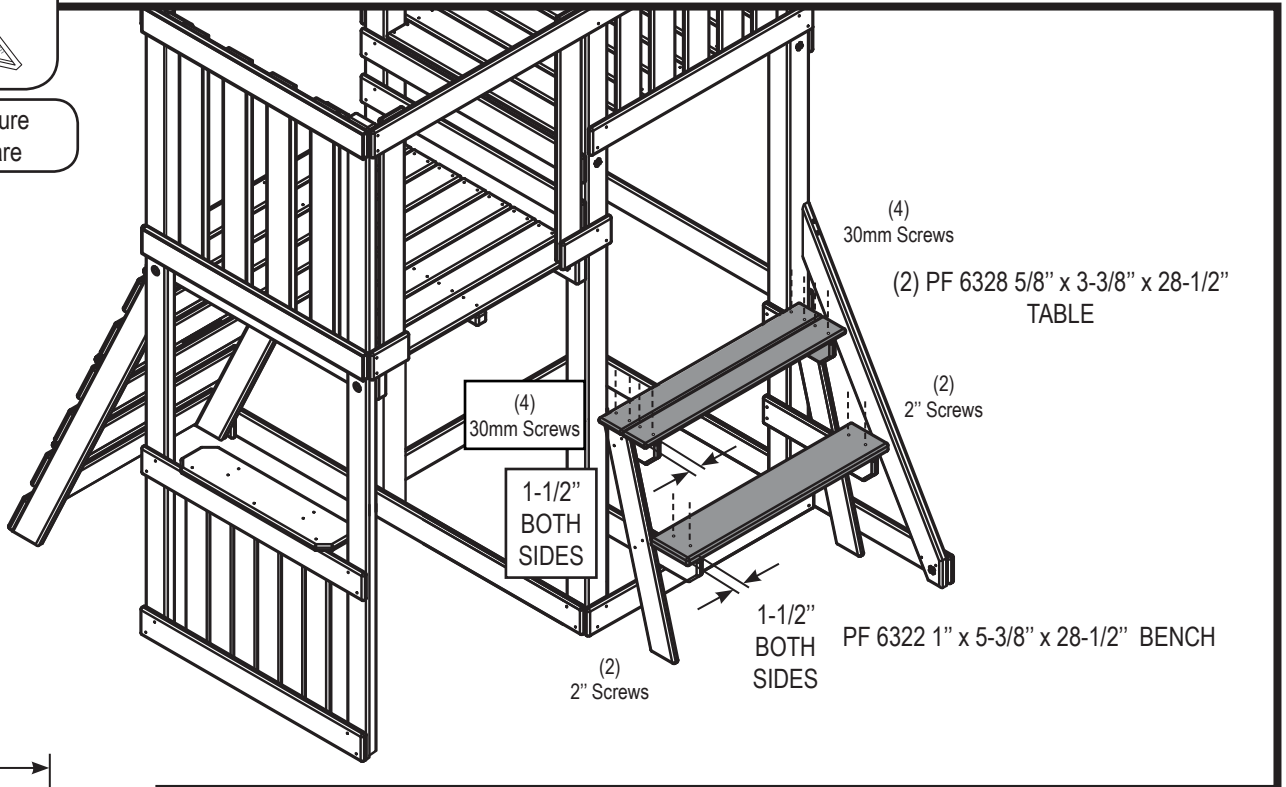
- (2) PF 6302 3/4" x 3-3/8" x 9-3/4" TABLE SUPPORT
- (2) PF 6300 3/4" x 3-3/8" x 15-3/4" BENCH SUPPORT



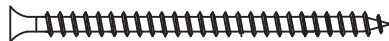
- (2) PF 6301 3/4" x 3-3/8" x 26-7/8" PICNIC TABLE LEG



Check to make sure structure is square



30mm Deck Screw (x24)



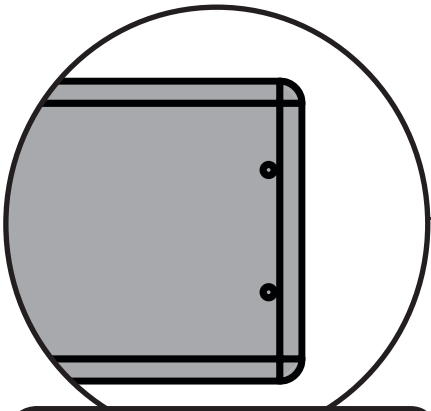
2" Deck Screw (x4)



2-1/2" Deck Screw (x8)

1. Assemble and install Picnic Table as shown.

STEP 36



Make Certain This Side Has Holes
Closest To The Edge.

PF 6333 3/4" x 3-3/8" x 15-1/2"

(2)
2" Screws

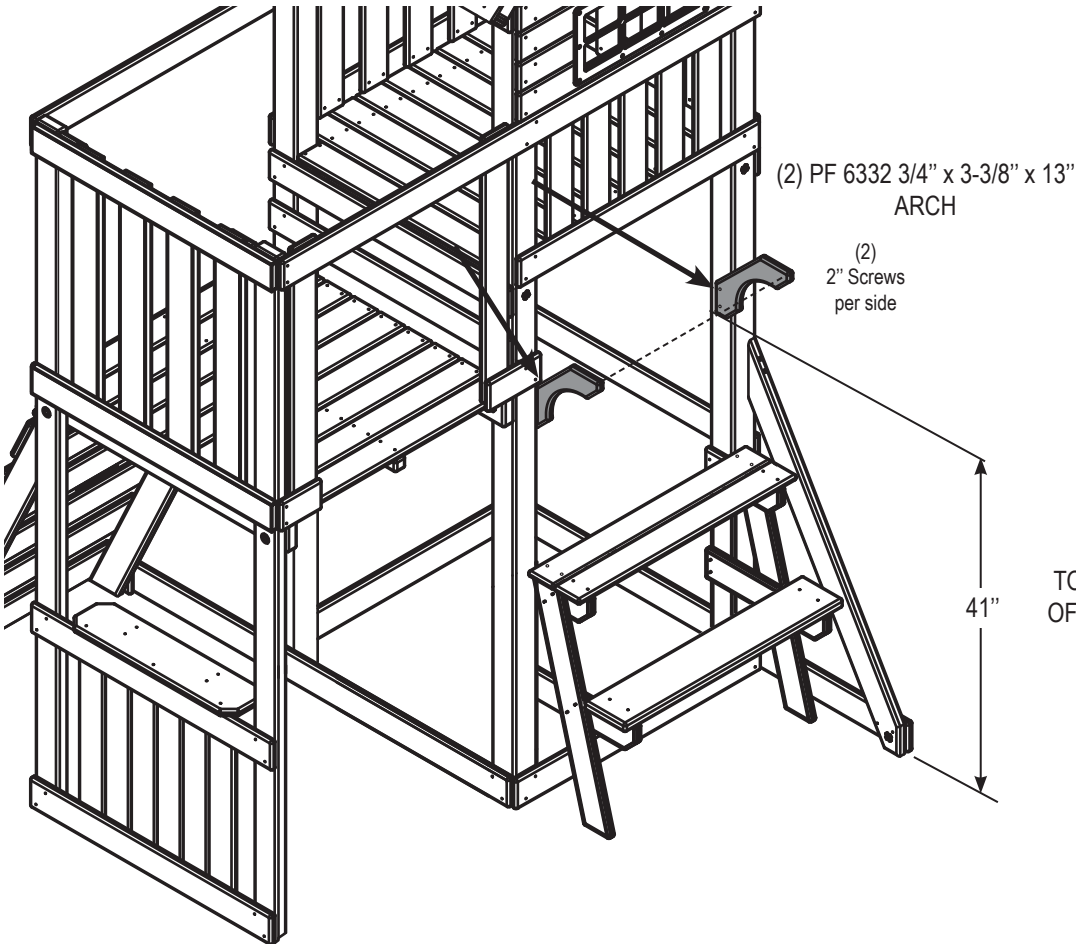
Flush

PF 6316 3/4" x 3-3/8" x 24"

PF 6333 3/4" x 3-3/8" x 15-1/2"

(2)
2" Screws

Flush



(2) PF 6332 3/4" x 3-3/8" x 13"
ARCH

(2)
2" Screws
per side

41"

41"
TO BOTTOM
OF SUPPORT

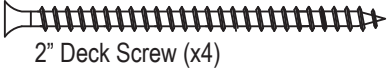
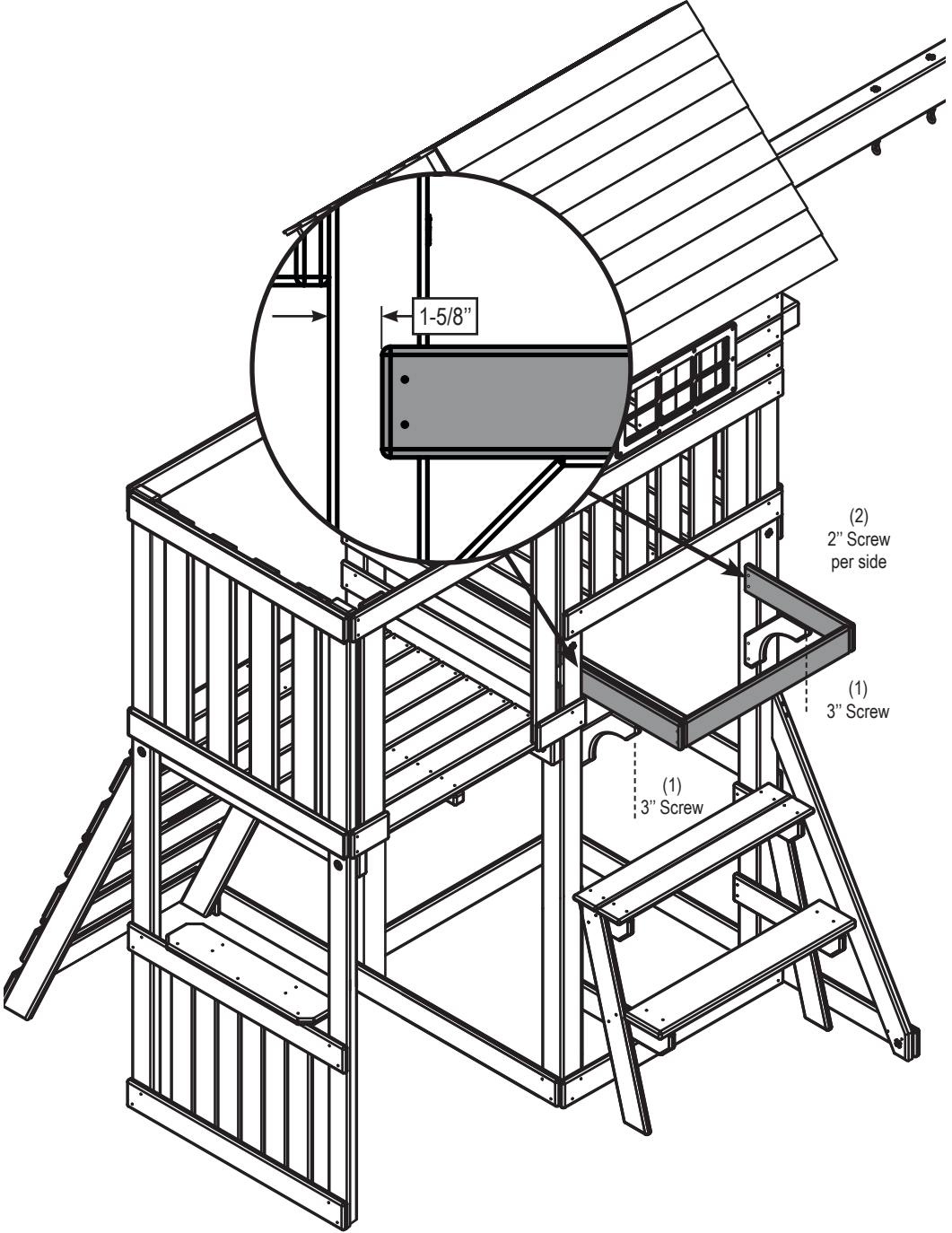
1-5/8"



2" Deck Screw (x8)

1. Assemble Tarp Frame and Attach Supports to tower as shown.

STEP 37

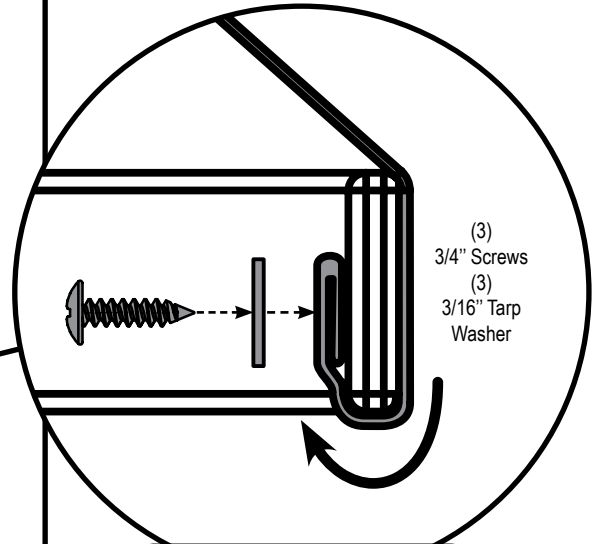
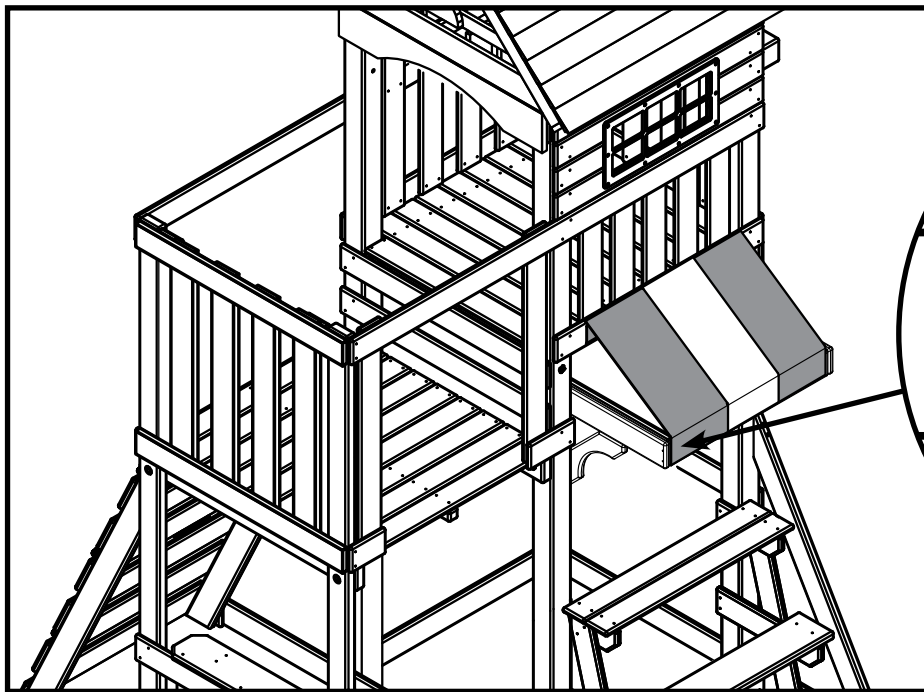
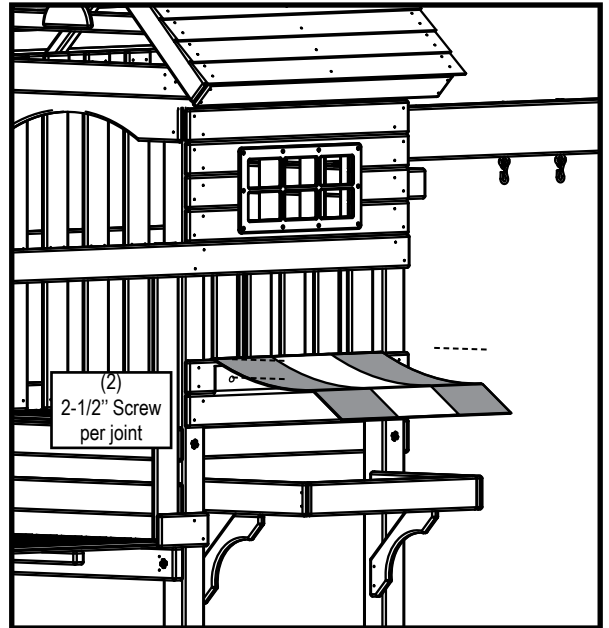
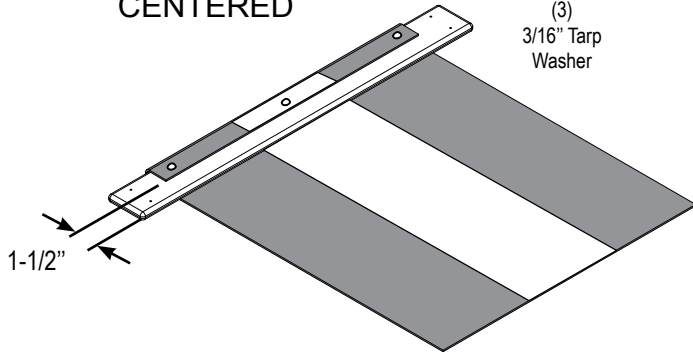


1. Attach Tarp Support Frame to tower as shown.

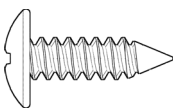
STEP 38

PF 6331 5/8" x 3-3/8" x 31-1/2"
CENTERED

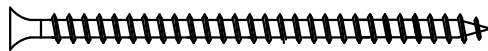
(3)
3/4" Screws
(3)
3/16" Tarp
Washer



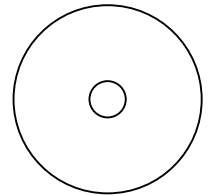
Tarp Side View



3/4" Pan Head Screw (x6)



2-1/2" Deck Screw (x4)

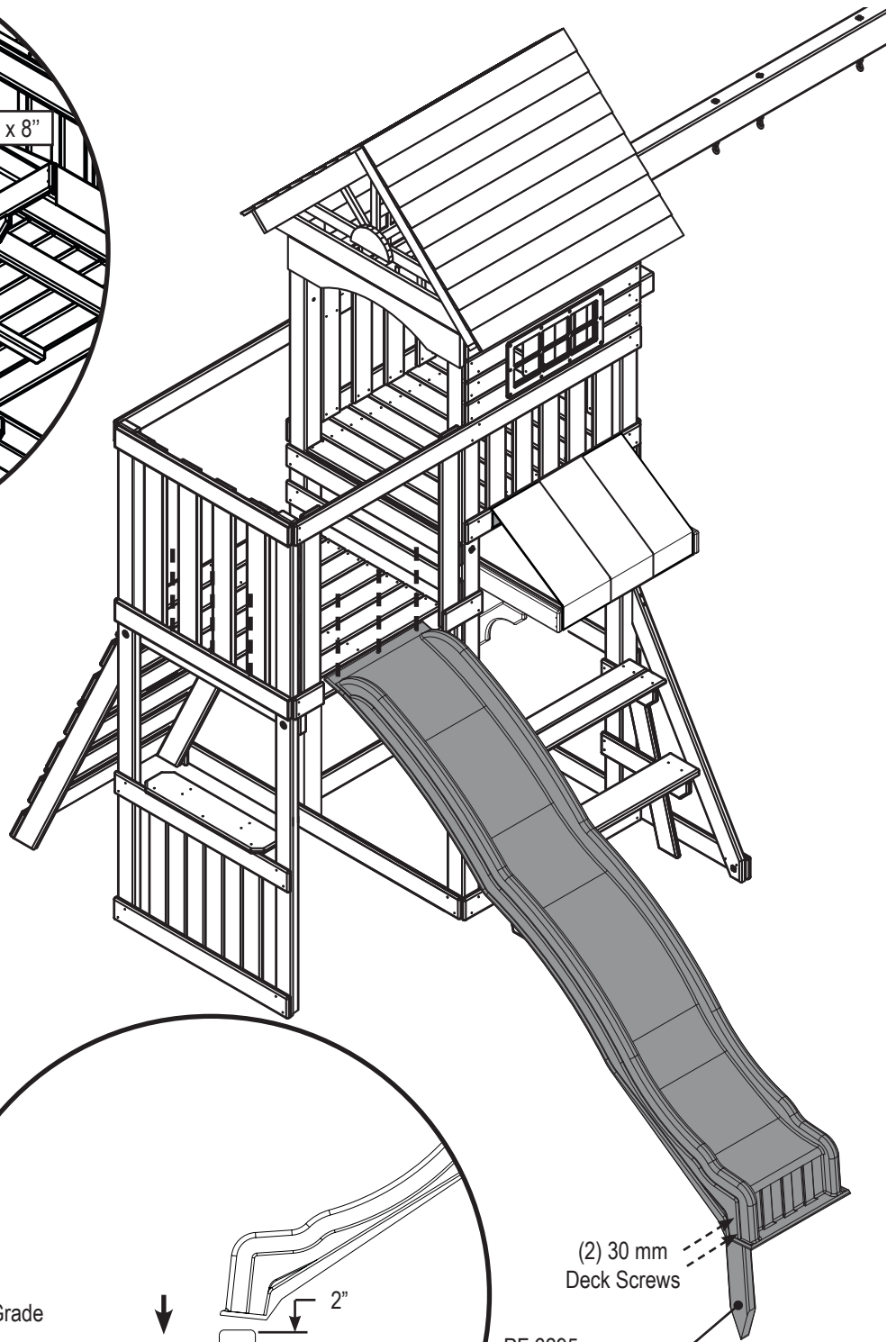
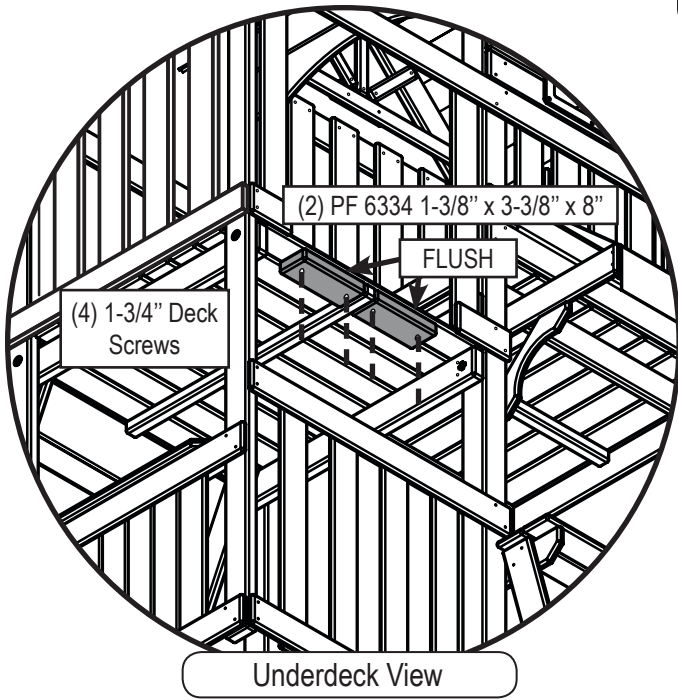


3/16" Tarp Washer (x6)

1. Attach tarp to support board as shown, wrapping around underneath the board,
2. Attach the support board to the tower so that the tarp is sandwiched between board and barrier.
3. Wrap the tarp around the frame as shown, securing the tarp in place from the inside.

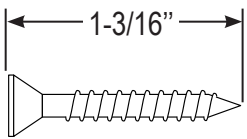
NOTE: Install screws through hem for strength.

STEP 39



(2) 30 mm Deck Screws

PF 6295 1-3/8"x3-3/8"x17-1/4" Slide Stake



30mm Deck Screw (x2)



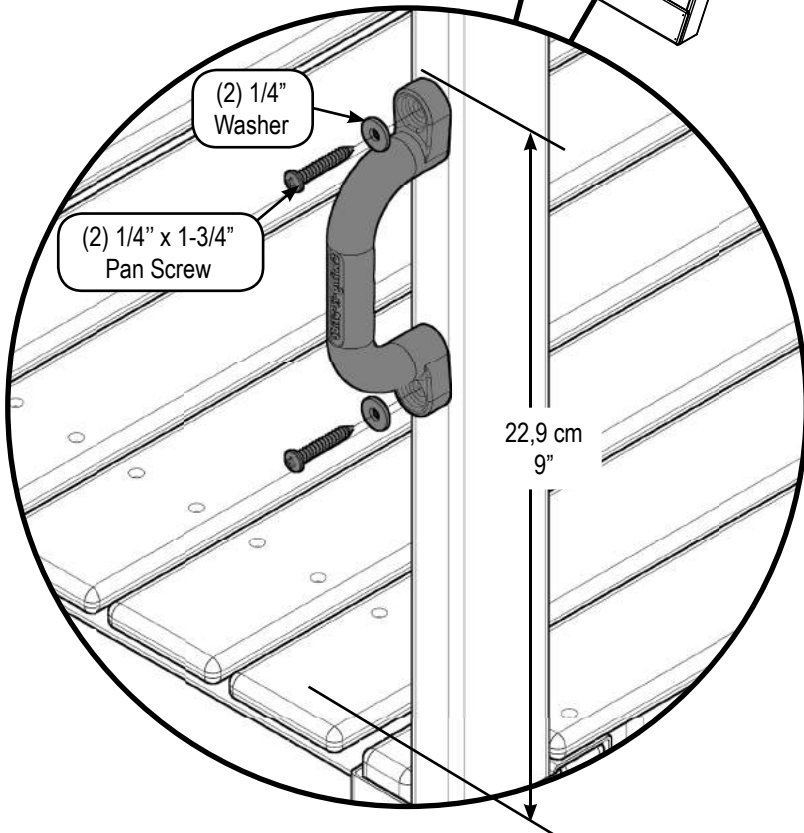
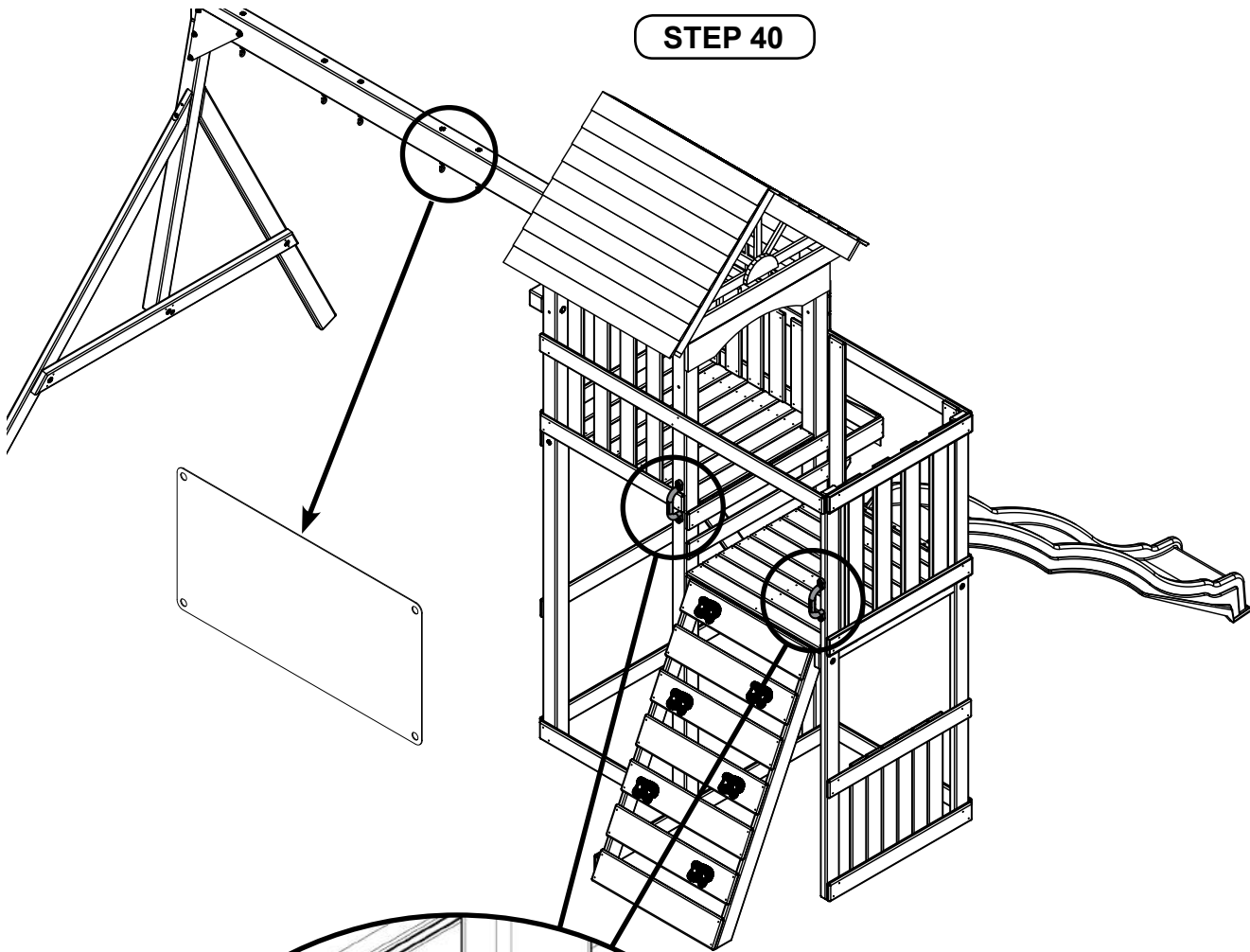
1-3/4" Deck Screw (x4)



1-3/4" Truss Screw (x3)

1. Attach slide as shown.

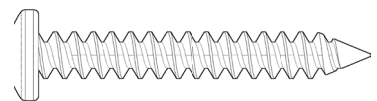
STEP 40



(2) 1/4" Washer

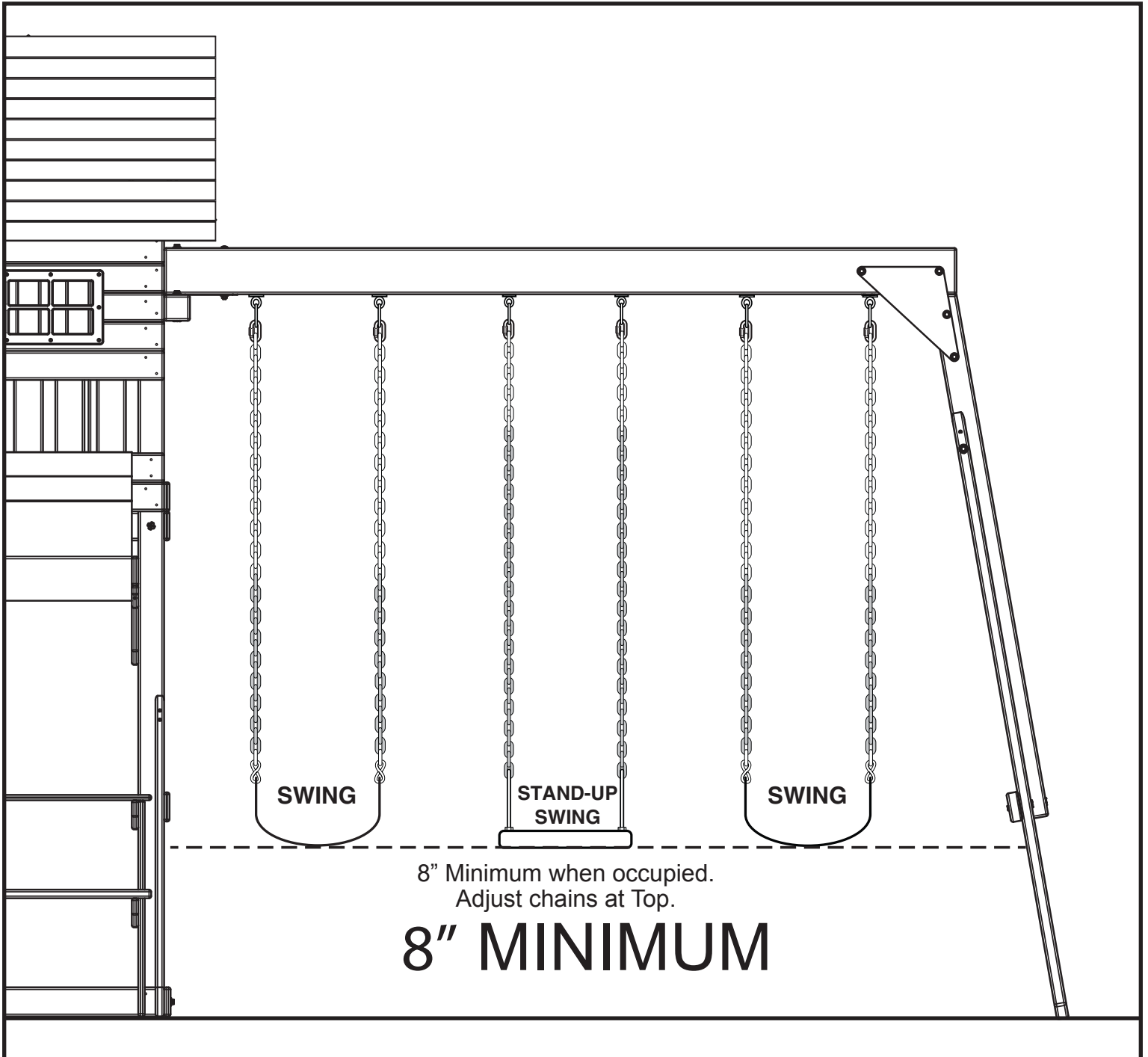
(2) 1/4" x 1-3/4" Pan Screw

22,9 cm
9"



1-3/4" Pan Screw (x4)

1. Attach Safety Handle and I.D. Tag as shown.



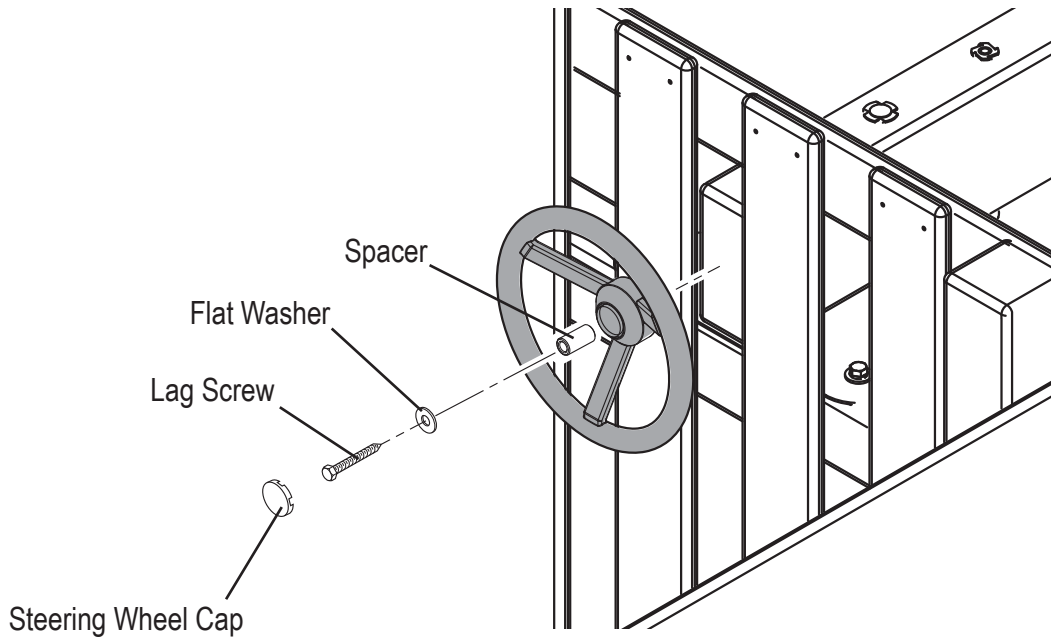
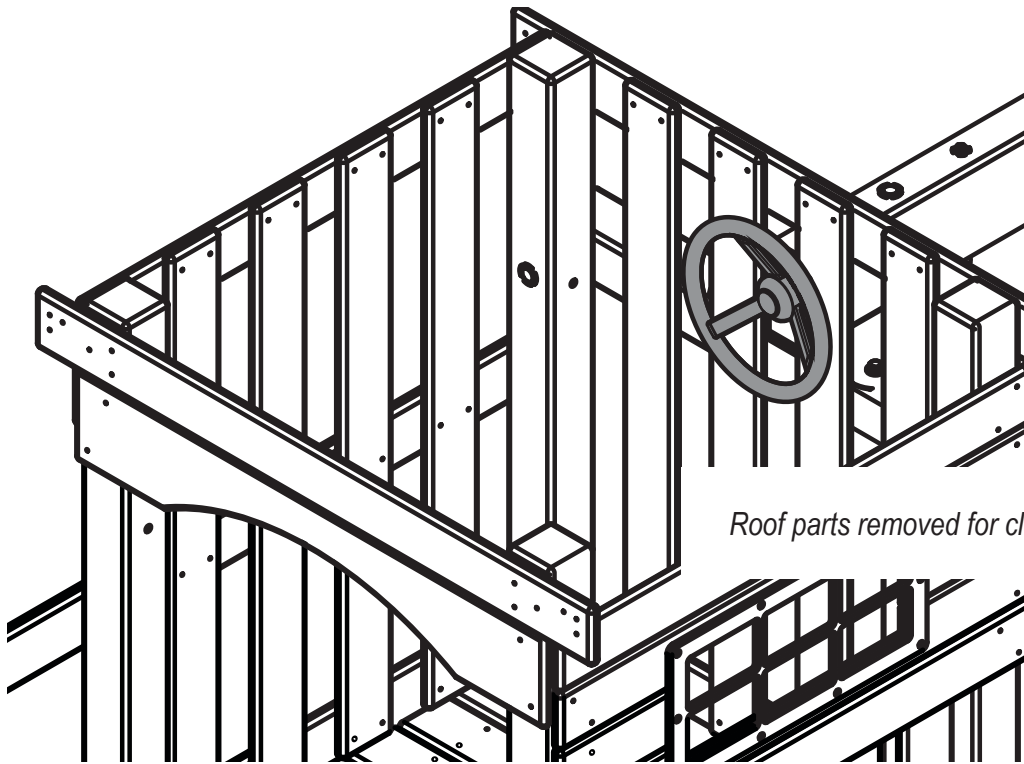
8" Minimum when occupied.
Adjust chains at Top.

8" MINIMUM

Swing Seat and Stand-Up Swing Assembly Installation

1. Attach Swing Seats and Stand-Up Swing to swing beam as shown.
2. Make certain to adjust clearance from bottom of swings to the surfacing while the swing is occupied.
3. Adjust all chain lengths at the top.

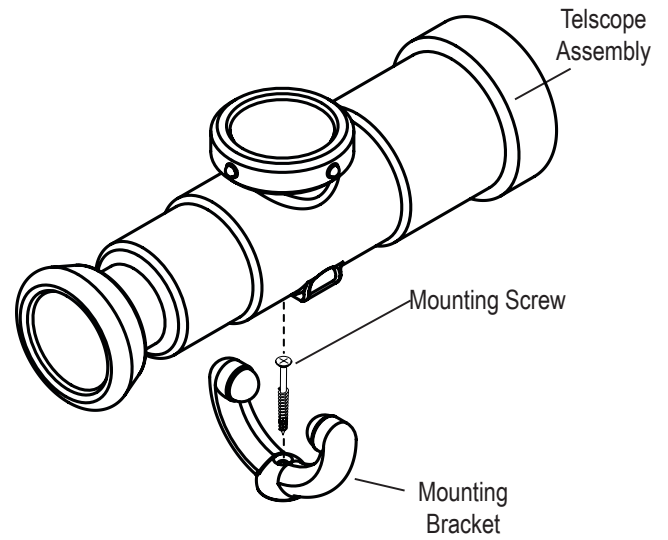
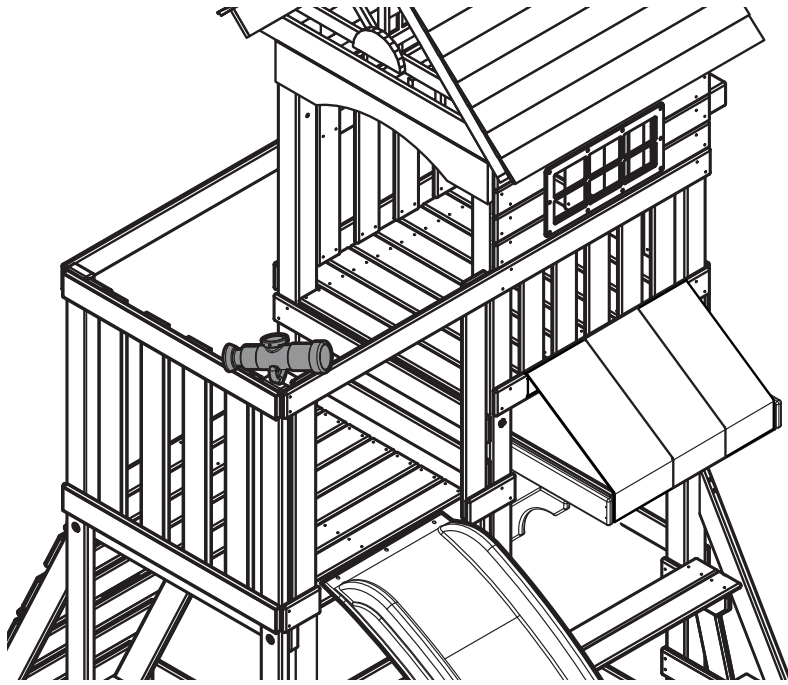
STEP 42



Steering Wheel Assembly

1. Choose a desired location for the Steering Wheel.
2. Mount Steering Wheel as indicated.
3. Snap Steering Wheel Cap into place.

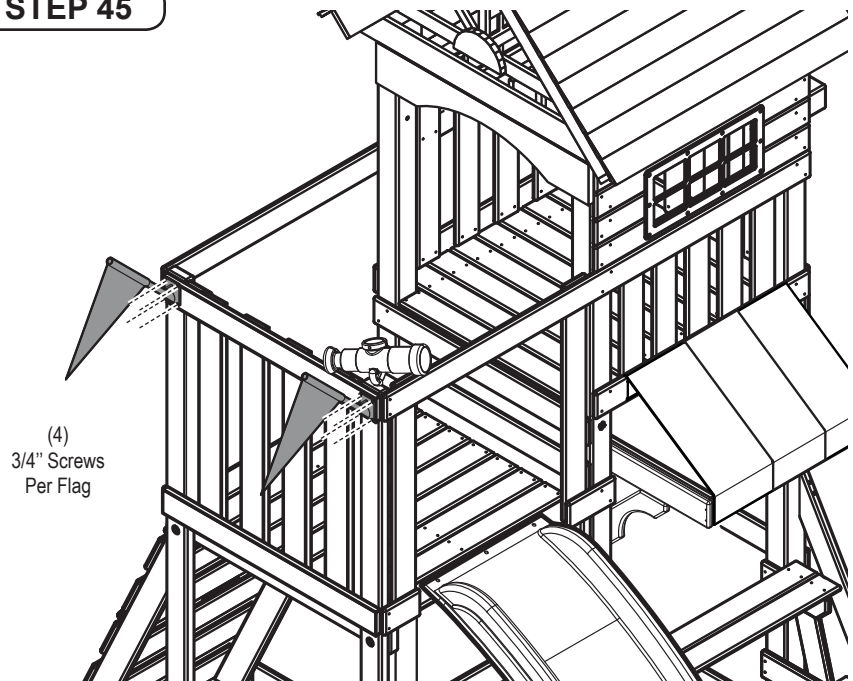
STEP 43



Telescope Assembly

1. Position Mounting Bracket in desired location.
2. Attach Mounting Bracket to the unit using the Mounting Screw provided.
3. Insert the Telescope into the Mounting Bracket as shown.

STEP 45

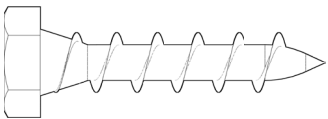
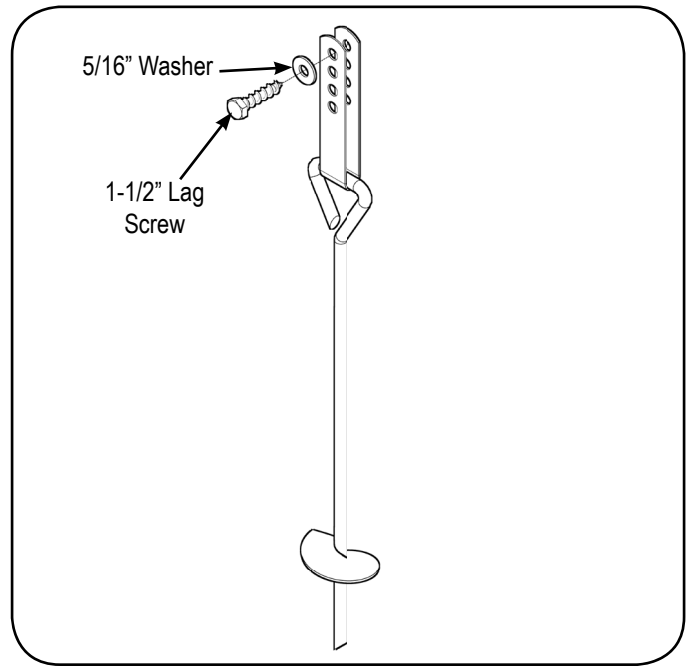
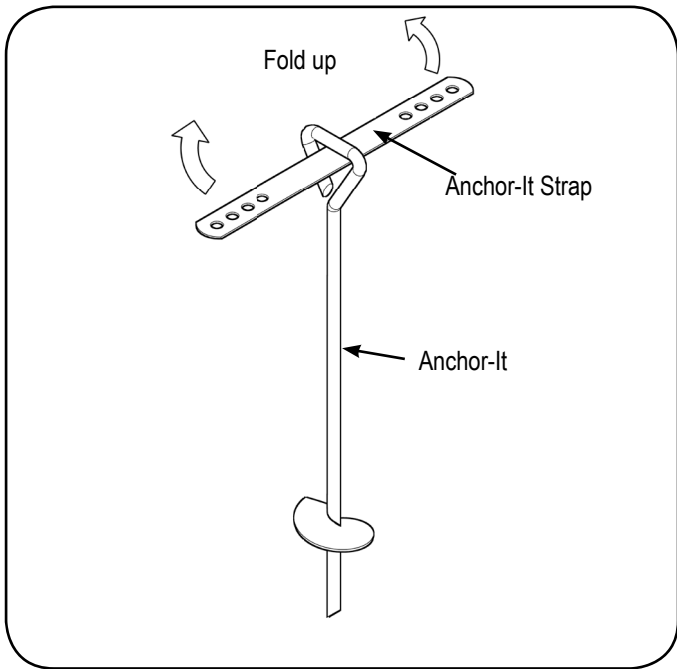
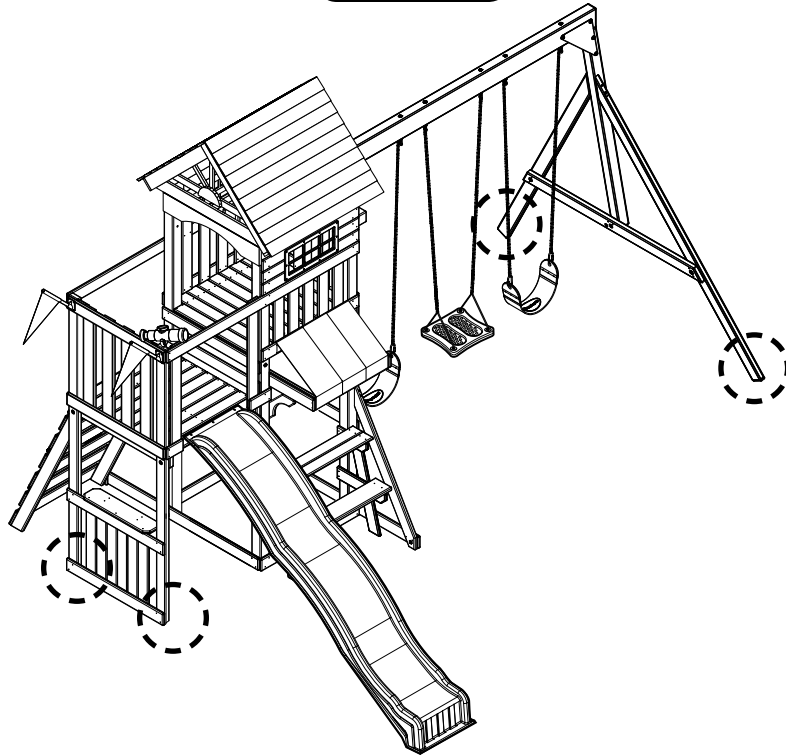


3/4" Flat Head Screw (x4)

Flag Assembly

1. Secure Flags as shown.

STEP 44



5/16" x 1-1/2" Lag Screw (x4)

1. Place swing set in final location and mount Anchor-It(s) at locations circled above.
2. Twist the Anchor-It into the ground until only the loop is exposed.
3. Place Anchor-It Strap thru loop, fold the ends together and attach to the unit as shown.

Note: Keep as little play as possible using any of the holes in the strap that work best.

TIP: When installing Anchor-Its in rocky or hard soil, create a starter hole at the desired locations using either a 16" Concrete Drill Bit, or a long screw driver then insert and install the Anchor-Its as shown. This will allow you to get traction with the Anchor-It faster and allow the device to seat more securely.

Register ▶▶

PRODUCT WARRANTY & REGISTRATION

Please register online to properly *initiate* your product warranty & registration

Benefits of registering online:

- Quick & simple from home or mobile
- Record your purchase in our system
 - Initiate product warranty
 - Improved customer support
- Notification of new product information

Register your product online at
www.OnlineWarranty.net

WARRANTY

WARRANTY REGISTRATION:

Please complete your warranty registration to properly validate your product warranty registration. Register your product online at: www.OnlineWarranty.net

Backyard Play Systems warrants the following:

1. All wood and plastic (polymer) coated wood components have a Limited Lifetime Warranty.
 - Treated Wood - Backyard Play Systems will replace treated wood which becomes structurally unfit due solely to damage caused by fungal decay or termites.
 - Plastic (Polymer) Coated Woodguard TM – Backyard Play Systems will replace Woodguard TM components which become structurally unfit due solely to damage caused by fungal decay or termites. The plastic coating color can fade naturally over time. This warranty excludes color fading.
2. All non-wood components* have a three year Limited Warranty.
 - *Ropes carry a one year Limited Warranty.
3. Installation labor has a three year Limited Warranty applicable on playsets installed by Backyard Play Systems. Labor warranty does NOT apply to Do-It-Yourself playset kits or kits installed by a third party.

Backyard Play Systems will repair, replace or pay for the affected part at our discretion. In no event shall Backyard Play Systems pay the cost of labor or installation or any other costs related thereto.

Non-residential use of the system is prohibited and will void this warranty as the system is designed for residential use only.

Conditions

The warranty is effective only when:

1. The unit has been erected in accordance with the assembly instructions.
 - Plastic end caps and hole plugs have been properly installed on plastic coated wood.
2. The unit has been regularly and properly maintained and inspected.
3. The failure occurs when the unit is owned by the original purchaser.
4. This warranty is non-transferable
5. Backyard Play Systems has received a copy of your original proof of purchase with any claims in writing.
6. Backyard Play Systems has had reasonable opportunity during the sixty (60) days following the receipt of notification to inspect and verify the failure prior to commencement of any repair work.
7. "Significant color changes" to wood components is at the discretion of Backyard Products and require proof in the form of photographs or inspection by Backyard Play Systems.

Wooden components may have imperfections such as checks and knots. These are natural blemishes and imperfections which are inherent to wood. The imperfections not resulting in structural failure are not covered under this warranty.

Requirements

To validate your warranty it is necessary to go online and register your product. And also to maintain and inspect your playset regularly. Regularly is defined as once per start and end of season.

Claim Procedure

To make a claim under this warranty, you can either call 1-800-844-9273 or prepare a letter. Please have ready the information below when you call or include the information in writing:

1. The model and size of the product.
2. A list of the part(s) for which the claim is made.
3. Proof of purchase of the Backyard Play Systems item, as shown on the original invoice.
4. Run Code, as listed on the instructions.

Mail the above information to:

Backyard Play Systems
Attn: Customer Service
1000 Ternes Dr.
Monroe, MI 48162

WARRANTY

Please feel free to call our Consumer Help Line Toll Free

1-800-844-9273

Monday - Friday 8:00 AM to 6:00 PM EST

Saturday 8:30 AM to 5:00 PM EST

No warranty is offered on the following: (1) equipment subject to abuse, negligence, improper installation, vandalism, acts of God, unauthorized alteration or attachment to equipment other than our own: or (2) equipment subjected to improper use, service or repair by customer or any third party.

To the maximum extent permitted by law, this warranty and the remedies set forth herein are exclusive and expressly in lieu of all other warranties, expressed or implied, including warranties of merchantability or fitness for a particular purpose. If Backyard Play Systems cannot disclaim or exclude implied warranties under applicable law, then to the extent possible any claims under any such implied warranties shall expire on expiration of the applicable warranty period. Some states do not allow limitations on how long an implied warranty lasts, so the above limitation may or may not apply to you. Backyard Play Systems does not assume, or authorize any person to assume for us, any other liability in connection with the sale of our products.

To the maximum extent of the law, Backyard Play Systems assumes no responsibility for incidental or consequential damages which may arise from the purchase or use of our playset or equipment. Some states do not allow the exclusion or limitation of incidental or consequential damages, so the above limitation or exclusion may not apply to you.

If any provision of this limited warranty is invalid, void or unenforceable in any instance or respect, the unenforceable provision will be severed and reformed to effect the intent of this limited warranty to the maximum extent possible, and the remaining provisions shall continue in full force and effect and shall be enforced to the full extent permitted by law.

This warranty gives you specific legal rights, and you may also have other rights which vary from state to state.

- WARRANTY TERMS MAY VARY OUTSIDE THE U.S.A.
- This manual is your warranty certificate. Please retain your original proof of purchase and this manual for any warranty claims.



A Backyard Products Company

Got Questions? We've got answers!
Call our Customer Support Representatives

1-800-844-9273

Available Monday - Friday, 7am - 5pm (CST)

Weekend support available April through July

**Technical support from experienced customer service
representatives who have actually built a swing set themselves.**