

## Mediant 2000 - DC/AC

ID RP 12-234\_49

Created

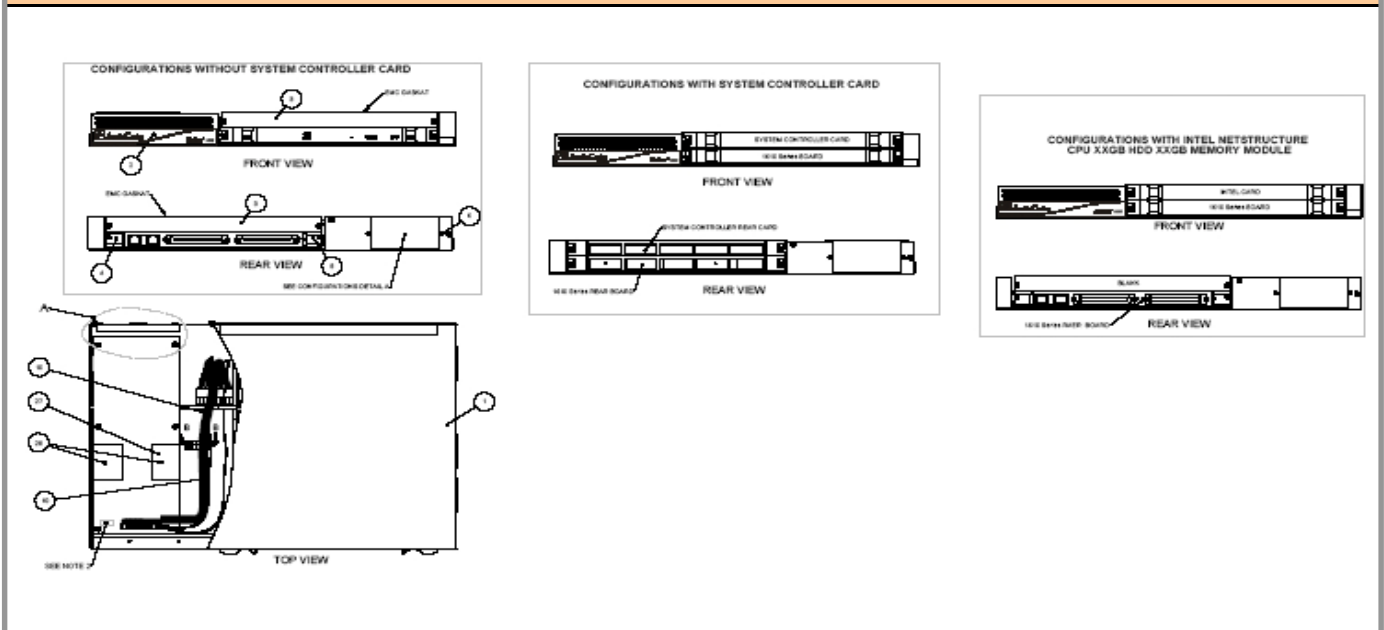
25.09.2007

### 1 Manufacturer

<b>Name of Company</b>	AudioCodes
<b>Address</b>	
<b>City / Zip Code</b>	
<b>Country</b>	

### 2 Equipment Information

#### Product figure



<b>Brandname</b>	AudioCodes
<b>Product type</b>	Mediant 2000 - DC/AC
<b>Model number</b>	M2K
<b>Equipment net weight</b>	4.55 kg
<b>Gross weight (with packaging)</b>	
<b>Equipment dimensions</b>	450x300x45 mm
<b>Reference to public available information</b>	<a href="http://www.recycling-passport.net">www.recycling-passport.net</a>

Compiled by

AudioCodes



# RECYCLINGPASSPORT

Recycling Product Information.

## Mediant 2000 - DC/AC

ID RP 12-234\_49

Created

25.09.2007

### 2 Equipment Information (Cont.)

#### Safety-Marks and other Marks on the Product Label

CE; UL; WEEE approvals on product label

#### Restricted Substances

#### Batteries

Battery YES NO

Amount: System of Battery:

Type of Battery: Weight of Battery [g]:

Form of Battery:

#### Disposal of used Electrical & Electronic Equipment

(Applicable in the European Union and other European countries with separate collection system)

This symbol on the product, or in the manual and in the warranty, and/or on its packaging indicates that this product shall not be treated as household waste.

For more detailed information about take-back and recycling of this product, please contact your local service organization. By ensuring this product is disposed of correctly, you will help prevent potential negative consequences for the environment and human health, which could otherwise be caused by inappropriate waste handling of this product. The recycling of materials will help to conserve natural resources.

If your equipment contains easy removable batteries or accumulators please dispose these separately according to your local requirements.



Manufacturer AudioCodes

Compiled by KERP-Engineering  
Meldemann Straße 18  
A-1200 Wien



# RECYCLINGPASSPORT

Recycling Product Information.

## Mediant 2000 - DC/AC

**ID** RP 12-234\_49

**Created**

25.09.2007

### 3 Recycling Information

Product contains material / components under or with

	<b>NO</b>	If YES specify (location see picture on page 4)
1 Pressure		
2 Liquids (please specify below)		
3 Gasses (please specify below)		
4 "Hidden" mechanical springs or other harmful equivalents		
5 Risk for explosion during treatment		
6 Risk as fire hazard during treatment		
7 Other risks (please specify below)		
8 ...		

Product contains material / components to be removed (marked red on page 4)

(acc. to Directive 2002/96/EC, Annex 2)

9 Polychlorinated biphenyls (PCB) containing capacitors		1,2,3,4,5
10 Mercury containing components, such as switches or backlighting lamps		
11 Batteries		
12 Printed circuit boards with surfaces greater than 10 square centimetres		
13 Toner cartridges, liquid and pasty, as well as colour toner		
14 Plastic containing brominated flame retardants		
15 Asbestos waste and components which contain asbestos		
16 Cathode ray tubes		
17 Chlorofluorocarbons (CFC), hydrochlorofluorocarbons (HCFC) or hydrofluorocarbons (HFC), hydrocarbons (HC)		
18 Gas discharge lamps		
19 Liquid crystal displays (together with their casing where appropriate) of a surface greater than 100 square centimetres and all those back-lighted with gas discharge lamps		
20 External electric cables		
21 Components containing refractory ceramic fibres as described in Commission Directive 97/69/EC of 5 December 1997 adapting to technical progress Council Directive 67/548/EEC relating to the classification, packaging and labeling of dangerous substances		
22 Components containing radioactive substances with the exception of components that are below the exemption thresholds set in Article 3 of and Annex I to Council Directive 96/29/Euratom of 13 May 1996		
23 Electrolyte capacitors containing substances of concern (height > 25 mm, diameter > 25 mm or proportionately similar volume)		

#### Others

26 Berylliumoxide, Beryllium and its compounds		
27 Cadmium and its compounds		
28 Plastic with other flame retardants (please specify):		
29 ...		

#### Remarks

To topic No.	Specification	To topic No.	Specification

**Manufacturer**

AudioCodes

**Compiled** IKERP-Engineering  
Meldemann Straße 18  
A-1200 Wien

## Mediant 2000 - DC/AC

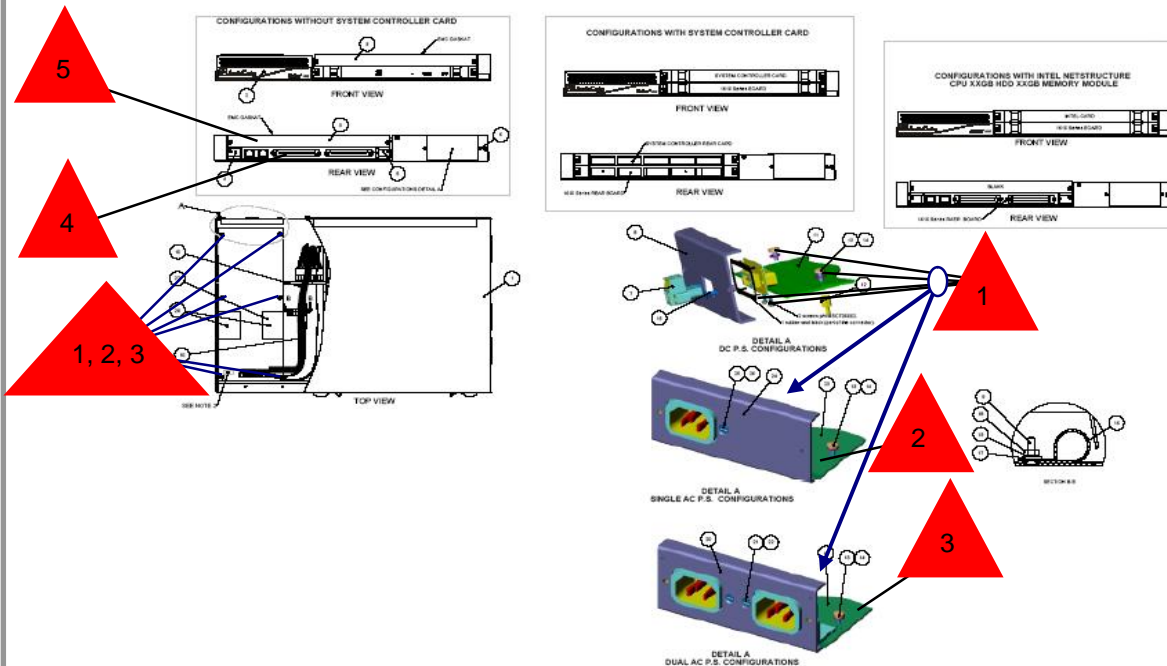
ID RP 12-234\_49

Created

25.09.2007

### 4 Materials and components, which have to be removed and treated separately

> Symbol ▲



Nr.	Components	Material	Details
1	APSI-1404DC-A POWER SUPPLY	PWB	Unscrew 2 + 6 screws
2	APSI-1004AC2-C SINGLE AC REDUN PS 2000 SERIES	PWB	Unscrew 2 + 6 screws
3	APSI-1004AC2-C DUAL AC REDUN PS 2000 SERIES FOR D	PWB	Unscrew 2 + 6 screws
4	1610 Series BOARD	PWB	Unscrew 4 screws
5	INTEL CARD	PWB	Unscrew 4 screws

**Manufacturer** AudioCodes

**Compiled by** KERP-Engineering  
Meldemann Straße 18  
A-1200 Wien