



LUH HORIZONTAL FAN-FORCED UNIT HEATER

**VERSATILE, FAN-FORCED HEATING FOR COMMERCIAL
AND INDUSTRIAL COMFORT HEAT APPLICATIONS**

- Horizontal airflow
- Wall or ceiling mounting
- Self-contained
- Totally enclosed fan motor
- Dynamically balanced fan
- Fintube® heating element
- Easy installation
- Minimum maintenance
- Long life
- Attractive appearance
- 2.6 to 45 kW
- 8,900 to 153,600 Btuh
- 208, 240, 277, 480, and 600 Volt
- 1 or 3 phase
- Meets UL and CSA requirements (600 V CSA Certified only)



Designed for performance, versatility, and durability

The Chromalox® LUH self-contained blower heater provides quiet, reliable, fan-forced heat for all types of commercial and industrial applications. Mounted on walls or ceilings, it provides horizontal airflow. Optional wall or ceiling swivel mounting brackets and individually adjustable louvers help direct airflow exactly where it is needed. Heavy-duty construction affords long, dependable service, while its almond polyester powder coat finish makes an attractive, clean appearance.

High-Performance Efficiency, Quiet Operation

The high-performance efficiency of the Chromalox LUH unit heater is due to its dynamically balanced fan and patented Chromalox® Fintube® heating element. The pitch of the fan blades is carefully selected to quietly and rapidly pull a volume of air across the heat-radiating fins of the heating element for an optimum discharge air temperature, more even airflow distribution, and cooler heating element operation. The Fintube heating element greatly increases surface area, permitting faster heat transfer to the air. Quiet, vibration-free operation is enhanced by the attachment of the unit's fan guard and motor mount to the heating housing with rubber vibration isolators.

Versatility Marked by Wall or Ceiling Mounting

The LUH unit heater can be easily attached to a ceiling or a wall for adjustable directional horizontal discharge.

Recessed welded fasteners on top of the housing are internally threaded for fixed-mount, overhead suspension of the unit with threaded rods. Optional ceiling and wall swivel mounting brackets are available for simple, easy attachment to a ceiling or overhead member, or to a wall. A swivel bolt allows the direction of horizontal airflow to be adjusted up to 180 degrees. In addition, the unit's louvers can be individually adjusted to direct airflow up or down as needed.

This makes the LUH heater ideal for

- Primary heating
- Supplementary heating
- Dual-system heating
- Spot heating
- Entryway air-curtain heating

Rugged Construction for Long, Reliable Service Life

The design and heavy-duty construction of the LUH unit heater enables it to withstand the dust, dirt, and abuse typical of commercial and industrial environments for long, dependable service.

The cabinet is 18-gauge steel. It is phosphate undercoated for corrosion resistance and powder-coated on the exterior for appearance and toughness. The Fintube heating element is constructed of patented corrosion-resistant steel fins furnace-brazed to the tubular heating element sheath that protects the resistor wire from the environment. Wide spacing of the fins minimizes clogging. The motor is totally enclosed to keep dirt out and rated for continuous duty.

Self-Contained Electrical and Control Features Simplify Installation, Help Ensure Safe, Long-Term Operation

- Integral, heavy-duty, 3-pole, magnetic contactors are standard.
- Integral 24 V control transformer, standard on 480 V models, eliminates the need for an external control source.
- Thermal overload cutouts open the control circuit and disconnect power to the heating elements if overheating occurs. Automatic reset allows the control circuit to reclose and restore power when temperature returns to normal.
- All heaters with a total current draw of 48 or more amps have electrically balanced, subdivided circuits with individual fuse protection. The fuse compartment is conveniently located for easy access.



Options Make the LUH Heater Flexible for Your Installation

The following options are available by factory installation or field installation kits.

- Summer fan switch, internal or external, for fan-only operation to circulate warm, stratified air.
- Internal thermostat, adjustable 40° to 100°F (4° to 38°C). Mounts on the front of the heater.
- Power disconnect switch enables power to be disconnected while servicing heater. Mounts on the front of the heater.

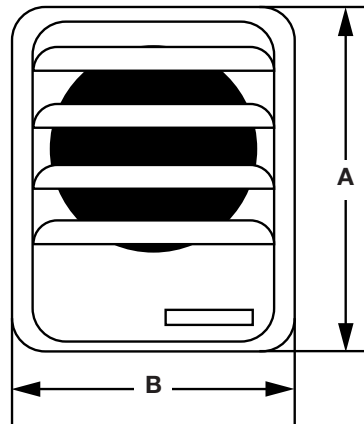
APPLICATIONS

- Shipping and receiving areas
- Pump houses
- Power generating stations
- Aircraft hangers
- Factories
- Warehouse
- Garages

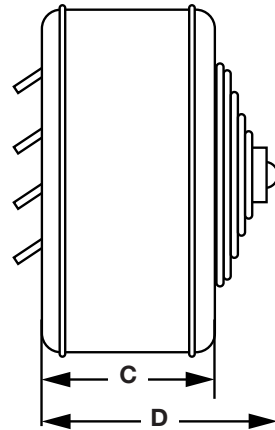


DIMENSIONS

Front View



Side View

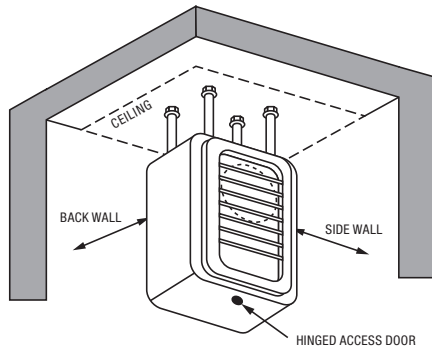


LUH Heater Dimensions

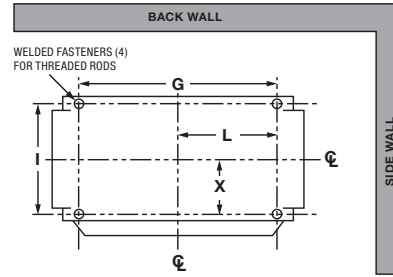
Heater Model No.	Dimensions in. / mm			
	A	B	C	D
LUH-02 thru LUH-05	16 / 406	13 ¹ / ₈ / 333	8 ⁷ / ₈ / 225	11 ¹ / ₁₆ / 281
LUH-07 thru LUH-15	20 ¹ / ₂ / 521	17 ¹ / ₄ / 438	11 ¹ / ₂ / 292	15 / 381
LUH-20 & LUH-25	24 / 610	20 ¹ / ₈ / 511	11 ¹ / ₂ / 292	17 ³ / ₄ / 451
LUH-30 thru LUH-45	24 / 610	20 ¹ / ₈ / 511	17 / 432	23 ⁷ / ₈ / 606

CEILING MOUNTED, FIXED

Wall and Ceiling Clearance



Rod Spacing



Heater must be mounted at least 7 feet above floor.
Threaded rods not supplied.

Ceiling Clearance Requirements

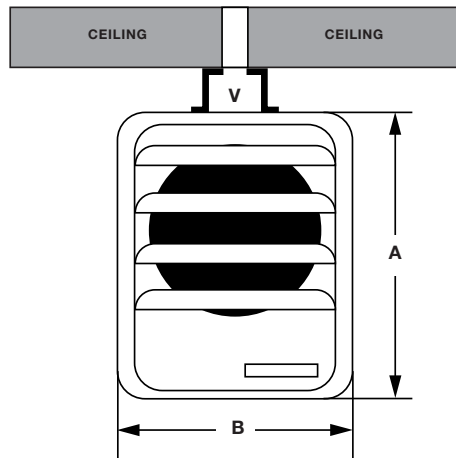
Heater Model No.	Mounting Limitations in. / mm		
	Back to Wall	Side to Wall	Top to Ceiling
LUH-02 thru LUH-05	6 / 152	6 / 152	4 / 102
LUH-07 thru LUH-15	6 / 152	6 / 152	6 / 152
LUH-20 thru LUH-25	6 / 152	6 / 152	6 / 152
LUH-30 thru LUH-45	6 / 152	6 / 152	6 / 152

Rod Thread Type and Spacing Dimensions

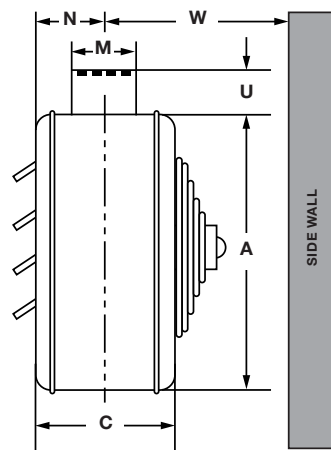
Heater Model No.	Rod Thread Type	Dimensions in. / mm			
		G	I	L	X
HVH-02 thru HVH-05	$\frac{5}{16}$ - 18	5 1/2 / 140	4 1/2 / 114	2 3/4 / 70	2 1/4 / 157
HVH-07 thru HVH-15	$\frac{3}{8}$ - 16	8 1/4 / 210	6 1/4 / 159	4 1/8 / 105	3 1/8 / 79
HVH-20 thru HVH-25	$\frac{3}{8}$ - 16	8 1/4 / 210	6 1/4 / 159	4 1/8 / 105	3 1/8 / 79
LUH-30 thru LUH-45	$\frac{3}{8}$ - 16	8 1/4 / 210	11 3/4 / 299	4 1/8 / 105	5 7/8 / 149

CEILING MOUNTED, OPTIONAL SWIVEL BRACKET

Front View



Side View



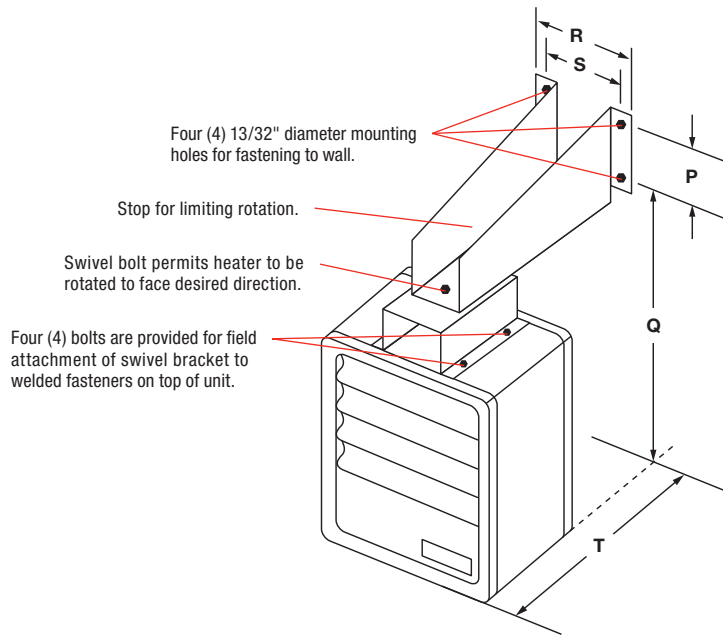
Ceiling must be smooth wood, plaster, or metal surface with adequate strength to support heater. Not adaptable to acoustic tile or suspended ceiling.

Four (4) bolts are provided for field attachment of swivel bracket to welded fasteners on top of unit.

Ceiling Swivel Mounting Bracket Specifications

Heater Model No.	Dimensions in. / mm								Bracket Wt. lb / kg	Ceiling Bracket Model No.
	A	B	C	M	N	U	V	W		
LUH-02 thru LUH-05	16	13 1/8	8 7/8	6 / 152	4 7/16 / 113	4 / 102	4 3/4 / 121	10 1/2 / 267	3 / 1	WUH-04A
LUH-07 thru LUH-15	20 1/2	17 1/4	11 1/2	8 / 203	4 3/4 / 121	6 / 152	7 1/4 / 184	16 / 406	5 1/2 / 3	WUH-05
LUH-20 thru LUH-25	24	20 1/8	11 1/2	8 / 203	6 1/4 / 159	6 / 152	7 1/4 / 184	17 1/2 / 445	5 1/2 / 3	WUH-05
LUH-30 thru LUH-45	24	20 1/8	17	13 3/4 / 349	9 5/16 / 237	6 / 152	7 1/4 / 184	21 / 533	11 / 5	WUH-06

WALL MOUNTED, OPTIONAL SWIVEL BRACKET



Wall Swivel Mounting Bracket Specifications

Heater Model No.	Dimensions in. / mm					Bracket Wt. lb / kg	Ceiling Bracket Model No.
	P	Q	R	S	T		
LUH-02 thru LUH-05	1 1/2 / 38	21 1/2 / 546	6 3/4 / 172	5 5/8 / 143	14 1/2 / 368	4 1/2 / 2	WUH-01A
LUH-07 thru LUH-15	2 3/32 / 53	28 19/32 / 726	9 1/2 / 241	8 5/8 / 213	19 5/8 / 499	12 1/4 / 6	WUH-02
LUH-20 thru LUH-25	2 3/32 / 53	28 19/32 / 726	9 1/2 / 241	8 5/8 / 213	19 5/8 / 499	12 1/4 / 6	WUH-02
LUH-30 thru LUH-45	5 1/2 / 140	30 3/4 / 781	3 1/2 / 89	3 1/2 / 89	32 9/16 / 827	24 1/4 / 11	WUH-02

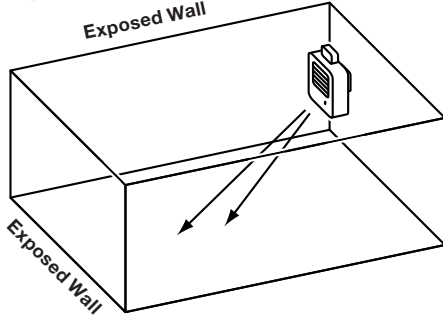
Note: Wall mounting hardware to be supplied by customer.

Installation Tips

Small Rooms

One heater is sufficient to heat small rooms. Where two walls are exposed, mount the heater as shown in Figure 1.

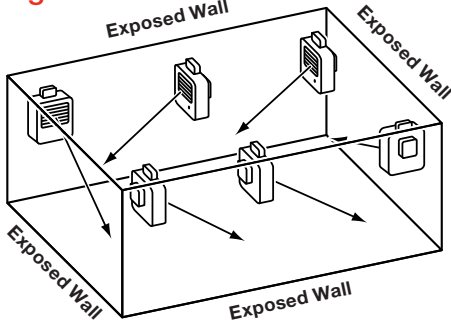
Figure 1



Large Rooms

Multi-unit installation is necessary for large rooms. The number and capacity of units will be determined by volume of the room and square feet of floor area to be heated. Arrange the units to provide perimeter air circulation where each unit supports the air stream from another, as shown in Figure 2. To prevent air stratification, total CFM capacity of all units should circulate the room air volume at least three times per hour. Units should be located so their air streams wipe exposed walls without blowing directly on them.

Figure 2



For Warehouse-Type Installations

To maintain minimum temperature, one or more large heaters can be used to reduce initial installation expense.

For Individual Spaces

Calculate total heating capacity in the conventional way, using formulas in the ASHRAE Advanced Energy Design Guides or those found in the NEMA handbook.

For Pedestrian Entryways

When heating capacity is not known, a rule of thumb is 3,000 to 5,000 watts per door. Use 3,000 watts per door for a low-traffic, single-door entry. For a large, multiple-door entry, or a high-traffic, single-door entry, use 5,000 watts per door.

Loading Docks

To combat cold air inrush when loading dock doors are opened arrange one or more units to blow warm air across the opening, not toward it.

Mounting Height

- Heaters must be mounted at least seven feet above the floor to prevent accidental contact with the heating elements or fan blade which could cause injury
- Do not install unit heaters above recommended maximum mounting height
- Obstructions must not block unit heater air inlet or discharge streams

Additional Recommendations

Arrange units so their discharge air streams:

- Are subjected to a minimum of interference from columns, machinery, and partitions.
- Are directed away from room occupants in comfort heating
- Are directed along the windward side when installed in a building exposed to a prevailing wind

ACCESSORIES

Summer Fan Switch

Description	2 to 15 kW		20 to 45 kW		Stock	Wt.
	Model No.	PCN	Model No.	PCN		
Internal, 208 to 277 V	ISFS-02 ²	305007	ISFS-02	305007	NS	0.25
External ¹ with Relay (24 V Control)	ESFS-40	305015	ESFS-40A	305058	NS	0.5
External ¹ with Relay (120 V Control)	ESFS-41	305023	ESFS-41A	305066	NS	0.5
External ¹ with Relay (240 V Control)	ESFS-42	305031	ESFS042A	305074	NS	0.5
External ¹ with Relay (277 V Control)	ESFS-47	305040	—	—	NS	0.5

¹Kit includes wall plate (discard plate if switch is to be installed on heater).

²Do not use for 240 V rated heaters. Fan relay option with proper control voltage relay coil is required for 480 V heaters

Available Thermostat Kits

Model	Rating	PCN	Stock	Wt lb / kg
LUH-TK1	SPST	301129	S	0.25 / 0.11

Available Disconnect Switch Kits

Model	Rating	PCN	Stock	Wt lb / kg
EDS-1	63 A	303431	S	0.5 / 0.23
EDS-2	80 A	303440	S	0.5 / 0.23
EDS-3	100 A	303458	NS	1 / 0.46

SPECIFICATIONS & ORDERING INFORMATION

Electrical (60 Hz)					Motor				Air Flow CFM	Air Delivery			Mtg. ⁵ Height ft	Ordering			
kW	V	Ckt & ph	A ¹	Btuh	V	ph	HP	RPM		FPM	Temp. Rise °F	Horiz. Throw ft		Model	Stock	PCN	lb
2.6	208	1-1	13.1	8,850	208	1	1/40	1,650	410	880	21	12	8	LUH-02-81-34	S	303001	32
2.0/2.6	208/240	1-1	11.4 ⁴	8,850	240	1	1/40	1,650	410	880	21	12	8	LUH-02-21-34	S	303010	32
2.6	277	1-1	9.6	8,850	277	1	1/30	1,550	360	770	24	12	8	LUH-02-71-35	S	303028	32
4	208	1-1	19.8	13,661	208	1	1/40	1,650	410	880	31	12	8	LUH-04-81-34	S	303036	32
4	208	1-3 ⁵	11.7	13,661	208	1	1/40	1,650	410	880	31	12	8	LUH-04-83-34	S	303044	32
3/4	208/240	1-1	17.2 ⁴	13,661	240	1	1/40	1,650	410	880	31	12	8	LUH-04-21-34	S	303052	32
3/4	208/240	1-3 ⁵	10.2 ⁴	13,661	240	1	1/40	1,650	410	880	31	12	8	LUH-04-23-34	S	303060	32
4	277	1-1	14.6	13,661	277	1	1/30	1,550	360	770	35	12	8	LUH-04-71-35	S	303079	32
4	480	1-3	5.1	13,661	480	1	1/35	1,550	380	815	33	12	8	LUH-04-43-32	S	303087	32
5	208	1-1	24.6	17,076	208	1	1/40	1,650	410	880	39	12	8	LUH-05-81-34	S	303095	32
5	208	1-3 ⁵	14.5	17,076	208	1	1/40	1,650	410	880	39	12	8	LUH-05-83-34	S	303108	32
3.75/5	208/240	1-1	21.4	17,076	240	1	1/40	1,650	410	880	39	12	8	LUH-05-21-34	S	303116	32
3.75/5	208/240	1-3 ⁵	12.6	17,076	240	1	1/40	1,650	410	880	39	12	8	LUH-05-23-34	NS	303124	32
5	277	1-1	18.3	17,076	277	1	1/30	1,550	360	770	44	12	8	LUH-05-71-35	NS	303132	32
5	480	1-3	6.3	17,076	480	1	1/35	1,550	380	815	42	12	8	LUH-05-43-32	S	303140	32
7.5	208	1-1 ⁵	36.5	25,598	208	1	1/15	1,725	850	1,040	28	27	8	LUH-07-81-34	NS	303159	50
7.5	208	1-3	21.3	25,598	208	1	1/15	1,725	850	1,040	28	27	8	LUH-07-83-34	S	303167	50
5.6/7.5	208/240	1-1 ⁵	31.7 ⁴	25,598	240	1	1/15	1,725	850	1,040	28	27	8	LUH-07-21-34	S	303175	50
5.6/7.5	208/240	1-3	18.5 ⁴	25,598	240	1	1/15	1,725	850	1,040	28	27	8	LUH-07-23-34	NS	303183	50
7.5	277	1-1	27.7	25,598	277	1	1/15	1,550	750	920	32	27	8	LUH-07-71-35	NS	303191	50
7.5	480	1-3	9.9	25,598	480	3	1/15	1,725	850	1,040	28	27	8	LUH-07-43-32	S	303204	50
7.5	600	1-3	7.6	25,598	575	3	1/3	1,725	850	1,040	28	27	8	LUH-07-63-32	NS	—	50
9.7	208	1-1 ⁵	47.1	34,130	208	1	1/15	1,725	850	1,040	37	27	9	LUH-10-81-34	NS	303212	50
9.7	208	1-3	27.4	34,130	208	1	1/15	1,725	850	1,040	37	27	9	LUH-10-83-34	S	303220	50
7.5/10	208/240	1-1 ⁵	42.1 ⁴	34,130	240	1	1/15	1,725	850	1,040	37	27	9	LUH-10-21-34	S	303239	50
7.5/10	208/240	1-3	24.5 ⁴	34,130	240	1	1/15	1,725	850	1,040	37	27	9	LUH-10-23-34	NS	303247	50
10	480	1-3	12.9	34,130	480	3	1/15	1,725	850	1,040	37	27	9	LUH-10-43-32	S	303255	50
10	600	1-3	10.6	34,130	575	3	1/3	1,725	850	1,040	37	27	9	LUH-10-63-32	NS	—	50
12.5	208	1-3	35.2	42,663	208	1	1/15	1,725	850	1,040	47	27	9	LUH-12-83-34	S	303263	50
9.3/12.5	208/240	1-3	30.6	42,663	240	1	1/15	1,725	850	1,040	47	27	9	LUH-12-23-34	NS	303271	50
12.5	480	1-3	15.9	42,663	480	3	1/15	1,725	850	1,040	47	27	9	LUH-12-43-32	S	303280	50
12.5	600	1-3	12.6	42,663	575	3	1/3	1,725	850	1,040	47	27	9	LUH-12-63-32	NS	—	50
15	208	1-3	42.1	51,195	208	1	1/15	1,725	850	1,040	56	27	10	LUH-15-83-34	NS	303298	50
11.25/15	208/240	1-3	36.6 ⁴	51,195	240	1	1/15	1,725	850	1,040	56	27	10	LUH-15-23-34	NS	303300	50
15	480	1-3	19	51,195	480	3	1/15	1,725	850	1,040	56	27	10	LUH-15-43-32	S	303319	50
15	600	1-3	15.6	51,195	575	3	1/3	1,725	850	1,040	56	27	10	LUH-15-63-32	NS	—	50
14.5/19.4	208/240	1-3	48.0 ⁴	68,460	240	3	1/3	1,725	1,240	1,160	53	31	11	LUH-20-23-34	NS	303327	73
20	480	1-3	25	68,460	480	3	1/3	1,725	1,240	1,160	53	31	11	LUH-20-43-32	S	303335	73
20	600	1-3	19.6	68,460	575	3	1/3	1,725	1,240	1,160	53	31	11	LUH-20-63-32	NS	—	73
25	480	1-3	31	85,525	480	3	1/3	1,725	1,350	1,260	60	31	12	LUH-25-43-32	S	303343	73
25	600	1-3	24.6	85,525	575	3	1/3	1,725	1,350	1,260	60	31	12	LUH-25-63-32	NS	—	73
30	208	2-3	85.2	102,390	240	3	1/3	1,725	1,555	1,450	64	46	13	LUH-30-83-34	NS	303351	106
22.5/30	208/240	2-3	74.0 ⁴	102,390	240	3	1/3	1,725	1,555	1,450	64	46	13	LUH-30-23-34	NS	303360	106
30	480	2-3	37.1	102,390	480	3	1/3	1,725	1,555	1,450	64	46	13	LUH-30-43-32	S	303378	106
30	600	2-3	29.6	102,390	575	3	1/3	1,725	1,555	1,450	64	46	13	LUH-30-63-32	NS	—	106
26.25/35	208/240	2-3	86.0 ⁴	119,455	240	3	1/3	1,725	1,555	1,450	71	45	14	LUH-35-23-34	NS	303386	106
35	480	2-3	43.1	119,455	480	3	1/3	1,725	1,555	1,450	71	45	14	LUH-35-43-32	S	303394	106
35	600	2-3	34.7	119,455	575	3	1/3	1,725	1,555	1,450	71	45	14	LUH-35-63-32	NS	—	106
28.5/38	208/240	2-3	93.3	136,520	240	3	1/3	1,725	1,555	1,450	84	44	15	LUH-40-23-34	NS	303407	106
39	480	2-3	47.9	136,520	480	3	1/3	1,725	1,555	1,450	84	44	15	LUH-40-43-32	S	303415	106
40	600	2-3	39.7	136,520	575	3	1/3	1,725	1,555	1,450	84	44	15	LUH-40-63-32	NS	—	106
45	480	2-3	55.1	153,585	480	3	1/3	1,725	1,555	1,450	94	42	17	LUH-45-43-32	S	303423	106
45	600	2-3	43.7	153,585	575	3	1/3	1,725	1,555	1,450	94	42	17	LUH-45-63-32	NS	—	106

¹Includes motor amps.

²Maximum mounting height for effective heat distribution. Minimum height is seven (7) feet.

³Stock Status: S = Stock NS = Non-Stock

⁴208 V amperage is 86% of 240 V value.

⁵Models can be field-wired for 1 or 3 phase.

To Order—Specify model, PCN, kW, volts, phase, and quantity.

Other Notes:

A. All heaters have built-in contactors and stock 480 V models have built-in control transformers and contactor with 120 V holding coils. All stock 208 and 240 V models have 208/240 V holding coils. All stock 277 V models have 277 V holding coils.

B. Optional contactors available with 120 or 24 V holding coils on made-to-order models, contact your Local Chromalox Sales office.

C. When total heater capacity exceeds 48 amps, built-in fusing is provided behind a hinged-and-latched door in the side which allows easy access.

RECOMMENDED CONTROL OPTIONS

PCN	Description	Kits			
		Thermostat	Fan Only	Remote Fan	Disconnect
303001	LUH-02-81-34-00 208 V 1P 2.6 kW	LUH-TK1	ISFS-02	ESFS-42	EDS-1
303010	LUH-02-21-34-00 240 V 1P 2.6 kW	LUH-TK1	ISFS-02	ESFS-42	EDS-1
303028	LUH-02-71-35-00 277 V 1P 2.6 kW	LUH-TK1	ISFS-02	ESFS-47	EDS-1
303036	LUH-04-81-34-00 208 V 1P 4 kW	LUH-TK1	ISFS-02	ESFS-42	EDS-1
303044	LUH-04-83-34-00 208 V 3 P 4 kW	LUH-TK1	ISFS-02	ESFS-42	EDS-1
303052	LUH-04-21-34-00 240 V 1 P 4 kW	LUH-TK1	ISFS-02	ESFS-42	EDS-1
303060	LUH-04-23-34-00 240 V 3 P 4 kW	LUH-TK1	ISFS-02	ESFS-42	EDS-1
303079	LUH-04-71-35-00 277 V 1 P 4 kW	LUH-TK1	ISFS-02	ESFS-47	EDS-1
303087	LUH-04-43-32-00 480 V 3 P 4 kW	LUH-TK1	ESFS-41	ESFS-41	EDS-1
303095	LUH-05-81-34-00 208 V 1 P 5 kW	LUH-TK1	ISFS-02	ESFS-42	EDS-1
303108	LUH-05-83-34-00 208 V 3 P 5 kW	LUH-TK1	ISFS-02	ESFS-42	EDS-1
303116	LUH-05-21-34-00 240 V 1 P 5 kW	LUH-TK1	ISFS-02	ESFS-42	EDS-1
303124	LUH-05-23-34-00 240 V 3 P 5 kW	LUH-TK1	ISFS-02	ESFS-42	EDS-1
303132	LUH-05-71-35-00 277 V 1 P 5 kW	LUH-TK1	ISFS-02	ESFS-47	EDS-1
303140	LUH-05-43-32-00 480 V 3 P 5 kW	LUH-TK1	ESFS-41	ESFS-41	EDS-1
303159	LUH-07-81-34-00 208 V 1 P 7.5 kW	LUH-TK1	ISFS-02	ESFS-42	EDS-1
303167	LUH-07-83-34-00 208 V 3 P 7.5 kW	LUH-TK1	ISFS-02	ESFS-42	EDS-1
303175	LUH-07-21-34-00 240 V 1 P 7.5 kW	LUH-TK1	ISFS-02	ESFS-42	EDS-1
303183	LUH-07-23-34-00 240 V 3 P 7.5 kW	LUH-TK1	ISFS-02	ESFS-42	EDS-1
303191	LUH-07-71-35-00 277 V 1 P 7.5 kW	LUH-TK1	ISFS-02	ESFS-47	EDS-1
303204	LUH-07-43-32-00 480 V 3 P 7.5 kW	LUH-TK1	ESFS-41	ESFS-41	EDS-1
303212	LUH-10-81-34-00 208 V 1 P 10 kW	LUH-TK1	ISFS-02	ESFS-42	EDS-1
303220	LUH-10-83-34-00 208 V 3 P 10 kW	LUH-TK1	ISFS-02	ESFS-42	EDS-1
303239	LUH-10-21-34-00 240 V 1 P 10 kW	LUH-TK1	ISFS-02	ESFS-42	EDS-1
303247	LUH-10-23-34-00 240 V 3 P 10 kW	LUH-TK1	ISFS-02	ESFS-42	EDS-1
303255	LUH-10-43-32-00 480 V 3 P 10 kW	LUH-TK1	ESFS-41	ESFS-41	EDS-1
303263	LUH-12-83-34-00 208 V 3 P 12.5 kW	LUH-TK1	ISFS-02	ESFS-42	EDS-1
303271	LUH-12-23-34-00 240 V 3 P 12.5 kW	LUH-TK1	ISFS-02	ESFS-42	EDS-1
303280	LUH-12-43-32-00 480 V 3 P 12.5 kW	LUH-TK1	ESFS-41	ESFS-41	EDS-1
303298	LUH-15-83-34-00 208 V 3 P 15 kW	LUH-TK1	ISFS-02	ESFS-42	EDS-1
303300	LUH-15-23-34-00 240 V 3 P 15 kW	LUH-TK1	ISFS-02	ESFS-42	EDS-1
303319	LUH-15-43-32-00 480 V 3 P 15 kW	LUH-TK1	ESFS-41	ESFS-41	EDS-1
303327	LUH-20-23-34-00 240 V 3 P 20 kW	LUH-TK1	ISFS-02	ESFS-42A	EDS-2
303335	LUH-20-43-32-00 480 V 3 P 20 kW	LUH-TK1	ESFS-41A	ESFS-41A	EDS-1
303343	LUH-25-43-32-00 480 V 3 P 25 kW	LUH-TK1	ESFS-41A	ESFS-41A	EDS-1
303351	LUH-30-83-34-00 208 V 3 P 30 kW	LUH-TK1	ISFS-02	ESFS-42A	N/A
303360	LUH-30-23-34-00 240 V 3 P 30 kW	LUH-TK1	ISFS-02	ESFS-42A	EDS-3
303378	LUH-30-43-32-00 480 V 3 P 30 kW	LUH-TK1	ESFS-41A	ESFS-41A	EDS-1
303386	LUH-35-23-34-00 240 V 3 P 35 kW	LUH-TK1	ISFS-02	ESFS-42A	N/A
303394	LUH-35-43-32-00 480 V 3 P 35 kW	LUH-TK1	ESFS-41A	ESFS-41A	EDS-2
303407	LUH-40-23-34-00 240 V 3 P 40 kW	LUH-TK1	ISFS-02	ESFS-42A	N/A
303415	LUH-40-43-32-00 480 V 3 P 40 kW	LUH-TK1	ESFS-41A	ESFS-41A	EDS-2
303423	LUH-45-43-32-00 480 V 3 P 45 kW	LUH-TK1	ESFS-41A	ESFS-41A	EDS-2

ORDERING INFORMATION

When ordering LUH heaters, specify the model number and corresponding PCN (Product Code Number). If controls or thermostat/fan options are required, designate these options in the model number when ordering, as shown in below. Always specify voltage, phase, and kW by listing them on the purchase order product specifications.

LUH Horizontal Blower Heater

Code	Heating Elements
02	2.6 kW
04	4.0 kW
05	5.0 kW
07	7.5 kW
10	10.0 kW
12	12.5 kW
15	15.0 kW
20	20.0 kW
25	25.0 kW
30	30.0 kW
35	35.0 kW
40	40.0 kW
45	45.0 kW

Code	Voltage & Phase
81	208 V, 1 Phase
83	208 V, 3 Phase
21	240 V, 1 Phase
23	240 V, 3 Phase
71	277 V, 1 Phase
43	480 V, 3 Phase
63	600 V, 3 Phase

Code	Control
00	No Contactor(s)
30	24 V Control Internal Transformer
31	24 V Control Externally Supplied
32	120 V Control Internal Transformer
33	120 V Control Externally Supplied
34	208 / 240 V Control Internally Supplied, No Transformer
35	277 V Control Internally Supplied

Code	Control
00	No Thermostat, No Summer Fan Switch
40	Internal Thermostat Only
41	Internal Thermostat & Internal Summer Fan Switch
42	External Summer Fan Switch Only (Not 480 V)
43	External Summer Fan Switch & Fan Relay (All Volts)
44	Remote Fan Switch and Internal Thermostat (Not 480 V)
45	Remote Fan Switch, Fan Relay & Internal Thermostat (All Volts)
46	Internal Summer Fan Switch (Not 480 V)
47	Internal Summer Fan Switch, Fan Relay (All Volts)

Code	Disconnect Switch
1	63 A
2	80 A
3	100 A

LUH	05	21	34	41	1	Typical Model Number
-----	----	----	----	----	---	----------------------

Warning: This heater is not intended for use in hazardous atmospheres where flammable vapors, gases, liquids, or other combustible atmospheres are present, as defined in the National Electric Code. Failure to comply can result in explosion or fire. Nor is this heater intended for use in exposed outdoor, marine, or wash-down environments.

CHROMALOX WORLDWIDE LOCATIONS



● Sales Offices
■ Manufacturing Facilities

Chromalox Headquarters

103 Gamma Drive
Pittsburgh, PA 15238
USA

Phone: (412) 967-3800
Fax: (412) 967-5148
Toll-Free: 1-800-443-2640

email: sales@chromalox.com
www: www.chromalox.com

Canada

Tel: 877-238-4754
Fax: 888-292-9607

email: sales@chromalox.com
www: www.chromalox.com

China

Tel: +86 (0) 21-5866-8802
Fax: +86 (0) 21-5866-8803

email: shanghai.office@chromalox.com
www: www.chromalox.cn

France

Tel: +33 (0) 3 23 74 39 39
Fax: +33 (0) 3 23 74 39 00

email: ventes@chromalox.fr
www: www.chromalox.fr

Germany

Tel: +49 (0) 231-58 44 990-0
Fax: +49 (0) 231-58 44 990-9

email: Kontakt@chromalox.com
www: www.chromalox.de

Middle East

Tel: +971 4 8879776
Fax: +971 4 8879793

email: middle-eastsales@chromalox.com
www: www.chromalox.com

India

Tel: +91-11-25623134
Fax: +91-11-25623480

email: indiasales@chromalox.com
www: www.chromalox.in

Singapore

Tel: +65 (0) 6339 1228
Fax: +65 (0) 6339 2648

email: singaporesales@chromalox.com
www: www.chromalox.com

Thailand

Tel: +66 (0) 38 190916
Fax: +66 (0) 38 190919

email: asiasales@chromalox.com
www: www.chromalox.com

UK

Tel: +44 (0) 20 8665 8900
Fax: +44 (0) 20 8689 0571

email: uksales@chromalox.com
www: www.chromalox.co.uk

