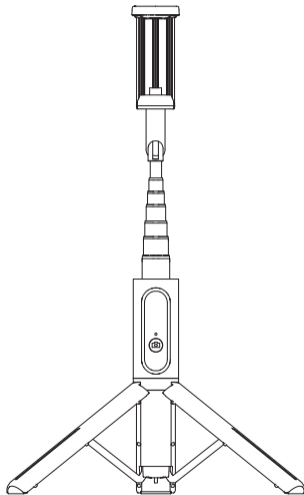


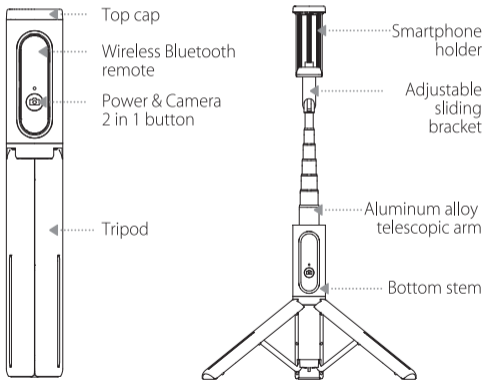
# ATUMTEK

## User Manual

BLUETOOTH SELFIE STICK PRO



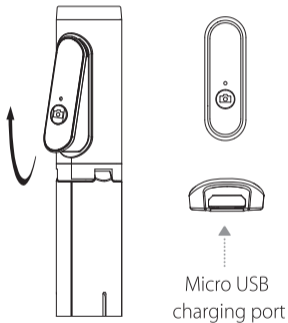
## Product Introduction



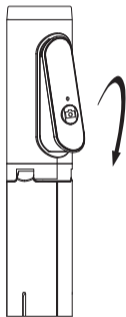
## Product Parameters

Weight	Approx. 172g
Remote distance	<10m(33ft)
Ambient temperature	-10°C~50 °C
Remote battery capacity	50 mAh
Input	5V/110 mAh
Compatible devices	IOS 7.0 and later/ Android 5.0 and later
Device width	Approx. 2.16-3.42 in
Extended length w/o tripod activated	Approx. 7.7-31.3 in
Extended length with tripod activated	Approx. 8.7-32.9 in
Folded size	Approx. 7.7*1.18 in
Remote button lifespan	>15,000 times

## How to take out / put in wireless Bluetooth remote



① Take out from the Remote bottom.



② Put in from the top of the Remote.

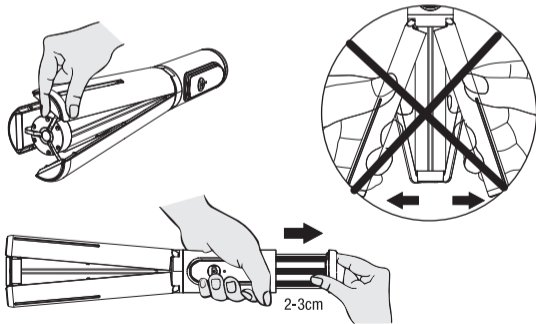
## How to use

Step 1: First unlock the 3 legs at the bottom slightly; then pull the top cap out about 2cm; (Be careful and do not get hurt by the clamp!!!)

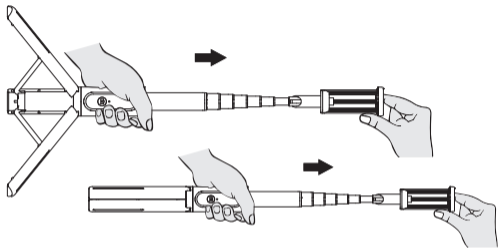
Now pull the whole stick arm out, and the tripod will open automatically.

ATTENTION:

1. Please fully pull out the stick arm so that the tripod can be fully opened. Otherwise, tripod is not fully opened and will not be stable.
2. Please don't pull the legs to open tripod!!!



Step2: Put the tripod on flat surface, then adjust the extendable stick arm for suitable height. If you do not need to use as tripod, just pull out the stick arm out and adjust height to use it.

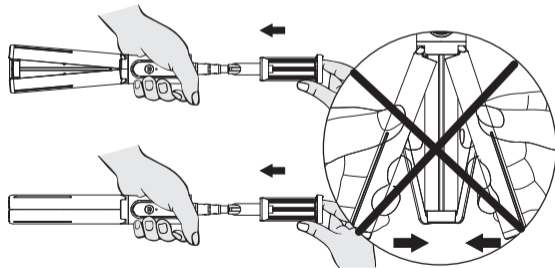


Step3: Widthwise set your phone inside the smartphone holder by releasing the top cap. Note: please avoid stuck the button of your phone.



## How to close

Remove your mobile phone by releasing the top cap. Then, hold the product middle position and use the other hand to push the aluminum alloy telescopic arm back from the top cap. Note: If you open the tripod, the tripod will close automatically when push back the aluminum alloy telescopic arm. Manual operation is prohibited.



WARNING:

Do not push the 3 legs to close!!! It will break legs!!!

## Bluetooth Connect Instruction

No.	Status	LED Light Indicator
1	Switch On	Green Light Flashing
	Long press camera button for 2 seconds, to open remote.	
2	Switch Off	LED Light OFF
	Long press camera button for 3 seconds, remote light is OFF.	
3	Standby	LED Light OFF
	Remote will standby after 10 minutes without operation; Press the button for once to active, then green light will flash, please reconnect with phone again.	
4	Low Power	Red Light Flashing
5	Charging	Red Light ON
6	Fully Charged	LED Light OFF
7	Connected	Green Light ON
8	Connectionless	Green Light Flashing

First long press the camera button for 2 seconds, then connect with "ATUMTEK" when green light is flashing, finally press once to take a picture or record video.

If phone could not connect, clean phone Bluetooth connection first, then try again; some Android phones use volume button to control camera, so if you still could not use remote, please choose "take a picture" or "take a video" on camera setting part.

Or please contact with seller directly to get support.

### NOTE:

1. Open your built-in camera in your phone and press the power & camera 2 in 1 button of once for taking a photo.
2. The wireless Bluetooth remote will connect directly after switch on if it is already connected with the phone Bluetooth in last time.
3. The Bluetooth will automatically disconnect when the distance is greater than or equal to 10 meters.
4. Turn the Bluetooth off in your phone and the wireless Bluetooth remote will standby.
5. How to disconnect with your phone: Go to your phone Bluetooth setting and disconnect "ATUMTEK" in paired devices.
6. Unavailable to use to control the built-in camera app in your phone when the wireless Bluetooth remote in charging.

# ATUMTEK

Contact us via Facebook Messenger (Recommended):

[m.me/atumtekproducts](https://m.me/atumtekproducts)

OR

[www.atumtek.com](http://www.atumtek.com)

OR

[support@atumtek.com](mailto:support@atumtek.com)

If you find our product satisfactory, please encourage us by sharing your user experience online.

If you need help with this purchase, please do not hesitate to contact us.



Syncwire UK Ltd  
C/O Lai and Co.109 Portland Street, Manchester, M1 6N