

Operating and installation instructions Refrigerators



To avoid the risk of accidents or damage to the appliance it is **essen-
tial** to read these instructions before it is installed and used for the
first time.

Contents

Warning and Safety instructions	5
Caring for the environment	14
Saving energy	15
Guide to the appliance	17
Control panel	17
Accessories	19
Accessories supplied	19
Optional accessories	19
Switching on and off	21
Before using for the first time	21
Cleaning the appliance	21
Switching off for longer periods of time	22
The correct temperature	23
... in the refrigerator section	23
... in the freezer compartment	23
Temperature display	24
Setting the temperature	24
Freezer compartment	24
Using Super cool	25
SuperCool function	25
Door alarm	26
Door alarm	26
Switching the door alarm off early	26
Selecting further settings	27
Settings mode	27
Activating or deactivating the lock	27
Storing food in the refrigerator section	28
Different storage zones	28
Food which is not suitable for storage in the refrigerator section	29
Notes on buying food	30
Storing food correctly	30
Adjusting the interior fittings	31
Adjusting the door shelf/bottle shelf	31
Moving the shelves	31
Adjusting the bottle holder	31
Moving the charcoal filters	32

Freezing and storing food (depending on model)	33
Using the freezer compartment.....	33
Freezing fresh food.....	33
Storing frozen food.....	33
Home freezing	34
Before placing food in the appliance	35
Placing frozen goods in the freezer	35
Approx. 24 hours after placing fresh food in the freezer compartment	35
Storage time for frozen food.....	35
Defrosting frozen goods	36
Cooling drinks	36
Using accessories	36
Defrosting	37
Before defrosting.....	37
To defrost	38
After defrosting.....	38
Cleaning and care	39
Cleaning agents.....	39
Preparing the refrigeration appliance for cleaning	40
Cleaning the interior and accessories	41
Cleaning the door seal	42
Cleaning the ventilation gaps.....	42
After cleaning	42
Replacing the charcoal filters.....	43
Problem solving guide	44
Noises	50
Service	51
Contact in the event of a fault	51
EPREL database	51
Warranty	51
Installation	52
Installation	52
Side-by-side installation.....	52
Location.....	53
Ventilation.....	54
Furniture door panel	54
Before installing the appliance	56

Contents

Building-in dimensions	57
Installation dimensions.....	57
Changing the door hinging.....	59
Adjusting the appliance door hinges.....	62
Limiting the opening angle of the appliance door.....	62
Installing the appliance.....	63
To install the appliance, you will need the following tools:.....	63
Parts required for installation	63
Preparing the appliance	63
Positioning the refrigeration appliance	65
Aligning the refrigeration appliance.....	66
Fitting a continuous furniture plinth facing.....	67
Securing the appliance in the niche	68
Fitting the furniture door.....	68
Electrical connection	73

Warning and Safety instructions

This refrigeration appliance complies with current safety requirements. Inappropriate use can, however, lead to personal injury and material damage.

Please read the operating and installation instructions carefully before using the refrigeration appliance for the first time. They contain important information on safety, installation, use and maintenance. This is to protect yourself from injury, and from damaging your refrigeration appliance.

In accordance with standard IEC 60335-1, Miele expressly and strongly advises that you read and follow all information provided on installing the refrigeration appliance, as well as the safety notes and warnings.

Miele cannot be held liable for injury or damage caused by non-compliance with these instructions.

Keep these operating and installation instructions in a safe place and pass them on to any future owner.

Correct application

- ▶ This refrigeration appliance is intended for use in the home and in similar environments, for example
 - in shops, offices and similar work settings
 - by the guests in hotels, motels, bed & breakfasts and other typical home settings.

This refrigeration appliance is not intended for outdoor use.

- ▶ This appliance is intended for domestic use only for cooling and storing food and drink as well as for storing deep frozen food, freezing fresh food and for making ice.

Any other usage is not supported by the manufacturer and could be dangerous.

Warning and Safety instructions

▶ This refrigeration appliance is not suitable for storing and keeping cool medicines, blood plasma, laboratory preparations or similar substances or products that are subject to the Medical Device Directive. Incorrect use of the refrigeration appliance for such purposes may cause deterioration of the items stored. The refrigeration appliance is also not suitable for use in areas where there is a risk of explosion.

Miele cannot be held liable for damage caused by improper or incorrect use or operation of the appliance.

▶ The appliance can only be used by people with reduced physical, sensory or mental capabilities, or lack of experience and knowledge, if they are supervised whilst using it, or have been shown how to use it in a safe way and recognise and understand the consequences of incorrect operation.

Safety with children

▶ Children under 8 years of age must be kept away from the refrigeration appliance unless they are constantly supervised.

▶ Children 8 years and older may only use the appliance unsupervised if they have been shown how to use it in a safe way and recognise and understand the consequences of incorrect operation.

▶ Children must not be allowed to clean or maintain the appliance unsupervised.

▶ Please supervise children in the vicinity of the appliance and do not let them play with it.

▶ Danger of suffocation! Whilst playing, children could become entangled in packaging (such as plastic wrapping) or pull it over their head and suffocate. Keep packaging material away from children.

Technical safety

► The coolant circuit has been checked for leaks. The refrigeration appliance complies with statutory safety requirements and the appropriate EU directives.



► This refrigeration appliance contains the refrigerant isobutane (R600a), a natural gas which is environmentally friendly but flammable. The refrigerant does not damage the ozone layer and does not contribute to the greenhouse effect.

The use of this refrigerant has, however, led to a slight increase in the noise level of the appliance. In addition to the noise of the compressor, you might be able to hear the refrigerant flowing around the cooling circuit. Unfortunately, this cannot be avoided, but it does not affect the performance of the refrigeration appliance.

When transporting and installing the refrigeration appliance, ensure that no parts of the cooling circuit are damaged. Splashes of refrigerant can damage the eyes.

In the event of damage:

- Avoid naked flames or anything which creates a spark.
 - Disconnect the refrigeration appliance from the mains electricity supply.
 - Ventilate the room where the refrigeration appliance is located for several minutes.
 - Contact the Miele Customer Service Department.
- The more coolant there is in a refrigeration appliance, the larger the room it should be installed in. In the event of a leakage, if the appliance is in a small room, there is the danger of a combustible gas/air mixture building up. For every 11 g of coolant at least 1 m³ of room space is required. The amount of coolant in the refrigeration appliance is stated on the data plate inside the appliance.

Warning and Safety instructions

- ▶ To avoid the risk of damage to the appliance, make sure that the connection data (fuse rating, frequency and voltage) on the data plate corresponds to the household supply. Check that this is the case before connecting the appliance. Consult a qualified electrician if in any doubt.
- ▶ The electrical safety of this appliance can only be guaranteed when correctly earthed. It is essential that this standard safety requirement is met. If in any doubt please have the electrical installation tested by a qualified electrician.
- ▶ Reliable and safe operation of this appliance can only be assured if it has been connected to the mains electricity supply.
- ▶ If the electrical connection cable is faulty it must only be replaced by a Miele authorised service technician to protect the user from danger.
- ▶ Do not connect the appliance to the mains electrical supply by a multi-socket adapter or extension lead. These are a fire hazard and do not guarantee the required safety of the appliance.
- ▶ If moisture gets into electrical components or into the mains connection cable, it could cause a short circuit. Therefore, do not operate this refrigeration appliance in areas which are exposed to moisture (e.g in a garage or utility room).
- ▶ This appliance must not be used in a non-stationary location (e.g. on a ship).
- ▶ Do not use a damaged appliance. It could be dangerous. Check the appliance for visible signs of damage.
- ▶ For safety reasons, this appliance may only be used after it has been built in.
- ▶ The appliance must be isolated from the electricity supply during installation, maintenance and repair work.

Warning and Safety instructions

- ▶ Unauthorised installation, maintenance and repairs can cause considerable danger for the user. Installation, maintenance and repairs must only be carried out by a Miele authorised technician.
- ▶ While the appliance is under warranty, repairs should only be undertaken by a Miele authorised service technician. Otherwise the warranty is invalidated.
- ▶ Faulty components must only be replaced with genuine Miele original spare parts. Miele can only guarantee the safety standards of the appliance when Miele replacement parts are used.
- ▶ This refrigeration appliance is supplied with a special lamp to cope with particular conditions (e.g. temperature, moisture, chemical resistance, abrasion resistance and vibration). This lamp must only be used for the purpose for which it is intended. The lamp is not suitable for room lighting. Replacement lamps may only be fitted by a Miele authorised technician or by the Miele Customer Service Department. This refrigeration appliance contains several light sources with at least energy efficiency class G.

Warning and Safety instructions

Correct use

- ▶ This refrigeration appliance is designed for use within specific ambient temperatures (climate range). Do not use in ambient temperatures for which it is not designed. The climate range is stated on the data plate in the interior cabinet of the refrigeration appliance. A lower ambient temperature will cause the compressor to switch off for longer periods, meaning that the refrigeration appliance is unable to maintain the required temperature.
- ▶ Do not cover or block the air vents as this could impair the efficiency of the appliance, increase the electricity consumption and could cause damage to the components.
- ▶ If storing food which contains a lot of fat or oil in the appliance or the door, make sure that it does not come into contact with plastic components as this could cause stress cracks or break the plastic.
- ▶ Risk of fire and explosion. Do not store explosive materials in the refrigeration appliance or any products containing propellants (e.g. spray cans). Electrical components can cause flammable mixes of gases to ignite.
- ▶ Danger of explosion. Do not operate any electrical equipment (e.g. an electric ice-cream maker) inside the refrigeration appliance. Danger of sparking and explosion.
- ▶ Danger of injury and damage to the appliance. Do not store cans or bottles containing carbonated drinks or liquids which could freeze in the freezer compartment. Otherwise they could burst.
- ▶ Danger of injury and damage to the appliance. When chilling drinks in the freezer section, make sure that bottles are not left in for more than one hour. Otherwise they could burst.
- ▶ Danger of injury. Never handle frozen food or the metal parts of the appliance with wet hands. Your hands may freeze to the frozen food or to the metal.

Warning and Safety instructions

▶ Danger of injury. Do not take ice cubes out with your bare hands and never place ice cubes or ice lollies in your mouth straight from the freezer compartment.

The very low temperature of the frozen food could cause frost burn to the lips and tongue.

▶ Do not refreeze partially or fully defrosted food. Consume defrosted food as soon as possible, as it will lose its nutritional value and spoil if left for too long. Defrosted food may only be re-frozen after it has been cooked.

▶ Observe the manufacturer's "use-by" dates and storage instructions given on food to avoid the risk of food poisoning. Storage times will depend on several factors, including the freshness and quality of the food, as well as the temperature at which it is stored.

Accessories and spare parts

▶ Only use genuine original Miele accessories and spare parts with this appliance. Using accessories or spare parts from other manufacturers will invalidate the warranty, and Miele cannot accept liability.

▶ Miele will guarantee to supply functional spare parts for a minimum of 10 years and up to 15 years following the discontinuation of your refrigeration appliance.

Warning and Safety instructions

Cleaning and care

- ▶ Do not use any oils or grease on the door seals, as these will cause the seals to deteriorate and become porous with time.
- ▶ Do not use a steam cleaning appliance to clean or defrost this appliance.
Steam could reach electrical components and cause a short circuit.
- ▶ Sharp edged or pointed objects will damage the evaporator, causing irreversible damage to the appliance. Do not use sharp edged or pointed objects to
 - remove frost and ice,
 - separate frozen food or remove ice trays.
- ▶ Do not place electric heaters or candles in the appliance to defrost it. These can damage the plastic parts.
- ▶ Do not use defrosting sprays or de-icers, as they could contain substances which could damage the plastic parts or which might cause the build-up of gases and pose a danger to health.

Transport

- ▶ Always transport the appliance in an upright position and in its original transport packaging to avoid damage in transit.
- ▶ Danger of injury and damage to the appliance. The refrigeration appliance is very heavy and must be transported by two people.

Disposal of your old appliance

- ▶ If your old refrigeration appliance has a door lock, destroy it. This will prevent the risk of children playing accidentally locking themselves in and endangering their lives.
- ▶ Splashes of coolant can damage the eyes. Be careful not to damage any part of the pipework whilst awaiting disposal, e.g. by
 - puncturing the coolant channels in the condenser,
 - bending any pipework, or
 - scratching the surface coating.

Symbol on the compressor (depending on model)

This information is only relevant for recycling. There is no risk during normal operation.



- ▶ The oil in the compressor can be fatal if swallowed or if it penetrates the airways.

Caring for the environment

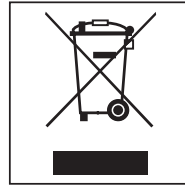
Disposal of the packing material

The packaging is designed to protect the appliance from damage during transportation. The packaging materials used are selected from materials which are environmentally friendly for disposal and should be recycled.

Recycling the packaging reduces the use of raw materials in the manufacturing process and also reduces the amount of waste in landfill sites.

Disposing of your old appliance

Electronic and electrical appliances contain many valuable materials. They also contain certain materials, compounds and components which were essential for their correct functioning and safety. These could be hazardous to your health and to the environment if disposed of with general waste or if handled incorrectly. Please do not, therefore, dispose of your old appliance with general waste.



Instead, please make use of officially designated collection and disposal points to dispose of and recycle electrical and electronic appliances in your local community, with your dealer or with Miele. By law, you are solely responsible for deleting any personal data from the appliance prior to disposal.

Take care not to damage your refrigeration appliance's pipework before or during transportation to an authorised collection depot.

This is to ensure that coolant in the cooling circuit and oil in the compressor is contained, and will not leak into the environment.

Please ensure that your old appliance poses no risk to children while being stored prior to disposal. For further information, see "Warning and Safety instructions" in these operating and installation instructions.

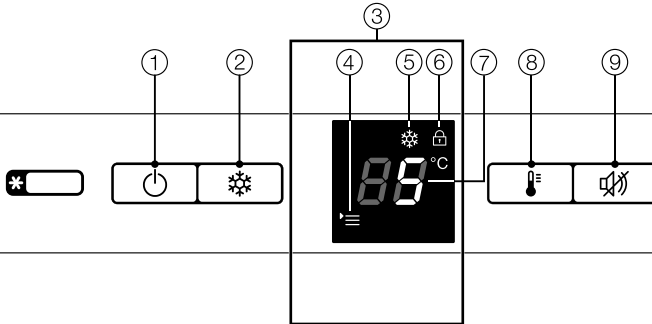
Saving energy

	Normal energy consumption	Increased energy consumption
Installation / Maintenance	In a ventilated room.	In an enclosed, unventilated room.
	Protected from direct sunlight.	In direct sunlight.
	Not near to a heat source (radiator, oven).	Near to a heat source (radiator, oven).
	Where the ideal ambient room temperature is approx. 20 °C.	Where the ambient room temperature is above 25 °C.
	Ventilation gaps uncovered and dusted regularly.	Ventilation gaps covered or dusty.
Temperature setting	Refrigerator section 4 to 5 °C	The lower the temperature, the higher the energy consumption.
	Freezer compartment -18 °C	

Saving energy

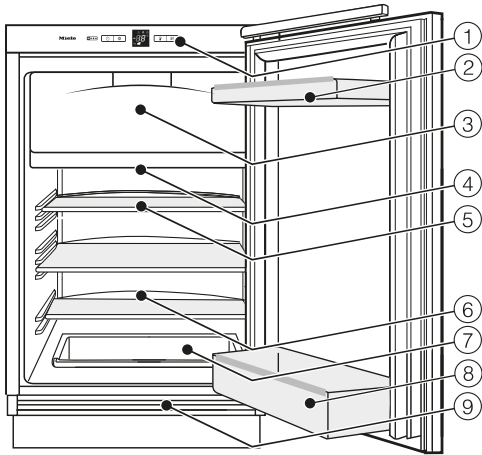
	Normal energy consumption	Increased energy consumption
Use	Drawers and shelves arranged as they were when the appliance was delivered.	
	Only open the door when necessary and for as short a time as possible. Store food in an organised way.	Frequent opening of doors for long periods will cause a loss of coldness. The appliance will try to cool down and the compressor will run for longer periods.
	Take an insulated cool bag when shopping, and load food in the appliance as soon as possible. Replace any food removed as quickly as possible, before it warms up too much. Allow hot food and drinks to cool down before placing them in the appliance.	Hot food or food at room temperature raises the temperature inside the appliance. The appliance will try to cool down and the compressor will run for longer periods.
	Store food well packaged or covered.	The evaporation or condensation of liquids in the refrigerator section will cause a loss of coldness.
	Place frozen food in the refrigerator to defrost.	
	Do not over-fill the appliance to allow air to circulate.	Poor air circulation will cause a loss of coldness.
Defrosting	Defrost the freezer compartment when a layer of ice 0.5 cm (max.) thick has built up.	A build-up of ice slows down the cooling process.

Control panel



- ① Button for switching the refrigeration appliance on/off
- ② Button for switching the SuperCool function on/off
- ③ Display with temperature indicator
- ④ Menu symbol (Settings mode: for switching the safety lock on/off)
- ⑤ SuperCool symbol
- ⑥ Lock symbol
- ⑦ Temperature display
- ⑧ Button for setting the temperature
- ⑨ Alarm off button

Guide to the appliance

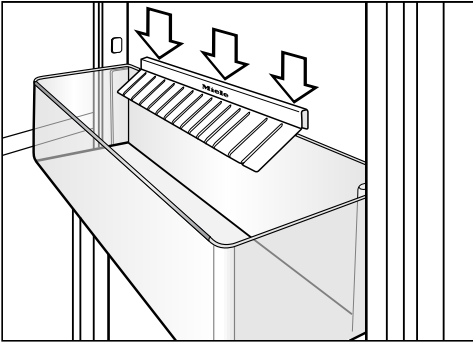


- ① Control panel with display
- ② Egg tray/door shelf
- ③ Freezer compartment (depending on model)
- ④ Interior lighting
- ⑤ Adjustable shelf
- ⑥ Condensate channel and drain hole
- ⑦ Fruit and vegetable drawer
- ⑧ Bottle shelf with bottle holder
- ⑨ Ventilation grille

Accessories

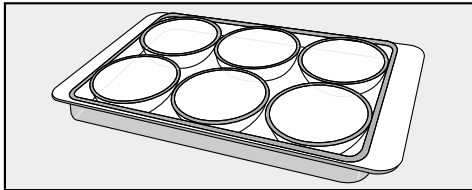
Accessories supplied

Bottle holder

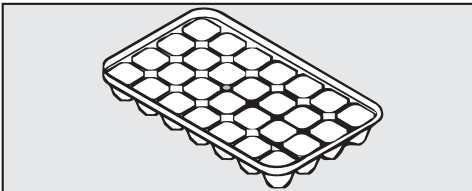


The flexible ribs grip the bottles securely when the door is opened and closed.

Egg tray



Ice cube tray(dependent on model)

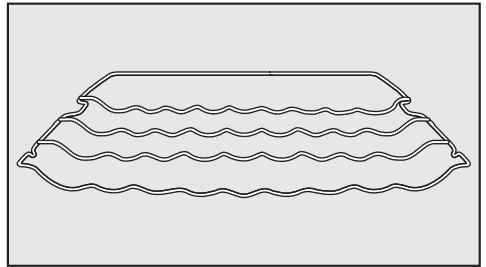


Optional accessories

A range of useful Miele accessories and care products are available for your appliance.

Accessories are available to order via the Miele Webshop, from Miele directly (see back cover for contact details) or from your Miele dealer.

Bottle rack



Bottles can be stored horizontally using the bottle rack to save space. The bottle rack can be placed at different positions in the appliance.

Guide to the appliance

KKF-FF charcoal filter with holder (Active AirClean)

Charcoal filters neutralise unpleasant odours in the fridge zone for improved air quality.

KKF-RF replacement filters (Active AirClean)

Replacement filters to fit the holder are available. We recommend replacing the charcoal filters every 6 months.

Multi-purpose microfibre cloth

The microfibre cloth is suitable for removing fingerprints and light soiling from surfaces such as stainless steel, glass, plastic and chrome without the use of chemicals.

MicroCloth Kit

The MicroCloth Kit contains a universal cloth, a glass cloth and a polishing cloth.

These cloths are extremely resistant to tearing and very robust. Thanks to very fine microfibrils these cloths achieve an excellent cleaning performance.

Before using for the first time

Packaging material

- Remove all packaging material from the inside of the appliance.

Removing the protective foil

The stainless steel trim to the interior shelves and the door shelves has a layer of protective foil to prevent damage during transportation.

- Carefully remove the protective film from the stainless steel trim.

Cleaning the appliance

Please refer to the relevant instructions in “Cleaning and care”.

- Clean the inside of the appliance and the accessories.


Switching the appliance on

To enable the temperature to get sufficiently cold inside the appliance, allow the appliance to run for some time before placing food in it for the first time.

- Press the  button.

The appliance will start to cool and the temperature required will appear in the temperature display. The interior lighting will come on when the door is opened.

Switching off the appliance off

- Press the  button until the display goes out.

If this does not work, the safety lock is activated (see “Selecting further settings – To deactivate the lock”).

The interior lighting goes out and cooling is turned off.

Switching on and off

Switching off for longer periods of time

If, during a long absence, the refrigeration appliance is switched off but not cleaned and the door(s) left shut, there is a risk of mould forming inside the appliance.

It is essential to clean the refrigeration appliance.

If the refrigeration appliance is not going to be used for a longer period of time, observe the following:

- Switch the refrigeration appliance off.
- Switch the appliance off at the wall socket and pull the plug out of the socket, or disconnect the fuse.
- Defrost the freezer compartment (depending on model).
- Clean the refrigeration appliance and leave the door ajar to air the appliance and avoid odours building up inside.

The correct temperature

It is very important to set the correct temperature for storing food in the appliance. Bacteria will cause food which is not stored at the correct temperature to deteriorate rapidly. Temperature influences the growth rate of these bacteria. Reducing the temperature reduces their growth rate.

The temperature in the refrigeration appliance will rise:

- The more often the appliance door is opened and the longer it is kept open
- The more food that is stored in it
- The warmer the food is which is being put into it
- The higher the ambient temperature surrounding the refrigeration appliance. This refrigeration appliance is designed for use within specific ambient temperatures (climate range). Do not use in ambient temperatures for which it is not designed.

... in the refrigerator section

We recommend a temperature of **4 °C** in the refrigerator section.

... in the freezer compartment

(depending on model)

To freeze fresh food and to store frozen food for long periods, a temperature of **-18 °C** is required. At this temperature the growth of bacteria is generally halted. As soon as the temperature rises above -10 °C, the bacteria become active in the food again so it cannot be kept as long. For this reason, partially defrosted or defrosted food must not be re-frozen. Food may be re-frozen once it has been cooked, as the high temperatures achieved when cooking destroy most bacteria.

The correct temperature

Temperature display


In normal operation the temperature display shows the **required** temperature.

Setting the temperature

If the appliance door is opened very often, or if large quantities of food are being stored in the appliance, or if there is a high ambient temperature, it is advisable to set the temperature between **3 °C and 5 °C**.

The temperature can be adjusted from 9 °C to 2 °C.

The higher or lower the temperature in the refrigerator section, the higher or lower it is in the freezer compartment.

- Press the  button repeatedly until the temperature you want is shown in the temperature display.

The first time you press the button the last temperature set will flash in the display.

The temperature value will then change until the setting for 9 °C is reached. It will then drop back to the 2 °C setting.

After a short while the newly selected temperature is automatically set and will appear in the display.

The temperature in the appliance will now adjust slowly to the newly set temperature.

Freezer compartment

The average temperature in the freezer compartment will be approx. **-18 °C**.

If using a thermometer or other device to measure the temperature in the freezer compartment be aware that the air temperature measured can fluctuate.

SuperCool function

The SuperCool function can be used to rapidly reduce the temperature in the fridge zone and the freezer compartment (depending on the model) to its lowest setting (depending on the room temperature).

Switching on SuperCool

Switch SuperCool on before placing food in the appliance:

- To rapidly cool large amounts of fresh food or drink.
- To freeze food in the freezer compartment (depending on the model).

■ Press the ❄️ button.

The SuperCool ❄️ symbol will light up. The refrigeration appliance will work at full power to lower the temperature in the fridge zone.

Switching off SuperCool

The SuperCool function will switch itself off automatically after approx. 12 hours. The SuperCool ❄️ symbol will go out and the refrigeration appliance will run at normal power again.

To save energy, the SuperCool function can be switched off once food and drinks are sufficiently chilled.

■ Press the ❄️ button so that the ❄️ symbol goes out.

The refrigeration appliance will continue running at normal power.

Door alarm

The appliance is fitted with a warning system to avoid increased energy consumption if the door is left open.

Door alarm

An alarm will sound if the appliance door has been left open for longer than 60 seconds.

It will stop as soon as the door is closed.

Switching the door alarm off early

If the noise disturbs you, you can switch the alarm off if you wish.

- Press the  button.

The alarm will stop.

The alarm tone cannot be switched off early if you are in settings mode.

Settings mode

The alarm can be activated or deactivated in settings mode.

Activating or deactivating the lock	⌂
-------------------------------------	---


Settings mode is indicated by the menu symbol  in the display.

See below for instructions on how to **activate and deactivate the lock**.

Activating or deactivating the lock


The safety lock function can be activated to prevent the appliance being switched off by mistake.

– To activate the lock

- Press the  button for approx. 5 seconds.

The menu symbol  lights up and  flashes in the display.


Settings mode is now active.

- Press the  button briefly to access the lock function.

 will appear in the display.


- Press the  button briefly to activate the lock.

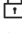


The lock symbol  lights up.

- To quit settings mode press the  button.


The temperature will appear in the display.

– To deactivate the lock

- Press the  button for approx. 5 seconds.

The lock symbol  and the Menu symbol  will light up and  will start flashing in the display.


Settings mode is now active.

- Press the  button briefly to access the lock function.

 will appear in the display.


- Press the  button briefly to deactivate the lock.


The lock symbol  will go out.

- To quit settings mode press the  button.

The temperature in the refrigerator section will appear in the display.

Storing food in the refrigerator section

 Risk of explosion due to flammable mixes of gases.
Electrical components can cause flammable mixes of gases to ignite.
Do not store explosive materials in the refrigeration appliance or any products containing propellants (e.g. spray cans).

 Risk of damage due to greasy or oily food.
If storing food which contains a lot of fat or oil in the refrigeration appliance or the appliance door, make sure that it does not come into contact with plastic components as this could cause stress cracks or break the plastic.
Make sure that no fat or oil leaks onto the plastic parts of the refrigeration appliance.

Different storage zones

Due to natural air circulation, there are different temperature zones in the refrigerator section.

Cold, heavy air sinks to the lowest section of the refrigeration section. Make use of the different zones when placing food in the appliance.

Tip: To allow air to circulate efficiently, do not pack food too closely together in the appliance.

If there is insufficient air circulation, the cooling performance will decrease and energy consumption will increase.
Do not cover the fan in the rear wall of the appliance.

Tip: Do not store food in such a way that it touches the rear wall of the refrigerator section as it may freeze to the rear wall.

Storing food in the refrigerator section

Warmest area

The warmest area in the refrigerator section is at the top in the front area and in the door. Use this for storing butter and cheese.

Coldest area

The coldest area in the fridge zone is directly above the fruit and vegetable drawer and at the back of the appliance.

Use these areas to store all delicate and highly perishable food such as:

- Fish, meat, poultry
- Cold cuts, ready meals
- Dishes or baked goods containing eggs or cream
- Fresh dough, cake mixtures, pizza or quiche dough
- Raw milk cheese and other raw milk products
- Pre-packed vegetables
- Other fresh food (with a label stating it should be kept at a temperature of approx. 4 °C)

Food which is not suitable for storage in the refrigerator section

Not all food is suitable for refrigeration at temperatures below 5 °C, because it may be sensitive to cold. Depending on the type of food, the appearance, consistency, flavour and/or vitamin content may be altered if stored at too cold a temperature.

Food which is sensitive to cold includes:

- Pineapples, avocados, bananas, pomegranates, mangoes, melons, papayas, passionfruit, citrus fruit such as lemons, oranges, mandarins, grapefruit
- Fruit (which is not yet ripe)
- Aubergines, cucumbers, potatoes, peppers, tomatoes, courgettes
- Hard cheeses (e.g. Parmesan, mountain cheese)

Storing food in the refrigerator section

Notes on buying food

The freshness of the food when it is first placed in the appliance is the most important factor for how long it stays fresh.

Take into account the use-by date and the correct storage temperature.

Time out of the refrigerator, e.g. transporting food in a warm car, should be kept to a minimum.

Storing food correctly

Ensure that food stored in the fridge zone is **covered or wrapped properly**.

This will prevent food odours from affecting other foods, stop food from drying out and also prevent any cross-contamination of bacteria. This is particularly important when storing meat products. Make sure that food such as raw meat and fish in particular does not come into contact with other food.

By ensuring that the temperature settings are correct and by taking appropriate hygiene measures you can prolong the storage life of your food considerably and avoid food waste.

Fruit and vegetables

Fruit and vegetables can be stored loose in the fruit and vegetable drawer.

Protein-rich food

Please note that food rich in protein deteriorates faster than other types of food. Shellfish, for example, deteriorates faster than fish, and fish deteriorates faster than meat.

Adjusting the interior fittings

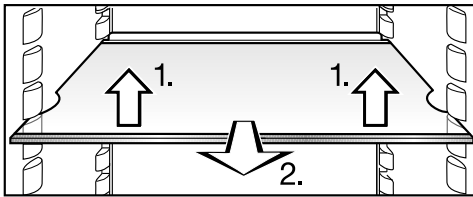
Adjusting the door shelf/bottle shelf

Tip: Only move door shelves/bottle shelves in the appliance door when they are empty.

- Push the door shelf/bottle shelf upwards, then remove it by pulling it forwards.
- Replace the shelf at the required height. Ensure that it is securely pushed back into position.

Moving the shelves

The shelves can be adjusted according to the height of the food.

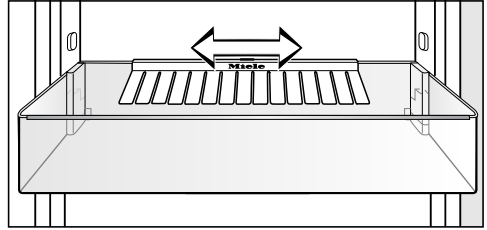


- Raise the shelf, and pull it forwards slightly until the notch at the side is in line with the shelf support. It can then be raised or lowered to the required level.

The raised edge on the protective strip at the back must face upwards to prevent food from touching the back of the appliance and freezing to it.

Stoppers prevent the shelves from being dislodged by mistake.

Adjusting the bottle holder



The bottle holder can be moved left or right to create more room for drink cartons.

The bottle holder can be removed completely (e.g. for cleaning):

- Push the bottle shelf upwards, then remove it by pulling it forwards
- Pull the bottle holder upwards to remove it from the rear edge of the bottle shelf.

Adjusting the interior fittings

Moving the charcoal filters

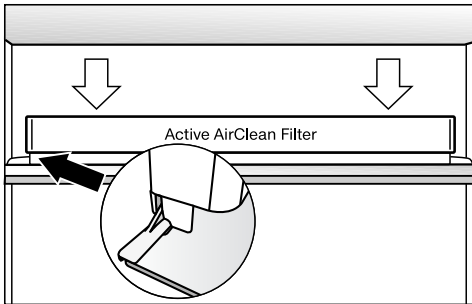
Charcoal filters and a KKF-FF (Active AirClean) holder are available as optional accessories (see “Accessories - optional accessories”).

When storing very strong smelling food (e.g. very ripe cheese):

- Place the holder with the charcoal filters on the shelf where this food is kept.
- Change the filters sooner if necessary.
- Use more charcoal filters (with holders) in the appliance (see “Accessories – Optional accessories”).

The holder for the charcoal filters sits on the protective strip at the back of the shelf.

- To move the charcoal filters, pull the holder upwards to remove it from the protective strip.



- Refit the holder on the protective strip of the shelf you wish to use it on.

Freezing and storing food (depending on model)

Using the freezer compartment

Use the freezer compartment to:

- store frozen food,
- make ice cubes,
- freeze small quantities of fresh food.

Up to 2 kg of food can be frozen in 24 hours.

Freezing fresh food

Fresh food should be frozen as quickly as possible. This way the nutritional value of the food, its vitamin content, appearance and taste are not impaired.

Food which takes a long time to freeze will lose more water from its cells, which then shrink. During the defrosting process, only some of this water is re-absorbed by the cells. What this means in practice is that the food loses more moisture. You can see this in the large amount of water that collects around the food when it defrosts.

If food is frozen quickly, the cells have less time to lose moisture, so they shrink less. As there is not so much moisture loss, it is easier for the food to reabsorb it during the defrosting process, and very little water collects around the defrosted food.

Storing frozen food

Never re-freeze partially or fully defrosted food. Defrosted food may only be re-frozen after it has been cooked.

When buying frozen food to store in your freezer, check:

- That the packaging is not damaged
- The use-by date
- The temperature at which the frozen food is being stored in the shop.

The length of time food can be kept is reduced if it has been stored at a temperature warmer than $-18\text{ }^{\circ}\text{C}$.

- Buy frozen food once you have finished the rest of your shopping and wrap it in newspaper or use a cool bag or cool box to transport it.
- Put it into the freezer as soon as possible.

Freezing and storing food (depending on model)

Home freezing

Only freeze fresh food which is in a good condition.

Hints on home freezing

- The following types of food **are suitable** for freezing:
Fresh meat, poultry, game, fish, vegetables, herbs, fresh fruit, dairy products, cakes, leftovers, egg yolks, egg whites and a range of pre-cooked meals.
- The following types of food **are not suitable** for freezing:
Grapes, lettuce, radishes, soured cream, mayonnaise, eggs in their shells, onions, whole raw apples and pears.
- To retain colour, taste, aroma and vitamin C, vegetables should be blanched before they are frozen. To do so place them portion by portion into boiling water for 2–3 minutes. Remove, and plunge into ice-cold water to cool quickly. Drain and pack ready for freezing.
- Lean meat freezes better than fatty meat, and can be stored for considerably longer.
- Separate chops, steaks, cutlets etc. with a sheet of plastic freezer film. This prevents them from freezing together in a block.
- Do not salt or season raw food or blanched vegetables before freezing. Cooked food should only be lightly salted and seasoned. Some herbs intensify the taste of food when frozen.

- Placing hot foods or drinks in the freezer causes food that is already frozen to partially thaw and increases energy consumption. Allow hot foods and drinks to cool down before placing them in the freezer.

Packaging food for freezing

- Freeze food in portions.
 - **Suitable packing material**
 - Plastic freezer bags
 - Tubular polythene freezer bags
 - Aluminum foil
 - Freezer containers
 - **Unsuitable packing material**
 - Wrapping paper
 - Greaseproof paper
 - Cellophane
 - Bin bags
 - Plastic carrier bags
 - Expel as much air as possible from the packaging.
 - Close the packaging tightly with
 - Rubber bands
 - Plastic clips
 - String
 - Freezer tape
- Tip:** Freezer bags may also be sealed using home heat sealing kits.
- Make a note of the contents and the date of freezing on the packaging.

Freezing and storing food (depending on model)

Before placing food in the appliance

- Set the temperature to 4 °C or colder for approx. 4 hours before placing food in the freezer compartment and switch on the Super cool function.

This helps create a cold reserve in food which is already stored in the freezer.

Placing frozen goods in the freezer

Unfrozen food should not touch frozen food as this will cause frozen food to begin to thaw.

- To open the freezer compartment, press the handle upwards and then pull the door open.
- Make sure that the packaging and containers are dry to prevent them sticking together when frozen.
- Place the frozen goods flat on the bottom of the freezer compartment or in contact with the interior side walls, so that they freeze through to the core as quickly as possible.

Approx. 24 hours after placing fresh food in the freezer compartment

The freezing process is complete.

- Set the temperature back to the one you want for the refrigerator section. We recommend a refrigerator temperature of 4 °C.

Storage time for frozen food

The storage life of food is very variable, even at a constant temperature of -18 °C. Decomposition processes also take place in frozen food, albeit at a very reduced speed. For example, fat can become rancid from contact with oxygen in the air. This is why lean meat can be stored approx. twice as long as fatty meat.

The storage times quoted are guide values for the storage life of different food groups in the freezer zone.

Food group	Storage time (Months)
Ice cream	2 to 6
Bread, baked goods	2 to 6
Cheese	2 to 4
Fish, oily	1 to 2
Fish, lean	1 to 5
Sausage, ham	1 to 3
Game, pork	1 to 12
Poultry, beef	2 to 10
Vegetables, fruit	6 to 18
Herbs	6 to 10

For standard freezing results, follow the advice on packaging.

By keeping the freezer compartment at a constant temperature of -18 °C and taking appropriate hygiene measures you can maximise the storage life of your food and avoid food waste.

Freezing and storing food (depending on model)

Defrosting frozen goods

Never re-freeze partially or fully defrosted food. Defrosted food may only be re-frozen after it has been cooked.

Frozen goods can be defrosted in different ways:

- In a microwave oven
- In an oven using “Fan heat” or the “Defrost” setting
- At room temperature
- In the refrigerator zone (the cold given off by the frozen food helps to keep the other food cold)
- In a steam oven

Flat pieces of partially thawed meat or fish can be placed directly into a hot frying pan.

Meat and poultry (e.g. mince, chicken, fish fillets) should not come into contact with other foods while defrosting. Catch the liquid from defrosting and dispose of it carefully.

Fruit should be defrosted at room temperature in its packaging, or in a covered bowl.

Most vegetables can be cooked while still frozen. Just put straight into boiling water or hot fat. The cooking time is slightly less than that of fresh vegetables due to changes in the cell structure.

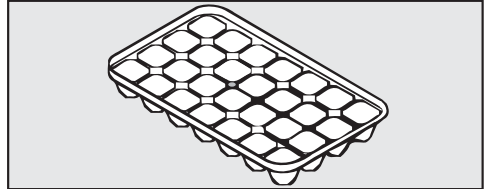
Cooling drinks

- To cool drinks quickly, place them in the refrigerator section, and switch on the Super cool function.

When cooling drinks quickly in the freezer compartment, make sure bottles are **not left in for more than one hour**; otherwise they could burst.

Using accessories

Making ice cubes



- Fill the ice cube tray three quarters full of water and place it on the bottom of the freezer compartment.
- Once frozen, use a blunt instrument, for example a spoon handle, to remove the ice tray from the freezer if it is stuck.

Tip: Ice cubes can be removed easily from the tray by holding it under running water for a short time.

Refrigerator section

The refrigerator section defrosts automatically.

Condensate and frost can build up on the back wall of the refrigerator section whilst the compressor is running. You do not need to remove this, as it will defrost and evaporate automatically with the warmth generated by the compressor.

The condensate drains through a channel and drain pipe into an evaporation system at the back of the refrigeration appliance.

Keep the condensate channel and drain hole clean to enable this. Condensate must be able to drain away unhindered at all times.

Freezer compartment

The freezer compartment does not defrost automatically.

In normal use, ice and frost will form in the freezer compartment, e.g. on the internal walls. How much ice and frost accumulates in the appliance will depend on the following:


- whether the freezer compartment door has been opened frequently or left open for a while.
- whether a large quantity of food has been placed in the freezer at once.
- whether the humidity in the room has increased.

In certain circumstances, too thick a layer of ice can prevent the freezer compartment door from closing prop-

erly. Too thick a layer of ice also reduces cooling performance and thus increases energy consumption.

- The freezer compartment should be defrosted from time to time. It must be defrosted if a layer of ice approx. 0.5 cm thick has accumulated.

Tip: It is best to defrost when only very little or no frozen food at all is left in the freezer compartment or the humidity level and the ambient temperature in the room are low.

 Risk of damage from an incorrect defrosting process.

When defrosting the freezer, make sure that you do not damage the evaporator as this would cause irreversible damage to the refrigeration appliance.

Do not scrape off ice and frost. Do not use sharp objects.

Do not use any mechanical or other types of aids which are not recommended by the manufacturer to accelerate the defrosting process.

Before defrosting


- Remove the frozen goods and wrap them in several layers of newspaper or cloths.

Tip: You could also place the frozen goods in a cool box or bag.


- Store it in a cool place until the freezer compartment is ready for use again.

Defrosting


To defrost


 The longer the frozen goods are left out at room temperature, the faster they deteriorate.

Carry out the defrosting procedure as quickly as possible.

 Steam from a steam cleaning appliance could reach the electrical components and cause a short circuit.

Do not use a steam cleaning appliance to defrost the appliance.

 Do not place electric heaters or candles in the appliance to defrost it. These can damage the plastic parts.

 Do not use defrosting sprays or de-icers. These could contain substances which could damage the plastic parts or which might cause a build-up of explosive gases and pose a danger to health.

- Switch the appliance off.

The cooling system will be switched off.

- Switch off at the wall and withdraw the plug from the socket, or disconnect the mains fuse.
- Leave the freezer compartment door open.

Tip: To speed up defrosting, two bowls of hot water (not boiling), with plates underneath them, can be placed in the freezer section. Closing the door in this instance will help retain the warmth and speed up the defrosting process.


- Remove any loose pieces of ice.

- Use a sponge or towel to soak up the defrosted water as often as necessary.

After defrosting

- Clean and dry the freezer compartment. Cleaning water must not get into the defrosting drain hole.
- Reconnect to the mains and switch the appliance back on.
- Once the temperature in the freezer compartment has reached the required temperature, place the frozen goods back into the freezer compartment.

Do not let water get into the electronic module or the lighting.

 Risk of damage due to moisture ingress.

The steam from a steam cleaner can damage plastic and electrical components.

Do not use a steam cleaner to clean the refrigeration appliance.

Cleaning water must not get into the drain hole.

The data plate located inside the interior cabinet of the refrigeration appliance must not be removed. It contains information which is required in the event of a fault.

Cleaning agents

Cleaning and conditioning agents used inside the appliance must be food safe.

To avoid damaging all the surfaces of your appliance, **do not use:**

- cleaning agents containing soda, ammonia, acids or chlorides
- cleaning agents containing descaling agents
- abrasive cleaning agents, e.g. powder cleaners and cream cleaners
- solvent-based cleaning agents
- stainless steel cleaning agents
- dishwasher cleaner
- oven sprays
- glass cleaning agents
- hard, abrasive sponges and brushes, e.g. pot scourers
- melamine eraser blocks
- sharp metal scrapers

We recommend using a clean sponge, lukewarm water with a little washing-up liquid to clean surfaces of the appliance.

The following pages contain important information on cleaning.

Cleaning and care

Preparing the refrigeration appliance for cleaning

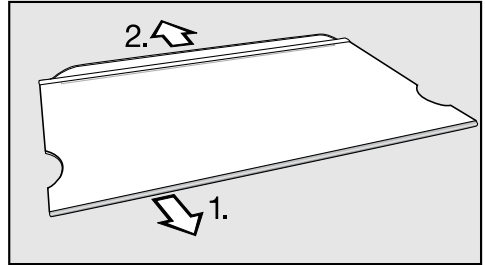
- Switch the refrigeration appliance off.

The display goes out and the cooling function is switched off.

- Take any food out of the refrigeration appliance and store it in a cool place.
- Defrost the freezer compartment (see “Defrosting”, section “Freezer compartment”).
- Remove the shelves and bottle shelf from the door.
- Take out all other removable parts for cleaning.

Dismantling an adjustable shelf

- Place the shelf on a worktop covered with a soft material (e.g. a tea towel).



- Remove the trim:
 1. Pull the stainless steel trim off the shelf beginning at one side.
 2. Then pull the protective strip off.
- After cleaning the shelf reattach the trim and the protective strip.

Cleaning the interior and accessories

The refrigeration appliance should be cleaned regularly (at least once a month).


Remove soiling immediately to prevent it from drying on.

- Clean the **interior** with a clean sponge, lukewarm water and a little washing-up liquid.
- After cleaning, wipe with clean water and dry with a soft cloth.

Remove the stainless steel parts before cleaning the adjustable shelves in a dishwasher.

The following parts **cannot be cleaned in a dishwasher**:

- the stainless steel trim
- the fruit and vegetable drawer
- These accessories should all be hand washed.

 Risk of damage as a result of excessively high dishwasher temperatures.

Parts of the refrigeration appliance may become unusable, e.g. deform, if they are washed in the dishwasher at more than 55 °C.

For dishwasher-safe parts, only use dishwasher programmes with a maximum temperature of 55 °C.

Contact with natural dyes from carrots, tomatoes and ketchup, etc., may discolour the plastic parts in the dishwasher. This discolouration does not affect the stability of the parts.

The following parts **can be cleaned in the dishwasher**:

- the bottle holder, egg tray, ice cube tray (depending on model)
- the shelves and bottle shelf in the door
- the adjustable shelves (with the trim/strips removed and without the printing)
- the holder for the charcoal filter (available as an optional accessory)
- Clean the condensate channel and drain hole frequently so that condensate can drain away unhindered. Use a straw or similar to clear the drain if necessary.
- Leave the door open to air the appliance for a short while and to prevent odours building up.

Cleaning and care

Cleaning the door seal

If the door seal is damaged or has slipped out of its groove, the appliance door may not close properly and cooling performance will be reduced. As a result, condensate will build up in the interior cabinet and this can cause a build-up of ice.

Do not damage the door seal and ensure it does not slip out of its groove.



Risk of damage as a result of incorrect cleaning.

If you treat the door seal with oils or grease, it can become porous.

Do not use any oils or grease on the door seal.

- The door seal should be cleaned regularly with clean water and then wiped dry with a cloth.

Cleaning the ventilation gaps

A build-up of dust will increase the energy consumption of the appliance.

- The ventilation gaps should be cleaned on a regular basis with a brush or vacuum cleaner (you could use a Miele vacuum cleaner dusting brush, for example).

After cleaning

- Replace all shelves and accessories in the appliance.
- Switch the refrigeration appliance on.
- Switch on the Super cool function for a while so that the refrigerator section can cool down quickly.
- Place food in the refrigerator section and close the door.
- Place food in the freezer compartment when it is cold enough and close the appliance door.

Replacing the charcoal filters

Charcoal filters and a KKF-FF (Active AirClean) holder are available as optional accessories (see “Accessories - optional accessories”).

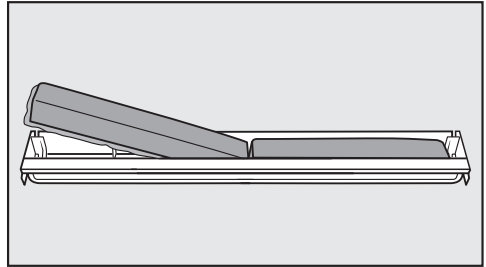
Replace the charcoal filters in the holder every 6 months.

Replacement KKF-RF charcoal filters can be obtained from the Miele Customer Service Department, from your retailer or from Miele's website.

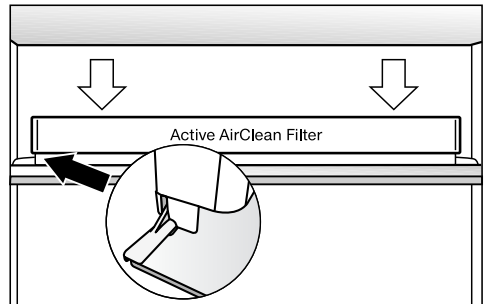
Tip: The charcoal filter holder is dishwasher-safe.

- Pull the charcoal filter holder upwards to remove it from the adjustable shelf.

When in position, the charcoal filters must not touch the rear wall of the refrigeration appliance as the moisture could cause them to stick to it. Insert the new charcoal filters deep enough in the holder to ensure that they do not protrude over the edge of the holder.



- Remove both charcoal filters and place the new filters with the surrounding edge pointing downwards in the holder.





- Place the holder in the middle of the raised edge at the back of the adjustable shelf, so that it clicks into position.

Problem solving guide

Many malfunctions and faults that can occur in daily operation can be easily remedied. Time and money will be saved because a service call will not be needed.

The following guide may help you to find the reason for a malfunction or a fault, and to correct it.

To prevent unnecessary loss of temperature it is advisable not to open the door while waiting for the appliance to be serviced.

Problem	Cause and remedy
<p>The appliance is not getting cold, the interior lighting does not come on when the door is opened, and the display is not lit up.</p>	<p>The appliance is not switched on and the mains connection symbol  is lit up in the display.</p> <ul style="list-style-type: none"> ■ Switch the appliance on.
	<p>The plug is not inserted in the socket correctly.</p> <ul style="list-style-type: none"> ■ Insert the plug correctly into the socket. The mains connection symbol  appears in the display when the appliance is switched off.
	<p>Check whether the mains fuse has tripped. There could be a fault with the appliance, the household electrical wiring or another electrical appliance.</p> <ul style="list-style-type: none"> ■ Contact a qualified electrician or Miele.
<p>The compressor is switching on more frequently and for longer periods of time. The temperature in the refrigeration appliance is too low.</p>	<p>The ventilation gaps have been covered or become too dusty.</p> <ul style="list-style-type: none"> ■ Do not block the ventilation gaps. ■ Dust the ventilation gaps regularly.
	<p>The appliance door and the freezer compartment door have been opened too frequently, or a large amount of fresh food has been placed in the appliance or frozen at the same time.</p> <ul style="list-style-type: none"> ■ Only open the appliance door or freezer compartment door when necessary and for as short a time as possible. <p>After a while, the temperature will return to normal by itself.</p>
	<p>The appliance door and/or the freezer compartment door is not closed correctly.</p> <p>A thick layer of ice may have already formed in the freezer compartment.</p> <ul style="list-style-type: none"> ■ Close the appliance doors.



Problem solving guide

Problem	Cause and remedy
	<p>After a while, the temperature will return to normal by itself.</p> <p>If a thick layer of ice has already formed, this will affect cooling and increase energy consumption.</p> <ul style="list-style-type: none"> ■ Defrost the freezer compartment and clean it. <p>The ambient room temperature is too high. The higher the ambient temperature, the longer the compressor has to run.</p> <ul style="list-style-type: none"> ■ See the information in “Installation” – “Installation site”. <p>The temperature setting in the refrigeration appliance is too low.</p> <ul style="list-style-type: none"> ■ Correct the temperature setting. <p>A large amount of food is being frozen at once.</p> <ul style="list-style-type: none"> ■ See “Freezing and storing food”. <p>The SuperCool function is still switched on.</p> <ul style="list-style-type: none"> ■ You can switch off the SuperCool function earlier to save energy.
<p>The compressor comes on less and less often and for shorter periods of time. The temperature in the refrigeration appliance rises.</p>	<p>This is not a fault. The temperature setting is too high.</p> <ul style="list-style-type: none"> ■ Correct the temperature setting. ■ Check the temperature again after 24 hours. <p>The frozen food begins to defrost.</p> <p>The room temperature is too low for this refrigeration appliance.</p> <p>If the room temperature is too low, the compressor will run less frequently. This may cause the freezer to become too warm.</p> <ul style="list-style-type: none"> ■ See the information in “Installation – Installation site”. ■ Increase the temperature of the room.
<p>A buzzer is sounding.</p>	<p>The door alarm has been activated (also see “Door alarm”).</p> <ul style="list-style-type: none"> ■ Close the appliance door. <p>The alarm will stop.</p>

Problem solving guide



Problem	Cause and remedy
<p>The door seal is damaged or needs to be replaced.</p>	<p>No tools are required to change the door seal.</p> <ul style="list-style-type: none"> ■ Change the door seal. A replacement is available from Miele or from specialist retailers.
<p>Ice or condensation has built up inside the refrigeration appliance. The appliance door may not close correctly.</p>	<p>The door seal has come out of its groove.</p> <ul style="list-style-type: none"> ■ Check that the door seal is correctly positioned in the groove.
	<p>The door seal is damaged.</p> <ul style="list-style-type: none"> ■ Check whether the door seal is damaged.
<p>An LED indicator light is flashing at the back of the refrigeration appliance at the bottom near the compressor (depending on model). The electronic unit for the compressor is equipped with an operation and fault diagnosis LED indicator light.</p>	<p>The indicator light flashes several times every 5 seconds. A fault has occurred.</p> <ul style="list-style-type: none"> ■ Call the Miele Customer Service Department.
	<p>The indicator light flashes regularly every 15 seconds. Not a fault. This flashing is normal.</p>

Display warnings

Message	Cause and remedy
The  symbol lights up in the display, the appliance does not get cold, although the controls and the interior lighting are working.	Demo mode is switched on. This allows the appliance to be presented in the showroom without the cooling system being switched on. Do not activate this setting for domestic use. ■ Contact the Miele Service Department for information on deactivating Demo mode.
“F0 to F9” appears in the display.	There is a fault. ■ Call the Miele Service Department.
The  symbol lights up in the display. You cannot switch the appliance off.	The safety lock has been activated. ■ Completely deactivate the safety lock (see “Selecting further settings – Activating and deactivating the safety lock”).

Problem solving guide

The interior lighting is not working.

Problem	Cause and remedy
The interior lighting is not working.	<p>The refrigeration appliance has not been switched on.</p> <ul style="list-style-type: none">■ Switch the refrigeration appliance on. <p>To avoid overheating, the lighting switches itself off automatically after approx. 15 minutes if the appliance door is left open. If this is not the case, then there is a fault.</p> <div data-bbox="404 496 1038 783" style="border: 1px solid gray; padding: 5px;"><p> Risk of electric shock due to exposed, live electrical components.</p><p>When removing the lighting cover, there is a risk of coming into contact with live electrical components.</p><p>Do not remove the lighting cover. The LED lighting may only be repaired or replaced by the Miele Customer Service Department.</p></div> <div data-bbox="404 799 1038 1023" style="border: 1px solid gray; padding: 5px;"><p> Risk of injury from LED lighting.</p><p>This lighting corresponds to risk group RG 2. If the cover is defective, there is a risk of eye injury.</p><p>If the lighting cover is defective, do not look from a close range directly into the lighting with optical instruments (e.g. magnifying glass or similar).</p></div> <ul style="list-style-type: none">■ Call the Miele Customer Service Department.

Other problems

Problem	Cause and remedy
The floor of the refrigerator section is wet.	The condensate drain hole is blocked. ■ Clean the condensate channel and drain hole.
Food has frozen together.	The food packaging was not dry when placed in the freezer. ■ Use a blunt instrument, e.g. a spoon handle or plastic scraper, to prise it apart carefully.
The external walls of the appliance feel warm.	This is not a fault. The heat created by the evaporator is used to prevent condensation.

Noises

Normal noises	What causes them
Brrrrr ...	A humming noise is made by the motor (compressor). This noise can get louder for brief periods when the motor switches on.
Blubb, blubb ...	A gurgling noise can be heard when coolant is circulating through the pipes.
Click ...	Clicking sounds are made when the thermostat switches the motor on and off.
Crack ...	A cracking sound can be heard when materials expand inside the appliance.
Remember that the noise of the compressor and the coolant circulating in the system is unavoidable.	

Noises	Cause and remedy
Rattling, vibrating	The appliance is uneven. Realign the appliance using a spirit level. Do so by raising or lowering the screw feet underneath the appliance or place something underneath it.
	The appliance is touching another appliance or piece of furniture. Move it away.
	Drawers or shelves are unstable or sticking. Check all removable items and refit them correctly.
	Bottles or containers are touching each other. Separate them.
	The transport cable clips are hanging loose at the back of the appliance. Remove them.

Contact in the event of a fault

In the event of any faults which you cannot remedy yourself, please contact your Miele dealer or the Miele Customer Service Department.

You can book a Miele Customer Service Department call-out online at www.miele.com/service.

Contact information for the Miele Customer Service Department can be found at the end of this document.

Please quote the model identifier and serial number of your appliance (Fabr./SN/Nr.) when contacting the Miele Customer Service Department. This information can be found on the data plate.

Please note that telephone calls may be monitored and recorded for training purposes and that a call-out charge will be applied to service visits where the problem could have been resolved as described in this booklet.

The data plate can be found inside the appliance.

EPREL database

From 1 March 2021, information on energy labelling and ecodesign requirements will be available in the European Product Database (EPREL). You can find the product database at the following link <https://eprel.ec.europa.eu/>. You will be asked to enter the model identifier.

The model identifier can be found on the data plate.

Miele	
XXXXXX	Nr. XX/XXXXXXXXXX
<small> WEINTEMPERATURSCHRANK-INTERESSCHICKELL MULTITEMPERATURE WINE STORAGE CABINET-UNDER/WORKTOP ARMOIRE DE MISE EN TEMPERATURES VIN/SHOCK ENCASTRABLE SOUS PLAN ARMARIO DE PLACACIONES MÚLTIPLES VINOS/BAJOS/POTRERAJOS EN MERA BRANSA/TEMPERATURAS DE INTERÉS/BAJOS/BAJOS </small>	
<small>Klasse/Class</small> <small>Classe/Clase</small> SN-ST	<small>Ap-Type/AP-Type</small> <small>AP-Type/AP-Tipo</small>
<small>Bruttinhalt/Brut Capacity</small> <small>Volume Brut/Capacidad Bruta</small> XXXX l	<small>Gefriervermögen/Freezing Capacity</small> <small>Pouvoir de Congel/Capac. Congeladora</small>
<small>Nutzhalt</small> Ges / K / G // WEIN / KALT <small>Net Capacity</small> Tot / R / F // WINE / CHILL <small>Volume Utile</small> Tot / R / F // WINE / CHILL <small>Capac. Util</small> Tot / R / F // WINE / CHILL	R600a: XXg


Warranty

The appliance warranty is valid for 2 years from date of purchase. In the UK, you must activate your cover by calling 0330 160 6640 or registering online at www.miele.co.uk.

For more information on country-specific warranty terms and conditions, please contact Miele Customer Service.


Installation

Installation


 Danger of damage and injury due to the refrigeration appliance tipping over.

This refrigeration appliance is very heavy and can tip forwards when the appliance door is open.

Keep the appliance door(s) shut until the refrigeration appliance has been built in and secured in its housing in accordance with these operating and installation instructions.

 Fire risk and danger of damage from appliances which give off heat. Appliances which give off heat can catch fire and set fire to the refrigeration appliance.

This refrigeration appliance must not be installed underneath a hob.

 Fire risk and danger of damage from open flames.

Open flames can set fire to the refrigeration appliance.


Keep open flames (e.g. a candle) away from the refrigeration appliance.

Your refrigeration appliance must not be installed “side-by-side” because it is not equipped with built-in heating units in the side panels.

This refrigeration appliance can, however, be installed next to certain models that are equipped with integrated heating in their side wall, as long as they are installed in separate building-in niches. The refrigeration appliance must be installed to the left of the freezer.

Please contact your dealer for specific information about which combinations will work with your appliance.

Side-by-side installation

 Risk of damage due to condensation on external appliance panels. In environments with high humidity, condensation can build up on external appliance panels, which can cause corrosion.

Do not place different refrigeration appliance models directly next to or on top of one other.


Location

This appliance should be installed in a dry, well-ventilated room.

When deciding where to install your refrigeration appliance please bear in mind that it will use more energy if installed near to a heater, a cooker or other appliance that gives off heat. Direct sunlight should also be avoided. The higher the room temperature, the longer the compressor runs and the higher the energy consumption is.

When installing the appliance, please note:

- The socket must be easily accessible in an emergency, not concealed behind the appliance.
- The plug and cable must not touch the rear of the appliance as they could be damaged by vibrations from the appliance.
- Do not plug in other appliances behind this appliance.

 Risk of damage due to high humidity.

In environments with high humidity, condensation can build up on external refrigeration appliance panels, which can cause corrosion.

Install the refrigeration appliance in a dry and/or air-conditioned room with sufficient ventilation.

After installation, make sure that the appliance door closes properly, the ventilation gaps are not covered and that the refrigeration appliance has been installed in accordance with the operating and installation instructions.

Climate range


This refrigeration appliance is designed for use within specific ambient temperatures (climate range). Do not use in ambient temperatures for which it is not designed. The climate range is stated on the data plate in the interior cabinet of the refrigeration appliance.

Climate range	Ambient temperature
SN	+10 to +32 °C
N	+16 to +32 °C
ST	+16 to +38 °C
T	+16 to +43 °C

A lower ambient temperature leads to the compressor switching off for longer periods. This can cause the internal temperature in the refrigeration appliance to rise with the risk of food deteriorating and going off.

Installation

Ventilation

 Risk of fire and damage due to insufficient ventilation.

If the refrigeration appliance is not ventilated sufficiently, the compressor will run more frequently and for longer periods. This will result in increased energy consumption and a higher operating temperature for the compressor. This may, in turn, cause damage to the compressor.

Please ensure that there is adequate ventilation around the refrigeration appliance.

It is essential to observe the required ventilation gaps.

The ventilation gaps must not be covered or blocked in any way.

They must also be regularly dusted.

Ventilation takes place through a ventilation grille in the refrigeration appliance plinth.

Furniture door panel

– Gap

Depending on the style of kitchen furniture, the thickness and edge radius of the furniture door and the gap that runs around the door, vertically and horizontally, are specified.

It is essential to pay attention to the following:

If the gap between the refrigeration appliance furniture door panel and the adjoining housing unit door or wall on the hinged side is too small, the appliance door could collide with the adjoining housing unit door or wall when opened.

It may be necessary to adjust the size of this gap to suit the thickness and edge radius of the appliance furniture door.

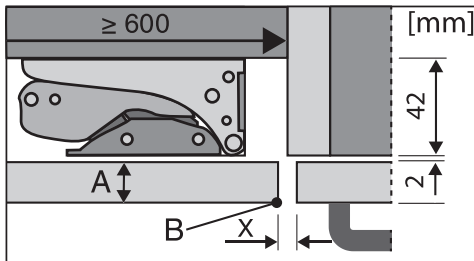
Tip: This must be taken into consideration when planning your kitchen and when replacing an old refrigeration appliance with a new one to ensure the installation conditions required are met.

Appliance furniture door thickness A [mm]	Gap X [mm] for different edge radii B			
	R0	R1.2	R2	R3
≥16–19	min. 3			
20	5	4	4	3.5
21	5.5	5	4.5	4
22	6.5	6	5.5	5

Weight of the furniture door

⚠ If the furniture door panel is too heavy, this can cause damage. Fitting a furniture door panel which is heavier than the maximum permitted weight could damage the hinges. This can cause subsequent functional problems.

Before fitting a furniture door, ensure that the weight of the door does not exceed the maximum permitted:

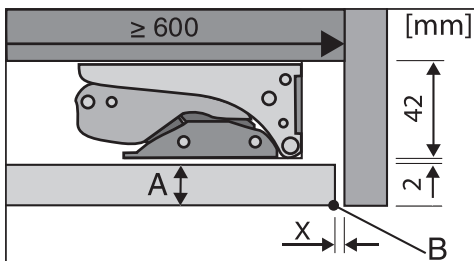


Adjoining kitchen furniture front

A = Furniture front thickness

B = Edge radius

X = Gap



Adjoining side wall

A = Furniture front thickness

B = Edge radius

X = Gap

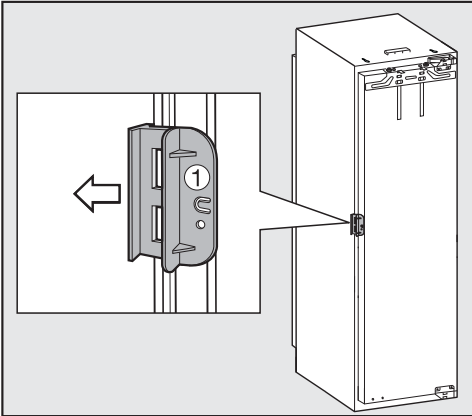
Tip: Fit a spacer between the housing unit carcass and the side wall. This way you will get a sufficiently wide gap.

Appliance	Maximum weight of furniture door in kg
K 31222 Ui	10 kg
K 31242 UiF	10 kg

Installation

Before installing the appliance

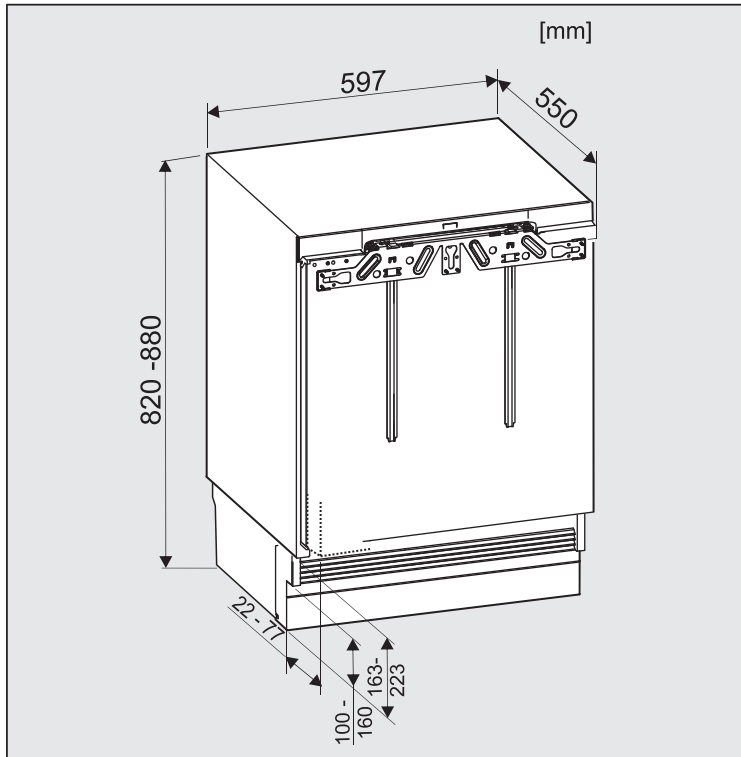
- Take the accessory pack which includes installation parts and other accessories out of the appliance.
- Remove the cable clip from the back of the appliance.



- Open the appliance door and remove the red safety catch ① (depending on model).

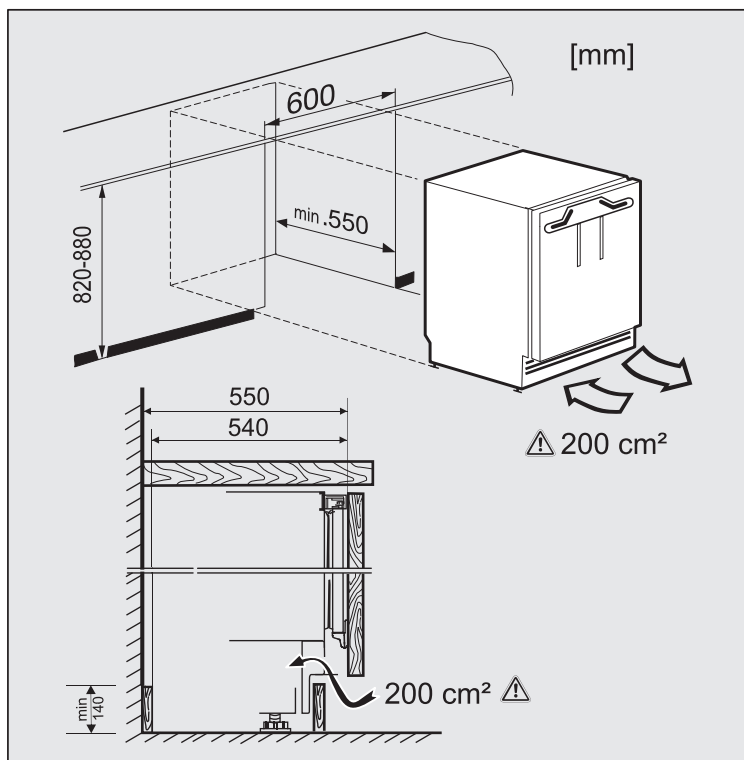
Building-in dimensions

Installation dimensions



Appliance dimensions

Installation



Dimensions for ventilation

Changing the door hinging

The refrigeration appliance is supplied with hinges on the right. If left-hand hinging is required, the hinges must be changed.

⚠ Danger of injury and damage when changing the door hinging.

There is an increased danger of injury and damage if the refrigeration appliance is installed by a single person.

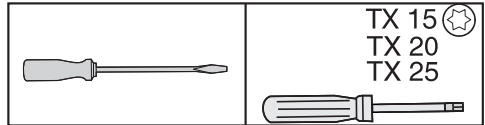
Always change the door hinging with the help of a second person.

If the door seal is damaged or has slipped out of its groove, the appliance door may not close properly and cooling performance will be reduced. Condensate will build up in the interior cabinet and this can cause a build-up of ice.

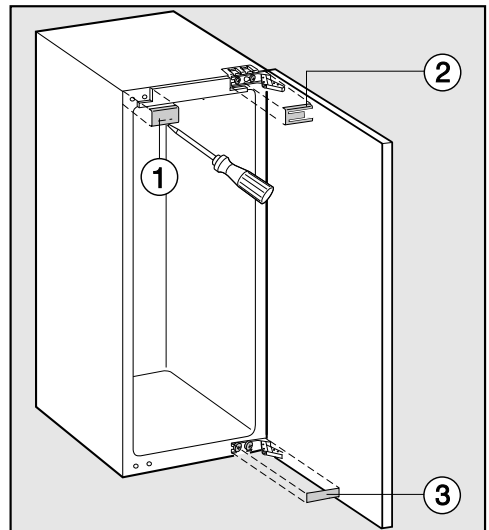
Do not damage the door seal and ensure it does not slip out of its groove.

Preparing to change the door hinging

To change the door hinging, you will need the following tools:

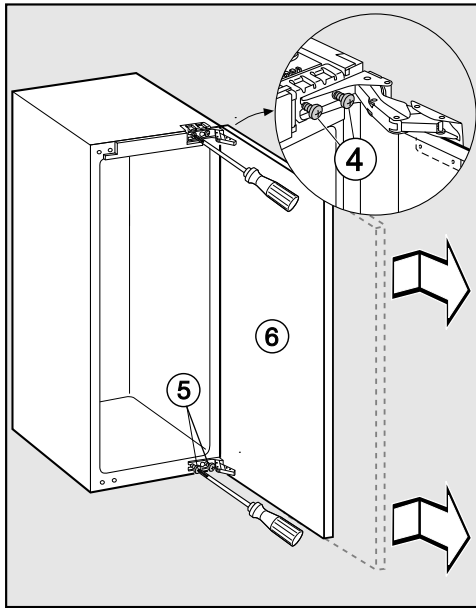


- Place a suitable cover on the floor in front of the appliance to protect the appliance door and your floor from damage.



- Lift off the covers ①, ② and ③.

Installation

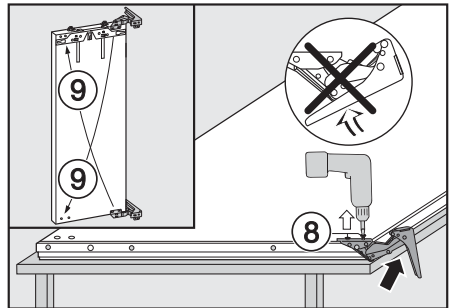


- Slightly loosen screws ④ and ⑤ on the hinges.
- Push the appliance door ⑥ outwards and take it off its hinges.
- Remove the screws ④ completely and loosely screw them in on the opposite side.
- Remove the screws ⑤ completely and loosely screw them in on the opposite side.

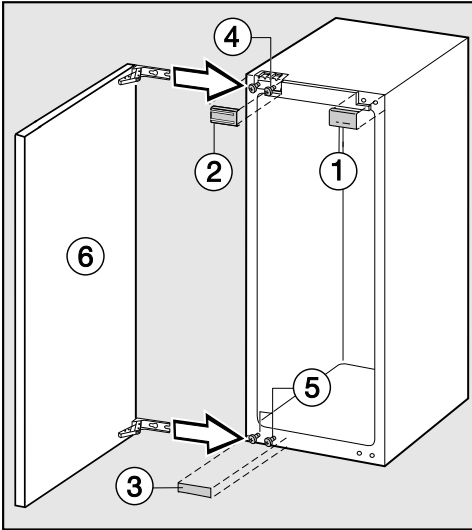
Refitting the door

- Place the appliance door with the outer side upwards on a stable surface.

⚠ Danger of injury from folding door hinges.
The hinges can snap closed.
Leave them open.



- Remove the screws ⑧ completely.
- Replace the hinges in their diagonally opposite corners ⑨.



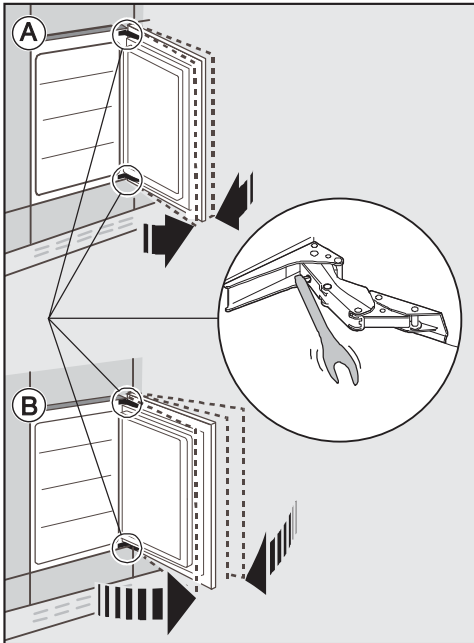
- Hang the appliance door ⑥ onto the pre-fitted screws ④ and ⑤, and securely tighten the screws ④ and ⑤.
- Replace the covers: ①, ② and ③.

Installation

Adjusting the appliance door hinges

If you would like the appliance door to be cushioned so that it opens more softly, the spring tension on the appliance door can be adjusted:

To do this, use an Allen key to adjust the door hinges.



Ⓐ To reduce the appliance door opening angle:

- Turn the Allen key clockwise.

This tightens the hinges and makes it harder to open the door wide.

Ⓑ To open the appliance door fully:

- Turn the Allen key anti-clockwise.

The hinge is looser, making it easier to open the door.

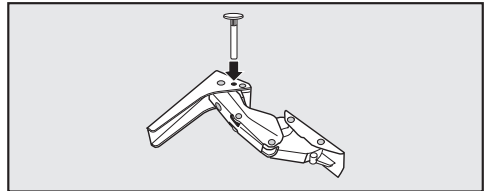
Limiting the opening angle of the appliance door

The door hinges are set ex works to enable the appliance door to be opened wide.

However if the opening angle of the appliance door needs to be limited for any reason, the hinge can be adjusted to accommodate this.

If the appliance door hits an adjacent wall when opened, for example, the opening angle can be limited to approx. 90°:

The locking pins for limiting the door opening must be fitted before the refrigeration appliance is installed.

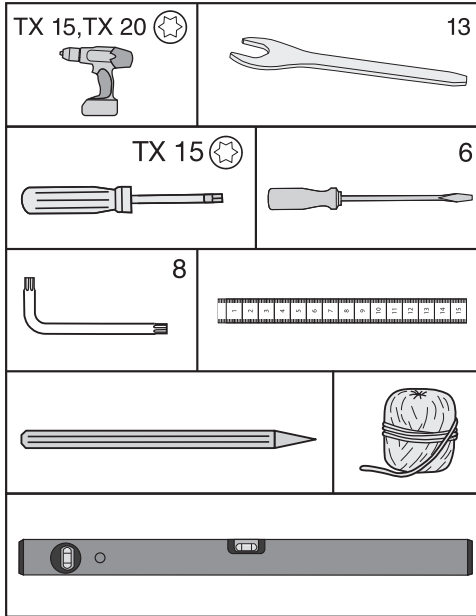


- Insert the locking pins supplied for limiting the door opening into the hinges from above.

The appliance door opening angle is now limited to approx. 90°.

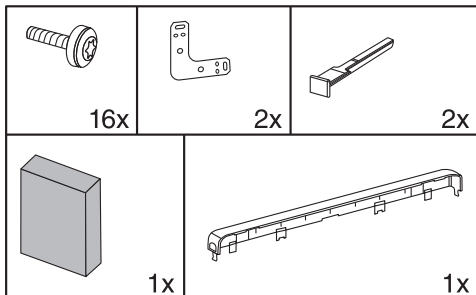
Installing the appliance

To install the appliance, you will need the following tools:



Parts required for installation

All installation parts are number coded. This coding is also used in the installation instructions.



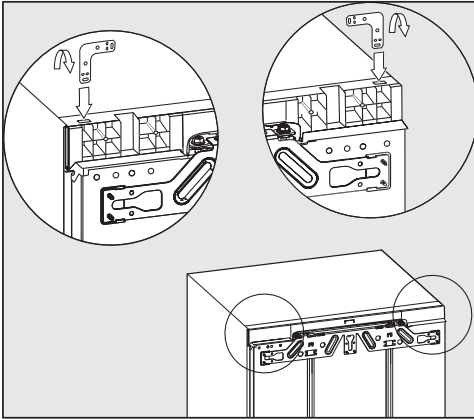
Preparing the appliance

- Position the refrigeration appliance in front of the niche.
- Hold the plinth facing at the side and pull it forwards and off.

You have a choice of two different ways of securing your appliance:

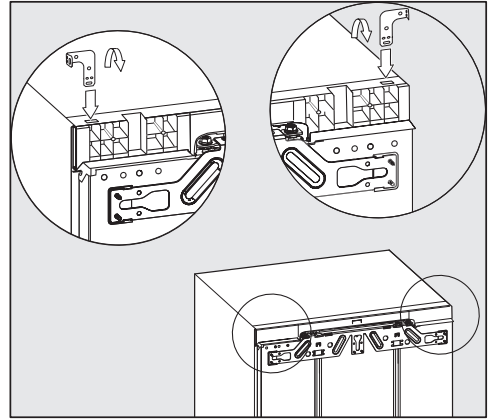
1. Secured at the top
This method is suitable for securing the appliance underneath a worktop, e.g. a laminated one). The worktop must be suitable for screwing a bracket on to.
With the appliance feet fully extended the appliance should sit lightly tensioned between the floor and the worktop.
2. Secured at the side
This method is suitable for securing the appliance underneath a solid worktop, e.g. a granite one). The furniture side walls to the right and left of the refrigeration appliance must be suitable for screwing brackets to.
With the feet fully extended the refrigeration appliance will sit lower than the worktop.

Installation



1. Secured at the top

- Fit the bracket in the aperture in the appliance lid.
- Bend the bracket at the perforated position.




2. Secured at the side

Both ends of the bracket must be bent.


- Fit the bracket in the aperture in the appliance lid.
- Bend the bracket at the perforated position.
- Remove the bracket from the aperture and insert the straight end of the bracket.
- Now bend this end of the bracket at the perforated position.

Positioning the refrigeration appliance

 Risk of damaging the power cable.


When pushing the refrigeration appliance into its niche, the power cable can get trapped and damaged.

Carefully push the refrigeration appliance into the niche.

 Risk of damaging the floor.

Moving the refrigeration appliance can cause damage to the floor.

Move the refrigeration appliance carefully on floors that are sensitive to scratching.

 Risk of damaging the appliance feet.

The appliance feet can break off.

The feet should be almost fully screwed in when you push the refrigeration appliance into the niche.

Tip: Before pushing the appliance into the niche the two rear feet should be loosened by half a turn. After pushing it into the niche, the feet will be easier to adjust from the front (see “Aligning the refrigeration appliance”).

- Position the power cable so that the refrigeration appliance can be connected easily once installed.

Tip: To help you push it into position, tie a piece of string around the plug to “lengthen” the power cable.

Then pull the power cable by the end of the string through the housing unit.

If the refrigeration appliance is pushed too far into the niche, the appliance door may not close properly once the furniture panel has been fitted. This can cause ice to build up, condensate to accumulate and lead to faults in the appliance. These can all lead to increased energy consumption.

Push the refrigeration appliance into the niche, making sure a gap of **42 mm** is maintained all round between the appliance carcass and the front of the housing unit side walls.

- Push the refrigeration appliance into the niche until the front edges of the hinges at the top and bottom are flush with the front edge of the housing unit side wall.

This will create a gap all round of **42 mm** to the front edges of the housing unit side walls.

Installation

On furniture with door fittings (e.g. stubs, seals, etc.), the dimension of these must be taken into account to ensure there is a gap all round of **42 mm**.

- Pull the refrigeration appliance forwards by the appropriate dimension.
- Check again to make sure there is a gap of **42 mm** to the front edges of the door fittings.

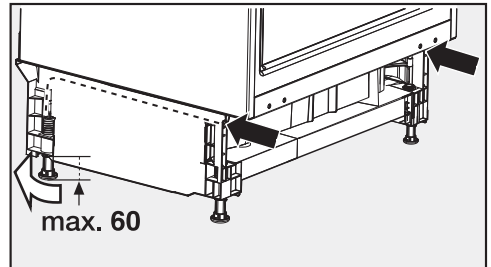
Tip: If possible, remove the door fittings and push the refrigeration appliance into the niche until all fixing brackets at the top and bottom are touching the front edge of the housing unit side wall.

Aligning the refrigeration appliance

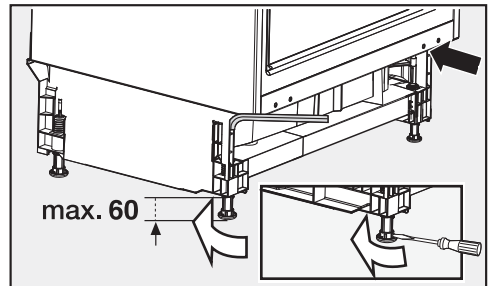
When securing the refrigeration appliance in the niche at the top, it should sit lightly tensioned between the floor and the worktop.

- Adjust the front and rear feet alternately according to the height of the niche and make sure the refrigeration appliance is correctly aligned.

Proceed as follows:



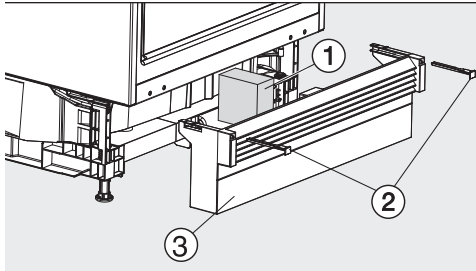
- Adjust both rear feet with appropriate screws at the front right and left in the appliance plinth using a flat-headed screwdriver.



- Use an Allen key to unscrew both front feet.

Tip: As soon as the feet have been unscrewed slightly, you can adjust them with a screwdriver at the bottom of the foot (see small illustration).

The foam ① ensures the airflow is separated to prevent malfunctioning of the appliance.



- Insert the piece of foam ① supplied.
- Refit the plinth facing ③, but do not secure it in position yet.

Without a continuous plinth facing:

- Pull the plinth facing ③ forwards until the ventilation slats are in alignment with adjacent cabinet plinth facings.
- Hold the plinth facing securely and attach it to the right and left using the bolts supplied ②.

With a continuous plinth facing:

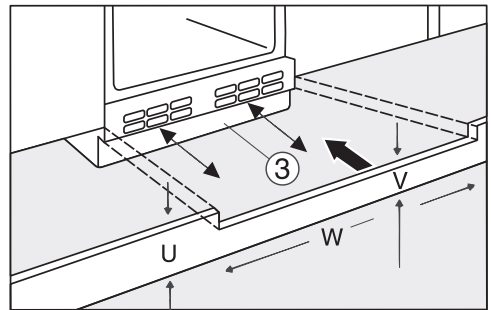
- Push the plinth facing ③ right up against the refrigeration appliance, and attach it to the right and left using bolts ②.

Fitting a continuous furniture plinth facing

Ventilation takes place through a ventilation grille in the appliance plinth.

The ventilation grille must never be obstructed.

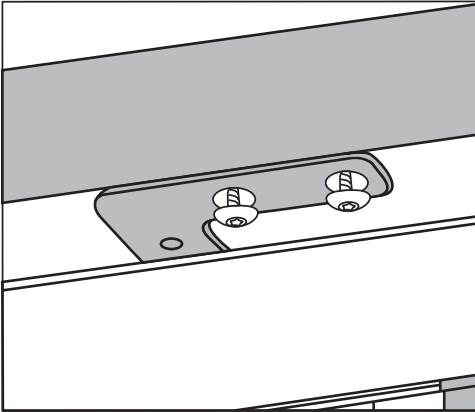
If a continuous plinth facing is to be fitted, a suitable ventilation gap will need to be made in it for the ventilation grille of the appliance:



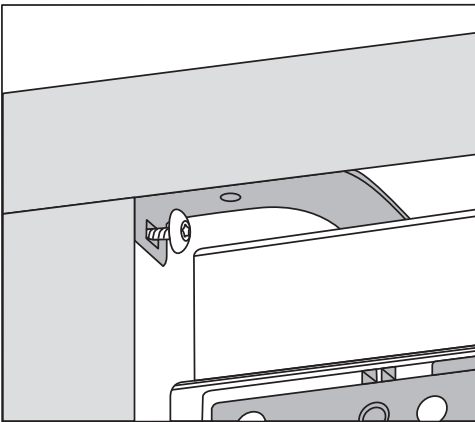
- Trim the furniture plinth facing (U) to the correct height.
- Adjust the height (V) along the niche width (W) underneath the appliance plinth facing ③.

Installation

Securing the appliance in the niche



1. Secured at the top



2. Secured at the side

- Screw the appliance into position on the right and the left.

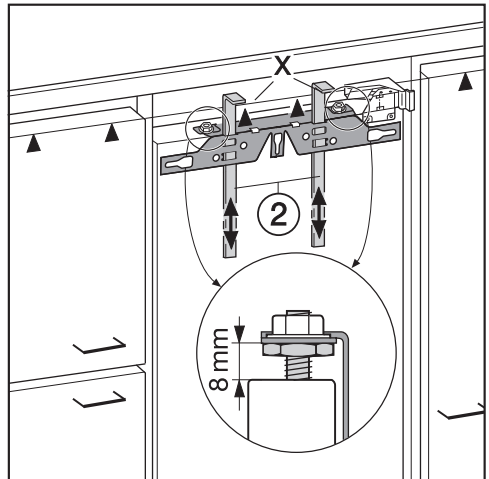
Fitting the furniture door

If fitted in a run of units make sure that the top edge of the furniture door is at the same height as neighbouring unit doors.

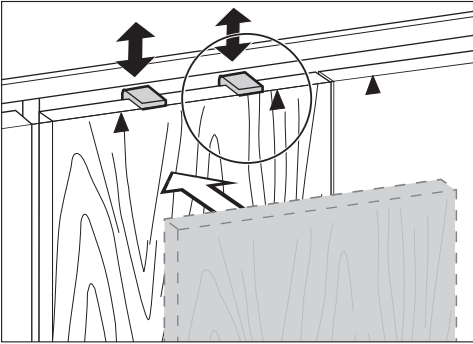
The furniture door must be fitted correctly and not under tension.

The next section gives instructions on how to fit a furniture door that is at least 16–19 mm thick.

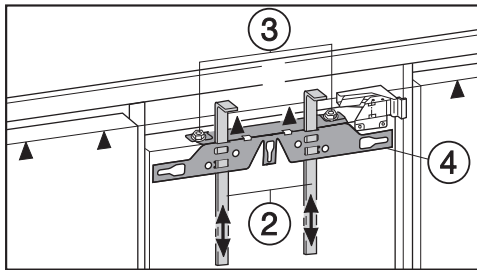
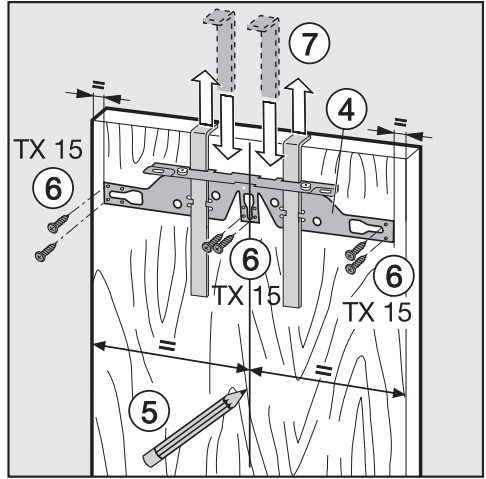
Ensure that the plinth facing is refitted correctly.



- The distance between the appliance door and the fixing bracket is set to 8 mm at the factory. Check this distance and adjust it if necessary.
- Push the fitting aids ② up to the height of the furniture door: the lower edge X of the fitting aids must be at the same height as the upper edge of the furniture door being fitted (see ▲ in diagram).



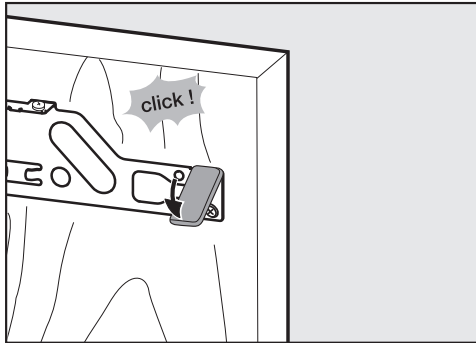
Tip: Push up the fitting aids ② with the furniture front until they are the same height as the doors of adjacent kitchen units.



■ Undo the nuts ③ and take the fixing bracket ④ off together with the fitting aids ②.

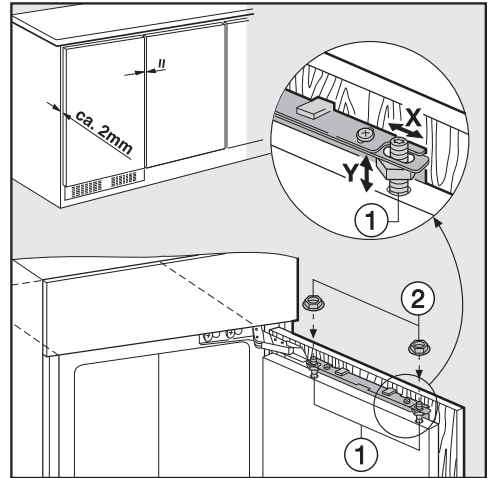
- Using a pencil, lightly mark a line down the centre of the inside of the furniture door ⑤.
- Hang the fixing bracket ④ with the fitting aids onto the **inside** of the furniture door. Align the fixing bracket centrally.
- Attach the fixing bracket securely using at least 6 short chipboard screws ⑥. (On cassette doors only use 4 screws on the edges). Drill holes into the furniture door if necessary.
- Pull the fitting aids upwards to remove them ⑦. Turn them around and fit them into the middle slots on the fixing bracket for safe keeping.

Installation

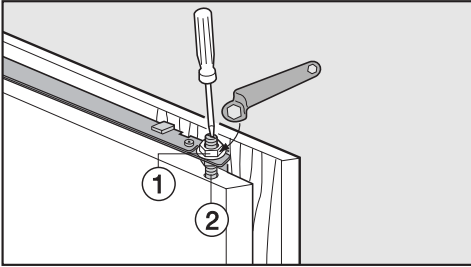


- Fit the side cover to the fixing bracket on the opposite side of the hinge.
- Turn the furniture door over and attach the handle (if required).

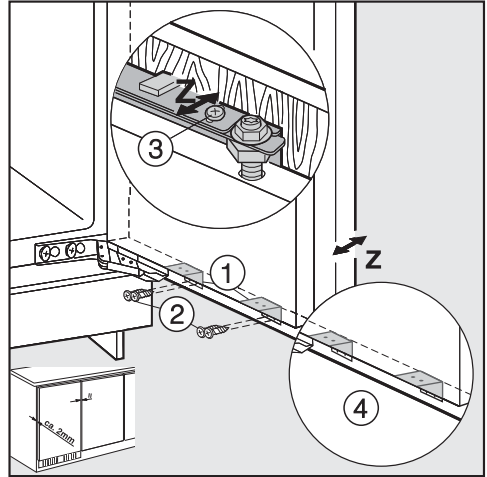
- Open the appliance door.



- Hang the furniture door onto the adjusting bolts ①.
- Loosely attach the nuts ② on the adjusting bolts.
- Close the door and check the distance between the door and neighbouring furniture doors.
- Align to match neighbouring doors if necessary:
Side adjustments X are made by sliding the furniture door, and height adjustments Y by turning adjusting bolts ① with a screwdriver.

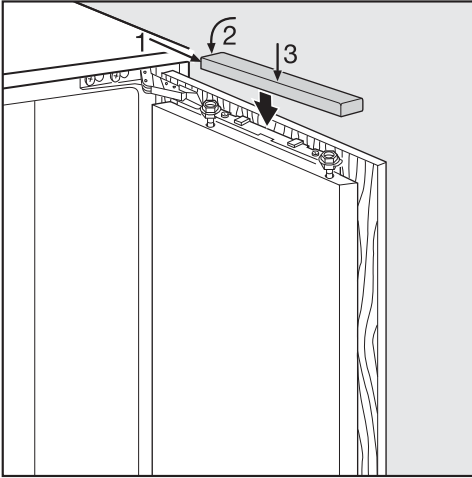


- Whilst counterholding adjusting bolts ② with a screwdriver, tighten nuts ① on the appliance door with screwdriver.



- Attach the appliance door and the furniture door using screws through fixing brackets ①:
 - Drill holes in the furniture door (mark the position of the holes first).
 - Screw in the short chipboard screws ② (4 x 14 mm).
- Align the furniture door along the depth plane Z: loosen the screws in the long slots at the top of the appliance door ③ as well as under the appliance door ④. By moving the furniture door, create a gap of 2 mm between the furniture door and the front edge of the niche. Align according to the adjacent furniture doors.
- Close the door, check it is secured correctly, and align it with adjacent furniture doors.
- Tighten all the screws again.

Installation



- Fit the cover in position.


To make sure the appliance is correctly fitted:

- The door must close properly.
 - The door must not touch the housing unit.
 - The seal at the top edge of the handle side must fit properly.
- To double check place a torch in the appliance and close the door. Turn the lights out in the room. If you can see any light shining out from the sides double check the installation.

Electrical connection

The appliance is supplied with a mains cable and moulded plug ready for connection to an AC single-phase 220–240 V 50 Hz supply.

The fuse rating must be at least 10 A.

This appliance must be connected to a suitable switched socket. The electrical installation must be in compliance with current local and national safety regulations, (e.g. VDE 0100 in Germany / BS 7671 in the UK). We recommend the use of a suitable RCD .

The socket must not be concealed behind the appliance and must be easily accessible so that the appliance can be quickly disconnected from the electrical supply in case of an emergency.

If the socket is no longer accessible after installation, an additional means of disconnection must be provided for all poles. Suitable means of disconnection include switches with an all-pole contact gap of at least 3 mm. These include miniature circuit breakers, fuses and contactors (EN 60335).

The mains plug and mains connection cable must not come into contact with the back of the appliance as vibrations can cause damage to these components. This could result in a short circuit.

Do not plug in other appliances behind this appliance.

Do not connect the appliance to the mains electricity supply by an extension lead. Extension leads do not guarantee the required safety of the appliance (e.g. danger of overheating).

Do not connect the appliance to a stand-alone inverter such as those used with an autonomous energy source e.g. **solar power**.

When the appliance is switched on, power surges could result in a safety switch-off. This could damage the electronic module. The appliance must not be used with so-called **energy saving devices** either. These reduce the amount of energy supplied to the appliance, causing it to overheat.

If the mains cable needs to be replaced, this must be performed by a qualified electrician.

United Kingdom

Miele Co. Ltd., Fairacres, Marcham Road, Abingdon, Oxon, OX14 1TW

Tel: 0330 160 6600, Internet: www.miele.co.uk/service, E-mail: info@miele.co.uk

Australia

Miele Australia Pty. Ltd.

ACN 005 635 398

ABN 96 005 635 398

1 Gilbert Park Drive

Knoxfield, VIC 3180

Tel: 1300 464 353

Internet: www.miele.com.au

China Mainland

Miele Electrical Appliances Co., Ltd.

1-3 Floor, No. 82 Shi Men Yi Road
Jing' an District

200040 Shanghai, PRC

Tel: +86 21 6157 3500

Fax: +86 21 6157 3511

E-mail: info@miele.cn,

Internet: www.miele.cn

Hong Kong, China

Miele (Hong Kong) Ltd.

41/F - 4101, Manhattan Place

23 Wang Tai Road

Kowloon Bay, Hong Kong

Tel: (852) 2610 1025

Fax: (852) 3579 1404

Email:

customerservices@miele.com.hk

Website: www.miele.hk

India

Miele India Pvt. Ltd.

1st Floor, Copia Corporate Suites,
Commercial Plot 9,

Mathura Road, Jasola,

New Delhi - 110025

E-mail: customercare@miele.in

Website: www.miele.in

Ireland

Miele Ireland Ltd.

2024 Bianconi Avenue

Citywest Business Campus

Dublin 24

Tel: (01) 461 07 10

Fax: (01) 461 07 97

E-Mail: info@miele.ie

Internet: www.miele.ie

Malaysia

Miele Sdn Bhd

Suite 12-2, Level 12

Menara Sapura Kencana

Petroleum

Solaris Dutamas No. 1

Jalan Dutamas 1

50480 Kuala Lumpur, Malaysia

Phone: +603-6209-0288

Fax: +603-6205-3768

New Zealand

Miele New Zealand Limited

IRD 98 463 631

8 College Hill

Freemans Bay, Auckland 1011

New Zealand

Tel: 0800 464 353

Internet: www.miele.co.nz

Singapore

Miele Pte. Ltd.

29 Media Circle

#11-04 ALICE@Mediapolis

Singapore 138565

sTel: +65 6735 1191

Fax: +65 6735 1161

E-Mail: info@miele.com.sg

Internet: www.miele.sg

South Africa

Miele (Pty) Ltd.

63 Peter Place

Bryanston 2194

P.O. Box 69434

Bryanston 2021

Tel: (011) 875 9000

Fax: (011) 875 9035

E-mail: info@miele.co.za

Internet: www.miele.co.za

Thailand

Miele Appliances Ltd.

BHIRAJ TOWER at EmQuartier

43rd Floor Unit 4301-4303

689 Sukhumvit Road

North Klongton Sub-District

Vadhana District

Bangkok 10110, Thailand

United Arab Emirates

Miele Appliances Ltd.

Showroom 1

Eiffel 1 Building

Sheikh Zayed Road, Umm Al Sheif

P.O. Box 114782 - Dubai

Tel. +971 4 3044 999

Fax. +971 4 3418 852

800-MIELE (64353)

E-Mail: info@miele.ae

Website: www.miele.ae

Manufacturer: Miele & Cie. KG, Carl-Miele-Straße 29, 33332 Gütersloh, Germany

K 31222 Ui, K 31242 UiF

en-GB

M.-Nr. 10 838 150 / 03