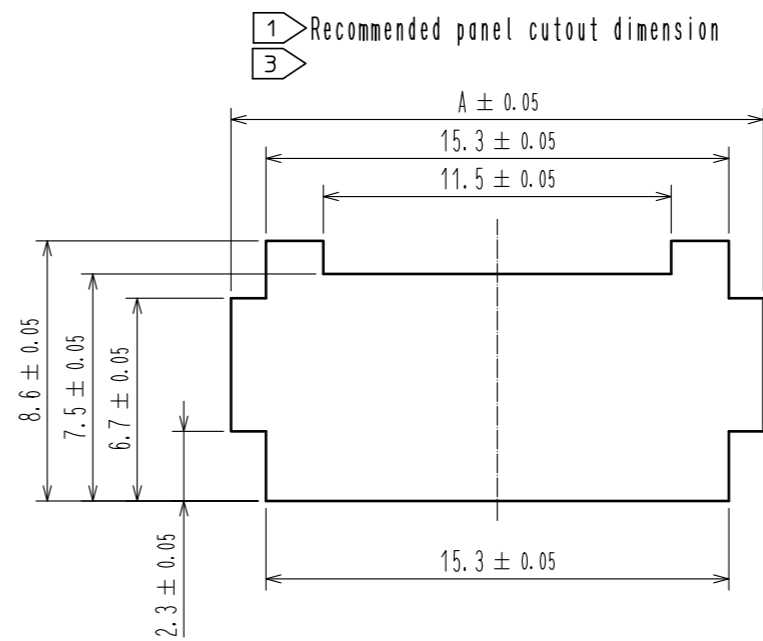
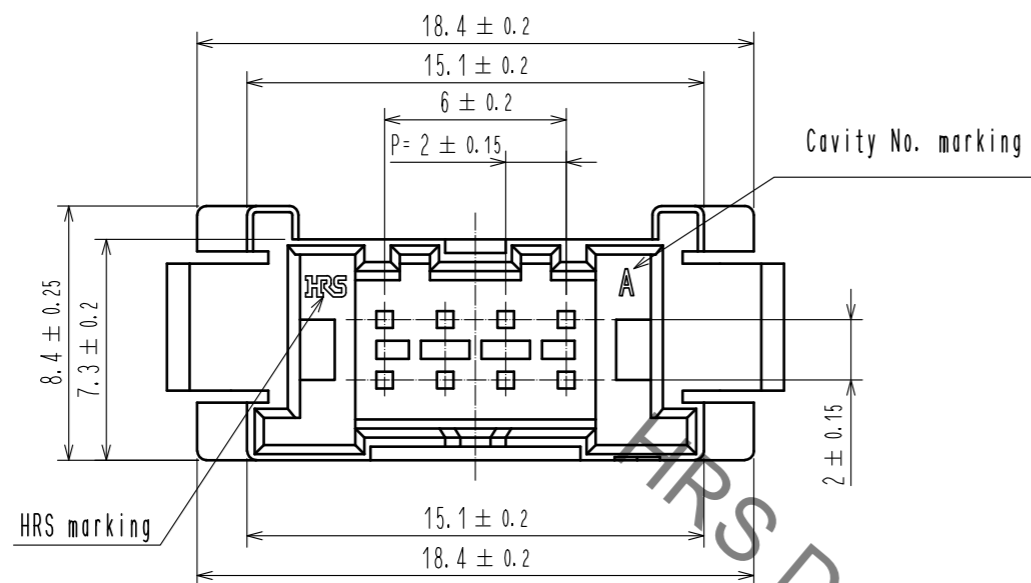
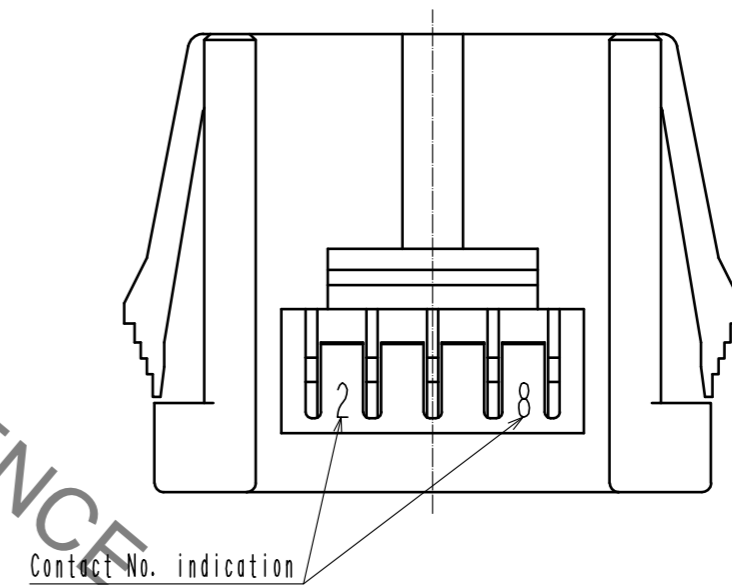
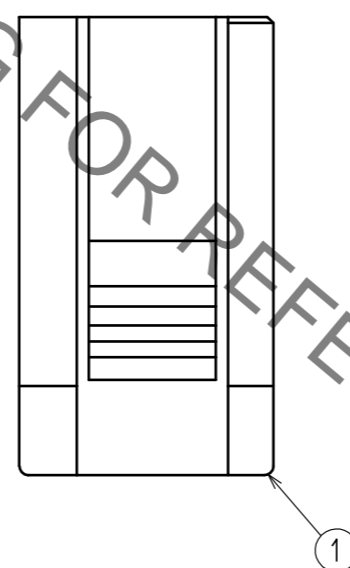
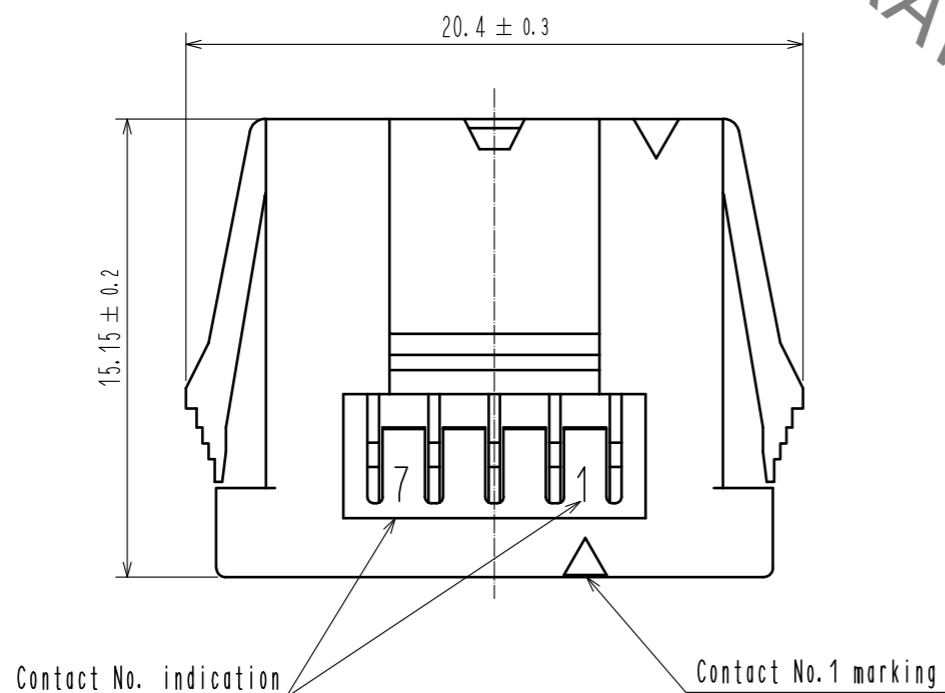


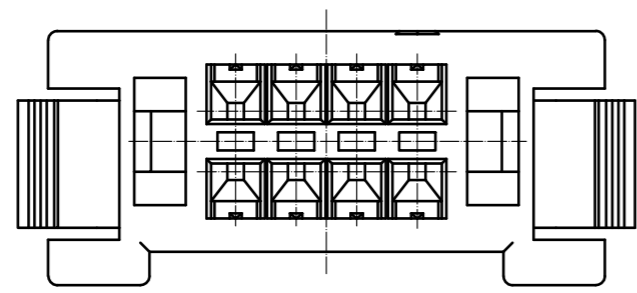
Sep.1.2021 Copyright 2021 HIROSE ELECTRIC CO., LTD. All Rights Reserved.
In case of consideration for using Automotive equipment / device which demand high reliability, kindly contact our sales window correspondents.



Panel thickness	A
0.5~0.8	17.6
0.9~1.3	18.1
1.4~1.8	18.5
1.9~2.3	18.9



- Note
- 1 Please use non-radius side for the panel hooking area.
 - 2 Applicable panel thicknessing is 2.3 to 0.5 mm.
 - 3 Consult hirose for the other panel cutout designs than recommended one.
 - 4. Per pack : 100 pieces.
 - 5. UL(File No. E52653),
C-UL(File No. E52653) authorization article.



NO.	MATERIAL	FINISH . REMARKS	NO.	MATERIAL	FINISH . REMARKS
			1	PBT	UL94V-0. BLAC
UNITS mm		SCALE 4 : 1	COUNT 1	DESCRIPTION OF REVISIONS DIS-H-00004537	DESIGNED TS. MIYAKI
					CHECKED HS. OKAWA
					DATE 20181221
HRS	HIROSE ELECTRIC CO., LTD.	APPROVED : HS. OKAWA	20160601	DRAWING NO.	EDC-366284-00-00
		CHECKED : YN. TAKASHITA	20160601	PART NO.	DF51-8DEP-2C
		DESIGNED : TT. OHSAKO	20160601	CODE NO.	CL543-5073-0-00
		DRAWN : TT. OHSAKO	20160601		