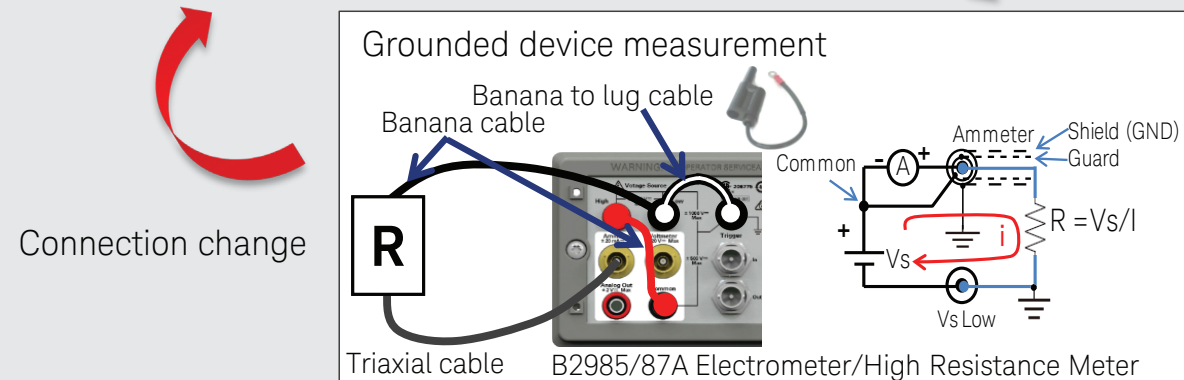
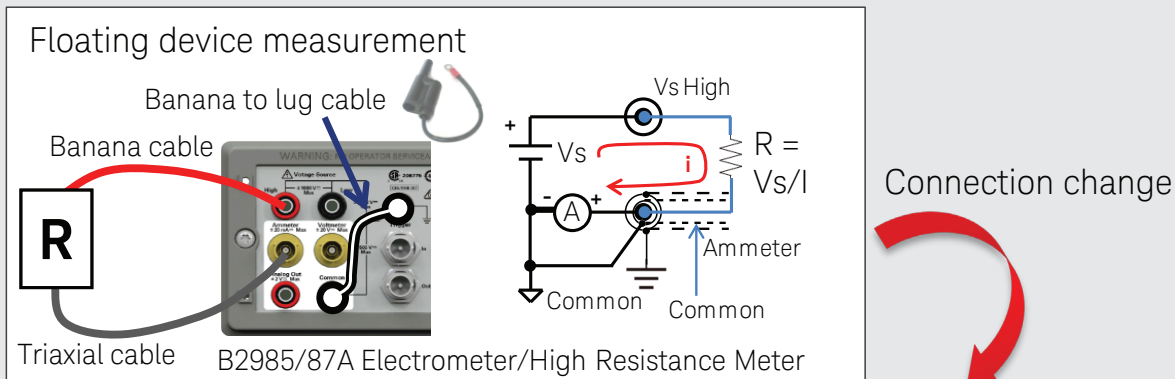


## N1414A High Resistance Measurement Universal Adapter Simplifies High Resistance Measurement Cabling

### Accessory for the Keysight B2985A/87A Electrometer/High Resistance Meter

If you frequently need to switch between floating and grounded high resistance measurements, repeatedly changing the manual cable connections can be annoying and time-consuming. The Keysight N1414A High Resistance Measurement Universal Adapter allows you to switch between floating mode and grounded mode with a single button push, eliminating the need to manually change connections. In addition, the N1414A allows you to monitor the sourced voltage using the voltmeter function of the B2985A/87A.

**Problem:** Need to change connections between floating and grounded modes.



**Solution:** The N1414A adapter eliminates the need to manually change connections.



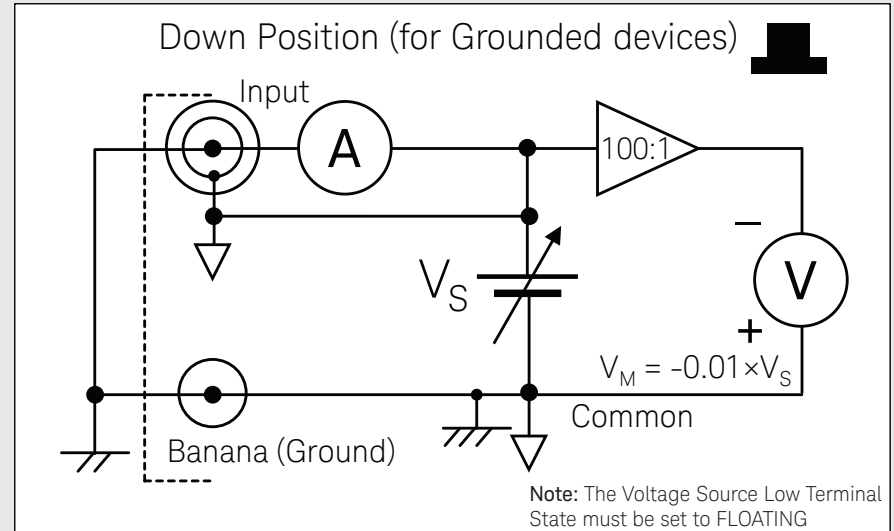
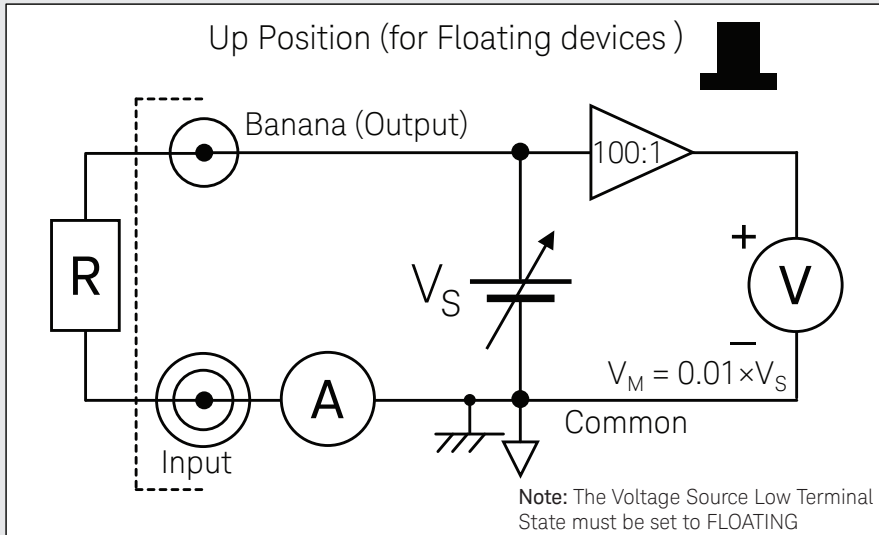
N1414A High resistance measurement universal adapter

- Up position for Floating device measurements
- Down position for Grounded device measurements

Schematic of the B2985A/87A when used with the N1414A adapter:

The built-in switching capability of the N1414A enables you to switch between floating and grounded device measurements with a single button push. In addition, the N1414A adapter connects the device to the B2985A/87A's voltmeter to allow you to monitor the sourced voltage.

Note: The N1414A's internal circuitry attenuates the actual voltage by a factor of one hundred.



## Keysight B2980A Series Femto/Picoammeters & Electrometers/High Resistance Meters

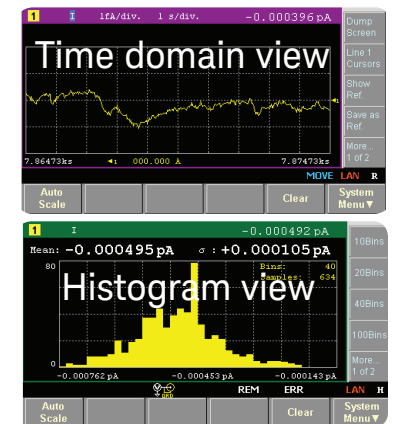
The world's only graphical Picoammeter/Electrometer that can confidently measure down to 0.01 fA and up to 10 PΩ

- Best-in-class 2 pA range and 0.01 fA resolution provide unprecedented performance
- Integrated 1000 V source supports resistance measurements up to 10 PΩ
- Battery model eliminates AC power line noise
- Graphical time domain and histogram views facilitate quick debug and analysis

Refer to the Keysight.com website for product details, technical overviews and other information.

B2980A product page: [www.keysight.com/find/b2980a](http://www.keysight.com/find/b2980a)

Sensitive measurement knowledge portal: [www.keysight.com/find/sensitivemeasurement](http://www.keysight.com/find/sensitivemeasurement)



This information is subject to change without notice.

© Keysight Technologies, 2015

Published in USA, February 23, 2015

5992-0474EN

[www.keysight.com](http://www.keysight.com)