

Electronic Line Leak Detectors

Application Guide

Notice

Veeder-Root makes no warranty of any kind with regard to this publication, including, but not limited to, the implied warranties of merchantability and fitness for a particular purpose.

Veeder-Root shall not be liable for errors contained herein or for incidental or consequential damages in connection with the furnishing, performance, or use of this publication.

Veeder-Root reserves the right to change system options or features, or the information contained in this publication.

This publication contains proprietary information which is protected by copyright. All rights reserved. No part of this publication may be photocopied, reproduced, or translated to another language without the prior written consent of Veeder-Root.

Selecting a Line Leak Detector	1
Line Leak Specifications - Supported Pump Models	1
Line Volume Limits	2
Supported Pipe Types and Line Lengths - For DPLLD and PLLD	3
Specifications and Compatible Fluids Requirements	5
Check Valve Requirements	6
TLS-4XX Series Consoles - DPLLD Leak Detection Hardware/Test Requirements	7
DPLLD Accessories and Spare Parts	7
TLS-350 Consoles - PLLD Leak Detection Hardware/Test Requirements	8
PLLD Accessories and Spare Parts.....	8
Special Installations	9
Manifolded Line Applications	9
Transducer Installation - Red Jacket CPT and Quantum CPT Pumps	9
Transducer Installation - Red Jacket Big-Flo Pumps, Red Jacket Maxxum Pumps and FE Petro High Capacity Pumps	10

Selecting a Line Leak Detector

This guide helps you to properly configure Veeder-Root’s line leak equipment for underground pressurized piping. **Note: Following the industry’s best practices, a containment sensor is recommended for sites with Pressurized Line Leak Detection (DPLLD, PLLD) in the event that the submersible pump develops a leak before the check valve and/or functional element. Line leak detectors only check leaks in the primary product line downstream from the pump.**

Veeder-Root offers two types of line leak detectors, each uniquely suited to a particular type of application: Digital Pressurized Line Leak Detection (DPLLD) and Pressurized Line Leak Detection (PLLD).

DPLLD and PLLD eliminate the need to break the product line for installation or service. DPLLD and PLLD are the cost-effective choice for most retrofit and new piping installations. Veeder-Root’s electronic line leak detectors have been evaluated by a third party in accordance with EPA evaluation procedures. Please refer to the National Work Group Listings at www.nwglde.org.

FEATURE	DPLLD (8590 Series)	PLLD (8484 Series)
SUPPORTED CONSOLE		
TLS-450PLUS	YES	NO
TLS-450	YES	NO
TLS-350	NO	YES
LINE LEAK DETECTION		
3 gph Testing	YES	YES
Precision Testing	OPTIONAL	OPTIONAL
Positive Shutdown	YES	YES
3rd Party Certified	YES	YES
INSTALLATION REQUIREMENTS		
Requires TLS Console	YES	YES
Installs Without Breaking Piping	YES	YES
Installs Without New Sump	YES	YES
Installs Without New Wires	NO	NO

¹Not available for flexible piping

Line Leak Specifications - Supported Pump Models (Footnotes explained at end of table)

4-INCH FIXED SPEED MODELS		DPLLD/PLLD	
RED JACKET	THE RED JACKET	P75U1RJ1 - RJ3, AGP75S1RJ1 - RJ3 (3/4 HP)	YES
		P150U1RJ1 - RJ3, AGP150S1RJ1 - RJ3 (1-1/2 HP)	YES
		X3P150U1RJ1 - RJ3, X3AGP150S1RJ1 - RJ3 (1-1/2 HP)	YES
		P200U1-3RJ1 - RJ3, AGP200S1RJ1 - RJ3 (2 HP)	YES
	QUANTUM	P33U1 QS1 - QS3, AGP33S1 QS1 - QS3 (1/3 HP)	YES
		P75U1Y QS1 - QS3, AGP75S1Y QS1 - QS3 (3/4 HP)	YES
		P150U1Y QS1 - QS3, AGP150S1Y QS1 - QS3 (1-1/2 HP)	YES
		X3P150U1Y QS1 - QS3, X3AGP150S1Y QS1 - QS3 (1-1/2 HP)	YES
		X5P150U1Y QS1 - QS3, X5AGP150S1Y QS1 - QS3 (1-1/2 HP)	NO
		P200U1-3Y QS1 - QS3, AGP200S1-3Y QS1 - QS3 (2 HP)	YES
	STANDARD	P33R1 T1 - T4 (1/3 HP)	YES
		P75S1 T1 - T4 (3/4 HP)	YES
		P150S1 T1 - T4 (1-1/2 HP)	YES
		X3P150S1 T1 - T4 (1-1/2 HP)	YES
		X5P150S1 T1 - T4 (1-1/2 HP)	NO
FE PETRO	STP33, STPAG33 (1/3 HP)	YES	
	STP75, STPAG75 (3/4 HP)	YES	
	STP150, STPAG150, STPAGH150 (1-1/2 HP)	YES	
	STP200, STPAG200, STPMR200, STPR200 (2 HP)	YES	
	STPH200, STPAGH200, STPHMR200, STPHR200 (2 HP)	YES	
TOKHEIM	585-13 (1/3 HP)	YES	
	585-34 (3/4 HP)	YES	
	585-150 (1-1/2 HP)	YES	
BENNETT	ALL	YES	

4-INCH VARIABLE SPEED MODELS		DPLLD/PLLD
RED JACKET	STD and AG with CPT (2 HP) ^{1,2}	YES
	QUANTUM P200U202Y QS1 - QS3 CPT (2 HP)	YES
	QUANTUM AGP200T202Y QS1 - QS3 CPT (2 HP)	YES
	THE RED JACKET P200U20-2RJ1 - RJ3 (2 HP)	YES
	THE RED JACKET AGP200T20-2RJ1 - RJ3 (2 HP)	YES
	THE RED JACKET VSFC ¹	YES
FE PETRO	IST (2 HP) ¹	YES
	STP VS2, STPAG VS2 (2 HP)	YES
	STPRVS4, ISTVS4 AG	YES
	STPMRVS4, ISTMVS4 AG	YES
6-INCH HIGH CAPACITY MODELS		DPLLD/PLLD
RED JACKET - MAXXUM	MAXXUM MXP300 (3 HP)	YES ³
	MAXXUM MXP500 (5 HP)	YES ³
RED JACKET - BIG-FLO	P100H1 - 1MB (1 HP)	YES ⁴
	P150H1 - 1HB (1-1/2 HP)	NO
	P200H1 - 2MB (2 HP)	YES ⁴
	P200H3 - 2MB (2 HP)	YES ⁴
	P300H3 - 2HB (3 HP)	YES ⁴
	P500H3 - 2K (5 HP)	YES ⁴
FE PETRO	STP3, STPAG3 (3 HP)	YES ^{4,6}
	STP5, STPAG5 (5 HP)	YES ^{4,6}
	STP5H (5HP)	YES ^{4,6}
APPLICATIONS		DPLLD/PLLD
SIPHON/MANIFOLDED TANKS		YES
MANIFOLDED LINES		YES
ELECTRONIC BLENDERS		YES
MECHANICAL BLENDERS		YES ⁵

¹See Site Preparation and Installation manual for supported settings.

²Requires TLS-350 Version X19 or later software and CPT Transducer Adapter Kit (Red Jacket P/N 144-326-5). ³USER DEFINED pipe type must be used for precision (0.2 and 0.1 gph) testing.

⁴3.0 gph only testing.

⁵Requires TLS-350 Version 29C or later software (PLLD).

⁶Requires Model 'R' Relief Valve.

Line Volume Limits

Console Type	Transducer Type	Piping Type	3.0 GPH Certified Volume (Gal.)	0.2 GPH Certified Volume (Gal.)	0.1 GPH Certified Volume (Gal.)
SERIES 860091-X01 TLS-450PLUS CONSOLES W/SOFTWARE VERSION 7E OR HIGHER	Series 8590-DPLLD	Rigid	1178.6	1178.6	165.08
		Flexible	1178.6	1178.6	109.84
		Hybrid (Flex & Rigid)	1178.6	1178.6	267.8
SERIES 860090-100 TLS-450 CONSOLES		Rigid	425.84	165.08	165.08
		Flexible	109.84	109.84	109.84
		Hybrid (Flex & Rigid)	535.68	267.8	267.8
SERIES 8482 TLS-350, -350PC, -350R, -350RPC, -350PLUS W/ SOFTWARE VERSION X19 OR HIGHER	Series 8484-PLLD	Rigid	212	119.4	119.4
		Flexible	212	119.4	119.4
		Hybrid (Flex & Rigid)	212	119.4	119.4

Supported Pipe Types and Line Lengths* - For DPLLD and PLLD

*lengths approved are for 3.0, 0.2, & 0.1 gph line leak tests using single pipe types. For mixed line types with DPLLD or PLLD, see footnote 1, 5 & 6 respectively.

PIPE TYPE	TLS-4XX w/ DPLLD ^{5,6} (Length Feet) ⁷	TLS-350 w/ PLLD ¹ (Length Feet) ⁷	BULK MODULUS ² (PSI)	VOLUME (Gallons/Foot)
RIGID PIPE				
FIBERGLASS (2 INCH)	10-3660	10-500	25,000	0.204
FIBERGLASS (3 INCH)	10-2619	10-220	35,000	0.461
STEEL (2 INCH)	30-3000	30-500	50,000	0.190
COPPER (1 INCH, TYPE K)	10-500	10-500	55,000	0.041
FLEXIBLE PIPE - ADVANCED POLYMER TECHNOLOGY				
1.5-INCH (P150SC)	20-3000	20-1100	8800	0.092
1.75-INCH (P175SC)	20-3000	20-850	7400	0.125
2.0-INCH (P200SC)	20-3000	20-650	5600	0.163
2.5-INCH (P250SC)	20-3000	20-430	4400	0.255
1.5-INCH (XP-150-SC)	20-3000	20-1100	5042	0.092
2.0-INCH (XP-200-SC)	20-3000	20-650	5420	0.163
FLEXIBLE PIPE - AMERON				
DUALOY 3000/FLS III (1.5 INCH)	20-3000	20-1100	5400	0.092
DUALOY 3000/FLS III (2.0 INCH)	20-3000	20-650	7600	0.163
FLEXIBLE PIPE - BRUGG				
FLEXWELL HL-40 (1.5 INCH)	30-3000	30-1100	33,000	0.092
FLEXIBLE PIPE - ENVIRON				
GEOFLEX D (1.5 INCH) ³	30-3000	30-1100	14,500 ³ (5700)	0.092
GEOFLEX D (2 INCH) ³	30-3000	30-650	11,000 ³ (4500)	0.163
GEOFLEX D (3 INCH)	30-3000	30-300	4100	0.367
GEOFLEX PLUS D (1.5 INCH)	30-3000	30-1100	16,500	0.092
FLEXIBLE PIPE - FLEXWORKS				
C15 (1.5 INCH)	30-3000	30-1100	14,500	0.092
C20 (2.0 INCH)	30-3000	30-650	11,000	0.163
C30 (3.0 INCH)	30-3000	30-300	4100	0.367
FLEXIBLE PIPE - FURON				
OPW PISCES - SINGLE WALL				
SP15 (1.5 INCH)	30-3000	30-1100	9000	0.092
SP20 (2 INCH)	30-3000	30-650	7000	0.163
OPW PISCES - DOUBLE WALL				
CP15 (1.5 INCH)	30-3000	10-1100	11,650	0.092
CP15DW (1.5 INCH)	30-3000	30-1100	5400	0.092
CP20 (2 INCH)	30-3000	30-650	7600	0.163
WESTERN FIBERGLASS - DOUBLE WALL				
COFLEX (1.5 INCH) ⁴	10-3000	10-1100	14,500 ⁴ (5400)	0.092
COFLEX (2 INCH) ⁴	30-3000	30-650	11,000 ⁴ (7600)	0.163
FLEXIBLE PIPE - NUPI				
SMARTFLEX				
SMARTFLEX (1.5 INCH)	20-3000	20-1100	8600	0.092
SMARTFLEX (2.0 INCH)	20-3000	20-650	15,000	0.163
T SMA - T SMAH - SINGLE WALL				
1.5 INCH	30-3000	30-1100	18100	0.092
2 INCH	30-3000	30-650	17200	0.163
3 INCH	30-3000	30-300	16200	0.367
T SMA P - SINGLE WALL				
1.5 INCH	30-3000	30-1100	21500	0.092
2 INCH	30-3000	30-650	20700	0.163
3 INCH	30-3000	30-300	19400	0.367

PIPE TYPE	TLS-4XX w/ DPLLD ^{5,6} (Length Feet) ⁷	TLS-350 w/ PLLD ¹ (Length Feet) ⁷	BULK MODULUS ² (PSI)	VOLUME (Gallons/Foot)
FLEXIBLE PIPE - NUPI (Continued)				
TSMAD - DOUBLE WALL				
1.5 INCH	30-3000	30-1100	18900	0.092
2 INCH	30-3000	30-650	12500	0.163
3 INCH	30-3000	30-300	28200	0.367
TSMAXPD - DOUBLE WALL				
1.5 INCH	30-3000	30-1100	15500	0.092
2 INCH	30-3000	30-650	9200	0.163
3 INCH	30-3000	30-300	27800	0.367
FLEXIBLE PIPE - PETROTECHNIK				
PETROTECHNIK UPP EXTRA (63 mm)	20-3000	20-650	11,500	0.163
FLEXIBLE PIPE - TOTAL CONTAINMENT				
ENVIROFLEX RETRACTABLE PIPE				
PP1500 (1.5 INCH)	10-3000	10-1100	2400	0.092
PP1501 (1.5 INCH)	10-3000	10-1100	3500	0.092
PP1502 (1.5 INCH)	10-3000	10-1100	7300	0.092
PP1503 (1.5 INCH)	10-3000	10-1100	2500	0.092
PP2500 AND PP2501 (2.5 INCH)	No	No	---	---
PP2502 (2.5 INCH)	10-3000	10-430	8700	0.255
PP2503 (2.5 INCH)	10-3000	10-430	3100	0.255
OMNIFLEX COAXIAL PIPE				
CP1501 (1.5 INCH)	10-3000	10-1100	13,000	0.092
CP1503 (1.5 INCH)	10-3000	10-1100	4500	0.092
CP2503 (2.5 INCH)	10-3000	20-430	3900	0.255
FLEXIBLE PIPE - DOUBLE TRAC (OMEGA FLEX)				
UGF-FSP-16 (1.0 INCH)	30-500	30-500	31,000	0.058
UGF-FSP-24 (1.5 INCH)	30-3000	30-1100	31,000	0.116
UGF-FSP-32 (2.0 INCH)	30-3000	30-650	31,000	0.204

¹Mixed Piping Types with PLLD: Using TLS-350 software Version 23 or later, PLLD is certified for 3 gph-only testing for line volumes up to 212 gallons; and for 0.2/0.1 gph testing for line volumes up to 110 gallons. To determine the line volume for mixed piping types, multiply the line length (in feet) times the 'gallons/foot' value for each pipe type and add the results. For example, site has 150 feet of 2" fiberglass and 50 feet of 3" fiberglass pipe:

$$\text{Total line volume} = [150 \times 0.204] + [50 \times 0.461] = 30.6 + 23.1 = 53.7 \text{ gallons}$$

²Bulk Modulus entry is only applicable to TLS-350 consoles w/software Version 23 or later and all TLS-450 Series consoles. Refer to TLS-350 System Setup manual (P/N 576013-623) or TLS-450 Setup Manual (P/N 576013-940) for programming instructions.

³Geoflex piping produced prior to 2001 has a lower bulk modulus than the current product. For this piping (pre-2001) use the values in (. For 2001 piping and later, you must set the correct Bulk Modulus in the "User Defined" menu.

⁴Western Fiberglass COFLEX piping produced prior to 2005 has a different bulk modulus than the current product. For piping produced prior to 2005, use the values in (.)

⁵Line lengths shown represent DPLLD approved lengths for 3 gph and 0.2 gph testing. 3.0 gph and 0.2 gph testing for DPLLD with software version 7E or higher is certified for line volumes up to 1178.6 gallons (not to exceed 3000 feet of line). See footnote 1 for instructions on calculating line volume for mixed piping.

⁶0.1 gph testing is certified for line volumes up to 535.6 gallons (not to exceed 1100 feet of line). See footnote 1 for instructions on calculating line volume for mixed piping.

⁷For line lengths that exceed the maximum allowed entry (for example, 500 feet for 2-inch diameter steel piping), you must select the Piping Type as "User Defined".

Specifications and Compatible Fluids Requirements

The table below lists Veeder-Root Line Leak Detector specifications.

SPECIFICATION	TLS-4XX w/ DPLLD	TLS-350 w/ PLLD
OPERATING TEMP:	-25 TO +130°F	-25 TO +130°F
COMPATIBLE FUELS:	UNLEADED GASOLINE LEADED GASOLINE 5% METHANOL / 95% UNLEADED 0 - 100% ETHANOL 10% ETHANOL / 90% UNLEADED 15% MTBE / 85% UNLEADED DIESEL BIODIESEL (UP TO B100) ^{1,2} KEROSENE JET FUEL AVIATION GASOLINE	UNLEADED GASOLINE LEADED GASOLINE 5% METHANOL / 95% UNLEADED 0 - 100% ETHANOL 10% ETHANOL / 90% UNLEADED 15% MTBE / 85% UNLEADED DIESEL BIODIESEL (UP TO B100) ^{1,2} KEROSENE JET FUEL AVIATION GASOLINE
LINE FLOW RATE:	120 GPM MAX. W/SWIFTCHECK VALVE	120 GPM MAX. W/SWIFTCHECK VALVE
OPERATING RANGE:	0 - 70 PSI	0 - 70 PSI
PROOF PRESSURE:	200 PSI	200 PSI
MAX. VERTICAL PIPELINE HEIGHT ABOVE TRANSDUCER³	11 FEET	11 FEET
MINIMUM PUMP OUTPUT PRES-SURE⁴	23 psi	23 psi

¹Biodiesel compliant with ASTM D7467 (up to B20) or ASTM D6751.

²Consult pump manufacturer for compatibility ratings on fuel blends greater than B20.

³Applications that exceed these max. vertical pipeline heights will require further consultation. Please contact Veeder-Root at 800-323-1799 and request a Veeder-Root/Red Jacket Application Engineer).

⁴Pump output pressure should be a minimum of 4 psi above the check valve's relief pressure.

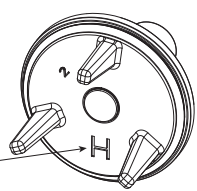
Veeder-Root recommends that system software for the console be upgraded to the latest version when installing any new hardware. For TLS-350 Consoles, when installing latest software, PLLD must be specified and customer must upgrade to ECPU2 if not already installed. See Accessories/Upgrades section of price book or your local Veeder-Root authorized distributor for details.

Check Valve Requirements

DPLLD and PLLD require certain check valves or Pressurstat assemblies to be installed on the pump. Use of non-compatible check valves can result in loss of leak detection performance.

Supported Pumps	Check/Relief Valve Type	3.0 GPH Only Testing (Req'd. Kit)	3.0, 0.2, 0.1 GPH Testing (Req'd. Kit)	Additional Req'd. Parts for Manifolder Lines (Single Tank w/ 2 STPs, or 2 or More Tanks w/ STP in Each)
The Red Jacket	None Required	848480-001 (TLS-350) 859080-001 (TLS-4XX)	848480-001 (TLS-350) 859080-001 (TLS-4XX)	Check Valve for Each Slave Pump P/N 410153-002 (See illustration in Note 1 below)
Quantum (All Models) (See Note 2 below)	Red Jacket SpikeCheck Valve (Factory Installed)	848480-001 (TLS-350) 859080-001 (TLS-4XX)	848480-001 (TLS-350) 859080-001 (TLS-4XX)	Red Jacket Quantum SpikeCheck Valve, Non-PSI Relief Valve, Required for Each Slave Pump, P/N 388-081-5 (Field Installed Only)
	Red Jacket SpikeCheck Valve (Field Only Installed) P/N 388-080-5	848480-001 (TLS-350) 859080-001 (TLS-4XX)	848480-001 (TLS-350) 859080-001 (TLS-4XX)	
	Red Jacket Pressurstat Assembly.	848480-001 (TLS-350) 859080-001 (TLS-4XX)	----- Not supported -----	Non-Vented SwiftCheck Valve for Each Slave Pump kit, P/N 330020-416
SwiftCheck	848480-003 (TLS-350) 859080-002 (TLS-4XX)	848480-003 (TLS-350) 859080-002 (TLS-4XX)		
Standard (All Models)	SwiftCheck	848480-003 (TLS-350) 859080-002 (TLS-4XX)	848480-003 (TLS-350) 859080-002 (TLS-4XX)	Non-Vented SwiftCheck Valve for Each Slave Pump kit, P/N 330020-416
	Red Jacket Functional Element Assembly	848480-001 (TLS-350) 859080-001 (TLS-4XX)	----- Not supported -----	
	Red Jacket SpikeCheck Valve (Field Installed Only) P/N 410557-001	848480-001 (TLS-350) 859080-001 (TLS-4XX)	848480-001 (TLS-350) 859080-001 (TLS-4XX)	Red Jacket Standard SpikeCheck Valve, Non-PSI Relief Valve, Required for Each Slave Pump, P/N 410557-002 (Field Installed Only)
Maxxum	None Required	848480-001 (TLS-350) 859080-001 (TLS-4XX)	848480-001 (TLS-350) 859080-001 (TLS-4XX) (See Note 3 below)	See Note 4 below.
Big-Flo	Pressurstat Kit P/N 144-314-5			
FE Petro	FE Petro Model R P/N 400988932 and Replacement O-ring for the Valve Housing (See Note 4 below)	848480-001 (TLS-350) 859080-001 (TLS-4XX)	848480-001 (TLS-350) 859080-001 (TLS-4XX)	Non-Vented SwiftCheck Valve for Each Slave Pump kit, P/N 330020-416 ---- OR ---- FE Petro 65 psi Relief Check Valve (FE P/N 402459931) (See Note 5 below)
	FE Petro Model R Relief Valve P/N 401330902			
Tokheim & Bennett	SwiftCheck	848480-003 (TLS-350) 859080-002 (TLS-4XX)	848480-003 (TLS-350) 859080-002 (TLS-4XX)	Non-Vented SwiftCheck Valve for Each Slave Pump kit, P/N 330020-416

NOTES:

<p>1. The Veeder-Root High Pressure Check Valve (P/N 410153-002) is shown below:</p>  <p>High pressure relief valve has 'H' stamped on underside of poppet valve</p>	<p>2. For Red Jacket Quantum pumps, the SpikeCheck is the preferred check valve type.</p> <p>3. 0.2/0.1 gph testing is supported for the Maxxum pump, but you must select 'User Defined' as the pipe type during DPLLD or PLLD setup.</p> <p>4. If maximum pump pressure is NOT a minimum of 5 psi below the pressurstat relief setting, then a check valve must be installed in the discharge line of the slave pump (see "Manifolder Line Applications" on page 9).</p> <p>5. Veeder-Root does not warrant the performance of FE Petro's Model 'R' check valve or 65 psi relief check valve.</p>
---	--

TLS-4XX Series Consoles - DPLLD Leak Detection Hardware/Test Requirements

TLS-450/TLS450PLUS Console DPLLD Hardware Requirements

Item	ITEM	PART NO.	Qty. Required
1	DPLLD Pressure Sensor Without SwiftCheck Valve	859080-001	1 of either type per line
	DPLLD Pressure Sensor With Swift-Check Valve	859080-002	
2	USM Module - up to 16 monitored lines per module, 4 modules per console max.	332812-001	Depends on number of lines monitored
3	UIOM Module - up to 5 monitored lines per module, 4 modules per console max.	332813-001	Depends on number of lines monitored
4	DPLLD Leak Test Option Selection - (required for 0.2/0.1 gph testing only)	See Leak Test Options table below	Select1 type

Leak Test Options

TESTING OPTION	0.2 GPH TESTS	0.1 GPH TESTS	TLS-450 P/N	TLS-450PLUS P/N
ULTIMATE TESTING	D, M, R	D, A, R	332972-007	332972-007
RISK MANAGEMENT	D, M, R	D, A	332972-008	332972-008
BASE COMPLIANCE	None	D, A	332972-009	332972-009
3 GPH			332972-999	INCLUDED

Where:

D (ON-DEMAND) - Testing can be initiated manually through the TLS Console.

A (AUTO) - Tests will run repetitively until a passing test is achieved. Once a passing test is achieved, testing will stop and recommence six months from the date of the last passing test.

M (MONTHLY) - Tests will run repetitively until a passing test is achieved. Once a passing test is achieved, testing will stop and recommence the first calendar day of the next month.

R (REPETITIVE) - Tests will run repetitively according to pre-programmed time intervals.

DPLLD Accessories and Spare Parts

The following DPLLD accessories and spare parts are available:

MODEL NO.	ITEM
331014-001	SWIFTCHECK VALVE (INSTALLS IN THE PUMP'S MECHANICAL LEAK DETECTOR PORT)
330020-619	UNIVERSAL PROBE/SENSOR INTERFACE MODULE
330020-620	UNIVERSAL INPUT/OUTPUT INTERFACE MODULE
330020-416	NON-VENTED SWIFTCHECK
410153-002	KIT-CHECK VALVE-HIGH
410557-001	KIT-CHECK/RELIEF VALVE
410557-002	KIT-CHECK/RELIEF VALVE-NON RELIEF

TLS-350 Consoles - PLLD Leak Detection Hardware/Test Requirements

TLS-350/TL-350PLUS/TLS-350R/TLS-350J Console PLLD Hardware Requirements

Item	ITEM	PART NO.	Qty. Required
1	PLLD Pressure Sensor With Swift-Check Valve	848480-003	1 of either type per line
	PLLD Pressure Sensor Without Swift-Check Valve	848480-001	
2	PLLD Interface Module - TLS-350/ TLS-350 Plus/TLS-350R Consoles - monitors up to 6 lines, 1 module per console max.	330843-001	Depends on number of lines monitored
	"J" PLLD Interface Module - TLS-350J Console - monitors up to 4 lines, 1 module per console max.	330843-002	
3	PLLD Controller Module -All Console Models - monitors up to 3 lines, 2 modules per console max.	330374-001	
4	PLLD Leak Test Option Selection - (required for 0.2/0.1 gph testing only)	See Leak Test SEM Modules table below	Select 1 SEM Module

Precision line leak detection capability (0.2 gph / 0.1 gph) requires one SEM (Software Enhancement Module) for the console. A SEM module is not required for 3.0 gph-only line leak detection capability.

Leak Test SEM Modules

LEAK TEST OPTION	0.2 GPH TESTS	0.1 GPH TESTS	TLS-350/TLS-350J/ TLS-350PLUS/TLS-350R WITHOUT BIR (SEM P/N)	TLS-350R WITH BIR (SEM P/N)
ULTIMATE TESTING	D, M, R	D, A, R	330160-010	330160-110
RISK MANAGEMENT	D, M, R	D, A	330160-060	330160-160
BASE COMPLIANCE	None	D, A	330160-050	330160-150
3.0 GPH			INCLUDED	INCLUDED

Where:

D (ON-DEMAND) - Testing can be initiated manually through the TLS Console.

A (AUTO) - Tests will run repetitively until a passing test is achieved. Once a passing test is achieved, testing will stop and recommence six months from the date of the last passing test.

M (MONTHLY) - Tests will run repetitively until a passing test is achieved. Once a passing test is achieved, testing will stop and recommence the first calendar day of the next month.

R (REPETITIVE) - Tests will run repetitively according to pre-programmed time intervals.

PLLD Accessories and Spare Parts

The following PLLD accessories and spare parts are available:

MODEL NO.	ITEM
331014-001	SWIFTCHECK VALVE (INSTALLS IN THE PUMP'S MECHANICAL LEAK DETECTOR PORT)
847490-109	SIX INPUT PLLD INTERFACE MODULE (THROUGH-HOLE MOUNT) - REPLACEMENT ONLY
847490-110	SIX INPUT PLLD INTERFACE MODULE (SURFACE MOUNT)
330020-416	NON-VENTED SWIFTCHECK
410153-002	KIT-CHECK VALVE-HIGH
410557-001	KIT-CHECK/RELIEF VALVE
410557-002	KIT-CHECK/RELIEF VALVE-NON RELIEF

Note:

The through-hole mount, six input PLLD Interface Module (P/N 847490-109) is for repair/replacement in existing consoles only. Spare 847490-109 modules are shipped with complete installation and programming instructions and not pre-installed in consoles. Customers that require replacement of PLLD Interface Modules should replace like for like, i.e. through-hole mount PLLD Interface Modules for through-hole mount PLLD Interface Modules. Surface mount PLLD Interface Modules are NOT interchangeable with through-hole mount PLLD Interface Modules.

Special Installations

Manifolded Line Applications

DPLLD and PLLD leak detection systems can handle product lines supplied by multiple tanks and pumps, to a maximum of 8 tanks and pumps per product line.

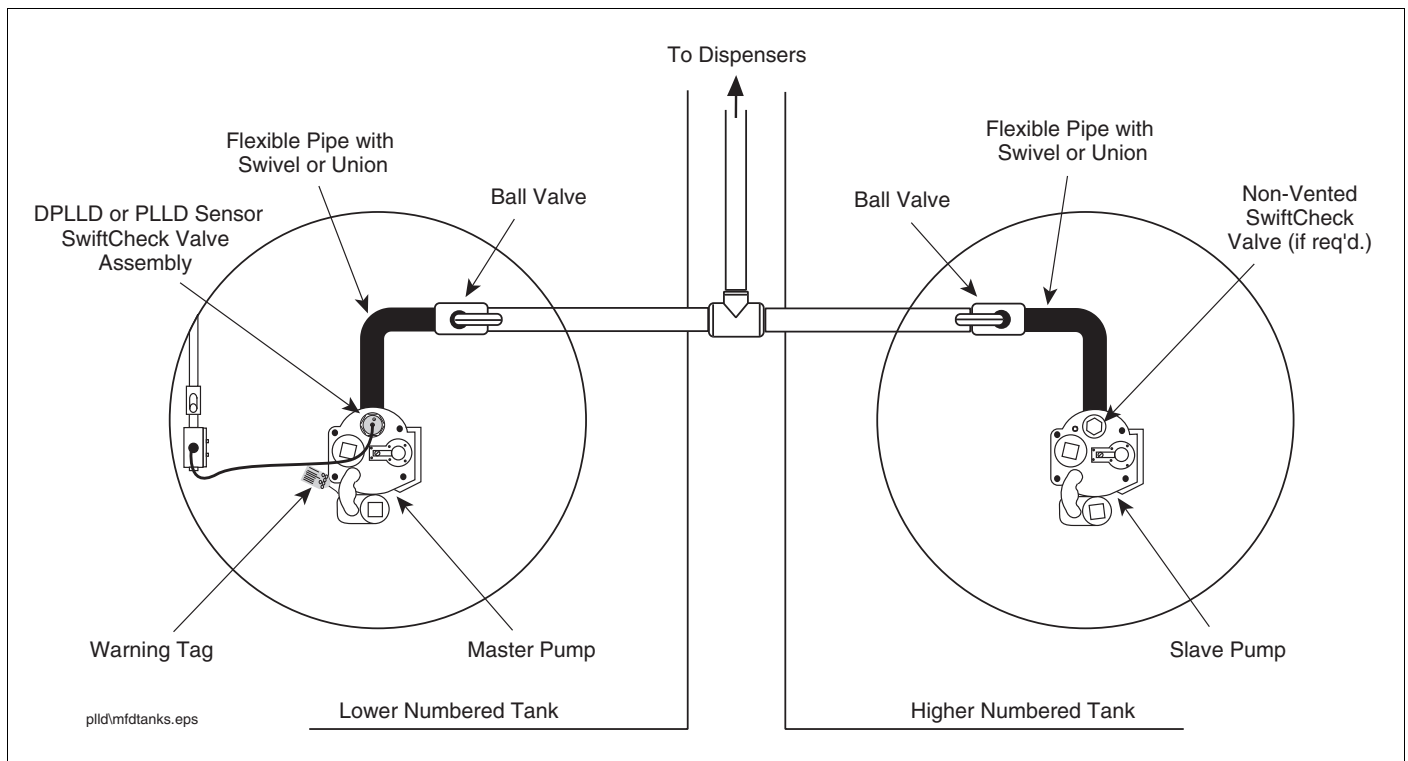
Standard line leak sensing and check valve equipment should be installed at the primary pump.

To perform 0.2 and 0.1 gph tests, a non-vented SwiftCheck valve (P/N 330020-416), or new Red Jacket 65 psi relief valve (P/N 410153-002), or SpikeCheck Valve Non-PSI Relief Valve for Standard Pump (P/N 410557-002), or FE Petro 65 psi Relief Check Valve (FE P/N 402459931) should be installed on each of the other pumps supporting the manifolded product line. The Non-Vented SwiftCheck Valve is rated to a maximum 70 gpm.

NOTICE For 5 HP Maxxum pumps in diesel, an additional in-line check valve with no pressure relief should be installed on the 'Slave' pump to prevent backflow.

A relay on a Four-Relay module or I/O Combination module (TLS-350 Series) or I/O Module (TLS-450 Series) must be available to control each secondary pump. The standard line leak modules will provide pump control output for the primary pump and the "Pump In" signal for the set.

A typical manifolded line installation for DPLLD and PLLD is shown below:



Transducer Installation - Red Jacket CPT and Quantum CPT Pumps

This installation procedure is to be used with Red Jacket CPT and Quantum CPT Pumps.

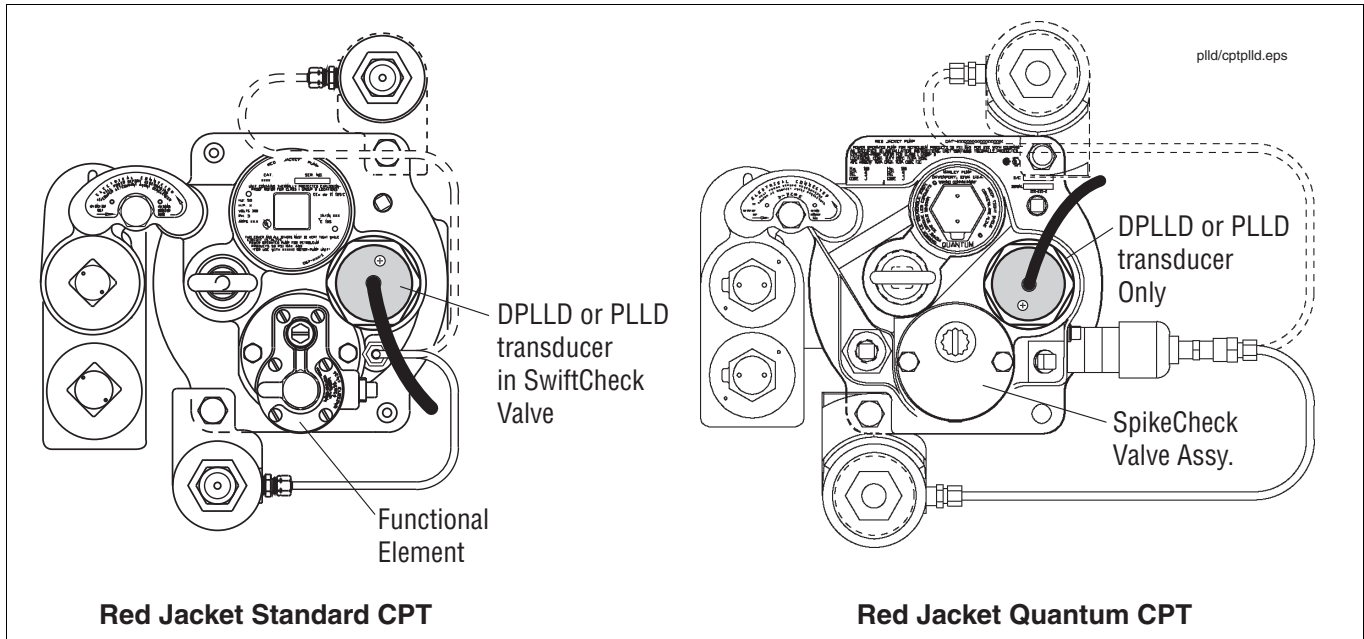
1. Install the Red Jacket CPT Transducer Adapter Kit (Red Jacket part number 144-326-5) following the instructions with the kit. Thread the PLLD transducer in the mechanical LLD port of the pump.

NOTICE Seal any pipe threads using a UL-classified, nontoxic pipe sealant suitable for the fuel involved.

The figure below illustrates two DPLLD and PLLD transducer installations in Red Jacket CPT pumps - consult "Check Valve Requirements" on page 6, to determine what check valve you will need to install to perform your intended level of testing.

2. Verify that the TLS-350 Series Console has Version x19 or later (TLS-450 Series Console has Version 1 or later) software.
3. Verify that the CPT Controller has Version 1.02 or later software installed.

4. Locate red switch bank labeled **S1** on the CPT's Controller CPU board, and verify that dip switch 2 is set to the **Closed** position (to enable the PLLD precision line leak function), and dip switch 8 is set to the **Open** position (to disable the CPT's line leak function).
5. Verify that the Rotary Pressure Dial, also on the CPT's Controller CPU board, is set to either the 2 (24 psi), 3 (27 psi), 4 (30 psi), 5 (33 psi), or 6 (36 psi) position.



Transducer Installation - Red Jacket Big-Flo Pumps, Red Jacket Maxxum Pumps and FE Petro High Capacity Pumps

BIG-FLO PUMPS

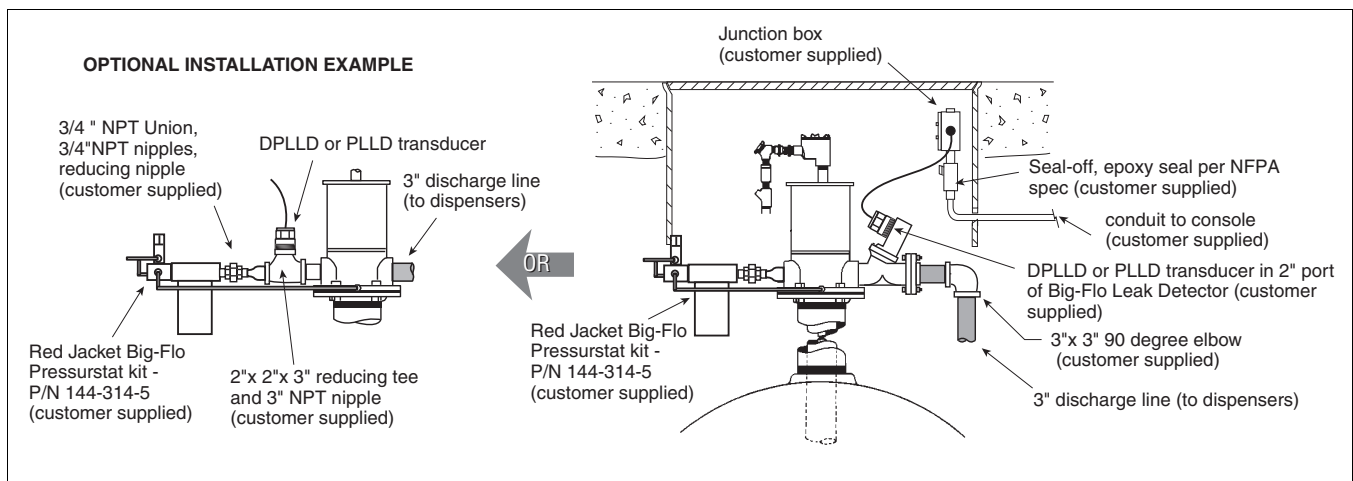
1. You will need to install a reducing tee (customer supplied) in either of the 3-inch discharge ports of the pump with the 2-inch opening facing up. If you have the room, it may be easier to install this tee between the Pressurstat kit and the unused port instead of in the discharge line (as shown in the figure below). Alternatively, the DPLLD or PLLD transducer can be installed in the leak detector port of a Big-Flo leak detector if it is already present in the line (as shown in the figure below).

2. Install the Red Jacket Big-Flo Pressurstat Kit (Red Jacket part number 144-314-5) following the instructions with the kit.

3. Thread the DPLLD or PLLD transducer into the 2-inch opening of the tee.

NOTICE Seal any pipe threads using a UL-classified, nontoxic pipe sealant suitable for the fuel involved.

4. Verify that the TLS-350 Series Console has Version x19 or later (TLS-450 Series Console has Version 1 or later) software.

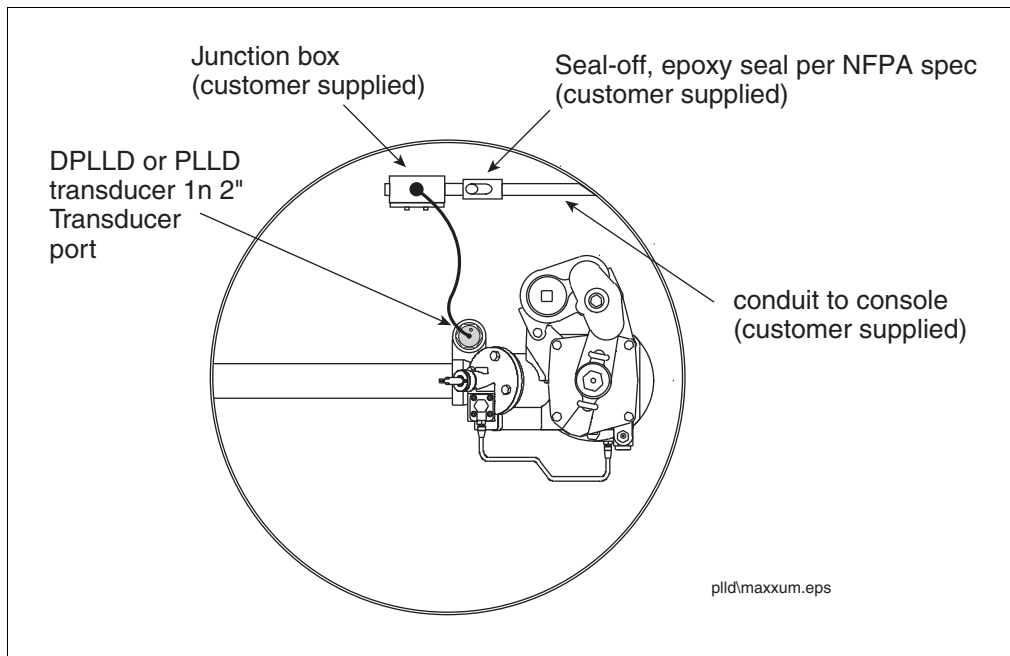


MAXXUM PUMPS

1. Thread the DPLLD or PLLD transducer into the 2-inch opening of the transducer port.

NOTICE Seal any pipe threads using a UL-classified, nontoxic pipe sealant suitable for the fuel involved.

2. If any in-line check valves or a Big-Flo Diaphragm Valve are installed in the line, they must be removed.
3. Verify that the TLS 350 Series Console has Version x19 or later software (TLS-450 Series Consoles Version 1 or later software).




FE PETRO HIGH CAPACITY PUMPS

1. Install a reducing tee (customer supplied) in either of the 3-inch discharge ports of the pump with the 2-inch port facing up.
2. Thread the D/PLLD transducer into the 2-inch port on the tee fitting.

NOTICE Seal any pipe threads using a UL-classified, nontoxic pipe sealant suitable for the fuel involved.

3. Install a model "R" relief valve into the pump if one is not already present.



For technical support, sales or
other assistance, please visit:
www.veeder.com

A blue square containing a white globe icon at the top and contact information for technical support, sales, and assistance below it.