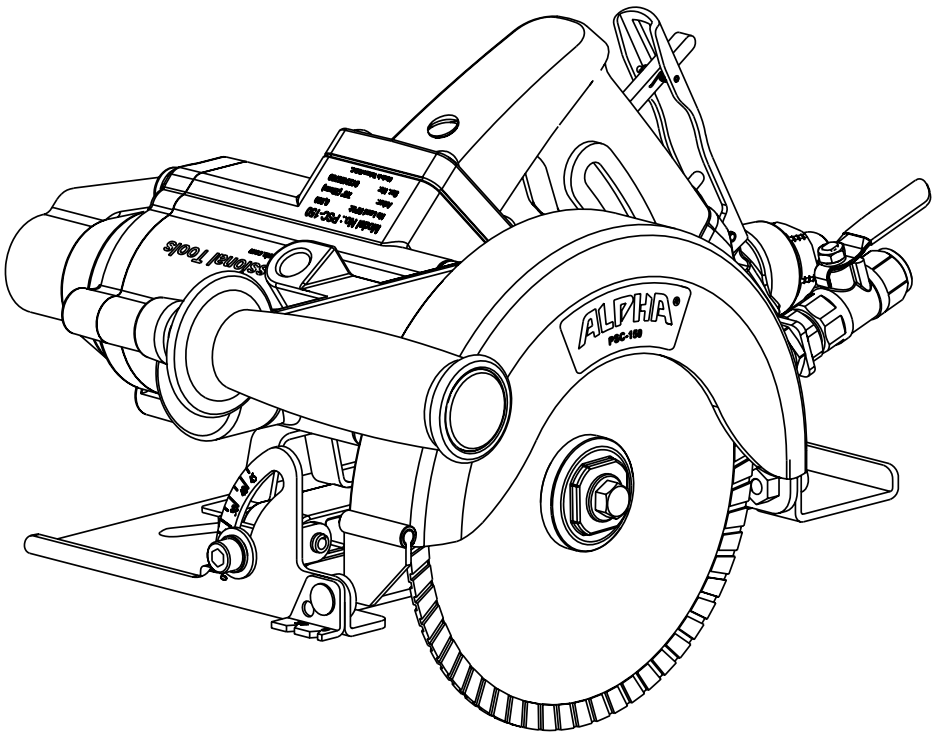


Alpha[®] 6" Pneumatic Stone Cutter Instruction Manual



Part No: PSC-150
Version 3

 **Alpha Professional Tools[®]**

103 Bauer Drive, Oakland, NJ 07436 • 800-648-7229 • Fax: 800-286-0114
www.alpha-tools.com

►TABLE OF CONTENTS

Introduction..... 3

About the Symbols 3

Safety Instructions for Power Tools 4

PSC-150 6" Pneumatic Stone Cutter Overview..... 6

 Specifications..... 7

Accessories 8

 Components 8

Additional Precautions for Using the Pneumatic Stone Cutter 9

 Air Pressure and Volume..... 10

 Rust Protection..... 10

 Cleaning the Rotor Assembly 10

 How to Add the Rust Inhibitor Oil 11

Filter/Regulator System 12

Water Control Valve..... 13

Air Supply Hose Assembly 13

Water Supply Hose Assembly 13

Arbor Size..... 13

Sound Level..... 13

Attaching the Side Handle 14

Height Adjustment 14

Mounting Diamond Wheels 15

Cutting Angle Adjustment 16

Operation..... 17

Connecting (Air & Water Hoses to PSC-150)..... 17

Straight Cutting..... 18

Curve Cutting Application (Using Step-Cutting Method)..... 19

Changing Out the Muffler 21

Hook & Loop Strap Installation..... 21

High Flow & REduced Flow Air Inlets 22

PSC-150 Pneumatic Stone Cutter Schematic - 1..... 24

PSC-150 Pneumatic Stone Cutter Schematic - 2..... 25

PSC-150 Pneumatic Stone Cutter Parts List..... 26

Accessories and Factory Service 30


Product Registration 31


INTRODUCTION


Thank you for purchasing an Alpha® PSC-150 Pneumatic Stone Cutter. Please read this instruction manual thoroughly to ensure safe and correct use of the Pneumatic Stone Cutter. Keep this manual in a place where operators can access it easily whenever necessary.

► ABOUT THE SYMBOLS

According to the hazard level, all safety notes in this manual are classified into “DANGER”, “WARNING”, and “CAUTION”.

 **DANGER!** Death or serious personal injury is imminent when handling this pneumatic stone cutter incorrectly.

 **WARNING!** There is a possibility of death or serious personal injury when handling this pneumatic stone cutter incorrectly.

 **CAUTION!** There is a possibility of personal injury or property damage when handling this pneumatic stone cutter incorrectly.

Note: In some situations, failing to observe WARNING notes could result in death or serious personal injury. Be sure to read and observe the safety notes to ensure safety and correct use of the pneumatic stone cutter.

► SAFETY INSTRUCTIONS FOR POWER TOOLS

1. **KNOW YOUR POWER TOOL.** Read owner's manual carefully. Learn its applications and limitations as well as specific potential hazards particular to this tool.
2. **KEEP WORK AREA CLEAN.** Cluttered areas and benches invite accidents.
3. **AVOID DANGEROUS ENVIRONMENTS.** Keep work areas as dry as possible. Do not use tool in presence of flammable liquids or gases. Keep the area well lit.
4. **KEEP CHILDREN AND VISITORS AWAY.** All visitors should be kept a safe distance from the work area. Keep out of reach of children.
5. **DON'T FORCE TOOL.** It will do the job better and safer at the rate for which it was designed.
6. **WEAR PROPER APPAREL.** Do not wear loose clothing or jewelry as it can get caught in moving parts. Rubber gloves and insulated non-skid footwear are recommended. Wear protective covering to contain long hair.
7. **WEAR PROPER EYE PROTECTION.** All users and bystanders must always wear proper personal eye protection which conform with ANSI/ISEA Z87.1 (CAN/CSA Z94.3). Also use a face or dust mask if operation is dusty. Always wear certified safety equipment.
8. **WEAR PROPER EAR PROTECTION.** All users and bystanders must wear proper personal ear protection which conforms with ANSI S12.6 (S3.19) hearing protection.
9. **WEAR PROPER RESPIRATORY PROTECTION.** All users and bystanders must wear proper personal respiratory protection. Always use NIOSH/OSHA approved respiratory protection appropriate for the dust exposure.

Warning: Some dust created by power sanding, sawing, grinding, drilling, polishing and other construction activities contains chemicals known to the State of California to cause cancer, birth defects, or other reproductive harm.

Some examples of these chemicals are:

- Lead from lead-based paints
- Crystalline silica from bricks, cement and other masonry products, and
- Arsenic and chromium from chemically-treated lumber.

Your risk from these exposures varies, depending on how often you do this type of work. To reduce your exposure, work in a well ventilated area, and work with approved safety equipment, such as dust masks that are specially designed to filter out microscopic particles.

To familiarize with the risks associated with a material, consult with your employer, manufacturer/supplier and government agencies regarding the hazards of the materials and their recommendations to protect yourself.

10. **DON'T ABUSE WATER SUPPLY HOSE.** Don't carry tool by supply hose or expose to traffic areas where it can be crushed.
11. **ALWAYS SECURE WORK PIECE.** Use clamps or a vise to hold work. It's safer than using your hand and it frees both hands to operate tool.
12. **DON'T OVERREACH.** Keep proper footing and balance at all times.
13. **DISCONNECT TOOLS WHEN NOT IN USE.** Always disconnect tool before servicing when changing blades.
14. **REMOVE ADJUSTING KEYS AND WRENCHES.** Form a habit of checking to see that keys and adjusting wrenches are removed from tool before turning it on.
15. **MAINTAIN TOOLS WITH CARE.** Keep tools clean at all times for best and safest performance. Follow instructions for lubricating and changing accessories. Keep handles dry, clean and free of oil or grease. Inspect moving parts for alignment and binding as well as for breakage and improper mounting.
16. **AVOID ACCIDENTAL STARTING.** Do not carry a "connected" tool, or make adjustments, or change discs without making sure the tool is disconnected from the air supply.
17. **USE ONLY RECOMMENDED ACCESSORIES.** The use of any accessories other than what is listed or recommended for this particular tool may be hazardous.
18. **KEEP HANDS AWAY FROM ALL MOVING PARTS.**
19. **USE SIDE HANDLES.** Supplied with tool for control and safety.
20. **STAY ALERT.** Watch what you are doing and use common sense. Do not operate tool when you are tired, or under the influence of medication or alcohol.

PSC-150 6" PNEUMATIC STONE CUTTER OVERVIEW

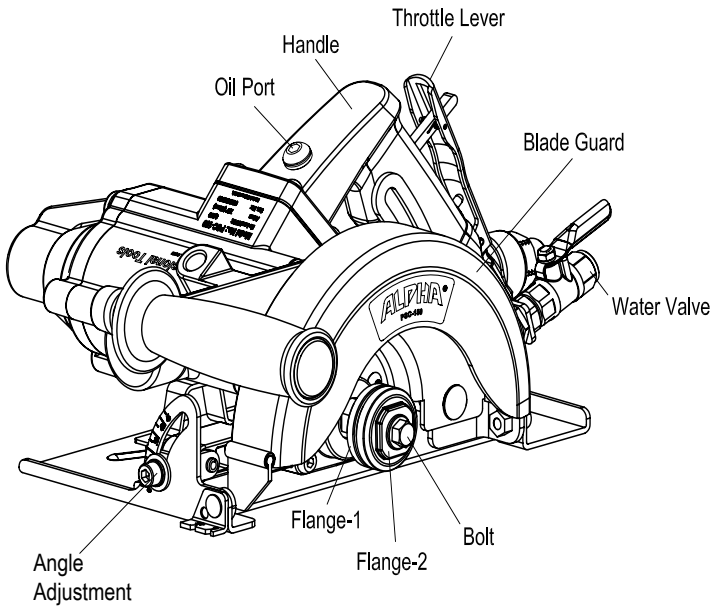


Figure-1

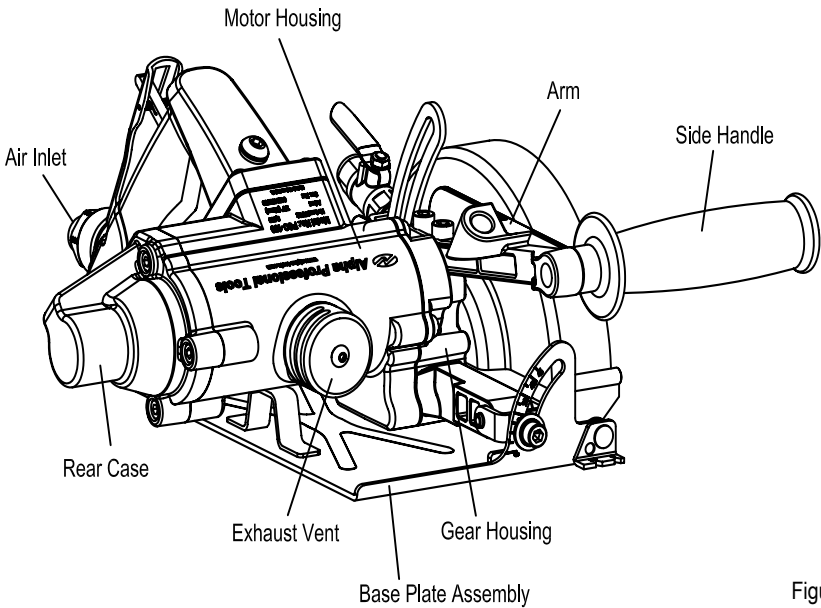


Figure-2

► SPECIFICATIONS:

Air Pressure	90 PSI
Air Consumption Min	32 CFM / 1HP*
Air Consumption Max	48 CFM / 2HP
No Load RPM	8,500
Air Inlet.....	3/8" NPSM
Water Inlet.....	1/4" BSPP
Arbor	7/8" / 22mm
Max HP	2.0
Cutting Disc Diameter	6"

** To control the amount of CFM required, use the reduced flow air inlet fitting 3001-0084.*

ACCESSORIES

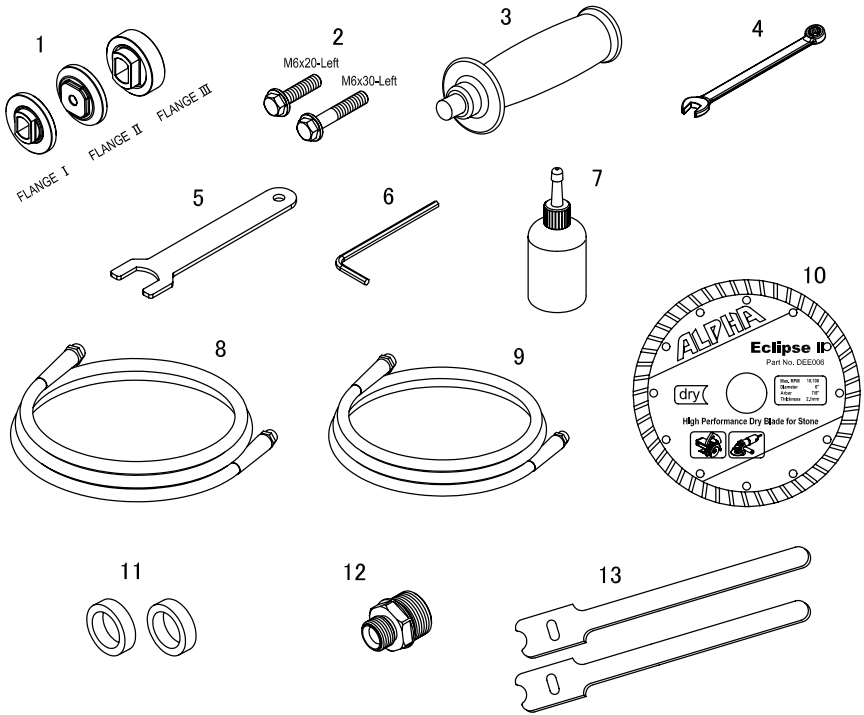


Figure-3

► COMPONENTS

1. Flanges	3 pcs
2. Bolts (M6X20 Left) / (M6x30 Left)	2 pcs
3. Side Handle	1 pc
4. Combination Wrench (9mm)	1 pc
5. Hex Wrench (5mm)	1 pc
6. Open End Spanner Wrench (22mm)	1 pc
7. Rust Inhibitor Oil (8oz / 237ml) (AIR-008)	1 pc
8. Air Hose (15ft / 4.5m)	1 pc
9. Water Hose (15ft / 4.5m)	1 pc
10. Alpha® Eclipse II 6" Blade (DEE006)	1 pc
11. Muffler	2 pcs
12. Reduced Flow Air Inlet	1 pc
13. Hook & Loop Strap	2 pcs

ADDITIONAL PRECAUTIONS FOR USING THE PNEUMATIC STONE CUTTER

In addition to the general safety notes described on the preceding pages, please read and observe the following precautionary notes before using the pneumatic stone cutter.

 **DANGER!**

► INSTRUCTIONS

Alpha Professional Tools® provides the highest quality parts and manufacturing techniques in the manufacture of this tool. In order to obtain the maximum effectiveness and provide the highest degree of safety, it is necessary to review and follow these instructions carefully before using the tool.

► SAFETY ADVICE

- Please note safety instructions on Page 4-5.
- Always disconnect the air line before making any changes to the settings or carrying out maintenance.
- Keep water and air lines clear from working range of the machine. These lines should always lead away from you and behind the operating area.
- Before use, check the machine, hose and fittings for any damage or material fatigue, only authorized service agents should carry out repairs.
- Always wear safety glasses and respiratory protection when working with this machine. It is further recommended to wear safety gloves, apron, as well as sturdy non-slipping shoes.
- Only use saw blades whose permitted speed is at least as high as the highest no-load speed of the machine.
- Be sure saw blade fits the tool properly and securely. Do not modify the tool to force fit the blade. For example, do not remove blade guard.
- Check blades before use. The saw blade must be properly mounted and turn freely. Perform a test run for at least 30 seconds without any load. Do not use damaged, out of round or vibrating blades.
- Immediately switch off the machine in case of considerable vibrations or if other malfunctions occur. Check the machine in order to find out the cause.
- Always use and store the saw blades according to the manufacturer's instructions. The flange bolt must be tightened before starting to work with the machine.
- The work piece must be secured if it is not heavy enough to prevent movement.
- The tool is designed for cutting on horizontal surfaces.

► AIR PRESSURE AND VOLUME

The recommended air pressure for this stone cutter is 90 PSI. The most important factor in running this stone cutter is the volume of air being supplied to the stone cutter. The volume is the air consumption needed to run this stone cutter at a constant speed under light downward hand pressure. The volume is measured in CFM (cubic foot per minute (ft³/min)). You need a minimum of 32 CFM to run this tool at the 1 HP rating. Alpha® recommends running the tool at the maximum flow volume of 48 CFM to get the full 2 HP rating out of the stone cutter.

It is also very important to keep your air cool, dry, and clean, so look for a compressor with a refrigerated dryer and high-efficiency filter built-in or purchase a separate air dryer and filter unit rated for your compressors CFM. **(See page 12 for Alpha® Filter/Regulator Manifold System)**

► RUST PROTECTION (A rust inhibitor oil is used to protect the tool from rusting when not in use)

PROPER CARE AND MAINTENANCE ARE IMPORTANT FACTORS IN PREVENTING THIS TOOL FROM RUSTING ON THE INSIDE WHEN NOT IN USE.

At the end of each workday, place 5-6 drops of rust inhibitor oil (included with each stone cutter) into the tool using the oil port. Depress the throttle lever varying the speed from very low to half speed, for a minute or two. This will allow the oil to transition into the rotor assembly and coat the inside of the tool.

► CLEANING THE ROTOR ASSEMBLY

Over time, the rotor assembly can fill up with oil sludge, vane dust residue, and contamination and will need to be cleaned. To accomplish this remove the muffler assembly from the tool to allow the waste to exit. You can hold a paper towel over the exit port to reduce the sound level and catch the exiting waste. Add 10 to 20 drops of oil to the oil port and run the tool varying the speed from very slow to half speed for two to three minutes to allow the oil to process through the machine. Check the paper towel for exit waste, continue until there is little to no exit waste.

Run the tool at its slowest speed. If the tool sounds like it is running with a variation in speed, this is an indication that one of the vanes is still sticking in the rotor. Repeat the process to see if this will correct the variation in sound. If the problem continues, contact an authorized Alpha® Repair Center for routine repair and maintenance.

► **HOW TO ADD THE RUST INHIBITOR OIL**

1. Disconnect the stone cutter from your air supply.
2. Remove the screw (Part No. 3001-0061) using the supplied Hex Wrench (5mm). (See Fig. 4)

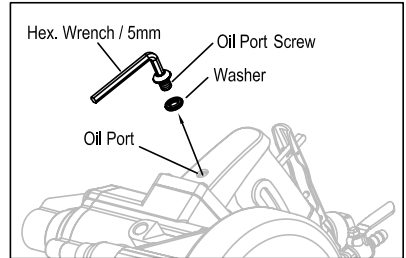


Figure 4

3. Add 5-6 drops of the Rust Inhibitor Oil into the oil port. (See Fig. 5)
4. Reinstall the Oil screw (Part No.3001-0061).
5. Reconnect the pneumatic stone cutter to your air supply.

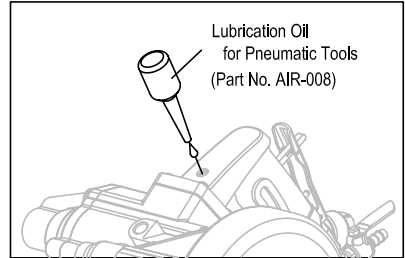


Figure 5

6. Depress the throttle lever (Part No. 3001-0071) varying the speed from very low to half speed, for a minute or two. (See Fig. 6)

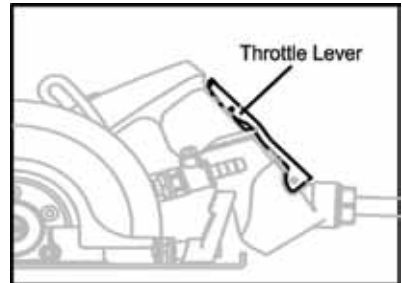


Figure 6

Replacement Rust Inhibitor Oil can be purchased from Alpha® Professional Tools (Part No. AIR-008).

CAUTION!

Lubricating the stone cutter before and during work is not needed. Excessive oil will turn to a tar-like substance inside the tool, causing the vanes to stick in the rotor and slow the tool down. This is the reason we do not recommend automatic oilers to be used with this stone cutter. Old or worn compressors, which emit oil through the air lines, can significantly shorten the life of the tool.

HELPFUL HINT:

- Air throttle lever should be pressed and released slowly to allow the stone cutter to accelerate and decelerate during all applications. Rapid acceleration and deceleration can wear out the ball bearings prematurely.

HELPFUL HINT:

- Using a Filter Regulator System Recommended

► FILTER/REGULATOR SYSTEM

Having a Filter/Regulator (See Fig. 7) helps prevent pressure drops when using a large volume of air, so you can set the pressure to the tools at 85 to 90 PSI, while the main system can run at 125 PSI. The F/R unit will also remove any water from the air supply while also filtering the air of contamination down to five microns. By only using aluminum and brass after the F/R unit, you are eliminating any rust and contamination from getting into the air tools.



Figure 7

Alpha® recommends the F/R Manifold 106 CFM for use with the PSC-150 stone cutter. (Part Nos. 1030-0023/1030-0024). All F/R manifolds are available through our distributor network, and via our website.

► **WATER CONTROL VALVE**

This valve lets you adjust the flow of water to the blade. When storing the stone cutter overnight, open the valve and drain all water from the supply hose and tool.

► **AIR SUPPLY HOSE ASSEMBLY**

The new 1/2" x 15' flexible air hose has a 3/8" Male NPT threaded fitting to connect to your air supply. This hose is composed of a premium hybrid polymer that allows the hose to avoid kinking and remains flexible down to -40°F.

► **WATER SUPPLY HOSE ASSEMBLY**

The new 1/4" x 15' flexible water hose has a 3/4"-11-1/2 GHT (Garden Hose Thread) fitting to connect to your water supply. This hose is composed of a premium hybrid polymer that allows the hose to avoid kinking and remains flexible down to -40°F.

► **ARBOR SIZE**

The Alpha® PSC-150 Pneumatic Stone Cutter features 7/8" / 22mm arbor flanges.

Maintenance and Usage Tip:

- Do not leave the stone cutter submersed in water. This could expose the inner moving parts to moisture, which will shorten the life of the stone cutter.
- Excessive force or impact to the spindle may result in premature failure of gears and/or bearings, which may not be immediately evident.

► **SOUND LEVEL (HEARING PROTECTION MUST BE WORN)**

To comply with OSHA Occupational Noise Exposure Standard Number 1926.52, this tool is equipped with an internal Silencer System. When the tool is operated correctly at 90 PSI, the sound level emitted should be less than 91.3 dBA. The internal Silencer System is also used to maintain a constant back pressure inside the tool; this helps prevent it from exceeding the recommended 8,500 RPM. The exhaust deflector for this stone cutter also helps to reduce the noise level by venting the exhaust air.

ATTACHING THE SIDE HANDLE

Attach the handle into one of the three appointed locations on the arm (Part No. 3001-0015) for the best comfort for stability during the cutting application. (See Fig. 8)

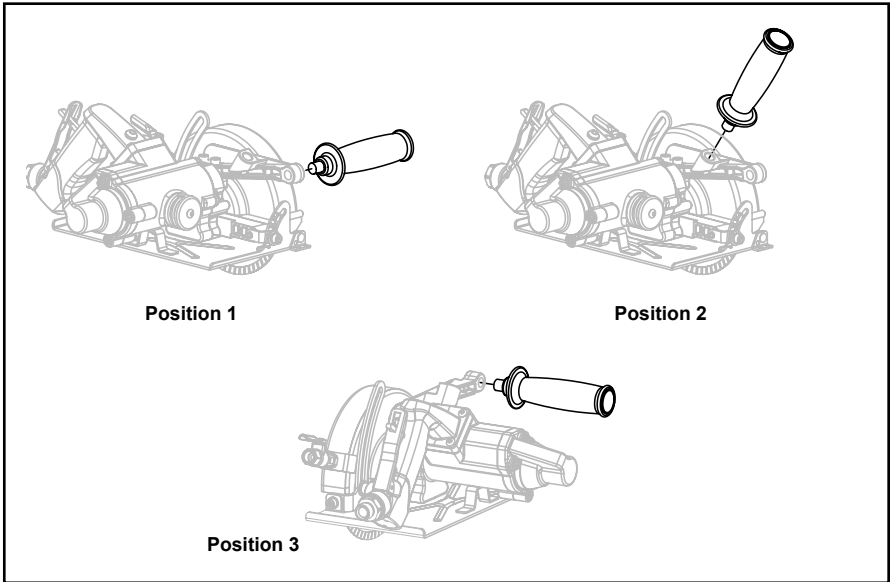


Figure 8

HEIGHT ADJUSTMENT

Height adjustment is possible if you need to raise the PSC-150 body to control the depth of cut.

1. Loosen the clamping lever (Part No. 3001-0057) and lift the main body. When you reach the desired cutting depth, tighten the adjustment lever.
2. This is a ratcheting handle, pull out on the handle to reposition, let it go back in to tighten or loosen the nut.

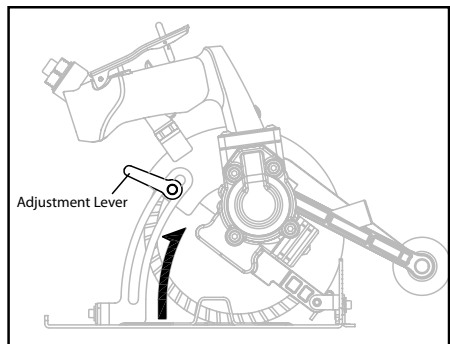


Figure 9

MOUNTING DIAMOND WHEELS

►STRAIGHT BLADE INSTALLATION

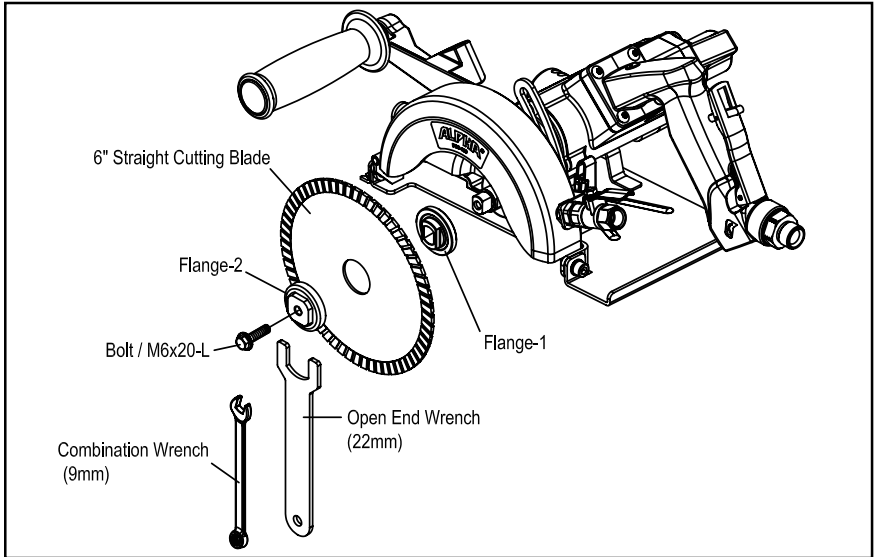


Figure 10

►CURVE CUTTING BLADE INSTALLATION

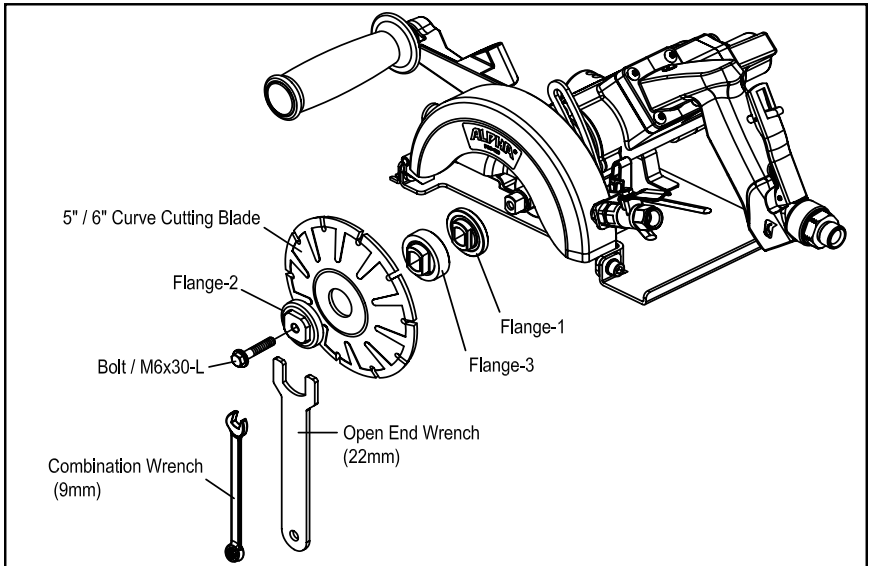


Figure 11

CUTTING ANGLE ADJUSTMENT

The PSC-150 is capable of making angled bevel cuts up to 45 degrees. To set the tool to the desired angle, follow the steps below.

1. Loosen both the screws of the front and rear using the Hex. wrench.

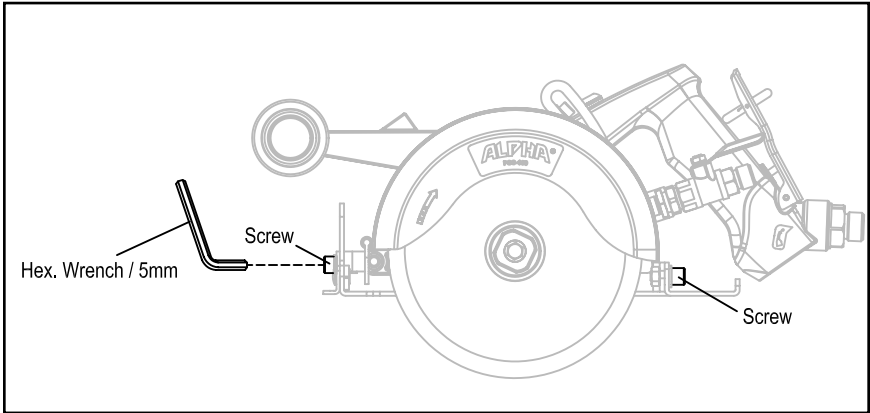


Figure 12

2. Tilt the PSC-150 to the desired angle.

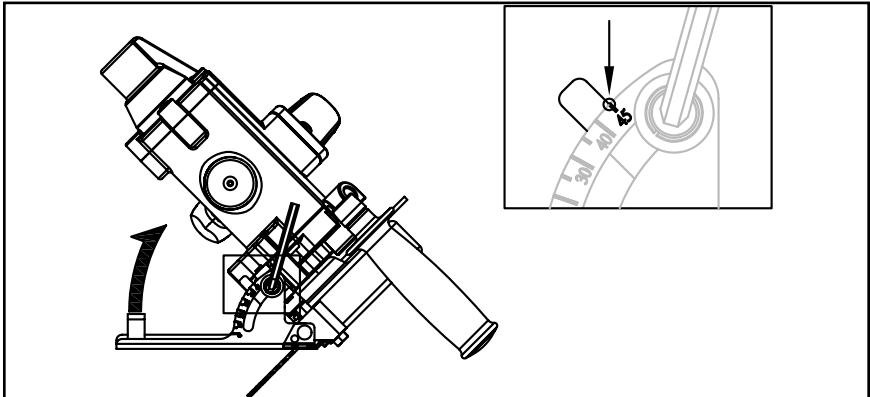


Figure 13

3. When the cutting angle is decided, re-tighten the screws.

OPERATION

► THROTTLE OPERATION

Press the safety bar forward to unlock the spring mechanism. Grip the body in a way that the throttle lever (Part No. 3001-0071) is depressed to activate the motor. Releasing the throttle lever shuts down the motor.

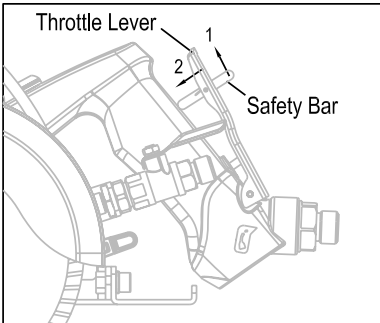


Figure 11

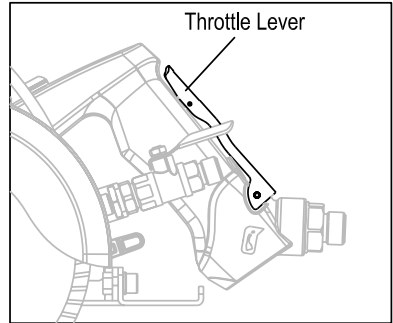


Figure 14

CONNECTING (AIR & WATER) HOSES TO PSC-150

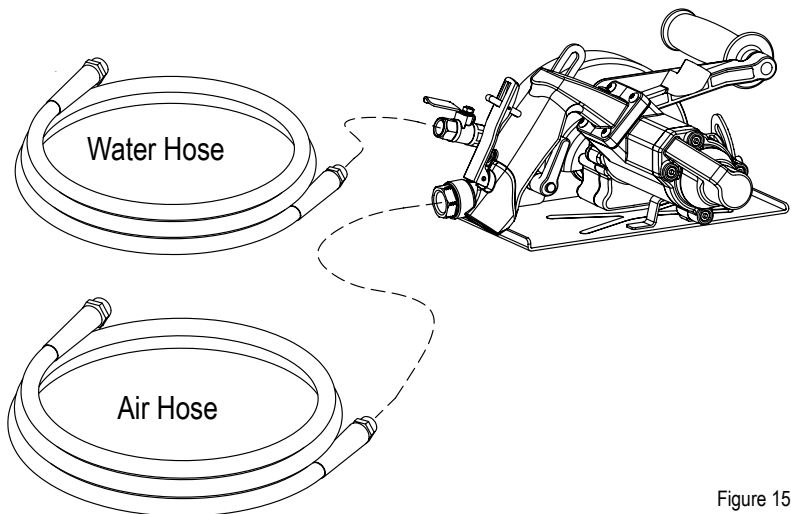


Figure 15

STRAIGHT CUTTING

1. One-pass cutting can be performed on all thickness materials using the PSC-150. (2cm, 3cm & 4cm thickness materials)

NOTE: ALPHA® ALWAYS RECOMMENDS STEP-CUTTING ON 3CM & 4CM THICK MATERIAL

2. Adjust the amount of water-flow to cool the blade and remove the waste.
3. Set the base plate on the work piece and align to the cutting mark on the base plate to cut line on the material.
4. Press the throttle level and allow the stone cutter to attain full speed before starting to cut.
5. Advance the stone cutter slowly allowing the blade to do the work, keeping the base plate flat on the stone and the cut mark in line with your cut line. (See Fig. 16)

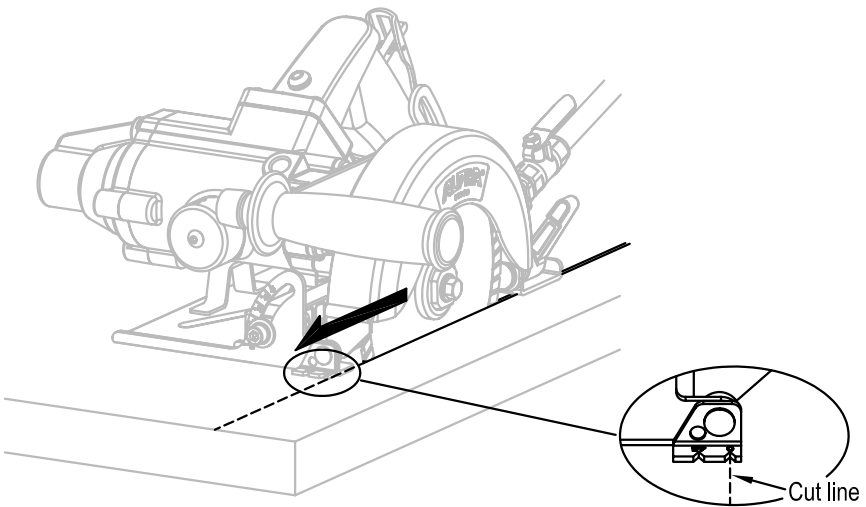


Figure 16

CURVE CUTTING APPLICATION

(USING STEP-CUTTING METHOD)

 **WARNING!**

Support the sink cutout area; sinkhole cutout piece may drop to the floor at the end of cutting application, if not supported.

1. Support the sink cutout area prior to cutting; otherwise, the work piece may drop to the floor at the end of the cutting application.

2. Use the Alpha® Contour Cutting blade only. Application with inferior blades may cause damage to the stone cutter.

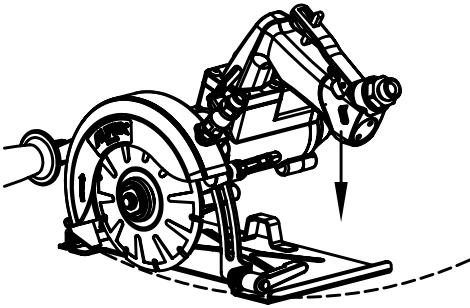
3. Plunge Cut into the material until the base of the stone cutter makes flush contact with the material, then proceed to cut the bowl cut-out following the step-cutting process.

4. Do not force the stone cutter during the cutting application. Allow the blade to cut at its own pace. Excessive force may damage the stone cutter.

HELPFUL HINT:

The PSC-150 can accept a 4-1/2", 5" and 6" Curve Cutting Blades.

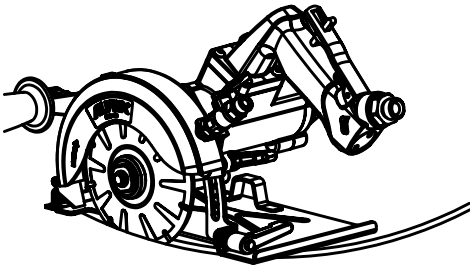
STEP 1



Score along the cutting line (1/3 width of stone).

Figure 17

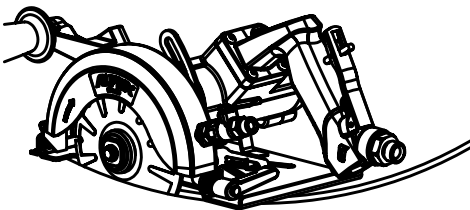
STEP 2



Step-cut along scored line (2/3 width of stone).

Figure 18

STEP 3



Plunge cut all the way to make full contact between bottom plate and stone, then maintain even cutting pressure to follow curved cut line.

Figure 19

CHANGING OUT THE MUFFLER

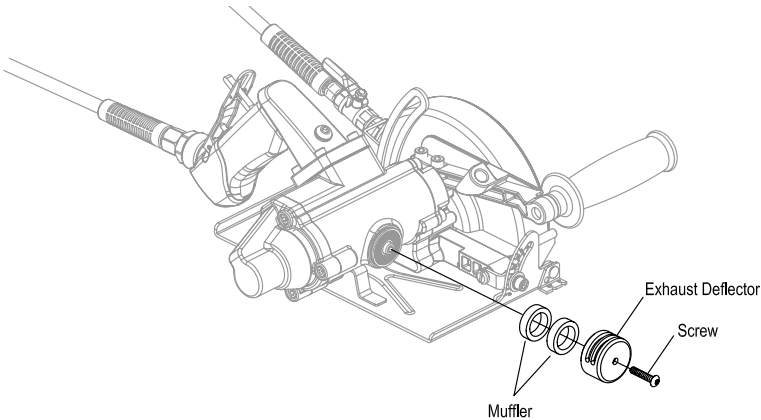


Figure-20

Over time, the Muffler (Part No. 3001-0050) can fill up with oil sludge and will need to be replaced. To accomplish this, the Muffler Assembly needs to be removed, simply remove the Screw (Part No. 3001-0048) and Exhaust Deflector (Part No. 3001-0049) to gain access to the Muffler.

NOTE:

It may be possible to extend the life of the Muffler by turning the Exhaust Vent periodically to direct the exhaust air flow to different areas of the Muffler.

HOOK & LOOP STRAP INSTALLATION

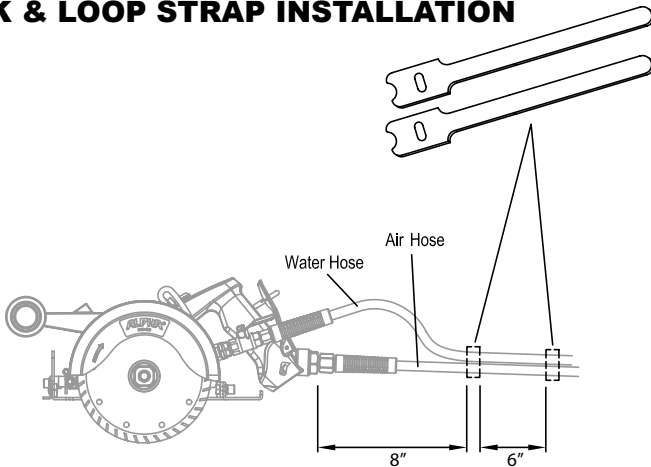


Figure-21

Hook & Loop Straps are supplied to secure both the Water and Air Hose Assembly together which improves maneuverability during the cutting applications.

To Use: Position and secure the Hook & Loop Straps on the locations as shown in Figure 21

HIGH FLOW & REDUCED FLOW AIR INLETS

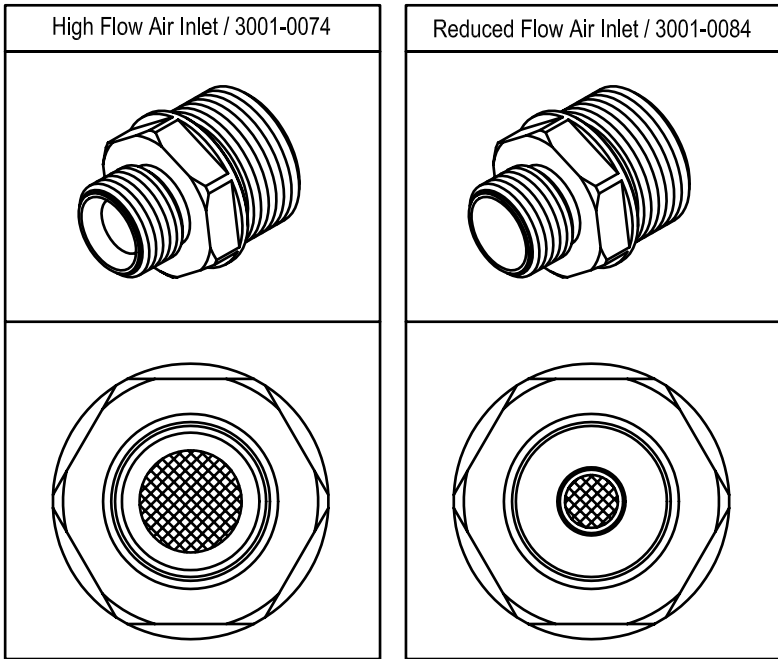


Figure-22

This pneumatic stone cutter is equipped with the High Flow Air Inlet already installed. This High Flow Air Inlet (Part No. 3001-0074) rated for 48 CFM is for use with an air compressor that can supply 60 to 100 CFM to the PSC-150 pneumatic stone cutter to run at a 2 HP output.

If your Air compressor is only capable of 40 to 60 CFM, we recommend installing the Reduced Flow Air Inlet (Part No. 3001-0084) rated for 32 CFM on your pneumatic stone cutter between the end of the hose and handle, the PSC-150 can run on 32 CFM, but only obtaining a 1 HP output.

NOTE:

- *Use the Reduced Flow Air Fitting on compressors that are capable of 40 to 60 CFM since this fitting is designed to allow the PSC-150 to run at a minimum of 32 CFM to obtain a 1 HP output while maintaining its torque.*

- *Using the High Flow Air Fitting with compressors that are only capable of 40 to 60 CFM you may experience the blade stalling during the cutting application since not enough CFM's/torque can be supplied by the air compressor. By installing the Reduced Flow Air Fitting when using compressors with 40 to 60 CFM, the Reduced Flow Air Fitting restricts the amount of air being utilized allowing for the compressor to maintain a reserve in the holding tank, providing consistent pressure and CFM/torque to run the pneumatic stone cutter maintaining a consistent cutting RPM.*
- *A 1/2" air hose is supplied with the pneumatic stone cutter, this diameter air hose is required to supply the required 48 CFM's needed to run the PSC-150 at the rated 2 HP.*
- *Recommended holding tank size on the compressor is 80 gallons or larger.*
- *Do not exceed 90 PSI when using the PSC-150 pneumatic stone cutter.*
- *Both the High Flow Air Inlet and Reduced Flow Air Inlet fittings have a screen on the back to catch large particulate and Teflon® tape that may be in your air supply. These air inlet fittings will not remove small contamination from your air supply. The use of a F/R Manifold System is recommended to collect contamination down to 5 microns and also any moisture within your air lines before entering your PSC-150 pneumatic stone cutter (See page 12 for information on the Alpha® Filter/Regulator System).*
- *The High Flow Air Inlet, Reduced Flow Air Inlet and Air Hose fittings are NPSM with a ball seat connection, so the ball on the hose-fitting stem fits onto the seat on the air inlet fitting to seal. You need to tightly connect the hose fitting for it to seal correctly. The use of Teflon® tape is not needed or recommended on these air or water hose fittings.*
- *Converting the PSC-150 for use with the Reduced Flow Air Inlet fitting, you need to remove the O-RING off the High Flow Air Inlet and install the O-Ring onto the Reduced Flow Air Inlet fitting. Once the O-Ring is installed on the Reduced Flow Air Inlet, this fitting can now be installed onto the PSC-150.*

ALPHA® PSC-150 6" PNEUMATIC STONE CUTTER SCHEMATIC

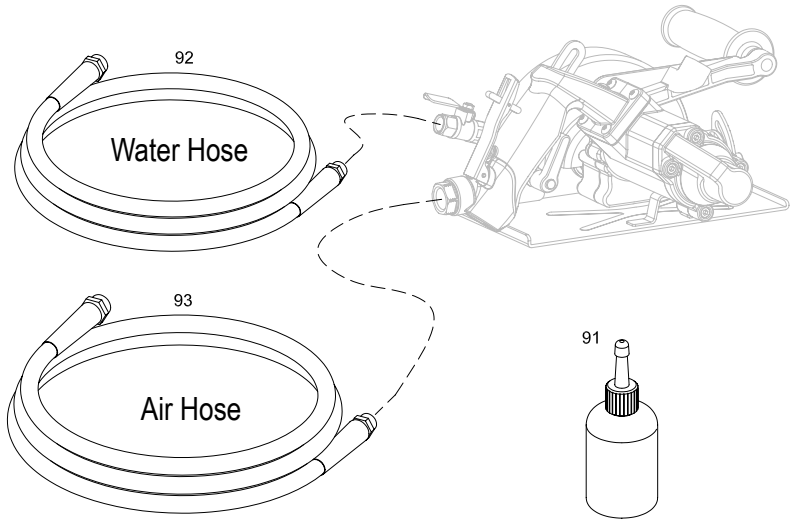
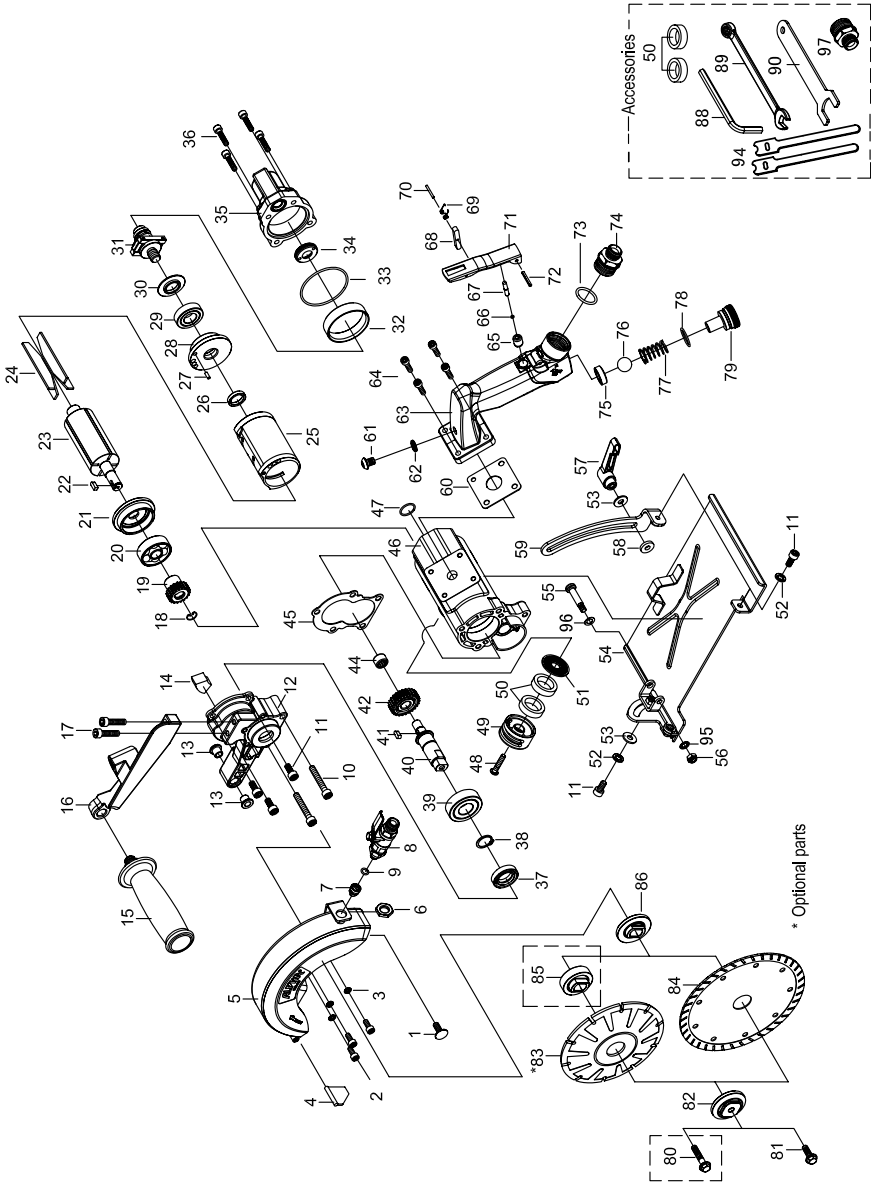


Figure 18

ADDITIONAL AVAILABLE SIZES FOR THE ALPHA® AIR AND WATER HOSE ASSEMBLY

PART NO.	LENGTH	DESCRIPTION
1030-0030	15ft./4.5m	Water Hose
1030-0031	15ft./4.5m	Air Hose
1030-0032	20ft./6.0m	Water Hose
1030-0033	20ft./6.0m	Air Hose
1030-0034	25ft./7.6m	Water Hose
1030-0035	25ft./7.6m	Air Hose
1030-0036	30ft./9.1m	Water Hose
1030-0037	30ft./9.1m	Air Hose
1030-0038	35ft./10.6m	Water Hose
1030-0039	35ft./10.6m	Air Hose
1030-0040	40ft./12.1m	Water Hose
1030-0041	40ft./12.1m	Air Hose

ALPHA® PSC-150 6" PNEUMATIC STONE CUTTER SCHEMATIC



ALPHA® PSC-150 6" PNEUMATIC STONE CUTTER PARTS LIST

DRAWING NO.	PART NO.	DESCRIPTION	QUANTITY
1	3001-0001	Carriage Bolt (M6x16)	1
2	3001-0002	Screw SHC (M5x12)	3
3	3001-0003	Lock Washer (M5)	3
4	3001-0004	Splash Guard Flap	1
5	3001-0005	6" Blade Guard	1
6	3001-0006	Nut	1
7	3001-0007	Spray Nozzle	1
8	3001-0008	Ball Valve (1/4"-18 NPSM)	1
9	3001-0009	O-Ring (M6x1.5)	1
10	3001-0010	Screw SHC (M6x40)	2
11	3001-0011	Screw SHC (M6x14)	5
12	3001-0093	Gear Case	1
13	3001-0094	Flange Sleeve Bearing	2
14	3001-0014	Oil Felt	1
15	3001-0015	Side Handle	1
16	3001-0016	Arm	1
17	3001-0017	Screw SHC (M6x25)	2
18	3001-0018	Snap Ring Internal (11mm)	1
19	3001-0019	Pinion Gear	1
20	3001-0020	Ball Bearing (6301)	1
21	3001-0021	Front End Plate	1
22	3001-0022	Key (4x10)	1
23	3001-0023	Rotor	1
24	3001-0024	Vane (4 pcs set)	1
25	3001-0025	Cylinder	1
26	3001-0026	Spacer	1
27	3001-0027	Spring Pin (M3x8)	1
28	3001-0028	End Plate	1
29	3001-0029	Ball Bearing (6002ZZ)	1
30	3001-0030	Washer	1
31	3001-0031	Governor Assembly	1
32	3001-0032	Air Guide Ring	1
33	3001-0033	O-Ring (50x1.5)	1
34	3001-0034	Bushing	1
35	3001-0035	Rear Cover	1

ALPHA® PSC-150 6" PNEUMATIC STONE CUTTER PARTS LIST (CONT'D)

DRAWING NO.	PART NO.	DESCRIPTION	QUANTITY
36	3001-0036	Screw (M5x22)	4
37	3001-0037	Oil Seal (UE 17307)	1
38	3001-0038	Retaining Ring (STW-17)	1
39	3001-0039	Ball Bearing (6203ZZ)	1
40	3001-0040	Spindle	1
41	3001-0041	Key (4x10)	1
42	3001-0042	Gear	1
44	3001-0044	Needle Bearing (BA66)	1
45	3001-0045	Gasket	1
46	3001-0089	Motor Housing	1
47	3001-0047	O-Ring (15.5x1.5)	1
48	3001-0048	Screw Truss Head (M5x25)	1
49	3001-0049	Exhaust Deflector	1
50	3001-0050	Muffler (2 pcs installed / 2 pcs spare)	4
51	3001-0051	Air Filter	1
52	3001-0052	Spring Washer (M6)	2
53	3001-0053	Oversized Washer (M6) 6.8IDx16ODx2T	2
54	3001-0087	Base Plate	1
55	3001-0055	Shoulder Bolt	1
56	3001-0056	Nylon Lock Nut (M6)	1
57	3001-0057	Adjustment Handle	1
58a	3001-0058	Washer (1.5mm)	1
58b	3001-0085	Washer (1.0mm)	1
58c	3001-0086	Washer (2.0mm)	1
59	3001-0088	Positioning Plate	1
60	3001-0060	Gasket	1
61	3001-0061	Oil Screw (M8x10L)	1
62	3001-0062	Washer Brass (M8)	1
63	3001-0063	Handle	1
64	3001-0064	Screw SHC (M5x20)	4
65	3001-0065	Bushing	1
66	3001-0066	O-Ring (2x1)	1
67	3001-0067	Valve Stem	1
68	3001-0068	Safety Bar	1
69	3001-0069	Spring	1

ALPHA® PSC-150 6" PNEUMATIC STONE CUTTER PARTS LIST (CONT'D)

DRAWING NO.	PART NO.	DESCRIPTION	QUANTITY
70	3001-0070	Spring Pin (2x18L)	1
71	3001-0071	Throttle Lever	1
72	3001-0072	Spring Pin (3x20L)	1
73	3001-0073	O-Ring (19.8x2.4)	1
74	3001-0074	High Flow Air Inlet (3/8"-18 NPSM)	1
75	3001-0075	Rubber Spacer	1
76	3001-0076	Steel Ball (5/8")	1
77	3001-0077	Spring	1
78	3001-0078	O-Ring (19.5x1.5)	1
79	3001-0079	Spring Seat	1
80	133463	Bolt (M6x30-Left)	1
81	133464	Bolt (M6x20-Left)	1
82	133419	Flange-2	1
83	Optional	5" / 6" Curve Cutting Blade / Optional Item	-
84	DEE006	Alpha® 6" Eclipse II	1
85	133432	Flange-3	1
86	133769	Flange-1	1
88	3001-0083	Hex. Wrench (5mm)	1
89	3001-0081	Combination Wrench (9mm)	1
90	3001-0082	Open End Wrench (22mm)	1
91	AIR-008	Rust Inhibitor Oil (8oz / 237ml)	1
92	1030-0030	Water Hose Assembly (15ft / 4.5m)	1
93	1030-0031	Air Hose Assembly (15ft / 4.5m)	1
94	1030-1120	Hook & Loop Strap (1/2" X 12")	2
95	3001-0091	Toothed Lock Washer (M6)	1
96	3001-0090	Washer	1
97	3001-0084	Reduced Flow Air Inlet	1

► ACCESSORIES AND FACTORY SERVICE

All the accessories can be purchased at a local distributor in your area. For more information concerning Alpha® Pneumatic Stone Cutter and factory service, please contact the Alpha® distribution centers listed below.

COMPANY HEADQUARTERS & REPAIR CENTER:

Alpha Professional Tools®

103 Bauer Drive

Oakland, NJ 07436

Hours of Operation:

8:30 a.m. – 5:00 p.m. EST

Telephone Number:

201-337-3343

Toll-Free Number:

800-648-7229

Visit our website at www.alpha-tools.com for list of tool repair.

► WARRANTY

Limited Warranty of Alpha® Pneumatic Stone Cutter (PSC-150) for USA and Canada ONLY!

Alpha Professional Tools® warrants this product against defects in material and workmanship for a period of one year from the date of original retail purchase (proof of purchase required). If Alpha Professional Tools® receives notice of such defects during the warranty period, our obligation assumed under this warranty is limited to the repair or replacement of parts, without charge. This warranty does not apply to Alpha® accessories. Returns within the warranty period should be sent in freight prepaid to an Authorized Warranty Service Center.

The warranty does not apply in situations where:

- The tool has been misused, abused or improperly maintained
- Alterations or repairs were made by others
- Repairs due to normal wear and tear

Some States do not allow limitations on how long an implied warranty lasts or the exclusion or limitation of incidental or consequential damages, so the above limitation may not apply. This warranty gives you specific legal rights and you may also have other rights which vary from state to state.

For Warranty Claims: Send complete tool with all your information and details of the problem to an Authorized Warranty Repair Center, transportation prepaid. Do not send tool accessories.

NOTE: *Any tools purchased through an unauthorized distributor are not covered under warranty.*

For repair information call:

Headquarters, Oakland, NJ — (800) 648-7229 ext.505

Due to specially designed components this machine must be serviced only with genuine ALPHA® parts.

PRODUCT REGISTRATION CARD

Model No. PSC-150 Serial No. _____

Company Name: _____

Name: _____

Address: _____

City: _____ State: _____ Zip: _____

Email: _____

Telephone: _____

Purchase Date: _____

Dealer's Name: _____

Note: Serial & Model Number must be included for proper registration.



Alpha Professional Tools®

(800) 648-7229



Register online at:
www.alpha-tools.com/productregistration.aspx

Mail or Fax to:
Alpha Professional Tools®
103 Bauer Drive, Oakland, NJ 07436
Fax: 800-286-0114

Photocopy of product registration form will be accepted.



103 Bauer Drive, Oakland, NJ 07436 • 800-648-7229 • Fax: 800-286-0114
www.alpha-tools.com

Copyright © 2018 Alpha Professional Tools. All rights reserved.

11/2018