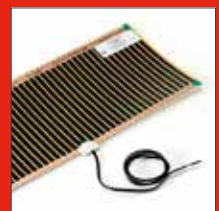


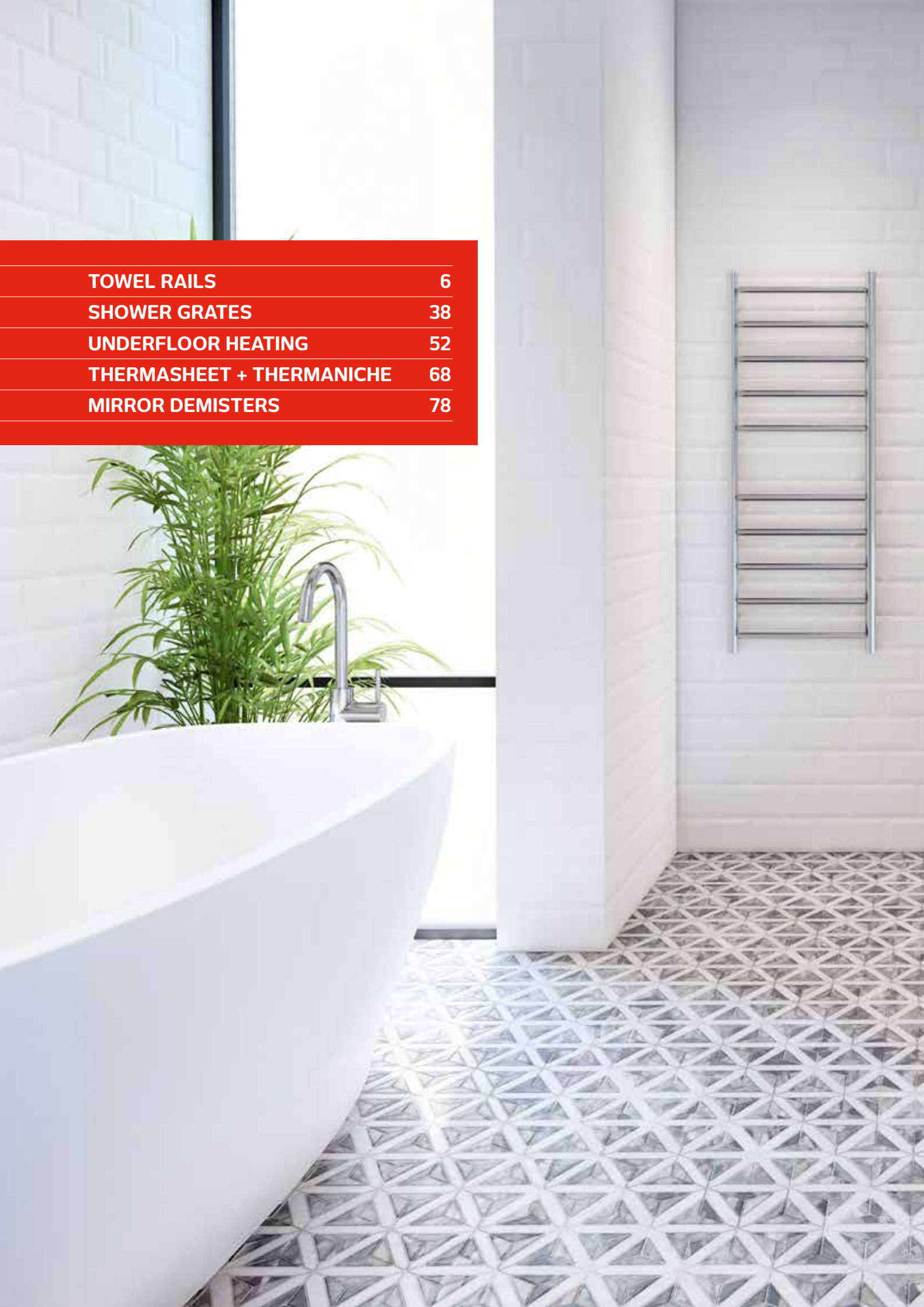


 radiant
AUSTRALIA

Specifiers Guide



TOWEL RAILS | SHOWER GRATES | UNDERFLOOR HEATING | THERMASHEET + THERMANICHE | MIRROR DEMISTERS



| | |
|----------------------------------|-----------|
| TOWEL RAILS | 6 |
| SHOWER GRATES | 38 |
| UNDERFLOOR HEATING | 52 |
| THERMASHEET + THERMANICHE | 68 |
| MIRROR DEMISTERS | 78 |





Radiant Heating – Who are we?

We were established in 2004 and since then we have grown to become one of the largest and most respected suppliers of heated towel rails, electric underfloor heating and other associated products in Australia.

Recent extensions to our range have included the addition of complementary new products. Including our extensive range of Thermasheet products. A high performance, multi-purpose and lightweight building material. The extensive range includes multiple options of tile backer boards (including pre-scored curved boards), insulation boards, shower trays, to pre-fabricated ready to tile shower niches. Another recently introduced range includes a premium range of stainless steel tile insert shower grates, in both square and linear formats.

Along with our wholesale side, where we supply many of Australia’s leading retail bathroom and plumbing stores, we also have a specialist floor heating division in order to offer a complete service including installation. We work with a network of partners in VIC, NSW, SA and QLD in order to provide this service not just in WA.



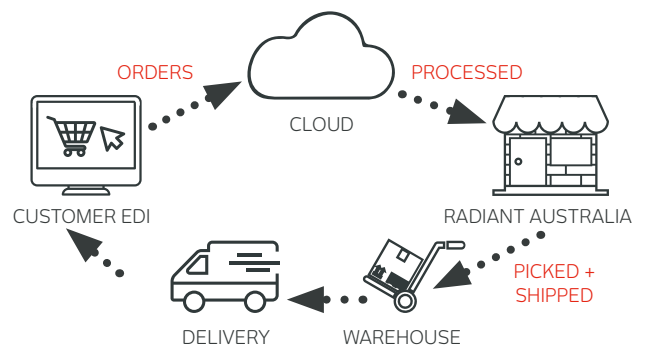
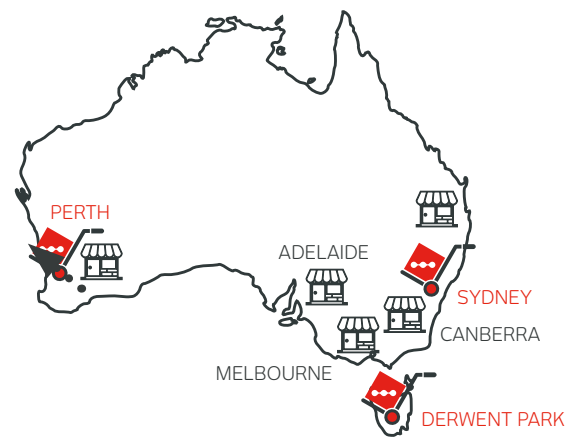


We have systems that cater for renovations, new house builds and even commercial scale jobs. We are equally happy to do a single bathroom, a full home, or a large commercial project.

Radiant Heating are at the forefront of providing quality heated towel rails and quality design, and have been for more than a decade. Our products were once considered something of a luxury item, but have now become a standard inclusion in modern bathroom designs.

Our heated towel rails are easy to install and are available in a number of different sizes and finishes to suit any bathroom style or colour. You don't have to compromise with Radiant - we have a strong focus on quality, backed by first class customer service, whilst retaining a competitive position in the market.

From our WA based head office, we manage all national distribution across Australia, with our state of the art logistics system. With three distribution warehouses in Perth, Sydney and Tasmania we are able to react quickly to national demand and offer a swift 1-3 day delivery service.





TOWEL RAILS

| | |
|---|----|
| OVERVIEW | 8 |
| INSTALLATION: LADDER RAILS | 10 |
| NON-HEATED RAILS | 12 |
| HEATED RAILS – 240V | 16 |
| INSTALLATION: 12V LADDER RAILS | 24 |
| HEATED RAILS – 12V | 26 |
| INSTALLATION: FLOOR TO CEILING RAILS | 28 |
| FLOOR TO CEILING RAILS | 28 |
| INSTALLATION: SINGLE BAR RAILS | 30 |
| SINGLE BAR RAILS | 33 |
| INSTALLATION: SINGLE BAR VERTICAL RAILS | 35 |
| SINGLE BAR VERTICAL RAILS | 36 |
| TIMERS | 37 |
| SHOWER GRATES | |
| UNDERFLOOR HEATING | |
| THERMASHEET + THERMANICHE | |
| MIRROR DEMISTERS | |



Overview

Radiant now have 120+ products in our Towel Rail range; our full collection can be integrated to achieve a designer look for any bathroom, and backed by our TEN year warranty. With an array of finishes; from our timeless polished stainless steel, which are the perfect match to any chrome bathroom fittings, satin brushed matching the trend towards brushed nickel, to our more recent Matt Black, Gun Metal Grey, Oil Rubbed Bronze and Brushed Gold.

Manufactured from a slightly thicker 1.2mm gauge stainless steel than most competitors, our Mirror Polished and Satin Brushed are manufactured from 304 grade stainless steel, whilst our coloured finishes are manufactured from 201 grade stainless steel. All of our Towel Rails are backed by a TEN year warranty.

All towel rails have been Australian Safety approved and can be either plugged in or hard wired creating no visible wiring. We include a hardwiring concealing kit as standard in every order, therefore there is no need to specify plug in or hardwire. Power outlets can be requested in either a bottom left or right configuration and can be inverted so that the cable can exit from the top if required, giving you an array of bathroom options.

All Radiant Towel Rails are rated IP54/55, when hard wired, which is one of the highest ratings available for heated towel rails in Australia. This means the towel rail is protected against water jets from any direction. IP54/55 rating generally allows installation in very close proximity to the bath or shower (zone one) when 'hard wired' (including above the bath) as long as they are wired to a switch which is positioned in 'Zone 3' as determined by the AS/NZS: 3000 wiring standards.



- Mirror Polished and Satin Brushed manufactured from 304 grade stainless steel
- Coloured finishes manufactured from 201 grade stainless steel
- IP54/55 rated
- Hard wired or plug in options included on all 240V heated towel rails. Low voltage 12V also available
- Mirror Polished + Satin Brushed covered by a 10 year warranty
- Coloured Coatings are covered by a 2 year warranty

SINGLE TOWEL RAILS

Our Single Towel Rail Collection is the perfect way to add the finishing touch to your bathroom giving flexibility using multiple rails. Our rails are sold as heated versions as standard, however these can be installed as a non-heated version by simply removing the wire. Therefore there is one code suits both.

If heating our Single Towel Rails it is firstly advisable for the best results that these are installed in banks of 3 or 4 bars. Secondly these require a transformer and a fixing kit suitable for up to 4 rails each.



HEATED LADDER RAILS

Create a little luxury with our Heated Collection. From the traditional round bars, to the modern, angular shaped square bars. The range encompasses a great selection of ladders, freestanding and floor to ceiling rails. Designed to give your towels space to dry, giving you a desired sense of comfort and warmth especially during the cold months.

The temperature of our heated towel rails can vary depending on bathroom temperature and if they are operated with or without a towel. A folded towel will generally hold the heat and therefore the bars will be warmer than when operated without a towel. In general they should be hot enough to dry and warm the towels, but not too hot to cause any issues. As a guide they should get to around 50-60 degrees Celcius.

All of our 240V towel rails come with a 1.4m cable and standard moulded plug for 'soft wiring' and also a separate '5th leg' for concealment of the cable when 'hard wired'. This fifth leg attaches to the towel rail and sits flush against the wall (without fixing) making installation very straight forward. As the concealed fixing sits directly behind the vertical bar it is barely noticeable and therefore does not affect the aesthetic. If purchasing a 12V towel rail, this will have a 3m cable and no plug, they will all however include a transformer in the box.



Project by Start2Finish renovations

Our towel rails can be plugged into a GPO/ powerpoint, or hard wired to a standard switch or timer switch. They can also be wired back to the light/fan switch plate as long as they are connected to the power circuit. Alternatively they can be wired directly into one of our digital timer switches.

Power outlets can be requested in either bottom left or right configurations. It is important to check this before ordering. Please note that the wiring position is fixed and cannot be changed, so it's important to order the correct side if the electrician has already done the 'pre-wiring' for the towel rail.

The towel rails can be mounted upside down if the connection is preferable at the top and this in no way affects the warranty. I.e a bottom left can become a top right. Custom sizes are available for project orders of 50 units or more where a retailer

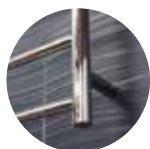
wants to stock a specific custom size outside of our standard range. Please contact us for further information and pricing. Orders for 'one offs' are generally not viable due to the cost of set up and approvals.

THINGS TO KNOW

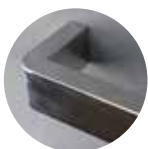
The wattages of our current range vary between 65W and 145W, so depending on the electricity tariff, they should cost on average between 1-3 cents per hour to operate, making them very cost effective.

Radiant towel rails are not thermostatically controlled. Our towel rails have a fixed wattage not variable. Although the towel rails are designed to run continuously, if you wish to control the timing or heat output from the towel rail, it is possible to connect to our Standard Touch screen timers.

STYLES + FINISHES



LADDER
ROUND & SQUARE



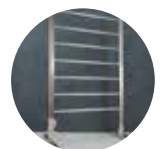
SINGLE
ROUND & SQUARE



SINGLE
VERTICAL RAILS



FLOOR TO
CEILING



FREESTANDING



MIRROR POLISHED



SATIN BRUSHED



MATT BLACK



GUN METAL GREY



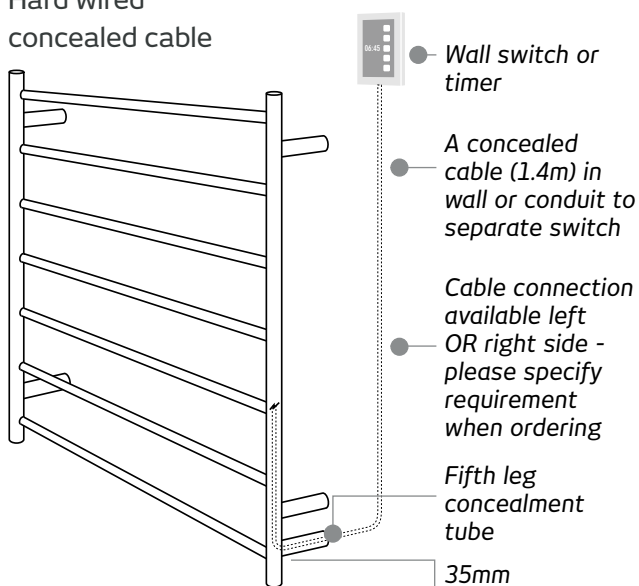
OIL RUBBED BRONZE



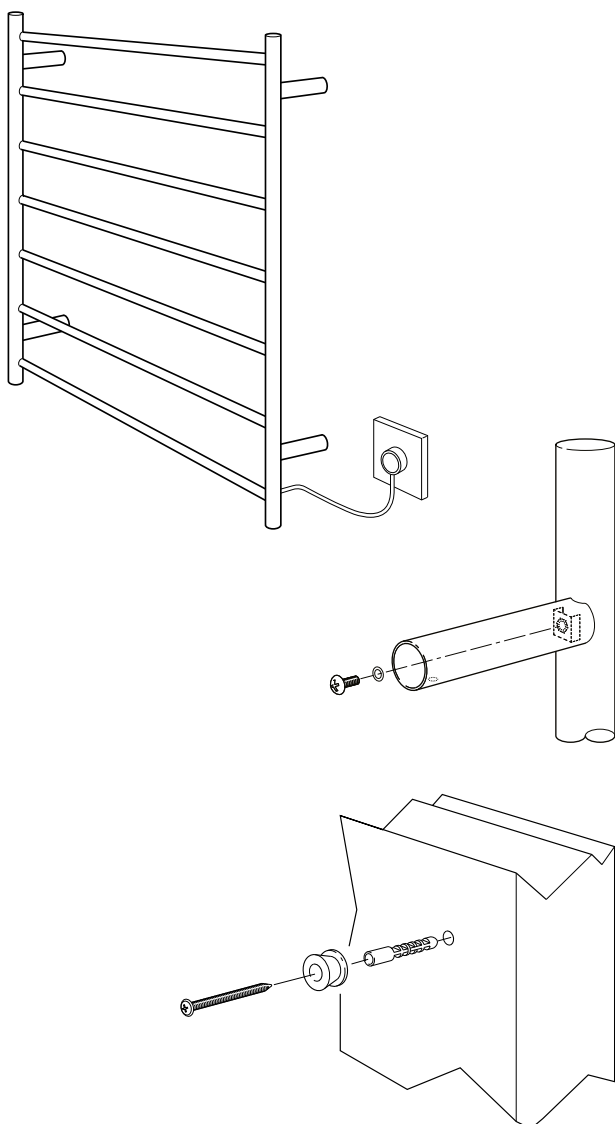
BRUSHED GOLD

Installation: **ladder rails**

Hard wired concealed cable



Plug in



PLEASE READ THESE INSTRUCTIONS BEFORE INSTALLATION

The RTR and STR series of heated towel rails are DUAL PURPOSE. Supplied as Plug In with a moulded plug for 'soft wiring' AND also a concealed fixing kit (fifth leg) for 'hard wiring'.

Please see drawings.

For concealed wiring, a provision needs to be made to connect the towel rail via a switch or timer switch.

Depending on your preferred switch position the towel rail can be mounted upside down if required.

NOTE: Hard wired installation must be carried out by a licenced electrician. The Radiant range of Towel Rails are manufactured in accordance with Australian Standards - SAA Certificate of Approval number V07911, with an IP RATING of IP55 and come with a 10 year replacement warranty.

STEP 1

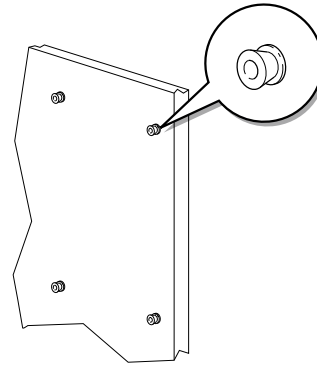
Fix the 4 brackets to the towel rail using the 4 short screws provided, ensuring that the screws are pointing downwards. You will need to tighten the brackets sufficiently so that they sit at 90 degrees to the towel rail.

STEP 2

Hold the towel rail in the required position on the wall and carefully mark the centre of the bracket positions. Use a spirit level to ensure that the marks are level and measure to ensure that they are the correct distance apart.

Drill 4 holes and attach the mounting studs as shown in the diagram.

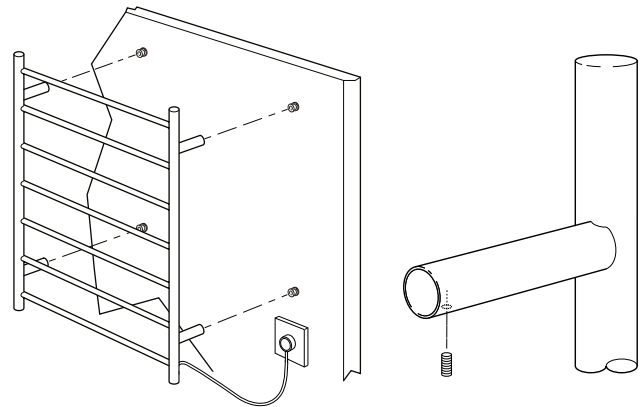
NOTE: The wall plugs provided are designed for brick walls. If you are fixing to timber studs you should use suitable timber screws. If you are fixing to plasterboard, you should use special plasterboard fixings to properly support the weight of the towel rail.



STEP 3

Slide the towel rail over the mounting studs as shown and then tighten the grub screws with the allen key provided.

Once in position the towel rail can be plugged in and used immediately.



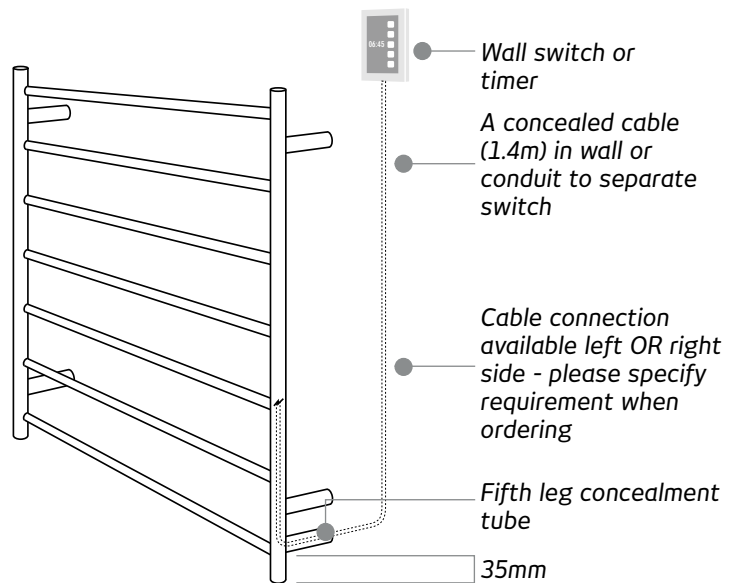
HARD WIRING OPTIONS

If you choose to hard wire the towel rail to a separate switch, the work must be carried out by a licensed electrician.

To hard wire the towel rail with the cable flex concealed, first remove the 3 pin plug and slide the 5th bracket over the wire. This bracket is then fixed to the towel rail using the small screw provided.

The cable should then be fed through the conduit in the wall to a separate switch or timer switch - see drawing opposite. If the pre-wiring is already in place, a waterproof heat shrunk junction can be done by the electrician inside the concealment tube.

HARD WIRED CONCEALED CABLE



CARE OF YOUR TOWEL RAIL

Radiant heated towel rails are manufactured from stainless steel and it is recommended that you clean them regularly with a soft damp cloth. If you need to use a cleaning product you should only use a product suitable for cleaning a polished stainless steel surface.

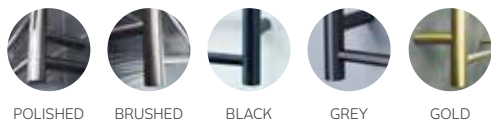
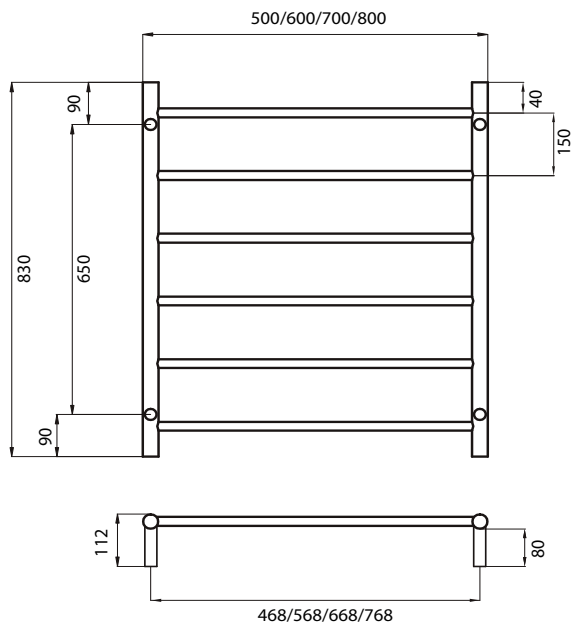
NON-HEATED RAILS
LTR01



FEATURES

- Round bar
- 6 evenly spaced bars
- Various widths: 500/600/700/800mm
- Height: 830mm
- Vertical bars: 32mm diameter
- Horizontal bars 19mm diameter
- 112mm from wall

| CODE | SIZE (MM) | FINISH |
|---------------|-----------|-----------------|
| LTR01-500 | 500x830 | Mirror Polished |
| LTR01-600 | 600x830 | Mirror Polished |
| LTR01-700 | 700x830 | Mirror Polished |
| LTR01-800 | 800x830 | Mirror Polished |
| BRU-LTR01-700 | 700x830 | Satin Brushed |
| BLTR01 | 700x830 | Matt Black |
| GMG-LTR01 | 700x830 | Gun Metal Grey |
| GLD-LTR01 | 700x830 | Brushed Gold |



POLISHED BRUSHED BLACK GREY GOLD

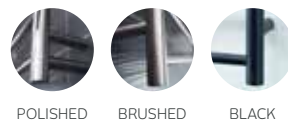
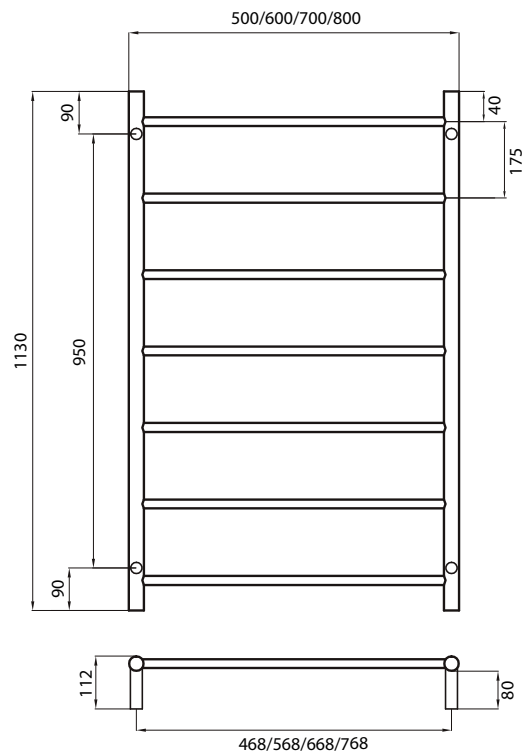
NON-HEATED RAILS
LTR02



FEATURES

- Round bar
- 7 evenly spaced bars
- Various widths: 500/600/700/800mm
- Height: 1130mm
- Vertical bars: 32mm diameter
- Horizontal bars 19mm diameter
- 112mm from wall

| CODE | SIZE (MM) | FINISH |
|---------------|-----------|-----------------|
| LTR02-500 | 500x1130 | Mirror Polished |
| LTR02-600 | 600x1130 | Mirror Polished |
| LTR02-700 | 700x1130 | Mirror Polished |
| LTR02-800 | 800x1130 | Mirror Polished |
| BRU-LTR02-700 | 700x1130 | Satin Brushed |
| BLTR02 | 700 x1130 | Matt Black |



POLISHED BRUSHED BLACK

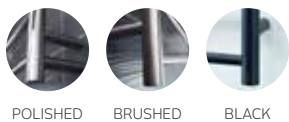
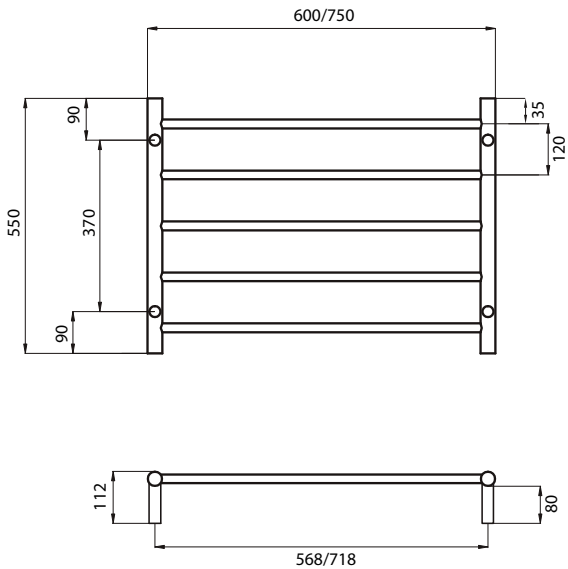
NON-HEATED RAILS LTR03



FEATURES

- Round bar
- 5 evenly spaced bars
- Various widths: 600/750mm
- Height: 550mm
- Vertical bars: 32mm diameter
- Horizontal bars 19mm diameter
- 112mm from wall

| CODE | SIZE (MM) | FINISH |
|---------------|-----------|-----------------|
| LTR03-600 | 600x550 | Mirror Polished |
| LTR03-750 | 750x550 | Mirror Polished |
| BRU-LTR03-750 | 750x550 | Satin Brushed |
| BLTR03 | 750x550 | Matt Black |



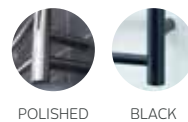
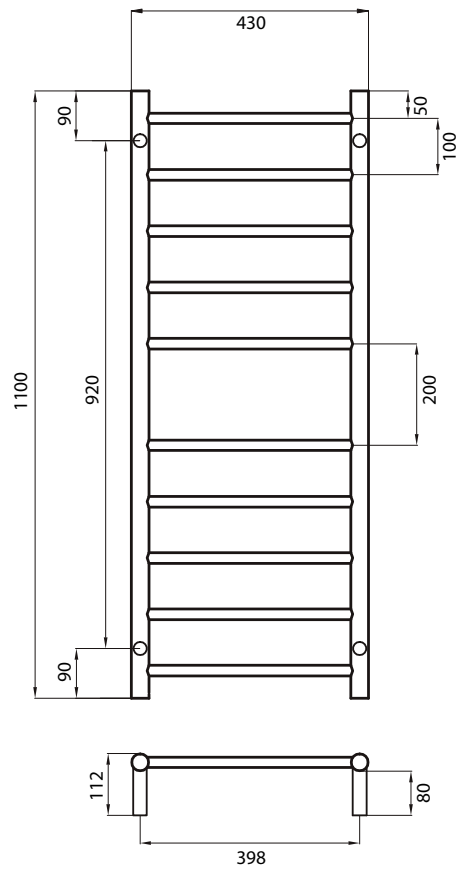
NON-HEATED RAILS LTR430



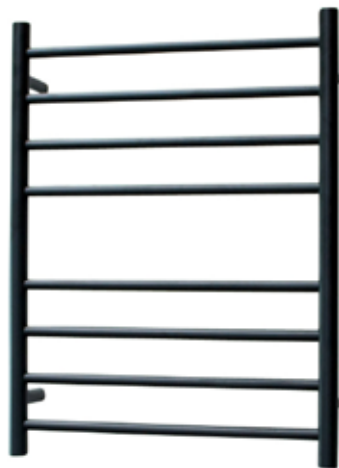
FEATURES

- Round bar
- 10 bars + central gap
- Width: 430mm
- Height: 1100mm
- Vertical bars: 32mm diameter
- Horizontal bars 19mm diameter
- 112mm from wall

| CODE | SIZE (MM) | FINISH |
|---------|-----------|-----------------|
| LTR430 | 430x1100 | Mirror Polished |
| BLTR430 | 430x1100 | Matt Black |



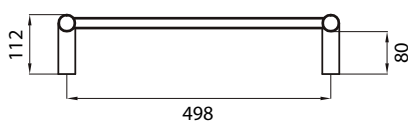
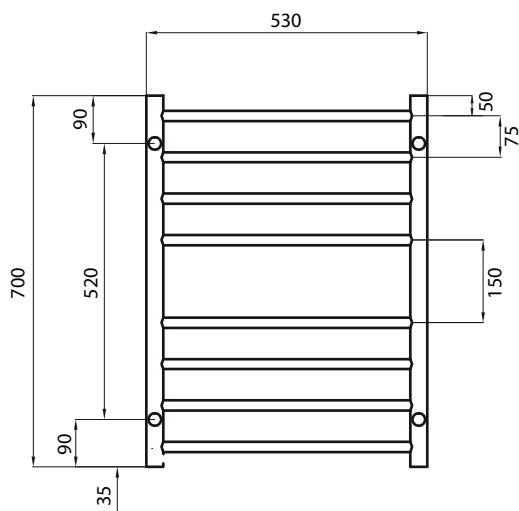
NON-HEATED RAILS
BLTR530



FEATURES

- Round bar
- 8 bars + central gap
- Width: 530mm
- Height: 700mm
- Vertical bars: 32mm diameter
- Horizontal bars 19mm diameter
- 112mm from wall

| CODE | SIZE (MM) | FINISH |
|---------|-----------|------------|
| BLTR530 | 530x700 | Matt Black |



BLACK

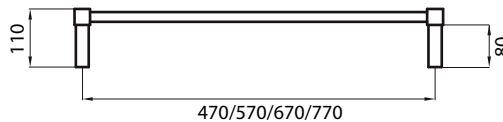
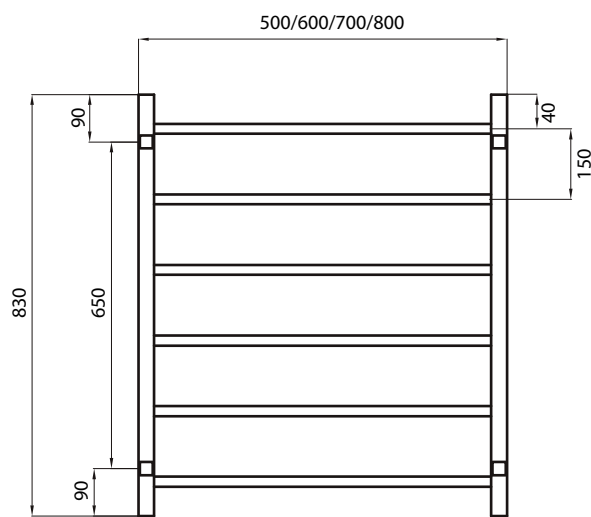
NON-HEATED RAILS
SLTR01



FEATURES

- Square bar
- 6 evenly spaced bars
- Various widths: 500/600/700/800mm
- Height: 830mm
- Vertical bars: 30x30mm
- Horizontal bars: 19x19mm
- 110mm from wall

| CODE | SIZE (MM) | FINISH |
|------------|-----------|-----------------|
| SLTR01-500 | 500x830 | Mirror Polished |
| SLTR01-600 | 600x830 | Mirror Polished |
| SLTR01-700 | 700x830 | Mirror Polished |
| SLTR01-800 | 800x830 | Mirror Polished |
| BSLTR01 | 700x830 | Matt Black |
| GMG-SLTR01 | 700x830 | Gun Metal Grey |



POLISHED



BLACK



GREY

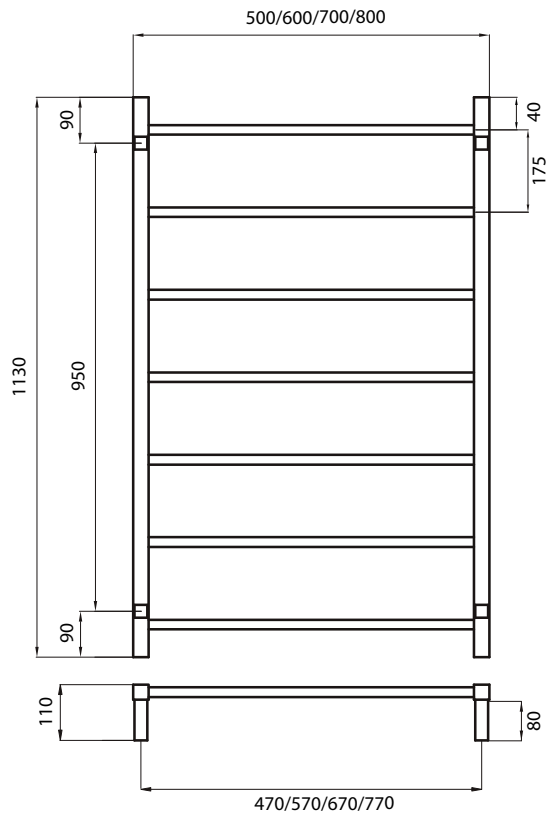
NON-HEATED RAILS SLTR02



FEATURES

- Square bar
- 7 evenly spaced bars
- Various widths: 500/600/700/800mm
- Height: 1130mm
- Vertical bars: 30x30mm
- Horizontal bars: 19x19mm
- 110mm from wall

| CODE | SIZE (MM) | FINISH |
|------------|-----------|-----------------|
| SLTR02-500 | 500x1130 | Mirror Polished |
| SLTR02-600 | 600x1130 | Mirror Polished |
| SLTR02-700 | 700x1130 | Mirror Polished |
| SLTR02-800 | 800x1130 | Mirror Polished |
| BSLTR02 | 700x1130 | Matt Black |



POLISHED



BLACK

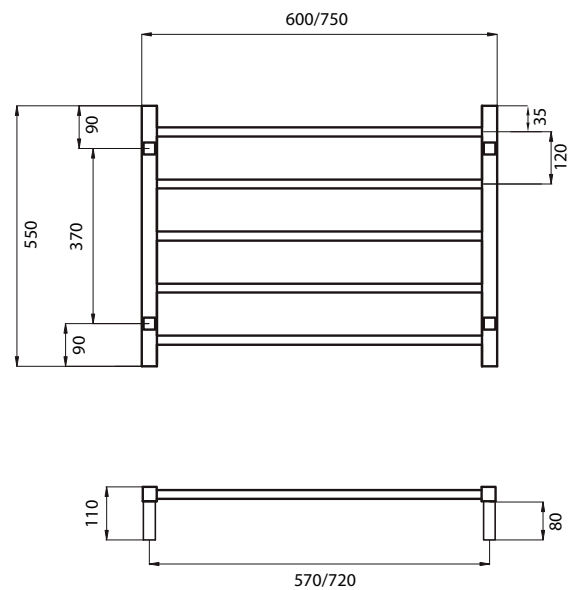
NON-HEATED RAILS SLTR03



FEATURES

- Square bar
- 5 evenly spaced bars
- Various widths: 600/750mm
- Height: 550mm
- Vertical bars: 30x30mm
- Horizontal bars: 19x19mm
- 110mm from wall

| CODE | SIZE (MM) | FINISH |
|------------|-----------|-----------------|
| SLTR03-600 | 600x550 | Mirror Polished |
| SLTR03-750 | 750x550 | Mirror Polished |



POLISHED

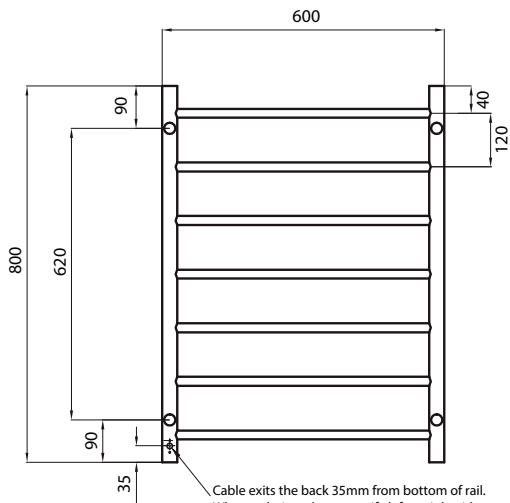
HEATED RAILS 240V
RTR01



FEATURES 240V

- Round bar / 85W
- 7 evenly spaced bars
- Width: 600mm
- Height: 800mm
- Vertical bars: 32mm diameter
- Horizontal bars: 19mm diameter
- 112mm from wall
- Cable length: 1.4m
- IP54/55 rated

| CODE | SIZE (MM) | FINISH |
|----------------|-----------|-------------------|
| RTR01LEFT | 600x800 | Mirror Polished |
| RTR01RIGHT | 600x800 | Mirror Polished |
| BRU-RTR01LEFT | 600x800 | Satin Brushed |
| BRU-RTR01RIGHT | 600x800 | Satin Brushed |
| BRTR01LEFT | 600x800 | Matt Black |
| BRTR01RIGHT | 600x800 | Matt Black |
| GMG-RTR01LEFT | 600x800 | Gun Metal Grey |
| GMG-RTR01RIGHT | 600x800 | Gun Metal Grey |
| ORB-RTR01LEFT | 600x800 | Oil Rubbed Bronze |
| ORB-RTR01RIGHT | 600x800 | Oil Rubbed Bronze |
| GLD-RTR01LEFT | 600x800 | Brushed Gold |
| GLD-RTR01RIGHT | 600x800 | Brushed Gold |



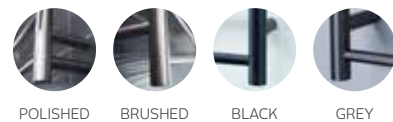
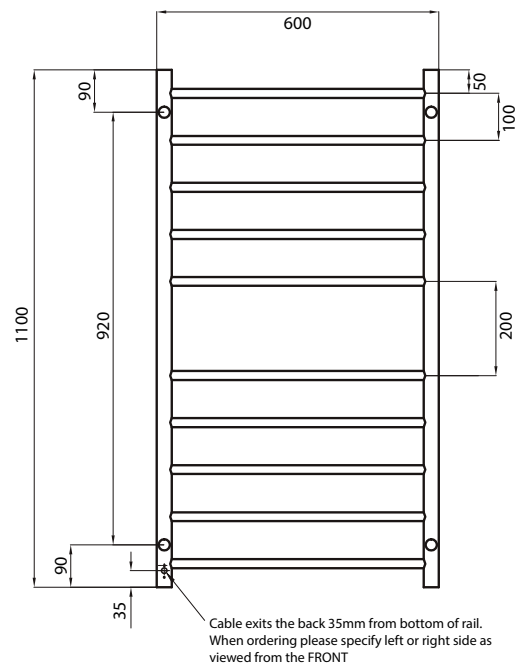
HEATED RAILS 240V
RTR02



FEATURES 240V

- Round bar / 125W
- 10 bars + central gap
- Width: 600mm
- Height: 1100mm
- Vertical bars: 32mm diameter
- Horizontal bars: 19mm diameter
- 112mm from wall
- Cable length: 1.4m
- IP54/55 rated

| CODE | SIZE (MM) | FINISH |
|----------------|-----------|-----------------|
| RTR02LEFT | 600x1100 | Mirror Polished |
| RTR02RIGHT | 600x1100 | Mirror Polished |
| BRU-RTR02LEFT | 600x1100 | Satin Brushed |
| BRU-RTR02RIGHT | 600x1100 | Satin Brushed |
| BRTR02LEFT | 600x1100 | Matt Black |
| BRTR02RIGHT | 600x1100 | Matt Black |
| GMG-RTR02LEFT | 600x1100 | Gun Metal Grey |
| GMG-RTR02RIGHT | 600x1100 | Gun Metal Grey |



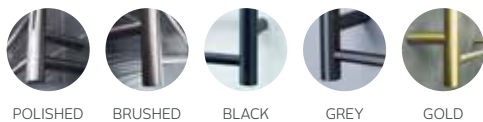
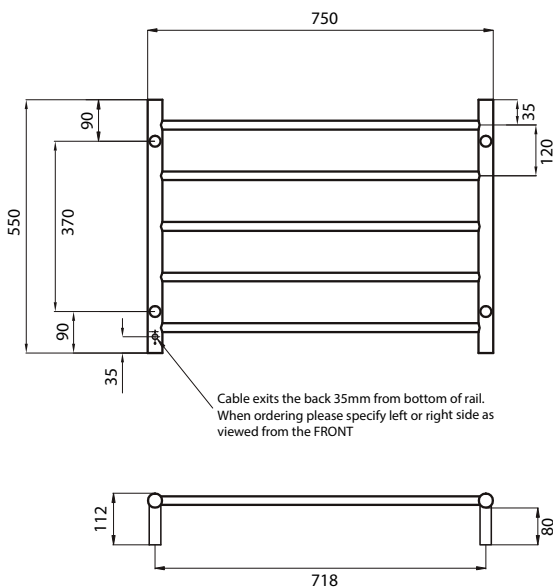
HEATED RAILS 240V RTR03



FEATURES 240V

- Round bar / 75W
- 5 evenly spaced bars
- Width: 750mm
- Height: 550mm
- Vertical bars: 32mm diameter
- Horizontal bars: 19mm diameter
- 112mm from wall
- Cable length: 1.4m
- IP54/55 rated

| CODE | SIZE (MM) | FINISH |
|----------------|-----------|-----------------|
| RTR03LEFT | 750x550 | Mirror Polished |
| RTR03RIGHT | 750x550 | Mirror Polished |
| BRU-RTR03LEFT | 750x550 | Satin Brushed |
| BRU-RTR03RIGHT | 750x550 | Satin Brushed |
| BRTR03LEFT | 750x550 | Matt Black |
| BRTR03RIGHT | 750x550 | Matt Black |
| GMG-RTR03LEFT | 750x550 | Gun Metal Grey |
| GMG-RTR03RIGHT | 750x550 | Gun Metal Grey |
| GLD-RTR03LEFT | 750x550 | Brushed Gold |
| GLD-RTR03RIGHT | 750x550 | Brushed Gold |



POLISHED BRUSHED BLACK GREY GOLD

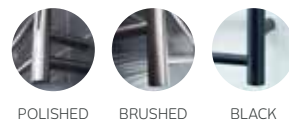
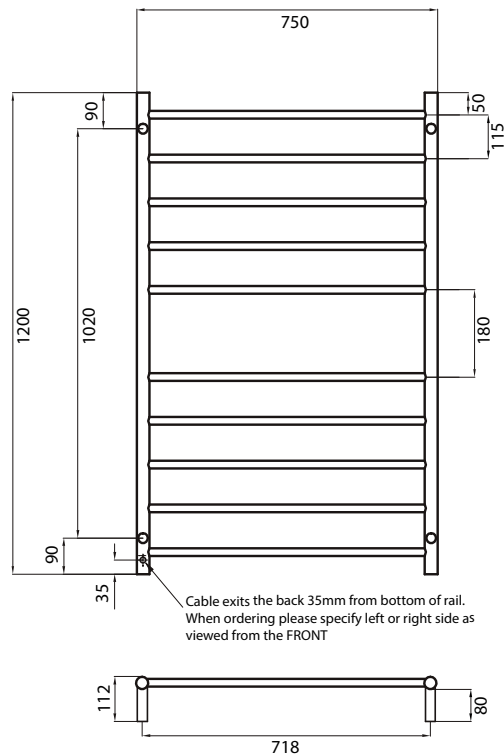
HEATED RAILS 240V RTR04



FEATURES 240V

- Round bar / 130W
- 10 bars + central gap
- Width: 750mm
- Height: 1200mm
- Vertical bars: 32mm diameter
- Horizontal bars: 19mm diameter
- 112mm from wall
- Cable length: 1.4m
- IP54/55 rated

| CODE | SIZE (MM) | FINISH |
|----------------|-----------|-----------------|
| RTR04LEFT | 750x1200 | Mirror Polished |
| RTR04RIGHT | 750x1200 | Mirror Polished |
| BRU-RTR04LEFT | 750x1200 | Satin Brushed |
| BRU-RTR04RIGHT | 750x1200 | Satin Brushed |
| BRTR04LEFT | 750x1200 | Matt Black |
| BRTR04RIGHT | 750x1200 | Matt Black |



POLISHED BRUSHED BLACK

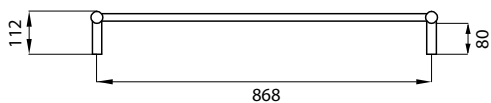
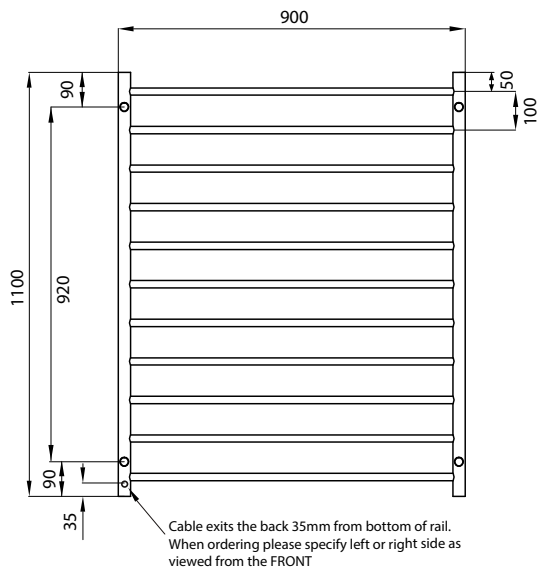


HEATED RAILS 240V
RTR05

FEATURES 240V

- Round bar / 180W
- 11 evenly spaced bars
- Width: 900mm
- Height: 1100mm
- Vertical bars: 32mm diameter
- Horizontal bars: 19mm diameter
- 112mm from wall
- Cable length: 1.4m
- IP54/55 rated

| CODE | SIZE (MM) | FINISH |
|------------|-----------|-----------------|
| RTR05LEFT | 900x1100 | Mirror Polished |
| RTR05RIGHT | 900x1100 | Mirror Polished |



POLISHED

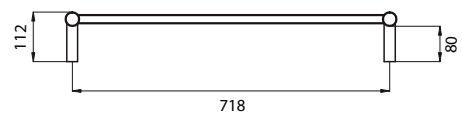
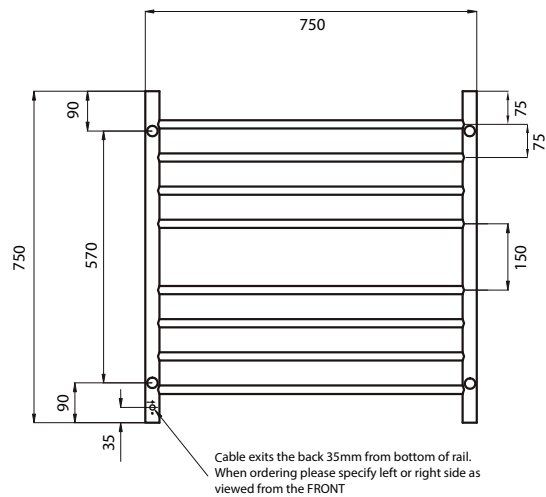


HEATED RAILS 240V
RTR06

FEATURES 240V

- Round bar / 125W
- 8 bars + central gap
- Width: 750mm
- Height: 750mm
- Vertical bars: 32mm diameter
- Horizontal bars: 19mm diameter
- 112mm from wall
- Cable length: 1.4m
- IP54/55 rated

| CODE | SIZE (MM) | FINISH |
|----------------|-----------|-----------------|
| RTR06LEFT | 750x750 | Mirror Polished |
| RTR06RIGHT | 750x750 | Mirror Polished |
| BRU-RTR06LEFT | 750x750 | Satin Brushed |
| BRU-RTR06RIGHT | 750x750 | Satin Brushed |
| BRTR06LEFT | 750x750 | Matt Black |
| BRTR06RIGHT | 750x750 | Matt Black |
| GMG-RTR06LEFT | 750x750 | Gun Metal Grey |
| GMG-RTR06RIGHT | 750x750 | Gun Metal Grey |



POLISHED



BRUSHED



BLACK



GREY

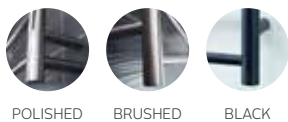
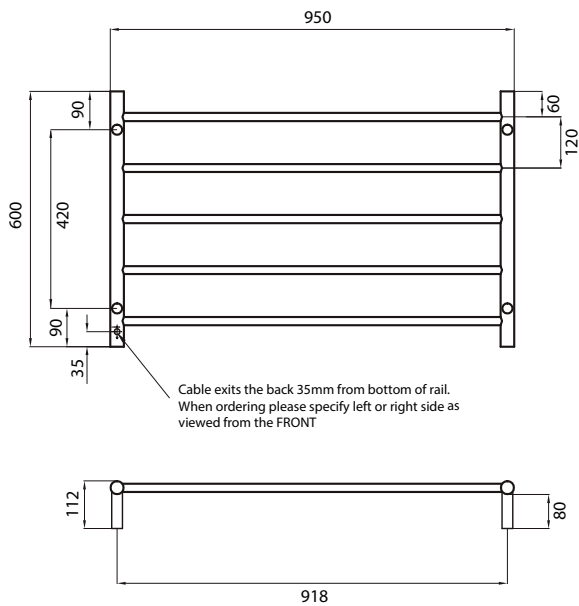
HEATED RAILS 240V RTR07



FEATURES 240V

- Round bar / 80W
- 5 evenly spaced bars
- Width: 950mm
- Height: 600mm
- Vertical bars: 32mm diameter
- Horizontal bars: 19mm diameter
- 112mm from wall
- Cable length: 1.4m
- IP54/55 rated

| CODE | SIZE (MM) | FINISH |
|----------------|-----------|-----------------|
| RTR07LEFT | 950x600 | Mirror Polished |
| RTR07RIGHT | 950x600 | Mirror Polished |
| BRU-RTR07LEFT | 950x600 | Satin Brushed |
| BRU-RTR07RIGHT | 950x600 | Satin Brushed |
| BRTR07LEFT | 950x600 | Matt Black |
| BRTR07RIGHT | 950x600 | Matt Black |



POLISHED BRUSHED BLACK

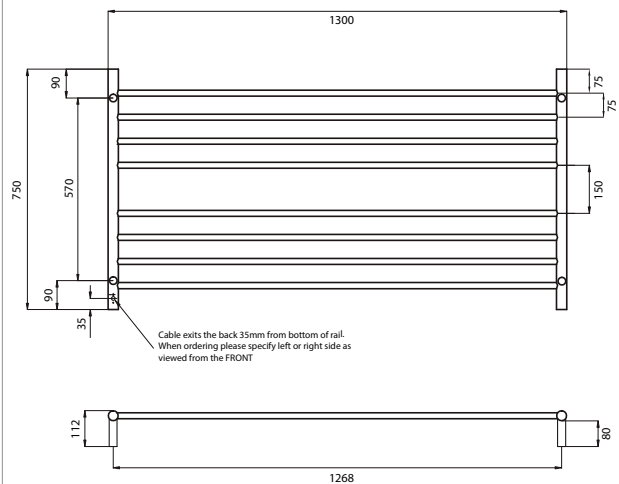
HEATED RAILS 240V RTR09



FEATURES 240V

- Round bar / 180W
- 8 bars + central gap
- Width: 1300mm
- Height: 750mm
- Vertical bars: 32mm diameter
- Horizontal bars: 19mm diameter
- 112mm from wall
- Cable length: 1.4m
- IP54/55 rated

| CODE | SIZE (MM) | FINISH |
|------------|-----------|-----------------|
| RTR09LEFT | 1300x750 | Mirror Polished |
| RTR09RIGHT | 1300x750 | Mirror Polished |



POLISHED

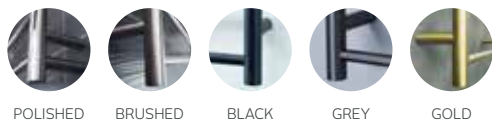
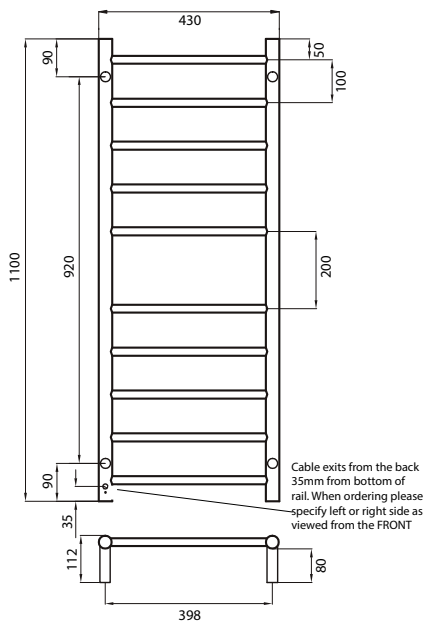
HEATED RAILS 240V
RTR430



FEATURES 240V

- Round bar / 80W
- 10 bars + central gap
- Width: 430mm
- Height: 1100mm
- Vertical bars: 32mm diameter
- Horizontal bars: 19mm diameter
- 112mm from wall
- Cable length: 1.4m
- IP54/55 rated

| CODE | SIZE (MM) | FINISH |
|-----------------|-----------|-----------------|
| RTR430LEFT | 430x1100 | Mirror Polished |
| RTR430RIGHT | 430x1100 | Mirror Polished |
| BRU-RTR430LEFT | 430x1100 | Satin Brushed |
| BRU-RTR430RIGHT | 430x1100 | Satin Brushed |
| BRTR430LEFT | 430x1100 | Matt Black |
| BRTR430RIGHT | 430x1100 | Matt Black |
| GMG-RTR430LEFT | 430x1100 | Gun Metal Grey |
| GMG-RTR430RIGHT | 430 x1100 | Gun Metal Grey |
| GLD-RTR430LEFT | 430x1100 | Brushed Gold |
| GLD-RTR430RIGHT | 430 x1100 | Brushed Gold |



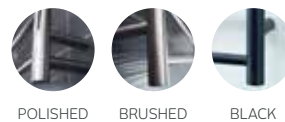
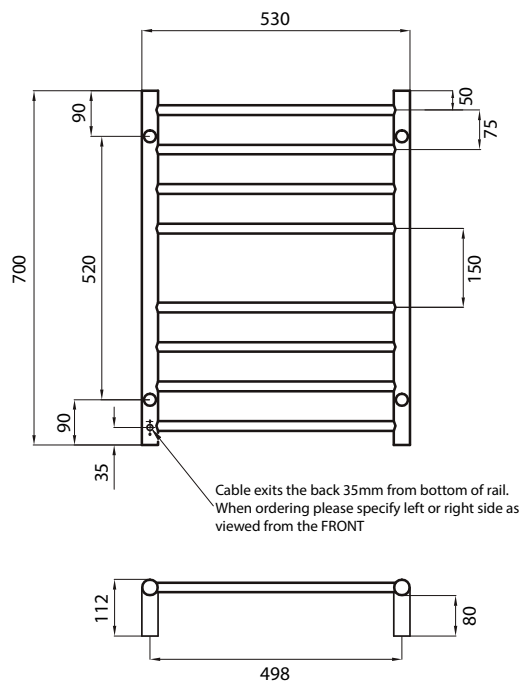
HEATED RAILS 240V
RTR530



FEATURES 240V

- Round bar / 65W
- 8 bars + central gap
- Width: 530mm
- Height: 700mm
- Vertical bars: 32mm diameter
- Horizontal bars: 19mm diameter
- 112mm from wall
- Cable length: 1.4m
- IP54/55 rated

| CODE | SIZE (MM) | FINISH |
|-----------------|-----------|-----------------|
| RTR530LEFT | 530x700 | Mirror Polished |
| RTR530RIGHT | 530x700 | Mirror Polished |
| BRU-RTR530LEFT | 530x700 | Satin Brushed |
| BRU-RTR530RIGHT | 530x700 | Satin Brushed |
| BRTR530LEFT | 530x700 | Matt Black |
| BRTR530RIGHT | 530x700 | Matt Black |



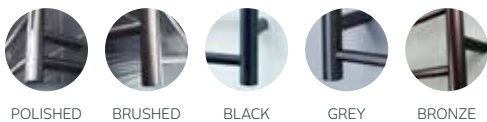
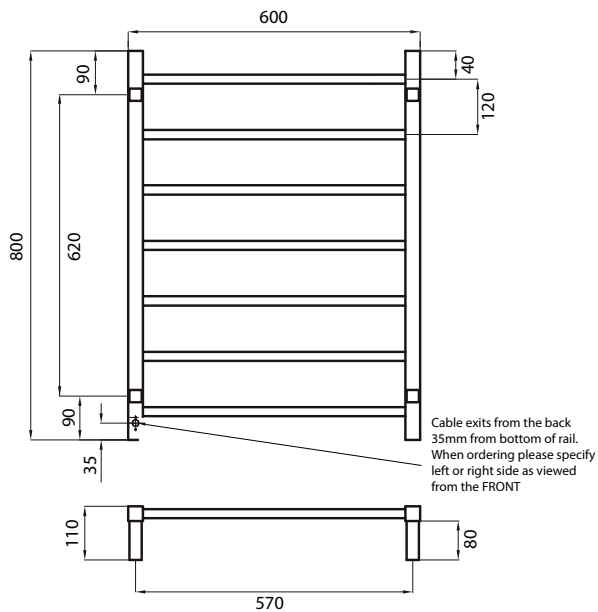
HEATED RAILS 240V STR01



FEATURES 240V

- Square bar / 80W
- 7 evenly spaced bars
- Width: 600mm
- Height: 800mm
- Vertical bars: 30x30mm
- Horizontal bars: 19x19mm
- 110mm from wall
- Cable length: 1.4m
- IP54/55 rated

| CODE | SIZE (MM) | FINISH |
|----------------|-----------|-------------------|
| STR01LEFT | 600x800 | Mirror Polished |
| STR01RIGHT | 600x800 | Mirror Polished |
| BRU-STR01LEFT | 600x800 | Satin Brushed |
| BRU-STR01RIGHT | 600x800 | Satin Brushed |
| BSTR01LEFT | 600x800 | Matt Black |
| BSTR01RIGHT | 600x800 | Matt Black |
| GMG-STR01LEFT | 600x800 | Gun Metal Grey |
| GMG-STR01RIGHT | 600x800 | Gun Metal Grey |
| ORB-STR01LEFT | 600x800 | Oil Rubbed Bronze |
| ORB-STR01RIGHT | 600x800 | Oil Rubbed Bronze |



POLISHED BRUSHED BLACK GREY BRONZE

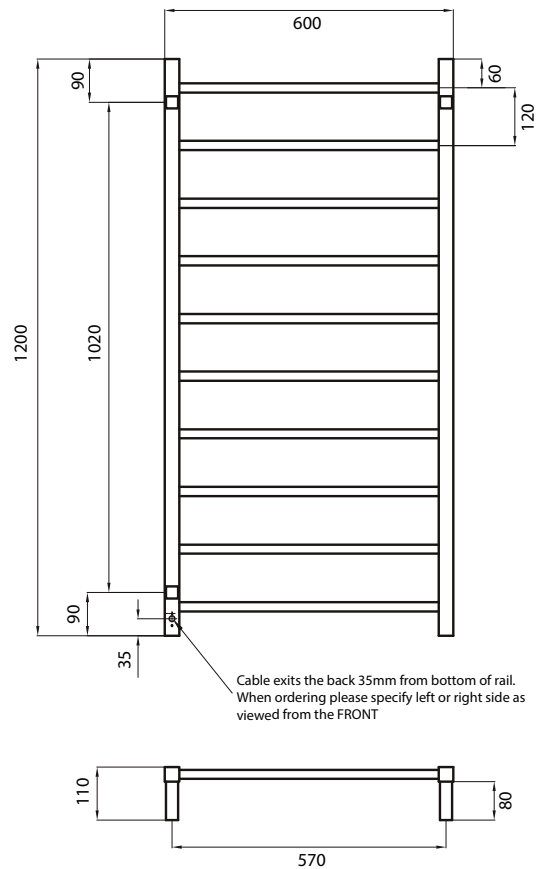
HEATED RAILS 240V STR02



FEATURES 240V

- Square bar / 130W
- 10 evenly spaced bars
- Width: 600mm
- Height: 1200mm
- Vertical bars: 30x30mm
- Horizontal bars: 19x19mm
- 110mm from wall
- Cable length: 1.4m
- IP54/55 rated

| CODE | SIZE (MM) | FINISH |
|------------|-----------|-----------------|
| STR02LEFT | 600x1200 | Mirror Polished |
| STR02RIGHT | 600x1200 | Mirror Polished |



POLISHED

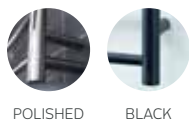
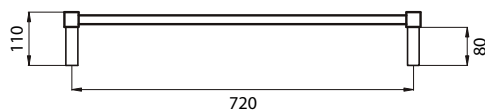
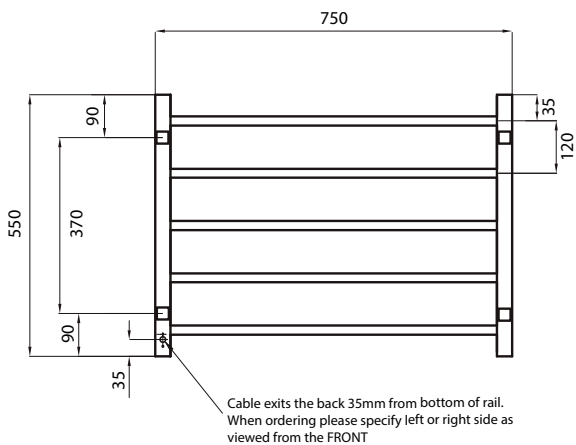
HEATED RAILS 240V
STR03



FEATURES 240V

- Square bar / 75W
- 5 evenly spaced bars
- Width: 750mm
- Height: 550mm
- Vertical bars: 30x30mm
- Horizontal bars: 19x19mm
- 110mm from wall
- Cable length: 1.4m
- IP54/55 rated

| CODE | SIZE (MM) | FINISH |
|-------------|-----------|-----------------|
| STR03LEFT | 750x550 | Mirror Polished |
| STR03RIGHT | 750x550 | Mirror Polished |
| BSTR03LEFT | 750x550 | Matt Black |
| BSTR03RIGHT | 750x550 | Matt Black |



POLISHED BLACK

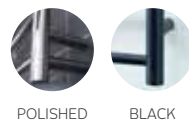
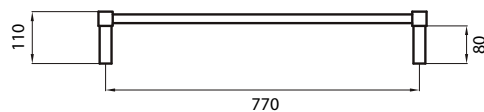
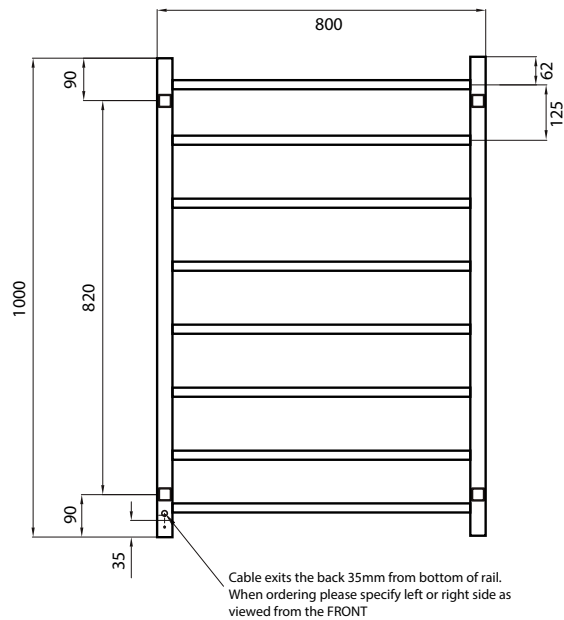
HEATED RAILS 240V
STR05



FEATURES 240V

- Square bar / 120W
- 8 evenly spaced bars
- Width: 800mm
- Height: 1000mm
- Vertical bars: 30x30mm
- Horizontal bars: 19x19mm
- 110mm from wall
- Cable length: 1.4m
- IP54/55 rated

| CODE | SIZE (MM) | FINISH |
|-------------|-----------|-----------------|
| STR05LEFT | 800x1000 | Mirror Polished |
| STR05RIGHT | 800x1000 | Mirror Polished |
| BSTR05LEFT | 800x1000 | Matt Black |
| BSTR05RIGHT | 800x1000 | Matt Black |



POLISHED BLACK

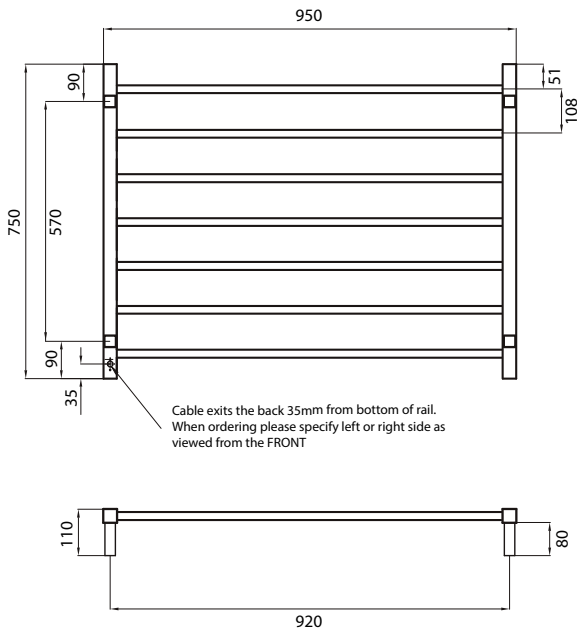
HEATED RAILS 240V STR06



FEATURES 240V

- Square bar / 125W
- 7 evenly spaced bars
- Width: 950mm
- Height: 750mm
- Vertical bars: 30x30mm
- Horizontal bars: 19x19mm
- 110mm from wall
- Cable length: 1.4m
- IP54/55 rated

| CODE | SIZE (MM) | FINISH |
|------------|-----------|-----------------|
| STR06LEFT | 950x750 | Mirror Polished |
| STR06RIGHT | 950x750 | Mirror Polished |



POLISHED

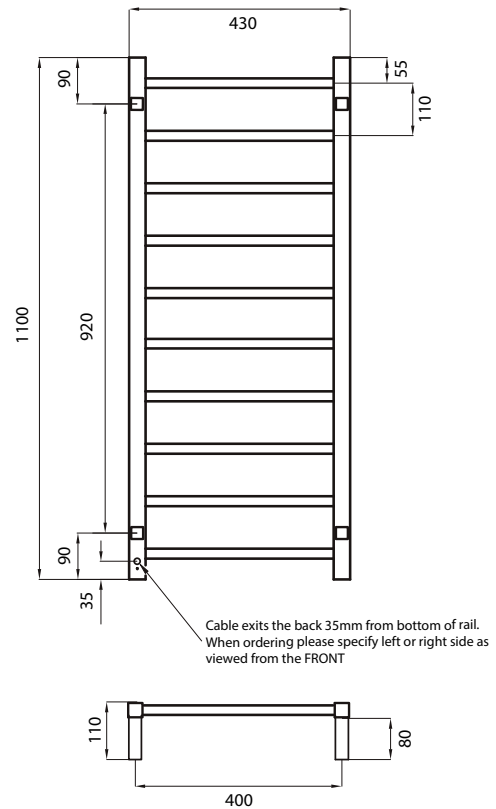
HEATED RAILS 240V STR430



FEATURES 240V

- Square bar / 80W
- 10 evenly spaced bars
- Width: 430mm
- Height: 1100mm
- Vertical bars: 30x30mm
- Horizontal bars: 19x19mm
- 110mm from wall
- Cable length: 1.4m
- IP54/55 rated

| CODE | SIZE (MM) | FINISH |
|--------------|-----------|-----------------|
| STR430LEFT | 430x1100 | Mirror Polished |
| STR430RIGHT | 430x1100 | Mirror Polished |
| BSTR430LEFT | 430x1100 | Matt Black |
| BSTR430RIGHT | 430x1100 | Matt Black |



POLISHED



BLACK

Installation: low voltage ladder rails (12V)



PLEASE READ THESE INSTRUCTIONS BEFORE INSTALLATION

Radiant heated towel rails are manufactured to the following standard:

- AS/NZ 3350.1.2002
- IP Rating - IP55
- Rated voltage 12v
- SAA Approved - Certificate V 07911
- Touch temperature less than 60 deg C

The towel rail is designed for drying towels and is intended for use in residential and hotel bathrooms. The towel rail must be installed in accordance with local wiring regulations and it is recommended that it is installed at least 300mm above floor level.

The towel rail is supplied with a three metre cord and must be wired by a licensed electrician via the 12v transformer.

CARE OF YOUR TOWEL RAIL

Radiant heated towel rails are manufactured from stainless steel and it is recommended that you clean them regularly with a soft damp cloth. If you need to use a cleaning product you should only use a product suitable for cleaning a polished stainless steel surface.

NOTES:

This appliance is not intended for use by young children or infirm persons without supervision. The towel rail must be installed so that the bottom of the rail is at least 300mm above the floor to avoid a hazard.

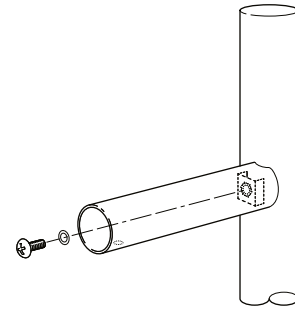
The cord extension must be positioned so that it is not subject to splashing or ingress of moisture.

If this appliance is to be hard wired it must be connected to a separate isolating switch (not included) according to the Wiring Rules in AS/NZS 3000:2000

INSTALLATION

STEP 1

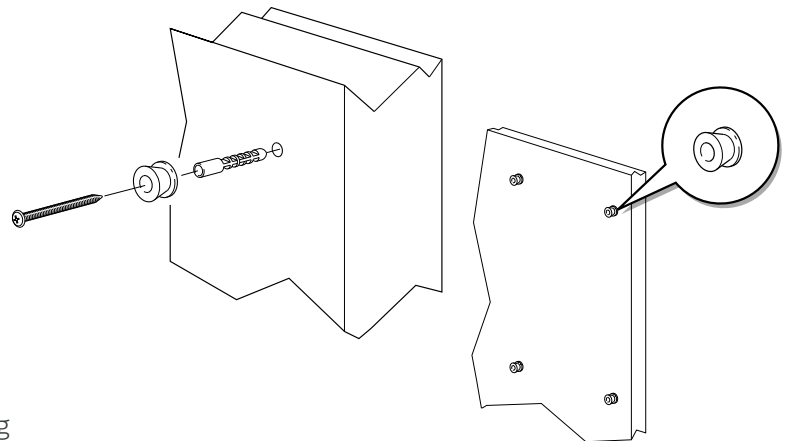
Fix the 4 brackets to the towel rail using the 4 short screws provided, ensuring that the grub screws are pointing downwards. You will need to tighten the brackets sufficiently so that they sit at 90 degrees to the towel rail.



STEP 2

Hold the towel rail in the required position on the wall and carefully mark the centre of the bracket positions. Use a spirit level to ensure that the marks are level and measure to ensure that they are the correct distance apart.

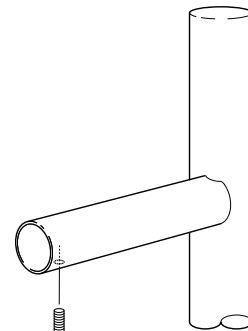
Drill 4 holes and attach the mounting studs as shown in the diagram.



NOTE: The wall plugs provided are designed for brick walls. If you are fixing to timber studs you should use suitable timber screws. If you are fixing to plasterboard, you should use special plasterboard fixings to properly support the weight of the towel rail.

STEP 3

Slide the towel rail over the mounting studs as shown and then tighten the grub screws with the allen key provided.



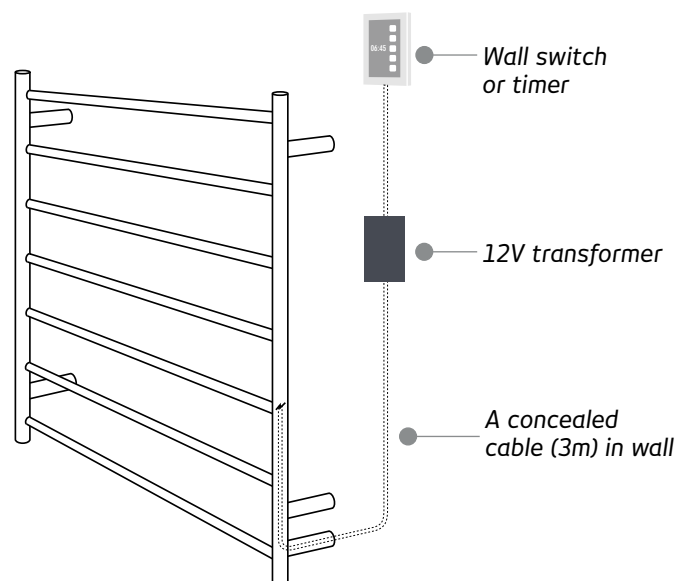
HARD WIRING OPTIONS

To hard wire the towel rail with the cable flex concealed, simply slide the 5th bracket over the wire.

This bracket is then fixed to the towel rail using the small screw provided.

The cable should then be fed through the conduit in the wall and connected to the 12v transformer, then to a separate switch or timer switch (see drawing opposite).

If the pre-wiring is already in place, a waterproof heat shrunk junction can be done by the electrician inside the concealment tube.



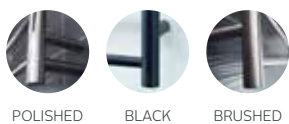
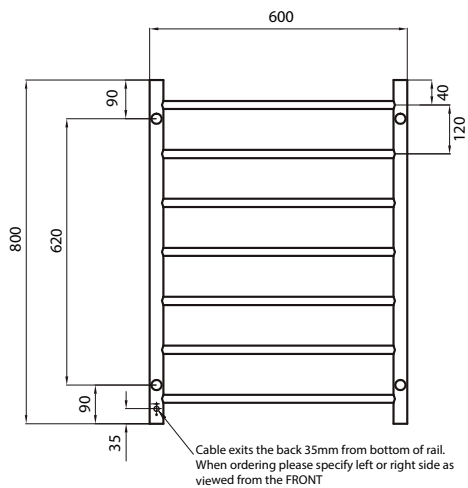
HEATED RAILS 12V
RTR01



FEATURES – LOW VOLTAGE 12V

- Round bar / 75W
- 10 bars + central gap
- Width: 600mm
- Height: 800mm
- Vertical bars: 32mm diameter
- Horizontal bars: 19mm diameter
- 112mm from wall
- 3m cable, no plug, includes transformer
- IP54/55 rated

| CODE | SIZE (MM) | FINISH |
|--------------------|-----------|-----------------|
| 12V-RTR01LEFT | 600x800 | Mirror Polished |
| 12V-RTR01RIGHT | 600x800 | Mirror Polished |
| 12V-BRTR01LEFT | 600x800 | Matt Black |
| 12V-BRTR01RIGHT | 600x800 | Matt Black |
| 12V-BRU-RTR01LEFT | 600x800 | Brushed Satin |
| 12V-BRU-RTR01RIGHT | 600x800 | Brushed Satin |



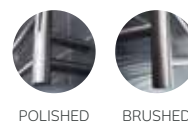
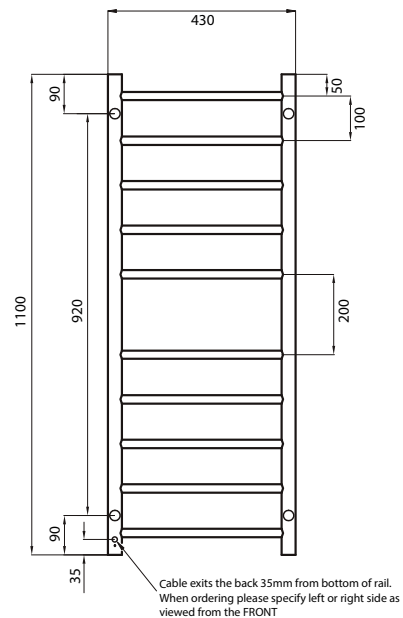
HEATED RAILS 12V
RTR430



FEATURES – LOW VOLTAGE 12V

- Round bar / 80W
- 10 bars + central gap
- Width: 600mm
- Height: 1100mm
- Vertical bars: 32mm diameter
- Horizontal bars: 19mm diameter
- 112mm from wall
- 3m cable, no plug, includes transformer
- IP54/55 rated

| CODE | SIZE (MM) | FINISH |
|---------------------|-----------|-----------------|
| 12V-RTR430LEFT | 430x1100 | Mirror Polished |
| 12V-RTR430RIGHT | 430x1100 | Mirror Polished |
| 12V-BRU-RTR430LEFT | 430x1100 | Brushed Satin |
| 12V-BRU-RTR430RIGHT | 430x1100 | Brushed Satin |



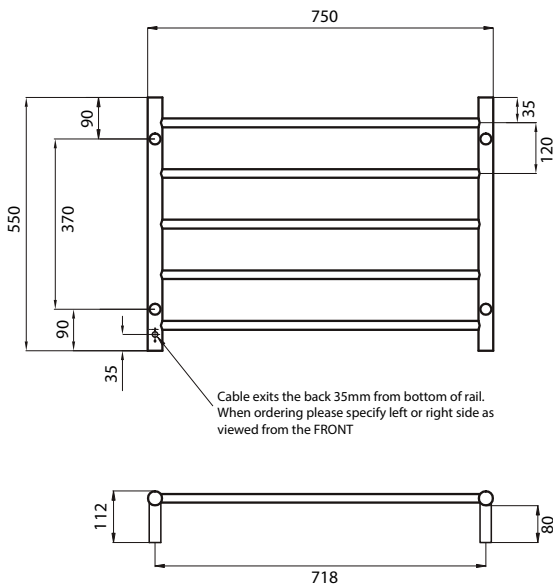
HEATED RAILS 12V
RTR03



FEATURES – LOW VOLTAGE 12V

- Round bar / 75W
- 5 evenly spaced bars
- Width: 750mm
- Height: 550mm
- Vertical bars: 32mm diameter
- Horizontal bars: 19mm diameter
- 112mm from wall
- 3m cable, no plug, includes transformer
- IP54/55 rated

| CODE | SIZE (MM) | FINISH |
|----------------|-----------|-----------------|
| 12V-RTR03LEFT | 750x550 | Mirror Polished |
| 12V-RTR03RIGHT | 750x550 | Mirror Polished |



POLISHED

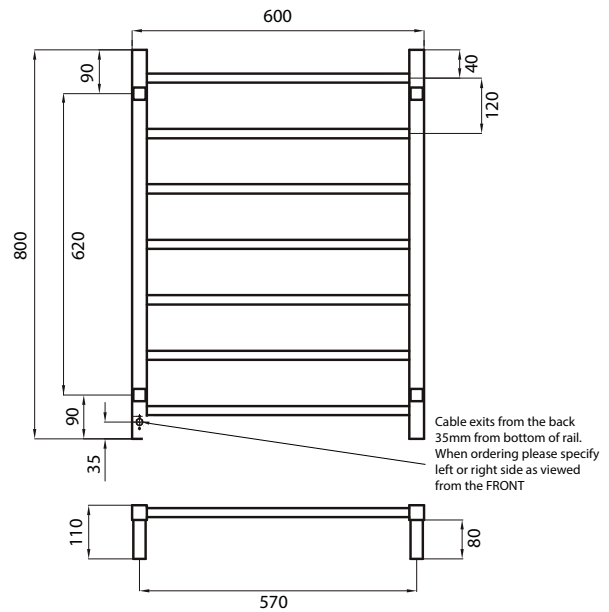
HEATED RAILS 12V
STR01



FEATURES – LOW VOLTAGE 12V

- Square bar / 80W
- 7 evenly spaced bars
- Width: 600mm
- Height: 800mm
- Vertical bars: 30x30mm
- Horizontal bars: 19x19mm
- 110mm from wall
- 3m cable, no plug, includes transformer
- IP54/55 rated

| CODE | SIZE (MM) | FINISH |
|----------------|-----------|-----------------|
| 12V-STR01LEFT | 600x800 | Mirror Polished |
| 12V-STR01RIGHT | 600x800 | Mirror Polished |

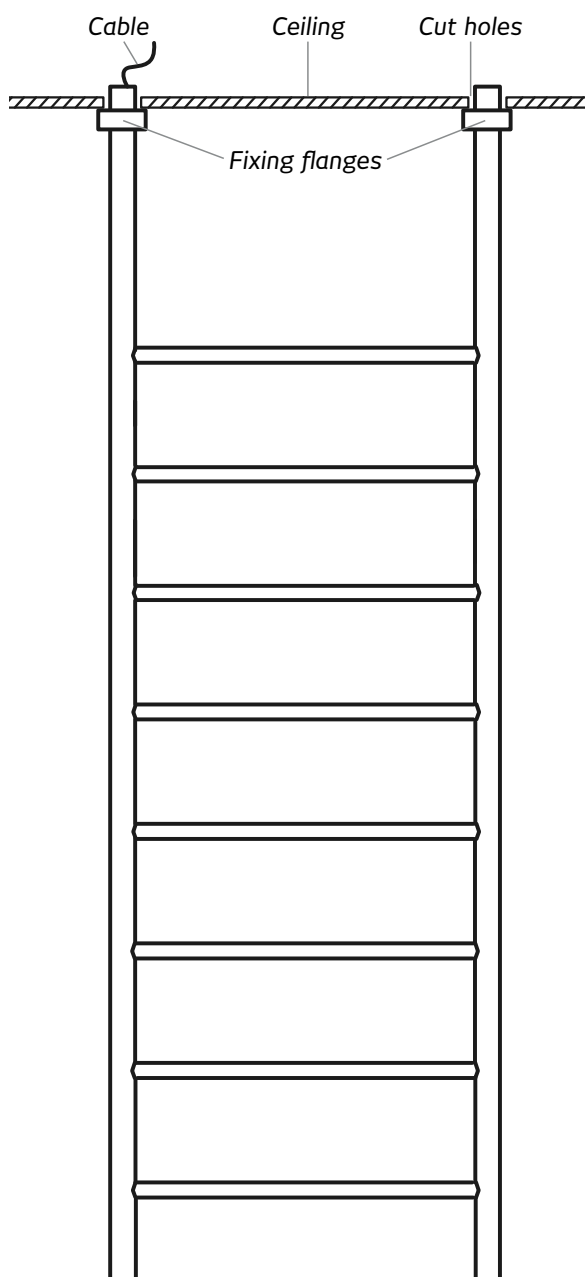


POLISHED

Installation: floor to ceiling rails

When choosing a floor to ceiling rail to suit your bathroom it is suggested that you go for one slightly taller than the actual ceiling. It is advised that you **do not** cut the rails.

As the cable comes out of the top leg it is recommended that the legs are cut into the ceiling and the fixing flanges provided used to disguise the holes.



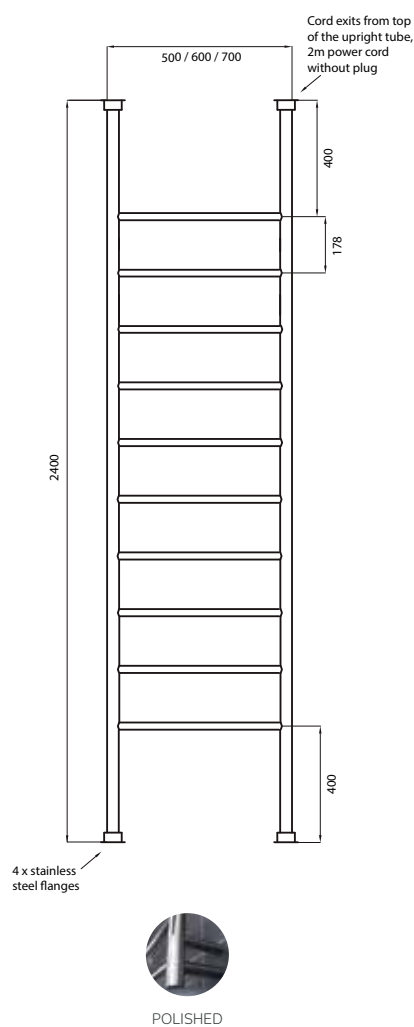
FLOOR TO CEILING FC-2400



FEATURES

- Round bar
- 10 evenly spaced bars
- Various widths: 500/600/700mm
- Height: 2400mm
- Vertical bars: 32mm diameter
- Horizontal bars: 19mm diameter
- IP54/55 rated

| CODE | WATTS | SIZE (MM) | FINISH |
|-------------|-------|-----------|-----------------|
| FC-2400X500 | 110W | 500x2400 | Mirror Polished |
| FC-2400X600 | 125W | 600x2400 | Mirror Polished |
| FC-2400X700 | 145W | 700x2400 | Mirror Polished |



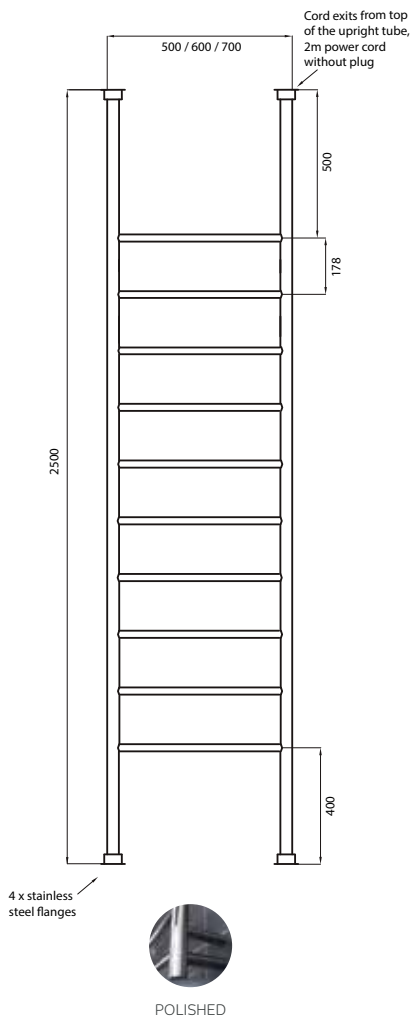
FLOOR TO CEILING
FC-2500



FEATURES

- Round bar
- 10 evenly spaced bars
- Various widths: 500/600/700mm
- Height: 2500mm
- Vertical bars: 32mm diameter
- Horizontal bars: 19mm diameter
- IP54/55 rated

| CODE | WATTS | SIZE (MM) | FINISH |
|-------------|-------|-----------|-----------------|
| FC-2500X500 | 110W | 500x2500 | Mirror Polished |
| FC-2500X600 | 130W | 600x2500 | Mirror Polished |
| FC-2500X700 | 145W | 700x2500 | Mirror Polished |



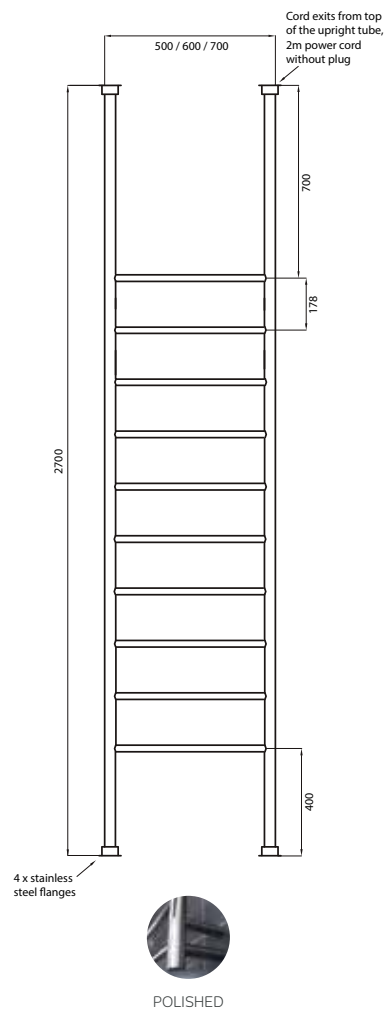
FLOOR TO CEILING
FC-2700



FEATURES

- Round bar
- 10 evenly spaced bars
- Various widths: 500/600/700mm
- Height: 2700mm
- Vertical bars: 32mm diameter
- Horizontal bars: 19mm diameter
- IP54/55 rated

| CODE | WATTS | SIZE (MM) | FINISH |
|-------------|-------|-----------|-----------------|
| FC-2700X500 | 110W | 500x2700 | Mirror Polished |
| FC-2700X600 | 125W | 600x2700 | Mirror Polished |
| FC-2700X700 | 145W | 700x2700 | Mirror Polished |



Installation: **single bar rails**

PLEASE READ THROUGH THESE INSTRUCTIONS BEFORE INSTALLATION

The towel rail is designed for drying towels and is intended for use in residential and hotel bathrooms in accordance with all applicable wiring regulations. It is recommended that it is installed at least 300mm above floor level.

ELECTRICAL

- This product must be installed by a licensed electrician
- The 12v safety isolating transformer must be positioned in a dry, accessible location
- The distance from the towel rail to the transformer must be less than 2m
- A means for disconnection must be incorporated into the fixed wiring in accordance with AZ/NZS 3000
- The waterproof wirenut connectors provide an IPX7 rating
- The towel rail can be installed in wet area zones 1, 2 and 3 as specified in AS/NZS 3000

WALL PREPARATION

Radiant towel rails can be fixed to any type of wall, timber stud or masonry. Stud walls require timber noggins at the correct position for the fixing bracket. Fixing to plasterboard or cement sheeting alone is not recommended.

PRE WIRING

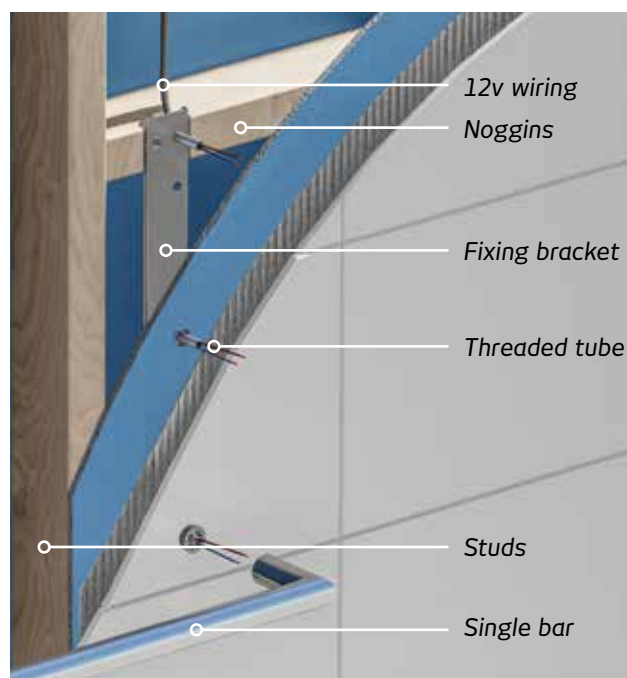
Determine which side (left or right) you would like the cable to enter the heated towel rails. As a general rule, the arm that is closest to the transformer and furthest from wet areas is the most suitable.

FIGURE 1

Stud walls - the fixing bracket should be attached to the noggins, ensuring that it is perfectly vertical and in the correct position for attaching the single bar towel rails. Once the spacing of the towel rails has been determined (see fixing bar diagram for spacing options) screw the threaded tubes into the bracket at the desired positions and fix the hex nut to the reverse to ensure that the rods do

not pull through. When the gyprock or sheeting is applied to the stud wall, corresponding holes should be drilled to allow the threaded tube to protrude through approximately 15mm beyond the finished wall surface (if the wall is being tiled, make allowance for the thickness of the tiles).

Figure 1

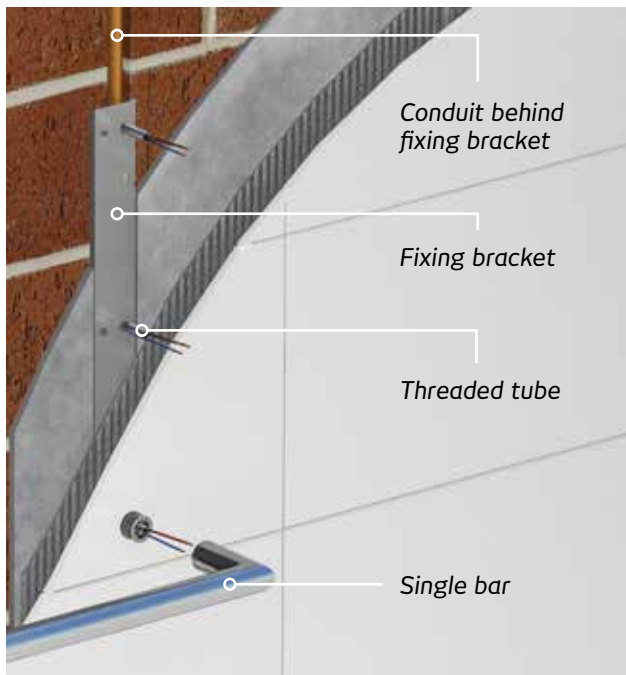


The bracket must be perfectly vertical and the threaded tubes must be at a 90° angle to the wall



Figure 2

Figure 3



The bracket must be perfectly vertical and the threaded tubes must be at a 90° angle to the wall

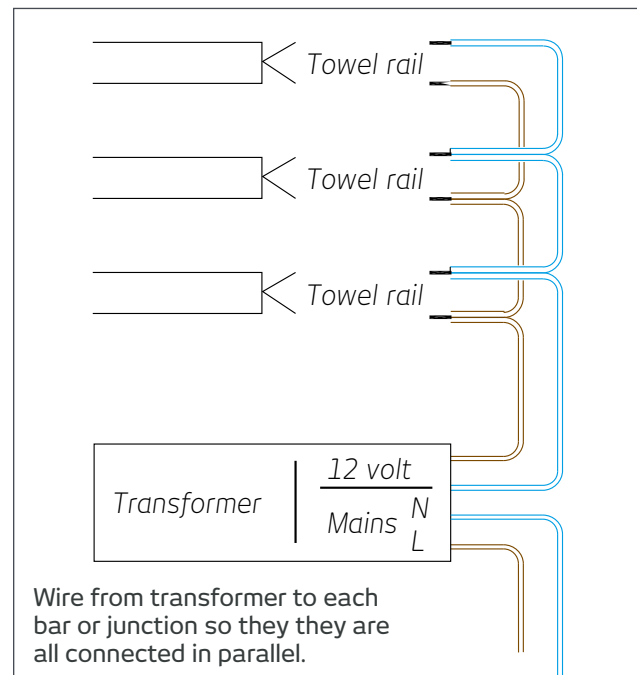
FIGURE 2

Masonry walls - use an angle grinder and masonry cutting disc to create a vertical 25mm deep slot from the position of the lowest single towel rail to the ceiling. Install a conduit into the slot (Figure 3). Mark the position on the wall of the five fixing screws for the bracket, ensuring the nine positioning holes for the towel rails are aligned in the centre of the conduit. Choose the locations of the towel rails on the fixing bracket and drill corresponding holes into the conduit to allow for wiring to pass through (figure 3). Drill and plug the five fixing holes and attach the bracket to the wall. The threaded tubes should protrude approximately 15mm from the finished wall surface. Run the wiring through each threaded tube, into the conduit and to the transformer (figure 4).

TIMER / SWITCH CONNECTION

The towel rails must be wired via an isolating switch or timer. The switch or timer should be wired between the transformer and the 240v supply. Positioning of the switch or timer should be made in accordance with the current AS/NZS 3000 standards. The TS8100 Series timers are suitable for use with the single bar rails.

Figure 4



TOWEL RAIL FIXING / CONNECTION

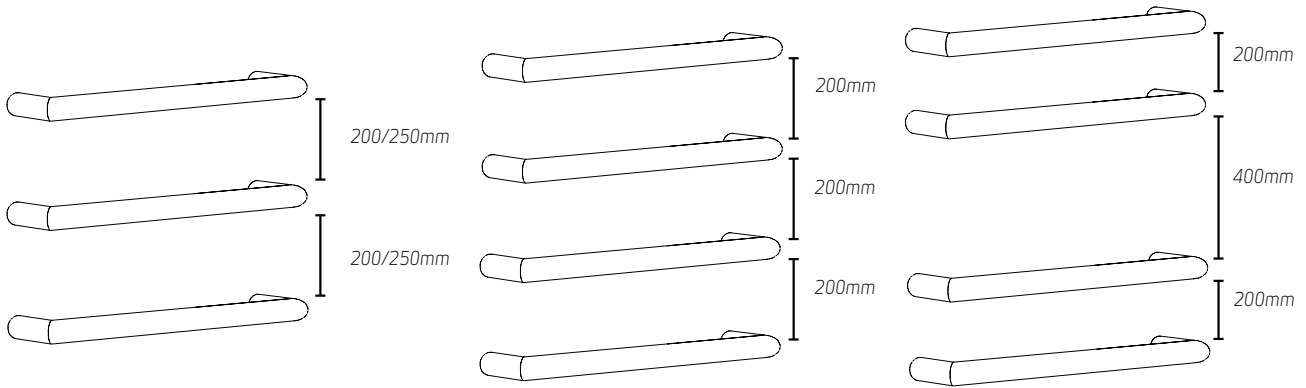
Disconnect either the left or right wirenut, depending on which side you have chosen to make the electrical connection on. Screw the threaded spigot over the threaded tube on the wire side of the towel rail and accurately mark the position of the second spigot (non-threaded) on the unwired side. Carefully drill and fix the second spigot in position. Connect the towel rail on the chosen side using the waterproof wirenuts. Slide the towel rail over the spigots and tighten the grub screws (facing down) with the allen key provided.



CONFIGURATION OPTIONS

The supplied fixing bracket allows for a range of positioning options. The most popular are shown in the diagrams below. Whilst you can just have one or two single towel rails, in order to dry towels effectively we recommend installing three or four

rails to ensure towels have sufficient contact with a heated bar. Note: All spacings shown are centre to centre of each towel rail, therefore the actual gap between the towel rails will be 32mm less for round bars or 40mm less for square bars.



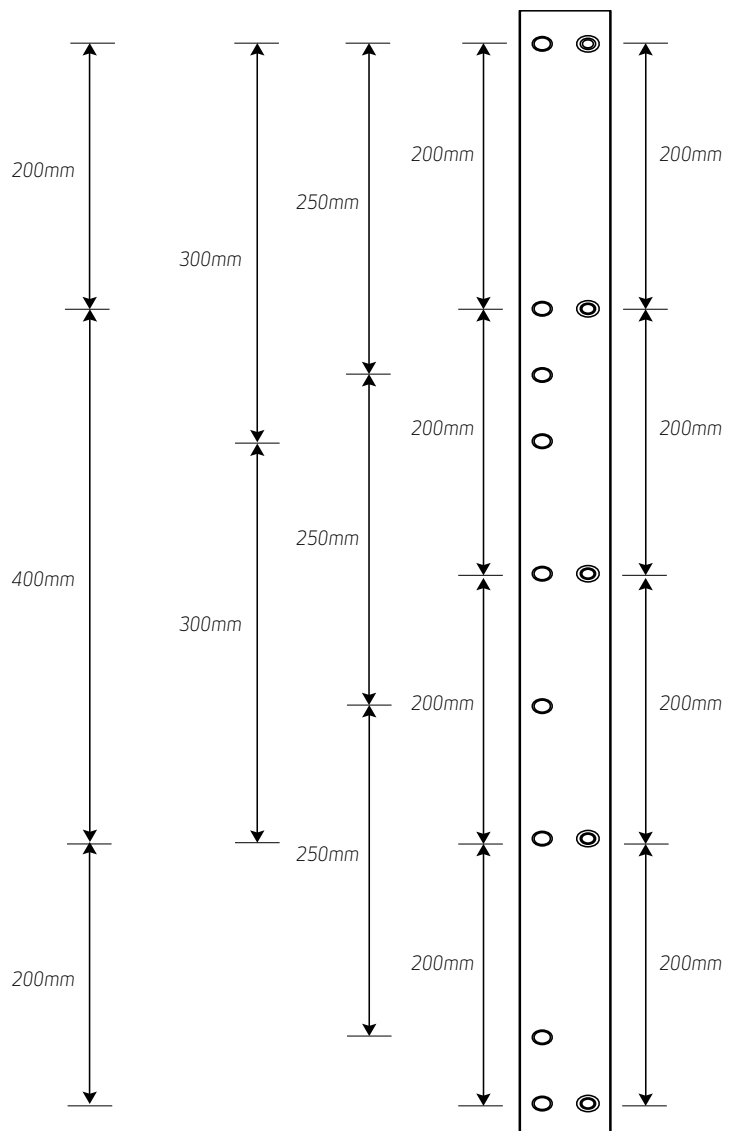
FIXING BRACKET OPTIONS

Option 1: 2, 3 or 4 rails at 200mm intervals (centre to centre)

Option 2: 2, 3 or 4 rails at 250mm intervals (centre to centre)

Option 3: 2 + 2 rails at 200mm intervals with a 400mm gap (centre to centre)

Note: If more than 4 towel rails are being installed you will require a second fixing bracket and transformer.



SINGLE BAR RAILS
SBRTR



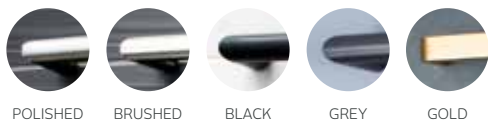
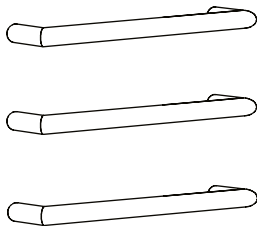
FEATURES

- Single round bar
- Can be used as heated and non-heated
- Various widths: 500/650/800mm
- 90mm from wall
- Width between fixing holes:
(500) = 468mm
(650) = 618mm
(800) = 768mm

| CODE | WATTS | SIZE (MM) | FINISH |
|---------------|-------|-----------|-----------------|
| SBRTR-500 | 12W | 90x500 | Mirror Polished |
| SBRTR-650 | 15W | 90x650 | Mirror Polished |
| SBRTR-800 | 18W | 90x800 | Mirror Polished |
| BRU-SBRTR-500 | 12W | 90x500 | Satin Brushed |
| BRU-SBRTR-650 | 15W | 90x650 | Satin Brushed |
| BRU-SBRTR-800 | 18W | 90x800 | Satin Brushed |
| BSBRTR-500 | 12W | 90x500 | Matt Black |
| BSBRTR-650 | 15W | 90x650 | Matt Black |
| BSBRTR-800 | 18W | 90x800 | Matt Black |
| GMG-SBRTR-650 | 15W | 90x650 | Gun Metal Grey |
| GMG-SBRTR-800 | 18W | 90x800 | Gun Metal Grey |
| GLD-SBRTR-650 | 15W | 90x650 | Brushed Gold |
| GLD-SBRTR-800 | 18W | 90x800 | Brushed Gold |

If **heating** the single towel rails you will need to purchase the item's below:

| CODE | SPECIFICATIONS |
|--------|---|
| TTR300 | 120 watt transformer for up to 4 rails (not required if installing as non-heated) |
| SB-FIX | Single bar fixing rail (not required if installing as non-heated) for up to 4 rails |



POLISHED BRUSHED BLACK GREY GOLD

SINGLE BAR RAILS
SBSTR



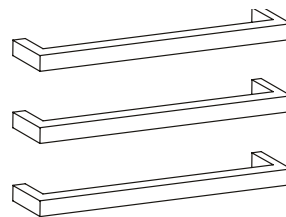
FEATURES

- Single square bar
- Can be used as heated and non-heated
- Various widths: 500/650/800mm
- 80mm from wall
- Width between fixing holes:
(500) = 480mm
(650) = 630mm
(800) = 780mm

| CODE | WATTS | SIZE (MM) | FINISH |
|---------------|-------|-----------|-----------------|
| SBSTR-500 | 12W | 80x500 | Mirror Polished |
| SBSTR-650 | 12W | 80x650 | Mirror Polished |
| SBSTR-800 | 15W | 80x800 | Mirror Polished |
| BRU-SBSTR-500 | 12W | 80x500 | Satin Brushed |
| BRU-SBSTR-650 | 12W | 80x650 | Satin Brushed |
| BRU-SBSTR-800 | 15W | 80x800 | Satin Brushed |
| BSBSTR-500 | 12W | 80x500 | Matt Black |
| BSBSTR-650 | 12W | 80x650 | Matt Black |
| BSBSTR-800 | 15W | 80x800 | Matt Black |

If **heating** the single towel rails you will need to purchase the item's below:

| CODE | SPECIFICATIONS |
|--------|---|
| TTR300 | 120 watt transformer for up to 4 rails (not required if installing as non-heated) |
| SB-FIX | Single bar fixing rail (not required if installing as non-heated) for up to 4 rails |



POLISHED BRUSHED BLACK



SINGLE BAR RAILS
ASPEN

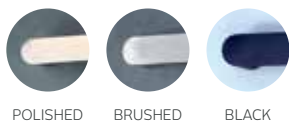
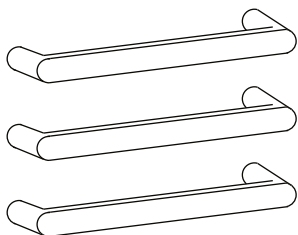
FEATURES

- Single flat faced with curved fixing arm
- Can be used as heated and non-heated
- Various widths: 650/800mm
- 55mm from wall
- Width between fixing holes:
(650) = 600mm
(800) = 750mm

| CODE | WATTS | SIZE (MM) | FINISH |
|---------------|-------|-----------|-----------------|
| Aspen-650 | 15W | 50x650 | Mirror Polished |
| Aspen-800 | 18W | 50x800 | Mirror Polished |
| BRU-ASPEN-650 | 15W | 50x650 | Satin Brushed |
| BRU-ASPEN-800 | 18W | 50x800 | Satin Brushed |
| BLK-ASPEN-650 | 15W | 50x650 | Matt Black |
| BLK-ASPEN-800 | 18W | 50x800 | Matt Black |

If **heating** the single towel rails you will need to purchase the item's below:

| CODE | SPECIFICATIONS |
|--------|---|
| TTR300 | 120 watt transformer for up to 4 rails (not required if installing as non-heated) |
| SB-FIX | Single bar fixing rail (not required if installing as non-heated) for up to 4 rails |



POLISHED BRUSHED BLACK



SINGLE BAR RAILS
VAIL

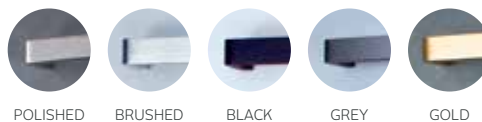
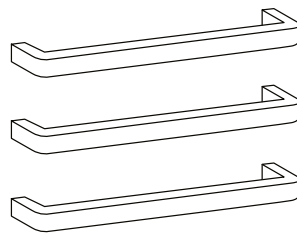
FEATURES

- Single square bar with rounded ends
- Can be used as heated and non-heated
- Various widths: 650/800mm
- 80mm from wall
- Width between fixing holes:
(650) = 630mm
(800) = 780mm

| CODE | WATTS | SIZE (MM) | FINISH |
|--------------|-------|-----------|-----------------|
| Vail-650 | 15W | 80x650 | Mirror Polished |
| Vail-800 | 18W | 80x800 | Mirror Polished |
| BRU-VAIL-650 | 12W | 80x650 | Satin Brushed |
| BRU-VAIL-800 | 15W | 80x800 | Satin Brushed |
| BLK-VAIL-650 | 12W | 80x650 | Matt Black |
| BLK-VAIL-800 | 15W | 80x800 | Matt Black |
| GMG-Vail-650 | 12W | 80x650 | Gun Metal Grey |
| GMG-Vail-800 | 15W | 80x800 | Gun Metal Grey |
| GLD-Vail-650 | 12W | 80x650 | Brushed Gold |

If **heating** the single towel rails you will need to purchase the item's below:

| CODE | SPECIFICATIONS |
|--------|---|
| TTR300 | 120 watt transformer for up to 4 rails (not required if installing as non-heated) |
| SB-FIX | Single bar fixing rail (not required if installing as non-heated) for up to 4 rails |



POLISHED BRUSHED BLACK GREY GOLD

Installation: **single bar vertical rails**

PLEASE READ THROUGH THESE INSTRUCTIONS BEFORE INSTALLATION

The towel rail is designed for drying towels and is intended for use in residential and hotel bathrooms. The towel rail must be installed in accordance with local wiring regulations and it is recommended that it is installed at least 300mm above floor level.

ELECTRICAL

- This product must be installed by a licensed electrician
- The 12v transformer must be positioned in a dry, accessible location
- The distance from the towel rail to the transformer should be less than 3m
- A means for disconnection must be incorporated into the fixed wiring in accordance with AZ/NZS 3000:2000
- The waterproof wirenut connectors provide an IPX7 rating
- The towel rail can be installed in wet area zones 1, 2 and 3 as specified in AZ/NZS 3000:2000

WALL PREPARATION

Radiant towel rails can be fixed to any type of wall, timber stud or masonry. Stud walls require timber noggins at the correct position for the fixing bracket. Fixing to plasterboard or cement sheeting alone would require special fixings with a high load rating.

PRE WIRING

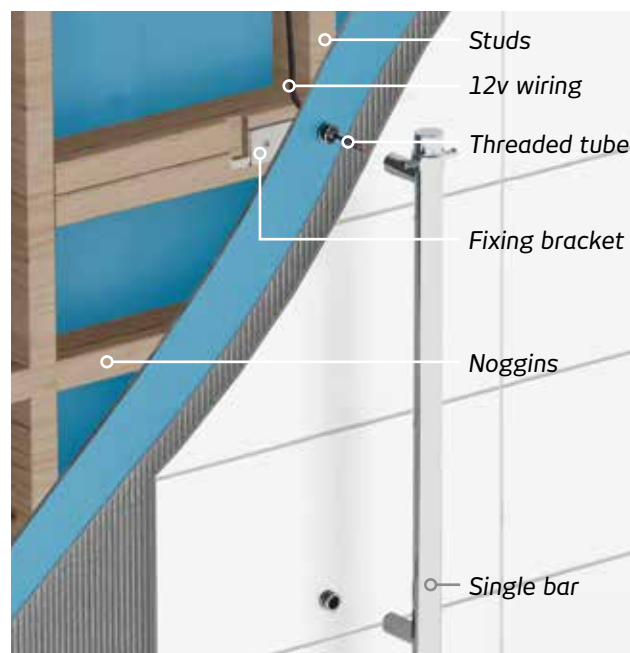
Vertical rails should be wired at either the **TOP** or the **BOTTOM** – **NOT BOTH**. These rails are 12V and therefore should be wired through a transformer (TTR300 sold separately).

FIGURE 1

Stud walls - The fixing bracket should be attached to the noggins. Where multiple rails are being installed please ensure the brackets are all aligned horizontally as you cannot adjust the position once tiled. Once the spacing of the towel rails has been determined (we recommend 150-200mm centre to centre), screw the threaded

tubes into the bracket at the desired positions. When the gyprock or sheeting is applied to the stud wall, corresponding holes should be drilled to allow the threaded tube to protrude through approximately 15mm beyond the finished wall surface (if the wall is being tiled, make allowance for the thickness of the tiles).

Figure 1



The bracket must be perfectly horizontal and the threaded tubes must be at a 90° angle to the wall

Figure 2



FIGURE 2

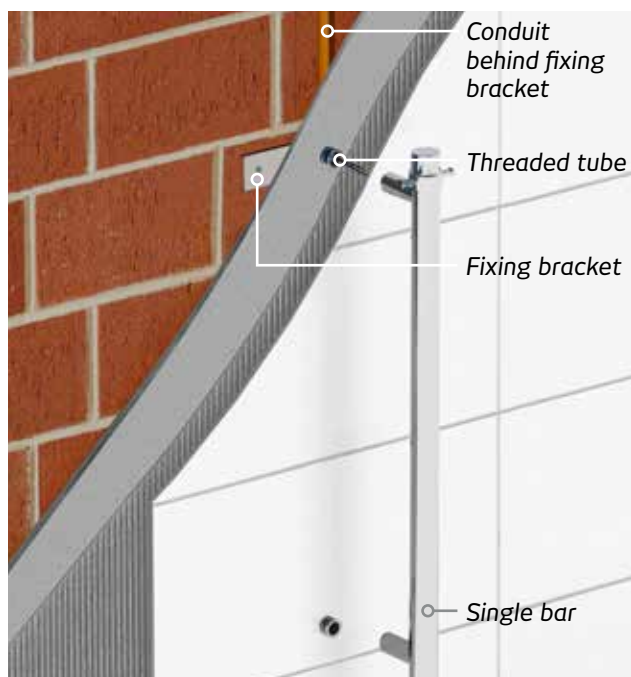
Masonry walls - Mark the position of each of the rails horizontally across the wall. We recommend that rails should be positioned 150-200mm centre to centre. Install the fixing bar using the fixing screws. Then using an angle grinder and masonry cutting disc you will need to create a 20mm vertical deep slot above each. Install a conduit into each slot (figure 3). Drill and plug the fixing holes and attach the bracket to the wall. THE BRACKET MUST BE HORIZONTAL AND THE THREADED TUBES MUST BE AT A 90° ANGLE TO THE WALL. The threaded tubes should protrude approximately 15mm from the **FINISHED** wall surface. Run the wiring through each threaded tube, into the conduit and to the transformer.

Note: If wall is to be tiled add thickness of the tiles and glue to how far threaded tubes protrude through wall.

TIMER / SWITCH CONNECTION

The towel rails must be wired via an isolating switch or timer. The switch or timer should be wired between the transformer and the 240v supply. Positioning of the switch or timer should be made in accordance with AS/NZS 3000. The TS8100 and GTS Series timers are suitable for use with the vertical rails.

Figure 3



The bracket must be perfectly horizontal and the threaded tubes must be at a 90° angle to the wall



FEATURES

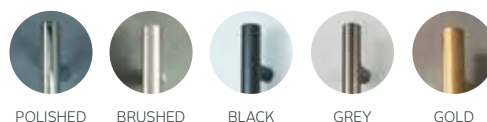
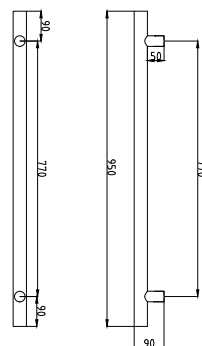
- Can also be installed horizontally
- Vertical round bar
- Can be used as heated and non-heated
- 90mm from wall
- Width between fixing holes: 770mm

| CODE | WATTS | SIZE (MM) | FINISH |
|-------------|-------|-----------|-----------------|
| VTR-950 | 25W | 40x950 | Mirror Polished |
| BRU-VTR-950 | 25W | 40x950 | Satin Brushed |
| BLK-VTR-950 | 25W | 40x950 | Matt Black |
| GMG-VTR-950 | 25W | 40x950 | Gun Metal Grey |
| GLD-VTR-950 | 25W | 40x950 | Brushed Gold |

OPTIONAL HOOKS ARE SOLD SEPERATELY

| | | |
|--------------|--------|-----------------|
| VTR-HOOK | 15x110 | Mirror Polished |
| BRU-VTR-HOOK | 15x110 | Satin Brushed |
| BLK-VTR-HOOK | 15x110 | Matt Black |
| GMG-VTR-HOOK | 15x110 | Gun Metal Grey |
| GLD-VTR-HOOK | 15x110 | Brushed Gold |

All vertical rails include fixing bar and transformer.



DIGITAL TIMERS
SCHEDULED



A Digital Timer Switch is an ideal solution for automatically controlling your heated towel rail. No longer will you forget to turn it on, or leave the rail on all day, because you can simply program the timer to turn your towel rail on before you get up and turn it off a few hours later when the wet towels have dried.

Scheduled

The standard plastic fronted digital touch screen is available in white only, in both vertical and horizontal orientations, to suit any bathroom scheme. Our new glass fronted range offers the same programmability, however aesthetically we feel that the glass front adds a more premium finish to your bathrooms. It's available in White, Black and Silver.

RADIANT STANDARD DIGITAL TOUCH SCREEN TIMERS

| CODE | MOUNTING |
|---------------|----------------------------|
| TS8100W-TIM-V | Vertical Mounted - White |
| TS8100W-TIM-H | Horizontal Mounted - White |

RADIANT DIGITAL GLASS FRONTED TOUCH SCREEN TIMERS

| CODE | MOUNTING |
|------------|-----------------------------|
| GTSW-TIM-V | Vertical Mounted - White |
| GTSB-TIM-V | Vertical Mounted - Black |
| GTSS-TIM-V | Vertical Mounted - Silver |
| GTSW-TIM-H | Horizontal Mounted - White |
| GTSB-TIM-H | Horizontal Mounted - Black |
| GTSS-TIM-H | Horizontal Mounted - Silver |

STANDARD



WHITE

PREMIUM



WHITE



BLACK



SILVER

DIGITAL TIMERS
WIFI + COUNTDOWN



WiFi

The Radiant Wifi Timer is the perfect way to add smart connectivity to your home. Simply download the app onto your Smart phone and once connected, you can schedule on/off times, set timers along with other programming options that fit your lifestyle. The app scheduling option allows you to customize your device's on/off times without having to be at home. Select the day or group of days to turn the device on, then set the time.

Countdown

For when you don't have a set schedule every day, and just want to dry your towels when you choose, our Countdown Digital Timer Switch is the perfect solution for automatically controlling your heated towel rail. You can program the timer to turn off in 0.5/1/2/3/4/5 hour increments. The modern touchscreen display with blue backlighting will look great on your bathroom wall (the screen is only lit whilst wifi programming). Or if you prefer, simply wire it into a cupboard so that it's out of the way. Available in both vertical and horizontal mounting.

WIFI

| | |
|-----------------|--------------------------|
| GTSW-TIM-V-WIFI | Vertical Mounted - White |
|-----------------|--------------------------|

COUNTDOWN

| | |
|-----------|----------------------------|
| GTSW-CD-V | Vertical Mounted - White |
| GTSW-CD-H | Horizontal Mounted - White |

WIFI



WHITE

COUNTDOWN



WHITE



TOWEL RAILS

SHOWER GRATES

OVERVIEW 40

LONG GRATES 42

SQUARE GRATES 48

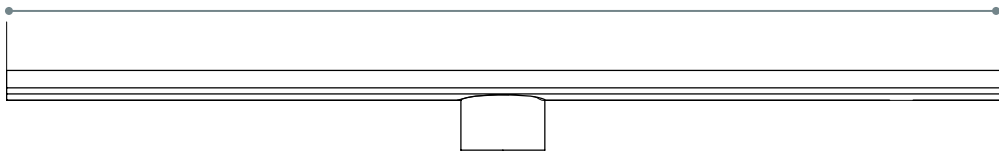
UNDERFLOOR HEATING

THERMASHEET + THERMANICHE

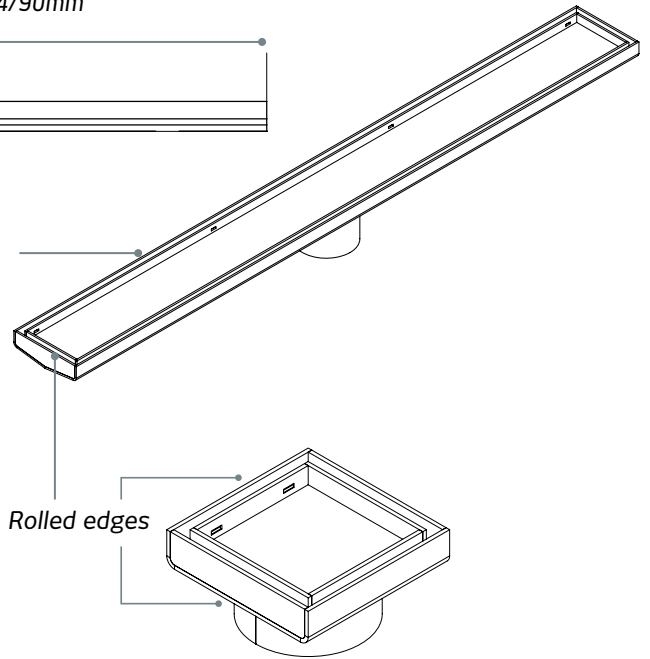
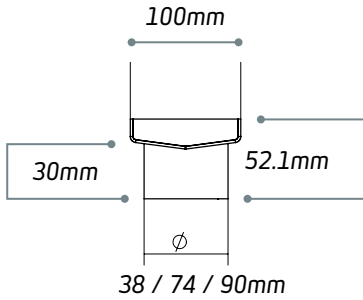
MIRROR DEMISTERS



600/700/800/900/1000/1200mm x 100mm x 38/74/90mm



12mm deep tile insert

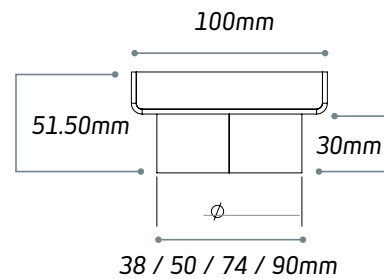
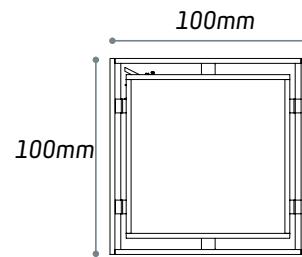


RGL-600 / 700 / 800 / 900 / 1000 / 1200

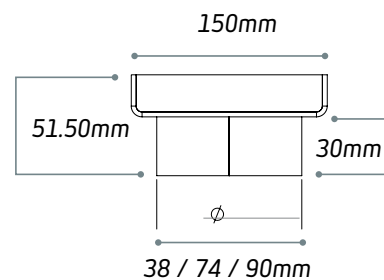
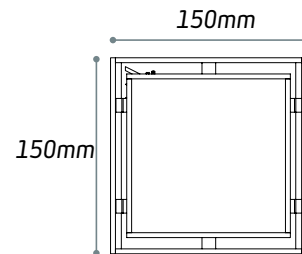
RGS-100-38 / 50 / 74 / 90

Overview

- 316 Marine Grade Stainless Steel
- Rolled edges to all exposed edges
- Matt Black grates are Teflon Coated
- Brushed Gold grates are PVD Coated
- 12mm deep insert can accommodate up to 10mm tile + adhesive
- All shower grates are covered with a 7 year warranty for construction. The replacement warranty for the coated grates are only applicable until the date of installation. Once installed, any damage to the coatings due to the incorrect use of cleaning products, misuse or accidental damage, will not be covered under warranty.



RGS-150-38 / 74 / 90



Radiant tile insert floor wastes and channel drains are manufactured from premium 316 grade stainless steel and are available in a wide variety of sizes to suit most bathroom and shower applications.

Included in the pack are the waste channel, tile insert grate, trap and siphon (puddle flange not supplied). For projects, custom sizes can be manufactured to suit, subject to M.O.Q.'s and lead times.

Now available in Mirror Polished, Matt Black and Brushed Gold finishes.



OUTLET SIZE

For 50mm pipes *with* a PUDDLE FLANGE

For 50mm pipes *without* a PUDDLE FLANGE

For 80mm pipes *with or without* a PUDDLE FLANGE

For 100mm pipes *with or without* a PUDDLE FLANGE

| RANGE | COLOUR | SIZE (MM) | 38MM | 50MM | 74MM | 90MM |
|---------------------|-----------------|-------------|------|------|------|------|
| 316-RGL-600-74 | Stainless Steel | 600x100x74 | | | ✓ | |
| 316-RGL-700-74 | Stainless Steel | 700x100x74 | | | ✓ | |
| 316-RGL-800-74 | Stainless Steel | 800x100x74 | | | ✓ | |
| 316-RGL-800-38 | Stainless Steel | 800x100x38 | ✓ | | | |
| 316-RGL-900-74 | Stainless Steel | 900x100x74 | | | ✓ | |
| 316-RGL-900-38 | Stainless Steel | 900x100x38 | ✓ | | | |
| 316-RGL-1000-74 | Stainless Steel | 1000x100x74 | | | ✓ | |
| 316-RGL-1000-38 | Stainless Steel | 1000x100x38 | ✓ | | | |
| 316-RGL-1200-74 | Stainless Steel | 1200x100x74 | | | ✓ | |
| | | | | | | |
| 316-RGS-100-38 | Stainless Steel | 100x100x38 | ✓ | | | |
| 316-RGS-100-50 | Stainless Steel | 100x100x50 | | ✓ | | |
| 316-RGS-100-74 | Stainless Steel | 100x100x74 | | | ✓ | |
| RGS-150-38 | Stainless Steel | 150x150x38 | ✓ | | | |
| RGS-150-74 | Stainless Steel | 150x150x74 | | | ✓ | |
| | | | | | | |
| 316-BLK-RGL-800-74 | Matt Black | 800x100x74 | | | ✓ | |
| 316-BLK-RGL-900-74 | Matt Black | 900x100x74 | | | ✓ | |
| 316-BLK-RGL-900-38 | Matt Black | 900x100x38 | ✓ | | | |
| 316-BLK-RGL-1000-74 | Matt Black | 1000x100x74 | | | ✓ | |
| | | | | | | |
| 316-BLK-RGS-100-38 | Matt Black | 100x100x38 | ✓ | | | |
| 316-BLK-RGS-100-74 | Matt Black | 100x100x74 | | | ✓ | |
| | | | | | | |
| 316-GLD-RGL-800-38 | Brushed Gold | 800x100x38 | ✓ | | | |
| 316-GLD-RGL-800-74 | Brushed Gold | 800x100x74 | | | ✓ | |
| 316-GLD-RGL-900-38 | Brushed Gold | 900x100x38 | ✓ | | | |
| 316-GLD-RGL-900-74 | Brushed Gold | 900x100x74 | | | ✓ | |
| | | | | | | |
| 316-GLD-RGS-100-38 | Brushed Gold | 100x100x38 | ✓ | | | |
| 316-GLD-RGS-100-50 | Brushed Gold | 100x100x50 | | ✓ | | |
| 316-GLD-RGS-100-74 | Brushed Gold | 100x100x74 | | | ✓ | |

SHOWER GRATES
316-RGL-600-74



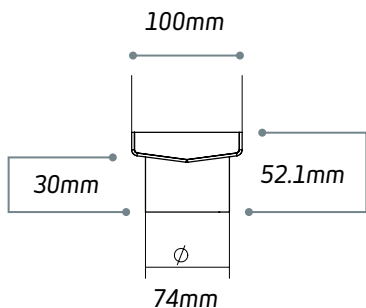
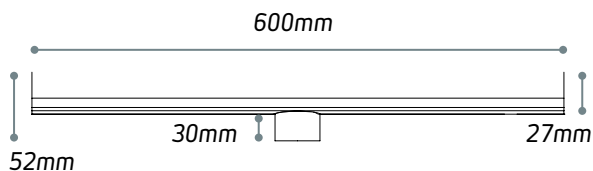
FEATURES

- 316 stainless steel
- Mirror polished to all exposed edges
- Wide range of sizes
- Australian Watermark approved
- 12mm deep insert can accommodate up to 10mm tile + adhesive

WARRANTY All shower grates are covered with a 7 year warranty for construction. The replacement warranty for the coated grates are only applicable until the date of installation. Once installed, any damage to the coatings due to the incorrect use of cleaning products, misuse or accidental damage, will not be covered under warranty.

SUITABLE FOR 80MM PIPES
WITH OR WITHOUT A PUDDLE FLANGE

| CODE | SIZE (MM) | FINISH |
|----------------|------------|-----------------|
| 316-RGL-600-74 | 600x100x74 | Stainless Steel |



STAINLESS

SHOWER GRATES
316-RGL-700-74



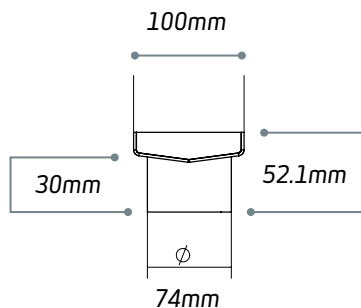
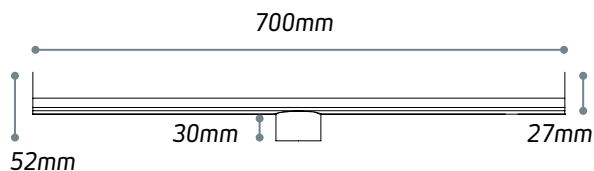
FEATURES

- 316 stainless steel
- Mirror polished to all exposed edges
- Wide range of sizes
- Australian Watermark approved
- 12mm deep insert can accommodate up to 10mm tile + adhesive

WARRANTY All shower grates are covered with a 7 year warranty for construction. The replacement warranty for the coated grates are only applicable until the date of installation. Once installed, any damage to the coatings due to the incorrect use of cleaning products, misuse or accidental damage, will not be covered under warranty.

SUITABLE FOR 80MM PIPES
WITH OR WITHOUT A PUDDLE FLANGE

| CODE | SIZE (MM) | FINISH |
|----------------|------------|-----------------|
| 316-RGL-700-74 | 700x100x74 | Stainless Steel |



STAINLESS

SHOWER GRATES
316-RGL-800-38



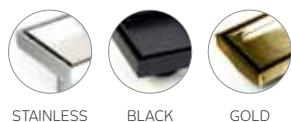
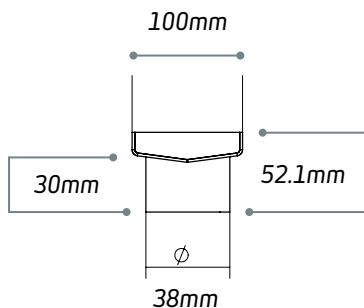
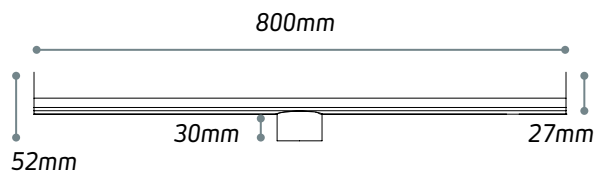
FEATURES

- 316 stainless steel
- Mirror polished to all exposed edges
- Wide range of sizes
- Australian Watermark approved
- 12mm deep insert can accommodate up to 10mm tile + adhesive

WARRANTY All shower grates are covered with a 7 year warranty for construction. The replacement warranty for the coated grates are only applicable until the date of installation. Once installed, any damage to the coatings due to the incorrect use of cleaning products, misuse or accidental damage, will not be covered under warranty.

SUITABLE FOR 50MM PIPES
WITH A PUDDLE FLANGE

| CODE | SIZE (MM) | FINISH |
|--------------------|------------|-----------------|
| 316-RGL-800-38 | 800x100x38 | Stainless Steel |
| 316-BLK-RGL-800-38 | 800x100x38 | Matt Black |
| 316-GLD-RGL-800-38 | 800x100x38 | Brushed Gold |



STAINLESS BLACK GOLD

SHOWER GRATES
316-RGL-800-74



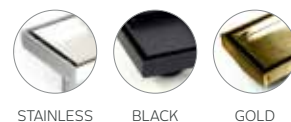
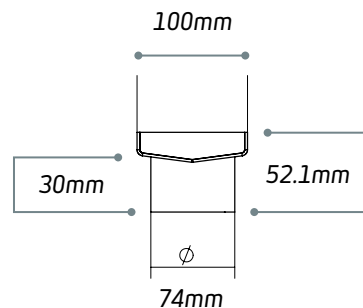
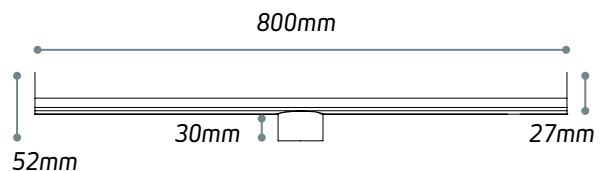
FEATURES

- 316 stainless steel
- Mirror polished to all exposed edges
- Wide range of sizes
- Australian Watermark approved
- 12mm deep insert can accommodate up to 10mm tile + adhesive

WARRANTY All shower grates are covered with a 7 year warranty for construction. The replacement warranty for the coated grates are only applicable until the date of installation. Once installed, any damage to the coatings due to the incorrect use of cleaning products, misuse or accidental damage, will not be covered under warranty.

SUITABLE FOR 80MM PIPES
WITH OR WITHOUT A PUDDLE FLANGE

| CODE | SIZE (MM) | FINISH |
|--------------------|------------|-----------------|
| 316-RGL-800-74 | 800x100x74 | Stainless Steel |
| 316-BLK-RGL-800-74 | 800x100x74 | Matt Black |
| 316-GLD-RGL-800-74 | 800x100x74 | Brushed Gold |



STAINLESS BLACK GOLD

SHOWER GRATES
316-RGL-800-90



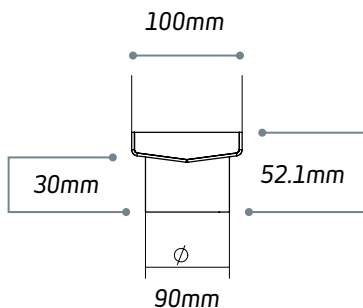
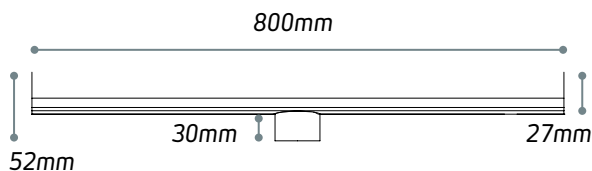
FEATURES

- 316 stainless steel
- Mirror polished to all exposed edges
- Wide range of sizes
- Australian Watermark approved
- 12mm deep insert can accommodate up to 10mm tile + adhesive

WARRANTY All shower grates are covered with a 7 year warranty for construction. The replacement warranty for the coated grates are only applicable until the date of installation. Once installed, any damage to the coatings due to the incorrect use of cleaning products, misuse or accidental damage, will not be covered under warranty.

SUITABLE FOR 100MM PIPES
WITH OR WITHOUT A PUDDLE FLANGE

| CODE | SIZE (MM) | FINISH |
|----------------|------------|-----------------|
| 316-RGL-800-90 | 800x100x90 | Stainless Steel |



STAINLESS

SHOWER GRATES
316-RGL-900-38



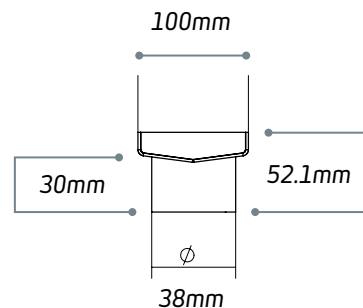
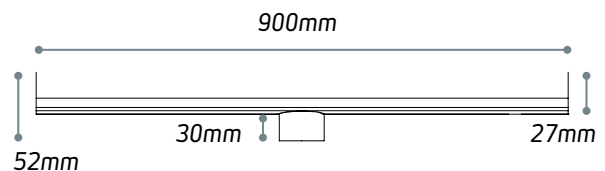
FEATURES

- 316 stainless steel
- Mirror polished to all exposed edges
- Wide range of sizes
- Australian Watermark approved
- 12mm deep insert can accommodate up to 10mm tile + adhesive

WARRANTY All shower grates are covered with a 7 year warranty for construction. The replacement warranty for the coated grates are only applicable until the date of installation. Once installed, any damage to the coatings due to the incorrect use of cleaning products, misuse or accidental damage, will not be covered under warranty.

SUITABLE FOR 50MM PIPES
WITH A PUDDLE FLANGE

| CODE | SIZE (MM) | FINISH |
|--------------------|------------|-----------------|
| 316-RGL-900-38 | 900x100x38 | Stainless Steel |
| 316-BLK-RGL-900-38 | 900x100x38 | Matt Black |
| 316-GLD-RGL-900-38 | 900x100x38 | Brushed Gold |



STAINLESS



BLACK



GOLD

SHOWER GRATES
316-RGL-900-74



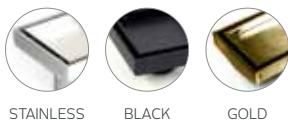
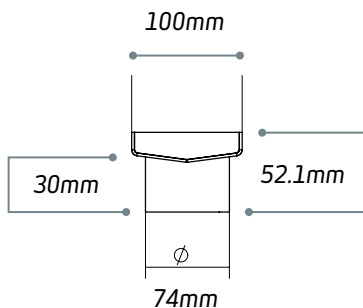
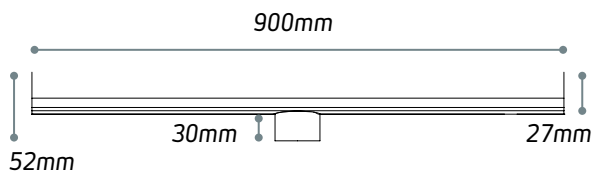
FEATURES

- 316 stainless steel
- Mirror polished to all exposed edges
- Wide range of sizes
- Australian Watermark approved
- 12mm deep insert can accommodate up to 10mm tile + adhesive

WARRANTY All shower grates are covered with a 7 year warranty for construction. The replacement warranty for the coated grates are only applicable until the date of installation. Once installed, any damage to the coatings due to the incorrect use of cleaning products, misuse or accidental damage, will not be covered under warranty.

SUITABLE FOR 80MM PIPES
WITH OR WITHOUT A PUDDLE FLANGE

| CODE | SIZE (MM) | FINISH |
|--------------------|------------|-----------------|
| 316-RGL-900-74 | 900x100x74 | Stainless Steel |
| 316-BLK-RGL-900-74 | 900x100x74 | Matt Black |
| 316-GLD-RGL-900-74 | 900x100x74 | Brushed Gold |



STAINLESS BLACK GOLD

SHOWER GRATES
316-RGL-900-90



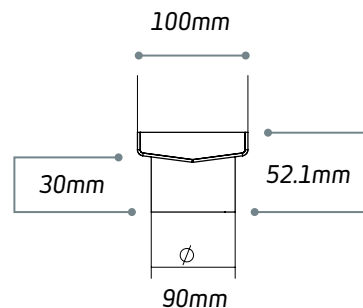
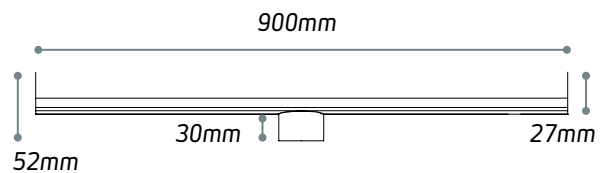
FEATURES

- 316 stainless steel
- Mirror polished to all exposed edges
- Wide range of sizes
- Australian Watermark approved
- 12mm deep insert can accommodate up to 10mm tile + adhesive

WARRANTY All shower grates are covered with a 7 year warranty for construction. The replacement warranty for the coated grates are only applicable until the date of installation. Once installed, any damage to the coatings due to the incorrect use of cleaning products, misuse or accidental damage, will not be covered under warranty.

SUITABLE FOR 100MM PIPES
WITH OR WITHOUT A PUDDLE FLANGE

| CODE | SIZE (MM) | FINISH |
|----------------|------------|-----------------|
| 316-RGL-900-90 | 900x100x90 | Stainless Steel |



STAINLESS

SHOWER GRATES
316-RGL-1000-38



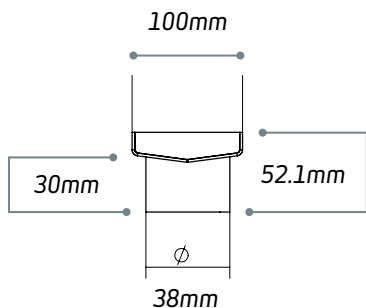
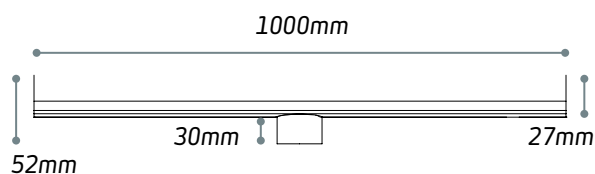
FEATURES

- 316 stainless steel
- Mirror polished to all exposed edges
- Wide range of sizes
- Australian Watermark approved
- 12mm deep insert can accommodate up to 10mm tile + adhesive

WARRANTY All shower grates are covered with a 7 year warranty for construction. The replacement warranty for the coated grates are only applicable until the date of installation. Once installed, any damage to the coatings due to the incorrect use of cleaning products, misuse or accidental damage, will not be covered under warranty.

SUITABLE FOR 50MM PIPES
WITH A PUDDLE FLANGE

| CODE | SIZE (MM) | FINISH |
|-----------------|-------------|-----------------|
| 316-RGL-1000-38 | 1000x100x38 | Stainless Steel |



STAINLESS

SHOWER GRATES
316-RGL-1000-74



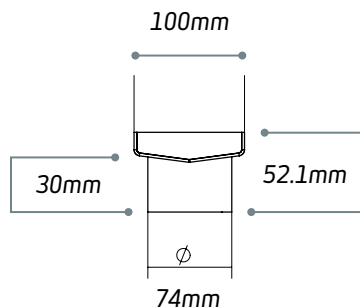
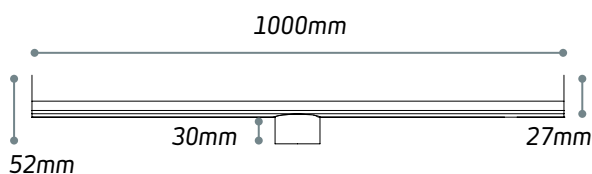
FEATURES

- 316 stainless steel
- Mirror polished to all exposed edges
- Wide range of sizes
- Australian Watermark approved
- 12mm deep insert can accommodate up to 10mm tile + adhesive

WARRANTY All shower grates are covered with a 7 year warranty for construction. The replacement warranty for the coated grates are only applicable until the date of installation. Once installed, any damage to the coatings due to the incorrect use of cleaning products, misuse or accidental damage, will not be covered under warranty.

SUITABLE FOR 80MM PIPES
WITH OR WITHOUT A PUDDLE FLANGE

| CODE | SIZE (MM) | FINISH |
|-----------------|-------------|-----------------|
| 316-RGL-1000-74 | 1000x100x74 | Stainless Steel |



STAINLESS

SHOWER GRATES
316-RGL-1000-90



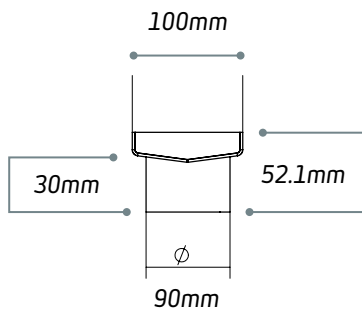
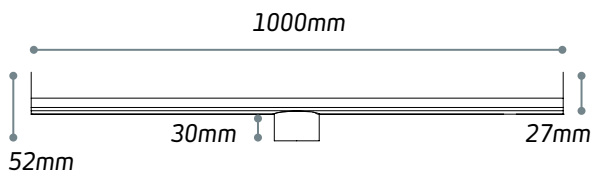
FEATURES

- 316 stainless steel
- Mirror polished to all exposed edges
- Wide range of sizes
- Australian Watermark approved
- 12mm deep insert can accommodate up to 10mm tile + adhesive

WARRANTY All shower grates are covered with a 7 year warranty for construction. The replacement warranty for the coated grates are only applicable until the date of installation. Once installed, any damage to the coatings due to the incorrect use of cleaning products, misuse or accidental damage, will not be covered under warranty.

SUITABLE FOR 100MM PIPES
WITH OR WITHOUT A PUDDLE FLANGE

| CODE | SIZE (MM) | FINISH |
|-----------------|-------------|-----------------|
| 316-RGL-1000-90 | 1000x100x90 | Stainless Steel |



STAINLESS

SHOWER GRATES
316-RGL-1200-38



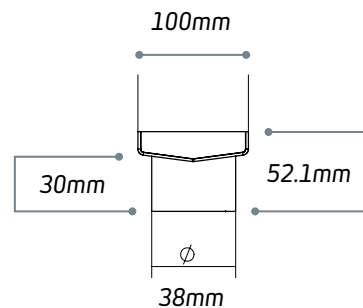
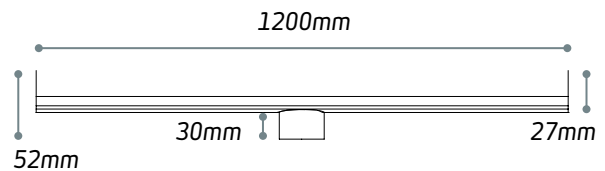
FEATURES

- 316 stainless steel
- Mirror polished to all exposed edges
- Wide range of sizes
- Australian Watermark approved
- 12mm deep insert can accommodate up to 10mm tile + adhesive

WARRANTY All shower grates are covered with a 7 year warranty for construction. The replacement warranty for the coated grates are only applicable until the date of installation. Once installed, any damage to the coatings due to the incorrect use of cleaning products, misuse or accidental damage, will not be covered under warranty.

SUITABLE FOR 50MM PIPES
WITH A PUDDLE FLANGE

| CODE | SIZE (MM) | FINISH |
|-----------------|-------------|-----------------|
| 316-RGL-1200-38 | 1200x100x38 | Stainless Steel |



STAINLESS

SHOWER GRATES
316-RGL-1200-74



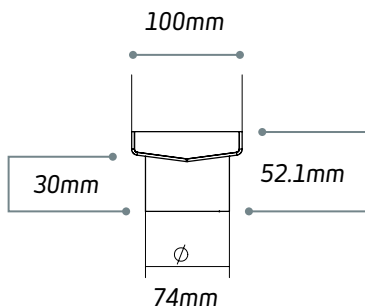
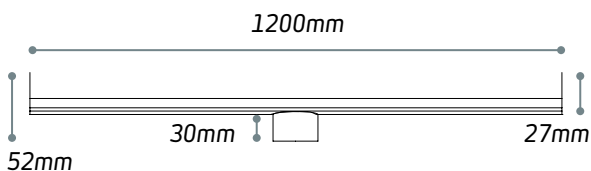
FEATURES

- 316 stainless steel
- Mirror polished to all exposed edges
- Wide range of sizes
- Australian Watermark approved
- 12mm deep insert can accommodate up to 10mm tile + adhesive

WARRANTY All shower grates are covered with a 7 year warranty for construction. The replacement warranty for the coated grates are only applicable until the date of installation. Once installed, any damage to the coatings due to the incorrect use of cleaning products, misuse or accidental damage, will not be covered under warranty.

SUITABLE FOR 80MM PIPES
WITH OR WITHOUT A PUDDLE FLANGE

| CODE | SIZE (MM) | FINISH |
|-----------------|-------------|-----------------|
| 316-RGL-1200-74 | 1200x100x74 | Stainless Steel |



STAINLESS

SHOWER GRATES
316-RGS-100-38



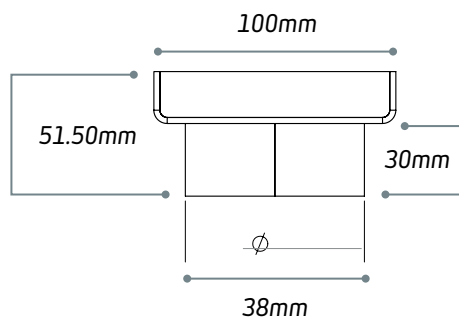
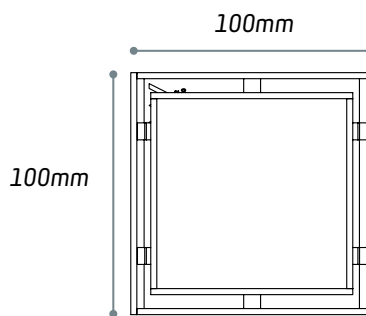
FEATURES

- 316 stainless steel
- Mirror polished to all exposed edges
- Wide range of sizes
- Australian Watermark approved
- 12mm deep insert can accommodate up to 10mm tile + adhesive

WARRANTY All shower grates are covered with a 7 year warranty for construction. The replacement warranty for the coated grates are only applicable until the date of installation. Once installed, any damage to the coatings due to the incorrect use of cleaning products, misuse or accidental damage, will not be covered under warranty.

SUITABLE FOR 50MM PIPES
WITH A PUDDLE FLANGE

| CODE | SIZE (MM) | FINISH |
|--------------------|------------|-----------------|
| 316-RGS-100-38 | 100x100x38 | Stainless Steel |
| 316-BLK-RGS-100-38 | 100x100x38 | Matt Black |
| 316-GLD-RGS-100-38 | 100x100x38 | Brushed Gold |



STAINLESS



BLACK



GOLD

SHOWER GRATES
316-RGS-100-50



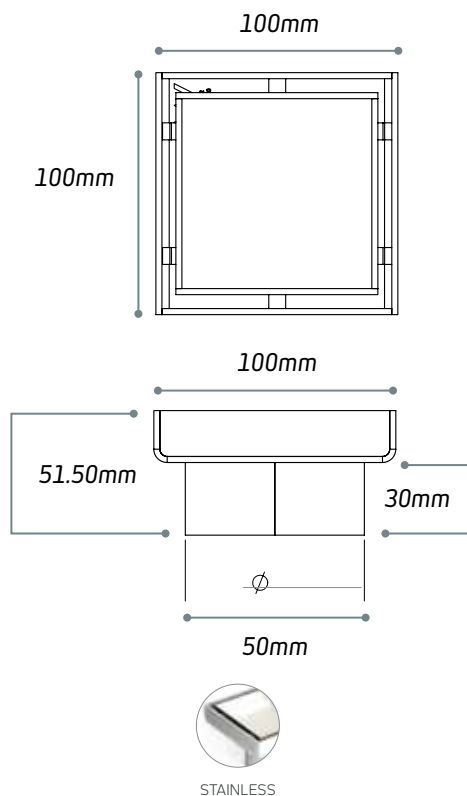
FEATURES

- 316 stainless steel
- Mirror polished to all exposed edges
- Wide range of sizes
- Australian Watermark approved
- 12mm deep insert can accommodate up to 10mm tile + adhesive

WARRANTY All shower grates are covered with a 7 year warranty for construction. The replacement warranty for the coated grates are only applicable until the date of installation. Once installed, any damage to the coatings due to the incorrect use of cleaning products, misuse or accidental damage, will not be covered under warranty.

SUITABLE FOR 50MM PIPES
WITHOUT A PUDDLE FLANGE

| CODE | SIZE (MM) | FINISH |
|--------------------|------------|-----------------|
| 316-RGS-100-50 | 100x100x50 | Stainless Steel |
| 316-GLD-RGS-100-50 | 100x100x50 | Brushed Gold |



SHOWER GRATES
316-RGS-100-74



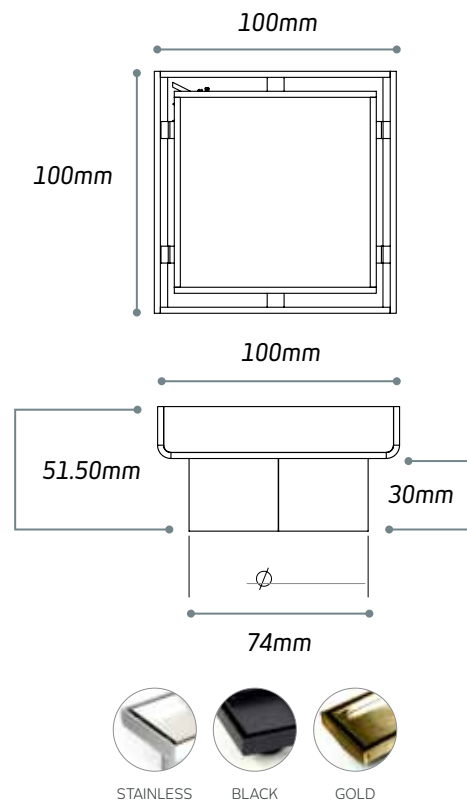
FEATURES

- 316 stainless steel
- Mirror polished to all exposed edges
- Wide range of sizes
- Australian Watermark approved
- 12mm deep insert can accommodate up to 10mm tile + adhesive

WARRANTY All shower grates are covered with a 7 year warranty for construction. The replacement warranty for the coated grates are only applicable until the date of installation. Once installed, any damage to the coatings due to the incorrect use of cleaning products, misuse or accidental damage, will not be covered under warranty.

SUITABLE FOR 80MM PIPES
WITH OR WITHOUT A PUDDLE FLANGE

| CODE | SIZE (MM) | FINISH |
|--------------------|------------|-----------------|
| 316-RGS-100-74 | 100x100x74 | Stainless Steel |
| 316-BLK-RGS-100-74 | 100x100x74 | Matt Black |
| 316-GLD-RGS-100-74 | 100x100x74 | Brushed Gold |



SHOWER GRATES
316-RGS-100-90



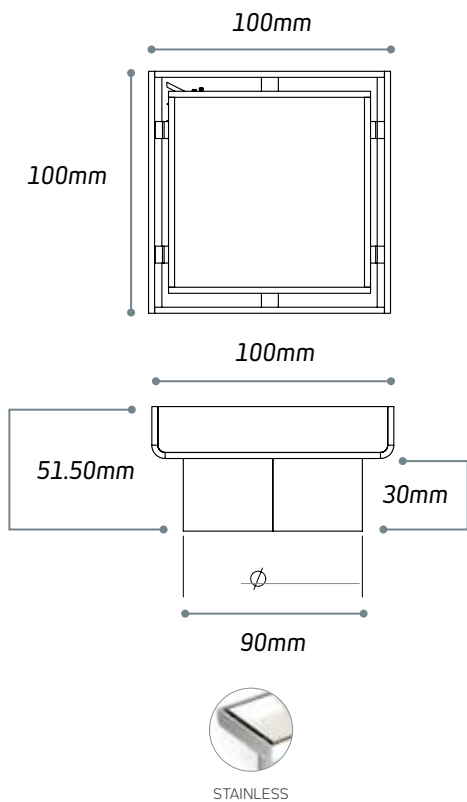
FEATURES

- 316 stainless steel
- Mirror polished to all exposed edges
- Wide range of sizes
- Australian Watermark approved
- 12mm deep insert can accommodate up to 10mm tile + adhesive

WARRANTY All shower grates are covered with a 7 year warranty for construction. The replacement warranty for the coated grates are only applicable until the date of installation. Once installed, any damage to the coatings due to the incorrect use of cleaning products, misuse or accidental damage, will not be covered under warranty.

SUITABLE FOR 100MM PIPES
WITH OR WITHOUT A PUDDLE FLANGE

| CODE | SIZE (MM) | FINISH |
|----------------|------------|-----------------|
| 316-RGS-100-90 | 100x100x90 | Stainless Steel |



SHOWER GRATES
RGS-150-38



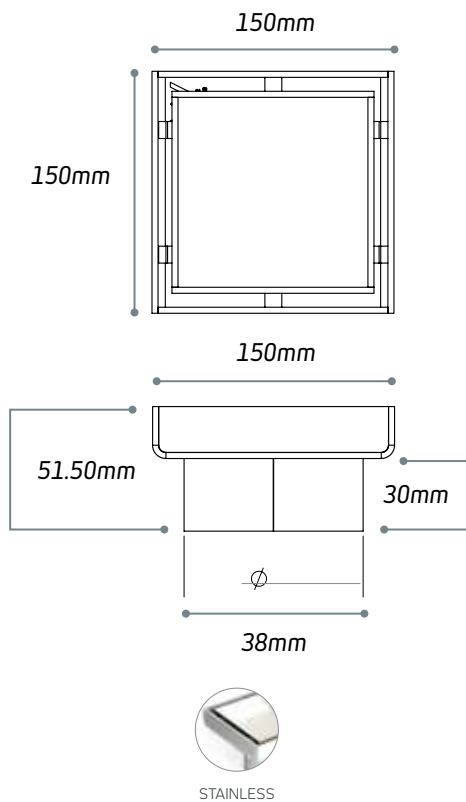
FEATURES

- 304 stainless steel
- Mirror polished to all exposed edges
- Wide range of sizes
- Australian Watermark approved
- 12mm deep insert can accommodate up to 10mm tile + adhesive

WARRANTY All shower grates are covered with a 7 year warranty for construction. The replacement warranty for the coated grates are only applicable until the date of installation. Once installed, any damage to the coatings due to the incorrect use of cleaning products, misuse or accidental damage, will not be covered under warranty.

SUITABLE FOR 50MM PIPES
WITH A PUDDLE FLANGE

| CODE | SIZE (MM) | FINISH |
|------------|------------|-----------------|
| RGS-150-38 | 150x150x38 | Stainless Steel |



SHOWER GRATES
RGS-150-74



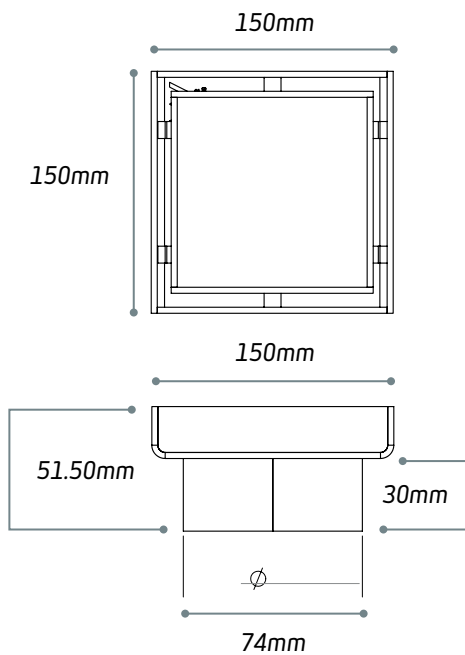
FEATURES

- 304 stainless steel
- Mirror polished to all exposed edges
- Wide range of sizes
- Australian Watermark approved
- 12mm deep insert can accommodate up to 10mm tile + adhesive

WARRANTY All shower grates are covered with a 7 year warranty for construction. The replacement warranty for the coated grates are only applicable until the date of installation. Once installed, any damage to the coatings due to the incorrect use of cleaning products, misuse or accidental damage, will not be covered under warranty.

SUITABLE FOR 80MM PIPES
WITH OR WITHOUT A PUDDLE FLANGE

| CODE | SIZE (MM) | FINISH |
|------------|------------|-----------------|
| RGS-150-74 | 150x150x74 | Stainless Steel |



STAINLESS

SHOWER GRATES
RGS-150-90



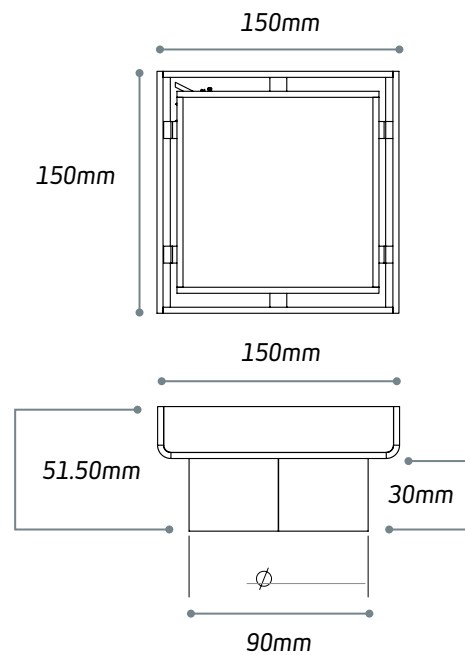
FEATURES

- 304 stainless steel
- Mirror polished to all exposed edges
- Wide range of sizes
- Australian Watermark approved
- 12mm deep insert can accommodate up to 10mm tile + adhesive

WARRANTY All shower grates are covered with a 7 year warranty for construction. The replacement warranty for the coated grates are only applicable until the date of installation. Once installed, any damage to the coatings due to the incorrect use of cleaning products, misuse or accidental damage, will not be covered under warranty.

SUITABLE FOR 100MM PIPES
WITH OR WITHOUT A PUDDLE FLANGE

| CODE | SIZE (MM) | FINISH |
|------------|------------|-----------------|
| RGS-150-90 | 150x150x90 | Stainless Steel |



STAINLESS



TOWEL RAILS

SHOWER GRATES

UNDERFLOOR HEATING

OVERVIEW OF ELECTRIC FLOOR HEATING 54

INSTALLATION: UNDERFLOOR HEATING KITS 60

UNDER TILE KITS 62

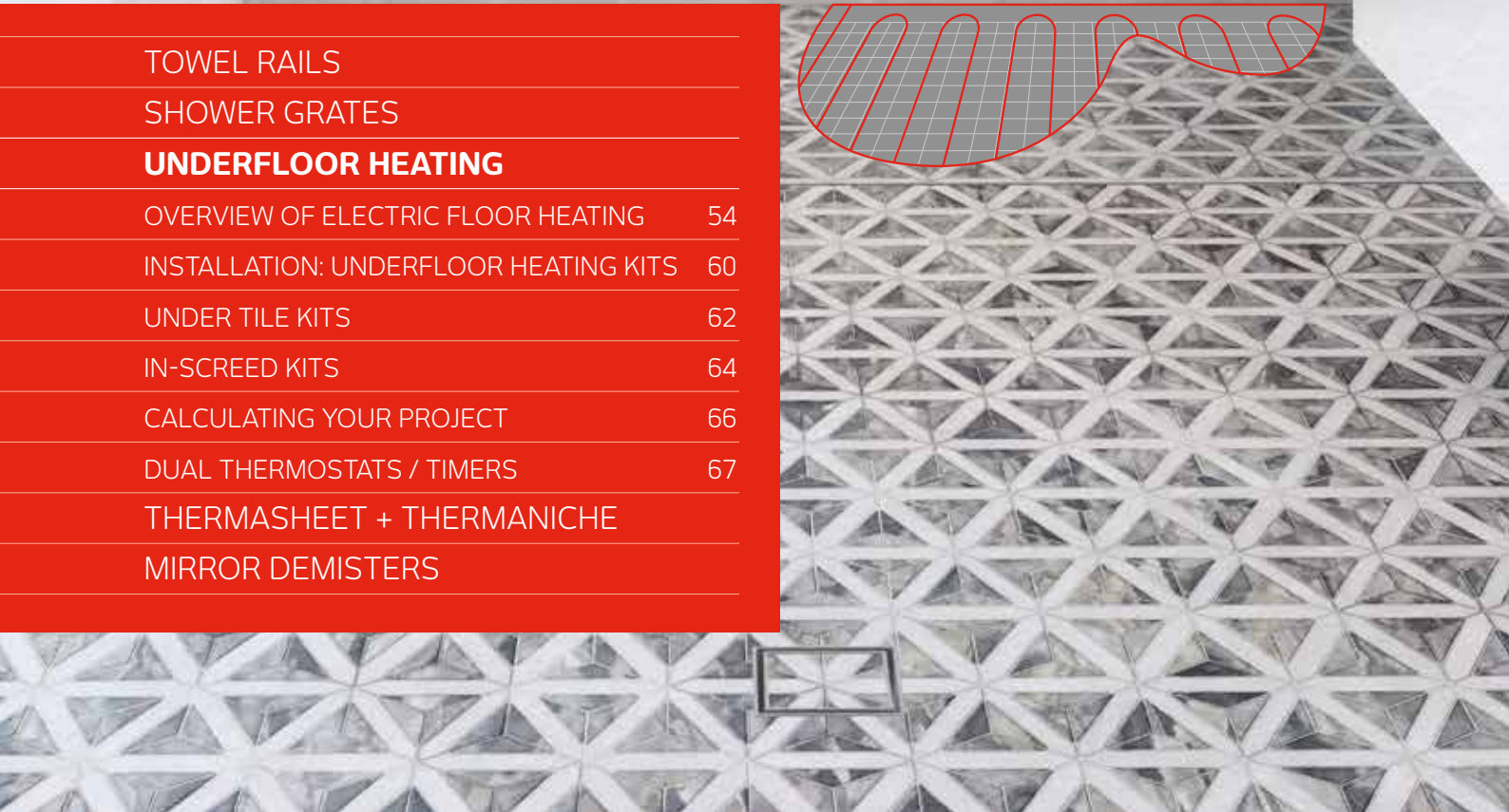
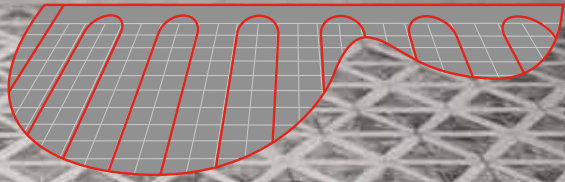
IN-SCREED KITS 64

CALCULATING YOUR PROJECT 66

DUAL THERMOSTATS / TIMERS 67

THERMASHEET + THERMANICHE

MIRROR DEMISTERS





Overview



- Asthma + allergy friendly
- Economical to run
- No heat lamps means exhaust fans can be placed over showers
- Temperature control
- A dry floor means less mould
- On demand



DANISH MANUFACTURED
CABLE MEANS
QUALITY AND RELIABILITY

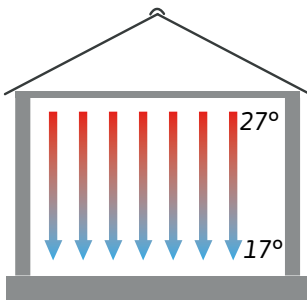
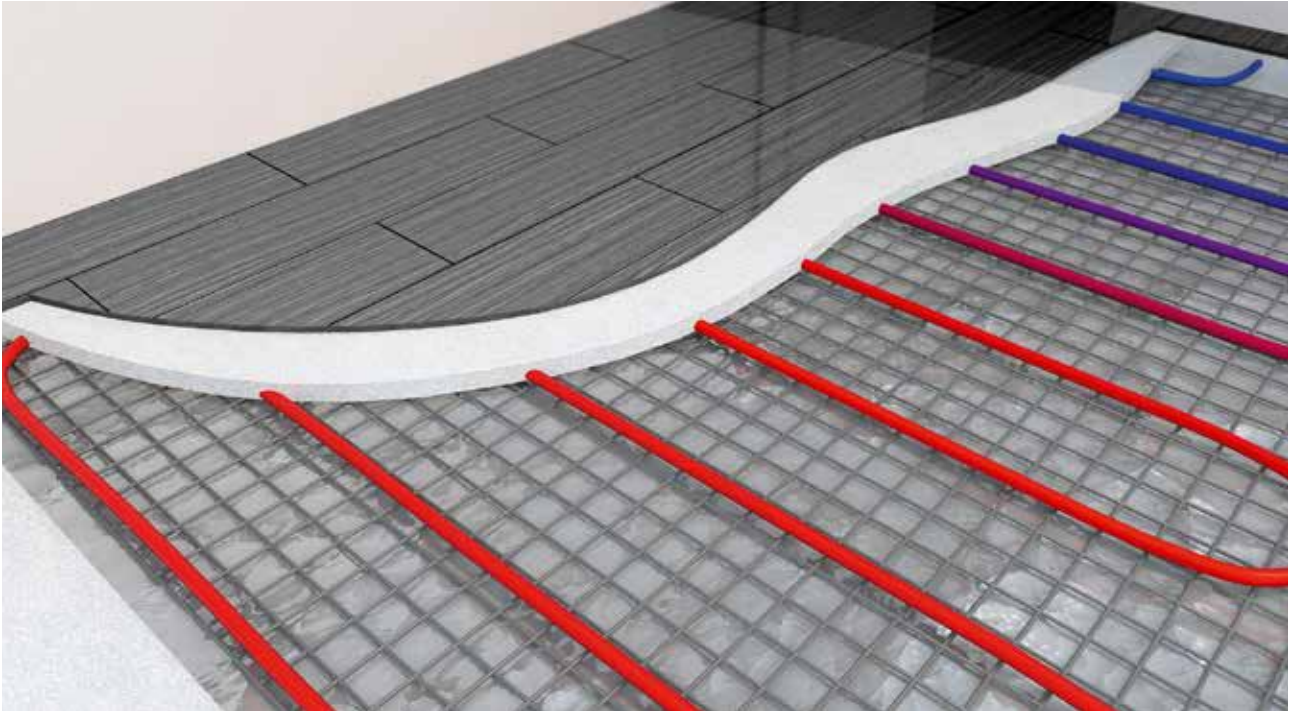


CABLE GUARANTEED
FOR 10 YEARS

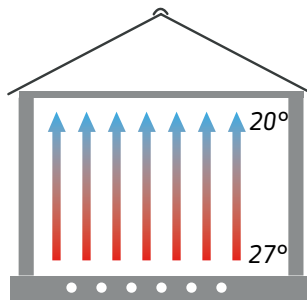
Underfloor heating has proved extremely popular in Europe for many years and the number of installations in Australia is growing every year as people discover the many benefits of this type of heating, which in many cases can provide the primary heat source for the room. For commercial projects or larger homes, a hydronic (water based) system is often the more popular choice, however for bathrooms, living areas and smaller homes then the electric cable system can be a very good choice, especially when combined with good insulation and solar panels. With all underfloor heating systems, the floor is gently heated to a comfortable temperature (usually between 21 – 28 deg C depending on the room) and the heat generated slowly radiates into the room, in turn heating the air from the ground up. This gives a very even heat distribution throughout the room and offers a level of comfort which is far superior to other forms of heating.

For bathrooms alone, electric is the stand out choice as it is quick and easy to install, easy to control, requires minimal, if any, changes to building process or its design.

For the rest of the home the popular choice is to heat the main living areas (family/dining/kitchen) and this can be installed in a concrete slab (fixed to the reinforcing steel), on top of a slab prior to screeding (In Screed), or directly below the tiles (under-Tile)

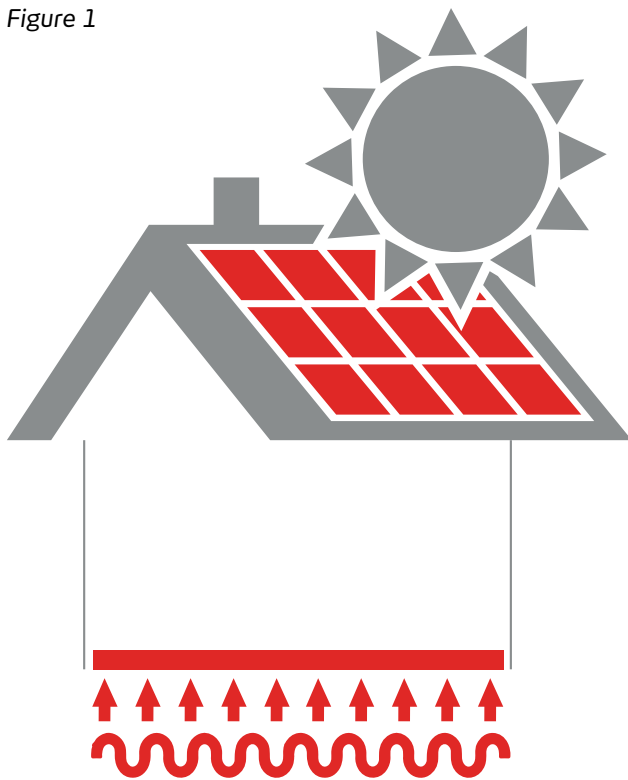


Reverse cycle heating generates warmth at the ceiling level, and as heat rises, struggles to adequately warm lower areas.



Underfloor heating gives you heating at the floor level, directly where you need it.

Figure 1



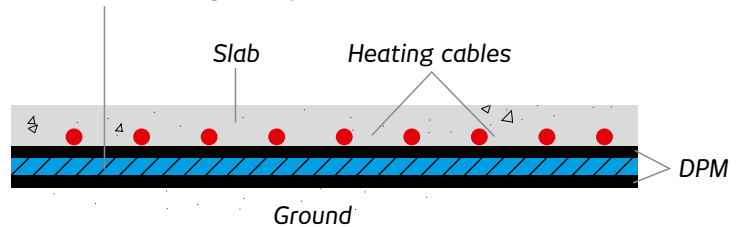
In-Slab

For living areas this remains the popular choice, especially where the floor finish is polished/ burnished concrete, solid timber or tiles installed without a screed. With this system the heating cables are fixed to the reinforcing steel prior to the concrete being poured. When installing in a ground floor slab on flat ground, installing an insulation board will improve the efficiency.

One of the biggest advantages of in-slab heating (as long as the home has good insulation) is that it can be used in combination with a standard PV solar panel system where you can utilise the 'free' energy generated during daylight hours. This 'free' energy slowly warms the thermal concrete mass and then allows that to slowly release during the evening when the living zones of the home are usually occupied (figure 1). In-slab heating can also be used in combination with off-peak or time of use energy meters to take advantage of cheaper rate electricity.

In slab heating is typically installed at between 100-150 watts per sqm depending on the coverage, electrical load restrictions and energy efficiency of the home.

XPS insulation (Optional but recommended on ground floor slabs)



In-Screed

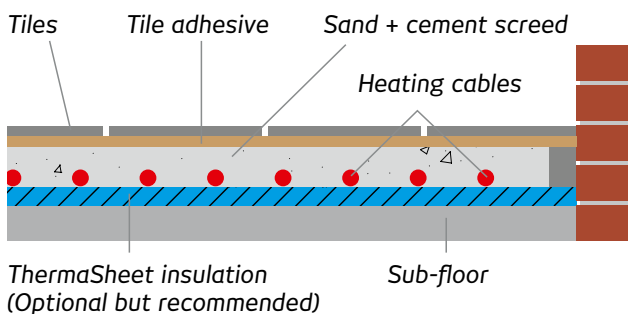
In-screed heating is the popular choice for living areas that are having a sand and cement screed to level up the floor, prior to laying large format, rectified or stone tiles. With this system the heating cables are fixed to the slab prior to screeding and then are fully protected during the tiling process. Because the cables are fixed to the concrete, with its thermal mass, this also acts in a similar way to in-slab heating, but with the cables slightly closer to the surface

In Screed heating is also the popular choice in bathrooms in states where the floors are screeded (WA, SA, NSW, QLD) in Victoria and Tasmania where bathrooms are generally not screeded, under-tile is the system of choice

For bathrooms the system can be supplied pre-spaced on mats, or as loose cable on a drum to suit the space and preferred installation method by the installer

Where possible installing a thin ThermaSheet insulating board below the screed will reduce the downward heat loss and improve warm-up times – this is ideal in a bathroom where the heating is generally only needed for shorter periods of time.

In-Screed systems are typically installed at between 100-150 watts per sqm in living areas and between 180-200 watts per sqm in bathrooms where there is usually limited free floor area a quicker warm-up is required.





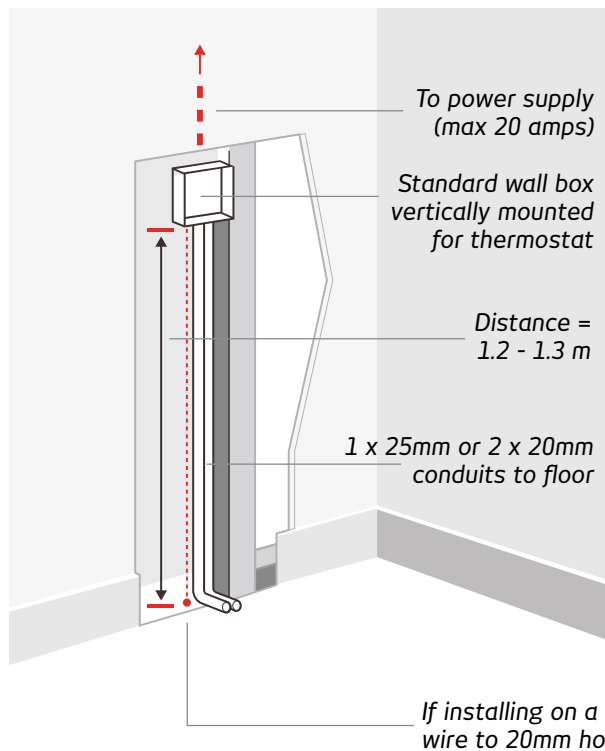
Under-Tile

Under-Tile systems, as with in-screed system in bathrooms, can be supplied as cable pre-spaced on a mat or loose on a drum. With the mat system the mesh is self-adhesive so will stick directly to a sealed or waterproofed floor while it is tiled over. Where large format, rectified or heavy stone tiles are being installed, we recommend first covering the cables or mats with a thin self-level to protect the heating cable during the tiling process. Again, Thermasheet insulation boards can be used to create a thermal break between the heating and sub-floor which will maximise efficiency. Under-tile system are typically installed at a similar output per sqm as in-screed as above.

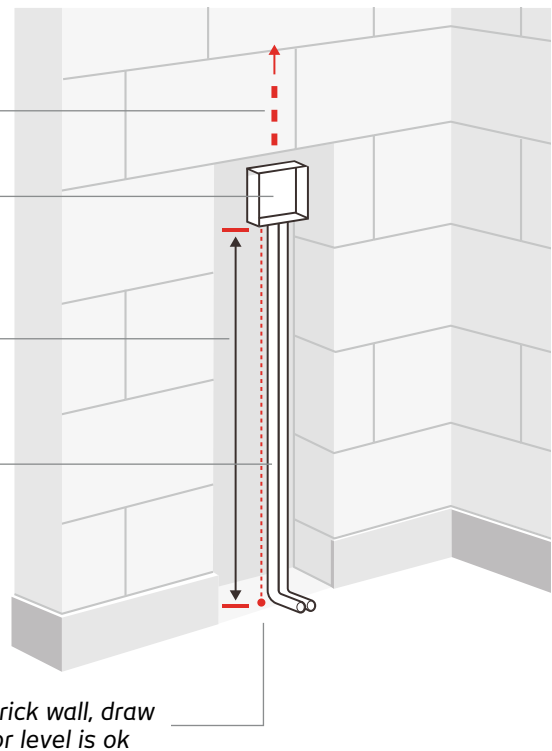
Electrical Provisions

Electric Floor Heating is usually zoned on a room-by-room basis allowing you to heat different rooms at different times/temperatures. For example you may have an ensuite on at 6am heating to 28 deg floor temp, living room during the day at 24 deg and guest bathrooms only heated when occupied. Each zone would have its own 'set and forget' touch screen 7-day thermostat/timer, these can also be upgraded to WIFI versions controllable from an app on a phone or iPad.

For bathrooms/under-tile living areas

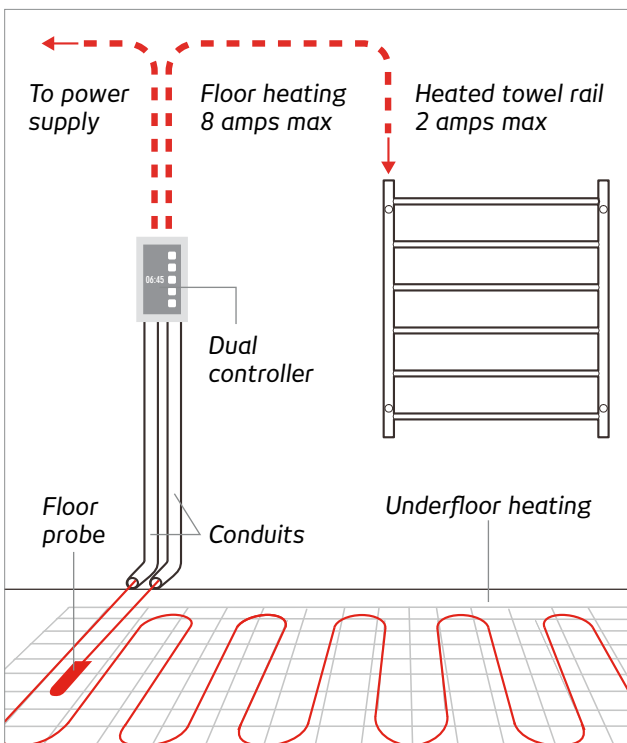


For bathrooms/under-tile living areas (brickwork)

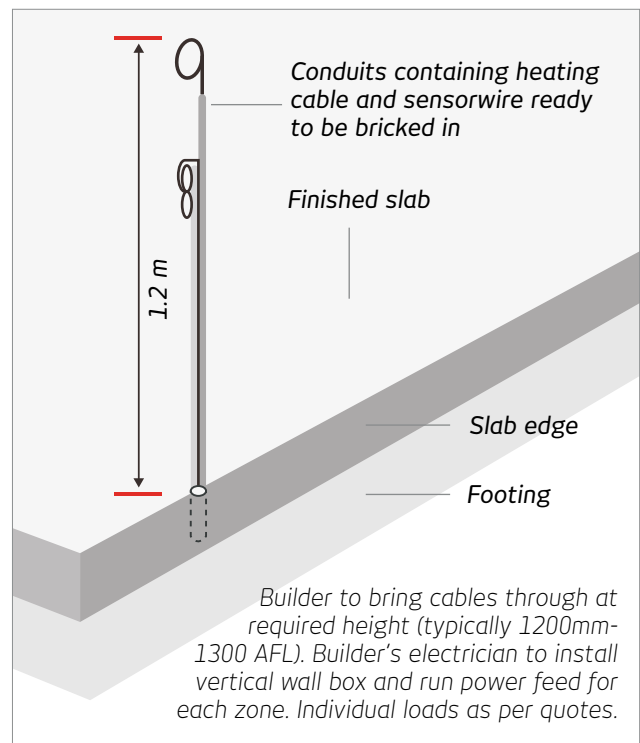


NOTE: Power must have RCD protection. For bathrooms the load will be no more than 0.8 amps per sqm 'free floor area'. For example: 9 sqm bathroom - bath, shower vanity = 5sqm x 0.8 = 4 amps. For larger areas the load will typically be 0.6 amps per sqm.

Combination floor heating thermostat and heated towel rail timer (dual)



Heating cable and sensor installed and slab poured



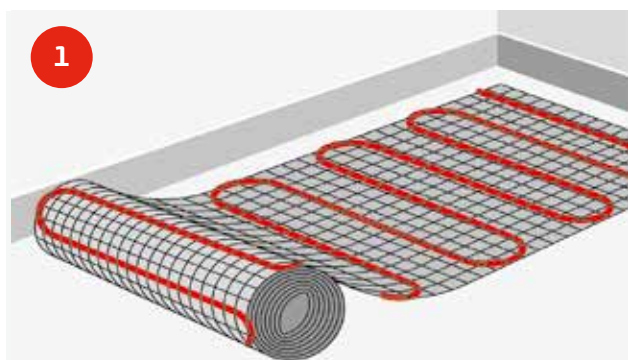
Fully installed or Floor Heating Kits

Radiant offer a fully installed service through a network of accredited installers in many parts of Australia. We also offer many of our systems in boxed 'kit' format which are sold through home improvement, bathroom and electrical stores all

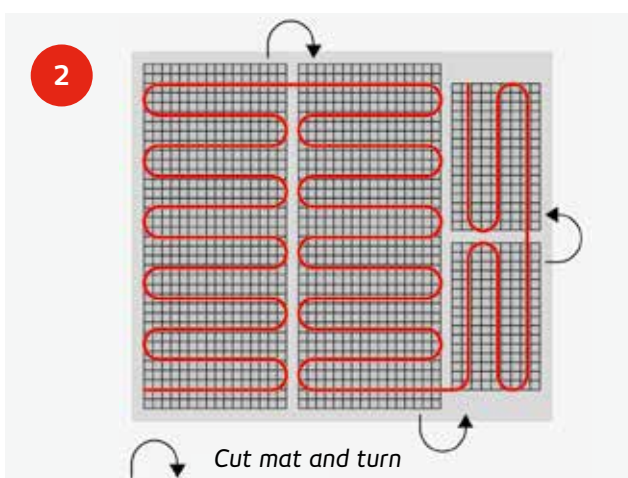
over Australia – see website for details of our suppliers if you want to purchase in kit form. Radiant are more than happy to assist with specification questions, plans and drawings for both supply only as well as supply and install.

Installation: Underfloor heating mats

NOTE: Only when you have calculated that the mat will fit into the room should you begin to lay. Please use the calculator on our website to ensure you order the correct mat size.



Beginning at the corner closest to where the thermostat is located, position the mat ready to start rolling out.

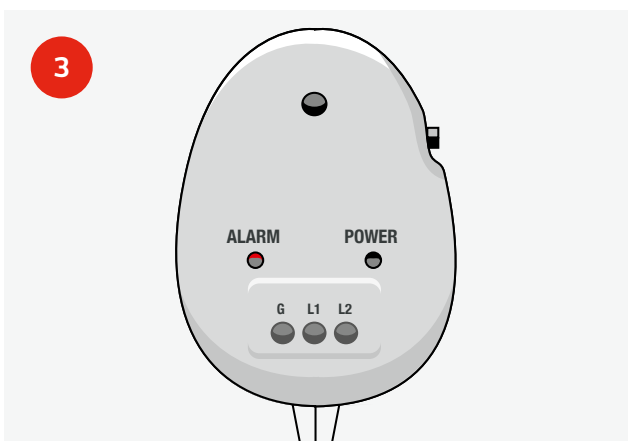


From the starting point, begin rolling out the mat

When you have done one full run and reach the opposite corner of the room cut through the mesh. **DO NOT CUT THROUGH THE CABLE.**

Turn the mat through 180° and roll the mat back the other way.

Continue this process until all of the mat is used up.



Included in your kit is a cable alarm. Connect and switch on the cable alarm prior to tiling or covering with self-levelling screed. The cable alarm must be turned on at all times when tiling or when any other trades are working in the room.

FAQs

WHAT SIZE HEATING KIT DO I NEED?

You should aim to cover between 80-95% of the free floor space of the room. Covering less than 80 % of the FFS means you may end up with cold spots on your floor. We recommend that you measure the intended area to be heated and remove 10% of your total measurement to ensure that you don't order too much. Please use the calculator on our website to ensure you order the correct mat size.

WHAT WATTAGE DO I NEED?

If you would like to heat a standard living room which is well insulated, 150 watts per sqm.

For bathrooms we always recommend using the 200 watt / sqm mats due to the limited floor space available.

IF THE HEATING CABLE IS DAMAGED CAN IT BE REPAIRED?

As long as the tiler is careful and you use the cable monitor provided, this should not happen. On the rare occasion that this might occur, Radiant Australia have a network of repair specialists that can diagnose and repair where necessary.

WHAT IS THE WARRANTY?

We offer a 10 year warranty on the heating cables/mats and 5 year warranty on the thermostats.

WHAT MAINTENANCE IS REQUIRED?

The system is basically maintenance free as there are no moving parts to wear, apart from the thermostat, which is easy to replace.

IS THE SYSTEM SAFE?

Yes. The cable is double insulated and is IPX7 rated making it safe for wet areas.

HOW HOT DOES THE FLOOR GET?

To maintain a 21°C air temperature the floor temperature would be approximately 25°C or approximately 4°C above the desired room air temperature.



U/FLOOR HEATING
KITS UNDER TILE



UNDER TILE KIT INCLUDES

- 500mm wide under tile cable mat – with self-adhesive backing
- Touch screen floor/air sensing thermostat
- Floor heating sensor
- Cable alarm
- Cloth duct tape
- Under tile floor heating kit instructions

Our under-tile floor heating kit is perfect for putting floor heating under tiles, where the floor is not going to be screeded.

The cable mat is installed on the base surface and is then covered with the tile adhesive and tiles. The thin 3mm cables means that in many cases the tiler only has to use a little bit of extra adhesive. The mats are 500mm wide and are easily installed by cutting the

matting (NOT THE CABLE) and snaking the mat backwards and forwards filling in the area to be heated. NOTE where large heavy tiles are being used it is advisable to first cover the mats with a thin levelling compound to protect them. *This system is the most popular choice for bathrooms in VIC and TAS where bathrooms are generally not screeded. It is also very popular for living areas in all states.*

Professional kits - cable supplied on drum

UNDER TILE CABLE KITS FOR BATHROOMS

| CODE | AREA COVERAGE | CABLE LENGTH | HEAT OUTPUT |
|----------|---------------|--------------|-------------|
| UTCK150 | 0.8 - 1.0sqm | 15m | 150 watts |
| UTCK250 | 1.3 - 1.7sqm | 25m | 250 watts |
| UTCK350 | 1.8 - 2.3sqm | 35m | 350 watts |
| UTCK450 | 2.4 - 3.0sqm | 45m | 450 watts |
| UTCK550 | 2.9 - 3.5sqm | 55m | 550 watts |
| UTCK650 | 3.6 - 4.2sqm | 65m | 650 watts |
| UTCK750 | 4.2 - 4.9sqm | 75m | 750 watts |
| UTCK900 | 5.0 - 5.9sqm | 90m | 900 watts |
| UTCK1100 | 6.0 - 7.0sqm | 110m | 1100 watts |

Floor heating kits - cable supplied pre-spaced on mat

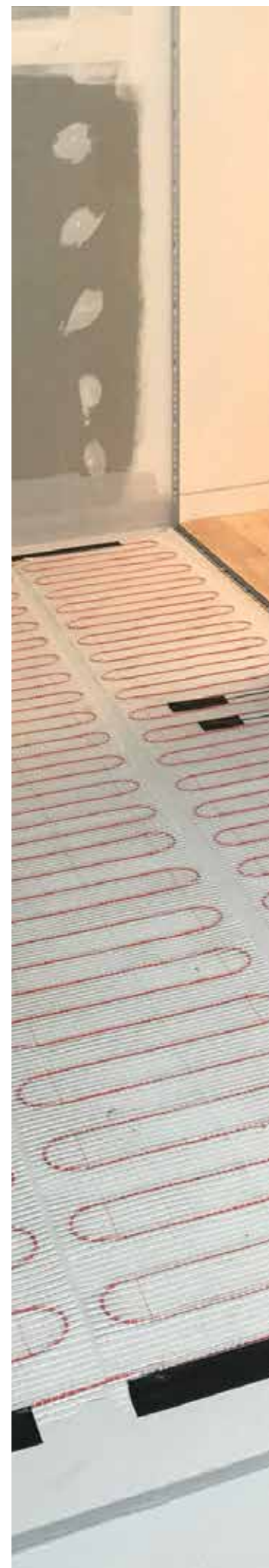
UNDER TILE MAT KITS FOR BATHROOMS 200W/SQM

| CODE | MAT SIZE | AREA COVERAGE | HEAT OUTPUT |
|----------------|--------------------|---------------|-------------|
| UTCMK200-200W | 0.5 x 2.0m /1.0sqm | 1.2 -1.7sqm | 200 watts |
| UTCMK200-300W | 0.5 x 3.0m /1.5sqm | 1.8 - 2.2sqm | 300 watts |
| UTCMK200-400W | 0.5 x 4.0m /2.0sqm | 2.3 - 2.7sqm | 400 watts |
| UTCMK200-500W | 0.5 x 5.0m /2.5sqm | 2.8 - 3.2sqm | 500 watts |
| UTCMK200-600W | 0.5 x 6.0m /3.0sqm | 3.3 - 3.7sqm | 600 watts |
| UTCMK200-700W | 0.5 x 7.0m /3.5sqm | 3.8 - 4.2sqm | 700 watts |
| UTCMK200-800W | 0.5 x 8.0m /4.0sqm | 4.3 - 4.7sqm | 800 watts |
| UTCMK200-900W | 0.5 x 9.0m /4.5sqm | 4.8 - 5.2sqm | 900 watts |
| UTCMK200-1000W | 0.5 x 10m /5.0sqm | 5.3 - 6.3sqm | 1000 watts |
| UTCMK200-1200W | 0.5 x 12m /6.0sqm | 6.4 - 7.5sqm | 1200 watts |
| UTCMK200-1400W | 0.5 x 14m /7.0sqm | 7.5 - 9sqm | 1400 watts |
| UTCMK200-1600W | 0.5 x 16m /8.0sqm | 9 - 10.5sqm | 1600 watts |

UNDER TILE MAT KITS FOR LIVING AREAS AND LARGE BATHROOMS 150W/SQM

| PRODUCT CODE | MAT SIZE | AREA COVERAGE | HEAT OUTPUT |
|----------------|---------------------|----------------|-------------|
| UTCMK150-900W | 0.5 x 12m/6sqm | 6.0 - 7.9sqm | 900 watts |
| UTCMK150-1050W | 0.5 x 14m/7sqm | 8.0 - 8.9sqm | 1050 watts |
| UTCMK150-1200W | 0.5 x 16m/8sqm | 9.0 - 9.9sqm | 1200 watts |
| UTCMK150-1350W | 0.5 x 18m/9sqm | 10.0 - 11.0sqm | 1350 watts |
| UTCMK150-1500W | 0.5 x 20m/10sqm | 11.0 -12.0sqm | 1500 watts |
| UTCMK150-1650W | 0.5 x 22m/11sqm | 12.0 - 13.0sqm | 1650 watts |
| UTCMK150-1800W | 0.5 x 24m/12sqm | 13.0 -14.0sqm | 1800 watts |
| UTCMK150-1950W | 6sqm + 7sqm/13sqm | 14.0-16.0sqm | 1950 watts |
| UTCMK150-2100W | 2 x 7sqm/14sqm | 16.0 - 17sqm | 2100 watts |
| UTCMK150-2250W | 7sqm + 8sqm/15sqm | 17.0-18.0sqm | 2250 watts |
| UTCMK150-2400W | 2 x 8sqm/16sqm | 18.0-19.0sqm | 2400 watts |
| UTCMK150-2550W | 8sqm + 9sqm/17sqm | 19.0-20.0sqm | 2550 watts |
| UTCMK150-2700W | 2 x 9sqm/18sqm | 20.0-21.0sqm | 2700 watts |
| UTCMK150-2850W | 9sqm + 10sqm/19sqm | 21.0-23.0sqm | 2850 watts |
| UTCMK150-3000W | 2 x 10sqm/20sqm | 22.0 - 24.0sqm | 3000 watts |
| UTCMK150-3150W | 10sqm + 11sqm/21sqm | 23.0 - 26.0sqm | 3150 watts |
| UTCMK150-3300W | 2 x 11sqm/22sqm | 25.0 - 27.0sqm | 3300 watts |
| UTCMK150-3450W | 11sqm + 12sqm/23sqm | 26.0-28.0sqm | 3450 watts |

* For large areas multiple kits can be used. Please contact Radiant Heating for advice.



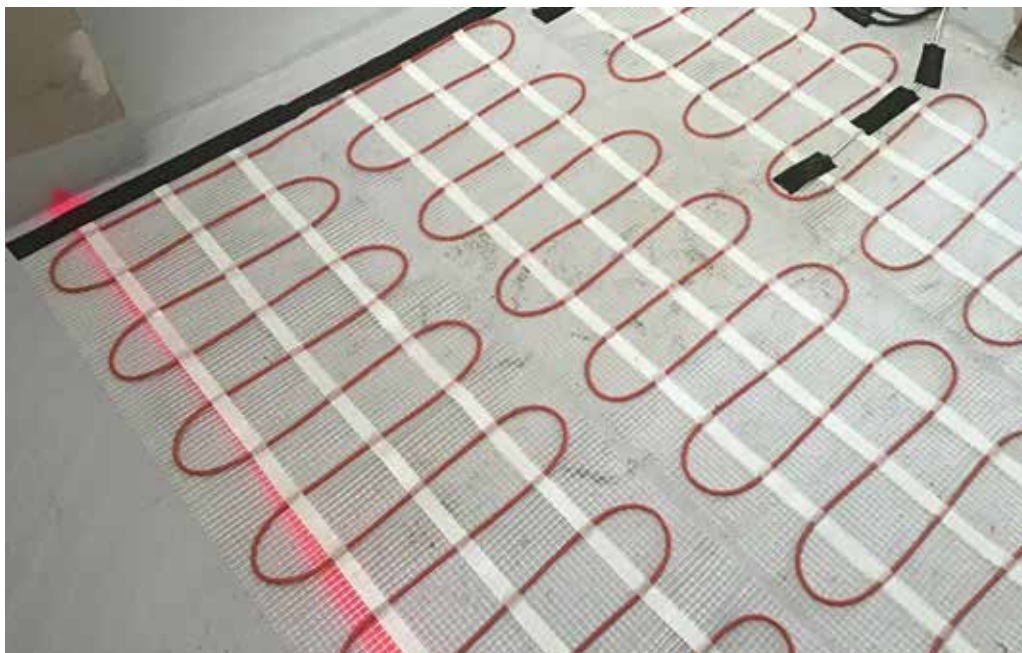


IN-SCREED KIT INCLUDES

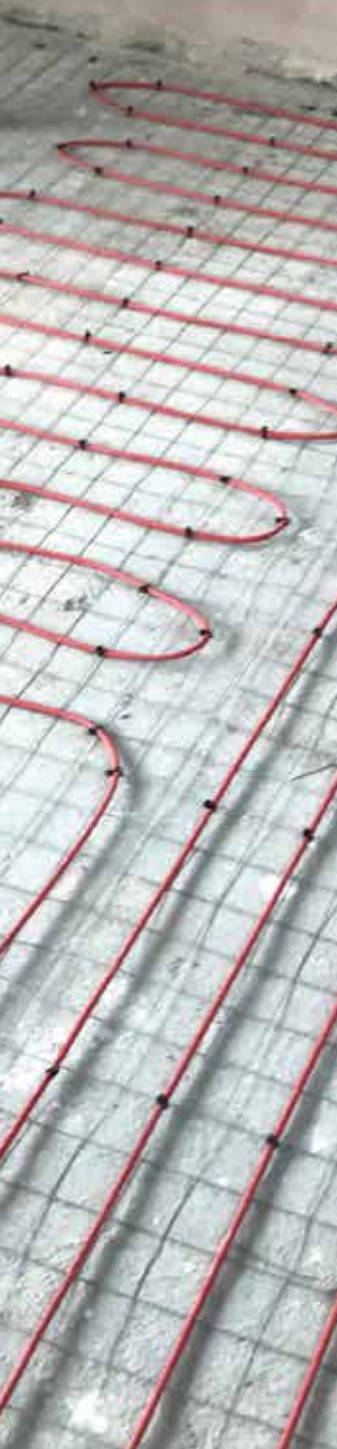
- In screed cable on drum or 500mm wide mat - with self adhesive backing
- Touch screen floor/air sensing thermostat
- Floor heating sensor
- Cable alarm
- Cloth duct tape
- In-screed floor heating kit instructions
- Mesh + cable tiles supplied for cable system.

For bathrooms, our in-screed cable is also pre attached to a mat in a similar fashion to the under tile kit. However, the cables are slightly thicker and robust at 7mm, and provide an easy way of laying the floor heating cable before the tiler screeds the floor.

This unique product removes a lot of the hassle of installing in-screed heating cable as it is pre-spaced on the mat and does not interfere with the normal tiling process. *This is the most popular choice for bathrooms in NSW, SA and WA where many bathrooms have a screed level done before tiling.*



In-screed mat system



Professional kits - cable supplied on drum

IN SCREED MAT KITS FOR BATHROOMS

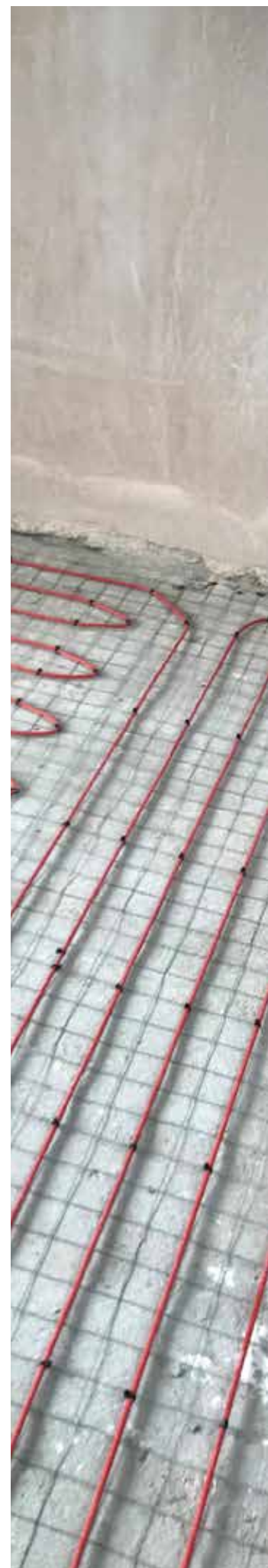
| CODE | AREA COVERAGE | CABLE LENGTH | HEAT OUTPUT |
|-----------|---------------|--------------|-------------|
| ISCK200W | 0.9 - 1.1sqm | 10m | 200 watts |
| ISCK240W | 1.2 - 1.4sqm | 12m | 240 watts |
| ISCK300W | 1.5 - 1.9sqm | 15m | 300 watts |
| ISCK400W | 2.0 - 2.4sqm | 20m | 400 watts |
| ISCK500W | 2.5 - 2.9sqm | 25m | 500 watts |
| ISCK600W | 3.0 - 3.5sqm | 30m | 600 watts |
| ISCK700W | 3.5 - 3.9sqm | 35m | 700 watts |
| ISCK800W | 4.0 - 4.5sqm | 40m | 800 watts |
| ISCK900W | 4.5 - 4.9sqm | 45m | 900 watts |
| ISCK1000W | 5.0 - 5.9sqm | 50m | 1000 watts |
| ISCK1200W | 6.0 - 6.9sqm | 60m | 1200 watts |
| ISCK1400W | 7.0 - 7.9sqm | 70m | 1400 watts |
| ISCK1600W | 8.0 - 9.9sqm | 80m | 1600 watts |
| ISCK2000W | 10 - 11.9sqm | 100m | 2000 watts |

* For large areas multiple kits can be used. Please contact Radiant Heating for advice.

Floor heating kits - cable supplied on mats

IN SCREED MAT KITS FOR BATHROOMS 200W/SQM

| PRODUCT CODE | MAT SIZE | AREA COVERAGE | HEAT OUTPUT |
|----------------|-------------------|---------------|-------------|
| ISCMK200-200W | 0.5 x 2.0m/1.0sqm | 1.2 - 1.7sqm | 200 watts |
| ISCMK200-300W | 0.5 x 3.0m/1.5sqm | 1.7 - 2.1sqm | 300 watts |
| ISCMK200-400W | 0.5 x 4.0m/2.0sqm | 2.2 - 2.6sqm | 400 watts |
| ISCMK200-500W | 0.5 x 5.0m/2.5sqm | 2.7 - 3.2sqm | 500 watts |
| ISCMK200-600W | 0.5 x 6.0m/3.0sqm | 3.3 - 3.8sqm | 600 watts |
| ISCMK200-700W | 0.5 x 7.0m/3.5sqm | 3.9 - 4.3sqm | 700 watts |
| ISCMK200-800W | 0.5 x 8.0m/4.0sqm | 4.4 - 5.2sqm | 800 watts |
| ISCMK200-1000W | 0.5 x 10m/5.0sqm | 5.3 - 6.3sqm | 1000 watts |
| ISCMK200-1200W | 0.5 x 12m/6.0sqm | 6.4 - 7.5sqm | 1200 watts |
| ISCMK200-1400W | 0.5 x 14m/7.0sqm | 7.7-8.9sqm | 1400 watts |
| ISCMK200-1600W | 0.5 x 16m/8.0sqm | 9.0-10sqm | 1600 watts |



ROOM SIZE

Length (m) x Width (m)

Total (sqm)

OPTIONS

Type In-Sheet Under Tile

Dual Controller? Does customer also want to control a heated towel rail?

Thermostat

Style Standard Premium

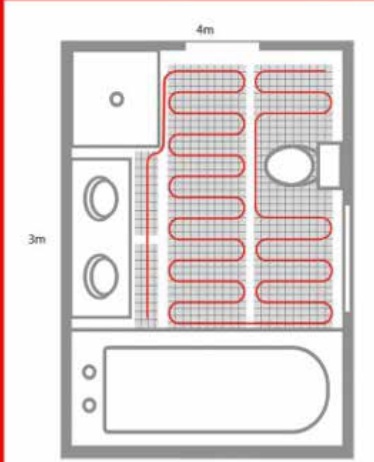
Orientation Vert Horiz

Colour White Silver Black

EXCLUSIONS

| | Length (m) | x | Width (m) | Area (sqm) |
|--------------------|----------------------------------|---|----------------------------------|--|
| Bath | <input type="text" value="2"/> | x | <input type="text" value="1"/> | <input type="text" value="2"/> |
| Shower | <input type="text" value="1"/> | x | <input type="text" value="1"/> | <input type="text" value="1"/> |
| Vanity | <input type="text" value="2"/> | x | <input type="text" value="0.5"/> | <input type="text" value="1"/> |
| Toilet | <input type="text" value="0.7"/> | x | <input type="text" value="0.7"/> | <input type="text" value="0.49"/> |
| Other | <input type="text"/> | x | <input type="text"/> | <input type="text" value="0"/> |
| Total (sqm) | | | | <input type="text" value="4.49"/> |

Other - Lengths
Enter length of
either in metres



For illustrative purposes only. Not to scale. This is not an indication of how the floor heating mat should be installed. Refer to installation guide.

HEATING MAT REQUIRED

SIZE

MODEL **ISCMK200-1400W**


DIMENSIONS

CABLE THICKNESS

LOAD (Watts / Amps)

CONTROLLER

APPROX RUNNING COST (ph)



KIT INCLUDES

Self adhesive heating cable mat, cable alarm, thermostat (as above), Floor sensor, cloth tape, instructions & warranty form

ITEMS WHICH YOU NEED TO ORDER

Kit Model

Upgrades

Exchanges

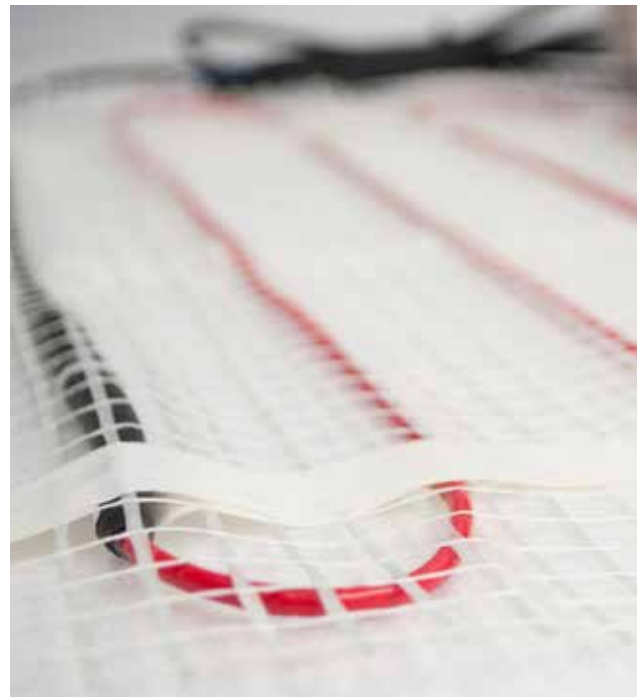
Calculating your project

It is important that you plan the mat layout. This is a vital step and **MUST** be done correctly to ensure that all the mat is used up. Once the mat has been unrolled and cut it cannot be returned.

It is key to measure the area to be heated in m². Do not include areas taken up by fixed objects such as baths, showers and kitchen units. If the calculated heated area is smaller than the chosen mat size **STOP** and return and exchange for the correct mat size.

To assist with this, Radiant have created an online calculator that can be easily downloaded from our website. This will calculate the exact free floor area for you, providing you with the product code that you will need for the specific kit:

<http://www.radiantheating.com.au/floor-heating-diy-calculator.html>



Dual thermostats/ timers

If you're considering installing a heated towel rail with your underfloor heating, you'll need our dual touch screen thermostat/timer. The TS8100W-TH-V thermostat (vertical mounted, white surround) is included with all our floor heating kits. In order to upgrade to one of the options below, add the upgrade code to your order.



RADIANT DIGITAL TOUCH SCREEN THERMOSTATS/TIMERS

| CODE | MOUNTING |
|----------------------|---|
| TS8100-TH-TIM-DUAL-V | Standard Touch Screen Vertical Dual Purpose Thermostat + Timer Switch - White |

RADIANT DIGITAL GLASS FRONTED TOUCH SCREEN THERMOSTATS/TIMERS

| CODE | MOUNTING |
|------------------|---|
| GTSW-TH-V | Vertical Mounted - White |
| GTSB-TH-V | Vertical Mounted - Black |
| GTSS-TH-V | Vertical Mounted - Silver |
| GTSW-TH-H | Horizontal Mounted - White |
| GTSB-TH-H | Horizontal Mounted - Black |
| GTSS-TH-H | Horizontal Mounted - Silver |
| GTSW-DUAL-V | Vertical Dual Purpose Thermostat + Timer Switch - White |
| GTSB-DUAL-V | Vertical Dual Purpose Thermostat + Timer Switch - Black |
| GTSS-DUAL-V | Vertical Dual Purpose Thermostat + Timer Switch - Silver |
| GTSW-DUAL-H | Horizontal Dual Purpose Thermostat + Timer Switch - White |
| GTSB-DUAL-H | Horizontal Dual Purpose Thermostat + Timer Switch - Black |
| GTSS-DUAL-H | Horizontal Dual Purpose Thermostat + Timer Switch - Silver |
| GTSW-DUAL-H-WIFI | Wi-Fi Horizontal Dual Purpose Thermostat + Timer Switch - White |
| GTSW-DUAL-V-WIFI | Wi-Fi Vertical Dual Purpose Thermostat + Timer Switch - White |

STANDARD



WHITE

PREMIUM



WHITE



BLACK



SILVER

TOWEL RAILS

SHOWER GRATES

UNDERFLOOR HEATING

THERMASHEET + THERMANICHE

OVERVIEW 70

INSTALLATION: THERMASHEET 72

INSTALLATION: THERMANICHE 74

THERMASHEET BACKER BOARDS 76

THERMASHEET CURVED BOARDS 76

THERMASHEET SHOWER TRAYS 77

THERMANICHE WALL NICHES 77

MIRROR DEMISTERS





Overview



THERMASHEET

- Energy saving
- Tile ready surface
- Render + plaster ready surface
- Waterproof
- Lightweight
- Enhances underfloor heating
- Internal + external use
- High compressive strength
- Cuts easily
- Eco friendly
- Sound reduction

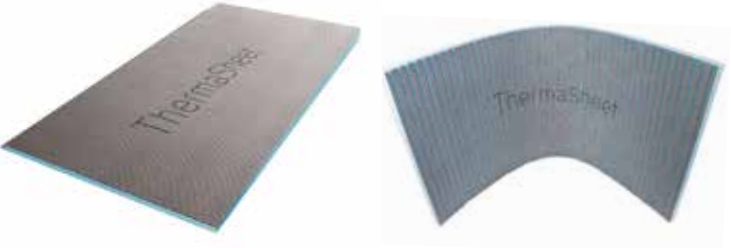
ThermaSheet is used extensively in the construction industry for a wide range of applications and is manufactured from high density extruded polystyrene. As a high performance, multi-purpose and lightweight building material, it is extremely versatile.

ThermaSheet can be used to construct simple structures such as washstands, shower enclosures, bath panels, steam rooms and spa structures, as well as curved surfaces using pre-scored panels, all without the need for additional supporting timber framework.

The strength of ThermaSheet is in its complex composite construction. The closed cell structure means it has excellent properties for waterproofing both walls and floors, as well as insulating beneath underfloor heating.

This rigid foam core is reinforced on both sides with a fibreglass mesh, plus a top layer of polymerised cementitious mortar. This layering system provides ThermaSheet with excellent mechanical resistance, as well as creating an ideal surface for tile adhesive and render. Ideal surface for tile adhesive, render and screed.

Our ThermaSheet shower trays are designed to make the tiling of walk-in showers simple. They are ideally suited for projects where falls to floor need to be created over existing level floors in environments such as wet rooms, balconies, roof terraces etc.



| | | | | | | | | | | | |
|--------------|--------------------|------------|-------------|--------------------------|-------------------------|----------------|---------------------------|-------------|--------------|------------------------|-----------------|
| | | | | | | | | | | | |
| EVERY SAVING | TILE READY SURFACE | WATERPROOF | LIGHTWEIGHT | ENHANCES U'FLOOR HEATING | INTERNAL + EXTERNAL USE | RANGE OF SIZES | HIGH COMPRESSIVE STRENGTH | CUTS EASILY | ECO FRIENDLY | RENDER + PLASTER READY | SOUND REDUCTION |



THERMANICHE

- Pre-waterproofed and ready to tile
- Guaranteed never to rot, degrade or leak
- Versatile and easy to install
- Washers and screws included

Our ThermaNiche prefabricated niches are perfect for storing and displaying items, and are especially useful in showers, bathrooms and wet rooms.

Like ThermaSheet, they are manufactured from a one-piece construction high-density polystyrene core, with a liquid applied waterproof sealant that provides a ready-made waterproof substrate, ThermaNiches are versatile, easy to install and ready to tile in minutes. Guaranteed never to rot, degrade or leak, they're perfect for those bath and shower necessities to be in exactly the position you choose.



RSN01

RSN02



RSN03



RSN04



RSN10

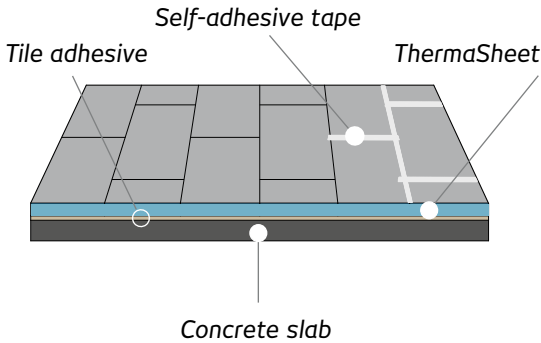


RSN11

Installation: **Thermasheet**

CONCRETE FLOORS

Ensure that the floor is level and free from dust and any loose debris. New concrete floors should be left to cure prior to fixing ThermoSheet and then the concrete floor should be sealed with a primer. A suitable rapid set tile adhesive should be used - solvent based or ready mixed adhesives **MUST NOT** be used. Apply the adhesive bed to the floor using an 8mm square notched trowel. Bed the boards firmly into the tile adhesive in a staggered joint pattern, ensuring that there are no gaps between the boards. Any slight depressions in the concrete floor are usually taken up with the thickness of the adhesive. Use a straight edge and level to ensure a good alignment.

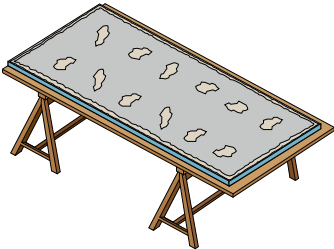


Apply self-adhesive reinforcing tape to all joints if installing underfloor heating.

BRICK OR CONCRETE WALLS

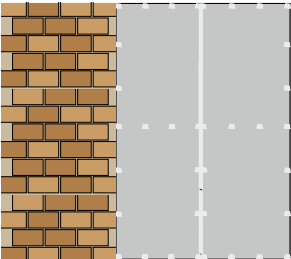
Dot and dab method for boards of 12mm or greater thickness. Ensure that the existing wall surface is sound and free from dust and grease.

Apply a cement based flexible tile adhesive directly to the board. A solid bed of adhesive should be applied to the edges of the board and dots in the centre (maximum 300mm apart). Adhesive should not exceed 30mm thickness. Offer up the board vertically to the wall surface and bed firmly into place. Always use a straight edge and level to ensure that the boards are well aligned. Ensure boards are well butted together.



Apply a solid bed of adhesive to the edge of the board and dots of adhesive to the centre.

Once the adhesive has completely set mechanical fasteners should also be used. Position the screws and washers approx. 600mm apart, fixing through the hardened adhesive approx. 30mm from the edge of the boards. When all the boards have been firmly placed and fixed the joints can be taped. For water proof construction, all joints, penetrations and fastener locations must be covered with waterproof tape and treated with approved polyurethane water proofing agents as per manufacturer's recommendation.



Bed the boards firmly to the wall surface. Once the adhesive is dry use mechanical fixings, fixing through the dry adhesive at the edge of the board. Tape joints and fastenings with waterproof tape.

Fixing boards less than 12mm thick to brick or concrete walls: The dot and dab method is not recommended for fixing boards that are less than 12mm in thickness to brick or concrete walls. For boards less than 12mm thick it is recommended that a solid bed of adhesive is applied to the surface of the board using a notched trowel and then boards are applied to the wall. All other stages in the application process should be followed.

TIMBER FLOORS

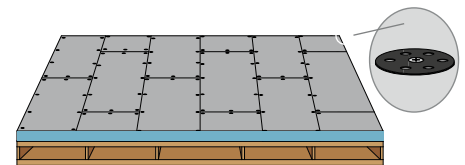
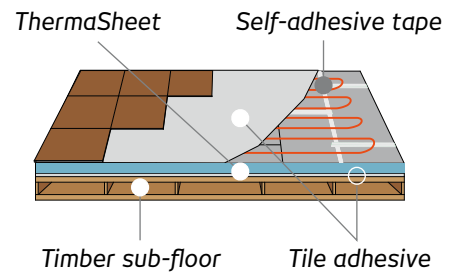
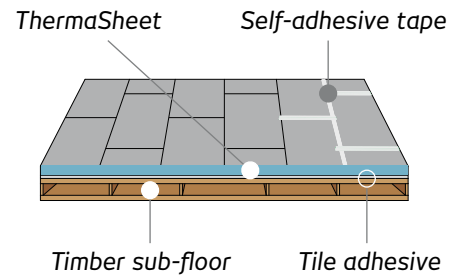
Adhesive

ThermaSheet can be laid directly on to a level floor using a suitable rapid set tile adhesive. Solvent based or ready mixed adhesives **MUST NOT** be used. Apply adhesive bed to the floor using an 8mm square notched trowel. Bed the boards firmly into the tile adhesive in a staggered joint pattern, ensuring that there are no gaps between the boards. Use a straight edge and level to ensure a good alignment. Do not allow the adhesive to form a dry skin. Tape all joints between the boards using a self-adhesive reinforcing tape. For water proof construction, all joints must be covered with waterproof tape and treated with approved polyurethane water proofing agents as per manufacturer's recommendation.

Mechanical fixing

ThermaSheet should be fixed to a secured wooden base using approximately 12 screws per 1250mm x 600mm board, at 300mm centres. Use a 35mm washer under each screw head and tighten the screw until the washer bites into the board to give a firm hold. Use a straight edge and level to ensure a good alignment. The screw should be long enough to pass through the board and into the wooden base beneath. Ensure that there are no electrical cables or pipework beneath the floor that may be damaged when fixing the boards. Boards should be laid in a staggered joint pattern. For water proof construction, all joints, penetrations and fastener locations must be covered with waterproof tape and treated with approved polyurethane water proofing agents as per manufacturer's recommendation.

ThermaSheet on timber floor (top), with Underfloor Heating (middle) and with mechanical fixings (bottom)



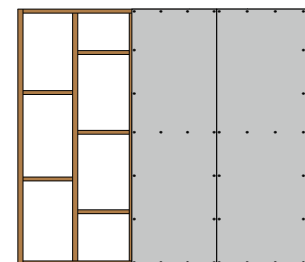
Fix ThermaSheet to timber base using screws at approx 300mm centres. Use 35mm washers and ensure screws are long enough to pass through board and into timber.

TIMBER AND METAL FRAMES

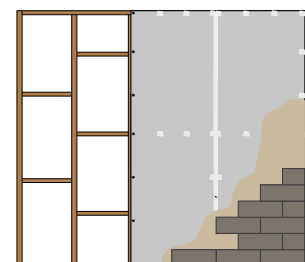
This system uses timber or metal studding designed to provide rigid support for ThermaSheet. The unsupported span of the framework depends on the thickness of the board. It is not recommended to use boards less than 10mm thick to line walls. All board edges must be supported. Please note the following guide for stud work related to thicknesses of the board:

- 20mm board (or thicker) use 600mm centres
- 12mm board use 400mm centres
- 10mm board use 300mm centres

Use 8 galvanised screws and washers per m², set at a minimum of 30mm from the edge of the board. Tighten the screw until the washers bite the board surface. Ensure boards are well butted together. Use a straight edge and level to ensure that boards are aligned. Tape all joints with self-adhesive mesh, and then apply a thin layer of tile adhesive on the mesh surface. For water proof construction, all joints, penetrations and fastener locations must be covered with waterproof tape and treated with approved polyurethane water proofing agents as per manufacturer's recommendation.



All board edges must be supported. Use 8 galvanised screws and washers per m², set a minimum 30mm from edge of board.

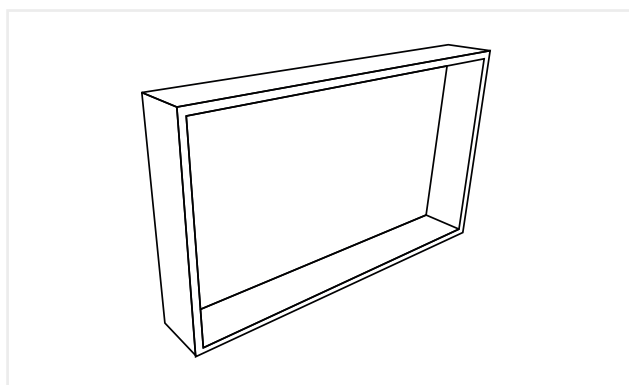


Tape all joints and fixings with self-adhesive mesh. Apply a thin layer of tile adhesive to the mesh surface and allow to dry before tiling.

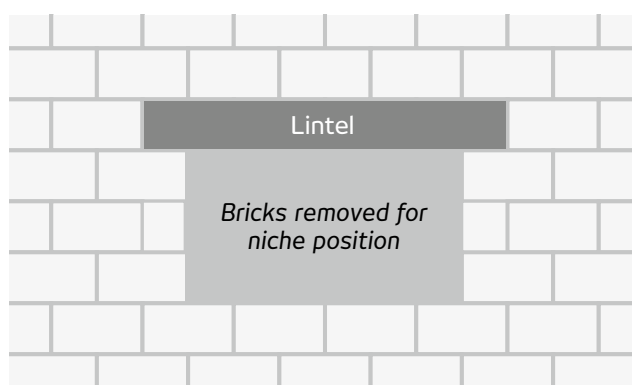
Installation: **ThermaNiche**

BRICK WALLS: RENOVATION

1. Determine location and cut out internal leaf
 Radiant ThermaNiches are pre-fabricated to the thickness of a single brick (90mm), and designed for use in a double brick wall.



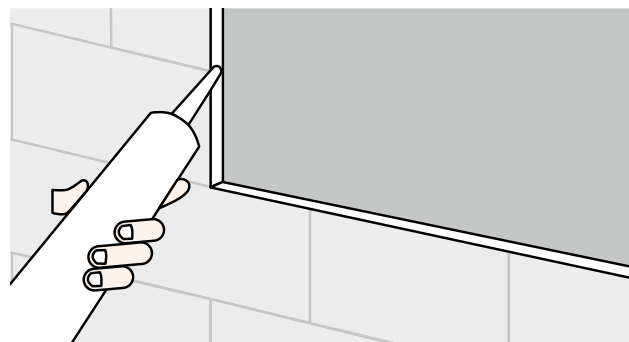
Measure the size and position of the niche on your existing double brick wall, then carefully remove the necessary bricks, ensure space for an additional lintel above the niche.



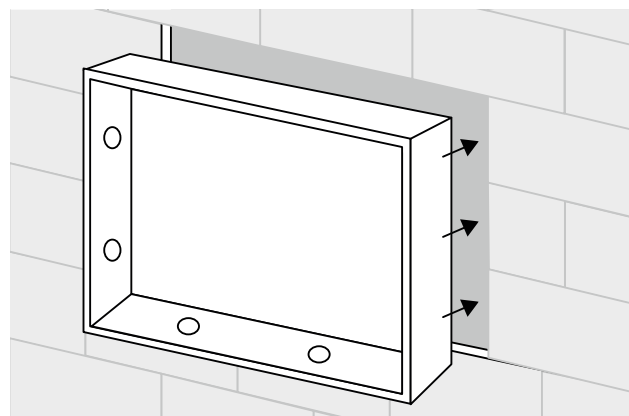
N.B It might be advisable that you align to mortar joints at the top for ease of installation.

Install the brick or steel lintel above the niche space prior to inserting the niche into position.

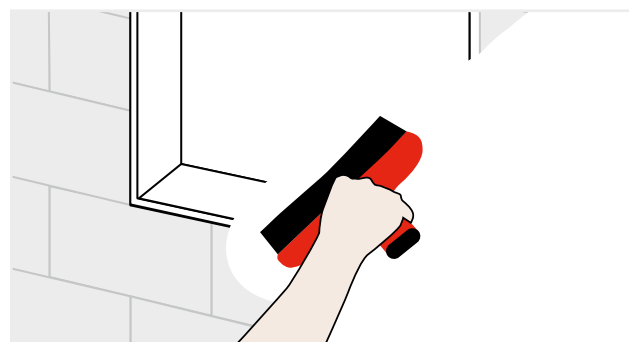
2. Clean work area and apply sealant or mortar
 Before starting the installation process, please check if the work area is clean. Make sure that the surface is clean and free of adhesion-reducing substances. Apply sealant on the wall to fasten the built-in set.



Insert niche to wall and fix with with the fixings included in the pack.

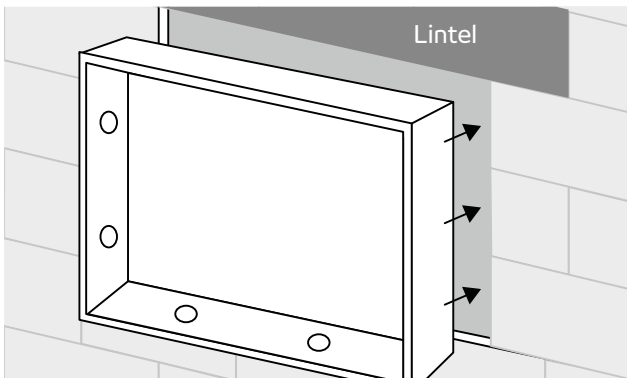


3. Apply waterproofing membrane
 All fixings and joints will then need to have a waterproof membrane applied over them. Whilst the ThermaNiche product has been pre-waterproofed, we would suggest that the waterproofing membrane is applied to the whole area prior to tiling.



4. Start tiling
 Your niche is now ready to tile. After the waterproof membrane has dried, the walls around the niche can be tiled.

BRICK WALLS: RENOVATION



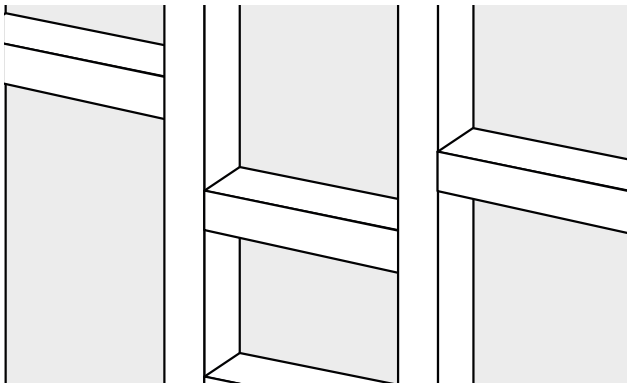
For New Builds, construct the internal leaf with a hole corresponding to the size of the niche, using a brick or steel lintel (allow 10/20mm extra so that the niche can be mortared in). If the niche height does not correspond exactly to the brick course, you may need to cut the base brick to ensure the niche will fit comfortably.

Mortar the niche into place and complete waterproofing and tiling during the normal construction process.

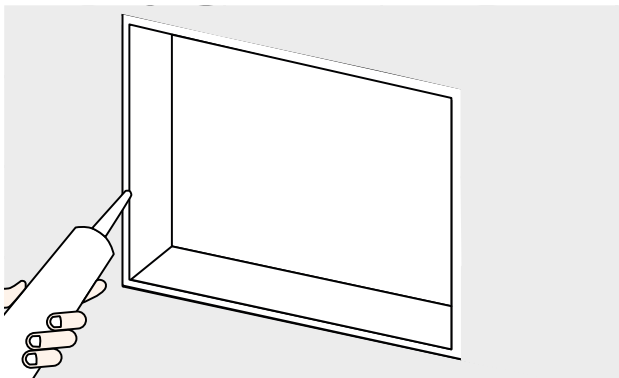
STUD WALLS

1. Positioning

Studs and noggins should be installed to accommodate the desired position of your Thermaniche. Typically 1.2m above the floor height. Secure both top and bottom with wall fastenings supplied.



Allow for the front of the niche to sit flush with the wall sheets. Use a silicon sealant between the backboard and around the pre-fabricated shower niche.



2. Apply waterproofing membrane

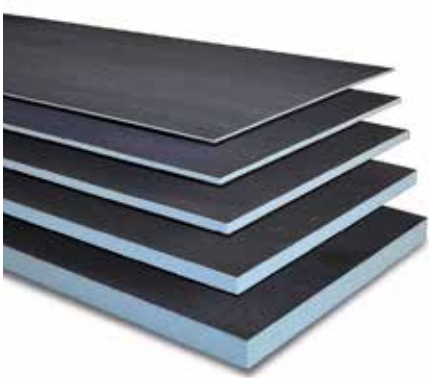
All fixings and joints will then need to have a waterproof membrane applied over them. Whilst the Thermaniche product has been pre-waterproofed, we would suggest that the waterproofing membrane is applied to the whole area prior to tiling.



3. Start tiling

Your niche is now ready to tile. After the waterproof membrane has dried, the walls around the niche can be tiled.

THERMASHEET TILE
BACKER BOARDS



FEATURES

- Boxes of 6

FOR CONSTRUCTION PROJECTS

The specially manufactured cement polymer coated board gives the ideal surface to lay your tiles directly.

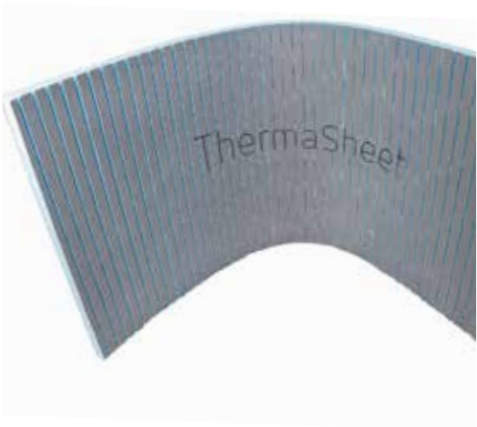
FOR UNDER FLOOR HEATING INSULATION

Without insulation, up to 40% of heat generated by an underfloor heating system could be lost through the sub-floor.

| CODE | THICKNESS (MM) | SIZE (MM) |
|---------------|----------------|-----------|
| RTTBB-6-1200 | 6 | 1200x600 |
| RTTBB-10-1200 | 10 | 1200x600 |
| RTTBB-10-2400 | 10 | 2400x600 |
| RTTBB-12-2400 | 12 | 2400x600 |
| RTTBB-20-1200 | 20 | 1200x600 |
| RTTBB-50-1200 | 50 | 1200x600 |



THERMASHEET TILE
CURVED BOARDS



FEATURES

- Boxes of 6

FOR CONSTRUCTION PROJECTS

Our pre-scored panels are particularly useful for curved areas, and both flat and curved options can be cut easily using a utility knife or saw. The boards can then be fixed to most substrates eg timber, brick, concrete or metal frame walls.

| CODE | THICKNESS (MM) | SIZE (MM) |
|----------------------|----------------|-----------|
| RTHBC-30-1250 CURVED | 30 | 1250x600 |
| RTHBC-30-2500 CURVED | 30 | 2500x600 |



THERMASHEET SHOWER TRAYS



FEATURES

- Packs of 2

Creating accurate falls over long distances is easily achieved by using ThermaSheet as a raising course. Our predetermined boards have a fall of 25 – 10 mm.

| CODE | THICKNESS (MM) | SIZE (MM) |
|------|----------------|-----------|
| RST | 10-25 | 1000x1500 |



THERMANICHE WALL NICHES



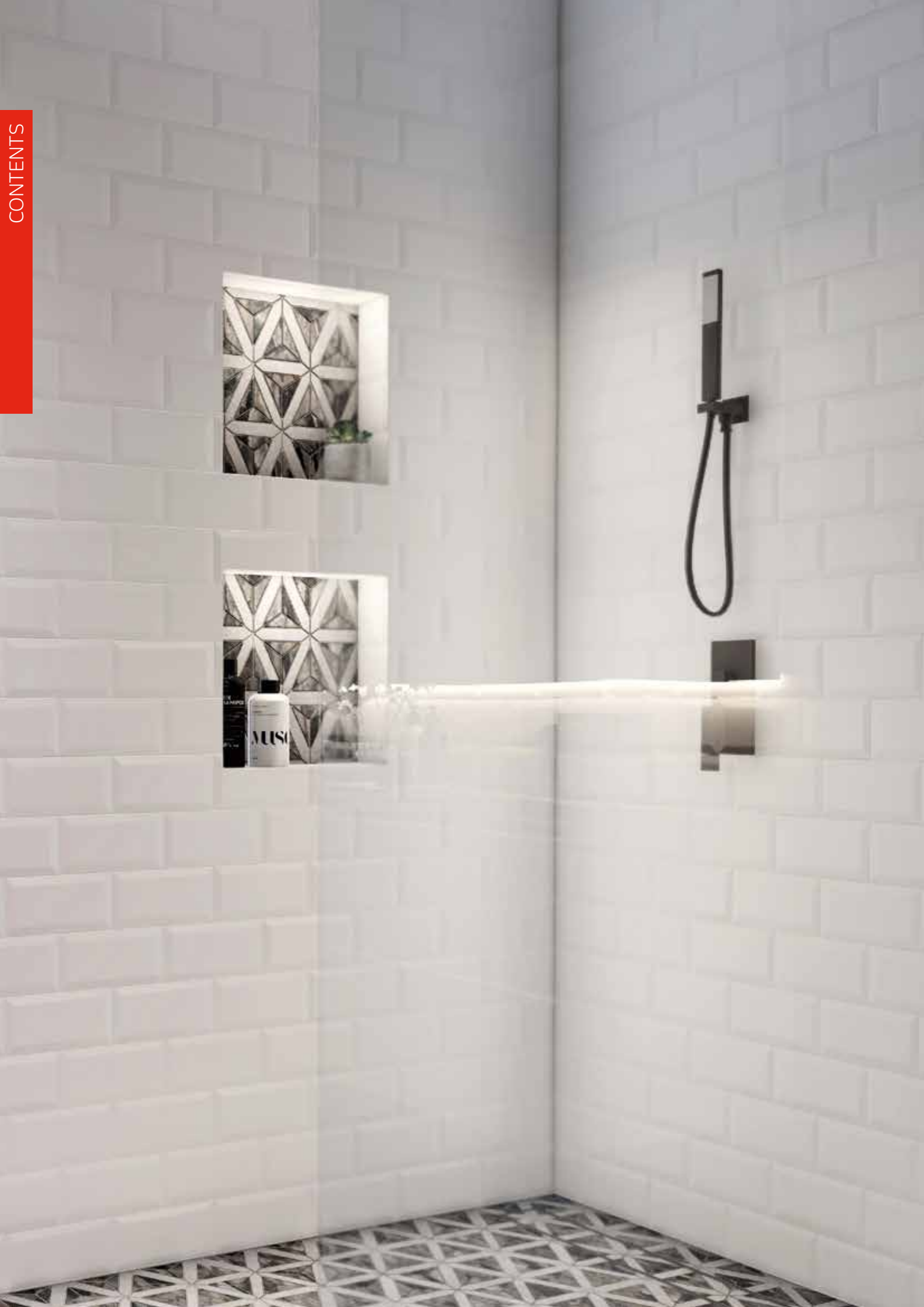
FEATURES

- Sold individually

Manufactured from a one-piece construction high density polystyrene core, with a liquid applied waterproof sealant that provides a ready-made waterproof substrate,

| CODE | | SIZE (MM) |
|-------------------|---|-------------------|
| RSN04 (90mm deep) | ■ | Internal 235x880 |
| RSN08 (70mm deep) | | External 260x905 |
| RSN01 (90mm) | ■ | Internal 325x325 |
| RSN05 (70mm) | | External 355x355 |
| RSN03 (90mm) | ■ | Internal 330x580 |
| RSN07 (70mm) | | External 355x605 |
| RSN02 (90mm) | ■ | Internal 340x400 |
| RSN06 (70mm) | | External 365x425 |
| RSN10 (90mm) | ■ | Internal 330x975 |
| | | External 355x1000 |
| RSN11 (90mm) | ■ | Internal 525x975 |
| | | External 550x1000 |







TOWEL RAILS

SHOWER GRATES

UNDERFLOOR HEATING

THERMASHEET + THERMANICHE

MIRROR DEMISTERS

OVERVIEW 80

MIRROR DEMISTERS: 240V 82

MIRROR DEMISTERS: 12V 82

Overview



- Developed and manufactured in the UK
- Simple to install and use
- Economical to run
- 10 year warranty
- Maintenance free
- IP44 rating
- Available in 9 stock sizes: 240V and 12V

HOW DOES THE RADIANT DEMISTER WORK?

When hot moist air makes contact with a cold surface (like a mirror), condensation forms immediately on that surface. The demister works by simply raising the surface temperature of the mirror sufficiently so that condensation doesn't form in the area that has been heated (typically increasing the surface temperature by 15-20 degrees C). The mirror will feel warm to the touch, but the increased temperature will cause no issue with the glass.

It usually only takes a couple of minutes for the demister to warm the mirror surface. By simply turning on the demister before taking a bath or shower, the mirror will remain mist free.

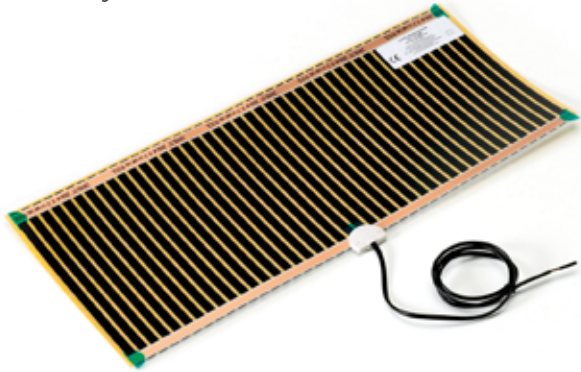
ARE THEY EASY TO INSTALL?

Radiant Demisters are very simple to install. They have a self-adhesive coating which simply sticks to the back of the mirror. Your electrician needs to make the connection to a switch and the mirror can then be hung or fixed to the wall in the usual way.

HOW DO I CHOOSE THE BEST SIZE FOR MY MIRROR?

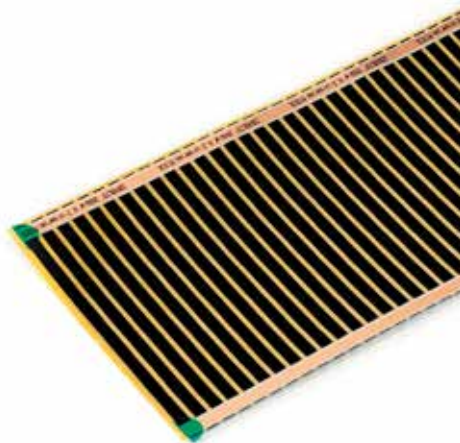
You need to select a demister size that is smaller than the mirror. For most people, demisting the main central area of the mirror is more than sufficient. For example, if your mirror is 1200mm wide x 800mm tall, the model RDM7040 at 1024mm x 524mm is ideal.

For very large mirrors, you can use two or more demister pads – in most cases, this is not necessary.





MIRROR DEMISTERS
240V

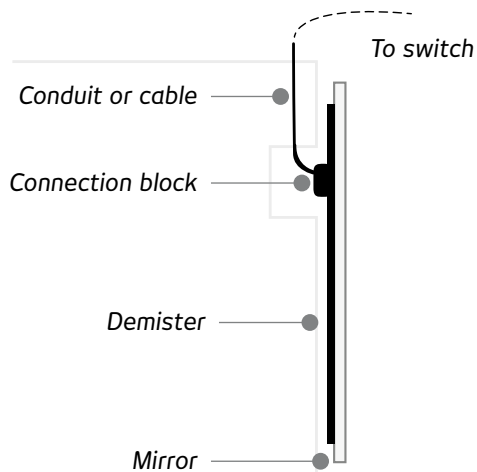
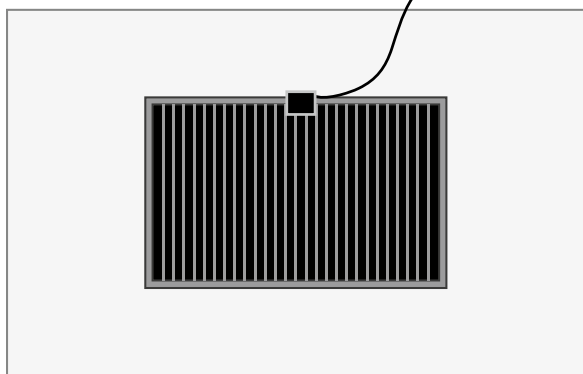


FEATURES

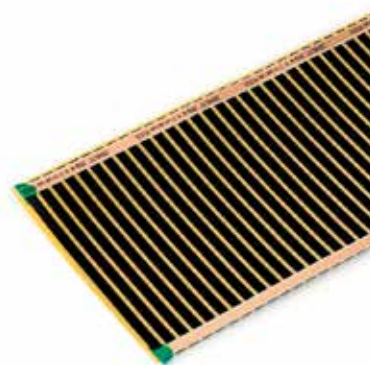
- Developed + manufactured in the UK
- Simple to install + use
- Economical to run
- 10 year warranty
- Maintenance free
- IP44 rating
- Available in 5 stock sizes

| CODE | SIZE (MM) | WATTS |
|---------|-----------|-------|
| RDM7020 | 574x274 | 28W |
| RDM7030 | 519x527 | 50W |
| RDM7035 | 790x524 | 77W |
| RDM7040 | 1004x524 | 100W |
| RDM7050 | 1506x524 | 150W |

Back of mirror Cord wired to switch



MIRROR CABINET
DEMISTERS 12V

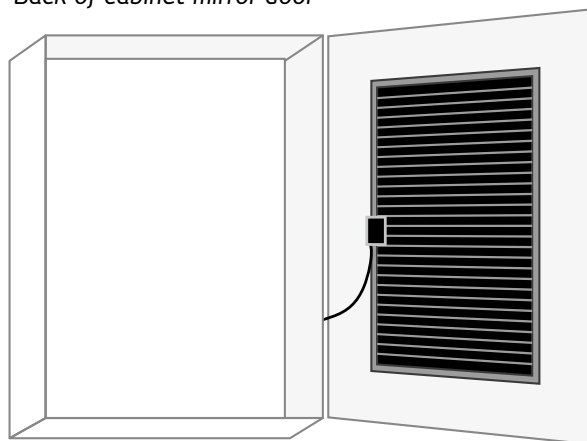


FEATURES

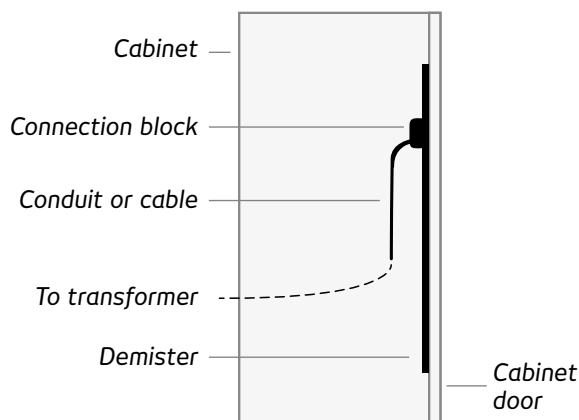
- Developed + manufactured in the UK
- Ideal for mirror cabinets
- Simple to install + use
- Economical to run
- 10 year warranty
- Maintenance free
- IP44 rating
- Available in 4 stock sizes

| CODE | SIZE (MM) | WATTS |
|-------------|--------------------------|-------|
| RDM7510-12V | 274x265 | 15W |
| RDM7520-12V | 574x274 | 25W |
| RDM7525-12V | 450x400 | 36W |
| RDM7533-12V | 800x300 | 48W |
| TTR300 | 12V 105 watt transformer | |

Back of cabinet mirror door



Cord wired to switch







VERSION 1



Radiant Australia Pty Ltd

Unit 1 / 18 Profit Pass
Wangara, WA 6065

Telephone: 08 9302 4140

Fax: 08 8490 2343

radiantaustralia.com.au

Direct dispatch from
our warehouses in
PERTH / SYDNEY / HOBART