



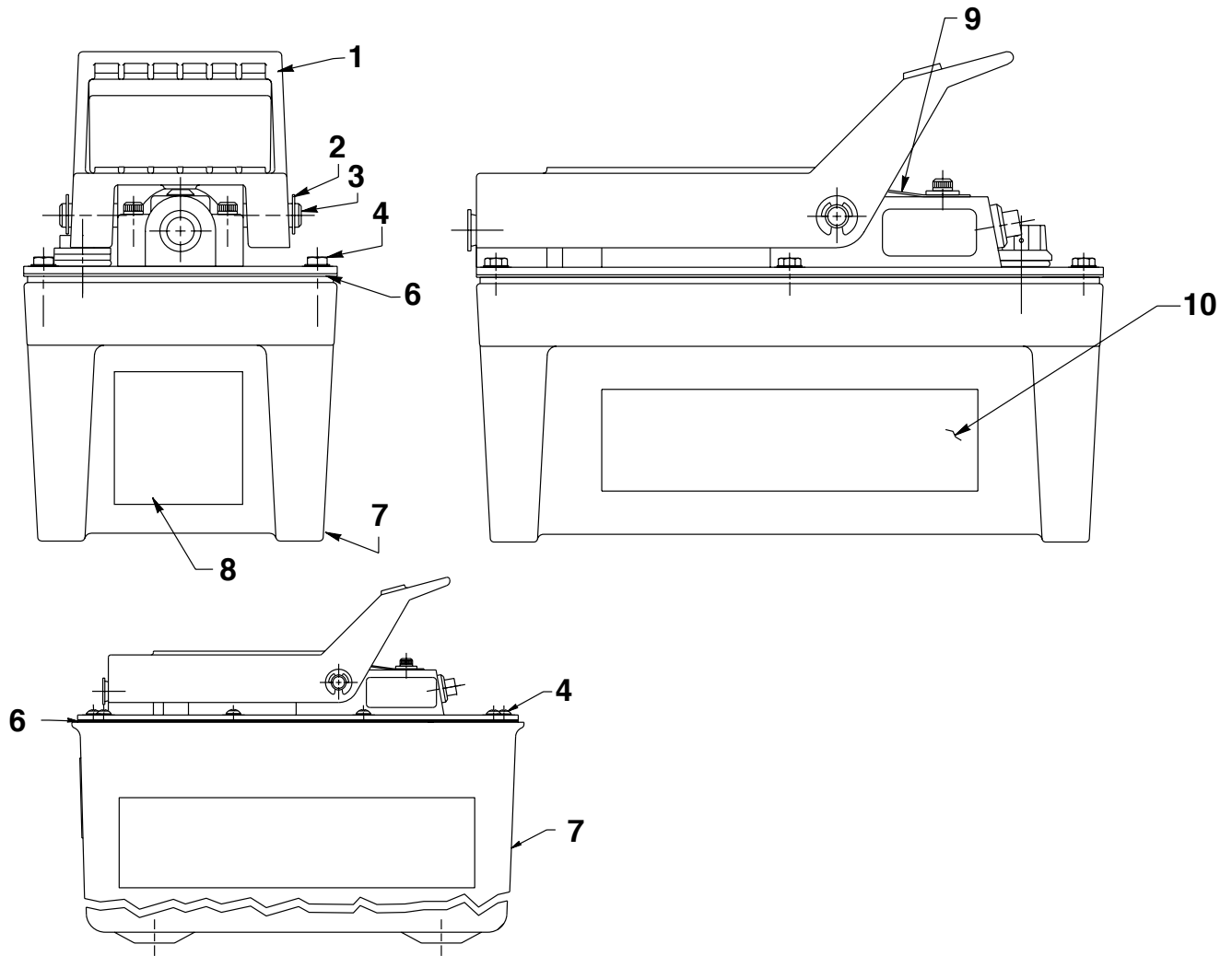
SPX Corporation
655 Eisenhower Drive
Owatonna, MN 55060-0995 USA
Phone: (507) 455-7000
Tech. Services: (800) 533-6127
Fax: (800) 955-8329
Order Entry: (800) 533-6127
Fax: (800) 283-8665
International Sales: (507) 455-7290
Fax: (507) 455-7063

Form No. 101695

Parts List for:

	4020C
203398	4022
4020	4025
4020AMH	4025C

MODEL F AIR HYDRAULIC PUMP



Two gallon reservoir.

Sheet No. 1 of 4

Rev. 9 Date: 3 April 2001

Parts List, Form No. 101695, Back sheet 1 of 4

Item No.	Part No.	No. Req'd	Description
1	41322	1	Foot Pedal
2	*11032	2	Retaining Ring (.30 X .035)
3	28386	1	Pin
4	211060	6	Screw (#9-15 X 1" Lg.; Torque to 25/35 in. lbs.; For 203398, 4020, 4020AMH & 4020C)
	215952	6	Screw (10-24 X 5/8; Self-Tapping; Torque to 25/35 in. lbs.; For 4025)
	252168	10	Screw (1/4-10 X 1; Torque to 35/45 in. lbs.; For 4022)
6	*33853	1	Reservoir Gasket (For all except 4022)
	*47409	1	Reservoir Gasket (For 4022)
7	61243	1	Reservoir (Plastic; For 203398, 4020, 4020AMH & 4020C)
	41300WH2	1	Reservoir (Metal; For 4025)
	61165	1	Reservoir (2 gal. plastic; For 4022)
8	*305494	1	Decal (For 203398, 4020AMH & 4022)
9	302466	1	Spring Clip (For all except 203398)
10	305495	1	Trade Name Decal (For 4020, 4020C & 4025)
	350126	2	Trade Name Decal (For 4022)

PARTS INCLUDED BUT NOT SHOWN

252168	4	Screw (1/4-10 X 1 Lg.; Torque to 35/45 in. lbs.; For pump mounting purposes only; For 4022)
---------------	---	---

Part numbers marked with an asterisk (*) are contained in a Repair Kit see back sheet 1 of 4 for individual repair kit information.

Refer to any operating instructions included with this product for detailed information about operation, testing, disassembly, reassembly, and preventive maintenance.

Items found in this parts list have been carefully tested and selected. **Therefore: Use only genuine replacement parts!**

Additional questions can be directed to our Technical Services Department.

REPAIR KITS

No. 300837

203398
4020AMH

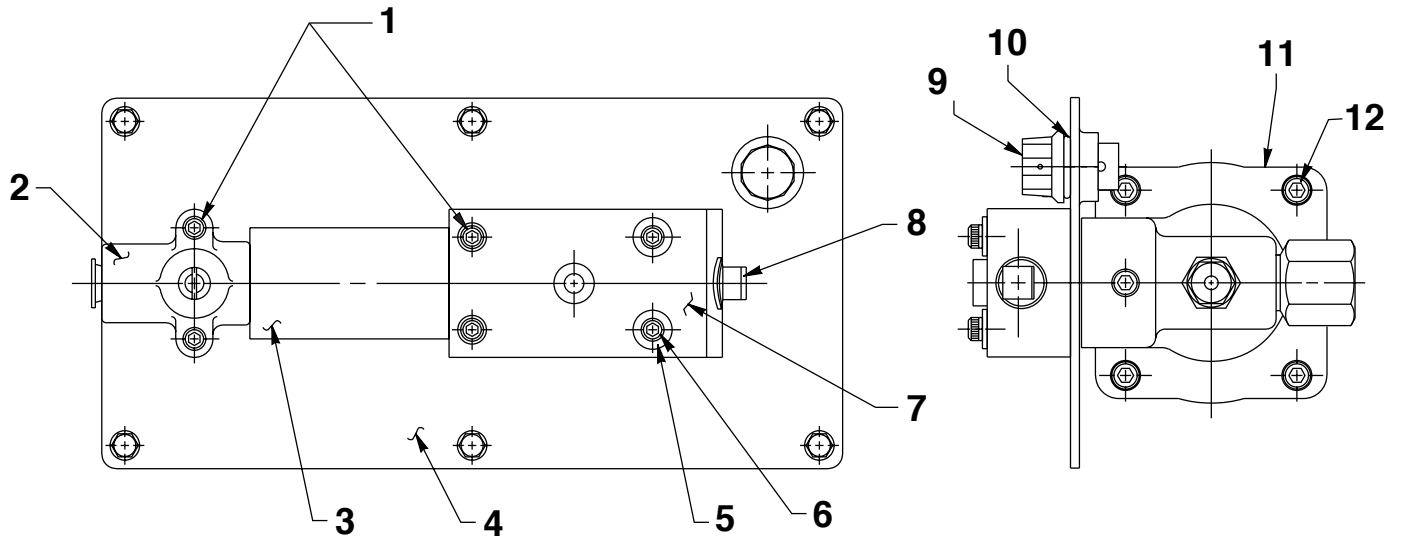
No. 300871

4020
4020C
4025

No. 300874

4022

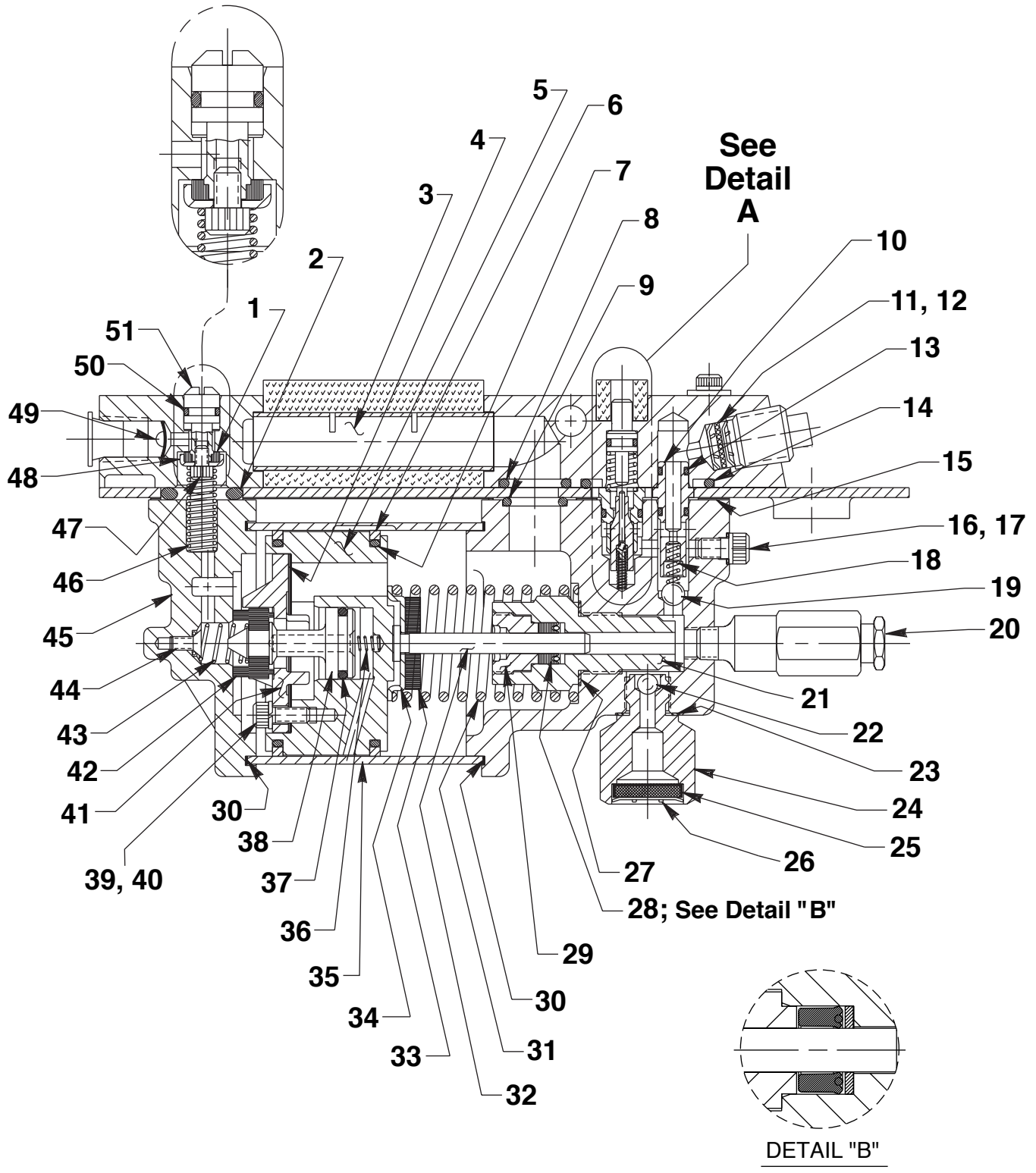
TOP & END VIEWS



Item No.	Part No.	No. Req'd	Description
1	11151	4	Cap Screw (10-24 X 1-14"; Torque to 50/60 in. lbs)
2	37199	1	Intake Air Valve Body
3	*29992	1	Foam Tube
4	420965BK2	1	Cover Plate (For all except 4022)
	58706BK2	1	Cover Plate (For 4022)
5	11089	2	Washer (.51 X .22)
6	11435	2	Soc. Hd. Cap Screw (10-24 UNC x 1-3/4" Lg.; Torque to 50/60 in. lbs.)
7	58563	1	Release Valve Body
8	11127	1	Pressure Plug (3/8 NPTF)
9	251689	1	Breather/Filler Cap
10	*10273	1	O-ring (.81 X .62)
11	64767	1	Pump Body
12	17428	4	Soc. Hd. Cap Screw (1/4-20 X 3-1/2 Torque to 85/95 in. lbs. oiled. Note: Cross torque in increments of 30 in. lbs.)

Part numbers marked with an asterisk (*) are contained in a Repair Kit see back sheet 1 of 1 for individual repair kit information.

BASIC PUMP ASSEMBLY



Item No.	Part No.	No. Req'd	Description	Item No.	Part No.	No. Req'd	Description
1	*28182	1	Air Valve Poppet	26	214586	1	Internal Retaining Ring (.63 x .015; For all reservoir sizes except 2 gal. reservoirs built after June 1, 1998)
2	*251717	1	O-ring (1.0 X .62)	27	*10263	1	Copper Washer (1.0 X .77)
3	28387	1	Muffler	28	*13934	1	U-cup & Backup
4	*28239	1	Gasket	29	*304295	1	Retainer (See "INSTRUCTIONS FOR RETAINER REPLACEMENT" on sheet 4 of 4.)
5	52390	1	Piston Body	30	*17429	2	Backup Washer (2.94 X 2.75)
6	*14265	2	Piston Ring (2.77 X 2.54)	31	*13938	1	Compression Spring (1.452 O.D. X 4.4)
7	*251835	2	O-ring (2-1/2" X 2-5/16" X 3/32; Nitrile)	32	28226	1	Piston (1/4")
8	*10276	1	O-ring (1.00 X .75)	33	203143	1	Bumper
9	*10272	1	O-ring (.75 X .56)	34	210994	1	Spring Guide
10	34378	1	Check Valve Body	35	37434	1	Air Cylinder (Note: Locate groove on upper half (top) of pump with chamfered tube end towards rear head as shown.)
11	*250638	1	Filter Disc	36	*12692	1	Compression Spring (.18 O.D. X 1.70)
12	*11088	2	Internal Retaining Ring (.31 X .010)	37	*211052	1	O-ring (.90 X .70)
13	*12522	2	O-ring (3/8 X 1/4 X 1/16; Urethane)	38	305475	1	Exhaust Valve Stem
14	*11841	1	O-ring (1.62 X 1.37)	39	*10241	3	Lockwasher (.33 X .20)
15	*351021	1	Gasket	40	211054	3	Screw (#10-24 X 1/2; Torque to 50/55 in. lbs.)
16	*10442	1	Washer (.37 X .25)	41	33822	1	Piston End Plate
17	10002	1	Cap Screw (1/4-20 X 3/8; Torque to 90/110 in. lbs.)	42	*28183	1	Piston Poppet
18	*10445	1	Compression Spring (.16 O.D. X .72)	43	*205679	1	Compression Spring (.49 O.D. X .92)
19	*10423	1	Steel Ball (9/32 Dia.)	44	*205674	1	Screw (8-32 X 3/8; Torque to 12/18 in. lbs.)
20	-----	-	Relief Valve (When ordering a replacement relief valve refer to stamped number on the outside of the relief valve. See note below. Apply loctite 592 [Power Team #905516] or equiv. & torque to 150/170 in. lbs.)	45	51480	1	Rear Head
21	45278	1	Piston Cylinder (Torque to 90/100 ft. lbs. oiled.)	46	12691	1	Compression Spring (.36 O.D. X 1.5)
22	*10375	1	Steel Ball (1/4 Dia.; For all except 4022)	47	13936	1	Soc. Hd. Cap Screw (8-32 X 1/4)
	*10423	1	Steel Ball (9/32 Dia.; For 4022)	48	28198	1	Seal Guide
23	*10261	1	Copper Washer (.75 X .60)	49	*216296	1	Filter Disc
24	308893	1	Filter Adapter (Torque to 40/50 ft. lbs. oiled.; For all except 4022)	50	*10267	1	O-ring (.43 X .31)
25	214578	1	Filter (For all reservoir sizes except 2 gal. reservoirs built after June 1, 1998)	51	33841	1	Actuator Button

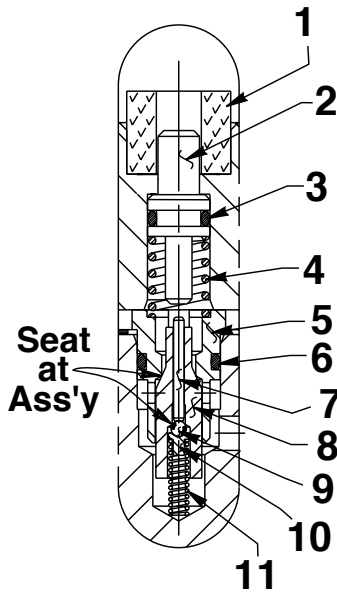
Part numbers marked with an asterisk (*) are contained in a Repair Kit see back sheet 1 of 4 for individual repair kit information.

NOTE:

**Standard relief valves are set at 10,100/10,700 PSI.
Relief valves pre-set at special settings are available.
Refer to your pump model number or contact OTC Technical Services.**

Note: Shaded areas reflect last revision(s) made to this form.

Detail "A"

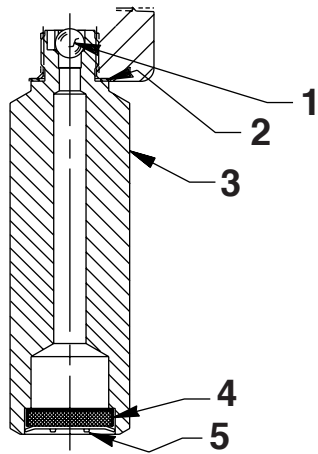


Item No.	Part No.	No. Req'd	Description
1	*206504	1	Foam Tube
2	28227	1	Release Valve Button
3	*10266	1	O-ring (3/8 X 1/4 X 1/16)
4	*13944	1	Compression Spring (3/8 O.D. X 1/2 Lg.)
5	34377	1	Poppet Retainer
6	*15279	1	O-ring (1/2 X 3/8 X 1/16)
7	13937	1	Dowel Pin (Note: Place tapered end toward ball.)
8	29037	1	Release Valve Poppet
9	*14443	1	Steel Ball (3/32 Dia.)
10	209736	1	Ball Retainer
11	*13959	1	Compression Spring (1/8 O.D. x 1/2 Lg.)

Part numbers marked with an asterisk (*) are contained in a Repair Kit see back sheet 1 of 4 for individual repair kit information.

FILTER ADAPTER ASSEMBLY BEFORE 6/1/98

For 2 Gallon Reservoirs Only

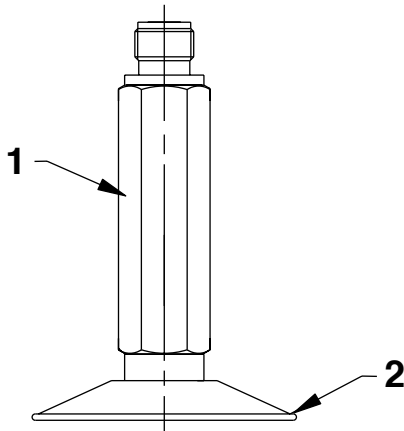


Item No.	Part No.	No. Req'd	Description
1	*10423	1	Ball (9/32 Dia.)
2	*10261	1	Special Washer (3/4 x 19/32 x 1/32)
3	48007	1	Filter Adapter (Torque to 40/50 ft. lbs. oiled.; For 4022)
4	214578	1	Filter
5	214586	1	Retaining Ring (.63 x .015)

Part numbers marked with an asterisk (*) are contained in a Repair Kit see sheet 1 of 4 for individual repair kit information.

FILTER ADAPTER ASSEMBLY AFTER 6/1/98

For 2 Gallon Reservoirs Only
(Reference Part Number 48007)



Item No.	Part No.	No. Req'd	Description
1	422016	1	Filter Adapter
2	29682	1	Filter

INSTRUCTIONS FOR RETAINER REPLACEMENT

Your pump's retainer is locked into place by one of the two following methods. Determine which method was used on your pump's retainer, then follow the appropriate steps to remove the old and install and stake the new.

Method 1 - Retainer shows no sign of stake marks

1. This retainer has been locked in place with a Loctite product. To replace it, a moderate amount of heat needs to be applied to the cylinder nut (in the area of the retainer) to soften the existing Loctite allowing it to be removed.
2. Install the new retainer into the cylinder nut and torque to 80/100 in. lbs. **Note: Do not use a Loctite product this time but stake the new retainer in place according to instructions in Step 3.**
3. To lock retainer into place, use a center punch positioned in the seam between the retainer and the cylinder nut and stake the new retainer in two places approximately 180° apart.

Method 2 - Retainer has two stake marks in the seam between the retainer and the cylinder nut

1. For replacement of this retainer, the stake marks must be removed. Using a 1/8" or larger diameter drill bit, remove the existing stakes by drilling a short distance into the stake marks. Remove the retainer.
2. Install the new retainer into the cylinder nut and torque to 80/100 in. lbs.
3. To lock retainer into place, use a center punch positioned in the seam between the retainer and the cylinder nut and stake the new retainer in two places approximately 180° apart.

NOTE: Do not stake in the old stake marks.

