



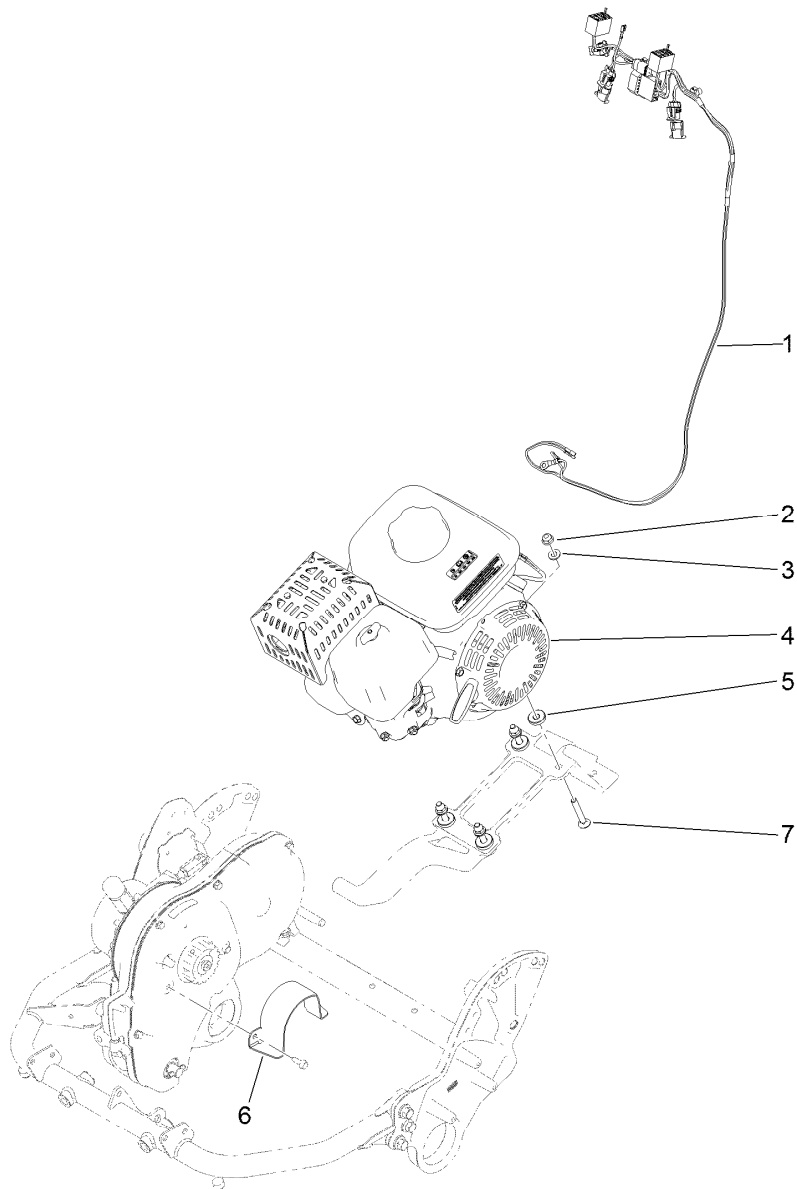
**Count on it.**

**Parts Catalog**

**Engine Conversion Kit  
Subaru Powered Walk-Behind  
Greensmaster® Flex™ 2100 or 2120  
Mower**

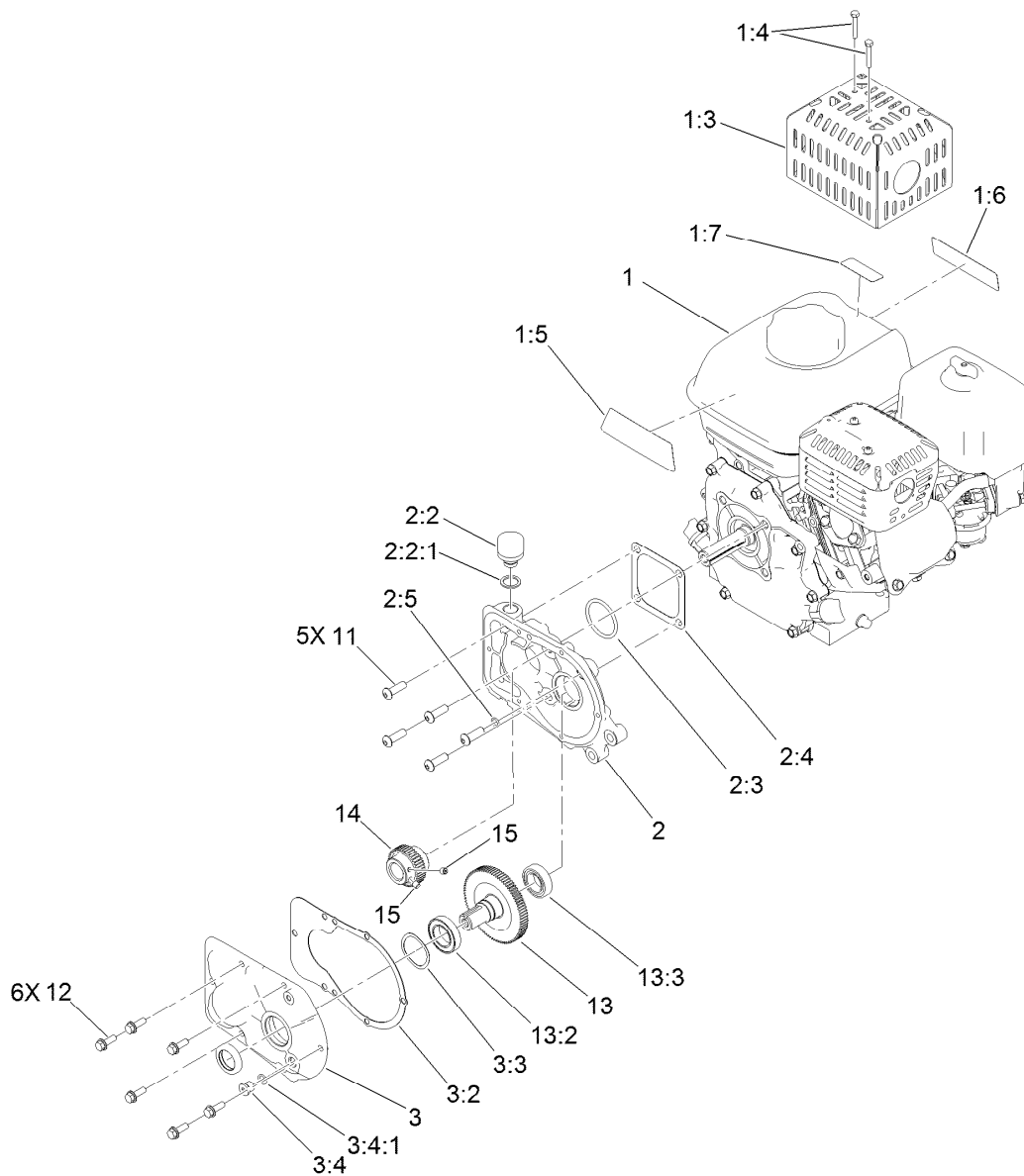
Model No. 139-5637





## Engine Conversion Kit Assembly No. 139-5637

<i>Ref.</i>	<i>Part Number</i>	<i>Qty.</i>	<i>Description</i>
1	122-1228	1	Harness-Wire
2	119-4041	4	Nut-HF
3	120-9683	4	Washer-Plain
4	138-2143	1	Engine/Gearbox ASM (Honda)
5	138-2126	4	Spacer
6	137-2381	1	Guard-Coupler
7	3230-7	4	Bolt-CARR



## Engine and Gearbox Assembly No. 138-2143

Ref.	Part Number	Qty.	Description	Ref.	Part Number	Qty.	Description
1	138-2118	1	Engine ASM (Honda) ●	3	138-2120	1	Cover ASM
1:3	138-2128-03	1	Guard-Muffler	3:2	136-7289	1	Gasket-Housing
1:4	87-5150	2	Screw-HH	3:3	136-7272	1	Spring-Wave
1:5	138-2138	1	Decal-Warning, Engine	3:4	353-990	1	Plug ASM
1:6	133-8062	1	Decal-Arrestor, Spark	3:4:1	237-78	1	O-Ring
1:7	130-8322	1	Decal-Warning, Ethanol	11	138-2123	5	Screw-HSBH
2	138-2119	1	Housing ASM	12	115-5103	6	Screw-HHF
2:2	133-2359	1	Breather-Vent, Nylon	13	138-2127	1	Output Shaft ASM
2:2:1	133-5659	1	Washer-Rubber	13:2	132-0745	1	Bearing
2:3	136-7265	1	O-Ring	13:3	136-7264	1	Bearing
2:4	136-7266	1	Gasket-Flange	14	136-7269	1	Gear, 42 Tooth
2:5	360-0107	1	O-Ring	15	3245-32	2	Screw-HSH

● Obtain parts from [www.honda-engines.com](http://www.honda-engines.com)



**Count on it.**