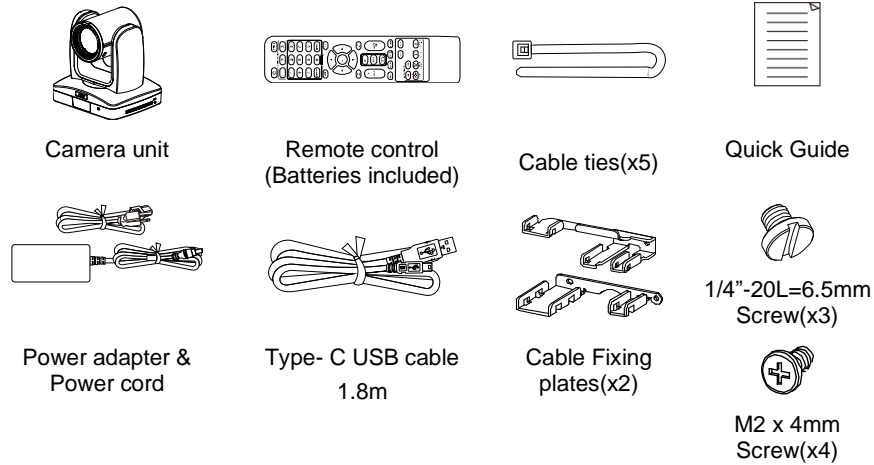


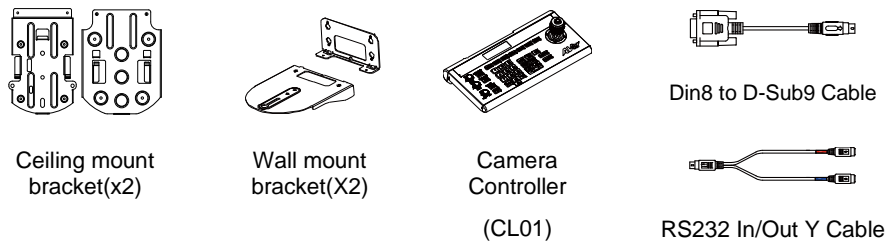
Professional Tracking Camera

TR310 Quick Start Guide

Package Contents



Optional accessory * For detail on optional accessories, consult your local dealer.

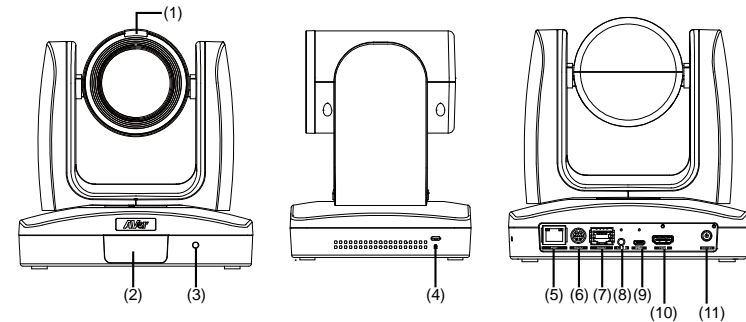


LED Indicator

LED	Status
Blue(Solid)	Normal Operation
Orange(Blinking)	Camera Initialization
Orange (Solid)	Standby
Red (Blinking)	FW Updating
Blue (Blinking)	Tracking is on

P/N: 300AS910-EF4

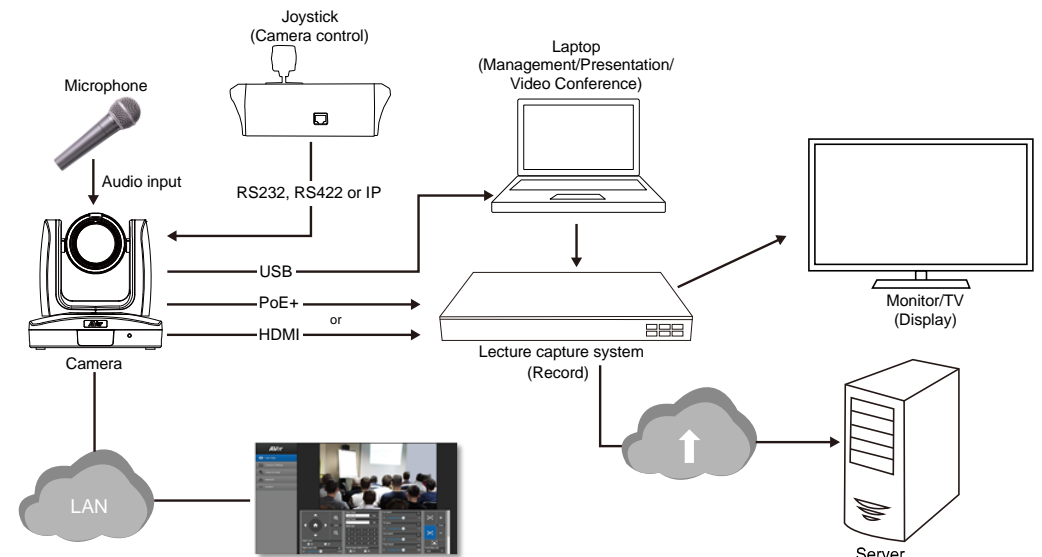
Overview



- (1) Tally Lamp*
- (2) IR Sensor
- (3) Power Indicator
- (4) Kensington Lock
- (5) PoE+ IEEE 802.3at
- (6) RS232 Port
- (7) RS422 Port
- (8) Audio In
- (9) USB 3.0 Port (Type C)
- (10) HDMI Port
- (11) DC Power Jack

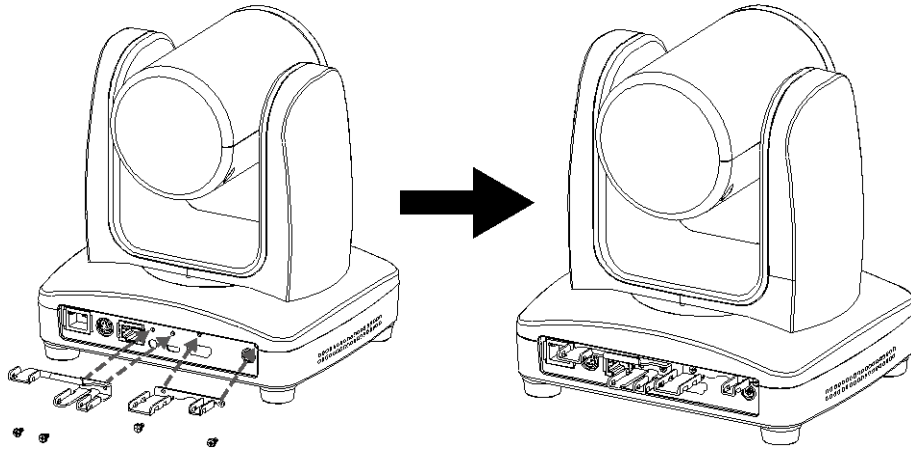
* This feature is not supported on the TR310.

Connections

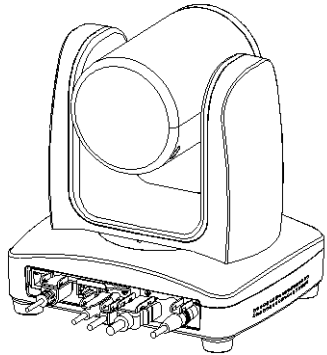


Install Cable Fixing Plate

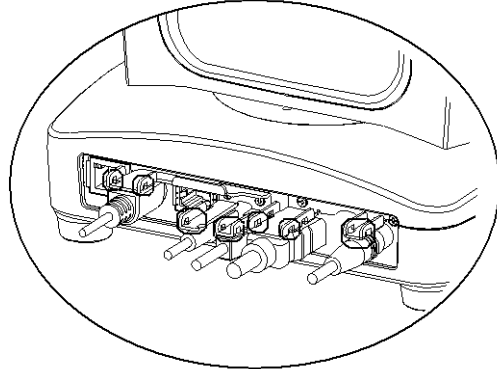
- ① Secure the cable fixing plate to the camera with screws.



- ② Plug-in cables.

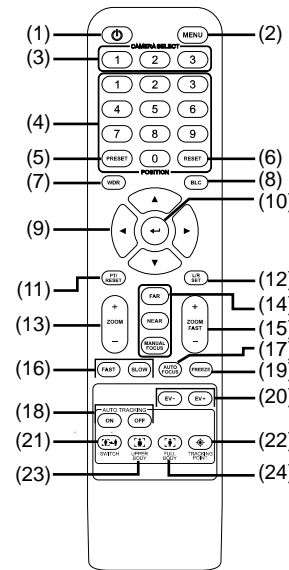


- ③ Using cable ties to secure the cable and cable fixing plate.



Remote Control

The remote controller requires two (2) "AAA" size batteries, make sure batteries are installed properly before use.

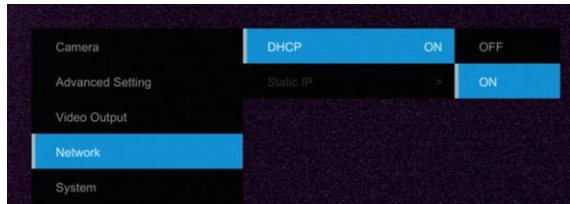


Name	Function
(1) Power	Turn the unit on/standby.
(2) Menu	Open and exit the OSD menu.
(3) Camera Select	CAM1 to CAM3 button Selects a camera to operate.
(4) Numeric Pad	<ul style="list-style-type: none"> ■ Use for setting the preset position 0~9. ■ Press number button (0~9) to move the camera to pre-configure preset position 0~9.
(5) Preset	Press "Preset" + "Number button (0~9)" to set the preset position.
(6) Reset	Press "Reset" + "Number button (0~9)" to cancel pre-configure preset position.
(7) WDR	Turn on/off WDR function.
(8) BLC	Turn on/off backlight compensation
(9) ▲, ▼, ◀, & ▶	Pan and tilt the camera.
(10) Enter	When open the OSD menu and Confirm the selection or make a selection in OSD menu.
(11) PT Reset	Reset the Pan-Tilt position.
(12) L/R DIR	Left and right orientation setting. - Press "L/R DIR" + "#1" button to reset setting. - Press "L/R DIR" + "#2" button to move to opposite direction.
(13) Zoom +/-	Zoom in/out slow.
(14) MF/Far/Near	Enable manual focus. Use Far/Near to adjust the focus.
(15) Zoom Fast +/-	Zoom in/out fast.
(16) Pan-tilt Fast/Slow	Pan-Tilt speed adjustment.
(17) AF	Auto focus.
(18) Auto Tracking	Auto Tracking on/off.
(19) Freeze	Freeze the live image
(20) EV +/-	EV level adjustment.
(21) Switch	Change presenter.
(22) Tracking Point	When presenter enters this area, the camera will start tracking.
(22) Tracking Point *	When pressing and holding this button for 3 seconds or more, it will switch the tracking mode between "Presenter" vs "Zone".
(23) Upper Body	Presenter's size on screen is upper body.
(24) Full Body	Full body Presenter's size on screen is Full body.

Setup Tracking Point

Setup a tracking point as a start point of auto tracking. In general, the tracking point is set at the position of the speaker. When the camera detects a person at the tracking point it will start to track that person. Also, when tracking is lost, the camera will revert back to the tracking point after a few seconds.

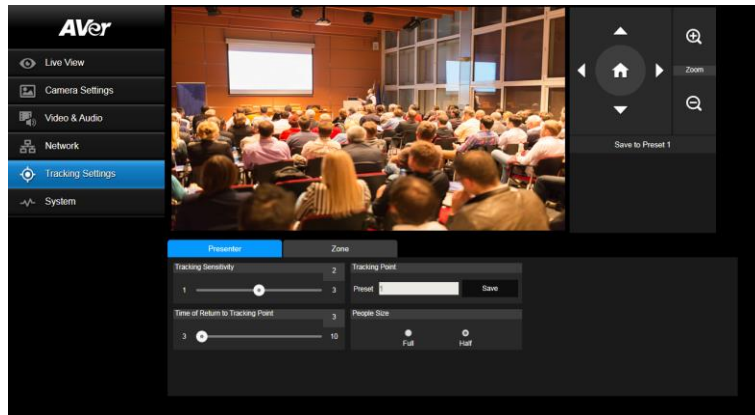
1. Press **MENU** button on remote control to call out the OSD menu.
2. Go to **Network > DHCP > On**. Then, go to **System > Information** to check IP address of the camera.



3. Next, open the browser on your PC/laptop, enter the IP address of the camera and connect to camera (Default login account and password are **admin/admin**). User should see the camera Web UI.



4. Select **Tracking Settings > Presenter**. Use **▲**, **▼**, **◀**, **▶**, **+** and **-** to set the camera position, then, select **Save to Preset 1** to save the tracking point. For more detail setting of tracking, please refer to user manual.



Getting Started

Please visit the following link to learn more about the camera before using it:

<https://averusa.com/education/support/tr310>

You can find guided video tours like the ones listed below.

Guided Tour



AVer TR310/311/311HN/313/333
Advanced Configuration



Getting Started with the AVer TR310
Distance Learning Tracking Camera



Webinar: Connecting Remote Students to
the Classroom with TR310

You can also find new Firmware, Software, Frequently asked questions and the User manual as well as a host of guides in the respective tabs below:

Video

Download

Firmware

Knowledge Base

To access more help, please submit a trouble shooting tickets here:

<https://averusa.force.com/support/s/contactsupport>

Federal Communication Commission Interference Statement

NOTE: This equipment has been tested and found to comply with the limits for a Class A digital device, pursuant to part 15 of the FCC Rules. These limits are designed to provide reasonable protection against harmful interference when the equipment is operated in a commercial environment. This equipment generates, uses, and can radiate radiofrequency energy and, if not installed and used in accordance with the instruction manual, may cause harmful interference to radio communications. Operation of this equipment in a residential area is likely to cause harmful interference in which case the user will be required to correct the interference at his own expense.

FCC Caution: Any changes or modifications not expressly approved by the party responsible for compliance could void the user's authority to operate this equipment.

This device complies with part 15 of the FCC Rules.

The Operation is subject to the following two conditions:

- (1) This device may not cause harmful interference, and
- (2) this device must accept any interference received, including interference that may cause undesired operation.

Warning: This is a class A product. In a domestic environment this product may cause radio interference in which case the user may be required to take adequate measures.

Caution

- Risk of explosion if battery is replaced by an incorrect type.
- Dispose of used batteries in a safe and proper manner.

©2020 AVer Information Inc. All rights reserved.

All rights of this object belong to AVer Information Inc. Reproduced or transmitted in any form or by any means without the prior written permission of AVer Information Inc. is prohibited. All information or specifications are subject to change without prior notice.

Contract Information**USA**

AVer Information Inc.

668 Mission Ct.

Fremont, CA 94539

www.averusa.com

Toll-free: 1(877)528-7824

Local: 1(408)263-3828

Support.usa@aver.com