

ACCELERATE®



Accelerate® 120° Degree Workstations shown with Contain® and Voi®.

ACCELERATE®

You know how quickly business can change. You have to be nimble. Adaptable. And you need an office space that can keep pace. That's Accelerate — a complete office system that maximizes style and comfort while minimizing startup time and costs. Trim, clean and modern, Accelerate's streamlined product line makes planning simple and ordering a breeze. So you can move at the speed your business needs.



FEATURES

- Customize your spaces! Add fabric stackers for height and privacy, or glass stackers to let the light in.
- Accelerate's crisp details have been designed to meet today's contemporary aesthetic. Clean. Minimal. Beautiful.
- Accelerate panels are compatible with other HON products, like Abode desks, Contain storage and more.
- The interchangeable components allow you to customize your space with a clean, contemporary look — and change your mind without changing your furniture.

ACCELERATE® ORDERING INFORMATION

WORKSURFACES, COUNTERTOPS, CORNER SHELVES W/EDGE BAND

L1 LAMINATES CODES

Woodgrain

◆ Bourbon Cherry	H
◆ Cognac	COGN
◆ Florence Walnut	LFW1
◆ Harvest	C
◆ Kingswood Walnut	LK11
◆ Mahogany	N
◆ Mocha	MOCH
◆ Natural Maple	D
◆ Pinnacle	PINC
◆ Shaker Cherry	F
◆ Sterling Ash	LSA1

Solid

◆ Black	P
◆ Charcoal	S
◆ Designer White	LDW1
◆ Loft	LOFT

Patterned

◆ Sheer Mesh	A5
◆ Silver Mesh	B9
◆ Steel Mesh	A9
◆ Canyon Zephyr	K9
◆ Desert Zephyr	K8
◆ Shadow Zephyr	K1
◆ Gray	G2
◆ Grey Tigris	L6
◆ White	G1
◆ Whitestone	K4

L2 LAMINATES CODES

Woodgrain

◆ Lowell Ash	LLA1
◆ Natural Recon	LNR1
◆ Phantom Ecru	LPE1
◆ Portico Teak	LPT1
◆ Skyline Walnut	LSW1

(Door panels not available in L2)

WORKSURFACE EDGE BAND

◆ Black	P
◆ Bourbon Cherry	H
◆ Charcoal	S
◆ Cognac	COGN
◆ Designer White	DW
◆ Florence Walnut	FW
◆ Greige	R
◆ Harvest	C
◆ Kingswood Walnut	KI
◆ Light Gray	Q
◆ Loft	LOFT
◆ Lowell Ash	DL
◆ Mahogany	N
◆ Mocha	MOCH
◆ Muslin	T
◆ Natural Maple	D
◆ Natural Recon	NR
◆ Phantom Ecru	PE
◆ Pinnacle	PINC
◆ Platinum	K
◆ Portico Teak	DP
◆ Shadow	SHDW
◆ Shaker Cherry	F
◆ Skyline Walnut	SW
◆ Sterling Ash	SA

WORKSURFACE GROMMET

◆ Black	P
◆ Brownstone	EY
◆ Charcoal	S
◆ Fossil	EH
◆ Greige	T5
◆ Light Gray	Q
◆ Loft	LOFT
◆ Muslin	T3
◆ Shadow	SHDW
◆ Titanium	T1
◆ Designer White	DW
◆ Champagne Metallic	T4
◆ Platinum Metallic	T1

FRAMES, TRIM, METAL TILES, CUSTOM BRACKET KIT, WORKSURFACE SUPPORTS, STEEL OVERHEAD STORAGE CHASSIS

PAINT CODES

◆ Black	P
◆ Brownstone	P7D
◆ Charcoal	S
◆ Designer White	PJW
◆ Fossil	P28
◆ Greige	T5
◆ Light Gray	Q
◆ Loft	LOFT
◆ Muslin	T3
◆ Putty	L
◆ Shadow	SHDW
◆ Titanium	P8T

◆ Champagne Metallic	T4
◆ Platinum Metallic	T1
◆ Silver	PR6
◆ Solar Black	P8X

DUPLEX/PORTED TILE

PLASTIC CODES

◆ Black	P
◆ Brownstone	P7D
◆ Charcoal	S
◆ Designer White	DW
◆ Loft	LOFT
◆ Muslin	T3
◆ Titanium	TI

Recommendations

Paint	Duplex-Data Code
Black P	Black P
Brownstone P7D	Brownstone EY
Charcoal S	Charcoal S
Designer White PJW	Designer White DW
Fossil P28	Charcoal S
Greige T5	Muslin T3
Light Gray Q	Loft LOFT
Loft LOFT	Loft LOFT
Muslin T3	Muslin T3
Putty L	Black P
Shadow SHDW	Muslin T3
Silver PR6	Titanium T1
Titanium P8T	Titanium T1
Champagne Metallic T4	Muslin T3
Platinum Metallic T1	Titanium T1

► LAMINATE TOPS

SPECIFY: Model Number.
Laminate.
Edge Color.
Grommet Color
EXAMPLE: HWR2424P.K8.R.T5

► PANELS

SPECIFY: Model Number.
Fabric
Paint
EXAMPLE: HETP3520FP.APN11.S

► CONNECTORS

SPECIFY: Model Number.
Paint
EXAMPLE: HEC35PS.T3

◆◆◆ For lead time information see page 19.

* De-emphasized

Replacement Duplex Receptacle Covers are made from a polymer material and are available in the following colors only:

Black	P
Muslin	T3
Shadow	SHDW

ACCELERATE[®] FABRIC PATTERNS & CODES

PRICE CODE AA

FACTOR	FACT
◆ Bark	FACT20
◆ Barley	FACT15
◆ Cascade	FACT25
◆ Feather	FACT30

PRICE CODE A

APPOINT	APN
◆ Artichoke	APN11
◆ Blackberry	APN32
◆ Bronze	APN22
◆ Carbon	APN28
◆ Chai	APN12
◆ Cherry	APN30
◆ Dark Pewter	APN17
◆ Dune	APN15
◆ Espresso	APN23
◆ Framboise	APN31
◆ Frost	APN34
◆ Jet	APN27
◆ Lawn	APN25
◆ Mandarin	APN29
◆ Morel	APN09
◆ Nimbus	APN16
◆ Platinum	APN24
◆ Turquoise	APN26

CENTURION CU

◆ Apricot	CU47
◆ Bark	CU25
◆ Black	CU10
◆ Espresso	CU49
◆ Fog	CU03
◆ Frost	CU22
◆ Goldenrod	CU27
◆ Indigo	CU06
◆ Iris	CU50
◆ Iron Ore	CU19
◆ Jade	CU83
◆ Marsala	CU63
◆ Morel	CU24
◆ Navy	CU98
◆ Peacock	CU97
◆ Pear	CU84
◆ Ruby	CU67
◆ Sapphire	CU09

PRICE CODE A *continued*

ETCH*	ECH
◆ Axis	ECH13
◆ Blend	ECH14
◆ Cast	ECH12
◆ Highlight	ECH10
◆ Midtone	ECH11
◆ Outline	ECH08
◆ Shade	ECH09
◆ Tonal	ECH16
◆ Vanish	ECH15

EXCHANGE* EXG

◆ Iron	EXG916
◆ Nickel	EXG914
◆ Pistachio	EXG910
◆ Root	EXG913
◆ Rupee	EXG903
◆ Shadow	EXG911
◆ Silver	EXG915
◆ Sisal	EXG917
◆ Stone	EXG912

LANDSCAPE* LN

◆ Azure	LN55
◆ Cornsilk	LN15
◆ Drift	LN05
◆ Khaki	LN20
◆ Sheen	LN10
◆ Slate	LN35
◆ Umber	LN25
◆ Urban	LN30

LUCY* LC

◆ Aspen	LC32
◆ Cornsilk	LC30
◆ Dusk	LC22
◆ Fawn	LC33
◆ Graphite	LC34
◆ Mist	LC20
◆ Neutra	LC24
◆ Pewter	LC35
◆ Snowdrop	LC28

PRICE CODE A *continued*

REFLECTIONS*	REF
◆ Galvanized	REF29
◆ Ice	REF20
◆ Loggia	REF21
◆ Mistral	REF28
◆ Moonstone	REF23
◆ Pewter	REF22
◆ Stainless	REF24
◆ Vanilla	REF25
◆ Winter	REF27

REFUGE* RFG

◆ Artesian	RFG96
◆ Dune	RFG92
◆ Eclipse	RFG90
◆ Frost	RFG93
◆ Glacier	RFG91
◆ Mineral	RFG98
◆ Tidal	RFG94

SARTO* SRT

◆ Ash	SRT88
◆ Fog	SRT14
◆ Lemongrass	SRT49
◆ Mist	SRT45
◆ Mushroom	SRT76
◆ Oyster	SRT18
◆ Reef	SRT64
◆ Sesame	SRT93
◆ Shale	SRT52

TEMPEST* TP

◆ Dragonfly	TP30
◆ Frost	TP15
◆ Full Stream	TP80
◆ Gold Rush	TP10
◆ Slate	TP45
◆ Tumbleweed	TP70
◆ Wind Chill	TP40
◆ Zebra	TP35

NOTES: Centurion fabric not available on panels that exceed a width and height of 54".

Analog, Disperse, and Exchange panel fabrics will be applied pattern cut. Disperse will not be available on 72"W panels.

◆◆◆ For lead time information see page 19.

* Directional fabrics

ACCELERATE[®] FABRIC PATTERNS & CODES

PRICE CODE B		PRICE CODE B <i>continued</i>		PRICE CODE B <i>continued</i>		PRICE CODE B <i>continued</i>	
DISPERSE*	DISP	MICA*	MCA	SPIN*	SPIN	TERRAIN*	TRRN
◆ Autumn	DISP03	◆ Anthracite	MCA11	◆ Alabaster	SPIN02	◆ Bay	TRRN05
◆ Branch	DISP10	◆ Breeze	MCA18	◆ Cavern	SPIN03	◆ Bayou	TRRN35
◆ Coffee Bean	DISP13	◆ Bronze	MCA13	◆ Cobblestone	SPIN04	◆ Canyon	TRRN30
◆ Dusk	DISP09	◆ Buff	MCA14	◆ Ember	SPIN06	◆ Cliff	TRRN45
◆ Emerald City	DISP08	◆ Cremini	MCA17	◆ Flame	SPIN07	◆ Crest	TRRN25
◆ Gold Rush	DISP02	◆ Crystal	MCAWIT	◆ Heron	SPIN13	◆ Delta	TRRN10
◆ Igloo	DISP11	◆ Dew	MCA20	◆ Oat	SPIN01	◆ Plateau	TRRN15
◆ Ink	DISP06	◆ Dove	MCA12	◆ Ocean	SPIN12	◆ Ridge	TRRN20
◆ Mist	DISP12	◆ Fresh	MCA16	◆ Plum	SPIN15	◆ Valley	TRRN40
◆ Oatmeal	DISP15	◆ Mineral	MCA15	◆ Pool	SPIN11		
◆ Prince	DISP07	◆ Nectar	MCA19	◆ Raven	SPIN10		
◆ Reservoir	DISP01	◆ Shale	MCA10	◆ Rhubarb	SPIN14		
◆ Rose	DISP04			◆ Tropic	SPIN08		
◆ Spring	DISP05			◆ Willow	SPIN05		
◆ Steel	DISP16						
◆ Taupe	DISP14						

NOTES: Disperse and Exchange panel fabrics will be applied pattern cut. Disperse will not be available on 72"W panels.

◆◆◆ For lead time information see page 19.

* Directional fabrics

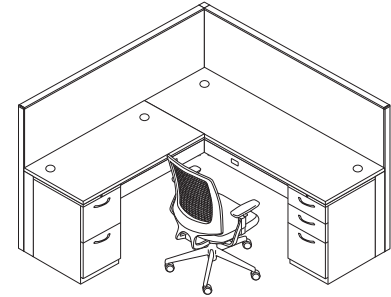
ACCELERATE® Typicals



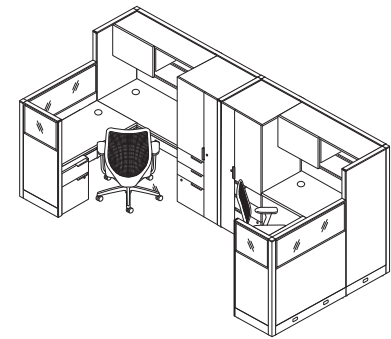
Icon Legend on page 19

WORKSTATIONS

QTY	DESCRIPTION	MODEL	FABRIC GRADE	LIST PRICE	PRICE EXTENSION
2	Accelerate® Top Cap 72"W	HETC72		\$100	\$200
2	Tackable Panel 50"H x 72"W	HETP5072FP		\$572	\$1,144
1	"L" Connector 50"H	HEC50PL		\$141	\$141
2	Panel Finished End Covers 50"H	HEFEC50P		\$56	\$112
2	Electrical Power Harness Panels w/Duplex Capacity	HH871272		\$214	\$428
1	Duplex Receptacle Circuit 1 3-1 & 2-2	HH871501		\$43	\$43
1	Duplex Receptacle Circuit 4 3-1 & 2-2	HH871504		\$43	\$43
1	Base In-Feed Cable Base 3-1 & 2-2	HH879072		\$227	\$227
1	Rectangular Worksurface 24"D x 48"W	HWR2448P		\$404	\$404
1	Rectangular Worksurface 24"D x 72"W	HWR2472P		\$529	\$529
1	24"D Cantilever - One Pair	HCTL242		\$84	\$84
1	Flat Bracket 24"D	HHN831124		\$64	\$64
1	External Stiffener 48"W	HLSL255C60		\$98	\$98
1	Flagship® Series Freestanding Pedestal "A" Pull B/B 15"W x 22 7/8"D x 28"H	H19723A		\$719	\$719
1	Flagship® Series Freestanding Pedestal "A" Pull F/F 15"W x 22 7/8"D x 28"H	H19823A		\$712	\$712
1	Pedestal-to-Panel Bracket, Left	HPD2PNBRK2L		\$107	\$107
1	Pedestal-to-Panel Bracket, Right	HPD2PNBRK2R		\$107	\$107
1	Lota® Mid-Back Chair	H2281	1	\$753	\$753
				TOTAL:	\$5,915



QTY	DESCRIPTION	MODEL	FABRIC GRADE	LIST PRICE	PRICE EXTENSION
2	Tackable Top-Tier Glass Panel 50"H x 20"W	HETP5020DP		\$500	\$1,000
2	Tackable Top-Tier Glass Panel 50"H x 42"W	HETP5042DP		\$592	\$1,184
5	Tackable Panel 65"H x 24"W	HETP6524FP		\$351	\$1,755
2	Tackable Panel 65"H x 48"W	HETP6548FP		\$450	\$900
2	Accelerate® Top Cap 72"W	HETC72		\$100	\$200
3	Accelerate® Top Cap 24"W	HETC24		\$36	\$108
2	Accelerate® Top Cap 20"W	HETC20		\$36	\$72
2	Accelerate® Top Cap 42"W	HETC42		\$59	\$118
4	Worksurface Bracket Kits	HWSB2		\$46	\$184
2	Flat Bracket 24"D	HHN831124		\$64	\$128
2	Straight Connector Kits	HSCKTPS		\$19	\$38
2	"L" Connector 50"H	HEC50PL		\$141	\$282
2	"L" Connector 65"H	HEC65PL		\$155	\$310
1	"T" Connector 65"H	HEC65PT		\$155	\$155
2	Panel Finished End Covers 50"H	HEFEC50P		\$56	\$112
1	Panel Finished End Covers 65"H	HEFEC65P		\$63	\$63
2	In-line Variable Height Finishing Kit 15"W	HEVHF15P		\$55	\$110
2	Electrical Power Harness 3-1 & 2-2 48"W	HH871248		\$214	\$428
1	Electrical Pass-Thru w/o Power Block 3-1 & 2-2 48"W	HH871048		\$123	\$123
1	Base In-Feed Cable Base 3-1 & 2-2	HH879072		\$227	\$227
1	Duplex Receptacle Circuit 1 3-1 & 2-2	HH871501		\$43	\$43
1	Duplex Receptacle Circuit 2 3-1 & 2-2	HH871502		\$43	\$43
1	Duplex Receptacle Circuit 4 3-1 & 2-2	HH871504		\$43	\$43
1	Duplex Receptacle Circuit 1 3-1 & 2-2	HH871506		\$43	\$43
2	Rectangular Worksurface 18"D x 42"W	HWR1842P		\$333	\$666
2	Rectangular Worksurface 24"D x 48"W	HWR2448P		\$404	\$808
2	Worksurface to Tower Bracket Kits	HSTB2W1		\$76	\$152
2	Stack-on Storage w/Sliding Doors 14 1/4"D x 48"W x 13"H	HLSL1448S		\$1,078	\$2,156
2	Voi® for Systems Stack-on Storage Panel Mounted Bracket	HLSLPMB		\$131	\$262
2	Voi® Mobile Pedestal 15 3/4"W x 21 1/16"D x 21 1/16"H	HLSL2016MP2	1	\$794	\$1,588
2	Voi® Pedestal Cushion	HLSL2016PH2	2	\$333	\$666
1	Voi® Personal Storage Tower (LH) 24"D x 24"W x 65"H	HLSLW446LP		\$2,609	\$2,609
1	Voi® Personal Storage Tower (RH) 24"D x 24"W x 65"H	HLSLW446RP		\$2,609	\$2,609
2	Nucleus® 4-Way Stretch Back Work Chair	HN1	1	\$856	\$1,712
				TOTAL:	\$20,897





Icon Legend on page 19

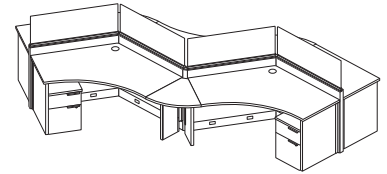
ACCELERATE® Typicals

WORKSTATIONS

QTY	DESCRIPTION	MODEL	FABRIC GRADE	LIST PRICE	PRICE EXTENSION
1	In-Line Connector	HCKTTPS		\$19	\$19
2	Tackable Panel 42½"H x 24"W	HETP4224FP		\$290	\$580
2	Tackable Panel 42½"H x 60"W	HETP4260FP		\$406	\$812
2	Accelerate® Top Cap 60"W	HETC60		\$81	\$162
2	Accelerate® Top Cap 24"W	HETC24		\$36	\$72
4	Accelerate® Countertop Kit	HECB42		\$51	\$204
2	Worksurface Bracket Kit	HWSB2		\$46	\$92
1	Universal Support Leg 24"D	HRVCLG24		\$197	\$197
2	"L" Connector 42½"H	HEC42PL		\$123	\$246
2	Panel Finished End Covers 42½"H	HEFEC42P		\$52	\$104
1	Base In-Feed Cable Base 3-1 & 2-2	HH879072		\$227	\$227
1	Electrical Pass-Thru Cable w/Duplex For 24"W Panel	HH871124		\$128	\$128
2	Electrical Power Harness 3-1 & 2-2 60"W	HH871260		\$214	\$428
2	Duplex Receptacle Circuit 4 3-1 & 2-2	HH871504		\$43	\$86
2	Rectangular Worksurface 24"D x 60"W	HWR2460P		\$477	\$954
2	Straight Countertop 60"W x 15"D	HBCSR1560P		\$378	\$756
2	Flagship® Mobile Series Pedestal "A" Pull B/B/F 15"W x 22½"D x 28"H	H18723A		\$730	\$1,460
2	Ignition® Mid-Back Work Chair	HIWM3	1	\$762	\$1,524
				TOTAL:	\$8,051

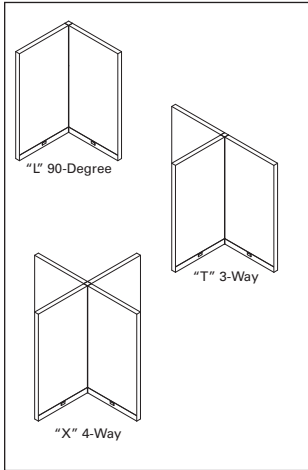


QTY	DESCRIPTION	MODEL	FABRIC GRADE	LIST PRICE	PRICE EXTENSION
3	Systems Corner Worksurface w/ 120° Curve Edge 42"W x 24"D	HBWCT4224P		\$833	\$2,499
3	Systems 60° Wedge Worksurface Edgeband 24"W x 24"D	HCWQT2424P		\$393	\$1,179
3	120° 2-way Connector 35"H	HEC35P2		\$106	\$318
2	Panel Finished End Covers 35"H	HEFEC35P		\$49	\$98
4	Frameless Glass 15"H x 42"W	HEFG1542		\$545	\$2,180
4	Tackable Panel 35"H x 42"W	HETP3542FP		\$310	\$1,240
4	Electrical Power Harness 3-1 & 2-2 Systems 42"W	HH871242		\$214	\$856
1	Duplex Receptacle Circuit 1 3-1 & 2-2 Systems	HH871501		\$43	\$43
2	Duplex Receptacle Circuit 2 3-1 & 2-2 Systems	HH871502		\$43	\$86
2	Duplex Receptacle Circuit 3 3-1 System Only	HH871503		\$43	\$86
3	Duplex Receptacle Circuit 4 3-1 & 2-2 Systems	HH871504		\$43	\$129
1	Base In-Feed Cable Base 3-1 & 2-2 Systems	HH879072		\$227	\$227
3	Mobile Pedestal 20"W x 15½"D x 21½"H	HLSL2016MP2		\$794	\$2,382
3	Pedestal Cushion 20"W x 15½"D x 1"H	HLSL2016PH2	2	\$333	\$999
2	Abound® Left End Panel 29"H x 24"D	HRVEP2429L		\$223	\$446
2	Abound® Right End Panel 29"H x 24"D	HRVEP2429R		\$223	\$446
2	Systems Rectangular Worksurface Edgeband 24"D x 42"W	HWR2442P		\$380	\$760
6	Universal Support Leg 24"D	HRVCLG24		\$197	\$1,182
				TOTAL:	\$15,156



ACCELERATE® PANELS OVERVIEW

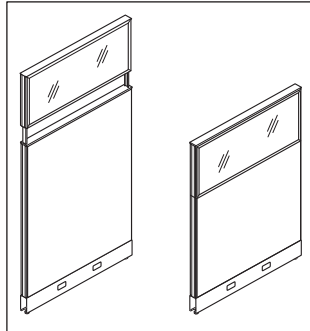
INTERSECTING CONNECTIONS



“L”, “T” and “X” connector kits are used when connecting frames at intersecting runs. For “L”, “T” and “X” connector kits, add 2¼” to the total length of the panel run for each intersection, whether located in the middle or at the end of the run.

Wall starter kits provide a means to affix a panel run to a permanent building wall. Kit adds ⅞” to length of panel run.

STACKING PANELS



Stackers add 15” to the height of the base panel and can be ordered separately or as part of the panel model, see pages 451 and 454.

When adding stackers to an existing panel, a new connector must be ordered, to the tallest panel height.

Please note that Stacking Panels are not to be used freestanding and must match the panel width of the panel it is stacking on.

Cannot use a stacking panel on a Top Tier Glass Panel model.

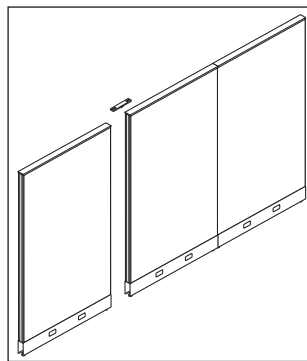
Stackers ship with pins to connect stacker to post connector for added rigidity.

Stackers can be stacked up to 80”H on a base panel. Overheads can be placed on the first stacker only, up to 65”H. Voi overheads are not to be placed on stackers.

Top View		
Panel	S	Panel
→	← 2¼”	
Panel	S	Panel

Extended straight connector kit “S” can be used to keep continuous runs dimensionally consistent with opposing panel runs which incorporate “T” or “X” intersections. (Add 2¼” to the length of the run for every extended straight connector used.)

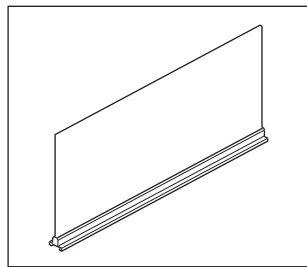
IN-LINE CONNECTIONS



There is no incremental increase in dimension along the panel run when using an in-line connector kit.

END OF RUN

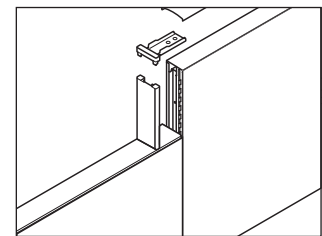
Finished end trim must be specified for the unconnected sides of panel. When adding a stacking panel, order finished end trim in the height that matches the total stacked height. Move the end cap from the standard frame end trim to the stacking frame end trim.



Accelerate® frameless glass is single pane, ⅜” thick laminate safety glass, available in clear or frosted glass.

Frameless glass can only be used on the tallest panel in a typical, not at in-line or post connectors with variable height. Frameless glass is not allowed on top of glass stackers or glass header panels and hanging or stacking on frameless glass is not permitted.

Frameless glass can span multiple panels with one piece of glass, creating a clean, seamless look.



IN-LINE VARIABLE HEIGHT TRIM
In-line connections between different height panels require trim to cover the exposed frame of the taller panel.

VARIABLE HEIGHT CONNECTOR TRIM

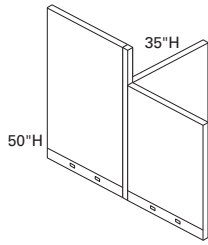
L, X and T connections between different height panels require trim to cover the exposed connector. The bottom of the trim is flat to match the profile of the top cap. Models are designated as “Variable Height Connector Trim”. For variable height connections in a Y configuration, contact the Accelerate Specials Department.

Multiple-height connections are accomplished by combining standard height panel connectors (35”H, 42”H, 50”H and 65”H) with shorter trim kits (7”H, 15”H, 22”H and 30”H). Start from the top-down — select the standard connector that corresponds to the height and connection type of the tallest panel. (See examples.)

ACCELERATE® PANELS OVERVIEW

Example 1

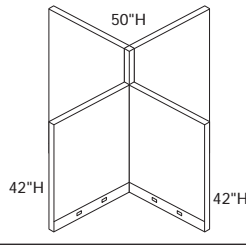
Connectors required:
1-50"H "T" Connector
2-15"H Connector VH Kit
2-35"H End Trim
1-65"H End Trim



In variable height "T" connections — as shown above — you would use the connectors as indicated.

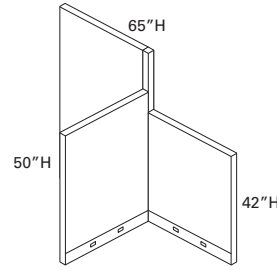
Example 2

Connectors required:
1-50"H "X" Connector
2-7½"H Connector VH Kit
2-50"H End Trim
2-42"H End Trim



Example 3

Connectors required:
1-65"H "T" Connector
1-15"H Connector VH Kit
1-22½"H Connector VH Kit
1-65"H End Trim
1-50"H End Trim
1-42"H End Trim



Example above represents Accelerate variable height "L" for 65" to 50".

TOP CAPS

Top caps must be specified as a separate model from the panel. Top caps can span more than one panel when panels are connected in an in-line.

ACCELERATE® WORKING WITH PANELS

PANELS

- Accelerate® Panels are 2½" thick and available in 4 heights / 8 widths.

NOTE: Actual panel height varies depending on position of levelers.

NOMINAL PANEL HEIGHT	PANEL WIDTHS							
	20"	24"	30"	36"	42"	48"	60"	72"
35"	20"	24"	30"	36"	42"	48"	60"	72"
42½"	20"	24"	30"	36"	42"	48"	60"	72"
50"	20"	24"	30"	36"	42"	48"	60"	72"
65"	20"	24"	30"	36"	42"	48"	60"	72"

Maximum Receptacle Capacity in Panel Base Pathways

Widths	20	24	30	36	42	48	60	72
Maximum of 1 duplex per panel side	N/A	X						
Maximum of 2 duplexes per panel side	N/A		X	X	X	X	X	X

The center of the duplex is always 12" from the end of the panel on all Accelerate® panels.

Design:

- Slots allow hanging worksurfaces and hang-on units, in 1" increments.
- Panels standard with two adjustable leveling glides.
- No panel creep.
- Meets or exceeds ANSI/BIFMA Standards.

Top Tier and Stacking Panels

- Available in tackable fabric as well as clear and frosted glass.
- Select from a full height panel/top tier panels or stackers.
- Stackers can be stacked up to 80"H on a base panel.
- Overheads can be placed on the first stacker only, up to 65"H. Voi overheads are not to be placed on stackers.

PANEL SPECIFICATION AND INSTALLATION NOTES

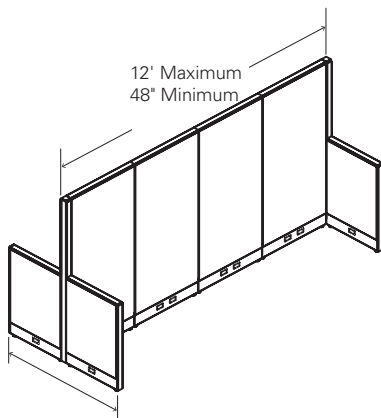
Definitions:

Parent Panel Run – Panels (or a single panel) configured in a straight line intended to divide space. It is usually longer than the panels used to stabilize it.

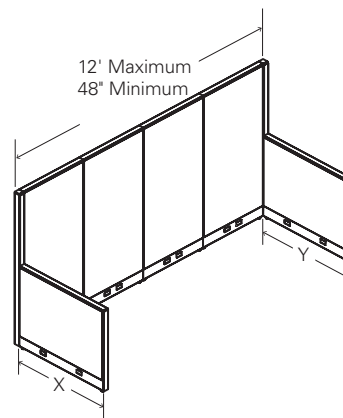
Return Panels – Panels attached to a parent run for the purpose of stabilizing it. Return panels may also have the effect of dividing space.

Note: Return panels must be no more than 30" lower than the maximum height of the parent panel run. When stacking, the maximum height allowed is 80". This includes frameless glass. If attaching overhead storage, return panels must be the same height as parent run.

Method 1: Opposing Returns



Method 2: Single-Sided



A parent panel run must be a minimum of 4 feet and a maximum of 12 feet, and must have a minimum of two return panels extended in opposing directions on each side of the parent run.

Panel Run Length	Minimum Return Panels	Minimum Return Panels with Stack-ons
48"	20"	20"
54"	20"	20"
60"	20"	20"
66"	20"	20"
72"	20"	20"
78"	20"	20"
84"	20"	20"
90"	20"	20"
96"	20"	20"
102"	20"	20"
108"	24"	24"
114"	24"	24"
120"	24"	24"
144"	24"	24"

A parent panel run must be a minimum of 4 feet and a maximum of 12 feet, and must have a minimum of two return panels (X+Y) extended in one direction (one at the beginning and at the end of the parent run) as defined below.

Panel Run Length	Minimum Return Panels Total (X+Y)	Minimum Return Panels Total (X+Y) with Stack-ons
48"	84"	84"
54"	84"	84"
60"	84"	84"
66"	84"	84"
72"	84"	84"
78"	84"	84"
84"	84"	84"
90"	84"	84"
96"	84"	84"
102"	84"	84"
108"	84"	96"
114"	84"	96"
120"	84"	96"
144"	84"	96"

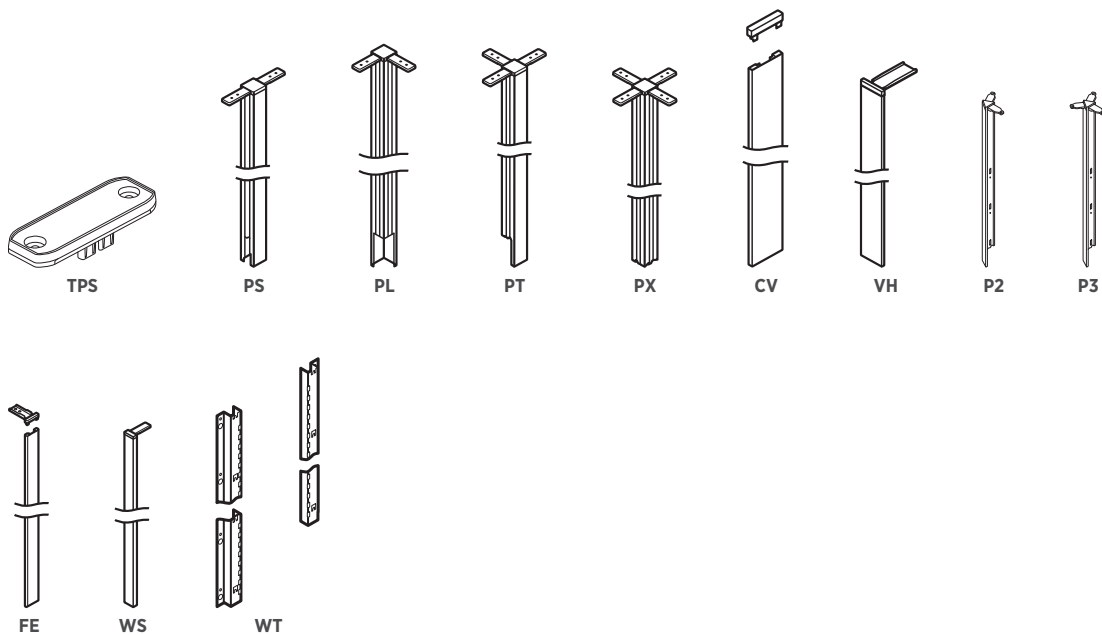
ACCELERATE® CONNECTOR OVERVIEW

CONNECTOR KITS — ACCELERATE®

- TPS In-line Connector
- PS Extended Straight Connector
- PL “L” Connector
- PT “T” Connector
- PX “X” Connector
- P2 120° 2-way Connector
- P3 120° 3-way Connector
- CV Connector Variable Height Finishing Kit
- VH In-line Variable Height Finishing Kit

ADDITIONAL MODELS FOR USE WITH CONNECTOR KITS

- FE Finished End Covers
- WS Wall Starter Kit
- WT Wall Track



Panel-to-Panel Connector

- Attaches same height, panel-to-panel in a straight run with screws.
- Ensures alignment on panels in a straight run.

Wall Starter Kit (see page 458)

- Anchor devices are not supplied with the wall starter kit. Refer to Accelerate® Installation Instructions for appropriate hardware.
- Adds 7/8" to length of run.

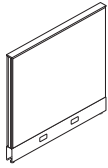
ACCELERATE® Tackable Raceway Panels

GSA SIN 33721



Icon Legend on page 19

WORKSTATIONS



DESCRIPTION

MODEL

SHIP WEIGHT

CUBE

CORE LIST PRICE BY CODE

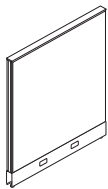
AA

A

B

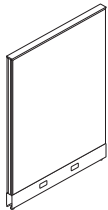
35" H Tackable Acoustical Panels

35" H x 20" W	HETP3520FP	13	1.0	\$264	\$275	\$294
35" H x 24" W	HETP3524FP	14	1.2	\$273	\$284	\$326
35" H x 30" W	HETP3530FP	16	1.5	\$285	\$298	\$343
35" H x 36" W	HETP3536FP	18	1.8	\$306	\$320	\$367
35" H x 42" W	HETP3542FP	20	2.1	\$310	\$325	\$378
35" H x 48" W	HETP3548FP	23	2.4	\$328	\$344	\$399
35" H x 60" W	HETP3560FP	27	3.0	\$356	\$374	\$439
35" H x 72" W*	HETP3572FP	33	3.6	\$499	\$518	\$591



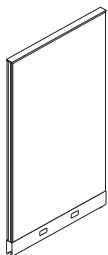
42 1/2" H Tackable Acoustical Panels

42 1/2" H x 20" W	HETP4220FP	14	1.2	\$277	\$290	\$322
42 1/2" H x 24" W	HETP4224FP	16	1.5	\$290	\$303	\$335
42 1/2" H x 30" W	HETP4230FP	18	1.8	\$306	\$318	\$357
42 1/2" H x 36" W	HETP4236FP	20	2.2	\$323	\$337	\$379
42 1/2" H x 42" W	HETP4242FP	23	2.6	\$351	\$367	\$416
42 1/2" H x 48" W	HETP4248FP	25	3.0	\$364	\$382	\$441
42 1/2" H x 60" W	HETP4260FP	30	3.7	\$406	\$425	\$494
42 1/2" H x 72" W*	HETP4272FP	36	4.4	\$524	\$546	\$625



50" H Tackable Acoustical Panels

50" H x 20" W	HETP5020FP	16	1.4	\$318	\$333	\$396
50" H x 24" W	HETP5024FP	17	1.7	\$331	\$346	\$409
50" H x 30" W	HETP5030FP	20	2.2	\$340	\$356	\$400
50" H x 36" W	HETP5036FP	22	2.6	\$350	\$366	\$416
50" H x 42" W	HETP5042FP	25	3.0	\$393	\$411	\$469
50" H x 48" W	HETP5048FP	28	3.5	\$414	\$434	\$499
50" H x 60" W	HETP5060FP	32	4.3	\$453	\$474	\$548
50" H x 72" W*	HETP5072FP	38	5.2	\$572	\$595	\$681



65" H Tackable Acoustical Panels

65" H x 20" W	HETP6520FP	19	1.9	\$338	\$353	\$401
65" H x 24" W	HETP6524FP	20	2.3	\$351	\$366	\$414
65" H x 30" W	HETP6530FP	23	2.8	\$370	\$386	\$437
65" H x 36" W	HETP6536FP	26	3.4	\$396	\$414	\$472
65" H x 42" W	HETP6542FP	29	3.9	\$432	\$451	\$516
65" H x 48" W	HETP6548FP	32	4.5	\$450	\$470	\$543
65" H x 60" W	HETP6560FP	37	5.6	\$480	\$500	\$582
65" H x 72" W*	HETP6572FP	43	6.8	\$650	\$673	\$765

NOTES:

- Panels are 2 1/8" thick.
- Baserails ship standard with panels.
- Top caps ordered separately; see page 453.
- Packaging: stretch wrapped with edge protection.
- Base rail matches trim color.
- For worksurfaces that can be used with Abound® and Accelerate® systems, see pages 568-578.
- Panel end trim ordered separately; see page 458.
- Panels may be connected end to end, with wall starter kit, or with panel connectors; see pages 457-458.
- Order Accelerate® connectors separately; see page 457.
- Panels have a class A fire rating.
- Bulk packing is available in quantities of 3 or 9.

- Fabrics and finishes available on pages 441, 442-443.

- Panel stability will be increased by tying panels to worksurfaces or storage.

! Raceway panels option only.

! Do not remove electrical knockouts unless duplex is needed. For replacement covers, see page 560.

! Accepts electrical power kits, except for 20" W. See page 558 for electrical.

! Stack on panels add 15" of height and can be added to any monolithic panel. See stackers on pages 454-455.

! Disperse and Analog fabrics are not available on 72" W panels.

! If adding to existing panels produced prior to 04/13/16, please contact Customer Support for compatibility.

! If a third cutout for data is desired, order the separate kickplate model HEBPLATE.

HOW TO SPECIFY

Select Model Number

HETP3520FP

Select Fabric

See pages 442-443

APN15

Select Trim Color

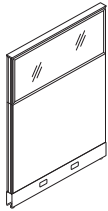
See page 441

P1 Paint (no upcharge)
P2 Paint (\$30 upcharge)

S



ACCELERATE® Top-Tier Glass Panels

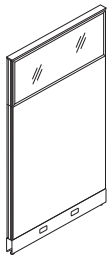


DESCRIPTION

50''H Tackable Panels — Top-Tier Glass

- 50''H x 20''W
- 50''H x 24''W
- 50''H x 30''W
- 50''H x 36''W
- 50''H x 42''W
- 50''H x 48''W
- 50''H x 60''W
- 50''H x 72''W*

MODEL	SHIP WEIGHT	CUBE	CORE LIST PRICE BY CODE		
			AA	A	B
HETP5020DP	21 Ⓢ	1.4	\$500	\$520	\$583
HETP5024DP	23 Ⓢ	1.7	\$519	\$539	\$602
HETP5030DP	27 Ⓢ	2.2	\$531	\$553	\$597
HETP5036DP	31 Ⓢ	2.6	\$541	\$563	\$613
HETP5042DP	34 Ⓢ	3.0	\$592	\$616	\$674
HETP5048DP	39 Ⓢ	3.5	\$617	\$644	\$709
HETP5060DP	46	4.3	\$666	\$696	\$771
HETP5072DP	55	5.2	\$888	\$921	\$1006



65''H Tackable Panels — Top-Tier Glass

- 65''H x 20''W
- 65''H x 24''W
- 65''H x 30''W
- 65''H x 36''W
- 65''H x 42''W
- 65''H x 48''W
- 65''H x 60''W
- 65''H x 72''W*

HETP6520DP	24 Ⓢ	1.9	\$523	\$544	\$592
HETP6524DP	27 Ⓢ	2.3	\$539	\$560	\$608
HETP6530DP	30 Ⓢ	2.8	\$557	\$579	\$630
HETP6536DP	34 Ⓢ	3.4	\$588	\$612	\$670
HETP6542DP	39 Ⓢ	3.9	\$631	\$657	\$722
HETP6548DP	43 Ⓢ	4.5	\$653	\$680	\$753
HETP6560DP	51	5.6	\$681	\$711	\$795
HETP6572DP	60	6.8	\$970	\$1003	\$1095

NOTES:

- On top-tier panel models, the glass tier is 15''H.
- Glass is clear or frosted, tempered safety glass.
- Panels are 2 1/8'' thick.
- Panels have steel baserails.
- Packaging: stretch wrapped with edge protection.
- Base rail matches trim color.
- Top caps ordered separately; see page 453.
- For worksurfaces that can be used with Abound® and Accelerate® systems, see pages 568-578.
- Panel end trim ordered separately; see page 458.
- Panels may be connected end to end, with wall starter kit, or with panel connectors; see pages 457-458.
- Order Accelerate® connectors separately; see page 457.
- Panels have a class A fire rating.
- Bulk packing is available in quantities of 3 or 9.
- Fabrics and finishes available on pages 441, 442-443.
- Panel stability will be increased by tying panels to worksurfaces or storage.
- ⓘ Raceway panels option only.
- ⓘ Do not remove electrical knockouts unless duplex is needed. For replacement covers, see page 560.
- ⓘ Accepts electrical power kits, except for 20''W. See page 558 for electrical.
- ⓘ Cannot stack stacker on top-tier glass panels.
- ⓘ Disperse and Analog fabrics are not available on 72''W panels.
- ⓘ If adding to existing panels produced prior to 04/13/16, please contact Customer Support for compatibility.
- ⓘ If a third cutout for data is desired, order the separate kickplate model HEBPLATE.

HOW TO SPECIFY

<p>Select Model Number</p> <p>HETP5020DP .</p>	<p>Select Fabric</p> <p>See pages 442-443</p> <p>APN15 .</p>	<p>Select Trim Color</p> <p>See page 441</p> <p>P1 Paint (no upcharge)</p> <p>P2 Paint (\$30 upcharge)</p> <p>S .</p>	<p>Select Glass</p> <p>Q Clear Glass</p> <p>R Frosted Glass (\$30 upcharge)</p> <p>Q</p>
---	---	--	---

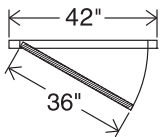
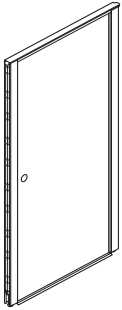
ACCELERATE® Panel Door

GSA SIN 33721

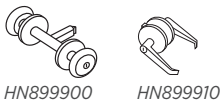


Icon Legend on page 19

WORKSTATIONS



DESCRIPTION	MODEL	SHIP WEIGHT	CUBE	LIST PRICE BY PAINT GRADE	
				P1	P2
Door Panel — Laminate 42"W x 80"H NOTES: Ships with door, frame, hinges and hardware. Best placement of a door is at an L, T, X connector or wall starter connector for rigidity. Use of spanning top caps at an in-line will also help add additional rigidity. ⓘ Must be used with a base panel and stacker equaling 80"H.	HEPDMK42P	155.0	7.3	\$1890	\$1920



DESCRIPTION	MODEL	SHIP WEIGHT	CUBE	P1	P2
Standard Lock Set					
Door knob (polished brass)	HN899900	2.0 ⓘ	0.1	\$117	
Door lever (brushed aluminum)	HN899910	2.0 ⓘ	0.1	\$324	

NOTES: Door knob and lever are both keyed on one side.



DESCRIPTION	MODEL	SHIP WEIGHT	CUBE	P1	P2
Abound® and Accelerate® Sliding Door					
50"H x 42"W	HH15042SD	28.0	5.5	\$2038	\$2074
65"H x 42"W	HH16542SD	38.0	7.1	\$2324	\$2360
80"H x 42"W	HH18042SD	46.0	8.6	\$2843	\$2879

ⓘ Door is only available in Frosted Translucent Acrylic. Specify paint for frame.
 ⓘ Can only install Sliding Door at the end of a run, not at a corner.
 ⓘ A Mounting Bracket Kit must be ordered for each sliding door corresponding to the mounting panels width (30", 36", 42", or 48"W).



DESCRIPTION	MODEL	SHIP WEIGHT	CUBE	P1	P2
Accelerate® Mounting Kit for Sliding Door					
For 30"W Panel	HESDMK30	4.0	0.4	\$168	\$180
For 36"W Panel	HESDMK36	5.0	0.5	\$176	\$188
For 42"W Panel	HESDMK42	6.0	0.5	\$184	\$196
For 48"W Panel	HESDMK48	7.0	0.5	\$192	\$204

NOTES: Specify paint.



DESCRIPTION	MODEL	SHIP WEIGHT	CUBE	P1	P2
Carpet Grippers	HICG12	0.5 ⓘ	0.1	\$20	

NOTES: Used with Glide Towers
Shipped 12 per package
No need to specify paint



DESCRIPTION	MODEL	SHIP WEIGHT	CUBE	P1	P2
Coat Hooks					
Package of six	HHPMC6	1.0 ⓘ	0.2	\$87	

NOTES: Compatible with Accelerate® and Abound® panels.
 ⓘ Black only.

NOTES:

- Order handle separately. See handle model options above.
- Specify top caps separately when ordering the laminate panel door; see page 453.
- Order Accelerate® connectors separately; see page 457.
- Fabrics and finishes available on pages 441, 442-443.
- The Sliding Doors are available in 50", 65", and 80"H models and can mount to 30", 36", 42", and 48"W panels.
- All doors are 42" wide, provide a 36"W opening, and are non-handed.

HOW TO SPECIFY

<p>Select Model Number</p> <p>HEPDMK42P</p>	<p>Select Trim Color</p> <p>See page 441</p> <p>T4</p>	<p>Select Door Laminate</p> <p>L2 Laminate Upcharge \$60 See page 441</p> <p>H</p>
--	---	---



Icon Legend on page 19

ACCELERATE® Top Caps

DESCRIPTION	MODEL	SHIP WEIGHT	CUBE	LIST PRICE BY PAINT GRADE	
				P1	P2
Panel Top Cap					
20"W	HETC20	1.5	0.3	\$36	\$56
24"W	HETC24	1.6	0.3	\$36	\$56
30"W	HETC30	1.8	0.3	\$44	\$64
36"W	HETC36	2.0	0.3	\$56	\$76
42"W	HETC42	2.2	0.3	\$59	\$79
48"W	HETC48	3.4	0.4	\$66	\$86
60"W	HETC60	3.9	0.6	\$81	\$101
66"W	HETC66	4.0	0.6	\$96	\$116
72"W	HETC72	5.3	0.8	\$100	\$120
78"W	HETC78	6.5	0.8	\$103	\$123
84"W	HETC84	6.7	0.9	\$115	\$135
90"W	HETC90	7.0	0.9	\$121	\$141
96"W	HETC96	7.2	0.9	\$127	\$147

NOTES:

- Models above are specified for panel models on pages 450-451.
 - Top caps ship separately from panels.
 - Top caps are able to span multiple panels for a clean aesthetic.
 - Top caps are bulk packed for ease at installation sites.
- ❗ If adding to existing panels produced prior to 04/13/16, please contact Customer Support for compatibility.

HOW TO SPECIFY

Select Model Number	Select Paint Color
See page 441	See page 441
H E T C 2 0 .	T 3

DESCRIPTION	MODEL	SHIP WEIGHT	CUBE	LIST PRICE BY PAINT GRADE	
				P1	P2
Accelerate® Base Pathway Cover w/Additional Knockout					
36"W	HEBPLATE336	7 Ⓞ	0.4	\$72	\$82
42"W	HEBPLATE342	8 Ⓞ	0.4	\$74	\$84
48"W	HEBPLATE348	9 Ⓞ	0.4	\$77	\$87
60"W	HEBPLATE360	11 Ⓞ	0.5	\$88	\$98
72"W	HEBPLATE372	14 Ⓞ	0.6	\$98	\$108

NOTES: Specify paint, see page 441.
SPECIFYING EXAMPLE: HEBPLATE336.T4

NOTES:

- ❗ Specify Pathways to match trim color.
- ❗ Standard raceways with two knockouts are standard on panels. If additional three knockout kickplate is ordered, the two port version can be saved or discarded.

HOW TO SPECIFY

Select Model Number	Select Paint Color
See page 441	See page 441
H E B P L A T E 3 3 6 .	T 4

ACCELERATE® Stacking Panels

GSA SIN 33721



Icon Legend on page 19

WORKSTATIONS



DESCRIPTION	MODEL	SHIP WEIGHT	CUBE	CORE LIST PRICE BY CODE		
				AA	A	B
15”H Stacking Panels — Fabric						
15”H x 20”W	HES1520F	6	0.5	\$180	\$201	\$249
15”H x 24”W	HES1524F	7	0.6	\$199	\$220	\$268
15”H x 30”W	HES1530F	8	0.8	\$215	\$237	\$288
15”H x 36”W	HES1536F	9	0.9	\$231	\$255	\$313
15”H x 42”W	HES1542F	11	1.1	\$249	\$275	\$340
15”H x 48”W	HES1548F	12	1.2	\$265	\$292	\$365
15”H x 60”W	HES1560F	14	1.5	\$299	\$329	\$413
15”H x 72”W	HES1572F	17	1.8	\$568	\$601	\$693

NOTES:

- Stacking panels ship without top caps.
- Stackers add 15” or 30” to the height of the base panel.
- Stacker ships with pins to connect stacker to post connector for added rigidity.
- Select complete panels with top-tier glass, or add glass/fabric stackers separately to existing panels. See page 451 for complete panels information.
- Not to be used freestanding.
- Stackers can be stacked up to 80”H on a base panel or 30” of stacker height total, whichever comes first.
- The first stacker on a base panel is weight bearing and can accommodate overhead storage up to 65”H.
- Stacking model must match the width of the panel it is stacking on.
- Total panel height cannot exceed 80” high. Glass stacker must be the top tier. A stacking panel cannot be placed above a glass panel or glass stacker. Frameless Glass can be installed on a fabric stacker.
- Voi overheads not to be placed on stackers.
- If adding to existing panels produced prior to 04/13/16, please contact Customer Support for compatibility.

HOW TO SPECIFY

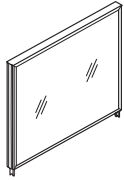
<p>Select Model Number</p> <p>HES1520F.</p>	<p>Select Fabric Color</p> <p>See pages 442-443</p> <p>APN11</p>
---	--



Icon Legend on page 19

ACCELERATE® Stacking Panels

WORKSTATIONS



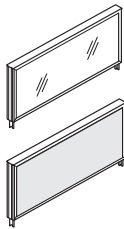
DESCRIPTION

30”H Stacking Panels — Glass

- 30”H x 20”W
- 30”H x 24”W
- 30”H x 30”W
- 30”H x 36”W
- 30”H x 42”W
- 30”H x 48”W
- 30”H x 60”W

MODEL	SHIP WEIGHT	CUBE	CLEAR GLASS	FROSTED GLASS
HES3020G	14 Ⓢ	1.0	\$588	\$618
HES3024G	17 Ⓢ	1.2	\$618	\$648
HES3030G	20 Ⓢ	1.5	\$701	\$731
HES3036G	23 Ⓢ	1.8	\$724	\$754
HES3042G	26 Ⓢ	2.1	\$802	\$832
HES3048G	29 Ⓢ	2.4	\$865	\$895
HES3060G	36	3.0	\$991	\$1021

NOTES: 30”H stacker ships with pins to connect stacker to post connector for added rigidity.



15”H Stacking Panels — Glass

- 15”H x 20”W
- 15”H x 24”W
- 15”H x 30”W
- 15”H x 36”W
- 15”H x 42”W
- 15”H x 48”W
- 15”H x 60”W
- 15”H x 72”W

HES1520G	8 Ⓢ	0.5	\$393	\$423
HES1524G	9 Ⓢ	0.6	\$414	\$444
HES1530G	11 Ⓢ	0.8	\$468	\$498
HES1536G	12 Ⓢ	0.9	\$485	\$515
HES1542G	14 Ⓢ	1.1	\$536	\$566
HES1548G	16 Ⓢ	1.2	\$577	\$607
HES1560G	19 Ⓢ	1.5	\$660	\$690
HES1572G	22	1.8	\$803	\$833

NOTES:

- Stacking panels ship without top caps.
- Stackers add 15” or 30” to the height of the base panel.
- Stacker ships with pins to connect stacker to post connector for added rigidity.
- Select complete panels with top-tier glass, or add glass/fabric stackers separately to existing panels. See page 451 for complete panels information.
- ❗ Not to be used freestanding.
- ❗ Stackers can be stacked up to 80”H on a base panel or 30” of stacker height total, whichever comes first.
- ❗ The first stacker on a base panel is weight bearing and can accommodate overhead storage up to 65”H.
- ❗ Stacking model must match the width of the panel it is stacking on.
- ❗ Total panel height cannot exceed 80” high. Glass stacker must be the top tier. A stacking panel cannot be placed above a glass panel or glass stacker. Frameless Glass can be installed on a fabric stacker.
- ❗ If adding to existing panels produced prior to 04/13/16, please contact Customer Support for compatibility.

HOW TO SPECIFY

<p>Select Model Number</p> <p>HES3020G</p>	<p>Select Paint Color</p> <p>See page 441 P1 Paint (no upcharge) P2 Paint (\$30 upcharge)</p> <p>T1</p>	<p>Select Glass</p> <p>Q Clear Glass R Frosted Glass</p> <p>Q</p>
---	--	--

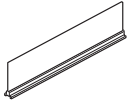
ACCELERATE® Frameless Glass

GSA SIN 33721



Icon Legend on page 19

WORKSTATIONS

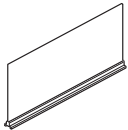


DESCRIPTION

7 1/2" H Frameless Glass

7 1/2" H x 20" W
7 1/2" H x 24" W
7 1/2" H x 30" W
7 1/2" H x 36" W
7 1/2" H x 42" W
7 1/2" H x 48" W
7 1/2" H x 54" W
7 1/2" H x 60" W
7 1/2" H x 66" W
7 1/2" H x 72" W

MODEL	SHIP WEIGHT	CUBE	CLEAR GLASS	FROSTED GLASS
HEFG0720	17	0.4	\$308	\$338
HEFG0724	18	0.5	\$364	\$401
HEFG0730	18	0.5	\$393	\$434
HEFG0736	21	0.6	\$451	\$498
HEFG0742	25	0.7	\$481	\$531
HEFG0748	28	0.8	\$517	\$571
HEFG0754	28	0.8	\$583	\$644
HEFG0760	35	1.0	\$634	\$700
HEFG0766	35	1.0	\$707	\$779
HEFG0772	42	1.9	\$749	\$827



15" H Frameless Glass

15" H x 20" W
15" H x 24" W
15" H x 30" W
15" H x 36" W
15" H x 42" W
15" H x 48" W
15" H x 54" W
15" H x 60" W
15" H x 66" W
15" H x 72" W

HEFG1520	27	1.3	\$382	\$412
HEFG1524	28	1.5	\$413	\$450
HEFG1530	28	1.5	\$442	\$483
HEFG1536	34	1.8	\$507	\$554
HEFG1542	39	2.0	\$545	\$595
HEFG1548	45	2.3	\$588	\$642
HEFG1554	51	2.6	\$644	\$705
HEFG1560	57	2.8	\$718	\$784
HEFG1566	62	3.2	\$783	\$855
HEFG1572	67	3.5	\$846	\$924

NOTES:

- Glass is a single-pane, 3/8" laminated safety glass.
- Available in clear or frosted glass.
- Frameless Glass can span multiple panels with one piece of glass.
- Lamination is in the center of the glass, making both clear and frosted glass a writable surface with dry-erase markers.
- ⚠ Glass tiles have a Class A fire rating.
- ⚠ Frameless Glass can only be used on the tallest panel of the typical. Please see published Tailored Solutions models on honready.com for variable height applications.
- ⚠ Frameless Glass cannot be used on top of glass stackers or headers.
- ⚠ Frameless Glass can only be used on the top of panels. Glass integrates into top cap trim. Do not order a separate top cap model for your frame when using Frameless Glass.
- ⚠ Cannot hang or stack on top of Frameless Glass.
- ⚠ If adding to existing panels produced prior to 04/13/16, please contact Customer Support for compatibility.

HOW TO SPECIFY

<p>Select Model Number</p> <p>HEFG1520</p>	<p>Select Paint Color</p> <p>See page 441 P1 Paint (no upcharge) P2 Paint (\$30 upcharge)</p> <p>T1</p>	<p>Select Glass Option</p> <p>Q Clear Glass R Frosted Glass</p> <p>Q</p>
---	--	---



	DESCRIPTION	MODEL	SHIP WEIGHT	CUBE	LIST PRICE BY PAINT GRADE	
					P1	P2
	120° 2-way Connector					
	For 35"H Panels	HEC35P2	6.0	0.4	\$106	\$115
	For 42½"H Panels	HEC42P2	6.0	0.5	\$123	\$132
	For 50"H Panels	HEC50P2	7.0	0.6	\$141	\$150
	For 57½"H Panels	HEC57P2	8.0	0.6	\$149	\$158
	For 65"H Panels	HEC65P2	8.0	0.7	\$155	\$164
	For 72½"H Panels	HEC72P2	9.0	0.8	\$163	\$172
	For 80"H Panels	HEC80P2	9.0	0.9	\$170	\$179
	120° 3-way Connector					
	For 35"H Panels	HEC35P3	6.0	0.4	\$106	\$115
	For 42½"H Panels	HEC42P3	6.0	0.5	\$123	\$132
	For 50"H Panels	HEC50P3	7.0	0.6	\$141	\$150
	For 57½"H Panels	HEC57P3	8.0	0.6	\$149	\$158
	For 65"H Panels	HEC65P3	8.0	0.7	\$155	\$164
	For 72½"H Panels	HEC72P3	9.0	0.8	\$163	\$172
	For 80"H Panels	HEC80P3	9.0	0.9	\$170	\$179
	In-line Connector	HSCKTPS	0.5	0.1	\$19	N/A
	NOTES: No need to specify finish. SPECIFYING EXAMPLE: HSCKTPS.X					
	Extended Straight Connector					
	For 35"H Panels	HEC35PS	6.0	0.4	\$106	\$115
	For 42½"H Panels	HEC42PS	6.0	0.5	\$123	\$132
	For 50"H Panels	HEC50PS	7.0	0.6	\$141	\$150
	For 57"H Panels	HEC57PS	8.0	0.6	\$149	\$158
	For 65"H Panels	HEC65PS	8.0	0.7	\$155	\$164
	For 72½"H Panels	HEC72PS	9.0	0.8	\$165	\$174
	For 80"H Panels	HEC80PS	9.0	0.9	\$170	\$179
	"L" Connector					
	For 35"H Panels	HEC35PL	6.0	0.4	\$106	\$115
	For 42½"H Panels	HEC42PL	6.0	0.5	\$123	\$132
	For 50"H Panels	HEC50PL	7.0	0.6	\$141	\$150
	For 57"H Panels	HEC57PL	8.0	0.6	\$149	\$158
	For 65"H Panels	HEC65PL	8.0	0.7	\$155	\$164
	For 72½"H Panels	HEC72PL	9.0	0.8	\$165	\$174
	For 80"H Panels	HEC80PL	9.0	0.9	\$170	\$179
	"T" Connector					
	For 35"H Panels	HEC35PT	6.0	0.4	\$106	\$115
	For 42½"H Panels	HEC42PT	6.0	0.5	\$123	\$132
	For 50"H Panels	HEC50PT	7.0	0.6	\$141	\$150
	For 57"H Panels	HEC57PT	8.0	0.6	\$149	\$158
	For 65"H Panels	HEC65PT	8.0	0.7	\$155	\$164
	For 72½"H Panels	HEC72PT	9.0	0.8	\$165	\$174
	For 80"H Panels	HEC80PT	9.0	0.9	\$170	\$179
	"X" Connector					
	For 35"H Panels	HEC35PX	6.0	0.4	\$106	\$115
	For 42½"H Panels	HEC42PX	6.0	0.5	\$123	\$132
	For 50"H Panels	HEC50PX	7.0	0.6	\$141	\$150
	For 57"H Panels	HEC57PX	8.0	0.6	\$149	\$158
	For 65"H Panels	HEC65PX	8.0	0.7	\$155	\$164
	For 72½"H Panels	HEC72PX	9.0	0.8	\$165	\$174
	For 80"H Panels	HEC80PX	9.0	0.9	\$170	\$179

NOTES:

- Specify connectors based on number and placement of panels.
- Connectors ship complete with all hardware necessary to complete connection.
- Specify connector to fit height of tallest panel.
- Connectors are made of extruded aluminum.
- Straight Connector model HSCKTPS ships standard in bulk pack.

• All connectors (except 120° models) are adaptable with power pole for ceiling in feeds; see page 560.

- ⓘ In-line connector must be specified for all in-line connections.
- ⓘ If adding to existing panels produced prior to 04/13/16, please contact Customer Support for compatibility.

! New Strengthened Connections available 10/1/2020.

ⓧ Discontinued 12/31/20.

HOW TO SPECIFY

Select Model Number	Select Paint Color
See page 441	
HEC35P2	T3



DESCRIPTION	MODEL	SHIP WEIGHT	CUBE	LIST PRICE BY PAINT GRADE	
				P1	P2
Finished End Covers					
35"H	HEFEC35P	3 Ⓢ	0.4	\$49	\$58
42½"H	HEFEC42P	3 Ⓢ	0.5	\$52	\$61
50"H	HEFEC50P	4 Ⓢ	0.6	\$56	\$65
57½"H	HEFEC57P	5 Ⓢ	0.6	\$59	\$68
65"H	HEFEC65P	5 Ⓢ	0.7	\$63	\$72
72½"H	HEFEC72P	6 Ⓢ	0.8	\$67	\$76
80"H	HEFEC80P	6 Ⓢ	0.9	\$70	\$79

NOTES: Finished End Covers include top bracket, end trim clips and end trim.



In-line Variable Height Finishing Kit					
7½"H	HEVHF07P	2 Ⓢ	0.2	\$51	\$60
15"H	HEVHF15P	2 Ⓢ	0.4	\$55	\$64
22½"H	HEVHF22P	3 Ⓢ	0.4	\$65	\$74
30"H	HEVHF30P	3 Ⓢ	0.4	\$76	\$85

NOTES: In-line Variable Height Finishing Kits include top and bottom bracket, end trim clips and end trim. In-line Variable Height Finishing Kit is used to connect a finished in-line panel connection.



Connector Variable Height Finishing Kit					
7½"H	HECVH07P	2 Ⓢ	0.2	\$51	\$60
15"H	HECVH15P	2 Ⓢ	0.4	\$55	\$64
22½"H	HECVH22P	3 Ⓢ	0.4	\$65	\$74
30"H	HECVH30P	3 Ⓢ	0.4	\$76	\$85

NOTES: Connector Variable Height Finishing Kits include top and bottom bracket, end trim and end trim connection piece.



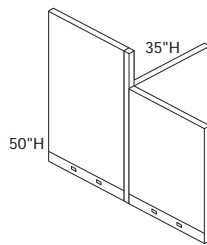
Wall Starter Kit					
35"H	HEWS35P	4 Ⓢ	0.4	\$83	\$92
42½"H	HEWS42P	4 Ⓢ	0.5	\$88	\$97
50"H	HEWS50P	5 Ⓢ	0.6	\$92	\$101
57½"H	HEWS57P	6 Ⓢ	0.6	\$97	\$106
65"H	HEWS65P	6 Ⓢ	0.7	\$103	\$112
72½"H	HEWS72P	7 Ⓢ	0.8	\$112	\$121
80"H	HEWS80P	7 Ⓢ	0.9	\$118	\$127



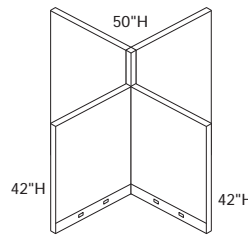
Permanent Wall Hanger Kit					
2½"W x 7⁄8"D x 66"H	HRVC35PCE	6 Ⓢ	0.7	\$218	\$238
4¼"W x 7⁄8"D x 66"H	HRVC35PCM	3 Ⓢ	0.7	\$114	\$124

ⓘ Anchor devices are not supplied with this model. Refer to Abound® Installation instructions for appropriate hardware. Attachment to masonry walls is not recommended.

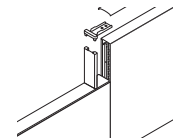
Specify paint



T-Connection
Connector, Variable Height Finishing Kit



X-Connection
Connector, Variable Height Finishing Kit



In-line Variable Height Trim Kit

NOTES:

- In-line Variable Height Finishing Kit is used to connect a finished in-line panel connection.
- Connector variable height finishing kit is used at a drop in height at an L, T, X, or S connection.
- All kits come with all hardware needed to install the kit.

- ⓘ Variable height kit needs to be specified any time a change of panel height occurs.
- ⓘ Finished end covers must be specified at all end of panel runs.
- ⓘ If adding to existing panels produced prior to 04/13/16, please contact Customer Support for compatibility.

HOW TO SPECIFY

<p>Select Model Number</p> <p>HEFEC35P</p>	<p>Select Paint Color</p> <p>See page 441</p> <p>T3</p>
--	---



ACCELERATE® Bracket Kits and Stability Feet



DESCRIPTION

Accelerate® Anchor Bracket

Package of ten

NOTES: For use when panels need to be anchored to the floor such as high traffic areas or community spaces.

⚠ Only available in Black (P).

SPECIFYING EXAMPLE: HEABAC.P

MODEL

SHIP WEIGHT

CUBE

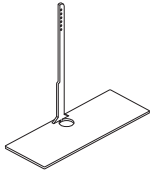
LIST PRICE

HEABAC

5 Ⓞ

0.08

\$85



DESCRIPTION

Accelerate® Stability Foot

NOTES: Stabilizes bottom of panel from movement. Will not prohibit movement at top of panel.

MODEL

SHIP WEIGHT

CUBE

LIST PRICE BY PAINT GRADE

P1

P2

HEFTAC

3

0.1

\$374

\$384

NOTES:

- ⚠ The Anchor Bracket and Stability Foot are not intended to create a freestanding panel. Please follow Accelerate® stability standards.
- ⚠ Attachment hardware for floor anchor not included.

HOW TO SPECIFY

Select Model Number

Select Paint Color

See page 441

HEFTAC

T1

NOTES