

Vertical Hollow Shaft Motors

MAX-VH™

MAX-VHP™



Specifications

	ITEM	STANDARD SPECIFICATION
RATING	Type Of Motors	Squirrel Cage Induction Motors (SCIM)
	Design Standards	NEMA MG-1, MG-13
	Low Voltage	230V/ 460V (Usable on 208V). 150 HP and Larger are 460V Only
	Medium Voltage	2300/4000
	Frequency	60 Hz - Usable on 50HZ (Low Voltage Only)
	Output Range Low Voltage	7.5 HP - 800 HP
	Output Range Medium Voltage	200 HP - 1000 HP
	RPM (SYN.)	900, 1200 & 1800 RPM
	Time Duty	1.15 Service Factor - Continuous on Sine Wave Power, 1.0 Service Factor on PWM
	Frame Size Low Voltage	213TP - 5810P
	Frame Size Medium Voltage	449TP - 5810P
	Protection enclosure	NEMA Weather Protected Type 1 (WP1-IP23) & Totally Enclosed Fan Cooled (TEFC) IP55
Mounting	Flange Mounting (IM3011)	
APPLICATION	Power Conditions	Voltage: $\pm 10\%$, Frequency: $\pm 5\%$, and $\pm 10\%$ Max. of Combined Voltage and Frequency, but Frequency Variation Does Not Exceed $\pm 5\%$
	Environment Conditions	Place: WP1, Non-Hazardous, ambient Temperature: -15°C - 40°C , Relative Humidity: Less Than 80% RH (Non-Condensation), Altitude: Less Than 3,300 ft TEFC - Hazardous, CSA certified for Class 1, Div 2, Group B,C,D, Temp T3 minimum.
	Operating Conditions	For Direct Coupling
	Direction of Rotation	Counterclockwise (View From Top Side); Bi-Directional without NRR
	Starting Method	Direct On-Line; Part Wind Start; VFD; Wye/Delta on Low Voltage
CONSTRUCTION	Frame	High grade Cast Iron
	Flange Bracket (Shield)	High grade Cast Iron, Dimensions as NEMA MG1-18-238 (P-Base)
	Upper Bracket	High grade Cast Iron (Frame Size 324TP - 5810P Design Including Oil Tank)
	External Fan	Aluminum
	Vertical Splash Cover	Steel Plate
	Shaft	1045 Carbon Hollow Steel Shaft
	Thrust Bearing (Upper)	213TP - 286TP - Re-greaseable Angular Contact with Polyrex EM Grease 324TP - 5810P - Oil Lubricated Angular Contact or Spherical with Site Glass up to 300%
	Guide Bearing (Lower)	213TP - 286TP - Grease Pre-Packed, Double Shielded Rolling Bearings 324TP - 5810P - Bracket Mounting, Vacuum De-gassed, High Quality Open Bearings with Grease Relief Valve
	Lubricant	Guide Bearing: Mineral Oil Li-Base Grease (Multemp SRL) or Polyrex EM Grease Thrust Bearing: Frame Size 324TP-449TP Recommended Oil Turbine Oil with Viscosity 300 S.S.U. at 100°F
	Terminal Housing	Cast Iron, Larger Size, can be Set 90° apart, Threaded for External Conduit entrance
	Lead Terminal	210TP - 405TP - 12 Leads (PWS on 230V) , WYE Delta on 230V or 460V 444TP and Larger - 6 Leads (PWS on 460V)
	Iron Core	High grade, Insulated, Cold-Rolled Electro-Magnetic Steel Plate (C5)
	Stator Winding	Pre-Formed Random Wound, Made Of Heavy, High Pulse Endurance, Polyester Enameled Copper Wire for VFD, & MICA; MV 449 Frames and up, MICA & Glass Insulated Form Wound Coil.
	Stator Insulation	Class F Insulation System with Class B Temperature Rise
	Varnish Treatment	LV: Phenolic Alkyd Resin Varnish and 1-Spray Finishing Varnish, 2 Dips and Bakes; MV: VPI Epoxy
	Rotor Winding	Squirrel Cage, Aluminum Conductor With end-Ring and Wafer Blades Integrally Cast up to 449TP Frame; Squirrel Cage Copper or Copper Alloy Bar Rotor Construction for F#5000 and Larger
	Painting	Phenolic Rust Proof Base Plus Lacquer Surface, Finished Painting
	NRR	Ball Type "Non-Sparking"
	Name Plate	Stainless Steel Plate
	Bolt Thread	ISO Metric System Unless Thread in Coupling
Additional Parts	Standard with Gib Key, Non-Reverse Ratchet and Heavy Duty Beryllium Balls	
Grounding Terminal	Located Inside of Terminal Housing and on P-Base	
PERFORMANCE	Test Procedure	IEEE-112, Methods B & F, and Full Voltage Measuring Starting Performance
	Temperature Rise	Not to Exceed 105°C for S.F. 1.15 or 80°C for S.F. 1.0 by Resistance Method
	Over Speed	125% SYN. R.P.M. for Two Min
	Over Torque	160% Rated Torque for 15 Seconds
	Inverter Duty	10:1 Variable Torque
OTHER	Optional	Steady Bushing and Alternate Upper Couplings
	Optional	Alternate P-Base Sizes
	Warranty	36 Month Warranty From Date of Manufacture

MAX-VH/P™ Vertical Hollow Shaft WPI - Low Voltage

AMRC, MAX-VH™ High Efficiency [VH]*

CATALOG NO.	HP	RPM	FRAME	FL EFF (%)	FL PF (%)	FL AMPS @ 460V	DOWN THRUST (LBS)	DIM BD (IN.)	DIM CD (IN.)	DIM BX (IN.)	APPROX. SHIPPING WT. (LBS.)
VH7/54FP	7.5	1800	213TP	88.5	85.0	9.35	2,600	10	20.25	1.001	227
VH0104FP	10	1800	215TP	89.5	86.5	12.1	2,600	10	20.25	1.001	241
VH0154FP	15	1800	254TP	91.0	88.0	17.5	3,350	10	23.38	1.001	349
VH0204FP	20	1800	256TP	91.0	88.0	23.4	3,350	10	23.38	1.001	373
VH0254FP	25	1800	284TP	91.7	86.0	29.7	3,350	10	24.75	1.001	480
VH0304FP	30	1800	286TP	92.4	86.5	35.1	3,350	10	24.75	1.001	525
VH0404FP	40	1800	324TP	93.0	88.0	45.7	5,700	16.5	28.22	1.188	716
VH0504FP	50	1800	326TP	93.0	88.0	57.0	5,700	16.5	28.22	1.188	777
VH0604FP	60	1800	364TP	93.6	84.5	71.0	6,000	16.5	31.16	1.188	892
VH0754FP	75	1800	365TP	94.1	84.5	88.5	6,000	16.5	31.16	1.188	989
VH1004FP	100	1800	404TP	94.1	86.0	116	7,900	16.5	36.94	1.501	1,278
VH1254FP	125	1800	405TP	94.5	87.5	142	7,900	16.5	36.94	1.501	1,398
VH1504FP	150	1800	444TP	95.0	86.0	172	10,700	16.5	44.78	1.501	1,815
VH2004FP	200	1800	445TP	95.0	86.5	228	10,700	16.5	44.78	1.501	1,815
VH2504FP	250	1800	445TP20	95.4	86.5	284	13,400	20	44.78	1.501	2,312
VH3004FP	300	1800	447TP	95.4	87.5	337	13,400	20	49.78	1.688	2,841
VH3504FP	350	1800	447TP	95.4	88.0	390	13,300	20	49.78	1.688	3,335
VH4004FP	400	1800	449TP	95.4	88.5	444	13,200	20	53.91	1.938	3,818

AMRCNH, MAX-VHP™ NEMA Premium Efficiency [VHP]*

CATALOG NO.	HP	RPM	FRAME	FL EFF (%)	FL PF (%)	FL AMPS @ 460V	DOWN THRUST (LBS)	DIM BD (IN.)	DIM CD (IN.)	DIM BX (IN.)	APPROX. SHIPPING WT. (LBS.)	FIRE PUMP CATALOG NO.
VHP7/54	7.5	1800	213TP	91.0	81.0	9.6	2,600	10	20.25	1.001	227	VHP7/54FP
VHP0104	10	1800	215TP	91.7	84.0	12.2	2,600	10	20.25	1.001	241	VHP0104FP
VHP0154	15	1800	254TP	93.0	83.0	18.2	3,350	10	23.38	1.001	349	VHP0154FP
VHP0204	20	1800	256TP	93.0	83.0	24.3	3,350	10	23.38	1.001	373	VHP0204FP
VHP0254	25	1800	284TP	93.6	85.0	29.4	3,350	10	24.75	1.001	480	VHP0254FP
VHP0304	30	1800	286TP	94.1	86.0	34.7	3,350	10	24.75	1.001	525	VHP0304FP
VHP0404	40	1800	324TP	94.1	86.0	46.3	5,700	16.5	28.22	1.188	716	VHP0404FP
VHP0504	50	1800	326TP	94.5	85.0	58.5	5,700	16.5	28.22	1.188	777	VHP0504FP
VHP0604	60	1800	364TP	95.0	85.0	69.5	6,000	16.5	31.16	1.188	892	VHP0604FP
VHP0754	75	1800	365TP	95.0	86.0	86.0	6,000	16.5	31.16	1.188	989	VHP0754FP
VHP1004	100	1800	404TP	95.4	85.5	115	7,900	16.5	36.94	1.501	1,278	VHP1004FP
VHP1254	125	1800	405TP	95.4	84.5	145	7,900	16.5	36.94	1.501	1,398	VHP1254FP
VHP1504	150	1800	444TP	95.8	86.0	171	10,700	16.5	44.78	1.501	1,815	VHP1504FP
VHP2004	200	1800	445TP	95.8	86.5	225	10,700	16.5	44.78	1.501	1,815	VHP2004FP
VHP2504	250	1800	445TP20	95.8	86.5	284	13,400	20	44.78	1.501	2,312	VHP2504FP
VHP3004	300	1800	447TP	95.8	87.5	337	13,400	20	49.78	1.688	2,841	VHP3004FP
VHP3504	350	1800	447TP	95.8	88.0	390	13,300	20	49.78	1.688	3,335	VHP3504FP
VHP4004	400	1800	449TP	95.8	88.5	444	13,200	20	53.91	1.938	3,818	VHP4004FP
VHP4504	450	1800	5009P	96.2	88.6	494	30,900	24.5	57.06	2.188	3,940	~
VHP5004	500	1800	5009P	96.2	88.8	548	30,900	24.5	57.06	2.188	4,070	~
VHP6004	600	1800	5808P	96.2	82.0	647	30,100	30.5	61.30	2.376	5,700	~
VHP7004	700	1800	5810P	96.2	90.7	751	30,100	30.5	68.78	2.376	6,100	~
VHP8004	800	1800	5810P	96.2	90.7	859	30,100	30.5	68.78	2.376	6,400	~

Notes:

* Fire Pump available as made to order. Fire Pump Certificate complies with ANSI/UL 1004-5. Certificate# 20120717 - EX6569.

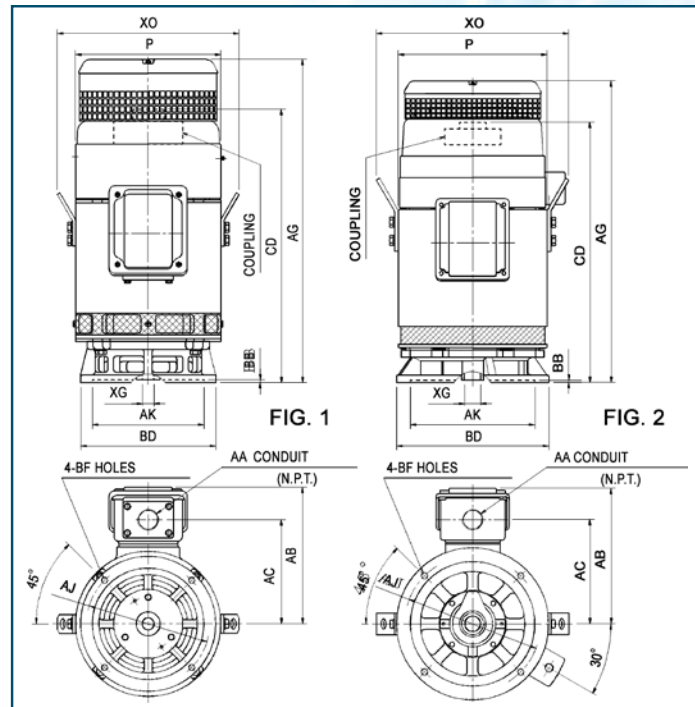
Vertical Hollow Shaft WPI High Thrust w/ "P" Base - Medium Voltage

AMRKNH, Premium Efficiency [VHKP]

CATALOG NO.	HP	RPM	FRAME	FL EFF (%)	FL PF (%)	FL AMPS (460V)	DOWN THRUST (LBS.)	DIM: BD (IN.)	DIM: CD (IN.)	DIM: BX (IN.)	APPROX. SHIPPING WT. (LBS.)
VHKP2006	200	1200	449TP	94.9	81.0	25.5	11,300	20	53.91	1.938	3,420
VHKP2504	250	1800	449TP	95.0	82.2	30.0	10,100	20	53.91	1.938	3,510
VHKP2506	250	1200	449TP	95.0	80.0	31.5	11,300	20	53.91	1.938	3,730
VHKP3004	300	1800	449TP	95.0	83.8	35.5	10,100	20	53.91	1.938	3,610
VHKP3006	300	1200	5009P	95.0	77.6	38.0	33,800	24.5	57.06	2.188	4,020
VHKP3504	350	1800	5009P	95.0	86.7	40.0	30,900	24.5	57.06	2.188	3,630
VHKP3506	350	1200	5009P	95.0	75.9	45.5	33,800	24.5	57.06	2.188	4,010
VHKP4004	400	1800	5009P	95.0	86.8	45.5	30,900	24.5	57.06	2.188	3,710
VHKP4006	400	1200	5009P	95.0	75.6	52.0	33,800	24.5	57.06	2.188	4,880
VHKP4504	450	1800	5009P	95.0	87.1	51.0	30,900	24.5	57.06	2.188	3,810
VHKP4506	450	1200	5806P	95.0	80.2	55.5	33,600	30.5	55.39	2.438	4,510
VHKP5004	500	1800	5009P	95.0	87.6	56.5	30,900	24.5	57.06	2.188	3,980
VHKP5006	500	1200	5806P	95.0	80.2	61.5	33,600	30.5	55.39	2.438	4,610
VHKP6004	600	1800	5808P	95.0	86.0	69.0	30,600	30.5	61.30	2.438	5,240
VHKP6006	600	1200	5808P	95.0	80.3	73.5	33,300	30.5	61.30	2.438	5,660
VHKP7004	700	1800	5810P	95.0	86.0	80.0	30,100	30.5	68.78	2.438	5,650
VHKP7006	700	1200	5808P	95.0	81.2	85.0	33,300	30.5	61.30	2.438	5,340
VHKP8004	800	1800	5810P	95.0	86.3	91.5	30,100	30.5	68.78	2.438	5,900
VHKP8006	800	1200	5810P	95.0	80.7	97.5	33,000	30.5	68.78	2.438	5,720
VHKP9004	900	1800	5810P	95.0	86.7	103	30,100	30.5	68.78	2.438	6,160
VHKP9006	900	1200	5810P	95.0	81.5	109	33,000	30.5	68.78	2.438	5,960
VHKP10004	1000	1800	5810P	95.0	87.3	113	30,100	30.5	68.78	2.438	6,510



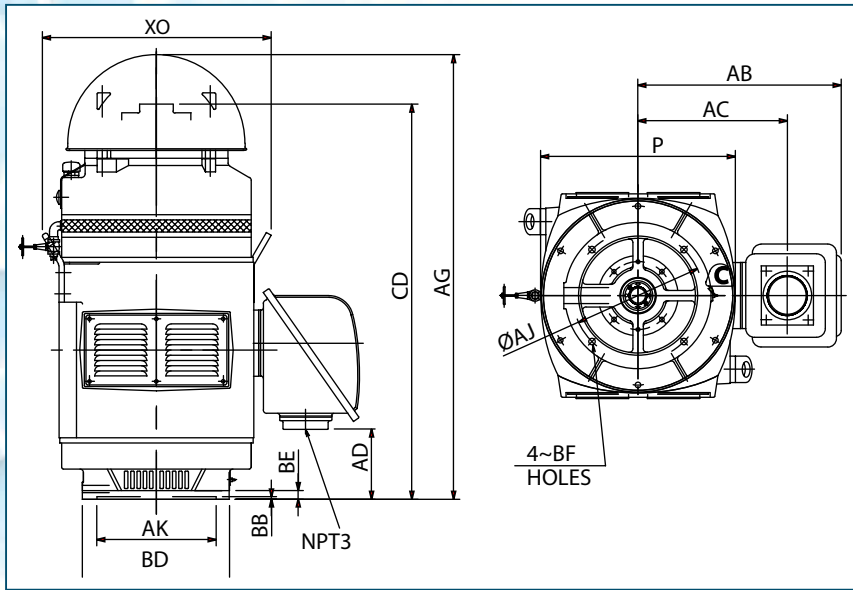
Dimensions: Frame Sizes 213TP ~ 405TP WPI



FRAME SIZE	FIG NO.	AG	CD	P	XG	XO	MOUNTING					TERMINAL HOUSING			BEARINGS		APPROX. WEIGHT (LBS)
							AJ	AK	BB	BD	BF	AA	AB	AC	LOWER END	UPPER END	
213TP 215TP	1	22.32	20.25	10.74	1.122	13.47	9.125	8.25	0.22	10.00	0.44	1"	10.12	7.68	6209ZZC3	7310B	197 209
254TP 256TP	1	26.91	23.38	12.95	1.378	17.68	9.125	8.25	0.25	10.00	0.44	1 1/4"	11.30	8.86	6309ZZC3	7311B	303 324
284TP 286TP	1	28.25	24.75	14.53	1.378	19.25	9.125	8.25	0.25	10.00	0.44	1 1/2"	14.58	11.18	6312ZZC3	7312B	417 546
324TP 326TP	2	32.71	28.22	16.14	1.653	20.87	14.750	13.50	0.28	16.50	0.69	3"	14.72	11.30	6312C3	7220B	622 675
364TP 365TP	2	35.89	31.16	17.52	1.653	22.40	14.750	13.50	0.28	16.50	0.69	3"	16.81	12.80	6313C3	7222B	775 860
404TP 405TP	2	42.32	36.94	19.69	2.000	24.88	14.750	13.50	0.28	16.50	0.69	3"	19.41	14.76	6315C3	7322B	1111 1215

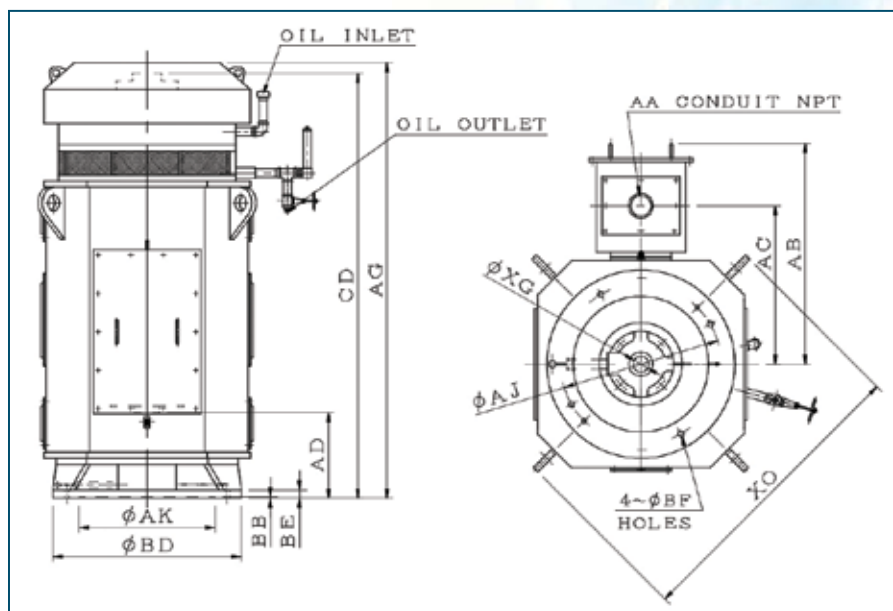


Dimensions: Frame Sizes 444TP ~ 449TP WPI



FRAME SIZE (SSV)	MOUNTING						CD	XG	AG	XO	P	TERMINAL HOUSING			BEARINGS		APPROX. WEIGHT (LBS)
	AK	AJ	BD	BF	BB	BE						AB	AC	AD	UPPER END	LOWER END	
444TP	13.50	14.75	16.50	0.69	0.25	1.00	44.78	2.047	50.40	26.00	23.05	23.05	16.95	7.95	7324B	6316C3	1530
445TP	13.50	14.75	16.50	0.69	0.25	1.00	44.78	2.047	50.40	26.00	23.05	23.05	16.95	7.95	7324B	6316C3	1820
445TP20	13.50	14.75	20.00	0.69	0.25	1.00	44.78	2.559	50.80	27.55	24.00	24.00	17.90	6.65	7326B	6316C3	1940
447TP	13.50	14.75	20.00	0.69	0.25	1.00	49.78	2.559	55.80	27.55	24.00	24.00	17.90	8.95	7326B	6318C3	2470 & 2900
449TP	13.50	14.75	20.00	0.69	0.25	1.00	53.91	2.559	59.93	27.55	24.00	24.00	17.90	11.05	7326B	6318C3	3320

Dimensions: Frame Sizes 5007TP ~ 5810TP WPI



FRAME SIZE (SGV)	MOUNTING						XG	XO
	AK	AJ	BD	BF	BB	BE		
5000	13.5	14.75	20.00	0.69	0.25	1.18	2.559	40.69
	13.5	14.75	*24.5	0.69				
	22.00			0.94				
	22.0	26.00	30.50	0.81				
5800	13.5	22.00	24.50	0.94	1.25	2.38		48.19
	22.0	26.00	*30.5	0.81				
	26.0	32.00	36.00	1.00				

FRAME SIZE (SGV)	CD	AG	TERMINAL HOUSING				BEARINGS	
			AA	AB	AC	AD	UPPER END	LOWER END
5009	57.06	63.40	NPT 4"	32.88	22.80	8.35	29330E + 6028	6220C3
5806	55.39	62.60	NPT 5"	36.58	25.63	7.00		6224C3
5808	61.30	68.50				9.95		
5810	68.78	75.98				13.70		

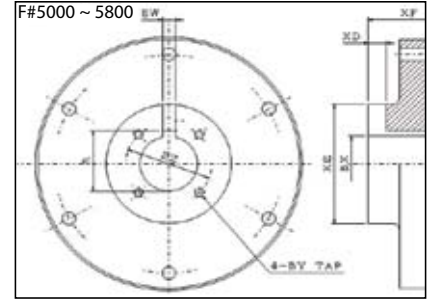
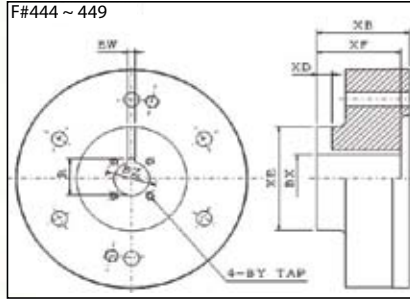
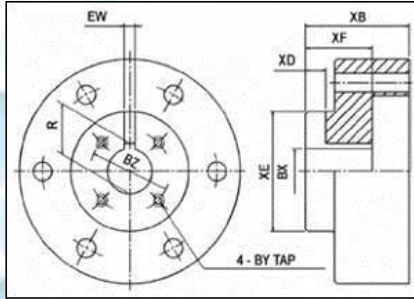
Notes:

* Standard Size

COUPLING KITS - WPI

Notes:

1. Tolerance on BX dimensions up to and including 1.500 inches diameter: +0.001 inches, -0.000 inches; Larger than 1.500 inches diameter: +0.0015 inches, -0.000 inches.
2. Dimension EW tolerance: +0.002 inches, -0.000 inches.
3. Dimension R tolerance: +0.010 inches, -0.000 inches.
4. **"*"** in the table denotes the standard coupling size for each frame.
5. One coupling is included with motor price. If purchased separately use list pricing.



FRAME	BX	BY	BZ	EW	R	XB	XD	XE	XF	PART NO.
210TP	0.751	NO. 10-32 UNF	1.375	0.188	0.845	1.750	0.406	2.000	1.125	31010D6871903
	0.876	NO. 10-32 UNF	1.375	0.188	0.970	1.750	0.406	2.000	1.125	31010D6872004
	0.938	NO. 10-32 UNF	1.375	0.250	1.078	1.750	0.406	2.000	1.125	31010D6872101
	*1.001	NO. 10-32 UNF	1.375	0.250	1.126	1.750	0.406	2.000	1.125	31010D6872209
250TP/ 280TP	0.751	NO. 10-32 UNF	1.375	0.188	0.845	2.170	0.410	2.250	1.230	31010D6872306
	0.876	NO. 10-32 UNF	1.375	0.188	0.970	2.170	0.410	2.250	1.230	31010D6872403
	*1.001	NO. 10-32 UNF	1.375	0.250	1.126	2.170	0.410	2.250	1.230	31010D6872501
	1.188	1/4"-20 UNC	1.750	0.250	1.313	2.170	0.410	2.250	1.230	31010D6872608
320TP/ 360TP	1.251	1/4"-20 UNC	1.750	0.250	1.376	2.170	0.410	2.250	1.230	31010D6872705
	1.001	NO. 10-32 UNF	1.375	0.250	1.126	2.540	0.410	2.875	1.540	31010D6872802
	*1.188	1/4"-20 UNC	1.750	0.250	1.313	2.540	0.410	2.875	1.540	31010D6872900
	1.251	1/4"-20 UNC	1.750	0.250	1.376	2.540	0.410	2.875	1.540	31010D6873001
	1.438	1/4"-20 UNC	2.125	0.375	1.625	2.540	0.470	2.875	1.540	31010D6873108
400TP	1.501	1/4"-20 UNC	2.125	0.375	1.688	2.540	0.470	2.875	1.540	31010D6873205
	1.188	1/4"-20 UNC	1.750	0.250	1.313	2.760	0.530	3.150	1.500	31010D6873302
	1.251	1/4"-20 UNC	1.750	0.250	1.376	2.760	0.530	3.150	1.500	31010D6873400
	1.438	1/4"-20 UNC	2.125	0.375	1.625	2.760	0.530	3.150	1.500	31010D6873507
	*1.501	1/4"-20 UNC	2.125	0.375	1.688	2.760	0.530	3.150	1.500	31010D6873604
444TP/ 445TP	1.688	1/4"-20 UNC	2.500	0.375	1.891	2.760	0.530	3.150	1.500	31010D6873701
	1.751	1/4"-20 UNC	2.500	0.375	1.954	2.760	0.530	3.150	1.500	31010D6873809
	1.188	1/4"-20 UNC	1.750	0.250	1.304	3.169	0.409	3.740	2.875	3A010C2390104
	1.251	1/4"-20 UNC	1.750	0.250	1.367	3.169	0.409	3.740	2.875	3A010C2390201
	1.438	1/4"-20 UNC	2.125	0.375	1.605	3.169	0.531	3.740	2.875	3A010C2390309
	*1.501	1/4"-20 UNC	2.125	0.375	1.669	3.169	0.531	3.740	2.875	3A010C2390406
445TP20 ^(A) / 447TP ^(B) / 449TP ^(C)	1.688	1/4"-20 UNC	2.500	0.375	1.859	3.169	0.531	3.740	2.875	3A010C2390503
	1.751	1/4"-20 UNC	2.500	0.375	1.922	3.169	0.531	3.740	2.875	3A010C2390601
	1.938	1/4"-20 UNC	2.500	0.500	2.160	3.169	0.689	3.740	2.875	3A010C2390708
	1.438	1/4"-20 UNC	2.125	0.375	1.605	3.559	0.531	4.725	3.071	3A010C2390805
	*1.501^(A)	1/4"-20 UNC	2.125	0.375	1.669	3.559	0.531	4.725	3.071	3A010C2390902
	*1.688^(B)	1/4"-20 UNC	2.500	0.375	1.859	3.559	0.531	4.725	3.071	3A010C2391003
	1.751	1/4"-20 UNC	2.500	0.375	1.922	3.559	0.531	4.725	3.071	3A010C2391101
	*1.938^(C)	1/4"-20 UNC	2.500	0.500	2.160	3.559	0.689	4.725	3.071	3A010C2391208
	2.001	3/8"-16 UNC	3.250	0.500	2.223	3.559	0.689	4.725	3.071	3A010C2391305
	2.063	3/8"-16 UNC	3.250	0.500	2.287	3.559	0.689	4.725	3.071	3A010C2391402
	2.126	3/8"-16 UNC	3.250	0.500	2.350	3.559	0.689	4.725	3.071	3A010C2391500
	2.188	3/8"-16 UNC	3.250	0.500	2.414	3.559	0.689	4.725	3.071	3A010C2391607
	2.251	3/8"-16 UNC	3.250	0.500	2.477	3.559	0.689	4.725	3.071	3A010C2391704
2.376	3/8"-16 UNC	3.250	0.625	2.651	3.559	0.815	4.725	3.071	3A010C2391801	
2.438	3/8"-16 UNC	3.250	0.625	2.714	3.559	0.815	4.725	3.071	3A010C2391909	
2.501	3/8"-16 UNC	3.250	0.625	2.778	3.559	0.815	4.725	3.071	3A010C2392000	
5000 ^(A) / 5800 ^(B)	1.688	1/4"-20 UNC	2.500	0.375	1.859	-	0.531	4.725	3.071	3A711C1371209X001
	1.938	1/4"-20 UNC	2.500	0.500	2.160	-	0.689	4.725	3.071	3A711C1371306X001
	2.126	3/8"-16 UNC	3.250	0.500	2.350	-	0.689	4.725	3.071	3A711C1371403X001
	*2.188^(A)	3/8"-16 UNC	3.250	0.500	2.414	-	0.689	4.725	3.071	3A711C1371501X001
	2.251	3/8"-16 UNC	3.250	0.500	2.477	-	0.689	4.725	3.071	3A711C1370407X001
	2.376	3/8"-16 UNC	3.250	0.625	2.651	-	0.815	4.725	3.071	3A711C1370300X001
	*2.438^(B)	3/8"-16 UNC	3.250	0.625	2.714	-	0.815	4.725	3.071	3A711C1370202X001
	2.501	3/8"-16 UNC	3.250	0.625	2.778	-	0.815	4.725	3.071	3A711C1370105X001
BLANK1	3/8"-16 UNC	3.250	-	-	-	-	4.725	3.071	3A711C1370504X001	
BLANK2	-	-	-	-	-	-	4.725	3.071	3A711C1370601X001	

MAX-VHP™ Vertical Hollow Shaft TEFC - Low Voltage

AAEHNH, MAX-VHP™ NEMA Premium [VHTP]

CATALOG NO.	HP	RPM	FRAME	FL EFF (%)	FL PF (%)	FL AMPS (460V)	DOWN THRUST (LBS.)	DIM: BD (IN.)	DIM: CD (IN.)	DIM: BX (IN.)	APPROX. SHIPPING WT. (LBS.)
VHTP0154	15	1800	254TP	92.4	88.0	17.3	3,350	10	22.36	1.001	350
VHTP0156	15	1200	284TP	92.4	83.5	16.4	3,850	10	24.01	1.188	460
VHTP0204	20	1800	256TP	93.0	87.5	23.0	3,350	10	24.10	1.001	450
VHTP0206	20	1200	286TP	91.7	84.0	22.1	3,850	10	25.51	1.188	550
VHTP0254	25	1800	284TP	93.6	86.0	29.1	3,350	10	24.01	1.188	520
VHTP0256	25	1200	324TP	93.0	83.0	26.9	5,200	16.5	27.60	1.188	725
VHTP0304	30	1800	286TP	93.6	87.5	34.3	3,350	10	25.51	1.188	558
VHTP0306	30	1200	326TP	93.0	80.5	32.3	5,200	16.5	29.09	1.188	725
VHTP0404	40	1800	324TP	94.1	86.0	46.3	4,500	16.5	27.60	1.188	720
VHTP0406	40	1200	364TP	94.1	86.5	42.3	6,600	16.5	30.26	1.188	898
VHTP0504	50	1800	326TP	94.5	87.0	57.0	4,500	16.5	29.09	1.188	780
VHTP0506	50	1200	365TP	94.1	86.0	53.0	6,600	16.5	31.24	1.188	1,025
VHTP0604	60	1800	364TP	95.0	86.5	68.5	6,000	16.5	30.26	1.188	900
VHTP0606	60	1200	404TP	94.5	87.0	63.0	9,000	16.5	38.87	1.501	1,210
VHTP0754	75	1800	365TP	95.4	86.5	85.0	6,000	16.5	31.24	1.188	970
VHTP0756	75	1200	405TP	94.5	86.5	78.5	9,000	16.5	40.39	1.501	1,340
VHTP1004	100	1800	405TP	95.4	87.5	112	7,900	16.5	40.39	1.501	1,415
VHTP1006	100	1200	444TP	95.0	79.8	123	10,100	16.5	43.03	1.688	1,990
VHTP1254	125	1800	444TP	95.4	85.6	143	8,900	16.5	43.03	1.688	2,020
VHTP1256	125	1200	445TP	95.0	79.0	155	10,100	16.5	45.00	1.688	2,080
VHTP1504	150	1800	445TP	95.8	88.0	166	8,900	16.5	45.00	1.688	2,120
VHTP1506	150	1200	447TP	95.8	77.2	189	11,500	20	45.94	1.688	2,540
VHTP2004	200	1800	447TP	96.2	82.5	235	10,100	20	45.94	1.688	2,470
VHTP2006	200	1200	449TP	95.8	76.6	254	11,500	20	53.94	2.126	2,780
VHTP2504	250	1800	449TP	96.2	83.1	292	10,100	20	53.94	2.126	2,820
VHTP2506	250	1200	449TP	95.8	74.3	328	11,500	20	53.94	2.126	2,970
VHTP3004	300	1800	449TP	96.2	83.1	351	10,100	20	53.94	2.126	3,540
VHTP3006	300	1200	5009P	95.8	84.8	345	12,400	24.5	57.20	2.188	3,800
VHTP3504	350	1800	5009P	96.2	86.3	394	10,800	24.5	57.20	2.188	4,020
VHTP3506	350	1200	5808P	95.8	80.6	424	20,400	30.5	62.09	2.376	5,700
VHTP4004	400	1800	5009P	96.2	86.6	449	10,800	24.5	57.20	2.188	4,200
VHTP4006	400	1200	5808P	95.8	80.9	482	20,400	30.5	62.09	2.376	5,950
VHTP4504	450	1800	5808P	96.2	84.0	521	10,100	30.5	62.09	2.376	5,990
VHTP4506	450	1200	5808P	95.8	80.2	547	20,400	30.5	62.09	2.376	6,150
VHTP5004	500	1800	5808P	96.2	84.0	578	10,100	30.5	62.09	2.376	6,210
VHTP5006	500	1200	5808P	95.8	81.2	601	20,400	30.5	62.09	2.376	6,600
VHTP6004	600	1800	5810P	96.2	84.0	694	10,100	30.5	67.20	2.376	6,680
VHTP6006	600	1200	5810P	95.8	81.7	717	20,400	30.5	67.20	2.376	7,090
VHTP7004	700	1800	5810P	96.2	85.0	800	10,100	30.5	67.20	2.376	7,070
VHTP7006	700	1200	5810P	95.8	81.3	840	20,400	30.5	67.2	2.376	8,670
VHTP8004	800	1800	5810P	96.2	86.0	904	10,100	30.5	67.20	2.376	9,220

Vertical Hollow Shaft TEFC High Thrust w/ "P" Base - Medium Voltage

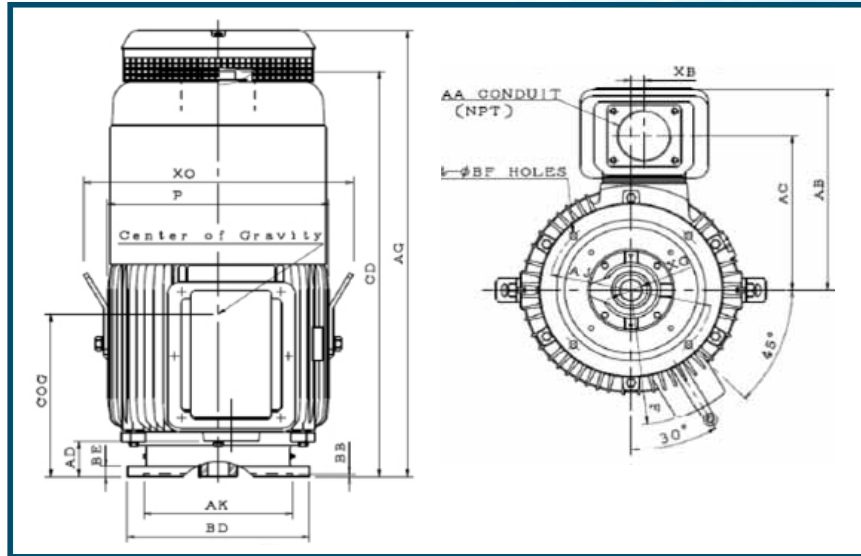
AEHCNH, Premium Efficiency [VHKTP]

CAT. NO.	HP	RPM	FRAME	FL EFF (%)	FL PF (%)	FL AMPS @4160V	DOWN THRUST (lbs.)	BD DIM (in.)	CD DIM (in.)	BX DIM (IN.)	APPROX. SHIPPING WT. (lbs.)
VHKTP2006	200	1200	449TP	95.0	76.2	25.5	11,400	20.0	53.94	2.126	3,700
VHKTP2504	250	1800	449TP	95.0	83.7	29.0	10,000	20.0	53.94	2.126	3,780
VHKTP2506	250	1200	5009P	95.0	81.9	30.0	12,100	24.5	57.20	2.188	3,980
VHKTP3004	300	1800	5009P	95.4	85.5	34.0	10,500	24.5	57.20	2.188	3,990
VHKTP3006	300	1200	5009P	95.0	82.4	35.5	12,100	24.5	57.20	2.188	5,530
VHKTP3504	350	1800	5009P	95.4	86.1	39.5	10,500	24.5	57.20	2.188	5,310
VHKTP3506	350	1200	5808P	95.2	80.4	42.5	22,300	30.5	62.09	2.376	5,960
VHKTP4004	400	1800	5009P	95.4	85.7	45.5	10,500	24.5	57.20	2.188	5,780
VHKTP4006	400	1200	5808P	95.4	80.8	48.5	22,300	30.5	62.09	2.376	6,300
VHKTP4504	450	1800	5808P	95.4	83.8	52.5	9,700	30.5	62.09	2.376	6,260
VHKTP4506	450	1200	5808P	95.6	80.9	54.0	22,300	30.5	62.09	2.376	6,560
VHKTP5004	500	1800	5808P	95.5	82.6	59.0	9,700	30.5	62.09	2.376	6,480
VHKTP5006	500	1200	5810P	95.8	81.6	59.5	22,300	30.5	67.20	2.376	6,880
VHKTP6004	600	1800	5810P	95.7	84.3	69.5	9,700	30.5	67.20	2.376	6,850
VHKTP6006	600	1200	5810P	96.0	81.3	71.5	22,300	30.5	67.20	2.376	9,120
VHKTP7004	700	1800	5810P	95.9	84.6	80.5	9,700	30.5	67.20	2.376	9,000

Notes:

(1) Data subject to change without notice.

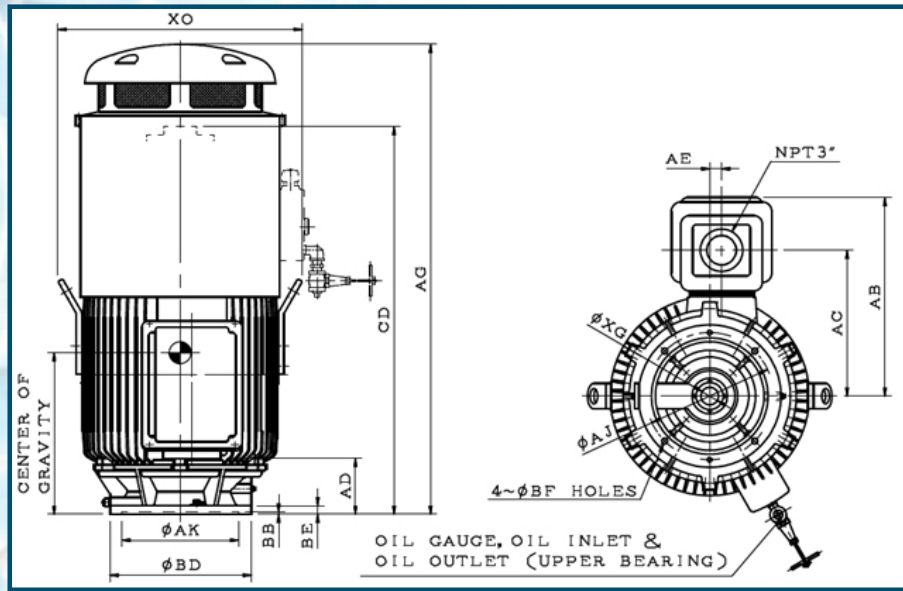
Dimensions: Frames 210TP ~ 400TP TEFC



FRAME SIZE	AG	CD	P	XG	XO	F	MOUNTING					
							AJ	AK	BB	BD	BE	BF
213TP	22.047	19.742	10.75	0.866	13.390	—	9.125	8.25	0.20	9.85	0.79	0.44
215TP	23.543	21.238	10.75	0.866	13.390	—	9.125	8.25	0.20	9.85	0.79	0.44
254TP	24.589	22.360	13.15	1.378	17.087	—	9.125	8.25	0.20	10.00	0.59	0.44
256TP	26.321	24.093	13.15	1.378	17.087	—	9.125	8.25	0.20	10.00	0.59	0.44
284TP	26.986	24.010	15.04	1.378	18.980	—	9.125	8.25	0.20	10.00	0.58	0.44
286TP	28.482	25.506	15.04	1.378	18.980	—	9.125	8.25	0.20	10.00	0.58	0.44
324TP	30.427	27.593	16.54	1.653	20.470	—	14.750	13.50	0.25	16.50	0.80	0.69
326TP	31.923	29.089	16.54	1.653	20.470	—	14.750	13.50	0.25	16.50	0.80	0.69
364TP	36.989	32.658	18.03	1.653	22.640	12.00	14.750	13.50	0.25	16.50	0.88	0.69
365TP	37.973	33.643	18.03	1.653	22.640	12.00	14.750	13.50	0.25	16.50	0.88	0.69
404TP	42.798	38.869	20.07	2.000	24.570	12.99	14.750	13.50	0.25	16.50	1.01	0.69
405TP	44.294	40.385	20.07	2.000	24.570	12.99	14.750	13.50	0.25	16.50	1.01	0.69

FRAME SIZE	TERMINAL HOUSING					BEARINGS		APPROX. WEIGHT (LBS)
	AA	AB	AC	AD	XB	LOWER END	UPPER END	
213TP	1"	9.80	7.360	4.41	0.51	6209ZC3	7310B	184
215TP	1"	9.80	7.360	5.16	0.51	6209ZC3	7310B	214
254TP	1 1/4"	11.30	8.858	4.96	0.39	6209ZC3	7311B	327
256TP	1 1/4"	11.30	8.858	5.82	0.39	6209ZC3	7311B	371
284TP	1 1/2"	12.28	9.840	6.08	0.39	6311ZC3	7312B	460
286TP	1 1/2"	12.28	9.840	6.82	0.39	6311ZC3	7312B	523
324TP	2"	14.72	11.300	5.31	0.79	6312C3	7315B	702
326TP	2"	14.72	11.300	6.05	0.79	6312C3	7315B	742
364TP	3"	16.81	12.990	3.72	1.18	6313C3	7318B	1147 918
365TP	3"	16.81	12.990	4.21	1.18	6313C3	7318B	1256 1005
404TP	3"	19.41	14.760	3.82	1.18	6315C3	7322B	1400
405TP	3"	19.41	14.760	4.13	1.18	6315C3	7322B	1373 1558

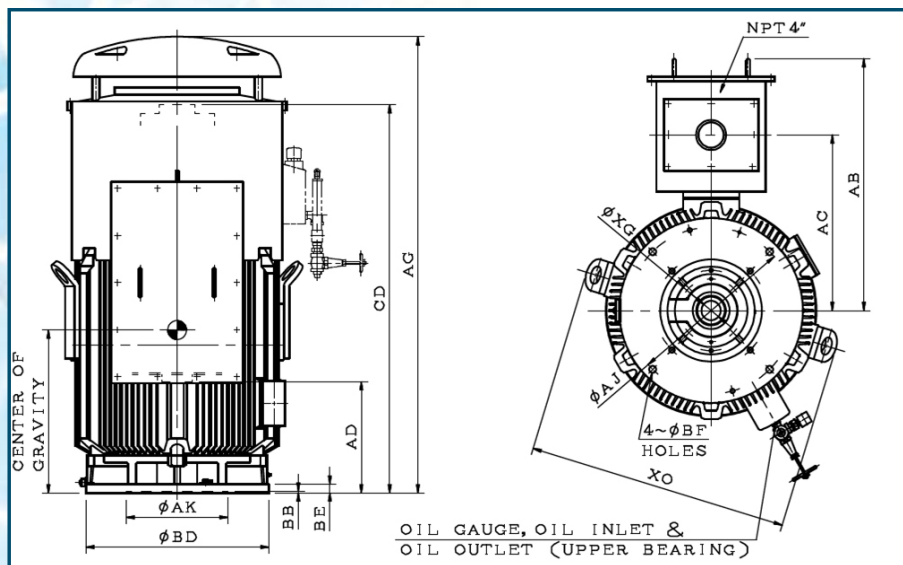
Dimensions: 440TP TEFC



FRAME SIZE (EHV)	MOUNTING						CD	XG	AG	XO
	AK	AJ	BD	BF	BB	BE				
444TP	13.50	14.75	16.50	0.69	0.25	1.00	43.03	2.047	52.56	28.35
445TP	13.50	14.75	16.50	0.69	0.25	1.00	45.00	2.047	54.53	28.35
447TP	13.50	14.75	20.00	0.69	0.25	1.20	45.94	2.559	56.06	30.55
449TP	13.50	14.75	20.00	0.69	0.25	1.20	53.94	2.559	64.06	30.55

FRAME SIZE (EHV)	TERMINAL HOUSING				CENTER OF GRAVITY	BEARINGS	
	AB	AC	AD	AE		UPPER END	LOWER END
444TP	23.05	16.95	5.50	1.40	18.3	7324B	6316C3
445TP	23.05	16.95	6.50	1.40	19.2	7324B	6316C3
447TP	24.00	17.90	7.85	1.20	19.1	7326B	6318C3
449TP	24.00	17.90	11.35	1.20	22.6	7326B	6318C3

Dimensions: Frames 5000 TEFC



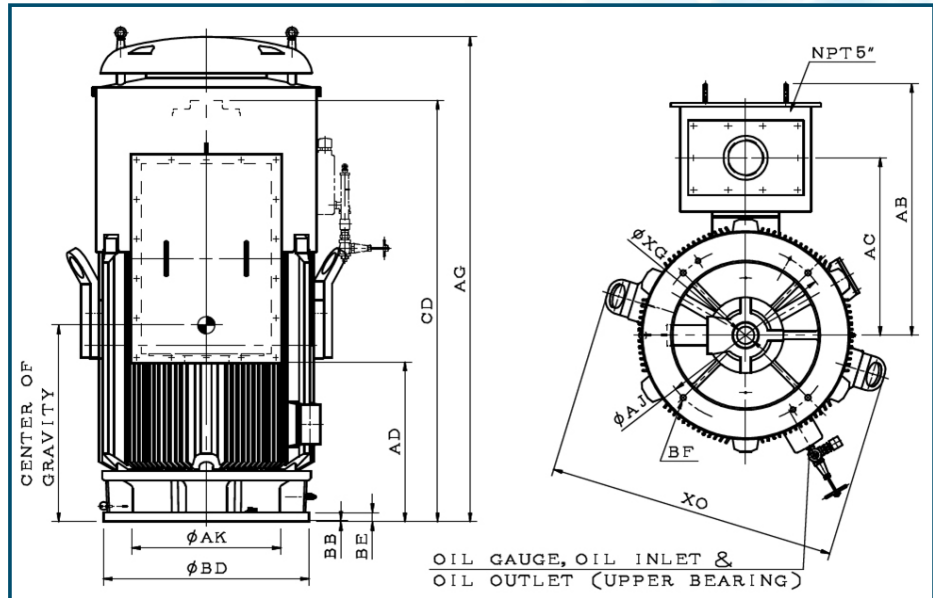
FRAME SIZE (EGV)	XG	XO	MOUNTING					
			AJ	AK	BB	BD	BE	BF
5000	2.559	34.65	14.75	13.50	0.25	20.00	1.18	0.69
			14.75	13.50		*24.50		0.69
			22.00	13.50		30.50		0.94
			26.00	22.00		30.50		0.81

FRAME SIZE (EGV)	CD	AG			TERMINAL HOUSING			CENTER OF GRAVITY	BEARINGS	
		4P	6P	8P	AB	AC	AD		LOWER END	UPPER END
5007	51.30	60.08	60.47	60.47	33.30	23.20	14.70	21.5	7328B	6220C3
5009	57.20	65.98	66.38	66.38						

Notes:

* Standard Size

Dimensions: Frames 5800 TEFC



FRAME SIZE (EGV)	XG	XO	MOUNTING						
			AJ	AK	BB	BD	BE	BF	BF HOLES QUANTITY
5800	2.559	42.52	14.75	13.50	0.25	24.50	1.38	0.69	4
			22.00					0.94	4
			26.00	22.00		*30.50		0.81	4
			32.00	26.00		36.00		1.00	8

FRAME SIZE (EGV)	CD	AG			TERMINAL HOUSING			CENTER OF GRAVITY	UPPER BEARING		LOWER BEARING
		4P	6P	8P	AB	AC	AD		4P	6P	
5808	62.09	70.87	70.67	70.87	37.10	26.15	23.55	29.0	7328B	29330 +6028	6320C3
5810	67.20	75.98	75.78	75.98			28.65				

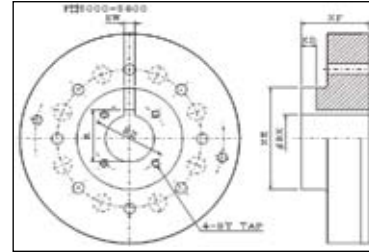
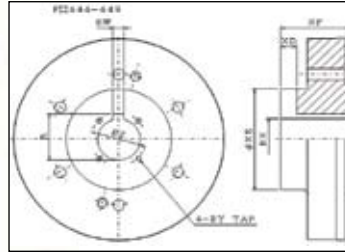
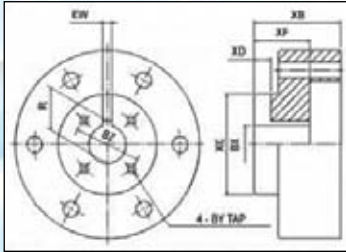
Notes:

* Standard Size

Coupling Kits - TEFC

Notes:

1. Tolerance on BX dimensions up to and including 1.500 inches diameter:
+0.001 inches, -0.000 inches; Larger than 1.500 inches diameter: +0.0015 in., -0.0000 in.
2. Dimension EW tolerance: +0.002 inches, -0.000 inches.
3. Dimension R tolerance: +0.010 inches, -0.000 inches.
4. **"*" in the table denotes the standard coupling size for each frame.**
5. One coupling is included with motor price. If purchased separately use list pricing.
6. Please consult Application Specialist for listings not shown.
7. Notice coupling part numbers have changed from 2015/2016 Pricebook; New design.



FRAME	BX	BY	BZ	EW	R	XB	XD	XE	XF	PART NO.	LIST PRICE (\$)
210TP	0.751	NO. 10-32 UNF	1.375	0.188	0.845	1.750	0.343	2.000	1.125	31010D6870206	460
	0.876	NO. 10-32 UNF	1.375	0.188	0.970	1.750	0.343	2.000	1.125	31010D6870303	
	*1.001	NO. 10-32 UNF	1.375	0.250	1.126	1.750	0.406	2.000	1.125	31010D6870401	
250TP	0.751	NO. 10-32 UNF	1.375	0.188	0.845	2.560	0.343	2.250	1.625	31010D6870508	613
	0.876	NO. 10-32 UNF	1.375	0.188	0.970	2.560	0.343	2.250	1.652	31010D6870605	
	*1.001	NO. 10-32 UNF	1.375	0.250	1.126	2.560	0.406	2.250	1.625	31010D6870702	
	1.188	1/4"-20 UNC	1.750	0.250	1.313	2.560	0.406	2.250	1.652	31010D6870800	
280TP	0.876	NO. 10-32 UNF	1.375	0.188	0.970	2.560	0.343	2.250	1.652	31010D6870605	613
	*1.001	NO. 10-32 UNF	1.375	0.250	1.126	2.560	0.406	2.250	1.625	31010D6870702	
	1.188	1/4"-20 UNC	1.750	0.250	1.313	2.560	0.406	2.250	1.652	31010D6870800	
	1.251	1/4"-20 UNC	1.750	0.250	1.376	2.560	0.406	2.250	1.652	31010D6870907	
320TP	1.001	NO. 10-32 UNF	1.375	0.250	1.126	3.331	0.406	2.875	2.331	31010D6871008	920
	*1.188	1/4"-20 UNC	1.750	0.250	1.313	3.331	0.406	2.875	2.331	31010D6871105	
	1.251	1/4"-20 UNC	1.750	0.250	1.376	3.331	0.406	2.875	2.331	31010D6871202	
	1.438	1/4"-20 UNC	2.125	0.375	1.625	3.331	0.531	2.875	2.331	31010D6871300	
360TP	*1.188	1/4"-20 UNC	1.750	0.250	1.313	3.331	0.406	2.875	2.331	31010D6871407	920
	1.251	1/4"-20 UNC	1.750	0.250	1.376	3.331	0.406	2.875	2.331	31010D6871504	
	1.438	1/4"-20 UNC	2.125	0.375	1.625	3.331	0.531	2.875	2.331	31010D6871601	
	1.501	1/4"-20 UNC	2.125	0.375	1.688	3.331	0.531	2.875	2.331	31010D6871709	
400TP	1.251	1/4"-20 UNC	2.125	0.375	1.688	3.543	0.531	3.150	2.441	Contact Factory	~
	1.438	1/4"-20 UNC	2.125	0.375	1.688	3.543	0.531	3.150	2.441	Contact Factory	~
	*1.501	1/4"-20 UNC	2.125	0.375	1.688	3.543	0.531	3.150	2.441	31010D6871806	2,150
	1.688	1/4"-20 UNC	2.500	0.375	1.891	-	0.531	3.740	2.874	Contact Factory	~
444TP/ 445TP	1.188	1/4"-20 UNC	1.750	0.250	1.304	-	0.409	3.740	2.874	3A711C1580100X001	2,150
	1.251	1/4"-20 UNC	1.750	0.250	1.367	-	0.409	3.740	2.874	3A711C1580207X001	
	1.438	1/4"-20 UNC	2.125	0.375	1.605	-	0.531	3.740	2.874	3A711C1580304X001	
	*1.501	1/4"-20 UNC	2.125	0.375	1.669	-	0.531	3.740	2.874	3A711C1580401X001	
	1.688	1/4"-20 UNC	2.500	0.375	1.859	-	0.531	3.740	2.874	3A711C1580509X001	
	1.751	1/4"-20 UNC	2.500	0.375	1.922	-	0.531	3.740	2.874	3A711C1580606X001	
	1.938	1/4"-20 UNC	2.500	0.500	2.160	-	0.689	3.740	2.874	3A711C1580703X001	
447TP(A)/ 449TP(B)	1.438	1/4"-20 UNC	2.125	0.375	1.605	-	0.531	4.725	3.071	3A711C1590105X001	2,350
	1.501	1/4"-20 UNC	2.125	0.375	1.669	-	0.531	4.725	3.071	3A711C1590202X001	
	*1.688(A)	1/4"-20 UNC	2.500	0.375	1.859	-	0.531	4.725	3.071	3A711C1590300X001	
	1.751	1/4"-20 UNC	2.500	0.375	1.922	-	0.531	4.725	3.071	3A711C1590407X001	
	*1.938(B)	1/4"-20 UNC	2.500	0.500	2.160	-	0.689	4.725	3.071	3A711C1590504X001	
	2.001	3/8"-16 UNC	3.250	0.500	2.223	-	0.689	4.725	3.071	3A711C1590601X001	
	2.063	3/8"-16 UNC	3.250	0.500	2.287	-	0.689	4.725	3.071	3A711C1590709X001	
	2.126	3/8"-16 UNC	3.250	0.500	2.350	-	0.689	4.725	3.071	3A711C1590806X001	
	2.188	3/8"-16 UNC	3.250	0.500	2.414	-	0.689	4.725	3.071	3A711C1590903X001	
	2.251	3/8"-16 UNC	3.250	0.500	2.477	-	0.689	4.725	3.071	3A711C1591004X001	
	2.376	3/8"-16 UNC	3.250	0.625	2.651	-	0.815	4.725	3.071	3A711C1591101X001	
2.438	3/8"-16 UNC	3.250	0.625	2.714	-	0.815	4.725	3.071	3A711C1591209X001		
2.501	3/8"-16 UNC	3.250	0.625	2.778	-	0.815	4.725	3.071	3A711C1591306X001		
5000(A)/ 5800-4P(B)	1.501	1/4"-20 UNC	2.125	0.375	1.669	-	0.531	4.725	3.071	3A711C1600101X001	2,650
	1.688	1/4"-20 UNC	2.500	0.375	1.859	-	0.531	4.725	3.071	3A711C1600208X001	
	1.938	1/4"-20 UNC	2.500	0.500	2.160	-	0.689	4.725	3.071	3A711C1600305X001	
	2.126	3/8"-16 UNC	3.250	0.500	2.350	-	0.689	4.725	3.071	3A711C1600402X001	
	*2.188(A)	3/8"-16 UNC	3.250	0.500	2.414	-	0.689	4.725	3.071	3A711C1600500X001	
	2.376	3/8"-16 UNC	3.250	0.625	2.651	-	0.815	4.725	3.071	3A711C1600607X001	
*2.438(B)	3/8"-16 UNC	3.250	0.625	2.714	-	0.815	4.725	3.071	3A711C1600704X001		
5800-6P & ABOVE	1.501	1/4"-20 UNC	2.125	0.375	1.669	-	0.531	4.725	3.071	3A711C1630107X001	2,650
	1.688	1/4"-20 UNC	2.500	0.375	1.859	-	0.531	4.725	3.071	3A711C1630204X001	
	1.938	1/4"-20 UNC	2.500	0.500	2.160	-	0.689	4.725	3.071	3A711C1630301X001	
	2.126	3/8"-16 UNC	3.250	0.500	2.350	-	0.689	4.725	3.071	3A711C1630409X001	
	2.188	3/8"-16 UNC	3.250	0.500	2.414	-	0.689	4.725	3.071	3A711C1630506X001	
	2.376	3/8"-16 UNC	3.250	0.625	2.651	-	0.815	4.725	3.071	3A711C1630603X001	
*2.438	3/8"-16 UNC	3.250	0.625	2.714	-	0.815	4.725	3.071	3A711C1630701X001		

P-Bases

P-BASES HIGH THRUST TEFC VERTICAL MOTORS (HOLLOW SHAFT AND SOLID SHAFT)

FRAME	TYPE	BD	AK	BB	AJ	BF	PART NUMBER
180	Standard	9.85"	8.25"	0.20"	9.125"	0.44"	31103F351X6C5
210	Standard	10"	8.25"	0.20"	9.125"	0.44"	31103F331X8C1
250	Standard	10"	8.25"	0.20"	9.125"	0.44"	31103F352X7C8
280	Standard	10"	8.25"	0.20"	9.125"	0.44"	31103F354X8C6
	Alternate	12"	8.25"	0.25"	9.125"	0.44"	31103F354X8C6
320	Standard	16.5"	13.5"	0.25"	14.750"	0.69"	31103B67604C0
360	Standard	16.5"	13.5"	0.25"	14.750"	0.69"	31103B67704C5
400	Standard	16.5"	13.5"	0.25"	14.750"	0.69"	31103B95105C1
400	Alternate	20.5"	13.5"	0.25"	14.750"	0.69"	Contact Factory

P-BASES HIGH THRUST TEFC VERTICAL MOTORS (HOLLOW SHAFT AND SOLID SHAFT)

FRAME	TYPE	BD	AK	BE	BB	AJ	BF	PART NUMBER
444-445	Standard	16.5"	13.5"	1.00"	0.25"	14.75"	0.69"	3A103B329XA8
445TP20/ 447/449	Standard	20"	13.5"	1.20"	0.25"	14.75"	0.69"	3A103B421XZA6
	Alternate	16.5"	13.5"	1.20"	0.25"	14.75"	0.69"	Contact Factory
	Alternate	24.5"	13.5"	1.20"	0.25"	14.75"	0.69"	Contact Factory
5000	Standard	24.5"	13.5"	1.18"	0.25"	14.75" 22"	0.69" 0.94"	3A103B155Y4A2
	Alternate	20.0"	13.5"	1.18"	0.25"	14.75"	0.69" 0.94"	Contact Factory
	Alternate	30.5"	22"	1.18"	0.25"	26"	0.69" 0.94"	Contact Factory
5800	Standard	30.5"	22"	1.38"	0.25"	26"	0.81"	3A103B41010A3
	Alternate	24.5"	13.5"	1.38"	0.25"	14.75" 22"	0.81"	Contact Factory
	Alternate	36"	26"	1.38"	0.25"	32"	0.81"	Contact Factory

P-BASES HIGH THRUST WPI VERTICAL MOTORS (HOLLOW SHAFT AND SOLID SHAFT)

FRAME	TYPE	BD	AK	BB	AJ	BF	PART NUMBER	NOTE
210	Standard	10"	8.25"	0.22"	9.125"	0.44"	31103F412X1C0	~
250	Standard	10"	8.25"	0.25"	9.125"	0.44"	31103F406X5C6	AMRCNH ONLY
	Standard	10"	8.25"	0.25"	9.125"	0.44"	31103F406X6C3	AMRCNH ONLY
	Alternate	12"	8.25"	0.25"	9.125"	0.44"	31010D5150102	AMRCNH ONLY
	Alternate	16.5"	13.5"	0.25"	14.750"	0.44"	31103F406X200	~
280	Standard	10"	8.25"	0.25"	14.750"	0.44"	31103F407X3C7	~
	Alternate	12"	8.25"	0.25"	14.750"	0.44"	31010D5150307	~
	Alternate	16.5"	13.5"	0.25"	14.750"	0.44"	31103F407X205	~
320	Alternate	12"	8.25"	0.25"	9.125"	0.44"	31010D5150501	~
	Standard	16.5"	13.5"	0.28"	14.750"	0.69"	31103F408X2C5	~
360	Alternate	12"	8.25"	0.28"	9.125"	0.69"	31103F09X109	~
	Standard	16.5"	13.5"	0.28"	14.750"	0.69"	31103F409X3C8	~
400	Standard	16.5"	13.5"	0.28"	14.750"	0.69"	31103F410X4C1	~
	Alternate	20.5"	13.5"	0.28"	14.750"	0.69"	31103F410X104	~

P-BASES HIGH THRUST WPI VERTICAL MOTORS (HOLLOW SHAFT AND SOLID SHAFT)

FRAME	TYPE	BD	AK	BE	BB	AJ	BF	PART NUMBER
444/445	Standard	16.5"	13.5"	1.00"	0.25"	14.75"	0.69"	3A103F072X5A5
445TP20	Standard	20"	13.5"	1.00"	0.25"	14.75"	0.69"	3A103B270X5A9
447/449	Standard	20"	13.5"	1.00"	0.25"	14.75"	0.69"	3A103F047X4A1
445TP20/447/449	Alternate	16.5"	13.5"	1.00"	0.25"	14.75"	0.69"	Contact Factory
5000	Alternate	20"	13.5"	1.18"	0.25"	14.75"	0.69"	3A103C077X5A8
	Standard	24.5"	13.5"	1.18"	0.25"	14.75" 22"	0.94"	3A103C077X6A5
	Alternate	30.5"	22"	1.18"	0.25"	26"	0.81"	3A103C077X1A9
5800	Alternate	24.5"	13.5"	1.38"	0.25"	14.75" 22"	0.94"	3A103C345X4A7
	Standard	30.5"	22"	1.38"	0.25"	26"	0.81"	3A103C345X3A0
	Alternate	36"	26"	1.38"	0.25"	32"	0.81"	Contact Factory

Notes:

- (1) P-Bases require factory machine work prior to shipment/installation.
- (2) Consult a Stock Product Application Specialist or T-Frame parts for P-Base price and availability.
- (3) P-Bases also available for MAX-PE, MAX-E1 and MAX-E2 for select ratings. Consult a Stock Product Application Specialist or T-frame parts for details.

TECO   **Westinghouse**

5100 N. IH-35
Round Rock, Texas 78681
1-800-USE-TECO (873-8326)
www.tecowestinghouse.com

SM-MVH 09-18