

GEORGE FOREMAN®

THE LEAN MEAN FAT REDUCING GRILLING MACHINE™

Please Read and Save this Use and Care Book

Por favor lea este instructivo antes de usar el producto

Register your product online at
www.prodprotect.com/applica,
for a chance to WIN \$100,000!
For US residents only

Registre su producto por Internet en
www.prodprotect.com/applica y tendrá
la oportunidad de GANAR \$100,000!
Solamente para residentes de EE.UU



USA/Canada

1-800-231-9786

www.prodprotect.com/applica

Accessories/Parts (USA/Canada)

Accessoires/Pièces (É.-U./Canada)

1-800-738-0245

Model
Modelo

GF64G

IMPORTANT SAFEGUARDS

When using electrical appliances, basic safety precautions should always be followed, including the following:

- Read all instructions.
- Do not touch hot surfaces. Use handles or knobs.
- To protect against electrical shock do not immerse cord, plugs or appliance in water or other liquid.
- Close supervision is necessary when any appliance is used by or near children.
- Unplug from outlet when not in use and before cleaning. Allow to cool before putting on or taking off parts, and before cleaning the appliance.
- Do not operate any appliance with a damaged cord or plug, or after the appliance malfunctions or has been damaged in any manner. Return appliance to the nearest authorized service facility for examination, repair or adjustment. Or, call the appropriate toll-free number on the cover of this manual.
- The use of accessory attachments not recommended by the appliance manufacturer may cause injuries.
- Do not use outdoors.
- Do not let cord hang over edge of table or counter, or touch hot surfaces.
- Do not place on or near a hot gas or electric burner, or in a heated oven.
- Extreme caution must be used when moving an appliance containing hot oil or other hot liquids.
- To disconnect, remove plug from wall outlet.
- Do not use this appliance for other than intended use.

SAVE THESE INSTRUCTIONS.

This product is for household use only.

POLARIZED PLUG (120V Models Only)

This appliance has a polarized plug (one blade is wider than the other).

To reduce the risk of electric shock, this plug is intended to fit into a polarized outlet only one way. If the plug does not fit fully into the outlet, reverse the plug. If it still does not fit, contact a qualified electrician. Do not attempt to modify the plug in any way.

TAMPER-RESISTANT SCREW

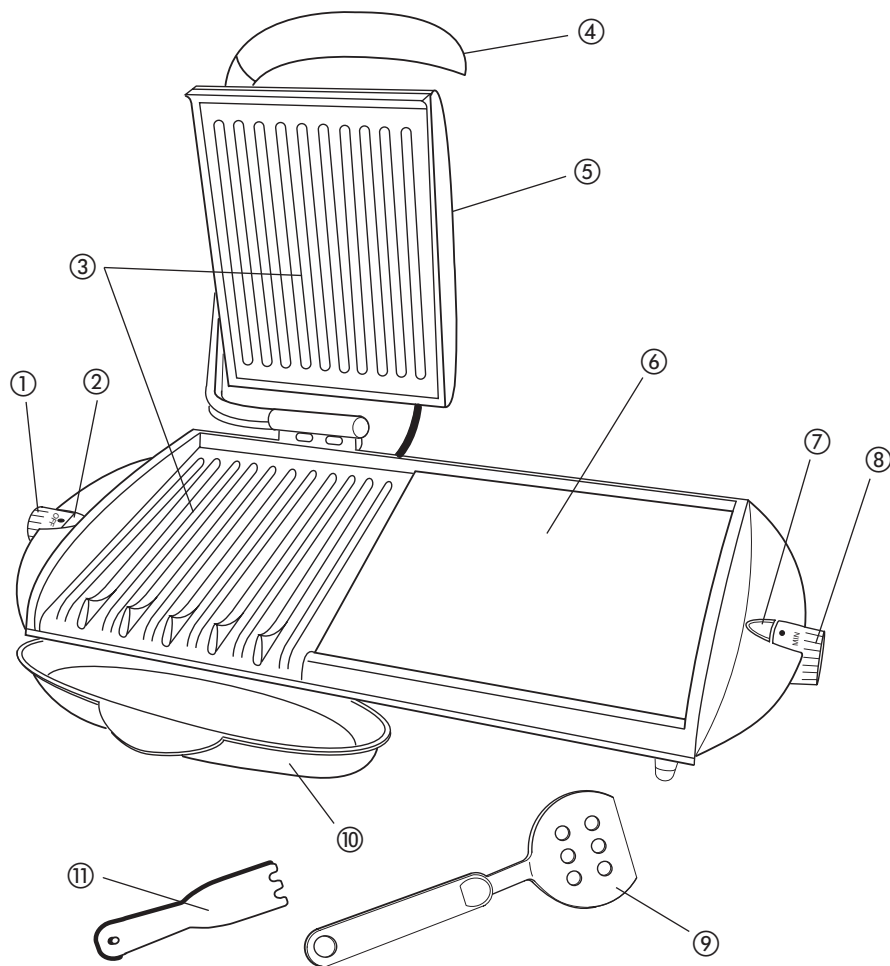
Warning: This appliance is equipped with a tamper-resistant screw to prevent removal of the outer cover. To reduce the risk of fire or electric shock, do not attempt to remove the outer cover. There are no user-serviceable parts inside. Repair should be done only by authorized service personnel.

ELECTRICAL CORD

- a) A short power-supply cord (or detachable power-supply cord) is to be provided to reduce the risk resulting from becoming entangled in or tripping over a longer cord.
- b) Longer detachable power-supply cords or extension cords are available and may be used if care is exercised in their use.
- c) If a long detachable power-supply cord or extension cord is used,
 - 1) The marked electrical rating of the detachable power-supply cord or extension cord should be at least as great as the electrical rating of the appliance,
 - 2) If the appliance is of the grounded type, the extension cord should be a grounding-type 3-wire cord, and
 - 3) The longer cord should be arranged so that it will not drape over the countertop or tabletop where it can be pulled on by children or tripped over.

Note: If the power supply cord is damaged, it should be replaced by qualified personnel; in Latin America, by an authorized service center.

Product may vary slightly from what is illustrated.



1. Grill temperature control dial
2. Grill preheat indicator light
3. Grill plates
4. Cool-touch handle
5. Lid
6. Griddle
7. Griddle preheat indicator light
8. Griddle temperature control dial
- † 9. Griddle spatula (Part # 20493)
- † 10. Drip tray (Part # 22794)
- † 11. Grill spatula (Part # 20166)

Note: † indicates consumer replaceable/removable parts

How to Use

This product is for household use only.

FEATURES

Nonstick Cooking Surfaces	Cover the grill plates and griddle surface to help reduce fat while cooking and for easy cleaning.
Grilling Surface	Sears in the juices and flavors of your favorite foods, and allows fat to drain away for healthier meals.
Griddle Surface	Large, smooth, nonstick cooking surface with uniform temperature conduction for cooking food items such as pancakes, hash browns, eggs, grilled cheese sandwiches, chopped vegetables, side dishes, etc.
Heat Settings	Variable heat settings provide precise control for a variety of foods.
Removable Drip Tray	Collects fat and juices during cooking. Dishwasher-safe (on top rack) for easy cleaning.

GETTING STARTED

- Remove all packing material and any stickers.
- Remove and save literature.
- Please go to www.prodprotect.com/applica to register your warranty.
- Wash all removable parts and/or accessories as instructed in CARE AND CLEANING section of this manual.
- Wipe grill plates with a damp cloth or sponge to remove any dust. Wipe dry with a soft cloth or paper towels.
- Select location where unit is to be used, leaving enough space between back of unit and wall to allow heat to flow without damage to cabinets and walls. Leave at least 2" (5 cm) of space around the grill.
- Arrange the cable so it doesn't overhang, and can't be tripped over or caught.

PREPARATION

1. Before first use, if desired, lightly oil grill plates and griddle surface.
Note: Aerosol cooking spray should not be used on nonstick surface. Chemicals that allow spray to come out of can build up on surface of grill plates and reduce their efficiency.
2. Prepare the food, measure out your ingredients and have everything within easy reach.
3. Check your accessories – tongs, ladles, scoops, spatulas.
Important: Never use anything metal or sharp, or you may damage the nonstick surfaces.
4. Have your oven gloves ready for use.

GRILL AND GRIDDLE

Since each side of the Grill/Griddle has independent controls and heating elements, you set use each side at a different temperature.

Important: Slide the drip tray under the front of the grill plate.

PREHEATING THE GRILL

1. Pull the lid handle forward to close the lid.

Note: Do not operate the grill in the open position.

2. Turn the left temperature control to OFF.
3. Unwind cord and plug into a standard electrical outlet.

Important: Always wear oven gloves when your hands come near the grill.

4. Turn the temperature control to the desired temperature – MIN, MED or MAX.
5. The grill preheat indicator light comes on to indicate that the elements are heating.
6. When the grill reaches the desired temperature, the light will go out and then cycle on and off as the thermostat maintains the temperature.

Note: Allow the grill to preheat for at least 5 minutes before grilling. If desired, use a kitchen timer.

7. To turn grill off, turn the left temperature control dial to OFF.

PREHEATING THE GRIDDLE

1. Turn the right temperature control to OFF.
2. Unwind cord and plug into a standard electrical outlet.

Important: Always wear oven gloves when your hands come near the griddle.

3. Turn the temperature control to the desired temperature – MIN, MED or MAX.
4. The griddle preheat indicator light comes on to indicate that the elements are heating.
5. When the griddle reaches the desired temperature, the light will go out and then cycle on and off as the thermostat maintains the temperature.

Note: Allow the griddle to preheat for at least 5 minutes before grilling. If desired, use a kitchen timer.

6. To turn griddle off, turn the right temperature control dial to OFF.

COOKING

Important: Always wear oven gloves when your hands come near the grill or griddle.

1. When the appropriate preheat indicator light goes off, carefully place the items to be cooked on the bottom grilling plate or the griddle surface with the plastic spatula or a pair of tongs; do not use your fingers.

Note: If using the grill, use an oven glove to carefully close the lid.

Important Tips:

- Always use heatproof plastic, nylon or wood utensils to avoid scratching nonstick surface of grilling plate. Never use metal skewers, tongs, forks or knives.
 - Don't wrap food in plastic film or polythene bags. Use cooking foil which will stand the heat without burning or melting.
 - Do not overload grill.
2. Allow the food to cook for the desired time.

3. Use cooking times found in the SUGGESTED GRILLING CHART. If desired, use a kitchen timer.

Important: Do not leave the appliance unattended during use.

4. After selected time, the food should be done.

Important: Don't leave food to cool on the grill – remove it while it's still hot. The nonstick surfaces will only remain nonstick if it is treated and cleaned properly.

5. If using the grill, use an oven glove to carefully open the lid.
6. Remove cooked food with the plastic spatula or tongs.

Note: Always use heatproof plastic, nylon or wood utensils to avoid scratching nonstick surface of grilling plate. Never use metal skewers, tongs, forks or knives.

7. When you've finished, turn all temperature controls to OFF and unplug from the power outlet.

Important: Heat continues to be ON until grill is unplugged.

8. Let the grill and griddle cool completely.
9. Allow drip tray to cool. Use oven globes to remove it from under the grill.

Important: Be sure the liquid in drip tray has cooled before attempting to remove it.

10. Wash and dry the drip tray after each use.

EMPTYING THE DRIP TRAY

Put on oven gloves, remove the drip tray and empty it into a heatproof bowl; wipe with a paper towel and replace it under the grill. Use caution as the drip tray may be hot.

Grilling Tips

- Marinate tougher cuts of meat to tenderize them before grilling.
- To avoid drying out meat and fish, do not pierce with a utensil.
- Adjust heat setting gradually and only as necessary. Cooking foods at too high a temperature can cause them to dry out.
- Better cooking results will be achieved with boneless cuts of meat, chicken and fish.
- Cut the edge of the meat in several places to prevent curling of the meat.
- If grilling more than one item, select foods of even thickness. This will promote consistent doneness and appearance.
- For grilling small portions, make sure meat is centered on grill. When grilling larger portions, distribute evenly and allow one inch space between foods to promote uniform cooking.
- When grilling fish or chicken breast fillets, tuck extremely thin parts under to prevent overcooking.
- If food is under-cooked when removed from grill, simply return to grill for additional cooking time.

Important: Use only silicone, plastic and wooden utensils when cooking on the grill. Silicone utensils are especially good because they do not discolor or melt with the high temperature.

SUGGESTED GRILLING CHART

Use these suggested cooking times purely as a guide. They're for fresh or fully defrosted food. When cooking frozen foods, add 2 – 3 minutes for seafood, and 3 – 6 minutes for meat and poultry, depending on the thickness and density of the food. Cooking time will depend upon thickness and cut being used. Check food is cooked through before serving. If in doubt, cook it a bit more. Cook meat, poultry, and any derivatives (mince, burgers, etc.) till the juices run clear. Use a cooking thermometer as a test for doneness. If the food needs longer cooking, check periodically to avoid overcooking the food. Cook fish until the flesh is opaque throughout. When cooking prepackaged foods, follow any guidelines on the package or label.

Please note: To be sure your food is fully cooked the USDA recommends the following guidelines. Use a kitchen timer. Using a meat thermometer cook test for doneness by inserting the meat thermometer into the center of the food being cooked and make sure the thermometer is not touching the bone or grill plates.

FOOD TO BE COOKED	MEDIUM		WELL DONE OR FULLY COOKED	
Chicken Breast			170°F	77°C
Chicken Thigh			180°F	82°C
Beef / Lamb/Veal	160°F	71°C	170°F	77°C
Pork			160°F	71°C
Reheated cooked meats and poultry			165°F	74°C

When cooking the following items, we recommend setting your grill to MED:

	Rare 145°F (63°C)	Medium 160°F (71°C)	Well 170°F (77°C)
Salmon Filet, 1" thick, 8 oz each, (3)	7 min	8 min	
Salmon Steak, 1" thick, 10 oz each	8 min	9 min	
Sword Fish, 1" thick, 6 oz each	8 min	9 min	
Tuna Steak, 1" thick, 6 oz each	6 min	8 min	
White Fish, ½" thick, 6 oz each	4 min	6 min	
Turkey Burger, ¾" thick, 4 oz each			8 min
Turkey Burger, ¾" thick, 8 oz each			12 min
Sea Scallops, 1" thick, 1 oz each	3½ min	4½ min	
Shrimp, split shell, med size, ½ lb.		5 min	
Center Cut Pork Chops, ½" thick, 6 oz each		10 min	11 min
Center Cut Pork Loin, 1" thick, 8 oz each		12 min	14 min

	Rare 145°F (63°C)	Medium 160°F (71°C)	Well 170°F (77°C)
Frozen Hamburger, ¾" thick, 4 oz each		12 min	13 min
Frozen Hamburger, 1" thick, 8 oz each		15 min	18 min
Chicken Breast (boneless/skinless) 1½" thick, 6 – 8 oz each			9 min
Frozen Chicken Breast (boneless/skinless) 1½" thick, 6 – 8 oz each			13 min
Chicken Breast, bone-in, up to 2½" thick, 6 – 8 oz each			23 min
Link Sausage		5 min	7 min
Sliced Sausage, ½" thick		6 min	7 min

When cooking the following items, we recommend setting your grill to MAX:

	Rare 145°F (63°C)	Medium 160°F (71°C)	Well 170°F (77°C)
Hamburger, ¾" thick, 4 oz each		6 min	7 min
Hamburger, ¾" thick, 8 oz each		10 min	11 min
Fajita Beef, ½" thick slices	1½ min	2 min	2½ min
T-Bone Steak, ¾" thick, 12 oz each	4 min	5 min	6 min
Frozen T-Bone, ¾" thick, 12 oz each	6 min	7 min	8 min
NY/KC Strip Steak, ¾" thick, 8 oz each, (3)	4 min	5½ min	7 min
Frozen NY/KC Strip Steak, 1" thick, 8 oz each	10 min	11½ min	13 min
Ribeye Steak, ¾" thick, 8 oz each, (2)	4 min	4½ min	5½ min
Frozen Ribeye Steak, 1" thick, 10 oz each	10½ min	11½ min	12½ min
Onions and Peppers (brush with olive oil)		8½ min	15 min
Hot Dogs			6 min
Bratwurst			10 min

GRIDDLE COOKING CHART

Turn all food items halfway through cooking time.

Food	Temperature	Cooking Time
Bacon, Place on cold griddle & turn often.	MED – MAX	5 – 15 minutes
Eggs	MED	2 – 6 minutes
Grilled Sandwiches	MED	5 – 10 minutes
Pancakes	MED – MAX	3 – 4 minutes

Care and Cleaning

This appliance contains no user-serviceable parts. Refer service to qualified service personnel.

CLEANING

Caution: To avoid accidental burns, allow grill and griddle to cool thoroughly before cleaning.

1. Before cleaning, turn both temperature control dials to OFF, unplug from the outlet and allow to cool.
2. **Emptying drip tray:** Put on oven gloves, remove the drip tray, and empty it into a heatproof bowl.

Important: Make sure both the drip tray and the liquid inside it have cooled before attempting to remove it.

3. **Inside cleaning:** Place the drip tray under the front of the grilling plate. Using the spatula, scrape off any excess fat and food particles. Wipe the cooking surfaces of the grill and griddle with absorbent paper towels or a sponge.
4. **Stubborn build-up:** Use a paper towel moistened with a little cooking oil to remove stubborn stains. If necessary, use a non-metallic scrubbing pad to clean the cooking plate and a stiff, non-metallic brush to clean between the grill ribs. Do not use steel wool, scouring pads, or abrasive cleaners on any part of the grill/griddle.
5. **Cleaning drip tray:** Put on oven gloves, remove the drip tray, and empty it. Wash the drip tray in warm soapy water, or in the top rack of the dishwasher. Dry thoroughly with a paper towel or a soft, dry cloth.

Important: Make sure both the drip tray and the liquid inside it have cooled before attempting to remove it.

6. **Outside cleaning:** Wipe with a warm, damp sponge and dry with a soft, dry cloth.
7. Do not use steel wool, scouring pads, or abrasive cleaners on any part of the appliance.

8. DO NOT IMMERSE IN WATER OR OTHER LIQUID.

Important: Do not let the temperature controls get wet.

Caution: Make sure to hold grill cover by the handle while cleaning to prevent accidental closing and injury.

STORAGE

- Always make sure grill is clean and dry before storing.

TROUBLESHOOTING

PROBLEM	POSSIBLE CAUSE	SOLUTION
Finish on grill plates is scratched or has cut marks.	Metal utensils have been used.	Always use heatproof plastic or wood utensils to avoid scratching nonstick surface of grill plates. Never use metal skewers, tongs, forks or knives.
Grill marks on food are very light. The food looks steamed.	Grill was not fully preheated before use.	Always preheat grill at least 8 minutes before cooking any foods.
There is food buildup on grill or griddle plates.	The grill or griddle surfaces were not properly cleaned after use.	Use nylon scrubbing pad and hot, soapy water to clean grill plates. Do not use steel wool scrubbing pads or abrasive cleaners to clean grill.
Food is dry and burnt.	Food is overcooked.	Because grill is cooking from both sides, food is cooked much faster than in a skillet or under a broiler. Use SUGGESTED GRILLING CHART as a guide and check food at lowest time stated on chart.
Grill or griddle does not turn on.	Grill (griddle) is not plugged in.	Check to be sure appliance is plugged into working outlet.

INSTRUCCIONES IMPORTANTES DE SEGURIDAD

Cuando se usan aparatos eléctricos, siempre se deben respetar las siguientes medidas básicas de seguridad:

- Por favor lea todas las instrucciones.
- No toque las superficies calientes. Use las asas o las perillas.
- A fin de protegerse contra un choque eléctrico y lesiones a las personas, no sumerja el cable, los enchufes ni el aparato en agua ni en ningún otro líquido.
- Todo aparato eléctrico usado en la presencia de los niños o por ellos mismos requiere la supervisión de un adulto.
- Desconecte el aparato del tomacorriente cuando no esté en uso y antes de limpiarlo. Espere que el aparato se enfríe antes de instalarle o retirarle piezas y antes de limpiarlo.
- No use ningún aparato eléctrico que tenga el cable o el enchufe averiado, que presente un problema de funcionamiento o que esté dañado. Acuda a un centro de servicio autorizado para que lo examinen, reparen o ajusten o llame gratis al número correspondiente en la cubierta de este manual.
- El uso de accesorios no recomendados por el fabricante del aparato puede ocasionar incendio, choque eléctrico o lesiones a las personas.
- No use este aparato a la intemperie.
- No permita que el cable cuelgue del borde de la mesa o del mostrador ni que entre en contacto con superficies calientes.
- No coloque el aparato sobre ni cerca de las hornillas de gas o eléctricas ni adentro de un horno caliente.
- Tome mucha precaución al mover de un lugar a otro un aparato que contenga aceite u otros líquidos calientes.
- Para desconectar, retire el enchufe del tomacorriente.
- Este aparato se debe usar únicamente con el fin previsto.

CONSERVE ESTAS INSTRUCCIONES.

Este aparato eléctrico es para uso doméstico solamente.

ENCHUFE POLARIZADO (Solamente para los modelos de 120V)

Este aparato cuenta con un enchufe polarizado (un contacto es más ancho que el otro). A fin de reducir el riesgo de un choque eléctrico, este enchufe encaja en una toma de corriente polarizada en un solo sentido. Si el enchufe no entra en la toma de corriente, inviértalo y si aun así no encaja, consulte con un electricista. Por favor no trate de alterar esta medida de seguridad.

TORNILLO DE SEGURIDAD

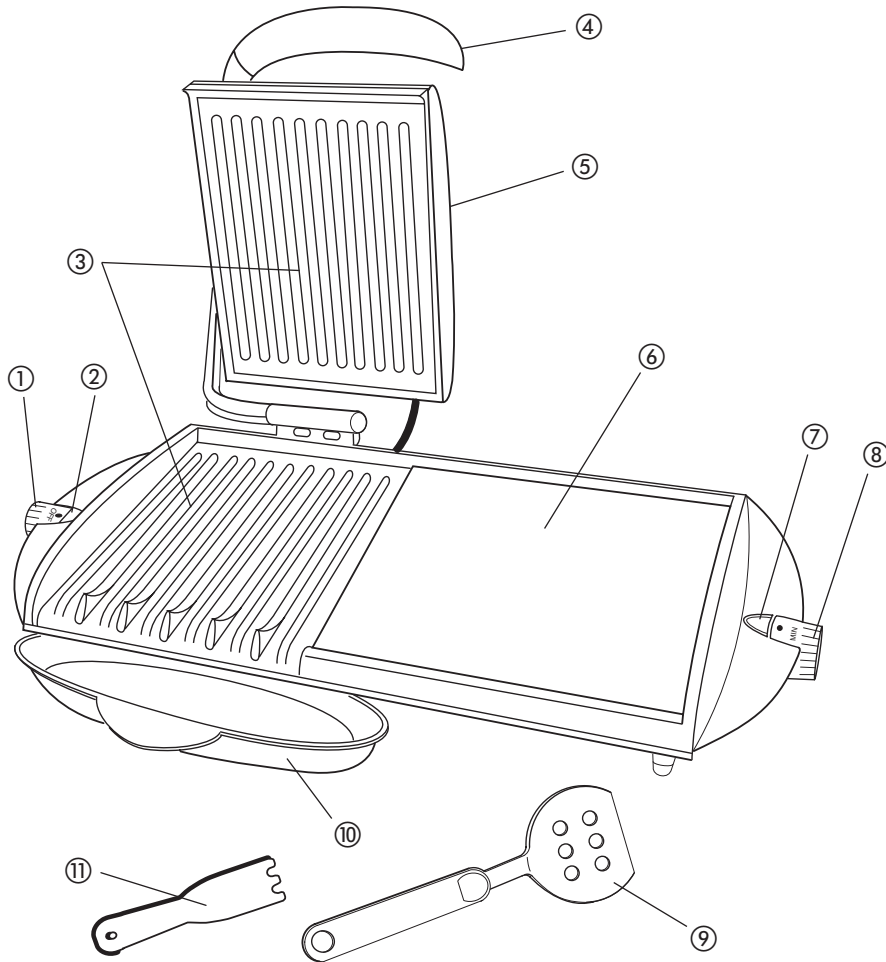
Advertencia: Este aparato cuenta con un tornillo de seguridad para evitar la remoción de la cubierta exterior del mismo. A fin de reducir el riesgo de incendio o de choque eléctrico, por favor no trate de remover la cubierta exterior. Este producto no contiene piezas reparables por el consumidor. Toda reparación se debe llevar a cabo únicamente por personal de servicio autorizado.

CABLE ELÉCTRICO

- a) El producto se debe proporcionar con un cable eléctrico corto (o uno separable), a fin de reducir el riesgo de tropezar o de enredarse en un cable más largo.
- b) Existen cables eléctricos más largos y separables o cables de extensión que uno puede utilizar si toma el cuidado debido.
- c) Si se utiliza un cable separable o de extensión
 - 1) El régimen nominal del cable separable o del cable de extensión debe ser, como mínimo, igual al del régimen nominal del aparato.
 - 2) Si el aparato es de conexión a tierra, el cable de extensión debe ser un cable de tres alambres de conexión a tierra.
 - 3) Uno debe de acomodar el cable más largo de manera que no cuelgue del mostrador o de la mesa, para evitar que un niño tire del mismo o que alguien se tropiece.

Nota: Si el cordón de alimentación no funciona o está dañado, si está en América Latina, debe ser sustituido por personal calificado. por el centro de servicio autorizado.

El producto puede variar ligeramente del que aparece ilustrado aquí.



1. Control de temperatura de la parrilla
2. Luz indicadora de precalentamiento de la parrilla
3. Placas de la parrilla
4. Asa fría al tacto
5. Tapa
6. Plancha
7. Luz indicadora de precalentamiento de la plancha
8. Control de temperatura de la plancha

† 9. Espátula para la plancha (Pieza # 20493)

† 10. Bandeja para goteo (Pieza # 22794)

† 11. Espátula para la parrilla (Pieza # 20166)

Nota: † indica piezas desmontables/reemplazables por el consumidor

Como usar

Este producto es para uso doméstico únicamente.

CARACTERÍSTICAS

Superficies de cocción antiadherentes	Cubren las placas de la parrilla y la superficie de la plancha para ayudar a reducir la grasa de los alimentos al cocinarlos y simplificar la limpieza.
Superficie de la parrilla	Permite dorar los alimentos en sus propios jugos y sabores a fuego alto y permite que la grasa se escurra para lograr comidas más saludables.
Superficie de la plancha	Superficie grande, antiadherente con conducción de temperatura uniforme para cocinar alimentos como panqueques, croquetas de papa, huevos, sándwiches de queso derretido, vegetales picados, platos acompañantes, etc.
Calor variable	Niveles variables de calor le proporcionan control preciso al cocinar una gran variedad de alimentos.
Bandeja para goteo separable	Recoge la grasa y los jugos de los alimentos mientras se cocinan. Simplifica la limpieza ya que se puede lavar en la parte de arriba de la máquina lavaplatos.

PRIMEROS PASOS

- Elimine todo el material de embalaje y las etiquetas.
- Retire y conserve el material de lectura.
- Vaya a www.prodprotect.com/applica para registrar su garantía.
- Lave la bandeja de goteo y espátula según las instrucciones de CUIDADO Y LIMPIEZA de este manual.
- Desempolve las placas de la parrilla con un paño humedecido y séquelas bien con un paño suave o con toallas de papel.
- Seleccione el lugar donde va a utilizar la unidad y deje suficiente espacio entre la parte de atrás y la pared para que fluya el calor sin causar daños a gabinetes o paredes. Deje al menos 5 cm. de espacio alrededor de la parrilla.
- Acomode el cable de forma que no cuelgue y pueda causar que alguien tropiece o se enrede.

PREPARACIÓN

1. Antes del primer uso, si lo desea, aceite las placas de la parrilla y la superficie de la plancha.

Nota: Los atomizadores de cocina no deben usarse sobre la superficie antiadherente. Los químicos que permiten que salga el spray puede acumularse sobre las placas de la parrilla y reducir su eficiencia.

2. Prepare los alimentos, mida los ingredientes y tenga todo su alcance.
3. Revise sus accesorios – pinzas, cucharón, cuchara, espátula.

Importante: Nunca use nada de metal o con filo para no dañar las superficies antiadherentes.

4. Tenga guantes para hornear listos para usar.

PARRILLA Y PLANCHA

Cómo cada lado de la parrilla/plancha tiene controles y elementos térmicos independientes, usted puede ajustar una temperatura diferente en cada lado.

Importante: Coloque la bandeja de goteo debajo de la parte delantera de la placa de la parrilla.

PARA PRECALENTAR LA PARRILLA

1. Tire del asa de la tapa para cerrarla.

Nota: No permita que la parrilla funcione mientras la tapa esté abierta.

2. Apague (OFF) el control de temperatura izquierdo.
3. Desenrolle el cable y enchúfelo a un tomacorriente estándar.

Importante: Siempre use guantes cada vez que acerque sus manos a la parrilla.

4. Ajuste el control de temperatura al nivel que desee – MIN, MED o MAX.
5. La luz indicadora de precalentamiento de la parrilla se prenderá para indicar que los elementos están calentando.
6. Cuando la parrilla alcance la temperatura adecuada, la luz se apagará y luego se iluminará de forma cíclica según el termostato mantenga la temperatura.

Nota: Permita que la parrilla se precaliente por lo menos 5 minutos antes de asar. Si lo desea, puede utilizar un reloj automático de cocina.

7. Para apagar la parrilla, coloque el control de temperatura izquierdo en la posición OFF.

PARA PRECALENTAR LA PLANCHA

1. Apague (OFF) el control de temperatura derecho.
2. Desenrolle el cable y enchúfelo a un tomacorriente estándar.

Importante: Siempre use guantes cada vez que acerque sus manos a la parrilla.

3. Ajuste el control de temperatura al nivel que desee – MIN, MED o MAX.
4. La luz indicadora de precalentamiento de la plancha se prenderá para indicar que los elementos están calentando.
5. Cuando la plancha alcance la temperatura adecuada, la luz se apagará y luego se iluminará de forma cíclica según el termostato mantenga la temperatura.

Nota: Permita que la plancha se precaliente por al menos 5 minutos antes de asar. Si lo desea, puede utilizar un reloj automático de cocina.

6. Para apagar la plancha, coloque el control de temperatura derecho en la posición OFF.

PARA COCINAR

Importante: Siempre use guantes cada vez que acerque sus manos a la parrilla.

1. Cuando se apague la luz indicadora correspondiente, cuidadosamente coloque los alimentos que va a cocinar en la placa inferior de la parrilla o de la plancha, con una espátula o un par de pinzas plásticas; no use los dedos.

Nota: Al usar la parrilla, use un guante de hornear para cerrar la tapa cuidadosamente.

Consejos importantes:

- Siempre utilice utensilios a prueba de calor que sean plásticos, de nailon o de madera para evitar rayar la superficie antiadherente de la placa. Nunca use pinchos, pinzas, tenedores, ni cuchillos de metal.
 - No envuelva los alimentos en cinta plástica ni bolsas de polietileno. Use papel aluminio que resista el calor sin quemarse ni derretirse.
 - No sobrellene la parrilla.
2. Permita que los alimentos se cocinen durante el tiempo adecuado.
 3. Use los tiempos de cocción que se encuentran en la TABLA DE SUGERENCIAS PARA ASAR. Si lo desea, utilice un reloj automático de cocina.

Importante: No deje este aparato desatendido durante su uso.

4. Una vez transcurrido el tiempo seleccionado, los alimentos deben estar cocinados.

Importante: No deje que los alimentos se refresquen sobre la superficie de la parrilla – retírelos mientras estén calientes. Las superficies antiadherentes solo se conservarán de esta forma si se tratan y se limpian de forma apropiada.

5. Al usar la parrilla, use un guante de hornear para cerrar la tapa cuidadosamente.
6. Retire los alimentos ya cocinados con una espátula o con un par de pinzas plásticas.

Nota: Siempre utilice utensilios prueba de calor que sean plásticos, de nailon o de madera para evitar rayar la superficie antiadherente de la placa. Nunca use pinchos, pinzas, tenedores, ni cuchillos de metal.

7. Cuando termine, coloque todos los controla de temperatura a la posición OFF para apagarlos y desenchufe la unidad del tomacorriente.

Importante: El calor continua ENCENDIDO hasta que se desenchufe la parrilla.

8. Permita que la parrilla y la plancha se refresquen por completo.
9. Permita que la bandeja de goteo se refresque. Use guantes de hornear para retirarla de la parte de abajo de la parrilla.

Importante: Asegure que el líquido dentro de la bandeja se haya enfriado antes de intentar retirarlo.

10. Lave y escurra la bandeja de goteo después de cada uso.

PARA VACIAR LA BANDEJA DE GOTEO

Colóquese guantes de hornear, retire la bandeja de goteo y vacíela dentro de un recipiente a prueba de calor; límpiela con un papel toalla y devuélvala debajo de la parrilla. Tenga cuidado ya que la bandeja puede estar caliente.

Consejos al asar

- Adobe los cortes de carnes más gruesos para ablandarlos antes de asar.
- Para evitar secar la carne y el pescado, no lo perforo con un utensilio.
- Ajuste el nivel de calor gradualmente y según como sea necesario. El cocinar los alimentos a temperaturas demasiado altas, puede secarlos.
- Para conseguir mejores resultados de cocción, utilice cortes de carne, pollo y pescado sin hueso, ni espinas.
- Corte el borde de la carne en varios lugares para prevenir que la carne se doble.

- Si va a asar más de un pedazo, seleccione los alimentos de acuerdo al grosor. Esto ayudará a que la cocción y apariencia de los mismos sea uniforme.
- Para asar porciones pequeñas, asegúrese de colocar la carne en el centro de la parrilla. Al asar porciones más grandes, distribúyalas uniformemente y deje un espacio de una pulgada entre los alimentos para promover un proceso de cocción uniforme.
- Al asar filetes de pescado o de pechuga de pollo, doble las partes extremadamente finas por debajo para prevenir que se cocinen de más.
- Si la comida no está bien cocinada cuando la retire de la parrilla, simplemente devuélvala a la parrilla por más tiempo.

Importante: Para cocinar en la parrilla, use solamente utensilios de silicona, plástico o madera. Los utensilios de silicona son especialmente buenos porque no se decoloran ni se derriten con la temperatura alta.

TABLA DE SUGERENCIAS AL ASAR

Use los tiempos de cocción aquí sugeridos simplemente como una guía. Estos se indican para alimentos frescos o descongelados. Al cocinar alimentos congelados, añada de 2 – 3 minutos para el pescado y de 3 – 6 minutos para la carne y las aves, dependiendo del grosor y la densidad de los alimentos. El tiempo de cocción dependerá del grosor y del tipo de corte de carne que use. Revise los alimentos antes de servirlos para asegurar que están cocinados por completo. Si tiene dudas, cocínelos un poco más. Cocine la carne, las aves y cualquier derivado (picadillo, hamburguesas, etc.) hasta que los jugos se escurran por completo. Use un termómetro de cocina para revisar el término. Si los alimentos necesitan cocinarse más tiempo, revíselos periódicamente para evitar que se cocinen de más. Cocine el pescado hasta que se oscurezca totalmente. Al cocinar alimentos empaquetados, siga las instrucciones en el paquete o la etiqueta.

Por favor observe: Para asegurar que sus alimentos estén completamente cocinados, la USDA recomienda las siguientes pautas. Use un reloj automático de cocina. Use un termómetro para carnes para revisar el término de los alimentos al cocinarlos y asegure que el termómetro no toque el hueso, ni las placas de la parrilla.

ALIMENTOS	TERMINO MEDIO		BIEN O COMPLETAMENTE COCIDO	
Pechuga de pollo			170°F	77°C
Muslo de pollo			180°F	82°C
Carne /Cordero/Ternera	160°F	71°C	170°F	77°C
Cerdo			160°F	71°C
Carne y pollo recalentados			165°F	74°C

Al cocinar los siguientes alimentos, le recomendamos que ajuste su parrilla a MED:

	Poco hecho 145°F (63°C)	Término medio 160°F (71°C)	Bien cocido 170°F (77°C)
Filete de salmon, 1" de grosor, 8 oz cada uno, (3)	7 min	8 min	
Filete de salmon, 1" de grosor, 10 oz cada uno	8 min	9 min	
Pez espada, 1" de grosor, 6 oz cada uno	8 min	9 min	
Filete de atún, 1" de grosor, 6 oz cada uno	6 min	8 min	
Pescado blanco, ½" de grosor, 6 oz cada uno	4 min	6 min	
Hamburguesa de pavo, ¾" de grosor, 4 oz cada uno			8 min
Hamburguesa de pavo, ¾" de grosor, 8 oz cada uno			12 min
Ostiones, 1" de grosor, 1 oz cada uno	3½ min	4½ min	
Camarones, caparazón rajada, tamaño mediano, ½ lb.		5 min	
Chuletas de cerdo (corte del centro), ½" de grosor, 6 oz cada una		10 min	11 min
Lomo de cerdo (corte del centro), 1" de grosor, 8 oz cada una		12 min	14 min
Hamburguesa congelada, ¾" de grosor, 4 oz cada una		12 min	13 min
Hamburguesa congelada, 1" de grosor, 8 oz cada una		15 min	18 min
Pechuga de pollo (sin hueso/sin piel) 1½" de grosor, 6 – 8 oz cada una			9 min
Pechuga de pollo congelada (sin hueso/sin piel) 1½" de grosor, 6 – 8 oz cada una			13 min
Pechuga de pollo con hueso, hasta 2½" de grosor, 6 – 8 oz cada una			23 min

	Poco hecho 145°F (63°C)	Término medio 160°F (71°C)	Bien cocido 170°F (77°C)
Salchicha encadenada		5 min	7 min
Salchicha en rodajas, ½" de grosor		6 min	7 min

Al cocinar los siguientes alimentos, le recomendamos que ajuste su parrilla a MAX:

	Poco hecho 145°F (63°C)	Termino medio 160°F (71°C)	Bien cocido 170°F (77°C)
Hamburguesa, ¾" de grosor, 4 oz cada una		6 min	7min
Hamburguesa, ¾" de grosor, 8 oz cada una		10 min	11 min
Fajitas de carne, tajadas ½" de grosor	1½ min	2 min	2½ min
Chuleta de res, ¾" de grosor, 12 oz cada una	4 min	5 min	6 min
Chuleta de res congelada, ¾" de grosor, 12 oz cada una	6 min	7 min	8 min
Filete de lomo de ternera, ¾" de grosor, 8 oz cada uno, (3)	4 min	5½ min	7 min
Filete de lomo de ternera congelado, 1" de grosor, 8 oz cada uno	10 min	11½ min	13 min
Chuleta de res, ¾" de grosor, 8 oz cada uno, (2)	4 min	4½ min	5½ min
Muletón de res congelado, 1" de grosor, 10 oz cada uno	10½ min	11½ min	12½ min
Cebollas y pimientos (untar aceite de oliva)		8½ min	15 min
Perros calientes			6 min
Chorizo			10 min

TABLA DE COCCIÓN PARA LA PLANCHA

Por favor vire todos los alimentos cuando pase la mitad del tiempo de cocción.

Alimento	Temperatura	Tiempo de cocción
Tocino, Colóquelo sobre la plancha fría y vírelo a menudo.	MED – MAX	5 – 15 minutos
Huevos	MED	2 – 6 minutos
Sándwiches prensados	MED	5 – 10 minutos
Panqueques	MED – MAX	3 – 4 minutos

Cuidado y limpieza

Este aparato no contiene piezas reparables por el consumidor. Para servicio, por favor acuda a personal calificado.

LIMPIEZA

Precaución: Para evitar quemadas accidentales, permita que la parrilla/plancha se refresque completamente antes de limpiarla.

1. Antes de limpiar, ajuste ambos controles de temperatura a la posición OFF, desenchufe del tomacorriente y permita que se refresque.
2. **Para vaciar la bandeja de goteo:** Colóquese guantes para hornear, retire la bandeja de goteo y vacíela dentro de un recipiente a prueba de calor.

Importante: Asegure que la bandeja de goteo y el líquido que contiene, se refresquen antes de tratar de retirarla de la parrilla.

3. **Limpieza interior:** Coloque la bandeja debajo de la parte delantera de la placa. Con una espátula, raspe cualquier exceso de grasa y partículas de comida. Limpie la superficie de la parrilla y plancha con papel toalla absorbente o con una esponja.
4. **Residuo persistente:** Use papel toalla humedecido con un poquito de aceite de cocina para sacar las manchas persistentes. De ser necesario, use una almohadilla, no metálica, para limpiar la placa y un cepillo, no metálico, para limpiar entre las ranuras de la parrilla. No use fibra metálica, estropajos de aluminio, ni limpiadores abrasivos sobre ninguna superficie de la parrilla/plancha.
5. **Limpieza de la bandeja de goteo:** Colóquese guantes, retire la bandeja de goteo y vacíela. Lave la bandeja en agua tibia jabonada, o en la parte de arriba de la máquina lavaplatos. Seque completamente con un papel toalla o un paño suave seco.

Importante: Asegure que la bandeja de goteo y el líquido que contiene, se refresquen antes de tratar de retirarla de la parrilla.

6. **Limpieza exterior:** Limpie con papel toalla absorbente o con una esponja y seque con un paño suave y seco.
7. No use fibra metálica, estropajos de aluminio, ni limpiadores abrasivos sobre ninguna superficie de la parrilla/plancha.
8. NO SUMERJER EN AGUA O EN NINGUN OTRO LIQUIDO.

Importante: No permita que los controles de temperatura se mojen.

Precaución: Al limpiar asegúrese de sostener la cubierta de la parrilla por el asa para prevenir que se cierre accidentalmente y evitar lesiones.

ALMACENAMIENTO

- Siempre asegúrese de limpiar y secar la parrilla antes de almacenarla.

RESOLUCIÓN DE PROBLEMAS O FALLAS

PROBLEMA	CAUSA POSIBLE	SOLUCIÓN
Las terminaciones de las placas de la parrilla tienen marcas de cortes	Se han utilizado utensilios de metal.	Siempre use utensilios de plástico o madera antitérmicos para evitar rayar la superficie antiadherente de las placas de la parrilla. Nunca use espetones, pinzas, tenedores ni cuchillos de metal.
Las marcas del asado a la parrilla en los alimentos son muy leves.	No se precalentó la parrilla completamente antes de usarla.	Siempre precaliente la parrilla, por lo menos, 8 minutos antes de cocinar cualquier alimento.
Hay acumulación de comida en las placas de la parrilla o en la placa de la plancha.	No se limpió la parrilla o plancha correctamente después de usarla.	Use esponjillas de nailon y agua caliente en jabón para limpiar las placas de la parrilla. No use esponjillas de lana de acero ni limpiadores abrasivos para limpiar la parrilla.
El alimento está seco y quemado.	El alimento se ha cocinado en exceso.	Dado que la parrilla cocina de ambos lados, los alimentos se cocinan mucho más rápidamente que en una sartén o en un asador. Use la TABLA DE SUGERENCIAS como guía y controle el alimento cuando haya pasado el tiempo más bajo establecido en la tabla.
La parrilla o plancha no enciende.	La parrilla (plancha) no está enchufada.	Compruebe que el electrodoméstico esté enchufado en una toma de corriente que funcione.

NEED HELP?

For service, repair or any questions regarding your appliance, call the appropriate 800 number on cover of this book. Please DO NOT return the product to the place of purchase. Also, please DO NOT mail product back to manufacturer, nor bring it to a service center. You may also want to consult the website listed on the cover of this manual.

Two-Year Limited Warranty (Applies only in the United States and Canada)

What does it cover?

- Any defect in material or workmanship provided; however, Aplica's liability will not exceed the purchase price of product.

For how long?

- Two years after the date of original purchase.

What will we do to help you?

- Provide you with a reasonably similar replacement product that is either new or factory refurbished.

How do you get service?

- Save your receipt as proof of date of sale.
- Check our on-line service site at www.prodprotect.com/applica, or call our toll-free number, 1-800-231-9786, for general warranty service.
- If you need parts or accessories, please call 1-800-738-0245.

What does your warranty not cover?

- Damage from commercial use
- Damage from misuse, abuse or neglect
- Products that have been modified in any way
- Products used or serviced outside the country of purchase
- Glass parts and other accessory items that are packed with the unit
- Shipping and handling costs associated with the replacement of the unit
- Consequential or incidental damages (Please note, however, that some states do not allow the exclusion or limitation of consequential or incidental damages, so this limitation may not apply to you.)

How does state law relate to this warranty?

- This warranty gives you specific legal rights, and you may also have other rights that vary from state to state or province to province.

¿NECESITA AYUDA?

Para servicio, reparaciones o preguntas relacionadas al producto, por favor llame gratis al número "800" que aparece en la cubierta de este manual. No devuelva el producto al establecimiento de compra. No envíe el producto por correo al fabricante ni lo lleve a un centro de servicio. También puede consultar el sitio web que aparece en la cubierta de este manual.

Dos años de garantía limitada (Aplica solamente en Estados Unidos o Canadá)

¿Qué cubre la garantía?

- La garantía cubre cualquier defecto de materiales o de mano de obra. Aplica no se responsabiliza por ningún costo que exceda el valor de compra del producto.

¿Por cuánto tiempo es válida la garantía?

- Por dos años a partir de la fecha original de compra.

¿Qué clase de asistencia recibe el consumidor?

- El consumidor recibe un producto de reemplazo nuevo o restaurado de fábrica, parecido al original.

¿Cómo se obtiene el servicio necesario?

- Conserve el recibo original como comprobante de la fecha de compra.
- Se puede visitar el sitio web de asistencia al consumidor www.prodprotect.com/applica, o se puede llamar gratis al número 1-800-231-9786, para obtener información relacionada al servicio de garantía.
- Si necesita piezas o accesorios, por favor llame gratis al 1-800-738-0245.

¿Qué aspectos no cubre esta garantía?

- Los daños al producto ocasionados por el uso comercial
- Los daños ocasionados por el mal uso, abuso o negligencia
- Los productos que han sido alterados de cualquier manera
- Los productos utilizados o reparados fuera del país original de compra
- Las piezas de vidrio y demás accesorios empacados con el aparato
- Los gastos de tramitación y embarque relacionados con el reemplazo del producto
- Los daños y perjuicios indirectos o incidentales (sin embargo, por favor observe que algunos estados no permiten la exclusión ni la limitación de los daños y perjuicios indirectos ni incidentales, de manera que esta restricción podría no aplicar a usted).

¿Qué relación tiene la ley estatal con esta garantía?

- Esta garantía le otorga derechos legales específicos y el consumidor podría tener otros derechos que varían de una región a otra.



2008/12-29-59E/S

Copyright © 2009 Applica Consumer Products, Inc.

Made in People's Republic of China
Printed in People's Republic of China

Fabricado en la República Popular de China
Impreso en la República Popular de China