

# LEDj

## **Event Spot Bar RGBW** User Manual



Order code: LEDJ236

### WARNING

## FOR YOUR OWN SAFETY, PLEASE READ THIS USER MANUAL CAREFULLY BEFORE YOUR INITIAL START-UP!

- Before your initial start-up, please make sure that there is no damage caused during transportation.
- Should there be any damage, consult your dealer and do not use the equipment.
- To maintain the equipment in good working condition and to ensure safe operation, it is necessary for the user to follow the safety instructions and warning notes written in this manual.
- Please note that damages caused by user modifications to this equipment are not subject to warranty.



### IMPORTANT:

The manufacturer will not accept liability for any resulting damages caused by the non-observance of this manual or any unauthorised modification to the equipment.

- Never let the power cable come into contact with other cables. Handle the power cable and all mains voltage connections with particular caution!
- Never remove warning or informative labels from the unit.
- Do not open the equipment and do not modify the unit.
- Do not connect this equipment to a dimmer pack.
- Do not switch the equipment on and off in short intervals, as this will reduce the system's life.
- Only use the equipment indoors.
- Do not expose to flammable sources, liquids or gases.
- Always disconnect the power from the mains when equipment is not in use or before cleaning! Only handle the power-cable by the plug. Never pull out the plug by pulling the power-cable.
- Make sure that the available mains supply voltage is between 100~240V AC, 50/60Hz.
- Make sure that the power cable is never crimped or damaged. Check the equipment and the power cable periodically.
- If the equipment is dropped or damaged, disconnect the mains power supply immediately and have a qualified engineer inspect the equipment before operating again.
- If the equipment has been exposed to drastic temperature fluctuation (e.g. after transportation), do not connect power or switch it on immediately. The arising condensation might damage the equipment. Leave the equipment switched off until it has reached room temperature.
- If your product fails to function correctly, stop use immediately. Pack the unit securely (preferably in the original packing material), and return it to your Pro Light dealer for service.
- Only use fuses of same type and rating.
- Repairs, servicing and power connection must only be carried out by a qualified technician. THIS UNIT CONTAINS NO USER SERVICEABLE PARTS.
- This lighting fixture is for professional use only - it is not designed for or suitable for household use. The product must be installed by a qualified technician in accordance with local territory regulations. The safety of the installation is the responsibility of the installer. The fixture presents risks of severe injury or death due to fire hazards, electric shock and falls.
- Warning! Risk Group 2 LED product according to EN 62471. Do not view the light output with optical instruments or any device that may concentrate the beam.
- WARRANTY: One year from date of purchase.

### OPERATING DETERMINATIONS

If this equipment is operated in any other way, than those described in this manual, the product may suffer damage and the warranty becomes void. Incorrect operation may lead to danger e.g: short-circuit, burns and electric shocks etc.

Do not endanger your own safety and the safety of others!

Incorrect installation or use can cause serious damage to people and/or property.

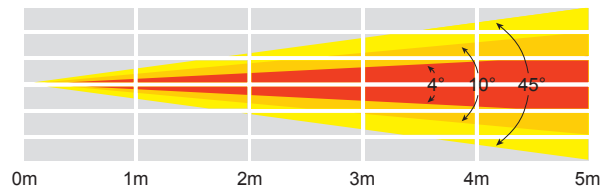
### Event Spot Bar RGBW

The Event Spot Bar features 4 individually controllable pinspots and is ideal for night club, bar or marquee use. Setup is easy as the bar comes with a host of built-in features and control options including DMX, master/slave and stand alone. Each pinspot on the bar is fully adjustable ensuring you can always hit the spot. Supplied with omega clamps the bar is installed quickly and M10 threaded holes further add to the versatility of this unit. Also supplied is a 28mm spigot for stand use. The all steel and aluminium construction guarantees years of use out on the road.

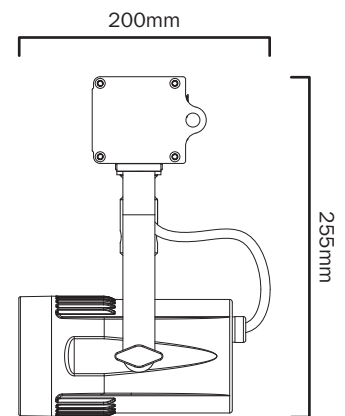
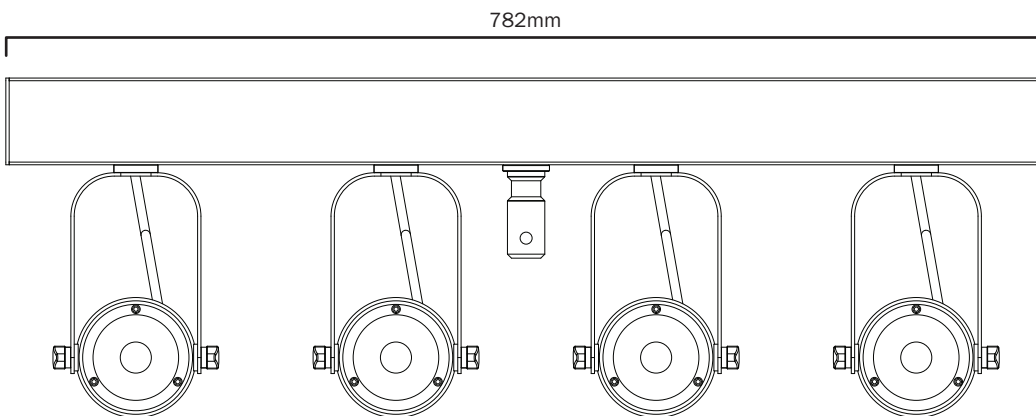
- 4 x 15W quad-colour LEDs (RGBW)
- Beam angle: 4° native, 10° & 45° frost lenses supplied
- 3.6kHz refresh rate
- DMX channels: 1/4/4+/6/8/8+/16 or 20 selectable
- Static colour, colour change, colour fade and master/slave modes plus built-in programs
- 0-100% dimming and variable strobe
- Supplied with 28mm spigot and quick release omega clamps
- 4 push button menu with LCD display
- PowerCON input/output
- 3-Pin XLR input/output
- Convection cooled

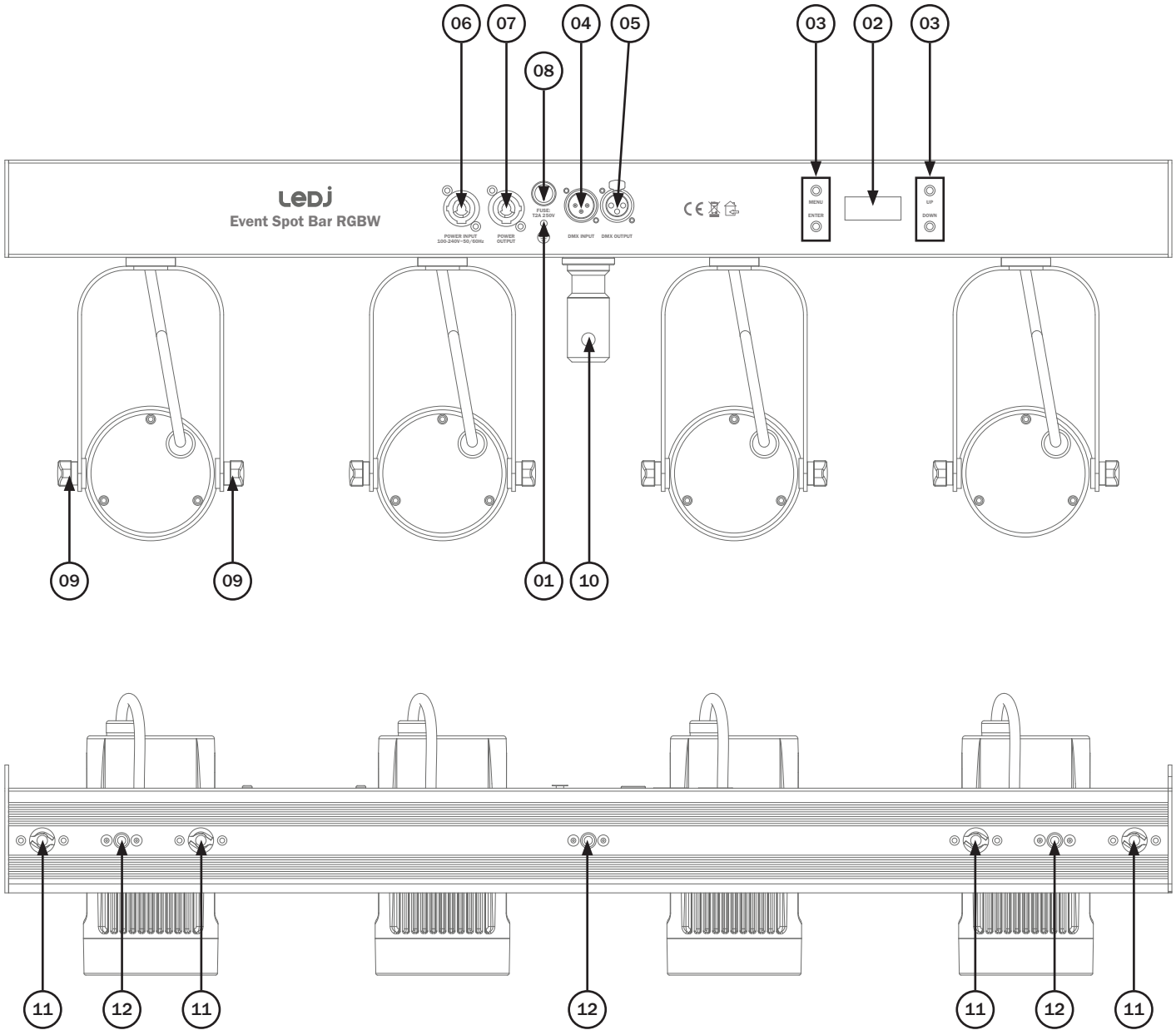


4° - Lux					
FULL ON	38800	9700	4310	2420	1550
R	10800	2698	1200	675	432
G	13500	3373	1500	843	539
B	1270	318	141	79	50
W	18200	4550	2020	1140	728
10° - Lux					
FULL ON	15500	3866	1720	968	619
R	4000	1000	444	258	160
G	6200	1550	689	388	248
B	820	205	91	51	32
W	9960	2492	1110	623	398
45° - Lux					
FULL ON	1990	497	221	124	79
R	320	80	35	20	12
G	588	147	65	36	23
B	72	18	8	4	2
W	1090	273	121	68	43



Specifications	Event Spot Bar RGBW
Power consumption	70W
Power supply	100~240V, 50/60Hz
Fuse	T2A 250V
Dimensions	255 x 782 x 200mm
Weight	6.1kg
Order code	LEDJ236





- 01 - Earth point
- 02 - LCD display
- 03 - Function buttons
- 04 - 3-Pin DMX input
- 05 - 3-Pin DMX output
- 06 - PowerCON input

- 07 - PowerCON output
- 08 - Fuse T2A 250V
- 09 - Hanging bracket adjustable knob
- 10 - 28mm spigot
- 11 - Omega clamp mounts
- 12 - M10 clamp mounts

In the box: **1 x fixture,**  
**4 x 10° frost lens,**  
**4 x 45° frost lens,**  
**2 x omega clamps,**  
**1 x PowerCON cable**  
**& 1 x user manual**

Main Menu	Sub Menu	Options/Values		Description
DMX MODE ADDR: 001		001-512		DMX Address Setting
CHANNEL		CH1 (1 channel mode)		DMX Channel Setting
		CH4 (4 channel mode)		
		CH4+ (4+ channel mode)		
		CH6 (6 channel mode)		
		CH8 (8 channel mode)		
		CH8+ (8+ channel mode)		
		CH16 (16 channel mode)		
		CH20 (20 channel mode)		
SLAVE MODE				Slave Mode Setting
01. STATIC CL:RGBW	01.STATIC	CL:	R, G, B, W, RG, RB, RW, GB, GW, BW, RGB, RGW, RBW, GBW, RGBW, BLACK	Static Colour Mode
		Flash:	00-99 (Strobe speed - slow-fast)	
	02.JUMP	Speed:	01-99 (Fade speed - slow-fast)	Colour Fade Mode
		Flash:	00-99 (Strobe speed - slow-fast)	
	03.DREAM	Speed:	01-99 (Change speed - slow-fast)	Colour Change Mode
		Flash:	00-99 (Strobe speed - slow-fast)	
	04.FLOW1	Speed:	01-99 (Change speed - slow-fast)	Red Chase
		Flash:	00-99 (Strobe speed - slow-fast)	
	05.FLOW2	Speed:	01-99 (Change speed - slow-fast)	Green Chase
		Flash:	00-99 (Strobe speed - slow-fast)	
	06.FLOW3	Speed:	01-99 (Change speed - slow-fast)	Blue Chase
		Flash:	00-99 (Strobe speed - slow-fast)	
	07.FLOW4	Speed:	01-99 (Change speed - slow-fast)	Yellow Chase
		Flash:	00-99 (Strobe speed - slow-fast)	
	08.FLOW5	Speed:	01-99 (Change speed - slow-fast)	Magenta Chase
		Flash:	00-99 (Strobe speed - slow-fast)	
	09.FLOW6	Speed:	01-99 (Change speed - slow-fast)	Cyan Chase
		Flash:	00-99 (Strobe speed - slow-fast)	
	10.FLOW7	Speed:	01-99 (Change speed - slow-fast)	White Chase
		Flash:	00-99 (Strobe speed - slow-fast)	
SOUND SENS:		00-31 (Sound sensitivity - low-high)		Sound Sensitivity
DIMCURVE LED		LED		Dimmer Curve Setting
		HALOGEN		

Main Menu	Sub Menu	Options/Values		Description
Calibrat HEAD:01	HEAD:01	R:	000-255	Head 1 Manual Control
		G:	000-255	
		B:	000-255	
		W:	000-255	
	HEAD:02	R:	000-255	Head 2 Manual Control
		G:	000-255	
		B:	000-255	
		W:	000-255	
	HEAD:03	R:	000-255	Head 3 Manual Control
		G:	000-255	
		B:	000-255	
		W:	000-255	
	HEAD:04	R:	000-255	Head 4 Manual Control
		G:	000-255	
		B:	000-255	
		W:	000-255	
Soft Ver 1U:V101F		1U:V101F	Software Version	
		2U:V101D		
Temp L1:	L1:	--- °C	Head Temperature	
	L2:	--- °C		
	L3:	--- °C		
	L4:	--- °C		
Backligh ON		ON	Backlight Setting	
		OFF		

### 1 channel mode:

Channel	Value	Function
1	000-255	RGBW dimmer (0-100%)

### 4 channel mode:

Channel	Value	Function
1	000-255	Red dimmer (0-100%)
2	000-255	Green dimmer (0-100%)
3	000-255	Blue dimmer (0-100%)
4	000-255	White dimmer (0-100%)

### 4+ channel mode:

Value	CH1		CH2		CH3		CH4	
000	Blackout	Head 1	Blackout	Head 2	Blackout	Head 3	Blackout	Head 4
001-017	R		R		R		R	
018-035	G		G		G		G	
036-053	B		B		B		B	
054-071	W		W		W		W	
072-089	RG		RG		RG		RG	
090-107	RB		RB		RB		RB	
108-125	RW		RW		RW		RW	
126-143	GB		GB		GB		GB	
144-161	GW		GW		GW		GW	
162-179	BW		BW		BW		BW	
180-197	RGB		RGB		RGB		RGB	
198-215	RGW		RGW		RGW		RGW	
216-233	RBW		RBW		RBW		RBW	
234-251	GBW		GBW		GBW		GBW	
252-255	RGBW		RGBW		RGBW		RGBW	

### 6 channel mode:

Channel	Value	Function
1	000-255	Red dimmer (0-100%)
2	000-255	Green dimmer (0-100%)
3	000-255	Blue dimmer (0-100%)
4	000-255	White dimmer (0-100%)
5	000-255	Master dimmer (0-100%)
6	000	No function
	001-128	Sound sensitivity (low-high)
	129-255	Strobe (slow-fast)

### 8 channel mode:

Channel	Value	Function
1	000-255	Head 1 & 2 Red dimmer (0-100%)
2	000-255	Head 1 & 2 Green dimmer (0-100%)
3	000-255	Head 1 & 2 Blue dimmer (0-100%)
4	000-255	Head 1 & 2 White dimmer (0-100%)
5	000-255	Head 3 & 4 Red dimmer (0-100%)
6	000-255	Head 3 & 4 Green dimmer (0-100%)
7	000-255	Head 3 & 4 Blue dimmer (0-100%)
8	000-255	Head 3 & 4 White dimmer (0-100%)

### 8+ channel mode:

Value	CH1	CH2	CH3	CH4	CH5	CH6	CH7	CH8
000-015	Blackout	Master dimmer (0-100%)	Speed (slow-fast)	Strobe (slow-fast)	Red (0-100%)	Green (0-100%)	Blue (0-100%)	White (0-100%)
016-023	R							
024-031	G							
032-039	B							
040-047	W							
048-055	RG							
056-063	RB							
064-071	RW							
072-079	GB							
080-087	GW							
088-095	BW							
096-103	RGB							
104-111	RGW							
112-119	RBW							
120-127	GBW							
128-135	RGBW							
136-147	JUMP							
148-159	DREAM							
160-171	FLOW1							
172-183	FLOW2							
184-195	FLOW3							
196-207	FLOW4							
208-219	FLOW5							
220-231	FLOW6							
232-239	FLOW7							
240-255	Sound active							

### 16 channel mode:

Channel	Value	Function
1	000-255	Head 1 Red dimmer (0-100%)
2	000-255	Head 1 Green dimmer (0-100%)
3	000-255	Head 1 Blue dimmer (0-100%)
4	000-255	Head 1 White dimmer (0-100%)
5	000-255	Head 2 Red dimmer (0-100%)
6	000-255	Head 2 Green dimmer (0-100%)
7	000-255	Head 2 Blue dimmer (0-100%)
8	000-255	Head 2 White dimmer (0-100%)

9	000-255	Head 3 Red dimmer (0-100%)
10	000-255	Head 3 Green dimmer (0-100%)
11	000-255	Head 3 Blue dimmer (0-100%)
12	000-255	Head 3 White dimmer (0-100%)
13	000-255	Head 4 Red dimmer (0-100%)
14	000-255	Head 4 Green dimmer (0-100%)
15	000-255	Head 4 Blue dimmer (0-100%)
16	000-255	Head 4 White dimmer (0-100%)



### 20 channel mode:

Value	CH1	CH2	CH3	CH4	CH5	CH6	CH7	CH8	CH9	CH10
000-015	Blackout	Master dimmer (0-100%)	Speed (slow-fast)	Strobe (slow-fast)	Head 1 Red (0-100%)	Head 1 Green (0-100%)	Head 1 Blue (0-100%)	Head 1 White (0-100%)	Head 2 Red (0-100%)	Head 2 Green (0-100%)
016-023	R									
024-031	G									
032-039	B									
040-047	W									
048-055	RG									
056-063	RB									
064-071	RW									
072-079	GB									
080-087	GW									
088-095	BW									
096-103	RGB									
104-111	RGW									
112-119	RBW									
120-127	GBW									
128-135	RGBW									
136-147	JUMP									
148-159	DREAM									
160-171	FLOW1									
172-183	FLOW2									
184-195	FLOW3									
196-207	FLOW4									
208-219	FLOW5									
220-231	FLOW6									
232-239	FLOW7									
240-255	Sound active									

Value	CH11	CH12	CH13	CH14	CH15	CH16	CH17	CH18	CH19	CH20
000-255	Head 2 Blue (0-100%)	Head 2 White (0-100%)	Head 3 Red (0-100%)	Head 3 Green (0-100%)	Head 3 Blue (0-100%)	Head 3 White (0-100%)	Head 4 Red (0-100%)	Head 4 Green (0-100%)	Head 4 Blue (0-100%)	Head 4 White (0-100%)

### Setting the DMX address:

The DMX mode enables the use of a universal DMX controller. Each fixture requires a “start address” from 1- 511. A fixture requiring one or more channels for control begins to read the data on the channel indicated by the start address. For example, a fixture that occupies or uses 7 channels of DMX and was addressed to start on DMX channel 100, would read data from channels: 100,101,102,103,104,105 and 106. Choose a start address so that the channels used do not overlap. E.g. the next unit in the chain starts at 107.

### DMX 512:

DMX (Digital Multiplex) is a universal protocol used as a form of communication between intelligent fixtures and controllers. A DMX controller sends DMX data instructions from the controller to the fixture. DMX data is sent as serial data that travels from fixture to fixture via the DATA “IN” and DATA “OUT” XLR terminals located on all DMX fixtures (most controllers only have a data “out” terminal).

### DMX linking:

DMX is a language allowing all makes and models of different manufactures to be linked together and operate from a single controller, as long as all fixtures and the controller are DMX compliant. To ensure proper DMX data transmission, when using several DMX fixtures try to use the shortest cable path possible. The order in which fixtures are connected in a DMX line does not influence the DMX addressing. For example; a fixture assigned to a DMX address of 1 may be placed anywhere in a DMX line, at the beginning, at the end, or anywhere in the middle. When a fixture is assigned a DMX address of 1, the DMX controller knows to send DATA assigned to address 1 to that unit, no matter where it is located in the DMX chain.

### DATA cable (DMX cable) requirements (for DMX operation):

This fixture can be controlled via DMX-512 protocol. The DMX address is set on the back of the unit. Your unit and your DMX controller require a standard 3-pin XLR connector for data input/output, see image below.



Further DMX cables can be purchased from all good sound and lighting suppliers or Pro Light Concepts dealers.

Please quote:

**CABL10 – 2m**

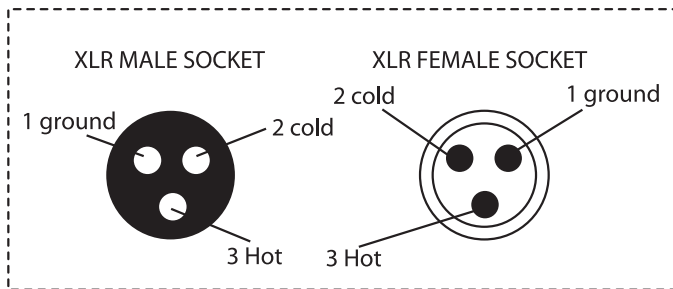
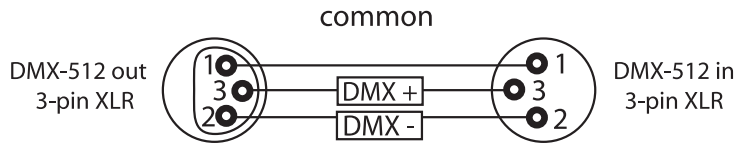
**CABL11 – 5m**

**CABL12 – 10m**

**Note: DMX cable must be daisy chained and cannot be split.**

**Notice:**

Be sure to follow the diagrams below when making your own cables. Do not connect the cables shield conductor to the ground lug or allow the shield conductor to come in contact with the XLRs outer casing. Grounding the shield could cause a short circuit and erratic behaviour.



XLR Pin Configuration
Pin 1 = Ground
Pin 2 = Negative
Pin 3 = Postive

**Special note:**

**Line termination:**

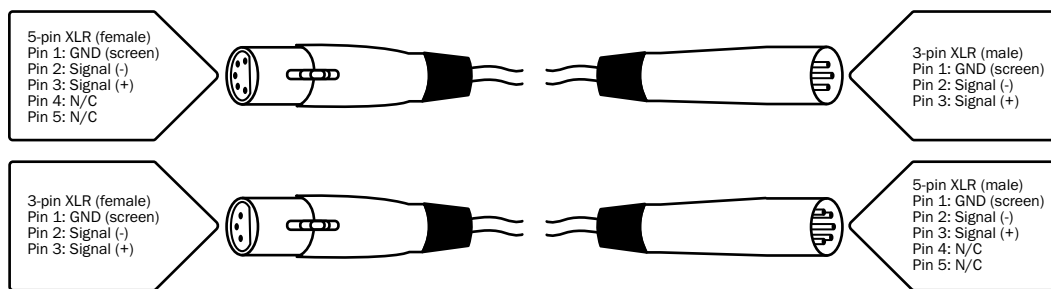
When longer runs of cable are used, you may need to use a terminator on the last unit to avoid erratic behaviour.

**Using a cable terminator will decrease the possibilities of erratic behaviour.**

**(3-pin - Order ref: CABL90, 5-pin - Order ref: CABL89)**

**5-pin XLR DMX connectors:**

Some manufactures use 5-pin XLR connectors for data transmission in place of 3-pin. 5-pin XLR fixtures may be implemented in a 3-pin XLR DMX line. When inserting standard 5-pin XLR connectors in to a 3-pin line a cable adaptor must be used. The diagram below details the correct cable conversion.





### ***Correct Disposal of this Product (Waste Electrical & Electronic Equipment)***

**(Applicable in the European Union and other European countries  
with separate collection systems)**

This marking shown on the product or its literature, indicates that it should not be disposed with other household wastes at the end of its working life. To prevent possible harm to the environment or human health from uncontrolled waste disposal, please separate this from other types of wastes and recycle it responsibly to promote the sustainable reuse of material resources.

Household users should contact either the retailer where they purchased this product, or their local government office, for details of where and how they can take this item for environmentally safe recycling.

Business users should contact their supplier and check the terms and conditions of the purchase contract. This product should not be mixed with other commercial wastes for disposal.

