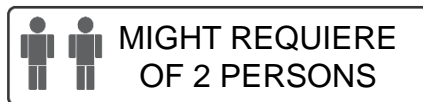
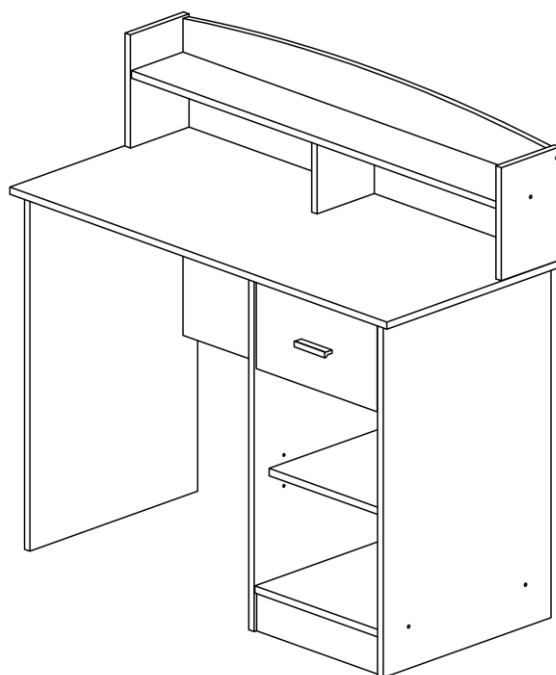


## MODEL RTA-8409

### ASSEMBLY INSTRUCTIONS

Thank you for purchasing one of our products.  
Please read carefully the assembly instructions before the installation.  
Do not discard this manual or any of the packaging material until the unit  
has been completely assembled.

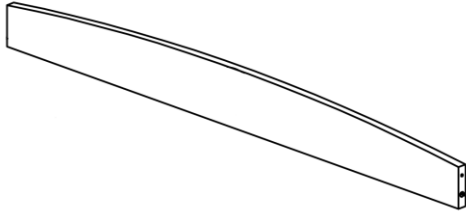


Imported By

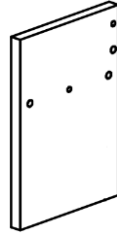


MAIN PARTS LIST

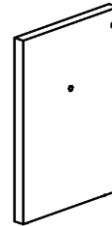
**A**  
**x1** Hutch top panel



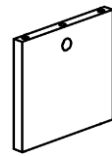
**B**  
**x1** Hutch left panel



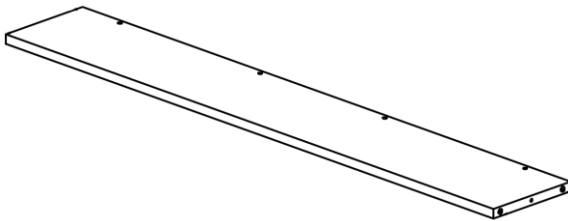
**C**  
**x1** Hutch right panel



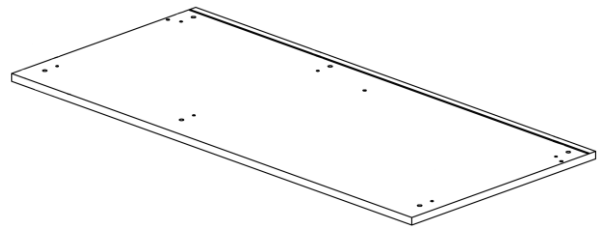
**D**  
**x1** Hutch middle panel



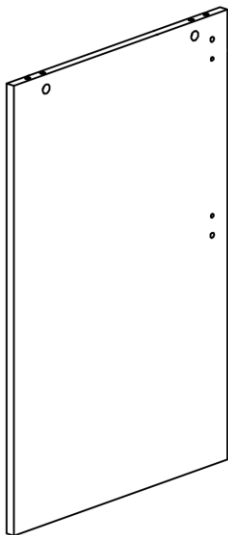
**E**  
**x1** Hutch horizontal panel



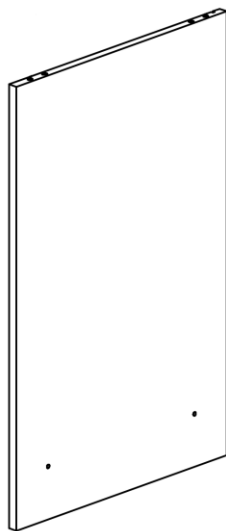
**F**  
**x1** Main panel



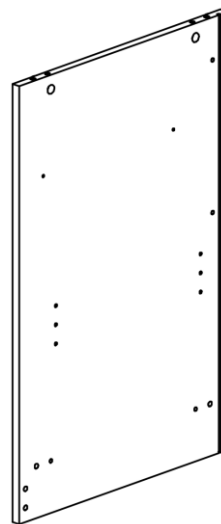
**G**  
**x1** Left panel



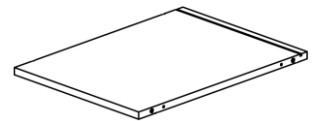
**H**  
**x1** Right panel



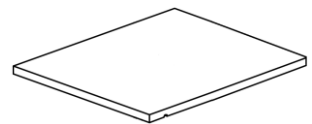
**I**  
**x1** Middle panel



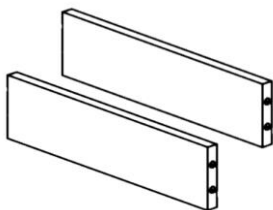
**J**  
**x1** Bottom panel



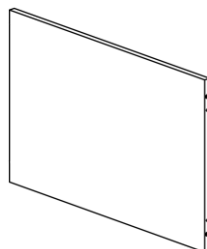
**K**  
**x1** Adjustable panel



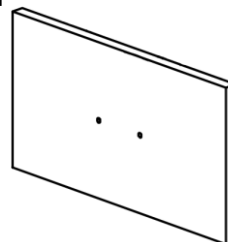
**L**  
**x2** Foot panel



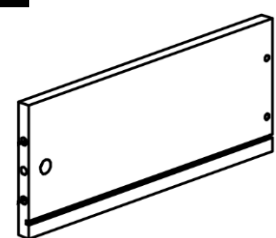
**M**  
**x1** Left back panel



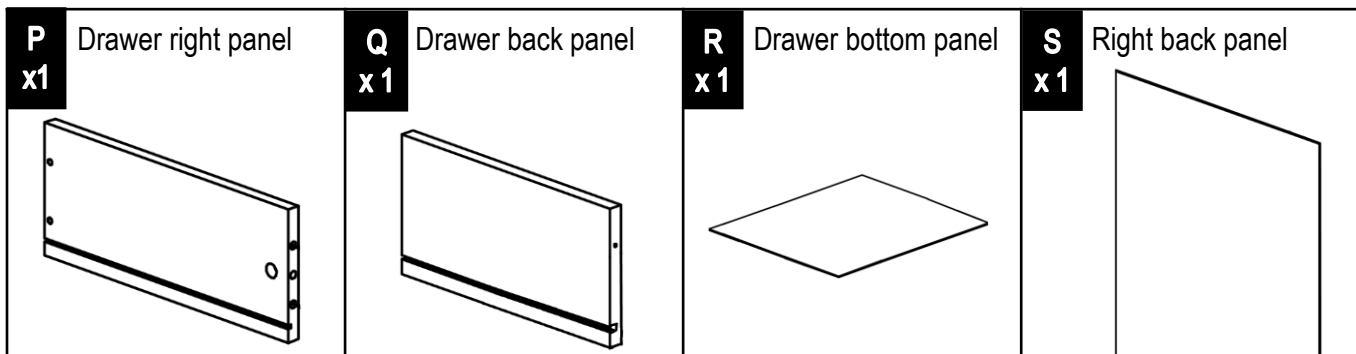
**N**  
**x1** Drawer front panel



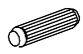
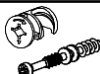






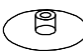





**O**  
**x1** Drawer left panel



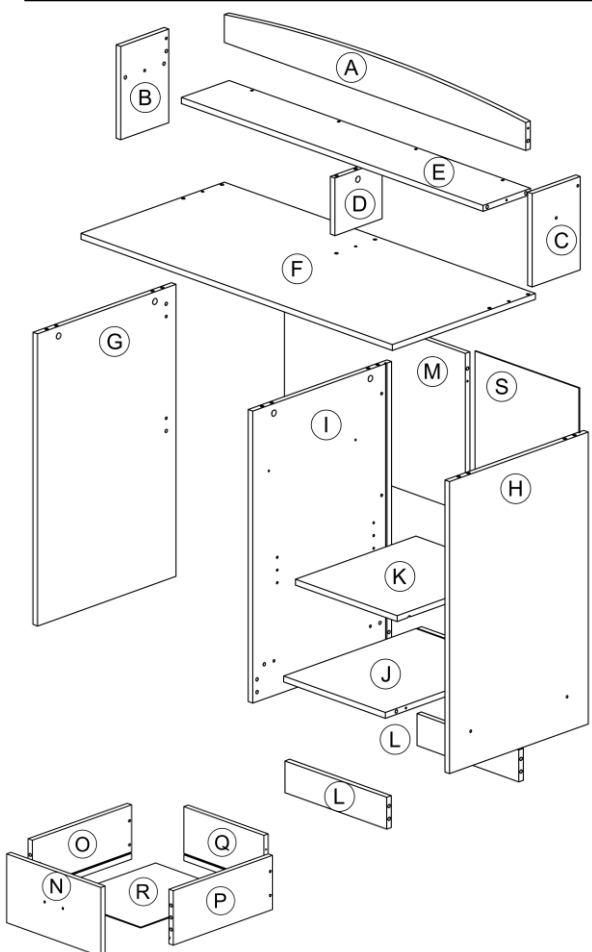
## MAIN PARTS LIST



### HARDWARE LIST: Parts 1-13 come together; parts 14 come separate.

Part No.	Figure	Description	Qty
1		8x25mm wooden pins (dowels)	40
2		15mm cam locks and bolts	9 sets
3		M5x40mm screws	19
4		M4x38mm screws	4
5		M3.5x16mm screws	4
6		M5x8mm euro screws	4
7		Handle "L" shape (84mm) and 2 of M3.6x24mm screws	1 set
8		Metal pins	4
9		15mm cam lock caps	5
10		Screws caps	10
11		Nail-in plastic glides	6
12		Corner brackets	2
13		M3x16mm screws for brackets	4
14		Drawer sliders 350mm (1 set of 4 pcs) Come in separate package	1 set

### MAIN PARTS LAYOUT (FOR REFERENCE):

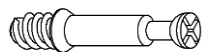


**BEFORE YOU START THE ASSEMBLY, PLEASE READ THE FOLLOWING TIPS AND WARNINGS.**

- Do a quick inventory to make sure the product contains all the parts and hardware.
- Missing, damaged and defective parts can be replaced at no cost to you. Please refer to the CONTACT card included with the product.
- The replacement parts service is limited to the continental United States. If you reside in Hawaii, Puerto Rico, U.S. Dependencies or other countries, please contact the supplier from where the unit was purchased.
- If during assembly you find an issue or need clarification, please contact our Customer Service for assistance. Please refer to the CONTACT card included with the product.
- On each step read the instructions and analyze the illustrations thoroughly before proceeding to do the assembly.
- Make sure you understand which hardware will be used on each step. Using the wrong size of screw, bolt or pin might strip the threads or cause damage to the part in which it is being used.
- To avoid misalignments, always leave the screws loose and tighten them until all pieces are positioned correctly.
- Do not overtighten or force the screws as they might break, strip, damage the threads of the holes or get stuck inside the part.
- Sometimes the laminate might cover partially or entirely the hole on a panel, but the hole should still be located under the laminate.
- If there is no visible hole for the screw, pass and press the tip of your finger over the area where the hole should be located to feel the indentation, and once found, carefully pierce the laminate to reveal the hole underneath.
- If the hole seems too small for the screw, first make sure you are using the correct size of screw and that it's been installed in the correct hole. If the hole still appears to be too small, carefully pierce the laminate to reveal the hole's actual size.

**☛ This unit uses cam bolts and locks. The following explains how to use them. This is not an assembly step; it is a guide for when you are actually doing the assembly using this kind of hardware.**

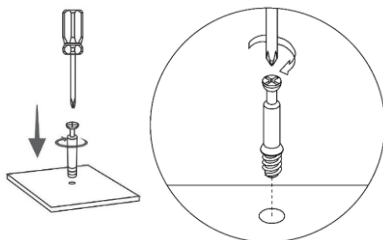
Cam Bolt



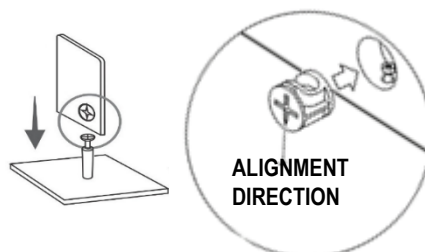
Cam Lock



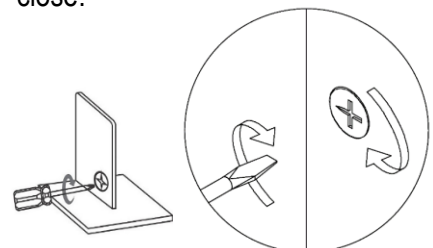
1. Screw the bolt into the corresponding panel.



2. In the other panel, insert the cam lock and align it so it can properly receive the bolt, then join both panels.



3. The panels might have a very small gap which is normal; turn the cam lock clockwise to lock the parts together and the gap will also close.



ASSEMBLY STEPS

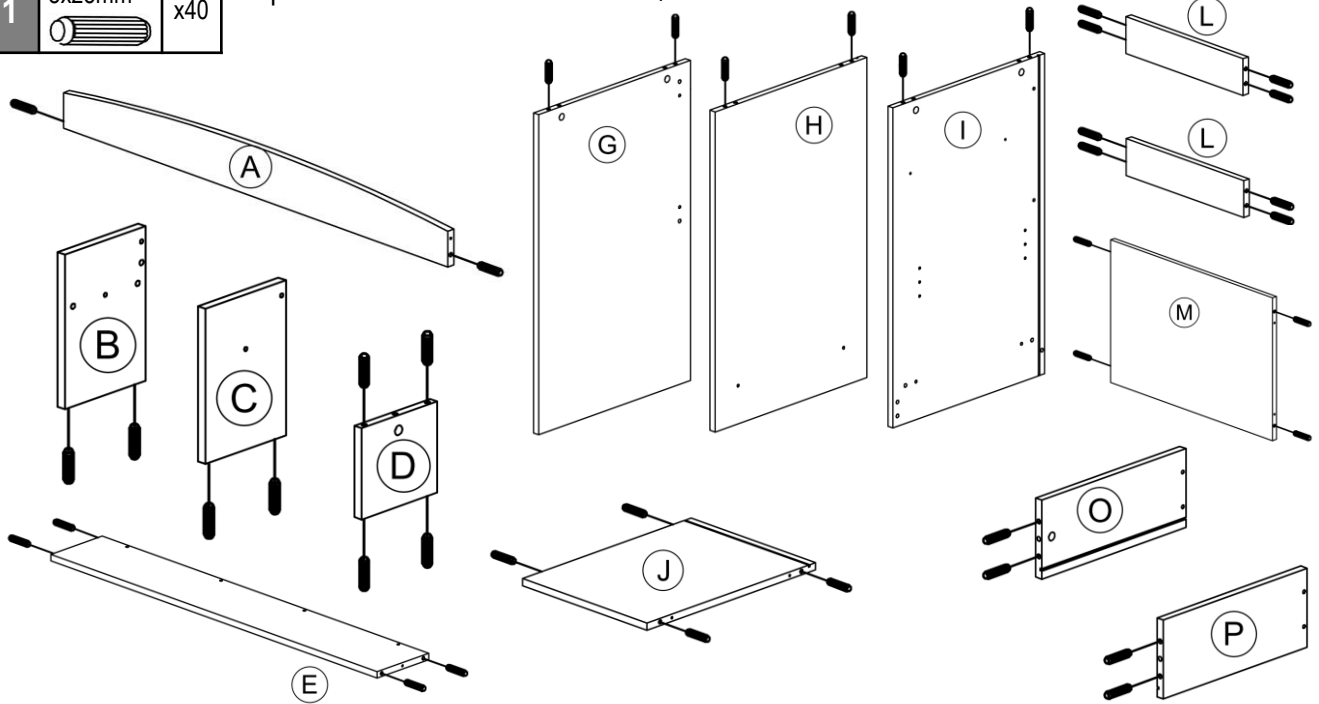
**STEP 1**

**Hardware:**

1 8x25mm x40



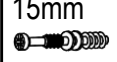
Install wooden pins (1) into panels (A), (B), (C), (D), (E), (G), (H), (I), (J), (L), (M), (O) and (P) in the holes shown in the illustrations. Please note that other holes on the panels are intended for other hardware in other steps. After done, set the panels aside to use on future steps. **DO NOT JOIN ANY PANELS, JUST INSTALL THE PINS.**



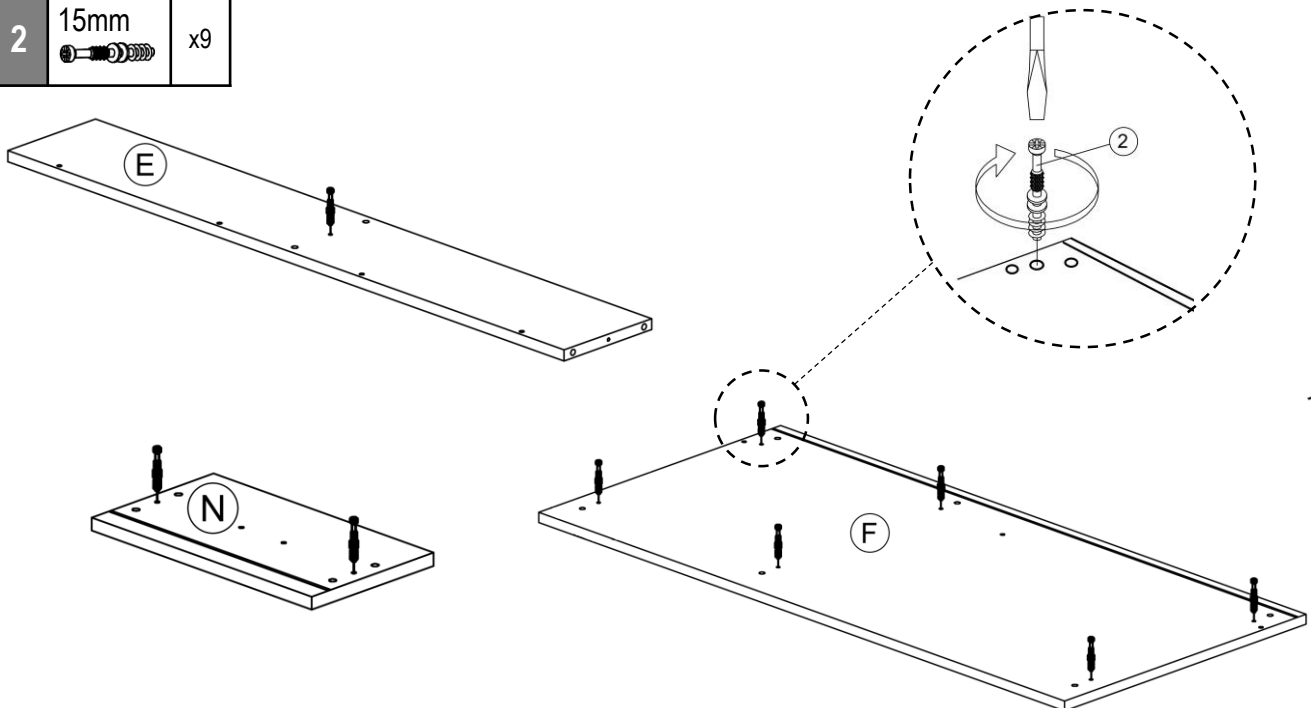
**STEP 2**

**Hardware:**

2 15mm x9



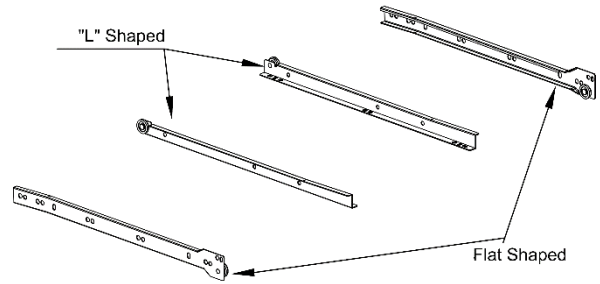
Install the bolts (2) into the panels (E), (F) and (N) in the holes shown in the illustrations. Please pay attention to the correct holes to use as other holes on the panels are intended for other hardware in other steps. After done, set the panels aside to use on future steps.



**STEP 3**

Grab the set of sliders (14) and separate the pieces according to their shape:

- The "flat" ones will be used on the next step.
- The "L" shaped will be used until step 19, so please set them aside.

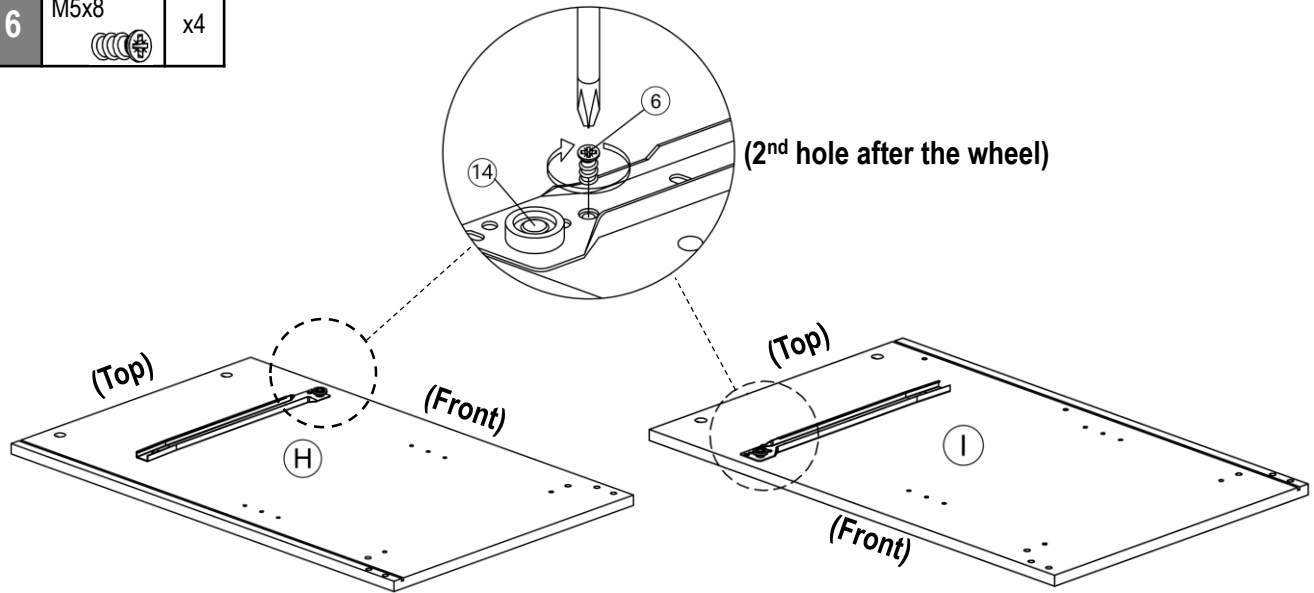


**STEP 4**

**Hardware:**

6	M5x8	x4
---	------	----

Assemble the flat sliders (14) to the top set of holes on the right panel (H) and the middle panel (I) using screws (6) as shown. Note that the wheel is facing towards the front of the panels and down with 2 empty holes (on the slider) above it.

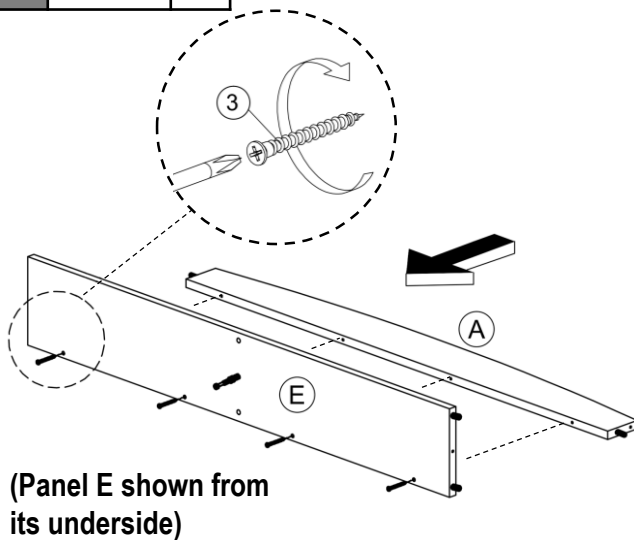


**STEP 5**

**Hardware:**

3	M5x40mm	x4
---	---------	----

Assemble the hutch horizontal panel (E) to the hutch top panel (A) using screws (3) as shown.

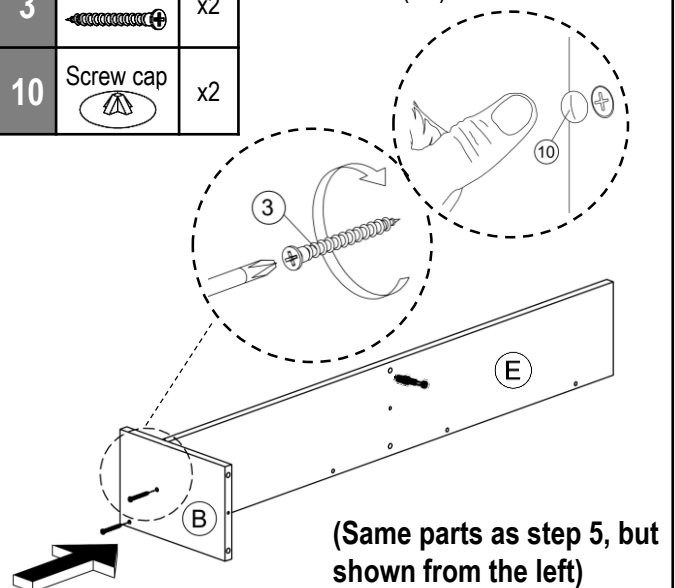


**STEP 6**

**Hardware:**



3	M5x40mm	x2
10	Screw cap	x2

Assemble the hutch left panel (B) to the hutch panels (A) and (E) using screws (3) and cover the screws with (10) as shown.

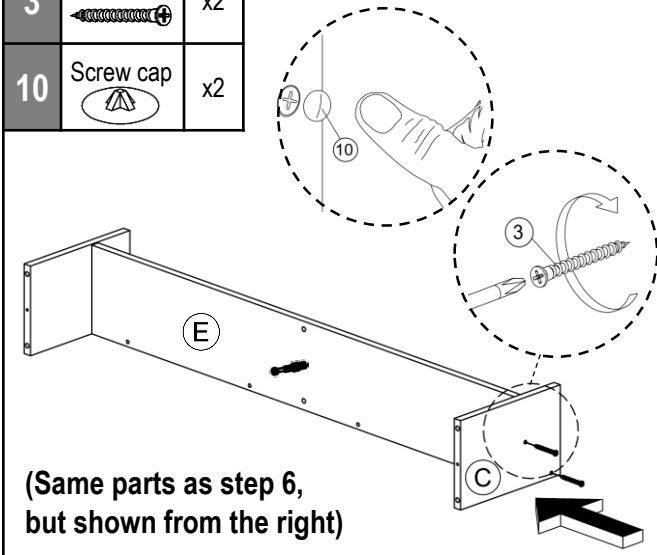


**STEP 7**

**Hardware:**



3	M5x40mm 	x2
10	Screw cap 	x2

Assemble the hutch right panel (C) to the hutch panels (A) and (E) using screws (3), and cover the screws with (10) as shown.

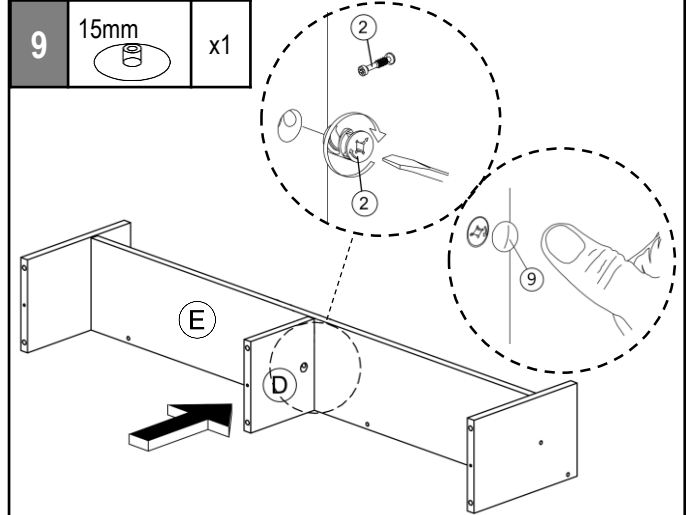


**STEP 8**

**Hardware:**

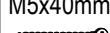
2	15mm 	x1
9	15mm 	x1

Insert and align the cam lock (2) into the hutch middle panel (D), and assemble to panel (E) as shown and explained in page 4, then cover the cam lock with (9).

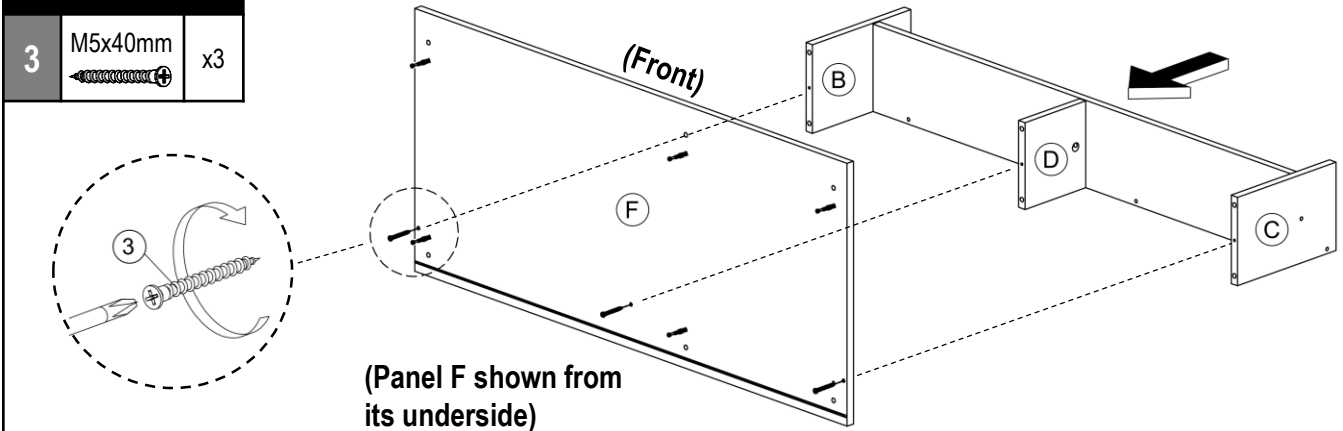


**STEP 9**

**Hardware:**

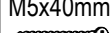

3	M5x40mm 	x3
---	--	----

Assemble the main panel (F) to the panels (B), (C) and (D) using screws (3) as shown.

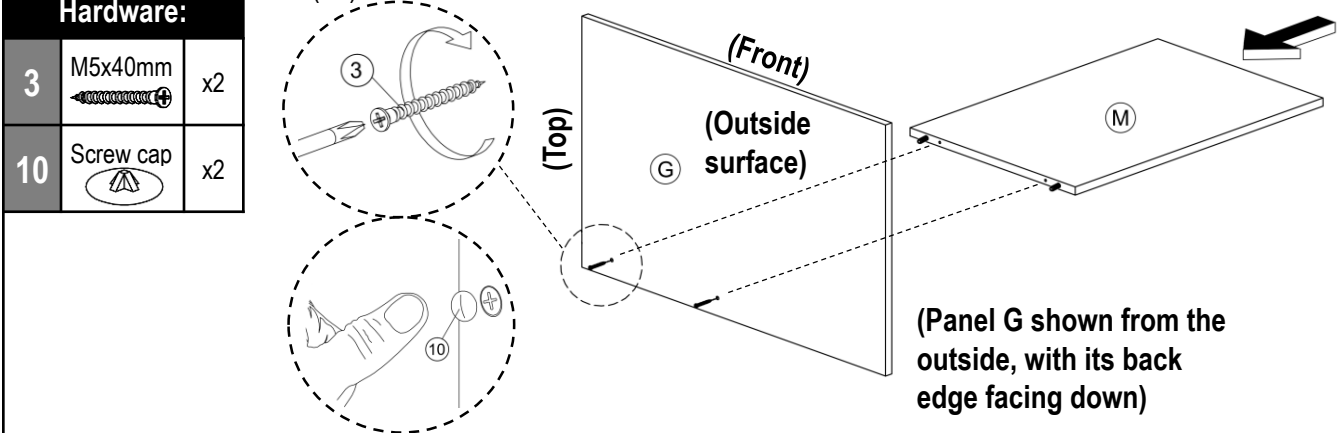


**STEP 10**

**Hardware:**

3	M5x40mm 	x2
10	Screw cap 	x2


Assemble the left panel (G) to the left back panel (M) using screws (3) and cover the screws with (10) as shown.

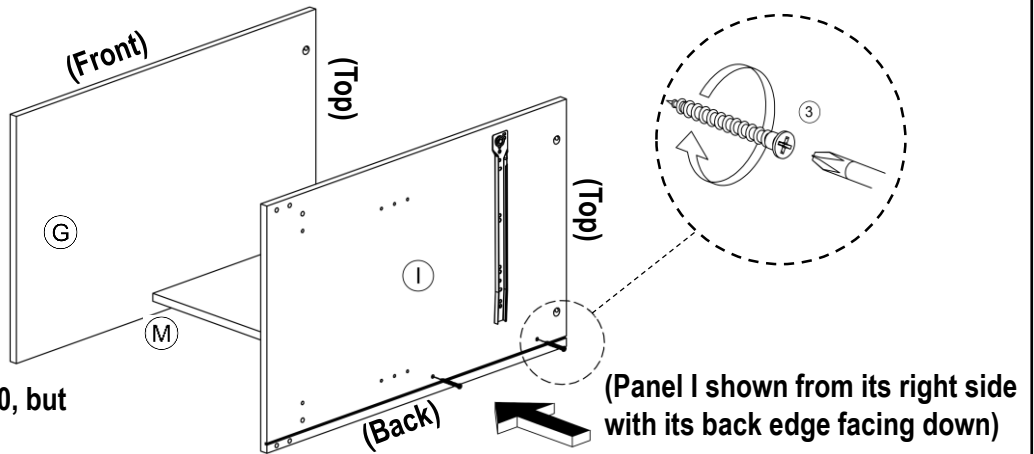


**STEP 11**

Assemble the middle panel (I) to the back panel (M) using screws (3) as shown.

**Hardware:**

3	M5x40mm 	x2
---	--	----

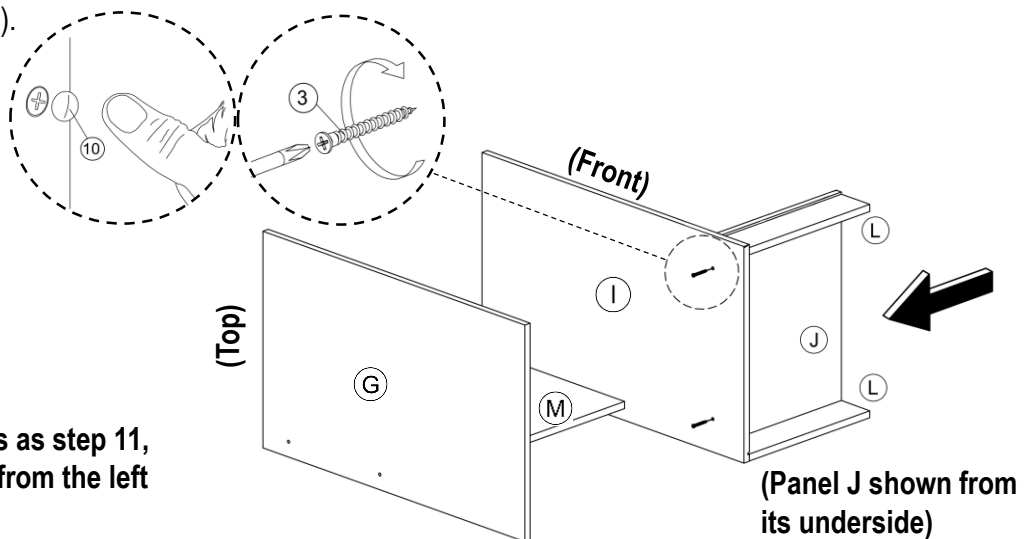


**STEP 12**

Assemble the bottom panel (J) to panel (I) using screws (3), and cover the screws with (10). Then install the foot panels (L) to the panel (I) as shown (they only connect with the wooden pins).

**Hardware:**


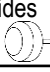

3	M5x40mm 	x2
10	Screw cap 	x2

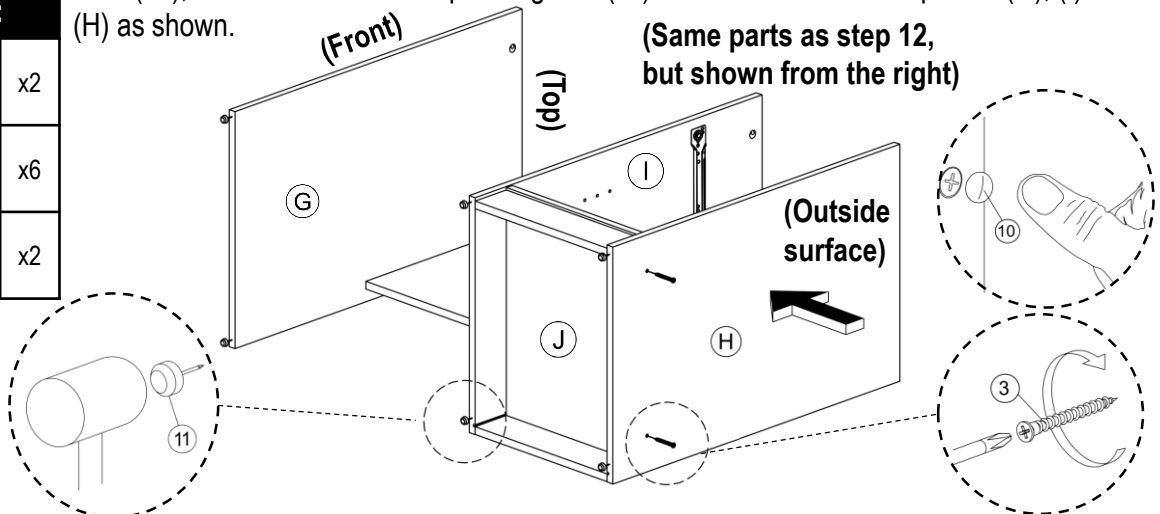


**STEP 13**

Assemble the right panel (H) to the bottom panel (J) using screws (3) and cover the screws with (10), then install the nail-in plastic glides (11) on the bottom ends of panels (G), (I) and (H) as shown.

**Hardware:**

3	M5x40mm 	x2
11	Glides 	x6
10	Screw cap 	x2

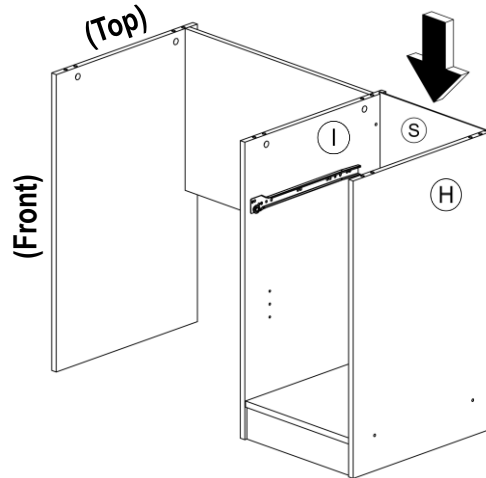




**STEP 14**

Slide the right back panel (S) into the grooves of the panels (I) and (H) as shown.



(Same parts as step 13, but shown in normal upright position)




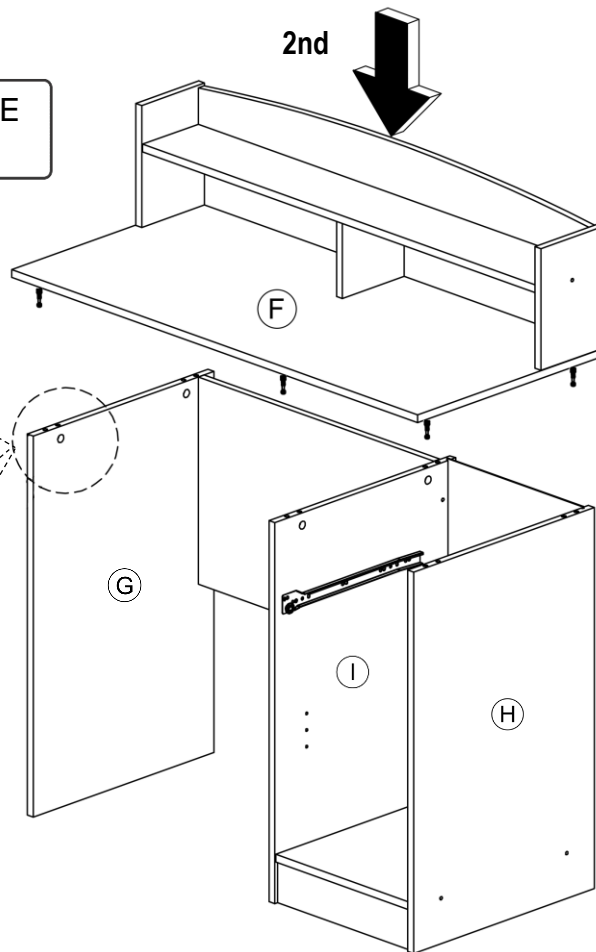
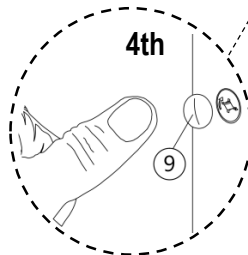
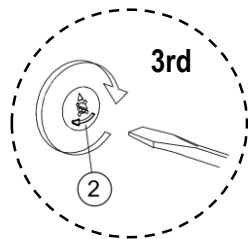
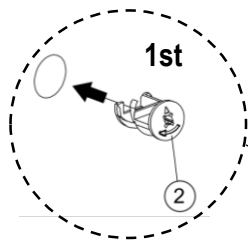
**STEP 15**

First insert and align the cam locks (2) in the panels (G), (H) and (I). Then, and with the help of another person, carefully place the top parts assembled in step 9 making sure the bolts and wooden pins from the main panel (F) properly enter into the corresponding holes on panels (G), (H) and (I). Then secure the main panel (F) by turning the cam locks as shown and explained in page 4. Finally, install the cam lock caps (9) to panel (G) only.

**Hardware:**

2	15mm 	x6
9	15mm 	x2


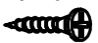
 MIGHT REQUIERE OF 2 PERSONS

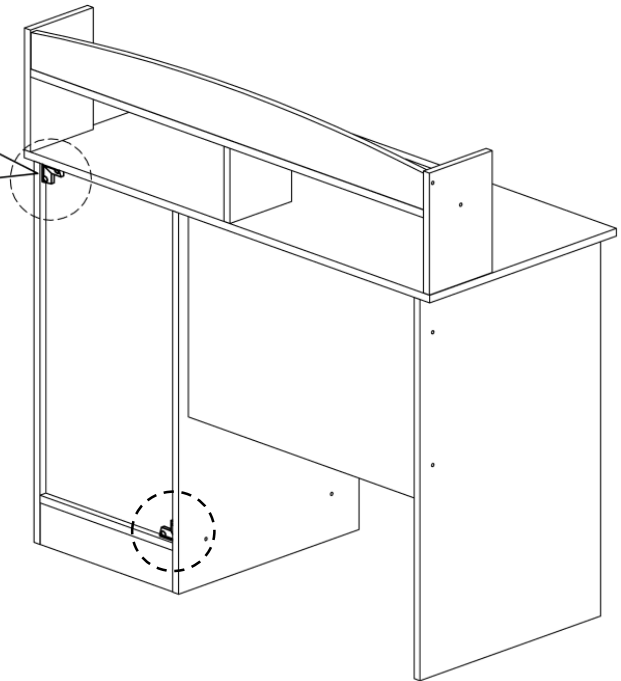
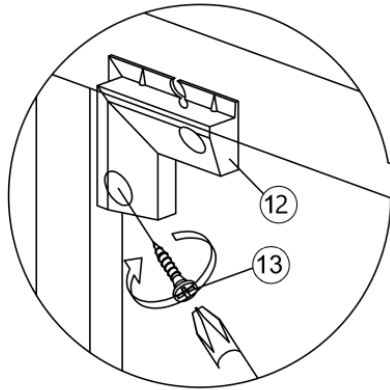


**STEP 16**

Insert and secure the corner brackets (12) on the 2 back corners of the unit using screws (13) as shown.

**Hardware:**

12	C. Bracket 	x2
13	M3x16 	x4




(Same parts as step 15, but shown from behind)

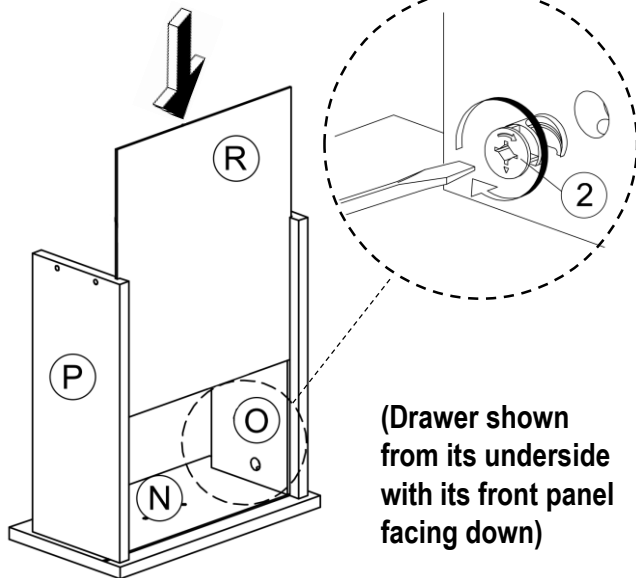
**STEP 17**

First insert and align the cam locks (2) into the drawer side panels (O) and (P), and then assemble them to the drawer front panel (N) as shown and as explained in page 4. Then slide the drawer bottom panel (R) thru the grooves of the 3 panels as shown.

**Hardware:**

2	15mm 	x2
---	---	----

Then slide the drawer bottom panel (R) thru the grooves of the 3 panels as shown.

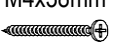


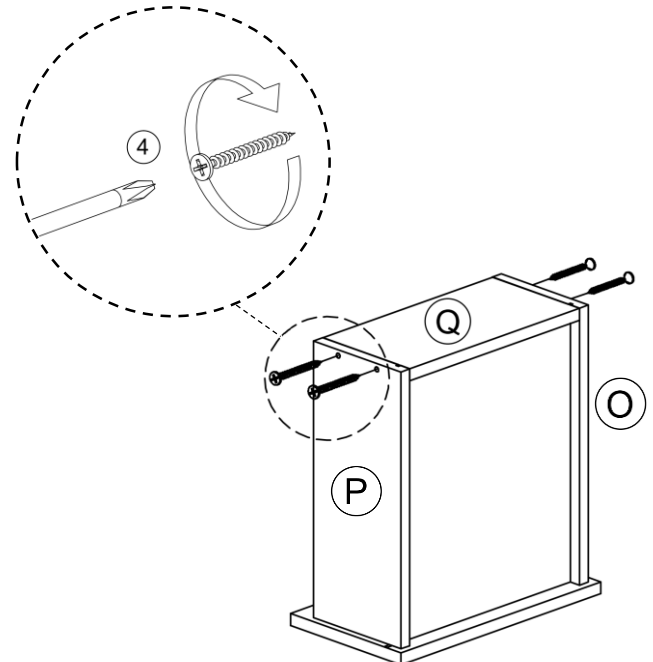
(Drawer shown from its underside with its front panel facing down)

**STEP 18**

Assemble the drawer back panel (Q) to the drawer side panels (P) and (O) using screws (4) as shown.

**Hardware:**

4	M4x38mm 	x4
---	--	----

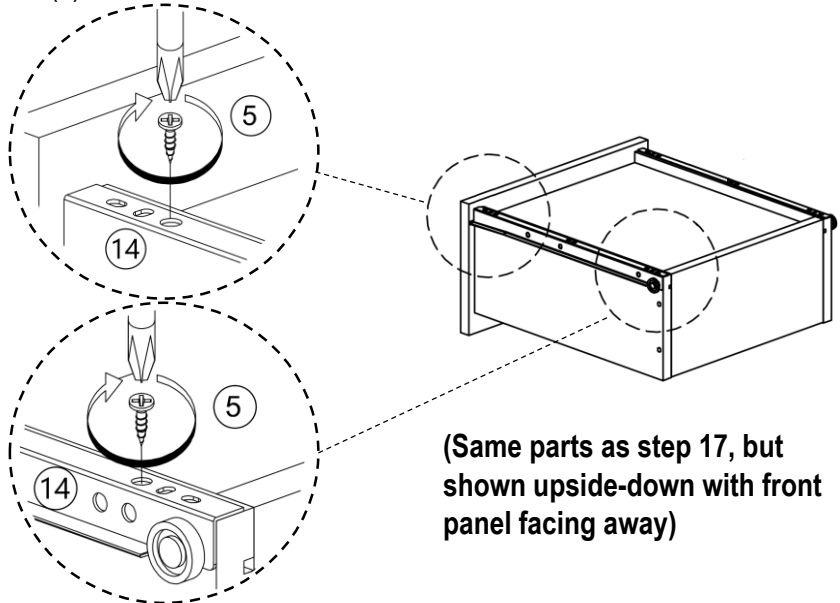
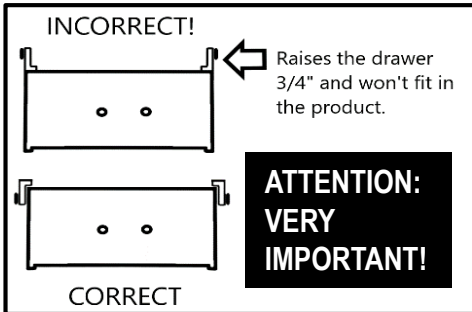


**STEP 19**

With the drawer upside-down and its front facing away from you, assemble the "L" shaped sliders (14) using screws (5) as shown.

**Hardware:**

5	M3.5x16m	x4
---	----------	----



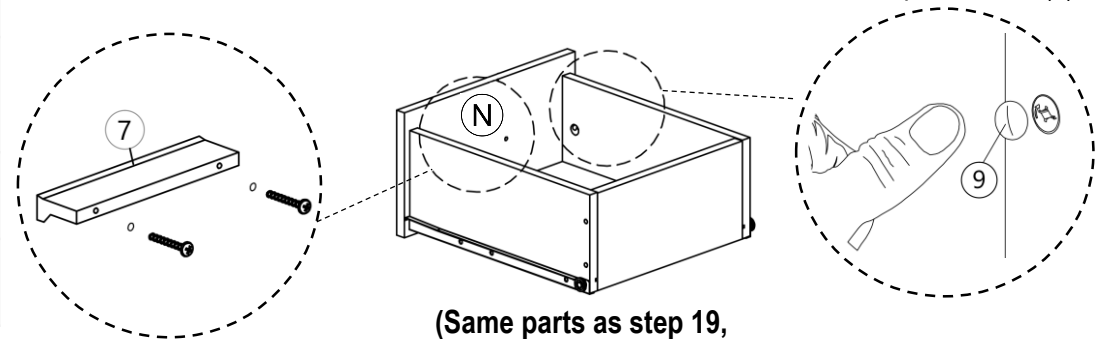
(Same parts as step 17, but shown upside-down with front panel facing away)

**STEP 20**

First attach the handle (7) to the drawer front panel (N) using the same screws that come with the handle from inside the drawer, then cover the cam locks on the side panels with (9).

**Hardware:**

7	Handle	x1
7	M3.6x24mm	x2
9	15mm	x2



(Same parts as step 19, but shown flipped upright with front panel facing away)

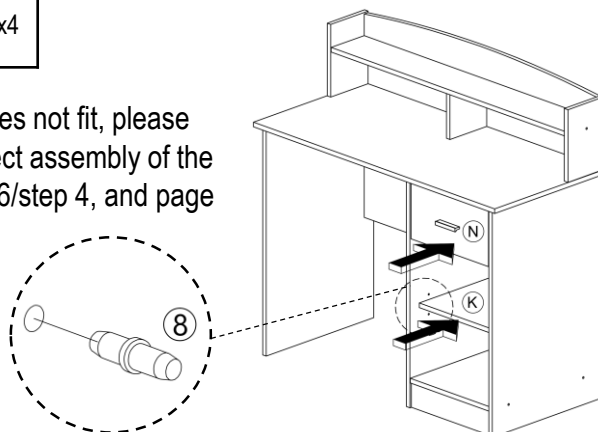
**STEP 21**

Install the metal pins (8) in the desired sets of holes inside the unit, and place the adjustable panel (K), and then insert the drawer as shown.

**Hardware:**

8	Metal pin	x4
---	-----------	----

If the drawer does not fit, please review the correct assembly of the Sliders in page 6/step 4, and page 11/step 19.

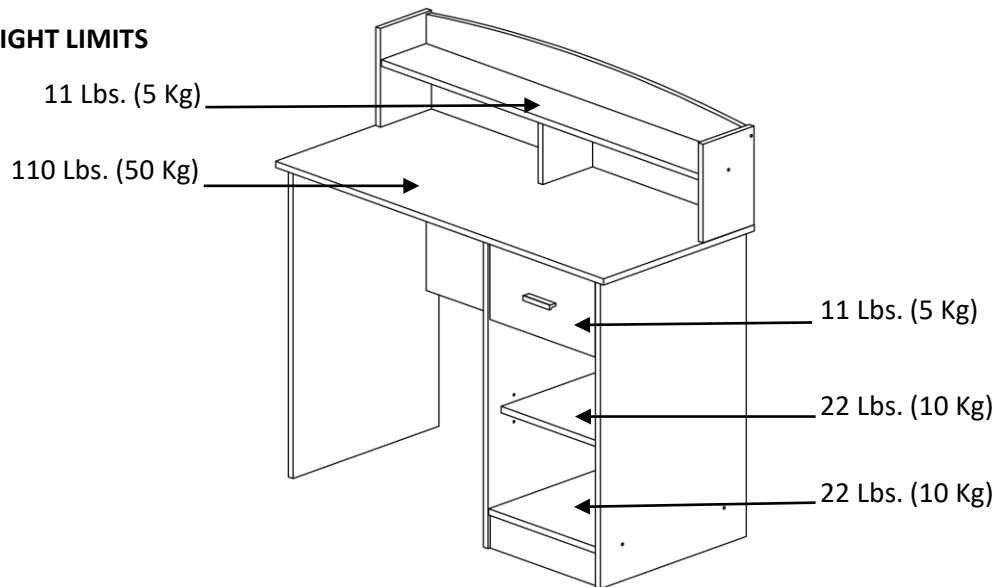


**DONE!**  
Before you start using the unit, make sure that all the screws, bolts, cam locks, etc. are properly tightened, and read all the warnings in the next page.

**ENJOY YOUR NEW UNIT!**

**AFTER THE ASSEMBLY IS DONE, PLEASE READ CAREFULLY THE FOLLOWING  
CARE AND MAINTENANCE WARNINGS:**

**WEIGHT LIMITS**



- Do not exceed the indicated weight limits.
- Do not expose the surfaces to direct sunlight or to extreme environmental conditions.
- Clean the surfaces preferable with a clean cloth damped in a solution of mild soap and water, then dry with a clean towel.
- Do not use solvents or abrasive materials to clean the unit.
- If you decide to use a cleaning agent, test first on an area hidden from view such as underneath the tabletop.
- Do not seat on the unit or lean against it.
- Do not allow small children to play under or over the unit.
- Do not allow small children to reach inside the drawer or the top shelves without your supervision, as objects at that height might fall and injure the children.
- The unit must be handled by at least 2 persons when moving in the same or adjacent rooms.
- Before moving the unit, make sure to remove any object that is heavy or might fall off.
- When lifting the unit, use both hands and bend your knees, not your backs.
- When transporting the unit to places far away, protect and secure the unit to avoid damage in transit.
- Shall any part of the unit become defective during the warranty period, replacement parts might be available to you at no charge. Please refer to the WARRANTY card included with the product.
- The warranty does not extend to regular wear and tear, nor the manufacturer assumes liability for damages or consequences due to accidents, incorrect assembly, negligence, improper use, modifications, or not heeding the above warnings.