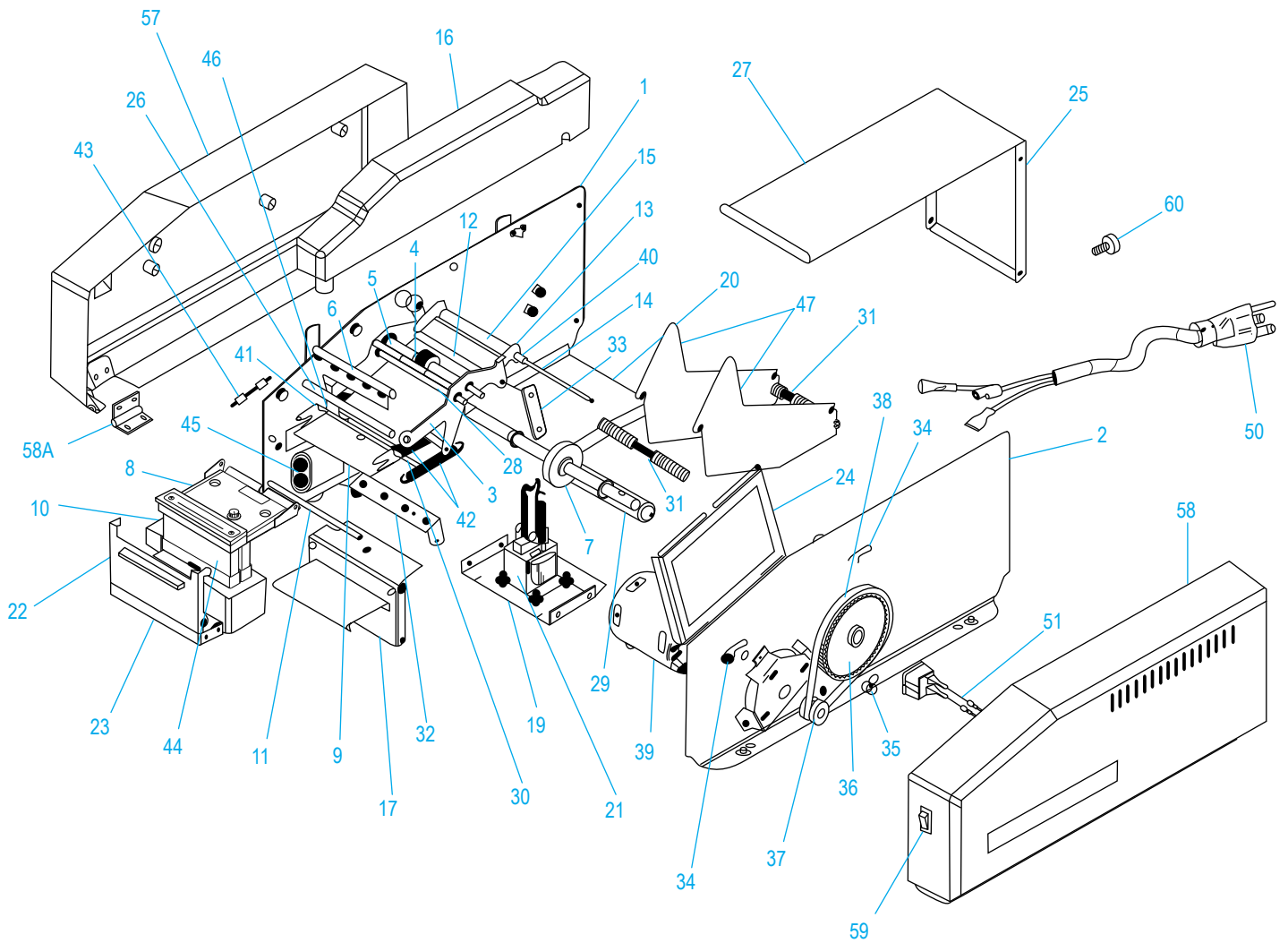
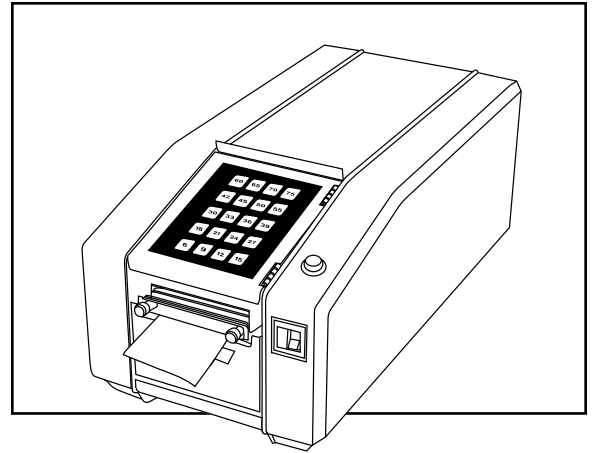


ULINE H-16
ELECTRONIC KRAFT
TAPE DISPENSER

1-800-295-5510
uline.com



ULINE H-16
ELECTRONIC KRAFT
TAPE DISPENSER

1-800-295-5510
 uline.com

#	DESCRIPTION	QTY.	ULINE PART NO.	MFG. PART NO.
1	Left Frame Assembly	1	-----	5UN0033
2	Right Frame Assembly	1	-----	5UN0043
3	Rocker Final Assembly	1	H-16-5UN0143	5UN0143
4	Upper Feed Wheel Assembly	1	-----	5UN0180
5	Upper Feed Shaft	1	H-16-UPFEED	5UN0190
6	Knife Assembly	1	H-16-5UN0211	5UN0211
7	Feed Wheel Shaft Assembly	1	H-16-FEEDWHL	5UN0251
8	Pressure Plate with Heater Assembly for BP755eS Dispenser (new style)	1	H-16-5UN3291	5UN3291
8	Pressure Plate with Heater Assembly for BP755 Dispenser (old style)	1	H-16-5UN0273	5UN0273
9	Lower Lip	1	H-16-5UN0280	5UN0280
10	Brush Tank	1	H-16-5UN0330	5UN0330
11	Platform Rod	1	-----	5UN0350
12	Upper Tape Plate	1	-----	5UN0370
13	Lower Tape Plate	1	H-16-5UN0380	5UN0380
14	Upper Roller Shaft	1	H-16-5UN0390	5UN0390
15	Upper Roller Assembly	1	-----	5UN0401
16	Water Bottle	1	H-16WB	5UN0430
17	Motor Cover Assembly	1	-----	5UN0562
18	Motor Pan (Not Shown)	1	-----	5UN0570
19	Solenoid Assembly	1	-----	5UN0621
20	Bottom Separator	1	-----	5UN0630
21	Solenoid	1	H-16-SOLENOI	6000840
22	Front Cover Assembly	1	H-16-5UN0741	5UN0741
23	Front Cross Member	1	-----	5UN0760
24	Console Assembly	1	H-16-CONSOLE	5UN0811
	Housing (Part of #24)		-----	5UN0810
	Keyboard Assembly (Part of #24)		H-16-5UN1060	5UN1060
25	Rear Cover	1	-----	5UN1360
26	Tie Rod	1	-----	5UN1370
27	Cover Hinge Assembly	1	-----	5UN1381
28	Rocker Pivot Shaft	1	H-16-0200	5UN1430
29	Wood Roller Assembly	1	H-16-ASSEMBL	6000151
30	Lower Blade Shaft	1	-----	6000250

ULINE H-16
ELECTRONIC KRAFT
TAPE DISPENSER

1-800-295-5510
 uline.com

#	DESCRIPTION	QTY.	ULINE PART NO.	MFG. PART NO.
31	Tape Guide Shaft Assembly	2	-----	6000461
32	Lower Blade & Yoke Assembly	1	H-16-0910	6001081
33	Center Separator	1	-----	0330040
34	Pivot Rod Retainer	2	-----	E580RA
35	Wire Clamp	4	-----	E676
36	Pulley, Large	1	H-16-ST49	ST-49
37	Pulley, Small	1	-----	ST-48
38	Timing Belt	1	-----	ST-51
39	Motor Cover Assembly	1	-----	5UN0591
40	Spacer	2	H-16-SPACER	ST-851
41	Cable Clamp Plate	1	-----	5UN0820
42	Rocker Return Spring	2	H-16-42	5UN1180
43	Ground Wire Assembly	1	-----	5UN3051
44	Brush	2	-----	TS-37
45	Capacitor	1	-----	ST-2952
46	Blade Torsion Spring	1	H-16-6001070	6001070
47	Roll Guide	2	-----	5UN0710
48	Spacer (Not Shown)	2	-----	ST-850
50	Power Cord Assembly	1	-----	PCPG1AUX
51	Heater Socket Assembly	1	H-16HEATRSKT	6001301
52	Controller Board Assembly (Not Shown)	1	H-16-5UN1013	5UN1013
53	Cable Assembly with Connector (Not Shown)	1	H-16-5UN110	5UN1100
54	Fuse (Not Shown)	1	H-16ST882	ST-882
55	Fuse Carrier (Not Shown)	1	H-16ST838	ST-838
56	Fuse Holder (Not Shown)	1	H-16-ST0837	ST-837
57	Left Side Cover	1	H-16-LFTCVR	5UN0910
58	Right Side Cover	1	H-16-5UN0920	5UN2670
58A	Hinge	2	-----	5UN0830
59	On/Off Switch	1	H-16ST113	H-16ST113
60	Screw	4	H-16-5T0489	ST-489