



REFRIGERATION RGE SERIES



RGE2100

EN

Absorber refrigerator

Installation and Operating Manual

DE

Absorber-Kühlschrank

Montage- und Bedienungsanleitung

FR

Réfrigérateur à absorption

Instructions de montage
et de service

ES

Nevera con extractor

Instrucciones de montaje y de uso

IT

Frigorifero ad assorbimento

Istruzioni di montaggio e d'uso

NL

Absorptiekoelkast

Montagehandleiding en
gebruiksaanwijzing

DA

Absorber-køleskab

Monterings- og betjeningsvejledning

SV

Absorptionskylskåp

Monterings- och bruksanvisning

NO

Absorbsjons-kjøleskap

Monterings- og bruksanvisning

FI

Absorptiojäakaappi

Asennus- ja käyttöohje

RU

Абсорбционный холодильник

Инструкция по монтажу
и эксплуатации

PL

Lodówka absorpcyjna

Instrukcja montażu i obsługi

SK

Absorpčná chladnička

Návod na montáž a uvedenie
do prevádzky

CS

Absorpční lednička

Návod k montáži a obsluze

HR

Apsorpcijski hladnjak

Upute za montažu i uporabu

SL

Absorpcijski hladilnik

Navodilo za montažo in uporabo

EL

Ψυγείο υγραερίου/ρεύματος

Οδηγίες τοποθέτησης και
χειρισμού

- EN** Before using the appliance please read the instruction manual carefully. This appliance has to be installed and connected according to the instructions of the manufacturer. The room has to be well ventilated and the appliance has to be protected against rain.
- DE** Lesen Sie die Anleitung des Herstellers, ehe Sie das Gerät in Betrieb nehmen. Dieses Gerät darf nur entsprechend der gültigen Vorschriften des Herstellers in gut gelüfteten Räumen, gegen Regen geschützt, auf ebener Fläche aufgestellt und angeschlossen werden.
- FR** Veuillez lire l'instruction du fabricant avant de mettre l'appareil en service. Cet appareil doit absolument être placé et mis en service en suivant les instructions valables du fabricant dans des chambres bien aérées, protégé contre la pluie, sur surface plane.
- ES** Antes de poner en funcionamiento el aparato, léanse por favor detenidamente las instrucciones del fabricante. Este aparato solo se puede instalar y conectar de acuerdo a las instrucciones del fabricante. Ponerlo en una habitación con ventilación suficiente, protegerlo contra la lluvia y elegir un lugar nivelado para instalar y poner en funcionamiento el aparato.
- PT** Por favor leia atentamente o Manual de Instruções antes de utilizar o aparelho. Este aparelho deve ser instalado e ligado segundo as instruções do fabricante. O quarto deve estar bem ventilado e o aparelho protegido da chuva.
- IT** Leggere le istruzioni del costruttore prima di mettere in funzione l'apparecchio. Questo apparecchio può essere installato e collegato solo in conformità alle normative in vigore del costruttore in locali ben aerati, protetti dalla pioggia, su una superficie piana.
- NL** Leest u de handleiding van de fabrikant eerst goed door, voor u het apparaat gaat gebruiken. Dit apparaat mag alleen volgens de geldende voorschriften van de fabrikant in een goed geventileerde ruimte, tegen regen beschermd, op vlakke bodem geplaatst en aangesloten worden.
- DA** Læs venligst brugsvejledningen grundigt, før brug af produktet. Dette produkt skal installeres og tilsluttes ifølge de instruktioner, der er opgivet af producenten. Lokalet skal være godt ventileret og produkt skal beskyttes mod regn.
- SV** Var vänlig läs tillverkarens anvisningar innan Ni börjar använda apparaten. Denna apparat måste installeras och anslutas i enlighet med tillverkarens anvisningar, i väl luftade rum och skyddad mot regn.
- NO** Vennligst les bruksanvisningen nøye før apparatet tas i bruk. Dette apparatet må installeres og tilkobles ifølge produsentens anvisninger. Apparatet må plasseres plant i et rom med god ventilasjon, og det må være beskyttet mot regn.
- FI** Lue tarkoin käyttöohje ennen kuin otat laitteen käyttöön. Laite on asennettava ja kytkettävä valmistajan ohjeiden mukaisesti. Huolehdi käyttötilan hyvästä ilmanvaihdosta ja suoja laite roiske- ja sadevedeltä.
- RU** Перед использованием прибора внимательно прочитайте инструкцию. Установить и подключить прибор в соответствии с указаниями производителя. Установить в хорошо проветриваемом помещении. Защитить прибор от попадания дождя.
- PL** Przed przystąpieniem do użytkowania urządzenia należy uważnie przeczytać jego instrukcję obsługi. Urządzenie należy montować i przyłączać zgodnie z instrukcjami jego producenta w dobrze wentylowanych miejscach zapewniających jego ochronę przed deszczem.
- SK** Pred použitím tohto zariadenia si dôkladne prečítajte návod na obsluhu. Toto zariadenie musí byť namontované a pripojené podľa pokynov výrobcu. Miestnosť musí byť dobre vetraná a zariadenie musí byť chránené pred dažďom.
- CS** Před použitím přístroje si pozorně přečtěte návod k použití. Tento přístroj je nutné instalovat a připojit v souladu s pokyny výrobce. Místnost musí být dobře větraná a přístroj musí být chráněn před deštěm.
- HU** A készülék használatá előtt olvassa el figyelmesen a használati útmutatót. A készüléket a gyártói utasításoknak megfelelően kell felállítani és csatlakoztatni. Jól szellőző helyiségre van szükség, és a készüléket védeni kell az eső ellen.
- HR** Molimo pažljivo pročitajte ove upute prije korištenja uređaja. Ovaj uređaj se mora montirati i priključiti u skladu s uputama proizvođača. Prostorija morati imati dobru ventilaciju i uređaj mora biti zaštićen od kiše.
- SL** Pred uporabo naprave natančno preberite navodila za uporabo. Napravo je treba namestiti in priključiti v skladu s proizvajalčevimi navodili. Zagotovljeno mora biti dobro prezračevanje prostora in naprava mora biti zaščitena pred dežjem.
- EL** Πριν από τη χρήση της συσκευής, παρακαλούμε να διαβάσετε προσεκτικά το εγχειρίδιο οδηγιών. Αυτή η συσκευή πρέπει να εγκατασταθεί και να συνδεθεί σύμφωνα με τις οδηγίες του κατασκευαστή. Ο χώρος πρέπει να αερίζεται καλά και η συσκευή πρέπει να προστατεύεται από τη βροχή.

Operating Instructions

Absorption-Refrigerator

RGE 2100

Record for future reference:

Model number
Product number
Serial number



N 1

MBA 10/2015



Table of contents

1.0	General	4
1.1	Introduction	4
1.2	Guide to these operating instructions	4
1.3	Copyright protection	4
1.4	Explanation of symbols used in this manual	4
1.5	Warranty	5
1.6	Limitation of liability	5
1.7	Customer services	5
1.8	Spare parts	6
1.9	Environmental notices	6
1.9.1	Disposal	6
1.9.2	Energy-saving tips	6
1.10	Declaration of conformity	6
2.0	Safety instructions	7
2.1	Application according to regulations	7
2.2	User's responsibility	7
2.3	Protection of children when disposing of the equipment	7
2.4	Working upon and checking the refrigerator	7
2.5	Information on coolant	8
2.6	Operating the refrigerator with gas	8
2.7	Safety instructions when storing foodstuffs	9
3.0	Description of model	10
3.1	Model identification	10
3.2	Refrigerator rating plate	10
3.3	Technical data	10
3.4	Description of refrigerator	10
4.0	Installation	11
4.1	Mounting and connection	11
4.1.1	Electrical connection	11
4.1.2	Placing the gas bottle	11
4.1.3	Gas connection	12
4.2	Assembling the door grip	12
5.0	Refrigerator operation	13
5.1	Cleaning	13
5.2	Maintenance	13
5.3	Electrical operation	13
5.4	Gas operation	13
5.5	Operation	14
5.5.1	Explanation of operating controls	14
5.5.2	Electrical operation	15
5.5.3	Gas operation (Liquid gas)	15
5.5.4	Setting of cooling compartment temperature	15
5.6	Positioning the storage racks	16
5.7	Removable freezer compartment	16
5.8	Storing food and making ice cubes	16
5.8.1	Storing products in the cooling compartment	16
5.8.2	Storing products in the freezer compartment	16

5.8.3	Refrigerator compartments	17
5.8.3	Making ice cubes	17
5.9	Shutting off the refrigerator	17
5.10	Defrosting	18
5.11	Changing the doorhang	18
5.12	Changing the decor panel	19
5.13	Troubleshooting	20

Dometic GmbH
In der Steinwiese 16
D-57074 Siegen

www.dometic.com

1.0 General

1.1 Introduction

You have made an excellent choice in selecting the **Dometic** Absorption Refrigerator. We are sure that you will be satisfied with your new refrigerator in all respects. The refrigerator, which works silently, meets high quality standards and guarantees the efficient utilisation of resources and energy throughout its entire life cycle, during manufacture, in use and when being disposed of.

1.2 Guide to these operating instructions

Before you start using the refrigerator, please read the operating instructions carefully.

These instructions provide you with the necessary guidance for the proper use of your refrigerator. **Observe in particular the safety instructions.** Observation of the instructions and handling recommendations is important for dealing with the refrigerator safely and for protecting you from injury and the refrigerator from damage. You must understand what you have read before you carry out a task.

Keep these instructions in a safe place close to the refrigerator so they may be referred to at any time.

1.3 Copyright protection

The information, texts and illustrations in these instructions are copyright protected and are subject to industrial property rights. No part of these instructions may be reproduced, copied or utilised in any other way without written authorisation by Dometic GmbH, Siegen.

1.4 Explanation of symbols used in this manual

Warning notices

Warning notices are identified by symbols. A supplementary text gives you an explanation of the degree of danger.

Observe these warning notices rigorously. You will thus protect yourself and other people from injury, and the appliance from damage.



DANGER!

DANGER indicates an imminent hazardous situation which, if not avoided, could result in death or serious injury.



WARNING!

WARNING indicates a potentially hazardous situation which, if not avoided, could result in death or serious injury.



CAUTION!

CAUTION indicates a potentially hazardous situation which, if not avoided, may result in minor or moderate injury.

CAUTION!

CAUTION (used without the safety alert symbol) indicates a potentially hazardous situation which, if not avoided, may result in damage to the appliance.

Information



INFORMATION gives you supplementary and useful guidance when dealing with your refrigerator.

Environmental Tips



ENVIRONMENTAL TIPS gives you useful guidance for saving energy and disposal of the appliance.

1.5 Warranty

Warranty arrangements are in accordance with EC Directive 44/1999/CE and the normal conditions applicable for the country concerned. For warranty or other maintenance, please contact our customer services department. Any damage due to improper use is not covered by the warranty. The warranty does not cover any modifications to the appliance or the use of **non-original Dometic parts**. The warranty does not apply if the installation and operating instructions are not adhered to and no liability shall be entertained.

1.6 Limitation of liability

All information and guidance in these operating instructions were prepared after taking into consideration the applicable standards and regulations as well as the current state of the art. **Dometic** reserves the right to make changes at any time which are deemed to be in the interest of improving the product and safety.

Dometic will assume no liability for damage in the case of :

- non-observation of the operating instructions
- application not in accordance with the regulations or provisions
- use of non-original spare parts
- improper modifications and interferences to the appliance
- effect of environmental influences, such as
 - temperature fluctuations
 - humidity

1.7 Customer services

Dometic offers a pan-European customer service network. Find your authorised customer service centre by calling the phone number indicated in the EuroService Network book, **EuroService Network** - which accompanies every refrigerator. You can also obtain the address information of the nearest customer service from **www.dometic.com**. When contacting Dometic Customer Services, please state the model, product number and serial number together with the MLC code, if applicable. You will find this information on the rating plate inside the refrigerator. We recommend that you note this data in the field provided on the front page of this operation manual.

1.8 Spare parts

Parts can be ordered throughout Europe from our customer services.

Always give the model and product number when you contact the customer service! You will find this information on the rating plate inside the refrigerator.

1.9 Environmental notices



Ammonia (a natural compound of hydrogen and nitrogen) is used in the cooling unit as a coolant. Non-ozone-hazardous cyclopentane is used as a propellant for manufacturing PU foam insulation.

1.9.1 Disposal

In order to ensure that the recyclable packaging materials are re-used, they should be sent to the customary local collection system. The appliance should be transferred to a suitable waste disposal company that will ensure re-use of the recyclable components and proper disposal of the rest. For eco-friendly draining of the coolant from all absorber refrigeration units, a suitable disposal plant should be used.

Appliances bearing this symbol must be deposited at the designated local reception point for the disposal of electrical and electronic equipment.



It is not permitted that this product be disposed of by way of the normal household refuse collection system.

Dometic refrigerators bear this symbol on the data plate to be found in the interior of the unit.

1.9.2 Energy-saving tips

- At an average ambient temperature of 25°C, it is sufficient to operate the refrigerator at middle thermostat setting.
- Where possible, always store precooled products.
- Do not expose the refrigerator to direct sunlight or any other heat source (e.g. heater).
- Ensure that air circulation of the refrigeration unit is not obstructed.

- Arrange the shelves evenly in the refrigerator (in the cooling compartment) in order to achieve the most efficient use of energy.
- Maintain a clearance of approx. 10 mm between chilled products and post-evaporator ("cooling fins").
- Defrosting at regular intervals saves energy (see section 5.10 "Defrosting").
- Open the refrigerator door only for a short period of time when removing products. Run the refrigerator for about 12 hours before filling it.

1.10 Declaration of conformity

 DECLARATION OF CONFORMITY	
Model No.: DVE 1040013 DVE Executive 224 (230V) 230/230L Energy class: class A++ (2013)	
DECL No.: 4	
Type of product: Total No.: Type family: Manufacturer's factory: Name: Address: Telephone: Fax:	Place of production: DOMETIC 0147194 DOMETIC GmbH Ammerlaanstraße 11, 34299 Lügde 05445-271600 05445-27162100
The following directives and/or national legislation (August 2005) have been complied with: Low Voltage Directive (LVD) 2006/95/EC EMC Directive (EMC) 2004/108/EC RoHS Directive (RoHS) 2002/95/EC REACH Directive (REACH) 2006/1825/EC Machinery Directive (MD) 2006/42/EC EMC Directive (EMC) 2004/108/EC RoHS Directive (RoHS) 2002/95/EC REACH Directive (REACH) 2006/1825/EC	
The signatory hereby declares that the product is in conformity with the applicable CE marking requirements and that the product is in conformity with the applicable CE marking requirements.	
Date: 27.04.2013	Signature: G. Schmitt
	Place: Göttingen, Germany

2.0 Safety instructions

2.1 Application according to regulations

The refrigerator is intended for installation in homes, cottages, hunting lodges or similar. The appliance has been certified for this application in accordance with EU Gas Directive 90/396/EEC. It is not designed for installation in leisure vehicles such as caravans or motorcaravans or boats.

The refrigerator is to be used solely for storing foodstuffs



WARNING!

The refrigerator is not suitable for the proper storage of medication. Please observe in addition the instructions in the medication package inserts.

CAUTION!

The appliance must not be exposed to rain.

2.2 User's responsibility

Anyone operating the refrigerator must be familiar with the safe handling and understand the advice in these operating instructions.

This appliance is not intended for use by persons (including children) with reduced physical, sensory or mental capabilities, or lack of experience and knowledge, unless they are supervised or have been given instruction concerning use of the appliance by a person responsible for their safety. Children should be supervised to ensure that they do not play with the appliance. Cleaning and user maintenance shall not be made by children.

[EN 60335-2-24, 7.12]

2.3 Protection of children when disposing of the equipment



WARNING!

When disposing of the refrigerator, detach all refrigerator doors and leave the storage racks in the refrigerator. In this way inadvertent entrapment and suffocation is prevented.

2.4 Working upon and checking the refrigerator



WARNING!

Work on gas equipment, exhaust system and electrical facilities must be carried out by authorised personnel only. Substantial damage to property and/or injury to persons can arise through unprofessional procedures.



DANGER!



Never use an unshielded flame to check gas bearing parts and pipes for leakage!

There is a danger of fire or explosion..



WARNING!

Never open the absorber cooling unit! It is under high pressure.

There is a danger of injury!

2.5 Information on coolant

Ammonia is used as a coolant.

This is a natural compound also used in household cleaning agents (1 litre of Salmiak cleaner contains up to 200g of ammonia - about twice as much as is used in the refrigerator). Sodium chromate is used for corrosion protection (1.8% by weight of the solvent).

In the event of leakage (easily identifiable from the strong odour), proceed as follows:

- Switch off the appliance.
- Air the room thoroughly.
- Inform authorised customer services.



For your safety it was ascertained in an expert's report that no impairment of health exists when the coolant is discharged..

2.6 Operating the refrigerator with gas

It is imperative that the operating pressure corresponds to the data specified on the rating plate of the appliance. Compare the operating pressure of the rating plate with the data specified on the pressure reducing valve of the liquid gas cylinder.

The refrigerator is operated using the gases and inlet pressures stated below. The pressure reducing valve between the gas cylinder and cooker to be used must comply with the categories stated in the following table.

Connection pressure and gas categories

Category	Pressure / mbar	GAS
I3B / P(30)	30	Butane
	30	Propane
I3+ (28-30/37)	28-30	Butane
	37	Propane
I3B/P(50)	50	Butane
I3B/P(50)	50	Propane

If you smell gas :

- Open all windows and leave the room.
- Do not operate any electrical equipment and prevent the use of naked flames.
- Close the gas cylinder valve and leave it closed until the fault has been rectified.
- Contact authorised specialist personnel* for advice.

* authorised specialist personnel

Authorised specialist personnel are accredited experts who are able, by virtue of their training and knowledge, to vouch that the inspection has been carried out properly.

2.7 Safety instructions when storing foodstuffs

Instructions for storing food in a refrigerator:

No refrigerator of any kind can improve the quality of the food; refrigerators can only maintain the food's quality for a short duration as from the time of storing it.

Please observe the following particular conditions for storing food in a refrigerator that is built into a vehicle:

- A change in the climatic conditions such as temperature fluctuations
- High temperatures inside the room
- A refrigerator built in behind a window and exposed to direct sunlight
- Storing the products too soon, i.e. shortly after starting up the appliance for use

Under these particular conditions the refrigerator cannot guarantee reaching the temperature needed for perishables.

Perishables include all products with a stipulated use-by date and a minimum storage temperature of +4°C or less, especially for meat, poultry, fish, sausages, pre-packed foods.

- Pack raw and cooked foods separately (e.g. in containers, aluminium foil, etc.).
- Only remove the outside packaging of single packs if all the necessary information, e.g. the use-by date, can also be read on the single packs.
- Do not leave cooled goods outside the refrigerator for too long.
- Place the foods with the next use-by date at the front, accordingly.
- Pack away any left-over food and eat at the first opportunity.
- Wash your hands before and after handling any food.
- Regularly clean the inside of the refrigerator.

Please observe the instructions and information regarding the use-by date on the outside packaging of the food.

Please observe section "4.1 Cleaning" of this instruction.

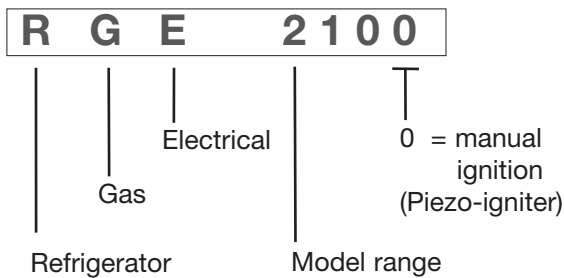


The cooling unit's performance is influenced by ambient temperatures. Please select the medium setting for ambient temperatures between +15°C and +25°C (refer to Fig. 28, temperature level 3). The unit operates within its optimum performance range.

Dometic refrigerators work according to the absorption principle. For physical reasons, an absorption system responds slowly to changes made by the thermostat controller, by loss of cooling energy through opening the door or during storing food. The devices meet the cooling performance requirements of the Climatic Class SN acc. to EN/ISO 7371 in the temperature range of +10°C to +32°C ambient temperature.

3.0 Description of model

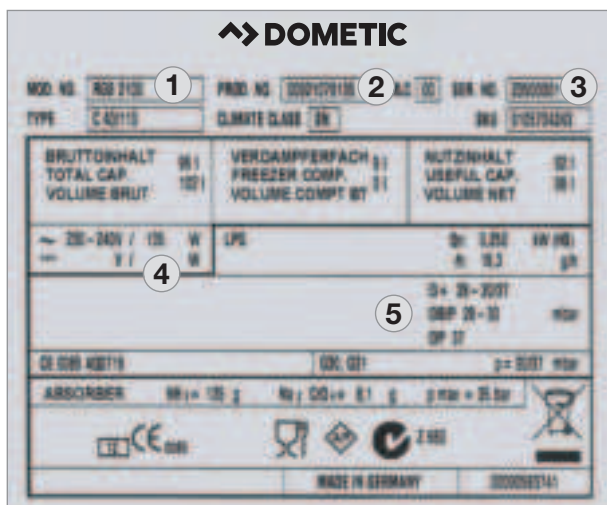
3.1 Model identification



Absorption refrigerator operated with liquid gas and mains power

3.2 Refrigerator rating plate

The rating plate is to be found on the inside of the refrigerator. It contains all important details of the refrigerator. You can read off from this the model identification, the product number and the serial number. You will need these details whenever you contact the customer service centre or when ordering spare parts



Example

Fig. 1

- 1 Model number
- 2 Product number
- 3 Serial number
- 4 Electrical rating details
- 5 Gas pressure

3.3 Technical data

- Gross contents (litres).....100
- Freezer compartment(litres)..... 9
- Gross conten (without freezer comp)..... 106
- Dimensions (mm)**
(H x W x D) 859x531x558
- Electrical rating (W)** 125
- Gas consumption (30 / 50 mbar)**
g / 24h* 270 / 360
- Power consumption**
kWh / 24h* 2.5
- Net weight (kg)** 32.2
- Gas ignition** Piezo-igniter
- Freestanding**

Subject to technical changes.

*Average consumption measured at an average ambient temperature of 25°C in pursuance of ISO Standard.

3.4 Description of refrigerator

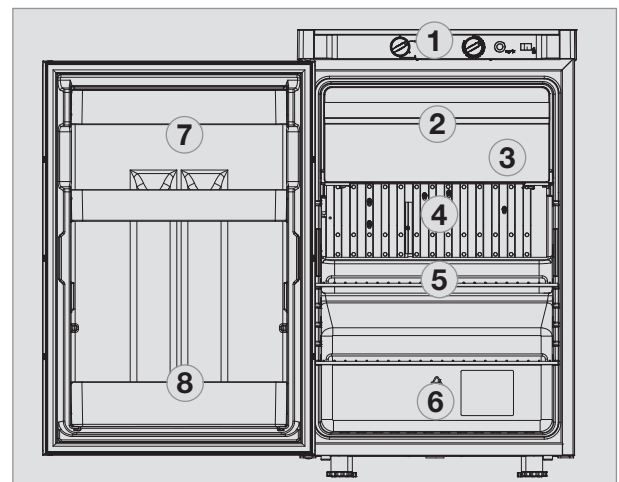


Fig. 2

- 1 Operating controls
- 2 Freezer compartment (removable)
- 3 Insertable grid shelf (available as option, to be used when freezer compartment is removed)
- 4 Post-evaporator for cooling compartment
- 5 Condensation water drain channel
- 6 Vegetable bin
- 7 Upper door shelf with flap
- 8 Lower door shelf with bottle holders

4.0 Installation

4.1 Mounting and connection

This fridge is tested and approved for usage in closed rooms.

Mounting the fridge, please note the following points:

- The room must have a cubic capacity of at least **20m³**, has to be well ventilated and have a window, which can be opened or a door, leading outside.
- The fridge has to be mounted free-standing, meaning a minimum space to surrounding walls or furniture of **50mm (no build-in!)**
- The space between the fridge and objects (cupboards etc.) has to be at least **100mm**.
- The fridge has to be mounted horizontally and on a steady subsurface.
- The fridge must not be exposed to heat radiation of hot objects (e.g. oven, radiator).
- The cooling unit on the backside (covered) has to be well-ventilated continuously. Do not cover the cooling unit (e.g. towels, curtains).
Not sufficient ventilation will lead to loss of cooling performance!
- The fridge must be protected from spray water. Please respect, that the fridge is not exposed to rain, before or during the mounting.

4.1.1 Electrical connection

- The supply voltage must correspond to the value specified on the data plate. Any difference in values may result in damage the appliance.

- The power must be supplied via a properly earthed socket outlet.
- It is advisable to run the incoming supply through an automatic circuit breaker.
- The power cable must be laid in such a way that it does not come in contact with hot components of the unit/burner or with sharp edges.

CAUTION!

The mains plug/socket must be freely accessible.



CAUTION!

If the connection cable is damaged it must be replaced by the Customer Service at Dometic, or by respectively qualified personnel, in order to prevent any hazards.

4.1.2 Placing the gas bottle

- Gas bottles have to stand up straight.
- Place the gas bottle well-ventilated.
- Place the gas-bottle, where it can be easily recognized in case of a fire.
- The distance between the gas bottle and the fridge must not exceed 1.5m.
- Only use bottle types and pressure regulation device that are valid in the particular country

4.1.3 Gas connection

The refrigerator should only be operated using liquid gas (propane, butane).

Do not use town gas or natural gas.

- The correct connection of the fridge has to be carried out by a skilled specialist.
- Note the particularly valid national rules for usage of LG-driven appliances.
 - Technical Standards EN 732
- A preset pressure regulator **(1)**, Fig. 3, has to be installed within the supplying line to the fridge. The fridge must not be operated with any other pressure than the one indicated on the rating label.
- The fridge has to be connected to the gas bottle with a security hose
- Choose a sufficient length to connect the hose pipe without kinks. The hose must not be longer than 1.5 m.
- The gas connection to the appliance is effected by means of a suitable coupling tube fitting L8, DIN 2353-ST, complying with EN 1949 (e. g. Ermeto).
- The hose has to be replaced within the intervals settled in the particular national rules.
- After having connected the gas bottle, a leak test at all joints and a burner flame test have to be carried out. Use a leak indicating spray or a foaming agent carrying out the leak test. After having opened the bottle valve check the joints for bubbles

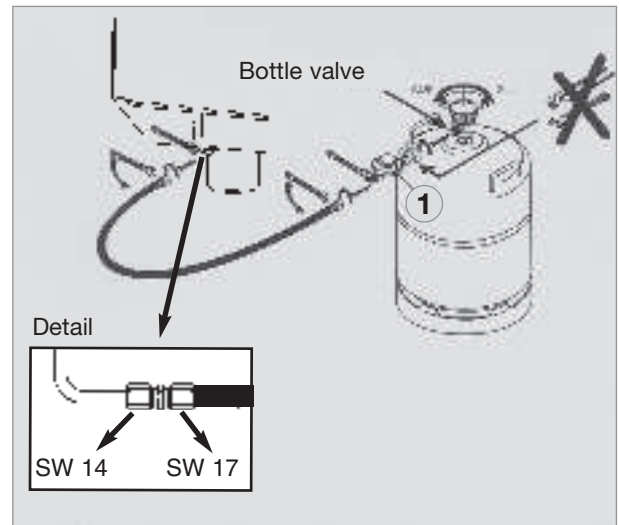


Fig. 3

4.2 Assembling the doorgrip

1. Fixing points:
use true-to-scale **template (1)** (see Item 5.14)

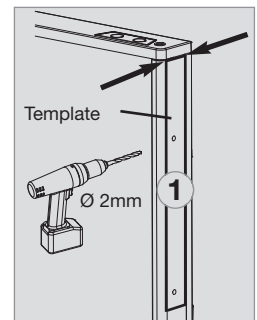


Fig. 4

2. Adjust door handle at the door and screw onto it.

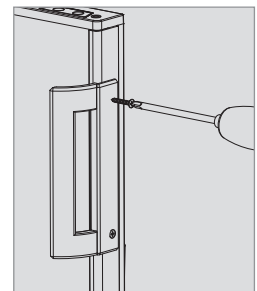


Fig. 5

3. Attach cover and fix by pushing.

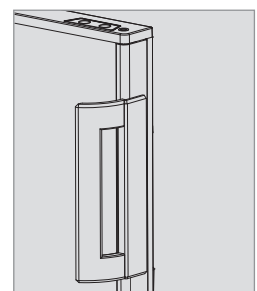


Fig. 6



DANGER !



Never use a naked flame to check the appliance for leaks.

5.0 Refrigerator operation

The refrigerator is equipped to operate on three power modes:

- **Mains voltage (230V AC)**
- **Gas (liquid gas propane/butane)**

Select the desired power mode by the **energy selector switch** (Fig.7).



The cooling unit is silent in operation.

When the appliance is first put into operation, there may be a mild odour which will disappear after a few hours.

The refrigerator will take several hours to reach its operating temperature in the cooling compartment. The freezer compartment should be cold about one hour after switching on the refrigerator.

5.1 Cleaning

Before starting up the refrigerator, it is recommended that you clean it inside and repeat this at regular intervals.

Use a soft cloth and lukewarm water with a mild detergent. Then wipe out the appliance with clean water and dry thoroughly.

To avoid material alterations, do not use soap or hard, abrasive or soda-based cleaning agents. Do not allow the door seal to come into contact with oil or grease.

5.2 Maintenance



WARNING!

Work on gas and electrical equipment shall be carried out by qualified personnel only.

- The gas burner must be inspected and cleaned as necessary at least once a year. Keep the evidence of maintenance work carried out on your refrigerator.
- We recommend maintenance following an extended shutdown of the vehicle. Please contact our customer services.

5.3 Electrical operation

CAUTION!

This option should only be selected where the supply voltage of the connection for power supply corresponds to the value specified on the data plate. Any difference in values may result in damage the appliance.

5.4 Gas operation (Liquid gas)

- The refrigerator must be operated using liquid gas (propane, butane) (no natural gas or town gas).
- For physical reasons, gas ignition faults could occur starting from an altitude above sea level of approx. 3280 ft. / 1000 m (**No malfunction!**)
- On the initial refrigerator start-up or after a cylinder change, air may be trapped in the gas line. To purge the air from the lines, switch on the refrigerator for a short time. The gas ignites without delay.
- Each refrigerator with manual ignition is equipped with an automatic flame safety valve which interrupts the gas supply automatically after approx. 30 seconds when the flame has extinguished.

5.5 Operation

5.5.1 Explanation of operating controls

Manual energy selection / manual ignition Piezo-igniter:

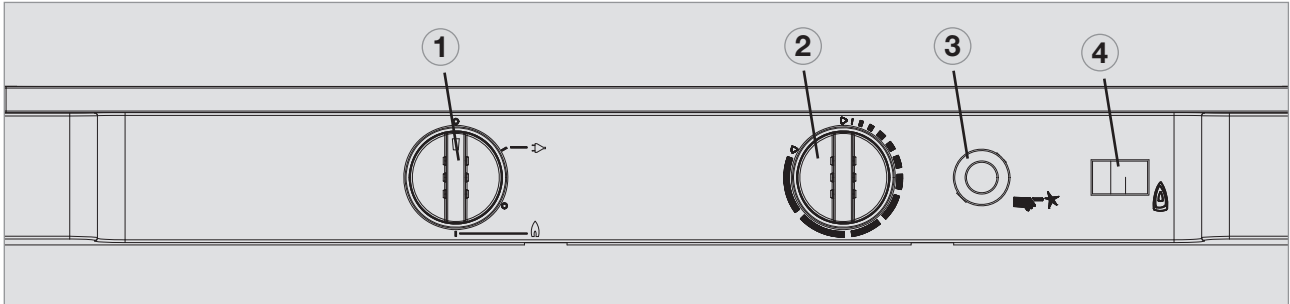


Fig. 7

- ① = Power On switch / Energy selector switch
- ② = Temperature controller
- ③ = Piezo-igniter (gas)
- ④ = Flame indicator (galvanometer)

Explanations:

Select the desired power supply by turning the energy selector switch (1). The energy selector switch (1) has four settings:

- Off (2)
- Mains voltage (230V AC) (3)
- Off (4)
- Gas (liquid gas propane/butane) (5)

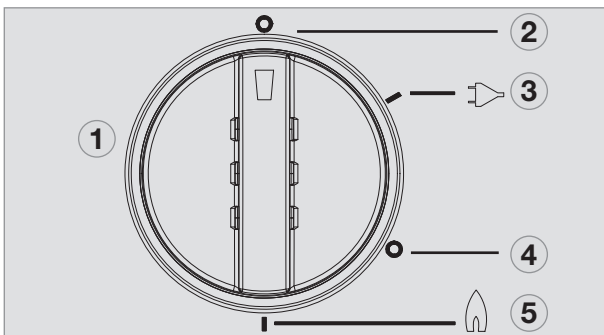


Fig. 8

5.5.2 Electrical operation

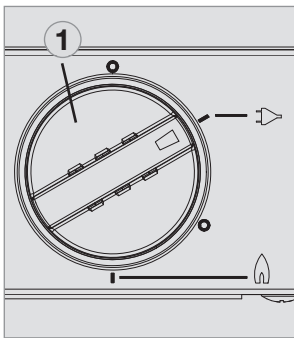
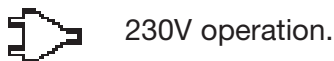


Fig. 9

Switch on the appliance by turning the energy selection switch **(1)** clockwise to position :



230V operation.

5.5.3 Gas operation (Liquid gas)

Prior to starting the refrigerator in gas mode :

- Open the gas cylinder valve.

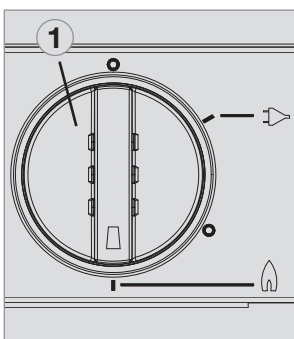


Fig. 10

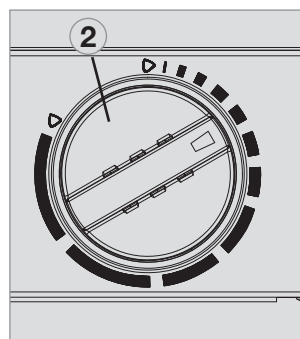


Fig. 11

1. Turn the rotary selector switch **(1)** to position



gas operation.

2. Turn the temperature selector **(2)** clockwise and push. Keep the controller button depressed.

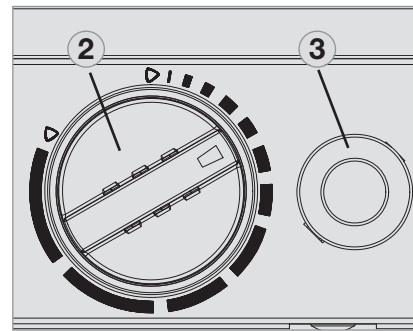


Fig. 12

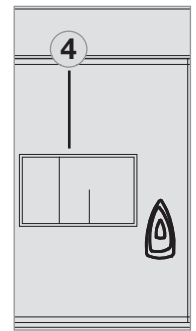


Fig. 13

3. Activate Piezo ignition **(3)** several times at intervals 1-2 second.
4. Once the flame ignites, the pointer of galvanometer **(4)** begins moving into the green range. Keep knob **(2)** depressed for approx. 15 seconds and finally release it. The refrigerator is operational.

5.5.4 Setting of cooling compartment temperature

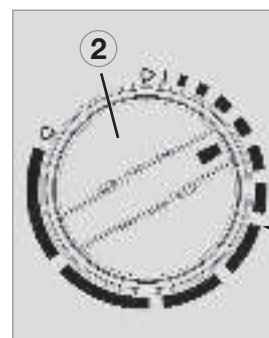


Fig. 14

medium setting

Select the desired cooling compartment temperature by turning the rotary knob **(2)** .

The scale starts with **MIN** position (small bar = highest temperature) and climbs up to **MAX** position (large bar = lowest temperature).

Note: The temperature levels do not relate to absolute temperature values.

5.6 Positioning the storage racks

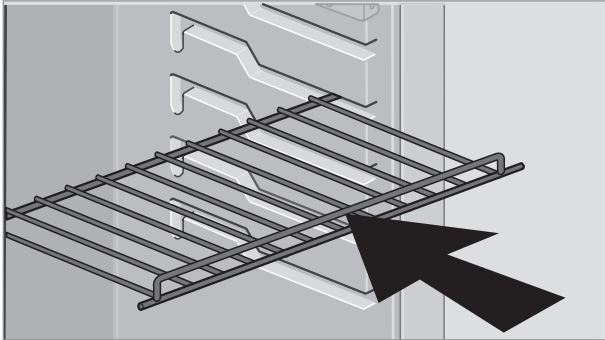


Fig. 15

The storage racks may be pulled out by smoothly lifting them and may be positioned as desired.

5.7 Removable freezer compartment

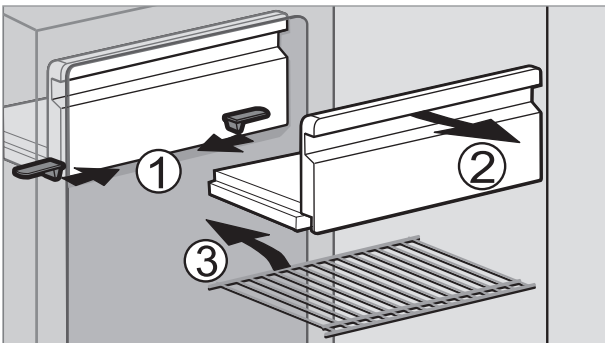


Fig. 16

To enlarge the cooling compartment, just remove the freezer compartment.

1. Unlock the freezer compartment on both sides.

2. Pull the freezer compartment out.

Store the freezer compartment safely in order to prevent damage



Once the freezer compartment is removed, an additional storage rack (3.) may be installed. The storage rack is a piece of extra equipment and may be obtained by **Dometic**.

5.8 Storing food and making ice cubes

5.8.1 Storing products in the cooling compartment

- Switch the refrigerator on approx. 12 hours before filling it.
- Always store pre-cooled foods in the refrigerator. Make sure that the food is well cooled when it is bought and also when transporting it. Use insulated cooling bags.
- Open the refrigerator door only for a short period of time when removing products.
- Products must be packed - best of all in closed containers, wrapped in aluminium foil or similar - and stored separately from each other, in order to prevent drying out or odours.
- Allow foods that have been warmed up to cool down before storing.
- Avoid storing products in the refrigerator that could emit volatile flammable gases.
- Do not overfill the storage grids and compartments to prevent obstructing the internal air circulation.
- Maintain a clearance of approx. 5 - 10 mm between chilled products and post-evaporator ("cooling fins").
- Ensure that air circulation of the cooling unit is not obstructed. Keep the ventilation grilles free from obstructions.

5.8.2 Storing products in the freezer compartment

- Do not keep carbonated drinks in the freezer.
- The freezer compartment is suitable for making ice cubes and for short-term storage of frozen food. It is not suitable as a means of freezing foods.

When ambient temperatures are lower than +10°C and the refrigerator is exposed to these temperatures for extended periods of time, an even regulation of freezer temperature cannot be guaranteed for system-related reasons. This can cause the temperature in the freezer to rise and the stored goods to melt.

5.8.3 Refrigerator compartments

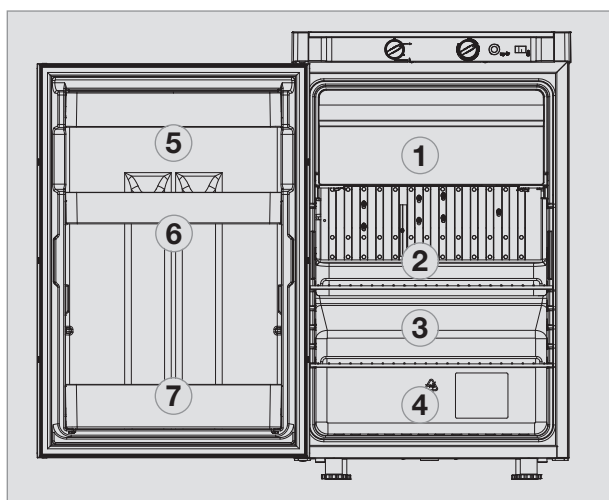


Fig. 18

- 1 **Freezer compartment :**
already frozen food (deep-frozen food)
- 2 **Middle compartment:**
Dairy products, convenience food
- 3 **Bottom compartment:**
Meat, fish, food for defrosting
- 4 **Vegetable compartment:**
Salads, vegetables, fruit
- 5 **Top door shelf:**
Eggs, butter
- 6 **Middle door shelf:**
Cans, dressings, ketchup, jam
- 7 **Bottom door shelf (drinks compartment):**
Drinks in bottles or bags

5.8.4 Making ice cubes

Ice cubes are best frozen overnight. At night, the refrigerator has less work to do and the unit has more reserves.

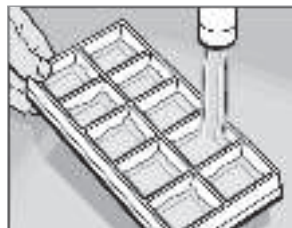


Fig. 19

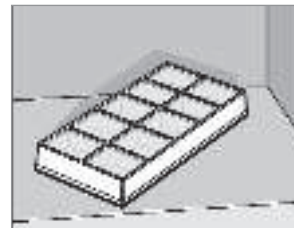


Fig. 20

1. Fill the ice cube tray with drinking water.
2. Place the ice cube tray in the freezer compartment.



WARNING!

Only use drinking water!

5.9 Shutting off the refrigerator

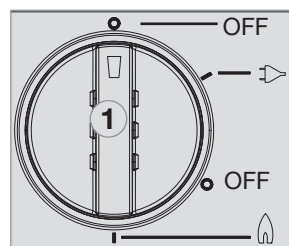


Fig. 21



Fig. 22

- Set energy selector switch (1) to position "OFF". The appliance is switched off
- Leave the door open. It shall be slightly ajar. This is to prevent mould from forming inside the appliance.
- If the refrigerator is to be taken out of service for an extended period of time, close the onboard shut-off valve and the cylinder valve .

5.10 Defrosting

As time goes by, frost builds up on the fins inside the refrigerator. A layer of frost thicker on one side may occur and does not represent a malfunction. When this layer of frost is about 0.118 inches (3 mm) thick, the refrigerator should be defrosted..

- Switch off the refrigerator, as described in section 5.9 *Shutting of the refrigerator.*
- Remove all food and the ice cube tray.
- Leave the refrigerator door open to allow air to enter and to prevent formation of mildew.
- After defrosting (freezer compartment and fins free of frost), wipe both cooling compartments dry with a cloth.

Note: Water thawing in the main compartment of the refrigerator runs into an appropriate container at the back of the refrigerator. From there, the water evaporates.

CAUTION!

The layer of ice must never be removed forcibly, nor may defrosting be accelerated using a heat source!

5.11 Changing the doorhang



If it is necessary to tilt or lay the fridge onto the side, wait for one hour, before taking the fridge into operation. The cooling agent runs back into the reservoir of the cooling unit. Thus a correct operating of the fridge is guaranteed.

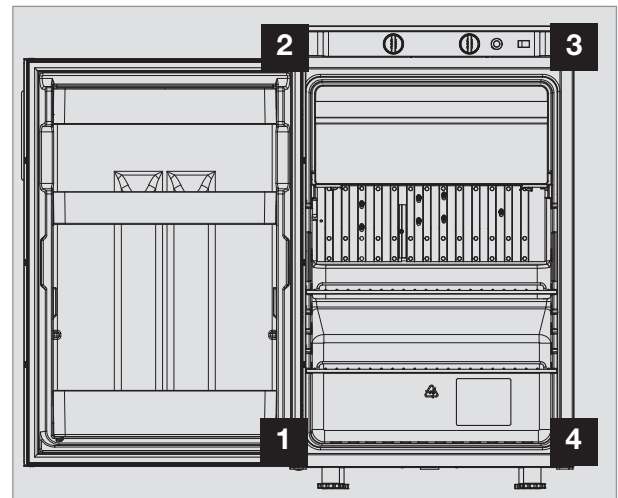


Fig. 23



Fig. 24

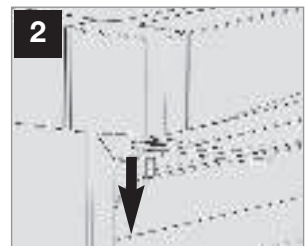


Fig. 25

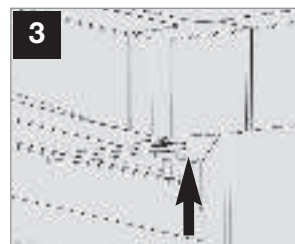


Fig. 26



Fig. 27

- Open the door, unscrew the hinge screw and keep it to hand.
- Take off the door by moving it in your direction.
- Loosen hinge pin and screw it in at opposite side.
- Transfer distance washer on lower hinge.
- Shove door into upper hinge pin and put it on lower hinge.
- Screw in hinge screw. .
- Check that the door moves freely and the gasket seals completely when the door is closed.

5.12 Changing the decor panel

- Remove the lateral ledge **(1)** the door (ledge is attached, not screwed).
- Shift decor panel **(2)** away from the door and insert the new decor panel. Re-attach ledge **(1)**

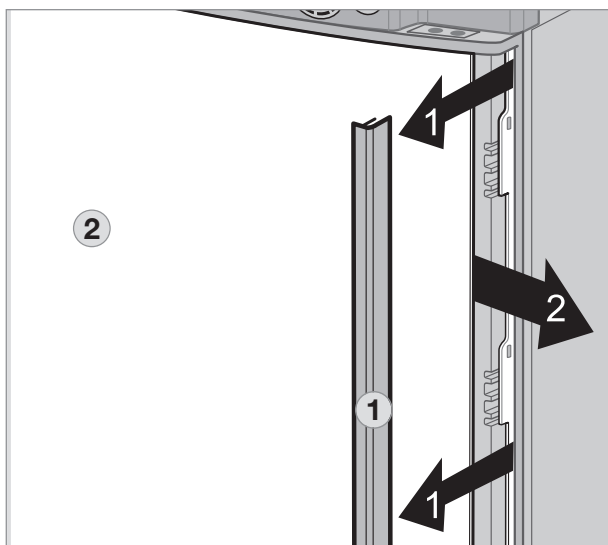


Fig. 28

Decor panel dimensions :

Height	Width	Thickness
743 +/- 0.75 mm	504 +/- 0.5 mm	min. 1.0 mm max. 1.7 mm

5.13 Trouble-shooting

Before notifying the authorised Service Center, please check whether:

- the instructions in section "Operating the refrigerator" have been observed.
- the refrigerator stands level.
- it is possible to operate the refrigerator with any available power source.

Failure: The refrigerator does not cool sufficiently.

Possible cause	Action you can take
<ul style="list-style-type: none"> - Inadequate ventilation to the unit. - Thermostat setting is too low. - The condenser is heavily frosted. - Too much warm food has been stored inside within short period of time. - The appliance has been running for only a short period of time. - Ambient temperatures too high. 	<ul style="list-style-type: none"> - Check that the ventilation grille of the cooling unit is not covered. - Set thermostat to a higher level. - Check that the refrigerator door closes properly. - Allow warm food to cool down before storage. - Check whether the cooling compartment works after approx. 4 - 5 hours. - Ventilate room.

Failure: The refrigerator does not cool in gas operation mode.

Possible cause	Action you can take
<ul style="list-style-type: none"> - Gas cylinder empty. - Is the upstream shut-off device open ? - Air in the gas pipe ? 	<ul style="list-style-type: none"> - Change gas cylinder. - Open shut-off device. - Switch off the appliance and start again. Repeat this procedure 3 - 4 times, if necessary

Failure: The refrigerator does not cool in 230V operation.

Possible cause	Action you can take
<ul style="list-style-type: none"> - On-board fuse defective. - No connection to mains supply voltage. - Heating element defective. 	<ul style="list-style-type: none"> - Fit new fuse. - Make a connection to a mains power supply. - Please inform the Dometic Customer Service.

Bedienungsanleitung

Absorber-Kühlschrank

RGE 2100

Notieren Sie hier :

Modellnummer

Produktnummer

Seriennummer



N 1

MBA 10/2015

DE

Inhaltsverzeichnis

1.0	Allgemeines	4
1.1	Einleitung	4
1.2	Hinweise zu dieser Bedienungsanleitung	4
1.3	Urheberschutz	4
1.4	Erklärung der verwendeten Symbole	4
1.5	Gewährleistung	5
1.6	Haftungsbeschränkung	5
1.7	Kundendienst	5
1.8	Ersatzteile	5
1.9	Umwelthinweise	6
1.9.1	Entsorgung	6
1.9.2	Energiesparhinweise	6
1.10	Konformitätserklärung	6
2.0	Sicherheitshinweise	7
2.1	Bestimmungsgemäße Verwendung	7
2.2	Verantwortung des Nutzers	7
2.3	Kinder schützen bei Entsorgung des Gerätes	7
2.4	Arbeiten und Überprüfungen am Kühlschrank	7
2.5	Kältemittelinformation	8
2.6	Betreiben des Kühlschranks mit Gas	8
2.7	Sicherheitshinweise zum Einlagern von Lebensmitteln	9
3.0	Modellbeschreibung	10
3.1	Modellbezeichnung	10
3.2	Typenschild des Kühlschranks	10
3.3	Technische Daten	10
3.4	Erklärung des Kühlschranks	10
4.0	Installation	11
4.1	Aufstellen und Anschließen	11
4.1.1	Elektrischer Anschluss	11
4.1.2	Gasflaschenaufstellung	11
4.1.3	Gasanschluss	12
4.2	Anbringen des Türgriffs	12
5.0	Betrieb des Kühlschranks	13
5.1	Reinigung	13
5.2	Wartung	13
5.3	Betrieb mit Strom	13
5.4	Betrieb mit Gas	13
5.5	Bedienung	14
5.5.1	Erklärung der Bedienungselemente	14
5.5.2	Betrieb mit Strom	15
5.5.3	Betrieb mit Gas (Flüssiggas)	15
5.5.4	Regeln der Kühlraumtemperatur	15
5.6	Ablageroste positionieren	16
5.7	Herausnehmbares Frosterfach	16
5.8	Einlagern von Lebensmitteln und Eiswürfelbereitung	16
5.8.1	Einlagern von Waren in den Kühlraum	16
5.8.2	Einlagern von Waren in das Frosterfach	16

5.8.3	Kühlschrankfächer	17
5.8.3	Eiswürfelbereitung	17
5.9	Außerbetriebnahme	17
5.10	Abtauen	18
5.11	Wechsel des Türanschlags	18
5.12	Wechsel der Dekorplatte	19
5.13	Verhalten bei Störungen	20

Dometic GmbH
In der Steinwiese 16
D-57074 Siegen

www.dometic.com

1.0 Allgemeines

1.1 Einleitung

Mit diesem Absorber-Kühlschrank von **Dometic** haben Sie eine gute Wahl getroffen. Wir sind davon überzeugt, dass Sie Ihr neuer Kühlschrank in jeder Hinsicht zufrieden stellen wird. Der geräuschlos arbeitende Kühlschrank entspricht hohen Qualitätsanforderungen und gewährleistet einen effizienten Umgang mit Ressourcen und Energien im gesamten Lebenslauf - bei Herstellung, Nutzung und Entsorgung.

1.2 Hinweise zu dieser Bedienungsanleitung

Bevor Sie den Kühlschrank in Betrieb setzen, lesen Sie diese Bedienungsanleitung bitte sorgfältig durch.

Diese Anleitung gibt Ihnen die nötigen Hinweise für den richtigen Gebrauch Ihres Kühlschranks. **Beachten Sie besonders die Sicherheitshinweise.** Die Einhaltung der Hinweise und Handlungsanweisungen ist wichtig für den sicheren Umgang mit Ihrem Kühlschrank und schützt Sie und den Kühlschrank vor Schäden. Das Gelesene muss verstanden worden sein, bevor Sie eine Maßnahme durchführen.

Bewahren Sie diese Bedienungsanleitung sorgfältig in der Nähe des Kühlschranks auf, sodass sie jederzeit verwendet werden kann.

1.3 Urheberschutz

Die Angaben, Texte und Abbildungen in dieser Anleitung sind urheberrechtlich geschützt und unterliegen den gewerblichen Schutzrechten. Kein Teil dieser Anleitung darf ohne die schriftliche Genehmigung der Dometic GmbH, Siegen, reproduziert, kopiert oder sonstwie verwendet werden.

1.4 Erklärung der verwendeten Symbole

Warnhinweise

Warnhinweise sind durch Symbole gekennzeichnet. Ein ergänzender Text erläutert Ihnen den Grad der Gefährdung.

Beachten Sie diese Warnhinweise sehr genau. Damit schützen Sie sich, andere Personen und das Gerät vor Schäden.



GEFAHR!

GEFAHR kennzeichnet eine unmittelbare Gefahrensituation, die zum Tod oder einer ernstesten Verletzung führen kann, wenn die angegebenen Anweisungen nicht befolgt werden.



WARNUNG!

WARNUNG kennzeichnet eine mögliche Gefahrensituation, die zum Tod oder einer ernstesten Verletzung führen kann, wenn die angegebenen Anweisungen nicht befolgt werden.



VORSICHT!

VORSICHT kennzeichnet eine mögliche Gefahrensituation, die zu leichten oder mittleren Verletzungen führen kann, wenn die angegebenen Anweisungen nicht befolgt werden.

VORSICHT!

VORSICHT ohne Warnsymbol kennzeichnet eine mögliche Gefahrensituation, die zu Beschädigungen des Gerätes führen kann, wenn die angegebenen Anweisungen nicht befolgt werden.

Information



INFORMATION gibt Ihnen ergänzende und nützliche Hinweise zum Umgang mit Ihrem Kühlschrank.

Umwelthinweis



UMWELTHINWEIS gibt Ihnen nützliche Hinweise zur Energieeinsparung und Entsorgung des Gerätes.

1.5 Gewährleistung

Gewährleistungsabwicklungen erfolgen nach der europäischen Richtlinie 44/1999/EC und den landesüblichen Bedingungen. Im Gewährleistungs- oder Servicefall wenden Sie sich bitte an unseren Kundendienst. Störungen, die auf fehlerhafte Bedienung zurückzuführen sind, unterliegen nicht der Gewährleistung. Jede Veränderung am Gerät oder die Verwendung von Ersatzteilen, die keine **Original - Dometic - Ersatzteile** sind, sowie das Nichteinhalten der Einbau- und Bedienungsanleitung führt zum Erlöschen der Gewährleistung und zum Ausschluss von Haftungsansprüchen.

1.6 Haftungsbeschränkung

Alle Angaben und Hinweise in dieser Bedienungsanleitung wurden unter Berücksichtigung geltender Normen und Vorschriften sowie dem Stand der Technik erstellt. **Dometic** behält sich vor, jederzeit Änderungen am Produkt vorzunehmen, die im Interesse der Verbesserung des Produktes und der Sicherheit angebracht sind.

Dometic übernimmt keine Haftung für Schäden bei :

- Nichtbeachtung der Bedienungsanleitung
- nicht bestimmungsgemäßer Verwendung
- Verwendung von nicht originalen Ersatzteilen
- Veränderungen und Eingriffen am Gerät
- Einwirkung von Umgebungseinflüssen, wie
 - Temperaturänderungen
 - Luftfeuchtigkeit

1.7 Kundendienst

Autorisierte Kundendienststellen erfahren Sie über die Rufnummern aus dem **Euro Service Network** - Heft, das jedem Kühlschrank beiliegt.

Auch im Internet erfahren Sie Ihren nächstgelegenen Kundendienstpartner auf **www.dometic.com**. Geben Sie bei Kontakten mit dem Kundendienst bitte immer das Modell, Produktnummer, Seriennummer und ggf. den MLC - Code an! Diese Informationen finden Sie auf dem Typenschild im Innenraum des Kühlschranks. Wir empfehlen Ihnen, diese Daten im dafür vorbereiteten Feld auf der Titelseite dieser Anleitung einzutragen.

1.8 Ersatzteile

Ersatzteile können von unseren Kundendienststellen bezogen werden. In Deutschland erhalten Sie Ersatzteile auch über das Dometic Call Center:

- Telefon 0180 53 66 384
- Fax 0180 53 66 385
- Email ersatzteile@dometic.de

Bei Kontakten mit dem Call Center geben Sie bitte immer das Modell und die Produktnummer an! Diese Informationen finden Sie auf dem Typenschild im Innenraum des Kühlschranks.

1.9 Umwelthinweise



Im Kühlaggregat wird als Kältemittel Ammoniak (natürliche Verbindung aus Wasserstoff und Stickstoff) verwendet. Als Treibmittel für die Isolierung aus PU-Schaum kommt das ozonunschädliche Cyclopentan zum Einsatz.

1.9.1 Entsorgung

Um die stoffliche Verwertung der recyclingfähigen Verpackungsmaterialien sicherzustellen, sind diese den ortsüblichen Sammelsystemen zuzuführen. Das Gerät ist einem entsprechenden Entsorgungsunternehmen zu überlassen, das eine Verwertung der recyclingfähigen Anteile und die ordnungsgemäße Entsorgung des Restes gewährleistet. Zur umweltfreundlichen Entleerung des Kühlmediums aus allen Absorber- Kühlschranksaggregaten ist eine geeignete Entsorgungsanlage einzusetzen.



Geräte, die mit diesem Symbol gekennzeichnet sind, müssen an dem örtlichen Sammelpunkt für die Entsorgung von elektrischen und elektronischen Geräten abgegeben werden. Dieses Produkt darf nicht über den normalen Haushaltsabfall entsorgt werden. Diese Kühlschränke von Dometic enthalten das Symbol auf dem Typenschild im Inneren des Gerätes.

1.9.2 Energiesparhinweise

- Bei einer durchschnittlichen Außentemperatur von 25°C ist es ausreichend, den Kühlschrank bei mittlerer Thermostatstellung zu betreiben.
- Wenn möglich, immer vorgekühlte Waren einlagern.
- Den Kühlschrank nicht der direkten Sonnenbestrahlung oder einer anderen Wärmequelle (z.B. Heizung) aussetzen.
- Eine ungehinderte Luftzirkulation des

Kühlschranksaggregates muss gewährleistet sein.

- Ordnen Sie die Ablageroste gleichmäßig im Kühlraum an.
- Ablageroste und Fächer nicht überfüllen, um die interne Luftzirkulation nicht zu behindern.
- Abstand zwischen Kühlgut und Nachverdampfer ("Kühlrippen") lassen (ca. 5-10 mm).
- Regelmäßiges Abtauen spart Energie (s. "5.10 Abtauen").
- Bei Warenentnahme die Kühlschranktür nur kurzzeitig öffnen.
- Den Kühlschrank ca. 12 Stunden vor der Bestückung in Betrieb setzen.

1.10 Konformitätserklärung

DOMETIC
www.dometic.com

DECLARATION OF CONFORMITY

ausgegeben am:

EMC 2014/53/EU
EMC Richtlinie 2014/53/EU (EMC 2011)
EMC 2014/53/EU (EMC 2011)

DECLARATION No: 4

Type of equipment	Abfrühkühlmaschine
Trade Name	DOMETIC
Type family	40/1700
Manufacturer's address	DOMETIC GmbH Königsplatz 10 D-11465 Berlin, Germany Tel: +49 30 271 62 0 Fax: +49 30 271 62 100

The following information must be provided to the competent authorities of the Member States in order to ensure that the CE mark has been correctly affixed:

EMC 2014/53/EU (EMC 2011) (EMC 2011)
EMC 2014/53/EU (EMC 2011) (EMC 2011)
EMC 2014/53/EU (EMC 2011) (EMC 2011)
EMC 2014/53/EU (EMC 2011) (EMC 2011)
EMC 2014/53/EU (EMC 2011) (EMC 2011)
EMC 2014/53/EU (EMC 2011) (EMC 2011)

The signatory of this declaration is authorised to certify that the information provided is true and correct.

Signature: *[Signature]* Date: 01.04.2015

Printed name: Gökten, Jürgen

2.0 Sicherheitshinweise

2.1 Bestimmungsgemäße Verwendung

Dieser Kühlschrank ist für das freie Aufstellen in geschlossenen Räumen, wie Freizeit- oder Jagdhütten, vorgesehen. Das Gerät ist für diese Anwendung in Konformität mit der EU-Gasrichtlinie 90/396/EWG baumustergeprüft. **Es eignet sich nicht zum Einbau in Straßen - und Wasserfahrzeugen.**

Benutzen Sie den Kühlschrank ausschließlich zum Kühlen und Lagern von Lebensmitteln.



WARNUNG!

Der Kühlschrank ist nicht für die fachgerechte Lagerung von Medikamenten vorgesehen. Beachten Sie dazu die Hinweise in der Packungsbeilage des Medikamentes.

VORSICHT!

Der Kühlschrank darf nicht dem Regen ausgesetzt werden.

2.2 Verantwortung des Nutzers

Personen, die den Kühlschrank bedienen, müssen mit dem sicheren Umgang vertraut sein und die Hinweise dieser Bedienungsanleitung kennen.

Dieses Gerät kann von Kindern ab 8 Jahren und von Personen mit reduzierten physischen, sensorischen oder mentalen Fähigkeiten oder Mangel an Erfahrung und/oder Wissen benutzt werden, wenn sie überwacht oder unterwiesen werden bezüglich des sicheren Gebrauchs des Gerätes und die daraus resultierenden Gefahren verstanden haben. Kinder dürfen nicht mit dem Gerät spielen. Reinigung und Benutzerwartung dürfen nicht durch Kinder durchgeführt werden. [EN 60335-2-24, 7.12]

2.3 Kinder schützen nach Entsorgung des Gerätes



WARNUNG!

Demontieren Sie alle Kühlschranktüren bei Entsorgung des Kühlschranks und belassen Sie die Ablageroste im Kühlgerät. Ein versehentliches Einschließen und Erstickens wird verhindert.

2.4 Arbeiten und Überprüfungen am Kühlschrank



WARNUNG!

Arbeiten an den Gas-, Abgas- und Elektroeinrichtungen dürfen nur von autorisierten Fachkräften ausgeführt werden. Durch nicht fachgerechte Maßnahmen können erhebliche Sach- und/oder Personenschäden entstehen.



GEFAHR!



Überprüfen Sie niemals gasführende Teile und Leitungen mit einer offenen Flamme auf Undichtigkeit!
Es besteht Brand- oder Explosionsgefahr.



WARNUNG!

Öffnen Sie niemals das Absorberkühlaggregat! Es steht unter hohem Druck.

Es besteht Verletzungsgefahr!

2.5 Kältemittelinformation

Als Kältemittel wird Ammoniak verwendet. Dies ist eine natürliche Verbindung, die auch in Haushaltsreinigern enthalten ist (1 Liter Salmiakreiniger enthält bis zu 200 g Ammoniak, mehr als doppelt soviel, wie im Kühlgerät enthalten ist). Natriumchromat wird als Korrosionsschutzmittel eingesetzt (1,8 Gewichtsprozent des Lösungsmittels).

So verhalten Sie sich bei einer eventuell auftretenden Leckage (leicht erkennbar wegen des starken Geruchs) :

- Schalten Sie das Gerät ab.
- Durchlüften Sie den Raum gut .
- Informieren Sie den autorisierten Kundendienst.



Zu Ihrer Sicherheit wurde gutachterlich festgestellt, dass keine Beeinträchtigung der Gesundheit bei Austritt des Kältemittels besteht.

2.6 Betreiben des Kühlschranks mit Gas

Der Betriebsdruck muss unbedingt der Angabe auf dem Typenschild des Kühlschranks entsprechen. Vergleichen Sie die Angabe des Betriebsdruckes auf dem Typenschild mit den Daten des Druckminderers an der Flüssiggasflasche.

Der Kühlschrank wird mit den nachfolgend angegebenen Gasen und Einlassdrücken betrieben. Die zwischen Gasflasche und Kühlschrank einzusetzenden Druckminderer müssen den in der nachfolgenden Tabelle angegebenen Kategorien entsprechen.

Anschlussdruck und Gaskategorien

Kategorie	Druck in mbar	GAS
I3B / P(30)	30	Butan
	30	Propan
I3+ (28-30/37)	28-30	Butan
	37	Propan
I3B/P(50)	50	Butan
I3B/P(50)	50	Propan

Wenn Sie Gasgeruch wahrnehmen :

- Öffnen Sie alle Fenster und verlassen Sie den Raum.
- Betätigen Sie keine elektrische Einrichtung und vermeiden Sie die Benutzung offener Flammen.
- Schließen Sie das Gasflaschenventil und lassen Sie es geschlossen, bis der Fehler behoben wurde.
- Ziehen Sie autorisiertes Fachpersonal* zu Rate.

* autorisiertes Fachpersonal

Autorisierte Fachleute sind anerkannte Sachkundige, die aufgrund ihrer Ausbildung und Kenntnisse die Gewähr dafür bieten, dass die Prüfung ordnungsgemäß durchgeführt wird.

2.7 Sicherheitshinweise zum Einlagern von Lebensmitteln

Anweisung zur Einlagerung von Lebensmitteln in einen Kühlschrank:

Kühlgeräte jeder Art können die Qualität von Lebensmitteln nicht verbessern, sondern maximal die Qualität der Lebensmittel zum Zeitpunkt der Einlagerung über einen kurzen Zeitraum erhalten.

Berücksichtigen Sie folgende besondere Bedingungen beim Aufbewahren von Lebensmitteln in einem Kühlschrank :

- Veränderung der klimatischen Bedingungen, wie Temperaturänderungen
- hohe Raumtemperatur
- Kühlschrank aufgestellt hinter einem Fenster und direkte Sonnenbestrahlung
- zu schnelles Einlagern von Waren kurz nach Inbetriebnahme des Gerätes.

Bei diesen besonderen Bedingungen kann der Kühlschrank die benötigte Temperatur für schnell verderbliche Lebensmittel nicht garantieren.

Zu den schnell verderblichen Waren gehören alle Produkte mit angegebenem Verfallsdatum und Mindestaufbewahrungstemperatur von +4°C oder weniger, besonders Fleisch, Geflügel, Fisch, Wurst, Fertiggerichte.

- Rohe und gekochte Waren separat verpacken (z.B. Behälter, Alu-Folie o.ä.).
- Umverpackungen von Einzelverpackungen nur entfernen, wenn alle nötigen Daten wie z.B. Verfallsdatum auch auf den Einzelverpackungen abzulesen sind.
- Gekühlte Ware nicht zu lange außerhalb des Kühlschranks belassen.
- Lebensmittel mit dem jüngsten Verfallsdatum nach vorne stellen.
- Reste wieder verpacken und schnellstmöglich verzehren.
- Hände vor und nach dem Berühren von Lebensmitteln waschen.
- Innenraum des Kühlschranks in regelmäßigen Abständen reinigen.

Beachten Sie die Hinweise und Beschreibungen zum Verfallsdatum auf den Warenumverpackungen.

Beachten Sie in dieser Anleitung den Abschnitt "5.1 Reinigung"

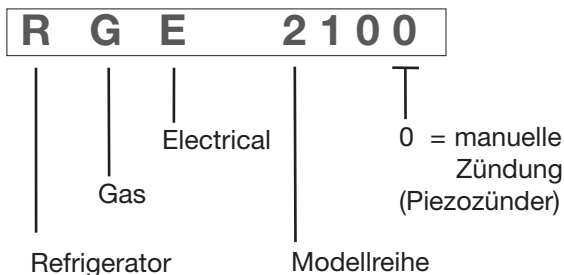


Umgebungsbedingungen beeinflussen die Leistung des Aggregates. Wählen Sie bei Umgebungstemperaturen zwischen +15°C und +25°C die Mittelstellung (vgl. "Einstellen der Kühlraumtemperatur"). Das Aggregat arbeitet im optimalen Leistungsbereich.

Dometic Kühlschränke arbeiten nach dem Absorptionsprinzip. Physikalisch bedingt reagiert ein Absorbersystem träge auf Änderungen des Thermostatreglers, Kälteverlust beim Öffnen der Tür oder Einlagerung von Waren. Die Geräte erfüllen die Leistungsanforderungen der Klimaklasse SN nach EN/ISO 7371 im Temperaturbereich von +10°C bis +32°C Umgebungstemperatur.

3.0 Modellbeschreibung

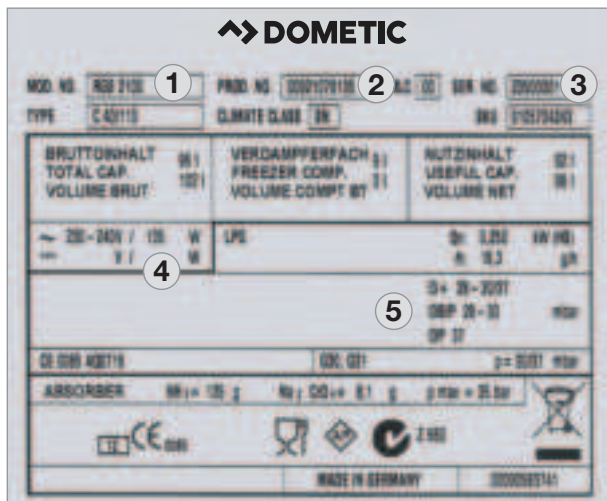
3.1 Modellbezeichnung



mit Gas oder Netzstrom betriebener Absorberkühlschrank

3.2 Typenschild des Kühlschranks

Im Inneren des Kühlschranks finden Sie das Typenschild des Kühlschranks. Es enthält alle wichtigen Angaben zum Kühlschrank. Dort können Sie die Modellbezeichnung, die Produktnummer und Seriennummer ablesen. Diese Angaben benötigen Sie bei allen Kontakten mit dem Kundendienst oder der Ersatzteilbestellung.



Beispiel

Abb. 1

- 1** Modellnummer
- 2** Produktnummer
- 3** Seriennummer
- 4** Elektrische Anschlusswerte
- 5** Gasdruck

3.3 Technische Daten

- Bruttoinhalt (Liter)** 100
- Frosterfach (Liter) 9
- Bruttoinhalt (Frosterfach entnommen)..... 106
- Abmessungen (mm)**
- (H x B xT) 859x531x558
- Anschlussleistung (W)** 125
- Gasverbrauch (30 / 50 mbar)**
- g / 24h*** 270 / 360
- Stromverbrauch**
- kWh / 24h*** 2.5
- Nettogewicht (kg)** 32.2
- Gaszündung** Piezozünder
- Freistehende Aufstellung**

Technische Änderungen vorbehalten.

*Durchschnittsverbrauch gemessen bei einer durchschnittlichen Umgebungstemperatur von 25°C in Anlehnung an ISO-Standard.

3.4 Erklärung des Kühlschranks

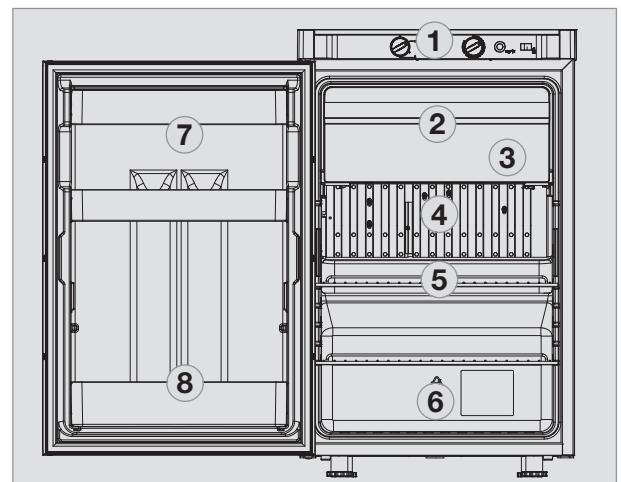


Abb. 2

- 1** Bedienelemente
- 2** Frosterfach (entnehmbar)
- 3** Einlege-Gitterrost (optional, einsetzbar bei entnommenem Frosterfach)
- 4** Nachverdampfer für Kühlraum
- 5** Tauwasserablauffrinne
- 6** Gemüseschale
- 7** Obere Etage mit Klappe
- 8** Untere Etage mit Flaschenhalter

4.0 Installation

4.1 Aufstellen und Anschließen

Dieser Kühlschrank ist für die Verwendung in geschlossenen Räumen geprüft und zugelassen.

Beachten Sie bei der Aufstellung des Gerätes folgende Punkte :

- Der Aufstellraum muss einen Rauminhalt von mindestens **20 m³** aufweisen, gut belüftet sein und über ein zu öffnendes Fenster oder eine Tür ins Freie verfügen.
- Der Kühlschrank muss freistehend, d. h. mit einem Mindestabstand von **50 mm** zu benachbarten Wänden oder Schränken, aufgestellt werden (**kein Einbau!**).
- Der Abstand zu darüber befindlichen Einrichtungen (Schränke etc.) muss mindestens **100 mm** betragen.
- Stellen Sie das Gerät waagrecht auf einen festen Untergrund.
- Der Kühlschrank darf nicht der Wärmestrahlung heißer Gegenstände (z. B. Herd, Heizung) ausgesetzt sein.
- Das Kühlaggregat auf der Rückseite (unter Abdeckung) muss stetig gut belüftet werden. Decken Sie das Aggregat nicht ab (z.B. Handtücher, Vorhänge). Mangelnde Belüftung führt zu Kühlleistungseinbußen !
- Stellen Sie den Kühlschrank spritzwassergeschützt auf. Achten Sie auch darauf, dass das Gerät vor und während der Aufstellung nicht dem Regen ausgesetzt ist.

4.1.1 Elektrischer Anschluss

- Die Spannungsversorgung muss mit dem auf dem Typenschild angegebenen Wert übereinstimmen. Bei abweichenden Werten kann das Gerät beschädigt werden.

- Die Spannungsversorgung des Gerätes für den elektrischen Betrieb muss über eine vorschriftsmäßig geerdete Steckdose erfolgen.
- Ein Sicherungsautomat muss in der Zuleitung vorhanden sein.
- Das Netzkabel muss jederzeit frei zugänglich sein und darf nicht mit heißen Teilen des Aggregates / Brenners in Berührung kommen.

VORSICHT!

Der Netzstecker muss frei zugänglich sein.



VORSICHT!

Wenn die Anschlussleitung beschädigt wird, muss sie durch den Kundendienst von Dometic oder durch ebenso qualifiziertes Personal ersetzt werden, um Gefährdungen zu vermeiden.

4.1.2 Gasflaschenaufstellung

- Gasflaschen müssen aufrecht stehen.
- Stellen Sie die Gasflasche an einen gut belüfteten Ort.
- Stellen Sie die Gasflasche so auf, dass sie bei einem Brand leicht erkennbar ist.
- Die maximale Entfernung der Gasflasche zum Gerät darf 1,5 m nicht überschreiten.
- Nur die in den jeweiligen Ländern gültigen Flaschentypen und Druckregleinrichtungen dürfen verwendet werden. In Deutschland werden üblicherweise 5kg- oder 11kg-Flaschen mit fest eingebautem Entnahmeventil oder 3kg-Flaschen mit innenliegendem Kugelrückschlagventil eingesetzt.

4.1.3 Gasanschluss

Der Kühlschrank ist ausschliesslich für den Betrieb mit Flüssiggas wie Propan / Butan vorgesehen. Verwenden Sie auf keinen Fall Stadtgas, Erdgas oder Autogas !

- Der fachgerechte Anschluss des Kühlschranks muss durch eine zugelassene Fachkraft gemäß der Technischen Regeln Flüssiggas (TRF) ausgeführt werden.
- Die jeweils gültigen nationalen Vorschriften für den Einsatz von flüssiggasbetriebenen Geräten müssen beachtet werden. In Deutschland sind dies:
 - Technische Regeln für Flüssiggasanlagen in Gebäuden,
 - DVGW-Arbeitsblatt G 600 (DVGW-TRGI 86/96),
 - Technische Regeln EN 732
- Ein fest eingestellter Druckregler **(1)**, Abb. 3, (Druckminderer) muss in der Zuleitung zum Gerät installiert sein. Der Kühlschrank darf mit keinem anderen als dem auf dem Typenschild angegebenen Druck betrieben werden.
- Der Kühlschrank muss mit einer Sicherheitsschlauchleitung (in Deutschland nach DIN 4815-2) an die Gasflasche angeschlossen werden.
- Wählen Sie eine ausreichende Länge, um die Schlauchleitung ohne Knicken anzuschließen. Die Schlauchleitung darf nicht länger als 1,5 m sein.
- Der Gasanschluss am Gerät erfolgt mittels einer Schneidring- (Ermeto-) Verschraubung L8, DIN 2353-ST nach EN 1949 .
- Ein Anschluss der Leitung mit Klemmen / Schellen ist in Deutschland nicht zulässig.
- Die Schlauchleitung muss gemäß der in den jeweiligen nationalen Bestimmungen vorgesehenen Zeitabständen ausgetauscht werden (in Deutschland nach 10 Jahren).
- Nach dem Anschluss an die Gasflasche muss eine Dichtheitsprüfung an allen Verbindungen sowie eine Flammprobe des Brenners erfolgen. Verwenden Sie zur Dichtheitsprüfung ein Lecksuchspray oder ein schaubildendes Mittel. Überprüfen

Sie die Verbindungsstellen nach Öffnen des Flaschenventils auf etwaige Bläschen.

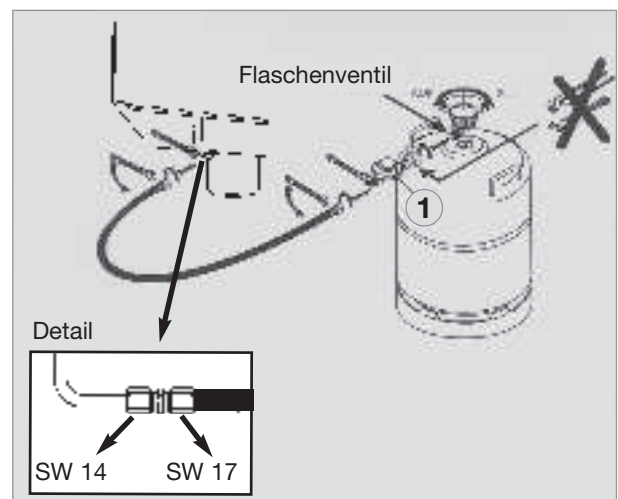
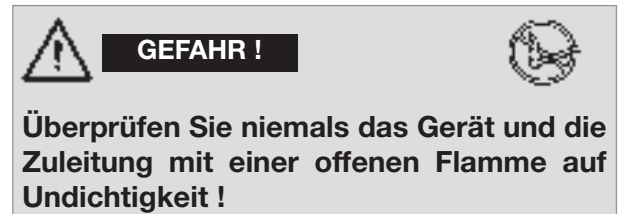


Abb. 3

4.2 Anbringen des Türgriffs

1. Befestigungspunkte: Nutzen Sie die maßstabsgerechte **Schablone (1)** (s. Pkt. 5.3.2)
2. Türgriff an der Tür ausrichten und anschrauben.

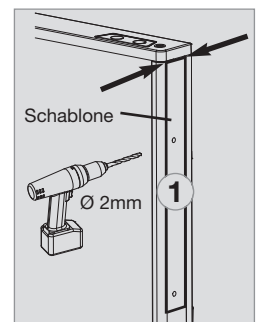


Abb. 4

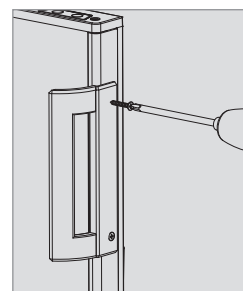


Abb. 5

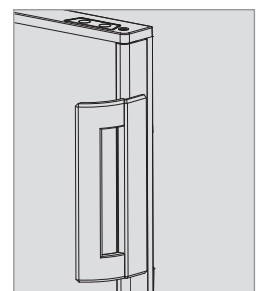


Abb. 6

3. Abdeckung aufstecken und festdrücken.

5.0 Betrieb des Kühlschranks

Der Kühlschrank kann mit zwei Energiearten betrieben werden:

- **Netzspannung (230V)**
- **Gas (Flüssiggas Propan/Butan)**

Die gewünschte Energieart wird über den **Energiewahlschalter** (Abb.7) angewählt .



Das Kühlschrankaggregat arbeitet geräuschlos.

Bei Erstinbetriebnahme des Gerätes kann es zu einer Geruchsbildung kommen, die sich nach einigen Stunden verflüchtigt. Durchlüften Sie den Wohnraum gut.

Etwa eine Stunde nach dem Einschalten sollte das Tiefkühlfach des Kühlschranks kalt werden. Der Kühlschrank erreicht seine Betriebstemperatur nach einigen Stunden.

5.1 Reinigung

Bevor Sie den Kühlschrank in Betrieb nehmen, empfiehlt es sich, das Gerät von innen zu reinigen und dies regelmäßig zu wiederholen.

Benutzen Sie ein weiches Tuch und lauwarmes Wasser mit einem milden Reinigungsmittel. Waschen Sie anschließend das Gerät mit klarem Wasser aus und trocknen Sie es gut ab.

Um Materialveränderungen zu vermeiden, verwenden Sie keine Seife oder scharfe, körnige bzw. sodahaltige Reinigungsmittel. Bringen Sie die Türdichtung nicht mit Öl oder Fett in Berührung .

5.2 Wartung



WARNUNG!

Arbeiten an den Gas-, Abgas- und Elektroeinrichtungen dürfen nur von autorisierten Fachkräften ausgeführt werden.

- Der Gasbrenner muss bei Bedarf, jedoch mindestens einmal jährlich von Verunreinigungen gesäubert werden. Bewahren Sie die Nachweise über durchgeführte Wartungen an Ihrem Kühlschrank auf.
- Wir empfehlen eine Wartung nach längerer Außerbetriebnahme. Nehmen Sie dazu Kontakt mit unserem Kundendienst auf.

5.3 Betrieb mit Strom

VORSICHT!

Wählen Sie diese Betriebsart nur , wenn die Spannungsversorgung des Stromanschlusses mit dem auf dem Typenschild angegebenen Wert übereinstimmt. Bei abweichenden Werten kann das Gerät beschädigt werden.

5.4 Betrieb mit Gas

- Der Kühlschrank muss mit Flüssiggas (Propan, Butan) betrieben werden (kein Erdgas, Stadtgas) .
- Über einer Höhe von ca. 1000 m NN können beim Zünden des Gases physikalisch bedingt Störungen auftreten (**Keine Fehlfunktion !**).
- Bei der ersten Inbetriebnahme sowie nach Gasflaschenwechsel können die Gasleitungen Luft enthalten. Durch kurze Inbetriebnahme des Kühlschranks werden die Gasleitungen entlüftet. Das Gas zündet ohne Verzögerung.
- Alle Kühlschränke sind mit einer automatischen Flammensicherung ausgestattet, die selbsttätig die Gaszufuhr nach ca. 30 Sekunden unterbricht, wenn die Flamme erlischt.

5.5 Bedienung

5.5.1 Erklärung der Bedienungselemente

Manuelle Energiewahl / manuelle Zündung mit Piezozünder :

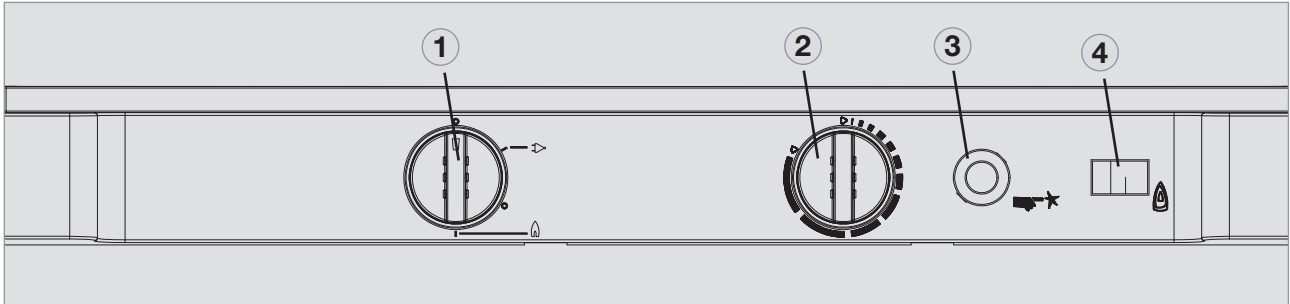


Abb. 7

- 1 = Einschalter / Energiewahlschalter
- 2 = Temperaturregler
- 3 = Piezozünder für Gasbetrieb
- 4 = Flammenindikator (Galvanometer)

Erläuterung

Die gewünschte Energieart wird durch Drehen des Energiewahlschalters (1) eingestellt. Der Energiewahlschalter (1) hat vier Stellungen:

- Aus (2)
- Netzspannung (230V~) (3)
- Aus (4)
- Gas (Flüssiggas Propan/Butan) (5)

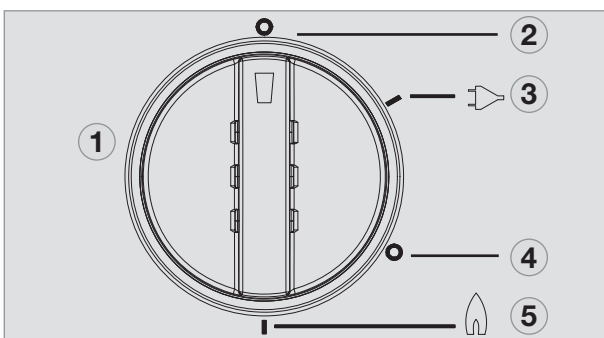


Abb. 8

5.5.2 Betrieb mit Strom

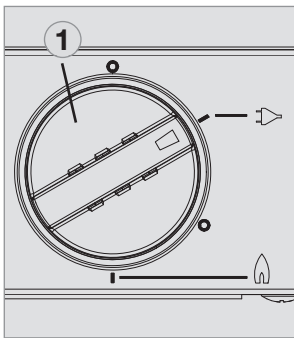
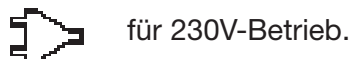


Abb. 9

Zum Einschalten des Gerätes drehen Sie den Energiewahlschalter **(1)** nach rechts auf die Position :



5.5.3 Betrieb mit Gas (Flüssiggas)

Bevor Sie den Kühlschrank im Gasmodus in Betrieb nehmen :

- Öffnen Sie das Ventil der Gasflasche.

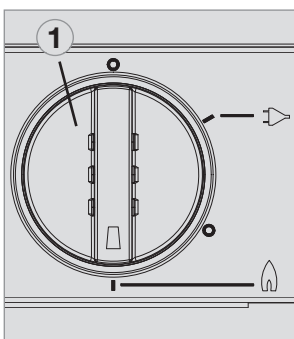


Abb. 10

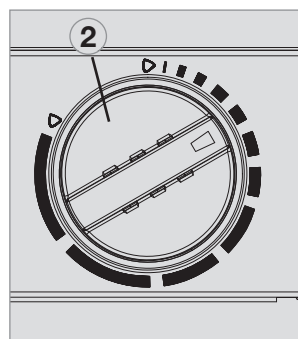
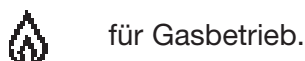


Abb. 11

1. Stellen Sie den Drehwahlschalter **(1)** auf die Position :



2. Drehen Sie den Temperaturstufenregler **(2)** nach rechts und drücken ihn ein. Halten Sie den Regler eingedrückt.

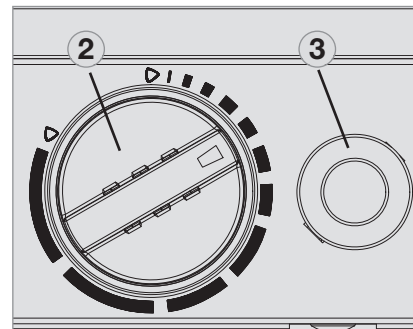


Abb. 12

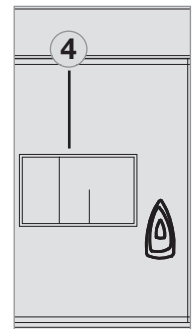


Abb. 13

3. Drücken Sie den Betätigungsknopf **(3)** mehrfach im Abstand von 1-2 Sekunden.
4. Der Zeiger des Galvanometers **(4)** wandert in den grünen Bereich, wenn die Flamme gezündet wurde. Halten Sie den Drehknopf **(2)** noch ca. 15 s gedrückt und lassen Sie ihn dann los. Der Kühlschrank ist in Betrieb.

5.5.4 Regeln der Kühlraumtemperatur

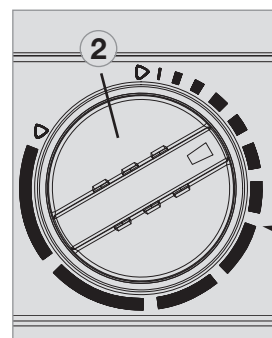


Abb. 14

Mittelstellung

Mit Hilfe der Drehknopfes **(2)** wählen Sie die Temperatur im Kühlraum.

Die Skala beginnt mit der **MIN** Position (schmäler Balken = wärmste Temperatur) und reicht bis zur **MAX** Position (breiter Balken = kälteste Temperatur).

Beachten Sie bitte, dass den Temperaturstufen keine absoluten Temperaturwerte zugeordnet sind.

5.6 Ablageroste positionieren

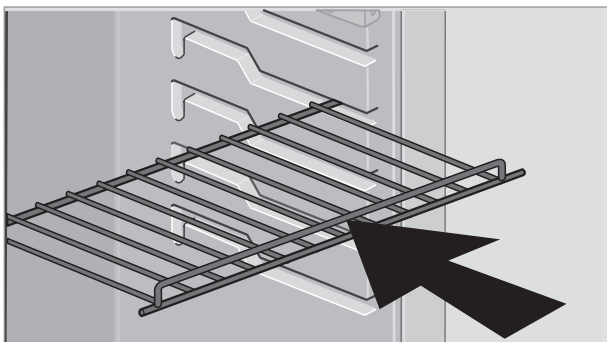


Abb. 15

Die Ablageroste lassen sich durch leichtes Anheben aus der Führung herausziehen und können beliebig platziert werden.

5.7 Herausnehmbares Frosterfach

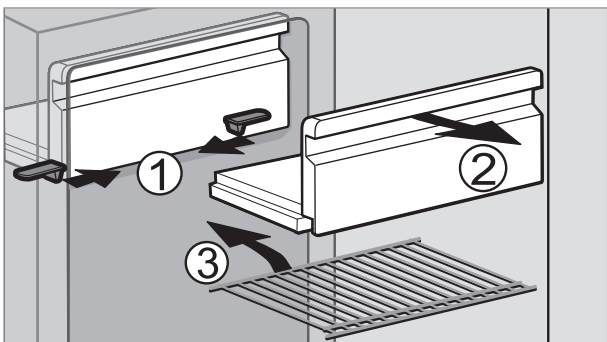


Abb. 16

Zur Vergrößerung des Kühlraums kann das Frosterfach herausgenommen werden.

1. Entriegeln Sie das Frosterfach beidseitig.
2. Ziehen Sie das Frosterfach heraus.

Lagern Sie das Frosterfach sorgfältig, um Beschädigungen zu vermeiden.



Bei entnommenem Frosterfach können Sie einen zusätzlichen Ablagerost (3.) einsetzen. Der Ablagerost ist als Sonderausstattung in Deutschland erhältlich beim

Dometic Call Center (0180 53 66 384) .

5.8 Einlagern von Lebensmitteln und Eiswürfelbereitung

5.8.1 Einlagern von Waren in den Kühlraum

- Setzen Sie den Kühlschrank ca. 12 Std. vor der Bestückung in Betrieb.
- Lagern Sie immer vorgekühlte Waren ein. Achten Sie bereits beim Kauf und Transport darauf, dass die Ware gut gekühlt ist. Verwenden Sie Isoliertaschen.
- Bei Warenentnahme die Kühlschranktür nur kurzzeitig öffnen.
- Waren müssen verpackt, am besten in geschlossenen Behältern, Alufolie oder dgl. und getrennt voneinander eingelagert werden, um ein Austrocknen und Geruchsbildung zu vermeiden.
- Nie warme Lebensmittel in den Kühlschrank einlagern, erst abkühlen lassen.
- Waren, die leichtflüchtige, brennbare Gase abgeben können, dürfen nicht im Kühlschrank aufbewahrt werden.
- Überfüllen Sie die Ablageroste und Fächer nicht, um die interne Luftzirkulation nicht zu behindern.
- Lassen Sie Abstand zwischen Kühlgut und Nachverdampfer ("Kühlrippen") (ca.10 mm).
- Eine ungehinderte Luftzirkulation des Kühl-schrankaggregates muss gewährleistet sein. Die Lüftungsöffnungen dürfen nicht verdeckt sein.

5.8.2 Einlagern von Waren in das Frosterfach

- Bewahren Sie keine kohlesäurehaltigen Getränke im Frosterfach auf.
- Das Frosterfach ist für die Eiswürfelbereitung und für die kurzfristige Aufbewahrung gefrorener Lebensmittel geeignet. Es ist nicht geeignet zum Einfrieren von Lebensmitteln.

Bei umgebenden Raumtemperaturen niedriger als +10°C kann systembedingt eine gleichmäßige Regelung der Frosterfachtemperatur nicht gewährleistet werden, wenn der Kühlschrank diesen Temperaturen längere Zeit ausgesetzt ist. Dies kann zu einem möglichen Temperaturanstieg im Frosterfach und einem Auftauen des eingelagerten Gutes führen.

5.8.3 Kühlschrankfächer

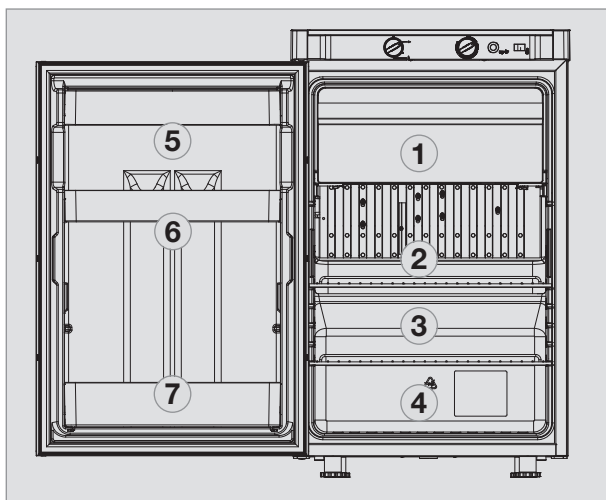


Abb. 18

- 1 **Frosterfach :**
bereits gefrorene Waren (Tiefkühlwaren)
- 2 **Mittleres Fach:**
Milchprodukte, zubereitete Speisen
- 3 **Unteres Fach:**
Fleisch, Fisch, Waren zum Auftauen
- 4 **Gemüsefach:**
Salat, Gemüse, Obst
- 5 **Obere Türetagere:**
Eier, Butter
- 6 **Mittlere Türetagere:**
Dosen, Dressings, Ketchup, Marmelade
- 7 **Untere Türetagere (Getränkfach):**
Getränke in Flaschen oder Tüten

5.8.4 Eiswürfelbereitung

Eiswürfel werden am besten nachts gefroren. Nachts ist der Kühlschrank weniger belastet und das Aggregat hat mehr Reserven.

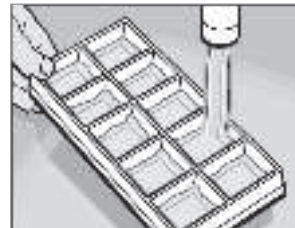


Abb. 19

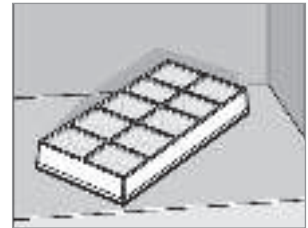


Abb. 20

1. Eisschale mit Trinkwasser füllen.
2. Eisschale ins Frosterfach stellen.

! WARNUNG!
Nur Trinkwasser verwenden!

5.9 Außerbetriebnahme

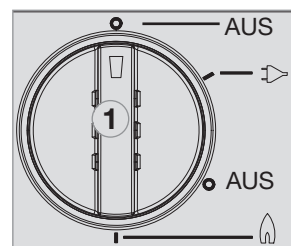


Abb. 21

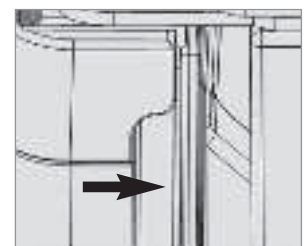


Abb. 22

- Stellen Sie den Energiewahlschalter (1) auf Position "AUS". Das Gerät ist abgeschaltet.
- Lassen Sie die Tür einen Spalt weit geöffnet, um Schimmelbildung im Gerät zu vermeiden.
- Wird der Kühlschrank für längere Zeit außer Betrieb genommen, schließen Sie das bordseitige Absperrventil und das Flaschenventil.

5.10 Abtauen

Mit der Zeit bildet sich Reif auf den Kühlrippen im Inneren des Kühlschranks. Eine einseitig stärkere Bereifung kann vorkommen und bedeutet keine Fehlfunktion. Wenn diese Reifschicht etwa 3 mm beträgt, sollten Sie den Kühlschrank abtauen.

- Schalten Sie den Kühlschrank wie unter Pkt. 5.9 *Außerbetriebnahme* beschrieben aus.
- Nehmen Sie alle Lebensmittel und die Eisschale heraus.
- Lassen Sie die Kühlschranktür geöffnet, um Luft hineingelangen zu lassen und Schimmelbildung zu vermeiden.
- Wischen Sie beide Kühlfächer nach dem Abtauen (Frosterfach und Kühlrippen sind frei von Reif) mit einem Tuch trocken.

Bemerkung: Das Tauwasser des Hauptkühlfaches läuft in einen Auffangbehälter auf der Rückseite des Gerätes. Dort verdunstet das Wasser.

VORSICHT!

Die Reifschicht darf niemals gewaltsam entfernt oder das Abtauen mit einem Heizstrahler beschleunigt werden!

5.11 Wechsel des Türanschlags



Sollte es nötig sein, dabei den Kühlschrank seitwärts zu neigen oder zu legen, warten Sie eine Stunde, bevor der Kühlschrank in Betrieb genommen wird. Die Kühlflüssigkeit sammelt sich wieder im Vorratsbehälter des Kühlaggregates. Ein korrekter Betrieb des Kühlschranks ist so gewährleistet.

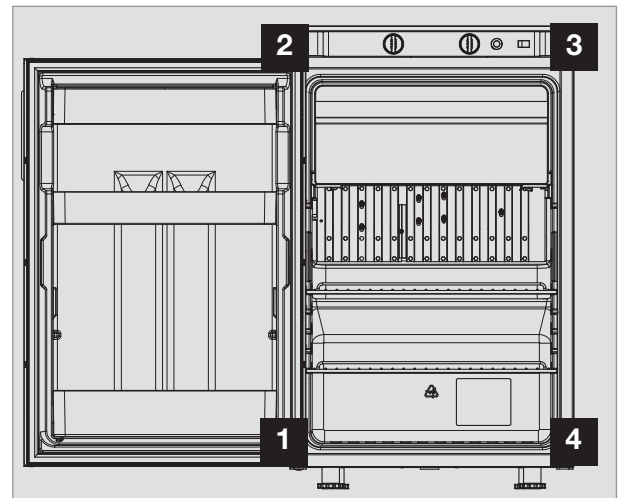


Abb. 23



Abb. 24

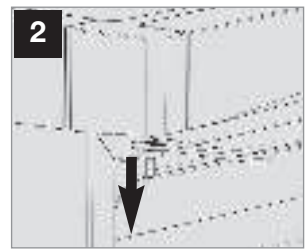


Abb. 25



Abb. 26



Abb. 27

- Tür öffnen, Scharnierschraube lösen und aufbewahren.
- Tür nach vorne wegnehmen.
- Scharnierstift lösen und auf anderer Seite einschrauben.
- Distanzscheibe auf unterem Scharnier versetzen.
- Tür in oberen Scharnierstift schieben und auf unteres Scharnier aufsetzen.
- Scharnierschraube einschrauben.
- Achten Sie darauf, dass die Tür frei beweglich ist und dass die Türdichtung ringsum anliegt.

5.12 Wechsel der Dekorplatte

- Ziehen Sie die seitliche Leiste **(1)** der Tür ab (Leiste ist aufgesteckt, nicht verschraubt)
- Schieben Sie die Dekorplatte **(2)** in die Tür ein und stecken Sie die Leiste **(1)** wieder auf.

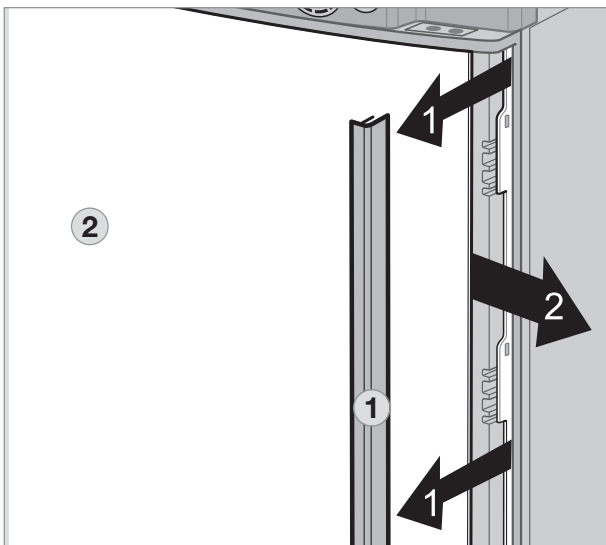


Abb. 28

Abmessungen der Dekorplatte :

Höhe	Breite	Dicke
743 +/- 0.75 mm	504 +/- 0.5 mm	min. 1.0 mm
		max. 1.7 mm

5.13 Verhalten bei Störungen

Bevor Sie den autorisierten Kundendienst benachrichtigen, kontrollieren Sie bitte, ob :

- die Anweisungen im Abschnitt „Bedienung des Kühlschranks“ korrekt befolgt wurden.
- der Kühlschrank waagrecht steht.
- es möglich ist, den Kühlschrank mit irgendeiner vorhandenen Energieart zu betreiben.

Störung : Der Kühlschrank kühlt nicht ausreichend.

mögliche Ursache	Abhilfe
<ul style="list-style-type: none"> - Die Belüftung des Aggregates ist nicht ausreichend. - Die Thermostateinstellung ist zu niedrig. - Der Nachverdampfer ist stark vereist. - Zu viele warme Lebensmittel wurden kurzfristig eingelagert. - Das Gerät ist noch nicht lange in Betrieb. - Die umgebenden Temperaturen sind zu hoch. 	<ul style="list-style-type: none"> - Prüfen Sie , ob das Lüftungsgitter des Aggregates nicht abgedeckt ist. - Stellen Sie den Thermostatregler auf eine höhere Stellung. - Prüfen Sie, ob die Kühlschranktür korrekt schließt. - Lassen Sie erwärmte Waren vor Einlagerung abkühlen. - Prüfen Sie den Kühlraum nach ca. 4-5 h auf Kühlung. - Lüften Sie den Raum.

Störung : Der Kühlschrank kühlt nicht im Gasbetrieb.

mögliche Ursache	Abhilfe
<ul style="list-style-type: none"> - Gasflasche ist leer. - Die vorgeschaltete Absperreinrichtung ist geschlossen - Es befindet sich Luft in der Leitung 	<ul style="list-style-type: none"> - Gasflasche tauschen. - Absperreinrichtung öffnen. - Gerät ausschalten und neu starten. Vorgang ggf. 3-4 mal wiederholen.

Störung : Der Kühlschrank kühlt nicht im 230V-Betrieb.

mögliche Ursache	Abhilfe
<ul style="list-style-type: none"> - Sicherung defekt. - Netzversorgung nicht angeschlossen. - Heizelement defekt. 	<ul style="list-style-type: none"> - Neue Sicherung einsetzen. - Netzverbindung herstellen. - Verständigen Sie den Dometic-Kundendienst.

Mode d'emploi

Réfrigérateur à absorption

RGE 2100

Veillez noter les données suivantes :

Numéro du modèle
Numéro du produit
Numéro de série



N 1

MBA 10/2015



Table des Matières

1.0	Généralités	4
1.1	Introduction	4
1.2	Indications concernant ce mode d'emploi	4
1.3	Droit de reproduction réservé	4
1.4	Explication des symboles utilisés	4
1.5	Garantie	5
1.6	Limitation de la responsabilité	5
1.7	Service après-vente	5
1.8	Pièces de rechange	6
1.9	Conseils relatifs à l'environnement	6
1.9.1	Mise au rebut	6
1.9.2	Conseils d'économie d'énergie	6
1.10	Déclaration de conformité	6
2.0	Consignes de sécurité	7
2.1	Utilisation conforme	7
2.2	Responsabilité de l'utilisateur	7
2.3	Protéger les enfants lors de la mise au rebut de l'appareil	7
2.4	Travaux et contrôles sur le réfrigérateur	7
2.5	Information sur le fluide réfrigérant	8
2.6	Utilisation du réfrigérateur au gaz	8
2.7	Consignes de sécurité pour le stockage des aliments	9
3.0	Description du modèle	10
3.1	Désignation de modèle	10
3.2	Plaque signalétique du réfrigérateur	10
3.3	Données techniques	10
3.4	Description du réfrigérateur	10
4.0	Installation	11
4.1	Montage et raccordement	11
4.1.1	Connexion électrique	11
4.1.2	Installation de la bouteille de gaz	11
4.1.3	Connexion de gaz	12
4.2	Montage de la poignée de la porte	12
5.0	Utilisation du réfrigérateur	13
5.1	Nettoyage	13
5.2	Entretien	13
5.3	Fonctionnement à l'électricité	13
5.4	Fonctionnement au gaz	13
5.5	Utilisation	14
5.5.1	Description des éléments de commande	14
5.5.2	Fonctionnement à l'électricité	15
5.5.3	Fonctionnement au gaz liquéfié	15
5.5.4	Réglage de la température de réfrigération	15
5.6	Positionnement des clayettes	16
5.7	Compartiment congélateur amovible	16
5.8	Stockage des aliments et préparation des glaçons	16
5.8.1	Stockage des aliments dans la chambre de réfrigération	16
5.8.2	Stockage des aliments dans le compartiment congélateur	16

5.8.3	Compartiments du réfrigérateur	17
5.8.3	Préparation des glaçons	17
5.9	Mise hors-service	17
5.10	Dégivrage	18
5.11	Changement de la butée de porte	18
5.12	Changement de la plaque de décoration	19
5.13	Conseils en cas d'affichage de panne et dépannage	20

Dometic GmbH
In der Steinwiese 16
D-57074 Siegen

www.dometic.com

1.0 Généralités

1.1 Introduction

En achetant ce réfrigérateur à absorption **Dometic**, vous avez fait un choix judicieux. Nous sommes persuadés que votre nouveau réfrigérateur vous donnera entière satisfaction. Ce réfrigérateur, de marche silencieuse, satisfait aux exigences de qualité et garantit une utilisation optimale pendant toute sa durée de vie (fabrication, utilisation et mise au rebut).

1.2 Indications concernant ce mode d'emploi

Il convient de lire attentivement ce mode d'emploi avant de mettre le réfrigérateur en marche.

Cette notice vous donne les indications nécessaires pour une utilisation conforme et correcte de votre réfrigérateur. **Tenez compte en particulier des consignes de sécurité.** Il est important de respecter les indications et instructions de service pour votre propre sécurité et pour éviter tout dommage sur l'appareil. Il est important de comprendre ce que vous lisez avant d'effectuer toute manipulation.

Conservez soigneusement ce mode d'emploi à proximité du réfrigérateur afin de pouvoir le consulter à tout moment.

1.3 Droit de reproduction réservé

Les indications, textes et figures contenus dans cette notice sont soumis au droit de reproduction réservé et au droit de propriété industrielle. Aucun contenu de cette notice ne peut être reproduit, copié ou utilisé de quelque manière sans l'accord par écrit de Dometic GmbH, Siegen.

1.4 Explication des symboles utilisés

Avertissements

Les avertissements sont caractérisés par des symboles. Un texte complémentaire vous indique le degré de danger.

Veillez tenir compte de ces avertissements. Vous protégez ainsi les personnes contre les blessures et votre appareil contre les dégâts.



DANGER!

DANGER caractérise une situation de danger immédiate qui peut causer la mort ou des blessures graves en cas de non-application des mesures de prévention.



AVERTISSEMENT !

AVERTISSEMENT caractérise une situation de danger possible qui peut causer la mort ou des blessures graves en cas de non-application des mesures de prévention.



ATTENTION!

ATTENTION caractérise une situation de danger possible qui peut causer des blessures légères ou sérieuses en cas de non-application des mesures de prévention.

ATTENTION!

ATTENTION sans le symbole de sécurité caractérise une situation de danger possible qui peut endommager l'appareil en cas de non-application des mesures de prévention.

Information



INFORMATION vous donne des indications complémentaires utiles pour une manipulation correcte de votre réfrigérateur.

Environnement



ENVIRONNEMENT vous donne des conseils utiles pour économiser l'énergie et pour la mise au rebut de votre appareil.

1.5 Garantie

Les conditions de garantie sont conformes à la directive EC 44/1999/CE et aux règlements en vigueur dans le pays concerné. Au cas où vous auriez besoin d'avoir recours à la garantie ou à un service, adressez-vous à notre service après-vente. Les pannes consécutives à une mauvaise utilisation de l'appareil ne sont pas couvertes par la garantie. Toute modification sur l'appareil ou utilisation de pièces de rechange qui ne sont pas des **pièces originales Dometic** ainsi que le non-respect des instructions de montage et d'utilisation, entraînent la suppression de la garantie et excluent la responsabilité du fabricant.

1.6 Limitation de la responsabilité

Toutes les instructions et indications contenues dans ce mode d'emploi ont été données en tenant compte des normes et prescription en vigueur et correspondent au niveau de la technique. **Dometic** se réserve le droit d'effectuer à tout moment des modifications sur le produit qu'il considère appropriées pour l'amélioration du produit et la sécurité.

Dometic n'endosse aucune responsabilité pour les dommages résultant de :

- non-observation du mode d'emploi
- utilisation non conforme
- utilisation de pièces de rechange non originales
- modifications et interventions non appropriées sur l'appareil
- Effets dus aux conditions ambiantes, tels que
 - changements de température
 - humidité

1.7 Service après-vente

Pour connaître les services après-vente autorisés, consultez les numéros **EuroService Network** - du manuel fourni avec chaque réfrigérateur. Sur Internet également, découvrez votre partenaire de service le plus proche à l'adresse **www.dometic.com**. Lorsque vous contactez nos services après-vente, indiquez toujours le modèle, le numéro du produit, le numéro de série et, le cas échéant, le code MLC ! Vous trouverez ces informations sur la plaque signalétique située à l'intérieur du réfrigérateur. Nous vous conseillons de reporter ces données dans la case prévue sur la page de couverture de ce mode d'emploi.

1.8 Pièces de rechange

Vous pouvez vous procurer les pièces détachées, dans nos services après-vente.

Lorsque vous contactez le centre d'appels, indiquez toujours le modèle et le numéro du produit ! Vous trouverez ces informations sur la plaque signalétique située à l'intérieur du réfrigérateur.

1.9 Conseils relatifs à l'environnement



Le fluide réfrigérant utilisé dans le groupe frigorifique est de l'ammoniaque (composé naturel d'hydrogène et d'azote). Le cyclopentane, produit qui n'attaque pas la couche d'ozone, est utilisé comme produit moussant dans la préparation de la mousse PU d'isolation.

1.9.1 Mise au rebut

Afin de s'assurer que le matériel d'emballage recyclable sera réutilisé, il doit être envoyé au centre de collecte habituel. L'appareil doit être cédé à une société de recyclage appropriée qui assure la récupération des parties recyclables et une mise au rebut conforme du reste de l'appareil. Pour des raisons écologiques, la vidange du liquide réfrigérant de tous les groupes frigorifiques à absorption doit être effectuée dans un établissement de retraitement approprié.



Les appareils portant ce symbole doivent être obligatoirement remis à un point de collecte local pour la mise au rebut d'appareils électriques et électroniques.

Il est interdit de jeter ce produit dans les ordures ménagères.

Sur les réfrigérateurs Dometic, le symbole figure sur la plaque des caractéristiques (plaque signalétique) apposée à l'intérieur de l'appareil.

1.9.2 Conseils d'économie d'énergie

- Pour une température externe moyenne de 25°C, un réglage du thermostat sur une position moyenne est suffisant.
- Si possible, toujours stocker les marchandises emballées et déjà refroidies.
- Ne pas exposer le réfrigérateur au rayonnement direct du soleil ou à toute autre source de chaleur (p. ex. chauffage).
- Veiller à ce que la circulation d'air du groupe frigorifique ne soit pas entravée.

- Placez les clayettes à distance égale pour obtenir la meilleure efficacité énergétique.
- Ne pas surcharger les clayettes et compartiments pour ne pas entraver la circulation d'air interne.
- Laisser un espace d'env. 10 mm entre les denrées réfrigérées et l'évaporateur ("ailettes de refroidissement").
- Le dégivrage régulier de l'appareil permet d'économiser l'énergie (voir Section 5.10, "Dégivrage").
- Après le retrait de denrées, veiller à refermer rapidement la porte du réfrigérateur.
- Mettre le réfrigérateur en marche environ 12 heures avant de le remplir.

1.10 Déclaration de conformité

 DECLARATION OF CONFORMITY		
Model No.: Type:		
Declaration No.:		
Type of product:	Model No.:	
Trade Name:	Manufacturer:	
Type, family:	Manufacturer's address:	
Manufacturer's address:	Country:	
Country:	Telephone No.:	
Telephone No.:	Fax No.:	
The following information shall be available to the competent authorities of the Member States of the European Union:		
The following information shall be available to the competent authorities of the Member States of the European Union:		
The following information shall be available to the competent authorities of the Member States of the European Union:		
The following information shall be available to the competent authorities of the Member States of the European Union:		
Date:	Signature:	Printed Name:
2010	[Signature]	Green, Jürgen

2.0 Consignes de sécurité

2.1 Utilisation conforme

Le réfrigérateur est prévu pour une installation sur pieds et libre dans des pièces fermées, comme des pavillons de chasse ou des résidences secondaires. Le type de construction de l'appareil a été testé pour cette utilisation en conformité avec la directive européenne 90/396/CEE relative aux appareils à gaz. **Il n'est pas approprié pour un montage dans des véhicules routiers ou des bateaux.** Utilisez le réfrigérateur uniquement pour le refroidissement et le stockage des aliments.



AVERTISSEMENT !

Le réfrigérateur n'a pas été conçu pour la conservation professionnelle de médicaments. Veuillez tenir compte des indications figurant sur la notice d'emballage du médicament.

ATTENTION!

L'appareil ne peut pas être exposé à la pluie.

2.2 Responsabilité de l'utilisateur

Les personnes utilisant le réfrigérateur doivent être familiarisées avec les consignes de sécurité et connaître les indications de ce mode d'emploi.

Cet appareil peut être utilisé par les enfants âgés de plus de 8 ans et par les personnes à aptitudes physiques, sensorielles ou mentales réduites ou manquant d'expérience et/ou de connaissances, si celles-ci sont surveillées ou ont été instruites sur l'utilisation sans risques de l'appareil et si celles-ci sont conscientes des dangers potentiels. Cet appareil ne doit pas être utilisé comme jeu par les enfants. Le nettoyage et l'entretien ne doivent pas être effectués par les enfants.

[EN 60335-2-24, 7.12]

2.3 Protéger les enfants après la mise au rebut de l'appareil



AVERTISSEMENT !

Lors de la mise au rebut du réfrigérateur, démontez toutes les portes et laissez les clayettes dans l'appareil. Tout risque d'enfermement ou d'asphyxie pourra ainsi être évité.

2.4 Travaux et contrôles sur le réfrigérateur



AVERTISSEMENT !

Seule une personne habilitée est autorisée à effectuer des travaux sur les installations électriques et de gaz, ainsi que sur le système d'évacuation du gaz. Les mesures non appropriées peuvent causer des dommages aux personnes et des dégâts matériels considérables.



DANGER !



Ne contrôlez jamais les défauts d'étanchéité des pièces et conduites d'amenée du gaz à côté d'une flamme!
Danger d'incendie ou d'explosion !



AVERTISSEMENT !

Ne jamais ouvrir le groupe frigorifique à absorption! Il est sous haute pression.

Risque de blessures !

2.5 Information sur le fluide réfrigérant

L'ammoniaque est utilisée comme fluide réfrigérant.

C'est un composé naturel, également contenu dans les nettoyants ménagers (1 litre de nettoyant au sel ammoniac contient jusqu'à 200 g d'ammoniaque, c'est-à-dire environ deux fois plus que le réfrigérateur). Le chromate de sodium est utilisé comme agent anti-corrosion (dosé 1,8% du dissolvant).

En cas de fuite (facilement décelable en raison de la forte odeur) procédez ainsi :

- Débranchez l'appareil.
- Aérez la pièce à fond.
- Informez votre service après-vente agréé.



Les recherches confirment qu'en cas de fuite du fluide réfrigérant, il n'y a aucun risque pour la santé.

2.6 Utilisation du réfrigérateur au gaz

La pression de service doit absolument correspondre aux spécifications de la plaque signalétique du réfrigérateur. Comparez les données relatives à la pression de service de la plaque signalétique à celles du détendeur de la bouteille de gaz.

Les réfrigérateurs fonctionnent avec les gaz et pressions d'admission indiqués ci-après. Les détendeurs de pression à utiliser entre la bouteille de gaz et le réfrigérateur doivent correspondre aux catégories indiquées au tableau suivant.

Pression du gaz à l'entrée et catégories de gaz

Catégorie	Pression en mbar	GAZ
I3B / P(30)	30	butane
	30	propane
I3+ (28-30/37)	28-30	butane
	37	propane
I3B/P(50)	50	butane
I3B/P(50)	50	propane

Si vous sentez une odeur de gaz :

- Ouvrez toutes les fenêtres et quittez la pièce.
- N'actionnez aucun appareil électrique et évitez d'utiliser les flammes.
- Fermez la vanne de bouteille de gaz et laissez-la fermée jusqu'à ce que l'incident soit éliminé.
- Demandez conseil auprès des professionnels agréés*.

* professionnels agréés

Les professionnels agréés sont des experts reconnus qui, en raison de leur formation et de leurs connaissances peuvent garantir que le contrôle sera effectué dans les règles de l'art.

2.7 Consignes de sécurité pour le stockage des aliments

Instructions de stockage des aliments dans un réfrigérateur :

Les réfrigérateurs ne peuvent pas améliorer la qualité des aliments, mais conserver au plus leur qualité sur une courte période, au moment de leur stockage dans le réfrigérateur.

Tenez compte des conditions particulières suivantes lors de la conservation de denrées alimentaires dans un réfrigérateur installé dans un véhicule :

- Changement des conditions climatiques tel que les variations de température
- Température intérieure élevée
- Exposition directe au soleil du réfrigérateur placé derrière une vitre
- Stockage trop rapide des denrées, peu après la mise en service de l'appareil.

Bei diesen besonderen Bedingungen kann der Kühlschrank die benötigte Temperatur für schnell verderbliche Lebensmittel nicht garantieren.

Dans ces conditions particulières, l'appareil ne peut garantir la température nécessaire à la conservation des denrées rapidement périssables.

Les denrées rapidement périssables sont tous les produits portant une date limite de consommation associée à une température de conservation inférieure ou égale à 4°C, en particulier, viandes, poissons, volaille, charcuterie, plats préparés.

- Emballer séparément les aliments crus et les aliments cuits (p. ex. boîtes de conservation, papier aluminium ou film alimentaire).
- Ôter le suremballage carton ou plastique, uniquement si les indications nécessaires (DLC, température, mode d'emploi) figurent sur l'emballage qui est au contact du produit.
- Ne pas laisser trop longtemps les produits réfrigérés hors du réfrigérateur.
- Placer à l'avant les produits dont les dates

limite de consommation sont les plus proches.

- Mettre les restes dans des emballages fermés et les consommer rapidement.
- Se laver les mains avant et après avoir touché les aliments.
- Nettoyer l'intérieur du réfrigérateur à des intervalles réguliers.

Tenez compte des indications de préparation et de date de consommation sur les emballages.

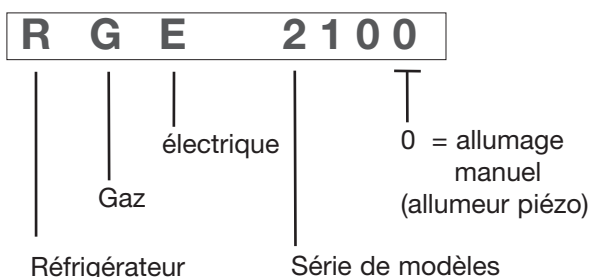
Tenez compte des instructions dans ce mode d'emploi, voir section 5.1, " *Entretien* ".



Les conditions ambiantes influencent la performance du groupe frigorifique. Pour les températures ambiantes comprises entre +15°C et +25°C, choisissez la position moyenne (cf. Fig. 28, Seuil de température 3). L'appareil est alors en mesure de fournir une performance optimale. Les réfrigérateurs Dometic fonctionnent selon le principe de l'absorption. Selon les règles de la physique, un système d'absorption ne réagit que peu aux modifications du thermostat, aux pertes de froid dues à l'ouverture de la porte ou au stockage des denrées. Les appareils remplissent les exigences de performance de la classe climatique SN d'après EN/ISO 7371 dans la plage de température comprise entre +10°C et +32°C.

3.0 Description du modèle

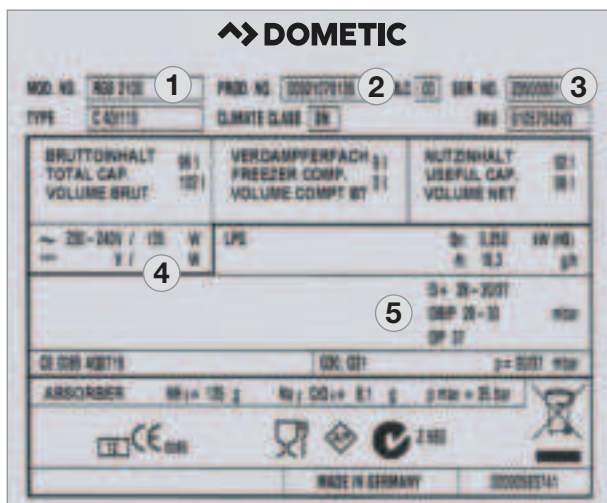
3.1 Désignation du modèle



Réfrigérateur à absorption pour du gaz et l'électricité

3.2 Plaque signalétique du réfrigérateur

La plaque signalétique se trouve à l'intérieur du réfrigérateur. Elle contient toutes les informations importantes sur le réfrigérateur. On peut y relever la désignation de modèle, le numéro de produit et le numéro de série. Vous aurez besoin de toutes ces informations en contactant le service après-vente ou en commandant des pièces de rechange.



Exemple

Fig. 1

- ① Numéro du modèle
- ② Numéro du produit
- ③ Numéro de série
- ④ Puissance de raccordement électrique
- ⑤ Pression de gaz

3.3 Données techniques

Capacité brute (litres)	100
Congélateur (litres)	9
Capacité brute (congélateur enlevé).....	106
Dimensions (mm)	
(H x L x P)	859x531x558
Puissance nominale (W)	125
Consommation gaz (30 / 50 mbar)	
g / 24h*	270 / 360
Consommation électricité	
kWh / 24h*	2.5
Poids Net (kg)	32.2
Allumage	allumeur piézo
Installation libre	

Sous réserve de modifications

* Consommation moyenne pour une température ambiante moyenne de 25°C, en conformité avec les normes ISO.

3.4 Description du réfrigérateur

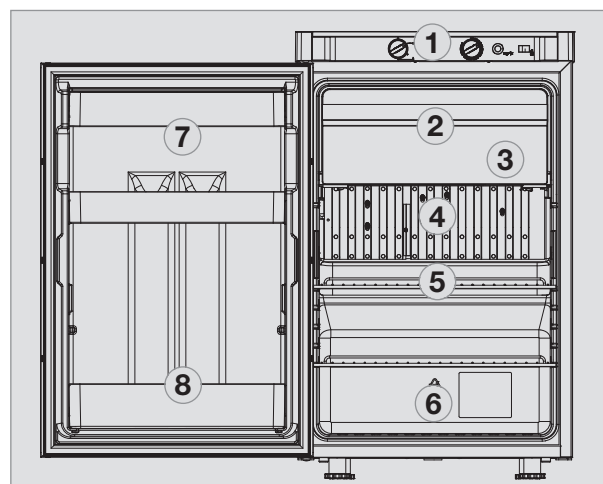


Fig. 2

- ① Eléments de commande
- ② Congélateur (amovible)
- ③ Grille d'insertion (en option, peut être installée lorsque le compartiment congélateur est retiré)
- ④ Evaporateur pour chambre de réfrigération
- ⑤ Gouttière d'eau de dégivrage
- ⑥ Bac à légumes
- ⑦ Etagère du haut avec rabat
- ⑧ Etagère du bas avec porte-bouteilles

4.0 Installation

4.1 Montage et raccordement

Ce réfrigérateur a été testé et autorisé pour l'utilisation dans des pièces fermées.

Lors de l'installation de l'appareil, veuillez tenir compte des points suivants :

- La pièce d'installation doit présenter un volume de **20 m³** minimum, être bien ventilée et disposer d'une fenêtre ouvrable ou d'une porte conduisant à l'extérieur.

- Le réfrigérateur doit être sur pieds et libre, c'est-à-dire qu'il doit être installé avec un écart minimum de **50 mm** par rapport aux murs ou aux armoires avoisinantes (**pas de montage intégré!**).

L'écart par rapport aux équipements existants (armoires etc.) doit être de **100 mm** minimum.

- Posez l'appareil à l'horizontale sur un sol ferme.

Le réfrigérateur ne doit pas être exposé à un rayonnement thermique d'objets chauds (cuisinière, chauffage par ex.).

- Le groupe frigorifique installé sur la paroi arrière (sous le recouvrement) doit être constamment bien ventilé. Ne recouvrez pas le groupe frigorifique (par des torchons de cuisine, des rideaux par ex.). Une mauvaise ventilation conduit à des réductions de performance de la réfrigération!

Installez le réfrigérateur afin qu'il ne soit pas exposé aux éclaboussures d'eau. Veuillez également à ce que l'appareil ne soit pas exposé à la pluie avant et pendant l'installation.

4.1.1 Connection électrique

- Ne sélectionner ce type de fonctionnement que si le voltage de la prise correspond valeur indiquée sur l'appareil. Risque de dommages si les valeurs sont différentes!

- L'alimentation en courant doit être assurée à l'aide d'une prise de courant reliée à la terre, conformément au règlement, ou d'un raccordement fixe relié à la terre.
- La ligne électrique doit être muni d'un fusible ou un un coupe-circuit automatique.
- Le câble de raccordement au réseau ne doit entrer en contact, ni avec les parties chaudes du groupe ou du brûleur, ni avec les angles saillants.

ATTENTION!

La fiche secteur doit être accessible.



ATTENTION!

Si la ligne de branchement est endommagée, celle-ci doit être remplacée par le service clientèle de Dometic ou tout autre personnel également qualifié afin d'éviter les éventuels dangers.

4.1.2 Installation de la bouteille de gaz

- Les bouteilles de gaz doivent être obligatoirement posées debout.
- Installez la bouteille de gaz à un emplacement bien ventilé.
- Installez la bouteille de gaz de telle manière qu'elle soit facilement reconnaissable en cas d'incendie.
- La distance maximum de la bouteille de gaz par rapport à l'appareil ne doit pas dépasser 1,5 m.
- Seuls les types de bouteilles et les dispositifs de réglage de pression valables peuvent être utilisés dans les pays respectifs

4.1.3 Connection de gaz

Le réfrigérateur doit fonctionner exclusivement avec du gaz liquéfié (propane, butane) en aucun cas gaz de ville ou gaz naturel).

- Le raccordement professionnel du réfrigérateur doit être réalisé par un technicien spécialisé et autorisé conformément aux réglementations techniques en matière de gaz liquide.
- Les directives nationales valables respectives pour l'utilisation d'appareils fonctionnant avec du gaz liquide doivent être respectées.
- Un régulateur de pression A réglé de manière fixe (réducteur de pression) doit être installé dans la conduite d'amenée de l'appareil. Il est interdit de faire fonctionner le réfrigérateur avec une autre pression que celle indiquée sur la plaque signalétique.
- Le réfrigérateur doit être obligatoirement raccordé à la bouteille de gaz avec un tuyau souple de sécurité.
- Choisissez une longueur suffisante afin de raccorder le tuyau souple sans être obligé de le plier. Le tuyau souple ne doit pas dépasser une longueur de 1,5 m.
- Le raccordement du tuyau souple est réalisé avec des pinces pour tuyau / des colliers (non autorisés en Allemagne).
- Dans tous les cas, les conditions nationales respectives doivent être respectées pour le raccordement du tuyau souple.
- Le tuyau souple doit être remplacé à des périodicités prévues conformément aux dispositions nationales respectives.
- Suite au raccordement à la bouteille de gaz, un test d'étanchéité doit être réalisé au niveau de toutes les connexions. Un test de la flamme du brûleur doit être également effectué. Pour le test d'étanchéité, utilisez un spray de recherche de fuite ou un agent moussant. Après ouverture de la valve de la bouteille, contrôlez les points de raccordement quant à la formation d'éventuelles bulles.



DANGER !



Ne contrôlez jamais l'appareil et l'étanchéité du tuyau avec une flamme nue !

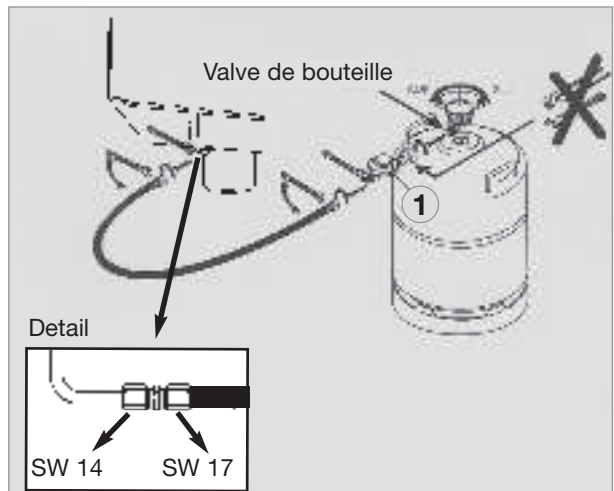


Fig. 3

4.2 Montage de la poignée de la porte

1. Points de fixation: utilisez le **gabarit (1)** à échelle (voir Para. 5.14)

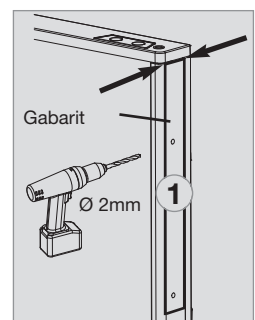


Fig. 4

2. Ajustez et vissez la poignée sur la porte.

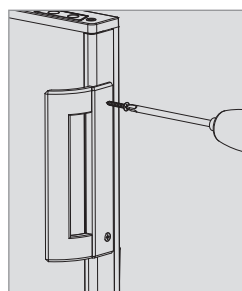


Fig. 5

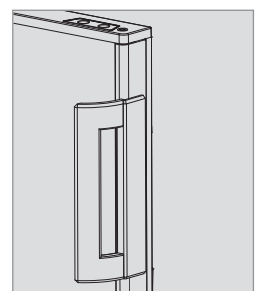


Fig. 6

3. Posez le recouvrement et enfoncez-le fermement.

5.0 Utilisation du réfrigérateur

Le réfrigérateur est conçu pour fonctionner selon trois sources d'énergie :

- **Tension secteur (230V CA)**
- **Gaz (gaz liquéfié propane/butane)**

Vous pouvez sélectionner la source d'énergie souhaitée en utilisant le **commutateur de sélection de la source d'énergie** (Fig.7) .



L'aggrégat est silencieux.

Lors de la première mise en service de l'appareil, il se peut qu'une odeur se dégage; elle disparaîtra en quelques heures. Veillez à bien aérer la pièce.

La température de fonctionnement est atteinte après quelques heures, mais le compartiment congélateur du réfrigérateur doit être froid environ une heure après la mise en service.

5.1 Nettoyage

Avant de mettre en service votre réfrigérateur, nous vous recommandons de le nettoyer à l'intérieur et à l'extérieur et d'effectuer des nettoyages réguliers par la suite. Pour cela, utilisez un chiffon doux et de l'eau tiède, mélangée à un produit de nettoyage doux.

Rincez ensuite l'appareil à l'eau claire et séchez bien.

Pour éviter toute modification des matériaux n'utilisez pas de savon, ni de nettoyant corrosif, granuleux ou sodé. Ne pas mettre en contact le joint de la porte avec de l'huile ou de la graisse.

5.2 Entretien



AVERTISSEMENT !

Seule une personne habilitée est autorisée à effectuer des travaux sur les installations électriques et de gaz, ainsi que sur le système d'évacuation du gaz.

- Le brûleur à gaz doit être nettoyé en cas de besoin ou libéré d'impuretés au moins une fois par an. Conservez les justificatifs de travaux d'entretien effectués sur votre réfrigérateur.
- Nous conseillons de faire une inspection après une période prolongée de mise hors service du véhicule. Veuillez pour cela prendre contact avec notre service après-vente.

5.3 Fonctionnement à l'électricité

ATTENTION!

Ne sélectionner ce type de fonctionnement que si le voltage de la prise correspond valeur indiquée sur l'appareil. Risque de dommages si les valeurs sont différentes!

5.4 Fonctionnement au gaz

- Le réfrigérateur doit être alimenté exclusivement avec du gaz liquéfié (propane, butane), en aucun cas avec du gaz de ville ou du gaz naturel.
- A une altitude supérieure à 1 000 m au-dessus du niveau de la mer, des dérangements physiques conditionnels peuvent se produire lors de l'amorçage du gaz (**il ne s'agit pas d'un dysfonctionnement !**).
- Lors de la première mise en service ainsi qu'après changement de bouteille de gaz, les conduites de gaz peuvent contenir de l'air. En mettant brièvement le réfrigérateur en service, les conduites de gaz sont purgées. Le gaz s'allume sans délai.
- Tous les réfrigérateurs avec allumage manuel sont équipés d'un dispositif de sécurité automatique qui interrompt l'alimentation en gaz après env. 30 secondes, lorsque la flamme s'est éteinte.

5.5 Utilisation

5.5.1 Description des éléments de commande

Sélection manuelle de l'énergie/allumage manuel , allumeur piézo :

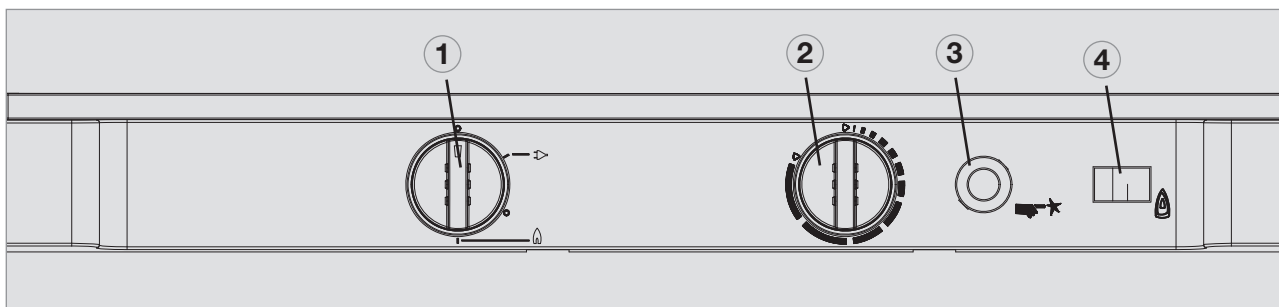


Fig. 7

- ① = Commutateur de sélection de la source d'énergie
- ② = Thermostat
- ③ = Allumeur piézo (gaz)
- ④ = Indicateur de flamme (galvanomètre)

Remarques

Vous pouvez sélectionner la source d'énergie souhaitée en tournant le commutateur de sélection de la source d'énergie (1). Ce commutateur (1) possède quatre positions:

- Arrêt (2)
- Tension secteur (230V CA) (3)
- Arrêt (4)
- Gaz (gaz liquéfié propane/butane) (5)

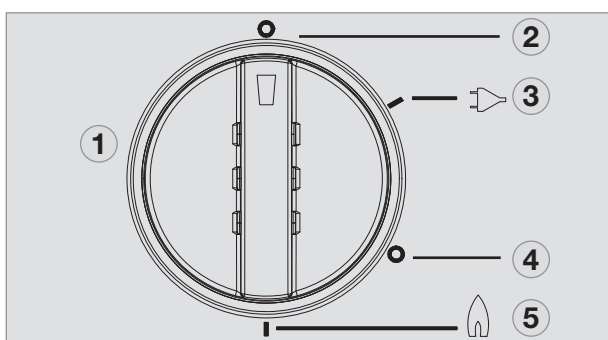


Fig. 8

5.5.2 Fonctionnement à l'électricité

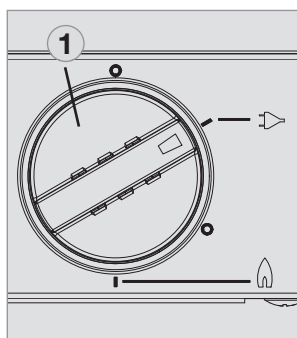


Fig. 9

Pour allumer l'appareil, tournez le commutateur de sélection d'énergie (1) vers la droite sur la position :



5.5.3 Fonctionnement au gaz liquéfié

Avant de mettre en service le réfrigérateur au mode gaz :

- Ouvrez la vanne de la bouteille de gaz.

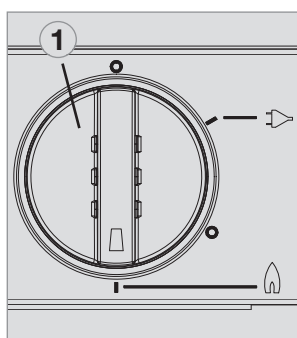


Fig. 10

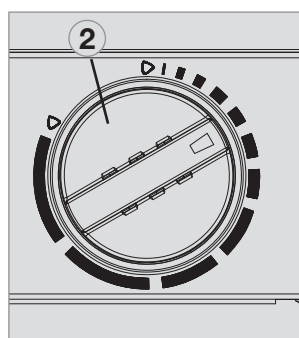


Fig. 11

1. Positionnez le commutateur rotatif de sélection (1) sur la position .



2. Tournez le régulateur de seuil de température (2) vers la droite et appuyez dessus. Tenez le régulateur enfoncé.

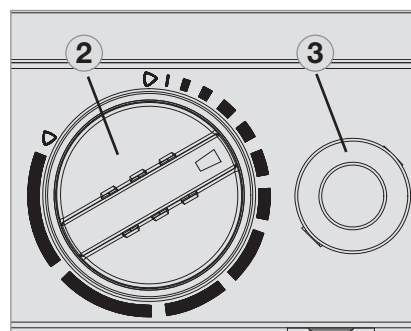


Fig. 12

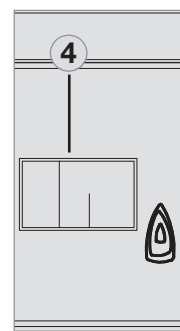


Fig. 13

3. Appuyez sur le bouton d'allumage piézo (3) à des intervalles de 1-2 seconde.
4. L'indicateur du galvanomètre (4) passe du côté vert lorsque la flamme a été allumée. Le réfrigérateur est en service. Maintenez le bouton de réglage (2) enfoncé encore env. 15 s puis relâchez-le.

5.5.4 Réglage de la température de réfrigération

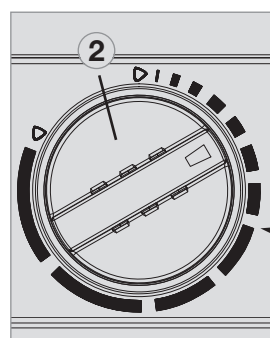


Fig. 14

À l'aide du bouton tournant (2), sélectionnez la température de la chambre frigorifique.

L'échelle commence avec la position **MIN** (barre étroite = température la plus chaude) et s'étend jusqu'à la position **MAX** (barre large = température la plus froide).

Veillez noter qu'aucune valeur de température absolue n'est affectée aux seuils de température.

5.6 Positionnement des clayettes

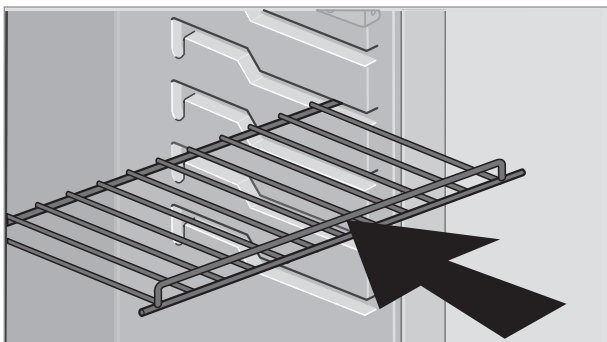


Fig. 15

Les clayettes sont facilement détachables en les soulevant légèrement de leur coulisse et peuvent être placées au choix.

5.7 Compartiment congélateur amovible

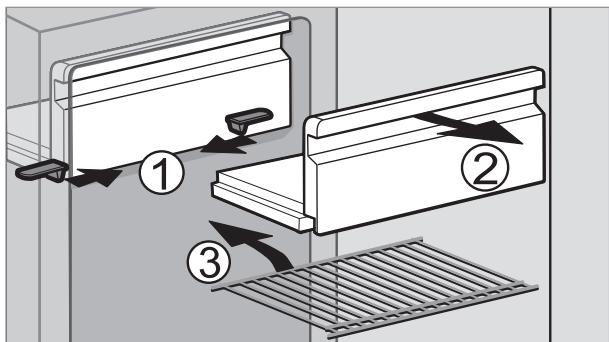


Fig. 16

Afin d'agrandir la chambre de refroidissement, le compartiment congélateur peut être enlevé

1. Déverrouillez le compartiment congélateur des deux côtés.
2. Retirez le compartiment congélateur.

Stockez le compartiment congélateur dans un endroit sûr pour éviter tout endommagement.



Si vous avez retiré le compartiment congélateur, vous pouvez ajouter une clayette supplémentaire (3.). Les clayettes sont disponibles comme équipement optionnel.

5.8 Stockage des aliments et préparation des glaçons

5.8.1 Stockage des aliments dans la chambre de réfrigération

- Mettez votre réfrigérateur en marche environ 12 heures avant de le remplir.
- Ne stockez que des denrées refroidies à l'avance. Lors des achats et du transport, veillez à ce que les denrées soient bien fraîches et refroidies. Utilisez des sacs thermo.
- Lors du retrait de denrées, veillez à refermer rapidement la porte du réfrigérateur.
- Il convient d'emballer les denrées dans des boîtes de conservation, du papier alu ou du film transparent et de les stocker séparément afin d'éviter qu'elles ne se dessèchent ou ne dégagent des odeurs.
- Laissez d'abord refroidir les denrées avant de les placer au réfrigérateur.
- Ne pas stocker de denrées contenant des gaz volatiles et inflammables dans le réfrigérateur.
- Ne pas surcharger les clayettes et compartiments pour ne pas entraver la circulation d'air interne.
- Laissez un espace d'env. 10 mm entre les denrées réfrigérées et l'évaporateur (" ailettes de refroidissement ").
- Veiller à ne pas obstruer la circulation d'air du groupe frigorifique. Les grilles d'aération ne doivent pas être recouvertes.

Importantes recommandations d'hygiène:

- Ne stockez que des denrées emballées.
- Certaines denrées particulièrement délicates doivent être stockées uniquement dans des récipients fermés.
- Ne pas déposer de couverts ou de vaisselle utilisés dans le réfrigérateur (verres, casseroles...).
- Nettoyer le réfrigérateur régulièrement à l'aide d'un chiffon doux, d'eau tiède et d'un produit détergent non agressif.
- Puis rincer le réfrigérateur à l'eau claire, et sécher consciencieusement.



Le conseil ne concerne que des produits très périssables !



Fig. 36

L'indicateur de température (A) et l'autocolant (B) indiquent **la zone fraîcheur plus**. L'indicateur montre que la température correcte est atteinte dans la zone désirée. L'affichage indique alors « **OK** » (temps de réaction à peu près 30 min.). Si l'affichage n'apparaît pas, cela indique que la température moyenne dans cette zone est trop haute. Tournez alors le bouton du thermostat de manière à faire baisser la température à l'intérieur du réfrigérateur.

Produits moins périssables (p.e. jus de fruits) peuvent être stockés à l'emplacement de votre choix.

Après avoir stocké des denrées fraîches, après avoir retiré plusieurs fois de suite des denrées du réfrigérateur ou laissé la porte ouverte ainsi que des températures extérieures de plus de 32°C, il se peut que l'affichage « OK » n'apparaisse pas ou qu'il s'éteigne.

5.8.2 Stockage des aliments dans le congélateur

- Ne conservez pas de boissons gazeuses dans le congélateur.
- Le congélateur est prévu pour la préparation des glaçons et la conservation à court terme des aliments congelés. Il n'est pas adapté à la congélation d'aliments.

Le système n'est pas conçu pour garantir une régulation uniforme de la température du congélateur si le réfrigérateur est soumis pendant une période prolongée à des températures ambiantes inférieures à +10°C. Ceci peut éventuellement entraîner une hausse de température dans le compartiment congélateur, ayant pour effet la décongélation des produits stockés à l'intérieur.

5.8.3 Compartiments du réfrigérateur

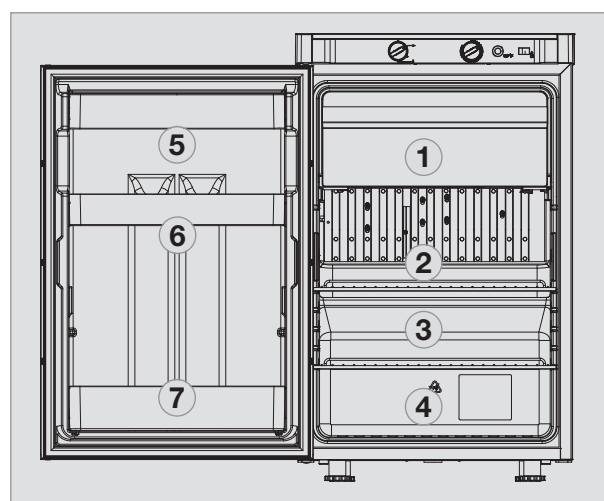


Fig. 18

- ① **Freezer :**
denrées déjà congelées (produits surgelés)
- ② **Compartiment du milieu :**
produits laitiers, plats cuisinés
- ③ **Compartiment du bas :**
viande, poisson, produits à décongeler
- ④ **Bac à légumes :**
salade, légumes, fruits
- ⑤ **Etagère de porte du haut :**
œufs, beurre
- ⑥ **Etagère de porte du milieu :**
conserves, sauces, ketchup, confiture
- ⑦ **Etagère de porte du bas (casier à bouteilles) :**
boissons en bouteilles ou en cartons

5.8.4 Préparation des glaçons

Nous vous conseillons de préparer vos glaçons la nuit. En effet, le réfrigérateur est moins chargé et le groupe frigorifique a plus de réserves.



Fig. 19

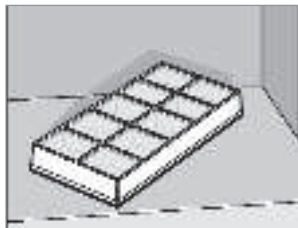


Fig. 20

1. Remplir le bac à glaçons avec de l'eau potable.
2. Placer le bac à glaçons dans le congélateur

AVERTISSEMENT!
Utiliser uniquement de l'eau potable !

5.9 Mise hors-service

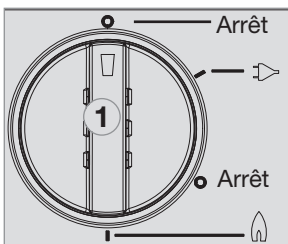


Fig. 21



Fig. 22

- Positionnez le commutateur de sélection de la source d'énergie (1) sur " Arrêt". L'appareil est déconnecté.
- Laissez la porte entreouverte afin d'éviter la formation de moisissures.
- Si le réfrigérateur est mis hors service sur une période prolongée, fermez le robinet d'arrêt à bord et la valve de bouteille à gaz.

5.10 Dégivrage

Avec le temps, du givre se forme sur les ailettes de refroidissement à l'intérieur du réfrigérateur. Le dépôt de givre peut être plus épais sur un côté, ce qui ne signifie pas qu'il y a dysfonctionnement. Lorsque la couche de givre atteint environ 3 mm, il faut dégivrer le réfrigérateur.

- Déconnectez le réfrigérateur, comme indiqué à la section 5.9, " Mise hors service ".
- Retirez tous les aliments et le bac à glaçons.
- Laissez la porte du réfrigérateur ouverte pour y laisser l'air circuler et éviter la formation de moisissures.
- Après le dégivrage, essuyez avec un chiffon sec les deux compartiments du réfrigérateur (le bac de congélation et les ailettes de refroidissement sont libérés du givre).

Remarque: L'eau de dégivrage du compartiment réfrigérateur est recueillie dans un bac collecteur, situé à l'arrière de l'appareil, d'où elle s'évapore.

ATTENTION!
Ne jamais enlever la couche de givre en utilisant la force, ni accélérer le dégivrage en utilisant une source de chaleur !

5.11 Changement de la butée de porte



S'il est nécessaire de pencher ou de coucher l'appareil sur le côté, attendez une heure avant de mettre le réfrigérateur en service. Le liquide frigorifique est de nouveau collecté dans le compartiment de réserve du groupe frigorifique. Un fonctionnement correct de l'appareil est ainsi garanti.

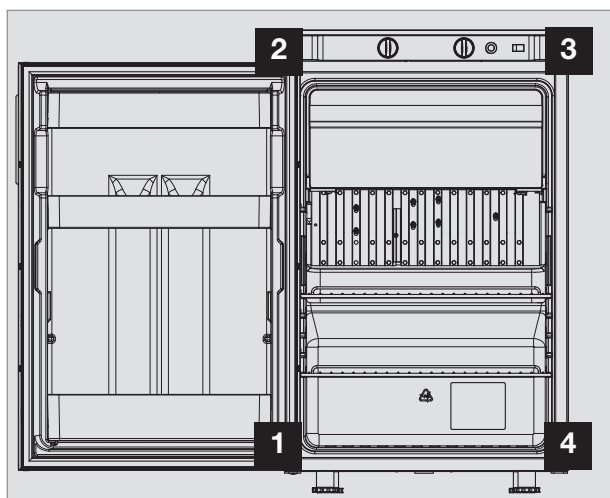


Fig. 23



Fig. 24

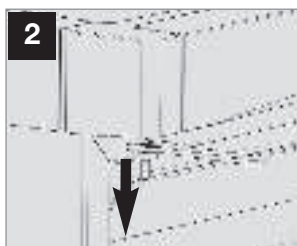


Fig. 25

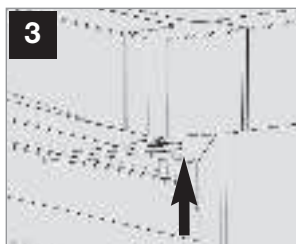


Fig. 26



Fig. 27

- Ouvrez la porte, desserrez la vis de la charnière et conservez-la.
- Retirez la porte en la tirant vers l'avant.
- Desserrez la tige de la charnière et vissez de l'autre côté.
- Déplacez la rondelle d'écartement sur la charnière basse.
- Poussez la porte dans la tige de charnière supérieure et posez-la sur la charnière inférieure.
- Serrez la vis de la charnière.
- Veillez à ce que la porte puisse être ouverte et fermée sans problèmes et que le joint d'étanchéité de la porte soit correctement posé sur le pourtour.

5.12 Changement de la plaque de décoration

- Enlevez en tirant le listeau latéral (1) de la porte (le listeau est posé sans être vissé).
- Dégagez en poussant la plaque de décoration (2) de la porte, engagez la nouvelle plaque de décoration et remettez le listeau (1) en place.

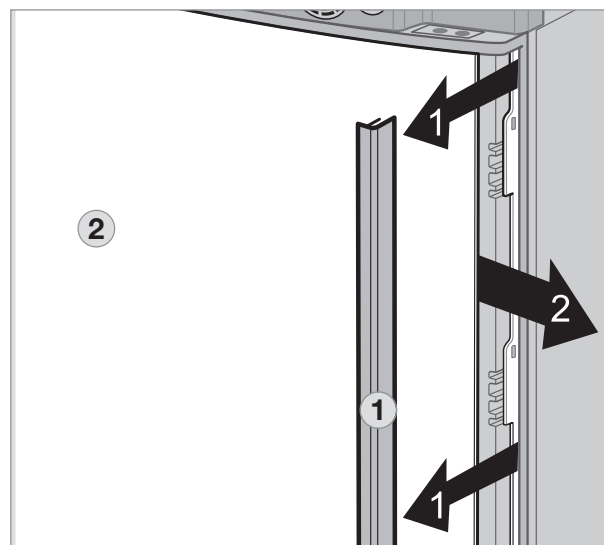


Fig. 28

Dimensions de la plaque de décoration :

Hauteur	Largeur	Epaisseur
743 +/- 0.75 mm	504 +/- 0.5 mm	min. 1.0 mm max. 1.7 mm

5.13 Conseils en cas de panne

Avant d'appeler le service après-vente agréé, veuillez vérifier si :

- les instructions à la section " Utilisation du réfrigérateur " ont été suivies correctement;
- le réfrigérateur est en position horizontale ;
- le réfrigérateur peut fonctionner avec n'importe quelle source d'énergie disponible.

Dysfonctionnement : Le réfrigérateur ne refroidit pas suffisamment.

Causes possibles	Marche à suivre
<ul style="list-style-type: none">- Le groupe frigorifique n'est pas suffisamment ventilé.- Le réglage du thermostat est trop bas.- L'évaporateur est recouvert d'une épaisse couche de glace.- Trop d'aliments chauds ont été stockés en peu de temps.- L'appareil n'est pas encore assez longtemps en service.- La température ambiante est trop élevée.	<ul style="list-style-type: none">- Vérifier si la grille d'aération d'aggrégat n'est pas couverte.- Réglez le thermostat sur une position plus élevée.- Vérifiez si la porte du réfrigérateur ferme correctement.- Laissez d'abord refroidir les aliments réchauffés avant de les mettre au réfrigérateur.- Vérifiez si la chambre de réfrigération est suffisamment froide après 4 à 5 h.- Aérer la pièce.

Dysfonctionnement : Le réfrigérateur ne fonctionne pas au mode gaz.

Causes possibles	Marche à suivre
<ul style="list-style-type: none">- La bouteille de gaz est vide.- Le dispositif d'arrêt placé en amont est-il ouvert.- La conduite contient-elle de l'air.	<ul style="list-style-type: none">- Remplacer la bouteille.- Ouvrir le dispositif d'arrêt.- Eteindre l'appareil et le rallumer. Répéter l'opération 3-4 fois si nécessaire.

Dysfonctionnement : Le réfrigérateur ne refroidit pas au mode 230V.

Causes possibles	Marche à suivre
<ul style="list-style-type: none">- Le fusible est défectueux.- Le réfrigérateur n'est pas connecté au réseau électrique.- Élément chauffant défectueux.	<ul style="list-style-type: none">- Remplacer le fusible.- Etablir la connexion au réseau électrique.- Veuillez informer votre service après-vente Dometic.

Instrucciones de uso

Frigorífico de absorción

RGE 2100

Anote los siguientes datos:

N° de modelo

N° de producto

N° de serie



N 1-1

MBA 12/2012



Índice

1.0	Aspectos generales	4
1.1	Introducción	4
1.2	Indicaciones sobre las presentes instrucciones de uso	4
1.3	Derechos de autor	4
1.4	Explicación de los símbolos utilizados	4
1.5	Garantía	5
1.6	Limitación de responsabilidad	5
1.7	Servicio de atención al cliente	5
1.8	Piezas de repuesto	5
1.9	Indicaciones medioambientales	6
1.9.1	Desguace	6
1.9.2	Consejos para ahorrar energía	6
1.10	Declaración de conformidad	6
2.0	Indicaciones de seguridad	7
2.1	Uso conforme a lo prescrito	7
2.2	Responsabilidad del usuario	7
2.3	Protección de los niños tras de desechar el aparato	7
2.4	Trabajos y comprobaciones en el frigorífico	7
2.5	Información sobre el agente refrigerante	8
2.6	Funcionamiento del frigorífico a gas	8
2.7	Indicaciones de seguridad para almacenar alimentos	9
3.0	Descripción de modelo	10
3.1	Denominación de modelo	10
3.2	Placa de características del frigorífico	10
3.3	Datos técnicos	10
3.4	Explicación del frigorífico	10
4.0	Instalación	11
4.1	Instalación y conexión	11
4.1.1	Conexión eléctrica	11
4.1.2	Instalación de la bombona de gas	11
4.1.3	Conexión de gas	12
4.2	Colocación del tirador de puerta	12
5.0	Funcionamiento del frigorífico	13
5.1	Limpieza	13
5.2	Mantenimiento	13
5.3	Funcionamiento con corriente	13
5.4	Funcionamiento con gas	13
5.5	Manejo	14
5.5.1	Explicación de los elementos de mando	14
5.5.2	Funcionamiento con corriente	15
5.5.3	Funcionamiento con gas (gas licuado)	15
5.5.4	Regulación de la temperatura del espacio frigorífico	15
5.6	Colocación de rejillas de apoyo	16
5.7	Congelador extraíble	16
5.8	Almacenamiento de alimentos y fabricación de cubitos de hielo	16
5.8.1	Almacenamiento de productos en la cámara frigorífica	16
5.8.2	Almacenamiento de productos en el congelador	16

5.8.3	Compartimentos del frigorífico	17
5.8.4	Elaboración de cubitos de hielo	17
5.9	Puesta fuera de servicio	17
5.10	Descongelamiento	18
5.11	Cambio del sentido de apertura	18
5.12	Cambio del panel de decoración	19
5.13	Cómo comportarse en caso de averías	20

Dometic GmbH
In der Steinwiese 16
D-57074 Siegen

www.dometic.com

1.0 Aspectos generales

1.1 Introducción

Al adquirir este frigorífico de absorción de **Dometic** ha hecho una excelente elección. Estamos convencidos de que su nuevo frigorífico satisfará sus exigencias en todos los aspectos. Este frigorífico, que funciona de manera silenciosa, cumple las más altas exigencias de calidad, y garantiza el uso eficaz de los recursos y la energía a lo largo de todo su ciclo vital, tanto al fabricarlo y utilizarlo, como a la hora de desecharlo.

1.2 Indicaciones sobre las presentes instrucciones de uso

Antes de poner el frigorífico en marcha, lea minuciosamente las presentes instrucciones de uso.

Estas instrucciones le brinda las indicaciones necesarias para utilizar su frigorífico correctamente. **Tenga especialmente en cuenta las indicaciones de seguridad.** Atenerse a las indicaciones y modos de proceder descritos es importante para utilizar su frigorífico de forma segura, ya que evita que sus usuarios y el propio frigorífico sufran daños. Antes de aplicar una medida deberá haber entendido las instrucciones leídas.

Guarde las instrucciones de uso cerca de su frigorífico, de modo que pueda utilizarlas en todo momento.

1.3 Derechos de autor

Los datos, textos e ilustraciones de estas instrucciones están protegidos por derechos de autor y están sujetos a los derechos de protección de propiedad industrial.

Queda prohibido reproducir, fotocopiar o utilizar de algún modo cualquier parte de estas instrucciones sin la autorización escrita de Dometic GmbH, con sede en Siegen.

1.4 Explicación de los símbolos utilizados

Advertencias

Las advertencias vienen identificadas mediante símbolos. Un texto complementario le detalla el grado de peligro existente.

Tenga en cuenta este tipo de advertencias. Al hacerlo, se protegerá, protegerá a otras personas y evitará que el aparato sufra daños.



¡PELIGRO!

PELIGRO indica una situación de peligro inmediato que puede provocar la muerte o heridas graves en caso de no aplicar las medidas indicadas.



¡ADVERTENCIA!

ADVERTENCIA indica una posible situación de peligro que puede provocar la muerte o heridas graves en caso de no aplicar las medidas indicadas.



¡PRECAUCIÓN!

PRECAUCIÓN indica una posible situación de peligro que puede provocar heridas leves o medias en caso de no aplicar las medidas indicadas.

¡PRECAUCIÓN!

PRECAUCIÓN sin el símbolo de seguridad indica una posible situación de peligro que puede provocar daños en el aparato en caso de no cumplir las instrucciones indicadas.

Información



INFORMACIÓN le proporciona datos complementarios prácticos para utilizar su frigorífico.

Indicación medioambiental



INDICACIÓN MEDIOAMBIENTAL le proporciona consejos para ahorrar energía y desechar el aparato.

1.5 Garantía

Las tramitaciones de garantía siguen la directiva europea 44/1999/CE y las condiciones prescritas en el país de venta. Para cuestiones relacionadas con la garantía o asistencia técnica, diríjase a nuestro servicio de atención al cliente. Las averías debidas a un uso indebido del aparato no están cubiertas por la garantía. Toda modificación del aparato o toda utilización de piezas de repuesto que no sean **piezas Dometic originales**, así como el no atenerse a las instrucciones de montaje y uso, provocará la rescisión de la garantía y la exclusión de los derechos de hacer efectiva una responsabilidad.

1.6 Limitación de responsabilidad

Toda la información y las indicaciones contenidas en las presentes instrucciones de uso han sido redactadas teniendo en cuenta las normas y prescripciones vigentes, así como el estado de la técnica. **Dometic** se reserva el derecho de poder realizar en todo momento modificaciones de producto que mejoren el producto y su seguridad.

Dometic no asume ninguna responsabilidad en caso de:

- Inobservancia de las instrucciones de uso
- Utilizar el aparato de forma no acorde a la prescrita
- Utilizar piezas de repuesto no originales
- Realizar modificaciones o intervenciones inadecuadas en el aparato
- Influencias de entorno, como por ejemplo
 - Cambios de temperatura
 - Humedad del aire

1.7 Servicio de atención al cliente

Podrá encontrar centros de atención al cliente autorizados llamando a los números indicados en el folleto **Red de Servicio Euro Service**, que se adjunta en todos los frigoríficos.

También podrá encontrar el servicio de atención al cliente más cercano en la página web **www.dometic.com**. ¡Al ponerse en contacto con el servicio de atención al cliente, indique siempre el modelo, el número de producto, el número de serie y, si así se requiere, el código MLC! Encontrará esta información en la placa de características del interior del frigorífico. Le recomendamos que anote dichos datos en el campo previsto para ello, en la primera página de estas instrucciones.

1.8 Piezas de repuesto

Las piezas de repuesto pueden obtenerse en nuestros centros de servicio de atención al cliente. ¡Al contactar con el servicio de atención telefónica, indique siempre el modelo y el número de producto pertinente! Encontrará esta información en la placa de características del interior del frigorífico.

1.9 Indicaciones medioambientales



El grupo frigorífico emplea amoníaco (un compuesto natural de hidrógeno y nitrógeno) como agente refrigerante. En la fabricación del aislamiento de espuma PU se utiliza ciclopentano como agente de expansión, sustancia que es inocua para la capa de ozono.

1.9.1 Desguace

Para garantizar el reciclaje de los materiales reciclables del embalaje, deberán depositarse en los lugares de recogida habituales de su ciudad. El aparato deberá ser recogido por una empresa especializada en recogida de este tipo de residuos, y deberá garantizar el reciclaje de todas las piezas posibles y la eliminación adecuada del resto de los residuos. Para vaciar de forma ecológica el agente refrigerante del grupo frigorífico de absorción, deberá emplearse un equipo de eliminación apropiado.



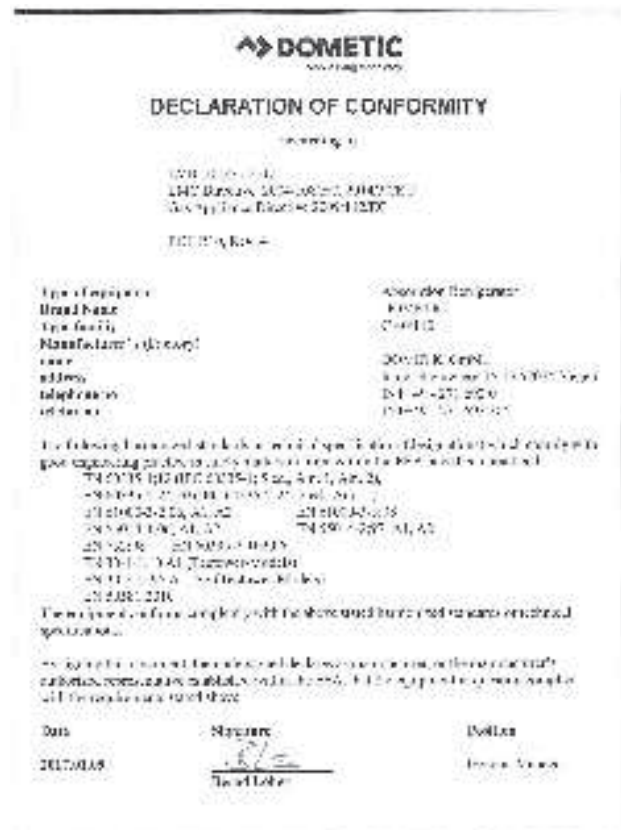
Los aparatos que lleven este símbolo deberán depositarse en los lugares locales de recogida para desechar aparatos eléctricos y electrónicos. Este producto no debe desecharse en la basura doméstica convencional. Estos frigoríficos de Dometic llevan el símbolo en la placa de características situada en el interior del aparato.

1.9.2 Consejos para ahorrar energía

- A una temperatura ambiental de 25 °C es suficiente mantener el termostato en una posición intermedia para que funcione correctamente.
- Cuando sea posible, enfríe los alimentos antes de guardarlos.
- No exponga el frigorífico directamente a los rayos solares ni a ninguna otra fuente de calor (p. ej., calefacción).
- Deberá garantizarse una buena circulación de aire del grupo frigorífico.

- Ubique las rejillas de apoyo uniformemente en el espacio frigorífico.
- No coloque demasiados productos en las rejillas de apoyo o los compartimentos para no mermar la circulación de aire interna.
- Mantenga una distancia (aprox. 10 mm) entre los productos y el evaporador interior ("aletas refrigeradoras").
- Descongelar el frigorífico regularmente ahorra energía (v. "Descongelamiento").
- A la hora de extraer productos, abra la puerta del frigorífico sólo durante un momento.
- Ponga en marcha el frigorífico unas 12 horas antes de llenarlo.

1.10 Declaración de conformidad



2.0 Indicaciones de seguridad

2.1 Uso conforme a lo prescrito

Este frigorífico está previsto para la instalación libre en recintos cerrados como cabañas de caza o de tiempo libre. El aparato ha sido verificado en su modelo de construcción de conformidad con la Directiva de gas UE 2009/142/CEE. **No es adecuado para su montaje en vehículos de carretera o embarcaciones.**

Utilice el frigorífico exclusivamente para refrigerar y almacenar alimentos.



¡ADVERTENCIA!

El frigorífico no ha sido concebido para almacenar medicamentos reglamentariamente. Si lo hace, siga las indicaciones del prospecto del medicamento.

¡PRECAUCIÓN!

El frigorífico no deberá dejarse expuesto a la lluvia.

2.2 Responsabilidad del usuario

Las personas que manejan el frigorífico deberán saber cómo utilizarlo de forma segura y conocer las indicaciones de estas instrucciones de uso.

Este aparato puede ser empleado por niños a partir de los 8 años de edad y por personas con capacidades físicas, sensoriales o mentales reducidas o carencia de experiencia y/o conocimientos, si están supervisados o son instruidos con relación al empleo seguro del mismo y hayan comprendido los peligros resultantes de ello. Los niños no deberán jugar con el aparato. La limpieza y el mantenimiento del aparato no deberá dejarse en manos de niños. [EN 60335-2-24, 7.12]

2.3 Protección de los niños tras desechar el aparato



¡ADVERTENCIA!

Desmunte todas las puertas del frigorífico a la hora de desecharlo, y deje las rejillas de apoyo en el interior del mismo. Así se evitarán los cierres involuntarios y los posibles casos de asfixia.

2.4 Trabajos y comprobaciones en el frigorífico



¡ADVERTENCIA!

Los trabajos relacionados con las áreas del gas, de la extracción de humos y los componentes eléctricos tan sólo podrán ser realizados por especialistas autorizados. Si se aplican medidas no apropiadas pueden provocarse daños materiales o personales considerables.



¡PELIGRO!



Nunca compruebe la hermeticidad del aparato en las piezas y los conductos de gas teniendo una llama ardiendo. Existe el peligro de producirse un incendio o una explosión.



¡ADVERTENCIA!

Nunca abra el grupo frigorífico de absorción. Está sometido a una gran presión.

Existe el peligro de resultar herido.

2.5 Información sobre el agente refrigerante

El agente refrigerante utilizado es amoníaco. Este es un compuesto natural contenido también en los productos de limpieza doméstica (1 litro de limpiador de cloruro amónico contiene hasta 200 g de amoníaco, más del doble de lo que contiene el frigorífico). El cromato sódico se utiliza como protector anticorrosivo (1,8% del peso del disolvente).

En caso de que se produzca alguna fuga (algo fácilmente reconocible debido al fuerte olor):

- Desconecte el aparato.
- Airee bien la habitación.
- Informe al servicio de atención al cliente autorizado.



Para su seguridad, se ha realizado una inspección de que no existe ningún riesgo para su salud en caso de que se produzca un escape del agente refrigerante.

2.6 Funcionamiento del frigorífico a gas

La presión de funcionamiento deberá corresponderse obligatoriamente con los datos registrados en la placa de características del frigorífico. Compare los datos de la presión de trabajo de la placa de características con los del indicador de presión en el cilindro de gas licuado.

El frigorífico funciona con las presiones de entrada y los gases citados a continuación. Los reductores de presión que deben instalarse entre la bombona de gas y el frigorífico deberán ser de una de las categorías indicadas en las siguientes tablas.

Presión de conexión y categorías de gas

Categoría	Presión en mbar	GAS
I3B / P(30)	30	Butano
	30	Propano
I3+ (28-30/37)	28-30	Butano
	37	Propano
I3B/P(50)	50	Butano
I3B/P(50)	50	Propano

En caso de detectar olor a gas:

- Abra todas las ventanas y abandone ese espacio.
- No encienda ningún dispositivo eléctrico y evite utilizar llamas abiertas.
- Cierre la válvula de la bombona de gas y manténgala cerrada hasta haber reparado la avería.
- Consulte a un especialista autorizado*.

* Especialista autorizado

Los especialistas autorizados son expertos reconocidos, que debido a su formación o a sus conocimientos pueden garantizar que la comprobación ha sido realizado correctamente.

2.7 Indicaciones de seguridad para almacenar alimentos

Los aparatos frigoríficos de todas las clases no pueden mejorar la calidad de los alimentos. Tan sólo pueden mantener la calidad de los alimentos del momento en el que han sido almacenados durante un tiempo breve.

Tenga en cuenta las siguientes condiciones especiales a la hora de guardar alimentos en un frigorífico:

- Cambio de las condiciones ambientales, como por ejemplo cambios de temperatura
- Elevada temperatura ambiente
- Frigorífico instalado detrás de una ventana y expuesto a la radiación solar directa
- Almacenamiento demasiado rápido de productos poco después de la puesta en marcha del aparato.

Bajo estas condiciones especiales, el frigorífico no podrá garantizar las temperaturas necesarias para los alimentos perecederos.

Entre los alimentos rápidamente perecederos se encuentran todos los productos con fecha de caducidad impresa y una temperatura de almacenamiento mínima de +4 °C o inferior, especialmente carnes, aves, pescados, embutidos y platos precocinados.

- Envase los productos cocinados y crudos por separado (p. ej., envases, papel de aluminio o similar).
- Retire los envoltorios de los envases individuales sólo cuando todos los datos necesarios, como por ejemplo la fecha de caducidad, también puedan leerse en el envase individual.
- No deje los productos refrigerados fuera del frigorífico durante mucho tiempo.
- Coloque los alimentos con la fecha de caducidad más próxima en la parte delantera del frigorífico.
- Vuelva a empaquetar los excedentes y consúmalos lo antes posible.

- Lávese las manos antes y después de tocar alimentos.
- Limpie con regularidad el interior del frigorífico.

Siga las indicaciones y descripciones sobre la fecha de caducidad escritas en los envases de los productos.

Tenga en cuenta el apartado “5.1 Limpieza” de las presentes instrucciones.

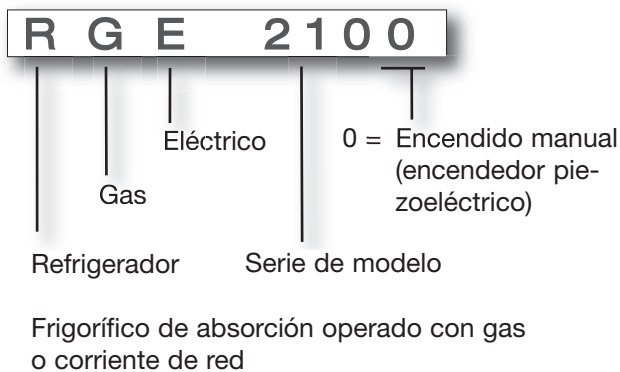


Las condiciones del entorno influyen en el rendimiento del grupo frigorífico. Seleccione con temperaturas ambiente entre +15°C y +25°C la posición media (ver “Ajuste de la temperatura de la cámara de enfriamiento”). El grupo trabaja en el margen de rendimiento óptimo.

Los frigoríficos de Dometic funcionan siguiendo el principio de la absorción. Por motivos físicos, los sistemas de absorción reaccionan lentamente a las modificaciones del termostato, a la pérdida de frío debida a la apertura de la puerta o al almacenamiento de productos. Los frigoríficos cumplen las exigencias de rendimiento de la clase SN según EN/ISO 7371 en el margen de temperatura ambiente de +10 °C a +32 °C.

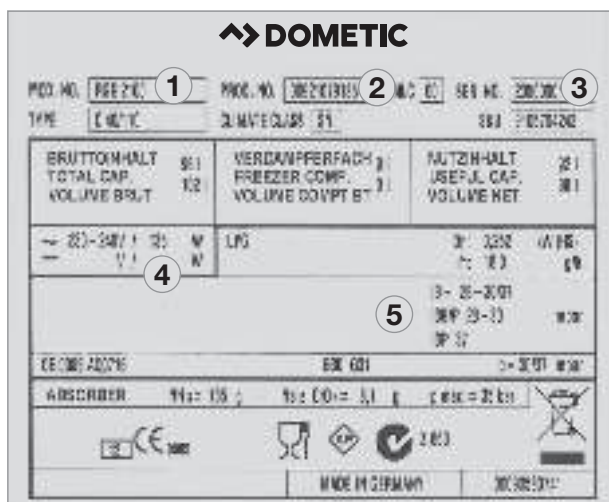
3.0 Descripción de modelo

3.1 Denominación de modelo



3.2 Placa de características del frigorífico

En el interior del frigorífico encontrará la placa de características. Esta contiene todas las indicaciones importantes sobre el frigorífico. Allí podrá leer la denominación de modelo, el número de producto y el número de serie. Necesitará estos datos a la hora de contactar con el servicio de atención al cliente o a la hora de pedir piezas de repuesto.



Ejemplo

Fig. 1

- 1 N° de modelo
- 2 N° de producto
- 3 N° de serie
- 4 Valores de la potencia conectada
- 5 Presión de gas

3.3 Datos técnicos

Volumen bruto (litros)	96
Congelador (litros)	9
Volumen bruto (compartimiento congelador extraído).....	102
Dimensiones (mm)	
(H x A x P)	859x531x558
Potencia de conexión (W)	135
Consumo de gas	
g / 24h*	270
Consumo de corriente	
kWh / 24h*	2.5
Peso neto (kg)	32.2
Ignición de gas	Enc. piezoeléctrico
Instalación independiente	

Reservado el derecho de realizar modificaciones técnicas.

* Consumo medio medido a una temperatura ambiental media de 25 °C según en estándar ISO.

3.4 Explicación del frigorífico

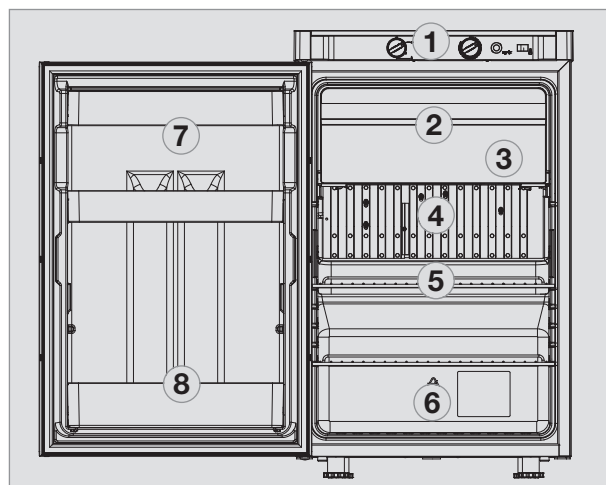


Fig. 2

- 1 Elementos de manejo
- 2 Congelador (extraíble)
- 3 Rejilla de apoyo (opcional, utilizable cuando se ha extraído el congelador)
- 4 Evaporador interior para cámara frigorífica
- 5 Ranura de evacuación de agua de condensación
- 6 Cajón para verduras
- 7 Nivel superior con elemento rebatible
- 8 Nivel inferior con soporte para botellas

4.0 Instalación

4.1 Instalación y conexión

Este frigorífico ha sido verificado y está homologado para su empleo en recintos cerrados. Durante la instalación del aparato observe los siguientes puntos:

- El recinto de instalación debe disponer de un volumen mínimo de **20 m³**, estar bien ventilado y disponer de una ventana o una puerta que pueda ser abierta al aire libre.
- El frigorífico debe ser instalado independiente, esto es, con una distancia mínima de **50 mm** (lateralmente) a paredes o armarios colindantes (**¡sin incorporación!**).
- La distancia a las instalaciones que se encuentren sobre él (armarios, etc.) debe ser como mínimo de **100 mm**.
- Coloque el aparato nivelado horizontalmente sobre un sustrato firme.
- El frigorífico no puede estar expuesto a la radiación térmica de objetos calientes (p.ej. cocina, calefacción).
- El grupo de refrigeración sobre el lado posterior (debajo de la cubierta) debe ser bien ventilado permanentemente. No cubra el grupo (p.ej. toallas, cortinas).
- ¡Una ventilación deficiente conduce a mermas en las prestaciones de enfriamiento!
- Instale el frigorífico protegido contra salpicaduras de agua. Observe que antes y durante la instalación el aparato no esté expuesto a la lluvia.

4.1.1 Conexión eléctrica

- El suministro de tensión debe coincidir con el valor indicado en la placa de características. En caso de desviación de valores el aparato puede ser dañado.

- El suministro de tensión del aparato para el servicio eléctrico debe ser realizado a través de una caja de enchufe reglamentaria con puesta a tierra.
- Se debe disponer de un interruptor térmico en la línea.
- El cable de red debe ser accesible en todo momento y no puede entrar en contacto con componentes calientes del grupo / quemador.

¡PRECAUCIÓN!

La clavija de red debe tener libre acceso.



¡PRECAUCIÓN!

Cuando se daña el conductor de conexión este debe ser sustituido por el servicio de atención al cliente de Dometic o asimismo personal cualificado para evitar peligros.

4.1.2 Instalación de la bombona de gas

- Las bombonas de gas deben estar instaladas en pie.
- Instale la bombona de gas en un lugar bien ventilado.
- Instale la bombona de gas de tal manera que en caso de un incendio sea fácilmente identificable.
- La distancia máxima de la bombona de gas al aparato no puede superar 1,5 m.
- Solo pueden emplearse tipos de bombonas e instalaciones de regulación de presión homologadas en los correspondientes países.

4.1.3 Conexión de gas

El frigorífico está previsto exclusivamente para el servicio con gas licuado como propano / butano. ¡No utilice bajo ningún concepto gas de ciudad, gas natural o gas para automoción!

- La conexión reglamentaria del frigorífico debe ser realizada a través de un profesional habilitado de acuerdo a las reglamentaciones técnicas para gas licuado.
- Se deben observar las normas nacionales vigentes para el empleo de aparatos operados con gas licuado.
 - Reglamentaciones técnicas EN 732
- En el tubo de alimentación al aparato debe estar instalado un regulador de presión **(1)**, fig. 3, (reductor de presión) fijamente ajustado. El frigorífico no puede ser operado con otra presión que la indicada sobre la placa de características.
- El frigorífico tiene que ser conectado a la bombona de gas con un conductor flexible de seguridad.
- Seleccione una longitud suficiente para conectar el conductor flexible sin acodamientos. El conductor flexible no puede tener una longitud mayor a 1,5 m.
- La conexión de gas al aparato se realiza mediante una conexión roscada de anillo cortante (Ermeto) L8, según EN 1949.
- El conductor flexible debe ser sustituido en los intervalos de tiempo previstos de acuerdo a las disposiciones nacionales correspondiente.
- Tras la conexión a la bombona de gas se debe realizar una comprobación de hermeticidad en todas las conexiones así como una prueba de llama del quemador. Para la comprobación de la hermeticidad emplee un spray de búsqueda de fugas o un agente generador de espuma. Compruebe la presencia de eventuales burbujas en los puntos de unión tras la apertura de la válvula de la bombona.

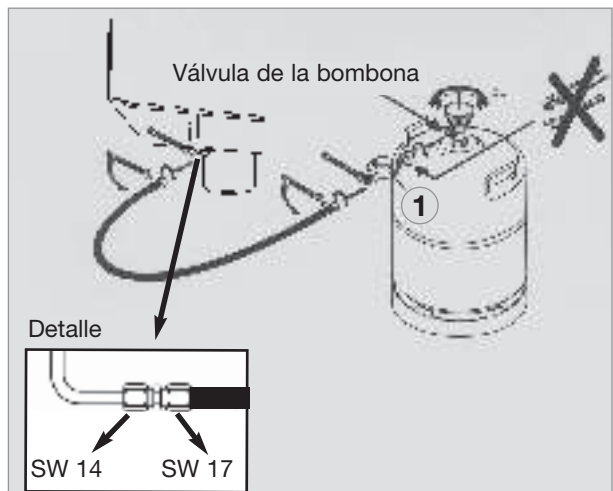
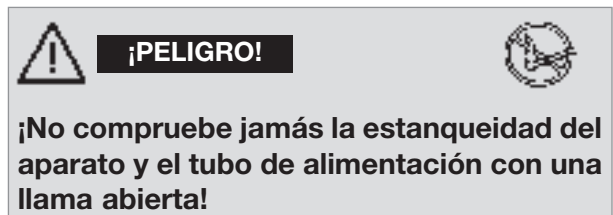


Fig. 3

4.2 Colocación del tirador de puerta

1. Puntos de fijación: Utilice la **plantilla (1)** a escala (véase punto "anexo")
2. Alinear el tirador a la puerta y atornillarlo.

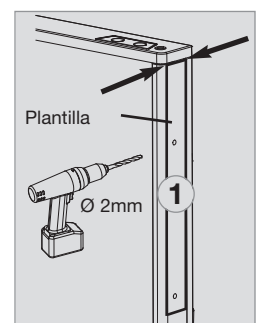


Fig. 4

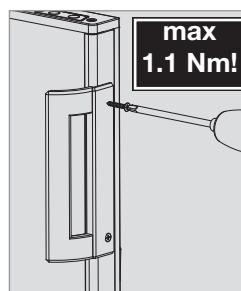


Fig. 5

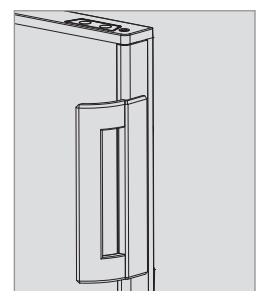


Fig. 6

3. Colocar la cubierta y presionarla firmemente.

5.0 Funcionamiento del frigorífico

El frigorífico puede funcionar con dos tipos de energía:

- **Tensión de alimentación (230 V)**
- **Gas (gas licuado propano/butano)**

El tipo de energía deseado se selecciona por medio del **conmutador de selección de energía** (Fig. 7).



El grupo frigorífico trabaja de forma silenciosa.

En la primera puesta en marcha del aparato pueden producirse olores que desaparecerán una vez transcurridas algunas horas. Airee bien la habitación.

Aproximadamente una hora tras la conexión se debe enfriar el compartimento congelador del frigorífico. El frigorífico alcanza su temperatura de servicio tras algunas horas.

5.1 Limpieza

Antes de utilizar el frigorífico por vez primera, es recomendable limpiar el aparato por dentro, y volverlo a hacer regularmente.

Utilice un paño suave y agua templada con un detergente suave. A continuación, lave el aparato con agua limpia y séquelo completamente.

Para evitar alteraciones en los materiales, no utilice jabones ni detergentes abrasivos, granulados o con contenido de sosa cáustica. No permita que la junta hermética de la puerta entre en contacto con aceite o grasa.

5.2 Mantenimiento



¡ADVERTENCIA!

Los trabajos relacionados con las áreas del gas, de la extracción de humos y los componentes eléctricos tan sólo podrán ser realizados por especialistas autorizados.

- El quemador de gas deberá ser limpiado en caso pertinente, en todo caso al menos una vez al año. Guarde cuidadosamente los comprobantes de los trabajos de mantenimiento realizados en su frigorífico.
- Recomendamos un mantenimiento tras una puesta fuera de servicio prolongada. Para hacerlo, dirijase a nuestro servicio de atención al cliente

5.3 Funcionamiento con corriente

¡PRECAUCIÓN!

Seleccione este modo de servicio únicamente cuando el suministro de tensión de la conexión de corriente coincide con el valor indicado en la placa de características. En caso de desviación de valores el aparato puede ser dañado.

5.4 Funcionamiento con gas

- El frigorífico funciona con gas licuado (propano, butano) (NO con gas natural ni gas ciudad).
- A una altitud de aprox. 1000 m NN pueden producirse fallos al encender el gas por motivos físicos (**¡no se trata de un fallo funcional!**).
- En la primera puesta en marcha, así como tras sustituir la bombona de gas, los tubos de gas pueden contener aire. Mediante una breve puesta en marcha del frigorífico se purgan los tubos de gas. Entonces, el gas se encenderá sin retardo.
- Todos los frigoríficos están equipados con un dispositivo de seguridad de la llama que corta automáticamente el suministro de gas a los 30 segundos de apagarse la llama.

5.5 Manejo

5.5.1 Explicación de los elementos de mando

Selección manual de energía / encendido manual con encendedor piezoeléctrico:

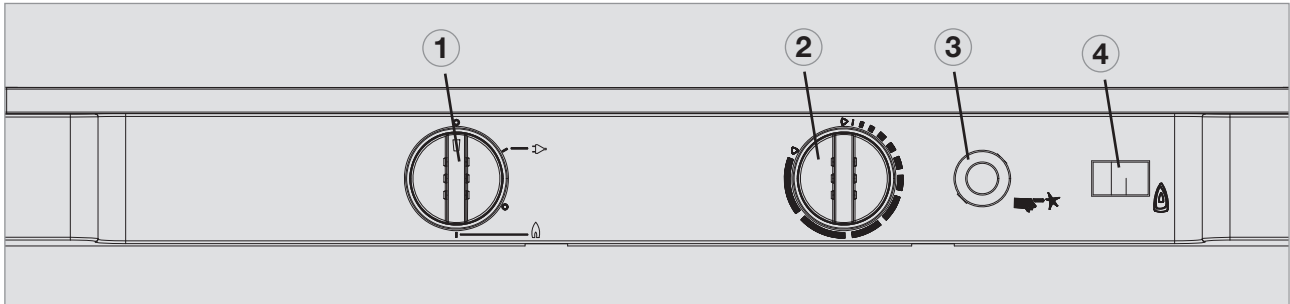


Fig. 7

- 1 = Conector / conmutador de selección de energía
- 2 = Termostato
- 3 = Encendedor piezoeléctrico para servicio de gas
- 4 = Indicador de llama (galvanómetro)

Nota explicativa

El tipo de energía deseado se selecciona girando el conmutador de selección de energía (1). El conmutador de selección de energía (1) tiene cuatro posiciones:

- Desconectado (2)
- Tensión de alimentación (230V~) (3)
- Desconectado (4)
- Gas (gas licuado propano/butano) (5)

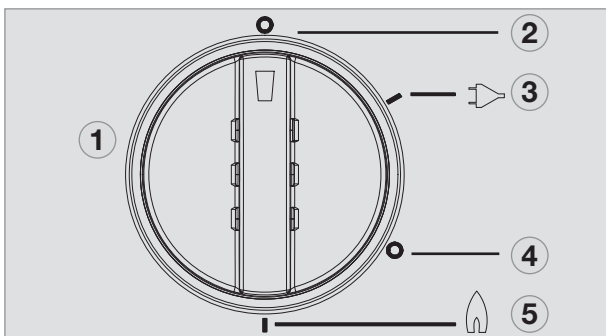


Fig. 8

5.5.2 Funcionamiento con corriente

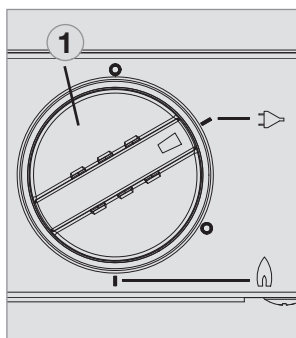
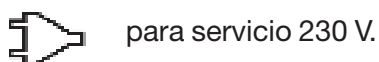


Fig. 9

Para conectar el aparato, gire el conmutador de selección de energía **(1)** hacia la derecha, a la posición:



5.5.3 Funcionamiento con gas (gas licuado)

Antes de poner el frigorífico en funcionamiento en el modo de gas:

- Abra la válvula de la bombona de gas.

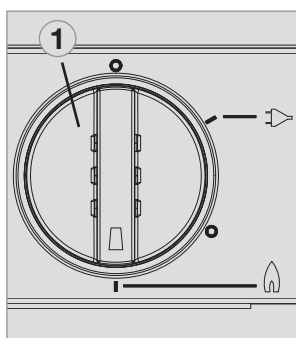


Fig. 10

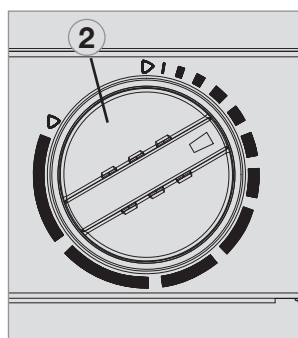
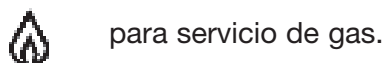


Fig. 11

1. Ponga el conmutador giratorio **(1)** en la posición:



2. Gire el regulador del termostato **(2)** hacia la derecha y púlselo hacia dentro. Mantenga el regulador oprimido.

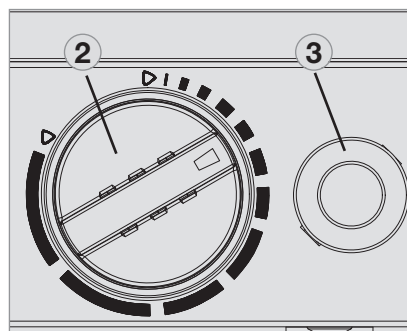


Fig. 12

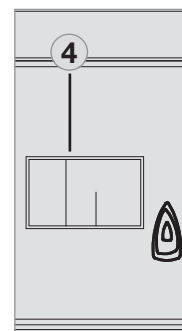


Fig. 13

3. Oprima el botón de accionamiento **(3)** varias veces con un intervalo de 1 - 2 segundos.
4. El indicador del galvanómetro **(4)** pasa a la zona verde cuando la llama se ha encendido. Mantenga el botón giratorio **(2)** pulsado durante unos 15 seg. más y después suéltelo. El frigorífico está en funcionamiento.

5.5.4 Regulación de la temperatura del espacio frigorífico

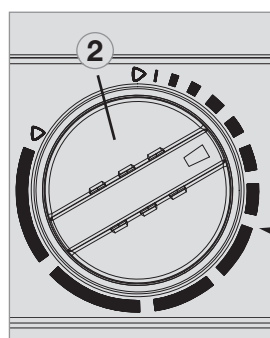


Fig. 14

Posición media

Mediante el botón giratorio **(2)**, usted puede seleccionar la temperatura de la cámara frigorífica.

La escala comienza con la posición **MIN** (barras cortas = temperatura más elevada) y llega hasta la posición **MAX** (barras largas = temperatura más baja).

Tenga en cuenta que los grados de temperatura no llevan asignados valores de temperatura absolutos.

5.6 Colocación de rejillas de apoyo

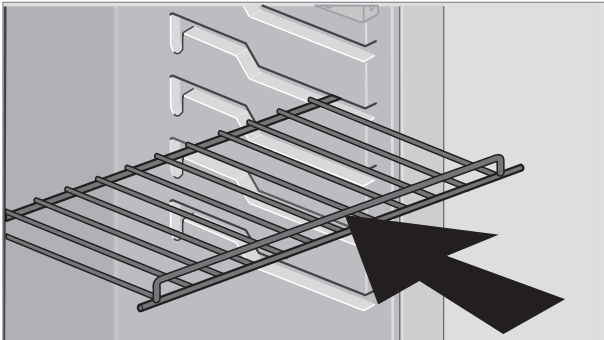


Fig. 15

Las rejillas de apoyo pueden extraerse tirando de ellas ligeramente hacia arriba sacándolas de la guía y pueden colocarse a su gusto.

5.7 Congelador extraíble

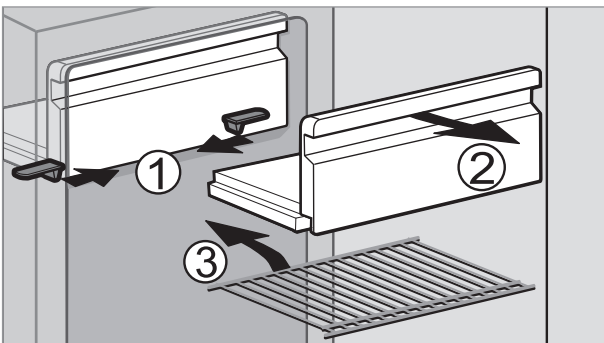


Fig. 16

Para ampliar la cámara frigorífica, puede extraerse el congelador.

1. Desbloquee el congelador por ambos lados.
2. Extraiga el congelador.

Guarde el congelador con cuidado para evitar posibles daños.



Al retirar el congelador, podrá insertar una rejilla de apoyo adicional (3). Las rejillas de apoyo pueden ser adquiridas como equipamiento especial.

5.8 Almacenamiento de alimentos y elaboración de cubitos de hielo

5.8.1 Almacenamiento de productos en la cámara frigorífica

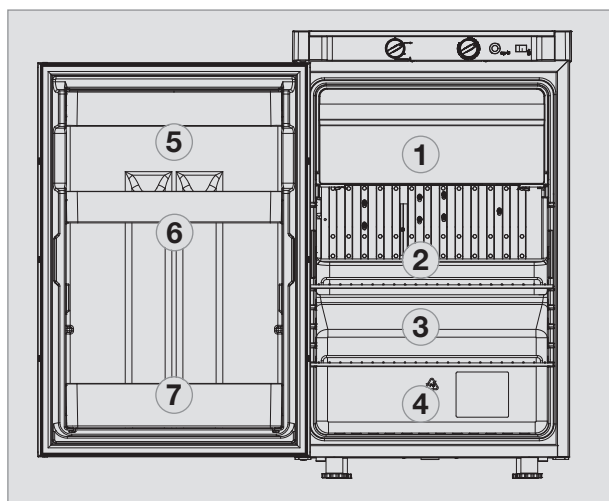
- Ponga en marcha el frigorífico unas 12 horas antes de llenarlo.
- Almacene siempre productos pre refrigerados. A la hora de comprar y transportar los alimentos, asegúrese de que los productos estén bien refrigerados. Utilice bolsas térmicas.
- A la hora de extraer productos, abra la puerta del frigorífico sólo durante un momento.
- Los productos deberán guardarse individualmente en envases, a ser posible en paquetes cerrados, con papel de aluminio o similar, para así evitar que se sequen y generen olores.
- Nunca guarde alimentos calientes en el frigorífico, deje que se enfríen antes de hacerlo.
- Los productos que puedan emitir gases volátiles y combustibles no deberán guardarse en el frigorífico.
- No coloque demasiados productos en las rejillas de apoyo o los compartimentos para no mermar la circulación de aire interna.
- Mantenga una distancia (aprox. 10 mm) entre los productos y el evaporador interior ("aletas refrigeradoras").
- Deberá garantizarse una buena circulación de aire del grupo frigorífico. Las aberturas de ventilación no pueden estar cubiertas.

5.8.2 Almacenamiento de productos en el congelador

- No conserve bebidas con gas carbónico añadido en el congelador.
- El congelador ha sido concebido para producir cubitos de hielo y para guardar alimentos congelados durante un breve período de tiempo. No es apto para congelar alimentos.

En caso de registrarse temperaturas ambientales inferiores a +10 °C, por motivos técnicos no puede garantizarse una regulación homogénea de la temperatura del congelador, si el frigorífico queda expuesto a estas temperaturas durante largo tiempo. Esto podría provocar un posible aumento de temperatura en el congelador y la descongelación de los productos almacenados en él.

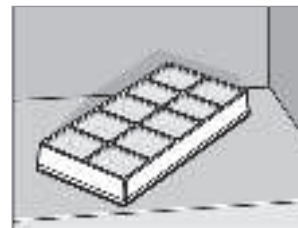
5.8.3 Compartimentos del frigorífico



- 1 **Congelador:**
productos ya congelados (productos ultracongelados)
- 2 **Compartimento medio:**
productos lácteos, platos preparados
- 3 **Compartimento inferior:**
carne, pescado, productos para descongelar
- 4 **Compartimento para verduras:**
lechuga, verdura, fruta
- 5 **Bandeja superior de puerta:**
huevos, mantequilla
- 6 **Bandeja media de puerta:**
latas, salsas, ketchup, mermelada
- 7 **Bandeja baja de puerta (compartimento para bebidas):**
bebidas embotelladas o en paquetes

5.8.4 Elaboración de cubitos de hielo

El mejor momento para congelar cubitos de hielo es por la noche. Por las noches, el frigorífico trabaja menos y el grupo frigorífico tiene más reservas.



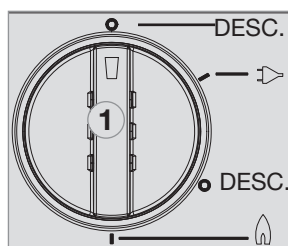
1. Llene la cubitera con agua potable.
2. Colóquela en el congelador.



¡ADVERTENCIA!

¡Utilice solo agua potable!

5.9 Puesta fuera de servicio



- Ponga el conmutador de selección de energía (1) en la posición "DESC.". El aparato está desconectado..
- Deje ligeramente abierta la puerta para evitar la formación de moho en el aparato.
- Si el frigorífico se desconecta por un largo período de tiempo, cierre la válvula de cierre y la válvula de la bombona.

5.10 Descongelamiento

Con el tiempo se forma escarcha sobre las aletas refrigeradoras en el interior del frigorífico. Es posible que se forme más escarcha en un lado; esto no significa que algo no funciona correctamente. Cuando esta capa de escarcha sea de unos 3 mm, deberá descongelar el frigorífico.

- Desconecte el frigorífico tal y como se describe en el punto 5.9 *Puesta fuera de servicio*.
- Saque todos los alimentos y la cubitera.
- Deje abierta la puerta del frigorífico para que pueda entrar el aire y así evitar que se forme moho.
- Seque con un paño ambos compartimientos congeladores tras la descongelación (compartimiento congelador y aletas de refrigeración están libres de escarcha).

Nota: El agua derretida del compartimiento frigorífica principal cae a un depósito recogedor situado en el lado posterior del aparato. En él, el agua se evapora.

¡PRECAUCIÓN!

¡Jamás deberá retirar la capa de escarcha de forma violenta ni tampoco acelerar el proceso de descongelación aplicando un elemento calefactor!

5.11 Cambio del sentido de apertura



En caso de ser necesario, inclinar o volcar el frigorífico sobre un lado, aguarde una hora antes de que el frigorífico sea puesto en servicio. El agente refrigerante se acumula nuevamente en el recipiente de reserva del grupo refrigerador. De esta manera está garantizado el servicio correcto del frigorífico.

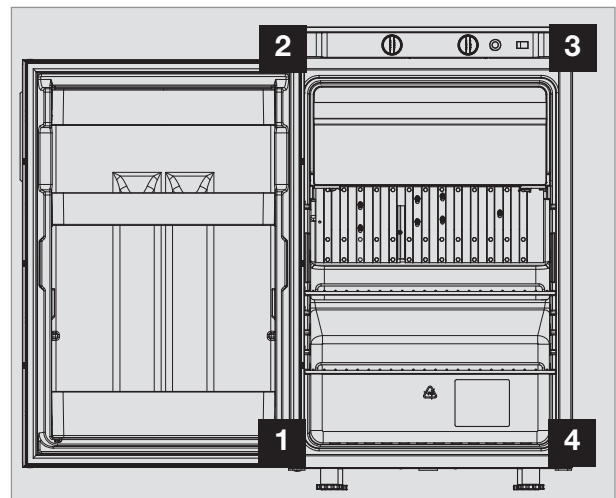


Fig. 23



Fig. 24

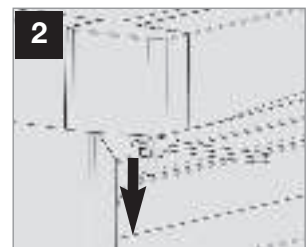


Fig. 25

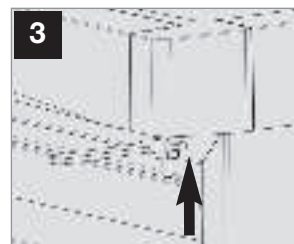


Fig. 26



Fig. 27

- Abrir la puerta, soltar el tornillo de la bisagra y conservarlo.
- Quitar la puerta hacia delante.
- Desenroscar el perno de la bisagra y enroscarlo del lado opuesto.
- Trasladar la arandela distanciadora sobre la bisagra inferior.
- Deslizar la puerta dentro del perno superior de la bisagra superior y asentarla sobre la bisagra inferior.
- Enroscar el tornillo de la bisagra.
- Observe que la puerta presente una movilidad libre y que la junta de la misma apoye en todo su entorno.

5.12 Cambio del panel de decoración

- Retire el listón lateral (1) de la puerta (el listón está encajado, no atornillado).
- Deslice el panel de decoración (2) en la puerta y vuelva a colocar el listón (1).

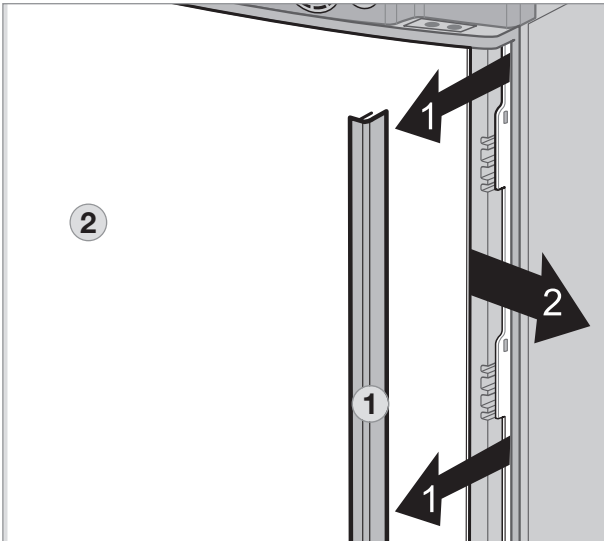


Fig. 28

Dimensiones del panel de decoración:

altura	ancho	grosor
743 +/- 0,75 mm	504 +/- 0,5 mm	min. 1,0 mm
		máx. 1,7 mm

5.13 Cómo comportarse en caso de averías

Antes de informar al servicio de atención al cliente autorizado, compruebe

- si las indicaciones del apartado “Manejo del frigorífico” se han seguido correctamente,
- si el frigorífico está nivelado,
- si es posible poner el frigorífico en marcha con alguno de los tipos de energía disponibles.

Avería: El frigorífico no enfría lo suficiente.

Posible causa	Ayuda
<ul style="list-style-type: none"> - La ventilación del grupo frigorífico no es suficiente. - El termostato está ajustado demasiado bajo. - El evaporador interior está fuertemente congelado. - Se han almacenado demasiados alimentos calientes en un corto período de tiempo. - El aparato no lleva mucho tiempo en marcha. - Las temperaturas del entorno son demasiado elevadas. 	<ul style="list-style-type: none"> - Compruebe si la rejilla de ventilación del grupo no está cubierta. - Ponga el regulador del termostato en una posición más alta. - Compruebe si la puerta del frigorífico se cierra correctamente. - Deje enfriar los alimentos calentados antes de meterlos en el frigorífico. - Tras 4 a 5 horas, compruebe si la cámara frigorífica enfría correctamente. - Airee bien la habitación.

Avería: El frigorífico no funciona en el modo de gas.

Posible causa	Ayuda
<ul style="list-style-type: none"> - La bombona de gas está vacía. - El dispositivo de bloqueo preconectado está cerrado. - Hay aire en la tubería. 	<ul style="list-style-type: none"> - Remplace la bombona. - Abra el mecanismo de cierre. - Desconectar el aparato y conectarlo de nuevo. Repetir el proceso 3 a 4 veces en caso de que sea necesario.

Avería: El frigorífico no refrigera en el modo de 230 V.

Posible causa	Ayuda
<ul style="list-style-type: none"> - Fusible defectuoso. - Suministro de red no conectado. - Elemento calentador defectuoso. 	<ul style="list-style-type: none"> - Coloque un nuevo fusible. - Conéctelo a la red. - Diríjase al servicio de atención al cliente de Dometic.

Istruzioni per l'uso

Frigorifero ad assorbimento

RGE 2100

Prendere nota dei seguenti dati :

Numero di modello
Numero di prodotto
Numero di serie



N 1

MBA 10/2015



Sommario

1.0	Generalità	4
1.1	Introduzione	4
1.2	Avvertenze relative a queste istruzioni per l'uso	4
1.3	Tutela dei diritti d'autore	4
1.4	Spiegazione dei simboli utilizzati	4
1.5	Garanzia	5
1.6	Limitazione della responsabilità	5
1.7	Servizio Clienti	5
1.8	Pezzi di ricambio	6
1.9	Consigli sull'ambiente	6
1.9.1	Rottamazione	11
1.9.2	Consigli sul risparmio energetico	11
1.10	Dichiarazione di conformità	6
2.0	Norme di sicurezza	7
2.1	Uso conforme alle norme	7
2.2	Responsabilità dell'utente	7
2.3	Protezione dei bambini per lo smaltimento dell'apparecchio	7
2.4	Lavori e controlli sul frigorifero	7
2.5	Informazioni sul refrigerante	8
2.6	Funzionamento del frigorifero a gas	8
2.7	Norme di sicurezza per conservare i prodotti alimentari	9
3.0	Descrizione del modello	10
3.1	Nome del modello	10
3.2	Targhetta indicatrice del frigorifero	10
3.3	Dati tecnici	10
3.4	Spiegazione del frigorifero	10
4.0	Installazione	11
4.1	Installazione e allacciamento	11
4.1.1	Collegamento elettrica	11
4.1.2	Installazione della bombola di gas	11
4.1.3	Installazione a gas	12
4.2	Montare la maniglia della porta	12
5.0	Funzionamento del frigorifero	13
5.1	Pulizia	13
5.2	Manutenzione	13
5.3	Funzionamento con corrente elettrica	13
5.4	Funzionamento a gas	13
5.5	Funzionamento	14
5.5.1	Spiegazione degli elementi di comando	14
5.5.2	Funzionamento con corrente elettrica	15
5.5.3	Funzionamento a gas (liquido)	15
5.5.4	Regolazione della temperatura nel vano frigorifero	15
5.6	Sistemare i ripiani	16
5.7	Scomparto surgelati estraibile	16
5.8	Sistemazione degli alimenti in frigorifero e preparazione dei cubetti di ghiaccio	16
5.8.1	Conservare gli alimenti nel vano frigorifero	16

5.8.2	Conservazione di alimenti nel comparto del congelatore	16
5.8.3	Scomparti frigorifero	17
5.8.3	Produzione di cubetti di ghiaccio	17
5.9	Messa fuori servizio	17
5.10	Sbrinamento	18
5.11	Cambio riscontro dello sportello	18
5.12	Sostituzione della placca decorativa	19
5.13	Risoluzione dei problemi	20

Dometic GmbH
In der Steinwiese 16
D-57074 Siegen

www.dometic.com

1.0 Generalità

1.1 Introduzione

Con questo frigorifero ad assorbimento della **Dometic** avete fatto una buona scelta. Siamo sicuri che sarete completamente soddisfatti del vostro nuovo frigorifero, sotto tutti i punti di vista. Il frigorifero, che funziona silenziosamente, è prodotto in base a standard di alta qualità e garantisce un efficiente utilizzo delle risorse e dell'energia elettrica per tutta la durata del suo ciclo vitale, durante la produzione, durante l'uso e quando viene rottamato.

1.2 Avvertenze relative a queste istruzioni per l'uso

Prima di mettere in funzione il frigorifero, leggere attentamente queste istruzioni per l'uso.

Queste istruzioni vi forniscono le necessarie indicazioni per l'uso corretto del vostro frigorifero. **Fate particolarmente attenzione alle norme di sicurezza.** L'osservanza delle avvertenze e delle istruzioni sul modo di procedere è importante per l'impiego sicuro del vostro frigorifero e per proteggere da danni voi e il frigorifero. Per poter attuare un provvedimento è necessario aver capito quanto è stato letto.

Conservate accuratamente queste istruzioni per l'uso accanto al frigorifero in modo da poterle utilizzare in qualsiasi momento.

1.3 Tutela dei diritti d'autore

Dati, testi e illustrazioni di queste istruzioni d'uso sono protetti dai diritti d'autore e sono soggetti ai diritti di protezione industriale. Nessuna parte di queste istruzioni può essere riprodotta, copiata o altrimenti utilizzata senza l'autorizzazione della Dometic GmbH, Siegen.

1.4 Spiegazione dei simboli utilizzati

Avvertenze

Le avvertenze sono contrassegnate da simboli. Un testo integrativo vi spiega il grado di pericolo.

Osservate molto accuratamente questi segnali di avvertimento. In questo modo potete proteggere da danni voi, altre persone e l'apparecchio.



PERICOLO!

PERICOLO questo simbolo indica una situazione immediata di pericolo che può causare la morte o ferite gravi in caso di mancata osservanza delle istruzioni date.



AVVERTIMENTO!

AVVERTIMENTO questo simbolo indica una situazione potenziale di pericolo che può causare la morte o ferite gravi in caso di mancata osservanza delle istruzioni date.



ATTENZIONE!

ATTENZIONE questo simbolo indica una situazione potenziale di pericolo che, può causare ferite leggere o di media gravità in caso di mancata osservanza delle istruzioni date.

ATTENZIONE!

ATTENZIONE questo simbolo indica una situazione potenziale di pericolo che, può causare ferite leggere o di media gravità in caso di mancata osservanza delle istruzioni date.

Informazioni



INFORMAZIONE questo simbolo vi fornisce ulteriori e utili indicazioni sul modo di procedere con il vostro frigorifero

Indicazione per l'ambiente



INDICAZIONE PER L'AMBIENTE questo simbolo vi fornisce indicazioni utili sul risparmio di energia e lo smaltimento dell'apparecchio.

1.5 Garanzia

I termini di garanzia sono in conformità con la direttiva comunitaria 44/1999/CE e le normali condizioni applicabili per le nazioni in questione. Per la garanzia o per operazioni di manutenzione, contattare il nostro centro Servizio clienti. Eventuali danni causati da uso improprio non sono coperti dalla garanzia. Qualsiasi modifica all'apparecchio o l'uso di **pezzi di ricambio non originali Dometic** nonché l'inosservanza delle garanzie istruzioni di installazione e d'uso rende nulla la garanzia ed esonera da ogni responsabilità.

1.6 Limitazione della responsabilità

Tutti i dati e le indicazioni di queste istruzioni per l'uso sono stati stabiliti tenendo conto delle norme e delle disposizioni in vigore, nonché secondo lo stato dell'arte. La **Dometic** si riserva di apportare in qualsiasi momento delle modifiche sul prodotto che siano opportune per migliorare sia il prodotto stesso che la sicurezza. **Dometic** übernimmt keine Haftung

La Dometic non assume nessuna responsabilità nel caso di:

- mancata osservanza delle istruzioni per l'uso,
- impiego non conforme alle norme,
- uso di pezzi di ricambio non originali,
- modifiche e interventi sull'apparecchio
- effetto di influenze ambientali, come
 - variazioni di temperatura
 - umidità atmosferica

1.7 Servizio Clienti

La **Dometic** offre una rete di Servizio Assistenza a livello mondiale. Potete trovare i numeri di telefono dei centri di Servizio Assistenza autorizzati sull'opuscolo **EuroService Network** accluso ad ogni frigorifero. Anche in Internet potete trovare il centro di Servizio Assistenza più vicino cliccando su **www.dometic.com**. Quando si contatta il Servizio clienti, indicare il modello, il numero di prodotto e il numero di serie, insieme al codice MLC, se applicabile. Queste informazioni si trovano sulla targhetta dei dati all'interno del frigorifero. Vi raccomandiamo di riportare questi dati nel campo previsto sul frontespizio di queste istruzioni.

1.8 Pezzi di ricambio

I pezzi di ricambio possono essere ordinati in tutta Europa tramite il centro di Servizio clienti.

Se vi rivolgete al Call Center vogliate sempre indicare il modello e il numero del prodotto! Queste informazioni si trovano sulla targhetta dei dati all'interno del frigorifero.

1.9 Consigli sull'ambiente



L'ammoniaca (un composto naturale di idrogeno e azoto) è usata nell'unità di raffreddamento come refrigerante. Il ciclo-pentano, non dannoso per l'ozono, è usato come propellente per la produzione della schiuma di isolamento PU.

1.9.1 Rottamazione

Per far in modo che i materiali riciclabili siano riutilizzati, gli stessi dovrebbero essere inviati al centro di raccolta locale. L'apparecchio dovrebbe essere trasferito a una azienda specializzata nell'eliminazione dei rifiuti, in modo che i componenti riciclabili siano riutilizzati e gli altri componenti siano eliminati secondo le leggi vigenti. Per l'eliminazione in modo ecologico del refrigerante da tutte le unità del frigorifero di assorbimento, deve essere usato un adeguato impianto di eliminazione.



Gli apparecchi contrassegnati da questo simbolo devono essere consegnati al centro di raccolta locale preposto allo smaltimento di apparecchiature elettriche ed elettroniche. Questo prodotto non deve essere smaltito nei rifiuti domestici. I frigoriferi Dometic sono provvisti del simbolo sulla targhetta all'interno dell'apparecchio.

1.9.2 Consigli sul risparmio energetico

- Ad una temperatura ambiente media di circa 25°C, è sufficiente regolare il termostato ad un valore medio per far funzionare correttamente il frigorifero.
- Se possibile, conservare sempre gli alimenti raffreddati e confezionati.
- Non esporre il frigorifero alla luce diretta del sole o ad altre fonti di calore (ad es. riscaldamento).
- Garantire la libera circolazione dell'aria del gruppo frigorifero.

- Sistemare i ripiani nel vano frigorifero in maniera uniforme per ottenere il massimo rendimento energetico.
Non riempire eccessivamente i ripiani e i cassetti per consentire una corretta circolazione dell'aria all'interno.

Lasciare dello spazio libero (circa 10 mm) tra i prodotti refrigerati e l'evaporatore posteriore ("alette di raffreddamento").

- Sbrinare il frigo con regolarità fa risparmiare energia (consultare il cap. "5.10 Sbrinamento").
- Quando si preleva un alimento, aprire solo brevemente la porta del frigorifero.
- Mettere il frigorifero in funzione 12 ore prima di utilizzarlo.

1.10 Dichiarazione di conformità



2.0 Norme di sicurezza

2.1 Uso conforme alle norme

Il frigorifero è destinato all'installazione libera in spazi chiusi, come capanne per il tempo libero o capanne di caccia. L'apparecchio è stato sottoposto alla prova di omologazione per questo uso in conformità alla direttiva europea sul gas 90/396/CEE. **Non è adatto all'installazione su veicoli stradali o natanti.**

Utilizzate il frigorifero esclusivamente per raffreddare e immagazzinare generi alimentari.



AVVERTIMENTO!

Il frigorifero non è stato ideato per la conservazione conforme di medicinali. Fate attenzione alle indicazioni nel foglietto illustrativo dei medicinali.

ATTENZIONE!

L'apparecchio non deve essere esposto alla pioggia.

2.2 Responsabilità dell'utente

Le persone che utilizzano il frigorifero devono avere dimestichezza con l'uso dello stesso e conoscere le avvertenze di queste istruzioni d'uso.

Il presente apparecchio non può essere utilizzato da bambini (dagli 8 anni in su) né da persone con capacità fisiche, sensoriali o mentali ridotte o con inadeguata esperienza e/o inadeguate conoscenze, che non siano sottoposti a supervisione o che non siano stati adeguatamente istruiti per un uso sicuro dell'apparecchio e che non abbiano compreso i pericoli derivanti da tale uso. I bambini non devono giocare con l'apparecchio. La pulizia e le operazioni di manutenzione da parte dell'utente non devono essere effettuate da bambini.

[EN 60335-2-24, 7.12]

2.3 Proteggere i bambini dopo lo smaltimento dell'apparecchio



AVVERTIMENTO!

Quando il frigorifero viene rottamato, rimuovere tutti gli sportelli e lasciare i ripiani all'interno. Questa operazione ne impedirà la chiusura accidentale e il rischio soffocamento.

2.4 Lavori e controlli sul frigorifero



AVVERTIMENTO!

Lavori su impianti a gas, impianti di gas di scarico ed elettrici devono essere effettuati solo da personale di servizio autorizzato. Con provvedimenti non conformi alla perfetta regola d'arte possono risultare gravi danni a persone e/ o a cose.



PERICOLO!



Non usare mai una fiamma viva per controllare se le parti e le condutture che trasportano il gas non hanno delle perdite! Vi è rischio d'incendio ed esplosione.



AVVERTIMENTO!

Non aprire mai il gruppo refrigeratore ad assorbimento! È ad alta pressione.

Vi è pericolo di ferimento!

2.5 Informazioni sul refrigerante

Il refrigerante usato è l'ammoniaca. Questa sostanza è un composto naturale usato anche come prodotto di pulizia per la casa (1 litro di Salmiak per la pulizia contiene fino a 200 grammi di ammoniaca -circa il doppio della quantità usata nel frigorifero). Il sodio cromato viene utilizzato per proteggere dalla corrosione (1,8 % sul peso del solvente).

In caso di perdite (facilmente identificabili dall'odore sgradevole) procedere come segue:

- Spegnere l'apparecchio.
- Aerare bene la stanza .
- Contattare il centro autorizzato di Servizio clienti.



Per la vostra sicurezza è stato accertato dalla perizia che non vi è alcun pregiudizio alla salute a causa dell'uscita del refrigerante.

2.6 Funzionamento del frigorifero a gas

È essenziale che la pressione operativa corrisponda a quanto dichiarato sulla targhetta dell'apparecchio. Confrontare i dati della pressione operativa dichiarati sulla targhetta con i dati presenti sul monitor circa la pressione della bombola del gas liquido.

Il frigorifero possono funzionare con le seguenti categorie di gas e le relative pressioni di alimentazione. I riduttori di pressione da utilizzare fra la bombola e l'apparecchio devono essere conformi alle categorie indicate nella tabella sottostante.

Pressione di alimentazione e categorie gas

Categoria	Pressione in mbar	GAS
I3B / P(30)	30	Butano
	30	Propano
I3+ (28-30/37)	28-30	Butano
	37	Propano
I3B/P(50)	50	Butano
I3B/P(50)	50	Propano

Se si sente odore di gas:

- Aprire tutte le finestre e uscire dal locale.
- Non accendere nessun dispositivo elettrico ed evitare l'utilizzo di fiamme.
- Chiudere la valvola della bombola a gas e lasciarla chiusa fino a risoluzione del problema.
- Consultare il personale specializzato* autorizzato.

* personale specializzato autorizzato

Le persone specializzate autorizzate sono esperti riconosciuti per i loro studi e le loro conoscenze che garantiscono un controllo a regola d'arte e sicuro.

2.7 Norme di sicurezza per conservare i prodotti alimentari

Istruzione per la sistemazione di prodotti alimentari in frigorifero:

Qualsiasi tipo di frigorifero non è in grado di migliorare la qualità degli alimenti, ma può al massimo conservarne per un breve periodo di tempo la qualità al momento della collocazione.

Tenere in considerazione le seguenti condizioni particolari per la conservazione degli alimenti in un frigorifero installato su un veicolo :

- Variazione delle condizioni climatiche, come p. es. variazioni di temperatura.
- Temperatura interna elevata
- Frigorifero installato dietro ad un finestrino ed esposto direttamente al sole.
- Gli alimenti sono stati riposti troppo presto dopo la messa in funzione dell'apparecchio.

Con queste condizioni particolari il frigorifero non può garantire la temperatura necessaria per alimenti rapidamente deperibili.

Fanno parte delle merci rapidamente deperibili: tutti i prodotti con data di scadenza riportata e temperatura di conservazione minima di +4°C o inferiore, in particolare carne, pollame, pesce, salumi, cibi pronti.

- Confezionare separatamente i prodotti crudi e quelli cotti (per es. contenitori, pelli cola d'alluminio o simili).
- Togliere il sovra-imballaggio delle confezioni singole soltanto se tutti i dati necessari, come ad esempio la data di scadenza, sono indicati anche nelle singole confezioni.
- Non lasciare troppo a lungo fuori dal frigorifero gli alimenti raffreddati.
- Porre in evidenza gli alimenti con la data di scadenza più ravvicinata.
- Riavvolgere nella confezione i resti dei cibi e consumarli il più in fretta possibile.
- Lavare le mani, prima e dopo aver toccato gli alimenti.

- Pulire l'interno del frigorifero ad intervalli regolari.

Osservare le indicazioni e le avvertenze relative alla data di scadenza indicate sulle confezioni.

Osservare la sezione "5.1 Pulizia" in queste istruzioni.

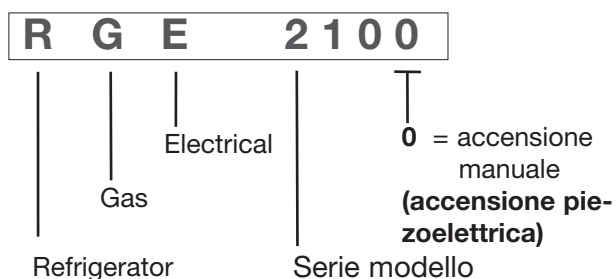


Le condizioni dell'ambiente influiscono sul rendimento dell'unità di raffreddamento. Selezionare la posizione centrale della gamma di temperatura ambiente tra +15 °C e +25 °C (confr. fig. 13, livello temperatura medio). In tal modo l'unità di raffreddamento funziona nel campo di rendimento ottimale.

I frigoriferi DOMETIC funzionano secondo il principio dell'assorbimento. A causa della sua caratteristica fisica, un sistema di assorbimento ha una reazione ritardata alle variazioni del termoregolatore, alla perdita di freddo quando si apre la porta o si ripongono i cibi. Gli apparecchi appartengono alla classe clima SN in conformità alla norma EN / ISO 7371 nella gamma di temperatura ambiente da +10 °C a +32 °C.

3.0 Descrizione del modello

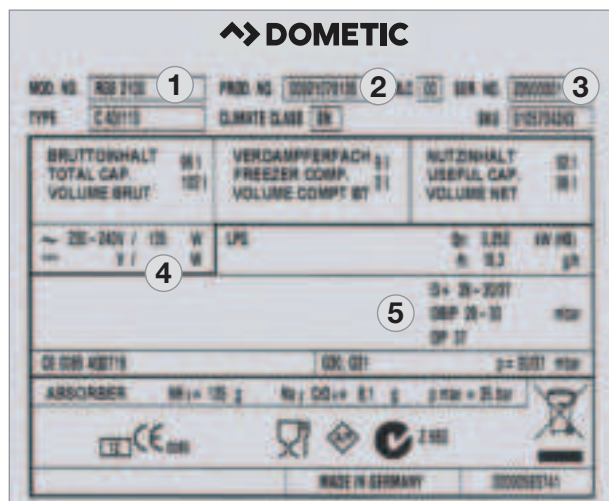
3.1 Nome del modello



Frigorifero absorber / Funzionamento a gas liquido e rete elettrica

3.2 Targhetta d'identificazione del frigorifero

All'interno del frigorifero si trova la targhetta d'identificazione dello stesso. Contiene tutti i dati relativi al frigorifero. Riporta il nome del modello, il codice del prodotto e il numero di serie. Occorre avere a portata di mano questi dati ogni volta che ci si rivolge al centro di Assistenza Clienti o per ordinare i pezzi di ricambio.



Esempio

Fig. 1

- 1 Numero modello
- 2 Codice del prodotto
- 3 Numero di serie
- 4 Potenza massima assorbita
- 5 Pressione del gas

3.3 Dati tecnici

Contenuto lordo (litri).....	100
Scomparto surgelati (litri).....	9
Contenuto lordo (senza scomp.surgelati)...	106
Dimensioni (mm) (A x L x P)	859x531x558
Uscita nominale (W)	125
Consumo di gas (30 / 50 mbar) g / 24h*	270 / 360
Potenza dissipata kWh / 24h*	2.5
Peso netto (kg)	32.2
Accensione	piezoelettrica
Installazione libera	

Il produttore si riserva il diritto di apportare modifiche tecniche.
*Il consumo medio è calcolato a una temperatura ambiente di 25°C in conformità allo standard ISO.

3.4 Spiegazione del frigorifero

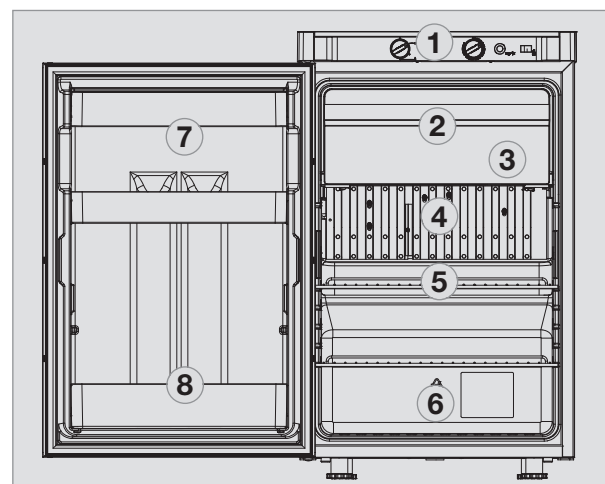


Fig. 2

- 1 Elementi di comando
- 2 Scomparto surgelati (estraibile)
- 3 Ripiano a griglia (opzionale, inseribile togliendo lo scomparto surgelati)
- 4 Evaporatore per vano frigorifero
- 5 Canaletto di raccolta per l'acqua di scongelamento
- 6 Vassoio portaverdura
- 7 Balconcino superiore con coperchio
- 8 Balconcino inferiore portabottiglie

4.0 Installazione

4.1 Installazione e allacciamento

Questo frigorifero è collaudato e omologato per l'uso in spazi chiusi.

All'atto dell'installazione dell'apparecchio vi preghiamo di osservare i seguenti punti:

- Il locale di installazione deve avere un volume di almeno **20 m³**, essere ben ventilato e disporre di una finestra o una porta apribile verso l'esterno.
- Il frigorifero deve essere installato liberamente, ossia ad una distanza minima di **50 mm** dalle pareti attigue o armadi (**non deve essere incassato!**).
- La distanza dagli altri oggetti di arredamento (armadi, ecc.) deve essere di almeno **100 mm**.
- Collocare l'apparecchio in orizzontale su un terreno stabile.
- Il frigorifero non deve essere sottoposto alla radiazione termica di oggetti caldi (per es. fornelli, riscaldamento).
- La parte posteriore del frigorifero deve essere sempre ben aerata (sotto il coperchio). Non coprite l'apparecchio (per es. asciugamani, tende). La mancanza di aerazione porta a cali di potenza frigorifera!
- Installate il frigorifero in modo che sia protetto da spruzzi d'acqua. Basate a che l'apparecchio non sia esposto alla pioggia prima e durante l'installazione!

4.1.1 Collegamento elettrica

- Verificare che la tensione indicata sull'etichetta del modello corrisponda alla tensione di rete. In caso contrario, non collegare l'unità e contattare il fornitore.

- L'elettricità deve essere fornita tramite una presa propriamente collegata a terra o con una connessione cablata. .
- L'alimentazione deve essere equipaggiato con un fusibile
- Il cavo di alimentazione deve essere posizionato in modo tale che non entri in contatto con componenti caldi dell'unità/bruciatore o con bordi taglienti.

ATTENZIONE!

La spina deve essere facilmente accessibile all'utente.



ATTENZIONE!

Se la linea di allacciamento è danneggiata, deve essere sostituita dall'assistenza clienti Dometic o da personale specializzato e qualificato al fine di evitare pericoli.

4.1.2 Installazione della bombola di gas


- Le bombole di gas devono essere collocate in posizione verticale.
- Collocare la bombola di gas in un ambiente ben aerato.
- Collocare la bombola di gas in modo tale da poter essere subito individuata in caso di incendio.
- La distanza massima tra la bombola di gas e l'apparecchio non deve essere superiore a 1,5 m.
- Si devono utilizzare soltanto tipi di bombole e dispositivi di regolazione di pressione validi nei rispettivi paesi

4.1.3 Installazione a gas


Il frigorifero deve essere alimentato esclusivamente con gas liquefatto (propano e butano). Non usare gas da abitazione, gas naturale o Autogas !

- L'allacciamento appropriato del frigorifero deve essere eseguito da specialisti abilitati in conformità alle regole tecniche sul gas liquido.
- Si devono osservare le norme valide nel rispettivo paese per l'utilizzo di apparecchi funzionanti a gas liquido.
 - Norme tecniche EN 732
- Nel condotto dell'apparecchio deve essere installato un dispositivo di regolazione **(1)** (riduttore di pressione). Il frigorifero non deve essere fatto funzionare con una pressione diversa da quella indicata sulla targhetta dati.
- Il frigorifero deve essere collegato alla bombola di gas con una condotta flessibile di sicurezza.
- Scegliere una lunghezza sufficiente per poter collegare il tubo flessibile senza piegarlo. La condotta flessibile non deve essere più lunga di 1,5 m.
- L'allacciamento della condotta viene fatto con con pinze /fascette per tubo flessibile. In ogni caso si devono osservare le prescrizioni valide nel rispettivo paese per il collegamento del tubo flessibile. La condotta flessibile deve essere sostituita ad intervalli di tempo previsti dalle disposizioni nazionali valide per il relativo paese.
- Dopo l'allacciamento alla bombola di gas, deve essere eseguito un controllo di tenuta ermetica su tutte le connessioni nonché una prova della fiamma del bruciatore. Utilizzare per la prova di tenuta uno spray rivelatore di fughe oppure un prodotto schiumogeno. Dopo l'apertura del rubinet-

to della bombola controllate che non vi siano bollicine.



PERICOLO!



Non controllare mai la tenuta ermetica dell'apparecchio e la condotta utilizzando una fiamma viva!

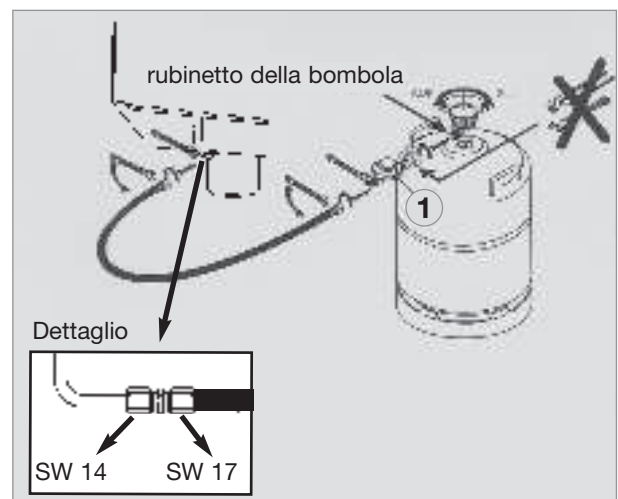


Fig. 3

4.2 Montare la maniglia della porta

1. Punti di fissaggio: utilizzare la **sagoma (1)** in scala (vedi punto 5.14, appendice)
2. Mettere in posizione la maniglia sulla porta e avvitare.

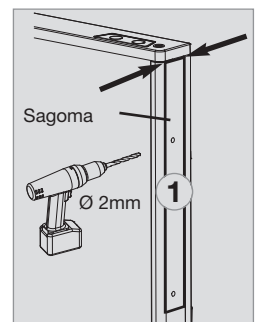


Fig. 4

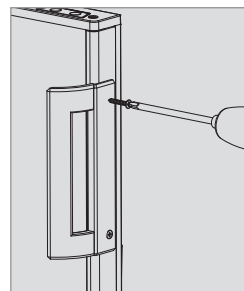


Fig. 5

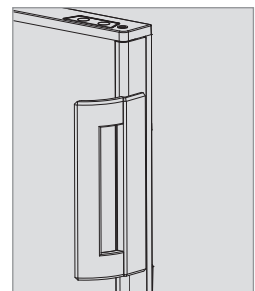


Fig. 6

3. Inserire il coperchio e premere.

5.0 Funzionamento del frigorifero

Questo frigorifero può funzionare con tre tipi di alimentazione.

- **Tensione di rete (230 V)**
- **Gas (gas liquido propano / butano)**

Il tipo di alimentazione desiderato viene selezionato con il **selettore di alimentazione** (Fig. 7).



Il gruppo frigorifero è silenzioso.

Alla prima accensione dell'apparecchio potrebbe prodursi un odore particolare, che scomparirà dopo qualche ora. Aerare bene il locale prima di soggiornarvi.

Il frigorifero raggiunge la temperatura d'esercizio dopo alcune ore, mentre il scomparto surgelati dovrebbe raffreddarsi dopo circa un'ora.

5.1 Pulizia

Prima di mettere in funzione il frigorifero si raccomanda di pulire l'apparecchio all'interno e di ripetere tale operazione regolarmente.

Usare un panno soffice e acqua tiepida con un detergente delicato. Poi risciacquare l'apparecchio con acqua pulita e asciugarlo con cura.

Per evitare l'alterazione dei materiali non usare sapone, detersivi abrasivi, granulari o contenenti soda. Fare in modo che la guarnizione dello sportello non venga a contatto con olio o grasso.

5.2 Manutenzione



AVVERTIMENTO!

Lavori su impianti a elettrici devono essere effettuati solo da personale di servizio autorizzato.

- Il bruciatore del gas deve essere pulito quando necessario e almeno una volta all'anno. Conservare i documenti comprovanti le manutenzioni effettuate sul frigorifero.
- Si consiglia di eseguire la manutenzione dopo che il veicolo è stato fermo per lunghi periodi. Rivolgersi al nostro Servizio Assistenza Clienti.

5.3 Funzionamento con corrente elettrica

ATTENZIONE!

Selezionare questa modalità operativa solamente se l'alimentazione di tensione del collegamento elettrico corrisponde al valore indicato sulla targhetta. In caso di valori divergenti è possibile danneggiare l'apparecchio!

5.4 Funzionamento a gas

- Il frigorifero deve essere alimentato da gas liquido (propano, butano, e non da metano o gas di città).
- Ad un'altitudine di circa 1000 m s.l.m., quando si accende il gas possono verificarsi dei disturbi condizionati da fenomeni fisici (**non si tratta di una disfunzione!**).
- Dopo la prima messa in funzione e dopo la sostituzione di una bombola, le condutture di gas possono contenere dell'aria. Dopo una breve messa in funzione del frigorifero le condutture del gas devono essere disareate. Il gas si accende senza rallentamento.
- Tutti i frigoriferi con accensione manuale sono equipaggiati di un sistema automatico ignifugo, che interrompe automaticamente il flusso del gas circa 30 secondi dopo che la fiamma si spegne.

5.5 Funzionamento

5.5.1 Spiegazione degli elementi di comando

Selezione manuale dell'alimentazione/ accensione manuale con accenditore piezoelettrica

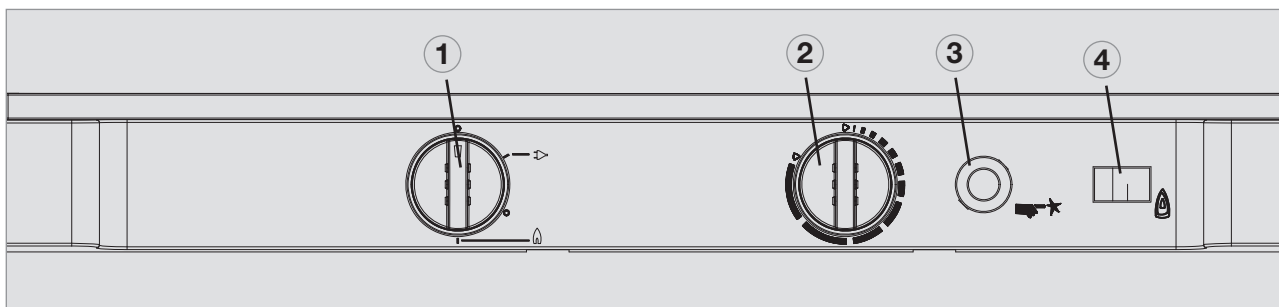


Fig. 7

- ① = Accensione / Selettore di alimentazione
- ② = Termoregolatore
- ③ = Tasto di accensione manuale (accensione piezoelettrica)
- ④ = Indicatore di fiamma (galvanometro)

Note esplicative:

Il frigorifero può funzionare con la tensione di rete o con gas liquido. Il tipo di alimentazione desiderato viene regolato ruotando il selettore di alimentazione (1). Il selettore di alimentazione (1) ha quattro posizioni:

- Spento (2)
- Tensione di rete (230V~) (3)
- Spento (4)
- Gas (gas liquido propano / butano) (5)

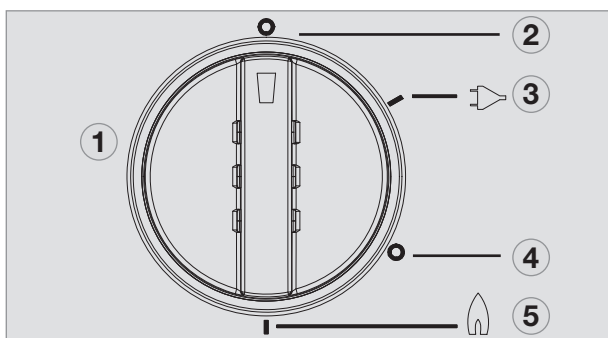


Fig. 8

5.5.2 Funzionamento con corrente elettrica

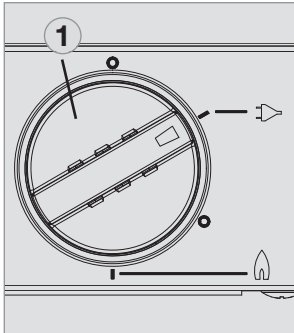


Fig. 9

Per mettere in funzione l'apparecchio, ruotare a destra il selettore di alimentazione (1) sulla posizione:



per il funzionamento a 230 V.

5.5.3 Funzionamento a gas (liquido)

Prima di mettere in funzione il frigorifero nella modalità a gas:

- Aprire la valvola della bombola a gas.

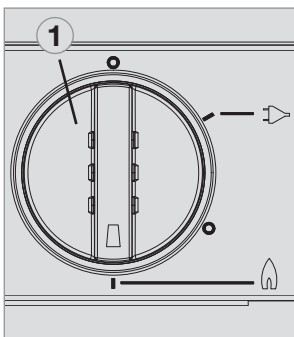


Fig. 10

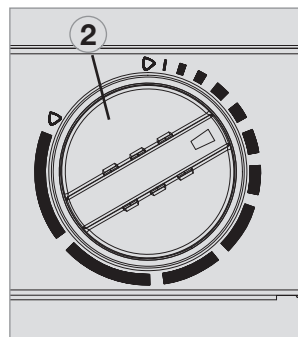


Fig. 11

1. Mettere il selettore rotante (1) sulla posizione :



per il funzionamento a gas.

2. Ruotare il termostato (2) a destra e premerlo. Tenerlo premuto.

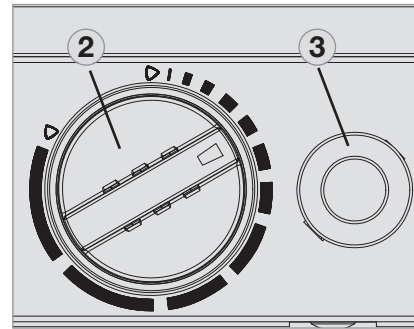


Fig. 12

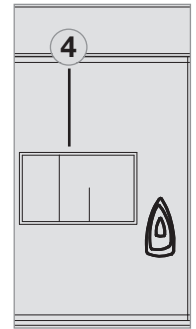


Fig. 13

3. Attivare l'accensione piezoelettica(3) diverse volte a intervalli di 1 -2 sec.
4. L'indice del galvanometro (4) si sposta nella zona verde quando si accende la fiamma. Il frigorifero è in funzione. Tenere la manopola (2) premuta ancora per circa 15 sec. e poi lasciarla.

5.5.4 Regolazione della temperatura nel vano frigorifero

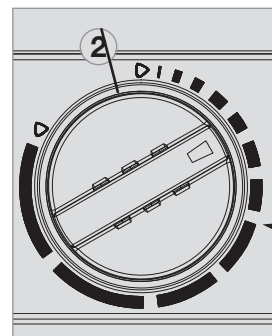


Fig. 14

Posizione centrale

Mediante il tasto (2) selezionare la temperatura desiderata nel vano frigorifero.

La scala comincia con la posizione **MIN** (trattino sottile = temperatura massima) e va fino alla posizione **MAX** (trattino più largo = temperatura minima).

Tener presente che i livelli della temperatura non sono assegnati ad un valore di temperatura assoluto.

5.6 Sistemare i ripiani

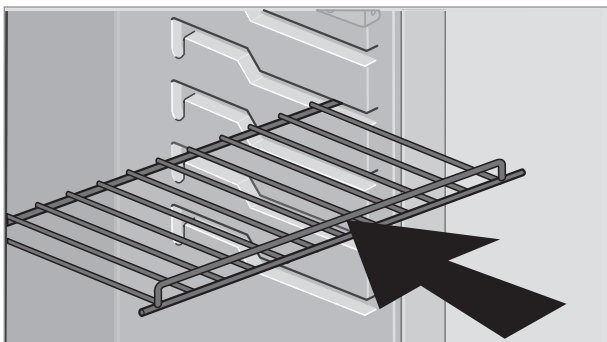


Fig. 15

I ripiani si tolgono sollevandoli leggermente dalla guida e possono essere sistemati a piacere.

5.7 Scomparto surgelati estraibile

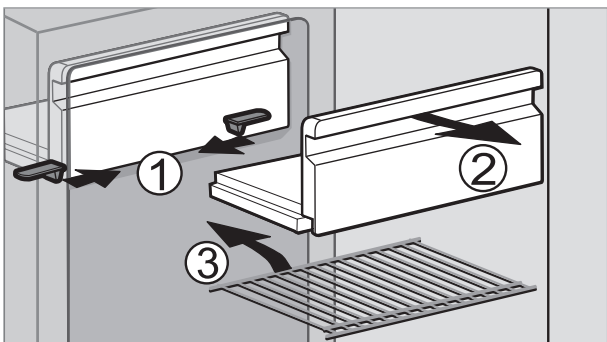


Fig. 16

Per una maggiore capacità del vano frigorifero si può estrarre lo scomparto surgelati.

1. Sbloccare lo scomparto surgelati da entrambi i lati.
2. Estrarre lo scomparto surgelati.

Riporre con cura lo scomparto surgelati per evitare che si danneggi.



Togliendo lo scomparto surgelati, si può inserire un ripiano supplementare (3.). Il ripiano a griglia è disponibile come dotazione speciale presso la **Dometic**.

5.8 Sistemazione degli alimenti in frigorifero e preparazione dei cubetti di ghiaccio

5.8.1 Conservazione di alimenti nel vano frigorifero

- Mettere il frigorifero in funzione 12 ore prima di utilizzarlo.
- Inserire sempre prodotti preraffreddati. Assicurarsi che già al momento dell'acquisto e durante il trasporto i prodotti siano ben raffreddati. Usare borse isotermitiche.
- Quando si preleva un alimento, aprire solo brevemente la porta del frigorifero.
- Gli alimenti devono essere confezionati possibilmente in contenitori chiusi, in pellicola d'alluminio o simili e riposti separatamente uno dall'altro, per evitare che si seccino o per impedire la formazione di odori.
- Far raffreddare i cibi riscaldati prima di riporli in frigorifero.
- Non conservare nel frigorifero prodotti da cui possano esalare gas volatili o infiammabili.
- Non riempire eccessivamente i ripiani e i cassetti per consentire una corretta circolazione dell'aria all'interno.
- Lasciare dello spazio libero (circa 10 mm) tra i prodotti refrigerati e l'evaporatore posteriore ("alette di raffreddamento").
- Deve essere assicurata la libera circolazione dell'aria dell'unità di raffreddamento del frigo. Non ostruire le griglie di ventilazione.

5.8.2 Conservazione di alimenti nello scomparto surgelati

- Non conservare nello scomparto surgelati delle bevande addizionate di anidride carbonica.
- Lo scomparto surgelati è previsto per produrre cubetti di ghiaccio e per una breve conservazione di vivande surgelate. Non è adatto per congelare vivande.

Con temperature ambiente inferiori ai +10 °C non può essere assicurata una regolazione uniforme della temperatura dello scomparto surgelati, qualora il frigorifero sia esposto per lungo tempo a queste temperature. Ciò può causare un possibile aumento di temperatura nello scomparto surgelati e provocare lo scongelamento dei prodotti depositati.

5.8.3 Scomparti frigorifero

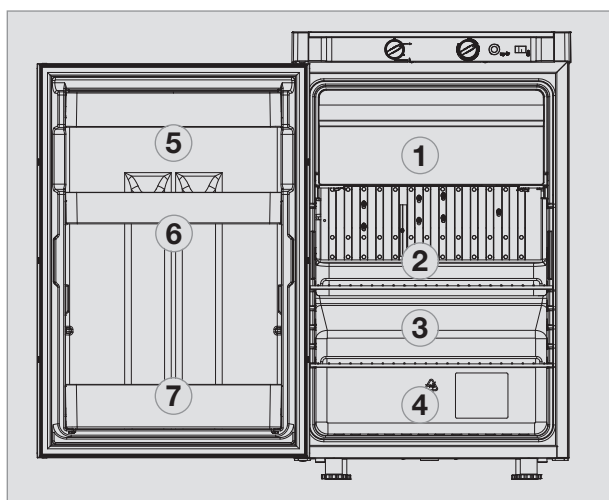


Fig. 18

- 1 **Scomparto surgelati :**
vivande già congelate (surgelati)
- 2 **Scomparto medio:**
prodotti caseari, piatti pronti
- 3 **Scomparto inferiore:**
carne, pesce, vivande da scongelare
- 4 **Scomparto verdura:**
insalate, verdura, frutta
- 5 **Ripiano superiore porta:**
uova, burro
- 6 **Ripiano medio porta:**
lattine, condimenti, ketchup, marmellata
- 7 **Ripiano inferiore porta (ripiano bevande):**
bevande in bottiglia o in cartoni

5.8.4 Preparazione dei cubetti di ghiaccio

È consigliabile produrre i cubetti di ghiaccio durante la notte. Durante la notte, il frigorifero viene utilizzato in modo ridotto e l'unità ha più riserve.



Fig. 19

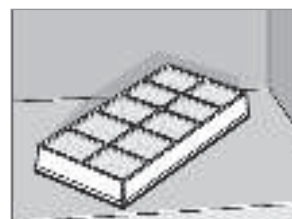


Fig. 20

1. Riempire il vassoio per i cubetti di ghiaccio con acqua potabile.
2. Mettere il vassoio per i cubetti di ghiaccio nello scomparto surgelati.



AVVERTIMENTO!

Usare solo acqua potabile!

5.9 Messa fuori servizio

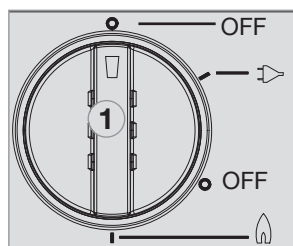


Fig. 21



Fig. 22

- Mettere il selettore di alimentazione (1) sulla posizione "OFF". L'apparecchio è spento.
- Lasciare lo sportello aperto. Lo sportello rimarrà leggermente socchiuso per prevenire la formazione di muffa all'interno dell'apparecchio.
- Se il frigorifero deve restare inutilizzato per un lungo periodo di tempo, la valvola di sicurezza installata sullo stesso e la valvola della bombola devono essere chiuse.

5.10 Sbrinamento

Con il tempo si accumula del ghiaccio sulle griglie del frigorifero. Può formarsi una patina di brina più spessa da un lato, ma ciò non comporta una disfunzione. Quando lo strato di ghiaccio è spesso circa 3 mm, il frigorifero deve essere sbrinato.

- Spegnere il frigorifero come descritto al punto 5.9 *Messa fuori servizio*.
- Rimuovere tutte le vivande e il vassoio dei cubetti di ghiaccio.
- Lasciare aperta la porta del frigorifero per lasciare entrare l'aria e impedire che si formi della muffa.
- Dopo lo sbrinamento (scomparto surgelati e griglie libere dal ghiaccio), asciugare con un panno i due compartimenti del frigorifero.

Nota: L'acqua che si forma a causa dello scongelamento nello scomparto principale del frigorifero finisce in un appropriato contenitore posto sul retro dell'apparecchio, da cui evapora.

ATTENZIONE!

Lo strato di ghiaccio non deve mai essere rimosso con la forza e il processo di sbrinamento non deve essere accelerato usando una sorgente di calore!

5.11 Cambio riscontro dello sportello per porta



Se dovesse essere necessario inclinare o posare l'apparecchio lateralmente, attendere un'ora prima di mettere in funzione il frigorifero. Il liquido refrigerante si raccoglie di nuovo nel serbatoio di accumulo del frigorifero, assicurando così il corretto funzionamento dell'apparecchio.

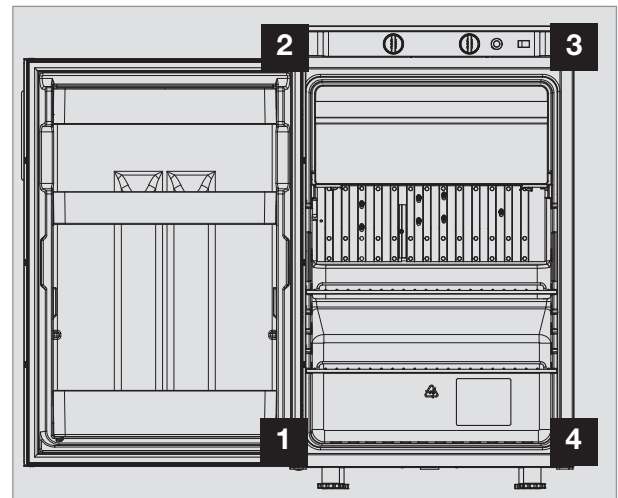


Fig. 23



Fig. 24

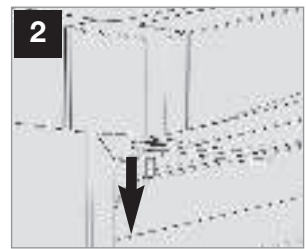


Fig. 25

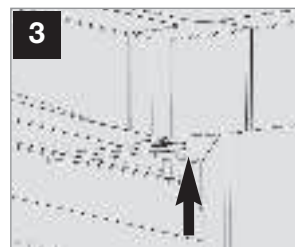


Fig. 26



Fig. 27

- Aprire la porta, allentare la vite della cerniera e metterla da parte.
- Togliere la porta verso l'esterno.
- Allentare il perno della cerniera e avvitare dall'altra parte.
- Spostare lo spessore sulla cerniera inferiore.
- Spingere la porta verso il perno superiore della cerniera e appoggiarla sul perno inferiore della cerniera.
- Avvitare la vite della cerniera.
- Accertatevi che la porta si muova liberamente e che la guarnizione della porta aderisca tutt'intorno.

5.12 Sostituzione della placca decorativa

- Rimuovere il listello laterale **(1)** della porta (il listello è inserito, non avvitato).
- Estrarre la placca decorativa **(2)** dalla porta, inserire la nuova placca e infilare di nuovo il listello **(1)**.

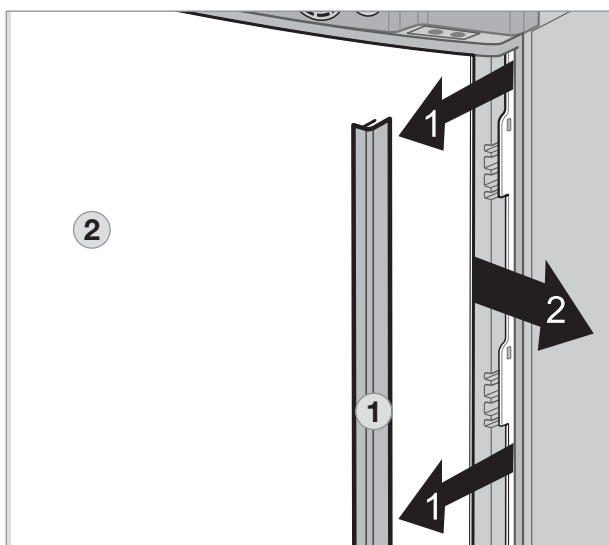


Fig. 28

Dimensioni della placca decorativa :

Altezza	Larghezza	Spessore
743 +/- 0.75 mm	504 +/- 0.5 mm	min. 1.0 mm max. 1.7 mm

5.13 Risoluzione dei problemi

Prima di avvertire il Servizio Assistenza Clienti autorizzato Vi preghiamo di controllare se:

- sono state seguite correttamente le istruzioni nella sezione “Impiego del frigorifero”;
- il frigorifero è sistemato in piano;
- è possibile accendere il frigorifero con una fonte di alimentazione disponibile.

Disfunzione: Il frigorifero non raffredda a sufficienza.

Possibile causa	Rimedio
<ul style="list-style-type: none">- Ventilazione dell'unità di raffreddamento non adeguata.- L'impostazione del termostato è troppo bassa.- L'evaporatore è troppo ghiacciato.- Sono state inserite nel frigo troppe vivande calde.- Apparecchio acceso da troppo poco tempo.- Le temperature ambiente sono troppo alte.	<ul style="list-style-type: none">- Controllare che le grate di ventilazione dell'unità di raffreddamento non siano ostruite.- Impostare il termostato su un valore più alto.- Controllare che il frigorifero sia collegato correttamente.- Lasciare raffreddare le vivande riscaldate prima di porle in frigorifero.- Controllare il raffreddamento del vano frigorifero dopo circa 4-5 ore.- Aerare la stanza.

Disfunzione: Il frigorifero non funziona nella modalità di funzionamento a gas.

Possibile causa	Rimedio
<ul style="list-style-type: none">- Bombola del gas vuota.- Il dispositivo di chiusura alimentazione inserito a monte è aperto.- C'è dell'aria nel condotto.	<ul style="list-style-type: none">- Sostituire la bombola del gas.- Aprire il dispositivo di chiusura alimentazione.- Spegner e riaccendere l'apparecchio. Eventualmente ripetere 3 o 4 volte questo procedimento.

Disfunzione: Il frigorifero non raffredda nella modalità di funzionamento a 230V.

Possibile causa	Rimedio
<ul style="list-style-type: none">- Fusibile difettoso.- Il frigorifero non allacciato all'alimentazione di rete.- Riscaldatore difettoso.	<ul style="list-style-type: none">- Sostituire il fusibile.- Collegarlo alla rete di alimentazione.- Rivolgersi al Servizio clienti Dometic.

Gebruiksaanwijzing

Absorptiekoelkast

RGE 2100

Noteer hier:

Modelnummer
Productnummer
Serienummer



N 1

MBA 10/2015



Inhoudsopgave

1.0	Algemeen	4
1.1	Inleiding	4
1.2	Aanwijzingen over deze bedieningshandleiding	4
1.3	Auteursrecht	4
1.4	Verklaring van de gebruikte symbolen	4
1.5	Garantie	5
1.6	Beperking van de aansprakelijkheid	5
1.7	Klantenservice	5
1.8	Reserveonderdelen	5
1.9	Milieuvoorschriften	6
1.9.1	Afvoer	6
1.9.2	Tips voor energiebesparing	6
1.10	Conformiteitsverklaring	6
2.0	Veiligheidsinstructies	7
2.1	Gebruik volgens de voorschriften	7
2.2	Verantwoordelijkheid van de gebruiker	7
2.3	Kinderen beschermen na afvoer van het apparaat	7
2.4	Werkzaamheden en controles aan de koelkast	7
2.5	Koudemiddelinformatie	8
2.6	De koelkast met gas gebruiken	8
2.7	Veiligheidsaanwijzingen over het bewaren van levensmiddelen	9
3.0	Modelbeschrijving	10
3.1	Modelaanduiding	10
3.2	Typeplaatje van de koelkast	10
3.3	Technische gegevens	10
3.4	Verklaring van de koelkast	10
4.0	Installatie	11
4.1	Opstellen en aansluiten	11
4.1.1	Elektrische aansluiting	11
4.1.2	Gasflesopstelling	11
4.1.3	Gasaansluiting	12
4.2	Aanbrengen van de deurgreep	12
5.0	Gebruik van de koelkast	13
5.1	Reiniging	13
5.2	Onderhoud	13
5.3	Gebruik met stroom	13
5.4	Gebruik met gas	13
5.5	Bediening	14
5.5.1	Verklaring van de bedieningselementen	14
5.5.2	Gebruik met stroom	14
5.5.3	Gebruik met gas (vloeibaar gas)	15
5.5.4	Regelen van de koelruimtetemperatuur	15
5.6	Aflegroosters positioneren	15
5.7	Uitneembaar vriesvak	16
5.8	Bewaren van levensmiddelen en maken van ijsblokjes	16
5.8.1	Bewaren van waren in de koelruimte	16
5.8.2	Bewaren van waren in het vriesvak	16
5.8.3	Koelkastvakken	17
5.8.4	Bereiding van ijsblokjes	17
5.9	Buitenbedrijfstelling	17

5.10	Ontdooien	18
5.11	Wisselen van de deuraanslag	18
5.12	Wisselen van de decorplaat	19
5.13	Gedrag bij storingen	20

Dometic GmbH
In der Steinwiese 16
D-57074 Siegen

www.dometic.com

© Dometic GmbH - 2012 - Wijzigingen voorbehouden

1.0 Algemeen

1.1 Inleiding

Met deze absorptiekoelkast van **Dometic** hebt u een goede keuze gemaakt. We zijn ervan overtuigd dat uw nieuwe koelkast u in elk opzicht tevreden zal stellen. De geruisloos werkende koelkast voldoet aan hoge kwaliteitseisen en garandeert een efficiënte omgang met hulpbronnen en energie gedurende de volledige gebruiksduur – bij productie, gebruik en afvoer.

1.2 Aanwijzingen over deze bedieningshandleiding

Neem deze bedieningshandleiding zorgvuldig door voordat u de koelkast in gebruik neemt.

Deze handleiding geeft u de nodige instructies voor het juiste gebruik van uw koelkast. **Neem vooral de veiligheidsinstructies in acht.** Het naleven van de instructies en de handelingsaanwijzingen is belangrijk voor de veilige omgang met uw koelkast en beschermt u en de koelkast tegen schade. Voor u een maatregel uitvoert, dient u alles begrepen te hebben wat u gelezen hebt.

Bewaar deze handleiding zorgvuldig in de omgeving van de koelkast, zodat deze altijd bij de hand is.

1.3 Auteursrecht

De informatie, teksten en afbeeldingen in deze handleiding zijn auteursrechtelijk beschermd en vallen onder het commerciële octrooirecht. Geen deel van deze handleiding mag zonder de schriftelijke toestemming van Dometic GmbH, Siegen, worden gereproduceerd, gekopieerd of op een andere wijze worden gebruikt.

1.4 Verklaring van de gebruikte symbolen

Waarschuwingen

Waarschuwingen zijn door symbolen gekenmerkt. Een bijbehorende tekst verduidelijkt de mate van gevaar.

Neem deze waarschuwingen zeer nauwkeurig in acht. Zo beschermt u zichzelf en anderen voor schade.



GEVAAR!

GEVAAR kenmerkt een directe gevarensituatie die leidt tot de dood of ernstig letsel, indien de aanwijzingen niet worden opgevolgd.



WAARSCHUWING!

WAARSCHUWING kenmerkt een mogelijke gevarensituatie die kan leiden tot de dood of ernstig letsel, indien de aanwijzingen niet worden opgevolgd.



VOORZICHTIG!

VOORZICHTIG kenmerkt een mogelijke gevarensituatie die kan leiden tot licht of gemiddeld letsel, indien de aanwijzingen niet worden opgevolgd.

VOORZICHTIG!

VOORZICHTIG zonder waarschuwingssymbool kenmerkt een mogelijke gevarensituatie die kan leiden tot beschadiging van het apparaat, indien de aanwijzingen niet worden opgevolgd.

Informatie



INFORMATIE geeft aanvullende en handige aanwijzingen over de omgang met de koelkast.

Milieuaanwijzing



MILIEUAANWIJZING geeft handige aanwijzingen over energiebesparing en afvoer van het apparaat.

1.5 Garantie

Garantieafwikkelingen gebeuren overeenkomstig de Europese richtlijn 44/1999/EC en de voor het land specifieke voorwaarden. Gelieve bij garantie- of servicegevallen met onze klantenservice contact op te nemen. Storingen die door een foute bediening veroorzaakt worden, vallen niet onder de garantie. Elke verandering aan het toestel of het gebruik van reserveonderdelen die geen **originele reserveonderdelen van Dometic** zijn, alsook het niet naleven van de inbouw- en bedieningshandleiding leidt tot het vervallen van de garantie en tot uitsluiting van aansprakelijkheid.

1.6 Beperking van de aansprakelijkheid

Alle gegevens en instructies in deze bedieningshandleiding werden rekening houdende met de geldende normen en voorschriften alsook de huidige stand van de techniek opgesteld. **Dometic** behoudt zich het recht voor om altijd wijzigingen aan het product aan te brengen, die in het belang van de verbetering van het product en de veiligheid aangebracht zijn.

Dometic kan niet aansprakelijk gesteld worden voor schade door:

- Niet naleven van de bedieningshandleiding
- Niet-reglementair gebruik
- Gebruik van niet-originele reserveonderdelen
- Veranderingen en ingrepen aan het toestel
- Omgevingsinvloeden zoals
 - Temperatuurwijzigingen
 - Luchtvochtigheid

1.7 Klantenservice

Voor geautoriseerde klantenservicepunten belt u met de nummers uit het Euro Service Network - boekje dat bij elke koelkast wordt geleverd.

Ook op het internet vindt u de dichtstbijzijnde klantenservice op www.dometic.com. Vermeld bij contact met de klantenservice altijd model, productnummer, serienummer en eventueel de MLC-code! Deze informatie vindt u op het typeplaatje in de koelkast. We raden u aan om deze gegevens in het daarvoor bestemde veld op de titelpagina van deze handleiding te noteren.

1.8 Reserveonderdelen

Reserveonderdelen zijn in heel Europa bij onze klantenservicepunten verkrijgbaar. In Duitsland zijn reserveonderdelen ook via het Dometic Call Center verkrijgbaar:

- Telefoon 0180 53 66 384
- Fax 0180 53 66 385
- E-mail ersatzteile@dometic.de

Bij contact met het callcenter altijd het model en het productnummer aangeven! Deze informatie staat op het typeplaatje in de koelkast.

1.9 Milieuvoorschriften



In het koelaggregaat wordt als koudemiddel ammoniak (natuurlijke verbinding van waterstof en stikstof) gebruikt. Als drijfgas voor de isolatie van PU-schuim wordt cyclopentaan gebruikt dat schadelijk is voor de gezondheid.

1.9.1 Afvoer

Om de recycling van de recyclebare verpakkingsmaterialen te garanderen, moeten deze op de plaatselijke verzamelplaats afgegeven worden. Het toestel moet aan een gespecialiseerde afvalverwerkende onderneming toevertrouwd worden, die voor de recycling van de recyclebare aandelen en de deskundige afvoer van de rest zorgt. Voor milieuvriendelijke leging van het koelmedium uit alle absorptiekoelaggregaten moet een geschikte afvoerinrichting worden gebruikt.



Apparaten die met dit symbool gekenmerkt zijn, moeten bij een lokaal verzamelpunt voor de afvoer van elektrische en elektronische apparaten worden afgegeven. Dit product mag niet bij het normale huishoudelijke afval worden afgevoerd. Deze koelkasten van Dometic hebben het symbool op het typeplaatje aan de binnenzijde van het apparaat.

1.9.2 Tips voor energiebesparing

- Bij een gemiddelde buitentemperatuur van 25 °C is het voldoende om de koelkast met gemiddelde thermostaatwaarde te gebruiken.
- Indien mogelijk steeds voorgekoelde waren bewaren.
- De koelkast niet aan direct zonlicht of andere warmtebronnen (bijvoorbeeld verwarming) blootstellen.
- Een ongehinderde luchtcirculatie rond het koelaggregaat moet gegarandeerd zijn.
- Breng de roosters gelijkmatig in de koelruimte aan.
- Roosters en vakken niet overvullen, anders kan de interne luchtcirculatie worden gehinderd.

- Afstand tussen koelgoed en naverdamper ("koelribben") laten (ca. 5–10 mm).
- Regelmatig ontdooien bespaart energie (zie "5.10 Ontdooien").
- Bij het uitnemen van waren de koelkastdeur slechts kort openen.
- De koelkast ca. 12 uur voor het vullen in bedrijf stellen.

1.10 Conformiteitsverklaring

DECLARATION OF CONFORMITY

according to

LVD 2004/38/EC
EMC Directive 2004/108/EC, 2014/53/EU
Gas Appliances Directive 2009/145/EC

EN 60335-1, Rev. 4

<p>Type of Equipment Brand Name Type (family) Manufacturer's (Factory) name address telephone no telex no</p>	<p>Absorption Refrigerator DOMETIC C-0911E DOMETIC GmbH In der Schweizstr. 16, D-52074 Siegen D 52074 - 271 682 E D 52074 - 271 682 330</p>
---	--

The following harmonized standards or technical specifications (designations) which comply with and which were used in safety matters by those within the EEA, have been practiced:

EN 60335-1:12 (IEC 60335-1:5 ed., Am. 1, Am. 2),
EN 60335-2-24:10 (IEC 60335-2-24:7 ed., Am. 1)
EN 60335-2-23, A1, A2 EN 60905-2:08
EN 55014-1:06, A1, A2 EN 55014-2:07, A1, A2
EN 732:08 EN 60335-2-132:09
EN 50-1-1:10 A1 (Tuzovos-Makko)
EN 20-2-1:88 A1, A2 (Tuzovos-Makko)
EN 30951:2010

The applicant certifies completely with the above named harmonized standards or technical specifications.

By signing this document, the undersigned declares as manufacturer, or the manufacturer's authorized representative established within the EEA, that the equipment in question complies with the requirements stated above.

Date	Signature	Position
2017-01-09	 Bernd Lohse	General Manager

2.0 Veiligheidsinstructies

2.1 Gebruik volgens de voorschriften

Deze koelkast is bedoeld voor het vrij opstellen in gesloten ruimtes, zoals recreatieruimtes of jachthutten. Het apparaat is voor dit gebruik inzake conformiteit met de EU-gasrichtlijn 90/396/EWG typegekeurd. **Het is geschikt voor de inbouw in straten^o- en watervoertuigen.**

Gebruik de koelkast uitsluitend voor het koelen en opslaan van levensmiddelen.



WAARSCHUWING!

De koelkast is niet bedoeld voor de vakkundige opslag van geneesmiddelen. Neem hierover de aanwijzingen in de bijsluiter van het medicament in acht.

VOORZICHTIG!

De koelkast mag niet aan regen worden blootgesteld.

2.2 Verantwoordelijkheid van de gebruiker

Personen die de koelkast bedienen moeten met de veilige omgang vertrouwd zijn en moeten de instructies van deze bedieningshandleiding kennen.

Dit toestel kan door kinderen vanaf 8 jaar en ouder evenals door personen met verminderde fysieke, zintuiglijke of geestelijke vermogens of tekortschietende ervaring en/of kennis gebruikt worden, als ze worden begeleid of hun is uitgelegd hoe ze het toestel veilig kunnen gebruiken. Ook dienen ze inzicht te hebben in de gevaren die het gebruik van het toestel met zich meebrengt. Kinderen mogen niet met het toestel spelen. Reiniging en gebruikersonderhoud mogen niet door kinderen worden uitgevoerd. [EN 60335-2-24, 7.12]

2.3 Kinderen beschermen na afvoer van het apparaat



WAARSCHUWING!

Demonteer alle koelkastdeuren bij afvoer van de koelkast en laat de roosters in het koelapparaat. Zo wordt onbedoeld insluiten en stikken voorkomen.

2.4 Werkzaamheden en controles aan de koelkast



WAARSCHUWING!

Werkzaamheden aan gas-, afvoergas- en elektroinrichtingen mogen alleen door geautoriseerd vakpersoneel worden uitgevoerd. Door onvakkundige maatregelen kan aanzienlijke materiële schade en letsel ontstaan.



GEVAAR!



Controleer nooit gasleidende delen en leidingen met open vuur op ondichtheid!
Er bestaat brand- of explosiegevaar.



WAARSCHUWING!

Open het absorptiekoelaggregaat nooit!
Hij staat onder hoge druk.
Er bestaat gevaar voor letsel!

2.5 Koudemiddelinformatie

Als koudemiddel wordt ammoniak gebruikt. Dit is een natuurlijke verbinding die ook in huishoudsmiddelen voorhanden is (1 liter reinigingsmiddel op basis van salmiak bevat tot 200 g ammoniak, meer dan dubbel zo veel dan de hoeveelheid in het koelapparaat). Natriumchromaat wordt als antiroestmiddel gebruikt (1,8 procent van het gewicht van het oplosmiddel).

Zo gedraagt u zich bij een eventueel optredende lekkage (eenvoudig te herkennen aan de sterke geur):

- Schakel het toestel uit.
- Ventileer de ruimte goed.
- Informeer de geautoriseerde klantenservice.



Voor uw veiligheid werd gecertificeerd dat uittredend koelmiddel uw gezondheid niet beschadigt.

2.6 De koelkast met gas gebruiken

De bedrijfsdruk moet met de gegevens op het typeplaatje van de koelkast overeenstemmen. Vergelijk de bedrijfsdruk op het typeplaatje met de gegevens van de drukverminderaar van de gasflessen.

De koelkast wordt met de hieronder aangegeven gassen en ingangsdrukwaarden gebuikt. De tussen gasfles en koelkast te installeren drukverminderaars moeten voldoen aan de in onderstaande tabel aangegeven categorieën.

Aansluitdruk en gascategorieën

Categorie	Druk in mbar	GAS
I3B / P(30)	30	Butaan
	30	Propaan
I3+ (28-30/37)	28–30	Butaan
	37	Propaan
I3B/P(50)	50	Butaan
I3B/P(50)	50	Propaan

Indien u gas ruikt:

- Open alle vensters en verlaat de ruimte.
- Bedien geen elektrische inrichtingen en voorkom gebruik van open vuur.
- Sluit de klep van de gasfles en open deze pas, nadat de storing werd opgelost.
- Raadpleeg geautoriseerd vakpersoneel*.

* geautoriseerd vakpersoneel

Geautoriseerd vakpersoneel zijn erkende specialisten die door hun opleiding en kennis garanderen dat reparaties correct worden uitgevoerd.

2.7 Veiligheidsaanwijzingen over het bewaren van levensmiddelen

Aanwijzing over het bewaren van levensmiddelen in een koelkast:

Koelapparaten kunnen de kwaliteit van levensmiddelen niet verbeteren, maar hooguit de kwaliteit van de levensmiddelen vanaf het moment van bewaren gedurende een bepaalde tijd behouden.

Neem volgende bijzondere voorwaarden in acht bij het bewaren van levensmiddelen in een koelkast:

- Wijziging van de klimatologische omstandigheden, zoals temperatuurwijzigingen
- Hoge ruimtetemperatuur
- Koelkast opgesteld achter een venster en direct zonlicht
- Te snel bewaren van goederen te snel nadat het apparaat in bedrijf werd gesteld.

Onder deze bijzondere omstandigheden kan de koelkast de vereiste temperatuur voor kort houdbare levensmiddelen niet garanderen.

Tot de kort houdbare producten behoren alle producten met aangegeven uiterste gebruiksdatum en minimale opslagtemperatuur van +4 °C of minder, in het bijzonder vlees, gevogelte, vis, worst, kant-en-klaarmaaltijden.

- Rauwe en gekookte producten apart verpakken (bijvoorbeeld bakjes alufolie etc.).
- Buitenverpakkingen van afzonderlijke verpakkingen alleen verwijderen, als alle vereiste gegevens zoals uiterste gebruiksdatum ook op de afzonderlijke verpakkingen staat.
- Gekoelde waren niet te lang buiten de koelkast laten.
- Levensmiddelen met de vroegste uiterste gebruiksdatum vooraan zetten.
- Resten weer verpakken en zo snel mogelijk verteren.
- Handen voor en na het aanraken van levensmiddelen wassen.
- Binnenruimte van de koelkast regelmatig reinigen.

Neem de aanwijzingen en beschrijvingen met betrekking tot de uiterste gebruiksdatum op de verpakkingen in acht.

Neem in deze handleiding de paragraaf "5.1 Reiniging" in acht

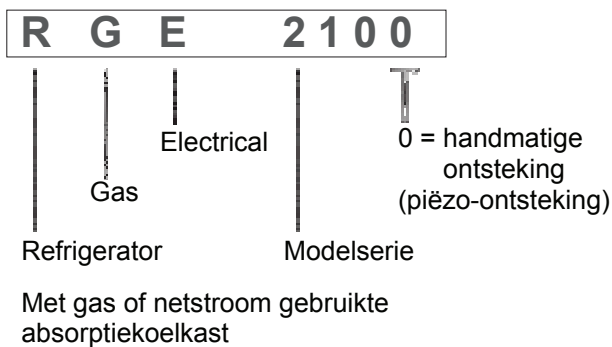


Omgevingsvoorwaarden beïnvloeden het vermogen van het aggregaat. Kies bij omgevingstemperaturen tussen +15°C en +25°C de middelste stand (vergelijk "Instellen van de koelruimtetemperatuur"). Het aggregaat werkt in het optimale vermogensbereik.

Dometic koelkasten werken volgens het absorptieprincipe. Een absorptiesysteem reageert fysisch traag op wijzigingen van de thermostaatregelaar, koudeverlies bij het openen van de deur of het toevoegen van waren. De apparaten voldoen aan de vermogenseisen van de klimaatklasse SN conform EN/ISO 7371 in het temperatuurbereik van +10 °C tot +32 °C omgevingstemperatuur.

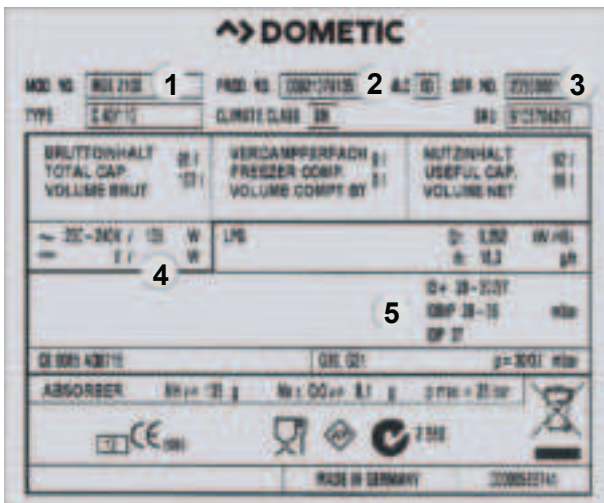
3.0 Modelbeschrijving

3.1 Modelaanduiding



3.2 Typeplaatje van de koelkast

In de koelkast bevindt zich het typeplaatje van de koelkast. Het bevat alle belangrijke gegevens over de koelkast. Het bevat de modelaanduiding, het productnummer en het serienummer. Deze gegevens hebt u nodig bij alle contacten met de klantenservice of voor het bestellen van reserveonderdelen.



Voorbeeld

Afb. 1

- ① Modelnummer
- ② Productnummer
- ③ Serienummer
- ④ Elektrische aansluitwaarden
- ⑤ Gasdruk

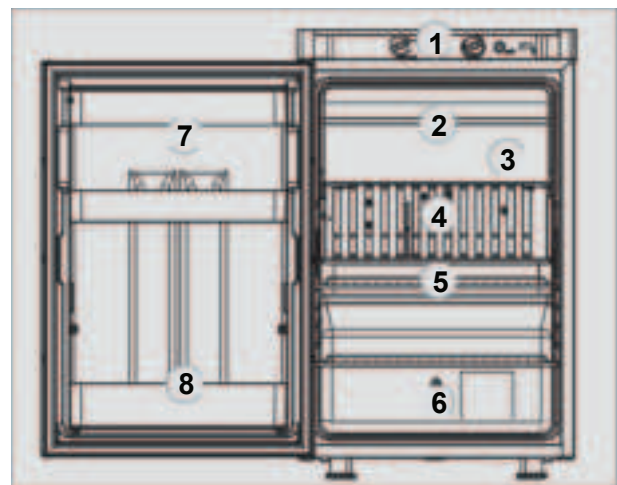
3.3 Technische gegevens

Bruto-inhoud (liter)	100
Vriesvak (liter).....	9
Bruto-inhoud (vriesvak verwijderd).....	106
Afmetingen (mm) (h x b x d).....	859 x 531 x 558
Aansluitvermogen (W)	125
Gasverbruik (30 / 50 mbar) g / 24 h*	270 / 360
Stroomverbruik kWh / 24 h*	2.5
Nettogewicht (kg)	32.2
Gasontsteking	Piëzo-ontsteking

Vrijstaande opstelling

Technische wijzigingen voorbehouden.
*Gemiddeld verbruik gemeten bij een gemiddelde omgevingstemperatuur van 25 °C op de basis van de ISO-standaard.

3.4 Verklaring van de koelkast



Afb. 2

- ① Bedieningselementen
- ② Vriesvak (uitneembaar)
- ③ Inlegrooster (optioneel, te gebruiken bij verwijderd vriesvak)
- ④ Naverdamper voor koelruimte
- ⑤ Dooiwater-afvoergeul
- ⑥ Groentebak
- ⑦ Bovenste vak met klep
- ⑧ Onderste etagère met fleshouder

4.0 Installatie

4.1 Opstellen en aansluiten

Deze koelkast is voor het gebruik in gesloten ruimtes gecontroleerd en toegelaten.

Neem bij de opstelling van het apparaat de volgende punten in acht:

- De opstelruimte moet een ruimte-inhoud van minstens **20 m³** hebben, goed geventileerd zijn en over een te openen venster of een deur naar buiten beschikken.
- De koelkast moet vrijstaand, dat wil zeggen met een minimumafstand van **50 mm** tot aangrenzende wanden of kasten worden opgesteld (**geen inbouw!**).
- De afstand tot inrichtingen erboven (kasten etc.) moet minstens **100 mm** bedragen.
- Plaats het toestel horizontaal op een vaste ondergrond.
- De koelkast mag niet aan de warmtestraling van hete voorwerpen (bijvoorbeeld fornuis, verwarming) worden blootgesteld.
- Het koelaggregaat aan de achterzijde (onder afdekking) moet steeds goed geventileerd zijn. Dek het aggregaat niet af (bijvoorbeeld handdoeken, gordijnen). Ontbrekende ventilatie leidt tot een gereduceerd koelvermogen!
- Plaats de koelkast beschermd tegen spatwater op. Voorkom dat het apparaat voor en tijdens het opstellen aan de regen wordt blootgesteld.

4.1.1 Elektrische aansluiting

- De voeding moet met de op het typeplaatje aangegeven waarde overeenstemmen. Door verkeerd aansluiten kan het toestel beschadigd raken.
- De voeding van het apparaat voor elektrisch gebruik moet via een reglementair geaarde contactdoos worden uitgevoerd.
- Een zekeringautomaat moet in de toevoerleiding voorhanden zijn.
- De netkabel moet altijd vrij toegankelijk zijn en mag niet met hete delen van de aggregaat/brander in contact komen.

VOORZICHTIG!

De netstekker moet vrij toegankelijk zijn.



VOORZICHTIG!

Als de aansluitleiding wordt beschadigd, moet deze door de klantenservice van Dometic of door gelijkwaardig gekwalificeerd personeel worden vervangen om gevaren te voorkomen.

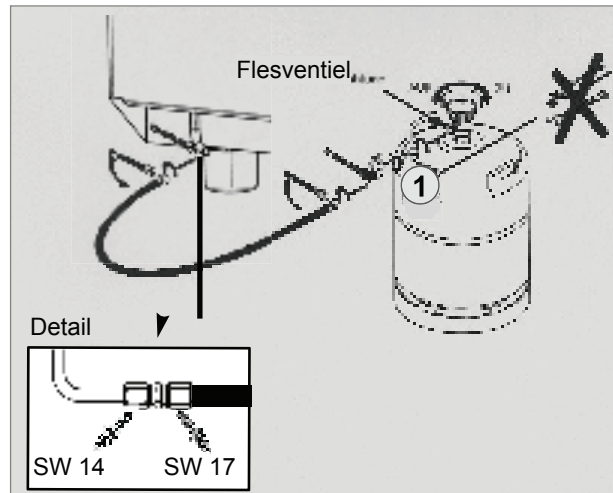
4.1.2 Gasflesopstelling

- Gasflessen moeten rechtop staan.
- Plaats de gasfles op een goed geventileerde plaats.
- Plaats de gasfles zodanig dat deze bij brand eenvoudig herkenbaar is.
- De maximale verwijdering van de gasfles tot het apparaat mag 1,5 m niet overschrijden.
- Alleen de in de desbetreffende landen geldende flestypes en drukregelinrichtingen mogen worden gebruikt. In Duitsland worden normaal 5kg- of 11kg-flessen met vast ingebouwd aftapventiel of 3kg-flessen met binnenliggend kogeltherugslagventiel.

4.1.3 Gasaansluiting

De koelkast is uitsluitend bedoeld voor gebruik met vloeibaar gas zoals propaan / butaan. Gebruik in geen geval stadgas, aardgas of autogas!

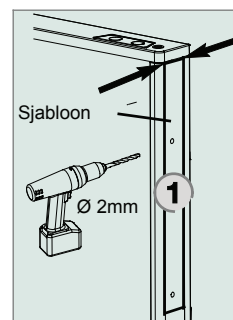
- De correcte aansluiting van de koelkast moet door een toegelaten deskundige conform de 'Technische Regeln Flüssiggas' (TRF) worden uitgevoerd.
- De geldende nationale voorschriften voor gebruik van met vloeibaar gas gebruikte apparaten moeten in acht worden genomen. In Duitsland zijn dit:
 - Technische regels voor installaties die met vloeibaar gas in gebouwen worden gebruikt,
 - DVGW-werkblad G 600 (DVGW-TRGI 86/96),
 - Technische regels EN 732
- Een vast ingestelde drukregelaar (1), afb. 3, (drukverminderaars) moet in de toevoerleiding naar het apparaat geïnstalleerd zijn. De koelkast mag uitsluitend met de op het typeplaatje aangegeven druk worden gebruikt.
- De koelkast moet met een veiligheidsslangleiding (in Duitsland conform DIN 4815-2) op de gasfles worden aangesloten.
- De slangleiding moet lang genoeg zijn om deze zonder knikken aan te sluiten. De slangleiding mag niet langer zijn dan 1,5 m.
- De gasaansluiting op het apparaat wordt uitgevoerd met een snijring- (Ermeto-) schroefverbinding L8, DIN 2353-ST conform EN 1949.
- Een aansluiting van de leiding met klemmen is in Duitsland niet toegestaan.
- De slangleiding moet conform de in de desbetreffende nationale bepalingen voorgeschreven tijdsintervallen worden vervangen (in Duitsland na 10 jaren).
- Na het aansluiten op de gasfles moeten een dichtheidscontrole van alle verbindingen en een vlamtest van de brander worden uitgevoerd. Gebruik voor de dichtheidscontrole een lekzoekspray of een schuimvormend middel. Controleer de verbindingpunten na openen het flesventiel op eventuele belletjes.



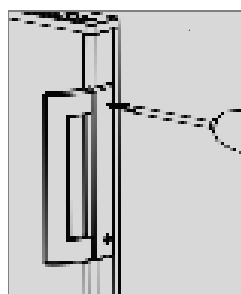
Afb. 3

4.2 Aanbrengen van de deurgreep

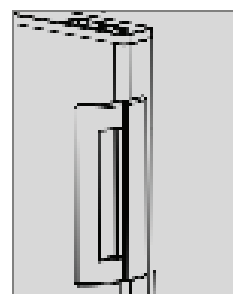
1. Bevestigingspunten: Gebruik de sjabloon op schaal (1) (zie punt 5.3.2)
2. Deurgreep met de deur uitlijnen en vastschroeven.



Afb. 4



Afb. 7



Afb. 6

3. Afdekking erop steken en vastdrukken.

5.0 Gebruik van de koelkast

De koelkast kan met twee energiesoorten worden gebruikt:

- **Netspanning (230V)**
- **Gas (vloeibaar gas propaan/butaan)**

De gewenste energiesoort wordt via de **energiekeuzeschakelaar** (afb.7) geselecteerd.



Het koelkastaggregaat werkt geruisloos.

Bij de eerste ingebruikname van het apparaat kunnen zich geuren verbreiden die zich na enkele uren vervluchtigen. Ventileer de ruimtes goed.

Ongeveer een uur na inschakelen moet het vriesvak van de koelkast koud worden. De koelkast bereikt zijn bedrijfstemperatuur na verloop van enkele uren.

5.1 Reiniging

Voor ingebruikname van de koelkast is het raadzaam om het apparaat van binnen te reinigen en dit regelmatig te herhalen.

Gebruik een zachte doek en lauw water met een mild reinigingsmiddel. Spoel het apparaat vervolgens met helder water schoon en droog het goed af.

Om materiaalverandering te vermijden, geen zeep of scherpe, korrelige of sodahoudende reinigingsmiddelen gebruiken. Voorkom contact van de deurafdichting met olie of vet.

5.2 Onderhoud



WAARSCHUWING!

Werkzaamheden aan gas-, afvoergas- en elektroinrichtingen mogen alleen door geautoriseerd vakpersoneel worden uitgevoerd.

- De gasbrander moet indien nodig, echter minstens jaarlijks, worden gereinigd. Bewaar alle bewijzen van uitgevoerd onderhoud aan uw koelkast goed.
- Na langdurig niet-gebruik wordt een onderhoudsbeurt aanbevolen. Neem hiervoor contact op met onze klantenservice.

5.3 Gebruik met stroom

VOORZICHTIG!

Selecteer deze bedrijfsmodus alleen, als de spanningsvoorziening van de stroomaansluiting met de waarde op het typeplaatje overeenstemt. Door verkeerd aansluiten kan het toestel beschadigd raken.

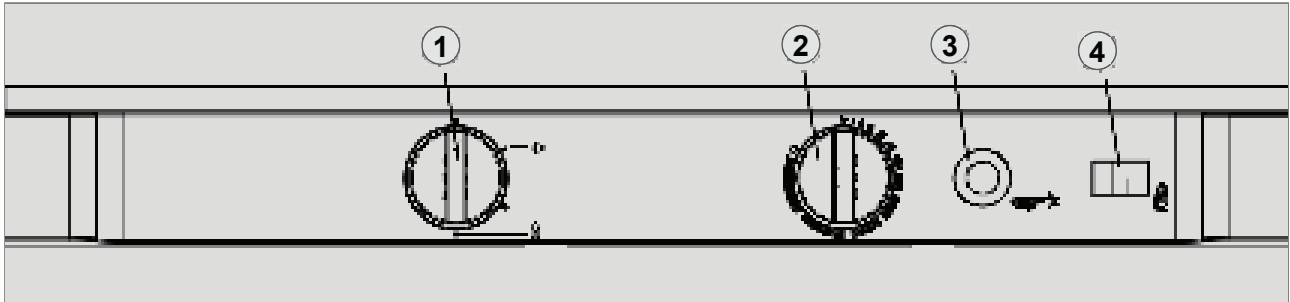
5.4 Gebruik met gas

- De koelkast met vloeibaar gas (propaan, butaan) worden gebruikt (geen aardgas, stadgas).
- Boven een hoogte van ca. 1000 m boven Normaal Amsterdams Peil (NAP) kunnen bij het ontsteken van het gas door fysisch omstandigheden storingen optreden (**geen defect!**).
- Bij de eerste inbedrijfstelling en na vervanging van de gasfles kunnen de gasleidingen lucht bevatten. Door korte inbedrijfstelling van de koelkast worden de gasleidingen ontlucht. Het gas wordt zonder vertraging ontstoken.
- Alle koelkasten zijn uitgerust met een automatische vlambeveiliging die de gastoevoer na 30 seconden automatisch onderbreekt, indien de vlam uitgaat.

5.5 Bediening

5.5.1 Verklaring van de bedieningselementen

Handmatige energiekeuze / handmatige ontsteking met piëzo-ontsteking:



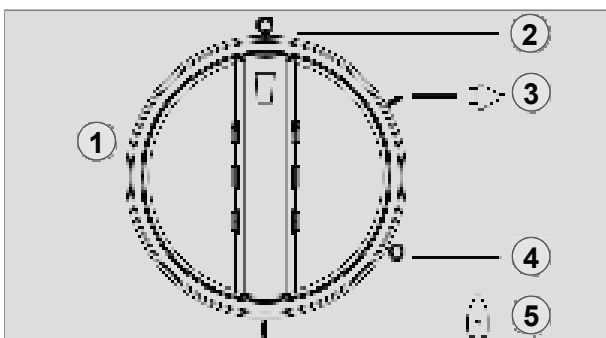
Afb. 7

- ① Schakelaar/energiekeuzeschakelaar
- ② Temperatuurregelaar
- ③ Piëzo-ontsteking voor gasgebruik
- ④ Vlamindicator (galvanometer)

Verklaring

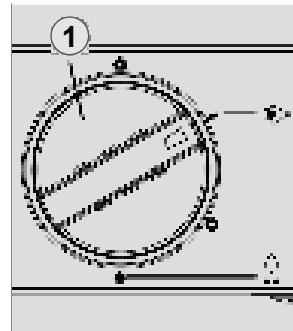
De gewenste energiesoort wordt door draaien van de energiekeuzeschakelaar (1) ingesteld. De energiekeuzeschakelaar (1) heeft vier standen:

- Uit (2)
- Netspanning (230V~) (3)
- Uit (4)
- Gas (vloeibaar gas propaan/butaan) (5)



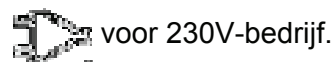
Afb. 8

5.5.2 Gebruik met stroom



Afb. 9

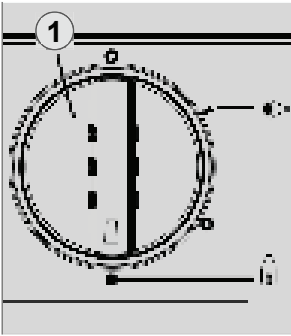
Voor het inschakelen van het apparaat draait u de energiekeuzeschakelaar (1) rechtersom in stand:



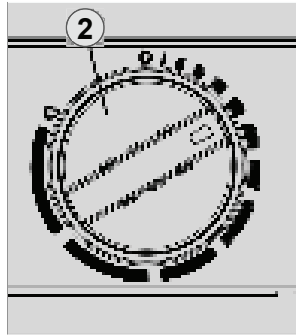
5.5.3 Gebruik met gas (vloeibaar gas)

Alvorens de koelkast in gasmodus in gebruik te nemen:

- Open de klep van de gasfles.



Afb. 10



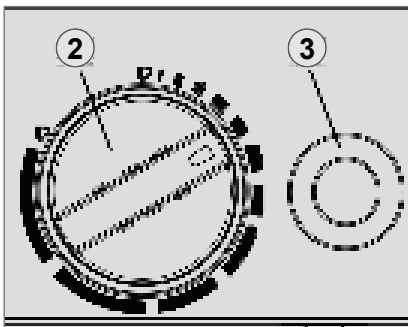
Afb. 11

1. Zet de draaischakelaar (1) in stand:

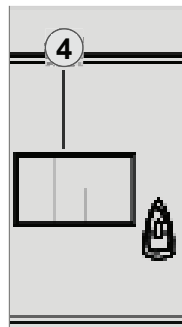


Voor gasbedrijf.

2. Draai de temperaturniveauregelaar (2) rechtersom en druk deze in. Houd de regelaar ingedrukt.



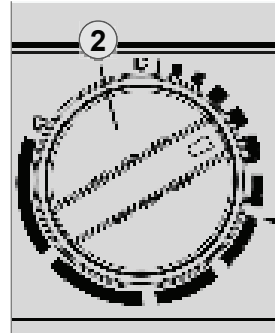
Afb. 12



Afb. 13

3. De bedienknop (3) herhaaldelijk elke 1–2 seconden bedienen.
4. De aanwijzer van de galvanometer (4) beweegt naar het groene bereik, nadat de vlam werd ontstoken. Houd de draaiknop (2) nog ca. 15 s ingedrukt en laat deze dan los. De koelkast is in werking.

5.5.4 Regelen van de koelruimtetemperatuur



Middelste stand

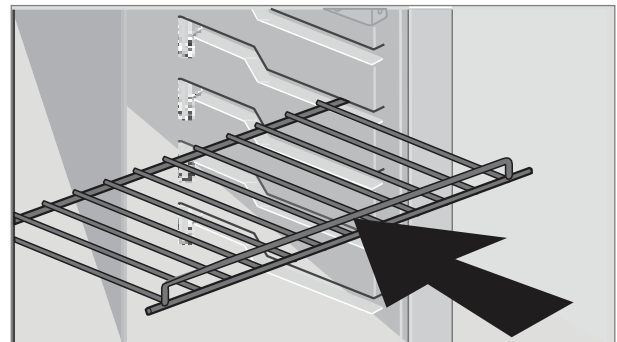
Afb. 14

Met de draaiknop (2) selecteert u de temperatuur in de koelruimte.

De schaal begint met de **MIN** stand (smalle balk = hoogste temperatuur) en eindigt bij de **MAX** stand (brede balk = laagste temperatuur).

Neem in acht dat de temperaturniveaus geen absolute temperatuurwaarden vertegenwoordigen.

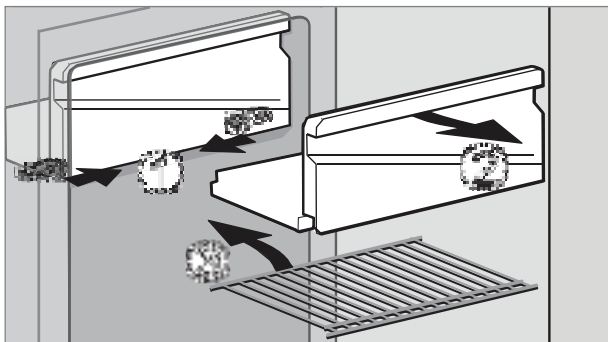
5.6 Aflegroosters positioneren



Afb. 15

De aflegroosters kunnen door iets optillen uit de geleiding worden getrokken en dan naar wens gepositioneerd.

5.7 Uitneembaar vriesvak



Afb. 16

Ter vergroting van de koelruimte kan het vriesvak worden uitgenomen.

1. Ontgrendel het vriesvak aan beide zijden.
2. Trek het vriesvak eruit.

Bewaar het vriesvak zorgvuldig om beschadiging te voorkomen.



Bij uitgenomen vriesvak kunt u een extra aflegrooster (3.) plaatsen. Het rooster is als speciale uitrusting verkrijgbaar bij **Dometic**.

5.8 Bewaren van levensmiddelen en maken van ijsblokjes

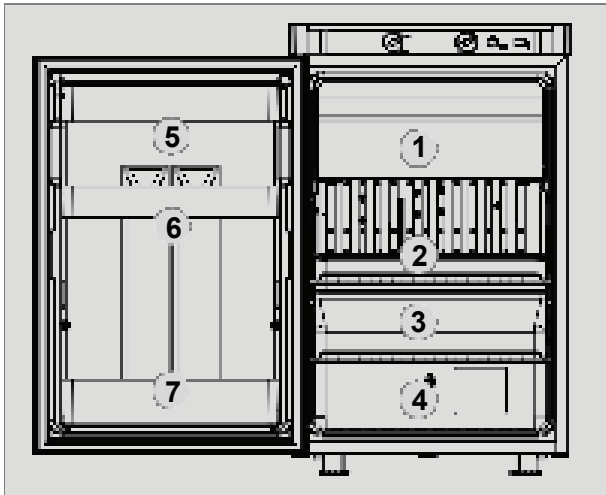
5.8.1 Bewaren van waren in de koelruimte

- De koelkast ca. 12 uur voor het vullen in bedrijf stellen.
- Bewaar alleen voorgekoelde waren. Let er bij het inkopen en tijdens transport op dat de waren goed gekoeld zijn. Gebruik isolatietassen.
- Bij het uitnemen van waren de koelkastdeur slechts kort openen.
- Waren moeten worden verpakt, het best in gesloten containers, aluminiumfolie en dergelijke, en gescheiden van elkaar worden opgeslagen om uitdrogen en geurvorming te voorkomen.
- Nooit warme levensmiddelen in de koelkast bewaren; deze eerst laten afkoelen.
- Waren die vluchtige, ontvlambare gassen kunnen uitscheiden mogen niet in de koelkast worden bewaard.
- Voorkom overvulling van de aflegroosters en vakken; anders kan de interne luchtcirculatie worden gehinderd.
- Laat een afstand tussen koelwaren en naverdamper ("koelribben") (ca. 10 mm).
- Een ongehinderde luchtcirculatie rond het koelkastaggregaat moet gegarandeerd zijn. De ventilatieroosters mogen niet afgedekt zijn.

5.8.2 Bewaren van waren in het vriesvak

- Bewaar geen koolzuurhoudende dranken in het vriesvak.
- Het vriesvak is geschikt voor het maken van ijsblokjes en het kort bewaren van bevroren levensmiddelen. Het is niet geschikt voor het invriezen van levensmiddelen.

5.8.3 Koelkastvakken

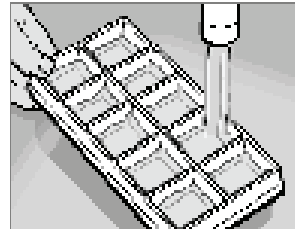


Afb. 18

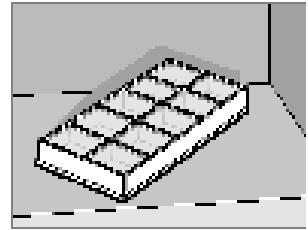
- ① **Vriesvak:**
al bevroren waren (diepvries)
- ② **Middenvak:**
Melkproducten, toebereid voedsel
- ③ **Ondervak:**
Vlees, vis, waren om te ontdooien
- ④ **Groentevak:**
Salade, groente, fruit
- ⑤ **Bovenste deuretage:**
Eieren, boter
- ⑥ **Middelste deuretage:**
Conserven, dressings, ketchup, marmelade
- ⑦ **Onderste deuretage (drankvak):**
Drank in flessen of zakken

5.8.4 Bereiding van ijsblokjes

Ijsblokjes worden het beste 's nachts ingevroren. 's Nachts is de koelkast minder belast en heeft het aggregaat meer reserves.



Afb. 19



Afb. 20

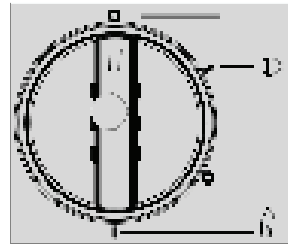
1. Ijschaal met drinkwater vullen.
2. Ijschaal in het vriesvak zetten.



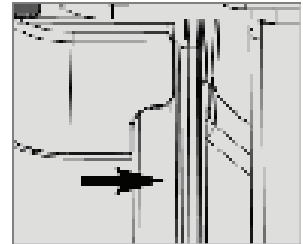
WAARSCHUWING!

Alleen drinkwater gebruiken!

5.9 Buitenbedrijfstelling



Afb. 21



Afb. 22

- Zet de energiekeuzeschakelaar (1) in stand "AUS". Het apparaat is uitgeschakeld.
- Laat de deur een spleet geopend om schimmelvorming in het apparaat te vermijden.
- Als de koelkast langdurig niet wordt gebruikt, de afsluitklep aan boordzijde en de flesklep sluiten.

5.10 Ontdooien

Na verloop van tijd vormt zich rijp op de koelribben in de koelkast. Een sterke rijpvorming aan een zijde duidt niet op een defect. Als deze rijplaag ongeveer 3 mm bedraagt, moet de koelkast worden ontdooid.

- Schakel de koelkast uit zoals onder punt 5.9 Buitenbedrijfstelling.
- Neem alle levensmiddelen en de ijschaal eruit.
- Laat de koelkastdeur geopend om lucht naar binnen te laten en schimmelvorming te voorkomen.
- Wis beide koelvakken na het ontdooien (vriesvak en koelribben zonder rijp) met een doek droog.

Opmerking: Het dooiwater van het hoofdkoelvak loopt in een opvangbak aan de achterzijde van de koelkast. Daar verdampt het water.

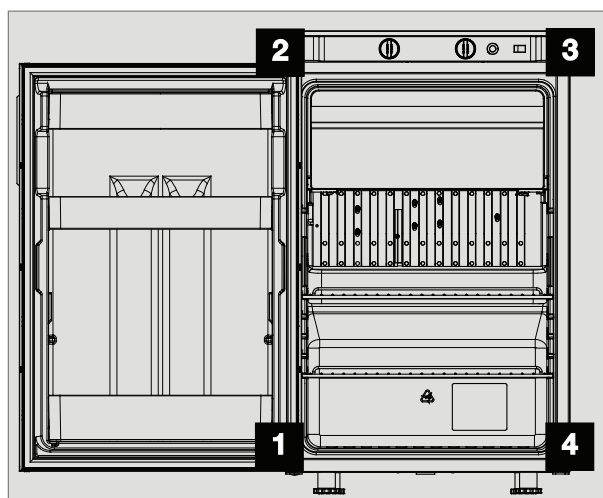
VOORZICHTIG!

De rijplaag mag nooit geforceerd worden verwijderd, noch mag het ontdooien met een warmtestraler worden versneld!

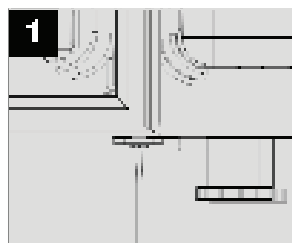
5.11 Wisselen van de deuraanslag



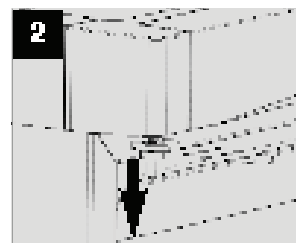
Als dit nodig is, hierbij de koelkast zijdelings kantelen of neerleggen, dan een uur wachten alvorens de koelkast weer in gebruik te nemen. De koelvloeistof stroomt steeds weer terug naar het reservoir van het koelaggregaat. Correct gebruik van de koelkast is zo gegarandeerd.



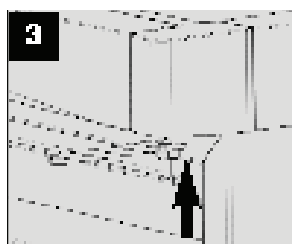
Afb. 23



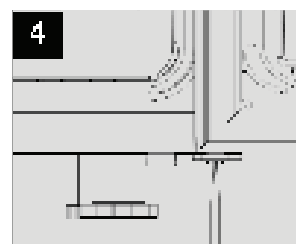
Afb. 24



Afb. 25



Afb. 26

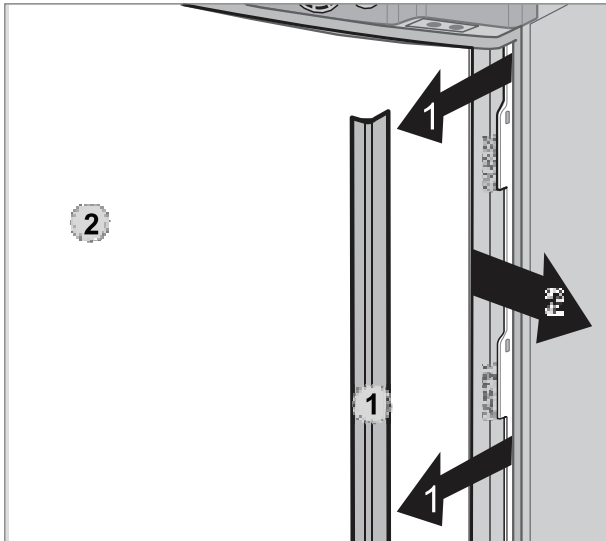


Afb. 27

- Deur openen, scharnierschroef losmaken en bewaren.
- Deur naar voren verwijderen.
- Scharnierpen losmaken en aan de andere zijde erin schroeven.
- Afstandsschijf op de onderste scharnier plaatsen.
- Deur in bovenste scharnierpen schuiven en op de onderste scharnier plaatsen.
- Scharnierschroef erin schroeven.
- Zorg ervoor dat de deur vrij beweeglijk is en de deurafdichting rondom contact maakt.

5.12 Wisselen van de decorplaat

- Trek de zijdelingse lijst (1) van de deur af (lijst is opgestoken, niet vastgeschroefd)
- Schuif de decorplaat (2) in de deur, en steek de lijst (1) er weer op.



Afb. 28

Afmetingen van de decorplaat:

Hoogte	743 +/- 0,75 mm
Breedte	504 +/- 0,5 mm
Dikte	min. 1,0 mm max. 1.7 mm

5.13 Gedrag bij storingen

Alvorens de geautoriseerde klantenservice te raadplegen, eerst controleren of:

- de aanwijzingen in paragraaf „Bediening van de koelkast“ correct werden opgevolgd.
- de koelkast horizontaal staat.
- het mogelijk is om de koelkast met een voorhanden energiesoort te gebruiken.

Storing: De koelkast koelt onvoldoende.

Mogelijke oorzaak	Oplossing
<ul style="list-style-type: none">- De beluchting rond het aggregaat is onvoldoende.- De thermostaatinstelling is te laag.	<ul style="list-style-type: none">- Controleer of het ventilatieroostervan het aggregaat niet afgedekt is.- Zet de thermostaatregelaar in een hogere stand.
<ul style="list-style-type: none">- De naverdamper is sterk vereist.- Te veel warme levensmiddelen werden snel achter elkaar bewaard.- Het apparaat is nog niet lang in gebruik.	<ul style="list-style-type: none">- Controleer of de koelkastdeur correct sluit.- Laat verwarmde waren voor opslag eerst afkoelen.- Controleer de koelruimte na ca. 4–5 h op koeling.
<ul style="list-style-type: none">- De omgevingstemperaturen zijn te hoog.	<ul style="list-style-type: none">- Ventileer de ruimte.

Storing: De koelkast koelt niet in gasbedrijf.

Mogelijke oorzaak	Oplossing
<ul style="list-style-type: none">- Gasfles is leeg.- De voorgeschakelde afsluitspanning is gesloten- Er bevindt zich lucht in de leiding	<ul style="list-style-type: none">- Gasfles vervangen.- Afsluitinrichting openen.- Apparaat uitschakelen en opnieuw starten. Procedure eventueel 3–4 keer herhalen.

Storing: De koelkast koelt niet in 230-V-bedrijf.

Mogelijke oorzaak	Oplossing
<ul style="list-style-type: none">- Zekering defect.- Netvoeding niet aangesloten.- Verwarmingselement defect.	<ul style="list-style-type: none">- Nieuwe zekering plaatsen.- Netverbinding tot stand brengen.- Breng de Dometic-klantenservice op de hoogte.

Brugsanvisning

Absorber-køleskabet

RGE 2100

Notér disse data her:

Modelnummer
Produktnummer
Serienummer



N 1

MBA 10/2015



Inholdsfortegnelse

1.0	Alment	4
1.1	Indledning	4
1.2	Henvisninger til denne betjeningsvejledning	4
1.3	Ophavsretsbeskyttelse	4
1.4	Forklaring på anvendte symboler	4
1.5	Garantiansvar	5
1.6	Begrænsning i ansvar og hæftelse	5
1.7	Kundeservice	5
1.8	Reservedele	6
1.9	Miljømæssige oplysninger	6
1.9.1	Bortskaffelse	6
1.9.2	Energisparende tips	6
1.10	Konformitetserklæring	6
2.0	Sikkerhedshenvisninger	7
2.1	Formålsbestemt anvendelse	7
2.2	Brugerens ansvar	7
2.3	Beskyt børn ved bortskaffelse af apparatet	7
2.4	Arbejder på og kontroller af køleskabet	7
2.5	Information om kølemidlet	8
2.6	Brug af køleskabet med gas	8
2.7	Sikkerhedshenvisninger ved oplagring af levnedsmidler	9
3.0	Modelbeskrivelse	10
3.1	Modelbetegnelse	10
3.2	Typeskilt på køleskabet	10
3.3	Tekniske data	10
3.4	Forklaring til køleskabet	10
4.0	Installation	11
4.1	Opstilling og tilslutning	11
4.1.1	Elektrisk tilslutning	11
4.1.2	Opstilling af gasflasker	11
4.1.3	Gastilslutning	12
4.2	Montering af dørgrab	12
5.0	Køleskabets funktion	13
5.1	Rengøring	13
5.2	Vedligeholdelse	13
5.3	Elektrisk drift	13
5.4	Drift med gas	13
5.5	Betjening af køleskabet	14
5.5.1	Forklaring til betjeningselementerne	14
5.5.2	Elektrisk drift	15
5.5.3	Drift med gas (flydende gas)	15
5.5.4	Indstilling af kølerumstemperaturen	15
5.6	Placering af gitterhylde	16
5.7	Udtagelig frostboks	16
5.8	Oplagring af levnedsmidler og klargøring af isterninger	16
5.8.1	Oplagring af varer i kølerummet	16
5.8.2	Oplagring af varer i frostboksen	16

5.8.3	Køleskabshylder	17
5.8.4	Frysning af isterninger	17
5.9	Sætte ud af drift	17
5.10	Afrimning	18
5.11	Ændring af dørens åbningsretning	18
5.12	Dekorationspladen udskiftes	19
5.13	Forholdsregler ved fejl	20

Dometic GmbH
In der Steinwiese 16
D-57074 Siegen

www.dometic.com

1.0 Alment

1.1 Indledning

Med **Dometic** Absorber køleskabet har du truffet et glimrende valg. Vi er sikre på, at du vil blive fuldt tilfreds med dit nye køleskab i enhver henseende. Køleskabet, der arbejder lydløst, lever op til høje kvalitetsstandarder og garanterer en effektiv udnyttelse af ressourcer og energi i hele sin levetid, lige fra produktion til brug og bortskaffelse.

1.2 Henvisninger til denne betjeningsvejledning

Læs omhyggeligt betjeningsvejledningen, før du begynder at bruge køleskabet.

Denne vejledning giver de nødvendige henvisninger til den rigtige brug af køleskabet. **Vær især opmærksom på sikkerhedshenvisningerne.** Overholdelse af henvisningerne og anvisningerne til gøremål er vigtigt for en sikker omgang med køleskabet og beskytter én selv og køleskabet mod skader. Det læste skal være forstået, før man griber til en forholdsregel.

Opbevar denne betjeningsvejledning i nærheden af køleskabet, så den til hver en tid kan tages i brug.

1.3 Ophavsretsbeskyttelse

Angivelser, tekster og afbildninger i denne vejledning er ophavsretligt beskyttede og falder ind under den industrielle ejendomsret. Ingen del af denne vejledning må uden skriftlig tilladelse fra Dometic GmbH, Siegen, reproducere, kopieres eller på anden måde finde anvendelse.

1.4 Forklaring på anvendte symboler

Advarselshenvisninger

Advarselshenvisninger er kendetegnet ved hjælp af symboler. En supplerende tekst belyser graden af fare.

Vær opmærksom på en meget nøje overholdelse af disse advarselshenvisninger. På den måde beskytter man sig selv, andre personer og apparatet mod skader.



FARE!

FARE betegner en umiddelbar faresituation, som kan føre til død eller alvorlig kvæstelse, såfremt de nævnte anvisninger ikke følges.



ADVARSEL!

ADVARSEL betegner en mulig faresituation, som kan føre til død eller alvorlig kvæstelse, såfremt de nævnte anvisninger ikke følges.



FORSIGTIG!

FORSIGTIG betegner en mulig faresituation, som kan føre til lette eller mellemsvære kvæstelser, såfremt de nævnte anvisninger ikke følges.

FORSIGTIG!

FORSIGTIG uden sikkerhedssymbol betegner en mulig faresituation, som kan føre til beskadigelser på apparatet, såfremt de nævnte anvisninger ikke følges.

Information



INFORMATION giver supplerende og nyttige henvisninger til omgangen med køleskabet.

Miljøhenvisning



MILJØHENVISNING giver nyttige henvisninger til energibesparelser og bortskaffelse af apparatet.

1.5 Garantiansvar

Garantiindfrielse sker i henhold til EU direktiv 44/1999/CE samt nationale vilkår. Kontakt vores kundeserviceafdeling vedrørende garanti eller anden service. Skader, der er opstået som resultat af fejlagtig brug, er ikke omfattet af garantien. Garantien dækker ikke ved ændringer på køleskabet eller brug af andre dele end **originale Dometic-dele**; garantien dækker ikke, hvis installerings- eller betjeningsvejledningen ikke er fulgt, og vi påtager os intet ansvar herfor.

1.6 Begrænsning i ansvar og hæftelse

Alle angivelser og henvisninger i denne betjeningsvejledning er blevet udarbejdet under hensyntagen til gældende normer og bestemmelser såvel som teknikkens stade. **Dometic** forbeholder sig ret til at gennemføre ændringer på produktet, som er af interesse for en produktforbedring og er velanbragte i forhold til sikkerheden.

Dometic påtager sig intet ansvar for skader ved:

- ignorering af betjeningsvejledningen
- en ikke formålsbestemt anvendelse
- anvendelse af ikke originale reservedele
- udførte forandringer og indgreb på apparatet
- Påvirkninger fra omgivelsernes beskaffenhed, såsom
 - temperaturændringer
 - luftfugtighed

1.7 Kundeservice

Dometic tilbyder et europadækkende kundeservicenet. Oplysninger om autoriserede kundeservicesteder kan man få ved opkald til telefonnumrene i **EuroService Network** - heftet, som er vedlagt hvert køleskab. Også på internetet kan man finde den nærmeste kundservicepartner på **www.dometic.com**. Ved kontakter med kundetjenesten angiv da altid model, produktets nummer, serienummer og eventuelt også MLC-koden! Disse oplysninger fremgår af typeskiltet inde i køleskabet. Vi anbefaler at indføre disse data i det fortrykte felt på titelsiden af denne anvisning.

1.8 Reservedele

Hos kundeserviceafdelingen kan der bestilles dele.

Ved kontakter med dette Call Center, så opgiv altid hvilken model og dennes produktnummer! Disse oplysninger fremgår af typeskiltet inde i køleskabet.

1.9 Miljømæssige oplysninger



Der anvendes ammoniak (en naturlig sammensætning af brint og kvælstof) som kølemiddel i køleskabet. Der anvendes cyklopentan, der ikke skader ozonlaget, som drivmiddel i produktionen af PU-skummet til isolering

1.9.1 Bortskaffelse

For at sikre, at den genanvendelige emballage genbruges, skal den sendes til det normale genbrugssted. Ved bortskaffelse afleveres køleskabet til en genbrugsstation, der sikrer genbrug af de genanvendelige komponenter og en hensigtsmæssig bortskaffelse af de resterende materialer. Anvend et passende bortskaffelsesfirma med henblik på miljøvenlig aftapning af kølemedlet fra alle absorberkøleskabets enheder.



Apparater, som er mærket med dette symbol, skal afleveres hos det lokale opsamlingssted til bortskaffelse af elektriske og elektroniske apparater. Dette produkt må ikke bortskaffes gennem normal husholdningsaffald. Køleskabe fra Dometic har symbolet på dataskiltet (typeskiltet) invendigt i apparatet.

1.9.2 Energisparende tips

- Ved en udendørs temperatur på ca. 25 °C er det tilstrækkeligt at stille køleskabets termostat i midterstilling.
- Fyld altid varer i, der allerede er kølet ned og emballeret, hvis det er muligt.
- Udsæt ikke køleskabet for direkte sollys eller anden varmekilde (f.eks. varme).
- Du skal sørge for en uhindret luftcirkulation omkring køleskabsaggregatet.

- Anbring hylder jævnt fordelt i miniBaren (kølerummet) for at opnå den mest effektive energiodnyttelse.
- Overfyld ikke trådhylder og hylder, så den interne luftcirkulation ikke hæmmes.
- Sørg for afstand mellem kølevarerne og efterfordamperen ("køleribber")(ca.10 mm).
- Regelmæssig afrimning sparer energi (se "5.10 Afrimning").
- Ved udtagning af varer må køleskabsdøren kun være åben i kort tid.
- Start køleskabet op ca. 12 timer før opfyldning.

1.10 Konformitetserklæring



2.0 Sikkerhedshenvisninger

2.1 Formålsbestemt anvendelse

Køleskabet er beregnet til installering i sommerhuse, jagthytter og lignende. Køleskabet er godkendt til dette formål jvnf. EUs gasdirektiv 90/396/EEC.

Installation af køleskabet i campingvogne og sejlbåde kan ikke anbefales .

Anvend udelukkende køleskabet til køling og opbevaring af levnedsmidler.



ADVARSEL!

Køleskabet kan ikke anvendes til korrekt opbevaring af medikamenter. Vær opmærksom på henvisningerne på indlægssedlen i medikamentets indpakning.

FORSIGTIG!

Køleskabet må ikke udsættes for regn.

2.2 Brugerens ansvar

Personer, der betjener køleskabet, skal være fortrolige med en sikker omgang med dette og skal kende henvisningerne i denne betjeningsvejledning.

Dette apparat kan anvendes af børn fra 8 år og opefter, og af personer med nedsat, fysisk, følelsesmæssig eller mental funktionsevne, eller manglende erfaring og/eller viden, hvis de holdes under opsyn eller er blevet undervist i sikker brug af apparatet og har forstået de heraf resulterende farer. Børn må ikke lege med apparatet. Rengøring og vedligeholdelse udført af brugeren må ikke udføres af børn.

[EN 60335-2-24, 7.12]

2.3 Børn skal beskyttes efter bortskaffelse af apparatet



ADVARSEL!

Når køleskabet bortskaffes, fjernes alle køleskabsdøre, og hylderne efterlades i køleskabet. En utilsigtet indelukning og kvælning forhindres dermed.

2.4 Arbejder på og kontroller af køleskabet



ADVARSEL!

Arbejde på gas-, røggasudsugnings- og elektriske komponenter må kun udføres af autoriserede fagfolk. Der kan opstå betydelige materielle skader og/eller personskader gennem usagkyndige aktiviteter.



FARE!



Brug aldrig åben ild til at kontrollere apparatet for utætheder!

Der er fare for brand eller eksplosion.



ADVARSEL!

Åbn aldrig absorptionsaggregatet! Det står under højtryk.

Der er fare for kvæstelser!

2.5 Information om kølemidlet

Som kølemiddel anvendes ammoniak. Det er en naturlig sammensætning, der også bruges i rengøringsmidler (1 l salmiak- rengøringsmiddel indeholder op til 200 g ammoniak - ca. dobbelt så meget, som der anvendes i køleskabet). Der anvendes natriumchromat til korrosionsbeskyttelse (1,8 vægtprocent af opløsningsmidlet).

Sådan forholder du dig ved en eventuel utæthed (som let konstateres i form af en stærk lugt):

- Sluk for køleskabet.
- Udluft rummet grundigt.
- Informér den autoriserede kundeservice.



For din egen sikkerhed er det fra sagkyndig side blevet fastslået, at der ved udtræden af kølemidlet ikke består skadevirkninger for.

2.6 Brug af køleskabet med gas

Driftstrykket skal svare til angivelserne på køleskabets typeskilt. Sammenlign driftstrykdataene på typeskiltet med dataene på trykovervågningen på cylinderen med flydende gas.

Køleskabet anvendes med følgende gasser og indsugningstryk. Den reduktionsventil, der skal bruges mellem gasflaske og bageovn, skal svare til kategorierne i følgende tabel

Forsyningstryk og gaskategorier

Kategori	Tryk / mbar	GAS
I3B / P(30)	30	Butan
	30	Propan
I3+ (28-30/37)	28-30	Butan
	37	Propan
I3B/P(50)	50	Butan
I3B/P(50)	50	Propan

Hvis du kan lugte gas:

- Åbn alle vinduer, og forlad rummet.
- Undlad at aktivere nogen elektrisk anordning og undgå at bruge åben ild.
- Luk gasflaskeventilen, og lad den være lukket, indtil fejlen er udbedret.
- Rådfør dig med autoriseret fagpersonale*.

* autoriseret fagpersonale

Autoriseret fagpersonale er anerkendte sagkyndige, hvis uddannelse og kompetencer er en garanti for, at kontrollen gennemføres korrekt.

2.7 Sikkerhedshenvisninger ved oplagring af levnedsmidler

Anvisning til opbevaring af levnedsmidler i et køleskab:

Køleapparater af enhver slags kan ikke forbedre kvaliteten af levnedsmidler, kan derimod maksimalt bevare levnedsmidlets kvalitet over et kort tidsrum fra oplagringstidspunktet og frem.

Vær opmærksom på følgende særlige betingelser ved opbevaring af levnedsmidler i et køleskab, der er indbygget i et køretøj:

- Forandringer i klimabetingelserne, såsom temperaturforandringer
- Høj indre temperatur
- Køleskab indbygget bag et vindue og i direkte sollys
- For hurtig oplagring af varer kort efter ibrugtagning af apparatet

Under disse særlige betingelser kan køleskabet ikke garantere den nødvendige temperatur for hurtigt fordærlige levnedsmidler.

Til hurtigt fordærlige varer hører alle produkter med en opgivet sidste salgsdato og en opbevaringstemperatur på mindst +4°C eller mindre, især kød, fjerkræ, fisk, pølse, færdigretter.

- Rå og kogte varer pakkes separat (f.eks. beholdere, alufolie o.a.)
- Yderemballage af enkeltpakninger fjernes kun, hvis alle nødvendige data som f.eks. holdbarhedsdato også kan aflæses af de enkelte pakninger.
- Afkølet vare må ikke være udenfor køleskabet for lang tid.
- Levnedsmidler med den seneste holdbarhedsdato stilles forrest.
- Rester indpakkes igen og fortæres hurtigst muligt.
- Hænder vaskes før og efter berøring af levnedsmidler.
- Køleskabet rengøres indvendigt med regel mæssige intervaller.

Vær opmærksom på henvisninger og beskrivelser med hensyn til holdbarhedsdatoen på varens emballage.

Vær i denne vejledning opmærksom på afsnittet "5.1 Rengøring".

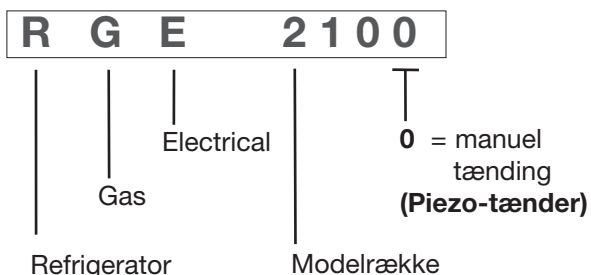


Betingelser i omgivelserne har indflydelse på aggregatets ydelse. Vælg midterstillingen ved omgivende temperaturer mellem +15 °C og +25 °C (se fig. 13, midterste temperaturtrin). Aggregatet arbejder så i det optimale ydelsesområde.

Dometic-køleskabene arbejder efter absorptionsprincippet. Fysisk betinget reagerer et absorptionssystem trægt på ændringer i termostatregulatoren, kuldetab ved åbning af døren eller ilægning af varer. Apparaterne opfylder ydelseskravene for klimaklasse SN efter EN/ISO 7371 indenfor temperaturområdet fra +10°C til +32 °C i omgivelsernes temperatur

3.0 Modelbeskrivelse

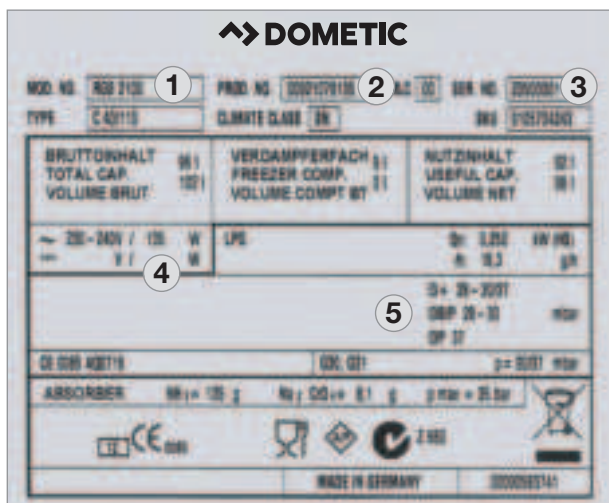
3.1 Modelbetegnelse



Køleskab for gasdrift och elektrisk drift

3.2 Typeskilt på køleskabet

I køleskabets indre finder man køleskabets typeskilt. Det indeholder alle vigtige data om køleskabet. Der kan man aflæse modelbetegnelse, produktnummer og serienummer. Disse data er nødvendige ved alle kontakter med kundetjenesten eller ved reservedelsbestillinger.



Eksempel

Fig. 1

- 1 Model nummer
- 2 Produktnummer
- 3 Serienummer
- 4 Elektriske tilslutningsværdier
- 5 Gastryk

3.3 Tekniske data

- Bruttoindhold (liter) 100
- Frostboks (liter) 9
- Bruttoindhold (frostboks)..... 106
- Mål (mm)**
(H x B x D) 859x531x558
- Nominal effekt (W)** 125
- Gasforbrug (30 / 50 mbar)**
g / 24h* 270 / 360
- Energiforbrug**
kWh / 24h* 2.5
- Nettovægt (kg)** 32.2
- Gas tænding** Piezo-tænder
- Fritstående opstilling**

Ret til tekniske ændringer forbeholdes.

*Gennemsnitsforbrug målt ved en gennemsnitlig omgivende temperatur på 25°C jvnf. ISO-standard.

3.4 Forklaring til køleskabet

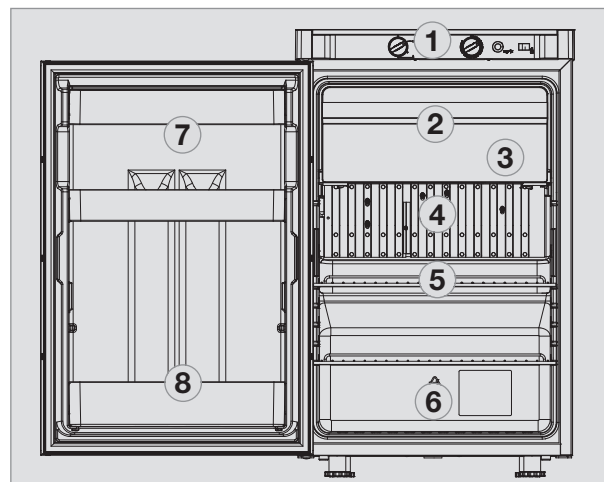


Fig. 2

- 1 Betjeningselementer
- 2 Frostboks (udtagelig)
- 3 Ekstra gitterhylde (valgfri, kan sættes i ved udtaget frostboks)
- 4 Efterfordamper til kølerum
- 5 Afløbsrende til optøningsvand
- 6 Grøntsagsskuffe
- 7 Overhylde med klap
- 8 Nederhylde med flaskeholder

4.0 Installation

4.1 Opstilling og tilslutning

Dette køleskab er afprøvet og godkendt til brug i lukkede rum.

Følgende punkter skal iagttages i forbindelse med opstilling af køleskabet:

- Opstillingsrummet skal have et rumindhold på min. **20 m³**, være godt ventileret og have et vindue eller en dør, der kan åbnes ud i det fri.
- Køleskabet skal stå frit, dvs. der skal være en min. afstand på **50 mm** til vægge eller skabe ved siden af (**ikke indbygget!**).
- Afstanden til indretninger oven for (skabe etc.) skal udgøre min. **100 mm**.
- Opstil køleskabet vandret på et fast underlag.
- Køleskabet må ikke udsættes for varme-stråling fra varme genstande (fx komfur, varmeapparat).
- Køleregulatoren på bagsiden (under afdækningen) skal altid være godt ventileret. Aggregatet må ikke tildækkes (fx med håndklæder, forhæng). Manglende ventilation reducerer køleeffekten!
- Køleskabet skal opstilles stænkvandsbeskyttet. Pas på at det ikke udsættes for regn ved opstilling.

4.1.1 Elektrisk tilslutning

- Vælg kun denne energiforsyning, hvis strømtilslutningens spændingsforsyning stemmer overens med typeskiltets spændingsangivelser. Ved afvigende værdier kan apparatet blive beskadiget!

- Strømforsyningen skal ske via et korrekt jordet stik.
- Det tilrådes at lade den indgående strømforsyning gå gennem en automatisk sikring.
- Strømkablet skal lægges på en sådan måde, at det ikke kommer i kontakt med køleskabets/brænderens varme komponenter eller skarpe kanter.

FORSIKTIG!

Netstikket skal være frit tilgængeligt.



FORSIKTIG!

Bliver tilførselsledningen beskadiget, skal den erstattes af Dometic kundeservice eller af et ligeså kvalificeret personale, for at undgå faresituationer. Ved udskiftningen af netkablet må der kun anvendes det originale Dometic netkabel.

4.1.2 Opstilling af gasflasker

- Gasflasker skal stå oprejst.
- Opstil gasflasken på et godt ventileret sted.
- Opstil gasflasken et sted, hvor den nemt kan ses i tilfælde af brand.
- Afstanden fra gasflasken til køleskabet må maks. være 1,5 m.
- Der må kun anvendes gasflasketyper, slanger og trykreguleringsudstyr, der er godkendt i det pågældende land, Danmark.

4.1.3 Gastilslutning

Køleskabet må kun køre på F-gas (propan, butan). Brug under ingen omstændigheder bygas eller naturgas !

- Køleskabet skal tilsluttes af autoriserede gas-fagfolk.
- De gældende nationale forskrifter for anvendelse af F-gasdrevne apparater skal følges
 - Tekniske bestemmelser, EN 732
- En fastindstillet trykregulator **(1)**, Fig. 3, trykreduktionsventil) skal monteres på gasflasken til køleskabet. Køleskabet må ikke tilsluttes med et andet tryk end det, der er angivet på typeskiltet.
- Køleskabet skal sluttes til gasflasken med en DG-godkendt gaslange. Vælg en tilstrækkelig længde, så slangen kan tilsluttes uden knæk. Slangen må maks. være 1,5 m lang.
- Gasslangen skal sluttes regulator med solide spændebånd **(2)**, Fig. 3.
- Slangen skal udskiftes med jævne mellemrum.
- Efter tilslutning af gasflasken skal der udføres tæthedskontrol på alle forbindelser samt flammeafprøvning af brænderen. Anvend en spray til lækagesøgning eller et skumdannende middel. Kontrollér forbindelsesstederne for evt. Bobler / skumdannelse efter at have åbnet for flaskeventilen.



FARE!



Brug aldrig åben ild til at kontrollere apparatet for utætheder.

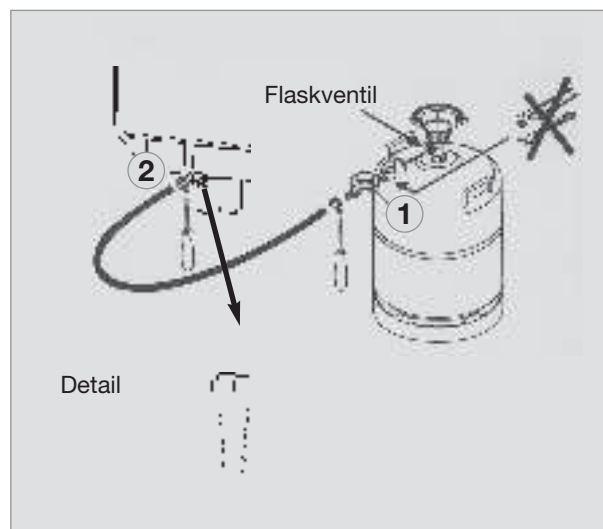


Fig. 3

4.2 Montering af dørgreb

1. Fastgøringspunkterne: Anvend skabelon **(1)** i målestoksforhold 1:1 (se punkt 5.3.2)

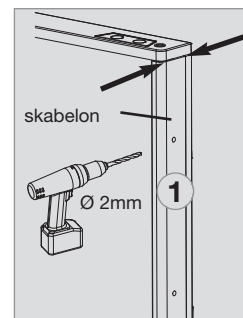


Fig. 4

2. Justér dørgrebet på døren og skru det fast.

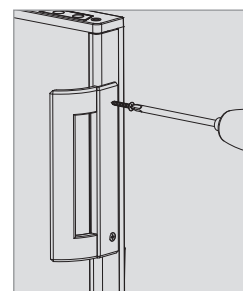


Fig. 5

3. Sæt afdækningen på og tryk den fast.

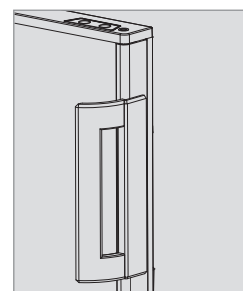


Fig. 6

5.0 Køleskabets funktion

Køleskabet kan arbejde med tre typer af energitilførsel:

- **Netspænding (230 V)**
- **Gas (flydende gas, propan/butan)**

Den ønskede energiform vælges med **energi-vælgerknappen**.



Køleskabets aggregatet kører lydløst.

Når køleskabet første gang tages i brug, kan der fremkomme en lugt, som forsvinder efter nogle få timer. Sørg for grundig ventilation af alle opholdsrum.

Køleskabet når sin driftstemperatur efter nogle timer, hvorved fryseboksens kule være kold efter en timestid.

5.1 Rengøring

Før køleskabet tages i brug, tilrådes det at rengøre det indvendigt og at gentage dette regelmæssigt.

Brug en blød klud og lunkent vand med et mildt rengøringsmiddel.

Skyl derefter køleskabet med rent vand, og tør det omhyggeligt af.

For at undgå materialeforandringer må du ikke bruge sæbe eller hårde, slibende eller sodabaserede rengøringsmidler. Lad ikke dørtætningen komme i berøring med olie eller fedt.

5.2 Vedligeholdelse



ADVARSEL!

Arbejder på gasudstyr og elektrisk udstyr må kun udføres af autoriserede fagfolk.

- Gasbrænderen skal renses for urenheder efter behov, dog mindst en gang om året. Opbevar dokumentation for gennemført vedligeholdelse ved køleskabet.
- Vi anbefaler et vedligeholdelseseftersyn, hvis køleskabet har haft en længere driftspause. Kontakt vor kundeservice i den anledning.

5.3 Elektrisk drift

FORSIGTIG!

Vælg kun denne energiforsyning, hvis strømtilslutningens spændingsforsyning stemmer overens med typeskiltets spændingsangivelser. Ved afvigende værdier kan apparatet blive beskadiget!

5.4 Drift med gas

- Køleskabet skal køre på flydende gas (propan, butan) (ikke naturgas eller bygas).
- I en højde på ca. 1.000 m over havets overflade kan der ved antændelse af gassen optræde fysisk betingede fejl (**ingen fejlfunktion!**).
- Når køleskabet bruges første gang samt efter udskiftning af gasflaske, kan gasrøret indeholde luft. Ved at lade køleskabet køre kortvarigt fjernes luften fra gasrørene. Gassen antændes derefter uden forsinkelser.
- Alle køleskabe med manuel tænding er udstyret med en automatisk flammebeskyttelse, der automatisk lukker for tilførslen af gas ca. 30 sekunder efter, at flammen er gået ud.

5.5 Betjening af køleskabet

5.5.1 Forklaring til betjeningselementerne

Manuelt energivalg / manuel tænding Piezo-tænder :

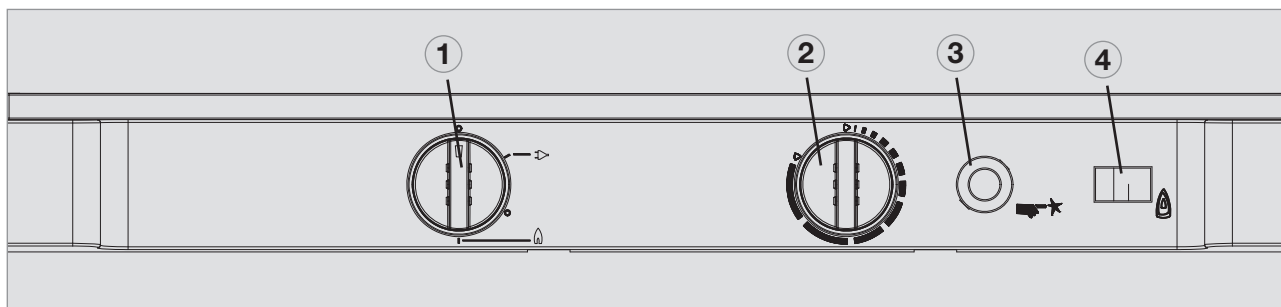


Fig. 7

- ① = Tænd-knap / knap til energivalg
- ② = Temperaturregulering
- ③ = Piezo-tænder (gas)
- ④ = Flammeindikator (galvanometer)

Forklaring:

Køleskabet er beregnet til at køre på netspænding eller flydende gas. Den ønskede energiform vælges ved at dreje på energivælgerknappen (1). Energivælgerknappen (1) har fire indstillinger:

- Slukket (2)
- Netspænding (230 V~) (3)
- Slukket (4)
- Gas (flydende gas, propan/butan) (5)

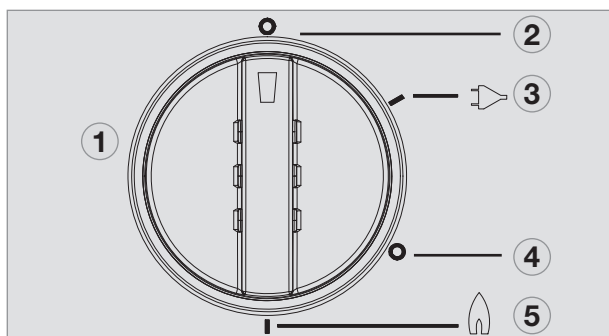


Fig. 8

5.5.2 Elektrisk drift

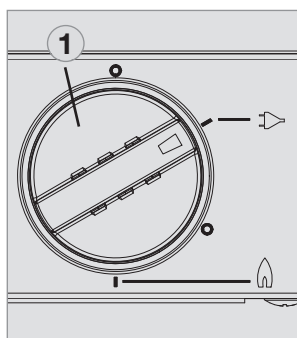


Fig. 9

Du tænder for apparatet ved at dreje energi-vælgerknappen (1) til højre til denne position:



5.5.3 Drift med gas (flydende gas)

Før man tager køleskabet i brug med gas:

- Åbn ventilen på gasflasken.

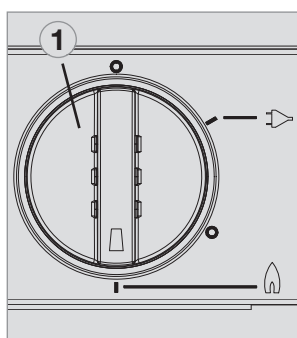


Fig. 10

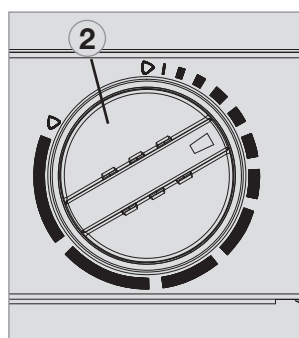
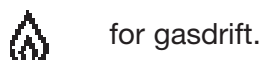


Fig. 11

1. Stil drejeomskifteren (1) på positionen :



2. Drej temperaturtrinvælgeren (2) til højre, og tryk den ind. Hold trinvælgeren trykket ind.

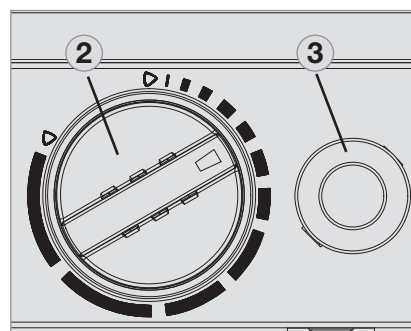


Fig. 12

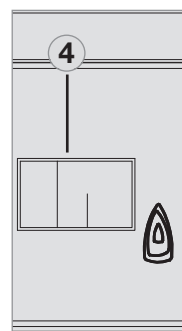


Fig. 13

3. Aktiver piezo-tændingen (3) nogle gange med et interval på 1-2 sekunder.
4. Viseren på galvanometeret (4) bevæger sig ind i det grønne område, når flammen er blevet antændt. Hold drejeknappen (2) indtrykket endnu ca. 15 sek., og slip den så. Køleskabet er i gang.

5.5.4 Indstilling af kølerumstemperaturen

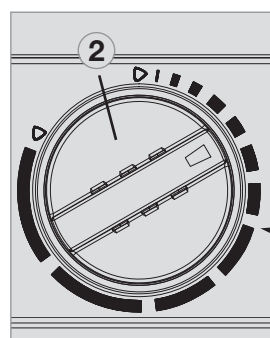


Fig. 14

Ved hjælp af drejeknappen (2) vælger du temperaturen i kølerummet.

Skalaen begynder med **MIN**-positionen (smal bjælke = varmeste temperatur) og går til **MAX**-positionen (bred bjælke = koldeste temperatur).

Vær opmærksom på, at temperaturtrinnene ikke kan tilordnes nogen absolutte temperaturværdier.

5.6 Placering af gitterhylder

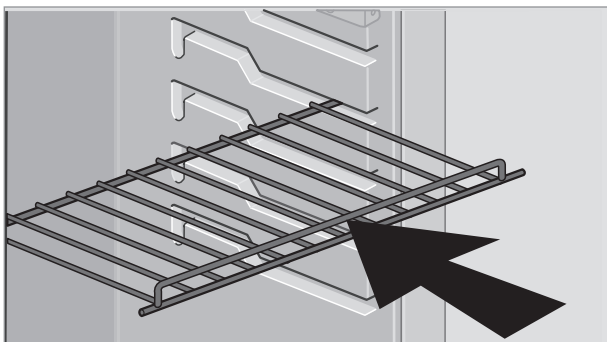


Fig. 15

Hylderne er nemme at trække ud af sliderne ved at løfte dem lidt og kan placeres efter behag.

5.7 Udtagelig frostboks

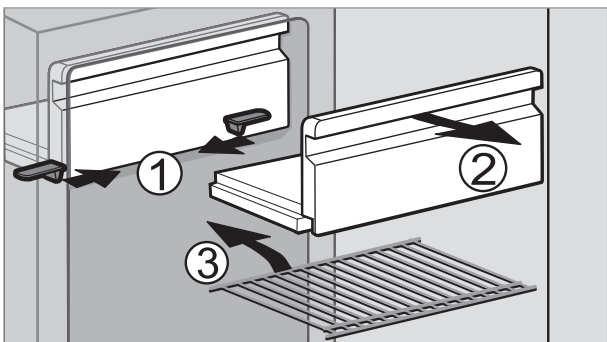


Fig. 16

For at gøre kølerummet større kan frostboksen tages ud.

1. Hasp frostboksen op på begge sider.
2. Træk frostboksen ud.

Opbevar frostboksen omhyggeligt for at undgå skader.



Når frostboksen er taget ud kan man sætte en ekstra hylde i (3.). Hylden kan fås som ekstraudstyr ved henvendelse til **Dometic**.

5.8 Oplagring af levnedsmidler og klargøring af isterninger

5.8.1 Oplagring af varer i kølerumm

- Start køleskabet op ca. 12 timer før forsyning.
- Læg altid forud afkølede varer ind. Vær allerede ved indkøb og transport opmærksom på, at varen er godt afkølet. Anvend en køletaske.
- Ved udtagning af varer må køleskabsdøren kun være åben i kort tid.
- Varer skal være indpakket, helst i lukkede beholdere, alufolie el. lign. og opbevares adskilt fra hinanden, for at undgå udtørring og lugt.
- Lad opvarmede varer afkøle før oplagring.
- Produkter, der kan afgive flygtige, brandbare gasser, må ikke opbevares i køleskabet.
- Overfyld ikke trådhylder og hylder, så den interne luftcirkulation ikke hæmmes.
- Sørg for afstand mellem kølevarerne og efterfordamperen ("køleribber") (ca.10mm).
- Der skal være sikret uhindret luftcirkulation til køleskabets aggregat. Ventilationsgitteret må ikke være dækket til.

5.8.2 Oplagring af varer i frostboksen

- Opbevar ikke kulsyreholdige drikke i frostboksen.
- Frostboksen er egnet til frysning af isterninger og til en kortvarig opbevaring af allerede frosne levnedsmidler. Den er ikke egnet til nedfrysning af levnedsmidler.

Ved omgivende rumtemperaturer på mindre end +10 °C kan der ikke sikres en jævn regulering af frostboksens temperatur, hvis køleskabet er udsat for disse temperaturer i længere tid. Dette kan medføre en mulig temperaturstigning i frostboksen og optøning af de nedfrosne varer.

5.8.3 Køleskabshylder

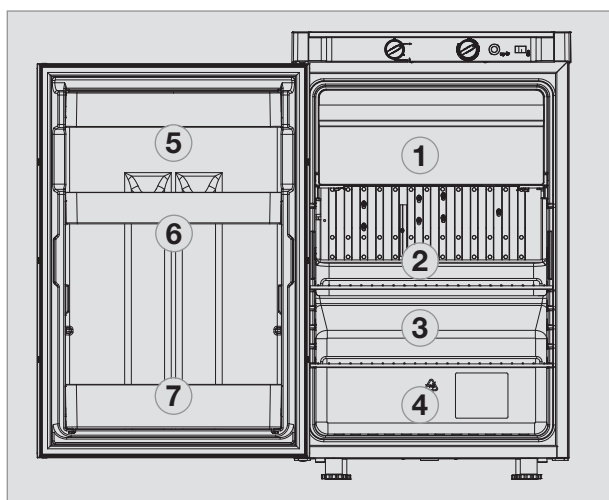


Fig. 18

- 1 **Frostboks :**
allerede frosne varer (dybfrostvarer)
- 2 **Mellemste hylde:**
Mælkeprodukter, tilberedte spiser
- 3 **Nederste hylde:**
Kød, fisk, varer, der skal tøs op
- 4 **Grøntsagshylde:**
Salat, grøntsager, frugt
- 5 **Øverste dørhylde:**
Æg, smør
- 6 **Mellemste dørhylde:**
Dåser, dressings, ketchup, marmelade
- 7 **Nederste dørhylde (hylde til drikkevarer):**
Drikkevarer i flasker eller poser

5.8.4 Frysning af isterninger

Isterninger fryses bedst i løbet af natten. Om natten er køleskabet mindre belastet og aggregatet har flere reserver.



Fig. 19

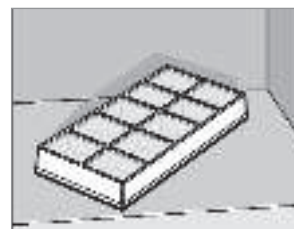


Fig. 20

1. Fyld isterningbakken med drikkevand.
2. Sæt isterningbakken i frostboksen.



ADVARSEL!

Brug kun drikkevand!

5.9 Udafbrugtagning

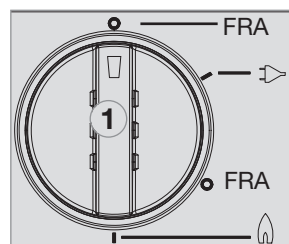


Fig. 21



Fig. 22

- Stil energivælgerknappen (1) på positionen "FRA". Apparatet er slukket
- Køleskabets dør skal stå let åbne for at forhindre, at der dannes mug inde i køleskabet.
- Hvis køleskabet ikke skal bruges i en længere periode, skal der lukkes for den inden bords stophane og cylinderventilen.

5.10 Afrimning

Med tiden dannes der rim på køleribberne indvendigt i køleskabet. En kraftig rimdannelse kan forekomme og betyder ingen fejlfunktion. Når rimlaget når op på ca. 3 mm, bør køleskabet afrimes.

- Sluk for køleskabet som beskrevet i afsnit 5.9 *Udafbrugtagning*.
- Tag isterningbakken og madvarerne ud.
- Lad køleskabsdøren stå åben for at udlufte og forhindre skimmeldannelse.
- Aftør begge kølerum med en klud efter afrimning, så de er tørre (frostboksen og køleribberne skal være fri for rim).

Bemærk: Smeltevandet i køleskabets hovedrum løber ned i en dertil beregnet beholder på bagsiden af køleskabet. Derfra fordamper vandet.

FORSIGTIG!

Rimlaget må aldrig fjernes med vold, og afrimningen må ikke fremskyndes ved hjælp af en varmekilde!

5.11 Ændring af dørens åbningsretning



Hvis det skulle blive nødvendigt at skrånstille køleskabet eller lægge det ned, må det først tages i brug en time senere. Kølevæsken samler sig igen i køleaggregatets forrådsbeholder. Det garanteres således, at køleskabet drives korrekt.

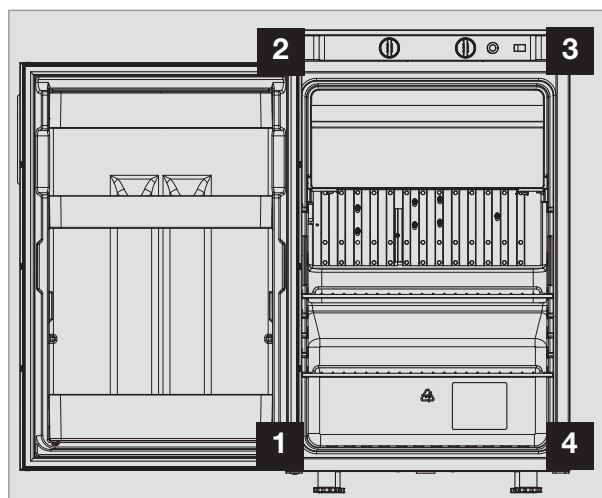


Fig. 23



Fig. 24

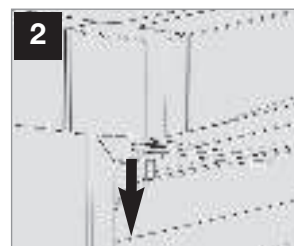


Fig. 25



Fig. 26



Fig. 27

- Luk døren op, løsne hængselsskruen og gem den.
- Tag døren af i fremadgående retning.
- Løsne hængselstappen og skru den i på den modsatte side.
- Flyt afstandsskiven på det nederste hængsel.
- Skub døren ind i øverste hængselstap og sæt den på nederste hængsel.
- Skru hængselstappen i.
- Sørg for at døren kan bevæges frit, og at dørtætningen er tætsluttende hele vejen rundt.

5.12 Dekorationspladen udskiftes

- Træk listen **(1)** i siden af døren af (listen er klemmt fast, ikke skruet fast).
- Skub dekorationspladen **(2)** ud af døren, sæt den nye dekorationsplade i og klem listen **(1)** fast igen.

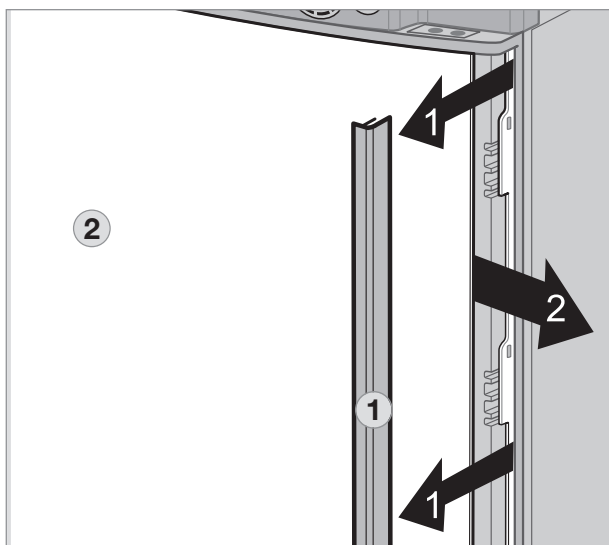


Fig. 28

Dekorationspladens mål:

Højde	Bredde	Tykkelse
743 +/- 0.75 mm	504 +/- 0.5 mm	min. 1.0 mm max. 1.7 mm

5.13 Forholdsregler ved fejl

Før du underretter den autoriserede kundeserviceafdeling, kontroller da følgende:

- at instruktionerne i afsnittet "Betjening af køleskabet" er fulgt,
- at køleskabet står i vater,
- at det er muligt at bruge køleskabet med en af de forhåndenværende energiformer.

Fejl: Køleskabet køler ikke tilstrækkeligt.

Mulig årsag	Afhjælpning
<ul style="list-style-type: none"> - Ventilationen til aggregatet er ikke tilstrækkelig. - Termostatindstillingen er for lav. - Fordamperen er tiliset for meget. - For mange, varme levnedsmidler lagt ind for hurtigt. - Apparatet har endnu ikke været tændt længe nok. - De omgivende temperaturer er for høje. 	<ul style="list-style-type: none"> - Kontroller, om ventilationsgitteret ikke skulle være dækket til. - Stil termostatregulatoren højere. - Kontroller, om køleskabsdøren lukker korrekt. - Lad opvarmede varer afkøle, før de lægges ind. - Kontroller kølerummet efter ca. 4-5 timer om det køler. - Luft ud i rummet.

Fejl: Køleskabet køler ikke ved gasdrift.

Mulig årsag	Afhjælpning
<ul style="list-style-type: none"> - Gasflasken er tom. - Er den foraktiverede stopmekanisme åbnet? - Er der luft i ledningen? 	<ul style="list-style-type: none"> - Gasflasken udskiftes. - Stopmekanismen åbnes. - Sluk køleskabet, og start det igen. Gentag i givet fald denne fremgangsmåde 3-4 gange.

Fejl: Køleskabet køler ikke ved 230V-drift.

Mulig årsag	Afhjælpning
<ul style="list-style-type: none"> - Defekt sikring. - Køleskabet ikke tilsluttet elforsyningen. - Varmeelementet defekt 	<ul style="list-style-type: none"> - Sæt ny sikring i. - Sørg for tilslutning til elforsyningen. - Underret Dometic-kundeservice.

Bruksanvisning

Absorptionskylskåp

RGE 2100

Skriv in dessa uppgifter här:

Modellnummer
Produktnummer
Serienummer



N 1

MBA 10/2015



Innehållsförteckning

1.0	Allmänt	4
1.1	Inledning	4
1.2	Anvisningar till denna bruksanvisning	4
1.3	Upphovsskydd	4
1.4	Förklaring till använda symboler	4
1.5	Garanti	5
1.6	Ansvarsbegränsning	5
1.7	Kundservice	5
1.8	Reservdelar	5
1.9	Miljöinformation	6
1.9.1	Avfallshantering	6
1.9.2	Energispartips	6
1.10	Konformitetsförklaring	6
2.0	Säkerhetsanvisningar	7
2.1	Föreskriftsenlig användning	7
2.2	Användarens ansvar	7
2.3	Skydda barnen när apparaten kasseras	7
2.4	Arbete på och kontroll av kylskåpet	7
2.5	Kylmedelsinformation	8
2.6	Kylskåpsdrift med gas	8
2.7	Säkerhetsanvisningar för förvaring av livsmedel	9
3.0	Modellbeskrivning	10
3.1	Modellbeteckning	10
3.2	Kylskåpets typskylt	10
3.3	Tekniska data	10
3.4	Förklaring till kylskåpet	10
4.0	Installation	11
4.1	Placering och anslutning	11
4.1.1	Elektrisk anslutning	11
4.1.2	Placering av gasflaska	11
4.1.3	Gas anslutning	12
4.2	Montering av dörrhandtaget	12
5.0	Kylskåpets drift	13
5.1	Rengöring	13
5.2	Underhåll	13
5.3	Strömdrift	13
5.4	Gasdrift	13
5.5	Kylskåpets handhavande	14
5.5.1	Förklaring till manöverorgan	14
5.5.2	Strömdrift	15
5.5.3	Gasdrift (flytande gas)	15
5.5.4	Inställning av kylutrymmets temperatur	15
5.6	Placering av förvaringshyllor	16
5.7	Uttagbart frostfack	16
5.8	Förvara livsmedel och göra isbitar	16
5.8.1	Förvara livsmedel i kylutrymmet	16
5.8.2	Förvara livsmedel i frostfacket	16

5.8.3	Kylskåpsfack	17
5.8.4	Göra isbitar	17
5.9	Urdrifftagning	17
5.10	Avfrostning	18
5.11	Byte av dörranslag	18
5.12	Byte av dekorplåt	19
5.13	Anvisningar till felavhjälpning	20

Dometic GmbH
In der Steinwiese 16
D-57074 Siegen

www.dometic.com

1.0 Allmänt

1.1 Inledning

Du har gjort ett utmärkt val som har valt **Dometic** absorptionskylskåp. Vi är övertygade om att du på alla sätt kommer att bli fullt tillfreds med det nya kylskåpet. Kylskåpet, vilket arbetar ljudlöst, uppfyller höga kvalitetskrav och garanterar effektiv resurs- och energianvändning under hela sin livstid, vid tillverkning, under drift och när den ska kasseras.

1.2 Anvisningar till denna bruksanvisning

Innan du börjar använda kylskåpet ska du läsa denna bruksanvisning noggrant.

Denna bruksanvisning ger dig all nödvändig information om hur man använder kylskåpet korrekt. **Uppmärksamma särskilt säkerhetsanvisningarna.** Det är viktigt att följa anvisningarna och handlingsanvisningarna för att varken du själv eller kylskåpet ska komma till skada vid användning. Du måste ha förstått vad du läser innan du vidtar någon åtgärd.

Förvara denna bruksanvisning i närheten av kylskåpet så att den när som helst kan användas. Se till att den inte kommer bort.

1.3 Upphovsskydd

Uppgifterna, texterna och bilderna i denna bruksanvisning är upphovsrättsligt skyddade och faller under immaterialrätterna. Ingen del av denna bruksanvisning får reproduceras, kopieras eller på annat sätt vidareanvändas utan skriftligt tillstånd från Dometic GmbH, Siegen.

1.4 Förklaring till använda symboler

Varningsinformation

Varningsinformation betecknas av symboler. En kompletterande text förklarar farans allvarlighetsgrad.

Uppmärksamma denna varningsinformation mycket noggrant. På så sätt skyddar du dig själv, andra personer och apparaten mot skador.



FARA!

FARA kännetecknar en omedelbar fara som kan leda till dödsfall eller allvarliga skador om inte de angivna anvisningarna följs.



VARNING!

VARNING kännetecknar en möjlig fara som kan leda till dödsfall eller allvarliga skador om inte de angivna anvisningarna följs.



SE UPP!

SE UPP kännetecknar en möjlig fara som kan leda till lättare eller medelsvåra skador om inte de angivna anvisningarna följs.

SE UPP!

SE UPP utan säkerhetssymbol kännetecknar en möjlig fara som kan leda till skador på apparaten om inte de angivna anvisningarna följs.

Information



INFORMATION ger dig kompletterande och användbar information om hur du ska använda ditt kylskåp.

Miljöinformation



Miljöinformation ger dig användbar information om energisparning och kassering av apparaten.

1.5 Garanti

Garantiåtaganden sköts enligt EU-riktlinje 44/1999/CE och enligt normala villkor för aktuellt land. Vid garanti- eller servicefrågor, kontakta vår kundservice. Eventuell skada orsakad av felaktig användning täcks inte av garantin. Garantin täcker inte modifieringar av apparaten eller om man inte använder **originalreservdelar från Dometic**. Garantin gäller inte heller om installations- och bruksanvisningen inte följs, och inget ansvar kan då utkrävas.

1.6 Ansvarsbegränsning

Alla uppgifter och all information i denna bruksanvisning har framställts under iakttagande av gällande normer och föreskrifter samt i enlighet med den senaste tekniska utvecklingsnivån. **Dometic** förbehåller sig rätten att när som helst utföra ändringar på produkten som motiveras genom produktens förbättring och säkerhet.

Dometic fransäger sig allt ansvar vid skador som uppstår när:

- bruksanvisningen inte följs
- apparaten inte används föreskriftsenligt
- icke originalreservdelar används
- förändringar och ingrepp i apparaten genomförts
- Påverkan från miljöpåverkan, som t.ex
 - temperaturförändringar
 - luftfuktighet

1.7 Kundservice

Dometic erbjuder ett kundtjänstnät som sträcker sig över hela Europa. Du kan hitta auktoriserade kundtjänstställen via telefonnumren i **EuroService Network** - häftet, som medföljer varje kylskåp. Du kan även hitta kundtjänstpartnern i din närhet på Internet på **www.dometic.com**. Vid kontakt med kundservice ska man uppge modellnummer, produkt- och serienummer tillsammans med MLC-koden, om sådan finns! Du hittar denna information på typskylten inuti kylskåpet. Vi rekommenderar att du för in dessa uppgifter i det avsedda fältet på titelsidan av dessa anvisningar.

1.8 Reservdelar

Delar kan beställas över hela Europa från vår kundservice.

Vid kontakt med vår kundservice ska man uppge modell och produktnummer! Du hittar denna information på typskylten inuti kylskåpet.

1.9 Miljöinformation



Ammoniak (en naturlig förening av väte och kväve) används som kylmedel i kylvikten. Det för ozonlagret ofarliga cyklopentan används som drivmedel vid tillverkning av polyuretan-isoleringen.

1.9.1 Avfallshantering

För att garantera återvinning av användbart emballage, ska detta lämnas till det normala lokala insamlingssystemet. Apparaten ska överlämnas till ett lämpligt avfallsföretag som garanterar återanvändning av användbara komponenter och korrekt hantering av resterande delar. För miljövänlig dränering av kylmedel från alla absorptionskylskåp ska man vända sig till en lämplig avfallsanläggning.



Apparater märkta med denna symbol skall lämnas in till kommunens insamlingsställe för omhändertagande av elektriska och elektroniska apparater. Denna produkt får inte slängas i hushållsavfallet.

På kylskåp från Dometic sitter denna symbol på märkskylten (typskylten) inuti kylskåpet.

1.9.2 Energispartips

- Vid en genomsnittlig omgivande temperatur på 25°C räcker det att köra kylskåpet med termostaten i mittläget.
- Kylskåpet får inte utsättas för direkt solljus eller en annan värmekälla (t.ex. värmegregat).
- Se till att luftcirkulationen från kylskåpsaggregatet inte hindras.
- Fördela hyllorna jämnt i kylutrymmet för att utnyttja energin så effektivt som möjligt.
- För att inte förhindra den interna luftcirkulationen får förvaringshyllorna och facken inte överfyllas.

- Håll ett avstånd (ca 5-10 mm) mellan kylvarorna och efterförångaren ("kylflänsar").
- Regelbunden avfrostning sparar energi (se "5.10 Avfrostning").
- Öppna endast kylskåpsdörren under en kort tid när varor tas ut.
- Starta kylskåpet cirka 12 timmar innan det fylls.

1.10 Konformitetsförklaring



2.0 Säkerhetsanvisningar

2.1 Föreskriftsenlig användning

Kylskåpet är konstruerat för uppställning i slutna rum, i fjällstugor etc.

Apparaten har certifierats för denna användning enligt EU Gasdirektiv 90/396/EEC.

Den är inte avsett för installation i husvagnar eller båtår - i sådana fall förlorar garantin sin giltighet.

Använd kylskåpet uteslutande till att kyla och lagra livsmedel.



WARNING!

Kylskåpet lämpar sig inte för fackmässig förvaring av läkemedel. Följ här anvisningarna på läkemedlets bipacksedel.

SE UPP!

Kylskåpet får ej utsättas för regn.

2.2 Användarens ansvar

Personer som manövrerar kylskåpet måste känna till anvisningarna i denna bruksanvisning och hur man använder det på ett säkert sätt.

Denna produkt får användas av barn som är 8 år och äldre liksom av personer med försämrad fysisk, sensorisk eller mental förmåga eller som saknar erfarenhet av och/eller kunskap om produkten, om vederbörande övervakas eller har undervisats om hur produkten används och vilka faror som kan uppstå till följd av detta. Barn får inte leka med produkten. Barn får inte rengöra eller underhålla produkten.

[EN 60335-2-24, 7.12]

2.3 Skydda barnen efter det att apparaten kasserats



WARNING!

När kylskåpet kasseras, ska alla dörrar på kylskåpet tas bort och förvaringshyllorna lämnas kvar på plats i kylskåpet. Detta förhindrar ofrivillig instängning och kvävning.

2.4 Arbete på och kontroll av kylskåpet



WARNING!

Arbete med gas-, avgasutsugs- och elektriska komponenter får endast utföras av auktoriserad fackpersonal. Icke fackmässiga åtgärder kan leda till allvarliga sak- och/eller personskador.



FARA!



Använd aldrig öppen låga för att kontrollera om gasförande komponenter och ledningar är otäta!
Det råder brand- eller explosionsfara.



WARNING!

Öppna aldrig absorbatoraggregatet! Det står under högt tryck.

Det råder fara för personskador!

2.5 Kylmedelsinformation

Ammoniak används som kylmedel.

Detta är en naturlig förening som också används i rengöringsmedel i hushållet (1 liter salmiakrengöringsmedel innehåller upp till 200g ammoniak - ungefär dubbelt så mycket som används i kylskåpet). Natriumkromat används som korrosionsskydd (1,8 viktprocent av lösningsmedlet).

Vid ett läckage (upptäcks lätt pga. den starka lukten) :

- Stäng av apparaten.
- Vädra ut rummet ordentligt.
- Informera auktoriserad kundservice.



För din säkerhets skull har experter fastställt att ingen negativ inverkan på hälsan består vid läckage av kylmedel.

2.6 Kylskåpsdrift med gas

Driftstrycket måste absolut överensstämma med det värde som anges på kylskåpets typskylt. Jämför driftstryckets värde på typskylten med värdet på gastubens tryckvakt.

Kylskåpet drivs med de gaser och inloppstryck som anges nedan. Den tryckvakt som används mellan gasflaska och ugn måste motsvara de kategorier som anges i nedanstående tabell.

Anslutningstryck och gaskategorier

Kategori	Tryck i mbar	GAS
I3B / P(30)	30	Butan
	30	Propan
I3+ (28-30/37)	28-30	Butan
	37	Propan
I3B/P(50)	50	Butan
I3B/P(50)	50	Propan

Om du känner gaslukt:

- Öppna alla fönster och lämna rummet.
- Aktivera inga elektriska anordningar och undvik att använda öppna lågor.
- Stäng gasflaskventilen och håll den stängd tills felet har upphävts.
- Rådgör med auktoriserad fackpersonal*.

* auktoriserad fackpersonal

Auktoriserad fackpersonal är erkända sakkunniga personer som tack vare deras utbildning och kunskaper kan garantera att kontrollen sker på ett riktigt sätt.

22.7 Säkerhetsanvisningar för förvaring av livsmedel

Instruktioner om hur livsmedel förvaras i ett kylskåp:

Det finns inte någon typ av kylutrustning som kan förbättra kvaliteten på livsmedel. Maximalt kan den vid tidpunkten för förvaringen upprätthålla kvaliteten på livsmedlet under en kortare period.

Tänk på följande särskilda förutsättningar när livsmedel förvaras i ett kylskåp som är inbyggt i ett fordon:

- Förändringar orsakade av klimatet, som exempelvis temperaturförändringar
- Hög inomhustemperatur
- Kylskåp inbyggt bakom ett fönster och direkt solljus
- Alltför snabb förvaring av varor strax efter det att apparaten har tagits i drift

Vid dessa speciella förhållanden kan kylskåpet inte garantera den nödvändiga temperatur som krävs för livsmedel som snabbt blir dåliga.

Till varor som snabbt blir dåliga hör alla produkter med angivet utgångsdatum och en lägsta förvaringstemperatur på +4°C eller mindre, speciellt kött, fågel, fisk, korv, färdigprodukter.

- Råa och kokade varor ska förpackas separat (t.ex. i behållare, aluminiumfolie eller liknande).
- Omslagsförpackningar på enskilda förpackningar får endast avlägsnas om alla nödvändiga uppgifter, som exempelvis utgångsdatum, finns utsatta på de enskilda förpackningarna.
- Kyllda varor får inte befinna sig utanför kylskåpet alltför länge.
- Livsmedel med kortast förfallodatum ska stå längst fram.
- Paketera om rester och ät upp dem så snart som möjligt.
- Tvätta händerna före och efter kontakt med livsmedel.
- Rengör kylskåpet invändigt regelbundet.

Uppmärksamma anvisningarna och beskrivningarna beträffande förfallodatumet på varornas omslagsförpackningar.

Uppmärksamma avsnitt "5.1 Rengöring" i den här bruksanvisningen

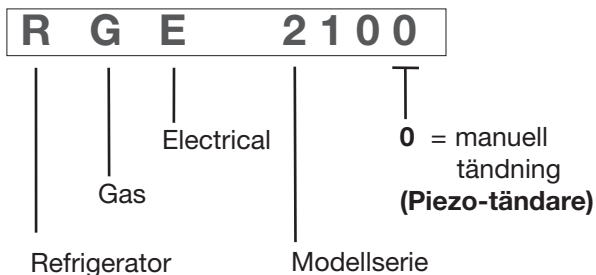


Omgivningssituationen påverkar aggregatets effektivitet. Välj mellanläge vid omgivningstemperaturer mellan +15°C och +25°C (jmf. , mellersta temperaturnivå). Då arbetar aggregatet i sitt optimala effektivitetsområde.

Dometic-kylskåp arbetar enligt absorptionsprincipen. Fysikaliskt betingat reagerar ett absorptionssystem långsamt på förändringar i termostaten, vid köldförlust när kylskåpsdörren öppnas eller när man sätter in matvaror i kylen. Kylskåpen uppfyller effektivitetskraven för klimatklass SN enligt EN/ISO 7371 vid en omgivande temperatur på mellan +10°C och +32°C.

3.0 Modellbeskrivning

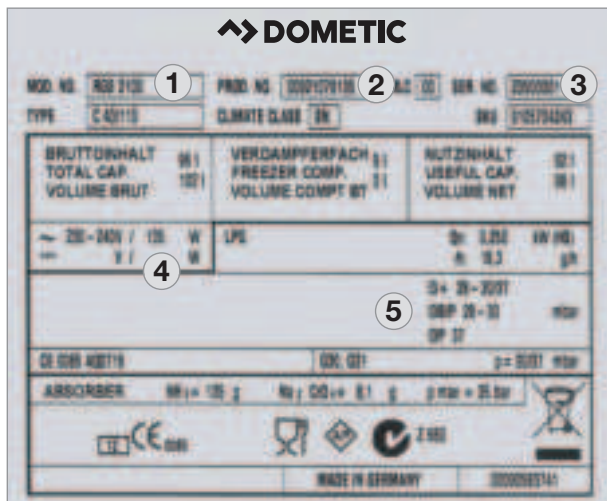
3.1 Modellbeteckning



Kylskåp för gas drift och elektrisk drift

3.2 Kylskåpets typskylt

Du hittar kylskåpets typskylt inuti kylskåpet. På den står alla viktiga uppgifter till kylskåpet. Där står modellbeteckningen, produktnumret och serienumret. Dessa uppgifter behöver du alltid när du kontaktar kundtjänst eller vid beställning av reservdelar.



Exempel

Fig. 1

- 1 Modellnummer
- 2 Produktnummer
- 3 Serienummer
- 4 Elektriska anslutningsvärden
- 5 Gastryck

3.3 Tekniska data

- Bruttoinnehåll (liter) 100
- Frostfack (Liter) 9
- Bruttoinnehåll (exkl. frostfack) 106
- Dimensioner (mm)**
(H x B x D) 859x531x558
- Märkeffekt (W)** 125
- Förbrukning gas (30 / 50 mbar)**
g / 24h* 270 / 360
- Effektförbrukning**
kWh / 24h* 2.5
- Nettovikt (kg)** 32.2
- Gas tändning** Piezo-tändare
- Fristående placering**

Vi förbehåller oss rätten att göra tekniska ändringar.
*Medelförbrukning uppmätt vid en genomsnittlig omgivande temperatur på 25°C i enlighet med ISO-standard.

3.4 Förklaring till kylskåpet

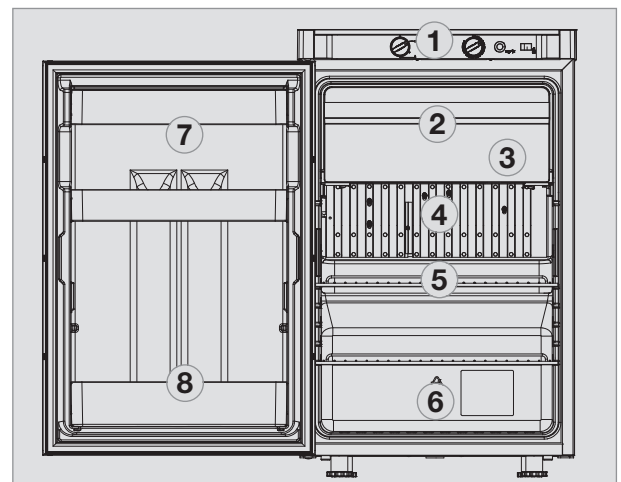


Fig. 2

- 1 Manöverorgan
- 2 Forstfack (uttagbart)
- 3 Inläggsgaller (tillval, kan sättas in vid uttaget frostfack)
- 4 Efterförångare för kylutrymme
- 5 Smältvattensavloppsränna
- 6 Grönsaksfack
- 7 Övre hylla med klaff
- 8 Undre hylla med flaskhållare

4.0 Installation

4.1 Placering och anslutning

Kylskåpet är testat och godkänt för användning inomhus.

Beakta följande punkter vid kylskåpets placering:

- Placeringsrummet måste ha en volym på minst **20 m³**, vara väl ventilerat och ha ett öppningsbart fönster eller en dörr ut mot det fria.
- Kylskåpet måste stå fritt, d.v.s. med minst **50 mm** avstånd till närliggande väggar eller skåp (**ingen inbyggnad!**).
- Avståndet till föremål ovanför (skåp etc.) måste vara minst **100 mm**.
- Ställ skåpet vågrätt på fast underlag.
- Kylskåpet får inte utsättas för värmestrålning från heta föremål (t.ex. spis, värmeelement).
- Kylaggregatet på baksidan (under kåpan) måste alltid vara väl ventilerat. Aggregatet får ej övertäckas (t.ex. handdukar, gardiner). Bristande ventilation leder till försämrad kylkapacitet !
- Placera kylskåpet fritt från stänkvatten. Se till att apparaten före och under placering inte utsätts för regn.

4.1.1 Elektrisk anslutning

- Välj detta driftläge endast när nätanslutningens spänning överensstämmer med den som anges på kylskåpets typskylt. Vid avvikande värden kan kylskåpet skadas.
- Strömmen ska levereras via ett korrekt jordat uttag.
- Det rekommenderas att inkommande matning dras via en automatsäkring.

- Där ett eluttag används för nätanslutning, måste uttaget vara fritt åtkomligt. Matarkabeln ska dras så att den inte kommer i kontakt med varma komponenter på enheten/brännaren eller med skarpa kanter.

SE UPP!

Vägguttaget måste kunna nås utan problem efter att kylskåpet har installerats.



SE UPP!

Om anslutningskabeln skadas måste den bytas ut av Dometics kundservice eller av annan motsvarande kvalificerad personal, för att undvika alla risker.


4.1.2 Placering av gasflaska

- Gasflaskor måste stå upprätt.
- Ställ gasflaskan på en väl ventilerad plats.
- Ställ gasflaskan så att den är lätt att känna igen vid eldsvåda.
- Det maximala avståndet från gasflaskan till kylskåpet får inte överstiga 1,5 m.
- Endast i respektive land godkända flasktyper och reduceringsventiler får användas


4.1.3 Gas anslutning

Vid gasdrift, är dessa apparater avsedda att drivas med flytande gas (propan/butan) - under inga omständigheter får naturgas eller stadsgas användas!

- Den fackmässiga anslutningen av kylskåpet måste utföras av auktoriserad montör.
- De respektive nationella föreskrifterna för användning av utrustning som drivs av flytande gas måste följas.
 - Europeisk norm Norm EN 732
- En fast inställd reduceringsventil (tryckreducerare) måste installeras i matarledningen till enheten. Kylskåpet får inte drivas med annat tryck än det som anges på typskylten.
- Kylskåpet måste anslutas till gasflaskan med en säkerhets slang (gasolslang). Välj tillräcklig längd för att kunna ansluta slangen utan skarpa böjar och kinkar. Slangen får inte vara längre än 1,5 m.
- Gasanslutningen till apparaten ska utföras med slangklämmor / klammer **(2)**.
- Slangen måste bytas ut med intervall enligt nationella bestämmelser
- Efter anslutning av gasflaskan måste en täthetsprovning genomföras på alla anslutningar, såväl som en test av brännarens låga. Använd en läcksökningsspray eller ett skumbildande medel till täthetsprovningen. Undersök alla anslutningar med avseende på bubblor efter det att gasflaskans ventil har öppnats.



FARA !



Använd aldrig öppen låga för att kontrollera om apparaten läcker.

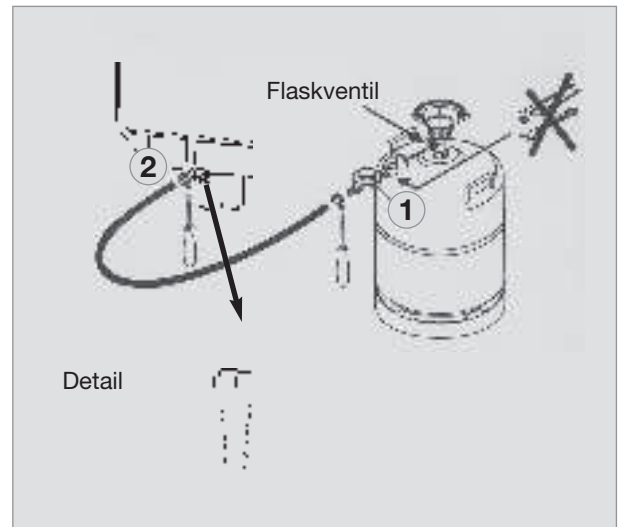


Fig. 3

4.2 Montering av dörrhandtaget

1. Fästpunkterna:
Använd den skalenliga schablonen **(1)** (se punkt 5.3.2).

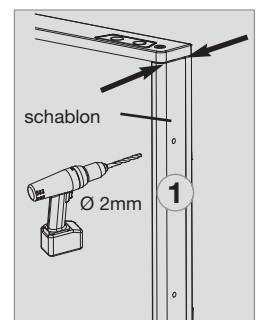


Fig. 4

2. Passa in dörrhandtaget på dörren och skruva fast det.

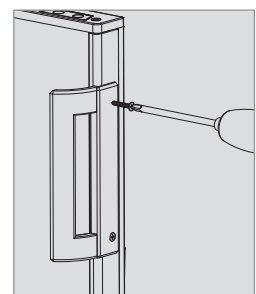


Fig. 5

3. Sätt dit täckplattan och tryck fast den.

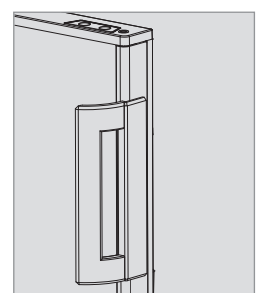


Fig. 6

5.0 Kylskåpets drift

Kylskåpet kan drivas med tre energikällor:

- **Nätspänning (230V)**
- **Gas (flytande gas, propan/butan)**

Önskad energikälla väljs med **energivalsomkopplaren** (Fig.7).



Kylaggregatet går ljudlöst.

När apparaten först används kan en viss lukt kännas. Den försvinner efter några timmar. Ventilera rummet väl.

Kylskåpet uppnår sin drifttemperatur efter några timmar, medan frysfacket bör bli kallt inom ca en timme.

5.1 Rengöring

Innan du tar kylskåpet i drift rekommenderas att du rengör det in- och utvändigt och att du i fortsättningen regelbundet gör kylskåpet rent.

Använd en mjuk trasa och ljummet vatten med ett mildt diskmedel.

Skölj av apparaten med rent vatten och torka noggrant.

För att undvika att materialet förändras:

Använd inte såpa eller hårda slipmedel, eller lutbaserade rengöringsmedel. Låt inte dörrtätningarna komma i kontakt med olja eller fett.

5.2 Underhåll



VARNING!

Arbete på gas- och elektrisk utrustning får endast utföras av behörig fackpersonal.

- Gasbrännaren ska rengöras vid behov, men minst en gång per år. Spara handlingar som styrker utförda underhållsarbeten på kylskåpe.
- Vi rekommenderar en service efter det att fordonet under en längre tid inte använts. Kontakta då vår kundservice.

5.3 Strömdrift

SE UPP!

Välj detta driftläge endast när nätanslutningens spänning överensstämmer med den som anges på kylskåpets typskylt. Vid avvikande värden kan kylskåpet skadas.

5.4 Gasdrift

- Kylskåpet måste drivas med flytande gas (propan eller butan) inte med naturgas eller stadsgas).
- På ca **1000 m ö.h.** kan fysikaliskt betingade störningar uppträda när man tänder gase (**detta är inget funktionsfel!**).
- När kylskåpet används första gången, och efter byte av gasflaska, kan gasrören innehålla luft. Kör kylskåpet ett litet tag för att få bort luften i gasrören. Gasen tänds då utan fördröjning.
- Alla kylskåp med manuell tändning är utrustade med automatisk flamvakt, vilken automatiskt stänger av gastillförseln cirka 30 sekunder efter det att lågan slocknat.

5.5 Kylskåpets handhavande

5.5.1 Förklaring till manöverorgan

Manuellt energival / manuell tändning (Piezo-tändare)

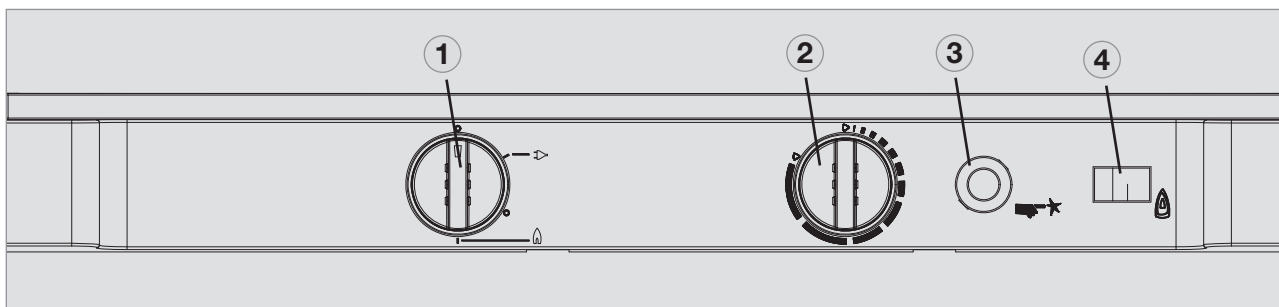


Fig. 7

- ① = Kontaktor / energivalsomkopplare
- ② = Temperaturregulator
- ③ = Piezo-tändare (gas)
- ④ = Flamindikator (galvanometer)

Kommentarer

Önskad energikälla ställs in genom att vrida på energivalsomkopplare (1). Energivalsomkopplare (1) har fyra lägen:

- Från (2)
- Nätspänning (230V~) (3)
- Från (4)
- Gas (flytande gas, propan/butan) (5)

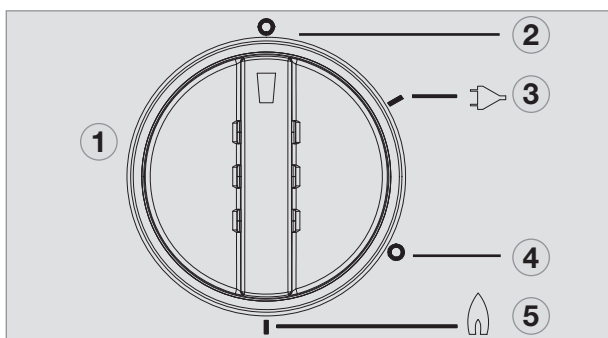


Fig. 8

5.5.2 Strömdrift

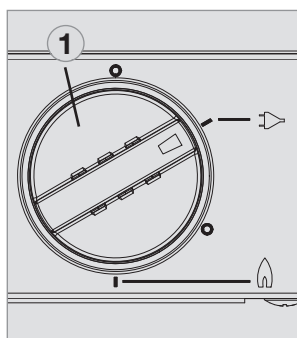


Fig. 9

För att sätta på apparaten vrider man energi-valsomkopplare (1) till höger till läge :



för 230V-drift.

5.5.3 Gasdrift (flytande gas)

Innan man tar kylskåpet i drift med gasdrift:

- Öppna ventilen på gastuben.

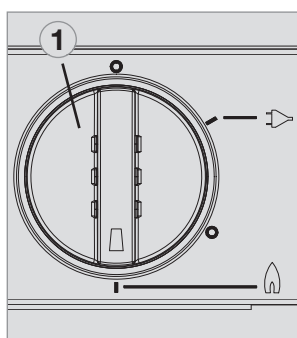


Fig. 10

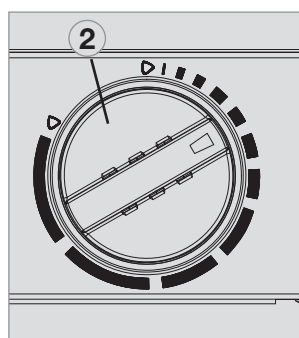


Fig. 11

1. Sätt vridvalsomkopplare (1) i läge



för gasdrift.

2. Vrid temperaturnivåregulator (2) åt höger och tryck in den. Håll regulatorn intryckt.

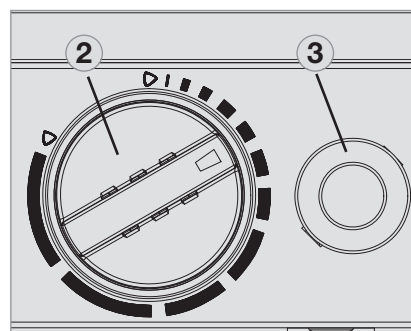


Fig. 12

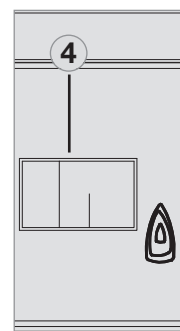


Fig. 13

3. Påverka Piezo-tändningen (3) flera gånger med 1-2 sekunders mellanrum.
4. Galvanometerens visare (4) vandrar till det gröna området när lågan har tänts. Kylskåpet är påslaget. Håll vridknapp (2) intryckt i ytterligare ca 15 sekunder och släpp den sedan.

5.5.4 Inställning av kylutrymmets temperatur

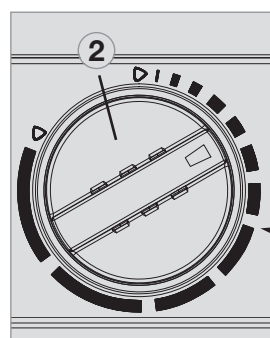


Fig. 14

Med vridknapp (2) kan man välja temperatur i kylutrymmet.

Skalan börjar med positionen **MIN** (smal balk = varmaste temperatur) och går till positionen **MAX** (bred balk = kallaste temperatur).

Tänk på att temperaturnivåerna inte är tillordnade några absoluta temperaturvärden.

5.6 Placering av förvaringshyllor

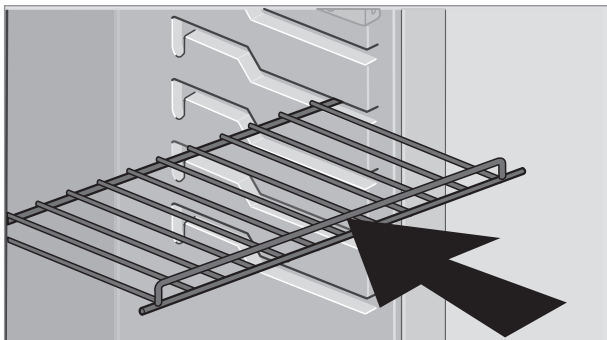


Fig. 15

Förvaringshyllorna kan tas ut genom att lyfta dem lite och dra ut dem ur löpskenorna. De kan placeras efter eget önskemål.

5.7 Uttagbart frostfack

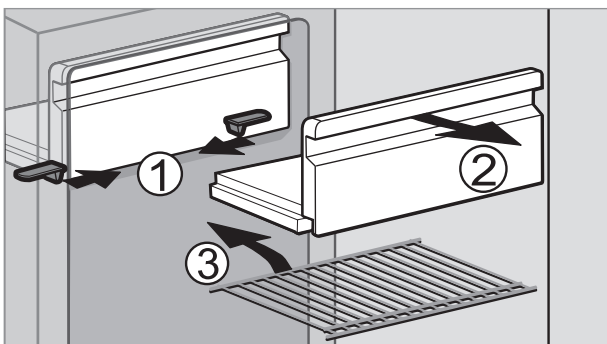


Fig. 16

För att utöka kylutrymmet kan man ta ut frostfacket.

1. Haka ur frostfacket på båda sidorna.
2. Dra ut frostfacket.

Förvara frostfacket på en plats där det inte kan komma till skada.



Om man tar ut frostfacket får man plats med ytterligare en förvaringshylla (3).

5.8 Förvara livsmedel och göra isbitar

5.8.1 Förvara livsmedel i kylutrymmet

- Ta kylskåpet i drift ca 12 timmar innan det börjar användas.
- Lägg alltid in varor som redan är kyllda. Var redan vid inköp och transport noggrann att varorna är ordentligt nedkyllda. Använd kylväskor.
- Öppna endast kylskåpsdörren under en kort tid när varor tas ut.
- Varor ska förvaras förpackade, helst i slutna förpackningar, aluminiumfolie eller dylikt och separat från varandra för att förhindra uttorkning och luktbildning.
- Låt uppvärmda varor svalna före de ställs in i kylskåpet.
- Varor som kan avge lättflyktiga eller brännbara gaser får inte förvaras i kylskåpet.
- För att inte förhindra den interna luftcirkulationen får förvaringshyllorna och facken inte överfyllas.
- Håll ett avstånd (ca 5 - 10 mm) mellan kylvarorna och efterförångaren ("kylflänsar").
- Se till att luftcirkulationen från kylskåpsaggregatet inte hindras. Ventilationsgallren får inte blockeras.

5.8.2 Förvara livsmedel i frostfacket

- Kolsyrehaltiga drycker får inte förvaras i frostfacket.
- Frostfacket är lämpat för tillverkning av istärningar och kortfristig förvaring av djupfrysta livsmedel. Det är inte lämpat för infrysning av livsmedel.

Vid lägre omgivande rumstemperaturer än +10°C kan temperaturen i frostfacket inte regleras jämnt, om kylskåpet utsätts för dessa temperaturer under en längre tid. Detta kan då leda till att temperaturen stiger i frostfacket och att matvarorna tinar.

5.8.3 Kylskåpsfack

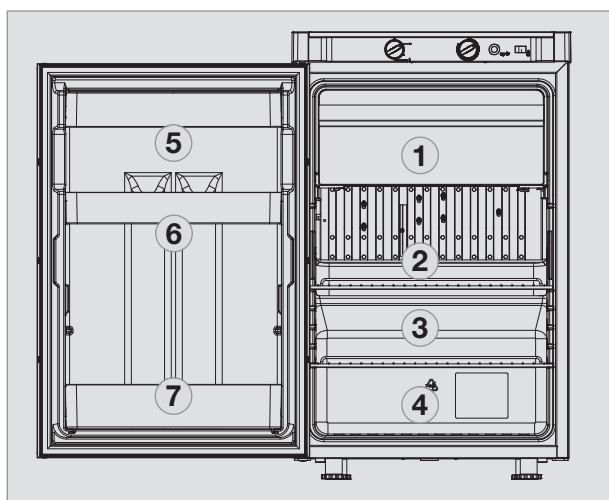


Fig. 18

- 1 **Frostfacket :**
redan frusna varor (djupfrysta varor)
- 2 **Mellersta facket:**
mjölkprodukter, tillagade maträtter
- 3 **Undre facket:**
kött, fisk, varor för upptining
- 4 **Grönsaksfacket:**
sallad, grönsaker, frukt
- 5 **Övre dörrhyllan:**
ägg, smör
- 6 **Mellersta dörrhyllan:**
burkar, dressing, ketchup, sylt
- 7 **Undre dörrhyllan (dryckesfack):**
drycker i flaskor eller påsar

5.8.4 Göra isbitar

Isbitar fryses bäst över natt. Nattetid har kylskåpet utsätts för lägre belastning och enheten har mer reserver.

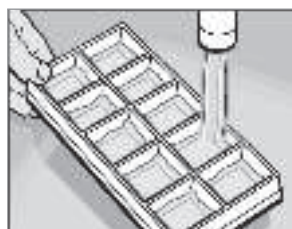


Fig. 19

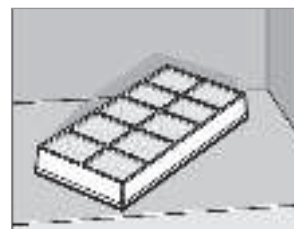


Fig. 20

1. Fyll islådan med dricksvatten.
2. Placera islådan i frostfacket.



VARNING!

Använd endast dricksvatten!

5.9 Urdrifftagning

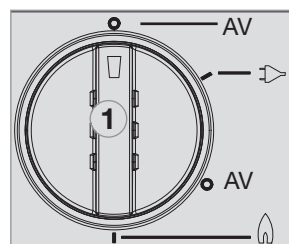


Fig. 21



Fig. 22

- Ställ energivalsomkopplaren (1) i läge (AV). Apparaten är avstängd.
- Lås dörren i öppet läge. Dörren står på glänt; detta förhindrar att det bildas mögel inuti skåpet.
- Om kylskåpet ska tas ur drift för en längre period, ska avstängningsventilen i vagnen och ventilen på gastuben stängas.

5.10 Avfrostning

Med tiden bildas det is på kylflänsarna inne i kylskåpet. Det kan hända att det bildas mer is på ena sidan. Det betyder inte att det är något fel på frostfacket. När islagret är cirka 3 mm tjockt ska kylskåpet frostas av.

- Stäng av kylskåpet, enligt beskrivning under punkt 5.9 *Urdrifftagning*.
- Ta ut islådan och alla livsmedel.
- Låt kylskåpsdörren stå öppen för att släppa in luft och förhindra mögelbildning.
- Torka båda kylfacken torra med en trasa efter avfrostningen (frostfack och kylflänsar är isfria).

Anmärkning: Smältvatten i kylskåpets huvudutrymme samlas i en härför avsedd behållare på kylskåpets baksida. Därifrån avdunstar vattnet.

SE UPP!

Islagret får aldrig tas bort med våld, och avfrostningen får inte påskyndas med hjälp av en värmekälla!

5.11 Byte av dörranslag



Om det därvid är nödvändigt att tippa eller lägga apparaten i sidled bör du vänta en timme innan kylskåpet tas i drift igen. Då åter-samlar sig kylmediet i förrådsbehållaren. På så sätt säkerställs apparatens korrekta funktion.

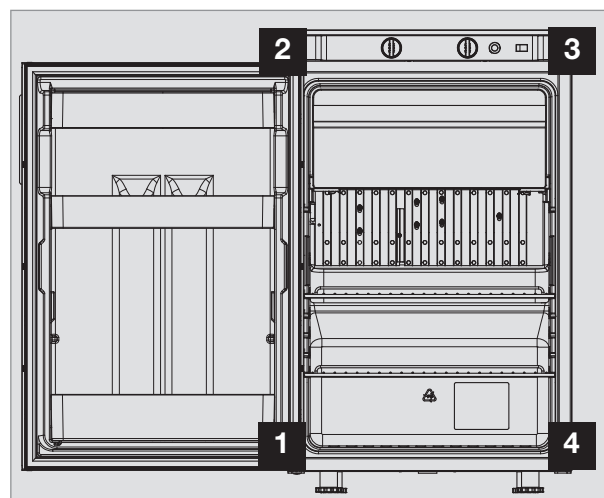


Fig. 23



Fig. 24

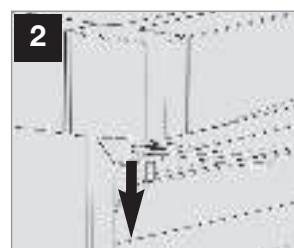


Fig. 25

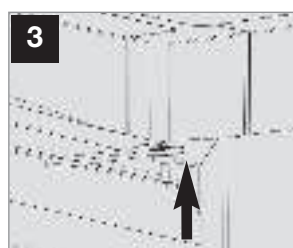


Fig. 26



Fig. 27

- Öppna dörren, lossa gångjärnsskruven och spara den.
- Tag ut dörren framåt.
- Lossa gångjärnsstiftet och skruva dit det på andra sidan.
- Flytta det undre gångjärnets distansskiva.
- Skjut in dörren i det övre gångjärnet och sätt ner den på det undre gångjärnet.
- Skruva dit gångjärnsskruven.
- Kontrollera att dörren är fritt rörlig och att dörrpackningen ligger an runt om.

5.12 Byte av dekorplåt

- Dra av sidolist (1) från dörren (listen är ditklämd, inte fastskruvad).
- Dra ut dekorplåt (2) ur dörren, sätt i den nya dekorplåten och sätt dit list (1) igen.

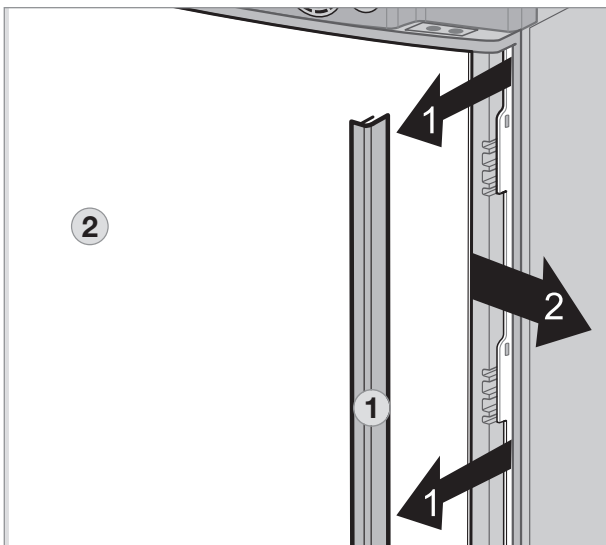


Fig. 28

Dekorplåtens mått

Höjd	Bredd	Tjocklek
743 +/- 0.75 mm	504 +/- 0.5 mm	min. 1.0 mm max. 1.7 mm

5.13 Åtgärder vid driftstörningar

Innan auktoriserad kundservice kontaktas ska följande kontrolleras:

- att instruktionerna i avsnitt "Kylskåpets manövrering" har följts.
- att kylskåpet står vågrätt.
- att det går att köra kylskåpet med en tillgänglig energikälla.

Störning: Kylskåpet kyler inte tillräckligt

Möjlig orsak	Vidtag följande åtgärder
<ul style="list-style-type: none"> - Kylaggregatet har inte tillräcklig ventilation. - Termostaten är för lågt inställd. - Förångaren har för mycket is. - För mycket varma livsmedel nyligen inlagda. - Apparaten har inte varit i drift länge nog. - Den omgivande temperaturen är för hög. 	<ul style="list-style-type: none"> - Kontrollera att aggregatet (ventilationsgallren) inte är blockerat. - Ställ termostaten på ett högre läge. - Kontrollera att kylskåpsdörren är ordentligt stängd. - Låt varm mat svalna innan den sätts in i kylskåpet. - Kontrollera att kylutrymmet är nedkyllt efter ca 4-5 timmar. - Lämna rummet.

Störning: Kylskåpet kyler inte vid gasdrift.

Möjlig orsak	Vidtag följande åtgärder
<ul style="list-style-type: none"> - Gastuben är tom. - Är den förinställda spärrventilen öpnad? - Finns det luft i ledningen? 	<ul style="list-style-type: none"> - Byt gastub. - Öppna spärrventilen. - Stäng av och starta om kylskåpet. Vid behov, upprepa omstart 3-4 gånger.

Störning: Kylskåpet kyler inte vid 230V-drift.

Möjlig orsak	Vidtag följande åtgärder
<ul style="list-style-type: none"> - Säkring defekt. - Fordonet är inte anslutet till 230V nätet. - Värmeelement defekt . 	<ul style="list-style-type: none"> - Byt säkring. - Anslut till 230V nätet. - Informera Dometics kundservice.

Bruksanvisning

Absorpsjonskjøleskap

RGE 2100

Skriv ned følgende data her:

Modellnummer
Produktnummer
Serienummer



N 1

MBA 10/2015



Innholdsfortegnelse

1.0	Generelt	4
1.1	Innledning	4
1.2	Informasjon om denne bruksanvisningen	4
1.3	Opphavsrett	4
1.4	Forklaring til symbolene som er benyttet	4
1.5	Garanti	5
1.6	Ansvarsbegrensning	5
1.7	Kundeservice	5
1.8	Reservedeler	5
1.9	Miljøhensyn	6
1.9.1	Kassering	6
1.9.2	Slik sparer du energi	6
1.10	Samsvarserklæring	6
2.0	Sikkerhetsanvisninger	7
2.1	Bruk i henhold til bestemmelsene	7
2.2	Brukerens ansvar	7
2.3	Tenk på barna ved kassering av apparatet	7
2.4	Arbeider og kontroller på kjøleskapet	7
2.5	Kjølemiddelinformasjon	8
2.6	Drift av kjøleskapet på gass	8
2.7	Sikkerhetsanvisninger for lagring av matvarer	9
3.0	Modellbeskrivelse	10
3.1	Modellbetegnelse	10
3.2	Typeskilt på kjøleskapet	10
3.3	Tekniske spesifikasjoner	10
3.4	Forklaring til kjøleskapets deler	10
4.0	Installasjon	11
4.1	Oppstilling og tilkobling	11
4.1.1	Elektrisk tilkobling	11
4.1.2	Oppstilling av gassflasker	11
4.1.3	Gasstilkobling	12
4.2	Montering av dørhåndtaket	12
5.0	Drift av kjøleskapet	13
5.1	Rengjøring	13
5.2	Vedlikehold	13
5.3	Drift på strøm	13
5.4	Drift på gass	13
5.5	Betjening	14
5.5.1	Forklaring til betjeningselementer	14
5.5.2	Drift på strøm	15
5.5.3	Drift på gass (flytende gass)	15
5.5.4	Innstilling av kjøleromstemperatur	15
5.6	Plassering av hyllene	16
5.7	Uttagbar fryseskuff	16
5.8	Oppbevaring av mat, lage isbiter	16
5.8.1	Innlegging av varer i kjølerommet	16
5.8.2	Innlegging av varer i fryseskuffen	16

5.8.3	Hyllene i kjøleskapet	17
5.8.4	Lage isbiter	17
5.9	Ta kjøleskapet ut av drift	17
5.10	Avriming	18
5.11	Bytte hengselside	18
5.12	Skifte av dekorplate	19
5.13	Tiltak ved problemer	20

Dometic GmbH
In der Steinwiese 16
D-57074 Siegen

www.dometic.com

1.0 Generelt

1.1 Innledning

Du har gjort et utmerket valg med ditt **Dometic** absorpsjonskjøleskap. Vi er overbevist om at du på alle måter blir fullt tilfreds med det nye kjøleskapet ditt. Kjøleskapet er svært stillegående, oppfyller høye kvalitetsstandarder og garanterer et effektivt ressurs- og energiforbruk i hele dets levetid - under produksjonsprosessen, i daglig bruk, og når det en gang har gjort sin tjeneste og skal kasseres.

1.2 Informasjon om denne bruksanvisningen

Før du tar kjøleskapet i bruk, bes du lese grundig gjennom denne bruksanvisningen.

Bruksanvisningen gir deg all informasjonen du trenger for riktig bruk av kjøleskapet. **Les især sikkerhetsanvisningene nøye.** Overholdelse av både disse og betjeningsanvisningene er viktig for sikker omgang med kjøleskapet, og beskytter både brukere og kjøleskapet mot skader. Vær sikker på at du har forstått det du har lest før du iverksetter tiltak.

Oppbevar denne bruksanvisningen omhyggelig i nærheten av kjøleskapet, så du har den tilgjengelig ved behov.

1.3 Opphavsrett

Alle opplysninger, tekster og illustrasjoner i denne bruksanvisningen er opphavsrettslig beskyttet.

Ingen del av denne bruksanvisningen kan reproduseres, kopieres, oversettes eller på annen måte gjenbrukes uten skriftlig tillatelse fra Dometic GmbH, Siegen.

1.4 Forklaring til symbolene som er benyttet

Varselsmeldinger

Varselsmeldinger kjennetegnes med symboler. En forklarende tekst beskriver hvilken type fare som kan oppstå.

Ta alltid hensyn til disse varselsmeldingene. Slik beskytter du deg selv, andre og apparatet mot skader.



FARE!

FARE kjennetegner en umiddelbar faresituasjon som kan medføre alvorlige personskader eller død hvis de oppgitte anvisningene ikke overholdes.



ADVARSEL!

ADVARSEL kjennetegner en mulig faresituasjon, som kan medføre alvorlige skader eller død hvis de oppgitte anvisningene ikke overholdes.



FORSIKTIG!

FORSIKTIG kjennetegner en mulig faresituasjon, som kan medføre lettere til middels alvorlige personskader hvis de oppgitte anvisningene ikke overholdes.

FORSIKTIG!

FORSIKTIG uten sikkerhetssymbol kjennetegner en mulig faresituasjon, som kan medføre skader på apparatet hvis de oppgitte anvisningene ikke overholdes.

Informasjon



Informasjon gir deg utfyllende informasjon og nyttige tips om bruken av kjøleskapet.

Miljøinformasjon



Miljøinformasjon gir deg nyttig informasjon om energisparing, og om kassering av kjøleskapet.

1.5 Garanti

Garanti gjelder i henhold til EUs direktiv 44/1999/CE, og det enkelte lands bestemmelser. For spørsmål vedrørende garanti- eller annet vedlikeholdsarbeid, kan du kontakte vår serviceavdeling. Eventuell skade forårsaket av feilaktig bruk dekkes ikke av garantien. Garantien dekker ikke eventuelle modifikasjoner på apparatet eller bruk av deler som ikke er **Originale Dometic-reservedeler**. Garantien gjelder ikke dersom installasjons- og bruksanvisningene ikke er fulgt. I slike tilfeller fraskriver Dometic seg ethvert ansvar.

1.6 Ansvarsbegrensning

Alle anvisninger og instruksjoner i denne bruksanvisningen er gitt under henvisning til gjeldende normer og forskrifter så vel som gjeldende tekniske standard. **Dometic** forbeholder seg retten til å gjøre endringer ved produktet for å fremme ytelsen eller sikkerhetsegenskapene.

Dometic tar intet ansvar for skader ved:

- Manglende overholdelse av bruksanvisningene
- Anvendelse ut over det tiltenkte formålet
- Bruk av uoriginale reservedeler
- modifikasjoner og inngrep i kjøleskapet
- Påvirkning fra miljøfaktorer, som
 - Temperaturendringer
 - Luftfuktighet

1.7 Kundeservice

Dometic tilbyr et europadekkende kundeservicenett. Autoriserte kundeservicesteder finner du på telefonnummerne i heftet **EuroService Network**, som følger med hvert eneste kjøleskap.

Også på Internett kan du finne din nærmeste kundenservicepartner på **www.dometic.com**. Oppgi alltid modellen, produktnummeret, serienummeret og MLC-koden når du henvender deg til kundeservice. Denne informasjonen finner du på typeskiltet innvendig i kjøleskapet. Vi anbefaler at du skriver ned disse opplysningene i de dertil egnede feltene på omslagssiden til denne bruksanvisningen.

1.8 Reservedeler

Reservedeler kan bestilles fra hele Europa fra vår serviceavdeling.

Oppgi alltid modell- og produktnummer når du kontakter kundeservice! Denne informasjonen finner du på typeskiltet innvendig i kjøleskapet.

1.9 Miljøhensyn



Ammoniakk (en naturlig forbindelse av hydrogen og nitrogen) benyttes som kjølemiddel i kjøleenheter. Syklopentan - ufarlig for ozonlaget - anvendes som drivmiddel i produksjonen av polyuretanskum som benyttes som isolasjon.

1.9.1 Kassering

For å sikre at den resirkulerbare emballasjen gjenvinnes, bør den leveres til den ordinære lokale gjenvinningsstasjonen. Apparatet bør leveres til et firma for avfallshåndtering som kan sikre at resirkulerbare komponenter gjenvinnes og at øvrige deler kasseres på forsvarlig måte. Av miljøhensyn bør tappingen av kjølemiddel fra alle absorpsjonskjøleapparat foretas av et firma for avfallshåndtering.

Apparater som er merket med dette symbolet, må kastes på det lokale samlestedet for elektriske og elektroniske apparater. Dette produktet må ikke kastes i det vanlige husholdningsavfallet. Kjøleskap fra Dometic har symbolet på typeskiltet inne i apparatet.




1.9.2 Slik sparer du energi

- Ved temperaturer rundt 25°C er det tilstrekkelig å stille kjøleskapets termostat i midtstilling.
- Det er å foretrekke at varene som settes inn i kjøleskapet allerede er nedkjølt.
- Kjøleskapet må ikke utsettes for direkte solstråler eller andre varmekilder (f.eks. varmeovn).
- Det må sikres at kjøleaggregatets luftsirkulasjon er uhindret.

- Arranger hyllene regelmessig i kjølerommet for å oppnå den mest effektive utnyttelsen av energien.
- Ikke overfyll oppbevaringsrister og hyller, ellers kan dette hindre den innvendige luftsirkulasjonen.
- La det være en avstand på ca. 5-10 mm mellom kjølevarene og etterfordamperen ("kjøleribber").
- Regelmessig avriming sparer energi (se 5.10 Avriming).
- Når du tar varer ut av kjøleskapet, må døren åpnes så kort som mulig.
- Sett i gang kjøleskapet ca. 12 timer før det skal fylles.

1.10 Samsvarserklæring

 DECLARATION OF CONFORMITY according to	
ENEC 010000 EMC Directive 2014/53/EU EMC Directive 2014/53/EU	
Model No. 1	
Type of equipment Model No. Year built Manufacturer's (factory) name address telephone website	Serial No. Ref. No. 10000000 000000 100000000000 Dometic Group Ltd 1400000000000000 1000000000000000 1000000000000000
The following information is provided for the purpose of facilitating the identification of the product and its components. It is not intended to be used as a basis for the identification of the product and its components.	
The following information is provided for the purpose of facilitating the identification of the product and its components. It is not intended to be used as a basis for the identification of the product and its components.	
The following information is provided for the purpose of facilitating the identification of the product and its components. It is not intended to be used as a basis for the identification of the product and its components.	
Date 10/00/00	Signature  Name Title Gerald Stange

2.0 Sikkerhetsanvisninger

2.1 Bruk i henhold til bestem- melsene

Kjøleskapet er beregnet for fritidsbruk, primært i hytter og liknende. Apparatet er sertifisert for slikt bruk i henhold til rådsdirektiv 90/396/EØF om gassapparater. **Installasjon i campingvogn eller i båter anbefales ikke.**

Bruk kjøleskapet utelukkende til nedkjøling og oppbevaring av fødevarer



ADVARSEL!

Kjøleskapet er ikke beregnet for fagmessig oppbevaring av medikamenter. Se også informasjonen i pakningsvedlegget til medikamentene.

FORSIKTIG!

Apparatet må ikke utsettes for regn.

2.2 Brukerens ansvar

Alle personer som bruker kjøleskapet må være fortrolig anvisningene for sikker bruk, og kjent med betjeningsanvisningene i denne bruksanvisningen.

Dette apparatet kan benyttes av barn over 8 år og personer med reduserte fysiske, sensoriske eller mentale evner eller personer med manglende erfaringer og/eller kunnskap, hvis de blir overvåket eller har gjennomgått opplæring angående sikker bruk av apparatet og har forstått hvilke farer bruken av apparatet kan medføre. Barn får ikke leke med apparatet. Rengjøring og brukervedlikehold må ikke gjennomføres av barn. [EN60335-2-24, 7.12]

2.3 Tenk på barna ved kasse- ring av apparatet



ADVARSEL!

Demonter alltid dørene og la hylleseksjonen forbli i skapet når kjøleskap kasseres. Dette hindrer at noen risikerer å lukke seg inne i skapet og kveles.

2.4 Arbeider og kontroller på kjøleskapet



ADVARSEL!

Arbeid på gassinstallasjoner, avgassuttrekk og elektriske komponenter må kun utføres av autorisert servicepersonell. Ved ikke fagmessige inngrep kan alvorlige skader på personer eller gjenstander oppstå.



FARE!



Gassførende deler og ledninger må **ALDRI** tetthetskontrolleres med åpen flamme! Det foreligger fare for brann og eksplosjon.



ADVARSEL!

Åpne aldri absorpsjonsaggregatet! Det står under høyt trykk.

Det er stor fare for personskade!

2.5 Kjølemiddelinformasjon

Ammoniakk benyttes som kjølemiddel. Dette er en naturlig forbindelse som også benyttes i rengjøringsmidler i husholdningen (1 liter rengjøringsmiddel med salmiakk inneholder inntil 200 g ammoniakk, som er ca. det dobbelte av det som benyttes i kjøleskapet). Natriumkromat brukes til korrosjonsbeskyttelse (1,8 vektprosent av løsningsmiddelet).

Slik forholder du deg ved en eventuell lekkasje (som enkelt konstateres gjennom den sterke lukten):

- Slå av apparatet.
- Sørg for full gjennomlufting i rommet.
- Kontakt en av våre autoriserte serviceavdelinger.



Av hensyn til din sikkerhet er det fagmessig fastslått at ingen helsefare vil oppstå ved lekkasje av kjølemiddelet.

2.6 Drift av kjøleskapet på gass

Det er av største viktighet at driftstrykket er i overensstemmelse med spesifikasjonene på kjøleskapets dataskilt. Sammenlign driftstrykket som er angitt på dataskiltet med det målte trykket som angis av manometeret på flasken med flytende gass.

Kjøleskapet drives med gassene og innløpstrykkene som er oppgitt nedenfor. Trykkreduksjonsventilen som må benyttes mellom gassflaske og kokeapparat må overholde kategoriene som er oppgitt i tabellen nedenfor.

Tilkoplingstrykk og gasskategorier

Kategori	Trykk i mbar	GASS
I3B / P(30)	30	Butan
	30	Propan
I3+ (28-30/37)	28-30	Butan
	37	Propan
I3B/P(50)	50	Butan
I3B/P(50)	50	Propan

Hvis du kjenner gasslukt :

- Åpne alle vinduer og forlat rommet.
- Ikke slå på noe elektrisk utstyr og unngå bruk av åpen flamme.
- Steng gassflaskeventilen og la den være sperret til feilen er rettet opp.
- Kontakt autorisert servicepersonell*.

* autorisert servicepersonell

Autorisert servicepersonell er godkjente fagfolk som på bakgrunn av sin opplæring og kunnskap er i stand til å innestå for korrekt gjennomføring av tetthetsprøven.

2.7 Sikkerhetsanvisninger for lagring av matvarer

Anvisning ang. lagring av matvarer i kjøleskap:

Ingen type kjøleskap kan forbedre matvarenes kvalitet. Den maksimale effekten er at matvarene holder den kvaliteten de hadde ved innlagringen over et visst tidsrom.

Ta hensyn til følgende betingelser ved oppbevaring av matvarer i et kjøleskap som er innebygd i et kjøretøy:

- Endringer i de klimatiske betingelsene som f. eks. endringer i temperaturen
- Høye innetemperaturer
- Kjøleskapet er bygget inn bak et vindu og er utsatt for direkte sollys
- For rask lagring av varer rett etter at kjøleskapet er tatt i bruk.

For disse spesielle betingelsene kan det ikke garanteres at kjøleskapet holder den nødvendige temperaturen for varer med kort holdbarhet.

Blant varene med kort holdbarhet regnes produkter med angitt forfallsdato og minimum oppbevaringstemperatur på +4°C eller mindre, spesielt kjøtt, fjærkre, fisk, pølser og ferdigretter.

- Pakk inn rå og kokte varer separat (f. eks. i boks, aluminiumsfolie eller lignende).
- Emballasjen rundt enkeltforpakninger må kun fjernes når alle nødvendige data som f. eks. forfallsdatoen også kan leses på enkeltforpakningene.
- Kjølevarer må ikke være for lenge utenfor kjøleskapet.
- Still de varene hvor datoen går ut først, lengst fram i skapet.
- Pakk inn restene igjen og spis dem så snart som mulig.
- Vask alltid hendene både før og etter at du har vært i kontakt med matvarer.
- Rengjør kjøleskapet innvendig med jevne mellomrom.

Ta hensyn til informasjonene og beskrivelsene ang. utløpsdatoen som finnes på vareemballasjen.

Ta hensyn til avsnittene "5.1 Rengjøring" i denne bruksanvisningen."

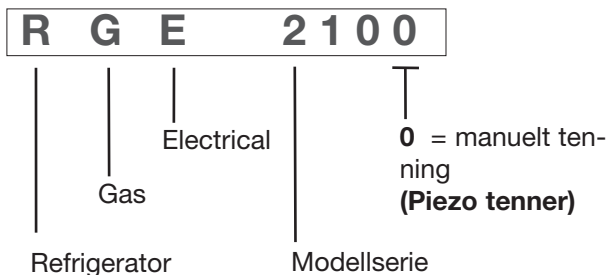


Omgivelsesbetingelsene påvirker effekten til aggregatet. Ved omgivelsestemperaturer mellom +15 og +25 °C er mellomstillingen velegnet (se figur 28, temperaturtrinn 3). Aggregatet arbeider da i det optimale effektområdet.

Dometic-kjøleskapet arbeider etter absorpsjonsprinsippet. Fysikalsk betinget reagerer et absorpsjonssystem sakte på endringer ved termostatregulatoren, kuldetap ved åpning av dører eller lagring av varer. Apparatet oppfyller ytelseskravene for klimaklasse SN etter EN/ISO 7371 i området fra +10 til +32 C omgivelsestemperatur.

3.0 Modellbeskrivelse

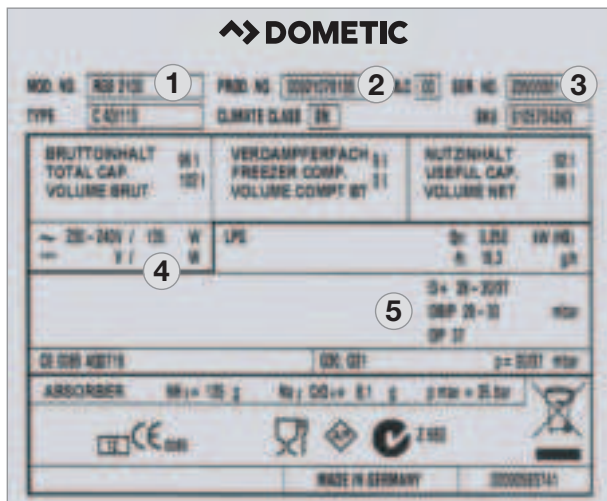
3.1 Modellbetegnelse



Absorpsjonskjøleskap for gassdrift og elektrisk drift.

3.2 Typeskilt på kjøleskapet

Inne i kjøleskapet finner du typeskiltet. Der finner du alle viktige opplysninger om kjøleskapet. De omfatter modellbetegnelse, produktnummer og serienummer. Dette er opplysninger du trenger ved bestilling av service eller reservedeler.



Eksempel

Fig. 1

- 1 Modellnummer
- 2 Produktnummer
- 3 Serienummer
- 4 Elektriske tilkopplingsverdier
- 5 Gasstrykk

3.3 Tekniske spesifikasjoner

- Brutto volum (liter) 100
- Frosterfach (Liter) 9
- Brutto volum (fjernet fryseskuff)..... 106
- Dimensjoner (mm)**
(H x B x D) 859x531x558
- Effekt (W)** 125
- Forbruk gass (30 / 50 mbar)**
g / 24h* 270 / 360
- Forbruk elektro**
kWh / 24h* 2.5
- Nettvekt (kg)** 32.2
- Gass tenning** Piezo tenner
- Frittstående**

Retten til tekniske endringer forbeholdes.

*Gjennomsnittlig forbruk målt ved en gjennomsnittstemperatur på 25 C ifølge ISO-standard.

3.4 Forklaring til kjøleskapets deler

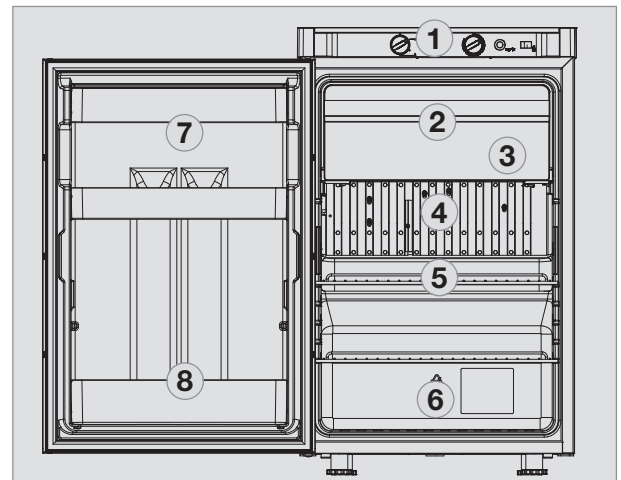


Fig. 2

- 1 Betjenings-elementer
- 2 Fryseskuff (uttakbar)
- 3 Innleggingsrist (ekstrautstyr, kan settes inn ved fjernet fryseskuff)
- 4 Etterfordamper for kjølerom
- 5 Tinevannrenne
- 6 Grønnsakskuff
- 7 Øvre dørbeholder med lokk
- 8 Nedre dørbeholder med flaskeholdere

4.0 Installasjon

4.1 Oppstilling og tilkobling

Dette kjøleskapet er kontrollert og godkjent for bruk i lukkede rom.

Vær oppmerksom på følgende punkter ved oppstilling av apparatet :

- Rommet der oppstillingen skjer må ha et kubikkinnhold på minst **20 m³**, må være godt ventilert og må ha et vindu eller en dør som kan åpnes ut i det fri.
- Kjøleskapet må oppstilles **frittstående**, dvs. med en minimum avstand på **50 mm** mot tilstøtende vegger og skap (**ingen innbygging!**).
- Avstanden til ovenfor plasserte innretninger (skap o.l.) må minst utgjøre **100 mm**.
- Plasser apparatet vannrett på et fast underlag.
- Kjøleskapet må ikke utsettes for varmeutstråling fra varme gjenstander (f.eks. komfyr, varmeapparater).
- Kjøleaggregatet på baksiden (under panelet) må alltid være godt ventilert. Dekk aldri til aggregatet (f.eks. håndklær, gardiner). Manglende ventilasjon fører til nedsatt kjøleeffekt!
- Plasser kjøleskapet slik at det er beskyttet mot vannsprut. Pass på at apparatet ikke utsettes for regn før og under oppstillingen.

4.1.1 Elektrisk tilkobling

- Spenningen fra lysnettet skal stemme overens med den spesifiserte verdien angitt på dataskiltet. Eventuelle forskjeller i spesifikasjonene kan føre til skade på apparatet !

- Strømtilførselen skal enten være via en forskriftsmessig jordet veggkontakt.

Det anbefales å montere en innvendig automatsikring på strømtilførselen.

- Strømkabelen skal føres slik at den ikke på noen måte kommer i kontakt med varme
- komponenter i enheten/brenneren eller utsettes for skarpe kanter.

FORSIKTIG!

Nettstøpslet må være fritt tilgjengelig.



FORSIKTIG!

Hvis tilslutningsledningen skulle bli skadet, må den skiftes ut av firmaet Dometic's kundeservice eller av tilsvarende kvalifisert personale., for å unngå at det oppstår farer.

4.1.2 Oppstilling av gassflasker

- Gassflasker må stå oppreist.
- Plasser gassflasken på et godt ventilert sted.
- Plasser gassflasken slik at det er lett å se og finne den i tilfelle brann.
- Maksimal avstand mellom gassflasken og apparatet må ikke overskride 1,5 m.
- Det må bare benyttes flasketyper og trykreguleringsinnretninger som er gyldige i de respektive land.

4.1.3 Gasstilkobling

Ved gassdrift må kjøleskapet kun drives på flyende gass (propan, butan).

Det må under ingen omstendigheter benyttes lysgass, naturgass eller Autogass.

- Fagmessig tilkobling av kjøleskapet må utføres av autoriserte fagfolk.
- Respektive gyldige nasjonale forskrifter for bruk av apparater drevet med flytende gass må overholdes.
 - Tekniske forskrifter, EN 732
- En fast innstilt trykkregulator **(1)**, Fig. 3 (trykkforminsker) må være installert i ledningen til apparatet. Kjøleskapet må ikke benyttes med annet trykk enn det som er angitt på typeskiltet.
- Kjøleskapet må tilsluttes gassflasken med en sikkerhets-slangeledning. Velg tilstrekkelig lengde for å kunne tilslutte slangeledningen uten å knekke den. Slangeledningen må ikke være lenger enn 1,5 m.
- Tilslutning av ledningen må utføres med klemmer / rørklammer **(2)**.
- Slangeledningen må skiftes ut i henhold til de tidsintervaller som er fastlagt i de respektive nasjonale bestemmelser.
- Etter at gassflasken er tilsluttet må det foretas en tetthetskontroll av alle forbindelser såvel som en flammeprobe av brenneren. Til tetthetskontrollen bruker du en lekkasjesøking-spray eller et skumdannende middel. Etter at du har åpnet flaskeventilen må du kontrollere forbindelsespunktene med hensyn til eventuelle små blærer.



FARE !



Bruk aldri åpen flamme for å kontrollere apparatet for lekkasje.

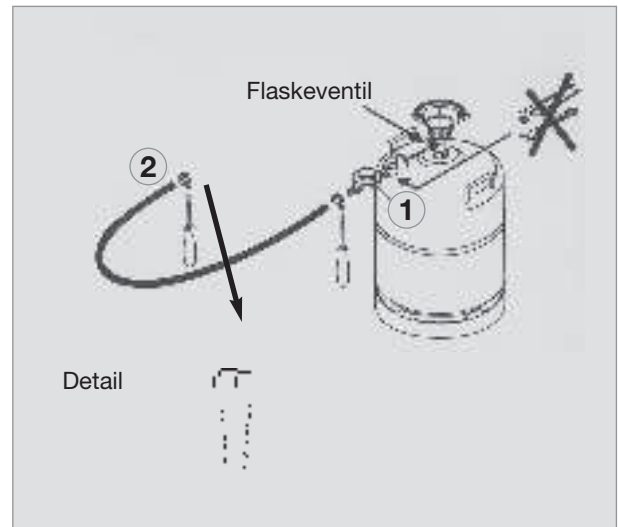


Fig. 3

4.2 Montering av dørhåndtaket

1. Festepunktene: bruk sjablong **(1)** i riktig målestokk (se punkt 5.3.2)

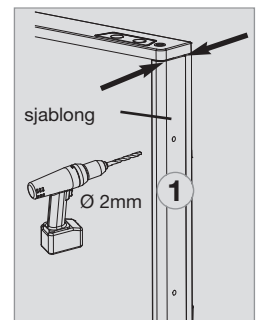


Fig. 4

2. Rett inn dørhåndtaket på døren og skru det på.

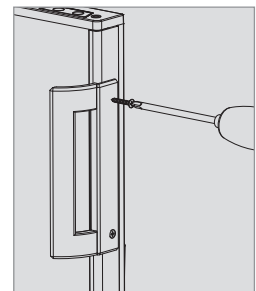


Fig. 5

3. Skyv på panelet og press det fast.

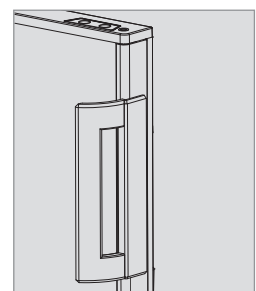


Fig. 6

5.0 Drift av kjøleskapet

Dette kjøleskapet kan drives med tre energikilder:

- **Lysnett (230V)**
- **Gass (flytende gass propan/butan)**

Den ønskede energiformen velges med **energivalgbryteren** (Fig.7).



Kjøleskapaggregatet arbeider lydløst.

Første gang apparatet tas i bruk kan det oppstå en lukt som vil forsvinne etter noen timer. Sørg for god utlufting av oppholdsrom.

Fryseenheten bør være kald ca. 1 time etter at kjøleskapet ble slått på.

Kjøleskapet trenger flere timer før det har oppnådd sin driftstemperatur.

5.1 Rengjøring

Vi anbefaler deg å rengjøre apparatet både innvendig og utvendig før du tar det i bruk.

Bruk en myk klut fuktet med lunkent vann og et mildt rengjøringsmiddel.

Skyll med rent vann og tørk deretter grundig.

For å unngå materialforandringer: Bruk aldri såpe, sterke skuremidler eller sodaholdige rengjøringsmidler. Unngå at dørpakningen kommer i kontakt med olje eller fett.

5.2 Vedlikehold



ADVARSEL!

Arbeid på gassinstallasjoner og elektriske komponenter må kun utføres av autorisert servicepersonell.

- Gassbrenneren skal rengjøres etter behov, men minst én gang om året. Ta vare på alle kvitteringer for utførte vedlikeholdsarbeider på kjøleskapet.
- Vi anbefaler også ettersyn dersom kjøretøyet og kjøleskapet har vært ute av drift i lengre tid. Ta kontakt med Dometics kundeservice.

5.3 Drift på strøm

FORSIKTIG!

Dette alternativet kan bare velges når tilført spenning fra lysnettet stemmer overens med den spesifiserte verdien angitt på dataskiltet. Eventuelle forskjeller i spesifikasjonene kan føre til skade på apparatet.

5.4 Drift på gass

- Kjøleskapet må drives med flytende gass (propan, butan) og ikke husholdningsgass.
- Ved høyder over havet på mer enn ca. 1000m kan det oppstå fysikalsk betingede forstyrrelser, som **ikke er en feilfunksjon**.
- Ved første gangs bruk så vel som etter bytte av gassflaske kan gassledningene inneholde luft. Gassledningene vil bli utluffet etter kort tids drift av kjøleskapet. Gassen tenner uten forsinkelse.
- Alle kjøleskap med manuell tenning er utstyrt med en automatisk flammesikring, som bryter gasstilførselen etter ca. 30 sekunder dersom flammen slukker.

5.5 Betjening

5.5.1 Forklaring til betjeningselementer

Manuelt energivalg / manuell tenning, Piezo tenner :

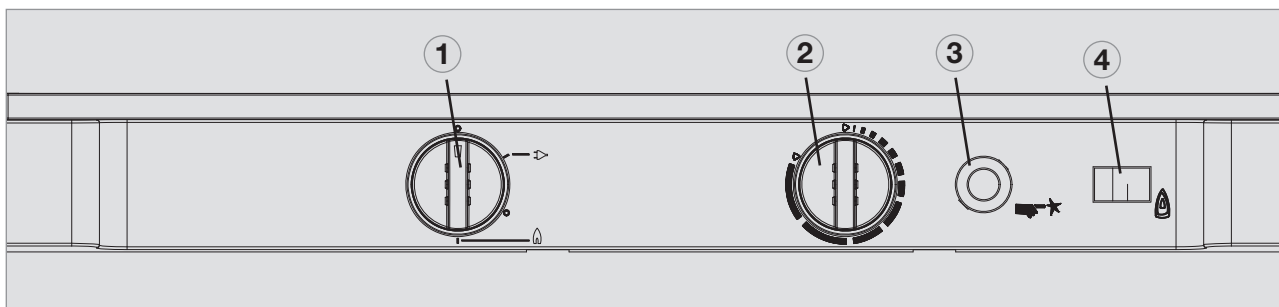


Fig. 7

- 1 = På-bryter / energivalgbryter
- 2 = Temperaturregulering
- 3 = Piezo tenner (gass)
- 4 = Flammeindikator (galvanometer)

Merknader:

Ønsket energikilde velges ved å dreie på energivelgeren (1) . Energivelgeren (1) har fire innstillinger:

- Av (2)
- Lysnett (230V~) (3)
- Av (4)
- Gass (flytende gass propan/butan) (5)

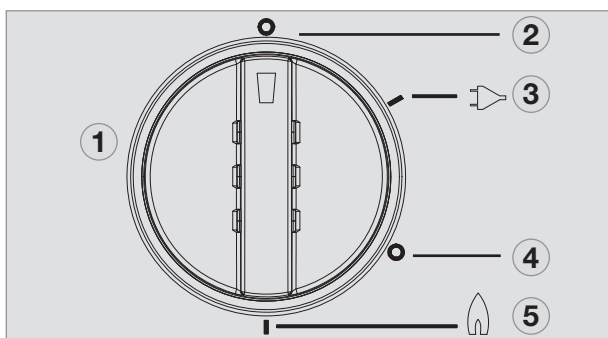


Fig. 8

5.5.2 Drift på strøm

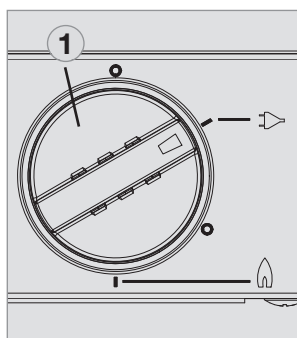


Fig. 9

For å slå apparatet på, dreier du energi-valgbryteren (1) mot høyre til posisjon:



for 230V-drift.

5.5.3 Drift på gass (flytende gass)

Før du setter kjøleskapet i drift på gass:

- Åpne ventilen på gassflasken.

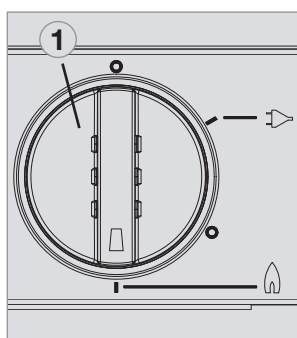


Fig. 10

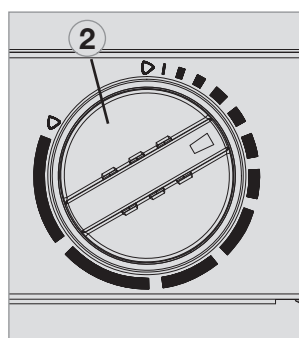


Fig. 11

1. Sett dreiebryteren (1) i stilling :



for gassdrift.

2. Drei så temperaturtrinnbryteren (2) mot høyre, og trykk den inn. Hold bryteren trykket inn.

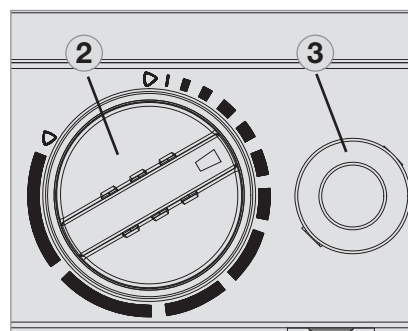


Fig. 12

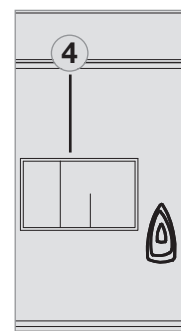


Fig. 13

3. Aktiver bryteren for Piezo-tenning (3) flere ganger med 1-2 sekunders mellomrom.
4. Viseren i galvanometeret (4) (s. 13) beveger seg tildet grønne området når flammen er tent. Hold dreiebryteren (2) inne i enda 15 sekunder, og slipp så bryteren. Kjøleskapet er nå i drift.

5.5.4 Innstilling av kjøleromstemperatur

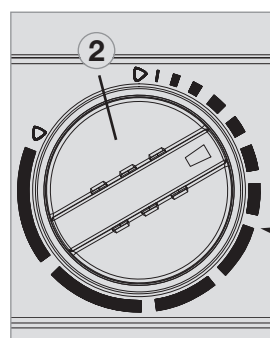


Fig. 14

Ved hjelp av bryteren (2) velger du temperaturen i kjølerommet.

Skalaen begynner med **MIN**-posisjonen (smal bjelke = varmeste temperatur) og går opp til **MAX**-posisjonen (bred bjelke = kaldeste temperatur).

Merk at disse temperaturtrinnene ikke er tilordnet absolute temperaturverdier.

5.6 Plassering av hyllene

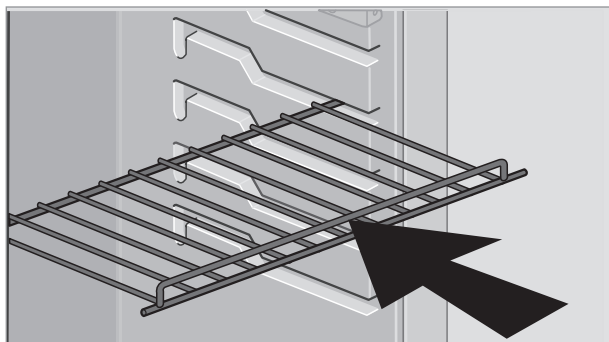


Fig. 15

Hyllene kan enkelt løftes og trekkes ut av sporene, og anbringes i den høyden som passer.

5.7 Uttagbar fryseskuff

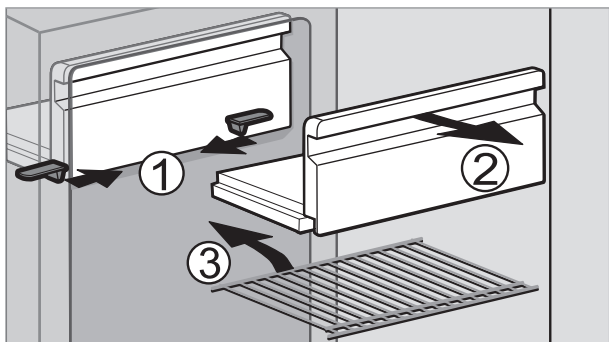


Fig. 16

Hvis du ønsker å forstørre kjølerommet, kan du fjerne fryseskuffen.

1. Frigjør fryseskuffen på begge sider.
2. Trekk fryseskuffen ut.

Oppbevar fryseskuffen på et egnet sted for å unngå at den skades.



Hvis du har fjernet fryseskuffen, kan du sette inn en ekstra oppbevaringshylle (3.). Oppbevaringshyllen kan bestilles som tilbehør fra Dometic.

5.8 Oppbevaring av mat, lage isbiter

5.8.1 Innlegging av varer i kjølerommet

- Sett i gang kjøleskapet ca. 12 timer før det skal fylles.
- Lagre alltid inn forhåndskjølte varer. Pass på at varen holdes godt kjølt ved kjøp og transport. Bruk isoleringsposer.
- Når du tar varer ut av kjøleskapet, må døren åpnes så kort som mulig.
- Varer må forpakkes i plast, aluminiumsfolie eller helst i lukkede beholdere, og oppbevares atskilt fra hverandre for å hindre uttørring eller luktspredning.
- La oppvarmete varer kjøles før de lagres inn.
- Produkter som kan avgi flyktige, brennbare gasser må ikke oppbevares i kjøleskapet.
- Ikke overfyll oppbevaringsrister og hyller, ellers kan dette hindre den innvendige luftsirkulasjonen.
- La det være en avstand på ca. 10 mm mellom kjølevarerne og etterfordamperen ("kjøleribber").
- Det må sikres at kjøleaggregatets luftsirkulasjon er uhindret. Ventilasjonsgillene må ikke tildekkes.

5.8.2 Innlegging av varer i fryseskuffen

- Unngå å oppbevare kullsyreholdige drikker i fryseskuffen.
- Fryseskuffen er bare egnet til å lage isbiter og for kortvarig oppbevaring av frose matvarer. Den er ikke egnet til innfrysing av matvarer.

Ved romtemperaturer som over lengre tid forblir lavere enn +10 C kan ensartet regulering av temperaturen i fryseskuffen ikke garanteres. Dette kan føre til temperaturstigning i fryseskuffen, og til opptining av de oppbevarte matvarene.

5.8.3 Hyllene i kjøleskapet

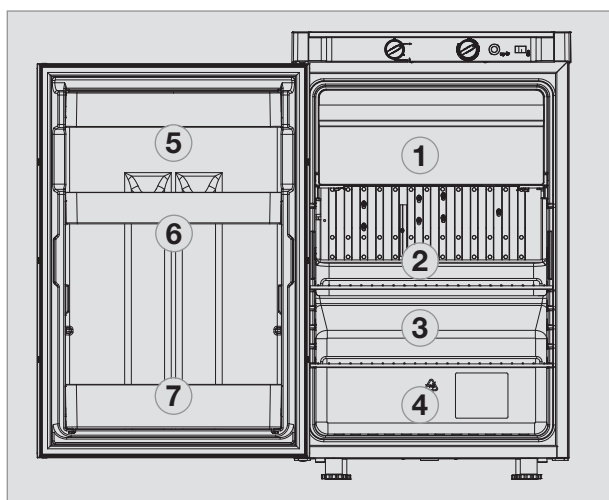


Fig. 18

- 1 Fryseskuff :**
Varer som allerede er frosne (frysevarer)
- 2 Midtre hylle:**
Melkeprodukter, tilberedte retter
- 3 Nedre hylle:**
Kjøtt, fisk, varer som skal tine
- 4 Grønnsaksskuff:**
Salat, grønnsaker, frukt
- 5 Øvre dørbeholder:**
Egg, smør
- 6 Midtre dørbeholder:**
Bokser, dressinger, ketsjup, syltetøy
- 7 Nedre dørbeholder (flaskeholder):**
Drikkevarer i flasker eller kartonger

5.8.4 Lage isbiter

Isbiter bør fryses over natten. Om natten er kjøleskapet mindre belastet og frysedelen har større kapasitet.



Fig. 19

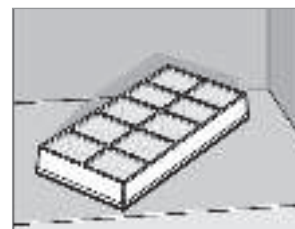


Fig. 20

1. Fyll isbitboksen med drikkevann.
2. Plasser isbitboksen i kjøleskapets frysedel.



ADVARSEL!

Bruk kun drikkevann!

5.9 Ta kjøleskapet ut av drift

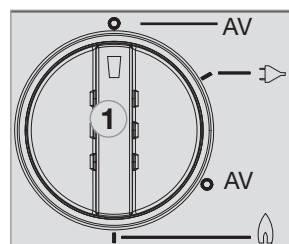


Fig. 21



Fig. 22

- Still energivalgbryteren **(1)** i stilling "AV". Apparatet er dermed slått av ..
- Døren skal bli stående litt på gløtt for å hindre at det dannes mugg inne i skapet.
- Hvis kjøleskapet ikke skal benyttes i en lengre periode, må den innvendige lukkekra- nen samt ventilen på gassflasken stenges

5.10 Avriming

Med tiden bygger det seg opp rim på kjøleribbene inne i kjøleskapet. Kraftigere riming på den ene siden kan forekomme, og indikerer ikke noen feilfunksjon. Kjøleskapet bør avrimes når islaget er ca. 3 mm tykt.

- Slå kjøleskapet av som beskrevet i kapittel *Ta kjøleskapet ut av drift.*
- Ta isbitboksen og maten ut av kjøleskapet.
- La kjøleskapdøren stå åpen for å slippe luf-ten til og hindre muggdannelser.
- Tørk av begge kjølerommene med en tørr klut etter avrimingen (når fryseskuffen og kjøleribben er fri for rim).

Merk: Smeltevannet i kjøleskapets hoveddel renner ut i en oppsamlingsbeholder på baksiden. Fra denne beholderen fordampes vannet.

FORSIKTIG!

Rimlaget må aldri forsøkes fjernet med makt eller verktøy, og ingen ekstra varmekilder må brukes til å påskynde tiningen!

5.11 Bytte hengselside



Skulle det i denne forbindelse være nødvendig å legge apparatet på skrå sidelengs eller å legge det helt ned, så vent en time før du tar apparatet i bruk. Kjølevæsken samles da i kjøleaggregatets lager-beholder igjen. Dermed er det sikret at apparatets drift er korrekt.

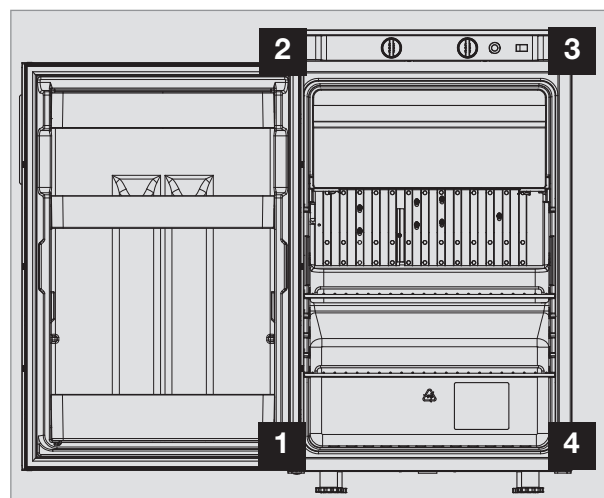


Fig. 23



Fig. 24

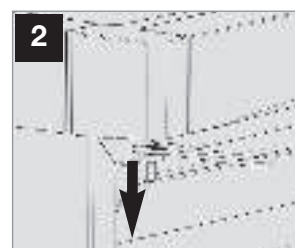


Fig. 25

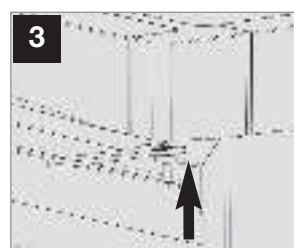


Fig. 26



Fig. 27

- Åpne døren, løs hengselskruen og oppbevar denne.
- Ta døren fremover og vekk.
- Løs hengselstiften og skru den inn på den andre siden.
- Flytt avstandsskiven til det nedre hengslet.
- Skyv døren inn i den øvre hengselstiften og sett den på det nedre hengslet.
- Skru inn hengselskruen.
- Pass på at døren beveger seg fritt og at dørtetningen ligger inntil hele veien rundt.

5.12 Skifte av dekorplaten

- Trekk sidelisten **(1)** av døren (listen er klemmefestet, ikke fastskrudd)
- Skyv dekorplaten **(2)** ut av sporet i døren, sett inn en ny dekorplate, og smett listen **(1)** på igjen.

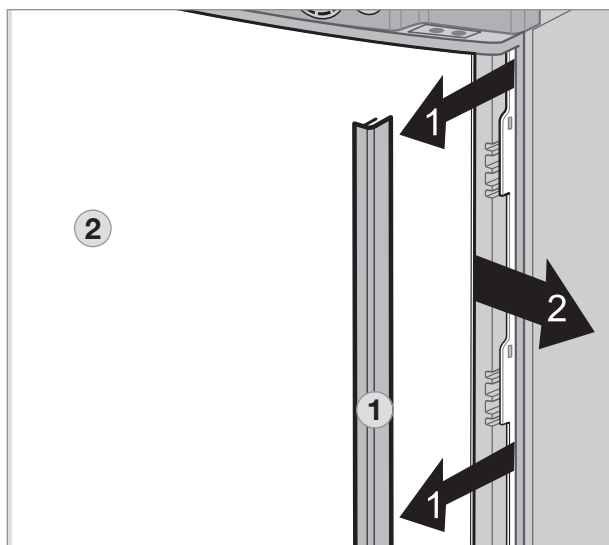


Fig. 28

Panelets mål skal være:

Høyde	Bredde	Tykkelse
743 +/- 0.75 mm	504 +/- 0.5 mm	min. 1.0 mm max. 1.7 mm

5.13 Tiltak ved problemer

Før du kontakter en av våre autoriserte serviceavdelinger bør du kontrollere hvorvidt:

- instruksjonene i punktet "Slå på kjøleskapet" er fulgt korrekt.
- kjøleskapet står vannrett.
- det er mulig å bruke kjøleskapet med en annen tilgjengelig energikilde.

Problem: Kjøleskapet kjøler ikke tilstrekkelig.

Mulig årsak	Hva du kan gjøre
<ul style="list-style-type: none">- Enheten får ikke nok ventilasjon.- Termostaten er stilt for lavt.- Det er for mye is på kondensatoren.- Det er oppbevart for mye varm mat i kjøleskapet.- Apparatet har ikke vært lenge nok i drift.- Omgivelsestemperaturen er for høy.	<ul style="list-style-type: none">- Kontroller at ventilgitrene av aggregatet ikke er tildekket- Still termostaten høyere.- Kontroller at kjøleskapdøren tetter helt når den lukker.- La maten avkjøles før du setter den i kjøleskapet.- Kontroller temperaturen i kjølerommet igjen etter 4-5 timer.- Luft rommet.

Problem: Kjøleskapet virker ikke med bruk av gass.

Mulig årsak	Hva du kan gjøre
<ul style="list-style-type: none">- Gassflasken er tom.- Lukkekranen for gasstilførselen er låst.- Luft er i ledningen.	<ul style="list-style-type: none">- Skift gassflaske.- Åpne lukkekranen for gasstilførselen.- Skru av apparatet og start det på nytt. Hvis nød vendig gjenta prosessen 3-4 ganger.

Problem: Kjøleskapet virker ikke på 230V.

Mulig årsak	Hva du kan gjøre
<ul style="list-style-type: none">- Sikringen er defekt.- Kjøleskapet er ikke knyttet til strømforsyningen.- Varmeelement defekt.	<ul style="list-style-type: none">- Sett i ny sikring.- Kople til strømmettet.- Ta kontakt med Dometics kundeservice.

Käyttöohje

Absorptiojääkaappi

RGE 2100

Merkitse tiedot tähän:

Malli

Tuotenumero

Sarjanumero



N 1

MBA 10/2015



Sisällysluettelo

1.0	Yleistietoa	4
1.1	Johdanto	4
1.2	Käyttöohjetta koskevia ohjeita	4
1.3	Tekijänoikeussuoja	4
1.4	Käytettyjen symboleiden merkitys	4
1.5	Takuu	5
1.6	Vastuunrajoitus	5
1.7	Asiakaspalvelu	5
1.8	Varaosat	5
1.9	Ympäristönsuojeluun liittyviä ohjeita	6
1.9.1	Kierrätys	6
1.9.2	Energiansäästöohjeita	6
1.10	Vaatimustenmukaisuusvakuutus	6
2.0	Turvallisuusohjeet	7
2.1	Määräystenmukainen käyttö	7
2.2	Käyttäjän vastuu	7
2.3	Kun poistat laitteen käytöstä, muista lasten turvallisuus	7
2.4	Jääkaappiin kohdistuvat toimenpiteet ja tarkastukset	7
2.5	Tietoa kylmäaineesta	8
2.6	Jääkaapin käyttö kaasulla	8
2.7	Ruokien säilytystä koskevat turvallisuusohjeet	9
3.0	Mallin kuvaus	10
3.1	Tuotemalli	10
3.2	Jääkaapin tyyppikilpi	10
3.3	Tekniset tiedot	10
3.4	Jääkaapin kuvaus	10
4.0	Asennus	11
4.1	Sijoitus ja liitännät	11
4.1.1	Sähköliitäntä	11
4.1.2	Kaasupullojen sijoitus	11
4.1.3	Kaasuliitäntä	12
4.2	Ovikahvan asennus	12
5.0	Käyttö	13
5.1	Puhdistus	13
5.2	Huolto	13
5.3	Sähkökäyttö	13
5.4	Kaasukäyttö	13
5.5	Jääkaapin käyttö	14
5.5.1	Käyttöpaneelin kuvaus	14
5.5.2	Sähkökäyttö	15
5.5.3	Kaasukäyttö (nestekaasu)	15
5.5.4	Jääkaapin lämpötilan säätö	15
5.6	Hyllyjen paikan vaihto	16
5.7	Irrotettava pakastelokero	16
5.8	Ruokien säilytys ja jääpalojen valmistus	16
5.8.1	Ruokien säilytys jääkaappiosassa	16
5.8.2	Ruokien säilytys pakastelokerossa	16

5.8.3	Jääkaappilokerot	17
5.8.4	Jääpalojen valmistus	17
5.9	Käytöstä poisto	17
5.10	Sulatus	18
5.11	Oven avautumissuunnan muuttaminen	18
5.12	Ovipaneelin vaihto	19
5.13	Vianetsintä	20

Dometic GmbH
In der Steinwiese 16
D-57074 Siegen

www.dometic.com

1.0 Yleistietoa

1.1 Johdanto

Olet tehnyt erinomaisen valinnan ostaessasi **Dometic** absorptiojääkaapin. Olemme varmoja, että tulet olemaan tyytyväinen uuteen jääkaappiisi. Äänettömästi toimiva jääkaappi on valmistettu korkeiden laatustandardien mukaisesti, ja käyttää säästeliäästi luonnonvaroja ja energiaa koko jääkaapin käyttöiän mukaanlukien valmistuksen, käytön ja kaapin hävittämisen.

1.2 Käyttöohjetta koskevia ohjeita

Lue käyttöohje huolellisesti, ennen kuin otat jääkaapin käyttöön.

Käyttöohjeessa on tärkeitä jääkaapin oikeaan käyttöön liittyviä ohjeita. **Huomioi varsinkin turvallisuusohjeet.** Toiminta- ja muiden ohjeiden noudattaminen on tärkeää jääkaapin turvallisen käytön kannalta ja jotta vältyt itsellesi ja jääkaapille aiheutuvilta vahingoilta. Varmista, että olet ymmärtänyt lukemasi, ennen kuin ryhdyt mihinkään toimenpiteisiin.

Säilytä käyttöohje huolellisesti jääkaapin läheisyydessä, niin että voit katsoa siitä tarvittaessa heti neuvoa.

1.3 Tekijänoikeussuoja

Käyttöohjeen tiedot, tekstit ja kuvat ovat tekijänoikeudellisesti suojattuja ja teollisten suojausohjeiden alaisia.

Käyttöohjeen mitään osaa ei saa tuottaa uudelleen, kopioida tai käyttää muuhun tarkoitukseen ilman Dometic GmbH:n, Siegen, antamaa kirjallista suostumusta.

1.4 Käytettyjen symboleiden merkitys

Varoitukset

Varoitukset on merkitty symboleilla. Täydentävä teksti ilmoittaa vaaran asteen.

Noudata varoituksia erittäin tarkasti. Näin suojaat itseäsi, muita henkilöitä ja laitetta vahingoilta.



VAARA!

VAARA viittaa välittömään vaaratilanteeseen, joka saattaa johtaa kuolemaan tai vakavaan loukkaantumiseen, jos annettuja ohjeita ei noudateta.



VAROITUS!

VAROITUS viittaa mahdolliseen vaaratilanteeseen, joka saattaa johtaa kuolemaan tai vakavaan loukkaantumiseen, jos annettuja ohjeita ei noudateta.



VARO!

VARO viittaa mahdolliseen vaaratilanteeseen, joka saattaa johtaa lieviin tai vakavampiin loukkaantumisiin, jos annettuja ohjeita ei noudateta.

VARO!

VARO ilman turvasymbolia viittaa mahdolliseen vaaratilanteeseen, joka saattaa johtaa laitevaurioihin, jos annettuja ohjeita ei noudateta.

Ohjeita



OHJEITA viittaa täydentäviin ja hyödyllisiin jääkaapin käyttöön liittyviin ohjeisiin.

Ympäristönsuojelu



YMPÄRISTÖNSUOJELU viittaa hyödyllisiin energiansäästöön ja laitteen kierrätykseen liittyviin ohjeisiin.

1.5 Takuu

Takuukäytäntö on EU-direktiivin 44/1999/EC mukainen ja noudattaa käyttömaan yleisiä ehtoja. Takuuta tai huoltoa koskevissa kysymyksissä ota yhteyttä asiakaspalveluun. Takuu ei kata asiattoman käytön aiheuttamia vaurioita. Jos laitteeseen tehdään muutoksia tai käytetään muita kuin **alkuperäisiä Dometic varaosia** sekä laiminlyötessä asennus- ja käyttöohjeet, takuu raukeaa eikä valmistaja ota tällöin vastuuta vioista.

1.6 Vastu rajoitus

Kaikki käyttöohjeen tiedot ja ohjeet on laadittu voimassa olevat standardit ja määräykset sekä tekniikan taso huomioiden. **Dometic** pidättää oikeudet tuotemuutoksiin milloin tahansa, kun niiden tarkoituksena on tuotteen ja turvallisuuden parantaminen.

Dometic ei vastaa vahingoista seuraavissa tapauksissa :

- Käyttöohjeen laiminlyönti
- Määräystenvastainen käyttö
- Muiden kuin alkuperäisten varaosien käyttäminen
- Laitteeseen tehdyt asiattomat muutokset ja toimenpiteet
- Ympäristöolosuhteiden vaikutus, esim.
 - lämpötilamuutokset
 - ilmankosteus

1.7 Asiakaspalvelu

Dometicilla on koko Euroopan kattava huoltoverkosto. Saat tietää valtuutetut huoltoliikkeet soittamalla puhelinnumeroon, joka on annettu jääkaapin mukana tulevassa **EuroService Network** - vihkossa. Sinua lähimmän huoltoliikkeen löydät myös internet-osoitteesta **www.dometic.com**. Kun otat yhteyttä asiakaspalveluun tai huoltoliikkeen, ilmoita malli, tuotenumero, sarjanumero ja tarvittaessa MLC-koodi. Nämä tiedot löytyvät jääkaapin sisällä olevasta tyyppikilvestä. Tiedot kannattaa merkitä muistiin niille tarkoitetuille riveille tämän ohjekirjan etusivulla

1.8 Varaosat

Voit tilata varaosia valtuutettujen huoltoliikkeiden kautta.

Kun tilaat varaosia huoltoliikkeestä, ilmoita aina malli ja tuotenumero! Nämä tiedot löytyvät jääkaapin sisällä olevasta tyyppikilvestä.

1.9 Ympäristönsuojeluun liittyviä ohjeita



Jäähdytyskoneistossa käytetään kylmäaineenä ammoniakkaa (vedyn ja typen yhdistettä). Otsonikerrokselle vaaratonta syklopentaania käytetään punneaineena PU vaahtoeristeen valmistuksessa.

1.9.1 Kierrätys

Jotta kierrätettävät pakkausmateriaalit varmasti päätyvät uusiokäyttöön, ne tulee toimittaa asianmukaisiin keräyspisteisiin. Laitte tulee viedä asianmukaiseen keräyspisteeseen, josta kierrätettävät osat toimitetaan uudelleen käytettäväksi ja loput hävitetään jätehuoltomääräysten mukaisesti. Kaikkien absorptiojääkaappien kylmäaineen ympäristöystävällisen hävittämisen varmistamiseksi on käytettävä tarkoitukseen sopivaa jätehuoltolaitosta.



Laitteet, jotka on merkitty vieressä symbolilla, tulee toimittaa paikalliseen keräyspisteeseen sähkö- ja elektroniikkalaitteiden jätehuoltomääräysten mukaisesti. Tätä tuotetta ei saa hävittää normaali kotitalousjätteiden mukana.

Dometic jääkaapeissa symboli löytyy laitteen sisäpuolelta sijoitetusta tyyppikilvestä.

1.9.2 Energiansäästöohjeita

- Ulkolämpötilan ollessa keskimäärin 25°C riittää, kun jääkaappia käytetään termostaatin keskiasennolla.
- Mikäli mahdollista, laita tuotteet kaappiin jo esijäähdytettyinä ja pakattuina
- Jääkaappia ei saa pystyttää paikkaan, missä se on auringonpaisteessa tai jonkin muun lämpölähteen (esim. lämmityksen) välittömässä läheisyydessä.

- On katsottava, että ilma pääsee kiertämään esteettä jäähdytyskoneiston kohdalta.
- Aseta hyllyritilät jääkaappiin tasaisin välein.
- Kaappia ei saa ylitäyttää, jotta ilma pääsee kiertämään sen sisällä esteettä.
- Höyristimeen (jäähdytysripoihin) on jätettävä riittävä etäisyys (n. 5 - 10 mm).
- Säästät energiaa sulattamalla jääkaapin säännöllisesti (*katso. "5.10 Sulatus"*).
- Kun otat ruokia jääkaapista, älä pidä ovea turhan kauan auki.
- Kytke jääkaappi päälle noin 12 tuntia ennen sen täyttämistä.

1.10 Vaatimustenmukaisuusvakuutus



2.0 Turvallisuusohjeet

2.1 Määräystenmukainen käyttö

Jääkaappi on malliltaan vapaasti sijoitettava ja tarkoitettu asennettavaksi sisätiloihin, kuten kesämökkeihin tms. vapaa-ajan asuntoihin. Laite on EU:n kaasulaitedirektiivin 90/396/ETY vaatimusten mukainen. **Se ei sovellu asennettavaksi autoihin tai veneisiin.**

Käytä jääkaappia ainoastaan elintarvikkeiden jäähdyttämiseen ja säilyttämiseen.



VAROITUS!

Jääkaappia ei ole tarkoitettu lääkkeiden säilytykseen. Noudata lääkepakkauksen tuoteselosteessa annettuja ohjeita.

VARO!

Laitetta ei saa altistaa sateelle.

2.2 Käyttäjän vastuu

Kaikkien, jotka käyttävät jääkaappia, tulee perehtyä sen turvalliseen käyttöön ja tutustua käyttöohjeeseen.

Tätä laitetta saavat käyttää yli 8-vuotiaat lapset sekä henkilöt, joiden fyysiset, motoriset tai psyykkiset valmiudet ovat rajoitettuja tai joilla ei oletettavasti ole tarvittavaa kokemusta tai tietoa laitteen käytöstä, vain siinä tapauksessa, että läsnä on valvova henkilö tai kun heidät on opastettu laitteen turvalliseen käyttöön niin että käytöstä aiheutuvat riskit on ymmärretty. Laite ei ole lasten leikkikalua. Lapset saavat puhdistaa ja tehdä käyttäjän huoltotoimet vain valvonnan alaisina. [EN60335-2-24, 7.12]

2.3 Kun poistat laitteen käytöstä, muista lasten turvallisuus



VAROITUS!

Kun otat vanhan jääkaapin pois käytöstä, irrota kaikki ovet ja jätä hyllyt jääkaappiin. Näin kukaan ei jää loukkuun kaappiin eikä tukehdu oven lukkiutuessa.

2.4 Jääkaappiin kohdistuvat toimenpiteet ja tarkastukset



VAROITUS!

Kaasu-, palamiskaasujen poisto- ja sähkölaitteisiin liittyvät työt saa tehdä ainoastaan valtuutettu asentaja. Väärin tehdyistä toimenpiteistä saattaa seurauksena olla huomattavia esine- ja/tai henkilövahinkoja.



VAARA!



Älä koskaan käytä avotulta kaasua johtavien osien ja putkien/letkujen vuotojen tarkistamiseen!
Palo- tai räjähdysvaara.



VAROITUS!

Älä koskaan avaa absorptiokoneistoa! Siinä on korkea paine.

Loukkaantumiswaara!

2.5 Tietoa kylmäaineesta

Kylmäaineena käytetään ammoniakkia. Tätä yhdistettä käytetään myös talouspuhdistusaineissa (1 litra ammoniumkloridipuhdistusainetta sisältää jopa 200 g ammoniakkia - noin kaksi kertaa niin paljon kuin on käytetty jääkaapissa). Natriumkromaattia käytetään korroosiota ehkäisevänä aineena (1,8 painoprosenttia liuottimesta).

Toimi seuraavasti vuodon sattuessa (vuodon tunnistaa helposti voimakkaasta hajusta):

- Kytke laite pois päältä.
- Tuuleta huone huolellisesti .
- Ota yhteyttä valtuutettuun asiakaspalvelupisteeseen.



Turvallisuutta ajatellen voimme kertoa, että asiantuntijan lausunnolla on todettu, ettei kylmäainevuodosta ole terveydellistä haittaa.

2.6 Jääkaapin käyttö kaasulla

Käyttöpaineen on vastattava jääkaapin tyyppikilvessä annettuja tietoja. Vertaa tyyppikilvessä annettua käyttöpainetta nestekaasupullon paineensäätimen tietoihin.

Jääkaappi soveltuu käytettäväksi seuraavassa mainituilla kaasuilla ja tulopaineilla. Kaasupullon ja jääkaapin väliin asennettavan paineenalentimen on vastattava alla olevassa taulukossa ilmoitettuja luokituksia.

Liitäntäpaine ja kaasuluokitus

Luokitus	Paine / mbar	KAASU
I3B / P(30)	30	Butaani
	30	Propaani
I3+ (28-30/37)	28-30	Butaani
	37	Propaani
I3B/P(50)	50	Butaani
I3B/P(50)	50	Propaani

Jos tunnet kaasun hajua :

- Avaa kaikki ikkunat ja poistu tilasta.
- Sähkölaitteita ei saa käynnistää, samoin on vältettävä avotulta.
- Sulje kaasupullon hana ja avaa se vasta sitten, kun vika on korjattu.
- Kysy neuvoa valtuutetulta asentajalta*.

* Valtuutetulla asentajalla tarkoitetaan asianmukaiset asennusoikeudet omaavaa henkilöä, joka koulutuksensa ja tietojensa perusteella pystyy takaamaan, että tiiviyskoe suoritetaan oikein.

2.7 Ruokien säilytystä koskevat turvallisuusohjeet

Elintarvikkeiden jääkaapissa säilytystä koskeva ohje:

Säilytys kylmälaitteissa ei paranna elintarvikkeiden laatua, vaan mahdollistaa korkeintaan niiden laadun säilymisen tietyn ajan kylmäsäilytyksen aikana.

Ota huomioon seuraavat seikat säilytettäessä elintarvikkeita jääkaapissa, joka on asennettu ajoneuvoon:

- Ilmastollisten olosuhteiden muutos, kuten lämpötilamuutokset
- Korkea sisälämpötila
- Jääkaappi asennettu ikkunan taakse ja suora auringonpaiste
- Ruokatavarat on sijoitettu jääkaappiin liian nopeasti laitteen käyttöönoton jälkeen.

Tällaisissa olosuhteissa ei jääkaappisäilytyksellä voida taata riittävän alhaista lämpötilaa helposti pilaantuvien elintarvikkeiden säilytykseen.

Helposti pilaantuvia elintarvikkeita ovat kaikki tuotteet, joilla on viimeinen käyttöpäivä -merkintä ja joiden säilytyslämpötilaksi on ilmoitettu vähintään +4°C tai alhaisempi, etenkin liha, siipikarjanliha, kala, makkara, valmisruoat.

- Pakkaa raa'at ja kypsennetyt ruoat erilleen toisistaan (esim. säilytysrasioihin, alumiinifolioon tms.).
- Poista ylimääräinen myyntipakkaus vain, kun kaikki tarvittavat tiedot kuten esim. viimeinen käyttöpäivä on merkitty myös sisäpakkaukseen.
- Älä säilytä jäädytettyjä ruokia liian kauan jääkaapin ulkopuolella.
- Sijoita etualalle elintarvikkeet, joiden viimeinen käyttöpäivä menee umpeen ensimmäisenä.
- Pakkaa tähteesi jäänyt ruoka uudelleen ja käytä se mahdollisimman pian.
- Pese kädet ennen elintarvikkeisiin kosketamista ja sen jälkeen.

- Puhdista jääkaappi sisältä säännöllisin välein.

Noudata pakkauksiin merkittyjä ohjeita ja viimeinen käyttöpäivä-merkintää.

Noudata käyttöohjeen kappaleessa "5.1 Puhdistus" annettuja ohjeita.

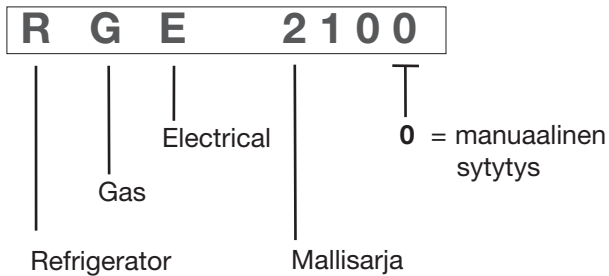


Ympäristöolosuhteet vaikuttavat jäähdytyskoneiston tehoon. Kun ulkolämpötila on välillä +15°C ja +25°C, valitse keskiasento (vrt. kuva 28, Lämpötila-asetus 3). Koneisto toimii optimaalisella tehoalueella.

Dometic jääkaapit toimivat absorptioperiaatteella. Fysikaalisista seikoista johtuen absorptiojärjestelmä reagoi hitaasti termostaatin säätimen muutoksiin, oven avaamisesta johtuvaan kylmähukkaan tai lämpötilamuutoksiin sijoitettaessa ruokia jääkaappiin. Laitteet täyttävät ilmastoluokan SN tehovaatimukset standardin EN/ISO 7371 mukaan ympäristön lämpötilan ollessa välillä +10°C ja +32°C.

3.0 Mallin kuvaus

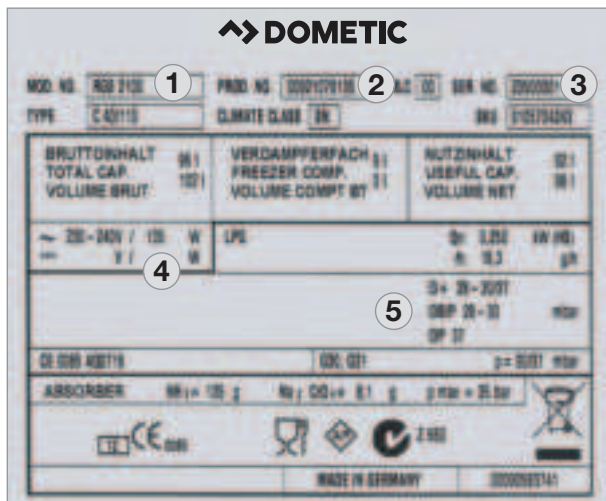
3.1 Tuotemalli



nestekaasulla tai sähköllä toimiva absorptiojääkaappi

3.2 Jääkaapin tyyppikilpi

Jääkaapin tyyppikilpi on sijoitettu jääkaapin sisäpuolelle. Se sisältää tärkeitä tietoja jääkaapista. Voit katsoa siitä tuotemallin, tuotenumeron ja sarjanumeron. Tarvitset näitä tietoja, aina kun otat yhteyttä asiakaspalveluun tai tilaat varaosia.



Esimerkki

Kuva 1

- 1 Malli
- 2 Tuotenumero
- 3 Sarjanumero
- 4 Sähköliitännätiedot
- 5 Kaasunpaine

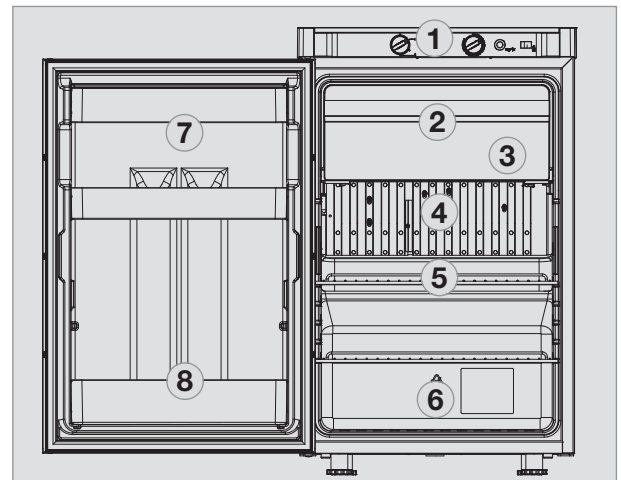
3.3 Tekniset tiedot

Tilavuus (litraa)	100
pakastelokeron (litraa)	9
Tilavuus (ilman pakastelokeron).....	106
Ulkomitat (mm) (K x L x S)	859x531x558
Liitäntäteho (W)	125
Kaasunkulutus (30 / 50 mbar) g / 24h*	270 / 360
Sähkönkulutus kWh / 24h*	2.5
Nettopaino (kg)	32.2
Kaasun sytytys	piezosytytys
Vapaasti sijoitettava	

Oikeudet teknisiin muutoksiin pidätetään.

*Keskimääräinen kulutus mitattu ISO-standardin mukaisesti 25°C ulkolämpötilassa.

3.4 Jääkaapin kuvaus



Kuva 2

- 1 Käyttöpaneeli
- 2 Pakastelokero (irrotettava)
- 3 Erillinen lankahylly (lisävaruste, sopii kaappiin kun pakastelokero on poistettu)
- 4 Jääkaappiosan höyrystin
- 5 Sulamisveden poistokouru
- 6 Vihanneslaatikko
- 7 Kannellinen ylähylly
- 8 Alahylly, jossa pullonpidike

4.0 Asennus

4.1 Sijoitus ja liitäntä

Jääkaappi on testattu ja hyväksytty käytettäväksi sisätiloissa.

Noudata laitteen asennuksessa seuraavia ohjeita:

- Sijoitustilan tulee olla kooltaan vähintään **20 m³**, huoneessa tulee olla hyvä ilmanvaihto ja ulkoilmaan avattava ikkuna tai ovi.
- Jääkaappi on malliltaan vapaasti sijoitettava, ts. sen ja viereisten seinien tai kaappien välillä tulee olla tilaa vähintään **50 mm (asennus ei olle sallittu työtason alle tai kalusteisiin!)**.
- Jääkaapin ja sen yläpuolella olevien esineiden (kaappien tms.) välillä tulee olla tilaa vähintään **100 mm**.
- Sijoita laite vaakasuoraan tukevalle alustalle.
- Jääkaappi ei saa altistua lämmönlähteiden (esim. lieden, lämmityksen) lämpösäteilylle.
- Laitteen takana (suojausten alla) olevan jäähdytyskoneiston ilmankierron on oltava aina hyvä. Älä peitä koneistoa (esim. pyyhkeillä, verhoilla). Puutteellinen ilmankierto heikentää jäähdytystehoa!
- Sijoita jääkaappi niin, että se on suojassa roiskevedeltä. Huolehdi, ettei laite altistu sateelle ennen asennusta tai sen jälkeen.

4.1.1 Sähköliitäntä

- Verkkovirran jännitteen tulee vastata tyyppikilvessä ilmoitettua jännitettä. Muun kuin tyyppikilvessä ilmoitetun jännitteen käyttö voi vaurioittaa laitteen.

- Sähkökäyttöä varten laite tulee liittää jännitelähteeseen määräysten mukaisesti maadoitetun pistorasian kautta.

Liitäntäjohto on varustettava automaattisulakkeella.

- Verkkoliitäntäjohtoon tulee päästä aina helposti käsiksi eikä johto saa joutua kosketuksiin koneiston / polttimen kuumien osien kanssa.

VARO!

Verkkopistokkeen on oltava tavoitettavissa.



VARO!

Jos liitäntäjohto vioittuu, sen saa turvallisuuksysta vaihtaa vain Dometicin huoltopalvelu tai ammattitaidoltaan yhtä pätevä henkilö. Virtajohtoa vaihdettaessa saa käyttää ainoastaan alkuperäistä Dometic virtajohtoa.


4.1.2 Kaasupullojen sijoitus

- Kaasupullojen tulee olla pystyasennossa.
- Sijoita kaasupullo paikkaan, jossa on hyvä ilmanvaihto.
- Sijoita kaasupullo niin, että sen huomaa helposti tulipalotilanteessa.
- Kaasupullon ja laitteen välistä maksimi etäisyyttä 1,5 m ei saa ylittää.
- Ainoastaan laitteen käyttömaassa voimassa olevien pullotyyppien ja paineensäätimien käyttö on sallittu.

4.1.3 Kaasuliitäntä

Jääkaappi on tarkoitettu käytettäväksi ainoastaan nestekaasulla (propaani / butaani). Älä missään tapauksessa käytä kaupunkikaasua, maakaasua tai autokaasua!

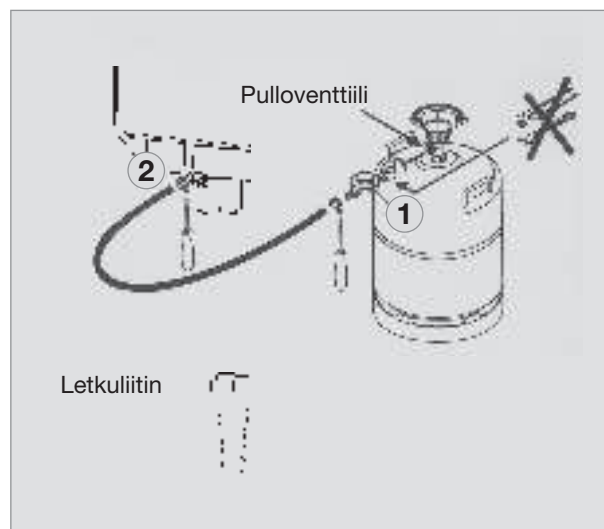
- Jääkaapin määräystenmukaisen liitännän saa suorittaa vain valtuutettu asentaja.
- Maakohtaisia voimassaolevia määräyksiä nestekaasukäyttöisten laitteiden käytöstä on noudatettava
- eurooppalainen standardi EN 732
- Laitteelle johtavaan tuloletkuun on asennettava vakiopainesäädin (paineenalennin). Jääkaapin käyttö on sallittu vain tyyppikilvessä ilmoitetulla paineella.
- Jääkaappi tulee liittää kaasupulloon turvaletkulla. Valitse riittävän pitkä letku, jotta sen voi asentaa niin, ettei se mene pahalle mutkalle. Letkun pituus saa olla enintään 1,2 m.
- Kaasuliitäntä laitteeseen tehdään letkunkiristimen **(2)** avulla.
- Letku tulee vaihtaa maakohtaisissa määräyksissä ilmoitetuin aikavälein.
- Kun liitäntä kaasupulloon on tehty, on kaikkien liitosten tiiviys tarkastettava ja suoritettava polttimen liekkikoe. Käytä tiiviyn tarkastamiseen vuodonilmaisinsprayta tai vaahtoa muodostavaa ainetta. Tarkista, näkyykö liitoskohdissa kuplia pulloventtiilin avaamisen jälkeen.



VAARA !



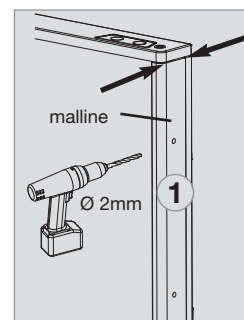
Älä koskaan käytä avotulta laitteen vuotojen tarkistamiseen.



Kuva 3

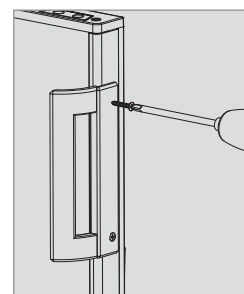
4.2 Ovikahvan asennus

1. Kiinnityspisteet:
Ota avuksi mittakaavan mukainen malline **(1)** (ks. kohta 5.3.2)



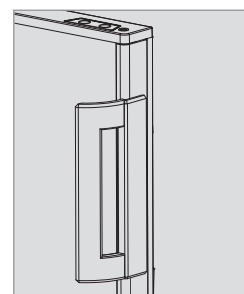
Kuva 4

2. Suorista ovikahva ovelle ja kiinnitä ruuveilla.



Kuva 5

3. Aseta suojus paikalleen ja paina kiinni.



Kuva 6

5.0 Jääkaapin käyttö

Jääkaappia voidaan käyttää kolmella energiamuodolla:

- **Verkkovirta (230V)**
- **Kaasu (nestekaasu propaani/butaani)**

Haluttu käyttöenergia valitaan **energian valintakytkimellä** (kuva7).



Jääkaappi toimii äänettömästi.

Laitteen ensimmäisen käyttökerran yhteydessä saattaa esiintyä pahaa hajua, joka kuitenkin häviää muutaman tunnin kuluessa. Tuuleta laitteen sijoituspaikka hyvin.

Jääkaappi saavuttaa toimintalämpötilansa muutaman tunnin kuluttua, pakastelokeron tulee olla kylmä noin tunnin kuluttua.

5.1 Puhdistus

Ennen kuin otat jääkaapin käyttöön, puhdistase sisä- ja ulkopuolelta ja toista puhdistussäännöllisesti.

Käytä pehmeää liinaa ja haaleaa vettä, jossa on mietoa pesuainetta.

Huuhtelee jääkaappi lopuksi puhtaalla vedellä ja kuivaa huolellisesti.

Älä käytä saippuaa tai voimakkaita, hankaavia tai soodapohjaisia puhdistusaineita materiaali-muutosten estämiseksi. Varo, ettei ovitiiviste joudu kosketuksiin öljyn tai rasvan kanssa.

5.2 Huolto



VAROITUS!

Kaasu-, palamiskaasujen poisto- ja sähkölaitteisiin liittyvät työt saa tehdä ainoastaan valtuutettu asentaja.

- Kaasupoltin on puhdistettava tarvittaessa, vähintään kuitenkin kerran vuodessa. Säilytä jääkaapille suoritetuista huolloista saadut todistukset huolellisesti.
- Suosittelemme huoltoa, kun jääkaappi on ollut pitempään käyttämättä. Ota yhteyttä valtuutettuun huoltoliikkeeseen.

5.3 Sähkökäyttö

VARO!

Valitse tämä vaihtoehto vain, kun verkkovirran jännite vastaa mallikyltissä ilmoitettua arvoa.

Jos jännite poikkeaa kyltissä ilmoitetusta arvosta, laite voi vaurioitua!

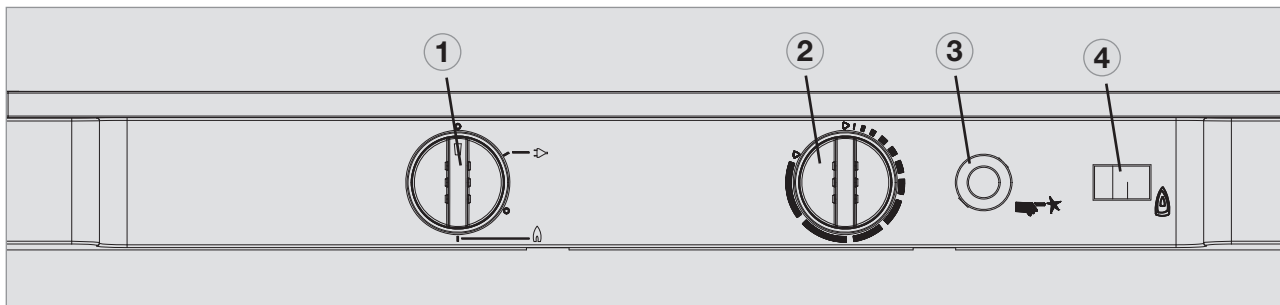
5.4 Kaasukäyttö

- Jääkaappia saa käyttää vain nestekaasulla (propaani, butaani) (maakaasun, kaupunkikaasun käyttö on kielletty).
- Noin yli 1000 m korkeudessa merenpinnasta (NN) saattaa fysikaalisista seikoista johtuen esiintyä häiriöitä kaasua sytytettäessä **(Kyseessä ei ole vika!)**.
- Kun kaasua käytetään ensimmäistä kertaa ja kun kaasupullo on vaihdettu, kaasuputkissa saattaa olla ilmaa. Kaasuputkista poistetaan ilma käynnistämällä hetkeksi jääkaappi. Kaasu syttyy ilman viivettä.
- Kaikki jääkaapit, joissa on manuaalinen sytytys, on varustettu liekinvarmistimella, joka katkaisee kaasuntulon automaattisesti noin 30 sekunnin kuluttua liekin sammumisesta.

5.5 Käyttö

5.5.1 Käyttöpaneelin kuvaus

Manuaalinen energiavalinta / manuaalinen piezosytytys :



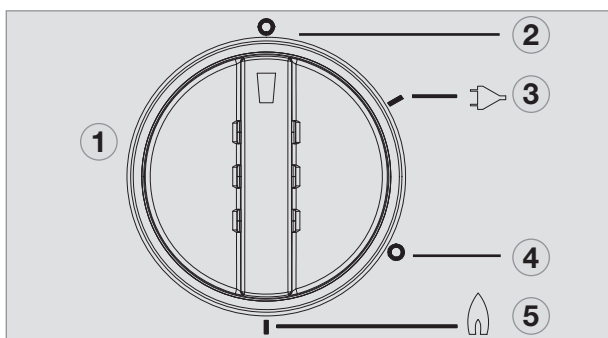
Kuva 7

- 1 = virtakytkin / energian valintakytkin
- 2 = lämpötilasäädin
- 3 = piezosytytin (kaasu)
- 4 = liekinilmaisin (galvanometri)

Selitykset :

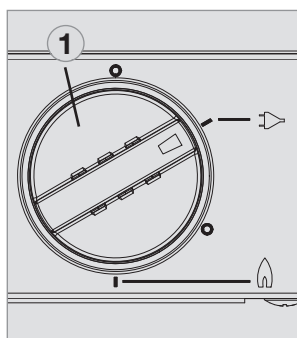
Haluttu käyttöenergia valitaan energian valintakytkimellä (1). Energian valintakytkimessä (1) on neljä asentoa:

- Pois päältä (2)
- Verkkovirta (230V~) (3)
- Pois päältä (4)
- Kaasu (nestekaasu propaani/butaani) (5)



Kuva 8

5.5.2 Sähkökäyttö



Kuva 9

Käynnistä laite kääntämällä energian valintakytkintä (1) oikealle asentoon :

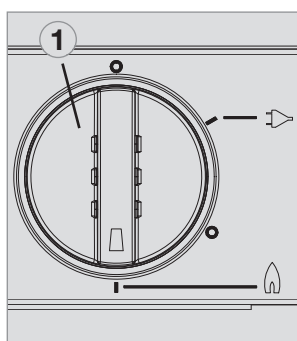


230V-toiminta,

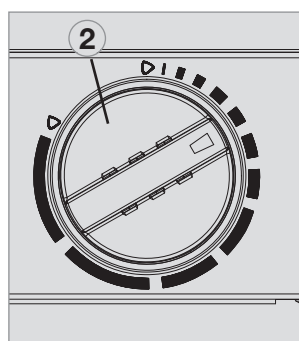
5.5.3 Kaasukäyttö (nestekaasu)

Ennen kuin otat kaasutilassa toimivan jääkaapin käyttöön :


- Avaa kaasupullon venttiili.

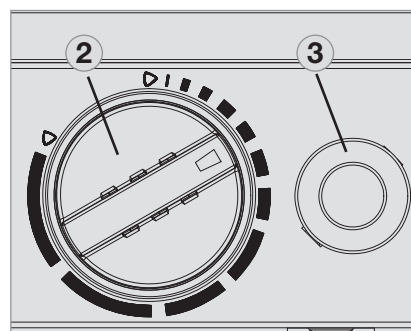


Kuva 10

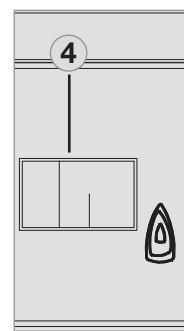


Kuva 11

1. Aseta valintakytkin (1) asentoon  .
2. Käännä lämpötila-asetuksen säädintä (2) oikealle ja paina se sisään. Pidä säädin painettuna.



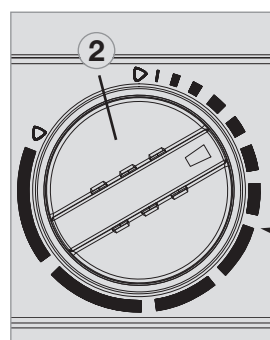
Kuva 12



Kuva 13

3. Paina piezosytytyksen (3) painiketta 1-2 sek. välein useita kertoja.
4. Galvanometriviisari (4) siirtyy vihreälle alueelle, kun liekki syttyy. Jääkaappi on nyt toiminnassa. Pidä valitsinta (2) painettuna vielä noin 15 sekuntia ja päästä se sitten irti.

5.5.4 Jääkaapin lämpötilan säätö



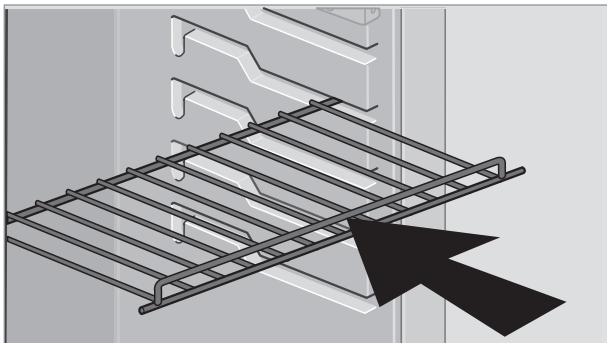
Kuva 14

Säädä jääkaapin pääosaston lämpötilaa kiertokytkimellä (2).

Asteikko alkaa **MIN** asennosta alimman LED-merkkivalon kohdalla (pieni palkki = korkein lämpötila) ja ulottuu **MAX** asentoon ylimmän LED-merkkivalon kohdalla (iso palkki = alhaisin lämpötila).

Huomioi, että lämpötila-asetukset eivät vastaa absoluuttisia lämpötilalukemia.

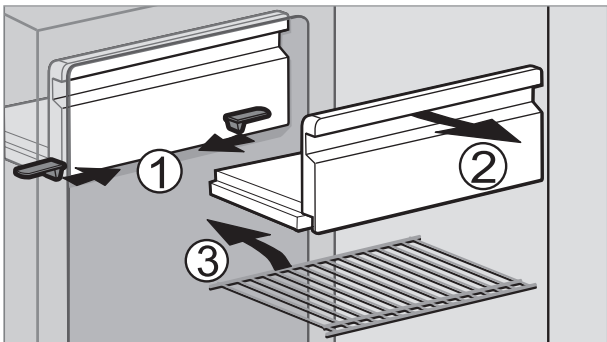
5.6 Hyllyjen paikan vaihto



Kuva 15

Nosta vähän hyllyä ja vedä se pois ohjainkoista. Aseta hylly sitten takaisin kaappiin haluamallesi korkeudelle.

5.7 Irrotettava pakastelokero



Kuva 16

Kun haluat lisätilaa jääkaappiin, voit irrottaa pakastelokeron.

1. Avaa lukitus pakastelokeron molemmilla puolilla.
2. Vedä pakastelokero pois kaapista.

Säilytä pakastelokeroa huolellisesti vaurioiden välttämiseksi.



Kun pakastelokero on poistettu, voit asettaa kaappiin lisähyllyn (3.). Lisähyllyn (lisävaruste) voit tilata valtuutetuista huoltoliikkeistä.

5.8 Ruokien säilytys ja jääpalojen valmistus

5.8.1 Ruokien säilytys jääkaappiosassa

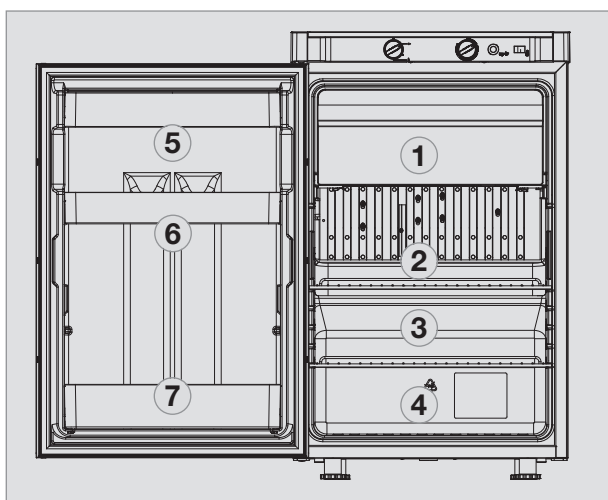
- Kytke jääkaappi päälle noin 12 tuntia ennen sen täyttämistä.
- Säilytä jääkaapissa vain jo valmiiksi jäähtyneitä ruokia. Varmista ruokia ostaessasi, että ne ovat hyvin jäähdetyttyjä. Käytä kuljettamiseen kylmälaukkuja.
- Kun otat ruokia jääkaapista, älä pidä ovea turhan kauan auki.
- Säilytä ruokia hyvin pakattuina, parhaiten suljetuissa rasioissa, alumiinifolioon tms. käärittynä ja erillään toisistaan. Näin estät niiden kuivumisen ja epämiellyttävän hajun muodostumisen.
- Älä koskaan sijoita jääkaappiin lämpimiä ruokia, anna niiden ensin jäähtyä.
- Älä säilytä jääkaapissa tuotteita, joista erittyy helposti haihtuvia tai syttyviä kaasuja.
- Kaappia ei saa ylitäyttää, jotta ilma pääsee kiertämään sen sisällä esteettä.
- Höyristimeen (jäähdytysripoihin) on jätettävä riittävä etäisyys (n. 10 mm).
- Varmista, että ilma pääsee kiertämään esteettä jäähdytyskoneistossa. Ilmankiertoritoilöitä ei saa peittää.

5.8.2 Ruokien säilytys pakastelokerossa

- Älä säilytä pakastelokerossa hiilihappopi toisia juomia.
- Pakastelokero soveltuu jääpalojen valmistamiseen ja pakasteiden lyhytaikaiseen säilyttämiseen. Se ei sovellu ruokien pakastamiseen.

Kun sijoitustilan lämpötila on alle +10°C, ei voida enää taata, että pakastelokeron lämpötila pysyy tasaisena, jos jääkaappi altistuu pidemmäksi aikaa tällaisille lämpötiloille. Tällöin on mahdollista, että pakastelokeron lämpötila nousee ja pakasteet sulavat.

5.8.3 Jääkaappilokerot

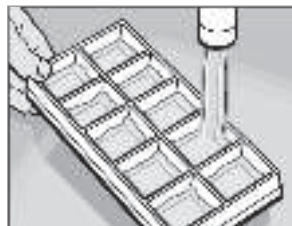


Kuva 18

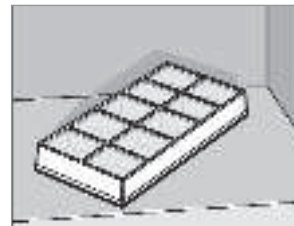
- 1 **Pakastelokero :**
valmiiksi pakastettu ruoka (pakasteet)
- 2 **Keskimmäinen lokero:**
maitotuotteet, valmiiksi keitetty ruoka
- 3 **Alimmainen lokero:**
liha, kala, sulatettavat pakasteet
- 4 **Vihanneslokero:**
salaatti, vihannekset, hedelmät
- 5 **Ylin ovilokero:**
kananmunat, voi
- 6 **Keskimmäinen ovilokero:**
purkit, salaattikastikkeet, ketsuppi, marmelaadit
- 7 **Alin ovilokero (juomalokero):**
Juomapullot ja -tölkit

5.8.4 Jääpalojen valmistus

Jääpalat kannattaa jäähdyttää yön yli. Jääkaappia käytetään öisin vähemmän ja koneiston teho riittää paremmin.



Kuva 19



Kuva 20

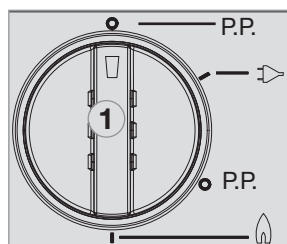
1. Täytä jääpala-astia juomavedellä
2. Aseta jääpala-astia pakastelokeroon.



VAROITUS!

Käytä ainoastaan juomavettä!

5.9 Käytöstä poisto



Kuva 21



Kuva 22

- Aseta paristosytytin-malleissa energian valintakytkin (1) asentoon "**POIS PÄÄLTÄ**". Laite on kytketty pois päältä.
- Pakastelokeron ja kaapin ovi jätetään raolleen, jottei jääkaapin sisälle muodostu hometta.
- Jos jääkaappi halutaan ottaa pois käytöstä pidemmäksi aikaa, sulje ajoneuvossa oleva sulkuventtiili ja kaasupullon venttiili.

5.10 Sulatus

Jääkaapin sisällä oleviin jäähdytysripoihin muodostuu huurretta ajan myötä. Huurretta saattaa muodostua toiselle puolelle enemmän. Tämä on aivan normaalia. Kun huurrekerros on noin 3 mm, sulata jääkaappi.

- Kytke jääkaappi pois päältä kuten kohdassa 5.9 Käytöstä poisto neuvotaan.
- Poista kaapista kaikki ruoat ja jääpala-astia.
- Jätä jääkaapin ovi auki, jotta sisälle pääsee ilmaa ja homeen muodostuminen estyy.
- Pyyhi sulatuksen jälkeen jääkaappi ja pakastelokero kuivaksi liinalla (pakastelokerossa ja jäähdytysrivoissa ei saa olla enää huurretta).

Huomautus: Jääkaapin sulamisvesi valuu jääkaapin taakse sijoitettuun astiaan. Sieltä vesi haihtuu ilmaan.

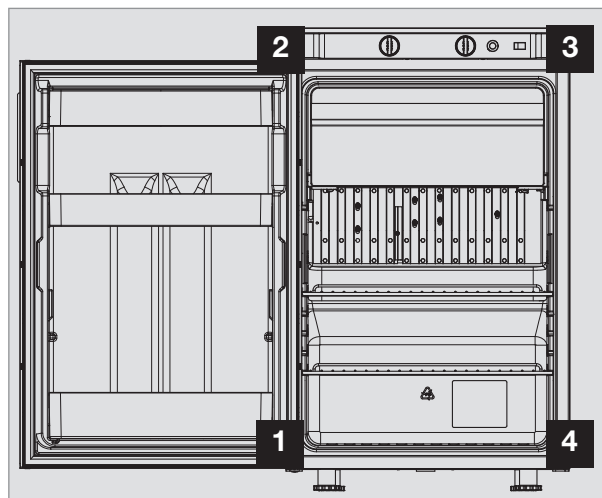
VARO!

Jääkerrosta ei koskaan saa irrottaa väkisin, eikä sulatusta saa yrittää nopeuttaa minkään lämmönlähteen avulla!

5.11 Oven avautumissuunnan muuttaminen



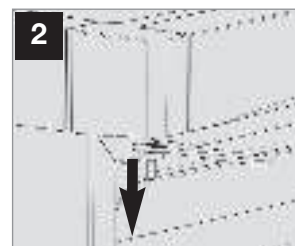
Jos tällöin on tarpeen kallistaa laitetta sivusuuntaan tai asettaa se kyljelleen, odota tunti, ennen kuin otat jääkaapin taas käyttöön. Jäähdytysaine kerääntyy tänä aikana takaisin jäähdytyskoneiston säiliöön. Näin laitteen moitteeton toiminta on varmistettu.



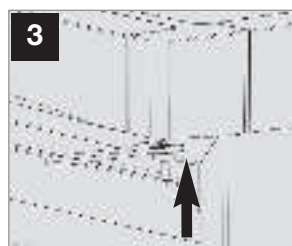
Kuva 23



Kuva 24



Kuva 25



Kuva 26

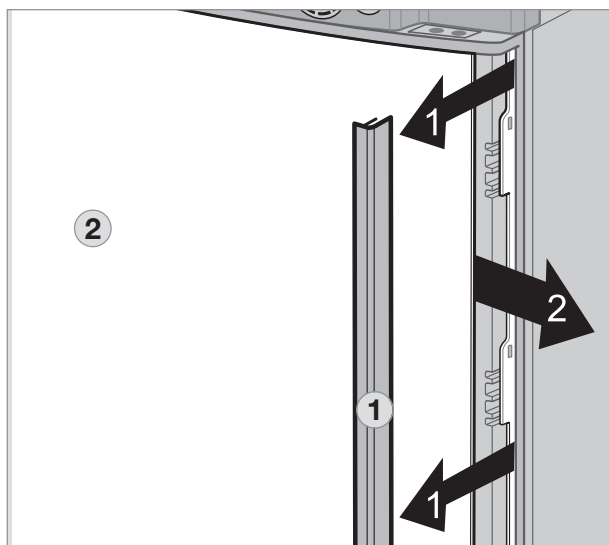


Kuva 27

- Avaa ovi, irrota saranaruuvi ja säilytä se.
- Poista ovi etukautta.
- Irrota saranatappi ja kiinnitä se toiselle puolelle.
- Aseta välilevy alasaranan päälle.
- Työnnä ovi paikalleen yläsaranan tappiin ja aseta se alasaranan päälle.
- Kierrä saranaruuvi kiinni.
- Varmista, että ovi pystyy liikkumaan hyvin ja että ovitiiviste on kauttaaltaan oven ympärillä.

5.12 Ovipaneelin vaihto

- Vedä oven sivulista **(1)** irti (lista on vain-työnnetty paikalleen, sitä ei ole kiinnitetty ruuveilla).
- Työnnä ovipaneeli **(2)** pois ovesta, aseta oveen uusi paneeli ja työnnä lista **(1)** takaisin paikalleen.



Kuva 28

Ovipaneelin mitat :

Korkeus	Leveys	Paksuus
743 +/- 0.75 mm	504 +/- 0.5 mm	min. 1.0 mm max. 1.7 mm

5.13 Vianetsintä

Tarkista seuraavat kohdat, ennen kuin otat yhteyttä valtuutettuun asiakaspalvelupisteeseen:

- Kohdassa "Jääkaapin käyttö" annettuja ohjeita on noudatettu oikein.
- Jääkaappi on suorassa.
- Voidaanko jääkaappia käyttää jollain käytävissä olevalla energiamuodolla.

Häiriö: Jääkaapissa ei ole riittävän kylmää.

Mahdollinen syy	Korjaustoimenpiteet
<ul style="list-style-type: none">- Koneiston ilmankierto ei ole riittävä.- Termostaattiasetus on liian alhainen.- Höyrystimessä on liian paljon jäätä.- Jääkaappiin on sijoitettu vähän aika sitten liikaa lämpimiä ruokia.- Laite on ollut vain vähän aikaa käytössä.- Ympäristön lämpötila on liian korkea.	<ul style="list-style-type: none">- Tarkista, että tuuletusrillät eivät ole peittyneet.- Aseta termostaattisäädin korkeamman asetuksen kohdalle.- Tarkista, että jääkaapin ovi sulkeutuu kunnolla.- Anna ruokien jäähtyä ennen kaappiin sijoittamista.- Tarkista jääkaapin jäähdytys noin 4-5 tunnin kuluttua.- Tuuleta tila.

Häiriö: Jääkaappi ei toimi kaasukäytössä.

Mahdollinen syy	Korjaustoimenpiteet
<ul style="list-style-type: none">- Kaasupullo on tyhjä.- Onko kaasunsyötön venttiili auki ?- Onko putkissa ilmaa ?	<ul style="list-style-type: none">- Vaihda kaasupullo.- Avaa venttiili.- Kytke laite pois päältä ja käynnistä uudelleen. Toista toimenpiteet tarvittaessa 3-4 kertaa.

Häiriö: Jääkaappi ei toimi 230V käytössä.

Mahdollinen syy	Korjaustoimenpiteet
<ul style="list-style-type: none">- Virtapiirin sulake on viallinen.- Jääkaappi ei ole kytketty verkkovirtalähteeseen.- Lämpövastus viallinen.	<ul style="list-style-type: none">- Vaihda sulake.- Tee verkkoliitäntä.- Ota yhteyttä valtuutettuun huoltoon.

Инструкция по эксплуатации

Абсорбционный холодильник

RGE 2100

Запишите для использования в дальнейшем:

Номер модели

Артикул

Серийный номер



N 1

MBA 10/2015



Оглавление

1.0	Общая информация	4
1.1	Введение	4
1.2	Указания к инструкции по эксплуатации	4
1.3	Авторское право	4
1.4	Пояснение к символам	4
1.5	Гарантия	5
1.6	Ограничение ответственности	5
1.7	Сервис	5
1.8	Запасные части	5
1.9	Указания по охране окружающей среды	6
1.9.1	Утилизация	6
1.9.2	Указания по энергосбережению	6
1.10	Заявление о соответствии	6
2.0	Указания по технике безопасности	7
2.1	Использование по назначению	7
2.2	Ответственность лиц, использующих холодильник	7
2.3	Защита детей при утилизации устройства	7
2.4	Выполнение работ и проверок на холодильнике	8
2.5	Информация о хладагенте	8
2.6	Эксплуатация холодильника от газа	8
2.7	Указания по безопасному хранению продуктов питания	9
3.0	Описание модели	10
3.1	Наименование модели	10
3.2	Заводская табличка	10
3.3	Технические характеристики	10
3.4	Основные части холодильника	11
4.0	Монтаж	12
4.1	Размещение и подключение	12
4.1.1	Подключение к электрической сети	12
4.1.2	Установка и размещение газового баллона	12
4.1.3	Подключение газа	13
4.2	Установка ручек на дверь	14
5.0	Эксплуатация холодильника	15
5.1	Очистка	15
5.2	Уход и обслуживание	15
5.3	Работа от источника электроэнергии	15
5.4	Работа от источника газоснабжения	15
5.5	Управление	17
5.5.1	Описание элементов управления	17
5.5.2	Работа от источника электроэнергии	17
5.5.3	Работа от источника газоснабжения (сжиженный газ)	18
5.5.4	Правила регулировки температуры охлаждения	18
5.6	Установка решеток	18
5.7	Съемный морозильный ящик	19
5.8	Хранение продуктов питания и изготовление кубиков льда	19
5.8.1	Хранение продуктов в холодильной камере	19
5.8.2	Хранение продуктов в морозильной камере	19
5.8.3	Морозильная камера	20
5.8.4	Изготовление кубиков	20
5.9	Вывод из эксплуатации	20

5.10	Оттаивание.....	21
5.11	Перевешивание двери на противоположную сторону	21
5.12	Смена декоративной панели	22
5.13	Устранение неисправностей.....	23

Dometic GmbH
In der Steinwiese 16
D-57074 Siegen

www.dometic.com

© Dometic GmbH - 2012. - Возможны изменения

1.0 Общая информация

1.1 Введение

Холодильник **Dometic** абсорбционного типа — отличный выбор во всех отношениях: он удобен в эксплуатации и работает практически бесшумно, поэтому его оценят даже самые взыскательные потребители. Холодильник изготовлен в соответствии с высокими стандартами качества и обеспечивает экономичный расход ресурсов и энергии на протяжении всего срока службы, в том числе во время монтажа, эксплуатации и утилизации.

1.2 Указания к инструкции по эксплуатации

Прежде чем ввести в эксплуатацию холодильник, внимательно прочитайте прилагаемую к нему инструкцию по эксплуатации.

В ней содержится информация по надлежащему использованию изделия. **Соблюдайте, в частности, меры предосторожности.** Соблюдение указаний и инструкций по эксплуатации необходимо для обеспечения безопасной эксплуатации и поможет избежать повреждений изделия. Прежде чем предпринимать какие-либо действия, убедитесь, что вы поняли прочитанное.

Храните инструкцию по эксплуатации в доступном месте рядом с холодильником.

1.3 Авторское право

Данные, информация и иллюстрации, опубликованные в настоящем руководстве, защищены авторским правом и законами об интеллектуальной собственности. Запрещается воспроизводить, копировать или другим аналогичным образом использовать настоящий документ и любую его часть без разрешения Dometic GmbH (г. Зиген).

1.4 Пояснение к символам

Предупреждения

Предупреждения отмечены специальными знаками. Далее приводится информация, которая описывает степень опасности.

Обязательно соблюдать указания предупреждающей надписи. В противном случае возможно причинение травм и повреждение устройства.



ОПАСНОСТЬ!

ОПАСНОСТЬ обозначает непосредственную опасную ситуацию, которая, если не выполнить указанные инструкции, неминуемо приведет к смерти или тяжелым травмам.



ПРЕДУПРЕЖДЕНИЕ!

ПРЕДУПРЕЖДЕНИЕ обозначает опасную ситуацию, которая может возникнуть и, если не выполнить указанные инструкции, привести к смерти или тяжелым травмам.



ОСТОРОЖНО!

ОСТОРОЖНО обозначает опасную ситуацию, которая может возникнуть и, если не выполнить указанные инструкции, привести к травмам легкой или средней степени тяжести.

ОСТОРОЖНО!

ОСТОРОЖНО без предупредительного знака обозначает опасную ситуацию, которая может возникнуть и, если не выполнить указанные инструкции, привести к повреждению устройства.

Информация



ИНФОРМАЦИЯ — это дополнительные сведения и полезные рекомендации по обращению с устройством.

Указание по защите окружающей среды



УКАЗАНИЕ ПО ЗАЩИТЕ ОКРУЖАЮЩЕЙ СРЕДЫ — это полезная информация по экономии энергии и утилизации устройства.

1.5 Гарантия

Гарантийное обслуживание производится в соответствии с Директивой 44/1999/ЕС и действующими в отношении гарантии национальными регламентами. По вопросам гарантийного и сервисного обслуживания просим обращаться в наши сервисные центры. В случае повреждений и неисправностей, вызванных неправильным обслуживанием и эксплуатацией, изделие не подлежит гарантийному обслуживанию. В случае изменения конструкции, использования запасных частей, которые **не являются оригинальными запасными частями Dometic**, а также несоблюдения инструкций по эксплуатации и монтажу, гарантия аннулируется и претензии по гарантии не принимаются.

1.6 Ограничение ответственности

Данный документ был составлен с учетом действующих норм и стандартов, а также с учетом последних достижений в области техники. Компания **Dometic** оставляет за собой право менять изделие для улучшения его характеристик и повышения безопасности эксплуатации.

Компания Dometic не несет ответственности за ущерб, возникший в результате:

- несоблюдения указаний инструкции по эксплуатации
- использования устройства для целей, для которых оно не предназначено
- использования неоригинальных запасных частей

- изменения и вскрытия изделия
- воздействия неблагоприятных условий, таких как
 - изменение температуры окружающей среды
 - относительная влажность воздуха

1.7 Сервис

Список авторизованных центров обслуживания покупателей приводится к буклете Euro Service Network, прилагаемом к холодильнику.

Ближайший центр обслуживания клиентов можно также найти на сайте dometic.com. При обращении в сервисный центр необходимо назвать модель, артикул, серийный номер и код MLC. Эта информация указана на заводской табличке внутри камеры холодильника. Рекомендуется также записать эту информацию в предусмотренном для этого поле на титульной странице настоящей инструкции.

1.8 Запасные части

Заказать запасные части можно через наши центры обслуживания покупателей. В Германии запасные части и комплектующие можно получить через справочную службу Dometic:

- Телефон 0180 53 66 384
- Факс 0180 53 66 385
- Эл. почта ersatzteile@dometic.de

При обращении в справочную службу необходимо указать модель и номер изделия! Эта информация указана на заводской табличке внутри камеры холодильника.

2.0 Указания по технике безопасности

2.1 Использование по назначению

Этот холодильник предназначен для установки в замкнутых помещениях, таких как дачи и охотничьи домики. Устройство прошло типовые испытания образца в соответствии с директивой на газовое оборудование ЕС 90/396/ЕЕС. **Оно не подходит для установки в наземных и водных транспортных средствах.**

Эти холодильники предназначены исключительно для охлаждения и хранения продуктов питания.



ПРЕДУПРЕЖДЕНИЕ!

Холодильник не предназначен для хранения медицинских препаратов. Выполняйте указания по хранению, приводимые в инструкции к медицинскому препарату.

ОСТОРОЖНО!

Не допускайте попадания дождя на холодильник.

2.2 Ответственность лиц, использующих холодильник

Лица, использующие холодильник, должны быть ознакомлены с информацией по безопасному использованию, а также с указаниями данного руководства.

Это устройство может использоваться детьми с 8-ми лет и старше, лицами с ограниченными физическими, сенсорными и умственными возможностями, а также лицами, не имеющими необходимого опыта и знаний, только под надзором или после прохождения инструктажа по безопасному использованию устройства и при условии, что эти лица понимают опасности, которые при этом могут возникнуть. Детям запрещается играть с устройством. Детям запрещается выполнять работы по очистке и обслуживанию устройства. [EN 60335-2-24, 7.12]


2.3 Защита детей при утилизации устройства





ПРЕДУПРЕЖДЕНИЕ!

Снимите с холодильника все дверцы, однако оставьте внутри холодильника полки. Это позволит исключить случайное закрытие дверцы и избежать удушья.

2.4 Выполнение работ и проверок на холодильнике


 **ПРЕДУПРЕЖДЕНИЕ!**

Работы по газовому и электрическому оснащению разрешается выполнять только сертифицированным специалистам. Неправильное выполнение работ может привести к значительному ущербу и/или травмам людей.

 **ОПАСНОСТЬ!** 

Запрещается проверять герметичность частей, содержащих газ, если имеются открытые источники пламени!

Имеется опасность возгорания или взрыва.

 **ПРЕДУПРЕЖДЕНИЕ!**

Запрещается открывать абсорбционный холодильный агрегат! Он находится под высоким давлением.

Возможны травмы!

2.5 Информация о хладагенте

В качестве хладагента используется аммиак. Это природное соединение, применяемое также в бытовых чистящих средствах (1 литр чистящего средства на основе нашатырного спирта содержит до 200 г аммиака — то есть почти в два раза больше, чем в холодильном агрегате). Для защиты от коррозии применяется хромат натрия (массовая доля в растворителе 1,8).

При подозрении в утечке (легко распознается благодаря сильному характерному запаху):

- Отключите прибор.
- Хорошо проветрите помещение.
- Сообщите в официальный центр обслуживания покупателей.



Имеется экспертное заключение, что выход хладагента не представляет опасности для здоровья.

2.6 Эксплуатация холодильника от газа

Рабочее давление должно соответствовать значению, указанному на заводской табличке. Сравните значение рабочего давления, указанное на заводской табличке, с показаниями редуктора давления на баллоне с газом.

Впускное давление и давление газа должно соответствовать указанным ниже значениям. Редуктор давления, установленные между газовым баллоном и холодильником, должен иметь категорию, указанную в таблице.

Давление подключения и категория газа

Категория	Давление в мбар	ГАЗ
I3B / P(30)	30	Бутан
	30	Пропан
I3+ (28–30/37)	28–30	Бутан
	37	Пропан
I3B/P(50)	50	Бутан
I3B/P(50)	50	Пропан

Если чувствуется запах газа:

- Откройте все окна и покиньте помещение.
- Не используйте электрическое оборудование и избегайте использования открытых источников пламени.
- Закройте вентиль газового баллона и не открывайте до устранения неисправности.
- Обратитесь за консультацией к сертифицированным газовым специалистам*.

* сертифицированный газовый специалист
Сертифицированный газовый специалист — профессионал, который в силу своего образования и имеющихся знаний может гарантировать правильное выполнение проверки.

2.7 Указания по безопасному хранению продуктов питания

Указания по хранению продуктов питания в холодильнике:

Все холодильные аппараты независимо от типа не могут улучшить качество продуктов, но позволяют сохранять качество продукта в течение некоторого периода времени, не превышающего установленного срока хранения.

При хранении продуктов в холодильнике следует учитывать также следующие условия:

- изменение климатических условий, например температуры
- высокая температура в помещении
- установка холодильника перед окном и попадание прямых солнечных лучей
- заполнение холодильник продуктами сразу после ввода устройства в эксплуатацию.

В таких условиях холодильник может не обеспечивать нужную температуру и безопасное хранение скоропортящихся продуктов питания.

К скоропортящимся продуктам питания относятся все продукты, у которых указан срок хранения и минимальная температура хранения не превышает +4°C, в частности, мясо, птица, рыба, колбаса, полуфабрикаты.

- Необходимо отдельно хранить сырые и приготовленные продукты (например в разных контейнерах или завернув в пищевую фольгу).
- Внешнюю упаковку и упаковку отдельного товара снимать только после проверки всех необходимых сведений, например срока хранения, указанного на упаковке.
- Не оставляйте охлажденные продукты длительное время вне холодильника.
- Поставьте ближе к двери холодильника продукты питания с самым ранним сроком хранения.
- Остальные упакуйте и употребите как можно быстрее.

- Мойте руки перед и после контакта с пищевыми продуктами.
- Регулярно чистите внутреннюю камеру холодильника.

Соблюдайте указания по сроку хранения и употреблению, приведенные на внешней упаковке продукта.

Соблюдайте указания, перечисленные в разделе 5.1 «Очистка»



На производительность агрегата влияет температура окружающей среды. Если отражающая температура составляет от +15°C до +25°C, установите термостат в среднее положение (см. «Регулировка температуры охлаждения»). Холодильный агрегат будет работать с оптимальной мощностью.

Холодильники Dometic указанного типа работает по принципу абсорбции. В силу своих физических свойств абсорбционная система не сразу реагирует на изменение положения регулятора термостата, ее холодопроизводительность снижается при открывании дверцы и хранении внутри камеры холодильника продуктов. В соответствии с EN/ISO 7371 устройство имеет технические характеристики, отвечающие климатическому классу SN для температур окружающей среды от +10°C до +32°C.

3.0 Описание модели

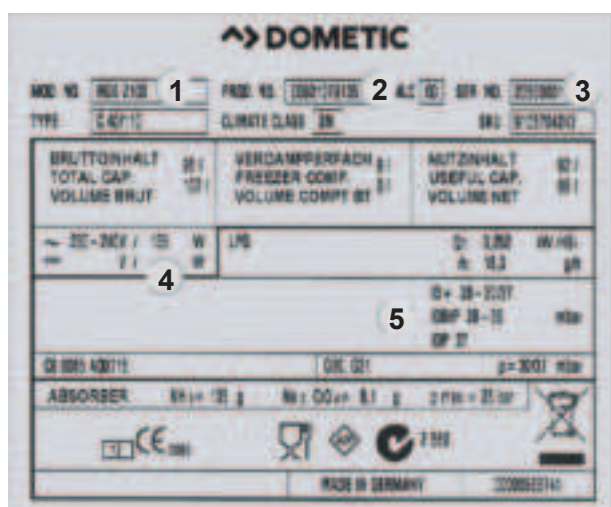
3.1 Наименование модели



Абсорбционный холодильник, использующий в качестве источника энергии газ или сетевой ток

3.2 Заводская табличка

Внутри холодильника установлена заводская табличка, на которой указаны основные сведения о конкретном устройстве: модель, артикул и серийный номер холодильника. Эти данные потребуются при обращении в сервисный центр, а также при заказе запасных частей.



Образец

Рис. 1

- 1) Номер модели
- 2) Артикул
- 3) Серийный номер
- 4) Характеристики электрического источника питания
- 5) Давление газа

3.3 Технические характеристики

Полный объем холодильника (в литрах)	100
Морозильная камера (в литрах)	9
Полный объем (без морозильной камеры)	106
Размеры (мм) (В x Ш x Г)	859 x 531 x 558
Входная мощность (Вт)	125
Расход газа (30 / 50 мбар) г / 24 ч*	270 / 360
Потребление тока кВт-ч / 24 ч*	2,5
Масса нетто (кг)	32,2
Зажигание газа	Пьезозажигалка
Независимое размещение	

Возможны изменения технических характеристик.
*Средний расход, измеренный при средней температуре окружающей среды 25°C на основе стандарта ISO.

3.4 Основные части холодильника

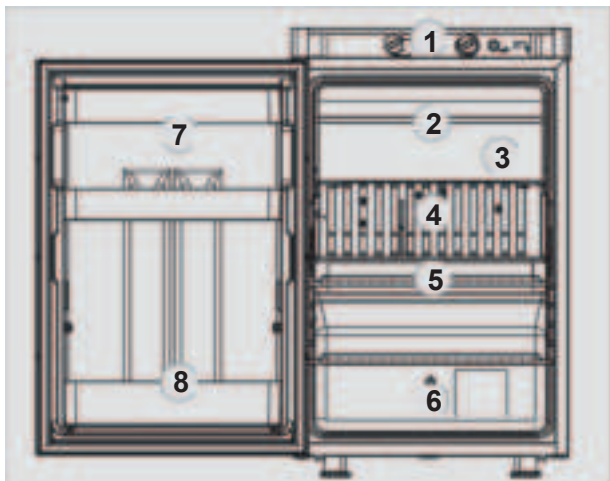


Рис. 2

- ① Панель управления
- ② Ящик морозильной камеры (съёмный)
- ③ Съёмная полка-решетка (дополнительная; устанавливается вместо морозильной камеры)
- ④ Дополнительный испаритель для холодильной камеры
- ⑤ Поддон для сбора талой воды
- ⑥ Ящик для хранения овощей
- ⑦ Верхняя камера с дверцей
- ⑧ Нижняя камера с держателем бутылок

4.0 Монтаж

4.1 Размещение и подключение

Этот холодильник прошел испытания для эксплуатации в закрытых помещениях и имеет соответствующее разрешение.

При размещении устройства необходимо учитывать следующее:

- Помещение, в которое устанавливается холодильник, должно иметь объем не менее **20 м³** и выходящие наружу открывающиеся окна или двери, в нем должна быть обеспечена достаточная вентиляция.
- Этот холодильник должен стоять отдельно, то есть расстояние между ним и близлежащими стенками помещения или мебелью должно быть не менее **50 мм (не встраивать!)**.
- Расстояние между холодильником и расположенным над ним оборудованием (например, шкафом) должно составлять не менее **100 мм**.
- Установите устройство на ровную прочную горизонтальную поверхность.
- На холодильник не должно попадать тепловое излучение, источником которого являются горячие объекты (например, плита, отопление).
- Сзади холодильного агрегата (под крышкой) всегда должна быть хорошая вентиляция. Не накрывайте агрегат (полотенцами, занавесками и т.д.). Возможно снижение холодопроизводительности из-за недостаточной вентиляции!
- Защитите холодильник от брызг воды. Не допускайте попадания устройства под дождь до установки устройства и в ходе монтажа.

4.1.1 Подключение к электрической сети

- Используйте источник питания с номиналом, соответствующим номиналу на заводской табличке. Любое отклонение характеристик источника питания может вызвать повреждение устройства.

- Подключение устройства к источнику электропитания должно производиться через заземленную в соответствии с действующими регламентами розетку.
- На линии электропитания необходимо установить защитный автомат.
- Кабель подключения к источнику питания должен быть всегда доступен. Не допускайте контакта сетевого кабеля с горячими деталями холодильного агрегата / зажигалкой.

ОСТОРОЖНО!

Вилка кабеля подключения к источнику питания должна быть всегда доступной.



ОСТОРОЖНО!

Чтобы не допустить возникновения опасных ситуаций, замените поврежденный кабель подключения, обратившись в сервисный центр Dometic или к специалисту с аналогичной квалификацией.

4.1.2 Установка и размещение газового баллона

- Газовый баллон должен быть установлен вертикально.
- Установите газовый баллон в хорошо проветриваемое место.
- Установите газовый баллон так, чтобы его можно было легко найти и идентифицировать в случае возгорания.
- Расстояние между газовым баллоном и устройством не должно превышать 1,5 м.
- Разрешается использовать только баллоны и регулирующее оборудование, разрешенное к использованию в конкретной стране. В Германии, как правило, используются баллоны 5 или 11 кг со встроенными газозаборными клапанами или баллоны 3 кг с внутренними шаровыми обратными клапанами.

4.1.3 Подключение газа

Холодильник предназначен для работы на сжиженных газах, таких как пропан или бутан. Запрещается использовать коммунальный, природный газ или газ для двигателей внутреннего сгорания!

- Подключение холодильника к источнику газоснабжения должно производиться сертифицированным специалистом в соответствии с техническими регламентом на горючий сжиженный газ.
- Необходимо также соблюдать национальные стандарты, действующие в отношении работающих на газу устройств.

В частности, в Германии это:

- Технический регламент на установки, работающие на сжиженном газе внутри зданий,
- Рабочий стандарт Германской ассоциации по проблемам газа и воды DVGW G 600 (DVGW-TRGI 86/96),
- Технические регламенты EN 732
- На линии подачи устройства должен быть установлен регулятор давления (1), рис. 3, (редуктор) с возможностью фиксированной регулировки. Разрешается эксплуатировать холодильник исключительно с давлением, указанным на заводской табличке.
- Для подключения холодильника к газовому баллону использовать безопасный шланг (в Германии — отвечающий требованиям DIN 4815-2).
- Шланг должен быть достаточной длины, позволяющей установить соединение без перегибов. Длина шланга не должна превышать 1,5 м.
- Подсоединение газа к устройству производится через резьбовое соединение с врезным кольцом (Ermeto) L8, DIN 2353-ST по EN 1949.
- В Германии запрещено использовать для подсоединения зажимы или хомуты.
- Шланг необходимо регулярно менять в сроки, установленные соответствующими национальными регламентами (в Германии — через 10 лет).

- После подсоединения газового баллона обязательно проверить герметичность всех соединений, а также проверить горелку пробой на вспышку. Для проверки герметичности используйте аэрозоль для проверки утечек или пенообразующее средство. Откройте вентиль газового баллона и проверьте образование пузырьков в местах соединения.



ОПАСНОСТЬ!



Запрещается проверять герметичность частей, содержащих газ, если имеются открытые источники пламени!

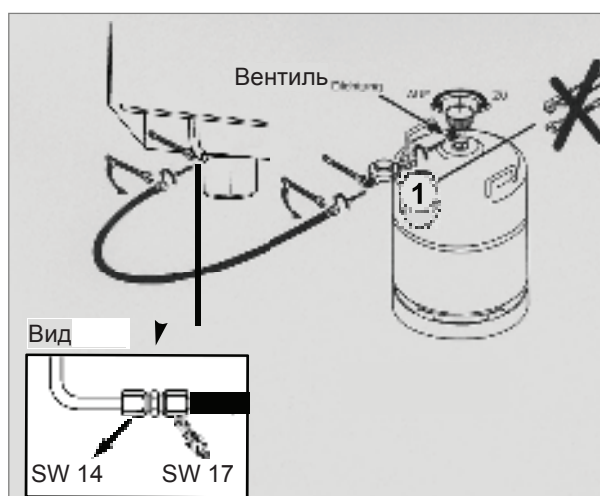


Рис. 3

4.2 Установка ручек на дверь

1. Точки крепления:
Используйте шаблон в масштабе (1) (см. раздел 5.3.2)
2. Выровняйте ручку на двери и закрепите винтами.

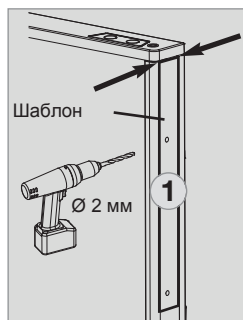


Рис. 4

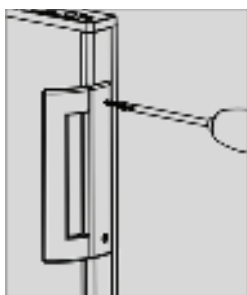


Рис. 7

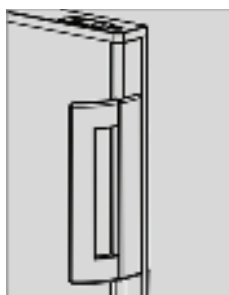


Рис. 6

3. Наденьте декоративную планку и прижать до фиксации.

5.0 Эксплуатация холодильника

Холодильник может работать от источников энергии двух типов:

- сетевое напряжение (230 В)
- газ (сжиженный газ пропан или бутан)

Требуемый источник энергии выбирается с помощью переключателя (рис. 7).



Холодильник работает бесшумно.

При первом включении холодильника возможно появление запаха, который исчезает через несколько часов эксплуатации. Хорошо проветрите помещение.

Отрицательные температуры в морозильном отделении достигаются через час после включения холодильника. В холодильнике устанавливается рабочая температура через несколько часов после включения.

5.1 Очистка

Перед вводом холодильника в эксплуатацию рекомендуется очистить устройство. В дальнейшем следует регулярно чистить холодильник.

Используйте для этого мягкую салфетку и теплую воду с добавлением мягкого чистящего средства. После этого промойте холодильник чистой водой и вытрите насухо.

Чтобы не допустить повреждения и изменения материалов, не используйте мыло или абразивные, агрессивные, содержащие соду чистящие средства. Не допускайте попадания масла или смазки на уплотнение дверцы.

5.2 Уход и обслуживание



ПРЕДУПРЕЖДЕНИЕ!

Работы по газовому и электрическому оснащению разрешается выполнять только сертифицированным специалистам.

- Газовую горелку нужно чистить не реже чем раз в год. Сохраните документы, подтверждающие проведение работ по техническому обслуживанию.
- Рекомендуется выполнить процедуры технического обслуживания, если устройство не использовалось в течение длительного времени. Обратитесь в наш сервисный центр.

5.3 Работа от источника электроэнергии

ОСТОРОЖНО!

Выбирайте этот режим только в том случае, если характеристики источника питания соответствуют номинальным величинам, указанным на заводской табличке. Любое отклонение характеристик источника питания может вызвать повреждение устройства.

5.4 Работа от источника газоснабжения

- Разрешается использовать в качестве источника энергии только сжиженный газ (пропан, бутан). Не использовать природный и бытовой газ.
- На высоте более 1000 м выше уровня моря при зажигании газа могут возникать трудности, обусловленными физическими свойствами газа (это не является неисправностью!).

- После первого ввода в эксплуатацию, а также после замены газового баллона в газовых шлангах может содержаться воздух. Для вывода воздуха из шлангов включите холодильник на непродолжительное время. Газ воспламеняется без задержки.
- Все холодильники оснащаются пламепрерывающей арматурой, которая автоматически прекращает подачу газа через 30 секунд после воспламенения.

5.5 Управление

5.5.1 Описание элементов управления

Ручной выбор источника энергии / ручное зажигание с помощью пьезозажигалки:

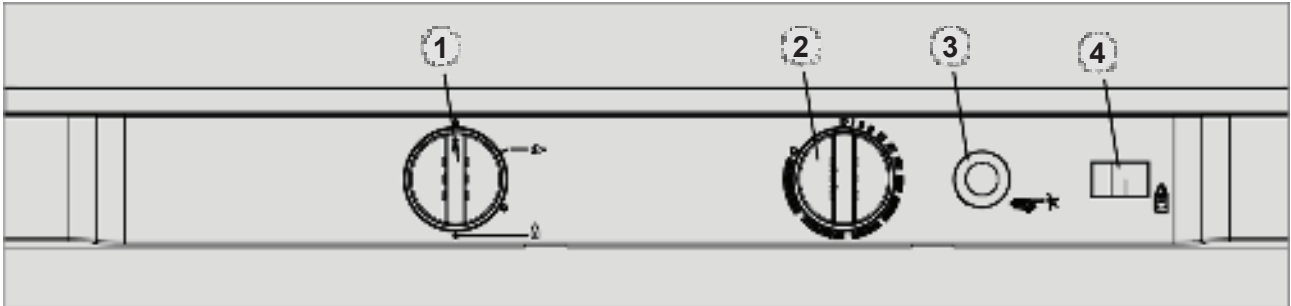


Рис. 7

- 1 Кнопка включения и выбора источника энергии
- 2 Регулятор температуры
- 3 Пьезозажигалка для работы от газового источника
- 4 Индикатор пламени (гальванометр)

Описание

Требуемый вид энергоснабжения можно выбрать, повернув переключатель (1) в нужное положение. Переключатель источника энергоснабжения (1) имеет четыре положения:

- Выключено (2)
- Сетевое напряжение (230 В~) (3)
- Выключено (4)
- Газ (сжиженный газ пропан или бутан) (5)

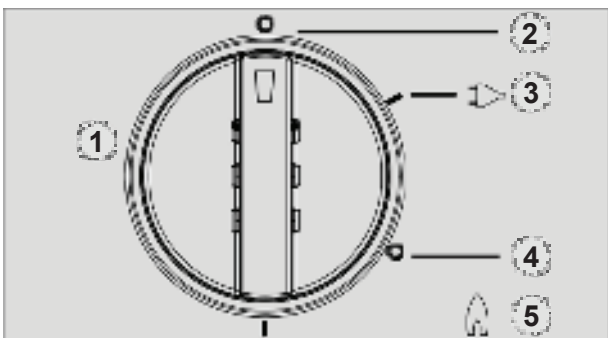


Рис. 8

5.5.2 Работа от источника электроэнергии

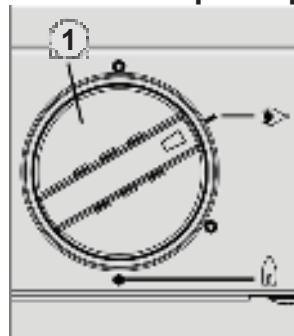



Рис. 9

Чтобы включить устройство, поверните переключатель источника энергии (1) вправо в положение:

 режим работ от сети 230 В.

5.5.3 Работа от источника газоснабжения (сжиженный газ)

Прежде чем переключить холодильник в режим работы с газом:

- Откройте вентиль газового баллона.

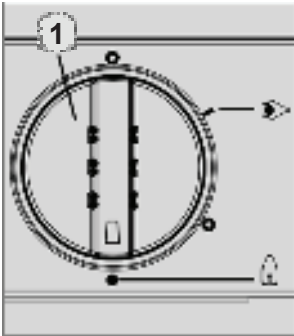


Рис. 10



Рис. 11

1. Переключите переключатель (1) в положение:



для работы с газом.

2. Поверните регулятор температуры вправо (2) и вдавите его. Удерживайте регулятор нажатым.

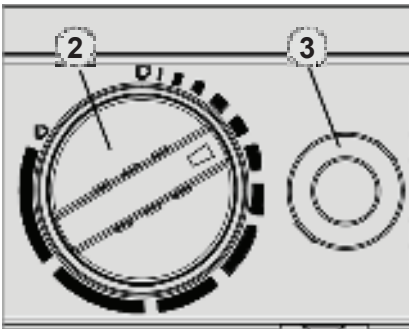


Рис. 12

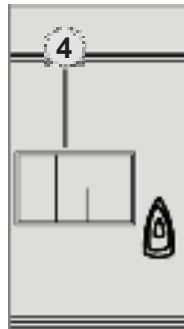
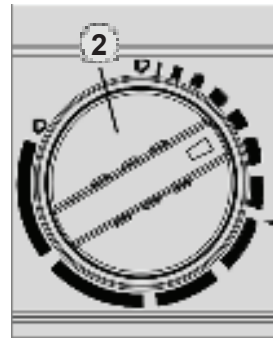


Рис. 13

3. Нажмите кнопку пьезозажигалки (3) несколько раз (каждые 1–2 секунды).
4. Как только загорится пламя, указатель гальванометра (4) переместится в зеленую область. Держите нажатой кнопку (2) еще ок. 15 с и затем отпустите. Холодильник готов к работе.

5.5.4 Правила регулировки температуры охлаждения



Среднее положение

Рис. 14

Выберите температуру в холодильной камере с помощью регулятора (2).

Шкала регулятора начинается с позиции **MIN** (чем уже полоса, тем выше температура) и заканчивается позицией **MAX** (чем шире полоса, тем ниже температура).

Необходимо учитывать, что температурные режимы не обеспечивают точное соответствие температурным значениям.

5.6 Установка решеток

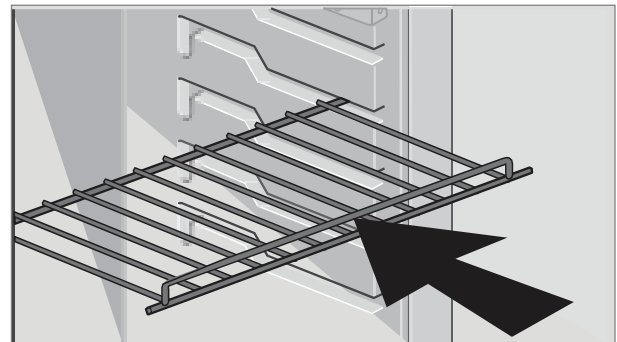


Рис. 15

Слегка поднимите решетки и снимите их с направляющих, затем разметите их в камере произвольным образом.

5.7 Съемный морозильный ящик

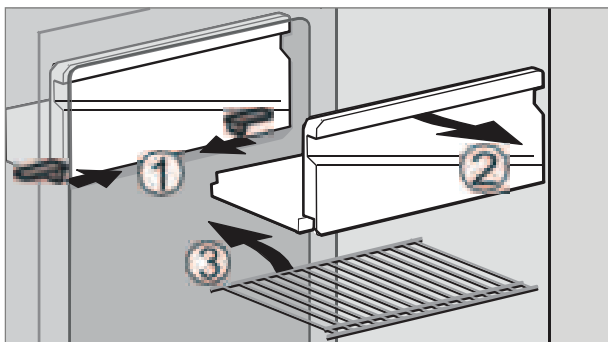


Рис. 16

Для увеличения объема холодильной камеры можно извлечь морозильную камеру.

1. Разблокируйте морозильную камеру с двух сторон.
2. Вытащите морозильную камеру.

Осторожно положите морозильную камеру, чтобы не повредить.



Вместо морозильной камеры можно установить дополнительную решетку для хранения продуктов (3.). Дополнительная решетка не входит в комплектацию, ее можно приобрести в **Dometic**.

5.8 Хранение продуктов питания и изготовление кубиков льда

5.8.1 Хранение продуктов в холодильной камере

- Прежде чем заполнить холодильник, дайте ему поработать в течение ок. 12 часов.
- Всегда кладите в холодильник предварительно охлажденные продукты. При покупке и перевозке следите за тем, чтобы продукты оставались охлажденными. Используйте изотермические сумки.
- Чтобы взять продукт, быстро откройте и сразу же закройте холодильник.

- Продукты должны быть упакованы — лучше всего в закрытые контейнеры или в алюминиевую фольгу. Хранить продукты отдельно друг от друга, чтобы не допустить образования неприятного запаха и высыхания продуктов.
- Запрещается класть в холодильник теплые продукты. Такие продукты необходимо сначала охладить.
- Запрещается хранить в холодильнике продукты, которые могут образовывать летучие легковоспламеняемые газы.
- Не переполняйте полки и ящики холодильника, чтобы не препятствовать свободной циркуляции воздуха внутри холодильника.
- Расстояние между охлаждаемым продуктом и вспомогательным испарителем (охлаждающими ребрами) должно составлять ок. 10 мм.
- Обеспечьте беспрепятственную циркуляцию воздуха в холодильном агрегате. Не закрывайте вентиляционные отверстия.

5.8.2 Хранение продуктов в морозильной камере

- Не храните в морозильной камере напитки, содержащие углекислоту.
- Морозильная камера предназначена для изготовления кубиков льда и кратковременного хранения замороженных продуктов питания. Она не подходит для замораживания продуктов питания.

5.8.3 Морозильная камера

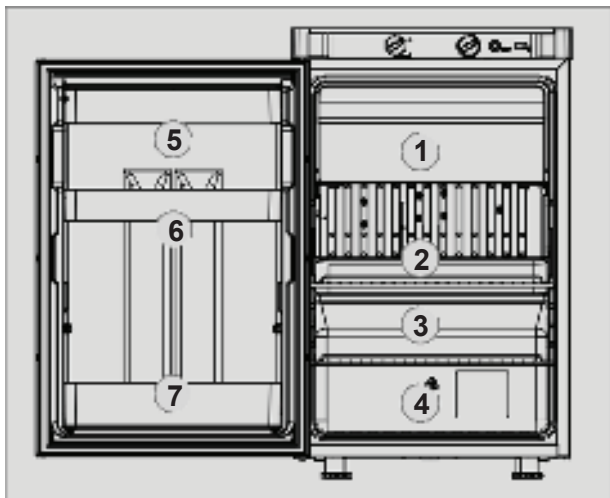


Рис. 18

- 1 **Морозильная камера:**
замороженные продукты (продукты глубокой заморозки)
- 2 **Среднее отделение:**
молочные продукты, полуфабрикаты
- 3 **Нижнее отделение:**
мясо, рыба, размораживаемые продукты
- 4 **Отделение для овощей:**
салат, овощи, фрукты
- 5 **Верхняя полка не двери:**
яйца, масло
- 6 **Средняя полка на двери:**
продукты в банках, соусы, кетчупы, мармелады
- 7 **Нижняя полка на двери (отделение для напитков):**
напитки в бутылках или пакетах

5.8.4 Изготовление кубиков

Лучше всего замораживать кубики ночью. В этот период времени холодильник испытывает меньшую нагрузку, а холодильный агрегат имеет больше резервов.



Рис. 19

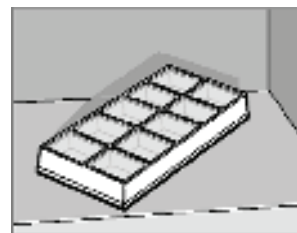


Рис. 20

1. Заполнить форму 2. Положить форму в для кубиков морозильную питьевой водой. камеру.



ПРЕДУПРЕЖДЕНИЕ!

Использовать только питьевую воду!

5.9 Вывод из эксплуатации

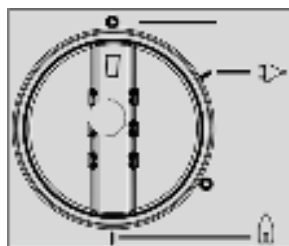


Рис. 21

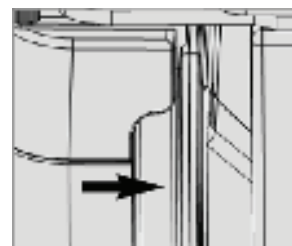


Рис. 22

- Перевести переключатель режим энергоснабжения (1) в положение «Выкл.». Устройство выключено.
- Оставьте дверь открытой, чтобы не допустить образования плесени в устройстве.
- Если холодильник выводится из эксплуатации на длительное время, закройте запорный клапан на линии подачи и вентиль газового баллона.

5.10 Оттаивание

Со временем на охлаждающих ребрах образуется наледь. Образование наледи только с одной стороны холодильника вполне допустимо и не является неисправностью. Холодильник нужно разморозить, если слой наледи достигает 3 мм.

- Выключите холодильник, как описано в гл. 5.9 «Вывод из эксплуатации».
- Выньте все продукты питания и форму для изготовления кубиков льда.
- Оставьте дверь холодильника открытой, чтобы обеспечить циркуляцию воздуха и избежать образования плесени.
- После полного оттаивания вытрите досуха обе холодильные камеры (в морозильном ящике и на охлаждающих ребрах не должно быть наледи).

Примечание. Талая вода, появляющаяся в основной камере, стекает в приемный контейнер, расположенный сзади холодильника, где испаряется естественным образом.

ОСТОРОЖНО!

Не пытайтесь самостоятельно удалить слой наледи! Не используйте для оттаивания обогревательные приборы!

5.11 Перевешивание двери на противоположную сторону



Если в процессе работ холодильник приходилось наклонять вбок или класть на пол, после окончания работ не включайте его в течение часа. За это время хладагент стечет в контейнер холодильного агрегата. В противном случае правильная работа холодильника не гарантируется.

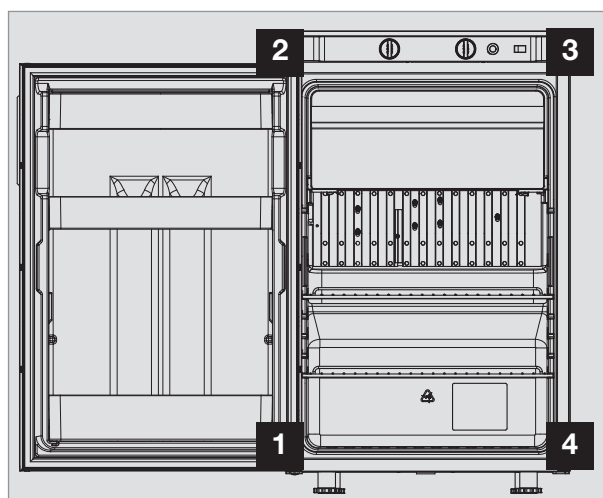


Рис. 23



Рис. 24

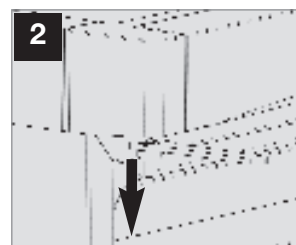


Рис. 25

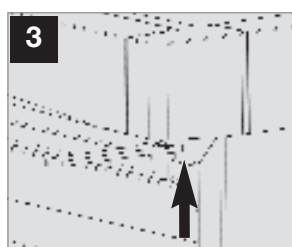


Рис. 26

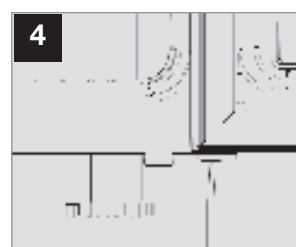


Рис. 27

- Откройте дверь, отвинтите и снимите винты, удерживающие петли.
- Снимите дверь, потянув ее вперед.
- Освободите штифты петель и вкрутите их с противоположной стороны холодильника.
- Перенесите распорную гайку на нижнюю петлю.
- Вденьте дверь в верхний штифт петли и наденьте на нижнюю петлю.
- Установите винты в петли.
- Убедитесь, что дверь свободно двигается в петлях и уплотнение плотно прилегает по периметру двери.

5.12 Смена декоративной панели

- Снимите с двери боковые рейки (1) (рейки надеты на дверь и не закреплены винтами)
- Вденьте на дверь декоративную панель (2) и вставьте рейки (1) на место.

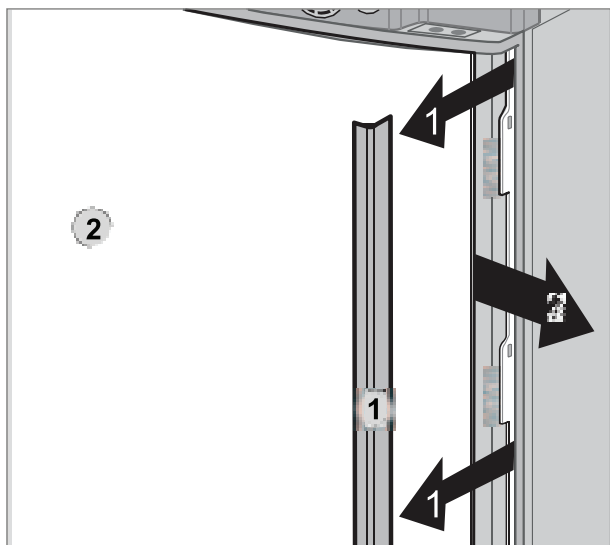


Рис. 28

Размеры декоративной панели:

Высота	743 +/- 0,75 мм
Ширина	504 +/- 0,5 мм
Толщина	мин. 1,0 мм макс. 1,7 мм

5.13 Устранение неисправностей

Прежде чем обратиться в официальный центр обслуживания клиентов, проверьте, что:

- Инструкции из раздела «Эксплуатация холодильника» выполнялись правильно.
- Холодильник стоит горизонтально.
- Холодильник может работать от какого-либо доступного источника энергии.

Неисправность: Холодильник охлаждает неудовлетворительно.

Возможная причина	Устранение
- Недостаточная вентиляция холодильного агрегата.	- Убедитесь, что ничто не препятствует прохождению воздуха через вентиляционную решетку.
- Слишком низкое положение регулятора термостата.	- Переместите регулятор термостата в более высокое положение.
- Сильное обледенение вспомогательного испарителя.	- Убедитесь, что дверца холодильника плотно закрывается.
- В течение короткого промежутка времени в холодильнике хранилось слишком много теплых пищевых продуктов.	- Кладите в холодильник охлажденные продукты.
- Холодильник долго не работал.	- Проверьте холодильную камеру через 4–5 часа.
- Слишком высокая температура окружающей среды.	- Проветрите помещение.

Неисправность: Холодильник не охлаждает в режиме от газового источника.

Возможная причина	Устранение
- Газовый баллон пуст.	- Замените газовый баллон.
- Закрыто запорное оборудование на линии к холодильнику	- Открыть запорное оборудование.
- В газопроводе имеется воздух	- Выключить и включить устройство. Повторить 3–4 раза.

Неисправность: Холодильник не охлаждает в режиме от источника питания 230 В.

Возможная причина	Устранение
- Неисправен предохранитель.	- Заменить предохранитель.
- Нет подключения к сетевому источнику энергоснабжения.	- Подключить к источнику энергоснабжения.
- Неисправен нагревательный элемент.	- Обратиться в центр обслуживания Dometic.

Instrukcja obsługi

Lodówka absorpcyjna

RGE 2100

Zanotować tu:

Numer modelu

Numer produktu

Numer seryjny



N 1

MBA 10/2015

PL

Spis treści

1.0	Informacje ogólne	4
1.1	Wprowadzenie	4
1.2	Wskazówki dotyczące tej instrukcji obsługi	4
1.3	Prawa autorskie	4
1.4	Objaśnienie zastosowanych symboli	4
1.5	Rękojmia	5
1.6	Ograniczenie odpowiedzialności	5
1.7	Obsługa klienta	5
1.8	Części zamienne	5
1.9	Wskazówki ekologiczne	5
1.9.1	Utylizacja	6
1.9.2	Wskazówki dotyczące oszczędzania energii	6
1.10	Deklaracja zgodności	6
2.0	Wskazówki bezpieczeństwa	7
2.1	Użytkowanie zgodne z przeznaczeniem	7
2.2	Odpowiedzialność użytkownika	7
2.3	Chronić dzieci po utylizacji urządzenia	7
2.4	Prace i kontrole przy lodówce	7
2.5	Informacje o czynniku chłodniczym	8
2.6	Zasilanie lodówki gazem	8
2.7	Wskazówki dotyczące bezpiecznego przechowywania produktów spożywczych	9
3.0	Opis modelu	10
3.1	Nazwa modelu	10
3.2	Tabliczka znamionowa lodówki	10
3.3	Dane techniczne	10
3.4	Opis lodówki	10
4.0	Instalowanie	11
4.1	Ustawianie i podłączanie	11
4.1.1	Podłączanie elektryczne	11
4.1.2	Ustawianie butli gazowej	11
4.1.3	Podłączanie gazu	12
4.2	Mocowanie uchwyty drzwicowego	12
5.0	Eksploatacja lodówki	13
5.1	Czyszczenie	13
5.2	Konserwacja	13
5.3	Zasilanie prądem	13
5.4	Zasilanie gazem	13
5.5	Obsługa	14
5.5.1	Opis elementów obsługowych	14
5.5.2	Zasilanie prądem	14
5.5.3	Zasilanie gazem (gaz płynny)	15
5.5.4	Regulacja temperatury komory chłodzenia	15
5.6	Ustawianie półek kratowych	15
5.7	Wyjmowany zamrażalnik	16
5.8	Przechowywanie produktów spożywczych i przygotowywanie kostek lodu	16
5.8.1	Przechowywanie produktów w komorze chłodzenia	16
5.8.2	Przechowywanie produktów w zamrażalniku	16
5.8.3	Przegrody lodówki	17
5.8.4	Przygotowywanie kostek lodu	17
5.9	Wyłączanie	17

5.10	Rozmrażanie	18
5.11	Wymiana zawiasu drzwiowego	18
5.12	Wymiana płyty dekoracyjnej.....	19
5.13	Postępowanie w razie usterek.....	20

Dometic GmbH
In der Steinwiese 16
D-57074 Siegen

www.dometic.com

© Dometic GmbH - 2012. - Zmiany zastrzeżone

1.0 Informacje ogólne

1.1 Wprowadzenie

Kupując tę lodówkę absorpcyjną **Dometic**, dokonali Państwo dobrego wyboru. Jesteśmy przekonani, że nowa lodówka spełni pod każdym względem wszelkie Państwa oczekiwania. Cicha lodówka spełnia wysokie wymagania w zakresie jakości i zapewnia w całym okresie eksploatacji wydajne wykorzystanie zasobów i energii – od produkcji, poprzez używanie, aż po utylizację.

1.2 Wskazówki dotyczące tej instrukcji obsługi

Przed uruchomieniem lodówki należy dokładnie przeczytać niniejszą instrukcję obsługi.

Zawiera ona wskazówki konieczne do prawidłowego używania lodówki. **Przestrzegać w szczególności wskazówek bezpieczeństwa.** Przestrzeganie wskazówek i zalecanych czynności ma istotne znaczenie dla bezpiecznego obchodzenia się z lodówką i chroni użytkowników przed obrażeniami, a lodówkę przed uszkodzeniami. Przed wykonaniem czynności należy przeczytać ze zrozumieniem właściwą wskazówkę.

Ta instrukcja obsługi musi być starannie przechowywana w łatwo dostępnym miejscu, w pobliżu lodówki.

1.3 Prawa autorskie

Informacje, teksty oraz ilustracje w niniejszej instrukcji obsługi są chronione prawem autorskim i podlegają ochronie praw własności przemysłowej. Żadna część niniejszej instrukcji obsługi nie może być reprodukowana, kopiowana lub wykorzystywana w inny sposób bez pisemnej zgody firmy Dometic GmbH, Siegen.

1.4 Objaśnienie zastosowanych symboli

Ostrzeżenia

Ostrzeżenia są oznaczone symbolami. Dodatkowy tekst objaśnia stopień zagrożenia.

Ściśle stosować się do tych wskazówek dla własnego bezpieczeństwa i innych osób oraz ochrony urządzenia przed uszkodzeniem.



NIEBEZPIECZEŃSTWO!

NIEBEZPIECZEŃSTWO oznacza bezpośrednio niebezpieczną sytuację, która prowadzi do śmierci lub poważnego obrażenia ciała w przypadku nieprzestrzegania podanych instrukcji.



OSTRZEŻENIE!

OSTRZEŻENIE oznacza potencjalnie niebezpieczną sytuację, która może prowadzić do śmierci lub poważnego obrażenia ciała w przypadku nieprzestrzegania podanych instrukcji.



PRZESTROGA!

PRZESTROGA oznacza potencjalnie niebezpieczną sytuację, która może prowadzić do lekkich lub średnich obrażeń ciała w przypadku nieprzestrzegania podanych instrukcji.

PRZESTROGA!

PRZESTROGA bez symbolu ostrzegawczego oznacza potencjalnie niebezpieczną sytuację, która może prowadzić do uszkodzenia urządzenia w przypadku nieprzestrzegania podanych instrukcji.

Informacja



INFORMACJA podaje dodatkowe użyteczne wskazówki dotyczące obsługi lodówki.

Informacja ekologiczna



INFORMACJA EKOLOGICZNA podaje
pożyteczne wskazówki dotyczące
oszczędzania energii i utylizacji urządzenia.

1.5 Rękojmia

Realizacja roszczeń z tytułu rękojmi odbywa się zgodnie z dyrektywą europejską 44/1999/WE i warunkami krajowymi. W przypadku reklamacji lub serwisu należy się skontaktować z naszym działem obsługi klienta. Usterki spowodowane nieprawidłową obsługą nie podlegają gwarancji. Każda modyfikacja urządzenia lub zastosowanie części zamiennych, które nie są **oryginalnymi częściami zamiennymi Dometic**, oraz nieprzestrzeganie instrukcji montażu i obsługi prowadzi do wygaśnięcia rękojmi i wyłączenia roszczeń z tytułu odpowiedzialności.

1.6 Ograniczenie odpowiedzialności

Wszystkie dane i wskazówki w niniejszej instrukcji obsługi zostały utworzone przy uwzględnieniu obowiązujących norm i przepisów oraz zgodnie z aktualnym stanem techniki. Firma **Dometic** zastrzega sobie prawo do dokonywania wszelkich modyfikacji produktu, których celem jest jego ulepszenie i zwiększenie poziomu bezpieczeństwa.

Firma **Dometic** nie przejmuje odpowiedzialności za szkody w przypadku:

- nieprzestrzegania instrukcji obsługi
- użytkowania niezgodnego z przeznaczeniem
- użycia nieoryginalnych części zamiennych
- modyfikacji i ingerencji w urządzenie
- oddziaływania wpływów otoczenia jak
 - wahania temperatury
 - wilgotność powietrza

1.7 Obsługa klienta

Adresy autoryzowanych punktów obsługi klienta można uzyskać, dzwoniąc pod numery telefonów podane w książeczce Euro Service Network, dołączonej do lodówki.

Adresy lokalnych partnerów serwisowych podane są też w internecie na stronie dometic.com. Kontaktując się z działem obsługi klienta, należy zawsze podać model, numer produktu, numer seryjny i ew. kod MLC! Informacje te znajdują się na tabliczce znamionowej wewnątrz lodówki. Zalecamy zapisanie tych danych na przeznaczonym w tym celu polu na stronie tytułowej niniejszej instrukcji obsługi.

1.8 Części zamienne

Części zamienne można nabyć w naszych punktach obsługi klienta. W Niemczech części zamienne można zamawiać też za pośrednictwem Dometic Call Center:

- Telefon 0180 53 66 384
- Faks 0180 53 66 385
- e-mail ersatzteile@dometic.de

Kontaktując się z Call Center, należy zawsze podać model i numer produktu! Informacje te znajdują się na tabliczce znamionowej wewnątrz lodówki.

1.9 Wskazówki ekologiczne



W agregacie chłodniczym stosuje się amoniak jako czynnik chłodniczy (naturalny związek chemiczny wodoru i azotu). Jako propelent izolacji z pianki PU stosuje się nieszkodliwy dla ozonu cyklopentan.

1.9.1 Utylizacja

W celu zapewnienia odzysku recyklowalnych materiałów opakowaniowych należy je dostarczyć do lokalnego punktu zbiórki surowców wtórnych. Urządzenie należy dostarczyć do odpowiedniej firmy utylizacyjnej, która zapewnia wykorzystanie recyklowalnych elementów i prawidłową utylizację resztek urządzenia. Ekologiczne opróżnianie czynnika chłodniczego ze wszystkich agregatów lodówek absorpcyjnych wymaga odpowiedniej instalacji do recyklingu.




Urządzenia opatrzone tym symbolem należy przekazywać do utylizacji w lokalnych punktach zbiórki odpadów elektrycznych i elektronicznych. Tego produktu nie wolno wyrzucać do zwykłych pojemników na odpady komunalne. Lodówki firmy Dometic zawierają ten symbol na tabliczce znamionowej wewnątrz urządzenia.

1.9.2 Wskazówki dotyczące oszczędzania energii

- W średnich temperaturach zewnętrznych 25°C lodówka może pracować na środkowym położeniu termostatu.
- W miarę możliwości zawsze wkładać do lodówki wstępnie schłodzone artykuły.
- Chronić lodówkę przed bezpośrednim promieniowaniem słonecznym lub oddziaływaniem innego źródła ciepła (np. grzejnika).
- Należy zapewnić swobodną cyrkulację powietrza w agregacie lodówki.
- Równomiernie rozmieścić półki kratowe w komorze chłodzenia.
- Nie przepelniać półek kratowych ani przegród, aby nie ograniczyć wewnętrznej cyrkulacji powietrza.
- Zachować odstęp między chłodzonymi produktami a parownikiem osuszającym („zebra chłodzące”) (ok. 5–10 mm).
- Regularne rozmrażanie pozwala zaoszczędzić energię (patrz „5.10 Rozmrażanie”).
- Przy wyjmowaniu produktów jedynie krótko otwierać drzwi lodówki.
- Uruchomić lodówkę ok. 12 godzin przed włożeniem produktów.

1.10 Deklaracja zgodności



DECLARATION OF CONFORMITY

(Continued)

Type of product: LMZ-Barszak 300-400cm3, 400-500cm3
 Application Number: 226941220

EC Directive: RoHS

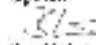
Type of equipment: Brand Name: Logo/Trade Name: Manufacturer's Address: City: address: telephone no: fax no:	Classification Reference: 2002/95/EC 2002/95/EC 2002/95/EC 2002/95/EC 2002/95/EC 2002/95/EC 2002/95/EC 2002/95/EC 2002/95/EC 2002/95/EC
---	---

For the following harmonized standards, which are approved by the Commission of the European Communities and published in the Official Journal of the European Union, the manufacturer declares that the product complies with the requirements of the harmonized standards:

EN 60730-2:2006/AM2:2009	EN 60730-1:2006
EN 60730-2:2006/AM3:2010	EN 60730-1:2006
EN 60730-2:2006/AM4:2010	EN 60730-1:2006
EN 60730-2:2006/AM5:2011	EN 60730-1:2006
EN 60730-2:2006/AM6:2011	EN 60730-1:2006
EN 60730-2:2006/AM7:2012	EN 60730-1:2006
EN 60730-2:2006/AM8:2012	EN 60730-1:2006
EN 60730-2:2006/AM9:2012	EN 60730-1:2006
EN 60730-2:2006/AM10:2013	EN 60730-1:2006
EN 60730-2:2006/AM11:2013	EN 60730-1:2006
EN 60730-2:2006/AM12:2013	EN 60730-1:2006

The signature of the manufacturer shall be:

To sign the Declaration of Conformity, the manufacturer shall ensure that the product complies with the requirements of the harmonized standards.

Date: 2013-11-14	Signature:  Bernd Lohrer	Position: Chief of Works
---------------------	---	-----------------------------

2.0 Wskazówki bezpieczeństwa

2.1 Użytkowanie zgodne z przeznaczeniem

Lodówka ta jest przeznaczona do swobodnego ustawiania w zamkniętych pomieszczeniach, np. domkach letniskowych, chatach myśliwskich. Urządzenie posiada badanie typu dla takiego użytkowania zgodnie z dyrektywą dotyczącą urządzeń spalających paliwa gazowe 90/396/EWG. **Nie nadaje się do zabudowy w pojazdach drogowych i jednostkach pływających.**

Stosować lodówkę wyłącznie do chłodzenia i przechowywania produktów spożywczych.



OSTRZEŻENIE!

Lodówka nie zapewnia właściwych warunków do prawidłowego przechowywania leków. Uwzględnić informacje podane w ulotce informacyjnej leku.

PRZESTROGA!

Nie wolno wystawiać lodówki na deszcz.

2.2 Odpowiedzialność użytkownika

Osoby, które obsługują lodówkę, muszą się zapoznać z jej bezpiecznym użytkowaniem i znać wskazówki niniejszej instrukcji obsługi.

Dzieci od 8 roku życia i osoby o ograniczonych możliwościach fizycznych, sensorycznych lub intelektualnych oraz osoby niedysponujące stosowną wiedzą i doświadczeniem mogą użytkować to urządzenie jedynie pod nadzorem bądź po poinstruowaniu w zakresie bezpiecznego użytkowania i wynikających z tego zagrożeń. Dzieci nie mogą bawić się urządzeniem. Czyszczenia i konserwacji urządzenia nie wolno powierzać dzieciom. [EN 60335-2-24, 7.12]

2.3 Chronić dzieci po utylizacji urządzenia



OSTRZEŻENIE!

Podczas utylizacji zdemontować wszystkie drzwi lodówki i pozostawić w niej półki kratowe. Zapobiega to omyłkowemu zamknięciu i uduszeniu osób.

2.4 Prace i kontrole przy lodówce



OSTRZEŻENIE!

Prace przy instalacji gazowej, spalinowej i elektrycznej mogą być wykonywane wyłącznie przez autoryzowanego specjalistę. Nieprawidłowo wykonane prace mogą spowodować znaczne szkody rzeczowe i/lub osobowe.



NIEBEZPIECZEŃSTWO!



Nigdy nie sprawdzać szczelności części i przewodów gazowych za pomocą otwartego płomienia!

Istnieje niebezpieczeństwo pożaru lub wybuchu!



OSTRZEŻENIE!

Nigdy nie otwierać agregatu lodówki absorpcyjnej! Jest on pod wysokim ciśnieniem.

Istnieje niebezpieczeństwo obrażeń ciała!

2.5 Informacje o czynniku chłodniczym

Jako czynnik chłodniczy stosuje się amoniak. Jest to naturalny związek chemiczny, który zawierają też tradycyjne detergenty do użytku domowego (1 litr salmiaku zawiera maks. 200 g amoniaku, ponad dwa razy więcej niż lodówka). Chromian sodu stosuje się jako środek antykorozyjny (1,8 procenta wagowego rozpuszczalnika).

Sposób postępowania w razie ewentualnego wycieku (łatwo rozpoznawalnego po intensywnym zapachu):

- Wyłączyć urządzenie.
- Dobrze przewietrzyć pomieszczenie.
- Powiadomić autoryzowany dział obsługi klienta.



Dla bezpieczeństwa użytkowników uzyskano atest rzeczoznawcy potwierdzający, że ewentualny wyciek czynnika chłodniczego nie jest szkodliwy dla zdrowia.

2.6 Zasilanie lodówki gazem

Ciśnienie robocze musi koniecznie odpowiadać informacjom na tabliczce znamionowej lodówki. Porównać ciśnienie robocze podane na tabliczce znamionowej z parametrami reduktora ciśnienia na butli z gazem ciekłym.

Lodówka jest zasilana podanymi niżej gazami i ciśnieniami wejściowymi. Instalowane między butlą gazową i lodówką reduktory ciśnienia muszą odpowiadać kategoriom z poniższej tabeli.

Ciśnienie przyłączone i kategorie gazu

Kategoria	Ciśnienie w mbar	GAZ
I3B / P(30)	30	butan
	30	propan
I3+ (28–30/37)	28–30	butan
	37	propan
I3B/P(50)	50	butan
I3B/P(50)	50	propan

W przypadku pojawienia się zapachu gazu należy postępować zgodnie z poniższymi wskazówkami:

- Otworzyć wszystkie okna i opuścić pomieszczenie.
- Nie włączać urządzeń elektrycznych i unikać stosowania otwartych płomieni.
- Zamknąć zawór butli gazowej i pozostawić go zamkniętym do czasu usunięcia usterki.
- Skonsultować się z autoryzowanym personelem fachowym*.

*** autoryzowany personel fachowy**

Autoryzowany personel fachowy to atestowani rzeczoznawcy, których wykształcenie i wiedza gwarantuje prawidłowe przeprowadzenie kontroli.

2.7 Wskazówki dotyczące bezpiecznego przechowywania produktów spożywczych

Zalecenia dotyczące przechowywania produktów spożywczych w lodówce:

Żadna lodówka nie są w stanie poprawić jakości produktów spożywczych, lecz jedynie utrzymać przez krótki okres jakość produktów spożywczych w momencie włożenia do lodówki.

Uwzględnić podane niżej szczególne warunki przechowywania w lodówce produktów spożywczych:

- zmiana warunków klimatycznych jak wahania temperatury
- wysoka temperatura w pomieszczeniu
- lodówka ustawiona przed oknem i bezpośrednio promieniowanie słoneczne
- za wczesne włożenie towaru krótko po uruchomieniu urządzenia.

W takich szczególnych warunkach lodówka nie zapewnia wymaganej temperatury przechowywania szybko psującej się żywności.

Do szybko psującej się żywności należą wszystkie produkty z podaną datą trwałości i minimalną temperaturą przechowywania +4°C lub niższą, przede wszystkim mięso, drób, ryba, wędliny, gotowe potrawy.

- Surowe i gotowane artykuły zapakować oddzielnie (np. pojemniki, folia aluminiowa itp.).
- Opakowanie zbiorcze jednostkowych opakowań usuwać tylko wtedy, gdy na opakowaniach jednostkowych widoczne są wszystkie informacje, np. data przydatności do spożycia.
- Schłodzoną żywność nie przechowywać zbyt długo poza lodówką.
- Produkty spożywcze o najkrótszej dacie przydatności do spożycia ustawić z przodu.
- Ponownie zapakować resztki żywności i spożyć w jak najkrótszym czasie.
- Umyć ręce przed i po dotknięciu produktów spożywczych.
- Regularnie czyścić wnętrze lodówki.

Przestrzegać informacji i opisów daty przydatności do spożycia na opakowaniach zbiorczych.

Uwzględnić w tej instrukcji obsługi rozdział „5.1 Czyszczenie”.

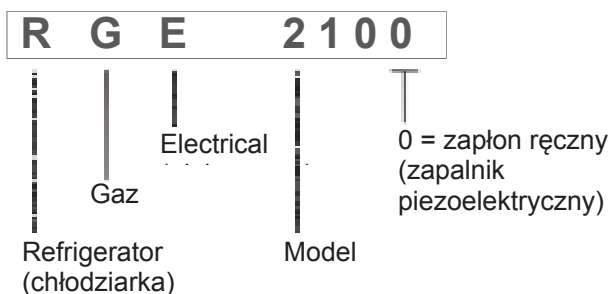


Warunki otoczenia wpływają na wydajność agregatu. W temperaturach otoczenia od +15°C do +25°C ustawić termostat w środkowym położeniu (por. „Ustawianie temperatury komory chłodzenia”). Agregat pracuje w optymalnym zakresie mocy.

Lodówki Dometic działają na zasadzie absorpcji. Ze względów fizycznych absorber reaguje ze zwłoką na zmiany regulacji termostatu, utratę chłodu przy otwieraniu drzwi lub wkładanie produktów spożywczych. Urządzenia spełniają wymagania wydajności klasy klimatycznej SN wg EN/ISO 7371 w zakresie temperatur otoczenia od +10°C do +32°C.

3.0 Opis modelu

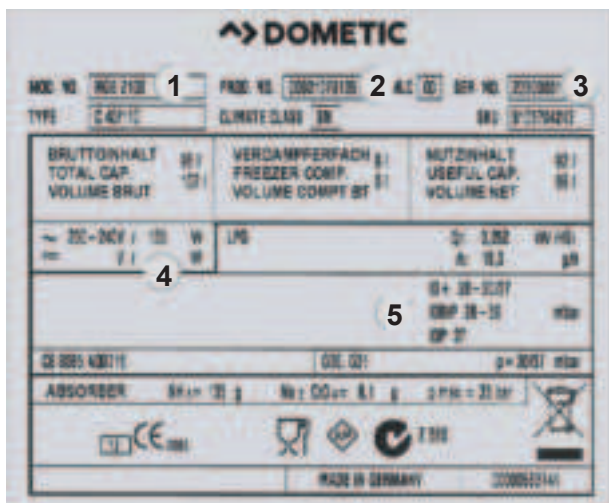
3.1 Nazwa modelu



zasilana gazem lub prądem lodówka absorpcyjna

3.2 Tabliczka znamionowa lodówki

Wewnątrz lodówki znajduje się tabliczka znamionowa urządzenia. Zawiera ona wszystkie ważne informacje o lodówce. Zawiera ona nazwę modelu, numer produktu oraz numer seryjny lodówki. Informacje te są potrzebne w celu kontaktu z obsługą klienta lub do zamawiania części zamiennych.



Przykład

Rys. 1

- 1 Numer modelu
- 2 Numer produktu
- 3 Numer seryjny
- 4 Parametry podłączenia elektrycznego
- 5 Ciśnienie gazu

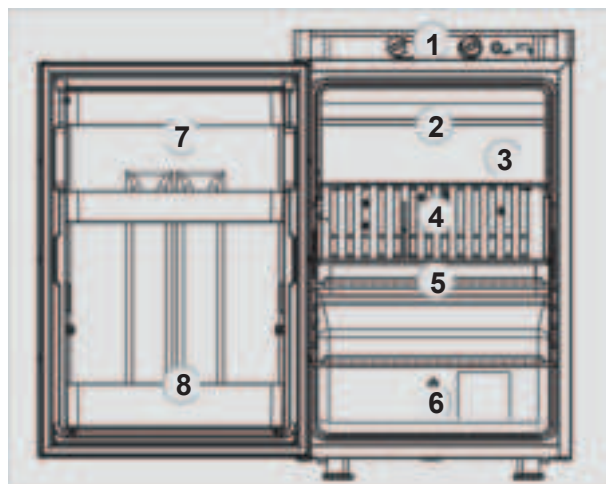
3.3 Dane techniczne

- Pojemność brutto (w litrach)100
- Zamrażalnik (w litrach)9
- Pojemność brutto (po wyjęciu zamrażalnika)106
- Wymiary (mm)**
(wys. x szer. x gł.)..... 859 x 531 x 558
- Moc przyłączeniowa (W)**125
- Zużycie gazu (30 / 50 mbar)**
g / 24 h*270 / 360
- Zużycie prądu**
kWh / 24 h*2,5
- Ciężar netto (kg)**32,2
- Zapłon gazu**.....zapalnik piezoelektryczny
- Ustawienie: wolnostojące**

Zmiany techniczne zastrzeżone.

*średnie zużycie mierzone w średniej temperaturze otoczenia 25°C na podstawie normy ISO

3.4 Opis lodówki



Rys. 2

- 1 Elementy obsługowe
- 2 Zamrażalnik (wyjmowany)
- 3 Wkładana półka kratowa (opcjonalna, wkładana po wyjęciu zamrażalnika)
- 4 Parownik osuszający komory chłodzenia
- 5 Rynienka odpływowa
- 6 Szuflada na warzywa
- 7 Górna półka z pokrywką
- 8 Dolna półka z uchwytem na butelki

4.0 Instalowanie

4.1 Ustawianie i podłączanie

Lodówka ta została sprawdzona i dopuszczona do stosowania w zamkniętych pomieszczeniach.

Przy ustawianiu urządzenia uwzględnić następujące punkty:

- Pomieszczenie musi mieć przestrzeń co najmniej **20 m³**, być dobrze wentylowane i posiadać otwierane okno lub drzwi wychodzące na zewnątrz.
- Lodówka musi być ustawiona w sposób wolnostojący, tzn. w minimalnym odstępnie **50 mm** od sąsiadujących ścian lub szaf (**nie nadaje się do zabudowy!**).
- Odstęp od przedmiotów powyżej (szafy itp.) musi wynosić co najmniej **100 mm**.
- Ustawić lodówkę poziomo na stabilnym podłożu.
- Lodówka nie może być wystawiona na emisję ciepła gorących przedmiotów (np. kuchenka, grzejnik).
- Agregat chłodniczy z tyłu (pod pokrywą) musi być ciągle dobrze wentylowany. Nie zakrywać agregatu (np. ręcznikami, zasłonami).
Brak wentylacji prowadzi do obniżenia wydajności chłodzenia.
- Ustawić lodówkę tak, aby była zabezpieczona przed bryzgami wody. Przed i podczas ustawiania lodówka nie może być wystawiona na działanie deszczu.

4.1.1 Podłączanie elektryczne

- Zasilanie napięciowe musi odpowiadać wartości podanej na tabliczce znamionowej. W przypadku odchyłki urządzenie może ulec uszkodzeniu.
- Urządzenie musi być zasilane elektrycznie z prawidłowo uziemionego gniazda wtykowego.
- W przewodzie zasilającym musi być zainstalowany bezpiecznik automatyczny.
- Kabel sieciowy musi być zawsze dostępny i nie może mieć styczności z gorącymi częściami agregatu / palnika.

PRZESTROGA!

Wtyczka sieciowa musi być dostępna.



PRZESTROGA!

Jeśli przewód przyłączeniowy jest uszkodzony, w celu uniknięcia zagrożeń musi on zostać wymieniony przez dział obsługi klienta firmy Dometic lub wykwalifikowany personel.

4.1.2 Ustawianie butli gazowej

- Butle gazowe muszą stać pionowo.
- Ustawić butlę gazową w dobrze wentylowanym miejscu.
- Ustawić butlę gazową tak, aby była dobrze widoczna w razie pożaru.
- Maksymalny odstęp butli gazowej od urządzenia nie może przekraczać 1,5 m.
- Wolno stosować tylko typy butli i regulatory ciśnienia dozwolone w danym kraju. W Niemczech stosuje się zazwyczaj butle 5 kg lub 11 kg z zamontowanym na stałe zaworem gazu lub butle 3 kg z wewnętrznym kulowym zaworem przeciwzrotnym.

4.1.3 Podłączanie gazu

Lodówka jest przeznaczona do zasilania wyłącznie gazem płynnym (propan / butan). W żadnym wypadku nie używać gazu miejskiego, ziemnego ani gazu LPG!

- Prawidłowe podłączenie lodówki musi wykonać uprawniony instalator gazowy zgodnie z zasadami podłączania gazu płynnego (w Niemczech przepisy TRF).
- Należy przestrzegać obowiązujących przepisów krajowych dotyczących urządzeń zasilanych gazem płynnym.

W Niemczech:

- zasady techniczne dotyczące instalacji gazu płynnego w budynkach,
- arkusz roboczy DVGW G 600 (DVGW-TRGI 86/96),
- zasady techniczne EN 732

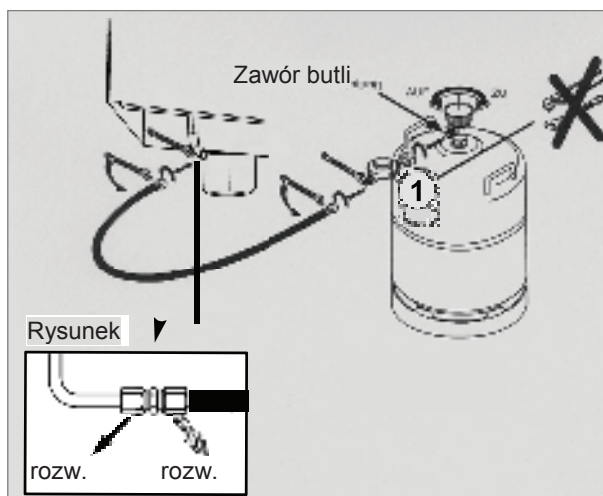
- Ustawiony na stałą wartość regulator ciśnienia (1), rys. 3, (reduktor ciśnienia) musi być zainstalowany w przewodzie zasilającym urządzenia. Lodówka może być zasilana wyłącznie ciśnieniem podanym na tabliczce znamionowej.
- Lodówkę należy podłączyć do butli gazowej za pomocą bezpiecznego przewodu giętkiego (w Niemczech zgodnie z normą DIN 4815-2).
- Wybrać wąż o odpowiedniej długości, aby podłączyć go bez zginania. Wąż nie może być dłuższy niż 1,5 m.
- Podłączenie gazu do urządzenia wykonuje się za pomocą złączki z pierścieniem zacinającym (Ermeto) L8, DIN 2353-ST wg normy EN 1949.
- Podłączanie przewodu za pomocą zacisków / obejm jest w Niemczech niedozwolone.
- Wąż należy wymieniać w przewidzianych terminach określonych we właściwych przepisach krajowych (w Niemczech po 10 latach).
- Po podłączeniu do butli gazowej należy przeprowadzić kontrolę szczelności wszystkich połączeń oraz próbę płomieniową palnika. Do kontroli szczelności sprayeru do wykrywania nieszczelności lub pniącego się środka. Po otwarciu zaworu butli sprawdzić, czy z połączeń nie wydostają się pęcherzyki powietrza.



NIEBEZPIECZEŃSTWO!



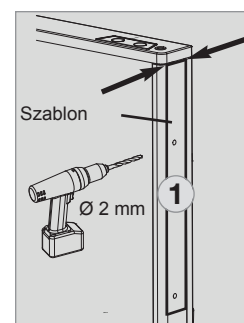
Nigdy nie sprawdzać szczelności części i przewodów gazowych za pomocą otwartego płomienia!



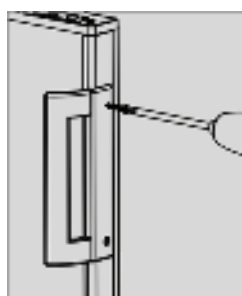
Rys. 3

4.2 Mocowanie uchwyty drzwiowego

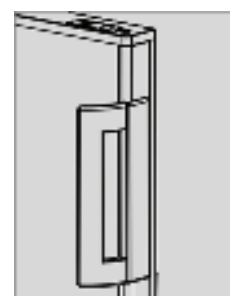
1. Punkty mocowania: Użyć szablonu ze skalą (1) (patrz pkt. 5.3.2)
2. Wyrównać pozycję uchwyty drzwiowego i przykręcić do drzwi.



Rys. 4



Rys. 7



Rys. 6

3. Nałożyć i docisnąć pokrywę.

5.0 Eksploatacja lodówki

Lodówka może być zasilana dwoma rodzajami energii:

- napięciem sieci (230 V)
- gazem (gaz płynny propan/butan)

Wybrać rodzaj energii **preselektorem energii** (rys. 7).



Agregat lodówki pracuje bezgłośnie.

Przy pierwszym uruchomieniu urządzenia może pojawić się zapach, który ulotni się po kilku godzinach. Należy dobrze przewietrzyć pomieszczenie mieszkalne.

Po około godzinie od włączenia lodówki zamrażalnik powinien się schłodzić. Lodówka osiągnie swoją temperaturę roboczą po kilku godzinach.

5.1 Czyszczenie

Przed uruchomieniem lodówki zaleca się wyczyszczenie urządzenia od wewnątrz i regularne powtarzanie czyszczenia.

Należy użyć do tego miękkiej ściereki z letnią wodą i delikatnym środkiem czyszczącym. Następnie przemyć urządzenie czystą wodą i dokładnie je wysuszyć.

Aby uniknąć zmian materiału, nie używać mydła ani ostrych, ziarnistych lub zawierających sodę środków czyszczących. Należy unikać kontaktu uszczelki drzwiowej z olejem lub tłuszczem.

5.2 Konserwacja



OSTRZEŻENIE!

Prace przy instalacji gazowej, spalinowej i elektrycznej mogą być wykonywane wyłącznie przez autoryzowanego specjalistę.

- W razie konieczności, jednak nie rzadziej niż raz do roku, należy oczyścić palnik gazowy od zanieczyszczeń. Należy zachować świadectwa przeprowadzonych konserwacji lodówki.
- Zalecamy konserwację po dłuższym nieużywaniu. W tym celu należy skontaktować się z naszym działem obsługi klienta.

5.3 Zasilanie prądem

PRZESTROGA!

Wybierać ten tryb pracy tylko wtedy, gdy zasilanie napięciowe przyłącza prądu odpowiada wartości podanej na tabliczce znamionowej. W przypadku odchyłki urządzenie może ulec uszkodzeniu.

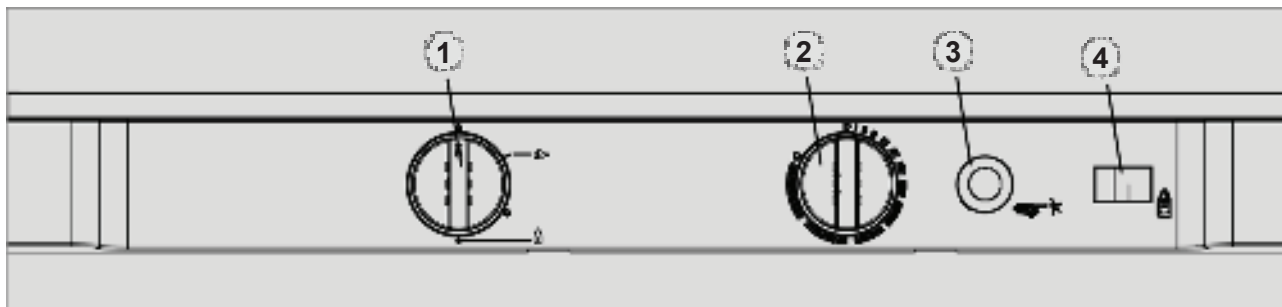
5.4 Zasilanie gazem

- Lodówka musi być zasilana gazem płynnym (propan, butan) (nie używać gazu ziemnego, gazu miejskiego).
- Na wysokości ok. 1000 m n.p.m. może dojść ze względów fizycznych do zakłóceń z zapłonem (**nie jest wadliwe działanie!**).
- Przy pierwszym uruchomieniu i po wymianie butli gazowej w przewodach gazu może występować powietrze. Wskutek krótkiego uruchomienia lodówki przewody gazu są odpowietrzane. Gaz zapala się bez zwłoki.
- Wszystkie lodówki są wyposażone w automatyczny system zabezpieczenia przed płomieniem, który samoczynnie odcina dopływ gazu po ok. 30 sekundach od zgaszenia płomienia.

5.5 Obsługa

5.5.1 Opis elementów obsługowych

Ręczny wybór energii / ręczny zapłon zapalnikiem piezoelektrycznym:



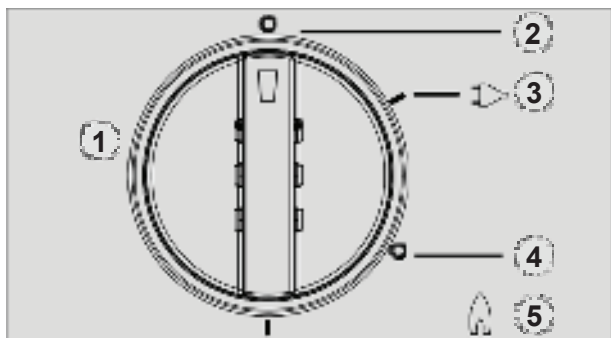
Rys. 7

- 1 Włącznik / preselektor energii
- 2 Regulator temperatury
- 3 Zapalnik piezoelektryczny do zasilania gazem
- 4 Wskaźnik płomienia (galwanometr)

Objaśnienie

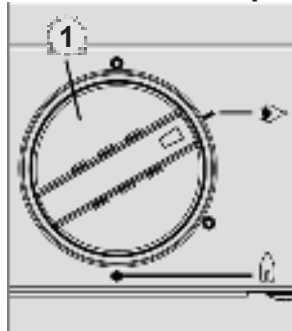
Rodzaj energii ustawia się poprzez obrócenie preselektora energii (1). Preselektor energii (1) ma cztery położenia:

- Wył. (2)
- Napięcie sieci (230 V~) (3)
- Wył. (4)
- Gaz (gaz płynny propan/butan) (5)




Rys. 8

5.5.2 Zasilanie prądem



Rys. 9

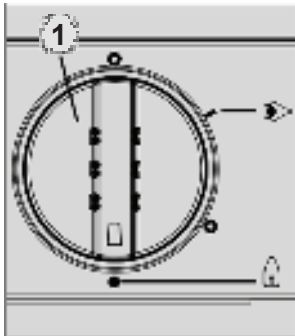
Aby włączyć urządzenie, obrócić preselektor energii (1) w prawo na pozycję:

 zasilanie napięciem 230 V.

5.5.3 Zasilanie gazem (gaz płynny)

Przed uruchomieniem lodówki w trybie zasilania gazem:

- Otworzyć zawór butli gazowej.



Rys. 10



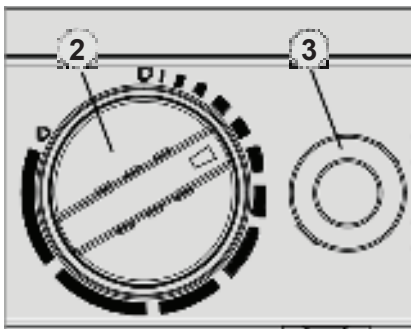
Rys. 11

1. Ustawić pokrętkę (1) na pozycję:

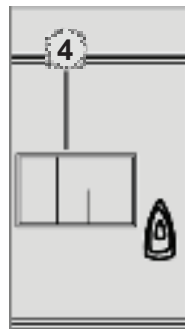


zasilanie gazem.

2. Obrócić regulator temperatury (2) w prawo i nacisnąć go. Trzymać wciśnięty regulator.



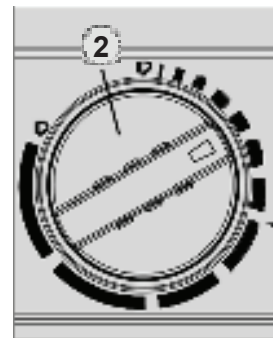
Rys. 12



Rys. 13

3. Nacisnąć przycisk (3) kilkakrotnie co 1–2 sekundy.
4. Wskazówka galwanometru (4) przesuwają się do zielonego obszaru po zapaleniu płomienia. Trzymać wciśnięte pokrętkę (2) jeszcze przez ok. 15 s, a następnie je zwolnić. Lodówka jest uruchomiona.

5.5.4 Regulacja temperatury komory chłodzenia



Położenie środkowe

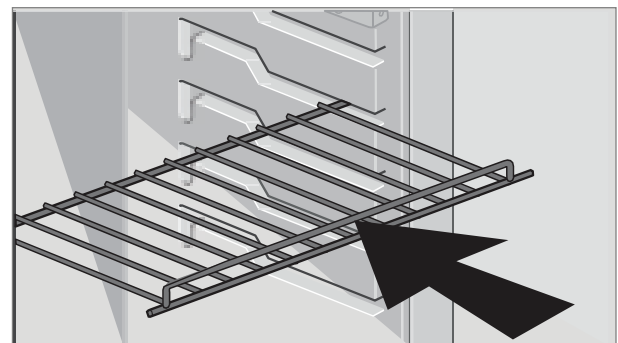
Rys. 14

Za pomocą pokrętła (2) wybrać temperaturę w komorze chłodzenia.

Skala rozpoczyna się od pozycji **MIN** (wąski pasek = najcieplej) i przechodzi aż do pozycji **MAX** (szeroki pasek = najzimniej).

Należy pamiętać, że stopnie temperatury nie odpowiadają bezwzględnym wartościom temperatury.

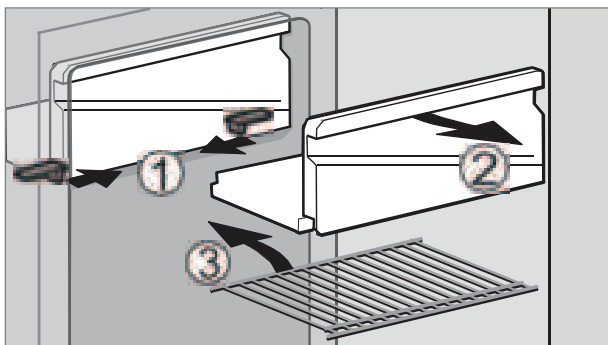
5.6 Ustawianie półek kratowych



Rys. 15

Półki kratowe można poprzez lekkie uniesienie wyciągnąć z prowadnicy i umieścić w dowolnym miejscu.

5.7 Wyjmowany zamrażalnik



Rys. 16

W celu powiększenia komory chłodzenia można wyjąć zamrażalnik.

1. Odblokować z obu stron zamrażalnik.
2. Wyciągnąć zamrażalnik.

Ostrożnie przechowywać zamrażalnik w celu uniknięcia jego uszkodzenia.



Po wyjęciu zamrażalnika można wstawić dodatkową półkę kratową (3). Półka kratowa jest dostępna w **Dometic** jako wyposażenie specjalne.

5.8 Przechowywanie produktów spożywczych i przygotowywanie kostek lodu

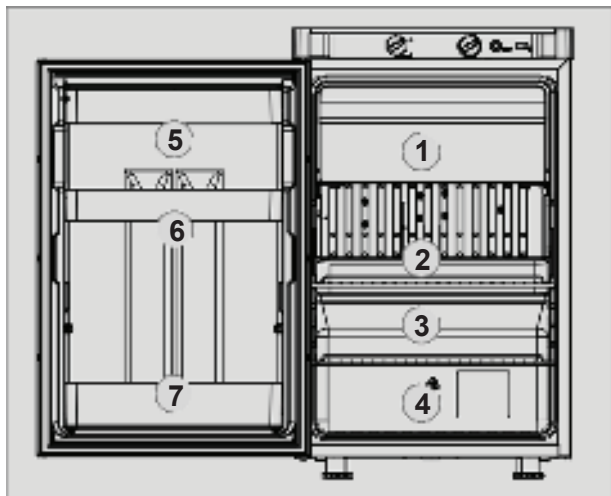
5.8.1 Przechowywanie produktów w komorze chłodzenia

- Uruchomić lodówkę ok. 12 godz. przed włożeniem produktów.
- Zawsze wkładać wstępnie schłodzone produkty. Już podczas zakupów zwrócić uwagę, aby produkty były dobrze schłodzone. Stosować izolowane torby.
- Przy wyjmowaniu produktów jedynie krótko otwierać drzwi lodówki.
- Produkty należy wkładać opakowane, najlepiej w zamkniętych pojemnikach, folii aluminiowej itp. oraz oddzielone od siebie, aby uniknąć wyschnięcia i nieprzyjemnych zapachów.
- Nigdy nie wkładać do lodówki ciepłej żywności, najpierw ją przestudzić.
- Produktów, które mogą wydzielać łatwopalne, palne gazy, nie wolno przechowywać w lodówce.
- Nie przepelniać półek kratowych ani przegród, aby nie ograniczyć wewnętrznej cyrkulacji powietrza.
- Zachować odstęp między chłodzonymi produktami a parownikiem osuszającym („żebra chłodzące”) (ok.10 mm).
- Należy zapewnić swobodną cyrkulację powietrza w agregacie lodówki. Nie wolno zakrywać otworów wentylacyjnych.

5.8.2 Przechowywanie produktów w zamrażalniku

- Nie przechowywać napojów gazowanych w zamrażalniku.
- Zamrażalnik służy do przygotowywania kostek lodu oraz krótkiego przechowywania zamrożonych produktów spożywczych. Nie nadaje się on do zamrażania produktów spożywczych.

5.8.3 Przegrody lodówki

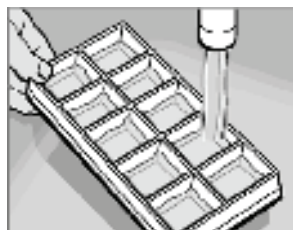


Rys. 18

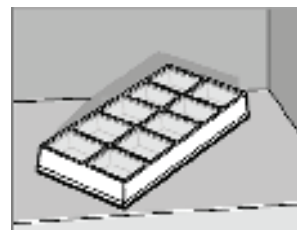
- 1 **Zamrażalnik:**
już zamrożone produkty (produkty głęboko mrożone)
- 2 **Środkowa przegroda:**
produkty mleczne, gotowe potrawy
- 3 **Dolna przegroda:**
mięso, ryby, produkty do rozmrożenia
- 4 **Szuflada na warzywa:**
sałata, warzywa, owoce
- 5 **Górna półka drzwiowa:**
jajka, masło
- 6 **Środkowa półka drzwiowa:**
puszki, sosy, ketchup, dżemy
- 7 **Dolna półka drzwiowa (półka na napoje):**
napoje w butelkach lub woreczkach

5.8.4 Przygotowywanie kostek lodu

Kostki lodu zamraża się najlepiej nocą. Nocą lodówka jest mniej obciążona i agregat dysponuje większymi rezerwami.



Rys. 19



Rys. 20

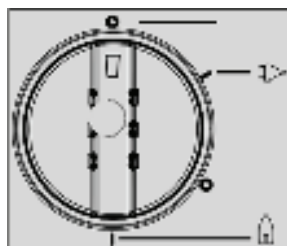
1. Napełnić wodą pitną pojemnik na lód.
2. Wstawić pojemnik na lód w zamrażalnik.



OSTRZEŻENIE!

Stosować tylko wodę pitną!

5.9 Wyłączanie



Rys. 21



Rys. 22

- Ustawić preselektor energii (1) na pozycję „WYŁ.”. Urządzenie jest wyłączone.
- Pozostawić lekko otwarte drzwi, aby uniknąć powstawania pleśni w urządzeniu.
- Jeżeli lodówka nie będzie używana przez dłuższy okres, zamknąć zawór odcinający pojazdu i zawór butli.

5.10 Rozmrażanie

Z upływem czasu na żebrach chłodzących wewnątrz lodówki tworzy się szron. Może wystąpić intensywniejsze oszronienie z jednej strony urządzenia – nie jest to objawem wadliwego działania. Gdy warstwa szronu będzie miała około 3 mm grubości, należy rozmrozić lodówkę.

- Wyłączyć lodówkę zgodnie z opisem w punkcie 5.9 Wyłączenie.
- Wyjąć wszystkie produkty spożywcze i pojemnik na lód.
- Pozostawić otwarte drzwi lodówki, aby zapewnić dopływ powietrza i uniknąć powstawania pleśni.
- Po rozmrożeniu przetrzeć do sucha szmatką obie komory chłodzenia (zamrażalnik i żebra chłodzące nie są oszronione).

Informacja: Roztopiona woda z głównej komory chłodzenia sływa do zbiornika z tyłu urządzenia. Stamtąd woda wyparowuje.

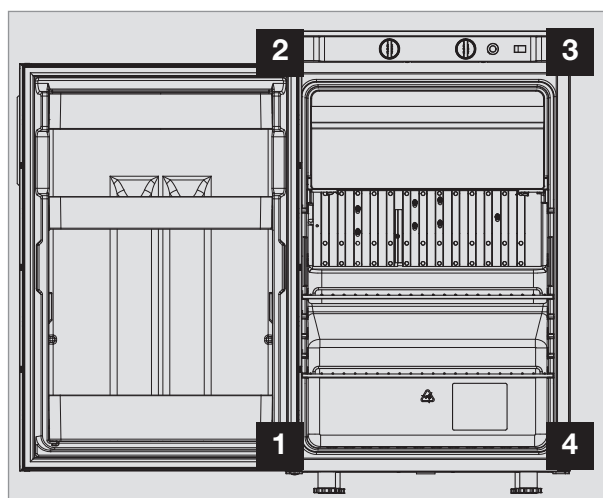
PRZESTROGA!

Nigdy nie usuwać na siłę warstwy szronu ani nie przyspieszać rozmrażania za pomocą grzejnika promiennikowego.

5.11 Wymiana zawiasu drzwiowego



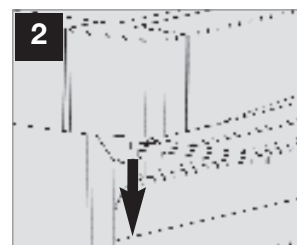
Jeżeli konieczne będzie przechylenie na bok lub położenie lodówki, odczekać godzinę przed uruchomieniem lodówki. Płyn chłodniczy gromadzi się w zbiorniku rezerwowym agregatu chłodniczego. Zapewnia to prawidłową pracę lodówki.



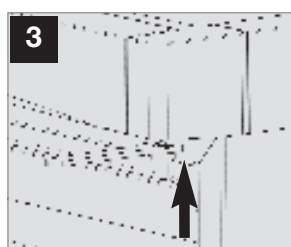
Rys. 23



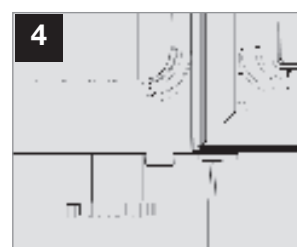
Rys. 24



Rys. 25



Rys. 26

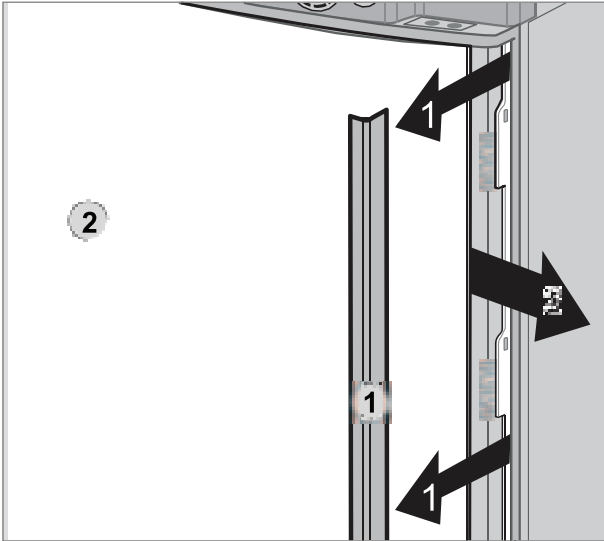


Rys. 27

- Otworzyć drzwi, odkręcić śrubę zawiasu i przechować.
- Zdjąć drzwi do góry.
- Odkręcić kołek zawiasa i wkręcić go z drugiej strony.
- Przełożyć podkładkę dystansową na dolny zawias.
- Wsunąć drzwi w górny kołek zawiasa i nałożyć na dolny zawias.
- Wkręcić śrubę zawiasa.
- Musi być zapewniony swobodny ruch drzwi i uszczelka drzwiowa musi przylegać dookoła.

5.12 Wymiana płyty dekoracyjnej

- Ściągnąć boczną listwę (1) drzwi (listwa jest nasadzona, nie przykręcona).
- Wsunąć płytę dekoracyjną (2) w drzwi i ponownie założyć listwę (1).



Rys. 28

Wymiary płyty dekoracyjnej:

Wysokość	743 +/- 0,75 mm
Szerokość	504 +/- 0,5 mm
Grubość	min. 1,0 mm: maks. 1,7 mm

5.13 Postępowanie w razie usterek

Przed powiadomieniem autoryzowanego działu obsługi klienta należy sprawdzić, czy:

- prawidłowo przestrzegano instrukcji w sekcji „Obsługa lodówki”;
- lodówka jest wypoziomowana;
- możliwe jest zasilanie lodówki jednym z rodzajów energii.

Usterka: Lodówka nie chłodzi wystarczająco.

Możliwa przyczyna	Pomoc
<ul style="list-style-type: none"> - Wentylacja agregatu jest niedostateczna. - Termostat jest ustawiony w za niskiej pozycji. - Parownik osuszający jest za silnie oblodzony. - Włożono na krótko do lodówki za dużo ciepłych potraw. - Urządzenie nie pracuje jeszcze dostatecznie długo. - Temperatura otoczenia jest za wysoka. 	<ul style="list-style-type: none"> - Sprawdzić, czy kratka wentylacyjna agregatu nie jest zakryta. - Ustawić regulator termostatu na wyższą pozycję. - Sprawdzić, czy drzwi lodówki prawidłowo się zamykają. - Podgrzane potrawy schłodzić przed włożeniem do lodówki. - Sprawdzić wydajność chłodzenia po ok. 4–5 godz. - Przewietrzyć pomieszczenie.

Usterka: Lodówka nie chłodzi w trybie zasilania gazem.

Możliwa przyczyna	Pomoc
<ul style="list-style-type: none"> - Butla gazowa jest pusta. - Zainstalowany przed urządzeniem zawór odcinający jest zamknięty. - W przewodzie znajduje się powietrze. 	<ul style="list-style-type: none"> - Wymienić butlę gazową. - Otworzyć zawór odcinający. - Wyłączyć urządzenie i ponownie uruchomić. Ewentualnie powtórzyć czynność 3–4 razy.

Usterka: Lodówka nie chłodzi w trybie zasilania napięciem 230 V.

Możliwa przyczyna	Pomoc
<ul style="list-style-type: none"> - Uszkodzony bezpiecznik. - Zasilanie sieciowe nie jest podłączone. - Uszkodzony element grzewczy. 	<ul style="list-style-type: none"> - Zamontować nowy bezpiecznik. - Podłączyć zasilanie sieciowe. - Powiadomić dział obsługi klienta firmy Dometic.

Návod na obsluhu

Absorpčná chladnička

RGE 2100

Sem si zapíšete:

Číslo modelu

Výrobné číslo

Sériové číslo



N 1

MBA 10/2015

SK

Obsah

1.0	Všeobecne	4
1.1	Úvod	4
1.2	Upozornenia k tomuto návodu na obsluhu	4
1.3	Autorské právo	4
1.4	Vysvetlenie použitých symbolov	4
1.5	Záruka	5
1.6	Obmedzenie ručenia	5
1.7	Služby zákazníkom	5
1.8	Náhradné diely	5
1.9	Ekologické informácie	5
1.9.1	Likvidácia	5
1.9.2	Tipy pre úsporu energie	6
1.10	Vyhlásenie o zhode	6
2.0	Bezpečnostné pokyny	7
2.1	Použitie podľa určenia	7
2.2	Zodpovednosť používateľa	7
2.3	Chráňte deti po likvidácii zariadenia	7
2.4	Práce a kontroly na chladničke	7
2.5	Informácie o chladive	8
2.6	Prevádzka chladničky s plynom	8
2.7	Bezpečnostné pokyny pre ukladanie potravín	9
3.0	Popis modelu	10
3.1	Označenie modelu	10
3.2	Typový štítok chladničky	10
3.3	Technické údaje	10
3.4	Vysvetlenie chladničky	10
4.0	Inštalácia	11
4.1	Postavenie a pripojenie	11
4.1.1	Elektrické pripojenie	11
4.1.2	Postavenie plynových fliaš	11
4.1.3	Pripojenie plynu	12
4.2	Montáž rukoväti dverí	12
5.0	Prevádzka chladničky	13
5.1	Čistenie	13
5.2	Údržba	13
5.3	Prevádzka s elektrickým prúdom	13
5.4	Prevádzka na plyn	13
5.5	Obsluha	14
5.5.1	Vysvetlenie ovládacích prvkov	14
5.5.2	Prevádzka s elektrickým prúdom	14
5.5.3	Prevádzka s plynom (skvapalnený plyn)	15
5.5.4	Regulácia teploty chladiaceho priestoru	15
5.6	Polohovanie odkladacích roštov	15
5.7	Vytiahnuteľný mraziaci priečinok	16
5.8	Uskladnenie potravín a príprava kociek ľadu	16
5.8.1	Uskladnenie potravín v chladiacom priestore	16
5.8.2	Uskladnenie potravín v mraziacom priečniku	16
5.8.3	Priečinky chladničky	17
5.8.4	Príprava kociek ľadu	17
5.9	Vyradenie z prevádzky	17

5.10	Odmrazenie	18
5.11	Výmena dorazu dverí	18
5.12	Výmena dekoračnej platne	19
5.13	Správanie pri poruchách	20

Dometic GmbH
In der Steinwiese 16
D-57074 Siegen

www.dometic.com

© Dometic GmbH - 2012. - Zmeny vyhradené

1.0 Všeobecne

1.1 Úvod

Ďakujeme Vám, že ste sa rozhodli pre absorpčnú chladničku od spoločnosti **Dometic**. Sme presvedčení o tom, že s touto novou chladničkou budete maximálne spokojní. Chladnička s tichou prevádzkou vyhovuje vysokým požiadavkám na kvalitu a zaručujú efektívne využívanie zdrojov a energií počas celej svojej životnosti - pri výrobe, použití a likvidácii.

1.2 Upozornenia k tomuto návodu na obsluhu

Dôkladne si prečítajte si tento návod na obsluhu, skôr ako chladničku uvediete do prevádzky.

V tomto návode nájdete potrebné pokyny pre správne používanie chladničky. **Dodržujte najmä bezpečnostné pokyny.** Dodržiavanie upozornení a inštrukcií je dôležité pre bezpečnú manipuláciu s Vašou chladničkou a chráni Vás pred poraneniami a chladničku pred poškodením. Pokynom a inštrukciám, ktoré ste si prečítali, musíte porozumieť, skôr ako ich zrealizujete.

Starostlivo uschovajte tento návod na obsluhu v blízkosti chladničky, aby ste ho mohli kedykoľvek použiť.

1.3 Autorské právo

Údaje, texty a obrázky v tomto návode sú chránené autorským právom a podliehajú priemyselným právam. Žiadna časť tohto návodu nesmie byť reprodukováná, kopírovaná ani nijakým iným spôsobom využívaná bez písomného súhlasu spoločnosti Dometic GmbH, Siegen.

1.4 Vysvetlenie použitých symbolov

Výstražné upozornenia

Výstražné upozornenia sú označené symbolmi. Doplňujúci text objasňuje stupeň ohrozenia.

Tieto výstražné upozornenia veľmi presne dodržiavajte. Tým ochránite seba a iné osoby pred poranením, a zariadenie pred poškodením.



NEBEZPEČENSTVO!

NEBEZPEČENSTVO označuje bezprostrednú nebezpečnú situáciu, ktorá vedie k usmrteniu alebo vážnemu poraneniu, ak nebudú dodržané uvedené pokyny.



VÝSTRAHA!

VÝSTRAHA označuje možnú nebezpečnú situáciu, ktorá môže viesť k usmrteniu alebo vážnemu poraneniu, ak nebudú dodržané uvedené pokyny.



OPATRNE!

OPATRNE označuje bezprostrednú nebezpečnú situáciu, ktorá môže viesť k ľahkým alebo stredne ťažkým poraneniam, ak nebudú dodržané uvedené pokyny.

OPATRNE!

OPATRNE bez výstražného symbolu označuje možnú nebezpečnú situáciu, ktorá môže viesť k poškodeniu zariadenia, ak nebudú dodržané uvedené pokyny.

Informácia



INFORMÁCIA uvádza doplňujúce a užitočné informácie k manipulácii s chladničkou.

Poznámka k životnému prostrediu



POZNÁMKA K ŽIVOTNÉMU PROSTREDIU uvádza užitočné informácie k úspore energie a likvidácii zariadenia.

1.5 Záruka

Záručné plnenia sa realizujú podľa európskej smernice 44/1999/ES a podmienok príslušnej krajiny. V prípade záruky alebo servisu sa obráťte na našu službu zákazníkom. Poruchy, ktoré boli spôsobené nesprávnou obsluhou, nepodliehajú záruke. Akákoľvek zmena na zariadení alebo použitie náhradných dielov, ktoré nie sú **originálnymi náhradnými dielmi Dometic**, ako aj nedodržanie návodu na montáž a obsluhu vedie k zániku záruky a výluke nárokov na ručenie.

1.6 Obmedzenie ručenia

Všetky informácie a upozornenia v tomto návode na obsluhu boli vyhotovené pri zohľadnení platných noriem a predpisov, ako aj stavu techniky. Spoločnosť **Dometic** si vyhradzuje právo, kedykoľvek vykonať zmeny na produkte, ktoré budú vykonané v záujme zdokonalenia produktu a bezpečnosti.

Spoločnosť Dometic nepreberá žiadne ručenie za škody v prípade:

- nedodržania návodu na obsluhu
- použitia v rozpore s používaním v súlade s určením
- použitia iných ako originálnych dielov
- zmien a zásahov na zariadení
- pôsobenia vplyvov prostredia, ako
 - zmeny teplôt
 - vlhkosť vzduchu

1.7 Služby zákazníkom

Autorizované strediská služieb zákazníkom môžete kontaktovať na telefónnych číslach z brožúry Euro Service Network, ktorá je priložená ku každej chladničke.

O najbližšom partnerovi poskytujúcom služby zákazníkom sa dozviete aj na internete, na stránke dometic.com. Pri kontaktovaní služby zákazníkom vždy uveďte model, číslo produktu, sériové číslo a príp. MLC kód! Tieto informácie nájdete na typovom štítku vo vnútri chladničky. Odporúčame Vám, aby ste si tieto údaje zapísali do určeného políčka na titulnej strane tohto návodu.

1.8 Náhradné diely

Náhradné diely si môžete zakúpiť cez naše služby zákazníkom. V Nemecku zakúpite náhradné diely aj cez call centrum Dometic:

- Telefón 0180 53 66 384
- Fax 0180 53 66 385
- E-mail ersatzteile@dometic.de

Pri kontaktovaní call centra vždy uveďte model a číslo produktu! Tieto informácie nájdete na typovom štítku vo vnútri chladničky.

1.9 Ekologické informácie



V chladiacom agregáte sa ako chladivo používa amoniak (prírodná zlúčenina vodíka a dusíka). Ako hnací plyn pre izoláciu z PU peny sa používa cyklopentán nepoškodzujúci ozón.

1.9.1 Likvidácia

Pre zabezpečenie látkového zužitkovania recyklovateľných obalových materiálov musia byť tieto odovzdané na bežných zberných miestach. Zariadenie je potrebné odovzdať príslušnej odbornej firme, ktorá zabezpečí zužitkovanie recyklovateľných častí a riadne zlikvidovanie zvyškov. Na ekologické vyprázdnenie chladiaceho média zo všetkých agregátov absorpčnej chladničky je potrebné použiť vhodné zariadenie na likvidáciu.



Zariadenia, ktoré sú označené týmto symbolom, musia byť odovzdané na lokálnom zbernom mieste na likvidáciu elektrických a elektronických zariadení. Tento produkt sa nesmie likvidovať cez bežný domáci odpad. Tieto chladničky Dometic majú symbol na typovom štítku vo vnútri chladničky.

2.0 Bezpečnostné pokyny

2.1 Použitie podľa určenia

Táto chladnička je určená na voľne postavenie v uzavretých priestoroch, ako aj chalupy alebo lovecké chaty. Zariadenie má pre toto použitie osvedčenie o typovej skúške v súlade so smernicou EÚ 90/396/EHS o spotrebičoch plyných palív. **Nie je vhodné na montáž do vozidiel na prepravu po ceste a po vode.**

Chladničku používajte výlučne na chladenie a skladovanie potravín.



VÝSTRAHA!

Chladnička nie je určená na odborné skladovanie liekov. Ohľadom toho sa riadte upozoreniami na príbalovom letáku lieku.

OPATRNE!

Chladnička sa nesmie vystavovať dažďu.

2.2 Zodpovednosť používateľa

Osoby, ktoré obsluhujú chladničku, musia byť oboznámené s bezpečným zaobchádzaním a poznať upozornenia tohto návodu na obsluhu.

Toto zariadenie smú používať deti od 8 rokov a osoby so zníženými psychickými, zmyslovými alebo mentálnymi schopnosťami a vedomosťami, keď sú pod dozorom alebo keď boli poučené o bezpečnom používaní zariadenia a keď chápu, aké riziká z toho vyplývajú. Deti sa nesmú hrať so zariadením. Čistenie a údržbu nesmú vykonávať deti. [STN EN 60335-2-24, 7.12]

2.3 Chráňte deti po likvidácii zariadenia



VÝSTRAHA!

Pri likvidácii chladničky demontujte všetky dvere chladničky a odkladacie rošty ponechajte v chladničke. Zabráni sa tým neúmyselnému zatvoreniu a uduseniu.

2.4 Práce a kontroly na chladničke



VÝSTRAHA!

Práce na plynových zariadeniach, zariadenia na odvod spalín a elektrických zariadeniach smú vykonávať iba oprávnení odborníci. Následkom neodborných opatrení môže dôjsť k závažným materiálnym škodám a/alebo vážnym poraneniam osôb.



NEBEZPEČENSTVO!



Nikdy nekontrolujte plynovodné diely a vedenia na prítomnosť netesností s otvoreným plameňom!

Hrozí nebezpečenstvo požiaru alebo výbuchu.



VÝSTRAHA!

Nikdy neotvárajte agregát absorpčnej chladničky! Je pod vysokým tlakom.

Hrozí nebezpečenstvo poranenia!

2.5 Informácie o chladive

Ako chladivo sa používa amoniak. Ide o prírodnú zlúčeninu, ktorá sa nachádza aj v domácich čističoch (1 liter salmiakového čističa obsahuje až do 200 g amoniaku, čo je viac ako dvojnásobok v porovnaní s chladiacim zariadením). Chróman sodný sa používa ako antikoročný prostriedok (1,8 hmotnostného percenta rozpúšťadla).

V prípade eventuálneho úniku (ľahko zistiteľný kvôli silnému zápachu) postupujte nasledovne:

- Vypnite zariadenie.
- Miestnosť/priestor dobre vyvetrajte.
- Informujte autorizované služby zákazníkom.



Pre vašu bezpečnosť bolo znalecky zistené, že pri úniku chladiva nehrozí ohrozenie zdravia.

2.6 Prevádzka chladničky s plynom

Prevádzkový tlak musí bezpodmienečne zodpovedať údaju na typovom štítku chladničky. Porovnajete údaj prevádzkového tlaku na typovom štítku s údajmi regulačného ventilu na fľaši so skvapalneným plynom.

Chladnička sa prevádzkuje s nasledovne uvedenými plynmi a vstupnými tlakmi. Regulačné tlakové ventily použité medzi plynovou fľašou a chladničkou musia vyhovovať kategóriám uvedeným v nasledujúcej tabuľke.

Pripájací tlak a kategórie plynov

Kategória	Tlak v mbar	PLYN
I3B / P(30)	30	Bután
	30	Propán
I3+ (28-30/37)	28–30	Bután
	37	Propán
I3B/P(50)	50	Bután
I3B/P(50)	50	Propán

Ak zacítite zápach plynu:

- Otvorte všetky okná a opusťte miestnosť.
- Nezapínajte žiadne elektrické zariadenie a zabráňte použitiu otvoreného plameňa.
- Zatvorte ventil fľaše s plynom a nechajte ho zatvorený až dotedy, kým sa chyba neodstráni.
- Požiadajte o radu autorizovaný odborný personál*.

* autorizovaný odborný personál

Autorizovaní odborníci sú uznávaní znalci, ktorí na základe ich vzdelania a znalostí, poskytujú záruku za to, že kontrola bude riadne a správne vykonaná.

2.7 Bezpečnostné pokyny pre ukladanie potravín

Návod na ukladanie potravín do chladničky:

Chladiace zariadenia akéhokoľvek typu nedokážu zlepšiť kvalitu potravín, dokážu však kvalitu potravín v momente uskladnenia maximálne zachovať na krátku dobu.

Pri uskladnení potravín v chladničke zohľadnite nasledujúce osobitné podmienky:

- Zmena klimatických podmienok, ako zmeny teplôt
- Vysoká teplota v miestnosti
- Chladnička postavená za oknom a na priame slnečné žiarenie
- Príliš rýchle uloženie potravín krátko po uvedení zariadenia do prevádzky.

V prípade týchto osobitných podmienok nie je v chladničke zaručená potrebná teplota pre rýchlo sa kaziace potraviny.

K rýchlo sa kaziacim potravinám patria všetky produkty s uvedeným dátumom spotreby a minimálnou teplotou uskladnenia +4 °C alebo nižšou, predovšetkým mäso, hydina, ryby, klobásy, hotové jedlá.

- Surové a varené jedlá zabaľte osobitne (napr. dózy, ALU fólie a pod.).
- Obaly z jednotlivých balení odstráňte len vtedy, keď všetky potrebné údaje, ako napríklad dátum spotreby, sú aj na jednotlivých baleniach.
- Chladené potraviny nenechávajte príliš dlho mimo chladničku.
- Potraviny so skorším dátumom spotreby umiestnite dopredu.
- Zvyšky znovu zabaľte a čo najrýchlejšie spotrebujte.
- Umyte si ruky pred manipuláciou a po manipulácii s potravinami.
- Vnútorň priestor chladničky čistite v pravidelných intervaloch.

Riadte sa upozoreniami a opismi k dátumu spotreby na obaloch.

Riadte sa odsekom „5.1 Čistenie“ v tomto návode.

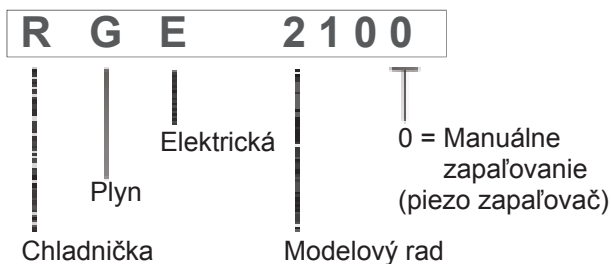


Okolité podmienky majú vplyv na výkon agregátu. Pri teplotách okolia v rozsahu +15 °C až +25 °C zvolte prostrednú polohu (por. „Nastavenie teploty chladiaceho priestoru“). Agregát pracuje v optimálnom rozsahu výkonu.

Chladničky Dometic pracujú na základe princípu absorpcie. Na základe fyzikálnych podmienok absorpčný systém spomalene reaguje na zmeny regulátora termostatu, únik chladu pri otvorení dverí alebo uskladnenie potravín. Zariadenia spĺňajú požiadavky na výkon triedy klimatizácie SN podľa normy EN/ISO 7371 v rozsahu teplôt +10 °C až +32 °C teploty okolia.

3.0 Popis modelu

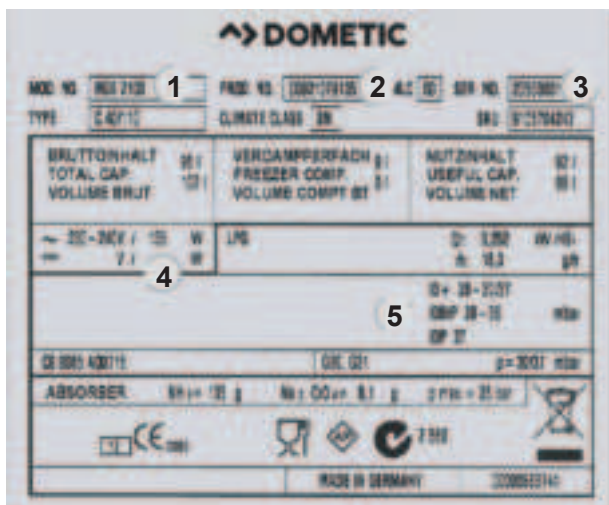
3.1 Označenie modelu



Absorpčná chladnička prevádzkovaná na plyn alebo sieťový prúd

3.2 Typový štítok chladničky

Vnútri chladničky nájdete typový štítok chladničky. Obsahuje všetky dôležité údaje k chladničke. Na ňom je uvedené označenie modelu a výrobné a sériové číslo. Tieto údaje potrebujete pri každom kontakte so službou zákazníkom alebo pri objednávaní náhradných dielov.



Príklad

Obr. 1

- 1 Číslo modelu
- 2 Výrobné číslo
- 3 Sériové číslo
- 4 Elektrické prípojné hodnoty
- 5 Tlak plynu

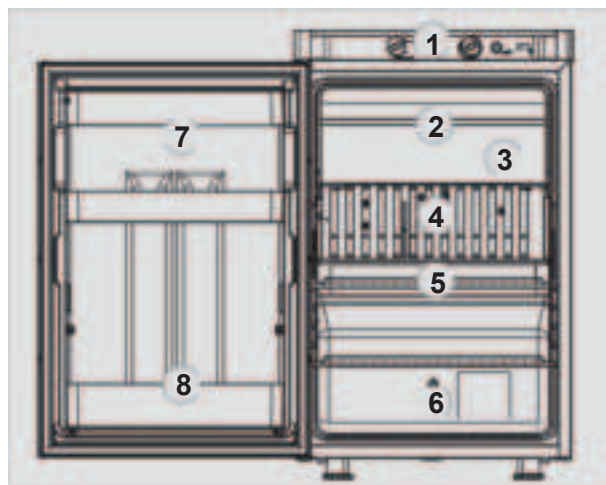
3.3 Technické údaje

Hrubý objem (l)	100
Mraziaci priechinok (l).....	9
Hrubý objem (s vybratým mraziacim priechinokom).....	106
Rozmery (mm) (H x B x T).....	859 x 531 x 558
Prípájací výkon (W)	125
Spotreba plynu (30 / 50 mbar) g / 24 h*	270 / 360
Spotreba prúdu kWh / 24 h*	2,5
Netto hmotnosť (kg)	32,2
Zapaľovanie plynu	Piezo zapaľovač
Voľne stojace postavenie	

Technické zmeny vyhradené.

*Priemerná spotreba nameraná pri priemerne teplote okolia 25 °C na základe normy ISO.

3.4 Vysvetlenie chladničky



Obr. 2

- 1 Ovládacie prvky
- 2 Mraziaci priechinok (vyberateľný)
- 3 Vkladací mriežkový rošt (voliteľný, použiteľný pri vybratom mraziacom priechinokom)
- 4 Dodatočný výparník chladiaceho priestoru
- 5 Odtokový žliabok na rozmrazenú vodu
- 6 Priehradka na zeleninu
- 7 Horná polica s klapkou
- 8 Spodná polica s držiakom na fľaše

4.0 Inštalácia

4.1 Postavenie a pripojenie

Táto chladnička je otestovaná a schválená na použitie v uzavretých priestoroch.

Pri postavení zariadenia dodržte nasledujúce body:

- Miesto inštalácie musí mať priestorový objem minimálne **20 m³**, musí byť dobre vetrané a disponovať otvárateľné okno alebo dvere do exteriéru.
- Chladnička musí byť postavená ako voľne stojaca, tzn. s minimálnym odstupom **50 mm** k susediacim stenám alebo skrinkám (**Žiadna montáž!**).
- Vzďialenosť k zariadeniam (skrinky atď.) nad ňou musí byť minimálne **100 mm**.
- Umiestnite zariadenie vodorovne na pevný povrch.
- Chladnička nesmie byť vystavená tepelnému žiareniu horúcich objektov (napr. pec, vyhrievanie).
- Chladiaci agregát na zadnej strane (pod krytom) musí byť vždy dobre vetraný. Agregát nezakrývajte (napr. utierky, závesy). Nedostatočné vetranie vedie k poklesu chladiaceho výkonu!
- Postavte chladničku tak, aby bola chránená pred striekajúcou vodou. Dbajte na to, aby zariadenie pred postavením a počas postavenia nebolo vystavené dažďu.

4.1.1 Elektrické pripojenie

- Napájanie elektrickým prúdom sa musí zhodovať s hodnotou uvedenou na typovom štítku. Pri odlišných hodnotách sa môže zariadenie poškodiť.
- Napájanie zariadenia elektrickým prúdom pre elektrickú prevádzku musí byť realizované prostredníctvom predpisovo uzemnenej zásuvky.
- V prívode musí byť k dispozícii poistkový automat.
- Sieťový kábel musí byť kedykoľvek voľne prístupný a nesmie sa dostať do kontaktmi s horúcimi časťami agregátu / horáka.

OPATRNE!

Sieťová zástrčka musí byť voľne prístupná.



OPATRNE!

Keď je pripájací kábel poškodený, oddelenie služieb zákazníkom spoločnosti Dometic alebo rovnako kvalifikovaná osoba, aby sa predišlo ohrozeniam.

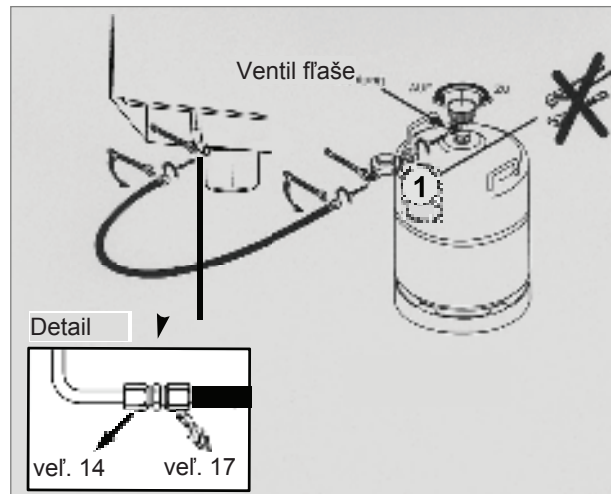
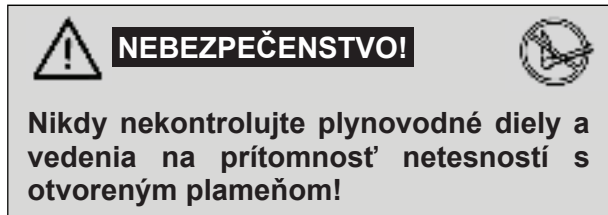
4.1.2 Postavenie plynových fliaš

- Plynové fľaše musia stáť vo zvislej polohe.
- Plynové fľaše postavte na dobre vetrané miesto.
- Plynové fľaše umiestnite tak, aby pri požari boli ľahko identifikovateľné.
- Maximálna vzdialenosť plynovej fľaše k zariadenie nesmie prekročiť 1,5 m.
- Používať sa smú len typy fliaš a zariadenia na reguláciu tlaku platné v príslušných krajinách. V Nemecku sa bežne používajú 5 kg alebo 11 kg fľaše s pevne namontovaným ventilom alebo 3 kg fľaše s vnútorným guľovým spätným ventilom.

4.1.3 Pripojenie plynu

Chladnička je určená výlučne na prevádzku so skvapalneným plynom ako propán / bután. V žiadnom prípade nepoužívajte svietiplyn, zemný plyn alebo LPG!

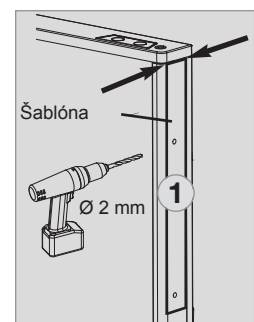
- Odborné pripojenie chladničky musí vykonať autorizovaný odborník podľa technických pravidiel pre skvapalnený plyn (TRF).
- Pre použitie zariadení prevádzkovaných na skvapalnený plyn sa musia dodržiavať príslušné platné národné predpisy. V Nemecku sú to tieto:
 - technické pravidlá pre zariadenia na skvapalnený plyn v budovách,
 - pracovný list DVGW G 600 (DVGW-TRGI 86/96),
 - technické pravidlá EN 732
- Pevne nastavený regulátor tlaku (1), obr. 3, (regulačný tlakový ventil) musí byť nainštalovaný v prívode k zariadeniu. Chladnička sa nesmie prevádzkovať s iným tlakom než s tlakom uvedeným na typovom štítku.
- Chladnička musí byť k plynovej fľaši pripojená s bezpečnostným hadicovým vedením (v Nemecku podľa normy DIN 4815-2).
- Zvoľte dostatočnú dĺžku na pripojenie hadicového vedenia bez zalomenia. Hadicové vedenie nesmie byť dlhšie ako 1,5 m.
- Pripojenie plynu k zariadeniu sa realizuje pomocou skrutkovania s rezným krúžkom (skrutkovanie Ermeto) L8, DIN 2353-ST podľa normy EN 1949.
- Pripojenie vedenia so svorkami / objímkami nie je v Nemecku povolené.
- Hadicové vedenie sa musí vymieňať v časových intervaloch, ktoré sú stanovené v príslušných národných predpisov (v Nemecku po 10 rokoch).
- Po pripojení k plynovej fľaši sa na všetkých spojeniach musí vykonať skúška tesnosti, a tiež sa musí vykonať plameňová skúška horáka. Na skúšku tesnosti použite vyhľadávač netesností v spreji alebo peniaci prostriedok. Po otvorení ventilu fľaše skontrolujte spojovacie miesta na prípadné bubliny.



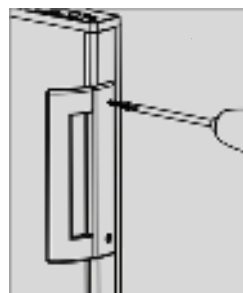
Obr. 3

4.2 Montáž rukoväti dverí

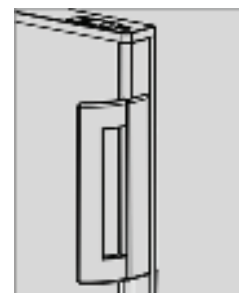
1. Upevňovacie body: Použite šablónu podľa mierky (1) (p. bod 5.3.2)
2. Dverovú rukoväť vyrovnajte na dverách a priskrutkujte.



Obr. 4



Obr. 7



Obr. 6

3. Nasadte kryt a pritlačte.

5.0 Prevádzka chladničky

Chladničku je možné prevádzkovať s dvomi druhmi energie:

- **Sieťové napätie (230 V)**
- **Plyn (skvapalnený plyn propán/bután)**

Požadovaný druh energie sa zvolí pomocou **prepínača energie** (obr. 7).



Agregát chladničky pracuje nehučne.

Pri prvom uvedení zariadenia prevádzky môže dôjsť k tvorbe zápachu, ktorý po niekoľkých hodinách pominie. Obytný priestor dobre vyvetrajte.

Asi hodinu po zapnutí má byť mraziaci priečnik chladničky chladný. Chladnička dosiahne svoju prevádzkovú teplotu po niekoľkých hodinách.

5.1 Čistenie

Pred uvedením chladničky do prevádzky sa odporúča zariadenie zvnútra vyčistiť a toto opakovať v pravidelných intervaloch.

Použite mäkkú utierku a vlažnú vodu s jemným čistiacim prostriedkom. Následne umyte chladiace zariadenie čistou vodou a dôkladne ho vysušte.

Nepoužívajte mydlo alebo žiadne ostré, zrnité príp. sódu obsahujúce čistiace prostriedky, aby ste predišli zmenám materiálu. Zabráňte kontaktu tesnenia dverí s olejom alebo tukom.

5.2 Údržba



VÝSTRAHA!

Práce na plynových zariadeniach, zariadenia na odvod spalín a elektrických zariadeniach smú vykonávať iba oprávnení odborníci.

- Plynový horák musíte podľa potreby, ale najmenej raz ročne očistiť od nečistôt. Doklady o vykonanej údržbe na vašej chladničke si uschovajte.
- Odporúčame údržbu po dlhšom vyradení z prevádzky. Ohľadom toho kontaktujte naše služby zákazníkom.

5.3 Prevádzka s elektrickým prúdom

OPATRNE!

Tento druh prevádzky zvolte len vtedy, keď sa napájanie napätím elektrickej prípojky zhoduje s hodnotou uvedenou na typovom štítku. Pri odlišných hodnotách sa môže zariadenie poškodiť.

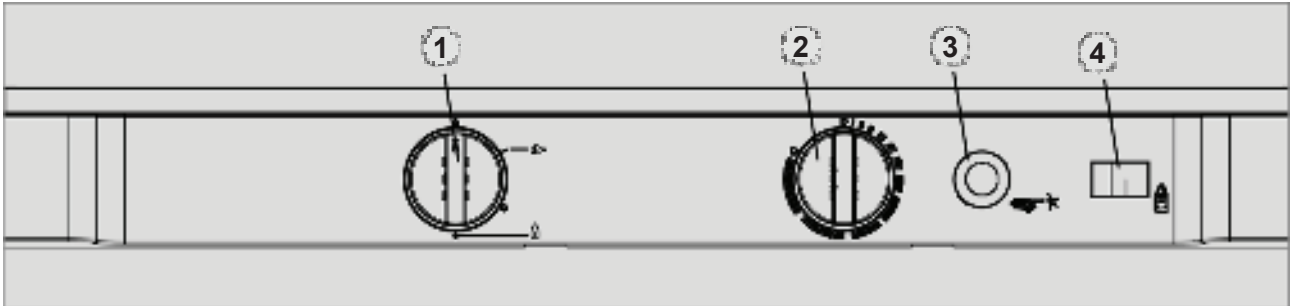
5.4 Prevádzka na plyn

- Chladnička sa musí prevádzkovať so skvapalneným plynom (propán, bután) (žiadny zemný plyn, svietiplyn).
- Vo výške nad cca 1000 m nad morom sa pri zapaľovaní plynu môžu vyskytnúť fyzikálne podmienené poruchy (**Žiadne chybné fungovanie!**).
- Pri prvom uvedení do prevádzky, ako aj po výmene plynovej fľaše sa môže v plynových vedeniach nachádzať vzduch. Krátkym uvedením chladničky do prevádzky sa plynové vedenia odvzdušnia. Plyn sa zapáli bez oneskorenia.
- Všetky chladničky sú vybavené s automatickou poistkou plameňa, ktorá v prípade zhasnutia plameňa samočinne preruší po cca 30 sekundách prívod plynu.

5.5 Obsluha

5.5.1 Vysvetlenie ovládacích prvkov

Manuálna voľba energie / manuálne zapalovanie s piezo zapalovačom:



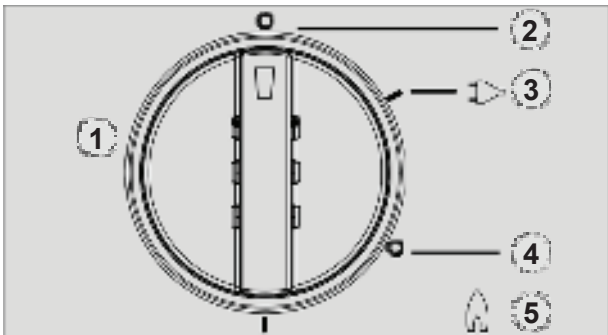
Obr. 7

- ① Vypínač / prepínač energie
- ② Regulátor teploty
- ③ Piezo zapalovač pre plynovú prevádzku
- ④ Indikátor plameňa (galvanometer)

Vysvetlenie

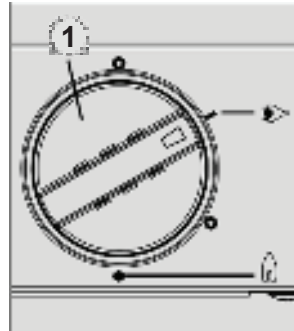
Požadovaný druh energie sa nastavuje otáčaním prepínača energie (1). Prepínač energie (1) má štyri polohy:

- Vyp (2)
- Sieťové napätie (230V~) (3)
- Vyp (4)
- Plyn (skvapalnený plyn propán/bután) (5)



Obr. 8

5.5.2 Prevádzka s elektrickým prúdom



Obr. 9

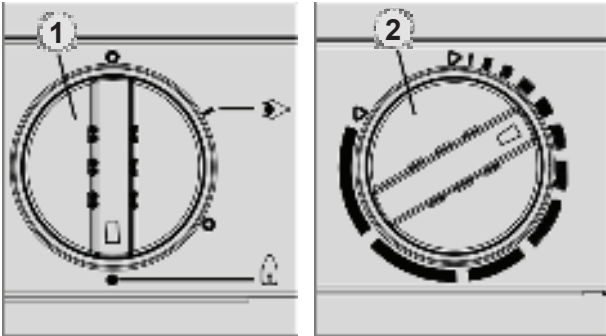
Pre zapnutie zariadenia otočte prepínač energie (1) doprava do polohy:

 na prevádzku s 230 V.

5.5.3 Prevádzka s plynom (skvapalnený plyn)

Skôr než uvedenie chladničky do prevádzky v plynovom režime:


- Otvorte ventil plynovej fľaše.



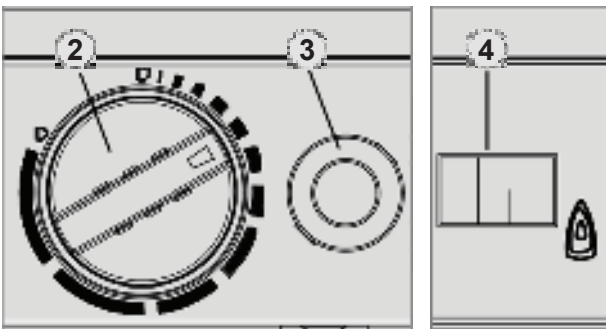
Obr. 10

Obr. 11

1. Nastavte otočný prepínač (1) do polohy:

 pre prevádzku na plyn.

2. Otočte regulátor teplotných stupňov (2) doprava a zatlačte ho dovnútra. Regulátor držte zatlačený.

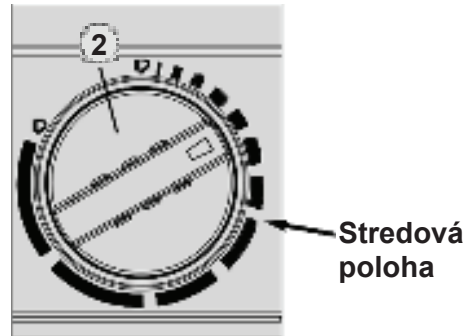


Obr. 12

Obr. 13

3. Stlačte aktivačné tlačidlo (3) niekoľkokrát v 1 až 2-sekundových intervaloch.
4. Ukazovateľ galvanometra (4) prejde do zelenej oblasti, keď bol plameň zapálený. Držte otočné tlačidlo (2) ešte cca 15 sekúnd stlačené a potom ho pusťte. Chladnička je v prevádzke.

5.5.4 Regulácia teploty chladiaceho priestoru



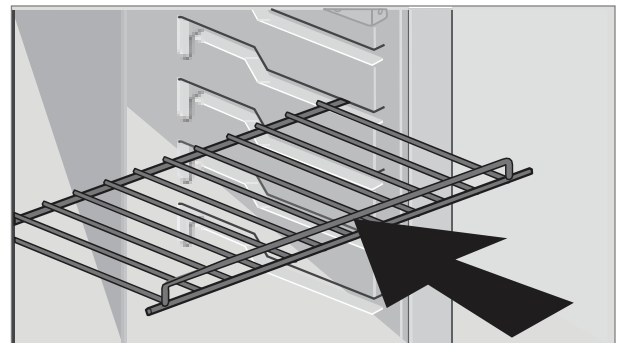
Obr. 14

Pomocou otočného tlačidla (2) zvolíte teplotu chladiaceho priestoru.

Stupnica začína s polohou **MIN** (úzky stĺpec = najvyššia teplota) a siaha až po polohu **MAX** (širší stĺpec = najnižšia teplota).

Berte na vedomie, že teplotným stupňom nie sú priradené žiadne absolútne hodnoty teplôt.

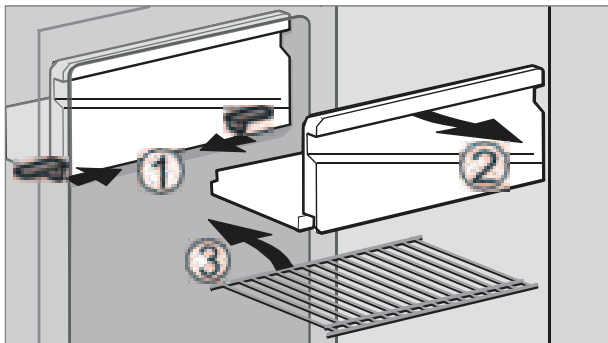
5.6 Polohovanie odkladacích roštov



Obr. 15

Odkladacie rošty sa ľahkým nadvihnutím dajú vytiahnuť z vedenia a môžu sa ľubovoľne umiestniť.

5.7 Vytiahnuteľný mraziaci priečnik



Obr. 16

Za účelom zväčšenia chladiaceho priestoru je možné mraziaci priečnik vybrať.

1. Mraziaci priečnik odblokujte na oboch stranách.
2. Vytiahnite mraziaci priečnik.

Mraziaci priečnik starostlivo uložte, aby ste zabránili poškodeniu.



Pri vybratí mraziacom priečniku môžete vložiť dodatočný odkladací rošt (3.). Odkladací rošt zakúpite ako špeciálne príslušenstvo u spoločnosti **Dometic**.

5.8 Uskladnenie potravín a príprava kociek ľadu

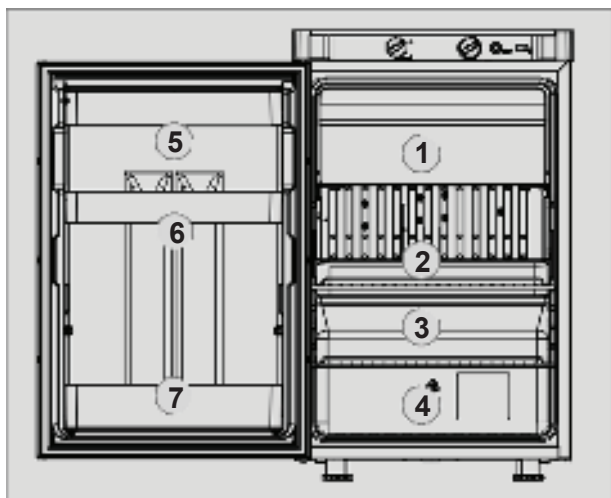
5.8.1 Uskladnenie potravín v chladiacom priestore

- Chladničku uveďte do prevádzky približne 12 hodín pred vložením potravín.
- Vždy uskladňujte predchladené potraviny. Už pri nákupe a preprave dbajte na to, aby potraviny boli dobre vychladené. Používajte izolačné tašky.
- Pri vyberaní potravín otvorte dvere chladničky len na krátko.
- Potraviny musia byť zabalené, najlepšie v uzatvorených dózach, hliníkových fóliách alebo pod. a oddelene uskladnené, aby sa zabránilo vysušeniu a tvorbe zápachu.
- Nikdy nekladajte do chladničky teplé potraviny, najprv ich nechajte vychladnúť.
- Tovary, ktoré môžu produkovať ľahko prchavé, horľavé plyny, sa nesmú uchovávať v chladničke.
- Odkladacie rošty a priečinky neprepĺňajte, aby nebola obmedzená cirkulácia vzduchu vo vnútri.
- Nechajte priestor (cca 10 mm) medzi chladenými potravinami a dodatočným výparníkom („chladiace rebrá“).
- Neobmedzená cirkulácia vzduchu agregátu chladničky musí byť zaručená. Vetracie otvory nesmú byť zakryté.

5.8.2 Uskladnenie potravín v mraziacom priečniku

- V mraziacom priečniku neskladujte žiadne nápoje obsahujúce oxid uhličitý.
- Mraziaci priečnik je určený na prípravu kociek ľadu a krátkodobé uskladnenie mrazených potravín. Nie je určený na mrazenie potravín.

5.8.3 Priečinky chladničky

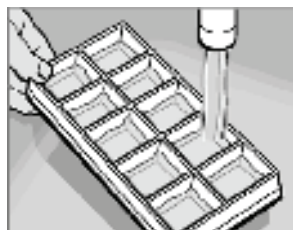


Obr. 18

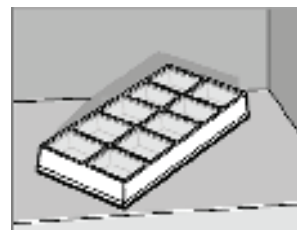
- 1 **Mraziaci priečnik:**
Už zmrazené potraviny (hlbokomrazené produkty)
- 2 **Prostredný priečnik:**
Mliečne výrobky, hotové jedlá
- 3 **Dolný priečnik:**
Mäso, ryby a tovar na rozmrazenie
- 4 **Priečnik na zeleninu:**
Šalát, zelenina, ovocie
- 5 **Horné dverné police:**
Vajcia, maslo
- 6 **Prostredné dverné police:**
Dózy, dresingy, kečup, marmeláda
- 7 **Dolné dverné police (priečnik na nápoje):**
Nápoje vo fľašiach alebo sáčkoch

5.8.4 Príprava kociek ľadu

Kocky ľadu najlepšie zamrznú cez noc. V noci je chladnička menej zaťažená a agregát má väčšie rezervy.



Obr. 19



Obr. 20

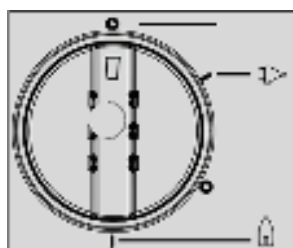
1. Misku na ľad naplňte pitnou vodou.
2. Misku na ľad vložte do mraziaceho priečniku.



VÝSTRAHA!

Používajte len pitnú vodu!

5.9 Vyradenie z prevádzky



Obr. 21



Obr. 22

- Nastavte prepínač energie (1) do polohy „VYP“. Zariadenie je vypnuté.
- Dvere nechajte na medzeru otvorené, aby ste zabránili tvorbe plesní v zariadení.
- Ak bude chladnička na dlhšiu dobu vyradená z prevádzky, zatvorte palubný uzatvárací ventil a ventil fľaše.

5.10 Odmrazenie

Časom sa na chladiacich rebrách vo vnútri chladničky vytvorí srieň. Môže sa vyskytnúť jednostranne hrubšia námraza a neznamená chybné fungovanie. Keď je vrstva námrazy hrubá asi 3 mm, treba rozmraziť chladničku.

- Chladničku vypnite podľa opisu v bode 5.9 Vyradenie z prevádzky.
- Vyberte von všetky potraviny a misku na ľad.
- Nechajte dvere chladničky otvorené, aby ste dnu vpustili vzduch a zabránili tvorbe plesní.
- Po odmrazení utrite obidva chladiace priečinky (mraziaci priečinok a chladiace rebrá sú bez námrazy) dosucha utierkou.

Poznámky: Rozmrazená voda v hlavnom chladiacom priečinku vyteká do zbernej nádrže na zadnej strane zariadenia. Tam sa voda vyparí.

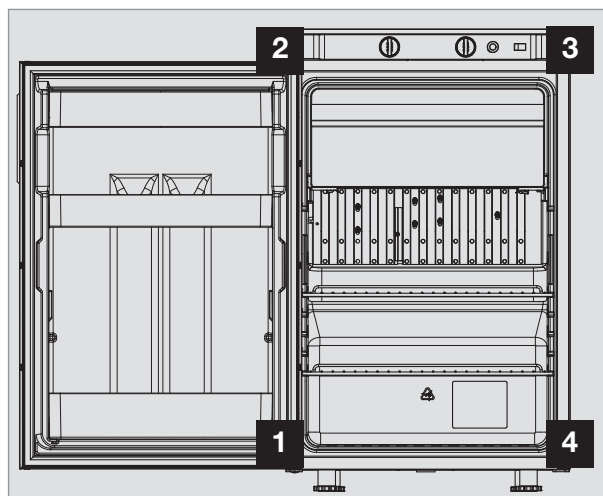
OPATRNE!

Vrstva námrazy sa nikdy nesmie odstraňovať násilím alebo sa odmrazovanie nesmie urýchľovať žiaričom!

5.11 Výmena dorazu dverí



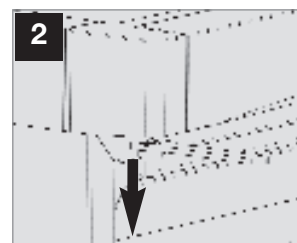
Ak by pritom bolo potrebné chladničku nakloniť alebo položiť na bok, počkajte hodinu, skôr než bude chladnička uvedená do prevádzky. Chladiaca kvapalina sa znovu nahromadí v zásobnej nádrži chladiaceho agregátu. Tým sa zaručí správna prevádzka chladničky.



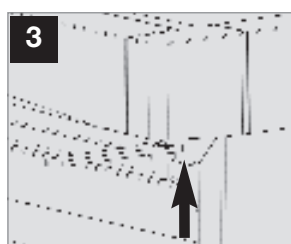
Obr. 23



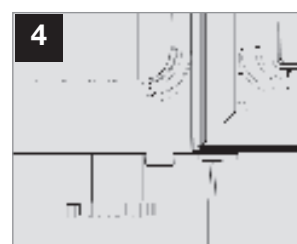
Obr. 24



Obr. 25



Obr. 26

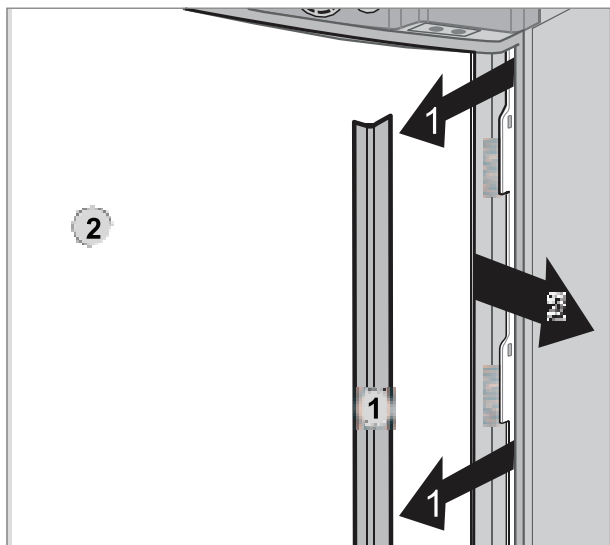


Obr. 27

- Otvorte dvere, povolte skrutky závesu a uschovajte ich.
- Dvere odoberte smerom dopredu.
- Uvoľnite kolík závesu a naskrutkujte na opačnú stranu.
- Dištančnú podložku premiestnite na spodný záves.
- Dvere zasuňte do horného kolíka závesu a nasadte na dolný záves.
- Zaskrutkujte skrutku závesu.
- Dbajte na to, aby sa dverami dalo voľne pohybovať a aby tesnenie dverí priliehalo po celom obvode.

5.12 Výmena dekoračnej platne

- Stiahnite bočnú lištu (1) dverí (lišta je nasadená, nie priskrutkovaná)
- Zasuňte dekoračnú platňu (2) do dverí a znovu nasadte lištu (1).



Obr. 28

Rozmery dekoračnej platne:

Výška	743 +/- 0,75 mm
Šírka	504 +/- 0,5 mm
Hrúbka	min. 1.0 mm max. 1.7 mm

5.13 Správanie pri poruchách

Skôr než sa obrátite na autorizované služby zákazníkom, skontrolujte, či:

- ste správne dodržali pokyny v časti „Obsluha chladničky“.
- chladnička stojí vodorovne.
- je možné prevádzkovať chladničky s niektorým dostupným zdrojom energie.

Porucha: Chladnička nechladí dostatočne.

Možná príčina	Pomoc
- Vetracie agregátu nie je dostatočné.	- Skontrolujte, či vetracia mriežka agregátu nie je zakrytá.
- Nastavenie termostatu je príliš nízke.	- Nastavte regulátor termostatu na vyššiu polohu.
- Dodatočný výparník je silno namrazený.	- Skontrolujte, či sa dvere chladničky správne zatvárajú.
- V krátkej dobe bolo vložených priveľa teplých potravín.	- Teplé potraviny pred uskladnením nechajte vychladnúť.
- Zariadenie je v prevádzke len krátko.	- Po cca 4-5 hodinách skontrolujte, či chladiaci priestor chladí.
- Teploty okolia sú príliš vysoké.	- Vyvetrajte priestor.

Porucha: Chladnička nechladí v prevádzke na plyn.

Možná príčina	Pomoc
- Plynová fľaša je prázdna.	- Vymeňte plynovú fľašu.
- Predradené uzatváracie zariadenie je zatvorené.	- Otvorte uzatváracie zariadenie.
- Vo vedení sa nachádza vzduch.	- Zariadenie vypnite a znovu zapnite. Postup príp. 3 až 4-krát zopakujte.

Porucha: Chladnička nechladí v prevádzke na 230 V.

Možná príčina	Pomoc
- Chybná poistka.	- Vložte novú poistku.
- Napájanie zo siete nie je pripojené.	- Vytvorte pripojenie k sieti.
- Ohrevný článok je chybný.	- Informujte služby zákazníkom spoločnosti Dometic.

Návod k obsluze

Absorpční chladnička

RGE 2100

Zde si poznačte:

Číslo modelu

Číslo výrobku

Sériové číslo



N 1

MBA 10/2015



Obsah

1.0	Obecně	4
1.1	Úvod	4
1.2	Pokyny k tomuto návodu k obsluze	4
1.3	Ochrana autorských práv	4
1.4	Vysvětlivky k použitým symbolům	4
1.5	Záruka	5
1.6	Omezení odpovědnosti	5
1.7	Zákaznický servis	5
1.8	Náhradní díly	5
1.9	Informace o ochraně životního prostředí	6
1.9.1	Likvidace	6
1.9.2	Pokyny pro úsporu energie	6
1.10	Prohlášení o shodě	6
2.0	Bezpečnostní pokyny	7
2.1	Použití v souladu s určením	7
2.2	Odpovědnost uživatele	7
2.3	Ochrana dětí po likvidaci přístroje	7
2.4	Práce na chladničce a její kontroly	7
2.5	Informace o chladiivu	8
2.6	Provoz chladničky na plyn	8
2.7	Bezpečnostní upozornění k uchovávání potravin	9
3.0	Popis modelu	10
3.1	Označení modelu	10
3.2	Typový štítek chladničky	10
3.3	Technické údaje	10
3.4	Vysvětlení chladničky	10
4.0	Instalace	11
4.1	Instalace a připojení	11
4.1.1	Elektrické připojení	11
4.1.2	Instalace plynové láhve	11
4.1.3	Plynová přípojka	12
4.2	Nasazení madla dveří	12
5.0	Provoz chladničky	13
5.1	Čištění	13
5.2	Údržba	13
5.3	Provoz na proud	13
5.4	Provoz na plyn	13
5.5	Obsluha	14
5.5.1	Vysvětlení ovládacích prvků	14
5.5.2	Provoz na proud	14
5.5.3	Provoz na plyn (kapalný plyn)	15
5.5.4	Nastavení teploty v chladicím prostoru	15
5.6	Umístění odkládacích roštů	15
5.7	Vyjímatelná mrazicí přihrádka	16
5.8	Ukládání potravin a příprava ledových kostek	16
5.8.1	Ukládání potravin do chladicího prostoru	16
5.8.2	Ukládání potravin do mrazicí přihrádky	16
5.8.3	Přihrádky chladničky	17
5.8.4	Příprava ledových kostek	17
5.9	Odstavení z provozu	17

5.10	Odmrazování	18
5.11	Výměna dorazu dveří	18
5.12	Výměna dekorativního panelu.....	19
5.13	Chování v případě poruch	20

Dometic GmbH
In der Steinwiese 16
D-57074 Siegen

www.dometic.com

© Dometic GmbH - 2012. - změny vyhrazeny

1.0 Obecně

1.1 Úvod

Tato absorpční chladnička od společnosti **Dometic** je skvělou volbou. Jsme přesvědčeni, že s Vaší novou chladničkou budete v každém ohledu spokojeni. Bezhlučně pracující chladnička vyhovuje přísným požadavkům na kvalitu a zaručuje efektivní využívání zdrojů a energie po celou dobu životního cyklu – při výrobě, používání i likvidaci.

1.2 Pokyny k tomuto návodu k obsluze

Před uvedením chladničky do provozu si pečlivě přečtěte tento návod k obsluze.

Tento návod vám poskytne informace nezbytné pro správné používání Vaší chladničky. **Zvláštní pozornost věnujte bezpečnostním pokynům.** Respektování upozornění a pokynů je důležité pro bezpečné používání chladničky a k její ochraně před poškozením. Před prováděním jakýchkoli opatření je nutné porozumět přečtenému textu.

Tento návod k obsluze pečlivě uschovejte v blízkosti chladničky, aby do něj bylo možné vždy nahlédnout.

1.3 Ochrana autorských práv

Informace, texty a ilustrace v tomto návodu jsou chráněny autorskými právy a podléhají právům k průmyslovému vlastnictví. Žádná část tohoto návodu nesmí být bez písemného souhlasu společnosti Dometic GmbH, Siegen, reprodukována, kopírována ani jinak využívána.

1.4 Vysvětlivky k použitým symbolům

Výstražná upozornění

Výstražná upozornění jsou označena symboly. Stupeň ohrožení vysvětluje doplňkový text.

Výstražných upozornění dbejte s maximální přesností. Sami sebe, ostatní osoby i přístroj tak ochráníte před poškozením.



NEBEZPEČÍ!

NEBEZPEČÍ označuje bezprostředně nebezpečnou situaci, která v případě nedodržení uvedených pokynů povede ke smrti nebo závažnému poranění.



VÝSTRAHA!

VÝSTRAHA označuje možnou nebezpečnou situaci, která v případě nedodržení uvedených pokynů může vést ke smrti nebo závažnému poranění.



OPATRNĚ!

OPATRNĚ označuje možnou nebezpečnou situaci, která v případě nedodržení uvedených pokynů může vést k lehkému nebo středně závažnému poranění.

OPATRNĚ!

OPATRNĚ bez bezpečnostního symbolu označuje možnou nebezpečnou situaci, která v případě nedodržení uvedených pokynů může vést k poškození přístroje.

Informace



INFORMACE obsahují doplňující a užitečné pokyny k manipulaci s chladničkou.

Informace o ochraně životního prostředí



INFORMACE O OCHRANĚ ŽIVOTNÍHO PROSTŘEDÍ poskytují užitečné pokyny k úspoře energie a likvidaci přístroje.

1.5 Záruka

Záruční proces je v souladu s evropskou směrnicí č. 44/1999/ES a podmínkami obvyklými v dané zemi. V případě záruky nebo servisu se obraťte na náš zákaznický servis. Na poruchy způsobené chybnou obsluhou se záruka nevztahuje. Jakékoliv úpravy přístroje nebo použití náhradních dílů, které nejsou **originální náhradní díly Dometic**, a nedodržení návodu k montáži a obsluze má za následek zánik záruky a vyloučení nároků z odpovědnosti za škodu.

1.6 Omezení odpovědnosti

Všechny údaje a pokyny v tomto návodu k obsluze byly vypracovány s ohledem na platné normy a předpisy a aktuální stav techniky. **Dometic** si vyhrazuje právo provádět jakékoliv úpravy výrobku, které jsou vhodné v zájmu zdokonalení výrobku a bezpečnosti.

Dometic neodpovídá za škody vzniklé v důsledku následujícího:

- Nedodržení návodu k obsluze
- použití v rozporu s určením;
- Použití neoriginálních náhradních dílů
- Změny a zásahy na přístroji
- působení vlivů prostředí, např.
 - teplotní změny;
 - Vlhkost vzduchu

1.7 Zákaznický servis

Informace o autorizovaných místech zákaznického servisu získáte na telefonních číslech uvedených v sešitu Euro Service Network, jenž je přiložen ke každé chladničce.

Informace o nejbližších servisních partnerech naleznete také na internetové adrese www.dometic.com. Při kontaktu se zákaznickým servisem vždy prosím uveďte model, číslo výrobku, sériové číslo a případně i kód MLC! Tyto informace lze nalézt na typovém štítku uvnitř chladničky. Tyto údaje vám doporučujeme zapsat do připraveného pole na titulní straně tohoto návodu.

1.8 Náhradní díly

Náhradní díly zakoupíte na místech našeho zákaznického servisu. V Německu obdržíte náhradní díly také prostřednictvím call centra Dometic:

- Telefon 0180 53 66 384
- Fax 0180 53 66 385
- E-mail ersatzteile@dometic.de

Při kontaktu s call centrem vždy uveďte model a číslo výrobku! Tyto informace lze nalézt na typovém štítku uvnitř chladničky.

1.9 Informace o ochraně životního prostředí



V chladicím agregátu se jako chladivo používá čpavek (přírodní sloučenina vodíku a dusíku). V izolaci z polyuretanové pěny se jako hnací médium používá cyklopentan, jenž nepoškozuje ozónovou vrstvu.

1.9.1 Likvidace

Aby bylo zajištěno materiálové využití recyklovatelných obalových materiálů, musejí být dopraveny do sběrných systémů obvyklých v daném místě. Přístroj by měl být odevzdán v odpovídající firmě pro likvidaci odpadů, která zaručí využití recyklovatelných materiálů a řádnou likvidaci zbytků. K ekologickému vyprázdnění chladicího média ze všech agregátů absorpčních chladniček se musí používat vhodné likvidační zařízení.



Přístroje označené tímto symbolem musí být vráceny do místního sběrného místa pro likvidaci elektrických a elektronických zařízení. Tento výrobek nesmí být likvidován jako běžný domácí odpad.

Tyto chladničky od společnosti Dometic obsahují symbol na typovém štítku uvnitř přístroje.

1.9.2 Pokyny pro úsporu energie

- Při průměrné venkovní teplotě 25 °C stačí chladničku provozovat s termostatem v prostřední poloze.
- Je-li to možné, do chladničky vždy ukládejte předem vychlazené potraviny.
- Chladnička nesmí být vystavena přímému slunečnímu záření nebo jinému zdroji tepla (např. topení).
- Agregát chladničky musí mít zaručen neomezený oběh vzduchu.
- Odkládací rošty rozmístěte rovnoměrně v chladicím prostoru.
- Odkládací rošty a přihrádky nepřepĺňujte, abyste neomezili vnitřní oběh vzduchu.
- Mezi chlazenými potravinami a přídatným výparníkem („chladicími žebry“) ponechejte vzdálenost (asi 5–10 mm).

- Pravidelné odmrazování šetří energii (viz „5.10 Odmrazování“).
- Při vyndávání potravin z chladničky nechávejte dveře otevřené pouze po krátkou dobu.
- Chladničku do provozu uveďte asi 12 hodin před naplněním.

1.10 Prohlášení o shodě



2.0 Bezpečnostní pokyny

2.1 Použití v souladu s určením

Tato chladnička je určena pro volnou instalaci v uzavřených místnostech, jako jsou rekreační nebo lovecké chaty. Příklad je k tomuto použití schválen v souladu se směrnicí EU o spotřebičích plyných paliv 90/396/EHS. **Není vhodný pro montáž do silničních vozidel a plavidel.**

Chladničku používejte výhradně k chlazení a uchování potravin.



VÝSTRAHA!

Chladnička není určena k odbornému skladování léků. V této souvislosti dbejte pokynů uvedených na příbalovém letáku daného léku.

OPATRNĚ!

Chladničku nesmíte vystavit dešti.

2.2 Odpovědnost uživatele

Osoby, které používají tuto chladničku, musejí být obeznámeny s bezpečnou manipulací a znát pokyny v tomto návodu k obsluze.

Tento přístroj mohou používat děti od 8 let a osoby se sníženými fyzickými, sensorickými nebo mentálními schopnostmi, nebo osoby s nedostatkem zkušeností a/nebo znalostí, pokud budou pod dozorem nebo poučeny o bezpečném použití přístroje a porozuměly nebezpečím, která z použití výrobku vyplývají. Nenechávejte děti, aby si s přístrojem hrály! Čištění a uživatelskou údržbu nesmějí provádět děti. [EN 60335-2-24, 7.12]

2.3 Ochrana dětí po likvidaci přístroje



VÝSTRAHA!

Při likvidaci chladničky odmontujte její dveře a odkládací rošty ponechtejте uvnitř. Zamezte tak nechtěnému zavření osob a jejich udušení.

2.4 Práce na chladničce a její kontroly



VÝSTRAHA!

Práce na plynových a elektrických zařízeních a na zařízeních k odvodu zplodin smějí provádět jen autorizovaní odborní pracovníci. V případě neodborných opatření může dojít ke značným věcným škodám a/nebo ke značnému poškození zdraví osob.



NEBEZPEČÍ!



Netěsnost dílů a vedení, určených k vedení plynu, nikdy nekontrolujte pomocí otevřeného ohně!

Hrozí nebezpečí požáru a výbuchu.



VÝSTRAHA!

Nikdy neotevírejte absorpční chladicí agregát! Je pod vysokým tlakem!

Hrozí nebezpečí poranění!

2.5 Informace o chladivu

Jako chladicí prostředek slouží čpavek. Jedná se o přírodní sloučeninu, kterou obsahují také čisticí prostředky pro domácnost (1 litr salmiakového čisticího prostředku obsahuje až 200 gramů čpavku, tedy asi dvojnásobek množství, které je obsaženo v chladicím přístroji). Jako antikoroziní prostředek se používá chroman sodný (1,8 hmotnostního procenta rozpouštědla).

Jak se chovat při případném úniku (kvůli silnému zápachu jej snadno poznáte):

- Vypněte přístroj.
- Dobře provětrejte místnost.
- Informujte autorizovaný zákaznický servis.



Za účelem ochrany vaší bezpečnosti máme znalecky ověřeno, že při úniku chladiva nehrozí nebezpečí poškození zdraví.

2.6 Provoz chladničky na plyn

Provozní tlak musí bezpodmínečně odpovídat údajům na typovém štítku chladničky. Údaj o provozním tlaku uvedený na typovém štítku porovnejte s parametry redukčního ventilu na lahvi na zkapalněný plyn.

Chladnička se provozuje s níže uvedenými plyny a přívodními tlaky. Redukční ventily vložené mezi plynovou lahví a chladničkou musí odpovídat kategoriím uvedeným v následující tabulce.

Připojovací tlak a kategorie plynu

Kategorie	Tlak v mbar	PLYN
I3B / P(30)	30	Butan
	30	Propan
I3+ (28-30/37)	28–30	Butan
	37	Propan
I3B/P(50)	50	Butan
I3B/P(50)	50	Propan

Pokud cítíte plyn:

- Otevřete všechna okna a opusťte prostor.
- Nepoužívejte žádná elektrická zařízení a zamezte používání otevřeného ohně.
- Uzavřete ventil plynové láhve a nechejte jej uzavřený, dokud nebude závada odstraněna.
- Poradte se s autorizovanými odbornými pracovníky*.

* Autorizovaní odborní pracovníci

Autorizovaní odborní pracovníci jsou uznaní odborníci, kteří jsou na základě svého vzdělání a znalostí zárukou řádného provedení kontroly.

2.7 Bezpečnostní upozornění k uchovávání potravin

Pokyny k uchovávání potravin v chladničce:

Chladničky jakéhokoli druhu nedokáží zlepšit kvalitu potravin; maximálně dokáží po krátkou dobu zachovat kvalitu, jakou potraviny mají v okamžiku uložení do chladničky.

Při uchovávání potravin v chladničce berte zřetel na následující zvláštní podmínky:

- změny klimatických podmínek, jako jsou změny teploty;
- vysoká teplota v prostoru;
- chladnička namontována u okna a vystavena přímému slunečnímu záření;
- příliš rychlé uložení potravin krátce po uvedení přístroje do provozu.

V případě těchto zvláštních podmínek nemůže chladnička zaručit teplotu potřebnou pro rychle se kazící potraviny.

Mezi rychle se kazící potraviny patří všechny potraviny s uvedeným datem spotřeby a minimální teplotou při skladování ve výši 4 °C nebo méně, zejména maso, drůbež, ryby, uzeniny, hotová jídla.

- Syrové a vařené potraviny uchovávejte odděleně (např. v nádobkách, zabalené do hliníkové fólie apod.).
- Přebal jednotlivých obalů odstraňujte pouze tehdy, pokud i z jednotlivých obalů zjistíte všechny potřebné údaje, např. datum spotřeby.
- Chlazené potraviny nenechávejte příliš dlouho mimo chladničku.
- Potraviny s nejbližším datem spotřeby ukládejte dopředu.
- Zbylé množství opět zabalte a co nejrychleji spotřebujte.
- Před kontaktem s potravinami a po něm si umyjte ruce.
- Vnitřek chladničky čistěte v pravidelných intervalech.

Dodržujte pokyny a popisky týkající se data spotřeby, uvedené na přebalu potravin.

Dodržuje část „5.1 Čištění“ tohoto návodu.

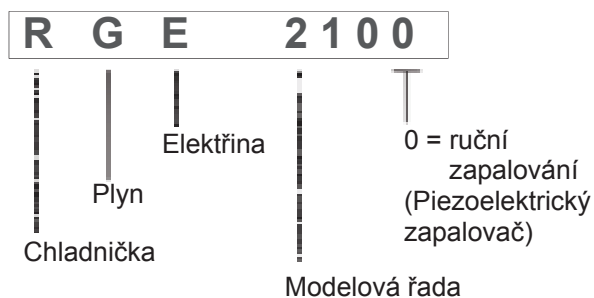


Výkon agregátu ovlivňují okolní podmínky. Pohybuje-li se okolní teplota v rozsahu od 15 °C do 25 °C, zvolte střední nastavení (viz „Nastavení teploty v chladicím prostoru“). Agregát pracuje v optimálním rozsahu výkonu.

Chladničky Dometic pracují na absorpčním principu. Absorpční systém ze své fyzikální podstaty pomaleji reaguje na změny regulátoru termostatu nebo na ztráty chladu při otevření dveří či ukládání potravin. Přístroje splňují požadavky na výkon v rámci klimatické třídy SN dle normy EN/ISO 7371 při okolních teplotách v rozsahu od 10 °C do 32 °C.

3.0 Popis modelu

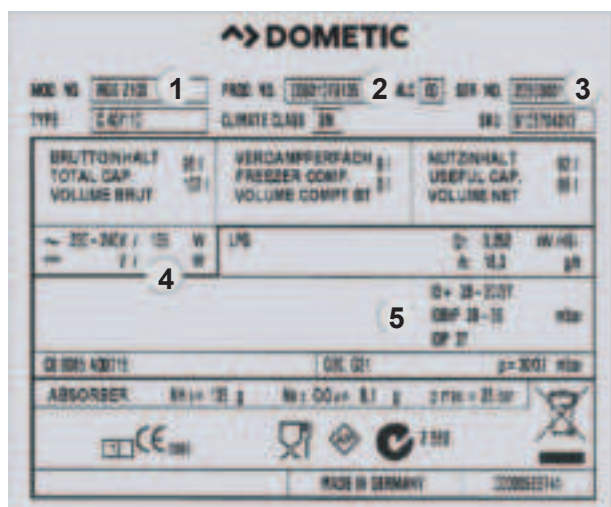
3.1 Označení modelu



Absorpční chladnička provozovaná na plyn nebo síťový proud

3.2 Typový štítek chladničky

Uvnitř chladničky naleznete typový štítek s údaji k chladničce. Obsahuje všechny důležité údaje o chladničce. Lze z něj vyčíst název modelu, číslo výrobku a sériové číslo. Tyto informace jsou zapotřebí vždy při kontaktu se zákaznickým servisem nebo objednávání náhradních dílů:



Příklad

Obr. 1

- 1 Číslo modelu
- 2 Číslo výrobku
- 3 Sériové číslo
- 4 Elektrické přípojné hodnoty
- 5 Tlak plynu

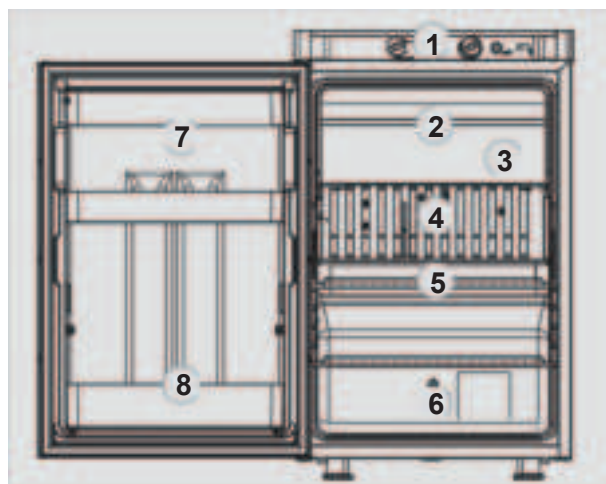
3.3 Technické údaje

Obsah brutto (litry)	100
Mrazicí přihrádka (litry)	9
Obsah brutto (vyjmutá mrazicí přihrádka) ..	106
Rozměry (mm)	
(V x Š x H)	859 x 531 x 558
Příkon (W)	125
Spotřeba plynu (30 / 50 mbar)	
g / 24 h*	270 / 360
Spotřeba elektrické energie	
kWh / 24 h*	2,5
Hmotnost netto (kg)	32,2
Zapálení plynu	Piezoelektrický zapalovač
Samostatná instalace	

Technické změny vyhrazeny.

*Průměrná spotřeba měřená při průměrné okolní teplotě 25 °C dle normy ISO.

3.4 Vysvětlení chladničky



Obr. 2

- 1 Ovládací prvky
- 2 Mrazicí přihrádka (vyjímatelná)
- 3 Vkládací mřížový rošt (volitelný, lze použít při vyjmuté mrazicí přihrádce)
- 4 Přídavný výparník pro chladicí prostor
- 5 Výpust vodního kondenzátu
- 6 Miska na zeleninu
- 7 Horní police s poklopem
- 8 Spodní police s držáky na láhve

4.0 Instalace

4.1 Instalace a připojení

Tato chladnička byla testována a schválena pro použití v uzavřených místnostech.

Při instalaci přístroje dodržujte následující body:

- Instalační místnost musí mít objem alespoň **20 m³**, musí být dobře větrána a vybavena otevíratelným oknem nebo dveřmi do venkovního prostoru.
- Chladnička musí být instalována volně stojící, tj. s minimální vzdáleností **50 mm** od sousedních stěn nebo skříní (**bez zabudování!**).
- Vzdálenost od zařízení umístěných nad chladničkou (skříně atd.) musí být nejméně **100 mm**.
- Umístěte přístroj vodorovně na pevný podklad.
- Chladnička nesmí být vystavena tepelnému záření horkých předmětů (např. sporák, topení).
- Chladicí agregát na zadní straně (pod krytem) musí být neustále dobře větrán. Agregát nezakrývejte (např. ručníky, závěsy).
Nedostatečné větrání vede ke ztrátám chladicího výkonu!
- Chladničku postavte s ochranou proti stříkající vodě. Také se ujistěte, že přístroj není před instalací a během ní vystaven dešti.

4.1.1 Elektrické připojení

- Napájení se musí shodovat s hodnotou uvedenou na typovém štítku. Při odchýlných hodnotách se přístroj může poškodit.
- Napájení přístroje pro elektrický provoz musí být provedeno přes zásuvku uzemněnou podle předpisů.
- V přívodním vedení musí být přítomen jistič.
- Síťový kabel musí být volně přístupný a nesmí se dostat do kontaktu s horkými částmi agregátu/hořáku.

OPATRNĚ!

Síťová zástrčka musí být volně přístupná!



OPATRNĚ!

Pokud je přívodní kabel poškozen, musíte jej nechat vyměnit zákaznickým servisem Dometic nebo rovněž kvalifikovanou osobou tak, aby nemohlo dojít k žádnému ohrožení.

4.1.2 Instalace plynové láhve

- Plynové láhve musí stát vzpřímeně.
- Plynovou láhev umístěte na dobře větraném místě.
- Plynovou láhev umístěte tak, aby byla snadno rozpoznatelná v případě požáru.
- Maximální vzdálenost plynové láhve od přístroje nesmí překročit 1,5 m.
- Lze použít pouze typy lahví a tlakové regulátory platné v příslušných zemích. V Německu se obvykle používají láhve o hmotnosti 5 kg nebo 11 kg s pevně zabudovaným odběrným ventilem nebo 3 kg láhve s vnitřním kulovým zpětným ventilem.

4.1.3 Plynová přípojka

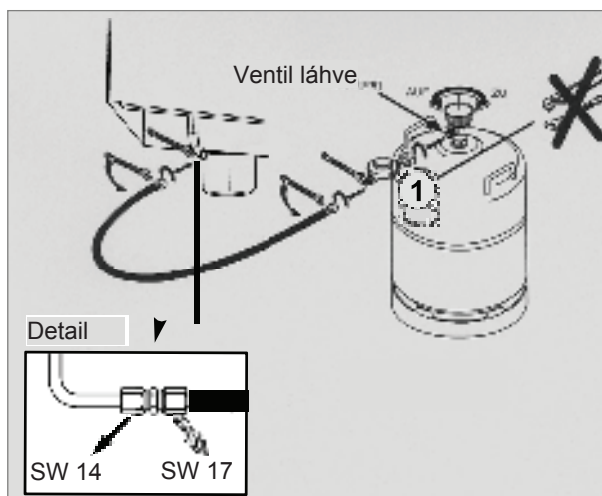
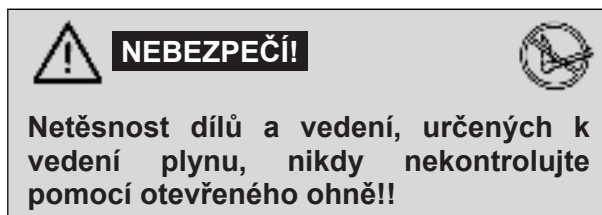
Chladnička je určena pouze k provozu se zkapalněným plynem, jako je například propan/butan. Za žádných okolností nepoužívejte svítiplyn, zemní plyn nebo LPG!

- Odborné připojení chladničky musí provádět autorizovaný odborník v souladu s Technickými pravidly pro zkapalněný plyn (TRF).
- Je nutné dodržet platné národní předpisy pro používání zařízení provozovaných na zkapalněný plyn.

V Německu to jsou:

- Technické předpisy pro zařízení na zkapalněný plyn v budovách;
- Pracovní list DVGW G 600 (DVGW-TRGI 86/96);
- Technická pravidla EN 732

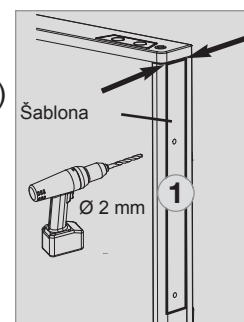
- Trvale nastavený tlakový regulátor (1), obr. 3 (redukční ventil) musí být instalován v přívodním vedení k přístroji. Chladničku používejte pouze pod tlakem uvedeným na typovém štítku.
- Chladnička musí být připojena k plynové láhvi pomocí bezpečnostního hadicového vedení (v Německu podle DIN 4815-2).
- Zvolte dostatečnou délku pro připojení hadicového vedení bez zalomení. Hadicové vedení nesmí být delší než 1,5 m.
- Plynová přípojka k přístroji se provede pomocí šroubení s řezným kroužkem (Ermeto) L8, DIN 2353-ST podle EN 1949.
- Připojení vedení svorkami/sponami není v Německu přípustné.
- Hadicové vedení musí být vyměněno v souladu s časovými intervaly stanovenými v příslušných národních předpisech (v Německu po 10 letech).
- Po připojení k plynové láhvi je nutné provést na všech spojení zkoušku těsnosti a také zkoušku plamenem hořáku. Pro zkoušení netěsností použijte sprej na hledání úniků nebo pěnotvorný prostředek. Zkontrolujte, zda se v místech spojení po otevření ventilu láhve netvoří bublinky.



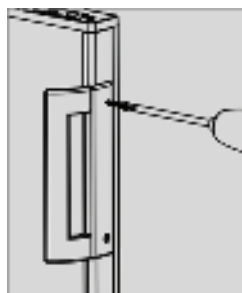
Obr. 3

4.2 Nasazení madla dveří

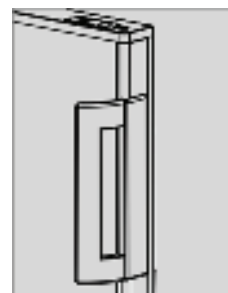
1. Upevňovací body:
Použijte šablonu podle měřítka (1) (viz bod 5.3.2)
2. Madlo dveří vyrovnejte a našroubujte na dveřích.



Obr. 4



Obr. 7



Obr. 6

3. Nasadte a pevně zatlačte kryt.

5.0 Provoz chladničky

Chladničku lze provozovat na dva druhy energie:

- **síťové napětí (230 V);**
- **plyn (zkapalněný propan/butan).**

Požadovaný druh energie se volí **volicími tlačítky energie** (obr. 7).



Chladnička pracuje bezhlučně.

Při prvním uvedení přístroje do provozu může dojít k tvorbě mírného zápachu, který zmizí po několika hodinách. Obytný prostor dobře provětrejte.

Přibližně za hodinu po zapnutí by se mrazicí přihrádka chladničky měla ochladit. Chladnička dosáhne své provozní teploty po několika hodinách.

5.1 Čištění

Než chladničku uvedete do provozu, doporučujeme přístroj zevnitř vyčistit a toto čištění pravidelně opakovat.

Použijte měkký hadřík a vlažnou vodu s jemným čisticím prostředkem. Chladničku následně omyjte čistou vodou a důkladně vysušte.

Aby nedošlo ke změnám materiálu, nepoužívejte mýdlo nebo silné čisticí prostředky ani čisticí prostředky v granulované formě a s obsahem sody. Těsnění dvířek nesmí přijít do styku s olejem nebo tukem.

5.2 Údržba



VÝSTRAHA!

Práce na plynových a elektrických zařízeních a na zařízeních k odvodu zplodin smějí provádět jen autorizovaní odborní pracovníci.

- Plynový hořák je nutné v případě potřeby, alespoň však jednou za rok, vyčistit. Uchovejte si doklady o údržbě provedené na chladničce.
- Po dlouhodobém vyřazení z provozu doporučujeme provést údržbu. K tomu účelu se obraťte na náš zákaznický servis.

5.3 Provoz na proud

OPATRNĚ!

Tento provozní režim volte pouze tehdy, pokud se parametry napájení elektrické přípojky shodují s hodnotou uvedenou na typovém štítku. Při odchýlných hodnotách se přístroj může poškodit.

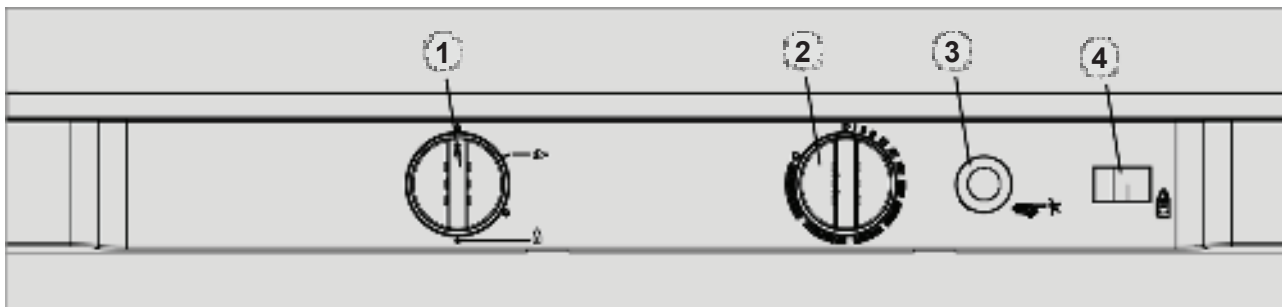
5.4 Provoz na plyn

- Chladnička se musí provozovat na zkapalněný plyn (propan, butan, nikoli zemní plyn či svítiplyn).
- Od nadmořské výšky asi 1000 m n.m. může při zapalování plynu z fyzikální podstaty docházet k poruchám (**nejedná se o chybné fungování!**).
- Při prvním uvedení do provozu a po výměně plynové láhve mohou plynová vedení obsahovat vzduch. Plynová vedení se odvzdušní krátkým uvedením chladničky do provozu. Plyn se zapaluje bez prodlevy.
- Všechny chladničky jsou vybaveny automatickou pojistkou při vyhasnutí plamene, která samočinně přeruší přívod plynu do cca 30 sekund po zhasnutí plamene.

5.5 Obsluha

5.5.1 Vysvětlení ovládacích prvků

Ruční volba druhu energie / ruční zapalování piezoelektrickým zapalovačem:



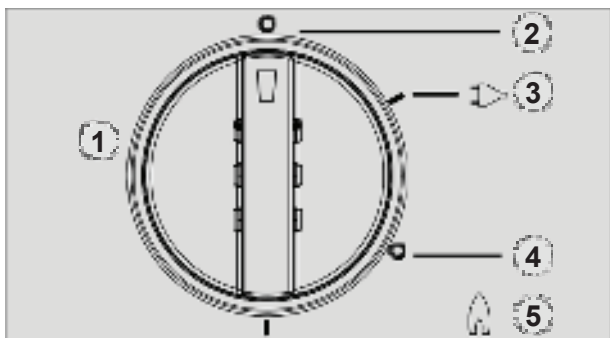
Obr. 7

- ① Spínač / volič typu napájení
- ② Regulátor teploty
- ③ Piezoelektrický zapalovač pro provoz na plyn
- ④ Indikátor plamene (galvanometr)

Vysvětlivka

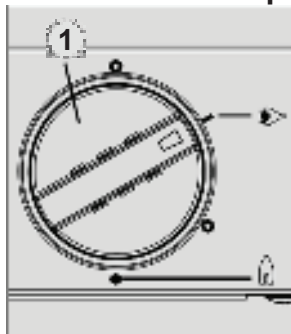
Požadovaný typ energie se nastaví otočením přepínače volby energie (1). Přepínač volby energie (1) má čtyři polohy:

- Vyp (2)
- Síťové napětí (230 V~) (3)
- Vyp (4)
- Plyn (zkapalněný propan/butan) (5)



Obr. 8

5.5.2 Provoz na proud



Obr. 9

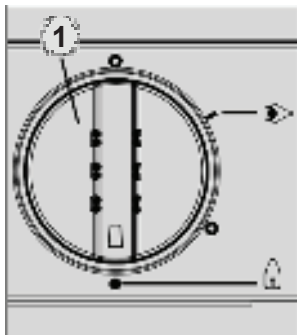
K zapnutí přístroje otočte přepínač volby energie (1) doprava do polohy:



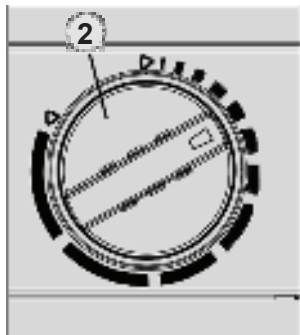
5.5.3 Provoz na plyn (kapalný plyn)

Před uvedením chladničky do provozu na plyn:

- Otevřete ventil plynové láhve.




Obr. 10

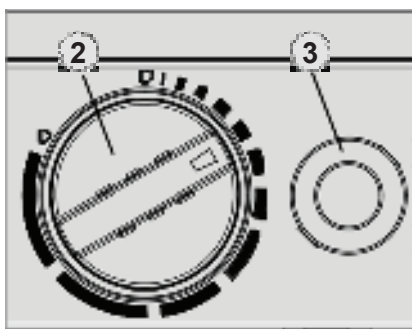


Obr. 11

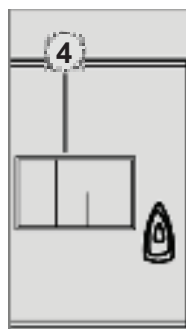
1. Nastavte otočný přepínač (1) do požadované polohy:

 pro provoz na plyn.

2. Otočte regulátor stupně teploty (2) doprava a stiskněte jej. Podržte regulátor stisknutý.



Obr. 12



Obr. 13

3. Stiskněte ovládací knoflík (3) několikrát v intervalu 1–2 sekund.
4. Ukazatel galvanometru (4) se po zapálení plamene přesune do zelené oblasti. Podržte otočný knoflík (2) stisknutý ještě asi 15 sekund a poté ho uvolněte. Chladnička je v provozu.

5.5.4 Nastavení teploty v chladicím prostoru



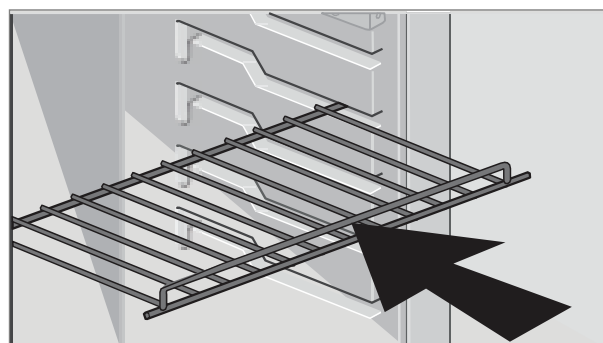
Obr. 14

Pomocí otočného knoflíku (2) vyberte teplotu v chladicím prostoru.

Stupnice začíná polohou **MIN** (malý sloupeček = nejvyšší teplota) a sahá až po polohu **MAX** (velký sloupeček = nejnižší teplota).

Upozorňujeme, že jednotlivým stupňům nejsou přiřazeny absolutní hodnoty teploty.

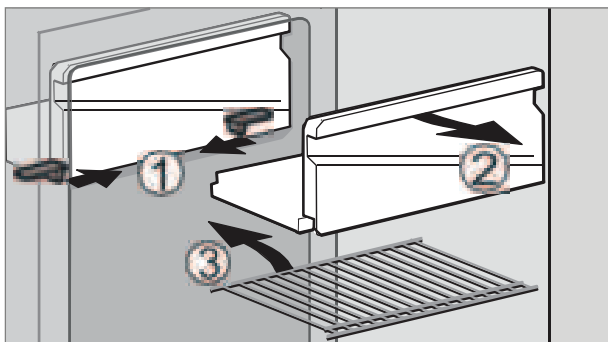
5.6 Umístění odkládacích roštů



Obr. 15

Odkládací rošty lze vytáhnout mírným zvednutím z vedení a libovolně umístit.

5.7 Vyjímatelná mrazicí přihrádka



Obr. 16

Ke zvětšení chladicího prostoru lze mrazicí přihrádku vyjmout:

1. Mrazicí přihrádku uvolněte po obou stranách.
2. Vytáhněte mrazicí přihrádku.

Mrazničku pečlivě uložte, aby se zamezilo poškození.



Když je mrazicí přihrádka vyjmutá, lze vložit další odkládací rošt (3.). Odkládací rošt je k dostání u společnosti **Dometic** jako zvláštní výbava.

5.8 Ukládání potravin a příprava ledových kostek

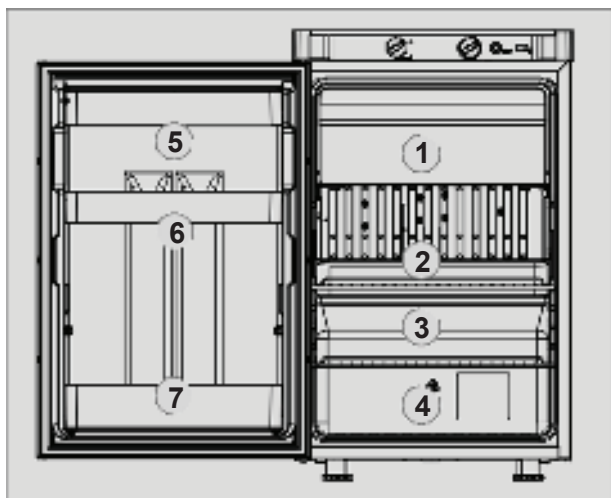
5.8.1 Ukládání potravin do chladicího prostoru

- Chladničku do provozu uveďte asi 12 hodin před naplněním.
- Do chladničky vždy vkládejte předem vychlazené potraviny. Již při nákupu a přepravě dejte pozor, aby potraviny byly dobře vychlazené. Používejte izolační tašky.
- Při vyndávání potravin z chladničky nechávejte dveře otevřené pouze po krátkou dobu.
- Potraviny musejí být zabalené, nejlépe v uzavřených nádobách, hliníkové fólii apod., a do chladničky se musejí ukládat odděleně, čímž se zamezí jejich vyschnutí a tvorbě zápachu.
- Do chladničky nikdy nedávejte teplé potraviny, nejprve je nechejte vychladnout.
- V chladničce se nesmějí skladovat potraviny, které mohou produkovat snadno těkavé, hořlavé plyny.
- Odkládací rošty a přihrádky nepřepĺňujte, abyste neomezili vnitřní oběh vzduchu.
- Mezi chlazenými potravinami a přídatným výparníkem („chladicími žebry“) ponechejte vzdálenost (asi 10 mm).
- Agregát chladničky musí mít zaručen neomezený oběh vzduchu. Ventilační mřížky se nesmějí zakrývat.

5.8.2 Ukládání potravin do mrazicí přihrádky

- V mrazicí přihrádce neskladujte sycené nápoje.
- Mraznička je vhodná pro výrobu ledových kostek a ke krátkodobému uchování mražených potravin. Není vhodná k trvalému mražení potravin.

5.8.3 Příhrádky chladničky

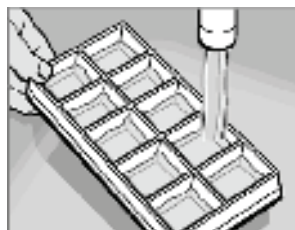


Obr. 18

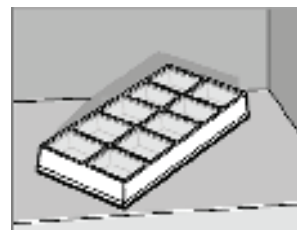
- 1 **Mrazicí přihrádka:**
již zmrazené potraviny (mražené potraviny)
- 2 **Prostřední přihrádka:**
mléčné výrobky, hotová jídla
- 3 **Spodní přihrádka:**
maso, ryby, zboží pro rozmrazování
- 4 **Zásuvka na zeleninu:**
salát, zelenina, ovoce
- 5 **Horní dveřní přihrádka:**
vejce, máslo
- 6 **Prostřední dveřní přihrádka:**
plechovky, zálivky, kečup, marmelády
- 7 **Spodní dveřní přihrádka (přihrádka na nápoje):**
Nápoje v lahvích nebo sáčcích

5.8.4 Příprava ledových kostek

Ledové kostky je nejlepší připravovat přes noc. V noci je chladnička méně zatěžována a agregát má větší rezervu.



Obr. 19



Obr. 20

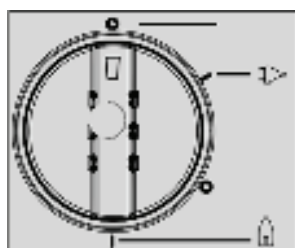
1. Misku na led naplňte pitnou vodou.
2. Misku na led postavte do mrazicí přihrádky.



VÝSTRAHA!

Používejte pouze pitnou vodu!

5.9 Odstavení z provozu



Obr. 21



Obr. 22

- Volič typu napájení (1) přepněte do polohy „VYP“. Příklad je vypnutý.
- Nechte dveře pootevřené, aby nedošlo k tvorbě plísňe uvnitř přístroje.
- Je-li chladnička delší dobu mimo provoz, zavřete palubní uzavírací ventil a ventil láhve.

5.10 Odmrazování

Postupem času se na chladicích žebrech uvnitř chladničky tvoří námraza. Námraza může být na jedné straně silnější. Neznamená to, že by přístroj nefungoval. Pokud je tato vrstva námrazy silná asi 3 mm, měli byste chladničku odmrazit.

- Chladničku vypněte tak, jak je to popsáno v bodě 5.9 Uvedení mimo provoz.
- Vyndejte všechny potraviny a misku na led.
- Nechejte otevřené dveře chladničky, aby do ní proudil vzduch a zamezilo se tvorbě plísní.
- Po odmrazení (na mrazicí přihrádce a chladicích žebrech není námraza) obě chladicí přihrádky utěrkou otřete dosucha.

Poznámka: Voda z odmrazování hlavní chladicí přihrádky stéká do záchytné nádoby na zadní straně přístroje. Z ní se voda odpařuje.

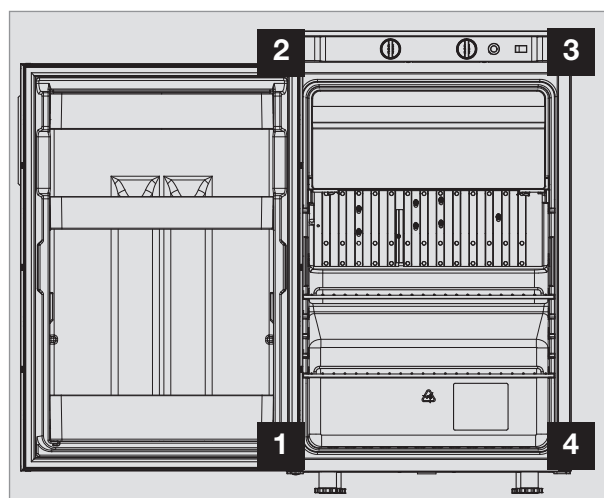
OPATRŇE!

Námraza se nikdy nesmí odstraňovat násilím. Odmrazování se rovněž nesmí urychlovat teplotometem!

5.11 Výměna dorazu dveří



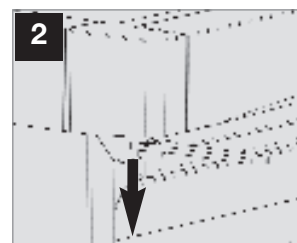
Pokud by bylo nutné sklopit nebo položit chladničku na stranu, počkejte před uvedením chladničky do provozu jednu hodinu. Chladicí kapalina se opět nahromadí v zásobní nádrži chladicího agregátu. Je tak zaručen správný provoz chladničky.



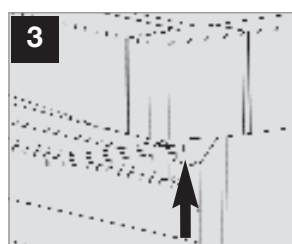
Obr. 23



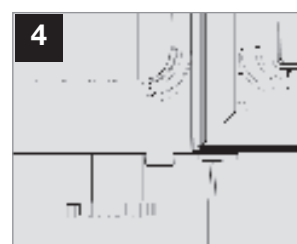
Obr. 24



Obr. 25



Obr. 26

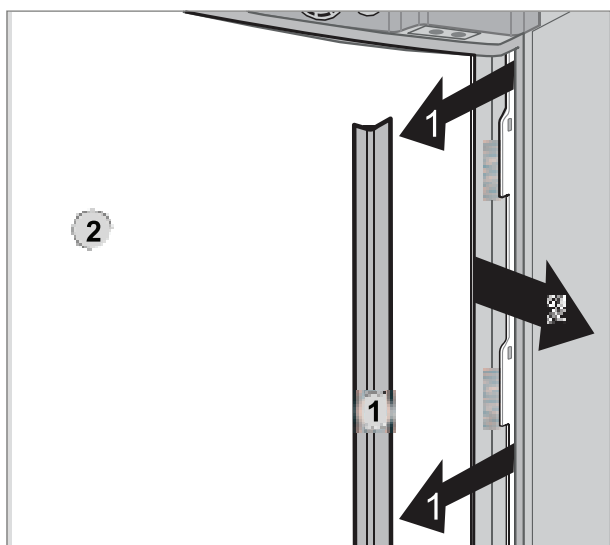


Obr. 27

- Otevřete dveře, povolte šroub závěsu a uschovejte jej.
- Dveře sejměte směrem dopředu.
- Povolte čep závěsu a našroubujte jej na druhou stranu.
- Posuňte distanční podložku na dolním závěsu.
- Dveře zasuňte do horního čepu závěsu a položte na dolní závěs.
- Našroubujte šroub závěsu.
- Ujistěte se, že dveře se mohou volně pohybovat a že těsnění dveří dosedá po obvodu.

5.12 Výměna dekorativního panelu

- Stáhněte boční lištu (1) dveří (lišta je do nich zasunuta, není přišroubována)
- Do dveří zasuňte dekorativní panel (2) a znovu nasadte lištu (1).



Obr. 28

Rozměry dekorativního panelu:

Výška	743 +/- 0,75 mm
Šířka	504 +/- 0,5 mm
Tloušťka	min. 1,0 mm max. 1,7 mm

5.13 Chování v případě poruch

Než informujete autorizovaný zákaznický servis, zkontrolujte, zda:

- jste správně dodrželi pokyny uvedené v části „Obsluha chladničky“;
- chladnička se nachází ve vodorovné poloze;
- je možné chladničku provozovat na některý z dostupných druhů energie.

Závada: Chladnička dostatečně nechladí.

Možná příčina	Náprava
- Nedostatečná ventilace agregátu.	- Zkontrolujte, zda nejsou zakryté ventilační mřížky.
- Termostat nastaven na příliš nízkou hodnotu.	- Regulátor termostatu nastavte do vyšší polohy.
- Příliš silná námraza na sekundárním výparníku.	- Zkontrolujte, zda se správně dovírají dveře chladničky.
- Do chladničky jste během krátké doby uložili příliš mnoho teplých potravin.	- Teplé potraviny nechejte před uložením do chladničky vychladnout.
- Přístroj není dostatečně dlouho v provozu.	- Asi za 4–5 hodin zkontrolujte, zda je v chladicím prostoru dostatečně chladno.
- Příliš vysoká okolní teplota.	- Vyvětrejte místnost.

Závada: Chladnička nechladí v provozu na plyn.

Možná příčina	Náprava
- Prázdная plynová láhev.	- Vyměňte plynovou láhev.
- Zavřeno uzavírací zařízení před přístrojem.	- Otevřete uzavírací zařízení.
- Ve vedení je přítomen vzduch.	- Přístroj vypněte a znovu zapněte. Postup případně 3–4krát opakujte.

Závada: Chladnička nechladí v provozu na 230 V.

Možná příčina	Náprava
- Vadná pojistka.	- Vložte novou pojistku.
- Není připojeno síťové napájení.	- Obnovte síťové spojení.
- Vadný topný prvek.	- Informujte zákaznický servis společnosti Dometic.

Upute za postavljanje i uporabu

Apsorpcijski hladnjak

RGE 2100

Zabilježite ovdje:

Broj modela

Broj proizvoda

Serijski broj



N 1-1

MBA 12/2012

HR

Sadržaj

1.0	Općenito	4
1.1	Uvod	4
1.2	Napomene o ovim uputama za uporabu	4
1.3	Zaštita autorskih prava	4
1.4	Objašnjenje upotrijebljenih simbola	4
1.5	Jamstvo	5
1.6	Ograničenje odgovornosti	5
1.7	Servisna služba	5
1.8	Rezervni dijelovi	5
1.9	Ekološke napomene	6
1.9.1	Zbrinjavanje	6
1.9.2	Napomene za uštedu energije	6
1.10	Izjava o sukladnosti	6
2.0	Sigurnosne napomene	7
2.1	Namjenska uporaba	7
2.2	Korisnikova odgovornost	7
2.3	Zaštita djece nakon zbrinjavanja uređaja	7
2.4	Radovi i provjere na hladnjaku	7
2.5	Informacije o rashladnom sredstvu	8
2.6	Rad plinskog hladnjaka	8
2.7	Sigurnosne napomene za skladištenje namirnica	9
3.0	Opis modela	10
3.1	Opis modela	10
3.2	Natpisna pločica hladnjaka	10
3.3	Tehnički podaci	10
3.4	Objašnjenje hladnjaka	10
4.0	Instalacija	11
4.1	Postavljanje i priključivanje	11
4.1.1	Električni priključak	11
4.1.2	Postavljanje plinske boce	11
4.1.3	Priključak za plin	12
4.2	Postavljanje kvake na vratima	12
5.0	Rad hladnjaka	13
5.1	Čišćenje	13
5.2	Održavanje	13
5.3	Rad s električnom strujom	13
5.4	Rad s plinom	13
5.5	Rukovanje	14
5.5.1	Objašnjenje upravljačkih elemenata	14
5.5.2	Rad s električnom strujom	14
5.5.3	Rad s plinom (tekući plin)	15
5.5.4	Reguliranje temperature hladnjaka	15
5.6	Pozicioniranje polica	15
5.7	Pretinac za smrzavanje koji se može izvaditi	16
5.8	Spremanje namirnica i priprema kockica leda	16
5.8.1	Spremanje namirnica u hladnjak	16
5.8.2	Spremanje proizvoda u pretinac za smrzavanje	16
5.8.3	Pretinci hladnjaka	16
5.8.4	Priprema kockica leda	17
5.9	Stavljanje izvan rada	17

5.10	Odleđivanje.....	17
5.11	Zamjena graničnika vrata	18
5.12	Zamjena ploče s dekorom	18
5.13	Ponašanje u slučaju smetnji.....	19

Dometic GmbH
In der Steinwiese 16
D-57074 Siegen

www.dometic.com

© Dometic GmbH - 2012. - Pridržano pravo na izmjene

1.0 Općenito

1.1 Uvod

Ovaj apsorpcijski hladnjak proizvođača **Dometic** odličan je odabir. Uvjereni smo da ćete u svakom pogledu biti zadovoljni sa svojim novim hladnjakom. Hladnjak koji radi bešumno odgovara visokim zahtjevima po pitanju kvalitete i osigurava učinkovito iskorištavanje resursa i energije tijekom čitavog vijeka trajanja - tijekom proizvodnje, uporabe i zbrinjavanja.

1.2 Napomene o ovim uputama za uporabu

Prije nego što hladnjak pustite u rad, pomno pročitajte ove upute za uporabu.

Ove će vam upute pružiti potrebne napomene za ispravnu uporabu vašeg hladnjaka. **Posebno obratite pažnju na sigurnosne napomene.** Pridržavanje napomena i uputa za rukovanje važno je za siguran rad s vašim hladnjakom te vas i hladnjak štiti od štete. Prije nego što provedete neku mjeru, morate razumjeti što ste pročitali.

Ove upute za uporabu pomno čuvajte u blizini hladnjaka tako da ih u svakom trenutku možete upotrijebiti.

1.3 Zaštita autorskih prava

Podatci, tekstovi i slike u ovim uputama zaštićeni su autorskim pravima i podliježu zaštitnim pravima. Nijedan dio ovih uputa ne smije se reproducirati, kopirati niti na drugi način upotrebljavati bez pisana dopuštenja društva Dometic GmbH, Siegen.

1.4 Objašnjenje upotrijebljenih simbola

Upozorenja

Upozorenja su označena simbolima. Dopunski vam tekst objašnjava stupanj ugroze.

Pomno se pridržavajte tih upozorenja. Tako ćete sebe, druge osobe i uređaj zaštititi od štete.



OPASNOST!

OPASNOST označava neposredno prijetuću opasnu situaciju koja uzrokuje smrt ili najteže ozljede ako se ne pridržavate navedenih uputa.



UPOZORENJE!

UPOZORENJE označava moguću opasnu situaciju koja može uzrokovati smrt ili teške ozljede ako se ne pridržavate navedenih uputa.



OPREZ!

OPREZ označava moguću opasnu situaciju koja može uzrokovati lakše ili srednje teške ozljede ako se ne pridržavate navedenih uputa.

OPREZ!

OPREZ bez simbola upozorenja označava moguću opasnu situaciju koja može uzrokovati oštećenja uređaja ako se ne pridržavate navedenih uputa.

Informacija



INFORMACIJA vam pruža dodatne i korisne napomene za rukovanje vašim hladnjakom.

Ekološka napomena



EKOLOŠKA NAPOMENA vam daje korisne napomene o uštedi energije i zbrinjavanju uređaja.

1.5 Jamstvo

Uvjeti jamstva temelje se na europskoj direktivi 44/1999/EZ i nacionalnim uvjetima. U slučaju jamstva ili servisa obratite se našoj servisnoj službi. Jamstvo se ne odnosi na smetnje uzrokovane pogrešnim rukovanjem. Svaka izmjena na uređaju ili uporaba rezervnih dijelova koji nisu **originalni rezervni dijelovi proizvođača Dometic** kao i nepridržavanje uputa za ugradnju i uporabu uzrokuju gubitak jamstva i isključenje odgovornosti.

1.6 Ograničenje odgovornosti

Svi podatci i sve napomene u ovim uputama za uporabu sastavljeni su na temelju aktualnih normi i propisa te u skladu s najnovijim stanjem tehnike. **Dometic** pridržava pravo da u svakom trenutku na proizvodu provede izmjene u interesu poboljšanja proizvoda i sigurnosti.

Dometic ne preuzima odgovornost za štetu u slučaju:

- nepridržavanja uputa za uporabu
- nenamjenske uporabe
- uporabe neoriginalnih rezervnih dijelova
- izmjena i zahvata na uređaju
- djelovanja utjecaja iz okoline kao što su
 - promjene temperature
 - vlažnost zraka

1.7 Servisna služba

Ovlaštene servisne službe možete pronaći preko brojeva iz knjižice **Euro Service Network** koja je priložena svakom hladnjaku.

Svojem najbližeg servisnog partnera možete pronaći i na internetu na stranici **dometic.com**. Kada kontaktirate sa servisnom službom, uvijek navedite model, broj proizvoda, serijski broj te po potrebi kod MLC! Te ćete podatke pronaći na natpisnoj pločici u hladnjaku. Preporučujemo vam da te podatke unesete u za to predviđeno polje na naslovnici ovih uputa.

1.8 Rezervni dijelovi

Rezervni dijelovi mogu se naručiti od naših servisnih službi. Rezervne dijelove u Njemačkoj možete nabaviti i preko pozivnog centra Dometic:

- Telefon 0180 53 66 384
- Faks 0180 53 66 385
- E-pošta ersatzteile@dometic.de

Kada kontaktirate s pozivnim centrom, uvijek navedite model i broj proizvoda! Te ćete podatke pronaći na natpisnoj pločici u hladnjaku.

1.9 Ekološke napomene



U rashladnom se agregatu kao rashladno sredstvo upotrebljava amonijak (prirodan spoj vodika i dušika). Kao pogonsko sredstvo za izolaciju od PU-pjene upotrebljava se ciklopentan koji ne oštećuje ozon.

1.9.1 Zbrinjavanje

Kako biste osigurali uporabu oporabljivih ambalažnih materijala, valja ih odnijeti na lokalna skupljališta. Uređaj valja predati odgovarajućem poduzeću za zbrinjavanje koje će osigurati uporabu oporabljivih dijelova i propisno zbrinjavanje ostatka. Za ekološki prihvatljivo pražnjenje rashladnog medija iz svih agregata apsorpcijskog hladnjaka valja upotrijebiti prikladan sustav za zbrinjavanje.





Uređaje, koji su označeni ovim simbolom, valja predati na lokalno skupljalište za zbrinjavanje električnih i elektroničkih uređaja.

Ovaj se proizvod ne smije zbrinjavati preko običnog kućnog otpada. Ovi hladnjaci Dometic imaju simbol na natpisnoj pločici u unutrašnjosti uređaja.

1.9.2 Napomene za uštedu energije

- Kod prosječne vanjske temperature 25 °C dovoljno je da hladnjak radi sa srednjom postavkom termostata.
- Ako je moguće, u nj uvijek stavljajte ohlađenu robu.
- Hladnjak nemojte izlagati izravnom sunčevu zračenju niti drugom izvoru topline (npr. grijanju).
- Uvijek mora biti osigurana neometana cirkulacija zraka agregata hladnjaka.
- Police u hladnjaku rasporedite ravnomjerno.
- Nemojte prekomjerno puniti police niti pretince kako ne biste spriječili internu cirkulaciju zraka.
- Ostavite razmak između proizvoda koje hladite i isparivača („rashladnih rebara“, reevaporatora) (otprilike 5–10 mm).
- Redovito odleđivanje štedi energiju (v. „5.10 Odleđivanje“).
- Kada vadite proizvode, vrata hladnjaka otvorite samo nakratko.
- Hladnjak pustite u rad otprilike 12 sati prije punjenja.

1.10 Izjava o sukladnosti

 DOMETIC <small>cooling solutions</small>		
DECLARATION OF CONFORMITY		
according to		
EN 12147:2004 EN 12147:2004/A1:2006 EN 12147:2004/A2:2006		
DCC 300,300-4		
Type of equipment	Refrigerator	
Brand Name	DOMETIC	
Type family	C 40110	
Manufacturer's (Dometic) name	Dometic Group	
Address	W. 4th Street, St. Louis, MO 63103	
Telephone	314-241-1000	
Fax number	314-241-1000	
The following has been checked and found to be in accordance with the requirements of the applicable standards:		
EN 12147:2004/A1:2006 EN 12147:2004/A2:2006 EN 12147:2004 EN 12147:2004/A1:2006 EN 12147:2004/A2:2006 EN 12147:2004/A1:2006 EN 12147:2004/A2:2006 EN 12147:2004/A1:2006 EN 12147:2004/A2:2006 EN 12147:2004/A1:2006 EN 12147:2004/A2:2006		
The signature below completely identifies the checked and checked manufacturer's product.		
My signature below is a declaration of conformity with the CE mark and the CE mark is in accordance with the requirements of the applicable standards.		
Date	Signature	Position
11/2014		General Manager

2.0 Sigurnosne napomene

2.1 Namjenska uporaba

Ovaj je hladnjak predviđen za slobodno postavljanje u zatvorenim prostorijama kao što su kuće za odmor ili lov. Uređaj je prošao tipno ispitivanje za takvu primjenu u skladu s Direktivom o plinskom gorivu 90/396/EEZ. **Nije prikladan za ugradnju u cestovna vozila niti plovila.**

Hladnjak upotrebljavajte isključivo za hlađenje i skladištenje namirnica.



UPOZORENJE!

Hladnjak nije predviđen za propisno skladištenje lijekova. Za to se pridržavajte napomena na uputi o lijeku priloženoj samom lijeku.

OPREZ!

Hladnjak se ne smije izlagati kiši.

2.2 Korisnikova odgovornost

Osobe koje rukuju hladnjakom moraju biti upoznate sa sigurnim rukovanjem i poznavati napomene iz ovih uputa za uporabu.

Djeca starija od 8 godina kao i osobe smanjenih tjelesnih, senzoričkih i umnih sposobnosti ili osobe koje nemaju iskustva i/ili znanja mogu upotrebljavati ovaj uređaj ako su pod nadzorom ili ako su podučeni o sigurnoj uporabi uređaja te ako razumiju opasnosti koje mogu nastati uporabom. Djeca se ne smiju igrati uređajem. Djeca ne smiju obavljati čišćenje ni korisničko održavanje.[EN 60335-2-24, 7.12]

2.3 Zaštita djece nakon zbrinjavanja uređaja



UPOZORENJE!

U trenutku zbrinjavanja hladnjaka demontirajte sva vrata, a police ostavite u hladnjaku. Tako se sprečava slučajno zatvaranje u hladnjak i gušenje.

2.4 Radovi i provjere na hladnjaku



UPOZORENJE!

Radove na sustavima plina, ispušnih plinova i električnim sustavima smiju obavljati samo ovlašteni stručnjaci. Nestručne mjere mogu uzrokovati značajnu materijalnu štetu i/ili ozljede.



OPASNOST!



Nepropusnost dijelova koji provode plin i vodova nikada nemojte provjeravati otvorenim plamenom!

Postoji opasnost od požara ili eksplozije.



UPOZORENJE!

Nikada nemojte otvarati agregat apsorpcijskog hladnjaka! Nalazi se pod visokim tlakom.

Postoji opasnost od ozljeda!

2.5 Informacije o rashladnom sredstvu

Kao rashladno se sredstvo upotrebljava amonijak. To je prirodan spoj koji se nalazi i u sredstvima za čišćenje kućanstva (1 litra sredstva za čišćenje sa salmijakom sadrži do 200 g amonijaka, više nego dvostruko veću količinu od one u hladnjaku). Kao antikorozivno sredstvo upotrebljava se natrijev kromat (1,8 masenog postotka otapala).

Ovako postupite u slučaju eventualnog curenja (možete lako uočiti zbog snažnog mirisa):

- Isključite uređaj.
- Dobro prozračite prostoriju.
- Obavijestite ovlaštenu servisnu službu.



Radi vaše je sigurnosti pribavljeno stručno mišljenje da u slučaju izlaska rashladnog sredstva ne postoji opasnost po zdravlje.

2.6 Rad plinskog hladnjaka

Radni tlak obvezno mora odgovarati podatku na natpisnoj pločici hladnjaka. Podatak o radnom tlaku na natpisnoj pločici usporedite s podacima reduktora tlaka na boci tekućeg plina.

Hladnjak radi s plinovima i vrijednostima ulaznog tlaka navedenima u nastavku. Reduktor tlaka koji se nalazi između plinske boce i hladnjaka mora odgovarati kategorijama navedenima u sljedećoj tablici.

Priključni tlak i kategorije plina

Kategorija	Tlak u mbar	PLIN
I3B / P(30)	30	Butan
	30	Propan
I3+ (28-30/37)	28-30	Butan
	37	Propan
I3B/P(50)	50	Butan
I3B/P(50)	50	Propan

Ako primijetite miris plina:

- Otvorite sve prozore i izađite iz prostorije.
- Nemojte aktivirati nikakvu električnu napravu i izbjegavajte uporabu otvorena plamena.
- Zatvorite ventil plinske boce pa ga ostavite zatvorenim sve dok se pogreška na ukloni.
- Posavjetujte se s ovlaštenim stručnjacima*.

* ovlašteni stručnjaci

Ovlašteni su stručnjaci priznati stručnjaci koji na temelju svoje izobrazbe i znanja mogu osigurati propisno obavljanje ispitivanja.

2.7 Sigurnosne napomene za skladištenje namirnica

Upute za skladištenje namirnica u hladnjaku:

Hladnjaci svake vrste ne mogu poboljšati kvalitetu namirnica nego maksimalno održati kvalitetu namirnica u trenutku skladištenja tijekom kratkog razdoblja.

Pri čuvanju namirnica u hladnjaku obratite pažnju na sljedeće posebne uvjete:

- promjera klimatskih uvjeta kao što su promjene temperature
- visoka temperatura u prostoriji
- hladnjak je postavljen iza prozora i na izravnom sunčevu zračenju
- prebrzo skladištenje robe kratko nakon puštanja uređaja u rad.

Kod ovih posebnih uvjeta hladnjak ne može osigurati potrebnu temperaturu za namirnice koje se brzo kvare.

Roba koja se brzo kvari obuhvaća sve proizvode s navedenim rokom uporabe i najnižom temperaturom čuvanja od +4 °C ili manjom, a posebno meso, perad, ribu, kobasice i gotova jela.

- Sirovu i termički obrađenu robu pakirajte odvojeno (npr. posude, aluminijska folija i sl.).
- Vanjsku ambalažu oko pojedinačnih pakovina uklonite samo ako su na pojedinačnim
- pakovinama vidljivi svi potrebni podatci kao što su npr. rok uporabe.
- Ohlađenu robu nemojte predugo ostavljati izvan hladnjaka.
- Namirnice s najranijim rokom uporabe stavite naprijed.
- Ostatke ponovno zapakirajte i što prije potrošite.
- Prije i nakon dodirivanja namirnica operite ruke.
- Redovito čistite unutrašnjost hladnjaka.

Obratite pažnju na napomene i opise za rok uporabe na ambalaži robe.

U ovim uputama obratite pažnju na odlomak „5.1 Čišćenje“

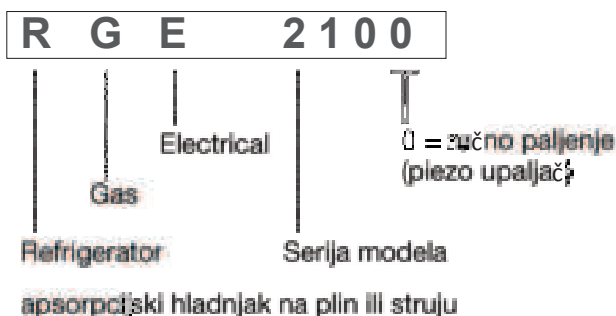


Uvjeti okoline utječu na snagu agregata. Ako su temperature okoline između +15 °C i +25 °C, odaberite srednju snagu (usp. „Namještanje temperature hladnjaka“). Agregat radi u optimalnom području snage.

Hladnjaci Dometic rade po principu apsorpcije. Zbog fizikalnih svojstava apsorpcijski sustav inertno reagira na promjene regulatora termostata, gubitak hladnoće pri otvaranju vrata ili skladištenje robe. Uređaji ispunjavaju zahtjeve za snagom razreda klime SN prema normi EN/ISO 7371 u području temperature od +10 °C do +32 °C temperature okoline.

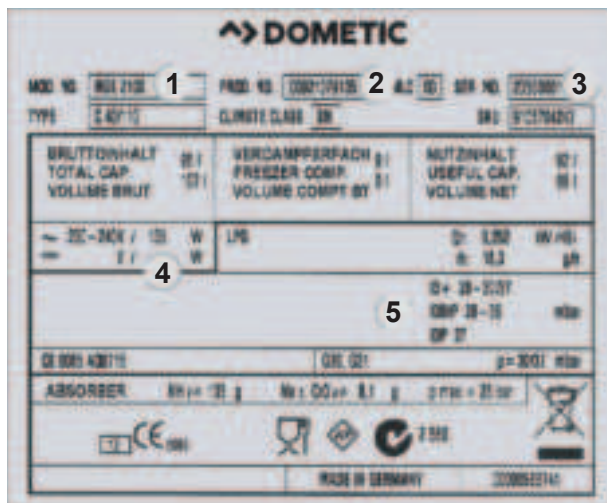
3.0 Opis modela

3.1 Opis modela



3.2 Natpisna pločica hladnjaka

U hladnjaku ćete pronaći natpisnu pločicu hladnjaka. Na njoj se nalaze svi važni podatci o hladnjaku. Ondje možete očitati naziv modela, broj proizvoda i serijski broj. Ti su vam podatci potrebni pri svakom kontaktu sa servisnom službom ili pri naručivanju rezervnih dijelova.



Primjer

Sl. 1

- ① Broj modela
- ② Broj proizvoda
- ③ Serijski broj
- ④ Električne vrijednosti priključka
- ⑤ Tlak plina

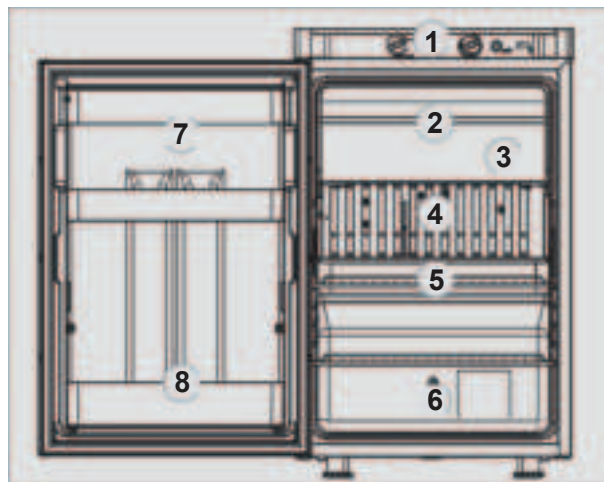
3.3 Tehnički podaci

Bruto zapremnina (litara)	100
Pretinac za zamrzavanje (litara)	9
Bruto zapremnina (bez pretinca za zamrzavanje)	106
Dimenzije (mm) (v x š x dub)	859 x 531 x 558
Priključna snaga (W)	125
Potrošnja plina (30 / 50 mbar) g / 24 h*	270 / 360
Potrošnja struje kWh / 24 h*	2,5
Neto težina (kg)	32,2
Plinsko paljenje	Piezo upaljač
Samostojeće postavljanje	

Pridržano pravo na tehničke izmjene.

*Prosječna potrošnja mjerena na prosječnoj temperaturi okoline od 25 °C u skladu s normom ISO.

3.4 Objašnjenje hladnjaka



Sl. 2

- ① Upravljački elementi
- ② Pretinac za zamrzavanje (uklonjiv)
- ③ Rešetkasta polica (opcija, može se staviti kada je pretinac za zamrzavanje uklonjen)
- ④ Isparivač (reevaporator) za rashladnu komoru
- ⑤ Žlijeb za odvod vode
- ⑥ Posuda za povrće
- ⑦ Gornja polica sa zaklopkom
- ⑧ Donja polica s držačem za boce

4.0 Instalacija

4.1 Postavljanje i priključivanje

Ovaj je hladnjak ispitan i odobren za uporabu u zatvorenim prostorijama.

Pri postavljanju uređaja obratite pažnju na sljedeće točke:

- Prostorija postavljanja mora biti zapremnine najmanje **20 m³**, imati dobru ventilaciju kao i prozor ili vrata koji se otvaraju na otvoreno.
- Hladnjak valja postaviti samostalno, tj. s minimalnim razmakom od **50 mm** od susjednih zidova ili ormara (**ne ugraditi!**).
- Razmak od naprava (ormara itd.) mora iznositi najmanje **100 mm**.
- Uređaj stavite vodoravno na čvrstu podlogu.
- Hladnjak ne smije biti izložen toplinskom zračenju vrućih predmeta (npr. štednjak, grijanje).
- Rashladni agregat na stražnjoj strani (ispod poklopca) uvijek mora biti dobro ventiliran. Nemojte pokrivati agregat (npr. ručnici, zavjese).
Nedovoljna ventilacija uzrokuje smanjenje snage hlađenja!
- Hladnjak postavite tako da bude zaštićen od prskanja vode. Pazite da uređaj prije i tijekom postavljanja nije izložen kiši.

4.1.1 Električni priključak

- Opskrba električnom energijom mora se podudarati s vrijednošću navedenom na natpisnoj pločici. Ako vrijednosti odstupaju, uređaj se može oštetiti.
- Opskrba uređaja električnom energijom za električni rad mora ići preko propisno uzemljene utičnice.
- U dolaznomvodu mora biti prisutan automatski osigurač.
- Mrežni kabel mora biti dostupan u svakom trenutku i ne smije doći u dodir s vrućim dijelovima agregata/plamenika.

OPREZ!

Mrežni utikač mora biti dostupan.



OPREZ!

Ako se priključni vod ošteti, mora ga zamijeniti servisna služba proizvođača Dometic ili jednako kvalificirano osoblje kako bi se izbjegla opasnost.

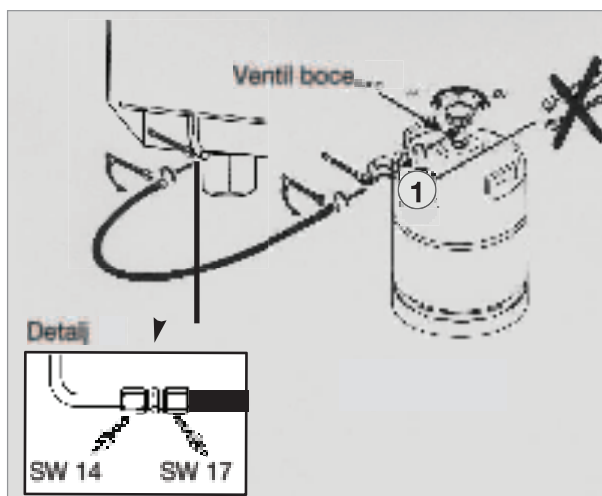
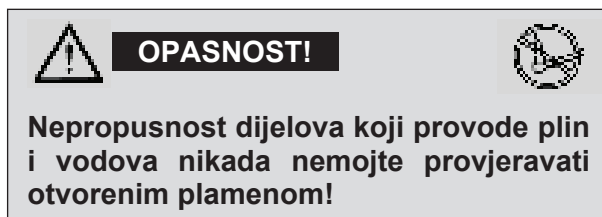
4.1.2 Postavljanje plinske boce

- Plinske boce moraju stajati uspravno.
- Plinsku bocu stavite na mjesto s dobrom ventilacijom.
- Plinsku bocu stavite tako da je možete lako uočiti u slučaju požara.
- Maksimalna udaljenost plinske boce do uređaja ne smije biti veća od 1,5 m.
- Smiju se upotrebljavati samo tipovi boca i naprave za regulaciju tlaka dopušteni u dotičnoj zemlji. U Njemačkoj se obično upotrebljavaju boce od 5 kg ili 11 kg s fiksno ugrađenim ispusnim ventilom ili boce od 3 kg s unutarnjim stožastim nepovratnim ventilom.

4.1.3 Priključak za plin

Hladnjak je predviđen isključivo za rad s tekućim plinom kao što je propan/butan. Nipošto nemojte upotrebljavati gradski plin, zemni plin niti autopljin!

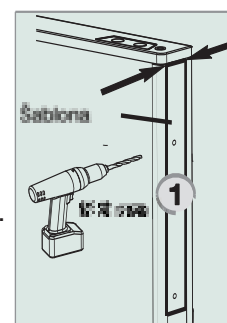
- Stručno priključivanje hladnjaka mora obaviti ovlašteni stručnjak u skladu Tehničkim pravilima za tekući plin (TRF).
- Valja se pridržavati nacionalnih propisa za uporabu uređaja na tekući plin. U Njemačkoj su to:
 - Tehnička pravila za sustave za tekući plin u zgradama,
 - Radni list DVGW-a G 600 (DVGW-TRGI 86/96),
 - Tehnička pravila EN 732
- U dolaznom vodu prema uređaju mora biti ugrađen fiksno namješten regulator tlaka **(1)**, sl. 3, (reduktor tlaka). Hladnjak ne smije raditi pod nikakvim drugim tlakom osim onoga koji je naveden na natpisnoj pločici.
- Hladnjak mora biti priključen na plinsku bocu pomoću sigurnosnog crijeva (u Njemačkoj u skladu s normom DIN 4815-2).
- Odaberite odgovarajuću duljinu kako biste isključili crijeva bez savijanja. Crijevo ne smije biti dulje od 1,5 m.
- Priključak za plin na uređaju izvodi se pomoću vijčanog spoja s odreznim prstenom (Ermeto) L8, DIN 2353-ST u skladu s normom EN 1949.
- U Njemačkoj nije dopušteno priključivanje voda stezaljkama/obujmicama.
- Crijevo valja zamijeniti u skladu s intervalima predviđenima nacionalnim odredbama (u Njemačkoj nakon 10 godina).
- Nakon priključivanja na plinsku bocu valja obaviti provjeru nepropusnosti na svim vijčanim spojevima te ispitati plamen plamenika. Za provjeru nepropusnosti upotrebljavajte raspršivač za traženje curenja ili sredstvo koje se pjenu. Nakon otvaranja ventila bove provjerite ima li na mjestima spoja mjehurića.



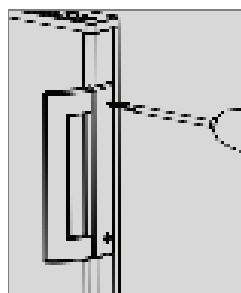
Sl. 3

4.2 Postavljanje kvake na vratima

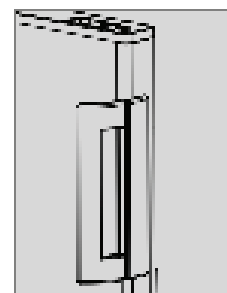
1. Točke učvršćenja: Upotrijebite šablonu s mjerilom **(1)** (v. točku 5.3.2)
2. Ručku poravnajte na vratima i vijčano učvrstite.



Sl. 4



Sl. 7



Sl. 6

3. Nataknite i pritisnite poklopac.

5.0 Rad hladnjaka

Hladnjak može raditi s dvjema vrstama energije:

- mrežni napon (230V)
- plin (tekući plin propan/butan)

Željena vrsta energije bira se pomoću **sklopke za odabir energije** (sl.7).



Agregat hladnjaka radi bešumno.

Pri prvom puštanju uređaja u rad može nastati miris koji će nestati nakon nekoliko sati. Dobro prozračite stambeni prostor.

Pretinac za duboko smrzavanje hladnjaka mora postati hladan otprilike sat vremena nakon uključanja. Hladnjak će nakon nekoliko sati postići svoju radnu temperaturu.

5.1 Čišćenje

Prije nego što hladnjak pustite u rad, preporučuje se da ga iznutra očistite te da redovito ponavljate.

Upotrijebite mekanu krpu i mlaku vodu s blagim sredstvom za čišćenje. Nakon toga uređaj isperite čistom vodom te ga dobro osušite.

Kako biste izbjegli promjene na materijalu, nemojte upotrebljavati sapun niti oštra, zrnata sredstva za čišćenje kao niti ona koja sadrže sodu. Brtvu vrata nemojte dovoditi u dodir s uljem niti mašću.

5.2 Održavanje



UPOZORENJE!

Radove na sustavima plina, ispušnih plinova i električnim sustavima smiju obavljati samo ovlašteni stručnjaci.

- Plinski plamenik valja po potrebi, a najmanje jedanput godišnje čistiti od nečistoće. Sačuvajte dokaze o obavljenom održavanju na vašem hladnjaku.
- Preporučujemo održavanje nakon duljeg razdoblja izvan pogona. Za to se obratite našoj servisnoj službi.

5.3 Rad s električnom strujom

OPREZI!

Ovu vrstu rada odaberite samo ako se vrijednost električnog priključka podudara s vrijednošću navedenoj na natpisnoj pločici. Ako vrijednosti odstupaju, uređaj se može oštetiti.

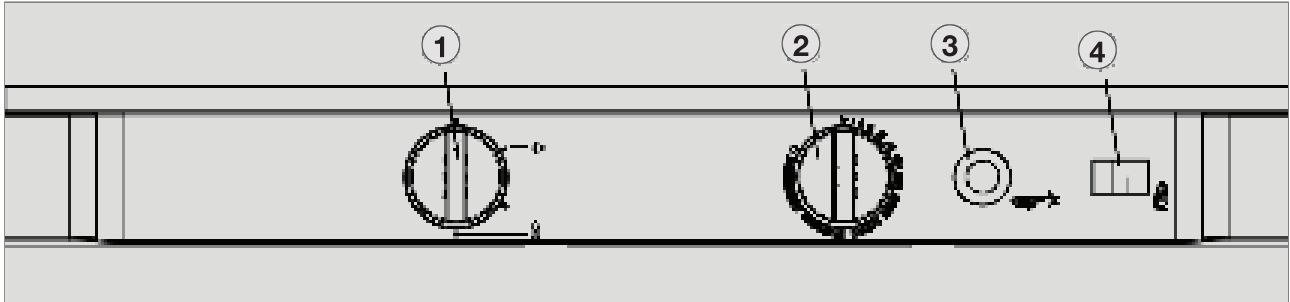
5.4 Rad s plinom

- Hladnjak mora raditi s tekućim plinom (propan, butan) (ne zemni plin niti gradski plin).
- Na nadmorskoj visini većoj od otprilike 1000 m pri paljenju plina mogu se pojaviti smetnje zbog fizikalnih uvjeta (**to nije neispravnost!**).
- Pri prvom puštanju u rad te nakon zamjene plinske boce u vodovima za plin može biti prisutan zrak. Vodovi za plin odzračuju se kratkim puštanjem hladnjaka u rad. Plin se pali bez kašnjenja.
- Svi su hladnjaci opremljeni automatskim osiguračem plamena koji samostalno prekida dovod plina nakon otprilike 30 sekundi kada se plamen ugasi.

5.5 Rukovanje

5.5.1 Objašnjenje upravljačkih elemenata

Ručni odabir energije / ručno paljenje piezo upaljača:



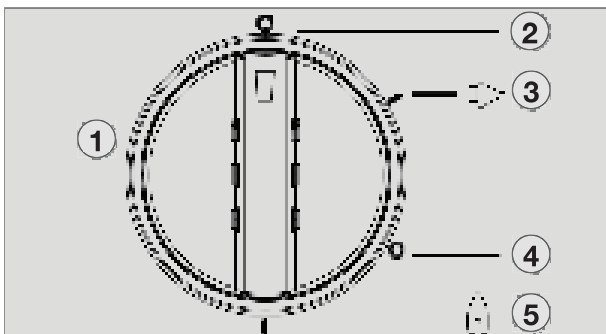
Sl. 7

- ① Sklopka za uključenje / sklopka za odabir energije
- ② Regulator temperature
- ③ Piezo element paljenja za rad na plin
- ④ Indikator plamena (galvanometar)

Objašnjenje

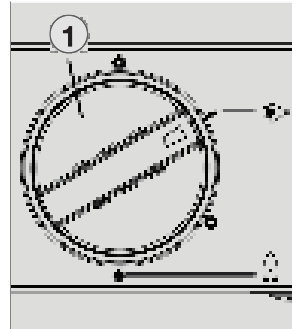
Željena vrsta energije namješta se vrtnjom sklopke za odabir energije (1). Sklopka za odabir energije (1) ima četiri položaja:

- Isključeno (2)
- Mrežni napon (230V~) (3)
- Isključeno (4)
- Plin (tekući plin propan/butan) (5)



Sl. 8

5.5.2 Rad s električnom strujom



Sl. 9

Za uključenje uređaja sklopku za odabir energije (1) vrtite udesno u položaj:

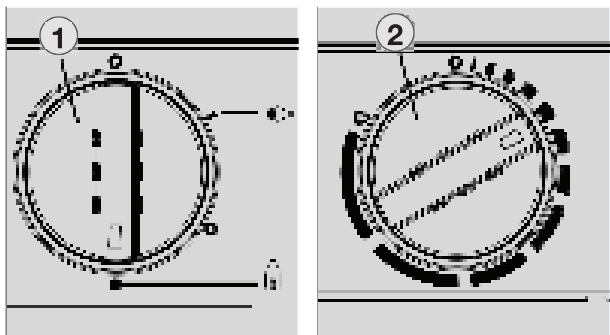


za rad na 230 V.

5.5.3 Rad s plinom (tekući plin)

Prije nego što hladnjak pokrenete u načinu rada na plin:

- Otvorite ventil plinske boce.



SI. 10

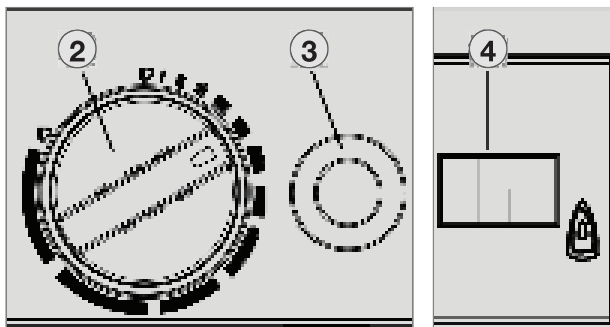
SI. 11

1. Regulator (1) stavite na položaj:



za rad na plin.

2. Regulator temperature (2) okrenite udesno i pritisnite. Regulator držite pritisnutim.

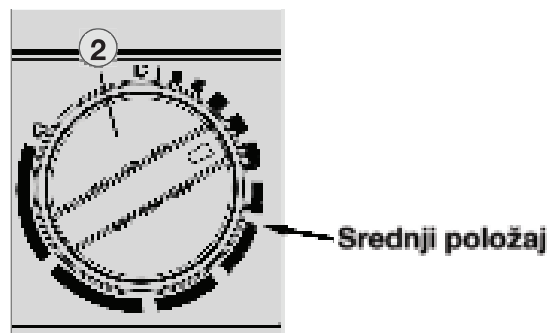


SI. 12

SI. 13

3. Gumb za aktivaciju (3) pritisnite više puta u razmaku od 1–2 sekunde.
4. Kazaljka galvanometra (4) kreće se u zelenom području ako je plamen upaljen. Regulator (2) držite pritisnutim još otprilike 15 s pa ga zatim pustite. Hladnjak radi.

5.5.4 Reguliranje temperature hladnjaka



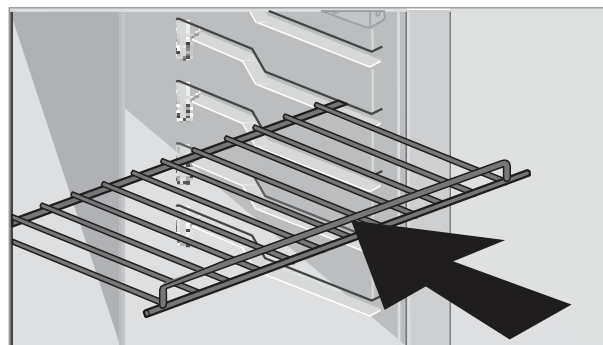
SI. 14

Temperaturu u hladnjaku odabirete regulatorom (2).

Ljestvica počinje položajem **MIN** (uska traka = najtoplija temperatura) i seže do položaja **MAX** (široka traka = najhladnija temperatura).

Imajte na umu da stupnjevima temperature nisu dodijeljene nikakve apsolutne vrijednosti temperature.

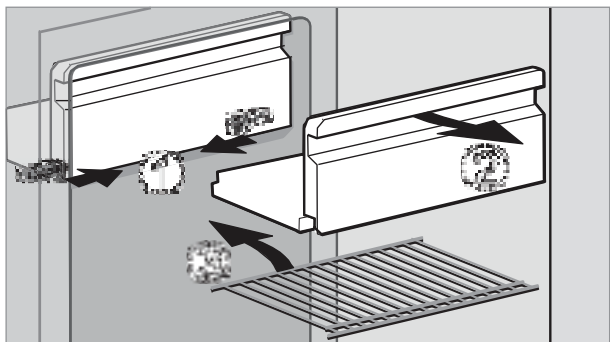
5.6 Pozicioniranje polica



SI. 15

Police se mogu izvući laganim podizanjem iz vodilice te proizvoljno postaviti.

5.7 Pretinac za smrzavanje koji se može izvaditi



Sl. 16

Pretinac za smrzavanje može se izvaditi radi povećanja prostora u hladnjaku.

1. Obostrano deblokirajte pretinac.
2. Izvucite pretinac.

Pomno spremite pretinac kako biste izbjegli oštećivanje.



Kada je pretinac uklonjen, možete staviti jednu dodatnu policu (3.). Policu možete nabaviti kao posebnu opremu kod proizvođača **Dometic**.

5.8 Spremanje namirnica i priprema kockica leda

5.8.1 Spremanje namirnica u hladnjak

- Hladnjak pustite u rad otprilike 12 sati prije punjenja.
- U nj uvijek spremajte ohlađene proizvode. Već pri kupnji i transportu pazite na to da su proizvodi dobro ohlađeni. Upotrebljavajte izolacijske torbe.
- Kada vadite proizvode, vrata hladnjaka otvorite samo nakratko.
- Roba mora biti zapakirana, najbolje u zatvorene posude, aluminijsku foliju ili sl. te spremljena međusobno odvojeno kako bi se izbjeglo sušenje i stvaranje mirisa.
- U hladnjak nikada nemojte stavljati tople namirnice, prvo ih pustite da se ohlade.
- U hladnjaku se ne smiju čuvati proizvodi koji mogu ispuštati lako hlapljive, zapaljive plinove.
- Nemojte prekomjerno puniti police niti pretince kako ne biste spriječili internu

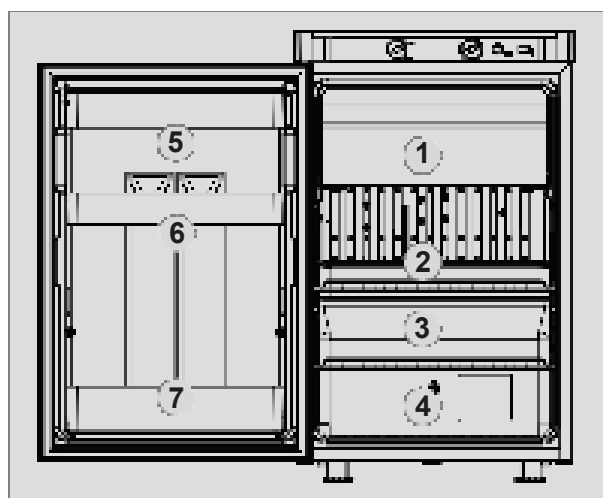
cirkulaciju zraka.

- Ostavite razmak između ohlađenih proizvoda i isparivača („rashladnih rebara“, reevaporatora) (otprilike 10 mm).
- Mora biti osigurana neometana cirkulacija zraka agregata hladnjaka. Ventilacijski otvori ne smiju biti pokriveni.

5.8.2 Spremanje proizvoda u pretinac za smrzavanje

- U pretincu za smrzavanje nemojte čuvati nikakve gazirane napitke.
- Pretinac za smrzavanje prikladan je za pripremu kockica leda i kratkotrajno čuvanje smrznutih namirnica. Nije prikladan za zamrzavanje namirnica.

5.8.3 Pretinci hladnjaka

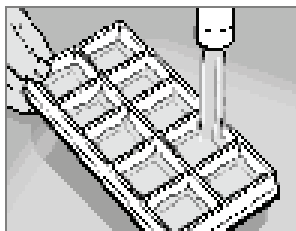


Sl. 18

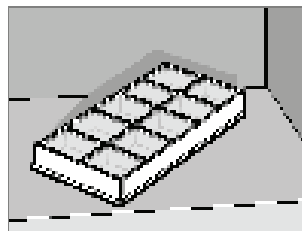
- ① **Pretinac za smrzavanje:** već zamrznuta roba (duboko smrznuti proizvodi)
- ② **Srednji pretinac:** mliječni proizvodi, pripremljena jela
- ③ **Donji pretinac:** meso, riba, proizvodi za odležavanje
- ④ **Pretinac za povrće:** salata, povrće, voće
- ⑤ **Gornja polica na vratima:** jaja, maslac
- ⑥ **Srednja polica na vratima:** limenke, umaci, kečap, džem
- ⑦ **Donja polica na vratima (pretinac za pića):** pića u bocama ili tetrapaku

5.8.4 Priprema kockica leda

Kockice leda najbolje je pripremiti preko noći. Noću je hladnjak pod manjim opterećenjem, a agregat ima više rezerve.



Sl. 19



Sl. 20

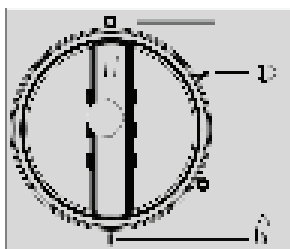
1. Posudu za led napunite vodom za piće.
2. Posudu za led stavite u pretinac za smrzavanje.



UPOZORENJE!

Upotrebljavajte samo vodu za piće!

5.9 Stavljanje izvan rada



Sl. 21



Sl. 22

- Sklopku za odabir energije (1) stavite u položaj „isključeno“. Uređaj je isključen.
- Vrata ostavite samo malo otvorena kako biste spriječili stvaranje plijesni u uređaju.
- Ako se hladnjak dulje ne upotrebljava, zatvorite zaporni ventil na njemu i ventil na boci.

5.10 Odleđivanje

S vremenom će se na rashladnim rebrima unutar hladnjaka stvarati led. Može nastati sloj leda koji je s jedne strane nešto deblji i to nije znak neispravnosti. Kada sloj tog leda bude debeo otprilike 3 mm, morate odleđiti hladnjak.

- Hladnjak isključite kako je opisano pod točkom 5.9 *Stavljanje izvan rada*.
- Izvadite sve namirnice i posudu za led.
- Vrata hladnjaka ostavite otvorena kako bi ušao zrak i kako biste spriječili stvaranje plijesni.
- Nakon odleđivanja oba pretinca hladnjaka (pretinac za smrzavanje i rashladna rebra bez leda) osušite krpom.

Napomena: Voda nastala otapanjem glavnog pretinca hladnjaka curi u prihvatnu posudu na stražnjoj strani uređaja. Ondje voda isparava.

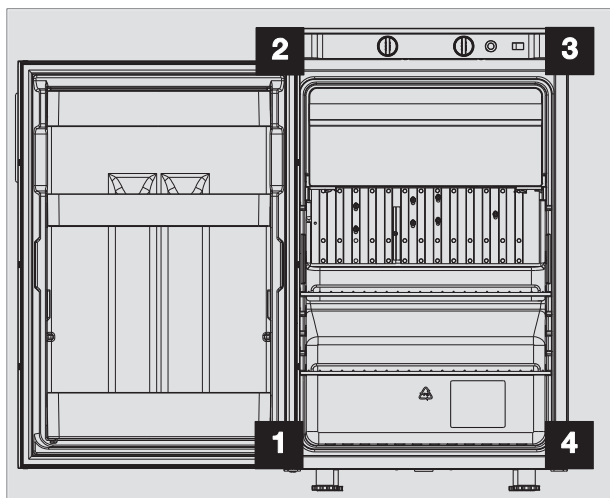
OPREZ!

Sloj leda nikada se ne smije uklanjati nasilu, a odleđivanje se ne smije ubrzavati grijalicom!

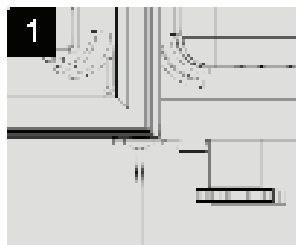
5.11 Zamjena graničnika vrata



Ako je pritom potrebno hladnjak nagnuti ustranu ili poleći, pričekajte sat vremena prije nego što ga ponovno pustite u rad. Rashladna će se tekućina ponovno skupiti u rezervnom spremniku rashladnog agregata. Na taj je način osiguran ispravan rad hladnjaka.



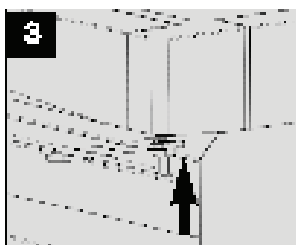
Sl. 23



Sl. 24



Sl. 25



Sl. 26



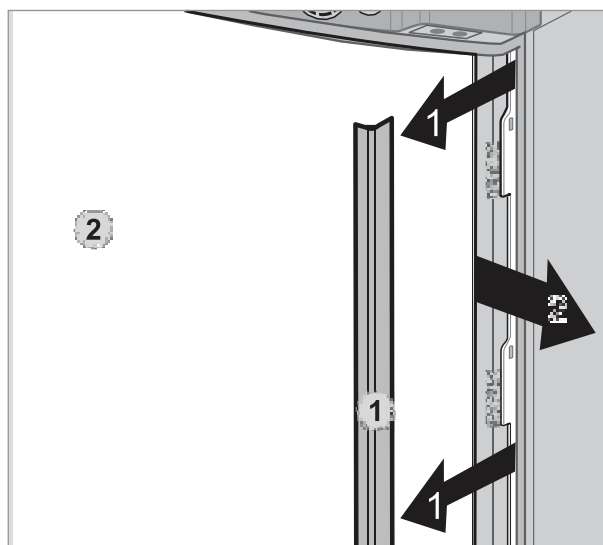
Sl. 27

- Otvorite vrata pa otpustite i spremite vijak okova.
- Vrata uklonite prema naprijed.

- Otpustite zatik okova pa ga postavite na drugu stranu.
- Pomaknite razmaknu pločicu na donjem okovu.
- Vrata gurnite u gornji zatik okova pa postavite na donji okov.
- Pritegnite vijak okova.
- Pazite da se vrata slobodno gibaju i da brtva vrata naliže uokolo.

5.12 Zamjena ploče s dekorom

- Povlačenjem uklonite bočnu letvicu (1) vrata (letvica je natakuta, nije vijčano spojena).
- Ploču dekora (2) ugurajte u vrata pa ponovno nataknite letvicu (1).



Sl. 28

Dimenzije ploče s dekorom:

Visina	743 +/- 0,75 mm
Širina	504 +/- 0,5 mm
Debljina	min. 1,0 mm maks. 1,7 mm

5.13 Ponašanje u slučaju smetnji

Prije nego što obavijestite ovlaštenu servisnu službu, provjerite sljedeće:

- jeste li se ispravno pridržavali uputa u odlomku „Rukovanje hladnjakom“
- stoji li hladnjak vodoravno
- može li hladnjak raditi s bilo kojom postojećom vrstom energije.

Smetnja: Hladnjak ne hladi dovoljno.

Mogući uzrok	Pomoć
<ul style="list-style-type: none"> - Ventilacija agregata nije dovoljna. - Termostat je namješten prenisko. - Isparivač je jako zaleđen. - U kratkom je vremenu u hladnjak spremjeno previše toplih namirnica. - Uređaj još ne radi dugo. - Okolne su temperature previsoke. 	<ul style="list-style-type: none"> - Provjerite je li ventilacijska rešetka agregata pokrivena. - Termostat namjestite na višu temperaturu. - Provjerite zatvaraju li se vrata hladnjaka ispravno. - Pustite da se zagrijani proizvodi ohlade prije spremanja u hladnjak. - Provjerite kako hladnjak hladi nakon otprilike 4–5 h. - Prozračite prostoriju.

Smetnja: Hladnjak ne hladi u načinu rada na plin.

Mogući uzrok	Pomoć
<ul style="list-style-type: none"> - Plinska je boca prazna. - Zatvorena je priključena zaporna naprava. - U vodu se nalazi zrak. 	<ul style="list-style-type: none"> - Zamijenite plinsku bocu. - Otvorite zapornu napravu. - Isključite pa ponovno pokrenite uređaj. Postupak ponovite 3–4 puta.

Smetnja: Hladnjak ne hladi u načinu rada na 230 V.

Mogući uzrok	Pomoć
<ul style="list-style-type: none"> - Osigurač neispravan. - Mrežno napajanje nije priključeno. - Grijaći element neispravan. 	<ul style="list-style-type: none"> - Stavite novi osigurač. - Uspostavite priključak na mrežu. - Obavijestite servisnu službu proizvođača Dometic.

Navodila za uporabo

Absorpcijski hladilnik

RGE 2100

Tukaj vnesite naslednje podatke:

Številka modela

Številka izdelka

Serijska številka



N 1

MBA 10/2015

SL

Kazalo

1.0 Splošno	4
1.1 Uvod	4
1.2 Napotki glede teh navodil za uporabo	4
1.3 Varstvo avtorskih pravic	4
1.4 Razlaga uporabljenih simbolov	4
1.5 Jamstvo	5
1.6 Omejitev odgovornosti	5
1.7 Servisna služba	5
1.8 Nadomestni deli	5
1.9 Navodila za varstvo okolja	5
1.9.1 Odstranjevanje	5
1.9.2 Napotki glede varčevanja energije	6
1.10 Izjava o skladnosti	6
2.0 Varnostni napotki	7
2.1 Namenska uporaba	7
2.2 Odgovornost uporabnika	7
2.3 Zavarovanje otrok po odstranjevanju naprave	7
2.4 Dela in preverjanja na hladilniku	7
2.5 Hladilno sredstvo	7
2.6 Uporaba hladilnika s plinom	8
2.7 Varnostni napotki za shranjevanje živil	8
3.0 Opis modela	10
3.1 Poimenovanje modela	10
3.2 Tipska tablica hladilnika	10
3.3 Tehnični podatki	10
3.4 Sestavni deli hladilnika	10
4.0 Namestitvev	11
4.1 Postavitev in priključitev	11
4.1.1 Električna priključitev	11
4.1.2 Postavitev plinske jeklenke	11
4.1.3 Plinski priključek	12
4.2 Namestitvev ročaja vrat	12
5.0 Delovanje hladilnika	13
5.1 Čiščenje	13
5.2 Vzdrževanje	13
5.3 Delovanje na električni tok	13
5.4 Delovanje na plin	13
5.5 Upravljanje	14
5.5.1 Razlaga upravljalnih elementov	14
5.5.2 Delovanje na električni tok	14
5.5.3 Delovanje na plin (utekočinjen plin)	15
5.5.4 Reguliranje temperature hladilnega prostora	15
5.6 Namestitvev odlagalnih rešetk	15
5.7 Snemljiv zamrzovalni predal	16
5.8 Shranjevanje živil in priprava ledu	16
5.8.1 Shranjevanje živil v hladilni prostor	16
5.8.2 Vstavljanje živil v zamrzovalni predal	16
5.8.3 Predali hladilnika	16
5.8.4 Priprava ledu	17
5.9 Konec uporabe	17
5.10 Odtajanje	17

5.11	Zamenjava vratnega tečaja	18
5.12	Zamenjava okrasne plošče	18
5.13	Ravnanje pri motnjah	19

Dometic GmbH
In der Steinwiese 16
D-57074 Siegen

www.dometic.com

© Dometic GmbH - 2012. - Pridržujemo si pravico do sprememb.

1.0 Splošno

1.1 Uvod

Absorpcijski hladilnik **Dometic** je odlična izbira. Prepričano smo, da boste s tem hladilnikom v vsakem pogledu zadovoljni. Neslišni hladilnik ustreza strogim zahtevam kakovosti in zagotavlja učinkovito ravnanje z viri in energijo v celotnem življenjskem obdobju – pri izdelavi, uporabi in odstranjevanju.

1.2 Napotki glede teh navodil za uporabo

Pred uporabo hladilnika natančno preberite ta navodila za uporabo.

V navodilih so navedeni potrebni napotki za pravilno uporabo hladilnika. **Upoštevajte predvsem varnostne napotke.** Upoštevanje napotkov in navodil za rokovanje je pomembno za varno ravnanje s hladilnikom ter ščiti vas in hladilnik pred poškodbami. Prebrano morate razumeti, šele nato lahko ukrepate.

Ta navodila za uporabo skrbno shranite v bližini hladilnika, tako da jih boste lahko kadarkoli uporabili.

1.3 Varstvo avtorskih pravic

Podatki, besedila in slike v teh navodilih so zaščiteni z avtorskimi pravicami in pravicami intelektualne lastnine. Nobenega dela teh navodil ni dovoljeno razmnoževati, kopirati ali kako drugače uporabljati brez pisnega dovoljenja podjetja Dometic GmbH.

1.4 Razlaga uporabljenih simbolov

Opozorila

Opozorila so označena s simboli. V dodatnem besedilu pa je razložena stopnja ogroženosti.

Opozorila morate natančno upoštevati. Tako boste sebe, druge osebe in napravo zaščitili pred poškodbami.



NEVARNOST!

NEVARNOST označuje neposredno nevarno situacijo, ki povzroči smrt ali hudo poškodbo, če navedena navodila niso upoštevana.



OPOZORILO!

OPOZORILO označuje možno nevarno situacijo, ki lahko povzroči smrt ali hudo poškodbo, če navedena navodila niso upoštevana.



PREVIDNO!

NEVARNOST označuje možno nevarno situacijo, ki lahko povzroči lažje ali srednje poškodbe, če navedena navodila niso upoštevana.

PREVIDNO!

PREVIDNO brez opozorilnega simbola označuje možno nevarno situacijo, ki lahko povzroči poškodbo naprave, če navedena navodila niso upoštevana.

Informacija



INFORMACIJA vsebuje dodatne in koristne napotke glede ravnanja s hladilnikom.

Okoljski napotek



OKOLJSKI NAPOTEK vsebuje koristne napotke za varčno uporabo in odstranjevanje naprave.

1.5 Jamstvo

Jamstveni zahtevki bodo obdelani v skladu z evropsko Direktivo 44/1999/ES in pogoji, ki veljajo v posamezni državi. V primeru jamstvenega ali servisnega zahtevka se posvetujte z našo servisno službo. Jamstvo ne velja za motnje, ki nastanejo zaradi napačnega upravljanja. Vsaka sprememba na napravi ali uporaba nadomestnih delov, ki niso **originalni nadomestni deli Dometic**, ter neupoštevanje navodil za vgradnjo in uporabo vodi do prenehanja jamstva in do izključitve jamstvenih zahtevkov.

1.6 Omejitev odgovornosti

Vsi podatki in napotki v teh navodilih za uporabo so bili sestavljeni z upoštevanjem veljavnih standardov in predpisov kot tudi stanja tehnike. Podjetje **Dometic** si pridržuje pravico do sprememb na proizvodu, ki so v interesu izboljšave proizvoda in varnosti.

Podjetje Dometic ne prevzema odgovornosti za škodo zaradi:

- neupoštevanja navodil za uporabo,
- nenamenske uporabe,
- uporabe neoriginalnih nadomestnih delov,
- sprememb in posegov na napravi,
- izpostavljenosti okoljskim vplivom, kot so:
 - temperaturne spremembe,
 - zračna vlaga.

1.7 Servisna služba

Informacije o pooblaščenih servisnih službah so na voljo na telefonskih številkah, navedenih v zvezku Euro Service Network, ki je priložen vsakemu hladilniku.

Najbližjo servisno službo lahko najdete tudi na spletu na naslovu dometic.com. Ko stopite v stik s servisno službo, vedno navedite model, številko proizvoda, serijsko številko in morebitno kodo MLC! Te informacije so navedene na tipski tablici v notranjosti hladilnika. Priporočamo, da te podatke vnesete v za to namenjeno polje na naslovni strani teh navodil.

1.8 Nadomestni deli

Nadomestni deli so na voljo pri naših servisnih službah. V Nemčiji lahko nadomestne dele naročite tudi v klicnem centru Dometic:

- Telefon 0180 53 66 384
- Faks 0180 53 66 385
- E-pošta ersatzteile@dometic.de

Ko stopite v stik s klicnim centrom, vedno navedite model in številko izdelka! Te informacije so navedene na tipski tablici v notranjosti hladilnika.

1.9 Navodila za varstvo okolja



V hladilnem agregatu je kot hladilno sredstvo uporabljen amoniak (naravna spojina vodika in dušika). Kot penilo za izolacijo iz poliuretanske pene je uporabljen ozonu škodljiv ciklopentan.

1.9.1 Odstranjevanje

Da bi zagotovili recikliranje reciklažnih embalažnih materialov, je te treba oddati na običajnih zbirnih mestih. Napravo je treba izročiti ustreznemu podjetju za odstranjevanje odpadkov, ki zagotavlja uporabo delov za recikliranje in pravilno odstranjevanje ostalega. Za okolju prijazno praznjenje hladilnega medija iz vseh agregatov absorpcijskega hladilnika je treba uporabiti primeren obrat za odstranjevanje.



Naprave, ki so označene s tem simbolom, je treba oddati na lokalni zbirni točki za odstranjevanje odpadnih električnih in elektronskih naprav. Tega izdelka ni dovoljeno odstraniti med običajne gospodinjne odpadke. V hladilnikih Dometic je ta simbol naveden na tipski tablici v notranjosti naprave.

1.9.2 Napotki glede varčevanja energije

- Pri povprečni temperaturi 25 °C zadostuje, če je termostat hladilnika nastavljen na sredinsko vrednost.
- Če je možno, vedno vstavite že ohlajena živila.
- Hladilnika ne izpostavljajte neposrednemu sončnemu sevanju ali drugim virom toplote (npr. ogrevanju).
- Zagotovljeno mora biti nemoteno kroženje zraka agregata hladilnika.
- Odlagalne rešetke enakomerno razporedite v hladilnem prostoru.
- Odlagalnih rešetk in predalov ne napolnite preveč, da ne bo ovirano notranje kroženje zraka.
- Zagotovite razmik med hlajenim blagom in uparjalnikom ("hladilnimi rebri") (pribl. 5–10 mm).
- Redno odtajanje prihrani energijo (glejte poglavje "5.10 Odtajanje").
- Vrata hladilnika med odzemanjem živil odprite le za kratek čas.
- Hladilnik vklopite približno 12 ur pred polnjenjem.

1.10 Izjava o skladnosti



DECLARATION OF CONFORMITY

Model: **1000000000**

1000000000
 LMC Dometic, 1000000000, 1000000000
 Address: 1000000000, 1000000000

1000000000

<p>Legal Representative Brand Name Legal Entity Manufacturing Factory name address telephone no. website</p>	<p>Manufacturer's Address 1000000000 1000000000 1000000000 1000000000 1000000000 1000000000</p>
---	---

This declaration is made in accordance with the requirements of the EU Directive 2002/95/EC (RoHS) and 2006/66/EC (WEEE) and is valid for the period of 10 years from the date of issue. The manufacturer is responsible for the accuracy of the information provided.

The signatory is a duly authorized representative of the manufacturer and is responsible for the accuracy of the information provided.

Date:	Signature:	Position:
1000000000	 1000000000	1000000000

2.0 Varnostni napotki

2.1 Namenska uporaba

Ta hladilnik je predviden za postavitev v zaprtih prostorih, kot so vikendi in lovske kočice. Za ta namen uporabe je bil za napravo opravljen preizkus tipa v skladu z Direktivo EU 90/396/EGS. **Ni primerna za vgradnjo v cestna in vodna vozila.**

Hladilnik uporabljajte izključno za hlajenje in shranjevanje živil.



OPOZORILO!

Hladilnik ni primeren za strokovno shranjevanje zdravil. Upoštevajte napotke v navodilih za uporabo zdravila.

PREVIDNO!

Hladilnik ne sme biti izpostavljen dežju.

2.2 Odgovornost uporabnika

Osebe, ki upravljajo ta hladilnik, morajo biti seznanjene z varno uporabo in poznati napotke teh navodil za uporabo.

To napravo lahko uporabljajo otroci, starejši od 8 let, in osebe z zmanjšanimi fizičnimi, senzoričnimi ali duševnimi sposobnostmi ali s pomanjkljivimi izkušnjami in/ali znanjem, če so pod nadzorom ali so bile poučene o varni uporabi naprave in razumejo nevarnosti, ki bi lahko nastale. Otroci se z napravo ne smejo igrati. Otroci ne smejo izvajati čiščenja in vzdrževanja. [EN 60335-2-24, 7.12]

2.3 Zavarovanje otrok po odstranjevanju naprave



OPOZORILO!

Ko hladilnik odstranite med odpadke, demontirajte vsa vrata hladilnika in pustite odlagalne rešetke v hladilniku. Tako preprečite nenamerno zapiranje v hladilnik in zadušitev.

2.4 Dela in preverjanja na hladilniku



OPOZORILO!

Dela na plinskih, izpušnih in električnih napravah smejo izvajati le pooblašeni strokovnjaki. Zaradi nestrokovnih ukrepov lahko nastane znatna materialna škoda in/ali telesne poškodbe.



NEVARNOST!



Tesnjenja plinovodnih delov in vodov nikoli ne preverjajte z odprtim plamenom!

Obstaja nevarnost požara ali eksplozije.



OPOZORILO!

Nikoli ne odpirajte absorpcijskega hladilnega agregata! Ta je pod visokim tlakom.

Obstaja nevarnost poškodb!

2.5 Hladilno sredstvo

Kot hladilno sredstvo je uporabljen amoniak. To je naravna spojina, ki jo vsebujejo tudi gospodinjska čistila (1 liter čistila s salmiakom vsebuje do 200 g amoniaka, več kot dvakrat toliko, kot je v hladilniku). Kot sredstvo proti koroziji je uporabljen natrijev kromat (1,8 masnega odstotka topila).

V primeru uhajanja (zlahka prepoznate zaradi močnega vonja) morate storiti naslednje:

- Izklopite napravo.
- Prostor dobro prezračite.
- Obvestite pooblašeno servisno služno.



Za vašo varnost je bilo strokovno ugotovljeno, da hladilno sredstvo ob uhajanju ne ogroža zdravja.

2.6 Uporaba hladilnika s plinom

Obratovalni tlak mora obvezno ustrezati podatkom na tipski tablici hladilnika. Podatek o obratovalnem tlaku na tipski tablici primerjajte s podatki o omejevalniku tlaka na jeklenki utekočinjenega plina.

V hladilniku so uporabljeni naslednji plini in vhodni tlaki. Omejevalniki tlaka med jeklenko plina in hladilnikom morajo ustrezati kategorijam v naslednji tabeli.

Priključni tlak in kategorije plina

Kategorija	Tlak v mbar	GAS
I3B / P(30)	30	Butan
	30	Propan
I3+ (28-30/37)	28–30	Butan
	37	Propan
I3B/P(50)	50	Butan
I3B/P(50)	50	Propan

Če zavohate plin:

- Odprite vsa okna in zapustite prostor.
- Ne aktivirajte nobenih električnih naprav in preprečite uporabo odprtega plamena.
- Zaprite ventil na jeklenki plina in ga pustite zaprtega, dokler napaka ni odpravljena.
- Posvetujte s pooblaščenim strokovnim osebjem*.

*pooblaščen strokovno osebje

Pooblaščen strokovno osebje so priznani strokovnjaki, ki zaradi svoje izobrazbe in znanja jamčijo, da je preizkus pravilno opravljen.

2.7 Varnostni napotki za shranjevanje živil

Navodila za shranjevanje živil v hladilniku:

Nobena hladilna naprava ne more izboljšati kakovosti živil, temveč lahko le za kratek čas ohrani kakovost živil ob začetku shranjevanja.

Pri shranjevanju živil v hladilniku upoštevajte naslednje posebne pogoje:

- spremembo klimatskih pogojev, kot na primer temperaturne spremembe,
- visoka temperatura v prostoru,
- hladilnik je postavljen za oknom in izpostavljen neposrednemu sončnemu sevanju,
- prehitro vstavljanje blaga kmalu po zagonu naprave.

Pri teh posebnih pogojih hladilnik ne more zagotoviti potrebne temperature za hitro pokvarljiva živila.

Med hitro pokvarljiva živila sodijo vsi izdelki z navedenim rokom uporabe in najmanjšo temperaturo shranjevanja +4 °C ali manj, predvsem meso, perutnina, ribe, klobase, pripravljene jedi.

- Surova in kuhana živila hranite posebej (npr. v posodah, v aluminijasti foliji ipd.).
- Embalažo posameznih pakiranj odstranite samo, če so podatki, kot na primer rok uporabe, navedeni tudi na posameznih pakiranjih.
- Ohlajena živila ne puščajte predolgo izven hladilnika.
- Živila z najbližjim rokom uporabe prestavite naprej.
- Ostanke znova zapakirajte in jih čim prej pojejte.
- Pred in po stiku z živilom si operite roke.
- Notranjost hladilnika čistite v rednih časovnih razmikih.

Upoštevajte napotke in opise glede roka uporabe na embalaži živil.

Upoštevajte poglavje "5.1 Čiščenje" v teh navodilih.

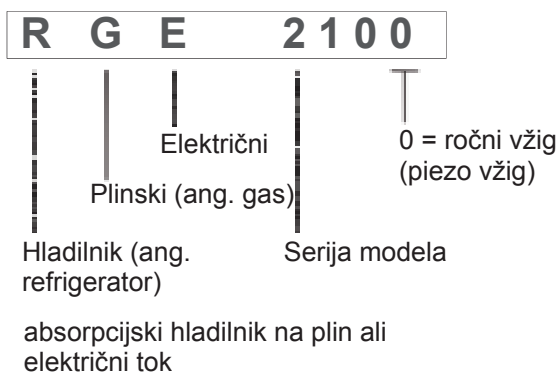


Pogoji okolice vplivajo na zmogljivost agregata. Pri temperaturah okolice med +15 °C in +25 °C izberite sredinski položaj (primerjajte "Nastavljanje temperature hladilnega prostora"). Agregat deluje v optimalnem območju zmogljivosti.

Hladilniki Dometic delujejo po načelu absorpcije. Zaradi fizikalnih lastnosti se absorpcijski sistem počasi odziva na spremembe termostatskega krmilnika, izgubo hladu pri odpiranju vrat in shranjevanju živil. Naprave izpolnjujejo zahteve glede moči razreda SN v skladu s standardom EN/ISO 7371 v temperaturnem območju temperature okolice +10 °C do +32 °C.

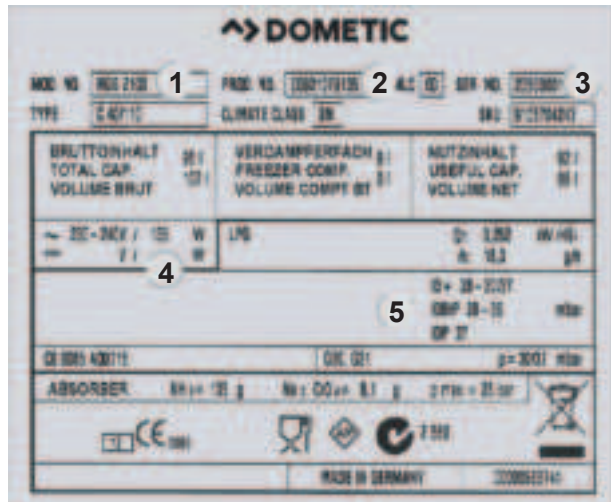
3.0 Opis modela

3.1 Poimenovanje modela



3.2 Tipska tablica hladilnika

V notranjosti hladilnika se nahaja tipska tablica hladilnika. Vsebuje pomembne podatke o hladilniku. Na njej so navedene oznaka modela, številka izdelka in serijska številka. Te podatke potrebujete pri vseh stikih s servisno službo ali pri naročanju nadomestnih delov.



Primer

Sl. 1

- 1 Številka modela
- 2 Številka izdelka
- 3 Serijska številka
- 4 Električne priključne vrednosti
- 5 Plinski tlak

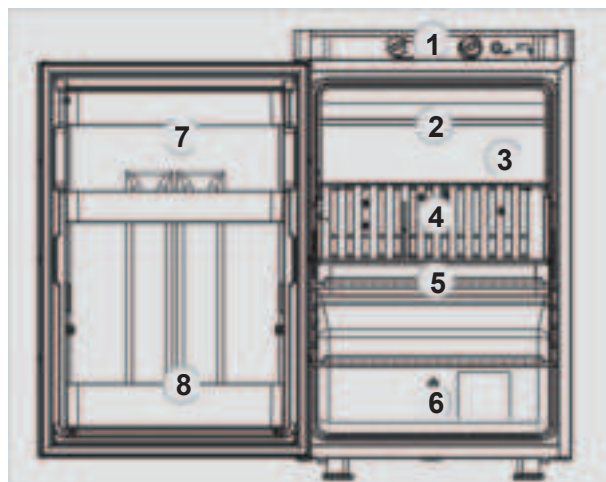
3.3 Tehnični podatki

Bruto prostornina (litri)	100
Zamrzovalni predal (litri)	9
Bruto prostornina (odstranjen zamrzovalni predal)	106
Mere (mm) (V x Š x G)	859 x 531 x 558
Priključna moč (W)	125
Poraba plina (30/50 mbar) g/24 h*	270/360
Poraba toka kWh/24 h*	2,5
Neto teža (kg)	32,2
Plinski vžig	Piezo vžig

Samostoječ

Pridržujemo si pravico do tehničnih sprememb.
*Povprečna poraba, izmerjena pri povprečni temperaturi okolice 25 °C na podlagi standarda ISO.

3.4 Sestavni deli hladilnika



Sl. 2

- 1 Upravljalni elementi
- 2 Zamrzovalni predal (snemljiv)
- 3 Mrežasta rešetka (izbirna, mogoče jo je vstaviti, ko je zamrzovalni predal odstranjen)
- 4 Uparjalnik za hladilni prostor
- 5 Odtočni žleb za odmrznjeno vodo
- 6 Posoda za zelenjavo
- 7 Zgornja polica z zaklopom
- 8 Spodnja polica z držalom za steklenice

4.0 Namestitev

4.1 Postavitev in priključitev

Ta hladilnik je preizkušen in dovoljen za uporabo v zaprtih prostorih.

Pri postavitvi naprave upoštevajte naslednje točke:

- Postavitveni prostor mora imeti prostornino vsaj **20 m³**, biti mora dobro prezračen in imeti mora okno ali vrata z odpiranjem na prosto.
- Hladilnik mora biti postavljen prosto stoječe, kar pomeni z razmikom vsaj **50 mm** od sten ali omar (**brez vgradnje!**).
- Nad hladilnikom mora biti vsaj **100 mm** prostega prostora (od omaric ipd.).
- Napravo postavite vodoravno na trdno podlago.
- Hladilnik ne sme biti izpostavljen toplotnemu sevanju vročih predmetov (npr. peči, ogrevanja).
- Hladilni agregat na hrbtni strani (pod pokrovom) mora biti dobro prezračen. Agregata ne prekrivajte (npr. z brisačami, zavesami).
Zaradi nezadostnega prezračevanja se lahko zmanjša zmogljivost hlajenja!
- Hladilnik postavite tako, da bo zaščiten pred brizgi vode. Pazite, da naprava pred in med postavitvijo ne bo izpostavljena dežju.

4.1.1 Električna priključitev

- Napajanje mora ustrezati vrednosti na tipski tablici. Pri drugih vrednostih se lahko naprava poškoduje.
- Napajanje naprave pri električnem delovanju mora biti zagotovljeno s pravilno ozemljeno vtičnico.
- V dovodu mora biti na voljo samodejni odklopnik.
- Napajalni kabel mora biti ves čas prosto dostopen in ne sme biti v stiku z vročimi deli agregata/gorilnika.

PREVIDNO!

Omrežni vtič mora biti prosto dostopen.



PREVIDNO!

Če je priključni kabel poškodovan, ga mora zamenjati servisna služba podjetja Dometic ali enako usposobljeno osebje, saj je le tako mogoče preprečiti nevarnosti.

4.1.2 Postavitev plinske jeklenke

- Plinske jeklenke morajo stati navpično.
- Plinsko jeklenko postavite na dobro prezračenem mestu.
- Plinsko jeklenko postavite tako, da bo v primeru požara dobro vidna.
- Največjega razmika med plinsko jeklenko in napravo 1,5 m ni dovoljeno preseči.
- Uporabiti je treba samo lokalno dovoljene tipe jeklenk in regulatorje tlaka. V Nemčiji so večinoma uporabljene 5-kg ali 11-kg jeklenke s fiksno vgrajenim odvzemnim ventilom ali 3-kg jeklenke z notranjim krogličnim protipovratnim ventilom.

4.1.3 Plinski priključek

Hladilnik je predviden izključno za uporabo z utekočinjenim plinom, kot je propan/butan. Prepovedana je uporaba mestnega plina, zemeljskega plina ali avtomobilskega plina!

- Strokovno priključitev hladilnika mora izvesti priznan strokovnjak v skladu s tehničnimi pravili za utekočinjen plin (TFR).
- Upoštevati je treba veljavne nacionalne predpise za uporabo naprav na utekočinjen plin.

V Nemčiji so to:

- Tehnična pravila za naprave na utekočinjen plin v zgradbah,
- Delovni list DVGW G 600 (DVGW-TRGI 86/96),
- Tehnična pravila EN 732.

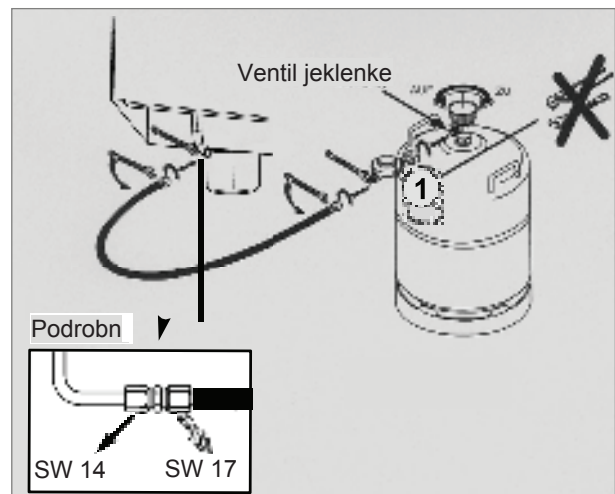
- Fikso nastavljen regulator tlaka **(1)**, sl. 3, (omejevalnik tlaka) mora biti nameščen v dovodu do naprave. Hladilnik sme obratovati izključno s tlakom, ki je naveden na tipski tablici.
- Hladilnik mora biti na plinsko jeklenko priključen z varnostno gibko cevjo (v Nemčiji v skladu s standardom DIN 4815-2).
- Gibka cev mora biti dovolj dolga, da jo bo mogoče priključiti brez upogibanja. Gibka cev ne sme biti daljša od 1,5 m.
- Plinski priključek na napravi mora biti izveden z navojem z rezalnim obročkom (ermeto) L8, DIN 2353-ST v skladu s standardom EN 1949.
- V Nemčiji ni dovoljena priključitev s sponkami/objemkami.
- Gibko cev je treba zamenjati v časovnih razmikih, ki so predvideni v ustreznih nacionalnih določilih (v Nemčiji po 10 letih).
- Po priključitvi na plinsko jeklenko je treba preveriti tesnjenje vseh priključkov in vžig gorilnika. Za preverjanje tesnjenja uporabite pršilo za preverjanje tesnjenja ali penilno sredstvo. Odprite ventil jeklenke in na priključkih preverite, ali nastajajo mehurčki.



NEVARNOST!



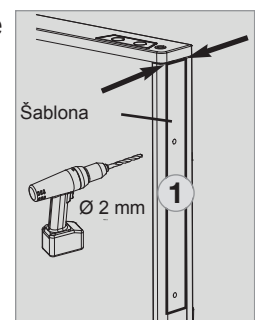
Tesnjenja plinovodnih delov in vodov nikoli ne preverjajte z odprtim plamenom!



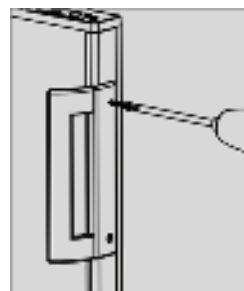
Sl. 3

4.2 Namestitev ročaja vrat

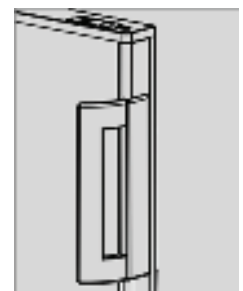
1. Pritrdilne točke: uporabite proporcionalno šablono **(1)** (glejte poglavje 5.3.2)
2. Ročaj vrat izravnajte na vratih in ga privijte.



Sl. 4



Sl. 7



Sl. 6

3. Nataknite in trdno pritisnite pokrov.

5.0 Delovanje hladilnika

Hladilnik je primeren za delovanje z dvema vrstama energije:

- omrežna napetost (230 V),
- plin (utekočinjen plin propan/butan).

Želena vrsto energije je mogoče izbrati s stikalom za izbiro energije (sl. 7).



Agregat hladilnika deluje neslišno.

Pri prvem zagonu naprave lahko nastane neprijeten vonj, ki čez nekaj ur izhlapi. Bivalni prostor dobro prezračite.

Približno eno uro po vklopu se mora zamrzovalni predal hladilnika ohladiti. Hladilnik doseže svojo obratovalno temperaturo po nekaj urah.

5.1 Čiščenje

Preden hladilnik zaženete, je priporočljivo, da očistite notranjost naprave; to je priporočljivo redno ponavljati.

Uporabite mehko krpo in tekočo toplo vodo z blagim čistilnim sredstvom. Nato napravo sperite s čisto vodo in jo dobro posušite.

Da preprečite spremembe materiala, ne uporabite mila ali ostrih, zrnatih čistilnih sredstev oz. sredstev, ki vsebujejo sodo. Tesnila na vratih ne smejo priti v stik z oljem ali maščobo.

5.2 Vzdrževanje



OPOZORILO!

Dela na plinskih, izpušnih in električnih napravah smejo izvajati le pooblašteni strokovnjaki.

- Po potrebi, vendar najmanj enkrat na leto, je treba očistiti umazanijo s plinskega gorilnika. Potrdila o izvedenem vzdrževanju hranite na hladilniku.
- Vzdrževanje priporočamo po daljši neuporabi. V ta namen se obrnite na servisno službo.

5.3 Delovanje na električni tok

PREVIDNO!

Ta način delovanja izberite samo, če napajanje na električnem priključku ustreza vrednosti na tipski tablici. Pri drugih vrednostih se lahko naprava poškoduje.

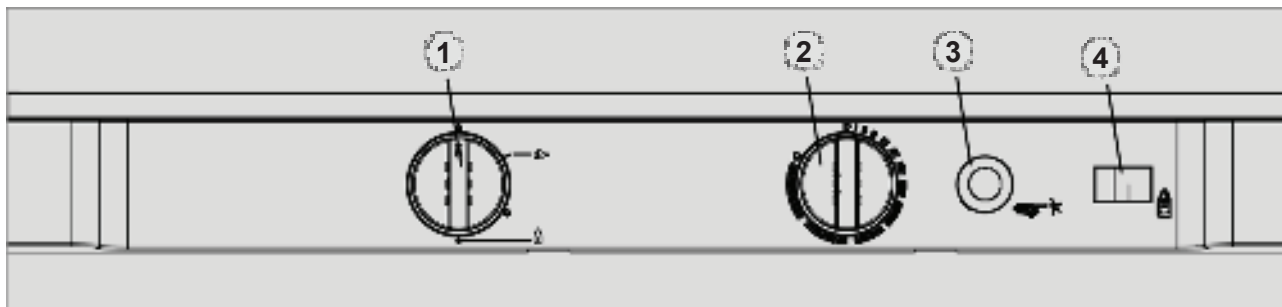
5.4 Delovanje na plin

- Hladilnik je treba uporabljati z utekočinjenim plinom (propanom, butanom) (ne z zemeljskim plinom, mestnim plinom).
- Nad višino pribl. 1000 m nadmorske višine se lahko med vžigom naprave pojavijo fizikalno pogojene motnje (**ni nepravilno delovanje!**).
- Ob prvem zagonu ter po zamenjavi plastenke lahko v plinske vode zaide zrak. Plinske vode odzračite, tako da za kratek čas vklopite hladilnik. Plin se vžge brez zamika.
- Vsi hladilniki so opremljeni z avtomatskim varovalom pred plamenom, ki samodejno prekine dovod plina približno 30 sekund zatem, ko je plamen ugasnil.

5.5 Upravljanje

5.5.1 Razlaga upravljalnih elementov

Ročno izbiranje vrste energije/ročni vžig s piezo vžigom:



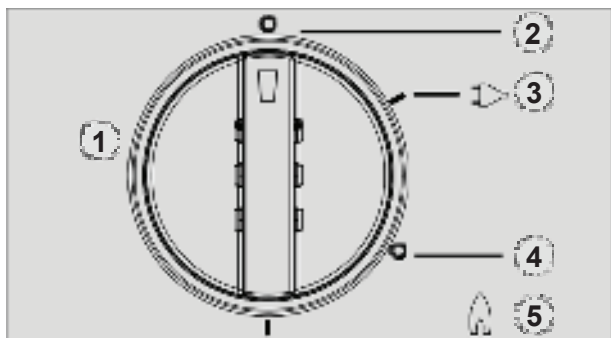
Sl. 7

- 1 Stikalo za vklop/stikalo za izbiro energije
- 2 Regulator temperature
- 3 Piezo vžig za delovanje s plinom
- 4 Indikator plamena (galvanometer)

Razlaga

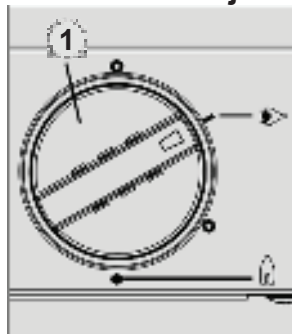
Želeno vrsto energije je treba nastaviti z vrtenjem stikala za izbiro energije (1). Stikalo za izbiro energije (1) ima štiri položaje:

- Izklop (2)
- Omrežna napetost (230V~) (3)
- Izklop (4)
- Plin (utekočinjen plin propan/butan) (5)




Sl. 8

5.5.2 Delovanje na električni tok



Sl. 9

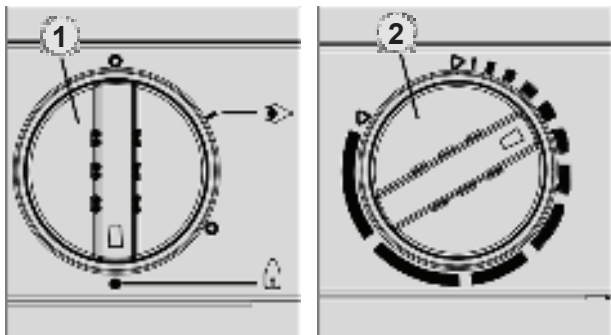
Za vklop naprave zavrtite stikalo za izbiro energije (1) v desno v položaj:

 za 230-V delovanje.

5.5.3 Delovanje na plin (utekočinen plin)

Preden hladilnik vklopite v načinu delovanja na plin:

- Odprite ventil plinske jeklenke.



SI. 10

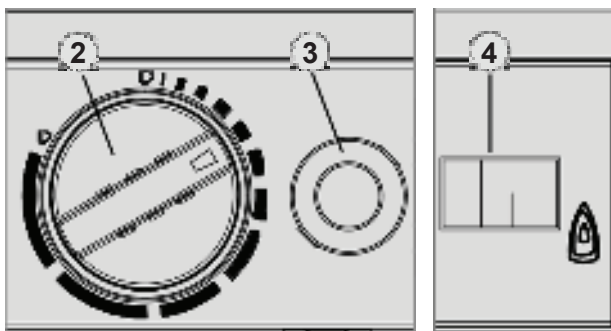
SI. 11

1. Vrtljivo izbirno stikalo (1) prestavite v položaj:



za delovanje s plinom.

2. Regulator temperaturene stopnje (2) zavrtite v desno in ga pritisnite. Regulator držite pritisnjen.

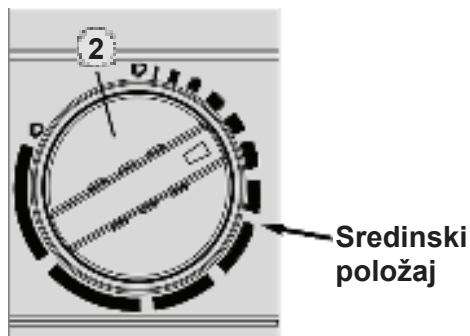


SI. 12

SI. 13

3. Sprožilni gumb (3) pritisnite večkrat v razmiku 1 do 2 sekund.
4. Kazalec galvanometra (4) se premakne v zeleno območje, ko plamen gori. Vrtljivi gumb (2) držite pritisnjen še pribl. 15 s in ga nato spustite. Hladilnik deluje.

5.5.4 Reguliranje temperature hladilnega prostora



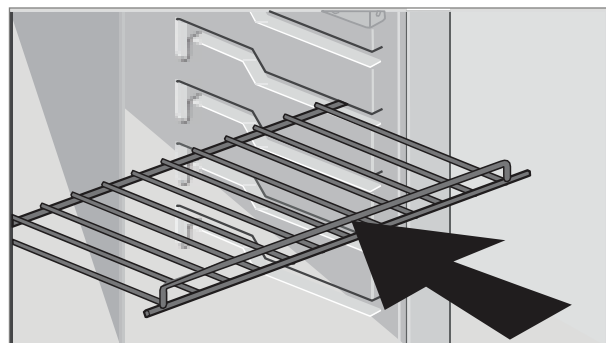
SI. 14

Z vrtljivim gumbom (2) lahko izberete temperaturo v hladilnem prostoru.

Na začetku lestvice je položaj **MIN** (ozka črta = najvišja temperatura), na koncu pa položaj **MAX** (široka črta = najnižja temperatura).

Upoštevajte, da temperaturnim stopnjam niso dodeljene absolutne temperaturne vrednosti.

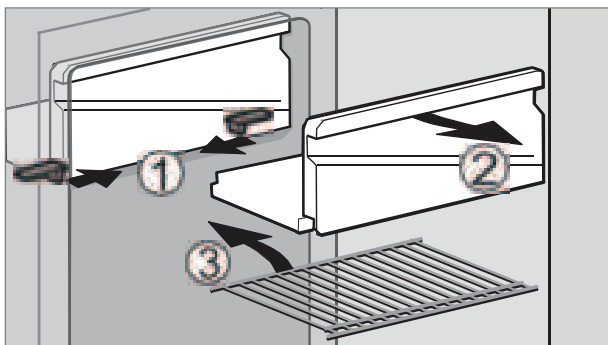
5.6 Namestitvev odlagalnih rešetak



SI. 15

Če odlagalne rešetke rahlo dvignete iz vodil, jih lahko izvlečete in poljubno prestavite.

5.7 Snemljiv zamrzovalni predal



Sl. 16

Da bi povečali hladilni prostor, lahko zamrzovalni predal odstranite.

1. Zamrzovalni predal odpahnite na obeh straneh.
2. Izvlecite zamrzovalni predal.

Zamrzovalni predal skrbno shranite, da se ne bo poškodoval.



Ko je zamrzovalni predal odstranjen, lahko vstavite dodatno odlagalno rešetko (3). Odlagalno rešetko kot posebno opremo dobite pri podjetju **Dometic**.

5.8 Shranjevanje živil in priprava ledu

5.8.1 Shranjevanje živil v hladilni prostor

- Hladilnik vklopite približno 12 ur pred polnjenjem.
- V hladilnik vedno vstavite samo že ohlajena živila. Že pri nakupu in transportu pazite, da bodo živila dobro ohlajena. Uporabljajte izolirne vrečke.
- Vrata hladilnika med odvzemanjem živil odprite le za kratek čas.
- Živila morajo biti v hladilniku zapakirana, najbolje v zaprtih posodah, aluminijasti foliji ali podobnem ter shranjena ločeno, da se ne izsušijo in ne nastane neprijeten vonj.
- V hladilnik nikoli ne vstavljajte toplih živil, vedno počakajte, da se ohladijo.
- V hladilniku ni dovoljeno hraniti živil, ki lahko oddajajo hlapne, gorljive pline.
- Odlagalnih rešetk in predalov ne napolnite

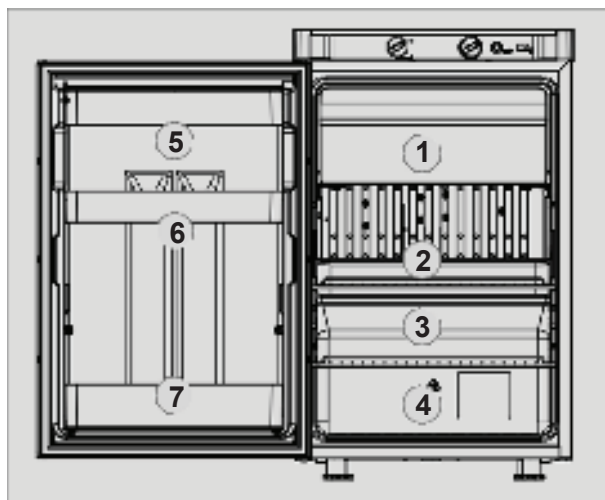
preveč, da ne bo ovirano notranje kroženje zraka.

- Zagotovite razmik med živili in uparjalnikom ("hladilnimi rebri") (pribl. 10 mm).
- Zagotovljeno mora biti nemoteno kroženje zraka agregata hladilnika. Prezračevalne odprtine ne smejo biti zakrite.

5.8.2 Vstavljanje živil v zamrzovalni predal

- V zamrzovalnem predalu ne hranite gaziranih pijač.
- Zamrzovalni predal je namenjen pripravi kock ledu in za kratkotrajno hranjenje zamrznjenih živil. Ni primeren za zamrzovanje živil.

5.8.3 Predali hladilnika

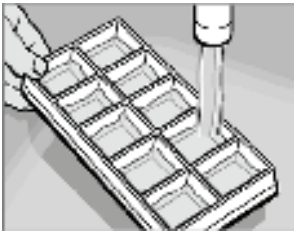


Sl. 18

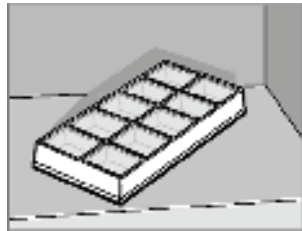
- ① **Zamrzovalni predal:**
že zamrznjena živila (globoko zamrznjeni izdelki)
- ② **Sredinski predal:**
mlečni izdelki, predpripravljeni obroki
- ③ **Najnižji predal:**
meso, ribe, stvari za odtajanje
- ④ **Predal za zelenjavo:**
solata, zelenjava, sadje
- ⑤ **Zgornja polica na vratih:**
jajca, maslo
- ⑥ **Sredinska polica na vratih:**
plastenke, preliivi, omake, marmelada
- ⑦ **Najnižja polica na vratih (predal za pijače):**
pijača v steklenicah ali plastenkah

5.8.4 Priprava ledu

Led je najbolje zamrzovati ponoči. Ponoči je hladilnik malo obremenjen in agregat ima več rezerv.



Sl. 19



Sl. 20

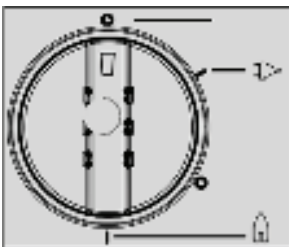
1. Posodo za led napolnite s pitno vodo.
2. Posodo za led vstavite v zamrzovalni predal.



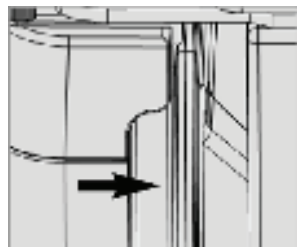
OPOZORILO!

Uporabljajte samo pitno vodo!

5.9 Konec uporabe



Sl. 21



Sl. 22

- Stikalo za izbiro energije (1) prestavite v položaj "AUS" (IZKLOP). Naprava je izklopljena.
- Vrata pustite nekoliko odprta, da preprečite nastajanje plesni v notranjosti naprave.
- Če hladilnika dlje časa ne boste uporabljali, zaprite zaporni ventil v vozilu in ventil jeklenke.

5.10 Odtajanje

Na hladilnih rebrih se sčasoma nabere plast slane. Ta je lahko debelejša na eni strani naprave in ni znak nepravilnega delovanja. Ko je plast slane debela 3 mm, morate hladilnik odtajati.

- Hladilnik izklopite, kot je opisano v poglavju 5.9 Konec uporabe.
- Odstranite vsa živila in posodo za led.
- Vraga hladilnika pustite odprta, da bo zrak lahko vstopal in da preprečite nastajanje plesni.
- Oba hladilna predala (na zamrzovalnem predalu in hladilnih rebrih ni slane) po odtajanju obrišite do suhega s krpo.

Opomba: rosa iz glavnega hladilnega predala teče v zbiralnik na zadnji strani naprave. Tam izhlapi.

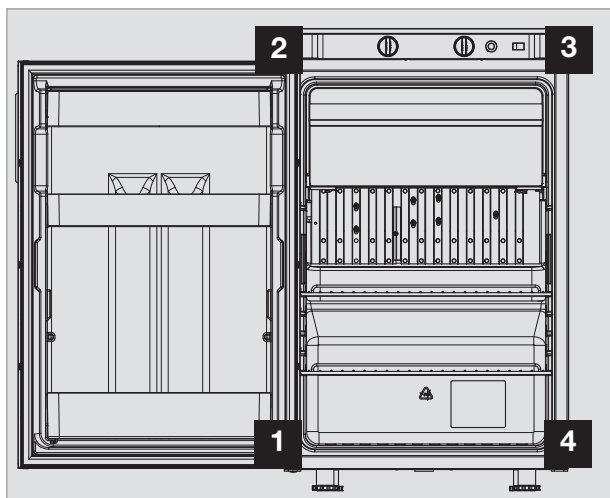
PREVIDNO!

Nikoli ne smete plasti slane odstraniti na silo ali odtajanje pospeševati z uporabo infrardečega grelnika!

5.11 Zamenjava vratnega tečaja



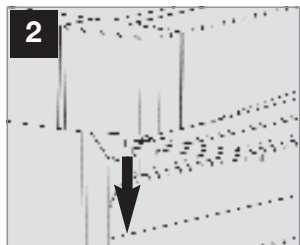
Če je pri tem treba hladilnik nagniti na stran ali položiti v vodoraven položaj, počakajte eno uro, preden hladilnik vklopite. V tem času se hladilna tekočina znova zbere v zbirni posodi hladilnega agregata. Tako je zagotovljeno pravilno delovanje hladilnika.



Sl. 23



Sl. 24



Sl. 25



Sl. 26



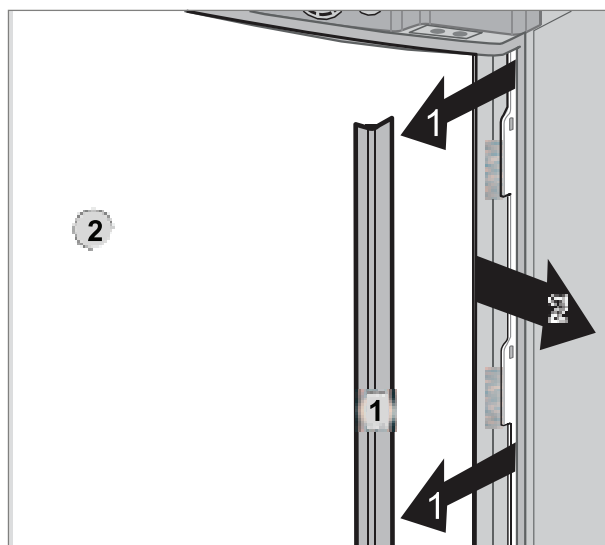
Sl. 27

- Odprite vrata, odvijte tečajni vijak in ga shranite.
- Vrata snemite v smeri naprej.

- Sprostite tečajni zatič in ga privijte na drugi strani.
- Distančno ploščico premaknite na spodnji tečaj.
- Vrata potisnite v zgornji tečajni zatič in namestite na spodnji tečaj.
- Privijte tečajni vijak.
- Pazite, da bodo vrata prosto gibljiva in bo tesnilo vrat nameščeno po celotnem obodu.

5.12 Zamenjava okrasne plošče

- Stransko letev (1) vrat odstranite (letev je nataknjena, ni privita).
- Okrasno ploščo (2) potisnite v vrata in znova nataknite letev (1).



Sl. 28

Mere okrasne plošče:

Višina	743 +/- 0,75 mm
Širina	504 +/- 0,5 mm
Debelina	najm. 1,0 mm najv. 1,7 mm

5.13 Ravnanje pri motnjah

Preden obvestite pooblaščen servisno službo, preverite naslednje:

- so bila ustrezno upoštevana navodila v razdelku "Upravljanje hladilnika",
- hladilnik stoji vodoravno,
- je možno hladilnik uporabljati s katerokoli razpoložljivo vrsto energije.

Motnja: Hladilnik ne hladi dovolj.

Možni vzrok	Rešitev
- Prezračevanje agregata ni zadostno.	- Preverite, ali prezračevalna rešetka agregata ni zakrita.
- Prenizka nastavitvev na termostatu.	- Regulator termostata nastavite na višjo nastavitvev.
- Uparjalnik je zelo zaledenel.	- Preverite, ali se vrata hladilnika pravilno zapirajo.
- V kratkem času je bilo vstavljenih preveč toplih jedi.	- Tople jedi najprej ohladite.
- Naprava še ne deluje dovolj dolgo.	- Hladilni prostor preverite po 4 do 5 urah hlajenja.
- Temperatura v prostoru je previsoka.	- Prostor prezračite.

Motnja: Hladilnik ne hladi pri delovanju s plinom.

Možni vzrok	Rešitev
- Plinska jeklenka je prazna.	- Zamenjajte plinsko jeklenko.
- Predklopljena zaporna naprava je zaprta.	- Odprite zaporno napravo.
- V napeljavi je zrak.	- Napravo izklopite in znova vklopite. Postopek po potrebi ponovite 3–4-krat.

Motnja: Hladilnik ne hladi pri delovanju s tokom 230 V.

Možni vzrok	Rešitev
- Varovalka je pokvarjena.	- Vstavite novo varovalko.
- Omrežno napajanje ni priključeno.	- Zagotovite priključitev na omrežje.
- Grelni element je pokvarjen.	- Obvestite servisno službo Dometic.

Οδηγίες λειτουργίας

Ψυγείο απορρόφησης

RGE 2100

Σημειώστε εδώ:

Αρ. μοντέλου

Αρ. προϊόντος

Αρ. σειράς



N 1-1

MBA 12/2012

GR

Πίνακας περιεχομένων

1.0	Γενικές πληροφορίες	4
1.1	Εισαγωγή	4
1.2	Υποδείξεις για τις παρούσες οδηγίες λειτουργίας	4
1.3	Προστασία πνευματικών δικαιωμάτων	4
1.4	Εξηγήσεις για τα χρησιμοποιηθέντα σύμβολα	4
1.5	Εγγύηση	5
1.6	Περιορισμός ευθύνης	5
1.7	Εξυπηρέτηση πελατών	5
1.8	Ανταλλακτικά	5
1.9	Υποδείξεις προστασίας περιβάλλοντος	6
1.9.1	Αποκομιδή	6
1.9.2	Υποδείξεις εξοικονόμησης ενέργειας	6
1.10	Δήλωση πιστότητας	6
2.0	Υποδείξεις ασφαλείας	7
2.1	Προορισμός χρήσης	7
2.2	Υπευθυνότητα του χρήστη	7
2.3	Προστατεύστε τα παιδιά κατά την αποκομιδή της συσκευής	7
2.4	Εργασίες και έλεγχοι του ψυγείου	7
2.5	Πληροφορίες για τα ψυκτικά μέσα	8
2.6	Λειτουργία του ψυγείου με αέριο	8
2.7	Υποδείξεις ασφαλείας κατά την αποθήκευση τροφίμων	9
3.0	Περιγραφή μοντέλου	10
3.1	Ονομασία μοντέλου	10
3.2	Πινακίδα τύπου του ψυγείου	10
3.3	Τεχνικά χαρακτηριστικά	10
3.4	Εξήγηση του ψυγείου	10
4.0	Εγκατάσταση	11
4.1	Τοποθέτηση και σύνδεση	11
4.1.1	Ηλεκτρική σύνδεση	11
4.1.2	Τοποθέτηση φιάλης υγραερίου	11
4.1.3	Σύνδεση υγραερίου	12
4.2	Τοποθέτηση χειρολαβής πόρτας	12
5.0	Λειτουργία του ψυγείου	13
5.1	Καθαρισμός	13
5.2	Συντήρηση	13
5.3	Λειτουργία με ρεύμα	13
5.4	Λειτουργία με αέριο	13
5.5	Χειρισμός	14
5.5.1	Εξήγηση των στοιχείων χειρισμού	14
5.5.2	Λειτουργία με ρεύμα	15
5.5.3	Λειτουργία με αέριο (υγραέριο)	15
5.5.4	Ρύθμιση της θερμοκρασίας χώρου ψύξης	15
5.6	Τοποθέτηση σχάρας ραφιών	16
5.7	Αφαιρέσιμος καταψύκτης	16
5.8	Αποθηκεύστε τρόφιμα και ετοιμάστε παγάκια	16
5.8.1	Αποθηκεύστε τρόφιμα στον χώρο ψύξης	16
5.8.2	Αποθήκευση τροφίμων στον καταψύκτη	16

5.8.3	Ράφια ψυγείου	17
5.8.4	Ετοιμάστε παγάκια	17
5.9	Διακοπή λειτουργίας	17
5.10	Απόψυξη	18
5.11	Αλλαγή της φοράς πόρτας	18
5.12	Αλλαγή της διακοσμητικής πλάκας	19
5.13	Συμπεριφορά σε περίπτωση βλάβης	20

Dometic GmbH
In der Steinwiese 16
D-57074 Siegen

www.dometic.com

1.0 Γενικές πληροφορίες

1.1 Εισαγωγή

Με το παρόν ψυγείο απορρόφησης της **Dometic** κάνετε μια καλή επιλογή. Είμαστε σίγουροι ότι θα μείνετε απόλυτα ικανοποιημένοι με το καινούριο σας ψυγείο. Το ψυγείο που λειτουργεί αθόρυβα αντιστοιχεί σε υψηλές απαιτήσεις ποιότητας και εγγυάται μια αποδοτική μεταχείριση πρώτων υλών και ενέργειας για όλη την διάρκεια ζωής τους - κατά την κατασκευή, χρήση και αποκομιδή.

1.2 Υποδείξεις για τις παρούσες οδηγίες λειτουργίας

Πριν θέσετε σε λειτουργία το ψυγείο, παρακαλούμε διαβάστε τις οδηγίες προσεκτικά.

Οι παρούσες οδηγίες σας δίνουν τις απαραίτητες υποδείξεις για τη σωστή χρήση του ψυγείου σας. **Δώστε ιδιαίτερη προσοχή στις οδηγίες ασφαλείας.** Η τήρηση των υποδείξεων και των οδηγιών είναι σημαντική για τον ασφαλή χειρισμό του ψυγείου σας και σας προστατεύει εσάς και το ψυγείο σας από φθορές και βλάβες. Φροντίστε να κατανοείτε αυτά που διαβάζετε πριν λάβετε κάποια μέτρα.

Φυλάξτε τις παρούσες οδηγίες προσεκτικά κοντά στο ψυγείο, για να μπορείτε να τις συμβουλευέστε ανά πάσα στιγμή.

1.3 Προστασία πνευματικών δικαιωμάτων

Τα στοιχεία, τα κείμενα και οι απεικονίσεις στην παρούσα προστατεύονται από νόμους πνευματικής ιδιοκτησίας και υπόκεινται στους εμπορικούς νόμους προστασίας δικαιωμάτων. Απαγορεύεται η αναπαραγωγή, η αντιγραφή ή οποιαδήποτε άλλη χρήση τμημάτων της παρούσας χωρίς την έγγραφη έγκριση της Dometic GmbH, Siegen.

1.4 Εξηγήσεις για τα χρησιμοποιηθέντα σύμβολα

Προειδοποιήσεις

Οι προειδοποιήσεις σημειώνονται με σύμβολα. Ένα συμπληρωματικό κείμενο εξηγεί τον βαθμό της επικινδυνότητας.

Τηρήστε αυτές τις προειδοποιήσεις με μεγάλη προσοχή και ακρίβεια. Προφυλάσσετε τον εαυτό σας, άλλα άτομα και τη συσκευή από ζημιές.



ΚΙΝΔΥΝΟΣ!

ΚΙΝΔΥΝΟΣ χαρακτηρίζει μια άμεση επικείμενη επικίνδυνη κατάσταση που μπορεί να προκαλέσει θάνατο ή ένα σοβαρό τραυματισμό, σε περίπτωση που δεν ακολουθήσετε τις αντίστοιχες υποδείξεις.



ΠΡΟΕΙΔΟΠΟΙΗΣΗ!

ΠΡΟΕΙΔΟΠΟΙΗΣΗ χαρακτηρίζει μια δυνητικά επικείμενη επικίνδυνη κατάσταση που μπορεί να προκαλέσει θάνατο ή ένα σοβαρό τραυματισμό, σε περίπτωση που δεν ακολουθήσετε τις αντίστοιχες υποδείξεις.



ΠΡΟΣΟΧΗ!

ΠΡΟΣΟΧΗ χαρακτηρίζει μια δυνητικά επικείμενη επικίνδυνη κατάσταση που μπορεί να προκαλέσει έναν ελαφρό ή ένα μεσαίο τραυματισμό, σε περίπτωση που δεν ακολουθήσετε τις αντίστοιχες υποδείξεις.

ΠΡΟΣΟΧΗ!

ΠΡΟΣΟΧΗ χωρίς σύμβολο ασφαλείας χαρακτηρίζει μια δυνητικά επικείμενη επικίνδυνη κατάσταση που μπορεί να προκαλέσει φθορά της συσκευής, σε περίπτωση που δεν ακολουθήσετε τις αντίστοιχες υποδείξεις.

Πληροφορίες



ΠΛΗΡΟΦΟΡΙΕΣ σας προσφέρουν συμπληρωματικές και χρήσιμες υποδείξεις για το χειρισμό του ψυγείου σας.



ΥΠΟΔΕΙΞΕΙΣ ΠΡΟΣΤΑΣΙΑΣ ΠΕΡΙΒΑΛΛΟΝΤΟΣ δίνει χρήσιμες υποδείξεις για εξοικονόμηση ενέργειας και για την αποκομιδή της συσκευής.

1.5 Εγγύηση

Η επεξεργασία αξιώσεων εγγύησης ακολουθεί σύμφωνα με την ευρωπαϊκή οδηγία 44/1999/ΕΚ. Σε περίπτωση αξιώσεων εγγύησης παρακαλούμε να επικοινωνήσετε με τον εμπορικό σας αντιπρόσωπο.

Φθορές/ζημιές που οφείλονται σε ακατάλληλο χειρισμό εξαιρούνται από την εγγύηση. Κάθε μετατροπή στη συσκευή ή η χρήση ανταλλακτικών που δεν είναι **Αυθεντικά Ανταλλακτικά Dometic**, καθώς και η μη πιστή τήρηση των οδηγιών εγκατάστασης και χειρισμού καταργεί την εγγύηση και αποκλείει αξιώσεις ευθύνης απέναντί μας.

1.6 Περιορισμός ευθύνης

Όλες οι υποδείξεις και τα στοιχεία της παρούσας συστάθηκαν λαμβάνοντας υπόψη τα ισχύοντα πρότυπα και τις ισχύουσες προδιαγραφές καθώς και τις τελευταίες τεχνικές εξελίξεις. Η εταιρία **Dometic** επιφυλάσσεται του δικαιώματος να διεξάγει μετατροπές στο προϊόν που εξυπηρετούν την βελτίωσή του και την ασφάλειά του.

Η εταιρία **Dometic** δεν αναλαμβάνει ευθύνες για ζημιές που οφείλονται σε: :

- Μη τήρηση των οδηγιών λειτουργίας
- Ακατάλληλη χρήση
- Χρήση μη αυθεντικών ανταλλακτικών
- Αλλαγές και μετατροπές της συσκευής

1.7 Εξυπηρέτηση πελατών

Τις διευθύνσεις εξουσιοδοτημένων συνεργείων εξυπηρέτησης πελατών θα τις βρείτε μέσω των αριθμών τηλεφώνου από το βιβλίο **EuroService Network** που παραδίδεται μαζί με κάθε ψυγείο. Επίσης και στο Διαδίκτυο θα βρείτε τον κοντινότερο σε σας αντιπρόσωπο σέρβις στην ιστοσελίδα **www.dometic.com**. Όταν έρχεστε σ' επαφή με το σέρβις, πρέπει πάντα να αναφέρετε το μοντέλο του ψυγείου, τον αριθμό προϊόντος, τον αριθμό κατασκευαστικής σειράς και, αν χρειαστεί και τον κωδικό MLC! Αυτές τις πληροφορίες θα τις βρείτε στην πινακίδα μοντέλου στο εσωτερικό του ψυγείου. Σας συνιστούμε να αναγράψετε αυτά τα στοιχεία στο κενό πεδίο που έχει προετοιμαστεί γι' αυτό το σκοπό στην αρχική σελίδα του παρόντος.

1.8 Ανταλλακτικά

Τα ανταλλακτικά μπορείτε να τα προμηθευτείτε από τα γραφεία σέρβις πελατών.

Όταν επικοινωνείτε με το σέρβις, πρέπει πάντα να δηλώνετε το μοντέλο και τον αριθμό προϊόντος! Αυτές τις πληροφορίες θα τις βρείτε στην πινακίδα μοντέλου στο εσωτερικό του ψυγείου.

1.9 Υποδείξεις προστασίας περιβάλλοντος



Στην ψυκτική μονάδα χρησιμοποιείται ως ψυκτικό μέσο η αμμωνία (μια φυσική ένωση υδρογόνου και αζώτου). Ως προωθητικό μέσο για την μόνωση από αφρό πολουρεθανίου χρησιμοποιείται το κυκλοπεντάνιο που είναι δεν βλαβερό για το όζον.

1.9.1 Αποκομιδή

Για την εξασφάλιση της χρήσης υλικών συσκευασίας που μπορούν να ανακυκλωθούν, πρέπει να φροντίζετε ώστε να προωθούνται στα συνήθη συστήματα συλλογής του τόπου σας. Η συσκευή πρέπει να παραδοθεί σε μια κατάλληλη εταιρία αποκομιδής που θα εγγυηθεί την χρήση των ανακυκλώσιμων τμημάτων και την κανονική αποκομιδή των υπολοίπων υλικών. Για την περιβαλλοντική μη βλαβερή εκκένωση του ψυκτικού μέσου από όλες τις μονάδες του ψυγείου απορρόφησης πρέπει να χρησιμοποιηθεί μια κατάλληλη εγκατάσταση αποκομιδής.

Συσκευές μ' αυτό το σύμβολο πρέπει να συγκεντρώνονται για αποκομιδή στα τοπικά σημεία αποκομιδής ηλεκτρικών και ηλεκτρονικών συσκευών. Απαγορεύεται η αποκομιδή αυτού του προϊόντος μαζί με τα συνήθη απορρίματα του νοικοκυριού. Τα ψυγεία Dometic φέρουν αυτό το σύμβολο στην πινακίδα δεδομένων (πινακίδα μοντέλου) στο εσωτερικό της συσκευής.

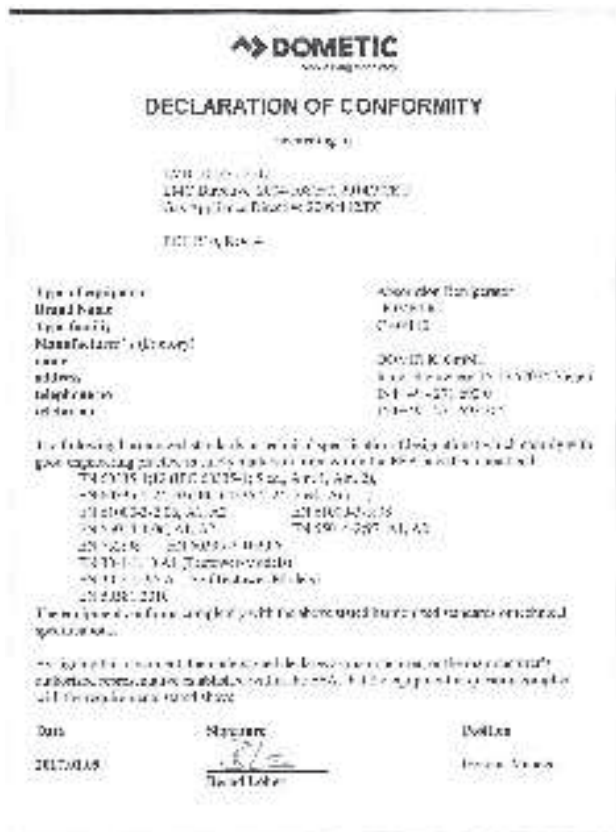


1.9.2 Υποδείξεις εξοικονόμησης ενέργειας

- Όταν η μέση θερμοκρασία περιβάλλοντος κυμαίνεται στους 25°C βαθμούς, είναι αρκετό να λειτουργεί το ψυγείο στην μεσαία θέση του θερμοστάτη.
- Αν είναι δυνατόν, τοποθετήστε πράγματα που έχει κατεβάσει ήδη την θερμοκρασία τους με ψύξη.
- Μην εκθέτετε το ψυγείο στην άμεση ηλιακή ακτινοβολία ή σε άλλη πηγή θερμότητας (π.χ. θέρμανση).

- Εξασφαλίστε την απρόσκοπτη κυκλοφορία του αέρα γύρω από το μοτέρ του ψυγείου.
- Κατατάξτε τις σχάρες αποθήκευσης ομοίωμα στο χώρο ψύξης, για να επιτυγχάνετε την αποτελεσματικότερη χρήση ενέργειας.
- Μην υπερφορτώνετε τις σχάρες αποθήκευσης ή τα ράφια, για να μην εμποδίζετε την εσωτερική κυκλοφορία του αέρα.
- Αφήνετε αρκετή απόσταση ανάμεσα στα πράγματα του ψυγείου και τον μετασμπυκνωτή ("γρίλλιες ψύξης") (περίπου 10 χιλιοστά).
- Κανονικές αποψύξεις εξοικονομούν ενέργεια (βλ. κεφ. "Απόψυξη").
- Ανοίξτε την πόρτα του ψυγείου μόνο σύντομα για να πάρετε κάτι.
- Θέστε το ψυγείο σε λειτουργία περίπου 12 ώρες πριν αρχίσετε να το γεμίζετε/12 ώρες πριν αρχίσετε να το γεμίζετε.

1.10 Δήλωση πιστότητας



2.0 Υποδείξεις ασφαλείας

2.1 Προορισμός χρήσης

Αυτό το ψυγείο προορίζεται για την ελεύθερη τοποθέτηση σε κλειστούς χώρους, όπως σε εξοχικές ή παραθεριστικές κατοικίες. Η συσκευή είναι ελεγμένη γι' αυτήν την χρήση ως προς το κατασκευαστικό της δείγμα σύμφωνα με την οδηγία περί υγραερίου της ΕΕ 2009/142/ΕΚ. **Η συσκευή δεν είναι κατάλληλη για να τοποθετηθεί σε οδικά και πλωτά οχήματα.**

Χρησιμοποιείτε το ψυγείο αποκλειστικά για την ψύξη και αποθήκευση τροφίμων.



ΠΡΟΕΙΔΟΠΟΙΗΣΗ!

Το ψυγείο δεν προορίζεται για την σωστή αποθήκευση φαρμάκων. Προσέξτε τις υποδείξεις φύλαξης στο φυλλάδιο οδηγιών του εκάστοτε φαρμάκου.

ΠΡΟΣΟΧΗ!

Το ψυγείο απαγορεύεται να εκτίθεται στην βροχή.

2.2 Υπευθυνότητα του χρήστη

Τα άτομα που χειρίζονται το ψυγείο/φούρνο πρέπει να γνωρίζουν τον ασφαλή χειρισμό του και τις υποδείξεις στο παρόν φυλλάδιο.

Η παρούσα συσκευή επιτρέπεται να χρησιμοποιηθεί από παιδιά ηλικίας 8 ετών και άνω και από άτομα με μειωμένες φυσικές, κινητικές ή διανοητικές ικανότητες ή με έλλειψη πείρας ή/και γνώσεων μόνο υπό την προϋπόθεση ότι θα επιτηρούνται ή μόνο αν τους έχει υποδειχθεί ο ασφαλής χειρισμός της συσκευής και έχουν καταλάβει τους κινδύνους που μπορούν να προκύψουν. Απαγορεύεται στα παιδιά να παίζουν με τη συσκευή. Ο καθαρισμός και η συντήρηση χρήσης απαγορεύεται να γίνονται από παιδιά χωρίς επιτήρηση.

[EN 60335-2-24, 7.12]

2.3 Προστατεύστε τα παιδιά κατά την αποκομιδή της συσκευής



ΠΡΟΕΙΔΟΠΟΙΗΣΗ!

Αφαιρέστε όλες τις πόρτες του ψυγείου κατά την αποκομιδή του και αφήστε τις σχάρες των ραφιών μέσα στο ψυγείο. Έτσι θα αποκλείσετε την περίπτωση τυχαίου εγκλωβισμού και ασφυξίας.

2.4 Εργασίες και έλεγχοι του ψυγείου



ΠΡΟΕΙΔΟΠΟΙΗΣΗ!

Εργασίες στα τμήματα αερίου, απαγωγής αερίου και ηλεκτρισμού επιτρέπεται να διεξάγονται μόνο από εξουσιοδοτημένα ειδικευμένα άτομα. Αν οι εργασίες διεξαχθούν με ακατάλληλο τρόπο πιθανόν να προκληθούν ζημιές σε αντικείμενα και άτομα.



ΚΙΝΔΥΝΟΣ!



Μη ελέγχετε ποτέ αν υπάρχουν διαρροές αερίου σε μέρη και αγωγούς αερίου με γυμνή φλόγα! Υπάρχει κίνδυνος πυρκαγιάς και έκρηξης.



ΠΡΟΕΙΔΟΠΟΙΗΣΗ!

Μην ανοίγετε ποτέ την ψυκτική μονάδα απορρόφησης! Βρίσκεται πάντα υπό υψηλή πίεση. Υπάρχει κίνδυνος τραυματισμού!

2.5 Πληροφορίες για τα ψυκτικά μέσα

Ως ψυκτικό μέσο χρησιμοποιείται η αμμωνία. Πρόκειται για μια φυσική ένωση που υπάρχει σε όλα τα καθαριστικά του νοικοκυριού (ένα λίτρο χλωριούχου αμμωνίου περιέχει έως 200 γρ. αμμωνία, δηλ. το διπλάσιο από ό,τι περιέχει το ψυγείο). Το χρωμιούχο νάτριο χρησιμοποιείται ως αντιδιαβρωτικό μέσο (1,8 εκατοστιαίο ποσοστό του διαλυτικού).

Πώς θα ενεργήσετε σε περίπτωση μιας πιθανής διαρροής (διακρίνεται εύκολα λόγω της έντονης μυρουδιάς):

- Κλείστε την συσκευή.
- Αερίστε καλά το χώρο.
- Ενημερώστε το εξουσιοδοτημένο συνεργείο σέρβις.



Για την ασφάλεια σας έχει διαπιστωθεί με γνωμοδότηση ότι δεν υφίσταται κίνδυνος για την υγεία σας όταν υπάρχει διαρροή του ψυκτικού μέσου.

2.6 Λειτουργία του ψυγείου με αέριο

Η πίεση λειτουργίας πρέπει οπωσδήποτε να αντιστοιχεί στα στοιχεία της πινακίδας μοντέλου του ψυγείου. Συγκρίνετε τα στοιχεία της πίεσης λειτουργίας στην πινακίδα με τα στοιχεία του μειωτή πίεσης στη φιάλη υγραερίου.

Το ψυγείο λειτουργεί με τα υγραέρια και τις τιμές εισόδου για την πίεση που αναφέρονται παρακάτω. Οι μειωτές πίεσης που θα χρησιμοποιηθούν μεταξύ φιάλης υγραερίου και ψυγείου πρέπει να ανταποκρίνονται στις κατηγορίες που αναφέρονται στον παρακάτω πίνακα.

Πίεση σύνδεσης και κατηγορίες υγραερίου

Κατηγορία	Πίεση σε mbar	ΑΕΡΙΟ
I3B / P(30)	30	Βουτάνιο
	30	Προπάνιο
I3+ (28-30/37)	28-30	Βουτάνιο
	37	Προπάνιο
I3B/P(50)	50	Βουτάνιο
I3B/P(50)	50	Προπάνιο

Αν υποψιαστείτε μυρωδιά υγραερίου:

- Ανοίξτε όλα τα παράθυρα και εγκαταλείψτε τον χώρο.
- Μην θέσετε σε λειτουργία καμία ηλεκτρική συσκευή και αποφύγετε τη χρήση ανοιχτής φωτιάς.
- Κλείστε τη βαλβίδα της φιάλης υγραερίου και αφήστε την κλειστή μέχρι να αποκαταστήσετε την βλάβη.
- Συμβουλευτείτε εξειδικευμένο προσωπικό*.

* εξειδικευμένο προσωπικό

Εξουσιοδοτημένοι τεχνίτες είναι αναγνωρισμένοι τεχνικοί που με βάση την εκπαίδευση και τις γνώσεις τους μπορούν να εγγυηθούν ότι ο έλεγχος στεγανότητας έχει διεξαχθεί σύμφωνα με τους κανονισμούς

2.7 Υποδείξεις ασφαλείας κατά την αποθήκευση τροφίμων

Τα ψυγεία οποιοδήποτε τύπου δεν μπορούν να βελτιώσουν την ποιότητα των τροφίμων, αλλά να διατηρήσουν το ανώτερο για ένα μικρό χρονικό διάστημα την ποιότητα που είχαν τα τρόφιμα την στιγμή της αποθήκευσής τους. Λάβετε υπόψη τις ειδικές συνθήκες για την αποθήκευση ειδών διατροφής σ' ένα ψυγείο:

- Αλλαγή των κλιματικών συνθηκών όπως μεταβολή της θερμοκρασίας
- Υψηλή εσωτερική θερμοκρασία
- Ψυγείο έχει τοποθετηθεί πίσω από παράθυρο και σε άμεση ηλιακή ακτινοβολία
- Πολύ άμεση αποθήκευση τροφίμων αμέσως μετά τεθεί σε λειτουργία η συσκευή.

Σ' αυτές τις ειδικές συνθήκες δεν μπορεί να εξασφαλίσει το ψυγείο την απαιτούμενη θερμοκρασία για τρόφιμα που αλλοιώνονται γρήγορα.

Τρόφιμα που αλλοιώνονται γρήγορα είναι: όλα τα προϊόντα με δηλωμένη ημερομηνία λήξης και ελάχιστη θερμοκρασία συντήρησης στους +4°C βαθμούς ή και λιγότερο, ειδικότερα δε το κρέας, πουλερικά, ψάρια, αλλαντικά, έτοιμα φαγητά.

- Συσκευάστε ωμά και μαγειρεμένα προϊόντα ξεχωριστά (π.χ. σε μπολ, αλουμινόχαρτο, κ.ά.)
- Αφαιρέστε την ενδιάμεση συσκευασία από την ατομική συσκευασία τροφίμων, μόνο όταν όλα τα απαραίτητα στοιχεία, όπως ημερομηνία λήξης, βρίσκονται επάνω και στην άλλη συσκευασία.
- Μην αφήνετε προϊόντα που έχουν ήδη κρυώσει για πολλή ώρα έξω από το ψυγείο.
- Τοποθετήστε τρόφιμα με την πιο πρόσφατη ημερομηνία λήξης προς τα εμπρός.
- Συσκευάστε τα υπόλοιπα φαγητά πάλι και καταναλώστε τα όσο το συντομότερο δυνατό.
- Πλύνετε τα χέρια σας πριν και αφού αγγίξετε τρόφιμα.
- Καθαρίστε το εσωτερικό του ψυγείου σε τακτικά διαστήματα.

Τηρήστε τις υποδείξεις και τις περιγραφές που αφορούν την ημερομηνία λήξης στις εξωτερικές συσκευασίες των προϊόντων.

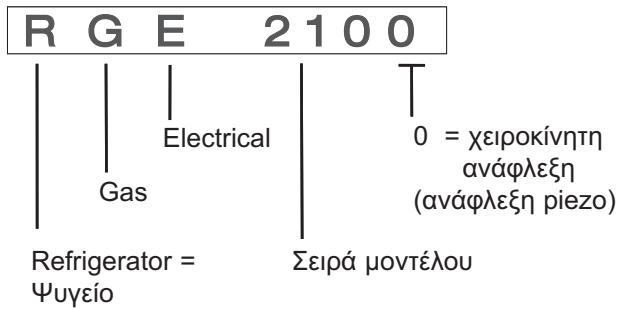
Τηρήστε τις οδηγίες που θα βρείτ



Τα ψυγεία Dometic λειτουργούν σύμφωνα με τις αρχές της απορρόφησης. Σύμφωνα με τις αρχές της φυσικής ένα σύστημα απορρόφησης αντιδρά με αδράνεια σε αλλαγές του θερμοστατικού ρυθμιστή, στην απώλεια ψυκτικής ικανότητας όταν ανοίγει η πόρτα ή όταν αποθηκεύονται τρόφιμα. Οι συσκευές ανταποκρίνονται στις απαιτήσεις ισχύος της κατηγορίας κλίματος SN σύμφωνα με EN/ISO 7371 σε θερμοκρασίες διαβάθμισης από +10°C έως +32°C σε θερμοκρασία χώρου.

3.0 Περιγραφή μοντέλου

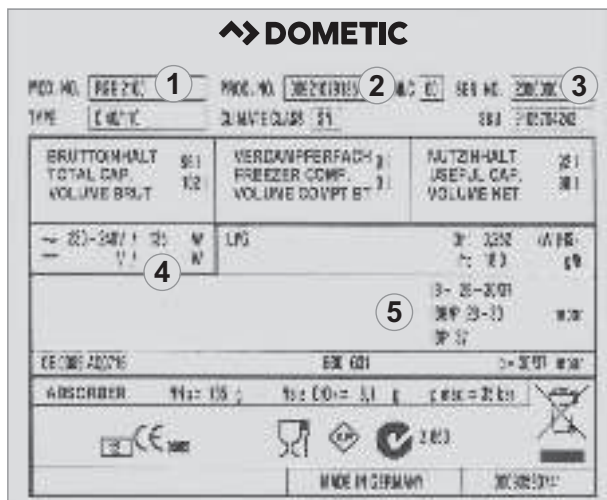
3.1 Ονομασία μοντέλου



Ψυγείο απορρόφησης που λειτουργεί με υγραέριο ή ρεύμα

3.2 Πινακίδα τύπου του ψυγείου

Στο εσωτερικό του ψυγείου θα βρείτε την πινακίδα τύπου του ψυγείου. Περιέχει όλα τα σημαντικά στοιχεία για το ψυγείο. Εκεί θα βρείτε την ονομασία του μοντέλου, τον αριθμό προϊόντος και τον αριθμό σειράς. Αυτά τα στοιχεία τα χρειάζεστε κάθε φορά που έρχεστε σ' επαφή με το τμήμα εξυπηρέτησης πελατών ή για παραγγελίες ανταλλακτικών.



Παράδειγμα

Σχ. 1

- 1 Αρ. μοντέλου
- 2 Αρ. προϊόντος
- 3 Αρ. σειράς
- 4 Τιμές ηλεκτρικής σύνδεσης
- 5 Πίεση αερίου

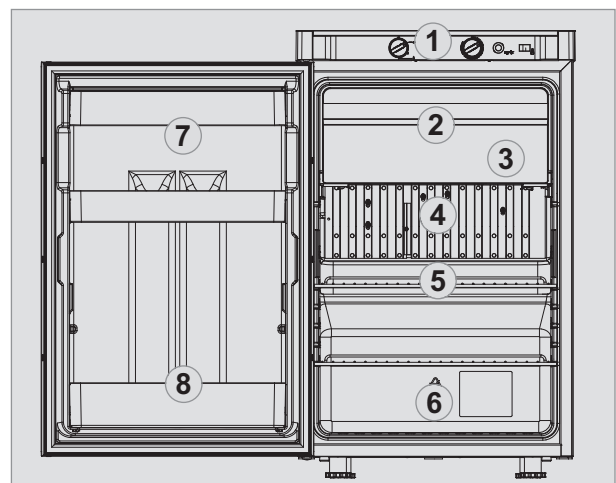
3.3 Τεχνικά χαρακτηριστικά

Μικτό περιεχόμενο (λίτρο)	96
θήκη κατάψυξης (λίτρο).....	9
Μικτό περιεχόμενο / χωρίς θήκη κατάψυξης	102
Διαστάσεις (σε χλστ.) (Υ x Π x Β)	859x531x558
Τιμές σύνδεσης (W)	135
Κατανάλωση, αέριο g / 24h*	270
Κατανάλωση, ηλεκτρικό kWh / 24h*	2.5
Καθαρό βάρος (kg)	32.2
Ανάφλεξη υγραερίου	ανάφλεξη piezo
Ελεύθερη τοποθέτηση	

Επιφυλάσσονται οι τεχνικές αλλαγές.

*Κατά μέσο όρο κατανάλωση με βάση μέτρησης μια μεσαία θερμοκρασία χώρου των 25°C σε σύγκλιση στα πρότυπα ISO.

3.4 Εξήγηση του ψυγείου



Σχ. 2

- 1 Στοιχεία χειρισμού
- 2 Θήκη κατάψυξης (αφαιρείται)
- 3 Αφαιρούμενη σχάρα πλέγμα (προαιρετική, τοποθετείται όταν αφαιρεθεί η θήκη κατάψυξης)
- 4 Εξατμιστής για χώρο ψύξης
- 5 Αυλάκι εκροής νερού απόψυξης
- 6 Θήκη λαχανικών
- 7 Επάνω εταζέρα με καπάκι
- 8 Κάτω εταζέρα με θήκη φιαλών

4.0 Εγκατάσταση

4.1 Τοποθέτηση και σύνδεση

Το παρόν ψυγείο έχει ελεγχθεί κι εγκριθεί για χρήση σε κλειστούς χώρους.

Λάβετε υπόψη τα εξής κατά την τοποθέτηση του ψυγείου:

- Ο χώρος τοποθέτησης πρέπει να έχει όγκο τουλάχιστον **20 m³**, να αερίζεται καλά και να διαθέτει ένα παράθυρο ή μια πόρτα που ανοίγουν προς υπαίθριο χώρο.
- Το ψυγείο πρέπει να τοποθετηθεί ελεύθερα, δηλ. με μια ελάχιστη απόσταση **50 χλστ.** (στις πλευρές του) προς γειτονικούς τοίχους ή ντουλάπια (**δεν είναι για εντοίχιση**).
- Η απόσταση προς υπερκείμενα αντικείμενα επίπλωσης (ντουλάπια, κλπ.) πρέπει να είναι τουλάχιστον **100 χλστ.**
- Τοποθετήστε τη συσκευή οριζόντια επάνω σε σταθερό υπόβαθρο.
- Το ψυγείο δεν επιτρέπεται να βρίσκεται στην εμβέλεια ακτινοβολίας της θερμότητας ζεστών αντικειμένων (π.χ. φούρνος, θέρμανση).
- Η ψυκτική μονάδα στην πίσω πλευρά (κάτω από το κάλυμμα) πρέπει να αερίζεται πάντοτε καλά. Μην σκεπάζετε την μονάδα (π.χ. με πετσέτες, κουρτίνες).
- Η έλλειψη εξαερισμού προκαλεί μείωση της ψυκτικής απόδοσης!
- Τοποθετήστε το ψυγείο σε μέρος προστατευμένο από πιτσιλιές νερού. Φροντίστε επίσης να μην εκτεθεί το ψυγείο πριν και κατά την τοποθέτησή του στη βροχή.

4.1.1 Ηλεκτρική σύνδεση

- Η παροχή τάσης πρέπει να αντιστοιχεί στην τιμή που αναφέρεται στην πινακίδα μοντέλου. Σε περίπτωση απόκλισης τιμών μπορεί να προκληθούν ζημιές στη συσκευή.

- Η παροχή τάσης για την λειτουργία της συσκευής μέσω ηλεκτρικού ρεύματος πρέπει να διεξαχθεί μέσω πρίζας με κατάλληλη γείωση σύμφωνα με τους κανονισμούς.
- Μια αυτόματη ασφάλεια πρέπει να είναι διαθέσιμη στην γραμμή προσαγωγής.
- Το καλώδιο ρεύματος πρέπει να είναι ελεύθερα προσβάσιμο ανά πάσα στιγμή και δεν επιτρέπεται να εφάπτεται με τα θερμά τμήματα της ψυκτικής μονάδας / καυστήρα.

ΠΡΟΣΟΧΗ!

Ο ρευματολήπτης πρέπει να είναι ελεύθερα προσβάσιμος.



ΠΡΟΣΟΧΗ!

Αν ο αγωγός σύνδεσης πάθει βλάβη, πρέπει να αντικατασταθεί από το σέρβις της Dometic ή από ένα εξίσου καλά ειδικευμένο προσωπικό για την αποφυγή κινδύνων.

4.1.2 Τοποθέτηση φιάλης υγραερίου

- Οι φιάλες υγραερίου πρέπει να στέκονται κάθετα.
- Τοποθετήστε τη φιάλη υγραερίου σε μέρος που αερίζεται καλά.
- Τοποθετήστε τη φιάλη υγραερίου κατά τέτοιο τρόπο ώστε να αναγνωρίζεται εύκολα σε περίπτωση πυρκαγιάς.
- Η μέγιστη απόσταση της φιάλης υγραερίου προς τη συσκευή δεν επιτρέπεται να υπερβαίνει τα 1,5 μ.
- Επιτρέπεται να χρησιμοποιούνται μόνο οι τύποι φιαλών και οι εξοπλισμοί ρύθμισης πίεσης που είναι εγκεκριμένοι στις εκάστοτε χώρες

4.1.3 Σύνδεση υγραερίου

Το ψυγείο προορίζεται αποκλειστικά για να λειτουργήσει με υγραέριο όπως το προπάνιο/βουτάνιο. **Μην χρησιμοποιήσετε σε καμία περίπτωση φωταέριο, φυσικό αέριο ή αέριο αυτοκινήτων.**

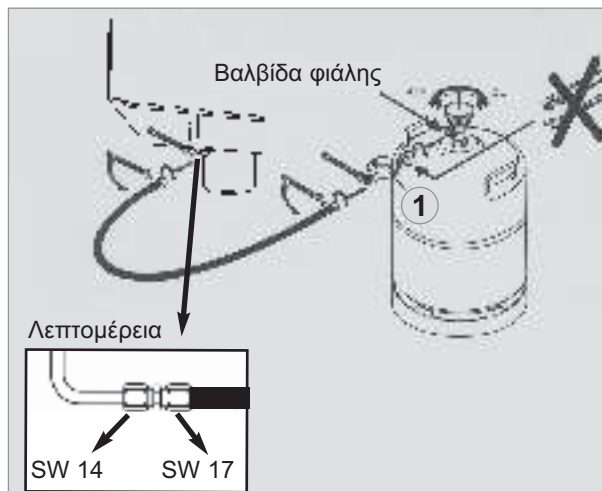
- Η τεχνικά άψογη σύνδεση του ψυγείου πρέπει να γίνει από εξουσιοδοτημένο τεχνικό προσωπικό.
- Πρέπει να τηρούνται οι εκάστοτε ισχύοντες εθνικές προδιαγραφές για τη χρήση συσκευών με λειτουργία υγραερίου.
- Ευρωπαϊκό Πρότυπο EN 732
- Ο αγωγός παροχής προς τη συσκευή πρέπει να διαθέτει έναν μόνιμο ρυθμιστή πίεσης (1), Σχ. 3, (μειωτής πίεσης). Το ψυγείο δεν επιτρέπεται να λειτουργήσει με άλλη ρύθμιση πίεσης εκτός από αυτήν που αναφέρεται στην πινακίδα τύπου.
- Το ψυγείο πρέπει να συνδεθεί με τη φιάλη υγραερίου μ' έναν ελαστικό σωλήνα ασφαλείας.
- Επιλέξτε το κατάλληλο μήκος ώστε να συνδεθεί ο ελαστικός σωλήνας χωρίς να διπλώνεται. Ο ελαστικός σωλήνας δεν επιτρέπεται να έχει μήκος μεγαλύτερο από 1,5 μ.
- Η σύνδεση υγραερίου με το όχημα γίνεται με βιδωτή σύνδεση κοπτικού δακτυλίου (Ermeto-) L8.
- Ο ελαστικός σωλήνας πρέπει να ανταλλάσσεται σε τακτικά χρονικά διαστήματα σύμφωνα με τις ισχύουσες εθνικές προδιαγραφές.
- Μετά την σύνδεση με τη φιάλη υγραερίου πρέπει να διεξαχθεί έλεγχος στεγανότητας καθώς και μια δοκιμή φλόγας του καυστήρα. Χρησιμοποιήστε για τον έλεγχο στεγανότητας ένα σπρέι ανίχνευσης διαρροών ή ένα μέσο δημιουργίας αφρού. Ελέγξτε αν δημιουργούνται τυχόν φυσαλίδες στα σημεία σύνδεσης μετά το άνοιγμα της βαλβίδας της φιάλης.



ΚΙΝΔΥΝΟΣ!



Μην ελέγξετε ποτέ τη συσκευή και τον αγωγό παροχής για διαρροές χρησιμοποιώντας ανοιχτή φωτιά!

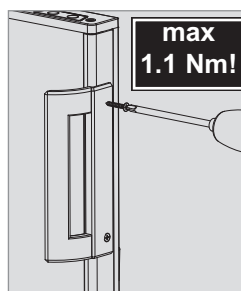


4.2 Τοποθέτηση χειρολαβής πόρτας

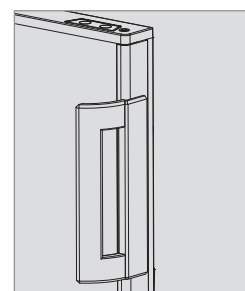
1. Σημεία στερέωσης: Χρησιμοποιήστε τον αντιγραφικό τύπο που αντιστοιχεί στις διαστάσεις (1) (βλ. «Παράρτημα»)
2. Πάρτε μέτρα για την χειρολαβή στην πόρτα και βιδώστε.



Σχ. 4



Σχ. 5



Σχ. 6

3. Τοποθετήστε το κάλυμμα και πιέστε σφιχτά.

5.0 Λειτουργία του ψυγείου

Το ψυγείο μπορεί να λειτουργήσει με δύο είδη ενέργειας:

- **Τάση ηλεκτρικού δικτύου (230V)**
- **Αέριο (υγραέριο προπάνιο/βουτάνιο)**

Το επιθυμητό είδος ενέργειας επιλέγεται μέσω του **διακόπτη επιλογής ενέργειας** (Σχ. 7).



Η μονάδα ψύξης της συσκευής λειτουργεί αθόρυβα.

Κατά την πρώτη λειτουργία της συσκευής μπορεί να δημιουργηθεί κάποια δυσάρεστη μυρωδιά, η οποία θα εξαφανιστεί μετά από μερικές ώρες. Αερίστε καλά τον κατοικήσιμο χώρο.

Περίπου μια ώρα μετά το άναμμα θα πρέπει κανονικά να έχει κρυώσει η κατάψυξη του ψυγείου. Το ψυγείο θα φτάσει σε θερμοκρασία λειτουργίας μετά από μερικές ώρες.

5.1 Καθαρισμός

Πριν θέσετε το ψυγείο σε λειτουργία, συνιστάται να καθαρίσετε το ψυγείο εσωτερικά και να επαναλαμβάνετε τον καθαρισμό σε κανονικά χρονικά διαστήματα.

Χρησιμοποιείτε ένα μαλακό πανάκι και χλιαρό νερό με ένα απαλό καθαριστικό μέσο. Κατόπιν ξεπλύνετε την συσκευή με καθαρό νερό και στεγνώστε την καλά.

Για να αποφύγετε αλλοιώσεις στα υλικά, αποφύγετε σαπούνια και καθαριστικά που περιέχουν κοκκώδη υλικά ή σόδα. Αποφύγετε να φέρετε σε επαφή το μονωτικό λάστιχο της πόρτας με λάδι ή λίπος.

5.2 Συντήρηση



ΠΡΟΕΙΔΟΠΟΙΗΣΗ!

Εργασίες στα τμήματα αερίου, απαγωγής αερίου και ηλεκτρισμού επιτρέπεται να διεξάγονται μόνο από εξουσιοδοτημένα ειδικευμένα άτομα.

- Ο καυστήρας αερίου πρέπει να καθαρίζεται από ρύπους όταν χρειάζεται, αλλά οπωσδήποτε μια φορά ετησίως. Φυλάξτε τα αποδεικτικά για τις διεξαχθείσες συντηρήσεις μαζί με το ψυγείο σας.
- Συνιστούμε την διεξαγωγή μιας συντήρησης μετά από μεγάλα διαστήματα αδράνειας της συσκευής. Επικοινωνήστε γι' αυτό με το τμήμα εξυπηρέτησης πελατών.

5.3 Λειτουργία με ρεύμα

ΠΡΟΣΟΧΗ!

Επιλέξτε αυτόν τον τρόπο λειτουργίας μόνο όταν η παροχή τάσης της γραμμής ρεύματος αντιστοιχεί με την τιμή που αναφέρεται στην πινακίδα τύπου. Σε περίπτωση απόκλισης τιμών μπορεί να προκληθούν ζημιές στη συσκευή.

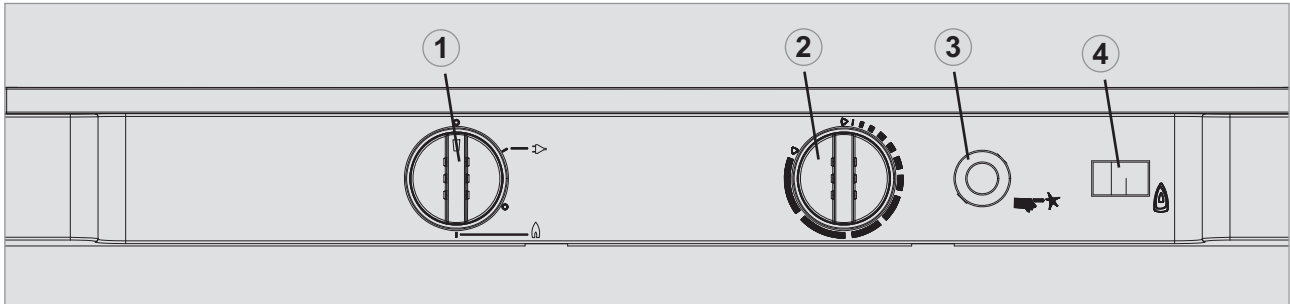
5.4 Λειτουργία με αέριο

- Το ψυγείο πρέπει να λειτουργήσει με υγραέριο (προπάνιο, βουτάνιο) (όχι φυσικό αέριο, φωταέριο).
- Σε υψόμετρο πάνω από περίπου 1000 μ. πάνω από τη θάλασσα μπορεί να παρουσιαστούν κατά την ανάφλεξη του αερίου δυσκολίες (**η συσκευή δεν έχει βλάβη!**).
- Κατά την πρώτη έναρξη λειτουργίας καθώς και κατά την αλλαγή φιάλης αερίου οι αγωγοί αερίου μπορεί να περιέχουν αέρα. Το αέριο θα διαφύγει από τους αγωγούς με μια σύντομη θέση σε λειτουργία του ψυγείου. Το αέριο θα ανάψει χωρίς καθυστέρηση.
- Όλα τα ψυγεία είναι εξοπλισμένα με μια αυτόματη ασφάλεια φλόγας, η οποία διακόπτει την παροχή αερίου αυτόματα μετά από 30 δευτερόλεπτα μετά το σβήσιμο της φλόγας.

5.5 Χειρισμός

5.5.1 Εξήγηση των στοιχείων χειρισμού

Χειροκίνητη επιλογή ενέργειας και χειροκίνητη ανάφλεξη με piezo:



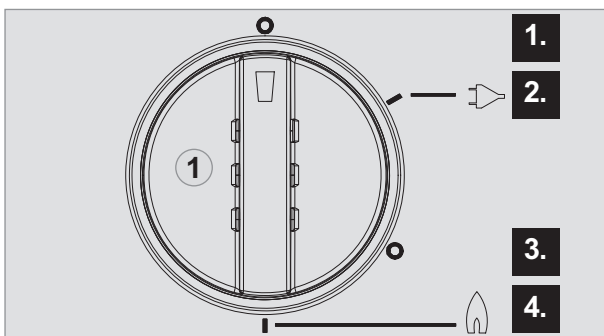
Σχ. 7

- 1 = Διακόπτης έναρξης λειτουργίας / διακόπτης επιλογής ενέργειας
- 2 = Ρυθμιστής θερμοκρασίας
- 3 = Ανάφλεξη piezo για λειτουργία αερίου
- 4 = Δείκτης φλόγας (γαλβανόμετρο)

Επεξηγήσεις

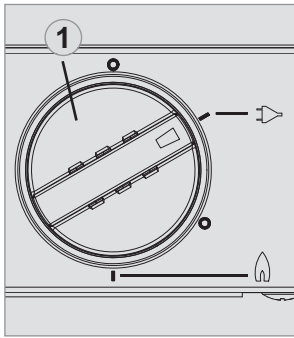
Το επιθυμητό είδος ενέργειας ρυθμίζεται γυρίζοντας τον διακόπτη επιλογής ενέργειας (1). Ο διακόπτης επιλογής ενέργειας έχει τέσσερις θέσεις :

- Κλειστό (1.)
- Τάση ηλεκτρικού δικτύου (230V~) (2.)
- Κλειστό (3.)
- Αέριο (υγραέριο προπάνιο/βουτάνιο) (4.)



Σχ. 8

5.5.2 Λειτουργία με ρεύμα



Σχ. 9

Για να θέσετε την συσκευή σε λειτουργία περιστρέψτε τον διακόπτη επιλογής ενέργειας (1) προς τα δεξιά στη θέση:

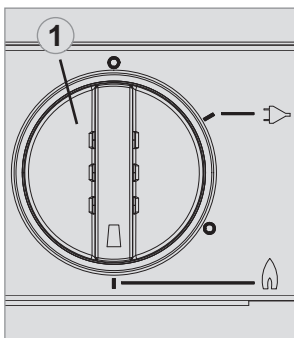


λειτουργία με 230V.

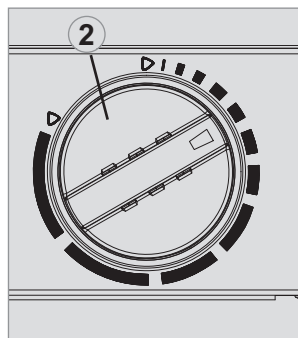
5.5.3 Λειτουργία με αέριο (υγραέριο)

Πριν βάλετε το ψυγείο σε λειτουργία με αέριο:

- Ανοίξτε τη βαλβίδα της φιάλης υγραερίου.



Σχ. 10



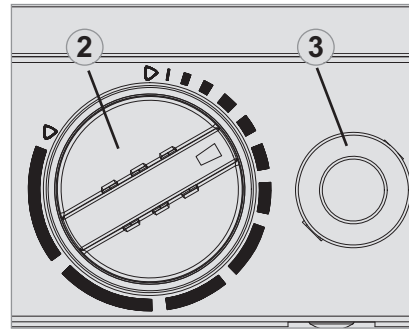
Σχ. 11

1. Βάλτε τον περιστροφικό διακόπτη επιλογής (1) στη θέση :

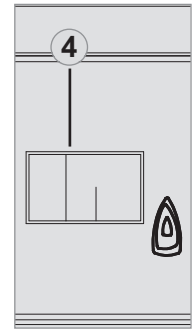


για λειτουργία αερίου.

2. Γυρίστε το ρυθμιστή βαθμίδας θερμοκρασίας (2) προς τα δεξιά και πιέστε τον να μπει μέσα. Κρατήστε το ρυθμιστή πιεσμένο κάτω.



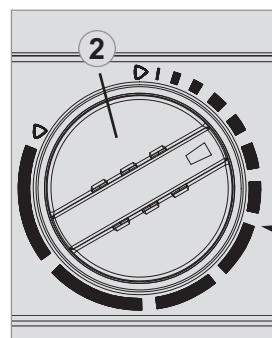
Σχ. 12



Σχ. 13

3. Πιέστε το κουμπί ενεργοποίησης (3) πολλές φορές σε απόσταση 1-2 δευτερολέπτων.
4. Ο δείκτης του γαλβανόμετρου (4) γυρίζει στην πράσινη περιοχή όταν η φλόγα έχει ανάψει. Κρατήστε το περιστρεφόμενο κουμπί (2) πιεσμένο για περίπου 15 δευτερόλεπτα και αφήστε το μετά ελεύθερο. Το ψυγείο είναι σε λειτουργία.

5.5.4 Ρύθμιση της θερμοκρασίας χώρου ψύξης



Σχ. 14

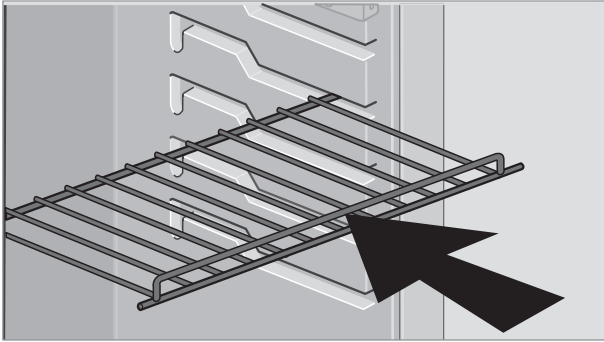
Μεσαία θέση

Με τη βοήθεια του περιστροφικού διακόπτη (2) επιλέξτε την θερμοκρασία στο χώρο ψύξης.

Η διαβάθμιση αρχίζει με τη θέση **MIN** (στενή λωρίδα = η πιο θερμή θερμοκρασία) και φτάνει έως τη θέση **MAX** (πλατιά λωρίδα = η πιο κρύα θερμοκρασία).

Σημειώστε ότι στις διαβαθμίσεις θερμοκρασίας δεν έχουν καταταχθεί απόλυτες τιμές θερμοκρασίας.

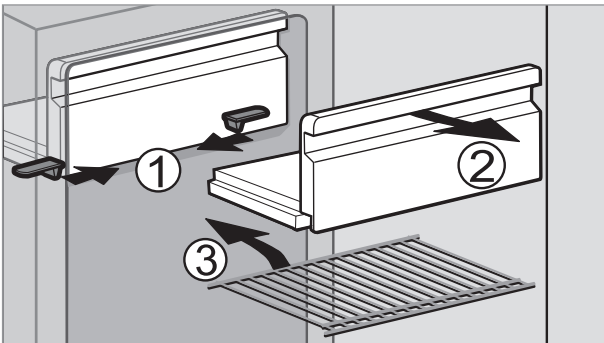
5.6 Τοποθέτηση σχάρας ραφιών



Σχ. 15

Οι σχάρες ραφιών βγαίνουν εύκολα με ένα απλό σήκωμα από τη θήκη τους και μπορούν να τοποθετηθούν όπου χρειάζεται.

5.7 Αφαιρέσιμος καταψύκτης



Σχ. 16

Για να μεγαλώσει ο χώρος ψύξης μπορείτε να αφαιρέσετε τη θήκη κατάψυξης.

1. Ξεκλειδώστε τη θήκη κατάψυξης και από τις δύο μεριές.
2. Τραβήξτε τη θήκη κατάψυξης προς τα έξω.

Αποθηκεύστε τη θήκη κατάψυξης προσεκτικά για να αποφύγετε φθορές.



Όταν βγει η θήκη κατάψυξης μπορείτε να τοποθετήσετε ένα επιπλέον ράφι (3.) (ειδικό εξάρτημα).

5.8 Αποθηκεύστε τρόφιμα και ετοιμάστε παγάκια

5.8.1 Αποθηκεύστε τρόφιμα στον χώρο ψύξης

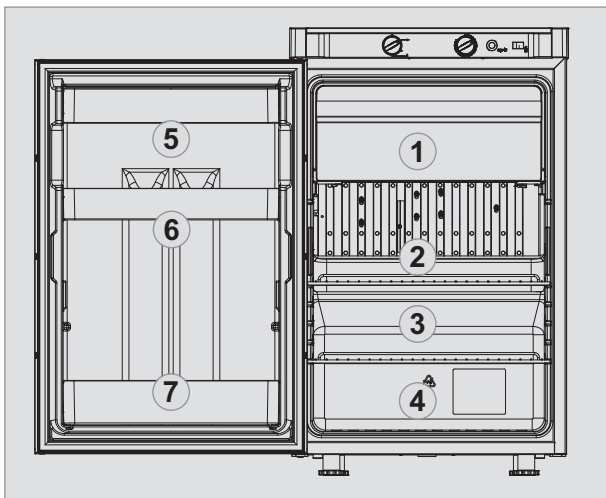
- Θέστε το ψυγείο σε λειτουργία περίπου 12 ώρες πριν αρχίσετε να το γεμίζετε.
- Τοποθετήστε μόνο τρόφιμα που τα έχετε κρυώσει πριν. Προσέξτε κατά την αγορά και την μεταφορά να παραμένουν κρύα τα πράγματα. Χρησιμοποιήστε μονωτικές σακκούλες.
- Ανοίξτε την πόρτα του ψυγείου μόνο σύντομα για να πάρετε κάτι.
- Τα τρόφιμα πρέπει να αποθηκεύονται συσκευασμένα, καλύτερα είναι σε κλειστά δοχεία, αλουμινόχαρτο ή κάτι παρόμοιο, και ξεχωριστά το ένα από το άλλο, για να μην ξεραίνονται και δημιουργούνται οσμές.
- Ποτέ μην βάλετε ζεστά τρόφιμα στο ψυγείο, αφήστε πρώτα να κρυώσουν.
- Είδη που μπορούν να εκπέμπουν εύκολα πτητικά, εύφλεκτα αέρια, δεν επιτρέπεται να αποθηκεύονται στο ψυγείο.
- Μην υπερφορτώνετε τις σχάρες αποθήκευσης ή τα ράφια, για να μην εμποδίζετε την εσωτερική κυκλοφορία του αέρα.
- Αφήνετε αρκετή απόσταση ανάμεσα στα πράγματα του ψυγείου και τον μετασυμπυκνωτή ("γρίλλιες ψύξης") (περίπου 10 χιλιοστά).
- Πρέπει να είναι εξασφαλισμένη η ανεμπόδιστη κυκλοφορία του αέρα της ψυκτικής μονάδας του ψυγείου. Οι σχισμές αερισμού δεν επιτρέπεται να είναι καλυμμένες.

5.9.2 Αποθηκεύστε τρόφιμα στον καταψύκτη

- Μην αποθηκεύετε αεριούχα ποτά στην κατάψυξη.
- Ο καταψύκτης είναι κατάλληλος για να παρασκευάσετε παγάκια και για την σύντομη αποθήκευση κατεψυγμένων τροφίμων. Δεν είναι κατάλληλος για την κατάψυξη τροφίμων.

Όταν οι θερμοκρασίες χώρου είναι χαμηλότερες από +10°C δεν είναι δυνατόν να εξασφαλιστεί μια ομοιόμορφη ρύθμιση της θερμοκρασίας του καταψύκτη, όταν το ψυγείο είναι εκτεθειμένο σ' αυτές τις θερμοκρασίες για ένα μεγάλο χρονικό διάστημα. Αυτό μπορεί να προκαλέσει μια πιθανή αύξηση της θερμοκρασίας στον καταψύκτη και την απόψυξη των αποθηκευμένων ειδών .

5.8.3 Ράφια ψυγείου

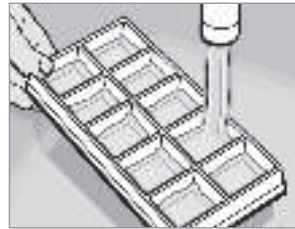


Σχ. 18

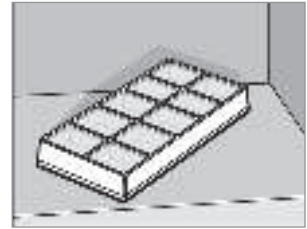
- 1 **Ράφι κατάψυξης :**
ήδη καταψυγμένα προϊόντα (βαθείας κατάψυξης)
- 2 **Μεσαίο ράφι:**
Γαλακτοκομικά, έτοιμα φαγητά
- 3 **Κάτω ράφι:**
Κρέας, ψάρια, προϊόντα για απόψυξη
- 4 **Ράφι λαχανικών:**
Σαλατικά, λαχανικά, φρούτα
- 5 **Επάνω εταζιέρα πόρτας:**
Αβγά, βούτυρο
- 6 **Μεσαία εταζιέρα πόρτας:**
Κονσέρβες, σως σαλάτας, κέτσαπ, μαρμελάδα
- 7 **Κάτω εταζιέρα πόρτας (θήκη ποτών):**
Ποτά σε φιάλες ή χαρτόνι

5.9.4 Ετοιμάστε παγάκια

Τα παγάκια είναι καλύτερα να παγώνονται τη νύχτα. Την νύχτα το ψυγείο δεν επιβαρύνεται τόσο πολύ και η μονάδα ψύξης έχει περισσότερη ισχύ.



Σχ. 19



Σχ. 20

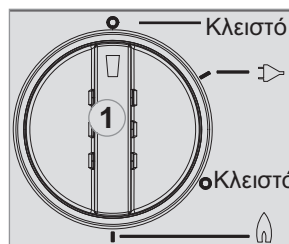
1. Γεμίστε τη θήκη με πόσιμο νερό.
2. Τοποθετήστε τη θήκη στον καταψύκτη.



ΠΡΟΕΙΔΟΠΟΙΗΣΗ!

Χρησιμοποιήστε μόνο πόσιμο νερό!

5.9 Διακοπή λειτουργίας



Σχ. 21



Σχ. 22

- Βάλτε τον διακόπτη επιλογής ενέργειας (1) στη θέση "Κλειστό". Η συσκευή είναι τώρα κλειστή.
- Αν το ψυγείο τεθεί εκτός λειτουργίας για ένα μεγάλο χρονικό διάστημα, κλείστε την βαλβίδα φραγμού του οχήματος και τη βαλβίδα της φιάλης.
- Αφήστε την πόρτα του ψυγείου ανοιγμένη μια σχισμή, για να αποφύγετε την δημιουργία μούχλας μέσα στη συσκευή.
- Ανοίξτε την κλειδαριά στην πόρτα πιέζοντας και τραβώντας την προς τα εμπρός. Αν η πόρτα κλείσει τώρα, θα μείνει το ψυγείο ανοιχτό μια μικρή σχισμή, για να μην πιάσει μούχλα.

5.10 Απόψυξη

Με την πάροδο του χρόνου σχηματίζεται πάγος στις ράβδους ψύξης στο εσωτερικό του ψυγείου. Ένας μονόπλευρα έντονος σχηματισμός πάγου μπορεί να συμβεί και σημαίνει βλάβη. Όταν το στρώμα πάγου είναι περίπου 3 χλστ., θα πρέπει να κάνετε απόψυξη το ψυγείο.

- Σβήστε το ψυγείο όπως περιγράφεται στο κεφ. 5.9 Διακοπή λειτουργίας.
- Αφαιρέστε όλα τα τρόφιμα και τη θήκη για τα παγάκια.
- Αφήστε ανοιχτή την πόρτα του ψυγείου, για να μπει αέρας και να αποφύγετε το μούχλιασμα.
- Σκουπίστε μ' ένα πανί και τις δύο θήκες ψύξης μετά την απόψυξη (καταψύκτης και ράβδοι ψύξης είναι ελεύθερες από πάγο).

Παρατήρηση: Το λυωμένο νερό της κύριας θήκης απόψυξης τρέχει σ' ένα δοχείο στο πίσω μέρος της συσκευής. Εκεί εξατμίζεται το νερό.

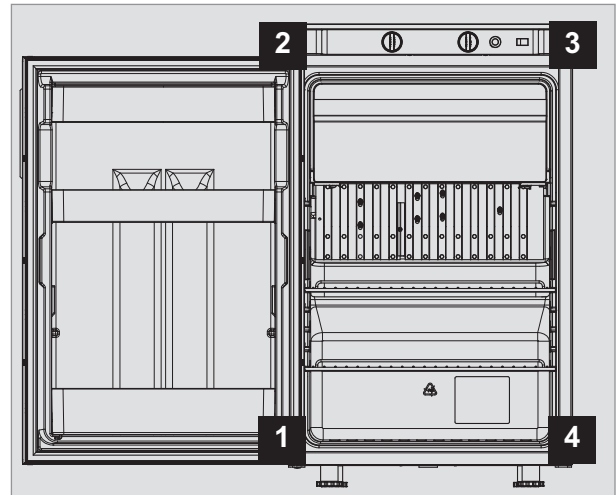
ΠΡΟΣΟΧΗ!

Απαγορεύεται να αφαιρέσετε βίαια το στρώμα πάγου ή να επιταχύνετε την απόψυξη με λάμπα θέρμανσης!

5.11 Αλλαγή της φοράς πόρτας



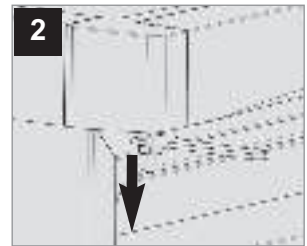
Αν χρειαστεί να γύρετε τη συσκευή προς το πλάι ή να την ξαπλώσετε, περιμένετε μία ώρα, πριν θέσετε το ψυγείο πάλι σε λειτουργία. Το φυκτικό υγρό συγκεντρώνεται πρώτα πάλι στο δοχείο της φυκτικής μονάδας. Η σωστή λειτουργία του ψυγείου είναι εγγυημένη κατ' αυτόν τον τρόπο.



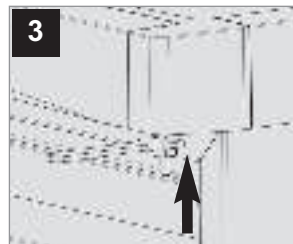
Σχ. 23



Σχ. 24



Σχ. 25



Σχ. 26

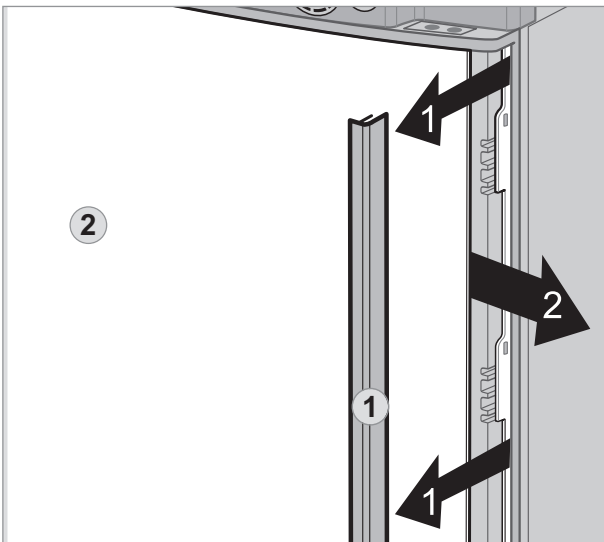


Σχ. 27

- Ανοίξτε την πόρτα, λασκάρτε την βίδα του μεντεσέ και φυλάξτε την.
- Αφαιρέστε την πόρτα τραβώντας προς τα εμπρός.
- Λασκάρτε την βίδα του μεντεσέ και βιδώστε την στην άλλη πλευρά.
- Αλλάξτε τη θέση της ροδέλας απόστασης στον κάτω μεντεσέ.
- Ωθήστε την πόρτα στον πάνω πείρο του μεντεσέ και τοποθετήστε την πάνω στον κάτω μεντεσέ.
- Βιδώστε την βίδα του μεντεσέ.
- Βεβαιωθείτε ότι η πόρτα κινείται ελεύθερα και ότι το λαστιχάκι στεγανότητας της πόρτας εφάπτεται σ' όλη την περιμέτρο.

5.12 Αλλαγή της διακοσμητικής πλάκας

- Τραβήξτε τον πλάγιο πήχυ (1) της πόρτας (ο πήχυς είναι απλώς περασμένος, όχι βιδωμένος)
- Ωθήστε την διακοσμητική πλάκα (2) μέχρι να βγει από την πόρτα, τοποθετήστε την καινούρια πλάκα και βάλτε τον πήχυ (1) πάλι στην θέση του.



Σχ. 28

Διαστάσεις της διακοσμητικής πλάκας:

Ύψος	Πλάτος	Πάχος
743 +/- 0.75 mm	504 +/- 0.5 mm	min. 1.0 mm max. 1.7 mm

5.13 Συμπεριφορά σε περίπτωση βλάβης

Πριν ειδοποιήσετε το εξουσιοδοτημένο συνεργείο, παρακαλούμε ελέγξτε αν:

- έχουν τηρηθεί σωστά οι οδηγίες στο κεφάλαιο "Χειρισμός του ψυγείου" .
- το ψυγείο στέκεται οριζόντια.
- είναι δυνατόν να λειτουργήσει το ψυγείο μ'ένα άλλο διαθέσιμο είδος ενέργειας.

Βλάβη : Το ψυγείο δεν ψύχει ικανοποιητικά.

Πιθανή αιτία	Λύση
<ul style="list-style-type: none"> - Ο εξαερισμός της μονάδας ψύξης δεν επαρκεί. - Η ρύθμιση του θερμοστάτη είναι πολύ χαμηλή. - Ο μετασυμπυκνωτής έπιασε πολύ πάγο. - Έχουν τοποθετηθεί σχεδόν ταυτόχρονα πάρα πολλά ζεστά τρόφιμα. - Η συσκευή δεν λειτουργεί πολύ ώρα. - Οι θερμοκρασίες χώρου είναι πολύ υψηλές. 	<ul style="list-style-type: none"> - Βεβαιωθείτε ότι η γρίλλια εξαερισμού της ψυκτικής μονάδας δεν είναι καλυμμένη. - Βάλτε το ρυθμιστή του θερμοστάτη σε υψηλότερη βαθμίδα. - Ελέγξτε μήπως δεν κλείνει σωστά η πόρτα του ψυγείου. - Αφήστε να κρυώνουν τα ζεστά είδη πριν τα βάλετε στο ψυγείο. - Ελέγξτε το χώρο ψύξης μετά από 4-5 ώρες περίπου αν έχει κρυώσει. - Αερίστε τον χώρο.

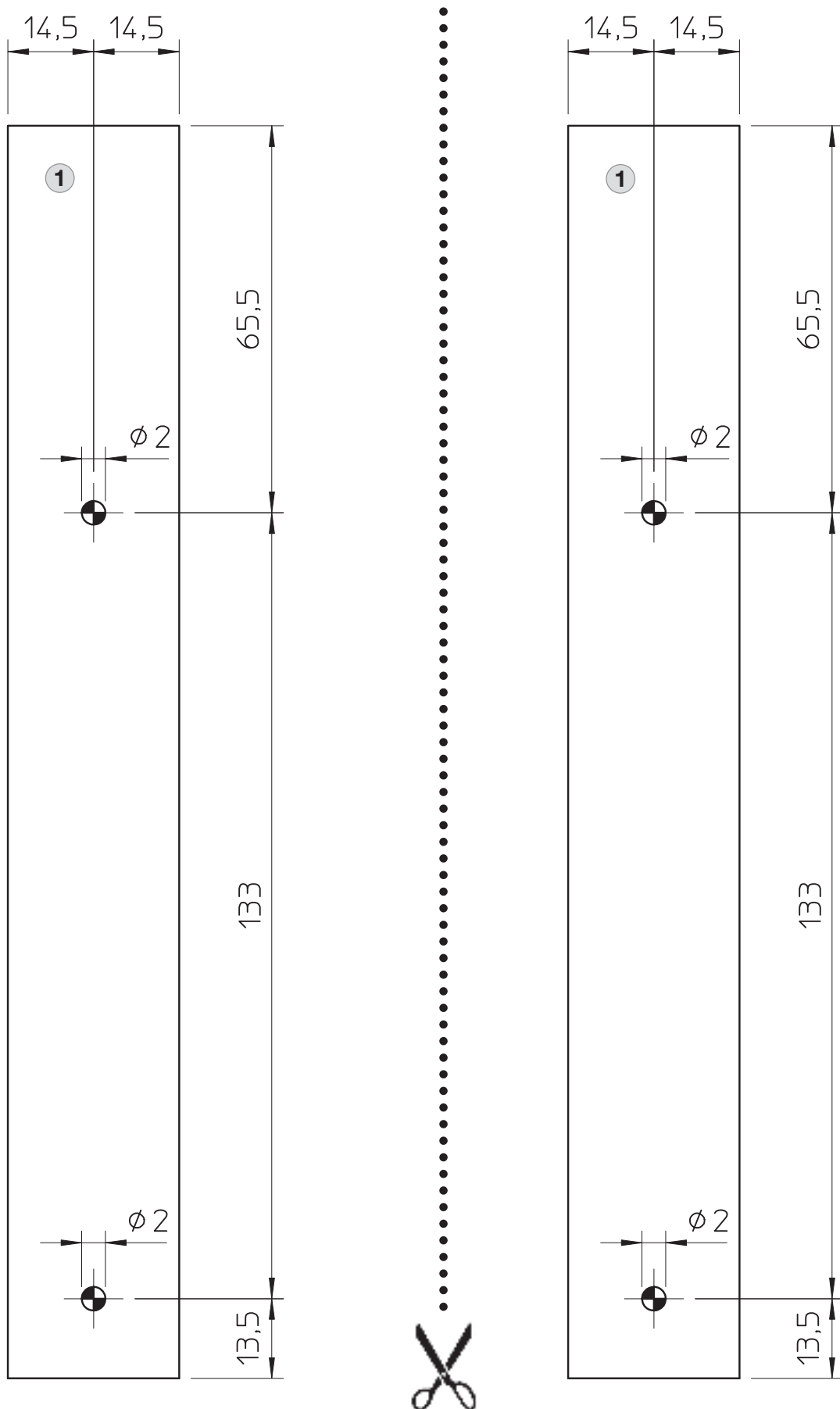
Βλάβη : Το ψυγείο δεν ψύχει στη λειτουργία με αέριο.

Πιθανή αιτία	Λύση
<ul style="list-style-type: none"> - Η φιάλη αερίου άδειασε. - Η προσυνδεδεμένη εγκατάσταση φραγμού είναι κλειστή. - Ο αγωγός περιέχει αέρα. 	<ul style="list-style-type: none"> - Αλλάξτε την φιάλη αερίου. - Ανοίξτε το εξάρτημα φραγμού. - Κλείστε και ανάψτε την συσκευή πάλι. Επαναλάβετε την ενέργεια αυτή για 3-4 φορές αν χρειαστεί.

Βλάβη : Το ψυγείο δεν ψύχει στη λειτουργία με 230 βολτ.

Πιθανή αιτία	Λύση
<ul style="list-style-type: none"> - Χάλασε η ασφάλεια . - Δεν υπάρχει σύνδεση με το ρεύμα - Βλάβη στο θερμαντικό στοιχείο . 	<ul style="list-style-type: none"> - Τοποθετήστε καινούρια ασφάλεια. - Αποκαταστήστε την σύνδεση με το δίκτυο. - Ενημερώστε το εξουσιοδοτημένο συνεργείο σέρβις Dometic.

5.14 Schablone / Template / Gabarit / Sagoma



Art. No. 210 6513 64

Date 2011-11-08

RMx 5xxx

RMx 8xxx

RGE xxxx

Dometic GmbH
In der Steinwiese 16
D-57074 Siegen
www.dometic.com

Safety advice for all Dometic refrigerator models that work on LP gas



**FOR YOUR
SAFETY**
Read this carefully!

IF YOU SMELL GAS

- Turn off gas supply at the bottle
- Extinguish all naked flames
- Do not operate any electrical appliances
- Ventilate the area
- Check for leaks as detailed in this manual

If odor persists, contact your dealer or gas supplier immediately!

BURN-BACK (FIRE IN BURNER TUBE OR CHAMBER)

In the event of a burn-back, where the flame burns back to the jet, immediately turn off the gas supply at the control valve on the panel. After ensuring the flame is extinguished, wait for 1 minute and re-light the appliance in the normal manner. Should the appliance again burn back, close the control valve and call a service technician. Do not use the appliance again until the service technician has declared that it is safe to do so.

GAS-PRESSURE REGULATOR

This appliance has been designed to operate at a pressure of 2,8 kPa at the burners. A suitable LPG regulator that complies with the requirements of SANS 1237 must be installed.

IMPORTANT INFORMATION FOR THE USER

This appliance may only be installed by a registered LP Gas installer. All registered installers are issued with a card carrying their registration number. Ask to be shown the card before allowing the installation work to commence and make a note of the installer QCC number. Upon completion of the installation, the installer is required to explain the operational details of the appliance together with the safety instructions. You will be asked to sign acceptance of the installation and be provided with a completion certificate. You should only sign for acceptance of the installation when installation is completed to your satisfaction. Note that your invoice is required in the event that you wish to make a guarantee claim.

IMPORTANT INFORMATION FOR THE INSTALLER

This appliance may only be installed by a LP Gas installer registered with the Liquefied Petroleum Gas Association of Southern Africa. The appliance must be installed in accordance with the requirements of SANS 10087-2 and any fire department regulations and/or local bylaws applicable to the area. If in doubt, check with the relevant authority before undertaking the installation. Upon completion of the installation, you are required to fully demonstrate to the user the operational details and safety practices applicable to the appliance and the installation.

JÄÄKAAPIN NESTEKAASULIITÄNNÄN ASENNUSOHJE

Jääkaappi toimii nestekaasulla, jonka paine on 30 mbar. Varmistakaa, että tämä luku on merkitty jääkaapin arvokilpeen. Varmistakaa myös, että jääkaappiin virtaavan kaasun paine on oikea (kts. kaasupullossa olevasta painesäätimestä)

Huom! Jääkaappia ei saa käyttää kaupunki- tai maakaasulla!

LETKUASENNUS:

Nestekaasuliitännässä on noudatettava voimassa olevia määräyksiä.

Nestekaasua saa johtaa kaasupullostaa **letkulla ainoastaan yhteen käyttölaitteeseen.**

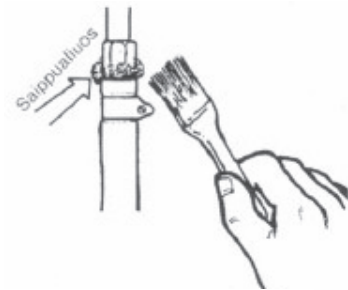
Tällaisen letkuasennuksen saa tehdä itse. Asennuksessa on tällöin otettava huomioon seuraavat seikat:

- Nestekaasuletkun on oltava nestekaasulle standardisoitu ns. kotitalousletku, jonka pituus on enintään 1,2 metriä ja sisähalkaisija 10 mm.
- Painesäädin kiinnitetään suoraan pulloventtiiliin. **Huom. Käytä ainoastaan kotitalouskäyttöön tarkoitettua 30 mbar matalapainesäädintä. Ns. korkeapainesäätimen käyttö on ehdottomasti kielletty!**
- Letku kiinnitetään painesäätimeen ja jääkaapin letkuistukkaan ja kiinnitys varmistetaan molemmissa päissä letkunkiristimellä (katso kuva letkuasennus)
- Rakennusosan tai kalusteen, kuten keittiön kaapin seinämän läpi viety letku suojataan läpivientikohdasta niin, ettei letku pääse liikkuessaan vaurioitumaan.
- Letkun lämpötila saa nousta korkeintaan +60° C:een.
- Käyttölaitteen paino ei saa rasittaa letkua.

Tiivistyskoe:

Nestekaasuasennukselle on aina tehtävä tiivistyskoe.

Kun painesäädin on liitetty nestekaasupulloon sekä letku painesäätimeen ja jääkaapin letkuistukkaan, avataan pulloventtiili mutta pidetään jääkaapin sulkuventtiili suljettuna. Tämän jälkeen sivellään liitokset saippuavedellä. Mikäli liitoksessa on vuoto, kuplii saippuavesi ja tarpeellinen lisäkiristys voidaan tehdä, minkä jälkeen saippuavesikoe vielä uusitaan.



Liitoksen tiiviys tarkastetaan saippuavedellä. **EI KOSKAAN ESIM. TULITIKULLA!**

Huom! Vuotoja ei saa koskaan hakea avotulella, esim. palavalla tulitikulla.

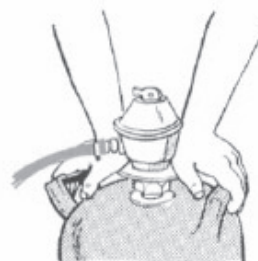
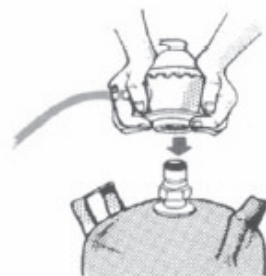
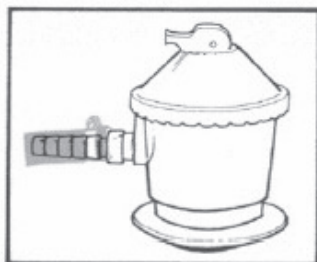
KIINTEÄ ASENNUS:

Milloin letkuasennusta ei voida tehdä em. määräysten mukaisesti, nestekaasuliitäntä on tehtävä kiinteästi metalliputkea käyttäen. Kiinteän asennuksen saa tehdä vain Turvatekniikan keskuksen hyväksymä asennusliike (ns. valtuutettu kaasuasentaja). Asennuksen suorittanut liike vastaa siitä, että sen asentama käyttölaiteisto on määräysten mukainen. Tästä asennusliikkeen tulee antaa työn teettäjälle kirjallinen todistus.

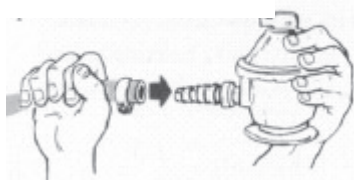
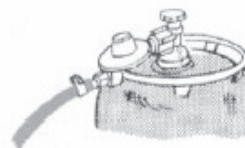
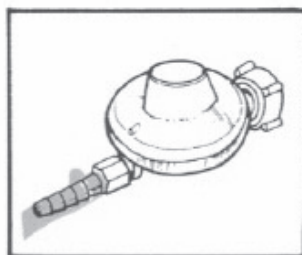
295 2675 - 62

LETKUASENNUS

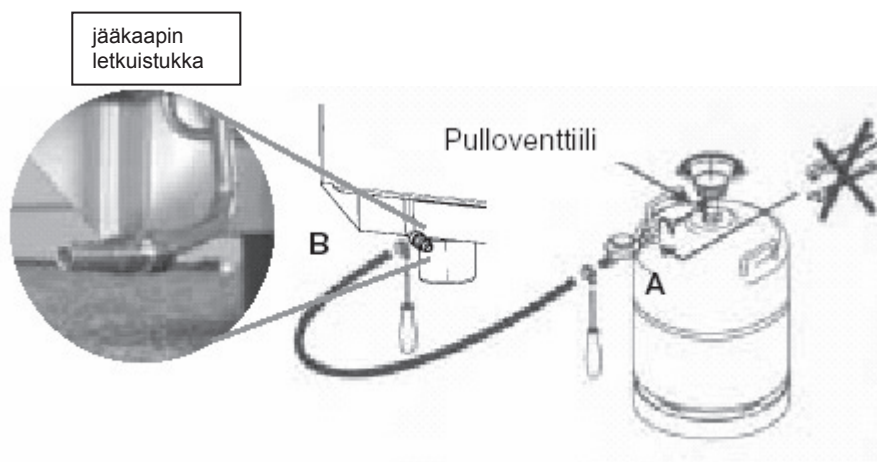
Painoventtiiliin (PV) sopivan painesäätimen kiinnittäminen: Kiinnitysrengas nostetaan kuvan osoittamalla tavalla ja painesäädin työnnetään pulloventtiiliin päälle. Kiinnitysrengasta painetaan alaspäin, kunnes kuuluu vaimea ”klik”.



Kierreventtiili (KV) ja siihen sopiva painesäädin kiinnitetään kuvien mukaisesti. Mutterissa on vasenkätinen kierre – mutteri kiristyy käännettäessä vastapäivään.



Letkun kiinnittäminen painesäätimeen ja jääkaapin letkuistukseen.



Mobile living made easy.



dometic.com

**YOUR LOCAL
DEALER**

dometic.com/dealer

**YOUR LOCAL
SUPPORT**

dometic.com/contact

**YOUR LOCAL
SALES OFFICE**

dometic.com/sales-offices

A complete list of Dometic companies, which comprise the Dometic Group, can be found in the public filings of:
DOMETIC GROUP AB Hemvärnsgatan 15 SE-17154 Solna Sweden