

RAB | Lamps

A-Line Bulbs
Decorative Bulbs





How to order lamps from **RAB**

Our model numbers are easy to build and understand. Simply choose from the descriptions below each section of a matrix as seen below, and be sure to include any hyphens shown. No confusing, company-specific coding. Just basic logic that continues to "make it easy" for you.

A-LINE BULBS

Bulb shape	Lamp power	Base Type	CRI	CCT	Dimmable
A19	6	E26	8	27	ND
A19	5* = 40W E26 6** = 40W E26 9 = 60W 10* = 60W E26 13* = 75W GU24 15* = 100W E26 16* = 100W GU24	E26 GU24	8 = 80	27** = 2700 30 = 3000 40 = 4000 50* = 5000	DIM = Dimmable ND = Non-Dimmable

DECORATIVE BULBS

Bulb shape	Lamp power	Base Type	CRI	CCT	Filament
BA11	3	E26	9	27	F - F
B11 = Bullet Tip BA11 = Bent Tip G16.5 = 2" Globe G25 = 3 1/8" Globe A19 = A-Line ST19† = Edison	3 = 40W 5 = 60W 9 = 60W A19	E12 E26	9 = 90	27 = 2700 50†† = 5000	F-F = Frosted F-C = Clear

PREMIUM A-LINE BULBS

Bulb shape	Lamp power	Base Type	CRI	CCT	Dimmable
A19	9	E26	9	35	DIM
A19 A21	6 = 40W 9 = 60W 15 = 75W 17 = 100W	E26	9 = 90	27 = 2700 30 = 3000 40 = 4000 50 = 5000	DIM = Dimmable

* Dimmable ** Non-dimmable †40W only ††Globes and A-Type only

A-LINE BULBS



DECORATIVE

BULLET TIP



E12 BASE

E26 BASE

BENT TIP



E12 BASE

E26 BASE

EDISON



A19



GLOBE



E12 BASE

E26 BASE



A-Line Bulbs | Dimmable & Non-Dimmable

A-line bulbs replace conventional halogen and incandescent bulbs. RAB offers a variety of A-lines for use in commercial and residential applications.

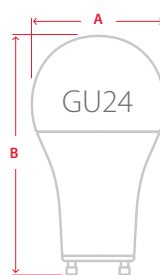
These omnidirectional, frosted bulbs are available in both dimmable and non-dimmable models, and come in several wattages, CCTs, and bases. An 80 CRI rating makes them ideal for general lighting use.

FEATURES

- 15,000-Hour lifespan**
Up to 13.7 years at 3 hours per day
- Damp rated**
Suitable for damp locations
- Use anywhere**
Suitable for use in enclosed fixtures³



DIMENSIONS



	Dimmable	A	B	Non-Dimmable	A	B
40W (E26)		2 23/64"	4 11/64"	40W (E26)	2 3/8"	4 5/16"
60W (E26)		2 23/64"	4 11/64"	60W (E26)	2 3/8"	4 5/16"
75W (E26)		2 3/8"	4 9/16"			
100W (E26)		2 3/8"	4 9/16"			
60W (GU24)		2 3/8"	4 5/16"			
75W (GU24)		2 3/8"	4 5/16"			
100W (GU24)		2 3/8"	4 5/16"			

DIMMABLE A-LINE

Wattage EQ	Base	Model Name	Dimmable	Energy Star	Lifespan (Hrs.)	Light Distribution	CRI ²	Lumens ²	Lamp Wattage	Efficacy ² (lm/W)	CCT	Application
40W	E26	A19-5-E26-8cc-DIM	Y	Y	15K	230°	80	470	5.7	80	●●●●	UL Damp/Enclosed
60W	E26	A19-10-E26-8cc-DIM	Y	Y	15K	230°	80	810	10	81	●●●●	UL Damp/Enclosed
	GU24	A19-9-GU24-8cc-DIM	Y	Y	15K	230°	80	820	9	80	●●●●	UL Damp/Enclosed
75W	E26	A19-13-E26-8cc-DIM	Y	Y	15K	230°	80	1128	13	83	●●●	UL Damp/Enclosed
	GU24	A19-13-GU24-8cc-DIM	Y	Y	15K	230°	80	1128	13	87	●●●●	UL Damp/Enclosed
100W	E26	A19-15-E26-8cc-DIM	Y	Y	15K	230°	80	1620	15	98	●●●●	UL Damp/Open
	GU24	A19-16-GU24-8cc-DIM	Y	Y	15K	230°	80	1640	16	95	●●●●	UL Damp/Open

NON-DIMMABLE A-LINE

Wattage EQ	Model Name	Base	Energy Star	Lifespan (Hrs.)	Light Distribution	CRI ²	Lumens ²	Lamp Wattage	Efficacy ² (lm/W)	CCT	Application
40W	A19-6-E26-8cc-ND	E26	Y	15K	230°	80	480	6	80	●●	UL Damp/Enclosed
60W	A19-9-E26-8cc-ND	E26	Y	15K	230°	80	800	9	84	●●●	UL Damp/Enclosed

Color Temperature



¹ The RAB No-Compromise warranty covers light output, color stability, driver performance and paint finish. RAB's warranty is subject to all terms and conditions found at rablighting.com/warranty.

² Margin of error +/-10%

³ 100W A19 E26 and 100W A19 GU24 can only be used in open fixtures.

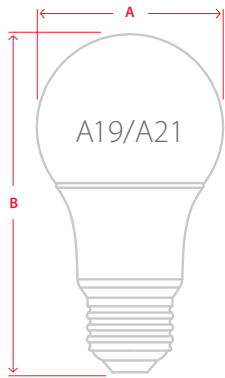
A-Line Bulbs | Premium Dimmable



Premium, dimmable A-line bulbs also replace halogen and incandescent bulbs, but have a longer lifespan and a higher, 90 CRI rating.

Our premium A-lines feature a 230° light distribution for omnidirectional light output, and a longer, 25,000-hour lifespan. Their 90 CRI produces rich and vibrant colors, making them perfect for color-critical applications in residential and retail spaces.

DIMENSIONS



Wattage EQ	A	B
40W	2 3/8"	4 5/16"
60W	2 3/8"	4 7/16"
75W	3"	5 7/16"
100W	4 5/8"	5 1/8"

FEATURES

- 90+ CRI LIGHT** Produces rich and vibrant colors
- 25,000-Hour lifespan** Up to 22.8 years at 3 hours per day
- Damp rated** Suitable for damp locations
- Use anywhere** Suitable for use in enclosed fixtures



90+ CRI PREMIUM DIMMABLE A-LINE

Wattage EQ	Base	Model Name	Dimmable	Energy Star	Lifespan (Hrs.)	Light Distribution	CRI ²	Lumens ²	Lamp Wattage	Efficacy ² (lm/W)	CCT	Application
40W	E26	A19-6-E26-9cc-DIM	Y	Y	25K	230°	90	450	6	75	●●●●	UL Damp/Enclosed
60W	E26	A19-9-E26-9cc-DIM	Y	Y	25K	230°	90	800	9	84	●●●●	UL Damp/Enclosed
75W	E26	A21-15-E26-9cc-DIM	Y	Y	25K	230°	90	1,100	15	73	●●●●	UL Damp/Enclosed
100W	E26	A21-17-E26-9cc-DIM	Y	Y	25K	230°	90	1,600	17	94	●●●●	UL Damp/Enclosed

Color Temperature



* Does not apply to all color temperatures. See RAB Lamps catalog for details.



Decorative | Premium Clear & Frosted Filament

RAB decorative lamps were designed with both form and function in mind—they look just as great as they perform. Decoratives are available in classic designs with either exposed filaments or frosted finishes, that simulate the appearance of the conventional lamps they replace.

Transform indoor spaces with energy-efficient, low-wattage alternatives to incandescent lamps. These decorative LED lamps maintain that warm glow traditionally found in candelabras and medium-base fixtures while drastically reducing relamping expenses and labor. Exposed filament models offer an added aesthetic, and the 90 CRI rating produces rich, vibrant colors.

FEATURES

90+ CRI LIGHT 90 CRI
Produces rich and vibrant colors

15,000-Hour lifespan
Up to 13.7 years at 3 hours per day

Damp rated
Suitable for damp locations

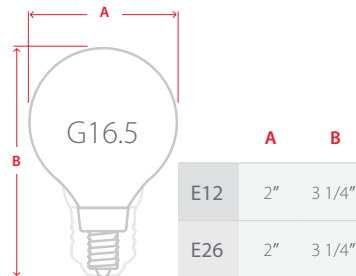
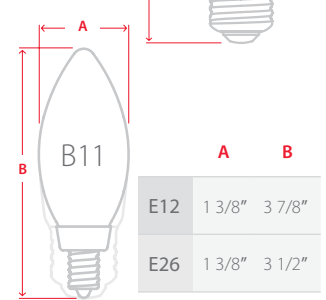
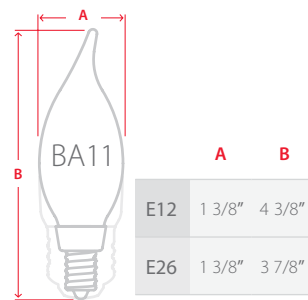
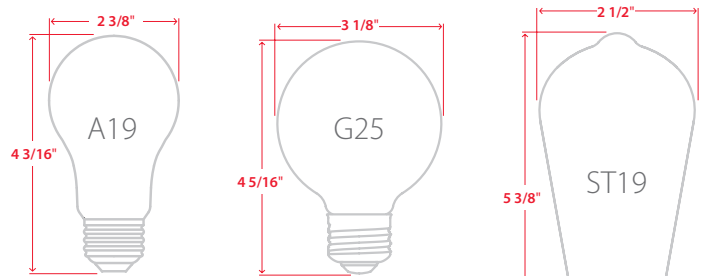
Use anywhere
Suitable for use in enclosed fixtures

Full glass design
Simulates traditional bulbs

Dimmable



DIMENSIONS





CLEAR FILAMENT

Wattage EQ	Bulb Shape	Base	Model Name	Dimmable	Energy Star	Lifespan (Hrs.)	Light Distribution	CRI ²	Lumens ²	Lamp Wattage ²	Efficacy ² (lm/W)	CCT	Application
40W	B11	E12	B11-3-E12-927-F-C	Y	Y	15K	360°	90	300	3	91	●	UL Damp/ Enclosed
		E26	B11-3-E26-927-F-C	Y	Y	15K	360°	90	300	3	91	●	UL Damp/ Enclosed
	BA11	E12	BA11-3-E12-927-F-C	Y	Y	15K	360°	90	300	3	91	●	UL Damp/ Enclosed
		E26	BA11-3-E26-927-F-C	Y	Y	15K	360°	90	300	3	91	●	UL Damp/ Enclosed
	G16.5	E12	G16.5-3-E12-9cc-F-C	Y	Y	15K	360°	90	350	3	92	●●	UL Damp/ Enclosed
		E26	G16.5-3-E26-9cc-F-C	Y	Y	15K	360°	90	350	3	92	●●	UL Damp/ Enclosed
	G25	E26	G25-3-E26-9cc-F-C	Y	Y	15K	360°	90	350	3	92	●●	UL Damp/ Enclosed
	A19	E26	A19-5-E26-9cc-F-C	Y	Y	15K	360°	90	450	5	90	●●	UL Damp/ Enclosed
ST19	E26	ST19-3-E26-927-F-C	Y	Y	15K	360°	90	350	3	92	●	UL Damp/ Enclosed	
60W	B11	E12	B11-5-E12-927-F-C	Y	Y	15K	360°	90	500	5	91	●	UL Damp/ Enclosed
		E26	B11-5-E26-927-F-C	Y	Y	15K	360°	90	500	5	91	●	UL Damp/ Enclosed
	BA11	E12	BA11-5-E12-927-F-C	Y	Y	15K	360°	90	500	5	91	●	UL Damp/ Enclosed
		E26	BA11-5-E26-927-F-C	Y	Y	15K	360°	90	500	5	91	●	UL Damp/ Enclosed
	A19	E26	A19-9-E26-9cc-F-C	Y	Y	15K	360°	90	810	9	90	●●	UL Damp/ Enclosed

Color Temperature

cc = 27 2700 ● cc = 50 5000 ●



FROSTED FILAMENT

Wattage EQ	Bulb	Base	Model Name	Dimmable	Energy Star	Lifespan (Hrs.)	Light Distribution	CRI ²	Lumens ²	Lamp Wattage ²	Efficacy ² (lm/W)	CCT	Application
40W	B11	E12	B11-3-E12-927-F-F	Y	Y	15K	360°	90	300	3	91	●	UL Damp/ Enclosed
		E26	B11-3-E26-927-F-F	Y	Y	15K	360°	90	300	3	91	●	UL Damp/ Enclosed
	BA11	E12	BA11-3-E12-927-F-F	Y	Y	15K	360°	90	300	3	91	●	UL Damp/ Enclosed
		E26	BA11-3-E26-927-F-F	Y	Y	15K	360°	90	300	3	91	●	UL Damp/ Enclosed
	G16.5	E12	G16.5-3-E12-9cc-F-F	Y	Y	15K	360°	90	350	3	92	●●	UL Damp/ Enclosed
		E26	G16.5-3-E26-9cc-F-F	Y	Y	15K	360°	90	350	3	92	●●	UL Damp/ Enclosed
	G25	E26	G25-3-E26-9cc-F-F	Y	Y	15K	360°	90	350	3	92	●●	UL Damp/ Enclosed
	A19	E26	A19-5-E26-9cc-F-F	Y	Y	15K	360°	90	450	5	90	●●	UL Damp/ Enclosed
60W	B11	E12	B11-5-E12-927-F-F	Y	Y	15K	360°	90	500	5	91	●	UL Damp/ Enclosed
		E26	B11-5-E26-927-F-F	Y	Y	15K	360°	90	500	5	91	●	UL Damp/ Enclosed
	BA11	E12	BA11-5-E12-927-F-F	Y	Y	15K	360°	90	500	5	91	●	UL Damp/ Enclosed
		E26	BA11-5-E26-927-F-F	Y	Y	15K	360°	90	500	5	91	●	UL Damp/ Enclosed
	A19	E26	A19-9-E26-9cc-F-F	Y	Y	15K	360°	90	810	9	90	●●	UL Damp/ Enclosed

Color Temperature

cc = 27 2700 ● cc = 50 5000 ●



¹ The RAB No-Compromise warranty covers light output, color stability, driver performance and paint finish. RAB's warranty is subject to all terms and conditions found at rablighting.com/warranty.

² Margin of error +/-10%

RAB | Lamps

© 2018 RAB Lighting Inc.
Northvale, New Jersey 07647
rablighting.com | sales@rablighting.com